

# Spare part list

for Cisco TelePresence MX700



Thank you for choosing Cisco!

Your Cisco product has been designed to give you many years of safe, reliable operation.

This part of the product documentation is made to help determine spare parts for order and replacement purposes. Our main objective is to address your goals and needs. Please let us know how well we succeeded!

May we recommend that you visit the Cisco web site regularly for updated versions of this guide.

The user documentation can be found on <https://www.cisco.com/go/mx-docs>

### How to use this guide

The top menu bar and the entries in the Table of contents are all hyperlinks. You can click on them to go to the topic.

## Table of contents

- Introduction..... 3**
- Spare parts ..... 5**
  - Floor stand parts..... 6
  - Wall mount parts..... 7
  - Monitors, cameras, loudspeakers, codec and PoE injector .... 8
  - Grilles and covers for MX700 with single camera ..... 9
  - Grilles and covers for MX700 with dual camera..... 10
  - Additional items ..... 11
- Cables..... 12**
  - Loudspeaker cables for MX700 with single camera..... 13
  - Loudspeaker cables for MX700 with dual camera ..... 14
  - Camera cables for MX700 with single camera..... 15
  - Camera cables for MX700 with dual camera ..... 16
  - Cables internal to the dual camera assembly..... 17
  - Monitor cables ..... 18
  - Power cables for monitors and PoE adapter ..... 19
  - External cables ..... 20
- Appendices..... 21**
  - Connector locations for MX700 with single camera..... 22
  - Connector locations for MX700 with dual camera ..... 23
- Cisco contacts ..... 24**



## Chapter 1

# Introduction



Products covered in this guide:

- Cisco TelePresence MX700

• This guide lists all spare parts and cables that may be ordered for Cisco TelePresence MX700. Part numbers are included for all items.

• The guide covers both MX700 with single camera and MX700 with dual camera (speaker track). All mounting options are covered.

• Note that you cannot upgrade a single camera system to a dual camera system by ordering spare parts; you must order a complete system.

### Ordering information

• To place an order, please contact your local Cisco representative or Cisco partner and refer to part numbers as listed in this document.

### Cisco Service and Support

• Cisco and our partners provide a broad portfolio of smart, personalized services and support. For more information about these services, go to:

<https://www.cisco.com/go/telepresenceservices>

### User documentation

The user documentation for Cisco TelePresence MX700 includes several guides suitable for various user groups.

We recommend you visit the Cisco web site regularly for updated versions of the user documentation. Go to:

<https://www.cisco.com/go/mx-docs>



## Chapter 2

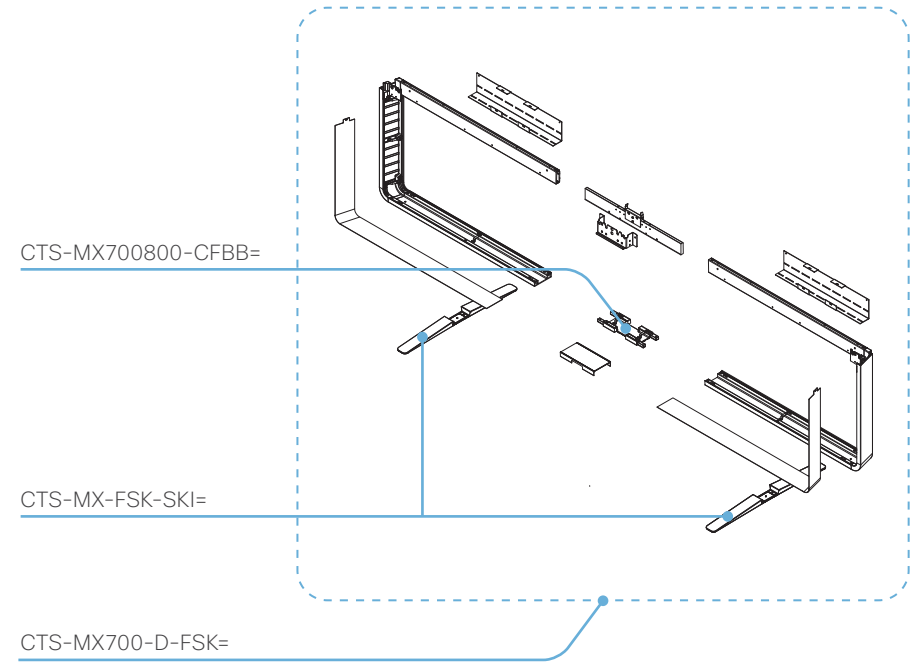
# Spare parts

## Floor stand parts

Part number	Part description
CTS-MX700-D-FSK=	Floor stand kit (all stand parts for both free standing and wall secured options are included)
CTS-MX-FSK-SKI=	Feet for free standing floor stand. This is only the feet; it is not the complete frame. The feet are also included in the floor stand kit (CTS-MX700-D-FSK=)
CTS-MX700800-CFBB=	Lower joining bracket for floor stand. The bracket is also included in the floor stand kit (CTS-MX700-D-FSK=)

Note: If you have a wall mounted MX700, you have to order the following parts in order to change to one of the floor standing options:

- Floor stand kit (CTS-MX700-D-FSK=), see illustration to the right.
- Lower grille (CTS-MX700-D-LGR=), see [“Grilles and covers for MX700 with single camera”](#) on page 9 or [“Grilles and covers for MX700 with dual camera”](#) on page 10.

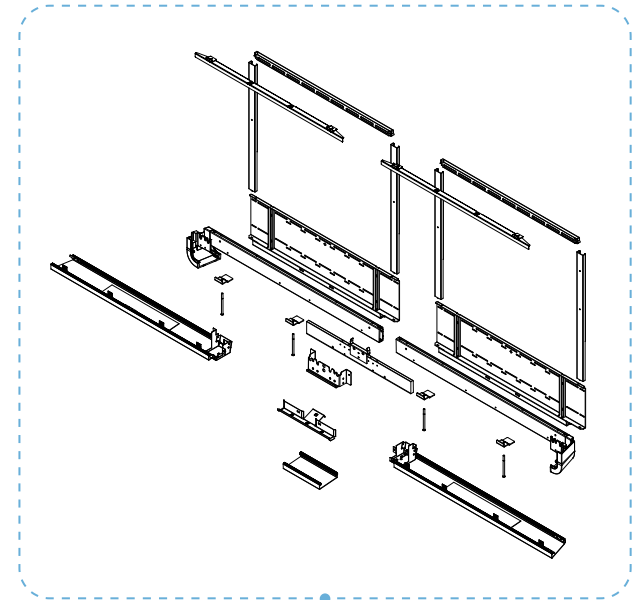


## Wall mount parts

Part number	Part description
CTS-MX700-D-WMK=	Wall mount kit

Note: If you have an MX700 that is mounted on a floor stand, you have to order the following parts in order to change to the wall mounted option:

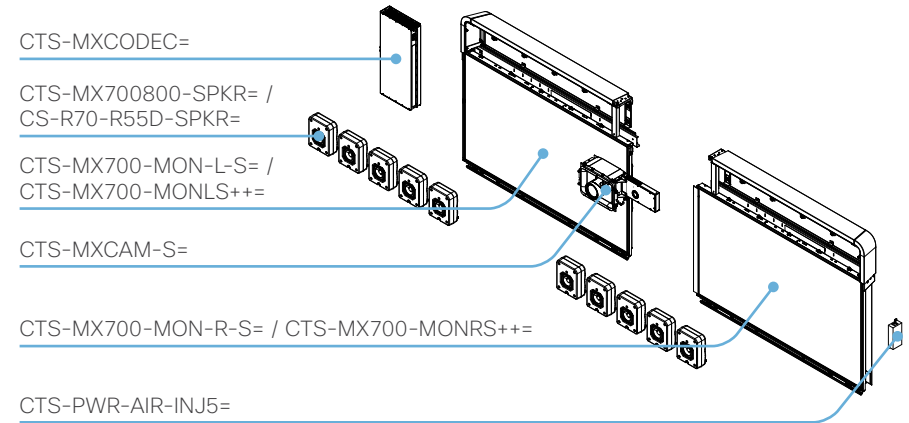
- Wall mount kit (CTS-MX700-D-WMK=), see illustration to the right.
- Lower grille (CTS-MX700-DWM-LGR=), see [“Grilles and covers for MX700 with single camera”](#) on page 9 or [“Grilles and covers for MX700 with dual camera”](#) on page 10.



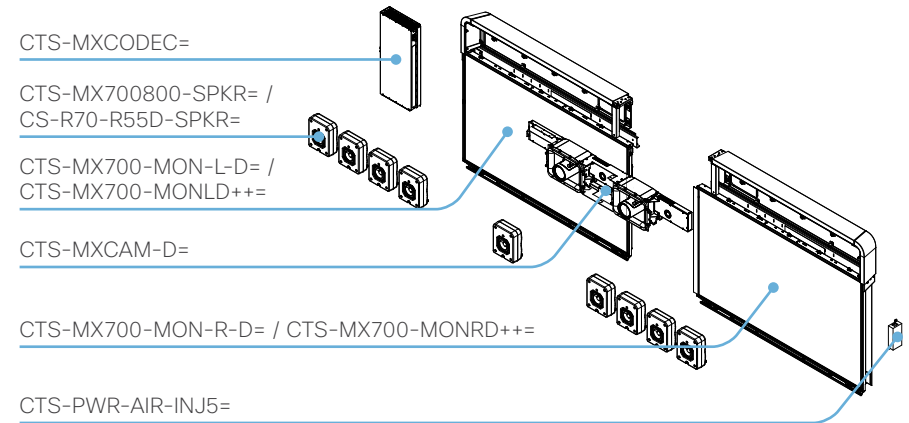
CTS-MX700-D-WMK=

## Monitors, cameras, loudspeakers, codec and PoE injector

Part number	Part description
CTS-MXCAM-S=	Single camera
CTS-MXCAM-D=	Dual camera assembly
CTS-MXCODEC=	Codec
CTS-MX700800-SPKR=	One loudspeaker, fits in all positions (first version)
CS-R70-R55D-SPKR=	One loudspeaker, fits in all positions (new version, introduced in early 2021). Can replace a first version loudspeaker.
CTS-PWR-AIR-INJ5=	Power over Ethernet (PoE) injector (without cables)
CTS-MX700-MON-L-S=	Left monitor for single camera system (without codec, loudspeakers, covers and cables)
CTS-MX700-MON-R-S=	Right monitor for single camera system (without PoE injector, loudspeakers, covers and cables)
CTS-MX700-MON-L-D=	Left monitor for dual camera system (without codec, loudspeakers, covers and cables)
CTS-MX700-MON-R-D=	Right monitor for dual camera system (without PoE injector, loudspeakers, covers and cables)
CTS-MX700-MONLS+++	TAA (Trade Agreement Act) compliant left monitor for single camera system (without codec, loudspeakers, covers and cables)
CTS-MX700-MONRS+++	TAA (Trade Agreement Act) compliant right monitor for single camera system (without PoE injector, loudspeakers, covers and cables)
CTS-MX700-MONLD+++	TAA (Trade Agreement Act) compliant left monitor for dual camera system (without codec, loudspeakers, covers and cables)
CTS-MX700-MONRD+++	TAA (Trade Agreement Act) compliant right monitor for dual camera system (without PoE injector, loudspeakers, covers and cables)



MX700 with single camera

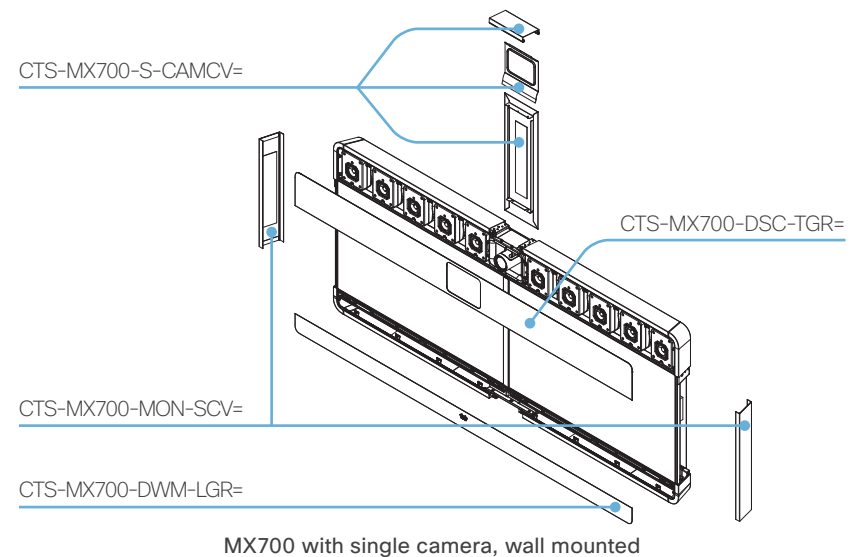
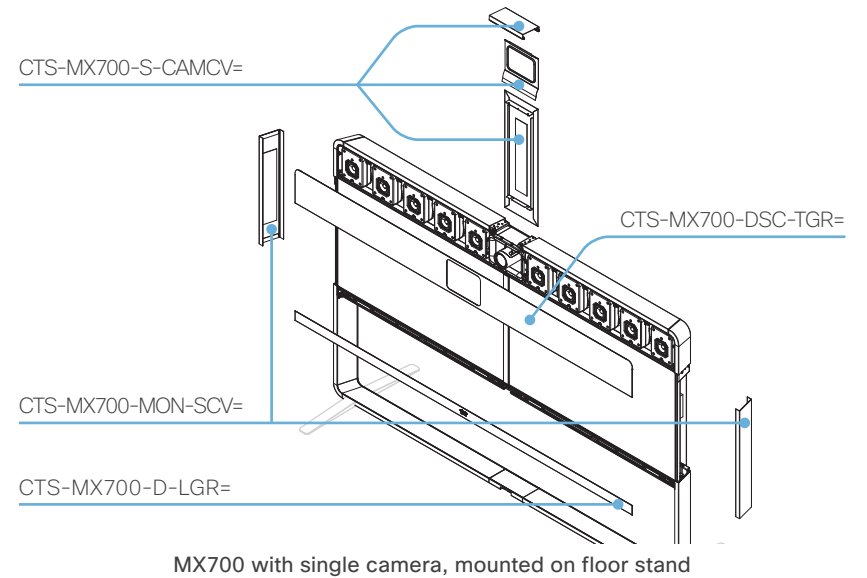


MX700 with dual camera



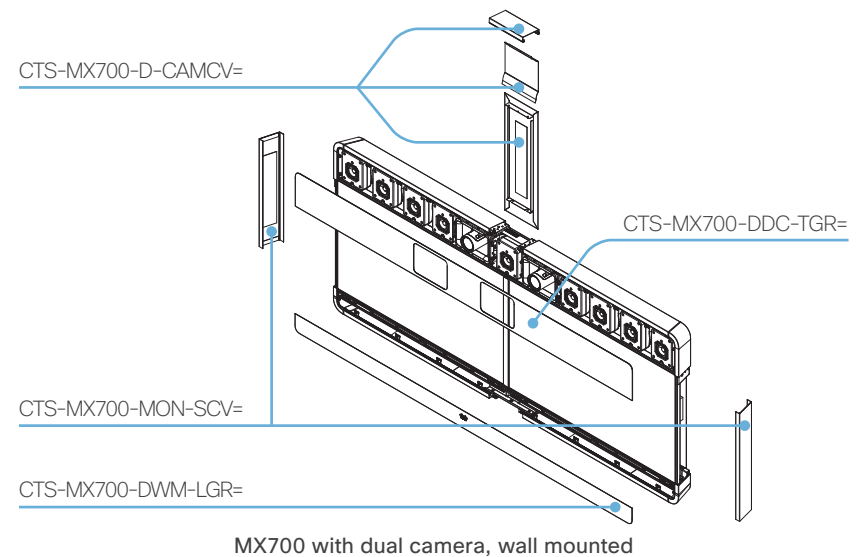
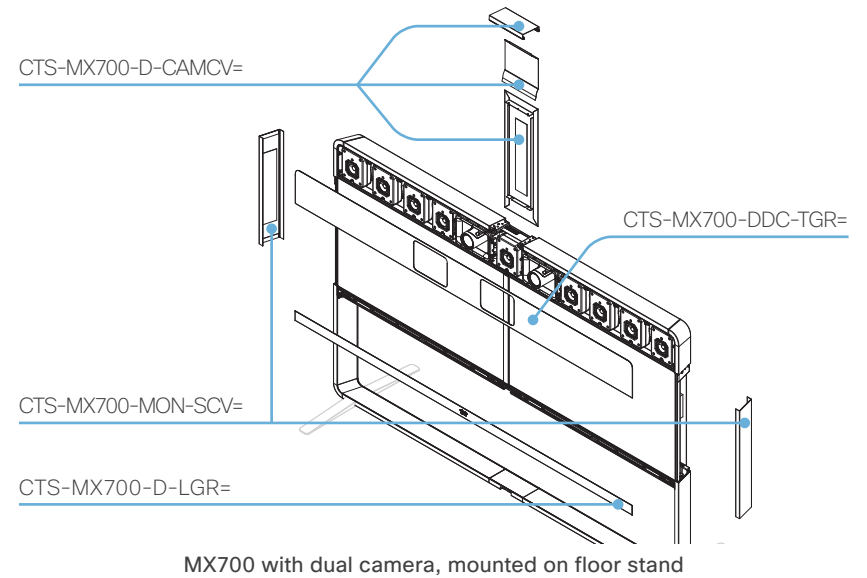
## Grilles and covers for MX700 with single camera

Part number	Part description
CTS-MX700-DSC-TGR=	Speaker grille for single camera system
CTS-MX700-D-LGR=	Lower grille for system mounted on a stand (for both free standing and secured to the wall)
CTS-MX700-DWM-LGR=	Lower grille for wall mounted system
CTS-MX700-MON-SCV=	Left and right side covers
CTS-MX700-S-CAMCV=	Center back cover, center top profile and camera cover for single camera system


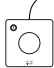
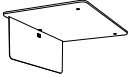


## Grilles and covers for MX700 with dual camera

Part number	Part description
CTS-MX700-DDC-TGR=	Speaker grille for dual camera systems
CTS-MX700-D-LGR=	Lower grille for systems mounted on a stand (for both free standing and secured to the wall)
CTS-MX700-DWM-LGR=	Lower grille for wall mounted systems
CTS-MX700-MON-SCV=	Left and right side covers
CTS-MX700-D-CAMCV=	Center back cover, center top profile and camera cover for dual camera systems



## Additional items

Part number	Part description
CTS-MX700800-SCRW=	Screw kit for MX700, MX800 Single, and MX800 Dual. The same kit is provided for all products and mounting options. One kit covers one video system, either on a free stand, wall secured stand, or wall mounted
CTS-CTRL-DV10=	 Cisco TelePresence Touch 10 without cables
CTS-MIC-TABL60=	 Cisco TelePresence Table Microphone 60 with cable. Length: 9 m
CAB-MIC-T60EXT=	Extension cable for Cisco TelePresence Table Microphone 60. Euroblock 3.5 mm, male to female. Length: 9 m
CTS-MIC-CLNG-G2=	 Cisco TelePresence Ceiling Microphone with cable and mounting wires * <p>Spare parts for this microphone:</p> <ul style="list-style-type: none"> <li>CTS-MIC-CLNG-PLT= Spare top plate and vertical plate for the Cisco TelePresence Ceiling Microphone</li> <li>CTS-MIC-CLNG-ELM= Spare microphone element for the Cisco TelePresence Ceiling Microphone</li> <li>CTS-MIC-CLNG-DNG= Spare connector adapters for the Cisco TelePresence Ceiling Microphone. Includes both an RJ45-to-Euroblock adapter, and an RJ45-to-mini jack adapter</li> <li>CTS-MIC-CLNG-WRK= Spare mounting wires with hooks for the Cisco TelePresence Ceiling Microphone</li> <li>CAB-ETHRSHLD-10M= Shielded Ethernet cable for the Cisco TelePresence Ceiling Microphone. Length: 10 m</li> </ul>

\* Cisco TelePresence Ceiling Microphone (CTS-MIC-CLNG-G2=) has replaced Cisco Ceiling Mic Audio Science (CTS-MIC-CLNG=), which is End-of-Sale.

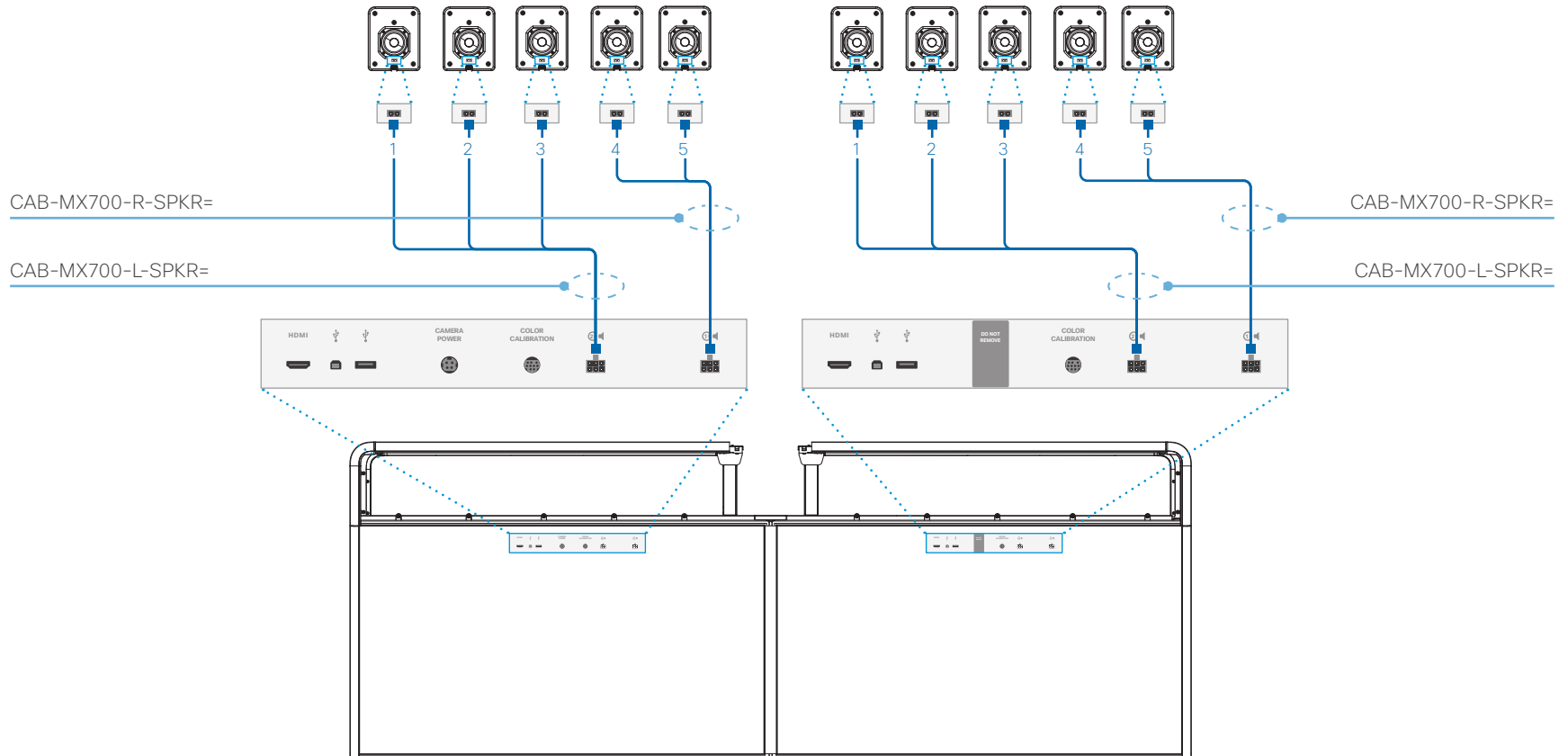


## Chapter 3

# Cables

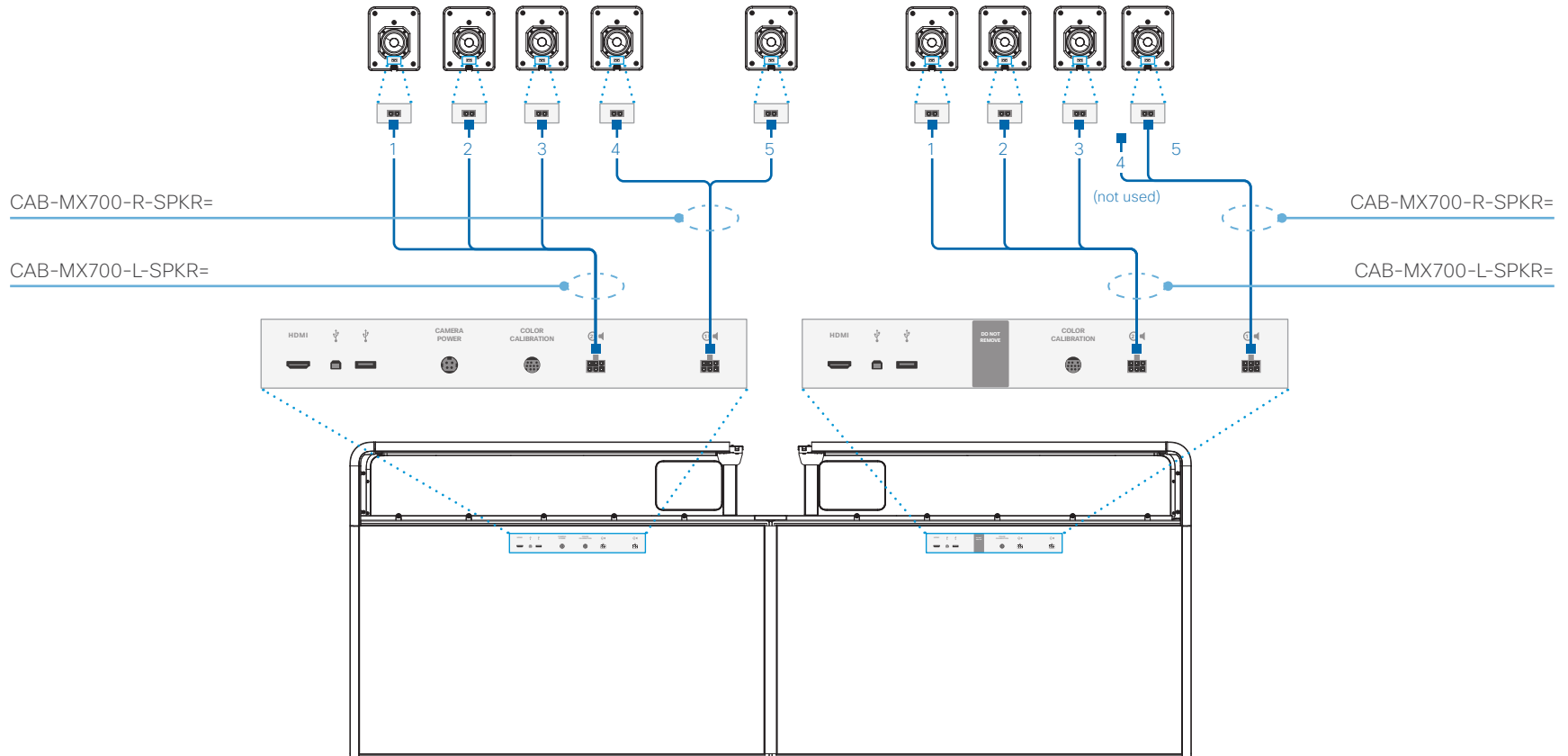
## Loudspeaker cables for MX700 with single camera

Part number	Part description	ID printed on cable
CAB-MX700-L-SPKR=	Cable assembly for three loudspeakers. The individual cables are numbered from 1 to 3	72-100630-xx
CAB-MX700-R-SPKR=	Cable assembly for two loudspeakers. The individual cables are numbered from 4 to 5	72-100631-xx



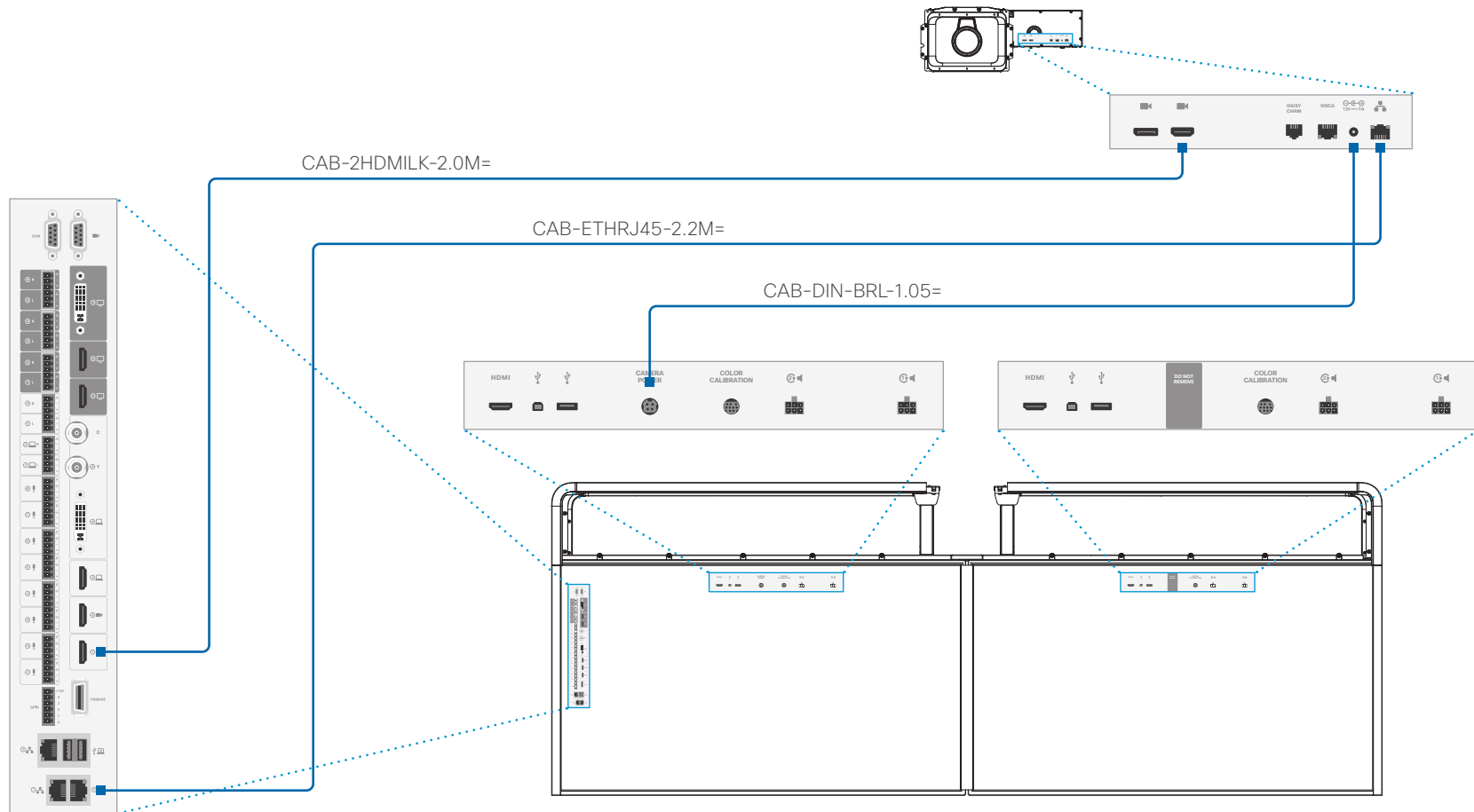
## Loudspeaker cables for MX700 with dual camera

Part number	Part description	ID printed on cable
CAB-MX700-L-SPKR=	Cable assembly for three loudspeakers. The individual cables are numbered from 1 to 3	72-100630-xx
CAB-MX700-R-SPKR=	Cable assembly for two loudspeakers. The individual cables are numbered from 4 to 5	72-100631-xx



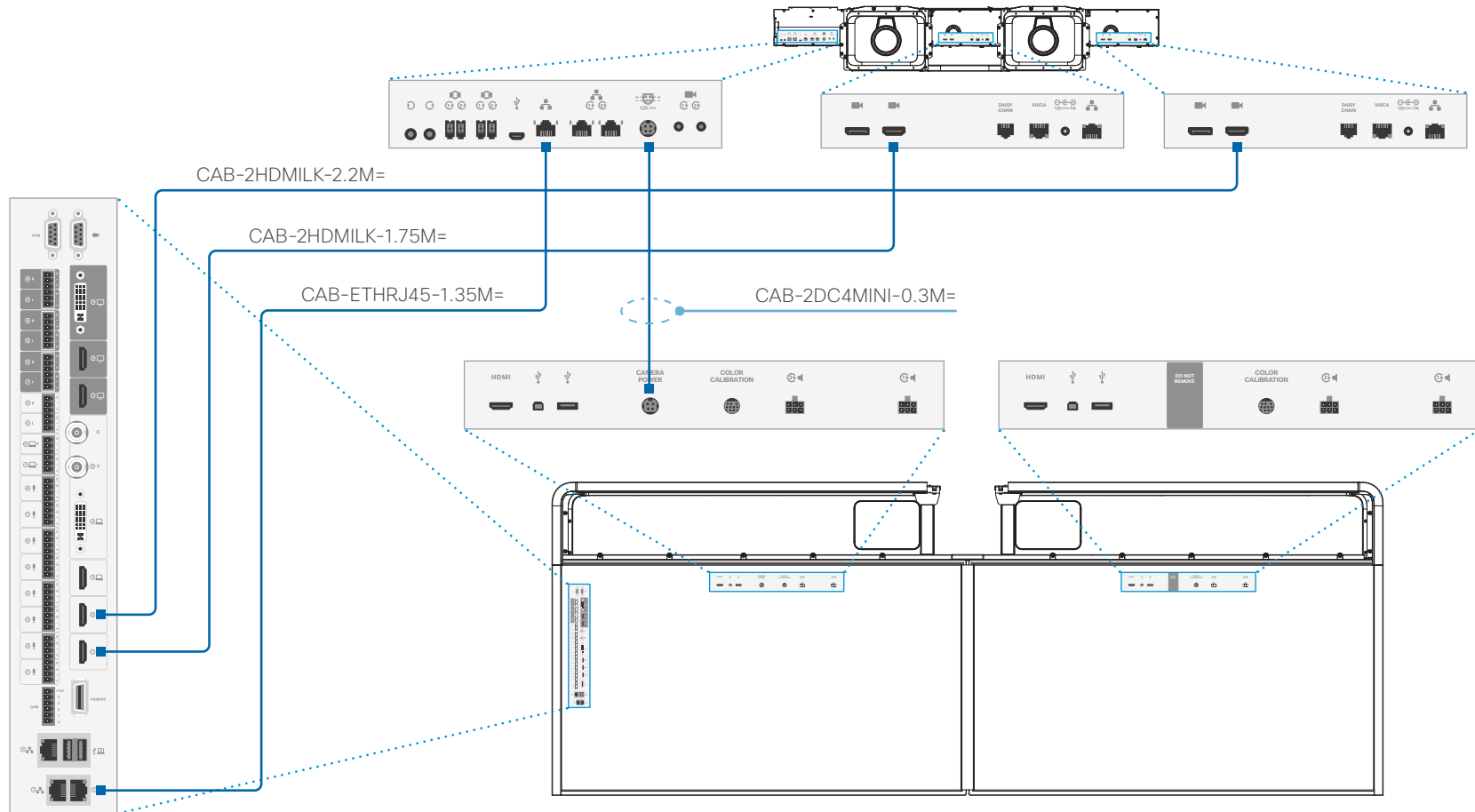
## Camera cables for MX700 with single camera

Part number	Part description	ID printed on cable
CAB-2HDMILK-2.0M=	HDMI to HDMI cable. Length: 2.0 m	72-100619-xx
CAB-ETHRJ45-2.2M=	Shielded, twisted pair Ethernet cable with RJ45 connectors. Length: 2.2 m	72-100623-xx
CAB-DIN-BRL-1.05M=	DC power cable, 4-pin mini-DIN to 2 mm Barrel. Length: 1.05 m	72-100622-xx



## Camera cables for MX700 with dual camera

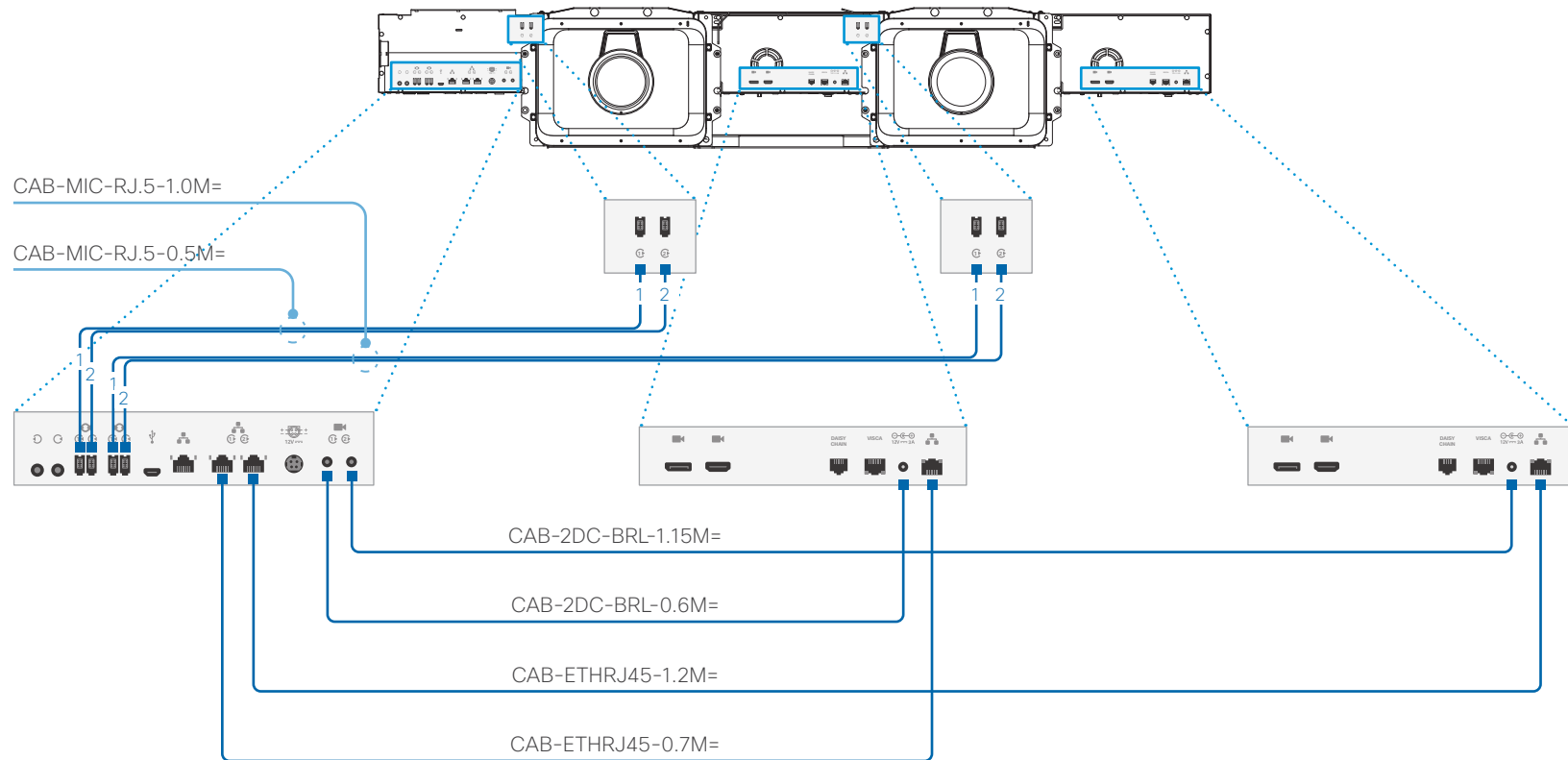
Part number	Part description	ID printed on cable
CAB-2HDMILK-1.75M=	HDMI to HDMI cable. Length: 1.75 m	72-100620-xx
CAB-2HDMILK-2.2M=	HDMI to HDMI cable. Length: 2.2 m	72-100621-xx
CAB-ETHRJ45-1.35M=	Shielded, twisted pair Ethernet cable with RJ45 connectors. Length: 1.35 m	72-100615-xx
CAB-2DC4MINI-0.3M=	DC power cable, 4-pin mini-DIN. Length: 0.3 m	72-100612-xx





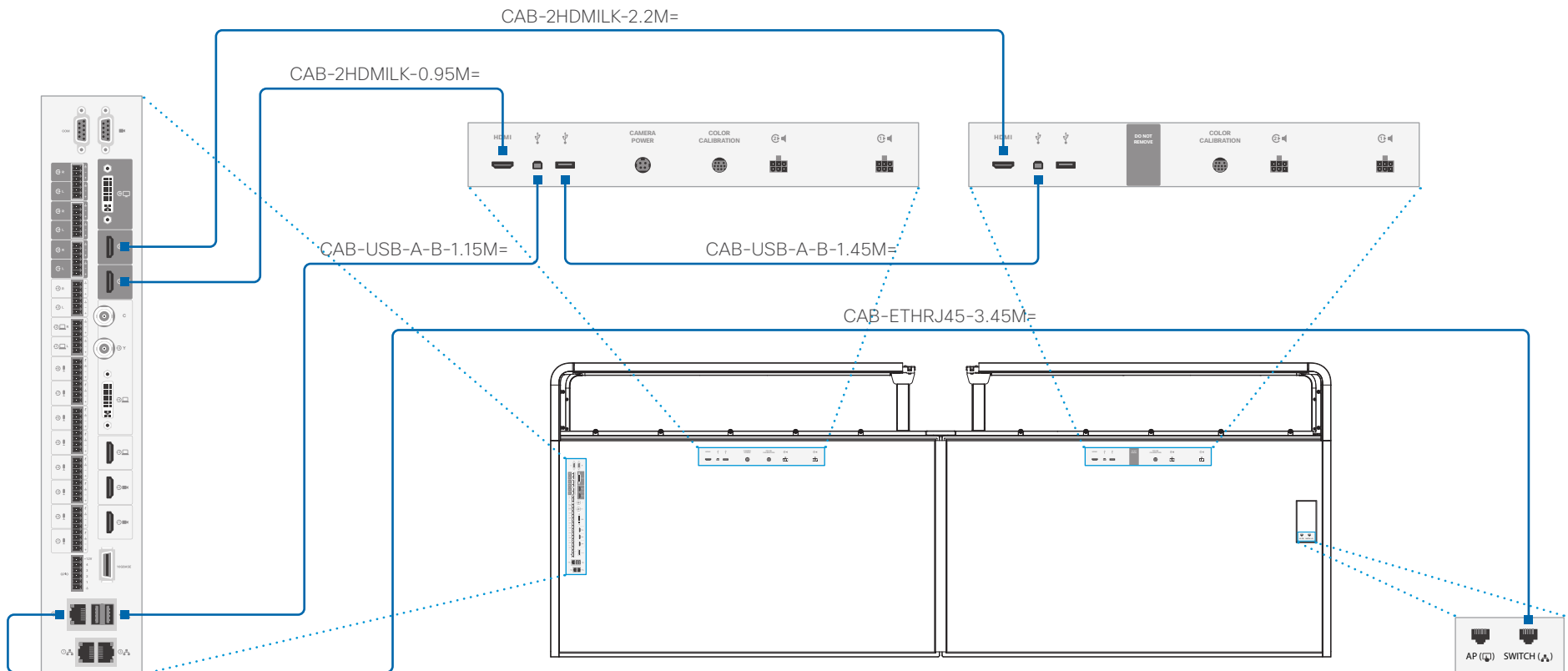
## Cables internal to the dual camera assembly

Part number	Part description	ID printed on cable
CAB-2DC-BRL-0.6M=	DC power cable with Barrel Plug. For use in the dual camera assembly. Length: 0.6 m	72-100613-xx
CAB-2DC-BRL-1.15M=	DC power cable with Barrel Plug. For use in the dual camera assembly. Length: 1.15 m	72-100614-xx
CAB-MIC-RJ.5-0.5M=	Bundle of two RJ.5 microphone cables. For use in the dual camera assembly. Length: 0.5 m	72-100678-xx
CAB-MIC-RJ.5-1.0M=	Bundle of two RJ.5 microphone cables. For use in the dual camera assembly. Length: 1.0 m	72-100679-xx
CAB-ETHRJ45-0.7M=	Shielded, twisted pair Ethernet cable with RJ45 connectors. For use in the dual camera assembly. Length: 0.7 m	72-100616-xx
CAB-ETHRJ45-1.2M=	Shielded, twisted pair Ethernet cable with RJ45 connectors. For use in the dual camera assembly. Length: 1.2 m	72-100617-xx



## Monitor cables

Part number	Part description	ID printed on cable
CAB-2HDMILK-0.95M=	HDMI to HDMI cable. Length: 0.95 m	72-100602-xx
CAB-2HDMILK-2.2M=	HDMI to HDMI cable. Length: 2.2 m	72-100621-xx
CAB-ETHRJ45-3.45M=	Shielded, twisted pair Ethernet cable with RJ45 connectors. Length: 3.45 m	72-100605-xx
CAB-USB-A-B-1.15M=	USB A to USB B cable. Length: 1.15 m	72-100606-xx
CAB-USB-A-B-1.45M=	USB A to USB B cable. Length: 1.45 m	72-100648-xx

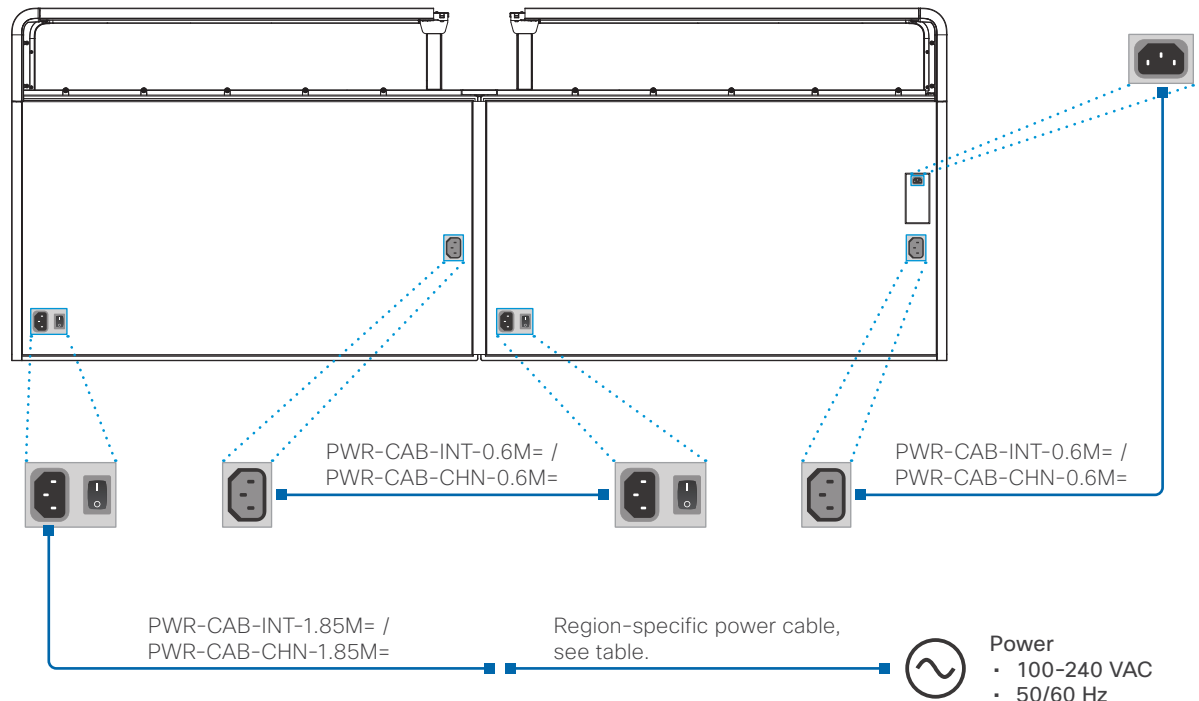


## Power cables for monitors and PoE adapter

Part number	Part description	ID printed on cable
PWR-CAB-INT-0.6M=	Power extension cord for all countries except China. Length: 0.6 m	37-100706-xx
PWR-CAB-INT-1.85M=	Power extension cord for all countries except China. Length: 1.85 m	37-100709-xx
PWR-CAB-CHN-0.6M=	Power extension cord for China. Length: 0.6 m	37-100708-xx
PWR-CAB-CHN-1.85M=	Power extension cord for China. Length: 1.85 m	37-100710-xx

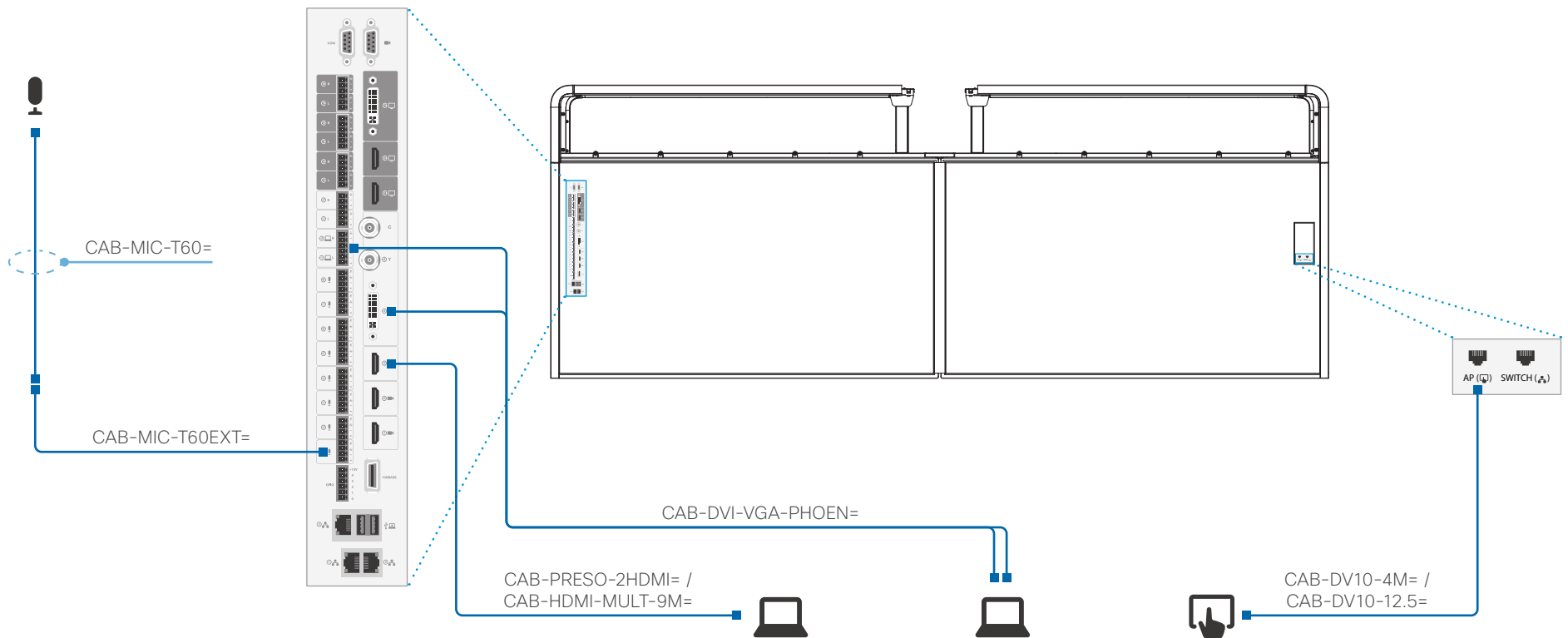
### Region-specific power cables

Part number	Part description
PWR-CORD-US-D=	Power cable US
PWR-CORD-EUR-D=	Power cable Europe
PWR-CORD-ARG-D=	Power cable Argentina
PWR-CORD-UK-D=	Power cable UK
PWR-CORD-CN-D=	Power cable China
PWR-CORD-ROK-D=	Power cable Korea
PWR-CORD-JPN-D=	Power cable Japan
PWR-CORD-CH-D=	Power cable Switzerland
PWR-CORD-BRA-D=	Power cable Brazil
PWR-CORD-AUS-D=	Power cable Australia
PWR-CORD-IND-D=	Power cable India
PWR-CORD-ZAF-D=	Power cable South-Africa



## External cables

Part number	Part description	ID printed on cable
CAB-PRESO-2HDMI=	Presentation cable, HDMI to HDMI, grey. Length: 8 m	72-100727-xx
CAB-DVI-VGA-PHOEN=	Presentation cable, VGA and mini-jack to DVI and Euroblock 3.5 mm. Length: 8 m	72-100726-xx
CAB-HDMI-MULT-9M=	Presentation cable, HDMI to DisplayPort, mini DisplayPort and HDM. Length: 9 m	72-100977-xx
CAB-DV10-12.5=	PoE rated Ethernet cable for Touch 10, flat, grey. Length: 12.5 m	72-100706-xx
CAB-DV10-4M=	PoE rated Ethernet cable for Touch 10, flat, grey. Length: 4 m	72-100707-xx
CAB-MIC-T60=	Spare cable for Cisco TelePresence Table Microphone 60. Length: 9 m	74-101341-xx
CAB-MIC-T60EXT=	Extension cable for Cisco TelePresence Table Microphone 60. Euroblock 3.5 mm, male to female. Length: 9 m	74-100624-xx

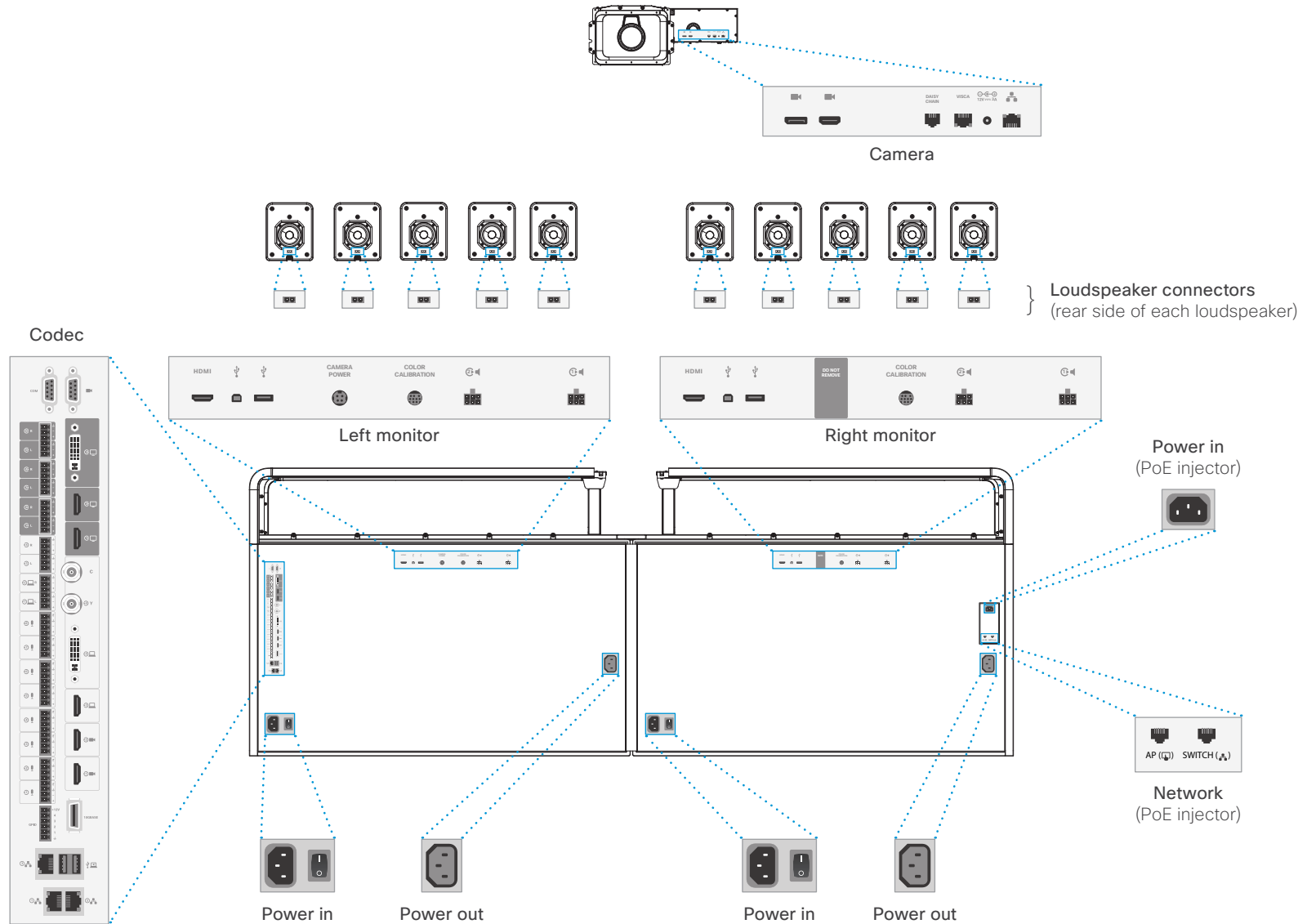




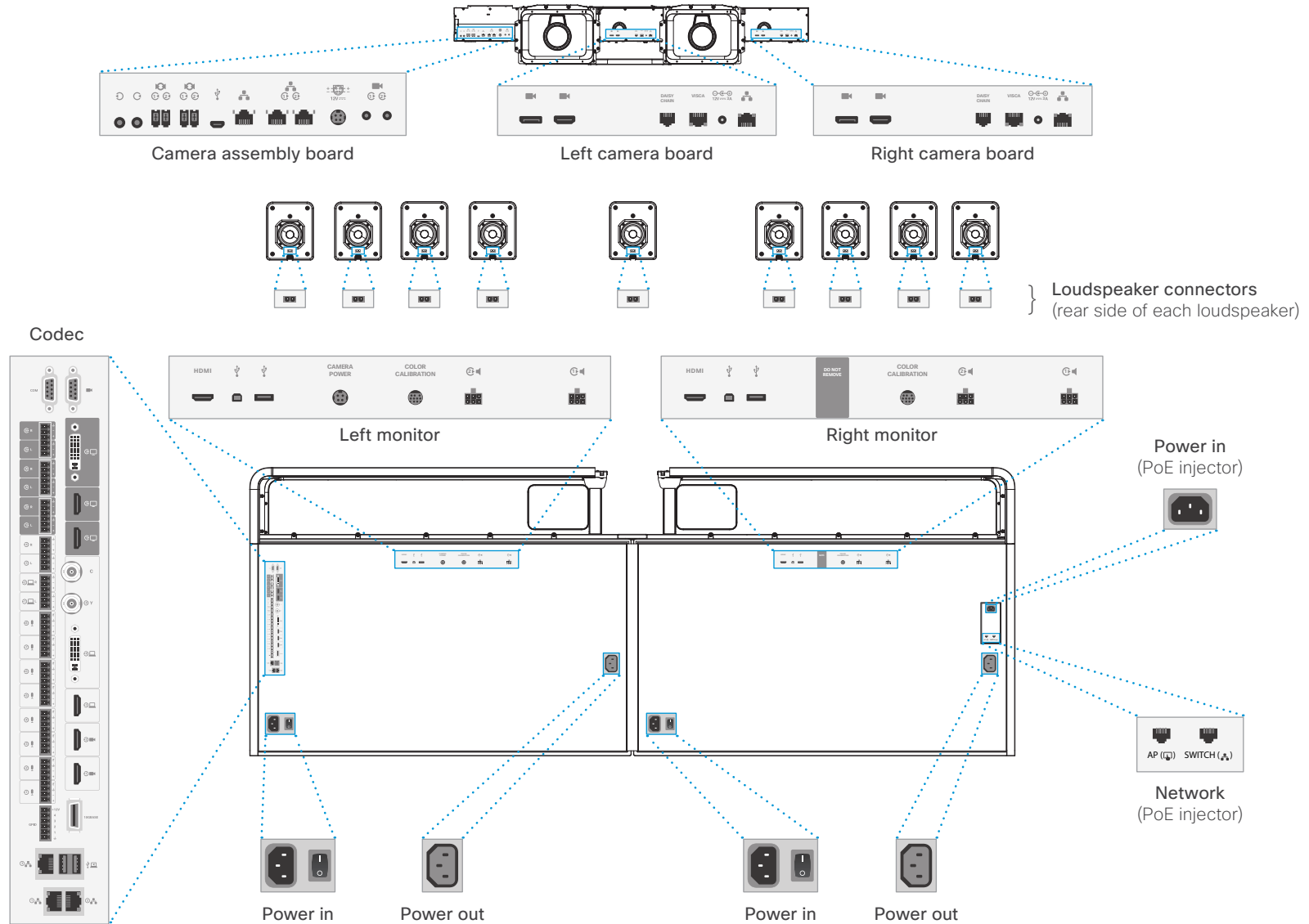
## Chapter 4

# Appendices

## Connector locations for MX700 with single camera



## Connector locations for MX700 with dual camera





## Intellectual property rights

THE SPECIFICATIONS AND INFORMATION REGARDING THE PRODUCTS IN THIS MANUAL ARE SUBJECT TO CHANGE WITHOUT NOTICE. ALL STATEMENTS, INFORMATION, AND RECOMMENDATIONS IN THIS MANUAL ARE BELIEVED TO BE ACCURATE BUT ARE PRESENTED WITHOUT WARRANTY OF ANY KIND, EXPRESS OR IMPLIED. USERS MUST TAKE FULL RESPONSIBILITY FOR THEIR APPLICATION OF ANY PRODUCTS.

THE SOFTWARE LICENSE AND LIMITED WARRANTY FOR THE ACCOMPANYING PRODUCT ARE SET FORTH IN THE INFORMATION PACKET THAT SHIPPED WITH THE PRODUCT AND ARE INCORPORATED HEREIN BY THIS REFERENCE. IF YOU ARE UNABLE TO LOCATE THE SOFTWARE LICENSE OR LIMITED WARRANTY, CONTACT YOUR CISCO REPRESENTATIVE FOR A COPY.

The Cisco implementation of TCP header compression is an adaptation of a program developed by the University of California, Berkeley (UCB) as part of UCB's public domain version of the UNIX operating system. All rights reserved. Copyright © 1981, Regents of the University of California.

NOTWITHSTANDING ANY OTHER WARRANTY HEREIN, ALL DOCUMENT FILES AND SOFTWARE OF THESE SUPPLIERS ARE PROVIDED "AS IS" WITH ALL FAULTS. CISCO AND THE ABOVE-NAMED SUPPLIERS DISCLAIM ALL WARRANTIES, EXPRESSED OR IMPLIED, INCLUDING, WITHOUT LIMITATION, THOSE OF MERCHANTABILITY, FITNESS FOR A PARTICULAR PURPOSE AND NONINFRINGEMENT OR ARISING FROM A COURSE OF DEALING, USAGE, OR TRADE PRACTICE.

IN NO EVENT SHALL CISCO OR ITS SUPPLIERS BE LIABLE FOR ANY INDIRECT, SPECIAL, CONSEQUENTIAL, OR INCIDENTAL DAMAGES, INCLUDING, WITHOUT LIMITATION, LOST PROFITS OR LOSS OR DAMAGE TO DATA ARISING OUT OF THE USE OR INABILITY TO USE THIS MANUAL, EVEN IF CISCO OR ITS SUPPLIERS HAVE BEEN ADVISED OF THE POSSIBILITY OF SUCH DAMAGES.

Cisco and the Cisco Logo are trademarks of Cisco Systems, Inc. and/or its affiliates in the U.S. and other countries. A listing of Cisco's trademarks can be found at [www.cisco.com/go/trademarks](http://www.cisco.com/go/trademarks). Third party trademarks mentioned are the property of their respective owners. The use of the word partner does not imply a partnership relationship between Cisco and any other company. (1005R)

Any Internet Protocol (IP) addresses and phone numbers used in this document are not intended to be actual addresses and phone numbers. Any examples, command display output, network topology diagrams, and other figures included in the document are shown for illustrative purposes only. Any use of actual IP addresses or phone numbers in illustrative content is unintentional and coincidental.

TANDBERG is now a part of Cisco. TANDBERG® is a registered trademark belonging to Tandberg ASA.

## Cisco contacts

On our web site you will find an overview of the worldwide Cisco contacts.

Go to: <https://www.cisco.com/go/offices>

Corporate Headquarters  
Cisco Systems, Inc.  
170 West Tasman Dr.  
San Jose, CA 95134 USA