

# Cisco 3660 Gateway - PBX Interoperability: Inter-Tel Axxess 256 PBX using T1 NI-2 PRI Interfaces with H.323

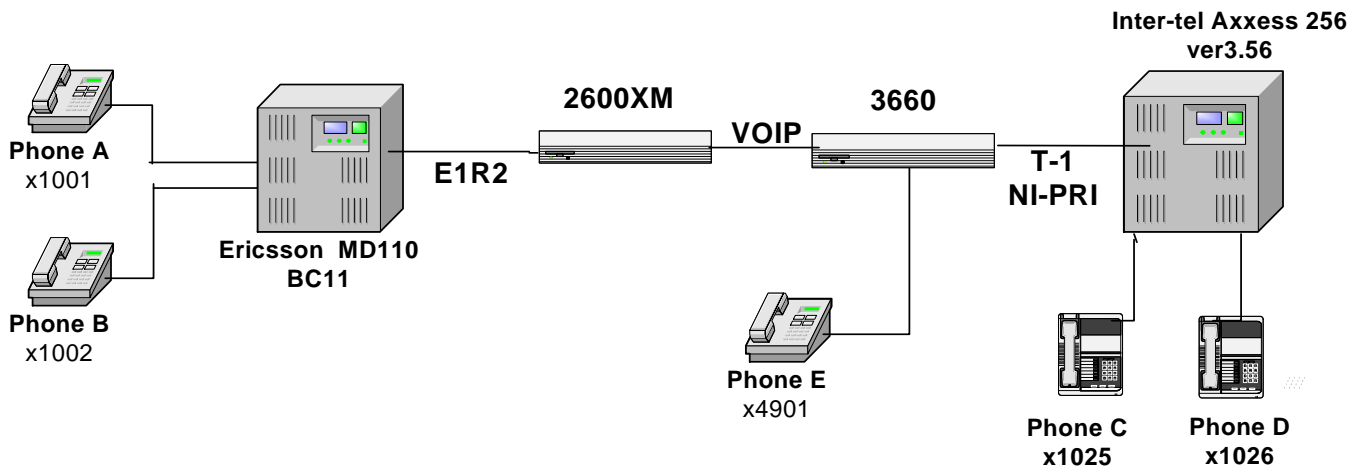
## Introduction

This application note describes the interoperability and configuration of the Inter-Tel 256 Axxess PBX and the Cisco 3660 router using T1 NI-2 interfaces.

The network topology diagram shows the end-to-end interoperability.

## Network Topology

### Basic Call Setup End-to-End Configuration





## Limitations

Calling name is not supported in this configuration.

## System Components

### **Hardware Requirements**

Cisco 3660 router with 2MFT-T1 ports

Inter-Tel Axxess 256 v3.56 North American load

### **Software Requirements**

Cisco IOS Software Release 12.2(10b)

Inter-Tel Axxess 256 v3.56 North American load

## Features

### **Features Supported**

Calling Number Identification (Ericsson to Inter-tel)

### **Features Not Supported**

Updating Connected Number

Calling/Called Name



## Configuration

### Configuring the Inter-Tel Axxess PBX

The screenshot shows the DB Studio interface for configuring an Inter-Tel 5,346 system. The left pane displays a tree view of system components, and the right pane shows the configuration details for the selected 'System' component.

Name	Value
System	
Passwords	
Date	11/25/2002
Time	10:26 AM
Time Zone	(GMT-08:00) Pacific Time (US & Canada)
Primary Language	American English
Secondary Language	British English

The left pane tree view includes the following items:

- System
  - Cabinets
  - Error Thresholds
  - Reference Clock List
  - 01:01 Digital Keypad 16 Card
  - 01:02 Basic Rate Interface - S/T
  - 01:03 Digital Keypad 16 Card
  - 01:04 Uninstalled
  - 01:05 Loop Start Card
  - 01:06 T1 Card
  - 01:07 T1 Primary Rate Interface Card
  - 01:08 Central Processor / 256 (PCM)
  - 01:09 Uninstalled
  - 01:10 Uninstalled
  - 01:11 Uninstalled
  - 01:12 Uninstalled
  - 01:13 Uninstalled
  - 01:14 Uninstalled
  - 01:15 Uninstalled
  - 01:16 Not Used
- Devices and Feature Codes
- Flags
- Hunt-Group Related Information
- Maintenance
- Numbering Plan
- Station-Related Information
- Trunk-Related Information
- Premium Features
- Timers and Limits
- Report Programming
- Passwords



DB Studio - System\Cabinets\01:07 T1 Primary Rate Interface Card

File Edit View Operations Favorites Help

← → ? [Icons]

Inter-Tel 5.346

- System
  - Cabinets
    - Error Thresholds
    - Reference Clock List
    - 01:01 Digital Keypad 16 Card
    - 01:02 Basic Rate Interface - S/T
    - 01:03 Digital Keypad 16 Card
    - 01:04 Uninstalled
    - 01:05 Loop Start Card
    - 01:06 T1 Card
    - 01:07 T1 Primary Rate Interface Card**
      - T1 Circuits
      - T1 Diagnostics
      - Timers
      - Call Type
    - 01:08 Central Processor / 256 (PCM)
      - 01:09 Uninstalled
      - 01:10 Uninstalled
      - 01:11 Uninstalled
      - 01:12 Uninstalled
      - 01:13 Uninstalled
      - 01:14 Uninstalled
      - 01:15 Uninstalled
      - 01:16 Not Used
  - Devices and Feature Codes
  - Flags
  - Hunt-Group Related Information
  - Maintenance
  - Numbering Plan
  - Station-Related Information
  - Trunk-Related Information
  - Premium Features
  - Timers and Limits
  - Report Programming
  - Passwords

Name	Value
T1 Circuits	
T1 Diagnostics	
Timers	
Call Type	
Description	
Framing Type	Extended Superframe
Zero Code Suppression	B825
Line Build-Out	0 dB (DSX-1)
Central Office Switch Type	National ISDN 2
CO Provides Progress Tones	No
Connect on Call Proceeding	No
Operator System Access	No

Node 1 Remote ACCESS USA New Session



DB Studio - System\Devices and Feature Codes\CO Trunk Groups

File Edit View Operations Favorites Help

← → ? [Icons]

Extension	Description	Username
9201	Analog lines	ANALOG LIN
9202	T-1 Lines-loop	T-1 LINES
9203	T-1 lines-grd	T-1 LINES
9204	PRI Lines	PRI LINES
9205	E&M Trunks-Imm	E&M
9206	E&M Wink	E&M
9207	E&M delay	E&M
9208	E1-pri	E1
9209	BRI trks	
PP011	Unused CO Trunks	

Node 1    Remote ACCESS USA    New Session



DB Studio - System\Trunk-Related Information\Call Routing Tables\5

File Edit View Operations Favorites Help

← → ? [Icons]

Pattern	Description	Ring-In Type	Ring-In Destination
1000	INTERTEL1000	Single	1000
1001	INTERTEL1001	Single	1001
1002	INTERTEL1002	Single	1002
1003	INTERTEL1003	Single	1003
1004	INTERTEL1004	Single	1004
1005	INTERTEL1005	Single	1005
1006	INTERTEL1006	Single	1006
1007	INTERTEL1007	Single	1007
1008	INTERTEL1008	Single	1008
1009	INTERTEL1009	Single	1009
1010	INTERTEL1010	Single	1010
1011	INTERTEL1011	Single	1011
1012	INTERTEL1012	Single	1012
1013	INTERTEL1013	Single	1013
1014	INTERTEL1014	Single	1014
1015	INTERTEL1015	Single	1015
1016	INTERTEL1016	Single	NONE
1017	INTERTEL1017	Single	1017
1018	INTERTEL1018	Single	1018
1019	INTERTEL1019	Single	1019
1020	INTERTEL1020	Single	1020
1021	INTERTEL1021	Single	1021
1022	INTERTEL1022	Single	1022
1023	INTERTEL1023	Single	1023
1024	INTERTEL1024	Single	1024
1025	INTERTEL1025	Single	1025
1026	INTERTEL1026	Single	1026
1027	INTERTEL1027	Single	1027
1028	INTERTEL1028	Single	1028

Node 1 Remote AXCESS USA New Session



DB Studio - System\Timers and Limits

File Edit View Operations Favorites Help

← → ? [Icons]

Tree View:

- PP011
  - Node Trunk Groups
  - Trunks
  - Flags
  - Hunt-Group Related Information
  - Maintenance
  - Numbering Plan
    - Area Flags
    - Classes of Service
    - Device Baseline Extensions
    - Dial Rules
    - Emergency
    - Facility Groups
    - Home Area Codes
    - Route Groups
    - Toll Strings
    - User Groups
  - Station-Related Information
  - Trunk-Related Information
    - Call Routing Tables
      - 1
      - 2
      - 3
      - 4
      - 5
      - 6
      - 7
      - 8
      - 9
      - 10
      - 11
      - 12
      - 13
      - 14
      - 15
    - Premium Features
    - Timers and Limits**
    - Report Programming
    - Passwords

Timers and Limits	Value	Units	Range (Default)
LS/GS IC-CO Disconnect	60	Hundredths	2 - 1000 (60)
LS/GS Inter-ring Silence	60	Tenths	1 - 250 (60)
LS/GS Loop Current Debounce	100	Milliseconds	2 - 500 (100)
LS/GS Outpulse-dial Inter-digit Pause	700	Milliseconds	2 - 1500 (700)
LS/GS Outpulse-dial Inter-pulse Pause	40	Milliseconds	2 - 500 (40)
LS/GS Outpulse-dial Pulse Hold Duration	60	Milliseconds	2 - 500 (60)
LS/GS Ring Frequency - High Boundary	100	Hertz	16 - 1000 (100)
LS/GS Ring Frequency - Low Boundary	15	Hertz	4 - 99 (15)
LS/GS Trunk Ring Detection	5	Tenths	1 - 250 (5)
Message Wait	5	Seconds	1 - 255 (5)
Off-Hook Voice Announce Screening	5	Seconds	1 - 255 (5)
Page	15	Seconds	0 - 255 (15)
Pause Dialing Digit Length	3	Seconds	1 - 15 (3)
Queue Callback	15	Seconds	10 - 255 (15)
Recall	60	Seconds	10 - 255 (60)
Record-A-Call Tone Interval	0	Seconds	0 - 255 (0)
Remote Programming Invalid Extension Failure Limit	3	Failures	0 - 9 (3)
Remote Programming Password Failed Limit	3	Failures	0 - 9 (3)
SL Disconnect Flash Duration	15	Tenths	1 - 250 (15)
SL Hookflash Maximum	12	Tenths	2 - 20 (12)
SL Hookflash Minimum	2	Tenths	1 - 10 (2)
SL Impulse-dial Inter-digit Pause	300	Milliseconds	2 - 1500 (300)
SL Wait for Disconnect	2	Seconds	1 - 60 (2)
System Forward Advance	15	Seconds	2 - 255 (15)
System Forward Initiate	15	Seconds	2 - 255 (15)
Transfer - Attendant	30	Seconds	10 - 255 (30)
Transfer - Available	20	Seconds	10 - 255 (20)
Transfer - Voice Processor	20	Seconds	10 - 255 (20)
Transfer - Busy	24	Seconds	10 - 255 (24)
Trunk Busy Out	180	Seconds	0 - 65535 (180)
Trunk Key Debounce	3	Seconds	1 - 30 (3)
UCD Station-Monitor Indication Frequency	15	Seconds	1 - 255 (15)
Unsupervised CO	255	Minutes	1 - 255 (5)
Valid Call	15	Seconds	1 - 60 (15)
Voice Mail Dial Delay	5	Tenths	1 - 250 (5)

Node 1 Remote AXCESS USA New Session



DB Studio - System\Timers and Limits

File Edit View Operations Favorites Help

← → ? [Icons]

- PP011
- Node Trunk Groups
- Trunks
- Flags
- Hunt-Group Related Information
- Maintenance
- Numbering Plan
  - Area Flags
  - Classes of Service
  - Device Baseline Extensions
- Dial Rules
- Emergency
- Facility Groups
- Home Area Codes
- Route Groups
- Toll Strings
- User Groups
- Station-Related Information
- Trunk-Related Information
  - Call Routing Tables
    - 1
    - 2
    - 3
    - 4
    - 5
    - 6
    - 7
    - 8
    - 9
    - 10
    - 11
    - 12
    - 13
    - 14
    - 15
- Premium Features
- Timers and Limits**
- Report Programming
- Passwords

Timers and Limits	Value	Units	Range (Default)
Abandoned Call	10	Minutes	1 - 255 (10)
Agent Help Tone Interval	0	Seconds	0 - 1000 (0)
Background Keypad Update Date and Time	360	Minutes	60 - 360 (360)
Busyout Switch Timeout	60	Seconds	10 - 10000 (60)
Camp-On	3	Seconds	1 - 255 (3)
Camp-On Tone	15	Seconds	5 - 255 (15)
CO Resetze	3	Seconds	1 - 15 (3)
Dial Initiation	15	Seconds	5 - 30 (15)
DID Disconnect Recognition	150	Milliseconds	2 - 500 (150)
DID Impulse-dial Inter-digit Pause	240	Milliseconds	2 - 500 (240)
DID Off-hook Debounce	10	Milliseconds	2 - 500 (10)
DID On-hook Debounce	12	Milliseconds	2 - 500 (12)
DID Post-Seize Delay	64	Milliseconds	2 - 500 (64)
DID Post-Signal Delay	30	Milliseconds	2 - 500 (30)
DID Pre-Signal Delay	100	Milliseconds	2 - 500 (100)
DID Ready Timeout	4000	Milliseconds	2 - 65000 (4000)
DID Seizure Recognition	30	Milliseconds	2 - 500 (30)
DID Signal-Hold	200	Milliseconds	2 - 500 (200)
DISA Invalid Extension Failure Limit	3	Failures	0 - 9 (3)
DISA Security Code Failure Limit	3	Failures	0 - 9 (3)
Disconnect Wait After Dialing	20	Seconds	1 - 60 (20)
DKTS Alternate Transient Display Timer	10	Tenths	1 - 255 (10)
DKTS Secondary Extension Key Alerting Tone	6	Seconds	1 - 1000 (6)
DTMF Digit Duration/Pause	60	Milliseconds	30 - 255 (60)
E&M Answer Recognition	4500	Milliseconds	2 - 20000 (4500)
E&M Dial Delay	70	Milliseconds	2 - 500 (70)
E&M Dial Delay Hold	140	Milliseconds	2 - 500 (140)
E&M Dialing Wait After Hookflash	3000	Milliseconds	2 - 20000 (3000)
E&M Disconnect Flash Duration	15000	Milliseconds	2 - 40000 (15000)
E&M Disconnect Recognition	1500	Milliseconds	2 - 10000 (15000)
E&M False Signal Debounce	50	Milliseconds	2 - 500 (50)
E&M Handshake Timeout	5000	Milliseconds	2 - 20000 (5000)
E&M Hookflash Duration	600	Milliseconds	2 - 10000 (6000)
E&M Hookflash Recognition	300	Milliseconds	2 - 10000 (300)
E&M Impulse-dial Inter-digit Pause Recognition	300	Milliseconds	2 - 10000 (300)

Node 1 Remote AXCESS USA New Session





## Configuring the Cisco 3660 Router

```
Router# show running-config
Building configuration...

Current configuration : 3942 bytes
!
version 12.2
service timestamps debug datetime msec
service timestamps log datetime msec
no service password-encryption
!
hostname 3660-A
!
boot system tftp c3660-jsx-mz_122-10b.bin 10.1.1.100
!
voice-card 4
!
ip subnet-zero
!
!
no ip domain-lookup
!
isdn switch-type primary-qsig
call rsvp-sync
!
voice service voip
  fax protocol t38 ls-redundancy 0 hs-redundancy 0
!
!
!
!
!
fax interface-type fax-mail
mta receive maximum-recipients 0
!
controller T1 4/0
  framing esf
  clock source internal
  linecode b8zs
  pri-group timeslots 1-24
!
controller T1 4/1
  framing esf
  clock source internal
  linecode b8zs
  pri-group timeslots 1-24
!
translation-rule 10
  Rule 1 4000 1002 ANY unknown
  Rule 2 4001 1001 ANY unknown
!
!
!
interface FastEthernet0/0
  ip address 10.1.1.205 255.255.255.0
  ip accounting output-packets
  duplex auto
  speed auto
!
interface Ethernet1/0
  ip address 10.10.10.200 255.255.255.0
  ip accounting output-packets
```



```
half-duplex
!
interface Serial1/0
no ip address
shutdown
no fair-queue
!
interface TokenRing1/0
no ip address
shutdown
ring-speed 16
!
interface ATM3/0
no ip address
atm vc-per-vp 256
no atm ilmi-keepalive
scrambling-payload
impedance 120-ohm
!
interface ATM3/0.1 point-to-point
ip address 192.168.50.2 255.255.255.0
pvc 10/1
encapsulation aal5snap
!
!
interface ATM3/1
no ip address
shutdown
atm vc-per-vp 256
no atm ilmi-keepalive
scrambling-payload
impedance 120-ohm
!
interface ATM3/2
no ip address
shutdown
atm vc-per-vp 256
no atm ilmi-keepalive
scrambling-payload
impedance 120-ohm
!
interface ATM3/3
no ip address
shutdown
atm vc-per-vp 256
no atm ilmi-keepalive
scrambling-payload
impedance 120-ohm
!
interface Serial4/0:23
no ip address
no logging event link-status
isdn switch-type primary-ni
isdn protocol-emulate network
isdn incoming-voice voice
no cdp enable
!
interface Serial4/1:23
no ip address
no logging event link-status
isdn switch-type primary-ni
isdn protocol-emulate network
isdn incoming-voice voice
no cdp enable
```



```
!  
interface BRI5/0  
  no ip address  
  isdn switch-type basic-ni  
  isdn incoming-voice voice  
!  
interface BRI5/1  
  no ip address  
  isdn switch-type basic-5ess  
  isdn layer1-emulate network  
  isdn spid1 4085273334  
  isdn incoming-voice voice  
  isdn skipsend-idverify  
!  
interface Group-Async1  
  physical-layer async  
  ip address negotiated  
  encapsulation ppp  
  dialer in-band  
  dialer string 2000X123456789012345678901234567  
  dialer-group 5  
!  
router eigrp 1  
  network 10.0.0.0  
  no auto-summary  
  no eigrp log-neighbor-changes  
!  
ip classless  
no ip http server  
ip pim bidir-enable  
!  
dialer-list 5 protocol ip permit  
!  
snmp-server manager  
!  
voice-port 2/0/0  
!  
voice-port 2/0/1  
!  
voice-port 2/1/0  
!  
voice-port 2/1/1  
!  
voice-port 4/0:23  
!  
voice-port 4/1:23  
!  
voice-port 5/0/0  
!  
voice-port 5/0/1  
!  
dial-peer cor custom  
!  
!  
!  
dial-peer voice 7 voip  
  destination-pattern 3900  
  session target ipv4:10.1.1.204  
!  
dial-peer voice 4900 pots  
  destination-pattern 4900  
  port 2/0/0  
  forward-digits all  
!
```



```
dial-peer voice 4901 pots
 destination-pattern 4901
 no digit-strip
 port 2/0/1
 forward-digits all
!
dial-peer voice 212 voip
 destination-pattern 60.
 session target ipv4:10.1.1.199
 codec g711alaw
!
dial-peer voice 205 pots
 destination-pattern 500.
 direct-inward-dial
 forward-digits all
!
dial-peer voice 305 voip
 destination-pattern 500.
 session target ipv4:10.1.1.227
!
dial-peer voice 110 voip
 destination-pattern 4000
 translate-outgoing called 10
 session target ipv4:10.1.1.227
!
dial-peer voice 1002 pots
 destination-pattern 1025
 direct-inward-dial
 port 4/1:23
 forward-digits all
!
dial-peer voice 111 voip
 destination-pattern 4001
 translate-outgoing called 10
 session target ipv4:10.1.1.227
!
dial-peer voice 1001 pots
 destination-pattern 1026
 direct-inward-dial
 port 4/1:23
 forward-digits all
!
!
gatekeeper
 shutdown
!
!
line con 0
 exec-timeout 0 0
line aux 0
line vty 0 4
 exec-timeout 0 0
 password cisco
 login
```



## Important Information

THE SPECIFICATIONS AND INFORMATION REGARDING THE PRODUCTS IN THIS MANUAL ARE SUBJECT TO CHANGE WITHOUT NOTICE. ALL STATEMENTS, INFORMATION, AND RECOMMENDATIONS IN THIS MANUAL ARE BELIEVED TO BE ACCURATE BUT ARE PRESENTED WITHOUT WARRANTY OF ANY KIND, EXPRESS OR IMPLIED. USERS MUST TAKE FULL RESPONSIBILITY FOR THEIR APPLICATION OF ANY PRODUCTS.

IN NO EVENT SHALL CISCO OR ITS SUPPLIERS BE LIABLE FOR ANY INDIRECT, SPECIAL, CONSEQUENTIAL, OR INCIDENTAL DAMAGES, INCLUDING, WITHOUT LIMITATION, LOST PROFITS OR LOSS OR DAMAGE TO DATA ARISING OUT OF THE USE OR INABILITY TO USE THIS MANUAL, EVEN IF CISCO OR ITS SUPPLIERS HAVE BEEN ADVISED OF THE POSSIBILITY OF SUCH DAMAGES.



### Corporate Headquarters

Cisco Systems, Inc.  
170 West Tasman Drive  
San Jose, CA 95134-1706  
USA  
www.cisco.com  
Tel: 408 526-4000  
800 553-NETS (6387)  
Fax: 408 526-4100

### European Headquarters

Cisco Systems International  
BV  
Haarlerbergpark  
Haarlerbergweg 13-19  
1101 CH Amsterdam  
The Netherlands  
www-europe.cisco.com  
Tel: 31 0 20 357 1000  
Fax: 31 0 20 357 1100

### Americas Headquarters

Cisco Systems, Inc.  
170 West Tasman Drive  
San Jose, CA 95134-1706  
USA  
www.cisco.com  
Tel: 408 526-7660  
Fax: 408 527-0883

### Asia Pacific Headquarters

Cisco Systems, Inc.  
Capital Tower  
168 Robinson Road  
#22-01 to #29-01  
Singapore 068912  
www.cisco.com  
Tel: +65 317 7777  
Fax: +65 317 7799

Cisco Systems has more than 200 offices in the following countries and regions. Addresses, phone numbers, and fax numbers are listed on **the Cisco Web site at [www.cisco.com/go/offices](http://www.cisco.com/go/offices).**

Argentina • Australia • Austria • Belgium • Brazil • Bulgaria • Canada • Chile • China PRC • Colombia • Costa Rica • Croatia • Czech Republic • Denmark • Dubai, UAE • Finland • France • Germany • Greece • Hong Kong SAR • Hungary • India • Indonesia • Ireland • Israel • Italy • Japan • Korea • Luxembourg • Malaysia • Mexico • The Netherlands • New Zealand • Norway • Peru • Philippines • Poland • Portugal • Puerto Rico • Romania • Russia • Saudi Arabia • Scotland • Singapore • Slovakia • Slovenia • South Africa • Spain • Sweden • Switzerland • Taiwan • Thailand • Turkey • Ukraine • United Kingdom • United States • Venezuela • Vietnam • Zimbabwe

Copyright 2003 Cisco Systems, Inc. All rights reserved. Cisco, Cisco Systems, and the Cisco Systems logo are registered trademarks or trademarks of Cisco Systems, Inc. and/or its affiliates in the U.S. and certain other countries. All other trademarks mentioned in this document or Web site are the property of their respective owners. The use of the word partner does not imply a partnership relationship between Cisco and any other company. (0301R)