



Preface



Note

The terms "Unidirectional Path Switched Ring" and "UPSR" may appear in Cisco literature. These terms do not refer to using Cisco ONS 15xxx products in a unidirectional path switched ring configuration. Rather, these terms, as well as "Path Protected Mesh Network" and "PPMN," refer generally to Cisco's path protection feature, which may be used in any topological network configuration. Cisco does not recommend using its path protection feature in any particular topological network configuration.

This section explains the objectives, intended audience, and organization of this publication and describes the conventions that convey instructions and other information.

This section provides the following information:

- [Revision History](#)
- [Document Objectives](#)
- [Audience](#)
- [Document Organization](#)
- [Related Documentation](#)
- [Document Conventions](#)
- [Obtaining Optical Networking Information](#)
- [Obtaining Documentation, Obtaining Support, and Security Guidelines](#)

Revision History

Date	Notes
June 2010	<ul style="list-style-type: none"> Updated “DLP-G450 Configuring Windows Vista or Windows 7 to Support CTC” in the chapter, “Connect the PC and Log into the GUI”.
July 2010	<ul style="list-style-type: none"> Updated “NTP-G203 Create End-to-End SVLAN Circuits” in the chapter, “Create Circuits and Provisionable Patchcords”. Updated “DLP-G421 Create and Store an SVLAN Database” in the chapter, “Create Circuits and Provisionable Patchcords”. Updated “DLP G431 View Network-Level Automatic Power Control Information” in the chapter, “Manage the Node”. Updated “DLP-G346 Provision Optical Channel Client Connections” in the chapter “Create Circuits and Provisionable Patchcords”. Updated “NTP-G293 Modify the 40G Muxponder Card Line Settings and PM Parameter Thresholds, DLP-G666 Change the 40G Muxponder Line Settings, DLP-G667 Change the 40G Muxponder SONET (OC-192)/SDH (STM-64) Settings, DLP-G668 Change the 40G Muxponder Section Trace Settings, DLP-G669 Change the 40G Muxponder SONET or SDH Line Thresholds, DLP-G670 Change the 40G Muxponder Line RMON Thresholds for Ethernet, 8G FC, or 10G FC Payloads, DLP-G671 Provision the 40G Muxponder Trunk Port Alarm and TCA Thresholds, DLP-G672 Provision the 40G Muxponder Client Port Alarm and TCA Thresholds, and DLP-G673 Change the 40G Muxponder OTN Settings” in the chapter “Provision Transponder and Muxponder Cards”. Added “NTP-G314 Add a GE_XP or 10GE_XP Card on a FAPS Ring” in the chapter, “Provision Transponder and Muxponder Cards”. Added “DLP-G687 Add a GE_XP or 10GE_XP Card Facing Master Card on a FAPS Ring” in the chapter, “Provision Transponder and Muxponder Cards”. Added “DLP-G688 Add a GE_XP or 10GE_XP Card Between the Slave Cards on a FAPS Ring” in the chapter, “Provision Transponder and Muxponder Cards”. Deleted the section “DLP-G313 Verify OSC-CSM Transmit Power” in the chapter “Turn Up a Node”.
September 2010	Updated the table “OTU2_XP Card OTN Lines Settings” in the chapter “Provision Transponder and Muxponder Cards”.
October 2010	<ul style="list-style-type: none"> Updated “NTP-G152 Create and Verify Internal Patchcords” in the chapter, “Turn Up a Node”. Updated “NTP-G207 Create, Edit and Delete Optical Sides” in the chapter, “Turn Up a Node”. Added a note in the “NTP-G114 Inspect, Clean, and Replace the Air Filter” section of the chapter, “Maintain the node”. Updated “DLP-G314 Verify OSCM Transmit Power” in the chapter, “Turn Up a Node”.

Date	Notes
November 2010	<ul style="list-style-type: none"> • Updated “DLP-G645 Create a Segment Using CTC” in the chapter, Provision Transponder and Muxponder Cards”. • Updated step 21 in “NTP-G42 Perform the Terminal Node with 32WSS and 32DMX Cards Acceptance Test” • Updated step 22 in "NTP-G153 Perform the Terminal Node with 32WSS-L and 32DMX-L Cards Acceptance Test" • Updated step 21 in "NTP-G167 Perform the Terminal Node with 40-WSS-C and 40-DMX-C Cards Acceptance Test"
December 2010	Updated the section "NTP-G110 Off-Load the Diagnostics File" in the chapter "Maintain the Node".
March 2011	<ul style="list-style-type: none"> • Updated the description of the rxTotalPkts variable in the chapter, Provision Transponder and Muxponder Cards. • Updated the table “ADM-10G Gigabit Ethernet Thresholds” in the chapter “Provision Transponder and Muxponder Cards”. • Added a note in the sections “Set the 40-WXC-C OCHNC Parameters”, “Perform the Native Mesh Node Acceptance Test”, and “Perform the Node Upgrade Acceptance Test”.
April 2011	<ul style="list-style-type: none"> • Updated the card mode options for the 40G-MXP-C card in the chapter, Provision Transponder and Muxponder Cards. • Added DLP-G689 to the chapter, Create Circuits and Provisionable Patchcords. • Updated the section “NTP-G197 Provision the OTU2_XP Card Line Settings, PM Parameters, and Thresholds” in the chapter “Provision Transponder and Muxponder Cards”. • Updated the purpose in "NTP-G151 Create, Delete, and Manage Optical Channel Client Connections" and added notes to "DLP-G346 Provision Optical Channel Client Connections" and "DLP-G105 Provision Optical Channel Network Connections" in the chapter, "Create Circuits and Provisionable Patchcords".
May 2011	<ul style="list-style-type: none"> • Updated the note in “DLP-G266 Modify Backplane Port IP Settings in Security Mode” in the chapter, “Manage the Node” and “DLP-G56 Provision IP Settings” in the chapter, “Turn Up a Node”. • Updated step 5 in the procedure “Remove Permanently or Remove and Replace DWDM Cards” of the chapter, “Upgrade, Add, and Remove Cards and Nodes”.
July 2011	<ul style="list-style-type: none"> • Added Framing and CRC Encap entries to table in “DLP-G469 Provision the ADM-10G Card Ethernet Settings”. • Updated “NTP-G54 Provision and Verify a DWDM Network” to generalize the steps.
August 2011	<ul style="list-style-type: none"> • Updated the table “OTU2_XP Line Settings” in the chapter “Provision Transponder and Muxponder Cards”. • Updated “DLP-G629 Create a MEP Using CTC” in the chapter “Provision Transponder and Muxponder Cards”.

Date	Notes
September 2011	<ul style="list-style-type: none"> • Updated a note in “NTP-G198 Create 1+1 Protection for GE_XP, 10GE_XP, GE_XPE, or 10GE_XPE Cards” in the chapter “Provision Transponder and Muxponder Cards”. • Updated the “NTP-G78 View Side Power Monitoring” procedure.
October 2011	<ul style="list-style-type: none"> • Updated the “DLP-G384 Provision the GE_XP, 10GE_XP, GE_XPE, and 10GE_XPE QinQ Settings”, “DLP-G470 Provision the GE_XP, 10GE_XP, GE_XPE, and 10GE_XPE Class of Service (CoS) Settings”, “DLP-G380 Provision the GE_XP, 10GE_XP, GE_XPE, and 10GE_XPE Card Ethernet Settings”, and “DLP-G460 Enable MAC Address Learning on SVLANs for GE_XPE or 10GE_XPE Cards” procedures in the chapter “Provision Transponder and Muxponder Cards”. • Updated the MPLS Inner Label and MPLS Outer Label range values in the table “GE_XPE Card PDH Ethernet Settings ” in the chapter “Provision Transponder and Muxponder Cards”. • Updated the “DLP-G471 Create a SVLAN or CVLAN Profile” in the chapter “Provision Transponder and Muxponder Cards”. • Updated information related to IB_5G in the chapter “Provision Transponder and Muxponder Cards”. • Updated the section “DLP-G281 Configure the Node for RADIUS Authentication” in the chapter “Manage the Node”.
November 2011	<ul style="list-style-type: none"> • Updated the section “DLP-G645 Create a Segment Using CTC” in the chapter “Provision Transponder and Muxponder Cards”.
December 2011	<ul style="list-style-type: none"> • Updated the procedure “DLP-G76 Provision DCC/GCC Terminations” in the chapter “Create Circuits and Provisionable Patchcords”. • Updated the following procedures in the chapter “Manage the Node”: <ul style="list-style-type: none"> – NTP-G85 Modify or Delete OSC Terminations, DCC/GCC Terminations, and Provisionable Patchcords – DLP-G184 Change a DCC/GCC Termination – DLP-G185 Delete a DCC/GCC Termination
February 2012	<ul style="list-style-type: none"> • Updated the procedure “DLP-G379 Change the GE_XP, 10GE_XP, GE_XPE, and 10GE_XPE Card Mode” in the chapter “Provision Transponder and Muxponder Cards”. • Updated the Mode parameter in the table “ADM-10G Card Ethernet Settings” in the chapter “Provision Transponder and Muxponder Cards”. • Updated the procedure “DLP-G278 Provision the Optical Line Rate” in the chapter “Provision Transponder and Muxponder Cards”.
March 2012	<ul style="list-style-type: none"> • Updated the bandwidth parameter in the procedure, “DLP-G383 Provision the GE_XP, 10GE_XP, GE_XPE, and 10GE_XPE Quality of Service Settings”. • Updated the procedure, “NTP-G129 Add a DWDM Node”, in the chapter “Provision Transponder and Muxponder Cards”. • Added a note in the procedure “NTP-G242 Create an Internal Patchcord Manually” in the chapter “Turn Up a Node”.

Date	Notes
April 2012	<ul style="list-style-type: none"> • Added a note in the procedure “DLP-G368 Change the 10G Multirate Transponder Trunk Wavelength Settings” in the chapter “Provision Transponder and Muxponder Cards”. • Added a new procedure "DLP-G713 Provision Administrative VLAN for Ports in a REP Segment Using CTC" and updated "DLP-G384 Provision the GE_XP, 10GE_XP, GE_XPE, and 10GE_XPE QinQ Settings" in the chapter, "Provision Transponder and Muxponder Cards".
May 2012	<ul style="list-style-type: none"> • Added a note in the procedure “DLP-G507 Enable a Different GE_XP, 10GE_XP, GE_XPE, or 10GE_XPE Card as the Master Card” in the chapter “Provision Transponder and Muxponder Cards”. • Updated the “Set Up SNMP” procedure in the chapter “Turn Up a Node”.
July 2012	Document Part Number revisioned to 78-19286-02 and a full length book-PDF was generated.
July 2012	<ul style="list-style-type: none"> • Updated the table “Gigabit Ethernet RMON Variables” in the chapter “Provision Transponder and Muxponder Cards”. • Updated the task “NTP-G130 Remove a DWDM Node” in the chapter “Upgrade, Add, and Remove Cards and Nodes”.
September 2012	<ul style="list-style-type: none"> • Added the “NTP-G333 Add an ADM-10G Card to an Existing Topology” in the chapter “Provision Transponder and Muxponder Cards”. • Updated the procedures “NTP-G60 Create and Delete Overhead Circuits” and “DLP-G76 Provision DCC/GCC Terminations” in the chapter “Create Optical Channel Circuits and Provisionable Patchcords”. • Updated the procedure “NTP-G38 Provision OSC Terminations” in the chapter “Turn Up a Node”.
October 2012	<ul style="list-style-type: none"> • Added a note to “DLP -G264 Enable Node Security Mode” in the chapter, “Turn Up a Node.”
November 2012	<p>In the chapter “Maintaining the ONS 15454 (ANSI and ETSI), ONS 15454 M2 and ONS 15454 M6 Shelf”, updated the procedures:</p> <ul style="list-style-type: none"> • NTP-G114 Inspect and Replace the Air Filter • NTP-G274 Replace the Air Filter of the ONS 15454 M2 Shelf Assembly • NTP-G262 Replace the Air Filter of the ONS 15454 M6 Shelf Assembly • NTP-G263 Replace the Air Filter of the AC Power Module in the ONS 15454 M6 Shelf Assembly
December 2012	<ul style="list-style-type: none"> • Updated “NTP-G244 Perform the Four Degree ROADM Node with 40-SMR-2-C Cards Acceptance Test” in the chapter, “Perform Node Acceptance Tests”.
January 2013	<ul style="list-style-type: none"> • Updated the procedure “DLP-G351 Delete a Card in CTC” in the chapter, “Turn Up a Node”.
February 2013	<ul style="list-style-type: none"> • Updated the procedures “G245 Create an Automatically Routed VCAT Circuit” and “NTP-G246 Create a Manually Routed VCAT Circuit” in the chapter “Create Circuits and Provisionable Patchcords”.

Date	Notes
March 2013	<ul style="list-style-type: none"> • Updated step 3 in the task, "DLP-G95 Set Up External or Line Timing" in the chapter, "Turn Up a Network". • Updated step 6 in the task, "DLP-G381 Provision the GE_XP, 10GE_XP, GE_XPE, and 10GE_XPE Layer 2 Protection Settings" in the chapter, "Provision Transponder and Muxponder Cards". • Added a note to the procedure, "NTP-G38 Provision OSC Terminations" in the chapter, "Turn Up a Node".
April 2013	<ul style="list-style-type: none"> • Updated step 4 in the procedure, "DLP-G713 Provision Administrative VLAN for Ports in a REP Segment Using CTC" in the chapter, "Provision Transponder and Muxponder Cards".
May 2013	<ul style="list-style-type: none"> • Updated the "NTP-G38 Provision OSC Terminations" procedure in the chapter, "Turn Up a Node" and the "DLP-G605 Provision PPM and Port for the TNC Card" procedure in the chapter, "Install the Control Cards". • Modified a note in the procedure, "NTP-G104 Restore the Database" in the chapter, "Maintain the Node". • Added the procedure, "NTP-G341 Set Up Secure Access to the ONS 15454 TL1" in the chapter, "Turn Up a Node".
June 2013	Added a footnote to the table, "MXP_MR_10DME_C or MXP_MR_10DME_L Ethernet Variables" in the chapter, "Provision Transponder and Muxponder Cards".
September 2013	Updated "DLP-G604 Install the TNC or TSC Card" in the chapter, "Install the Control Cards".
October 2014	Added "DLP-G771 Changing the WXC Line Thresholds for the 80-WXC-C Card." in the chapter, "Change DWDM Card Settings".

Document Objectives

This document explains installation, turn up, provisioning, and maintenance for Cisco ONS 15454, Cisco ONS M2, and Cisco ONS M6 systems. Use this document in conjunction with the appropriate publications listed in the [Related Documentation](#) section.

Audience

To use this publication, you should be familiar with Cisco or equivalent optical transmission hardware and cabling, telecommunications hardware and cabling, electronic circuitry and wiring practices, and preferably have experience as a telecommunications technician

Document Organization

Table 1 *Cisco ONS 15454 Procedure Guide Chapters*

Title	Summary
Chapter 1, “Install the Cisco ONS 15454, ONS 15454 M2, and ONS 15454 M6 Shelf”	Explains how to install the Cisco ONS 15454 ETSI, Cisco ONS 15454 ANSI, Cisco ONS 15454 M2, and Cisco ONS 15454 M6 shelf assemblies.
Chapter 2, “Install the Control Cards”	Explains how to install the control cards needed for the Cisco ONS 15454, Cisco ONS 15454 M2, and Cisco ONS 15454 M6 shelf assemblies.
Chapter 3, “Connect the PC and Log into the GUI”	Explains how to connect Windows PCs and Solaris workstations to the Cisco ONS 15454 and how to log into Cisco Transport Controller (CTC) software.
Chapter 4, “Turn Up a Node”	Explains how to provision a single Cisco ONS 15454 dense wavelength division multiplexing (DWDM) node and turn it up for service.
Chapter 5, “Perform Node Acceptance Tests”	Provides test procedures to verify that installed cards are operating correctly in a Cisco ONS 15454 dense wavelength division multiplexing (DWDM) node.
Chapter 6, “Provision Transponder and Muxponder Cards”	Explains how to provision transponder (TXP), muxponder (MXP), Xponder (GE_XP, 10GE_XP, GE_XPE and 10GE_XPE), and ADM-10G cards.
Chapter 7, “Turn Up a Network”	Explains how to turn up and test a Cisco ONS 15454 dense wavelength division multiplexing (DWDM) network.
Chapter 8, “Create Circuits and Provisionable Patchcords”	Explains how to create Cisco ONS 15454 dense wavelength division multiplexing (DWDM) optical channel client connections (OCHCCs), optical channel network connections (OCHNCs), and optical trail circuits.
Chapter 9, “Monitor Performance”	Explains how to enable and view performance monitoring (PM) statistics for the Cisco ONS 15454.
Chapter 10, “Manage Alarms”	Contains the procedures for viewing and managing the alarms and conditions on a Cisco ONS 15454.
Chapter 11, “Manage the Node”	Explains how to modify node provisioning for the Cisco ONS 15454 and perform common management tasks such as monitoring the dense wavelength division multiplexing (DWDM) automatic power control (APC) and span loss values.

Table 1 Cisco ONS 15454 Procedure Guide Chapters (continued)

Title	Summary
Chapter 12, “Change DWDM Card Settings”	Explains how to change line, performance monitoring (PM), and threshold settings on Cisco ONS 15454 DWDM cards.
Chapter 13, “Upgrade, Add, and Remove Cards and Nodes”	Provides procedures for adding and removing dense wavelength division multiplexing (DWDM) cards and nodes.
Chapter 14, “Maintain the Node”	Provides procedures for maintaining the Cisco ONS 15454, including database backup and restoration, removing and replacing cards, viewing the ONS 15454 audit trail, and hardware maintenance procedures.
Appendix A, “CTC Information and Shortcuts”	Describes the Cisco Transport Controller (CTC) views, menus options, tool options, shortcuts, and table display options.
Appendix B, “Configuring GE_XP, 10GE_XP, GE_XPE, and 10GE_XPE Cards Using PCLI”	Describes how to provision GE_XP, 10GE_XP, GE_XPE, and 10GE_XPE cards using Pseudo Command Line Interface (PCLI).

Related Documentation

Use the *Cisco ONS 15454 DWDM Procedure Guide* in conjunction with the following referenced Release 9.2 publications:

- *Cisco ONS 15454 DWDM Reference Manual*
- *Cisco ONS 15454 DWDM Troubleshooting Guide*
- *Cisco ONS 15454 Hardware Installation Guide*
- *Cisco ONS SONET TL1 Command Guide*
- *Cisco ONS SONET TL1 Reference Guide*
- *Cisco ONS SONET TL1 Command Quick Reference Guide*
- *Cisco ONS 15454 SDH TL1 Command Guide*
- *Cisco ONS 15454 SDH TL1 Reference Guide*
- *Cisco ONS 15454 SDH TL1 Command Quick Reference Guide*
- *Cisco Transport Planner DWDM Operations Guide*
- *Release Notes for Cisco ONS 15454, ONS 15454 M2, and ONS 15454 M6 DWDM, Release 9.2*
- *Release Notes for Cisco ONS 15454 SONET and SDH, Release 9.2*

For an update on End-of-Life and End-of-Sale notices, refer to http://cisco.com/en/US/products/hw/optical/ps2006/prod_eol_notices_list.html.

Document Conventions

This publication uses the following conventions:

Convention	Application
boldface	Commands and keywords in body text.
<i>italic</i>	Command input that is supplied by the user.
[]	Keywords or arguments that appear within square brackets are optional.
{ x x x }	A choice of keywords (represented by x) appears in braces separated by vertical bars. The user must select one.
Ctrl	The control key. For example, where Ctrl + D is written, hold down the Control key while pressing the D key.
screen font	Examples of information displayed on the screen.
boldface screen font	Examples of information that the user must enter.
< >	Command parameters that must be replaced by module-specific codes.



Note

Means *reader take note*. Notes contain helpful suggestions or references to material not covered in the document.



Caution

Means *reader be careful*. In this situation, the user might do something that could result in equipment damage or loss of data.



Warning

IMPORTANT SAFETY INSTRUCTIONS

This warning symbol means danger. You are in a situation that could cause bodily injury. Before you work on any equipment, be aware of the hazards involved with electrical circuitry and be familiar with standard practices for preventing accidents. Use the statement number provided at the end of each warning to locate its translation in the translated safety warnings that accompanied this device. Statement 1071

SAVE THESE INSTRUCTIONS

Waarschuwing

BELANGRIJKE VEILIGHEIDSINSTRUCTIES

Dit waarschuwingssymbool betekent gevaar. U verkeert in een situatie die lichamelijk letsel kan veroorzaken. Voordat u aan enige apparatuur gaat werken, dient u zich bewust te zijn van de bij elektrische schakelingen betrokken risico's en dient u op de hoogte te zijn van de standaard praktijken om ongelukken te voorkomen. Gebruik het nummer van de verklaring onderaan de waarschuwing als u een vertaling van de waarschuwing die bij het apparaat wordt geleverd, wilt raadplegen.

BEWAAR DEZE INSTRUCTIES

Varoitus

TÄRKEITÄ TURVALLISUUSOHJEITA

Tämä varoitusmerkki merkitsee vaaraa. Tilanne voi aiheuttaa ruumiillisia vammoja. Ennen kuin käsittelet laitteistoa, huomioi sähköpiirien käsittelemiseen liittyvät riskit ja tutustu onnettomuuksien yleisiin ehkäisytapoihin. Turvallisuusvaroitusten käännökset löytyvät laitteen mukana toimitettujen käännettyjen turvallisuusvaroitusten joukosta varoitusten lopussa näkyvien lausuntonumeroiden avulla.

SÄILYTÄ NÄMÄ OHJEET

Attention

IMPORTANTES INFORMATIONS DE SÉCURITÉ

Ce symbole d'avertissement indique un danger. Vous vous trouvez dans une situation pouvant entraîner des blessures ou des dommages corporels. Avant de travailler sur un équipement, soyez conscient des dangers liés aux circuits électriques et familiarisez-vous avec les procédures couramment utilisées pour éviter les accidents. Pour prendre connaissance des traductions des avertissements figurant dans les consignes de sécurité traduites qui accompagnent cet appareil, référez-vous au numéro de l'instruction situé à la fin de chaque avertissement.

CONSERVEZ CES INFORMATIONS

Warnung

WICHTIGE SICHERHEITSHINWEISE

Dieses Warnsymbol bedeutet Gefahr. Sie befinden sich in einer Situation, die zu Verletzungen führen kann. Machen Sie sich vor der Arbeit mit Geräten mit den Gefahren elektrischer Schaltungen und den üblichen Verfahren zur Vorbeugung vor Unfällen vertraut. Suchen Sie mit der am Ende jeder Warnung angegebenen Anweisungsnummer nach der jeweiligen Übersetzung in den übersetzten Sicherheitshinweisen, die zusammen mit diesem Gerät ausgeliefert wurden.

BEWAHREN SIE DIESE HINWEISE GUT AUF.

Avvertenza IMPORTANTI ISTRUZIONI SULLA SICUREZZA

Questo simbolo di avvertenza indica un pericolo. La situazione potrebbe causare infortuni alle persone. Prima di intervenire su qualsiasi apparecchiatura, occorre essere al corrente dei pericoli relativi ai circuiti elettrici e conoscere le procedure standard per la prevenzione di incidenti. Utilizzare il numero di istruzione presente alla fine di ciascuna avvertenza per individuare le traduzioni delle avvertenze riportate in questo documento.

CONSERVARE QUESTE ISTRUZIONI**Advarsel VIKTIGE SIKKERHETSINSTRUKSJONER**

Dette advarselssymbolet betyr fare. Du er i en situasjon som kan føre til skade på person. Før du begynner å arbeide med noe av utstyret, må du være oppmerksom på farene forbundet med elektriske kretser, og kjenne til standardprosedyrer for å forhindre ulykker. Bruk nummeret i slutten av hver advarsel for å finne oversettelsen i de oversatte sikkerhetsadvarslene som fulgte med denne enheten.

TA VARE PÅ DISSE INSTRUKSJONENE**Aviso INSTRUÇÕES IMPORTANTES DE SEGURANÇA**

Este símbolo de aviso significa perigo. Você está em uma situação que poderá ser causadora de lesões corporais. Antes de iniciar a utilização de qualquer equipamento, tenha conhecimento dos perigos envolvidos no manuseio de circuitos elétricos e familiarize-se com as práticas habituais de prevenção de acidentes. Utilize o número da instrução fornecido ao final de cada aviso para localizar sua tradução nos avisos de segurança traduzidos que acompanham este dispositivo.

GUARDE ESTAS INSTRUÇÕES**¡Advertencia! INSTRUCCIONES IMPORTANTES DE SEGURIDAD**

Este símbolo de aviso indica peligro. Existe riesgo para su integridad física. Antes de manipular cualquier equipo, considere los riesgos de la corriente eléctrica y familiarícese con los procedimientos estándar de prevención de accidentes. Al final de cada advertencia encontrará el número que le ayudará a encontrar el texto traducido en el apartado de traducciones que acompaña a este dispositivo.

GUARDE ESTAS INSTRUCCIONES**Varning! VIKTIGA SÄKERHETSANVISNINGAR**

Denna varningssignal signalerar fara. Du befinner dig i en situation som kan leda till personskada. Innan du utför arbete på någon utrustning måste du vara medveten om farorna med elkretsar och känna till vanliga förfaranden för att förebygga olyckor. Använd det nummer som finns i slutet av varje varning för att hitta dess översättning i de översatta säkerhetsvarningar som medföljer denna anordning.

SPARA DESSA ANVISNINGAR

FONTOS BIZTONSÁGI ELOÍRÁSOK

Ez a figyelmeztető jel veszélyre utal. Sérülésveszélyt rejtő helyzetben van. Mielott bármely berendezésen munkát végezte, legyen figyelemmel az elektromos áramkörök okozta kockázatokra, és ismerkedjen meg a szokásos balesetvédelmi eljárásokkal. A kiadványban szereplő figyelmeztetések fordítása a készülékhez mellékelte biztonsági figyelmeztetések között található; a fordítás az egyes figyelmeztetések végén látható szám alapján kereshető meg.

ORIZZE MEG EZEKET AZ UTASÍTÁSOKAT!

Предупреждение

ВАЖНЫЕ ИНСТРУКЦИИ ПО СОБЛЮДЕНИЮ ТЕХНИКИ БЕЗОПАСНОСТИ

Этот символ предупреждения обозначает опасность. То есть имеет место ситуация, в которой следует опасаться телесных повреждений. Перед эксплуатацией оборудования выясните, каким опасностям может подвергаться пользователь при использовании электрических цепей, и ознакомьтесь с правилами техники безопасности для предотвращения возможных несчастных случаев. Воспользуйтесь номером заявления, приведенным в конце каждого предупреждения, чтобы найти его переведенный вариант в переводе предупреждений по безопасности, прилагаемом к данному устройству.

СОХРАНИТЕ ЭТИ ИНСТРУКЦИИ

警告

重要的安全性说明

此警告符号代表危险。您正处于可能受到严重伤害的工作环境中。在您使用设备开始工作之前，必须充分意识到触电的危险，并熟练掌握防止事故发生的标准工作程序。请根据每项警告结尾提供的声明号码来找到此设备的安全性警告说明的翻译文本。

请保存这些安全性说明

警告

安全上の重要な注意事項

「危険」の意味です。人身事故を予防するための注意事項が記述されています。装置の取り扱い作業を行うときは、電気回路の危険性に注意し、一般的な事故防止策に留意してください。警告の各国語版は、各注意事項の番号を基に、装置に付属の「Translated Safety Warnings」を参照してください。

これらの注意事項を保管しておいてください。

주의

중요 안전 지침

이 경고 기호는 위험을 나타냅니다. 작업자가 신체 부상을 일으킬 수 있는 위험한 환경에 있습니다. 장비에 작업을 수행하기 전에 전기 회로와 관련된 위험을 숙지하고 표준 작업 관례를 숙지하여 사고를 방지하십시오. 각 경고의 마지막 부분에 있는 경고문 번호를 참조하여 이 장치와 함께 제공되는 번역된 안전 경고문에서 해당 번역문을 찾으십시오.

이 지시 사항을 보관하십시오.

Aviso INSTRUÇÕES IMPORTANTES DE SEGURANÇA

Este símbolo de aviso significa perigo. Você se encontra em uma situação em que há risco de lesões corporais. Antes de trabalhar com qualquer equipamento, esteja ciente dos riscos que envolvem os circuitos elétricos e familiarize-se com as práticas padrão de prevenção de acidentes. Use o número da declaração fornecido ao final de cada aviso para localizar sua tradução nos avisos de segurança traduzidos que acompanham o dispositivo.

GUARDE ESTAS INSTRUÇÕES**Advarsel VIGTIGE SIKKERHEDSANVISNINGER**

Dette advarselssymbol betyder fare. Du befinder dig i en situation med risiko for legemeskadedigelse. Før du begynder arbejde på udstyr, skal du være opmærksom på de involverede risici, der er ved elektriske kredsløb, og du skal sætte dig ind i standardprocedurer til undgåelse af ulykker. Brug erklæringsnummeret efter hver advarsel for at finde oversættelsen i de oversatte advarsler, der fulgte med denne enhed.

GEM DISSE ANVISNINGER**تحذير****إرشادات الأمان الهامة**

يوضح رمز التحذير هذا وجود خطر. وهذا يعني أنك متواجد في مكان قد ينتج عنه التعرض للإصابات. قبل بدء العمل، احذر مخاطر التعرض للصدمات الكهربائية وكن على علم بالإجراءات القياسية للحيلولة دون وقوع أي حوادث. استخدم رقم البيان الموجود في آخر كل تحذير لتحديد مكان ترجمته داخل تحذيرات الأمان المترجمة التي تأتي مع الجهاز. قم بحفظ هذه الإرشادات

Upozorenje VAŽNE SIGURNOSNE NAPOMENE

Ovaj simbol upozorenja predstavlja opasnost. Nalazite se u situaciji koja može prouzročiti tjelesne ozljede. Prije rada s bilo kojim uređajem, morate razumjeti opasnosti vezane uz električne sklopove, te biti upoznati sa standardnim načinima izbjegavanja nesreća. U prevedenim sigurnosnim upozorenjima, priloženima uz uređaj, možete prema broju koji se nalazi uz pojedino upozorenje pronaći i njegov prijevod.

SAČUVAJTE OVE UPUTE**Upozornění DŮLEŽITÉ BEZPEČNOSTNÍ POKYNY**

Tento upozorňující symbol označuje nebezpečí. Jste v situaci, která by mohla způsobit nebezpečí úrazu. Před prací na jakémkoliv vybavení si uvědomte nebezpečí související s elektrickými obvody a seznamte se se standardními opatřeními pro předcházení úrazům. Podle čísla na konci každého upozornění vyhledejte jeho překlad v přeložených bezpečnostních upozorněních, která jsou přiložena k zařízení.

USCHOVEJTE TYTO POKYNY

Προειδοποίηση ΣΗΜΑΝΤΙΚΕΣ ΟΔΗΓΙΕΣ ΑΣΦΑΛΕΙΑΣ

Αυτό το προειδοποιητικό σύμβολο σημαίνει κίνδυνο. Βρίσκεστε σε κατάσταση που μπορεί να προκαλέσει τραυματισμό. Πριν εργαστείτε σε οποιοδήποτε εξοπλισμό, να έχετε υπόψη σας τους κινδύνους που σχετίζονται με τα ηλεκτρικά κυκλώματα και να έχετε εξοικειωθεί με τις συνήθεις πρακτικές για την αποφυγή ατυχημάτων. Χρησιμοποιήστε τον αριθμό δήλωσης που παρέχεται στο τέλος κάθε προειδοποίησης, για να εντοπίσετε τη μετάφρασή της στις μεταφρασμένες προειδοποιήσεις ασφαλείας που συνοδεύουν τη συσκευή.

ΦΥΛΑΞΤΕ ΑΥΤΕΣ ΤΙΣ ΟΔΗΓΙΕΣ

הרהרה

הוראות בטיחות חשובות

סימן אזהרה זה מסמל סכנה. אתה נמצא במצב העלול לגרום לפציעה. לפני שתעבוד עם ציוד כלשהו, עליך להיות מודע לסכנות הכרוכות במעגלים חשמליים ולהכיר את הנהלים המקובלים למניעת תאונות. השתמש במספר ההוראה המסופק בסופה של כל אזהרה כדי לאתר את התרגום באזהרות הבטיחות המתורגמות שמצורפות להתקן.

שמור הוראות אלה

Opomena

ВАЖНИ БЕЗБЕДНОСНИ НАПАТСТВИЈА

Симболот за предупредување значи опасност. Се наоѓате во ситуација што може да предизвика телесни повреди. Пред да работите со опремата, бидете свесни за ризикот што постои кај електричните кола и треба да ги познавате стандардните постапки за спречување на несреќни случаи. Искористете го бројот на изјавата што се наоѓа на крајот на секое предупредување за да го најдете неговиот период во преведените безбедносни предупредувања што се испорачани со уредот.

ЧУВАЈТЕ ГИ ОБИЕ НАПАТСТВИЈА

Ostrzeżenie

WAŻNE INSTRUKCJE DOTYCZĄCE BEZPIECZEŃSTWA

Ten symbol ostrzeżenia oznacza niebezpieczeństwo. Zachodzi sytuacja, która może powodować obrażenia ciała. Przed przystąpieniem do prac przy urządzeniach należy zapoznać się z zagrożeniami związanymi z układami elektrycznymi oraz ze standardowymi środkami zapobiegania wypadkom. Na końcu każdego ostrzeżenia podano numer, na podstawie którego można odszukać tłumaczenie tego ostrzeżenia w dołączonym do urządzenia dokumencie z tłumaczeniami ostrzeżeń.

NINIEJSZE INSTRUKCJE NALEŻY ZACHOWAĆ

Upozornenie

DÔLEŽITÉ BEZPEČNOSTNÉ POKYNY

Tento varovný symbol označuje nebezpečenstvo. Nachádzate sa v situácii s nebezpečenstvom úrazu. Pred prácou na akomkoľvek vybavení si uvedomte nebezpečenstvo súvisiace s elektrickými obvodmi a oboznámte sa so štandardnými opatreniami na predchádzanie úrazom. Podľa čísla na konci každého upozornenia vyhľadajte jeho preklad v preložených bezpečnostných upozorneniach, ktoré sú priložené k zariadeniu.

USCHOVAJTE SI TENTO NÁVOD

Obtaining Optical Networking Information

This section contains information that is specific to optical networking products. For information that pertains to all of Cisco, refer to the [Obtaining Documentation, Obtaining Support, and Security Guidelines](#) section.

Where to Find Safety and Warning Information

For safety and warning information, refer to the *Cisco Optical Transport Products Safety and Compliance Information* document that accompanied the product. This publication describes the international agency compliance and safety information for the Cisco ONS 15454 system. It also includes translations of the safety warnings that appear in the ONS 15454 system documentation.

Cisco Optical Networking Product Documentation CD-ROM

Optical networking-related documentation, including Cisco ONS 15xxx product documentation, is available in a CD-ROM package that ships with your product. The Optical Networking Product Documentation CD-ROM is updated periodically and may be more current than printed documentation.

Obtaining Documentation, Obtaining Support, and Security Guidelines

For information on obtaining documentation, submitting a service request, and gathering additional information, see the monthly *What's New in Cisco Product Documentation*, which also lists all new and revised Cisco technical documentation, at:

<http://www.cisco.com/en/US/docs/general/whatsnew/whatsnew.html>

Subscribe to the *What's New in Cisco Product Documentation* as a Really Simple Syndication (RSS) feed and set content to be delivered directly to your desktop using a reader application. The RSS feeds are a free service and Cisco currently supports RSS Version 2.0.



CHAPTER 1

Install the Cisco ONS 15454, ONS 15454 M2, and ONS 15454 M6 Shelf

For information on installing the Cisco ONS 15454, ONS 15454 M2, and ONS 15454 M6 shelf, refer: [Cisco ONS 15454 Hardware Installation Guide](#).





CHAPTER 2

Install the Control Cards

This chapter explains how to install the control cards needed for the Cisco ONS 15454, Cisco ONS 15454 M2, and Cisco ONS 15454 M6 platforms.

**Note**

The procedures and tasks described in this chapter for the Cisco ONS 15454 platform is applicable to the Cisco ONS 15454 M2 and Cisco ONS 15454 M6 platforms, unless noted otherwise.

**Note**

Unless otherwise specified, “ONS 15454” refers to both ANSI and ETSI shelf assemblies.

This section lists the chapter procedures (NTPs). Turn to a procedure for applicable tasks (DLPs).

1. [NTP-G15 Install the Common Control Cards, page 2-1](#)—Complete this procedure to install the control cards needed for the ONS 15454 platform.
2. [NTP-G313 Install and Configure the TNC or TSC Card, page 2-8](#)—Complete this procedure to install the control cards needed for the ONS 15454 M2 and ONS 15454 M6 platforms.

NTP-G15 Install the Common Control Cards

Purpose	This procedure describes how to install the control cards needed for the ONS 15454 platform.
Tools/Equipment	Redundant TCC2/TCC2P/TCC3 cards on ONS 15454 shelf (required) AIC-I card (optional) MS-ISC-100T (optional; for multishelf node configurations)
Prerequisite Procedures	“NTP-G7 Install the Power and Ground” in the <i>Cisco ONS 15454 Hardware Installation Guide</i> “NTP-G14 Install DWDM Equipment” in the <i>Cisco ONS 15454 Hardware Installation Guide</i>
Required/As Needed	Required
Onsite/Remote	Onsite
Security Level	Provisioning or higher

**Warning**

During this procedure, wear grounding wrist straps to avoid ESD damage to the card. Do not directly touch the backplane with your hand or any metal tool, or you could shock yourself. Statement 94

**Caution**

Always use the supplied ESD wristband when working with a powered ONS 15454. For detailed instructions on how to wear the ESD wristband, refer to the [Cisco ONS Electrostatic Discharge \(ESD\) and Grounding Guide](#).

**Note**

If protective clips are installed on the backplane connectors of the cards, remove the clips before installing the cards.

**Note**

If you install a card incorrectly, the FAIL LED flashes continuously.

Step 1 (ONS 15454 only) Complete the “[DLP-G33 Install the TCC2, TCC2P, or TCC3 Card](#)” task on page 2-2.

**Note**

If you install the wrong card in a slot, see the “[NTP-G107 Remove Permanently or Remove and Replace DWDM Cards](#)” procedure in the “[Upgrade, Add and Remove Cards and Nodes](#)” chapter of the *Cisco ONS 15454 DWDM Procedure Guide*.

Step 2 (ONS 15454 only) Complete the “[DLP-G34 Install the AIC-I Card](#)” task on page 2-6, if necessary.

Step 3 (ONS 15454 only) Complete the “[DLP-G309 Install the MS-ISC-100T Card](#)” task on page 2-7, if necessary.

Stop. You have completed this procedure.

DLP-G33 Install the TCC2, TCC2P, or TCC3 Card

Purpose	This task installs redundant TCC2/TCC2P/TCC3 cards. The first card you install in the ONS 15454 must be a TCC2/TCC2P/TCC3 card, and it must initialize before you install any cross-connect or traffic cards. Cross-connect cards are only required in hybrid nodes.
Tools/Equipment	Two TCC2/TCC2P/TCC3 cards
Prerequisite Procedures	None
Required/As Needed	Required
Onsite/Remote	Onsite
Security Level	None

**Caution**

Do not remove a TCC2/TCC2P/TCC3 card during the software transfer process, which is indicated by alternate flashing FAIL and ACT/STBY LEDs. Removing a TCC2/TCC2P/TCC3 during the software transfer process will corrupt the system memory.



Note Allow each card to boot completely before installing the next card.

Step 1 Open the latches/ejectors of the first TCC2/TCC2P/TCC3 card that you will install.

Step 2 Use the latches/ejectors to firmly slide the card along the guide rails until the card plugs into the receptacle at the back of the slot (Slot 7 or 11).



Note In [Step 4](#), you will be instructed to watch the LED activity (sequence) on the front of the TCC2/TCC2P/TCC3 card. This activity begins immediately after you close the latches in [Step 3](#).

Step 3 Verify that the card is inserted correctly and close the latches/ejectors on the card.



Note It is possible to close the latches/ejectors when the card is not completely plugged into the back panel of the shelf. Ensure that you cannot insert the card any farther.

If you insert a card into a slot provisioned for a different card, all LEDs turn off.

Step 4 As needed, go to [Step a](#) to verify the LED activity on the TCC2 card. For the TCC2P go to [Step b](#). For the TCC3 card go to [Step c](#).

a. For the TCC2 card:

- All LEDs turn on briefly. The red FAIL LED and the yellow ACT/STBY LED turn on for about 15 seconds. (For TCC3 card it takes around 20 to 25 seconds)
- The red FAIL LED and the green ACT/STBY LED turn on for about 40 seconds.
- The red FAIL LED blinks for about 15 seconds.
- The red FAIL LED turns on for about 15 seconds. All LEDs turn on for about 3 seconds before turning off for about 3 seconds.
- Both green PWR LEDs turn on for 10 seconds. The PWR LEDs then turn red for 2 to 3 minutes before going to steady green.
- While the PWR LEDs are red for two to three minutes, the ACT/STBY turn on.
- The boot-up process is complete when the PWR LEDs turn green and the ACT/STBY remains on. (The ACT/STBY LED will be green if this is the first TCC2 card installed, and amber if this is the second TCC2 card installed.)



Note It might take up to four minutes for the A and B power alarms to clear.



Note Alarm LEDs might be on; disregard alarm LEDs until you are logged into CTC and can view the Alarms tab.



Note If you are logged into CTC, the SFTWDOWN alarm might appear as many as two times while the TCC2 card initializes. The alarm should clear after the card completely boots.



Note If the FAIL LED is on continuously, see the tip in [Step 8](#) about the TCC2 card automatic upload.

b. For the TCC2P card:

- All LEDs turn on briefly. The red FAIL LED, the yellow ACT/STBY LED, the green SYNC LED, and the green ACO LED turn on for about 15 seconds.
- The red FAIL LED and the green ACT/STBY LED turn on for about 30 seconds.
- The red FAIL LED blinks for about 3 seconds.
- The red FAIL LED turns on for about 15 seconds.
- The red FAIL LED blinks for about 10 seconds and then becomes solid.
- All LEDs (including the CRIT, MAJ, MIN, REM, SYNC, and ACO LEDs) blink once and turn off for about 5 seconds.
- Both green PWR LEDs turn on for 10 seconds. The PWR LEDs then turn red for 2 to 3 minutes before going to steady green. During this time, the ACT/STBY, MJ, and MN LEDs might turn on, followed by the SNYC LED briefly.
- The boot-up process is complete when the PWR LEDs turn green and the yellow ACT/STBY remains on. (The ACT/STBY LED will be green if this is the first TCC2P card installed, and yellow if this is the second TCC2P card installed.)



Note It might take up to three minutes for the A and B power alarms to clear.



Note Alarm LEDs might be on; disregard alarm LEDs until you are logged into CTC and can view the Alarms tab.



Note If you are logged into CTC, the SFTWDOWN alarm might appear as many as two times while the TCC2P card initializes. The alarm should clear after the card completely boots.



Note If the FAIL LED is on continuously, see the tip in [Step 8](#) about the TCC2P card automatic upload.

c. For the TCC3 card:

- All LEDs turn on briefly. The red FAIL LED, the yellow ACT/STBY LED, the green SYNC LED, and the green ACO LED turn on for about 25 seconds.
- The red FAIL LED and the green ACT/STBY LED turn on for about 15 seconds.
- The red FAIL LED blinks for about 3 seconds.
- The red FAIL LED turns on for about 60 seconds.
- The red FAIL LED blinks for about 15 seconds and then becomes solid (the LED is turned on for about 20 seconds).
- All LEDs (including the CRIT, MAJ, MIN, REM, SYNC, and ACO LEDs) blink once and turn off for about 5 seconds.

- Both green PWR LEDs turn on for 10 seconds. The PWR LEDs then turn red for 2 to 3 minutes before going to steady green. During this time, the ACT/STBY, MJ, and MN LEDs might turn on, followed by the SNYC LED briefly.
- The boot-up process is complete when the PWR LEDs turn green and the yellow ACT/STBY remains on. (The ACT/STBY LED will be green if this is the first TCC3 card installed, and yellow if this is the second TCC3 card installed.)



Note It might take up to three minutes for the A and B power alarms to clear.



Note Alarm LEDs might be on; disregard alarm LEDs until you are logged into CTC and can view the Alarms tab.



Note If you are logged into CTC, the SFTWDOWN alarm might appear as many as two times while the TCC3 card initializes. The alarm should clear after the card completely boots.



Note If the FAIL LED is on continuously, see the tip in [Step 8](#) about the TCC3 card automatic upload.

- Step 5** Verify that the ACT/STBY LED is green if this is the first powered-up TCC2/TCC2P/TCC3 card installed, or yellow for standby if this is the second powered-up TCC2/TCC2P/TCC3. The IP address, temperature of the node, and time of day appear on the LCD. The default time and date is 12:00 AM, January 1, 1970.
- Step 6** The LCD cycles through the IP address (the default is 192.1.0.2), node name, and software version. Verify that the correct software version is shown on the LCD. The software text string indicates the node type (SDH or SONET) and software release. (For example: SDH 09.20-05L-20.10 indicates it is an SDH software load, Release 9.2. The numbers following the release number do not have any significance.)
- Step 7** If the LCD shows the correct software version, continue with [Step 8](#). If the LCD does not show the correct software version, refer to your next level of technical support, upgrade the software, or remove the TCC2/TCC2P/TCC3 card and install a replacement card.
- Refer to the release-specific software upgrade document to replace the software. To replace the TCC2/TCC2P/TCC3 card, refer to the *Cisco ONS 15454 DWDM Troubleshooting Guide*.
- Step 8** Repeat Steps [1](#) through [7](#) for the redundant TCC2/TCC2P/TCC3 card. If both TCC2/TCC2P/TCC3 cards are already installed, proceed to [Step 9](#).



Tip If you install a standby TCC2/TCC2P/TCC3 card that has a different software version than the active TCC2/TCC2P/TCC3 card, the newly installed standby TCC2/TCC2P/TCC3 card automatically copies the software version from the active TCC2/TCC2P/TCC3 card. You do not need to do anything in this situation. However, the loading TCC2/TCC2P/TCC3 card does not boot up in the normal manner. When the standby card is first inserted, the LEDs follow most of the normal boot-up sequence. However, after the red FAIL LED turns on for about 5 seconds, the FAIL LED and the ACT/STBY LED begin to flash alternately for up to 30 minutes while the new software loads onto the active TCC2/TCC2P/TCC3 card. After loading the new software, the upgraded TCC2/TCC2P/TCC3 card's LEDs repeat the appropriate bootup sequence, and the amber ACT/STBY LED turns on.



Note If you insert a card into a slot provisioned for a different card, all LEDs turn off.



Note Alarm LEDs might be on; disregard alarm LEDs until you are logged into CTC and can view the Alarms tab.

Step 9 Return to your originating procedure (NTP).

DLP-G34 Install the AIC-I Card

Purpose	This task installs the AIC-I card. The AIC-I card provides connections for external alarms and controls (environmental alarms).
Tools/Equipment	AIC-I card
Prerequisite Procedures	DLP-G33 Install the TCC2, TCC2P, or TCC3 Card, page 2-2
Required/As Needed	As needed
Onsite/Remote	Onsite
Security Level	None



Note When installing cards, allow each card to boot completely before installing the next card.

Step 1 Open the latches/ejectors on the card.

Step 2 Use the latches/ejectors to firmly slide the card along the guide rails in Slot 9 until the card plugs into the receptacle at the back of the slot.

Step 3 Verify that the card is inserted correctly and close the latches/ejectors on the card.



Note It is possible to close the latches/ejectors when the card is not completely plugged into the backplane. Ensure that you cannot insert the card any further.

Step 4 Verify the following:

- The red FAIL LED blinks for up to 10 seconds.



Note If the red FAIL LED does not turn on, check the power.

- The PWR A and PWR B LEDs become red, the two INPUT/OUTPUT LEDs become amber, and the ACT LED turns green for approximately 5 seconds.
- The PWR A and PWR B LEDs turn green, the INPUT/OUTPUT LEDs turn off, and the green ACT LED remains on.



Note It might take up to 3 minutes for the PWR A and PWR B LEDs to update.



Note If you insert a card into a slot provisioned for a different card, no LEDs turn on.



Note If the red FAIL LED is on continuously or the LEDs act erratically, the card is not installed properly. Remove the card and repeat Steps 1 to 4.

Step 5 Return to your originating procedure (NTP).

DLP-G309 Install the MS-ISC-100T Card

Purpose	This task installs redundant MS-ISC-100T cards. The MS-ISC-100T card is required for a multishelf node configuration. It provides LAN redundancy on the node controller shelf. An alternative to using the MS-ISC-100T card is the Cisco Catalyst 2950, although Cisco recommends using the MS-ISC-100T. For more information on the Catalyst 2950 installation, refer to the Catalyst 2950 product documentation.
Tools/Equipment	MS-ISC-100T card (2)
Prerequisite Procedures	DLP-G33 Install the TCC2, TCC2P, or TCC3 Card, page 2-2
Required/As Needed	As needed
Onsite/Remote	Onsite
Security Level	None



Note When installing cards, allow each card to boot completely before installing the next card.



Note The MS-ISC-100T is not supported in a subtended shelf.

Step 1 Open the latches/ejectors on the card.

Step 2 Use the latches/ejectors to firmly slide the card along the guide rails into the appropriate slot in the node controller shelf until the card plugs into the receptacle at the back of the slot. The card can be installed in any slot from Slot 1 to 6 or 12 to 17. Cisco recommends that you install the MS-ISC-100T cards in Slot 6 and Slot 12.

Step 3 Verify that the card is inserted correctly and close the latches/ejectors on the card.



Note It is possible to close the latches/ejectors when the card is not completely plugged into the backplane. Ensure that you cannot insert the card any further.

Step 4 Verify the LED activity:

- The red FAIL LED blinks for 35 to 45 seconds.
- The red FAIL LED turns on for 15 to 20 seconds.

- The red FAIL LED blinks for approximately 3 minutes.
- The red FAIL LED turns on for approximately 6 minutes.
- The green ACT or ACT/STBY LED turns on. The SF LED can persist until all card ports connect to their far end counterparts and a signal is present.



Note If the red FAIL LED does not turn on, check the power.



Note If you insert a card into a slot provisioned for a different card, all LEDs turn off.

Step 5 Repeat Steps 1 through 4 for the redundant MS-ISC-100T card.

Step 6 Return to your originating procedure (NTP).

NTP-G313 Install and Configure the TNC or TSC Card

Purpose	This procedure describes how to install and configure the TNC or TSC card. TNC and TSC cards are the control cards needed for the ONS 15454 M2 and ONS 15454 M6 platforms.
Tools/Equipment	Redundant TNC/TSC cards on ONS 15454 M6 shelf (required) Stand-alone TNC/TSC card on ONS 15454 M2 shelf (required)
Prerequisite Procedures	“NTP-G271 Install the Power and Ground to the ONS 15454 M2 Shelf” in the <i>Cisco ONS 15454 Hardware Installation Guide</i> “NTP-G14 Install DWDM Equipment” in the <i>Cisco ONS 15454 Hardware Installation Guide</i>
Required/As Needed	Required
Onsite/Remote	Onsite
Security Level	Provisioning or higher



Warning

During this procedure, wear grounding wrist straps to avoid ESD damage to the card. Do not directly touch the backplane with your hand or any metal tool, or you could shock yourself. Statement 94



Caution

Always use the supplied ESD wristband when working with a powered ONS 15454 M2 and ONS 15454 M6 shelf assemblies. For detailed instructions on how to wear the ESD wristband, refer to the [Cisco ONS Electrostatic Discharge \(ESD\) and Grounding Guide](#).



Note

If you install a card incorrectly, the FAIL LED flashes continuously.

Step 1 Complete the “[DLP-G604 Install the TNC or TSC Card](#)” task on page 2-9.



Note If you install the wrong card in a slot, see the “[NTP-G107 Remove Permanently or Remove and Replace DWDM Cards](#)” task on page 13-2.

- Step 2** Complete the “[DLP-G605 Provision PPM and Port for the TNC Card](#)” task on page 2-12.
- Step 3** Complete the “[DLP-G606 Configure UDC and VoIP for the TNC Card](#)” task on page 2-13.
- Stop. You have completed this procedure.**

DLP-G604 Install the TNC or TSC Card

Purpose	(ONS 15454 M2 and ONS 15454 M6 only) This task installs redundant TNC/TSC cards on the ONS 15454 M6 shelf and a stand-alone TNC/TSC card on the ONS 15454 M2 shelf. Install and initialize the TNC/TSC card before installing any other line cards into the shelf assemblies. On the ONS 15454 M6 shelf, install the TNC/TSC cards in slots 1 and 8 for redundancy. On the ONS 15454 M2 shelf, install the stand-alone TNC/TSC card in slot 1.
Tools/Equipment	Two TNC/TSC cards for the ONS 15454 M6 shelf and one TNC/TSC card for the ONS 15454 M2 shelf
Prerequisite Procedures	None
Required/As Needed	Required
Onsite/Remote	Onsite
Security Level	None



Note The ONS 15454 M2 shelf supports stand-alone control cards such as TNC and TSC. During replacement or removal of the control card, ensure that the optical fibers are not disturbed. The fibers must be correctly routed in the retention feature mounted on the front side of the shelf.



Caution Do not remove the TNC/TSC cards during the software installation process, which is indicated by alternate flashing FAIL and ACT/STBY LEDs. Removing the TNC/TSC cards during the software installation process will corrupt the system memory.



Note Allow each TNC/TSC card to boot completely before installing the redundant TNC/TSC card.



Note On the ONS 15454 M6 shelf, install the TNC/TSC cards in slots 1 and 8 for redundancy. On the ONS 15454 M2 shelf, install the stand-alone TNC/TSC card in slot 1. For more information, see the “Card Slot Requirements” section in the *Cisco ONS 15454 DWDM Reference Manual*.

**Note**

You cannot insert the TNC/TSC cards in other slots due to mechanical constraints. To identify the card slot, match the symbol placed on the lower side of the card front panel with the symbol in the shelf.

**Caution**

To achieve redundancy, two TNC cards or two TSC cards must be installed in the ONS 15454 M6 shelf. Do not install one TNC card and a redundant TSC card in the same shelf.

- Step 1** Open the latches/ejectors of the first TNC/TSC card that you will install.
- Step 2** Use the latches/ejectors to firmly slide the card horizontally along the guide rails until the card plugs into the receptacle at the back of the slot (slot 1 or 8 in the ONS 15454 M6 shelf and slot 1 in the ONS 15454 M2 shelf).
- Step 3** Verify that the card is inserted correctly, and close the latches/ejectors on the card.
If you insert a card into a slot assigned for a different card, all LEDs turn off.
- Step 4** As needed, verify the LED activity on the TNC/TSC card.
- The red FAIL LED, PWR LED turn on briefly.
 - The red FAIL LED turns on for about 10 seconds.
 - The red FAIL LED and the amber ACT/STBY LED turn on for about 30 seconds.
 - The red FAIL LED blinks for about 10 seconds.
 - The red FAIL LED turns on for about 15 seconds.
 - All the LEDs including the CRIT, MAJ, MIN, REM, SYNC, and ACO LEDs blink once and turn off for about 10 seconds.
 - ACT/STBY LED blinks for about 1 second.
 - All the LEDs including the CRIT, MAJ, MIN, REM, SYNC, and ACO LEDs turn off for about 10 seconds.
 - The ACT/STBY, ACO, and PWR LEDs turn on.
 - The boot-up process is complete when the PWR LEDs turn green and the amber ACT/STBY remains on. The ACT/STBY LED turns green if this is the first TNC/TSC card installed, and amber if this is the second TNC/TSC card installed.

**Note**

It might take up to four minutes for the power alarms to clear.

**Note**

Alarm LEDs might be on. After completing the TNC/TSC card installation, log in to CTC and click the Alarms tab to display the alarms raised on the card. For procedure to clear the alarm, see the *Cisco ONS DWDM Troubleshooting Guide*.

**Note**

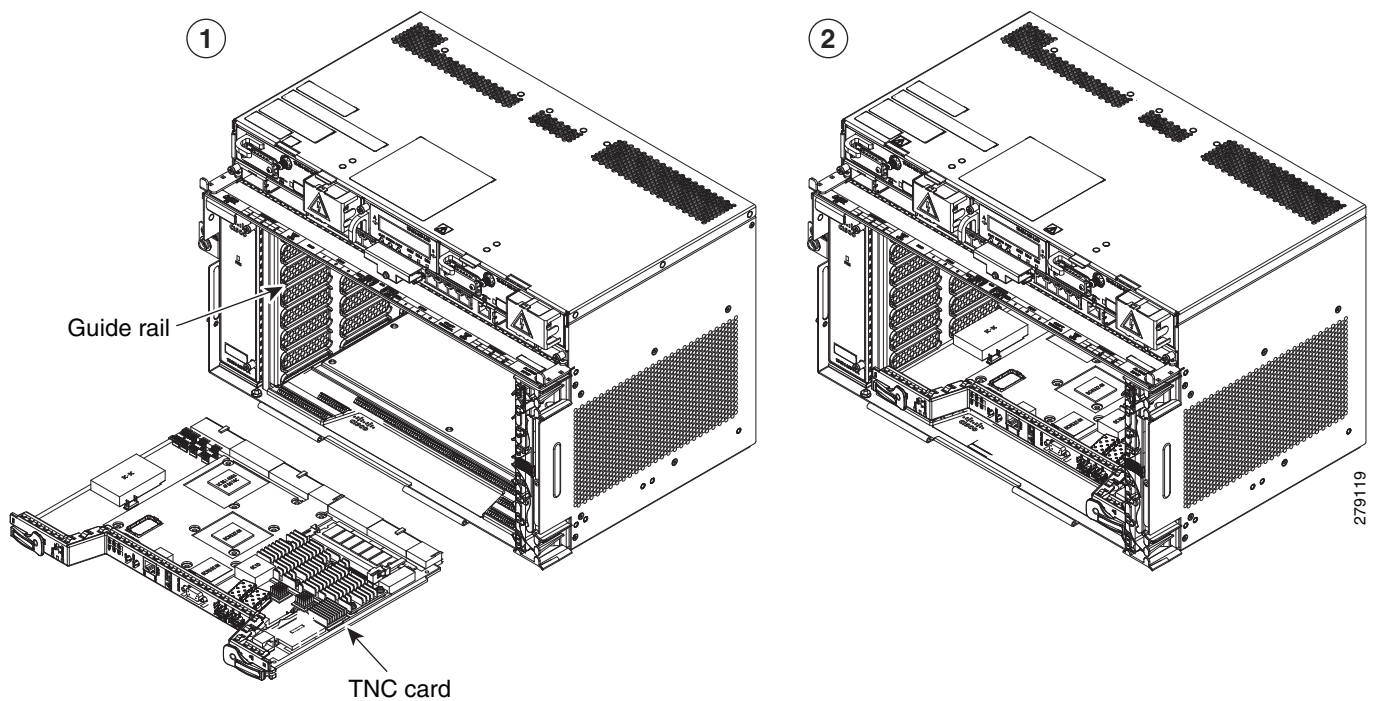
During the TNC/TSC card initialization, the SFTWDOWN alarm appears twice. The alarm clears after the TNC/TSC card boots completely.



Note If the FAIL LED is on continuously, see the tip in [Step 8](#) about the TNC/TSC card automatic upload.

[Figure 2-1](#) illustrates the installation of TNC card on ONS 15454 M6 shelf.

Figure 2-1 Installing TNC Card on ONS 15454 M6 Shelf



- Step 5** Verify that the ACT/STBY LED is green if this is the first powered-up TNC/TSC card installed or amber if this is the second powered-up TNC/TSC. The IP address, temperature of the node, and time of day appear on the LCD. The default time and date is 12:00 AM, January 1, 1970.
- Step 6** The LCD cycles through the IP address (the default is 192.1.0.2), node name, and software version. Verify that the correct software version is shown on the LCD. The software text string indicates the node type (SDH or SONET) and software release. (For example: SDH 09.20-05L-20.10 indicates it is an SDH software load, Release 9.2. The numbers following the release number do not have any significance.)
- Step 7** If the LCD shows the correct software version, continue with [Step 8](#). If the LCD does not show the correct software version, refer to your next level of technical support, upgrade the software, or remove the TNC/TSC card and install a replacement card. Refer to the release-specific software upgrade document to replace the software.
- Step 8** (ONS 15454 M6 shelf only) Repeat [Steps 1](#) through [7](#) for the redundant TNC/TSC card.

**Tip**

If you install a standby TNC/TSC card that has a different software version than the active TNC/TSC card, the standby TNC/TSC card copies the software version from the active TNC/TSC card. When the standby card is first inserted, the LEDs follow the normal boot-up sequence. However, after the red FAIL LED turns on for about 5 seconds, the FAIL LED and the ACT/STBY LED begin to flash alternately for up to 30 minutes. After loading the new software, the upgraded TNC/TSC cards LEDs repeat the appropriate bootup sequence, and the amber ACT/STBY LED turns on.

Step 9 Return to your originating procedure (NTP).

DLP-G605 Provision PPM and Port for the TNC Card

Purpose	(ONS 15454 M2 and ONS 15454 M6 only) This task provisions a PPM and port on a TNC card. PPMs are created to support the OSC function.
Tools/Equipment	None
Prerequisite Procedures	“DLP-G46 Log into CTC” task on page 3-30
Required/As Needed	As needed
Onsite/Remote	Onsite or remote
Security Level	None

- Step 1** In node view (single-shelf mode) or shelf view (multishelf view), double-click the TNC card where you want to provision PPM and port settings.
- Step 2** Click the **Provisioning > Pluggable Port Modules** tabs.
- Step 3** In the Pluggable Port Modules area, click **Create**. The Create PPM dialog box appears.
- Step 4** In the Create PPM dialog box, complete the following:
- PPM—Choose 1 or 2 from the PPM drop-down list.
 - PPM Type—Displays the PPM associated with the chosen PPM in the above step.
- Step 5** Click **OK**. The newly created PPM appears in the Pluggable Port Modules area. The row in the Pluggable Port Modules area becomes white when the PPM is inserted and the Actual Equipment Type column lists the name of PPM.
- Step 6** In the Pluggable Ports area, click **Create**. The Create Port dialog box appears.
- Step 7** In the Create Ports dialog box, complete the following:
- Port—Choose the port you want to configure from the Port drop-down list.
 - Port Type—Choose the port type, such as OC-3, FE, or ONE-GE from the Port Type drop-down list.

**Note**

OC-3 can be configured only on PPM port 1. FE and ONE-GE can be configured on both the ports. If the port type is FE, then disable ALS before provisioning OSC on that port.

- Step 8** Click **OK**. The newly created port appears in the Pluggable Ports area. The port type you provisioned is listed in the Rate column.

- Step 9** Repeat Steps 3 through 8 to provision another PPM and port on the TNC card.
- Step 10** Return to your originating procedure (NTP).

DLP-G606 Configure UDC and VoIP for the TNC Card

Purpose	(ONS 15454 M2 and ONS 15454 M6 only) This task configures UDC and VoIP traffic for the TNC card.
Tools/Equipment	None
Prerequisite Procedures	DLP-G46 Log into CTC, page 3-30 NTP-G38 Provision OSC Terminations, page 4-126 DLP-G605 Provision PPM and Port for the TNC Card, page 2-12
Required/As Needed	As needed
Onsite/Remote	Onsite or remote
Security Level	None



Note

Each TNC card supports UDC/VoIP configuration. You can configure UDC or VoIP on the two SFP ports present on the TNC card. The TNC card supports the UDC/VoIP configuration only when OSC is provisioned on the SFP ports.



Note

If two nodes are connected through the fiber and if the TNC card in one node has UDC configuration, the TNC card in the other node must also have UDC configuration. The same rule applies to VoIP configuration.

- Step 1** In node view (single-shelf mode) or shelf view (multishelf view), double-click the TNC card where you want to configure UDC and VoIP.
- Step 2** Click the **Provisioning > UDC / VOIP** tabs.
- Step 3** From the Service Type drop-drop list, choose UDC or VOIP.



Note

You can configure UDC or VoIP on only one SFP port at a time per TNC card. If you want to configure UDC or VoIP on the second SFP port, choose NONE from the Service Type drop-down list for the first port and then choose UDC or VoIP for the second port.

- Step 4** Click **Apply**.
- Step 5** Return to your originating procedure (NTP).



CHAPTER 3

Connect the PC and Log into the GUI

This chapter explains how to connect Windows PCs and Solaris workstations to the Cisco ONS 15454 and how to log into Cisco Transport Controller (CTC) software, which is the ONS 15454 Operation, Administration, Maintenance and Provisioning (OAM&P) user interface. Procedures for connecting to the ONS 15454 ANSI using TL1 are provided in the *Cisco ONS SONET TL1 Command Guide*. Procedures for connecting to the ONS 15454 ETSI using TL1 are provided in the *Cisco ONS 15454 SDH and Cisco ONS 15600 SDH TL1 Command Guide*.



Note

The procedures and tasks described in this chapter for the Cisco ONS 15454 platform is applicable to the Cisco ONS 15454 M2 and Cisco ONS 15454 M6 platforms, unless noted otherwise.



Note

Unless otherwise specified, “ONS 15454” refers to both ANSI and ETSI shelf assemblies.

Before You Begin

This section lists the chapter procedures (NTPs). Turn to a procedure for applicable tasks (DLPs).

1. [NTP-G17 Set Up Computer for CTC, page 3-2](#)—Complete this procedure if your Windows PC or Solaris workstation has never been connected to an ONS 15454.
2. [NTP-G18 Set Up CTC Computer for Local Craft Connection to the ONS 15454, page 3-9](#)—Complete this procedure to set up your computer for an onsite craft connection to the ONS 15454.
3. [NTP-G19 Set Up a CTC Computer for a Corporate LAN Connection to the ONS 15454, page 3-25](#)—Complete this procedure to set up your computer to connect to the ONS 15454 using a corporate LAN.
4. [NTP-G21 Log into the GUI, page 3-28](#)—Complete this procedure to log into CTC.
5. [NTP-G190 Use the CTC Launcher Application to Manage Multiple ONS Nodes, page 3-38](#)—Complete this procedure to use the CTC launcher application.



Note

Autonegotiation is enabled on the EMS, craft terminal, and TNC/TSC LAN ports by default. The Layer 2 switch (Cisco or third party equipment) ports where the LAN cables are connected, are also configured with the autonegotiation enabled.

For an ONS 15454 M6 shelf, we recommend the use of RJ-45 port (craft terminal port or the EMS port) on the ECU to establish LAN connectivity. The advantages of using the RJ-45 ports on the ECU include:

- CAT-5 Ethernet cable connections can be managed better by routing the cable through the ECU ejector.
- If the TNC or TSC card fails, the LAN connection is not lost during the TNC or TSC card switch over.

If the ECU is absent, you can connect a CAT-5 Ethernet cable to the LAN port on the TNC/TSC card to create an external LAN connection.

NTP-G17 Set Up Computer for CTC

Purpose	This procedure configures your Windows PC or Solaris workstation to run CTC.
Tools/Equipment	Cisco ONS 15454 Release 9.2 software CD
Prerequisite Procedures	Chapter 1, “Install the Cisco ONS 15454, ONS 15454 M2, and ONS 15454 M6 Shelf”
Required/As Needed	Required
Onsite/Remote	Onsite or remote
Security Level	None



Note

JRE 1.6 is required to log into nodes running Software Release 9.2. JRE 1.6 is provided on the Software R9.2 software CD. Complete the [“DLP-G52 Change the JRE Version”](#) task on page 3-9 as needed.

Step 1

If your computer does not have an appropriate browser installed, complete one of the following:

- To install Internet Explorer 6.x, 7.x, or 8.x on a Windows PC, download the browser from www.microsoft.com
- To install Mozilla 1.7 on a Solaris workstation, download the browser from www.mozilla.org
- To install Safari on a MacOS-X PC, download the browser from www.apple.com



Note

Internet Explorer 8.x is supported on Windows 7, and Safari is supported on MacOS-X.

Step 2

(Windows PC only) Complete the [“DLP-G331 Adjust the Java Virtual Memory Heap Size \(Windows\)”](#) task on page 3-29 to increase the size of the JVM heap to improve CTC performance.

Step 3

Complete one of the following:

- If your computer is a Windows PC, complete the [“DLP-G37 Run the CTC Installation Wizard for Windows PCs”](#) task on page 3-3.
- If your computer is a Solaris workstation, complete the [“DLP-G38 Run the CTC Installation Wizard for Solaris Workstations”](#) task on page 3-6.

Stop. You have completed this procedure.

DLP-G37 Run the CTC Installation Wizard for Windows PCs

Purpose	This task installs CTC online user manuals, Acrobat Reader 8.1.2, JRE 1.6, and CTC JAR files on Windows PCs.
Tools/Equipment	Cisco ONS 15454 Release 9.2 software CD
Prerequisite Procedures	None
Required/As Needed	This task is required if you will use a Windows computer to run CTC and if any one of the following is true: <ul style="list-style-type: none"> • JRE 1.6 is not installed. • CTC online user manuals are not installed and are needed. • CTC JAR files are not installed and are needed.
Onsite/Remote	Onsite or remote
Security Level	None


Note

If you will log into nodes running CTC software earlier than Release 4.6, install JRE 1.3.1. To run CTC software R9.2, install JRE 1.6.

Step 1

Verify that your computer has the following:

- Processor—Pentium III, 700 Mhz or faster
- RAM—384 MB recommended, 512 MB optimum


Note

Processor and RAM requirements are guidelines. CTC performance is faster if your computer has a faster processor and more RAM.

- Hard drive—20 GB hard drive recommended with at least 50 MB of space available
- Operating system—Windows 98 (1st and 2nd editions), Windows NT 4.0 (with Service Pack 6a), Windows 2000 (with Service Pack 3), Windows XP (with Service Pack 1), Windows Vista, or Windows 7. If your operating system is Windows NT 4.0, go to [Step 2](#). If your operating system is Windows Vista or Windows 7, go to [Step 3](#). For all others, go to [Step 4](#).

Step 2

Verify that Service Pack 6a or later is installed. From Windows Start menu, choose **Programs > Administrative Tools > Windows NT Diagnostics** and check the service pack on the Version tab of the Windows NT Diagnostics dialog box. If Service Pack 6a or later is not installed, do not continue. Install Service Pack 6a following the computer upgrade procedures for your site. Go to [Step 4](#).

Step 3

Complete [DLP-G450 Configuring Windows Vista or Windows 7 to Support CTC, page 3-46](#) and go to [Step 4](#).

Step 4

Insert the Cisco ONS 15454 Release 9.2 software CD into your computer CD drive. The installation program begins running automatically. If it does not start, navigate to the CD directory and double-click **setup.exe**.

The Cisco Transport Controller Installation Wizard displays the components that will be installed on your computer:

- JRE 1.6
- Acrobat Reader 8.1.2
- Online User Manuals

- CTC JAR files



Note JRE 1.6 is required to run Release 9.2. Preinstalling the CTC JAR files saves time at initial login. If the JAR files are not installed, they are downloaded from the TCC2/TCC2P/TCC3/TNC/TSC cards the first time you log in.

Step 5 Click **Next**.

Step 6 Complete one of the following:

- Click **Typical** to install the JRE, CTC JAR files, online user manuals, and Acrobat Reader. If you already have JRE 1.6 installed on your computer, choose **Custom**.
- Click **Custom** if you want to choose the components that you want to install. By default, Acrobat Reader and the online user manuals are selected.

Step 7 Click **Next**.

Step 8 Complete the following, as applicable:

- If you selected Typical in [Step 6](#), skip this step and continue with [Step 9](#).
- If you selected Custom in [Step 6](#), check the CTC component that you want to install and click **Next**.
 - If you selected Online User Manuals, continue with [Step 9](#).
 - If you did not select Online User Manuals, continue with [Step 11](#).

Step 9 The directory where the installation wizard will install the CTC online user manuals appears. The default is C:\Program Files\Cisco\CTC\Documentation.

- If you want to change the CTC online user manuals directory, type the new directory path in the Directory Name field, or click **Browse** to navigate to the directory.
- If you do not want to change the directory, continue with [Step 10](#).

Step 10 Click **Next**.

Step 11 Review the components that will be installed. If you want to change the components, complete one of the following. If not, proceed to [Step 12](#).

- If you selected Typical in [Step 6](#), click **Back** twice to return to the installation setup type page. Choose **Custom** and repeat Steps 7 through 10.
- If you selected Custom in [Step 6](#), click **Back** once or twice (depending on the components selected) until the component selection page appears. Repeat Steps 7 through 10.

Step 12 Click **Next**. It might take a few minutes for the JRE installation wizard to appear. If you selected Custom in [Step 6](#) and you don't need to install a JRE, continue with [Step 14](#).

Step 13 To install the JRE, complete the following:

- In the Java 2 Runtime Environment License Agreement dialog box, view the license agreement and choose one of the following:
 - I accept the terms of the license agreement—Accepts the license agreement. Continue with [Step b](#).
 - I do not accept the terms of the license agreement—Disables the Next button on the Java 2 Runtime Environment License Agreement dialog box. Click **Cancel** to return to the CTC installation wizard. CTC will not install the JRE. Continue with [Step 14](#).

**Note**

If JRE 1.6 is already installed on your computer, the Java 2 Runtime Environment License Agreement dialog box does not appear. You must click **Next** and then choose **Modify** to change the JRE installation, or **Remove** to uninstall the JRE. If you choose **Modify** and click **Next**, continue with Step e. If you choose **Remove** and click **Next**, continue with Step i.

- b. Click **Next**.
- c. Choose one of the following:
 - Click **Typical** to install all JRE features. If you select Typical, the JRE version installed will automatically become the default JRE version for your browsers.
 - Click **Custom** if you want to select the components to install and select the browsers that will use the JRE version.
- d. Click **Next**.
- e. If you selected Typical, continue with Step i. If you selected Custom, click the drop-down list for each program feature that you want to install and choose the desired setting. The program features include:
 - Java 2 Runtime Environment—(Default) Installs JRE 1.6 with support for European languages.
 - Support for Additional Languages—Adds support for non-European languages.
 - Additional Font and Media Support—Adds Lucida fonts, Java Sound, and color management capabilities.

The drop-down list options for each program feature include:

- This feature will be installed on the local hard drive—Installs the selected feature.
- This feature and all subfeatures will be installed on the local hard drive—Installs the selected feature and all subfeatures.
- Don't install this feature now—Does not install the feature (not an option for Java 2 Runtime Environment).

To modify the directory where the JRE version is installed, click **Change**, navigate to the desired directory, and click **OK**.

- f. Click **Next**.
- g. In the Browser Registration dialog box, check the browsers that you want to register with the Java Plug-In. The JRE version will be the default for the selected browsers. It is acceptable to leave both browser check boxes unchecked.

**Note**

Setting the JRE as the default for these browsers might cause problems with these browsers.

- h. Click **Next**.
- i. Click **Finish**.

**Note**

If you are uninstalling the JRE, click **Remove**.

- Step 14** In the Cisco Transport Controller Installation Wizard, click **Next**. The online user manuals and/or Adobe Acrobat Reader are installed.

- Step 15** Click **Finish**.
- Step 16** Return to your originating procedure (NTP).

DLP-G38 Run the CTC Installation Wizard for Solaris Workstations

Purpose	This task installs the CTC online user manuals, Acrobat 8.1.2, and JRE 1.6 on Solaris workstations, as necessary.
Tools/Equipment	Cisco ONS 15454 Release 9.2 software CD
Prerequisite Procedures	None
Required/As Needed	This task is required if you will use a Solaris workstation to run CTC, and any of the following is true: <ul style="list-style-type: none"> • JRE 1.6 is not installed. • CTC online user manuals are not installed and are needed.
Onsite/Remote	Onsite or remote
Security Level	None



Note

If you will log into nodes running CTC software earlier than Release 4.6, install JRE 1.3.1. To run CTC software R9.2, install JRE 1.6.

- Step 1** Verify that your computer has the following:
- RAM—384 MB recommended, 512 MB optimum
 - Hard drive—20 GB hard drive recommended with at least 50 MB of space available
 - Operating system—Solaris 9 or 10



Note

These requirements are guidelines. CTC performance is faster if your computer has a faster processor and more RAM.

- Step 2** Change the directory. Type:

```
cd /cdrom/cdrom0/
```

- Step 3** From the techdoc454 CD directory, type:

```
./setup.bat
```

The Cisco Transport Controller Installation Wizard displays the components that will be installed on your computer:

- JRE 1.6
- Acrobat Reader 8.1.2
- Online User Manuals
- CTC JAR files

- Step 4** Click **Next**.
- Step 5** Complete one of the following:

- Click **Typical** to install both the JRE and the online user manuals. If you already have JRE 1.6 installed on your computer, choose **Custom**.
- Click **Custom** if you want to install either the JRE or the online user manuals.

Step 6 Click **Next**.

Step 7 Complete the following, as applicable:

- If you selected Typical in [Step 5](#), continue with [Step 8](#).
- If you selected Custom in [Step 5](#), check the CTC component that you want to install and click **Next**.
 - If you selected Online User Manuals, continue with [Step 8](#).
 - If you did not select Online User Manuals, continue with [Step 10](#).

Step 8 The directory where the installation wizard will install the CTC online user manuals appears. The default is /usr/doc/ctc.

- If you want to change the CTC online user manuals directory, type the new directory path in the Directory Name field, or click **Browse** to navigate to the directory.
- If you do not want to change the CTC online user manuals directory, skip this step.

Step 9 Click **Next**.

Step 10 Review the components that will be installed.

- If you selected Typical in [Step 5](#), click **Back** twice to return to the installation setup type page. Choose **Custom** and repeat Steps 6 through 9.
- If you selected Custom in [Step 5](#), click **Back** once or twice (depending on the components selected) until you reach the component selection page and check the desired components. Repeat Steps 7 through 9.

Step 11 Click **Next**. It might take a few minutes for the JRE installation wizard to appear. If you selected Custom in [Step 6](#) and need to install the JRE, continue with [Step 13](#).

Step 12 To install the JRE, complete the following:

- a. In the Java 2 Runtime Environment License Agreement dialog box, view the license agreement and choose one of the following:
 - I accept the terms of the license agreement—Accepts the license agreement. Continue with [Step b](#).
 - I do not accept the terms of the license agreement—Disables the Next button on the Java 2 Runtime Environment License Agreement dialog box. Click **Cancel** to return to the CTC installation wizard. CTC will not install the JRE. Continue with [Step 13](#).



Note If JRE 1.6 is already installed on your computer, the Java 2 Runtime Environment License Agreement dialog box does not appear. You must click **Next** and then choose **Modify** to change the JRE installation or **Remove** to uninstall the JRE. If you choose **Modify** and click **Next**, continue with [Step e](#). If you choose **Remove** and click **Next**, continue with [Step i](#).

b. Click **Next**.

c. Choose one of the following:

- Click **Typical** to install all JRE features. If you select Typical, the JRE version installed will automatically become the default JRE version for your browsers.

- Click **Custom** if you want to select the components to install and select the browsers that will use the JRE version.
- d. Click **Next**.
- e. If you selected Typical, continue with Step i. If you selected Custom, click the drop-down list for each program feature that you want to install and choose the desired setting. The program features include:
- Java 2 Runtime Environment—(Default) Installs JRE 1.6 with support for European languages.
 - Support for Additional Languages—Adds support for non-European languages.
 - Additional Font and Media Support—Adds Lucida fonts, Java Sound, and color management capabilities.

The drop-down list options for each program feature include:

- This feature will be installed on the local hard drive—Installs the selected feature.
- This feature and all subfeatures will be installed on the local hard drive—Installs the selected feature and all subfeatures.
- Don't install this feature now—Does not install the feature (not an option for Java 2 Runtime Environment).

To modify the directory where the JRE version is installed, click **Change**, navigate to the desired directory, and click **OK**.

- f. Click **Next**.
- g. In the Browser Registration dialog box, check the browsers that you want to register with the Java Plug-In. The JRE version will be the default for the selected browsers. It is acceptable to leave both browser check boxes unchecked.



Note Setting the JRE version as the default for these browsers might cause problems with these browsers.

- h. Click **Next**.
- i. Click **Finish**.



Note If you are uninstalling the JRE, click **Remove**.

Step 13 In the Cisco Transport Controller Installation Wizard, click **Next**. The online user manuals are installed.

Step 14 Click **Finish**.



Note Be sure to record the names of the directories you choose for JRE and the online user manuals.

Step 15 Return to your originating procedure (NTP).

DLP-G52 Change the JRE Version

Purpose	This task changes the JRE version, which is useful if you would like to upgrade to a later JRE version from an earlier one without using the software CD. This does not affect the browser default version. After selecting the desired JRE version, you must exit CTC. The next time you log into a node, the new JRE version will be used.
Tools	None
Prerequisite Procedures	DLP-G46 Log into CTC, page 3-30
Required/As Needed	As needed
Onsite/Remote	Onsite or remote
Security Level	Provisioning or higher

-
- Step 1** From the Edit menu, choose **Preferences**.
- Step 2** Click the **JRE** tab. The JRE tab shows the current JRE version and the recommended and supported versions.
- Step 3** Click the **Browse** button and navigate to the JRE directory on your computer.
- Step 4** Choose the JRE version.
- Step 5** Click **Open**, then click **OK**.
- Step 6** From the File menu, choose **Exit**.
- Step 7** In the confirmation dialog box, click **Yes**.
- Step 8** Log out of the ONS node.
- Step 9** In the web browser that you used to log into the node, click **Delete CTC Cache**.
- Step 10** Click **Yes** on the confirmation dialog then close the browser window.
- Step 11** Complete the “[DLP-G46 Log into CTC](#)” task on page 3-30.
- Step 12** Return to your originating procedure (NTP).
-

NTP-G18 Set Up CTC Computer for Local Craft Connection to the ONS 15454

Purpose	This procedure explains how to set up a PC running Windows or a Solaris workstation for an onsite local craft connection to the ONS 15454.
Tools/Equipment	Network interface card (NIC), also referred to as an Ethernet card Straight-through (CAT-5) LAN cable
Prerequisite Procedures	NTP-G17 Set Up Computer for CTC, page 3-2
Required/As Needed	As needed
Onsite/Remote	Onsite or remote
Security Level	None

- Step 1** Complete one of the CTC computer setup tasks shown in [Table 3-1](#) based on your CTC connection environment. For initial setup, use Option 1 or 3 if you are setting up a Windows PC. Use Option 4 if you are setting up a Solaris workstation.

Table 3-1 CTC Computer Setup for Local Craft Connections to the ONS 15454

Option	CTC Connection Environment	CTC Computer Setup Task
1	<ul style="list-style-type: none"> You are connecting from a Windows PC. You will connect to one ONS 15454, or ONS 15454 M2, or ONS 15454 M6. You need to access non-ONS 15454 applications such as ping and tracert (trace route). 	DLP-G39 Set Up a Windows PC for Craft Connection to an ONS 15454 on the Same Subnet Using Static IP Addresses, page 3-12
2	<ul style="list-style-type: none"> You are connecting from a Windows PC. Your network uses Dynamic Host Configuration Protocol (DHCP) for assignment of host IP addresses. The CTC computer is provisioned for DHCP. The ONS 15454 has DHCP forwarding enabled. The ONS 15454 is connected to a DHCP server. <p>Note The ONS 15454 does not provide IP addresses. If DHCP is enabled, it passes DHCP requests to an external DHCP server.</p>	DLP-G40 Set Up a Windows PC for Craft Connection to an ONS 15454 Using Dynamic Host Configuration Protocol, page 3-15 <p>Note Do not use this task for initial node turn-up. Use the task only if DHCP forwarding is enabled on the ONS 15454. By default, DHCP is not enabled. To enable it, see the “NTP-G26 Set Up CTC Network Access” procedure on page 4-18.</p>

Table 3-1 CTC Computer Setup for Local Craft Connections to the ONS 15454 (continued)

Option	CTC Connection Environment	CTC Computer Setup Task (continued)
3	<ul style="list-style-type: none"> • You are connecting from a Windows PC. • You will connect to ONS 15454s at different locations and times and do not wish to reconfigure your PC's IP settings each time. • You will not access or use non-ONS 15454 applications such as ping and tracert (trace route). • If you are using an ANSI shelf, you will connect to the TCC2/TCC2P/TCC3 Ethernet port or backplane LAN pins either directly or through a hub. • If you are using an ETSI shelf, you will connect to the ONS 15454 Ethernet port or the RJ-45 jack on the MIC-C/T/P FMEC either directly or through a hub. • If you are using an ANSI or ETSI multishelf node, you will connect to the patch panel DCN port or the Catalyst 2950 or the Catalyst 3560 using a straight-through (CAT 5) LAN cable. • If you are using an ONS 15454 M6 shelf assembly, you will connect to the TNC/TSC ethernet port, or the EMS port or the craft terminal port on the ECU either directly or through a hub. • If you are using an ONS 15454 M2 shelf assembly, you will connect to the TNC/TSC ethernet port or the EMS port on the power module either directly or through a hub. • If you are using an ONS 15454 M6 multishelf node, you will connect to the patch panel DCN port or the Catalyst 2950 or Catalyst 3560 using a straight-through (CAT 5) LAN cable. 	DLP-G41 Set Up a Windows PC for Craft Connection to an ONS 15454 Using Automatic Host Detection, page 3-19
4	<ul style="list-style-type: none"> • You are connecting from a Solaris workstation. • You will connect to one ONS 15454. • You need to access non-ONS 15454 applications such as ping and tracert (trace route). 	DLP-G42 Set Up a Solaris Workstation for a Craft Connection to an ONS 15454, page 3-23

Step 2 Connect a straight-through CAT-5 LAN cable from the Windows PC or Solaris workstation NIC to one of the following:

- The RJ-45 (LAN) port on the active or standby TCC2/TCC2P/TCC3 card. Use this method for the initial shelf turn-up.
- The RJ-45 (LAN) port on a hub or switch to which the ONS 15454 is physically connected.
- For multishelf mode, the DCN RJ-45 (LAN) port on the Ethernet Adapter Panel (EAP) or Port 23 or 24 of the Catalyst 2950 or the Catalyst 3560.
- If you are using an ONS 15454 M2 shelf assembly, you will connect to the TNC/TSC ethernet port or the EMS port on the power module either directly or through a hub.
- If you are using an ONS 15454 M6 shelf assembly, you will connect to the TNC/TSC ethernet port, or the EMS port or the craft terminal port on the ECU either directly or through a hub.

**Note**

For instructions on crimping your own straight-through (CAT-5) LAN cables, refer to the *Cisco ONS 15454 DWDM Troubleshooting Guide*.

Step 3 After setting up your CTC computer, continue with the “[NTP-G21 Log into the GUI](#)” procedure on [page 3-28](#) as needed.

Stop. You have completed this procedure.

DLP-G39 Set Up a Windows PC for Craft Connection to an ONS 15454 on the Same Subnet Using Static IP Addresses

Purpose	This task sets up your computer for a local craft connection to the ONS 15454 when: <ul style="list-style-type: none"> You will connect to one ONS 15454; if you will connect to multiple ONS 15454s, you might need to reconfigure your computer’s IP settings each time you connect to an ONS 15454. You need to use non-ONS 15454 applications such as ping and tracert (trace route).
Tools/Equipment	None
Prerequisite Procedures	NTP-G17 Set Up Computer for CTC, page 3-2
Required/As Needed	As needed
Onsite/Remote	Onsite
Security Level	None

- Step 1** Verify the operating system that is installed on your computer:
- From the Windows Start menu, choose **Settings > Control Panel**.
 - In the Control Panel window, double-click the **System** icon.
 - On the General tab of the System Settings window, verify that the Windows operating system is one of the following: Windows 98, Windows NT 4.0, Windows 2000, Windows XP, Windows Vista, or Windows 7.
- Step 2** According to the Windows operating system installed on your computer, perform one of the following steps:
- For Windows 98, complete [Step 3](#).
 - For Windows NT 4.0, complete [Step 4](#).
 - For Windows 2000, complete [Step 5](#).
 - For Windows XP, complete [Step 6](#).
 - For Windows Vista, complete [Step 7](#).
 - For Windows 7, complete [Step 8](#).

- Step 3** If you have Windows 98 installed on your PC, complete the following steps to change its TCP/IP configuration:
- a. From the Windows Start menu, choose **Settings > Control Panel**.
 - b. In the Control Panel dialog box, click the **Network** icon.
 - c. In the Network dialog box, choose **TCP/IP** for your NIC card, then click **Properties**.
 - d. In the TCP/IP Properties dialog box, click the **DNS Configuration** tab and choose **Disable DNS**.
 - e. Click the **WINS Configuration** tab and choose **Disable WINS Resolution**.
 - f. Click the **IP Address** tab.
 - g. In the IP Address window, click **Specify an IP address**.
 - h. In the IP Address field, enter an IP address that is identical to the ONS 15454 IP address except for the last octet. The last octet must be 1 or 3 through 254. This IP address appears on the LCD unless its display is suppressed during node provisioning.
 - i. In the Subnet Mask field, type the same subnet mask as the ONS 15454. The default is **255.255.255.0** (24 bit).
 - j. Click **OK**.
 - k. In the TCP/IP dialog box, click the **Gateway** tab.
 - l. In the New Gateway field, type the ONS 15454 IP address. Click **Add**.
 - m. Verify that the IP address appears in the Installed Gateways field, then click **OK**.
 - n. When the prompt to restart your PC appears, click **Yes**.
 - o. Proceed to [Step 9](#).
- Step 4** If you have Windows NT 4.0 installed on your PC, complete the following steps to change its TCP/IP configuration:
- a. From the Windows Start menu, choose **Settings > Control Panel**.
 - b. In the Control Panel dialog box, click the **Network** icon.
 - c. In the Network dialog box, click the **Protocols** tab, choose **TCP/IP Protocol**, then click **Properties**.
 - d. Click the **IP Address** tab.
 - e. In the IP Address window, click **Specify an IP address**.
 - f. In the IP Address field, enter an IP address that is identical to the ONS 15454 IP address shown on the ONS 15454 LCD except for the last octet. The last octet must be 1 or 3 through 254.
 - g. In the Subnet Mask field, type **255.255.255.0**.
 - h. Click **Advanced**.
 - i. In the Gateways List, click **Add**. The TCP/IP Gateway Address dialog box appears.
 - j. Type the ONS 15454 IP address in the Gateway Address field.
 - k. Click **Add**.
 - l. Click **OK**.
 - m. Click **Apply**.
 - n. In some cases, Windows NT 4.0 prompts you to reboot your PC. If you receive this prompt, click **Yes**.
 - o. Proceed to [Step 9](#).

- Step 5** If you have Windows 2000 installed on your PC, complete the following steps to change its TCP/IP configuration:
- a. From the Windows Start menu, choose **Settings > Network and Dial-up Connections > Local Area Connection**.
 - b. In the Local Area Connection Status dialog box, choose the local area connection connected to the PC port connected to the ONS 15454.
 - c. Click **Properties**.
 - d. On the General tab, choose **Internet Protocol (TCP/IP)**, then click **Properties**.
 - e. Click **Use the following IP address**.
 - f. In the IP Address field, enter an IP address that is identical to the ONS 15454 IP address shown on the ONS 15454 LCD except for the last octet. The last octet must be 1 or 3 through 254.
 - g. In the Subnet Mask field, type **255.255.255.0**.
 - h. In the Default Gateway field, type the ONS 15454 IP address.
 - i. Click **OK**.
 - j. In the Local Area Connection Properties dialog box, click **OK**.
 - k. In the Local Area Connection Status dialog box, click **Close**.
 - l. Proceed to [Step 9](#).

- Step 6** If you have Windows XP installed on your PC, complete the following steps to change its TCP/IP configuration:

- a. From the Windows Start menu, choose **Control Panel > Network Connections**.



Note If the Network Connections menu is not available, right-click the Windows screen and choose **Properties** from the popup menu. Click the **Appearance** tab, then under Scheme, choose **Classic View**.

- b. From the Network Connections dialog box, click the **Local Area Connection** icon.
- c. On the General tab of the Local Area Connection Properties dialog box, choose **Internet Protocol (TCP/IP)**, then click **Properties**.
- d. In the IP Address field, enter an IP address that is identical to the ONS 15454 IP address shown on the ONS 15454 LCD except for the last octet. The last octet must be 1 or 3 through 254.
- e. In the Subnet Mask field, type **255.255.255.0**.
- f. In the Default Gateway field, type the ONS 15454 IP address.
- g. Click **OK**.
- h. In the Local Area Connection Properties dialog box, click **OK**.
- i. In the Local Area Connection Status dialog box, click **Close**.
- j. Proceed to [Step 9](#).

- Step 7** If you have Windows Vista installed on your PC, complete the following steps to change its TCP/IP configuration:

- a. From the Windows Start menu, choose **Control Panel > Network and Internet > Network and Sharing Center > Manage network connections**. The Manage network connections window appears.

- b. Right-click the **Local Area Connection** icon, then click **Properties**. The Local Area Connection Properties dialog box appears.
- c. Click the **Networking** tab. Under **This connection uses the following items**, click **Internet Protocol Version 4 (TCP/IPv4) > Properties**. The Networking dialog box appears.
- d. Click **Use the following IP address** and in the IP Address field, enter an IP address that is identical to the ONS 15454 IP address shown on the ONS 15454 LCD except for the last octet. The last octet must be 1 or 3 through 254.
- e. In the Subnet Mask field, type **255.255.255.0**.
- f. In the Default Gateway field, type the ONS 15454 IP address.
- g. Click **OK**.
- h. In the Local Area Connection Properties dialog box, click **OK**.
- i. Proceed to [Step 9](#).

Step 8 If you have Windows 7 installed on your PC, complete the following steps to change its TCP/IP configuration:

- a. From the Windows Start menu, choose **Control Panel**.
- b. In the search box, type **adapter**.
- c. Under Network and Sharing Center, click **View Network Connections**. The Network Connections dialog box appears.
- d. In the Network Connections dialog box, right-click the **Local Area Connection** icon, then click **Properties**. The Local Area Connection Properties dialog box appears.
- e. Click the **Networking** tab. Under **This connection uses the following items**, click **Internet Protocol Version 4 (TCP/IPv4) > Properties**. The Networking dialog box appears.
- f. Click **Use the following IP address** and in the IP Address field, enter an IP address that is identical to the ONS 15454 IP address shown on the ONS 15454 LCD except for the last octet. The last octet must be 1 or 3 through 254.
- g. In the Subnet Mask field, type **255.255.255.0**.
- h. In the Default Gateway field, type the ONS 15454 IP address.
- i. Click **OK**.
- j. In the Local Area Connection Properties dialog box, click **OK**.

Step 9 Return to your originating procedure (NTP).

DLP-G40 Set Up a Windows PC for Craft Connection to an ONS 15454 Using Dynamic Host Configuration Protocol

Purpose	This task sets up your computer for craft connection to the ONS 15454 using DHCP.
Tools/Equipment	None
Prerequisite Procedures	NTP-G17 Set Up Computer for CTC, page 3-2 NTP-G26 Set Up CTC Network Access, page 4-18

Required/As Needed	As needed
Onsite/Remote	Onsite
Security Level	None

**Note**

Do not use this task for initial node turn-up. Use the task only if DHCP forwarding is enabled on the ONS 15454. By default, DHCP is not enabled. To enable it, see the [“NTP-G26 Set Up CTC Network Access” procedure on page 4-18](#).

**Note**

The ONS 15454 does not provide the IP addresses. If DHCP forwarding is enabled, it passes DHCP requests to an external DHCP server.

-
- Step 1** Verify the operating system that is installed on your computer:
- From the Windows Start menu, choose **Settings > Control Panel**.
 - In the Control Panel window, double-click the **System** icon.
 - On the General tab of the System Settings window, verify that the Windows operating system is one of the following: Windows 98, Windows NT 4.0, Windows 2000, Windows XP, Windows Vista, or Windows 7.
- Step 2** According to the Windows operating system installed on your computer, perform one of the following steps:
- For Windows 98, complete [Step 3](#).
 - For Windows NT 4.0, complete [Step 4](#).
 - For Windows 2000, complete [Step 5](#).
 - For Windows XP, complete [Step 6](#).
 - For Windows Vista, complete [Step 7](#).
 - For Windows 7, complete [Step 8](#).
- Step 3** If you have Windows 98 installed on your PC, complete the following steps to change its TCP/IP configuration:
- From the Windows Start menu, choose **Settings > Control Panel**.
 - In the Control Panel dialog box, click the **Network** icon.
 - In the Network dialog box, select **TCP/IP** for your NIC, then click **Properties**.
 - In the TCP/IP Properties dialog box, click the **DNS Configuration** tab and choose **Disable DNS**.
 - Click the **WINS Configuration** tab and choose **Disable WINS Resolution**.
 - Click the **IP Address** tab.
 - In the IP Address window, click **Obtain an IP address automatically**.
 - Click **OK**.
 - When the prompt to restart your PC appears, click **Yes**.
 - Proceed to [Step 9](#).
- Step 4** If you have Windows NT 4.0 installed on your PC, complete the following steps to change its TCP/IP configuration:
- From the Windows Start menu, choose **Settings > Control Panel**.

- b. In the Control Panel dialog box, click the **Network** icon.
- c. In the Network dialog box, click the **Protocols** tab, choose **TCP/IP Protocol**, then click **Properties**.
- d. Click the **IP Address** tab.
- e. In the IP Address window, click **Obtain an IP address from a DHCP server**.
- f. Click **OK**.
- g. Click **Apply**.
- h. If Windows prompts you to restart your PC, click **Yes**.
- i. Proceed to [Step 9](#).

Step 5 If you have Windows 2000 installed on your PC, complete the following steps to change its TCP/IP configuration:

- a. From the Windows Start menu, choose **Settings > Network and Dial-up Connections > Local Area Connection**.
- b. In the Local Area Connection Status dialog box, choose the local area connection connected to the PC port connected to the ONS 15454.
- c. In the Local Area Connection Status dialog box, click **Properties**.
- d. On the General tab, choose **Internet Protocol (TCP/IP)**, then click **Properties**.
- e. Click **Obtain an IP address automatically**.
- f. Click **OK**.
- g. In the Local Area Connection Properties dialog box, click **OK**.
- h. In the Local Area Connection Status dialog box, click **Close**.
- i. Proceed to [Step 9](#).

Step 6 If you have Windows XP installed on your PC, complete the following steps to change its TCP/IP configuration:

- a. From the Windows Start menu, choose **Control Panel > Network Connections**.



Note If the Network Connections menu is not available, right-click the Windows screen and choose **Properties** from the popup menu. Click the **Appearance** tab, then under Scheme, choose **Classic View**.

- b. From the Network Connections dialog box, click the **Local Area Connection** icon.
- c. On the General tab of the Local Area Connection Properties dialog box, click **Properties**.
- d. On the General tab, choose **Internet Protocol (TCP/IP)**, then click **Properties**.
- e. Click **Obtain an IP address automatically**.
- f. Click **OK**.
- g. In the Local Area Connection Properties dialog box, click **OK**.
- h. In the Local Area Connection Status dialog box, click **Close**.
- i. Proceed to [Step 9](#).

- Step 7** If you have Windows Vista installed on your PC, complete the following steps to change its TCP/IP configuration:
- a. From the Windows Start menu, choose **Control Panel > Network and Internet > Network and Sharing Center > Manage network connections**. The Manage network connections window appears.
 - b. Right-click the **Local Area Connection** icon, then click **Properties**. The Local Area Connection Properties dialog box appears.
 - c. Click the **Networking** tab. Under **This connection uses the following items**, click **Internet Protocol Version 4 (TCP/IPv4) > Properties**. The Networking dialog box appears.
 - d. Click **Obtain an IP address automatically**.
 - e. Click **OK**.
 - f. In the Local Area Connection Properties dialog box, click **OK**.
 - g. Proceed to [Step 9](#).
- Step 8** If you have Windows 7 installed on your PC, complete the following steps to change its TCP/IP configuration:
- a. From the Windows Start menu, choose **Control Panel**.
 - b. In the search box, type **adapter**.
 - c. Under Network and Sharing Center, click **View Network Connections**. The Network Connections dialog box appears.
 - d. Right-click the **Local Area Connection** icon, then click **Properties**. The Local Area Connection Properties dialog box appears.
 - e. Click the **Networking** tab. Under **This connection uses the following items**, click **Internet Protocol Version 4 (TCP/IPv4) > Properties**. The Networking dialog box appears.
 - f. Click **Obtain an IP address automatically**.
 - g. Click **OK**.
 - h. In the Local Area Connection Properties dialog box, click **OK**.
- Step 9** Return to your originating procedure (NTP).
-

DLP-G41 Set Up a Windows PC for Craft Connection to an ONS 15454 Using Automatic Host Detection

Purpose	This task sets up your computer for local craft connection to the ONS 15454 when: <ul style="list-style-type: none"> You are using an ANSI shelf, you will connect to the ONS 15454 Ethernet port or backplane LAN pins either directly or through a hub. You are using an ETSI shelf, you will connect to the ONS 15454 Ethernet port or the RJ-45 jack on the MIC-C/T/P FMEC either directly or through a hub. You are using an ONS 15454 M6 shelf assembly, you will connect to the TNC/TSC ethernet port, or the EMS port or the craft terminal port on the ECU either directly or through a hub. You are using an ONS 15454 M2 shelf assembly, you will connect to the TNC/TSC ethernet port or the EMS port on the power module either directly or through a hub. You will connect to multiple ONS 15454s and do not want to reconfigure your IP address each time. You do not need to access non-ONS 15454 applications such as ping and tracert (trace route).
Tools/Equipment	None
Prerequisite Procedures	NTP-G17 Set Up Computer for CTC, page 3-2
Required/As Needed	As needed
Onsite/Remote	Onsite
Security Level	None

-
- Step 1** Verify the operating system that is installed on your computer:
- From the Windows Start menu, choose **Settings > Control Panel** or, for Windows XP, **Control Panel > System**.
 - In the Control Panel window, double-click the **System** icon.
 - On the General tab of the System Settings window, verify that the Windows operating system is one of the following: Windows 98, Windows NT 4.0, Windows 2000, Windows XP, Windows Vista, or Windows 7.
- Step 2** According to the Windows operating system installed on your computer, perform one of the following steps:
- For Windows 98, complete [Step 3](#).
 - For Windows NT 4.0, complete [Step 4](#).
 - For Windows 2000, complete [Step 5](#).
 - For Windows XP, complete [Step 6](#).
 - For Windows Vista, complete [Step 7](#).
 - For Windows 7, complete [Step 8](#).

- Step 3** If you have Windows 98 installed on your PC, complete the following steps to change its TCP/IP configuration:
- a. From the Windows Start menu, choose **Settings > Control Panel**.
 - b. In the Control Panel dialog box, click the **Network** icon.
 - c. In the Network dialog box, select **TCP/IP** for your NIC, then click **Properties**.
 - d. In the TCP/IP Properties dialog box, click the **DNS Configuration** tab and choose **Disable DNS**.
 - e. Click the **WINS Configuration** tab and choose **Disable WINS Resolution**.
 - f. Click the **IP Address** tab.
 - g. In the IP Address window, click **Specify an IP address**.
 - h. In the IP Address field, enter any legitimate IP address other than the node IP address as indicated on the LCD of the ONS 15454. The default IP address is 192.1.0.2.



Note You can suppress the LCD IP address display using CTC. For more information, see the [“DLP-G162 Change IP Settings” task on page 11-24](#).

- i. In the Subnet Mask field, type the same subnet mask as the ONS 15454. The default is **255.255.255.0** (24 bit).
- j. Click **OK**.
- k. In the TCP/IP dialog box, click the **Gateway** tab.
- l. In the New Gateway field, type the address entered in Step h. Click **Add**.
- m. Verify that the IP address appears in the Installed Gateways field, then click **OK**.
- n. When the prompt to restart your PC appears, click **Yes**.
- o. Proceed to [Step 9](#).

- Step 4** If you have Windows NT 4.0 installed on your PC, complete the following steps to change its TCP/IP configuration:

- a. From the Windows Start menu, choose **Settings > Control Panel**.
- b. In the Control Panel dialog box, click the **Network** icon.
- c. In the Network dialog box, click the **Protocols** tab, choose **TCP/IP Protocol**, then click **Properties**.
- d. Click the **IP Address** tab.
- e. In the IP Address window, click **Specify an IP address**.
- f. In the IP Address field, enter any legitimate IP address other than the node IP address as indicated on the LCD of the ONS 15454. The default IP address is 192.1.0.2.



Note You can suppress the LCD IP address display using CTC. For more information, see the [“DLP-G162 Change IP Settings” task on page 11-24](#).

- g. In the Subnet Mask field, type the same subnet mask as the ONS 15454. The default is **255.255.255.0** (24 bit).
- h. Click **Advanced**.
- i. In the Gateways List, click **Add**. The TCP/IP Gateway Address dialog box appears.
- j. Type the IP address entered in Step f in the Gateway Address field.

- k. Click **Add**.
- l. Click **OK**.
- m. Click **Apply**.
- n. Reboot your PC.
- o. Proceed to [Step 9](#).

Step 5 If you have Windows 2000 installed on your PC, complete the following steps to change its TCP/IP configuration:

- a. From the Windows Start menu, choose **Settings > Network and Dial-up Connections > Local Area Connection**.
- b. In the Local Area Connection Status dialog box, click **Properties**.
- c. On the General tab, choose **Internet Protocol (TCP/IP)**, then click **Properties**.
- d. Click **Use the following IP address**.
- e. In the IP Address field, enter any legitimate IP address other than the node IP address as indicated on the LCD of the ONS 15454. The default IP address is 192.1.0.2.



Note You can suppress the LCD IP address display using CTC. For more information, see the [“DLP-G162 Change IP Settings” task on page 11-24](#).

- f. In the Subnet Mask field, type the same subnet mask as the ONS 15454. The default is **255.255.255.0** (24 bit).
- g. Type the IP address entered in Step e in the Gateway Address field.
- h. Click **OK**.
- i. In the Local Area Connection Properties dialog box, click **OK**.
- j. In the Local Area Connection Status dialog box, click **Close**.
- k. Proceed to [Step 9](#).

Step 6 If you have Windows XP installed on your PC, complete the following steps to change its TCP/IP configuration:

- a. From the Windows Start menu, choose **Control Panel > Network Connections**.



Note If the Network Connections menu is not available, click **Switch to Classic View**.

- b. From the Network Connections dialog box, right-click the **Local Area Connection** icon and select **Properties**.
- c. Scroll to the bottom of the Local Area Connection Properties dialog box. Click **Internet Protocol (TCP/IP)** to select it, then click **Properties**.
- d. In the IP Address field, enter any legitimate IP address other than the node IP address as indicated on the LCD of the ONS 15454. The default IP address is 192.1.0.2.
- e. Select the **Use the Following IP Address:** radio button.



Note You can suppress the LCD IP address display using CTC. For more information, see the [“DLP-G162 Change IP Settings” task on page 11-24](#).

- f. In the Subnet Mask field, type the same subnet mask as the ONS 15454. The default is **255.255.255.0** (24 bit).
- g. Type the IP address entered in Step **d** in the Gateway Address field.
- h. Click **OK**.
- i. In the Local Area Connection Properties dialog box, click **Close**.

Step 7 If you have Windows Vista installed on your PC, complete the following steps to change its TCP/IP configuration:

- a. From the Windows Start menu, choose **Control Panel > Network and Internet > Network and Sharing Center > Manage network connections**. The Manage network connections window appears.
- b. Right-click the **Local Area Connection** icon, then click **Properties**. The Local Area Connection Properties dialog box appears.
- c. Click the **Networking** tab. Under **This connection uses the following items**, click **Internet Protocol Version 4 (TCP/IPv4) > Properties**. The Networking dialog box appears.
- d. Click **Use the following IP address** and in the IP Address field, enter any legitimate IP address other than the node IP address indicated on the LCD of the ONS 15454. The default IP address is 192.1.0.2.



Note You can suppress the LCD IP address display using CTC. For more information, see the [“DLP-G162 Change IP Settings” task on page 11-24](#).

- e. In the Subnet Mask field, type the same subnet mask as the ONS 15454. The default is **255.255.255.0** (24 bit).
- f. Type the IP address entered in Step **d** in the Gateway Address field.
- g. Click **OK**.
- h. In the Local Area Connection Properties dialog box, click **Close**.

Step 8 If you have Windows 7 installed on your PC, complete the following steps to change its TCP/IP configuration:

- a. From the Windows Start menu, choose **Control Panel**.
- b. In the search box, type **adapter**.
- c. Under Network and Sharing Center, click **View Network Connections**. The Network Connections dialog box appears.
- d. Right-click the **Local Area Connection** icon, then click **Properties**. The Local Area Connection Properties dialog box appears.
- e. Click the **Networking** tab. Under **This connection uses the following items**, click **Internet Protocol Version 4 (TCP/IPv4) > Properties**. The Networking dialog box appears.
- f. Click **Use the following IP address** and in the IP Address field, enter any legitimate IP address other than the node IP address indicated on the LCD of the ONS 15454. The default IP address is 192.1.0.2.



Note You can suppress the LCD IP address display using CTC. For more information, see the [“DLP-G162 Change IP Settings” task on page 11-24](#).

- g. In the Subnet Mask field, type the same subnet mask as the ONS 15454. The default is **255.255.255.0** (24 bit).
- h. Type the IP address entered in Step f in the Gateway Address field.
- i. Click **OK**.
- j. In the Local Area Connection Properties dialog box, click **Close**.

Step 9 Return to your originating procedure (NTP).

DLP-G42 Set Up a Solaris Workstation for a Craft Connection to an ONS 15454

Purpose	This task sets up a Solaris workstation for a craft connection to the ONS 15454.
Tools/Equipment	None
Prerequisite Procedures	NTP-G17 Set Up Computer for CTC, page 3-2
Required/As Needed	As needed
Onsite/Remote	Onsite
Security Level	None



Note

This procedure does not apply to the ONS 15454 M6 and ONS 15454 M2 chassis, because they do not have a backplane TL1 craft port.

Step 1 Log into the workstation as the root user.

Step 2 Check to see if the interface is plumbed by typing:

```
# ifconfig device
```

For example:

```
# ifconfig hme1
```

- If the interface is plumbed, a message similar to the following appears:

```
hme1:flags=1000842<BROADCAST,RUNNING,MULTICAST,IPv4>mtu 1500 index 2 inet 0.0.0.0
netmask 0
```

If a message similar to this one appears, go to [Step 4](#).

- If the interface is not plumbed, a message similar to the following appears:

```
ifconfig: status: SIOCGLIFFLAGS: hme1: no such interface.
```

If a message similar to this one appears, go to [Step 3](#).

Step 3 Plumb the interface by typing:

```
# ifconfig device plumb
```

For example:

```
# ifconfig hme1 plumb
```

Step 4 Configure the IP address on the interface by typing:

```
# ifconfig interface ip-address netmask netmask up
```

For example:

```
# ifconfig hme0 192.1.0.3 netmask 255.255.255.0 up
```



Note Enter an IP address that is identical to the ONS 15454 IP address except for the last octet. The last octet must be 1 or 3 through 254.

Step 5 In the Subnet Mask field, type **255.255.255.0**. Skip this step if you checked Craft Access Only on the Provisioning > Network > General > Gateway Settings tab.

Step 6 Test the connection:

- a. Start Mozilla.
- b. Enter the ONS 15454 IP address in the web address (URL) field. If the connection is established, a Java Console window, CTC caching messages, and the Cisco Transport Controller Login dialog box appear. If this occurs, go to Step 2 of the “[DLP-G46 Log into CTC](#)” task on page 3-30 to complete the login. If the Login dialog box does not appear, complete Steps [c](#) and [d](#).

- c. At the prompt, type:

```
ping ONS-15454-IP-address
```

For example, to connect to an ONS 15454 with a default IP address of 192.1.0.2, type:

```
ping 192.1.0.2
```

If your workstation is connected to the ONS 15454, the following message appears:

```
IP-address is alive
```



Note Skip this step if you checked the Craft Access Only check box on the Provisioning > Network > General > Gateway Settings tab.

- d. If CTC is not responding, a “no answer from x.x.x.x” message appears. Verify the IP and subnet mask information. Check that the cables connecting the workstation to the ONS 15454 are securely attached. Check the link status by typing:

```
# ndd -set /dev/device instance 0
```

```
# ndd -get /dev/device link_status
```

For example:

```
# ndd -set /dev/hme instance 0
```

```
# ndd -get /dev/hme link_status
```

A result of “1” means the link is up. A result of “0” means the link is down.



Note Check the man page for ndd. For example, type: # **man ndd**.

Step 7 Return to your originating procedure (NTP).

NTP-G19 Set Up a CTC Computer for a Corporate LAN Connection to the ONS 15454

Purpose	This procedure sets up your computer to access the ONS 15454 through a corporate LAN.
Tools/Equipment	NIC, also referred to as an Ethernet card Straight-through (CAT-5) LAN cable
Prerequisite Procedures	<ul style="list-style-type: none"> • NTP-G17 Set Up Computer for CTC, page 3-2 • The ONS 15454 must be provisioned for LAN connectivity, including IP address, subnet mask, default gateway. • The ONS 15454 must be physically connected to the corporate LAN.
Required/As Needed	As needed
Onsite/Remote	Onsite or remote
Security Level	None

-
- Step 1** If your computer is already connected to the corporate LAN, go to [Step 3](#). If you changed your computer's network settings for craft access to the ONS 15454, change the settings back to the corporate LAN access settings. This generally means:
- Set the IP Address on the TCP/IP dialog box back to **Obtain an IP address automatically** (Windows 2000 and XP) or **Obtain an IP address from a DHCP server** (Windows NT 4.0).
 - If your LAN requires that Domain Name System (DNS) or Windows Internet Naming Service (WINS) be enabled, change the setting on the DNS Configuration or WINS Configuration tab of the TCP/IP dialog box.
- Step 2** Connect the ONS 15454 and the computer to the corporate LAN:
- Connect a straight-through (CAT-5) LAN cable from the PC or Solaris workstation NIC card to a corporate LAN port.
 - For a single ONS 15454 shelf node, connect a straight-through (CAT-5) LAN cable from the EMS or the craft terminal port to the corporate LAN port. For a single ONS 15454 M2 shelf, connect a straight-through (CAT-5) LAN cable from the EMS or the TNC/TSC Ethernet port to the corporate LAN port. For a single ONS 15454 M6 shelf, connect a straight-through (CAT-5) LAN cable from the EMS port, or the craft terminal port, or the TNC/TSC Ethernet port to the corporate LAN.
 - For an ONS 15454 M6 multishelf node, connect a straight-through (CAT-5) LAN cable from the EMS port, or the craft terminal port, or the TNC/TSC Ethernet port. For an ONS 15454, connect the DCN RJ-45 (LAN) port on the EAP or to Port 23 or 24 of the Catalyst 2950 or the Catalyst 3560 to corporate LAN port.
- Step 3** If your computer is connected to a proxy server, disable proxy service or add the ONS 15454 nodes as exceptions. To disable or bypass proxy service, complete one of the following tasks, depending on the web browser that you use:
- [DLP-G43 Disable or Bypass Proxy Service Using Internet Explorer \(Windows\), page 3-26](#)
 - [DLP-G44 Disable or Bypass Proxy Service Using Mozilla \(Solaris\), page 3-27](#)
- Step 4** Continue with the [“NTP-G21 Log into the GUI” procedure on page 3-28](#).

Stop. You have completed this procedure.

DLP-G43 Disable or Bypass Proxy Service Using Internet Explorer (Windows)

Purpose	This task disables or bypasses proxy service for PCs running Internet Explorer.
Tools/Equipment	None
Prerequisite Procedures	NTP-G17 Set Up Computer for CTC, page 3-2
Required/As Needed	Required if your computer is connected to a network computer proxy server and your browser is Internet Explorer.
Onsite/Remote	Onsite or remote
Security Level	None



Note

If you disable proxy on a TCC2P/TCC3/TNC/TSC node that has secure mode enabled, the node's communication with other secure mode nodes may be compromised. For more information about secure mode, refer to the "Management Network Connectivity" chapter in the *Cisco ONS 15454 DWDM Reference Manual*.

Step 1 From the Start menu, select **Settings > Control Panel**.



Note

If your computer is running Windows XP, you can select Control Panel directly from the Start menu. Make sure that you are in Classic View before continuing with this procedure. To switch to Classic View, right-click the Windows screen and choose **Properties** from the popup menu. Click the **Appearance** tab, then under Scheme, choose **Classic View**.

Step 2 In the Control Panel window, choose **Internet Options**.

Step 3 In the Internet Properties dialog box, click **Connections > LAN Settings**.

Step 4 In the LAN Settings dialog box, complete one of the following tasks:

- Uncheck **Use a proxy server** to disable the service.
- To bypass the service, leave **Use a proxy server** selected and click **Advanced**. In the Proxy Setting dialog box under Exceptions, enter the IP addresses of ONS 15454 nodes that you will access. Separate each address with a semicolon. You can insert an asterisk (*) for the host number to include all the ONS 15454s on your network. Click **OK** to close each open dialog box.



Note

For ONS 15454, ONS 15454 M2, and ONS 15454 M6 nodes that have TCC2P/TCC3/TNC/TSC cards installed with the TCC2P/TCC3/TNC/TSC secure mode option enabled, enter the backplane LAN port (or the EMS port) IP addresses. If the node is in secure mode and the configuration has been locked, you will not be able to change the IP address unless the lock is disabled by Cisco Technical Support. Refer to the "Management Network Connectivity" chapter in the *Cisco ONS 15454 DWDM Reference Manual* for more information about secure mode.

Step 5 Return to your originating procedure (NTP).

DLP-G44 Disable or Bypass Proxy Service Using Mozilla (Solaris)

Purpose	This task disables or bypasses proxy service for Windows PCs running Mozilla (Solaris). Required if your computer is connected to a network computer proxy server and your browser is Mozilla (Solaris).
Tools/Equipment	None
Prerequisite Procedures	NTP-G17 Set Up Computer for CTC, page 3-2
Required/As Needed	As needed
Onsite/Remote	Onsite or remote
Security Level	None



Note

If you disable proxy on a TCC2P/TCC3/TNC/TSC node that has secure mode enabled, the node's communication with other secure mode nodes may be compromised. For more information about secure mode, refer to the "Management Network Connectivity" chapter in the *Cisco ONS 15454 DWDM Reference Manual*.

Step 1 Open Mozilla (Solaris).

Step 2 From the Edit menu, choose **Tools**. The Internet Options dialog box appears.

Step 3 In the Network tab, click **Settings**. The Connection Settings dialog box appears.

Step 4 In the Connection Settings dialog box, set one of the following options:

- Click the **No proxy** option to disable the proxy server.
- Click the **Auto-detect proxy settings for this network** option to automatically detect the proxy settings for the network.
- Click the **Manual proxy configuration** option to add exceptions to the proxy server. In the No Proxy For field, enter the IP addresses of the ONS 15454 nodes that you will access. Separate each address with a comma.
- Click **OK** to close the Connection Settings dialog box.
- Click **OK** to close the Internet Options dialog box.



Note

For ONS 15454, ONS 15454 M2, or ONS 15454 M6 nodes that have TCC2P, TCC3, TNC, or TSC cards installed with the TCC2P/TCC3/TNC/TSC secure mode option enabled, enter the backplane LAN port (or EMS port) IP addresses in the Manual proxy configuration option. If the node is in secure mode and the configuration has been locked, you will not be able to change the IP address unless the lock is disabled by Cisco Technical Support. Information on contacting Cisco Technical Support is provided in the *Preface* Chapter of this guide.

Step 5 Return to your originating procedure (NTP).

NTP-G21 Log into the GUI

Purpose	This procedure logs into CTC, the graphical user interface (GUI) software used to manage the ONS 15454. This procedure includes optional node login tasks.
Tools/Equipment	None
Prerequisite Procedures	<p>NTP-G17 Set Up Computer for CTC, page 3-2</p> <p>One of the following procedures:</p> <ul style="list-style-type: none"> • NTP-G18 Set Up CTC Computer for Local Craft Connection to the ONS 15454, page 3-9 • NTP-G19 Set Up a CTC Computer for a Corporate LAN Connection to the ONS 15454, page 3-25
Required/As Needed	Required
Onsite/Remote	Onsite or remote
Security Level	Retrieve or higher

Step 1 Complete the “[DLP-G46 Log into CTC](#)” task on page 3-30.



Note For information about navigating in CTC, see [Appendix A, “CTC Information and Shortcuts.”](#)

During network topology discovery, CTC polls each node in the network to determine which one contains the most recent version of the CTC software. If CTC discovers a node in the network that has a more recent version of the CTC software than the version you are currently running, CTC generates a message stating that a later version of the CTC has been found in the network. If you have network discovery disabled, CTC will not seek more recent versions of the software. Unreachable nodes are not included in the upgrade discovery.



Note Upgrading the CTC software will overwrite your existing software. You must restart CTC after the upgrade is complete.

Step 2 As needed, complete the “[DLP-G48 Create Login Node Groups](#)” task on page 3-33. Login node groups allow you to view and manage nodes that have an IP connection but no data communications channel (DCC) connection to the login node.

Step 3 As needed, complete the “[DLP-G49 Add a Node to the Current Session or Login Group](#)” task on page 3-34.

Step 4 As needed, complete the “[DLP-G50 Delete a Node from the Current Session or Login Group](#)” task on page 3-35.

Step 5 As needed, complete the “[DLP-G331 Adjust the Java Virtual Memory Heap Size \(Windows\)](#)” task on page 3-29.

Step 6 As needed, complete the “[DLP-G51 Delete a Node from a Specific Login Node Group](#)” task on page 3-36.

Step 7 As needed, complete the “[DLP-G53 Configure the CTC Alerts Dialog Box for Automatic Popup](#)” task on page 3-36.

Stop. You have completed this procedure.

DLP-G331 Adjust the Java Virtual Memory Heap Size (Windows)

Purpose	This task allows you to adjust the Java Virtual Memory (JVM) heap size of a Windows PC from the default 256 MB to the maximum of 512 MB in order to improve CTC performance.
Tools/Equipment	None
Prerequisite procedures	None
Required/As needed	As needed
Onsite/Remote	Onsite or remote
Security Level	Provisioning or higher



Note

The task adjusts the physical memory allocation in the computer RAM so that more space is allocated for CTC. However, less physical memory will be available for other computer processes and programs. If you notice performance degradation of non-CTC programs after completing this task, reduce the JVM allotted to CTC. You may need to repeat the task a few times to find the right balance between JVM allotted to CTC and to other programs on your computer.

- Step 1** From the Windows PC, click **Start > Settings > Control Panel**. > System, or **Start > Control Panel > System** (Windows XP). The Windows Control Panel appears. The System Properties dialog box appears.
- Step 2** Click the **Advanced** tab.
- Step 3** Click **Environmental Variables**. The Environmental Variables dialog box appears.
- Step 4** In the User Variables area, check to see whether a CTC_HEAP variable was created. If yes, complete the following steps. If not, continue with [Step 5](#).
- Check the CTC_HEAP value. If it is 512, continue with [Step 12](#). If not, continue with [Step b](#).
 - Click the CTC_HEAP variable and click **Edit**.
 - In the Edit User Variable dialog box, enter the new JVM heap size. This can be any number between 256 and 512 MB.
 - Click **OK**, then continue with [Step 9](#).
- Step 5** click **New**. The New User Variable dialog box appears.
- Step 6** Type “CTC_HEAP” in the Variable Name field.
- Step 7** Type “512” in the Variable Value field.
- Step 8** Click **OK** to close the New User Variable dialog box.
- Step 9** Click **OK** to close the Environmental Variables dialog box.
- Step 10** Click **OK** to close the System Properties dialog box.
- Step 11** Reboot your PC.
- Step 12** Return to your originating procedure (NTP).
-

DLP-G46 Log into CTC

Purpose	This task logs into the graphical user interface (GUI) of CTC.
Tools/Equipment	None
Prerequisite Procedures	<p>NTP-G17 Set Up Computer for CTC, page 3-2</p> <p>One of the following procedures:</p> <ul style="list-style-type: none"> • NTP-G18 Set Up CTC Computer for Local Craft Connection to the ONS 15454, page 3-9 • NTP-G19 Set Up a CTC Computer for a Corporate LAN Connection to the ONS 15454, page 3-25
Required/As Needed	Required
Onsite/Remote	Onsite or remote
Security Level	Retrieve or higher


Note

For information about CTC views and navigation, see [Appendix A, “CTC Information and Shortcuts.”](#)

- Step 1** From the computer connected to the ONS 15454, start Internet Explorer (Windows PC) or Mozilla (Solaris workstation):
- If you are using a Windows PC, launch Internet Explorer from the Windows Start menu or a shortcut icon.
 - If you are using a Solaris workstation, navigate to the directory where Mozilla was installed, then type:


```
# mozilla -install
```

- Step 2** In Internet Explorer or Mozilla web address (URL) field, enter the ONS 15454 IPv4 or IPv6 address. For initial setup, this is the default IP address, 192.1.0.2.


Note

The IP address appears on the LCD. You can suppress the LCD IP address display using CTC after you log in. For more information, see the “[DLP-G162 Change IP Settings](#)” task on [page 11-24](#).

- Step 3** Press **Enter**. The browser displays a window with a Delete CTC Cache field and information about the Cisco Transport Controller Java and System environments.


Note

To log into CTC using an IPv6 address, you must first log into CTC using an IPv4 address and assign an IPv6 address to the node. Then, use the IPv6 address that you assigned to the node to log into CTC. For more information about configuring IPv6 address, see “[DLP-G56 Provision IP Settings](#)” task on [page 4-19](#). Enter the IPv6 address in the address bar of the browser, enclosed in square brackets.

**Note**

The Delete CTC Cache field deletes the CTC JAR (Java Archive) files that are downloaded to your computer when you log into an ONS 15454. You perform this action if connectivity problems occur or you want to delete older CTC JAR file versions from your computer. For more information, refer to the “General Troubleshooting” chapter in the *Cisco ONS 15454 DWDM Troubleshooting Guide* and the “CTC Operations” chapter in the *Cisco ONS 15454 DWDM Reference Manual*.

**Note**

If you are logging into ONS 15454 nodes in an operation network that are running different releases of CTC software, log into the node running the most recent release. If you log into a node running an older release, you will receive an INCOMPATIBLE-SW alarm for each node in the network running a new release, and CTC will not be able to manage these nodes. To check the software version of a node, select About CTC from the CTC Help menu. This will display the ONS 15454 software version for each node visible on the network view. If the node is not visible, the software version can be read from the LCD display. To resolve an alarm, refer to the *Cisco ONS 15454 DWDM Troubleshooting Guide*.

- Step 4** If a Java Plug-in Security Warning dialog box appears, complete the “[DLP-G47 Install Public-Key Security Certificate](#)” task on page 3-32 to install the public-key security certificate required by Software Release 4.1 and later.

After you complete the security certificate dialog box (or if the certificate is already installed), a Java Console window displays the CTC file download status. The web browser displays information about your Java and system environments. If this is the first login, CTC caching messages appear while CTC files are downloaded to your computer. The first time you connect to an ONS 15454, this process can take several minutes. After the download, a warning message window appears.

- Step 5** Click **OK**. The CTC Login dialog box appears.

- Step 6** In the Login dialog box, type a user name and password (both are case sensitive). For initial setup, type the user name **CISCO15** and the password **otbu+1**.

**Note**

The CISCO15 user is provided with every ONS 15454. CISCO15 has Superuser privileges, so you can create other users. You must create another Superuser before you can delete the CISCO15 user. CISCO15 is delivered with the otbu+1 password. To change the password for CISCO15, complete the “[DLP-G191 Change User Password and Security Level on a Single Node](#)” task on page 11-60 after you log in.

- Step 7** Each time you log into an ONS 15454, you can select the following login options:

- **Additional Nodes**—Displays a list of current login node groups. To create a login node group or add additional groups, see the “[DLP-G48 Create Login Node Groups](#)” task on page 3-33.
- **Disable Network Discovery**—Check this box to view only the ONS 15454 (and additional nodes within the login node group, if any) entered in the Node Name field. Nodes linked to this node through DCCs are not discovered and will not appear in CTC network view. Using this option can decrease the CTC startup time in networks with many DCC-connected nodes, and can reduce memory consumption.
- **Disable Circuit Management**—Check this box to disable discovery of existing circuits. Using this option can decrease the CTC initialization time in networks with many existing circuits and reduce memory consumption. After you are logged in, you can enable circuit discovery at any time by choosing the Enable Circuit Discovery button on the Circuits tab.

- Step 8** If you keep Disable Network Discovery unchecked, CTC attempts to upgrade the CTC software by downloading more recent versions of the JAR files it finds during the network discovery. Click **Yes** to allow CTC to download the newer JAR files, or **No** to prevent CTC from downloading the JAR files.



Note Upgrading the CTC software will overwrite your existing software. You must restart CTC after the upgrade is complete.

- Step 9** Click **Login**.

If the login is successful, the CTC node view window (in single-shelf mode) or multishelf view window (in multishelf mode) appears. From here, you can navigate to other CTC views to provision and manage the ONS 15454. If you need to turn up the shelf for the first time, see [Chapter 4, “Turn Up a Node.”](#) If login problems occur, refer to the *Cisco ONS 15454 DWDM Troubleshooting Guide*.

- Step 10** Return to your originating procedure (NTP).

DLP-G47 Install Public-Key Security Certificate

Purpose	This task installs the ITU Recommendation X.509 public-key security certificate. The public-key certificate is required to run Software Release 4.1 or later.
Tools/Equipment	None
Prerequisite Procedures	This task is performed during the “ DLP-G46 Log into CTC ” task on page 3-30 . You cannot perform it outside of this task.
Required/As Needed	Required
Onsite/Remote	Onsite or remote
Security Level	Provisioning or higher

- Step 1** If the Java Plug-in Security Warning dialog box appears, choose one of the following options:



Note The Java Plug-in Security Warning dialog box options that appear depend on the JRE version you are using. If you installed JRE 1.6, you will see the following options: Yes, No, Always, and More Details. If you are using JRE 1.3.1_02, you will see the following options (shown in parentheses in the following list): Grant This Session, Deny, Grant Always, and View Certificate.

- Yes (Grant This Session)—Installs the public-key certificate to your PC only for the current session. After the session is ended, the certificate is deleted. This dialog box will appear the next time you log into the ONS 15454.
- No (Deny)—Denies permission to install the certificate. If you choose this option, you cannot log into the ONS 15454.
- Always (Grant Always)—Installs the public-key certificate and does not delete it after the session is over. Cisco recommends this option.
- More Details (View Certificate)—Allows you to view the public-key security certificate.

Step 2 Return to your originating procedure (NTP) or task (DLP).

DLP-G48 Create Login Node Groups

Purpose	This task creates a login node group to display ONS 15454s that have an IP connection but not a data channel connection (DCC) to the login node.
Tools/Equipment	None
Prerequisite Procedures	DLP-G46 Log into CTC, page 3-30
Required/As Needed	As needed
Onsite/Remote	Onsite or remote
Security Level	Provisioning or higher

Step 1 From the Edit menu in node view, choose **Preferences**.

Step 2 Click **Login Node Group** and **Create Group**.

Step 3 Enter a name for the group in the Create Login Group Name dialog box. Click **OK**.

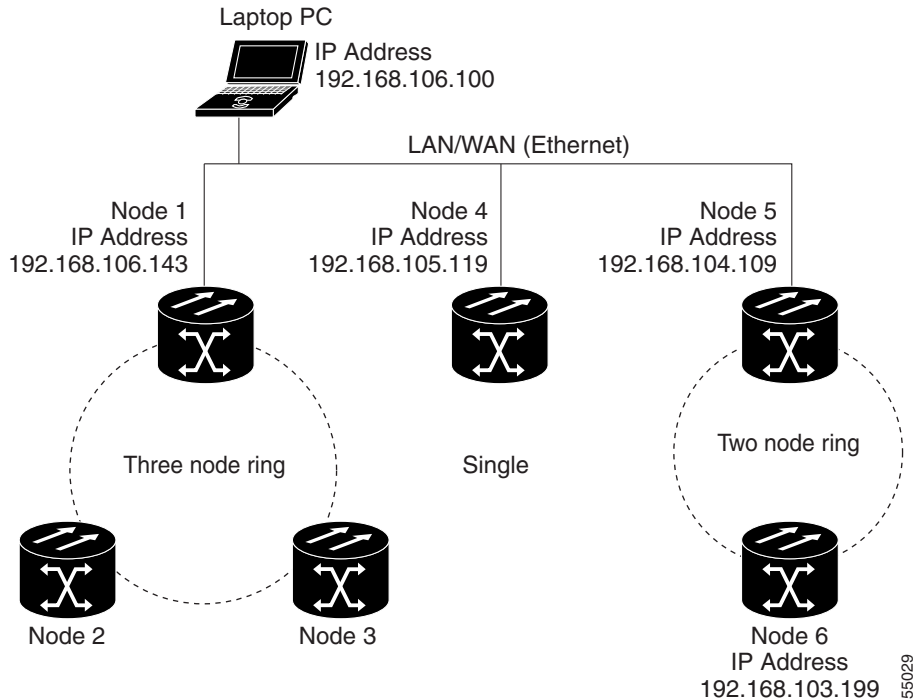
Step 4 In the Members area, type the IP address (or node name) of a node you want to add to the group. Click **Add**. Repeat this step for each node that you want to add to the group.



Note If the ONS 15454, ONS 15454 M2, and ONS 15454 M6 that you want to add to the login node group has TCC2P/TCC3/TNC/TSC cards installed and the TCC2P/TCC3/TNC/TSC secure mode option is enabled, enter the backplane LAN port (or EMS port) IP address. If the node is in secure mode and the configuration has been locked, you will not be able to change the IP address unless the lock is disabled by Cisco Technical Support. Refer to the “Management Network Connectivity” chapter in the *Cisco ONS 15454 DWDM Reference Manual* for more information about secure mode.

Step 5 Click **OK**.

- The next time you log into an ONS 15454, the login node group will be available in the Additional Nodes list of the Login dialog box. For example, in [Figure 3-1](#), a login node group is created that contains the IP addresses for Nodes 1, 4, and 5. During login, if you choose this group from the Additional Nodes list and Disable Network Discovery is not selected, all nodes in the figure appear. If the login group and Disable Network Discovery are both selected, only Nodes 1, 4, and 5 appear. You can create as many login node groups as you need. The groups are stored in the CTC preferences file available in the user's HOME directory. The filename is *CTC.ini* (Windows PC) and *.ctrc* (Linux, Apple MAC, and Solaris).

Figure 3-1 Login Node Group

Step 6 Return to your originating procedure (NTP).

DLP-G49 Add a Node to the Current Session or Login Group

Purpose	This task adds a node to the current CTC session or login node group.
Tools	None
Prerequisite Procedures	DLP-G46 Log into CTC, page 3-30
Required/As Needed	As needed
Onsite/Remote	Onsite or remote
Security Level	Provisioning or higher

Step 1 In any CTC view, from the CTC File menu, click **Add Node**.

Step 2 In the Add Node dialog box, enter the node name (or IP address).

If the ONS 15454, ONS 15454 M2, and ONS 15454 M6 that you want to add has TCC2P/TCC3/TNC/TSC cards installed and the TCC2P/TCC3/TNC/TSC secure mode option is enabled, enter the backplane LAN port (or the EMS port for the ONS 15454 M2 and ONS 15454 M6) IP address.



Note If the node is in secure mode, the backplane IP address display might be disabled. A Superuser can reenables the IP display. If the node is in secure mode and the configuration has been locked, you will not be able to change the IP address unless the lock is disabled by Cisco Technical Support. Refer to the “Management Network Connectivity” chapter in the *Cisco ONS 15454 DWDM Reference Manual* for more information about secure mode.

Step 3 If you want to add the node to the current login node group, check **Add to current login node group**. Otherwise, leave it unchecked.



Note This check box is active only if you selected a login group when you logged into CTC.

Step 4 Click **OK**.

After a few seconds, the new node appears on the network view map.

Step 5 Return to your originating procedure (NTP).

DLP-G50 Delete a Node from the Current Session or Login Group

Purpose	This task removes a node from the current CTC session or login node group. To remove a node from a login node group that is not the current one, see “ DLP-G51 Delete a Node from a Specific Login Node Group ” task on page 3-36.
Tools	None
Prerequisite Procedures	DLP-G46 Log into CTC , page 3-30
Required/As Needed	As needed
Onsite/Remote	Onsite or remote
Security Level	Provisioning or higher

Step 1 From the CTC View menu, choose **Go to Network View**.

Step 2 On the network map, single-click the node that you want to delete.

Step 3 From the CTC File menu, click **Delete Selected Node**.

After a few seconds, the node disappears from the network view map.

Step 4 Return to your originating procedure (NTP).

DLP-G51 Delete a Node from a Specific Login Node Group

Purpose	This task removes a node from a specific login node group. To remove a node from the current login node group, see the “DLP-G50 Delete a Node from the Current Session or Login Group” task on page 3-35.
Tools	None
Prerequisite Procedures	DLP-G46 Log into CTC, page 3-30
Required/As Needed	As needed
Onsite/Remote	Onsite or remote
Security Level	Provisioning or higher

-
- Step 1** In any CTC view, from the CTC Edit menu, choose **Preferences**.
- Step 2** In the Preferences dialog box, click the **Login Node Groups** tab.
- Step 3** Click the login node group tab containing the node you want to remove.
- Step 4** Click the node you want to remove, then click **Remove**.
- Step 5** Click **OK**.
- Step 6** Return to your originating procedure (NTP).
-

DLP-G53 Configure the CTC Alerts Dialog Box for Automatic Popup

Purpose	This task sets up the CTC Alerts dialog box to open for all alerts, for circuit deletion errors only, or never. The CTC Alerts dialog box displays network disconnection, Send-PDIP inconsistency, circuit deletion status, condition retrieval errors, and software download failure.
Tools	None
Prerequisite Procedures	DLP-G46 Log into CTC, page 3-30
Required/As Needed	As needed
Onsite/Remote	Onsite or remote
Security Level	Provisioning or higher

-
- Step 1** Click the **CTC Alerts** toolbar icon. (The icon is located on the far right of the CTC toolbar.)
- Step 2** In the CTC Alerts dialog box, choose one of the following:
- All alerts—Sets the CTC Alerts dialog box to open automatically for all notifications.
 - Error alerts only—Sets the CTC Alerts dialog box to open automatically for circuit deletion errors only.
 - Never—Sets the CTC Alerts dialog box to never open automatically.
- Step 3** Click **Close**.
- Step 4** Return to your originating procedure (NTP).
-

DLP-G448 Designate ONS 15454 SOCKS GNEs

Purpose	This task designates ONS 15454s GNEs that will serve as SOCKS servers to facilitate login performance in large networks.
Tools	None
Prerequisite Procedures	DLP-G46 Log into CTC, page 3-30
Required/As Needed	As needed
Onsite/Remote	Onsite or remote
Security Level	Provisioning or higher


Note

This task cannot be completed until the ONS 15454 network has been provisioned. It is intended only for users experiencing long login times, and especially users with Windows XP, Service Pack 2.


Note

To complete this task, you will need a list of ONS 15454s (IP addresses or node names) that are provisioned as GNEs. You must have connectivity to the GNEs.

-
- Step 1** From the CTC Edit menu, choose **Preferences**.
- Step 2** In the Preferences dialog box, click the **SOCKS** tab.
- Step 3** In the Designated SOCKS Server field, type the IP address or DNS node name of the first ONS 15454 SOCKS server. The ONS 15454 that you enter must have SOCKS proxy server enabled, and it must have LAN access.
- Step 4** Click **Add**. The node is added to the SOCKS server list. If you need to remove a node on the list, click **Remove**.
- Step 5** Repeat Steps 3 and 4 to add all qualified ONS 15454s within the network. Add all ONS nodes that have SOCKS proxy enabled and are connected to the LAN.
- Step 6** Click **Check All Servers**. CTC verifies that all nodes can perform as SOCKS servers. Once verified, a check is placed next to the node IP address or node name in the SOCKS server list. An X placed next to the node indicates one or more of the following:
- The entry does not correspond to a valid DNS name.
 - The numeric IP address is invalid.
 - The node cannot be reached.
 - The node can be reached, but the SOCKS port cannot be accessed, for example, a firewall problem might exist.
- Step 7** Click **Apply**. The list of ONS 15454 nodes, including ones that received an X in [Step 6](#), are added as SOCKS servers.
- Step 8** Click **OK** to close the Preferences dialog box.
- Step 9** Return to your originating procedure (NTP).
-

NTP-G190 Use the CTC Launcher Application to Manage Multiple ONS Nodes

Purpose	This procedure uses the CTC Launcher to start a CTC session with an ONS NE that has an IP connection to the CTC computer; create TL1 tunnels to connect to ONS NEs on the other side of third-party, OSI-based GNEs; and view, manage, and delete TL1 tunnels using CTC.
Tools/Equipment	None
Prerequisite Procedures	<p>NTP-G17 Set Up Computer for CTC, page 3-2</p> <p>One of the following procedures:</p> <ul style="list-style-type: none"> • NTP-G18 Set Up CTC Computer for Local Craft Connection to the ONS 15454, page 3-9 • NTP-G19 Set Up a CTC Computer for a Corporate LAN Connection to the ONS 15454, page 3-25
Required/As Needed	As needed
Onsite/Remote	Onsite or remote
Security Level	Provisioning or higher

**Note**

JRE 1.6 must be installed on the PC you are using with the CTC Launcher application.

-
- Step 1** As needed, complete one of the following tasks to install the CTC Launcher:
- [DLP-G440 Install the CTC Launcher Application from a Release 9.2 Software CD](#), page 3-39
 - [DLP-G441 Install the CTC Launcher Application from a Release 9.2 Node](#), page 3-39
- Step 2** As needed, complete the “[DLP-G442 Connect to ONS Nodes Using the CTC Launcher](#)” task on [page 3-40](#) to connect to an ONS network element with direct IP connectivity.
- Step 3** As needed, complete the “[DLP-G449 Install or Reinstall the CTC JAR Files](#)” task on [page 3-46](#).
- Step 4** As needed, complete one of the following tasks to create a TL1 tunnel, which enables you to connect to an ONS network element residing behind OSI-based, third-party GNEs:
- [DLP-G443 Create a TL1 Tunnel Using the CTC Launcher](#), page 3-41
 - [DLP-G444 Create a TL1 Tunnel Using CTC](#), page 3-42
- Step 5** As needed, complete the “[DLP-G445 View TL1 Tunnel Information](#)” task on [page 3-43](#).
- Step 6** As needed, complete the “[DLP-G446 Edit a TL1 Tunnel Using CTC](#)” task on [page 3-44](#).
- Step 7** As needed, complete the “[DLP-G447 Delete a TL1 Tunnel Using CTC](#)” task on [page 3-45](#).
- Stop. You have completed this procedure.**
-

DLP-G440 Install the CTC Launcher Application from a Release 9.2 Software CD

Purpose	This task installs the CTC Launcher from a Release 9.2 software CD.
Tools/Equipment	None
Prerequisite Procedures	DLP-G46 Log into CTC, page 3-30
Required/As Needed	As needed
Onsite/Remote	Onsite or remote
Security Level	None

-
- Step 1** Insert the Cisco ONS 15454 or Cisco ONS 15454 SDH or Cisco ONS 15310-CL or Cisco ONS 15310-MA Software Release 9.2 CD into your CD drive.
- Step 2** Navigate to the CtcLauncher directory.
- Step 3** Save the StartCTC.exe file to a local hard drive.
- Step 4** Return to your originating procedure (NTP).
-

DLP-G441 Install the CTC Launcher Application from a Release 9.2 Node

Purpose	This task installs the CTC Launcher from an ONS 15454 node running Software R9.2.
Tools/Equipment	None
Prerequisite Procedures	DLP-G46 Log into CTC, page 3-30
Required/As Needed	As needed
Onsite/Remote	Onsite or remote
Security Level	None

-
- Step 1** Using a web browser, go to the following address, where *node-name* is the DNS name of a node you are going to access:
- `http://node-name/fs/StartCTC.exe`**
- The browser File Download dialog box appears.
- Step 2** Click **Save**.
- Step 3** Navigate to the location where you want to save the StartCTC.exe file on the local hard drive.
- Step 4** Click **Save**.
- Step 5** Return to your originating procedure (NTP).
-

DLP-G442 Connect to ONS Nodes Using the CTC Launcher

Purpose	This task connects the CTC Launcher to ONS nodes.
Tools/Equipment	None
Prerequisite Procedures	NTP-G17 Set Up Computer for CTC, page 3-2
Required/As Needed	As needed
Onsite/Remote	Onsite or remote
Security Level	None

Step 1 Start the CTC Launcher:

- Windows: navigate to the directory containing the StartCTC.exe file and double-click it. (You can also use the Windows Start menu Run command.)
- Solaris: assuming the StartCTC.exe file is accessible from the current shell path, navigate to the directory containing the StartCTC.exe file and type:

```
% java -jar StartCTC.exe
```

Step 2 In the CTC Launcher dialog box, choose **Use IP**.

Step 3 In the Login Node box, enter the ONS NE node name or IP address. (If the address was entered previously, you can choose it from the drop-down menu.)

Step 4 Select the CTC version you want to launch from the following choices in the drop-down menu:

- Same version as the login node: Select if you want to launch the same CTC version as the login node version, even if more recent versions of CTC are available in the cache.
- Latest version available: Select if you want to launch the latest CTC version available. If the cache has a newer CTC version than the login node, that CTC version will be used. Otherwise the same CTC version as the login node will be used.
- Version x.xx: Select if you want to launch a specific CTC version.



Note Cisco recommends that you always use the “Same version as the login node” unless the use of newer CTC versions is needed (for example, when CTC must manage a network containing mixed version NEs).

Step 5 Click **Launch CTC**. After the connection is made, the CTC Login dialog box appears.

Step 6 Log into the ONS node.



Note Because each CTC version requires particular JRE versions, the CTC Launcher will prompt the user for the location of a suitable JRE whenever a new CTC version is launched for the first time using a file chooser dialog (if a suitable JRE version is not known by the launcher yet). That JRE information is then saved in the user's preferences file available in the user's HOME directory. The filename is *CTC.ini* (Windows PC) and *.ctcrc* (Linux, Apple MAC, and Solaris). From the selection dialog, select any appropriate JRE directory.

After the JRE version is selected, the CTC will be launched. The required jar files will be downloaded into the new cache if they are missing. The CTC Login window will appear after a few seconds.

Step 7 Return to your originating procedure (NTP).

DLP-G443 Create a TL1 Tunnel Using the CTC Launcher

Purpose	This task creates a TL1 tunnel using the CTC Launcher, and the tunnel transports the TCP traffic to and from ONS ENEs through the OSI-based GNE.
Tools/Equipment	None
Prerequisite Procedures	NTP-G17 Set Up Computer for CTC, page 3-2
Required/As Needed	As needed
Onsite/Remote	Onsite or remote
Security Level	None

Step 1 Double-click the StartCTC.exe file.

Step 2 Click **Use TL1 Tunnel**.

Step 3 In the Open CTC TL1 Tunnel dialog box, enter the following:

- **Far End TID**—Enter the TID of the ONS ENE at the far end of the tunnel. The TID is the name entered in the Node Name field on the node view Provisioning > General tab.
- **Host Name/IP Address**—Enter the GNE DNS host name or IP address through which the tunnel will be established. This is the third-party vendor GNE that is connected to an ONS node through an OSI DCC network. CTC uses TCP/IP over a DCN to reach the GNE. The GNE accepts TL1 connections from the network and can forward TL1 traffic to the ENEs.
- **Choose a port option:**
 - **Use Default TL1 Port**—Choose this option if you want to use the default TL1 port 3081 and 3082.
 - **Use Other TL1 Port**—Choose this option if the GNE uses a different TL1 port. Enter the port number in the box next to the User Other TL1 Port radio button.
- **TL1 Encoding Mode**—Choose the TL1 encoding:
 - **LV + Binary Payload**— TL1 messages are delimited by LV (length value) headers and TCP traffic is encapsulated in binary form. Cisco recommends this option because it is the most efficient encoding mode. However, you must verify that the GNE supports LV + Binary Payload encoding.
 - **LV + Base64 Payload**— TL1 messages are delimited by LV headers and TCP traffic is encapsulated using Base64 encoding.
 - **Raw**—TL1 messages are delimited by semi-columns only, and the TCP traffic is encapsulated using Base64 encoding.
- **GNE Login Required**—Check this box if the GNE requires a local TL1 ACT-USER login before forwarding TL1 traffic to ENEs.
- **TID**—If the GNE Login Required box is checked, enter the GNE TID.

Step 4 Click **OK**.

- Step 5** If the GNE Login Required box is checked, complete the following steps. If not, continue [Step 6](#).
- In the Login to Gateway NE dialog box UID field, enter the TL1 user name.
 - In the PID field, enter the TL1 user password.
 - Click **OK**.
- Step 6** When the CTC Login dialog box appears, complete the CTC login.
- Step 7** Return to your originating procedure (NTP).
-

DLP-G444 Create a TL1 Tunnel Using CTC

Purpose	This task creates a TL1 tunnel using CTC.
Tools/Equipment	None
Prerequisite Procedures	NTP-G17 Set Up Computer for CTC, page 3-2
Required/As Needed	As needed
Onsite/Remote	Onsite or remote
Security Level	Provisioning or higher

- Step 1** From the Tools menu, choose **Manage TL1 Tunnels**.
- Step 2** In the TL1 Tunnels window, click **Create**.
- Step 3** In the Create CTC TL1 Tunnel dialog box, enter the following:
- Far End TID—Enter the TID of the ONS ENE at the far end of the tunnel. The ENE must be a Cisco ONS NE. The TID is the name entered in the Node Name field on the node view Provisioning > General tab.
 - Host Name/IP Address—Enter the GNE DNS host name or IP address through which the tunnel will be established. This is the third-party vendor GNE that is connected to an ONS NE with an OSI DCC. CTC uses TCP/IP over a DCN to reach the GNE. The GNE accepts TL1 connections from the network and can forward TL1 traffic to the ENEs.
 - Choose a port option:
 - Use Default TL1 Port—Choose this option if you want to use the GNE default TL1 port. TL1 uses standard ports, such as 3081 and 3082, unless custom TL1 ports are defined.
 - Use Other TL1 Port—Choose this option if the GNE uses a different TL1 port. Enter the port number in the box next to the User Other TL1 Port radio button.
 - TL1 Encoding Mode—Choose the TL1 encoding:
 - LV + Binary Payload— TL1 messages are delimited by LV (length value) headers and TCP traffic is encapsulated in binary form. Cisco recommends this option because it is the most efficient. However, you must verify that the GNE supports LV + Binary Payload encoding.
 - LV + Base64 Payload— TL1 messages are delimited by LV headers and TCP traffic is encapsulated using Base64 encoding.
 - Raw—TL1 messages are delimited by semi-columns only, and the TCP traffic is encapsulated using Base64 encoding.

- GNE Login Required—Check this box if the GNE requires a local TL1 ACT-USER login before forwarding TL1 traffic to ENs.
- TID—If the GNE Login Required box is checked, enter the GNE TID.

Step 4 Click **OK**.

Step 5 If the GNE Login Required box is checked, complete the following steps. If not, continue [Step 6](#).

- In the Login to Gateway NE dialog box UID field, enter the TL1 user name.
- In the PID field, enter the TL1 user password.
- Click **OK**.

Step 6 After the CTC Login dialog box appears, log into CTC.

Step 7 Return to your originating procedure (NTP).

DLP-G445 View TL1 Tunnel Information

Purpose	This task views a TL1 tunnel created using the CTC Launcher.
Tools/Equipment	None
Prerequisite Procedures	NTP-G17 Set Up Computer for CTC, page 3-2
Required/As Needed	As needed
Onsite/Remote	Onsite or remote
Security Level	Retrieve or higher

Step 1 Log into CTC.

Step 2 From the Tools menu, choose **Manage TL1 Tunnels**.

Step 3 In the TL1 Tunnels window, view the information shown in [Table 3-2](#).

Table 3-2 TL1 Tunnels Window

Item	Description
Far End TID	The Target ID of the NE at the far end of the tunnel. This NE is an ONS NE. It is typically connected with an OSI DCC to a third-party vendor GNE. CTC manages this NE.
GNE Host	The GNE host or IP address through which the tunnel is established. This is generally a third-party vendor GNE that is connected to an ONS NE with an OSI DCC. CTC uses TCP/IP over a DCN to reach the GNE. The GNE accepts TL1 connections from the network and can forward TL1 traffic to the ENs.
Port	The TCP port number where the GNE accepts TL1 connections coming from the DCN. These port numbers are standard (such as 3081 and 3082) unless custom port numbers are provisioned on the GNE.

Table 3-2 TL1 Tunnels Window (continued)

Item	Description
TL1 Encoding	<p>Defines the TL1 encoding used for the tunnel:</p> <ul style="list-style-type: none"> LV + Binary Payload— TL1 messages are delimited by an LV (length value) header. TCP traffic is encapsulated in binary form. LV + Base64 Payload— TL1 messages are delimited by an LV header. TCP traffic is encapsulated using the base 64 encoding. Raw—TL1 messages are delimited by semi-columns only, and the TCP traffic is encapsulated using Base64 encoding.
GNE TID	The GNE TID is shown when the GNE requires a local TL1 ACT-USER login before forwarding TL1 traffic to ENes. If present, CTC asks the user for the ACT-USER user ID and password when the tunnel is opened.
State	<p>Indicates the tunnel state:</p> <p>OPEN—A tunnel is currently open and carrying TCP traffic.</p> <p>RETRY PENDING—The TL1 connection carrying the tunnel has been disconnected and a retry to reconnect it is pending. (CTC automatically attempts to reconnect the tunnel at regular intervals. During that time all ENes behind the tunnel are unreachable.)</p> <p>(empty)—No tunnel is currently open.</p>
Far End IP	The IP address of the ONS NE that is at the far end of the TL1 tunnel. This information is retrieved from the NE when the tunnel is established.
Sockets	The number of active TCP sockets that are multiplexed in the tunnel. This information is automatically updated in real time.
Retries	Indicates the number of times CTC tried to reopen a tunnel. If a network problem causes a tunnel to go down, CTC automatically tries to reopen it at regular intervals. This information is automatically updated in real time.
Rx Bytes	Shows the number of bytes of management traffic that were received over the tunnel. This information is automatically updated in real time.
Tx Bytes	Shows the number of bytes of management traffic that were transmitted over the tunnel. This information is automatically updated in real time.

Step 4 Return to your originating procedure (NTP).

DLP-G446 Edit a TL1 Tunnel Using CTC

Purpose	This task edits a TL1 tunnel using CTC.
Tools/Equipment	None
Prerequisite Procedures	DLP-G46 Log into CTC, page 3-30
Required/As Needed	As needed
Onsite/Remote	Onsite or remote
Security Level	Provisioning or higher

-
- Step 1** From the Tools menu, choose **Manage TL1 Tunnels**.
- Step 2** In the TL1 Tunnels window, click the tunnel you want to edit.
- Step 3** Click **Edit**.
- Step 4** In the Edit CTC TL1 Tunnel dialog box, edit the following:
- Use Default TL1 Port—Choose this option if you want to use the GNE default TL1 port. TL1 uses standard ports, such as 3081 and 3082, unless custom TL1 ports are defined.
 - Use Other TL1 Port—Choose this option if the GNE uses a different TL1 port. Enter the port number in the box next to the User Other TL1 Port radio button.
 - TL1 Encoding Mode—Choose the TL1 encoding:
 - LV + Binary Payload— TL1 messages are delimited by LV (length value) headers and TCP traffic is encapsulated in binary form. Cisco recommends this option because it is the most efficient. However, you must verify that the GNE supports LV + Binary Payload encoding.
 - LV + Base64 Payload— TL1 messages are delimited by LV headers and TCP traffic is encapsulated using Base64 encoding.
 - Raw—TL1 messages are delimited by semi-columns only, and the TCP traffic is encapsulated using Base64 encoding.
 - GNE Login Required—Check this box if the GNE requires a local TL1 ACT-USER login before forwarding TL1 traffic to ENEs.
 - TID—If the GNE Login Required box is checked, enter the GNE TID.
- Step 5** Click **OK**.
- Step 6** If the GNE Login Required box is checked, complete login in the Login to Gateway NE dialog box. If not, continue [Step 6](#).
- a. In the UID field, enter the TL1 user name.
 - b. In the PID field, enter the TL1 user password.
 - c. Click **OK**.
- Step 7** When the CTC Login dialog box appears, complete the CTC login. Refer to login procedures in the user documentation for the ONS ENE.
- Step 8** Return to your originating procedure (NTP).
-

DLP-G447 Delete a TL1 Tunnel Using CTC

Purpose	This task deletes a TL1 tunnel using CTC.
Tools/Equipment	None
Prerequisite Procedures	DLP-G46 Log into CTC, page 3-30
Required/As Needed	As needed
Onsite/Remote	Onsite or remote
Security Level	Provisioning or higher

-
- Step 1** From the Tools menu, choose **Manage TL1 Tunnels**.

- Step 2** In the TL1 Tunnels window, click the tunnel you want to delete.
 - Step 3** Click **Delete**.
 - Step 4** In the confirmation dialog box, click **OK**.
 - Step 5** Return to your originating procedure (NTP).
-

DLP-G449 Install or Reinstall the CTC JAR Files

Purpose	This task installs or reinstalls the CTC JAR files into the CTC cache directory on your PC. This is useful when you are using a new CTC version and want to install or reinstall the CTC JAR files without logging into a node or using the StartCTC application (StartCTC.exe).
Tools/Equipment	None
Prerequisite Procedures	NTP-G17 Set Up Computer for CTC, page 3-2
Required/As Needed	As needed
Onsite/Remote	Onsite or remote
Security Level	None

- Step 1** Insert the Cisco ONS 15454 or Cisco ONS 15454 SDH Software Release 9.2 CD into your CD drive.
- Step 2** Navigate to the CacheInstall directory.



Note

The CTC cache installer is also available on Cisco.com. If you are downloading the SetupCtc-*version*.exe (where *version* is the release version, for example, SetupCtc-085000.exe) file from Cisco.com, skip [Step 1](#) and [Step 2](#).

- Step 3** Copy the SetupCtc-*version*.exe file to your local hard drive. Use any location that is convenient for you to access, such as the Windows desktop. Ensure that you have enough disk space to copy and extract the SetupCtc-*version*.exe file.
 - Step 4** Double-click the SetupCtc-*version*.exe file. This creates a directory named SetupCtc-*version* (at the same location), which contains the LDCACHE.exe file and other CTC files.
 - Step 5** Double-click the LDCACHE.exe file to install or reinstall the new CTC JAR files into the CTC cache directory on your PC.
 - Step 6** Return to your originating procedure (NTP).
-

DLP-G450 Configuring Windows Vista or Windows 7 to Support CTC

Purpose	This task describes the configurations that must be done in Windows Vista or Windows 7 operating system prior to launching CTC.
Tools/Equipment	None
Prerequisite Procedures	None

Required/As Needed	As needed
Onsite/Remote	Onsite or remote
Security Level	None

Step 1 Complete the following steps to disable Internet Explorer 7 protected mode:

**Note**

Perform a full installation of the Windows Vista or Windows 7 operating system on your computer. If Windows Vista or Windows 7 is installed through operating system upgrade, CTC will not work. Refer to the manufacturer's user guide for instructions on how to install Windows Vista or Windows 7.

**Note**

This procedure is needed only if CTC is launched from the Internet Explorer browser. If you start CTC by downloading the CTC Launcher application from the node, perform the “[DLP-G441 Install the CTC Launcher Application from a Release 9.2 Node](#)” task on page 3-39.

- a. Open Internet Explorer,
- b. Click **Tools > Internet Options**.
- c. Click the **Security** tab.
- d. Select the zone that is appropriate. The available options are: Local Intranet, Internet, and Trusted Sites.
- e. Check the **Disable Protect Mode** check box.

Step 2 Complete the following steps to Disable TCP Autotuning:

- a. From the Windows Start menu, click **Search > Search for Files and Folders**. The Search window appears.
- b. On the right side of the window in the Search box, type **Command Prompt** and press **Enter**. Windows will search for the Command Prompt application and list it in the search results.
- c. Right click **cmd** and select **Run as administrator**.
- d. Enter the administrator user ID and password and click **OK**.
- e. A Command prompt windows appears. At the command prompt enter the following text:

```
netsh interface tcp set global autotuninglevel=disabled
```

Autotuning can be enabled if desired using the following command:

```
netsh interface tcp set global autotuninglevel=normal
```

Step 3 Return to your originating procedure (NTP).



CHAPTER 4

Turn Up a Node

This chapter explains how to provision a single Cisco ONS 15454 dense wavelength division multiplexing (DWDM) node and turn it up for service, including assigning the node name, date, and time; provisioning timing references; provisioning network attributes such as IP address and default router; setting up users and user security; installing cards; and creating DWDM connections.

**Note**

The procedures and tasks described in this chapter for the Cisco ONS 15454 platform is applicable to the Cisco ONS 15454 M2 and Cisco ONS 15454 M6 platforms, unless noted otherwise.

**Note**

Procedures in this chapter require that you have a network plan calculated for your DWDM network with Cisco TransportPlanner, Release 9.2. Cisco TransportPlanner is a DWDM planning tool that is available from your Cisco account representative. Cisco TransportPlanner prepares a shelf plan for each network node and calculates the power and attenuation levels for the DWDM cards installed in the node. For information about Cisco TransportPlanner, contact your Cisco account representative. For instructions on using Cisco TransportPlanner, refer to the *Cisco TransportPlanner DWDM Operations Guide, Release 9.2*.

**Note**

Unless otherwise specified, in this document “ONS 15454” refers to both ANSI (ONS 15454) and ETSI (ONS 15454 SDH) shelf assemblies.

**Note**

Cisco Transport Controller (CTC) views referenced in these procedures depend on the ONS 15454 mode. In single-shelf mode, the views are network, node, and card. In multishelf mode, the views are network, multishelf, shelf, and card. For more information about CTC views, refer to [Appendix A, “CTC Information and Shortcuts”](#).

Before You Begin

This section lists the non-trouble procedures (NTPs) needed to turn up a DWDM node. Turn to an NTP for applicable detail-level procedures (DLPs), known as tasks.

1. [NTP-G139 Verify Cisco TransportPlanner Reports and Files, page 4-3](#)—Complete this procedure first.
2. [NTP-G22 Verify Common Card Installation, page 4-7](#)—Complete this procedure next.

3. [NTP-G250 Verify Digital Image Signing \(DIS\) Information, page 4-8](#)—Complete this procedure to retrieve the software signature information and version of the digitally signed software. You can also retrieve the public keys installed on the node using this procedure.
4. [NTP-G144 Provision a Multishelf Node, page 4-10](#)—Complete this procedure as needed.
5. [NTP-G23 Create Users and Assign Security, page 4-12](#)—Complete this procedure to create CTC users and assign their security levels.
6. [NTP-G24 Set Up Name, Date, Time, and Contact Information, page 4-15](#)—Continue with this procedure to set the node name, date, time, location, and contact information.
7. [NTP-G25 Set Battery Power Monitor Thresholds, page 4-17](#)—Continue with this procedure to set the node battery power thresholds.
8. [NTP-G26 Set Up CTC Network Access, page 4-18](#)—Continue with this procedure to provision the IP address, default router, subnet mask, and other network configuration settings.
9. [NTP-G194 Set Up EMS Secure Access to the ONS 15454, page 4-33](#)—Continue with this procedure to connect the CTC in secure mode.
10. [NTP-G341 Set Up Secure Access to the ONS 15454 TL1, page 4-33](#)—Continue with this procedure to enable secure access to TL1.
11. [NTP-G27 Set Up the ONS 15454 for Firewall Access, page 4-34](#)—Continue with this procedure if the ONS 15454 will be accessed behind firewalls.
12. [NTP-G28 Create FTP Host, page 4-35](#)—Continue with this procedure if to create FTP host for ENE database backup.
13. [NTP-G132 Provision OSI, page 4-38](#)—Continue with this procedure if the ONS 15454 will be installed in networks with third-party, Open Systems Interconnection (OSI)-based network elements (NEs).
14. [NTP-G29 Set Up SNMP, page 4-47](#)—Complete this procedure if Simple Network Management Protocol (SNMP) will be used for network monitoring.
15. [“NTP-G143 Import the Cisco TransportPlanner NE Update Configuration File” procedure on page 4-49](#)—Complete this procedure to preprovision the ONS 15454 slots and install the card and automatic node setup (ANS) parameters.
16. [NTP-G328 Add and Delete ANS Parameters, page 4-61](#)—Complete this procedure, as needed, to add or delete ANS parameters.
17. [NTP-G30 Install the DWDM Cards, page 4-64](#)—Complete this procedure to install the DWDM cards, including the OSCM, OSC-CSM, 32WSS, 32WSS-L, 40-WSS-C, 40-WSS-CE, 40-WXC-C, 80-WXC-C, 40-SMR1-C, 40-SMR2-C, OPT-BST, OPT-BST-E, OPT-BST-L, OPT-AMP-L, OPT-AMP-17-C, OPT-AMP-C, OPT-RAMP-C, OPT-RAMP-CE, OPT-PRE, 32MUX-O, 40-MUX-C, 32DMX-O, 32DMX, 32DMX-L, 40-DMX-C, 40-DMX-CE, 4MD-xx.x, AD-1C-xx.x, AD-2C-xx.x, AD-4C-xx.x, AD-1B-xx.x, AD-4B-xx.x, MMU, and PSM.
18. [NTP-G31 Install the DWDM Dispersion Compensating Units, page 4-67](#)—Complete this procedure, as needed, to install a dispersion compensating unit (DCU).
19. [NTP-G179 Install the TXP, MXP, GE_XP, 10GE_XP, GE_XPE, 10GE_XPE, ADM-10G, and OTU2_XP Cards, page 4-69](#)—Complete this procedure, as needed, to install transponder (TXP), muxponder (MXP), GE_XP, 10GE_XP, GE_XPE, or 10GE_XPE, ADM-10G, or OTU2_XP cards.
20. [NTP-G123 Install the Filler Cards, page 4-75](#)—Complete this procedure, as needed, to install ONS 15454 filler cards.
21. [NTP-G239 Add and Delete Passive Units, page 4-76](#)—Complete this procedure, as needed, to add or delete passive units.

22. [NTP-G34 Install Fiber-Optic Cables on DWDM Cards and DCUs, page 4-78](#)—Complete this procedure, as needed, to install the fiber-optic cables on the DWDM cards.
23. [NTP-G140 Install Fiber-Optic Cables Between Terminal, Hub, or ROADM Nodes, page 4-82](#)—Complete this procedure, as needed, to connect TXP, MXP, GE_XP, 10GE_XP, GE_XPE, or 10GE_XPE, ADM-10G, or OTU2_XP cards to DWDM cards in a terminal, hub, or reconfigurable optical add-drop multiplexer (ROADM) node through the patch panel.
24. [NTP-G185 Install Fiber-Optic Cables between Mesh Nodes, page 4-101](#)—Complete this procedure, as needed, to connect 40-WXC-C or 80-WXC-C cards in a mesh node to the 4-degree or 8-degree patch panel.
25. [NTP-G141 Install Fiber-Optic Cables for Y-Cable Protection Modules, page 4-108](#)—Complete this procedure, as needed, to connect fiber-optic cables to Y-cable modules from client TXP, MXP, GE_XP, 10GE_XP, GE_XPE, or 10GE_XPE cards.
26. [NTP-G152 Create and Verify Internal Patchcords, page 4-113](#)—Complete this procedure to calculate the DWDM cable connections.
27. [NTP-G209 Create, Edit, and Delete Optical Sides, page 4-123](#)—Complete this procedure to create, edit, and delete an optical side.
28. [NTP-G38 Provision OSC Terminations, page 4-126](#)—Complete this procedure next.
29. [NTP-G37 Run Automatic Node Setup, page 4-128](#)—Complete this procedure next.
30. [NTP-G39 Verify OSCM Transmit Power, page 4-129](#)—Complete this procedure next.
31. [NTP-G163 Upgrade Nodes in Single-Shelf Mode to Multishelf Mode, page 4-131](#)—Complete this procedure as needed.
32. [NTP-G210 Provision Node for SNMPv3, page 4-134](#)—Complete this procedure if Simple Network Management Protocol version 3 (SNMPv3) will be used for network monitoring.

NTP-G139 Verify Cisco TransportPlanner Reports and Files

Purpose	This procedure verifies that you have the Cisco TransportPlanner reports and files needed to turn up the node.
Tools/Equipment	None
Prerequisite Procedures	Chapter 1, “Install the Cisco ONS 15454, ONS 15454 M2, and ONS 15454 M6 Shelf”
Required/As Needed	Required
Onsite/Remote	Onsite
Security Level	Retrieve or higher

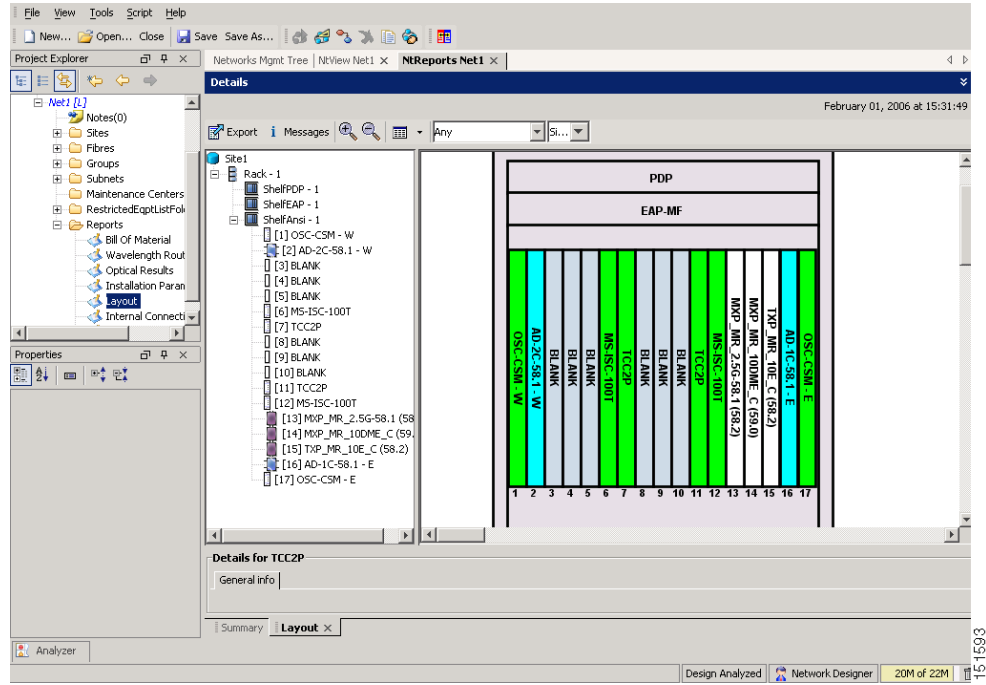
- Step 1** Verify that you have the Cisco TransportPlanner reports and files shown in [Table 4-1](#) for the node that you will provision. The reports and files can be provided in one of the following ways:
- If you have Cisco TransportPlanner, verify that you have the electronic network design plan from which you can generate the reports in Cisco TransportPlanner. For information about generating the reports, refer to the *Cisco TransportPlanner DWDM Operations Guide*.
 - If you do not have Cisco TransportPlanner, you must have printouts of all reports listed in [Table 4-1](#) except the Assisted Configuration Setup file. Assisted Configuration Setup is an electronic file that will be imported into CTC. You must be able to access it from the CTC computer used to provision the node

- If you do not have all the reports and files listed in [Table 4-1](#), do not continue. See your site planner or network planner for the required information and files.

Table 4-1 Cisco TransportPlanner Node Setup Information and Files

Source	Format	Description
Shelf layout	JPG file	Cisco TransportPlanner provides a shelf layout showing the cards that should be installed in each ONS 15454 (Figure 4-1), ONS 15454 M2 (Figure 4-2), and ONS 15454 M6 (Figure 4-3) slot. Cisco TransportPlanner can export each of these cards as a JPG file with a user-defined name.
Installation Parameters	Table	Provides the target reference values for the variable optical attenuators (VOAs), output power, optical thresholds, and amplifier configuration parameters.
Internal Connections	Table	Identifies the patchcords that must be installed within the shelf.
NE Update Configuration file	XML file	The Cisco TransportPlanner NE Update configuration file is an electronic file with an XML extension and a name assigned by the network designer for the network you are provisioning. The file is imported into CTC where it preprovisions internal patchcords, optical sides and card parameters for optical cards, transponders, and passive units (DCUs and patch panels). It configures the ANS parameters based on the network calculated by Cisco TransportPlanner.
Traffic Matrix	Table	Shows the traffic flow within the node. During node turn-up, this report is used to identify the location of Y-cable protection groups.
Cable list	Table or list	A list of cables needed to provision the node. The list can be derived from the Internal Connections Report or from the Bill of Materials report prepared by Cisco TransportPlanner.

Figure 4-1 Cisco TransportPlanner shelf layout - ONS 15454



151593

Figure 4-2 Cisco TransportPlanner shelf layout - ONS 5454 M2

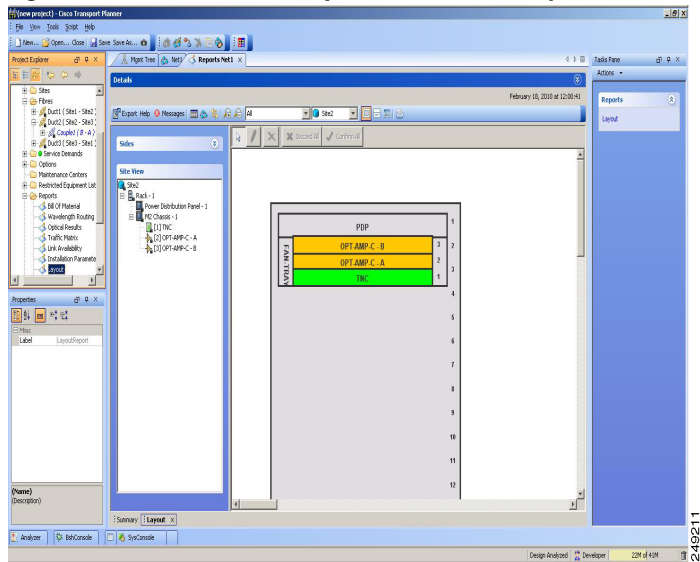
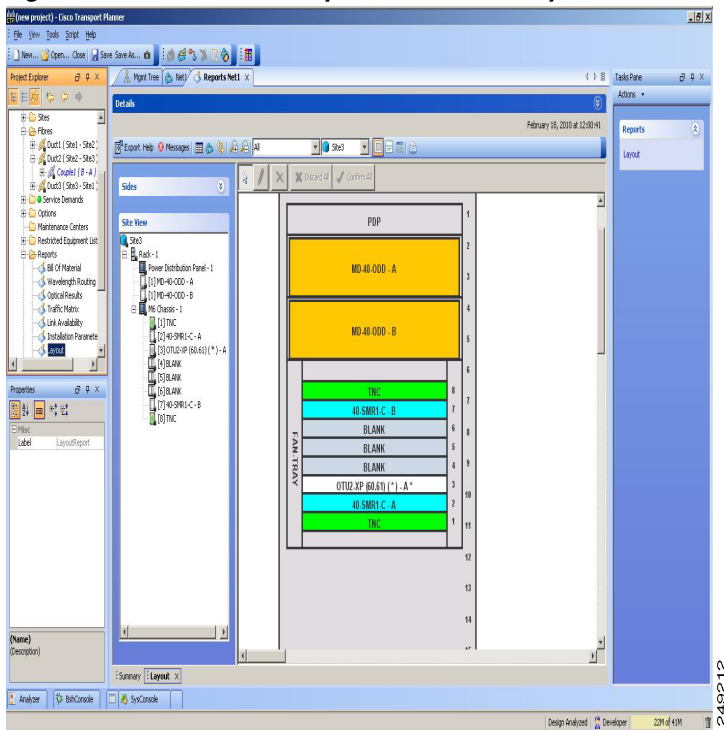


Figure 4-3 Cisco TransportPlanner shelf layout - ONS 15454 M6



- Step 2** Print [Table 4-1](#) for reference. You will need information from the reports during node turn-up.
Stop. You have completed this procedure.

NTP-G22 Verify Common Card Installation

Purpose	This procedure verifies that the Cisco ONS 15454 shelf has two TCC2/TCC2P/TCC3 cards installed. This procedure also verifies that the Cisco ONS 15454 M6 and the Cisco ONS 15454 M2 shelves have TNC/TSC cards installed. It also verifies the installation of the AIC-I and MS-ISC-100T cards, if they are installed.
Tools/Equipment	None
Prerequisite Procedures	Chapter 1, “Install the Cisco ONS 15454, ONS 15454 M2, and ONS 15454 M6 Shelf”
Required/As Needed	Required
Onsite/Remote	Onsite
Security Level	Retrieve or higher

-
- Step 1** Verify the following:
- TCC2/TCC2P/TCC3 cards are installed in Slots 7 and 11 on the ONS 15454 shelf.
 - Two TNC/TSC cards are installed in Slots 1 and 8 on the ONS 15454 M6 shelf.
 - A stand-alone TNC/TSC card is installed in Slot 1 on the ONS 15454 M2 shelf.
- Step 2** Verify that the FAIL LED is off on both TCC2/TCC2P/TCC3/TNC/TSC cards.
- Step 3** Verify that the green ACT (active) LED is illuminated on one TCC2/TCC2P/TCC3/TNC/TSC card and that the amber STBY (standby) LED is illuminated on the other TCC2/TCC2P/TCC3/TNC/TSC card.



Note If the TCC2/TCC2P/TCC3/TNC/TSC cards are not installed, or if their LEDs are not operating as described, do not continue. Complete the “DLP-G33 Install the TCC2, TCC2P, or TCC3 Card” or “DLP-G604 Install the TNC or TSC Card” in the *Cisco ONS 15454 Hardware Installation Guide* or refer to the *Cisco ONS 15454 DWDM Troubleshooting Guide* to resolve installation problems before proceeding to [Step 4](#).

- Step 4** (On 15454-DWDM shelf) If the AIC-I card is installed, verify that it is installed in Slot 9 and that its ACT (active) LED displays a solid green light.



Note If the AIC-I card is not installed and the card is required by the Cisco Transport Planner shelf layout, or if it is installed and its LEDs are not operating as described, do not continue. Complete the “DLP-G34 Install the AIC-I Card” in the *Cisco ONS 15454 Hardware Installation Guide* or refer to the *Cisco ONS 15454 DWDM Troubleshooting Guide* to resolve installation problems before proceeding to [Step 5](#).

- Step 5** Verify that the software release shown on the LCD matches the software release required for your network. On the LCD, the software release is shown under the platform (SONET or SDH) and date/temperature. If the release does not match, perform one of the following procedures:
- Perform a software upgrade using a ONS 15454 software CD or ONS 15454 SDH software CD. Refer to the release-specific software upgrade document.
 - On ONS 15454, replace the TCC2/TCC2P/TCC3 cards with cards containing the correct release.
 - On ONS 15454 M6, replace the LCD and TNC/TSC cards with cards containing the correct release.

- On ONS 15454 M2, replace the power module and TNC/TSC cards with cards containing the correct release.

Step 6 (On ONS 15454 shelf) If the node will be configured as a multishelf node, verify that redundant MS-ISC-100T cards are installed (Slots 6 and 12 are recommended) and that the green ACT (active) LED is illuminated on both cards.



Note If the MS-ISC-100T card is not installed and the card is required by the Cisco Transport Planner shelf layout, or if the card's LEDs are not operating as described, do not continue. Complete the “DLP-G309 Install the MS-ISC-100T Card” in the *Cisco ONS 15454 Hardware Installation Guide* or refer to the *Cisco ONS 15454 DWDM Troubleshooting Guide* to resolve installation problems before proceeding to the next procedure.

Stop. You have completed this procedure.

NTP-G250 Verify Digital Image Signing (DIS) Information

Purpose	This procedure retrieves the following information on the ONS 15454 M2 and ONS 15454 M6 platforms: <ul style="list-style-type: none"> • Software signature information • Version of the digitally signed software • Public keys installed <p>Note In a hybrid multi-shelf configuration involving ONS 15454 and ONS 15454 M6 shelf assemblies, DIS information is available for the ONS 15454 M6 shelf only.</p>
Tools/Equipment	None
Prerequisite Procedures	“NTP-G22 Verify Common Card Installation” task on page 4-7
Required/As Needed	As Needed
Onsite/Remote	Onsite or remote
Security Level	Retrieve user



Note The DIS information is applicable for TNC/TSC cards in the ONS 15454 M2 and ONS 15454 sM6 platforms.

Step 1 Complete the [“DLP-G46 Log into CTC” task on page 3-30](#) at the node where you want to verify the DIS information.

Step 2 Do the following as applicable:

- To retrieve the digitally signed software version, go to [Step 3](#).
- To retrieve the software signature information, go to [Step 4](#).
- To retrieve the public keys installed on the node, go to [Step 5](#).

Step 3 In node view (single-shelf mode) or multishelf view (multishelf mode), click **Maintenance > Software** tab to retrieve the digitally signed software version. The following columns appear in the pane:

- Node—Displays the node name or IP address.

- **Type**—Displays the node type.
- **Node Status**—Displays the node status, which is based on the highest alarm level at the node.
- **Working Version**—Displays the working ONS node software version (the general software release number [n.n.n] followed by the specific software release identification number). For example, 9.2.0 (09.20-X10E-02.06).
- **Protect Version**—Displays the protect ONS node software version (the general software release number [n.n.n] followed by the specific software release identification number). For example, 9.2.0 (09.20-X10E-02.06).
- **Download Status**—Displays the status of any in-progress network software downloads.

Step 4 In node view (single-shelf mode) or shelf view (multishelf view), click **Maintenance > DIS > Info > Retrieve Signature Information** tab to retrieve signature information. The following information is displayed in the pane:

- **Attribute**—The following information is displayed:
 - **Organization Name**—Displays the owner of the software image.
 - **Organization Unit**—Displays the business unit within Cisco.
 - **Serial Number**—Displays the serial number of the certificate with the digital signature.
 - **Common Name**—Displays the name of the platform.
 - **Hash Algorithm**—Displays the hashing algorithm used.
 - **Image Type**—Shows the type of the image-Development or Production.
 - **Key Version**—Indicates the key version used to digitally sign the image. A key version is identified with an alphabetical character that ranges from A to Z.
 - **Sign Algorithm**—Refers to the RSA algorithm.
- **Working Software Information**—Displays the signature information of the working software.
- **Protect Software Information**—Displays the signature information of the protect software.



Note To refresh the signature information, click **Refresh Signature Information**.

Step 5 In node view (single-shelf mode) or shelf view (multishelf mode), click **Maintenance > DIS > Available Keys > Retrieve All Keys** tabs to retrieve public key information. The following information is displayed in the pane:

- **Key Type**—Displays the public key available on the system for verification:
 - **Release Key**—Verifies release images.
 - **Development Key**—Verifies the development images.
- **Public Key Algorithm**—Displays the name of the algorithm used for public key cryptography.
- **Exponent**—Displays the exponent of the public key algorithm—release or development keys.
- **Key Version**—Displays the key version used for verification.
- **Modulus**—Displays the modulus of the public key algorithm with a size of 2048 bits.



Note To refresh the public key information, click **Refresh All Keys**.

Stop. You have completed this procedure.

NTP-G144 Provision a Multishelf Node

Purpose	This procedure provisions a multishelf node from CTC. A multishelf node consists of a control node and subtending shelves that are configured to operate as a single node.
Tools/Equipment	None
Prerequisite Procedures	<ul style="list-style-type: none"> • NTP-G22 Verify Common Card Installation, page 4-7 • “NTP-G301 Connect the ONS 15454 Multishelf Node and Subtending Shelves to an MS-ISC-100T Card” in the <i>Cisco ONS 15454 Hardware Installation Guide</i> • “NTP-G302 Connect the ONS 15454 Multishelf Node and Subtending Shelves to a Catalyst 2950” in the <i>Cisco ONS 15454 Hardware Installation Guide</i> • “NTP-G295 Connect the ONS 15454 Multishelf Node and Subtending Shelves to a Catalyst 3560” in the <i>Cisco ONS 15454 Hardware Installation Guide</i> • “NTP-G296 Upgrade the ONS 15454 Multishelf with MS-ISC Card Configuration Using the Catalyst 3560” in the <i>Cisco ONS 15454 Hardware Installation Guide</i> • “NTP-G297 Upgrade the ONS 15454 Multishelf with Catalyst 2950 Configuration Using the Catalyst 3560” in the <i>Cisco ONS 15454 Hardware Installation Guide</i> • “NTP-G308 Connect the ONS 15454 M6 Multishelf Node and the ONS 15454 M6 Subtending Shelves” in the <i>Cisco ONS 15454 Hardware Installation Guide</i> • “NTP-G309 Connect the ONS 15454 M6 and the ONS 15454 in a Mixed Multishelf Configuration” in the <i>Cisco ONS 15454 Hardware Installation Guide</i> • NTP-G310 Upgrade the ONS 15454 Multishelf Configuration using the ONS 15454 M6 in the <i>Cisco ONS 15454 Hardware Installation Guide</i>
Required/As Needed	As needed
Onsite/Remote	Onsite or remote
Security Level	Superuser only



Caution

An optical shelf in a multishelf configuration must be provisioned as the node controller shelf and not as a subtending shelf. Otherwise, traffic will be dropped. If there are no slots available on the optical shelf to install the MS-ISC-100T cards (needed for a node controller shelf), install and configure the Cisco Catalyst 2950 or Cisco Catalyst 3560. See the “NTP-G302 Connect the ONS 15454 Multishelf Node and Subtending Shelves to a Catalyst 2950” in the *Cisco ONS 15454 Hardware Installation Guide* or “NTP-G295 Connect the ONS 15454 Multishelf Node and Subtending Shelves to a Catalyst 3560” in

the *Cisco ONS 15454 Hardware Installation Guide*. If you are using an ONS 15454 M6, then refer to the applicable procedure for connecting the ONS 15454 M6 as the node controller in the *Cisco ONS 15454 Hardware Installation Guide*.

-
- Step 1** Complete the “[DLP-G46 Log into CTC](#)” task on page 3-30 at the node that you want to configure as a multishelf node.
- Step 2** If you want to set up the login node as the node controller, complete the following steps. If not, continue with [Step 3](#).
- a. In node view (single-node mode) or multishelf view (multishelf mode), click the **Provisioning > General > Multishelf Config** tabs.
 - b. Click **Enable as Node Controller**.
 - c. From the LAN Config drop-down list, complete one of the following:
 - Choose **Ethernet Switch** if MS-ISC-100T cards or the Catalyst 2950 or the Catalyst 3560 switches are already installed and configured. Choose the public VLAN ID and private VLAN ID for the ONS 15454 multishelf node. In case of an ONS 15454 M6, the public VLAN ID and private VLAN ID are static (1 and 2 respectively).



Note Public VLAN ID is used by the node controller to communicate with the external network. Private VLAN ID is used by the node controller to communicate with the subtending shelves.



Note If the ONS 15454 M6 shelf is used as the node controller, then you can connect the subtending shelves directly to the MSM ports on the ECU. However, a Catalyst 3560 switch can also be used along with the ONS 15454 M6 node controller to extend the number of subtending shelves.

- Choose **Stand-Alone** if MS-ISC-100T cards are not installed yet but will be included in the final layout. This option will allow a safe migration of the TCC2/TCC2P/TCC3/TNC/TSC card database when the multishelf configuration is complete.
- d. Click **Apply**.
 - e. In the confirmation dialog box, click **Yes** to allow the node to reboot. The CTC view changes to network view and the node icon changes to gray. Wait for the reboot to finish. (This might take several minutes.)
 - f. After the node reboots, double-click the node. The multishelf view appears.



Note The shelf ID of the node controller is automatically assigned as 1.

- Step 3** If you want to add a node as a subtending shelf (either ONS 15454 or ONS 15454 M6) in the multishelf configuration, complete the following steps. If not, you have completed this procedure.
- a. In multishelf view, right-click the white space in the rack and choose **Add Shelf** from the shortcut menu.
 - b. Select the type of subtending shelf (ONS 15454 or ONS 15454 M6).
 - c. In the Shelf ID Selection dialog box, choose a shelf ID (from 2 to 30) from the drop-down list.
 - d. Click **OK**. The shelf appears in multishelf view.

- e. Disconnect the cross-over (CAT-5) LAN cable from the RJ-45 LAN (TCP/IP) port of the ONS 15454 subtending shelf TCC2/TCC2P/TCC3 card in Slot 11 or Slot 7, or from the MSM ports on the ONS 15454 M6 subtending shelf that correspond to the TNC/TSC card in Slot 1 or Slot 8.
- f. Connect your Windows PC or Solaris workstation network interface card (NIC) to the RJ-45 LAN (TCP/IP) port on the TCC2/TCC2P/TCC3 card in Slot 11 or Slot 7, or to the MSM ports on the ONS 15454 M6 subtending shelf that correspond to the TNC/TSC card in Slot 1 or Slot 8.
- g. Complete the [“DLP-G46 Log into CTC” task on page 3-30](#) at the subtending shelf.
- h. Click the **Provisioning > General > Multishelf Config** tabs.
- i. Click **Enable as Subtended Shelf**.
- j. From the Shelf ID drop-down list, choose the shelf ID that you created in Step c.
- k. Click **Apply**.
 - l. In the confirmation dialog box, click **Yes** to reboot the shelf. The CTC view changes to network view and the node icon changes to gray. Wait for the reboot to finish. (This might take several minutes.)
- m. Disconnect your Windows PC or Solaris workstation NIC from the RJ-45 LAN (TCP/IP) port of the ONS 15454 subtending shelf TCC2/TCC2P/TCC3 card in Slot 11 or Slot 7, or from the MSM ports on the ONS 15454 M6 subtending shelf that correspond to the TNC/TSC card in Slot 1 or Slot 8.
- n. Reconnect the cross-over (CAT-5) LAN cable (disconnected in Step e) to the RJ-45 LAN (TCP/IP) port of the subtending shelf TCC2/TCC2P/TCC3 card in Slot 11 or Slot 7, or to the MSM ports on the ONS 15454 M6 subtending shelf that correspond to the TNC/TSC card in Slot 1 or Slot 8.
- o. Repeat Steps a through n to set up additional subtending shelves.

**Note**

To connect the subtending shelves to the node controller, refer to the applicable procedures in the *Cisco ONS 15454 Hardware Installation Guide*.

**Note**

Non-LAN connected Multishelf nodes are not manageable from CTC unless SOCKS Proxy is enabled on the node.

Stop. You have completed this procedure.

NTP-G23 Create Users and Assign Security

Purpose	This procedure creates ONS 15454 users and assigns their security levels.
Tools/Equipment	None
Prerequisite Procedures	NTP-G22 Verify Common Card Installation, page 4-7
Required/As Needed	As needed
Onsite/Remote	Onsite or remote
Security Level	Superuser only

- Step 1** Complete the [“DLP-G46 Log into CTC” task on page 3-30](#) at the node where you need to create users. If you are already logged in, continue with Step 2.



Note You must log in as a Superuser to create additional users. The CISCO15 user provided with each ONS 15454 can be used to set up other ONS 15454 users. You can add up to 500 users to one ONS 15454.

Step 2 Complete the “[DLP-G54 Create a New User on a Single Node](#)” task on page 4-13 or the “[DLP-G55 Create a New User on Multiple Nodes](#)” task on page 4-14 as needed.



Note You must add the same user name and password to each node that a user will access.

Step 3 If you want to modify the security policy settings, including password aging and idle user timeout policies, complete the “[NTP-G88 Modify Users and Change Security](#)” procedure on page 11-55.

Stop. You have completed this procedure.

DLP-G54 Create a New User on a Single Node

Purpose	This task creates a new user for one ONS 15454.
Tools/Equipment	None
Prerequisite Procedures	DLP-G46 Log into CTC , page 3-30
Required/As Needed	As needed
Onsite/Remote	Onsite or remote
Security Level	Superuser only

Step 1 In node view (single-shelf mode) or multishelf view (multishelf mode), click the **Provisioning > Security > Users** tabs.

Step 2 In the Users window, click **Create**.

Step 3 In the Create User dialog box, enter the following:

- **Name**—Type the user name. The name must be a minimum of six and a maximum of 20 alphanumeric (a-z, A-Z, 0-9) characters. For Transaction Language One (TL1) compatibility, the user name must be 6 to 10 characters.
- **Password**—Type the user password. The password length, by default, is set to a minimum of six and a maximum of 20 characters. You can configure the default values in node view using the Provisioning > NE Defaults > Node > security > passwordComplexity tabs. The minimum length can be set to eight, ten or twelve characters, and the maximum length to 80 characters. The password must be a combination of alphanumeric (a-z, A-Z, 0-9) and special (+, #, %) characters, where at least two characters are not alphabetic and at least one character is a special character. For TL1 compatibility, the password must be six to ten characters.



Note The password must not contain the user name.

- **Confirm Password**—Type the password again to confirm it.

- Security Level—Choose a security level for the user: **RETRIEVE**, **MAINTENANCE**, **PROVISIONING**, or **SUPERUSER**.



Note Each security level has a different idle time. The idle time is the length of time that CTC can remain idle before the password must be reentered. The defaults are: Retrieve user = unlimited, Maintenance user = 60 minutes, Provisioning user = 30 minutes, and Superuser = 15 minutes. To change the idle times, see the “[NTP-G88 Modify Users and Change Security](#)” procedure on page 11-55.

- Step 4** Click **OK**.
- Step 5** Return to your originating procedure (NTP).

DLP-G55 Create a New User on Multiple Nodes

Purpose	This task adds a new user to multiple ONS 15454 nodes.
Tools/Equipment	None
Prerequisite Procedures	DLP-G46 Log into CTC , page 3-30
Required/As Needed	As needed
Onsite/Remote	Onsite or remote
Security Level	Superuser only



Note All nodes where you want to add users must be accessible in network view.

- Step 1** From the View menu, choose **Go to Network View**.
- Step 2** Click the **Provisioning > Security > Users** tabs.
- Step 3** In the Users window, click **Create**.
- Step 4** In the Create User dialog box, enter the following:
- Name—Type the user name. The name must be a minimum of six and a maximum of 20 alphanumeric (a-z, A-Z, 0-9) characters. For TL1 compatibility, the user name must be 6 to 10 characters.
 - Password—Type the user password. The password length, by default, is set to a minimum of six and a maximum of 20 characters. You can configure the default values in node view through Provisioning > NE Defaults > Node > security > passwordComplexity. The minimum length can be set to eight, ten or twelve characters, and the maximum length to 80 characters. The password must be a combination of alphanumeric (a-z, A-Z, 0-9) and special (+, #, %) characters, where at least two characters are not alphabetic and at least one character is a special character. For TL1 compatibility, the password must be six to ten characters. The password must not contain the user name.
 - Confirm Password—Type the password again to confirm it.
 - Security Level—Choose a security level for the user: **RETRIEVE**, **MAINTENANCE**, **PROVISIONING**, or **SUPERUSER**.

**Note**

Each security level has a different idle time. The idle time is the length of time that CTC can remain idle before it locks up and the password must be reentered. The defaults are: Retrieve user = unlimited, Maintenance user = 60 minutes, Provisioning user = 30 minutes, and Superuser = 15 minutes. To change the idle times, refer to the [“NTP-G88 Modify Users and Change Security” procedure on page 11-55](#).

- Step 5** In the Select Applicable Nodes area, deselect any nodes where you do not want to add the user (all network nodes are selected by default).
- Step 6** Click **OK**.
- Step 7** In the User Creation Results dialog box, verify that the user was added to all the nodes chosen in [Step 5](#). If not, click **OK** and repeat Steps 2 through 6. If the user was added to all nodes, click **OK** and continue with the next step.
- Step 8** Return to your originating procedure (NTP).

NTP-G24 Set Up Name, Date, Time, and Contact Information

Purpose	This procedure provisions identification information for the node, including the node name, a contact name and phone number, the location of the node, and the date, time, and time zone.
Tools/Equipment	None
Prerequisite Procedures	NTP-G22 Verify Common Card Installation, page 4-7
Required/As Needed	As needed
Onsite/Remote	Onsite or remote
Security Level	Provisioning or higher

- Step 1** Complete the [“DLP-G46 Log into CTC” task on page 3-30](#) for the node you will turn up. If you are already logged in, continue with Step 2.
- Step 2** In node view (single-shelf mode) or multishelf view (multishelf mode), click the **Provisioning > General > General** tabs.
- Step 3** In the Node Name/TID field, type a name for the node. For TL1 compliance, names must begin with an alpha character and have no more than 20 alphanumeric (a-z, A-Z, 0-9) characters.

**Note**

To avoid errors when you import the Cisco TransportPlanner configuration file using the [“NTP-G143 Import the Cisco TransportPlanner NE Update Configuration File” procedure on page 4-49](#), the CTC node name and the Cisco TransportPlanner site name should be the same (or at least easy to identify).

- Step 4** (Optional) In the Contact field, type the name of the node contact person and the phone number, up to 255 characters.
- Step 5** (Optional) In the Latitude field, enter the node latitude: N (north) or S (south), degrees, and minutes.
- Step 6** (Optional) In the Longitude field, enter the node longitude: E (east) or W (west), degrees, and minutes.



Note The latitude and longitude values only indicate the geographical position of the nodes in the actual network and not the CTC node position.

- Step 7** (Optional) In the Description field, type a description of the node. The description can be a maximum of 255 characters.
- Step 8** (Optional) Check the Use NTP/SNTP Server check box if you want CTC to use a Network Time Protocol (NTP) or Simple Network Time Protocol (SNTP) server to set the date and time of the node. Using an NTP or SNTP server ensures that all ONS 15454 network nodes use the same date and time reference. The server synchronizes the node's time after power outages or software upgrades.
- a.** If you check the Use NTP/SNTP Server check box, complete the following fields:
- Use NTP/SNTP Server—Type the IP address of the primary NTP/SNTP server connected to the ONS 15454 or of another ONS 15454/15600/15310-CL/15310-MA as GNE with NTP/SNTP enabled that is connected to the ONS 15454 ENE.
 - Backup NTP/SNTP Server—Type the IP address of the secondary NTP/SNTP server connected to the ONS 15454 or of another ONS 15454/15600/15310-CL/15310-MA as GNE with NTP/SNTP enabled that is connected to the ONS 15454 ENE.

When the primary NTP/SNTP server fails or is not reachable, the node uses the secondary NTP/SNTP server to synchronize its date and time. If both the primary and secondary NTP/SNTP servers fail or are not reachable, an SNTP-FAIL alarm is raised. The node checks for the availability of the primary or secondary NTP/SNTP server at regular intervals until it can get the time from any one of the NTP/SNTP servers. After the node gets the time from any one server, it synchronizes its date and time with the server's date and time and the SNTP-FAIL alarm is cleared. For each retry and resynchronization, the node checks the availability of the primary NTP/SNTP server first, followed by the secondary NTP/SNTP server. The node synchronizes its date and time every hour.



Note You will not be able to identify which NTP/SNTP server is being used for synchronization.



Note If you plan to check gateway network element (GNE) for the ONS 15454 SOCKS proxy server (see [“DLP-G56 Provision IP Settings” task on page 4-19](#)), external ONS 15454 nodes must reference the gateway ONS 15454 for NTP/SNTP timing. For more information about the ONS 15454 gateway settings, refer to the “Management Network Connectivity” chapter in the *Cisco ONS 15454 DWDM Reference Manual*.

**Caution**

If you reference another ONS 15454 for the NTP/SNTP server, make sure that the second ONS 15454 references an NTP/SNTP server and not the first ONS 15454 (that is, do not create an NTP/SNTP timing loop by having two ONS 15454 nodes reference each other).

- b.** If you do not check Use SNTP/NTP Server, complete the Date and Time fields. The ONS 15454 will use these fields for alarm dates and times. By default, CTC displays all alarms in the CTC computer time zone for consistency. To change the display to the node time zone, complete the [“DLP-G118 Display Alarms and Conditions Using Time Zone” task on page 10-11](#).

- **Date**—Type the current date in the format m/d/yyyy, for example, September 24, 2002 is 9/24/2002.
- **Time**—Type the current time in the format hh:mm:ss, for example, 11:24:58. The ONS 15454 uses a 24-hour clock, so 10:00 PM is entered as 22:00:00.

- Step 9** Click the Time Zone field and choose a city within your time zone from the drop-down list. The list displays the 80 World Time Zones from –11 through 0 (GMT) to +14. Continental United States time zones are GMT-05:00 (Eastern), GMT-06:00 (Central), GMT-07:00 (Mountain), and GMT-08:00 (Pacific).
- Step 10** Check the Use Daylight Savings Time check box if the time zone that you chose uses Daylight Savings Time.

**Note**

The Insert AIS-V on STS-1 SD-P and SD-P BER field are not used in DWDM networks.

- Step 11** Click **Apply**.
- Step 12** In the confirmation dialog box, click **Yes**.
- Step 13** Review the node information. If you need to make corrections, repeat Steps 3 through 12 to enter the corrections. If the information is correct, continue with the [“NTP-G25 Set Battery Power Monitor Thresholds” procedure on page 4-17](#).

Stop. You have completed this procedure.

NTP-G25 Set Battery Power Monitor Thresholds

Purpose	This procedure provisions extreme high, low, and extreme low input battery power thresholds within a –48 VDC environment.
Tools/Equipment	None
Prerequisite Procedures	NTP-G22 Verify Common Card Installation, page 4-7
Required/As Needed	Required
Onsite/Remote	Onsite or remote
Security Level	Provisioning or higher

**Caution**

The default battery power thresholds are normally not changed. Threshold changes should only be performed at the direction of your site administrator.

**Note**

When the thresholds are crossed, the TCC2/TCC2P/TCC3/TNC/TSC card generates warning alarms in CTC. For ONS 15454 power specifications, see the “Hardware Specifications” appendix in the *Cisco ONS 15454 DWDM Reference Manual*.

- Step 1** Complete the [“DLP-G46 Log into CTC” task on page 3-30](#) for the node that you will set up. If you are already logged in, continue with Step 2.

- Step 2** In node view (single-shelf mode) or shelf view (multishelf mode), click the **Provisioning > General > Power Monitor** tabs.



Note In multishelf mode, power monitor thresholds must be provisioned separately for each shelf within the multishelf including the node controller and all subtending shelves.

- Step 3** To change the extreme low battery voltage threshold in 0.5 VDC increments, choose a voltage from the ELWBATVGVdc drop-down list.
- Step 4** To change the low battery voltage threshold in 0.5 VDC increments, choose a voltage from the LWBATVGVdc drop-down list.
- Step 5** To change the high battery voltage threshold in 0.5 VDC increments, choose a voltage from the HIBATVGVdc drop-down list.
- Step 6** To change the extreme high battery voltage threshold in 0.5 VDC increments, choose a voltage from the EhibatVGVdc drop-down list.
- Step 7** Click **Apply**.

Stop. You have completed this procedure.

NTP-G26 Set Up CTC Network Access

Purpose	This procedure provisions network access for a node, including its subnet mask, default router, Dynamic Host Configuration Protocol (DHCP) server, Internet Inter-Orb Protocol (IIOP) listener port, gateway settings, static routes, Open Shortest Path First (OSPF) protocol, Routing Information Protocol (RIP), and designated SOCKS servers.
Tools/Equipment	None
Prerequisite Procedures	NTP-G22 Verify Common Card Installation, page 4-7
Required/As Needed	Required
Onsite/Remote	Onsite or remote
Security Level	Superuser only

- Step 1** Complete the [“DLP-G46 Log into CTC” task on page 3-30](#). If you are already logged in, continue with [Step 2](#).
- Step 2** Complete the [“DLP-G56 Provision IP Settings” task on page 4-19](#) to provision the ONS 15454 IP address, subnet mask, default router, DHCP server, IIOP listener port, and SOCKS proxy server settings.



Tip If you cannot log into the node, you can change its IP address, default router, and network mask by using the LCD on the ONS 15454 fan-tray assembly (unless LCD provisioning is suppressed). See the [“DLP-G57 Set the IP Address, Default Router, and Network Mask Using the LCD” task on page 4-24](#) for instructions. However, you cannot use the LCD to provision any other network settings. In an ONS 15454 M2 shelf assembly, the LCD is on the fan-tray assembly. In an ONS 15454 M6 shelf assembly, the LCD is a separate unit installed above the external connection unit (ECU).

**Note**

When accessing CTC from a machine running Windows XP operating system, CTC may sometimes fail to reconnect to a GNE when the GNE proxies for several ENE nodes (approximately 15 ENE nodes). This can happen when there is a side switch or when the LAN is enabled/disabled. This is due to the Windows XP operating system limiting the number of simultaneous TCP/IP connection attempts. As a workaround, close the existing CTC session and relaunch CTC on the GNE node. You can configure a designated socks server list on the CTC to mitigate the problem.

- Step 3** If TCC2P/TCC3/TNC/TSC cards are installed and you want to turn on the ONS 15454 secure mode, which allows two IP addresses to be provisioned for the node, complete the “[DLP-G264 Enable Node Security Mode](#)” task on page 4-26. Secure mode is not available if TCC2 cards are installed.
- Step 4** If static routes are needed, complete the “[DLP-G58 Create a Static Route](#)” task on page 4-28. For more information about static routes, refer to the “Management Network Connectivity” chapter in the *Cisco ONS 15454 DWDM Reference Manual*.
- Step 5** If the ONS 15454 is connected to a LAN or WAN that uses OSPF and you want to share routing information between the LAN or WAN and the ONS network, complete the “[DLP-G59 Set Up or Change Open Shortest Path First Protocol](#)” task on page 4-29.
- Step 6** If the ONS 15454 is connected to a LAN or WAN that uses RIP, complete the “[DLP-G60 Set Up or Change Routing Information Protocol](#)” task on page 4-32.
- Step 7** Complete the “[DLP-G439 Provision the Designated SOCKS Servers](#)” task on page 4-23 after the network is provisioned and one or more of the following conditions exist:
- SOCKS proxy is enabled.
 - The ratio of ENEs to GNEs is greater than eight to one.
 - Most ENEs do not have LAN connectivity.

Stop. You have completed this procedure.

DLP-G56 Provision IP Settings

Purpose	This task provisions IP settings, which includes the IP address, IP address version, default router, DHCP access, firewall access, and SOCKS proxy server settings for an ONS 15454 node.
Tools/Equipment	None
Prerequisite Procedures	DLP-G46 Log into CTC , page 3-30
Required/As Needed	Required
Onsite/Remote	Onsite or remote
Security Level	Superuser only

**Caution**

All network changes should be approved by your network (or LAN) administrator.

**Caution**

Verify that the IPv4 or IPv6 addresses assigned to the node are unique in the network. Duplicate IP addresses in the same network cause loss of visibility.

Step 1 In node view (single-shelf mode) or multishelf view (multishelf mode), click the **Provisioning > Network > General** tabs.

Step 2 Complete the following information in the fields listed:

- IP Address—Type the IP address assigned to the ONS 15454 node.



Note If TCC2P/TCC3/TNC/TSC cards are installed, dual IP addressing is available using the secure mode. When secure mode is off (sometimes called repeater mode), the IP address entered in the IP Address field applies to the backplane LAN port (ONS 15454), EMS RJ-45 port or Craft port on the ECU (ONS 15454 M6), EMS RJ-45 port on the power module (ONS 15454 M2), and the TCC2P/TCC3/TNC/TSC TCP/IP (LAN) port. When secure mode is on, the IP Address field shows the address assigned to the TCC2P/TCC3/TNC/TSC TCP/IP (LAN) port and the Superuser can enable or disable display of the backplane IP address. See the “[DLP-G264 Enable Node Security Mode](#)” task on page 4-26 as needed. Refer to the “Management Network Connectivity” chapter in the *Cisco ONS 15454 DWDM Reference Manual* for more information about secure mode.

- Net/Subnet Mask Length—Type the subnet mask length (decimal number representing the subnet mask length in bits) or click the arrows to adjust the subnet mask length. The subnet mask length is the same for all ONS 15454 nodes in the same subnet.
- MAC Address—(Display only) Displays the ONS 15454 IEEE 802 MAC address.



Note In secure mode, the front and back TCP/IP (LAN) ports are assigned different MAC addresses, and the backplane information can be hidden or revealed by a Superuser.

- Default Router—If the ONS 15454 is connected to a LAN, enter the IP address of the default router. The default router forwards packets to network devices that the ONS 15454 cannot directly access. This field is ignored if any of the following are true:
 - The ONS 15454 is not connected to a LAN.
 - The SOCKS proxy server is enabled and the ONS 15454 is provisioned as an end network element (ENE).
 - OSPF is enabled on both the ONS 15454 and the LAN where the ONS 15454 is connected. (OSPF is provisioned in the “[DLP-G59 Set Up or Change Open Shortest Path First Protocol](#)” task on page 4-29.)
- LCD IP Setting—Choose one of the following:
 - **Allow Configuration**—Displays the node IP address on the LCD and allows users to change the IP settings using the LCD. This option enables the “[DLP-G57 Set the IP Address, Default Router, and Network Mask Using the LCD](#)” task on page 4-24.
 - **Display Only**—Displays the node IP address on the LCD but does not allow users to change the IP settings using the LCD.
 - **Suppress Display**—Suppresses the node IP address display on the LCD.
- Suppress CTC IP Display—Check this check box if you want to prevent the node IP address from appearing in CTC to users with Provisioning, Maintenance, or Retrieve security levels. (The IP address suppression is not applied to users with Superuser security level.)



Note IP address suppression is not applied to users with Superuser security level. However, in secure mode the backplane IP address visibility can be restricted to only a locally connected Superuser viewing the routing table. In this case, the backplane IP address is not revealed to any user at any other NE, either on the routing table or in autonomous messages (such as the TL1 REPT DBCHG message, alarms, and performance monitoring [PM] reporting).

- IPv6 Configuration—Allows provisioning of IPv6 addresses. After you provision an IPv6 address, you can access the device using the IPv6 address. Configure these settings only if you want to enable IPv6 on the node. IPv6 cannot be configured using the LCD push buttons.
 - Enable IPv6—Select this check box to assign an IPv6 address to the node. The IPv6 Address, Prefix Length, and IPv6 Default Router fields are enabled only if this check box is selected. The check box is disabled by default.



Note Enable SOCKS Proxy on Port check box is enabled when you enable IPv6 and can be disabled only when IPv6 is disabled.



Note By default, when IPv6 is enabled, the node processes both IPv4 and IPv6 packets on the LAN interface. If you want the node to process only IPv6 packets, you need to disable IPv4 on the node. For more information, see [DLP-G317 Change Node Access and PM Clearing Privilege, page 11-58](#)

- IPv6 Address—Enter the IPv6 address that you want to assign to the node. This IP address is the global unicast IPv6 address. This field is disabled if the Enable IPv6 check box is not selected.
- Prefix Length—Enter the prefix length of the IPv6 address. This field is disabled if the Enable IPv6 check box is not selected.
- IPv6 Default Router—Enter the IPv6 address of the default router of the IPv6 NE. This is optional. This field is disabled if the Enable IPv6 check box is not selected.



Note The ONS 15454 DWDM uses NAT-PT internally to support native IPv6. NAT-PT uses the IPv4 address range 128.0.0.0 to 128.0.1.254 for packet translation. Do not use this address range when you enable IPv6 feature.



Note You can provision IPv6 in secure or nonsecure mode. To enable secure mode, see [“DLP-G264 Enable Node Security Mode” task on page 4-26](#).

- Forward DHCP Request To—Check this check box to enable DHCP. Also, enter the DHCP server IP address in the Request To field. Unchecked is the default. If you will enable any of the gateway settings to implement the ONS 15454 SOCKS proxy server features, do not check this check box.



Note If you enable DHCP, computers connected to an ONS 15454 node can obtain temporary IP addresses from an external DHCP server. The ONS 15454 only forwards DHCP requests; it does not act as a DHCP server.

- **Gateway Settings**—Provisions the ONS 15454 SOCKS proxy server features. (SOCKS is a standard proxy protocol for IP-based applications.) Do not change these options until you review Scenario 7 “Provisioning the ONS 15454 Proxy Server” in the “Management Network Connectivity” chapter of the *Cisco ONS 15454 DWDM Reference Manual*. In SOCKS proxy server networks, the ONS 15454 is either an ENE, a GNE, or a proxy-only server. Provisioning must be consistent for each NE type.
- **Enable SOCKS proxy server on port**—If checked, the ONS 15454 serves as a proxy for connections between CTC clients and ONS 15454 nodes that are connected by data communications channels (DCCs) to the proxy ONS 15454. The CTC client establishes connections to DCC-connected nodes through the proxy node. The CTC client does not require IP connectivity to the DCC-connected nodes; it only requires IP connectivity to the proxy ONS 15454. If the Enable SOCKS proxy server on port check box is unchecked, the node does not proxy for any CTC clients. When this box is checked, you can provision one of the following options:
 - **External Network Element (ENE)**—Choose this option when the ONS 15454 is not connected to a LAN but has DCC connections to other ONS nodes. A CTC computer connected to the ENE through the TCC2/TCC2P/TCC3/TNC/TSC card TCP/IP (craft) port can manage nodes that have DCC connections to the ENE. However, the CTC computer does not have direct IP connectivity to these nodes or to any LAN or WAN that those nodes might be connected to.
 - **Gateway Network Element (GNE)**—Choose this option when the ONS 15454 is connected to a LAN and has DCC connections to other nodes. A CTC computer connected to the LAN can manage all nodes that have DCC connections to the GNE, but the CTC computer does not have direct IP connectivity to them. The GNE option isolates the LAN from the DCC network so that IP traffic originating from the DCC-connected nodes and any CTC computers connected to them is prevented from reaching the LAN.
 - **SOCKS proxy only**—Choose this option when the ONS 15454 is connected to a LAN and the LAN is separated from the node by a firewall. The SOCKS proxy only option is the same as the GNE option, except that the SOCKS proxy only option does not isolate the DCC network from the LAN.

**Note**

If a node is provisioned in secure mode, it is automatically provisioned as a GNE with SOCKS proxy enabled. However, this provisioning can be overridden, and the secure node can be changed to an ENE. In secure mode, SOCKS cannot be disabled. For information about provisioning, including GNE and ENE status, see the “[DLP-G264 Enable Node Security Mode](#)” task on page 4-26.

Step 3 Click **Apply**.

Step 4 Click **Yes** in the confirmation dialog box.

The TCC2/TCC2P/TCC3/TNC/TSC cards reboot one at a time if changes were made to the IP address, subnet mask, or gateway settings. During this time (approximately 5 to 6 minutes), the active and standby TCC2/TCC2P/TCC3/TNC/TSC card LEDs will blink, turn on, and turn off at different intervals. Eventually, a “Lost node connection, switching to network view” message appears.

Step 5 Click **OK**. The network view appears. The node icon appears in gray, during which time you cannot access the node.

Step 6 Double-click the node icon when it becomes green.

Step 7 Return to your originating procedure (NTP).

DLP-G439 Provision the Designated SOCKS Servers

Purpose	This task identifies the ONS 15454 SOCKS servers in SOCKS-proxy-enabled networks. Identifying the SOCKS servers reduces the amount of time required to log into a node and have all NEs appear in network view (NE discovery time). The task is recommended when the combined CTC login and NE discovery time is greater than five minutes in networks with SOCKS proxy enabled. Long (or failed) login and NE discovery times can occur in networks that have a high ENE-to-GNE ratio and a low number of ENEs with LAN connectivity.
Tools/Equipment	None
Prerequisite Procedures	DLP-G46 Log into CTC, page 3-30
Required/As Needed	Required
Onsite/Remote	Onsite or remote
Security Level	Superuser only


Note

To complete this task, you must have either the IP addresses or DNS names of all ONS 15454s in the network with LAN access that have SOCKS proxy enabled.


Note

SOCKS proxy servers can be any accessible ONS network nodes that have LAN access, including the ONS 15310-MA, ONS 15310-CL, ONS 15454, ONS 15454 SDH, ONS 15600, and ONS 15600 SDH nodes.


Note

You must repeat this task any time that changes to SOCKS proxy server nodes occur, for example, whenever LAN connectivity is added to or removed from a node, or when nodes are added or removed from the network.


Note

If you cannot log into a network node, complete the [“DLP-G46 Log into CTC” task on page 3-30](#) choosing the Disable Network Discovery option. Complete this task, then login again with network discovery enabled.

- Step 1** From the CTC Edit menu, choose **Preferences**.
- Step 2** In the Preferences dialog box, click the **SOCKS** tab.
- Step 3** In the Designated SOCKS Server field, type the IP address or DNS node name of the first ONS 15454 SOCKS server. The ONS 15454 that you enter must have SOCKS proxy server enabled, and it must have LAN access.
- Step 4** Click **Add**. The node is added to the SOCKS server list. If you need to remove a node on the list, click **Remove**.
- Step 5** Repeat Steps 3 and 4 to add all qualified ONS 15454s within the network. Add all ONS nodes that have SOCKS proxy enabled and are connected to the LAN.

- Step 6** Click **Check All Servers**. CTC verifies that all nodes can perform as SOCKS servers. Once verified, a check is placed next to the node IP address or node name in the SOCKS server list. An X placed next to the node indicates one or more of the following:
- The entry does not correspond to a valid DNS name.
 - The numeric IP address is invalid.
 - The node cannot be reached.
 - The node can be reached, but the SOCKS port cannot be accessed, for example, a firewall problem might exist.
- Step 7** Click **Apply**. The list of ONS 15454 nodes, including ones that received an X in [Step 6](#), are added as SOCKS servers.
- Step 8** Click **OK** to close the Preferences dialog box.
- Step 9** Return to your originating procedure (NTP).
-

DLP-G57 Set the IP Address, Default Router, and Network Mask Using the LCD

Purpose	This task changes the ONS 15454 IP address, default router, and network mask using the LCD on the fan-tray assembly. Use this task if you cannot log into CTC. In an ONS 15454 M2 shelf assembly, the LCD is on the fan-tray assembly. In an ONS 15454 M6 shelf assembly, the LCD is a separate unit installed above the external connection unit (ECU).
Tools/Equipment	None
Prerequisite Procedures	“DLP-G33 Install the TCC2, TCC2P, or TCC3 Card” in the <i>Cisco ONS 15454 Hardware Installation Guide</i>
Required/As Needed	As needed
Onsite/Remote	Onsite
Security Level	None



Note

You cannot perform this task if the LCD IP Display field on the node view Provisioning > Network tab is set to Display Only or Suppress Display. See the “[DLP-G56 Provision IP Settings](#)” task on page 4-19 to view or change the LCD IP Display field. If the node is locked in secure mode with the LCD display disabled, you will not be able to change this provisioning unless the lock is disabled by Cisco Technical Support. Refer to the “Management Network Connectivity” chapter in the *Cisco ONS 15454 DWDM Reference Manual* for more information about secure mode.



Note

The LCD reverts to normal display mode after 5 seconds of button inactivity.

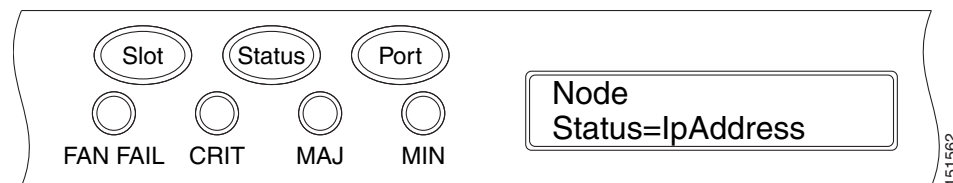
- Step 1** On the ONS 15454 front panel, repeatedly press the **Slot** button until SHELF appears on the first line of the LCD. You are in the Shelf menu.

**Note**

In an ONS 15454 M2 shelf assembly, the LCD panel and the **Slot**, **Port**, and **Status** buttons are present on the fan-tray assembly. In an ONS 15454 M6 shelf assembly, the LCD is a separate unit installed above the external connection unit (ECU); the **Slot**, **Port**, and **Status** buttons are present on the LCD unit.

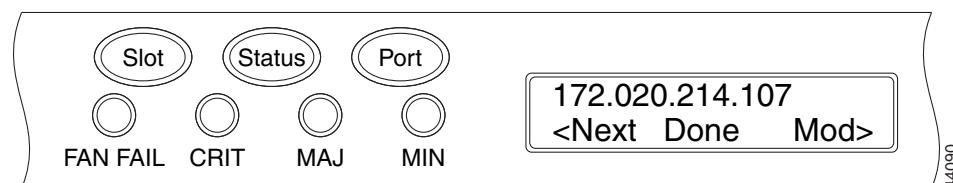
- Step 2** Repeatedly press the **Port** button until the following information appears:
- To change the node IP address, Node Status=IpAddress (Figure 4-4)
 - To change the node network mask, Node Status=Net Mask
 - To change the default router IP address, Node Status=Default Rtr

Figure 4-4 Selecting the IP Address Option—ONS 15454 Shelf Assembly



- Step 3** Press the **Status** button to display the node IP address (Figure 4-5), the node subnet mask length, or the default router IP address.

Figure 4-5 Changing the IP Address—ONS 15454 Shelf Assembly

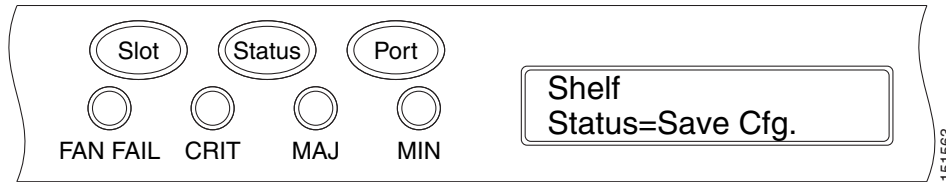


- Step 4** Push the **Slot** button to move to the digit of the IP address, subnet mask, or default router that you want to change. The selected digit flashes.

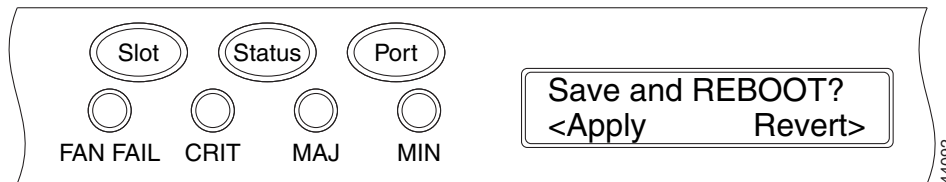
**Tip**

The Slot, Status, and Port button positions correspond to the positions of the commands shown on the LCD. For example, in Figure 4-5, you press the Slot button to invoke the Next command and the Status button to invoke the Done command.

- Step 5** Press the **Port** button to cycle the IP address, subnet mask, or default router to the correct digit.
- Step 6** When the change is complete, press the **Status** button to return to the relevant Node Status menu.
- Step 7** Repeatedly press the **Port** button until the Shelf Save Configuration option appears (Figure 4-6).

Figure 4-6 Selecting the Save Configuration Option—ONS 15454 Shelf Assembly

- Step 8** Press the **Status** button to choose the Save Configuration option.
A Save and REBOOT message appears (Figure 4-7).

Figure 4-7 Saving and Rebooting the TCC2/TCC2P/TCC3—ONS 15454 Shelf Assembly

- Step 9** Press the **Slot** button to apply the new IP address, subnet mask, or default router configuration or press **Port** to cancel the configuration.



Note The IP address and default router must be on the same subnet. If not, you cannot apply the configuration.

- Step 10** Saving the new configuration causes the TCC2/TCC2P/TCC3/TNC/TSC cards to reboot. During the reboot, a “TCC may Reset” message appears on the LCD. The LCD returns to the normal alternating display after both TCC2/TCC2P/TCC3/TNC/TSC cards finish rebooting.
- Step 11** Return to your originating procedure (NTP).

DLP-G264 Enable Node Security Mode

Purpose	This task enables the security mode. When security mode is enabled, two IP addresses are assigned to the node. One address is assigned to the backplane LAN port (ONS 15454) or to the EMS port (ONS 15454 M2 and M6). The other address is assigned to the TCC2P/TCC3/TNC/TSC RJ-45 TCP/IP (LAN) port. The TCC2 card does not support security mode.
Tools/Equipment	TCC2P/TCC3/TNC/TSC cards must be installed. Do not install a mix of TCC2 and TCC2P cards.
Prerequisite Procedures	NTP-G103 Back Up the Database, page 14-2 DLP-G46 Log into CTC, page 3-30
Required/As Needed	As needed
Onsite/Remote	Onsite or remote
Security Level	Superuser only

**Caution**

The IP address assigned to the TCC2P/TCC3/TNC/TSC TCP/IP (LAN) port must reside on a different subnet from the backplane LAN port (ONS 15454) and the EMS port (ONS 15454 M2 and M6). Verify that the new TCC2P/TCC3/TNC/TSC IP address meets this requirement.

**Note**

The node will reboot after you complete this task, causing a temporary disconnection between the CTC computer and the node.

**Note**

If an OTS-to-OTS PPC is created between nodes, it will no longer function if the node Security Mode is enabled (see [DLP-G264 Enable Node Security Mode](#), page 4-26). The reason for this is that if the Secure mode is enabled, it is no longer possible for the DCN extension feature to use the LAN interface to extend the internal network (due to the network isolation in this configuration mode). The result is that the topology discovery on the OTS-to-OTS PPC no longer operates.

Step 1 Click the **Provisioning > Security > Data Comm** tabs.

**Note**

The security mode options are not available in CTC if TCC2 cards or a mix of TCC2 and TCC2P cards are installed.

Step 2 Click **Change Mode**.

Step 3 Review the information on the Change Secure Mode page, then click **Next**.

Step 4 On the TCC Ethernet Port page, enter the IP address and subnet mask for the TCC2P/TCC3/TNC/TSC TCP/IP (LAN) port. The IP address cannot reside on the same subnet as the backplane LAN port (ONS 15454) and the EMS port (ONS 15454 M2 and M6).

Step 5 Click **Next**.

Step 6 If needed, on the Backplane Ethernet Port page, modify the backplane IP address, subnet mask, and default router. (You normally do not modify these fields if no network changes have occurred.)

Step 7 Click **Next**.

Step 8 On the SOCKS Proxy Server Settings page, choose one of the following options:

- **External Network Element (ENE)**—If selected, the CTC computer is only visible to the ONS 15454 where the CTC computer is connected. The CTC computer is not visible to the nodes connected to the DCC. In addition, firewall is enabled, which means that the node prevents IP traffic from being routed between the DCC and the LAN port.
- **Gateway Network Element (GNE)**—If selected, the CTC computer is visible to other DCC-connected nodes. The node prevents IP traffic from being routed between the DCC and the LAN port.

**Note**

The SOCKS proxy server is automatically enabled when you enable secure mode.

Step 9 Click **Finish**.

Within the next 30 to 40 seconds, the TCC2P/TCC3/TNC/TSC cards reboot. CTC switches to network view, and the CTC Alerts dialog box appears. In network view, the node changes to gray and a DISCONNECTED condition appears in the Alarms tab.

- Step 10** In the CTC Alerts dialog box, click **Close**. Wait for the reboot to finish. (This might take several minutes.)
- Step 11** After the DISCONNECTED condition clears, complete the following steps to suppress the backplane IP address from appearing in CTC and the LCD. If you do not want to suppress the backplane IP address display, continue with [Step 12](#).
- Display the node in node view (single-shelf mode) or multishelf view (multishelf mode).
 - Click the **Provisioning > Security > Data Comm** tabs.
 - In the LCD IP Setting field, choose **Suppress Display**. The IP address will not appear on the ONS 15454 LCD.
 - Check the **Suppress CTC IP Address** check box. The IP address will not appear in the CTC information area or the Provisioning > Security > Data Comm tabs.
 - Click **Apply**.




Note After you turn on secure mode, the TCC2P/TCC3/TNC/TSC IP address becomes the node IP address.

- Step 12** Return to your originating procedure (NTP).
-

DLP-G58 Create a Static Route

Purpose	This task creates a static route to establish CTC connectivity to a computer on another network. This task is performed when one of the following conditions exists: <ul style="list-style-type: none"> CTC computers on one subnet need to connect to ONS 15454 nodes that are connected by a router to ONS 15454 nodes residing on another subnet. OSPF is not enabled (the OSPF Active on LAN check box is not checked on the Provisioning > Network > OSPF tab) and the External Network Element (ENE) gateway setting is not checked. You need to enable multiple CTC sessions among ONS 15454 nodes residing on the same subnet and the External Network Element (ENE) gateway setting is not checked.
Tools/Equipment	None
Prerequisite Procedures	DLP-G46 Log into CTC, page 3-30
Required/As Needed	As needed.
Onsite/Remote	Onsite or remote
Security Level	Provisioning or higher

-
- Step 1** In node view (single-shelf mode) or multishelf view (multishelf mode), click the **Provisioning > Network** tabs.
- Step 2** Click the **Static Routing** tab. Click **Create**.
- Step 3** In the Create Static Route dialog box, enter the following:
- **Destination**—Enter the IP address of the computer running CTC. To limit access to one computer, enter the full IP address and a subnet mask of 255.255.255.255. To allow access to all computers on the 192.168.1.0 subnet, enter 192.168.1.0 and a subnet mask of 255.255.255.0. You can enter a destination of 0.0.0.0 to allow access to all CTC computers that connect to the router.
 - **Mask**—Enter a subnet mask. If the destination is a host route (that is, one CTC computer), enter a 32-bit subnet mask (255.255.255.255). If the destination is a subnet, adjust the subnet mask accordingly, for example, 255.255.255.0. If the destination is 0.0.0.0, CTC automatically enters a subnet mask of 0.0.0.0 to provide access to all CTC computers. You cannot change this value.
 - **Next Hop**—Enter the IP address of the router port or the node IP address if the CTC computer is connected to the node directly.
 - **Cost**—Enter the number of hops between the ONS 15454 and the computer.
- Step 4** Click **OK**. Verify that the static route appears in the Static Route window.
-  **Note** Static route networking examples are provided in the “Management Network Connectivity” chapter of the *Cisco ONS 15454 DWDM Reference Manual*.
-
- Step 5** Return to your originating procedure (NTP).
-

DLP-G59 Set Up or Change Open Shortest Path First Protocol

Purpose	This task enables the OSPF routing protocol on the ONS 15454. Perform this task if you want to include the ONS 15454 in OSPF-enabled networks.
Tools/Equipment	None
Prerequisite Procedures	DLP-G46 Log into CTC, page 3-30
	You will need the OSPF Area ID, Hello and Dead intervals, and authentication key (if OSPF authentication is enabled) provisioned on the router to which the ONS 15454 is connected.
Required/As Needed	As needed
Onsite/Remote	Onsite or remote
Security Level	Provisioning or higher

-
- Step 1** In node view (single-shelf mode) or multishelf view (multishelf mode), click the **Provisioning > Network > OSPF** tabs.
- Step 2** On the top left side of the OSPF area, complete the following:
- **DCC/GCC OSPF Area ID Table**—In dotted decimal format, enter the number that identifies the ONS 15454 nodes as a unique OSPF area ID. The Area ID can be any number between 000.000.000.000 and 255.255.255.255, but must be unique to the LAN OSPF area.

ANSI Nodes

- **SDCC Metric**—This value is normally unchanged. It sets a cost for sending packets across the Section DCC, which is used by OSPF routers to calculate the shortest path. This value should always be higher than the LAN metric. The default SDCC metric is 100.
- **LDCC Metric**—Sets a cost for sending packets across the Line DCC. This value should always be lower than the SDCC metric. The default LDCC metric is 33. It is usually not changed.

ETSI Nodes

- **RS-DCC Metric**—This value is normally unchanged. It sets a cost for sending packets across the regenerator section DCC (RS-DCC), which is used by OSPF routers to calculate the shortest path. This value should always be higher than the LAN metric. The default RS-DCC metric is 100.
- **MS-DCC Metric**—Sets a cost for sending packets across the multiplex section DCC (MS-DCC). This value should always be lower than the SDCC metric. The default MS-DCC metric is 33. It is usually not changed.

Step 3 In the OSPF on LAN area, complete the following:

- **OSPF active on LAN**—When checked, enables the ONS 15454 OSPF topology to be advertised to OSPF routers on the LAN. Enable this field on ONS 15454 nodes that directly connect to OSPF routers.
- **LAN Port Area ID**—Enter the OSPF area ID (dotted decimal format) for the router port where the ONS 15454 is connected. (This number is different from the DCC/GCC OSPF Area ID.)

Step 4 By default, OSPF is set to No Authentication. If the OSPF router requires authentication, complete the following steps. If not, continue with [Step 5](#).

- Click the **No Authentication** button.
- In the Edit Authentication Key dialog box, complete the following:
 - **Type**—Choose **Simple Password**.
 - **Enter Authentication Key**—Enter the password.
 - **Confirm Authentication Key**—Enter the same password to confirm it.
- Click **OK**.

The authentication button label changes to Simple Password.

Step 5 Provision the OSPF priority and interval settings. The OSPF priority and interval defaults are the defaults most commonly used by OSPF routers. Verify that these defaults match the ones used by the OSPF router where the ONS 15454 is connected.

- **Router Priority**—Provision the router priority, which determines the designated router for a subnet.
- **Hello Interval (sec)**—Provision the number of seconds between OSPF hello packet advertisements sent by OSPF routers. Ten seconds is the default.
- **Dead Interval**—Provision the number of seconds that will pass while an OSPF router's packets are not visible before its neighbors declare the router down. Forty seconds is the default.
- **Transit Delay (sec)**—Provision the service speed. One second is the default.
- **Retransmit Interval (sec)**—Provision the number of seconds that will elapse before a packet is resent. Five seconds is the default.
- **LAN Metric**—Provision the cost for sending packets across the LAN. This value should always be lower than the SDCC or RS-DCC metric. Ten is the default.

Step 6 Under OSPF Area Range Table, create an area range table if one is needed:

**Note**

Area range tables consolidate the information that is outside an OSPF area border. One ONS 15454 in the ONS 15454 OSPF area is connected to the OSPF router. An area range table on this node points the router to the other nodes that reside within the ONS 15454 OSPF area.

- a. Click **Create**.
- b. In the Create Area Range dialog box, enter the following:
 - Range Address—Enter the area IP address for the ONS 15454 nodes that reside within the OSPF area. For example, if the ONS 15454 OSPF area includes nodes with IP addresses 10.10.20.100, 10.10.30.150, 10.10.40.200, and 10.10.50.250, the range address would be 10.10.0.0.
 - Range Area ID—Enter the OSPF area ID for the ONS 15454 nodes. This is either the ID in the DCC OSPF Area ID field or the ID in the Area ID for LAN Port field.
 - Mask Length—Enter the subnet mask length. In the Range Address example, this is 16.
 - Advertise—Check this box if you want to advertise the OSPF range table.
- c. Click **OK**.

Step 7 All OSPF areas must be connected to Area 0. If the ONS 15454 OSPF area is not physically connected to Area 0, use the following steps to create a virtual link table that will provide the disconnected area with a logical path to Area 0:

- a. Under the OSPF Virtual Link Table, click **Create**.
- b. In the Create Virtual Link dialog box, complete the following fields. OSPF settings must match OSPF settings for the ONS 15454 OSPF area:
 - Neighbor—Enter the router ID of the Area 0 router.
 - Transit Delay (sec)—Enter the service speed. One second is the default.
 - Hello Int (sec)—Provision the number of seconds between OSPF hello packet advertisements sent by OSPF routers. Ten seconds is the default.
 - Auth Type—If the router where the ONS 15454 is connected uses authentication, choose **Simple Password**. Otherwise, choose **No Authentication**.
 - Retransmit Int (sec)—Provision the time that will elapse, in seconds, before a packet is resent. Five seconds is the default.
 - Dead Int (sec)—Provision the number of seconds that will pass while an OSPF router's packets are not visible before its neighbors declare the router down. Forty seconds is the default.
- c. Click **OK**.

Step 8 After entering the ONS 15454 OSPF area data, click **Apply**.

If you changed the Area ID, the TCC2/TCC2P/TCC3/TNC/TSC cards reset, one at a time. The reset takes approximately 10 to 15 minutes.

Step 9 Return to your originating procedure (NTP).

DLP-G60 Set Up or Change Routing Information Protocol

Purpose	This task enables RIP on the ONS 15454. Perform this task if you want to include the ONS 15454 in RIP-enabled networks.
Tools/Equipment	None
Prerequisite Procedures	DLP-G46 Log into CTC, page 3-30 You need to create a static route to the router adjacent to the ONS 15454 for the ONS 15454 to communicate its routing information to non-DCC-connected nodes.
Required/As Needed	As needed
Onsite/Remote	Onsite or remote
Security Level	Provisioning or higher

-
- Step 1** In node view (single-shelf mode) or multishelf view (multishelf mode), click the **Provisioning > Network > RIP** tabs.
- Step 2** Check the **RIP Active** check box if you are activating RIP.
- Step 3** Choose either RIP Version 1 or RIP Version 2 from the drop-down list, depending on which version is supported in your network.
- Step 4** Set the RIP metric. The RIP metric can be set to a number between 1 and 15 and represents the number of hops.
- Step 5** By default, RIP is set to No Authentication. If the router that the ONS 15454 is connected to requires authentication, complete the following steps. If not, continue with [Step 6](#).
- Click the **No Authentication** button.
 - In the Edit Authentication Key dialog box, complete the following:
 - Type—Choose **Simple Password**.
 - Enter Authentication Key—Enter the password.
 - Confirm Authentication Key—Enter the same password to confirm it.
 - Click **OK**.
- The authentication button label changes to Simple Password.
- Step 6** If you want to complete an address summary, complete the following steps. If not, continue with [Step 7](#). Complete the address summary only if the ONS 15454 is a gateway NE with multiple external ONS 15454 NEs attached with IP addresses in different subnets.
- In the RIP Address Summary area, click **Create**.
 - In the Create Address Summary dialog box, complete the following:
 - Summary Address—Enter the summary IP address.
 - Mask Length—Enter the subnet mask length using the up and down arrows.
 - Hops—Enter the number of hops. The smaller the number of hops, the higher the priority.
 - Click **OK**.
- Step 7** Return to your originating procedure (NTP).
-

NTP-G194 Set Up EMS Secure Access to the ONS 15454

Purpose	This procedure provisions ONS 15454s and CTC computers for secure access.
Tools/Equipment	None
Prerequisite Procedures	NTP-G26 Set Up CTC Network Access, page 4-18
Required/As Needed	As needed
Onsite/Remote	Onsite or remote
Security Level	Superuser

-
- Step 1** In node view, click the **Provisioning > Security > Access** pane.
- Step 2** Under the **EMS Access** area, change the **Access State** to **Secure**.
- Step 3** Click **Apply**. The CTC disconnects and reconnects through a secure socket connection.
- Step 4** To create a secure connection, enter **https://node-address**.



Note After setting up a CTC connection in secure mode, http requests are automatically redirected to https mode.

- Step 5** A first time connection is authenticated by the **Website Certification is Not Known** dialog box. Accept the certificate and click **OK**. The **Security Error: Domain Name Mismatch** dialog box appears. Click **OK** to continue.

Stop. You have completed this procedure.

NTP-G341 Set Up Secure Access to the ONS 15454 TL1

Purpose	This procedure provisions ONS 15454s for secure access to TL1.
Tools/Equipment	None
Prerequisite Procedures	NTP-G26 Set Up CTC Network Access, page 4-18
Required/As Needed	As needed
Onsite/Remote	Onsite or remote
Security Level	Superuser

-
- Step 1** In the node view, click the **Provisioning > Security > Access** pane.
- Step 2** Under the **TL1 Access** area, change the **Access State** to **Secure**.
- Step 3** Click **Apply**.
Existing non-secure TL1 sessions, if any, are terminated.
- Step 4** To create a secure TL1 connection, enter the following command at the UNIX or Linux prompt:

```
ssh -l username node-ip -p port-number
```

The port number for secure TL1 is 4083.



Note Use any SSH client on Windows.

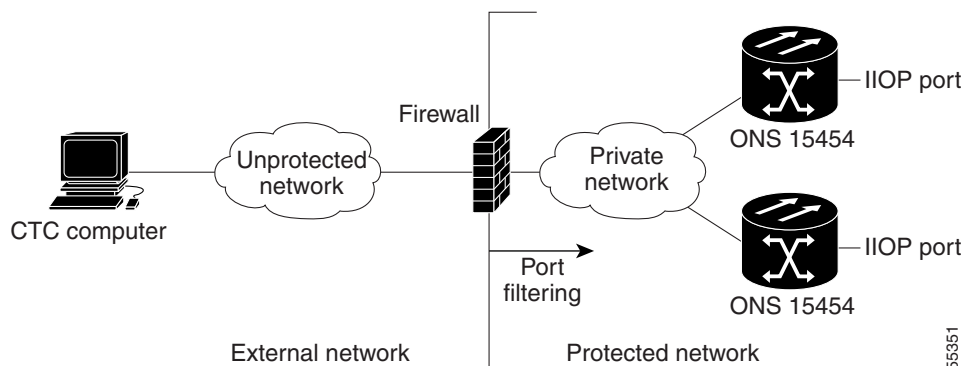
Stop. You have completed this procedure.

NTP-G27 Set Up the ONS 15454 for Firewall Access

Purpose	This procedure provisions ONS 15454 nodes and CTC computers for access through firewalls.
Tools/Equipment	IIOp listener port number provided by your LAN or firewall administrator
Prerequisite Procedures	NTP-G22 Verify Common Card Installation, page 4-7
Required/As Needed	As needed
Onsite/Remote	Onsite or remote
Security Level	Provisioning or higher

- Step 1** Log into a node that is behind the firewall. See the “[DLP-G46 Log into CTC](#)” task on page 3-30 for instructions. If you are already logged in, continue with Step 2.
- Step 2** If the ONS 15454 node is in a protected network and the CTC computer is in an external network, complete the “[DLP-G61 Provision the IIOp Listener Port on the ONS 15454](#)” task on page 4-36. [Figure 4-8](#) shows ONS 15454 nodes in a protected network and the CTC computer in an external network. For the computer to access the ONS 15454 nodes, you must provision the IIOp listener port specified by your firewall administrator on the ONS 15454.

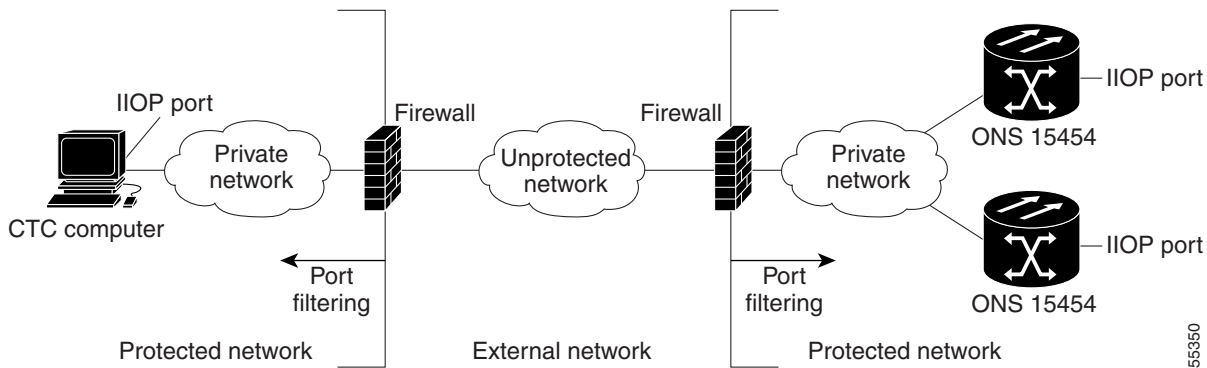
Figure 4-8 Nodes Behind a Firewall



- Step 3** If the CTC computer resides behind a firewall, complete the “[DLP-G62 Provision the IIOp Listener Port on the CTC Computer](#)” task on page 4-37.

[Figure 4-9](#) shows a CTC computer and ONS 15454 behind firewalls. For the computer to access the ONS 15454, you must provision the IIOp port on the CTC computer and on the ONS 15454.

Figure 4-9 CTC Computer and ONS 15454 Nodes Residing Behind Firewalls



Stop. You have completed this procedure.

NTP-G28 Create FTP Host

Purpose	This procedure provisions an FTP Host that you can use to perform database backup and restore or software download to an End Network Element (ENE) when proxy or firewall is enabled.
Tools/Equipment	None
Prerequisite Procedures	NTP-G26 Set Up CTC Network Access, page 4-18 NTP-G27 Set Up the ONS 15454 for Firewall Access, page 4-34
Required/As Needed	As needed
Onsite/Remote	Onsite or remote
Security Level	Superuser

- Step 1** Complete the “[DLP-G46 Log into CTC](#)” task on page 3-30. If you are already logged in, continue with [Step 2](#).
- Step 2** If you want to turn on the ONS 15454 secure mode, which allows two IPv4 addresses to be provisioned for the node if TCC2P/TCC3/TNC/TSC cards are installed, complete the “[DLP-G264 Enable Node Security Mode](#)” task on page 4-26. Refer to the “Management Network Connectivity” chapter in the *Cisco ONS 15454 SDH Reference Manual* for information about secure mode.
- Step 3** In Node view, click the **Provisioning > Network > FTP Hosts** tabs.
- Step 4** Click **Create**.
- Step 5** Enter a valid IP address in the FTP Host Address field. A maximum of 12 host can be entered.



Note

In ONS 15454 Software Release 9.1 and later, you can configure an IPv6 address for an FTP server, in addition to an IPv4 address.

- Step 6** The Mask is automatically set according to the Net/Subnet Mask length specified in “[DLP-G56 Provision IP Settings](#)” section on page 4-19. To change the Mask, click the Up/Down arrows on the **Length** menu.
- Step 7** Check the **FTP Relay Enable** radio button to allow FTP commands at the GNE relay. If you will enable the relay at a later time, go to [Step 9](#). Certain TL1 commands executed on an ENE require FTP access into the Data Communication Network (DCN), the FTP relay on the GNE provides this access. The FTP hosts that you have configured in CTC can be used with the TL1 COPY-RFILE (for database backup and restore or software download) or COPY-IOSCFG (for Cisco IOS Configuration File backup and restore) commands.
- Step 8** Enter the time, in minutes, that FTP Relay will be enabled. A valid entry is a number between 0 and 60. The number 0 disallows FTP command relay. After the specified time has elapsed the FTP Relay Enable flag is unset and FTP command relay is disallowed.
- Step 9** Click OK.
- Step 10** Repeat [Step 4](#) through [Step 9](#) to provision additional FTP Hosts.
Stop. You have completed this procedure.

DLP-G61 Provision the IIOP Listener Port on the ONS 15454

Purpose	This task sets the IIOP listener port on the ONS 15454, ONS 15454 M2, and ONS 15454 M6 which enables you to access nodes that reside behind a firewall.
Tools/Equipment	IIOP listener port number provided by your LAN or firewall administrator
Prerequisite Procedures	DLP-G46 Log into CTC , page 3-30
Required/As Needed	As needed
Onsite/Remote	Onsite or remote
Security Level	Provisioning or higher



Note

If the Enable SOCKS proxy on port 1080 check box is checked, CTC will use Port 1080 and ignore the configured IIOP port setting. If the check box is later unchecked, the configured IIOP listener port will be used.

- Step 1** In node view (single-shelf mode) or multishelf view (multishelf mode), click the **Provisioning > Security > Access** tabs.
- Step 2** In the TCC CORBA (IIOP) Listener Port area, choose a listener port option:
- **Default - TCC Fixed**—Uses Port 57790 to connect to ONS 15454 nodes on the same side of the firewall or if no firewall is used (default). This option can be used for access through a firewall if Port 57790 is available.
 - **Standard Constant**—Uses Port 683, the Common Object Request Broker Architecture (CORBA) default port number.
 - **Other Constant**—If Port 683 is not used, type the IIOP port specified by your firewall administrator.
- Step 3** Click **Apply**.
- Step 4** When the Change Network Configuration message appears, click **Yes**.

The TCC2/TCC2P/TCC3/TNC/TSC cards reboot, one at a time. The reboot takes approximately 15 minutes.

Step 5 Return to your originating procedure (NTP).

DLP-G62 Provision the IIOP Listener Port on the CTC Computer

Purpose	This task selects the IIOP listener port for CTC and must be completed if the computer running CTC resides behind a firewall.
Tools/Equipment	IIOP listener port number from LAN or firewall administrator
Prerequisite Procedures	NTP-G22 Verify Common Card Installation, page 4-7 DLP-G46 Log into CTC, page 3-30
Required/As Needed	As needed
Onsite/Remote	Onsite or remote
Security Level	Provisioning or higher

Step 1 From the Edit menu, choose **Preferences**.

Step 2 In the Preferences dialog box, click the **Firewall** tab.

Step 3 In the CTC CORBA (IIOP) Listener Port area, choose a listener port option:

- **Default - Variable**—Use to connect to ONS 15454 nodes from within a firewall or if no firewall is used (default).
- **Standard Constant**—Use Port 683, the CORBA default port number.
- **Other Constant**—If Port 683 is not used, enter the IIOP port defined by your administrator.

Step 4 Click **Apply**. A warning appears telling you that the port change will apply during the next CTC login.

Step 5 Click **OK**.

Step 6 In the Preferences dialog box, click **OK**.

Step 7 To access the ONS 15454 using the IIOP port, log out of CTC then log back in. (To log out, choose **Exit** from the File menu).

Step 8 Return to your originating procedure (NTP).

NTP-G132 Provision OSI

Purpose	This procedure provisions the ONS 15454 so it can be installed in networks with other vendor NEs that use the OSI protocol stack for data communications network (DCN) communications. This procedure provisions the Target Identifier Address Resolution Protocol (TARP), OSI routers, manual area addresses, subnetwork points of attachment, and IP-over-Connectionless Network Service (CLNS) tunnels.
Tools/Equipment	None
Prerequisite Procedures	“NTP-G15 Install the Common Control Cards” in the <i>Cisco ONS 15454 Hardware Installation Guide</i>
Required/As Needed	As needed
Onsite/Remote	Onsite
Security Level	Provisioning or higher



Caution

This procedure requires an understanding of OSI protocols, parameters, and functions. Before you begin, review the OSI reference sections in the “Management Network Connectivity” chapter of the *Cisco ONS 15454 DWDM Reference Manual* and ensure that you know the role of the ONS 15454 within the OSI and IP network.



Note

This procedure requires provisioning of non-ONS equipment including routers and third party NEs. Do not begin until you have the capability to complete that provisioning.

Step 1 Complete the “[DLP-G46 Log into CTC](#)” task on page 3-30 at the node where you want to provision the OSI. If you are already logged in, continue with Step 2.

Step 2 As needed, complete the following tasks:

- [DLP-G283 Provision OSI Routing Mode](#), page 4-39—Complete this task first.
- [DLP-G284 Provision the TARP Operating Parameters](#), page 4-40—Complete this task second.
- [DLP-G285 Add a Static TID-to-NSAP Entry to the TARP Data Cache](#), page 4-42—Complete this task as needed.
- [DLP-G287 Add a TARP Manual Adjacency Table Entry](#), page 4-43—Complete this task as needed.
- [DLP-G288 Provision OSI Routers](#), page 4-43—Complete this task as needed.
- [DLP-G289 Provision Additional Manual Area Addresses](#), page 4-44—Complete this task as needed.
- [DLP-G290 Enable the OSI Subnet on the LAN Interface](#), page 4-45—Complete this task as needed.
- [DLP-G291 Create an IP-Over-CLNS Tunnel](#), page 4-46—Complete this task as needed.

Stop. You have completed this procedure.

DLP-G283 Provision OSI Routing Mode

Purpose	This task provisions the OSI routing mode. Complete this task when the ONS 15454 is connected to networks with third party NEs that use the OSI protocol stack for DCN communication.
Tools/Equipment	None
Prerequisite Procedures	“NTP-G15 Install the Common Control Cards” in the <i>Cisco ONS 15454 Hardware Installation Guide</i> DLP-G46 Log into CTC, page 3-30
Required/As Needed	As needed
Onsite/Remote	Onsite
Security Level	Provisioning or higher



Caution

Do not complete this task until you confirm the role of the node within the network. It will be either an End System, Intermediate System Level 1, or IS Level 1/Level 2. This decision must be carefully considered. For additional information about OSI provisioning, refer to the “Management Network Connectivity” chapter of the *Cisco ONS 15454 DWDM Reference Manual*.



Caution

Link State Protocol (LSP) buffers must be the same at all NEs within the network, or loss of visibility might occur. Do not modify the LSP buffers unless you confirm that all NEs within the OSI have the same buffer size.



Caution

LSP buffer sizes cannot be greater than the LAP-D maximum transmission unit (MTU) size within the OSI area.



Note

For ONS 15454 nodes, three virtual routers can be provisioned. The node primary Network Service Access Point (NSAP) address is also the Router 1 primary manual area address. To edit the primary NSAP, you must edit the Router 1 primary manual area address. After you enable Router 1 on the Routers subtab, the Change Primary Area Address button is available to edit the address.

Step 1 In node view (single-shelf mode) or multishelf view (multishelf mode), click the **Provisioning > OSI** tabs.

Step 2 Choose a routing mode:

- **End System**—The ONS 15454 performs OSI end system (ES) functions and relies upon an intermediate system (IS) for communication with nodes that reside within its OSI area.



Note The End System routing mode is not available if more than one virtual router is enabled.

- **Intermediate System Level 1**—The ONS 15454 performs OSI IS functions. It communicates with IS and ES nodes that reside within its OSI area. It depends upon an IS L1/L2 node to communicate with IS and ES nodes that reside outside its OSI area.

- **Intermediate System Level 1/Level 2**—The ONS 15454 performs IS functions. It communicates with IS and ES nodes that reside within its OSI area. It also communicates with IS L1/L2 nodes that reside in other OSI areas. Before choosing this option, verify the following:
 - The node is connected to another IS Level 1/Level 2 node that resides in a different OSI area.
 - The node is connected to all nodes within its area that are provisioned as IS L1/L2.

Step 3 If needed, change the LSP data buffers:

- **L1 LSP Buffer Size**—Adjusts the Level 1 link state protocol data unit (PDU) buffer size. The default is 512. It should not be changed.
- **L2 LSP Buffer Size**—Adjusts the Level 2 link state PDU buffer size. The default is 512. It should not be changed.

Step 4 Return to your originating procedure (NTP).

DLP-G284 Provision the TARP Operating Parameters

Purpose	This task provisions the TARP operating parameters including TARP PDU propagation, timers, and loop detection buffer (LDB).
Tools/Equipment	None
Prerequisite procedures	DLP-G46 Log into CTC, page 3-30
Required/As needed	As needed
Onsite/Remote	Onsite or remote
Security Level	Superuser only

Step 1 In node view (single-shelf mode) or multishelf view (multishelf mode), click the **Provisioning > OSI > TARP > Config** tabs.

Step 2 Provision the following parameters, as needed:

- **TARP PDUs L1 Propagation**—If checked (default), TARP Type 1 PDUs that are received by the node and are not excluded by the LDB are propagated to other NEs within the Level 1 OSI area. (Type 1 PDUs request a protocol address that matches a target identifier [TID] within a Level 1 routing area.) The propagation does not occur if the NE is the target of the Type 1 PDU, and PDUs are not propagated to the NE from which the PDU was received.



Note The TARP PDUs L1 Propagation parameter is not used when the Node Routing Area (on the Provisioning > OSI > Main Setup tab) is set to End System.

- **TARP PDUs L2 Propagation**—If checked (default), TARP Type 2 PDUs that are received by the node and are not excluded by the LDB are propagated to other NEs within the Level 2 OSI areas. (Type 2 PDUs request a protocol address that matches a TID within a Level 2 routing area.) The propagation occurs if the NE is not the target of the Type 2 PDU, and PDUs are not propagated to the NE from which the PDU was received.



Note The TARP PDUs L2 Propagation parameter is only used when the Node Routing Area is provisioned to Intermediate System Level 1/Level 2.

- TARP PDUs Origination—If checked (default), the node performs all TARP origination functions including:
 - TID-to-NSAP resolution requests (originate TARP Type 1 and Type 2 PDUs)
 - NSAP-to-TID requests (originate Type 5 PDUs)
 - TARP address changes (originate Type 4 PDUs)



Note TARP Echo and NSAP to TID are not supported.

- TARP Data Cache—If checked (default), the node maintains a TARP data cache (TDC). The TDC is a database of TID-to-NSAP pairs created from TARP Type 3 PDUs received by the node and modified by TARP Type 4 PDUs (TID-to-NSAP updates or corrections). TARP 3 PDUs are responses to Type 1 and Type 2 PDUs. The TDC can also be populated with static entries entered on the TARP > Static TDC tab.



Note TARP Data Cache is only used when the TARP PDUs Origination parameter is enabled.

- L2 TARP Data Cache—If checked (default), the TIDs and NSAPs of NEs originating Type 2 requests are added to the TDC before the node propagates the requests to other NEs.



Note The L2 TARP Data Cache parameter is designed for Intermediate System Level 1/Level 2 nodes that are connected to other Intermediate System Level 1/Level 2 nodes. Enabling the parameter for Intermediate System Level 1 nodes is not recommended.

- LDB—If checked (default), enables the TARP loop detection buffer. The LDB prevents TARP PDUs from being sent more than once on the same subnet.



Note The LDB parameter is not used if the Node Routing Mode is provisioned to End System or if the TARP PDUs L1 Propagation parameter is not enabled.

- LAN TARP Storm Suppression—If checked (default), enables TARP storm suppression. This function prevents redundant TARP PDUs from being unnecessarily propagated across the LAN network.
- Send Type 4 PDU on Startup—If checked, a TARP Type 4 PDU is originated during the initial ONS 15454 startup. Type 4 PDUs indicate that a TID or NSAP change has occurred at the NE. (The default setting is not enabled.)
- Type 4 PDU Delay—Sets the amount of time that will pass before the Type 4 PDU is generated when Send Type 4 PDU on Startup is enabled. 60 seconds is the default. The range is 0 to 255 seconds.



Note The Send Type 4 PDU on Startup and Type 4 PDU Delay parameters are not used if TARP PDUs Origination is not enabled.

- LDB Entry—Sets the TARP loop detection buffer timer. The loop detection buffer time is assigned to each LDB entry for which the TARP sequence number (tar-seq) is zero. The default is 5 minutes. The range is 1 to 10 minutes.

- **LDB Flush**—Sets the frequency period for flushing the LDB. The default is 5 minutes. The range is 0 to 1440 minutes.
- **T1**—Sets the amount of time to wait for a response to a Type 1 PDU. Type 1 PDUs seek a specific NE TID within an OSI Level 1 area. The default is 15 seconds. The range is 0 to 3600 seconds.
- **T2**—Sets the amount of time to wait for a response to a Type 2 PDU. TARP Type 2 PDUs seek a specific NE TID value within OSI Level 1 and Level 2 areas. The default is 25 seconds. The range is 0 to 3600 seconds.
- **T3**—Sets the amount of time to wait for an address resolution request. The default is 40 seconds. The range is 0 to 3600 seconds.
- **T4**—Sets the amount of time to wait for an error recovery. This timer begins after the T2 timer expires without finding the requested NE TID. The default is 20 seconds. The range is 0 to 3600 seconds.



Note The T1, T2, and T4 timers are not used if the TARP PDUs Origination check box is not checked.

Step 3 Click **Apply**.

Step 4 Return to your originating procedure (NTP).

DLP-G285 Add a Static TID-to-NSAP Entry to the TARP Data Cache

Purpose	This task adds a static TID-to-NSAP entry to the TDC. The static entries are required for NEs that do not support TARP and are similar to static routes. For a specific TID, you must force a specific NSAP.
Tools/Equipment	None
Prerequisite procedures	DLP-G46 Log into CTC, page 3-30
Required/As needed	As needed
Onsite/Remote	Onsite or remote
Security Level	Provisioner or higher

Step 1 In node view (single-shelf mode) or multishelf view (multishelf mode), click the **Provisioning > OSI > TARP > Static TDC** tabs.

Step 2 Click **Add Static Entry**.

Step 3 In the Add Static Entry dialog box, enter the following:

- **TID**—Enter the TID of the NE. (For ONS nodes, the TID is the Node Name parameter on the node or multishelf view Provisioning > General tab.)
- **NSAP**—Enter the OSI NSAP address in the NSAP field or, if preferred, click **Use Mask** and enter the address in the Masked NSAP Entry dialog box.

Step 4 Click **OK** to close the Masked NSAP Entry dialog box, if used, and then click **OK** to close the Add Static Entry dialog box.

Step 5 Return to your originating procedure (NTP).

DLP-G287 Add a TARP Manual Adjacency Table Entry

Purpose	This task adds an entry to the TARP manual adjacency table (MAT). Entries are added to the MAT when the ONS 15454 must communicate across routers or NEs that lack TARP capability.
Tools/Equipment	None
Prerequisite procedures	DLP-G46 Log into CTC, page 3-30
Required/As needed	As needed
Onsite/Remote	Onsite or remote
Security Level	Provisioning or higher

- Step 1** In node view (single-shelf mode) or multishelf view (multishelf mode), click the **Provisioning > OSI > TARP > MAT** tabs.
- Step 2** Click **Add**.
- Step 3** In the Add TARP Manual Adjacency Table Entry dialog box, enter the following:
- **Level**—Sets the TARP Type Code that will be sent:
 - **Level 1**—Indicates that the adjacency is within the same area as the current node. The entry generates Type 1 PDUs.
 - **Level 2**—Indicates that the adjacency is in a different area than the current node. The entry generates Type 2 PDUs.
 - **NSAP**—Enter the OSI NSAP address in the NSAP field or, if preferred, click **Use Mask** and enter the address in the Masked NSAP Entry dialog box.
- Step 4** Click **OK** to close the Masked NSAP Entry dialog box, if used, and then click **OK** to close the Add Static Entry dialog box.
- Step 5** Return to your originating procedure (NTP).
-

DLP-G288 Provision OSI Routers

Purpose	This task enables an OSI router and edits its primary manual area address.
Tools/Equipment	None
Prerequisite Procedures	NTP-G22 Verify Common Card Installation, page 4-7 DLP-G46 Log into CTC, page 3-30
Required/As Needed	As needed
Onsite/Remote	Onsite or remote
Security Level	Provisioning or higher



Note Router 1 must be enabled before you can enable and edit the primary manual area addresses for Routers 2 and 3.



Note The Router 1 manual area address, System ID, and Selector “00” create the node NSAP address. Changing the Router 1 manual area address changes the node NSAP address.



Note The System ID for Router 1 is the node MAC address. The System IDs for Routers 2 and 3 are created by adding 1 and 2 respectively to the Router 1 System ID. You cannot edit the System IDs.

-
- Step 1** Click the **Provisioning > OSI > Routers > Setup** tabs.
- Step 2** Chose the router you want provision and click **Edit**. The OSI Router Editor dialog box appears.
- Step 3** In the OSI Router Editor dialog box:
- Check **Enable Router** to enable the router and make its primary area address available for editing.
 - Click the manual area address, then click **Edit**.
 - In the Edit Manual Area Address dialog box, edit the primary area address in the Area Address field. If you prefer, click **Use Mask** and enter the edits in the Masked NSAP Entry dialog box. The address (hexadecimal format) can be 8 to 24 alphanumeric characters (0–9, a–f) in length.
 - Click **OK** successively to close the following dialog boxes: Masked NSAP Entry (if used), Edit Manual Area Address, and OSI Router Editor.
- Step 4** Return to your originating procedure (NTP).
-

DLP-G289 Provision Additional Manual Area Addresses

Purpose	This task provisions the OSI manual area addresses. One primary area and two additional manual areas can be created for each virtual router.
Tools/Equipment	None
Prerequisite Procedures	NTP-G22 Verify Common Card Installation, page 4-7 DLP-G288 Provision OSI Routers, page 4-43 DLP-G46 Log into CTC, page 3-30
Required/As Needed	As needed
Onsite/Remote	Onsite or remote
Security Level	Provisioning or higher

-
- Step 1** Click the **Provisioning > OSI > Routers > Setup** tabs.
- Step 2** Chose the router where you want provision an additional manual area address and click **Edit**. The OSI Router Editor dialog box appears.

- Step 3** In the OSI Router Editor dialog box:
- Check **Enable Router** to enable the router and make its primary area address available for editing.
 - Click the manual area address, then click **Add**.
 - In the Add Manual Area Address dialog box, enter the primary area address in the Area Address field. If you prefer, click **Use Mask** and enter the address in the Masked NSAP Entry dialog box. The address (hexadecimal format) can be 2 to 24 alphanumeric characters (0–9, a–f) in length.
 - Click **OK** successively to close the following dialog boxes: Masked NSAP Entry (if used), Add Manual Area Address, and OSI Router Editor.
- Step 4** Return to your originating procedure (NTP).
-

DLP-G290 Enable the OSI Subnet on the LAN Interface

Purpose	This task enables the OSI subnetwork point of attachment on the LAN interface.
Tools/Equipment	None
Prerequisite Procedures	NTP-G22 Verify Common Card Installation, page 4-7 DLP-G46 Log into CTC, page 3-30
Required/As Needed	As needed
Onsite/Remote	Onsite or remote
Security Level	Provisioning or higher



Note

When you create communication channels (optical service channel [OSC] or generic communications channel [GCC]), OSI subnetwork points of attachment are enabled on the communication channels. See the “[NTP-G38 Provision OSC Terminations](#)” procedure on page 4-126 and the “[DLP-G76 Provision DCC/GCC Terminations](#)” task on page 8-61.



Note

The OSI subnetwork point of attachment cannot be enabled for the LAN interface if the OSI routing mode is set to ES.



Note

If secure mode is on, the OSI subnet is enabled on the backplane LAN port, not the front TCC2P/TCC3/TNC/TSC TCP/IP (LAN) port.

- Step 1** Click the **Provisioning > OSI > Routers > Subnet** tabs.
- Step 2** Click **Enable LAN Subnet**.
- Step 3** In the Enable LAN Subnet dialog box, complete the following fields:
- ESH—Sets the End System Hello (ESH) propagation frequency. An ES NE transmits ESHs to inform other ESs and ISs about the NSAPs it serves. The default is 10 seconds. The range is 10 to 1000 seconds.

- **ISH**—Sets the Intermediate System Hello (ISH) PDU propagation frequency. An intermediate system NE sends ISHs to other ESs and ISs to inform them about the IS NEs it serves. The default is 10 seconds. The range is 10 to 1000 seconds.
- **IIH**—Sets the Intermediate System to Intermediate System Hello (IIH) PDU propagation frequency. The IS-IS Hello PDUs establish and maintain adjacencies between ISs. The default is 3 seconds. The range is 1 to 600 seconds.
- **IS-IS Cost**—Sets the cost for sending packets on the LAN subnet. The IS-IS protocol uses the cost to calculate the shortest routing path. The default IS-IS cost for LAN subnets is 20. It normally should not be changed.
- **DIS Priority**—Sets the designated intermediate system (DIS) priority. In IS-IS networks, one router is elected to serve as the DIS (LAN subnets only). Cisco router DIS priority is 64. For the ONS 15454 LAN subnet, the default DIS priority is 63. It normally should not be changed.

Step 4 Click **OK**.

Step 5 Return to your originating procedure (NTP).

DLP-G291 Create an IP-Over-CLNS Tunnel

Purpose	This task creates an IP-over-CLNS tunnel to allow ONS 15454 nodes to communicate across equipment and networks that use the OSI protocol stack.
Tools/Equipment	None
Prerequisite Procedures	NTP-G22 Verify Common Card Installation, page 4-7 DLP-G46 Log into CTC, page 3-30
Required/As Needed	As needed
Onsite/Remote	Onsite or remote
Security Level	Provisioning or higher



Caution

IP-over-CLNS tunnels require two endpoints. You will create one point on an ONS 15454. The other endpoint is generally provisioned on non-ONS equipment including routers and other vendor NEs. Before you begin, verify that you have the capability to create an OSI-over-CLNS tunnel on the other equipment location.

Step 1 Click the **Provisioning > OSI > Tunnels** tabs.

Step 2 Click **Create**.

Step 3 In the Create IP Over CLNS Tunnel dialog box, complete the following fields:

- **Tunnel Type**—Choose a tunnel type:
 - **Cisco**—Creates the proprietary Cisco IP tunnel. Cisco IP tunnels add the CLNS header to the IP packets.
 - **GRE**—Creates a generic routing encapsulation (GRE) tunnel. GRE tunnels add the CLNS header and a GRE header to the IP packets.

The Cisco proprietary tunnel is slightly more efficient than the GRE tunnel because it does not add the GRE header to each IP packet. The two tunnel types are not compatible. Most Cisco routers support the Cisco IP tunnel, while only a few support both GRE and Cisco IP tunnels. You generally should create Cisco IP tunnels if you are tunneling between two Cisco routers or between a Cisco router and an ONS node.

**Caution**

Always verify that the IP-over-CLNS tunnel type that you choose is supported by the equipment at the other end of the tunnel.

- **IP Address**—Enter the IP address of the IP-over-CLNS tunnel destination.
- **IP Mask**—Enter the IP address subnet mask of the IP-over-CLNS destination.
- **OSPF Metric**—Enter the OSPF metric for sending packets across the IP-over-CLNS tunnel. The OSPF metric, or cost, is used by OSPF routers to calculate the shortest path. The default is 110. Normally, it is not be changed unless you are creating multiple tunnel routes and want to prioritize routing by assigning different metrics.
- **NSAP Address**—Enter the destination NE or OSI router NSAP address.

Step 4 Click **OK**.

Step 5 Provision the other tunnel endpoint using the documentation provided by the manufacturer of the third party vendor NE.

Step 6 Return to your originating procedure (NTP).

NTP-G29 Set Up SNMP

Purpose	This procedure provisions the SNMP parameters so that you can use SNMP management software with the ONS 15454.
Tools/Equipment	None
Prerequisite Procedures	NTP-G22 Verify Common Card Installation, page 4-7
Required/As Needed	Required if SNMP is used at your site.
Onsite/Remote	Onsite or remote
Security Level	Provisioning or higher

Step 1 Complete the “[DLP-G46 Log into CTC](#)” task on page 3-30 at the node where you want to set up SNMP. If you are already logged in, continue with Step 2.

Step 2 In node view (single-shelf mode) or multishelf view (multishelf mode), click the **Provisioning > SNMP** tabs.

Step 3 In the Trap Destinations area, click **Create**.

Step 4 Complete the following in the Create SNMP Trap Destination dialog box ([Figure 4-10](#)):

- **Destination IP Address**—Type the IP address of your network management system (NMS). If the node you are logged into is an ENE, set the destination address to the GNE.

**Note**

In ONS 15454 Software Release 9.1 and later, you can configure IPv6 addresses for SNMPv2/v3 trap destinations and SNMPv3 proxy targets, in addition to IPv4 addresses.

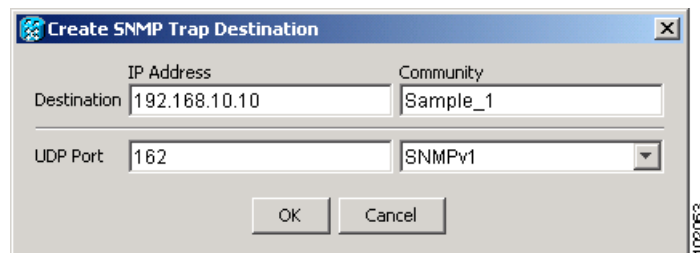
- **Community**—Type the SNMP community name. For a description of SNMP community names, refer to the “SNMP” chapter in the *Cisco ONS 15454 DWDM Reference Manual*.

**Note**

The community name is a form of authentication and access control. The community name assigned to the ONS 15454 is case-sensitive and must match the community name of the NMS.

- **UDP Port**—The default User Datagram Protocol (UDP) port for SNMP is 162.
- **Trap version**—Choose either SNMPv1 or SNMPv2. Refer to your NMS documentation to determine which version to use.

Figure 4-10 Creating an SNMP Trap



- Step 5** Click **OK**. The node IP address of the node where you provisioned the new trap destination appears in the Trap Destinations area.
- Step 6** Click the node IP address in the Trap Destinations area. Verify the SNMP information that appears in the Selected Destination list.
- Step 7** If you want the SNMP agent to accept SNMP SET requests on certain MIBs, click the **Allow SNMP Sets** check box. If this box is not checked, SET requests are rejected.
- Step 8** If you want to set up the SNMP proxy feature to allow network management, message reporting, and performance statistic retrieval across ONS firewalls, click the **Allow SNMP Proxy** check box located on the SNMP tab.

**Note**

The Use Generic MIB check box is normally not checked for MSTP. It is checked only when the ONS 15454 resides in networks with multiple ONS products, and the network management system requires MIBs with the same name to have the same object IDs. By default, the ONS 15454 uses the CERENT-454-MIBs. Other ONS products, such as the ONS 15600, the ONS 15327, and ONS 15310-CL, use the CERENT-GENERIC-MIBs. If Use Generic MIB is checked, the ONS 15454 will use the CERENT-GENERIC-MIBs so the object IDs will be the same for all products.

**Note**

Using the ONS firewall proxy feature effectively breaches the ONS firewall to exchange management information.

For more information about the SNMP proxy feature, refer to the “SNMP” chapter in the *Cisco ONS 15454 DWDM Reference Manual*.

Step 9 Click **Apply**.

Step 10 If you are setting up SNMP proxies, you can set up to three relays that send SNMP trap error counts back to the NE for each trap destination address:

- a. Click the first trap destination IP address. The address and its community name appear in the Destination fields.
- b. Enter up to three SNMP Proxy relay addresses and community names in the fields for Relay A, Relay B, and Relay C.



Note The community names specified for each relay node must match one of the provisioned SNMP community names in the NE.



Note The SNMP proxy directs SNMP traps from this node through Relay A to Relay B to Relay C to the trap destination. Ensure that you enter the IP addresses in the correct order so that this sequence runs correctly.

Step 11 Click **Apply**.

Stop. You have completed this procedure.

NTP-G143 Import the Cisco TransportPlanner NE Update Configuration File

Purpose	This procedure imports the Cisco TransportPlanner NE Update configuration file and creates a log file. The configuration file, which is provided in XML format, provisions internal patchcords, optical sides and card parameters for optical units, transponders, and passive units (DCUs and patch panels). Finally, the NE Update file installs the ANS parameters calculated by Cisco TransportPlanner. The log file, which is a text document records the results of the NE update.
Tools/Equipment	A Cisco TransportPlanner NE Update file for the network where the node is installed must be accessible to the CTC computer.
Prerequisite Procedures	NTP-G139 Verify Cisco TransportPlanner Reports and Files, page 4-3
Required/As Needed	Required
Onsite/Remote	Onsite or remote
Security Level	Superuser only



Caution

Verify that you have the correct Cisco TransportPlanner network file before you begin this procedure. The file will have an XML extension and a name assigned by your network planner. Check with your network planner or administrator if you have any questions.

**Note**

The Cisco TransportPlanner configuration file contains parameters for the node, shelf, card type, port (including the card's wavelength), pluggable port module (PPM), as well as OTN and FEC parameters. Only the values present in XML format appear in the configuration file parameters; if the values are not in XML format, a column appears blank. The XML file values are independently reported and do not affect any configuration changes that you apply.

-
- Step 1** Complete the “[DLP-G46 Log into CTC](#)” task on page 3-30 at the node where you want to import the Cisco TransportPlanner configuration file. If you are already logged in, continue with [Step 2](#).
- Step 2** If you choose the Provision Node Layout option to preprovision the cards in the shelf, complete the following steps. If not, continue with [Step 3](#).
- a. Display the node in node view (single-shelf mode) or multishelf view (multishelf mode).
 - b. Verify that the common control cards (TCC2/TCC2P/TCC3/TNC/TSC, AIC-I and MSC-ISC) cards are the only cards installed. If in single or multishelf mode, verify that each shelf in the multishelf has two TCC2/TCC2P/TCC3/TNC/TSC cards.
 - If common control cards are the only cards installed, continue with [Step 3](#).
 - If other cards appear, continue with Step c.
 - c. If a physical card other than the common control cards is installed, remove it from the shelf.
 - d. If preprovisioned DWDM cards are present, delete them using the “[DLP-G351 Delete a Card in CTC](#)” task on page 4-53, then repeat Steps a and b.
- Step 3** If you have not created a log file to record the results of the NE update, complete the following steps. If a log file has been created, continue with [Step 4](#).
- a. Open a text editor or word processing application.
 - b. Create a new text (TXT) document with a file name of your choosing.
 - c. Save the text document in a directory that is easy to navigate to from CTC.
- Step 4** In CTC node view (single-shelf mode) or multishelf view, click the **Provisioning > WDM-ANS > Node Setup** tabs.
- Step 5** Choose **Load latest installation file from node** to reload the latest XML file that was applied and stored in the node. Continue with [Step 8](#).
- Step 6** Choose **Load installation file from network repository** and navigate to the Cisco TransportPlanner node setup file containing the parameters for the network where the node resides. This option downloads the XML file from the remote server. Continue with [Step 8](#).
- Step 7** In the field under Select XML file, type the path to the Cisco TransportPlanner node setup file containing the parameters for the network where your node resides, or click **Browse** and navigate to the file on your computer. Click the file, then click **Open**. The file will have an XML extension. Continue with [Step 8](#).
- Step 8** In the field under Select Log file, type the path to the text file that you created in [Step 3](#), or click **Browse** and navigate to the file on your computer or a network server where you want the node setup results recorded.

**Note**

The log file records the parameters that were updated successfully and provides an explanation of why an update could not be completed. Each node setup session overwrites the log file contents. If you want to save the results from a previous NE update, save the log file with new name.

- Step 9** Click **Apply**.
- Step 10** When **Load installation file from network repository** option is chosen, the FTP Remote Installation File *Node-Name* page appears.
- When the node is configured as a Gateway Network Element (GNE) node, enter the parameters (host name, port, user name, password, remote directory, and XML file name of the remote server) and click **Next**.
 - When the node is configured as a Elementary Network Element (ENE) node, an additional parameter called GNE Selector appear. From the **GNE Selector** drop-down list, select the appropriate GNE in the network. The FTP relay must be configured on the selected GNE to the remote server where the XML file is stored. See “[NTP-G28 Create FTP Host](#)” procedure on page 4-35 to configure the FTP relay on the selected GNE.
- Step 11** When the Node Setup Selection for *Node-Name* page appears, complete the following steps. If not, continue with [Step 12](#).
- Choose the node profile that you want to apply to the node. The Cisco TransportPlanner XML file contains profiles for all nodes in the network. Choose the profile that applies to the node you are provisioning.
 - Click **Next**.
- Step 12** On the Node Setup for *node name* page, choose one or more of the following:
- Node Layout—Preprovisions the slots in each shelf in CTC for the cards defined in the network plan. Choose this option when no DWDM cards are installed. (Errors will occur if cards are installed or the slots are preprovisioned.) Preprovisioning the slots before the physical cards are installed ensures that card installers place the cards in the correct slots. Preprovisioning the slots is also useful if you want to set up the network prior to card installation. The node layout also preprovisions the chassis and passive units.
 - Card Parameters—If checked, provisions the following parameters, if the cards are installed.
 - TXP, MXP, GE_XP, 10GE_XP, GE_XPE, 10GE_XPE, ADM-10G, and OTU2_XP cards—Provisions the OTN and FEC parameters.
 - OPT-AMP-L, OPT-AMP-17-C, OPT-AMP-C, GE_XP, 10GE_XP, GE_XPE, and 10GE_XPE cards—Provisions the card mode.
 - Pluggable Port Modules— If checked, allows the provisioning of PPMs on TXP, MXP, GE_XP, 10GE_XP, GE_XPE, 10GE_XPE, ADM-10G, and OTU2_XP cards, including PPM payloads.
 - Internal Patchcords—If checked, allows creation of internal patchcords among cards provisioned in the node.
 - Optical Sides—If checked, allows the provisioning of optical sides.
 - ANS Parameters—If checked, installs the ANS parameters. ANS parameters provision the values required for the node to function within the specified network design. ANS parameters include span losses, optical power, optics thresholds, amplifier working mode, gain, tilt, and many others. Refer to the “Node Reference” chapter in the *Cisco ONS 15454 DWDM Reference Manual* for a list of ONS 15454 ANS parameters.



Note If you are importing the Cisco TransportPlanner configuration file for the first time, you normally choose all available options.

- Skip Interactive Mode—If checked, CTC provisions all the chosen setup components automatically without allowing you to view the results after each one.

- Save Installation Files (XML and log) On Node—If checked, CTC saves the XML and log files on the node.

Step 13 Click **Next**. If you chose Skip Interactive Mode, continue with [Step 14](#). If not, the wizard page that appears depends on the options chosen in [Step 12](#): Complete the steps shown in [Table 4-2](#) for each option.

Table 4-2 NE Update Wizard Options


NE Update Function	
Node/Shelves Layout	<p>View the cards and slots on the left side of the page and verify that they are the same as the layout in the Cisco TransportPlanner Shelf Layout (see Table 4-1 on page 4-4). If the cards and slots match, click Apply. If not, click Cancel, and contact your next level of support to verify that you have the correct node setup file. If the site has a multishelf configuration, click Next and repeat this step for each shelf at the site.</p> <p>CTC preprovisions the slots. (This might take a few seconds.) The results appear in the Log window. Slots that are successfully provisioned display an “Applied” status. A “Slot not empty” status appears if slots cannot be provisioned because a card is physically installed or the slot is already provisioned. If this occurs, complete the following steps. Otherwise, continue with the next NE Update function.</p> <ol style="list-style-type: none"> 1. Click Cancel, then click Yes in the confirmation dialog box. The slot preprovisioning does not revert when you click Cancel. 2. If a physical card is installed, remove it from the shelf. 3. Perform one of the following steps: <ul style="list-style-type: none"> – Delete all the preprovisioned slots using the “DLP-G351 Delete a Card in CTC” task on page 4-53, then repeat Steps 2 through Step 13. – Delete the slot where the Slot Not Empty error occurred using the “DLP-G351 Delete a Card in CTC” task on page 4-53. Complete the “DLP-G353 Preprovision a Slot” task on page 4-55 to provision the slot manually, then repeat Steps 2 through 13 making sure to uncheck the Provision Node Layout option in Step 12. <p> Note When you preprovision a slot, the card is purple in the CTC shelf graphic and “NP” (not present) appears on the card. After the physical card is installed, the card changes to white and “NP” is removed from the CTC shelf graphic.</p>
Passive Units Layout	<ol style="list-style-type: none"> 1. Review the passive unit settings. 2. Click Apply. 3. Click Next.
Pluggable Port Modules	<ol style="list-style-type: none"> 1. Review the PPM settings for each TXP, MXP, GE_XP, 10GE_XP, GE_XPE, 10GE_XPE, and OTU2_XP card. 2. Click Apply. 3. Click Next.
Card Parameters	<ol style="list-style-type: none"> 1. Review the OTN, FEC, and card mode settings for each TXP, MXP, GE_XP, 10GE_XP, GE_XPE, 10GE_XPE, and OTU2_XP card. 2. Click Apply. 3. Click Next.

Table 4-2 NE Update Wizard Options

NE Update Function	
Internal Patchcords	<ol style="list-style-type: none"> 1. Review the internal patchcords. 2. Click Apply. 3. Click Next.
Optical Sides	<ol style="list-style-type: none"> 1. Review the optical side assignments. 2. Click Apply. 3. Click Next.
ANS Parameters	<ol style="list-style-type: none"> 1. Review the ANS parameters on the left half of the page. c. Click Apply. The log file displays the results. At the end, a Done status will appear. If a parameter could not be applied, a Setting Refused status appears. If this occurs, contact your next level of support.
Select All	<ol style="list-style-type: none"> 1. If checked, selects all the options.
Skip Interactive Mode	If checked, CTC provisions all the chosen setup components automatically without allowing you to view the results after each one.
Save Installation Files (XML and log) On Node	If checked, CTC saves the XML and log files on the node.

- Step 14** Click **Finish**, then click **OK** in the Wizard Complete confirmation dialog box. The confirmation box indicates whether the xml import process was completed successfully.



Note Common control cards are not provisioned by Cisco TransportPlanner.

Stop. You have completed this procedure.

DLP-G351 Delete a Card in CTC

Purpose	This task deletes a card from an ONS 15454 slot that is provisioned in CTC.
Tools/Equipment	None
Prerequisite Procedures	DLP-G46 Log into CTC, page 3-30
Required/As Needed	As needed
Onsite/Remote	Onsite or remote
Security Level	Superuser only



Note It is recommended that the card be physically removed from its slot before deleting it from CTC.

- Step 1** Verify that the following conditions are not present. (During node turn-up, these conditions are normally not present):

- The card is a TCC2/TCC2P/TCC3/TNC/TSC card.
- The card is part of a protection group.
- The card has optical channels or overhead circuits provisioned.
- The card is being used for timing.
- The card has an OSC/GCC termination.
- A port on the card is being used for a Link Management Protocol (LMP) channel or link.
- The card is part of an optical side.
- The card is assigned to DWDM patchcords.
- If a port on the card is in service.
- If a port on the card is part of a circuit.

If any of these conditions exist, do not continue. You will not be able to delete the card until the card is removed from protection groups; circuits, DCC, and GCCs are deleted; a different timing source is provisioned, and the LMP link or channel is deleted.

- To replace a TCC2/TCC2P/TCC3/TNC/TSC card, refer to the *Cisco ONS 15454 DWDM Troubleshooting Guide*.
- To delete a protection group, see the “[NTP-G83 Modify or Delete Card Protection Settings](#)” procedure on page 11-40.
- To delete optical channels see the “[DLP-G347 Delete Optical Channel Client Connections](#)” task on page 8-11 and the “[DLP-G106 Delete Optical Channel Network Connections](#)” task on page 8-26; to delete overhead circuits, see the “[DLP-G112 Delete Overhead Circuits](#)” task on page 8-69.
- To remove the card as a timing source, see the “[NTP-G87 Change Node Timing Parameters](#)” procedure on page 11-53.
- To remove OSC or GCC terminations, see the “[NTP-G85 Modify or Delete OSC Terminations, DCC/GCC Terminations, and Provisionable Patchcords](#)” procedure on page 11-48.
- To delete LMP channels or links, see “[NTP-G164 Configure Link Management Protocol](#)” procedure on page 7-35.
- To remove a DWDM patchcord, see the “[DLP-G355 Delete an Internal Patchcord](#)” procedure on page 4-123.
- To remove an optical side, see the “[DLP-G480 Delete an Optical Side](#)” procedure on page 4-125.

Step 2 On the shelf graphic in CTC, right-click the card that you want to remove and choose **Delete Card**.



Note A deleted card no longer reboots and reappears in CTC after R5.0.

Step 3 Return to your originating procedure (NTP).

DLP-G353 Preprovision a Slot

Purpose	This task preprovisions a ONS 15454 slot in CTC. Preprovisioning of all the slots in the shelf is normally performed when you complete the “NTP-G143 Import the Cisco TransportPlanner NE Update Configuration File” procedure on page 4-49 . Use this task if you need to manually preprovision a slot. All slot preprovisioning must be based upon the Cisco TransportPlanner shelf layout prepared for your site.
Tools/Equipment	Cisco TransportPlanner shelf layout table or JPG file.
Prerequisite Procedures	NTP-G139 Verify Cisco TransportPlanner Reports and Files, page 4-3 DLP-G46 Log into CTC, page 3-30
Required/As Needed	As needed
Onsite/Remote	Onsite or remote
Security Level	Provisioning or higher

-
- Step 1** In node view (single-shelf mode) or multishelf view (multishelf mode), right-click an empty slot where you will install a card.
- Step 2** From the Add Card shortcut menu, choose the card type that will be installed based on the Cisco TransportPlanner shelf layout (see [Table 4-1 on page 4-4](#)). Only cards that can be installed in the slot appear in the Add Card shortcut menu. [Table 4-3](#) shows the Add Card shortcut menu items and submenu items, and the card groups and menu options/cards that they reference.

Table 4-3 CTC Add Card Shortcut Menu for DWDM Cards

Menu Item	Submenu Category	Card Group	Submenu Item 1	Submenu Item 2	Cards
DWDM	nXP	Transponder and Muxponder	—	10GE_XP	10GE_XP
			—	10GE_XPE	10GE_XPE
			—	OTU2_XP	OTU2_XP
			—	ADM-10G	ADM-10G
			—	GE_XP	GE_XP
			—	GE_XPE	GE_XPE
			—	MXPP_MR_2.5G	MXPP_MR_2.5G
			—	MXP_2.5G_10E	MXP_2.5G_10E MXP_2.5G_10E_C MXP_2.5G_10E_L MXP_2.5G_10EX_C
			—	MXP_2.5G_10G	MXP_2.5G_10G
			—	MXP_MR_10DME	MXP_MR_10DME_C MXP_MR_10DME_L MXP_MR_10DMEX_C
			—	MXP_MR_2.5G	MXP_MR_2.5G
			—	TXPP_MR_2.5G	TXPP_MR_2.5G
			—	TXP_MR_10E	TXP_MR_10E TXP_MR_10E_C TXP_MR_10E_L TXP_MR_10EX_C
			—	TXP_MR_10G	TXP_MR_10G
			—	TXP_MR_2.5G	TXP_MR_2.5G
			—	40G-MXP-C	40G-MXP-C

Table 4-3 CTC Add Card Shortcut Menu for DWDM Cards (continued)

Menu Item	Submenu Category	Card Group	Submenu Item 1	Submenu Item 2	Cards	
DWDM	MD	Multiplexer and Demultiplexer	C Band	32 DMXO	32DMX-O	
				40 WSS	40-WSS-C or 40-WSS-CE	
				32 MUXO	32MUX-O	
				32 WSS	32WSS	
				4MD	4MD-xx.x	
				32 DMX	32DMX	
				40-MUX-C	40-MUX-C	
				32 MUXO	32MUX-O	
				40-DMX-C, or 40-DMX-CE	40-DMX-C, or 40-DMX-CE	
				40-DMX-C, or 40-DMX-CE	40-DMX-C, or 40-DMX-CE	
	L Band	32 WSS L	32WSS-L			
		32 DMXL	32DMX-L			
	MESH	—	—	C Band	40 WXC	40-WXC-C
					80 WXC	80-WXC-C
					40 SMR1 C	40-SMR1-C
					40 SMR2 C	40-SMR2-C
	OSC	Optical Service Channel	—	—	MMU	MMU
					OSC-CSM	OSC-CSM
	OADM	Optical Add/Drop Multiplexer	—	—	AD-1B	AD-1B-xx.x
					AD-1C	AD-1C-xx.x
					AD-2C	AD-2C-xx.x
					AD-4B	AD-4B-xx.x
					AD-4C	AD-4C-xx.x
Ampli	Optical Amplifier	—	C Band	OPT-BST E	OPT-BST-E	
				OPT-AMP-17	OPT-AMP-17-C	
				OPT-RAMP-C	OPT-RAMP-C	
				OPT-RAMP-CE	OPT-RAMP-CE	
				OPT-AMP C	OPT-AMP-C	
				OPT-BST	OPT-BST	
				OPT-PRE	OPT-PRE	
				L Band	OPT-BST L	OPT-BST-L
					OPT-AMP L	OPT-AMP-L
				OTHER	—	—
Ethernet	—	—	—	MS-ISC-100T	MS-ISC-100T	
				G1000	G1000	

Table 4-3 CTC Add Card Shortcut Menu for DWDM Cards (continued)

Menu Item	Submenu Category	Card Group	Submenu Item 1	Submenu Item 2	Cards
OSCM	—	—	—	—	OSCM (Slots 8 and 10 only)
TNC TSC	—	Control Cards	—	—	TNC and TSC



Note When you preprovision a slot, the card appears purple in the CTC shelf graphic (the card appears as white when a card is installed in the slot). NP on the card graphic indicates that the card is not physically installed.

Step 3 Repeat [Step 2](#) until all the cards shown in the Cisco TransportPlanner shelf layout are provisioned in CTC.

Stop. You have completed this procedure.

NTP-G320 Configure the Node as a Non-DWDM Network

Purpose	This task configures a node as a Non-DWDM network.
Tools/Equipment	None
Prerequisite Procedures	DLP-G46 Log into CTC, page 2-26
Required/As Needed	As needed
Onsite/Remote	Onsite or remote
Security Level	Provisioning or higher

-
- Step 1** In node view (single-shelf mode) or multishelf view (multishelf mode), click the **Provisioning > WDM-ANS > Provisioning** tabs.
- Step 2** From the Selector area, select Network Type.
- Step 3** Choose **Not-DWDM**, from the Value drop-down list. Click **Apply**.
- Step 4** In node view (single-shelf mode) or multishelf view (multishelf mode), click the **Provisioning > WDM-ANS > Port Status** tabs.
- Step 5** Click the **Launch ANS** button. The relevant ports in the node will be in IS state.
- Step 6** Click **OK**.
- Step 7** Return to your originating procedure (NTP).
-

DLP-G693 Configure the Amplifier

Purpose	This task configures the optical parameters and threshold values of the amplifier card.
Tools/Equipment	None
Prerequisite Procedures	DLP-G46 Log into CTC, page 2-26
Required/As Needed	As needed
Onsite/Remote	Onsite or remote
Security Level	Provisioning or higher

-
- Step 1** Display the amplifier card in card view.
- Step 2** Click the **Provisioning > Card** tabs.
- Step 3** Select the working mode from the Card Working Mode drop-down list.
- Step 4** Change to node view (single-shelf mode) or multishelf view (multishelf mode), then click the **Provisioning > WDM-ANS > Provisioning** tabs.
- Step 5** From the Selector area, select the amplifier slot. If the default parameters are present, continue with [Step 6](#). If not, click **Add** to add the Channel LOS Threshold, Amplifier Tilt, Power, and Amplifier Working Mode parameters. To add the ANS parameters, see the [“DLP-G541 Add an ANS Parameter” task on page 4-62](#) for instructions.

- Step 6** Click the value of the ANS parameter that you want to modify and enter the new value specified in [Table 4-4](#).

Table 4-4 Values for the ANS Parameters (amplifier)

Port	ANS Parameter	Value
Slot 16 (OPT-AMP C).Port COM-RX	Channel LOS Threshold	35.0 dBm
Slot 16 (OPT-AMP C).Port LINE-TX	Amplifier Working Mode	Control Gain
Slot 16 (OPT-AMP C).Port LINE-TX	Amplifier Tilt	0.0 dB
Slot 16 (OPT-AMP C).Port LINE-TX	Power	1.0 dBm

- Step 7** Click **Apply**.
- Step 8** Click the **Provisioning > WDM-ANS > Port Status** tabs.
- Step 9** Click **Launch ANS**.
- Step 10** In the Apply Launch ANS dialog box, click **Yes**.
- Step 11** In the Launch ANS confirmation dialog box, click **OK**.
- Step 12** In node view (single-shelf mode) or multishelf view (multishelf mode), click the **Provisioning > WDM-ANS > Provisioning** tabs.
- Step 13** Verify the following in the Results column:
- Success - Changed —The parameter has been successfully changed with the ports in IS.
- Step 14** Verify that the Set By column displays the value “ANS” or “APC” as the application that sets the ANS parameter.
- Step 15** Return to your originating procedure (NTP).

DLP-G694 Configure the PSM

Purpose	This task configures the PSM behavior.
Tools/Equipment	None
Prerequisite Procedures	DLP-G46 Log into CTC, page 2-26
Required/As Needed	As needed
Onsite/Remote	Onsite or remote
Security Level	Provisioning or higher

- Step 1** In node view (single-shelf mode) or multishelf view (multishelf mode), click the **Provisioning > WDM-ANS > Provisioning** tabs.
- Step 2** From the Selector area, select the PSM slot. If the default parameters are present, continue with [Step 3](#). If not, click **Add** to add the Channel LOS Threshold and VOA Attenuation parameters. To add the ANS parameters, see the “[DLP-G541 Add an ANS Parameter](#)” task on [page 4-62](#) for instructions.

- Step 3** Click the value of the ANS parameter that you want to modify and enter the new value specified in [Table 4-4](#).

Table 4-5 Values for the ANS Parameters (PSM)

Port	ANS Parameter	Value
Slot 14(PSM).Port W-RX	VOA Attenuation	3.0 dB
Slot 14(PSM).Port W-RX	Channel LOS Threshold	15.0 dB
Slot 14(PSM).Port P-RX	VOA Attenuation	10.0 dB
Slot 14(PSM).Port P-RX	Channel LOS Threshold	20.0 dB

- Step 4** Click **Apply**.
- Step 5** Click the **Provisioning > WDM-ANS > Port Status** tabs.
- Step 6** Click **Launch ANS**.
- Step 7** In the Apply Launch ANS dialog box, click **Yes**.
- Step 8** In the Launch ANS confirmation dialog box, click **OK**.
- Step 9** In node view (single-shelf mode) or multishelf view (multishelf mode), click the **Provisioning > WDM-ANS > Provisioning** tabs.
- Step 10** Verify the following in the Results column:
- Success - Changed —The parameter has been successfully changed with the ports in IS.
- Step 11** Verify that the Set By column displays the value “ANS” or “APC” as the application that sets the ANS parameter.
- Step 12** Return to your originating procedure (NTP).

NTP-G328 Add and Delete ANS Parameters

Purpose	This procedure allows you to add or delete ANS parameters for a DWDM node.
Tools/Equipment	None
Prerequisite Procedures	None
Required/As Needed	As needed
Onsite/Remote	Onsite or remote
Security Level	Provisioning or higher



Note

It is recommended that you use the Cisco TransportPlanner XML configuration file to provision the ANS parameters instead of manually adding all the parameters in CTC. ANS provisioning parameters must be manually changed only by Cisco qualified personnel. Setting wrong ANS provisioning (either as preamplifier or booster input power thresholds) may impact traffic.

-
- Step 1** Complete the “[DLP-G46 Log into CTC](#)” task on page 3-30 at the node where you want to add or delete ANS parameters. If you are already logged in, continue with [Step 2](#).
- Step 2** As needed, complete the following tasks:
- Complete the “[DLP-G541 Add an ANS Parameter](#)” task on page 4-62.
 - Complete the “[DLP-G542 Delete an ANS Parameter](#)” task on page 4-63.
- Stop. You have completed this procedure.**
-

DLP-G541 Add an ANS Parameter

Purpose	This task adds an ANS parameter.
Tools/Equipment	None
Prerequisite Procedures	“ DLP-G46 Log into CTC ” task on page 3-30
Required/As Needed	As needed
Onsite/Remote	Onsite or remote
Security Level	Provisioning or higher

-
- Step 1** In node view (single-shelf mode) or multishelf view (multishelf mode), click the **Provisioning > WDM-ANS > Provisioning** tabs.
- Step 2** Click **Add**. The Add ANS Parameter dialog box appears.
- Step 3** Select the ANS parameter from the Parameter drop-down list.
- Step 4** In the Port Selection area, complete the following fields:
- **Type**—Displays the card type.
 - **Shelf**—Choose the shelf from the drop-down list.
 - **Slot**—Choose the card from the Slot drop-down list. The drop-down list lists all the cards that support the ANS parameter selected in [Step 3](#).
 - **Port**—Choose the port from the Port drop-down list. The drop-down list lists all the ports for the card selected in [Step 4](#) that support the ANS parameter selected in [Step 3](#).
- Step 5** Type or choose the value for the ANS parameter in the Value field.
- Step 6** Click **OK**.
- Step 7** Return to your originating procedure (NTP).
-

DLP-G542 Delete an ANS Parameter

Purpose	This task removes an ANS parameter.
Tools/Equipment	None
Prerequisite Procedures	“DLP-G46 Log into CTC” task on page 3-30
Required/As Needed	As needed
Onsite/Remote	Onsite or remote
Security Level	Provisioning or higher

Step 1 In node view (single-shelf mode) or multishelf view (multishelf mode), click the **Provisioning > WDM-ANS > Provisioning** tabs.

Step 2 Click the ANS parameter you want to remove.



Note Only threshold related ANS parameters can be removed if the port is in service state.

Step 3 Click **Remove**, and then **Yes**.

Step 4 Return to your originating procedure (NTP).

NTP-G30 Install the DWDM Cards

Purpose	This procedure describes how to install the DWDM multiplexer, demultiplexer, wavelength selective switch, wavelength cross-connect, OADM, OSC, PSM, and optical amplifier cards.
Tools/Equipment	<ul style="list-style-type: none"> • Cisco TransportPlanner shelf layout • The following C-band or L-band cards, as required by your site plan: <ul style="list-style-type: none"> – C-band: OPT-PRE, OPT-BST, OPT-BST-E, 32MUX-O, 40-MUX-C, 32DMX-O, 32DMX, 40-DMX-C, 40-DMX-CE, 32WSS, 40-WSS-C, 40-WSS-CE, 40-WXC-C, 80-WXC-C, TDC-CC, TDC-FC, 40-SMR1-C, 40-SMR2-C, OPT-AMP-17-C, OPT-AMP-C, OPT-RAMP-C, OPT-RAMP-CE, MMU, 4MD-xx.x, AD-1C-xx.x, AD-2C-xx.x, AD-4C-xx.x, AD-1B-xx.x, AD-4B-xx.x, OSCM, OSC-CSM, and PSM cards (as applicable) – L-band: 32WSS-L, 32DMX-L, OPT-BST-L, OPT-AMP-L, and PSM cards (as applicable) • The ONS 15454 NE defaults file if the node uses custom NE defaults
Prerequisite Procedures	<ul style="list-style-type: none"> • “NTP-G15 Install the Common Control Cards” in the <i>Cisco ONS 15454 Hardware Installation Guide</i> • “NTP-G14 Install DWDM Equipment” in the <i>Cisco ONS 15454 Hardware Installation Guide</i> • NTP-G139 Verify Cisco TransportPlanner Reports and Files, page 4-3 • NTP-G143 Import the Cisco TransportPlanner NE Update Configuration File, page 4-49
Required/As Needed	As needed
Onsite/Remote	Onsite
Security Level	Provisioning or higher



Warning

This warning symbol means danger. You are in a situation that could cause bodily injury. Before you work on any equipment, be aware of the hazards involved with electrical circuitry and be familiar with standard practices for preventing accidents. To see translations of the warnings that appear in this publication, refer to the Regulatory Compliance and Safety Information document for the appropriate Cisco chassis. Statement 274



Warning

During this procedure, wear grounding wrist straps to avoid ESD damage to the card. Do not directly touch the backplane with your hand or any metal tool, or you could shock yourself. Statement 94



Warning

Class I (CDRH) and Class 1M (IEC) laser products. Statement 1055

**Warning**

Invisible laser radiation may be emitted from the end of the unterminated fiber cable or connector. Do not view directly with optical instruments. Viewing the laser output with certain optical instruments (for example, eye loupes, magnifiers, and microscopes) within a distance of 100 mm may pose an eye hazard. Statement 1056

**Warning**

High-performance devices on this card can get hot during operation. To remove the card, hold it by the faceplate and bottom edge. Allow the card to cool before touching any other part of it or before placing it in an antistatic bag. Statement 201

**Caution**

Always use the supplied electrostatic discharge (ESD) wristband when working with a powered ONS 15454. For detailed instructions on how to wear the ESD wristband, refer to the [Cisco ONS Electrostatic Discharge \(ESD\) and Grounding Guide](#).

**Note**

For United States installations, complies with the United States Federal Drug Administration Code of Federal Regulations Title 21, Sections 1040.10 and 1040.11, except for deviations pursuant to Laser Notice No. 50, dated July 26, 2001.

**Note**

If protective clips are installed on the backplane connectors of the cards, remove the clips before installing the cards.

**Note**

If you install a card incorrectly, the FAIL LED flashes continuously.

Step 1

If the node requires a custom NE default settings to be installed on the node, complete the “[NTP-G136 Import Network Element Defaults](#)” procedure on page 14-52. If not, continue with [Step 2](#). (For information about the ONS 15454 NE defaults, refer to the “Network Elements Defaults” appendix in the *Cisco ONS 15454 DWDM Reference Manual*.)

**Caution**

If custom NE defaults are required, they must be installed before you install the DWDM cards.

Step 2

Verify that you have one of the following guides for the DWDM card installation:

- The slots that were preprovisioned when you completed the “[NTP-G143 Import the Cisco TransportPlanner NE Update Configuration File](#)” procedure on page 4-49.
- The Cisco TransportPlanner shelf layout report (see [Table 4-1 on page 4-4](#)).

Step 3

If the slots are preprovisioned, continue with [Step 4](#). If you are using the Cisco TransportPlanner shelf layout report, complete the “[DLP-G348 Use the Cisco TransportPlanner Shelf Layout Report](#)” task on page 4-66.

Step 4

Remove a DWDM card from its packaging, then remove the protective caps from the backplane connectors. (Safety caps are typically yellow.)

Step 5

Open the card latches/ejectors.

- Step 6** Use the latches/ejectors to firmly slide the card along the slot guide rails until the card plugs into the receptacle at the back of the slot. The correct slot is designated by the Cisco TransportPlanner shelf layout.
- Step 7** Verify that the card is inserted correctly. Simultaneously close the latches/ejectors on the card.



Note It is possible to close the latches/ejectors when the card is not completely plugged in. Ensure that you cannot insert the card any further.

After installing the card, the following LED activity will occur:

- The card's LEDs will go through a sequence of activities (turn on, turn off, blinking.) This will take 2 to 3 minutes.
- The ACT LED turns on.
- The signal fail (SF) LED might persist until all card ports connect to their far-end counterparts and a signal is present.

- Step 8** If the card does not boot up properly, or the LED activity is not similar to the activity in [Step 7](#), check the following:
- When a physical card type does not match the type of card provisioned for that slot in CTC, the card might not boot. If a DWDM card does not boot, open CTC and ensure that the slot is not provisioned for a different card type before assuming that the card is faulty.
 - If the red FAIL LED does not turn on, check the power.
 - If you insert a card into a slot provisioned for a different card, all LEDs turn off and a minor equipment mismatch alarm appears on the CTC Alarms tab.
 - If the red FAIL LED is on continuously or the LEDs behave erratically, the card is not installed.

If any of conditions are present, remove the card and repeat Steps 4 to 7. If the card does not boot up properly the second time, it might be defective. Contact your next level of support.

- Step 9** Repeat Steps 5 through 8 until all the DWDM cards are installed in the node.
- Step 10** If an OPT-PRE card (or the OPT-AMP-L, OPT-AMP-17-C, or OPT-AMP-C card in OPT-PRE card mode) are installed, complete one of the following steps for each OPT-PRE card based on the Cisco TransportPlanner shelf layout. If an OPT-PRE is not installed, you have completed this procedure.
- If the Cisco TransportPlanner shelf layout does not include DCUs, install a patchcord and 4-dB attenuator with a tolerance of +/-1 dB between the OPT-PRE or OPT-AMP-L DC TX and RX ports for each OPT-PRE or OPT-AMP-L card installed in the shelf.
 - If the shelf layout includes DCUs, complete the [“NTP-G31 Install the DWDM Dispersion Compensating Units” procedure on page 4-67](#) for each side of the shelf that requires a DCU.

Stop. You have completed this procedure.

DLP-G348 Use the Cisco TransportPlanner Shelf Layout Report

Purpose	This task describes how to use the Cisco TransportPlanner shelf layout report to install cards in a DWDM node.
Tools/Equipment	None

Prerequisite Procedures	NTP-G139 Verify Cisco TransportPlanner Reports and Files, page 4-3
Required/As Needed	As needed
Onsite/Remote	Onsite
Security Level	Provisioning or higher

-
- Step 1** Display the Cisco TransportPlanner shelf layout report for your site. The report can be viewed in Cisco TransportPlanner. It can also be viewed as a JPEG graphic. Refer to the *Cisco TransportPlanner DWDM Operations Guide* for information about generating shelf layout reports.
- Step 2** Review the following installation information:
- Rack—Indicates the rack in the node where the cards must be installed.
 - Shelf—Indicates the shelf in the rack where the cards must be installed. Shelf options include:
 - Flex Shelf—The ONS 15216 FlexLayer mechanical shelf houses Y-cable modules. Flex shelf positions are numbered 1 to 4 from left to right.
 - DCU Shelf—The Cisco ONS 15216 dispersion compensation shelf assembly houses DCUs. DCU positions are numbered 1 to 2 from left to right.
 - Shelf-ANSI-*n* or Shelf-ETSI-*n*—The ONS 15454 shelf assembly houses ONS 15454 common, DWDM, and client cards. Positions in this type of shelf are numbered 1 to 17 from left to right. Multiple shelves might appear.
 - Slot—Indicates the slot in the specific shelf where the cards must be installed:
 - Unit Name (Product ID)— Identifies the card by its Product ID.
 - Unit Description—Identifies the card by its name.
 - Unit Side—Identifies the side of the node that the specific card is serving: A, B, C, D, E, F, G, or H.
 - Unit Plug-in Modules—Identifies the type and number of PPMs that will be used with specific TXP, MXP, GE_XP, 10GE_XP, GE_XPE, 10GE_XPE, or OTU2_XP cards.
- Step 3** Return to your originating procedure (NTP).
-

NTP-G31 Install the DWDM Dispersion Compensating Units

Purpose	This procedure describes how to install the DCUs for DWDM shelves.
Tools/Equipment	DCUs
Prerequisite Procedures	<p>“NTP-G15 Install the Common Control Cards” in the <i>Cisco ONS 15454 Hardware Installation Guide</i></p> <p>“NTP-G14 Install DWDM Equipment” in the <i>Cisco ONS 15454 Hardware Installation Guide</i></p> <p>NTP-G30 Install the DWDM Cards, page 4-64</p> <p>NTP-G139 Verify Cisco TransportPlanner Reports and Files, page 4-3</p>
Required/As Needed	As needed
Onsite/Remote	Onsite
Security Level	Provisioning or higher

**Warning**

Class I (CDRH) and Class 1M (IEC) laser products. Statement 1055

**Warning**

Invisible laser radiation may be emitted from the end of the unterminated fiber cable or connector. Do not view directly with optical instruments. Viewing the laser output with certain optical instruments (for example, eye loupes, magnifiers, and microscopes) within a distance of 100 mm may pose an eye hazard. Statement 1056

**Caution**

Always use the supplied ESD wristband when working with a powered ONS 15454. For detailed instructions on how to wear the ESD wristband, refer to the [Cisco ONS Electrostatic Discharge \(ESD\) and Grounding Guide](#).

**Note**

For US installations, complies with the US Federal Drug Administration Code of Federal Regulations Title 21, Sections 1040.10 and 1040.11, except for deviations pursuant to Laser Notice No. 50, dated July 26, 2001.

-
- Step 1** Remove the DCU from its packaging, then remove the protective caps from the connectors. (Safety caps are typically yellow.)
- Step 2** Use both hands to push the DCU all the way into the chassis until the connector spring lock on the right side of the module clicks into place.
- Step 3** Open the cover with the laser warning on the connector adapter and then connect the cable connector.

**Note**

The Side A DCU is commonly installed on the left side and the Side B DCU is commonly installed on the right side.

**Note**

Double-check the placement of the DCU card(s) with your Cisco TransportPlanner shelf layout. If you install the wrong DCU in a slot, remove the DCU and install the correct one.

Stop. You have completed this procedure.

NTP-G179 Install the TXP, MXP, GE_XP, 10GE_XP, GE_XPE, 10GE_XPE, ADM-10G, and OTU2_XP Cards

Purpose	This procedure describes how to install the ONS 15454 TXP, MXP, GE_XP, 10GE_XP, GE_XPE, 10GE_XPE, ADM-10G, and OTU2_XP cards.
Tools/Equipment	TXP_MR_10G, TXP_MR_10E, TXP_MR_10E_C, TXP_MR_10E_L, TXP_MR_10EX_C, TXP_MR_2.5G, TXPP_MR_2.5G, MXP_2.5G_10G, MXPP_2.5G_10G, MXP_2.5G_10E, MXP_2.5G_10E_C, MXP_2.5G_10E_L, MXP_2.5G_10EX_C, MXP_MR_2.5G, MXP_MR_10DME_C, MXP_MR_10DME_L, MXP_MR_10DMEX_C, 40G-MXP-C, GE_XP, 10GE_XP, GE_XPE, 10GE_XPE, ADM-10G, or OTU2_XP cards (as applicable)
Prerequisite Procedures	<p>“NTP-G15 Install the Common Control Cards” in the <i>Cisco ONS 15454 Hardware Installation Guide</i></p> <p>“NTP-G14 Install DWDM Equipment” in the <i>Cisco ONS 15454 Hardware Installation Guide</i></p> <p>NTP-G139 Verify Cisco TransportPlanner Reports and Files, page 4-3</p>
Required/As Needed	As needed
Onsite/Remote	Onsite
Security Level	None



Warning

During this procedure, wear grounding wrist straps to avoid ESD damage to the card. Do not directly touch the backplane with your hand or any metal tool, or you could shock yourself. Statement 94



Warning

Class 1 laser product. Statement 1008



Warning

Invisible laser radiation may be emitted from the end of the unterminated fiber cable or connector. Do not view directly with optical instruments. Viewing the laser output with certain optical instruments (for example, eye loupes, magnifiers, and microscopes) within a distance of 100 mm may pose an eye hazard. Statement 1056



Warning

Class I (CDRH) and Class 1M (IEC) laser products. Statement 1055



Caution

Always use the supplied ESD wristband when working with a powered ONS 15454. For detailed instructions on how to wear the ESD wristband, refer to the [Cisco ONS Electrostatic Discharge \(ESD\) and Grounding Guide](#).



Caution

A fan-tray assembly (15454E-CC-FTA for the ETSI shelf or 15454-CC-FTA for the ANSI shelf) must be installed in a shelf where a GE, ADM-10G, or OTU2_XP card is installed.



Note For US installations, complies with the US Federal Drug Administration Code of Federal Regulations Title 21, Sections 1040.10 and 1040.11, except for deviations pursuant to Laser Notice No. 50, dated July 26, 2001.



Note If protective clips are installed on the backplane connectors of the cards, remove the clips before installing the cards.



Note If you install a card incorrectly, the FAIL LED flashes continuously.

- Step 1** Display the Cisco TransportPlanner shelf layout (see [Table 4-1 on page 4-4](#)) for the node where you will install the card.
- Step 2** Remove the card from its packaging, then remove the protective clips from the backplane connectors.
- Step 3** Open the card latches/ejectors.
- Step 4** Use the latches/ejectors to firmly slide the card along the guide rails until the card plugs into the receptacle at the back of the slot designated by the Cisco TransportPlanner shelf layout.
- Step 5** Verify that the card is inserted correctly and simultaneously close the latches/ejectors on the card.



Note It is possible to close the latches and ejectors when the card is not completely plugged into the backplane. Ensure that you cannot insert the card any further.



Note If you install the card in the wrong slot, CTC will raise a MEA (EQPT) alarm. To clear this alarm, open the latches, slide the card out, then insert it in the correct slot.

After you install the card, the FAIL, ACT, and SF LEDs will go through a sequence of activities. They will turn on, turn off, and blink at different points. After approximately 2 to 3 minutes, the ACT or ACT/STBY LED turns on. The SF LED might persist until all card ports connect to their far-end counterparts and a signal is present.



Note Until a card is provisioned, the card is in the standby condition and the ACT/STBY LED remains amber in color.

- Step 6** If the card does not boot up properly or the LEDs do not progress through the activities described in [Step 5](#), check the following:
- When a physical card type does not match the type of card provisioned for that slot in CTC, the card might not boot and CTC will show a MEA (EQPT) alarm. If the card does not boot, open CTC and ensure that the slot is not provisioned for a different card type before assuming that the card is faulty.
 - If the red FAIL LED does not turn on, check the power.
 - If you insert a card into a slot provisioned for a different card, all LEDs turn off.
 - If the red FAIL LED is on continuously or the LEDs behave erratically, the card is not installed properly.

If any of these conditions are present, remove the card and repeat Steps 3 to 5. If the card does not boot up properly the second time, contact your next level of support.

Step 7 If the card requires a Small Form-factor Pluggable (SFP or XFP) connector, complete one of the following tasks:

- [DLP-G63 Install an SFP or XFP, page 4-71](#)—Complete this task to install the physical SFP or XFP into the TXP, MXP, GE_XP, 10GE_XP, GE_XPE, 10GE_XPE, ADM-10G, or OTU2_XP card.
- [DLP-G273 Preprovision an SFP or XFP Slot, page 4-73](#)—(Optional) Complete this task if you do not have the physical SFP or XFP and need to preprovision the SFP or XFP slot.



Note SFPs/XFPs are hot-swappable input/output devices that plug into a TXP, MXP, GE_XP, 10GE_XP, GE_XPE, 10GE_XPE, ADM-10G, OTU2_XP, or line card port to link the port with the fiber-optic network. For more information about SFPs and XFPs, refer to For more information, refer to the *Cisco ONS 15454 DWDM Reference Manual* and the *Installing GBIC, SFP, and XFP Optics Modules in ONS Platforms* document.



Note PPM provisioning determines how the SFPs and XFPs are used in CTC. PPM provisioning procedures are provided in [Chapter 6, “Provision Transponder and Muxponder Cards.”](#)

Step 8 If you need to remove an SFP or XFP, complete the “[DLP-G64 Remove an SFP or XFP](#)” task on [page 4-74](#).



Note You will provision the TXP, MXP, GE_XP, 10GE_XP, GE_XPE, 10GE_XPE, ADM-10G, or OTU2_XP cards after you complete all node turn-up procedures. TXP and MXP provisioning procedures are provided in [Chapter 6, “Provision Transponder and Muxponder Cards.”](#)



Note Until a card is provisioned, the card is in the standby condition and the ACT/STBY LED remains amber in color.

Stop. You have completed this procedure.

DLP-G63 Install an SFP or XFP

Purpose	This task installs SFPs and XFPs into TXP, MXP, GE_XP, 10GE_XP, GE_XPE, 10GE_XPE, ADM-10G, and OTU2_XP cards. SFPs and XFPs provide a fiber interface to the card.
Tools/Equipment	None
Prerequisite Procedures	NTP-G179 Install the TXP, MXP, GE_XP, 10GE_XP, GE_XPE, 10GE_XPE, ADM-10G, and OTU2_XP Cards, page 4-69
Required/As Needed	As needed
Onsite/Remote	Onsite
Security Level	Provisioning or higher

**Warning**

The intrabuilding ports of the ONS 15454 are suitable for connection to intrabuilding or unexposed wiring or cabling only. The intrabuilding ports of the ONS 15454 must not be metallicly connected to interfaces that connect to the OSP or its wiring. These interfaces are designed for use as intrabuilding interfaces only (Type 2 or Type 4 ports as described in GR-1089-CORE, Issue 4), and require isolation from the exposed OSP cabling. The addition of Primary Protectors is not sufficient protection while connecting these interfaces metallicly to the OSP wiring.

**Warning**

The intrabuilding ports of the ONS 15454 are suitable for connection only to shielded intrabuilding cabling, grounded at both ends.

**Note**

In case of a full C-band tunable XFP, it is mandatory to use optical cables that are fully compliant with NEBS Telcordia GR-326-CORE, Issue 3 recommendation. The Cisco patchcord indicated by the Cisco Transport Planner (CTP) tool is fully compliant with NEBS Telcordia GR-326-CORE, Issue 3 recommendation.

**Note**

The CC-FTA fan tray assembly must be installed in a shelf where CWDM and DWDM SFPs or XFPs are used.

**Note**

SFPs and XFPs are hot-swappable input/output devices that plug into a TXP, MXP, GE_XP, 10GE_XP, GE_XPE, 10GE_XPE, ADM-10G, or OTU2_XP port to link the port with the fiber-optic network. For more information, refer to the *Cisco ONS 15454 DWDM Reference Manual* and the *Installing GBIC, SFP, and XFP Optics Modules in ONS Platforms* document.

**Note**

If you have installed a fan tray lower than CC-FTA on the MSTP unit, you must have the TXP_MR_10E transponder card (only if you have installed ONS-XC-10G-L2 XFP on the TXP_MR_10E card) installed in Slot 5, 6, 12, or 13. This limitation does not exist for fan-tray versions higher than CC-FTA.

**Note**

SFPs and XFPs are generically called PPMs in CTC. After installing multirate SFPs or XFPs, multirate PPMs must be provisioned in CTC. To complete the provisioning of the pluggable port, complete the [“DLP-G277 Provision a Multirate PPM” task on page 6-11](#).

Step 1

Verify that the SFP or XFP is correct for your network and TXP, MXP, GE_XP, 10GE_XP, GE_XPE, 10GE_XPE, ADM-10G, or OTU2_XP card (see the “Transponder and Muxponder Cards” chapter in the *Cisco ONS 15454 DWDM Reference Manual* for card and SFP/XFP compatibility information). Check that you are installing compatible SFPs or XFPs, for example, SX to SX or LX/LH to LX/LH.

Step 2

Install the SFP or XFP:

- For a mylar tab SFP or XFP: Slide the SFP or XFP into the slot.
- For an actuator/button SFP or XFP: Slide the SFP or XFP all the way into the slot until you hear a click.

- For a bail clasp SFP or XFP: Latch (flip upwards) the bail clasp before inserting the SFP or XFP into the slot and then slide it into the slot.



Note SFP and XFPs are keyed to prevent incorrect installation.

- Step 3** Do not remove the protective caps from the SFP or XFP until you are ready to attach the network fiber-optic cable.
- Step 4** Return to your originating procedure (NTP).

DLP-G273 Preprovision an SFP or XFP Slot

Purpose	This task preprovisions SFPs and XFPs, which connect fiber to TXP, MXP, GE_XP, 10GE_XP, GE_XPE, 10GE_XPE, ADM-10G, and OTU2_XP cards.
Tools/Equipment	None
Prerequisite Procedures	DLP-G46 Log into CTC, page 3-30
Required/As Needed	As needed
Onsite/Remote	Onsite or remote
Security Level	Provisioning or higher



Note SFPs and XFPs are generically called PPMs in CTC. After installing multirate SFPs or XFPs, multirate PPMs must be provisioned in CTC.

- Step 1** In node view (single-shelf mode) or shelf view (multishelf mode), double-click the TXP, MXP, GE_XP, 10GE_XP, GE_XPE, 10GE_XPE, ADM-10G, or OTU2_XP card where you want to provision PPM settings.
- Step 2** Click the **Provisioning > Pluggable Port Modules** tabs.
- Step 3** In the Pluggable Port Modules area, click **Create**. The Create PPM dialog box appears.
- Step 4** In the Create PPM dialog box, complete the following:
- PPM—Choose the PPM slot number where the SFP or XFP is installed from the drop-down list.
 - PPM Type—Choose the number of ports supported by your SFP or XFP from the drop-down list. The drop-down list displays the number of PPMs that are available for provisioning. If only one port is supported, **PPM (1 port)** is the only option.
- Step 5** Click **OK**. The newly created port appears in the Pluggable Port Modules pane. The row in the Pluggable Port Modules pane turns light blue. The Actual Equipment Type column remains blank until the actual SFP or XFP is installed. After the SFP or XFP is installed, the row in the pane turns white and the Actual Equipment Type column shows the equipment name.
- Step 6** Verify that the PPM appears in the list in the Pluggable Port Modules pane. If it does not, repeat Steps 3 through 5.
- Step 7** Repeat the task to provision a second PPM, if needed. If not, continue with [Step 8](#).
- Step 8** Click **OK**.

Step 9 Return to your originating procedure (NTP).

DLP-G64 Remove an SFP or XFP

Purpose	This task removes SFPs and XFPs from TXP, MXP, GE_XP, 10GE_XP, GE_XPE, 10GE_XPE, ADM-10G, and OTU2_XP cards.
Tools/Equipment	None
Prerequisite Procedures	NTP-G179 Install the TXP, MXP, GE_XP, 10GE_XP, GE_XPE, 10GE_XPE, ADM-10G, and OTU2_XP Cards, page 4-69
Required/As Needed	As needed
Onsite/Remote	Onsite
Security Level	Provisioning or higher



Note This task removes the SFP or XFP hardware. To delete the provisioning for an SFP or XFP, see the [“DLP-G280 Delete a PPM” task on page 6-19](#).

- Step 1** If a fiber is connected, disconnect the network fiber cable from the SFP or XFP LC-type connector.
- Step 2** Release the SFP or XFP from the slot by performing one of the following actions (depending which latch is on the SFP or XFP):
- For a mylar tab SFP or XFP: Pull out the mylar tab.
 - For an actuator/button SFP or XFP: Press the actuator/button.
 - For a bail clasp SFP or XFP: Unlatch the bail clasp and swing it downward.
- Step 3** Slide the SFP or XFP out of the slot.
- Step 4** Return to your originating procedure (NTP).



Note Removing an SFP from the client ports of a Y-cable protection group card causes an IMPROPRMVL (PPM) alarm. The working port raises the - CR,IMPROPRMVL,SA alarm and the protected port raises the MN,IMPROPRMVL,NSA alarm. The severity on the client ports is changed according to the protection switch state.

Stop. You have completed this procedure.

NTP-G123 Install the Filler Cards

Purpose	This procedure explains how to install the filler cards (blank faceplates). The filler card aids in maintaining proper air flow and electro-magnetic interference (EMI) requirements.
Tools/Equipment	Filler cards
Prerequisite Procedures	NTP-G30 Install the DWDM Cards, page 4-64 NTP-G31 Install the DWDM Dispersion Compensating Units, page 4-67 NTP-G179 Install the TXP, MXP, GE_XP, 10GE_XP, GE_XPE, 10GE_XPE, ADM-10G, and OTU2_XP Cards, page 4-69
Required/As Needed	As needed
Onsite/Remote	Onsite
Security Level	None



Warning

Blank faceplates (filler panels) serve three important functions: they prevent exposure to hazardous voltages and currents inside the chassis; they contain electromagnetic interference (EMI) that might disrupt other equipment; and they direct the flow of cooling air through the chassis. Do not operate the system unless all cards and faceplates are in place. Statement 156



Caution

Always use the supplied ESD wristband when working with a powered ONS 15454. For detailed instructions on how to wear the ESD wristband, refer to the [Cisco ONS Electrostatic Discharge \(ESD\) and Grounding Guide](#).



Note

In an ONS 15454 shelf assembly, a filler card (Cisco P/N 15454-FILLER) can be installed in any unused traffic or AIC-I card slots (Slots 1 through 6, 9, and 12 through 17). These cards are detected by CTC in Software Release 6.0 and later.



Note

In an ONS 15454 M6 shelf assembly, the line card fillers (15454-M-FILLER) can be installed in any unused line card slots (Slots 1 through 7), and a control card filler (15454-MT-FILLER) can be installed in any unused control card slot (Slot 1 or Slot 8). In an ONS 15454 M2 shelf assembly, the line card filler (15454-M-FILLER) can be installed in any unused line card slots (Slot 2 or Slot 3). CTC does not detect the filler card in Release 9.2; however, CTC may detect it in later software releases.

- Step 1** Open the card ejectors.
 - Step 2** Slide the card along the guide rails into the correct slot.
 - Step 3** Close the ejectors.
 - Step 4** Repeat for any remaining unused card slots.
- Stop. You have completed this procedure.**

NTP-G239 Add and Delete Passive Units

Purpose	This procedure explains how to add or delete passive units on a DWDM node.
Tools/Equipment	None
Prerequisite Procedures	None
Required/As Needed	As needed
Onsite/Remote	Onsite or remote
Security Level	Provisioning or higher

-
- Step 1** Complete the [“DLP-G46 Log into CTC” task on page 3-30](#) to log in to an ONS 15454 node on the network.
- Step 2** Complete the [“DLP-G543 Add Passive Units Manually” task on page 4-76](#) to manually preprovision a passive unit.
- Step 3** Complete the [“DLP-G544 Delete a Passive Unit” task on page 4-77](#) to delete a passive unit.
- Stop. You have completed this procedure.**
-

DLP-G543 Add Passive Units Manually

Purpose	This task preprovisions passive units (patch panels and DCUs) in CTC. Preprovisioning of the passive units is normally performed when you complete the “NTP-G143 Import the Cisco TransportPlanner NE Update Configuration File” section on page 4-49 . Use this task if you need to manually preprovision a passive unit. All slot preprovisioning must be based upon the Cisco TransportPlanner shelf layout prepared for your site.
Tools/Equipment	Cisco TransportPlanner shelf layout table or JPG file.
Prerequisite Procedures	DLP-G46 Log into CTC, page 3-30 NTP-G139 Verify Cisco TransportPlanner Reports and Files, page 4-3
Required/As Needed	As needed
Onsite/Remote	Onsite or remote
Security Level	Provisioning or higher

-
- Step 1** In the node view (single-shelf mode) or multishelf view (multishelf mode), click the **Provisioning > WDM-ANS > Passive Cards** tabs.
- Step 2** Click **Create**. The Create Passive Card dialog box appears.
- Step 3** Choose the passive unit from the Card Type drop-down list and click **OK**.
The passive unit is installed in the first available slot in the rack.



Note You can also add a passive unit in the multishelf view by right-clicking the slot inside the rack. Refer to [NTP-G146 Add a Rack, Passive Unit, or Shelf to a Multishelf Node, page 13-13](#).



Note If you need to view the details of the passive units that have been installed on a node, click the Inventory tab.

Step 4 Return to your originating procedure (NTP).

DLP-G544 Delete a Passive Unit

Purpose	This task deletes a passive unit.
Tools/Equipment	None
Prerequisite Procedures	DLP-G46 Log into CTC, page 3-30
Required/As Needed	As needed
Onsite/Remote	Onsite or remote
Security Level	Provisioning or higher

Step 1 In the node view (single-shelf mode) or multishelf view (multishelf mode), click the **Provisioning > WDM-ANS > Passive Cards** tabs.

Step 2 Click the passive unit you want to delete.

Step 3 Click **Delete**, then click **Yes**.



Note You can also delete a passive unit in the multi-shelf view. Refer to [NTP-G147 Delete a Passive Unit, Shelf, or Rack from a Multishelf Node, page 13-16](#).

Step 4 Return to your originating procedure (NTP).

NTP-G34 Install Fiber-Optic Cables on DWDM Cards and DCUs

Purpose	This procedure attaches fiber-optic cables on the DWDM cards and DCUs.
Tools/Equipment	Fiber-optic cables Cisco TransportPlanner Internal Connections Report
Prerequisite Procedures	NTP-G30 Install the DWDM Cards, page 4-64 NTP-G31 Install the DWDM Dispersion Compensating Units, page 4-67 (as applicable) NTP-G139 Verify Cisco TransportPlanner Reports and Files, page 4-3
Required/As Needed	As needed
Onsite/Remote	Onsite
Security Level	None



Warning

Class I (CDRH) and Class 1M (IEC) laser products. Statement 1055



Caution

To comply with the Telcordia GR-1089 NEBS, Issue 5 standard, do not use optical fibers with exposed metallic ferrules. Exposed metallic ferrules may result in ESD damage to the system and can be service affecting.



Note

For US installations, complies with the US Federal Drug Administration Code of Federal Regulations Title 21, Sections 1040.10 and 1040.11, except for deviations pursuant to Laser Notice No. 50, dated July 26, 2001.



Note

In this procedure, you will generally connect fibers in an Side B-to-Side A or Side B-to-Side B pattern only. “Side A” refers to cards and ports in Slots 1 through 8. “Side B” refers to cards and ports installed in Slots 10 through 17.



Note

You will install fiber-optic cables on TXP, MXP, GE_XP, 10GE_XP, GE_XPE, 10GE_XPE, ADM-10G, and OTU2_XP cards later in the chapter during the [“NTP-G140 Install Fiber-Optic Cables Between Terminal, Hub, or ROADM Nodes” procedure on page 4-82](#).

Step 1

Refer to the [“DLP-G349 Use the Cisco TransportPlanner Internal Connections Report” task on page 4-80](#) to install cables to the DWDM cards.

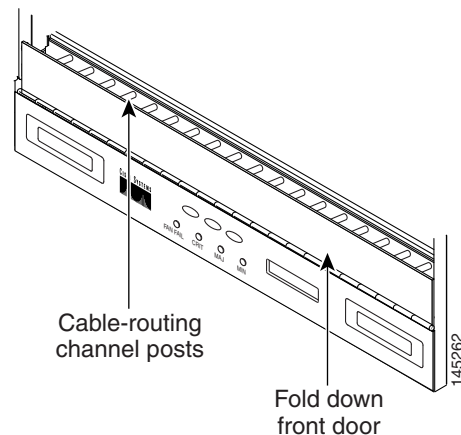
Step 2

Verify that the appropriate fiber optic cables are available to complete the connections shown in the Cisco TransportPlanner Internal Connections report:

- a. Count the number of connections listed in the Internal Connections and verify that you have the same number of cables.
- b. Measure the distance between Origination Position and Destination Position for each connection, then verify that the fiber lengths will fit each one.

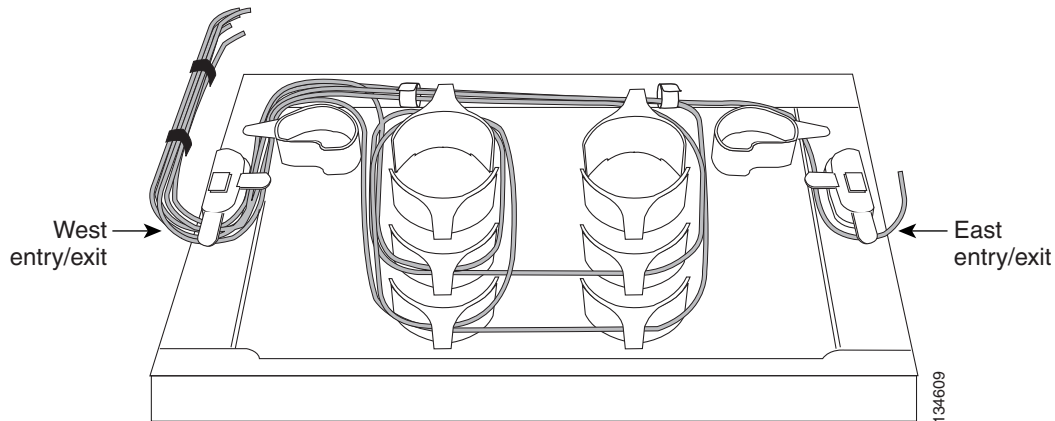
- Step 3** Complete the “[NTP-G115 Clean Fiber Connectors](#)” procedure on page 14-32 for all fiber connections, even new fiber. Dust particles can degrade performance. Put caps on any fiber connectors that are not used.
- Step 4** On the front of the fiber-storage tray (usually installed below the node you are fibering), push the tabs on the left and right sides inward to release the lock on the tray.
- Step 5** Pull the fiber-storage tray away from the shelf until it is fully opened.
- Step 6** Open the fold-down door that at the bottom of the shelf assembly to expose the cable-routing channel ([Figure 4-11](#)).

Figure 4-11 Managing Cables on the Front Panel



- Step 7** Using the Cisco TransportPlanner Internal Connections Report, connect one end of the fiber cable plug into the Origination Position.
- Step 8** Route the fiber cable on the card faceplate through the fiber clip on the faceplate, if provided. (Fiber clips are factory-attached to the faceplates of 32MUX-O, 32DMX, 32DMX-O, OSCM, OSC-CSM, OPT-PRE, OPT-BST, OPT-BST-E, OPT-BST-L, OPT-AMP-L, OPT-AMP-17-C, OPT-AMP-C, OPT-RAMP-C, and OPT-RAMP-CE cards.)
- Step 9** Route the fiber cable through the cable-routing channel and cutout on the appropriate side of the shelf assembly, as necessary.
- Step 10** As needed, route slack fiber-optic cable around the round cable retainers in the fiber-storage tray ([Figure 4-12](#)).

Figure 4-12 Fiber-Storage Tray

**Caution**

When you close the fiber-storage tray, the cables must not be pinched, and the cable bend radius must be equal to or greater than the minimum radius that is recommended in your site specifications. As you route each cable through the fiber-storage tray, make sure that adequate cable slack remains.

Step 11 Route the fiber cable out either side of the fiber-storage tray as necessary.

Step 12 Plug the other end of the cable into the Destination position.

**Note**

Cards display an SF LED after the OSC terminations are created (see the “[NTP-G38 Provision OSC Terminations](#)” procedure on page 4-126) if transmit and receive fibers are not connected correctly. For example, an RX port is connected to another RX port or a TX port is connected to another TX port.

Step 13 Repeat Steps 4 through 12 until you have connected the intra-shelf fibers according to the Cisco TransportPlanner Internal Connections report.

Step 14 To close the fiber-storage tray, push the tray back toward the rack until it locks into place.

Stop. You have completed this procedure.

DLP-G349 Use the Cisco TransportPlanner Internal Connections Report

Purpose	This task describes how to use the Cisco TransportPlanner Internal Connections report to install cables on the DWDM cards.
Tools/Equipment	None
Prerequisite Procedures	NTP-G139 Verify Cisco TransportPlanner Reports and Files , page 4-3
Required/As Needed	As needed
Onsite/Remote	Onsite
Security Level	Provisioning or higher

Step 1 Display the Cisco TransportPlanner Internal Connections report for the node that you are provisioning. The Internal Connections report is presented in two views, a patchcord installation view and a software provisioning view. The **Patchcord installation view** lists all the patchcord connections that the installer has to mechanically cable within the site between the different ports of the DWDM cards. The **SW Provisioning view** contains all the connections to be manually set or removed via CTC with respect to the default connections that are automatically generated by the system software running on the node.

The tables identify the patchcords that you must cable by their endpoints. Starting from the left side of report, Position identifies the fiber origination point. The location shown in the next Position to right is the destination point for the fiber connection. The patchcord endpoints are identified by site, assembly shelf, slot, and port number. Information provided by the Internal Connections Software report includes:

- **Name**—Displays the name of the site. On the SW provisioning view, this column indicates whether the connection was automatically set, or should be manually set or removed via CTC.
- **Position**—The cable origination in the format is Rack.Shelf.Slot. For example, Rack#1.Shelf Assembly 1.Slot 2 refers to Slot 2 in shelf assembly 1(DWDM) shelf of Rack 1. Refer to the Cisco TransportPlanner Site Dialog box for rack and shelf names and locations.
- **Unit**—The ONS 15454 DWDM card (unit) that is installed in the Position’s slot. This is where the patchcord originates.
- **Port Number**—The port number where the patchcord connection originates.
- **Port ID**—(Software provisioning view only) The port identifier shown in TL1 for the Position-1 connection.
- **Port Label**—The name of the physical port printed on the DWDM card’s front panel and shown in CTC card view.
- **Attenuator**—If attenuation is required, the product ID (PID) of the bulk fixed attenuator is shown. “Att-Lpbk-4dB” indicates that the DC TX and DC RX ports on an OPT-PRE (or OPT-AMP-L, OPT-AMP-17-C, or OPT-AMP-C card provisioned in OPT-PRE card mode) card are to be connected with an attenuated loopback that is shipped with the OPT-PRE card. This parameter also indicates when an internal attenuator must be placed between the OPT-PRE DC-TX and DC-RX ports on the when a DCU is equipped.



Note If the Attenuator field is blank, no attenuation is needed.

- **Position**—The cable termination in the format is Rack.Shelf.Slot.
- **Unit**—The ONS 15454 DWDM card that is installed in the Position’s slot. This is where the cabling terminates.
- **Port**—The port number where the patchcord connection terminates.
- **Port ID**—(Software provisioning view only) The port identifier shown in TL1 for the Position-2 connection.
- **Port Label**—The name of the physical port printed on the DWDM card’s front panel and shown in CTC card view.
- **P/F**—Indicates whether you must create the connection manually in CTC. A Yes appearing in this column means that you must create the connection manually.



Caution

Failure to create the required manual connections will prevent the node from turning up properly

Step 2 Return to your originating procedure (NTP).

NTP-G140 Install Fiber-Optic Cables Between Terminal, Hub, or ROADM Nodes

Purpose	This procedure routes fiber-optic cables from the DWDM optical cards in a terminal, hub, or ROADM node to the patch panel, and from the patch panel to TXP, MXP, GE_XP, 10GE_XP, GE_XPE, 10GE_XPE, or ADM-10G cards.
Tools/Equipment	<ul style="list-style-type: none"> • See Step 1 for a list of equipment specific to each node type. • All node types require fiber-optic cables, terminated with a single LC-type connector on each end. • Cisco Transport Planner Internal Connections Report
Prerequisite Procedures	<ul style="list-style-type: none"> • “DLP-G28 Install the Fiber Patch-Panel Tray” in the <i>Cisco ONS 15454 Hardware Installation Guide</i> • “DLP-G29 Install the Fiber-Storage Tray” in the <i>Cisco ONS 15454 Hardware Installation Guide</i> • NTP-G34 Install Fiber-Optic Cables on DWDM Cards and DCUs, page 4-78 • DLP-G348 Use the Cisco TransportPlanner Shelf Layout Report, page 4-66
Required/As Needed	As needed
Onsite/Remote	Onsite
Security Level	None

Step 1 Determine which type of node you are fiberizing.

The following node types require the listed equipment. The cards and patch panels should already be installed before you begin this procedure.

- Terminal node:
 - One of 32DMX-O card and 32MUX-O card, and one standard or deep patch panel tray
 - One of 32WSS card and 32DMX or 32DMX-O card, and one standard or deep patch panel tray
 - One of 32WSS-L card and 32DMX-L card, and one standard or deep patch panel tray
 - One of 40-WSS-C or 40-WSS-CE card and 40-DMX-C or 40-DMX-CE card, and one standard or deep patch panel tray
 - One of 40-MUX-C card and 40-DMX-C or 40-DMX-CE card, and one standard or deep patch panel tray
 - One 40-SMR1-C card and one 15216-MD-40-ODD, 15216-EF-40-ODD, or 15216-MD-48-ODD (ONS 15216 40 or 48-channel mux/demux) patch panel
 - One 40-SMR2-C card and one 15216-MD-40-ODD, 15216-EF-40-ODD, or 15216-MD-48-ODD (ONS 15216 40 or 48-channel mux/demux) patch panel

- One 80-WXC-C card, one 15216-MD-40-ODD, 15216-EF-40-ODD, or 15216-MD-48-ODD unit, and one 15216-MD-40-EVEN, 15216-EF-40-EVEN, or 15216-MD-48-EVEN unit, and one 15216-MD-ID-50 or 15216-MD-48-CM unit
- Hub node:
 - Two of 32MUX-O cards and 32DMX-O or 32DMX cards, and two standard or deep patch panel trays
 - Two of 32WSS cards and 32DMX or 32DMX-O cards, and two standard or deep patch panel trays
 - Two of 32WSS-L cards and 32DMX-L cards, and two standard or deep patch panel trays
 - Two of 40-WSS-C or 40-WSS-CE cards and 40-DMX-C or 40DMX-CE cards, and two standard or deep patch panel trays
 - Two 40-SMR1-C cards and two 15216-MD-40-ODD, 15216-EF-40-ODD, or 15216-MD-48-ODD patch panels
 - Two 40-SMR2-C cards and two 15216-MD-40-ODD, 15216-EF-40-ODD, or 15216-MD-48-ODD patch panels
- ROADM node:
 - Two 32WSS cards, optionally, two 32DMX or 32DMX-O cards, and two standard or deep patch panel trays
 - Two 32WSS-L cards, optionally, two 32DMX-L cards, and two standard or deep patch panel trays
 - Two 40-WSS-C or 40-WSS-CE cards, optionally, two 40-DMX-C or 40-DMX-CE cards, and two standard or deep patch panel trays
 - Two 40-SMR1-C cards and two 15216-MD-40-ODD, 15216-EF-40-ODD, or 15216-MD-48-ODD patch panels
 - Two 40-SMR2-C cards and two 15216-MD-40-ODD, 15216-EF-40-ODD, or 15216-MD-48-ODD patch panels
 - Two 80-WXC-C cards and two 15216-MD-40-ODD, 15216-EF-40-ODD, or 15216-MD-48-ODD units and 15216-MD-40-EVEN, 15216-EF-40-EVEN, or 15216-MD-48-EVEN units and two 15216-MD-ID-50 or 15216-MD-48-CM units
- Expanded ROADM node:
 - Two of 40-WSS-C/40-WSS-CE cards and 40-DMX-C/40-DMX-CE cards, and two 40-channel patch panel trays, preinstalled with MPO-LC cables



Note If you are using standard patch panels, you will also need eight multifiber push-on (MPO) cables per standard patch panel. MPO cables are fiber-optic cables terminated on one end with one MPO connector and with eight LC-type connectors on the other end. Deep patch panel trays come preinstalled with MPO cables.

- Step 2** On the front of the patch panel tray, push the tabs on the left and right sides inward to release the lock on the tray.
- Step 3** Pull the patch panel tray away from the shelf until it is fully opened.



Note The red latch inside the patch panel tray at the top left corner will automatically click and lock the tray in the open position when you have fully opened the tray.

- Step 4** Depending on the type of patch panel tray you are using:
- Standard patch panel tray:
 - Complete the “[DLP-G315 Install Fiber-Optic Cables From the 32WSS/32DMX and 32MUX-O/32DMX-O Cards to the Standard Patch Panel Tray](#)” task on page 4-85.
 - Complete the “[DLP-G316 Install Fiber-Optic Cables from TXP, MXP, GE_XP, 10GE_XP, GE_XPE, 10GE_XPE, ADM-10G, or OTU2_XP Cards to the Standard Patch Panel Tray](#)” task on page 4-89.
 - Deep patch panel tray:
 - Complete the “[DLP-G356 Install Fiber-Optic Cables from the 32WSS/32DMX and 32MUX-O/32DMX-O Cards to the Deep Patch Panel Tray](#)” task on page 4-90.
 - Complete the “[DLP-G357 Install Fiber-Optic Cables from the TXP, MXP, GE_XP, 10GE_XP, GE_XPE, 10GE_XPE, ADM-10G, or OTU2_XP Cards to the Deep Patch Panel Tray or 40-Channel Patch Panel Tray](#)” task on page 4-97.
 - 40-channel patch panel tray:
 - As needed, complete the “[DLP-G427 Reroute Fiber-Optic Cables in the 40-Channel Patch Panel Tray](#)” task on page 4-93 to route the MPO cables out of the right side of the tray so they can be easily connected to cards installed on the right side of the shelf (Slots 12 through 17).
 - Complete the “[DLP-G428 Install Fiber-Optic Cables from the 40-WSS-C/40-WSS-CE and 40-DMX-C/40-DMX-CE Cards in an Expanded ROADM, Terminal, or Hub Node to the 40-Channel Patch Panel Tray](#)” task on page 4-95.
 - 15216-MD-40-ODD, 15216-EF-40-ODD, or 15216-MD-48-ODD patch panel:
 - Complete the “[DLP-G530 Install Fiber-Optic Cables from the 40-SMR1-C, 40-SMR2-C, or 80-WXC-C Cards in a ROADM, Terminal, or Hub Node to the 15216-MD-40 or 15216-MD-48 Patch Panel Tray](#)” task on page 4-99
- Step 5** To close the patch panel tray, unlock it by pressing the red latch in the top left corner, and then push the tray back toward the rack until it locks into place.

**Caution**

When you close the patch panel tray, the cables must not be pinched, and the cable bend radius must be equal to or greater than the minimum radius that is recommended in your site specifications. As you route each cable through the patch panel tray, make sure that adequate cable slack remains.

Stop. You have completed this procedure.

DLP-G315 Install Fiber-Optic Cables From the 32WSS/32DMX and 32MUX-O/32DMX-O Cards to the Standard Patch Panel Tray

Purpose	This task describes how to route fiber-optic cables from 32MUX-O, 32WSS, 32DMX-O, and 32DMX cards in a terminal, hub, or ROADM node to the standard patch panel.
Tools/Equipment	<p>The following node types require the following equipment. The cards and patch panels should already be installed before you begin this procedure.</p> <p>Terminal node:</p> <ul style="list-style-type: none"> • One 32DMX-O card • One 32MUX-O card • One standard patch panel tray • Eight fiber-optic MPO cables: each MPO cable is terminated on one end with one MPO connector and on the other end with eight LC-type connectors <p>Hub node:</p> <ul style="list-style-type: none"> • Two 32DMX-O cards • Two 32MUX-O cards • Two standard patch panel trays • Sixteen fiber-optic MPO cables: each MPO cable is terminated on one end with one MPO connector and on the other end with eight LC-type connectors <p>ROADM node:</p> <ul style="list-style-type: none"> • Two 32WSS cards • Two 32DMX cards • Two standard patch panel trays • Sixteen fiber-optic MPO cables: each MPO cable is terminated on one end with one MPO connector and on the other end with eight LC-type connectors
Prerequisite Procedures	NTP-G34 Install Fiber-Optic Cables on DWDM Cards and DCUs, page 4-78
Required/As Needed	As needed
Onsite/Remote	Onsite
Security Level	None

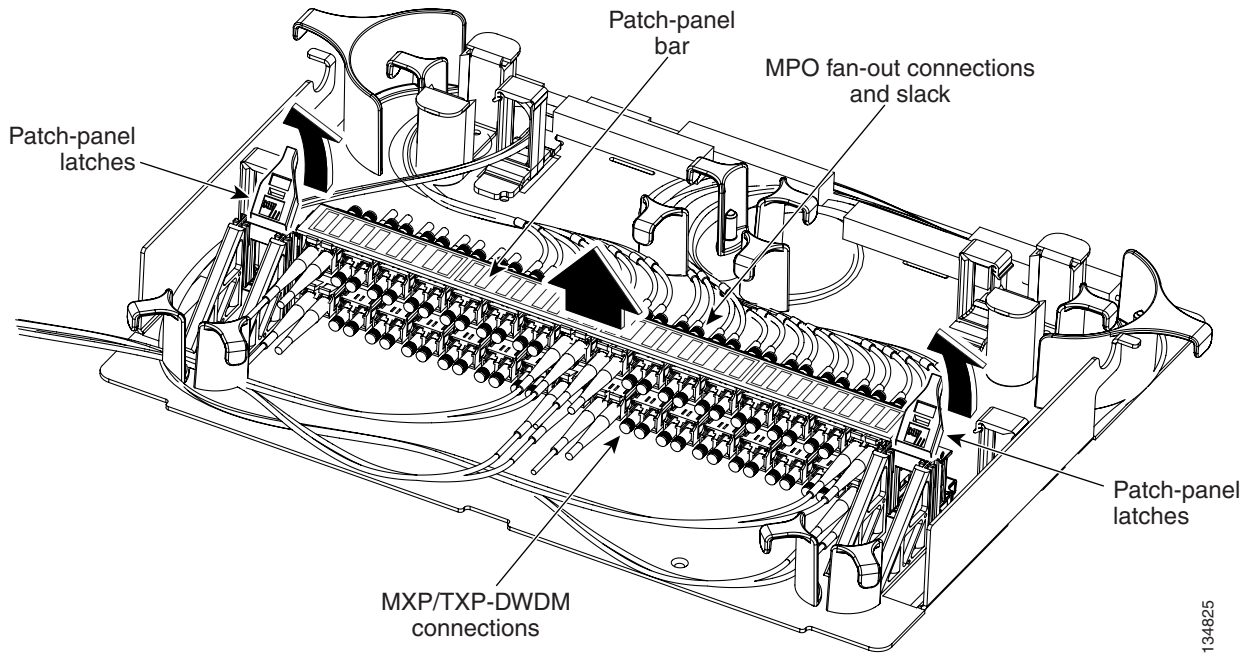

Note

For a ROADM or hub node, two patch panels will be used, one for Side B side and one for Side A. The Side B 32WSS/32DMX card will connect to the Side B patch panel. The Side A 32WSS/32DMX card will connect to the Side A patch panel.

- Step 1** Choose either the Side B or Side A to cable the 32MUX-O and 32DMX-O cards (or the 32WSS and 32DMX cards for a ROADM node).

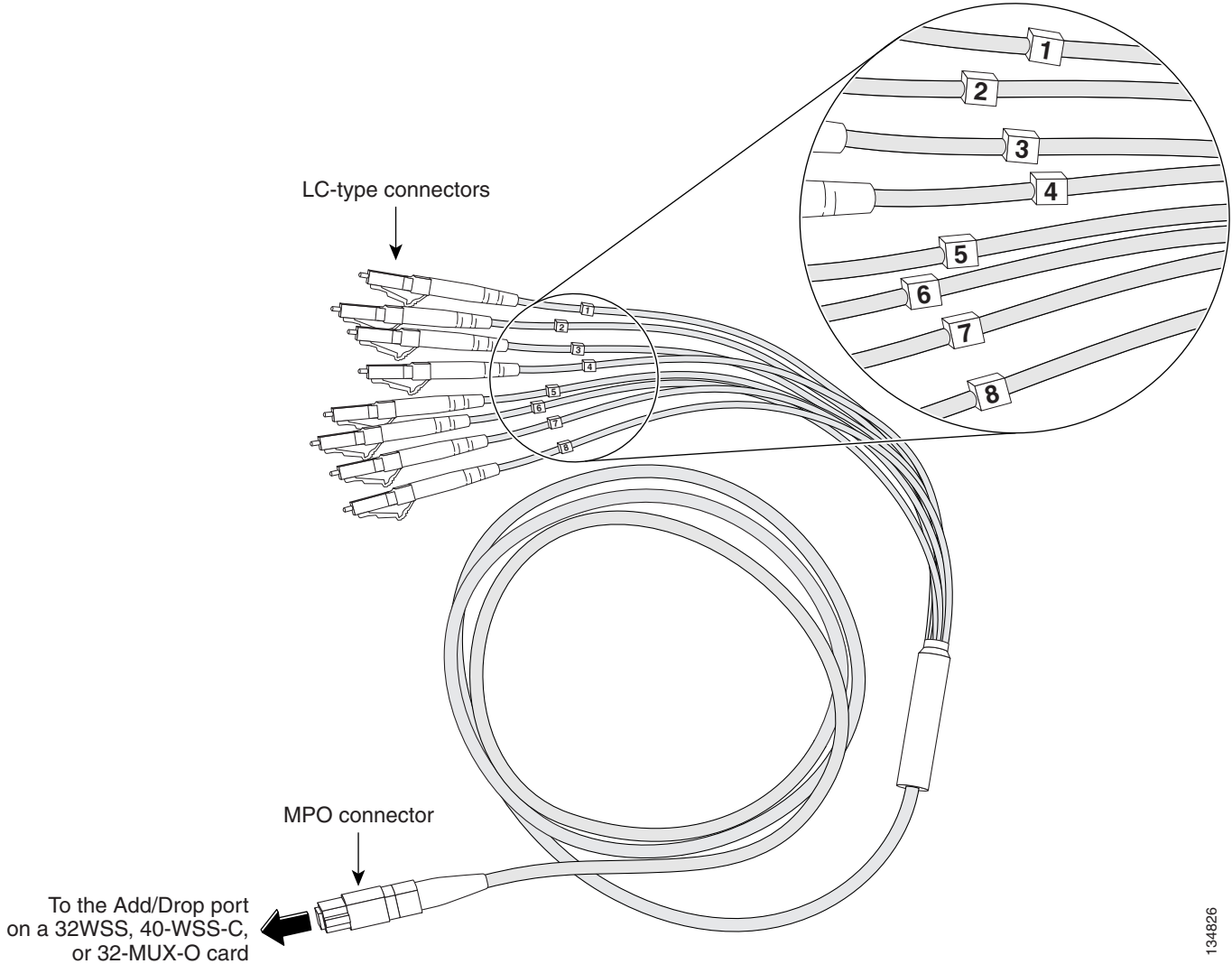
- Step 2** On the patch panel, pull up firmly on the two latches and use them to slide the patch panel up until it snaps in place above the tray (Figure 4-13).

Figure 4-13 Using the Patch Panel Latches to Slide the Patch Panel Away from the Tray



- Step 3** At the 32WSS or 32MUX-O card in the node, plug the MPO connector of an MPO cable (Figure 4-14) into the top Add RX (30.3–36.6) port of the card. If you are connecting a subsequent MPO cable, plug the MPO connector into the first vacant Add RX card port below the last MPO cable that was installed.

Figure 4-14 MPO Cable



134826

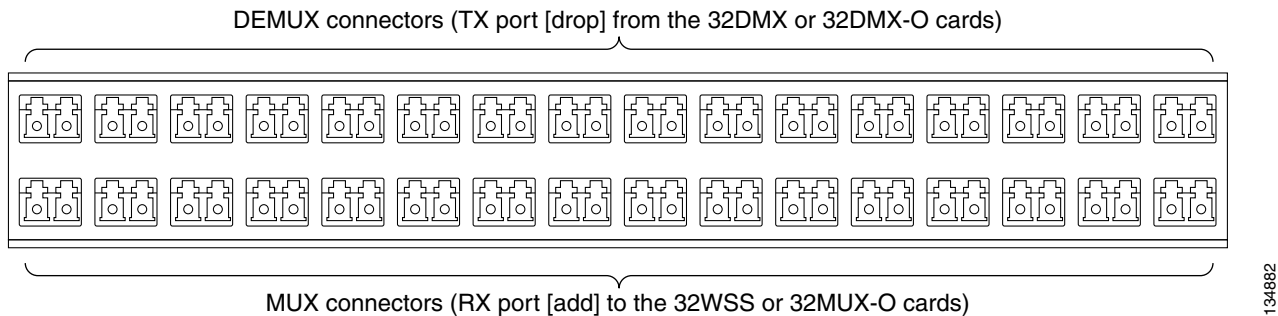
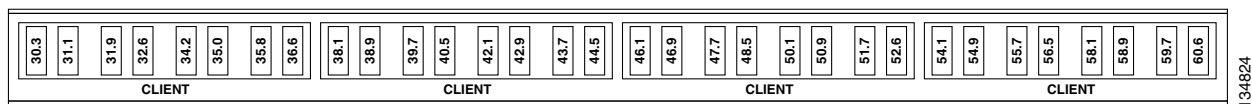
Step 4 Route the MPO cable slack through the patch panel tray as necessary.

**Caution**

When you close the patch panel tray, the cables must not be pinched, and the cable bend radius must be equal to or greater than the minimum radius that is recommended in your site specifications. As you route each cable through the patch panel tray, make sure that adequate cable slack remains.

Step 5 While facing the front of the patch panel, at the rear side of the patch panel, plug the eight LC-connector fan-out cables on the MPO cable into their corresponding connectors on the bottom row of the patch panel. You should plug the fan-out cables from left to right (as you face the patch panel), following the numbers tagged (1 through 8) on the cables.

Figure 4-15 shows the patch panel connectors from the rear of the patch panel tray. Figure 4-16 shows the assigned wavelengths for each port on the patch panel, as indicated at the top of the patch panel bar. The numbers on the patch panel bar correspond to a wavelength on the ITU grid.

Figure 4-15 Rear View of the Patch Panel**Figure 4-16 Top View of the Patch Panel Bar**

- Step 6** As necessary, repeat Steps 3 through 5 for the remaining three Add RX ports on the 32WSS or 32MUX-O card, until all 32 LC connectors on the bottom row of the rear of the patch panel are connected.
- Step 7** At the adjacent 32DMX or 32DMX-O card in the same side of the shelf, plug the MPO connector of an MPO cable into the top Drop TX (30.3–36.6) port of the 32DMX or 32DMX-O card. If you are connecting a subsequent MPO cable, plug the MPO connector into the first vacant Drop TX card port below the last MPO cable that was installed.
- Step 8** Route the MPO cable slack through the patch panel tray as necessary.

**Caution**

When you close the patch panel tray, the cables must not be pinched, and the cable bend radius must be equal to or greater than the minimum radius that is recommended in your site specifications. As you route each cable through the patch panel tray, make sure that adequate cable slack remains.

- Step 9** While facing the front of the patch panel, at the rear of the patch panel, plug the eight LC-connector fan-out cables on the MPO cable into their corresponding connectors on the top row of the patch panel. You should plug the fan-out cables from left to right (as you face the patch panel), following the numbers tagged (1 through 8) on the cables.
- Step 10** As necessary, repeat Steps 7 through 9 for the remaining three Drop TX ports on the 32DMX or DMX-O card, until all 32 LC connectors on the top row of the rear of the patch panel are connected.
- Step 11** For a hub or ROADM node, repeat Steps 2 through 10 to cable the other side of the shelf to the second patch panel. For a terminal node, go to Step 12.
- Step 12** Return to your originating procedure (NTP).

DLP-G316 Install Fiber-Optic Cables from TXP, MXP, GE_XP, 10GE_XP, GE_XPE, 10GE_XPE, ADM-10G, or OTU2_XP Cards to the Standard Patch Panel Tray

Purpose	This task describes how to route fiber-optic cables from the patch panel to TXP, MXP, GE_XP, 10GE_XP, GE_XPE, 10GE_XPE, ADM-10G, or OTU2_XP cards.
Tools/Equipment	TXP, MXP, GE_XP, 10GE_XP, GE_XPE, 10GE_XPE, ADM-10G, or OTU2_XP card(s) Fiber-optic cable(s)
Prerequisite Procedures	NTP-G34 Install Fiber-Optic Cables on DWDM Cards and DCUs, page 4-78
Required/As Needed	As needed
Onsite/Remote	Onsite
Security Level	None

Step 1 At the appropriate TXP, MXP, GE_XP, 10GE_XP, GE_XPE, 10GE_XPE, ADM-10G, or OTU2_XP card, plug one end of a fiber-optic cable into the TX port of the DWDM adapter.

Step 2 As needed, route slack fiber-optic cable around the round cable retainers in the fiber-storage tray.



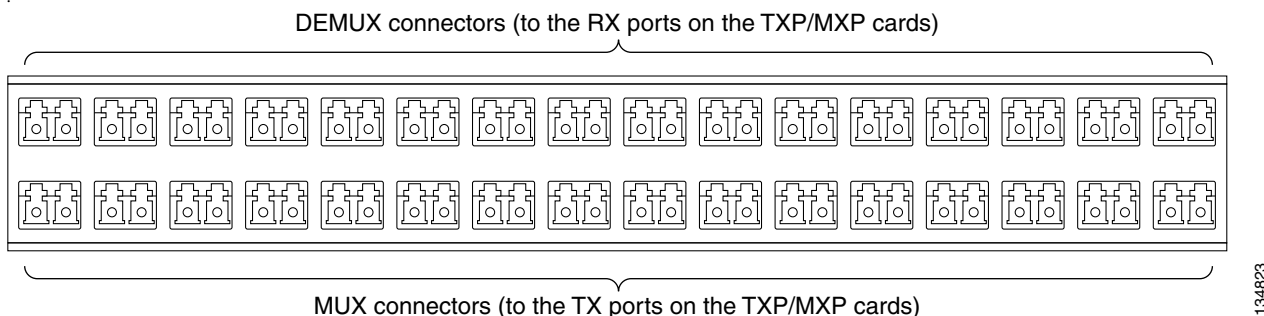
Caution

When you close the fiber-storage tray, the cables must not be pinched, and the cable bend radius must be equal to or greater than the minimum radius that is recommended in your site specifications. As you route each cable through the fiber-storage tray, make sure that adequate cable slack remains.

Step 3 On the DWDM (front) side of the patch panel, plug the other end of the cable into the connector on the bottom row that corresponds to the wavelength to which the TXP, MXP, GE_XP, 10GE_XP, GE_XPE, 10GE_XPE, ADM-10G, or OTU2_XP port is tuned. (See [Figure 4-16 on page 4-88](#) for a view of the wavelengths assigned to the patch panel connectors).

[Figure 4-17](#) shows the patch panel connectors from the front of the patch panel tray.

Figure 4-17 Front View of the Patch Panel



Step 4 Plug one end of a fiber-optic cable into the RX port of the DWDM adapter on the TXP, MXP, GE_XP, 10GE_XP, GE_XPE, 10GE_XPE, ADM-10G, or OTU2_XP card.

- Step 5** On the DWDM (front) side of the patch panel, plug the other end of the cable into the connector on the top row that corresponds to the wavelength to which the TXP, MXP, GE_XP, 10GE_XP, GE_XPE, 10GE_XPE, ADM-10G, or OTU2_XP card is tuned.
- Step 6** Repeat Steps 1 through 5 for all of the TXP, MXP, GE_XP, 10GE_XP, GE_XPE, 10GE_XPE, ADM-10G, or OTU2_XP cards that you want to connect to this patch panel.
- Step 7** Return to your originating procedure (NTP).
-

DLP-G356 Install Fiber-Optic Cables from the 32WSS/32DMX and 32MUX-O/32DMX-O Cards to the Deep Patch Panel Tray

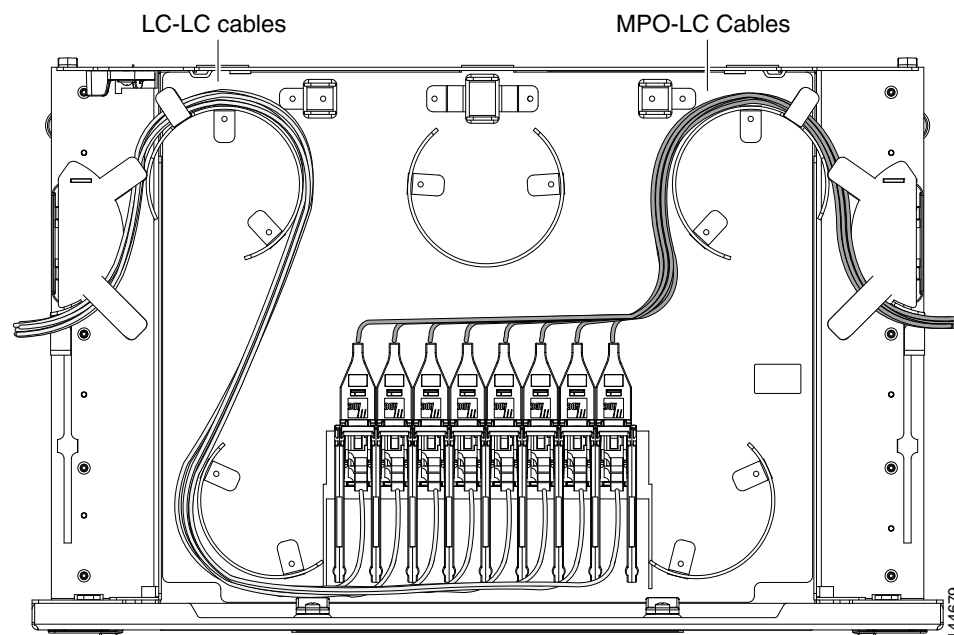
Purpose	This task describes how to route fiber-optic cables from 32MUX-O, 32WSS, 32DMX-O, and 32DMX cards in a terminal, hub, or ROADM node to the deep patch panel tray.
Tools/Equipment	<p>The following node types require the following equipment. The cards and patch panels should already be installed before you begin this procedure.</p> <p>For terminal nodes, one of the following card sets:</p> <ul style="list-style-type: none"> • One 32MUX-O card and one 32DMX-O or 32DMX card • One 32WSS card and one 32DMX or 32DMX-O card • One 32WSS-L cards and one 32DMX-L card <p>Plus one deep patch panel tray, preinstalled with MPO cables (each MPO cable is terminated on one end with one MPO connector and on the other end with eight LC-type connectors)</p> <p>For hub nodes, one of the following card sets:</p> <ul style="list-style-type: none"> • Two 32MUX-O cards and two 32DMX-O or 32DMX cards • Two 32WSS cards and two 32DMX or 32DMX-O cards • Two 32WSS-L cards and two 32DMX-L cards <p>Plus two deep patch panel trays, preinstalled with MPO cables (each MPO cable is terminated on one end with one MPO connector and on the other end with eight LC-type connectors)</p> <p>For ROADM nodes, one of the following card sets:</p> <ul style="list-style-type: none"> • Two 32WSS cards and two 32DMX or 32DMX-O cards • Two 32WSS-L cards and two 32DMX-L cards <p>Plus two deep patch panel trays, preinstalled with MPO cables (each MPO cable is terminated on one end with one MPO connector and on the other end with eight LC-type connectors)</p>
Prerequisite Procedures	NTP-G34 Install Fiber-Optic Cables on DWDM Cards and DCUs, page 4-78
Required/As Needed	As needed
Onsite/Remote	Onsite
Security Level	None

**Note**

For a ROADM or hub node, two patch panels will be used, one for Side A (Slots 1 through 6) and one for Side B (Slots 12 through 17). The Side B 32WSS/32DMX card will connect to the Side B patch panel. The Side A 32WSS/32DMX card will connect to the Side A patch panel. The MPO cables in the patch panel are preinstalled and routed out of the right side of the patch panel tray.

- Step 1** Choose either Side A or Side B of the shelf to cable the 32MUX-O and 32DMX-O cards (or the 32WSS and 32DMX cards for a ROADM node).
- Step 2** On the patch panel, locate the MPO connectors (Figure 4-14 on page 4-87).
- Step 3** Route the preinstalled MPO cables out of the tray to the right or left (Figure 4-18).

Figure 4-18 Deep Patch Panel Tray



- Step 4** At the 32WSS or 32MUX-O card in the node, plug the MPO connector labeled 1-RX on an MPO cable (Figure 4-14 on page 4-87) into the top Add RX (30.3–36.6) port of the card.

**Caution**

When you close the patch panel tray, the cables must not be pinched, and the cable bend radius must be equal to or greater than the minimum radius that is recommended in your site specifications. As you route each cable through the patch panel tray, make sure that adequate cable slack remains.

- Step 5** Plug the MPO connector labeled 2-RX into the Add RX (38.1–44.5) port on the card.
- Step 6** Plug the MPO connector labeled 3-RX into the Add RX (46.1–52.5) port on the card.
- Step 7** Plug the MPO connector labeled 4-RX into the Add RX (54.1–60.6) port on the card.

Figure 4-19 shows the deep patch panel ports and corresponding wavelengths.

Figure 4-19 Deep Patch Panel Port Wavelengths

1532.6nm	FX	TX	1536.6nm	FX	TX	1540.5nm	FX	TX	1544.5nm	FX	TX	1548.5nm	FX	TX	1552.5nm	FX	TX	1556.5nm	FX	TX	1560.6nm	FX	TX
1531.8nm	FX	TX	1535.8nm	FX	TX	1539.7nm	FX	TX	1543.7nm	FX	TX	1547.7nm	FX	TX	1551.7nm	FX	TX	1555.7nm	FX	TX	1559.7nm	FX	TX
1531.1nm	FX	TX	1535.0nm	FX	TX	1538.9nm	FX	TX	1542.9nm	FX	TX	1546.9nm	FX	TX	1550.9nm	FX	TX	1554.9nm	FX	TX	1558.9nm	FX	TX
1530.3nm	FX	TX	1534.2nm	FX	TX	1538.1nm	FX	TX	1542.1nm	FX	TX	1546.1nm	FX	TX	1550.1nm	FX	TX	1554.1nm	FX	TX	1558.1nm	FX	TX
1			2			3			4			5			6			7			8		

144676

- Step 8** At the adjacent 32DMX or 32DMX-O card in the same side of the shelf, plug the MPO connector labeled 1 TX on the MPO cable (Figure 4-14 on page 4-87) into the top Drop TX (30.3–36.6) port of the card (Figure 4-19).
- Step 9** Plug the MPO connector labeled 2-TX into the Drop TX (38.1–44.5) port on the card.
- Step 10** Plug the MPO connector labeled 3-TX into the Drop TX (46.1–52.5) port on the card.
- Step 11** Plug the MPO connector labeled 4-TX into the Drop TX (54.1–60.6) port on the card.

**Caution**

When you close the patch panel tray, the cables must not be pinched, and the cable bend radius must be equal to or greater than the minimum radius that is recommended in your site specifications. As you route each cable through the patch panel tray, make sure that adequate cable slack remains.

- Step 12** For a hub or ROADM node, repeat Steps 2 through 11 to cable the other side of the shelf to the second patch panel. For a terminal node, go to Step 13.
- Step 13** Return to your originating procedure (NTP).

DLP-G427 Reroute Fiber-Optic Cables in the 40-Channel Patch Panel Tray

Purpose	This task reroutes the MPO cables that are preinstalled in the 40-channel patch panel tray. The cables exit to the left when shipped; this task reroutes the cables out of the right side of the tray. Use this task when you want to connect these MPO cables to cards installed on the right side of the shelf (Slots 12 through 17).
Tools/Equipment	#2 Phillips screwdriver
Prerequisite Procedures	None
Required/As Needed	As needed
Onsite/Remote	Onsite
Security Level	None

Step 1 Carefully unwind all of the MPO cables in the patch panel tray and gently set the cables to the side of the tray, out of the way of the internal hardware.

Figure 4-20 and Figure 4-21 show the 40-channel patch panel tray.

Figure 4-20 40-Channel Patch Panel Tray, Side View

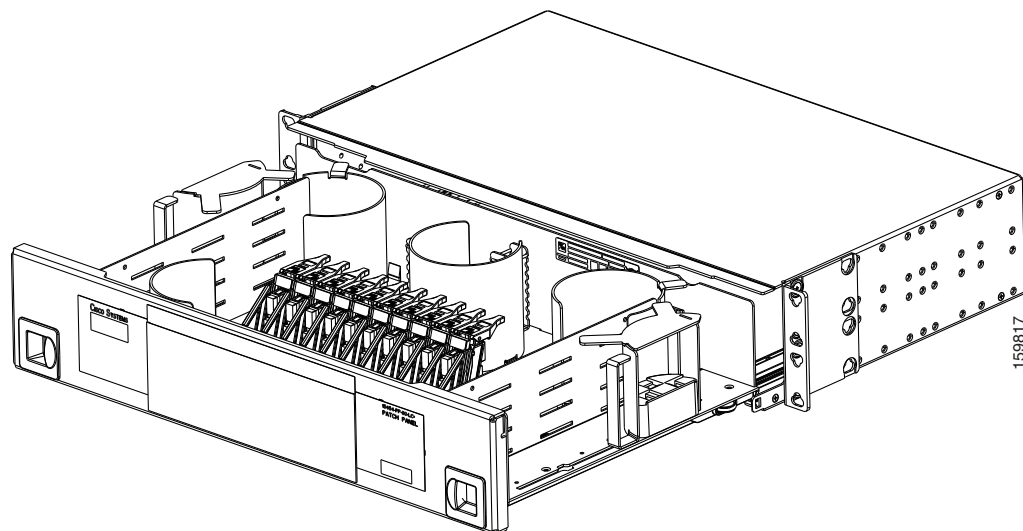
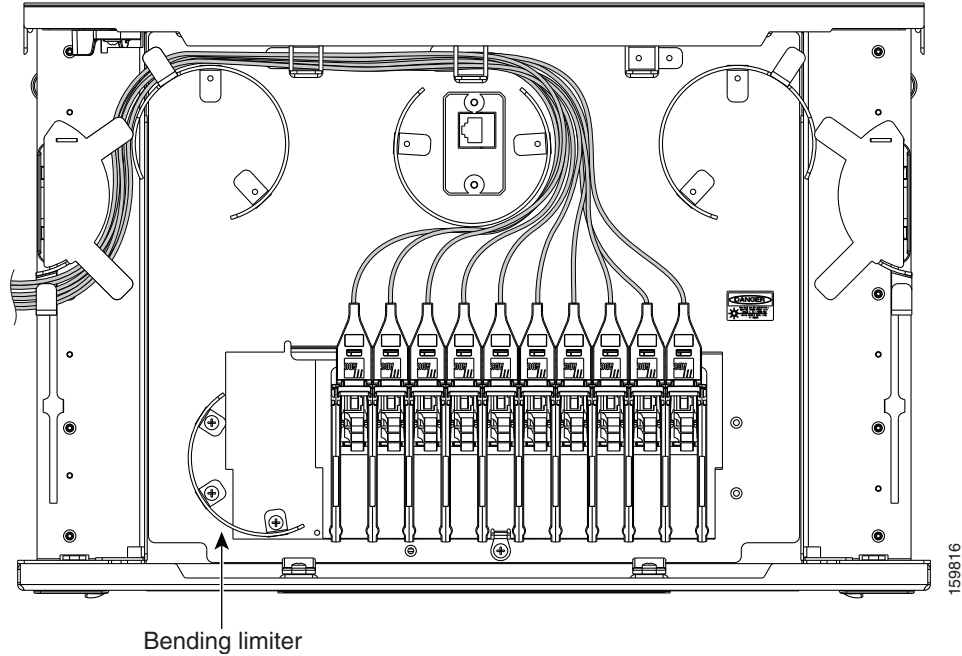


Figure 4-21 40-Channel Patch Panel Tray, Top View



- Step 2** Slide each of the ten LC-port adapter packs upward.
- Step 3** Unscrew the two screws in the bottom left bending limiter and remove the bending limiter.
- Step 4** Remove the single screw below the center of the patch panel to free the patch panel hardware.
- Step 5** Slide the patch panel to the left, and reinstall the screw below the center of the patch panel.
- Step 6** Install the bending limiter to the right of the patch panel by installing the two screws.
- Step 7** Carefully route all of the MPO cables around the bending limiter and out the exit on the right side of the patch panel tray.
- Step 8** Slide each of the ten LC-port adapter packs downward.
- Step 9** Return to your originating procedure (NTP).

DLP-G428 Install Fiber-Optic Cables from the 40-WSS-C/40-WSS-CE and 40-DMX-C/40-DMX-CE Cards in an Expanded ROADM, Terminal, or Hub Node to the 40-Channel Patch Panel Tray

Purpose	This task describes how to route fiber-optic cables from 40-WSS-C/40-WSS-CE and 40-DMX-C/40-DMX-CE cards in an expanded ROADM, terminal, or hub node to the 40-channel (80-port) patch panel tray (15454-PP-80).
Tools/Equipment	<p>The following node types require the following equipment. The cards and patch panels should already be installed before you begin this procedure.</p> <p>Expanded terminal nodes:</p> <ul style="list-style-type: none"> • One 40-WSS-C or 40-WSS-CE card • One 40-DMX-C or 40-DMX-CE card <p>Plus one 40-channel patch panel tray, preinstalled with MPO cables (each MPO cable is terminated on one end with one MPO connector and on the other end with eight LC-type connectors)</p> <p>Expanded hub or ROADM nodes:</p> <ul style="list-style-type: none"> • Two 40-WSS-C or 40-WSS-CE cards • Two 40-DMX-C or 40-DMX-CE cards <p>Plus two 40-channel patch panel trays, preinstalled with MPO cables (each MPO cable is terminated on one end with one MPO connector and on the other end with eight LC-type connectors)</p>
Prerequisite Procedures	<p>NTP-G34 Install Fiber-Optic Cables on DWDM Cards and DCUs, page 4-78</p> <p>DLP-G427 Reroute Fiber-Optic Cables in the 40-Channel Patch Panel Tray, page 4-93</p>
Required/As Needed	As needed
Onsite/Remote	Onsite
Security Level	None



Note

For a ROADM node, two patch panels will be used, one for the Side A (Slots 1 through 6) and one for Side B (Slots 12 through 17). The Side B 40-WSS-C/40-WSS-CE card will connect to the Side B patch panel. The Side A 40-WSS-C/40-WSS-CE will connect to the Side A patch panel. The MPO cables in the patch panel are preinstalled and routed out of the left side of the patch panel tray.

Step 1

Choose either the Side A or Side B side of the shelf to cable the 40-WSS-C/40-WSS-CE and 40-DMX-C/40-DMX-CE cards.



Note

If you are cabling cards on Side B of the shelf, you must first perform the [“DLP-G427 Reroute Fiber-Optic Cables in the 40-Channel Patch Panel Tray”](#) task on page 4-93 to route the MPO cables out of the right side of the patch panel tray, or route the cables through a fiber storage panel.

- Step 2** On the patch panel, locate the MPO cables and connectors.
- Step 3** At the 40-WSS-C/40-WSS-CE card in the node, plug the MPO connector labeled 1 RX on an MPO cable (Figure 4-14 on page 4-87) into the top Add RX (30.3–35.8) port of the card.
- Step 4** Plug the MPO connector labeled 2-RX into the Add RX (36.6–42.1) port on the card.
- Step 5** Plug the MPO connector labeled 3-RX into the Add RX (42.9–48.5) port on the card.
- Step 6** Plug the MPO connector labeled 4-RX into the Add RX (49.3–54.9) port on the card.
- Step 7** Plug the MPO connector labeled 5-RX into the Add RX (55.7–61.4) port on the card.

**Caution**

When you close the patch panel tray, the cables must not be pinched, and the cable bend radius must be equal to or greater than the minimum radius that is recommended in your site specifications. As you route each cable through the patch panel tray, make sure that adequate cable slack remains.

Figure 4-22 shows the 40-channel patch panel ports and corresponding wavelengths.

Figure 4-22 40-Channel (15454-PP-80) Patch Panel Port Wavelengths

1530.3nm	RX	TX	1533.4nm	RX	TX	1536.6nm	RX	TX	1539.7nm	RX	TX	1542.9nm	RX	TX	1546.1nm	RX	TX	1549.3nm	RX	TX	1552.5nm	RX	TX	1555.7nm	RX	TX	1558.9nm	RX	TX			
1531.1nm	RX	TX	1534.2nm	RX	TX	1537.4nm	RX	TX	1540.5nm	RX	TX	1543.7nm	RX	TX	1546.9nm	RX	TX	1550.1nm	RX	TX	1553.3nm	RX	TX	1556.5nm	RX	TX	1559.7nm	RX	TX			
1531.8nm	RX	TX	1535.0nm	RX	TX	1538.1nm	RX	TX	1541.3nm	RX	TX	1544.5nm	RX	TX	1547.7nm	RX	TX	1550.9nm	RX	TX	1554.1nm	RX	TX	1557.3nm	RX	TX	1560.6nm	RX	TX			
1532.6nm	RX	TX	1535.8nm	RX	TX	1538.9nm	RX	TX	1542.1nm	RX	TX	1545.3nm	RX	TX	1548.5nm	RX	TX	1551.7nm	RX	TX	1554.9nm	RX	TX	1558.1nm	RX	TX	1561.4nm	RX	TX			

159712

- Step 8** At the adjacent 40-DMX-C/40-DMX-CE card in the same side of the shelf, plug the MPO connector labeled 1 TX on the MPO cable into the top Drop TX (30.3–35.8) port of the card.
- Step 9** Plug the MPO connector labeled 2-TX into the Drop TX (36.6–42.1) port on the card.
- Step 10** Plug the MPO connector labeled 3-TX into the Drop TX (42.9–48.5) port on the card.
- Step 11** Plug the MPO connector labeled 4-TX into the Drop TX (49.3–54.9) port on the card.
- Step 12** Plug the MPO connector labeled 5-TX into the Drop TX (55.7–61.4) port on the card.

**Caution**

When you close the patch panel tray, the cables must not be pinched, and the cable bend radius must be equal to or greater than the minimum radius that is recommended in your site specifications. As you route each cable through the patch panel tray, make sure that adequate cable slack remains.

- Step 13** Repeat Steps 2 through 12 to cable the other side of the shelf to the second patch panel.

Step 14 Return to your originating procedure (NTP).

DLP-G357 Install Fiber-Optic Cables from the TXP, MXP, GE_XP, 10GE_XP, GE_XPE, 10GE_XPE, ADM-10G, or OTU2_XP Cards to the Deep Patch Panel Tray or 40-Channel Patch Panel Tray

Purpose	This task describes how to route fiber-optic cables from the deep patch panel (32-channel) or 40-channel patch panel to TXP, MXP, GE_XP, 10GE_XP, GE_XPE, 10GE_XPE, ADM-10G, or OTU2_XP cards.
Tools/Equipment	TXP, MXP, GE_XP, 10GE_XP, GE_XPE, 10GE_XPE, ADM-10G, or OTU2_XP card(s) Deep (32-channel) patch panel tray or 40-channel patch panel tray Fiber-optic cable(s) Cisco TransportPlanner Internal Connections Report
Prerequisite Procedures	NTP-G34 Install Fiber-Optic Cables on DWDM Cards and DCUs, page 4-78
Required/As Needed	As needed
Onsite/Remote	Onsite
Security Level	None

Step 1 Refer to the Cisco TransportPlanner Internal Connections Report to connect the TXP, MXP, GE_XP, 10GE_XP, GE_XPE, 10GE_XPE, ADM-10G, or OTU2_XP card to the proper (Side A or Side B) patch panel. Cisco TransportPlanner designates Side A as Slots 1 to 6 and Side B as Slots 12 to 17. At the appropriate TXP, MXP, GE_XP, 10GE_XP, GE_XPE, 10GE_XPE, ADM-10G, or OTU2_XP card, plug one end of a fiber-optic cable into the TX port of the DWDM adapter.

Step 2 As needed, route slack fiber-optic cable around the round cable retainers in the fiber-storage tray.



Caution

When you close the fiber-storage tray, the cables must not be pinched, and the cable bend radius must be equal to or greater than the minimum radius that is recommended in your site specifications. As you route each cable through the fiber-storage tray, make sure that adequate cable slack remains.

Step 3 Plug the other end of the cable into the RX connector on the patch panel that corresponds to the wavelength to which the TXP, MXP, GE_XP, 10GE_XP, GE_XPE, 10GE_XPE, ADM-10G, or OTU2_XP port is tuned. (See [Figure 4-19 on page 4-92](#) for a view of the wavelengths assigned to the deep patch panel connectors or [Figure 4-22 on page 4-96](#) for a view of the wavelengths assigned to the 40-channel patch panel connectors).

Step 4 On the patch panel tray, slide each of the ten LC-port adapter packs upward.

Step 5 Plug one end of a fiber-optic cable into the RX port of the DWDM adapter on the TXP, MXP, GE_XP, 10GE_XP, GE_XPE, 10GE_XPE, ADM-10G, or OTU2_XP card.

Step 6 Plug the other end of the cable into the TX connector on the patch panel that corresponds to the wavelength to which the TXP, MXP, GE_XP, 10GE_XP, GE_XPE, 10GE_XPE, ADM-10G, or OTU2_XP port is tuned.

- Step 7** Repeat Steps 1 through 6 for each TXP, MXP, GE_XP, 10GE_XP, GE_XPE, 10GE_XPE, ADM-10G, or OTU2_XP card that you want to connect to this patch panel.
- Step 8** Return to your originating procedure (NTP).
-

DLP-G530 Install Fiber-Optic Cables from the 40-SMR1-C, 40-SMR2-C, or 80-WXC-C Cards in a ROADM, Terminal, or Hub Node to the 15216-MD-40 or 15216-MD-48 Patch Panel Tray

Purpose	This task describes how to route fiber-optic cables from the 40-SMR1-C ¹ , 40-SMR2-C ¹ , or 80-WXC-C ² cards in a ROADM, terminal, or hub node to the 15216-MD-40 or 15216-MD-48 patch panel tray..
Tools/Equipment	<p>The following node types require the following equipment. The cards and patch panels should already be installed before you begin this procedure.</p> <p>Terminal nodes:</p> <ul style="list-style-type: none"> • One 40-SMR1-C¹ and one 15216 Odd patch panel³ • One 40-SMR2-C¹ and one 15216 Odd patch panel³ • One 80-WXC-C² card, one 15216 Odd patch panel³, and one 15216 Even patch panel⁴, and one 15216-MD-ID-50 or 15216-MD-48-CM unit <p>Hub nodes:</p> <ul style="list-style-type: none"> • Two 40-SMR1-C¹ cards and two 15216 Odd patch panels³ • Two 40-SMR2-C¹ cards and two 15216 Odd patch panels³ <p>ROADM nodes:</p> <ul style="list-style-type: none"> • Two 40-SMR1-C¹ cards and two 15216 Odd patch panels³ • Two 40-SMR2-C¹ cards and two 15216 Odd patch panels³ • Two 80-WXC-C² cards, two 15216 Odd patch panels³, and 15216 Even patch panels⁴ and 15216-MD-ID-50 or 15216-MD-48-CM units
Prerequisite Procedures	<p>Install and route fiber-optic cables on the patch panel. For more information, see the required installation guide:</p> <ul style="list-style-type: none"> • <i>Installing the Cisco ONS 15216-MD-40-ODD and 15216-MD-40-EVEN Mux/Demux Patch Panels</i> • <i>Installing the Cisco ONS 15216-EF-40-ODD and 15216-EF-40-EVEN Mux/Demux Patch Panels</i> • <i>Installing the Cisco ONS 15216-MD-48-ODD and 15216-MD-48-EVEN Mux/Demux Patch Panels</i> • <i>Installing Cisco ONS 15216-MD-ID-50 Optical Interleaver and Deinterleaver Pluggable</i> • <i>Installing the Cisco ONS 15216-MD-48-CM Interleaver and Deinterleaver Pluggable</i>
Required/As Needed	As needed
Onsite/Remote	Onsite
Security Level	None

1. The 40-SMR1-C and 40-SMR2-C cards can be connected only to the odd patch panel (15216-MD-40-ODD, 15216-EF-40-ODD, or 15216-MD-48-ODD).

2. The 80-WXC-C card can be connected to the odd patch panel (15216-MD-40-ODD, 15216-EF-40-ODD, or 15216-MD-48-ODD) and the even patch panel (15216-MD-40-EVEN, 15216-EF-40-EVEN, or 15216-MD-48-EVEN) in the presence of interleaver and deinterleaver pluggable (15216-MD-ID-50 or 15216-MD-48-CM).
3. 15216-MD-40-ODD, 15216-EF-40-ODD, or 15216-MD-48-ODD patch panel.
4. 15216-MD-40-EVEN, 15216-EF-40-EVEN, or 15216-MD-48-EVEN patch panel.

**Note**

For optical interconnections between the odd patch panel, interleaver and deinterleaver module, and the even patch panel, see the “*Installing Cisco ONS 15216-MD-ID-50 Optical Interleaver and Deinterleaver Pluggable*” or “*Installing the Cisco ONS 15216-MD-48-CM Interleaver and Deinterleaver Pluggable*” guide.

**Note**

For a ROADM node, two patch panels will be used, one for the Side A (Slots 1 through 6) and one for Side B (Slots 12 through 17). The Side B 40-SMR1-C¹ or 40-SMR2-C¹ card will connect to the Side B patch panel. The Side A 40-SMR1-C¹ or 40-SMR2-C¹ will connect to the Side A patch panel.

- Step 1** Choose Side A or Side B of the shelf to route the cables from the 40-SMR1-C, 40-SMR2-C, or 80-WXC-C card.
- Step 2** On the 15216 patch panel^{1,2}, locate the COM TX port and insert one end of an LC-LC cable.
- Step 3** Route the LC-LC cable through the 15216 patch panel^{1,2} to the 40-SMR1-C¹ card, 40-SMR2-C¹ card, or 80-WXC-C² card on Side A of the node.
- Step 4** Connect the other end of the LC-LC cable to the ADD RX port on the 40-SMR1-C or 40-SMR2-C cards or the AD port on the 80-WXC-C card.
- Step 5** On the 15216 patch panel^{1,2}, locate the COM RX port and insert one end of an LC-LC cable.
- Step 6** Route the LC-LC cable through the 15216 patch panel^{1,2} to the 40-SMR1-C¹, 40-SMR2-C¹ or 80-WXC-C² card on Side A of the node.
- Step 7** Connect the other end of the LC-LC cable to the DROP TX port on the 40-SMR1-C¹, 40-SMR2-C¹, or 80-WXC-C² card.

**Caution**

When you close the patch panel tray, the cables must not be pinched, and the cable bend radius must be equal to or greater than the minimum radius that is recommended in your site specifications. As you route each cable through the patch panel tray, make sure that adequate cable slack remains.

- Step 8** For a hub or ROADM node, repeat Steps 2 through 7 to cable the other side of the shelf to the second patch panel. For a terminal node, go to Step 9.

**Note**

For a ROADM node using 40-SMR2-C¹ cards, you must use a special reversed MPO cable (15454-MPO-XMPO-2=) to connect the EXP ports of the Side A 40-SMR2-C to the EXP ports of the Side B 40-SMR2-C¹.

- Step 9** Return to your originating procedure (NTP).

NTP-G185 Install Fiber-Optic Cables between Mesh Nodes

Purpose	<p>This procedure describes how to install fiber-optic cables to create mesh nodes. You must route fiber-optic cables from:</p> <ul style="list-style-type: none"> • 40-MUX-C and 40-DMX-C cards in a mesh node to the 40-channel (80-port) patch panel tray (15454-PP-80) • 40-WXC-C or 80-WXC-C cards in a mesh node to one of the mesh patch panel trays (four-degree or eight-degree) • 40-SMR2-C cards in a mesh node to the 15454-PP-4-SMR patch panel tray.
Tools/Equipment	<p>Mesh nodes require the following equipment. The cards and patch panels should already be installed before you begin this procedure.</p> <ul style="list-style-type: none"> • One 40-MUX-C card per side of the mesh node (up to 8 sides per node) • One 40-DMX-C card per side of the mesh node (up to 8 sides per node) • One 40-channel patch panel tray per side of the mesh node (up to 8 sides per node) • One 40-WXC-C card per side (up to 8 sides per node) • One 80-WXC-C card per side (up to 8 sides per node) • One 40-SMR2-C card per side (up to 4 sides per node) • One MPO-MPO fiber-optic cable per side (up to 8 sides per node) • One LC-LC fiber-optic cable per side (up to 8 sides per node) • One PP-MESH-4 (four-degree), PP-MESH-8 (eight-degree), or 15454-PP-4-SMR (four-degree) mesh patch panel tray depending on the type of mesh node you want to install <p>Note Use the PP-MESH-4 or PP-MESH-8 mesh patch panel trays for the 40-WXC-C or 80-WXC-C cards and the 15454-PP-4-SMR mesh patch panel tray for the 40-SMR2-C card.</p>
Prerequisite Procedures	<p>NTP-G34 Install Fiber-Optic Cables on DWDM Cards and DCUs, page 4-78</p> <p>DLP-G427 Reroute Fiber-Optic Cables in the 40-Channel Patch Panel Tray, page 4-93</p>
Required/As Needed	As needed
Onsite/Remote	Onsite
Security Level	None

-
- Step 1** Open the patch panel tray:
- 40-channel patch panel tray—On the front of the patch panel tray, push the tabs on the left and right sides inward to release the lock on the tray. Pull the patch panel tray away from the shelf until it is fully opened.
 - Mesh patch panel tray—On the front of the patch panel tray, push the tabs on the left and right sides inward to open the front door. Raise the plunger located to the right of the TEST ACCESS TX port and pull the tray away from the rack.

- Step 2** Complete the “[DLP-G430 Install Fiber-Optic Cables from the 40-MUX-C and 40-DMX-C Cards in a Mesh Node to the 40-Channel Patch Panel Tray](#)” task on page 4-102.
- Step 3** Complete the “[DLP-G431 Install Fiber-Optic Cables from the 40-WXC-C, or 40-SMR2-C Cards in a Mesh Node to a Mesh Patch Panel Tray](#)” task on page 4-104.
- Step 4** Close the patch panel tray:
- 40-channel patch panel tray: Push the tray back toward the rack until it locks into place.
 - Mesh patch panel tray: Raise the plunger located on the right of the TEST ACCESS Tx port and push the tray until the plunger locks into the closed position.

**Caution**

When you close the patch panel tray, the cables must not be pinched, and the cable bend radius must be equal to or greater than the minimum radius that is recommended in your site specifications. As you route each cable through the tray, make sure that adequate cable slack remains.

Stop. You have completed this procedure.

DLP-G430 Install Fiber-Optic Cables from the 40-MUX-C and 40-DMX-C Cards in a Mesh Node to the 40-Channel Patch Panel Tray

Purpose	This task describes how to route fiber-optic cables from 40-MUX-C and 40-DMX-C cards in mesh node to the 40-channel (80-port) patch panel tray (15454-PP-80). In a mesh node, one 40-channel patch panel tray is required for each direction. The Side A 40-MUX-C and 40-DMX-C cards will connect to the Side A 40-channel patch panel. The Side B 40-MUX-C and 40-DMX-C cards will connect to the Side B 40-channel patch panel, and so forth, up to a maximum of an eight-degree mesh node (Sides A through H).
Tools/Equipment	The cards and patch panels should already be installed before you begin this procedure. <ul style="list-style-type: none"> • One 40-MUX-C card per side of the mesh node • One 40-DMX-C card per side of the mesh node • One 40-channel patch panel trays per side of the mesh node, preinstalled with MPO cables (each MPO cable is terminated on one end with one MPO connector and on the other end with eight LC-type connectors)
Prerequisite Procedures	NTP-G34 Install Fiber-Optic Cables on DWDM Cards and DCUs , page 4-78 DLP-G427 Reroute Fiber-Optic Cables in the 40-Channel Patch Panel Tray , page 4-93
Required/As Needed	As needed
Onsite/Remote	Onsite
Security Level	None

- Step 1** Choose Side A of the shelf to cable the 40-MUX-C and 40-DMX-C cards.



Note If you are cabling any cards from the right side of the shelf (Slots 12 through 17), you must first perform the [“DLP-G427 Reroute Fiber-Optic Cables in the 40-Channel Patch Panel Tray” task on page 4-93](#) to route the MPO cables out of the right side of the patch panel tray, or route the cables through a fiber storage panel.

- Step 2** On the patch panel, locate the MPO cables and connectors.
- Step 3** At the 40-MUX-C card in the node, plug the MPO connector labeled 1 RX on an MPO cable into the top Add RX (30.3–35.8) port of the card.
- Step 4** Plug the MPO connector labeled 2-RX into the Add RX (36.6–42.1) port on the card.
- Step 5** Plug the MPO connector labeled 3-RX into the Add RX (42.9–48.5) port on the card.
- Step 6** Plug the MPO connector labeled 4-RX into the Add RX (49.3–54.9) port on the card.
- Step 7** Plug the MPO connector labeled 5-RX into the Add RX (55.7–61.4) port on the card.
- Step 8** At the adjacent 40-DMX-C card in the same side of the shelf, plug the MPO connector labeled 1 TX on the MPO cable.
- Step 9** Plug the MPO connector labeled 2-TX into the Drop TX (36.6–42.1) port on the card.
- Step 10** Plug the MPO connector labeled 3-TX into the Drop TX (42.9–48.5) port on the card.
- Step 11** Plug the MPO connector labeled 4-TX into the Drop TX (49.3–54.9) port on the card.
- Step 12** Plug the MPO connector labeled 5-TX into the Drop TX (55.7–61.4) port on the card.



Caution When you close the patch panel tray, the cables must not be pinched, and the cable bend radius must be equal to or greater than the minimum radius that is recommended in your site specifications. As you route each cable through the patch panel tray, make sure that adequate cable slack remains.

- Step 13** Repeat Steps 2 through 12 for the remaining sides of the mesh node (Sides B through H, depending on the type of mesh node you want to cable).
- Step 14** Return to your originating procedure (NTP).
-

DLP-G431 Install Fiber-Optic Cables from the 40-WXC-C, or 40-SMR2-C Cards in a Mesh Node to a Mesh Patch Panel Tray

Purpose	This task connects fiber-optic cables from the 40-WXC-C or 40-SMR2-C cards in a mesh node to the 4-degree (PP-MESH-4 or 15454-PP-4-SMR) or 8-degree (PP-MESH-8) mesh patch panel. The four-degree patch panel allows up to 4 sides to be used per node, while the eight-degree patch panel allows up to 8 sides to be used per node.
Tools/Equipment	<p>The cards and patch panel trays should already be installed before you begin this procedure.</p> <ul style="list-style-type: none"> • One 40-WXC-C card per side (up to 8 sides per node) • One 40-SMR2-C card per side (up to 4 sides per node) • One MPO-MPO fiber-optic cable per side • One LC-LC fiber-optic cable per side • One PP-MESH-4 (four-degree), PP-MESH-8 (eight-degree), or 15454-PP-4-SMR (four-degree) mesh patch panel tray • Cisco Transport Planner Internal Connections Report <p>Note Use the PP-MESH-4 or PP-MESH-8 mesh patch panel trays for the 40-WXC-C or 80-WXC-C cards and the 15454-PP-4-SMR mesh patch panel tray for the 40-SMR2-C card.</p>
Prerequisite Procedures	<ul style="list-style-type: none"> • “DLP-G28 Install the Fiber Patch-Panel Tray” in the <i>Cisco ONS 15454 Hardware Installation Guide</i> • “DLP-G29 Install the Fiber-Storage Tray” in the <i>Cisco ONS 15454 Hardware Installation Guide</i> • NTP-G34 Install Fiber-Optic Cables on DWDM Cards and DCUs, page 4-78 • DLP-G348 Use the Cisco TransportPlanner Shelf Layout Report, page 4-66 • Install and route fiber-optic cables on the 15454-PP-4-SMR mesh patch panel. For more information, see the <i>Installing Cisco ONS 15454-PP-4-SMR Patch Panel</i>.
Required/As Needed	As needed
Onsite/Remote	Onsite
Security Level	None

-
- Step 1** Choose Side A of the shelf to cable the 40-WXC-C, or 40-SMR2-C card to the mesh patch panel.
- Step 2** On the mesh patch panel, locate the EXP TX A port (for PP-MESH-4 and PP-MESH-8) or EXP-A port (for 15454-PP-4-SMR) and insert one end of an MPO-MPO cable.
- Step 3** Route the MPO cable through the mesh patch panel and out to the 40-WXC-C, or 40-SMR2-C card on Side A of the node.
- Step 4** Connect the other end of the MPO cable to the EXP RX port on the 40-WXC-C, or EXP port on the 40-SMR2-C card.



Note If you are connecting a 40-SMR2-C card to the 15454-PP-4-SMR mesh patch panel, skip steps 5 through 7.

- Step 5** On the PP-MESH-4 or PP-MESH-8 mesh patch panel, locate the COM RX A port and insert one end of an LC-LC cable.
- Step 6** Route the LC cable through the mesh patch panel to the 40-WXC-C card on Side A of the node.
- Step 7** Connect the other end of the LC cable to the EXP TX port on the 40-WXC-C.
- Step 8** Repeat Steps 1 through 7 as necessary to cable Sides B through D for a 4-degree patch panel, and Sides B through H for an 8-degree patch panel.

**Caution**

When you close the patch panel tray, the cables must not be pinched, and the cable bend radius must be equal to or greater than the minimum radius that is recommended in your site specifications. As you route each cable through the patch panel tray, make sure that adequate cable slack remains.

Stop. You have completed this procedure.

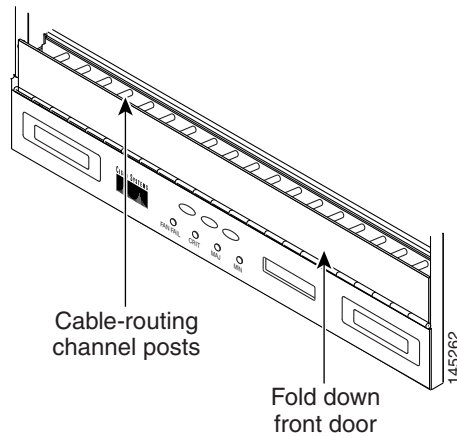
NTP-G191 Install Fiber-Optic Cables on Passthrough ROADM Nodes

Purpose	This procedure routes fiber-optic cables from a 32WSS card in a ROADM node in one shelf to the corresponding 32WSS card in a ROADM node in another shelf. The purpose of this routing is to connect East and West intershelf ROADMs in a passthrough configuration.
Tools/Equipment	Each ROADM node requires the listed equipment. The cards and fiber-storage trays should already be installed before you begin this procedure. <ul style="list-style-type: none"> • One 32WSS card • One fiber-storage tray • Two 3-meter fiber-optic cables, each terminated with a single LC connector on each end. • Cisco TransportPlanner Internal Connections Report
Prerequisite Procedures	“DLP-G29 Install the Fiber-Storage Tray” in the <i>Cisco ONS 15454 Hardware Installation Guide</i> DLP-G348 Use the Cisco TransportPlanner Shelf Layout Report, page 4-66
Required/As Needed	As needed
Onsite/Remote	Onsite
Security Level	None

- Step 1** Choose either the East or West side of the first shelf to cable the 32WSS card for the first ROADM node.

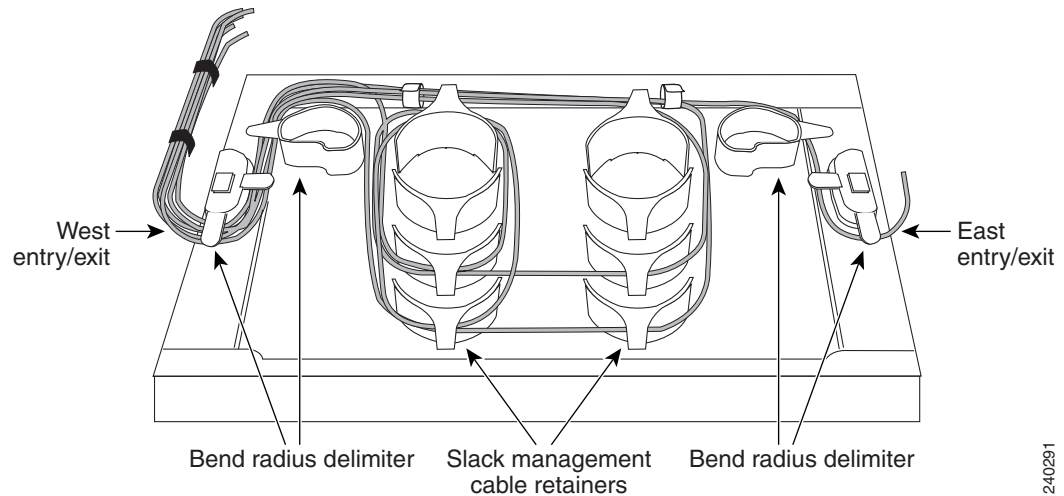
- Step 2** Choose the corresponding West or East side of the second shelf to cable the 32WSS card for the second ROADM node.
- Step 3** On the front of the fiber-storage tray that will be used for routing the fiber-optic cable, push the tabs on the left and right sides inward to release the lock on the tray.
- Step 4** Pull the fiber-storage tray away from the shelf until it is fully opened.
- Step 5** Open the fold-down door located at the bottom of both shelf assemblies to expose the cable-routing channels for each (Figure 4-23).

Figure 4-23 Managing Cables on the Front Panel



- Step 6** Plug one end of the first 3-meter fiber-optic cable into the EXP-TX connector on the first 32WSS card.
- Step 7** Route the fiber-optic cable through the shelf cable-routing channel and cutout on the appropriate side of the shelf assembly, as necessary.
- Step 8** Route the fiber-optic cable through the vertical fiber guide as needed to reach the entry to the fiber-storage tray.
- Step 9** Thread the cable into the fiber-storage tray at the appropriate side and around the first bend radius delimiter as shown (Figure 4-24).
- Step 10** As needed, route slack fiber-optic cable around the slack management cable retainers in the fiber-storage tray (Figure 4-24).

Figure 4-24 Fiber-Storage Tray



240281

**Caution**

When you close the fiber-storage tray, the cables must not be pinched, and the cable bend radius must be equal to or greater than the minimum radius that is recommended in your site specifications. As you route each cable through the fiber-storage tray, make sure that adequate cable slack remains.

- Step 11** Thread the fiber cable through the second bend delimiter and out the appropriate side of the fiber-storage tray as necessary.
- Step 12** Route the fiber-optic cable through the vertical fiber guide as needed to reach the second ROADM shelf where the second 32WSS is located.
- Step 13** Route the fiber-optic cable through the shelf cutout and through the shelf cable routing channel as needed.
- Step 14** Plug the end of the 3-meter fiber-optic cable into the EXP-RX port of the second 32WSS card.
- Step 15** Plug one end of the second 3-meter fiber-optic cable into the EXP-TX connector on the second 32WSS card.
- Step 16** Follow [Step 7](#) through [Step 14](#) to connect the EXP-TX connector of the second 32WSS card to the EXP-RX port of the first 32WSS card.
- Step 17** Close the fold-down doors located at the bottom of both shelf assemblies and slide the fiber-storage tray back into its normal locked position.

Stop. You have completed this procedure.

NTP-G141 Install Fiber-Optic Cables for Y-Cable Protection Modules

Purpose	This procedure installs and routes fiber-optic cables from the client signal to the Y-cable protection module (single mode or multimode), and from the Y-cable module to the transponder node. Using one Y-cable protection module, you can protect one client signal with two TXP, MXP, GE_XP, 10GE_XP, GE_XPE, 10GE_XPE, or OTU2_XP cards, and two client signals with four TXP, MXP, GE_XP, 10GE_XP, GE_XPE, 10GE_XPE, or OTU2_XP cards. You can use Y-cable protection modules that you have installed in a FlexLayer shelf, or Y-cable modules installed in a Y-cable module tray.
Tools/Equipment	Fiber-optic cables Cisco TransportPlanner Internal Connections Report
Prerequisite Procedures	“DLP-G32 Install the Y-Cable Protection Modules in the FlexLayer Shelf” in the <i>Cisco ONS 15454 Hardware Installation Guide</i> “DLP-G377 Install the Y-Cable Protection Modules in the Y-Cable Module Tray” in the <i>Cisco ONS 15454 Hardware Installation Guide</i>
Required/As Needed	As needed
Onsite/Remote	Onsite
Security Level	None

**Note**

Refer to the “Shelf Assembly Hardware” and “Transponder and Muxponder Cards” chapters in the *Cisco ONS 15454 DWDM Reference Manual* for more information about Y-cable protection.

**Note**

To use Y-cable protection for GE_XP, 10GE_XP, GE_XPE, and 10GE_XPE cards, the cards must be provisioned in 10GE MXP, 20GE MXP, or 10GE TXP mode. (See the “[DLP-G379 Change the GE_XP, 10GE_XP, GE_XPE, and 10GE_XPE Card Mode](#)” task on page 6-8.) Y-cable protection cannot be used for GE_XP, 10GE_XP, GE_XPE, and 10GE_XPE cards that are provisioned in L2-over-DWDM mode.

-
- Step 1** As needed, complete the “[DLP-G375 Install Fiber-Optic Cables on the Y-Cable Modules in the FlexLayer Shelf](#)” task on page 4-109.
- Step 2** As needed, complete the “[DLP-G376 Install Fiber-Optic Cables on the Y-Cable Modules in the Y-Cable Module Tray](#)” task on page 4-110.
- Stop.** You have completed this procedure.
-

DLP-G375 Install Fiber-Optic Cables on the Y-Cable Modules in the FlexLayer Shelf

Purpose	This task installs fiber-optic cables from the TXP, MXP, GE_XP, 10GE_XP, GE_XPE, or 10GE_XPE cards to the Y-cable modules installed in the FlexLayer shelves, and from the Y-cable modules to the client devices.
Tools/Equipment	Fiber-optic cables Cisco TransportPlanner Internal Connections Report
Prerequisite Procedures	“DLP-G32 Install the Y-Cable Protection Modules in the FlexLayer Shelf” in the <i>Cisco ONS 15454 Hardware Installation Guide</i> NTP-G179 Install the TXP, MXP, GE_XP, 10GE_XP, GE_XPE, 10GE_XPE, ADM-10G, and OTU2_XP Cards , page 4-69
Required/As Needed	As needed
Onsite/Remote	Onsite
Security Level	None

Step 1 Referring to the Cisco TransportPlanner Internal Connections Report, install a fiber-optic cable between a TXP, MXP, GE_XP, 10GE_XP, GE_XPE, or 10GE_XPE card and a Y-cable module.

If you want to protect one client signal, connect the fiber-optic cables according to either [Table 4-6](#) or [Table 4-7](#). To protect two client signals using a single Y-cable module, connect the cables according to both [Table 4-6](#) and [Table 4-7](#).

Table 4-6 Cable Connections for Y-Cable Protection of One Client Signal

From	To (Y-Cable Port Number)
Client 1 TX port	10
Client 1 RX port	5
TXP/MXP/GE_XP/GE_XPE/10GE_XP/10GE_XPE 1 TX port	1
TXP/MXP/GE_XP/GE_XPE/10GE_XP/10GE_XPE 1 RX port	2
TXP/MXP/GE_XP/GE_XPE/10GE_XP/10GE_XPE 2TX port	6
TXP/MXP/GE_XP/GE_XPE/10GE_XP/10GE_XPE2RX port	7

Table 4-7 Cable Connections for Y-Cable Protection of a Second Client Signal

From	To (Y-Cable Port Number)
Client 2 TX port	12
Client 2 RX port	11
TXP/MXP/GE_XP/GE_XPE/10GE_XP/10GE_XPE3 TX port	3
TXP/MXP/GE_XP/GE_XPE/10GE_XP/10GE_XPE 3 RX port	4
TXP/MXP/GE_XP/GE_XPE/10GE_XP/10GE_XPE 4 TX port	8
TXP/MXP/GE_XP/GE_XPE/10GE_XP/10GE_XPE 4 RX port	9

- Step 2** As needed, route slack fiber-optic cable around the round cable retainers in the fiber-storage tray as you install cables between the Y-cable module and the TXP, MXP, GE_XP, 10GE_XP, GE_XPE, or 10GE_XPE cards (Figure 4-12 on page 4-80).

**Caution**

When you close the fiber-storage tray, the cables must not be pinched, and the cable bend radius must be equal to or greater than the minimum radius that is recommended in your site specifications. As you route each cable through the fiber-storage tray, make sure that adequate cable slack remains.

- Step 3** Install a fiber-optic cable between the client device and the Y-cable module where you just installed a fiber-optic cable to the TXP, MXP, GE_XP, 10GE_XP, GE_XPE, or 10GE_XPE card.
- Step 4** Repeat Steps 1 through 3 for each Y-cable module you need to use for Y-cable protection.
- Step 5** Return to your originating procedure (NTP).

DLP-G376 Install Fiber-Optic Cables on the Y-Cable Modules in the Y-Cable Module Tray

Purpose	This task installs fiber-optic cables from the TXP, MXP, GE_XP, 10GE_XP, GE_XPE, or 10GE_XPE cards to the Y-cable modules installed in the Y-cable module tray, and from the Y-cable modules to the client devices.
Tools/Equipment	Fiber-optic cables (4-meter [13.12-foot]), single-mode or multimode as appropriate Cisco TransportPlanner Internal Connections Report
Prerequisite Procedures	“DLP-G32 Install the Y-Cable Protection Modules in the FlexLayer Shelf” in the <i>Cisco ONS 15454 Hardware Installation Guide</i> NTP-G179 Install the TXP, MXP, GE_XP, 10GE_XP, GE_XPE, 10GE_XPE, ADM-10G, and OTU2_XP Cards, page 4-69
Required/As Needed	As needed
Onsite/Remote	Onsite
Security Level	None

- Step 1** Open the drawer of the tray by pushing inward on the latches located at the left and right front of the tray.
- Step 2** On each Y-cable module you will connect, use the tab to slide the module up so that it is fully extended and easily accessible in the tray.
- Step 3** Referring to the Cisco TransportPlanner Internal Connections Report, install a 4-meter (13.12-foot) fiber-optic cable (single-mode or multimode, as appropriate) between a TXP, MXP, GE_XP, 10GE_XP, GE_XPE, or 10GE_XPE card and the Y-cable module installed farthest to the left. Proceed according to the port label affixed to the front of the tray to identify the ports on each installed module (Figure 4-25).

Figure 4-25 Y-Cable Protection Port Label

Client TX	Client TX	Client TX	Client TX	Client TX	Client TX	Client TX	Client TX
Client RX	Client RX	Client RX	Client RX	Client RX	Client RX	Client RX	Client RX
TXP W TX	TXP W TX	TXP W TX	TXP W TX	TXP W TX	TXP W TX	TXP W TX	TXP W TX
TXP W RX	TXP W RX	TXP W RX	TXP W RX	TXP W RX	TXP W RX	TXP W RX	TXP W RX
TXP P TX	TXP P TX	TXP P TX	TXP P TX	TXP P TX	TXP P TX	TXP P TX	TXP P TX
TXP P RX	TXP P RX	TXP P RX	TXP P RX	TXP P RX	TXP P RX	TXP P RX	TXP P RX
#1	#2	#3	#4	#5	#6	#7	#8

144677

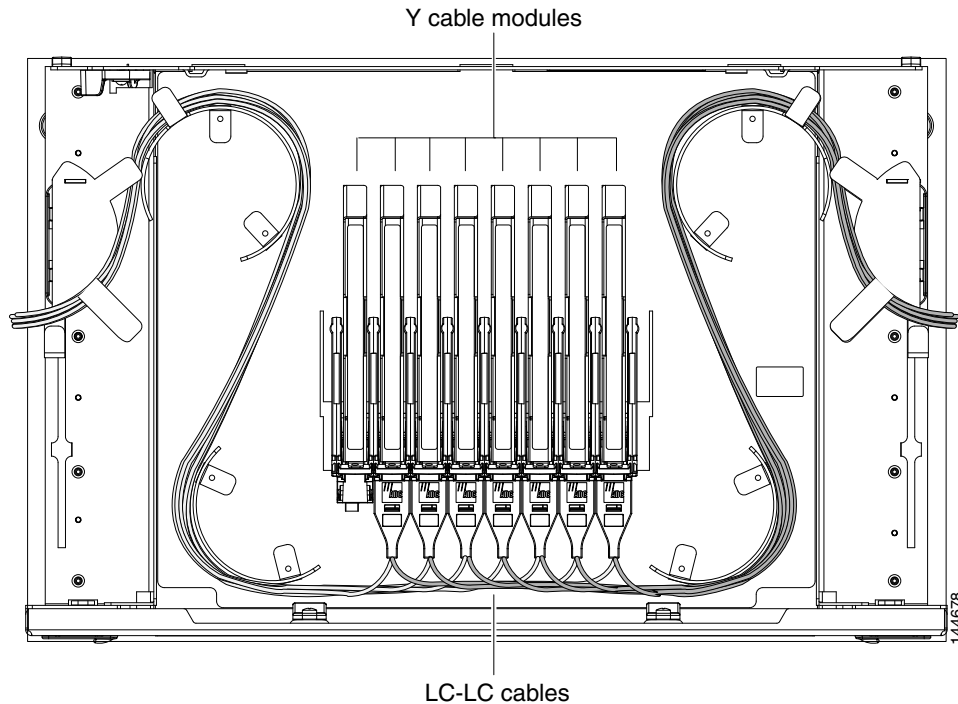


Note You can use the label shown in [Figure 4-25](#) to take notes as to which wavelength/port you are connecting to each Y-cable module. “W” denotes the indicated Working port on the TXP, MXP, GE_XP, 10GE_XP, GE_XPE, or 10GE_XPE card. “P” denotes the indicated Protect port on the TXP, MXP, GE_XP, 10GE_XP, GE_XPE, or 10GE_XPE card.



Note Protective covers are installed over the third and fourth ports on the Y-cable modules because they are not used.

As needed, route slack fiber-optic cable around the round cable retainers in the Y-cable module tray as you install cables between the Y-cable module and the TXP, MXP, GE_XP, 10GE_XP, GE_XPE, or 10GE_XPE card ([Figure 4-26](#)).

Figure 4-26 Y-Cable Protection Module Tray**Caution**

When you close the Y-cable module tray, the cables must not be pinched, and the cable bend radius must be equal to or greater than the minimum radius that is recommended in your site specifications. As you route each cable through the tray, make sure that adequate cable slack remains.

- Step 4** Referring to the Cisco TransportPlanner Internal Connections Report, install a fiber-optic cable of adequate length (single-mode or multimode, as appropriate) between the Y-cable module and the client signal that you want to protect.
- Step 5** As needed, route slack fiber-optic cable around the round cable retainers in the Y-cable module tray as you install cables between the Y-cable module and the TXP, MXP, GE_XP, 10GE_XP, GE_XPE, or 10GE_XPE card.
- Step 6** Repeat Steps 2 through 5 for each Y-cable module you need to use for Y-cable protection.
- Step 7** To close the tray, unlock the drawer from the open position by depressing the red lock at the back left of the tray and push the tray closed.
- Step 8** Return to your originating procedure (NTP).

NTP-G152 Create and Verify Internal Patchcords

Purpose	This procedure imports the internal patchcords using the CTP XML file. Internal patchcords can also be manually provisioned.
Tools/Equipment	<ul style="list-style-type: none"> • Cisco TransportPlanner shelf layout • Cisco TransportPlanner Internal Connections Report
Prerequisite Procedures	NTP-G22 Verify Common Card Installation, page 4-7 NTP-G139 Verify Cisco TransportPlanner Reports and Files, page 4-3
Required/As Needed	Required
Onsite/Remote	Onsite or remote
Security Level	Superuser only

-
- Step 1** Complete the “[DLP-G46 Log into CTC](#)” task on page 3-30 at the node where you want to provision the DWDM cable connections. If you are already logged in, continue with [Step 2](#).
- Step 2** Complete the “[NTP-G143 Import the Cisco TransportPlanner NE Update Configuration File](#)” procedure on page 4-49 to import the Cisco TransportPlanner NE update file.
- Step 3** In node view (single-shelf mode) or multishelf view (multishelf mode), click the **Provisioning > WDM-ANS > Internal Patchcords** tabs.



Note The Internal Patchcords tab does not show OPT-PRE DCU connections or span connections.



Note The number of rows in the Provisioning > WDM-ANS > Internal Patchcords tab are created dynamically, as per the number of sides present in a node.



Note On the 15454-M2 and the 15454-M6 shelves, you can create internal patchcords between the TNC card and the optical amplifier cards.

- Step 4** Verify that the connections in the Internal Patchcords tab match the connections in the Cisco TransportPlanner Internal Connections Report for the DWDM cards (see the “[DLP-G349 Use the Cisco TransportPlanner Internal Connections Report](#)” task on page 4-80). The Internal Patchcords tab will not show OPT-PRE DCU connections or span connections.
- Step 5** Complete the “[NTP-G242 Create an Internal Patchcord Manually](#)” procedure on page 4-114 for any connections that require manual provisioning, for example, to create patchcords between TXP and MXP trunk ports and OCH filter ports. If you need to delete a connection, complete the “[DLP-G355 Delete an Internal Patchcord](#)” task on page 4-123.



Note Connections related to optical bypass circuits must be manually provisioned.

Stop. You have completed this procedure.

NTP-G242 Create an Internal Patchcord Manually

Purpose	This procedure creates an internal patchcord manually.
Tools/Equipment	None
Prerequisite Procedures	DLP-G46 Log into CTC, page 3-30
Required/As Needed	As needed
Onsite/Remote	Onsite or remote
Security Level	Superuser only



Note

Use only one management interface to complete the creation of internal patchcords. For example, do not begin the internal patchcord creation using the TL1 interface or CTP XML file and end the internal patchcord creation using CTC.

Step 1 In node view (single-shelf mode) or multishelf view (multishelf mode), click the **Provisioning > WDM-ANS > Internal Patchcord** tabs.

Step 2 Click **Create**.

Step 3 Choose one of the following link types for the internal patchcord:

- **Trunk to Trunk (L2)**—Creates a bidirectional patchcord between the trunk ports of GE_XP and 10GE_XP cards. If you choose this option, complete “[DLP-G354 Create an Internal Patchcord Manually Using the Trunk to Trunk \(L2\) Option](#)” task on page 4-115.
- **OCH-Trunk to OCH-Filter**—Creates an internal patchcord between an optical channel trunk port on a TXP/MXP stage card (which includes TXP, MXP, GE_XP, 10GE_XP, GE_XPE, 10GE_XPE, ADM-10G, OTU2_XP, or ITU-T line cards) and an optical channel filter port on an add/drop stage card (which includes 32MUX, 40-MUX-C, 32WSS, 40-WSS-C/40-WSS-CE, 32DMX, 32DMX-O, 40DMX, 40-SMR1-C, or 40-SMR2-C cards).

You can use this option to also create an internal patchcord between an optical channel trunk port on a TXP/MXP stage card (which includes TXP, MXP, GE_XP, 10GE_XP, GE_XPE, 10GE_XPE, ADM-10G, OTU2_XP, or ITU-T line cards) and the COM port on a PSM card in channel protection configuration (where, PSM card is equipped between one TXP/MXP stage and two add/drop stages). In this case, the Internal Patchcord Creation wizard will prompt you to create patchcords between the working and protect ports on the PSM card and the ports on the two different add/drop stage cards (which includes 32MUX, 40-MUX-C, 32WSS, 40-WSS-C/40-WSS-CE, 32DMX, 32DMX-O, 40DMX, 40-SMR1-C, 40-SMR2-C, or 80-WXC-C cards). If you choose this option, complete “[DLP-G547 Create an Internal Patchcord Manually Using the OCH-Trunk to OCH-Filter Option](#)” task on page 4-116.

- **OCH-Filter to OCH-Filter**—Creates an unidirectional or bidirectional internal patchcord between a MUX input port and a DMX output port. If you choose this option, complete “[DLP-G548 Create an Internal Patchcord Manually Using the OCH-Filter to OCH-Filter Option](#)” task on page 4-118.
- **OTS to OTS**—Creates a unidirectional or bidirectional internal patchcord between two optical transport section (OTS) ports, between two optical cards, between an optical card and a passive card, between two passive cards, or between the TNC card and an optical amplifier card. This option also includes OSC ports. If you choose this option, complete “[DLP-G549 Create an Internal Patchcord Manually Using the OTS to OTS Option](#)” task on page 4-120.

- **Optical Path**—Creates an internal patchcord between two optical cards, or between an optical card and a passive card. If you choose this option, complete “[DLP-G531 Create an Internal Patchcord Manually Using the Optical Path Option](#)” task on page 4-122.



Note Manual creation of OTS/OCH to OTS/OCH internal patchcords is not required for standard DWDM nodes. However, manual creation might be required for non-standard nodes, for example, a hub node that has wavelength selective switches installed. In such cases, manual creation is recommended by Cisco Transport Planner.



Note To successfully create an internal patchcord between WSS/DMX channel port and TXP trunk port, choose the TXP as the source endpoint and WSS/DMX as the destination endpoint.

Stop. You have completed this procedure.

DLP-G354 Create an Internal Patchcord Manually Using the Trunk to Trunk (L2) Option

Purpose	This task creates a bidirectional internal patchcord between the trunk ports of two GE_XP or 10GE_XP cards.
Tools/Equipment	None
Prerequisite Procedures	DLP-G46 Log into CTC, page 3-30
Required/As Needed	As needed
Onsite/Remote	Onsite or remote
Security Level	Superuser only

- Step 1** In node view (single-shelf mode) or multishelf view (multishelf mode), click the **Provisioning > WDM-ANS > Internal Patchcord** tabs.
- Step 2** Click **Create**.
- Step 3** On the Internal Patchcord Type Selection page, choose the patchcord type as Trunk to Trunk (L2) and click **Next**.
- Step 4** On the Internal Patchcord Origination page, provision the internal patchcord origination parameters:
- **Slot**—Choose the slot containing the card where the internal patchcord originates.
 - **Tx Port**—Choose the TX port where the internal patchcord originates. CTC automatically displays the list of ports that are available depending on the link type you choose.
- Step 5** Click **Next**.
- Step 6** In the Internal Patchcord Termination page, provision the internal patchcord termination parameters:
- **Slot**—Choose the slot containing the card where the internal patchcord terminates.
 - **Port**—Choose the RX port where the internal patchcord terminates. CTC automatically displays the list of ports that are available depending on the link type you choose.

- Step 7** Click **Next**.
- Step 8** Review the display-only information on the Internal Patchcord Origination Reverse page. This page shows the slot, and port that CTC will use for the opposite internal patchcord origination route.
- Step 9** Click **Next**.
- Step 10** Review the information displayed on the Internal Patchcord Termination Reverse page. This display-only page shows the slot, and port that CTC will use for the reverse internal patchcord termination route.
- Step 11** Click **Finish**. The new internal patchcord appears in the Internal Patchcord table.
- Step 12** Return to your originating procedure (NTP).
-

DLP-G547 Create an Internal Patchcord Manually Using the OCH-Trunk to OCH-Filter Option

Purpose	This task creates a bidirectional internal patchcord between a TXP, MXP, or XP trunk and a DWDM add and drop channel port.
Tools/Equipment	None
Prerequisite Procedures	DLP-G46 Log into CTC, page 3-30
Required/As Needed	As needed
Onsite/Remote	Onsite or remote
Security Level	Superuser only

- Step 1** In node view (single-shelf mode) or multishelf view (multishelf mode), click the **Provisioning > WDM-ANS > Internal Patchcord** tabs.
- Step 2** Click **Create**.
- Step 3** On the Internal Patchcord Type Selection page, choose the patchcord type as OCH-Trunk to OCH-Filter option and click **Next**.
- Step 4** On the Internal Patchcord OCH Attributes page, provision the following parameters:
- **OCHNC Wavelength**—Sets the OCHNC wavelength for the OCH trunk to OCH filter internal patchcord. Use the unnamed band selection box below to display C-band or L-band wavelengths in the OCHNC Wavelength field. Provision the OCHNC wavelength to the wavelength provisioned for the TXP, MXP, GE_XP, 10GE_XP, GE_XPE, or 10GE_XPE, ADM-10G, OTU2_XP, or ITU-T line card trunk port.
 - **PSM Protection**—Select this check box if you have provisioned a PSM card in channel protection configuration.
 - **Colorless**—Select this check box if you want to create a colorless patchcord.
- Step 5** Click **Next**.
- Step 6** On the Internal Patchcord Origination page, provision the internal patchcord origination parameters:
- **Slot**—Choose the slot containing the card where the internal patchcord originates.
 - **Tx Port**—Choose the TX port where the internal patchcord originates. CTC automatically displays the list of ports that are available depending on the link type you choose.

- Step 7** In the Internal Patchcord Termination page, provision the internal patchcord termination parameters:
- **Type**—Choose the type of card (optical or passive card) where the internal patchcord terminates.
 - **Side**—Choose the side where the internal patchcord terminates. This field is visible only if you have chosen the type as Optical Card.
 - **Slot**—Choose the slot containing the card where the internal patchcord terminates. This field is visible only if you have chosen the type as Optical Card.
 - **Unit**—Choose the passive card where the internal patchcord terminates. This field is visible only if you have chosen the type as Passive Card.
 - **Rx Port**—Choose the RX port where the internal patchcord terminates. CTC automatically displays the list of ports that are available depending on the link type you choose.

Step 8 Click **Next**.

- Step 9** In the Internal Patchcord Origination Reverse page, provision the internal patchcord parameters for the reverse internal patchcord origination route:
- **Type**—Choose the type of card (optical or passive card) where the internal patchcord originates.
 - **Side**—Choose the side where the internal patchcord originates. This field is visible only if you have chosen the type as Optical Card.
 - **Slot**—Choose the slot containing the card where the internal patchcord originates. This field is visible only if you have chosen the type as Optical Card.
 - **Unit**—Choose the passive card where the internal patchcord originates. This field is visible only if you have chosen the type as Passive Card.



Note Choose the same passive card that you chose in [Step 7](#).

- **Tx Port**—Choose the TX port where the internal patchcord originates. CTC automatically displays the list of ports that are available depending on the link type you choose.

Step 10 Click **Next**.

- Step 11** In the internal Patchcord Termination Reverse page, provision the internal patchcord parameters for the reverse internal patchcord termination route:
- **Slot**—Choose the slot containing the card where the internal patchcord originates.
 - **Rx Port**—Choose the RX port where the internal patchcord originates. CTC automatically displays the list of ports that are available depending on the link type you choose.

Step 12 Click **Next**.

- Step 13** Click **Finish**. The new internal patchcord appears in the Internal Patchcord table.
Return to your originating procedure (NTP).
-

DLP-G548 Create an Internal Patchcord Manually Using the OCH-Filter to OCH-Filter Option

Purpose	This task creates a unidirectional or bidirectional internal patchcord between two DWDM add and drop channel ports.
Tools/Equipment	None
Prerequisite Procedures	DLP-G46 Log into CTC, page 3-30
Required/As Needed	As needed
Onsite/Remote	Onsite or remote
Security Level	Superuser only

-
- Step 1** In node view (single-shelf mode) or multishelf view (multishelf mode), click the **Provisioning > WDM-ANS > Internal Patchcord** tabs.
- Step 2** Click **Create**.
- Step 3** On the Internal Patchcord Type Selection page, choose the patchcord type as OCH-Filter to OCH-Filter option and click **Next**.
- Step 4** On the Internal Patchcord OCH Attributes page, provision the following parameters:
- **OCHNC Wavelength**—Sets the OCHNC wavelength for the OCH trunk to OCH filter internal patchcord. Use the unnamed band selection box below to display C-band or L-band wavelengths in the OCHNC Wavelength field. Provision the OCHNC wavelength to the wavelength provisioned for the TXP, MXP, GE_XP, 10GE_XP, GE_XPE, or 10GE_XPE, ADM-10G, OTU2_XP, or ITU-T line card trunk port.
 - **Bidirectional**—If checked, creates a bidirectional internal patchcord.
 - **PSM Protection**—Select this check box if you have provisioned a PSM card in channel protection configuration.
- Step 5** Click **Next**.
- Step 6** On the Internal Patchcord Origination page, provision the internal patchcord origination parameters:
- **Type**—Choose the type of card (optical or passive card) where the internal patchcord terminates.
 - **Side**—Choose the side where the internal patchcord terminates. This field is visible only if you have chosen the type as Optical Card.
 - **Slot**—Choose the slot containing the card where the internal patchcord terminates. This field is visible only if you have chosen the type as Optical Card.
 - **Unit**—Choose the passive card where the internal patchcord terminates. This field is visible only if you have chosen the type as Passive Card.
 - **Tx Port**—Choose the TX port where the internal patchcord terminates. CTC automatically displays the list of ports that are available depending on the link type you choose.
- Step 7** In the Internal Patchcord Termination page, provision the internal patchcord termination parameters:
- **Type**—Choose the type of card (optical or passive card) where the internal patchcord terminates.
 - **Side**—Choose the side where the internal patchcord terminates. This field is visible only if you have chosen the type as Optical Card.

- Slot—Choose the slot containing the card where the internal patchcord terminates. This field is visible only if you have chosen the type as Optical Card.
- Unit—Choose the passive card where the internal patchcord terminates. This field is visible only if you have chosen the type as Passive Card.
- Rx Port—Choose the RX port where the internal patchcord terminates. CTC automatically displays the list of ports that are available depending on the link type you choose.

Step 8 If you did not choose bidirectional in [Step 4](#), continue with [Step 13](#). Otherwise, continue with the next step.

Step 9 Click **Next**.

Step 10 In the Internal Patchcord Origination Reverse page, provision the internal patchcord parameters for the reverse internal patchcord origination route:

- Type—Choose the type of card (optical or passive card) where the internal patchcord originates.
- Side—Choose the side where the internal patchcord originates. This field is visible only if you have chosen the type as Optical Card.
- Slot—Choose the slot containing the card where the internal patchcord originates. This field is visible only if you have chosen the type as Optical Card.
- Unit—Choose the passive card where the internal patchcord originates. This field is visible only if you have chosen the type as Passive Card.



Note Choose the same passive card that you chose in [Step 7](#).

- Tx Port—Choose the TX port where the internal patchcord originates. CTC automatically displays the list of ports that are available depending on the link type you choose.

Step 11 Click **Next**.

Step 12 In the internal Patchcord Termination Reverse page, provision the internal patchcord parameters for the reverse internal patchcord termination route:

- Type—Choose the type of card (optical or passive card) where the internal patchcord terminates.
- Side—Choose the side where the internal patchcord terminates. This field is visible only if you have chosen the type as Optical Card.
- Slot—Choose the slot containing the card where the internal patchcord terminates. This field is visible only if you have chosen the type as Optical Card.
- Unit—Choose the passive card where the internal patchcord terminates. This field is visible only if you have chosen the type as Passive Card.



Note Choose the same passive card that you chose in [Step 6](#).

- Rx Port—Choose the RX port where the internal patchcord terminates. CTC automatically displays the list of ports that are available depending on the link type you choose.

Step 13 Click **Finish**. The new internal patchcord appears in the Internal Patchcord table. Return to your originating procedure (NTP).

DLP-G549 Create an Internal Patchcord Manually Using the OTS to OTS Option

Purpose	This task creates a unidirectional or bidirectional internal patchcord between two optical transport section (OTS) ports.
Tools/Equipment	None
Prerequisite Procedures	DLP-G46 Log into CTC, page 3-30
Required/As Needed	As needed
Onsite/Remote	Onsite or remote
Security Level	Superuser only

-
- Step 1** In node view (single-shelf mode) or multishelf view (multishelf mode), click the **Provisioning > WDM-ANS > Internal Patchcord** tabs.
- Step 2** Click **Create**.
- Step 3** On the Internal Patchcord Type Selection page, choose the patchcord type as OTS to OTS and click **Next**.
- Step 4** On the Internal Patchcords OTS Attributes page, provision the following parameters:
- Bidirectional—If checked, creates a bidirectional internal patchcord.
 - MPO Connection—Creates all the patchcords between two MPO connectors. If this option is checked, the bidirectional option is disabled.
 - Exclude Used Port—If checked, excludes the used ports for patchcord creation. If unchecked, more than one patchcord can be created starting from the same port.
 - Grid Filter—Select the grid option from the drop-down list.
 - Port Type—Select the port type from the drop-down list. The options are:
 - OSC only—Cards with OSC ports and OSCM cards are available for patchcord creation. The MPO Connection and Exclude Used Ports checkboxes are disabled and the Bidirectional option is checked.
 - DC only—Cards with DC ports and passive DCUs are available for patchcord creation. The MPO Connection and Exclude Used Ports checkboxes are disabled and the Bidirectional option is checked. Allows to create an internal patchcord between an optical card and a passive card.
- Step 5** Click **Next**.
- Step 6** On the Internal Patchcord Origination page, provision the internal patchcord origination parameters:
- Type—Choose the type of card (optical or passive card) where the internal patchcord originates.
 - Slot—Choose the slot containing the card where the internal patchcord originates. This field is visible only if you have chosen the type as Optical Card.
 - Unit—Choose the passive card where the internal patchcord originates. This field is visible only if you have chosen the type as Passive Card.
 - Tx Port—Choose the TX port where the internal patchcord originates. CTC automatically displays the list of ports that are available depending on the link type you choose.
 - MPO—Choose the port where the internal patchcord originates. CTC automatically displays the list of ports that are available depending on the link type you choose. This field is visible only if you have chosen MPO connection in [Step 4](#).
- Step 7** Click **Next**.

- Step 8** In the Internal Patchcord Termination page, provision the internal patchcord termination parameters:
- Type—Choose the type of card (optical or passive card) where the internal patchcord terminates.
 - Slot—Choose the slot containing the card where the internal patchcord terminates. This field is visible only if you have chosen the type as Optical Card.
 - Unit—Choose the passive card where the internal patchcord terminates. This field is visible only if you have chosen the type as Passive Card.
 - Rx Port—Choose the RX port where the internal patchcord terminates. CTC automatically displays the list of ports that are available depending on the link type you choose.
 - MPO—Choose the port where the internal patchcord originates. CTC automatically displays the list of ports that are available depending on the link type you choose. This field is visible only if you have chosen MPO connection in [Step 4](#).
- Step 9** If you did not choose bidirectional in [Step 4](#), continue with [Step 14](#). Otherwise, continue with the next step.
- Step 10** Click **Next**.
- Step 11** In the Internal Patchcord Origination Reverse page, provision the internal patchcord parameters for the reverse internal patchcord origination route:
- Type—Choose the type of card (optical or passive card) where the internal patchcord originates.
 - Side—Choose the side where the internal patchcord originates. This field is visible only if you have chosen the type as Optical Card.
 - Slot—Choose the slot containing the card where the internal patchcord originates. This field is visible only if you have chosen the type as Optical Card.
 - Unit—Choose the passive card where the internal patchcord originates. This field is visible only if you have chosen the type as Passive Card.



Note Choose the same passive card that you chose in [Step 8](#).

- Tx Port—Choose the TX port where the internal patchcord originates. CTC automatically displays the list of ports that are available depending on the link type you choose.
- Step 12** Click **Next**.
- Step 13** In the internal Patchcord Termination Reverse page, provision the internal patchcord parameters for the reverse internal patchcord termination route:
- Type—Choose the type of card (optical or passive card) where the internal patchcord terminates.
 - Side—Choose the side where the internal patchcord terminates. This field is visible only if you have chosen the type as Optical Card.
 - Slot—Choose the slot containing the card where the internal patchcord terminates. This field is visible only if you have chosen the type as Optical Card.
 - Unit—Choose the passive card where the internal patchcord terminates. This field is visible only if you have chosen the type as Passive Card.



Note Choose the same passive card that you chose in [Step 6](#).

- Rx Port—Choose the RX port where the internal patchcord terminates. CTC automatically displays the list of ports that are available depending on the link type you choose.

- Step 14** Click **Finish**. The new internal patchcord appears in the Internal Patchcord table. Return to your originating procedure (NTP).
-

DLP-G531 Create an Internal Patchcord Manually Using the Optical Path Option

Purpose	This task creates an internal patchcord manually between two optical cards or between an optical card and a passive card.
Tools/Equipment	None
Prerequisite Procedures	DLP-G46 Log into CTC, page 3-30
Required/As Needed	As needed
Onsite/Remote	Onsite or remote
Security Level	Superuser only

- Step 1** In node view (single-shelf mode) or multishelf view (multishelf mode), click the **Provisioning > WDM-ANS > Internal Patchcord** tabs.
- Step 2** Click **Create**.
- Step 3** On the Internal Patchcord Type Selection page, choose the patchcord type as Optical Path and click **Next**.
- Step 4** On the Internal Patchcord Card List page, provision the following parameters:
- Card From Selection area:
 - Type—Choose the type of card (optical or passive card) where the internal patchcord originates.
 - Shelf—(Multishelf nodes only) Choose the shelf where the internal patchcord originates.
 - Slot—Choose the slot containing the card where the internal patchcord originates.
 - Card To Selection area:
 - Type—Choose the type of card (optical or passive card) where the internal patchcord terminates.
 - Shelf—(Multishelf nodes only) Choose the shelf where the internal patchcord terminates.
 - Slot—Choose the slot containing the card where the internal patchcord terminates.
 - Choose the required patchcord from the list that CTC generates.
- Step 5** Click **Next** to continue creating internal patchcords between cards and repeat [Step 4](#). In the Internal Patchcord Card List page that follows, CTC automatically populates the Card From Selection fields with the values you entered in the Card To Selection fields in the previous page.
- Step 6** After creating all the internal patchcords between cards, click **Finish**. The new internal patchcords appear on the Internal Patchcord table.
- Step 7** Return to your originating procedure (NTP).
-

DLP-G355 Delete an Internal Patchcord

Purpose	This task deletes an internal patchcord.
Tools/Equipment	None
Prerequisite Procedures	DLP-G46 Log into CTC, page 3-30
Required/As Needed	As needed
Onsite/Remote	Onsite or remote
Security Level	Superuser only

-
- Step 1** In node view (single-shelf mode) or multishelf view (multishelf mode), click the **Provisioning > WDM-ANS > Internal Patchcord** tabs.
- Step 2** Click the connection you want to delete.
- Step 3** Click **Delete**, then click **Yes**.
- Step 4** Return to your originating procedure (NTP).
-

NTP-G209 Create, Edit, and Delete Optical Sides

Purpose	This procedure allows you to create, edit, and delete optical sides on a DWDM node.
Tools/Equipment	None
Prerequisite Procedures	NTP-G143 Import the Cisco TransportPlanner NE Update Configuration File, page 4-49
Required/As Needed	Required
Onsite/Remote	Onsite or remote
Security Level	Superuser only



Note

For any node type including mesh nodes, the association between the shelf, line card and side is reported in the left top window of CTC (Vital Status Pane) in the mode view.



Note

For mesh nodes, the association between sides and the 40-WXC-C cards can be found in the **Provisioning > WDM-ANS > Internal Patchcords** screen.

For example:

PP-MESH, LC (A): Shelf 1, Slot 3 (40 WXC), port EXP-TX

PP-MESH, MPO (A): Shelf 1, Slot 3 (40 WXC), port EXP-RX

The above rows indicate that the:

WXC port located in Shelf 1, Slot 3 is connected to the LC connector A (Side A) on PP-MESH.

WXC port located in Shelf 1, Slot 3 is connected to the MPO connector A (Side A) on PP-MESH.

-
- Step 1** Complete the “[DLP-G46 Log into CTC](#)” task on page 3-30 at the node where you want to provision the optical side. If you are already logged in, continue with [Step 2](#).
- Step 2** As needed, complete the following tasks:
- Complete the “[DLP-G491 Create an Optical Side](#)” task on page 4-124.
 - Complete the “[DLP-G492 Edit an Optical Side](#)” task on page 4-125.
 - Complete the “[DLP-G480 Delete an Optical Side](#)” task on page 4-125.
- Stop. You have completed this procedure.**
-

DLP-G491 Create an Optical Side

Purpose	This task creates an optical side. For more details on optical sides, refer to the “Node Reference” chapter in the <i>Cisco ONS 15454 DWDM Reference Manual</i> .
Tools/Equipment	None
Prerequisite Procedures	DLP-G46 Log into CTC , page 3-30
Required/As Needed	As needed
Onsite/Remote	Onsite or remote
Security Level	Superuser only

-
- Step 1** In node view (single-shelf mode) or multishelf view (multishelf mode), click the **Provisioning > WDM-ANS > Optical Sides** tabs.
- Step 2** Click **Create**.
- Step 3** In the Create Side dialog box, enter the following:
- Side ID—Choose a side ID (A, B,C, D, E, F, G, or H) from the drop-down list.
 - Line In—Choose an RX port from the drop-down list.
 - Line Out—Choose a TX port from the drop-down list.



Note For a terminal node equipped with a PSM card in line or multiplex section protection configuration, you can only choose the W-RX and W-TX ports while creating an optical side. After you create the working (w) optical side, the TCC2/TCC2P/TCC3/TNC/TSC card automatically creates the protected (p) optical side involving the P-RX and P-TX ports of the PSM card. CTC refreshes the Optical Sides tab with both the working and protected optical sides.

- Step 4** Return to your originating procedure (NTP).
-

DLP-G492 Edit an Optical Side

Purpose	This task edits the side ID of an optical side.
Tools/Equipment	None
Prerequisite Procedures	DLP-G46 Log into CTC, page 3-30
Required/As Needed	As needed
Onsite/Remote	Onsite or remote
Security Level	Superuser only

- Step 1** In node view (single-shelf mode) or multishelf view (multishelf mode), click the **Provisioning > WDM-ANS > Optical Sides** tabs.
- Step 2** Click the optical side that you want to edit.
- Step 3** Click **Edit**.
- Step 4** In the Edit Side ID dialog box, choose a side ID (A, B,C, D, E, F, G, or H) from the drop-down list.
- Step 5** Click **OK**.
- Step 6** Return to your originating procedure (NTP).
-

DLP-G480 Delete an Optical Side

Purpose	This task deletes an optical side.
Tools/Equipment	None
Prerequisite Procedures	DLP-G46 Log into CTC, page 3-30
Required/As Needed	As needed
Onsite/Remote	Onsite or remote
Security Level	Superuser only

- Step 1** In node view (single-shelf mode) or multishelf view (multishelf mode), click **Provisioning > WDM-ANS > Optical Sides** tabs.
- Step 2** Click the optical side that you want to delete.
- Step 3** Click **Delete**.
- Step 4** In the confirmation dialog box, click **Yes** to continue.
- Step 5** Return to your originating procedure (NTP).
-

NTP-G38 Provision OSC Terminations

Purpose	This procedure provisions the OSC terminations. The OSC provides a bidirectional channel that connects all nodes within a DWDM ring. The OSC carries a supervisory data channel and synchronizes clocking at network nodes. The OSC also carries a user data channel.
Tools/Equipment	None
Prerequisite Procedures	NTP-G143 Import the Cisco TransportPlanner NE Update Configuration File, page 4-49
Required/As Needed	Required
Onsite/Remote	Onsite or remote
Security Level	Superuser only

**Note**

Before provisioning OSC terminations on TNC ports carrying Fast Ethernet (FE) payloads, ensure to set the ALS mode on these ports to Disabled.

**Note**

This procedure automatically turns on any OPT-RAMP-C or OPT-RAMP-CE cards installed in the DWDM ring.

**Note**

The DCCs, GCCs, and OSCs should not be provisioned between SONET (ANSI) and SDH (ETSI) nodes using CTC or TL1 because they cannot operate between SONET and SDH nodes. These communication channels should be provisioned on similar nodes, such as SONET-to-SONET or SDH-to-SDH.

**Note**

In a pure ONS 15454 M6 network configuration, provision the OSC in GE or FE SFP mode. If an OC3 OSC is mandatory, then the network must be timing-synchronized as SONET. Identify the master node and provide external timing signal to the BITS input pins of the master node and provision line timing to the remaining nodes in the network.

In a mixed ONS 15454 and ONS 15454 M6 network configuration, provision the OSC only in OC3 SFP mode. Identify the master node and provide external timing signal to the BITS input pins of the master node and provision line timing to the remaining nodes in the network.

-
- Step 1** Complete the [“DLP-G46 Log into CTC” task on page 3-30](#) at the node where you want to provision the OSC terminations. If you are already logged in, continue with [Step 2](#).
- Step 2** In node view (single-shelf mode) or multishelf view (multishelf mode), click the **Provisioning > Comm Channels > OSC** tabs.
- Step 3** In the OSC Terminations area, click **Create**.
- Step 4** In the Create OSC Terminations dialog box, choose the ports where you want to create the OSC termination. To select more than one port, press the **Shift** key (to select a range of ports) or the **Ctrl** key (to select multiple individual ports).

**Note**

The number of OSC terminations that you create depends on the node type defined by Cisco TransportPlanner. Terminal nodes require one OSC termination. Hub, OADM, and ROADM nodes require two OSC terminations.

Step 5 In the Layer 3 area, check the OSI box if the following conditions are met:

- The OSC termination is between the ONS 15454 and another ONS node.
- Third party NEs that use the OSI protocol stack are on the same network.

If you checked OSI, complete the following steps. If not, continue with [Step 6](#).

a. Click **Next**.

b. Provision the following fields:

- Router—Choose the OSI router.
- ESH—Set the ESH propagation frequency. End system NEs transmit ESHs to inform other ESs and ISs about the NSAPs they serve. The default is 10 seconds. The range is 10 to 1000 seconds.
- ISH—Sets the ISH PDU propagation frequency. Intermediate system NEs send ISHs to other ESs and ISs to inform them about the IS NETs it serves. The default is 10 seconds. The range is 10 to 1000 seconds.
- IIH—Sets the IIH PDU propagation frequency. The IS-IS Hello PDUs establish and maintain adjacencies between ISs. The default is 3 seconds. The range is 1 to 600 seconds.
- Metric—Sets the cost for sending packets on the LAN subnet. The IS-IS protocol uses the cost to calculate the shortest routing path. The default metric cost for LAN subnets is 20. It normally should not be changed.

Step 6 Click **Finish**. Ports are automatically placed in service. The following alarms might appear in the node view (single-shelf mode) or multishelf view (multishelf mode) Alarms tab Description field. They will remain until all the network OSC connections between the adjacent nodes are created:

- SDCC Termination Failure (ANSI) or RS-DCC Termination Failure (ETSI) on the OSCM or OSC-CSM card
- LOS on the OC-3 port (Port 1) on the OSCM, OSC-CSM, or OPT-BST card
- OPWR-LFAIL on the OPT-BST or OSC-CSM card

**Note**

After the OSC termination is created, the line ports are placed in service and span power levels are checked.

Stop. You have completed this procedure.

NTP-G37 Run Automatic Node Setup

Purpose	This procedure runs the Launch ANS function. Launch ANS applies the ANS parameters (calculated in the “ NTP-G143 Import the Cisco TransportPlanner NE Update Configuration File ” procedure on page 4-49) to the node and to the ports for cards installed in the node. The applied ANS parameters include span loss values, threshold values, power references, and others. Launch ANS also sets the VOA references based on the calculated power references.
Tools/Equipment	The Cisco TransportPlanner Installation Parameters file
Prerequisite Procedures	NTP-G139 Verify Cisco TransportPlanner Reports and Files , page 4-3 NTP-G30 Install the DWDM Cards , page 4-64 NTP-G152 Create and Verify Internal Patchcords , page 4-113 NTP-G143 Import the Cisco TransportPlanner NE Update Configuration File , page 4-49
Required/As Needed	Required
Onsite/Remote	Onsite or remote
Security Level	Superuser only


Note

ANS provisioning parameters must be calculated by Cisco Transport Planner. ANS provisioning parameters must be manually changed only by Cisco qualified personnel. Setting wrong ANS provisioning (either as preamplifier or booster input power thresholds) may impact traffic.

-
- Step 1** Complete the “[DLP-G46 Log into CTC](#)” task on page 3-30 at the node where you want to run ANS. If you are already logged in, continue with [Step 2](#).
- Step 2** Referring to the Cisco TransportPlanner Installation Parameters (see [Table 4-1 on page 4-4](#)), identify the parameters that have a Yes in the Manually Set column. If there are no parameters that have a Yes in the Manually Set column, continue with [Step 6](#).
- Step 3** In CTC, display the card where the parameter is to be manually provisioned in card view.
- Step 4** Enter the specified Calibration parameter from the Cisco TransportPlanner Installation Parameters table. Click **Apply**.
- Step 5** Repeat Steps [2](#) through [4](#) for each parameter in the Cisco TransportPlanner Installation Parameters table that displays Yes in the Manually Set field.
- Step 6** Change to node view (single-shelf mode) or multishelf view (multishelf mode).
- Step 7** Click the **Provisioning > WDM-ANS > Port Status** tabs.
- Step 8** Click **Launch ANS**.
- Step 9** In the Apply Launch ANS dialog box, click **Yes**.
- Step 10** In the Launch ANS confirmation dialog box, click **OK**.
- Step 11** Verify that one of the following status appears in the Result column for all the ports:
- Success - Changed—The parameter setpoint was recalculated successfully.
 - Success - Unchanged—The parameter setpoint did not need recalculation.
 - Not applicable—When ports are not in use.

If one of the following statuses is shown, complete the provided instructions:

- **Fail - Out of Range**—The calculated setpoint is outside the expected range. If this status appears, do not continue until you have investigated and cleared the cause. This status might appear because of an error in the Cisco TransportPlanner file. It could also appear because the insertion loss of the installed cards is greater than the estimated insertion loss calculated by Cisco TransportPlanner. If so, the Cisco TransportPlanner file will need to be recalculated. All of these possible causes should be investigated. Contact your next level of support if you are unable to clear this status.
- **Fail - Missing Input Parameter**—The parameter could not be calculated because the required provisioning data is unknown or unavailable. If this status appears, check if the correct Cisco TransportPlanner file was imported.
- **Unchanged - Port in IS**—The parameter could not be calculated because the port is in service. This status should normally not appear at this point in node turn-up. If it does, display the card in card view, change the port administrative state to OOS,DSL (ANSI) or Locked,disabled (ETSI), and repeat Steps 6 through 11.



Note If the ports that are in service carry circuits, you must delete the circuits before you can place the ports out of service. See the “[DLP-G347 Delete Optical Channel Client Connections](#)” task on page 8-11, the “[DLP-G418 Delete an Optical Channel Trail](#)” task on page 8-19, or the “[DLP-G106 Delete Optical Channel Network Connections](#)” task on page 8-26.

Stop. You have completed this procedure.

NTP-G39 Verify OSCM Transmit Power

Purpose	This procedure verifies that the transmit power for the ONS 15454 OSCM and the OSC-CSM cards is correct.
Tools/Equipment	None
Prerequisite Procedures	NTP-G37 Run Automatic Node Setup , page 4-128
Required/As Needed	Required
Onsite/Remote	Onsite or remote
Security Level	Superuser only



Note Throughout this procedure, Side A refers to Slots 1 through 6, and Side B refers to Slots 12 through 17.

- Step 1** Complete the “[DLP-G46 Log into CTC](#)” task on page 3-30 at the node where you want to verify the OSCM or OSC-CSM transmit power. If you are already logged in, continue with [Step 2](#).
- Step 2** Disable automatic laser shutdown (ALS) on Side A or (for terminal nodes) the terminal side OSCM or OSC-CSM card:
- In the node view (single-shelf mode) or shelf view (multishelf mode), double-click the Side A or terminal-side OSCM or OSC-CSM card.
 - Click the **Maintenance > ALS** tabs.
 - From the ALS Mode drop-down list, choose **Disable**.

- d. Click **Apply**. Click **Yes** in the confirmation dialog box.
- Step 3** If an OSC-CSM or OSCM card is installed on Side B, complete the following steps. If not, continue with [Step 4](#).
- In the node view (single-shelf mode) or shelf view (multishelf mode), double-click the Side B OSCM or OSC-CSM card.
 - Click the **Maintenance > ALS** tabs.
 - From the ALS Mode drop-down list, choose **Disable**.
 - Click **Apply**. Click **Yes** in the confirmation dialog box.
- Step 4** Complete the “[DLP-G314 Verify OSCM Transmit Power](#)” task on page 4-130.
- Step 5** Change ALS to Auto Restart on the Side A or (for terminal nodes) the terminal side OSCM or OSC-CSM card:
- In the node view (single-shelf mode) or shelf view (multishelf mode), double-click the Side A or terminal-side OSCM or OSC-CSM card.
 - Click the **Maintenance > ALS** tabs.
 - From the ALS Mode drop-down list, choose **Auto Restart**.
 - Click **Apply**. Click **Yes** in the confirmation dialog box.
- Step 6** If an OSC-CSM or OSCM card is installed on Side B, complete the following steps. If not, you have completed this procedure.
- In the node view (single-shelf mode) or shelf view (multishelf mode), double-click Side B OSCM or OSC-CSM card.
 - Click the **Maintenance > ALS** tabs.
 - From the ALS Mode drop-down list, choose **Auto Restart**.
 - Click **Apply**. Click **Yes** in the confirmation dialog box.
- Stop. You have completed this procedure.**
-

DLP-G314 Verify OSCM Transmit Power

Purpose	This task verifies that the transmit power of the OSCM card is correct.
Tools/Equipment	None
Prerequisite Procedures	DLP-G46 Log into CTC, page 3-30
Required/As Needed	Required
Onsite/Remote	Onsite or remote
Security Level	Superuser only

- Step 1** Display the OSCM card in card view.
- Step 2** Click the **Provisioning > Optical Line > Parameters** tabs.
- Step 3** Record the Port 3 (OSC TX) Power value: _____.
- Step 4** Change to node view (single-shelf mode) or multishelf view (multishelf mode), then click the **Provisioning > WDM-ANS > Provisioning** tabs.

- Step 5** Record the OSC Power value under the OSCM card in the tree view.
- Step 6** If the power value recorded in [Step 3](#) is not within the range of +/- 0.5 dBm recorded in [Step 5](#), complete the following steps. Otherwise, continue with [Step 7](#).
- Click the **Maintenance > ALS** tabs. Verify that the ALS Command is set to OSRI Off. If not, choose **Off** from the drop-down list. Click **Apply**, then click **Yes**.
 - Clean the optical connections. See the [“NTP-G115 Clean Fiber Connectors” procedure on page 14-32](#).
 - Complete the following procedures:
 - Delete the two OSC channels using the [“DLP-G186 Delete an OSC Termination” task on page 11-50](#).
 - Complete the [“NTP-G37 Run Automatic Node Setup” procedure on page 4-128](#).
 - Create the OSC channels using the [“NTP-G38 Provision OSC Terminations” procedure on page 4-126](#).
 - Repeat [Step 3](#) through [6](#). If the power level is still not within the specified range, contact your next level of support.
- Step 7** Return to your originating procedure (NTP).
-

NTP-G163 Upgrade Nodes in Single-Shelf Mode to Multishelf Mode

Purpose	This procedure upgrades nodes in single-shelf mode to multishelf mode.
Tools/Equipment	The node you plan to use as the node controller must be equipped with optical units and cannot have a cross-connect card installed. Any nodes that you plan to add to the multishelf configuration as subtending shelves can be equipped with transponder and muxponder units. For more information on multishelf configurations, see the “Node Reference” chapter in the <i>Cisco ONS 15454 DWDM Reference Manual</i> .
Prerequisite Procedures	NTP-G22 Verify Common Card Installation, page 4-7 One of the following procedures: <ul style="list-style-type: none">“NTP-G301 Connect the ONS 15454 Multishelf Node and Subtending Shelves to an MS-ISC-100T Card” in the <i>Cisco ONS 15454 Hardware Installation Guide</i>, or“NTP-G302 Connect the ONS 15454 Multishelf Node and Subtending Shelves to a Catalyst 2950” in the <i>Cisco ONS 15454 Hardware Installation Guide</i>.“NTP-G308 Connect the ONS 15454 M6 Multishelf Node and the ONS 15454 M6 Subtending Shelves” in the <i>Cisco ONS 15454 Hardware Installation Guide</i>.“DLP-G682 Connect the ONS 15454 M6 as the Node Controller in a Mixed Multishelf Configuration” in the <i>Cisco ONS 15454 Hardware Installation Guide</i>.

Required/As Needed	As needed
Onsite/Remote	Onsite
Security Level	Superuser only

**Caution**

An optical shelf in a multishelf configuration must be provisioned as the node controller shelf and not a subtending shelf, otherwise traffic will be dropped. If no slots are available on an optical shelf to install the MS-ISC-100T cards needed for a node controller shelf, install and configure the Cisco Catalyst 2950. See the “NTP-G302 Connect the ONS 15454 Multishelf Node and Subtending Shelves to a Catalyst 2950” in the *Cisco ONS 15454 Hardware Installation Guide*.

- Step 1** Complete the “[DLP-G46 Log into CTC](#)” task on page 3-30 at the node that you want to configure as a multishelf node.
- Step 2** If you want to configure a shelf as the node controller, continue with [Step 3](#). If you want to configure a shelf as a subtending shelf, continue with [Step 4](#).
- Step 3** To set up the login node as the node controller, complete the following steps:
- In node view (single-node mode) or multishelf view (multishelf mode), click the **Provisioning > General > Multishelf Config** tabs.
 - Click **Enable as Node Controller**.
 - From the LAN Config drop-down list, complete one of the following:
 - Choose **Ethernet Switch** if MS-ISC-100T cards or the Catalyst 2950 switches are already installed and configured.
 - Choose **Stand-Alone** if MS-ISC-100T cards are not installed yet but will be in the final layout or if this is a line amplifier or an OSC-only site. This option will allow a safe migration of the TCC2/TCC2P/TCC3/TNC/TSC database when the multishelf configuration is complete.
 - Click **Apply**.
 - In the confirmation dialog box, click **Yes** to allow the node to reboot. The CTC view changes to network view and the node icon changes to gray. Wait for the reboot to finish. (This might take several minutes.)
 - After the node reboots, double-click the node. The multishelf view appears.



Note The shelf ID of the node controller is automatically assigned as 1.

- Step 4** To add a node as a subtending shelf in the multishelf configuration, complete the following:
- In multishelf view, right-click in the white space in the rack and choose **Add Shelf**.
 - Select the type of subtending shelf (ONS 15454 or ONS 15454 M6).
 - In the Shelf ID Selection dialog box, choose a shelf ID (from 2 to 30) from the drop-down list.
 - Click **OK**. The shelf appears in the multishelf view.
 - Preprovision the new shelf so that it has the same provisioning as the actual shelf that you will add as the subtending shelf:

**Caution**

If the subtending shelf is not preprovisioned, traffic will be lost.

- Cards, PPMs, administrative states, client and trunk port configuration—For more information on card and port settings, see [Chapter 6, “Provision Transponder and Muxponder Cards,”](#).
 - Timing—For more information, see the [“NTP-G53 Set Up Timing” procedure on page 7-22.](#)
 - GCC—For more information, see the [“DLP-G76 Provision DCC/GCC Terminations” task on page 8-61.](#)
- f. Disconnect the cross-over (CAT-5) LAN cable from the RJ-45 (LAN) port of the ONS 15454 subtending shelf TCC2/TCC2P/TCC3 card in Slot 7 or Slot 11, or from the MSM port that corresponds to the TNC/TSC card in Slot 1 or Slot 8 of the ONS 15454 M6 subtending shelf.
 - g. Connect your Windows PC or Solaris workstation NIC to the RJ-45 (LAN) port on the ONS 15454 TCC2/TCC2P/TCC3 card in Slot 7 or Slot 11, or to the MSM port that corresponds to the TNC/TSC card in Slot 1 or Slot 8 of the ONS 15454 M6 subtending shelf.
 - h. Complete the [“DLP-G46 Log into CTC” task on page 3-30](#) at the subtending shelf.
 - i. Click the **Provisioning > General > Multishelf Config** tabs.
 - j. Click **Enable as Subtended Shelf**.
 - k. Select the appropriate subtending shelf (ONS 15454 or ONS 15454 M6).
 - l. From the Shelf ID drop-down list, choose the shelf ID that you created in Step [c](#).
 - m. Click **Apply**.
 - n. In the confirmation dialog box, click **Yes** to reboot the shelf. The CTC view changes to network view and the node icon changes to gray. Wait for the reboot to finish. (This might take several minutes.)
 - o. Disconnect your Windows PC or Solaris workstation network interface card (NIC) from the RJ-45 (LAN) port of the subtending shelf TCC2/TCC2P/TCC3 card in Slot 7 or Slot 11, or from the MSM port that corresponds to the TNC/TSC card in Slot 1 or Slot 8 of the ONS 15454 M6 subtending shelf.
 - p. Reconnect the cross-over (CAT-5) LAN cable (disconnected in Step [f](#)) to the RJ-45 (LAN) port of the subtending shelf TCC2/TCC2P/TCC3 card in Slot 7 or Slot 11, or to the MSM port that corresponds to the TNC/TSC card in Slot 1 or Slot 8 of the ONS 15454 M6 subtending shelf.



Note The Ethernet cable must be connected to the subtended shelf TCC2/TCC2P/TCC3/TNC/TSC card soon after this TCC2/TCC2P/TCC3/TNC/TSC card completes its boot phase (when it becomes active and its peer TCC2/TCC2P/TCC3/TNC/TSC card starts rebooting). Connecting it before the TCC2/TCC2P/TCC3/TNC/TSC card completes its boot phase is a risk in the conversion process. Connecting it long time after completion of the boot phase might affect traffic due to missing provisioning.

- q. Repeat Steps [a](#) through [p](#) to set up additional subtending shelves.



Note Cisco Transport Manager (CTM) users can use the CTM NE Explorer to monitor and configure single-shelf and multishelf nodes. When the upgrade is complete, the original individual subtending shelves will remain the CTM network view and must be manually deleted. For detailed information, refer to the *Cisco Transport Manager User Guide*, Appendix B, “NE Explorer Information.”

Stop. You have completed this procedure.

NTP-G210 Provision Node for SNMPv3

Purpose	This procedure provisions the node to allow SNMPv3 access.
Tools/Equipment	None
Prerequisite Procedures	NTP-G22 Verify Common Card Installation, page 4-7
Required/As Needed	Required if you want to implement SNMPv3 on your network.
Onsite/Remote	Onsite or remote
Security Level	Provisioning or higher

Step 1 Complete the “[DLP-G46 Log into CTC](#)” task on page 3-30 on the node on which you want to set up SNMPv3. If you are already logged in, go to [Step 2](#).

Step 2 In node view, click the **Provisioning > SNMP > SNMP V3** tabs.

Step 3 Complete the following tasks as required:

- [DLP-G496 Create an SNMPv3 User, page 4-138](#)
- [DLP-G498 Create Group Access, page 4-139](#)



Note A group named default_group is defined in the initial configuration. The default group has read and notify access to the complete MIB tree.

- [DLP-G497 Create MIB Views, page 4-139](#)



Note A view named full_view is defined in the initial configuration. It includes the complete MIB tree supported on the node.

Stop. You have completed this procedure.

NTP-G211 Provision Node to Send SNMPv3 Traps

Purpose	This procedure provisions a node to send SNMP v3 traps.
Tools/Equipment	None
Prerequisite Procedures	NTP-G22 Verify Common Card Installation, page 4-7
Required/As Needed	Required if you want to implement SNMPv3 on your network.
Onsite/Remote	Onsite or remote
Security Level	Provisioning or higher

Step 1 Complete the “[DLP-G46 Log into CTC](#)” task on page 3-30 on the node on which you want to set up SNMPv3. If you are already logged in, go to [Step 2](#).

Step 2 In node view, click the **Provisioning > SNMP > SNMP V3** tabs.

Step 3 Complete the following tasks as required:

- [DLP-G496 Create an SNMPv3 User](#), page 4-138
- [DLP-G498 Create Group Access](#), page 4-139
- [DLP-G497 Create MIB Views](#), page 4-139
- [DLP-G501 Create Notification Filters](#), page 4-142
- [DLP-G499 Configure SNMPv3 Trap Destination](#), page 4-140. When you configure an SNMPv3 trap destination, use the IP address of the NMS, and the port number on which the NMS is listening for traps.

Stop. You have completed this procedure.

NTP-G212 Manually Provision a GNE/ENE to Manage an ENE using SNMPv3

Purpose	This procedure describes how to manually configure a GNE/ENE to allow the NMS to manage an ENE using SNMPv3.
Tools/Equipment	None
Prerequisite Procedures	NTP-G22 Verify Common Card Installation , page 4-7
Required/As Needed	Required if you want to implement SNMPv3 on your network.
Onsite/Remote	Onsite or remote
Security Level	Provisioning or higher

- Step 1** Complete the “[DLP-G46 Log into CTC](#)” task on page 3-30 on the node on which you want to set up SNMPv3. If you are already logged in, go to [Step 2](#).
- Step 2** Go to network view.
- Step 3** Double-click the ENE.
- Step 4** Click **Provisioning > SNMP > SNMP V3 > General** and note the context engine ID. The is required in [Step 8](#).
- Step 5** Double-click the GNE.
- Step 6** Complete the “[DLP-G496 Create an SNMPv3 User](#)” task on page 4-138 to create an SNMPv3 user on the GNE.
- Step 7** Complete the following tasks as needed on the ENE:
- [DLP-G496 Create an SNMPv3 User](#), page 4-138
 - [DLP-G498 Create Group Access](#), page 4-139
 - [DLP-G497 Create MIB Views](#), page 4-139
- Step 8** Complete the “[DLP-G502 Manually Configure the SNMPv3 Proxy Forwarder Table](#)” task on page 4-142. Use the from [Step 4](#), the local user details created in [Step 6](#), and the remote user created in [Step 7](#).

Stop. You have completed this procedure.

NTP-G213 Automatically Provision a GNE to Manage an ENE using SNMPv3

Purpose	This procedure describes how to automatically configure a GNE to allow an NMS to manage an ENE using SNMPv3.
Tools/Equipment	None
Prerequisite Procedures	NTP-G22 Verify Common Card Installation, page 4-7
Required/As Needed	Required if you want to implement SNMPv3 on your network.
Onsite/Remote	Onsite or remote
Security Level	Provisioning or higher

-
- Step 1** Complete the “[DLP-G46 Log into CTC](#)” task on page 3-30 on the node on which you want to set up SNMPv3. If you are already logged in, go to [Step 2](#).
- Step 2** Go to network view.
- Step 3** Double-click the GNE.
- Step 4** Complete the “[DLP-G496 Create an SNMPv3 User](#)” task on page 4-138 to create an SNMPv3 user on the GNE.
- Step 5** Complete the “[DLP-G503 Automatically Configure the SNMPv3 Proxy Forwarder Table](#)” task on page 4-143. Use the GNE user that you defined in [Step 4](#) when you configure the Proxy Forwarder table.



Note When you use the automatic procedure, CTC automatically creates an ons_proxy user on the ENE, provides ENE user details for the proxy configuration, and provides the of the ENE.

Stop. You have completed this procedure.

NTP-G214 Manually Provision a GNE/ENE to Send SNMPv3 Traps from an ENE using SNMPv3

Purpose	This procedure describes how to manually configure the GNE/ENE to allow an ENE to send SNMPv3 traps to the NMS.
Tools/Equipment	None
Prerequisite Procedures	NTP-G22 Verify Common Card Installation, page 4-7
Required/As Needed	Required if you want to implement SNMPv3 on your network.
Onsite/Remote	Onsite or remote
Security Level	Provisioning or higher

-
- Step 1** Complete the “[DLP-G46 Log into CTC](#)” task on page 3-30 on the node on which you want to set up SNMPv3. If you are already logged in, go to [Step 2](#).
- Step 2** Go to network view.

- Step 3** Double-click the GNE.
- Step 4** Complete the “[DLP-G496 Create an SNMPv3 User](#)” task on page 4-138 to create an SNMPv3 user on the GNE.
- Step 5** On the GNE, complete the “[DLP-G499 Configure SNMPv3 Trap Destination](#)” task on page 4-140. The target IP address must be the IPv4 or IPv6 address of the NMS. For the UDP Port number, use the port number on which the NMS is listening for traps. Use the user name configured in [Step 4](#). Also, specify a target tag name.
- Step 6** Double-click the ENE.
- Step 7** Complete the “[DLP-G496 Create an SNMPv3 User](#)” task on page 4-138 to create an SNMPv3 user on the ENE.
- Step 8** Complete the following tasks as required:
- [DLP-G498 Create Group Access](#), page 4-139 to create a group on the ENE
 - [DLP-G497 Create MIB Views](#), page 4-139 to create a MIB view on the ENE
 - [DLP-G501 Create Notification Filters](#), page 4-142
- Step 9** On the ENE, complete the “[DLP-G499 Configure SNMPv3 Trap Destination](#)” task on page 4-140. The target IP address should be the IP address of the GNE. The UDP port number is 161. Use the user name configured in [Step 7](#).
- Step 10** From the network view, click the **Provisioning > SNMPv3** tabs.
- Step 11** Complete the “[DLP-G504 Manually Configure the SNMPv3 Proxy Trap Forwarder Table](#)” task on page 4-144.
- The source of the trap must be the IP address of the ENE. For the field, provide the of the ENE. Also, you need to specify the target tag defined in [Step 5](#), and the incoming user details configured in [Step 7](#).
- Stop. You have completed this procedure.**

NTP-G215 Automatically Provision a GNE/ENE to Send SNMPv3 Traps from an ENE Using SNMPv3

Purpose	This procedure describes how to automatically configure the GNE/ENE to allow an ENE to send SNMPv3 traps to the NMS.
Tools/Equipment	None
Prerequisite Procedures	NTP-G22 Verify Common Card Installation , page 4-7
Required/As Needed	Required if you want to implement SNMPv3 on your network.
Onsite/Remote	Onsite or remote
Security Level	Provisioning or higher

- Step 1** Complete the “[DLP-G46 Log into CTC](#)” task on page 3-30 on the node on which you want to set up SNMPv3. If you are already logged in, go to [Step 2](#).
- Step 2** Go to Network View.
- Step 3** Double-click the GNE.

- Step 4** Complete the task “[DLP-G496 Create an SNMPv3 User](#)” task on [page 4-138](#) to create an SNMPv3 user on the GNE.
- Step 5** On the GNE, complete the following tasks:
- [DLP-G499 Configure SNMPv3 Trap Destination](#), [page 4-140](#). The target IP address must be the IPv4 or IPv6 address of the NMS. For the UDP Port number, use the port number on which the NMS is listening for traps. Also, specify a target tag name.
 - [DLP-G505 Automatically Configure the SNMPv3 Proxy Trap Forwarder Table](#), [page 4-145](#). Use the target tag configured in [Step 4](#). Use the IP address of the ENE as the source of trap. The following details are created automatically:
 - A user named `ons_trap_user` on the ENE
 - Trap destination on the ENE with an IP address of the GNE as the target IP and 161 as the UDP port number
 - Remote user details of the ENE on the GNE

Stop. You have completed this procedure.

DLP-G496 Create an SNMPv3 User

Purpose	This procedure creates an SNMPv3 user.
Tools/Equipment	None
Prerequisite Procedures	DLP-G46 Log into CTC , page 3-30
Required/As Needed	As needed
Onsite/Remote	Onsite
Security Level	Provisioning or higher

- Step 1** In node view, click the **Provisioning > SNMP > SNMP V3 > User** tabs.
- Step 2** Click **Create**.
- Step 3** In the Create User dialog box, enter the following information:
- **User Name**—Specify the name of the user on the host that connects to the agent. The user name must be a minimum of six and a maximum of 20 alphanumeric (a-z, A-Z, 0-9) characters. For TL1 compatibility, the user name must be of 6 to 10 characters.
 - **Group Name**—Specify the group to which the user belongs.
 - **Authentication**
 - **Protocol**—Select the authentication algorithm that you want to use. The options are NONE, MD5, and SHA.
 - **Password**—Enter a password if you select MD5 or SHA. By default, the password length is set to a minimum of eight characters.
 - **Privacy**—Initiates a privacy authentication level setting session that enables the host to encrypt the contents of the message that is sent to the agent.
 - **Protocol**—Select NONE or DES as the privacy authentication algorithm.
 - **Password**—Enter a password if you select DES.

- Step 4** Click **OK** to save the information.
- Step 5** Return to your originating procedure (NTP).
-

DLP-G497 Create MIB Views

Purpose	This procedure creates an SNMPv3 MIB view.
Tools/Equipment	None
Prerequisite Procedures	DLP-G46 Log into CTC, page 3-30
Required/As Needed	As needed
Onsite/Remote	Onsite
Security Level	Provisioning or higher

- Step 1** In node view, click the **Provisioning > SNMP > SNMP V3 > MIB views** tabs.
- Step 2** Click **Create**.
- Step 3** In the Create Views dialog box, enter the following information:
- **Name**—Name of the view.
 - **Subtree OID**—The MIB subtree which, when combined with the mask, defines the family of subtrees.
 - **Bit Mask**—A family of view subtrees. Each bit in the bit mask corresponds to a sub-identifier of the subtree OID.
 - **Type**—Select the view type. Options are Include and Exclude. Type defines whether the family of subtrees that are defined by the subtree OID and the bit mask combination are included or excluded from the notification filter.
- Step 4** Click **OK** to save the information.
- Step 5** Return to your originating procedure (NTP).
-

DLP-G498 Create Group Access

Purpose	This procedure creates a user group and configures the access parameters for the users in the group.
Tools/Equipment	None
Prerequisite Procedures	DLP-G46 Log into CTC, page 3-30
Required/As Needed	As needed
Onsite/Remote	Onsite
Security Level	Provisioning or higher

- Step 1** In node view, click the **Provisioning > SNMP > SNMP V3 > Group Access** tabs.
- Step 2** Click **Create**.

- Step 3** In the Create Group Access dialog box, enter the following information:
- **Group Name**—The name of the SNMP group, or collection of users, who share a common access policy.
 - **Security Level**—The security level for which the access parameters are defined. Select from the following options:
 - **noAuthNoPriv**—Uses a user name match for authentication.
 - **AuthNoPriv**—Provides authentication based on the HMAC-MD5 or HMAC-SHA algorithms.
 - **AuthPriv**—Provides authentication based on the HMAC-MD5 or HMAC-SHA algorithms. Provides DES 56-bit encryption based on the CBC-DES (DES-56) standard, in addition to authentication.
- If you select **authNoPriv** or **authPriv** for a group, the corresponding user must be configured with an authentication protocol and password, with privacy protocol and password, or both.
- **Views**
 - **Read View Name**—Read view name for the group.
 - **Notify View Name**—Notify view name for the group.
 - **Allow SNMP Sets**—Select this check box if you want the SNMP agent to accept SNMP SET requests. If this check box is not selected, SET requests are rejected.



Note SNMP SET request access is implemented for very few objects.

Step 4 Click **OK** to save the information.

Step 5 Return to your originating procedure (NTP).

DLP-G499 Configure SNMPv3 Trap Destination

Purpose	This procedure provisions SNMPv3 trap destination.
Tools/Equipment	None
Prerequisite Procedures	DLP-G46 Log into CTC, page 3-30
Required/As Needed	As needed
Onsite/Remote	Onsite
Security Level	Provisioning or higher

Step 1 In node view, click the **Provisioning > SNMP > SNMP V3 > Trap Destinations (V3)** tabs.

Step 2 Click **Create**.

- Step 3** In the Configure SNMPv3 Trap dialog box, enter the following information:
- **Target Address**—Target to which the traps should be sent. Use an IPv4 or an IPv6 address.
 - **UDP Port**—UDP port number that the host uses. Default value is 162.
 - **User Name**—Specify the name of the user on the host that connects to the agent.
 - **Security Level**—Select one of the following options:

- noAuthNoPriv—Uses a user name match for authentication.
 - AuthNoPriv—Provides authentication based on the HMAC-MD5 or HMAC-SHA algorithms.
 - AuthPriv—Provides authentication based on the HMAC-MD5 or HMAC-SHA algorithms. Provides DES 56-bit encryption based on the CBC-DES (DES-56) standard, in addition to authentication.
 - Filter Profile—Select this check box and enter the filter profile name. Traps are sent only if you provide a filter profile name and create a notification filter. For more information, see “[DLP-G501 Create Notification Filters](#)” task on page 4-142.
 - Proxy Traps Only—If selected, forwards only proxy traps from the ENE. Traps from this node are not sent to the trap destination identified by this entry.
 - Proxy Tags—Specify a list of tags. The tag list is needed on a GNE only if an ENE needs to send traps to the trap destination identified by this entry, and wants to use the GNE as the proxy.
- Step 4** Click **OK** to save the information.
- Step 5** Return to your originating procedure (NTP).
-

DLP-G500 Delete SNMPv3 Trap Destination

Purpose	This procedure deletes an SNMPv3 trap destination.
Tools/Equipment	None
Prerequisite Procedures	DLP-G46 Log into CTC, page 3-30
Required/As Needed	As needed
Onsite/Remote	Onsite
Security Level	Provisioning or higher

- Step 1** In node view, click the **Provisioning > SNMP > SNMPv3 > Trap Destination** tabs.
- Step 2** In the Trap Destinations area, select the trap you want to delete.
- Step 3** Click **Delete**. A confirmation dialog box appears.
- Step 4** Click **Yes**.
- Step 5** Return to your originating procedure (NTP).
-

DLP-G501 Create Notification Filters

Purpose	This procedure creates SNMPv3 notification filters.
Tools/Equipment	None
Prerequisite Procedures	DLP-G46 Log into CTC, page 3-30
Required/As Needed	As needed
Onsite/Remote	Onsite
Security Level	Provisioning or higher

-
- Step 1** In node view, click the **Provisioning > SNMP > SNMP V3 > Notification Filters** tabs.
- Step 2** Click **Create**.
- Step 3** In the Create Notify dialog box, enter the following information:
- Filter Profile Name—Specify a name for the filter.
 - Subtree OID—The MIB subtree which, when combined with the mask, defines the family of subtrees.
 - Bit Mask—A family of view subtrees. Each bit in the bit mask corresponds to a sub-identifier of the subtree OID.
 - View Type—Select the view type. Options are Include and Exclude. Type defines whether the family of subtrees that are defined by the subtree OID and the bit mask combination are included or excluded from the notification filter.
- Step 4** Click **OK** to save the information.
- Step 5** Return to your originating procedure (NTP).
-

DLP-G502 Manually Configure the SNMPv3 Proxy Forwarder Table

Purpose	This procedure creates an entry in the SNMPv3 Proxy Forwarder Table.
Tools/Equipment	None
Prerequisite Procedures	DLP-G46 Log into CTC, page 3-30
Required/As Needed	As needed
Onsite/Remote	Onsite
Security Level	Provisioning or higher

-
- Step 1** In network view, click **Provisioning > SNMPv3**.
- Step 2** In the SNMPv3 Proxy Server area, complete the following:
- Select the GNE to be used as the SNMPv3 proxy server from the drop-down list.
 - Select the **Enable IPv6 Target/Trap** check box if the nodes and the NMS stations are on an IPv6 network.
- Step 3** In the SNMPv3 Proxy Forwarder Table area, click **Manual Create**.
- Step 4** In the Manual Configuration of SNMPv3 Proxy Forwarder dialog box, enter the following information:

- Target IP Address—Target to which the request should be forwarded. Use an IPv4 or an IPv6 address.
- Context Engine ID—The context engine ID of the ENE to which the request is to be forwarded. The context engine ID should be the same as the context engine ID of the incoming request.
- Proxy Type—Type of SNMP request that needs to be forwarded. The options are Read and Write.
- Local User Details—The details of the local user who proxies on behalf of the ENE user.
 - User Name—Specify the name of the user on the host that connects to the agent.
 - Local Security Level—Select the security level of the incoming requests that are to be forwarded. The options are noAuthNoPriv, AuthNoPriv, and AuthPriv.
- Remote User Details—User to which the request is forwarded.
 - User Name—Specify the user name of the remote user.
 - Remote Security Level—Select the security level of the outgoing requests. The options are noAuthNoPriv, AuthNoPriv, and AuthPriv.
- Authentication
 - Protocol—Select the authentication algorithm you want to use. The options are NONE, MD5, and SHA.
 - Password—Enter the password if you select MD5 or SHA.
- Privacy—Enables the host to encrypt the contents of the message that is sent to the agent.
 - Protocol—Select NONE or DES as the privacy authentication algorithm.
 - Password—Enter the password if you select DES. The password should not exceed 64 characters.

Step 5 Click **OK** to save the information.

Step 6 Return to your originating procedure (NTP).

DLP-G503 Automatically Configure the SNMPv3 Proxy Forwarder Table

Purpose	This procedure creates an entry in the SNMPv3 Proxy Forwarder Table.
Tools/Equipment	None
Prerequisite Procedures	DLP-G46 Log into CTC, page 3-30
Required/As Needed	As needed
Onsite/Remote	Onsite
Security Level	Provisioning or higher

Step 1 In network view, click **Provisioning > SNMPv3** tabs.

Step 2 In the SNMPv3 Proxy Server area, complete the following:

- Select the GNE to be used as the SNMPv3 proxy server from the drop-down list.
- Select the **Enable IPv6 Target/Trap** check box if the nodes and the NMS stations are on an IPv6 network.

Step 3 In the SNMPv3 Proxy Forwarder Table area, click **Auto Create**.

- Step 4** In the Automatic Configuration of SNMPv3 Proxy Forwarder dialog box, enter the following information:
- Proxy Type—Select the type of proxies to be forwarded. The options are Read and Write.
 - Security Level—Select the security level for the incoming requests that are to be forwarded. The options are:
 - noAuthNoPriv—Uses a username match for authentication.
 - AuthNoPriv—Provides authentication based on the HMAC-MD5 or HMAC-SHA algorithms.
 - AuthPriv—Provides authentication based on the HMAC-MD5 or HMAC-SHA algorithms. Provides DES 56-bit encryption based on the CBC-DES (DES-56) standard, in addition to authentication.
 - Target Address List—Select the proxy destination.
 - Local User Name—Select the user name from the list of users.

**Note**

When you configure SNMPv3 Proxy Forwarder Table automatically, the default_group is used on the ENE. The default_group does not have write access. To enable write access and allow SNMP sets, you need to edit the default_group on ENE.

- Step 5** Click **OK** to save the settings.
- Step 6** Return to your originating procedure (NTP).

DLP-G504 Manually Configure the SNMPv3 Proxy Trap Forwarder Table

Purpose	This procedure creates an entry in the SNMPv3 Proxy Trap Forwarder Table.
Tools/Equipment	None
Prerequisite Procedures	DLP-G46 Log into CTC, page 3-30
Required/As Needed	As needed
Onsite/Remote	Onsite
Security Level	Provisioning or higher

- Step 1** In network view, click **Provisioning > SNMPv3** tabs.
- Step 2** In the SNMPv3 Proxy Server area, complete the following:
- Select the GNE to be used as the SNMPv3 proxy server from the drop-down list.
 - Select the **Enable IPv6 Target/Trap** check box if the nodes and the NMS stations are on an IPv6 network.
- Step 3** In the SNMPv3 Proxy Trap Forwarder Table area, click **Manual Create**.
- Step 4** In the Manual Configuration of SNMPv3 Proxy Trap Forwarder dialog box, enter the following information:
- Remote Trap Source—Select the IP address from which the traps are sent. If the IP address is not listed, enter the IP address manually.

- Context Engine ID—Specify the context engine ID of the ENE from which traps need to be forwarded. This field is automatically populated if the source of trap is selected. If the source of trap is not specified, you need to manually enter the context engine ID.
- Target Tag—Specify the tag name. The tag identifies the list of NMS that should receive the forwarded traps. Traps are forwarded to all GNE Trap destinations whose proxy tags list contains this tag.
- Remote User Details
 - User Name—Specify the user name.
 - Security Level—Select the security level for the user. The options are noAuthNoPriv, AuthNoPriv, and AuthPriv.
- Authentication—Select the authentication algorithm.
 - Protocol—Select the authentication algorithm you want to use. The options are NONE, MD5, and SHA. Default is None.
 - Password—Enter the password if you select MD5 or SHA.
- Privacy—Enables the host to encrypt the contents of the message that is sent to the agent.
 - Protocol—Select NONE or DES as the privacy authentication algorithm. Encryption is disabled if NONE is selected.
 - Password—Enter the password if you select DES. The password should not exceed 64 characters.

Step 5 Click **OK** to save the information.

Step 6 Return to your originating procedure (NTP).

DLP-G505 Automatically Configure the SNMPv3 Proxy Trap Forwarder Table

Purpose	This procedure creates an entry in the SNMPv3 Proxy Trap Forwarder Table automatically.
Tools/Equipment	None
Prerequisite Procedures	DLP-G46 Log into CTC, page 3-30
Required/As Needed	As needed
Onsite/Remote	Onsite
Security Level	Provisioning or higher

Step 1 In network view, click **Provisioning > SNMPv3** tabs.

Step 2 In the SNMPv3 Proxy Server area, complete the following:

- Select the GNE to be used as the SNMPv3 proxy server from the drop-down list.
- Select the Enable IPv6 Target/Trap check box if the nodes and the NMS stations are on an IPv6 network.

Step 3 In the **SNMPv3 Proxy Trap Forwarder Table** area, click **Auto Create**.

Step 4 In the Automatic Configuration of SNMPv3 Proxy Trap Forwarder dialog box, enter the following information:

- **Target Tag**—Specify the tag name. The tag identifies the list of NMS that should receive the forwarded traps. All GNE Trap destinations that have this tag in their proxy tags list are chosen.
- **Source of Trap**—The list of ENes whose traps are forwarded to the SNMPv3 Trap destinations that are identified by the Target Tag.

Step 5 Click **OK** to save the information.

Step 6 Return to your originating procedure (NTP).



CHAPTER 5

Perform Node Acceptance Tests

This chapter provides test procedures to verify that installed cards are operating correctly in a Cisco ONS 15454 dense wavelength division multiplexing (DWDM) node. The procedures are optional.

**Note**

The procedures and tasks described in this chapter for the Cisco ONS 15454 platform is applicable to the Cisco ONS 15454 M2 and Cisco ONS 15454 M6 platforms, unless noted otherwise.

**Note**

Unless otherwise specified, “ONS 15454” refers to both ANSI (SONET) and ETSI (SDH) shelf assemblies.

**Note**

This chapter does not test the transponder (TXP), muxponder (MXP), GE_XP, 10GE_XP, GE_XPE, and 10GE_XPE, or ADM-10G card installation. Installation and verification for those cards is performed in [Chapter 6, “Provision Transponder and Muxponder Cards.”](#)

Before You Begin

This section lists the non-trouble procedures (NTPs) required to validate a DWDM node. Turn to a procedure for applicable detailed level procedures (DLPs).

1. [NTP-G41 Perform the Terminal or Hub Node with 32MUX-O and 32DMX-O Cards Acceptance Test, page 5-3](#)—Complete this procedure to test terminal and hub nodes with 32MUX-O and 32DMX-O cards installed.
2. [NTP-G168 Perform the Terminal or Hub Node with 40-MUX-C and 40-DMX-C Cards Acceptance Test, page 5-9](#)—Complete this procedure to test terminal and hub nodes with 40-MUX-C and 40-DMX-C cards installed. This procedure can also be performed for 40-MUX-C and 40-DMX-CE cards.
3. [NTP-G42 Perform the Terminal Node with 32WSS and 32DMX Cards Acceptance Test, page 5-12](#)—Complete this procedure to test terminal nodes with 32WSS and 32DMX cards installed.
4. [NTP-G167 Perform the Terminal Node with 40-WSS-C and 40-DMX-C Cards Acceptance Test, page 5-17](#)—Complete this procedure to test terminal nodes with 40-WSS-C and 40-DMX-C cards installed. This procedure can also be performed to test terminal nodes for 40-WSS-CE and 40-DMX-CE cards

5. [NTP-G153 Perform the Terminal Node with 32WSS-L and 32DMX-L Cards Acceptance Test, page 5-22](#)—Complete this procedure to test terminal nodes with 32WSS-L and 32DMX-L cards installed.
6. [NTP-G43 Perform the ROADM Node with 32WSS and 32DMX Cards Acceptance Test, page 5-29](#)—Complete this procedure to test reconfigurable optical add/drop multiplexing (ROADM) nodes with 32WSS and 32DMX cards installed.
7. [NTP-G154 Perform the ROADM Node with 32WSS-L and 32DMX-L Cards Acceptance Test, page 5-51](#)—Complete this procedure to test ROADM nodes with 32WSS-L and 32DMX-L cards installed.
8. [NTP-G180 Perform the ROADM Node with 40-WSS-C and 40-DMX-C Cards Acceptance Test, page 5-74](#)—Complete this procedure to test a ROADM node with 40-WSS-C and 40-DMX-C cards installed. This procedure can also be performed for 40-WSS-CE and 40-DMX-CE cards.
9. [NTP-G276 Perform the 80-Channel n-degree ROADM Node Acceptance Tests, page 5-97](#)—Complete this procedure to test a n- degree ROADM node with 80-WXC-C cards installed.
10. [NTP-G44 Perform the Anti-ASE Hub Node Acceptance Test, page 5-101](#)—Complete this procedure to test anti-amplified spontaneous emission (anti-ASE) hub nodes.
11. [NTP-G45 Perform the C-Band Line Amplifier Node with OSCM Cards Acceptance Test, page 5-104](#)—Complete this procedure to test C-band line amplifier nodes with OSCM cards installed on both Side A and Side B of the shelf.
12. [NTP-G155 Perform the L-Band Line Amplifier Node with OSCM Cards Acceptance Test, page 5-108](#)—Complete this procedure to test L-band line amplifier nodes with OSCM cards installed on both Side A and Side B of the shelf.
13. [NTP-G46 Perform the C-Band Line Amplifier Node with OSC-CSM Cards Acceptance Test, page 5-111](#)—Complete this procedure to test C-band line amplifier nodes with OSC-CSM cards installed on both Side A and Side B of the shelf.
14. [NTP-G156 Perform the L-Band Line Amplifier Node with OSC-CSM Cards Acceptance Test, page 5-115](#)—Complete this procedure to test L-band line amplifier nodes with OSC-CSM cards installed on both Side A and Side B of the shelf.
15. [NTP-G47 Perform the C-Band Line Amplifier Node with OSCM and OSC-CSM Cards Acceptance Test, page 5-120](#)—Complete this procedure to test C-band line amplifier nodes with OSCM and OSC-CSM cards installed.
16. [NTP-G157 Perform the L-Band Line Amplifier Node with OSCM and OSC-CSM Cards Acceptance Test, page 5-124](#)—Complete this procedure to test L-band line amplifier nodes with OSCM and OSC-CSM cards installed.
17. [NTP-G48 Perform the OADM Node Acceptance Test on a Symmetric Node with OSCM Cards, page 5-128](#)—Complete this procedure to test optical add/drop multiplexing (OADM) nodes with OSCM cards installed on both Side A and Side B of the shelf.
18. [NTP-G49 Perform the Active OADM Node Acceptance Test on a Symmetric Node with OSC-CSM Cards, page 5-140](#)—Complete this procedure to test OADM nodes with OSC-CSM and OPT-BST or OPT-BST-E cards installed on both Side A and Side B of the shelf.
19. [NTP-G50 Perform the Passive OADM Node Acceptance Test on a Symmetric Node with OSC-CSM Cards, page 5-146](#)—Complete this procedure to test OADM nodes with OSC-CSM cards installed on both Side A and Side B of the shelf and no OPT-BST or OPT-BST-E cards installed.
20. [NTP-G186 Perform the Four-Degree and Eight-Degree Mesh Patch Panel Acceptance Test, page 5-148](#)—Complete this procedure to test four-degree or eight-degree mesh nodes.

21. [NTP-G187 Perform the Multiring Site Acceptance Test, page 5-160](#)—Complete this procedure to test multiring sites.
22. [NTP-G188 Perform the Native Mesh Node Acceptance Test, page 5-168](#)—Complete this procedure to test native mesh nodes.
23. [NTP-G189 Perform the Node Upgrade Acceptance Test, page 5-173](#)—Complete this procedure to test an upgraded node. The upgraded node connects an existing in-service ROADM node with two sides (each equipped with MMU cards) to a native mesh node with two sides.
24. [NTP-G243 Perform the Two-Degree ROADM Node with 40-SMR-1-C and OPT-AMP-17-C Cards Acceptance Test, page 5-181](#)—Complete this procedure to test ROADM nodes with 40-SMR-1-C and OPT-AMP-17-C cards installed.
25. [NTP-G244 Perform the Four Degree ROADM Node with 40-SMR-2-C Cards Acceptance Test, page 5-185](#)—Complete this procedure to test ROADM nodes with 40-SMR-2-C cards installed.

NTP-G41 Perform the Terminal or Hub Node with 32MUX-O and 32DMX-O Cards Acceptance Test

Purpose	This procedure tests a DWDM terminal or hub node with 32MUX-O and 32DMX-O cards installed.
Tools/Equipment	One of the following: <ul style="list-style-type: none"> • A tunable laser • TXP_MR_10E_C An optical power meter or optical spectrum analyzer Two bulk attenuators (10 dB) with LC connectors
Prerequisite Procedures	Chapter 4, “Turn Up a Node”
Required/As Needed	As needed
Onsite/Remote	Onsite
Security Level	Superuser only


Note

Throughout this procedure, Side A refers to Slots 1 through 6, and Side B refers to Slots 12 through 17.





Note

This procedure tests Side A of hub nodes first, then Side B. If you are testing a terminal node, apply instructions for Side A of the hub node to the terminal side (Side B or Side A) of the terminal node.


Note

Optical power measurements require either a tunable laser or a multirate transponder to generate the proper optical wavelength. If multirate transponders were installed during completion of [Chapter 4, “Turn Up a Node,”](#) they can be used for this procedure. No additional cabling changes are needed.

- Step 1** Complete the [“DLP-G46 Log into CTC” task on page 3-30](#) at the hub or terminal node that you want to test. If you are already logged in, continue with [Step 2](#).
- Step 2** From the View menu, choose **Go to Network View**.

- Step 3** Click the **Alarms** tab.
- Verify that the alarm filter is not on. See the [“DLP-G128 Disable Alarm Filtering” task on page 10-26](#) as necessary.
 - Verify that no equipment alarms appear indicating equipment failure or other hardware problems. (Equipment alarms are indicated by an EQPT in the Alarms tab Cond column.) If equipment failure alarms appear, investigate and resolve them before continuing. Refer to the *Cisco ONS 15454 DWDM Troubleshooting Guide* for procedures.
-  **Note** If optical service channel (OSC) terminations are created, there will be two alarms, one for low power on the OPT-BST or OPT-BST-E card and one for the OSC channel.
- Step 4** In node view (single-shelf mode) or multishelf view (multishelf mode), click the **Provisioning > WDM-ANS > Port Status** tabs. Verify that all statuses under Link Status are listed as Success - Changed or Success - Unchanged. If a different status appears, complete the [“NTP-G37 Run Automatic Node Setup” procedure on page 4-128](#).
- Step 5** Create a physical loopback on the Side A (or terminal) OSC-CSM, OPT-BST or OPT-BST-E amplifier by using a patchcord with 10-dB bulk attenuators to connect the LINE TX port to the LINE RX port.
-  **Note** For ANSI shelves, an EOC DCC Termination Failure alarm will appear due to the OSC signal loopback.
- Step 6** Wait approximately two minutes, then verify that the OSC link is active on the Side A OSCM or OSC-CSM card by observing whether or not the LOS alarm on the OSCM or OSC-CSM (and the OPT-BST or OPT-BST-E card, if present) clears. (The OSC termination must already be provisioned. If not, complete the [“NTP-G38 Provision OSC Terminations” procedure on page 4-126](#).)
-  **Note** If the LOS alarm does not clear on the OSC-CSM card, verify that the opwrMin (dBm) Optic Thresholds setting for the OSC-RX port is not higher than the port's Optical Line power value. In the OSC-CSM card view, click the **Provisioning > Optical Line > Optic Thresholds** tabs and record the opwrMin (dBm) setting and compare it to the value found in the Power column for the OSC-RX port in the **Provisioning > Optical Line > Parameters** tabs. Reduce the Optic Thresholds setting for the opwrMin (dBm) value temporarily until the loopback test has been completed to clear the LOS alarm. Reset the Optic Thresholds setting to its original value after clearing the physical loopback.
- Step 7** Set the tunable laser or the TXP_MR_10E_C card to the first wavelength of the 100-GHz ITU-T C-band grid (1530.33 nm). Refer to the tunable laser manufacturer's documentation or the [“DLP-G268 Provision TXP_MR_10E_C Cards for Acceptance Testing” task on page 5-5](#).
- Step 8** Connect the tunable laser transmitter or TXP_MR_10E_C card DWDM TX port to the CHAN RX 01 port on the Side A (or terminal) 32MUX-O card using the available patch panel.
- Step 9** Display the Side A (or terminal) 32MUX-O card in card view.
- Step 10** Click the **Provisioning > Optical Chn > Parameters** tabs.
- Step 11** Change the Port 1 administrative state to **OOS,MT** (ANSI) or **Locked,maintenance** (ETSI).
- Step 12** Verify that the Port 1 power level reaches the provisioned VOA Power Ref set point.



Note The tunable laser minimum optical output power (Pout) must be 6 dBm. If the output power is lower than the specified value, the 32MUX-O card might not reach the provisioned set point.

- Step 13** If an OPT-BST, OPT-BST-E, or OPT-BST-L card is installed, complete the “[DLP-G79 Verify the OPT-BST, OPT-BST-E, or OPT-BST-L Amplifier Laser and Power](#)” task on page 5-6 on the Side A (or terminal) OPT-BST, OPT-BST-E, or OPT-BST-L to ensure that the amplifier is working properly. If an OSC-CSM card is installed, go to Step 15.
- Step 14** Complete the “[DLP-G80 Verify the OPT-PRE Amplifier Laser and Power](#)” task on page 5-7 on the Side A (or terminal) OPT-PRE card to ensure that the amplifier is working properly.
- Step 15** Complete the “[DLP-G78 Verify the 32MUX-O or 40-MUX-C Card Power](#)” task on page 5-8 to verify that the 32MUX-O is powered correctly.
- Step 16** Complete the “[DLP-G269 Verify the 32DMX-O or 40-DMX-C Card Power](#)” task on page 5-8 to verify that the 32DMX-O card is powered correctly.
- Step 17** Restore the default IS,AINS (ANSI) or Unlocked,automaticInService (ETSI) administrative state to the 32MUX-O card port that was changed to OOS,MT (ANSI) or Locked,maintenance (ETSI) in [Step 11](#).
- Step 18** Repeat Steps 7 through 17 for the remaining 31 wavelengths of the 100-GHz grid to verify the correct behavior of all variable optical attenuators (VOAs) inside the 32MUX-O card.
- Step 19** Remove the loopback created in [Step 5](#).
- Step 20** If the node is a hub node, repeat Steps 5 through 19 for the Side B cards.
- Step 21** Complete the “[NTP-G37 Run Automatic Node Setup](#)” procedure on page 4-128 to restore the original configuration.
- Step 22** Click the **Alarms** tab.
- Verify that the alarm filter is not on. See the “[DLP-G128 Disable Alarm Filtering](#)” task on page 10-26 as necessary.
 - Verify that no equipment alarms appear indicating equipment failure or other hardware problems. (Equipment alarms are indicated by an EQPT in the Alarms tab Cond column.) If equipment failure alarms appear, investigate and resolve them before continuing. Refer to the *Cisco ONS 15454 DWDM Troubleshooting Guide* for procedures.

Stop. You have completed this procedure.

DLP-G268 Provision TXP_MR_10E_C Cards for Acceptance Testing

Purpose	This task provisions a TXP_MR_10E_C card for acceptance testing when a tunable laser is not available.
Tools/Equipment	TXP_MR_10E_C
Prerequisite Procedures	<p>NTP-G179 Install the TXP, MXP, GE_XP, 10GE_XP, GE_XPE, 10GE_XPE, ADM-10G, and OTU2_XP Cards, page 4-69</p> <p>NTP-G34 Install Fiber-Optic Cables on DWDM Cards and DCUs, page 4-78</p> <p>DLP-G46 Log into CTC, page 3-30</p>
Required/As Needed	As needed

Onsite/Remote	Onsite
Security Level	Superuser only

-
- Step 1** If you have installed and verified the TXP_MR_10E_C card, continue with [Step 2](#). If not, install the TXP card using the “[NTP-G179 Install the TXP, MXP, GE_XP, 10GE_XP, GE_XPE, 10GE_XPE, ADM-10G, and OTU2_XP Cards](#)” procedure on page 4-69.
- Step 2** Display the TXP_MR_10E_C in card view.
- Step 3** Click the **Provisioning > Line > SONET (ANSI) or SDH (ETSI)** tabs.
- Step 4** Click the **Admin State** column for the trunk port and choose **OOS,DSBLD (ANSI) or Locked,disabled (ETSI)** from the drop-down list.
- Step 5** Click **Apply**, then click **Yes**.
- Step 6** Click the **Provisioning > Line > Wavelength Trunk Settings** tabs.
- Step 7** In the Wavelength field, choose the first wavelength required by the acceptance test.
- Step 8** Click **Apply**.
- Step 9** Click the **Provisioning > Line > SONET (ANSI) or SDH (ETSI)** tabs.
- Step 10** Click the **Admin State** column for the trunk port and choose **OOS,MT (ANSI) or Locked,maintenance (ETSI)** from the drop-down list.
- Step 11** Click **Apply**.
- Step 12** Connect a power meter to the DWDM TX port. Verify that the output power falls within 4.5 dBm (+/-1 dBm). If it does not fall within this range, replace the card or contact your next level of support.
- Step 13** Return to your originating procedure (NTP).
-

DLP-G79 Verify the OPT-BST, OPT-BST-E, or OPT-BST-L Amplifier Laser and Power

Purpose	This task verifies that the OPT-BST, OPT-BST-E, or OPT-BST-L amplifier laser is on and provisioned to the correct power.
Tools/Equipment	None
Prerequisite Procedures	DLP-G46 Log into CTC, page 3-30
Required/As Needed	As needed
Onsite/Remote	Onsite or remote
Security Level	Superuser only

-
- Step 1** Complete the “[DLP-G46 Log into CTC](#)” task on page 3-30 at the node that you want to test. If you are already logged in, continue with [Step 2](#).
- Step 2** In node view (single-shelf mode) or shelf view (multishelf mode), double-click the OPT-BST, OPT-BST-E, or OPT-BST-L amplifier to display the card view.

- Step 3** Click the **Maintenance > ALS** tabs. If the value in the Currently Shutdown field is NO, continue with [Step 4](#). If not, complete the following steps:
- Check the optical safety remote interlock (OSRI) setting. If it is set to On, change it to **Off**. If the OSRI setting is set to Off and the Currently Shutdown field is Yes, contact your next level of support.
 - Click **Apply**, then click **Yes**.
 - Check the Currently Shutdown field. If it changes to NO, continue with [Step 4](#). If not, contact your next level of support. The amplifier might need to be replaced.



Note The Currently Shutdown field will not change to NO until an active channel is flowing through the OPT-BST, OPT-BST-E, or OPT-BST-L amplifier.

- Step 4** Click the **Provisioning > Opt Ampli Line > Parameters** tabs.
- Step 5** Click **Reset**.
- Step 6** Scroll to the right and locate the Signal Output Power parameter for Port 6 (LINE-TX). Verify that the Signal Output Power value is greater than or equal to the Channel Power Ref.
- If the Signal Output Power is not greater than or equal to 1.5 dBm, do not continue. Begin troubleshooting or contact your next level of support.
- Step 7** Return to your originating procedure (NTP).

DLP-G80 Verify the OPT-PRE Amplifier Laser and Power

Purpose	This task verifies that the OPT-PRE amplifier laser is on and provisioned to the correct power.
Tools/Equipment	None
Prerequisite Procedures	DLP-G46 Log into CTC, page 3-30
Required/As Needed	As needed
Onsite/Remote	Onsite or remote
Security Level	Superuser only

- Step 1** Complete the “[DLP-G46 Log into CTC](#)” task on page 3-30 at the node that you want to test. If you are already logged in, continue with [Step 2](#).
- Step 2** In node view (single-shelf view) or shelf view (multishelf view), double-click the OPT-PRE amplifier to display the card view.
- Step 3** Click the **Maintenance > ALS** tabs.
- Step 4** If the value shown in the Currently Shutdown field is NO, continue with [Step 5](#). If not, complete the following steps:
- Check the OSRI setting. If it is set to ON, click the table cell and chose **OFF** from the drop-down list. If the OSRI setting is set to OFF and the Currently Shutdown field is Yes, contact your next level of support.
 - Click **Apply**, then click **Yes**.

- c. Check the Currently Shutdown field. If it changes to NO, continue with [Step 5](#). If not, contact your next level of support. The amplifier might need to be replaced.

Step 5 Click the **Provisioning > Opt Ampli Line > Parameters** tabs.

Step 6 Locate the Signal Output Power parameter for Port 2 (COM-TX). Verify that the Signal Output Power value is greater than or equal to the Channel Power Ref. If the Signal Output Power is greater than or equal to the Channel Power Ref, continue with [Step 7](#). If the Signal Output Power is less than the Channel Power Ref, check your connections and clean the fibers using the “[NTP-G115 Clean Fiber Connectors](#)” procedure on page 14-31. If this does not change the power value, consult your next level of support.

Step 7 Scroll to the right to locate the DCU Insertion Loss parameter. Verify that the DCU Insertion Loss value is less than or equal to 10 dB.

If the DCU Insertion Loss is greater than 10 dB, do not continue. Begin troubleshooting or contact your next level of support.

Step 8 Return to your originating procedure (NTP).

DLP-G78 Verify the 32MUX-O or 40-MUX-C Card Power

Purpose	This task verifies 32MUX-O or 40-MUX-C card power.
Tools/Equipment	None
Prerequisite Procedures	DLP-G46 Log into CTC, page 3-30
Required/As Needed	As needed
Onsite/Remote	Onsite or remote
Security Level	Superuser only

Step 1 Display the 32MUX-O or 40-MUX-C card in card view.

Step 2 Click the **Provisioning > Optical Chn > Parameters** tabs.

Step 3 Change the administrative state of the corresponding port to **OOS,MT (ANSI)** or **Locked,maintenance (ETSI)**.

Step 4 Click **Apply**, then click **Yes**.

Step 5 Check that the value in the Power column for the port reaches the value shown in the VOA Power Ref column.

Step 6 Return to your originating procedure (NTP).

DLP-G269 Verify the 32DMX-O or 40-DMX-C Card Power

Purpose	This task verifies that the 32DMX-O or 40-DMX-C card is provisioned to the correct power.
Tools/Equipment	None
Prerequisite Procedures	DLP-G46 Log into CTC, page 3-30

Required/As Needed	As needed
Onsite/Remote	Onsite or remote
Security Level	Superuser only

-
- Step 1** Display the 32DMX-O or 40-DMX-C card in card view.
- Step 2** Click the **Provisioning > Optical Chn > Parameters** tabs.
- Step 3** Change the administrative state for the appropriate port to **OOS,DSBLD** (ANSI) or **Locked,disabled** (ETSI).
- Step 4** Click **Apply**, then click **Yes**.
- Step 5** Verify that the value in the Power table cell is the same as the VOA Power Ref table cell value for the port under test.
- Step 6** Connect a power meter to the CHAN TX 01 port through the patch panel. Verify that the physical optical power value coming from drop Port 1 on the Side A 32DMX-O card is consistent with the value read (the maximum allowed error is +/- 0.5 dBm).
- Step 7** Return to your originating procedure (NTP).
-

NTP-G168 Perform the Terminal or Hub Node with 40-MUX-C and 40-DMX-C Cards Acceptance Test

Purpose	This procedure tests a DWDM terminal or hub node with 40-MUX-C and 40-DMX-C cards installed.
Tools/Equipment	One of the following: <ul style="list-style-type: none"> • A tunable laser • TXP_MR_10E_C An optical power meter or optical spectrum analyzer Two bulk attenuators (10 dB) with LC connectors
Prerequisite Procedures	Chapter 4, “Turn Up a Node”
Required/As Needed	As needed
Onsite/Remote	Onsite
Security Level	Superuser only



Note Throughout this procedure, Side A refers to Slots 1 through 6, and Side B refers to Slots 12 through 17.



Note This procedure tests Side A of hub nodes first, then Side B. If you are testing a terminal node, apply instructions for Side A of the hub node to the terminal side (Side B or Side A) of the terminal node.

**Note**

Optical power measurements require either a tunable laser or a multirate transponder to generate the proper optical wavelength. If multirate transponders were installed during completion of [Chapter 4, “Turn Up a Node,”](#) they can be used for this procedure. No additional cabling changes are needed.

Step 1 Complete the [“DLP-G46 Log into CTC” task on page 3-30](#) at the hub or terminal node that you want to test. If you are already logged in, continue with [Step 2](#).

Step 2 From the View menu, choose **Go to Network View**.

Step 3 Click the **Alarms** tab.

- a. Verify that the alarm filter is not on. See the [“DLP-G128 Disable Alarm Filtering” task on page 10-26](#) as necessary.
- b. Verify that no equipment alarms appear indicating equipment failure or other hardware problems. (Equipment alarms are indicated by an EQPT in the Alarms tab Cond column.) If equipment failure alarms appear, investigate and resolve them before continuing. Refer to the *Cisco ONS 15454 DWDM Troubleshooting Guide* for procedures.

**Note**

If OSC terminations are created, there will be two alarms, one for low power on the OPT-BST or OPT-BST-E card, and the other an OSC channel alarm.

Step 4 In node view (single-shelf mode) or multishelf view (multishelf mode), click the **Provisioning > WDM-ANS > Port Status** tabs. Verify that all statuses under Link Status are listed as Success - Changed or Success - Unchanged. If a different status appears, complete the [“NTP-G37 Run Automatic Node Setup” procedure on page 4-128](#).

Step 5 Create a physical loopback on the Side A (or terminal) OPT-BST or OPT-BST-E amplifier by using a patchcord with 10-dB bulk attenuators to connect the LINE TX port to the LINE RX port.

**Note**

For ANSI shelves, an EOC DCC Termination Failure alarm will appear due to the OSC signal loopback.

Step 6 Verify that the OSC link becomes active on the Side A OSCM or OSC-CSM card. (The OSC termination must already be provisioned. If not, complete the [“NTP-G38 Provision OSC Terminations” procedure on page 4-126](#).)

Step 7 Set the tunable laser or the TXP_MR_10E_C card to the first wavelength of the 100-GHz ITU-T C-band grid (1530.33 nm). Refer to the tunable laser manufacturer’s documentation or the [“DLP-G268 Provision TXP_MR_10E_C Cards for Acceptance Testing” task on page 5-5](#).

Step 8 Connect the tunable laser transmitter or TXP_MR_10E_C card DWDM TX port to the CHAN RX 01 port on the Side A (or terminal) 40-MUX-C card using the available patch panel.

Step 9 Display the Side A (or terminal) 40-MUX-C card in card view.

Step 10 Click the **Provisioning > Optical Chn > Parameters** tabs.

Step 11 Change the Port 1 administrative state to **OOS,MT** (ANSI) or **Locked,maintenance** (ETSI).

Step 12 Verify that the Port 1 power level reaches the provisioned VOA Power Ref set point.

**Note**

The tunable laser minimum optical output power (Pout) must be 6 dBm. If the output power is lower than the specified value, the 40-MUX-C card might not reach the provisioned set point.

- Step 13** If an OPT-BST, OPT-BST-E, or OPT-BST-L card is installed, complete the “[DLP-G79 Verify the OPT-BST, OPT-BST-E, or OPT-BST-L Amplifier Laser and Power](#)” task on page 5-6 on the Side A (or terminal) OPT-BST, OPT-BST-E, or OPT-BST-L to ensure that the amplifier is working properly.
- Step 14** Complete the “[DLP-G80 Verify the OPT-PRE Amplifier Laser and Power](#)” task on page 5-7 on the Side A (or terminal) OPT-PRE card to ensure that the amplifier is working properly.
- Step 15** Complete the “[DLP-G78 Verify the 32MUX-O or 40-MUX-C Card Power](#)” task on page 5-8 to verify that the 40-MUX-C card is powered correctly.
- Step 16** Complete the “[DLP-G269 Verify the 32DMX-O or 40-DMX-C Card Power](#)” task on page 5-8 to verify that the 40-DMX-C card is powered correctly.
- Step 17** Restore the default IS,AINS (ANSI) or Unlocked,automaticInService (ETSI) administrative state to the 40-MUX-C port that was changed to OOS,MT (ANSI) or Locked,maintenance (ETSI) in [Step 11](#).
- Step 18** Repeat Steps [7](#) through [17](#) for the remaining 31 wavelengths of the 100-GHz grid to verify the correct behavior of all variable optical attenuators (VOAs) inside the 40-MUX-C card.
- Step 19** Remove the loopback created in [Step 5](#).
- Step 20** If the node is a hub node, repeat Steps [5](#) through [19](#) for the Side B cards.
- Step 21** Complete the “[NTP-G37 Run Automatic Node Setup](#)” procedure on page 4-128 to restore the original configuration.
- Step 22** Click the **Alarms** tab.
- Verify that the alarm filter is not on. See the “[DLP-G128 Disable Alarm Filtering](#)” task on [page 10-26](#) as necessary.
 - Verify that no equipment alarms appear indicating equipment failure or other hardware problems. (Equipment alarms are indicated by an EQPT in the Alarms tab Cond column.) If equipment failure alarms appear, investigate and resolve them before continuing. Refer to the *Cisco ONS 15454 DWDM Troubleshooting Guide* for procedures.

Stop. You have completed this procedure.

NTP-G42 Perform the Terminal Node with 32WSS and 32DMX Cards Acceptance Test

Purpose	This acceptance test verifies that a terminal node with 32WSS and 32DMX cards installed is operating properly before you connect it to the network. The test verifies the operation of the amplifiers and also verifies that each 32WSS and 32DMX add/drop and pass-through port operates properly. The test also checks the power levels at each transmit and receive port to ensure that power loss in the cabling is within tolerance. If MMU cards are installed, the test verifies that the MMU insertion loss does not impact add, drop, or pass-through circuits.
Tools/Equipment	One of the following: <ul style="list-style-type: none"> • A tunable laser • TXP_MR_10E_C An optical power meter or optical spectrum analyzer 1 bulk attenuator (10 dB) with LC connectors
Prerequisite Procedures	Chapter 4, “Turn Up a Node”
Required/As Needed	As needed
Onsite/Remote	Onsite
Security Level	Superuser only

**Note**

Throughout this procedure, Side A refers to Slots 1 through 6, and Side B refers to Slots 12 through 17.

**Note**

This procedure creates an optical loopback on the OPT-BST or OPT-BST-E line. An optical signal is sent from the 32WSS input (add) to the OPT-BST or OPT-BST-E common receive (RX) port and back out the OPT-BST or OPT-BST-E transmit (TX) line. The OPT-BST or OPT-BST-E line receives the looped signal from the OPT-BST or OPT-BST-E TX port. It then passes the signal to the OPT-BST or OPT-BST-E common TX port and into the OPT-PRE common RX line. The OPT-PRE sends the signal to the 32DMX card. The optical signal from the tunable laser or TXP_MR_10E_C card must pass successfully through the 32WSS card and out the 32DMX card.

**Note**

Optical power measurements require either a tunable laser or a multirate transponder to generate the proper optical wavelength. If multirate transponders were installed during completion of [Chapter 4, “Turn Up a Node,”](#) they can be used for this procedure. No additional cabling changes are needed.

- Step 1** Complete the [“DLP-G46 Log into CTC” task on page 3-30](#) at the terminal node that you want to test. If you are already logged in, continue with [Step 2](#).
- Step 2** Display the terminal node in node view (single-shelf mode) or multishelf view (multishelf mode).
- Step 3** Click the **Alarms** tab.
- Verify that the alarm filter is not on. See the [“DLP-G128 Disable Alarm Filtering” task on page 10-26](#) as necessary.

- b. Verify that no equipment alarms (indicated by EQPT in the Cond column) appear indicating equipment failure or other hardware problems. If equipment failure alarms appear, investigate and resolve them before continuing. Refer to the *Cisco ONS 15454 DWDM Troubleshooting Guide* for procedures.



Note If OSC terminations are created, an OSC channel alarm will appear.

Step 4 In node view (single-shelf mode) or multishelf view (multishelf mode), click the **Provisioning > WDM-ANS > Port Status** tabs. Verify that all statuses under Link Status are listed as Success - Changed or Success - Unchanged. If a different status appears, or if errors (indicated in red) appear, delete the OSC channels and complete the “[NTP-G37 Run Automatic Node Setup](#)” procedure on page 4-128. Provision the OSC channels when automatic node setup (ANS) is complete.

Step 5 Create a physical loopback on the OPT-BST, OPT-BST-E, or OSC-CSM card by using a patchcord with 10-dB bulk attenuators to connect the LINE TX port to the LINE RX port.



Note For ANSI shelves, an EOC DCC Termination Failure alarm will appear due to the OSC signal loopback. This is observed as an alarm on Port 1 of the OSCM or OSC-CSM card.

Step 6 Wait approximately two minutes, then verify that the OSC link is active on the Side A OSCM or OSC-CSM card by observing whether or not the loss of signal (LOS) alarm on the OSCM or OSC-CSM (and the OPT-BST or OPT-BST-E card, if present) clears. (The OSC termination must already be provisioned. If not, complete the “[NTP-G38 Provision OSC Terminations](#)” procedure on page 4-126.)



Note If the LOS alarm does not clear on the OSC-CSM card, verify that the opwrMin (dBm) Optic Thresholds setting for the OSC-RX port is not higher than the port's Optical Line power value. In the OSC-CSM card view, click the **Provisioning > Optical Line > Optic Thresholds** tabs and record the opwrMin (dBm) setting and compare it to the value found in the Power column for the OSC-RX port in the **Provisioning > Optical Line > Parameters** tabs. Reduce the Optic Thresholds setting for the opwrMin (dBm) value temporarily until the loopback test has been completed to clear the LOS alarm. Reset the Optic Thresholds setting to its original value after clearing the physical loopback.

Step 7 If you are using a tunable laser, follow the manufacturer's instructions to complete the following substeps. If you are using a TXP_MR_10E_C card, continue with [Step 8](#).

- a. Set the output power to a nominal value, such as -3 dBm.
- b. Set the tuner to the wavelength you will test, then continue with [Step 9](#).

Step 8 If you are using a TXP_MR_10E_C card, complete the “[DLP-G268 Provision TXP_MR_10E_C Cards for Acceptance Testing](#)” task on page 5-5 for the TXP containing the wavelength you will test. Refer to [Table 5-1](#) on page 5-30, if needed.

Step 9 Using the available patch panel, connect the tunable laser transmitter or the TXP_MR_10E_C card DWDM TX port to the CHAN RX 01 port on the 32WSS card.



Note The tunable laser minimum Pout must be -6 dBm. If the output power is lower than -6 dBm, the 32WSS card might not reach the provisioned set point.

Step 10 Display the 32WSS card in card view.

- Step 11** Click the **Provisioning > Optical Chn Optical Connector n > Parameters** tabs, where n = the optical connector number that carries the wavelengths you will test. Refer to [Table 5-1 on page 5-30](#), if needed.
- Step 12** Click the **Admin State** table cell for the add (CHAN-RX) port carrying the tested wavelength, then choose **OOS,MT** (ANSI) or **Locked,maintenance** (ETSI) from the drop-down list. For example, if the tested wavelength is 1530.33 nm (shown as 1530.3), you would click the Port 1 (CHAN-RX) Admin State field and choose OOS,MT or Locked,maintenance from the drop-down list.
- Step 13** Change the administrative state of the pass-through port corresponding to the port in [Step 9](#) to **OOS,MT** (ANSI) or **Locked,maintenance** (ETSI). For example, if the tested wavelength is 1530.33 nm (shown as 1530.3), you would click the Port 33 (PASS-THROUGH) Admin State field and choose OOS,MT or Locked,maintenance from the drop-down list. Refer to [Table 5-1 on page 5-30](#), if needed.
- Step 14** Click **Apply**, then click **Yes**.
- Step 15** Click the **Maintenance** tab.
- Step 16** For Channel #1, change the Operating Mode to **Add Drop**.
- Step 17** Click **Apply**, then click **Yes**.
- Step 18** Click the **Provisioning > Optical Chn Optical Connector n > Parameters** tabs, where n = the optical connector number that carries the wavelength under test.
- Step 19** Verify that the actual power coming from the tunable laser or TXP_MR_10E_C card shown under the Power column is equal to the specified VOA Power Ref power (+/- 0.2 dB) shown in the same row.
- Step 20** Click the **Optical Line** tab.
- Step 21** Verify that the power value from [Step 19](#) reaches the Shelf i Slot i (32WSS or 32DMX).Port COM-TX.Power set point +/- 1.0 dBm. To view this set point:
- In node view (single-shelf mode) or multishelf view (multishelf mode), click the **Provisioning > WDM-ANS > Provisioning** tabs.
 - In the Selector window on the left, expand the 32WSS or 32DMX card.
 - Expand the Port COM-TX category.
 - Select Power.
 - View the value of the Shelf i Slot i (32WSS or 32DMX).Port COM-TX.Power parameter on the right pane.
 - If the power value does not match the value recorded in [Step 19](#) (+/- 0.5 dB), contact your next level of support.
- Step 22** If an OPT-BST or OPT-BST-E card is installed, complete the “[DLP-G79 Verify the OPT-BST, OPT-BST-E, or OPT-BST-L Amplifier Laser and Power](#)” task on [page 5-6](#) on the OPT-BST or OPT-BST-E to ensure that the amplifier is working properly.
- Step 23** If an OSC-CSM is installed, continue with [Step 25](#). If an OPT-BST is installed, verify the connection between Port 67 (COM-TX) on the 32WSS and Port 1 (COM-RX) on the OPT-BST or OPT-BST-E cards:
- Display the 32WSS card in card view.
 - Click the **Provisioning > Optical Line** tabs.
 - Record the value in the Power table cell for Port 83 (COM-TX).
 - Display the OPT-BST or OPT-BST-E card in card view.
 - Click the **Provisioning > Optical Line > Parameters** tabs.

- f. Verify that the value in the Power table cell for Port 1 (COM-RX) is equal to the value recorded in Step c, +/- 1.0 dB. If not, use the [“NTP-G115 Clean Fiber Connectors” procedure on page 14-31](#) to clean the fiber connection between the OPT-BST or OPT-BST-E card and the 32WSS cards. Check the values again. If they still do not match, contact your next level of support.
- Step 24** If an OPT-BST, OPT-BST-E, or OPT-BST-L card is installed on the Side A or terminal side, complete the [“DLP-G79 Verify the OPT-BST, OPT-BST-E, or OPT-BST-L Amplifier Laser and Power” task on page 5-6](#) to ensure that the amplifier is working properly.
- Step 25** Complete the following steps to verify the connection between Port 67 (COM-TX) on the 32WSS and Port 2 (COM-RX) on the OSC-CSM card:
 - a. Display the 32WSS card in card view.
 - b. Click the **Provisioning > Optical Line** tabs.
 - c. Record the value in Power table cell for Port 67 (COM-TX).
 - d. Display the OSC-CSM card in card view.
 - e. Click the **Provisioning > Optical Line > Parameters** tabs.
 - f. Verify that the value in the Power table cell for Port 2 (COM-RX) is equal to the value recorded in Step c, +/- 1.0 dB. If not, use the [“NTP-G115 Clean Fiber Connectors” procedure on page 14-31](#) to clean the fiber connection between the OSC-CSM and 32WSS cards. Check the values again. If they still do not match, contact your next level of support.
- Step 26** Complete the following steps to verify the connection between Port 2 (COM-TX) on the OPT-PRE card and Port 33 (COM-RX) on the 32DMX card:
 - a. Display the OPT-PRE card in card view.
 - b. Click the **Provisioning > OptAmpliLine > Parameters** tabs.
 - c. Record the value in Power table cell for Port 2 (COM-TX).
 - d. Display the 32DMX card in card view.
 - e. Click the **Provisioning > Optical Line > Parameters** tabs.
 - f. Verify that the value in the Power table cell for Port 33 (COM-RX) is equal to the value recorded in Step c, +/- 1.0 dB. If not, use the [“NTP-G115 Clean Fiber Connectors” procedure on page 14-31](#) to clean the fiber connection between the OPT-PRE and 32DMX cards. Check the values again. If they still do not match, contact your next level of support.
- Step 27** Complete the [“DLP-G80 Verify the OPT-PRE Amplifier Laser and Power” task on page 5-7](#) on the OPT-PRE to ensure that the amplifier is working properly.
- Step 28** Complete the [“DLP-G270 Verify the 32DMX or 40-DMX-C Power” task on page 5-16](#) to verify that the 32DMX card is powered correctly.
- Step 29** Display the 32WSS in card view.
- Step 30** Click the **Maintenance** tab.
- Step 31** For the circuit (channel) under test, click the **Operating Mode** table cell and choose **Not Assigned** from the drop-down list.
- Step 32** Click **Apply**, then **Yes**.
- Step 33** Click the **Provisioning > Optical Chn Optical Connector n > Parameters** tabs, where n = the optical connector number that carries the wavelength under test.
- Step 34** Click the **Admin State** table cell. Choose **IS,AINS** (ANSI) or **Unlocked,automaticInService** (ETSI) from the drop-down list for all ports that were changed to OOS,MT or Locked,maintenance.
- Step 35** Click **Apply**, then **Yes**.

- Step 36** Repeat Steps 7 through 35 for the remaining 31 wavelengths of the 100-GHz grid to verify the correct behavior of all VOAs inside the 32WSS card.
- Step 37** Disconnect the TXP card or tunable laser from the 32WSS card.
- Step 38** Remove the loopback created in Step 5.
- Step 39** Complete the “[NTP-G37 Run Automatic Node Setup](#)” procedure on page 4-128 to restore the original configuration.
- Step 40** Click the **Alarms** tab.
- Verify that the alarm filter is not on. See the “[DLP-G128 Disable Alarm Filtering](#)” task on page 10-26 as necessary.
 - Verify that no equipment alarms appear indicating equipment failure or other hardware problems. (Equipment alarms are indicated by an EQPT in the Alarms tab Cond column.) If equipment failure alarms appear, investigate and resolve them before continuing. Refer to the *Cisco ONS 15454 DWDM Troubleshooting Guide* for procedures.

Stop. You have completed this procedure.

DLP-G270 Verify the 32DMX or 40-DMX-C Power

Purpose	This task verifies that the 32DMX or 40-DMX-C card is provisioned to the correct power.
Tools/Equipment	None
Prerequisite Procedures	DLP-G46 Log into CTC , page 3-30
Required/As Needed	As needed
Onsite/Remote	Onsite or remote
Security Level	Superuser only

- Step 1** Display the 32DMX or 40-DMX-C card in card view.
- Step 2** Click the **Provisioning > Optical Line > Parameters** tabs.
- Step 3** Change the administrative state for the COM TX (Port 33 for the 32DMX or Port 41 for the 40-DMX-C) to **OOS,MT** (ANSI) or **Locked,maintenance** (ETSI)
- Step 4** Click **Apply**, then **Yes**.
- Step 5** Verify that the value shown in the power column is equal to the specified VOA Power Ref column (+/- 0.2dB).
- Step 6** (Optional) Connect a power meter to the CHAN TX 01 port through the patch panel. Verify that the physical optical power value coming from the 32DMX or 40-DMX-C drop Port 1 is consistent with the Power value on the Parameters tab, +/- 1.0 dBm.
- Step 7** Change the administrative state for the COM TX port to **IS,AINS** (ANSI) or **Unlocked,automaticInService** (ETSI).
- Step 8** Return to your originating procedure (NTP).
-

NTP-G167 Perform the Terminal Node with 40-WSS-C and 40-DMX-C Cards Acceptance Test

Purpose	This acceptance test verifies that a terminal node with 40-WSS-C and 40-DMX-C cards installed is operating properly before you connect it to the network. The test verifies the operation of the amplifiers and also verifies that each 40-WSS-C and 40-DMX-C add/drop and pass-through port operates properly. The test also checks the power levels at each transmit and receive port to ensure that power loss in the cabling is within tolerance. If MMU cards are installed, the test verifies that the MMU insertion loss does not impact add, drop, or pass-through circuits.
Tools/Equipment	One of the following: <ul style="list-style-type: none"> • A tunable laser • TXP_MR_10E_C An optical power meter or optical spectrum analyzer 1 bulk attenuator (10 dB) with LC connectors
Prerequisite Procedures	Chapter 4, “Turn Up a Node”
Required/As Needed	As needed
Onsite/Remote	Onsite
Security Level	Superuser only

**Note**

Throughout this procedure, Side A refers to Slots 1 through 6, and Side B refers to Slots 12 through 17.

**Note**

This procedure creates an optical loopback on the OPT-BST or OPT-BST-E line. An optical signal is sent from the 40-WSS-C input (add) to the OPT-BST or OPT-BST-E common receive (RX) port and back out the OPT-BST or OPT-BST-E transmit (TX) line. The OPT-BST or OPT-BST-E line receives the looped signal from the OPT-BST or OPT-BST-E TX port. It then passes the signal to the OPT-BST or OPT-BST-E common TX port and into the OPT-PRE common RX line. The OPT-PRE sends the signal to the 40-DMX-C. The optical signal from the tunable laser or TXP_MR_10E_C must pass successfully through the 40-WSS-C and out the 40-DMX-C.

**Note**

If the shelf is equipped with an OSC-CSM, this procedure creates an optical loopback on the OSC-CSM line. An optical signal is sent from the 40-WSS-C input (add) to the OSC-CSM common receive (RX) port and back out the OSC-CSM transmit (TX) line. The OSC-CSM line receives the looped signal from the OSC-CSM-TX port. It then passes the signal to the OSC-CSM common TX port and sends the signal to the 40DMX-C. The optical signal from the tunable laser or TXP_MR_10E_C must pass successfully through the 40-WSS-C and out the 40DMX-C.

**Note**

Optical power measurements require either a tunable laser or a multirate transponder to generate the proper optical wavelength. If multirate transponders were installed during completion of [Chapter 4, “Turn Up a Node,”](#) they can be used for this procedure. No additional cabling changes are needed.

**Warning**

The OSC-RX port opwrMin (dBm) Optic Thresholds setting provisioned by CTP can be set too high and generate LOS and Power Fail alarms for this port while performing an optical loopback on the OSC-CSM card. CTP provisions the opwrMin (dBm) Optic Thresholds value higher than the power received during the loopback test, because CTP calculates the thresholds based on the incoming amplified signal from an adjacent node instead of a loopbacked signal from the OSC-CSM card. To clear the alarms, reduce the Optic Thresholds setting for the opwrMin (dBm) value temporarily until the loopback test has been completed. Reset the Optic Thresholds setting to its original value after clearing the physical loopback.

- Step 1** Complete the “[DLP-G46 Log into CTC](#)” task on page 3-30 at the terminal node that you want to test. If you are already logged in, continue with [Step 2](#).
- Step 2** Display the terminal node in node view (single-shelf mode) or multishelf view (multishelf mode).
- Step 3** Click the **Alarms** tab.
- Verify that the alarm filter is not on. See the “[DLP-G128 Disable Alarm Filtering](#)” task on page 10-26 as necessary.
 - Verify that no equipment alarms (indicated by EQPT in the Cond column) appear indicating equipment failure or other hardware problems. If equipment failure alarms appear, investigate and resolve them before continuing. Refer to the *Cisco ONS 15454 DWDM Troubleshooting Guide* for procedures.

**Note**

The OSC terminations created during node turn-up will generate LOS alarms on the OPT-BST, OPT-BST-E, or OPT-AMP-17-C cards, and on the OSC-CSM and OSCM cards. If OSCM cards are installed in ANSI shelves, EOC SDCC Termination Failure alarms will appear.

- Step 4** In node view (single-shelf mode) or multishelf view (multishelf mode), click the **Provisioning** > **WDM-ANS** > **Port Status** tabs. Verify that all statuses under Link Status are listed as Success - Changed or Success - Unchanged. If other statuses appear, or if errors (indicated in red) appear, delete the OSC channels and complete the “[NTP-G37 Run Automatic Node Setup](#)” procedure on page 4-128. Provision the OSC channels when ANS is complete.
- Step 5** If no OSC terminations are present, complete the “[NTP-G38 Provision OSC Terminations](#)” procedure on page 4-126.
- Step 6** Create a physical loopback on the OPT-BST, OPT-BST-E, OPT-AMP-17, or OSC-CSM card by connecting a fiber optic jumper between the LINE TX and RX ports. For OPT-BST or OPT-BST-E cards, connect a 10 dB bulk attenuator to each end of the jumper. The OSC-CSM card does not require attenuation.

**Note**

For ANSI shelves, an EOC SDCC Termination Failure alarm will appear due to the OSC signal loopback. This is observed as an alarm on Port 1 of the OSCM or OSC-CSM card.

- Step 7** Provision OSC terminations. Complete the “[NTP-G38 Provision OSC Terminations](#)” procedure on page 4-126.
- Step 8** Wait approximately two minutes, then verify that the OSC link is active on the Side A OSCM or OSC-CSM card by observing whether or not the LOS alarm on the OSCM or OSC-CSM (and the OPT-BST or OPT-BST-E card, if present) clears. (The OSC termination must already be provisioned. If not, complete the “[NTP-G38 Provision OSC Terminations](#)” procedure on page 4-126.)

**Note**

If the LOS alarm does not clear on the OSC-CSM card, verify that the opwrMin (dBm) Optic Thresholds setting for the OSC-RX port is not higher than the port's Optical Line power value. In the OSC-CSM card view, click the **Provisioning > Optical Line > Optic Thresholds** tabs and record the opwrMin (dBm) setting and compare it to the value found in the Power column for the OSC-RX port in the **Provisioning > Optical Line > Parameters** tabs. Reduce the Optic Thresholds setting for the opwrMin (dBm) value temporarily until the loopback test has been completed to clear the LOS alarm. Reset the Optic Thresholds setting to its original value after clearing the physical loopback.

- Step 9** If you are using a tunable laser, follow the manufacturer's instructions to complete the following substeps. If you are using a TXP_MR_10E_C card, continue with [Step 10](#).
- Set the output power to a nominal value, such as -3 dBm.
 - Set the tuner to the wavelength you will test, then continue with [Step 11](#).
- Step 10** If you are using a TXP_MR_10E_C card, complete the “[DLP-G268 Provision TXP_MR_10E_C Cards for Acceptance Testing](#)” task on page 5-5 for the TXP containing the wavelength you will test. Refer to [Table 5-1 on page 5-30](#), if needed.
- Step 11** Using the available patch panel, connect the tunable laser transmitter or the TXP_MR_10E_C card DWDM TX port to the correct CHAN RX port on the 40-WSS-C card for the wavelength that you want to test. Refer to [Table 4-1 on page 4-28](#), if needed. For example, if the tested wavelength is 1530.33 nm (shown as 1530.3), then connect the TXP_MR_10E_C card DWDM TX port to the Optical Connector 1, CHAN RX 01 port on the 40-WSS-C card.

**Note**

The tunable laser minimum Pout must be -6 dBm. If the output power is lower than -6 dBm, the 40-WSS-C card might not reach the provisioned set point.

- Step 12** Display the 40-WSS-C card in card view.
- Step 13** Click the **Provisioning > Optical Chn Optical Connector n > Parameters** tabs, where n = the optical connector number that carries the wavelengths you will test. Refer to [Table 5-1 on page 5-30](#), if needed.
- Step 14** Click the **Admin State** table cell for the add (CHAN-RX) port carrying the tested wavelength, then choose **OOS,MT (ANSI)** or **Locked,maintenance (ETSI)** from the drop-down list. For example, if the tested wavelength is 1530.33 nm (shown as 1530.3), you would click the Port 1 (CHAN-RX) Admin State field and choose OOS,MT or Locked,maintenance from the drop-down list.
- Step 15** Change the administrative state of the pass-through port corresponding to the port in [Step 11](#) to **OOS,MT (ANSI)** or **Locked,maintenance (ETSI)**. For example, if the tested wavelength is 1530.33 nm (shown as 1530.3), you would click the Port 41 (PASS-THROUGH) Admin State field and choose OOS,MT or Locked,maintenance from the drop-down list. Refer to [Table 5-1 on page 5-30](#), if needed.
- Step 16** Click **Apply**, then click **Yes**.
- Step 17** Click the **Maintenance** tab.
- Step 18** For Channel #1, change Operating Mode to **Add Drop**.
- Step 19** Click **Apply**, then click **Yes**.
- Step 20** Click the **Provisioning > Optical Chn Optical Connector n > Parameters** tabs, where n = the optical connector number that carries the wavelength under test.
- Step 21** Verify that the actual power coming from the tunable laser or TXP_MR_10E_C card shown under the Power column is equal to the specified VOA Power Ref power (+/- 0.2 dB) shown in the same row.

- Step 22** Click the **Optical Line** tab.
- Step 23** Verify that the power value from [Step 21](#) reaches the Shelf i Slot i (40-WSS-C or 40-DMX-C).Port COM-TX.Power set point +/- 1.0 dBm. To view this set point:
- In node view (single-shelf mode) or multishelf view (multishelf mode), click the **Provisioning > WDM-ANS > Provisioning** tabs.
 - In the Selector window on the left, expand the 40-WSS-C or 40-DMX-C card.
 - Expand the Port COM-TX category.
 - Select Power.
 - View the value of the Shelf i Slot i (40-WSS-C or 40-DMX-C).Port COM-TX.Power parameter on the right pane.
 - If the power value does not match the value recorded in [Step 21](#) (+/- 0.5 dB), contact your next level of support.
- Step 24** If an OPT-BST, OPT-BST-E, or OPT-BST-L card is installed, complete the “[DLP-G79 Verify the OPT-BST, OPT-BST-E, or OPT-BST-L Amplifier Laser and Power](#)” task on page 5-6 on the OPT-BST or OPT-BST-E to ensure that the amplifier is working properly. If an OSC-CSM is installed, complete the “[DLP-G84 Verify the OSC-CSM Incoming Power](#)” task on page 5-137.
- Step 25** If an OSC-CSM is installed, continue with [Step 27](#). If an OPT-BST is installed, verify the connection between Port 83 (COM-TX) on the 40-WSS-C and Port 1 (COM-RX) on the OPT-BST or OPT-BST-E cards:
- Display the 40-WSS-C card in card view.
 - Click the **Provisioning > Optical Line** tabs.
 - Record the value in the Power column for Port 83 (COM-TX).
 - Display the OPT-BST or OPT-BST-E card in card view.
 - Click the **Provisioning > Optical Line > Parameters** tabs.
 - Verify that the value in the Power column for Port 1 (COM-RX) is equal to the value recorded in [Step c](#), +/- 1.0 dB. If not, use the “[NTP-G115 Clean Fiber Connectors](#)” procedure on page 14-31 to clean the fiber connection between the OPT-BST or OPT-BST-E card and the 40-WSS-C cards. Check the values again. If they still do not match, contact your next level of support.
- Step 26** If an OPT-BST, OPT-BST-E, or OPT-BST-L card is installed on the Side A or terminal side, complete the “[DLP-G79 Verify the OPT-BST, OPT-BST-E, or OPT-BST-L Amplifier Laser and Power](#)” task on page 5-6 to ensure that the amplifier is working properly. Continue with [Step 29](#).
- Step 27** Complete the following steps to verify the connection between Port 83 (COM-TX) on the 40-WSS-C and the Port 2 (COM-RX) on the OSC-CSM card:
- Display the 40-WSS-C card in card view.
 - Click the **Provisioning > Optical Line** tabs.
 - Record the value in Power table cell for Port 83 (COM-TX).
 - Display the OSC-CSM card in card view.
 - Click the **Provisioning > Optical Line > Parameters** tabs.
 - Verify that the value in the Power table cell for Port 2 (COM-RX) is equal to the value recorded in [Step c](#), +/- 1.0 dB. If not, use the “[NTP-G115 Clean Fiber Connectors](#)” procedure on page 14-31 to clean the fiber connection between the OSC-CSM and 40-WSS-C cards. Check the values again. If they still do not match, contact your next level of support.

- Step 28** Complete the following steps to verify the connection between Port 2 (COM-TX) on the OPT-PRE card and Port 41 (COM-RX) on the 40-DMX-C card:
- Display the OPT-PRE card in card view.
 - Click the **Provisioning > OptAmpliLine > Parameters** tabs.
 - Record the total output power in Power column for Port 2 (COM-TX).
 - Display the 40-DMX-C card in card view.
 - Click the **Provisioning > Optical Line > Parameters** tabs.
 - Verify that the value in the Power column for Port 41 (COM-RX) is equal to the value recorded in Step c, +/- 1.0 dB. If not, use the [“NTP-G115 Clean Fiber Connectors” procedure on page 14-31](#) to clean the fiber connection between the OPT-PRE and 40-DMX-C cards. Check the values again. If they still do not match, contact your next level of support.
- Step 29** If an OPT-PRE card is installed on the Side A or terminal side, complete the [“DLP-G80 Verify the OPT-PRE Amplifier Laser and Power” task on page 5-7](#) on the OPT-PRE card to ensure that the amplifier is working properly. If OSC-CSM cards are installed, complete the [“DLP-G84 Verify the OSC-CSM Incoming Power” task on page 5-137](#).
- Step 30** Complete the [“DLP-G270 Verify the 32DMX or 40-DMX-C Power” task on page 5-16](#) to verify that the 40-DMX-C card is powered correctly.
- Step 31** Display the 40-WSS-C card in card view.
- Step 32** Click the **Maintenance** tab.
- Step 33** For the circuit (channel) under test, click the **Operating Mode** table cell and choose **Not Assigned** from the drop-down list.
- Step 34** Click **Apply**, then **Yes**.
- Step 35** Click the **Provisioning > Optical Chn Optical Connector n > Parameters** tabs, where n = the optical connector number that carries the wavelength under test.
- Step 36** Click the **Admin State** table cell. Choose **IS,AINS** (ANSI) or **Unlocked,automaticInService** (ETSI) from the drop-down list for all ports that were changed to OOS,MT or Locked,maintenance in Steps 13 and 14 of this procedure. For example, if the tested wavelength is 1430-33 nm (shown as 1530.3), you would click the Admin State field and choose IS,ANSI (ANSI) or Unlocked,AutomaticInService (ETSI) from the drop-down list for both Port 1 (CHAN-RX) and Port 41 (PASS-THROUGH).
- Step 37** Repeat Steps 9 through 36 for the remaining 39 wavelengths of the 100-Ghz grid to verify the correct behavior of all VOAs inside the 40-WSS-C card.
- Step 38** Disconnect the TXP card or tunable laser from the 40-WSS-C card.
- Step 39** Remove the loopback created in Step 6.
- Step 40** Complete the [“NTP-G37 Run Automatic Node Setup” procedure on page 4-128](#) to restore the original configuration.
- Step 41** Click the **Alarms** tab.
- Verify that the alarm filter is not on. See the [“DLP-G128 Disable Alarm Filtering” task on page 10-26](#) as necessary.
 - Verify that no equipment alarms appear indicating equipment failure or other hardware problems. (Equipment alarms are indicated by an EQPT in the Alarms tab Cond column.) If equipment failure alarms appear, investigate and resolve them before continuing. Refer to the *Cisco ONS 15454 DWDM Troubleshooting Guide* for procedures.

Stop. You have completed this procedure.

NTP-G153 Perform the Terminal Node with 32WSS-L and 32DMX-L Cards Acceptance Test

Purpose	This acceptance test verifies that a terminal node provisioned for L-band wavelengths is operating properly before you connect it to the network. The test verifies the operation of the amplifiers and also verifies that each add/drop and pass-through port on the 32WSS-L and 32DMX-L cards operates properly. The test also checks the power levels at each transmit and receive port to ensure that power loss in the cabling is within tolerance. If MMU cards are installed, the test verifies that the MMU insertion loss does not impact add, drop, or pass-through circuits.
Tools/Equipment	One of the following: <ul style="list-style-type: none"> • A tunable laser • TXP_MR_10E_L An optical power meter or optical spectrum analyzer 1 bulk attenuator (10 dB) with LC connectors
Prerequisite Procedures	Chapter 4, “Turn Up a Node”
Required/As Needed	As needed
Onsite/Remote	Onsite
Security Level	Superuser only



Note

Optical power measurements require either a tunable laser or a multirate transponder to generate the proper optical wavelength. If multirate transponders were installed during completion of [Chapter 4, “Turn Up a Node,”](#) they can be used for this procedure. No additional cabling changes are needed.



Note



This procedure creates an optical loopback on the OPT-BST-L line. An optical signal is sent from the 32WSS-L input (add) to the OPT-BST-L common RX port and back out the OPT-BST-L TX line. The OPT-BST-L line receives the looped signal from the OPT-BST-L TX port. It then passes the signal to the OPT-BST-L common TX port and into the OPT-AMP-L (when provisioned in OPT-PRE mode) common RX port. The OPT-AMP-L card sends the signal to the 32DMX-L card. The optical signal from the tunable laser or TXP_MR_10E_L card must pass successfully through the 32WSS-L card and out the 32DMX-L card.

- Step 1** Complete the [“DLP-G46 Log into CTC” task on page 3-30](#) at the hub or terminal node that you want to test. If you are already logged in, continue with [Step 2](#).
- Step 2** Display the terminal node in node view (single-shelf mode) or multishelf view (multishelf mode).
- Step 3** Click the **Alarms** tab.
- Verify that the alarm filter is not on. See the [“DLP-G128 Disable Alarm Filtering” task on page 10-26](#) as necessary.

- b. Verify that no equipment alarms appear indicating equipment failure or other hardware problems. (Equipment alarms are indicated by an EQPT in the Alarms tab Cond column.) If equipment failure alarms appear, investigate and resolve them before continuing. Refer to the *Cisco ONS 15454 DWDM Troubleshooting Guide* for procedures.



Note If OSC terminations are created, an OSC channel alarm will appear.

- Step 4** In node view (single-shelf mode) or multishelf view (multishelf mode), click the **Provisioning > WDM-ANS > Port Status** tabs. Verify that all statuses under Link Status are listed as Success - Changed, or Success - Unchanged. If a different status appears, or if errors (indicated in red) appear, delete the OSC channels and complete the “[NTP-G37 Run Automatic Node Setup](#)” procedure on [page 4-128](#). Provision the OSC channels when ANS is complete.
- Step 5** Create a physical loopback on the OPT-BST-L, OCSM, or OSC-CSM card by using a patchcord with 10-dB bulk attenuators to connect the LINE TX port to the LINE RX port.
-  **Note** For ANSI shelves, an EOC DCC Termination Failure alarm will appear due to the OSC signal loopback. This is observed as an alarm on Port 1 of the OSCM or OSC-CSM card.
-
- Step 6** Wait approximately two minutes, then verify that the OSC link is active on the Side A OSCM or OSC-CSM card by observing whether or not the LOS alarm on the OSCM or OSC-CSM card (and the OPT-BST-L card, if present) clears. (The OSC termination must already be provisioned. If not, complete the “[NTP-G38 Provision OSC Terminations](#)” procedure on [page 4-126](#).)
- Step 7** If you are using a tunable laser, follow the manufacturer’s instructions to complete the following substeps. If you are using a TXP_MR_10E_L card, continue with [Step 8](#).
- a. Set the output power to a nominal value, such as –3 dBm.
 - b. Set the tuner to the wavelength you will test, then continue with [Step 9](#).
- Step 8** If you are using a TXP_MR_10E_L card, complete the “[DLP-G358 Provision TXP_MR_10E_L Card for Acceptance Testing](#)” task on [page 5-26](#) for the TXP containing the wavelength you will test.
- Step 9** Using the available patch panel, connect the tunable laser transmitter or the TXP_MR_10E_L card DWDM TX port to the CHAN RX 01 port on the 32WSS-L card.
-  **Note** The tunable laser minimum Pout must be –6 dBm. If the output power is lower than –6 dBm, the 32WSS-L card might not reach the provisioned set point.
-
- Step 10** Display the 32WSS-L card in card view.
- Step 11** Click the **Provisioning > Optical Chn Optical Connector n > Parameters** tabs, where n = the optical connector number that carries the wavelengths you will test. Refer to [Table 5-2 on page 5-53](#), if needed.
- Step 12** Click the **Admin State** table cell for the add (CHAN-RX) port carrying the tested wavelength, then choose **OOS,MT** (ANSI) or **Locked,maintenance** (ETSI) from the drop-down list. For example, if the tested wavelength is 1577.86 nm (shown as 1577.8), you would click the Port 1 (CHAN-RX) Admin State field and choose OOS,MT or Locked,maintenance from the drop-down list.
- Step 13** Change the administrative state of the pass-through port corresponding to the port in [Step 9](#) to **OOS,MT** (ANSI) or **Locked,maintenance** (ETSI). For example, if the tested wavelength is 1577.86 nm (shown as 1577.86), you would click the Port 33 (PASS-THROUGH) Admin State field and choose OOS,MT or Locked,maintenance from the drop-down list. Refer to [Table 5-2 on page 5-53](#), if needed.
- Step 14** Click **Apply**, then click **Yes**.

- Step 15** Click the **Maintenance** tab.
- Step 16** For channel under test, change Operating Mode to **Add Drop**.
- Step 17** Click **Apply**, then click **Yes**.
- Step 18** Click the **Provisioning > Optical Chn > Parameters** n tabs where n = the optical connector number that carries the wavelength under test.
- Step 19** Verify that the actual power coming from the tunable laser or TXP_MR_10E_L card shown under the Power column is equal to the specified VOA Power Ref power (+/- 0.2 dB) shown in the same row.
- Step 20** Click the **Optical Line** tab.
- Step 21** Verify that the power value from [Step 19](#) reaches the Shelf i Slot i (32WSS-L or 32DMX-L).Port COM-TX.Power set point +/- 1.0 dBm. To view this set point:
- In node view (single-shelf mode) or multishelf view (multishelf mode), click the **Provisioning > WDM-ANS > Provisioning** tabs.
 - In the Selector window on the left, expand the 32WSS-L or 32DMX-L card.
 - Expand the Port COM-TX category.
 - Select Power.
 - View the value of the Shelf i Slot i (32WSS-L or 32DMX-L).Port COM-TX.Power parameter on the right pane.
 - If the power value does not match the value recorded in [Step 19](#) (+/- 0.5 dB), contact your next level of support.
- Step 22** If an OPT-BST-L card is installed, complete the “[DLP-G359 Verify the OPT-BST-L or OPT-AMP-L \(OPT-Line Mode\) Amplifier Laser and Power](#)” task on page 5-27 on the OPT-BST-L card to ensure that the amplifier is working properly.
- Step 23** If an OSC-CSM is installed, continue with [Step 24](#). If an OPT-BST-L card is installed, verify the connection between Port 67 (COM-TX) on the 32WSS-L and Port 1 (COM-RX) on the OPT-BST-L cards:
- Display the 32WSS-L card in card view.
 - Click the **Provisioning > Optical Line** tabs.
 - Record the value in the Power table cell for Port 67 (COM-TX).
 - Display the OPT-BST-L card in card view.
 - Click the **Provisioning > Optical Line > Parameters** tabs.
 - Verify that the value in the Power table cell for Port 1 (COM-RX) is equal to the value recorded in [Step c](#), +/- 1.0 dB. If not, use the “[NTP-G115 Clean Fiber Connectors](#)” procedure on page 14-31 to clean the fiber connection between the OPT-BST-L and 32WSS-L cards. Check the values again. If they still do not match, contact your next level of support.
- Step 24** If an OPT-BST-L card is installed on the Side A or terminal side, complete the “[DLP-G79 Verify the OPT-BST, OPT-BST-E, or OPT-BST-L Amplifier Laser and Power](#)” task on page 5-6 to ensure the amplifier is working properly.
- Step 25** Complete the following steps to verify the connection between Port 67 (COM-TX) on the 32WSS-L and the Port 2 (COM-RX) on the OSC-CSM card:
- Display the 32WSS-L card in card view.
 - Click the **Provisioning > Optical Line** tabs.
 - Record the value in Power table cell for Port 67 (COM-TX).

- d. Display the OSC-CSM card in card view.
 - e. Click the **Provisioning > Optical Line > Parameters** tabs.
 - f. Verify that the value in the Power table cell for Port 2 (COM-RX) is equal to the value recorded in Step c, +/- 1.0 dB. If not, use the [“NTP-G115 Clean Fiber Connectors” procedure on page 14-31](#) to clean the fiber connection between the OSC-CSM and 32WSS-L cards. Check the values again. If they still do not match, contact your next level of support.
- Step 26** Complete the following steps to verify the connection between Port 2 (COM-TX) on the OPT-AMP-L card provisioned in OPT-PRE mode and Port 33 (COM-RX) on the 32DMX-L card:
- a. Display the OPT-AMP-L card in card view.
 - b. Click the **Provisioning > OptAmpliLine > Parameters** tabs.
 - c. Record the value in Power table cell for Port 2 (COM-TX).
 - d. Display the 32DMX-L card in card view.
 - e. Click the **Provisioning > Optical Line > Parameters** tabs.
 - f. Verify that the value in the Power table cell for Port 33 (COM-RX) is equal to the value recorded in Step c, +/- 1.0 dB. If not, use the [“NTP-G115 Clean Fiber Connectors” procedure on page 14-31](#) to clean the fiber connection between the OPT-AMP-L and 32DMX-L cards. Check the values again. If they still do not match, contact your next level of support.
- Step 27** Complete the [“DLP-G360 Verify the OPT-AMP-L \(OPT-PRE Mode\) Amplifier Laser and Power” task on page 5-27](#) on the OPT-PRE card to ensure that the amplifier is working properly.
- Step 28** Complete the [“DLP-G361 Verify the 32DMX-L Power” task on page 5-28](#) to verify that the 32DMX card is powered correctly.
- Step 29** Display the 32WSS-L in card view.
- Step 30** Click the **Maintenance** tab.
- Step 31** For the circuit (channel) under test, click the **Operating Mode** table cell and choose **Not Assigned** from the drop-down list.
- Step 32** Click **Apply**, then **Yes**.
- Step 33** Click the **Provisioning > Optical Chn Optical Connector n > Parameters** tabs, where n = the optical connector number that carries the wavelength under test.
- Step 34** Click the **Admin State** table cell. Choose **IS,AINS** (ANSI) or **Unlocked,automaticInService** (ETSI) from the drop-down list for all ports that were changed to OOS,MT or Locked,maintenance.
- Step 35** Repeat Steps 7 through 34 for the remaining wavelengths of the 100-Ghz grid to verify the correct behavior of all VOAs inside the 32WSS-L card.
- Step 36** Disconnect the TXP card or tunable laser from the 32WSS-L card.
- Step 37** Remove the loopback created in [Step 5](#).
- Step 38** Complete the [“NTP-G37 Run Automatic Node Setup” procedure on page 4-128](#) to restore the original configuration.
- Step 39** Click the **Alarms** tab.
- a. Verify that the alarm filter is not on. See the [“DLP-G128 Disable Alarm Filtering” task on page 10-26](#) as necessary.
 - b. Verify that no equipment alarms appear indicating equipment failure or other hardware problems. (Equipment alarms are indicated by an EQPT in the Alarms tab Cond column.) If equipment failure alarms appear, investigate and resolve them before continuing. Refer to the *Cisco ONS 15454 DWDM Troubleshooting Guide* for procedures.

Stop. You have completed this procedure.

DLP-G358 Provision TXP_MR_10E_L Card for Acceptance Testing

Purpose	This procedure provisions a TXP_MR_10E_L card for acceptance testing when a tunable laser is not available.
Tools/Equipment	TXP_MR_10E_L
Prerequisite Procedures	NTP-G179 Install the TXP, MXP, GE_XP, 10GE_XP, GE_XPE, 10GE_XPE, ADM-10G, and OTU2_XP Cards, page 4-69 NTP-G34 Install Fiber-Optic Cables on DWDM Cards and DCUs, page 4-78 DLP-G46 Log into CTC, page 3-30
Required/As Needed	As needed
Onsite/Remote	Onsite
Security Level	Superuser only

-
- Step 1** If you have installed and verified the TXP_MR_10E_L card, continue with [Step 2](#). If you have not installed it, install the card using the “[NTP-G179 Install the TXP, MXP, GE_XP, 10GE_XP, GE_XPE, 10GE_XPE, ADM-10G, and OTU2_XP Cards](#)” procedure on page 4-69.
- Step 2** In Cisco Transport Controller (CTC), display the TXP_MR_10E_L card in card view.
- Step 3** Click the **Provisioning** > **Line** > *Service-Type* tabs.
- Step 4** Click the **Admin State** table cell for the trunk port and choose **OOS,DSBLD** (ANSI) or **Locked,disabled** (ETSI) from the drop-down list.
- Step 5** Click **Apply**, then click **Yes**.
- Step 6** Click the **Provisioning** > **Card** tabs.
- Step 7** In the Wavelength field, choose the first wavelength required by the acceptance test.
- Step 8** Click **Apply**.
- Step 9** Click the **Provisioning** > **Line** > *Service-Type* tabs.
- Step 10** Click the **Admin State** table cell for the trunk port and choose **OOS,MT** (ANSI) or **Locked,maintenance** (ETSI) from the drop-down list.
- Step 11** Click **Apply**, then click **Yes**.
- Step 12** Connect a power meter to the DWDM TX port. Verify that the output power falls within –4.5 dBm and 1.0 dBm. If it does not fall within this range, replace the card or contact your next level of support.
- Step 13** Repeat Steps [3](#) through [12](#) for all the installed TXP cards.
- Step 14** Return to your originating procedure (NTP).
-

DLP-G359 Verify the OPT-BST-L or OPT-AMP-L (OPT-Line Mode) Amplifier Laser and Power

Purpose	This task verifies that the OPT-BST-L or OPT-AMP-L (when provisioned in OPT-Line mode) amplifier laser is on and provisioned to the correct power.
Tools/Equipment	None
Prerequisite Procedures	DLP-G46 Log into CTC, page 3-30
Required/As Needed	As needed
Onsite/Remote	Onsite or remote
Security Level	Superuser only

-
- Step 1** In node view (single-shelf mode) or shelf view (multishelf mode), double-click the OPT-BST-L or OPT-AMP-L amplifier to display the card view.
- Step 2** Click the **Maintenance > ALS** tabs. If the value in the Currently Shutdown field is NO, continue with [Step 3](#). If not, complete the following steps:
- Check the OSRI setting. If it is set to On, change it to **Off** and click **Apply**.
 - Check the Currently Shutdown field. If it changes to NO, continue with [Step 3](#). If not, contact your next level of support. The amplifier might need to be replaced.
- Step 3** Click the **Provisioning > Opt Ampli Line > Parameters** tabs.
- Step 4** Click **Reset**.
- Step 5** Scroll to the right and locate the Signal Output Power parameter for Port 6. Verify that the Signal Output Power value is greater than or equal to 1.5 dBm.
- If the Signal Output Power is not greater than or equal to 1.5 dBm, do not continue. Begin troubleshooting or contact your next level of support.
- Step 6** Return to your originating procedure (NTP).
-

DLP-G360 Verify the OPT-AMP-L (OPT-PRE Mode) Amplifier Laser and Power

Purpose	This task verifies that the OPT-AMP-L (when provisioned in OPT-PRE mode) amplifier laser is on and provisioned to the correct power.
Tools/Equipment	None
Prerequisite Procedures	DLP-G46 Log into CTC, page 3-30
Required/As Needed	As needed
Onsite/Remote	Onsite or remote
Security Level	Superuser only

-
- Step 1** In node view (single-shelf view) or shelf view (multishelf view), double-click the OPT-AMP-L amplifier to display the card view.
- Step 2** Click the **Maintenance > ALS** tabs.

- Step 3** If the value shown in the Currently Shutdown field is NO, continue with [Step 4](#). If not, complete the following steps:
- If the OSRI setting is set to ON, click the table cell and choose **OFF** from the drop-down list.
 - Click **Apply**.
 - Check the Currently Shutdown field. If it changes to NO, continue with [Step 4](#). If not, contact your next level of support.
- Step 4** Click the **Provisioning > Opt Ampli Line > Parameters** tabs.
- Step 5** Locate the Signal Output Power parameter for Port 2. Verify that the Signal Output Power value is greater than or equal to 1.5 dBm. If the optical power is greater than or equal to 1.5 dBm, continue with [Step 7](#). If the optical power is less than 1.5 dBm, check your connections and clean the fibers using the “[NTP-G115 Clean Fiber Connectors](#)” procedure on page 14-31. If this does not change the power value, consult your next level of support.
- Step 6** Scroll to the right to locate the DCU Insertion Loss parameter. Verify that the DCU Insertion Loss value is less than or equal to 10 dB.
- If the optical power is not greater than or equal to 10 dB, do not continue. Begin troubleshooting or contact your next level of support.
- Step 7** Return to your originating procedure (NTP).
-

DLP-G361 Verify the 32DMX-L Power

Purpose	This task verifies that the 32DMX-L card is provisioned to the correct power.
Tools/Equipment	None
Prerequisite Procedures	DLP-G46 Log into CTC, page 3-30
Required/As Needed	As needed
Onsite/Remote	Onsite or remote
Security Level	Superuser only

- Step 1** Display the 32DMX-L card in card view.
- Step 2** Click the **Provisioning > Optical Chn > Parameters** tabs.
- Step 3** Change the administrative state for Port 33 to **OOS,MT** (ANSI) or **Locked,maintenance** (ETSI)
- Step 4** Verify that the VOA Power Ref reaches the provisioned set point.
- Step 5** Connect a power meter to the CHAN TX 01 port through the patch panel. Verify that the physical optical power value coming from drop Port 1 on the Side A 32DMX card is consistent with the value read (the maximum allowed error is +/- 1.0 dBm).
- Step 6** Change the administrative state for Port 1 to **OOS,DSBLD** (ANSI) or **Locked,disabled** (ETSI).
- Step 7** Return to your originating procedure (NTP).
-

NTP-G43 Perform the ROADM Node with 32WSS and 32DMX Cards Acceptance Test

Purpose	This acceptance test verifies that a ROADM node provisioned for C-band wavelengths is operating properly before you connect it to the network. The test verifies the operation of the amplifiers and also verifies that each add/drop and pass-through port on the 32WSS and 32DMX cards operates properly. The test also checks the power levels at each transmit and receive port to ensure that power loss in the cabling is within tolerance. If MMU cards are installed, the test verifies that the MMU insertion loss does not impact add, drop, or pass through circuits.
Tools/Equipment	One of the following: <ul style="list-style-type: none"> • A tunable laser • TXP_MR_10E_C An optical power meter or optical spectrum analyzer Two bulk attenuators (10 dB) with LC connectors
Prerequisite Procedures	Chapter 4, “Turn Up a Node”
Required/As Needed	As needed
Onsite/Remote	Onsite
Security Level	Superuser only

**Note**

Optical power measurements require either a tunable laser or a multirate transponder to generate the proper optical wavelength. If multirate transponders were installed during completion of [Chapter 4, “Turn Up a Node,”](#) they can be used for this procedure. No additional cabling changes are needed.

**Note**

Because the node is isolated and no line-side fibers are connected during the test, the power levels going into the line-side cards will not be the same as the levels after the node is connected to the network. Therefore, if the ROADM shelf does not contain either OPT-BST or OPT-BST-E amplifiers, and OPT-PRE amplifiers on both Side B and Side A, lower the OPT-PRE power thresholds so that it turns on properly. At the end of the test, you will run ANS to configure the node with the correct parameters for the network acceptance test.

**Note**

Throughout this procedure, Side A refers to Slots 1 through 8, and Side B refers to Slots 10 through 17.

Step 1

Make a copy of [Table 5-1 on page 5-30](#) and place it in a convenient location for reference throughout this procedure. The table shows the 32WSS ports and the wavelengths assigned to them. The 32 wavelengths are divided among four physical multifiber push on (MPO) connectors on the 32WSS card. Each MPO connector is assigned eight wavelengths. In CTC, the MPO connector appears in the card view Provisioning > Optical Connector tab. Each Optical Connector subtab represents an MPO connector. Ports 1 through 32 are the RX (add) ports; Ports 33 through 64 are the pass-through ports.

Table 5-1 32WSS Ports and Wavelengths Test Checklist

32WSS Provisioning Subtab	Port #	Wavelength	Tested: Pass-Through	Tested: Add/Drop Side A	Tested: Add/Drop Side B
Optical Chn: Optical Connector 1	RX 1, PT 33	1530.33			
	RX 2, PT 34	1531.12			
	RX 3, PT 35	1531.90			
	RX 4, PT 36	1532.68			
	RX 5, PT 37	1534.25			
	RX 6, PT 38	1535.04			
	RX 7, PT 39	1535.82			
	RX 8, PT 40	1536.61			
Optical Chn: Optical Connector 2	RX 9, PT 41	1538.19			
	RX 10, PT 42	1538.98			
	RX 11, PT 43	1539.77			
	RX 12, PT 44	1540.56			
	RX 13, PT 45	1542.14			
	RX 14, PT 46	1542.94			
	RX 15, PT 47	1543.73			
	RX 16, PT 48	1544.53			
Optical Chn: Optical Connector 3	RX 17, PT 49	1546.12			
	RX 18, PT 50	1546.92			
	RX 19, PT 51	1547.72			
	RX 20, PT 52	1548.51			
	RX 21, PT 53	1550.12			
	RX 22, PT 54	1550.92			
	RX 23, PT 55	1551.72			
	RX 24, PT 56	1552.52			
Optical Chn: Optical Connector 4	RX 25, PT 57	1554.13			
	RX 26, PT 58	1554.94			
	RX 27, PT 59	1555.75			
	RX 28, PT 60	1556.55			
	RX 29, PT 61	1558.17			
	RX 30, PT 62	1558.98			
	RX 31, PT 63	1559.79			
	RX 32, PT 64	1560.61			

Step 2 Complete the “DLP-G46 Log into CTC” task on page 3-30 at the ROADM node that you want to test. If you are already logged in, continue with [Step 3](#).

- Step 3** Display the ROADM node in node view (single-shelf mode) or multishelf view (multishelf mode).
- Step 4** Click the **Alarms** tab.
- Verify that the alarm filter is not on. See the “[DLP-G128 Disable Alarm Filtering](#)” task on [page 10-26](#) as necessary.
 - Verify that no equipment alarms appear indicating equipment failure or other hardware problems. (Equipment alarms are indicated by an EQPT in the Alarms tab Cond column.) If equipment failure alarms appear, investigate and resolve them before continuing. Refer to the *Cisco ONS 15454 DWDM Troubleshooting Guide* for procedures.



Note The OSC terminations created during node turn-up will generate two alarms for each side of the shelf: one an LOS alarm on the OPT-BST or OPT-BST-E card, and the other an LOS alarm on the OSC-CSM or OSCM card. If OSCM cards are installed in ANSI shelves, EOC DCC Termination Failure alarms will appear.

- Step 5** In node view (single-shelf mode) or multishelf view (multishelf mode), click the **Provisioning > WDM-ANS > Port Status** tabs. Verify that all statuses under Link Status are either Success - Changed, or Success - Unchanged. If any are not, complete the following steps:
- Delete the two OSC channels using the “[DLP-G186 Delete an OSC Termination](#)” task on [page 11-50](#).
 - Complete the “[NTP-G37 Run Automatic Node Setup](#)” procedure on [page 4-128](#).
 - Create the OSC channels using the “[NTP-G38 Provision OSC Terminations](#)” procedure on [page 4-126](#).
- Step 6** If MMU cards are installed, complete the following steps. If not, continue with [Step 7](#).
- Display the Side B MMU in card view.
 - Click the **Provisioning > Optical Line > Parameters** tabs.
 - Click the **Admin State** table cell for the COM RX, COM TX, EXP RX, and EXP TX ports and choose **OOS,MT** (ANSI) or **Locked,maintenance** (ETSI) from the drop-down list.
 - Click **Apply**, then click **Yes** to confirm.
 - Display the Side A MMU card in card view.
 - Click the **Provisioning > Optical Line > Parameters** tabs.
 - Click the **Admin State** table cell for the COM RX, COM TX, EXP RX, and EXP TX ports and choose **OOS,MT** (ANSI) or **Locked,maintenance** (ETSI) from the drop-down list.
- Step 7** Display the Side B 32WSS card in card view.
- Step 8** Click the **Provisioning > Optical Chn Optical Connector n > Parameters** tabs, where n = the optical connector number that carries the wavelengths you will test. Refer to [Table 5-1 on page 5-30](#), if needed.
- Step 9** Click the **Admin State** table cell for the add port carrying the tested wavelength, then choose **OOS,MT** (ANSI) or **Locked,maintenance** (ETSI) from the drop-down list. For example, if the tested wavelength is 1530.33 nm (shown as 1530.3), you would click the Port 1 (CHAN-RX) Admin State field and choose OOS,MT or Locked,maintenance from the drop-down list.
- Step 10** Change the administrative state of the pass-through port corresponding to the port in [Step 9](#) to **OOS,MT** (ANSI) or **Locked,maintenance** (ETSI). For example, if the tested wavelength is 1530.33 nm (shown as 1530.3), you would click the Port 33 (PASS-THROUGH) Admin State field and choose OOS,MT or Locked,maintenance from the drop-down list. Refer to [Table 5-1 on page 5-30](#), if needed.
- Step 11** Click **Apply**, then click **Yes** to confirm.

- Step 12** Repeat Steps 8 through 11 for each wavelength that you will test.
- Step 13** Display the Side A 32WSS card in card view.
- Step 14** Repeat Steps 8 through 12 for the Side A 32WSS card.
- Step 15** Display the Side B 32DMX card in card view and complete the following steps:
- Choose the **Provisioning > Optical Line > Parameters** tabs.
 - For Port 33 (COM-RX), click the **Admin State** table cell and choose **OOS,MT** (ANSI) or **Locked,maintenance** (ETSI) from the drop-down list.
 - Click **Apply**, then click **Yes** to confirm.
- Step 16** Repeat Step 15 for the Side A 32DMX card.
- Step 17** Complete the “[DLP-G310 Verify ROADM Node C-Band Pass-Through Channels](#)” task on page 5-33.
- Step 18** Complete the following tasks for channels that will be added or dropped on the node.
- [DLP-G311 Verify the Side B ROADM C-Band Add/Drop Channels with 32WSS Cards](#), page 5-41
 - [DLP-G312 Verify the Side A ROADM C-Band Add/Drop Channels with 32WSS Cards](#), page 5-46
- Step 19** If MMU cards are installed, complete the following steps. If not, continue with Step 20.
- Display the Side A MMU card in card view.
 - Click the **Provisioning > Optical Line > Parameters** tabs.
 - Click **Admin State** for the COM RX, COM TX, EXP RX, and EXP TX ports and choose **IS,AINS** (ANSI) or **Unlocked,automaticInService** (ETSI) from the drop-down list.
 - Click **Apply**, then click **Yes** to confirm.
 - Display the Side A MMU card in card view.
 - Click the **Provisioning > Optical Line > Parameters** tabs.
 - Click **Admin State** for the COM RX, COM TX, EXP RX, and EXP TX ports and choose **IS,AINS** (ANSI) or **Unlocked,automaticInService** (ETSI) from the drop-down list.
- Step 20** Display the Side B 32WSS card in card view.
- Step 21** Click the **Provisioning > Optical Chn Optical Connector_n > Parameters** tabs, where *n* = the optical connector number that carries the wavelengths you tested.
- Step 22** Click the **Admin State** table cell then choose **IS,AINS** (ANSI) or **Unlocked,automaticInService** (ETSI) from the drop-down list for all ports that were changed to OOS,MT or Locked,Maintenance in Steps 9 and 10.
- Step 23** Click **Apply**.
- Step 24** Repeat Steps 21 through 23 for all the ports that are in OOS,MT or Locked,maintenance state on the Side B 32WSS card.
- Step 25** Display the Side A 32WSS card in card view.
- Step 26** Repeat Steps 21 through 23 for all ports on the Side A 32WSS card.
- Step 27** Display the Side B 32DMX card in card view.
- Step 28** Choose the **Provisioning > Optical Line > Parameters** tabs.
- Step 29** For Port 33, click the **Admin State** table cell and choose **IS,AINS** (ANSI) or **Unlocked,automaticInService** (ETSI) from the drop-down list.
- Step 30** Click **Apply**.
- Step 31** Display the Side A 32DMX card in card view.

- Step 32** Repeat Steps 28 through 30 for the Side A 32DMX card.
- Step 33** Delete both OSC channels using the “[DLP-G186 Delete an OSC Termination](#)” task on page 11-50.
- Step 34** Complete the “[NTP-G37 Run Automatic Node Setup](#)” procedure on page 4-128.
- Step 35** Create the two OSC channels using the “[NTP-G38 Provision OSC Terminations](#)” procedure on page 4-126.
- Step 36** Click the **Alarms** tab.
- Verify that the alarm filter is not on. See the “[DLP-G128 Disable Alarm Filtering](#)” task on page 10-26 as necessary.
 - Verify that no equipment failure alarms appear on the node. If alarms appear, investigate and resolve them before continuing. Refer to the *Cisco ONS 15454 DWDM Troubleshooting Guide* for procedures.
- Stop. You have completed this procedure.**
-

DLP-G310 Verify ROADM Node C-Band Pass-Through Channels

Purpose	This task verifies the signal flow through a ROADM node for C-band pass-through channels. Pass-through channels pass through both 32WSS cards. The channels pass through the first 32WSS from the COM-RX port to the EXP-TX port. In the second 32WSS, the channel goes from the EXP-RX port to the COM-TX port. The channel is not terminated inside the node. If MMU cards are installed, the channel passes through the MMU COM-RX and EXP-TX ports to the 32WSS COM-RX and EXP-TX ports on one side. On the other side, the channel goes from the 32WSS EXP-RX and COM-TX ports to the MMU EXP-RX and COM-TX ports.
Tools/Equipment	One of the following: <ul style="list-style-type: none"> A tunable laser TXP_MR_10E_C An optical power meter or optical spectrum analyzer Two bulk attenuators (10 dB) with LC connectors
Prerequisite Procedures	DLP-G46 Log into CTC , page 3-30 NTP-G38 Provision OSC Terminations , page 4-126
Required/As Needed	As needed
Onsite/Remote	Onsite
Security Level	Superuser only




Note Throughout this task, Side A refers to Slots 1 through 8, and Side B refers to Slots 10 through 17.

- Step 1** Create a physical loopback on the Side A OPT-BST, OPT-BST-E, or OSC-CSM card by connecting the LINE TX port to its LINE RX port. For OPT-BST or OPT-BST-E cards, connect a 10-dB bulk attenuator to the fiber. (OSC-CSM cards do not require attenuation.)

**Caution**

Failure to use proper attenuation might damage the equipment.

- Step 2** If an OPT-PRE amplifier or OSC-CSM card is installed on Side A (where the physical loopback was created), perform the following steps. If not, continue with [Step 3](#).
- Display the OPT-PRE card in card view, then click the **Provisioning > Optical Line > Optics Thresholds** tabs.
 - In the Types area, click **Alarm**, then click **Refresh**. The alarm thresholds for the OPT-PRE card will appear.
 - Double-click the **Power Failure Low** table cell for Port 1 (COM-RX) and delete the current value.
 - Type a new value of **-30.0** and press the **Enter** key.
 - In the CTC window, click **Apply**, then click **Yes** in the confirmation dialog box.
- Step 3** If an OPT-PRE or OSC-CSM card is installed on Side B, complete the following steps. If not, continue with [Step 4](#).
- Display the Side B OPT-PRE card in card view, then click the **Provisioning > Optical Line > Optics Thresholds** tabs.
 - In the Types area, click **Alarm**, then click **Refresh**. The alarm thresholds for the OPT-PRE card will appear.
 - Double-click the **Power Failure Low** table cell for Port 1 (COM-RX) and delete the current value.
 - Type a new value of **-30.0** and press the **Enter** key.
 - In the CTC window, click **Apply**, then click **Yes** in the confirmation dialog box.
- Step 4** Wait 2 to 3 minutes, then in node view (single-shelf mode) or multishelf view (multishelf mode) click the **Alarms** tab. Verify that the LOS alarms on the Side A OSCM or OSC-CSM card and the OPT-BST or OPT-BST-E card have cleared. The clearing of the LOS alarms indicates that the OSC link is active on Side A. If the alarms do not clear, contact your next level of support.
-  **Note** For ANSI shelves, an EOC SDCC Termination Failure alarm will continue to appear due to the OSC signal loopback.
- Step 5** Display the Side A 32WSS card in card view.
- Step 6** Click the **Maintenance** tab.
- Step 7** Click the **Operating Mode** table cell for the wavelength under test and choose **Pass Through** from the drop-down list.
- Step 8** Click **Apply**, then click **Yes** to confirm.
- Step 9** Display the Side B 32WSS card in card view.
- Step 10** Repeat Steps [6](#) through [8](#) for the Side B 32WSS card.
- Step 11** If you are using a tunable laser, follow the manufacturer's instructions to complete the following steps. If you are using a TXP_MR_10E_C card, continue with [Step 12](#).
- Set the output power to a nominal value, such as **-3 dBm**.
 - Set the tuner to the wavelength you will test, then continue with [Step 13](#).
- Step 12** If you are using a TXP_MR_10E_C card, complete the [“DLP-G268 Provision TXP_MR_10E_C Cards for Acceptance Testing”](#) task on page [5-5](#) for the TXP containing the wavelength you will test.

- Step 13** Connect the tunable laser transmitter or the TXP_MR_10E_C card DWDM TX port to the Side B OPT-BST, OPT-BST-E, or OSC-CSM LINE RX port. If a Side B OPT-PRE is installed, insert a 10-dB attenuator on the fiber coming from the TXP_MR_10E_C card.

**Note**

If using a pre-installed TXP_MR-10E_C card that is connected to the 32DMX, there is no need to connect the TXP_MR_10E_C DWDM TX port to the OPT-BST, OPT-BST-E, or OSC-CSM LINE RX port. Install an optical loopback between the LINE TX and RX ports on the OPT-BST, OPT-BST-E, or OSC-CSM card.

**Caution**

Failure to use proper attenuation might damage the equipment.

- Step 14** If an OPT-PRE or OSC-CSM card is installed on Side B, complete the following steps. If not, continue with [Step 15](#).
- Display the Side B OPT-PRE card in card view.
 - Click the **Provisioning > Optical Line > Parameters** tabs.
 - Locate the Power parameter for Port 1 (COM-RX). Record the value.
 - Display the Side B OPT-BST, OPT-BST-E, or OSC-CSM card in card view.
 - Click the **Provisioning > Optical Line > Parameters** tabs.
 - Locate the Power value for Port 2 (COM-TX) (OPT-BST or OPT-BST-E) or Port 3 (COM-TX) (OSC-CSM). Verify that the value matches the power recorded in Step [c](#), +/- 2.0 dB. If not, use the [“NTP-G115 Clean Fiber Connectors” procedure on page 14-31](#) to clean the fiber connection between the OPT-PRE card and the OPT-BST, OPT-BST-E, or OSC-CSM card. Check the values again. If they still do not match, contact your next level of support.
 - For the Side B OPT-PRE card, complete the [“DLP-G80 Verify the OPT-PRE Amplifier Laser and Power” task on page 5-7](#).
- Step 15** If an MMU card is installed on Side B, complete the following steps, then continue with [Step 17](#). If an MMU card is not installed, continue with [Step 16](#).
- Display the Side B MMU card in card view.
 - Click the **Provisioning > Optical Line > Parameters** tabs.
 - Locate the Port 3 (COM-RX) power parameter. Record the value.
 - If a Side B OPT-PRE card is installed, display it in card view and complete Step [e](#). If not, continue with Step [f](#).
 - Click the OPT-PRE **Provisioning > Opt.Ampli.Line > Parameters** tabs and read the Total Output Power value for Port 2 (COM-TX), then continue with Step [i](#).
 - If a Side B OPT-BST or OPT-BST-E card is installed, display it in card view and complete Step [g](#). If not, continue with Step [h](#).
 - Click the **Provisioning > Optical Line > Parameters** tabs and read the Power value for Port 2 (COM-TX), then continue with Step [i](#).
 - Display the Side B OSC-CSM card in card view, click the **Provisioning > Optical Line > Parameters** tabs and read the Power value for Port 3 (COM-TX), then continue with Step [i](#).

- i. Verify that value in the Step e, g, or h matches the power recorded in Step c, +/- 1.0 dB. If not, use the “[NTP-G115 Clean Fiber Connectors](#)” procedure on page 14-31 to clean the fiber connection between the MMU card and the OPT-BST, OPT-BST-E, OPT-PRE, or OSC-CSM cards. Check the values again. If they still do not match, contact your next level of support.
- j. Display the Side B MMU card in card view.
- k. Click the **Provisioning > Optical Line > Parameters** tabs.
 - l. Record the value in the Power table cell for Port 2 (EXP-TX) of the Side B MMU card.
- m. Display the Side B 32WSS card in card view.
- n. Click the **Provisioning > Optical Line > Parameters** tabs.
 - o. Verify that the value in the Power table cell for Port 68 (COM-RX) is equal to the value recorded in Step l, +/- 1.0 dB. If not, use the “[NTP-G115 Clean Fiber Connectors](#)” procedure on page 14-31 to clean the fiber connection between the 32WSS and MMU cards. Check the values again. If they still do not match, contact your next level of support.
- p. Continue with [Step 17](#).

Step 16 Verify the Side B 32WSS card to OPT-BST, OPT-PRE, or OSC-CSM card cable connection:

- a. Display the Side B 32WSS in card view.
- b. Click the **Provisioning > Optical Line > Parameters** tabs.
- c. Locate the Port 68 (COM-RX) Power parameter. Record the value.
- d. If a Side B OPT-PRE card is installed, display it in card view and complete Step e. If not, continue with Step f.
- e. Click the **Provisioning > Opt.Ampli.Line > Parameters** tabs and read the Total Output Power value for Port 2 (COM-TX), then continue with Step i.
- f. If an OPT-BST or OPT-BST-E card is installed on Side B, display it in card view and complete Step g. If not, continue with Step h.
- g. Click the **Provisioning > Optical Line > Parameters** tabs and read the Power value for Port 2 (COM-TX), then continue with Step i.
- h. Display the Side B OSC-CSM card in card view, click the **Provisioning > Optical Line > Parameters** tabs and read the Power value for Port 3 (COM-TX), then continue with Step i.
- i. Verify that the value in Step e, g, or h matches the power recorded in Step c, +/- 1.5 dB. If not, use the “[NTP-G115 Clean Fiber Connectors](#)” procedure on page 14-31 to clean the fiber connection between the 32WSS card and the OPT-PRE, OPT-BST, OPT-BST-E, or OSC-CSM card. Check the values again. If they still do not match, contact your next level of support.

Step 17 Verify the EXPRESS cable connection between the two 32WSS cards:

- a. Display the Side B 32WSS in card view.
- b. Click the **Provisioning > Optical Line > Parameters** tabs.
- c. Locate the Port 65 (EXP-TX) Power parameter. Record the value.
- a. Display the Side A 32WSS in card view.
- b. Click the **Provisioning > Optical Line > Parameters** tabs.
- c. Locate the Power value for EXPRESS Port 66 (EXP-RX). Verify that the value matches the power recorded in Step c, +/-1 dB. If not, use the “[NTP-G115 Clean Fiber Connectors](#)” procedure on page 14-31 to clean the fiber connection between the 32WSS cards. Check the values again. If they still do not match, contact your next level of support.

Step 18 Display the Side A 32WSS card in card view.

- Step 19** Click the **Provisioning > Optical Chn Optical Connector n > Parameters** tabs, where n = the connector number containing the wavelength you are testing. Refer to [Table 5-1 on page 5-30](#), if needed.
- Step 20** Wait 60 to 70 seconds (or click **Reset**), then locate the Power and VOA Power Ref parameters for the tested PASS-THROUGH port. Verify that the Power value is equal to the VOA Power Ref value, ± 1.5 dBm. If the Power value is not equal to the VOA Power Ref value ± 1.5 dBm, contact your next level of support.
- Step 21** If an MMU card is installed on Side A, complete the following steps. If an MMU card is not installed on Side A, continue with [Step 22](#).
- Display the Side A 32WSS card in card view.
 - Click the **Provisioning > Optical Line > Parameters** tabs.
 - Record the value in the Power table cell for Port 67 (COM-TX).
 - Display the Side A MMU card in card view.
 - Click the **Provisioning > Optical Line > Parameters** tabs.
 - Verify that the value in the Power table cell for Port 1 (EXP-RX) is equal to the value recorded in [Step c](#), ± 1.0 dB. If not, use the “[NTP-G115 Clean Fiber Connectors](#)” [procedure on page 14-31](#) to clean the fiber connection between the 32WSS and MMU cards. Check the values again. If they still do not match, contact your next level of support.
 - Record the value in the Power table cell for Port 4 (COM-TX).
 - If a Side A OPT-BST or OPT-BST-E card is installed, display it in card view and complete [Step i](#). If not, continue with [Step j](#).
 - Click the **Provisioning > Optical Line > Parameters** tabs and read the Power value for Port 1 (COM-RX), then continue with [Step k](#).
 - Display the Side A OSC-CSM card in card view, click the **Provisioning > Optical Line > Parameters** tabs and read the Power value for Port 2 (COM-RX), then continue with [Step k](#).
 - Verify that the value in [Step i](#) or [Step j](#) matches the power recorded in [Step g](#), ± 1.5 dB. If not, use the “[NTP-G115 Clean Fiber Connectors](#)” [procedure on page 14-31](#) to clean the fiber connection between the OPT-BST, OPT-BST-E, or OSC-CSM card and the MMU cards. Check the values again. If they still do not match, contact your next level of support.
 - Continue with [Step 23](#).
- Step 22** If an OPT-BST, OPT-BST-E, or OSC-CSM card is installed on Side A, complete the following steps. If not, continue with [Step 23](#).
- Display the Side A OPT-BST, OPT-BST-E, or OSC-CSM in card view.
 - Click the **Provisioning > Optical Line > Parameters** tabs.
 - Locate the Port 1 (COM-RX) Power parameter (OPT-BST or OPT-BST-E cards) or the Port 2 (COM-RX) Power parameter (OSC-CSM cards). Record the value.
 - Display the Side A 32WSS in card view.
 - Click the **Provisioning > Optical Line > Parameters** tabs.
 - Locate the Power value for Port 67 (COM-TX). Verify that the value matches the power recorded in [Step c](#), ± 1 dB. If not, use the “[NTP-G115 Clean Fiber Connectors](#)” [procedure on page 14-31](#) to clean the fiber connection between the OPT-BST, OPT-BST-E, or OSC-CSM card and the 32WSS card. Check the values again. If they still do not match, contact your next level of support.
 - For the Side A OPT-BST or OPT-BST-E card, complete the “[DLP-G79 Verify the OPT-BST, OPT-BST-E, or OPT-BST-L Amplifier Laser and Power](#)” [task on page 5-6](#).

- Step 23** If a OPT-PRE card is installed on Side A, complete the following steps. If not, continue with [Step 24](#).
- Display the Side A OPT-PRE in card view.
 - Click the **Provisioning > Optical Line > Parameters** tabs.
 - Locate the Port 1 (COM-RX) Power parameter. Record the value.
 - Display the Side A OPT-BST, OPT-BST-E, or OSC-CSM card in card view.
 - Click the **Provisioning > Optical Line > Parameters** tabs.
 - Locate the Power value for Port 2 (COM-TX) (OPT-BST or OPT-BST-E) or Port 3 (COM-TX) (OSC-CSM). Verify that the value matches the power recorded in [Step c](#), +/- 2.0 dB. If not, use the [“NTP-G115 Clean Fiber Connectors” procedure on page 14-31](#) to clean the fiber connection between the OPT-PRE card and the OPT-BST, OPT-BST-E, or OSC-CSM card. Check the values again. If they still do not match, contact your next level of support.
 - For the Side A OPT-PRE, complete the [“DLP-G80 Verify the OPT-PRE Amplifier Laser and Power” task on page 5-7](#).
- Step 24** If an MMU card is installed on Side A, complete the following steps, then continue with [Step 26](#). If an MMU card is not installed on Side A, continue with [Step 25](#).
- Display the Side A MMU card in card view.
 - Click the **Provisioning > Optical Line > Parameters** tabs.
 - Locate the Port 3 (COM-RX) power parameter. Record the value.
 - If a Side A OPT-PRE card is installed, display it in card view and complete [Step e](#). If not, continue with [Step f](#).
 - Click the OPT-PRE **Provisioning > Opt.Ampli.Line > Parameters** tabs and read the Total Output Power value for Port 2 (COM-TX), then continue with [Step i](#).
 - If a Side A OPT-BST or OPT-BST-E card is installed, display it in card view and complete [Step g](#). If not, continue with [Step h](#).
 - Click the **Provisioning > Optical Line > Parameters** tabs and read the Power value for Port 2 (COM-TX), then continue with [Step i](#).
 - Display the Side A OSC-CSM card in card view, click the **Provisioning > Optical Line > Parameters** tabs and read the Power value for Port 3 (COM-TX), then continue with [Step i](#).
 - Verify that value in the [Step e](#), [g](#), or [h](#) matches the power recorded in [Step c](#), +/- 1.0 dB. If not, use the [“NTP-G115 Clean Fiber Connectors” procedure on page 14-31](#) to clean the fiber connection between the MMU card and the OPT-BST, OPT-BST-E, OPT-PRE, or OSC-CSM cards. Check the values again. If they still do not match, contact your next level of support.
 - Display the Side B MMU card in card view.
 - Click the **Provisioning > Optical Line > Parameters** tabs.
 - Record the value in the Power table cell for Port 2 (EXP-TX) of the Side A MMU card.
 - Display the Side A 32WSS card in card view.
 - Click the **Provisioning > Optical Line > Parameters** tabs.
 - Verify that the value in the Power table cell for Port 68 (COM-RX) is equal to the value recorded in [Step l](#), +/- 1.0 dB. If not, use the [“NTP-G115 Clean Fiber Connectors” procedure on page 14-31](#) to clean the fiber connection between the 32WSS cards and the MMU cards. Check the values again. If they still do not match, contact your next level of support.
 - Continue with [Step 26](#).

- Step 25** Verify the Side A 32WSS card to OPT-BST, OPT-BST-E, OPT-PRE, or OSC-CSM card cable connection:
- Display the Side A 32WSS in card view.
 - Click the **Provisioning > Optical Line > Parameters** tabs.
 - Locate the Port 68 (COM-RX) Power parameter. Record the value.
 - If a Side A OPT-PRE card is installed, display it in card view and complete Step e. If not, continue with Step f.
 - Click the **Provisioning > Opt.Ampli.Line > Parameters** tabs and read the Total Output Power value for Port 2 (COM-TX), then continue with Step i.
 - If a Side A OPT-BST or OPT-BST-E card is installed, display it in card view and complete Step g. If not, continue with Step h.
 - Click the **Provisioning > Optical Line > Parameters** tabs and read the Power value for Port 2 (COM-TX), then continue with Step i.
 - Display the Side A OSC-CSM card in card view, click the **Provisioning > Optical Line > Parameters** tabs and read the Power value for Port 3 (COM-TX), then continue with Step i.
 - Verify that the value in Step e, g, or h matches the power recorded in Step c, +/- 1.5 dB. If not, use the [“NTP-G115 Clean Fiber Connectors” procedure on page 14-31](#) to clean the fiber connection between the 32WSS card and the OPT-PRE, OPT-BST, OPT-BST-E, or OSC-CSM card. Check the values again. If they still do not match, contact your next level of support.
- Step 26** Verify the EXPRESS cable connection between the two 32WSS cards:
- Display the Side A 32WSS card in card view.
 - Click the **Provisioning > Optical Line > Parameters** tabs.
 - Locate the Port 65 (EXP-TX) Power parameter. Record the value.
- Display the Side B 32WSS card in card view.
 - Click the **Provisioning > Optical Line > Parameters** tabs.
 - Locate the Power value for Port 66 (EXP-RX). Verify that the value matches the power recorded in Step c, +/- 1 dB. If not, use the [“NTP-G115 Clean Fiber Connectors” procedure on page 14-31](#) to clean the fiber connection between the 32WSS cards. Check the values again. If they still do not match, contact your next level of support.
- Step 27** Display the Side B 32WSS card in card view.
- Step 28** Click the **Provisioning > Optical Chn Optical Connector_n > Parameters** tabs, where *n* = the connector number containing the wavelength you are testing. Refer to [Table 5-1 on page 5-30](#), if needed.
- Step 29** Wait 60 to 70 seconds (or click **Reset**), then locate the Power and VOA Power Ref parameters for the tested PASS-THROUGH port. Verify that the Power value is equal to the VOA Power Ref value, +/- 1.5 dBm. If the Power value is not equal to the VOA Power Ref value +/- 1.5 dBm, consult your next level of support.
- Step 30** If an MMU card is installed on Side B, complete the following steps. If an MMU card is not installed on Side B, continue with [Step 31](#).
- Display the Side B 32WSS card in card view.
 - Click the **Provisioning > Optical Line > Parameters** tabs.
 - Record the value in the Power table cell for Port 67 (COM-TX).
 - Display the Side B MMU card in card view.
 - Click the **Provisioning > Optical Line > Parameters** tabs.

- f. Verify that the value in the Power table cell for Port 1 (EXP-RX) is equal to the value recorded in Step c, +/- 1.0 dB. If not, use the [“NTP-G115 Clean Fiber Connectors” procedure on page 14-31](#) to clean the fiber connection between the 32WSS and MMU cards. Check the values again. If they still do not match, contact your next level of support.
 - g. Record the value in the Power table cell for Port 4 (COM-TX).
 - h. If a Side B OPT-BST or OPT-BST-E card is installed, display it in card view and complete Step i. If not, continue with Step j.
 - i. Click the **Provisioning > Optical Line > Parameters** tabs and read the Power value for Port 1 (COM-RX), then continue with Step k.
 - j. Display the Side B OSC-CSM card in card view, click the **Provisioning > Optical Line > Parameters** tabs and read the Power value for Port 2 (COM-RX), then continue with Step k.
 - k. Verify that the value in Step i or j matches the power recorded in Step g, +/- 1.5 dB. If not, use the [“NTP-G115 Clean Fiber Connectors” procedure on page 14-31](#) to clean the fiber connection between the OPT-BST, OPT-BST-E, or OSC-CSM card and the MMU cards. Check the values again. If they still do not match, contact your next level of support.
 - l. Continue with [Step 32](#).
- Step 31** If an OPT-BST, OPT-BST-E, or OSC-CSM card is installed on Side B, complete the following steps. If not, continue with [Step 32](#).
- a. Display the Side B OPT-BST, OPT-BST-E, or OSC-CSM card in card view.
 - b. Click the **Provisioning > Optical Line > Parameters** tabs.
 - c. Locate the Port 1 (COM-RX) Power parameter (OPT-BST or OPT-BST-E cards) or the Port 2 (COM-RX) Power parameter (OSC-CSM cards). Record the value.
 - d. Display the Side B 32WSS card in card view.
 - e. Click the **Provisioning > Optical Line > Parameters** tabs.
 - f. Locate the Power value for Port 67 (COM-TX). Verify that the value matches the power recorded in Step c, +/-1 dB. If not, use the [“NTP-G115 Clean Fiber Connectors” procedure on page 14-31](#) to clean the fiber connection between the OPT-BST, OPT-BST-E, or OSC-CSM card and the 32WSS cards. Check the values again. If they still do not match, contact your next level of support.
 - g. For the Side B OPT-BST or OPT-BST-E card, complete the [“DLP-G79 Verify the OPT-BST, OPT-BST-E, or OPT-BST-L Amplifier Laser and Power” task on page 5-6](#).
- Step 32** Complete Steps [18](#), [19](#), [27](#), and [28](#) for the additional wavelengths that you want to test. If you have tested all the wavelengths, continue with [Step 33](#).
- Step 33** Display the Side B 32WSS card in card view.
- Step 34** Click the **Maintenance** tab.
- Step 35** In the Operating Mode area, click the table cell and choose **Not Assigned** from the drop-down list for all wavelengths.
- Step 36** Click **Apply**, then click **Yes** to confirm.
- Step 37** Display the Side A 32WSS card in card view.
- Step 38** Repeat Steps [34](#) through [36](#) for the Side A 32WSS card.
- Step 39** If you used a tunable laser or installed a TXP_MR_10E_C card for this test, disconnect it from the Side B OPT-BST, OPT-BST-E, or OSC-CSM line side RX ports.
- Step 40** Remove the loopback fiber from the line RX and TX in the Side A OPT-BST, OPT-BST-E, or OSC-CSM card.

Step 41 Return to your originating procedure (NTP).

DLP-G311 Verify the Side B ROADM C-Band Add/Drop Channels with 32WSS Cards

Purpose	This task verifies the signal flow through Side B of a ROADM node for C-band add/drop channels.
Tools/Equipment	One of the following: <ul style="list-style-type: none"> • A tunable laser • TXP_MR_10E_C An optical power meter or optical spectrum analyzer Two bulk attenuators (10 dB) with LC connectors
Prerequisite Procedures	DLP-G46 Log into CTC, page 3-30
Required/As Needed	As needed
Onsite/Remote	Onsite
Security Level	Superuser only



Note

Throughout this task, Side A refers to Slots 1 through 8, and Side B refers to Slots 10 through 17.

- Step 1** In node view (single-shelf mode) or multishelf view (multishelf mode), display the Alarms tab.
- Step 2** Create a physical loopback on the Side B OPT-BST, OPT-BST-E, or OSC-CSM card by connecting the LINE TX port to its LINE RX port. For OPT-BST or OPT-BST-E cards, connect a 10-dB bulk attenuator to the fiber. (OSC-CSM cards do not require attenuation.)



Caution

Failure to use proper attenuation might damage the equipment.

- Step 3** Wait 2 to 3 minutes, then click the **Alarms** tab. Verify that the LOS alarms on the Side B OSCM or OSC-CSM card and the OPT-BST or OPT-BST-E card have cleared. The clearing of the LOS alarms indicates that the OSC link is active on Side B.



Note

For ANSI shelves, an EOC DCC Termination Failure alarm will continue to appear due to the OSC signal loopback.

- Step 4** If you are using a tunable laser, follow the manufacturer's instructions to complete the following steps. If you are using a TXP_MR_10E_C card, continue with [Step 5](#).
- Set the output power to a nominal value, such as -3 dBm.
 - Set the tuner to the wavelength you are testing, then continue with [Step 7](#).
- Step 5** If you are using a TXP_MR_10E_C card, complete the "[DLP-G268 Provision TXP_MR_10E_C Cards for Acceptance Testing](#)" task on page 5-5 for the TXP containing the wavelength you will test. Refer to [Table 5-1 on page 5-30](#), if needed.

- Step 6** If you are using a TXP_MR_10E_C card, complete the following steps. If you are using a tunable laser continue with [Step 7](#).
- Display the TXP_MR_10E_C in card view.
 - Click the **Performance > Optics PM > Current Values** tabs.
 - Locate the Port 2 (Trunk) table cell for the TX Optical Pwr parameter. Record the value.
- Step 7** Connect the tunable laser transmitter or the TXP_MR_10E_C card DWDM TX port to the Side B fiber patch panel MUX port that is connected to the Side B 32WSS card CHAN RX port carrying the tested wavelength. (If the TXP_MR_10E_C card was installed during [Chapter 4, “Turn Up a Node,”](#) simply verify the cable connection.)
- Step 8** Connect the TXP_MR_10E_C DWDM RX port or the power meter RX port to Side B fiber patch panel DMX port that is connected with the Side B 32DMX card CHAN-TX port carrying the tested wavelength. (If the TXP_MR_10E_C card was installed during [Chapter 4, “Turn Up a Node,”](#) simply verify the cable connection.)
- Step 9** Display the 32WSS card in card view.
- Step 10** Click the **Maintenance** tab.
- Step 11** For each wavelength that you will test, click the table cell in the Operating Mode column and choose **Add Drop** from the drop-down list.
- Step 12** Click **Apply** and then **Yes**, to confirm.
- Step 13** Click the **Provisioning > Optical Chn Optical Connector n > Parameters** tabs, where n = the optical connector number that carries the wavelengths you will test. Refer to [Table 5-1 on page 5-30](#), if needed.
- Step 14** Find the tested wavelength CHAN RX port, then scroll to the right until you see the Power Add parameter. Verify that the Power Add value for the tested port CHAN RX is equal to the output power level of the tunable laser or the TXP_MR_10E_C card measured in [Step 6](#), +/- 1.0 dBm.
- Step 15** Click the **Provisioning > Optical Line > Parameters** tabs and record the value in the Power table cell for Port 67 (COM-TX) for the wavelength under test.
- Step 16** Verify that the power value from [Step 15](#) reaches the Shelf i Slot i (32WSS).Port COM-TX.Power set point +/- 1.0 dBm on Side B. To view this set point:
- In node view (single-shelf mode) or multishelf view (multishelf mode), click the **Provisioning > WDM-ANS > Provisioning** tabs.
 - In the Selector window on the left, expand the 32WSS card on Side B.
 - Expand the Port COM-TX category.
 - Select Power.
 - View the value of the Shelf i Slot i (32WSS).Port COM-TX.Power parameter on the right pane.
 - If the power value does not match the value recorded in [Step 15](#) (+/- 2.0 dBm), contact your next level of support.
- Step 17** If an MMU card is installed on Side B, complete the following steps. If an MMU card is not installed on Side B, continue with [Step 18](#).
- Display the Side B 32WSS card in card view.
 - Click the **Provisioning > Optical Line > Parameters** tabs.
 - Record the value in the Power table cell for Port 67 (COM-TX).
 - Display the Side B MMU card in card view.
 - Click the **Provisioning > Optical Line > Parameters** tabs.

- f. Verify that the value in the Power table cell for Port 1 (EXP-RX) is equal to the value recorded in Step c, +/- 1.0 dB. If not, use the “[NTP-G115 Clean Fiber Connectors](#)” procedure on page 14-31 to clean the fiber connection between the 32WSS and MMU cards. Check the values again. If they still do not match, contact your next level of support.
- g. Record the value in the Power table cell for Port 4 (COM-TX).
- h. If a Side B OPT-BST or OPT-BST-E card is installed, display it in card view and complete Step i. If not, continue with Step j.
- i. Click the **Provisioning > Optical Line > Parameters** tabs and read the Power value for Port 1 (COM-RX), then continue with Step k.
- j. Display the Side B OSC-CSM card in card view, click the **Provisioning > Optical Line > Parameters** tabs and read the Power value for Port 2 (COM-RX), then continue with Step k.
- k. Verify that the value in Step i or j matches the power recorded in Step g, +/- 1.5 dB. If not, use the “[NTP-G115 Clean Fiber Connectors](#)” procedure on page 14-31 to clean the fiber connection between the OPT-BST, OPT-BST-E, or OSC-CSM card and the MMU cards. Check the values again. If they still do not match, contact your next level of support.
- l. Continue with [Step 19](#).

Step 18 Verify the connection between the 32WSS card and the OPT-BST, OPT-BST-E or OSC-CSM cards:

- a. Display the Side B 32WSS card in card view.
- b. Click the **Provisioning > Optical Line > Parameters** tabs.
- c. Record the value in the Power table cell for Port 67 (COM-TX).
- d. If a OPT-BST or OPT-BST-E card is installed on Side B, display it in card view and complete Step e. If not, continue with Step f.
- e. Click the **Provisioning > Optical Line > Parameters** tabs and read the Power value for Port 1 (COM-RX), then continue with Step g.
- f. Display the Side B OSC-CSM card in card view, click the **Provisioning > Optical Line > Parameters** tabs and read the Power value for Port 2 (COM-RX), then continue with Step g.
- g. Verify that the value in Step e or f matches the power recorded in Step c, +/- 1.0 dB. If so, continue with [Step 19](#). If not, use the “[NTP-G115 Clean Fiber Connectors](#)” procedure on page 14-31 to clean the fiber connection between the OPT-BST, OPT-BST-E, or OSC-CSM card and the 32WSS cards. Check the values again. If they still do not match, contact your next level of support.

Step 19 If an OPT-PRE card is installed on Side B, complete the following steps. If not, continue with [Step 20](#).

- a. Display the Side B OPT-PRE in card view.
- b. Click the **Provisioning > Optical Line > Parameters** tabs.
- c. Locate the Power parameter for Port 1 (COM-RX). Record the value.
- d. Display the Side B OPT-BST, OPT-BST-E, or OSC-CSM card in card view.
- e. Click the **Provisioning > Optical Line > Parameters** tabs.
- f. Locate the Port 2 (COM-TX) Power value (for OPT-BST or OPT-BST-E cards) or Port 3 (COM-TX) Power value (for OSC-CSM cards). Verify that the value matches the power recorded in Step c, +/- 1.5 dB. If not, use the “[NTP-G115 Clean Fiber Connectors](#)” procedure on page 14-31 to clean the fiber connection between the OPT-PRE card and the OPT-BST, OPT-BST-E, or OSC-CSM card. Check the values again. If they still do not match, contact your next level of support.
- g. For the Side B OPT-PRE card, complete the “[DLP-G80 Verify the OPT-PRE Amplifier Laser and Power](#)” task on page 5-7.

- Step 20** If an MMU card is installed on Side B, complete the following steps. If an MMU card is not installed on Side B, continue with [Step 21](#).
- a. Display the Side B MMU card in card view.
 - b. Click the **Provisioning > Optical Line > Parameters** tabs.
 - c. Locate the Port 68 (COM-RX) Power parameter. Record the value.
 - d. If an OPT-PRE card is installed on Side B, display it in card view and complete Step e. If not, continue with Step f.
 - e. Click the OPT-PRE **Provisioning > Opt.Ampli.Line > Parameters** tabs. Record the Total Output Power value for Port 2 (COM-TX), then continue with Step i.
 - f. If a Side B OPT-BST or OPT-BST-E card is installed, display it in card view and complete Step g. If not, continue with Step h.
 - g. Click the **Provisioning > Optical Line > Parameters** tabs and read the Power value for Port 2 (COM-TX), then continue with Step i.
 - h. Display a Side B OSC-CSM card in card view, click the Provisioning > Optical Line > Parameters tabs and read the Power value for Port 3 (COM-TX), then continue with Step i.
 - i. Verify that value in the Step e, g, or h matches the power recorded in Step c, +/- 1.0 dB. If not, use the “[NTP-G115 Clean Fiber Connectors](#)” procedure on page 14-31 to clean the fiber connection between the MMU card and the OPT-BST, OPT-BST-E, or OSC-CSM cards. Check the values again. If they still do not match, contact your next level of support.
 - j. Display the Side B MMU card in card view.
 - k. Click the **Provisioning > Optical Line > Parameters** tabs.
 - l. Record the value in the Power table cell for Port 2 (EXP-TX).
 - m. Display the Side B 32WSS card in card view.
 - n. Click the **Provisioning > Optical Line > Parameters** tabs.
 - o. Verify that the value in the Power table cell for Port 68 (COM-RX) is equal to the value recorded in Step l, +/- 1.0 dB. If not, use the “[NTP-G115 Clean Fiber Connectors](#)” procedure on page 14-31 to clean the fiber connection between the 32WSS and MMU cards. Check the values again. If they still do not match, contact your next level of support.
 - p. Continue with [Step 22](#).
- Step 21** Verify the connection between the Side B 32WSS card and the OPT-BST, OPT-BST-E, OPT-PRE, or OSC-CSM card:
- a. Display the Side B 32WSS in card view.
 - b. Click the **Provisioning > Optical Line > Parameters** tabs.
 - c. Locate the Port 68 (COM-RX) Power parameter. Record the value.
 - d. If a Side B OPT-PRE card is installed, display it in card view and complete Step e. If not, continue with Step f.
 - e. Click the **Provisioning > Opt.Ampli.Line > Parameters** tabs and read the Total Output Power value for Port 2 (COM-TX), then continue with Step i.
 - f. If a Side B OPT-BST or OPT-BST-E card is installed, display it in card view and complete Step g. If not, continue with Step h.
 - g. Click the **Provisioning > Optical Line > Parameters** tabs and read the Power value for Port 2 (COM-TX), then continue with Step i.

- h. Display the Side B OSC-CSM card in card view. Click the **Provisioning > Optical Line > Parameters** tabs and read the Power value for Port 3 (COM-TX), then continue with Step i.
 - i. Verify that the value in Step e, g, or h matches the power recorded in Step c, +/- 1.5 dB. If not, use the “[NTP-G115 Clean Fiber Connectors](#)” procedure on page 14-31 to clean the fiber connection between the 32WSS card and the OPT-PRE, OPT-BST, or OSC-CSM card.
- Step 22** Verify the Side B 32WSS and 32DMX connection:
 - a. Display the Side B 32WSS card in card view.
 - b. Click the **Provisioning > Optical Line > Parameters** tabs and record the value in the Power table cell for Port 69 (DROP-TX).
 - c. Display the Side B 32DMX card in card view.
 - d. Click the **Provisioning > Optical Line > Parameters** tabs. Record the value in the Port 33 (COM-RX) table cell. Verify that the value is equal to the value recorded in b, +/- 1.0 dBm. If not, use the “[NTP-G115 Clean Fiber Connectors](#)” procedure on page 14-31 to clean the fiber connection between the 32WSS and 32DMX cards. Check the values again. If they still do not match, contact your next level of support.
- Step 23** Display the Side B 32DMX card in card view.
- Step 24** Click the **Provisioning > Optical Chn > Parameters** tab. Record the CHAN-TX port value under the Power parameter for the wavelength under test.
- Step 25** Verify that the power value from Step 24 reaches the Shelf *i* Slot *i* (32DMX).Port CHAN-TX.Power set point +/- 2 dBm on Side B. To view this set point:
 - a. Go to node view (single-shelf mode) or multishelf view (multishelf mode) and click the **Provisioning > WDM-ANS > Provisioning** tabs.
 - b. In the Selector window on the left, expand the 32DMX card on Side B.
 - c. Expand the Port CHAN-TX category.
 - d. Select **Power**.
 - e. View the value of the Shelf *i* Slot *i* (32DMX).Port CHAN-TX.Power parameter on the right pane.
 - f. If the power value does not match the value recorded in Step 24 (+/- 2 dBm), contact your next level of support.
- Step 26** If you are using a TXP_MR_10E_C card, display it in card view. If not, read the values called for in Step 28 from the optical test set or tunable laser you are using.
- Step 27** Click the **Performance > Optics PM > Current Values** tabs.
- Step 28** In the Port 2 (Trunk) column, locate the RX Optical Power value. Verify that the value matches the power recorded in Step 24, +/- 2 dBm. If the power values do not match (+/- 2 dBm), complete the following steps:
 - a. Remove, clean, and replace the cable connecting the TXP_MR_10E_C RX port to the Side B fiber patch panel DMX port for the tested wavelength. See the “[NTP-G115 Clean Fiber Connectors](#)” procedure on page 14-31.
 - b. Repeat this step. If the power values still do not match (+/- 2 dBm) contact your next level of support.
- Step 29** Repeat Steps 4 through 28 for the remaining wavelengths.
- Step 30** Display the Side B 32WSS card in card view.
- Step 31** Click the **Maintenance** tab.

- Step 32** Click the table cell in the Operating Mode column and choose **Not Assigned** from the drop-down list for all wavelengths.
- Step 33** Click **Apply**, then click **Yes** to confirm.
- Step 34** If you used a tunable laser or installed a TXP_MR_10E_C card for this test, disconnect it from the Side B patch panel.
- Step 35** Unplug the physical loopback fiber from the line TX and RX in the OPT-BST, OPT-BST-E, or OSC-CSM card.
- Step 36** Return to your originating procedure (NTP).

DLP-G312 Verify the Side A ROADM C-Band Add/Drop Channels with 32WSS Cards

Purpose	This procedure verifies the signal flow through Side A of an ROADM node for C-band add/drop channels.
Tools/Equipment	One of the following: <ul style="list-style-type: none"> • A tunable laser • TXP_MR_10E_C An optical power meter or optical spectrum analyzer Two bulk attenuators (10 dB) with LC connectors
Prerequisite Procedures	DLP-G46 Log into CTC, page 3-30
Required/As Needed	As needed
Onsite/Remote	Onsite
Security Level	Superuser only



Note Throughout this task, Side A refers to Slots 1 through 8, and Side B refers to Slots 10 through 17.

- Step 1** In node view (single-shelf mode) or multishelf view (multishelf mode), display the Alarms tab.
- Step 2** Create a physical loopback on the Side A OPT-BST, OPT-BST-E, or OSC-CSM card by connecting the LINE TX port to its LINE RX port. For OPT-BST or OPT-BST-E cards, connect a 10-dB bulk attenuator to the fiber. (OSC-CSM cards do not require attenuation.)



Caution Failure to use proper attenuation might damage the equipment.

- Step 3** Wait 2 to 3 minutes, then click the **Alarms** tab. Verify that the LOS alarms on the Side A OSCM or OSC-CSM card and the OPT-BST or OPT-BST-E card have cleared. The clearing of the LOS alarms indicates that the OSC link is active on Side A.



Note For ANSI shelves, an EOC DCC Termination Failure alarm will continue to appear due to the OSC signal loopback.

- Step 4** If you are using a tunable laser, follow the manufacturer’s instructions to complete the following steps. If you are using a TXP_MR_10E_C card, continue with [Step 5](#).
- Set the output power to a nominal value, such as –3 dBm.
 - Set the tuner to the wavelength you are testing, then continue with [Step 7](#).
- Step 5** If you are using a TXP_MR_10E_C card, complete the “[DLP-G268 Provision TXP_MR_10E_C Cards for Acceptance Testing](#)” task on page 5-5 for the TXP containing the wavelength you will test. Refer to [Table 5-1 on page 5-30](#), if needed.
- Step 6** If you are using a TXP_MR_10E_C card, complete the following steps. If you are using a tunable laser continue with [Step 7](#).
- Display the TXP_MR_10E_C in card view.
 - Click the **Performance > Optics PM > Current Values** tabs.
 - Locate the Port 2 (Trunk) table cell for the TX Optical Pwr parameter. Record the value.
- Step 7** Connect the tunable laser transmitter or the TXP_MR_10E_C card DWDM TX port to the Side A fiber patch panel MUX port that is connected to the Side A 32WSS card CHAN RX port carrying the tested wavelength. (If the TXP_MR_10E_C card was installed during [Chapter 4, “Turn Up a Node,”](#) simply verify the cable connection.)
- Step 8** Connect the TXP_MR_10E_C DWDM RX port or the power meter RX port to the Side A fiber patch panel DMX port that is connected with the Side A 32DMX card CHAN-TX port carrying the tested wavelength. (If the TXP_MR_10E_C card was installed during [Chapter 4, “Turn Up a Node,”](#) simply verify the cable connection.)
- Step 9** Display the 32WSS card in card view.
- Step 10** Click the **Maintenance** tab.
- Step 11** For each wavelength that you will test, click the table cell in the Operating Mode column and choose **Add Drop** from the drop-down list.
- Step 12** Click **Apply** and then **Yes**, to confirm.
- Step 13** Click the **Provisioning > Optical Chn Optical Connector_n > Parameters** tabs, where *n* = the optical connector number that carries the wavelengths you will test. Refer to [Table 5-1 on page 5-30](#), if needed.
- Step 14** Find the tested wavelength CHAN RX port, then scroll to the right until you see the Power Add parameter. Verify that the Power Add value for the tested port CHAN RX is equal to the output power level of the tunable laser or the TXP_MR_10E_C card measured in [Step 6](#), +/- 1.0 dBm.
- Step 15** Click the **Provisioning > Optical Line > Parameters** tabs and record the value in the Power table cell for Port 67 (COM-TX) for the wavelength under test.
- Step 16** Verify that the power value from [Step 15](#) reaches the Shelf *i* Slot *i* (32WSS).Port COM-TX.Power set point +/- 1.0 dBm on Side A. To view this set point:
- In node view (single-shelf mode) or multishelf view (multishelf mode), click the **Provisioning > WDM-ANS > Provisioning** tabs.
 - In the Selector window on the left, expand the 32WSS card on Side A.
 - Expand the Port COM-TX category.
 - Select Power.
 - View the value of the Shelf *i* Slot *i* (32WSS).Port COM-TX.Power parameter on the right pane.
 - If the power value does not match the value recorded in [Step 15](#) (+/- 2.0 dBm), contact your next level of support.

- Step 17** If an MMU card is installed on Side A, complete the following steps. If an MMU card is not installed on Side A, continue with [Step 18](#).
- Display the Side A 32WSS card in card view.
 - Click the **Provisioning > Optical Line > Parameters** tabs.
 - Record the value in the Power table cell for Port 67 (COM-TX).
 - Display the Side A MMU card in card view.
 - Click the **Provisioning > Optical Line > Parameters** tabs.
 - Verify that the value in the Power table cell for Port 1 (EXP-RX) is equal to the value recorded in Step c, +/- 1.0 dB. If not, use the “[NTP-G115 Clean Fiber Connectors](#)” procedure on page 14-31 to clean the fiber connection between the 32WSS and MMU cards. Check the values again. If they still do not match, contact your next level of support.
 - Record the value in the Power table cell for Port 4 (COM-TX).
 - If a Side A OPT-BST or OPT-BST-E card is installed, display it in card view and complete Step i. If not, continue with Step j.
 - Click the **Provisioning > Optical Line > Parameters** tabs and read the Power value for Port 1 (COM-RX), then continue with Step k.
 - Display the Side A OSC-CSM card in card view, click the **Provisioning > Optical Line > Parameters** tabs and read the Power value for Port 2 (COM-RX), then continue with Step k.
 - Verify that the value in Step i or j matches the power recorded in Step g, +/- 1.5 dB. If not, use the “[NTP-G115 Clean Fiber Connectors](#)” procedure on page 14-31 to clean the fiber connection between the OPT-BST, OPT-BST-E, or OSC-CSM card and the MMU cards. Check the values again. If they still do not match, contact your next level of support.
 - Continue with [Step 19](#).
- Step 18** Verify the connection between the 32WSS card and the OPT-BST, OPT-BST-E, or OSC-CSM cards:
- Display the Side A 32WSS card in card view.
 - Click the **Provisioning > Optical Line > Parameters** tabs.
 - Record the value in the Power table cell for Port 67 (COM-TX).
 - If a OPT-BST or OPT-BST-E card is installed on Side A, display it in card view and complete Step e. If not, continue with Step f.
 - Click the **Provisioning > Optical Line > Parameters** tabs and read the Power value for Port 1 (COM-RX), then continue with Step g.
 - Display the Side A OSC-CSM card in card view, click the **Provisioning > Optical Line > Parameters** tabs and read the Power value for Port 2 (COM-RX), then continue with Step g.
 - Verify that the value in Step e or f matches the power recorded in Step c, +/- 1.0 dB. If so, continue with [Step 19](#). If not, use the “[NTP-G115 Clean Fiber Connectors](#)” procedure on page 14-31 to clean the fiber connection between the OPT-BST, OPT-BST-E, or OSC-CSM card and the 32WSS cards. Check the values again. If they still do not match, contact your next level of support.
- Step 19** If an OPT-PRE card is installed on Side A, complete the following steps. If not, continue with [Step 20](#).
- Display the Side A OPT-PRE in card view.
 - Click the **Provisioning > Optical Line > Parameters** tabs.
 - Locate the Power parameter for Port 1 (COM-RX). Record the value.
 - Display the Side A OPT-BST, OPT-BST-E, or OSC-CSM card in card view.

- e. Click the **Provisioning > Optical Line > Parameters** tabs.
- f. Locate the Port 2 (COM-TX) Power value (for OPT-BST or OPT-BST-E cards) or Port 3 (COM-TX) Power value (for OSC-CSM cards). Verify that the value matches the power recorded in Step c, +/- 1.5 dB. If not, use the “[NTP-G115 Clean Fiber Connectors](#)” procedure on page 14-31 to clean the fiber connection between the OPT-PRE card and the OPT-BST, OPT-BST-E, or OSC-CSM card. Check the values again. If they still do not match, contact your next level of support.
- g. For the Side A OPT-PRE card, complete the “[DLP-G80 Verify the OPT-PRE Amplifier Laser and Power](#)” task on page 5-7.

Step 20 If an MMU card is installed on Side A, complete the following steps. If an MMU card is not installed on Side A, continue with [Step 21](#).

- a. Display the Side A MMU card in card view.
- b. Click the **Provisioning > Optical Line > Parameters** tabs.
- c. Locate the Port 68 (COM-RX) Power parameter. Record the value.
- d. If an OPT-PRE card is installed on Side A, display it in card view and complete Step e. If not, continue with Step f.
- e. Click the OPT-PRE **Provisioning > Opt.Ampli.Line > Parameters** tabs. Record the Total Output Power value for Port 2 (COM-TX), then continue with Step i.
- f. If a Side A OPT-BST or OPT-BST-E card is installed, display it in card view and complete Step g. If not, continue with Step h.
- g. Click the **Provisioning > Optical Line > Parameters** tabs and read the Power value for Port 2 (COM-TX), then continue with Step i.
- h. Display the Side A OSC-CSM card in card view, click the **Provisioning > Optical Line > Parameters** tabs and read the Power value for Port 3 (COM-TX), then continue with Step i.
- i. Verify that value in the Step e, g, or h matches the power recorded in Step c, +/- 1.0 dB. If not, use the “[NTP-G115 Clean Fiber Connectors](#)” procedure on page 14-31 to clean the fiber connection between the MMU card and the OPT-BST, OPT-BST-E, or OSC-CSM cards. Check the values again. If they still do not match, contact your next level of support.
- j. Display the Side A MMU card in card view.
- k. Click the **Provisioning > Optical Line > Parameters** tabs.
 - l. Record the value in the Power table cell for Port 2 (EXP-TX).
- m. Display a Side A 32WSS card in card view.
- n. Click the **Provisioning > Optical Line > Parameters** tabs.
- o. Verify that the value in the Power table cell for Port 68 (COM-RX) is equal to the value recorded in Step l, +/- 1.0 dB. If not, use the “[NTP-G115 Clean Fiber Connectors](#)” procedure on page 14-31 to clean the fiber connection between the 32WSS and MMU cards. Check the values again. If they still do not match, contact your next level of support.
- p. Continue with [Step 22](#).

Step 21 Verify the connection between the Side A 32WSS card and the OPT-BST, OPT-BST-E, OPT-PRE, or OSC-CSM card:

- a. Display the Side A 32WSS in card view.
- b. Click the **Provisioning > Optical Line > Parameters** tabs.
- c. Locate the Port 68 (COM-RX) Power parameter. Record the value.

- d. If a Side A OPT-PRE card is installed, display it in card view and complete Step e. If not, continue with Step f.
- e. Click the **Provisioning > Opt.Ampli.Line > Parameters** tabs and read the Total Output Power value for Port 2 (COM-TX), then continue with Step i.
- f. If a Side A OPT-BST or OPT-BST-E card is installed, display it in card view and complete Step g. If not, continue with Step h.
- g. Click the **Provisioning > Optical Line > Parameters** tabs and read the Power value for Port 2 (COM-TX), then continue with Step i.
- h. Display a Side A OSC-CSM card in card view. Click the **Provisioning > Optical Line > Parameters** tabs and read the Power value for Port 3 (COM-TX), then continue with Step i.
- i. Verify that the value in Step e, g, or h matches the power recorded in Step c, +/- 1.5 dB. If not, use the [“NTP-G115 Clean Fiber Connectors” procedure on page 14-31](#) to clean the fiber connection between the 32WSS card and the OPT-PRE, OPT-BST, or OSC-CSM card.

Step 22 Verify the Side A 32WSS and 32DMX connection:

- a. Display the Side A 32WSS card in card view.
- b. Click the **Provisioning > Optical Line > Parameters** tabs and record the value in the Power table cell for Port 69 (DROP-TX).
- c. Display the Side A 32DMX card in card view.
- d. Click the **Provisioning > Optical Line > Parameters** tabs. Record the value in the Port 2 (COM-RX) table cell. Verify that the value is equal to the value recorded in Step b, +/- 1.0 dBm. If not, use the [“NTP-G115 Clean Fiber Connectors” procedure on page 14-31](#) to clean the fiber connection between the 32WSS and 32DMX cards. Check the values again. If they still do not match, contact your next level of support.

Step 23 Display the Side A 32DMX card in card view.

Step 24 Click the **Provisioning > Optical Chn > Parameters** tab. Record the CHAN-TX port value under the Power parameter for the wavelength under test.

Step 25 Verify that the power value recorded in [Step 24](#) reaches the Shelf *i* Slot *i* (32DMX).Port CHAN-TX.Power set point +/- 2 dBm on Side A. To view this set point:

- a. Go to node view (single-shelf mode) or multishelf view (multishelf mode) and click the **Provisioning > WDM-ANS > Provisioning** tabs.
- b. In the Selector window on the left, expand 32DMX card on Side A.
- c. Expand the CHAN-TX category.
- d. Select **Power**.
- e. View the value of the Shelf *i* Slot *i* (32DMX).Port CHAN-TX.Power parameter on the right pane.
- f. If the power value does not match the value recorded in [Step 24](#) (+/- 2 dBm), contact your next level of support.

Step 26 Display the TXP_MR_10E_C card in card view.

Step 27 Click the **Performance > Optics PM > Current Values** tabs.

Step 28 In the Port 2 (Trunk) column, locate the RX Optical Power value. Verify that the value matches the power in [Step 24](#), +/- 2 dBm. If the power values do not match (+/- 2 dBm), complete the following steps:

- a. Remove, clean, and replace the cable connecting the TXP_MR_10E_C RX port to the Side A fiber patch panel DMX port for the tested wavelength. See the [“NTP-G115 Clean Fiber Connectors” procedure on page 14-31](#).

- b. Repeat this step. If the power values still do not match (+/- 2 dBm) contact your next level of support.
- Step 29** Repeat Steps 4 through 28 for the remaining wavelengths.
- Step 30** Display the Side A 32WSS card in card view.
- Step 31** Click the **Maintenance** tab.
- Step 32** Click the table cell in the Operating Mode column and choose **Not Assigned** from the drop-down list for all wavelengths.
- Step 33** Click **Apply**, then click **Yes** to confirm.
- Step 34** Disconnect the TXP or tunable laser from the Side A patch panel.
- Step 35** Unplug the physical loopback fiber from the line TX and RX in the OPT-BST, OPT-BST-E, or OSC-CSM card.
- Step 36** Return to your originating procedure (NTP).

NTP-G154 Perform the ROADM Node with 32WSS-L and 32DMX-L Cards Acceptance Test

Purpose	This acceptance test verifies that a ROADM node provisioned for L-band wavelengths is operating properly before you connect it to the network. The test verifies the operation of the amplifiers and also verifies that each add/drop and pass-through port on the 32WSS-L and 32DMX-L cards operates properly. The test also checks the power levels at each transmit and receive port to ensure that power loss in the cabling is within tolerance. If MMU cards are installed, the test verifies that the MMU insertion loss does not impact add, drop, or pass-through traffic.
Tools/Equipment	One of the following: <ul style="list-style-type: none"> • A tunable laser • TXP_MR_10E_L An optical power meter or optical spectrum analyzer Two bulk attenuators (10 dB) with LC connectors
Prerequisite Procedures	Chapter 4, “Turn Up a Node”
Required/As Needed	As needed
Onsite/Remote	Onsite
Security Level	Superuser only



Note

Optical power measurements require either a tunable laser or a multirate transponder to generate the proper optical wavelength. If multirate transponders were installed during completion of [Chapter 4, “Turn Up a Node,”](#) they can be used for this procedure. No additional cabling changes are needed.

**Note**

Because the node is isolated and no line-side fibers are connected during the test, the power levels going into the line-side components will not be the same as they would be in a real network setup. Therefore, if the ROADM shelf does not contain OPT-BST-L and OPT-AMP-L (provisioned in OPT-PRE mode) amplifiers on both Side B and Side A, you must lower the OPT-AMP-L power thresholds so that it turns on properly. At the end of the test, you will run ANS to configure the node with the correct parameters for the network acceptance test.

Step 1

Make a copy of [Table 5-2 on page 5-53](#) and place it in a convenient location for reference throughout this procedure. The table shows the 32WSS-L ports and the wavelengths assigned to them. The 32 wavelengths are divided among four physical MPO connectors on the 32WSS-L card. Each MPO connector is assigned eight wavelengths. In CTC, the MPO connector appears in the card view Provisioning > Optical Connector tab. Each Optical Connector subtab represents an MPO connector. Ports 1 through 32 are the channel RX (add) ports; Ports 33 through 64 are the pass-through ports.

Table 5-2 32WSS-L Ports and Wavelengths Test Checklist

32WSS-L Provisioning Subtab	Port #	Wavelength	Tested: Pass-Through	Tested: Add/Drop Side A	Tested: Add/Drop Side B
Optical Chn: Optical Connector 1	RX 1, PT 33	1577.86			
	RX 2, PT 34	1578.69			
	RX 3, PT 35	1579.52			
	RX 4, PT 36	1580.35			
	RX 5, PT 37	1581.18			
	RX 6, PT 38	1582.02			
	RX 7, PT 39	1582.85			
	RX 8, PT 40	1583.69			
Optical Chn: Optical Connector 2	RX 9, PT 41	1584.53			
	RX 10, PT 42	1585.36			
	RX 11, PT 43	1586.20			
	RX 12, PT 44	1587.04			
	RX 13, PT 45	1587.88			
	RX 14, PT 46	1588.73			
	RX 15, PT 47	1589.57			
	RX 16, PT 48	1590.41			
Optical Chn: Optical Connector 3	RX 17, PT 49	1591.26			
	RX 18, PT 50	1592.10			
	RX 19, PT 51	1592.95			
	RX 20, PT 52	1593.79			
	RX 21, PT 53	1594.64			
	RX 22, PT 54	1595.49			
	RX 23, PT 55	1596.34			
	RX 24, PT 56	1597.19			
Optical Chn: Optical Connector 4	RX 25, PT 57	1598.04			
	RX 26, PT 58	1598.89			
	RX 27, PT 59	1599.75			
	RX 28, PT 60	1600.60			
	RX 29, PT 61	1601.46			
	RX 30, PT 62	1602.31			
	RX 31, PT 63	1603.17			
	RX 32, PT 64	1604.03			

Step 2 Complete the “[DLP-G46 Log into CTC](#)” task on page 3-30 at the ROADM node that you want to test. If you are already logged in, continue with [Step 3](#).

- Step 3** Display the ROADM node in node view (single-shelf mode) or multishelf view (multishelf mode).
- Step 4** Click the **Alarms** tab.
- Verify that the alarm filter is not on. See the “[DLP-G128 Disable Alarm Filtering](#)” task on [page 10-26](#) as necessary.
 - Verify that no equipment alarms appear indicating equipment failure or other hardware problems. (Equipment alarms are indicated by an EQPT in the Alarms tab Cond column.) If equipment failure alarms appear, investigate and resolve them before continuing. Refer to the *Cisco ONS 15454 DWDM Troubleshooting Guide* for procedures.



Note The OSC terminations created during node turn-up will generate two alarms for each side of the shelf, one for an LOS on the OPT-BST-L card, and the other for an LOS on the OSC-CSM or OSCM card. If OSCM cards are installed on ANSI shelves, EOC DCC Termination Failure alarms will appear.

- Step 5** In node view (single-shelf mode) or multishelf view (multishelf mode), click the **Provisioning > WDM-ANS > Port Status** tabs. Verify that all statuses under Link Status are listed as Success - Changed or Success - Unchanged. If any are not, complete the following steps:
- Delete the two OSC channels using the “[DLP-G186 Delete an OSC Termination](#)” task on [page 11-50](#).
 - Complete the “[NTP-G37 Run Automatic Node Setup](#)” procedure on [page 4-128](#).
 - Create the OSC channels using the “[NTP-G38 Provision OSC Terminations](#)” procedure on [page 4-126](#).
- Step 6** If MMU cards are installed, complete the following steps. If not, continue with [Step 7](#).
- Display the Side B MMU card in card view.
 - Click the **Provisioning > Optical Line > Parameters** tabs.
 - Click the **Admin State** table cell for the COM RX, COM TX, EXP RX, and EXP TX ports and choose **OOS,MT** (ANSI) or **Locked,maintenance** (ETSI) from the drop-down list.
 - Click **Apply**, then click **Yes** to confirm.
 - Display the Side A MMU card in card view.
 - Click the **Provisioning > Optical Line > Parameters** tabs.
 - Click the **Admin State** table cell for the COM RX, COM TX, EXP RX, and EXP TX ports and choose **OOS,MT** (ANSI) or **Locked,maintenance** (ETSI) from the drop-down list.
- Step 7** Display the Side B 32WSS-L in card view.
- Step 8** Click the **Provisioning > Optical Chn Optical Connector n > Parameters** tabs, where n = the optical connector number that carries the wavelengths you will test. Refer to [Table 5-2 on page 5-53](#), if needed.
- Step 9** Click the **Admin State** table cell for the add port carrying the tested wavelength, then choose **OOS,MT** (ANSI) or **Locked,maintenance** (ETSI) from the drop-down list. For example, if the tested wavelength is 1530.33 nm (shown as 1530.3), you would click the Port 1 (CHAN-RX) Admin State field and choose OOS,MT or Locked,maintenance from the drop-down list.
- Step 10** Change the administrative state of the pass-through port corresponding to the port in [Step 9](#) to **OOS,MT** (ANSI) or **Locked,maintenance** (ETSI). For example, if the tested wavelength is 1577.86 nm (shown as 1577.8), you would click the Port 33 (PASS-THROUGH) Admin State field and choose OOS,MT or Locked,maintenance from the drop-down list. Refer to [Table 5-2 on page 5-53](#), if needed.
- Step 11** Click **Apply**, then click **Yes** to confirm.

- Step 12** Repeat Steps 8 through 11 for all wavelengths that you will test.
- Step 13** Display the Side A 32WSS-L in card view.
- Step 14** Repeat Steps 8 through 12 for the Side A 32WSS-L card.
- Step 15** Display the Side B 32DMX-L in card view and complete the following steps:
- Choose the **Provisioning > Optical Line > Parameters** tabs.
 - For Port 33 (COM-RX), click the **Admin State** table cell and choose **OOS,MT** (ANSI) or **Locked,maintenance** (ETSI) from the drop-down list.
 - Click **Apply**, then click **Yes** to confirm.
- Step 16** Repeat Step 15 for the Side A 32DMX-L card.
- Step 17** Complete the “DLP-G362 Verify ROADM Node L-Band Pass-Through Channels” task on page 5-56.
- Step 18** Complete the following tasks for channels that will be added or dropped on the node.
- DLP-G363 Verify the Side B ROADM L-Band Add/Drop Channels, page 5-64
 - DLP-G364 Verify the Side A ROADM L-Band Add/Drop Channels, page 5-69
- Step 19** If MMU cards are installed, complete the following steps. If not, continue with Step 20.
- Display the Side B MMU card in card view.
 - Click the **Provisioning > Optical Line > Parameters** tabs.
 - Click the **Admin State** table cell for the COM RX, COM TX, EXP RX, and EXP TX ports and choose **IS,AINS** (ANSI) or **Unlocked,automaticInService** (ETSI) from the drop-down list.
 - Click **Apply**, then click **Yes** to confirm.
 - Display the Side A MMU card in card view.
 - Click the **Provisioning > Optical Line > Parameters** tabs.
 - Click the **Admin State** table cell for the COM RX, COM TX, EXP RX, and EXP TX ports and choose **IS,AINS** (ANSI) or **Unlocked,automaticInService** (ETSI) from the drop-down list.
- Step 20** Display the Side B 32WSS-L card in card view.
- Step 21** Click the **Provisioning > Optical Chn Optical Connector_n > Parameters** tabs, where *n* = the optical connector number that carries the wavelengths you tested.
- Step 22** Click the **Admin State** table cell then choose **IS,AINS** (ANSI) or **Unlocked,automaticInService** (ETSI) from the drop-down list for all ports that were changed to OOS,MT or Locked,Maintenance.
- Step 23** Click **Apply**.
- Step 24** Repeat Steps 21 through 23 for all the ports that are **OOS,MT** or **Locked,maintenance** on the Side B 32WSS-L card.
- Step 25** Display the Side A 32WSS-L card in card view.
- Step 26** Repeat Steps 21 through 24 for all ports on the Side A 32WSS-L card.
- Step 27** Display the Side B 32DMX-L card in card view.
- Step 28** Choose the **Provisioning > Optical Line > Parameters** tabs.
- Step 29** For Port 33, click the **Admin State** table cell and choose **IS,AINS** (ANSI) or **Unlocked,automaticInService** (ETSI) from the drop-down list.
- Step 30** Click **Apply**.
- Step 31** Display the Side A 32DMX-L card in card view.
- Step 32** Repeat Steps 28 through 30 for the Side A 32DMX-L card.

- Step 33** Delete both OSC channels using the “[DLP-G186 Delete an OSC Termination](#)” task on page 11-50.
- Step 34** Complete the “[NTP-G37 Run Automatic Node Setup](#)” procedure on page 4-128.
- Step 35** Create the two OSC channels using the “[NTP-G38 Provision OSC Terminations](#)” procedure on page 4-126.
- Step 36** Click the **Alarms** tab.
- Verify that the alarm filter is not on. See the “[DLP-G128 Disable Alarm Filtering](#)” task on page 10-26 as necessary.
 - Verify that no equipment failure alarms appear on the node. If alarms appear, investigate and resolve them before continuing. Refer to the *Cisco ONS 15454 DWDM Troubleshooting Guide* for procedures.
- Stop. You have completed this procedure.**
-

DLP-G362 Verify ROADM Node L-Band Pass-Through Channels

Purpose	This task verifies the signal flow through a ROADM node for L-band pass-through channels. Configuring a channel pass-through mode means that the channel passes through both 32WSS-L cards. The channel passes through the first 32WSS-L card from the COM RX port to the EXP TX port. In the second 32WSS-L card, the channel goes from the EXP RX port to the COM TX port. The channel is not terminated inside the node. If MMU cards are installed, the channel passes through the MMU COM RX and EXP TX ports to the 32WSS-L COM RX and EXP TX ports on one side. On the other side, the channel goes from the 32WSS-L EXP RX and 32WSS-L COM TX ports to the MMU EXP RX and COM TX.
Tools/Equipment	One of the following: <ul style="list-style-type: none"> A tunable laser TXP_MR_10E_L An optical power meter or optical spectrum analyzer Two bulk attenuators (10 dB) with LC connectors
Prerequisite Procedures	DLP-G46 Log into CTC , page 3-30
Required/As Needed	As needed
Onsite/Remote	Onsite
Security Level	Superuser only



Note


Throughout this task, Side A refers to Slots 1 through 8, and Side B refers to Slots 10 through 17.

- Step 1** Create a physical loopback on the Side A OPT-BST-L or OSC-CSM card by connecting the LINE TX port to its LINE RX port. For OPT-BST-L cards, connect a 10-dB bulk attenuator to the fiber. (OSC-CSM cards do not require attenuation.)



Caution

Failure to use proper attenuation might damage the equipment.

- Step 2** If an OPT-AMP-L amplifier (provisioned in OPT-PRE mode) is installed on Side A (where the physical loopback was created), perform the following steps. If not, continue with [Step 3](#).
- Display the OPT-AMP-L card in card view, then click the **Provisioning > Optical Line > Optics Thresholds** tabs.
 - In the Types area, click **Alarm**, then click **Refresh**. The alarm thresholds for the OPT-AMP-L card will appear.
 - Double-click the Power Failure Low table cell for Port 1 (1-Line-2-1 RX) and delete the current value.
 - Type a new value of **-30**. Press the **Enter** key.
 - In the CTC window, click **Apply**, then click **Yes** in the confirmation dialog box.
- Step 3** If an OPT-AMP-L amplifier (provisioned in OPT-PRE mode) is installed on Side B (where the physical loopback was created), perform the following steps. If not, continue with [Step 4](#).
- Display the OPT-AMP-L card in card view, then click the **Provisioning > Optical Line > Optics Thresholds** tabs.
 - In the Types area, click **Alarm**, then click **Refresh**. The alarm thresholds for the OPT-AMP-L card will appear.
 - Double-click the Power Failure Low table cell for Port 1 (1-Line-2-1 RX) and delete the current value.
 - Type a new value of **-30**. Press the **Enter** key.
 - In the CTC window, click **Apply**, then click **Yes** in the confirmation dialog box.
- Step 4** Wait 2 to 3 minutes, then in node view (single-shelf mode) or multishelf view (multishelf mode) click the **Alarms** tab. Verify that the LOS alarms on the Side A OSCM or OSC-CSM card and the OPT-BST-L card have cleared. The clearing of the LOS alarms indicates that the OSC link is active on Side A. If the alarms do not clear, contact your next level of support.
-  **Note** For ANSI shelves, an EOC DCC Termination Failure alarm will continue to appear due to the OSC signal loopback.
-
- Step 5** Display the Side A 32WSS-L card in card view.
- Step 6** Click the **Maintenance** tab.
- Step 7** Click the Operating Mode table cell and choose **Pass Through** from the drop-down list.
- Step 8** Click **Apply**, then click **Yes** to confirm.
- Step 9** Display the Side B 32WSS-L card in card view.
- Step 10** Repeat Steps [6](#) through [8](#) for the Side B 32WSS-L card.
- Step 11** If you are using a tunable laser, follow the manufacturer's instructions to complete the following steps. If you are using a TXP_MR_10E_L card, continue with [Step 12](#).
- Set the output power to a nominal value, such as **-3 dBm**.
 - Set the tuner to the wavelength you will test, then continue with [Step 13](#).
- Step 12** If you are using a TXP_MR_10E_L card, complete the "[DLP-G358 Provision TXP_MR_10E_L Card for Acceptance Testing](#)" task on page 5-26 for the TXP containing the wavelength you will test.
- Step 13** Connect the tunable laser transmitter or the TXP_MR_10E_L card DWDM TX port to the Side B OPT-BST-L or OSC-CSM LINE RX port. If a Side B OPT-AMP-L card is installed, insert a 10-dB attenuator on the fiber coming from the TXP_MR_10E_L card.

**Caution**

Failure to use proper attenuation might damage the equipment.

- Step 14** If an OPT-AMP-L card configured as an OPT-PRE is installed on Side B, complete the following steps. If not, continue with [Step 15](#).
- a. Display the Side B OPT-AMP-L card in card view.
 - b. Click the **Provisioning > Optical Line > Parameters** tabs.
 - c. Locate the Power parameter for Port 1. Record the value.
 - d. Display the Side B OPT-BST-L or OSC-CSM card in card view.
 - e. Click the **Provisioning > Optical Line > Parameters** tabs.
 - f. Locate the Power value for Port 2 (if an OPT-BST-L card) or Port 3 (if an OSC-CSM card). Verify that the value matches the power recorded in Step c, +/- 1.5 dB. If not, use the “[NTP-G115 Clean Fiber Connectors](#)” procedure on page 14-31 to clean the fiber connection between the OPT-AMP-L card and the OPT-BST-L or OSC-CSM card. Check the values again. If they still do not match, contact your next level of support.
 - g. Complete the “[DLP-G360 Verify the OPT-AMP-L \(OPT-PRE Mode\) Amplifier Laser and Power](#)” task on page 5-27.
- Step 15** If MMU cards are installed complete the following steps. If an MMU cards are not installed, continue with [Step 16](#).
- a. Display the Side B MMU card in card view.
 - b. Click the **Provisioning > Optical Line > Parameters** tabs.
 - c. Locate the Port 3 (COM-RX) power parameter. Record the value.
 - d. If a Side B OPT-AMP-L card provisioned as an OPT-PRE is installed, display it in card view and complete Step e. If not, continue with Step f.
 - e. Click the OPT-AMP-L **Provisioning > Opt.Ampli.Line > Parameters** tabs and read the Total Output Power value for Port 2 (COM-TX), then continue with Step i.
 - f. If a Side B OPT-BST-L card is installed, display it in card view and complete Step g. If not, continue with Step h.
 - g. Click the **Provisioning > Optical Line > Parameters** tabs and read the Power value for Port 2 (COM-TX), then continue with Step i.
 - h. Display the Side B OSC-CSM card in card view, click the **Provisioning > Optical Line > Parameters** tabs and read the Power value for Port 3 (COM-TX), then continue with Step i.
 - i. Verify that value in Step e, g, or h matches the power recorded in Step c, +/- 1.0 dB. If not, use the “[NTP-G115 Clean Fiber Connectors](#)” procedure on page 14-31 to clean the fiber connection between the MMU card and the OPT-BST-L, OPT-AMP-L, or OSC-CSM cards. Check the values again. If they still do not match, contact your next level of support.
 - j. Display the Side B MMU card in card view.
 - k. Click the **Provisioning > Optical Line > Parameters** tabs.
 - l. Record the value in the Power table cell for Port 2 (EXP-TX) of the Side B MMU card.
 - m. Display the Side B 32WSS-L card in card view.
 - n. Click the **Provisioning > Optical Line > Parameters** tabs.

- o. Verify that the value in the Power table cell for Port 68 (COM-RX) is equal to the value recorded in Step [1](#), +/- 1.0 dB. If not, use the “[NTP-G115 Clean Fiber Connectors](#)” procedure on page [14-31](#) to clean the fiber connection between the 32WSS and MMU cards. Check the values again. If they still do not match, contact your next level of support.
 - p. Continue with [Step 17](#).
- Step 16** Verify the Side B 32WSS-L to OPT-BST-L, OPT-AMP-L, or OSC-CSM card cable connection:
- a. Display the Side B 32WSS-L card in card view.
 - b. Click the **Provisioning > Optical Line > Parameters** tabs.
 - c. Locate the Port 68 Power parameter. Record the value.
 - d. If a Side B OPT-AMP-L card provisioned as an OPT-PRE is installed, display it in card view and complete Step [e](#). If not, continue with Step [f](#).
 - e. Click the **Provisioning > Opt.Ampli.Line > Parameters** tabs and read the Total Output Power value for Port 2, then continue with Step [i](#).
 - f. If a Side B OPT-BST-L card is installed, display it in card view and complete Step [g](#). If not, continue with Step [h](#).
 - g. Click the **Provisioning > Opt.Ampli.Line > Parameters** tabs and read the Power value for Port 3, then continue with Step [i](#).
 - h. Display the Side B OSC-CSM card in card view, click the **Provisioning > Optical Line > Parameters** tabs and read the Power value for Port 2, then continue with Step [i](#).
 - i. Verify that the value in Step [e](#), [g](#), or [h](#) matches the power recorded in Step [c](#), +/- 1.5 dB. If not, use the “[NTP-G115 Clean Fiber Connectors](#)” procedure on page [14-31](#) to clean the fiber connection between the 32WSS-L card and the OPT-AMP-L, OPT-BST-L, or OSC-CSM card. Check the values again. If they still do not match, contact your next level of support.
- Step 17** Verify the EXPRESS cable connection between the two 32WSS-L cards:
- a. Display the Side B 32WSS-L card in card view.
 - b. Click the **Provisioning > Optical Line > Parameters** tabs.
 - c. Locate the Port 65 (EXP-TX) Power parameter. Record the value.
 - a. Display the Side A 32WSS-L card in card view.
 - b. Click the **Provisioning > Optical Line > Parameters** tabs.
 - c. Locate the Power value for Port 66 (EXP-RX). Verify that the value matches the power recorded in Step [c](#), +/-1 dB. If not, use the “[NTP-G115 Clean Fiber Connectors](#)” procedure on page [14-31](#) to clean the fiber connection between the 32WSS-L cards. Check the values again. If they still do not match, contact your next level of support.
- Step 18** Display the Side A 32WSS-L card in card view.
- Step 19** Click the **Provisioning > Optical Chn Optical Connector n > Parameters** tabs, where n = the connector number containing the wavelength you are testing. Refer to [Table 5-2](#) on page [5-53](#), if needed.
- Step 20** Wait 60 to 70 seconds, then locate the Power and VOA Power Ref parameters for the tested PASS-THROUGH port. Verify that the Power value is equal to the VOA Power Ref value, +/- 1.5 dBm. If the Power value is not equal to the VOA Power Ref value, +/- 1.5 dBm, contact your next level of support.
- Step 21** If an MMU card is installed on Side A, complete the following steps. If an MMU card is not installed on Side A, continue with [Step 22](#).
- a. Display the Side A 32WSS-L card in card view.

- b. Click the **Provisioning > Optical Line > Parameters** tabs.
- c. Record the value in the Power table cell for Port 67 (COM-TX).
- d. Display the Side A MMU card in card view.
- e. Click the **Provisioning > Optical Line > Parameters** tabs.
- f. Verify that the value in the Power table cell for Port 1 (EXP-RX) is equal to the value recorded in Step c, +/- 1.0 dB. If not, use the [“NTP-G115 Clean Fiber Connectors” procedure on page 14-31](#) to clean the fiber connection between the 32WSS and MMU cards. Check the values again. If they still do not match, contact your next level of support.
- g. Record the value in the Power table cell for Port 4 (COM-TX).
- h. If an OPT-BST-L card is installed on Side A, display it in card view and complete Step i. If not, continue with Step j.
- i. Click the **Provisioning > Optical Line > Parameters** tabs and read the Power value for Port 1 (COM-RX), then continue with Step k.
- j. Display the Side A OSC-CSM card in card view, click the **Provisioning > Optical Line > Parameters** tabs and read the Power value for Port 2 (COM-RX), then continue with Step k.
- k. Verify that the value in Step i or j matches the power recorded in Step g, +/- 1.5 dB. If not, use the [“NTP-G115 Clean Fiber Connectors” procedure on page 14-31](#) to clean the fiber connection between the OPT-BST-L or OSC-CSM card, and the MMU card. Check the values again. If they still do not match, contact your next level of support.
- l. Continue with [Step 23](#).

Step 22 If an OPT-BST-L card is installed on Side B, complete the following steps. If not, continue with [Step 23](#).

- a. Display the Side B OPT-BST-L card in card view.
- b. Click the **Provisioning > Optical Line > Parameters** tabs.
- c. Locate the Port 1 Power parameter. Record the value.
- d. Display the Side B 32WSS-L card in card view.
- e. Click the **Provisioning > Optical Line > Parameters** tabs.
- f. Locate the Power value for Port 67. Verify that the value matches the power recorded in Step c, +/-1 dB. If not, use the [“NTP-G115 Clean Fiber Connectors” procedure on page 14-31](#) to clean the fiber connection between the OPT-BST-L and 32WSS-L cards. Check the values again. If they still do not match, contact your next level of support.
- g. Complete the [“DLP-G79 Verify the OPT-BST, OPT-BST-E, or OPT-BST-L Amplifier Laser and Power” task on page 5-6](#).

Step 23 If a Side A OPT-AMP-L card provisioned as an OPT-PRE is installed, complete the following steps. If not, continue with [Step 24](#).

- a. Display the Side A OPT-AMP-L card in card view.
- b. Click the **Provisioning > Optical Line > Parameters** tabs.
- c. Locate the Power parameter for Port 1 (COM-RX). Record the value.
- d. Display the Side A OPT-BST-L or OSC-CSM card in card view.
- e. Click the **Provisioning > Optical Line > Parameters** tabs.

- f. Locate the Power value for Port 2 (COM-TX) (OPT-BST-L) or Port 3 (COM-TX) (OSC-CSM). Verify that the value matches the power recorded in Step c, +/- 2.0 dB. If not, use the “[NTP-G115 Clean Fiber Connectors](#)” procedure on page 14-31 to clean the fiber connection between the OPT-AMP-L card and the OPT-BST-L or OSC-CSM card. Check the values again. If they still do not match, contact your next level of support.
- g. For the Side A OPT-AMP-L card provisioned as an OPT-PRE, complete the “[DLP-G360 Verify the OPT-AMP-L \(OPT-PRE Mode\) Amplifier Laser and Power](#)” task on page 5-27.

Step 24 If an MMU card is installed on Side A, complete the following steps, then continue with [Step 26](#). If an MMU card is not installed on Side A, continue with [Step 25](#).

- a. Display the Side A MMU card in card view.
- b. Click the **Provisioning > Optical Line > Parameters** tabs.
- c. Locate the Port 3 (COM-RX) power parameter. Record the value.
- d. If a Side A OPT-AMP-L card provisioned in OPT-PRE mode is installed, display it in card view and complete Step e. If not, continue with Step f.
- e. Click the OPT-AMP-L **Provisioning > Opt.Ampli.Line > Parameters** tabs and read the Total Output Power value for Port 2 (COM-TX), then continue with Step i.
- f. If an OPT-BST-L card is installed on Side A, display it in card view and complete Step g. If not, continue with Step h.
- g. Click the **Provisioning > Optical Line > Parameters** tabs and read the Power value for Port 2 (COM-TX), then continue with Step i.
- h. Display the Side A OSC-CSM card in card view, click the **Provisioning > Optical Line > Parameters** tabs and read the Power value for Port 3 (COM-TX), then continue with Step i.
- i. Verify that value in the Step e, g, or h matches the power recorded in Step c, +/- 1.0 dB. If not, use the “[NTP-G115 Clean Fiber Connectors](#)” procedure on page 14-31 to clean the fiber connection between the MMU card and the OPT-BST-L, OPT-AMP-L, or OSC-CSM cards. Check the values again. If they still do not match, contact your next level of support.
- j. Display the Side B MMU card in card view.
- k. Click the **Provisioning > Optical Line > Parameters** tabs.
- l. Record the value in the Power table cell for Port 2 (EXP-TX) of the Side A MMU card.
- m. Display the Side A 32WSS-L card in card view.
- n. Click the **Provisioning > Optical Line > Parameters** tabs.
- o. Verify that the value in the Power table cell for Port 68 (COM-RX) is equal to the value recorded in Step l, +/- 1.0 dB. If not, use the “[NTP-G115 Clean Fiber Connectors](#)” procedure on page 14-31 to clean the fiber connection between the 32WSS and cards and the MMU cards. Check the values again. If they still do not match, contact your next level of support.
- p. Continue with [Step 26](#).

Step 25 Verify the Side A 32WSS-L card to OPT-BST-L, OPT-AMP-L, or OSC-CSM card cable connection:

- a. Display the Side A 32WSS-L card in card view.
- b. Click the **Provisioning > Optical Line > Parameters** tabs.
- c. Locate the Port 68 (COM-RX) Power parameter. Record the value.
- d. If a Side A OPT-AMP-L card is installed, display it in card view, and complete Step e. If not, continue with Step f.

- e. Click the **Provisioning > Opt.Ampli.Line > Parameters** tabs and read the Total Output Power value for Port 2 (COM-TX), then continue with Step **i**.
- f. If a Side A OPT-BST-L card is installed, display it in card view, and complete Step **g**. If not, continue with Step **h**.
- g. Click the **Provisioning > Opt.Ampli.Line > Parameters** tabs and read the Power value for Port 2 (COM-TX), then continue with Step **i**.
- h. Display the Side A OSC-CSM card in card view, click the **Provisioning > Opt.Ampli.Line > Parameters** tabs and read the Power value for Port 3 (COM-TX), then continue with Step **i**.
- i. Verify that the value in Step **e**, **g**, or **h** matches the power recorded in Step **c**, ± 1.5 dB. If not, use the “[NTP-G115 Clean Fiber Connectors](#)” procedure on page 14-31 to clean the fiber connection between the 32WSS-L card and the OPT-AMP-L, OPT-BST-L, or OSC-CSM card. Check the values again. If they still do not match, contact your next level of support.

Step 26 Verify the EXPRESS cable connection between the two 32WSS-L cards:

- a. Display the Side A 32WSS-L card in card view.
- b. Click the **Provisioning > Optical Line > Parameters** tabs.
- c. Locate the Port 65 (EXP-TX) Power parameter. Record the value.
- a. Display the Side B 32WSS-L card in card view.
- b. Click the **Provisioning > Optical Line > Parameters** tabs.
- c. Locate the Power value for Port 66 (EXP-RX). Verify that the value matches the power recorded in Step **c**, ± 1 dB. If not, use the “[NTP-G115 Clean Fiber Connectors](#)” procedure on page 14-31 to clean the fiber connection between the 32WSS-L cards. Check the values again. If they still do not match, contact your next level of support.

Step 27 Display the Side B 32WSS-L card in card view.

Step 28 Click the **Provisioning > Optical Chn Optical Connector n > Parameters** tabs, where n = the connector number containing the wavelength you are testing. Refer to [Table 5-1 on page 5-30](#), if needed.

Step 29 Wait 60 to 70 seconds (or click **Reset**), then locate the Power and VOA Power Ref parameters for the tested PASS-THROUGH port. Verify that the Power value is equal to the VOA Power Ref value, ± 1.5 dBm. If the Power value is not equal to the VOA Power Ref value ± 1.5 dBm, consult your next level of support.

Step 30 If an MMU card is installed on Side B, complete the following steps. If an MMU card is not installed on Side B, continue with [Step 31](#).

- a. Display the Side B 32WSS-L card in card view.
- b. Click the **Provisioning > Optical Line > Parameters** tabs.
- c. Record the value in the Power table cell for Port 67 (COM-TX).
- d. Display the Side B MMU card in card view.
- e. Click the **Provisioning > Optical Line > Parameters** tabs.
- f. Verify that the value in the Power table cell for Port 1 (EXP-RX) is equal to the value recorded in Step **c**, ± 1.0 dB. If not, use the “[NTP-G115 Clean Fiber Connectors](#)” procedure on page 14-31 to clean the fiber connection between the 32WSS-L and MMU cards. Check the values again. If they still do not match, contact your next level of support.
- g. Record the value in the Power table cell for Port 4 (COM-TX).
- h. If a Side B OPT-BST-L card is installed, display it in card view and complete Step **i**. If not, continue with Step **j**.

- i. Click the **Provisioning > Optical Line > Parameters** tabs and read the Power value for Port 1 (COM-RX), then continue with Step [k](#).
 - j. Display the Side B OSC-CSM card in card view, click the **Provisioning > Optical Line > Parameters** tabs and read the Power value for Port 2 (COM-RX), then continue with Step [k](#).
 - k. Verify that the value in Step [i](#) or [j](#) matches the power recorded in Step [g](#), +/- 1.5 dB. If not, use the “[NTP-G115 Clean Fiber Connectors](#)” procedure on page 14-31 to clean the fiber connection between the OPT-BST-L or OSC-CSM card and the MMU cards. Check the values again. If they still do not match, contact your next level of support.
 - l. Continue with [Step 32](#).
- Step 31** If an OPT-BST-L or OSC-CSM card is installed on Side B, complete the following steps. If not, continue with [Step 32](#).
- a. Display the Side B OPT-BST-L or OSC-CSM card in card view.
 - b. Click the **Provisioning > Optical Line > Parameters** tabs.
 - c. Locate the Port 1 (COM-RX) Power parameter (OPT-BST-L card) or the Port 2 (COM-RX) Power parameter (OSC-CSM card). Record the value.
 - d. Display the Side B 32WSS-L card in card view.
 - e. Click the **Provisioning > Optical Line > Parameters** tabs.
 - f. Locate the Power value for Port 67 (COM-TX). Verify that the value matches the power recorded in Step [c](#), +/-1 dB. If not, use the “[NTP-G115 Clean Fiber Connectors](#)” procedure on page 14-31 to clean the fiber connection between the OPT-BST-L card and the OSC-CSM or 32WSS-L card. Check the values again. If they still do not match, contact your next level of support.
 - g. Complete the “[DLP-G79 Verify the OPT-BST, OPT-BST-E, or OPT-BST-L Amplifier Laser and Power](#)” task on page 5-6.
- Step 32** Repeat Steps [18](#) through [20](#) and [27](#) through [29](#) for the remaining wavelengths to be tested. If you have tested all the wavelengths, continue with [Step 33](#).
- Step 33** Display the Side B 32WSS-L card in card view.
- Step 34** Click the **Maintenance** tab.
- Step 35** In the Operating Mode, click the table cell and choose **Not Assigned** from the drop-down list for all wavelengths.
- Step 36** Click **Apply**, then click **Yes** to confirm.
- Step 37** Display the Side A 32WSS-L in card view.
- Step 38** Repeat Steps [34](#) through [36](#) for the Side A 32WSS-L card.
- Step 39** Remove the TXP or tunable laser from the Side B OPT-BST-L or OSC-CSM line side TX and RX ports.
- Step 40** Remove the loopback fiber from the line RX and TX in the Side A OPT-BST-L or OSC-CSM card.
- Step 41** Return to your originating procedure (NTP).
-

DLP-G363 Verify the Side B ROADM L-Band Add/Drop Channels

Purpose	This procedure verifies the signal flow through Side B of a ROADM node for L-band add/drop channels.
Tools/Equipment	One of the following: <ul style="list-style-type: none"> • A tunable laser • TXP_MR_10E_L <p>An optical power meter or optical spectrum analyzer</p> <p>Two bulk attenuators (10 dB) with LC connectors</p>
Prerequisite Procedures	DLP-G46 Log into CTC, page 3-30
Required/As Needed	As needed
Onsite/Remote	Onsite
Security Level	Superuser only



Note Throughout this task, Side A refers to Slots 1 through 8, and Side B refers to Slots 10 through 17.

- Step 1** In node view (single-shelf mode) or multishelf view (multishelf mode), display the Alarms tab.
- Step 2** Create a physical loopback on the Side B OPT-BST-L or OSC-CSM card by connecting the LINE TX port to its LINE RX port. For OPT-BST-L cards, connect a 10-dB bulk attenuator to the fiber. (OSC-CSM cards do not require attenuation.)



Caution Failure to use proper attenuation might damage the equipment.

- Step 3** Wait 2 to 3 minutes, then click the **Alarms** tab. Verify that the LOS alarms on the Side B OSCM or OSC-CSM card and the OPT-BST-L card have cleared. The clearing of the LOS alarms indicates that the OSC link is active on Side B.



Note For ANSI shelves, EOC DCC Termination Failure alarm will continue to appear due to the OSC signal loopback.

- Step 4** If you are using a tunable laser, follow the manufacturer's instructions to complete the following steps. If you are using a TXP_MR_10E_L card, continue with [Step 5](#).
- Set the output power to a nominal value, such as -3 dBm.
 - Set the tuner to the wavelength you are testing, then continue with [Step 7](#).
- Step 5** If you are using a TXP_MR_10E_L card, complete the “[DLP-G358 Provision TXP_MR_10E_L Card for Acceptance Testing](#)” task on [page 5-26](#) for the TXP containing the wavelength you will test. See [Table 5-2 on page 5-53](#), if needed.
- Step 6** If you are using a TXP_MR_10E_L card, complete the following steps. If you are using a tunable laser, continue with [Step 7](#).
- Display the TXP_MR_10E_L in card view.
 - Click the **Performance > Optics PM > Current Values** tabs.
 - Locate the Port 2 (Trunk) table cell for the TX Optical Pwr parameter. Record the value.

- Step 7** Connect the tunable laser transmitter or the TXP_MR_10E_L card DWDM TX port to the Side B fiber patch panel MUX port that corresponds to the Side B 32WSS-L card port carrying the tested wavelength.
- Step 8** Connect the TXP_MR_10E_L DWDM RX port or the power meter RX port to the Side B fiber patch panel DMX port that is connected with the Side B 32DMX-L card CHAN-TX port carrying the tested wavelength. (If the TXP_MR_10E_L card was installed during [Chapter 4, “Turn Up a Node,”](#) simply verify the cable connection.)
- Step 9** Display the 32WSS-L card in card view.
- Step 10** Click the **Maintenance** tab.
- Step 11** For each wavelength that you will test, click the table cell in the Operating Mode column and choose **Add Drop** from the drop-down list.
- Step 12** Click **Apply** and then **Yes**, to confirm.
- Step 13** Click the **Provisioning > Optical Chn Optical Connector n > Parameters** tabs, where n = the optical connector number that carries the wavelengths you will test. Refer to [Table 5-2 on page 5-53](#), if needed.
- Step 14** Find the tested wavelength CHAN RX port, then scroll to the right until you see the Power Add parameter. Verify that the Power Add value for the tested port CHAN RX is equal to the output power level of the tunable laser or the TXP_MR_10E_L card measured in [Step 6](#), ± 1.0 dBm.
- Step 15** Click the **Provisioning > Optical Line > Parameters** tabs and record the value in the Power table cell for Port 67 (COM-TX) for the wavelength under test.
- Step 16** Verify that the power value from [Step 15](#) reaches the Shelf i Slot i (32WSS-L).Port COM-TX.Power set ± 1.0 dBm on Side B. To view this set point:
- In node view (single-shelf mode) or multishelf view (multishelf mode), click the **Provisioning > WDM-ANS > Provisioning** tabs.
 - In the Selector window on the left, expand the 32WSS-L card on Side B.
 - Expand the COM-TX category.
 - Select **Power**.
 - View the value of the Shelf i Slot i (32WSS-L).Port COM-TX.Power parameter on the right pane.
 - If the power value does not match the value recorded in [Step 15](#) (± 2.0 dBm), contact your next level of support.
- Step 17** If an MMU card is installed on Side B, complete the following steps. If an MMU card is not installed on Side B, continue with [Step 18](#).
- Display the Side B 32WSS-L card in card view.
 - Click the **Provisioning > Optical Line > Parameters** tabs.
 - Record the value in the Power table cell for Port 67 (COM-TX).
 - Display the Side B MMU card in card view.
 - Click the **Provisioning > Optical Line > Parameters** tabs.
 - Verify that the value in the Power table cell for Port 1 (EXP-RX) is equal to the value recorded in [Step c](#), ± 1.0 dB. If not, use the [“NTP-G115 Clean Fiber Connectors” procedure on page 14-31](#) to clean the fiber connection between the 32WSS-L and MMU cards. Check the values again. If they still do not match, contact your next level of support.
 - Record the value in the Power table cell for Port 4 (COM-TX).
 - If a Side B OPT-BST-L card is installed, display it in card view and complete [Step i](#). If not, continue with [Step j](#).

- i. Click the Provisioning > Optical Line > Parameters tabs and read the Power value for Port 1 (COM-RX), then continue with Step k.
- j. Display the Side B OSC-CSM card in card view, click the **Provisioning > Optical Line > Parameters** tabs and read the Power value for Port 2 (COM-RX), then continue with Step k.
- k. Verify that the value in Step i or j matches the power recorded in Step g, +/- 1.5 dB. If not, use the “[NTP-G115 Clean Fiber Connectors](#)” procedure on page 14-31 to clean the fiber connection between the OPT-BST-L or OSC-CSM card and the MMU cards. Check the values again. If they still do not match, contact your next level of support.
- l. Continue with Step 19.

Step 18 Verify the connection between the 32WSS-L card and the OPT-BST-L or OSC-CSM cards:

- a. Display the Side B 32WSS-L card in card view.
- b. Click the **Provisioning > Optical Line > Parameters** tabs.
- c. Record the value in the Power table cell for Port 67 (COM-TX).
- d. If a OPT-BST-L card is installed on Side B, display it in card view and complete Step e. If not, continue with Step f.
- e. Click the **Provisioning > Optical Line > Parameters** tabs and read the Power value for Port 1 (COM-RX), then continue with Step g.
- f. Display the Side B OSC-CSM card in card view, click the **Provisioning > Optical Line > Parameters** tabs and read the Power value for Port 2 (COM-RX), then continue with Step g.
- g. Verify that the value in Step e or f matches the power recorded in Step c, +/- 1.0 dB. If so, continue with Step 19. If not, use the “[NTP-G115 Clean Fiber Connectors](#)” procedure on page 14-31 to clean the fiber connection between the OPT-BST-L or OSC-CSM card and the 32WSS-L cards. Check the values again. If they still do not match, contact your next level of support.

Step 19 If an OPT-AMP-L card provisioned in OPT-PRE mode is installed on Side B, complete the following steps. If not, continue with Step 20.

- a. Display the Side B OPT-AMP-L card in card view.
- b. Click the **Provisioning > Optical Line > Parameters** tabs.
- c. Locate the Power parameter for Port 1 (COM-RX). Record the value.
- d. Display the Side B OPT-BST-L or OSC-CSM card in card view.
- e. Click the **Provisioning > Optical Line > Parameters** tabs.
- f. Locate the Port 2 (COM-TX) Power value (for OPT-BST-L cards) or Port 3 (COM-TX) Power value (for OSC-CSM cards). Verify that the value matches the power recorded in Step c, +/- 1.5 dB. If not, use the “[NTP-G115 Clean Fiber Connectors](#)” procedure on page 14-31 to clean the fiber connection between the OPT-AMP-L card and the OPT-BST-L or OSC-CSM card. Check the values again. If they still do not match, contact your next level of support.
- g. For the Side B OPT-AMP-L card, complete the “[DLP-G80 Verify the OPT-PRE Amplifier Laser and Power](#)” task on page 5-7.

Step 20 If an MMU card is installed on Side B, complete the following steps. If an MMU card is not installed on Side B, continue with Step 21.

- a. Display the Side B MMU card in card view.
- b. Click the **Provisioning > Optical Line > Parameters** tabs.
- c. Locate the Port 68 (COM-RX) Power parameter. Record the value.

- d. If an OPT-AMP-L card provisioned in OPT-PRE mode is installed on Side B, display it in card view and complete Step e. If not, continue with Step f.
- e. Click the OPT-PRE **Provisioning > Opt.Ampli.Line > Parameters** tabs. Record the Total Output Power value for Port 2 (COM-TX), then continue with Step i.
- f. If a Side B OPT-BST-L card is installed, display it in card view and complete Step g. If not, continue with Step h.
- g. Click the **Provisioning > Optical Line > Parameters** tabs and read the Power value for Port 2 (COM-TX), then continue with Step i.
- h. Display the Side B OSC-CSM card in card view, click the Provisioning > Optical Line > Parameters tabs and read the Power value for Port 3 (COM-TX), then continue with Step i.
- i. Verify that value in the Step e, g, or h matches the power recorded in Step c, +/- 1.0 dB. If not, use the “[NTP-G115 Clean Fiber Connectors](#)” procedure on page 14-31 to clean the fiber connection between the MMU card and the OPT-BST-L or OSC-CSM cards. Check the values again. If they still do not match, contact your next level of support.
- j. Display the Side B MMU card in card view.
- k. Click the **Provisioning > Optical Line > Parameters** tabs.
 - l. Record the value in the Power table cell for Port 2 (EXP-TX).
- m. Display the Side B 32WSS-L card in card view.
- n. Click the **Provisioning > Optical Line > Parameters** tabs.
- o. Verify that the value in the Power table cell for Port 68 (COM-RX) is equal to the value recorded in Step l, +/- 1.0 dB. If not, use the “[NTP-G115 Clean Fiber Connectors](#)” procedure on page 14-31 to clean the fiber connection between the 32WSS-L and MMU cards. Check the values again. If they still do not match, contact your next level of support.
- p. Continue with [Step 22](#).

Step 21 Verify the connection between the Side B 32WSS-L card and the OPT-BST-L, OPT-AMP-L (in OPT-PRE mode), or OSC-CSM card:

- a. Display the Side B 32WSS-L in card view.
- b. Click the **Provisioning > Optical Line > Parameters** tabs.
- c. Locate the Port 68 (COM-RX) Power parameter. Record the value.
- d. If a Side B OPT-AMP-L card provisioned in OPT-PRE mode is installed, display it in card view and complete Step e. If not, continue with Step f.
- e. Click the **Provisioning > Opt.Ampli.Line > Parameters** tabs and read the Total Output Power value for Port 2 (COM-TX), then continue with Step i.
- f. If a Side B OPT-BST-L card is installed, display it in card view and complete Step g. If not, continue with Step h.
- g. Click the **Provisioning > Optical Line > Parameters** tabs and read the Power value for Port 2 (COM-TX), then continue with Step i.
- h. Display the Side B OSC-CSM card in card view. Click the **Provisioning > Optical Line > Parameters** tabs and read the Power value for Port 3 (COM-TX), then continue with Step i.
- i. Verify that the value in Step e, g, or h matches the power recorded in Step c, +/- 1.5 dB. If not, use the “[NTP-G115 Clean Fiber Connectors](#)” procedure on page 14-31 to clean the fiber connection between the 32WSS-L card and the OPT-AMP-L, OPT-BST-L, or OSC-CSM card.

- Step 22** Verify the Side B 32WSS-L and 32DMX-L connection:
- Display the Side B 32WSS-L card in card view.
 - Click the **Provisioning > Optical Line > Parameters** tabs and record the value in the Power table cell for Port 69 (DROP-TX).
 - Display the Side B 32DMX-L card in card view.
 - Click the **Provisioning > Optical Line > Parameters** tabs. Record the value in the Port 2 (COM-RX) table cell. Verify that the value is equal to the value recorded in **b**, +/- 1.0 dBm. If not, use the [“NTP-G115 Clean Fiber Connectors” procedure on page 14-31](#) to clean the fiber connection between the 32WSS-L and 32DMX-L cards. Check the values again. If they still do not match, contact your next level of support.
- Step 23** Display the Side B 32DMX-L card in card view.
- Step 24** Click the **Provisioning > Optical Chn > Parameters** tab. Record the CHAN-TX port value under the Power parameter for the wavelength under test.
- Step 25** Verify that the power value from [Step 24](#) reaches the Shelf *i* Slot *i* (32DMX-L).Port CHAN-TX.Power set point +/- 2 dBm on Side B. To view this set point:
- Go to node view (single-shelf mode) or multishelf view (multishelf mode) and click the **Provisioning > WDM-ANS > Provisioning** tabs.
 - In the Selector window on the left, expand the 32DMX-L card.
 - Expand the CHAN-TX category.
 - Select **Power**.
 - View the value of the Side B Shelf *i* Slot *i* (32DMX-L).Port CHAN-TX.Power parameter on the right pane.
 - If the power value does not match the value recorded in [Step 24](#) (+/- 2 dBm), contact your next level of support.
- Step 26** Display the TXP_MR_10E_L card in card view.
- Step 27** Click the **Performance > Optics PM > Current Values** tabs.
- Step 28** In the Port 2 (Trunk) column, locate the RX Optical Power value. Verify that the value matches the power in [Step 24](#), +/- 2 dBm. If the power values do not match (+/- 2 dBm), complete the following steps:
- Remove, clean, and replace the cable connecting the TXP_MR_10E_C RX port to the Side B fiber patch panel DMX port for the tested wavelength. See the [“NTP-G115 Clean Fiber Connectors” procedure on page 14-31](#).
 - Repeat this step. If the power values still do not match (+/- 2 dBm) contact your next level of support.
- Step 29** Repeat Steps [4](#) through [28](#) for the remaining wavelengths.
- Step 30** Display the Side B 32WSS-L card in card view.
- Step 31** Click the **Maintenance** tab.
- Step 32** Click the table cell in the Operating Mode column and choose **Not Assigned** from the drop-down list for all wavelengths.
- Step 33** Click **Apply**, then click **Yes** to confirm.
- Step 34** Disconnect the TXP or tunable laser from the Side B patch panel.
- Step 35** Unplug the physical loopback fiber from the line TX and RX in the OPT-BST-L or OSC-CSM card.

Step 36 Return to your originating procedure (NTP).

DLP-G364 Verify the Side A ROADM L-Band Add/Drop Channels

Purpose	This procedure verifies the signal flow through Side A of a ROADM node for L-band add/drop channels.
Tools/Equipment	One of the following: <ul style="list-style-type: none"> • A tunable laser • TXP_MR_10E_L An optical power meter or optical spectrum analyzer Two bulk attenuators (10 dB) with LC connectors
Prerequisite Procedures	DLP-G46 Log into CTC, page 3-30
Required/As Needed	As needed
Onsite/Remote	Onsite
Security Level	Superuser only



Note Throughout this task, Side A refers to Slots 1 through 8, and Side B refers to Slots 10 through 17.

Step 1 In node view (single-shelf mode) or multishelf view (multishelf mode), display the Alarms tab.

Step 2 Create a physical loopback on the Side A OPT-BST-L or OSC-CSM card by connecting the LINE TX port to its LINE RX port. For OPT-BST-L cards, connect a 10-dB bulk attenuator to the fiber. (OSC-CSM cards do not require attenuation.)



Caution Failure to use proper attenuation might damage the equipment.

Step 3 Wait 2 to 3 minutes, then click the **Alarms** tab. Verify that the LOS alarms on the Side A OSCM or OSC-CSM card and the OPT-BST-L card have cleared. The clearing of the LOS alarms indicates that the OSC link is active on Side A.



Note For ANSI shelves, an EOC DCC Termination Failure alarm will continue to appear due to the OSC signal loopback.

Step 4 If you are using a tunable laser, follow the manufacturer's instructions to complete the following steps. If you are using a TXP_MR_10E_L card, continue with [Step 5](#).

- a. Set the output power to a nominal value, such as -3 dBm.
- b. Set the tuner to the wavelength you are testing, then continue with [Step 7](#).

Step 5 If you are using a TXP_MR_10E_L card, complete the "[DLP-G358 Provision TXP_MR_10E_L Card for Acceptance Testing](#)" task on [page 5-26](#) for the TXP containing the wavelength you will test. Refer to [Table 5-2 on page 5-53](#), if needed.

- Step 6** If you are using a TXP_MR_10E_L card, complete the following steps. If you are using a tunable laser, continue with [Step 7](#).
- Display the TXP_MR_10E_L in card view.
 - Click the **Performance > Optics PM > Current Values** tabs.
 - Locate the Port 2 (Trunk) table cell for the TX Optical Pwr parameter. Record the value.
- Step 7** Connect the tunable laser transmitter or the TXP_MR_10E_L card DWDM TX port to the Side A fiber patch panel MUX port that corresponds to the Side A 32WSS-L card port carrying the tested wavelength.
- Step 8** Connect the TXP_MR_10E_L DWDM RX port or the power meter RX port to the Side A fiber patch panel DMX port that is connected with the Side A 32DMX-L card CHAN-TX port carrying the tested wavelength. (If the TXP_MR_10E_L card was installed during [Chapter 4, “Turn Up a Node,”](#) simply verify the cable connection.)
- Step 9** Display the 32WSS-L card in card view.
- Step 10** Click the **Maintenance** tab.
- Step 11** For each wavelength that you will test, click the table cell in the Operating Mode column and choose **Add Drop** from the drop-down list.
- Step 12** Click **Apply** and then **Yes**, to confirm.
- Step 13** Click the **Provisioning > Optical Chn Optical Connector_n > Parameters** tabs, where *n* = the optical connector number that carries the wavelengths you will test. Refer to [Table 5-2 on page 5-53](#), if needed.
- Step 14** Find the tested wavelength CHAN RX port, then scroll to the right until you see the Power Add parameter. Verify that the Power Add value for the tested port CHAN RX is equal to the output power level of the tunable laser or the TXP_MR_10E_L card measured in [Step 6](#), +/- 1.0 dBm.
- Step 15** Click the **Provisioning > Optical Line > Parameters** tabs and record the value in the Power table cell for Port 67 (COM-TX) for the wavelength under test.
- Step 16** Verify that the power value from [Step 15](#) reaches the Shelf *i* Slot *i* (32WSS-L).Port COM-TX.Power +/- 1.0 dBm on Side A. To view this set point:
- In node view (single-shelf mode) or multishelf view (multishelf mode), click the **Provisioning > WDM-ANS > Provisioning** tabs.
 - In the Selector window on the left, expand the 32WSS-L card on Side A.
 - Expand the Port COM-TX category.
 - Select **Power**.
 - View the Shelf *i* Slot *i* (32WSS-L).Port COM-TX.Power parameter on the right pane.
 - If the power value does not match the value recorded in [Step 15](#) (+/- 2.0 dBm), contact your next level of support.
- Step 17** If an MMU card is installed on Side A, complete the following steps. If an MMU card is not installed on Side A, continue with [Step 18](#).
- Display the Side A 32WSS-L card in card view.
 - Click the **Provisioning > Optical Line > Parameters** tabs.
 - Record the value in the Power table cell for Port 67 (COM-TX).
 - Display the Side A MMU card in card view.
 - Click the **Provisioning > Optical Line > Parameters** tabs.

- f. Verify that the value in the Power table cell for Port 1 (EXP-RX) is equal to the value recorded in Step c, +/- 1.0 dB. If not, use the “[NTP-G115 Clean Fiber Connectors](#)” procedure on page 14-31 to clean the fiber connection between the 32WSS-L and MMU cards. Check the values again. If they still do not match, contact your next level of support.
- g. Record the value in the Power table cell for Port 4 (COM-TX).
- h. If a Side A OPT-BST-L card is installed, display it in card view and complete Step i. If not, continue with Step j.
- i. Click the **Provisioning > Optical Line > Parameters** tabs and read the Power value for Port 1 (COM-RX), then continue with Step k.
- j. Display the Side A OSC-CSM card in card view, click the **Provisioning > Optical Line > Parameters** tabs and read the Power value for Port 2 (COM-RX), then continue with Step k.
- k. Verify that the value in Step i or j matches the power recorded in Step g, +/- 1.5 dB. If not, use the “[NTP-G115 Clean Fiber Connectors](#)” procedure on page 14-31 to clean the fiber connection between the OPT-BST-L or OSC-CSM card and the MMU cards. Check the values again. If they still do not match, contact your next level of support.
- l. Continue with [Step 19](#).

Step 18 Verify the connection between the 32WSS-L card and the OPT-BST-L or OSC-CSM cards:

- a. Display the Side A 32WSS-L card in card view.
- b. Click the **Provisioning > Optical Line > Parameters** tabs.
- c. Record the value in the Power table cell for Port 67 (COM-TX).
- d. If a OPT-BST-L card is installed on Side A, display it in card view and complete Step e. If not, continue with Step f.
- e. Click the **Provisioning > Optical Line > Parameters** tabs and read the Power value for Port 1 (COM-RX), then continue with Step g.
- f. Display the Side A OSC-CSM card in card view, click the **Provisioning > Optical Line > Parameters** tabs and read the Power value for Port 2 (COM-RX), then continue with Step g.
- g. Verify that the value in Step e or f matches the power recorded in Step c, +/- 1.0 dB. If so, continue with [Step 19](#). If not, use the “[NTP-G115 Clean Fiber Connectors](#)” procedure on page 14-31 to clean the fiber connection between the OPT-BST-L or OSC-CSM card and the 32WSS-L cards. Check the values again. If they still do not match, contact your next level of support.

Step 19 If an OPT-AMP-L card provisioned in OPT-PRE mode is installed on Side A, complete the following steps. If not, continue with [Step 20](#).

- a. Display the Side A OPT-AMP-L card in card view.
- b. Click the **Provisioning > Optical Line > Parameters** tabs.
- c. Locate the Power parameter for Port 1 (COM-RX). Record the value.
- d. Display the Side A OPT-BST-L or OSC-CSM card in card view.
- e. Click the **Provisioning > Optical Line > Parameters** tabs.
- f. Locate the Port 2 (COM-TX) Power value (for OPT-BST-L cards) or Port 3 (COM-TX) Power value (for OSC-CSM cards). Verify that the value matches the power recorded in Step c, +/- 1.5 dB. If not, use the “[NTP-G115 Clean Fiber Connectors](#)” procedure on page 14-31 to clean the fiber connection between the OPT-AMP-L card and the OPT-BST-L or OSC-CSM card. Check the values again. If they still do not match, contact your next level of support.
- g. For the Side A OPT-AMP-L card, complete the “[DLP-G80 Verify the OPT-PRE Amplifier Laser and Power](#)” task on page 5-7.

- Step 20** If an MMU card is installed on Side A, complete the following steps. If an MMU card is not installed on Side A, continue with [Step 21](#).
- a. Display the Side A MMU card in card view.
 - b. Click the **Provisioning > Optical Line > Parameters** tabs.
 - c. Locate the Port 68 (COM-RX) Power parameter. Record the value.
 - d. If an OPT-AMP-L card provisioned in OPT-PRE mode is installed on Side A, display it in card view and complete Step e. If not, continue with Step f.
 - e. Click the OPT-PRE **Provisioning > Opt.Ampli.Line > Parameters** tabs. Record the Total Output Power value for Port 2 (COM-TX), then continue with Step i.
 - f. If a Side A OPT-BST-L card is installed, display it in card view and complete Step g. If not, continue with Step h.
 - g. Click the **Provisioning > Optical Line > Parameters** tabs and read the Power value for Port 2 (COM-TX), then continue with Step i.
 - h. Display the Side A OSC-CSM card in card view, click the **Provisioning > Optical Line > Parameters** tabs and read the Power value for Port 3 (COM-TX), then continue with Step i.
 - i. Verify that value in the Step e, g, or h matches the power recorded in Step c, +/- 1.0 dB. If not, use the “[NTP-G115 Clean Fiber Connectors](#)” procedure on page 14-31 to clean the fiber connection between the MMU card and the OPT-BST-L or OSC-CSM cards. Check the values again. If they still do not match, contact your next level of support.
 - j. Display the Side A MMU card in card view.
 - k. Click the **Provisioning > Optical Line > Parameters** tabs.
 - l. Record the value in the Power table cell for Port 2 (EXP-TX).
 - m. Display the Side A 32WSS-L card in card view.
 - n. Click the **Provisioning > Optical Line > Parameters** tabs.
 - o. Verify that the value in the Power table cell for Port 68 (COM-RX) is equal to the value recorded in Step l, +/- 1.0 dB. If not, use the “[NTP-G115 Clean Fiber Connectors](#)” procedure on page 14-31 to clean the fiber connection between the 32WSS-L and MMU cards. Check the values again. If they still do not match, contact your next level of support.
 - p. Continue with [Step 22](#).
- Step 21** Verify the connection between the Side A 32WSS-L card and the OPT-BST-L, OPT-AMP-L (in OPT-PRE mode), or OSC-CSM card:
- a. Display the Side A 32WSS-L in card view.
 - b. Click the **Provisioning > Optical Line > Parameters** tabs.
 - c. Locate the Port 68 (COM-RX) Power parameter. Record the value.
 - d. If a Side A OPT-AMP-L card provisioned in OPT-PRE mode is installed, display it in card view and complete Step e. If not, continue with Step f.
 - e. Click the **Provisioning > Opt.Ampli.Line > Parameters** tabs and read the Total Output Power value for Port 2 (COM-TX), then continue with Step i.
 - f. If a Side A OPT-BST-L card is installed, display it in card view and complete Step g. If not, continue with Step h.
 - g. Click the **Provisioning > Optical Line > Parameters** tabs and read the Power value for Port 2 (COM-TX), then continue with Step i.

- h. Display the Side A OSC-CSM card in card view. Click the **Provisioning > Optical Line > Parameters** tabs and read the Power value for Port 3 (COM-TX), then continue with Step i.
 - i. Verify that the value in Step e, g, or h matches the power recorded in Step c, +/- 1.5 dB. If not, use the “[NTP-G115 Clean Fiber Connectors](#)” procedure on page 14-31 to clean the fiber connection between the 32WSS-L card and the OPT-AMP-L, OPT-BST-L, or OSC-CSM card.
- Step 22** Verify the Side A 32WSS-L and 32DMX-L connection:
 - a. Display the Side A 32WSS-L card in card view.
 - b. Click the **Provisioning > Optical Line > Parameters** tabs and record the value in the Power table cell for Port 69 (DROP-TX).
 - c. Display the Side A 32DMX-L card in card view.
 - d. Click the **Provisioning > Optical Line > Parameters** tabs. Record the value in the Port 2 (COM-RX) table cell. Verify that the value is equal to the value recorded in b, +/- 1.0 dBm. If not, use the “[NTP-G115 Clean Fiber Connectors](#)” procedure on page 14-31 to clean the fiber connection between the 32WSS-L and 32DMX-L cards. Check the values again. If they still do not match, contact your next level of support.
- Step 23** Display the Side A 32DMX-L card in card view.
- Step 24** Click the **Provisioning > Optical Chn > Parameters** tab. Record the CHAN-TX port value under the Power parameter for the wavelength under test.
- Step 25** Verify that the power value from Step 24 reaches the Shelf *i* Slot *i* (32DMX-L).Port CHAN-TX.Power set point +/- 2 dBm on Side A. To view this set point:
 - a. Go to node view (single-shelf mode) or multishelf view (multishelf mode) and click the **Provisioning > WDM-ANS > Provisioning** tabs.
 - b. In the Selector window on the left, expand the 32DMX-L card on Side A.
 - c. Expand the Port CHAN-TX category.
 - d. Select **Power**.
 - e. View the value of the Shelf *i* Slot *i* (32DMX-L).Port CHAN-TX.Power parameter on the right pane.
 - f. If the power value does not match the value recorded in Step 24 (+/- 2 dBm), contact your next level of support.
- Step 26** Display the TXP_MR_10E_L card in card view.
- Step 27** Click the **Performance > Optics PM > Current Values** tabs.
- Step 28** In the Port 2 (Trunk) column, locate the RX Optical Power value. Verify that the value matches the power in Step 24, +/- 2 dBm. If the power values do not match (+/- 2 dBm), complete the following steps:
 - a. Remove, clean, and replace the cable connecting the TXP_MR_10E_L RX port to the Side A fiber patch panel DMX port for the tested wavelength. See the “[NTP-G115 Clean Fiber Connectors](#)” procedure on page 14-31.
 - b. Repeat this step. If the power values still do not match (+/- 2 dBm) contact your next level of support.
- Step 29** Repeat Steps 4 through 28 for the remaining wavelengths.
- Step 30** Display the Side A 32WSS-L card in card view.
- Step 31** Click the **Maintenance** tab.
- Step 32** Click the table cell in the Operating Mode column and choose **Not Assigned** from the drop-down list for all wavelengths.
- Step 33** Click **Apply**, then click **Yes** to confirm.

- Step 34** Disconnect the TXP or tunable laser from the Side A patch panel.
- Step 35** Unplug the physical loopback fiber from the line TX and RX in the OPT-BST-L or OSC-CSM card.
- Step 36** Return to your originating procedure (NTP).

NTP-G180 Perform the ROADM Node with 40-WSS-C and 40-DMX-C Cards Acceptance Test

Purpose	This acceptance test verifies that a ROADM node provisioned for C-band wavelengths is operating properly before you connect it to the network. The test verifies the operation of the amplifiers and also verifies that each add/drop and pass-through port on the 40-WSS-C and 40-DMX-C cards operates properly. The test also checks the power levels at each transmit and receive port to ensure that power loss in the cabling is within tolerance. If MMU cards are installed, the test verifies that the MMU insertion loss does not impact add, drop, or pass through circuits.
Tools/Equipment	One of the following: <ul style="list-style-type: none"> • A tunable laser • TXP_MR_10E_C An optical power meter or optical spectrum analyzer Two bulk attenuators (10 dB) with LC connectors
Prerequisite Procedures	Chapter 4, “Turn Up a Node”
Required/As Needed	As needed
Onsite/Remote	Onsite
Security Level	Superuser only



Note

Optical power measurements require either a tunable laser or a multirate transponder to generate the proper optical wavelength. If multirate transponders were installed during completion of [Chapter 4, “Turn Up a Node,”](#) they can be used for this procedure. No additional cabling changes are needed.



Note

Because the node is isolated and no line-side fibers are connected during the test, the power levels going into the line-side cards will not be the same as the levels after the node is connected to the network. Therefore, if the ROADM shelf does not contain either OPT-BST or OPT-BST-E amplifiers, and OPT-PRE amplifiers on both the Side B and Side A sides, lower the OPT-PRE power thresholds so that the ROADM shelf turns on properly. At the end of the test, you will run ANS to configure the node with the correct parameters for the network acceptance test.



Note

Throughout this procedure, Side A refers to Slots 1 through 8, and Side B refers to Slots 10 through 17.

- Step 1** Make a copy of [Table 5-3 on page 5-76](#) and place it in a convenient location for reference throughout this procedure. The table shows the 40-WSS-C ports and the wavelengths assigned to them. The 40 wavelengths are divided among five physical multi-fiber push on (MPO) connectors on the 40-WSS-C card. Each MPO connector is assigned eight wavelengths. In Cisco Transport controller (CTC), the MPO connector appears in the card view Provisioning > Optical Chn:Optical Connector tab. Each Optical Connector subtab represents an MPO connector. Ports 1 through 40 are the channel (CHAN) RX (add) ports; Ports 41 through 80 are the pass-through ports.
- Step 2** Complete the “[DLP-G46 Log into CTC](#)” task on [page 3-30](#) at the ROADM node that you want to test. If you are already logged in, continue with [Step 3](#).
- Step 3** Display the ROADM node in node view (single-shelf mode) or multishelf view (multishelf mode).
- Step 4** Click the **Alarms** tab.
- Verify that the alarm filter is not on. See the “[DLP-G128 Disable Alarm Filtering](#)” task on [page 10-26](#) as necessary.
 - Verify that no equipment alarms appear indicating equipment failure or other hardware problems. (Equipment alarms are indicated by an EQPT in the Alarms tab Cond column.) If equipment failure alarms appear, investigate and resolve them before continuing. Refer to the *Cisco ONS 15454 DWDM Troubleshooting Guide* for procedures.



Note The OSC terminations created during node turn-up will generate LOS alarms on the OPT-BST, OPT-BST-E, or OPT-AMP-C cards, and on the OSC-CSM and OSCM cards. If OSCM cards are installed in ANSI shelves, EOC SDCC Termination Failure alarms will also appear.

- Step 5** In node view (single-shelf mode) or multishelf view (multishelf mode), click the **Provisioning > WDM-ANS > Port Status** tabs. Verify that all statuses under Link Status are either Success - Changed or Success - Unchanged. If any are not, complete the following steps:
- Delete the two OSC channels using the “[DLP-G186 Delete an OSC Termination](#)” task on [page 11-50](#).
 - Complete the “[NTP-G37 Run Automatic Node Setup](#)” procedure on [page 4-128](#).
 - Create the OSC channels using the “[NTP-G38 Provision OSC Terminations](#)” procedure on [page 4-126](#).



Note The OSC terminations created will generate LOS alarms on the OPT-BST, OPT-BST-E, OPT-AMP-C cards and on the OSC-CSM and OSCM cards. If OSCM cards are installed in ANSI shelves, EOC DCC Termination Failure alarms will also appear.

- Step 6** If MMU cards are installed, complete the following steps. If not, continue with [Step 7](#).
- Display the Side B MMU in card view.
 - Click the **Provisioning > Optical Line > Parameters** tabs.
 - Click the **Admin State** table cell for the COM RX, COM TX, EXP RX, and EXP TX ports and choose **OOS,MT** (ANSI) or **Locked,maintenance** (ETSI) from the drop-down list.
 - Click **Apply**, then click **Yes** to confirm.
 - Display the Side A MMU in card view.
 - Click the **Provisioning > Optical Line > Parameters** tabs.

- g. Click the **Admin State** table cell for the COM RX, COM TX, EXP RX, and EXP TX ports and choose **OOS,MT** (ANSI) or **Locked,maintenance** (ETSI) from the drop-down list.
- Step 7** Display the Side B 40-WSS-C in card view.
- Step 8** Click the **Provisioning > Optical Chn Optical Connector *n* > Parameters** tabs, where *n* = the optical connector number that carries the wavelengths you will test. Refer to [Table 5-3](#), if needed.
- Step 9** Click the **Admin State** table cell for the add port carrying the tested wavelength, then choose **OOS,MT** (ANSI) or **Locked,maintenance** (ETSI) from the drop-down list. For example, if the tested wavelength is 1530.33 nm (shown as 1530.3), you would click the Port 1 (CHAN-RX) Admin State field and choose OOS,MT or Locked,maintenance from the drop-down list.
- Step 10** Change the administrative state of the pass-through port corresponding to the port in [Step 9](#) to **OOS,MT** (ANSI) or **Locked,maintenance** (ETSI). For example, if the tested wavelength is 1530.33 nm (shown as 1530.3), you would click the Port 33 (PASS-THROUGH) Admin State field and choose OOS,MT or Locked,maintenance from the drop-down list. Refer to [Table 5-3](#), if needed.

Table 5-3 40-WSS-C Ports and Wavelengths Test Checklist

40-WSS-C Provisioning Subtab	Port #	Wavelength	Tested: Pass-Through	Tested: Add/Drop Side A	Tested: Add/Drop Side B
Optical Chn: Optical Connector 1	RX 1, PT 41	1530.33			
	RX 2, PT 42	1531.12			
	RX 3, PT 43	1531.90			
	RX 4, PT 44	1532.68			
	RX 5, PT 45	1533.47			
	RX 6, PT 46	1533.47			
	RX 7, PT 47	1535.04			
	RX 8, PT 48	1535.82			
Optical Chn: Optical Connector 2	RX 9, PT 49	1536.81			
	RX 10, PT 50	1537.40			
	RX 11, PT 51	1538.19			
	RX 12, PT 52	1538.98			
	RX 13, PT 53	1539.77			
	RX 14, PT 54	1540.56			
	RX 15, PT 55	1541.35			
	RX 16, PT 56	1542.14			

Table 5-3 40-WSS-C Ports and Wavelengths Test Checklist (continued)

40-WSS-C Provisioning Subtab	Port #	Wavelength	Tested: Pass-Through	Tested: Add/Drop Side A	Tested: Add/Drop Side B
Optical Chn: Optical Connector 3	RX 17, PT 57	1542.19			
	RX 18, PT 58	1543.73			
	RX 19, PT 59	1544.53			
	RX 20, PT 60	1545.32			
	RX 21, PT 61	1546.12			
	RX 22, PT 62	1546.92			
	RX 23, PT 63	1547.72			
	RX 24, PT 64	1548.51			
Optical Chn: Optical Connector 4	RX 25, PT 65	1549.32			
	RX 26, PT 66	1550.12			
	RX 27, PT 67	1550.92			
	RX 28, PT 68	1551.72			
	RX 29, PT 69	1552.52			
	RX 30, PT 70	1553.33			
	RX 31, PT 71	1554.13			
	RX 32, PT 72	1554.94			
Optical Chn: Optical Connector 5	RX 33, PT 73	1555.75			
	RX 34, PT 74	1556.55			
	RX 35, PT 75	1557.36			
	RX 36, PT 76	1558.17			
	RX 37, PT 77	1558.98			
	RX 38, PT 78	1559.71			
	RX 39, PT 79	1560.61			
	RX 40, PT 80	1561.42			

- Step 11** Click **Apply**, then click **Yes** to confirm.
- Step 12** Repeat Steps 8 through 11 for each wavelength that you will test.
- Step 13** Display the Side A 40-WSS-C in card view.
- Step 14** Repeat Steps 8 through 12 for the Side A 40-WSS-C card.
- Step 15** Display the Side B 40-DMX-C card in card view and complete the following steps:
- Choose the **Provisioning > Optical Line > Parameters** tabs.
 - For Port 41 (COM-RX), click the **Admin State** table cell and choose **OOS,MT (ANSI)** or **Locked,maintenance (ETSI)** from the drop-down list.
 - Click **Apply**, then click **Yes** to confirm.
- Step 16** Repeat Step 15 for the Side A 40-DMX-C card.

- Step 17** Complete the “[DLP-G310 Verify ROADM Node C-Band Pass-Through Channels with 40-WSS-C Cards](#)” task on page 5-79.
- Step 18** Complete the following tasks for channels that will be added or dropped on the node.
- [DLP-G311 Verify the Side B ROADM C-Band Add/Drop Channels with 40-WSS-C Cards](#), page 5-87
 - [DLP-G312 Verify the Side A ROADM C-Band Add/Drop Channels with 40-WSS-C Cards](#), page 5-92
- Step 19** If MMU cards are installed, complete the following steps. If not, continue with [Step 20](#).
- a. Display the Side B MMU in card view.
 - b. Click the **Provisioning > Optical Line > Parameters** tabs.
 - c. Click **Admin State** for the COM RX, COM TX, EXP RX, and EXP TX ports and choose **IS,AINS** (ANSI) or **Unlocked,automaticInService** (ETSI) from the drop-down list.
 - d. Click **Apply**, then click **Yes** to confirm.
 - e. Display the Side A MMU in card view.
 - f. Click the **Provisioning > Optical Line > Parameters** tabs.
 - g. Click **Admin State** for the COM RX, COM TX, EXP RX, and EXP TX ports and choose **IS,AINS** (ANSI) or **Unlocked,automaticInService** (ETSI) from the drop-down list.
- Step 20** Display the Side B 40-WSS-C in card view.
- Step 21** Click the **Provisioning > Optical Chn Optical Connector n > Parameters** tabs, where n = the optical connector number that carries the wavelengths you tested.
- Step 22** Click the **Admin State** table cell then choose **IS,AINS** (ANSI) or **Unlocked,automaticInService** (ETSI) from the drop-down list for all ports that were changed to OOS,MT or Locked,Maintenance in Steps 9 and 10.
- Step 23** Click **Apply**.
- Step 24** Repeat Steps 21 through 23 for all the ports that are in OOS,MT or Locked,maintenance state on the Side B 40-WSS-C card.
- Step 25** Display the Side A 40-WSS-C in card view.
- Step 26** Repeat Steps 21 through 23 for all ports on the Side A 40-WSS-C card.
- Step 27** Display the Side B 40-DMX-C in card view.
- Step 28** Choose the **Provisioning > Optical Line > Parameters** tabs.
- Step 29** For Port 33, click the **Admin State** table cell and choose **IS,AINS** (ANSI) or **Unlocked,automaticInService** (ETSI) from the drop-down list.
- Step 30** Click **Apply**.
- Step 31** Display the Side A 40-DMX-C card in card view.
- Step 32** Repeat Steps 28 through 30 for the Side A 40-DMX-C card.
- Step 33** Delete both OSC channels using the “[DLP-G186 Delete an OSC Termination](#)” task on page 11-50.
- Step 34** Complete the “[NTP-G37 Run Automatic Node Setup](#)” procedure on page 4-128.
- Step 35** Create the two OSC channels using the “[NTP-G38 Provision OSC Terminations](#)” procedure on page 4-126.

- Step 36** Click the **Alarms** tab.
- Verify that the alarm filter is not on. See the “[DLP-G128 Disable Alarm Filtering](#)” task on [page 10-26](#) as necessary.
 - Verify that no equipment failure alarms appear on the node. If alarms appear, investigate and resolve them before continuing. Refer to the *Cisco ONS 15454 DWDM Troubleshooting Guide* for procedures.

Stop. You have completed this procedure.

DLP-G310 Verify ROADM Node C-Band Pass-Through Channels with 40-WSS-C Cards

Purpose	This task verifies the signal flow through a ROADM node for C-band pass-through channels. Pass-through channels pass through both 40-WSS-C cards. The channels pass through the first 40-WSS-C from the COM-RX port to the EXP-TX port. In the second 40-WSS-C, the channel goes from the EXP-RX port to the COM-TX port. The channel is not terminated inside the node. If MMU cards are installed, the channel passes through the MMU COM-RX and EXP-TX ports to the 40-WSS-C COM-RX and EXP-TX ports on one side. On the other side, the channel goes from the 40-WSS-C EXP-RX and COM-TX ports to the MMU EXP-RX and COM-TX ports.
Tools/Equipment	One of the following: <ul style="list-style-type: none"> A tunable laser TXP_MR_10E_C An optical power meter or optical spectrum analyzer Two bulk attenuators (10 dB) with LC connectors
Prerequisite Procedures	DLP-G46 Log into CTC, page 3-30 NTP-G38 Provision OSC Terminations, page 4-126
Required/As Needed	As needed
Onsite/Remote	Onsite
Security Level	Superuser only



Note


Throughout this task, Side A refers to Slots 1 through 8, and Side B refers to Slots 10 through 17.

- Step 1** Create a physical loopback on the Side A OPT-BST, OPT-BST-E, or OSC-CSM card by connecting the LINE TX port to its LINE RX port. For OPT-BST or OPT-BST-E cards, connect a 10-dB bulk attenuator to the fiber. (OSC-CSM cards do not require attenuation.)



Caution

Failure to use proper attenuation might damage the equipment.

- Step 2** If an OPT-PRE amplifier is installed on Side A (where the physical loopback was created), perform the following steps. If not, continue with [Step 3](#).
- Display the OPT-PRE card in card view, then click the **Provisioning > Optical Line > Optics Thresholds** tabs.
 - In the Types area, click **Alarm**, then click **Refresh**. The alarm thresholds for the OPT-PRE card will appear.
 - Double-click the **Power Failure Low** table cell for Port 1 (COM-RX) and delete the current value.
 - Type a new value of **-30.0** and press the **Enter** key.
 - In the CTC window, click **Apply**, then click **Yes** in the confirmation dialog box.
- Step 3** If an OPT-PRE or OSC-CSM card is installed on Side B, complete the following steps. If not, continue with [Step 4](#).
- Display the Side B OPT-PRE card in card view, then click the **Provisioning > Optical Line > Optics Thresholds** tabs.
 - In the Types area, click **Alarm**, then click **Refresh**. The alarm thresholds for the OPT-PRE card will appear.
 - Double-click the **Power Failure Low** table cell for Port 1 (COM-RX) and delete the current value.
 - Type a new value of **-30.0** and press the **Enter** key.
 - In the CTC window, click **Apply**, then click **Yes** in the confirmation dialog box.
- Step 4** Wait 2 to 3 minutes, then in node view (single-shelf mode) or multishelf view (multishelf mode) click the **Alarms** tab. Verify that the LOS alarms on the Side A OSCM or OSC-CSM card and the OPT-BST or OPT-BST-E card have cleared. The clearing of the LOS alarms indicates that the OSC link is active on Side A. If the alarms do not clear, contact your next level of support.
-  **Note** For ANSI shelves, an EOC SDCC Termination Failure alarm will continue to appear due to the OSC signal loopback.
-
- Step 5** Display the Side A 40-WSS-C card in card view.
- Step 6** Click the **Maintenance** tab.
- Step 7** Click the **Operating Mode** table cell for the wavelength under test and choose **Pass Through** from the drop-down list.
- Step 8** Click **Apply**, then click **Yes** to confirm.
- Step 9** Display the Side B 40-WSS-C card in card view.
- Step 10** Repeat Steps [6](#) through [8](#) for the Side B 40-WSS-C card.
- Step 11** If you are using a tunable laser, follow the manufacturer's instructions to complete the following steps. If you are using a TXP_MR_10E_C card, continue with [Step 12](#).
- Set the output power to a nominal value, such as -3 dBm.
 - Set the tuner to the wavelength you will test, then continue with [Step 13](#).
- Step 12** If you are using a TXP_MR_10E_C card, complete the "[DLP-G268 Provision TXP_MR_10E_C Cards for Acceptance Testing](#)" task on page 5-5 for the TXP containing the wavelength you will test.
- Step 13** Connect the tunable laser transmitter or the TXP_MR_10E_C card DWDM TX port to the Side B OPT-BST, OPT-BST-E, or OSC-CSM LINE RX port. If a Side B OPT-PRE is installed, insert a 10-dB attenuator on the fiber coming from the TXP_MR_10E_C card.

**Note**

If using a pre-installed TXP_MR-10E_C card that is connected to the 40-DMX-C, there is no need to connect the TXP_MR_10E_C DWDM TX port to the OPT-BST, OPT-BST-E, or OSC-CSM LINE RX port. Install an optical loopback between the LINE TX and RX ports on the OPT-BST, OPT-BST-E, or OSC-CSM card.

**Caution**

Failure to use proper attenuation might damage the equipment.

- Step 14** If an OPT-PRE or OSC-CSM card is installed on Side B, complete the following steps. If not, continue with [Step 15](#).
- Display the Side B OPT-PRE in card view.
 - Click the **Provisioning > Optical Line > Parameters** tabs.
 - Locate the Power parameter for Port 1 (COM-RX). Record the value.
 - Display the Side B OPT-BST, OPT-BST-E, or OSC-CSM card in card view.
 - Click the **Provisioning > Optical Line > Parameters** tabs.
 - Locate the Power value for Port 2 (COM-TX) (OPT-BST or OPT-BST-E) or Port 3 (COM-TX) (OSC-CSM). Verify that the value matches the power recorded in Step [c](#), +/- 2.0 dB. If not, use the [“NTP-G115 Clean Fiber Connectors” procedure on page 14-31](#) to clean the fiber connection between the OPT-PRE card and the OPT-BST, OPT-BST-E, or OSC-CSM card. Check the values again. If they still do not match, contact your next level of support.
 - For the Side B OPT-PRE card, complete the [“DLP-G80 Verify the OPT-PRE Amplifier Laser and Power” task on page 5-7](#).
- Step 15** If an MMU card is installed on Side B, complete the following steps, then continue with [Step 17](#). If an MMU card is not installed, continue with [Step 16](#).
- Display the Side B MMU card in card view.
 - Click the **Provisioning > Optical Line > Parameters** tabs.
 - Locate the Port 3 (COM-RX) power parameter. Record the value.
 - If a Side B OPT-PRE card is installed, display it in card view and complete Step [e](#). If not, continue with Step [f](#).
 - Click the OPT-PRE **Provisioning > Opt.Ampli.Line > Parameters** tabs and read the Total Output Power value for Port 2 (COM-TX), then continue with Step [i](#).
 - If a Side B OPT-BST or OPT-BST-E card is installed, display it in card view and complete Step [g](#). If not, continue with Step [h](#).
 - Click the **Provisioning > Optical Line > Parameters** tabs and read the Power value for Port 2 (COM-TX), then continue with Step [i](#).
 - Display the Side B OSC-CSM card in card view, click the **Provisioning > Optical Line > Parameters** tabs and read the Power value for Port 3 (COM-TX), then continue with Step [i](#).
 - Verify that value in the Step [e](#), [g](#), or [h](#) matches the power recorded in Step [c](#), +/- 1.0 dB. If not, use the [“NTP-G115 Clean Fiber Connectors” procedure on page 14-31](#) to clean the fiber connection between the MMU card and the OPT-BST, OPT-BST-E, OPT-PRE, or OSC-CSM cards. Check the values again. If they still do not match, contact your next level of support.
 - Display the Side B MMU card in card view.
 - Click the **Provisioning > Optical Line > Parameters** tabs.

- l. Record the value in the Power table cell for Port 2 (EXP-TX) of the Side B MMU card.
- m. Display the Side B 40-WSS-C card in card view.
- n. Click the **Provisioning > Optical Line > Parameters** tabs.
- o. Verify that the value in the Power table cell for Port 68 (COM-RX) is equal to the value recorded in Step l, +/- 1.0 dB. If not, use the “[NTP-G115 Clean Fiber Connectors](#)” procedure on page 14-31 to clean the fiber connection between the 40-WSS-C and MMU cards. Check the values again. If they still do not match, contact your next level of support.
- p. Continue with [Step 17](#).

Step 16 Verify the Side B 40-WSS-C card to OPT-BST, OPT-PRE, or OSC-CSM card cable connection:

- a. Display the Side B 40-WSS-C in card view.
- b. Click the **Provisioning > Optical Line > Parameters** tabs.
- c. Locate the Port 84 (COM-RX) Power parameter. Record the value.
- d. If a Side B OPT-PRE card is installed, display it in card view and complete Step e. If not, continue with Step f.
- e. Click the **Provisioning > Opt.Ampli.Line > Parameters** tabs and read the Total Output Power value for Port 2 (COM-TX), then continue with Step i.
- f. If an OPT-BST or OPT-BST-E card is installed on Side B, display it in card view and complete Step g. If not, continue with Step h.
- g. Click the **Provisioning > Optical Line > Parameters** tabs and read the Power value for Port 2 (COM-TX), then continue with Step i.
- h. Display the Side B OSC-CSM card in card view, click the **Provisioning > Optical Line > Parameters** tabs and read the Power value for Port 3 (COM-TX), then continue with Step i.
- i. Verify that the value in Step e, g, or h matches the power recorded in Step c, +/- 1.5 dB. If not, use the “[NTP-G115 Clean Fiber Connectors](#)” procedure on page 14-31 to clean the fiber connection between the 40-WSS-C card and the OPT-PRE, OPT-BST, OPT-BST-E, or OSC-CSM card. Check the values again. If they still do not match, contact your next level of support.

Step 17 Verify the EXPRESS cable connection between the two 40-WSS-C cards:

- a. Display the Side B 40-WSS-C in card view.
- b. Click the **Provisioning > Optical Line > Parameters** tabs.
- c. Locate the Port 81 (EXP-TX) Power parameter. Record the value.
- d. Display the Side A 40-WSS-C in card view.
- e. Click the **Provisioning > Optical Line > Parameters** tabs.
- f. Locate the Power value for EXPRESS Port 82 (EXP-RX). Verify that the value matches the power recorded in Step c, +/-1 dB. If not, use the “[NTP-G115 Clean Fiber Connectors](#)” procedure on page 14-31 to clean the fiber connection between the 40-WSS-C cards. Check the values again. If they still do not match, contact your next level of support.

Step 18 Display the Side A 40-WSS-C card in card view.

Step 19 Click the **Provisioning > Optical Chn Optical Connector_n > Parameters** tabs, where *n* = the connector number containing the wavelength you are testing. Refer to [Table 5-3 on page 5-76](#), if needed.

Step 20 Wait 60 to 70 seconds (or click **Reset**), then locate the Power and VOA Power Ref parameters for the tested PASS-THROUGH port. Verify that the Power value is equal to the VOA Power Ref value, +/- 1.5 dBm. If the Power value is not equal to the VOA Power Ref value +/-1.5 dBm, contact your next level of support.

- Step 21** If an MMU card is installed on Side A, complete the following steps. If an MMU card is not installed on Side A, continue with [Step 22](#).
- Display the Side A 40-WSS-C card in card view.
 - Click the **Provisioning > Optical Line > Parameters** tabs.
 - Record the value in the Power table cell for Port 83 (COM-TX).
 - Display the Side A MMU card in card view.
 - Click the **Provisioning > Optical Line > Parameters** tabs.
 - Verify that the value in the Power table cell for Port 1 (EXP-RX) is equal to the value recorded in Step [c](#), +/- 1.0 dB. If not, use the “[NTP-G115 Clean Fiber Connectors](#)” procedure on page 14-31 to clean the fiber connection between the 40-WSS-C and MMU cards. Check the values again. If they still do not match, contact your next level of support.
 - Record the value in the Power table cell for Port 4 (COM-TX).
 - If a Side A OPT-BST or OPT-BST-E card is installed, display it in card view and complete Step [i](#). If not, continue with Step [j](#).
 - Click the **Provisioning > Optical Line > Parameters** tabs and read the Power value for Port 1 (COM-RX), then continue with Step [k](#).
 - Display the Side A OSC-CSM card in card view, click the **Provisioning > Optical Line > Parameters** tabs and read the Power value for Port 2 (COM-RX), then continue with Step [k](#).
 - Verify that the value in Step [i](#) or [j](#) matches the power recorded in Step [g](#), +/- 1.5 dB. If not, use the “[NTP-G115 Clean Fiber Connectors](#)” procedure on page 14-31 to clean the fiber connection between the OPT-BST, OPT-BST-E, or OSC-CSM card and the MMU cards. Check the values again. If they still do not match, contact your next level of support.
 - Continue with [Step 23](#).
- Step 22** If an OPT-BST, OPT-BST-E, or OSC-CSM card is installed on Side A, complete the following steps. If not, continue with [Step 23](#).
- Display the Side A OPT-BST, OPT-BST-E, or OSC-CSM in card view.
 - Click the **Provisioning > Optical Line > Parameters** tabs.
 - Locate the Port 1 (COM-RX) Power parameter (OPT-BST or OPT-BST-E cards) or the Port 2 (COM-RX) Power parameter (OSC-CSM cards). Record the value.
 - Display the Side A 40-WSS-C in card view.
 - Click the **Provisioning > Optical Line > Parameters** tabs.
 - Locate the Power value for Port 83 (COM-TX). Verify that the value matches the power recorded in Step [c](#), +/-1 dB. If not, use the “[NTP-G115 Clean Fiber Connectors](#)” procedure on page 14-31 to clean the fiber connection between the OPT-BST, OPT-BST-E, or OSC-CSM card and the 40-WSS-C card. Check the values again. If they still do not match, contact your next level of support.
 - For the Side A OPT-BST or OPT-BST-E card, complete the “[DLP-G79 Verify the OPT-BST, OPT-BST-E, or OPT-BST-L Amplifier Laser and Power](#)” task on page 5-6.
- Step 23** If a OPT-PRE card is installed on Side A, complete the following steps. If not, continue with [Step 24](#).
- Display the Side A OPT-PRE in card view.
 - Click the **Provisioning > Optical Line > Parameters** tabs.
 - Locate the Port 1 (COM-RX) Power parameter. Record the value.
 - Display the Side A OPT-BST, OPT-BST-E, or OSC-CSM card in card view.

- e. Click the **Provisioning > Optical Line > Parameters** tabs.
- f. Locate the Power value for Port 2 (COM-TX) (OPT-BST or OPT-BST-E) or Port 3 (COM-TX) (OSC-CSM). Verify that the value matches the power recorded in Step c, +/- 2.0 dB. If not, use the [“NTP-G115 Clean Fiber Connectors” procedure on page 14-31](#) to clean the fiber connection between the OPT-PRE card and the OPT-BST, OPT-BST-E, or OSC-CSM card. Check the values again. If they still do not match, contact your next level of support.
- g. For the Side A OPT-PRE, complete the [“DLP-G80 Verify the OPT-PRE Amplifier Laser and Power” task on page 5-7](#).

Step 24 If an MMU card is installed on Side A, complete the following steps, then continue with [Step 26](#). If an MMU card is not installed on Side A, continue with [Step 25](#).

- a. Display the Side A MMU card in card view.
- b. Click the **Provisioning > Optical Line > Parameters** tabs.
- c. Locate the Port 3 (COM-RX) power parameter. Record the value.
- d. If a Side A OPT-PRE card is installed, display it in card view and complete Step e. If not, continue with Step f.
- e. Click the OPT-PRE **Provisioning > Opt.Ampli.Line > Parameters** tabs and read the Total Output Power value for Port 2 (COM-TX), then continue with Step i.
- f. If a Side A OPT-BST or OPT-BST-E card is installed, display it in card view and complete Step g. If not, continue with Step h.
- g. Click the **Provisioning > Optical Line > Parameters** tabs and read the Power value for Port 2 (COM-TX), then continue with Step i.
- h. Display the Side A OSC-CSM card in card view, click the **Provisioning > Optical Line > Parameters** tabs and read the Power value for Port 3 (COM-TX), then continue with Step i.
- i. Verify that value in the Step e, g, or h matches the power recorded in Step c, +/- 1.0 dB. If not, use the [“NTP-G115 Clean Fiber Connectors” procedure on page 14-31](#) to clean the fiber connection between the MMU card and the OPT-BST, OPT-BST-E, OPT-PRE, or OSC-CSM cards. Check the values again. If they still do not match, contact your next level of support.
- j. Display the Side B MMU card in card view.
- k. Click the **Provisioning > Optical Line > Parameters** tabs.
 - l. Record the value in the Power table cell for Port 2 (EXP-TX) of the Side A MMU card.
- m. Display the Side A 40-WSS-C card in card view.
- n. Click the **Provisioning > Optical Line > Parameters** tabs.
- o. Verify that the value in the Power table cell for Port 84 (COM-RX) is equal to the value recorded in Step l, +/- 1.0 dB. If not, use the [“NTP-G115 Clean Fiber Connectors” procedure on page 14-31](#) to clean the fiber connection between the 40-WSS-C and cards and the MMU cards. Check the values again. If they still do not match, contact your next level of support.
- p. Continue with [Step 26](#).

Step 25 Verify the Side A 40-WSS-C card to OPT-BST, OPT-BST-E, OPT-PRE, or OSC-CSM card cable connection:

- a. Display the Side A 40-WSS-C in card view.
- b. Click the **Provisioning > Optical Line > Parameters** tabs.
- c. Locate the Port 84 (COM-RX) Power parameter. Record the value.

- d. If a Side A OPT-PRE card is installed, display it in card view and complete Step e. If not, continue with Step f.
 - e. Click the **Provisioning > Opt.Ampli.Line > Parameters** tabs and read the Total Output Power value for Port 2 (COM-TX), then continue with Step i.
 - f. If a Side A OPT-BST or OPT-BST-E card is installed, display it in card view and complete Step g. If not, continue with Step h.
 - g. Click the **Provisioning > Optical Line > Parameters** tabs and read the Power value for Port 2 (COM-TX), then continue with Step i.
 - h. Display the Side A OSC-CSM card in card view, click the **Provisioning > Optical Line > Parameters** tabs and read the Power value for Port 3 (COM-TX), then continue with Step i.
 - i. Verify that the value in Step e, g, or h matches the power recorded in Step c, +/- 1.5 dB. If not, use the “[NTP-G115 Clean Fiber Connectors](#)” procedure on page 14-31 to clean the fiber connection between the 40-WSS-C card and the OPT-PRE, OPT-BST, OPT-BST-E, or OSC-CSM card. Check the values again. If they still do not match, contact your next level of support.
- Step 26** Verify the EXPRESS cable connection between the two 40-WSS-C cards:
- a. Display the Side A 40-WSS-C card in card view.
 - b. Click the **Provisioning > Optical Line > Parameters** tabs.
 - c. Locate the Port 81 (EXP-TX) Power parameter. Record the value.
 - d. Display the Side B 40-WSS-C card in card view.
 - e. Click the **Provisioning > Optical Line > Parameters** tabs.
 - f. Locate the Power value for Port 82 (EXP-RX). Verify that the value matches the power recorded in Step c, +/- 1 dB. If not, use the “[NTP-G115 Clean Fiber Connectors](#)” procedure on page 14-31 to clean the fiber connection between the 40-WSS-C cards. Check the values again. If they still do not match, contact your next level of support.
- Step 27** Display the Side B 40-WSS-C card in card view.
- Step 28** Click the **Provisioning > Optical Chn Optical Connector n > Parameters** tabs, where n = the connector number containing the wavelength you are testing. Refer to [Table 5-3 on page 5-76](#), if needed.
- Step 29** Wait 60 to 70 seconds (or click **Reset**), then locate the Power and VOA Power Ref parameters for the tested PASS-THROUGH port. Verify that the Power value is equal to the VOA Power Ref value, +/- 1.5 dBm. If the Power value is not equal to the VOA Power Ref value +/- 1.5 dBm, consult your next level of support.
- Step 30** If an MMU card is installed on Side B, complete the following steps. If an MMU card is not installed on Side B, continue with [Step 31](#).
- a. Display the Side B 40-WSS-C card in card view.
 - b. Click the **Provisioning > Optical Line > Parameters** tabs.
 - c. Record the value in the Power table cell for Port 83 (COM-TX).
 - d. Display the Side B MMU card in card view.
 - e. Click the **Provisioning > Optical Line > Parameters** tabs.
 - f. Verify that the value in the Power table cell for Port 1 (EXP-RX) is equal to the value recorded in Step c, +/- 1.0 dB. If not, use the “[NTP-G115 Clean Fiber Connectors](#)” procedure on page 14-31 to clean the fiber connection between the 40-WSS-C and MMU cards. Check the values again. If they still do not match, contact your next level of support.
 - g. Record the value in the Power table cell for Port 4 (COM-TX).

- h. If a Side B OPT-BST or OPT-BST-E card is installed, display it in card view and complete Step i. If not, continue with Step j.
- i. Click the **Provisioning > Optical Line > Parameters** tabs and read the Power value for Port 1 (COM-RX), then continue with Step k.
- j. Display the Side B OSC-CSM card in card view, click the **Provisioning > Optical Line > Parameters** tabs and read the Power value for Port 2 (COM-RX), then continue with Step k.
- k. Verify that the value in Step i or j matches the power recorded in Step g, +/- 1.5 dB. If not, use the [“NTP-G115 Clean Fiber Connectors” procedure on page 14-31](#) to clean the fiber connection between the OPT-BST, OPT-BST-E, or OSC-CSM card and the MMU cards. Check the values again. If they still do not match, contact your next level of support.
- l. Continue with [Step 32](#).

Step 31 If an OPT-BST, OPT-BST-E, or OSC-CSM card is installed on Side B, complete the following steps. If not, continue with [Step 32](#).

- a. Display the Side B OPT-BST, OPT-BST-E, or OSC-CSM card in card view.
- b. Click the **Provisioning > Optical Line > Parameters** tabs.
- c. Locate the Port 1 (COM-RX) Power parameter (OPT-BST or OPT-BST-E cards) or the Port 2 (COM-RX) Power parameter (OSC-CSM cards). Record the value.
- d. Display the Side B 40-WSS-C card in card view.
- e. Click the **Provisioning > Optical Line > Parameters** tabs.
- f. Locate the Power value for Port 83 (COM-TX). Verify that the value matches the power recorded in Step c, +/-1 dB. If not, use the [“NTP-G115 Clean Fiber Connectors” procedure on page 14-31](#) to clean the fiber connection between the OPT-BST, OPT-BST-E, or OSC-CSM card and the 40-WSS-C cards. Check the values again. If they still do not match, contact your next level of support.
- g. For the Side B OPT-BST or OPT-BST-E card, complete the [“DLP-G79 Verify the OPT-BST, OPT-BST-E, or OPT-BST-L Amplifier Laser and Power” task on page 5-6](#).

Step 32 Complete Steps [18](#), [19](#), [27](#), and [28](#) for the additional wavelengths that you want to test. If you have tested all the wavelengths, continue with [Step 33](#).

Step 33 Display the Side B 40-WSS-C card in card view.

Step 34 Click the **Maintenance** tab.

Step 35 In the Operating Mode column, click the table cell and choose **Not Assigned** from the drop-down list for all wavelengths.

Step 36 Click **Apply**, then click **Yes** to confirm.

Step 37 Display the Side A 40-WSS-C card in card view.

Step 38 Repeat Steps [34](#) through [36](#) for the Side A 40-WSS-C card.

Step 39 If you used a tunable laser or installed a TXP_MR_10E_C card for this test, disconnect it or the tunable laser from the Side B OPT-BST, OPT-BST-E, or OSC-CSM line side RX ports.

Step 40 Remove the loopback fiber from the line RX and TX in the Side A OPT-BST, OPT-BST-E, or OSC-CSM card.

Step 41 Return to your originating procedure (NTP).

DLP-G311 Verify the Side B ROADM C-Band Add/Drop Channels with 40-WSS-C Cards

Purpose	This task verifies the signal flow through Side B of a ROADM node for C-band add/drop channels.
Tools/Equipment	One of the following: <ul style="list-style-type: none"> • A tunable laser • TXP_MR_10E_C An optical power meter or optical spectrum analyzer Two bulk attenuators (10 dB) with LC connectors
Prerequisite Procedures	DLP-G46 Log into CTC, page 3-30
Required/As Needed	As needed
Onsite/Remote	Onsite
Security Level	Superuser only



Note Throughout this task, Side A refers to Slots 1 through 8, and Side B refers to Slots 10 through 17.

- Step 1** In node view (single-shelf mode) or multishelf view (multishelf mode), display the Alarms tab.
- Step 2** Create a physical loopback on the Side B OPT-BST, OPT-BST-E, or OSC-CSM card by connecting the LINE TX port to its LINE RX port. For OPT-BST or OPT-BST-E cards, connect a 10-dB bulk attenuator to the fiber. (OSC-CSM cards do not require attenuation.)



Caution Failure to use proper attenuation might damage the equipment.

- Step 3** Wait 2 to 3 minutes, then click the **Alarms** tab. Verify that the LOS alarms on the Side B OSCM or OSC-CSM card and the OPT-BST or OPT-BST-E card have cleared. The clearing of the LOS alarms indicates that the OSC link is active on Side B.



Note For ANSI shelves, an EOC DCC Termination Failure alarm will continue to appear due to the OSC signal loopback.

- Step 4** If you are using a tunable laser, follow the manufacturer's instructions to complete the following steps. If you are using a TXP_MR_10E_C card, continue with [Step 5](#).
- Set the output power to a nominal value, such as -3 dBm.
 - Set the tuner to the wavelength you are testing, then continue with [Step 7](#).
- Step 5** If you are using a TXP_MR_10E_C card, complete the “[DLP-G268 Provision TXP_MR_10E_C Cards for Acceptance Testing](#)” task on page 5-5 for the TXP containing the wavelength you will test. Refer to [Table 5-1](#) on page 5-30, if needed.
- Step 6** If you are using a TXP_MR_10E_C card, complete the following steps. If you are using a tunable laser continue with [Step 7](#).
- Display the TXP_MR_10E_C in card view.
 - Click the **Performance > Optics PM > Current Values** tabs.

- c. Locate the Port 2 (Trunk) table cell for the TX Optical Pwr parameter. Record the value.
- Step 7** Connect the tunable laser transmitter or the TXP_MR_10E_C card DWDM TX port to the Side B fiber patch panel MUX port that is connected to the Side B 40-WSS-C card CHAN RX port carrying the tested wavelength. (If the TXP_MR_10E_C card was installed during [Chapter 4, “Turn Up a Node,”](#) simply verify the cable connection.)
- Step 8** Connect the TXP_MR_10E_C DWDM RX port or the power meter RX port to the Side B fiber patch panel DMX port that is connected with the Side B 40-DMX-C card CHAN-TX port carrying the tested wavelength. (If the TXP_MR_10E_C card was installed during [Chapter 4, “Turn Up a Node,”](#) simply verify the cable connection.)
- Step 9** Display the 40-WSS-C card in card view.
- Step 10** Click the **Maintenance** tab.
- Step 11** For each wavelength that you will test, click the table cell in the Operating Mode column and choose **Add Drop** from the drop-down list.
- Step 12** Click **Apply** and then **Yes**, to confirm.
- Step 13** Click the **Provisioning > Optical Chn Optical Connector_n > Parameters** tabs, where *n* = the optical connector number that carries the wavelengths you will test. Refer to [Table 5-1 on page 5-30](#), if needed.
- Step 14** Find the tested wavelength CHAN RX port, then scroll to the right until you see the Power Add parameter. Verify that the Power Add value for the tested port CHAN RX is equal to the output power level of the tunable laser or the TXP_MR_10E_C card measured in [Step 6](#), +/- 1.0 dBm.
- Step 15** Click the **Provisioning > Optical Line > Parameters** tabs and record the value in the Power table cell for Port 67 (COM-TX) for the wavelength under test.
- Step 16** Verify that the power value from [Step 15](#) reaches the Shelf *i* Slot *i* (40-WSS-C).Port COM-TX.Power set point +/- 1.0 dBm on Side B. To view this set point:
- a. In node view (single-shelf mode) or multishelf view (multishelf mode), click the **Provisioning > WDM-ANS > Provisioning** tabs.
 - b. In the Selector window on the left, expand the 40-WSS-C card on Side B.
 - c. Expand the Port COM-TX category.
 - d. Select Power.
 - e. View the value of the Shelf *i* Slot *i* (40-WSS-C).Port COM-TX.Power parameter on the right pane.
 - f. If the power value does not match the value recorded in [Step 15](#) (+/- 2.0 dBm), contact your next level of support.
- Step 17** If an MMU card is installed on Side B, complete the following steps. If an MMU card is not installed on Side B, continue with [Step 18](#).
- a. Display the Side B 40-WSS-C card in card view.
 - b. Click the **Provisioning > Optical Line > Parameters** tabs.
 - c. Record the value in the Power table cell for Port 67 (COM-TX).
 - d. Display the Side B MMU card in card view.
 - e. Click the **Provisioning > Optical Line > Parameters** tabs.
 - f. Verify that the value in the Power table cell for Port 1 (EXP-RX) is equal to the value recorded in [Step c](#), +/- 1.0 dB. If not, use the [“NTP-G115 Clean Fiber Connectors” procedure on page 14-31](#) to clean the fiber connection between the 40-WSS-C and MMU cards. Check the values again. If they still do not match, contact your next level of support.
 - g. Record the value in the Power table cell for Port 4 (COM-TX).

- h. If a Side B OPT-BST or OPT-BST-E card is installed, display it in card view and complete Step [i](#). If not, continue with Step [j](#).
 - i. Click the **Provisioning > Optical Line > Parameters** tabs and read the Power value for Port 1 (COM-RX), then continue with Step [k](#).
 - j. Display the Side B OSC-CSM card in card view, click the **Provisioning > Optical Line > Parameters** tabs and read the Power value for Port 2 (COM-RX), then continue with Step [k](#).
 - k. Verify that the value in Step [i](#) or [j](#) matches the power recorded in Step [g](#), +/- 1.5 dB. If not, use the [“NTP-G115 Clean Fiber Connectors” procedure on page 14-31](#) to clean the fiber connection between the OPT-BST, OPT-BST-E, or OSC-CSM card and the MMU cards. Check the values again. If they still do not match, contact your next level of support.
 - l. Continue with [Step 19](#).
- Step 18** Verify the connection between the 40-WSS-C card and the OPT-BST, OPT-BST-E or OSC-CSM cards:
- a. Display the Side B 40-WSS-C card in card view.
 - b. Click the **Provisioning > Optical Line > Parameters** tabs.
 - c. Record the value in the Power table cell for Port 67 (COM-TX).
 - d. If a OPT-BST or OPT-BST-E card is installed on Side B, display it in card view and complete Step [e](#). If not, continue with Step [f](#).
 - e. Click the **Provisioning > Optical Line > Parameters** tabs and read the Power value for Port 1 (COM-RX), then continue with Step [g](#).
 - f. Display the Side B OSC-CSM card in card view, click the **Provisioning > Optical Line > Parameters** tabs and read the Power value for Port 2 (COM-RX), then continue with Step [g](#).
 - g. Verify that the value in Step [e](#) or [f](#) matches the power recorded in Step [c](#), +/- 1.0 dB. If so, continue with [Step 19](#). If not, use the [“NTP-G115 Clean Fiber Connectors” procedure on page 14-31](#) to clean the fiber connection between the OPT-BST, OPT-BST-E, or OSC-CSM card and the 40-WSS-C cards. Check the values again. If they still do not match, contact your next level of support.
- Step 19** If an OPT-PRE card is installed on Side B, complete the following steps. If not, continue with [Step 20](#).
- a. Display the Side B OPT-PRE in card view.
 - b. Click the **Provisioning > Optical Line > Parameters** tabs.
 - c. Locate the Power parameter for Port 1 (COM-RX). Record the value.
 - d. Display the Side B OPT-BST, OPT-BST-E, or OSC-CSM card in card view.
 - e. Click the **Provisioning > Optical Line > Parameters** tabs.
 - f. Locate the Port 2 (COM-TX) Power value (for OPT-BST or OPT-BST-E cards) or Port 3 (COM-TX) Power value (for OSC-CSM cards). Verify that the value matches the power recorded in Step [c](#), +/- 1.5 dB. If not, use the [“NTP-G115 Clean Fiber Connectors” procedure on page 14-31](#) to clean the fiber connection between the OPT-PRE card and the OPT-BST, OPT-BST-E, or OSC-CSM card. Check the values again. If they still do not match, contact your next level of support.
 - g. For the Side B OPT-PRE card, complete the [“DLP-G80 Verify the OPT-PRE Amplifier Laser and Power” task on page 5-7](#).
- Step 20** If an MMU card is installed on Side B, complete the following steps. If an MMU card is not installed on Side B, continue with [Step 21](#).
- a. Display the Side B MMU card in card view.
 - b. Click the **Provisioning > Optical Line > Parameters** tabs.
 - c. Locate the Port 68 (COM-RX) Power parameter. Record the value.

- d. If an OPT-PRE card is installed on Side B, display it in card view and complete Step e. If not, continue with Step f.
- e. Click the OPT-PRE **Provisioning > Opt.Ampli.Line > Parameters** tabs. Record the Total Output Power value for Port 2 (COM-TX), then continue with Step i.
- f. If a Side B OPT-BST or OPT-BST-E card is installed, display it in card view and complete Step g. If not, continue with Step h.
- g. Click the **Provisioning > Optical Line > Parameters** tabs and read the Power value for Port 2 (COM-TX), then continue with Step i.
- h. Display the Side B OSC-CSM card in card view, click the Provisioning > Optical Line > Parameters tabs and read the Power value for Port 3 (COM-TX), then continue with Step i.
- i. Verify that value in the Step e, g, or h matches the power recorded in Step c, +/- 1.0 dB. If not, use the “[NTP-G115 Clean Fiber Connectors](#)” procedure on page 14-31 to clean the fiber connection between the MMU card and the OPT-BST, OPT-BST-E, or OSC-CSM cards. Check the values again. If they still do not match, contact your next level of support.
- j. Display the Side B MMU card in card view.
- k. Click the **Provisioning > Optical Line > Parameters** tabs.
 - l. Record the value in the Power table cell for Port 2 (EXP-TX).
- m. Display the Side B 40-WSS-C card in card view.
- n. Click the **Provisioning > Optical Line > Parameters** tabs.
- o. Verify that the value in the Power table cell for Port 68 (COM-RX) is equal to the value recorded in Step l, +/- 1.0 dB. If not, use the “[NTP-G115 Clean Fiber Connectors](#)” procedure on page 14-31 to clean the fiber connection between the 40-WSS-C and MMU cards. Check the values again. If they still do not match, contact your next level of support.
- p. Continue with [Step 22](#).

Step 21 Verify the connection between the Side B 40-WSS-C card and the OPT-BST, OPT-BST-E, OPT-PRE, or OSC-CSM card:

- a. Display the Side B 40-WSS-C in card view.
- b. Click the **Provisioning > Optical Line > Parameters** tabs.
- c. Locate the Port 68 (COM-RX) Power parameter. Record the value.
- d. If a Side B OPT-PRE card is installed, display it in card view and complete Step e. If not, continue with Step f.
- e. Click the **Provisioning > Opt.Ampli.Line > Parameters** tabs and read the Total Output Power value for Port 2 (COM-TX), then continue with Step i.
- f. If a Side B OPT-BST or OPT-BST-E card is installed, display it in card view and complete Step g. If not, continue with Step h.
- g. Click the **Provisioning > Optical Line > Parameters** tabs and read the Power value for Port 2 (COM-TX), then continue with Step i.
- h. Display the Side B OSC-CSM card in card view. Click the **Provisioning > Optical Line > Parameters** tabs and read the Power value for Port 3 (COM-TX), then continue with Step i.
- i. Verify that the value in Step e, g, or h matches the power recorded in Step c, +/- 1.5 dB. If not, use the “[NTP-G115 Clean Fiber Connectors](#)” procedure on page 14-31 to clean the fiber connection between the 40-WSS-C card and the OPT-PRE, OPT-BST, or OSC-CSM card.

- Step 22** Verify the Side B 40-WSS-C and 40-DMX-C connection:
- Display the Side B 40-WSS-C card in card view.
 - Click the **Provisioning > Optical Line > Parameters** tabs and record the value in the Power table cell for Port 69 (DROP-TX).
 - Display the Side B 40-DMX-C card in card view.
 - Click the **Provisioning > Optical Line > Parameters** tabs. Record the value in the Port 33 (COM-RX) table cell. Verify that the value is equal to the value recorded in **b**, +/- 1.0 dBm. If not, use the [“NTP-G115 Clean Fiber Connectors” procedure on page 14-31](#) to clean the fiber connection between the 40-WSS-C and 40-DMX-C cards. Check the values again. If they still do not match, contact your next level of support.
- Step 23** Display the Side B 40-DMX-C card in card view.
- Step 24** Click the **Provisioning > Optical Chn > Parameters** tab. Record the CHAN-TX port value under the Power parameter for the wavelength under test.
- Step 25** Verify that the power value from [Step 24](#) reaches the Shelf *i* Slot *i* (40-DMX-C).Port CHAN-TX.Power set point +/- 2 dBm on Side B. To view this set point:
- Go to node view (single-shelf mode) or multishelf view (multishelf mode) and click the **Provisioning > WDM-ANS > Provisioning** tabs.
 - In the Selector window on the left, expand the 40-DMX-C card on Side B.
 - Expand the CHAN-TX category.
 - Select Power.
 - View the value of the Shelf *i* Slot *i* (40-DMX-C).Port CHAN-TX.Power parameter on the right pane.
 - If the power value does not match the value recorded in [Step 24](#) (+/- 2 dBm), contact your next level of support.
- Step 26** If you are using a TXP_MR_10E_C card, display it in card view. If not, read the values called for in [Step 28](#) from the optical test set or tunable laser you are using.
- Step 27** Click the **Performance > Optics PM > Current Values** tabs.
- Step 28** In the Port 2 (Trunk) column, locate the RX Optical Power value. Verify that the value matches the power recorded in [Step 24](#), +/- 2 dBm. If the power values do not match (+/- 2 dBm), complete the following steps:
- Remove, clean, and replace the cable connecting the TXP_MR_10E_C RX port to the Side B fiber patch panel DMX port for the tested wavelength. See the [“NTP-G115 Clean Fiber Connectors” procedure on page 14-31](#).
 - Repeat this step. If the power values still do not match (+/- 2 dBm) contact your next level of support.
- Step 29** Repeat Steps [4](#) through [28](#) for the remaining wavelengths.
- Step 30** Display the Side B 40-WSS-C card in card view.
- Step 31** Click the **Maintenance** tab.
- Step 32** Click the table cell in the Operating Mode column and choose **Not Assigned** from the drop-down list for all wavelengths.
- Step 33** Click **Apply**, then click **Yes** to confirm.
- Step 34** Disconnect the TXP or tunable laser from the Side B patch panel.
- Step 35** Unplug the physical loopback fiber from the line TX and RX in the OPT-BST, OPT-BST-E, or OSC-CSM card.

Step 36 Return to your originating procedure (NTP).

DLP-G312 Verify the Side A ROADM C-Band Add/Drop Channels with 40-WSS-C Cards

Purpose	This task verifies the signal flow through Side A of an ROADM node for C-band add/drop channels.
Tools/Equipment	One of the following: <ul style="list-style-type: none"> • A tunable laser • TXP_MR_10E_C An optical power meter or optical spectrum analyzer Two bulk attenuators (10 dB) with LC connectors
Prerequisite Procedures	DLP-G46 Log into CTC, page 3-30
Required/As Needed	As needed
Onsite/Remote	Onsite
Security Level	Superuser only



Note Throughout this task, Side A refers to Slots 1 through 8, and Side B refers to Slots 10 through 17.

Step 1 In node view (single-shelf mode) or multishelf view (multishelf mode), display the Alarms tab.

Step 2 Create a physical loopback on the Side A OPT-BST, OPT-BST-E, or OSC-CSM card by connecting the LINE TX port to its LINE RX port. For OPT-BST or OPT-BST-E cards, connect a 10-dB bulk attenuator to the fiber. (OSC-CSM cards do not require attenuation.)



Caution Failure to use proper attenuation might damage the equipment.

Step 3 Wait 2 to 3 minutes, then click the **Alarms** tab. Verify that the LOS alarms on the Side A OSCM or OSC-CSM card and the OPT-BST or OPT-BST-E card have cleared. The clearing of the LOS alarms indicates that the OSC link is active on Side A.



Note For ANSI shelves, an EOC DCC Termination Failure alarm will continue to appear due to the OSC signal loopback.

Step 4 If you are using a tunable laser, follow the manufacturer's instructions to complete the following steps. If you are using a TXP_MR_10E_C card, continue with [Step 5](#).

- a. Set the output power to a nominal value, such as -3 dBm.
- b. Set the tuner to the wavelength you are testing, then continue with [Step 7](#).

Step 5 If you are using a TXP_MR_10E_C card, complete the “[DLP-G268 Provision TXP_MR_10E_C Cards for Acceptance Testing](#)” task on [page 5-5](#) for the TXP containing the wavelength you will test. Refer to [Table 5-3 on page 5-76](#), if needed.

- Step 6** If you are using a TXP_MR_10E_C card, complete the following steps. If you are using a tunable laser continue with [Step 7](#).
- Display the TXP_MR_10E_C in card view.
 - Click the **Performance > Optics PM > Current Values** tabs.
 - Locate the Port 2 (Trunk) table cell for the TX Optical Pwr parameter. Record the value.
- Step 7** Connect the tunable laser transmitter or the TXP_MR_10E_C card DWDM TX port to the Side A fiber patch panel MUX port that is connected to the Side A 40-WSS-C card CHAN RX port carrying the tested wavelength. (If the TXP_MR_10E_C card was installed during [Chapter 4, “Turn Up a Node,”](#) simply verify the cable connection.)
- Step 8** Connect the TXP_MR_10E_C DWDM RX port or the power meter RX port to the Side A fiber patch panel DMX port that is connected with the Side A 40-DMX-C card CHAN-TX port carrying the tested wavelength. (If the TXP_MR_10E_C card was installed during [Chapter 4, “Turn Up a Node,”](#) simply verify the cable connection.)
- Step 9** Display the 40-WSS-C card in card view.
- Step 10** Click the **Maintenance** tab.
- Step 11** For each wavelength that you will test, click the table cell in the Operating Mode column and choose **Add Drop** from the drop-down list.
- Step 12** Click **Apply** and then **Yes**, to confirm.
- Step 13** Click the **Provisioning > Optical Chn Optical Connector n > Parameters** tabs, where n = the optical connector number that carries the wavelengths you will test. Refer to [Table 5-1 on page 5-30](#), if needed.
- Step 14** Find the tested wavelength CHAN RX port, then scroll to the right until you see the Power Add parameter. Verify that the Power Add value for the tested port CHAN RX is equal to the output power level of the tunable laser or the TXP_MR_10E_C card measured in [Step 6](#), ± 1.0 dBm.
- Step 15** Click the **Provisioning > Optical Line > Parameters** tabs and record the value in the Power table cell for Port 67 (COM-TX) for the wavelength under test.
- Step 16** Verify that the power value from [Step 15](#) reaches the Shelf i Slot i (40-WSS -C).Port COM-TX.Power set point ± 1.0 dBm on Side A. To view this set point:
- In node view (single-shelf mode) or multishelf view (multishelf mode), click the **Provisioning > WDM-ANS > Provisioning** tabs.
 - In the Selector window on the left, expand the 40-WSS -C card on Side A.
 - Expand the COM-TX category.
 - Select **Power**.
 - View the value of the Shelf i Slot i (40-WSS -C).Port COM-TX.Power parameter on the right pane.
 - If the power value does not match the value recorded in [Step 15](#) (± 2.0 dBm), contact your next level of support.
- Step 17** If an MMU card is installed on Side A, complete the following steps. If an MMU card is not installed on Side A, continue with [Step 18](#).
- Display the Side A 40-WSS-C card in card view.
 - Click the **Provisioning > Optical Line > Parameters** tabs.
 - Record the value in the Power table cell for Port 67 (COM-TX).
 - Display the Side A MMU card in card view.
 - Click the **Provisioning > Optical Line > Parameters** tabs.

- f. Verify that the value in the Power table cell for Port 1 (EXP-RX) is equal to the value recorded in Step c, +/- 1.0 dB. If not, use the “[NTP-G115 Clean Fiber Connectors](#)” procedure on page 14-31 to clean the fiber connection between the 40-WSS-C and MMU cards. Check the values again. If they still do not match, contact your next level of support.
- g. Record the value in the Power table cell for Port 4 (COM-TX).
- h. If a Side A OPT-BST or OPT-BST-E card is installed, display it in card view and complete Step i. If not, continue with Step j.
- i. Click the **Provisioning > Optical Line > Parameters** tabs and read the Power value for Port 1 (COM-RX), then continue with Step k.
- j. Display the Side A OSC-CSM card in card view, click the **Provisioning > Optical Line > Parameters** tabs and read the Power value for Port 2 (COM-RX), then continue with Step k.
- k. Verify that the value in Step i or j matches the power recorded in Step g, +/- 1.5 dB. If not, use the “[NTP-G115 Clean Fiber Connectors](#)” procedure on page 14-31 to clean the fiber connection between the OPT-BST, OPT-BST-E, or OSC-CSM card and the MMU cards. Check the values again. If they still do not match, contact your next level of support.
- l. Continue with [Step 19](#).

Step 18 Verify the connection between the 40-WSS-C card and the OPT-BST, OPT-BST-E, or OSC-CSM cards:

- a. Display the Side A 40-WSS-C card in card view.
- b. Click the **Provisioning > Optical Line > Parameters** tabs.
- c. Record the value in the Power table cell for Port 67 (COM-TX).
- d. If a OPT-BST or OPT-BST-E card is installed on Side A, display it in card view and complete Step e. If not, continue with Step f.
- e. Click the **Provisioning > Optical Line > Parameters** tabs and read the Power value for Port 1 (COM-RX), then continue with Step g.
- f. Display the Side A OSC-CSM card in card view, click the **Provisioning > Optical Line > Parameters** tabs and read the Power value for Port 2 (COM-RX), then continue with Step g.
- g. Verify that the value in Step e or f matches the power recorded in Step c, +/- 1.0 dB. If so, continue with [Step 19](#). If not, use the “[NTP-G115 Clean Fiber Connectors](#)” procedure on page 14-31 to clean the fiber connection between the OPT-BST, OPT-BST-E, or OSC-CSM card and the 40-WSS-C cards. Check the values again. If they still do not match, contact your next level of support.

Step 19 If an OPT-PRE card is installed on Side A, complete the following steps. If not, continue with [Step 20](#).

- a. Display the Side A OPT-PRE in card view.
- b. Click the **Provisioning > Optical Line > Parameters** tabs.
- c. Locate the Power parameter for Port 1 (COM-RX). Record the value.
- d. Display the Side A OPT-BST, OPT-BST-E, or OSC-CSM card in card view.
- e. Click the **Provisioning > Optical Line > Parameters** tabs.
- f. Locate the Port 2 (COM-TX) Power value (for OPT-BST or OPT-BST-E cards) or Port 3 (COM-TX) Power value (for OSC-CSM cards). Verify that the value matches the power recorded in Step c, +/- 1.5 dB. If not, use the “[NTP-G115 Clean Fiber Connectors](#)” procedure on page 14-31 to clean the fiber connection between the OPT-PRE card and the OPT-BST, OPT-BST-E, or OSC-CSM card. Check the values again. If they still do not match, contact your next level of support.
- g. For the Side A OPT-PRE card, complete the “[DLP-G80 Verify the OPT-PRE Amplifier Laser and Power](#)” task on page 5-7.

- Step 20** If an MMU card is installed on Side A, complete the following steps. If an MMU card is not installed on Side A, continue with [Step 21](#).
- a. Display the Side A MMU card in card view.
 - b. Click the **Provisioning > Optical Line > Parameters** tabs.
 - c. Locate the Port 68 (COM-RX) Power parameter. Record the value.
 - d. If an OPT-PRE card is installed on Side A, display it in card view and complete Step e. If not, continue with Step f.
 - e. Click the OPT-PRE **Provisioning > Opt.Ampli.Line > Parameters** tabs. Record the Total Output Power value for Port 2 (COM-TX), then continue with Step i.
 - f. If a Side A OPT-BST or OPT-BST-E card is installed, display it in card view and complete Step g. If not, continue with Step h.
 - g. Click the **Provisioning > Optical Line > Parameters** tabs and read the Power value for Port 2 (COM-TX), then continue with Step i.
 - h. Display the Side A OSC-CSM card in card view, click the **Provisioning > Optical Line > Parameters** tabs and read the Power value for Port 3 (COM-TX), then continue with Step i.
 - i. Verify that value in the Step e, g, or h matches the power recorded in Step c, +/- 1.0 dB. If not, use the [“NTP-G115 Clean Fiber Connectors” procedure on page 14-31](#) to clean the fiber connection between the MMU card and the OPT-BST, OPT-BST-E, or OSC-CSM cards. Check the values again. If they still do not match, contact your next level of support.
 - j. Display the Side A MMU card in card view.
 - k. Click the **Provisioning > Optical Line > Parameters** tabs.
 - l. Record the value in the Power table cell for Port 2 (EXP-TX).
 - m. Display the Side A 40-WSS-C card in card view.
 - n. Click the **Provisioning > Optical Line > Parameters** tabs.
 - o. Verify that the value in the Power table cell for Port 68 (COM-RX) is equal to the value recorded in Step l, +/- 1.0 dB. If not, use the [“NTP-G115 Clean Fiber Connectors” procedure on page 14-31](#) to clean the fiber connection between the 40-WSS-C and MMU cards. Check the values again. If they still do not match, contact your next level of support.
 - p. Continue with [Step 22](#).
- Step 21** Verify the connection between the Side A 40-WSS-C card and the OPT-BST, OPT-BST-E, OPT-PRE, or OSC-CSM card:
- a. Display the Side A 40-WSS-C in card view.
 - b. Click the **Provisioning > Optical Line > Parameters** tabs.
 - c. Locate the Port 68 (COM-RX) Power parameter. Record the value.
 - d. If a Side A OPT-PRE card is installed, display it in card view and complete Step e. If not, continue with Step f.
 - e. Click the **Provisioning > Opt.Ampli.Line > Parameters** tabs and read the Total Output Power value for Port 2 (COM-TX), then continue with Step i.
 - f. If a Side A OPT-BST or OPT-BST-E card is installed, display it in card view and complete Step g. If not, continue with Step h.
 - g. Click the **Provisioning > Optical Line > Parameters** tabs and read the Power value for Port 2 (COM-TX), then continue with Step i.

- h. Display the Side A OSC-CSM card in card view. Click the **Provisioning > Optical Line > Parameters** tabs and read the Power value for Port 3 (COM-TX), then continue with Step i.
- i. Verify that the value in Step e, g, or h matches the power recorded in Step c, +/- 1.5 dB. If not, use the “[NTP-G115 Clean Fiber Connectors](#)” procedure on page 14-31 to clean the fiber connection between the 40-WSS-C card and the OPT-PRE, OPT-BST, or OSC-CSM card.

Step 22 Verify the Side A 40-WSS-C and 40-DMX-C connection:

- a. Display the Side A 40-WSS-C card in card view.
- b. Click the **Provisioning > Optical Line > Parameters** tabs and record the value in the Power table cell for Port 69 (DROP-TX).
- c. Display the Side A 40-DMX-C card in card view.
- d. Click the **Provisioning > Optical Line > Parameters** tabs. Record the value in the Port 2 (COM-RX) table cell. Verify that the value is equal to the value recorded in Step b, +/- 1.0 dBm. If not, use the “[NTP-G115 Clean Fiber Connectors](#)” procedure on page 14-31 to clean the fiber connection between the 40-WSS-C and 40-DMX-C cards. Check the values again. If they still do not match, contact your next level of support.

Step 23 Display the Side A 40-DMX-C card in card view.

Step 24 Click the **Provisioning > Optical Chn > Parameters** tab. Record the CHAN-TX port value under the Power parameter for the wavelength under test.

Step 25 Verify that the power value recorded in Step 24 reaches the Shelf *i* Slot *i* (40-DMX-C).Port CHAN-TX.Power set point +/- 2 dBm on Side A. To view this set point:

- a. Go to node view (single-shelf mode) or multishelf view (multishelf mode) and click the **Provisioning > WDM-ANS > Provisioning** tabs.
- b. In the Selector window on the left, expand the 40-DMX-C card on Side A.
- c. Expand the Port CHAN-TX category.
- d. Select Power.
- e. View the value of the Shelf *i* Slot *i* (40-DMX-C).Port CHAN-TX.Power parameter on the right pane.
- f. If the power value does not match the value recorded in Step 24 (+/- 2 dBm), contact your next level of support.

Step 26 Display the TXP_MR_10E_C card in card view.

Step 27 Click the **Performance > Optics PM > Current Values** tabs.

Step 28 In the Port 2 (Trunk) column, locate the RX Optical Power value. Verify that the value matches the power in Step 24, +/- 2 dBm. If the power values do not match (+/- 2 dBm), complete the following steps:

- a. Remove, clean, and replace the cable connecting the TXP_MR_10E_C RX port to the Side A fiber patch panel DMX port for the tested wavelength. See the “[NTP-G115 Clean Fiber Connectors](#)” procedure on page 14-31.
- b. Repeat this step. If the power values still do not match (+/- 2 dBm) contact your next level of support.

Step 29 Repeat Steps 4 through 28 for the remaining wavelengths.

Step 30 Display the Side A 40-WSS-C card in card view.

Step 31 Click the **Maintenance** tab.

Step 32 Click the table cell in the Operating Mode column and choose **Not Assigned** from the drop-down list for all wavelengths.

Step 33 Click **Apply**, then click **Yes** to confirm.

- Step 34** Disconnect the TXP or tunable laser from the Side A patch panel.
- Step 35** Unplug the physical loopback fiber from the line TX and RX in the OPT-BST, OPT-BST-E, or OSC-CSM card.
- Step 36** Return to your originating procedure (NTP).

NTP-G276 Perform the 80-Channel n-degree ROADM Node Acceptance Tests

Purpose	This procedure checks the power values and the optical connections for an 80 channel n-degree ROADM node. Use this test for both existing and new installations of 80 channel ROADM nodes. Use this procedure to also test the installation of a new side to a node. This procedure cannot be performed on the node on which the OPT-RAMP-C or OPT-RAMP-CE card is installed.
Tools/Equipment	<ul style="list-style-type: none"> Fully C-band tunable transponder or tunable laser source with an LC patchcord 1 LC-LC adapter 15dB optical attenuator Optical power meter
Prerequisite Procedures	<ul style="list-style-type: none"> All sides must be completely fibered (including mesh patch panels); for more information, see Chapter 4, “Turn Up a Node.” “NTP-G186 Perform the Four-Degree and Eight-Degree Mesh Patch Panel Acceptance Test” section on page 5-148 (optional) “NTP-G37 Run Automatic Node Setup” procedure on page 4-128
Required/As Needed	As needed
Onsite/Remote	Onsite
Security Level	Superuser only



Note Identify the sides that are already carrying traffic and the sides that are going to be tested.

- Step 1** Complete the “[DLP-G46 Log into CTC](#)” task on page 3-30 at the mesh native node where you want to perform the acceptance test. If you are already logged in, continue with [Step 2](#).
- Step 2** From the View menu, choose **Go to Network View**.
- Step 3** Click the **Alarms** tab.
- Verify that the alarm filter is not on. Complete the “[DLP-G128 Disable Alarm Filtering](#)” task on page 10-26 as necessary.

- b. Verify that no equipment alarms appear indicating equipment failure or other hardware problems. (An equipment alarm is indicated in the Alarms tab, Cond column as EQPT.) If equipment failure alarms are present, investigate and resolve them before continuing. For information on how to clear an alarm, see the *Cisco ONS 15454 DWDM Troubleshooting Guide*.

Step 4 Insert a full C-band tunable transponder into an available slot on the side that you want to test.



Note In this procedure Side A through H is referred as Side x .

Step 5 Connect the TX port of the transponder to the EAD i (where $i=1$) port of the 80-WXC-C card on the side to be tested.

Step 6 Select a wavelength that is not already used by a side carrying traffic. Select 1530.33 nm for a new installation. Set the transponder wavelength to the selected wavelength $yyyy.yy$ by completing the “DLP-G432 Set the Transponder Wavelength” task on page 5-158.

Step 7 Place the trunk port of the transponder in the In-Service (IS) state.

Step 8 In node view, click the **Provisioning > WDM-ANS > Provisioning** tabs and record the Power value of the COM port of the 80-WXC-C card for the side you are verifying.

Step 9 On Side x , go to the card view of the 80-WXC-C card and complete the following steps:

- a. Click the **Provisioning > WXC Line > Parameters** tabs and record the Power value of the EAD i port.
- b. Click the **Maintenance > OCHNC** tabs.
 - Set the Target Power to the value recorded in [Step 8](#).
 - From the Port pull-down menu, select EAD i and from the Wavelength pull-down menu, select $yyyy.yy$
- c. Click **Refresh** and verify that the target power is reached.
- d. Place the trunk port of the transponder in OutofService (OOS) state.

Step 10 To check the wavelengths for the EAD1 port, repeat from [Step 6](#) and [Step 9d](#) for the remaining 79 wavelengths.



Note It is not mandatory to test the 80 wavelengths for all the ports (EAD i where $i = 1$ to 8).

Step 11 Disconnect the transponder from EAD i port and restore the fiber connection to the EAD i port.

Step 12 Repeat [Step 5](#) through [Step 11](#) for the remaining EAD i ports where $i = 2$ to 8.

Step 13 Plug a 15-dB LC attenuator into the trunk TX port of the transponder card.

Step 14 Select a wavelength that is not already used by a side carrying traffic. Select 1530.33 nm for a new installation. Set the transponder wavelength to the selected wavelength $yyyy.yy$ by completing the “DLP-G432 Set the Transponder Wavelength” task on page 5-158.

Step 15 Connect the optical power meter to the trunk TX port of the transponder card.

Step 16 Complete the “DLP-G433 Record Transponder Optical Power” task on page 5-159.

Step 17 Disconnect the optical power meter from the TX port of the transponder card.

Step 18 In card view, display the OPT-AMP-C card configured as LINE for Side x (slot 1 or 17) and complete the following steps:

- a. Click the **Maintenance > ALS** tabs and from the OSRI pull-down menu, select **OFF**.

- b. From the ALS Mode pull-down menu, select **Disable**.
- Step 19** Make the following connections:
- a. Connect the transponder output port (with the 15-dB attenuator) to the Line RX port of the booster amplifier (OPT-AMP-C configured as LINE in slot 1 or 17) on Side *x*.
 - b. Connect the optical power meter to the LINE-TX port of the booster amplifier (OPT-AMP-C configured as LINE in slot 1 or 17) on Side *x*.
 - c. Use a fiber jumper to connect the DROP-TX port to the AD port of the 80-WXC-C card for Side *x*.
- Step 20** Create an OCHNC DCN circuit for wavelength *yyyy.yy* from LINE amplifier of Side *x* to local add/drop ports of the 80-WXC-C card of Side *x* using the “[DLP-G105 Provision Optical Channel Network Connections](#)” task on page 8-23 and wait till all the alarms clear.
- Step 21** In card view, display the booster amplifier card for Side *x*. Click the **Inventory** > **Info** tabs and record the IL02 (LINE RX->COM TX) insertion loss value.
- Step 22** In card view, display the transponder card and click the **Provisioning** > **Line** tabs. For the trunk port, choose **OOS,MT** (ANSI) or **Locked,maintenance** (ETSI) from the Admin State drop-down list and click **Apply**.
- Step 23** In card view, display the booster amplifier card for Side *x*, and complete the following steps:
- a. Click the **Provisioning** > **Optical Line** > **Parameters** tabs and record the Power value of the COM-TX port.
 - b. Verify the power value of the COM-TX port = (Optical power meter value in [Step 16](#)) – (LINE RX->COM TX insertion loss value read in [Step 21](#)) (+/- 1 dB).
- Step 24** In card view, display the preamplifier card (OPT-AMP-C configured as PRE in slot 2 or 16) for Side *x* and complete the following steps:
- a. Click the **Provisioning** > **Optical Line** > **Parameters** tabs and record the Power value of the COM-RX port.
 - b. Verify that the COM-RX power value matches the value in [Step 23 b](#)(+/- 1 dB).
 - c. Click the **Provisioning** > **Opt. Ampli. Line** > **Parameters** tabs and record the Total Output Power value of the LINE-TX port.
- Step 25** In card view, display the 80-WXC-C card for Side *x* and complete the following steps:
- a. Click the **Provisioning** > **Optical Line** > **Parameters** tabs and record the Power value of the COM-RX port.
 - b. Verify that the value matches the LINE-TX port power value in [Step 24c](#) (+/- 1dB).
 - c. Click the **Inventory** > **Info** tabs and record the COM-RX -> EXP-TX insertion loss.
 - d. Record the COM-RX -> DROP-TX insertion loss.
 - e. Click the **Provisioning** > **Optical Line** > **Parameters** tabs and record the Power value of the EXP-TX port.
 - f. Record the Power value of the DROP-TX port.
 - g. Verify that the EXP-TX Power value in [Step 25e](#) = (COM-RX value in [Step 25a](#)) – (COM-RX -> EXP-TX value in [Step 25c](#)) (+/- 1 dB).
 - h. Click the **Provisioning** > **WXC Line** > **Parameters** tabs and record the Power value of the AD port.
 - i. Verify that the value matches the DROP-TX port power value in [Step 25f](#) (+/- 1dB).
 - j. Click the **Provisioning** > **WXC Line** > **Parameters** tabs and record the Power value of the COM port.

- k. Verify that the power value in [Step 25j](#) matches the COM port power value in the node view > **Provisioning** > **WDM-ANS** > **Provisioning** tabs for the 80-WXC-C card under test.

Step 26 In card view, display the 80-WXC-C card for a side different from Side *x* and complete the following steps:

**Note**

This step must be performed for a single wavelength *yyyy.yy* only that is not used on any of the installed sides.

- a. Click the **Maintenance** > **Wavelength Power** tabs and select PORT EAD_{*i*}, where *i* depends on the value of *x*. (*x,i*) = (A,1) (B,2) (C,3) (D,4) (E,5) (F,6) (G,7) (H,8)
- b. Record the power value for wavelength *yyyy.yy*.
- c. Verify if the power value in [Step 26b](#) is equal to the (power value recorded in [Step 25e](#) - 8dB) if a PP-MESH-4 is used or is equal to the (power value recorded in [Step 25e](#) - 12dB) if a PP-MESH-8 is used.

Step 27 In card view, display the booster amplifier card for Side *x*, and complete the following:

- a. Click the **Provisioning** > **Optical Line** > **Parameters** tabs and record the Power value of the COM-RX port.
- b. Verify COM-RX Power value matches the COM Power value in [Step 25j](#) (+/- 1 dB).
- c. Click the **Provisioning** > **Opt. Ampli. Line** > **Parameters** tabs and record the Power value of the LINE-TX port.
- d. Verify that the LINE-TX value matches the power on the LINE-TX port power value in node view > **Provisioning** > **WDM-ANS** > **Provisioning** tabs (+/- 2 dB).
- e. Record the optical power meter value.
- f. Verify that the optical power meter value matches the LINE-TX value in [Step 27c](#) (+/- 1 dB).

Step 28 Delete the OCHNC DCN circuit on wavelength *yyyy.yy* from LINE amplifier of Side *x* to local add/drop ports of the 80-WXC-C card of Side *x* using the “[DLP-G106 Delete Optical Channel Network Connections](#)” task on page 8-26.

Step 29 In card view, display the transponder card and click the **Provisioning** > **Line** tabs. For the trunk port, choose **OOS,DSBLD** (ANSI) or **Locked,disabled** (ETSI) from the Admin State drop-down list and click **Apply**.

Step 30 To test all wavelengths, repeat [Step 6](#) through [Step 29](#) for each wavelength. In [Step 6](#), set the wavelength to the next wavelength.

Step 31 Remove the fiber jumper connected between the DROP-TX port and the AD port in the 80-WXC-C card on Side *x*.

Step 32 Restore the original connections between the AD and DROP-TX ports of the 80-WXC-C card and the respective ports of the 15216 40 or 48 -channel mux/demux patch panel according to the Cisco Transport Planner Internal Connections Report.

Step 33 Use a fiber jumper to connect the TX port to the RX port associated to the wavelength *yyyy.yy* to be tested in the 15216-MD-40-ODD, 15216-EF-40-ODD, or 15216-MD-48-ODD or in the 15216-MD-40-EVEN, 15216-EF-40-EVEN, or 15216-MD-48-EVEN unit for Side *x* (depending on which 15216 40 or 48 -channel mux/demux patch panel the wavelength *yyyy.yy* is managed).

Step 34 Select a wavelength *yyyy.yy* on the full C band tunable transponder. Complete the “[DLP-G432 Set the Transponder Wavelength](#)” task on page 5-158 to tune the transponder for the selected wavelength *yyyy.yy*.

- Step 35** Create an OCHNC DCN circuit on wavelength *yyyy.yy* from LINE amplifier of side *x* to local add/drop ports of the 80-WXC-C card of Side *x* using the “[DLP-G105 Provision Optical Channel Network Connections](#)” task on page 8-23 and wait till all the alarms clear on the node.
- Step 36** In card view, display the 80-WXC-C card for Side *x* and complete the following steps:
- Click the **Provisioning > Optical Line > Parameters** tabs and record the Power value of the DROP-TX port.
 - Click the **Provisioning > WXC Line > Parameters** tabs and record the Power value of the AD port.
 - Verify that the Power value of the AD port in [Step 36b](#) is > the Power value of the DROP-TX port in [Step 36a](#) – 18dB.
- Step 37** Delete the OCHNC DCN circuit on wavelength *yyyy.yy* from LINE amplifier of Side *x* to local add/drop ports of the 80-WXC-C card of Side *x* using the “[DLP-G106 Delete Optical Channel Network Connections](#)” task on page 8-26.
- Step 38** In card view, display the transponder card and click the **Provisioning > Line** tabs. For the trunk port, choose **OOS,DSBLD** (ANSI) or **Locked,disabled** (ETSI) from the Admin State drop-down list and click **Apply**.
- Step 39** Remove the fiber jumper that was connected in [Step 33](#) between the TX and RX ports associated to the tested wavelength *yyyy.yy* on the 15216-MD-40-ODD, 15216-EF-40-ODD, or 15216-MD-48-ODD or the 15216-MD-40-EVEN, 15216-EF-40-EVEN, or 15216-MD-48-EVEN unit for Side *x*.
- Step 40** To verify all the 40 ports of the 15216-MD-40-ODD, 15216-EF-40-ODD, or 15216-MD-48-ODD unit and the 40 ports of the 15216-MD-40-EVEN, 15216-EF-40-EVEN, or 15216-MD-48-EVEN unit, repeat the previous steps from [Step 33](#) through [Step 38](#) by changing the wavelength *yyyy.yy* to cover all other 79 available wavelengths.
- Step 41** Disconnect the optical power meter from the LINE-TX port of the booster amplifier of the Side *x*.
- Step 42** Disconnect the transponder output port (with the 15-dB attenuator) from the LINE-RX port of the booster amplifier of the Side *x*.
- Step 43** Repeat [Step 4](#) through [Step 42](#) for all the others sides that are being installed.
- Step 44** In card view, display the OPT-AMP-C card configured as LINE for Side *x* (slot 1 or 17) and complete the following:
- Click the **Maintenance > ALS** tabs and from the OSRI pull-down menu, select **OFF**.
 - From the ALS Mode pull-down menu, select **Auto Restart**.
- Stop. You have completed this procedure.**

NTP-G44 Perform the Anti-ASE Hub Node Acceptance Test

Purpose	This procedure tests an anti-ASE hub node.
Tools/Equipment	A tunable laser or a TXP_MR_10E_C card An optical power meter or optical spectrum analyzer Two bulk attenuators (10 dB) with LC connectors
Prerequisite Procedures	Chapter 4, “Turn Up a Node”
Required/As Needed	As needed

Onsite/Remote	Onsite
Security Level	Superuser only

**Note**

Optical power measurements require either a tunable laser or a multirate transponder to generate the proper optical wavelength. If multirate transponders were installed during completion of [Chapter 4, “Turn Up a Node,”](#) they can be used for this procedure. No additional cabling changes are needed.

- Step 1** Complete the [“DLP-G46 Log into CTC” task on page 3-30](#) at the node where you want to perform the acceptance test. If you are already logged in, continue with [Step 2](#).
- Step 2** From the View menu, choose **Go to Network View**.
- Step 3** Click the **Alarms** tab.
- Verify that the alarm filter is not on. See the [“DLP-G128 Disable Alarm Filtering” task on page 10-26](#) as necessary.
 - Verify that no equipment alarms appear indicating equipment failure or other hardware problems. (Equipment alarms are indicated by an EQPT in the Alarms tab Cond column.) If alarms appear, investigate and resolve them before continuing. Refer to the *Cisco ONS 15454 DWDM Troubleshooting Guide* for procedures.

**Note**

The OSC terminations created during node turn-up will generate two alarms for each side of the shelf: one for LOS on the OPT-BST or OPT-BST-E card, and the other for LOS on the OSC-CSM or OSCM card.

- Step 4** In node view (single-shelf mode) or multishelf view (multishelf mode), click the **Provisioning > WDM-ANS > Port Status** tabs. Verify that all statuses under Link Status are Success - Changed or Success - Unchanged. If any are not, complete the following steps:
- Delete the two OSC channels using the [“DLP-G186 Delete an OSC Termination” task on page 11-50](#).
 - Complete the [“NTP-G37 Run Automatic Node Setup” procedure on page 4-128](#).
 - Create the OSC channels using the [“NTP-G38 Provision OSC Terminations” procedure on page 4-126](#).
- Step 5** From your Cisco TransportPlanner site configuration file, identify the dropped and added channels that are configured in pass-through mode in both directions.

**Note**

Configuring a channel pass-through mode means that the channel is dropped along one direction by a 32DMX-O/32DMX or 40-DMX-C (15xx.xx TX port) located on one side (Side A or Side B) of the shelf, and then added by a 32MUX-O/40-DMX-C (1522.22 RX port) on the opposite side of the shelf but in the same direction. The channel is not terminated inside the site.

- Step 6** Create a loopback on the Side A OPT-BST or OPT-BST-E amplifier by connecting a patchcord from the LINE TX port to the LINE RX port with a 10-dB bulk attenuator.
- Step 7** Verify that the OSC link becomes active on the Side A OSCM or OSC-CSM card. (The OSC termination must already be provisioned. If not, complete the [“NTP-G38 Provision OSC Terminations” procedure on page 4-126](#).)
- Step 8** For pass-through channels, continue with [Step 9](#). For add and drop channels, continue with [Step 18](#).

- Step 9** Verify the first channel connection configured in pass-through mode in both directions:
- If you are using a tunable laser, set the output power to a nominal value, such as -3 dBm. If you are using a TXP_MR_10E_C card, continue with Step b.
 - Set the tunable laser or TXP_MR_10E_C card to a corresponding wavelength on the 100-GHz ITU-T grid. Refer to the tunable laser manufacturer's documentation or the [“DLP-G268 Provision TXP_MR_10E_C Cards for Acceptance Testing”](#) task on page 5-5.
 - Connect the tunable laser transmitter or the TXP_MR_10E_C card DWDM TX port to the LINE RX port of the Side B OPT-BST or OPT-BST-E using a 10-dB bulk attenuator.
- Step 10** Complete the [“DLP-G80 Verify the OPT-PRE Amplifier Laser and Power”](#) task on page 5-7 for the Side B OPT-PRE amplifier.
- Step 11** Complete the [“DLP-G269 Verify the 32DMX-O or 40-DMX-C Card Power”](#) task on page 5-8 for the Side A 32MUX-O or 40-MUX-C cards.
- Step 12** Complete the [“DLP-G79 Verify the OPT-BST, OPT-BST-E, or OPT-BST-L Amplifier Laser and Power”](#) task on page 5-6 for the Side A OPT-BST or OPT-BST-E amplifier.
- Step 13** Complete the [“DLP-G80 Verify the OPT-PRE Amplifier Laser and Power”](#) task on page 5-7 for the Side A OPT-PRE amplifier.
- Step 14** Complete the [“DLP-G269 Verify the 32DMX-O or 40-DMX-C Card Power”](#) task on page 5-8 for the Side A 32DMX-O or 40-DMX-C cards.
- Step 15** Complete the [“DLP-G79 Verify the OPT-BST, OPT-BST-E, or OPT-BST-L Amplifier Laser and Power”](#) task on page 5-6 for the Side B OPT-BST or OPT-BST-E amplifier.
- Step 16** Repeat Steps 9 through 15 for the remaining wavelengths on the 100-GHz grid that are pass-through wavelengths.
- Step 17** If you have add and drop channels, continue with Step 18 to verify the channels. If not, continue with Step 30.
- Step 18** Set the tunable laser or TXP_MR_10E_C card to the first wavelength of the 100-GHz ITU-T grid that is not a pass-through wavelength. Refer to the tunable laser manufacturer's documentation or the [“DLP-G268 Provision TXP_MR_10E_C Cards for Acceptance Testing”](#) task on page 5-5.
- Step 19** Connect the tunable laser or TXP_MR_10E_C card to the CHAN RX *nn* port on the Side A 32MUX-O card, where *nn* is the first add or drop channel.
- Step 20** Display the Side A 32MUX-O or 40-MUX-C card in card view.
- Step 21** Click the **Provisioning > Optical Chn > Parameters** tabs.
- Step 22** Change the administrative state of Port *nn* to **OOS,MT** (ANSI) or **Locked,maintenance** (ETSI).
- Step 23** Check that the power value on Port *nn* reaches the provisioned set point (VOA Power Ref).
- Step 24** Display the Side A 32DMX-O/32DMX OR 40-DMX-C card in card view.
- Step 25** Click the **Provisioning > Optical Chn > Parameters** tabs.
- Step 26** Change the administrative state of Port *nn* to **OOS,MT** (ANSI) or **Locked,maintenance** (ETSI).
- Step 27** Check that the power value on Port *nn* reaches the provisioned set point (VOA Power Ref).
- Step 28** Connect a power meter to the CHAN TX *nn* port through the patch panel and verify that the physical optical power coming out of drop Port *nn* on the Side A 32DMX-O/32DMX or 40-DMX-C card is consistent with the value read on the meter within 0.5 dB.
- Step 29** Repeat Steps 18 through 28 for the remaining wavelengths on the 100-GHz grid that are not pass-through wavelengths.
- Step 30** Remove the loopback connection on the Side A OPT-BST or OPT-BST-E card.

- Step 31** Complete the “[NTP-G37 Run Automatic Node Setup](#)” procedure on page 4-128 to restore the original configuration.
- Step 32** Create a loopback on the Side B OPT-BST or OPT-BST-E amplifier by connecting a patchcord from the LINE TX port to the LINE RX port with 10-dB bulk attenuator.
- Step 33** Verify that the OSC link becomes active on the Side B OSCM card. (The OSC termination must be already provisioned. If not, complete the “[NTP-G38 Provision OSC Terminations](#)” procedure on page 4-126.)
- Step 34** Repeat 18 through 31 for Side B add and drop cards.
- Step 35** Remove the loopback on the Side B OPT-BST or OPT-BST-E card.
- Step 36** Restore the default administrative state (IS,AINS/Unlocked,automaticInService) on all the ports previously set to **OOS,MT** (ANSI) or **Locked,maintenance** (ETSI).

Stop. You have completed this procedure.

NTP-G45 Perform the C-Band Line Amplifier Node with OSCM Cards Acceptance Test

Purpose	This procedure tests a C-band line amplifier node with OSCM cards installed on both the Side B and Side A sides of the shelf by looping a single wavelength through the shelf.
Tools/Equipment	One of the following: <ul style="list-style-type: none"> • A tunable laser • TXP_MR_10E_C An optical power meter or optical spectrum analyzer Two bulk attenuators (10 dB) with LC connectors
Prerequisite Procedures	Chapter 4, “Turn Up a Node”
Required/As Needed	As needed
Onsite/Remote	Onsite
Security Level	Superuser only



Note

Optical power measurements require either a tunable laser or a multirate transponder to generate the proper optical wavelength. If multirate transponders were installed during completion of [Chapter 4, “Turn Up a Node,”](#) they can be used for this procedure. No additional cabling changes are needed.

- Step 1** Complete the “[DLP-G46 Log into CTC](#)” task on page 3-30 at the node where you want to perform the acceptance test. If you are already logged in, continue with [Step 3](#).
- Step 2** If you are using TXP_MR_10E_C cards, complete the “[DLP-G268 Provision TXP_MR_10E_C Cards for Acceptance Testing](#)” task on page 5-5. If not, continue with [Step 3](#).
- Step 3** From the View menu, choose **Go to Home View**.

- Step 4** Click the **Alarms** tab.
- Verify that the alarm filter is not on. See the “[DLP-G128 Disable Alarm Filtering](#)” task on [page 10-26](#) as necessary.
 - Verify that no equipment alarms appear indicating equipment failure or other hardware problems. (Equipment alarms are indicated by an EQPT in the Alarms tab Cond column.) If alarms appear, investigate and resolve them before continuing. Refer to the *Cisco ONS 15454 DWDM Troubleshooting Guide* for procedures.



Note The OSC terminations created during node turn-up will generate two alarms for each side of the shelf, one for LOS on the OPT-BST or OPT-BST-E card, and the other for LOS on the OSCM card.

- Step 5** In node view (single-shelf mode) or multishelf view (multishelf mode), click the **Provisioning** > **WDM-ANS** > **Port Status** tabs. Verify that all statuses under Link Status are listed as Success - Changed or Success - Unchanged. If any are not, complete the following steps:
- Delete the two OSC channels using the “[DLP-G186 Delete an OSC Termination](#)” task on [page 11-50](#).
 - Complete the “[NTP-G37 Run Automatic Node Setup](#)” procedure on [page 4-128](#).
 - Create the OSC channels using the “[NTP-G38 Provision OSC Terminations](#)” procedure on [page 4-126](#).
- Step 6** Create a loopback on the Side A OPT-BST or OPT-BST-E card by using a fiber with a 10-dB bulk attenuator to connect the LINE TX port to the LINE RX port.
- Step 7** If you are using a tunable laser, follow the manufacturer’s instructions to complete the following steps. If you are using a TXP_MR_10E_C card, continue with [Step 8](#).
- Set the output power to a nominal value, such as -3 dBm.
 - Set the tuner to the wavelength under test, then continue with [Step 9](#).
- Step 8** If you are using a TXP_MR_10E_C card, complete the “[DLP-G268 Provision TXP_MR_10E_C Cards for Acceptance Testing](#)” task on [page 5-5](#) for the TXP containing the wavelength you will test. Refer to [Table 5-1](#) on [page 5-30](#), if needed.
- Step 9** Connect the tunable laser transmitter or the TXP_MR_10E_C card DWDM TX port to the LINE RX port of the Side B OPT-BST or OPT-BST-E card using a 10-dB bulk attenuator.



Caution Failure to use proper attenuation might damage the equipment.

- Step 10** Wait 90 to 100 seconds, then in node view (single-shelf mode) or multishelf view (multishelf mode) click the **Alarms** tab. Verify that the LOS alarms on the Side A OPT-BST or OPT-BST-E and OSCM cards have cleared. The clearing of the LOS alarms indicates that the OSC link is active on Side A.



Note For ANSI shelves, an EOC DCC Termination Failure alarm will continue to appear due to the OSC signal loopback. An LOS-O alarm appears on the Side B OPT-BST or OPT-BST-E card, and an LOS alarm appears on the Side B OCSM card.

If the alarms clear, continue with [Step 11](#). If not, perform the following steps:

- Display the Side A OPT-BST or OPT-BST-E card in card view.

- b. Click the **Provisioning > Optical Line > Optics Thresholds** tabs.
 - c. In the Types area, click **Alarms**, then click **Refresh**.
 - d. Locate the Port 2 Power Failure Low parameter. Double-click the table cell and change the value to **-30 dBm**.
 - e. Locate the Port 4 Power Failure Low parameter. Double-click the table cell and change the value to **-40 dBm**.
 - f. Click **Apply**, and then **Yes**.
 - g. Wait 90 to 100 seconds, then in node view (single-shelf mode) or multishelf view (multishelf mode) click the **Alarms** tab. Verify that the LOS alarm on the Side A OPT-BST or OPT-BST-E card has cleared. If so, continue with [Step 11](#). If not, disconnect the OSCM card from the OPT-BST card.
 - h. Create a loopback on the OSCM card by connecting a patch cable from the OSC TX port to the OSC RX port using a 10-dB bulk attenuator.
 - i. Wait 90 to 100 seconds, then in node view (single-shelf mode) or multishelf view (multishelf mode) click the **Alarms** tab. Verify that the LOS alarm on the Side A OSCM card has cleared. If so, replace the OPT-BST or OPT-BST-E card. If not, replace the OSCM card. See the [“NTP-G30 Install the DWDM Cards” procedure on page 4-64](#).
- Step 11** If an OPT-PRE card is installed on Side B, complete the [“DLP-G80 Verify the OPT-PRE Amplifier Laser and Power” task on page 5-7](#). If not, continue with [Step 12](#).
- Step 12** Complete the [“DLP-G79 Verify the OPT-BST, OPT-BST-E, or OPT-BST-L Amplifier Laser and Power” task on page 5-6](#) for the Side A OPT-BST or OPT-BST-E amplifier.
- Step 13** If an OPT-PRE amplifier is installed on Side A, complete the [“DLP-G80 Verify the OPT-PRE Amplifier Laser and Power” task on page 5-7](#). If not, continue with [Step 14](#).
- Step 14** Complete the [“DLP-G79 Verify the OPT-BST, OPT-BST-E, or OPT-BST-L Amplifier Laser and Power” task on page 5-6](#) for the Side B OPT-BST or OPT-BST-E amplifier.
- Step 15** Disconnect the TXP or tunable laser from the Side B OPT-BST or OPT-BST-E card.
- Step 16** Remove the loopback on the Side A OPT-BST or OPT-BST-E card created in [Step 6](#).
- Step 17** Create a loopback on the Side B OPT-BST or OPT-BST-E card by connecting a patchcord from the LINE TX port to the LINE RX port with a 10-dB bulk attenuator.
- Step 18** If you are using a tunable laser, follow the manufacturer’s instructions to complete the following steps. If you are using a TXP_MR_10E_C card, continue with [Step 19](#).
- a. Set the output power to a nominal value, such as -3 dBm.
 - b. Set the tuner to the wavelength under test, then continue with [Step 20](#).
- Step 19** If you are using a TXP_MR_10E_C card, complete the [“DLP-G268 Provision TXP_MR_10E_C Cards for Acceptance Testing” task on page 5-5](#) for the TXP containing the wavelength you will test. Refer to [Table 5-1 on page 5-30](#), if needed.
- Step 20** Connect the tunable laser transmitter or the TXP_MR_10E_C card DWDM TX port to the LINE RX port of the Side A OPT-BST or OPT-BST-E card using a 10-dB bulk attenuator.



Caution Failure to use proper attenuation might damage the equipment.

- Step 21** Wait 90 to 100 seconds, then in node view (single-shelf mode) or multishelf view (multishelf mode) click the **Alarms** tab. Verify that the LOS alarms on the Side B OPT-BST or OPT-BST-E card and the Side B OSCM card have cleared. The clearing of the LOS alarms indicates that the OSC link is active on Side B.



Note For ANSI shelves, an EOC DCC Termination Failure alarm will continue to appear due to the OSC signal loopback. An LOS-O alarm appears on the Side A OPT-BST or OPT-BST-E card, and an LOS alarm appears on the Side A OCSM card.

If the alarms clear, continue with [Step 22](#). If not, perform the following steps:

- a. Display the Side B OPT-BST or OPT-BST-E card in card view.
- b. Click the **Provisioning > Optical Line > Optics Thresholds** tabs.
- c. In the Types area, click **Alarms**, then click **Refresh**.
- d. Locate the Port 2 Power Failure Low parameter. Double-click the table cell and change the value to **-30 dBm**.
- e. Locate the Port 4 Power Failure Low parameter. Double-click the table cell and change the value to **-40 dBm**.
- f. Click **Apply**, and then **Yes**.
- g. Wait 90 to 100 seconds, then in node view (single-shelf mode) or multishelf view (multishelf mode) click the **Alarms** tab. Verify that the LOS alarms on the Side B OPT-BST or OPT-BST-E card has cleared. If so, continue with [Step 22](#). If not, disconnect the OSCM card from the OPT-BST or OPT-BST-E card.
- h. Create a loopback on the OSCM card by connecting a patch cable from the OSC TX port to the OSC RX port using a 10-dB bulk attenuator.
- i. Wait 90 to 100 seconds, then in node view (single-shelf mode) or multishelf view (multishelf mode) click the **Alarms** tab. Verify that the LOS alarms on the Side B OSCM card has cleared. If so, replace the OPT-BST or OPT-BST-E card. If not, replace the OSCM card. See the “[NTP-G30 Install the DWDM Cards](#)” procedure on page 4-64.

- Step 22** If an OPT-PRE card is installed on Side A, complete the “[DLP-G80 Verify the OPT-PRE Amplifier Laser and Power](#)” task on page 5-7. If not, continue with [Step 23](#).
- Step 23** Complete the “[DLP-G79 Verify the OPT-BST, OPT-BST-E, or OPT-BST-L Amplifier Laser and Power](#)” task on page 5-6 for the Side B OPT-BST or OPT-BST-E amplifier.
- Step 24** If an OPT-PRE amplifier is installed on Side B, complete the “[DLP-G80 Verify the OPT-PRE Amplifier Laser and Power](#)” task on page 5-7. If not, continue with [Step 25](#).
- Step 25** Complete the “[DLP-G79 Verify the OPT-BST, OPT-BST-E, or OPT-BST-L Amplifier Laser and Power](#)” task on page 5-6 for the Side A OPT-BST or OPT-BST-E amplifier.
- Step 26** Disconnect the TXP or tunable laser from the Side A OPT-BST or OPT-BST-E card.
- Step 27** Remove the loopback on the Side B OPT-BST or OPT-BST-E amplifier created in [Step 17](#).
- Step 28** Delete both OSC channels using the “[DLP-G186 Delete an OSC Termination](#)” task on page 11-50.
- Step 29** Complete the “[NTP-G37 Run Automatic Node Setup](#)” procedure on page 4-128 to restore the original configuration.
- Step 30** Create the two OSC channels using the “[NTP-G38 Provision OSC Terminations](#)” procedure on page 4-126.

Stop. You have completed this procedure.

NTP-G155 Perform the L-Band Line Amplifier Node with OSCM Cards Acceptance Test

Purpose	This procedure tests a L-band line amplifier node with OSCM cards installed on both the Side B and Side A sides of the shelf by looping a single wavelength through the shelf.
Tools/Equipment	One of the following: <ul style="list-style-type: none"> • A tunable laser • TXP_MR_10E_L An optical power meter or optical spectrum analyzer Two bulk attenuators (10 dB) with LC connectors
Prerequisite Procedures	Chapter 4, “Turn Up a Node”
Required/As Needed	As needed
Onsite/Remote	Onsite
Security Level	Superuser only


Note

Optical power measurements require either a tunable laser or a multirate transponder to generate the proper optical wavelength. If multirate transponders were installed during completion of [Chapter 4, “Turn Up a Node,”](#) they can be used for this procedure. No additional cabling changes are needed.

-
- Step 1** Complete the [“DLP-G46 Log into CTC” task on page 3-30](#) at the node where you want to perform the acceptance test. If you are already logged in, continue with [Step 2](#).
- Step 2** If you are using TXP_MR_10E_L cards, complete the [“DLP-G358 Provision TXP_MR_10E_L Card for Acceptance Testing” task on page 5-26](#). If not, continue with [Step 3](#).
- Step 3** From the View menu, choose **Go to Home View**.
- Step 4** Click the **Alarms** tab.
- Verify that the alarm filter is not on. See the [“DLP-G128 Disable Alarm Filtering” task on page 10-26](#) as necessary.
 - Verify that no equipment alarms appear indicating equipment failure or other hardware problems. (Equipment alarms are indicated by an EQPT in the Alarms tab Cond column.) If alarms appear, investigate and resolve them before continuing. Refer to the *Cisco ONS 15454 DWDM Troubleshooting Guide* for procedures.


Note

The OSC terminations created during node turn-up will generate two alarms for each side of the shelf, one for an LOS on the OPT-BST-L card, and the other for an LOS on the OSCM card.

- Step 5** In node view (single-shelf mode) or multishelf view (multishelf mode), click the **Provisioning > WDM-ANS > Port Status** tabs. Verify that all statuses under Link Status are listed as Success - Changed or Success - Unchanged. If any are not, complete the following steps:
- Delete the two OSC channels using the [“DLP-G186 Delete an OSC Termination” task on page 11-50](#).
 - Complete the [“NTP-G37 Run Automatic Node Setup” procedure on page 4-128](#).

- c. Create the OSC channels using the “[NTP-G38 Provision OSC Terminations](#)” procedure on [page 4-126](#).

- Step 6** Create a loopback on the Side A OPT-BST-L card by using a fiber with a 10-dB bulk attenuator to connect the LINE TX port to the LINE RX port.
- Step 7** If you are using a tunable laser, follow the manufacturer’s instructions to complete the following steps. If you are using a TXP_MR_10E_L card, continue with [Step 8](#).
- a. Set the output power to a nominal value, such as -3 dBm.
 - b. Set the tuner to the wavelength under test, then continue with [Step 9](#).
- Step 8** If you are using a TXP_MR_10E_L card, complete the “[DLP-G358 Provision TXP_MR_10E_L Card for Acceptance Testing](#)” task on [page 5-26](#) for the wavelength you will test.
- Step 9** Connect the tunable laser transmitter or the TXP_MR_10E_L card DWDM TX port to the LINE RX port of the Side B OPT-BST-L card using a 10-dB bulk attenuator.



Caution Failure to use proper attenuation might damage the equipment.

- Step 10** Wait 90 to 100 seconds, then in node view (single-shelf mode) or multishelf view (multishelf mode) click the **Alarms** tab. Verify that the LOS alarms on the Side A OPT-BST-L and OSCM cards have cleared. The clearing of the LOS alarms indicates that the OSC link is active on Side A.



Note For ANSI shelves, an EOC DCC Termination Failure alarm will continue to appear due to the OSC signal loopback. An LOS-O alarm appears on the Side B OPT-BST-L card, and an LOS alarm appears on the Side B OCSM card.

If the alarms clear, continue with [Step 11](#). If not, perform the following steps:

- a. Display the Side A OPT-BST-L card in card view.
 - b. Click the **Provisioning > Optical Line > Optics Thresholds** tabs.
 - c. In the Types area, click **Alarms**, then click **Refresh**.
 - d. Locate the Port 2 Power Failure Low parameter. Double-click the table cell and change the value to **-30 dBm**.
 - e. Locate the Port 4 Power Failure Low parameter. Double-click the table cell and change the value to **-40 dBm**.
 - f. Click **Apply**, and then **Yes**.
 - g. Wait 90 to 100 seconds, then in node view (single-shelf mode) or multishelf view (multishelf mode) click the **Alarms** tab. Verify that the LOS alarm on the Side A OPT-BST-L card has cleared. If so, continue with [Step 11](#). If not, disconnect the OSCM card from the OPT-BST-L card.
 - h. Create a loopback on the OSCM card by connecting a patch cable from the OSC TX port to the OSC RX port using a 10-dB bulk attenuator.
 - i. Wait 90 to 100 seconds, then in node view (single-shelf mode) or multishelf view (multishelf mode) click the **Alarms** tab. Verify that the LOS alarm on the Side A OSCM card has cleared. If so, replace the OPT-BST-L card. If not, replace the OSCM card. See the “[NTP-G30 Install the DWDM Cards](#)” procedure on [page 4-64](#).
- Step 11** If an OPT-AMP-L card (provisioned as an OPT-PRE) is installed on Side B, complete the “[DLP-G360 Verify the OPT-AMP-L \(OPT-PRE Mode\) Amplifier Laser and Power](#)” task on [page 5-27](#). If not, continue with [Step 12](#).

- Step 12** Complete the “[DLP-G359 Verify the OPT-BST-L or OPT-AMP-L \(OPT-Line Mode\) Amplifier Laser and Power](#)” task on page 5-27 for the Side A OPT-BST-L amplifier.
- Step 13** If an OPT-AMP-L card (provisioned as an OPT-PRE) is installed on Side A, complete the “[DLP-G360 Verify the OPT-AMP-L \(OPT-PRE Mode\) Amplifier Laser and Power](#)” task on page 5-27. If not, continue with continue with [Step 14](#).
- Step 14** Complete the “[DLP-G359 Verify the OPT-BST-L or OPT-AMP-L \(OPT-Line Mode\) Amplifier Laser and Power](#)” task on page 5-27 for the Side B OPT-BST-L amplifier.
- Step 15** Disconnect the TXP card or tunable laser from the Side B OPT-BST-L card.
- Step 16** Remove the loopback on the Side A OPT-BST-L created in [Step 6](#).
- Step 17** Create a loopback on the Side B OPT-BST-L card by connecting a patchcord from the LINE TX port to the LINE RX port with a 10-dB bulk attenuator.
- Step 18** If you are using a tunable laser, follow the manufacturer’s instructions to complete the following steps. If you are using a TXP_MR_10E_L card, continue with [Step 19](#).
- a. Set the output power to a nominal value, such as –3 dBm.
 - b. Set the tuner to the wavelength under test, then continue with [Step 20](#).
- Step 19** If you are using a TXP_MR_10E_L card, complete the “[DLP-G358 Provision TXP_MR_10E_L Card for Acceptance Testing](#)” task on page 5-26 for the wavelength you will test.
- Step 20** Connect the tunable laser transmitter or the TXP_MR_10E_L card DWDM TX port to the LINE RX port of the Side A OPT-BST-L card using a 10-dB bulk attenuator.

**Caution**

Failure to use proper attenuation might damage the equipment.

- Step 21** Wait 90 to 100 seconds, then in node view (single-shelf mode) or multishelf view (multishelf mode) click the **Alarms** tab. Verify that the LOS alarms on the Side B OPT-BST-L and OSCM cards have cleared. The clearing of the LOS alarms indicates that the OSC link is active on Side B.

**Note**

For ANSI shelves, an EOC DCC Termination Failure alarm will continue to appear due to the OSC signal loopback. An LOS-O alarm appears on the Side A OPT-BST-L card, and an LOS alarm appears on the Side A OCSM card.

If the alarms clear, continue with [Step 22](#). If not, perform the following steps:

- a. Display the Side B OPT-BST-L card in card view.
- b. Click the **Provisioning > Optical Line > Optics Thresholds** tabs.
- c. In the Types area, click **Alarms**, then click **Refresh**.
- d. Locate the Port 2 Power Failure Low parameter. Double-click the table cell and change the value to **–30 dBm**.
- e. Locate the Port 4 Power Failure Low parameter. Double-click the table cell and change the value to **–40 dBm**.
- f. Click **Apply**, and then **Yes**.
- g. Wait 90 to 100 seconds, then in node view (single-shelf mode) or multishelf view (multishelf mode) click the **Alarms** tab. Verify that the LOS alarms on the Side B OPT-BST-L card has cleared. If so, continue with [Step 22](#). If not, disconnect the OSCM card from the OPT-BST-L card.

- h. Create a loopback on the OSCM card by connecting a patch cable from the OSC TX port to the OSC RX port using a 10-dB bulk attenuator.
 - i. Wait 90 to 100 seconds, then in node view (single-shelf mode) or multishelf view (multishelf mode) click the **Alarms** tab. Verify that the LOS alarms on the Side B OSCM card has cleared. If so, replace the OPT-BST-L card. If not, replace the OSCM card. See the “[NTP-G30 Install the DWDM Cards](#)” procedure on page 4-64.
- Step 22** If an OPT-AMP-L (provisioned in OPT-PRE mode) card is installed on Side A, complete the “[DLP-G80 Verify the OPT-PRE Amplifier Laser and Power](#)” task on page 5-7. If not, continue with [Step 23](#).
- Step 23** Complete the “[DLP-G359 Verify the OPT-BST-L or OPT-AMP-L \(OPT-Line Mode\) Amplifier Laser and Power](#)” task on page 5-27 for the Side B OPT-BST-L amplifier.
- Step 24** If an OPT-AMP-L (provisioned in OPT-PRE mode) card is installed on Side B, complete the “[DLP-G360 Verify the OPT-AMP-L \(OPT-PRE Mode\) Amplifier Laser and Power](#)” task on page 5-27. If not, continue with [Step 25](#).
- Step 25** Complete the “[DLP-G359 Verify the OPT-BST-L or OPT-AMP-L \(OPT-Line Mode\) Amplifier Laser and Power](#)” task on page 5-27 for the Side A OPT-BST-L amplifier.
- Step 26** Disconnect the TXP card or tunable laser from the Side A OPT-BST-L card.
- Step 27** Remove the loopback on the Side B OPT-BST-L amplifier created in [Step 17](#).
- Step 28** Delete both OSC channels using the “[DLP-G186 Delete an OSC Termination](#)” task on page 11-50.
- Step 29** Complete the “[NTP-G37 Run Automatic Node Setup](#)” procedure on page 4-128 to restore the original configuration.
- Step 30** Create the two OSC channels using the “[NTP-G38 Provision OSC Terminations](#)” procedure on page 4-126.

Stop. You have completed this procedure.

NTP-G46 Perform the C-Band Line Amplifier Node with OSC-CSM Cards Acceptance Test

Purpose	This procedure tests a C-band line amplifier node with OSC-CSM cards installed on both Side B and Side A of the shelf by looping a single wavelength through the shelf.
Tools/Equipment	One of the following: <ul style="list-style-type: none"> • A tunable laser • TXP_MR_10E_C card An optical power meter or optical spectrum analyzer Two bulk attenuators (10 dB) with LC connectors
Prerequisite Procedures	Chapter 4, “Turn Up a Node”
Required/As Needed	As needed
Onsite/Remote	Onsite
Security Level	Superuser only

**Note**

Optical power measurements require either a tunable laser or a multirate transponder to generate the proper optical wavelength. If multirate transponders were installed during completion of [Chapter 4, “Turn Up a Node,”](#) they can be used for this procedure. No additional cabling changes are needed.

- Step 1** Complete the [“DLP-G46 Log into CTC” task on page 3-30](#) at the node where you want to perform the acceptance test. If you are already logged in, continue with [Step 2](#).
- Step 2** If you are using TXP_MR_10E_C cards, complete the [“DLP-G268 Provision TXP_MR_10E_C Cards for Acceptance Testing” task on page 5-5](#). If not, continue with [Step 3](#).
- Step 3** From the View menu, choose **Go to Home View**.
- Step 4** Click the **Alarms** tab.
- Verify that the alarm filter is not on. See the [“DLP-G128 Disable Alarm Filtering” task on page 10-26](#) as necessary.
 - Verify that no equipment alarms appear indicating equipment failure or other hardware problems. (Equipment alarms are indicated by an EQPT in the Alarms tab Cond column.) If alarms appear, investigate and resolve them before continuing. Refer to the *Cisco ONS 15454 DWDM Troubleshooting Guide* for procedures.

**Note**

The OSC terminations created during node turn-up will generate an LOS alarm on the OSC-CSM card.

- Step 5** In node view (single-shelf mode) or multishelf view (multishelf mode), click the **Provisioning > WDM-ANS > Port Status** tabs. Verify that all statuses under Link Status are listed as Success - Changed or Success - Unchanged. If any are not, complete the following:
- Delete the two OSC channels using the [“DLP-G186 Delete an OSC Termination” task on page 11-50](#).
 - Complete the [“NTP-G37 Run Automatic Node Setup” procedure on page 4-128](#).
 - Create the OSC channels using the [“NTP-G38 Provision OSC Terminations” procedure on page 4-126](#).
- Step 6** Create a physical loopback on the Side A OSC-CSM card by connecting the LINE TX port to the LINE RX port with a fiber and 10-dB bulk attenuator.

**Caution**

Failure to use proper attenuation might damage the equipment.

- Step 7** Wait 90 to 100 seconds, then in node view (single-shelf mode) or multishelf view (multishelf mode) click the **Alarms** tab. Verify that the LOS alarm on the Side A OSC-CSM card has cleared. The clearing of the LOS alarm indicates that the OSC link is active on Side A.

**Note**

For ANSI shelves, an EOC DCC Termination Failure alarm will continue to appear due to the OSC signal loopback, and an LOS alarm will appear for the Side B OSC-CSM card, Port 1 (OSC).

If the alarm clears, continue with [Step 8](#). If not, perform the following steps:

- a. Remove the 10-dB bulk attenuator on the OSC-CSM LINE TX and LINE RX ports and reconnect using only the patchcord.
- b. In node view (single-shelf mode) or multishelf view (multishelf mode), click the **Alarms** tab. If the LOS alarm on the Side A OSC-CSM card clears, continue with [Step 8](#). If not, continue with [Step c](#).
- c. Display the OSC-CSM card in card view.
- d. Click the **Provisioning > Optical Line > Optics Thresholds** tabs.
- e. In the Types area, click **Alarm**, then click **Refresh**.
- f. Locate the Port 3 Power Failure Low parameter. Double-click the table cell and change the value to **-30 dBm**.
- g. Locate the Port 6 Power Failure Low parameter. Double-click the table cell and change the value to **-40 dBm**.
- h. Click **Apply**, and then **Yes**.
- i. In node view (single-shelf mode) or multishelf view (multishelf mode), click the **Alarms** tab. If the LOS alarm on the Side A OSC-CSM card clears, continue with [Step 8](#). If not, replace the OSC-CSM card.

Step 8 If you are using a tunable laser, follow the manufacturer's instructions to complete the following steps. If you are using a TXP_MR_10E_C card, continue with [Step 9](#).

- a. Set the output power to a nominal value, such as -3 dBm.
- b. Set the tuner to the wavelength under test, then continue with [Step 10](#).

Step 9 If you are using a TXP_MR_10E_C card, complete the “[DLP-G268 Provision TXP_MR_10E_C Cards for Acceptance Testing](#)” task on page 5-5 for the TXP containing the wavelength you will test. Refer to [Table 5-1 on page 5-30](#), if needed.

Step 10 Connect the tunable laser transmitter or the TXP_MR_10E_C card DWDM TX port to the Side B OSC-CSM LINE RX port using a 10-dB bulk attenuator.



Caution Failure to use proper attenuation might damage the equipment.

Step 11 If an OPT-PRE card is installed on Side B, complete the “[DLP-G80 Verify the OPT-PRE Amplifier Laser and Power](#)” task on page 5-7. If not, continue with [Step 12](#).

Step 12 Display the Side A OSC-CSM card in card view.

Step 13 Click the **Provisioning > Optical Line > Parameters** tabs. Locate the Port 3 Power value. Verify that the value is higher than -30 dBm. If the power value is not higher than -30 dBm, check your connections and clean the fibers using the “[NTP-G115 Clean Fiber Connectors](#)” procedure on page 14-31. If this does not change the power value, consult your next level of support.

Step 14 If an OPT-PRE card is installed on Side A of the shelf, complete the “[DLP-G80 Verify the OPT-PRE Amplifier Laser and Power](#)” task on page 5-7. If not, continue with [Step 15](#).

Step 15 Display the Side B OSC-CSM card in card view.

Step 16 Click the **Provisioning > Optical Line > Parameters** tabs. Locate the Port 2 Power value. Verify that the value is higher than -30 dBm. If the power value is not higher than -30 dBm, check your connections and clean the fibers using the “[NTP-G115 Clean Fiber Connectors](#)” procedure on page 14-31. If this does not change the power value, consult your next level of support.

Step 17 Disconnect the TXP or tunable laser from the Side B OSC-CSM card.

- Step 18** Remove the physical loopback created on the Side A OSC-CSM card in [Step 6](#).
- Step 19** Create a loopback on the Side B OSC-CSM card by connecting the LINE TX port with LINE RX port using a patchcord and 10-dB bulk attenuator.



Caution Failure to use proper attenuation might damage the equipment.

- Step 20** Wait 90 to 100 seconds, then in node view (single-shelf mode) or multishelf view (multishelf mode) click the **Alarms** tab. Verify that the LOS alarm on the Side B OSC-CSM card has cleared. The clearing of the LOS alarm indicates that the OSC link is active on Side B.



Note For ANSI shelves, an EOC DCC Termination Failure alarm will continue to appear due to the OSC signal loopback, and an LOS alarm will appear for the Side A OSC-CSM card, Port 1 (OSC).

If the alarm clears, continue with [Step 21](#). If not, perform the following steps:

- a. Remove the 10-dB bulk attenuator on the OSC-CSM LINE TX and LINE RX ports and reconnect using only the patchcord.
 - b. Wait 90 to 100 seconds then, in node view (single-shelf mode) or multishelf view (multishelf mode), click the **Alarms** tab. If the LOS alarm on the Side B OSC-CSM card clears, continue with [Step 21](#). If not, continue with Step c.
 - c. Display the OSC-CSM card in card view.
 - d. Click the **Provisioning > Optical Line > Optics Thresholds** tabs.
 - e. In the Types area, click **Alarm**, then click **Refresh**.
 - f. Locate the Port 3 Power Failure Low parameter. Double-click the table cell and change the value to **-30 dBm**.
 - g. Locate the Port 6 Power Failure Low parameter. Double-click the table cell and change the value to **-40 dBm**.
 - h. Click **Apply**, and then **Yes**.
 - i. In node view (single-shelf mode) or multishelf view (multishelf mode), click the **Alarms** tab. If the LOS alarm on the Side B OSC-CSM card clears, continue with [Step 21](#). If not, replace the OSC-CSM card.
- Step 21** If you are using a tunable laser, follow the manufacturer's instructions to complete the following steps. If you are using a TXP_MR_10E_C card, continue with [Step 22](#).
- a. Set the output power to a nominal value, such as -3 dBm.
 - b. Set the tuner to the wavelength under test, then continue with [Step 23](#).
- Step 22** If you are using a TXP_MR_10E_C card, complete the "[DLP-G268 Provision TXP_MR_10E_C Cards for Acceptance Testing](#)" task on page 5-5 for the TXP containing the wavelength you will test. Refer to [Table 5-1 on page 5-30](#), if needed.
- Step 23** Connect the tunable laser transmitter or the TXP_MR_10E_C card DWDM TX port to the Side A OSC-CSM LINE RX port using a 10-dB bulk attenuator.



Caution Failure to use proper attenuation might damage the equipment.

- Step 24** If an OPT-PRE card is installed on Side A, complete the “[DLP-G80 Verify the OPT-PRE Amplifier Laser and Power](#)” task on page 5-7. If not, continue with [Step 25](#).
- Step 25** Display the Side B OSC-CSM card in card view.
- Step 26** Click the **Provisioning > Optical Line > Parameters** tabs. Locate the Port 3 Power value. Verify that the value is higher than –30 dBm. If the power value is not higher than –30 dBm, check your connections and clean the fibers using the “[NTP-G115 Clean Fiber Connectors](#)” procedure on page 14-31. If this does not change the power value, consult your next level of support.
- Step 27** If an OPT-PRE is installed on Side B of the shelf, complete the “[DLP-G80 Verify the OPT-PRE Amplifier Laser and Power](#)” task on page 5-7 for the Side B OPT-PRE amplifier. If not, continue with [Step 28](#).
- Step 28** Display the Side A OSC-CSM card in card view.
- Step 29** Click the **Provisioning > Optical Line > Parameters** tabs and locate the Power value for Port 2. Verify that the value is higher than –30 dBm. If the power value is not higher than –30 dBm, check your connections and clean the fibers using the “[NTP-G115 Clean Fiber Connectors](#)” procedure on page 14-31. If this does not change the power value, consult your next level of support.
- Step 30** Disconnect the TXP card or tunable laser from the Side A OSC-CSM card.
- Step 31** Remove the loopback created on the Side B OSC-CSM card in [Step 19](#).
- Step 32** Delete both OSC channels. See the “[DLP-G186 Delete an OSC Termination](#)” task on page 11-50.
- Step 33** Complete the “[NTP-G37 Run Automatic Node Setup](#)” procedure on page 4-128 to restore the original configuration.
- Step 34** Create the OSC channels using the “[NTP-G38 Provision OSC Terminations](#)” procedure on page 4-126.
- Stop. You have completed this procedure.**

NTP-G156 Perform the L-Band Line Amplifier Node with OSC-CSM Cards Acceptance Test

Purpose	This procedure tests a L-band line amplifier node with OSC-CSM cards installed on both Side B and Side A of the shelf by looping a single wavelength through the shelf.
Tools/Equipment	One of the following: <ul style="list-style-type: none"> • A tunable laser • TXP_MR_10E_L card An optical power meter or optical spectrum analyzer Two bulk attenuators (10 dB) with LC connectors
Prerequisite Procedures	Chapter 4, “Turn Up a Node”
Required/As Needed	As needed
Onsite/Remote	Onsite
Security Level	Superuser only

**Note**

Optical power measurements require either a tunable laser or a multirate transponder to generate the proper optical wavelength. If multirate transponders were installed during completion of [Chapter 4, “Turn Up a Node,”](#) they can be used for this procedure. No additional cabling changes are needed.

- Step 1** Complete the [“DLP-G46 Log into CTC” task on page 3-30](#) at the node where you want to perform the acceptance test. If you are already logged in, continue with [Step 2](#).
- Step 2** If you are using TXP_MR_10E_L cards, complete the [“DLP-G358 Provision TXP_MR_10E_L Card for Acceptance Testing” task on page 5-26](#). If not, continue with [Step 3](#).
- Step 3** From the View menu, choose **Go to Home View**.
- Step 4** Click the **Alarms** tab.
- Verify that the alarm filter is not on. See the [“DLP-G128 Disable Alarm Filtering” task on page 10-26](#) as necessary.
 - Verify that no equipment alarms appear indicating equipment failure or other hardware problems. (Equipment alarms are indicated by an EQPT in the Alarms tab Cond column.) If alarms appear, investigate and resolve them before continuing. Refer to the *Cisco ONS 15454 DWDM Troubleshooting Guide* for procedures.

**Note**

The OSC terminations created during node turn-up will generate an LOS alarm on the OSC-CSM card.

- Step 5** In node view (single-shelf mode) or multishelf view (multishelf mode), click the **Provisioning > WDM-ANS > Port Status** tabs. Verify that all statuses under Link Status are listed as Success - Changed or Success - Unchanged. If any are not, complete the following:
- Delete the two OSC channels using the [“DLP-G186 Delete an OSC Termination” task on page 11-50](#).
 - Complete the [“NTP-G37 Run Automatic Node Setup” procedure on page 4-128](#).
 - Create the OSC channels using the [“NTP-G38 Provision OSC Terminations” procedure on page 4-126](#).
- Step 6** Create a physical loopback on the Side A OSC-CSM by connecting the LINE TX port to the LINE RX port with a fiber and 10-dB bulk attenuator.

**Caution**

Failure to use proper attenuation might damage the equipment.

- Step 7** Wait 90 to 100 seconds, then in node view (single-shelf mode) or multishelf view (multishelf mode) click the **Alarms** tab. Verify that the LOS alarm on the Side A OSC-CSM card has cleared. The clearing of the LOS alarm indicates that the OSC link is active on Side A.

**Note**

For ANSI shelves, an EOC DCC Termination Failure alarm will continue to appear due to the OSC signal loopback, and an LOS alarm will appear for the Side B OSC-CSM card, Port 1 (OSC).

If the alarm clears, continue with [Step 8](#). If not, perform the following steps:

- a. Remove the 10-dB bulk attenuator on the OSC-CSM LINE TX and LINE RX ports and reconnect using only the patchcord.
- b. In node view (single-shelf mode) or multishelf view (multishelf mode), click the **Alarms** tab. If the LOS alarm on the Side A OSC-CSM card clears, continue with [Step 8](#). If not, continue with [Step c](#).
- c. Display the OSC-CSM card in card view.
- d. Click the **Provisioning > Optical Line > Optics Thresholds** tabs.
- e. In the Types area, click **Alarm**, then click **Refresh**.
- f. Locate the Port 3 Power Failure Low parameter. Double-click the table cell and change the value to **-30 dBm**.
- g. Locate the Port 6 Power Failure Low parameter. Double-click the table cell and change the value to **-40 dBm**.
- h. Click **Apply**, and then **Yes**.
- i. In node view (single-shelf mode) or multishelf view (multishelf mode), click the **Alarms** tab. If the LOS alarm on the Side A OSC-CSM card clears, continue with [Step 8](#). If not, replace the OSC-CSM card.

Step 8 If you are using a tunable laser, follow the manufacturer's instructions to complete the following steps. If you are using a TXP_MR_10E_L card, continue with [Step 9](#).

- a. Set the output power to a nominal value, such as -3 dBm.
- b. Set the tuner to the wavelength under test, then continue with [Step 10](#).

Step 9 If you are using a TXP_MR_10E_L card, complete the “[DLP-G358 Provision TXP_MR_10E_L Card for Acceptance Testing](#)” task on page 5-26 for the wavelength you will test.

Step 10 Connect the tunable laser transmitter or the TXP_MR_10E_L card DWDM TX port to the Side B OSC-CSM LINE RX port using a 10-dB bulk attenuator.



Caution Failure to use proper attenuation might damage the equipment.

Step 11 If an OPT-AMP-L card (provisioned in OPT-PRE mode) is installed on Side B, complete the “[DLP-G360 Verify the OPT-AMP-L \(OPT-PRE Mode\) Amplifier Laser and Power](#)” task on page 5-27. If not, continue with [Step 12](#).

Step 12 Display the Side A OSC-CSM card in card view.

Step 13 Click the **Provisioning > Optical Line > Parameters** tabs. Locate the Port 3 Power value. Verify that the value is higher than -30 dBm. If the power value is not higher than -30 dBm, check your connections and clean the fibers using the “[NTP-G115 Clean Fiber Connectors](#)” procedure on page 14-31. If this does not change the power value, consult your next level of support.

Step 14 If an OPT-AMP-L card (provisioned in OPT-PRE mode) is installed on Side A of the shelf, complete the “[DLP-G360 Verify the OPT-AMP-L \(OPT-PRE Mode\) Amplifier Laser and Power](#)” task on page 5-27. If not, continue with [Step 15](#).

Step 15 Display the Side B OSC-CSM card in card view.

Step 16 Click the **Provisioning > Optical Line > Parameters** tabs. Locate the Port 2 Power value. Verify that the value is higher than -30 dBm. If the power value is not higher than -30 dBm, check your connections and clean the fibers using the “[NTP-G115 Clean Fiber Connectors](#)” procedure on page 14-31. If this does not change the power value, consult your next level of support.

Step 17 Disconnect the TXP card or tunable laser from the Side B OSC-CSM card.

- Step 18** Remove the physical loopback created on the Side A OSC-CSM card in [Step 6](#).
- Step 19** Create a loopback on the Side B OSC-CSM by connecting the LINE TX port with LINE RX port using a patchcord and 10-dB bulk attenuator.



Caution Failure to use proper attenuation might damage the equipment.

- Step 20** Wait 90 to 100 seconds, then in node view (single-shelf mode) or multishelf view (multishelf mode) click the **Alarms** tab. Verify that the LOS alarm on the Side B OSC-CSM card has cleared. The clearing of the LOS alarm indicates that the OSC link is active on Side B.



Note For ANSI shelves, an EOC DCC Termination Failure alarm will continue to appear due to the OSC signal loopback, and an LOS alarm will appear for the Side A OSC-CSM card, Port 1 (OSC).

If the alarm clears, continue with [Step 21](#). If not, perform the following steps:

- a. Remove the 10-dB bulk attenuator on the OSC-CSM LINE TX and LINE RX ports and reconnect using only the patchcord.
 - b. Wait 90 to 100 seconds then, in node view (single-shelf mode) or multishelf view (multishelf mode), click the **Alarms** tab. If the LOS alarm on the Side B OSC-CSM card clears, continue with [Step 21](#). If not, continue with Step c.
 - c. Display the OSC-CSM card in card view.
 - d. Click the **Provisioning > Optical Line > Optics Thresholds** tabs.
 - e. In the Types area, click **Alarm**, then click **Refresh**.
 - f. Locate the Port 3 Power Failure Low parameter. Double-click the table cell and change the value to **-30 dBm**.
 - g. Locate the Port 6 Power Failure Low parameter. Double-click the table cell and change the value to **-40 dBm**.
 - h. Click **Apply**, and then **Yes**.
 - i. In node view (single-shelf mode) or multishelf view (multishelf mode), click the **Alarms** tab. If the LOS alarm on the Side B OSC-CSM card clears, continue with [Step 21](#). If not, replace the OSC-CSM card.
- Step 21** If you are using a tunable laser, follow the manufacturer's instructions to complete the following steps. If you are using a TXP_MR_10E_L card, continue with [Step 22](#).
- a. Set the output power to a nominal value, such as -3 dBm.
 - b. Set the tuner to the wavelength under test, then continue with [Step 23](#).
- Step 22** If you are using a TXP_MR_10E_L card, complete the “[DLP-G358 Provision TXP_MR_10E_L Card for Acceptance Testing](#)” task on page 5-26 for the wavelength you will test.
- Step 23** Connect the tunable laser transmitter or the TXP_MR_10E_L card DWDM TX port to the Side A OSC-CSM LINE RX port using a 10-dB bulk attenuator.



Caution Failure to use proper attenuation might damage the equipment.

- Step 24** If an OPT-AMP-L card (provisioned in OPT-PRE mode) is installed on Side A, complete the “[DLP-G360 Verify the OPT-AMP-L \(OPT-PRE Mode\) Amplifier Laser and Power](#)” task on page 5-27. If not, continue with [Step 25](#).
- Step 25** Display the Side B OSC-CSM card in card view.
- Step 26** Click the **Provisioning > Optical Line > Parameters** tabs. Locate the Port 3 Power value. Verify that the value is higher than –30 dBm. If the power value is not higher than –30 dBm, check your connections and clean the fibers using the “[NTP-G115 Clean Fiber Connectors](#)” procedure on page 14-31. If this does not change the power value, consult your next level of support.
- Step 27** If an OPT-AMP-L card (provisioned in OPT-PRE mode) is installed on Side B, complete the “[DLP-G360 Verify the OPT-AMP-L \(OPT-PRE Mode\) Amplifier Laser and Power](#)” task on page 5-27. If not, continue with [Step 28](#).
- Step 28** Display the Side A OSC-CSM card in card view.
- Step 29** Click the **Provisioning > Optical Line > Parameters** tabs and locate the Power value for Port 2. Verify that the value is higher than –30 dBm. If the power value is not higher than –30 dBm, check your connections and clean the fibers using the “[NTP-G115 Clean Fiber Connectors](#)” procedure on page 14-31. If this does not change the power value, consult your next level of support.
- Step 30** Disconnect the TXP card or tunable laser from the Side A OSC-CSM card.
- Step 31** Remove the loopback created on the Side B OSC-CSM card in [Step 19](#).
- Step 32** Delete both OSC channels. See the “[DLP-G186 Delete an OSC Termination](#)” task on page 11-50.
- Step 33** Complete the “[NTP-G37 Run Automatic Node Setup](#)” procedure on page 4-128 to restore the original configuration.
- Step 34** Create the OSC channels using the “[NTP-G38 Provision OSC Terminations](#)” procedure on page 4-126.
- Stop. You have completed this procedure.**
-

NTP-G47 Perform the C-Band Line Amplifier Node with OSCM and OSC-CSM Cards Acceptance Test

Purpose	This procedure tests a C-band line amplifier node provisioned with an OSC-CSM card installed on one side of the shelf and an OSCM card installed on the other. This test verifies that a line amplifier node provisioned is operating properly before you connect it to the network. The test verifies the operation of the amplifiers and checks the power levels at each transmit and receive port to ensure that power loss in the cabling is within tolerance.
Tools/Equipment	One of the following: <ul style="list-style-type: none"> • A tunable laser or • TXP_MR_10E_C card An optical power meter or optical spectrum analyzer Two bulk attenuators (10 dB) with LC connectors
Prerequisite Procedures	Chapter 4, “Turn Up a Node”
Required/As Needed	As needed
Onsite/Remote	Onsite
Security Level	Superuser only

**Note**

Optical power measurements require either a tunable laser or a multirate transponder to generate the proper optical wavelength. If multirate transponders were installed during completion of [Chapter 4, “Turn Up a Node,”](#) they can be used for this procedure. No additional cabling changes are needed.

**Note**

Because the node is isolated and no line-side fibers are connected during the test, the power levels going into the line-side cards will not be the same as the levels when the node is connected to the network. Therefore, if the line amplifier shelf does not contain OPT-BST or OPT-BST-E amplifiers and OPT-PRE amplifiers on both Side B and Side A, you must lower the OPT-PRE power thresholds so that it turns on properly. At the end of the test, you will run ANS to configure the node with the correct parameters for the network acceptance test.

-
- Step 1** Complete the [“DLP-G46 Log into CTC” task on page 3-30](#) at the node where you want to perform the acceptance test. If you are already logged in, continue with [Step 2](#).
- Step 2** If you are using TXP_MR_10E_C cards, complete the [“DLP-G268 Provision TXP_MR_10E_C Cards for Acceptance Testing” task on page 5-5](#). If not, continue with [Step 3](#).
- Step 3** Display the terminal node in node view (single-shelf mode) or multishelf view (multishelf mode).
- Step 4** Click the **Alarms** tab.
- Verify that the alarm filter is not on. See the [“DLP-G128 Disable Alarm Filtering” task on page 10-26](#) as necessary.
 - Verify that no equipment alarms appear indicating equipment failure or other hardware problems. (Equipment alarms are indicated by an EQPT in the Alarms tab Cond column.) If alarms appear, investigate and resolve them before continuing. Refer to the *Cisco ONS 15454 DWDM Troubleshooting Guide* for procedures.



Note The OSC terminations created during node turn-up will generate two alarms for each side of the shelf, one for an LOS on the OPT-BST or OPT-BST-E card, and the other for an LOS on the OSC-CSM or OSCM card.

- Step 5** In node view (single-shelf mode) or multishelf view (multishelf mode), click the **Provisioning > WDM-ANS > Port Status** tabs. Verify that all statuses under Link Status are listed as Success - Changed or Success - Unchanged. If any are not, complete the following:
- Delete the two OSC channels using the “[DLP-G186 Delete an OSC Termination](#)” task on [page 11-50](#).
 - Complete the “[NTP-G37 Run Automatic Node Setup](#)” procedure on [page 4-128](#).
 - Create the OSC channels using the “[NTP-G38 Provision OSC Terminations](#)” procedure on [page 4-126](#).

- Step 6** Create a loopback on the OSC-CSM card by connecting the LINE TX port to the LINE RX port using a patchcord and 10-dB bulk attenuator.



Caution Failure to use proper attenuation might damage the equipment.

- Step 7** Wait 90 to 100 seconds, then in node view (single-shelf mode) or multishelf view (multishelf mode) click the **Alarms** tab. Verify that the LOS alarm on the OSC-CSM card has cleared. The clearing of the LOS alarm indicates that the OSC link is active for this side of the shelf.



Note For ANSI shelves, an EOC DCC Termination Failure alarm will continue to appear due to the OSC signal loopback.

If the alarm clears, continue with [Step 8](#). If not, perform the following steps:

- Remove the 10-dB bulk attenuator on the OSC-CSM LINE TX and LINE RX ports and reconnect using only the patchcord.
 - In node view (single-shelf mode) or multishelf view (multishelf mode), click the **Alarms** tab. If the LOS alarm on the OSC-CSM card clears, continue with [Step 8](#). If not, continue with [Step c](#).
 - Display the OSC-CSM card in card view.
 - Click the **Provisioning > Optical Line > Optics Thresholds** tabs.
 - In the Types area, click **Alarm**, then click **Refresh**.
 - Locate the Port 3 Power Failure Low parameter. Double-click the table cell and change the value to **-30 dBm**.
 - Locate the Port 6 Power Failure Low parameter. Double-click the table cell and change the value to **-40 dBm**.
 - Click **Apply**, and then **Yes**.
 - In node view (single-shelf mode) or multishelf view (multishelf mode), click the **Alarms** tab. If the LOS alarm on the OSC-CSM card clears, continue with [Step 8](#). If not, replace the OSC-CSM card.
- Step 8** If you are using a tunable laser, follow the manufacturer’s instructions to complete the following steps. If you are using a TXP_MR_10E_C card, continue with [Step 9](#).
- Set the output power to a nominal value, such as -3 dBm.

b. Set the tuner to the wavelength under test, then continue with [Step 10](#).

Step 9 If you are using a TXP_MR_10E_C card, complete the “[DLP-G268 Provision TXP_MR_10E_C Cards for Acceptance Testing](#)” task on page 5-5 for the TXP containing the wavelength you will test. Refer to [Table 5-1](#) on page 5-30, if needed.

Step 10 Measure the TXP output power by connecting the TXP DWDM TX port to a test meter. Record the results for future reference.

Step 11 Connect the tunable laser transmitter or the TXP_MR_10E_C card DWDM TX port to the OPT-BST or OPT-BST-E LINE RX port using a fiber patchcord and 10-dB bulk attenuator.



Caution Failure to use proper attenuation might damage the equipment.

Step 12 If an OPT-PRE card is installed on the side opposite the OSC-CSM, complete the “[DLP-G80 Verify the OPT-PRE Amplifier Laser and Power](#)” task on page 5-7. If not, continue with [Step 13](#).

Step 13 Display the OSC-CSM card in card view.

Step 14 Click the **Provisioning > Optical Line > Parameters** tabs and locate the Port 2 (COM-RX) Power value. Verify that the value is higher than –30 dBm. If the power value is not higher than –30 dBm, check your connections and clean the fibers using the “[NTP-G115 Clean Fiber Connectors](#)” procedure on page 14-31. If this does not change the power value, consult your next level of support.

Step 15 If an OPT-PRE card is installed on the same Side As the OSC-CSM, complete the “[DLP-G80 Verify the OPT-PRE Amplifier Laser and Power](#)” task on page 5-7. If not, continue with [Step 16](#).

Step 16 Complete the “[DLP-G79 Verify the OPT-BST, OPT-BST-E, or OPT-BST-L Amplifier Laser and Power](#)” task on page 5-6 for the OPT-BST or OPT-BST-E card.

Step 17 Disconnect the TXP or tunable laser from the OPT-BST or OPT-BST-E card.

Step 18 Remove the loopback fiber on the OSC-CSM card.

Step 19 Delete both OSC channels. See the “[DLP-G186 Delete an OSC Termination](#)” task on page 11-50.

Step 20 Complete the “[NTP-G37 Run Automatic Node Setup](#)” procedure on page 4-128 to restore the original configuration.

Step 21 Create the OSC channels using the “[NTP-G38 Provision OSC Terminations](#)” procedure on page 4-126.

Step 22 Create a loopback on the OPT-BST or OPT-BST-E card by connecting the LINE TX port with LINE RX port using a patchcord and 10-dB bulk attenuator.

Step 23 Wait 90 to 100 seconds, then in node view (single-shelf mode) or multishelf view (multishelf mode) click the **Alarms** tab. Verify that the LOS alarms on the OPT-BST or OPT-BST-E card and the OSCM card have cleared. The clearing of the LOS alarms indicates that the OSC link is active for this side of the shelf.



Note For ANSI shelves, an EOC DCC Termination Failure alarm will continue to appear due to the OSC signal loopback.

If the alarms clear, continue with [Step 24](#). If not, perform the following steps:

- a. Display the OPT-BST or OPT-BST-E card in card view.
- b. Click the **Provisioning > Optical Line > Optics Thresholds** tabs.
- c. In the Types area, click **Alarms**, then click **Refresh**.

- d. Locate the Port 2 (COM-TX) Power Failure Low parameter. Double-click the table cell and change the value to **-30 dBm**.
 - e. Locate the Port 4 (OSC-TX) Power Failure Low parameter. Double-click the table cell and change the value to **-40 dBm**.
 - f. Click **Apply**, and then **Yes**.
 - g. Wait 90 to 100 seconds, then in node view (single-shelf mode) or multishelf view (multishelf mode) click the **Alarms** tab. Verify that the LOS alarms on the OPT-BST or OPT-BST-E card has cleared. If so, continue with [Step 24](#). If not, disconnect the OSCM card from the OPT-BST or OPT-BST-E card.
 - h. Create a loopback on the OSCM card by connecting a patch cable from the OSC TX port to the OSC RX port using a 10-dB bulk attenuator.
 - i. Wait 90 to 100 seconds, then in node view (single-shelf mode) or multishelf view (multishelf mode) click the **Alarms** tab. Verify that the LOS alarm on the OSCM card has cleared. If not, check your connections and clean the fibers using the [“NTP-G115 Clean Fiber Connectors” procedure on page 14-31](#). If this does not change the power value, consult your next level of support.
- Step 24** Connect the tunable laser transmitter or the TXP_MR_10E_C card DWDM TX port to the OSC-CSM LINE RX port using a fiber patchcord and 10-dB bulk attenuator.
- Step 25** If an OPT-PRE is installed on the same side of the shelf as the OSC-CSM, complete the [“DLP-G80 Verify the OPT-PRE Amplifier Laser and Power” task on page 5-7](#). If not, continue with [Step 26](#).
- Step 26** Complete the [“DLP-G79 Verify the OPT-BST, OPT-BST-E, or OPT-BST-L Amplifier Laser and Power” task on page 5-6](#) for the OPT-BST or OPT-BST-E card.
- Step 27** Display the OSC-CSM card in card view.
- Step 28** Click the **Provisioning > Optical Line > Parameters** tabs. Verify that the power value on Port 3 (COM-TX) is equal to the optical power from the tunable laser or TXP_MR_10E_C card (measured in [Step 10](#)) -10 dB, +/- 2 dB. If not, check your connections and clean the fibers using the [“NTP-G115 Clean Fiber Connectors” procedure on page 14-31](#). If this does not change the power value, consult your next level of support.
- Step 29** If an OPT-PRE card is installed on the side opposite the OSC-CSM, complete the [“DLP-G80 Verify the OPT-PRE Amplifier Laser and Power” task on page 5-7](#). If not, continue with [Step 30](#).
- Step 30** Disconnect the TXP or tunable laser from the OSC-CSM card.
- Step 31** Remove the loopback fiber on the OPT-BST or OPT-BST-E amplifier card.
- Step 32** Delete both OSC channels. See the [“DLP-G186 Delete an OSC Termination” task on page 11-50](#).
- Step 33** Complete the [“NTP-G37 Run Automatic Node Setup” procedure on page 4-128](#) to restore the original configuration.
- Step 34** Create the OSC channels using the [“NTP-G38 Provision OSC Terminations” procedure on page 4-126](#).
- Stop. You have completed this procedure.**
-

NTP-G157 Perform the L-Band Line Amplifier Node with OSCM and OSC-CSM Cards Acceptance Test

Purpose	This procedure tests a L-band line amplifier node with an OSC-CSM card installed on one side of the shelf and an OSCM card installed on the other.
Tools/Equipment	One of the following: <ul style="list-style-type: none"> • A tunable laser or • TXP_MR_10E_L card An optical power meter or optical spectrum analyzer Two bulk attenuators (10 dB) with LC connectors
Prerequisite Procedures	Chapter 4, “Turn Up a Node”
Required/As Needed	As needed
Onsite/Remote	Onsite
Security Level	Superuser only

**Note**

Optical power measurements require either a tunable laser or a multirate transponder to generate the proper optical wavelength. If multirate transponders were installed during completion of [Chapter 4, “Turn Up a Node,”](#) they can be used for this procedure. No additional cabling changes are needed.

-
- Step 1** Complete the [“DLP-G46 Log into CTC” task on page 3-30](#) at the node where you want to perform the acceptance test. If you are already logged in, continue with [Step 2](#).
- Step 2** If you are using TXP_MR_10E_L cards, complete the [“DLP-G358 Provision TXP_MR_10E_L Card for Acceptance Testing” task on page 5-26](#). If not, continue with [Step 3](#).
- Step 3** From the View menu, choose **Go to Home View**.
- Step 4** Click the **Alarms** tab.
- Verify that the alarm filter is not on. See the [“DLP-G128 Disable Alarm Filtering” task on page 10-26](#) as necessary.
 - Verify that no equipment alarms appear indicating equipment failure or other hardware problems. (Equipment alarms are indicated by an EQPT in the Alarms tab Cond column.) If alarms appear, investigate and resolve them before continuing. Refer to the *Cisco ONS 15454 DWDM Troubleshooting Guide* for procedures.
-
- Note** The OSC terminations created during node turn-up will generate two alarms for each side of the shelf, one for an LOS on the OPT-BST-L card, and the other for an LOS on the OSC-CSM or OSCM card. If OSCM cards are installed on ANSI shelves, EOC DCC Termination Failure alarms will appear.
-
- Step 5** In node view (single-shelf mode) or multishelf view (multishelf mode), click the **Provisioning > WDM-ANS > Port Status** tabs. Verify that all statuses under Link Status are listed as Success - Changed or Success - Unchanged. If any are not, complete the following:
- Delete the two OSC channels using the [“DLP-G186 Delete an OSC Termination” task on page 11-50](#).

- b. Complete the “[NTP-G37 Run Automatic Node Setup](#)” procedure on page 4-128.
- c. Create the OSC channels using the “[NTP-G38 Provision OSC Terminations](#)” procedure on page 4-126.

Step 6 Create a loopback on the OSC-CSM card by connecting the LINE TX port to the LINE RX port using a fiber patchcord and 10-dB bulk attenuator.



Caution Failure to use proper attenuation might damage the equipment.

Step 7 Wait 90 to 100 seconds, then in node view (single-shelf mode) or multishelf view (multishelf mode) click the **Alarms** tab. Verify that the LOS alarm on the OSC-CSM card has cleared. The clearing of the LOS alarm indicates that the OSC link is active for this side of the shelf.



Note For ANSI shelves, an EOC DCC Termination Failure alarm will continue to appear due to the OSC signal loopback.

If the alarm clears, continue with [Step 8](#). If not, perform the following steps:

- a. Remove the 10-dB bulk attenuator on the OSC-CSM LINE TX and LINE RX ports and reconnect using only the patchcord.
- b. In node view (single-shelf mode) or multishelf view (multishelf mode), click the **Alarms** tab. If the LOS alarm on the OSC-CSM card clears, continue with [Step 8](#). If not, continue with [Step c](#).
- c. Display the OSC-CSM card in card view.
- d. Click the **Provisioning > Optical Line > Optics Thresholds** tabs.
- e. In the Types area, click **Alarm**, then click **Refresh**.
- f. Locate the Port 3 Power Failure Low parameter. Double-click the table cell and change the value to **-30 dBm**.
- g. Locate the Port 6 Power Failure Low parameter. Double-click the table cell and change the value to **-40 dBm**.
- h. Click **Apply**, and then **Yes**.
- i. In node view (single-shelf mode) or multishelf view (multishelf mode), click the **Alarms** tab. If the LOS alarm on the OSC-CSM card clears, continue with [Step 8](#). If not, replace the OSC-CSM card.

Step 8 If you are using a tunable laser, follow the manufacturer’s instructions to complete the following steps. If you are using a TXP_MR_10E_L card, continue with [Step 9](#).

- a. Set the output power to a nominal value, such as -3 dBm.
- b. Set the tuner to the wavelength under test, then continue with [Step 10](#).

Step 9 If you are using a TXP_MR_10E_L card, complete the “[DLP-G358 Provision TXP_MR_10E_L Card for Acceptance Testing](#)” task on page 5-26 for the wavelength you will test.

Step 10 Measure the TXP card output power by connecting the TXP card DWDM TX port to a test meter. Record the results for future reference.

Step 11 Connect the tunable laser transmitter or the TXP_MR_10E_L card DWDM TX port to the OPT-BST-L LINE RX port using a 10-dB bulk attenuator.



Caution Failure to use proper attenuation might damage the equipment.

- Step 12** Display the OPT-BST-L card in card view.
- Step 13** Click the **Provisioning > Optical Line > Parameters** tabs. Verify that the power value on Port 2 (Out Com) is equal to the optical power from the tunable laser or TXP_MR_10E_L card (measured in [Step 10](#)), +/- 1.0 dBm.
- Step 14** If an OPT-AMP-L card (provisioned in OPT-PRE mode) is installed on the side opposite the OSC-CSM card, complete the “[DLP-G360 Verify the OPT-AMP-L \(OPT-PRE Mode\) Amplifier Laser and Power](#)” task on page 5-27. If not, continue with [Step 15](#).
- Step 15** Display the OSC-CSM card in card view.
- Step 16** Click the **Provisioning > Optical Line > Parameters** tabs and locate the Port 3 Power value. Verify that the value is higher than -30 dBm. If the power value is not higher than -30 dBm, check your connections and clean the fibers using the “[NTP-G115 Clean Fiber Connectors](#)” procedure on page 14-31. If this does not change the power value, consult your next level of support.
- Step 17** If an OPT-AMP-L card (provisioned in OPT-PRE mode) is installed on the same Side As the OSC-CSM, complete the “[DLP-G360 Verify the OPT-AMP-L \(OPT-PRE Mode\) Amplifier Laser and Power](#)” task on page 5-27. If not, continue with [Step 18](#).
- Step 18** Complete the “[DLP-G359 Verify the OPT-BST-L or OPT-AMP-L \(OPT-Line Mode\) Amplifier Laser and Power](#)” task on page 5-27 for the OPT-BST-L card.
- Step 19** Disconnect the TXP card or tunable laser from the OPT-BST-L card.
- Step 20** Remove the loopback fiber on the OSC-CSM card.
- Step 21** Delete both OSC channels. See the “[DLP-G186 Delete an OSC Termination](#)” task on page 11-50.
- Step 22** Complete the “[NTP-G37 Run Automatic Node Setup](#)” procedure on page 4-128 to restore the original configuration.
- Step 23** Create the OSC channels using the “[NTP-G38 Provision OSC Terminations](#)” procedure on page 4-126.
- Step 24** Create a loopback on the OPT-BST-L card by connecting the LINE TX port with LINE RX port using a patchcord and 10-dB bulk attenuator.
- Step 25** Wait 90 to 100 seconds, then in node view (single-shelf mode) or multishelf view (multishelf mode) click the **Alarms** tab. Verify that the LOS alarms on the OPT-BST-L and OSCM cards have cleared. The clearing of the LOS alarms indicates that the OSC link is active for this side of the shelf.



Note For ANSI shelves, an EOC DCC Termination Failure alarm will continue to appear due to the OSC signal loopback.

If the alarms clear, continue with [Step 26](#). If not, perform the following steps:

- a. Display the OPT-BST-L card in card view.
- b. Click the **Provisioning > Optical Line > Optics Thresholds** tabs.
- c. In the Types area, click **Alarms**, then click **Refresh**.
- d. Locate the Port 2 Power Failure Low parameter. Double-click the table cell and change the value to **-30 dBm**.
- e. Locate the Port 4 Power Failure Low parameter. Double-click the table cell and change the value to **-40 dBm**.
- f. Click **Apply**, and then **Yes**.
- g. Wait 90 to 100 seconds, then in node view (single-shelf mode) or multishelf view (multishelf mode) click the **Alarms** tab. Verify that the LOS alarms on the OPT-BST-L card has cleared. If so, continue with [Step 26](#). If not, disconnect the OSCM card from the OPT-BST-L card.

- h. Create a loopback on the OSCM card by connecting a patch cable from the OSC TX port to the OSC RX port using a 10-dB bulk attenuator.
 - i. Wait 90 to 100 seconds, then in node view (single-shelf mode) or multishelf view (multishelf mode), click the **Alarms** tab. Verify that the LOS alarm on the OSCM card has cleared. If so, replace the OPT-BST-L card. If not, replace the OSCM card. See the “[NTP-G30 Install the DWDM Cards](#)” procedure on page 4-64.
 - Step 26** Connect the tunable laser transmitter or the TXP_MR_10E_L card DWDM TX port to the OSC-CSM LINE RX port using a 10-dB bulk attenuator.
 - Step 27** If an OPT-AMP-L card (provisioned in OPT-PRE mode) is installed on the same side of the shelf as the OSC-CSM, complete the “[DLP-G360 Verify the OPT-AMP-L \(OPT-PRE Mode\) Amplifier Laser and Power](#)” task on page 5-27. If not, continue with Step 28.
 - Step 28** Complete the “[DLP-G359 Verify the OPT-BST-L or OPT-AMP-L \(OPT-Line Mode\) Amplifier Laser and Power](#)” task on page 5-27 for the OPT-BST-L card.
 - Step 29** Display the OSC-CSM card in card view.
 - Step 30** Click the **Provisioning > Optical Line > Parameters** tabs. Verify that the power value on Port 3 (Out Com) is equal to the optical power from the tunable laser or TXP_MR_10E_L card (measured in Step 10), +/- 1.0 dBm.
 - Step 31** If an OPT-AMP-L card (provisioned in OPT-PRE mode) is installed on the side opposite the OSC-CSM, complete the “[DLP-G360 Verify the OPT-AMP-L \(OPT-PRE Mode\) Amplifier Laser and Power](#)” task on page 5-27. If not, continue with Step 32.
 - Step 32** Disconnect the TXP card or tunable laser from the OSC-CSM card.
 - Step 33** Remove the loopback fiber on the OPT-BST-L amplifier card.
 - Step 34** Delete both OSC channels. See the “[DLP-G186 Delete an OSC Termination](#)” task on page 11-50.
 - Step 35** Complete the “[NTP-G37 Run Automatic Node Setup](#)” procedure on page 4-128 to restore the original configuration.
 - Step 36** Create the OSC channels using the “[NTP-G38 Provision OSC Terminations](#)” procedure on page 4-126.
- Stop. You have completed this procedure.**
-

NTP-G48 Perform the OADM Node Acceptance Test on a Symmetric Node with OSCM Cards

Purpose	This procedure checks the integrity of all the optical connections inside an OADM node with OSCM cards installed on both Side B and Side A of the shelf. Three connection types are tested: <ul style="list-style-type: none"> • Express • Pass-through • Add/Drop
Tools/Equipment	A tunable laser or a TXP_MR_10E_C card An optical power meter or optical spectrum analyzer Two bulk attenuators (10 dB) with LC connectors
Prerequisite Procedures	Chapter 4, “Turn Up a Node.”
Required/As Needed	As needed
Onsite/Remote	Onsite
Security Level	Superuser only

**Note**

Optical power measurements require either a tunable laser or a multirate transponder to generate the proper optical wavelength. If multirate transponders were installed during completion of [Chapter 4, “Turn Up a Node,”](#) they can be used for this procedure. No additional cabling changes are needed.

-
- Step 1** Complete the [“DLP-G46 Log into CTC” task on page 3-30](#) at the OADM node where you want to perform the acceptance test. If you are already logged in, continue with Step 2.
- Step 2** From the View menu, choose **Go to Network View**.
- Step 3** Click the **Alarms** tab.
- Verify that the alarm filter is not on. See the [“DLP-G128 Disable Alarm Filtering” task on page 10-26](#) as necessary.
 - Verify that no equipment alarms appear indicating equipment failure or other hardware problems. (Equipment alarms are indicated by an EQPT in the Alarms tab Cond column.) If equipment failure alarms appear, investigate and resolve them before continuing. Refer to the *Cisco ONS 15454 DWDM Troubleshooting Guide* for procedures.
- Step 4** In node view (single-shelf mode) or multishelf view (multishelf mode), click the **Provisioning > WDM-ANS > Port Status** tabs. Verify that all statuses under Link Status are Success - Changed or Success - Unchanged. If not, complete the [“NTP-G37 Run Automatic Node Setup” procedure on page 4-128](#).
- Step 5** Check your Cisco TransportPlanner site configuration file to verify the presence of added and dropped bands (including four channels at 100 GHz) configured in pass-through mode in either direction.

**Note**

Configuring a band in pass-through mode means that the band is dropped in one direction by an AD-xB-xx.x card on one side (Side B or Side A) of the node, then added by another AD-xB-x.xx card on the opposite side in the same direction. The band is not terminated inside the node.

- Step 6** If no bands are configured in pass-through mode, continue with [Step 7](#). If a band is configured in pass-through mode, mark it and skip the related optical test for the express, add, and drop sections. Band pass-through connections are verified separately.
- Step 7** Check the site configuration file from Cisco TransportPlanner to verify the presence of dropped or added channels configured in pass-through mode in either direction.



Note Configuring a channel in pass-through mode means that the channel is dropped in one direction by an AD-xC-xx.x card on one side (Side B or Side A) of the node, then added by another AD-xC-x.xx card on the opposite side in the same direction. The channel is not terminated inside the node.

- Step 8** If no channels are configured in pass-through mode, continue with [Step 9](#). If a channel is configured in pass-through mode, mark it and skip the related optical test for the express, add, and drop sections. Channel pass-through connections are verified separately.
- Step 9** Create a loopback on the Side A OPT-BST or OPT-BST-E card by connecting the LINE TX port to the LINE RX port using a patchcord and 10-dB bulk attenuator.
- Step 10** Verify that the OSC link becomes active on the Side A OSCM card. (The OSC termination must be already provisioned. If not, complete the “[NTP-G38 Provision OSC Terminations](#)” procedure on [page 4-126](#).) If the OSC link becomes active, continue with [Step 11](#). If the OSC link does not turn up, complete the following steps:
- Modify the OSC Fail Low thresholds. Click the **Provisioning > Optical Line > Optics Thresholds** tabs and change the Port 4 opwrMin (minimum power) to **-40 dBm**.
 - Modify the COM TX Fail Low Threshold. Change the Port 2 opwrMin (minimum power) to **-30 dBm**.
 - If the OSC link turns up, continue with [Step 11](#). If the OSC link is still down, disconnect the OSCM card from the OPT-BST or OPT-BST-E card.
 - Create a loopback on the OSCM card by connecting patch cable from the OSC TX port to the OSC RX port using a 10-dB bulk attenuator.
 - If the OSC link turns up, replace the OPT-BST or OPT-BST-E card. If the OSC link does not turn up, replace the OSCM card.



Note Due to the OSC signal loopback, an EOC DCC Termination Failure alarm might be raised on ANSI shelves.

- Step 11** If the node has express bands or channels, complete the “[DLP-G85 Verify Express Channel Connections on an OADM Node with OSCM Cards](#)” task on [page 5-130](#). If the node does not have express bands or channels, continue with [Step 12](#).
- Step 12** If connections configured in pass-through mode are present (noted in [Steps 6 and 8](#)), complete the “[DLP-G89 Verify OADM Node Pass-Through Channel Connections](#)” task on [page 5-133](#). If not, continue with [Step 13](#).
- Step 13** If connections have add/drop connections, complete the “[DLP-G93 Verify Add and Drop Connections on an OADM Node with OSCM Cards](#)” task on [page 5-138](#).

Stop. You have completed this procedure.

DLP-G85 Verify Express Channel Connections on an OADM Node with OSCM Cards

Purpose	This task verifies the express channel connections during an OADM node acceptance test.
Tools/Equipment	A tunable laser or a TXP_MR_10E_C
Prerequisite Procedures	DLP-G46 Log into CTC, page 3-30
Required/As Needed	As needed
Onsite/Remote	Onsite
Security Level	Superuser only

-
- Step 1** If you are using a tunable laser, set the output power to a nominal value, such as -3 dBm. If not, continue with [Step 2](#).
- Step 2** Connect the tunable laser transmitter or the TXP_MR_10E_C card DWDM TX port to the Side B OPT-BST or OPT-BST-E LINE RX port.
- Step 3** Based on the Cisco TransportPlanner site configuration file, tune the tunable laser of the TXP_MR_10E_C card to a wavelength (on the 100-GHz ITU-T grid) that runs on the express path of all AD-xB-xx.x and AD-xC-xx.x cards on the Side B-to-Side A and Side A-to-Side B directions. Refer to the tunable laser manufacturer's documentation or the "[DLP-G268 Provision TXP_MR_10E_C Cards for Acceptance Testing](#)" task on page 5-5.
- Step 4** If an OPT-PRE card is installed on Side B, insert a 10-dB bulk attenuator on the COM RX port and complete the "[DLP-G80 Verify the OPT-PRE Amplifier Laser and Power](#)" task on page 5-7. If an OPT-PRE card is not installed on Side B, continue with [Step 5](#).
- Step 5** If AD-xB-xx.x cards are installed on Side B, complete the "[DLP-G87 Verify the AD-xB-xx.x Output Express Power](#)" task on page 5-131 for each Side B card. If not, continue with [Step 6](#).



Note If AD-xB-xx.x and AD-xC-xx.x cards are both installed in one direction, the received express channels will go into the AD-xB-xx.x cards first, then into the AD-xC-xx.x cards.

- Step 6** If AD-xC-xx.x cards are installed on Side B, complete the "[DLP-G88 Verify the AD-xC-xx.x Output Express Power](#)" task on page 5-131 for each Side B card. If not, continue with [Step 7](#).
- Step 7** If AD-xC-xx.x cards are installed on Side A, complete the "[DLP-G271 Verify the AD-xC-xx.x Output Common Power](#)" task on page 5-132 for each Side A card. If not, continue with [Step 8](#).
- Step 8** If AD-xB-xx.x cards are installed on Side A, complete the "[DLP-G272 Verify the AD-xB-xx.x Output Common Power](#)" task on page 5-132 for each Side A card. If not, continue with [Step 9](#).
- Step 9** Complete the "[DLP-G79 Verify the OPT-BST, OPT-BST-E, or OPT-BST-L Amplifier Laser and Power](#)" task on page 5-6 for the OPT-BST or OPT-BST-E card installed on Side B.
- Step 10** If an OPT-PRE card is installed on Side A, complete the "[DLP-G80 Verify the OPT-PRE Amplifier Laser and Power](#)" task on page 5-7. If an OPT-PRE card is not installed, continue with [Step 11](#).
- Step 11** Repeat Steps 5 through 8 for the AD-xB-xx.x and AD-xC-xx.x cards along the Side A-to-Side B direction.
- Step 12** Complete the "[DLP-G79 Verify the OPT-BST, OPT-BST-E, or OPT-BST-L Amplifier Laser and Power](#)" task on page 5-6 for the OPT-BST or OPT-BST-E card installed on Side A.

Step 13 Return to the originating procedure (NTP).

DLP-G87 Verify the AD-xB-xx.x Output Express Power

Purpose	This task verifies the output express power of AD-xB-xx.x cards.
Tools/Equipment	None
Prerequisite Procedures	DLP-G46 Log into CTC, page 3-30
Required/As Needed	As needed
Onsite/Remote	Onsite or remote
Security Level	Superuser only

- Step 1** Display the AD-xB-xx.x card in card view.
- Step 2** Click the **Provisioning > Optical Line > Parameters** tabs.
- Step 3** Change the Output Express port administrative state to **OOS,MT (ANSI)** or **Locked,maintenance (ETSI)**. Click **Apply**.
- Step 4** Verify that the Output Express port Power value is greater than the default no-power value of -28 dBm.
- Step 5** Return to your originating procedure (NTP).
-

DLP-G88 Verify the AD-xC-xx.x Output Express Power

Purpose	This task verifies the output express power of the AD-xC-xx.x cards.
Tools/Equipment	None
Prerequisite Procedures	DLP-G46 Log into CTC, page 3-30
Required/As Needed	As needed
Onsite/Remote	Onsite or remote
Security Level	Superuser only

- Step 1** Display the AD-xC-xx.x card in card view.
- Step 2** Click the **Provisioning > Optical Line > Parameters** tabs.
- Step 3** Change the Output Express port administrative state to **OOS,MT (ANSI)** or **Locked,maintenance (ETSI)**. Click **Apply**.
- Step 4** Verify that the Output Express port Power value is greater than the default no-power value of -30 dBm.
- Step 5** Return to your originating procedure (NTP).
-

DLP-G271 Verify the AD-xC-xx.x Output Common Power

Purpose	This task verifies the common power of the AD-xC-xx.x cards.
Tools/Equipment	None
Prerequisite Procedures	DLP-G46 Log into CTC, page 3-30
Required/As Needed	As needed
Onsite/Remote	Onsite or remote
Security Level	Superuser only

- Step 1** Display the AD-xC-xx.x card in card view.
 - Step 2** Click the **Provisioning > Optical Line > Parameters** tabs.
 - Step 3** Verify that the Output Com port Power value is greater than the default no-power value of –30 dBm.
 - Step 4** Return to your originating procedure (NTP).
-

DLP-G272 Verify the AD-xB-xx.x Output Common Power

Purpose	This task verifies the output common power of the AD-xB-xx.x cards.
Tools/Equipment	None
Prerequisite Procedures	DLP-G46 Log into CTC, page 3-30
Required/As Needed	As needed
Onsite/Remote	Onsite or remote
Security Level	Superuser only

- Step 1** Display the AD-xB-xx.x card in card view.
 - Step 2** Click the **Provisioning > Optical Line > Parameters** tabs.
 - Step 3** Verify that the Output Com port Power value is greater than the default no-power value of –28 dBm.
 - Step 4** Return to your originating procedure (NTP).
-

DLP-G89 Verify OADM Node Pass-Through Channel Connections

Purpose	This task verifies the pass-through channel connections during an OADM node acceptance test.
Tools/Equipment	A tunable laser or a TXP_MR_10E_C
Prerequisite Procedures	DLP-G46 Log into CTC, page 3-30
Required/As Needed	As needed
Onsite/Remote	Onsite
Security Level	Superuser only

-
- Step 1** Identify the first band connection configured in pass-through mode in both directions.
- Step 2** Set the tunable laser or TXP_MR_10E_C card to the wavelength of the band to be tested. Refer to the tunable laser manufacturer's documentation or the [“DLP-G268 Provision TXP_MR_10E_C Cards for Acceptance Testing”](#) task on page 5-5.
- Step 3** Complete the [“DLP-G90 Verify an AD-xB-xx.x Pass-Through Connection Power”](#) task on page 5-135 for the first pass-through connection.
- Step 4** Complete one of the following:
- If OSCM cards are installed, connect a power meter to the Side B OPT-BST or OPT-BST-E LINE TX port and verify that the Side B amplifier is turned on by the pass-through wavelength.
 - If OSC-CSM cards are installed, complete the [“DLP-G84 Verify the OSC-CSM Incoming Power”](#) task on page 5-137 for the Side B OSC-CSM card.
- Step 5** Complete Steps 2 through 4 for each band connection configured in pass-through mode in both directions.
- Step 6** If channel pass-through connections are not present, continue with [Step 15](#). If channel pass-through connections are present, continue with one of the following steps:
- If the pass-through channel connections use an AD-xC-xx.x card, continue with [Step 7](#).
 - If the pass-through channel connections use a 4MD-xx.x card, continue with [Step 11](#).
- Step 7** Tune the tunable laser on a wavelength (1 of 4) belonging to the channel to be tested.
- Step 8** Complete the [“DLP-G91 Verify an AD-xC-xx.x Pass-Through Connection”](#) task on page 5-136 for the first pass-through connection.
- Step 9** Complete one of the following:
- If an OSCM card is installed, connect a power meter to LINE TX port on the front-pane and verify that the Side B OPT-BST or OPT-BST-E amplifier is turned on by the pass-through wavelength.
 - If an OSC-CSM card is installed, complete the [“DLP-G84 Verify the OSC-CSM Incoming Power”](#) task on page 5-137 for the Side B OSC-CSM card.
- Step 10** If the pass-through connections use a 4MD-xx.x card, continue with [Step 11](#). If not, continue with [Step 15](#).
- Step 11** Identify the first channel connection that is configured in pass-through mode using the 4MD-xx.x cards in both directions.
- Step 12** Tune the tunable laser on the corresponding wavelength.
- Step 13** Complete the [“DLP-G92 Verify 4MD-xx.x Pass-Through Connection Power”](#) task on page 5-134.
- Step 14** Perform one of the following:

- If an OSCM card is installed, connect a power meter to LINE TX port on the card front panel and verify that the Side B OPT-BST or OPT-BST-E amplifier is turned on by the pass-through wavelength.
- If an OSC-CSM card is installed, complete the [“DLP-G84 Verify the OSC-CSM Incoming Power” task on page 5-137](#) for the Side B OSC-CSM card.

Step 15 Return to your originating procedure (NTP).

DLP-G92 Verify 4MD-xx.x Pass-Through Connection Power

Purpose	This task verifies 4MD-xx.x pass-through connection power.
Tools/Equipment	None
Prerequisite Procedures	DLP-G46 Log into CTC, page 3-30
Required/As Needed	As needed
Onsite/Remote	Onsite or remote
Security Level	Superuser only

- Step 1** Verify the TX band power on the related Side B AD-xB-xx.x card:
- Display the Side B AD-xB-xx.x card in card view.
 - Click the **Provisioning > Optical Band > Parameters** tabs.
 - Change the administrative state of the BAND TX port to **OOS,MT** (ANSI) or **Locked,maintenance** (ETSI) for the channel related to the wavelength selected on the tunable laser.
 - Verify that the BAND TX Power value is higher than the default no-power value of –30 dBm.
- Step 2** Verify the TX power on the Side B 4MD-xx.x card (Side B-to-Side A):
- Display the Side B 4MD-xx.x card in card view.
 - Click the **Provisioning > Optical Chn > Parameters** tabs.
 - Verify that the Power value on the CHAN TX port is higher than the default no-power value of –35 dBm.
- Step 3** Verify the RX band power on the related Side A AD-xB-xx.x card (Side B-to-Side A):
- Display the Side A AD-xB-xx.x card in card view.
 - Click the **Provisioning > Optical Band > Parameters** tabs.
 - Verify that the BAND RX Power value is higher than the default no-power values of –30 dBm.
- Step 4** Verify the Side A 4MD-xx.x card (Side B-to-Side A):
- Display the Side A 4MD-xx.x card in card view.
 - Click the **Provisioning > Optical Chn > Parameters** tabs.
 - Change the administrative state of the CHAN RX port to **OOS,MT** (ANSI) or **Locked,maintenance** (ETSI) for the channel related to the wavelength selected on the tunable laser.
 - Verify that the Power value of the CHAN RX port reaches the provisioned set point (VOA Power Ref).

- Step 5** Verify the TX band power on the Side A AD-xB-xx.x card (Side A-to-Side B):
- Display the Side A AD-xB-xx.x card in card view.
 - Click the **Provisioning > Optical Band > Parameters** tabs.
 - Change the administrative state of the BAND TX port to **OOS,MT (ANSI)** or **Locked,maintenance (ETSI)** for the channel related to the wavelength selected on the tunable laser.
 - Verify that the BAND TX Power value is higher than the default no-power value of –30 dBm.
- Step 6** Verify the Side A 4MD-xx.x card (Side A-to-Side B):
- Display the Side A 4MD-xx.x card in card view.
 - Click the **Provisioning > Optical Chn > Parameters** tabs.
 - Verify that the Power value on the CHAN TX port is higher than the default no-power value of –35 dBm.
- Step 7** Verify the Side B 4MD-xx.x card (Side A-to-Side B):
- Display the Side B 4MD-xx.x card in card view.
 - Click the **Provisioning > Optical Chn > Parameters** tabs.
 - Change the administrative state of the CHAN RX port to **OOS,MT (ANSI)** or **Locked,maintenance (ETSI)** for the channel related to the wavelength selected on the tunable laser.
 - Verify that the Power value of the CHAN RX port reaches the provisioned set point (VOA Power Ref).
- Step 8** Return to your originating procedure (NTP).
-

DLP-G90 Verify an AD-xB-xx.x Pass-Through Connection Power

Purpose	This task verifies an AD-xB-xx.x pass-through connection.
Tools/Equipment	None
Prerequisite Procedures	DLP-G46 Log into CTC, page 3-30
Required/As Needed	As needed
Onsite/Remote	Onsite or remote
Security Level	Superuser only

- Step 1** Verify the Side B AD-xB-xx.x band TX power:
- Display the Side B AD-xB-xx.x card in card view.
 - Click the **Provisioning > Optical Band > Parameters** tabs.
 - Change the administrative state of the BAND TX (Side B-to-Side A) port related to the wavelength selected on the tunable laser to **OOS,MT (ANSI)** or **Locked,maintenance (ETSI)**. Click **Apply**.
 - Verify that the BAND TX port Power value is higher than the default no-power value of –30 dBm.
- Step 2** Verify the Side A AD-xB-xx.x card RX and TX power:
- Display the Side A AD-xB-xx.x card in card view.
 - Click the **Provisioning > Optical Band > Parameters** tabs.

- c. Verify that the Power value of the BAND RX (Side B-to-Side A) port is higher than the default no-power value of -30 dBm.
- d. Change the administrative state of the BAND TX (Side A-to-Side B) port related to the wavelength selected on the tunable laser to **OOS,MT** (ANSI) or **Locked,maintenance** (ETSI). Click **Apply**.
- e. Verify that the BAND TX port Power value is higher than the default no-power value of -30 dBm.

Step 3 Verify the BAND RX port on the Side B AD-xB-xx.x card:

- a. Display the Side B AD-xB-xx.x card in card view.
- b. Click the **Provisioning > Optical Band > Parameters** tabs.
- c. Verify that the Power value of the BAND RX (Side A-to-Side B) port is higher than the default no-power value of -30 dBm.

Step 4 Return to your originating procedure (NTP).

DLP-G91 Verify an AD-xC-xx.x Pass-Through Connection

Purpose	This task verifies an AD-xC-xx.x pass-through connection.
Tools/Equipment	None
Prerequisite Procedures	DLP-G46 Log into CTC, page 3-30
Required/As Needed	As needed
Onsite/Remote	Onsite or remote
Security Level	Superuser only

Step 1 Verify the Side B AD-xC-xx.x channel TX power:

- a. Display the Side B AD-xC-xx.x card in card view.
- b. Click the **Provisioning > Optical Chn > Parameters** tabs.
- c. Verify that the power value for the CHAN TX port is higher than the default no-power value of -35 dBm.
- d. If the AD-xC-xx.x card is an AD-4C-xx.x card, a VOA (applied to all four channels) is installed along the drop path and needs to be activated in Step e.
- e. Change the administrative state of the CHAN TX port related to the wavelength selected on the tunable laser to **OOS,MT** (ANSI) or **Locked,maintenance** (ETSI). Click **Apply**.
- f. Verify that the power value of the CHAN TX port is higher than the default no-power value of -35 dBm.

Step 2 Verify the channel power for the corresponding Side A AD-xC-xx.x card:

- a. Display the Side A AD-xC-xx.x card in card view.
- b. Click the **Provisioning > Optical Chn > Parameters** tabs.
- c. Verify that the power value of the CHAN TX port is higher than the default no-power value of -35 dBm.
- d. Verify that the Power value of the CHAN RX port reaches the provisioned set point (VOA Power Ref).

- e. Change the administrative state of the CHAN TX port related to the wavelength selected on the tunable laser to **OOS,MT** (ANSI) or **Locked,maintenance** (ETSI). Click **Apply**.
 - f. If the AD-xC-xx.x is an AD-4C-W card, a VOA (applying to all four channels) is installed along the drop path and needs to be activated in Step g.
 - g. Change the administrative state of the CHAN TX port related to the wavelength selected on the tunable laser to **OOS,MT** (ANSI) or **Locked,maintenance** (ETSI). Click **Apply**.
 - h. Verify that the power value of the CHAN TX port is higher than the default no-power value of -35 dBm.
- Step 3** Verify the Side B AD-xC-xx.x channel RX power:
- a. Display the Side B AD-xC-xx.x card in card view.
 - b. Click the **Provisioning > Optical Chn > Parameters** tabs.
 - c. Change the administrative state of the CHAN RX port to **OOS,MT** (ANSI) or **Locked,maintenance** (ETSI) for the channel related to the wavelength selected on the tunable laser.
 - d. Verify that the Power value of the CHAN RX port reaches the provisioned set point (VOA Power Ref).
- Step 4** Return to your originating procedure (NTP).
-

DLP-G84 Verify the OSC-CSM Incoming Power

Purpose	This task verifies the OSC-CSM card incoming power.
Tools/Equipment	None
Prerequisite Procedures	DLP-G46 Log into CTC, page 3-30
Required/As Needed	As needed
Onsite/Remote	Onsite or remote
Security Level	Superuser only

- Step 1** Display the OSC-CSM card in card view.
- Step 2** Click the **Provisioning > Optical Line > Parameters** tabs.
- Step 3** Verify that the Power value for Port 2 is higher than the default no-power value of -30 dBm. The calculated expected power for Port 2 is the OPT-PRE card Pout COM TX value. Normally, this is + 2 dBm.



Note Actual output power is affected by many factors. Always consider the calculated expected power to be a general guideline and not a precise value.

- Step 4** Return to your originating procedure (NTP).
-

DLP-G93 Verify Add and Drop Connections on an OADM Node with OSCM Cards

Purpose	This task verifies the add and drop channel connections for an OADM node with OSCM cards installed.
Tools/Equipment	A tunable laser or a TXP_MR_10E_C card
Prerequisite Procedures	DLP-G46 Log into CTC, page 3-30
Required/As Needed	As needed
Onsite/Remote	Onsite
Security Level	Superuser only



Note

In this task, you will verify add and drop connections in the following order: Side B-to-Side A add and Side A-to-Side B drop, Steps 1 through 15; Side A-to-Side B add and Side B-to-Side A drop, Steps 16 through 17.

- Step 1** Based on the Cisco TransportPlanner site configuration file, tune the tunable laser or TXP_MR_10E_C card to a wavelength (belonging to the 100-GHz ITU-T grid) of the channel running on the first add path of the first Side A AD-xC-xx.x or Side A 4MD-xx.x card in the Side B-to-Side A direction. Refer to the tunable laser manufacturer's documentation or the "[DLP-G268 Provision TXP_MR_10E_C Cards for Acceptance Testing](#)" task on page 5-5.
- Step 2** Connect the tunable laser transmitter or the TXP_MR_10E_C card DWDM TX port to the corresponding 15xx.x RX port (on the card front panel) of the Side A AD-xC-xx.x or 4MD-xx.x card.
- Step 3** Verify the Side A AD-xC-xx.x or 4MD-xx.x card (Side B-to-Side A):
- Display the Side A AD-xC-xx.x or 4MD-xx.x card in card view.
 - Click the **Provisioning > Optical Chn > Parameters** tabs.
 - Change the administrative state of the CHAN RX port to **OOS,MT (ANSI)** or **Locked,maintenance (ETSI)** for the channel related to the wavelength chosen on the tunable laser.
 - Verify that the Power value of the CHAN RX port reaches the provisioned set point (VOA Power Ref).
- Step 4** Complete the "[DLP-G79 Verify the OPT-BST, OPT-BST-E, or OPT-BST-L Amplifier Laser and Power](#)" task on page 5-6 on the Side A OPT-BST or OPT-BST-E amplifier to verify that the added wavelength turns on the laser.
- Step 5** If the add connection uses a 4MD-xx.x card, continue with [Step 6](#). If the add connection uses an AD-xC-xx.x card, move to [Step 10](#).
- Step 6** Verify the RX band port on the Side A AD-xB-xx.x card:
- Display the Side A AD-xB-xx.x card in card view.
 - Click the **Provisioning > Optical Band > Parameters** tabs.
- Step 7** Verify that the BAND RX Power value is higher than the default no-power value of -30 dBm.
- Step 8** Verify the band TX port on the Side A AD-xB-xx.x (Side A-to-Side B):
- Display the Side A AD-xB-xx.x card in card view.
 - Click the **Provisioning > Optical Band > Parameters** tabs.

- c. Change the administrative state of the BAND TX port to **OOS,MT** (ANSI) or **Locked,maintenance** (ETSI) for the channel related to the wavelength selected on the tunable laser or TXP_MR_10E_C card.
 - d. Verify that the Power value of the BAND TX port is higher than the default no-power value of -30 dBm.
- Step 9** Verify the Side A 4MD-xx.x card (Side A-to-Side B):
- a. Display the Side A 4MD-xx.x card in card view.
 - b. Click the **Provisioning > Optical Chn > Parameters** tabs.
 - c. Verify that the Power value of the CHAN TX port is higher than the default no-power value of -30 dBm.
- Step 10** Verify the Side A AD-xC-xx.x (Side A-to-Side B) card:
- a. Display the Side A AD-xC-xx.x card in card view.
 - b. If the AD-xC-xx.x card is an AD-4C-xx.x card, a VOA (applied to all four channels) is installed along the drop path and needs to be activated according to Step g.
 - c. Click the **Provisioning > Optical Chn > Parameters** tabs.
 - d. Verify that the Power value of the CHAN TX port is higher than the default no-power value of -35 dBm.
 - e. Display the Side B AD-xC-xx.x card in card view.
 - f. Click the **Provisioning > Optical Chn > Parameters** tabs.
 - g. Change the administrative state of the CHAN TX port related to the wavelength selected on the tunable laser or TXP_MR_10E_C card to **OOS,MT** (ANSI) or **Locked,maintenance** (ETSI). Click **Apply**.
 - h. Verify that the power value for the CHAN TX port is higher than the default no-power value of -35 dBm.
 - i. Perform the output power check.
- Step 11** Connect a power meter to the proper 15xx.x TX port on the front panel (the dual port compared with the port where the tunable laser or TXP_MR_10E_C card is connected). Verify that the physical optical power value from that port is consistent with the value displayed on the Provisioning > Optical Chn > Parameters tab for the proper CHAN TX power value +/- 0.5 dB.
- Step 12** Repeat Steps 5 through 11 for all add paths of any Side A AD-xC-xx.x or 4MD-xx.x cards along the Side B-to-Side A direction.
- Step 13** Remove the loopback on the Side A OPT-BST or OPT-BST-E amplifier and create a loopback on the Side B OPT-BST or OPT-BST-E amplifier.
- Step 14** Verify that the OSC link becomes active on the Side B OSCM card. (The OSC termination must be already provisioned. If not, complete the [“NTP-G38 Provision OSC Terminations” procedure on page 4-126.](#)) If the OSC link becomes active, continue with Step 15. If the OSC link does not become active, perform the following steps:
- a. Modify the OSC Fail Low thresholds by clicking the **Provisioning > Optical Line > Optics Thresholds** tabs and changing the Port 2 opwrMin (minimum power) to -40 dBm.
 - b. If the OSC link turns up, continue with Step 15. If the OSC link remains down, disconnect the OSCM card from the OPT-BST or OPT-BST-E card.
 - c. Create a loopback on the OSCM card by connecting patch cable from the OSC TX port to the OSC RX port using a 10-dB bulk attenuator.

- d. If the OSC link turns up, replace the OPT-BST or OPT-BST-E card. If the OSC link does not turn up, replace the OSCM card. See the “[NTP-G30 Install the DWDM Cards](#)” procedure on page 4-64.



Note Due to the OSC signal loopback, an EOC DCC Termination Failure might be raised on ANSI shelves.

- Step 15** Based on the Cisco TransportPlanner site configuration file, tune the tunable laser or TXP_MR_10E_C card to a wavelength (belonging to the 100-GHz ITU-T grid) of the channel running on the first add path of the first add path of the first AD-xC-xx.x or 4MD-xx.x card on the Side A-to-Side B direction. Refer to the tunable laser manufacturer’s documentation or the “[DLP-G268 Provision TXP_MR_10E_C Cards for Acceptance Testing](#)” task on page 5-5.
- Step 16** Connect the tunable laser transmitter or the TXP_MR_10E_C card DWDM TX port to the correspondent 15xx.x RX port (on the card front panel) of the Side B AD-xC-xx.x or Side B 4MD-xx.x card.
- Step 17** Repeat Steps 3 through 15, applying the steps to the Side A-to-Side B direction.
- Step 18** Remove the loopback connection and restore the default administrative state (IS,AINS or Unlocked,automaticInService) on all the ports previously set to OOS,MT (ANSI) or Locked,maintenance (ETSI).
- Step 19** Complete the “[NTP-G37 Run Automatic Node Setup](#)” procedure on page 4-128 to recover the correct node configuration.
- Step 20** Return to your originating procedure (NTP).

NTP-G49 Perform the Active OADM Node Acceptance Test on a Symmetric Node with OSC-CSM Cards

Purpose	This procedure checks the integrity of all the optical connections in an OADM node with OSC-CSM cards and OPT-BST or OPT-BST-E cards installed on both Side B and Side A of the shelf. Three connection types are tested: <ul style="list-style-type: none"> • Express • Pass-through • Add/Drop
Tools/Equipment	A tunable laser or a TXP_MR_10E_C card An optical power meter or optical spectrum analyzer Two bulk attenuators (10 dB) with LC connectors
Prerequisite Procedures	Chapter 4, “Turn Up a Node”
Required/As Needed	As needed
Onsite/Remote	Onsite
Security Level	Superuser only



Note Optical power measurements require either a tunable laser or a multirate transponder to generate the proper optical wavelength. If multirate transponders were installed during completion of [Chapter 4, “Turn Up a Node,”](#) they can be used for this procedure. No additional cabling changes are needed.

- Step 1** Complete the [“DLP-G46 Log into CTC” task on page 3-30](#) at the OADM node where you want to perform the acceptance test. If you are already logged in, continue with [Step 2](#).
- Step 2** From the View menu, choose **Go to Network View**.
- Step 3** Click the **Alarms** tab.
- Verify that the alarm filter is not on. See the [“DLP-G128 Disable Alarm Filtering” task on page 10-26](#) as necessary.
 - Verify that no equipment alarms appear indicating equipment failure or other hardware problems. (Equipment alarms are indicated by an EQPT in the Alarms tab Cond column.) If equipment failure alarms appear, investigate and resolve them before continuing. Refer to the *Cisco ONS 15454 DWDM Troubleshooting Guide* for procedures.
- Step 4** In node view (single-shelf mode) or multishelf view (multishelf mode), click the **Provisioning > WDM-ANS > Port Status** tabs. Verify that all statuses under Link Status are Success - Changed or Success - Unchanged. If not, complete the [“NTP-G37 Run Automatic Node Setup” procedure on page 4-128](#).
- Step 5** Check the Cisco TransportPlanner site configuration file to verify the presence of added and dropped bands (including four channels at 100 GHz) configured in pass-through mode in either direction.



Note Configuring a band in pass-through mode means that the band is dropped in one direction by an AD-xB-xx.x card on one side (Side B or Side A) of the node, then added by another AD-xB-x.xx card on the opposite side in the same direction. The band is not terminated inside the node.

- Step 6** If no bands are configured in pass-through mode, continue with [Step 7](#). If a band is configured in pass-through mode, mark it and skip the related optical test for the express, add, and drop sections. Band pass-through connections are verified separately.
- Step 7** Check the site configuration file from Cisco TransportPlanner to verify the presence of dropped or added channels configured in pass-through mode in either direction.



Note Configuring a channel in pass-through mode means that the channel is dropped in one direction by an AD-xC-xx.x card on one side (Side B or Side A) of the node, then added by another AD-xC-x.xx card on the opposite side in the same direction. The channel is not terminated inside the node.

- Step 8** If no channels are configured in pass-through mode, continue with [Step 9](#). If a channel is configured in pass-through mode, mark it and skip the related optical test for the express, add, and drop sections. Channel pass-through connections are verified separately.
- Step 9** Create a loopback on the Side A OSC-CSM card by connecting the LINE TX port to the LINE RX port using a patchcord and a 10-dB bulk attenuator.
- Step 10** Verify that the OSC link becomes active on the Side A OSC-CSM card. (The OSC termination must be already provisioned. If not, complete the [“NTP-G38 Provision OSC Terminations” procedure on page 4-126](#).)



Note Due to the OSC signal loopback, an EOC Termination Failure alarm might be raised on ANSI shelves.


- Step 11** If the OSC link becomes active, continue with [Step 12](#). If the OSC link does not turn up, perform the following troubleshooting steps:
- Remove the 10-dB bulk attenuator between the LINE TX and LINE RX connection. If the OSC link becomes active, continue with [Step 12](#). If not, continue with [Step b](#).
 - Modify the OSC Fail Low thresholds. Click the **Provisioning > Optical Line > Optics Thresholds** tabs and change the Port 6 opwrMin (minimum power) to **-40 dBm**.
 - Modify the COM TX Fail Low Threshold. Change the Port 3 opwrMin (minimum power) to **-30 dBm**.
 - If the OSC link turns up, continue with [Step 12](#). If it does not turn up, replace the OSC-CSM card.
- Step 12** If the node has express bands or channels, complete the “[DLP-G86 Verify Express Channel Connections on an OADM Node with OSC-CSM Cards](#)” task on page 5-142. If the node does not have express bands or channels, continue with [Step 13](#).
- Step 13** If connections configured in pass-through mode are present (noted in [Steps 6 and 8](#)), complete the “[DLP-G89 Verify OADM Node Pass-Through Channel Connections](#)” task on page 5-133. If not, continue with [Step 14](#).
- Step 14** If connections have add/drop connections, complete the “[DLP-G94 Verify Add and Drop Connections on an OADM Node with OSC-CSM Cards](#)” task on page 5-144.

Stop. You have completed this procedure.

DLP-G86 Verify Express Channel Connections on an OADM Node with OSC-CSM Cards

Purpose	This task verifies the express channel connections for an OADM node with OSC-CSM cards during a node acceptance test.
Tools/Equipment	A tunable laser or a TXP_MR_10E_C card
Prerequisite Procedures	DLP-G46 Log into CTC, page 3-30
Required/As Needed	As needed
Onsite/Remote	Onsite
Security Level	Superuser only

- Step 1** If you are using a tunable laser, set the output power to a nominal value, such as -3 dBm. If not, continue with [Step 2](#).
- Step 2** Connect the tunable laser transmitter or the TXP_MR_10E_C card DWDM TX port to the LINE RX port of the Side B OSC-CSM card.
- Step 3** If an OPT-PRE amplifier card is installed on Side B, install a 10-dB bulk attenuator on the COM RX port.

- Step 4** Based on the Cisco TransportPlanner site configuration file, tune the tunable laser or TXP_MR_10E_C card to a wavelength (on the 100-GHz ITU-T grid) that runs on the express path of all AD-xB-xx.x and AD-xC-xx.x cards on the Side B-to-Side A and Side A-to-Side B directions. Refer to the tunable laser manufacturer’s documentation or the “[DLP-G268 Provision TXP_MR_10E_C Cards for Acceptance Testing](#)” task on page 5-5.
- Step 5** Complete the “[DLP-G80 Verify the OPT-PRE Amplifier Laser and Power](#)” task on page 5-7 for the OPT-PRE amplifier card installed on Side A.
- Step 6** If AD-xB-xx.x cards are installed on Side B, complete the “[DLP-G87 Verify the AD-xB-xx.x Output Express Power](#)” task on page 5-131 for each Side B card. If not, continue with [Step 7](#).
-  **Note** If AD-xB-xx.x and AD-xC-xx.x cards are both installed in one direction, the received express channels will go into the AD-xB-xx.x cards first, then into the AD-xC-xx.x cards.
- Step 7** If AD-xC-xx.x cards are installed on Side B, complete the “[DLP-G88 Verify the AD-xC-xx.x Output Express Power](#)” task on page 5-131 for each Side B card. If not, continue with [Step 8](#).
- Step 8** If AD-xC-xx.x cards are installed on Side A, complete the “[DLP-G271 Verify the AD-xC-xx.x Output Common Power](#)” task on page 5-132 for each Side A card. If not, continue with [Step 9](#).
- Step 9** If AD-xB-xx.x cards are installed on Side A, complete the “[DLP-G272 Verify the AD-xB-xx.x Output Common Power](#)” task on page 5-132 for each Side A card. If not, continue with [Step 10](#).
- Step 10** Complete the “[DLP-G83 Verify the OSC-CSM Power on OADM Nodes](#)” task on page 5-143 for the OSC-CSM card installed on Side A.
- Step 11** Complete the “[DLP-G80 Verify the OPT-PRE Amplifier Laser and Power](#)” task on page 5-7 for the OPT-PRE card installed on Side B.
- Step 12** Repeat Steps [6](#) through [11](#) for the AD-xB-xx.x and AD-xC-xx.x cards along the Side A-to-Side B direction.
- Step 13** Return to your originating procedure (NTP).

DLP-G83 Verify the OSC-CSM Power on OADM Nodes

Purpose	This task verifies the OSC-CSM card power on OADM nodes.
Tools/Equipment	None
Prerequisite Procedures	DLP-G46 Log into CTC , page 3-30
Required/As Needed	As needed
Onsite/Remote	Onsite or remote
Security Level	Superuser only

- Step 1** Display the OSC-CSM card in card view.
- Step 2** Click the **Provisioning > Optical Line > Parameters** tabs.
- Step 3** Verify that the Power value for Port 3 is higher than the default no-power value of –30 dBm. The calculated expected power value for Port 3 is:

$$P_{out} \text{ COM TX of last AD-xy-xx.x} - \text{IL02 OSC-CSM (COM RX > LINE TX)} - 10 \text{ dB (bulk attenuator)}$$

Step 4 Double-check the value.



Note Actual output power is affected by many factors. Always consider the calculated expected power to be a general guideline and not a precise value.

Step 5 Return to your originating procedure (NTP).

DLP-G94 Verify Add and Drop Connections on an OADM Node with OSC-CSM Cards

Purpose	This task verifies the add and drop channel connections for an OADM node with OSC-CSM cards installed.
Tools/Equipment	A tunable laser or a TXP_MR_10E_C card
Prerequisite Procedures	DLP-G46 Log into CTC, page 3-30
Required/As Needed	As needed
Onsite/Remote	Onsite
Security Level	Superuser only

- Step 1** Based on the Cisco TransportPlanner site configuration file, tune the tunable laser or TXP_MR_10E_C card to a wavelength (belonging to the 100-GHz ITU-T grid) of the channel running on the first add path of the first Side A AD-xC-xx.x or Side A 4MD-xx.x card on the Side B-to-Side A direction. Refer to the tunable laser manufacturer's documentation or the [“DLP-G268 Provision TXP_MR_10E_C Cards for Acceptance Testing” task on page 5-5](#).
- Step 2** Connect the tunable laser transmitter or the TXP_MR_10E_C card DWDM TX port to the corresponding 15xx.x RX port (on the card front panel) of the Side A AD-xC-xx.x or 4MD-xx.x card.
- Step 3** Verify the Side A AD-xC-xx.x or 4MD-xx.x card (Side B-to-Side A):
- Display the Side A AD-xC-xx.x or 4MD-xx.x card in card view.
 - Click the **Provisioning > Optical Chn > Parameters** tabs.
 - Change the administrative state of the CHAN RX port to **OOS,MT** (ANSI) or **Locked,maintenance** (ETSI) for the channel related to the wavelength selected on the tunable laser.
 - Verify that the Power value of the CHAN RX port reaches the provisioned set point (VOA Power Ref).
- Step 4** Complete the [“DLP-G80 Verify the OPT-PRE Amplifier Laser and Power” task on page 5-7](#) on the Side A OPT-PRE amplifier to verify that the added wavelength turns on the laser.
- Step 5** If the add connection uses a 4MD-xx.x card, continue with [Step 6](#). If the add connection uses an AD-xC-xx.x card, move to [Step 10](#).
- Step 6** Verify the Side A AD-xB-xx.x card:
- Display the Side A AD-xB-xx.x card in card view.
 - Click the **Provisioning > Optical Band > Parameters** tabs.
 - Change the administrative state of the BAND TX port to **OOS,MT** (ANSI) or **Locked,maintenance** (ETSI) for the channel related to the wavelength selected on the tunable laser.

- d. Verify that the Power value of the BAND TX port is higher than the default no-power value of **-30 dBm**.
- Step 7** Display the related AD-xB-xx.x card (Side A-to-Side B direction) in card view.
- Step 8** Change the administrative state of the drop BAND TX port related to the wavelength selected on the tunable laser to **OOS,MT** (ANSI) or **Locked,maintenance** (ETSI).
- Step 9** (Optional) Connect a power meter to the proper 15xx.xx TX port on the front panel (the dual port compared with the port where the tunable laser is connected). Verify that the physical optical power value from that port is consistent with the value displayed on the Provisioning > Optical Chn > Parameters tab for the proper CHAN TX power value, +/- 0.5 dB.
- Step 10** Verify the Side A AD-xC-xx.x (Side A-to-Side B) card:
- a. Display the Side A AD-xC-xx.x card in card view.
 - b. Click the **Provisioning > Optical Chn > Parameters** tabs.
 - c. Verify that the Power value of the CHAN TX port is higher than the default no-power value of **-35 dBm**.
 - d. Display the Side B AD-xC-xx.x card in card view.
 - e. Click the **Provisioning > Optical Chn > Parameters** tabs.
 - f. Verify that the power value for the CHAN TX port is higher than the default no-power value of **-35 dBm**.
 - g. If the AD-xC-xx.x card is an AD-4C-xx.x card, a VOA (applied to all four channels) is installed along the drop path and needs to be activated in Step **h**.
 - h. Change the administrative state of the CHAN TX port related to the wavelength selected on the tunable laser to **OOS,MT** (ANSI) or **Locked,maintenance** (ETSI). Click **Apply**.
 - i. Perform the output power check.
- Step 11** (Optional) Connect a power meter to the proper 15xx.xx TX port on the front panel (the dual port compared with the port where the tunable laser is connected). Verify that the physical optical power value from that port is consistent with the value on Provisioning > Optical Chn > Parameters tab for the proper CHAN TX power value, +/- 0.5 dB.
- Step 12** Repeat Steps **10** through **11** for all add paths of any Side A AD-xC-xx.x cards along the Side B-to-Side A direction.
- Step 13** Remove the loopback on the Side A OSC-CSM card.
- Step 14** In node view (single-shelf mode) or multishelf view (multishelf mode), click the **Provisioning > WDM-ANS > Port Status** tabs.
- Step 15** Click **Launch ANS**.
- Step 16** Create a loopback on the Side B OSC-CSM card by connecting the OSC-CSM LINE RX and LINE TX ports using a patchcord and 10-dB bulk attenuator.
- Step 17** Verify that the OSC link becomes active on the Side A OSC-CSM card. (The OSC termination must be already provisioned. If not, complete the [“NTP-G38 Provision OSC Terminations” procedure on page 4-126.](#))



Note Due to the OSC signal loopback, an EOC Termination Failure alarm might be raised on ANSI shelves.

- Step 18** If the OSC link becomes active, continue with Step 19. If the OSC link does not turn up, perform the following troubleshooting steps:
- Remove the 10-dB bulk attenuator between the LINE TX and LINE RX connection. If the OSC link becomes active, continue with Step 19. If not, continue with Step [b](#).
 - Modify the OSC Fail Low thresholds. Click the **Provisioning > Optical Line > Optics Thresholds** tabs and change the Port 6 opwrMin (minimum power) to -40 dBm.
 - Modify the COM TX Fail Low Threshold. Change the Port 3 opwrMin (minimum power) to -30 dBm.
 - If the OSC link turns up, continue with Step 19. If it does not turn up, replace the OSC-CSM card.
- Step 19** Check the site configuration file from Cisco TransportPlanner and identify the wavelength (belonging to the 100 Ghz ITU-T grid) of the channel running on the first add path of the first AD-xC-xx.x or 4MD-xx.x card on the Side A-to-Side B direction.
- Step 20** Connect the tunable laser to the corresponding 15xx.x RX port (on the card front panel) of the Side B AD-xC-xx.x or Side B 4MD-xx.x card.
- Step 21** Repeat Steps [3](#) through [20](#), applying the steps to the Side B-to-Side A direction.
- Step 22** Restore the default administrative state (IS,AINS/Unlocked,automaticInService) on all the ports previously set to **OOS,MT** (ANSI) or **Locked,maintenance** (ETSI).
- Step 23** Complete the “[NTP-G37 Run Automatic Node Setup](#)” procedure on page 4-128 to recover the correct node configuration.
- Step 24** Return to your originating procedure (NTP).
-

NTP-G50 Perform the Passive OADM Node Acceptance Test on a Symmetric Node with OSC-CSM Cards

Purpose	This procedure checks the integrity of all the optical connections inside an OADM node with OSC-CSM cards and no OPT-BST or OPT-BST-E cards installed on Side B and Side A of the shelf. Three connection types are tested: <ul style="list-style-type: none"> Express Pass-through Add/Drop
Tools/Equipment	A tunable laser or a TXP_MR_10E_C card An optical power meter or optical spectrum analyzer Two bulk attenuators (10 dB) with LC connectors
Prerequisite Procedures	Chapter 4, “Turn Up a Node”
Required/As Needed	As needed
Onsite/Remote	Onsite
Security Level	Superuser only



Note Optical power measurements require either a tunable laser or a multirate transponder to generate the proper optical wavelength. If multirate transponders were installed during completion of [Chapter 4, “Turn Up a Node,”](#) they can be used for this procedure. No additional cabling changes are needed.

- Step 1** Complete the [“DLP-G46 Log into CTC” task on page 3-30](#) at the OADM node where you want to perform the acceptance test. If you are already logged in, continue with [Step 2](#).
- Step 2** From the View menu, choose **Go to Network View**.
- Step 3** Click the **Alarms** tab.
- Verify that the alarm filter is not on. See the [“DLP-G128 Disable Alarm Filtering” task on page 10-26](#) as necessary.
 - Verify that no equipment alarms appear indicating equipment failure or other hardware problems. (Equipment alarms are indicated by an EQPT in the Alarms tab Cond column.) If equipment failure alarms appear, investigate and resolve them before continuing. Refer to the *Cisco ONS 15454 DWDM Troubleshooting Guide* for procedures.
- Step 4** In node view (single-shelf mode) or multishelf view (multishelf mode), click the **Provisioning > WDM-ANS > Port Status** tabs. Verify that all statuses under Link Status are Success - Changed or Success - Unchanged. If not, complete the [“NTP-G37 Run Automatic Node Setup” procedure on page 4-128](#).
- Step 5** Check the Cisco TransportPlanner site configuration file to verify the presence of a dropped or added bands (including four channels at 100 GHz) configured in pass-through mode in either direction.



Note Configuring a band in pass-through mode means that the band is dropped in one direction by an AD-xB-xx.x card on one side (Side B or Side A) of the node, then added by another AD-xB x.xx card on the opposite side in the same direction. The band is not terminated inside the node.

- Step 6** If no bands are configured in pass-through mode, continue with [Step 7](#). If a band is configured in pass-through mode, mark it and skip the related optical test for the express, add, and drop sections. Band pass-through connections are verified separately.
- Step 7** Check the site configuration file from Cisco TransportPlanner to verify the presence of dropped or added channels configured in pass-through mode in either direction.



Note Configuring a channel in pass-through mode means that the channel is dropped in one direction by an AD-xC-xx.x card on one side (Side B or Side A) of the node, then added by another AD-xC-x.xx card on the opposite side in the same direction. The channel is not terminated inside the node.

- Step 8** If no channels are configured in pass-through mode, continue with [Step 9](#). If a channel is configured in pass-through mode, mark it and skip the related optical test for the express, add, and drop sections. Channel pass-through connections are verified separately.
- Step 9** Create a loopback on the Side A OSC-CSM card by connecting the LINE TX port to the LINE RX port using a patchcord and 10-dB bulk attenuator.
- Step 10** Verify that the OSC link becomes active on the Side A OSC-CSM card. (The OSC termination must be already provisioned. If not, complete the [“NTP-G38 Provision OSC Terminations” procedure on page 4-126](#).)



Note Due to the OSC signal loopback, an EOC Termination Failure alarm might be raised on ANSI shelves.

- Step 11** If the OSC link becomes active, continue with [Step 12](#). If the OSC link does not turn up, perform the following troubleshooting steps:
- Remove the 10-dB bulk attenuator between the LINE TX and LINE RX connection. If the OSC link becomes active, continue with [Step 12](#). If not, continue with [Step b](#).
 - Modify the OSC Fail Low thresholds. Click the **Provisioning > Optical Line > Optics Thresholds** tabs and change the Port 6 opwrMin (minimum power) to **-40 dBm**.
 - Modify the COM TX Fail Low Threshold. Change the Port 3 opwrMin (minimum power) to **-30 dBm**.
 - If the OSC link turns up, continue with [Step 12](#). If it does not turn up, replace the OSC-CSM card.
- Step 12** If the node has express bands or channels, complete the “[DLP-G86 Verify Express Channel Connections on an OADM Node with OSC-CSM Cards](#)” task on page 5-142. If the node does not have express bands or channels, continue with [Step 13](#).
- Step 13** If connections configured in pass-through mode are present (noted in Steps 5 through 8), complete the “[DLP-G89 Verify OADM Node Pass-Through Channel Connections](#)” task on page 5-133. If not, continue with [Step 14](#).
- Step 14** If connections have add/drop connections, complete the “[DLP-G94 Verify Add and Drop Connections on an OADM Node with OSC-CSM Cards](#)” task on page 5-144.

Stop. You have completed this procedure.

NTP-G186 Perform the Four-Degree and Eight-Degree Mesh Patch Panel Acceptance Test

Purpose	This procedure checks the insertion loss for a four-degree or eight-degree patch panel.
Tools/Equipment	1 fully-tunable transponder or tunable laser source with an LC patchcord 1 optical power meter with LC input connector 1 MPO-LC multicable (LC if the optical power meter has LC input)
Prerequisite Procedures	<ul style="list-style-type: none"> The mesh patch panel must be installed. See the “DLP-G28 Install the Fiber Patch-Panel Tray” in the <i>Cisco ONS 15454 Hardware Installation Guide</i>.
Required/As Needed	As needed
Onsite/Remote	Onsite
Security Level	Superuser only



Note Optical power measurements require either a tunable laser or a multirate transponder to generate the proper optical wavelength. If multirate transponders were installed during completion of [Chapter 4, “Turn Up a Node,”](#) they can be used for this procedure. No additional cabling changes are needed.

- Step 1** Complete the “[DLP-G46 Log into CTC](#)” task on page 3-30 at the node where you want to perform the acceptance test. If you are already logged in, continue with [Step 2](#).
- Step 2** From the View menu, choose **Go to Network View**.
- Step 3** Click the **Alarms** tab.
- Verify that the alarm filter is not on. See the “[DLP-G128 Disable Alarm Filtering](#)” task on page 10-26 as necessary.
 - Verify that no equipment alarms appear indicating equipment failure or other hardware problems. (Equipment alarms are indicated by an EQPT in the Alarms tab Cond column.) If equipment failure alarms appear, investigate and resolve them before continuing. Refer to the *Cisco ONS 15454 DWDM Troubleshooting Guide* for procedures.
- Step 4** If you are installing a TXP_MR_10E_C card, complete the “[DLP-G268 Provision TXP_MR_10E_C Cards for Acceptance Testing](#)” task on page 5-5. Refer to [Table 5-1](#) on page 5-30, if needed.
- Step 5** Complete the “[DLP-G432 Set the Transponder Wavelength](#)” task on page 5-158 to tune the transponder to a wavelength not used in any of the sides already carrying traffic (1530.33 nm, for example).
- Step 6** Complete the “[DLP-G433 Record Transponder Optical Power](#)” task on page 5-159.
- Step 7** In card view for the transponder card, click the **Provisioning > Line** tabs and choose **OOS,DSBLD** (ANSI) or **Locked,disabled** (ETSI) from the Admin State drop-down list. Click **Apply**.
- Step 8** Connect the transponder to the COM-RX A port of the four-degree or eight-degree patch panel.
- Step 9** In card view for the transponder card, click the **Provisioning > Line** tabs and choose **OOS,MT** (ANSI) or **Locked,maintenance** (ETSI) from the Admin State drop-down list. Click **Apply**.
- Step 10** Verify the COM-RX port power results for Side A ([Table 5-4](#)).

Table 5-4 From COM-RX Side A Verification

Connect MPO Connector to Patch Panel Port	Refer to...
EXP A TX	Table 5-12 on page 5-154
EXP B TX	Table 5-14 on page 5-155
EXP C TX	Table 5-15 on page 5-156
EXP D TX	Table 5-16 on page 5-156
EXP E TX (eight-degree patch panel only)	Table 5-17 on page 5-156
EXP F TX (eight-degree patch panel only)	Table 5-18 on page 5-157
EXP G TX (eight-degree patch panel only)	Table 5-19 on page 5-157
EXP H TX (eight-degree patch panel only)	Table 5-20 on page 5-158
TEST ACCESS TX	Table 5-13 on page 5-155

- Step 11** In card view for the transponder card, click the **Provisioning > Line** tabs and choose **OOS,DSBLD** (ANSI) or **Locked,disabled** (ETSI) from the Admin State drop-down list. Click **Apply**.
- Step 12** Connect the transponder to the COM-RX B port of the four-degree or eight-degree patch panel.
- Step 13** In card view for the transponder card, click the **Provisioning > Line** tabs and choose **IS** (ANSI) or **Unlocked** (ETSI) from the Admin State drop-down list. Click **Apply**.
- Step 14** Verify the COM-RX port power results for Side B ([Table 5-5](#)).

Table 5-5 From COM-RX Side B Verification

Connect MPO Connector to Patch Panel Port	Refer to...
EXP A TX	Table 5-13 on page 5-155
EXP B TX	Table 5-12 on page 5-154
EXP C TX	Table 5-15 on page 5-156
EXP D TX	Table 5-16 on page 5-156
EXP E TX (eight-degree patch panel only)	Table 5-17 on page 5-156
EXP F TX (eight-degree patch panel only)	Table 5-18 on page 5-157
EXP G TX (eight-degree patch panel only)	Table 5-19 on page 5-157
EXP H TX (eight-degree patch panel only)	Table 5-20 on page 5-158
TEST ACCESS TX	Table 5-14 on page 5-155

- Step 15** In card view for the transponder card, click the **Provisioning > Line** tabs and choose **OOS,DSBLD** (ANSI) or **Locked,disabled** (ETSI) from the Admin State drop-down list. Click **Apply**.
- Step 16** Connect the transponder to the COM-RX C port of the four-degree or eight-degree patch panel.
- Step 17** In card view for the transponder card, click the **Provisioning > Line** tabs and choose **IS** (ANSI) or **Unlocked** (ETSI) from the Admin State drop-down list. Click **Apply**.
- Step 18** Verify the COM-RX port power results for Side C ([Table 5-6](#)).

Table 5-6 From COM-RX Side C Verification

Connect MPO Connector to Patch Panel Port	Refer to...
EXP A TX	Table 5-13 on page 5-155
EXP B TX	Table 5-14 on page 5-155
EXP C TX	Table 5-12 on page 5-154
EXP D TX	Table 5-16 on page 5-156
EXP E TX (eight-degree patch panel only)	Table 5-17 on page 5-156
EXP F TX (eight-degree patch panel only)	Table 5-18 on page 5-157
EXP G TX (eight-degree patch panel only)	Table 5-19 on page 5-157
EXP H TX (eight-degree patch panel only)	Table 5-20 on page 5-158
TAP TX	Table 5-15 on page 5-156

- Step 19** In card view for the transponder card, click the **Provisioning > Line** tabs and choose **OOS,DSBLD** (ANSI) or **Locked,disabled** (ETSI) from the Admin State drop-down list. Click **Apply**.
- Step 20** Connect the transponder to the COM-RX D port of the four-degree or eight-degree patch panel.
- Step 21** In card view for the transponder card, click the **Provisioning > Line** tabs and choose **IS** (ANSI) or **Unlocked** (ETSI) from the Admin State drop-down list. Click **Apply**.
- Step 22** Verify the COM-RX port power results for Side D ([Table 5-7](#)).

Table 5-7 From COM-RX Side D Verification

Connect MPO Connector to Patch Panel Port	Refer to...
EXP A TX	Table 5-13 on page 5-155
EXP B TX	Table 5-14 on page 5-155
EXP C TX	Table 5-15 on page 5-156
EXP D TX	Table 5-12 on page 5-154
EXP E TX (eight-degree patch panel only)	Table 5-17 on page 5-156
EXP F TX (eight-degree patch panel only)	Table 5-18 on page 5-157
EXP G TX (eight-degree patch panel only)	Table 5-19 on page 5-157
EXP H TX (eight-degree patch panel only)	Table 5-20 on page 5-158
TEST ACCESS TX	Table 5-16 on page 5-156

- Step 23** In card view for the transponder card, click the **Provisioning > Line** tabs and choose **OOS,DSBLD** (ANSI) or **Locked,disabled** (ETSI) from the Admin State drop-down list. Click **Apply**.
- Step 24** If you are testing a four-degree patch panel, continue with [Step 77](#). If you are testing an eight-degree patch panel, continue with [Step 25](#).
- Step 25** Connect the transponder to the COM-RX E port of the eight-degree patch panel.
- Step 26** In card view for the transponder card, click the **Provisioning > Line** tabs and choose **IS** (ANSI) or **Unlocked** (ETSI) from the Admin State drop-down list. Click **Apply**.
- Step 27** Verify the COM-RX port power results for Side E ([Table 5-8](#)).

Table 5-8 From COM-RX Side E Verification

Connect MPO Connector to Patch Panel Port	Refer to...
EXP A TX	Table 5-13 on page 5-155
EXP B TX	Table 5-14 on page 5-155
EXP C TX	Table 5-15 on page 5-156
EXP D TX	Table 5-16 on page 5-156
EXP E TX (eight-degree patch panel only)	Table 5-12 on page 5-154
EXP F TX (eight-degree patch panel only)	Table 5-18 on page 5-157
EXP G TX (eight-degree patch panel only)	Table 5-19 on page 5-157
EXP H TX (eight-degree patch panel only)	Table 5-20 on page 5-158
TEST ACCESS TX	Table 5-17 on page 5-156

- Step 28** In card view for the transponder card, click the **Provisioning > Line** tabs and choose **OOS,DSBLD** (ANSI) or **Locked,disabled** (ETSI) from the Admin State drop-down list. Click **Apply**.
- Step 29** Connect the transponder to the COM-RX F port of the eight-degree patch panel.
- Step 30** In card view for the transponder card, click the **Provisioning > Line** tabs and choose **IS** (ANSI) or **Unlocked** (ETSI) from the Admin State drop-down list. Click **Apply**.
- Step 31** Verify the COM-RX port power results for Side F ([Table 5-9](#)).

Table 5-9 From COM-RX Side F Verification Table

Connect MPO Connector to Patch Panel Port	Refer to...
EXP A TX	Table 5-13 on page 5-155
EXP B TX	Table 5-14 on page 5-155
EXP C TX	Table 5-15 on page 5-156
EXP D TX	Table 5-16 on page 5-156
EXP E TX (eight-degree patch panel only)	Table 5-17 on page 5-156
EXP F TX (eight-degree patch panel only)	Table 5-12 on page 5-154
EXP G TX (eight-degree patch panel only)	Table 5-19 on page 5-157
EXP H TX (eight-degree patch panel only)	Table 5-20 on page 5-158
TEST ACCESS TX	Table 5-18 on page 5-157

- Step 32** In card view for the transponder card, click the **Provisioning > Line** tabs and choose **OOS,DSBLD** (ANSI) or **Locked,disabled** (ETSI) from the Admin State drop-down list. Click **Apply**.
- Step 33** Connect the transponder to the COM-RX G port of the eight-degree patch panel.
- Step 34** In card view for the transponder card, click the **Provisioning > Line** tabs and choose **IS** (ANSI) or **Unlocked** (ETSI) from the Admin State drop-down list. Click **Apply**.
- Step 35** Verify the COM-RX port power results for Side G ([Table 5-10](#)).

Table 5-10 From COM-RX Side G Verification

Connect MPO Connector to Patch Panel Port	Refer to...
EXP A TX	Table 5-13 on page 5-155
EXP B TX	Table 5-14 on page 5-155
EXP C TX	Table 5-15 on page 5-156
EXP D TX	Table 5-16 on page 5-156
EXP E TX (eight-degree patch panel only)	Table 5-17 on page 5-156
EXP F TX (eight-degree patch panel only)	Table 5-18 on page 5-157
EXP G TX (eight-degree patch panel only)	Table 5-12 on page 5-154
EXP H TX (eight-degree patch panel only)	Table 5-20 on page 5-158
TEST ACCESS TX	Table 5-19 on page 5-157

- Step 36** In card view for the transponder card, click the **Provisioning > Line** tabs and choose **OOS,DSBLD** (ANSI) or **Locked,disabled** (ETSI) from the Admin State drop-down list. Click **Apply**.
- Step 37** Connect the transponder to the COM-RX H port of the eight-degree patch panel.
- Step 38** In card view for the transponder card, click the **Provisioning > Line** tabs and choose **IS** (ANSI) or **Unlocked** (ETSI) from the Admin State drop-down list. Click **Apply**.
- Step 39** Verify the COM-RX port power results for Side H ([Table 5-11](#)).

Table 5-11 From COM-RX Side H Verification

Connect MPO Connector to Patch Panel Port	Refer to...
EXP A TX	Table 5-13 on page 5-155
EXP B TX	Table 5-14 on page 5-155
EXP C TX	Table 5-15 on page 5-156
EXP D TX	Table 5-16 on page 5-156
EXP E TX (eight-degree patch panel only)	Table 5-17 on page 5-156
EXP F TX (eight-degree patch panel only)	Table 5-18 on page 5-157
EXP G TX (eight-degree patch panel only)	Table 5-19 on page 5-157
EXP H TX (eight-degree patch panel only)	Table 5-12 on page 5-154
TEST ACCESS TX	Table 5-20 on page 5-158

Step 40 In card view for the transponder card, click the **Provisioning > Line** tabs and choose **OOS,DSBLD (ANSI)** or **Locked,disabled (ETSI)** from the Admin State drop-down list. Click **Apply**.

Step 41 Connect the transponder to the test access RX port of the four- or eight-degree patch panel.



Note There are two local access RX ports on the 8-degree patch panel. Select the left Local Access port for testing.

Step 42 In card view for the transponder card, click the **Provisioning > Line** tabs and choose **IS (ANSI)** or **Unlocked (ETSI)** from the Admin State drop-down list. Click **Apply**.

Step 43 Connect the MPO connector of the MPO-LC (FC or SC) multifiber fan-out to EXP A TX port of the four- or eight-degree patch-panel.

Step 44 Connect the optical power meter to the fan-out cable 1.

Step 45 Collect the actual reading from the optical power meter.

Step 46 Verify the IL is less than 11dB for an 8-degree patch panel or less than 8dB for a 4-degree patch panel.

Step 47 Connect the MPO connector of the MPO-LC (FC or SC) multifiber fan-out to EXP B TX port of the four- or eight-degree patch panel.

Step 48 Connect the optical power meter to the fan-out cable 2.

Step 49 Collect the actual reading from the optical power meter.

Step 50 Verify the IL is less than 11dB for an 8-degree patch panel or less than 8dB for a 4-degree patch panel.

Step 51 Connect the MPO connector of the MPO-LC (FC or SC) multifiber fan-out to EXP C TX port of the four- or eight-degree patch panel.

Step 52 Connect the optical power meter to the fan-out cable 3.

Step 53 Collect the actual reading from the optical power meter.

Step 54 Verify the IL is less than 11dB for an 8-degree patch panel or less than 8dB for a 4-degree patch panel.

Step 55 Connect the MPO connector of the MPO-LC (FC or SC) multifiber fan-out to EXP D TX port of the four- or eight-degree patch panel.

Step 56 Connect the optical power meter to the fan-out cable 4.

Step 57 Collect the actual reading from the optical power meter.

- Step 58** Verify the IL is less than 11dB for an 8-degree patch panel or less than 8dB for a 4-degree patch panel.
- Step 59** Connect the MPO connector of the MPO-LC (FC or SC) multifiber fan-out to EXP E TX port of the four- or eight-degree patch panel.
- Step 60** Connect the optical power meter to the fan-out cable 5.
- Step 61** Collect the actual reading from the optical power meter.
- Step 62** Verify the IL is less than 11dB for an 8-degree patch panel.
- Step 63** Connect the MPO connector of the MPO-LC (FC or SC) multifiber fan-out to EXP F TX port of the four- or eight-degree patch panel.
- Step 64** Connect the optical power meter to the fan-out cable 6.
- Step 65** Collect the actual reading from the optical power meter.
- Step 66** Verify the IL is less than 11dB for an 8-degree patch panel.
- Step 67** Connect the MPO connector of the MPO-LC (FC or SC) multifiber fan-out to EXP G TX port of the four- or eight-degree patch panel.
- Step 68** Connect the optical power meter to the fan-out cable 7.
- Step 69** Collect the actual reading from the optical power meter.
- Step 70** Verify the IL is less than 11dB for an 8-degree patch panel.
- Step 71** Connect the MPO connector of the MPO-LC (FC or SC) multifiber fan-out to EXP H TX port of the four- or eight-degree patch panel.
- Step 72** Connect the optical power meter to the fan-out cable 8.
- Step 73** Collect the actual reading from the optical power meter.
- Step 74** Verify the IL is less than 11dB for an 8-degree patch panel.
- Step 75** In card view for the transponder card, click the **Provisioning > Line** tabs and choose **OOS,DSBLD (ANSI)** or **Locked,disabled (ETSI)** from the Admin State drop-down list. Click **Apply**.
- Step 76** Repeat Steps 41 through 75 for the right side Local Access RX port.
- Step 77** Complete the “[NTP-G188 Perform the Native Mesh Node Acceptance Test](#)” procedure on page 5-168. The tables below are used for verification in Steps 10 through 39 of this procedure.

Table 5-12 Same Side Verification

Optical Power Meter Connected to Fan Out	Power Result for Eight-Degree Patch Panel	Power Result for Four-Degree Patch Panel
Cable 1	No power	No power
Cable 2	No power	No power
Cable 3	No power	No power
Cable 4	No power	No power
Cable 5 (eight-degree patch panel only)	No power	—
Cable 6 (eight-degree patch panel only)	No power	—

Table 5-12 Same Side Verification (continued)

Optical Power Meter Connected to Fan Out	Power Result for Eight-Degree Patch Panel	Power Result for Four-Degree Patch Panel
Cable 7 (eight-degree patch panel only)	No power	—
Cable 8 (eight-degree patch panel only)	No power	—

Table 5-13 Side A Power Verification

Optical Power Meter Connected to Fan Out	Power Result for Eight-Degree Patch Panel	Power Result for Four-Degree Patch Panel
Cable 1	IL < 11 dB	IL < 8 dB
Cable 2	No power	No power
Cable 3	No power	No power
Cable 4	No power	No power
Cable 5 (eight-degree patch panel only)	No power	—
Cable 6 (eight-degree patch panel only)	No power	—
Cable 7 (eight-degree patch panel only)	No power	—
Cable 8 (eight-degree patch panel only)	No power	—

Table 5-14 Side B Power Verification

Optical Power Meter Connected to Fan Out	Power Result for Eight-Degree Patch Panel	Power Result for Four-Degree Patch Panel
Cable 1	No power	No power
Cable 2	IL < 11 dB	IL < 8 dB
Cable 3	No power	No power
Cable 4	No power	No power
Cable 5 (eight-degree patch panel only)	No power	—
Cable 6 (eight-degree patch panel only)	No power	—
Cable 7 (eight-degree patch panel only)	No power	—
Cable 8 (eight-degree patch panel only)	No power	—

Table 5-15 Side C Power Verification

Optical Power Meter Connected to Fan Out	Power Result for Eight-Degree Patch Panel	Power Result for Four-Degree Patch Panel
Cable 1	No power	No power
Cable 2	No power	No power
Cable 3	IL < 11 dB	IL < 8 dB
Cable 4	No power	No power
Cable 5 (eight-degree patch panel only)	No power	—
Cable 6 (eight-degree patch panel only)	No power	—
Cable 7 (eight-degree patch panel only)	No power	—
Cable 8 (eight-degree patch panel only)	No power	—

Table 5-16 Side D Power Verification

Optical Power Meter Connected to Fan Out	Power Result for Eight-Degree Patch Panel	Power Result for Four-Degree Patch Panel
Cable 1	No power	No power
Cable 2	No power	No power
Cable 3	No power	No power
Cable 4	IL < 11 dB	IL < 8 dB
Cable 5 (eight-degree patch panel only)	No power	—
Cable 6 (eight-degree patch panel only)	No power	—
Cable 7 (eight-degree patch panel only)	No power	—
Cable 8 (eight-degree patch panel only)	No power	—

Table 5-17 Side E Power Verification

Optical Power Meter Connected to Fan Out	Power Result for Eight-Degree Patch Panel	Power Result for Four-Degree Patch Panel
Cable 1	No power	No power
Cable 2	No power	No power
Cable 3	No power	No power
Cable 4	No power	No power

Table 5-17 Side E Power Verification (continued)

Optical Power Meter Connected to Fan Out	Power Result for Eight-Degree Patch Panel	Power Result for Four-Degree Patch Panel
Cable 5 (eight-degree patch panel only)	IL < 11 dB	—
Cable 6 (eight-degree patch panel only)	No power	—
Cable 7 (eight-degree patch panel only)	No power	—
Cable 8 (eight-degree patch panel only)	No power	—

Table 5-18 Side F Power Verification

Optical Power Meter Connected to Fan Out	Power Result for Eight-Degree Patch Panel	Power Result for Four-Degree Patch Panel
Cable 1	No power	No power
Cable 2	No power	No power
Cable 3	No power	No power
Cable 4	No power	No power
Cable 5 (eight-degree patch panel only)	No power	—
Cable 6 (eight-degree patch panel only)	IL < 11 dB	—
Cable 7 (eight-degree patch panel only)	No power	—
Cable 8 (eight-degree patch panel only)	No power	—

Table 5-19 Side G Power Verification

Optical Power Meter Connected to Fan Out	Power Result for Eight-Degree Patch Panel	Power Result for Four-Degree Patch Panel
Cable 1	No power	No power
Cable 2	No power	No power
Cable 3	No power	No power
Cable 4	No power	No power
Cable 5 (eight-degree patch panel only)	No power	—
Cable 6 (eight-degree patch panel only)	No power	—

Table 5-19 Side G Power Verification (continued)

Optical Power Meter Connected to Fan Out	Power Result for Eight-Degree Patch Panel	Power Result for Four-Degree Patch Panel
Cable 7 (eight-degree patch panel only)	IL < 11 dB	—
Cable 8 (eight-degree patch panel only)	No power	—

Table 5-20 Side H Power Verification

Optical Power Meter Connected to Fan Out	Power Result for Eight-Degree Patch Panel	Power Result for Four-Degree Patch Panel
Cable 1	No power	No power
Cable 2	No power	No power
Cable 3	No power	No power
Cable 4	No power	No power
Cable 5 (eight-degree patch panel only)	No power	—
Cable 6 (eight-degree patch panel only)	No power	—
Cable 7 (eight-degree patch panel only)	No power	—
Cable 8 (eight-degree patch panel only)	IL < 11 dB	—

Stop. You have completed this procedure.

DLP-G432 Set the Transponder Wavelength

Purpose	This task tunes transponder wavelength.
Tools/Equipment	Fully C-band tunable transponder or tunable laser source with an LC patchcord
Prerequisite Procedures	DLP-G46 Log into CTC, page 3-30
Required/As Needed	As needed
Onsite/Remote	Onsite
Security Level	Superuser only

-
- Step 1** In card view, display the transponder card.
- Step 2** Click the **Provisioning > Line > Wavelength Trunk Settings** tabs.
- Step 3** In the Wavelength field, choose the desired wavelength (C-Band, odd) from the drop-down list.

- Step 4** Click **Apply**.
- Step 5** Click the **Provisioning > Pluggable Port Module > Pluggable Port Module** tabs and click **Create** to preprovision a pluggable port module (PPM), if necessary.
- Step 6** Click **Ok**, then **Apply**.
- Step 7** Return to your originating procedure (NTP).
-

DLP-G433 Record Transponder Optical Power

Purpose	This task checks and records optical power.
Tools/Equipment	Fully C-band tunable transponder or tunable laser source with an LC patchcord Optical power meter
Prerequisite Procedures	DLP-G46 Log into CTC, page 3-30 ANS successfully completed All sides completely wired (including patch panels)
Required/As Needed	As needed
Onsite/Remote	Onsite
Security Level	Superuser only

- Step 1** Connect the optical power meter to the transponder output.
- Step 2** Display card view for the transponder card.
- Step 3** Click the **Provisioning > Line** tabs, and choose **OOS,MT** (ANSI) or **Locked,maintenance** (ETSI) from the Admin State drop-down list.
- Step 4** Record the optical power meter value.
- Step 5** Choose **OOS,DSBLD** (ANSI) or **Locked,disabled** (ETSI) from the Admin State drop-down list.
- Step 6** Disconnect the optical power meter from the TX port of the transponder card.
- Step 7** Return to your originating procedure (NTP).
-

NTP-G187 Perform the Multiring Site Acceptance Test

Purpose	This procedure checks the connections and the output power values for a multiring node. A multiring node connects two existing in-service two-sides ROADM nodes with two sides (each equipped with MMU cards).
Tools/Equipment	Fully C-band tunable transponder or tunable laser source 1 15-dB LC attenuator 1 optical power meter with LC input connector 1 MPO-LC multicable (LC if the optical power meter has LC input) 3 LC-LC adapters
Prerequisite Procedures	Chapter 4, “Turn Up a Node” All sides must be completely wired (including patch panels), except the connections with the MMU cards in the existing in-service ROADM node; for more information, see Chapter 4, “Turn Up a Node” NTP-G186 Perform the Four-Degree and Eight-Degree Mesh Patch Panel Acceptance Test, page 5-148 (as needed)
Required/As Needed	As needed
Onsite/Remote	Onsite
Security Level	Superuser only



Note Optical power measurements require either a tunable laser or a multirate transponder to generate the proper optical wavelength. If multirate transponders were installed during completion of [Chapter 4, “Turn Up a Node,”](#) they can be used for this procedure. No additional cabling changes are needed.

-
- Step 1** Complete the [“DLP-G46 Log into CTC” task on page 3-30](#) at the multiring node where you want to perform the acceptance test. If you are already logged in, continue with [Step 2](#).
- Step 2** From the View menu, choose **Go to Network View**.
- Step 3** Click the **Alarms** tab.
- Verify that the alarm filter is not on. See the [“DLP-G128 Disable Alarm Filtering” task on page 10-26](#) as necessary.
 - Verify that no equipment alarms appear indicating equipment failure or other hardware problems. (Equipment alarms are indicated by an EQPT in the Alarms tab Cond column.) If equipment failure alarms appear, investigate and resolve them before continuing. Refer to the *Cisco ONS 15454 DWDM Troubleshooting Guide* for procedures.
- Step 4** Insert a full C-band tunable transponder card into an available slot.
- Step 5** Plug a 15 dB LC attenuator to the TX port of the transponder card.
- Step 6** Complete the [“DLP-G432 Set the Transponder Wavelength” task on page 5-158](#) to tune the transponder to a wavelength yyyy.yy (1530.33 nm, for example).
- Step 7** Complete the [“DLP-G433 Record Transponder Optical Power” task on page 5-159](#).
- Step 8** Disconnect the optical power meter from the TX port of the transponder card.

- Step 9** Make the following connections:
- a. Connect the transponder card output port (with the 15 dB attenuator) to the COM-RX port of the 40-WXC-C card on Side A.
 - b. Connect the optical power meter to the COM-TX port of the 40-WXC-C card on Side A.
 - c. Connect, using an LC-LC adapter, the patchcord from the COM-TX port to the patchcord in the COM-RX port of the Side B 40-WXC-C card.
 - d. Connect, using an LC-LC adapter, the patchcord from the COM-TX port to the patchcord in the COM-RX port of the Side C 40-WXC-C card.
 - e. Connect, using an LC-LC adapter, the patchcord from the COM-TX port to the patchcord in the COM-RX port of the Side D 40-WXC-C card.
- Step 10** In node view (single-shelf mode) or multishelf view (multishelf mode), click the **Provisioning > WDM-ANS > Provisioning** tabs. Complete the following:
- a. Record the values of the following parameters:
 - Power on the COM-TX port of the preamplifier on Side A
 - Power on the COM-RX port of the 40-WXC-C card on Side A
 - Power on the COM-TX port of the 40-WXC-C card on Side A
 - Power Fail Low Th on the COM-RX port of the preamplifier on Side A
 - Power on the COM-TX port of the preamplifier on Side B
 - Power on the COM-RX port of the 40-WXC-C card on Side B
 - Power on the COM-TX port of the 40-WXC-C card on Side B
 - Power Fail Low Th on the COM-RX port of the preamplifier on Side B
 - Power on the COM-TX port of the preamplifier on Side C
 - Power on the COM-RX port of the 40-WXC-C card on Side C
 - Power on the COM-TX port of the 40-WXC-C card on Side C
 - Power Fail Low Th on the COM-RX port of the preamplifier on Side C
 - Power on the COM-TX port of the preamplifier on Side D
 - Power on the COM-RX port of the 40-WXC-C card on Side D
 - Power on the COM-TX port of the 40-WXC-C card on Side D
 - Power Fail Low Th on the COM-RX port of the preamplifier on Side D
 - b. Change the values of the parameters as follows:
 - Power on the COM-TX port of the preamplifier on Side A = **1 dBm**
 - Power on the COM-RX port of the 40-WXC-C card on Side A = **-15 dBm**
 - Power on the COM-TX port of the 40-WXC-C card on Side A = **-15 dBm**
 - Power Fail Low Th on the COM-RX port of the preamplifier on Side A = **-30 dBm**
 - Power on the COM-TX port of the preamplifier on Side B = **1 dBm**
 - Power on the COM-RX port of the 40-WXC-C card on Side B = **-15 dBm**
 - Power on the COM-TX port of the 40-WXC-C card on Side B = **-15 dBm**
 - Power Fail Low Th on the COM-RX port of the preamplifier on Side B = **-30 dBm**
 - Power on the COM-TX port of the preamplifier on Side C = **1 dBm**

- Power on the COM-RX port of the 40-WXC-C card on Side C = **-15 dBm**
 - Power on the COM-TX port of the 40-WXC-C card on Side C = **-15 dBm**
 - Power Fail Low Th on the COM-RX port of the preamplifier on Side C = **-30 dBm**
 - Power on the COM-TX port of the preamplifier on Side D = **1 dBm**
 - Power on the COM-RX port of the 40-WXC-C card on Side D = **-15 dBm**
 - Power on the COM-TX port of the 40-WXC-C card on Side D = **-15 dBm**
 - Power Fail Low Th on the COM-RX port of the preamplifier on Side D = **-30 dBm**
- Step 11** In card view, display the transponder card and click the **Provisioning > Line** tabs. Choose **IS (ANSI)** or **Unlocked (ETSI)** from the Admin State drop-down list.
- Step 12** In card view, display the 40-WXC-C card for Side A and complete the following:
- a. Click the **Provisioning > Optical Line > Parameters** tabs. Record the Power value of the COM-RX port.
 - b. Verify that the COM-RX value matches the transponder card optical power meter value recorded in the [“DLP-G433 Record Transponder Optical Power” task on page 5-159](#) (+/-1dB).
 - c. Click the **Inventory > Info** tabs and record the CRX -> EXP insertion loss.
 - d. Click the **Provisioning > Optical Line > Parameters** tabs and record the Power value of the EXP-TX port.
 - e. Verify that the EXP-TX port power value = (COM-RX port power value in Step a) – (CRX -> EXP insertion loss value in Step d) (+/- 1dB).
- Step 13** In card view, display the OPT-AMP-17 card for Side A and complete the [“DLP-434 Record the OPT-AMP-17-C Power Value” task on page 5-165](#).
- Step 14** In card view, display the 40-WXC-C card for Side B and complete the following:
- a. Complete the [“DLP-435 Set the 40-WXC-C OCHNC Parameters” task on page 5-166](#). Set the Input Port on the **Maintenance > OCHNC > Insert Value** tabs to **1**.
 - b. Complete the [“DLP-436 Record the 40-WXC-C Power Value” task on page 5-167](#).
- Step 15** In card view, display the OPT-AMP-17 card for Side B and complete the [“DLP-434 Record the OPT-AMP-17-C Power Value” task on page 5-165](#).
- Step 16** In card view, display the 40-WXC-C card for Side C and complete the following:
- a. Complete the [“DLP-435 Set the 40-WXC-C OCHNC Parameters” task on page 5-166](#). Set the Input Port on the **Maintenance > OCHNC > Insert Value** tabs to **1**.
 - b. Complete the [“DLP-436 Record the 40-WXC-C Power Value” task on page 5-167](#).
- Step 17** In card view, display the OPT-AMP-17 card for Side C and complete the [“DLP-434 Record the OPT-AMP-17-C Power Value” task on page 5-165](#).
- Step 18** In card view, display the 40-WXC-C card for Side D and complete the following:
- a. Complete the [“DLP-435 Set the 40-WXC-C OCHNC Parameters” task on page 5-166](#). Set the Input Port on the **Maintenance > OCHNC > Insert Value** tabs to **1**.
 - b. Complete the [“DLP-436 Record the 40-WXC-C Power Value” task on page 5-167](#).
- Step 19** In card view, display the OPT-AMP-17 card for Side D and complete the [“DLP-434 Record the OPT-AMP-17-C Power Value” task on page 5-165](#).
- Step 20** In card view, display the 40-WXC-C card for Side A and complete the [“DLP-435 Set the 40-WXC-C OCHNC Parameters” task on page 5-166](#). Set the Input Port on the **Maintenance > OCHNC > Insert Value** tabs to **2**.

- Step 21** In card view, display the OPT-AMP-17 card for Side A and complete the “[DLP-434 Record the OPT-AMP-17-C Power Value](#)” task on page 5-165.
- Step 22** Record the optical power meter value and verify that the optical power meter value matches the value recorded in the “[DLP-G433 Record Transponder Optical Power](#)” task on page 5-159 (+/- 1dB).
- Step 23** In card view, display the 40-WXC-C card for Side A. Click the **Maintenance > OCHNC** tabs. In the Return Value COM-TX on selected Wavelength area, click **Refresh** and then **Delete**. Repeat for Sides B, C, and D of the 40-WXC-C card.
- Step 24** To test all wavelengths, repeat Steps [6](#), [11](#), [18](#), and [20](#) for all supported wavelengths.
- Step 25** In card view, display the transponder card and choose **OOS,DSBLD (ANSI)** or **Locked,disabled (ETSI)** from the Admin State drop-down list.
- Step 26** Disconnect the patchcord in the COM-TX port from the patchcord in the COM-RX port for Side B of the 40-WXC-C card.
- Step 27** Connect, using an LC-LC adapter, the patchcord from the COM-TX port with the patchcord in the COM-RX port for Side A of the 40-WXC-C card.
- Step 28** Complete the “[DLP-G432 Set the Transponder Wavelength](#)” task on page 5-158 to tune the transponder card to the wavelength set in [Step 6](#).
- Step 29** Connect the transponder card output port (with the 15-dB-attenuator) to the COM-RX port of the 40-WXC-C card for Side B.
- Step 30** In card view, display the transponder card. Click the **Provisioning > Line** tabs, and choose **IS (ANSI)** or **Unlocked (ETSI)** from the Admin State drop-down list.
- Step 31** Complete the “[DLP-435 Set the 40-WXC-C OCHNC Parameters](#)” task on page 5-166 for Sides C and D of the 40-WXC-C card. Set the Input Port on the **Maintenance > OCHNC > Insert Value** tabs to **2**.
- Step 32** Complete the “[DLP-435 Set the 40-WXC-C OCHNC Parameters](#)” task on page 5-166 for Side B of the 40-WXC-C card. Set the Input Port on the **Maintenance > OCHNC > Insert Value** tabs to **3**.
- Step 33** In card view, display the 40-WXC-C card for Side B. Click the **Maintenance > OCHNC** tabs. In the Return Value COM-TX on selected Wavelength area, click **Refresh** and then **Delete**. Repeat for Sides A, C, and D.
- Step 34** To test all wavelengths, repeat Steps [28](#) through [33](#) (omit [Step 29](#)) for all supported wavelengths.
- Step 35** In card view, display the transponder card. Click the **Provisioning > Line** tabs, and choose **OOS,DSBLD (ANSI)** or **Locked,disabled (ETSI)** from the Admin State drop-down list.
- Step 36** Disconnect the patchcord in the COM-TX port from the patchcord in the COM-RX port of Side C of the 40-WXC-C card.
- Step 37** Connect, using an LC-LC adapter, the patchcord from the COM-TX port to the patchcord in the COM-RX port for Side B of the 40-WXC-C card.
- Step 38** Complete the “[DLP-G432 Set the Transponder Wavelength](#)” task on page 5-158 to tune the transponder card to the wavelength set in [Step 6](#).
- Step 39** Connect the transponder card output port (with the 15-dB attenuator) to the COM-RX port of the 40-WXC-C card for Side C.
- Step 40** In card view for the transponder card, click the **Provisioning > Line** tabs and choose **IS (ANSI)** or **Unlocked (ETSI)** from the Admin State drop-down list.
- Step 41** Complete the “[DLP-435 Set the 40-WXC-C OCHNC Parameters](#)” task on page 5-166 for Sides A and D of the 40-WXC-C card. Set the Input Port on the **Maintenance > OCHNC > Insert Value** tabs to **3**.
- Step 42** Complete the “[DLP-435 Set the 40-WXC-C OCHNC Parameters](#)” task on page 5-166 for Side C of the 40-WXC-C card. Set the Input Port on the **Maintenance > OCHNC > Insert Value** tabs to **4**.

- Step 43** In card view, display the 40-WXC-C card and click the **Maintenance > OCHNC** tabs. In the Return Value COM-TX on selected Wavelength area, click **Refresh** and then **Delete**. Repeat for Sides A, B, and D.
- Step 44** To test all wavelengths, repeat Steps 38 through 43 (omit Step 39) for all supported wavelengths.
- Step 45** Disconnect the patchcord in the COM-TX port from the patchcord in the COM-RX port of Side D of the 40-WXC-C card.
- Step 46** Connect, using an LC-LC adapter, the patchcord from the COM-TX port to the patchcord in the COM-RX of Side C of the 40-WXC-C card.
- Step 47** Complete the “[DLP-G432 Set the Transponder Wavelength](#)” task on page 5-158 to tune the transponder card to the desired wavelength for testing.
- Step 48** Connect the transponder card output port (with the 15-dB attenuator) to the COM-RX port of the 40-WXC-C card of Side D.
- Step 49** In card view, display the transponder card. Click the **Provisioning > Line** tabs, and choose **IS** (ANSI) or **Unlocked** (ETSI) from the Admin State drop-down list.
- Step 50** Complete the “[DLP-435 Set the 40-WXC-C OCHNC Parameters](#)” task on page 5-166 for Sides A and B of the 40-WXC-C card. Set the Input Port on the **Maintenance > OCHNC > Insert Value** tabs to 4.
- Step 51** Complete the “[DLP-435 Set the 40-WXC-C OCHNC Parameters](#)” task on page 5-166 for Side C of the 40-WXC-C card. Set the Input Port on the **Maintenance > OCHNC > Insert Value** tabs to 1.
- Step 52** In card view, display the 40-WXC-C card for Side D. Click the **Maintenance > OCHNC** tabs. In the Return Value COM-TX on selected Wavelength area, click **Refresh** and then **Delete**. Repeat for Sides A, B, and C of the 40-WXC-C card.
- Step 53** To test all wavelengths, repeat Steps 47 through 52 for all supported wavelengths, except Step 48.
- Step 54** In node view (single-shelf mode) or multishelf view (multishelf mode), click the **Provisioning > WDM-ANS > Provisioning** tabs. Restore the values recorded in Step 10a for the following parameters:
- Power on the COM-TX port of the preamplifier on Side A
 - Power on the COM-RX port of the 40-WXC-C card on Side A
 - Power on the COM-TX port of the 40-WXC-C card on Side A
 - Power Fail Low Th on the COM-RX port of the preamplifier on Side B
 - Power on the COM-TX port of the preamplifier on Side B
 - Power on the COM-RX port of the 40-WXC-C card on Side B
 - Power on the COM-TX port of the 40-WXC-C card on Side B
 - Power Fail Low Th on the COM-RX port of the preamplifier on Side B
 - Power on the COM-TX port of the preamplifier on Side C
 - Power on the COM-RX port of the 40-WXC-C card on Side C
 - Power on the COM-TX port of the 40-WXC-C card on Side C
 - Power Fail Low Th on the COM-RX port of the preamplifier on Side C
 - Power on the COM-TX port of the pre-amplifier on Side D
 - Power on the COM-RX port of the 40-WXC-C card on Side D
 - Power on the COM-TX port of the 40-WXC-C card on Side D
 - Power Fail Low Th on the COM-RX port of the preamplifier on Side D

- Step 55** In node view (single-shelf mode) or multishelf view (multishelf mode), click the **Provisioning > WDM-ANS > Port Status** tabs. Click **Launch ANS**.
- Step 56** Disconnect the patchcord in the COM-TX port from the patchcord in the COM-RX port of Side A of the 40-WXC-C card.
- Step 57** Disconnect the patchcord in the COM-TX port from the patchcord in the COM-RX port of Side B of the 40-WXC-C card.
- Step 58** Disconnect the patchcord in the COM-TX port from the patchcord in the COM-RX port of Side C of the 40-WXC-C card.
- Step 59** Restore the connections to the MMU cards of the eight sides using the patchcords tested in this procedure:
- Connect the patchcord from the COM-TX port of the 40-WXC-C card on Side A to the EXP-A-RX port of the MMU in the lowest slot of the upgraded ROADM Node 1.
 - Connect the patchcord from the COM-RX port of the 40-WXC-C card on Side A to the EXP-A-TX port of the MMU in the lowest slot of the upgraded ROADM Node 1.
 - Connect the patchcord from the COM-TX port of the 40-WXC-C card on Side B to the EXP-A-RX port of the MMU in the highest slot of the upgraded ROADM Node 1.
 - Connect the patchcord from the COM-RX port of the 40-WXC-C card on Side B to the EXP-A-TX port of the MMU in the highest slot of the upgraded ROADM Node 1.
 - Connect the patchcord from the COM-TX port of the 40-WXC-C card on Side C to the EXP-A-RX port of the MMU in the lowest slot of the upgraded ROADM Node 2.
 - Connect the patchcord from the COM-RX port of the 40-WXC-C card on Side C to the EXP-A-TX port of the MMU in the lowest slot of the upgraded ROADM Node 2.
 - Connect the patchcord from the COM-TX port of the 40-WXC-C card on Side D to the EXP-A-RX port of the MMU in the highest slot of the upgraded ROADM Node 2.
 - Connect the patchcord from the COM-RX port of the 40-WXC-C card on Side D to the EXP-A-TX port of the MMU in the highest slot of the upgraded ROADM Node 2.

Stop. You have completed this procedure.


DLP-434 Record the OPT-AMP-17-C Power Value

Purpose	This task records the power value of the OPT-AMP-17 card.
Tools/Equipment	None
Prerequisite Procedures	DLP-G46 Log into CTC, page 3-30 DLP-436 Record the 40-WXC-C Power Value, page 5-167 ANS successfully completed All sides completely wired (including patch panels)
Required/As Needed	As needed
Onsite/Remote	Onsite
Security Level	Superuser only

-
- Step 1** In card view for the OPT-AMP-17 card for Side *x*, complete the following:
- Click the **Provisioning > Optical Line > Parameters** tabs and record the Power value of the COM-RX port.
 - Verify the COM-RX port power value matches the value of the EXP-TX port of the 40-WXC-C card in the “[DLP-436 Record the 40-WXC-C Power Value](#)” task on page 5-167 (+/- 1 dB).
 - Click the **Provisioning > Op. Ampli. Line > Parameters** tabs and record the Total Output Power value of the COM-TX port.
 - Verify that the value is 1 dBm (+/- 1 dB).
- Step 2** Return to your originating procedure (NTP).
-

DLP-435 Set the 40-WXC-C OCHNC Parameters

Purpose	This task sets the OCHNC parameters for the 40-WXC-C card.
Tools/Equipment	None
Prerequisite Procedures	DLP-G46 Log into CTC, page 3-30 ANS successfully completed All sides completely wired (including patch panels)
Required/As Needed	As needed
Onsite/Remote	Onsite
Security Level	Superuser only

-
- Step 1** In the 40-WXC-C card view for Side *x*, complete the following:
- Click the **Maintenance > OCHNC > Insert Value** tabs and set the parameters as follows:
 - Target Power (dBm) = **-15.0**
-  **Note** The target power is not set if the power value is higher than the channel power that is allocated and equalized.
-
- Input Port = *x* (EXP-RX) (for *x*, refer to the step in the originating procedure)
 - VOA Attenuation (dB) = **13**
 - Wavelength = Value set in the originating procedure
- Click **Apply**.
 - Click **Refresh**. In the Return Value COM-TX on selected Wavelength field, verify that the Actual Power (dBm) is -15 +/- 0.5dB.
- Step 2** Return to your originating procedure (NTP).
-

DLP-436 Record the 40-WXC-C Power Value

Purpose	This task records the power value of the 40-WXC-C card for a multiring configuration.
Tools/Equipment	None
Prerequisite Procedures	DLP-G46 Log into CTC, page 3-30 DLP-G433 Record Transponder Optical Power, page 5-159 DLP-435 Set the 40-WXC-C OCHNC Parameters, page 5-166 ANS successfully completed All sides completely wired (including patch panels)
Required/As Needed	As needed
Onsite/Remote	Onsite
Security Level	Superuser only

-
- Step 1** In card view for the 40-WXC-C card for Side *x*, complete the following:
- Click the **Provisioning > Optical Line > Parameters** tabs and record the Power value of the COM-TX port.
 - Verify that the COM-TX port value matches Return Value COM-TX on selected Wavelength value retrieved in the “[DLP-435 Set the 40-WXC-C OCHNC Parameters](#)” task on page 5-166 (+/- 1 dB).
 - Click the **Provisioning > Optical Line > Parameters** tabs and record the Power value of the EXP-TX port.
 - Click the **Inventory > Info** tabs and record the CRX -> EXP insertion loss value.
 - Verify that the EXP-TX port power value = (COM-TX port power value) – (CRX -> EXP insertion loss value) (+/- 1 dB).
- Step 2** Return to your originating procedure (NTP).
-

NTP-G188 Perform the Native Mesh Node Acceptance Test

Purpose	This procedure checks the power values and the optical connections for a native mesh node. Use this test for both new installations and directional upgrades of native mesh nodes. Use this to also test the installation of a new side <i>n</i> to a node.
Tools/Equipment	<ul style="list-style-type: none"> Fully C-band tunable transponder or tunable laser source with an LC patchcord 1 MPO-LC multicable (LC if the optical power meter has LC input) 1 LC-LC adapter
Prerequisite Procedures	<ul style="list-style-type: none"> All sides must be completely fibered (including mesh patch panels); for more information, see Chapter 4, “Turn Up a Node.” NTP-G186 Perform the Four-Degree and Eight-Degree Mesh Patch Panel Acceptance Test, page 5-148 (optional)
Required/As Needed	As needed
Onsite/Remote	Onsite
Security Level	Superuser only

-
- Step 1** Identify the sides that are already carrying traffic and which sides are going to be tested.
- Step 2** Complete the [“DLP-G46 Log into CTC” task on page 3-30](#) at the mesh native node where you want to perform the acceptance test. If you are already logged in, continue with [Step 3](#).
- Step 3** From the View menu, choose **Go to Network View**.
- Step 4** Click the **Alarms** tab.
- Verify that the alarm filter is not on. See the [“DLP-G128 Disable Alarm Filtering” task on page 10-26](#) as necessary.
 - Verify that no equipment alarms appear indicating equipment failure or other hardware problems. (An equipment alarm is indicated in the Alarms tab, Cond column as EQPT.) If equipment failure alarms appear, investigate and resolve them before continuing. Refer to the *Cisco ONS 15454 DWDM Troubleshooting Guide* for procedures.
- Step 5** Insert a full C-band tunable transponder into an available slot of the side that you want to test (Side A through H, referred to as Side *x* in this procedure).
- Step 6** Plug a 15-dB LC attenuator into the trunk TX port of the transponder card.
- Step 7** Select a wavelength that is not used on any of the sides for carrying traffic (or 1530.33 nm if it is a new installation). Complete the [“DLP-G432 Set the Transponder Wavelength” task on page 5-158](#) to tune the transponder for the selected wavelength *yyyy.yy*.
- Step 8** Connect the optical power meter to the trunk TX port of the transponder card.
- Step 9** Complete the [“DLP-G433 Record Transponder Optical Power” task on page 5-159](#).
- Step 10** Disconnect the optical power meter from the TX port of the transponder card.
- Step 11** In card view, display the OSC-CSM or OSCM card for Side *x* and complete the following:
- Click the **Maintenance > ALS** tabs and from the OSRI pull-down menu, select **OFF**.
 - From the ALS Mode pull-down menu, select **Disable**.

- Step 12** Make the following connections:
- Connect the transponder output port (with the 15-dB attenuator) to the Line RX port of the booster amplifier (OPT-BST, OPT-BST-E, OPT-AMP-C, OPT-AMP-17-C, or OSC-CSM) of Side *x*.
 - Connect the optical power meter to the LINE-TX port of the booster amplifier (OPT-BST, OPT-BST-E, OPT-AMP-C, OPT-AMP-17-C, or OSC-CSM) of Side *x*.
 - Use a fiber to connect the 40-DMX-C TX port to the 40-MUX-C RX port for the selected wavelength *yyyy.yy* in the 15454-PP-80-LC patch panel for Side *x*.
- Step 13** In node view (single-shelf mode) or multishelf view (multishelf mode), click the **Provisioning > WDM-ANS > Provisioning** tabs. Complete the following:
- Record the actual values of the following parameters:
 - Power on the COM-TX port of preamplifier on Side X
 - Power on the COM-RX port of the 40-WXC-C card on Side X
 - Power on the COM-TX port of the 40-WXC-C card on Side X
 - Power on the LINE-TX port of the booster amplifier on Side X
 - Set the previous values of the parameters as follows:
 - Power on the COM-TX port of preamplifier on Side X = **+8 dBm**
 - Power on the COM-RX port of the 40-WXC-C card on Side X = **+8 dBm**
 - Power on the COM-TX port of the 40-WXC-C card on Side X = **-18 dBm**
 - Power on the LINE-TX port of the booster amplifier on Side X = **-1 dBm**
 - Click **Apply**.
- Step 14** In node view (single-shelf mode) or multishelf view (multishelf mode), click the **Provisioning > WDM-ANS > Port Status** tabs. Click **Launch ANS**.
- Step 15** In card view, display the 40-DMX-C card for Side *x* and complete the following:
- Click the **Provisioning > Optical Line > Parameters** tabs and record the VOA Attenuation Ref. value *y*.
 - Set the VOA Attenuation Calib. to $-y$.
 - Choose **OOS,MT (ANSI)** or **Locked,maintenance (ETSI)** from the Admin State drop-down list.
 - Click **Apply**.
- Step 16** In card view, display the 40-MUX-C card for Side *x*. Click the **Provisioning > Optical Line > Parameters** tabs, and choose **OOS,MT (ANSI)** or **Locked,maintenance (ETSI)** from the Admin State drop-down list. Click **Apply**.
- Step 17** In card view, display the booster amplifier card for Side *x*. Click the **Inventory > Info** tabs and record the IL02 (LINE RX->COM TX) insertion loss value.
- Step 18** In card view, display the transponder card and click the **Provisioning > Line** tabs. For trunk port, choose **OOS,MT (ANSI)** or **Locked,maintenance (ETSI)** from the Admin State drop-down list and click **Apply**.
- Step 19** In card view, display the booster amplifier card for Side *x*, and complete the following:
- Click the **Provisioning > Optical Line > Parameters** tabs and record the Power value of the COM-TX port.
 - Verify the power value of the COM-TX port = (Optical power meter value in [Step 9](#)) – (LINE RX->COM TX insertion loss value read in [Step 17](#)) (+/- 1 dB).

- Step 20** In card view, display the preamplifier card (OPT-PRE, OPT-AMP-C, or OPT-AMP-17C) for Side *x* and complete the following:
- Click the **Provisioning > Optical Line > Parameters** tabs and record the Power value of the COM-RX port.
 - Verify that the COM-RX power value matches the value in [Step 19b](#) (+/- 1 dB).
 - Click the **Provisioning > Opt. Ampli. Line > Parameters** tabs and record the Total Output Power value of the COM-TX port.
 - Verify that the value is +8 dBm (+/- 1 dB).
- Step 21** In card view, display the 40-WXC-C card for Side *x* and complete the following:
- Click the **Provisioning > Optical Line > Parameters** tabs and record the Power value of the COM-RX port.
 - Verify that the value matches the COM-TX port power value in [Step 20c](#) (+/- 1dB).
 - Click the **Inventory > Info** tabs and record the CRX -> EXP insertion loss.
 - Record the CRX -> DROP insertion loss.
 - Click the **Provisioning > Optical Line > Parameters** tabs and record the Power value of the EXP-TX port.
 - On the same screen, record the Power value of the DROP-TX port.
 - Verify that the EXP-TX Power value in [Step 21e](#) = (COM-RX value in [Step 21a](#)) – (CRX -> EXP value in [Step 21c](#)) (+/- 1 dB).
 - Verify that the DROP-TX value in [Step 21f](#) = (COM-RX value in [Step 21a](#)) – (CRX -> DROP value in [Step 21d](#)) (+/- 1 dB).
- Step 22** In card view, display the 40-DMX-C card for Side *x* and complete the following:
- Click the **Provisioning > Optical Line > Parameters** tabs and record the Power value of the COM-RX port.
 - Verify that the COM-RX power value in Step a matches the value in [Step 21f](#) (+/- 1 dB).
 - Click the **Inventory > Info** tabs and record the 1RX -> xTX insertion loss (where *x* is the channel number associated with yyyy.yy wavelength).
 - Click the **Provisioning > Optical Chn > Parameters** tabs and record the Power value of the CHAN-TX port associated with yyyy.yy wavelength.
 - Verify that the CHAN-TX port Power value = (COM-RX power value in [Step 22a](#)) – (1RX -> xTX insertion loss value in [Step 22c](#)) (+/- 1 dB).
- Step 23** In card view, display the 40-MUX-C card for Side *x* and complete the following:
- Click the **Provisioning > Optical Chn > Parameters** tabs and record the Power value of the CHAN-RX port associated with the selected yyyy.yy wavelength.
 - Verify that the CHAN-RX value in [Step 23a](#) = (CHAN-TX value in [Step 22d](#)) (+/- 1.5 dB).
 - Click the **Inventory > Info** tabs and record the xRX -> 1TX insertion loss (where *x* is the channel number associated with yyyy.yy wavelength).
 - Click the **Provisioning > Optical Line > Parameters** tabs, record the Power value of the COM-TX port.
 - Verify that the COM-TX Power value = (CHAN-RX value in [Step 23a](#)) – (yRX -> 1TX value in [Step 23c](#)) (+/- 1 dB).

- Step 24** In card view, display the 40-WXC-C card for Side *x* and complete the following:
- Click the **Maintenance > OCHNC** tabs, and in the Insert Value section, set the available parameters as follows:
 - Target Power (dBm) = **-18.0**



Note The target power is not set if the power value is higher than the channel power that is allocated and equalized.

- Input port = **9** (ADD-RX)
 - VOA Attenuation (dB) = **13**
 - Wavelength = yyyy.yy (wavelength selected in [Step 7](#))
- Click **Apply**.
 - In the Return Value COM-TX section on selected Wavelength area, click **Refresh** and verify that the Actual Power (dBm) is the Target Power from [Step 24a](#) +\– 0.5 dB. If the channel does not come up, reduce VOA Attenuation by 5dB in [Step 24a](#) until the target power is reached.
 - Click the **Provisioning > Optical Line > Parameters** tabs and record the Power value of the COM-TX port.
 - Verify that the COM-TX Power value matches the Actual Power value in [Step 24c](#) (+\– 1 dB).

- Step 25** In card view, display the booster amplifier card for Side *x*, and complete the following:
- Click the **Provisioning > Optical Line > Parameters** tabs and record the Power value of the COM-RX port.
 - Verify COM-RX Power value matches the COM-TX Power value in [Step 24d](#) (+\– 1 dB).
 - Click the **Provisioning > Opt. Ampli. Line > Parameters** tabs and record the Power value of the LINE-TX port.
 - Verify that the LINE-TX value matches the power on the LINE-TX port of the booster amplifier on Side *x* recorded in [Step 13b](#) (+\– 1 dB).
 - Record the optical power meter value.
 - Verify that the optical power meter value matches the LINE-TX value in [Step 25c](#) (+\– 1 dB).

- Step 26** Select the 40-WXC-C card on Side *n* where *n* is A, B, C, D, E, F, G, or H but *n* is not equal to *x*, go to the card view and complete the following:

- Click the **Maintenance > OCHNC** tabs, and in the Insert Values section, set the available parameters as follows:
 - Target Power (dBm) = **-22.0**



Note The target power is not set if the power value is higher than the channel power that is allocated and equalized.

- Input port = *x* (EXP-RX)
 - VOA Attenuation (dB) = **20**
 - Wavelength = yyyy.yy (wavelength selected in [Step 7](#))
- Click **Apply**.

- c. In the Return Value COM-TX on selected Wavelength area, click **Refresh** and verify that the Actual Power (dBm) is Target Power of [Step 26a](#) ± 0.5 dB. If the channel does not come up, reduce VOA Attenuation by 5dB in [Step 26a](#) until the target power is reached.
 - d. Click the **Provisioning > Optical Line > Parameters** tabs and record the Power value of the COM-TX port.
 - e. Verify that the value of the COM-TX port matches the Actual Power value in [Step 26c](#) (± 1 dB).
 - f. Click the **Maintenance > OCHNC** tabs. In the Return Value COM-TX on selected Wavelength area, click **Refresh** and then **Delete**.
- Step 27** Repeat [Step 26](#) for all the others of Side n , where n is A, B, C, D, E, F, G, or H but n not equal to x .
- Step 28** In card view, display the 40-WXC-C card for Side x and click the **Maintenance > OCHNC** tabs. In the Return Value COM-TX on selected Wavelength area, click **Refresh** and then **Delete**.
- Step 29** In card view, display the transponder card and click the **Provisioning > Line** tabs. For trunk port, choose **OOS,DSBLD (ANSI)** or **Locked,disabled (ETSI)** from the Admin State drop-down list. Click **Apply**.
- Step 30** To test all wavelengths, repeat [Step 7](#) through [Step 29](#) for each wavelength. In [Step 7](#), set the wavelength to the next odd wavelength.
- Step 31** Disconnect the optical power meter from the LINE-TX port of the booster amplifier of the Side x .
- Step 32** Disconnect the transponder output port (with the 15-dB attenuator) from the LINE-RX port of the booster amplifier of the Side x .
- Step 33** In card view, display the 40-DMX-C card for Side x and click the **Provisioning > Optical Line > Parameters** tabs. Complete the following:
- a. Choose **IS,AINS (ANSI)** or **Unlocked,automaticInService (ETSI)** from the Admin State drop-down list.
 - b. Change the VOA Attenuation Calib. from the existing value to 0 (zero).
 - c. Click **Apply**.
- Step 34** In card view, display the 40-MUX-C card for Side x and click the **Provisioning > Optical Line > Parameters** tabs. Choose **IS,AINS (ANSI)** or **Unlocked,automaticInService (ETSI)** from the Admin State drop-down list and click **Apply**.
- Step 35** In node view (single-shelf mode) or multishelf view (multishelf mode), click the **Provisioning > WDM-ANS > Provisioning** tabs and restore the values recorded in [Step 13a](#) for the following parameters:
- Power on the COM-TX port of preamplifier on Side X
 - Power on the COM-RX port of the 40-WXC-C on Side X
 - Power on the COM-TX port of the 40-WXC-C on Side X
 - Power on the LINE-TX port of the booster amplifier on Side X
- Step 36** Repeat [Steps 5](#) through [35](#) for all the others sides that are being installed.
- Step 37** In node view (single-shelf mode) or multishelf view (multishelf mode), click the **Provisioning > WDM-ANS > Port Status** tabs. Click **Launch ANS**.
- Stop. You have completed this procedure.**
-

NTP-G189 Perform the Node Upgrade Acceptance Test

Purpose	This procedure checks the connections and the output power values for a node in an upgraded ring. The upgraded node connects an existing in-service ROADM node with two sides (each equipped with MMU cards) to a native mesh node with two sides.
Tools/Equipment	Fully C-band tunable transponder or tunable laser source with an LC patchcord 1 15-dB LC attenuator 1 optical power meter with LC input connector 2 LC-LC patchcords (or at least one for each native side) 1 LC-LC adapter
Prerequisite Procedures	Chapter 4, “Turn Up a Node” All sides completely wired (including patch panels), except the connections with the MMU cards in the existing in-service ROADM node; for more information, see Chapter 4, “Turn Up a Node” NTP-G186 Perform the Four-Degree and Eight-Degree Mesh Patch Panel Acceptance Test, page 5-148
Required/As Needed	As needed
Onsite/Remote	Onsite
Security Level	Superuser only

-
- Step 1** Complete the [“DLP-G46 Log into CTC” task on page 3-30](#) at the upgrade node where you want to perform the acceptance test. If you are already logged in, continue with [Step 2](#).
- Step 2** From the View menu, choose **Go to Network View**.
- Step 3** Click the **Alarms** tab.
- Verify that the alarm filter is not on. See the [“DLP-G128 Disable Alarm Filtering” task on page 10-26](#) as necessary.
 - Verify that no equipment alarms appear indicating equipment failure or other hardware problems. (Equipment alarms are indicated by an EQPT in the Alarms tab Cond column.) If equipment failure alarms appear, investigate and resolve them before continuing. Refer to the *Cisco ONS 15454 DWDM Troubleshooting Guide* for procedures.
- Step 4** Insert a full C-band tunable transponder into an available slot for the node that you want to test.
- Step 5** Plug a 15-dB LC attenuator to the TX port of the transponder.
- Step 6** Complete the [“DLP-G432 Set the Transponder Wavelength” task on page 5-158](#) to tune the transponder to a wavelength yyyy.yy that is not used in any of the sides already carrying traffic (or 1530.33 nm if it is a new installation).
- Step 7** Complete the [“DLP-G433 Record Transponder Optical Power” task on page 5-159](#).
- Step 8** Disconnect the optical power meter from the TX port of the transponder card.
- Step 9** Make the following connections:
- Connect the transponder card output port (with the 15-dB attenuator) to the COM-RX port of the 40-WXC-C card on Side A.

- b. Connect the optical power meter to the COM-TX port of the 40-WXC-C card on Side A.
- c. Connect, using the LC-LC adapter, the patchcord from the COM-TX port with the patchcord from the COM-RX port of the Side B 40-WXC-C card.

Step 10 In node view (single-shelf mode) or multishelf view (multishelf mode), click the **Provisioning > WDM-ANS > Provisioning** tabs. Complete the following:

- a. Record the values of the following parameters:
 - Power on the COM-TX port of the preamplifier on Side A
 - Power on the COM-RX port of the 40-WXC-C card on Side A
 - Power on the COM-TX port of the 40-WXC-C card on Side A
 - Power Fail Low Th on the COM-RX port of the preamplifier on Side A
 - Power on the COM-TX port of the preamplifier on Side B
 - Power on the COM-RX port of the 40-WXC-C card on Side B
 - Power on the COM-TX port of the 40-WXC-C card on Side B
 - Power Fail Low Th on the COM-RX port of the preamplifier on Side B
- b. Change the values of the parameters as follows:
 - Power on the COM-TX port of the preamplifier on Side A = **1 dBm**
 - Power on the COM-RX port of the 40-WXC-C card on Side A = **-15 dBm**
 - Power on the COM-TX port of the 40-WXC-C card on Side A = **-15 dBm**
 - Power Fail Low Th on the COM-RX port of the preamplifier on Side A = **-30 dBm**
 - Power on the COM-TX port of the preamplifier on Side B = **1 dBm**
 - Power on the COM-RX port of the 40-WXC-C card on Side B = **-15 dBm**
 - Power on the COM-TX port of the 40-WXC-C card on Side B = **-15 dBm**
 - Power Fail Low Th on the COM-RX port of the preamplifier on Side B = **-30 dBm**
- c. Click **Apply**.
- d. In node view (single-shelf mode) or multishelf view (multishelf mode), click the **Provisioning > WDM-ANS > Port Status** tabs. Click **Launch ANS**.

Step 11 Display card view for the OPT-AMP-17 card on Side A and click the **Provisioning > Card** tabs. From the Working Card Mode drop-down list, verify that OPT-PRE appears and if not, choose it. Click **Apply**. Repeat for Side B.

Step 12 Display card view for the transponder card and click the **Provisioning > Line** tabs. Choose **IS** (ANSI) or **Unlocked** (ETSI) from the Admin State drop-down list and click **Apply**.

Step 13 In card view, display the 40-WXC-C card of Side A and complete the following:

- a. Click the **Provisioning > Optical Line > Parameters** tabs. Record the Power value of the COM-RX port.
- b. Verify that the COM-RX value matches the transponder card optical power meter value recorded in [Step 7](#) (+/- 1 dB).
- c. Click the **Inventory > Info** tabs and record the CRX -> EXP insertion loss.
- d. Click the **Provisioning > Optical Line > Parameters** tabs and record the Power value of the EXP-TX port.

- e. Verify that the EXP-TX port power value = (COM-RX port power value in Step a) - (EXP-TX Power value in Step d) (+/- 1 dB).
- Step 14** In card view, display the OPT-AMP-17 card for Side A and complete the “[DLP-434 Record the OPT-AMP-17-C Power Value](#)” task on page 5-165.
- Step 15** In card view, display the 40-WXC-C card for Side B and complete the following:
- Complete the “[DLP-435 Set the 40-WXC-C OCHNC Parameters](#)” task on page 5-166. Set the Input Port on the **Maintenance > OCHNC > Insert Value** tabs to **1**.
 - Click the **Provisioning > Optical Line > Parameters** tabs and record the Power value of the COM-TX port.
 - Click the **Provisioning > Optical Line > Parameters** tabs and record the Power value of the COM-RX port.
 - Verify that the COM-RX Power value matches the COM-TX port Power value in b (+/- 1 dB).
 - Click the **Provisioning > Optical Line > Parameters** tabs and record the Power value of the EXP-TX port.
 - Click the **Inventory > Info** tabs and record the CRX -> EXP insertion loss value.
 - Verify that the EXP-TX port power value = (COM-RX port power value) - (CRX -> EXP insertion loss value) (+/- 1 dB)
- Step 16** In card view, display the OPT-AMP-17 card for Side B and complete the “[DLP-434 Record the OPT-AMP-17-C Power Value](#)” task on page 5-165.
- Step 17** In card view, display the 40-WXC-C for Side A and complete the “[DLP-435 Set the 40-WXC-C OCHNC Parameters](#)” task on page 5-166. Set the Input Port on the **Maintenance > OCHNC > Insert Value** tabs to **2**.
- Step 18** In card view, display the 40-WXC-C for Side C and complete the “[DLP-435 Set the 40-WXC-C OCHNC Parameters](#)” task on page 5-166. Set the Input Port on the **Maintenance > OCHNC > Insert Value** tabs to **1**.
- Step 19** In card view, display the 40-WXC-C for Side D and complete the “[DLP-435 Set the 40-WXC-C OCHNC Parameters](#)” task on page 5-166. Set the Input Port on the **Maintenance > OCHNC > Insert Value** tabs to **1**.
- Step 20** In card view, display the 40-WXC-C for Side A and click the **Maintenance > OCHNC** tabs. In the Return Value COM-TX on selected Wavelength area, click **Refresh** and then **Delete**. Repeat for Sides B, C, and D of the 40-WXC-C card.
- Step 21** Display card view for the transponder card and choose **OOS,DSBLD (ANSI)** or **Locked,disabled (ETSI)** from the Admin State drop-down list.
- Step 22** Disconnect the patchcord in the COM-TX port from the patchcord in the COM-RX port of Side B of the 40-WXC-C card.
- Step 23** Connect, using the LC-LC adapter, the patchcord from the COM-TX port with the patchcord in the COM-RX port for Side A of the 40-WXC-C card.
- Step 24** Complete the “[DLP-G432 Set the Transponder Wavelength](#)” task on page 5-158 to tune the transponder to the wavelength set in Step 6.
- Step 25** Connect the transponder card output port (with the 15-dB attenuator) to the COM-RX port of the 40-WXC-C card on Side B.
- Step 26** Display card view for the transponder card. Click the **Provisioning > Line** tabs, and choose **IS (ANSI)** or **Unlocked (ETSI)** from the Admin State drop-down list.

- Step 27** In card view, display the 40-WXC-C card for Side A and complete the “[DLP-435 Set the 40-WXC-C OCHNC Parameters](#)” task on page 5-166. Set the Input Port on the **Maintenance > OCHNC > Insert Value** tabs to **2**.
- Step 28** In card view, display the 40-WXC-C for Side B and complete the “[DLP-435 Set the 40-WXC-C OCHNC Parameters](#)” task on page 5-166. Set the Input Port on the **Maintenance > OCHNC > Insert Value** tabs to **1**.
- Step 29** In card view, display the 40-WXC-C for Side C and complete the “[DLP-435 Set the 40-WXC-C OCHNC Parameters](#)” task on page 5-166. Set the Input Port on the **Maintenance > OCHNC > Insert Value** tabs to **2**.
- Step 30** In card view, display the 40-WXC-C for Side D and complete the “[DLP-435 Set the 40-WXC-C OCHNC Parameters](#)” task on page 5-166. Set the Input Port on the **Maintenance > OCHNC > Insert Value** tabs to **2**.
- Step 31** In card view, display the 40-WXC-C for Side B and click the **Maintenance > OCHNC** tabs. In the Return Value COM-TX on selected Wavelength area, click **Refresh** and then **Delete**. Repeat for Sides A, C, and D of the 40-WXC-C card.
- Step 32** Display the card view for the transponder card. Click the **Provisioning > Line** tabs, and choose **OOS,DSBLD (ANSI)** or **Locked,disabled (ETSI)** from the Admin State drop-down list.
- Step 33** In node view (single-shelf mode) or multishelf view (multishelf mode), click the **Provisioning > WDM-ANS > Provisioning** tabs. Restore the values recorded in [Step 10a](#) for the following parameters:
- Power on the COM-TX port of the preamplifier on Side A
 - Power on the COM-RX port of the 40-WXC-C card on Side A
 - Power on the COM-TX port of the 40-WXC-C card on Side A
 - Power Fail Low Th on the COM-RX port of the preamplifier on Side A
 - Power on the COM-TX port of the preamplifier on Side B
 - Power on the COM-RX port of the 40-WXC-C card on Side B
 - Power on the COM-TX port of the 40-WXC-C card on Side B
 - Power Fail Low Th on the COM-RX port of the preamplifier on Side B
- Step 34** In node view (single-shelf mode) or multishelf view (multishelf mode), click the **Provisioning > WDM-ANS > Port Status** tabs. Click **Launch ANS**.
- Step 35** Disconnect the patchcord in the COM-TX port from the patchcord in the COM-RX port of Side A of the 40-WXC-C card.
- Step 36** Make the following connections:
- a. Connect the transponder output port (with the 15-dB attenuator) to the LINE-RX port of the booster amplifier of Side C.
 - b. Connect the optical power meter to the LINE-TX port of the booster amplifier of Side C.
 - c. Connect the client TX of lambda yyyy.yy to the client RX of lambda yyyy.yy on the Side C patch panel.
- Step 37** In node view (single-shelf mode) or multishelf view (multishelf mode), click the **Provisioning > WDM-ANS > Provisioning** tabs and complete the following:
- a. Record the actual values of the following parameters:
 - Power on the COM-TX port of the preamplifier on Side X
 - Power on the COM-RX port of the 40-WXC-C card on Side X
 - Power on the COM-TX port of the 40-WXC-C card on Side X

- Power on the LINE-TX port of the booster amplifier on Side X
 - b. Set the values of the parameters as follows:
 - Power on the COM-TX port of the preamplifier on Side X = **8 dBm**
 - Power on the COM-RX port of the 40-WXC-C card on Side X = **8 dBm**
 - Power on the COM-TX port of the 40-WXC-C card on Side X = **-18 dBm**
 - Power on the LINE-TX port of the booster amplifier on Side X = **-8 dBm**
 - c. Click **Apply**.
- Step 38** In node view (single-shelf mode) or multishelf view (multishelf mode), click the **Provisioning > WDM-ANS > Port Status** tabs. Click **Launch ANS**.
- Step 39** In card view, display the 40-DMX-C card for Side C and complete the following:
- a. Click the **Provisioning > Optical Line > Parameters** tabs and record the VOA Attenuation Ref. value *y*.
 - b. Set the VOA Attenuation Calib. to $-y$.
 - c. Choose **OOS,MT (ANSI)** or **Locked,maintenance (ETSI)** from the Admin State drop-down list.
 - d. Click **Apply**.
- Step 40** In card view, display the 40-MUX-C card for Side C and click the **Provisioning > Optical Line > Parameters** tabs. Choose **OOS,MT (ANSI)** or **Locked,maintenance (ETSI)** from the Admin State drop-down list and click **Apply**.
- Step 41** In card view, display the booster amplifier card for Side C. Click the **Inventory > Info** tabs and record the LINE-RX -> COM TX insertion loss.
- Step 42** Display the transponder card in card view and click the **Provisioning > Line** tabs. Choose **IS (ANSI)** or **Unlocked (ETSI)** from the Admin State drop-down list and click **Apply**.
- Step 43** In card view, display the booster amplifier card for Side C and complete the following:
- a. Click the **Provisioning > Optical Line > Parameters** tabs and record the Power value of the COM-TX port.
 - b. Verify the COM-TX Power value = (Optical power meter value) – (LINE RX -> COM TX insertion loss value in [Step 41](#)) (+/- 1 dB).
- Step 44** In card view, display the preamplifier card for Side C and complete the following:
- a. Click the **Provisioning > Optical Line > Parameters** tabs and record the Power value of the COM-RX port.
 - b. Verify that the COM-RX Power value matches the COM-TX port Power value in [Step 43a](#) (+/- 1 dB).
 - c. Click the **Provisioning > Opt. Ampli. Line > Parameters** tabs and record the Total Output Power value of the COM-TX port.
 - d. Verify that the COM-TX Total Output Power value is 8 dBm (+/- 1 dB).
- Step 45** In card view, display the 40-WXC-C card for Side C and complete the following:
- a. Click the **Provisioning > Optical Line > Parameters** tabs and record the Power value of the COM-RX port.
 - b. Verify that the COM-RX power value matches the Total Output Power value of the COM-TX port value in [Step 44c](#) (+/- 1 dB).
 - c. Click the **Inventory > Info** tabs and record the CRX -> EXP insertion loss.

- d. Record the CRX -> DROP insertion loss.
- e. Click the **Provisioning > Optical Line > Parameters** tabs and record the Power value of the EXP-TX port.
- f. Click the **Provisioning > Optical Line > Parameters** tabs and record the Power value of the DROP-TX port.
- g. Verify that the EXP-TX Power value in Step e = (COM-RX value in Step a) - (CRX -> EXP value in Step c) (+/- 1 dB).
- h. Verify that the DROP-TX value in Step f = (COM-RX value in Step a) - (CRX -> DROP value in Step d) (+/- 1 dB).

Step 46 In card view, display the 40-DMX-C card for Side C and complete the following:

- a. Click the **Provisioning > Optical Line > Parameters** tabs and record the Power value of the COM-RX port.
- b. Verify that the COM-RX port Power value in Step a matches the COM-TX port Power value in [Step 45b](#) (+/- 1 dB).
- c. Click the **Inventory > Info** tabs and record the 1RX -> yTX insertion loss (where y is the channel number associated with yyyy.yy wavelength).
- d. Click the **Provisioning > Optical Chn > Parameters** tabs and record the Power value of the CHAN-TX port associated with yyyy.yy wavelength.
- e. Verify that the CHAN-TX Power value = (COM-RX Power value in Step a) - (1RX -> yTX insertion loss value in Step c) (+/- 1 dB).

Step 47 In card view, display the 40-MUX-C card for Side C and complete the following:

- a. Click the **Provisioning > Optical Chn > Parameters** tabs and record the Power value of the CHAN-RX port associated with yyyy.yy wavelength.
- b. Verify that the CHAN-RX value matches the CHAN-TX Power value in [Step 46d](#) (+/- 1.5 dB).
- c. Click the **Inventory > Info** tabs and record the yRX -> 1TX insertion loss (where y is the channel number associated with yyyy.yy wavelength).
- d. In the **Provisioning > Optical Line > Parameters** tabs, record the Power value of the COM-TX port.
- e. Verify that the COM-TX Power value = (CHAN-RX Power value in Step a) - (yRX -> 1TX insertion loss value in Step c) (+/- 1 dB).


Step 48 In card view, display the 40-WXC-C card for Side C, and complete the following:

- a. Click the **Maintenance > OCHNC > Insert Value** tabs, and set the available parameters as follows:
 - Target Power (dBm) = **-18.0**



Note The target power is not set if the power value is higher than the channel power that is allocated and equalized.

- Input port = **9** (ADD-RX)
- VOA Attenuation (dB) = **13**
- Wavelength = yyyy.yy (value set in [Step 6](#))
- b. Click **Apply**.

- c. Click the **Maintenance > OCHNC** tabs. In the Return Value COM-TX on selected Wavelength area, click **Refresh** and verify that the Actual Power (dBm) is -18 ± 0.5 dB.
 - d. Click the **Provisioning > Optical Line > Parameters** tabs and record the Power value of the COM-TX port.
 - e. Verify that the COM-TX Power value matches the Actual Power value in Step c (± 1 dB).
- Step 49** In card view, display the booster amplifier card for Side C, and complete the following:
- a. Click the **Provisioning > Optical Line > Parameters** tabs and record the Power value of the COM-RX port.
 - b. Click the **Provisioning > Opt. Ampli. Line > Parameters** tabs and record the Power value of the LINE-TX port.
 - c. Verify that the LINE-TX value matches the Side C Tx Amplifier Ch Power recorded in [Step 37a](#) (± 1 dB).
 - d. Record the optical power meter value.
 - e. Verify that the optical power meter value matches the LINE-TX Power value in Step b (± 1 dB).
- Step 50** In card view, display the 40-WXC-C card for Side C, and click the **Maintenance > OCHNC** tabs. In the Return Value COM-TX on selected Wavelength area, click **Refresh** and then **Delete**.
- Step 51** Display Side A of the 40-WXC-C card in card view, and complete the following:
- a. Click the **Maintenance > OCHNC > Insert Value** tabs, and set the available parameters as follows:
 - Target Power (dBm) = **-18.0**
-
-  **Note** The target power is not set if the power value is higher than the channel power that is allocated and equalized.
-
- Input port = **3** (EXP-RX)
 - VOA Attenuation (dB) = **13**
 - Wavelength = yyyy.yy (value set in [Step 6](#))
- b. Click **Apply**.
 - c. In the Return Value COM-TX on selected Wavelength area, click **Refresh** and verify that the Actual Power (dBm) is -18 ± 0.5 dB.
 - d. Click the **Provisioning > Optical Line > Parameters** tabs and record the Power value of the COM-TX port.
 - e. Verify that the value of the COM-TX port matches the Actual Power value in Step c (± 1 dB).
 - f. Click the **Maintenance > OCHNC** tabs. In the Return Value COM-TX on selected Wavelength area, click **Refresh** and then **Delete**.
- Step 52** Repeat [Step 51](#) for the 40-WXC-C card of Side B.
- Step 53** Repeat [Step 51](#) for the 40-WXC-C card of Side D.
- Step 54** Display card view for the transponder card and choose **OOS,DSBLD (ANSI)** or **Locked,disabled (ETSI)** from the Admin State drop-down list.
- Step 55** Connect the transponder output port (with the 15-dB attenuator) to the Line RX port of the booster amplifier of Side D.
- Step 56** Complete the “[DLP-G432 Set the Transponder Wavelength](#)” task on page 5-158 to tune the transponder to the next odd wavelength after yyyy.yy nm.

Step 57 Disconnect the patchcord between the client TX of lambda yyyy.yy from the client RX of lambda yyyy.yy on the Side C patch panel. Use this patchcord to connect the client TX of lambda yyyy.yy to the client RX of lambda yyyy.yy on the Side D patch panel. Note that yyyy.yy was recorded in [Step 6](#).

Step 58 Repeat Steps [37](#) to [51](#) for Side D.

Step 59 Display Side A of the 40-WXC-C card in card view, and complete the following:

- a. Click the **Maintenance > OCHNC > Insert Value** tabs, and set the available parameters as follows:
 - Target Power (dBm) = **-18.0**



Note The target power is not set if the power value is higher than the channel power that is allocated and equalized.

- Input port = **4** (EXP-RX)
- VOA Attenuation (dB) = **13**
- Wavelength = yyyy.yy (value set in [Step 6](#))

- b. Click **Apply**.
- c. In the Return Value COM-TX on selected Wavelength area, click **Refresh** and verify that the Actual Power (dBm) is -18 ± 0.5 dB.
- d. Click the **Provisioning > Optical Line > Parameters** tabs and record the Power value of the COM-TX port.
- e. Verify that the value of the COM-TX port matches the Actual Power value in [Step c](#) (± 1 dB).
- f. Click the **Maintenance > OCHNC** tabs. In the Return Value COM-TX on selected Wavelength area, click **Refresh** and then **Delete**.

Step 60 Repeat [Step 59](#) for the 40-WXC-C card of Side B.

Step 61 Repeat [Step 59](#) for the 40-WXC-C card of Side C.

Step 62 Disconnect the optical power meter from the LINE-TX port of the booster amplifier of Side D.

Step 63 Disconnect the transponder output port (with the 15-dB attenuator) from the LINE-RX port of the booster amplifier of the Side *x*.

Step 64 In card view, display the 40-DMX-C card for Side C, and complete the following:

- a. Click the **Provisioning > Optical Line > Parameters** tabs.
- b. Choose **IS,AINS** (ANSI) or **Unlocked,automaticInService** (ETSI) from the Admin State drop-down list.
- c. Set the VOA Attenuation Calib to 0 (zero).
- d. Click **Apply**.

Step 65 In card view, display the 40-MUX-C card for Side C and click the **Provisioning > Optical Line > Parameters** tabs. Choose **IS,AINS** (ANSI) or **Unlocked,automaticInService** (ETSI) from the Admin State drop-down list and click **Apply**.

Step 66 Repeat Steps [64](#) and [65](#) for Side D.

Step 67 In node view (single-shelf mode) or multishelf view (multishelf mode), click the **Provisioning > WDM-ANS > Provisioning** tabs and restore the values recorded in [Step 37a](#) for the following parameters for Sides C and D:

- Power on the COM-TX port of the preamplifier on Side X

- Power on the COM-RX port of the 40-WXC-C card on Side X
- Power on the COM-TX port of the 40-WXC-C card on Side X

Step 68 In node view (single-shelf mode) or multishelf view (multishelf mode), click the **Provisioning > WDM-ANS > Port Status** tabs. Click **Launch ANS**.

Step 69 Restore the connections to the MMU cards of the four sides using the patchcords tested in this procedure:

- Connect the patchcord from the COM-TX port of the 40-WXC-C card on Side A to the EXP-A-RX port of the MMU in the lowest slot of the upgraded ROADM node.
- Connect the patchcord from the COM-RX port of the 40-WXC-C card on Side A to the EXP-A-TX port of the MMU in the lowest slot of the upgraded ROADM node.
- Connect the patchcord from the COM-TX port of the 40-WXC-C card on Side B to the EXP-A-RX port of the MMU in the highest slot of the upgraded ROADM node.
- Connect the patchcord from the COM-RX port of the 40-WXC-C card on Side B to the EXP-A-TX port of the MMU in the highest slot of the upgraded ROADM node.

Stop. You have completed this procedure.

NTP-G243 Perform the Two-Degree ROADM Node with 40-SMR-1-C and OPT-AMP-17-C Cards Acceptance Test

Purpose	This procedure tests a two-degree ROADM node with 40-SMR-1-C and OPT-AMP-17-C cards installed.
Tools/Equipment	One of the following: <ul style="list-style-type: none"> • A tunable laser • TXP_DME_10E_C An optical power meter or optical spectrum analyzer Two bulk attenuators (10 dB) with LC connectors
Prerequisite Procedures	“NTP-G143 Import the Cisco TransportPlanner NE Update Configuration File” task on page 4-49 “NTP-G30 Install the DWDM Cards” task on page 4-64 “NTP-G34 Install Fiber-Optic Cables on DWDM Cards and DCUs” task on page 4-78 “NTP-G37 Run Automatic Node Setup” task on page 4-128
Required/As Needed	As needed
Onsite/Remote	Onsite
Security Level	Superuser only

Step 1 Complete the [“DLP-G46 Log into CTC” task on page 3-30](#) at the node where you want to perform the acceptance test. If you are already logged in, continue with [Step 2](#).

- Step 2** On the 40-SMR-1-C card on Side A, do the following steps:
- a. Remove the LC connectors between the ADD/DROP ports of the 40-SMR-1-C card and the MUX and DMX units.
 - b. Create a physical loopback by connecting a fiber optic jumper between the ADD and DROP ports.
- Step 3** Retrieve the power set point of the DROP-TX port of the 40-SMR-1-C card on Side A. To view this set point, do the following:
- a. Go to node view (single-shelf mode) or multishelf view (multishelf mode) and click the **Provisioning > WDM-ANS > Provisioning** tabs.
 - b. In the Selector window on the left, expand the 40-SMR-1-C card on Side A.
 - c. Expand the Port DROP-TX category.
 - d. Select Power.
 - e. Record the value of the Shelf *i* Slot *i* (40-SMR-1-C).Port DROP-TX.Power parameter in the right pane.
 - f. If the value of the Power set point is greater than -6dBm, continue with [Step 4](#), else edit the Power set point to -6dBm and complete the [“NTP-G37 Run Automatic Node Setup” procedure on page 4-128](#).
- This will ensure there is enough power to perform the optical validation procedure.
- Step 4** Display the OPT-AMP-17-C on Side A in card view, and complete the following steps:
- a. Click the **Maintenance > ALS** tabs.
 - b. From the ALS Mode pull-down menu, select **Disable**.
- Step 5** Connect a tunable laser or a fully tunable TXP_DME_10E_C card to the LINE RX port of the OPT-AMP-17-C card on Side A. Connect a 10dB bulk attenuator to the fiber or regulate the output power of the tunable laser to -10dBm.
- Step 6** Create an OCHNC DCN for channel 1 on Side A related to the ADD-DROP path using the [“DLP-G105 Provision Optical Channel Network Connections” task on page 8-23](#). The circuit must be bidirectional connecting the ADD-RX port of the 40-SMR-1-C card to the LINE-TX port of the OPT-AMP-17-C card and vice-versa (LINE-RX port of the OPT-AMP-17-C card to the DROP-TX port of the 40-SMR-1-C card)
- Step 7** Set the tunable laser or the TXP_DME_10E_C card to the first wavelength of the 100-GHz ITU-T C-band grid (1530.33 nm) and place the trunk port of the TXP_DME_10E_C card in the In-Service (IS) state.
- Step 8** Verify the power levels of channel 1 by performing the following steps:
- a. Check the optical connection between the OPT-AMP-17-C and 40-SMR-1-C cards. The power difference between the COM-TX port of OPT-AMP-17-C and the LINE-RX port of 40-SMR-1-C must not exceed of +/- 1.5dB.
 - b. Check the following parameters of the RX-amplifier in the 40-SMR-1-C card:
 - The Working mode on the EXP-TX port must be the same as the ANS set point value that is set to Gain.
 - The total power on the EXP-TX port must be equal to Channel Power Ref. with a tolerance +/-1.5dB.
 - The DCU insertion loss must be equal to the power difference between the DC-TX and DC-RX ports and the absolute value of the DCU insertion loss must be less than 11dB.

- c. Check the parameters of the drop VOA in the 40-SMR-1-C card. The value of the VOA Attenuation parameter on the DROP-TX port must be equal to the value of the VOA Attenuation Ref. parameter with a tolerance of +/-1.0dB.
 - d. Check the following parameters of the add VOA in the 40-SMR-1-C card:
 - In the card view, click the **Provisioning > OCH > Parameters** tabs.
 - Select the first channel from the Wavelength drop-down list and click **Retrieve**. The optical path from the ADD-RX port to the LINE-TX port is highlighted.
 - Verify if the value of the Power To parameter is the same as that of the VOA Power Ref. parameter with a tolerance +/-1.0dB.
 - e. Check the optical connection between the 40-SMR-1-C and OPT-AMP-17-C card. The power difference between the LINE-TX port of the 40-SMR-1-C card and the COM-RX port of the OPT-AMP-17-C card must not exceed +/- 1.5dB.
 - f. Check the following parameters of the OPT-AMP-17-C card:
 - The Working mode on the LINE-TX port must be the same as the ANS set point value that is set to Gain.
 - The value of the Gain parameter must be equal to the Gain set point +/-1.0dB. The gain set point for the OPT-AMP-17-C card is 17dB.
- Step 9** Delete the OCHNC DCN circuit for channel 1 on Side A that is related to the ADD-DROP path created in [Step 6](#) using the [“DLP-G106 Delete Optical Channel Network Connections”](#) task on page 8-26.
- Step 10** Create an OCHNC DCN circuit for channel 1 on Side A related to the EXP path using the [“DLP-G105 Provision Optical Channel Network Connections”](#) task on page 8-23. The circuit must be bidirectional and connects the LINE-RX port of the OPT-AMP-17-C card on Side A to the LINE-TX port of the OPT-AMP-17-C card on Side B.
- Step 11** Verify the power levels of channel 1 by performing the following steps:
- a. Check the optical connection between the OPT-AMP-17-C and 40-SMR-1-C card on Side A. The power difference between the COM-TX port of OPT-AMP-17-C and the LINE-RX port of 40-SMR-1-C must not exceed +/- 1.5dB.
 - b. Check the following parameters of the RX-amplifier in the 40-SMR-1-C card:
 - The Working mode on the EXP-TX port must be the same as the ANS set point value that is set to Gain.
 - The total power on the EXP-TX port must be equal to Channel Power Ref. with a tolerance +/-1.5dB.
 - The DCU insertion loss must be equal to the power difference between the DC-TX and DC-RX ports and the absolute value of the DCU insertion loss must be less than 11dB.
 - c. Check the optical connection between 40-SMR-1-C on Side A and 40-SMR-1-C on Side B. The power difference between the EXP-TX port and the EXP-RX port must not exceed +/- 1.5dB.
 - d. Check the parameters of the pass-through VOA in the 40-SMR-1-C card on Side B:
 - In the card view, click the **Provisioning > OCH > Parameters** tabs.
 - Select the first channel from the Wavelength drop-down list and click **Retrieve**. The optical path from the EXP-RX port to the LINE-TX port is highlighted.
 - Verify if the value of the Power To parameter is the same as the value of the VOA Power Ref. parameter with a tolerance +/-1.0dB.

- e. Check the optical connection between the 40-SMR-1-C and OPT-AMP-17-C card on Side B. The power difference between the LINE-TX port of the 40-SMR-1-C card and the COM-RX port of the OPT-AMP-17-C card must not exceed +/- 1.5dB.
 - f. Check the following parameters of the OPT-AMP-17-C card on Side B:
 - The Working mode on the LINE-TX port must be the same as the ANS set point value that is set to Gain.
 - The value of the Gain parameter must be equal to the Gain set point +/-1.0dB. The gain set point for the OPT-AMP-17-C card is 17dB.
- Step 12** Turn off the laser or place the trunk port of the TXP card in OutofService (OOS) state and delete the OCHNC DCN circuit on Side A related to channel 1 created in [Step 10](#) using the “[DLP-G106 Delete Optical Channel Network Connections](#)” task on page 8-26.
- Step 13** Set the tunable laser or the TXP_DME_10E_C card to the second wavelength of the 100-GHz ITU-T C-band grid and place the trunk port of the TXP_DME_10E_C card in the In-Service (IS) state. Repeat [Step 6](#) through [Step 12](#) for the second wavelength.
- Step 14** Repeat [Step 13](#) for the remaining 38 wavelengths on Side A.
- Step 15** Delete the OCHNC DCN circuit related to channel 40 using the “[DLP-G106 Delete Optical Channel Network Connections](#)” task on page 8-26 and turn off the laser or place the trunk port of the TXP_DME_10E_C card in OutofService (OOS) state.
- Step 16** On the 40-SMR-1-C card on Side A, do the following steps:
- a. Remove the physical loopback between the ADD and DROP ports on the 40-SMR-1-C card created in [Step 2](#).
 - b. Reconnect the DROP-TX port to the RX port on the DMX side of the 15216-MD-40-ODD, 15216-EF-40-ODD, or 15216-MD-48-ODD patch panel.
- Step 17** On the 15216-MD-40-ODD, 15216-EF-40-ODD, or 15216-MD-48-ODD unit on Side A, do the following steps:
- a. Create a physical loopback between the MUX and DMX ports on the 15216-MD-40-ODD, 15216-EF-40-ODD, or 15216-MD-48-ODD unit.
 - b. Connect the TX port on the MUX side of the 15216-MD-40-ODD, 15216-EF-40-ODD, or 15216-MD-48-ODD unit to a power meter. If the power meter is not available, reconnect the TX port of the 15216-MD-40-ODD, 15216-EF-40-ODD, or 15216-MD-48-ODD unit to the ADD-RX port of the 40-SMR-1-C card on Side A.
- Step 18** Create an OCHNC DCN for channel 1 on Side A related to the ADD-DROP path as done in [Step 6](#).
- Step 19** Set the tunable laser or the TXP_DME_10E_C card to the first wavelength of the 100-GHz ITU-T C-band grid (1530.33 nm) and place the trunk port of the TXP_DME_10E_C card in the In-Service (IS) state.
- Step 20** To verify the insertion loss on the optical path of the 15216-MD-40-ODD, 15216-EF-40-ODD, or 15216-MD-48-ODD unit, do the following steps:
- a. Retrieve the power value on the DROP-TX port of the 40-SMR-1-C card and record it as Pin.
 - b. Measure the optical power on the power meter or the ADD-RX port and record it as Pout.
 - c. Verify that the power difference between the power values obtained in step 21 a. and step 21 b. does not exceed the insertion loss value specified for the 15216-MD-40-ODD, 15216-EF-40-ODD, or 15216-MD-48-ODD unit. (Pin - Pout must be less than 13dB with a tolerance of 1dB).
- Step 21** Turn off the laser or place the trunk port of the TXP card in OutofService (OOS) state and delete the OCHNC DCN circuit on Side A related to channel 1 using the “[DLP-G106 Delete Optical Channel Network Connections](#)” task on page 8-26.

- Step 22** Set the tunable laser or the TXP_DME_10E_C card to the next wavelength of the 100-GHz ITU-T C-band grid (1530.33 nm) and place the trunk port of the TXP_DME_10E_C card in the In-Service (IS) state and repeat [Step 18](#) through [Step 21](#) for the new wavelength.
- Step 23** Restore the initial configuration after checking all the 40 available wavelengths:
- Remove the power meter and reconnect the 15216-MD-40-ODD, 15216-EF-40-ODD, or 15216-MD-48-ODD unit to the ADD-RX port of the 40-SMR-1-C card.
 - Remove the physical loopbacks between the MUX and DMX ports on the 15216-MD-40-ODD, 15216-EF-40-ODD, or 15216-MD-48-ODD unit on Side A.
 - Reset the ALS parameter on the 40-SMR-1-C card. Complete the following:
 - In card view, display the 40-SMR-1-C card on Side A and click the **Maintenance** > **ALS** tabs.
 - From the ALS Mode pull-down menu, select **Auto Restart**.
 - Import the CTP XML file again using the “[NTP-G143 Import the Cisco TransportPlanner NE Update Configuration File](#)” procedure on page 4-49 to overwrite any manual settings.
 - Complete the “[NTP-G37 Run Automatic Node Setup](#)” procedure on page 4-128 and verify that there are no errors.
- Step 24** Repeat all the steps from [Step 2](#) through [Step 23](#) related to Side B.
- Stop. You have completed this procedure.**

NTP-G244 Perform the Four Degree ROADM Node with 40-SMR-2-C Cards Acceptance Test

Purpose	This procedure tests a four-degree ROADM node with 40-SMR-2-C cards installed.
Tools/Equipment	One of the following: <ul style="list-style-type: none"> • A tunable laser • TXP_DME_10E_C <p>An optical power meter or optical spectrum analyzer</p> <p>Two bulk attenuators (10 dB) with LC connectors</p>
Prerequisite Procedures	<p>“NTP-G143 Import the Cisco TransportPlanner NE Update Configuration File” task on page 4-49</p> <p>“NTP-G30 Install the DWDM Cards” task on page 4-64</p> <p>“NTP-G34 Install Fiber-Optic Cables on DWDM Cards and DCUs” task on page 4-78</p> <p>“NTP-G37 Run Automatic Node Setup” task on page 4-128</p>
Required/As Needed	As needed
Onsite/Remote	Onsite
Security Level	Superuser only

-
- Step 1** Complete the “[DLP-G46 Log into CTC](#)” task on page 3-30 at the node where you want to perform the acceptance test. If you are already logged in, continue with [Step 2](#).
- Step 2** On the 40-SMR-2-C card on Side A, do the following steps:
- Remove the LC connectors between the ADD/DROP ports of the 40-SMR-2-C card and the MUX and DMX units.
 - Create a physical loopback by connecting a fiber optic jumper between the ADD and DROP ports.
- Step 3** Retrieve the power set point of the DROP-TX port of the 40-SMR-2-C card on Side A. To view this set point, do the following:
- Go to the multishelf view (multishelf mode) and click the **Provisioning > WDM-ANS > Provisioning** tabs.
 - In the Selector window on the left, expand the shelf.
 - Expand the 40-SMR-2-C card on Side A.
 - Expand the Port DROP-TX category.
 - Select Power.
 - Record the value of the Shelf *i* Slot *i* (40-SMR-2-C).Port DROP-TX.Power parameter in the right pane.
 - If the value of the Power set point is greater than -6dBm, continue with [Step 4](#), else edit the Power set point to -6dBm and complete the “[NTP-G37 Run Automatic Node Setup](#)” procedure on page 4-128.
- This will ensure there is enough power to perform the optical validation procedure.
- Step 4** Display the 40-SMR-2-C card for Side A in card view and complete the following steps:
- Click the **Maintenance > ALS** tabs.
 - From the ALS Mode pull-down menu, select **Disable** for port 8 (LINE-TX).
 - Click **Apply**.
- Step 5** Connect a tunable laser or a fully tunable TXP_DME_10E_C to the LINE RX port of the 40-SMR-2-C card on Side A. Connect a bulk attenuator to the fiber or regulate the output power of the tunable laser to -10dBm.
- Step 6** Create an OCHNC DCN on Side A related to the ADD-DROP path of channel 1 using the “[DLP-G105 Provision Optical Channel Network Connections](#)” task on page 8-22. The circuit must be bidirectional connecting the ADD-RX port to the LINE-TX port of the 40-SMR-2-C card and vice-versa (LINE-RX port to the DROP-TX port of the 40-SMR-2-C card)
- Step 7** Set the tunable laser or the TXP_DME_10E_C card to the first wavelength of the 100-GHz ITU-T C-band grid (1530.33 nm) and place the trunk port of the TXP_DME_10E_C card in the In-Service (IS) state.
- Step 8** Verify the power levels of channel 1 by performing the following steps:
- Check the parameters of the RX-amplifier in the 40-SMR2-C card:
 - In the 40-SMR2-C card view, click the **Provisioning > Opt.Ampli.Line > Parameters** tabs.
 - Verify that the working mode on the EXP-TX port is set to Gain.
 - Record the values of the Total Output Power and Channel Power Ref. parameters.
 - Verify that the value of the Total Output Power is within +/-1.0 dB of the Channel Power Ref. value.

- Record the value of the DCU insertion loss parameter and verify that the value is less than 11 dB.
 - b. Check the parameters of the drop VOA in the 40-SMR-2-C card:
 - Go to the multishelf view (multishelf mode) and click the **Provisioning > WDM-ANS > Port Status** tabs.
 - In the Selector window on the left, expand shelf *i*, where *i* is the shelf you are working on.
 - Expand Slot *i* (40-SMR2-C), where *i* is the slot where the 40-SMR2-C card is located.
 - Expand the Port DROP-TX category.
 - Click the VOA Target Attenuation parameter.
 - Record the VOA target attenuation displayed in the Value field.
 - In the 40-SMR2-C card view, click the **Provisioning > Optical Line > Parameters** tabs.
 - Record the VOA Attenuation Ref. value on Port 6 (DROP-TX).
 - Verify that the value of the VOA Target Attenuation parameter recorded above is equal to the value of the VOA Attenuation Ref. parameter on the DROP-TX port with a tolerance +/-1.0 dB.
 - c. Check the parameters of the add VOA in the 40-SMR-2-C card:
 - In the 40-SMR-2-C card view, click the **Provisioning > OCH > Parameters** tabs.
 - Select the required channel from the Wavelength drop-down list and click **Retrieve**. The optical path from the ADD-RX port to the LINE-TX port is displayed in the table.
 - Record the values of the Power To and VOA Power Ref. parameters for the ADD-RX to LINE-TX row.
 - Verify that the value of the VOA Power Ref. parameter is equal to the value of the Power To parameter with a tolerance +/-1.0dB.
 - In the 40-SMR-2-C card view, click the **Provisioning > Opt.Ampli.Line > Parameters** tabs.
 - Record the working mode of Port 8 (LINE-TX).
 - Verify that the working mode on the LINE-TX port is set to Gain.
 - Go to the multishelf view (multishelf mode) and click the **Provisioning > WDM-ANS > Port Status** tabs.
 - In the Selector window on the left, expand shelf *i*, where *i* is the shelf you are working on.
 - Expand Slot *i* (40-SMR2-C), where *i* is the slot where the 40-SMR2-C card is located.
 - Expand the Port LINE-TX category.
 - Click the Gain parameter.
 - Record the gain displayed in the Value field.
 - Verify that the gain is equal to 17 dB.
- Step 9** Delete the OCHNC DCN circuit for channel 1 on Side A related to the ADD-DROP path that was created in [Step 6](#) using the “[DLP-G106 Delete Optical Channel Network Connections](#)” task on page 8-25.
- Step 10** Create an OCHNC DCN circuit for channel 1 on Side A related to the EXP-TX path towards Side B using the “[DLP-G105 Provision Optical Channel Network Connections](#)” task on page 8-22. The circuit must be bidirectional and connects the LINE-RX port of the 40-SMR-2-C card on Side A to the LINE-TX port of the 40-SMR-2-C card on Side B.
- Step 11** Verify the power levels of channel 1 by performing the following steps:
- a. Check the parameters of the RX-amplifier in the 40-SMR-2-C card:

- In the 40-SMR2-C card view on Side A, click the **Provisioning > Opt.Ampli.Line > Parameters** tabs.
 - Verify that the working mode on the EXP-TX port is set to Gain.
 - Record the values of the Total Output Power and Channel Power Ref. parameters.
 - Verify that the value of the Total Output Power is within +/-1.0 dB of the Channel Power Ref. value.
- b.** Check the optical connection between Side A and Side B through the 15454-PP-4-SMR patch panel. Depending on the source side, the EXP-*i*-RX port of the destination side varies. Verify the connectivity among the different sides using the 15454-PP-4-SMR patch panel block diagram in the “Node Reference” chapter of the *Cisco ONS 15454 DWDM Reference Manual*. For example, on Side A, EXP-TX is connected to Side B on EXP-1-RX, Side C on EXP-2-RX, and Side D on EXP-3-RX. The power difference between the EXP-TX port and the EXP-*i*-RX port must be less than 7 dB.
- In the 40-SMR2-C card view on Side B, click the **Provisioning > Optical Line > Parameters** tabs.
 - Record the express RX power on Port 10 (EXP-RX 1-2).
 - Compare the express RX power to the total output power recorded in Step 11a.
 - Verify that the absolute value of the total output power minus the express RX power is less than 7 dB.
- c.** Check the parameters of the pass-through VOA and TX-amplifier in the 40-SMR-2-C card on Side B:
- In the card view, click the **Provisioning > OCH > Parameters** tabs.
 - Select the first channel from the Wavelength drop-down list and click **Retrieve**.
 - View the optical path from the EXP-*i*-RX port to the LINE-TX port that is displayed in the table.
 - Verify that the value of the Power To parameter is the same as the value of the Channel Power Ref. parameter with a tolerance +/-1.0dB.
 - Click the **Provisioning > Opt.Ampli.Line > Parameters** tabs.
 - Verify that the working mode on Port 8 (LINE-TX) is set to Gain.
 - Ensure that the value of the gain parameter on Port 8 (LINE-TX) must be equal to 17 dB.
 - The Working mode on the LINE-TX port must be the same as the ANS set point value that is set to Gain.
 - The value of the Gain parameter on the LINE-TX port must be equal to the Gain set point +/-1.0dB. The gain set point for the 40-SMR-2-C card is 17dB.
- Step 12** Delete the OCHNC DCN circuit towards Side B related to channel 1 created in [Step 10](#) using the “[DLP-G106 Delete Optical Channel Network Connections](#)” task on page 8-25.
- Step 13** Create the OCHNC DCN circuit for channel 1 on Side A related to EXP-TX path towards Side C using the “[DLP-G105 Provision Optical Channel Network Connections](#)” task on page 8-22. Repeat [Step 11](#) and [Step 12](#) for the circuit that is created.
- Step 14** Repeat [Step 13](#) towards Side D, turn off the laser or place the trunk port of the TXP_DME_10E_C card in OutofService (OOS) state.
- Step 15** Set the tunable laser or the TXP_DME_10E_C card to the second wavelength of the 100-GHz ITU-T C-band grid and place the trunk port of the TXP_DME_10E_C card in the In-Service (IS) state. Repeat [Step 6](#) through [Step 14](#) for the second wavelength.

- Step 16** Repeat [Step 15](#) for the remaining 38 wavelengths on Side A.
- Step 17** Delete the OCHNC DCN circuit related to channel 40 using the [“DLP-G106 Delete Optical Channel Network Connections” task on page 8-25](#) and turn off the laser or place the trunk port of the TXP_DME_10E_C card in OutofService (OOS) state.
- Step 18** On the 40-SMR-2-C card on Side A, do the following steps:
- Remove the physical loopback between the ADD and DROP ports on the 40-SMR-2-C card created in [Step 2](#).
 - Reconnect the DROP-TX port on the 40-SMR2-C card to the COM-RX port on the DMX side of the 15216-MD-40-ODD patch panel.
 - Reconnect the ADD-RX port on the 40-SMR2-C card to the COM-TX port on the MUX side of the 15216-MD-40-ODD patch panel.
- Step 19** On the 15216-MD-40-ODD unit on Side A, do the following steps:
- Create a physical loopback between the MUX and DMX ports of the 15216-MD-40-ODD unit that are related to the same wavelength. Perform this step for all the 40 wavelengths on the 15216-MD-40-ODD patch panel on the side you are working on.
- Step 20** Create an OCHNC DCN for channel 1 on Side A related to the ADD-DROP path as done in [Step 6](#).
- Step 21** Set the tunable laser or the TXP_DME_10E_C card to the first wavelength of the 100-GHz ITU-T C-band grid (1530.33 nm) and place the trunk port of the TXP_DME_10E_C card in the In-Service (IS) state.
- Step 22** To verify the insertion loss on the optical path of the 15216-MD-40-ODD unit on Side A, do the following steps:
- In the 40-SMR2-C card view, click the **Provisioning > Optical Line > Parameters** tabs.
 - Retrieve the power value on Port 6 (DROP-TX) of the 40-SMR-2-C card and record it as Pin.
 - Retrieve the power value on Port 5 (ADD-RX) port and record it as Pout.
 - Verify that the power difference between the power values obtained in step 22 b. and step 22 c. do not exceed the insertion loss value specified for the 15216-MD-40-ODD unit. (Pin - Pout must be less than 13dB with a tolerance of 1dB).
- Step 23** Turn off the laser or place the trunk port of the TXP_DME_10E_C card in OutofService (OOS) state and delete the OCHNC DCN circuit on Side A related to channel 1 using the [“DLP-G106 Delete Optical Channel Network Connections” task on page 8-25](#).
- Step 24** Set the tunable laser or the TXP_DME_10E_C card to the next wavelength of the 100-GHz ITU-T C-band grid (1530.33 nm) and place the trunk port of the TXP_DME_10E_C card in the In-Service (IS) state and repeat [Step 20](#) through [Step 23](#) for the new wavelength.
- Step 25** Restore the initial configuration after checking all the 40 available wavelengths:
- Remove the power meter and reconnect the 15216-MD-40-ODD unit to the ADD-RX port of the 40-SMR-2-C card.
 - Remove the physical loopbacks between the MUX and DMX ports on the 15216-MD-40-ODD unit on Side A.
 - Reset the ALS parameter on the 40-SMR-2-C card. Complete the following:
 - In card view, display the 40-SMR-2-C and click the **Maintenance > ALS** tabs.
 - From the ALS Mode pull-down menu, select **Auto Restart**.
 - Import the CTP XML file again using the [“NTP-G143 Import the Cisco TransportPlanner NE Update Configuration File” procedure on page 4-49](#) to overwrite any manual settings.

- e. Complete the “[NTP-G37 Run Automatic Node Setup](#)” procedure on page 4-128 and verify no errors are present.

Step 26 Repeat all the steps from [Step 2](#) through [Step 25](#) related to Side B.

Step 27 Repeat all the steps from [Step 2](#) through [Step 25](#) related to Side C.

Step 28 Repeat all the steps from [Step 2](#) through [Step 25](#) related to Side D.

Stop. You have completed this procedure.



CHAPTER 6

Provision Transponder and Muxponder Cards

This chapter explains how to provision transponder (TXP), muxponder (MXP), Xponder (GE_XP, 10GE_XP, GE_XPE, and 10GE_XPE), and ADM-10G cards. The provisioning must be performed before you provision the dense wavelength division multiplexing (DWDM) network and create circuits.



Note

The procedures and tasks described in this chapter for the Cisco ONS 15454 platform is applicable to the Cisco ONS 15454 M2 and Cisco ONS 15454 M6 platforms, unless noted otherwise.



Note

Unless otherwise specified, “ONS 15454” refers to both ANSI and ETSI shelf assemblies.

Before You Begin

Before performing any of the following procedures, investigate all alarms and clear any trouble conditions. Refer to the *Cisco ONS 15454 DWDM Troubleshooting Guide* as necessary.



Caution

Provisioning TXP and MXP cards can be service affecting. You should make all changes during a scheduled maintenance window.

This section lists the chapter procedures (NTPs). Turn to a procedure for applicable tasks (DLPs).

1. [NTP-G128 Manage Pluggable Port Modules, page 6-3](#)—Complete this procedure to provision a multirate pluggable port module (PPM), provision or change the optical line rate of a PPM, or delete a PPM. PPMs provide the fiber interface to the TXP, MXP, and ADM-10G cards. With the exception of the TXP_MR_10G card, all TXPs, MXPs, and ADM-10G cards accept PPMs.
2. [NTP-G33 Create a Y-Cable Protection Group, page 6-21](#)—As needed, complete this procedure for TXP, MXP, GE_XP, 10GE_XP, GE_XPE, 10GE_XPE, or OTU2_XP cards that will be protected with Y-cable protection.
3. [NTP-G199 Create a Splitter Protection Group for the OTU2_XP Card, page 6-24](#)—As needed, complete this procedure to create a splitter protection group for an OTU2_XP card.
4. [NTP-G198 Create 1+1 Protection for GE_XP, 10GE_XP, GE_XPE, or 10GE_XPE Cards, page 6-26](#)—As needed, complete this procedure to create 1+1 protection for GE_XP, 10GE_XP, GE_XPE, and 10GE_XPE cards.

5. [NTP-G98 Provision the 2.5G Multirate Transponder Card Line Settings and PM Parameter Thresholds, page 6-28](#)—As needed, complete this procedure to change the transmission settings for TXP_MR_2.5G and TXPP_MR_2.5G cards.
6. [NTP-G96 Provision the 10G Multirate Transponder Card Line Settings, PM Parameters, and Thresholds, page 6-48](#)—As needed, complete this procedure to change the transmission settings for TXP_MR_10G, TXP_MR_10E, TXP_MR_10E_C, TXP_MR_10E_L, and TXP_MR_10EX_C cards.
7. [NTP-G170 Provision the ADM-10G Card Peer Group, Ethernet Settings, Line Settings, PM Parameters, and Thresholds, page 6-74](#)—As needed, complete this procedure to provision the transmission settings for ADM-10G cards.
8. [NTP-G333 Add an ADM-10G card to an Existing Topology, page 6-98](#)—As needed, complete this procedure to add an ADM-10G card to an existing topology.
9. [NTP-G97 Modify the 4x2.5G Muxponder Card Line Settings and PM Parameter Thresholds, page 6-99](#)—As needed, complete this procedure to change the transmission settings for MXP_2.5G_10G, MXP_2.5G_10E, MXP_2.5G_10E_C, MXP_2.5G_10E_L, and MXP_2.5G_10EX_C cards.
10. [NTP-G99 Modify the 2.5G Data Muxponder Card Line Settings and PM Parameter Thresholds, page 6-120](#)—As needed, complete this procedure to change the transmission settings for MXP_MR_2.5G and MXPP_MR_2.5G cards.
11. [NTP-G148 Modify the 10G Data Muxponder Card Line Settings and PM Parameter Thresholds, page 6-138](#)—As needed, complete this procedure to change the transmission settings for MXP_MR_10DME_C, MXP_MR_10DME_L, and MXP_MR_10DMEX_C cards.
12. [NTP-G293 Modify the 40G Muxponder Card Line Settings and PM Parameter Thresholds, page 6-160](#)—As needed, complete this procedure to change the transmission settings for 40G-MXP-C card.
13. [NTP-G281 Manage the GE_XP, 10GE_XP, GE_XPE, and 10GE_XPE Card Channel Group Settings, page 6-183](#)—As needed, complete this procedure to change the channel group settings for GE_XP, 10GE_XP, GE_XPE, and 10GE_XPE cards.
14. [NTP-G283 Manage the GE_XP, 10GE_XP, GE_XPE, and 10GE_XPE Card CFM Settings, page 6-194](#)—As needed, complete this procedure to change the CFM settings for GE_XP, 10GE_XP, GE_XPE, and 10GE_XPE cards.
15. [NTP-G285 Manage the GE_XP, 10GE_XP, GE_XPE, and 10GE_XPE Card EFM Settings, page 6-207](#)—As needed, complete this procedure to change the EFM settings for GE_XP, 10GE_XP, GE_XPE, and 10GE_XPE cards.
16. [NTP-G287 Manage the GE_XP, 10GE_XP, GE_XPE, and 10GE_XPE Card REP Settings, page 6-212](#)—As needed, complete this procedure to change the REP settings for GE_XP, 10GE_XP, GE_XPE, and 10GE_XPE cards.
17. [NTP-G165 Modify the GE_XP, 10GE_XP, GE_XPE, 10GE_XPE Cards Ethernet Parameters, Line Settings, and PM Thresholds, page 6-218](#)—As needed, complete this procedure to change the transmission settings for GE_XP, 10GE_XP, GE_XPE, and 10GE_XPE cards.
18. [NTP-G314 Add a GE_XP or 10GE_XP Card on a FAPS Ring, page 6-261](#)—As needed, complete this procedure to add a GE_XP or 10GE_XP Card on a FAPS Ring.
19. [NTP-G197 Provision the OTU2_XP Card Line Settings, PM Parameters, and Thresholds, page 6-264](#)—As needed, complete this procedure to change the transmission settings for OTU2_XP cards.
20. [NTP-G162 Change the ALS Maintenance Settings, page 6-286](#)—As needed, complete this procedure to change the automatic laser shutdown settings for a TXP or MXP card.

21. [NTP-G192 Force FPGA Update, page 6-287](#)—As needed, complete this procedure to force an upgrade of the FPGA image on the MXP_MR_10DME_C, MXP_MR_10DME_L, and MXP_MR_10DMEX_C cards.
22. [NTP-G196 Force FPGA Update When the Card is Part of a Protection Group, page 6-289](#)—As needed, complete this procedure to force an upgrade of the FPGA image on the MXP_MR_10DME_C, MXP_MR_10DME_L, and MXP_MR_10DMEX_C cards when the card is part of a protection group.
23. [NTP-G232 Enabling Error Decorrelator, page 6-290](#)—As needed, complete this procedure to enable error decorrelator on a TXP_MR_10EX_C, MXP_2.5G_10EX_C, or MXP_MR_10DMEX_C card.

**Note**

Cisco ONS 15454 DWDM supports IBM's 5G DDR (Double Data Rate) InfiniBand¹ interfaces.

NTP-G128 Manage Pluggable Port Modules

Purpose	Complete this procedure to provision a multirate PPM, provision the optical line rate of a multirate PPM, or delete a single-rate or multirate PPM.
Tools/Equipment	None
Prerequisite Procedures	DLP-G63 Install an SFP or XFP, page 4-71
Required/As Needed	As needed
Onsite/Remote	Onsite or remote
Security Level	Provisioning or higher

**Note**

If a single-rate PPM is installed, the PPM screen will autoprovision and no further steps are necessary.

**Note**

When you autoprovision a PPM, initial alarm and TCA defaults are supplied by Cisco Transport Controller (CTC) depending on your port and rate selections and the type of PPM. These default values can be changed after you install the PPM.

**Note**

The hardware device that plugs into a TXP, MXP, GE_XP, 10GE_XP, GE_XPE, 10GE_XPE, ADM-10G, or OTU2_XP card faceplate to provide a fiber interface to the card is called a Small Form-factor Pluggable (SFP or XFP). In CTC, SFPs and XFPs are called pluggable port modules (PPMs). SFPs/XFPs are hot-swappable input/output devices that plug into a port to link the port with the fiber-optic network. Multirate PPMs have provisionable port rates and payloads. For more information about SFPs and XFPs, refer to the “Transponder and Muxponder Cards” chapter in the *Cisco ONS 15454 DWDM Reference Manual*.


- Step 1** Complete the “[DLP-G46 Log into CTC](#)” task on page 3-30 to log into an ONS 15454 on the network. If you are already logged in, continue with Step 2.

1. 5G DDR InfiniBand is referred to as IB_5G.

- Step 2** Click the **Alarms** tab:
- Verify that the alarm filter is not turned on. See the “[DLP-G128 Disable Alarm Filtering](#)” task on [page 10-26](#) as necessary.
 - Verify that no unexplained conditions appear. If unexplained conditions appear, resolve them before continuing. Refer to the *Cisco ONS 15454 DWDM Troubleshooting Guide*.
- Step 3** If you are provisioning a MXP_MR_2.5G or MXPP_MR_2.5G card, complete the “[DLP-G235 Change the 2.5G Data Muxponder Card Mode](#)” task on [page 6-4](#). If not, continue with [Step 4](#)
- Step 4** If you are provisioning a MXP_MR_10DME_C, MXP_MR_10DME_L, or MXP_MR_10DMEX_C card, complete the “[DLP-G332 Change the 10G Data Muxponder Port Mode](#)” task on [page 6-6](#). If not, continue with [Step 5](#).
- Step 5** If you are provisioning a GE_XP, 10GE_XP, GE_XPE, and 10GE_XPE card, complete the “[DLP-G379 Change the GE_XP, 10GE_XP, GE_XPE, and 10GE_XPE Card Mode](#)” task on [page 6-8](#). If not, continue with [Step 6](#).
- Step 6** If you are provisioning a OTU2_XP card, complete the “[DLP-G452 Change the OTU2_XP Card Mode](#)” task on [page 6-10](#). If not, continue with [Step 7](#).
- Step 7** If you are provisioning a PPM on an ADM-10G card, complete the “[DLP-G411 Provision an ADM-10G PPM and Port](#)” task on [page 6-9](#). If not, continue with [Step 8](#).
- Step 8** Complete the “[DLP-G277 Provision a Multirate PPM](#)” task on [page 6-11](#) for TXP, MXP, GE_XP, 10GE_XP, GE_XPE, 10GE_XPE, or OTU2_XP ports with multirate PPMs. If you already preprovisioned the multirate PPM ([DLP-G273 Preprovision an SFP or XFP Slot, page 4-73](#)), skip this step and continue with [Step 9](#).
- Step 9** If you are provisioning an IBM ETR_CLO (External Time Reference – Control Link Oscillator) or InterSystem Coupling Link (ISC) service on the PPM, complete “[DLP-G274 Verify Topologies for ETR_CLO and ISC Services](#)” task on [page 6-12](#). Otherwise, continue with [Step 10](#).
- Step 10** Complete the “[DLP-G278 Provision the Optical Line Rate](#)” task on [page 6-14](#) to assign a line rate to a TXP, MXP, or OTU2_XP port after the PPM is provisioned. (This task is not performed for GE_XP, 10GE_XP, GE_XPE, and 10GE_XPE cards.)
- Step 11** If you need to delete a PPM at any point in this procedure, complete the “[DLP-G280 Delete a PPM](#)” task on [page 6-19](#).
- Stop. You have completed this procedure.**
-

DLP-G235 Change the 2.5G Data Muxponder Card Mode

Purpose	This task changes the card mode for MXP_MR_2.5G and MXPP_MR_2.5G muxponder cards. The card mode determines which PPMs can be provisioned for the card.
Tools/Equipment	None
Prerequisite Procedures	DLP-G46 Log into CTC, page 3-30
Required/As Needed	As needed
Onsite/Remote	Onsite or remote
Security Level	Provisioning or higher

-
- Step 1** In node view (single-shelf mode) or shelf view (multishelf view), double-click the MXP_MR_2.5G or MXPP_MR_2.5G card where you want to change the card settings.
- Step 2** Click the **Provisioning > Line > SONET (ANSI)** or **SDH (ETSI)** tabs.
- Step 3** Locate the Trunk port table row and verify that the Service State column value is OOS-MA,DSBLD (ANSI) or Locked-enabled,disabled (ETSI). If the service state is correct, continue with [Step 6](#). If not, complete the following steps:
- Click the **Admin State** table cell and choose **OOS,DSBLD (ANSI)** or **Locked,Maintenance (ETSI)**.
 - Click **Apply**, then **Yes**.
- Step 4** Click the **Provisioning > Line > Client** tabs.
- Step 5** Locate the Trunk port table row and verify that the Service State column value is OOS-MA,DSBLD (ANSI) or Locked-enabled,disabled (ETSI). If the service state is correct, continue with [Step 6](#). If not, complete the following steps:
- Click the **Admin State** table cell and choose **OOS,DSBLD (ANSI)** or **Locked,Maintenance (ETSI)**.
 - Click **Apply**, then **Yes**.
- Step 6** Click the **Provisioning > Card** tabs.
- Step 7** Change the Card Mode as needed:
- FC-GE**—Choose this option if you will provision any of the following PPM port rates: FC1G (Ports 1-1 and 2-1 only), FC2G (Port 1-1 only), FICON1G (Ports 1-1 and 2-1 only), FICON2G (Port 1-1 only), and ONE_GE (Ports 1-1 through 8-1).
 - Mixed**—Choose this option if you will provision any of the following PPM port rates: FC1G and ONE_GE (Port 1-1 only), ESCON (Ports 5-1 through 8-1 only)
 - ESCON**—Choose this option if you will provision the ESCON PPM on Ports 1-1 through 8-1.
-  **Note** The Provisioning > Card tab also has the display-only Tunable Wavelengths field. This field shows the supported wavelengths of the trunk port after the card is installed in the format: *first wavelength-last wavelength-frequency spacing-number of supported wavelengths*. For example, 1529.55nm-1561.83nm-50GHz-82.
-
- Step 8** Click **Apply**.
- Step 9** Return to your originating procedure (NTP).
-

DLP-G332 Change the 10G Data Muxponder Port Mode

Purpose	This task changes the port mode for the MXP_MR_10DME_C, MXP_MR_10DME_L, and MXP_MR_10DMEX_C muxponder cards. The port mode determines which PPMs can be provisioned on the ports.
Tools/Equipment	None
Prerequisite Procedures	DLP-G46 Log into CTC, page 3-30
Required/As Needed	As needed
Onsite/Remote	Onsite or remote
Security Level	Provisioning or higher


Note

The MXP_MR_10DME_C, MXP_MR_10DME_L, and MXP_MR_10DMEX_C cards have two port mode groups, one for Ports 1 through 4, and the second for Ports 5 through 8. To change the port mode, all ports within the selected port group must be in OOS (out-of-service) service state. Ports in the second port group do not need to be in OOS service state if you are not changing the port mode for the second port group. Before you change the port mode, you must also ensure that any PPM port rate provisioned for the selected port group is deleted (see [“DLP-G280 Delete a PPM” task on page 6-19](#)).

-
- Step 1** In node view (single-shelf mode) or shelf view (multishelf view), double-click the MXP_MR_10DME_C, MXP_MR_10DME_L, or MXP_MR_10DMEX_C card where you want to change the port mode.
- Step 2** Click the **Provisioning > Card** tabs.
- Step 3** Change the port mode as described in [Table 6-1](#).


Note

The PPM port rates are provisioned in the [“DLP-G277 Provision a Multirate PPM” task on page 6-11](#).

Table 6-1 10G Data Muxponder Card Port Modes

Parameter	Description	Options
Port 1-4 Mode	Sets the mode of operation for Ports 1-1 through 4-1.	<p>Chose one of the following:</p> <ul style="list-style-type: none"> FC-GE_ISC—Choose this option if you will provision any of the following PPM port rates: FC1G (Ports 1-1 through 4-1), FC2G (Ports 1-1 and 3-1 only), FICON1G (Ports 1-1 through 4-1), FICON2G (Ports 1-1 and 3-1 only), ONE_GE (Ports 1-1 through 4-1), ISC3 COMPAT (Ports 1-1 through 4-1), ISC3 PEER 1G (Ports 1-1 through 4-1), and ISC3 PEER 2G (Ports 1-1 and 3-1 only). FC4G—Choose this option if you will provision an FC4G or FICON4G PPM (Port 1-1 only).
Port 5-8 Mode	Sets the mode of operation for Ports 5-1 through 8-1.	<p>Chose one of the following:</p> <ul style="list-style-type: none"> FC-GE_ISC—choose this option if you will provision any of the following PPM port rates: FC1G (Ports 5-1 through 8-1), FC2G (Ports 5-1 and 7-1 only), FICON1G (Ports 5-1 through 8-1), FICON2G (Ports 5-1 and 7-1 only), ONE_GE (Ports 5-1 through 8-1), ISC3 COMPAT (Ports 5-1 through 8-1), ISC3 PEER 1G (Ports 5-1 through 8-1), and ISC3 PEER 2G (Ports 5-1 and 7-1 only). FC4G—choose this option if you will provision an FC4G or FICON4G PPM port rate (Port 5-1 only).

**Note**

The Provisioning > Cards tab also has a display-only Tunable Wavelengths field which shows the wavelengths supported by the card. If a MXP_MR_10DME_C card is installed, the 32 C-band wavelengths appear. If the MXP_MR_10DME_L card is installed, the 32 L-band wavelengths appear. If the MXP_MR_10DMEX_C card is installed, the 82 C-band wavelengths appear.

Step 4 Click **Apply**.

Step 5 Return to your originating procedure (NTP).

**Note**

Loopbacks on MXP-MR-10DME are not applicable when Fiber Channel switches are present.

**Note**

If the Fiber Channel switch version is not present then the Distance Extension settings are not supported.

DLP-G379 Change the GE_XP, 10GE_XP, GE_XPE, and 10GE_XPE Card Mode

Purpose	This task changes the GE_XP, 10GE_XP, GE_XPE, and 10GE_XPE card mode. 10GE_XP and 10GE_XPE cards can be provisioned as a Layer 2 Ethernet switch or a 10G Ethernet TXP. GE_XP and GE_XPE cards can be provisioned as a Layer 2 Ethernet switch, 10G Ethernet MXP, or 20G Ethernet MXP.
Tools/Equipment	None
Prerequisite Procedures	DLP-G46 Log into CTC, page 3-30
Required/As Needed	As needed
Onsite/Remote	Onsite or remote
Security Level	Provisioning or higher

-
- Step 1** In node view (single-shelf mode) or shelf view (multishelf view), double-click the GE_XP, 10GE_XP, GE_XPE, or 10GE_XPE card where you want to change the card mode.
- Step 2** In card view, click **Provisioning > Ether Ports > Ports**.
- Step 3** Verify that any provisioned client or trunk ports have an **OOS-MA,DSBLD** (ANSI) or **Locked-enabled,disabled** (ETSI) service state in the Service State column. If so, continue with [Step 4](#). If not, complete the following substeps.
- For the first port that is not out of service, in the Admin State column, choose **OOS,DSBLD** (ANSI) or **Locked,disabled** (ETSI).
 - Repeat [Step a](#) for each port that is not out of service.
 - Click **Apply**.
- Step 4** Click the **Provisioning > Card** tabs.
- Step 5** Choose one of the card modes shown in [Table 6-2](#).

Table 6-2 GE_XP, 10GE_XP, GE_XPE, and 10GE_XPE Card Modes

Mode	Cards	Description
L2 over DWDM	GE_XP 10GE_XP GE_XPE 10GE_XPE	Provisions the GE_XP, 10GE_XP, GE_XPE, or 10GE_XPE as a Layer 2 switch.
10GE TXP	10GE_XP 10GE_XPE	Provisions the 10GE_XP or 10GE_XPE as a 10 Gigabit Ethernet transponder. Traffic received on the 10GE client Port 1-1 is sent to 10 Gigabit Ethernet trunk Port 3-1, and traffic received on 10 Gigabit Ethernet client Port 2-1 is sent to 10 Gigabit Ethernet trunk Port 4-1.

Table 6-2 GE_XP, 10GE_XP, GE_XPE, and 10GE_XPE Card Modes

Mode	Cards	Description
10GE MXP	GE_XP GE_XPE	Provisions the GE_XP or GE_XPE as a 10 Gigabit Ethernet muxponder. Traffic received on Gigabit Ethernet client Ports 1-1 through 10-1 is multiplexed and sent to 10 Gigabit Ethernet trunk Port 21-1, and traffic received on Gigabit Ethernet client Ports 11-1 through 20-1 is multiplexed and sent to 10 Gigabit Ethernet trunk Port 22-1.
20GE MXP	GE_XP GE_XPE	Provisions the GE_XP or GE_XPE as a 20 Gigabit Ethernet muxponder. Traffic received on Gigabit Ethernet client Ports 1-1 through 20-1 is multiplexed and sent to 10 Gigabit Ethernet trunk Port 21-1. Trunk port 22-1 is not used.

The GE-XP and GE-XPE cards operating in 10GE MXP mode and configured for 100% traffic flow, do not drop frames when up to nine ports are in use. However, when all the ten ports are in use, some frames are dropped. When the tenth port is to be used, configure the Committed Info Rate (CIR) at 55% on any one of the ports. For more information about configuring the CIR, see the “[DLP-G380 Provision the GE_XP, 10GE_XP, GE_XPE, and 10GE_XPE Card Ethernet Settings](#)” task on page 6-219.

- Step 6** Click **Apply**, then click **Yes** in the confirmation dialog box.
- Step 7** Return to your originating procedure (NTP).

DLP-G411 Provision an ADM-10G PPM and Port

Purpose	This task provisions a fixed-rate PPM and port on an ADM-10G PPM card.
Tools/Equipment	None
Prerequisite Procedures	DLP-G46 Log into CTC, page 3-30
Required/As Needed	As needed
Onsite/Remote	Onsite or remote
Security Level	Provisioning or higher

- Step 1** In node view (single-shelf mode) or shelf view (multishelf view), double-click the ADM-10G card where you want to provision PPM settings.
- Step 2** Click the **Provisioning > Pluggable Port Modules** tabs.
- Step 3** In the Pluggable Port Modules area, click **Create**. The Create PPM dialog box appears.
- Step 4** In the Create PPM dialog box, complete the following:
- PPM—Choose the SFP you want to install from the drop-down list.
 - PPM Type—Choose the number of ports supported by your SFP from the drop-down list. If only one port is supported, **PPM (1 port)** is the only option.
- Step 5** Click **OK**. The newly created PPM appears in the Pluggable Port Modules area. The row in the Pluggable Port Modules area turns white and the Actual Equipment Type column lists the equipment name.
- Step 6** In the Pluggable Ports area, click **Create**. The Create Ports dialog box appears.

- Step 7** In the Create Ports dialog box, complete the following:
- **Port**—Choose the port you want to configure from the drop-down list.
 - **Port Type**—Choose the port type, such as OC-3, OC-12, OC-48, or ONE-GE from the drop-down list.
 - Ports 1 - 8 can only be OC-3, OC-12, or ONE_GE
 - Ports 9 - 12 can on be OC-3 or OC-12
 - Ports 13 - 16 can only be OC-3, OC-12, or OC-48
- Step 8** Click **OK**. The newly created port appears in the Pluggable Ports area. The port type you provisioned is listed in the Rate column.
- Step 9** If you want to provision a PPM or another port, repeat Steps 4 through 8.
- Step 10** Return to your originating procedure (NTP).

DLP-G452 Change the OTU2_XP Card Mode

Purpose	This task changes the OTU2_XP card mode. The card mode determines which PPMs can be provisioned for the card.
Tools/Equipment	None
Prerequisite Procedures	DLP-G46 Log into CTC, page 3-30
Required/As Needed	As needed
Onsite/Remote	Onsite or remote
Security Level	Provisioning or higher



Caution

Changing the card configuration to 10G Ethernet LAN Phy to WAN Phy automatically replaces the current port configurations (Ports 1 and 3) to 10G Ethernet and OC192. This resets and reboots the OTU2_XP card.

- Step 1** In node view (single-shelf mode) or shelf view (multishelf view), double-click the OTU2_XP card where you want to change the card mode.
- Step 2** In card view, click the **Provisioning > Line > Ports** tab.
- Step 3** Verify that all provisioned client or trunk ports have an OOS-MA, DSBLD (ANSI) or Locked-enabled, disabled (ETSI) service state in the Service State column. If so, continue with [Step 4](#). If not, complete the following substeps.
- a. For the first port that is not out of service, in the Admin State column, choose **OOS, DSBLD (ANSI)** or **Locked, disabled (ETSI)**.
 - b. Repeat [Step a](#) for each port that is not out of service.
 - c. Click **Apply**.
- Step 4** Click the **Provisioning > Card** tab.
- Step 5** Change the Card Configuration as needed:
- **Transponder**—Choose this option to provision the OTU2_XP card as a transponder. Port pairs 1-3 and 2-4 are both configured as transponders. This is the default card configuration.

- **Standard Regen**—Choose this option to provision the OTU2_XP card as a standard regenerator (with E-FEC only on one port). Port pairs 1-3 and 2-4 are both configured as regenerators.
- **Enhanced FEC**—Choose this option to provision the OTU2_XP card as an E-FEC regenerator (with E-FEC on two ports). Port pair 3-4 is configured as enhanced regenerator. Ports 1 and 2 are not used.
- **Mixed**—Choose this option to provision the OTU2_XP card as a transponder and a standard regenerator (mixed configuration). One of the port pair (1-3 or 2-4) is configured as a transponder and the other port pair as a standard regenerator.
- **10G Ethernet LAN Phy to WAN Phy**—Choose this option to provision the OTU2_XP card to enable the 10G Ethernet LAN Phy to WAN Phy conversion. Port pair 1-3 supports LAN Phy to WAN Phy conversion. Port pair 2-4 can be configured either as a transponder or a standard regenerator.



Note If you revert to the previous release (release earlier than 9.10), be sure to disable the 10G Ethernet LAN Phy to WAN Phy conversion feature. If you do not disable the 10G Ethernet LAN Phy to WAN Phy feature, an error message stating that the user needs to disable 10G Ethernet LAN Phy to WAN Phy feature before reverting to the previous release is displayed.



Note [Table 6-126 on page 6-277](#) lists the Ethernet variables supported on Ports 1 and 3 of the OTU2_XP card that has the 10G Ethernet LAN Phy to WAN Phy enabled. When the card is in the 10G Ethernet LAN Phy to WAN Phy mode, no 10G FC RMONS are supported on Ports 2 and 4.

For more information on OTU2_XP card configuration rules, refer to the “Transponder and Muxponder Cards” chapter in the *Cisco ONS 15454 DWDM Reference Manual*.

- Step 6** Click **Apply**. Then click **Yes** in the confirmation dialog box.
- Step 7** Return to your originating procedure (NTP).

DLP-G277 Provision a Multirate PPM

Purpose	This task provisions a multirate PPM on a TXP, MXP, GE_XP, 10GE_XP, GE_XPE, 10GE_XPE, ADM-10G, or OTU2_XP card.
Tools/Equipment	None
Prerequisite Procedures	DLP-G46 Log into CTC, page 3-30
Required/As Needed	As needed
Onsite/Remote	Onsite or remote
Security Level	Provisioning or higher



Note If the PPM was preprovisioned using the “[DLP-G273 Preprovision an SFP or XFP Slot](#)” task on [page 4-73](#) this task is unnecessary, unless the PPM has an Out-of-Service and Autonomous Management, Unassigned (OOS-AUMA,UAS) (ANSI) or unlocked-disabled, unassigned (ETSI) service state.

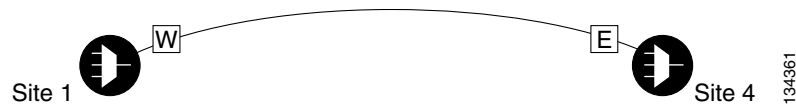
-
- Step 1** In node view (single-shelf mode) or shelf view (multishelf view), double-click the TXP, MXP, GE_XP, 10GE_XP, GE_XPE, 10GE_XPE, ADM-10G, or OTU2_XP card where you want to provision PPM settings.
- Step 2** Click the **Provisioning > Pluggable Port Modules** tabs.
- Step 3** In the Pluggable Port Modules area, click **Create**. The Create PPM dialog box appears.
- Step 4** In the Create PPM dialog box, complete the following:
- PPM—Choose the PPM slot number where the SFP is installed from the drop-down list.
 - PPM Type—Choose the number of ports supported by your SFP from the drop-down list. If only one port is supported, **PPM (1 port)** is the only option.
- Step 5** Click **OK**. The newly created port appears in the Pluggable Port Modules area. The row in the Pluggable Port Modules area turns white and the Actual Equipment Type column lists the equipment name.
- Step 6** If you want to provision a PPM on another port, repeat Steps 3 through 5. If not, continue with [Step 7](#).
- Step 7** Return to your originating procedure (NTP).
-

DLP-G274 Verify Topologies for ETR_CLO and ISC Services

Purpose	This task verifies that the DWDM network topology can support the IBM ETR_CLO and ISC services.
Tools/Equipment	Cisco TransportPlanner site plan
Prerequisite Procedures	DLP-G46 Log into CTC, page 3-30
Required/As Needed	As needed
Onsite/Remote	Onsite or remote
Security Level	Provisioning or higher

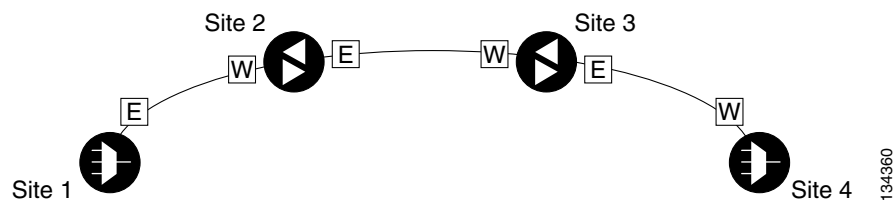
-
- Step 1** Display your site plan in Cisco TransportPlanner.
- Step 2** Verify that the topology where you plan to run the ETR_CLO or ISC service can support the service. The following topologies support ETR_CLO or ISC:
- Single span—Two terminal sites with no intermediate sites in between and one of the following sets of cards installed:
 - 32MUX-O and 32DMX-O cards
 - 32WSS and 32DMX cards
 - 32WSS and 32-DMX-O cards
 - 40-MUX-C and 40-DMX-C/40-DMX-CE cards
 - 40-WSS-C/40-WSS-CE and 40-DMX-C/40-DMX-CE cards

[Figure 6-1](#) shows a single-span topology as displayed in Cisco Transport Planner.

Figure 6-1 *Single-Span Topology*

- Point-to-Point—Two terminal sites with one of the following sets of cards installed:
 - 32MUX-O and 32DMX-O cards
 - 32WSS and 32DMX cards
 - 32WSS and 32-DMX-O cards
 - 40-MUX-C and 40-DMX-C/40-DMX-CE cards
 - 40-WSS-C/40-WSS-CE and 40-DMX-C/40-DMX-CE cards

Line amplifiers can be installed between the terminal sites, but intermediate (traffic terminating) sites cannot be installed. [Figure 6-2](#) shows a point-to-point topology as shown in Cisco TransportPlanner.

Figure 6-2 *Point-to-Point Topology*

- Two hubs—Two hub nodes in a ring with one of the following sets of cards installed:
 - 32MUX-O and 32DMX-O cards
 - 32WSS and 32DMX cards
 - 32WSS and 32-DMX-O cards
 - 40-MUX-C and 40-DMX-C/40-DMX-CE cards
 - 40-WSS-C/40-WSS-CE and 40-DMX-C/40-DMX-CE cards

Line amplifiers can be installed between the hubs. [Figure 6-3](#) shows two hub nodes with no line amplifier nodes installed. [Figure 6-4](#) shows two hub nodes with line amplifier nodes installed.

Figure 6-3 Hubs with No Line Amplifiers

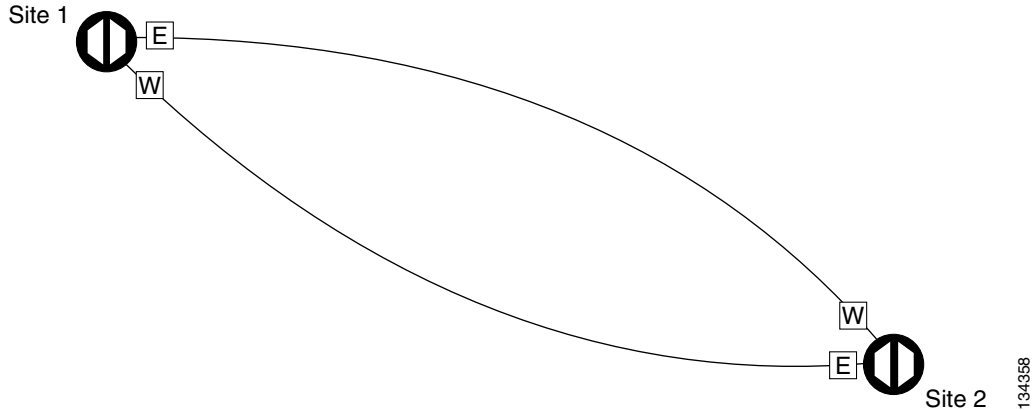
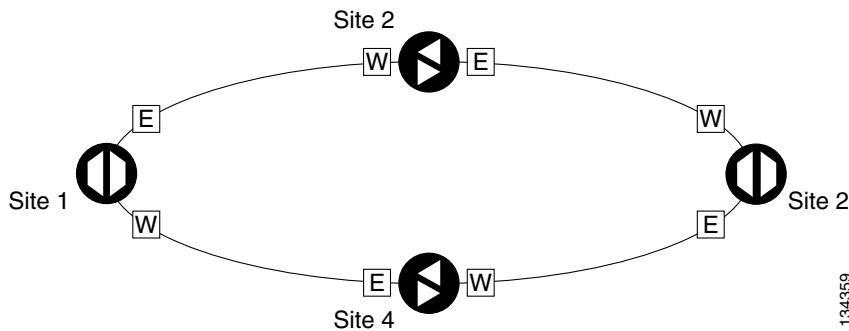


Figure 6-4 Hubs with Line Amplifiers



Step 3 Return to your originating procedure (NTP).

DLP-G278 Provision the Optical Line Rate

Purpose	This task provisions the line rate for TXP, MXP, GE_XP, 10GE_XP, GE_XPE, 10GE_XPE, ADM-10G, and OTU2_XP cards.
Tools/Equipment	None
Prerequisite Procedures	DLP-G46 Log into CTC, page 3-30 DLP-G277 Provision a Multirate PPM, page 6-11 DLP-G274 Verify Topologies for ETR_CLO and ISC Services, page 6-12, if you are provisioning an ETR_CLO service.
Required/As Needed	As needed
Onsite/Remote	Onsite or remote
Security Level	Provisioning or higher

**Note**

The optical line rate for cards with single-rate PPMs is provisioned automatically when you complete the “DLP-G277 Provision a Multirate PPM” task on page 6-11 if the trunk port is out of service. If the optical line rate was provisioned automatically, you do not need to complete this task for the MXP_2.5G_10G, MXP_2.5G_10E, MXP_2.5G_10E_C, MXP_2.5G_10E_L, MXP_2.5G_10EX_C, GE_XP, 10GE_XP, GE_XPE, 10GE_XPE, or OTU2_XP card. If the trunk port was in-service when you provisioned the PPM, complete this task to provision the optical line rate manually for those cards.

- Step 1** In node view (single-shelf mode) or shelf view (multishelf view), double-click the TXP, MXP, GE_XP, 10GE_XP, GE_XPE, 10GE_XPE, or OTU2_XP card where you want to provision PPM ports. If the data rate that you are provisioning is DV-6000, HDTV, ESCON, SDI/D1 Video, ISC1, ISC3 (for TXP_MR_2.5G and TXPP_MR_2.5G cards), or ETR_CLO, complete the following steps. Otherwise, continue with [Step 4](#).
- Click the **Provisioning > OTN > OTN Lines** tabs.
 - In the ITU-T G.709 OTN field for the respective PPM, choose **Disable**.
 - In the FEC field for the respective PPM, choose **Disable**.
 - Click **Apply**.
- Step 2** For the TXP_MR-10G card, click the **Provisioning > Data Rate Selection** tabs. For all other cards, go to [Step 4](#).
- Step 3** In the Data Rate Selection area, click **Create** and choose the type of port from the drop-down list. The supported port types are SONET (including 10G Ethernet WAN Phy) and 10G Ethernet LAN Phy.
- Step 4** Click the **Provisioning > Pluggable Port Modules** tabs.
- Step 5** In the Pluggable Ports area, click **Create**. The Create Port dialog box appears.
- Step 6** In the Create Port dialog box, complete the following:
- Port—Choose the port and port number from the drop-down list. The first number indicates the PPM in the Pluggable Port Modules area, and the second number indicates the port number on the PPM. For example, the first PPM with one port appears as 1-1 and the second PPM with one port appears as 2-1. The PPM number can be 1 to 4, but the port number is always 1.
 - Port Type—Choose the type of port from the drop-down list. The port type list displays the supported port rates on your PPM. See [Table 6-3 on page 6-16](#) for definitions of the supported rates on the TXP, MXP, GE_XP, 10GE_XP, GE_XPE, 10GE_XPE, or OTU2_XP card.
- Step 7** Click **OK**. The row in the Pluggable Ports area turns white if the physical SFP is installed and light blue if the SFP is not installed.
- If the optical parameter values differ from the NE Default settings, change the port state to In-Service (for ANSI) or Unlocked (for ETSI) to synchronize the values with the NE Default settings.
- Step 8** Repeat [Steps 5](#) through [7](#) to configure the rest of the port rates as needed.

Table 6-3 PPM Port Types

Card	Port Type
TXP_MR_2.5G TXPP_MR_2.5G	<ul style="list-style-type: none"> • OC-3/STM1—155 Mbps • OC-12/STM4—622 Mbps • OC-48/STM16—2.48 Gbps • ONE_GE—One Gigabit Ethernet 1.125 Gbps • ESCON—Enterprise System Connection 200 Mbps (IBM signal) • DV6000—Proprietary signal from video vendor • SDI_D1_VIDEO—Serial Digital Interface and Digital Video signal type 1 • HDTV—High Definition Television • PASS-THRU—Not specified • FC1G—Fibre Channel 1.06 Gbps • FC2G—Fibre Channel 2.125 Gbps • FICON1G—Fiber connectivity 1.06 Gbps (IBM signal) • FICON2G—Fiber connectivity 2.125 Gbps (IBM signal) • ETR_CLO—External Time Reference–Control Link Oscillator • ISC compat—InterSystem Coupling Link 1 (ISC1) • ISC peer—InterSystem Coupling Link 3 (ISC3) • DVB-ASI — Proprietary signal from video vendor. Digital Video Broadcast - Asynchronous Serial Interface • ISC1— InterSystem Channel 1 Gbps (IBM signal)
MXP_2.5G_10G MXP_2.5G_10E MXP_2.5G_10E_C MXP_2.5G_10E_L MXP_2.5G_10EX_C	<ul style="list-style-type: none"> • OC-48/STM16—2.48 Gbps¹
TXP_MR_10G ²	<ul style="list-style-type: none"> • SONET (OC-192)/SDH (STM-64) including 10G Ethernet WAN Phy • 10G Ethernet LAN Phy
TXP_MR_10E TXP_MR_10E_C TXP_MR_10E_L TXP_MR_10EX_C	<ul style="list-style-type: none"> • SONET (OC-192)/SDH (STM-64) including 10G Ethernet WAN Phy—10 Gbps • 10G Ethernet LAN Phy—10 Gbps Ethernet • 10G Fibre Channel—10 Gbps Fibre Channel • (TXP_MR_10EX_C only) IB_5G

Table 6-3 PPM Port Types (continued)

Card	Port Type
MXP_MR_2.5G MXPP_MR_2.5G	<p data-bbox="695 310 1003 342">If the card mode is FC_GE:</p> <ul data-bbox="706 359 1425 661" style="list-style-type: none"> <li data-bbox="706 359 1382 390">• FC1G ISL—Fibre Channel 1.06 Gbps (Ports 1-1 and 2-1) <li data-bbox="706 405 1349 436">• FC2G ISL—Fibre Channel 2.125 Gbps (Port 1-1 only) <li data-bbox="706 451 1409 512">• FICON1G ISL—Fiber connectivity 1.06 Gbps (IBM signal) (Ports 1-1 and 2-1) <li data-bbox="706 527 1425 588">• FICON2G ISL—Fiber connectivity 2.125 Gbps (IBM signal) (Port 1-1 only) <li data-bbox="706 602 1414 663">• ONE_GE—One Gigabit Ethernet 1.125 Gbps (Ports 1-1 and 2-1 only) <p data-bbox="695 678 992 709">If the card mode is Mixed:</p> <ul data-bbox="706 726 1425 953" style="list-style-type: none"> <li data-bbox="706 726 1338 758">• FC1G ISL—Fibre Channel 1.06 Gbps (Port 1-1 only) <li data-bbox="706 772 1409 833">• FICON1G ISL—Fiber connectivity 1.06 Gbps (IBM signal) (Port 1-1 only) <li data-bbox="706 848 1419 879">• ONE_GE—One Gigabit Ethernet 1.125 Gbps (Port 1-1 only) <li data-bbox="706 894 1386 955">• ESCON—Enterprise System Connection 200 Mbps (IBM signal) (Ports 5-1 through 8-1) <p data-bbox="695 970 1008 1001">If the card mode is ESCON:</p> <ul data-bbox="706 1018 1386 1079" style="list-style-type: none"> <li data-bbox="706 1018 1386 1079">• ESCON—Enterprise System Connection 200 Mbps (IBM signal) (Ports 1-1 through 8-1)

Table 6-3 PPM Port Types (continued)

Card	Port Type
MXP_MR_10DME_C MXP_MR_10DME_L MXP_MR_10DMEX_C	<p>If the port mode is FC_GE_ISC:</p> <ul style="list-style-type: none"> FC1G—Fibre Channel 1.06 Gbps (Ports 1-1 through 8-1) FC2G—Fibre Channel 2.125 Gbps (Ports 1-1, 3-1, 5-1, and 7-1 only; ports are not available if the port that follows—2-1, 4-1, 6-1, or 8-1—has a PPM provisioned.) FICON1G—Fiber connectivity 1.06 Gbps (IBM signal) FICON2G—Fiber connectivity 2.125 Gbps (IBM signal) (Ports 1-1, 3-1, 5-1, and 7-1 only; ports are not available if the port that follows—2-1, 4-1, 6-1, or 8-1—has a PPM provisioned.) ONE_GE—One Gigabit Ethernet 1.125 Gbps (Ports 1-1 through 8-1) ISC COMPAT (Ports 1-1 through 8-1) ISC3 PEER 1G (Ports 1-1 through 8-1) ISC3 PEER 2G (Ports 1-1, 3-1, 5-1, and 7-1 only; ports are not available if the port that follows—2-1, 4-1, 6-1, or 8-1—has a PPM provisioned.) <p>If the port mode is FC4G:</p> <ul style="list-style-type: none"> FC4G—Fibre Channel 4.25 Gbps (Ports 1-1 or 5-1 only; ports are not available if any of the three ports that follow has a PPM provisioned.) FICON4G—Fiber connectivity 4.25 Gbps (IBM signal) (Ports 1-1 or 5-1 only; ports are not available if any of the three ports that follow has a PPM provisioned.)
40G-MXP-C	<ul style="list-style-type: none"> SONET (OC-192)/SDH (STM-64) FC8G FC10G TEN_GE OTU2

Table 6-3 PPM Port Types (continued)

Card	Port Type
GE_XP 10GE_XP GE_XPE 10GE_XPE	<ul style="list-style-type: none"> GE_XP and GE_XPE client ports¹ 10GE_XP and 10GE_XPE client and trunk ports; GE_XP and GE_XPE trunk ports¹
OTU2_XP	<ul style="list-style-type: none"> SONET (including 10G Ethernet WAN Phy)—10 Gbps 10G Ethernet LAN Phy—10 Gbps Ethernet 10G Fiber Channel—10 Gbps Fibre Channel IB_5G—InfiniBand 5 Gbps <p>Note If you have an OTU2 signal in which the OPU2 has been generated by multiplexing four ODU1 signals, choose SONET as the port rate. This allows the OTU2 signal to be transported transparently in standard or E-FEC regenerator configuration.</p>

1. Automatically provisioned when the PPM is created if the trunk port is out of service.
2. Provisioned on the Data Rate Selection tab.

Step 9 Return to your originating procedure (NTP).

DLP-G280 Delete a PPM

Purpose	This task deletes PPM provisioning for SFPs or XFPs installed on TXP, MXP, GE_XP, 10GE_XP, GE_XPE, 10GE_XPE, ADM-10G, or OTU2_XP card.
Tools/Equipment	None
Prerequisite Procedures	DLP-G63 Install an SFP or XFP, page 4-71 or DLP-G273 Preprovision an SFP or XFP Slot, page 4-73 DLP-G46 Log into CTC, page 3-30
Required/As Needed	As needed
Onsite/Remote	Onsite or remote
Security Level	Provisioning or higher



Note Before deleting a PPM, delete the PPM from the provisioning pane.



Note This task does not apply to the TXP_MR_10G card. To change the TXP_MR_10G data rate, complete the “[DLP-G365 Provision the TXP_MR_10G Data Rate](#)” task on page 6-49.

**Note**

You cannot delete a PPM if the TXP, MXP, GE_XP, 10GE_XP, GE_XPE, 10GE_XPE, or ADM-10G card is part of a regenerator group. For OTU2_XP card, you cannot delete a PPM if the card configuration is in Standard Regen or Enhanced FEC mode.

-
- Step 1** In node view (single-shelf mode) or shelf view (multishelf view), double-click the TXP, MXP, GE_XP, 10GE_XP, GE_XPE, 10GE_XPE, ADM-10G, or OTU2_XP card where you want to delete PPM settings.
- Step 2** Verify that the PPM port Service State is **OOS,DSBLD**. If the PPM port is **OOS,DSBLD**, go to Step 3. If it is not OOS,DSBLD, follow the tasks in [NTP-G128 Manage Pluggable Port Modules, page 6-3](#), to change the Service State of the PPM port to **OOS,DSBLD**.
- Step 3** Click the **Provisioning > Pluggable Port Modules** tabs.
- Step 4** To delete a PPM and the associated ports:
- In the Pluggable Port Modules area, click the PPM that you want to delete. The highlight changes to dark blue.
 - Click **Delete**. The Delete PPM dialog box appears.
 - Click **Yes**. The PPM provisioning is removed from the Pluggable Port Modules area and the Pluggable Ports area.

**Note**

You cannot delete a PPM until its port is in the OOS,DSBLD state. You cannot delete a client port if the client is in the In Service and Normal (IS-NR) (ANSI) or Unlocked-enabled (ETSI) service state, is in a protection group, has a generic communications channel (GCC) or data communications channel (DCC), is a timing source, has circuits or overhead circuits, or transports Link Management Protocol channels or links. You can delete a client port (except the last port) if the trunk port is in service and the client port is in the OOS,DSBLD (ANSI) or Locked-enabled,disabled (ETSI) service state. You can delete the last client port only if the trunk port is in a OOS,DSBLD (ANSI) or Locked-enabled,disabled (ETSI) service state for all cards except the MXP_MR_2.5G, MXPP_MR_2.5G, MXP_MR_10DME_C, MXP_MR_10DME_L, and MXP_MR_10DMEX_C cards. For more information about port states, refer to the “Administrative and Service States” appendix in the *Cisco ONS 15454 DWDM Reference Manual*.

- Step 5** Verify that the PPM provisioning is deleted:
- In the TXP, MXP, GE_XP, 10GE_XP, GE_XPE, 10GE_XPE, ADM-10G, or OTU2_XP card view, CTC shows an empty port after the PPM is deleted.
 - If the SFP or XFP is physically present when you delete the PPM provisioning, CTC transitions to the deleted state, the ports (if any) are deleted, and the PPM is represented as a gray graphic in CTC. The SFP or XFP can be provisioned again in CTC, or the equipment can be removed. If the equipment is removed, the graphic disappears.
- Step 6** If you need to remove the PPM hardware (the SFP or XFP), complete the [“DLP-G64 Remove an SFP or XFP” task on page 4-74](#).
- Step 7** Return to your originating procedure (NTP).
-

NTP-G33 Create a Y-Cable Protection Group

Purpose	This procedure creates a Y-cable protection group between the client ports of two TXP, MXP, GE_XP, 10GE_XP, GE_XPE, 10GE_XPE, or OTU2_XP cards. For additional information about Y-cable protection, see the “Transponder and Muxponder Cards” chapter in the <i>Cisco ONS 15454 DWDM Reference Manual</i> .
Tools/Equipment	Installed TXP, MXP, GE_XP, 10GE_XP, GE_XPE, 10GE_XPE, or OTU2_XP card Cisco TransportPlanner Traffic Matrix
Prerequisite Procedures	“NTP-G15 Install the Common Control Cards” in the <i>Cisco ONS 15454 Hardware Installation Guide</i> “NTP-G14 Install DWDM Equipment” in the <i>Cisco ONS 15454 Hardware Installation Guide</i> DLP-G46 Log into CTC, page 3-30 NTP-G139 Verify Cisco TransportPlanner Reports and Files, page 4-3
Required/As Needed	As needed
Onsite/Remote	Onsite or remote
Security Level	Provisioning or higher

**Note**

Y-cable protection is available for the GE_XP, 10GE_XP, GE_XPE, and 10GE_XPE cards when they are provisioned in 10GE MXP, 20GE MXP, or 10GE TXP mode. Y-cable protection cannot be provisioned for the GE_XP, 10GE_XP, GE_XPE, and 10GE_XPE cards when they are provisioned in L2-over-DWDM mode. Y-cable protection is available for the OTU2_XP card when it is provisioned in the TXP card mode. Y-cable protection is not supported on IB_5G.

**Note**

If you are provisioning Y-cable protection for GE_XP, 10GE_XP, GE_XPE, and 10GE_XPE cards, the Ethernet mode must be set to 1000 and 10000 Mbps respectively. To provision the Ethernet mode, see the “[DLP-G380 Provision the GE_XP, 10GE_XP, GE_XPE, and 10GE_XPE Card Ethernet Settings](#)” task on page 6-219.

**Note**

There is a traffic hit of upto a couple hundred milliseconds on the MXP_MR_2.5G and MXP_MR_10DME cards in Y-cable configuration when a fiber cut or SFP failure occurs on one of the client ports.

**Note**

For SONET or SDH payloads, Loss of Pointer Path (LOP-P) alarms can occur on a split signal if the ports are not in a Y-cable protection group.

- Step 1** View the Cisco TransportPlanner Traffic Matrix (see [Table 4-1 on page 4-4](#)) for your site. Verify the TXP, MXP, GE_XP, 10GE_XP, GE_XPE, 10GE_XPE, or OTU2_XP cards that need Y-cable protection groups. (Cards requiring Y-cable protection are indicated with “Y-Cable” in the Traffic Matrix table Protection Type column. Refer to the *Cisco TransportPlanner DWDM Operations Guide* for more information.)
- Step 2** Verify that the TXP, MXP, GE_XP, 10GE_XP, GE_XPE, 10GE_XPE, or OTU2_XP cards are installed according to the requirements specified in [Table 4-6 on page 4-109](#). [Table 6-4](#) lists the protection types available in the ONS 15454 for DWDM client cards.

Table 6-4 Protection Types


Protection Type	Cards	Description and Installation Requirements
Y-cable	MXP_2.5_10G MXP_2.5_10E MXP_2.5_10E_C MXP_2.5_10E_L TXP_MR_10EX_C TXP_MR_10G TXP_MR_10E TXP_MR_10E_C TXP_MR_10E_L TXP_MR_2.5G MXP_MR_2.5G MXP_MR_10DME_C MXP_MR_10DME_L MXP_MR_10DMEX_C 40G-MXP-C GE_XP ¹ 10GE_XP ² GE_XPE 10GE_XPE OTU2_XP	<p>Pairs a working transponder or muxponder card or port with a protect transponder or muxponder card or port. The protect port must be on a different card than the working port and it must be the same card type as the working port. The working and protect port numbers must be the same, that is, Port 1 can only protect Port 1, Port 2 can only protect Port 2, and so on.</p> <p> Note Working and Protect card must be in the same shelf for a multishelf node.</p>

Table 6-4 Protection Types

Protection Type	Cards	Description and Installation Requirements
Splitter	TXPP_MR_2.5G MXPP_MR_2.5G	A splitter protection group is automatically created when a TXPP_MR_2.5G or MXPP_MR_2.5G card is installed. You can edit the splitter protection group name.
	OTU2_XP	A splitter protection group is configurable for the OTU2_XP card. You can create a splitter protection group on Ports 3 and 4 of the OTU2_XP card using the “NTP-G199 Create a Splitter Protection Group for the OTU2_XP Card” procedure on page 6-24.
1+1	GE_XP 10GE_XP GE_XPE 10GE_XPE	In the Layer 2 (L2) card mode 1+1 protection is provided to protect the card against client port and card failure.

1. When provisioned in 10GE MXP or 20GE MXP card mode.
2. When provisioned in 10GE TXP card mode.

- Step 3** Verify that pluggable ports are provisioned for the same payload and payload rate on the TXP, MXP, GE_XP, 10GE_XP, GE_XPE, 10GE_XPE, or OTU2_XP cards where you will create the Y-cable protection group:
- a. Display the TXP, MXP, GE_XP, 10GE_XP, GE_XPE, 10GE_XPE, or OTU2_XP card in card view.
 - b. Click the **Provisioning > Pluggable Port Module** tab.
 - c. Verify that a pluggable port is provisioned in the Pluggable Port Module area, and the payload type and rate is provisioned for it in the Pluggable Ports area. If they are not the same, for example, if the pluggable port and rate are not the same, you must either delete the provisioned rate and create a new rate to match using the [“DLP-G273 Preprovision an SFP or XFP Slot”](#) task on page 4-73 or replace the pluggable port (SFP or XFP) using the [“DLP-G64 Remove an SFP or XFP”](#) task on page 4-74.
- Step 4** In node view (single-shelf mode) or shelf view (multishelf mode), click the **Provisioning > Protection** tabs.
- Step 5** In the Protection Groups area, click **Create**.
- Step 6** In the Create Protection Group dialog box, enter the following:
- Name—Type a name for the protection group. The name can have up to 32 alphanumeric (a-z, A-Z, 0-9) characters. Special characters are permitted. For TL1 compatibility, do not use question mark (?), backslash (\), or double quote (“) characters.
 - Type—Choose **Y Cable** from the drop-down list.
 - Protect Port—From the drop-down list, choose the port that will be the standby or protection port to the active port. The list displays the available transponder or muxponder ports. If transponder or muxponder cards are not installed, no ports appear in the drop-down list.
- After you choose the protect port, a list of available working ports appear in the Available Ports list. If no cards are available, no ports appear. If this occurs, you can not complete this task until you install the physical cards or preprovision the ONS 15454 slots using the [“DLP-G353 Preprovision a Slot”](#) task on page 4-55.
- Step 7** From the Available Ports list, select the port that will be protected by the port you selected in Protect Ports. Click the top arrow button to move the port to the Working Ports list.

Step 8 Complete the remaining fields:

- Revertive—Check this check box if you want traffic to revert to the working port after failure conditions remain corrected for the amount of time entered in the Reversion Time field.
- Reversion time—If Revertive is checked, select a reversion time from the drop-down list. The range is 0.5 to 12.0 minutes. The default is 5.0 minutes. Reversion time is the amount of time that will elapse before the traffic reverts to the working card. The reversion timer starts after conditions causing the switch are cleared.



Note

The Bidirectional switching option is available for Y-cable protection groups only in the following cases:

- On the MXP_MR_10DME card when ISC3_PEER_1G/ISC3_PEER_2G is the client payload.
- On the MXP_MR_10DME and MXP_MR_2.5G cards when Fibre Channel is the client payload. In this case Bidirectional switching is:
 - Automatically enabled when Distance Extension is enabled.
 - Automatically disabled when Distance Extension is disabled.

The Bidirectional switching option is available for all SONET and SDH 1+1 protection groups.

Step 9 Click **OK**.

Step 10 Repeat this procedure for every Y-cable protection group indicated in the Cisco TransportPlanner Traffic Matrix.

Stop. You have completed this procedure.

NTP-G199 Create a Splitter Protection Group for the OTU2_XP Card

Purpose	This procedure creates a splitter protection group between the trunk ports of an OTU2_XP card. For additional information about splitter protection, see the “Transponder and Muxponder Cards” chapter in the <i>Cisco ONS 15454 DWDM Reference Manual</i> .
Tools/Equipment	Installed OTU2_XP card Cisco TransportPlanner Traffic Matrix
Prerequisite Procedures	“NTP-G15 Install the Common Control Cards” in the <i>Cisco ONS 15454 Hardware Installation Guide</i> “NTP-G14 Install DWDM Equipment” in the <i>Cisco ONS 15454 Hardware Installation Guide</i> DLP-G46 Log into CTC, page 3-30 NTP-G139 Verify Cisco TransportPlanner Reports and Files, page 4-3
Required/As Needed	As needed
Onsite/Remote	Onsite or remote
Security Level	Provisioning or higher

**Note**

A splitter protection group is automatically created when a TXPP_MR_2.5G, MXPP_MR_2.5G, or PSM card is installed. You can edit the splitter protection group name for these cards. The splitter protection group is deleted when you delete the TXPP_MR_2.5G, MXPP_MR_2.5G, or PSM card.

**Note**

Splitter protection is available for the OTU2_XP card when it is provisioned in Transponder configuration only. In a splitter-protected Transponder configuration, Port 1 is the client port, Port 3 is the working trunk port, and Port 4 is the standby trunk port.

**Note**

For SONET or SDH payloads, Loss of Pointer Path (LOP-P) alarms can occur on a split signal if the ports are not in a splitter protection group.

- Step 1** View the Cisco TransportPlanner Traffic Matrix (see [Table 4-1 on page 4-4](#)) for your site. Verify which OTU2_XP card needs a splitter protection group. (Cards requiring splitter protection are indicated with “Splitter” in the Traffic Matrix table Protection Type column. Refer to the *Cisco TransportPlanner DWDM Operations Guide* for more information.)
- Step 2** Verify that the OTU2_XP card is installed according to the requirements specified in [Table 4-6 on page 4-109](#).
- Step 3** Verify that the pluggable port (SFP or XFP) slot is provisioned for the same payload rate as the pluggable port on the OTU2_XP card where you will create the splitter protection group:
- a. Display the OTU2_XP card in card view.
 - b. Click the **Provisioning > Pluggable Port Module** tabs.
 - c. Verify that a pluggable port (SFP or XFP) slot is provisioned in the Pluggable Port Module area, and that the payload rate of the pluggable port (SFP or XFP) slot is same as the payload rate of the pluggable port on the OTU2_XP card provisioned in the Pluggable Ports area. If they are not the same, you must either delete the provisioned rate and create a new rate to match using the [“DLP-G273 Preprovision an SFP or XFP Slot” task on page 4-73](#) or replace the pluggable port (SFP or XFP) using the [“DLP-G64 Remove an SFP or XFP” task on page 4-74](#).
- Step 4** In node view (single-shelf mode) or shelf view (multishelf view), click the **Provisioning > Protection** tabs.
- Step 5** In the Protection Groups area, click **Create**.
- Step 6** In the Create Protection Group dialog box, enter the following:
- Name—Type a name for the protection group. The name can have up to 32 alphanumeric (a-z, A-Z, 0-9) characters. Special characters are permitted. For TL1 compatibility, do not use question mark (?), backslash (\), or double quote (") characters.
 - Type—Choose **Splitter** from the drop-down list.
 - Protect Card—From the drop-down list, choose the port that will be the standby or protection port to the active port. The list displays the available OTU2_XP ports. If transponder or muxponder cards are not installed or if the trunk ports of the card are part of a regenerator group, no ports appear in the drop-down list.

After you choose the protect port, a list of available working ports appear in the Available Cards list. If no cards are available, no ports appear. If this occurs, you cannot complete this task until you install the physical cards or preprovision the ONS 15454 slots using the [“DLP-G353 Preprovision a Slot”](#) task on page 4-55.

Step 7 From the Available Cards list, select the port that will be protected by the port you selected in Protect Cards. Click the top arrow button to move the port to the Working Cards list.

Step 8 Complete the remaining fields:

- **Revertive**—Check this check box if you want traffic to revert to the working port after failure conditions remain corrected for the amount of time entered in the Reversion Time field.
- **Reversion time**—If Revertive is checked, select a reversion time from the drop-down list. The range is 0.5 to 12.0 minutes. The default is 5.0 minutes. Reversion time is the amount of time that will elapse before the traffic reverts to the working card. The reversion timer starts after conditions causing the switch are cleared.



Note The Bidirectional Switching option is not applicable for splitter protection groups.

Step 9 Click **OK**.

Step 10 Repeat this procedure for every splitter protection group indicated in the Cisco TransportPlanner Traffic Matrix.

Stop. You have completed this procedure.

NTP-G198 Create 1+1 Protection for GE_XP, 10GE_XP, GE_XPE, or 10GE_XPE Cards

Purpose	This procedure creates a 1+1 protection group to protect against client port and card failure of GE_XP, 10GE_XP, GE_XPE, 10GE_XPE cards. For additional information about 1+1 protection, see the “Transponder and Muxponder Cards” chapter in the <i>Cisco ONS 15454 DWDM Reference Manual</i> .
Tools/Equipment	None
Prerequisite Procedures	<p>“NTP-G15 Install the Common Control Cards” in the <i>Cisco ONS 15454 Hardware Installation Guide</i></p> <p>“NTP-G14 Install DWDM Equipment” in the <i>Cisco ONS 15454 Hardware Installation Guide</i></p> <p>NTP-G139 Verify Cisco TransportPlanner Reports and Files, page 4-3</p>
Required/As Needed	As needed
Onsite/Remote	Onsite or remote
Security Level	Provisioning or higher

Step 1 Complete the [“DLP-G46 Log into CTC”](#) task on page 3-30 at the node where you want to protect the card against client port and card failure. If you are already logged in, continue with [Step 2](#).

- Step 2** Verify that the GE_XP, 10GE_XP, GE_XPE, or 10GE_XPE card is installed according to the requirements specified in [Table 4-6 on page 4-109](#).
- Step 3** Complete the [NTP-G242 Create an Internal Patchcord Manually, page 4-114](#) by selecting the Trunk to Trunk (L2) option, at the trunk port where you want to create 1+1 protection.
- Step 4** Complete the “[DLP-G461 Create a 1+1 Protection Group for GE_XP, 10GE_XP, GE_XPE, or 10GE_XPE Cards](#)” task on [page 6-27](#) to create a protection group.
- Step 5** Configure the standby port behavior, by setting the Protection Action to **None** or **Squelch**. For detailed information on how to configure the standby port behavior, see the, “[DLP-G380 Provision the GE_XP, 10GE_XP, GE_XPE, and 10GE_XPE Card Ethernet Settings](#)” task on [page 6-219](#).



Note Do not enable squelch in a 1 + 1 protection group, if the 100FX, 100LX, and ONS-SE-ZE-EL SFP are used in the protection group and is connected to the peer via the parallel cable (not Y-cable).



Note When you configure L2 1 + 1 protection on 10GE_XP and 10GE_XPE cards, set the Protection Action to **None** on the client ports. Setting the Protection Action as **Squelch** results in unexpected switching behavior.

- Step 6** Configure the standby and active port speed, by setting the mode parameter to Auto or 1000 or any other values. For detailed information on how to configure the standby port behavior, see the “[DLP-G380 Provision the GE_XP, 10GE_XP, GE_XPE, and 10GE_XPE Card Ethernet Settings](#)” task on [page 6-219](#).
- Stop. You have completed this procedure.**

DLP-G461 Create a 1+1 Protection Group for GE_XP, 10GE_XP, GE_XPE, or 10GE_XPE Cards

Purpose	This procedure creates a 1+1 protection group for GE_XP, 10GE_XP, GE_XPE, or 10GE_XPE slots where internal patchcords were created.
Tools/Equipment	None
Prerequisite Procedures	DLP-G344 Verify Provisionable and Internal Patchcords, page 8-41
Required/As Needed	As needed
Onsite/Remote	Onsite or remote
Security Level	Provisioning or higher

- Step 1** In node view (single-shelf mode) or multishelf view (multishelf mode), click the **Provisioning > Protection** tabs.
- Step 2** In the Protection Groups area, click **Create**.
- Step 3** In the Create Protection Group dialog box, enter the following:
- Name—Type a name for the protection group. The name can have up to 32 alphanumeric (a-z, A-Z, 0-9) characters. Special characters are permitted. For TL1 compatibility, do not use question mark (?), backslash (\), or double quote (") characters.

- **Type**—Choose **L2 1+1 (port)** from the drop-down list.
- **Protect Port**—From the drop-down list, choose the port that will be the standby or protection port for the active port. The list displays the available transponder or muxponder ports. If transponder or muxponder cards are not installed, no ports appear in the drop-down list.

After you choose the protect port, a list of available working ports appear in the Available Ports list. If no cards are available, no ports appear. If this occurs, you cannot complete this task until you install the physical cards or preprovision the ONS 15454 slots using the [“DLP-G353 Preprovision a Slot” task on page 4-55](#).

- Step 4** From the Available Ports list, select the port that will be protected by the port you selected in the Protected Port drop-down list. Click the top arrow button to move the port to the Working Ports list.
- Step 5** Complete the remaining fields:
- **Revertive**—Check this check box if you want traffic to revert to the working port after failure conditions remain corrected for the amount of time entered in the Reversion Time field.
 - **Reversion time**—If Revertive is checked, select a reversion time from the drop-down list. The range is 0.5 to 12.0 minutes. The default is 5.0 minutes. Reversion time is the amount of time that will elapse before the traffic reverts to the working card. The reversion timer starts after conditions causing the switch are cleared.
- The bidirectional switching option is available for SONET and SDH 1+1 protection groups.
- Step 6** Click **OK**.
- Step 7** Repeat this procedure for every 1+1 protection group indicated in the Cisco TransportPlanner Traffic Matrix.
- Step 8** Return to your originating procedure (NTP).

NTP-G98 Provision the 2.5G Multirate Transponder Card Line Settings and PM Parameter Thresholds

Purpose	This procedure changes the line and threshold settings for TXP_MR_2.5G and TXPP_MR_2.5G transponder cards.
Tools/Equipment	None
Prerequisite Procedures	NTP-G179 Install the TXP, MXP, GE_XP, 10GE_XP, GE_XPE, 10GE_XPE, ADM-10G, and OTU2_XP Cards, page 4-69 DLP-G63 Install an SFP or XFP, page 4-71 DLP-G277 Provision a Multirate PPM, page 6-11 (if necessary) DLP-G278 Provision the Optical Line Rate, page 6-14 (if necessary)
Required/As Needed	As needed
Onsite/Remote	Onsite or remote
Security Level	Provisioning or higher

- Step 1** Complete the [“DLP-G46 Log into CTC” task on page 3-30](#) at the node where you want to change the transponder card settings. If you are already logged in, continue with [Step 2](#).

- Step 2** As needed, complete the “NTP-G103 Back Up the Database” procedure on page 14-2 to preserve the existing transmission settings.
- Step 3** Perform any of the following tasks as needed:
- [DLP-G229 Change the 2.5G Multirate Transponder Card Settings, page 6-29](#)
 - [DLP-G230 Change the 2.5G Multirate Transponder Line Settings, page 6-30](#)
 - [DLP-G231 Change the 2.5G Multirate Transponder Line Section Trace Settings, page 6-33](#)
 - [DLP-G232 Change the 2.5G Multirate Transponder SONET or SDH Line Threshold Settings, page 6-35](#)
 - [DLP-G320 Change the 2.5G Multirate Transponder Line RMON Thresholds for 1G Ethernet or 1G FC/FICON Payloads, page 6-38](#)
 - [DLP-G305 Provision the 2.5G Multirate Transponder Trunk Port Alarm and TCA Thresholds, page 6-39](#)
 - [DLP-G306 Provision the 2.5G Multirate Transponder Client Port Alarm and TCA Thresholds, page 6-41](#)
 - [DLP-G234 Change the 2.5G Multirate Transponder OTN Settings, page 6-45](#)
 - [DLP-G367 Change the 2.5G Multirate Transponder Trunk Wavelength Settings, page 6-34](#)
- Stop. You have completed this procedure.**
-

DLP-G229 Change the 2.5G Multirate Transponder Card Settings

Purpose	This task changes the card settings for TXP_MR_2.5G and TXPP_MR_2.5G transponder cards.
Tools/Equipment	None
Prerequisite Procedures	DLP-G46 Log into CTC, page 3-30
Required/As Needed	As needed
Onsite/Remote	Onsite or remote
Security Level	Provisioning or higher

- Step 1** In node view (single-shelf mode) or shelf view (multishelf view), double-click the TXP_MR_2.5G or TXPP_MR_2.5G card where you want to change the card settings.
- Step 2** Click the **Provisioning > Card** tabs.
- Step 3** Modify any of the settings described in [Table 6-5](#).



Note The Card subtab Framing Type and Tunable Wavelengths fields are display-only. Framing Type shows the card framing type, either SONET or SDH, depending on whether the card is installed in an ANSI or ETSI chassis. The Tunable Wavelengths field shows the tunable wavelengths for the physical TXP_MR_2.5G or TXPP_MR_2.5G that is installed.

Table 6-5 *TXP_MR_2.5G and TXPP_MR_2.5G Transponder Card Settings*

Parameter	Description	Options
Termination Mode	Sets the mode of operation (option only supported for SONET/SDH payloads). Refer to the “Transponder and Muxponder Cards” chapter in the <i>Cisco ONS 15454 DWDM Reference Manual</i> for more details.	<ul style="list-style-type: none"> Transparent Section (ANSI) or Regeneration Section (ETSI) Line (ANSI) or Multiplex Section (ETSI)
Regeneration Peer Slot	<p>Sets the slot containing another TXP_MR_2.5G or TXPP_MR_2.5G card to create a regeneration peer group. A regeneration peer group facilitates the management of two TXP_MR_2.5G or TXPP_MR_2.5G cards that are needed to perform a complete signal regeneration.</p> <p>The regeneration peer group synchronizes provisioning of the two cards. Payload type and ITU-T G.709 optical transport network (OTN) changes made on one TXP_MR_2.5G or TXPP_MR_2.5G card are reflected on the peer TXP_MR_2.5G or TXPP_MR_2.5G card.</p> <p>Note Y-cable protection groups cannot be created on TXP_MR_2.5G or TXPP_MR_2.5G cards that are in a regeneration peer group.</p>	<ul style="list-style-type: none"> None 1 2 3 4 5 6 12 13 14 15 16 17
Regeneration Group Name	Sets the regeneration peer group name.	User defined

Step 4 Click **Apply**.

Step 5 Return to your originating procedure (NTP).

DLP-G230 Change the 2.5G Multirate Transponder Line Settings

Purpose	This task changes the line settings for the client port of the TXP_MR_2.5G and TXPP_MR_2.5G transponder cards.
Tools/Equipment	None
Prerequisite Procedures	DLP-G46 Log into CTC, page 3-30
Required/As Needed	As needed
Onsite/Remote	Onsite or remote
Security Level	Provisioning or higher

- Step 1** In node view (single-shelf mode) or shelf view (multishelf view), double-click the TXP_MR_2.5G or TXPP_MR_2.5G card where you want to change the line settings.
- Step 2** Click the **Provisioning > Line > SONET** tabs.
- Step 3** Modify any of the settings described in [Table 6-6](#).



Note The 2.5G multirate transponder trunk settings are provisioned in the [“DLP-G305 Provision the 2.5G Multirate Transponder Trunk Port Alarm and TCA Thresholds”](#) task on page 6-39.

Table 6-6 TXP_MR_2.5G and TXPP_MR_2.5G Transponder Card Line Settings

Parameter	Description	Options
Port	(Display only) Displays the port number.	<ul style="list-style-type: none"> 1 2 (Trunk) 3 (Trunk) (TXPP_MR_2.5G card only)
Port Name	The user can assign a logical name for each of the ports shown by filling in this field.	User-defined. Name can be up to 32 alphanumeric/special characters. Blank by default. See the “DLP-G104 Assign a Name to a Port” task on page 8-3.
Admin State	Sets the port service state unless network conditions prevent the change. For more information about administrative states, refer to the “Administrative and Service States” appendix in the <i>Cisco ONS 15454 DWDM Reference Manual</i> .	<ul style="list-style-type: none"> IS (ANSI) or Unlocked (ETSI) IS,AINS (ANSI) or Unlocked,automaticInService (ETSI) OOS,DSBLD (ANSI) or Locked,disabled (ETSI) OOS,MT (ANSI) or Locked,maintenance (ETSI)
Service State	(Display only) Identifies the autonomously generated state that gives the overall condition of the port. Service states appear in the format: Primary State-Primary State Qualifier, Secondary State. For more information about service states, refer to the “Administrative and Service States” appendix in the <i>Cisco ONS 15454 DWDM Reference Manual</i> .	<ul style="list-style-type: none"> IS-NR (ANSI) or Unlocked-enabled (ETSI) OOS-AU,AINS (ANSI) or Unlocked-disabled, automaticInService (ETSI) OOS-MA,DSBLD (ANSI) or Locked-enabled,disabled (ETSI) OOS-MA,MT (ANSI) or Locked-enabled,maintenance (ETSI)
SF BER	(OC-N and STM-N payloads only) Sets the signal fail bit error rate.	<ul style="list-style-type: none"> 1E-3 1E-4 1E-5
SD BER	(OC-N and STM-N payloads only) Sets the signal degrade bit error rate.	<ul style="list-style-type: none"> 1E-5 1E-6 1E-7 1E-8 1E-9

Table 6-6 TXP_MR_2.5G and TXPP_MR_2.5G Transponder Card Line Settings (continued)

Parameter	Description	Options
ALS Mode	Sets the automatic laser shutdown (ALS) function.	<ul style="list-style-type: none"> Disabled (default) Auto Restart Manual Restart Manual Restart for Test
Reach	Displays the optical reach distance of the client port.	Options: ANSI/ETSI <ul style="list-style-type: none"> Autoprovision/Autoprovision (default) SR SR 1/I-1—Short reach up to 2-km distance IR 1/S1—Intermediate reach, up to 15-km distance IR 2/S2—Intermediate reach up to 40-km distance LR 1/L1—long reach, up to 40-km distance LR 2/L2—long reach, up to 80-km distance LR 3/L3—long reach, up to 80-km distance
Wavelength	Displays the wavelength of the client port.	<ul style="list-style-type: none"> First Tunable Wavelength Further wavelengths: 1310 nm through 1560.61 nm, 100-GHz ITU spacing; coarse wavelength division multiplexing (CWDM) spacing Note: supported wavelengths are marked by asterisks (**).
AINS Soak	(OC-N and STM-N payloads only) Sets the automatic in-service soak period.	<ul style="list-style-type: none"> Duration of valid input signal, in hh.mm format, after which the card becomes in service (IS) automatically 0 to 48 hours, 15-minute increments
Type	(OC-N and STM-N payloads only) The optical transport type.	<ul style="list-style-type: none"> SONET SDH

Step 4 Click **Apply**.

Step 5 Return to your originating procedure (NTP).

DLP-G231 Change the 2.5G Multirate Transponder Line Section Trace Settings

Purpose	This task changes the section trace settings for TXP_MR_2.5G and TXPP_MR_2.5G transponder cards.
Tools/Equipment	None
Prerequisite Procedures	DLP-G46 Log into CTC, page 3-30
Required/As Needed	As needed
Onsite/Remote	Onsite or remote
Security Level	Provisioning or higher


Note

This task only applies to SONET services.

- Step 1** In node view (single-shelf mode) or shelf view (multishelf view), double-click the TXP_MR_2.5G or TXPP_MR_2.5G card where you want to change the section trace settings.
- Step 2** Click the **Provisioning > Line > Section Trace** tabs.
- Step 3** Modify any of the settings described in [Table 6-7](#).

Table 6-7 TXP_MR_2.5G and TXPP_MR_2.5G Transponder Card Section Trace Settings

Parameter	Description	Options
Port	(Display only) Port number.	<ul style="list-style-type: none"> 1 2 (Trunk) 3 (Trunk) (TXPP_MR_2.5G only)
Received Trace Mode	Sets the trace mode.	<ul style="list-style-type: none"> Off/None Manual
Disable AIS/RDI on TIM-S	If an TIM on Section overhead alarm arises because of a J0 overhead string mismatch, no alarm indication signal is sent to downstream nodes if this box is checked.	<ul style="list-style-type: none"> Checked (AIS/RDI on TIM-S is disabled) Unchecked (AIS/RDI on TIM-S is not disabled)
Transmit Section Trace String Size	Sets the trace string size.	<ul style="list-style-type: none"> 1 byte 16 byte
Transmit	Displays the current transmit string; sets a new transmit string. You can click the button on the right to change the display. Its title changes, based on the current display mode. Click Hex to change the display to hexadecimal (button changes to ASCII); click ASCII to change the display to ASCII (button changes to Hex).	String of trace string size

Table 6-7 *TXP_MR_2.5G and TXPP_MR_2.5G Transponder Card Section Trace Settings (continued)*

Parameter	Description	Options
Expected	Displays the current expected string; sets a new expected string. You can click the button on the right to change the display. Its title changes, based on the current display mode. Click Hex to change the display to hexadecimal (button changes to ASCII); click ASCII to change the display to ASCII (button changes to Hex).	String of trace string size
Received	(Display only) Displays the current received string. You can click Refresh to manually refresh this display, or check the Auto-refresh every 5 sec check box to keep this display updated automatically.	String of trace string size
Auto-refresh	If checked, automatically refreshes the display every 5 seconds.	Checked/unchecked (default)

Step 4 Click **Apply**.

Step 5 Return to your originating procedure (NTP).

DLP-G367 Change the 2.5G Multirate Transponder Trunk Wavelength Settings

Purpose	This task changes the trunk wavelength settings for the TXP_MR_2.5G and TXPP_MR_2.5G cards.
Tools/Equipment	None
Prerequisite Procedures	DLP-G46 Log into CTC, page 3-30
Required/As Needed	As needed
Onsite/Remote	Onsite or remote
Security Level	Provisioning or higher

Step 1 In node view (single-shelf mode) or shelf view (multishelf view), double-click the TXP_MR_2.5G or TXPP_MR_2.5G card where you want to change the trunk wavelength settings.

Step 2 Click the **Provisioning > Line > Wavelength Trunk Settings** tabs.

Step 3 Modify any of the settings as described in [Table 6-8](#).

Table 6-8 TXP_MR_2.5G and TXPP_MR_2.5G Card Wavelength Trunk Settings

Parameter	Description	Options
Port	(Display only) Displays the port number.	<ul style="list-style-type: none"> 2 (Trunk) 3 (Trunk) (TXPP_MR_2.5G only)
Wavelength	The wavelength provisioned for the trunk.	<ul style="list-style-type: none"> First Tunable Wavelength Further wavelengths in 100-GHz ITU-T, C-band spacing. If the card is installed, the wavelengths it carries are identified with two asterisks. Other wavelengths have a dark grey background. If the card is not installed, all wavelengths appear with a dark grey background.

Step 4 Click **Apply**.

Step 5 Return to your originating procedure (NTP).

DLP-G232 Change the 2.5G Multirate Transponder SONET or SDH Line Threshold Settings

Purpose	This task changes the line threshold settings for TXP_MR_2.5G and TXPP_MR_2.5G transponder cards carrying OC-3/STM-1, OC-12/STM-4, and OC-48/STM-16 payloads.
Tools/Equipment	None
Prerequisite Procedures	DLP-G46 Log into CTC, page 3-30
Required/As Needed	As needed
Onsite/Remote	Onsite or remote
Security Level	Provisioning or higher

Step 1 In node view (single-shelf mode) or shelf view (multishelf view), double-click the TXP_MR_2.5G or TXPP_MR_2.5G card where you want to change the line threshold settings.

Step 2 Click the **Provisioning > Line Thresholds** tabs.



Note You must modify Near End and Far End independently; 15 Min and 1 Day independently; and Line and Section independently. To do so, choose the appropriate radio button and click **Refresh**.

Step 3 Modify any of the settings in [Table 6-9](#).

**Note**

Some parameters and options in [Table 6-9](#) do not apply to all TXP_MR_2.5G or TXPP_MR_2.5G cards. If a parameter or option does not apply, that parameter or option does not appear in CTC.

Table 6-9 TXP_MR_2.5G and TXPP_MR_2.5G Transponder Card Line Thresholds Settings for OC-3/STM-1, OC-12/STM-4, and OC-48/STM-16 Payloads

Parameter	Description	Options - ANSI	Options - ETSI
Port	(Display only) Port number	<ul style="list-style-type: none"> 1 2 (Trunk) 3 (Trunk) (TXPP_MR_2.5G only) 	<ul style="list-style-type: none"> 1 2 (Trunk) 3 (Trunk) (TXPP_MR_2.5G only)
EB	Path Errored Block indicates that one or more bits are in error within a block	<p>Numeric. Threshold display options include:</p> <ul style="list-style-type: none"> Direction—Near End or Far End Interval—15 Min (minutes) or 1 day Types—Line or Section (near end only) <p>Choose an option in each category and click Refresh.</p>	<p>Numeric. Threshold display options include:</p> <ul style="list-style-type: none"> Direction—Near End or Far End Interval—15 Min (minutes) or 1 day Types—Multiplex Section or Regeneration Section (near end only) <p>Choose an option in each category and click Refresh.</p>
CV	Coding violations	<p>Numeric. Threshold display options include:</p> <ul style="list-style-type: none"> Direction—Near End or Far End Interval—15 Min (minutes) or 1 day Types—Line or Section (near end only) <p>Choose an option in each category and click Refresh.</p>	—
ES	Errored seconds	<p>Numeric. Threshold display options include:</p> <ul style="list-style-type: none"> Direction—Near End or Far End Interval—15 Min (minutes) or 1 day Types—Line or Section (near end only) <p>Choose an option in each category and click Refresh.</p>	<p>Numeric. Threshold display options include:</p> <ul style="list-style-type: none"> Direction—Near End or Far End Interval—15 Min (minutes) or 1 day Types—Multiplex Section or Regeneration Section (near end only) <p>Choose an option in each category and click Refresh.</p>

Table 6-9 *TXP_MR_2.5G and TXPP_MR_2.5G Transponder Card Line Thresholds Settings for OC-3/STM-1, OC-12/STM-4, and OC-48/STM-16 Payloads (continued)*

Parameter	Description	Options - ANSI	Options - ETSI
SES	Severely errored seconds	Numeric. Threshold display options include: <ul style="list-style-type: none"> • Direction—Near End or Far End • Interval—15 Min (minutes) or 1 day • Types—Line or Section (near end only) Choose an option in each category and click Refresh .	Numeric. Threshold display options include: <ul style="list-style-type: none"> • Direction—Near End or Far End • Interval—15 Min (minutes) or 1 day • Types—Multiplex Section or Regeneration Section (near end only) Choose an option in each category and click Refresh .
FC	(Line or Multiplex Section only) Failure count	Numeric. Threshold display options include: <ul style="list-style-type: none"> • Direction—Near End or Far End • Interval—15 Min (minutes) or 1 day • Types—Line or Section (near end only) Choose an option in each category and click Refresh .	—
SEFS	(Near End Section or Regeneration Section only) Severely errored framing seconds	Numeric. Threshold display options include: <ul style="list-style-type: none"> • Direction—Near End or Far End • Interval—15 Min (minutes) or 1 day • Types—Multiplex Section or Regeneration Section (near end only) Choose an option in each category and click Refresh .	—
UAS	Unavailable seconds	Numeric. Threshold display options include: <ul style="list-style-type: none"> • Direction—Near End or Far End • Interval—15 Min (minutes) or 1 day • Types—SM (OTUk) or PM (ODUk) Choose an option in each category and click Refresh .	Numeric. Threshold display options include: <ul style="list-style-type: none"> • Direction—Near End or Far End • Interval—15 Min (minutes) or 1 day • Types—SM (OTUk) or PM (ODUk) Choose an option in each category and click Refresh .
BBE	Background block errors	—	Numeric. Threshold display options include: <ul style="list-style-type: none"> • Direction—Near End or Far End • Interval—15 Min (minutes) or 1 day • Types—SM (OTUk) or PM (ODUk) Choose an option in each category and click Refresh .

- Step 4** Click **Apply**.
- Step 5** Return to your originating procedure (NTP).

DLP-G320 Change the 2.5G Multirate Transponder Line RMON Thresholds for 1G Ethernet or 1G FC/FICON Payloads

Purpose	This task changes the line remote monitoring (RMON) threshold settings for TXP_MR_2.5G and TXPP_MR_2.5G transponder cards carrying the 1G Ethernet or 1G FC/FICON payloads.
Tools/Equipment	None
Prerequisite Procedures	DLP-G46 Log into CTC, page 3-30
Required/As Needed	As needed
Onsite/Remote	Onsite or remote
Security Level	Provisioning or higher

- Step 1** In card view, display the TXP_MR_2.5G or TXPP_MR_2.5G card where you want to change the line threshold settings.
- Step 2** Click the **Provisioning > Line Thresholds > RMON Thresholds** tabs.
- Step 3** Click **Create**. The Create Threshold dialog box appears.
- Step 4** From the Port drop-down list, choose the applicable port.
- Step 5** From the Variable drop-down list, choose an Ethernet variable. See [Table 6-10](#) for a list of available Ethernet variables.

Table 6-10 TXP_MR_2.5G and TXPP_MR_2.5G Card 1G Ethernet and 1G FC/FICON Thresholds

Variable	Description
ifInErrors	Number of inbound packets that contained errors preventing them from being delivered to a higher-layer protocol.
rxTotalPkts	Total number of received packets.
8b10bStatsEncodingDispErrors	Number of IETF 8b10b disparity violations on the Fibre Channel line side.
8b10bIdleOrderedSets	Number of received packets containing idle ordered sets.
8b10bNonIdleOrderedSets	Number of received packets containing non-idle ordered sets.
8b10bDataOrderedSets	Number of received packets containing data ordered sets.

- Step 6** From the Alarm Type drop-down list, indicate whether the event will be triggered by the rising threshold, the falling threshold, or both the rising and falling thresholds.

- Step 7** From the Sample Type drop-down list, choose either **Relative** or **Absolute**. Relative restricts the threshold to use the number of occurrences in the user-set sample period. Absolute sets the threshold to use the total number of occurrences, regardless of time period.
- Step 8** Enter the appropriate number of seconds for the Sample Period.
- Step 9** Enter the appropriate number of occurrences for the Rising Threshold.
- For a rising type of alarm, the measured value must move from below the falling threshold to above the rising threshold. For example, if a network is running below a rising threshold of 1000 collisions every 15 seconds and a problem causes 1001 collisions in 15 seconds, the excess occurrences trigger an alarm.
- Step 10** Enter the appropriate number of occurrences in the Falling Threshold field. In most cases a falling threshold is set lower than the rising threshold.
- A falling threshold is the counterpart to a rising threshold. When the number of occurrences is above the rising threshold and then drops below a falling threshold, it resets the rising threshold. For example, when the network problem that caused 1001 collisions in 15 seconds subsides and creates only 799 collisions in 15 seconds, occurrences fall below a falling threshold of 800 collisions. This resets the rising threshold so that if network collisions again spike over a 1000 per 15-second period, an event again triggers when the rising threshold is crossed. An event is triggered only the first time a rising threshold is exceeded (otherwise, a single network problem might cause a rising threshold to be exceeded multiple times and cause a flood of events).
- Step 11** Click **OK**.
- Step 12** Return to your originating procedure (NTP).

DLP-G305 Provision the 2.5G Multirate Transponder Trunk Port Alarm and TCA Thresholds

Purpose	This task changes the TXP_MR_2.5G and TXPP_MR_2.5G trunk port alarm and threshold crossing alert (TCA) thresholds.
Tools/Equipment	None
Prerequisite Procedures	DLP-G46 Log into CTC, page 3-30
Required/As Needed	As needed
Onsite/Remote	Onsite or remote
Security Level	Provisioning or higher



Note In this task, trunk port refers to Port 2 for TXP_MR_2.5G cards, and to Ports 2 and 3 for TXPP_MR_2.5G cards.

- Step 1** In node view (single-shelf mode) or shelf view (multishelf view), double-click the TXP_MR_2.5G or TXPP_MR_2.5G card where you want to change the trunk port alarm and TCA settings.
- Step 2** Click the **Pluggable Port Modules** tab. Under Pluggable Ports, record the Rate that is provisioned.
- Step 3** Look up the rate in [Table 6-11](#) and note whether it is 2R or 3R.

Table 6-11 2R and 3R Mode and ITU-T G.709 Compliance by Client Interface

Client Interface	Input Bit Rate	3R vs. 2R	ITU-T G.709
OC-48/STM-16	2.488 Gbps	3R	On or Off
DV-6000	2.38 Gbps	2R	—
2 Gigabit Fibre Channel (2G-FC)/fiber connectivity (FICON)	2.125 Gbps	3R ¹	On or Off
High-Definition Television (HDTV)	1.48 Gbps	2R	—
Gigabit Ethernet (GE)	1.25 Gbps	3R	On or Off
1 Gigabit Fibre Channel (1G-FC)/FICON	1.06 Gbps	3R	On or Off
OC-12/STM-4	622 Mbps	3R	On or Off
OC-3/STM-1	155 Mbps	3R	On or Off
Enterprise System Connection (ESCON)	200 Mbps	2R	—
SDI/D1 video	270 Mbps	2R	—
ISC-1 Compact	1.06 Gbps	3R	Off
ISC-3	1.06 or 2.125 Gbps	2R	—
ETR_CLO	16 Mbps	2R	—

1. No monitoring

- Step 4** Click the **Provisioning > Optics Thresholds** tabs.
- Step 5** Under **Types**, verify that the TCA radio button is checked. If not, check it and click **Refresh**.
- Step 6** Referring to [Table 6-12](#), verify the trunk port TCA thresholds for RX Power High and RX Power Low depending on whether the rate is 2R or 3R. Provision new thresholds as needed by double-clicking the threshold value you want to change, deleting it, entering a new value, and hitting **Enter**.



Note Do not modify the Laser Bias parameters.



Note You must modify 15 Min and 1 Day independently. To do so, choose the appropriate radio button and click **Refresh**.

Table 6-12 TXP_MR_2.5G and TXPP_MR_2.5G Trunk Port TCA Thresholds

Signal	TCA RX Power Low	TCA RX Power High
3R	-23 dBm	-9 dBm
2R	-24 dBm	-9 dBm

- Step 7** Click **Apply**.
- Step 8** Under **Types**, click the **Alarm** radio button and click **Refresh**.

- Step 9** Verify the trunk port Alarm thresholds for RX Power High is -7 dBm, and for RX Power Low is -26 dBm. Provision new thresholds as needed by double-clicking the threshold value you want to change, deleting it, entering a new value, and hitting **Enter**.
- Step 10** Click **Apply**.
- Step 11** Return to your originating procedure (NTP).

DLP-G306 Provision the 2.5G Multirate Transponder Client Port Alarm and TCA Thresholds

Purpose	This task provisions the client port alarm and TCA thresholds for the TXP_MR_2.5G and TXPP_MR_2.5G cards.
Tools/Equipment	None
Prerequisite Procedures	DLP-G278 Provision the Optical Line Rate, page 6-14 DLP-G46 Log into CTC, page 3-30
Required/As Needed	As needed
Onsite/Remote	Onsite or remote
Security Level	Provisioning or higher

- Step 1** In node view (single-shelf mode) or shelf view (multishelf view), double-click the TXP_MR_2.5G or TXPP_MR_2.5G card where you want to change the client port alarm and TCA settings.
- Step 2** Click the **Provisioning > Optics Thresholds** tabs. The TCA thresholds are shown by default.
- Step 3** Referring to [Table 6-13](#), verify the Port 1 (client) TCA thresholds for RX Power High, RX Power Low, TX Power High, and TX Power Low based on the client interface at the other end. Provision new thresholds as needed by double-clicking the threshold value you want to change, deleting it, entering a new value, and hitting **Enter**.



Note Do not modify the Laser Bias parameters.



Note You must modify 15 Min and 1 Day independently. To do so, choose the appropriate radio button and click **Refresh**.



Note The hardware device that plugs into a TXP, MXP, GE_XP, 10GE_XP, GE_XPE, 10GE_XPE, or ADM-10G card faceplate to provide a fiber interface to the card is called a Small Form-factor Pluggable (SFP or XFP). In CTC, SFPs and XFPs are called pluggable port modules (PPMs). SFPs/XFPs are hot-swappable input/output devices that plug into a port to link the port with the fiber-optic network. Multirate PPMs have provisionable port rates and payloads. For more information about SFPs and XFPs, refer to the “Transponder and Muxponder Cards” chapter in the *Cisco ONS 15454 DWDM Reference Manual*.

Table 6-13 *TXP_MR_2.5G and TXPP_MR_2.5G Card Client Interface TCA Thresholds*

Port Type (by CTC)	Pluggable Port Module (SFP)	TCA RX Power Low	TCA RX Power High	TCA TX Power Low	TCA TX Power High
OC-3	15454-SFP3-1-IR	-23	-8	-21	-2
STM-1	15454E-SFP-L.1.1	-24	-10	-21	-2
OC-12	15454-SFP12-4-IR	-28	-7	-21	-2
STM-4	15454E-SFP-L.4.1	-28	-8	-21	-2
OC-48	ONS-SE-2G-S1	-18	-3	-16	3
	15454-SFP-OC48-IR	-18	0	-11	6
STM-16	ONS-SE-2G-S1	-18	-3	-16	3
	15454E-SFP-L.16.1				
ONE_GE	15454-SFP-GEFC-SX 15454E-SFP-GEFC-S ONS-SE-G2F-SX	-17	0	-16	3
	15454-SFP-GE+-LX 15454E-SFP-GE+-LX ONS-SE-G2F-LX	-20	-3	-16	3
ESCON	15454-SFP-200 15454E-SFP-200 ONS-SE-200-MM	-21	-14	-35	-8
DV6000	15454-SFP-OC48-IR	-18	0	-11	6
	15454E-SFP-L.16.1	-18	-3	-16	3
SDI_D1_ VIDEO	15454-SFP12-4-IR	-28	-7	-21	-2
	15454E-SFP-L.4.1	-28	-8	-21	-2
HDTV	15454-SFP-GE+-LX 15454E-SFP-GE+-LX ONS-SE-G2F-LX	-20	-3	-16	3
PASS-THRU	2R MODE (not specified)	—	—	—	—
FC1G	15454-SFP-GEFC-SX 15454E-SFP-GEFC-S ONS-SE-G2F-SX	-17	0	-16	3
	15454-SFP-GE+-LX 15454E-SFP-GE+-LX ONS-SE-G2F-LX	-20	-3	-16	3
FC2G	15454-SFP-GEFC-SX 15454E-SFP-GEFC-S ONS-SE-G2F-SX	-15	0	-16	3
	15454-SFP-GE+-LX 15454E-SFP-GE+-LX ONS-SE-G2F-LX	-20	-3	-16	3

Table 6-13 *TXP_MR_2.5G and TXPP_MR_2.5G Card Client Interface TCA Thresholds (continued)*

Port Type (by CTC)	Pluggable Port Module (SFP)	TCA RX Power Low	TCA RX Power High	TCA TX Power Low	TCA TX Power High
FICON1G	15454-SFP-GEFC-SX 15454E-SFP-GEFC-S ONS-SE-G2F-SX	-17	0	-16	3
	15454-SFP-GE+-LX 15454E-SFP-GE+-LX ONS-SE-G2F-LX	-20	-3	-16	3
FICON2G	15454-SFP-GEFC-SX 15454E-SFP-GEFC-S ONS-SE-G2F-SX	-15	0	-16	3
	15454-SFP-GE+-LX 15454E-SFP-GE+-LX ONS-SE-G2F-LX	-20	-3	-16	3
ETR_CLO	15454-SFP-200 15454E-SFP-200 ONS-SE-200-MM	-17	0	-16	3
ISC compat	15454-SFP-GE+-LX 15454E-SFP-GE+-LX ONS-SE-G2F-LX	-20	-3	-16	3
ISC peer	15454-SFP-GE+-LX 15454E-SFP-GE+-LX ONS-SE-G2F-LX	-20	-3	-16	3

Step 4 Click **Apply**.

Step 5 Under Types, click the **Alarm** radio button and click **Refresh**.

Step 6 Referring to [Table 6-14](#), verify the Alarm thresholds for RX Power High, RX Power Low, TX Power High, and TX Power Low based on the client interface that is provisioned. Provision new thresholds as needed by double-clicking the threshold value you want to change, deleting it, entering a new value, and hitting **Enter**.

Table 6-14 *TXP_MR_2.5G and TXPP_MR_2.5G Card Client Interface Alarm Thresholds*

Port Type (by CTC)	Pluggable Port Module (SFP)	Alarm RX Power Low	Alarm RX Power High	Alarm TX Power Low	Alarm TX Power High
OC-3	15454-SFP3-1-IR	-26	-5	-17	-6
STM-1	15454E-SFP-L.1.1	-27	-7	-17	-6
OC-12	15454-SFP12-4-IR	-31	-4	-17	-6
STM-4	15454E-SFP-L.4.1	-31	-5	-17	-6
OC-48	ONS-SE-2G-S1	-21	0	-12	-1
	15454-SFP-OC48-IR	-21	3	-7	2
STM-16	ONS-SE-2G-S1	-21	0	-12	-1
	15454E-SFP-L.16.1				

Table 6-14 *TXP_MR_2.5G and TXPP_MR_2.5G Card Client Interface Alarm Thresholds (continued)*

Port Type (by CTC)	Pluggable Port Module (SFP)	Alarm RX Power Low	Alarm RX Power High	Alarm TX Power Low	Alarm TX Power High
ONE_GE	15454-SFP-GEFC-SX 15454E-SFP-GEFC-S ONS-SE-G2F-SX	-20	3	-12	-2
	15454-SFP-GE+-LX 15454E-SFP-GE+-LX ONS-SE-G2F-LX	-23	0	-12	-1
ESCON	15454-SFP-200 15454E-SFP-200 ONS-SE-200-MM	-24	-11	-31	-12
DV6000	15454-SFP-OC48-IR	-21	3	-7	2
	15454E-SFP-L.16.1	-21	0	-12	-5
SDI_D1_VIDEO	15454-SFP12-4-IR	-31	-4	-17	-6
	15454E-SFP-L.4.1	-31	-5	-17	-6
HDTV	15454-SFP-GE+-LX 15454E-SFP-GE+-LX ONS-SE-G2F-LX	-23	0	-12	-1
PASS-THRU	2R MODE (not specified)	—	—	—	—
FC1G	15454-SFP-GEFC-SX 15454E-SFP-GEFC-S ONS-SE-G2F-SX	-20	3	-12	-2
	15454-SFP-GE+-LX 15454E-SFP-GE+-LX ONS-SE-G2F-LX	-23	0	-12	-1
FC2G	15454-SFP-GEFC-SX 15454E-SFP-GEFC-S ONS-SE-G2F-SX	-18	3	-12	-2
	15454-SFP-GE+-LX 15454E-SFP-GE+-LX ONS-SE-G2F-LX	-23	0	-12	-1
FICON1G	15454-SFP-GEFC-SX 15454E-SFP-GEFC-S ONS-SE-G2F-SX	-20	3	-12	-2
	15454-SFP-GE+-LX 15454E-SFP-GE+-LX ONS-SE-G2F-LX	-23	0	-12	-1
FICON2G	15454-SFP-GEFC-SX 15454E-SFP-GEFC-S ONS-SE-G2F-SX	-18	3	-12	-2
	15454-SFP-GE+-LX 15454E-SFP-GE+-LX ONS-SE-G2F-LX	-23	0	-12	-1

Table 6-14 *TXP_MR_2.5G and TXPP_MR_2.5G Card Client Interface Alarm Thresholds (continued)*

Port Type (by CTC)	Pluggable Port Module (SFP)	Alarm RX Power Low	Alarm RX Power High	Alarm TX Power Low	Alarm TX Power High
ETR_CLO	15454-SFP-200 15454E-SFP-200 ONS-SE-200-MM	-20	3	-12	-2
ISC compat	15454-SFP-GE+-LX 15454E-SFP-GE+-LX ONS-SE-G2F-LX	-23	0	-12	-1
ISC peer	15454-SFP-GE+-LX 15454E-SFP-GE+-LX ONS-SE-G2F-LX	-23	0	-12	-1

- Step 7** Click **Apply**.
- Step 8** Return to your originating procedure (NTP).

DLP-G234 Change the 2.5G Multirate Transponder OTN Settings

Purpose	This task changes the OTN settings for TXP_MR_2.5G and TXPP_MR_2.5G transponder cards.
Tools/Equipment	None
Prerequisite Procedures	DLP-G46 Log into CTC, page 3-30
Required/As Needed	As needed
Onsite/Remote	Onsite or remote
Security Level	Provisioning or higher

- Step 1** In node view (single-shelf mode) or shelf view (multishelf view), double-click the TXP_MR_2.5G or TXPP_MR_2.5G card where you want to change the OTN settings.
- Step 2** Click the **Provisioning > OTN** tabs, then choose one of the following subtabs: **OTN Lines**, **G.709 Thresholds**, **FEC Thresholds**, or **Trail Trace Identifier**.
- Step 3** Modify any of the settings described in Tables 6-15 through 6-18.



Note You must modify Near End and Far End; 15 Min and 1 Day; and SM and PM settings independently. To do so, choose the appropriate radio button and click **Refresh**.

[Table 6-15](#) describes the values on the Provisioning > OTN > OTN Lines tab.

Table 6-15 *TXP_MR_2.5G and TXPP_MR_2.5G Transponder Card OTN Line Settings*

Parameter	Description	Options
Port	(Display only) Displays the port number.	<ul style="list-style-type: none"> • 2 (Trunk) • 3 (Trunk) (TXPP_MR_2.5G)
G.709 OTN	Sets the OTN lines according to ITU-T G.709.	<ul style="list-style-type: none"> • Enable • Disable
FEC	Sets the OTN lines to forward error correction (FEC).	<ul style="list-style-type: none"> • Enable • Disable
SF BER	(Display only) The signal fail bit error rate.	<ul style="list-style-type: none"> • 1E-5
SD BER	Sets the signal degrade bit error rate.	<ul style="list-style-type: none"> • 1E-5 • 1E-6 • 1E-7 • 1E-8 • 1E-9

Table 6-16 describes the values on the Provisioning > OTN > G.709 Thresholds tab.

Table 6-16 *TXP_MR_2.5G and TXPP_MR_2.5G Transponder Card ITU-T G.709 Threshold Settings*

Parameter	Description	Options
Port ¹	(Display only) Port number.	<ul style="list-style-type: none"> • 2 (Trunk) • 3 (Trunk) (TXPP_MR_2.5G)
ES	Errored seconds	Numeric. Can be set for Near End or Far End, for 15-minute or one-day intervals, or for SM (OTUk) or PM (ODUk). Select a bullet and click Refresh .
SES	Severely errored seconds	Numeric. Can be set for Near End or Far End, for 15-minute or one-day intervals, or for SM (OTUk) or PM (ODUk). Select a bullet and click Refresh .
UAS	Unavailable seconds	Numeric. Can be set for Near End or Far End, for 15-minute or one-day intervals, or for SM (OTUk) or PM (ODUk). Select a bullet and click Refresh .
BBE	Background block errors	Numeric. Can be set for Near End or Far End, for 15-minute or one-day intervals, or for SM (OTUk) or PM (ODUk). Select a bullet and click Refresh .
FC	Failure counter	Numeric. Can be set for Near End or Far End, for 15-minute or one-day intervals, or for SM (OTUk) or PM (ODUk). Select a bullet and click Refresh .

1. Latency for a 1G-FC payload without ITU-T G.709 is 4 microseconds, and with ITU-T G.709 is 40 microseconds. Latency for a 2G-FC payload without ITU-T G.709 is 2 microseconds, and with ITU-T G.709 is 20 microseconds. Consider these values when planning a FC network that is sensitive to latency.

Table 6-17 describes the values on the Provisioning > OTN > FEC Threshold tab.

Table 6-17 *TXP_MR_2.5G and TXPP_MR_2.5G Transponder Card FEC Threshold Settings*

Parameter	Description	Options
Port	(Display only) Port number.	<ul style="list-style-type: none"> • 2 (Trunk) • 3 (Trunk) (TXPP_MR_2.5G)
Bit Errors Corrected	Sets the value for bit errors corrected.	Numeric. Can be set for 15-minute or one-day intervals.
Uncorrectable Words	Sets the value for uncorrectable words.	Numeric. Can be set for 15-minute or one-day intervals.

Table 6-18 describes the values on the Provisioning > OTN > Trail Trace Identifier tab.

Table 6-18 *TXP_MR_2.5G and TXPP_MR_2.5G Transponder Card Trail Trace Identifier Settings*

Parameter	Description	Options
Port	(Display only) Port number.	<ul style="list-style-type: none"> • 2 (Trunk) • 3 (Trunk) (TXPP_MR_2.5G)
Level	Sets the level.	<ul style="list-style-type: none"> • Section • Path
Received Trace Mode	Sets the trace mode.	<ul style="list-style-type: none"> • Off/None • Manual
Disable FDI on TIM	If an TIM on Section overhead alarm arises because of a J0 overhead string mismatch, no alarm indication signal is sent to downstream nodes if this box is checked.	<ul style="list-style-type: none"> • Checked (AIS/RDI on TIM-S is disabled) • Unchecked (AIS/RDI on TIM-S is not disabled)
Transmit	Displays the current transmit string; sets a new transmit string. You can click the button on the right to change the display. Its title changes, based on the current display mode. Click Hex to change the display to hexadecimal (button changes to ASCII); click ASCII to change the display to ASCII (button changes to Hex).	String of trace string size
Expected	Displays the current expected string; sets a new expected string. You can click the button on the right to change the display. Its title changes, based on the current display mode. Click Hex to change the display to hexadecimal (button changes to ASCII); click ASCII to change the display to ASCII (button changes to Hex).	String of trace string size

Table 6-18 *TXP_MR_2.5G and TXPP_MR_2.5G Transponder Card Trail Trace Identifier Settings (continued)*

Parameter	Description	Options
Received	(Display only) Displays the current received string. You can click Refresh to manually refresh this display, or check the Auto-refresh every 5 sec check box to keep this panel updated.	String of trace string size
Auto-refresh	If checked, automatically refreshes the display every 5 minutes.	Checked/unchecked (default)

Step 4 Click **Apply**.

Step 5 Return to your originating procedure (NTP).

NTP-G96 Provision the 10G Multirate Transponder Card Line Settings, PM Parameters, and Thresholds

Purpose	This procedure changes the line and threshold settings for 10G multirate transponder cards including the TXP_MR_10G, TXP_MR_10E, TXP_MR_10E_C, TXP_MR_10E_L, and TXP_MR_10EX_C cards.
Tools/Equipment	None
Prerequisite Procedures	<p>NTP-G179 Install the TXP, MXP, GE_XP, 10GE_XP, GE_XPE, 10GE_XPE, ADM-10G, and OTU2_XP Cards, page 4-69</p> <p>DLP-G63 Install an SFP or XFP, page 4-71</p> <p>DLP-G277 Provision a Multirate PPM, page 6-11 (if necessary)</p> <p>DLP-G278 Provision the Optical Line Rate, page 6-14 (if necessary)</p>
Required/As Needed	As needed
Onsite/Remote	Onsite or remote
Security Level	Provisioning or higher



Note The TXP_MR_10G card does not support PPMs.

- Step 1** Complete the “[DLP-G46 Log into CTC](#)” task on page 3-30 at the node where you want to change the transponder card settings. If you are already logged in, continue with [Step 2](#).
- Step 2** As needed, complete the “[NTP-G103 Back Up the Database](#)” procedure on page 14-2 to preserve the existing transmission settings.
- Step 3** If you are provisioning a TXP_MR_10G card, complete the “[DLP-G365 Provision the TXP_MR_10G Data Rate](#)” task on page 6-49, and if you are provisioning a TXP_MR_10E or TXP_MR_10EX_C card, complete the “[DLP-G712 Provision the TXP_MR_10E or TXP_MR_10EX_C Data Rate](#)” task on page 6-50. If not, continue with [Step 4](#).

- Step 4** Perform any of the following tasks as needed:
- [DLP-G216 Change the 10G Multirate Transponder Card Settings, page 6-50](#)
 - [DLP-G217 Change the 10G Multirate Transponder Line Settings, page 6-52](#)
 - [DLP-G218 Change the 10G Multirate Transponder Line Section Trace Settings, page 6-56](#)
 - [DLP-G219 Change the 10G Multirate Transponder Line Thresholds for SONET or SDH Payloads Including 10G Ethernet WAN Phy, page 6-59](#)
 - [DLP-G319 Change the 10G Multirate Transponder Line RMON Thresholds for 10G Ethernet LAN Phy Payloads, page 6-62](#)
 - [DLP-G301 Provision the 10G Multirate Transponder Trunk Port Alarm and TCA Thresholds, page 6-66](#)
 - [DLP-G302 Provision the 10G Multirate Transponder Client Port Alarm and TCA Thresholds, page 6-67](#)
 - [DLP-G221 Change the 10G Multirate Transponder OTN Settings, page 6-69](#)
 - [DLP-G368 Change the 10G Multirate Transponder Trunk Wavelength Settings, page 6-58](#)
- Stop. You have completed this procedure.**
-

DLP-G365 Provision the TXP_MR_10G Data Rate

Purpose	This task changes the TXP_MR_10G card data rate.
Tools/Equipment	None
Prerequisite Procedures	DLP-G46 Log into CTC, page 3-30
Required/As Needed	As needed
Onsite/Remote	Onsite or remote
Security Level	Provisioning or higher

-
- Step 1** In node view (single-shelf mode) or shelf view (multishelf view), double-click the TXP_MR_10G card where you want to change the card data rate settings.
- Step 2** Click the **Provisioning > Data Rate Selection** tabs.
- Step 3** Click **Create**.
- Step 4** In the Create Port dialog box, choose one of the following data rates:
- SONET (ANSI) or SDH (ETSI) (including 10G Ethernet WAN Phy)
 - 10G Ethernet LAN Phy
- Step 5** Click **Ok**.
- Step 6** Return to your originating procedure.
-

DLP-G712 Provision the TXP_MR_10E or TXP_MR_10EX_C Data Rate

Purpose	This task changes the TXP_MR_10E or TXP_MR_10EX_C card data rate.
Tools/Equipment	None
Prerequisite Procedures	DLP-G46 Log into CTC, page 3-30
Required/As Needed	As needed
Onsite/Remote	Onsite or remote
Security Level	Provisioning or higher

-
- Step 1** In node view (single-shelf mode) or shelf view (multishelf view), double-click the TXP_MR_10E or TXP_MR_10EX_C card where you want to change the card data rate settings.
- Step 2** Click the **Provisioning > Pluggable Port Modules** tabs.
- Step 3** In the Pluggable Port Modules area, click **Create**. The Create PPM dialog box appears.
- Step 4** In the Create PPM dialog box, complete the following:
- PPM—Choose the SFP you want to install from the drop-down list.
 - PPM Type—Choose the number of ports supported by your SFP from the drop-down list. If only one port is supported, **PPM (1 port)** is the only option.
- Step 5** Click **OK**. The newly created PPM appears in the Pluggable Port Modules area. The row in the Pluggable
- Step 6** Port Modules area turns white and the Actual Equipment Type column lists the equipment name.
- Step 7** In the Pluggable Ports area, click **Create**. The Create Ports dialog box appears.
- Step 8** In the Create Port dialog box, choose one of the following data rates:
- SONET (ANSI) or SDH (ETSI) (including 10G Ethernet WAN Phy)
 - 10G Ethernet LAN Phy
 - 10G FIBER Channel
 - (TXP-MR-10EX_C card only) IB_5G
- Step 9** Click **Ok**.
- Step 10** Return to your originating procedure.
-

DLP-G216 Change the 10G Multirate Transponder Card Settings

Purpose	This task changes the card settings for the TXP_MR_10G, TXP_MR_10E, TXP_MR_10E_C, TXP_MR_10E_L, and TXP_MR_10EX_C cards.
Tools/Equipment	None
Prerequisite Procedures	DLP-G46 Log into CTC, page 3-30
Required/As Needed	As needed
Onsite/Remote	Onsite or remote
Security Level	Provisioning or higher

- Step 1** In node view (single-shelf mode) or shelf view (multishelf view), double-click the TXP_MR_10G, TXP_MR_10E, TXP_MR_10E_C, or TXP_MR_10E_L card where you want to change the card settings.
- Step 2** Click the **Provisioning > Card** tabs.
- Step 3** Modify any of the settings described in [Table 6-19](#).

Table 6-19 TXP_MR_10G, TXP_MR_10E, TXP_MR_10E_C, TXP_MR_10E_L, or TXP_MR_10EX_C Card Settings

Parameter	Description	ONS 15454 Options	ONS 15454 SDH Options
Termination Mode	Sets the mode of operation. (This option is only available for SONET/SDH payloads). Refer to the “Transponder and Muxponder Cards” chapter in the <i>Cisco ONS 15454 DWDM Reference Manual</i> for more details.	<ul style="list-style-type: none"> • Transparent • Section (TXP_MR_10E only) • Line 	<ul style="list-style-type: none"> • Transparent • Regeneration Section (TXP_MR_10E only) • Multiplex Section
AIS/Squelch Configuration	(TXP_MR_10E, TXP_MR_10E_C, TXP_MR_10E_L, or TXP_MR_10EX_C only) Sets the transparent termination mode configuration.	<ul style="list-style-type: none"> • Squelch • AIS 	<ul style="list-style-type: none"> • Squelch • AIS
Regeneration Peer Slot	<p>Sets the slot containing another TXP_MR_10G, TXP_MR_10E, TXP_MR_10E_C, TXP_MR_10E_L, or TXP_MR_10EX_C card to create a regeneration peer group. A regeneration peer group facilitates the management of two TXP_MR_10G, TXP_MR_10E, TXP_MR_10E_C, TXP_MR_10E_L, or TXP_MR_10EX_C cards that are needed to perform a complete signal regeneration.</p> <p>The regeneration peer group synchronizes provisioning of the two cards. Payload type and ITU-T G.709 optical transport network (OTN) changes made on one TXP_MR_10G, TXP_MR_10E, TXP_MR_10E_C, TXP_MR_10E_L, or TXP_MR_10EX_C card are reflected on the peer TXP_MR_10G, TXP_MR_10E, TXP_MR_10E_C, TXP_MR_10E_L, or TXP_MR_10EX_C card.</p> <p>Note Y-cable protection groups cannot be created on TXP cards that are in a regeneration peer group.</p>	<ul style="list-style-type: none"> • None • 1 • 2 • 3 • 4 • 5 • 6 • 12 • 13 • 14 • 15 • 16 • 17 	<ul style="list-style-type: none"> • None • 1 • 2 • 3 • 4 • 5 • 6 • 12 • 13 • 14 • 15 • 16 • 17

Table 6-19 TXP_MR_10G, TXP_MR_10E, TXP_MR_10E_C, TXP_MR_10E_L, or TXP_MR_10EX_C Card Settings

Parameter	Description	ONS 15454 Options	ONS 15454 SDH Options
Regeneration Group Name	(Display only) The regeneration peer group name.	—	—
Tunable Wavelengths	(Display only) Shows the supported wavelengths of the trunk port after the card is installed. For the TXP_MR_10E_C, or TXP_MR_10E_L cards, the first and last supported wavelength, frequency spacing, and number of supported wavelengths are shown in the format: <i>first wavelength-last wavelength-frequency spacing-number of supported wavelengths</i> . For example, the TXP_MR_10E_C card would show: 1529.55nm-1561.83nm-50GHz-82. The TXP_MR_10E show the four wavelengths supported by the card that is installed. The TXP_MR_10G show the two wavelengths supported by the card that is installed.	—	—

Step 4 Click **Apply**.

Step 5 Return to your originating procedure (NTP).

DLP-G217 Change the 10G Multirate Transponder Line Settings

Purpose	This task changes the line settings for TXP_MR_10G, TXP_MR_10E, TXP_MR_10E_C, TXP_MR_10E_L, and TXP_MR_10EX_C cards.
Tools/Equipment	None
Prerequisite Procedures	DLP-G46 Log into CTC, page 3-30
Required/As Needed	As needed
Onsite/Remote	Onsite or remote
Security Level	Provisioning or higher

- Step 1** In node view (single-shelf mode) or shelf view (multishelf view), double-click the TXP_MR_10G, TXP_MR_10E, TXP_MR_10E_C, TXP_MR_10E_L, or TXP_MR_10EX_C card where you want to change the line settings.
- Step 2** Click the **Provisioning > Line > SONET/SDH/Ethernet** tabs. SONET is the option for ANSI shelves when 10G Ethernet WAN phy is the Pluggable Port Rate, SDH is the option for ETSI shelves when 10G Ethernet WAN phy is the Pluggable Port Rate, and Ethernet is the option for ANSI or ETSI shelves when 10GE LAN Phy is the Pluggable Port Rate.
- Step 3** Modify any of the settings described in [Table 6-20](#).

**Note**

In [Table 6-20](#), some parameter tabs do not always apply to all 10G multirate transponder cards. If a tab does not apply, it will not appear in CTC.

Table 6-20 *TXP_MR_10G, TXP_MR_10E, TXP_MR_10E_C, TXP_MR_10E_L, or TXP_MR_10EX_C Line Settings*

Parameter	Description	ONS 15454 (ANSI) Options	ONS 15454 SDH (ETSI) Options
Port	(Display only) Displays the port number.	<ul style="list-style-type: none"> 1 (OC192) (10G Ethernet WAN Phy) (if TXP_MR_10G) 1 (TEN_GE) (if Ethernet LAN is provisioned on the TXP_MR_10G card) 1-1 (OC192) (10G Ethernet WAN Phy on the TXP_MR_10E card) 1-1 (TEN_GE) (if Ethernet LAN is provisioned on the TXP_MR_10E card) 1-1 (FC10G) (if 10G fiber channel is provisioned on the TXP_MR_10E card) 2 (Trunk) (TXP_MR_10EX_C only) IB_5G 	<ul style="list-style-type: none"> 1 (STM-64) (10G Ethernet WAN Phy) (if TXP_MR_10G) 1 (TEN_GE) (if Ethernet LAN is provisioned on the TXP_MR_10G card) 1-1 (STM-64) (10G Ethernet WAN Phy on the TXP_MR_10E card) 1-1 (TEN_GE) (if Ethernet LAN is provisioned on the TXP_MR_10E card) 1-1 (FC10G) (if 10G fiber channel is provisioned on the TXP_MR_10E card) 2 (Trunk) (TXP_MR_10EX_C only) IB_5G
Port Name	Provides the ability to assign the specified port a name.	<p>User-defined. Name can be up to 32 alphanumeric/special characters. Blank by default.</p> <p>See the “DLP-G104 Assign a Name to a Port” task on page 8-3.</p>	<p>User-defined. Name can be up to 32 alphanumeric/special characters. Blank by default.</p> <p>See the “DLP-G104 Assign a Name to a Port” task on page 8-3.</p>
Admin State	Sets the port service state. For more information about administrative states, refer to the “Administrative and Service States” appendix in the <i>Cisco ONS 15454 DWDM Reference Manual</i> .	<ul style="list-style-type: none"> IS IS,AINS OOS,DSBLD OOS,MT 	<ul style="list-style-type: none"> Unlocked Unlocked,automaticInService Locked,disabled Locked,maintenance

Table 6-20 TXP_MR_10G, TXP_MR_10E, TXP_MR_10E_C, TXP_MR_10E_L, or TXP_MR_10EX_C Line Settings

Parameter	Description	ONS 15454 (ANSI) Options	ONS 15454 SDH (ETSI) Options
Service State	(Display only) Identifies the autonomously generated state that gives the overall condition of the port. Service states appear in the format: Primary State-Primary State Qualifier, Secondary State. For more information about service states, refer to the “Administrative and Service States” appendix in the <i>Cisco ONS 15454 DWDM Reference Manual</i> .	<ul style="list-style-type: none"> • IS-NR • OOS-AU,AINS • OOS-MA,DSBLD • OOS-MA,MT 	<ul style="list-style-type: none"> • Unlocked-enabled • Unlocked-disabled, automaticInService • Locked-enabled,disabled • Locked-enabled,maintenance
SF BER	(SONET [ANSI] or SDH [ETSI] including 10G Ethernet WAN Phy only) Sets the signal fail bit error rate.	<ul style="list-style-type: none"> • 1E-3 • 1E-4 • 1E-5 	<ul style="list-style-type: none"> • 1E-3 • 1E-4 • 1E-5
SD BER	(SONET [ANSI] or SDH [ETSI] including 10G Ethernet WAN Phy only) Sets the signal degrade bit error rate.	<ul style="list-style-type: none"> • 1E-5 • 1E-6 • 1E-7 • 1E-8 • 1E-9 	<ul style="list-style-type: none"> • 1E-5 • 1E-6 • 1E-7 • 1E-8 • 1E-9
Type	(SONET [ANSI] or SDH [ETSI] including 10G Ethernet WAN Phy only) The optical transport type.	<ul style="list-style-type: none"> • SONET • SDH 	<ul style="list-style-type: none"> • SONET • SDH

Table 6-20 TXP_MR_10G, TXP_MR_10E, TXP_MR_10E_C, TXP_MR_10E_L, or TXP_MR_10EX_C Line Settings

Parameter	Description	ONS 15454 (ANSI) Options	ONS 15454 SDH (ETSI) Options
ALS Mode	Sets the ALS function mode. The DWDM transmitter supports ALS according to ITU-T G.644 (06/99). ALS can be disabled, or it can be set for one of three mode options.	<ul style="list-style-type: none"> Disabled (default): ALS is off; the laser is not automatically shut down when traffic outages (LOS) occur. Auto Restart: ALS is on; the laser automatically shuts down when traffic outages (LOS) occur. It automatically restarts when the conditions that caused the outage are resolved. Manual Restart: ALS is on; the laser automatically shuts down when traffic outages (LOS) occur. However, the laser must be manually restarted when conditions that caused the outage are resolved. Manual Restart for Test: Manually restarts the laser for testing. 	<ul style="list-style-type: none"> Disabled (default): ALS is off; the laser is not automatically shut down when traffic outages (LOS) occur. Auto Restart: ALS is on; the laser automatically shuts down when traffic outages (LOS) occur. It automatically restarts when the conditions that caused the outage are resolved. Manual Restart: ALS is on; the laser automatically shuts down when traffic outages (LOS) occur. However, the laser must be manually restarted when conditions that caused the outage are resolved. Manual Restart for Test: Manually restarts the laser for testing.
AINS Soak	(SONET [ANSI] or SDH [ETSI] including 10G Ethernet WAN Phy only) Sets the automatic in-service soak period. Double-click the time and use the up and down arrows to change settings.	<ul style="list-style-type: none"> Duration of valid input signal, in hh.mm format, after which the card becomes in service (IS) automatically 0 to 48 hours, 15-minute increments 	<ul style="list-style-type: none"> Duration of valid input signal, in hh.mm format, after which the card becomes in service (IS) automatically 0 to 48 hours, 15-minute increments
ProvidesSync	(TXP_MR_10E, OC192 only) Sets the ProvidesSync card parameter. If checked, the card is provisioned as a network element (NE) timing reference.	Checked or unchecked	Checked or unchecked
SyncMsgIn	(TXP_MR_10E, OC192 only) Sets the EnableSync card parameter. Enables synchronization status messages (S1 byte), which allow the node to choose the best timing source.	Checked or unchecked	Checked or unchecked
Max Size	(TXP_MR_10E, TXP_MR_10G LAN Phy only) Sets the maximum Ethernet packet size.	<ul style="list-style-type: none"> 1548 bytes Jumbo (64 to 9,216 bytes) 	<ul style="list-style-type: none"> 1548 bytes Jumbo (64 to 9,216 bytes)

Table 6-20 TXP_MR_10G, TXP_MR_10E, TXP_MR_10E_C, TXP_MR_10E_L, or TXP_MR_10EX_C Line Settings

Parameter	Description	ONS 15454 (ANSI) Options	ONS 15454 SDH (ETSI) Options
Incoming MAC Address	(TXP_MR_10E, TXP_MR_10G LAN Phy only) Sets the incoming MAC address.	Value of MAC address. Six bytes in hexadecimal format.	Value of MAC address. Six bytes in hexadecimal format.
Wavelength	Displays the wavelength of the client port.	<ul style="list-style-type: none"> First Tunable Wavelength Further wavelengths: 1310 nm through 1560.61 nm, 100-GHz ITU spacing; coarse wavelength division multiplexing (CWDM) spacing Note: supported wavelengths are marked by asterisks (**).	<ul style="list-style-type: none"> First Tunable Wavelength Further wavelengths: 1310 nm through 1560.61 nm, 100-GHz ITU spacing; coarse wavelength division multiplexing (CWDM) spacing Note: supported wavelengths are marked by asterisks (**).
Reach	Displays the optical reach distance of the client port.	The Reach options depend on the traffic type that has been selected.	The Reach options depend on the traffic type that has been selected.

Step 4 Click **Apply**.

Step 5 Return to your originating procedure (NTP).

DLP-G218 Change the 10G Multirate Transponder Line Section Trace Settings

Purpose	This task changes the line section trace settings for the TXP_MR_10G, TXP_MR_10E, TXP_MR_10E_C, TXP_MR_10E_L, and TXP_MR_10EX_C transponder cards.
Tools/Equipment	None
Prerequisite Procedures	DLP-G46 Log into CTC, page 3-30
Required/As Needed	As needed
Onsite/Remote	Onsite or remote
Security Level	Provisioning or higher



Note The Section Trace tab is available for the 10G Multirate Transponder cards only if no PPMs are provisioned, or the OC192 PPM is provisioned. The tab is not available if a 10G Ethernet LAN Phy or 10G Fibre Channel PPM is provisioned.

- Step 1** In node view (single-shelf mode) or shelf view (multishelf view), double-click the TXP_MR_10G, TXP_MR_10E, TXP_MR_10E_C, TXP_MR_10E_L, or TXP_MR_10EX_C card where you want to change the section trace settings.
- Step 2** Click the **Provisioning > Line > Section Trace** tabs.
- Step 3** Modify any of the settings described in [Table 6-21](#).

Table 6-21 *TXP_MR_10G, TXP_MR_10E, TXP_MR_10E_C, TXP_MR_10E_L, or TXP_MR_10EX_C Section Trace Settings*

Parameter	Description	ONS 15454 Options	Options — ONS 15454 SDH
Port	Sets the port number.	<ul style="list-style-type: none"> 1-1 (OC192) 2—Trunk 	<ul style="list-style-type: none"> 1-1 (STM64) 2—Trunk
Received Trace Mode	Sets the trace mode.	<ul style="list-style-type: none"> Off/None Manual 	<ul style="list-style-type: none"> Off/None Manual
Transmit Section Trace String Size	Sets the trace string size.	<ul style="list-style-type: none"> 1 byte 16 byte 	<ul style="list-style-type: none"> 1 byte 16 byte
Transmit	Displays the current transmit string; sets a new transmit string. You can click the button on the right to change the display. Its title changes, based on the current display mode. Click Hex to change the display to hexadecimal (button changes to ASCII); click ASCII to change the display to ASCII (button changes to Hex).	String of trace string size	String of trace string size
Disable AIS/RDI on TIM-S	If an TIM on Section overhead alarm arises because of a J0 overhead string mismatch, no alarm indication signal is sent to downstream nodes if this box is checked.	<ul style="list-style-type: none"> Checked (AIS/RDI on TIM-S is disabled) Unchecked (AIS/RDI on TIM-S is not disabled) 	<ul style="list-style-type: none"> Checked (AIS/RDI on TIM-S is disabled) Unchecked (AIS/RDI on TIM-S is not disabled)
Expected	Displays the current expected string; sets a new expected string. You can click the button on the right to change the display. Its title changes, based on the current display mode. Click Hex to change the display to hexadecimal (button changes to ASCII); click ASCII to change the display to ASCII (button changes to Hex).	String of trace string size	String of trace string size
Received	(Display only) Displays the current received string. You can click Refresh to manually refresh this display, or check the Auto-refresh every 5 sec check box to keep this panel updated.	String of trace string size	String of trace string size
Auto-refresh	If checked, automatically refreshes the display every 5 seconds.	Checked/unchecked (default)	Checked/unchecked (default)

Step 4 Click **Apply**.

Step 5 Return to your originating procedure (NTP).

DLP-G368 Change the 10G Multirate Transponder Trunk Wavelength Settings

Purpose	This task changes the trunk wavelength settings for the TXP_MR_10G, TXP_MR_10E, TXP_MR_10E_C, TXP_MR_10E_L, and TXP_MR_10EX_C cards.
Tools/Equipment	None
Prerequisite Procedures	DLP-G46 Log into CTC, page 3-30
Required/As Needed	As needed
Onsite/Remote	Onsite or remote
Security Level	Provisioning or higher



Note Before modifying the wavelength settings, change the port state to OOS,DSBLD (for ANSI) or Locked,disabled (for ETSI) and delete the circuit and patchcord provisioning present on the port. Payload or communication channel provisioning can be retained.

- Step 1** In node view (single-shelf mode) or shelf view (multishelf view), double-click the TXP_MR_10G, TXP_MR_10E, TXP_MR_10E_C, TXP_MR_10E_L, and TXP_MR_10EX_C card where you want to change the trunk wavelength settings.
- Step 2** Click the **Provisioning > Line > Wavelength Trunk Settings** tabs.
- Step 3** Modify any of the settings as described in [Table 6-22](#).

Table 6-22 TXP_MR_10G, TXP_MR_10E, TXP_MR_10E_C, TXP_MR_10E_L, and TXP_MR_10EX_C Card Wavelength Trunk Settings

Parameter	Description	Options
Port	(Display only) Displays the port number.	Port 2 (Trunk)
Band	Indicates the wavelength band that can be provisioned. If the physical TXP_MR_10G, TXP_MR_10E, TXP_MR_10E_C, TXP_MR_10E_L, and TXP_MR_10EX_C is installed, this field is display-only.	<ul style="list-style-type: none"> C—The C-band wavelengths are available in the Wavelength field. L—The L-band wavelengths are available in the Wavelength field.

Table 6-22 *TXP_MR_10G, TXP_MR_10E, TXP_MR_10E_C, TXP_MR_10E_L, and TXP_MR_10EX_C Card Wavelength Trunk Settings (continued)*

Parameter	Description	Options
Even/Odd	Sets the wavelengths available for provisioning for TXP_MR_10E_C, and TXP_MR_10E_L cards. (This field does not apply to TXP_MR_10G or TXP_MR_10E cards.)	<ul style="list-style-type: none"> • Even—Displays even C-band or L-band wavelengths in the Wavelength field. • Odd—Displays odd C-band or L-band wavelengths in the Wavelength field.
Wavelength	The wavelength provisioned for the trunk.	<ul style="list-style-type: none"> • First Tunable Wavelength • Further wavelengths in 100-GHz ITU-T C-band or L-band spacing, depending on the card that is installed. For TXP_MR_10G and TXP_MR_10E cards, the wavelengths carried by the card are identified with two asterisks. If the card is not installed, all wavelengths appear with a dark grey background.

Step 4 Click **Apply**.

Step 5 Return to your originating procedure (NTP).

DLP-G219 Change the 10G Multirate Transponder Line Thresholds for SONET or SDH Payloads Including 10G Ethernet WAN Phy

Purpose	This task changes the line threshold settings for TXP_MR_10G, TXP_MR_10E, TXP_MR_10E_C, TXP_MR_10E_L, and TXP_MR_10EX_C transponder cards carrying SONET or SDH payloads, including the physical 10G Ethernet WAN Phy payload.
Tools/Equipment	None
Prerequisite Procedures	DLP-G46 Log into CTC, page 3-30
Required/As Needed	As needed
Onsite/Remote	Onsite or remote
Security Level	Provisioning or higher

- Step 1** In node view (single-shelf mode) or shelf view (multishelf view), double-click the TXP_MR_10G, TXP_MR_10E, TXP_MR_10E_C, TXP_MR_10E_L, or TXP_MR_10EX_C card where you want to change the line threshold settings.
- Step 2** Click the **Provisioning > Line Thresholds > SONET Thresholds (ANSI)** or **SDH Thresholds (ETSI)** tabs.
- Step 3** Modify any of the settings described in [Table 6-23](#).

**Note**

Parameters shown in [Table 6-23](#) do not apply to all 10G multirate transponder cards. If the parameter or option does not apply, it is not shown in CTC.

Table 6-23 *TXP_MR_10G, TXP_MR_10E, TXP_MR_10E_C, TXP_MR_10E_L, or TXP_MR_10EX_C Card Line Threshold Settings*

Parameter	Description	Options - ANSI	Options - ETSI
Port	(Display only) Port number	<ul style="list-style-type: none"> 1-1 (OC192) 2 (Trunk) 	<ul style="list-style-type: none"> 1-1 (STM64) 2 (Trunk)
EB	Path Errored Block indicates that one or more bits are in error within a block	—	<p>Numeric. Threshold display options include:</p> <ul style="list-style-type: none"> Direction—Near End or Far End Interval—15 Min (minutes) or 1 day Types—Multiplex Section or Regeneration Section (near end only) <p>Choose an option in each category and click Refresh.</p>
CV	Coding violations	<p>Numeric. Threshold display options include:</p> <ul style="list-style-type: none"> Direction—Near End or Far End Interval—15 Min (minutes) or 1 day Types—Line or Section (near end only) <p>Choose an option in each category and click Refresh.</p>	—
ES	Errored seconds	<p>Numeric. Threshold display options include:</p> <ul style="list-style-type: none"> Direction—Near End or Far End Interval—15 Min (minutes) or 1 day Types—Line or Section (near end only) <p>Choose an option in each category and click Refresh.</p>	<p>Numeric. Threshold display options include:</p> <ul style="list-style-type: none"> Direction—Near End or Far End Interval—15 Min (minutes) or 1 day Types—Multiplex Section or Regeneration Section (near end only) <p>Choose an option in each category and click Refresh.</p>
SES	Severely errored seconds	<p>Numeric. Threshold display options include:</p> <ul style="list-style-type: none"> Direction—Near End or Far End Interval—15 Min (minutes) or 1 day Types—Line or Section (near end only) <p>Choose an option in each category and click Refresh.</p>	<p>Numeric. Threshold display options include:</p> <ul style="list-style-type: none"> Direction—Near End or Far End Interval—15 Min (minutes) or 1 day Types—Multiplex Section or Regeneration Section (near end only) <p>Choose an option in each category and click Refresh.</p>

Table 6-23 *TXP_MR_10G, TXP_MR_10E, TXP_MR_10E_C, TXP_MR_10E_L, or TXP_MR_10EX_C Card Line Threshold Settings (continued)*

Parameter	Description	Options - ANSI	Options - ETSI
SEFS	(Near End Section or Regeneration Section only) Severely errored framing seconds	Numeric. Threshold display options include: <ul style="list-style-type: none"> • Direction—Near End or Far End • Interval—15 Min (minutes) or 1 day • Types—Line or Section (near end only) Choose an option in each category and click Refresh .	—
OFS	(Near End Section or Regeneration Section only) Out of frame seconds	—	Numeric. Threshold display options include: <ul style="list-style-type: none"> • Direction—Near End or Far End • Interval—15 Min (minutes) or 1 day • Types—Line or Section (near end only) Choose an option in each category and click Refresh .
BBE	Background block errors	—	Numeric. Threshold display options include: <ul style="list-style-type: none"> • Direction—Near End or Far End • Interval—15 Min (minutes) or 1 day • Types—Multiplex Section or Regeneration Section (near end only) Choose an option in each category and click Refresh .

Table 6-23 TXP_MR_10G, TXP_MR_10E, TXP_MR_10E_C, TXP_MR_10E_L, or TXP_MR_10EX_C Card Line Threshold Settings (continued)

Parameter	Description	Options - ANSI	Options - ETSI
FC	(Line or Multiplex Section only) Failure count	Numeric. Threshold display options include: <ul style="list-style-type: none"> • Direction—Near End or Far End • Interval—15 Min (minutes) or 1 day • Types—Line or Section (near end only) Choose an option in each category and click Refresh .	—
UAS	(Line or Multiplex Section only) Unavailable seconds	Numeric. Threshold display options include: <ul style="list-style-type: none"> • Direction—Near End or Far End • Interval—15 Min (minutes) or 1 day • Types—Line or Section (near end only) Choose an option in each category and click Refresh .	Numeric. Threshold display options include: <ul style="list-style-type: none"> • Direction—Near End or Far End • Interval—15 Min (minutes) or 1 day • Types—Multiplex Section or Regeneration Section (near end only) Choose an option in each category and click Refresh .

Step 4 Click **Apply**.

Step 5 Return to your originating procedure (NTP).

DLP-G319 Change the 10G Multirate Transponder Line RMON Thresholds for 10G Ethernet LAN Phy Payloads

Purpose	This task changes the line threshold settings for TXP_MR_10G, TXP_MR_10E, TXP_MR_10E_C, TXP_MR_10E_L, and TXP_MR_10EX_C transponder cards carrying the physical 10G Ethernet LAN payload.
Tools/Equipment	None
Prerequisite Procedures	DLP-G46 Log into CTC, page 3-30
Required/As Needed	As needed
Onsite/Remote	Onsite or remote
Security Level	Provisioning or higher

Step 1 Display the TXP_MR_10G, TXP_MR_10E, TXP_MR_10E_C, TXP_MR_10E_L, or TXP_MR_10EX_C card where you want to change the line threshold settings in card view.

Step 2 Click the **Provisioning > Line Thresholds > RMON Thresholds** tabs.

Step 3 Click **Create**. The Create Threshold dialog box appears.

- Step 4** From the Port drop-down list, choose the applicable port.
- Step 5** From the Variable drop-down list, choose an Ethernet variable. See [Table 6-24](#) for a list of available Ethernet variables.

Table 6-24 *TXP_MR_10G, TXP_MR_10E, TXP_MR_10E_C, TXP_MR_10E_L, or TXP_MR_10EX_C Card GE LAN Phy Variables*

Variable	Description
ifInOctets	Total number of octets received on the interface, including framing characters.
rxTotalPkts	Total number of received packets.
ifInMulticastPkts	Number of multicast frames received error free.
ifInBroadcastPkts	Number of packets, delivered by a sublayer to an higher sublayer, that were addressed to a broadcast address at this sublayer.
ifInErrors	Number of inbound packets that contained errors preventing them from being delivered to a higher-layer protocol.
ifInErrorBytePkts (TXP_MR_10G only)	Number of receive error bytes.
ifInFramingErrorPkts (TXP_MR_10G only)	Number of receive framing error counters.
ifInJunkInterPkts (TXP_MR_10G only)	Number of receive interpacket junk counters.
ifOutOctets (TXP_MR_10G only)	Total number of octets transmitted out of the interface, including framing characters.
txTotalPkts (TXP_MR_10G only)	Total number of transmit packets.
ifOutMulticastPkts (TXP_MR_10G only)	Number of multicast frames transmitted error free.
ifOutBroadcastPkts (TXP_MR_10G only)	Total number of packets that higher-level protocols requested be transmitted, and that were addressed to a broadcast address at this sublayer, including those that were discarded or not sent.
dot3StatsFCSErrors	Number of frames with frame check errors, that is, there is an integral number of octets, but an incorrect Frame Check Sequence (FCS).
dot3StatsFrameTooLong (TXP_MR_10G only)	Number of received frames that were larger than the maximum size permitted.
etherStatsUndersizePkts	Total number of packets received that were less than 64 octets long (excluding framing bits, but including FCS octets) and were otherwise well formed.

Table 6-24 *TXP_MR_10G, TXP_MR_10E, TXP_MR_10E_C, TXP_MR_10E_L, or TXP_MR_10EX_C Card GE LAN Phy Variables (continued)*

etherStatsFragments	Total number of packets received that were less than 64 octets in length (excluding framing bits but including FCS octets) and had either a bad FCS with an integral number of octets (FCS Error) or a bad FCS with a nonintegral number of octets (Alignment Error). Note that it is entirely normal for etherStatsFragments to increment. This is because it counts both runts (which are normal occurrences due to collisions) and noise hits.
etherStatsPkts64Octets	Total number of packets (including bad packets) received that were 64 octets in length (excluding framing bits but including FCS octets).
etherStatsPkts65to127Octets	Total number of packets (including bad packets) received that were between 65 and 127 octets in length inclusive (excluding framing bits but including FCS octets).
etherStatsPkts128to255Octets	The total number of packets (including bad packets) received that were between 128 and 255 octets in length inclusive (excluding framing bits but including FCS octets).
etherStatsPkts256to511Octets	Total number of packets (including bad packets) received that were between 256 and 511 octets in length inclusive (excluding framing bits but including FCS octets).
etherStatsPkts512to1023Octets	Total number of packets (including bad packets) received that were between 512 and 1023 octets in length inclusive (excluding framing bits but including FCS octets).
etherStatsPkts1024to1518Octets	Total number of packets (including bad packets) received that were between 1024 and 1518 octets in length inclusive (excluding framing bits but including FCS octets).
etherStatsBroadcastPkts	Total number of good packets received that were directed to the broadcast address. Note that this does not include multicast packets.
etherStatsMulticastPkts	Total number of good packets received that were directed to a multicast address. Note that this number does not include packets directed to the broadcast address.
etherStatsOversizePkts	The total number of packets received that were longer than 1518 octets (excluding framing bits, but including FCS octets) and were otherwise well formed.
etherStatsJabbers	Total number of packets received that were longer than 1518 octets (excluding framing bits, but including FCS octets), and had either a bad FCS with an integral number of octets (FCS Error) or a bad FCS with a nonintegral number of octets (Alignment Error).
etherStatsOctets	Total number of octets of data (including those in bad packets) received on the network (excluding framing bits but including FCS octets).

Table 6-24 *TXP_MR_10G, TXP_MR_10E, TXP_MR_10E_C, TXP_MR_10E_L, or TXP_MR_10EX_C Card GE LAN Phy Variables (continued)*

etherStatsCRCAlignErrors (TXP_MR_10G only)	Total number of packets received that had a length (excluding framing bits, but including FCS octets) of between 64 and 1518 octets, inclusive, but had either a bad FCS with an integral number of octets (FCS Error) or a bad FCS with a nonintegral number of octets (Alignment Error).
rxPauseFrames (TXP_MR_10G only)	Number of received IETF 802.x pause frames.
rxControlFrames	Number of MAC control frames passed by the MAC sublayer to the MAC control sublayer.
rxUnknownOpcodeFrames (TXP_MR_10G only)	Number of MAC control frames received that contain an opcode that is not supported by the device.

Step 6 From the Alarm Type drop-down list, indicate whether the event will be triggered by the rising threshold, the falling threshold, or both the rising and falling thresholds.

Step 7 From the Sample Type drop-down list, choose either **Relative** or **Absolute**. Relative restricts the threshold to use the number of occurrences in the user-set sample period. Absolute sets the threshold to use the total number of occurrences, regardless of time period.

Step 8 Type in an appropriate number of seconds for the Sample Period.

Step 9 Type in the appropriate number of occurrences for the Rising Threshold.

For a rising type of alarm, the measured value must move from below the falling threshold to above the rising threshold. For example, if a network is running below a rising threshold of 1000 collisions every 15 seconds and a problem causes 1001 collisions in 15 seconds, the excess occurrences trigger an alarm.

Step 10 Enter the appropriate number of occurrences in the Falling Threshold field. In most cases a falling threshold is set lower than the rising threshold.

A falling threshold is the counterpart to a rising threshold. When the number of occurrences is above the rising threshold and then drops below a falling threshold, it resets the rising threshold. For example, when the network problem that caused 1001 collisions in 15 seconds subsides and creates only 799 collisions in 15 seconds, occurrences fall below a falling threshold of 800 collisions. This resets the rising threshold so that if network collisions again spike over a 1000 per 15-second period, an event again triggers when the rising threshold is crossed. An event is triggered only the first time a rising threshold is exceeded (otherwise, a single network problem might cause a rising threshold to be exceeded multiple times and cause a flood of events).

Step 11 Click **OK**.



Note To view all RMON thresholds, click **Show All RMON thresholds**.

Step 12 Return to your originating procedure (NTP).

DLP-G301 Provision the 10G Multirate Transponder Trunk Port Alarm and TCA Thresholds

Purpose	This task provisions the TXP_MR_10G, TXP_MR_10E, TXP_MR_10E_C, TXP_MR_10E_L, or TXP_MR_10EX_C trunk port alarm and threshold cross alert (TCA) thresholds.
Tools/Equipment	None
Prerequisite Procedures	DLP-G46 Log into CTC, page 3-30
Required/As Needed	As needed
Onsite/Remote	Onsite or remote
Security Level	Provisioning or higher

-
- Step 1** In node view (single-shelf mode) or shelf view (multishelf view), double-click the TXP_MR_10G, TXP_MR_10E, TXP_MR_10E_C, TXP_MR_10E_L, or TXP_MR_10EX_C card where you want to change the trunk port alarm and TCA settings.
- Step 2** Click the **Provisioning > Optics Thresholds** tabs.
- Step 3** Under Types, verify that the TCA radio button is checked. If not, check it, then click **Refresh**.
- Step 4** Referring to [Table 6-25](#), verify the trunk port (Port 2) TCA thresholds for RX Power High, RX Power Low, TX Power High, and TX Power Low. Provision new thresholds as needed by double-clicking the threshold value you want to change, deleting the existing value, and entering the new value. Hit **Enter**, then click **Apply**.



Note You must modify 15 Min and 1 Day independently. To do so, choose the appropriate radio button and click **Refresh**.



Note Do not modify the Laser Bias parameters.

Table 6-25 10G Multirate Transponder Trunk Port TCA Thresholds

Card	TCA RX Power High	TCA RX Power Low	TCA TX Power High	TCA TX Power Low
TXP_MR_10G	-8 dBm	-18 dBm	7 dBm	-1 dBm
TXP_MR_10E	-9 dBm	-18 dBm	9 dBm	0 dBm
TXP_MR_10E_C				
TXP_MR_10E_L				
TXP_MR_10EX_C				

- Step 5** Click **Apply**.
- Step 6** Under Types, click the **Alarm** radio button and click **Refresh**.

- Step 7** Referring to [Table 6-26](#), verify the trunk port (Port 2) Alarm thresholds for RX Power High, RX Power Low, TX Power High, and TX Power Low. Provision new thresholds as needed by double-clicking the threshold value you want to change, deleting the existing value, and entering the new value. Hit **Enter**, then click **Apply**.



Note You must modify 15 Min and 1 Day independently. To do so, choose the appropriate radio button and click **Refresh**.

Table 6-26 10G Multirate Transponder Trunk Port Alarm Thresholds

Card	Alarm RX Power High	Alarm RX Power Low	Alarm TX Power High	Alarm TX Power Low
TXP_MR_10G	-8 dBm	-20 dBm	4 dBm	2 dBm
TXP_MR_10E	-8 dBm	-20 dBm	7 dBm	3 dBm
TXP_MR_10E_C				
TXP_MR_10E_L				
TXP_MR_10EX_C				

- Step 8** Click **Apply**.
- Step 9** Return to your originating procedure (NTP).

DLP-G302 Provision the 10G Multirate Transponder Client Port Alarm and TCA Thresholds

Purpose	This task provisions the client port alarm and TCA thresholds for the TXP_MR_10G, TXP_MR_10E, TXP_MR_10E_C, TXP_MR_10E_L, and TXP_MR_10EX_C cards.
Tools/Equipment	None
Prerequisite Procedures	DLP-G278 Provision the Optical Line Rate, page 6-14 DLP-G46 Log into CTC, page 3-30
Required/As Needed	Required
Onsite/Remote	Onsite or remote
Security Level	Provisioning or higher

- Step 1** In node view (single-shelf mode) or shelf view (multishelf view), double-click the TXP_MR_10G, TXP_MR_10E, TXP_MR_10E_C, TXP_MR_10E_L, or TXP_MR_10EX_C card where you want to change the client port alarm and TCA settings.
- Step 2** Click the **Provisioning > Optics Thresholds** tabs. The TCA thresholds are shown by default.
- Step 3** Under Types, verify that the TCA radio button is checked. If not, check it, then click **Refresh**.

- Step 4** Referring to [Table 6-27](#), verify the Port 1 (Client) TCA thresholds for RX Power High, RX Power Low, TX Power High, and TX Power Low based on the client interface at the other end. Provision new thresholds as needed by double-clicking the threshold value you want to change, deleting the existing value, and entering the new value. Hit Enter, then click **Apply**.



Note You must modify 15 Min and 1 Day independently. To do so, choose the appropriate radio button and click **Refresh**.



Note Do not modify the Laser Bias parameters.



Note The hardware device that plugs into a TXP, MXP, GE_XP, 10GE_XP, GE_XPE, 10GE_XPE, or ADM-10G card faceplate to provide a fiber interface to the card is called a Small Form-factor Pluggable (SFP or XFP). In CTC, SFPs and XFPs are called pluggable port modules (PPMs). SFPs/XFPs are hot-swappable input/output devices that plug into a port to link the port with the fiber-optic network. Multirate PPMs have provisionable port rates and payloads. For more information about SFPs and XFPs, refer to the “Transponder and Muxponder Cards” chapter in the *Cisco ONS 15454 DWDM Reference Manual*.

Table 6-27 *TXP_MR_10G, TXP_MR_10E, TXP_MR_10E_C, TXP_MR_10E_L, or TXP_MR_10EX_C Card Client Interface TCA Thresholds*

Pluggable Port Rate	Pluggable Port Module (XFP)	TCA RX Power High	TCA RX Power Low	TCA TX Power High	TCA TX Power Low
SONET (or SDH)	TXP_MR_10E uses ONS-XC-10G-S1 TXP_MR_10G (XFP not present)	-1	-11	-1	-6
10G Ethernet LAN Phy	TXP_MR_10E uses ONS-XC-10G-S1 TXP_MR_10G (XFP not present)	0.5	-14.4	-1	-6
10G Fibre Channel	TXP_MR_10E uses ONS-XC-10G-S1	0.5	-14.4	-1	-6
IB_5G ¹	TXP_MR_10EX_C uses ONS-XC-10G-S1 Version 3	1.0	-14.0	5.0	12.0

1. Only the TXP_MR_10EX_C card supports IB_5G.

- Step 5** Click **Apply**.
- Step 6** Under Types, click the **Alarm** radio button and click **Refresh**.
- Step 7** Referring to [Table 6-28](#), provision the Port 1 (Client) Alarm thresholds for RX Power High, RX Power Low, TX Power High, and TX Power Low based on the client interface that is provisioned.



Note You must modify 15 Min and 1 Day independently. To do so, choose the appropriate radio button and click **Refresh**.

Table 6-28 *TXP_MR_10G, TXP_MR_10E, TXP_MR_10E_C, TXP_MR_10E_L, or TXP_MR_10EX_C Card Client Interface Alarm Thresholds*

Pluggable Port Rate	Pluggable Port Module (XFP)	Alarm RX Power High	Alarm RX Power Low	Alarm TX Power High	Alarm TX Power Low
SONET (or SDH)	TXP_MR_10E uses ONS-XC-10G-S1 TXP_MR_10G (XFP not present)	3	-16	1	-8
10G Ethernet LAN Phy	TXP_MR_10E uses ONS-XC-10G-S1 TXP_MR_10G (XFP not present)	3	-16	1	-8
10G Fibre Channel	TXP_MR_10E uses ONS-XC-10G-S1	3	-16	1	-8
IB_5G ¹	TXP_MR_10EX_C uses ONS-XC-10G-S1 Version 3	3.0	-16	1.0	-8

1. Only the TXP_MR_10EX_C card supports IB_5G.

Step 8 Click **Apply**.

Step 9 Return to your originating procedure (NTP).

DLP-G221 Change the 10G Multirate Transponder OTN Settings

Purpose	This task changes the line OTN settings for the TXP_MR_10G, TXP_MR_10E, TXP_MR_10E_C, TXP_MR_10E_L, and TXP_MR_10EX_C transponder cards.
Tools/Equipment	None
Prerequisite Procedures	DLP-G46 Log into CTC, page 3-30
Required/As Needed	As needed
Onsite/Remote	Onsite or remote
Security Level	Provisioning or higher

Step 1 In node view (single-shelf mode) or shelf view (multishelf view), double-click the TXP_MR_10G, TXP_MR_10E, TXP_MR_10E_C, TXP_MR_10E_L, or TXP_MR_10EX_C card where you want to change the OTN settings.

- Step 2** Click the **Provisioning > OTN** tabs, then click one of the following subtabs: **OTN Lines**, **G.709 Thresholds**, **FEC Thresholds**, or **Trail Trace Identifier**.
- Step 3** Modify any of the settings described in Tables 6-29 through 6-32.



Note You must modify Near End and Far End independently, 15 Min and 1 Day independently, and SM and PM independently. To do so, choose the appropriate radio button and click **Refresh**.

Table 6-29 describes the values on the Provisioning > OTN > OTN Lines tab.

Table 6-29 *TXP_MR_10G, TXP_MR_10E, TXP_MR_10E_C, TXP_MR_10E_L, or TXP_MR_10EX_C Card OTN Lines Settings*

Parameter	Description	Options
Port	(Display only) Displays the port number and optional name.	2
G.709 OTN	Sets the OTN lines according to ITU-T G.709. Check the box to enable. For TXP-MR-10EX_C cards, the G.709 OTN should be enabled.	<ul style="list-style-type: none"> • Enable • Disable
FEC	Sets the OTN lines FEC mode. FEC mode can be Disabled, Enabled, or, for the TXP_MR_10E, Enhanced FEC mode can be enabled to provide greater range and lower bit error rate. For TXP_MR_10E cards, Standard is the same as enabling FEC. For TXP-MR-10EX_C cards, the FEC should be enabled.	<ul style="list-style-type: none"> • Enable—(TXP_MR_10G only) FEC is on. • Disable—FEC is off. • Standard—(TXP_MR_10E only) Standard FEC is on. • Enhanced—(TXP_MR_10E only) Enhanced FEC is on.
SD BER	Sets the signal degrade bit error rate.	<ul style="list-style-type: none"> • 1E-5 • 1E-6 • 1E-7 • 1E-8 • 1E-9
SF BER	(Display only) Indicates the signal fail bit error rate.	<ul style="list-style-type: none"> • 1E-5
Asynch/Synch Mapping	(TXP_MR_10E only) Sets how the ODUk (client payload) is mapped to the optical channel (OTUk).	<ul style="list-style-type: none"> • Asynch mapping • Synch mapping

Table 6-30 describes the values on the Provisioning > OTN > G.709 Thresholds tab.

Table 6-30 *TXP_MR_10G, TXP_MR_10E, TXP_MR_10E_C, TXP_MR_10E_L, or TXP_MR_10EX_C Card ITU-T G.709 Threshold Settings*

Parameter	Description	Options
Port	(Display only) Displays the port number and optional name.	2
ES	Severely errored seconds. Two types of thresholds can be asserted. Selecting the SM (OTUk) radio button selects FEC, overhead management, and PM using OTUk. Selecting the PM radio button selects path PM using ODUk.	<p>Numeric. Threshold display options include:</p> <ul style="list-style-type: none"> • Direction—Near End or Far End • Interval—15 Min (minutes) or 1 day • Types—SM (OTUk) or PM (ODUk) <p>Choose an option in each category and click Refresh.</p> <p>Note SM (OTUk) is the ITU-T G.709 optical channel transport unit order of k overhead frame used for management and performance monitoring. PM (ODUk) is the ITU-T G.709 optical channel data unit order of k overhead frame unit used for path performance monitoring.</p>
SES	Severely errored seconds	<p>Numeric. Threshold display options include:</p> <ul style="list-style-type: none"> • Direction—Near End or Far End • Interval—15 Min (minutes) or 1 day • Types—SM (OTUk) or PM (ODUk) <p>Choose an option in each category and click Refresh.</p>
UAS	Unavailable seconds	<p>Numeric. Threshold display options include:</p> <ul style="list-style-type: none"> • Direction—Near End or Far End • Interval—15 Min (minutes) or 1 day • Types—SM (OTUk) or PM (ODUk) <p>Choose an option in each category and click Refresh.</p>

Table 6-30 *TXP_MR_10G, TXP_MR_10E, TXP_MR_10E_C, TXP_MR_10E_L, or TXP_MR_10EX_C Card ITU-T G.709 Threshold Settings (continued)*

Parameter	Description	Options
BBE	Background block errors	Numeric. Threshold display options include: <ul style="list-style-type: none"> • Direction—Near End or Far End • Interval—15 Min (minutes) or 1 day • Types—SM (OTUk) or PM (ODUk) Choose an option in each category and click Refresh .
FC	Failure counter	Numeric. Threshold display options include: <ul style="list-style-type: none"> • Direction—Near End or Far End • Interval—15 Min (minutes) or 1 day • Types—SM (OTUk) or PM (ODUk) Choose an option in each category and click Refresh .

[Table 6-31](#) describes the values on the Provisioning > OTN > FEC Thresholds tab.

Table 6-31 *TXP_MR_10G, TXP_MR_10E, TXP_MR_10E_C, TXP_MR_10E_L, or TXP_MR_10EX_C Card FEC Threshold Settings*

Parameter	Description	Options
Port	(Display only) Displays the port number and optional name.	2
Bit Errors Corrected	Displays the number of bit errors corrected during the selected time period.	Numeric display. Can be set for 15-minute or one-day intervals.
Uncorrectable Words	Displays the number of uncorrectable words in the selected time period.	Numeric display. Can be set for 15-minute or one-day intervals.

[Table 6-32](#) describes the values on the Provisioning > OTN > Trail Trace Identifier tab.

Table 6-32 *10G Multirate Transponder Trail Trace Identifier Settings*

Parameter	Description	Options
Port	Sets the port number.	<ul style="list-style-type: none"> • 1 • 2
Level	Sets the level.	<ul style="list-style-type: none"> • Section • Path
Received Trace Mode	Sets the trace mode.	<ul style="list-style-type: none"> • Off/None • Manual

Table 6-32 10G Multirate Transponder Trail Trace Identifier Settings (continued)

Parameter	Description	Options
Disable FDI on TTIM	If a Trace Identifier Mismatch on Section overhead alarm arises because of a J0 overhead string mismatch, no Forward Defect Indication (FDI) signal is sent to the downstream nodes if this box is checked.	<ul style="list-style-type: none"> • Checked (FDI on TTIM is disabled) • Unchecked (FDI on TTIM is not disabled)
Transmit	Displays the current transmit string; sets a new transmit string. You can click the button on the right to change the display. Its title changes, based on the current display mode. Click Hex to change the display to hexadecimal (button changes to ASCII); click ASCII to change the display to ASCII (button changes to Hex).	String of trace string size; trail trace identifier is 64 bytes in length.
Expected	Displays the current expected string; sets a new expected string. You can click the button on the right to change the display. Its title changes, based on the current display mode. Click Hex to change the display to hexadecimal (button changes to ASCII); click ASCII to change the display to ASCII (button changes to Hex).	String of trace string size
Received	(Display only) Displays the current received string. You can click Refresh to manually refresh this display, or check the Auto-refresh every 5 sec check box to keep this panel updated.	String of trace string size
Auto-refresh	If checked, automatically refreshes the display every 5 minutes.	Checked/unchecked (default)

Step 4 Click **Apply**.

Step 5 Return to your originating procedure (NTP).

NTP-G170 Provision the ADM-10G Card Peer Group, Ethernet Settings, Line Settings, PM Parameters, and Thresholds

Purpose	This procedure creates an ADM-10G peer group and changes line settings, PM parameters, and threshold settings for ADM-10G cards.
Tools/Equipment	None
Prerequisite Procedures	<p>NTP-G179 Install the TXP, MXP, GE_XP, 10GE_XP, GE_XPE, 10GE_XPE, ADM-10G, and OTU2_XP Cards, page 4-69</p> <p>DLP-G63 Install an SFP or XFP, page 4-71</p> <p>DLP-G411 Provision an ADM-10G PPM and Port, page 6-9 (if necessary)</p> <p>DLP-G278 Provision the Optical Line Rate, page 6-14 (if necessary)</p>
Required/As Needed	As needed
Onsite/Remote	Onsite or remote
Security Level	Provisioning or higher

-
- Step 1** Complete the [“DLP-G46 Log into CTC” task on page 3-30](#) at the node where you want to change the ADM-10G card settings. If you are already logged in, continue with [Step 2](#).
- Step 2** As needed, complete the [“NTP-G103 Back Up the Database” procedure on page 14-2](#) to preserve the existing transmission settings.
- Step 3** To provision a peer group, complete the [“DLP-G403 Create the ADM-10G Peer Group” task on page 6-75](#).
- Step 4** To provision Ethernet settings, complete the [“DLP-G469 Provision the ADM-10G Card Ethernet Settings” task on page 6-76](#).
- Step 5** To change line settings, complete the following tasks as needed:
- [DLP-G397 Change the ADM-10G Line Settings](#), page 6-77
 - [DLP-G398 Change the ADM-10G Line Section Trace Settings](#), page 6-83
 - [DLP-G399 Change the ADM-10G Line Thresholds for SONET and SDH Payloads](#), page 6-84
 - [DLP-G412 Change the ADM-10G Line RMON Thresholds for the 1G Ethernet Payload](#), page 6-88
- Step 6** To change thresholds, complete the following tasks as needed:
- [DLP-G400 Provision the ADM-10G Interlink or Trunk Port Alarm and TCA Thresholds](#), page 6-91
 - [DLP-G401 Provision the ADM-10G Client Port Alarm and TCA Thresholds](#), page 6-92
 - [DLP-G402 Change the ADM-10G OTN Settings](#), page 6-93

Stop. You have completed this procedure.

DLP-G403 Create the ADM-10G Peer Group

Purpose	This task creates peer group protection for two ADM-10G cards within the same node, located on the same shelf.
Tools/Equipment	None
Prerequisite Procedures	NTP-G179 Install the TXP, MXP, GE_XP, 10GE_XP, GE_XPE, 10GE_XPE, ADM-10G, and OTU2_XP Cards, page 4-69 , for two ADM-10G cards (located on the same shelf) for which a peer group is desired. DLP-G46 Log into CTC, page 3-30
Required/As Needed	As needed
Onsite/Remote	Onsite or remote
Security Level	Provisioning or higher

**Note**

You cannot perform this task on a single ADM-10G card; it is only available if a second ADM-10G card can be accessed through the interlink ports (Port 17 and Port 18).

**Note**

Due to a hardware limitation, you cannot provision the SDCC/LDCC on Port 17.

**Note**

Perform this task on only one of the two peer cards.

-
- Step 1** In node view (single-shelf mode) or shelf view (multishelf view), double-click the ADM-10G card where you want to change the card settings.
- Step 2** Click the **Provisioning > Card** tabs.
- Step 3** In the **ADM Group Peer** drop-down list, choose the slot number (for example, 14) where the companion ADM-10G card is located.
- Step 4** In the **ADM Peer Group** field, enter a group name.
- Step 5** Click **Apply**.

**Note**

The Card Parameters Tunable Wavelengths area is read-only and does not contain any wavelengths until circuits are separately provisioned for the card.

- Step 6** Return to your originating procedure (NTP).
-

DLP-G469 Provision the ADM-10G Card Ethernet Settings

Purpose	This task changes the Ethernet settings for the ADM-10G card.
Tools/Equipment	None
Prerequisite Procedures	DLP-G46 Log into CTC, page 3-30
Required/As Needed	As needed
Onsite/Remote	Onsite or remote
Security Level	Provisioning or higher

-
- Step 1** In node view (single-shelf mode) or shelf view (multishelf view), double-click the ADM-10G card where you want to change the Ethernet settings. The card view appears.
- Step 2** Click the **Provisioning > Line > Ethernet** tabs.
- Step 3** Modify any of the settings for the Ethernet tab as described in [Table 6-33](#). The parameters that appear depend on the card mode.

Table 6-33 ADM-10G Card Ethernet Settings

Parameter	Description	Options
Port	(Display only) The Port number (<i>n-n</i>) and rate.	—
MTU	The maximum size of the Ethernet frames accepted by the port.	Jumbo. Default: 64 to 9216 Numeric: 1548
Mode	Sets the Ethernet mode.	1000 Mbps
Framing	Sets the framing type.	<ul style="list-style-type: none"> GFP-F HDLC
CRC Encap	Sets the CRC encap values for the framing type.	CRC encap value for GFP-F: <ul style="list-style-type: none"> None (default) 32-Bit CRC encap value for HDLC: <ul style="list-style-type: none"> 16-Bit 32-Bit (default)
AINS Soak	Automatic in-service soak time. The duration of time that must pass with an uninterrupted signal before the traffic/termination transitions to the IS-NR (ANSI) or unlocked-enabled (ETSI) service state.	<ul style="list-style-type: none"> Duration of valid input signal, in hh.mm format, after which the card becomes in service (IS) automatically 0 to 48 hours, 15-minute increments

- Step 4** Click **Apply**.
- Step 5** Return to your originating procedure (NTP).
-

DLP-G397 Change the ADM-10G Line Settings

Purpose	This task changes the line settings for ADM-10G cards.
Tools/Equipment	None
Prerequisite Procedures	DLP-G46 Log into CTC, page 3-30
Required/As Needed	As needed
Onsite/Remote	Onsite or remote
Security Level	Provisioning or higher

-
- Step 1** In node view (single-shelf mode) or shelf view (multishelf view), double-click the ADM-10G card where you want to change the line settings.
- Step 2** Click the **Provisioning > Line > Ports** tabs.
- Step 3** Modify any of the settings described in [Table 6-34](#) as needed.



Note In [Table 6-34](#), some parameter tabs do not always apply to all ADM-10G cards. If a tab does not apply, it will not appear in CTC.

Table 6-34 ADM-10G Line Port Tab Settings

Parameter	Description	ONS 15454 (ANSI) Options	ONS 15454 SDH (ETSI) Options
Port	(Display only) Displays the port number.	<ul style="list-style-type: none"> 1-1 to 1-16 (OC3/OC12/OC48/GE) 17-1 (Trunk/Interlink) 18-1 (Trunk/Interlink) 19-1 (Trunk) <p>Note Port 17 and Port 18 are trunk ports that support OC192 payload in a single-card configuration. These ports are interlink ports in a double-card configuration (ADM-10G peer group).</p>	<ul style="list-style-type: none"> 1-1 to 1-16 (STM1/STM4/STM16/GE) 17-1 (Trunk/Interlink) 18-1 (Trunk/Interlink) 19-1 (Trunk) <p>Note Port 17 and Port 18 are trunk ports that support STM64 payload in a single-card configuration. These ports are interlink ports in a double-card configuration (ADM-10G peer group).</p>
Port Name	Provides the ability to assign the specified port a name.	User-defined. Name can be up to 32 alphanumeric/special characters. Blank by default. See the “DLP-G104 Assign a Name to a Port” task on page 8-3.	User-defined. Name can be up to 32 alphanumeric/special characters. Blank by default. See the “DLP-G104 Assign a Name to a Port” task on page 8-3.
Admin State	Sets the port service state. For more information about administrative states, refer to the “Administrative and Service States” appendix in the <i>Cisco ONS 15454 DWDM Reference Manual</i> .	<ul style="list-style-type: none"> IS IS,AINS OOS,DSBLD OOS,MT 	<ul style="list-style-type: none"> Unlocked Unlocked,automaticInService Locked,disabled Locked,maintenance

Table 6-34 ADM-10G Line Port Tab Settings (continued)

Parameter	Description	ONS 15454 (ANSI) Options	ONS 15454 SDH (ETSI) Options
Service State	(Display only) Identifies the autonomously generated state that gives the overall condition of the port. Service states appear in the format: Primary State-Primary State Qualifier, Secondary State. For more information about service states, refer to the “Administrative and Service States” appendix in the <i>Cisco ONS 15454 DWDM Reference Manual</i> .	<ul style="list-style-type: none"> • IS-NR • OOS-AU,AINS • OOS-MA,DSBLD • OOS-MA,MT 	<ul style="list-style-type: none"> • Unlocked-enabled • Unlocked-disabled, automaticInService • Locked-enabled,disabled • Locked-enabled,maintenance

Table 6-34 ADM-10G Line Port Tab Settings (continued)

Parameter	Description	ONS 15454 (ANSI) Options	ONS 15454 SDH (ETSI) Options
ALS Mode	Sets the ALS function mode. The DWDM transmitter supports ALS according to ITU-T G.644 (06/99). ALS can be disabled, or it can be set for one of three mode options.	<ul style="list-style-type: none"> Disabled (default): ALS is off; the laser is not automatically shut down when traffic outages (LOS) occur. Auto Restart: (Not applicable for Gigabit Ethernet client interfaces) ALS is on; the laser automatically shuts down when traffic outages (LOS) occur. It automatically restarts when the conditions that caused the outage are resolved. Manual Restart: ALS is on; the laser automatically shuts down when traffic outages (LOS) occur. However, the laser must be manually restarted when conditions that caused the outage are resolved. Manual Restart for Test: Manually restarts the laser for testing. 	<ul style="list-style-type: none"> Disabled (default): ALS is off; the laser is not automatically shut down when traffic outages (LOS) occur. Auto Restart: (Not applicable for Gigabit Ethernet client interfaces) ALS is on; the laser automatically shuts down when traffic outages (LOS) occur. It automatically restarts when the conditions that caused the outage are resolved. Manual Restart: ALS is on; the laser automatically shuts down when traffic outages (LOS) occur. However, the laser must be manually restarted when conditions that caused the outage are resolved. Manual Restart for Test: Manually restarts the laser for testing.
AINS Soak	Sets the automatic in-service soak period. Double-click the time and use the up and down arrows to change settings.	<ul style="list-style-type: none"> Duration of valid input signal, in hh.mm format, after which the card becomes in service (IS) automatically 0 to 48 hours, 15-minute increments <p>Note The AINS service state is not supported on interlink ports.</p>	<ul style="list-style-type: none"> Duration of valid input signal, in hh.mm format, after which the card becomes in service (IS) automatically 0 to 48 hours, 15-minute increments <p>Note The AINS service state is not supported on interlink ports.</p>

Table 6-34 ADM-10G Line Port Tab Settings (continued)

Parameter	Description	ONS 15454 (ANSI) Options	ONS 15454 SDH (ETSI) Options
Reach	Displays the optical reach distance of the client port.	The Reach options depend on the traffic type that has been selected.	The Reach options depend on the traffic type that has been selected.
Wavelength	Tunable wavelength.	Shows the supported wavelengths of the trunk port after the card is installed in the format: <i>first wavelength-last wavelength-frequency spacing-number of supported wavelengths</i> . For example, 1529.55nm-1561.83nm-50g Hz-8 are supported wavelengths.	Shows the supported wavelengths of the trunk port after the card is installed in the format: <i>first wavelength-last wavelength-frequency spacing-number of supported wavelengths</i> . For example, 1529.55nm-1561.83nm-50g Hz-8 are supported wavelengths.

Step 4 Click **Apply**.

Step 5 Click the **Provisioning > Line > SONET or SDH** tabs.

Step 6 Modify any of the settings described in [Table 6-35](#) as needed.

Table 6-35 ADM-10G Line SONET or SDH Tab Settings

Parameter	Description	ONS 15454 (ANSI) Options	ONS 15454 SDH (ETSI) Options
Port	(Display only) Displays the client and trunk port number.	<ul style="list-style-type: none"> 1-1 to 1-16 (OC3/OC12/OC48/GE) 17-1 (OC192) 18-1 (OC192/Interlink) 19-1 (OC192) <p>Note Port 17 and Port 18 are trunk ports that support OC192 payload in a single-card configuration. These ports are interlink ports in a double-card configuration (ADM-10G peer group).</p>	<ul style="list-style-type: none"> 1-1 to 1-16 (STM1/STM4/STM16/GE) 17-1 (STM64) 18-1 (STM64/Interlink) 19-1 (STM64) <p>Note Port 17 and Port 18 are trunk ports that support STM64 payload in a single-card configuration. These ports are interlink ports in a double-card configuration (ADM-10G peer group).</p>
ProvidesSync	When checked, the card is provisioned as an NE timing reference.	Checked or unchecked	Checked or unchecked

Table 6-35 ADM-10G Line SONET or SDH Tab Settings (continued)

Parameter	Description	ONS 15454 (ANSI) Options	ONS 15454 SDH (ETSI) Options
SyncMsgIn	Enables synchronization status messages (S1 byte), which allow the node to choose the best timing source.	Checked or unchecked	Checked or unchecked
SF BER	Sets the signal fail bit error rate.	<ul style="list-style-type: none"> • 1E-3 • 1E-4 • 1E-5 	<ul style="list-style-type: none"> • 1E-3 • 1E-4 • 1E-5
Send DoNotUse	When checked, sends a DUS message on the S1 byte.	Checked or unchecked	Checked or unchecked
SD BER	Sets the signal degrade bit error rate.	<ul style="list-style-type: none"> • 1E-5 • 1E-6 • 1E-7 • 1E-8 • 1E-9 	<ul style="list-style-type: none"> • 1E-5 • 1E-6 • 1E-7 • 1E-8 • 1E-9
Type	(Display only) Type of node.	<ul style="list-style-type: none"> • SONET • SDH 	<ul style="list-style-type: none"> • SDH
Admin SSM In	Overrides the synchronization status message (SSM) synchronization traceability unknown (STU) value. If the node does not receive an SSM signal, it defaults to STU.	<ul style="list-style-type: none"> • PRS—Primary Reference Source (Stratum 1) • ST2—Stratum 2 • TNC—Transit node clock • ST3E—Stratum 3E • ST3—Stratum 3 • SMC—SONET minimum clock • ST4—Stratum 4 • DUS—Do not use for timing synchronization • RES—Reserved; quality level set by user 	<ul style="list-style-type: none"> • G811—Primary reference clock • STU—Sync traceability unknown • G812T—Transit node clock traceable • G812L—Local node clock traceable • SETS—Synchronous equipment • DUS—Do not use for timing synchronization

Step 7 Return to your originating procedure (NTP).

DLP-G398 Change the ADM-10G Line Section Trace Settings

Purpose	This task changes the line section trace settings for the ADM-10G cards.
Tools/Equipment	None
Prerequisite Procedures	DLP-G46 Log into CTC, page 3-30
Required/As Needed	As needed
Onsite/Remote	Onsite or remote
Security Level	Provisioning or higher


Note

The **Section Trace** tab is available for ports configured as OC-N (Ports 1 through 16, Ports 17 and 18 [only in a single-card configuration] and Port 19). Section trace is not available on interlink ports.

- Step 1** In node view (single-shelf mode) or shelf view (multishelf view), double-click the ADM-10G card where you want to change the section trace settings. The card view appears.
- Step 2** Click the **Provisioning > Line > Section Trace** tabs.
- Step 3** Modify any of the settings described in [Table 6-36](#).

Table 6-36 ADM-10G Section Trace Settings

Parameter	Description	ONS 15454 (ANSI) Options	ONS 15454 SDH (ETSI) Options
Port	Sets the port number.	<ul style="list-style-type: none"> 1-1 to 1-16 (OC3/OC12/OC48/GE) 17-1 (OC 192) 18-1 (OC192) 19-1 (OC192) <p>Note Port 17 and Port 18 are trunk ports that support OC192 payload in a single-card configuration. These ports are interlink ports in a double-card configuration (ADM-10G peer group).</p>	<ul style="list-style-type: none"> 1-1 to 1-16 (STM1/STM4/STM16/GE) 17-1 (STM64) 18-1 (STM64) 19-1 (STM64) <p>Note Port 17 and Port 18 are trunk ports that support STM64 payload in a single-card configuration. These ports are interlink ports in a double-card configuration (ADM-10G peer group).</p>
Received Trace Mode	Sets the trace mode.	<ul style="list-style-type: none"> Off/None Manual 	<ul style="list-style-type: none"> Off/None Manual

Table 6-36 ADM-10G Section Trace Settings (continued)

Parameter	Description	ONS 15454 (ANSI) Options	ONS 15454 SDH (ETSI) Options
Transmit Section Trace String Size	Sets the trace string size.	<ul style="list-style-type: none"> 1 byte 16 byte 64 byte 	<ul style="list-style-type: none"> 1 byte 16 byte 64 byte
Current	Current Transmit String displays the current transmit string; New Transmit String sets a new transmit string. Current String Type allows you to choose between ASCII or Hexadecimal format. Click Hex to change the display to hexadecimal (button changes to ASCII); click ASCII to change the display to ASCII (button changes to Hex).	String of trace string size	String of trace string size
Received	(Display only) Current Received String displays the current received string. You can click Refresh to manually refresh this display, or check the Auto-refresh every 5 sec check box to keep this panel updated.	String of trace string size	String of trace string size
Auto-refresh	If checked, automatically refreshes the display every 5 seconds.	Checked/unchecked (default)	Checked/unchecked (default)

Step 4 Click **Apply**.

Step 5 Return to your originating procedure (NTP).

DLP-G399 Change the ADM-10G Line Thresholds for SONET and SDH Payloads

Purpose	This task changes the line threshold settings for ADM-10G cards carrying SONET payloads.
Tools/Equipment	None

Prerequisite Procedures [DLP-G46 Log into CTC, page 3-30](#)

Required/As Needed As needed

Onsite/Remote Onsite or remote

Security Level Provisioning or higher

- Step 1** In node view (single-shelf mode) or shelf view (multishelf view), double-click the ADM-10G card where you want to change the line threshold settings. The card view appears.
- Step 2** Click the **Provisioning > Line Thresholds > SONET or SDH Thresholds** tabs.
- Step 3** Modify any of the settings described in [Table 6-37](#).

Table 6-37 ADM-10G Card Line Threshold Settings

Parameter	Description	ONS 15454 (ANSI) Options	ONS 15454 SDH (ETSI) Options
Port	(Display only) Port number	<ul style="list-style-type: none"> 1-1 to 1-16 (OC3/OC12/OC48/GE) 17-1 (OC 192) 18-1 (OC192) 19-1 (OC192) <p>Note Port 17 and Port 18 are trunk ports that support OC192 payload in a single-card configuration. These ports are interlink ports in a double-card configuration (ADM-10G peer group).</p>	<ul style="list-style-type: none"> 1-1 to 1-16 (STM1/STM4/STM16/GE) 17-1 (STM 64) 18-1 (STM64) 19-1 (STM64) <p>Note Port 17 and Port 18 are trunk ports that support STM64 payload in a single-card configuration. These ports are interlink ports in a double-card configuration (ADM-10G peer group).</p>
EB	Path Errored Block indicates that one or more bits are in error within a block	—	<p>Numeric. Threshold display options include:</p> <ul style="list-style-type: none"> Direction—Near End or Far End Interval—15 Min (minutes) or 1 day Types—Multiplex Section or Regeneration Section (near end only) <p>Choose an option in each category and click Refresh.</p>

Table 6-37 ADM-10G Card Line Threshold Settings (continued)

Parameter	Description	ONS 15454 (ANSI) Options	ONS 15454 SDH (ETSI) Options
CV	Coding violations	Numeric. Threshold display options include: <ul style="list-style-type: none"> • Direction—Near End or Far End • Interval—15 Min (minutes) or 1 day • Types—Line or Section (near end only) Choose an option in each category and click Refresh .	—
ES	Errored seconds	Numeric. Threshold display options include: <ul style="list-style-type: none"> • Direction—Near End or Far End • Interval—15 Min (minutes) or 1 day • Types—Line or Section (near end only) Choose an option in each category and click Refresh .	Numeric. Threshold display options include: <ul style="list-style-type: none"> • Direction—Near End or Far End • Interval—15 Min (minutes) or 1 day • Types—Line or Section (near end only) Choose an option in each category and click Refresh .
SES	Severely errored seconds	Numeric. Threshold display options include: <ul style="list-style-type: none"> • Direction—Near End or Far End • Interval—15 Min (minutes) or 1 day • Types—Line or Section (near end only) Choose an option in each category and click Refresh .	Numeric. Threshold display options include: <ul style="list-style-type: none"> • Direction—Near End or Far End • Interval—15 Min (minutes) or 1 day • Types—Line or Section (near end only) Choose an option in each category and click Refresh .
BBE	Background block errors	—	Numeric. Threshold display options include: <ul style="list-style-type: none"> • Direction—Near End or Far End • Interval—15 Min (minutes) or 1 day • Types—Multiplex Section or Regeneration Section (near end only) Choose an option in each category and click Refresh .

Table 6-37 ADM-10G Card Line Threshold Settings (continued)

Parameter	Description	ONS 15454 (ANSI) Options	ONS 15454 SDH (ETSI) Options
FC	(Line Section only) Failure count	Numeric. Threshold display options include: <ul style="list-style-type: none"> • Direction—Near End or Far End • Interval—15 Min (minutes) or 1 day • Types—Line or Section (near end only) Choose an option in each category and click Refresh .	—
PSC	Protection Switching Count	Numeric. Threshold display options include: <ul style="list-style-type: none"> • Direction—Near End or Far End • Interval—15 Min (minutes) or 1 day Choose an option in each category and click Refresh .	—
PSD	Protection Switching Duration	Numeric. Threshold display options include: <ul style="list-style-type: none"> • Direction—Near End or Far End • Interval—15 Min (minutes) or 1 day Choose an option in each category and click Refresh .	—
UAS	(Line Section only) Unavailable seconds	Numeric. Threshold display options include: <ul style="list-style-type: none"> • Direction—Near End or Far End • Interval—15 Min (minutes) or 1 day • Types—Line or Section (near end only) Choose an option in each category and click Refresh .	Numeric. Threshold display options include: <ul style="list-style-type: none"> • Direction—Near End or Far End • Interval—15 Min (minutes) or 1 day • Types—Line or Section (near end only) Choose an option in each category and click Refresh .

Step 4 Click **Apply**.

Step 5 Return to your originating procedure (NTP).

DLP-G412 Change the ADM-10G Line RMON Thresholds for the 1G Ethernet Payload

Purpose	This task changes the line RMON threshold settings for an ADM-10G card carrying the 1G Ethernet payload.
Tools/Equipment	None
Prerequisite Procedures	DLP-G46 Log into CTC, page 3-30 DLP-G411 Provision an ADM-10G PPM and Port, page 6-9
Required/As Needed	As needed
Onsite/Remote	Onsite or remote
Security Level	Provisioning or higher


Note

This task can only be performed if the ADM-10G card has at least one PPM port provisioned for Gigabit Ethernet.

- Step 1** In node view (single-shelf mode) or shelf view (multishelf view), double-click the ADM-10G card where you want to change the line RMON thresholds. The card view appears.
- Step 2** Click the **Provisioning > Line Thresholds > RMON Thresholds** tabs.
- Step 3** Click **Create**. The Create Threshold dialog box appears.
- Step 4** From the Port drop-down list, choose the applicable port.
- Step 5** From the Variable drop-down list, choose the applicable Ethernet variable. See [Table 6-38](#) for a list of available Ethernet variables.

Table 6-38 ADM-10G Gigabit Ethernet Thresholds

Variable	Description
ifInOctets	Total number of octets received on the interface, including framing characters.
ifInErrors	Number of inbound packets that contained errors preventing them from being deliverable to a higher-layer protocol.
ifOutOctets	Total number of octets transmitted out of the interface, including framing characters.
ifInMulticastPkts	Number of multicast frames received error-free.
ifInBroadcastPkts	Number of packets, delivered by a sublayer to a higher layer or sublayer, that were addressed to a broadcast address at this sublayer.
ifInErrorBytePkts	Number of receive error bytes.
dot3StatsFCSErrors	Number of frames with frame check errors; that is, there is an integral number of octets, but there is also an incorrect frame check sequence (FCS).
dot3StatsFrameTooLong	Number of received frames that were larger than the permitted maximum size.

Table 6-38 ADM-10G Gigabit Ethernet Thresholds (continued)

dot3ControlInUnknownOpCodes	A count of MAC control frames received on this interface that contain an opcode not supported by this device.
dot3InPauseFrames	A count of MAC control frames received on this interface with an opcode indicating the PAUSE operation.
dot3OutPauseFrames	A count of MAC control frames transmitted on this interface with an opcode indicating the PAUSE operation.
etherStatsUndersizePkts	Total number of packets received that were well-formed and less than 64 octets long (excluding framing bits and including FCS octets).
etherStatsFragments	Total number of packets received that were less than 64 octets in length (excluding framing bits but including FCS octets) and had either a bad FCS with an integral number of octets (FCS error) or a bad FCS with a nonintegral number of octets (alignment error). Note It is normal for etherStatsFragments to increment. This is because it counts both runts (which are normal occurrences due to collisions) and noise hits.
etherStatsPkts64Octets	Total number of packets (including bad packets) transmitted and received by the interface that were 64 octets in length (excluding framing bits and including FCS octets).
etherStatsPkts65to127Octets	Total number of packets (including bad packets) transmitted and received by the interface that were between 65 and 127 octets in length, inclusive.
etherStatsPkts128to255Octets	The total number of packets (including bad packets) transmitted and received by the interface that were between 128 and 255 octets in length, inclusive, excluding framing bits and including FCS octets.
etherStatsPkts256to511Octets	Total number of packets (including bad packets) transmitted and received by the interface that were between 256 and 511 octets in length, inclusive.
etherStatsPkts512to1023Octets	Total number of packets (including bad packets) transmitted and received by the interface that were between 512 and 1023 octets in length, inclusive, excluding framing bits and including FCS octets.
etherStatsPkts1024to1518Octets	Total number of packets (including bad packets) transmitted and received by the interface that were between 1024 and 1518 octets in length, inclusive, excluding framing bits and including FCS octets.
etherStatsBroadcastPkts	Total number of good packets transmitted and received by the interface that were directed to the broadcast address. Note Multicast packets are not included.

Table 6-38 ADM-10G Gigabit Ethernet Thresholds (continued)

etherStatsMulticastPkts	Total number of good packets transmitted and received by the interface that were directed to a multicast address. Note This number does not include packets directed to the broadcast address.
etherStatsOversizePkts	Total number of packets transmitted and received by the interface that were well-formed and longer than 1518 octets, excluding framing bits and including FCS octets.
etherStatsJabbers	Total number of packets received that were longer than 1518 octets (excluding framing bits and including FCS octets), and had a bad FCS with an integral number of octets (FCS error) or a bad FCS with a nonintegral number of octets (alignment error).
rxTotalPkts	Total number of received packets.
txTotalPkts	Total number of transmit packets.

- Step 6** From the Alarm Type drop-down list, indicate whether the event will be triggered by the rising threshold, the falling threshold, or both the rising and falling thresholds.
- Step 7** From the Sample Type drop-down list, choose either **Relative** or **Absolute**. Relative restricts the threshold to use the number of occurrences in the user-set sample period. Absolute sets the threshold to use the total number of occurrences, regardless of time period.
- Step 8** Type an appropriate number of seconds for the Sample Period.
- Step 9** Type the appropriate number of occurrences for the Rising Threshold.
For a rising type of alarm, the measured value must move from below the falling threshold to above the rising threshold. For example, if a network is running below a rising threshold of 1000 collisions every 15 seconds and a problem causes 1001 collisions in 15 seconds, the excess occurrences trigger an alarm.
- Step 10** Enter the appropriate number of occurrences in the Falling Threshold field. In most cases a falling threshold is set lower than the rising threshold.
A falling threshold is the counterpart to a rising threshold. When the number of occurrences is above the rising threshold and then drops below a falling threshold, it resets the rising threshold. For example, when the network problem that caused 1001 collisions in 15 seconds subsides and creates only 799 collisions in 15 seconds, occurrences fall below a falling threshold of 800 collisions. This resets the rising threshold so that if network collisions again spike over a 1000 per 15-second period, an event again triggers when the rising threshold is crossed. An event is triggered only the first time a rising threshold is exceeded (otherwise, a single network problem might cause a rising threshold to be exceeded multiple times and cause a flood of events).
- Step 11** Click **OK**.
- Step 12** Return to your originating procedure (NTP).

DLP-G400 Provision the ADM-10G Interlink or Trunk Port Alarm and TCA Thresholds

Purpose	This task provisions the ADM-10G interlink or trunk port alarm and threshold crossing alert (TCA) thresholds.
Tools/Equipment	None
Prerequisite Procedures	DLP-G46 Log into CTC, page 3-30
Required/As Needed	As needed
Onsite/Remote	Onsite or remote
Security Level	Provisioning or higher

- Step 1** In node view (single-shelf mode) or shelf view (multishelf view), double-click the ADM-10G card where you want to change the interlink or trunk port alarm and TCA settings.
- Step 2** Click the **Provisioning > Optics Thresholds** tabs.
- Step 3** Under Types, verify that the TCA radio button is checked. If not, check it, then click **Refresh**.
- Step 4** Referring to [Table 6-39](#), verify the interlink or trunk port TCA thresholds for RX Power High, RX Power Low, TX Power High, and TX Power Low. Provision new thresholds as needed by double-clicking the threshold value you want to change, deleting it, entering a new value, and pressing **Enter**.



Note You must modify 15 Min and 1 Day independently. To do so, choose the appropriate radio button and click **Refresh**.



Note Do not modify the Laser Bias parameters.

Table 6-39 ADM-10G Interlink and Trunk Port TCA Thresholds

Port	TCA RX Power High	TCA RX Power Low	TCA TX Power High	TCA TX Power Low
17-1 and 18-1 (Trunk/Interlink)	-7.0 dBm	-27.0 dBm	6.0 dBm	-4.0 dBm
Note Port 17 and Port 18 are trunk ports in single-card configuration and an interlink port in double-card configuration (ADM-10G peer group).				
19-1 (Trunk)	-7.0 dBm	-27.0 dBm	6.0 dBm	-4.0 dBm

- Step 5** Click **Apply**.
- Step 6** Under Types, click the **Alarm** radio button and click **Refresh**.
- Step 7** Referring to [Table 6-40](#), verify the interlink or trunk port alarm thresholds for RX Power High, RX Power Low, TX Power High, and TX Power Low. Provision new thresholds as needed by double-clicking the threshold value you want to change, deleting it, entering a new value, and pressing **Enter**.



Note You must modify 15 Min and 1 Day independently. To do so, choose the appropriate radio button and click **Refresh**.

Table 6-40 ADM-10G Interlink and Trunk Port Alarm Thresholds

Port	Alarm RX Power High	Alarm RX Power Low	Alarm TX Power High	Alarm TX Power Low
17-1 (Trunk/Interlink) Note Port 17 is a trunk port in single-card configuration and an interlink port in double-card configuration (ADM-10G peer group).	1.0 dBm	-13.0 dBm	1.0 dBm	-8.0 dBm
18-1 (Trunk/Interlink) Note Port 18 is a trunk port in single-card configuration and an interlink port in double-card configuration (ADM-10G peer group).	-5.0 dBm	-30.0 dBm	5.0 dBm	-3.0 dBm
19-1 (Trunk)	-5.0 dBm	-30.0 dBm	5.0 dBm	-3.0 dBm

Step 8 Click **Apply**.

Step 9 Return to your originating procedure (NTP).

DLP-G401 Provision the ADM-10G Client Port Alarm and TCA Thresholds

Purpose	This task provisions the client port alarm and TCA thresholds for the ADM-10G card.
Tools/Equipment	None
Prerequisite Procedures	DLP-G278 Provision the Optical Line Rate, page 6-14 DLP-G46 Log into CTC, page 3-30
Required/As Needed	Required
Onsite/Remote	Onsite or remote
Security Level	Provisioning or higher

- Step 1** In node view (single-shelf mode) or shelf view (multishelf view), double-click the ADM-10G card where you want to change the client port alarm and TCA settings.
- Step 2** Click the **Provisioning > Optics Thresholds** tabs.
- Step 3** Under Types, verify that the **TCA** radio button is checked. If not, check it, then click **Refresh**.
- Step 4** Referring to [Table 6-13 on page 6-42](#) and [Table 6-14 on page 6-43](#), verify the Port 1 to 16 (Client) Alarm thresholds for RX Power High, RX Power Low, TX Power High, and TX Power Low based on the client interface that is provisioned. Provision new thresholds as needed by double-clicking the threshold value you want to change, deleting it, entering a new value, and pressing **Enter**.



Note You must modify 15 Min and 1 Day independently. To do so, choose the appropriate radio button and click **Refresh**.

- Step 5** Click **Apply**.
- Step 6** Under Types, click the **Alarm** radio button and click **Refresh**.
- Step 7** Referring to [Table 6-13](#) and [Table 6-14 on page 6-43](#), verify the interlink ports 17-1 and 18-1 for RX Power High, RX Power Low, TX Power High, and TX Power Low settings. Provision new thresholds as needed by double-clicking the threshold value you want to change, deleting it, entering a new value, and pressing **Enter**.
- Step 8** Click **Apply**.
- Step 9** Return to your originating procedure (NTP).
-

DLP-G402 Change the ADM-10G OTN Settings

Purpose	This task changes the line OTN settings for the ADM-10G cards.
Tools/Equipment	None
Prerequisite Procedures	DLP-G46 Log into CTC, page 3-30
Required/As Needed	As needed
Onsite/Remote	Onsite or remote
Security Level	Provisioning or higher

- Step 1** In node view (single-shelf mode) or shelf view (multishelf view), double-click the ADM-10G card where you want to change the OTN settings.
- Step 2** Click the **Provisioning > OTN** tabs, then click one of the following subtabs: **OTN Lines**, **ITU-T G.709 Thresholds**, **FEC Thresholds**, or **Trail Trace Identifier**.
- Step 3** Modify any of the settings described in [Tables 6-41 through 6-44](#).



Note You must modify Near End and Far End independently; 15 Min and 1 Day independently; and SM and PM independently. To do so, choose the appropriate radio buttons and click **Refresh**.

[Table 6-41](#) describes the values on the Provisioning > OTN > OTN Lines tab.

Table 6-41 ADM-10G Card OTN Lines Settings

Parameter	Description	Options
Port	(Display only) Displays the port number and optional name.	<ul style="list-style-type: none"> 18-1 (Trunk/Interlink) 19-1 (Trunk) <p>Note Port 18 is a trunk port in single-card configuration and an interlink port in double-card configuration (ADM-10G peer group).</p>
ITU-TG.709 OTN	Sets the OTN lines according to ITU-T G.709.	<ul style="list-style-type: none"> Enable Disable
FEC	Sets the OTN lines FEC mode. FEC mode can be Disabled, Enabled, or, for the TXP_MR_10E, Enhanced FEC mode can be enabled to provide greater range and lower bit error rate. For TXP_MR_10E cards, Standard is the same as enabling FEC.	<ul style="list-style-type: none"> Disable—FEC is off. Standard—Standard FEC is on. Enhanced—Enhanced FEC is on.
SD BER	Sets the signal degrade bit error rate.	<ul style="list-style-type: none"> 1E-5 1E-6 1E-7 1E-8 1E-9
SF BER	(Display only) Indicates the signal fail bit error rate.	<ul style="list-style-type: none"> 1E-5
Synch Mapping	Sets how the ODUk (client payload) is mapped to the optical channel (OTUk).	Synch mapping

Table 6-42 describes the values on the Provisioning > OTN > ITU-T G.709 Thresholds tab.

Table 6-42 ADM-10G Card ITU-T G.709 Threshold Settings

Parameter	Description	Options
Port	(Display only) Displays the port number and optional name.	<ul style="list-style-type: none"> 18-1 (Trunk/Interlink) 19-1 (Trunk) <p>Note Port 18 is a trunk port in single-card configuration and an interlink port in double-card configuration (ADM-10G peer group).</p>
ES	Errored seconds. Selecting the SM (OTUk) radio button selects FEC, overhead management, and PM using OTUk. Selecting the PM radio button selects path PM using ODUk.	<p>Numeric. Threshold display options include:</p> <ul style="list-style-type: none"> Direction—Near End or Far End Interval—15 Min (minutes) or 1 day Types—SM (OTUk) or PM (ODUk) <p>Choose an option in each category and click Refresh.</p> <p>Note SM (OTUk) is the ITU-T G.709 optical channel transport unit order of k overhead frame used for management and performance monitoring. PM (ODUk) is the ITU-T G.709 optical channel data unit order of k overhead frame unit used for path performance monitoring.</p>
SES	Severely errored seconds	<p>Numeric. Threshold display options include:</p> <ul style="list-style-type: none"> Direction—Near End or Far End Interval—15 Min (minutes) or 1 day Types—SM (OTUk) or PM (ODUk) <p>Choose an option in each category and click Refresh.</p>
UAS	Unavailable seconds	<p>Numeric. Threshold display options include:</p> <ul style="list-style-type: none"> Direction—Near End or Far End Interval—15 Min (minutes) or 1 day Types—SM (OTUk) or PM (ODUk) <p>Choose an option in each category and click Refresh.</p>

Table 6-42 ADM-10G Card ITU-T G.709 Threshold Settings (continued)

Parameter	Description	Options
BBE	Background block errors	Numeric. Threshold display options include: <ul style="list-style-type: none"> • Direction—Near End or Far End • Interval—15 Min (minutes) or 1 day • Types—SM (OTUk) or PM (ODUk) Choose an option in each category and click Refresh .
FC	Failure counter	Numeric. Threshold display options include: <ul style="list-style-type: none"> • Direction—Near End or Far End • Interval—15 Min (minutes) or 1 day • Types—SM (OTUk) or PM (ODUk) Choose an option in each category and click Refresh .

Table 6-43 describes the values on the Provisioning > OTN > FEC Thresholds tab.

Table 6-43 ADM-10G Card FEC Threshold Settings

Parameter	Description	Options
Port	(Display only) Displays the port number and optional name.	<ul style="list-style-type: none"> • 18-1 (Trunk/Interlink) • 19-1 (Trunk) Note Port 18 is a trunk port in single-card configuration and an interlink port in double-card configuration (ADM-10G peer group).
Bit Errors Corrected	Displays the number of bit errors corrected during the selected time period.	Numeric display. Can be set for 15-minute or 1 day intervals.
Uncorrectable Words	Displays the number of uncorrectable words in the selected time period.	Numeric display. Can be set for 15-minute or 1 day intervals.

Table 6-44 describes the values on the Provisioning > OTN > Trail Trace Identifier tab.

Table 6-44 ADM-10GTrail Trace Identifier Settings

Parameter	Description	Options
Port	Sets the port number.	<ul style="list-style-type: none"> 18-1 (Trunk/Interlink) 19-1 (Trunk) <p>Note Port 18 is a trunk port in single-card configuration and an interlink port in double-card configuration (ADM-10G peer group).</p>
Level	Sets the level.	<ul style="list-style-type: none"> Section Path
Received Trace Mode	Sets the trace mode.	<ul style="list-style-type: none"> Off/None Manual
Disable FDI on TTIM	If a Trace Identifier Mismatch on Section/Path overhead alarm arises because of a J0/J1 overhead string mismatch, no Forward Defect Indication (FDI) signal is sent to the downstream nodes if this box is checked.	<ul style="list-style-type: none"> Checked (FDI on TTIM is disabled) Unchecked (FDI on TTIM is not disabled)
Transmit	Current Transmit String displays the current transmit string; New sets a new transmit string. You can click the button on the right to change the display. Its title changes, based on the current display mode. In Transmit String Type, click Hex to change the display to hexadecimal (button changes to ASCII); click ASCII to change the display to ASCII (button changes to Hex).	String of trace string size; trail trace identifier is 64 bytes in length.
Expected	Current Expected String displays the current expected string; New sets a new expected string. You can click the button on the right to change the display. Its title changes, based on the current display mode. In Expected String Type, click Hex to change the display to hexadecimal (button changes to ASCII); click ASCII to change the display to ASCII (button changes to Hex).	String of trace string size
Received	(Display only) Current Received String displays the current received string. You can click Refresh to manually refresh this display, or check the Auto-refresh every 5 sec check box to keep this panel updated.	String of trace string size
Auto-refresh (every 5 sec)	If checked, automatically refreshes the display every 5 seconds.	Checked/unchecked (default)

- Step 4** Click **Apply**.
- Step 5** Return to your originating procedure (NTP).

NTP-G333 Add an ADM-10G card to an Existing Topology

Purpose	This procedure adds an ADM-10G card to an existing topology. Perform the steps in this procedure when OCHNC and DCC are present in the network. In case of OCH trails, delete all the circuits in Step 3 that traverses the port before deleting the OCH-trail.
Tools/Equipment	None
Prerequisite Procedures	<ul style="list-style-type: none"> • DLP-G46 Log into CTC, page 3-30. • Complete the turn up procedures in Turn Up a Node, page 4-1 for the node to be added. • An updated Cisco Transport Planner network plan recalculated with the new node.
Required/As Needed	As needed
Onsite/Remote	Onsite or remote
Security Level	Provisioning or higher

- Step 1** If path protected circuits exist between Node A and Node B, complete the [DLP-A197 Initiate a Path Protection Force Switch](#) task. This task applies a force switch on the path between Node A and Node B.
- Step 2** Complete the [NTP-G129 Add a DWDM Node, page 13-9](#) task to add Node C.
- Step 3** Complete the [DLP-G106 Delete Optical Channel Network Connections, page 8-26](#) task to delete OCHNC circuit between Node A and Node B.
- Step 4** Complete the [NTP-G59 Create, Delete, and Manage Optical Channel Network Connections, page 8-21](#), task to create OCHNC circuit between Node A-->Node C and Node C-->Node B for wavelength connectivity.



Note The ports on the card in Node C must be tuned to the same wavelength as Node A and Node B.

- Step 5** Create DCC terminations on Node C. See the [DLP-A377 Provision Section DCC Terminations](#) task. Alternatively, if additional bandwidth is needed for CTC management, complete the [DLP-A378 Provision Line DCC Terminations](#) task.
- Step 6** Ensure that the DCCs are functional between Node A-->Node C and Node C-->Node B. See the [DLP-G76 Provision DCC/GCC Terminations, page 8-61](#) task.
- Step 7** Complete the [NTP-G200 Create, Delete, and Manage STS or VC Circuits for the ADM-10G Card, page 8-29](#) to create pass-through STS or VC circuits in Node C.
- Step 8** Complete the [NTP-A301 Merge Circuits](#) task for each circuit created.
- Step 9** If path protected circuits exist between Node A and Node B, complete the [DLP-A198 Clear a Path Protection Force Switch](#) task. This task clears a force switch on the path between Node A and Node B.

Stop. You have completed this procedure.

NTP-G97 Modify the 4x2.5G Muxponder Card Line Settings and PM Parameter Thresholds

Purpose	This procedure changes the line and threshold settings for the MXP_2.5G_10G, MXP_2.5G_10E, MXP_2.5G_10E_C, MXP_2.5G_10E_L, and MXP_2.5G_10EX_C muxponder cards.
Tools/Equipment	None
Prerequisite Procedures	<p>NTP-G179 Install the TXP, MXP, GE_XP, 10GE_XP, GE_XPE, 10GE_XPE, ADM-10G, and OTU2_XP Cards, page 4-69.</p> <p>DLP-G63 Install an SFP or XFP, page 4-71</p> <p>DLP-G277 Provision a Multirate PPM, page 6-11 (if necessary)</p> <p>DLP-G278 Provision the Optical Line Rate, page 6-14 (if necessary)</p>
Required/As Needed	As needed
Onsite/Remote	Onsite or remote
Security Level	Provisioning or higher

-
- Step 1** Complete the “[DLP-G46 Log into CTC](#)” task on page 3-30 at the node where you want to change the muxponder card settings. If you are already logged in, continue with [Step 2](#).
- Step 2** As needed, complete the “[NTP-G103 Back Up the Database](#)” procedure on page 14-2 to preserve the existing transmission settings.
- Step 3** Perform any of the following tasks as needed:
- [DLP-G222 Change the 4x2.5G Muxponder Card Settings](#), page 6-100
 - [DLP-G223 Change the 4x2.5G Muxponder Line Settings](#), page 6-102
 - [DLP-G224 Change the 4x2.5G Muxponder Section Trace Settings](#), page 6-104
 - [DLP-G225 Change the 4x2.5G Muxponder Trunk Settings](#), page 6-106
 - [DLP-G226 Change the 4x2.5G Muxponder SONET/SDH Line Thresholds Settings](#), page 6-109
 - [DLP-G303 Provision the 4x2.5G Muxponder Trunk Port Alarm and TCA Thresholds](#), page 6-112
 - [DLP-G304 Provision the 4x2.5G Muxponder Client Port Alarm and TCA Thresholds](#), page 6-113
 - [DLP-G228 Change the 4x2.5G Muxponder Line OTN Settings](#), page 6-115
 - [DLP-G369 Change the 4x2.5G Muxponder Trunk Wavelength Settings](#), page 6-108
- Step 4** As needed, complete the “[NTP-G103 Back Up the Database](#)” procedure on page 14-2.

Stop. You have completed this procedure.

DLP-G222 Change the 4x2.5G Muxponder Card Settings

Purpose	This task changes the card settings for the MXP_2.5G_10G, MXP_2.5G_10E, MXP_2.5G_10E_C, MXP_2.5G_10E_L, and MXP_2.5G_10EX_C muxponder cards, including payload type, termination mode, and wavelength.
Tools/Equipment	None
Prerequisite Procedures	DLP-G46 Log into CTC, page 3-30
Required/As Needed	As needed
Onsite/Remote	Onsite or remote
Security Level	Provisioning or higher

-
- Step 1** In node view (single-shelf mode) or shelf view (multishelf view), double-click the MXP_2.5G_10G, MXP_2.5G_10E, MXP_2.5G_10E_C, MXP_2.5G_10E_L, or MXP_2.5G_10EX_C card where you want to change the card settings.
- Step 2** Click the **Provisioning > Card** tabs.
- Step 3** Modify any of the settings described in [Table 6-45](#).



Note Parameters shown in [Table 6-45](#) do not apply to all 4x2.5G muxponder cards. If the parameter or option does not apply, it is not shown in CTC.

Table 6-45 *MXP_2.5G_10G, MXP_2.5G_10E, MXP_2.5G_10E_C, MXP_2.5G_10E_L, or MXP_2.5G_10EX_C Card Settings*

Parameter	Description	Options
Termination Mode	<p>Sets the mode of operation. Options that do not apply to a card do not display.</p> <p>The MXP_2.5G_10G card is based on SONET/SDH multiplexing. The transparent mode terminates and rebuilds the B1 byte (as well as other bytes) of the incoming OC-48/STM-16 signal. The B2 byte is not touched.</p> <p>The MXP_2.5G_10E, MXP_2.5G_10E_C, MXP_2.5G_10E_L, and MXP_2.5G_10EX_C cards are fully transparent in transparent mode based on the OTN/ITU-T G.709 multiplexing scheme. It does not terminate the B1 byte or other bytes.</p> <p>It encapsulates OC-48/STM-16 bytes into ODU1 first, then multiplexes them into an OTU2.</p> <p>Refer to the “Transponder and Muxponder Cards” chapter in the <i>Cisco ONS 15454 DWDM Reference Manual</i> for more details.</p>	<p>For ANSI platforms:</p> <ul style="list-style-type: none"> • Transparent • Section (MXP_2.5G_10E, MXP_2.5G_10E_C, MXP_2.5G_10E_L, and MXP_2.5G_10EX_C only) • Line (MXP_2.5G_10G only) <p>For ETSI platforms:</p> <ul style="list-style-type: none"> • Transparent • Multiplex Section (MXP_2.5G_10G, only) • Regeneration Section (MXP_2.5G_10E, MXP_2.5G_10E_C, MXP_2.5G_10E_L, and MXP_2.5G_10EX_C only)
AIS/Squelch	(MXP_2.5G_10E, MXP_2.5G_10E_C, MXP_2.5G_10E_L, and MXP_2.5G_10EX_C only) Sets the transparent termination mode configuration.	<ul style="list-style-type: none"> • Ais • Squelch
Tunable Wavelengths	(Display only) Shows the supported wavelengths of the trunk port after the card is installed. For the MXP_2.5G_10E_C, or MXP_2.5G_10E_L cards, the first and last supported wavelength, frequency spacing, and number of supported wavelengths are shown in the format: <i>first wavelength-last wavelength-frequency spacing-number of supported wavelengths</i> . For example, the MXP_2.5G_10E_C card would show: 1529.55nm-1561.83nm-50GHz-82. The MXP_2.5G_10G and MXP_2.5G_10E show the four wavelengths supported by the card that is installed.	—

Step 4 Click **Apply**.

Step 5 Return to your originating procedure (NTP).

DLP-G223 Change the 4x2.5G Muxponder Line Settings

Purpose	This task changes the line settings for the MXP_2.5G_10G, MXP_2.5G_10E, MXP_2.5G_10E_C, MXP_2.5G_10E_L, and MXP_2.5G_10EX_C muxponder cards.
Tools/Equipment	None
Prerequisite Procedures	DLP-G46 Log into CTC, page 3-30
Required/As Needed	As needed
Onsite/Remote	Onsite or remote
Security Level	Provisioning or higher

Step 1 In node view (single-shelf mode) or shelf view (multishelf view), double-click the MXP_2.5G_10G, MXP_2.5G_10E, MXP_2.5G_10E_C, MXP_2.5G_10E_L, or MXP_2.5G_10EX_C card where you want to change the line settings.

Step 2 Click the **Provisioning > Line > SONET** (ANSI) or **SDH** (ETSI) tabs.



Note The SONET tab appears only if you have created a PPM for a given port.

Step 3 Modify any of the settings described in [Table 6-46](#).



Note You must modify Near End and Far End independently; 15 Min and 1 Day independently; and Line and Section independently. To do so, choose the appropriate radio button and click **Refresh**.

Table 6-46 *MXP_2.5G_10G, MXP_2.5G_10E, MXP_2.5G_10E_C, MXP_2.5G_10E_L, or MXP_2.5G_10EX_C Card Line Settings*

Parameter	Description	Options
Port	(Display only) Port number. Ports 1 to 4 are client ports (OC-48/STM-16). Port 5 is the DWDM trunk (OC-192/STM-64) that provides wavelength services. Client ports will not appear if the pluggable port module is not provisioned for it.	<ul style="list-style-type: none"> • 1 • 2 • 3 • 4 • 5 (Trunk) (MXP_2.5G_10G only)
Port Name	Provides the ability to assign the specified port a logical name.	User-defined. Name can be up to 32 alphanumeric/special characters. Blank by default. See the “ DLP-G104 Assign a Name to a Port ” task on page 8-3 .

Table 6-46 *MXP_2.5G_10G, MXP_2.5G_10E, MXP_2.5G_10E_C, MXP_2.5G_10E_L, or MXP_2.5G_10EX_C Card Line Settings (continued)*

Parameter	Description	Options
Admin State	Sets the port service state unless network conditions prevent the change. For more information about administrative states, refer to the “Administrative and Service States” appendix in the <i>Cisco ONS 15454 DWDM Reference Manual</i> .	<ul style="list-style-type: none"> IS (ANSI) or Unlocked (ETSI) IS,AINS (ANSI) or Unlocked,automaticInService (ETSI) OOS,DSBLD (ANSI) or Locked,disabled (ETSI) OOS,MT (ANSI) or Locked,maintenance (ETSI)
Service State	(Display only) Identifies the autonomously generated state that gives the overall condition of the port. Service states appear in the format: Primary State-Primary State Qualifier, Secondary State. For more information about service states, refer to the “Administrative and Service States” appendix in the <i>Cisco ONS 15454 DWDM Reference Manual</i> .	<ul style="list-style-type: none"> IS-NR (ANSI) or Unlocked-enabled (ETSI) OOS-AU,AINS (ANSI) or Unlocked-disabled, automaticInService (ETSI) OOS-MA,DSBLD (ANSI) or Locked-enabled,disabled (ETSI) OOS-MA,MT (ANSI) or Locked-enabled,maintenance (ETSI)
SF BER	Sets the signal fail bit error rate.	<ul style="list-style-type: none"> 1E-3 1E-4 1E-5
SD BER	Sets the signal degrade bit error rate.	<ul style="list-style-type: none"> 1E-5 1E-6 1E-7 1E-8 1E-9
ALS Mode	Sets the ALS function mode. The DWDM transmitter supports ALS according to ITU-T G.644 (06/99). ALS can be disabled or can be set for one of three mode options.	<ul style="list-style-type: none"> Disable (default): ALS is off; the laser is not automatically shut down when traffic outages (LOS) occur. Auto Restart: ALS is on; the laser automatically shuts down when traffic outages (LOS) occur. It automatically restarts when the conditions that caused the outage are resolved. Manual Restart: ALS is on; the laser automatically shuts down when traffic outages (LOS) occur. However, the laser must be manually restarted when conditions that caused the outage are resolved. Manual Restart for Test: Manually restarts the laser for testing.
AINS Soak	Sets the automatic in-service soak period. Double-click the time and use the up and down arrows to change settings.	<ul style="list-style-type: none"> Duration of valid input signal, in hh.mm format, after which the card becomes in service (IS) automatically 0 to 48 hours, 15-minute increments

Table 6-46 *MXP_2.5G_10G, MXP_2.5G_10E, MXP_2.5G_10E_C, MXP_2.5G_10E_L, or MXP_2.5G_10EX_C Card Line Settings (continued)*

Parameter	Description	Options
Type	Sets the optical transport type.	<ul style="list-style-type: none"> • SONET • SDH
SyncMsgIn	Enables synchronization status messages (S1 byte), which allow the node to choose the best timing source. (This parameter does not appear for the MXP_2.5G_10E trunk port.)	Checked or unchecked
ProvidesSync	Sets the ProvidesSync card parameter. If checked, the card is provisioned as an NE timing reference. (This parameter does not appear for the MXP_2.5G_10E trunk port.)	Checked or unchecked
Reach	Displays the optical reach distance of the client port.	Options: ANSI/ETSI <ul style="list-style-type: none"> • Autoprovision/Autoprovision (default) • SR • SR 1/I-1—Short reach up to 2-km distance • IR 1/S1—Intermediate reach, up to 15-km distance • IR 2/S2—Intermediate reach up to 40-km distance • LR 1/L1—long reach, up to 40-km distance • LR 2/L2—long reach, up to 80-km distance • LR 3/L3—long reach, up to 80-km distance
Wavelength	Displays the wavelength of the client port.	<ul style="list-style-type: none"> • First Tunable Wavelength • Further wavelengths: 850 nm through 1560.61 nm 100-GHz ITU spacing CWDM spacing

Step 4 Click **Apply**.

Step 5 Return to your originating procedure (NTP).

DLP-G224 Change the 4x2.5G Muxponder Section Trace Settings

Purpose	This task changes the section trace settings for the MXP_2.5G_10G, MXP_2.5G_10E, MXP_2.5G_10E_C, MXP_2.5G_10E_L, and MXP_2.5G_10EX_C muxponder cards.
Tools/Equipment	None
Prerequisite Procedures	DLP-G46 Log into CTC, page 3-30
Required/As Needed	As needed
Onsite/Remote	Onsite or remote
Security Level	Provisioning or higher



Note The Section Trace tab appears only if you have created a PPM for the card.

- Step 1** In node view (single-shelf mode) or shelf view (multishelf view), double-click the MXP_2.5G_10G, MXP_2.5G_10E, MXP_2.5G_10E_C, MXP_2.5G_10E_L, or MXP_2.5G_10EX_C card where you want to change the section trace settings.
- Step 2** Click the **Provisioning > Line > Section Trace** tabs.
- Step 3** Modify any of the settings described in [Table 6-47](#).

Table 6-47 *MXP_2.5G_10G, MXP_2.5G_10E, MXP_2.5G_10E_C, MXP_2.5G_10E_L, or MXP_2.5G_10EX_C Card Section Trace Settings*

Parameter	Description	Options
Port	Sets the port number.	<ul style="list-style-type: none"> • 1 • 2 • 3 • 4 • 5 (Trunk; MXP_2.5G_10G only)
Received Trace Mode	Sets the trace mode.	<ul style="list-style-type: none"> • Off/None • Manual
Disable AIS/RDI on TIM-S	If an TIM on Section overhead alarm arises because of a J0 overhead string mismatch, no alarm indication signal is sent to downstream nodes if this box is checked.	<ul style="list-style-type: none"> • Checked (AIS/RDI on TIM-S is disabled) • Unchecked (AIS/RDI on TIM-S is not disabled)
Transmit Section Trace String Size	Sets the trace string size. Select either radio button.	<ul style="list-style-type: none"> • 1 byte • 16 byte
Transmit	Displays the current transmit string; sets a new transmit string. You can click the button on the right to change the display. Its title changes, based on the current display mode. Click Hex to change the display to hexadecimal (button changes to ASCII); click ASCII to change the display to ASCII (button changes to Hex).	String of trace string size
Expected	Displays the current expected string; sets a new expected string. You can click the button on the right to change the display. Its title changes, based on the current display mode. Click Hex to change the display to hexadecimal (button changes to ASCII); click ASCII to change the display to ASCII (button changes to Hex).	String of trace string size

Table 6-47 *MXP_2.5G_10G, MXP_2.5G_10E, MXP_2.5G_10E_C, MXP_2.5G_10E_L, or MXP_2.5G_10EX_C Card Section Trace Settings (continued)*

Parameter	Description	Options
Received	(Display only) Displays the current received string. You can click Refresh to manually refresh this display, or check the Auto-refresh every 5 sec check box to keep this panel updated.	String of trace string size
Auto-refresh	If checked, automatically refreshes the display every 5 minutes.	Checked/unchecked (default)

Step 4 Click **Apply**.

Step 5 Return to your originating procedure (NTP).

DLP-G225 Change the 4x2.5G Muxponder Trunk Settings

Purpose	This task provisions the trunk settings for the MXP_2.5G_10E, MXP_2.5G_10E_C, MXP_2.5G_10E_L, and MXP_2.5G_10EX_C muxponder cards.
Tools/Equipment	None
Prerequisite Procedures	DLP-G46 Log into CTC, page 3-30
Required/As Needed	As needed
Onsite/Remote	Onsite or remote
Security Level	Provisioning or higher



Note This task does not apply to the MXP_2.5G_10G card.

- Step 1** In node view (single-shelf mode) or shelf view (multishelf view), double-click the MXP_2.5G_10E, MXP_2.5G_10E_C, MXP_2.5G_10E_L, or MXP_2.5G_10EX_C card where you want to change the trunk settings.
- Step 2** Click the **Provisioning > Line > Trunk** tabs.
- Step 3** Modify any of the settings described in [Table 6-48](#).

Table 6-48 *MXP_2.5G_10E, MXP_2.5G_10E_C, MXP_2.5G_10E_L, or MXP_2.5G_10EX_C Card Trunk Settings*

Parameter	Description	Options
Port	(Display only) Displays the port number. Port 5 is the DWDM trunk (OC-192/STM-64) that provides wavelength services.	5 (Trunk)
Port Name	Provides the ability to assign the specified port a logical name.	User-defined. Name can be up to 32 alphanumeric/special characters. Blank by default. See the “ DLP-G104 Assign a Name to a Port ” task on page 8-3.
Admin State	Sets the port service state unless network conditions prevent the change. For more information about administrative states, refer to the “Administrative and Service States” appendix in the <i>Cisco ONS 15454 DWDM Reference Manual</i> .	<ul style="list-style-type: none"> IS (ANSI) or Unlocked (ETSI) IS,AINS (ANSI) or Unlocked,automaticInService (ETSI) OOS,DSBLD (ANSI) or Locked,disabled (ETSI) OOS,MT (ANSI) or Locked,maintenance (ETSI)
Service State	(Display only) Identifies the autonomously generated state that gives the overall condition of the port. Service states appear in the format: Primary State-Primary State Qualifier, Secondary State. For more information about service states, refer to the “Administrative and Service States” appendix in the <i>Cisco ONS 15454 DWDM Reference Manual</i> .	<ul style="list-style-type: none"> IS-NR (ANSI) or Unlocked-enabled (ETSI) OOS-AU,AINS (ANSI) or Unlocked-disabled, automaticInService (ETSI) OOS-MA,DSBLD (ANSI) or Locked-enabled,disabled (ETSI) OOS-MA,MT (ANSI) or Locked-enabled,maintenance (ETSI)
ALS Mode	Sets the ALS function mode. The DWDM transmitter supports ALS according to ITU-T G.644 (06/99). ALS can be disabled or can be set for one of three mode options.	<ul style="list-style-type: none"> Disabled (default): ALS is off; the laser is not automatically shut down when traffic outages (LOS) occur. Auto Restart: ALS is on; the laser automatically shuts down when traffic outages (LOS) occur. It automatically restarts when the conditions that caused the outage are resolved. Manual Restart: ALS is on; the laser automatically shuts down when traffic outages (LOS) occur. However, the laser must be manually restarted when conditions that caused the outage are resolved. Manual Restart for Test: Manually restarts the laser for testing.
AINS Soak	(OC-N and STM-N payloads only) Sets the automatic in-service soak period.	<ul style="list-style-type: none"> Duration of valid input signal, in hh.mm format, after which the card becomes in service (IS) automatically 0 to 48 hours, 15-minute increments

Step 4 Click **Apply**.

Step 5 Return to your originating procedure (NTP).

DLP-G369 Change the 4x2.5G Muxponder Trunk Wavelength Settings

Purpose	This task changes the trunk wavelength settings for the MXP_2.5G_10G, MXP_2.5G_10E, MXP_2.5G_10E_C, MXP_2.5G_10E_L, and MXP_2.5G_10EX_C cards.
Tools/Equipment	None
Prerequisite Procedures	DLP-G46 Log into CTC, page 3-30
Required/As Needed	As needed
Onsite/Remote	Onsite or remote
Security Level	Provisioning or higher

Step 1 In node view (single-shelf mode) or shelf view (multishelf view), double-click the MXP_2.5G_10G, MXP_2.5G_10E, MXP_2.5G_10E_C, MXP_2.5G_10E_L, and MXP_2.5G_10EX_C card where you want to change the trunk wavelength settings.

Step 2 Click the **Provisioning > Line > Wavelength Trunk Settings** tabs.

Step 3 Modify any of the settings described in [Table 6-49](#).

Table 6-49 *MXP_2.5G_10G, MXP_2.5G_10E, MXP_2.5G_10E_C, MXP_2.5G_10E_L, and MXP_2.5G_10EX_C Card Wavelength Trunk Settings*

Parameter	Description	Options
Port	(Display only) Displays the port number.	5 (Trunk)
Band	(Display only) Indicates the wavelength band available from the card that is installed. If the card is preprovisioned, the field can be provisioned to the band of the card that will be installed.	<ul style="list-style-type: none"> C—The C-band wavelengths are available in the Wavelength field. L—The L-band wavelengths are available in the Wavelength field.

Table 6-49 *MXP_2.5G_10G, MXP_2.5G_10E, MXP_2.5G_10E_C, MXP_2.5G_10E_L, and MXP_2.5G_10EX_C Card Wavelength Trunk Settings (continued)*

Parameter	Description	Options
Even/Odd	Sets the wavelengths available for provisioning for MXP_2.5G_10E_C and MXP_2.5G_10E_L cards. (This field does not apply to MXP_2.5G_10G or MXP_2.5G_10E cards.)	<ul style="list-style-type: none"> Even—Displays even C-band or L-band wavelengths in the Wavelength field. Odd—Displays odd C-band or L-band wavelengths in the Wavelength field.
Wavelength	The wavelength provisioned for the trunk.	<ul style="list-style-type: none"> First Tunable Wavelength Further wavelengths in 100-GHz ITU-T C-band or L-band spacing, depending on the card that is installed. For MXP_2.5G_10G and MXP_2.5G_10E cards, the wavelengths carried by the card are identified with two asterisks. If the card is not installed, all wavelengths appear with a dark grey background.

Step 4 Click **Apply**.

Step 5 Return to your originating procedure (NTP).

DLP-G226 Change the 4x2.5G Muxponder SONET/SDH Line Thresholds Settings

Purpose	This task changes the SONET (ANSI) or SDH (ETSI) line threshold settings for the MXP_2.5G_10G, MXP_2.5G_10E, MXP_2.5G_10E_C, MXP_2.5G_10E_L, and MXP_2.5G_10EX_C muxponder cards.
Tools/Equipment	None
Prerequisite Procedures	DLP-G46 Log into CTC , page 3-30
Required/As Needed	As needed
Onsite/Remote	Onsite or remote
Security Level	Provisioning or higher

Step 1 In node view (single-shelf mode) or shelf view (multishelf view), double-click the MXP_2.5G_10G, MXP_2.5G_10E, MXP_2.5G_10E_C, MXP_2.5G_10E_L, or MXP_2.5G_10EX_C card where you want to change the line threshold settings.

Step 2 Click the **Provisioning > Line Thresholds** tabs.

Step 3 Modify any of the settings described in [Table 6-50](#).



Note In [Table 6-50](#), some parameter tabs or selections do not always apply to all 4x2.5G muxponder cards. If the tabs or selections do not apply, they do not appear in CTC.

Table 6-50 *MXP_2.5G_10G, MXP_2.5G_10E, MXP_2.5G_10E_C, MXP_2.5G_10E_L, or MXP_2.5G_10EX_C Card Line Threshold Settings*

Parameter	Description	Options - ONS 15454	Options - ONS 15454 SDH
Port	(Display only) Port number	<ul style="list-style-type: none"> • 1 • 2 • 3 • 4 • 5 (MXP_2.5G_10G only) 	<ul style="list-style-type: none"> • 1 • 2 • 3 • 4 • 5 (MXP_2.5G_10G only)
EB	Path Errored Block indicates that one or more bits are in error within a block	—	Numeric. Threshold display options include: <ul style="list-style-type: none"> • Direction—Near End or Far End • Interval—15 Min (minutes) or 1 day • Types—Multiplex Section or Regeneration Section (near end only) Choose an option in each category and click Refresh .
CV	Coding violations	Numeric. Threshold display options include: <ul style="list-style-type: none"> • Direction—Near End or Far End • Interval—15 Min (minutes) or 1 day • Types—Line or Section (near end only) Choose an option in each category and click Refresh .	—
ES	Errored seconds	Numeric. Threshold display options include: <ul style="list-style-type: none"> • Direction—Near End or Far End • Interval—15 Min (minutes) or 1 day • Types—Line or Section (near end only) Choose an option in each category and click Refresh .	Numeric. Threshold display options include: <ul style="list-style-type: none"> • Direction—Near End or Far End • Interval—15 Min (minutes) or 1 day • Types—Multiplex Section or Regeneration Section (near end only) Choose an option in each category and click Refresh .
SES	Severely errored seconds	Numeric. Threshold display options include: <ul style="list-style-type: none"> • Direction—Near End or Far End • Interval—15 Min (minutes) or 1 day • Types—Line or Section (near end only) Choose an option in each category and click Refresh .	Numeric. Threshold display options include: <ul style="list-style-type: none"> • Direction—Near End or Far End • Interval—15 Min (minutes) or 1 day • Types—Multiplex Section or Regeneration Section (near end only) Choose an option in each category and click Refresh .

Table 6-50 *MXP_2.5G_10G, MXP_2.5G_10E, MXP_2.5G_10E_C, MXP_2.5G_10E_L, or MXP_2.5G_10EX_C Card Line Threshold Settings (continued)*

Parameter	Description	Options - ONS 15454	Options - ONS 15454 SDH
SEFS	(Near End Section or Regeneration Section only) Severely errored framing seconds	Numeric. Threshold display options include: <ul style="list-style-type: none"> • Direction—Near End or Far End • Interval—15 Min (minutes) or 1 day • Types—Line or Section (near end only) Choose an option in each category and click Refresh .	—
BBE	Background block errors	—	Numeric. Threshold display options include: <ul style="list-style-type: none"> • Direction—Near End or Far End • Interval—15 Min (minutes) or 1 day • Types—Multiplex Section or Regeneration Section (near end only) Choose an option in each category and click Refresh .
FC	(Line or Multiplex Section only) Failure count	Numeric. Threshold display options include: <ul style="list-style-type: none"> • Direction—Near End or Far End • Interval—15 Min (minutes) or 1 day • Types—Line or Section (near end only) Choose an option in each category and click Refresh .	—
UAS	(Line or Multiplex Section only) Unavailable seconds	Numeric. Threshold display options include: <ul style="list-style-type: none"> • Direction—Near End or Far End • Interval—15 Min (minutes) or 1 day • Types—Line or Section (near end only) Choose an option in each category and click Refresh .	Numeric. Threshold display options include: <ul style="list-style-type: none"> • Direction—Near End or Far End • Interval—15 Min (minutes) or 1 day • Types—Multiplex Section or Regeneration Section (near end only) Choose an option in each category and click Refresh .

Step 4 Click **Apply**.

Step 5 Return to your originating procedure (NTP).

DLP-G303 Provision the 4x2.5G Muxponder Trunk Port Alarm and TCA Thresholds

Purpose	This task changes the MXP_2.5G_10G, MXP_2.5G_10E, MXP_2.5G_10E_C, MXP_2.5G_10E_L, and MXP_2.5G_10EX_C trunk port alarm and TCA thresholds.
Tools/Equipment	None
Prerequisite Procedures	DLP-G46 Log into CTC, page 3-30
Required/As Needed	As needed
Onsite/Remote	Onsite or remote
Security Level	Provisioning or higher

- Step 1** In node view (single-shelf mode) or shelf view (multishelf view), double-click the MXP_2.5G_10G, MXP_2.5G_10E, MXP_2.5G_10E_C, MXP_2.5G_10E_L, or MXP_2.5G_10EX_C card where you want to change the trunk port alarm and TCA settings.
- Step 2** Click the **Provisioning > Optics Thresholds** tabs.
- Step 3** Select **TCA** (if not already selected), a **15 Min** or **1 Day** PM interval radio button and then click **Refresh**.



Note You must modify 15 Min and 1 Day independently. To do so, choose the appropriate radio button and click **Refresh**.

- Step 4** Referring to [Table 6-51](#), verify the trunk port (Port 5) TCA thresholds for RX Power High, RX Power Low, TX Power High, and TX Power Low. Provision new thresholds as needed by double-clicking the threshold value you want to change, deleting it, entering a new value, and hitting **Enter**.



Note Do not modify the Laser Bias parameters.

Table 6-51 *MXP_2.5G_10G, MXP_2.5G_10E, MXP_2.5G_10E_C, MXP_2.5G_10E_L, or MXP_2.5G_10EX_C Trunk Port TCA Thresholds*

Card	TCA RX Power High	TCA RX Power Low	TCA TX Power High	TCA TX Power Low
MXP_2.5G_10G	-8 dBm	-18 dBm	7 dBm	-1 dBm
MXP_2.5G_10E	-9 dBm	-18 dBm	9 dBm	0 dBm
MXP_2.5G_10E_C	-9 dBm	-18 dBm	9 dBm	0 dBm
MXP_2.5G_10E_L	-9 dBm	-18 dBm	9 dBm	0 dBm
MXP_2.5G_10EX_C	-9 dBm	-18 dBm	9 dBm	0 dBm

- Step 5** Click **Apply**.
- Step 6** Under Types, click the **Alarm** radio button and click **Refresh**.

- Step 7** Referring to [Table 6-52](#), verify the trunk port (Port 5) Alarm thresholds for RX Power High, RX Power Low, TX Power High, and TX Power Low. Provision new thresholds as needed by double-clicking the threshold value you want to change, deleting it, entering a new value, and hitting **Enter**.



Note Do not modify the Laser Bias parameters.

Table 6-52 *MXP_2.5G_10G, MXP_2.5G_10E, MXP_2.5G_10E_C, MXP_2.5G_10E_L, or MXP_2.5G_10EX_C Trunk Port Alarm Thresholds*

Card	Alarm RX Power High	Alarm RX Power Low	Alarm TX Power High	Alarm TX Power Low
MXP_2.5G_10G	-8 dBm	-20 dBm	4 dBm	2 dBm
MXP_2.5G_10E	-8 dBm	-20 dBm	7 dBm	3 dBm
MXP_2.5G_10E_C	-8 dBm	-20 dBm	7 dBm	3 dBm
MXP_2.5G_10E_L	-8 dBm	-20 dBm	7 dBm	3 dBm
MXP_2.5G_10EX_C	-8 dBm	-20 dBm	7 dBm	3 dBm

- Step 8** Click **Apply**.
- Step 9** Return to your originating procedure (NTP).

DLP-G304 Provision the 4x2.5G Muxponder Client Port Alarm and TCA Thresholds

Purpose	This task provisions the client port alarm and TCA thresholds for the MXP_2.5G_10G, MXP_2.5G_10E, MXP_2.5G_10E_C, MXP_2.5G_10E_L, and MXP_2.5G_10EX_C cards.
Tools/Equipment	None
Prerequisite Procedures	DLP-G278 Provision the Optical Line Rate, page 6-14 DLP-G46 Log into CTC, page 3-30
Required/As Needed	Required
Onsite/Remote	Onsite or remote
Security Level	Provisioning or higher

- Step 1** In node view (single-shelf mode) or shelf view (multishelf view), double-click the MXP_2.5G_10G, MXP_2.5G_10E, MXP_2.5G_10E_C, MXP_2.5G_10E_L, or MXP_2.5G_10EX_C card where you want to change the client port alarm and TCA settings.
- Step 2** Click the **Provisioning > Optics Thresholds** tabs. The TCA thresholds are shown by default.

- Step 3** Referring to [Table 6-53](#), verify the client Port N (where $N = 1$ through 4) TCA thresholds for RX Power High, RX Power Low, TX Power High, and TX Power Low based on the client interface at the other end. Provision new thresholds as needed by double-clicking the threshold value you want to change, deleting it, entering a new value, and hitting **Enter**.



Note You must modify 15 Min and 1 Day independently. To do so, choose the appropriate radio button and click **Refresh**.



Note Do not modify the Laser Bias parameters.



Note The hardware device that plugs into a TXP, MXP, GE_XP, 10GE_XP, GE_XPE, 10GE_XPE, or ADM-10G card faceplate to provide a fiber interface to the card is called a Small Form-factor Pluggable (SFP or XFP). In CTC, SFPs and XFPs are called pluggable port modules (PPMs). SFPs/XFPs are hot-swappable input/output devices that plug into a port to link the port with the fiber-optic network. Multirate PPMs have provisionable port rates and payloads. For more information about SFPs and XFPs, refer to the “Transponder and Muxponder Cards” chapter in the *Cisco ONS 15454 DWDM Reference Manual*.

Table 6-53 *MXP_2.5G_10G, MXP_2.5G_10E, MXP_2.5G_10E_C, MXP_2.5G_10E_L, or MXP_2.5G_10EX_C Card Client Interfaces TCA Thresholds*

Port Type (by CTC)	Pluggable Port Module (SFP)	TCA RX Power High	TCA RX Power Low	TCA TX Power High	TCA TX Power Low
OC-48	ONS-SE-2G-S1	-3	-18	3	-16
	15454-SFP-OC48-IR	0	-18	6	-11
STM-16	ONS-SE-2G-S1	-3	-18	3	-16
	15454E-SFP-L.16.1	0	-18	6	-11

- Step 4** Repeat [Step 3](#) to provision each additional client port.
- Step 5** Under Types, click the **Alarm** radio button and click **Refresh**.
- Step 6** Referring to [Table 6-54](#), verify the client Port N (where $N = 1$ through 4) Alarm thresholds for RX Power High, RX Power Low, TX Power High, and TX Power Low based on the client interface that is provisioned. Provision new thresholds as needed by double-clicking the threshold value you want to change, deleting it, entering a new value, and hitting **Enter**.



Note Do not modify the Laser Bias parameters.

Table 6-54 *MXP_2.5G_10G, MXP_2.5G_10E, MXP_2.5G_10E_C, or MXP_2.5G_10E_L Card Client Interfaces Alarm Thresholds*

Port Type (by CTC)	Pluggable Port Module (SFP)	Alarm RX Power High	Alarm RX Power Low	Alarm TX Power High	Alarm TX Power Low
OC-48	ONS-SE-2G-S1	0	-21	0	-13
	15454-SFP-OC48-IR	3	-21	3	-8
STM-16	ONS-SE-2G-S1	0	-21	0	-13
	15454E-SFP-L.16.1	3	-21	3	-8

- Step 7** Click **Apply**.
- Step 8** Repeat Steps 6 and 7 to provision each additional client port.
- Step 9** Return to your originating procedure (NTP).

DLP-G228 Change the 4x2.5G Muxponder Line OTN Settings

Purpose	This task changes the line OTN settings for MXP_2.5G_10G, MXP_2.5G_10E, MXP_2.5G_10E_C, MXP_2.5G_10E_L, and MXP_2.5G_10EX_C muxponder cards.
Tools/Equipment	None
Prerequisite Procedures	DLP-G46 Log into CTC, page 3-30
Required/As Needed	As needed
Onsite/Remote	Onsite or remote
Security Level	Provisioning or higher

- Step 1** In node view (single-shelf mode) or shelf view (multishelf view), double-click the MXP_2.5G_10G, MXP_2.5G_10E, MXP_2.5G_10E_C, MXP_2.5G_10E_L, or MXP_2.5G_10EX_C card where you want to change the line OTN settings.
- Step 2** Click the **Provisioning > OTN** tabs, then choose one of the following subtabs: **OTN Lines**, **OTN G.709 Thresholds**, **FEC Thresholds**, or **Trail Trace Identifier**.
- Step 3** Modify any of the settings described in Tables 6-55 through 6-58.



Note You must modify Near End and Far End independently, 15 Min and 1 Day independently, and SM and PM independently. To do so, choose the appropriate radio button and click **Refresh**.

Table 6-55 describes the values on the Provisioning > OTN > OTN Lines tab.



Note In Table 6-55, some parameter tabs or values do not always apply to all MXP_2.5G_10G, MXP_2.5G_10E, MXP_2.5G_10E_C, or MXP_2.5G_10E_L cards. If the tabs or values do not apply, they do not appear in CTC.

Table 6-55 *MXP_2.5G_10G, MXP_2.5G_10E, MXP_2.5G_10E_C, MXP_2.5G_10E_L, or MXP_2.5G_10EX_C Card Line OTN Settings*

Parameter	Description	Options
Port	(Display only) Displays the port number.	5 (Trunk)
G.709 OTN	Sets the OTN lines according to ITU-T G.709.	<ul style="list-style-type: none"> • Enable • Disable
FEC	Sets the OTN line FEC mode. FEC mode can be Disabled or Enabled. With the MXP_2.5G_10E card, Enhanced FEC (E-FEC) mode can be enabled to provide greater range and lower bit error rate. E-FEC applies only to the MXP_2.5G_10E card.	<ul style="list-style-type: none"> • Enable—(MXP_2.5G_10G only) FEC is on. • Disable—FEC is off. • Standard—(MXP_2.5G_10E only) FEC is on. • Enhanced—(MXP_2.5G_10E only) Enhanced FEC is on.
SD BER	Sets the signal degrade bit error rate.	<ul style="list-style-type: none"> • 1E-5 • 1E-6 • 1E-7 • 1E-8 • 1E-9
SF BER	(Display only) Sets the signal fail bit error rate.	<ul style="list-style-type: none"> • 1E-5
Asynch/Synch Mapping	(MXP_2.5G_10E only) The MXP_2.5G_10E can perform standard ODU multiplexing according to ITU-T G.709. The card uses this to aggregate the four OC-48 client signals.	<ul style="list-style-type: none"> • ODU Multiplex

Table 6-56 describes the values on the Provisioning > OTN > OTN G.709 Thresholds tab.

Table 6-56 *MXP_2.5G_10G, MXP_2.5G_10E, MXP_2.5G_10E_C, MXP_2.5G_10E_L, or MXP_2.5G_10EX_C ITU-T G.709 Threshold Settings*

Parameter	Description	Options
Port	(Display only) Port number	5 (Trunk)
ES	Errored seconds	<p>Numeric. Threshold display options include:</p> <ul style="list-style-type: none"> • Direction—Near End or Far End • Interval—15 Min (minutes) or 1 day • Types—SM (OTUk) or PM (ODUk) <p>Choose an option in each category and click Refresh.</p> <p>Note SM (OTUk) is the ITU-T G.709 optical channel transport unit order of k overhead frame used for management and performance monitoring. PM (ODUk) is the ITU-T G.709 optical channel data unit order of k overhead frame unit used for path performance monitoring.</p>
SES	Severely errored seconds. Two types of thresholds can be asserted. Selecting the SM (OTUk) radio button selects FEC, overhead management, and PM using OTUk. Selecting the PM radio button selects path PM using ODUk.	<p>Numeric. Threshold display options include:</p> <ul style="list-style-type: none"> • Direction—Near End or Far End • Interval—15 Min (minutes) or 1 day • Types—SM (OTUk) or PM (ODUk) <p>Choose an option in each category and click Refresh.</p>
UAS	Unavailable seconds	<p>Numeric. Threshold display options include:</p> <ul style="list-style-type: none"> • Direction—Near End or Far End • Interval—15 Min (minutes) or 1 day • Types—SM (OTUk) or PM (ODUk) <p>Choose an option in each category and click Refresh.</p>

Table 6-56 *MXP_2.5G_10G, MXP_2.5G_10E, MXP_2.5G_10E_C, MXP_2.5G_10E_L, or MXP_2.5G_10EX_C ITU-T G.709 Threshold Settings (continued)*

Parameter	Description	Options
BBE	Background block errors	Numeric. Threshold display options include: <ul style="list-style-type: none"> • Direction—Near End or Far End • Interval—15 Min (minutes) or 1 day • Types—SM (OTUk) or PM (ODUk) Choose an option in each category and click Refresh .
FC	Failure counter	Numeric. Threshold display options include: <ul style="list-style-type: none"> • Direction—Near End or Far End • Interval—15 Min (minutes) or 1 day • Types—SM (OTUk) or PM (ODUk) Choose an option in each category and click Refresh .

[Table 6-57](#) describes the values on the Provisioning > OTN > FEC Thresholds tab.

Table 6-57 *MXP_2.5G_10G, MXP_2.5G_10E, MXP_2.5G_10E_C, MXP_2.5G_10E_L, or MXP_2.5G_10EX_C FEC Threshold Settings*

Parameter	Description	Options
Port	(Display only) Displays the port number.	5 (Trunk)
Bit Errors Corrected	Displays the number of bit errors corrected during the interval selected. The interval can be set for 15 minutes or one day.	Numeric
Uncorrectable Words	Displays the number of uncorrectable words during the interval selected. The interval can be set for 15 minutes or one day.	Numeric

[Table 6-58](#) describes the values on the Provisioning > OTN > Trail Trace Identifier tab.

Table 6-58 *MXP_2.5G_10G, MXP_2.5G_10E, MXP_2.5G_10E_C, MXP_2.5G_10E_L, or MXP_2.5G_10EX_C Trail Trace Identifier Settings*

Parameter	Description	Options
Port	Sets the port number. The trail trace identifier is applicable only to the trunk interface, which handles ITU-T G.709 frames.	5 (Trunk)
Level	Sets the level.	<ul style="list-style-type: none"> Section Path
Received Trace Mode	Sets the trace mode.	<ul style="list-style-type: none"> Off/None Manual
Disable FDI on TTIM	If a Trace Identifier Mismatch on Section overhead alarm arises because of a J0 overhead string mismatch, no Forward Defect Indication (FDI) signal is sent to the downstream nodes if this box is checked.	<ul style="list-style-type: none"> Checked (FDI on TTIM is disabled) Unchecked (FDI on TTIM is not disabled)
Transmit	Displays the current transmit string; sets a new transmit string. You can click the button on the right to change the display. Its title changes, based on the current display mode. Click Hex to change the display to hexadecimal (button changes to ASCII); click ASCII to change the display to ASCII (button changes to Hex).	String of trace string size; trail trace identifier is 64 bytes in length.
Expected	Displays the current expected string; sets a new expected string. You can click the button on the right to change the display. Its title changes, based on the current display mode. Click Hex to change the display to hexadecimal (button changes to ASCII); click ASCII to change the display to ASCII (button changes to Hex).	String of trace string size
Received	(Display only) Displays the current received string. You can click Refresh to manually refresh this display, or check the Auto-refresh every 5 sec box to keep this panel updated.	String of trace string size
Auto-refresh	If checked, automatically refreshes the display every 5 minutes.	Checked/unchecked (default)

Step 4 Click **Apply**.

Step 5 Return to your originating procedure (NTP).

NTP-G99 Modify the 2.5G Data Muxponder Card Line Settings and PM Parameter Thresholds

Purpose	This procedure changes the line and threshold settings for the MXP_MR_2.5G and MXPP_MR_2.5G muxponder cards.
Tools/Equipment	None
Prerequisite Procedures	<p>NTP-G179 Install the TXP, MXP, GE_XP, 10GE_XP, GE_XPE, 10GE_XPE, ADM-10G, and OTU2_XP Cards, page 4-69</p> <p>DLP-G63 Install an SFP or XFP, page 4-71</p> <p>DLP-G277 Provision a Multirate PPM, page 6-11 (if necessary)</p> <p>DLP-G278 Provision the Optical Line Rate, page 6-14 (if necessary)</p>
Required/As Needed	As needed
Onsite/Remote	Onsite or remote
Security Level	Provisioning or higher

-
- Step 1** Complete the “[DLP-G46 Log into CTC](#)” task on page 3-30 at the node where you want to change the muxponder card settings. If you are already logged in, proceed to [Step 2](#).
- Step 2** As needed, complete the “[NTP-G103 Back Up the Database](#)” procedure on page 14-2 to preserve the existing transmission settings.
- Step 3** Perform any of the following tasks as needed:
- [DLP-G236 Change the 2.5G Data Muxponder Client Line Settings](#), page 6-121
 - [DLP-G237 Change the 2.5G Data Muxponder Distance Extension Settings](#), page 6-123
 - [DLP-G238 Change the 2.5G Data Muxponder SONET \(OC-48\)/SDH \(STM-16\) Settings](#), page 6-125
 - [DLP-G239 Change the 2.5G Data Muxponder Section Trace Settings](#), page 6-127
 - [DLP-G240 Change the 2.5G Data Muxponder SONET or SDH Line Thresholds](#), page 6-130
 - [DLP-G321 Change the 2.5G Data Muxponder Line Thresholds for 1G Ethernet or 1G FC/FICON Payloads](#), page 6-132
 - [DLP-G307 Provision the 2.5G Data Muxponder Trunk Port Alarm and TCA Thresholds](#), page 6-134
 - [DLP-G308 Provision the 2.5G Data Muxponder Client Port Alarm and TCA Thresholds](#), page 6-135
 - [DLP-G370 Change the 2.5G Data Muxponder Trunk Wavelength Settings](#), page 6-129



Note To use the Alarm Profiles tab, including creating alarm profiles and suppressing alarms, see [Chapter 10, “Manage Alarms.”](#)

Stop. You have completed this procedure.

DLP-G236 Change the 2.5G Data Muxponder Client Line Settings

Purpose	This task changes the client line settings for MXP_MR_2.5G and MXPP_MR_2.5G muxponder cards.
Tools/Equipment	None
Prerequisite Procedures	DLP-G46 Log into CTC, page 3-30
Required/As Needed	As needed
Onsite/Remote	Onsite or remote
Security Level	Provisioning or higher

Step 1 In node view (single-shelf mode) or shelf view (multishelf view), double-click the MXP_MR_2.5G or MXPP_MR_2.5G card where you want to change the line settings.

Step 2 Click the **Provisioning > Line > Client** tabs. Tabs and parameter selections vary according to PPM provisioning.



Note The hardware device that plugs into a TXP, MXP, GE_XP, 10GE_XP, GE_XPE, 10GE_XPE, or ADM-10G card faceplate to provide a fiber interface to the card is called a Small Form-factor Pluggable (SFP or XFP). In CTC, SFPs and XFPs are called pluggable port modules (PPMs). SFPs/XFPs are hot-swappable input/output devices that plug into a port to link the port with the fiber-optic network. Multirate PPMs have provisionable port rates and payloads. For more information about SFPs and XFPs, refer to the “Transponder and Muxponder Cards” chapter in the *Cisco ONS 15454 DWDM Reference Manual*.

Step 3 Modify any of the settings for the Client tab as described in [Table 6-59](#).

Table 6-59 MXP_MR_2.5G or MXPP_MR_2.5G Card Client Settings

Parameter	Description	Options
Port	(Display only) Port number.	<ul style="list-style-type: none"> 1 2
Port Name	The user can assign a logical name for each of the ports shown by filling in this field.	User-defined. Name can be up to 32 alphanumeric/special characters. Blank by default. See the “ DLP-G104 Assign a Name to a Port ” task on page 8-3. Note You can provision a string (port name) for each fiber channel/FICON interface on the MXP_MR_2.5G and MXPP_MR_2.5G cards, which allows the MDS Fabric Manager to create a link association between that SAN port and a SAN port on a Cisco MDS 9000 switch.
Admin State	Sets the port service state unless network conditions prevent the change. For more information about administrative states, refer to the “Administrative and Service States” appendix in the <i>Cisco ONS 15454 DWDM Reference Manual</i> .	<ul style="list-style-type: none"> IS (ANSI) or Unlocked (ETSI) OOS,DSBLD (ANSI) or Locked,disabled (ETSI) OOS,MT (ANSI) or Locked,maintenance (ETSI)

Table 6-59 MXP_MR_2.5G or MXPP_MR_2.5G Card Client Settings (continued)

Parameter	Description	Options
Service State	Identifies the autonomously generated state that gives the overall condition of the port. Service states appear in the format: Primary State-Primary State Qualifier, Secondary State. For more information about service states, refer to the “Administrative and Service States” appendix in the <i>Cisco ONS 15454 DWDM Reference Manual</i> .	<ul style="list-style-type: none"> • IS-NR (ANSI) or Unlocked-enabled (ETSI) • OOS-AU,AINS (ANSI) or Unlocked-disabled, automaticInService (ETSI) • OOS-MA,DSBLD (ANSI) or Locked-enabled,disabled (ETSI) • OOS-MA,MT (ANSI) or Locked-enabled,maintenance (ETSI)
ALS Mode	Sets the ALS function.	<ul style="list-style-type: none"> • Disabled (default): ALS is off; the laser is not automatically shut down when traffic outages (LOS) occur. • Auto Restart: (MXP_MR_2.5G only) ALS is on; the laser automatically shuts down when traffic outages (LOS) occur. It automatically restarts when the conditions that caused the outage are resolved. • Manual Restart: ALS is on; the laser automatically shuts down when traffic outages (LOS) occur. However, the laser must be manually restarted when conditions that caused the outage are resolved. • Manual Restart for Test: Manually restarts the laser for testing.

Table 6-59 MXP_MR_2.5G or MXPP_MR_2.5G Card Client Settings (continued)

Parameter	Description	Options
Reach	Displays the optical reach distance of the client port.	<p>The reach distances that appear in the drop-down list depend on the card:</p> <ul style="list-style-type: none"> • Autoprovision—The system to automatically provision the reach from the pluggable port module (PPM) reach value on the hardware. • SX—Short laser wavelength on multimode fiber optic cable for a maximum length of 550 meters. The operating wavelength range is 770-860 nm. • LX—Long wavelength for a long haul fiber optic cable for a maximum length of 10 km. The operating wavelength range is 1270-1355 nm. • CX—Two pairs of 150-ohm shielded twisted pair cable for a maximum length of 25 meters. • T—Four pairs of Category 5 Unshielded Twisted Pair cable for a maximum length of 100 meters. • DX—Single mode up to 40 km. The operating wavelength range is 1430-1580 nm. • HX—Single mode up to 40 km. The operating wavelength range is 1280-1335 nm. • ZX—Extended wavelength single-mode optical fiber for up to 100 km. The operating wavelength range is 1500-1580 nm. • VX—Single mode up to 100 km. The operating wavelength range is 1500-1580 nm.
Wavelength	Displays the wavelength of the client port.	<ul style="list-style-type: none"> • First Tunable Wavelength • Further wavelengths: 850 nm through 1560.61 nm; 100-GHz ITU spacing; CWDM spacing

Step 4 Click **Apply**.

Step 5 Return to your originating procedure (NTP).

DLP-G237 Change the 2.5G Data Muxponder Distance Extension Settings

Purpose	This task changes the distance extension settings for MXP_MR_2.5G and MXPP_MR_2.5G muxponder cards.
Tools/Equipment	None
Prerequisite Procedures	DLP-G46 Log into CTC, page 3-30
Required/As Needed	As needed
Onsite/Remote	Onsite or remote
Security Level	Provisioning or higher



Note Distance extension settings can be changed only if the facilities are out of service (OOS,DSBLD).



Note The distance extension parameters only apply to client ports (Ports 1 to 8) and not to the trunk ports (Port 9 for MXP_MR_2.5G card or Ports 9 and 10 for the MXPP_MR_2.5G card).

- Step 1** In node view (single-shelf mode) or shelf view (multishelf view), double-click the MXP_MR_2.5G or MXPP_MR_2.5G card where you want to change the distance extension settings.
- Step 2** Click the **Provisioning > Line > Client** tabs. A client port must be provisioned for the tab to be present.



Note The hardware device that plugs into a TXP, MXP, GE_XP, 10GE_XP, GE_XPE, 10GE_XPE, or ADM-10G card faceplate to provide a fiber interface to the card is called a Small Form-factor Pluggable (SFP or XFP). In CTC, SFPs and XFPs are called pluggable port modules (PPMs). SFPs/XFPs are hot-swappable input/output devices that plug into a port to link the port with the fiber-optic network. Multirate PPMs have provisionable port rates and payloads. For more information about SFPs and XFPs, refer to the “Transponder and Muxponder Cards” chapter in the *Cisco ONS 15454 DWDM Reference Manual*

- Step 3** Locate the Client port table row and verify that the Service State column value is OOS-MA,DSBLD (ANSI) or Locked-enabled,disabled (ETSI). If yes, continue with [Step 4](#). If not, complete the following substeps:
- Click the **Admin State** table cell and choose **OOS,DSBLD (ANSI)** or **Locked,Maintenance (ETSI)**.
 - Click **Apply**, then **Yes**.
- Step 4** Click the **Provisioning > Line > Distance Extension** tabs. Tabs and parameter selections vary according to PPM provisioning.
- Step 5** Modify any of the settings for the Distance Extension tab as described in [Table 6-60](#).

Table 6-60 MXP_MR_2.5G or MXPP_MR_2.5G Card Line Distance Extension Settings

Parameter	Description	Options
Port	(Display only) Port number	<ul style="list-style-type: none"> • 1 • 2
Enable Distance Extension	Allows end-to-end distances of up to 1600 km for FC1G and up to 800 km for FC2G. If Distance Extension is enabled, set the connected Fibre Channel switches to Interop or Open Fabric mode, depending on the Fibre Channel switch. By default, the MXP_MR_2.5G and MXPP_MR_2.5G card will interoperate with the Cisco Multilayer Director Switch (MDS) storage products.	Checked or unchecked
Auto Detect Credits	Allows automatic detection of buffer credits for Fibre Channel flow control.	Checked or unchecked

Table 6-60 *MXP_MR_2.5G or MXPP_MR_2.5G Card Line Distance Extension Settings (continued)*

Parameter	Description	Options
Credits Available	(Display only) Displays the number of buffer credits available.	Numeric (range depends on the client equipment attached to the card)
Autoadjust GFP Buffer Threshold	Allows the threshold of the generic framing procedure (GFP) buffer between two MXP_MR_2.5G or two MXPP_MR_2.5G cards to be automatically adjusted.	Checked or unchecked
GFP Buffers Available	Displays the number of GFP buffers available between two MXP_MR_2.5G or two MXPP_MR_2.5G cards.	Numeric

- Step 6** Click **Apply**.
- Step 7** Return to your originating procedure (NTP).

DLP-G238 Change the 2.5G Data Muxponder SONET (OC-48)/SDH (STM-16) Settings

Purpose	This task changes the SONET (OC-48) or SDH (STM-16) settings for MXP_MR_2.5G and MXPP_MR_2.5G muxponder cards.
Tools/Equipment	None
Prerequisite Procedures	DLP-G46 Log into CTC, page 3-30
Required/As Needed	As needed
Onsite/Remote	Onsite or remote
Security Level	Provisioning or higher



Note SONET (OC-48)/SDH (STM-16) settings apply only to the trunk ports (Port 9 for the MXP_MR_2.5G card and Ports 9 and 10 for the MXPP_MR_2.5G card.)

- Step 1** In node view (single-shelf mode) or shelf view (multishelf view), double-click the MXP_MR_2.5G or MXPP_MR_2.5G card where you want to change the OC-48/STM-64 settings.
- Step 2** Click the **Provisioning > Line > SONET (ANSI)** or **SDH (ETSI)**. Tabs and parameter selections vary according to PPM provisioning.
- Step 3** Modify any of the settings for the SONET or SDH tab as described in [Table 6-61](#).

Table 6-61 MXP_MR_2.5G or MXPP_MR_2.5G Card Line SONET or SDH Settings

Parameter	Description	Options
Port	(Display only) Port number.	9 (trunk for MXP_MR_2.5G) or 9 and 10 (trunks for MXPP_MR_2.5G)
Port Name	Provides the ability to assign the specified port a name.	User-defined. Name can be up to 32 alphanumeric/special characters. Blank by default. See the “DLP-G104 Assign a Name to a Port” task on page 8-3.
Admin State	Sets the port service state unless network conditions prevent the change. For more information about administrative states, refer to the “Administrative and Service States” appendix in the <i>Cisco ONS 15454 DWDM Reference Manual</i> .	<ul style="list-style-type: none"> IS (ANSI) or Unlocked (ETSI) IS,AINS (ANSI) or Unlocked,automaticInService (ETSI) OOS,DSBLD (ANSI) or Locked,disabled (ETSI) OOS,MT (ANSI) or Locked,maintenance (ETSI)
Service State	(Display only) Identifies the autonomously generated state that gives the overall condition of the port. Service states appear in the format: Primary State-Primary State Qualifier, Secondary State. For more information about service states, refer to the “Administrative and Service States” appendix in the <i>Cisco ONS 15454 DWDM Reference Manual</i> .	<ul style="list-style-type: none"> IS-NR (ANSI) or Unlocked-enabled (ETSI) OOS-AU,AINS (ANSI) or Unlocked-disabled, automaticInService (ETSI) OOS-MA,DSBLD (ANSI) or Locked-enabled,disabled (ETSI) OOS-MA,MT (ANSI) or Locked-enabled,maintenance (ETSI)
SF BER ¹	Sets the signal fail bit error rate.	<ul style="list-style-type: none"> 1E-3 1E-4 1E-5
SD BER ¹	Sets the signal degrade bit error rate.	<ul style="list-style-type: none"> 1E-5 1E-6 1E-7 1E-8 1E-9
ALS Mode	Sets the ALS function mode. The DWDM transmitter supports ALS according to ITU-T G.644 (06/99). ALS can be disabled or can be set for one of three mode options.	<ul style="list-style-type: none"> Disable (default): ALS is off; the laser is not automatically shut down when traffic outages (LOS) occur. Auto Restart: ALS is on; the laser automatically shuts down when traffic outages (LOS) occur. It automatically restarts when the conditions that caused the outage are resolved. Manual Restart: ALS is on; the laser automatically shuts down when traffic outages (LOS) occur. However, the laser must be manually restarted when conditions that caused the outage are resolved. Manual Restart for Test: Manually restarts the laser for testing.

Table 6-61 *MXP_MR_2.5G or MXPP_MR_2.5G Card Line SONET or SDH Settings (continued)*

Parameter	Description	Options
AINS Soak	Sets the automatic in-service soak period. Double-click the time and use the up and down arrows to change settings.	<ul style="list-style-type: none"> Duration of valid input signal, in hh.mm format, after which the card becomes in service (IS) automatically 0 to 48 hours, 15-minute increments
Type	The optical transport type.	<ul style="list-style-type: none"> SONET (ANSI) SDH (ETSI)
SyncMsgIn	Sets the EnableSync card parameter. Enables synchronization status messages (S1 byte), which allow the node to choose the best timing source.	Checked or unchecked
Send DoNotUse	Sets the Send DoNotUse card state. When checked, sends a DUS message on the S1 byte.	Checked or unchecked
ProvidesSync	Sets the ProvidesSync card parameter. If checked, the card is provisioned as an NE timing reference.	Checked or unchecked

1. SF BER and SD BER thresholds apply only to trunk ports (Port 9 for MXP_MR_2.5G and Ports 9 and 10 for MXPP_MR_2.5G).

Step 4 Click **Apply**.

Step 5 Return to your originating procedure (NTP).

DLP-G239 Change the 2.5G Data Muxponder Section Trace Settings

Purpose	This task changes the section trace settings for MXP_MR_2.5G and MXPP_MR_2.5G muxponder cards.
Tools/Equipment	None
Prerequisite Procedures	DLP-G46 Log into CTC, page 3-30
Required/As Needed	As needed
Onsite/Remote	Onsite or remote
Security Level	Provisioning or higher

Step 1 In node view (single-shelf mode) or shelf view (multishelf view), double-click the MXP_MR_2.5G or MXPP_MR_2.5G card where you want to change the section trace settings.

Step 2 Click the **Provisioning > Line > Section Trace** tabs. Tabs and parameter selections vary according to PPM provisioning.

**Note**

The hardware device that plugs into a TXP, MXP, GE_XP, 10GE_XP, GE_XPE, 10GE_XPE, or ADM-10G card faceplate to provide a fiber interface to the card is called a Small Form-factor Pluggable (SFP or XFP). In CTC, SFPs and XFPs are called pluggable port modules (PPMs). SFPs/XFPs are hot-swappable input/output devices that plug into a port to link the port with the fiber-optic network. Multirate PPMs have provisionable port rates and payloads. For more information about SFPs and XFPs, refer to the “Transponder and Muxponder Cards” chapter in the *Cisco ONS 15454 DWDM Reference Manual*.

Step 3 Modify any of the settings in the Section Trace tab as described in [Table 6-62](#).

Table 6-62 MXP_MR_2.5G or MXPP_MR_2.5G Card Line Section Trace Settings

Parameter	Description	Options
Port	(Display only) Port number.	<ul style="list-style-type: none"> 9 (trunk port for MXP_MR_2.5G) 9 and 10 (trunk ports for MXPP_MR_2.5G)
Received Trace Mode	Sets the received trace mode.	<ul style="list-style-type: none"> Off/None Manual
Disable AIS/RDI on TIM-S	If an TIM on Section overhead alarm arises because of a J0 overhead string mismatch, no alarm indication signal is sent to downstream nodes if this box is checked.	<ul style="list-style-type: none"> Checked (AIS/RDI on TIM-S is disabled) Unchecked (AIS/RDI on TIM-S is not disabled)
Transmit Section Trace String Size	Sets the trace string size.	<ul style="list-style-type: none"> 1 byte 16 byte
Transmit	Displays the current transmit string; sets a new transmit string. You can click the button on the right to change the display. Its title changes, based on the current display mode. Click Hex to change the display to hexadecimal (button changes to ASCII); click ASCII to change the display to ASCII (button changes to Hex).	String of trace string size
Expected	Displays the current expected string; sets a new expected string. You can click the button on the right to change the display. Its title changes, based on the current display mode. Click Hex to change the display to hexadecimal (button changes to ASCII); click ASCII to change the display to ASCII (button changes to Hex).	String of trace string size
Received	(Display only) Displays the current received string. You can click Refresh to manually refresh this display, or check the Auto-refresh every 5 sec check box to keep this panel updated.	String of trace string size
Auto-refresh	If checked, automatically refreshes the display every 5 seconds.	Checked/unchecked (default)

Step 4 Click **Apply**.

Step 5 Return to your originating procedure (NTP).

DLP-G370 Change the 2.5G Data Muxponder Trunk Wavelength Settings

Purpose	This task changes the trunk wavelength settings for the MXP_MR_2.5G and MXPP_MR_2.5G.
Tools/Equipment	None
Prerequisite Procedures	DLP-G46 Log into CTC, page 3-30
Required/As Needed	As needed
Onsite/Remote	Onsite or remote
Security Level	Provisioning or higher

- Step 1** In node view (single-shelf mode) or shelf view (multishelf view), double-click the MXP_MR_2.5G or MXPP_MR_2.5G card where you want to change the trunk wavelength settings.
- Step 2** Click the **Provisioning > Line > Wavelength Trunk Settings** tabs.
- Step 3** Modify any of the settings as described in [Table 6-63](#).

Table 6-63 MXP_MR_2.5G or MXPP_MR_2.5G Card Wavelength Trunk Settings

Parameter	Description	Options
Port	(Display only) Displays the port number.	9 (Trunk) 10 (Trunk) (MXPP_MR_2.5G only)
Band	(Display only) Indicates the wavelength band that can be provisioned.	C—Only the C band is available
Even/Odd	Sets the wavelengths available for provisioning. This field does not apply to MXP_MR_2.5G or MXPP_MR_2.5G cards	—
Wavelength	The wavelength provisioned for the trunk.	<ul style="list-style-type: none"> First Tunable Wavelength Further wavelengths in 100-GHz ITU-T, C-band spacing. If the card is installed, the wavelengths it carries are identified with two asterisks. Other wavelengths have a dark grey background. If the card is not installed, all wavelengths appear with a dark grey background.

- Step 4** Click **Apply**.
- Step 5** Return to your originating procedure (NTP).

DLP-G240 Change the 2.5G Data Muxponder SONET or SDH Line Thresholds

Purpose	This task changes the SONET or SDH line threshold settings for MXP_MR_2.5G and MXPP_MR_2.5G muxponder cards.
Tools/Equipment	None
Prerequisite Procedures	DLP-G46 Log into CTC, page 3-30
Required/As Needed	As needed
Onsite/Remote	Onsite or remote
Security Level	Provisioning or higher

- Step 1** In node view (single-shelf mode) or shelf view (multishelf view), double-click the MXP_MR_2.5G or MXPP_MR_2.5G card where you want to change the line threshold settings.
- Step 2** Click the **Provisioning > Line Thresholds > SONET Thresholds (ANSI)** or **SDH Thresholds (ETSI)** tabs.
- Step 3** Modify any of the settings as shown in [Table 6-64](#).



Note You must modify Near End and Far End independently, 15 Min and 1 Day independently, and Line and Section independently. To do so, choose the appropriate radio button and click **Refresh**.



Note In [Table 6-64](#), some parameters or options do not apply to all MXP_MR_2.5G or MXPP_MR_2.5G cards. If the parameters or options do not apply, they do not appear in CTC.

Table 6-64 MXP_MR_2.5G or MXPP_MR_2.5G Card Line Threshold Settings

Field	Description	ONS 15454 Options	ONS 15454 SDH Options
Port	(Display only) Port number	<ul style="list-style-type: none"> 9 (MXP_MR_2.5G) 9 and 10 (MXPP_MR_2.5G) 	<ul style="list-style-type: none"> 9 (MXP_MR_2.5G) 9 and 10 (MXPP_MR_2.5G)
EB	Path Errored Block indicates that one or more bits are in error within a block	—	Numeric. Threshold display options include: <ul style="list-style-type: none"> Direction—Near End or Far End Interval—15 Min (minutes) or 1 day Types—Multiplex Section or Regeneration Section (near end only) Choose an option in each category and click Refresh .
CV	Coding violations	Numeric. Threshold display options include: <ul style="list-style-type: none"> Direction—Near End or Far End Interval—15 Min (minutes) or 1 day Types—Line or Section (near end only) Choose an option in each category and click Refresh .	—

Table 6-64 MXP_MR_2.5G or MXPP_MR_2.5G Card Line Threshold Settings (continued)

Field	Description	ONS 15454 Options	ONS 15454 SDH Options
ES	Errored seconds	Numeric. Threshold display options include: <ul style="list-style-type: none"> • Direction—Near End or Far End • Interval—15 Min (minutes) or 1 day • Types—Line or Section (near end only) Choose an option in each category and click Refresh .	Numeric. Threshold display options include: <ul style="list-style-type: none"> • Direction—Near End or Far End • Interval—15 Min (minutes) or 1 day • Types—Multiplex Section or Regeneration Section (near end only) Choose an option in each category and click Refresh .
SES	Severely errored seconds	Numeric. Threshold display options include: <ul style="list-style-type: none"> • Direction—Near End or Far End • Interval—15 Min (minutes) or 1 day • Types—Line or Section (near end only) Choose an option in each category and click Refresh .	Numeric. Threshold display options include: <ul style="list-style-type: none"> • Direction—Near End or Far End • Interval—15 Min (minutes) or 1 day • Types—Multiplex Section or Regeneration Section (near end only) Choose an option in each category and click Refresh .
BBE	Background block errors	—	Numeric. Threshold display options include: <ul style="list-style-type: none"> • Direction—Near End or Far End • Interval—15 Min (minutes) or 1 day • Types—SM (OTUk) or PM (ODUk) Choose an option in each category and click Refresh .
SEFS	(Section or Regeneration Section only) Severely errored framing seconds	Numeric. Threshold display options include: <ul style="list-style-type: none"> • Direction—Near End or Far End • Interval—15 Min (minutes) or 1 day • Types—Section only Choose an option in each category and click Refresh .	—
FC	(Line or Multiplex Section only) Failure count	Numeric. Threshold display options include: <ul style="list-style-type: none"> • Direction—Near End or Far End • Interval—15 Min (minutes) or 1 day • Types—Section only Choose an option in each category and click Refresh .	—
UAS	(Line or Multiplex Section only) Unavailable seconds	Numeric. Threshold display options include: <ul style="list-style-type: none"> • Direction—Near End or Far End • Interval—15 Min (minutes) or 1 day • Types—Section only Choose an option in each category and click Refresh .	Numeric. Threshold display options include: <ul style="list-style-type: none"> • Direction—Near End or Far End • Interval—15 Min (minutes) or 1 day • Types—Regeneration Section (only) Choose an option in each category and click Refresh .

- Step 4** Click **Apply**.
- Step 5** Return to your originating procedure (NTP).

DLP-G321 Change the 2.5G Data Muxponder Line Thresholds for 1G Ethernet or 1G FC/FICON Payloads

Purpose	This task changes the line threshold settings for MXP_MR_10G and MXPP_MR_2.5G transponder cards carrying the 1G Ethernet or 1G FC/FICON payloads.
Tools/Equipment	None
Prerequisite Procedures	DLP-G46 Log into CTC, page 3-30
Required/As Needed	As needed
Onsite/Remote	Onsite or remote
Security Level	Provisioning or higher

- Step 1** Display the MXP_MR_2.5G or MXPP_MR_2.5G card where you want to change the line threshold settings in card view.
- Step 2** Click the **Provisioning > Line Thresholds > RMON Thresholds** tabs.
- Step 3** Click **Create**. The Create Threshold dialog box appears.
- Step 4** From the Port drop-down list, choose the applicable port.
- Step 5** From the Variable drop-down list, choose an Ethernet variable. See [Table 6-65](#) for a list of available Ethernet variables.

Table 6-65 MXP_MR_2.5G and MXPP_MR_2.5G Card 1G Ethernet or 1G, 2G FC/FICON Variables

Variable	Description
ifInOctets	Number of bytes received since the last counter reset.
rxTotalPkts	Total number of receive packets.
ifInDiscards	Number of inbound packets that were chosen to be discarded even though no errors had been detected to prevent their being deliverable to a higher-layer protocol.
ifInErrors	Total number of receive errors.
ifOutOctets	The total number of octets transmitted out of the interface, including framing characters.
txTotalPkts	Total number of transmitted packets.
ifOutDiscards	Number of outbound packets that were chosen to be discarded even though no errors had been detected to prevent their being transmitted.

Table 6-65 *MXP_MR_2.5G and MXPP_MR 2.5G Card 1G Ethernet or 1G, 2G FC/FICON Variables (continued)*

mediaIndStatsRxFramesTruncated	Total number of frames received that are less than 5 bytes. This value is a part of high-level data link control (HDLC) and GFP port statistics.
mediaIndStatsRxFramesTooLong	Number of received frames that exceed the maximum transmission unit (MTU). This value is part of HDLC and GFP port statistics.
mediaIndStatsRxFramesBadCRC	Number of receive data frames with payload cyclic redundancy check (CRC) errors when HDLC framing is used.
mediaIndStatsTxFramesBadCRC	Number of transmitted data frames with payload CRC errors when HDLC framing is used.
8b10bInvalidOrderedSets	Number of 8b10b disparity violations on the Fibre Channel line side.
8b10bStatsEncodingDispErrors	Number of 8b10b disparity violations on the Fibre Channel line side.

- Step 6** From the Alarm Type drop-down list, indicate whether the event will be triggered by the rising threshold, the falling threshold, or both the rising and falling thresholds.
- Step 7** From the Sample Type drop-down list, choose either **Relative** or **Absolute**. Relative restricts the threshold to use the number of occurrences in the user-set sample period. Absolute sets the threshold to use the total number of occurrences, regardless of time period.
- Step 8** Type in an appropriate number of seconds for the Sample Period.
- Step 9** Type in the appropriate number of occurrences for the Rising Threshold.
- For a rising type of alarm, the measured value must move from below the falling threshold to above the rising threshold. For example, if a network is running below a rising threshold of 1000 collisions every 15 seconds and a problem causes 1001 collisions in 15 seconds, the excess occurrences trigger an alarm.
- Step 10** Enter the appropriate number of occurrences in the Falling Threshold field. In most cases a falling threshold is set lower than the rising threshold.
- A falling threshold is the counterpart to a rising threshold. When the number of occurrences is above the rising threshold and then drops below a falling threshold, it resets the rising threshold. For example, when the network problem that caused 1001 collisions in 15 seconds subsides and creates only 799 collisions in 15 seconds, occurrences fall below a falling threshold of 800 collisions. This resets the rising threshold so that if network collisions again spike over a 1000 per 15-second period, an event again triggers when the rising threshold is crossed. An event is triggered only the first time a rising threshold is exceeded (otherwise, a single network problem might cause a rising threshold to be exceeded multiple times and cause a flood of events).
- Step 11** Click **OK**.
- Step 12** Return to your originating procedure (NTP).

DLP-G307 Provision the 2.5G Data Muxponder Trunk Port Alarm and TCA Thresholds

Purpose	This task changes the MXP_MR_2.5G and MXPP_MR_2.5G trunk port alarm and TCA thresholds.
Tools/Equipment	None
Prerequisite Procedures	DLP-G46 Log into CTC, page 3-30
Required/As Needed	As needed
Onsite/Remote	Onsite or remote
Security Level	Provisioning or higher

**Note**

Throughout this task, trunk port refers to Port 9 (MXP_MR_2.5G and MXPP_MR_2.5G) and Port 10 (MXPP_MR_2.5G only).

Step 1 In node view (single-shelf mode) or shelf view (multishelf view), double-click the MXP_MR_2.5G or MXPP_MR_2.5G card where you want to change the trunk port alarm and TCA settings.

Step 2 Click the **Provisioning > Optics Thresholds** tabs.

**Note**

You must modify 15 Min and 1 Day independently. To do so, choose the appropriate radio button and click **Refresh**.

Step 3 Verify the trunk port TCA thresholds for RX Power High is -9 dBm and for RX Power Low is -23 dBm. Provision new thresholds as needed by double-clicking the threshold value you want to change, deleting it, entering a new value, and hitting **Enter**.

Step 4 Under Types, click the **Alarm** radio button and click **Refresh**.

**Note**

Do not modify the Laser Bias parameters.

Step 5 Verify the trunk port Alarm thresholds for RX Power High is -7 dBm and for RX Power Low is -26 dBm. Provision new thresholds as needed by double-clicking the threshold value you want to change, deleting it, entering a new value, and hitting **Enter**.

Step 6 Click **Apply**.

Step 7 Return to your originating procedure (NTP).

DLP-G308 Provision the 2.5G Data Muxponder Client Port Alarm and TCA Thresholds

Purpose	This task provisions the client port alarm and TCA thresholds for the MXP_MR_2.5G and MXPP_MR_2.5G cards.
Tools/Equipment	None
Prerequisite Procedures	DLP-G278 Provision the Optical Line Rate, page 6-14 DLP-G46 Log into CTC, page 3-30
Required/As Needed	Required
Onsite/Remote	Onsite or remote
Security Level	Provisioning or higher

-
- Step 1** In node view (single-shelf mode) or shelf view (multishelf view), double-click the MXP_MR_2.5G or MXPP_MR_2.5G card where you want to change the client port alarm and TCA settings.
- Step 2** Click the **Provisioning > Optics Thresholds** tabs. The TCA thresholds are shown by default.
- Step 3** Referring to [Table 6-66](#), verify the client port (Ports 1 through 8) TCA thresholds for RX Power High, RX Power Low, TX Power High, and TX Power Low based on the client interface at the other end. Provision new thresholds as needed by double-clicking the threshold value you want to change, deleting it, entering a new value, and hitting **Enter**.



Note Do not modify the Laser Bias parameters.



Note You must modify 15 Min and 1 Day independently. To do so, choose the appropriate radio button and click **Refresh**.



Note The hardware device that plugs into a TXP, MXP, GE_XP, 10GE_XP, GE_XPE, 10GE_XPE, or ADM-10G card faceplate to provide a fiber interface to the card is called a Small Form-factor Pluggable (SFP or XFP). In CTC, SFPs and XFPs are called pluggable port modules (PPMs). SFPs/XFPs are hot-swappable input/output devices that plug into a port to link the port with the fiber-optic network. Multirate PPMs have provisionable port rates and payloads. For more information about SFPs and XFPs, refer to the “Transponder and Muxponder Cards” chapter in the *Cisco ONS 15454 DWDM Reference Manual*.

Table 6-66 MXP_MR_2.5G and MXPP_MR_2.5G Card Client Interface TCA Thresholds

Port Type (by CTC)	Pluggable Port Module (XFP)	TCA RX Power Low	TCA RX Power High	TCA TX Power Low	TCA TX Power High
FC1G	15454-SFP-GEFC-SX 15454E-SFP-GEFC-S ONS-SE-G2F-SX	-17	0	-16	3
	15454-SFP-GE+-LX 15454E-SFP-GE+-LX ONS-SE-G2F-LX	-20	-3	-16	3
FC2G	15454-SFP-GEFC-SX 15454E-SFP-GEFC-S ONS-SE-G2F-SX	-15	0	-16	3
	15454-SFP-GE+-LX 15454E-SFP-GE+-LX ONS-SE-G2F-LX	-20	-3	-16	3
FICON1G	15454-SFP-GEFC-SX 15454E-SFP-GEFC-S ONS-SE-G2F-SX	-17	0	-16	3
	15454-SFP-GE+-LX 15454E-SFP-GE+-LX ONS-SE-G2F-LX	-20	-3	-16	3
FICON2G	15454-SFP-GEFC-SX 15454E-SFP-GEFC-S ONS-SE-G2F-SX	-17	0	-16	3
	15454-SFP-GE+-LX 15454E-SFP-GE+-LX ONS-SE-G2F-LX	-20	-3	-16	3
ONE_GE	15454-SFP-GEFC-SX 15454E-SFP-GEFC-S ONS-SE-G2F-SX	-17	0	-16	3
	15454-SFP-GE+-LX 15454E-SFP-GE+-LX ONS-SE-G2F-LX	-20	-3	-16	3
ESCON	ONS-SE-200-MM	-21	-14	-32	-11

- Step 4** Click **Apply**.
- Step 5** Repeat Steps 3 and 4 to provision each additional client port.
- Step 6** Under Types, click the **Alarm** radio button and click **Refresh**.
- Step 7** Referring to Table 6-67, verify the client port (Ports 1 through 8) Alarm thresholds for RX Power High, RX Power Low, TX Power High, and TX Power Low based on the client interface that is provisioned. Provision new thresholds as needed by double-clicking the threshold value you want to change, deleting it, entering a new value, and hitting **Enter**.

Table 6-67 MXP_MR_2.5G and MXPP_MR_2.5G Card Client Interface Alarm Thresholds

Port Type (by CTC)	Pluggable Port Module (XFP)	Alarm RX Power Low	Alarm RX Power High	Alarm TX Power Low	Alarm TX Power High
FC1G	15454-SFP-GEFC-SX 15454E-SFP-GEFC-S ONS-SE-G2F-SX	-20	3	-13	-1
	15454-SFP-GE+-LX 15454E-SFP-GE+-LX ONS-SE-G2F-LX	-23	0	-13	0
FC2G	15454-SFP-GEFC-SX 15454E-SFP-GEFC-S ONS-SE-G2F-SX	-18	3	-13	-1
	15454-SFP-GE+-LX 15454E-SFP-GE+-LX ONS-SE-G2F-LX	-23	0	-13	0
FICON1G	15454-SFP-GEFC-SX 15454E-SFP-GEFC-S ONS-SE-G2F-SX	-20	3	-13	-1
	15454-SFP-GE+-LX 15454E-SFP-GE+-LX ONS-SE-G2F-LX	-23	0	-13	0
FICON2G	15454-SFP-GEFC-SX 15454E-SFP-GEFC-S ONS-SE-G2F-SX	-20	3	-13	-1
	15454-SFP-GE+-LX 15454E-SFP-GE+-LX ONS-SE-G2F-LX	-23	0	-13	0
ONE_GE	15454-SFP-GEFC-SX 15454E-SFP-GEFC-S ONS-SE-G2F-SX	-20	3	-13	-1
	15454-SFP-GE+-LX 15454E-SFP-GE+-LX ONS-SE-G2F-LX	-23	0	-13	0
ESCON	ONS-SE-200-MM	-24	-11	-35	-8

Step 8 Click **Apply**.

Step 9 Repeat Steps 7 and 8 to provision each additional client port. When you have finished provisioning client ports, continue with [Step 10](#).

Step 10 Return to your originating procedure (NTP).

NTP-G148 Modify the 10G Data Muxponder Card Line Settings and PM Parameter Thresholds

Purpose	This procedure changes the line and threshold settings for the MXP_MR_10DME_C, MXP_MR_10DME_L, and MXP_MR_10DMEX_C muxponder cards.
Tools/Equipment	None
Prerequisite Procedures	<p>NTP-G179 Install the TXP, MXP, GE_XP, 10GE_XP, GE_XPE, 10GE_XPE, ADM-10G, and OTU2_XP Cards, page 4-69</p> <p>DLP-G63 Install an SFP or XFP, page 4-71</p> <p>DLP-G277 Provision a Multirate PPM, page 6-11 (if necessary)</p> <p>DLP-G278 Provision the Optical Line Rate, page 6-14 (if necessary)</p>
Required/As Needed	As needed
Onsite/Remote	Onsite or remote
Security Level	Provisioning or higher

-
- Step 1** Complete the “[DLP-G46 Log into CTC](#)” task on page 3-30 at the node where you want to change the muxponder card settings. If you are already logged in, proceed to [Step 2](#).
- Step 2** As needed, complete the “[NTP-G103 Back Up the Database](#)” procedure on page 14-2 to preserve the existing transmission settings.
- Step 3** Perform any of the following tasks as needed:
- [DLP-G333 Change the 10G Data Muxponder Client Line Settings](#), page 6-139
 - [DLP-G334 Change the 10G Data Muxponder Distance Extension Settings](#), page 6-141
 - [DLP-G340 Change the 10G Data Muxponder Trunk Wavelength Settings](#), page 6-143
 - [DLP-G335 Change the 10G Data Muxponder SONET \(OC-192\)/SDH \(STM-64\) Settings](#), page 6-144
 - [DLP-G336 Change the 10G Data Muxponder Section Trace Settings](#), page 6-146
 - [DLP-G341 Change the 10G Data Muxponder SONET or SDH Line Thresholds](#), page 6-147
 - [DLP-G337 Change the 10G Data Muxponder Line RMON Thresholds for Ethernet, 1G FC/FICON, or ISC/ISC3 Payloads](#), page 6-149
 - [DLP-G338 Provision the 10G Data Muxponder Trunk Port Alarm and TCA Thresholds](#), page 6-152
 - [DLP-G339 Provision the 10G Data Muxponder Client Port Alarm and TCA Thresholds](#), page 6-154
 - [DLP-G366 Change the 10G Data Muxponder OTN Settings](#), page 6-157



Note To use the Alarm Profiles tab, including creating alarm profiles and suppressing alarms, see [Chapter 10, “Manage Alarms.”](#)

Stop. You have completed this procedure.

DLP-G333 Change the 10G Data Muxponder Client Line Settings

Purpose	This task changes the line settings for the MXP_MR_10DME_C, MXP_MR_10DME_L, and MXP_MR_10DMEX_C muxponder cards.
Tools/Equipment	None
Prerequisite Procedures	DLP-G46 Log into CTC, page 3-30
Required/As Needed	As needed
Onsite/Remote	Onsite or remote
Security Level	Provisioning or higher

- Step 1** In node view (single-shelf mode) or shelf view (multishelf view), double-click the MXP_MR_10DME_C, MXP_MR_10DME_L, or MXP_MR_10DMEX_C card where you want to change the line settings.
- Step 2** Click the **Provisioning > Line > Client** tabs. Tabs and parameter selections vary according to PPM provisioning.
- Step 3** Modify any of the settings for the Client tab as described in [Table 6-68](#).

Table 6-68 MXP_MR_10DME_C, MXP_MR_10DME_L, or MXP_MR_10DMEX_C Card Line Client Settings

Parameter	Description	Options
Port	(Display only) Port number.	1 through 8
Port Name	The user can assign a logical name for each of the ports shown by filling in this field.	User-defined. Name can be up to 32 alphanumeric/ special characters. Blank by default. See the “ DLP-G104 Assign a Name to a Port ” task on page 8-3. Note You can provision a string (port name) for each fiber channel/FICON interface on the MXP_MR_10DME_C, MXP_MR_10DME_L, and MXP_MR_10DMEX_C cards, which allows the MDS Fabric Manager to create a link association between that SAN port and a SAN port on a Cisco MDS 9000 switch.
Admin State	Sets the port service state unless network conditions prevent the change. For more information about administrative states, refer to the Appendix B, “Administrative and Service States” in the <i>Cisco ONS 15454 DWDM Reference Manual</i> .	<ul style="list-style-type: none"> IS (ANSI) or Unlocked (ETSI) OOS,DSBLD (ANSI) or Locked,disabled (ETSI) OOS,MT (ANSI) or Locked,maintenance (ETSI)
Service State	(Display only) Identifies the autonomously generated state that gives the overall condition of the port. Service states appear in the format: Primary State-Primary State Qualifier, Secondary State. For more information about service states, refer to Appendix B, “Administrative and Service States” in the <i>Cisco ONS 15454 DWDM Reference Manual</i> .	<ul style="list-style-type: none"> IS-NR (ANSI) or Unlocked-enabled (ETSI) OOS-AU,AINS (ANSI) or Unlocked-disabled, automaticInService (ETSI) OOS-MA,DSBLD (ANSI) or Locked-enabled,disabled (ETSI) OOS-MA,MT (ANSI) or Locked-enabled,maintenance (ETSI)

Table 6-68 MXP_MR_10DME_C, MXP_MR_10DME_L, or MXP_MR_10DMEX_C Card Line Client Settings (continued)

Parameter	Description	Options
ALS Mode	Sets the ALS function mode.	<ul style="list-style-type: none"> Disabled (default): ALS is off; the laser is not automatically shut down when traffic outages (LOS) occur. Manual Restart: ALS is on; the laser automatically shuts down when traffic outages (LOS) occur. However, the laser must be manually restarted when conditions that caused the outage are resolved. Manual Restart for Test: Manually restarts the laser for testing.
Reach	Sets the optical reach distance of the client port.	<p>The reach distances that appear in the drop-down list depend on the card:</p> <ul style="list-style-type: none"> Autoprovision—The system to automatically provision the reach from the pluggable port module (PPM) reach value on the hardware. SX—Short laser wavelength on multimode fiber optic cable for a maximum length of 550 meters. The operating wavelength range is 770-860 nm.) LX—Long wavelength for a long haul fiber optic cable for a maximum length of 10 km. The operating wavelength range is 1270-1355 nm.) CX—Two pairs of 150-ohm shielded twisted pair cable for a maximum length of 25 meters.) T—Four pairs of Category 5 Unshielded Twisted Pair cable for a maximum length of 100 meters.) DX—Single mode up to 40 km. The operating wavelength range is 1430-1580 nm.) HX—Single mode up to 40 km. The operating wavelength range is 1280-1335 nm.) ZX—Extended wavelength single-mode optical fiber for up to 100 km. The operating wavelength range is 1500-1580 nm.) VX—Single mode up to 100 km. The operating wavelength range is 1500-1580 nm.)
Wavelength	Displays the wavelength of the client port.	<ul style="list-style-type: none"> First Tunable Wavelength Further wavelengths: 850 nm through 1560.61 nm 100-GHz ITU spacing CWDM spacing
Squelch	Shuts down the far-end laser in response to certain defects. (Squelch does not apply to ISC COMPACT payloads.)	<ul style="list-style-type: none"> Squelch Disable

Step 4 Click **Apply**.

Step 5 Return to your originating procedure (NTP).

DLP-G334 Change the 10G Data Muxponder Distance Extension Settings

Purpose	This task changes the distance extension settings for the MXP_MR_10DME_C, MXP_MR_10DME_L, and MXP_MR_10DMEX_C muxponder card ports provisioned for Fibre Channel or FICON payloads.
Tools/Equipment	None
Prerequisite Procedures	DLP-G46 Log into CTC, page 3-30
Required/As Needed	As needed
Onsite/Remote	Onsite or remote
Security Level	Provisioning or higher



Note The distance extension parameters only apply to client ports (Ports 1 to 8) and not to the trunk port (Port 9).



Note The client port must be in the OOS,DSBLD (ANSI) or Locked,disabled (ETSI) state in order to change the distance extension settings. If a Y-cable is provisioned on the client port, both the working and protect client ports must be in OOS,DSBLD (ANSI) or Locked,disabled (ETSI) state before you change the distance extension settings.

- Step 1** In node view (single-shelf mode) or shelf view (multishelf view), double-click the MXP_MR_10DME_C, MXP_MR_10DME_L, or MXP_MR_10DMEX_C card where you want to change the distance extension settings.
- Step 2** Click the **Provisioning > Line > Distance Extension** tabs.
- Step 3** Modify any of the settings as described in [Table 6-69](#).

Table 6-69 *MXP_MR_10DME_C, MXP_MR_10DME_L, or MXP_MR_10DMEX_C Card Line Distance Extension Settings*

Parameter	Description	Options
Port	(Display only) Port number. Up to eight ports might appear based on the number of pluggable port modules that are provisioned.	—

Table 6-69 *MXP_MR_10DME_C, MXP_MR_10DME_L, or MXP_MR_10DMEX_C Card Line Distance Extension Settings (continued)*

Parameter	Description	Options
Enable Distance Extension	Allows end-to-end distances of up to 1600 km for FC1G and up to 800 km for FC2G. If Distance Extension is enabled, set the connected Fibre Channel switches to Interop or Open Fabric mode, depending on the Fibre Channel switch. By default, the MXP_MR_10DME_C and MXP_MR_10DME_L card will interoperate with the Cisco MDS storage products.	Checked or unchecked
Fast Switch	<p>If unchecked, the end-to-end fiber channel link is reinitialized every time a Y-cable protection switch occurs. If checked, reinitialization of the link is avoided when a Y-cable protection switch occurs, thus reducing the traffic hit considerably.</p> <p>This feature is supported for FC1G, FC2G, FC4G, FICON1G, FICON2G, and FICON4G trunk failures as well as user-initiated Y-cable protection switch such as, Manual, Force, or Lockout. It is recommended that you do not enable the Fast Switch option as the link may not come up after a Y-cable protection switch in certain cases.</p> <p>Note This option can be used only if you have unchecked Enable Distance Extension option.</p>	Checked or unchecked (default)

Step 4 Click **Apply**.

Step 5 Return to your originating procedure (NTP).

DLP-G340 Change the 10G Data Muxponder Trunk Wavelength Settings

Purpose	This task changes the trunk wavelength settings for the MXP_MR_10DME_C and MXP_MR_10DME_L.
Tools/Equipment	None
Prerequisite Procedures	DLP-G46 Log into CTC, page 3-30
Required/As Needed	As needed
Onsite/Remote	Onsite or remote
Security Level	Provisioning or higher

- Step 1** In node view (single-shelf mode) or shelf view (multishelf view), double-click the MXP_MR_10DME_C or MXP_MR_10DME_L card where you want to change the trunk wavelength settings.
- Step 2** Click the **Provisioning > Line > Wavelength Trunk Settings** tabs.
- Step 3** Modify any of the settings for the Wavelength Trunk Settings tab as described in [Table 6-70](#).

Table 6-70 MXP_MR_10DME_C or MXP_MR_10DME_L Card Wavelength Trunk Settings

Parameter	Description	Options
Port	(Display only) Displays the port number.	Port 9 (Trunk)
Band	Indicates the wavelength band that can be provisioned. The field is display-only when a physical MXP_MR_10DME_C or MXP_MR_10DME_L is installed. If the card is provisioned in CTC only, you can provision the band for the card that will be installed.	<ul style="list-style-type: none"> C—The C-band wavelengths are available in the Wavelength field. L—The L-band wavelengths are available in the Wavelength field.
Even/Odd	Sets the wavelengths available for provisioning.	<ul style="list-style-type: none"> Even—Displays even C-band or L-band wavelengths in the Wavelength field. Odd—Displays odd C-band or L-band wavelengths in the Wavelength field.
Wavelength	The wavelength provisioned for the trunk.	<ul style="list-style-type: none"> First Tunable Wavelength Further wavelengths in 100-GHz ITU spacing

- Step 4** Click **Apply**.
- Step 5** Return to your originating procedure (NTP).

DLP-G335 Change the 10G Data Muxponder SONET (OC-192)/SDH (STM-64) Settings

Purpose	This task changes the OC-192 (ANSI)/STM-64 (ETSI) settings for the MXP_MR_10DME_C and MXP_MR_10DME_L muxponder cards.
Tools/Equipment	None
Prerequisite Procedures	DLP-G46 Log into CTC, page 3-30
Required/As Needed	As needed
Onsite/Remote	Onsite or remote
Security Level	Provisioning or higher

- Step 1** In node view (single-shelf mode) or shelf view (multishelf view), double-click the MXP_MR_10DME_C or MXP_MR_10DME_L card where you want to change the SONET (OC-192)/SDH (STM-64) settings.
- Step 2** Click the **Provisioning > Line > SONET (ANSI) or SDH (ETSI)**. Tabs and parameter selections vary according to PPM provisioning.
- Step 3** Modify any of the settings as described in [Table 6-71](#).

Table 6-71 MXP_MR_10DME_C or MXP_MR_10DME_L Card Line SONET or SDH Settings

Parameter	Description	Options
Port	(Display only) Port number.	9 (Trunk)
Port Name	Provides the ability to assign the specified port a name.	User-defined. Name can be up to 32 alphanumeric/special characters. Blank by default. See the “ DLP-G104 Assign a Name to a Port ” task on page 8-3 .
Admin State	Sets the port service state unless network conditions prevent the change. For more information about administrative states, refer to the “Administrative and Service States” appendix in the <i>Cisco ONS 15454 DWDM Reference Manual</i> .	<ul style="list-style-type: none"> IS (ANSI) or Unlocked (ETSI) IS,AINS (ANSI) or Unlocked,automaticInService (ETSI) OOS,DSBLD (ANSI) or Locked,disabled (ETSI) OOS,MT (ANSI) or Locked,maintenance (ETSI)
Service State	(Display only) Identifies the autonomously generated state that gives the overall condition of the port. Service states appear in the format: Primary State-Primary State Qualifier, Secondary State. For more information about service states, refer to the “Administrative and Service States” appendix in the <i>Cisco ONS 15454 DWDM Reference Manual</i> .	<ul style="list-style-type: none"> IS-NR (ANSI) or Unlocked-enabled (ETSI) OOS-AU,AINS (ANSI) or Unlocked-disabled, automaticInService (ETSI) OOS-MA,DSBLD (ANSI) or Locked-enabled,disabled (ETSI) OOS-MA,MT (ANSI) or Locked-enabled,maintenance (ETSI)
SF BER ¹	Sets the signal fail bit error rate.	<ul style="list-style-type: none"> 1E-3 1E-4 1E-5

Table 6-71 MXP_MR_10DME_C or MXP_MR_10DME_L Card Line SONET or SDH Settings (continued)

Parameter	Description	Options
SD BER ¹	Sets the signal degrade bit error rate.	<ul style="list-style-type: none"> • 1E-5 • 1E-6 • 1E-7 • 1E-8 • 1E-9
Type	The optical transport type.	<ul style="list-style-type: none"> • SONET (ANSI) • SDH (ETSI)
ALS Mode	Sets the ALS function mode. The DWDM transmitter supports ALS according to ITU-T G.644 (06/99). ALS can be disabled or can be set for one of three mode options.	<ul style="list-style-type: none"> • Disabled (default): ALS is off; the laser is not automatically shut down when traffic outages (LOS) occur. • Auto Restart: ALS is on; the laser automatically shuts down when traffic outages (LOS) occur. It automatically restarts when the conditions that caused the outage are resolved. • Manual Restart: ALS is on; the laser automatically shuts down when traffic outages (LOS) occur. However, the laser must be manually restarted when conditions that caused the outage are resolved. • Manual Restart for Test: Manually restarts the laser for testing.
AINS Soak	Sets the automatic in-service soak period. Double-click the time and use the up and down arrows to change settings.	<ul style="list-style-type: none"> • Duration of valid input signal, in hh.mm format, after which the card becomes in service (IS) automatically • 0 to 48 hours, 15-minute increments
ProvidesSync	Sets the ProvidesSync card parameter. If checked, the card is provisioned as a NE timing reference.	Checked or unchecked
SyncMsgIn	Sets the EnableSync card parameter. Enables synchronization status messages (S1 byte), which allow the node to choose the best timing source.	Checked or unchecked
Send DoNotUse	Sets the Send DoNotUse card state. When checked, sends a DUS (do not use) message on the S1 byte.	Checked or unchecked

1. SF BER and SD BER thresholds apply only to trunk ports (Port 9 for MXP_MR_2.5G and Ports 9 and 10 for MXPP_MR_2.5G).

Step 4 Click **Apply**.

Step 5 Return to your originating procedure (NTP).

DLP-G336 Change the 10G Data Muxponder Section Trace Settings

Purpose	This task changes the section trace settings for the MXP_MR_10DME_C and MXP_MR_10DME_L muxponder cards.
Tools/Equipment	None
Prerequisite Procedures	DLP-G46 Log into CTC, page 3-30
Required/As Needed	As needed
Onsite/Remote	Onsite or remote
Security Level	Provisioning or higher

-
- Step 1** In node view (single-shelf mode) or shelf view (multishelf view), double-click the MXP_MR_10DME_C or MXP_MR_10DME_L card where you want to change the section trace settings.
- Step 2** Click the **Provisioning > Line > Section Trace** tabs. Tabs and parameter selections vary according to PPM provisioning.
- Step 3** Modify any of the settings in the Section Trace tab as described in [Table 6-72](#).

Table 6-72 MXP_MR_10DME_C or MXP_MR_10DME_L Card Line Section Trace Settings

Parameter	Description	Options
Port	(Display only) Port number.	<ul style="list-style-type: none"> 9 (trunk only)
Received Trace Mode	Sets the received trace mode.	<ul style="list-style-type: none"> Off/None Manual
Disable AIS/RDI on TIM-S	If a TIM on section overhead alarm arises because of a J0 overhead string mismatch, no alarm indication signal is sent to downstream nodes if this box is checked.	<ul style="list-style-type: none"> Checked (AIS/RDI on TIM-S is disabled) Unchecked (AIS/RDI on TIM-S is not disabled)
Transmit Section Trace String Size	Sets the trace string size.	<ul style="list-style-type: none"> 1 byte 16 byte
Transmit	Displays the current transmit string; sets a new transmit string. You can click the button on the right to change the display. Its title changes, based on the current display mode. Click Hex to change the display to hexadecimal (button changes to ASCII); click ASCII to change the display to ASCII (button changes to Hex).	String of trace string size
Expected	Displays the current expected string; sets a new expected string. You can click the button on the right to change the display. Its title changes, based on the current display mode. Click Hex to change the display to hexadecimal (button changes to ASCII); click ASCII to change the display to ASCII (button changes to Hex).	String of trace string size
Received	(Display only) Displays the current received string. You can click Refresh to manually refresh this display, or select the Auto-refresh every 5 sec check box to keep this panel updated.	String of trace string size
Auto-refresh	If checked, automatically refreshes the display every 5 seconds.	Checked/unchecked (default)

- Step 4** Click **Apply**.
- Step 5** Return to your originating procedure (NTP).

DLP-G341 Change the 10G Data Muxponder SONET or SDH Line Thresholds

Purpose	This task changes the SONET or SDH line threshold settings for the MXP_MR_10DME_C and MXP_MR_10DME_L muxponder cards.
Tools/Equipment	None
Prerequisite Procedures	DLP-G46 Log into CTC, page 3-30
Required/As Needed	As needed
Onsite/Remote	Onsite or remote
Security Level	Provisioning or higher

- Step 1** In node view (single-shelf mode) or shelf view (multishelf view), double-click the MXP_MR_10DME_C or MXP_MR_10DME_L card where you want to change the line threshold settings.
- Step 2** Click the **Provisioning > Line Thresholds > SONET Thresholds (ANSI)** or **SDH Thresholds (ETSI)** tabs.
- Step 3** Modify any of the settings as shown in [Table 6-73](#).



Note You must modify Near End and Far End independently; 15 Min and 1 Day independently; and Line and Section independently. To do so, choose the appropriate radio button and click **Refresh**.



Note In [Table 6-73](#), some parameters and options do not apply to all MXP_MR_10DME cards. If the parameter or options do not apply, they do not appear in CTC.

Table 6-73 MXP_MR_10DME_C or MXP_MR_10DME_L Card Line Threshold Settings

Parameter	Description	Options - ONS 15454	Options - ONS 15454 SDH
Port	(Display only) Port number	<ul style="list-style-type: none"> 9 (Trunk) 	<ul style="list-style-type: none"> 9 (Trunk)
EB	Path Errored Block indicates that one or more bits are in error within a block	—	Numeric. Threshold display options include: <ul style="list-style-type: none"> Direction—Near End or Far End Interval—15 Min (minutes) or 1 day Types—Multiplex Section or Regeneration Section (near end only) Choose an option in each category and click Refresh .

Table 6-73 MXP_MR_10DME_C or MXP_MR_10DME_LCard Line Threshold Settings (continued)

Parameter	Description	Options - ONS 15454	Options - ONS 15454 SDH
CV	Coding violations	Numeric. Threshold display options include: <ul style="list-style-type: none"> • Direction—Near End or Far End • Interval—15 Min (minutes) or 1 day • Types—Line or Section (near end only) Choose an option in each category and click Refresh .	—
ES	Errored seconds	Numeric. Threshold display options include: <ul style="list-style-type: none"> • Direction—Near End or Far End • Interval—15 Min (minutes) or 1 day • Types—Line or Section (near end only) Choose an option in each category and click Refresh .	Numeric. Threshold display options include: <ul style="list-style-type: none"> • Direction—Near End or Far End • Interval—15 Min (minutes) or 1 day • Types—Multiplex Section or Regeneration Section (near end only) Choose an option in each category and click Refresh .
SES	Severely errored seconds	Numeric. Threshold display options include: <ul style="list-style-type: none"> • Direction—Near End or Far End • Interval—15 Min (minutes) or 1 day • Types—Line or Section (near end only) Choose an option in each category and click Refresh .	Numeric. Threshold display options include: <ul style="list-style-type: none"> • Direction—Near End or Far End • Interval—15 Min (minutes) or 1 day • Types—Multiplex Section or Regeneration Section (near end only) Choose an option in each category and click Refresh .
SEFS	(Near End Section or Regeneration Section only) Severely errored framing seconds	—	Numeric. Threshold display options include: <ul style="list-style-type: none"> • Direction—Near End or Far End • Interval—15 Min (minutes) or 1 day • Types—Multiplex Section or Regeneration Section (near end only) Choose an option in each category and click Refresh .
BBE	Background block errors	—	Numeric. Threshold display options include: <ul style="list-style-type: none"> • Direction—Near End or Far End • Interval—15 Min (minutes) or 1 day • Types—Multiplex Section or Regeneration Section (near end only) Choose an option in each category and click Refresh .

Table 6-73 MXP_MR_10DME_C or MXP_MR_10DME_L Card Line Threshold Settings (continued)

Parameter	Description	Options - ONS 15454	Options - ONS 15454 SDH
FC	(Line or Multiplex Section only) Failure count	Numeric. Threshold display options include: <ul style="list-style-type: none"> Direction—Near End or Far End Interval—15 Min (minutes) or 1 day Types—Line or Section (near end only) Choose an option in each category and click Refresh .	Numeric. Threshold display options include: <ul style="list-style-type: none"> Direction—Near End or Far End Interval—15 Min (minutes) or 1 day Types—Multiplex Section or Regeneration Section (near end only) Choose an option in each category and click Refresh .
UAS	(Line or Multiplex Section only) Unavailable seconds	Numeric. Threshold display options include: <ul style="list-style-type: none"> Direction—Near End or Far End Interval—15 Min (minutes) or 1 day Types—Line or Section (near end only) Choose an option in each category and click Refresh .	Numeric. Threshold display options include: <ul style="list-style-type: none"> Direction—Near End or Far End Interval—15 Min (minutes) or 1 day Types—Multiplex Section or Regeneration Section (near end only) Choose an option in each category and click Refresh .

Step 4 Click **Apply**.

Step 5 Return to your originating procedure (NTP).

DLP-G337 Change the 10G Data Muxponder Line RMON Thresholds for Ethernet, 1G FC/FICON, or ISC/ISC3 Payloads

Purpose	This task changes the line threshold settings for MXP_MR_10DME_C and MXP_MR_10DME_L cards carrying Ethernet, FC/FICON, or ISC/ISC3 payloads.
Tools/Equipment	None
Prerequisite Procedures	DLP-G46 Log into CTC, page 3-30
Required/As Needed	As needed
Onsite/Remote	Onsite or remote
Security Level	Provisioning or higher

Step 1 In node view (single-shelf mode) or shelf view (multishelf view), display the MXP_MR_10DME_C or MXP_MR_10DME_L card where you want to change the line threshold settings in card view.

Step 2 Click the **Provisioning > Line Thresholds > RMON Thresholds** tabs.

Step 3 Click **Create**. The Create Threshold dialog box appears.

Step 4 From the Port drop-down list, choose the applicable port, either the payload port, for example “1-1 (ONE_GE)”, or the equivalent ITU-T G.7041 GFP (Generic Frame Procedure) port.

- Step 5** From the Variable drop-down list, choose an Ethernet, FC, FICON, or ISC variable. See [Table 6-74](#) for a list of available Ethernet variables, [Table 6-75](#) for a list of FC and FICON variables, [Table 6-76](#) for a list of ISC and ISC3 variables, and [Table 6-77](#) for a list of GFP variables.

Table 6-74 *MXP_MR_10DME_C or MXP_MR_10DME_L Ethernet Variables*

Variable	Description
ifInOctets	Number of bytes received since the last counter reset.
rxTotalPkts	Total number of receive packets.
ifInErrors	Total number of receive errors.
ifOutOctets	The total number of octets transmitted out of the interface, including framing characters.
txTotalPkts	Total number of transmitted packets.
mediaIndStatsRxFramesTruncated	Total number of frames received that are less than 5 bytes. This value is a part of HDLC and GFP port statistics.
mediaIndStatsRxFramesTooLong	Number of received frames that exceed the MTU ¹ . This value is part of HDLC and GFP port statistics.
mediaIndStatsRxFramesBadCRC	Number of receive data frames with payload CRC errors when HDLC framing is used.
mediaIndStatsTxFramesBadCRC	Number of transmitted data frames with payload CRC errors when HDLC framing is used.
8b10bInvalidOrderedSetsDispErrorsSum	Number of code violations/running disparity errors in the 8b/10b encoded characters received.

1. Frames larger than the MTU, including Jumbo frames, pass through. The MTU, however, is not specified by the user.

Table 6-75 *MXP_MR_10DME_C or MXP_MR_10DME_L FC/FICON Variables*

Variable	Description
ifInOctets	Number of bytes received since the last counter reset.
rxTotalPkts	Total number of receive packets.
ifInErrors	Total number of receive errors.
ifOutOctets	The total number of octets transmitted out of the interface, including framing characters.
txTotalPkts	Total number of transmitted packets.
ifOutOversizePkts	Total number of oversized packets output from the interface.
mediaIndStatsRxFramesTruncated	Total number of frames received that are less than 5 bytes. This value is a part of HDLC and GFP port statistics.
mediaIndStatsRxFramesTooLong	Number of received frames that exceed the MTU. This value is part of HDLC and GFP port statistics.

Table 6-75 *MXP_MR_10DME_C or MXP_MR_10DME_L FC/FICON Variables (continued)*

Variable	Description
mediaIndStatsRxFramesBadCRC	Number of receive data frames with payload CRC errors when HDLC framing is used.
mediaIndStatsTxFramesBadCRC	Number of transmitted data frames with payload CRC errors when HDLC framing is used.
fcStatsZeroTxCredits	This is a count that increments when the FC/FICON Tx credits go from a non-zero value to zero.
fcStatsRxRecvrReady	Number of received RDY (Receive Ready) order set.
fcStatsTxRecvrReady	Number of transmitted RDY (Receive Ready) order set.
8b10bInvalidOrderedSetsDispErrorsSum	Number of Code Violations/Running Disparity errors in the 8b/10b encoded characters received.

Table 6-76 *MXP_MR_10DME_C or MXP_MR_10DME_L ISC and ISC3 Variables*

Variable	Description
ifInOctets	Number of bytes received since the last counter reset.
rxTotalPkts	Total number of receive packets.
ifOutOctets	The total number of octets transmitted out of the interface, including framing characters.
txTotalPkts	Total number of transmitted packets.
8b10bInvalidOrderedSetsDispErrorsSum	Number of Code Violations/Running Disparity errors in the 8b/10b encoded characters received.

Table 6-77 *MXP_MR_10DME_C or MXP_MR_10DME_L GFP RMON Variables*

Variable	Description
gfpStatsRxSBitErrors	Received generic framing protocol (GFP) frames with single bit errors in the core header (these errors are correctable).
gfpStatsRxTypeInvalid	Received GFP frames with invalid type (these are discarded). For example, receiving GFP frames that contain Ethernet data when we expect Fibre Channel data.
gfpStatsRxSblkCRCErrors	Total number of superblock CRC errors with the receive transparent GFP frame. A transparent GFP frame has multiple superblocks which each contain Fibre Channel data.
gfpStatsCSFRaised	Number of Rx client management frames with Client Signal Fail indication.

Table 6-77 MXP_MR_10DME_C or MXP_MR_10DME_L GFP RMON Variables (continued)

gfpStatsLFDRaised	<p>The number of Core HEC CRC Multiple Bit Errors.</p> <p>Note This count is only for cHEC multiple bit error when in frame. It is a count of when the state machine goes out of frame.</p>
-------------------	--

Step 6 From the Alarm Type drop-down list, indicate whether the event will be triggered by the rising threshold, the falling threshold, or both the rising and falling thresholds.

Step 7 From the Sample Type drop-down list, choose either **Relative** or **Absolute**. Relative restricts the threshold to use the number of occurrences in the user-set sample period. Absolute sets the threshold to use the total number of occurrences, regardless of time period.

Step 8 Type in an appropriate number of seconds for the Sample Period.

Step 9 Type in the appropriate number of occurrences for the Rising Threshold.

For a rising type of alarm, the measured value must move from below the falling threshold to above the rising threshold. For example, if a network is running below a rising threshold of 1000 collisions every 15 seconds and a problem causes 1001 collisions in 15 seconds, the excess occurrences trigger an alarm.

Step 10 Enter the appropriate number of occurrences in the Falling Threshold field. In most cases a falling threshold is set lower than the rising threshold.

A falling threshold is the counterpart to a rising threshold. When the number of occurrences is above the rising threshold and then drops below a falling threshold, it resets the rising threshold. For example, when the network problem that caused 1001 collisions in 15 seconds subsides and creates only 799 collisions in 15 seconds, occurrences fall below a falling threshold of 800 collisions. This resets the rising threshold so that if network collisions again spike over a 1000 per 15-second period, an event again triggers when the rising threshold is crossed. An event is triggered only the first time a rising threshold is exceeded (otherwise, a single network problem might cause a rising threshold to be exceeded multiple times and cause a flood of events).

Step 11 Click **OK**.



Note To view all RMON thresholds, click **Show All RMON thresholds**.

Step 12 Return to your originating procedure (NTP).

DLP-G338 Provision the 10G Data Muxponder Trunk Port Alarm and TCA Thresholds

Purpose	This task changes the MXP_MR_10DME_C and MXP_MR_10DME_L trunk port alarm and TCA thresholds.
Tools/Equipment	None
Prerequisite Procedures	DLP-G46 Log into CTC, page 3-30
Required/As Needed	As needed

Onsite/Remote	Onsite or remote
Security Level	Provisioning or higher

Step 1 In node view (single-shelf mode) or shelf view (multishelf view), double-click the MXP_MR_10DME_C or MXP_MR_10DME_L card where you want to change the trunk port alarm and TCA settings.

Step 2 Click the **Provisioning > Optics Thresholds** tabs.



Note You must modify 15 Min and 1 Day independently. To do so, choose the appropriate radio button and click **Refresh**.



Note Do not modify the Laser Bias parameters.

Step 3 If TCA is not selected, click **TCA** and then click Refresh. If it is selected, continue with [Step 4](#).

Step 4 Verify the trunk port (Port 9) TCA thresholds are set at the values shown as follows. Provision new thresholds as needed by double-clicking the threshold value you want to change, deleting it, entering a new value, and press **Enter**.

- RX Power High: -9 dBm
- RX Power Low: -18 dBm
- TX Power High: 9 dBm
- TX Power Low: 0 dBm

Step 5 Under Types, click the **Alarm** radio button and click **Refresh**.



Note Do not modify the Laser Bias parameters.

Step 6 Verify the trunk port (Port 9) Alarm thresholds are set at the values shown as follows. Provision new thresholds as needed by double-clicking the threshold value you want to change, deleting it, entering a new value, and press **Enter**.

- RX Power High: -8 dBm
- RX Power Low: -20 dBm
- TX Power High: 7 dBm
- TX Power Low: 3 dBm

Step 7 Click **Apply**.

Step 8 Return to your originating procedure (NTP).

DLP-G339 Provision the 10G Data Muxponder Client Port Alarm and TCA Thresholds

Purpose	This task provisions the client port alarm and TCA thresholds for the MXP_MR_10DME_C and MXP_MR_10DME_L cards.
Tools/Equipment	None
Prerequisite Procedures	DLP-G278 Provision the Optical Line Rate, page 6-14 DLP-G46 Log into CTC, page 3-30
Required/As Needed	Required
Onsite/Remote	Onsite or remote
Security Level	Provisioning or higher

-
- Step 1** In node view (single-shelf mode) or shelf view (multishelf view), double-click the MXP_MR_10DME_C and MXP_MR_10DME_L card where you want to change the client port alarm and TCA settings.
- Step 2** Click the **Provisioning > Optics Thresholds** tabs. The TCA thresholds are shown by default.
- Step 3** Referring to [Table 6-78](#), verify the client ports (Ports 1 through 8) TCA thresholds for RX Power High, RX Power Low, TX Power High, and TX Power Low based on the client interface at the other end. Provision new thresholds as needed by double-clicking the threshold value you want to change, deleting it, entering a new value, and hitting **Enter**.



Note Do not modify the Laser Bias parameters.



Note You must modify 15 Min and 1 Day independently. To do so, choose the appropriate radio button and click **Refresh**.



Note The hardware device that plugs into a TXP, MXP, GE_XP, 10GE_XP, GE_XPE, 10GE_XPE, or ADM-10G card faceplate to provide a fiber interface to the card is called a Small Form-factor Pluggable (SFP or XFP). In CTC, SFPs and XFPs are called pluggable port modules (PPMs). SFPs/XFPs are hot-swappable input/output devices that plug into a port to link the port with the fiber-optic network. Multirate PPMs have provisionable port rates and payloads. For more information about SFPs and XFPs, refer to the “Transponder and Muxponder Cards” chapter in the *Cisco ONS 15454 DWDM Reference Manual*.

Table 6-78 MXP_MR_10DME_C and MXP_MR_10DME_L Card Client Interfaces TCA Thresholds

PPM Port Rate	Pluggable Port Module (XFP)	TCA RX Power High	TCA RX Power Low	TCA TX Power High	TCA TX Power Low
FC1G	15454-SFP-GEFC-SX 15454E-SFP-GEFC-S ONS-SE-G2F-SX	0	-17	3	-16
	15454-SFP-GE+-LX 15454E-SFP-GE+-LX ONS-SE-G2F-LX	-3	-20	3	-16
FC2G	15454-SFP-GEFC-SX 15454E-SFP-GEFC-S ONS-SE-G2F-SX	0	-15	3	-16
	15454-SFP-GE+-LX 15454E-SFP-GE+-LX ONS-SE-G2F-LX	-3	-20	3	-16
FICON1G	15454-SFP-GEFC-SX 15454E-SFP-GEFC-S ONS-SE-G2F-SX	0	-17	3	-16
	15454-SFP-GE+-LX 15454E-SFP-GE+-LX ONS-SE-G2F-LX	-3	-20	3	-16
FICON2G	15454-SFP-GEFC-SX 15454E-SFP-GEFC-S ONS-SE-G2F-SX	0	-17	3	-16
	15454-SFP-GE+-LX 15454E-SFP-GE+-LX ONS-SE-G2F-LX	-3	-20	3	-16
ISC3 PEER 1G	ONS-SE-G2F-SX	0	-17	3	-16
	ONS-SE-G2F-LX	0	-20	3	-16
ISC3 PEER 2G					
FC4G	ONS-SE-4G-MM	0	-12	4	-15
	ONS-SE-4G-SM	-1	-15	4	-15
FICON4G	ONS-SE-4G-MM	0	-12	4	-15
	ONS-SE-4G-SM	-1	-15	4	-15

Step 4 Click **Apply**.

Step 5 Repeat Steps 3 and 4 to provision each additional client port.

Step 6 Under Types, click the **Alarm** radio button and click **Refresh**.

Step 7 Referring to [Table 6-79](#), verify the client port (Ports 1 through 8) Alarm thresholds for RX Power High, RX Power Low, TX Power High, and TX Power Low based on the client interface that is provisioned. Provision new thresholds as needed by double-clicking the threshold value you want to change, deleting it, entering a new value, and hitting **Enter**.

Table 6-79 *MXP_MR_10DME_C and MXP_MR_10DME_L Card Client Interface Alarm Thresholds*

PPM Port Rate	Pluggable Port Module (XFP)	Alarm RX Power Low	Alarm RX Power High	Alarm TX Power Low	Alarm TX Power High
FC1G	15454-SFP-GEFC-SX 15454E-SFP-GEFC-S ONS-SE-G2F-SX	-20	3	-13	-1
	15454-SFP-GE+-LX 15454E-SFP-GE+-LX ONS-SE-G2F-LX	-23	0	-13	0
FC2G	15454-SFP-GEFC-SX 15454E-SFP-GEFC-S ONS-SE-G2F-SX	-18	3	-13	-1
	15454-SFP-GE+-LX 15454E-SFP-GE+-LX ONS-SE-G2F-LX	-23	0	-13	0
FICON1G	15454-SFP-GEFC-SX 15454E-SFP-GEFC-S ONS-SE-G2F-SX	-20	3	-13	-1
	15454-SFP-GE+-LX 15454E-SFP-GE+-LX ONS-SE-G2F-LX	-23	0	-13	0
FICON2G	15454-SFP-GEFC-SX 15454E-SFP-GEFC-S ONS-SE-G2F-SX	-20	3	-13	-1
	15454-SFP-GE+-LX 15454E-SFP-GE+-LX ONS-SE-G2F-LX	-23	0	-13	0
ISC3 PEER 1G	ONS-SE-G2F-SX	-20	3	-13	-1
	ONS-SE-G2F-LX	-23	0	-13	0
ISC3 PEER 2G					
FC4G	ONS-SE-4G-MM	-15	3	-11	-1
	ONS-SE-4G-SM	-18	2	-11	0
FICON4G	ONS-SE-4G-MM	-15	3	-11	-1
	ONS-SE-4G-SM	-18	2	-11	0

Step 8 Click **Apply**.

Step 9 Repeat Steps 7 and 8 to provision each additional client port.

Step 10 Return to your originating procedure (NTP).

DLP-G366 Change the 10G Data Muxponder OTN Settings

Purpose	This task changes the OTN settings for the MXP_MR_10DME_C and MXP_MR_10DME_L cards.
Tools/Equipment	None
Prerequisite Procedures	DLP-G46 Log into CTC, page 3-30
Required/As Needed	As needed
Onsite/Remote	Onsite or remote
Security Level	Provisioning or higher

- Step 1** In node view (single-shelf mode) or shelf view (multishelf view), double-click the MXP_MR_10DME_C and MXP_MR_10DME_L card where you want to change the OTN settings.
- Step 2** Click the **Provisioning > OTN** tabs, then choose one of the following subtabs: **OTN Lines**, **G.709 Thresholds**, **FEC Thresholds**, or **Trail Trace Identifier**.
- Step 3** Modify any of the settings described in Tables [6-80](#) through [6-83](#).



Note You must modify Near End and Far End; 15 Min and 1 Day; and SM and PM independently. To do so, choose the appropriate radio button and click **Refresh**.

[Table 6-80](#) describes the values on the Provisioning > OTN > OTN Lines tab.

Table 6-80 MXP_MR_10DME_C and MXP_MR_10DME_L Card OTN Line Settings

Parameter	Description	Options
Port	(Display only) Displays the port number.	9 (Trunk)
G.709 OTN	Sets the OTN lines according to ITU-T G.709.	<ul style="list-style-type: none"> • Enable • Disable
FEC	Sets the OTN lines to forward error correction (FEC).	<ul style="list-style-type: none"> • Standard • Enhanced
SF BER	(Display only) Sets the signal fail bit error rate.	<ul style="list-style-type: none"> • 1E-5
SD BER	Sets the signal degrade bit error rate.	<ul style="list-style-type: none"> • 1E-5 • 1E-6 • 1E-7 • 1E-8 • 1E-9
Asynch/Synch Mapping	Sets how the ODUk (client payload) is mapped to the optical channel (OTUk).	<ul style="list-style-type: none"> • Asynch mapping • Synch mapping

[Table 6-81](#) describes the values on the Provisioning > OTN > G.709 Thresholds tab.

Table 6-81 *MXP_MR_10DME_C and MXP_MR_10DME_L Card ITU-T G.709 Threshold Settings*

Parameter	Description	Options
Port ¹	(Display only) Port number.	9 (Trunk)
ES	Errored seconds	Numeric. Can be set for Near End or Far End, for 15-minute or one-day intervals, or for SM (OTUk) or PM (ODUk). Select a bullet and click Refresh .
SES	Severely errored seconds	Numeric. Can be set for Near End or Far End, for 15-minute or one-day intervals, or for SM (OTUk) or PM (ODUk). Select a bullet and click Refresh .
UAS	Unavailable seconds	Numeric. Can be set for Near End or Far End, for 15-minute or one-day intervals, or for SM (OTUk) or PM (ODUk). Select a bullet and click Refresh .
BBE	Background block errors	Numeric. Can be set for Near End or Far End, for 15-minute or one-day intervals, or for SM (OTUk) or PM (ODUk). Select a bullet and click Refresh .
FC	Failure counter	Numeric. Can be set for Near End or Far End, for 15-minute or one-day intervals, or for SM (OTUk) or PM (ODUk). Select a bullet and click Refresh .

1. Latency for a 1G-FC payload without ITU-T G.709 is 4 microseconds, and with ITU-T G.709 is 40 microseconds. Latency for a 2G-FC payload without ITU-T G.709 is 2 microseconds, and with ITU-T G.709 is 20 microseconds. Consider these values when planning a FC network that is sensitive to latency.

[Table 6-82](#) describes the values on the Provisioning > OTN > FEC Threshold tab.

Table 6-82 *MXP_MR_10DME_C and MXP_MR_10DME_L Card FEC Threshold Settings*

Parameter	Description	Options
Port	(Display only) Port number.	2
Bit Errors Corrected	Sets the value for bit errors corrected.	Numeric. Can be set for 15-minute or one-day intervals.
Uncorrectable Words	Sets the value for uncorrectable words.	Numeric. Can be set for 15-minute or one-day intervals.

[Table 6-83](#) describes the values on the Provisioning > OTN > Trail Trace Identifier tab.

Table 6-83 *MXP_MR_10DME_C and MXP_MR_10DME_L Card Trail Trace Identifier Settings*

Parameter	Description	Options
Port	(Display only) Port number.	2
Level	Sets the level.	<ul style="list-style-type: none"> • Section • Path
Received Trace Mode	Sets the trace mode.	<ul style="list-style-type: none"> • Off/None • Manual

Table 6-83 *MXP_MR_10DME_C and MXP_MR_10DME_L Card Trail Trace Identifier Settings (continued)*

Parameter	Description	Options
Transmit	Displays the current transmit string; sets a new transmit string. You can click the button on the right to change the display. Its title changes, based on the current display mode. Click Hex to change the display to hexadecimal (button changes to ASCII); click ASCII to change the display to ASCII (button changes to Hex).	String of trace string size
Disable FDI on TTIM	If a Trace Identifier Mismatch on Section overhead alarm arises because of a J0 overhead string mismatch, no Forward Defect Indication (FDI) signal is sent to the downstream nodes if this box is checked.	<ul style="list-style-type: none"> • Checked (FDI on TTIM is disabled) • Unchecked (FDI on TTIM is not disabled)
Expected	Displays the current expected string; sets a new expected string. You can click the button on the right to change the display. Its title changes, based on the current display mode. Click Hex to change the display to hexadecimal (button changes to ASCII); click ASCII to change the display to ASCII (button changes to Hex).	String of trace string size
Received	(Display only) Displays the current received string. You can click Refresh to manually refresh this display, or check the Auto-refresh every 5 sec check box to keep this panel updated.	String of trace string size

Step 4 Click **Apply**.

Step 5 Return to your originating procedure (NTP).

NTP-G293 Modify the 40G Muxponder Card Line Settings and PM Parameter Thresholds

Purpose	This procedure changes the line and parameter threshold settings for the 40G-MXP-C muxponder card.
Tools/Equipment	None
Prerequisite Procedures	<p>NTP-G179 Install the TXP, MXP, GE_XP, 10GE_XP, GE_XPE, 10GE_XPE, ADM-10G, and OTU2_XP Cards, page 4-69</p> <p>DLP-G63 Install an SFP or XFP, page 4-71</p> <p>DLP-G277 Provision a Multirate PPM, page 6-11 (Optional)</p> <p>DLP-G278 Provision the Optical Line Rate, page 6-14 (Optional)</p>
Required/As Needed	As needed
Onsite/Remote	Onsite or remote
Security Level	Provisioning or higher

-
- Step 1** Complete the “[DLP-G46 Log into CTC](#)” task on page 3-30 at the node where you want to change the muxponder card settings. If you are already logged in, proceed to [Step 2](#).
- Step 2** Complete the “[NTP-G103 Back Up the Database](#)” procedure on page 14-2 to save the existing settings before modifying.
- Step 3** Perform any of the following tasks as needed:
- [DLP-G662 Change the 40G Multirate Muxponder Card Settings](#), page 6-161
 - [DLP-G666 Change the 40G Muxponder Line Settings](#), page 6-162
 - [DLP-G667 Change the 40G Muxponder Line SONET \(OC-192\) or SDH \(STM-64\), or Ethernet Line Settings](#), page 6-164
 - [DLP-G668 Change the 40G Muxponder Section Trace Settings](#), page 6-168
 - [DLP-G669 Change the 40G Muxponder SONET or SDH Line Thresholds](#), page 6-169
 - [DLP-G670 Change the 40G Muxponder Line RMON Thresholds for Ethernet, 8G FC, or 10G FC Payloads](#), page 6-171
 - [DLP-G671 Provision the 40G Muxponder Trunk Port Alarm and TCA Thresholds](#), page 6-175
 - [DLP-G672 Provision the 40G Muxponder Client Port Alarm and TCA Thresholds](#), page 6-177
 - [DLP-G673 Change the 40G Muxponder OTN Settings](#), page 6-180



Note To use the Alarm Profiles tab, including creating alarm profiles and suppressing alarms, see [Chapter 10, “Manage Alarms.”](#)

Stop. You have completed this procedure.

DLP-G662 Change the 40G Multirate Muxponder Card Settings

Purpose	This task changes the card settings for the 40G-MXP-C card.
Tools/Equipment	None
Prerequisite Procedures	DLP-G46 Log into CTC, page 3-30
Required/As Needed	As needed
Onsite/Remote	Onsite or remote
Security Level	Provisioning or higher

- Step 1** In node view (single-shelf mode) or shelf view (multishelf view), double-click the 40G-MXP-C card where you want to change the card settings.
- Step 2** Click the **Provisioning > Card** tabs.
- Step 3** Modify either of the settings described in [Table 6-84](#).

Table 6-84 40G-MXP-C Card Settings

Parameter	Description	ONS 15454 Options	ONS 15454 SDH Options
Card Mode	Sets the card mode.	<ul style="list-style-type: none"> • Muxponder • Unidirectional Regen Set the mode to Unidirectional Regen under the following conditions: <ul style="list-style-type: none"> – Trunk port is in OOS,DSBLD state. – Pluggable port modules of the card must not be configured for payload. – Regeneration peer slot must be set to None. 	<ul style="list-style-type: none"> • Muxponder • Unidirectional Regen Set the mode to Unidirectional Regen under the following conditions: <ul style="list-style-type: none"> – Trunk port is in locked,disabled state. – Pluggable port modules of the card must not be configured for payload. – Regeneration peer slot must be set to None.
Trunk Wavelengths	(Display only) Shows supported wavelengths of the trunk port after the card is installed. 40G-MXP-C show the C-band wavelengths supported by the card that is installed.	—	—

- Step 4** Click **Apply**.
- Step 5** Return to your originating procedure (NTP).

DLP-G666 Change the 40G Muxponder Line Settings

Purpose	This task changes the line settings for the 40G-MXP-C muxponder card.
Tools/Equipment	None
Prerequisite Procedures	DLP-G46 Log into CTC, page 3-30
Required/As Needed	As needed
Onsite/Remote	Onsite or remote
Security Level	Provisioning or higher

- Step 1** In node view (single-shelf mode) or shelf view (multishelf view), double-click the 40G-MXP-C card where you want to change the line settings.
- Step 2** Click the **Provisioning > Line > Ports** tabs. Tabs and parameters vary according to PPM provisioning.
- Step 3** Modify any of the settings as described in [Table 6-85](#).

Table 6-85 40G-MXP-C Card Line Client Settings

Parameter	Description	Options
Port	(Display only) Port number.	<ul style="list-style-type: none"> 1 through 4 (client) 5 (trunk)
Port Name	A logical name for each of the port. This field is blank by default.	Type up to 32 alphanumeric/ special characters. For details, see the “ DLP-G104 Assign a Name to a Port ” task on page 8-3. Note You can assign a port name for each fiber channel/FICON interface on the 40G-MXP-C card, enabling the MDS Fabric Manager to associate the SAN port and a SAN port on the Cisco MDS 9000 switch.
Admin State	Sets the port service state unless network conditions prevent the change. For more information, see Appendix B, “Administrative and Service States” in the <i>Cisco ONS 15454 DWDM Reference Manual</i> .	<ul style="list-style-type: none"> IS (ANSI) or Unlocked (ETSI) OOS,DSBLD (ANSI) or Locked,disabled (ETSI) OOS,MT (ANSI) or Locked,maintenance (ETSI) IS,AINS (ANSI) or Unlocked,automaticInService (ETSI)
Service State	(Display only) Shows the general condition of the port. Service states appear in the format: Primary State-Primary State Qualifier, Secondary State. For more information about service states, see Appendix B, “Administrative and Service States” in the <i>Cisco ONS 15454 DWDM Reference Manual</i> .	<ul style="list-style-type: none"> IS-NR (ANSI) or Unlocked-enabled (ETSI) OOS-AU,AINS (ANSI) or Unlocked-disabled, automaticInService (ETSI) OOS-MA,DSBLD (ANSI) or Locked-enabled,disabled (ETSI) OOS-MA,MT (ANSI) or Locked-enabled,maintenance (ETSI)

Table 6-85 40G-MXP-C Card Line Client Settings (continued)

Parameter	Description	Options
ALS Mode	(client ports only) Activates the ALS mode.	<ul style="list-style-type: none"> Disabled (default): ALS is off; the laser is not automatically shut down during LOS. Auto Restart: (OC-192/STM-64 only) ALS is on; the laser automatically shuts down during LOS. It automatically restarts when the conditions that caused the outage are resolved. Manual Restart: ALS is on; the laser automatically shuts down during LOS. However, the laser must be manually restarted when conditions that caused the outage are resolved. Manual Restart for Test: Manually restarts the laser for testing.
AINS Soak	Sets the automatic in-service soak period. Double-click the time and use the up and down arrows to change settings.	<ul style="list-style-type: none"> Duration of valid input signal, in hh.mm format, after which the card becomes in service (IS) automatically 0 to 48 hours, 15-minute increments
Reach	Sets the optical reach distance of the client port.	<ul style="list-style-type: none"> Autoprovision—The system automatically provisions the reach from the pluggable port module (PPM) reach value on the hardware. EW LW SW LRM ER LR SR ZR IR 2 LR 2 DWDM CWDM40km
Wavelength	Provisions the port wavelength.	<ul style="list-style-type: none"> First Tunable Wavelength Further wavelengths: Further wavelengths in the 100-GHz ITU-T C-band spacing. The card wavelengths are marked by asterisks. If the card is not installed, all wavelengths appear with a dark grey background.
Squelch	Shuts down the far-end laser in response to certain defects.	<ul style="list-style-type: none"> Squelch (Squelch does not apply to ISC COMPACT payloads.) Disable

Table 6-85 40G-MXP-C Card Line Client Settings (continued)

Parameter	Description	Options
Overclock	(trunk port only) Enables or disables overclock mode on the trunk port.	<ul style="list-style-type: none"> • OFF (default) • ON
Rx Wavelength	(trunk port only) Provisions the trunk port wavelength.	<ul style="list-style-type: none"> • First Tunable Wavelength • Further wavelengths: Further wavelengths in the 100-GHz ITU-T C-band spacing. The card wavelengths are marked by asterisks. If the card is not installed, all wavelengths appear with a dark grey background.

Step 4 Click **Apply**.

Step 5 Return to your originating procedure (NTP).

DLP-G667 Change the 40G Muxponder Line SONET (OC-192) or SDH (STM-64), or Ethernet Line Settings

Purpose	This task changes the line SONET OC-192 or SDH STM-64, or ethernet line settings for the 40G-MXP-C muxponder card.
Tools/Equipment	None
Prerequisite Procedures	DLP-G46 Log into CTC, page 3-30
Required/As Needed	As needed
Onsite/Remote	Onsite or remote
Security Level	Provisioning or higher

- Step 1** In node view (single-shelf mode) or shelf view (multishelf view), double-click the 40G-MXP-C card where you want to change the SONET (OC-192)/SDH (STM-64) settings.
- Step 2** Click the **Provisioning > Line > SONET (ANSI)** or **SDH (ETSI)**. Tabs and parameters vary according to PPM provisioning.
- Step 3** To modify the line SONET or SDH settings, see [Table 6-86](#). To modify the ethernet line settings see [Table 6-87](#).

Table 6-86 40G-MXP-C Card Line SONET or SDH Settings

Parameter	Description	Options
Port	(Display only) Port number.	1 through 4 (client)
Port Name	A logical name assigned to a port. This field is blank by default.	Type up to 32 alphanumeric/ special characters. Blank by default. For details, see the “ DLP-G104 Assign a Name to a Port ” task on page 8-3.

Table 6-86 40G-MXP-C Card Line SONET or SDH Settings (continued)

Parameter	Description	Options
SF BER	Sets the signal fail bit error rate.	<ul style="list-style-type: none"> • 1E-3 • 1E-4 • 1E-5
SD BER	Sets the signal degrade bit error rate.	<ul style="list-style-type: none"> • 1E-5 • 1E-6 • 1E-7 • 1E-8 • 1E-9
ProvidesSync	(Display only) Displays the ProvidesSync card parameter state.	Checked or unchecked
SyncMsgIn	Sets the EnableSync card parameter. Enables synchronization status messages (S1 byte), which allow the node to choose the best timing source.	Checked or unchecked
Send DoNotUse	Sets the Send DoNotUse card state. When checked, sends a DUS (do not use) message on the S1 byte.	Checked or unchecked
Type	The optical transport type.	<ul style="list-style-type: none"> • SONET (ANSI) • SDH (ETSI)
Termination Mode	(Display-only for Standard Regeneration and Enhanced FEC card configurations) Sets the mode of operation.	<ul style="list-style-type: none"> • Transparent • Section (ANSI) or Regeneration Section (RS) (ETSI) • Line (ANSI) or Multiplex Section (MS) (ETSI)

Table 6-87 Ethernet Line Settings of the 40G-MXP-C Card

Parameter	Description	ONS 15454 (ANSI) Options	ONS 15454 SDH (ETSI) Options
Port	(Display only) Displays the port number.	1 through 4 (client)	1 through 4 (client)
Port Name	Provides the ability to assign the specified port a name.	<p>User-defined. Name can be up to 32 alphanumeric/special characters. Blank by default.</p> <p>See the “DLP-G104 Assign a Name to a Port” task on page 8-3.</p>	<p>User-defined. Name can be up to 32 alphanumeric/special characters. Blank by default.</p> <p>See the “DLP-G104 Assign a Name to a Port” task on page 8-3.</p>
Admin State	Sets the port service state. For more information about administrative states, refer to the “Administrative and Service States” appendix in the <i>Cisco ONS 15454 DWDM Reference Manual</i> .	<ul style="list-style-type: none"> • IS • IS,AINS • OOS,DSBLD • OOS,MT 	<ul style="list-style-type: none"> • Unlocked • Unlocked,automaticInService • Locked,disabled • Locked,maintenance

Table 6-87 Ethernet Line Settings of the 40G-MXP-C Card

Parameter	Description	ONS 15454 (ANSI) Options	ONS 15454 SDH (ETSI) Options
Service State	(Display only) Identifies the autonomously generated state that gives the overall condition of the port. Service states appear in the format: Primary State-Primary State Qualifier, Secondary State. For more information about service states, refer to the “Administrative and Service States” appendix in the <i>Cisco ONS 15454 DWDM Reference Manual</i> .	<ul style="list-style-type: none"> IS-NR OOS-AU,AINS OOS-MA,DSBLD OOS-MA,MT 	<ul style="list-style-type: none"> Unlocked-enabled Unlocked-disabled, automaticInService Locked-enabled,disabled Locked-enabled,maintenance
ALS Mode	Sets the ALS function mode. The DWDM transmitter supports ALS according to ITU-T G.644 (06/99). ALS can be disabled, or it can be set for one of three mode options.	<ul style="list-style-type: none"> Disabled (default): ALS is off; the laser is not automatically shut down when traffic outages (LOS) occur. Manual Restart: ALS is on; the laser automatically shuts down when traffic outages (LOS) occur. However, the laser must be manually restarted when conditions that caused the outage are resolved. Manual Restart for Test: Manually restarts the laser for testing. 	<ul style="list-style-type: none"> Disabled (default): ALS is off; the laser is not automatically shut down when traffic outages (LOS) occur. Manual Restart: ALS is on; the laser automatically shuts down when traffic outages (LOS) occur. However, the laser must be manually restarted when conditions that caused the outage are resolved. Manual Restart for Test: Manually restarts the laser for testing.
AINS Soak	Sets the automatic in-service soak period. Double-click the time and use the up and down arrows to change settings.	<ul style="list-style-type: none"> Duration of valid input signal, in hh.mm format, after which the card becomes in service (IS) automatically 0 to 48 hours, 15-minute increments <p>Note The AINS service state is not supported on interlink ports.</p>	<ul style="list-style-type: none"> Duration of valid input signal, in hh.mm format, after which the card becomes in service (IS) automatically 0 to 48 hours, 15-minute increments <p>Note The AINS service state is not supported on interlink ports.</p>

Table 6-87 Ethernet Line Settings of the 40G-MXP-C Card

Parameter	Description	ONS 15454 (ANSI) Options	ONS 15454 SDH (ETSI) Options
Reach	Displays the optical reach distance of the client port.	<ul style="list-style-type: none"> • Autoprovision—The system automatically provisions the reach. • LR • LR2 • SR • SR1 • IR 1 • ER • ZR • DWDM • CWDM40km • IR2 • MM 	<ul style="list-style-type: none"> • Autoprovision—The system automatically provisions the reach. • LR • I1 • I2 • S2 • ER • L1 • L2 • DWDM • MM • ZR • IR 1 • CWDM40km
MTU	Displays the maximum size of the Ethernet frames accepted by the port.	<ul style="list-style-type: none"> • Jumbo (16384 bytes) 	<ul style="list-style-type: none"> • Jumbo (16384 bytes)
Mapping Mode	Displays the mapping mechanism. Choose GFP framing (the default) or WIS framing. The framing type needs to match the framing type at the far end.	<ul style="list-style-type: none"> • GFP • WIS 	<ul style="list-style-type: none"> • GFP • WIS
Enable Flow Control (Only when the framing type is WIS)	Enables/disables flow control messaging with its peer port. When enabled, the port can send and receive PAUSE frames when buffer congestion occurs. When disabled, no PAUSE frames are transmitted and the PAUSE frames received are discarded.	<ul style="list-style-type: none"> • ON —Flow control is enabled. • OFF(default)—Flow control is disabled. 	<ul style="list-style-type: none"> • ON —Flow control is enabled. • OFF(default)—Flow control is disabled.

Step 4 Click **Apply**.

Step 5 Return to your originating procedure (NTP).

DLP-G668 Change the 40G Muxponder Section Trace Settings

Purpose	This task changes the section trace settings for the 40G-MXP-C muxponder card.
Tools/Equipment	None
Prerequisite Procedures	DLP-G46 Log into CTC, page 3-30
Required/As Needed	As needed
Onsite/Remote	Onsite or remote
Security Level	Provisioning or higher

-
- Step 1** In node view (single-shelf mode) or shelf view (multishelf view), double-click the 40G-MXP-C card where you want to change the section trace settings.
- Step 2** Click the **Provisioning > Line > Section Trace** tabs. Tabs and parameter selections vary according to PPM provisioning.
- Step 3** Modify any of the settings described in [Table 6-88](#).

Table 6-88 40G-MXP-C Card Line Section Trace Settings

Parameter	Description	Options
Port	(Display only) Port number, applicable for only OC192/STM64 payloads.	<ul style="list-style-type: none"> 1-1 2-1 3-1 4-1
Received Trace Mode	Sets the trace mode.	<ul style="list-style-type: none"> Off/None Manual
Disable AIS/RDI on TIM-S	Disables alarm indication signal.	<ul style="list-style-type: none"> Checked (AIS/RDI on TIM-S is disabled) Unchecked (AIS/RDI on TIM-S is not disabled)
Transmit Section Trace String Size	Sets the trace string size.	<ul style="list-style-type: none"> 1 byte 16 byte
Transmit	Displays and sets the current transmit string. You can click the button on the right to change the display. Its title changes, based on the current display mode. In Transmit String Type, click Hex Mode to change the display to hexadecimal (button changes to ASCII); click ASCII to change the display to ASCII (button changes to Hex Mode). The supported range for 1 bit Hex TX trace is 20 to 7E. If TX trace is provisioned outside this range, client transmits 00.	Transmit string size

Table 6-88 40G-MXP-C Card Line Section Trace Settings (continued)

Parameter	Description	Options
Expected	Displays and sets the current expected string. You can click the button on the right to change the display. Its title changes, based on the current display mode. In Expected String Type, click Hex Mode to change the display to hexadecimal (button changes to ASCII); click ASCII to change the display to ASCII (button changes to Hex Mode).	Expected string size
Received	(Display only) Displays the current received string. Click Refresh to manually refresh this display, or check the Auto-refresh every 5 sec check box to keep this panel updated.	Received string size
Auto-refresh	Automatically refreshes the display every 5 seconds.	<ul style="list-style-type: none"> • Checked • Unchecked (default)

Step 4 Click **Apply**.

Step 5 Return to your originating procedure (NTP).

DLP-G669 Change the 40G Muxponder SONET or SDH Line Thresholds

Purpose	This task changes the SONET or SDH line threshold settings for the 40G-MXP-C muxponder card.
Tools/Equipment	None
Prerequisite Procedures	DLP-G46 Log into CTC, page 3-30
Required/As Needed	As needed
Onsite/Remote	Onsite or remote
Security Level	Provisioning or higher

Step 1 In node view (single-shelf mode) or shelf view (multishelf view), double-click the 40G-MXP-C card where you want to change the line threshold settings.

Step 2 Click the **Provisioning > Line Thresholds > SONET Thresholds (ANSI)** or **SDH Thresholds (ETSI)** tabs.

Step 3 Modify any of the settings shown in [Table 6-89](#).



Note In [Table 6-89](#), some parameters and options do not apply to all 40-G-MXP-C cards. If the parameter or options do not apply, they do not appear in CTC.

Table 6-89 40G-MXP-C Card Line Threshold Settings

Parameter	Description	Options - ONS 15454	Options - ONS 15454 SDH
Port	(Display only) Port number. Applicable for only OC192/STM64 payloads.	<ul style="list-style-type: none"> • 1-1 • 2-1 • 3-1 • 4-1 	<ul style="list-style-type: none"> • 1-1 • 2-1 • 3-1 • 4-1
CV	Coding violations	Numeric. Threshold display options include: <ul style="list-style-type: none"> • Direction—Near End or Far End • Interval—15 Min (minutes) or 1 day • Types—Line or Section (near end only) Choose an option individually in each category and click Refresh .	—
ES	Errored seconds	Numeric. Threshold display options include: <ul style="list-style-type: none"> • Direction—Near End or Far End • Interval—15 Min (minutes) or 1 day • Types—Line or Section (near end only) Choose an option individually in each category and click Refresh .	Numeric. Threshold display options include: <ul style="list-style-type: none"> • Direction—Near End or Far End • Interval—15 Min (minutes) or 1 day • Types—Multiplex Section or Regeneration Section (near end only) Choose an option individually in each category and click Refresh .
SES	Severely errored seconds	Numeric. Threshold display options include: <ul style="list-style-type: none"> • Direction—Near End or Far End • Interval—15 Min (minutes) or 1 day • Types—Line or Section (near end only) Choose an option individually in each category and click Refresh . Click Reset to Default to restore default values.	Numeric. Threshold display options include: <ul style="list-style-type: none"> • Direction—Near End or Far End • Interval—15 Min (minutes) or 1 day • Types—Multiplex Section or Regeneration Section (near end only) Choose an option individually in each category and click Refresh . Click Reset to Default to restore default values.

Table 6-89 40G-MXP-C Card Line Threshold Settings (continued)

Parameter	Description	Options - ONS 15454	Options - ONS 15454 SDH
FC	(Line or Multiplex Section only) Failure count	Numeric. Threshold display options include: <ul style="list-style-type: none"> • Direction—Near End or Far End • Interval—15 Min (minutes) or 1 day • Types—Line or Section (near end only) Choose an option individually in each category and click Refresh . Click Reset to Default to restore default values.	—
UAS	(Line or Multiplex Section only) Unavailable seconds	Numeric. Threshold display options include: <ul style="list-style-type: none"> • Direction—Near End or Far End • Interval—15 Min (minutes) or 1 day • Types—Line or Section (near end only) Choose an option individually in each category and click Refresh . Click Reset to Default to restore default values.	Numeric. Threshold display options include: <ul style="list-style-type: none"> • Direction—Near End or Far End • Interval—15 Min (minutes) or 1 day • Types—Multiplex Section or Regeneration Section (near end only) Choose an option individually in each category and click Refresh . Click Reset to Default to restore default values.

Step 4 Click **Apply**.

Step 5 Return to your originating procedure (NTP).

DLP-G670 Change the 40G Muxponder Line RMON Thresholds for Ethernet, 8G FC, or 10G FC Payloads

Purpose	This task changes the line threshold settings for 40G-MXP-C card carrying Ethernet, 8G FC, or 10G FC payloads.
Tools/Equipment	None
Prerequisite Procedures	DLP-G46 Log into CTC, page 3-30
Required/As Needed	As needed
Onsite/Remote	Onsite or remote
Security Level	Provisioning or higher

Step 1 In node view (single-shelf mode) or shelf view (multishelf view), display the 40G-MXP-C card where you want to change the line threshold settings in card view.

Step 2 Click the **Provisioning > Line Thresholds > RMON Thresholds** tabs.

- Step 3** Click **Create**. The Create Threshold dialog box appears.
- Step 4** From the Port drop-down list, choose the applicable port, either the payload port, for example “1-1 (TEN_GE)”, or the equivalent ITU-T G.7041 GFP (Generic Frame Procedure) port.
- Step 5** From the Variable drop-down list, choose an Ethernet or FC variable. See [Table 6-90](#) for a list of available Ethernet variables, [Table 6-91](#) for a list of FC, and [Table 6-92](#) for a list of GFP variables.

Table 6-90 40G-MXP-C Ethernet Variables

Variable	Description
ifInOctets	Number of bytes received since the last counter reset.
rxTotalPkts	Total number of receive packets.
ifInUcastPkts	The number of packets, delivered by this sub-layer to a higher (sub-)layer, which were not addressed to a multicast or broadcast address at this sub-layer.
inInMulticastPkts	The number of packets, delivered by this sub-layer to a higher (sub-)layer, which were addressed to a multicast address at this sub-layer. For a MAC layer protocol, this includes both Group and Functional addresses.
ifInBroadcastPkts	The number of packets, delivered by this sub-layer to a higher (sub-)layer, which were addressed to a broadcast address at this sub-layer.
ifInErrors	Total number of receive errors.
ifOutOctets	The total number of octets transmitted out of the interface, including framing characters.
txTotalPkts	Total number of transmitted packets.
dot3StatsFCSErrors	A count of frames received on a particular interface that are an integral number of octets in length but do not pass the FCS check.
dot3StatsFrameTooLong	A count of frames received on a particular interface that exceed the maximum permitted frame size.
dot3StatsInPauseFrames	A count of frames received on this interface with an opcode indicating the PAUSE operation.
dot3StatsOutPauseFrames	A count of MAC Control frames transmitted on this interface with an opcode indicating the PAUSE operation.
etherStatsUndersizePkts	The total number of packets transmitted and received by the interface that were less than 64 octets long (excluding framing bits, but including FCS octets) and were otherwise well formed.
etherStatsFragments	The total number of packets transmitted and received by the interface that were less than 64 octets in length (excluding framing bits but including FCS octets) and had either a bad Frame Check Sequence (FCS) with an integral number of octets (FCS Error) or a bad FCS with a non-integral.

Table 6-90 40G-MXP-C Ethernet Variables (continued)

etherStatsPkts	The total number of packets (including bad packets, broadcast packets, and multicast packets) transmitted and received by the interface.
etherStatsPkts64Octets	The total number of packets (including bad packets) transmitted and received by the interface that were 64 octets in length (excluding framing bits but including FCS octets).
etherStatsPkts65to127Octets	The total number of packets (including error packets) transmitted and received by the interface that were between 65 and 127 octets in length inclusive (excluding framing bits but including FCS octets).
etherStatsPkts128to255Octets	The total number of packets (including error packets) transmitted and received by the interface that were between 128 and 255 octets in length inclusive (excluding framing bits but including FCS octets).
etherStatsPkts256to511Octets	The total number of packets (including error packets) transmitted and received by the interface that were between 256 and 511 octets in length inclusive (excluding framing bits but including FCS octets).
etherStatsPkts512to1023Octets	The total number of packets (including error packets) transmitted and received by the interface that were between 512 and 1023 octets in length inclusive (excluding framing bits but including FCS octets).
etherStatsPkts1024to1518Octets	The total number of packets (including error packets) transmitted and received by the interface that were between 1024 and 1518 octets in length inclusive (excluding framing bits but including FCS octets).
etherStatsBroadcastPkts	The total number of good packets transmitted and received by the interface that were directed to the broadcast address
etherStatsMulticastPkts	The total number of good packets transmitted and received by the interface that were directed to a multicast address. Note that this number does not include packets directed to the broadcast address.
etherStatsOversizePkts	The total number of packets transmitted and received by the interface that were longer than 1518 octets (excluding framing bits, but including FCS octets) and were otherwise well formed.
etherStatsJabbers	The total number of packets transmitted and received by the interface that were longer than 1518 octets (excluding framing bits, but including FCS octets), and were not an integral number of octets in length or had a bad FCS.
etherStatsOctets	The total number of octets of data (including those in bad packets) transmitted and received by the interface on the network (excluding framing bits but including FCS octets).

Table 6-91 40G-MXP-C FC Variables

Variable	Description
ifInOctets	Number of bytes received since the last counter reset.
rxTotalPkts	Total number of receive packets.
ifInErrors	Total number of receive errors.
ifOutOctets	The total number of octets transmitted out of the interface, including framing characters.
txTotalPkts	Total number of transmitted packets.
ifOutErrors	Number of outbound packets or transmission units that could not be transmitted because of errors.
mediaIndStatsRxFramesTruncated	Total number of frames received that are less than 5 bytes. This value is a part of HDLC and GFP port statistics.
mediaIndStatsRxFramesTooLong	Number of received frames that exceed the MTU. This value is part of HDLC and GFP port statistics.
mediaIndStatsRxFramesBadCRC	Number of receive data frames with payload CRC errors when HDLC framing is used.
mediaIndStatsTxFramesBadCRC	Number of transmitted data frames with payload CRC errors when HDLC framing is used.
mediaIndStatsTxFramesTooLong	Total number of transmitted data frames that are less than 5 bytes. This value is a part of HDLC and GFP port statistics.
mediaIndStatsTxFramesTruncated	Number of transmitted data frames that exceed the MTU. This value is part of HDLC and GFP port statistics.

Table 6-92 40G-MXP-C GFP RMON Variables

Variable	Description
gfpStatsRxFrame	Total number of received data frames.
gfpStatsTxFrame	Total number of transmitted data frames.
gfpStatsRxSblkCRCErrors	Total number of superblock CRC errors with the receive transparent GFP frame. A transparent GFP frame has multiple superblocks which each contain Fibre Channel data.
gfpStatsRxOctets	Total number of GFP data octets received.
gfpStatsTxOctets	Total number of GFP data octets transmitted.
gfpStatsRxSBitErrors	Received generic framing protocol (GFP) frames with single bit errors in the core header (these errors are correctable).

Table 6-92 40G-MXP-C GFP RMON Variables (continued)

gfpStatsRxMBitErrors	Received GFP frames with multiple bit errors in the core header (these errors are not correctable).
gfpStatsRxTypeInvalid	Received GFP frames with invalid type (these are discarded). For example, receiving GFP frames that contain Ethernet data when we expect Fibre Channel data.
gfpStatsLFDRaised	Indicates the count of core HEC CRC multiple bit errors. Note This count is only of eHec multiple bit errors when in frame. This can be looked at as a count of when the state machine goes out of frame.
gfpRxCmfFrame	—
gfpTxCmfFrame	—

- Step 6** From the Alarm Type drop-down list, choose an alarm type. The alarm type indicates whether or not an event is triggered by the type of threshold.
- Step 7** From the Sample Type drop-down list, choose either **Relative** or **Absolute**. Relative restricts the threshold to use the number of occurrences in the user-set sample period. Absolute sets the threshold to use the total number of occurrences, regardless of time period.
- Step 8** Type the number of Sample Period occurrences.
- Step 9** Type the number of Rising Threshold occurrences.
- To trigger alarm, the measured value of a threshold must always move from below the falling threshold to above the rising threshold. For example, if a network moves from below a rising threshold of 1000 collisions every 15 seconds to 1001 collisions.
- Step 10** Type the appropriate number of occurrences for the Falling Threshold field. In most cases a falling threshold is set lower than the rising threshold.
- A falling threshold is the exact opposite of a rising threshold. When the number of occurrences is above the rising threshold and then drops below a falling threshold, it resets the rising threshold. For example, when the network problem that caused 1001 collisions in 15 seconds subsides and creates only 799 collisions in 15 seconds, occurrences fall below a falling threshold of 800 collisions. This resets the rising threshold so that if network collisions again spike over a 1000 per 15-second period, an event again triggers when the rising threshold is crossed. An event is triggered only the first time a rising threshold is exceeded.
- Step 11** Click **OK**.
- Step 12** Return to your originating procedure (NTP).

DLP-G671 Provision the 40G Muxponder Trunk Port Alarm and TCA Thresholds

Purpose	This task changes the 40G-MXP-C trunk port alarm and TCA thresholds.
Tools/Equipment	None
Prerequisite Procedures	DLP-G46 Log into CTC, page 3-30
Required/As Needed	As needed

Onsite/Remote	Onsite or remote
Security Level	Provisioning or higher

Step 1 In node view (single-shelf mode) or shelf view (multishelf view), double-click the 40G-MXP-C card where you want to change the trunk port alarm and TCA settings.

Step 2 Click the **Provisioning > Optics Thresholds** tabs.



Note You must modify 15 Min and 1 Day independently. To do so, choose the appropriate radio button and click **Refresh**.



Note Do not modify the Laser Bias parameters.

Step 3 If TCA is not selected, click **TCA** and then click Refresh. If it is selected, continue with [Step 4](#).

Step 4 Verify the trunk port (Port 5) TCA thresholds are set at the values shown as follows:

- Laser Bias High (%): 95.0
- RX Power High (dBm): -9.0
- RX Power Low (dBm): -22.0
- TX Power High (dBm): 9.0
- TX Power Low (dBm): 0.0

Provision new thresholds as needed replacing the old values with new ones.

Step 5 Under Types, click the **Alarm** radio button and click **Refresh**.



Note Do not modify the Laser Bias parameters.

Step 6 Verify the trunk port (Port 5) Alarm thresholds are set at the values shown as follows:

- Laser Bias High (%): 98.0
- RX Power High (dBm): -8.0
- RX Power Low (dBm): -24.0
- TX Power High (dBm): 7.0
- TX Power Low (dBm): 3.0

Provision new thresholds as needed replacing the old values with new ones.

Step 7 Click **Apply**.

Step 8 Return to your originating procedure (NTP).

DLP-G672 Provision the 40G Muxponder Client Port Alarm and TCA Thresholds

Purpose	This task provisions the client port alarm and TCA thresholds for the 40G-MXP-C card.
Tools/Equipment	None
Prerequisite Procedures	DLP-G278 Provision the Optical Line Rate, page 6-14 DLP-G46 Log into CTC, page 3-30
Required/As Needed	Required
Onsite/Remote	Onsite or remote
Security Level	Provisioning or higher

- Step 1** In node view (single-shelf mode) or shelf view (multishelf view), double-click the 40G-MXP-C card where you want to change the client port alarm and TCA settings.
- Step 2** Click the **Provisioning > Optics Thresholds** tabs.
- Step 3** If TCA is not selected, click **TCA** and then click Refresh. If it is selected, continue with [Step 4](#).
- Step 4** Referring to [Table 6-93](#), verify the client ports (Ports 1 through 4) TCA thresholds for RX Power High, RX Power Low, TX Power High, and TX Power Low based on the client interface at the other end. Provision new thresholds as needed replacing the old values with new ones.



Note Do not modify the Laser Bias parameters.



Note You must modify 15 Min and 1 Day independently. To do so, choose the appropriate radio button and click **Refresh**.

Table 6-93 40G-MXP-C Card Client Interfaces TCA Thresholds

PPM Port Rate	Pluggable Port Module ¹ (XFP)	TCA RX Power High	TCA RX Power Low	TCA TX Power High	TCA TX Power Low
FC8G	ONS-XC-8G-FC-SM	-9	-22	9.0	0.0
FC10G	ONS-XC-10G-1470 through ONS-XC-10G-1610 ONS-XC-10G-C ONS-XC-10G-S1	-9	-22	9.0	0.0
	ONS-XC-10G-I2	2.0	-15.8	8.0	-7.0
	ONS-XC-10G-L2	1.0	-14.0	5.0	-12.0
	ONS-XC-10G-SR-MM	0.0	0.0	6.0	-6.0

Table 6-93 40G-MXP-C Card Client Interfaces TCA Thresholds (continued)

PPM Port Rate	Pluggable Port Module ¹ (XFP)	TCA RX Power High	TCA RX Power Low	TCA TX Power High	TCA TX Power Low
10GE	ONS-XC-10G-30.3 through ONS-XC-10G-61.4 ONS-XC-10G-C ONS-XC-10G-SR-M ONS-XC-10G-S1	-9	-22	9.0	0.0
	ONS-XC-10G-I2	2.0	-15.8	8.0	-7.0
	ONS-XC-10G-L2	-7.0	-24.0	6.5	-2.5
OC192	ONS-XC-10G-30.3 through ONS-XC-10G-61.4 ONS-XC-10G-C ONS-XC-10G-1470 through ONS-XC-10G-1610 ONS-XC-10G-I2 ONS-XC-10G-SR-MM	-9	-22	9.0	0.0
	ONS-XC-10G-L2	-9.0	-26.0	8.0	-8.0
	ONS-XC-10G-S1	-1.0	-11.0	5.0	-12.0
OTU2	ONS-XC-10G-30.3 through ONS-XC-10G-61.4 ONS-XC-10G-C ONS-XC-10G-1470 through ONS-XC-10G-1610 ONS-XC-10G-I2 ONS-XC-10G-L2 ONS-XC-10G-SR-MM ONS-XC-10G-S1	-9	-22	9.0	0.0

1. In CTC, SFPs and XFPs are called pluggable port modules (PPMs). For more information about SFPs and XFPs, refer to the “Transponder and Muxponder Cards” chapter in the *Cisco ONS 15454 DWDM Reference Manual*.

- Step 5** Click **Apply**.
- Step 6** Repeat Steps 3 and 4 to provision additional client ports.
- Step 7** Under Types, click the **Alarm** radio button and click **Refresh**.
- Step 8** Referring to Table 6-94, verify the client port (Ports 1 through 8) Alarm thresholds for RX Power High, RX Power Low, TX Power High, and TX Power Low based on the client interface that is provisioned. Provision new thresholds as needed replacing the old values with new ones.

Table 6-94 40G-MXP-C Card Client Interface Alarm Thresholds

PPM Port Rate	Pluggable Port Module ¹ (XFP)	Alarm RX Power Low	Alarm RX Power High	Alarm TX Power Low	Alarm TX Power High
FC8G	ONS-XC-8G-FC-SM ONS-XC-10G-S1	-9	-22	9.0	0.0
FC10G	ONS-XC-10G-30.3 through ONS-XC-10G-61.4 ONS-XC-10G-C ONS-XC-10G-1470 through ONS-XC-10G-1610 ONS-XC-10G-S1	-9	-22	9.0	0.0
	ONS-XC-10G-I2	4.5	-18.3	4.5	-3.5
	ONS-XC-10G-L2	-4.5	-26.5	6.5	-2.5
	ONS-XC-10G-SR-MM	2.0	-2.0	2.0	-2.0
10GE	ONS-XC-10G-30.3 through ONS-XC-10G-61.4 ONS-XC-10G-C ONS-XC-10G-S1 ONS-XC-10G-SR-MM	-9	-22	9.0	0.0
	ONS-XC-10G-I2	4.5	-18.3	4.5	-3.5
	ONS-XC-10G-L2	-4.5	-26.5	6.5	-2.5
OC192	ONS-XC-10G-30.3 through ONS-XC-10G-61.4 ONS-XC-10G-C ONS-XC-10G-1470 through ONS-XC-10G-1610 ONS-XC-10G-I2 ONS-XC-8G-FC-SM ONS-XC-10G-SR-MM	-9	-22	9.0	0.0
	ONS-XC-10G-L2	-7.0	-28.0	4.0	-4.0
	ONS-XC-10G-S1	-1.0	-13.0	1.0	-8.0
OTU2	ONS-XC-10G-30.3 through ONS-XC-10G-61.4 ONS-XC-10G-C ONS-XC-10G-1470 through ONS-XC-10G-1610 ONS-XC-10G-S1 ONS-XC-10G-I2 ONS-XC-10G-L2 ONS-XC-8G-FC-SM ONS-XC-10G-SR-MM	-9	-22	9.0	0.0

1. In CTC, SFPs and XFPs are called pluggable port modules (PPMs). For more information about SFPs and XFPs, refer to the “Transponder and Muxponder Cards” chapter in the *Cisco ONS 15454 DWDM Reference Manual*.

- Step 9** Click **Apply**.
- Step 10** Repeat Steps 7 and 8 to provision additional client ports.
- Step 11** Return to your originating procedure (NTP).

DLP-G673 Change the 40G Muxponder OTN Settings

Purpose	This task changes the OTN settings for the 40G-MXP-C card.
Tools/Equipment	None
Prerequisite Procedures	DLP-G46 Log into CTC, page 3-30
Required/As Needed	As needed
Onsite/Remote	Onsite or remote
Security Level	Provisioning or higher

- Step 1** In node view (single-shelf mode) or shelf view (multishelf view), double-click the 40G-MXP-C card where you want to change the OTN settings.
- Step 2** Click the **Provisioning > OTN** tabs, then choose one of the following subtabs: **OTN Lines**, **ITU-T G.709 Thresholds**, **FEC Thresholds**, or **Trail Trace Identifier**.
- Step 3** Modify any of the settings described in Tables [6-95](#) through [6-98](#).



Note You must modify Near End and Far End; 15 Min and 1 Day; and SM and PM independently. To do so, choose the appropriate radio button and click **Refresh**.

[Table 6-95](#) describes the values on the Provisioning > OTN > OTN Lines tab.

Table 6-95 40G-MXP-C Card OTN Line Settings

Parameter	Description	Options
Port	(Display only) Displays the port number. Applicable for trunk ports and ports with OTU2 payload.	<ul style="list-style-type: none"> • 1-1 • 2-1 • 3-1 • 4-1 • 5 (Trunk)
ITU-T G.709 Thresholds	Sets the OTN lines according to ITU-T G.709.	<ul style="list-style-type: none"> • Enable • Disable
FEC	Sets the OTN lines to forward error correction (FEC).	<ul style="list-style-type: none"> • Standard • Enhanced

Table 6-95 40G-MXP-C Card OTN Line Settings (continued)

Parameter	Description	Options
SF BER	(Display only) Sets the signal fail bit error rate.	<ul style="list-style-type: none"> • 1E-5
SD BER	Sets the signal degrade bit error rate.	<ul style="list-style-type: none"> • 1E-5 • 1E-6 • 1E-7 • 1E-8 • 1E-9

Table 6-96 describes the values on the Provisioning > OTN > G.709 Thresholds tab.

Table 6-96 40G-MXP-C ITU-T G.709 Threshold Settings

Parameter	Description	Options
Port	(Display only) Displays the port number. Applicable for trunk ports and ports with OTU2 payload.	<ul style="list-style-type: none"> • 1-1 • 2-1 • 3-1 • 4-1 • 5 (Trunk)
ES	Errored seconds	Numeric. Can be set for Near End or Far End, for 15-minute or one-day intervals, or for SM (OTUk) or PM (ODUk). Select radio button individually and click Refresh . Click Reset to Default to restore default values.
SES	Severely errored seconds	Numeric. Can be set for Near End or Far End, for 15-minute or one-day intervals, or for SM (OTUk) or PM (ODUk). Select a radio button individually and click Refresh .
UAS	Unavailable seconds	Numeric. Can be set for Near End or Far End, for 15-minute or one-day intervals, or for SM (OTUk) or PM (ODUk). Select radio button individually and click Refresh .
BBE	Background block errors	Numeric. Can be set for Near End or Far End, for 15-minute or one-day intervals, or for SM (OTUk) or PM (ODUk). Select radio button individually and click Refresh .
FC	Failure counter	Numeric. Can be set for Near End or Far End, for 15-minute or one-day intervals, or for SM (OTUk) or PM (ODUk). Select radio button individually and click Refresh .

Table 6-97 describes the values on the Provisioning > OTN > FEC Threshold tab.

Table 6-97 40G-MXP-C Card FEC Threshold Settings

Parameter	Description	Options
Port	(Display only) Displays the port number. Applicable for trunk ports and ports with OTU2 payload.	<ul style="list-style-type: none"> • 1-1 • 2-1 • 3-1 • 4-1 • 5 (Trunk)
Bit Errors Corrected	Sets the value for bit errors corrected.	Numeric. Can be set for 15-minute or one-day intervals.
Uncorrectable Words	Sets the value for uncorrectable words.	Numeric. Can be set for 15-minute or one-day intervals.

Table 6-98 describes the values on the Provisioning > OTN > Trail Trace Identifier tab.

Table 6-98 40G-MXP-C Card Trail Trace Identifier Settings

Parameter	Description	Options
Port	(Display only) Displays the port number. Applicable for trunk ports and ports with OTU2 payload.	<ul style="list-style-type: none"> • 1-1 • 2-1 • 3-1 • 4-1 • 5 (Trunk)
Received Trace Mode	Sets the trace mode.	<ul style="list-style-type: none"> • Off/None • Manual
Disable AIS/RDI on TIM-S	Disables alarm indication signal.	<ul style="list-style-type: none"> • Checked (AIS/RDI on TIM-S is disabled) • Unchecked (AIS/RDI on TIM-S is not disabled)
Transmit Section Trace String Size	Sets the trace string size.	<ul style="list-style-type: none"> • 1 byte • 16 byte
Transmit	Displays and sets the current transmit string. You can click the button on the right to change the display. Its title changes, based on the current display mode. In Transmit String Type, click Hex Mode to change the display to hexadecimal (button changes to ASCII); click ASCII to change the display to ASCII (button changes to Hex Mode).	Transmit string size

Table 6-98 40G-MXP-C Card Trail Trace Identifier Settings (continued)

Parameter	Description	Options
Expected	Displays and sets the current expected string. You can click the button on the right to change the display. Its title changes, based on the current display mode. In Expected String Type, click Hex Mode to change the display to hexadecimal (button changes to ASCII); click ASCII to change the display to ASCII (button changes to Hex Mode).	Expected string size
Received	(Display only) Displays the current received string. Click Refresh to manually refresh this display, or check the Auto-refresh every 5 sec check box to keep this panel updated.	Received string size
Auto-refresh	Automatically refreshes the display every 5 seconds.	<ul style="list-style-type: none"> • Checked • Unchecked (default)

Step 4 Click **Apply**.

Step 5 Return to your originating procedure (NTP).

NTP-G281 Manage the GE_XP, 10GE_XP, GE_XPE, and 10GE_XPE Card Channel Group Settings

Purpose	This procedure changes the channel group settings for GE_XP, 10GE_XP, GE_XPE, and 10GE_XPE cards.
Tools/Equipment	None
Prerequisite Procedures	<ul style="list-style-type: none"> • NTP-G179 Install the TXP, MXP, GE_XP, 10GE_XP, GE_XPE, 10GE_XPE, ADM-10G, and OTU2_XP Cards, page 4-69 • “DLP-G379 Change the GE_XP, 10GE_XP, GE_XPE, and 10GE_XPE Card Mode” task on page 6-8 • DLP-G277 Provision a Multirate PPM, page 6-11 (if necessary)
Required/As Needed	As needed
Onsite/Remote	Onsite or remote
Security Level	Provisioning or higher

Step 1 Complete the [“DLP-G46 Log into CTC” task](#) on page 3-30 at the node where you want to change the channel group settings. If you are already logged in, continue with [Step 2](#).

Step 2 Perform any of the following tasks as needed:

- [DLP-G611 Create a Channel Group Using CTC](#), page 6-184
- [DLP-G612 Modify the Parameters of the Channel Group Using CTC](#), page 6-185
- [DLP-G613 Add or Remove Ports to or from an Existing Channel Group Using CTC](#), page 6-189
- [DLP-G614 Delete a Channel Group Using CTC](#), page 6-190
- [DLP-G615 Retrieve Information on Channel Group, REP, CFM, and EFM Using CTC](#), page 6-191
- [DLP-G616 View Channel Group PM Parameters for GE_XP, 10GE_XP, GE_XPE, and 10GE_XPE Cards Using CTC](#), page 6-192
- [DLP-G617 View Channel Group Utilization PM Parameters for GE_XP, 10GE_XP, GE_XPE, and 10GE_XPE Cards Using CTC](#), page 6-193
- [DLP-G618 View Channel Group History PM Parameters for GE_XP, 10GE_XP, GE_XPE, and 10GE_XPE Cards Using CTC](#), page 6-193
- [DLP-G619 Create a Channel Group on the GE_XP, 10GE_XP, GE_XPE, or 10GE_XPE Cards Using PCLI](#), page B-24
- [DLP-G620 Add Ports to a Channel Group on the GE_XP, 10GE_XP, GE_XPE, or 10GE_XPE Cards Using PCLI](#), page B-25

Step 3 Stop. You have completed this procedure.

DLP-G611 Create a Channel Group Using CTC

Purpose	This task creates a channel group on the GE_XP, 10GE_XP, GE_XPE, and 10GE_XPE cards.
Tools/Equipment	None
Prerequisite Procedures	DLP-G46 Log into CTC , page 3-30
Required/As Needed	As needed
Onsite/Remote	Onsite or remote
Security Level	Provisioning or higher



Note

You can create up to 11 channel groups on the GE_XP and GE_XPE cards and up to 2 channel groups on the 10GE_XP and 10GE_XPE cards. You can create a channel group with ports only when the ports do not have any UNI QinQ settings or NNI SVLAN settings. Otherwise, the channel group will be created with empty ports.

For information on interaction of LACP with other protocols, see the *Protocol Compatibility list* in the *Transponder and Muxponder Cards* chapter in the *Cisco ONS 15454 DWDM Reference Manual*.

- Step 1** Complete the “[DLP-G46 Log into CTC](#)” task on page 3-30 at the node where you want to create a channel group. If you are already logged in, continue with Step 2.
- Step 2** Verify that the GE_XP, 10GE_XP, GE_XPE, or 10GE_XPE card is installed according to the requirements specified in [Table 4-6 on page 4-109](#).

- Step 3** Verify that the GE_XP, 10GE_XP, GE_XPE, or 10GE_XPE card is installed in L2-over-DWDM mode. See “[DLP-G379 Change the GE_XP, 10GE_XP, GE_XPE, and 10GE_XPE Card Mode](#)” task on page 6-8.
- Step 4** In card view, click the **Provisioning > Channel Groups** tabs.
- Step 5** Click **Create**. The Channel Group Creation dialog box appears.
- Step 6** Enter the name of the channel group in the Name field.
- Step 7** From the Stand Alone list, choose the ports that will belong to this channel group and click the right arrow button to move the selected ports to the Bundled list.
- Step 8** From the LACP Mode drop-down list, choose the LACP mode as needed:
- On—Default mode. In this mode, the ports will not exchange LACP packets with the partner ports.
 - Active—In this mode, the ports will send LACP packets at regular intervals to the partner ports.
 - Passive—In this mode, the ports will not send LACP packets until the partner ports send LACP packets. After receiving the LACP packets from the partner ports, the ports will send LACP packets.
- Step 9** From the LACP Hashing drop-down list, select the LACP hashing algorithm that the protocol uses to perform the load balancing task between the bundled ports.
- The following hashing algorithms are supported:
- Ucast SA VLAN Incoming Port
 - Ucast DA VLAN Incoming Port
 - Ucast SA DA VLAN Incoming port
 - Ucast Src IP TCP UDP
 - Ucast Dst IP TCP UDP
 - Ucast Src Dst IP TCP UDP
- Step 10** Click **Create**.
- A new row is added in the LACP table and all the other parameters in the channel group are set to default values. The default values of these parameters are taken from the first port that is attached to the channel group.
- Step 11** Return to your originating procedure (NTP).

DLP-G612 Modify the Parameters of the Channel Group Using CTC

Purpose	This task modifies the parameters of the channel group.
Tools/Equipment	None
Prerequisite Procedures	DLP-G46 Log into CTC, page 3-30
Required/As Needed	As needed
Onsite/Remote	Onsite or remote
Security Level	Provisioning or higher

**Note**

Ports cannot be added or removed using this procedure. For adding or removing the ports, see “DLP-G613 Add or Remove Ports to or from an Existing Channel Group Using CTC” task on page 6-189.

- Step 1** Complete the “DLP-G46 Log into CTC” task on page 3-30 at the node where you want to modify the parameters of the channel group. If you are already logged in, continue with Step 2.
- Step 2** In node view (single-shelf mode) or shelf view (multishelf view), double-click the GE_XP, 10GE_XP, GE_XPE, or 10GE_XPE card where you want to modify the parameters of the channel group.
- Step 3** In card view, click the **Provisioning > Channel Groups** tabs.
- Step 4** Choose a channel group from the existing channel groups.
- Step 5** Modify the channel group settings as described in Table 6-99.

Table 6-99 Channel Group Settings

Parameter	Description	Options
Channel Group	(Display only) ID and name of the channel group.	N.A.
Name	Sets the name of the channel group.	—
Ports	(Display only) Port number (<i>n-n</i>) and rate (GE or TEN_GE of the channel group).	N.A.
LACP Mode	Sets the LACP mode. The channel group must be in OOS-DSBLD admin state.	<ul style="list-style-type: none"> • On • Active • Passive
Hashing	Sets the LACP hashing algorithm. The channel group must be in OOS-DSBLD admin state.	<ul style="list-style-type: none"> • Ucast SA VLAN Incoming Port • Ucast DA VLAN Incoming Port • Ucast SA DA VLAN Incoming port • Ucast Src IP TCP UDP • Ucast Dst IP TCP UDP • Ucast Src Dst IP TCP UDP
Admin State	Sets the administrative state on the channel group.	<ul style="list-style-type: none"> • IS • OOS, DSBLD
Service State	(Display only) Sets the service state that indicates the operational state of the channel group.	<ul style="list-style-type: none"> • IS-NR • OOS-MA, DSBLD

Table 6-99 Channel Group Settings

Parameter	Description	Options
MTU	Sets the maximum transfer unit (MTU), which sets the maximum number of bytes per frame accepted on the port. The member ports must be in OOS-DSBLD admin state. The default MTU value in the channel group is taken from the default settings in the node.	Numeric. Default: 9700 Range: 64 to 9700
Mode	Sets the provisional port mode. If the port mode is Auto, the Expected Speed field determines which ports can belong to the bundle. The member ports must be in OOS-DSBLD admin state.	<ul style="list-style-type: none"> • Auto • 1000 Mbps
Expected Speed	Sets the expected speed of ports of the channel group. The channel group must be in OOS-DSBLD admin state.	<ul style="list-style-type: none"> • 10 Mbps • 100 Mbps • 1000 Mbps
Duplex	(Display only) Expected duplex capability of ports of the channel group.	<ul style="list-style-type: none"> • Full
Committed Info Rate	Sets the guaranteed information rate as per the service provider service-level agreement. The channel group must be in OOS-DSBLD admin state.	Numeric. Default: 100 Range: 0 to 100%
Committed Burst Size	Sets the maximum number of bits transferred per second. The channel group must be in OOS-DSBLD admin state.	<ul style="list-style-type: none"> • 4k (default) • 8k • 16k • 32k • 64k • 128k • 256k • 512k • 1M • 2M • 4M • 8M • 16M

Table 6-99 Channel Group Settings

Parameter	Description	Options
Excess Burst Size	Sets the maximum number of bits credited for later transfer if the committed burst rate cannot be transmitted. The channel group must be in OOS-DSBLD admin state.	<ul style="list-style-type: none"> • 4k (default) • 8k • 16k • 32k • 64k • 128k • 256k • 512k • 1M • 2M • 4M • 8M • 16M
NIM	<p>Sets the network interface mode (NIM) for the channel group. The member ports must be in OOS-DSBLD admin state.</p> <p>The channel group NIM is set to UNI or NNI based on the mode of the first port that is added to the channel group.</p>	<ul style="list-style-type: none"> • UNI Mode (Default)—provisions the port as a User-Network Interface (UNI). This is the interface that faces the subscriber. • NNI Mode—provisions the port as a Network-to-Network Interface (NNI). This is the interface that faces the service provider network.
Ingress CoS	Provisions the IEEE 802.1p ingress class of service (CoS). Ingress CoS is used to set the priority of the Ethernet frame in the service provider network. The member ports must be in OOS-DSBLD admin state.	<ul style="list-style-type: none"> • 0 • 1 • 2 • 3 • 4 • 5 • 6 • 7 • Trust • CVLAN • DSCP

Table 6-99 Channel Group Settings

Parameter	Description	Options
Inner Ethertype (Hex)	Defines the inner Ethertype field. The Ethertype field indicates which protocol is being transported in an Ethernet frame. The member ports must be in OOS-DSBLD admin state to modify the Inner Ethertype value to a non-default value.	Numeric. Default: 8100 (IEEE Std 802.1Q customer VLAN tag type) Range: 0x600 to 0xffff.
Outer Ethertype (Hex)	Defines the outer Ethertype field. The Ethertype field identifies which protocol is being transported in an Ethernet frame. The member ports must be in OOS-DSBLD admin state.	Numeric. Default: 8100 (IEEE standard 802.1Q service provider VLAN tag type) Range: 0x600 to 0xffff
MAC Learning	Enables or disables MAC learning for the port on GE_XP, 10GE_XP, GE_XPE, and 10GE_XPE cards. MAC learning is used by Layer 2 switches to learn the MAC addresses of network nodes so that the Layer 2 switches send traffic to the right location. In GE_XPE or 10GE_XPE cards, enable MAC address learning per SVLAN.	<ul style="list-style-type: none"> Checked—MAC learning is enabled for this port. Unchecked—(Default) MAC learning is disabled for this port.

**Note**

When you set the Committed Info Rate above 40% on 10GE_XP and 10GE_XPE cards, the Committed Burst Size and Excess Burst Size must be set to at least 32K. The Committed Burst Size and Excess Burst Size can be increased based on the packet size and Committed Info Rate value.

Step 6 Click **Apply**.

Step 7 Return to your originating procedure (NTP).

DLP-G613 Add or Remove Ports to or from an Existing Channel Group Using CTC

Purpose	This task adds or removes ports to or from an existing channel group.
Tools/Equipment	None
Prerequisite Procedures	DLP-G46 Log into CTC, page 3-30
Required/As Needed	As needed
Onsite/Remote	Onsite or remote
Security Level	Provisioning or higher

Before You Begin

- You can assign up to eight ports to a channel group on GE_XP and GE_XPE cards and up to three ports on the 10GE_XP and 10GE_XPE cards.
- You can assign the ports to a channel group only if the ports are in OOS-DSBLD admin state. The ports must not have any UNI QinQ rule or NNI SVLAN configuration.
- If the channel group is configured in UNI mode, only the UNI ports can be added to the channel group. If the channel group is configured in NNI mode, only the NNI ports can be added to the channel group.

-
- Step 1** Complete the “[DLP-G46 Log into CTC](#)” task on page 3-30 at the node where you want add ports to an existing channel group. If you are already logged in, continue with Step 2.
- Step 2** In node view (single-shelf mode) or shelf view (multishelf view), double-click the GE_XP, 10GE_XP, GE_XPE, or 10GE_XPE card where you want to add ports to an existing channel group.
- Step 3** In card view, click the **Provisioning > Channel Groups** tabs.
- Step 4** Choose a channel group from the existing channel groups.
- Step 5** Click **Add/Remove Ports**. The Add/Remove Ports dialog box appears.
- Step 6** To add ports to an existing channel group, complete the following:
From the Stand Alone list, choose the required ports and click the right arrow button to move the selected ports to the Bundled list.
- Step 7** To remove ports from an existing channel group, complete the following:
From the Bundled list, choose the required ports and click the left arrow button to move the selected ports to the Stand Alone list.
- Step 8** Click **Apply**.
- Step 9** Return to your originating procedure (NTP).
-

DLP-G614 Delete a Channel Group Using CTC

Purpose	This task deletes a channel group.
Tools/Equipment	None
Prerequisite Procedures	DLP-G46 Log into CTC, page 3-30
Required/As Needed	As needed
Onsite/Remote	Onsite or remote
Security Level	Provisioning or higher

-
- Step 1** Complete the “[DLP-G46 Log into CTC](#)” task on page 3-30 at the node where you want to delete the channel group. If you are already logged in, continue with Step 2.
- Step 2** In node view (single-shelf mode) or shelf view (multishelf view), double-click the GE_XP, 10GE_XP, GE_XPE, or 10GE_XP card where you want to delete the channel group.

- Step 3** In card view, click the **Provisioning > Channel Groups** tabs.
- Step 4** Choose a channel group that you want to delete.
- Step 5** Click **Delete**.
- Step 6** Return to your originating procedure (NTP).

DLP-G615 Retrieve Information on Channel Group, REP, CFM, and EFM Using CTC

Purpose	This task enables you to view and retrieve information on the channel group, Resilient Ethernet Protocol (REP), Connectivity Fault Management (CFM), and Ethernet in the First Mile (EFM) on the GE_XP, 10GE_XP, GE_XPE, and 10GE_XPE cards.
Tools/Equipment	None
Prerequisite Procedures	DLP-G46 Log into CTC, page 3-30
Required/As Needed	As needed
Onsite/Remote	Onsite or remote
Security Level	Retrieve or higher

- Step 1** Complete the “[DLP-G46 Log into CTC](#)” task on page 3-30 at the node where you want to view and retrieve information on the channel group, REP, CFM, and EFM. If you are already logged in, continue with Step 2.
- Step 2** Verify that the GE_XP, 10GE_XP, GE_XPE, or 10GE_XPE card is installed in L2-over-DWDM mode. See “[DLP-G379 Change the GE_XP, 10GE_XP, GE_XPE, and 10GE_XPE Card Mode](#)” task on page 6-8.
- Step 3** In card view, click the **Maintenance > Show Commands** tabs.
- Step 4** From the Command drop-down list, choose a command.
- The following commands are supported:
- **ETH LACP**—Displays detailed LACP information from the GE_XP, 10GE_XP, GE_XPE, or 10GE_XPE cards.
 - **REP TOPO**—Displays the topology information for a specific REP segment.
 - **REP TOPO ARCHIVE**—Displays the previous topology information for a specific REP segment.
 - **REP INTERFACE**—Displays information on the REP interface status and configuration. You can retrieve detailed information for each segment by selecting Detailed from the Level drop-down list and providing the segment ID.
 - **OAM DISCOVERY**—Displays discovery information for all the EFM interfaces or for a specific EFM interface.
 - **OAM SUMMARY**—Displays the active EFM sessions on a device.
 - **OAM STATISTICS**—Displays detailed information about the EFM packets.

- OAM STATUS—Displays information about the EFM configurations for all the EFM interfaces or for a specific interface.

For more information, see the *Pseudo Command Line Interface Reference* chapter in the *Cisco ONS 15454 DWDM Reference Manual*.

- Step 5** From the Level drop-down list, choose **Normal** or **Detailed**.
- Step 6** Click **Show**. Depending on the command, the appropriate output appears in the text area.
- Step 7** Return to your originating procedure (NTP).
-

DLP-G616 View Channel Group PM Parameters for GE_XP, 10GE_XP, GE_XPE, and 10GE_XPE Cards Using CTC

Purpose	This task enables you to view current statistical performance monitoring (PM) counts on the GE_XP, 10GE_XP, GE_XPE, and 10GE_XPE cards and channel groups to detect possible performance problems.
Tools/Equipment	None
Prerequisite Procedures	DLP-G46 Log into CTC, page 3-30
Required/As Needed	As needed
Onsite/Remote	Onsite or remote
Security Level	Retrieve or higher

- Step 1** Complete the “[DLP-G46 Log into CTC](#)” task on page 3-30 at the node where you want to view the channel group PM counts on the GE_XP, 10GE_XP, GE_XPE, and 10GE_XPE cards.
- Step 2** In node view (single-shelf mode) or shelf view (multishelf mode), double-click the GE_XP, 10GE_XP, GE_XPE, or 10GE_XPE card where you want to view the channel group statistics. The card view appears.
- Step 3** Click the **Performance > Channel Groups > Statistics** tabs.
- Step 4** Click **Refresh**. Performance monitoring statistics for each channel group on the card appear in the Statistics tab.

View the PM parameter names in the Param column. The current PM parameter values appear in the Port # (CHGRP) column. For PM parameter definitions, refer to the “Performance Monitoring” chapter in the *Cisco ONS 15454 DWDM Reference Manual*.



Note To refresh, reset, or clear PM counts, see the “[NTP-G73 Change the PM Display](#)” procedure on page 9-2.

- Step 5** Return to your originating procedure (NTP).
-

DLP-G617 View Channel Group Utilization PM Parameters for GE_XP, 10GE_XP, GE_XPE, and 10GE_XPE Cards Using CTC

Purpose	This task enables you to view line utilization PM counts on the GE_XP, 10GE_XP, GE_XPE, and 10GE_XPE cards and channel groups to detect possible performance problems.
Tools/Equipment	None
Prerequisite Procedures	DLP-G46 Log into CTC, page 3-30
Required/As Needed	As needed
Onsite/Remote	Onsite or remote
Security Level	Retrieve or higher

-
- Step 1** Complete the “[DLP-G46 Log into CTC](#)” task on [page 3-30](#) at the node where you want to view the channel group utilization PM parameters on the GE_XP, 10GE_XP, GE_XPE, and 10GE_XPE cards.
- Step 2** In node view, double-click the GE_XP, 10GE_XP, GE_XPE, or 10GE_XPE card where you want to view the channel group utilization. The card view appears.
- Step 3** Click the **Performance > Channel Groups > Utilization** tabs.
- Step 4** Click **Refresh**. The utilization percentages for each channel group on the card appear in the Utilization tab.

View the Port # column to find the channel group you want to monitor.

The transmit (Tx) and receive (Rx) bandwidth utilization values, for the previous time intervals, appear in the Prev-*n* columns. For PM parameter definitions, refer to the “Performance Monitoring” chapter in the *Cisco ONS 15454 DWDM Reference Manual*.



Note To refresh, reset, or clear PM counts, see the “[NTP-G73 Change the PM Display](#)” procedure on [page 9-2](#).

- Step 5** Return to your originating procedure (NTP).
-

DLP-G618 View Channel Group History PM Parameters for GE_XP, 10GE_XP, GE_XPE, and 10GE_XPE Cards Using CTC

Purpose	This task enables you to view historical PM counts at selected time intervals on GE_XP, 10GE_XP, GE_XPE, and 10GE_XPE cards and channel groups to detect possible performance problems.
Tools/Equipment	None
Prerequisite Procedures	DLP-G46 Log into CTC, page 3-30
Required/As Needed	As needed
Onsite/Remote	Onsite or remote
Security Level	Retrieve or higher

-
- Step 1** Complete the “[DLP-G46 Log into CTC](#)” task on page 3-30 at the node where you want to view the channel group history PM parameters on the GE_XP, 10GE_XP, GE_XPE, and 10GE_XPE cards.
- Step 2** In node view (single-shelf mode) or shelf view (multishelf mode), double-click the GE_XP, 10GE_XP, GE_XPE, and 10GE_XPE card where you want to view the channel group history PM data. The card view appears.
- Step 3** Click the **Performance > Channel Groups > History** tabs.
- Step 4** From the **Port** field, choose a channel group.
- Step 5** Click **Refresh**. Performance monitoring statistics for each channel group on the card appear in the History tab.

View the PM parameter names that appear in the Param column. The PM parameter values appear in the Prev-*n* columns. For PM parameter definitions, refer to the “Performance Monitoring” chapter in the *Cisco ONS 15454 DWDM Reference Manual*.



Note To refresh, reset, or clear PM counts, see the “[NTP-G73 Change the PM Display](#)” procedure on page 9-2.

- Step 6** Return to your originating procedure (NTP).
-

NTP-G283 Manage the GE_XP, 10GE_XP, GE_XPE, and 10GE_XPE Card CFM Settings

Purpose	This procedure changes the CFM settings for GE_XP, 10GE_XP, GE_XPE, and 10GE_XPE cards.
Tools/Equipment	None
Prerequisite Procedures	<ul style="list-style-type: none"> • NTP-G179 Install the TXP, MXP, GE_XP, 10GE_XP, GE_XPE, 10GE_XPE, ADM-10G, and OTU2_XP Cards, page 4-69 • “DLP-G379 Change the GE_XP, 10GE_XP, GE_XPE, and 10GE_XPE Card Mode” task on page 6-8 • DLP-G277 Provision a Multirate PPM, page 6-11 (if necessary)
Required/As Needed	As needed
Onsite/Remote	Onsite or remote
Security Level	Provisioning or higher

-
- Step 1** Complete the “[DLP-G46 Log into CTC](#)” task on page 3-30 at the node where you want to change the CFM settings. If you are already logged in, continue with [Step 2](#).
- Step 2** Perform any of the following tasks as needed:
- [DLP-G621 Enable or Disable CFM on the Card Using CTC](#), page 6-195
 - [DLP-G622 Enable or Disable CFM for Each Port Using CTC](#), page 6-196
 - [DLP-G623 Create a Maintenance Domain Profile Using CTC](#), page 6-197

- [DLP-G624 Delete a Maintenance Domain Profile Using CTC, page 6-198](#)
- [DLP-G625 Create a Maintenance Association Profile Using CTC, page 6-199](#)
- [DLP-G626 Modify a Maintenance Association Profile Using CTC, page 6-200](#)
- [DLP-G627 Delete a Maintenance Association Profile Using CTC, page 6-200](#)
- [DLP-G628 Map a Maintenance Association Profile to a Maintenance Domain Profile Using CTC, page 6-201](#)
- [DLP-G629 Create a MEP Using CTC, page 6-202](#)
- [DLP-G630 Delete a MEP Using CTC, page 6-203](#)
- [DLP-G631 Create a MIP Using CTC, page 6-203](#)
- [DLP-G632 Delete a MIP Using CTC, page 6-204](#)
- [DLP-G633 Ping MEP Using CTC, page 6-205](#)
- [DLP-G634 Traceroute MEP Using CTC, page 6-206](#)
- [DLP-G615 Retrieve Information on Channel Group, REP, CFM, and EFM Using CTC, page 6-191](#)
- [DLP-G635 Enable CFM on the GE_XP, 10GE_XP, GE_XPE, or 10GE_XPE Cards Using PCLI, page B-29](#)
- [DLP-G636 Create a Maintenance Domain on the GE_XP, 10GE_XP, GE_XPE, or 10GE_XPE Cards Using PCLI, page B-29](#)
- [DLP-G637 Create a Maintenance Intermediate Point on the GE_XP, 10GE_XP, GE_XPE, or 10GE_XPE Cards Using PCLI, page B-30](#)
- [DLP-G638 Create a Maintenance End Point on the GE_XP, 10GE_XP, GE_XPE, or 10GE_XPE Cards Using PCLI, page B-31](#)

Step 3 Stop. You have completed this procedure.

DLP-G621 Enable or Disable CFM on the Card Using CTC

Purpose	This task allows you to enable or disable CFM on GE_XP, 10GE_XP, GE_XPE, and 10GE_XPE cards.
Tools/Equipment	None
Prerequisite Procedures	DLP-G46 Log into CTC, page 3-30
Required/As Needed	As needed
Onsite/Remote	Onsite or remote
Security Level	Retrieve or higher



Note

CFM is disabled on the card by default. CFM must be enabled at both card and port levels for the CFM service to work.

For information on interaction of CFM with other protocols, see the *Protocol Compatibility list* in the *Transponder and Muxponder Cards* chapter in the *Cisco ONS 15454 DWDM Reference Manual*.

-
- Step 1** Complete the “[DLP-G46 Log into CTC](#)” task on page 3-30 at the node where you want to enable or disable CFM on the card. If you are already logged in, continue with Step 2.
- Step 2** Verify that the GE_XP, 10GE_XP, GE_XPE, or 10GE_XPE card is installed in L2-over-DWDM mode. See “[DLP-G379 Change the GE_XP, 10GE_XP, GE_XPE, and 10GE_XPE Card Mode](#)” task on page 6-8.
- Step 3** In card view, click the **Provisioning > Security** tab.
- Step 4** Uncheck the **MAC security** check box to disable MAC security.
- Step 5** In card view, click the **Provisioning > CFM > Configuration > Global Settings** tabs.
- Step 6** Check the **Enable CFM** check box that is present at the bottom of the screen.
- Step 7** Choose the value for CC Timer field. The value can be 1 second, 10 seconds, or 1 minute.



Note Continuity Check (CC) messages are periodically exchanged between maintenance end points (MEPs). The CC Timer field is used to set the time frequency for transmission of CC messages.

- Step 8** Click **Apply** to enable CFM on the card.



Note Uncheck the **Enable CFM** check box to disable CFM on the card.

- Step 9** Return to your originating procedure (NTP).
-

DLP-G622 Enable or Disable CFM for Each Port Using CTC

Purpose	This task allows you to enable or disable CFM for each port on GE_XP, 10GE_XP, GE_XPE, and 10GE_XPE cards.
Tools/Equipment	None
Prerequisite Procedures	DLP-G46 Log into CTC , page 3-30
Required/As Needed	As needed
Onsite/Remote	Onsite or remote
Security Level	Retrieve or higher



Note CFM must be enabled at both card and port levels for the CFM service to work. However, CFM is enabled on all the ports by default.

-
- Step 1** Complete the “[DLP-G46 Log into CTC](#)” task on page 3-30 at the node where you want to enable or disable CFM for each port. If you are already logged in, continue with Step 2.
- Step 2** Verify that the GE_XP, 10GE_XP, GE_XPE, or 10GE_XPE card is installed in L2-over-DWDM mode. See “[DLP-G379 Change the GE_XP, 10GE_XP, GE_XPE, and 10GE_XPE Card Mode](#)” task on page 6-8.
- Step 3** In card view, click the **Provisioning > CFM > Configuration > Global Settings** tabs.

Step 4 If you want to enable CFM on a specific port, check the **Enable CFM** check box against that port.

Step 5 Choose the value for CC Timer field. The value can be 1 second, 10 seconds, or 1 minute.



Note Continuity Check (CC) messages are periodically exchanged between MEPs. The CC Timer field is used to set the time frequency for transmission of CC messages.

Step 6 Click **Apply** to enable CFM on the port.



Note Uncheck the **Enable CFM** check box against the port to disable CFM on the port.

Step 7 Return to your originating procedure (NTP).

DLP-G623 Create a Maintenance Domain Profile Using CTC

Purpose	This task allows you to create a maintenance domain profile on the GE_XP, 10GE_XP, GE_XPE, and 10GE_XPE cards.
Tools/Equipment	None
Prerequisite Procedures	DLP-G46 Log into CTC , page 3-30
Required/As Needed	As needed
Onsite/Remote	Onsite or remote
Security Level	Retrieve or higher

Before You Begin

- You can create up to eight maintenance domain profiles on the GE_XP, 10GE_XP, GE_XPE, or 10GE_XPE cards.
- The maximum number of characters for the maintenance domain profile and the maintenance association profile must not exceed 43 characters.

Step 1 Complete the “[DLP-G46 Log into CTC](#)” task on page 3-30 at the node where you want to create a maintenance domain profile. If you are already logged in, continue with Step 2.

Step 2 Verify that the GE_XP, 10GE_XP, GE_XPE, or 10GE_XPE card is installed in L2-over-DWDM mode. See “[DLP-G379 Change the GE_XP, 10GE_XP, GE_XPE, and 10GE_XPE Card Mode](#)” task on page 6-8.

Step 3 In card view, click the **Provisioning > CFM > Configuration > Domain Profiles** tabs or in node/network view, click the **Provisioning > CFM Profiles > Domain Profiles** tabs.



Note Use the network view to store the domain profile on multiple nodes.

Step 4 Click **Add row(s)**.

- Step 5** Enter the name of the domain in the Domain Name field.
 - Step 6** Enter the level of the domain profile in the Level field. The range of the domain profile level is from 0 to 7.
 - Step 7** Click **Store**.
 - Step 8** Choose the card slot where you want to store this domain profile and click **OK**.
 - Step 9** Return to your originating procedure (NTP).
-

DLP-G624 Delete a Maintenance Domain Profile Using CTC

Purpose	This task allows you to delete a maintenance domain profile on the GE_XP, 10GE_XP, GE_XPE, and 10GE_XPE cards.
Tools/Equipment	None
Prerequisite Procedures	DLP-G46 Log into CTC, page 3-30
Required/As Needed	As needed
Onsite/Remote	Onsite or remote
Security Level	Retrieve or higher

- Step 1** Complete the [“DLP-G46 Log into CTC” task on page 3-30](#) at the node where you want to delete a maintenance domain profile. If you are already logged in, continue with Step 2.
 - Step 2** Verify that the GE_XP, 10GE_XP, GE_XPE, or 10GE_XPE card is installed in L2-over-DWDM mode. See [“DLP-G379 Change the GE_XP, 10GE_XP, GE_XPE, and 10GE_XPE Card Mode” task on page 6-8](#).
 - Step 3** In card view, click the **Provisioning > CFM > Configuration > Domain Profiles** tabs or in node/network view, click the **Provisioning > CFM Profiles > Domain Profiles** tabs.
 - Step 4** Select the domain profiles that you want to delete.
 - Step 5** Check the **on Node** check box.
 - Step 6** Click **Delete Sel. row(s)**. The **CFM Profile Deleting** dialog box appears.
 - Step 7** Choose the card slot where you want to delete this profile and click **OK**. The **Deleting Profile** dialog box appears.
 - Step 8** In the **Deleting Profile** dialog box, click **Yes**.
 - Step 9** Return to your originating procedure (NTP).
-

DLP-G625 Create a Maintenance Association Profile Using CTC

Purpose	This task allows you to create a maintenance association profile on GE_XP, 10GE_XP, GE_XPE, and 10GE_XPE cards.
Tools/Equipment	None
Prerequisite Procedures	DLP-G46 Log into CTC, page 3-30
Required/As Needed	As needed
Onsite/Remote	Onsite or remote
Security Level	Retrieve or higher



Note You can create up to 1500 maintenance association profiles on GE_XP, 10GE_XP, GE_XPE, or 10GE_XPE cards.

- Step 1** Complete the “[DLP-G46 Log into CTC](#)” task on page 3-30 at the node where you want to create a maintenance association profile. If you are already logged in, continue with Step 2.
- Step 2** Verify that the GE_XP, 10GE_XP, GE_XPE, or 10GE_XPE card is installed in L2-over-DWDM mode. See “[DLP-G379 Change the GE_XP, 10GE_XP, GE_XPE, and 10GE_XPE Card Mode](#)” task on page 6-8.
- Step 3** In card view, click the **Provisioning > CFM > Configuration > MA Profiles** tabs or in node/network view, click the **Provisioning > CFM Profiles > MA Profiles** tabs.



Note Use the network view to store the maintenance association profile on multiple nodes.

- Step 4** Click **Add row(s)**.
- Step 5** Enter the name of the maintenance association in the Maintenance Profile Name field.
- Step 6** Enter the VLAN ID in the VLAN ID field. The range of the VLAN ID is from 1 to 4093.
- Step 7** Check the **CC Enable** check box to receive Continuity Check messages.
- Step 8** Click **Store**.
- Step 9** Choose the card slot where you want to store this maintenance association profile and click **OK**.
- Step 10** Return to your originating procedure (NTP).

DLP-G626 Modify a Maintenance Association Profile Using CTC

Purpose	This task allows you to modify a maintenance association profile on GE_XP, 10GE_XP, GE_XPE, and 10GE_XPE cards.
Tools/Equipment	None
Prerequisite Procedures	DLP-G46 Log into CTC, page 3-30
Required/As Needed	As needed
Onsite/Remote	Onsite or remote
Security Level	Retrieve or higher



Note Ensure that the maintenance association profile you want to modify is not associated with a maintenance domain profile.

-
- Step 1** Complete the “[DLP-G46 Log into CTC](#)” task on page 3-30 at the node where you want to modify a maintenance association profile. If you are already logged in, continue with Step 2.
- Step 2** Verify that the GE_XP, 10GE_XP, GE_XPE, or 10GE_XPE card is installed in L2-over-DWDM mode. See “[DLP-G379 Change the GE_XP, 10GE_XP, GE_XPE, and 10GE_XPE Card Mode](#)” task on page 6-8.
- Step 3** In card view, click the **Provisioning > CFM > Configuration > MA Profiles** tabs or in node/network view, click the **Provisioning > CFM Profiles > MA Profiles** tabs.
- Step 4** Select the maintenance association profiles that you want to modify.
- Step 5** Click **Modify Selected Profile(s)**. The **Modify MA Profile** dialog box appears.
- Step 6** Modify the values as required and click **OK**.
- Step 7** Return to your originating procedure (NTP).
-

DLP-G627 Delete a Maintenance Association Profile Using CTC

Purpose	This task allows you to delete a maintenance association profile on GE_XP, 10GE_XP, GE_XPE, and 10GE_XPE cards.
Tools/Equipment	None
Prerequisite Procedures	DLP-G46 Log into CTC, page 3-30
Required/As Needed	As needed
Onsite/Remote	Onsite or remote
Security Level	Retrieve or higher



Note Ensure that the maintenance association profile you want to delete is not associated with a maintenance domain profile.

-
- Step 1** Complete the “[DLP-G46 Log into CTC](#)” task on page 3-30 at the node where you want to delete a maintenance association profile. If you are already logged in, continue with Step 2.
- Step 2** Verify that the GE_XP, 10GE_XP, GE_XPE, or 10GE_XPE card is installed in L2-over-DWDM mode. See “[DLP-G379 Change the GE_XP, 10GE_XP, GE_XPE, and 10GE_XPE Card Mode](#)” task on page 6-8.
- Step 3** In card view, click the **Provisioning > CFM > Configuration > MA Profiles** tabs or in node/network view, click the **Provisioning > CFM Profiles > MA Profiles** tabs.
- Step 4** Select the maintenance association profiles that you want to delete.
- Step 5** Check the **on Node** check box.
- Step 6** Click **Delete Sel. row(s)**. The **CFM Profile Deleting** dialog box appears.
- Step 7** Choose the card slot where you want to delete this profile and click **OK**. The **Deleting Profile** dialog box appears.
- Step 8** In the **Deleting Profile** dialog box, click **Yes**.
- Step 9** Return to your originating procedure (NTP).
-

DLP-G628 Map a Maintenance Association Profile to a Maintenance Domain Profile Using CTC

Purpose	This task allows you to map a maintenance association profile to a maintenance domain profile on the GE_XP, 10GE_XP, GE_XPE, and 10GE_XPE cards.
Tools/Equipment	None
Prerequisite Procedures	DLP-G46 Log into CTC , page 3-30
Required/As Needed	As needed
Onsite/Remote	Onsite or remote
Security Level	Retrieve or higher



Note Ensure that you have already created maintenance domain profiles and maintenance association profiles.

- Step 1** Complete the “[DLP-G46 Log into CTC](#)” task on page 3-30 at the node where you want to map a maintenance association profile to a maintenance domain profile. If you are already logged in, continue with Step 2.
- Step 2** Verify that the GE_XP, 10GE_XP, GE_XPE, or 10GE_XPE card is installed in L2-over-DWDM mode. See “[DLP-G379 Change the GE_XP, 10GE_XP, GE_XPE, and 10GE_XPE Card Mode](#)” task on page 6-8.
- Step 3** In card view, click the **Provisioning > CFM > Configuration > MA-Domain Mapping** tabs.
- Step 4** From the main drop-down list, choose a maintenance domain profile.
- Step 5** Click **Link MA Profiles**. The **Link MA Profiles** dialog box appears.

- Step 6** From the Available Profiles list, choose the required MA profiles and click the right arrow button to move the MA profiles to the Linked Profiles list and click **OK**.



Note The maintenance association profiles that are mapped with a specific maintenance domain profile must have a unique SVLAN ID.

- Step 7** Return to your originating procedure (NTP).

DLP-G629 Create a MEP Using CTC

Purpose	This task allows you to create a Maintenance End Point (MEP) for a given VLAN range on a specific maintenance domain.
Tools/Equipment	None
Prerequisite Procedures	DLP-G46 Log into CTC, page 3-30
Required/As Needed	As needed
Onsite/Remote	Onsite or remote
Security Level	Retrieve or higher



Note You can create up to 255 MEPs and MIPs on the GE_XP and 10GE_XP cards. You can create up to 500 MEPs and MIPs on the GE_XPE and 10GE_XPE cards.

- Step 1** Complete the “[DLP-G46 Log into CTC](#)” task on page 3-30 at the node where you want to create a MEP. If you are already logged in, continue with Step 2.
- Step 2** Verify that the GE_XP, 10GE_XP, GE_XPE, or 10GE_XPE card is installed in L2-over-DWDM mode. See “[DLP-G379 Change the GE_XP, 10GE_XP, GE_XPE, and 10GE_XPE Card Mode](#)” task on page 6-8.
- Step 3** In card view, click the **Provisioning > CFM > Configuration > MEP** tabs.
- Step 4** Click **Create**. The **Create MEP** dialog box appears.
- Step 5** From the Port drop-down list, choose a port where you want to create the MEP.



Note CFM must be enabled on the port to create a MEP. The port must not belong to a channel group.

- Step 6** From the Domain drop-down list, choose a maintenance domain.

- Step 7** Enter the SVLAN ID in the Vlan Id field.



Note The specified VLAN must be configured on the selected port. The specified VLAN must also appear in the MA-Domain Mapping table.

- Step 8** Enter the MP ID (identifier of the maintenance end point) in the MPID field and click **OK**. The range of the MP ID is from 1 to 8191.

The MP ID must not be the same between the maintenance end points.

- Step 9** Return to your originating procedure (NTP).
-

DLP-G630 Delete a MEP Using CTC

Purpose	This task allows you to delete a MEP on the GE_XP, 10GE_XP, GE_XPE, and 10GE_XPE cards.
Tools/Equipment	None
Prerequisite Procedures	DLP-G46 Log into CTC, page 3-30
Required/As Needed	As needed
Onsite/Remote	Onsite or remote
Security Level	Retrieve or higher

- Step 1** Complete the “[DLP-G46 Log into CTC](#)” task on page 3-30 at the node where you want to delete a MEP. If you are already logged in, continue with Step 2.
- Step 2** Verify that the GE_XP, 10GE_XP, GE_XPE, or 10GE_XPE card is installed in L2-over-DWDM mode. See “[DLP-G379 Change the GE_XP, 10GE_XP, GE_XPE, and 10GE_XPE Card Mode](#)” task on page 6-8.
- Step 3** In card view, click the **Provisioning > CFM > Configuration > MEP** tabs.
- Step 4** Select the MEPs that you want to delete.
- Step 5** Click **Delete**.
- Step 6** Return to your originating procedure (NTP).
-

DLP-G631 Create a MIP Using CTC

Purpose	This task allows you to create a Maintenance Intermediate Point (MIP) for a given VLAN range with a specific maintenance level.
Tools/Equipment	None
Prerequisite Procedures	DLP-G46 Log into CTC, page 3-30
Required/As Needed	As needed
Onsite/Remote	Onsite or remote
Security Level	Retrieve or higher



Note

You can create up to 255 MEPs and MIPs on the GE_XP and 10GE_XP cards. You can create up to 500 MEPs and MIPs on the GE_XPE and 10GE_XPE cards.

-
- Step 1** Complete the “[DLP-G46 Log into CTC](#)” task on page 3-30 at the node where you want to create a MIP. If you are already logged in, continue with Step 2.
- Step 2** Verify that the GE_XP, 10GE_XP, GE_XPE, or 10GE_XPE card is installed in L2-over-DWDM mode. See “[DLP-G379 Change the GE_XP, 10GE_XP, GE_XPE, and 10GE_XPE Card Mode](#)” task on page 6-8.
- Step 3** In card view, click the **Provisioning > CFM > Configuration > MIP** tabs.
- Step 4** Click **Create**. The **Create MIP** dialog box appears.
- Step 5** From the Port drop-down list, choose a port where you want to create the MIP.



Note The port must not belong to a channel group.

- Step 6** From the Level drop-down list, choose a maintenance level. The range of the maintenance level is from 0 to 7.
- Step 7** Enter the SVLAN range in the Vlan range field. The range of the SVLAN is from 1 to 4093.



Note The specified SVLAN must be configured on the selected port.

- Step 8** Click **OK**.
- Step 9** Return to your originating procedure (NTP).
-

DLP-G632 Delete a MIP Using CTC

Purpose	This task allows you to delete a MIP on the GE_XP, 10GE_XP, GE_XPE, and 10GE_XPE cards.
Tools/Equipment	None
Prerequisite Procedures	DLP-G46 Log into CTC , page 3-30
Required/As Needed	As needed
Onsite/Remote	Onsite or remote
Security Level	Retrieve or higher

-
- Step 1** Complete the “[DLP-G46 Log into CTC](#)” task on page 3-30 at the node where you want to delete a MIP. If you are already logged in, continue with Step 2.
- Step 2** Verify that the GE_XP, 10GE_XP, GE_XPE, or 10GE_XPE card is installed in L2-over-DWDM mode. See “[DLP-G379 Change the GE_XP, 10GE_XP, GE_XPE, and 10GE_XPE Card Mode](#)” task on page 6-8.
- Step 3** In card view, click the **Provisioning > CFM > Configuration > MIP** tabs.
- Step 4** Select the MIPs that you want to delete.
- Step 5** Click **Delete**.

Step 6 Return to your originating procedure (NTP).

DLP-G633 Ping MEP Using CTC

Purpose	This task allows you to display the output of the ping command on the GE_XP, 10GE_XP, GE_XPE, and 10GE_XPE cards.
Tools/Equipment	None
Prerequisite Procedures	DLP-G46 Log into CTC, page 3-30
Required/As Needed	As needed
Onsite/Remote	Onsite or remote
Security Level	Retrieve or higher

Step 1 Complete the “[DLP-G46 Log into CTC](#)” task on page 3-30 at the node where you want to ping MEP. If you are already logged in, continue with Step 2.

Step 2 Verify that the GE_XP, 10GE_XP, GE_XPE, or 10GE_XPE card is installed in L2-over-DWDM mode. See “[DLP-G379 Change the GE_XP, 10GE_XP, GE_XPE, and 10GE_XPE Card Mode](#)” task on page 6-8.

Step 3 In card view, click the **Provisioning > CFM > Ping** tabs.

Step 4 Enter the MP ID value in the MPID field. The range of the MP ID is from 1 to 8191.



Note Remote MP ID user cannot ping local MP ID.

Step 5 (Optional) Enter the MAC address of the remote maintenance point in the Mac Addr field. The format of MAC address is abcd.abcd.abcd.

Step 6 Enter the SVLAN ID in the VLAN ID field. The range of the SVLAN ID is from 1 to 4093.

Step 7 Enter the domain name in the Domain Name field.

Step 8 Enter the size of the ping packet in the DataGram Size field. The default value is 100.

Step 9 Enter the number of ping packets in the No of Requests field. The default value is 5.

Step 10 Click **Ping**. The output of the ping command appears in the Ping Response area.

Step 11 Return to your originating procedure (NTP).

DLP-G634 Traceroute MEP Using CTC

Purpose	This task allows you to display the output of the traceroute command on the GE_XP, 10GE_XP, GE_XPE, and 10GE_XPE cards.
Tools/Equipment	None
Prerequisite Procedures	DLP-G46 Log into CTC, page 3-30
Required/As Needed	As needed
Onsite/Remote	Onsite or remote
Security Level	Retrieve or higher

-
- Step 1** Complete the “[DLP-G46 Log into CTC](#)” task on page 3-30 at the node where you want to view the output of the **traceroute** command. If you are already logged in, continue with Step 2.
- Step 2** Verify that the GE_XP, 10GE_XP, GE_XPE, or 10GE_XPE card is installed in L2-over-DWDM mode. See “[DLP-G379 Change the GE_XP, 10GE_XP, GE_XPE, and 10GE_XPE Card Mode](#)” task on page 6-8.
- Step 3** In card view, click the **Provisioning > CFM > Traceroute** tabs.
- Step 4** Enter the remote MP ID value in the MPID field. The range of the MP ID is from 1 to 8191.
- Step 5** (Optional) Enter the MAC address of the remote maintenance point in the Mac Addr field. The format of MAC address is abcd.abcd.abcd.
- Step 6** Enter the SVLAN ID in the VLAN ID field. The range of the SVLAN ID is from 1 to 4093.
- Step 7** Enter the domain name in the Domain Name field.
- Step 8** Click **TraceRoute Response**.
- The output of the **traceroute** command appears in the TraceRoute Response area.
- Verify the RlyHit message is shown in the traceroute display and LTM reaches a maintenance point whose MAC address matches the target MAC address.
 - Verify the RlyFDB message is shown in the traceroute display when the next hop address is found in the forwarding database.
 - Verify the RlyMPDB message is shown in the traceroute display when the next hop address is found in the CCDN.
- Step 9** Return to your originating procedure (NTP).
-

NTP-G285 Manage the GE_XP, 10GE_XP, GE_XPE, and 10GE_XPE Card EFM Settings

Purpose	This procedure changes the EFM settings of the GE_XP, 10GE_XP, GE_XPE, and 10GE_XPE cards.
Tools/Equipment	None
Prerequisite Procedures	<ul style="list-style-type: none"> • NTP-G179 Install the TXP, MXP, GE_XP, 10GE_XP, GE_XPE, 10GE_XPE, ADM-10G, and OTU2_XP Cards, page 4-69 • “DLP-G379 Change the GE_XP, 10GE_XP, GE_XPE, and 10GE_XPE Card Mode” task on page 6-8 • DLP-G277 Provision a Multirate PPM, page 6-11 (if necessary)
Required/As Needed	As needed
Onsite/Remote	Onsite or remote
Security Level	Provisioning or higher

Step 1 Complete the [“DLP-G46 Log into CTC” task](#) on page 3-30 at the node where you want to change the EFM settings. If you are already logged in, continue with [Step 2](#).

Step 2 Perform any of the following tasks as needed:

- [DLP-G639 Enable or Disable EFM for Each Port Using CTC](#), page 6-207
- [DLP-G640 Configure EFM Parameters Using CTC](#), page 6-208
- [DLP-G641 Configure EFM Link Monitoring Parameters Using CTC](#), page 6-210
- [DLP-G642 Enable Remote Loopback for Each Port Using CTC](#), page 6-211
- [DLP-G615 Retrieve Information on Channel Group, REP, CFM, and EFM Using CTC](#), page 6-191
- [DLP-G643 Enable EFM on the GE_XP, 10GE_XP, GE_XPE, or 10GE_XPE Cards Using PCLI](#), page B-26
- [DLP-G644 Configure the EFM Mode on the GE_XP, 10GE_XP, GE_XPE, or 10GE_XPE Cards Using PCLI](#), page B-27

Stop. You have completed this procedure.

DLP-G639 Enable or Disable EFM for Each Port Using CTC

Purpose	This task allows you to enable or disable EFM for each port on the GE_XP, 10GE_XP, GE_XPE, and 10GE_XPE cards.
Tools/Equipment	None
Prerequisite Procedures	DLP-G46 Log into CTC , page 3-30
Required/As Needed	As needed
Onsite/Remote	Onsite or remote
Security Level	Retrieve or higher

Before You Begin

- You can enable EFM on both UNI and NNI ports.
- You cannot enable or disable EFM for ports that belong to a channel group.
- For information on interaction of EFM with other protocols, see the *Protocol Compatibility list* in the *Transponder and Muxponder Cards* chapter in the *Cisco ONS 15454 DWDM Reference Manual*.

-
- Step 1** Complete the “[DLP-G46 Log into CTC](#)” task on page 3-30 at the node where you want to enable or disable EFM for each port. If you are already logged in, continue with Step 2.
- Step 2** Verify that the GE_XP, 10GE_XP, GE_XPE, or 10GE_XPE card is installed in L2-over-DWDM mode. See “[DLP-G379 Change the GE_XP, 10GE_XP, GE_XPE, and 10GE_XPE Card Mode](#)” task on page 6-8.
- Step 3** In card view, click the **Provisioning > EFM > Configuration** tabs. The EFM details appear for each port.
- Step 4** From the EFM State drop-down list, choose **Enabled**.
- Step 5** Click **Apply** to enable EFM for that port.



Note From the EFM State drop-down list, choose **Disabled** to disable EFM for that port.

- Step 6** Return to your originating procedure (NTP).
-

DLP-G640 Configure EFM Parameters Using CTC

Purpose	This task allows you to configure EFM parameters on the GE_XP, 10GE_XP, GE_XPE, and 10GE_XPE cards.
Tools/Equipment	None
Prerequisite Procedures	DLP-G46 Log into CTC , page 3-30
Required/As Needed	As needed
Onsite/Remote	Onsite or remote
Security Level	Retrieve or higher

-
- Step 1** Complete the “[DLP-G46 Log into CTC](#)” task on page 3-30 at the node where you want to configure EFM parameters. If you are already logged in, continue with Step 2.
- Step 2** Verify that the GE_XP, 10GE_XP, GE_XPE, or 10GE_XPE card is installed in L2-over-DWDM mode. See “[DLP-G379 Change the GE_XP, 10GE_XP, GE_XPE, and 10GE_XPE Card Mode](#)” task on page 6-8.
- Step 3** In card view, click the **Provisioning > EFM > Configuration** tabs.

Step 4 Modify the EFM parameter settings as described in [Table 6-100](#).

Table 6-100 EFM Parameter Settings

Parameter	Description	Options
Port	(Display only) Port number (<i>n-n</i>) and rate (GE or TEN_GE).	—
EFM State	Sets the state of the EFM protocol for each port.	<ul style="list-style-type: none"> Enabled Disabled
Mode	Sets the operating mode of the port. If the mode is Active, the port sends OAM Protocol Data Units (OAMPDUs) at regular intervals to the partner ports. If the mode is Passive, the port will not send OAMPDUs until the partner ports send OAMPDUs.	<ul style="list-style-type: none"> Active Passive
Link Fault	<p>Sets the Remote Failure Indication (RFI) action. If the link is down on a port, the link fault RFI is sent to the partner port through OAMPDU. An alarm indicating the remote failure indication link fault (RFI-LF) is raised. The alarm is cleared after you clear the link fault condition.</p> <p>You can specify the following actions for link fault RFI:</p> <ul style="list-style-type: none"> Error Block—The interface is placed in the error-block state and the RFI-LF alarm is raised. None—Only the RFI-LF alarm is raised. <p>Note Dying Gasp and critical events are not supported.</p>	<ul style="list-style-type: none"> Error Block None
Session Timer	Sets the duration up to when the EFM session is retained with the partner port without receiving OAMPDUs.	<p>Default: 5 seconds</p> <p>Range: 2 to 30 seconds</p>

Step 5 Click **Apply** to save the changes.

Step 6 Return to your originating procedure (NTP).

DLP-G641 Configure EFM Link Monitoring Parameters Using CTC

Purpose	This task allows you to configure EFM link monitoring parameters for each port on the GE_XP, 10GE_XP, GE_XPE, and 10GE_XPE cards.
Tools/Equipment	None
Prerequisite Procedures	DLP-G46 Log into CTC , page 3-30
Required/As Needed	As needed
Onsite/Remote	Onsite or remote
Security Level	Retrieve or higher

- Step 1** Complete the “[DLP-G46 Log into CTC](#)” task on page 3-30 at the node where you want to configure EFM link monitoring parameters. If you are already logged in, continue with Step 2.
- Step 2** Verify that the GE_XP, 10GE_XP, GE_XPE, or 10GE_XPE card is installed in L2-over-DWDM mode. See “[DLP-G379 Change the GE_XP, 10GE_XP, GE_XPE, and 10GE_XPE Card Mode](#)” task on page 6-8.
- Step 3** In card view, click the **Provisioning > EFM > Link Monitoring** tabs.
- Step 4** Modify the EFM link monitoring parameter settings as described in [Table 6-101](#).

Table 6-101 EFM Link Monitoring Parameter Settings

Parameter	Description	Options
Port	(Display only) Port number (<i>n-n</i>) and rate (GE or TEN_GE).	—
EF Max	Sets the threshold value for the maximum number of errored frames to detect during a specific period.	Range: 1 to 65535
EF Min	Sets the threshold value for the minimum number of errored frames to detect during a specific period.	Range: 0 to 65535
EF Action	Specifies that when the parameter value exceeds the maximum threshold value, the applicable action is None. When the parameter value falls below the minimum threshold value, a threshold crossing alert (transient condition) is generated.	<ul style="list-style-type: none"> None Squelch
EF Window	Period in which the errored frame parameters are monitored.	Range: 10 to 600
EFP Max	Sets the threshold value for the maximum number of errored frames within the last <i>n</i> frames.	Range: 1 to 65535
EFP Min	Sets the threshold value for the minimum number of errored frames within the last <i>n</i> frames.	Range: 0 to 65535

Table 6-101 EFM Link Monitoring Parameter Settings

Parameter	Description	Options
EFP Action	Specifies that when the parameter value exceeds the maximum threshold value, the applicable action is None. When the parameter value falls below the minimum threshold value, a threshold crossing alert (transient condition) is generated.	<ul style="list-style-type: none"> None Squelch
EFP Window	Period in which the EFP parameters are monitored.	Range: 1 to 65535
EFSS Max	Sets the threshold value for the maximum number of errored seconds within the last <i>m</i> seconds.	Range: 1 to 900
EFSS Min	Sets the threshold value for the minimum number of errored seconds within the last <i>m</i> seconds.	Range: 0 to 900
EFSS Action	Specifies that when the parameter value exceeds the maximum threshold value, the applicable action is None. When the parameter value falls below the minimum threshold value, a threshold crossing alert (transient condition) is generated.	<ul style="list-style-type: none"> None Squelch
EFSS Window	Specifies the period when the EFSS parameters are monitored.	Range: 100 to 9000

Step 5 Click **Apply** to save the changes.

Step 6 Return to your originating procedure (NTP).

DLP-G642 Enable Remote Loopback for Each Port Using CTC

Purpose	This task allows you to enable remote loopback for each port on the GE_XP, 10GE_XP, GE_XPE, and 10GE_XPE cards.
Tools/Equipment	None
Prerequisite Procedures	DLP-G46 Log into CTC, page 3-30
Required/As Needed	As needed
Onsite/Remote	Onsite or remote
Security Level	Retrieve or higher

Step 1 Complete the “[DLP-G46 Log into CTC](#)” task on page 3-30 at the node where you want to enable the remote loopback for each port. If you are already logged in, continue with Step 2.

Step 2 Verify that the GE_XP, 10GE_XP, GE_XPE, or 10GE_XPE card is installed in L2-over-DWDM mode. See “[DLP-G379 Change the GE_XP, 10GE_XP, GE_XPE, and 10GE_XPE Card Mode](#)” task on page 6-8.

- Step 3** In card view, click the **Provisioning > EFM > Loopback** tabs.
The remote loopback type details appear for each port.
- Step 4** From the Remote Loopback Type drop-down list, choose **Remote Loopback**.
- Step 5** Click **Apply** to save the changes.
- Step 6** Return to your originating procedure (NTP).
-

NTP-G287 Manage the GE_XP, 10GE_XP, GE_XPE, and 10GE_XPE Card REP Settings

Purpose	This procedure changes the REP settings for the GE_XP, 10GE_XP, GE_XPE, and 10GE_XPE cards.
Tools/Equipment	None
Prerequisite Procedures	<ul style="list-style-type: none"> • NTP-G179 Install the TXP, MXP, GE_XP, 10GE_XP, GE_XPE, 10GE_XPE, ADM-10G, and OTU2_XP Cards, page 4-69 • “DLP-G379 Change the GE_XP, 10GE_XP, GE_XPE, and 10GE_XPE Card Mode” task on page 6-8 • DLP-G277 Provision a Multirate PPM, page 6-11 (if necessary)
Required/As Needed	As needed
Onsite/Remote	Onsite or remote
Security Level	Provisioning or higher

- Step 1** Complete the [“DLP-G46 Log into CTC” task](#) on page 3-30 at the node where you want to change the REP settings. If you are already logged in, continue with [Step 2](#).
- Step 2** Perform any of the following tasks as needed:
- [DLP-G645 Create a Segment Using CTC](#), page 6-214
 - [DLP-G646 Edit a Segment Using CTC](#), page 6-216
 - [DLP-G647 Activate VLAN Load Balancing Using CTC](#), page 6-216
 - [DLP-G648 Deactivate VLAN Load Balancing Using CTC](#), page 6-217
 - [DLP-G615 Retrieve Information on Channel Group, REP, CFM, and EFM Using CTC](#), page 6-191
 - [DLP-G649 Create a Segment on the GE_XP, 10GE_XP, GE_XPE, or 10GE_XPE Cards Using PCLI](#), page B-33
 - [DLP-G650 Configure STCN on the GE_XP, 10GE_XP, GE_XPE, or 10GE_XPE Cards Using PCLI](#), page B-34
 - [DLP-G651 Configure Preemption Delay on the Primary Edge Port Using PCLI](#), page B-35
 - [DLP-G652 Configure VLAN Load Balancing on the Primary Edge Port Using PCLI](#), page B-36

Stop. You have completed this procedure.

DLP-G713 Provision Administrative VLAN for Ports in a REP Segment Using CTC

Purpose	This task allows you to provision administrative VLAN for NNI and UNI ports in a REP segment on the GE_XP, 10GE_XP, GE_XPE, and 10GE_XPE cards.
Tools/Equipment	None
Prerequisite Procedures	“DLP-G46 Log into CTC” task on page 3-30
Required/As Needed	As needed
Onsite/Remote	Onsite or remote
Security Level	Retrieve or higher



Note One administrative CVLAN and one administrative SVLAN can be provisioned for each card. The REP segments using NNI ports send Hardware Flood Layer (HFL) messages using the administrative SVLAN. The REP segments using UNI ports send HFL messages using the administrative CVLAN. The two VLANs need not be the same.

- Step 1** Complete the [“DLP-G46 Log into CTC” task on page 3-30](#) at the node where you want to provision administrative VLAN. If you are already logged in, continue with Step 2.
- Step 2** Verify that the GE_XP, 10GE_XP, GE_XPE, or 10GE_XPE card is installed in L2-over-DWDM mode. See [“DLP-G379 Change the GE_XP, 10GE_XP, GE_XPE, and 10GE_XPE Card Mode” task on page 6-8](#).
- Step 3** In card view, click the **Provisioning > REP > Admin VLAN Configuration** tabs.
- Step 4** To provision administrative VLAN for NNI ports in a REP segment, perform the following steps:
- From the SVLAN drop-down list, choose a SVLAN. The following table describes the REP convergence time for SVLANs.

Table 6-102 REP Convergence Time for SVLANs

SVLAN	Administrative VLAN	REP Convergence Time
0 (default)	Not configured	4 to 5 seconds
1 to 4093	Configured	Less than 200 milliseconds

- Click **Apply**.
 - To associate the chosen SVLAN with the NNI ports, see [“DLP-G382 Add and Remove SVLANs to/from GE_XP, 10GE_XP, GE_XPE, and 10GE_XPE NNI Ports” task on page 6-234](#).
- Step 5** To provision administrative VLAN for UNI ports in a REP segment, perform the following steps:
- Enter the CVLAN in the CVLAN field.
 - Click **Apply**.
 - To associate the CVLAN with the UNI ports, see [“DLP-G384 Provision the GE_XP, 10GE_XP, GE_XPE, and 10GE_XPE QinQ Settings” task on page 6-236](#).
- Step 6** Return to your originating procedure (NTP).

DLP-G645 Create a Segment Using CTC

Purpose	This task allows you to create a segment on the GE_XP, 10GE_XP, GE_XPE, and 10GE_XPE cards.
Tools/Equipment	None
Prerequisite Procedures	DLP-G46 Log into CTC, page 3-30
Required/As Needed	As needed
Onsite/Remote	Onsite or remote
Security Level	Retrieve or higher

Before You Begin

- You can create up to three segments on a card. Each segment can have up to two ports on the same switch.
- You must configure the REP administrative VLAN to activate the Hardware Flood Layer (HFL).
- Before creating REP segments, you must configure the administrative VLAN or use the default VLAN 1 and add the ports to the segment. Only one SVLAN can be configured per card for all the three segments.
- You must configure two edge ports in the segment. A segment has only one primary edge port. If you configure two ports in a segment as the primary edge port, for example, ports on different switches, REP selects one of the ports to serve as the primary edge port based on port priority.
- If REP is enabled on two ports on a switch, both the ports must be either regular ports or edge ports. However, if the No-neighbor port is configured, one port can be an edge port and another port can be a regular port.
- You can also optionally configure where to send segment topology change notifications (STCNs) and VLAN load balancing (VLB). STCNs are enabled only for primary edge ports. VLB configurations are enabled on any edge ports.
- For information on interaction of REP with other protocols, see the *Protocol Compatibility list* in the *Transponder and Muxponder Cards* chapter in the *Cisco ONS 15454 DWDM Reference Manual*.

-
- Step 1** Complete the “[DLP-G46 Log into CTC](#)” task on page 3-30 at the node where you want to create a segment. If you are already logged in, continue with Step 2.
- Step 2** Verify that the GE_XP, 10GE_XP, GE_XPE, or 10GE_XPE card is installed in L2-over-DWDM mode. See “[DLP-G379 Change the GE_XP, 10GE_XP, GE_XPE, and 10GE_XPE Card Mode](#)” task on page 6-8.
- Step 3** In card view, click the **Provisioning > REP > Segment** tabs.
- Step 4** Click **Create**. The **Create Segment** wizard appears.
- Step 5** Enter the segment ID in the Segment field. The range of the segment ID is from 1 to 1024.
- Step 6** From the Port drop-down list, choose a REP port that must belong to this segment.



Note A REP port can belong to only one segment.

Step 7 From the Port Role area, choose whether you want to configure the port as an edge port or a regular port. The options are:

- a. Edge—The port is configured as an edge port.
 - Check the **Primary** check box to configure the edge port as a primary edge port for VLAN load balancing. A segment can have only one primary edge port
 - Uncheck the **Primary** check box to configure the edge port as a secondary edge port.
 - Check the **Preferred** check box to configure the edge port as a preferred alternate port (alternate to primary edge port) for VLAN load balancing.



Note Configuring a port as **preferred** does not ensure that it becomes the alternate port; it gives it preference over other similar ports.

- Check the **NoNeighbor** check box if the edge port must not have a neighbor port. REP does not check for neighbor adjacency.



Note When the **NoNeighbor** check box is checked, ensure that only one segment is created.

- b. None—The port is configured as a regular port. If you choose this option, Segment Topology Change Notifications (STCN) and VLAN Load Balancing (VLB) configurations are disabled. Check the **Preferred** check box to configure the regular port as a preferred alternate port.

Step 8 From the STCN area, configure the destination of STCN messages:

- a. Check the **Enable** check box to enable sending STCN messages.
- b. From the Port drop-down list, choose the STCN port to send STCN messages or enter the segment ID in the Segment field to send STCN messages. The STCN port and REP port must be unique.

Step 9 From the VLAN Load Balancing area, configure VLAN Load Balancing on the primary edge port:

- a. Check the **Enable** check box to enable VLB.
- b. Enter a single SVLAN or range of SVLANs in the SVLAN field.
- c. Enter the Rep PortId in the Rep PortId field to identify the VLAN blocking alternate port. This unique port ID is automatically generated when REP is enabled.
- d. Check the **Preferred** check box to select the segment port previously identified as the preferred alternate port for VLAN load balancing.

Step 10 From the VLB Preempt Delay area, enter the trigger delay for automatic VLB activation. The range is 15 to 300 seconds.

Step 11 Click **Next**.

Step 12 Enter the details of the second port to add it to the segment.

Repeat [Step 6](#) to [10](#) when the first port is configured as a regular port and the second port is configured as a primary edge port. Repeat [Step 6](#) to [7](#) when the first port is configured as a primary edge port and the second port is configured as a regular port.

Step 13 Click **Finish**.

Step 14 Return to your originating procedure (NTP).

DLP-G646 Edit a Segment Using CTC

Purpose	This task allows you to edit a segment on the GE_XP, 10GE_XP, GE_XPE, and 10GE_XPE cards.
Tools/Equipment	None
Prerequisite Procedures	DLP-G46 Log into CTC, page 3-30
Required/As Needed	As needed
Onsite/Remote	Onsite or remote
Security Level	Retrieve or higher



Note You can edit only the STCN and VLB entries for a segment.

- Step 1** Complete the “[DLP-G46 Log into CTC](#)” task on [page 3-30](#) at the node where you want to edit a segment. If you are already logged in, continue with Step 2.
- Step 2** Verify that the GE_XP, 10GE_XP, GE_XPE, or 10GE_XPE card is installed in L2-over-DWDM mode. See “[DLP-G379 Change the GE_XP, 10GE_XP, GE_XPE, and 10GE_XPE Card Mode](#)” task on [page 6-8](#).
- Step 3** In card view, click the **Provisioning > REP > Segment** tabs. The list of segments appear.
- Step 4** Choose a segment from the list of segments.
- Step 5** Click **Edit**.
- Step 6** Modify the values as required and click **Finish**.
- Step 7** Return to your originating procedure (NTP).
-

DLP-G647 Activate VLAN Load Balancing Using CTC

Purpose	This task allows you to activate VLAN load balancing on the GE_XP, 10GE_XP, GE_XPE, and 10GE_XPE cards.
Tools/Equipment	None
Prerequisite Procedures	DLP-G46 Log into CTC, page 3-30
Required/As Needed	As needed
Onsite/Remote	Onsite or remote
Security Level	Retrieve or higher



Note When VLAN load balancing is activated, the default configuration is manual preemption with the delay timer disabled.

-
- Step 1** Complete the “[DLP-G46 Log into CTC](#)” task on page 3-30 at the node where you want to activate VLAN load balancing. If you are already logged in, continue with Step 2.
- Step 2** Verify that the GE_XP, 10GE_XP, GE_XPE, or 10GE_XPE card is installed in L2-over-DWDM mode. See “[DLP-G379 Change the GE_XP, 10GE_XP, GE_XPE, and 10GE_XPE Card Mode](#)” task on page 6-8.
- Step 3** In card view, click the **Provisioning > REP > Segment** tabs. The list of segments appear.
- Step 4** Choose a segment from the list of segments.
- Step 5** Click **Activate VLB**.
- Step 6** Return to your originating procedure (NTP).
-

DLP-G648 Deactivate VLAN Load Balancing Using CTC

Purpose	This task allows you to deactivate VLAN load balancing on the GE_XP, 10GE_XP, GE_XPE, and 10GE_XPE cards.
Tools/Equipment	None
Prerequisite Procedures	DLP-G46 Log into CTC , page 3-30
Required/As Needed	As needed
Onsite/Remote	Onsite or remote
Security Level	Retrieve or higher

-
- Step 1** Complete the “[DLP-G46 Log into CTC](#)” task on page 3-30 at the node where you want to deactivate VLAN load balancing. If you are already logged in, continue with Step 2.
- Step 2** Verify that the GE_XP, 10GE_XP, GE_XPE, or 10GE_XPE card is installed in L2-over-DWDM mode. See “[DLP-G379 Change the GE_XP, 10GE_XP, GE_XPE, and 10GE_XPE Card Mode](#)” task on page 6-8.
- Step 3** In card view, click the **Provisioning > REP > Segment** tabs. The list of segments appear.
- Step 4** Choose a segment from the list of segments.
- Step 5** Click **Deactivate VLB**.
- Step 6** Return to your originating procedure (NTP).
-

NTP-G165 Modify the GE_XP, 10GE_XP, GE_XPE, 10GE_XPE Cards Ethernet Parameters, Line Settings, and PM Thresholds

Purpose	This procedure changes Ethernet, line, and PM threshold settings for the GE_XP, 10GE_XP, GE_XPE, and 10GE_XPE cards.
Tools/Equipment	None
Prerequisite Procedures	NTP-G179 Install the TXP, MXP, GE_XP, 10GE_XP, GE_XPE, 10GE_XPE, ADM-10G, and OTU2_XP Cards, page 4-69 DLP-G63 Install an SFP or XFP, page 4-71
Required/As Needed	As needed
Onsite/Remote	Onsite or remote
Security Level	Provisioning or higher

-
- Step 1** Complete the “[DLP-G46 Log into CTC](#)” task on page 3-30 at the node where you want to change the card settings. If you are already logged in, continue with Step 2.
- Step 2** As needed, complete the “[NTP-G103 Back Up the Database](#)” procedure on page 14-2 to preserve the existing transmission settings.
- Step 3** Verify the card mode:
- Display the GE_XP, 10GE_XP, GE_XPE, and 10GE_XPE card in card view.
 - Click the **Provisioning > Card** tabs.
 - Verify that the card mode is set to the mode designated by your site plan:
 - L2-over-DWDM (GE_XP, 10GE_XP, GE_XPE, or 10GE_XPE)
 - 10GE TXP (10GE_XP or 10 GE_XPE)
 - 10GE MXP (GE_XP or GE_XPE)
 - 20GE MXP (GE_XP or GE_XPE)

If the card mode is set correctly, continue with Step 4. If not, complete the “[DLP-G379 Change the GE_XP, 10GE_XP, GE_XPE, and 10GE_XPE Card Mode](#)” task on page 6-8.
- Step 4** Complete the “[DLP-G380 Provision the GE_XP, 10GE_XP, GE_XPE, and 10GE_XPE Card Ethernet Settings](#)” task on page 6-219.
- Step 5** If the ONS-SC-E1-T1-PW or ONS-SC-E3-T3-PW SFP is inserted in the GE_XPE card, complete the following tasks, as needed.
- [DLP-G684 Provision the GE_XPE Card PDH Ethernet Settings, page 6-227](#)
 - [DLP-G685 Provision the GE_XPE Card Electrical Lines Settings, page 6-229](#)
- Step 6** If the GE_XP, 10GE_XP, GE_XPE, or 10GE_XPE card mode is L2-over-DWDM, complete the following tasks, as needed. If the card mode is not L2-over-DWDM, continue with Step 7.
- [DLP-G381 Provision the GE_XP, 10GE_XP, GE_XPE, and 10GE_XPE Layer 2 Protection Settings, page 6-231](#)
 - [DLP-G421 Create and Store an SVLAN Database, page 8-58](#)
 - [DLP-G382 Add and Remove SVLANS to/from GE_XP, 10GE_XP, GE_XPE, and 10GE_XPE NNI Ports, page 6-234](#)

- [DLP-G383 Provision the GE_XP, 10GE_XP, GE_XPE, and 10GE_XPE Quality of Service Settings, page 6-235](#)
- [DLP-G384 Provision the GE_XP, 10GE_XP, GE_XPE, and 10GE_XPE QinQ Settings, page 6-236](#)
- [NTP-G205 Enable Link Integrity on GE_XP, 10GE_XP, GE_XPE, or 10GE_XPE Cards, page 6-244.](#)
- [DLP-G385 Provision the MAC Filter Settings for GE_XP, 10GE_XP, GE_XPE, or 10GE_XPE Card, page 6-240](#)
- [NTP-G204 Enable IGMP Snooping on GE_XP, 10GE_XP, GE_XPE, or 10GE_XPE Cards, page 6-248](#) or [NTP-G220 Enable IGMP Snooping on GE_XP, 10GE_XP, GE_XPE, or 10GE_XPE Cards Using PCLI, page B-14.](#)
- [NTP-G206 Enable MVR on a GE_XP, 10GE_XP, GE_XPE, or 10GE_XPE Card, page 6-250](#) or [NTP-G224 Enable MVR on GE_XP, 10GE_XP, GE_XPE, or 10GE_XPE Cards Using PCLI, page B-18.](#)
- [DLP-G460 Enable MAC Address Learning on SVLANs for GE_XPE or 10GE_XPE Cards Using CTC, page 6-239](#) or [NTP-G226 Enable MAC Address Learning on SVLANs for GE_XP, 10GE_XP, GE_XPE, or 10GE_XPE Cards Using PCLI, page B-11.](#)

Step 7 Complete the following tasks, as needed:

- [DLP-G386 Provision the Gigabit Ethernet Trunk Port Alarm and TCA Thresholds, page 6-252](#)
- [DLP-G387 Provision the Gigabit Ethernet Client Port Alarm and TCA Thresholds, page 6-253](#)
- [DLP-G388 Change the GE_XP, 10GE_XP, GE_XPE, or 10GE_XPE Card RMON Thresholds, page 6-255](#)
- [DLP-G389 Change the Gigabit Ethernet Optical Transport Network Settings, page 6-258](#)



Note To use the Alarm Profiles tab, including creating alarm profiles and suppressing alarms, see [Chapter 10, “Manage Alarms.”](#)

Stop. You have completed this procedure.

DLP-G380 Provision the GE_XP, 10GE_XP, GE_XPE, and 10GE_XPE Card Ethernet Settings

Purpose	This task changes the Ethernet settings for the GE_XP, 10GE_XP, GE_XPE, or 10GE_XPE card.
Tools/Equipment	None
Prerequisite Procedures	DLP-G46 Log into CTC, page 3-30
Required/As Needed	As needed
Onsite/Remote	Onsite or remote
Security Level	Provisioning or higher

- Step 1** In node view (single-shelf mode) or shelf view (multishelf view), double-click the GE_XP, 10GE_XP, GE_XPE, or 10GE_XPE card where you want to change the Ethernet settings. The card view appears.
- Step 2** Click the **Provisioning > Ether Ports > Ethernet** tabs.
- Step 3** Modify any of the settings for the Ethernet tab as described in [Table 6-103](#). The parameters that appear depend on the card mode.

Table 6-103 GE_XP, 10GE_XP, GE_XPE, and 10GE_XPE Ethernet Settings


Parameter	Description	Card Mode	Options
Port	(Display only) The Port number (<i>n-n</i>) and rate (GE or TEN_GE).	<ul style="list-style-type: none"> L2-over-DWDM 10GE TXP 10GE MXP 20GE MXP 	—
MTU	The maximum size of the Ethernet frames accepted by the port. The port must be in OOS/locked state.	<ul style="list-style-type: none"> L2-over-DWDM 10GE TXP 10GE MXP 20GE MXP 	Numeric. Default: 9700 Range 64 to 9700 (for R9.1 and later) (jumbo frame)
Mode	<p>Sets the Ethernet mode. The port must be in OOS/locked state before setting the card mode.</p> <p>Note For GE_XP and GE_XPE cards that are in Y-cable protection groups, Mode must be set to 1000 Mbps for those client ports that are configured in Y-cable. For 10GE_XP and 10GE_XPE cards that are in Y-cable protection groups, Mode must be set to 10000 Mbps.</p>	<ul style="list-style-type: none"> L2-over-DWDM 10GE TXP 10GE MXP 20GE MXP 	<ul style="list-style-type: none"> Auto (default) Display Only 1000 Mbps 10000 Mbps <p>Note If Mode is set to Auto on the GE_XP or GE_XPE port, autonegotiation gets enabled on the peer port.</p> <p> Note On GE_XP card, the copper Pluggable Port Module (PPM) interface can auto-negotiate and carry traffic even when the peer interface operates at rates other than 1000 Mbps.</p>

Table 6-103 GE_XP, 10GE_XP, GE_XPE, and 10GE_XPE Ethernet Settings (continued)

Parameter	Description	Card Mode	Options
Flow Control	<p>Enables/disables flow control messaging with its peer port. When enabled, the port can send and receive PAUSE frames when buffer congestion occurs. When disabled, no PAUSE frames are transmitted and the PAUSE frames received are discarded.</p> <p>Note Flow control messaging is symmetric and not negotiated. When flow control is enabled on one port, the other end of the link (peer port) is not considered. That is, even if flow control is disabled on the peer port, the GE_XP, 10GE_XP, GE_XPE, or 10GE_XPE card will send PAUSE frames.</p>	<ul style="list-style-type: none"> • L2-over-DWDM • 10GE MXP • 10GE TXP • 20GE MXP 	<ul style="list-style-type: none"> • ON—Flow control is enabled. • OFF (default)—Flow control is disabled. • Display Only.
Media Type	<p>(GE_XPE card only) Sets the Media Type.</p> <p>Note PROV-MISMATCH alarm is raised if the Media Type is not set to Ethernet Over DS1 (ANSI) or Ethernet Over E1 (ETSI) for ONS-SC-EOP1, Ethernet Over DS3 (ANSI) or Ethernet Over E3 (ETSI) for ONS-SC-EOP3, or DS1 Over Ethernet (ANSI) or E1 Over Ethernet (ETSI) for ONS-SC-E1-T1-PW or DS3 Over Ethernet (ANSI) or E3 Over Ethernet (ETSI) for ONS-SC-E3-T3-PW. Set the correct Media Type to clear the PROV-MISMATCH alarm.</p>	<ul style="list-style-type: none"> • L2-over-DWDM • 10GE MXP • 20GE MXP 	<ul style="list-style-type: none"> • Ethernet Over DS1 (ANSI) (for ONS-SC-EOP1) • Ethernet Over E1 (ETSI) (for ONS-SC-EOP1) • Ethernet Over DS3 (ANSI) (for ONS-SC-EOP3) • Ethernet Over E3 (ETSI) (for ONS-SC-EOP3) • DS1 over Ethernet (ANSI) (for ONS-SC-E1-T1-PW) • DS3 over Ethernet (ANSI) (for ONS-SC-E3-T3-PW) • E1 Over Ethernet (ETSI) (for ONS-SC-E1-T1-PW) • E3 Over Ethernet (ETSI) (for ONS-SC-E3-T3-PW)
Committed Info Rate	<p>Sets the guaranteed information rate as provided by the service provider service-level agreement. The port must be in OOS/locked state.</p>	<ul style="list-style-type: none"> • L2-over-DWDM • 10GE MXP • 20GE MXP 	<p>Numeric. Default: 100</p> <p>Range: 0 to 100%</p>

Table 6-103 GE_XP, 10GE_XP, GE_XPE, and 10GE_XPE Ethernet Settings (continued)

Parameter	Description	Card Mode	Options
Committed Burst Size	Sets the maximum number of bits that will be transferred per second. The port must be in OOS/locked state before the Committed Burst Size is provisioned.	<ul style="list-style-type: none"> L2-over-DWDM 10GE MXP 20GE MXP 	<ul style="list-style-type: none"> 4k (default) 8k 16k 32k 64k 128k 256k 512k 1MB 2MB 8MB 16MB
Excess Burst Size	The maximum number of bits that are credited for later transfer in the event the committed burst rate cannot be transmitted. The port must be in OOS/locked state before the Excess Burst Size is provisioned.	<ul style="list-style-type: none"> L2-over-DWDM 10GE MXP 20GE MXP 	<ul style="list-style-type: none"> None 4k (default) 8k 16k 32k 64k 128k 256k 512k 1MB 2MB 8MB 16MB
NIM	Sets the port network interface mode (NIM). This parameter classifies port types designed for the Metro Ethernet market to simplify deployment, management, and troubleshooting. The port must be in OOS/locked state before the NIM is provisioned.	L2-over-DWDM	<ul style="list-style-type: none"> UNI Mode—provisions the port as a user-to-network interface (UNI). This is the interface that faces the subscriber. NNI Mode—provisions the port as a network-to-network interface. This is the interface that faces the service provider network.
Egress QoS	Enables Quality of Service (QoS) on the port's egress or output queues. The port must be in OOS/locked state before the Egress QoS is provisioned.	L2-over-DWDM	<ul style="list-style-type: none"> Checked—QoS is enabled on the port's egress queues. Unchecked—(Default) QoS is disabled on the port's egress queues.

Table 6-103 GE_XP, 10GE_XP, GE_XPE, and 10GE_XPE Ethernet Settings (continued)

Parameter	Description	Card Mode	Options
MAC Learning	<p>Enables or disables MAC learning for the port on GE_XP, 10GE_XP, GE_XPE, and 10GE_XPE cards. MAC learning is used by Layer 2 switches to learn the MAC addresses of network nodes so the Layer 2 switches send traffic to the right location. Layer 2 switches, including the GE_XP, 10GE_XP, GE_XPE, and 10GE_XPE cards in L2-over-DWDM mode with MAC Learning configured, maintain a MAC learning table that associates the MAC addresses and VLANs with a given port.</p> <p>Note MAC addresses on SVLANs attached to the port must also be enabled to provision MAC address learning on GE_XPE and 10GE_XPE cards.</p> <p>Note MAC address table aging is 300 seconds. It cannot be changed.</p>	L2-over-DWDM	<ul style="list-style-type: none"> Checked—MAC learning is enabled for this port. Unchecked—(Default) MAC learning is disabled.

Table 6-103 GE_XP, 10GE_XP, GE_XPE, and 10GE_XPE Ethernet Settings (continued)

Parameter	Description	Card Mode	Options
Ingress CoS	<p>Provisions the IEEE 802.1p ingress Class of Service (CoS). The CoS .1p bits set the Ethernet frame priority. The port must be in OOS/locked state before the Ingress CoS is provisioned.</p> <p>Ingress CoS is used to set the priority of the Ethernet frame in the service provider network. This parameter is used to set the CoS .1p bits in the SVLAN tag.</p> <p>Ingress CoS applies only to ports provisioned as UNI mode. It does not apply to ports provisioned as NNI mode.</p>	L2-over-DWDM	<ul style="list-style-type: none"> • 0—(default) All incoming frames on the port will have the CoS .1p bits in the SVLAN tag set to 0. • 1—All incoming frames on the port will have the CoS .1p bits in the SVLAN tag set to 1. • 2—All incoming frames on the port will have the CoS .1p bits in the SVLAN tag set to 2. • 3—All incoming frames on the port will have the CoS .1p bits in the SVLAN tag set to 3. • 4—All incoming frames on the port will have the CoS .1p bits in the SVLAN tag set to 4. • 5—All incoming frames on the port will have the CoS .1p bits in the SVLAN tag set to 5. • 6—All incoming frames on the port will have the CoS .1p bits in the SVLAN tag set to 6. • 7—All incoming frames on the port will have the CoS .1p bits in the SVLAN tag set to 7. • Trust—Automatically copies customer VLAN tag into the service provider VLAN tag. • CVLAN—CoS can be provisioned based on CVLAN. For information on how CoS can be provisioned on the IEEE 802.1QinQ CVLAN tags, refer to the “DLP-G384 Provision the GE_XP, 10GE_XP, GE_XPE, and 10GE_XPE QinQ Settings” task on page 6-236. <p>If CVLAN CoS is configured on a GE_XP or a 10GE_XP card, a PROV-MISMATCH alarm is raised. Until this alarm is cleared, provisioning on the card is not possible.</p> <p>The CVLAN CoS configuration takes effect only after QinQ is configured.</p>

Table 6-103 GE_XP, 10GE_XP, GE_XPE, and 10GE_XPE Ethernet Settings (continued)

Parameter	Description	Card Mode	Options
Inner Ethertype (Hex)	<p>Defines the inner Ethertype field. The Ethertype field indicates which protocol is being transported in an Ethernet frame.</p> <p>The inner Ethertype applies to ports provisioned in UNI mode only. It does not apply to ports provisioned as NNI mode. The ports must be OOS/locked before the inner Ethertype is provisioned.</p>	L2-over-DWDM	<p>Numeric.</p> <p>Default: 8100 (IEEE Std 802.1Q customer VLAN tag type)</p> <p>Range: 0x0600 to 0xFFFF</p>
Outer Ethertype (Hex)	<p>Defines the outer Ethertype field. The Ethertype field identifies which protocol is being transported in an Ethernet frame. The ports must be OOS/locked before the Outer Ethertype is provisioned.</p> <p>Note The PROV-MISMATCH alarm is raised on GE_XPE and 10GE_XPE cards if more than four different Outer Ethertype options are configured per card.</p>	L2-over-DWDM	<p>Numeric.</p> <p>Default: 8100 (IEEE 802.1Q customer VLAN tag type)</p> <p>Range: 0x0600 to 0xFFFF</p>
IGMP Static Router Port	Adds multicast-capable ports to the forwarding table for every IP multicast.	L2-over-DWDM	<ul style="list-style-type: none"> • Checked—IGMP static router port is enabled. • Unchecked—(Default) IGMP static router port is disabled.
AIS Action	Defines the AIS action type provisioned on the port.	L2-over-DWDM	<ul style="list-style-type: none"> • None—No action. • Squelch—When an AIS packet is received on a SVLAN terminating on the UNI-port, the UNI port is squelched.
Protection Action	<p>Configures the standby port behavior.</p> <p>Set Protection Action to None if Media Type is set to Ethernet Over DS1 (ANSI) or Ethernet Over E1 (ETSI) for ONS-SC-EOP1, Ethernet Over DS3 (ANSI) or Ethernet Over E3 (ETSI) for ONS-SC-EOP3, or DS1 Over Ethernet (ANSI) or E1 Over Ethernet (ETSI) for ONS-SC-E1-T1-PW or DS3 Over Ethernet (ANSI) or E3 Over Ethernet (ETSI) for ONS-SC-E3-T3-PW.</p>	L2-over-DWDM	<ul style="list-style-type: none"> • None—No action. • Squelch—The laser on the standby port in a 1+1 protection group is squelched. This setting has no effect if the port is not part of the 1+1 protection group.

Table 6-104 shows the inner and outer Ethertype behavior based on the NIM setting (either NNI mode or UNI mode). When the NIM is set to UNI, and the QinQ mode is set to Selective, the Ethertype behavior depends on the SVLAN/CVLAN operation that is provisioned, either Add or Translate. (QinQ parameters are provisioned in the “DLP-G384 Provision the GE_XP, 10GE_XP, GE_XPE, and 10GE_XPE QinQ Settings” task on page 6-236.)

**Note**

A packet can exit out of any UNI/NNI port if the outermost tag in the packet matches with the SVLAN provisioned on that port. In other words, in the egress path, the inner tags (even if present) of the packet are not matched with the inner SVLAN or CVLAN provisioned on the port.

**Note**

The Committed Burst Size and Excess Burst Size must be configured based on the expected packet size to ensure that no packets are dropped when Flow Control is enabled. For example, if the CIR is 40% and packet size is 1 KB, the Committed Burst Size and Excess Burst Size should be set to 1 MB.

**Note**

When you set the Committed Info Rate above 40% on 10GE_XP and 10GE_XPE cards, the Committed Burst Size and Excess Burst Size must be set to at least 32K. The Committed Burst Size and Excess Burst Size can be increased based on the packet size and Committed Info Rate value.

Table 6-104 Ethertype Behavior

Port Type/ Ethertype	NNI Mode	UNI Mode		
		Transparent	Selective Operation: Add	Selective Operation: Translate
Inner Ethertype	Not applicable: the outer Ethertype value is used.	Not applicable: all packets are mapped over the SVLAN.	Working (card-based)	Working (card-based)
Outer Ethertype	Working (per port)	Not applicable: the outer Ethertype is contained in the inner VLAN (same as UNI Selective mode).	Not applicable: the outer Ethertype is the one contained in the inner VLAN.	This cannot be set by port, only by card. The outer Ethertype is automatically set to the inner Ethertype.

Step 4 Click **Apply**.

Step 5 Return to your originating procedure (NTP).

DLP-G684 Provision the GE_XPE Card PDH Ethernet Settings

Purpose	This task changes the PDH Ethernet settings for the GE_XPE card.
Tools/Equipment	None
Prerequisite Procedures	<ul style="list-style-type: none"> • DLP-G46 Log into CTC, page 3-30 • Set the Media Type as DS1 Over Ethernet in Provisioning > Ether Ports > Ethernet tab in DLP-G380 Provision the GE_XP, 10GE_XP, GE_XPE, and 10GE_XPE Card Ethernet Settings, page 6-219
Required/As Needed	As needed
Onsite/Remote	Onsite or remote
Security Level	Provisioning or higher



Note The Provisioning > Ether Ports > PDH Ethernet Parameters tab is available in GE_XPE card view only, provided the PPM for GE_XPE port is created in FE mode.

- Step 1** In node view (single-shelf mode) or shelf view (multishelf view), double-click the GE_XPE card where you want to change the PDH Ethernet settings. The card view appears.
- Step 2** Click the **Provisioning > Ether Ports > PDH Ethernet Parameters** tabs. The PDH Ethernet Parameters tab appear only when the ONS-SC-E1-T1-PW or ONS-SC-E3-T3-PW SFP is inserted.
- Step 3** Modify any of the settings for the PDH Ethernet Parameters tab as described in [Table 6-105](#).

Table 6-105 GE_XPE Card PDH Ethernet Settings

Parameter	Description	Card Mode	Options
Port	(Display only) The Port number (<i>n-n</i>) and rate.	<ul style="list-style-type: none"> • L2-over-DWDM • 10GE MXP • 20GE MXP 	—
Port Name	(Display only) The port name.	<ul style="list-style-type: none"> • L2-over-DWDM • 10GE MXP • 20GE MXP 	—
MPLS Inner Label	Sets the MPLS Inner Label value.	<ul style="list-style-type: none"> • L2-over-DWDM • 10GE MXP • 20GE MXP 	Default: 16 Range: 16-65535.
MPLS Outer Label	Sets the MPLS Outer Label value.	<ul style="list-style-type: none"> • L2-over-DWDM • 10GE MXP • 20GE MXP 	Default: 16 Range: 16-65535.

Table 6-105 GE_XPE Card PDH Ethernet Settings (continued)

Parameter	Description	Card Mode	Options
Jitter Buffer	Sets the jitter buffer value.	<ul style="list-style-type: none"> L2-over-DWDM 10GE MXP 20GE MXP 	Default: 1500 Range: 400-200000. Table 6-106 provides jitter buffer values for different payloads. Note The traffic is down if the jitter buffer is set to ≥ 192000 when Media Type is set to DS1 over Ethernet (ANSI) (for ONS-SC-E1-T1-PW) and E1 Over Ethernet (ETSI) (for ONS-SC-E1-T1-PW).
RX Sensitivity	(ONS-SC-E1-T1-PW only) Sets the RX sensitivity value.	<ul style="list-style-type: none"> L2-over-DWDM 10GE MXP 20GE MXP 	Default: -36 (ANSI), -12 (ETSI) Range: -36 to -15 (ANSI), -12 to -43 (ETSI)
Source IP Address	Enter the source IP address. Only Unicast IP addresses are accepted.	<ul style="list-style-type: none"> L2-over-DWDM 10GE MXP 20GE MXP 	—
Peer IP Address	Enter the peer IP address. Only Unicast IP addresses are accepted.	<ul style="list-style-type: none"> L2-over-DWDM 10GE MXP 20GE MXP 	—

Table 6-106 Jitter Buffer Values for Various Payload Types

Payload Type	Jitter Buffer Value	
	Lower Limit	Upper Limit
T1 (DS1)	1500	20000
T3 (DS3)	400	4500
E1	1500	200000
E3	400	60000

Step 4 Click **Apply**.

Step 5 Return to your originating procedure (NTP).

DLP-G685 Provision the GE_XPE Card Electrical Lines Settings

Purpose	This task changes the Electrical Lines settings for the GE_XPE card.
Tools/Equipment	None
Prerequisite Procedures	<ul style="list-style-type: none"> • DLP-G46 Log into CTC, page 3-30 • Set the Media Type as DS1 Over Ethernet in Provisioning > Ether Ports > Ethernet tab in DLP-G380 Provision the GE_XP, 10GE_XP, GE_XPE, and 10GE_XPE Card Ethernet Settings, page 6-219
Required/As Needed	As needed
Onsite/Remote	Onsite or remote
Security Level	Provisioning or higher



Note The Provisioning > Ether Ports > Electrical Lines tab is available in GE_XPE card view only, provided the PPM for GE_XPE port is created in FE mode.

- Step 1** In node view (single-shelf mode) or shelf view (multishelf view), double-click the GE_XPE card where you want to change the Electrical Lines settings. The card view appears.
- Step 2** Click the **Provisioning > Ether Ports > Electrical Lines** tabs. The Electrical Lines tab appear only when the ONS-SC-E1-T1-PW or ONS-SC-E3-T3-PW SFP is inserted.
- Step 3** Modify any of the settings for the Electrical Lines > DS1 or Electrical Lines > DS3 tab as described in [Table 6-107](#).

Table 6-107 GE_XPE Card Electrical Lines Settings

Parameter	Description	Card Mode	Options
Port	(Display only) The Port number (<i>n-n</i>) and rate.	<ul style="list-style-type: none"> • L2-over-DWDM • 10GE MXP • 20GE MXP 	—
Port Name	(Display only) The port name.	<ul style="list-style-type: none"> • L2-over-DWDM • 10GE MXP • 20GE MXP 	—
Clock Source	Sets the Clock Source	<ul style="list-style-type: none"> • L2-over-DWDM • 10GE MXP • 20GE MXP 	Default: <ul style="list-style-type: none"> • Internal (for ONS-SC-E3-T3-PW) • Adaptive (for ONS-SC-E1-T1-PW) Options: <ul style="list-style-type: none"> • Loopback Timing • Internal • Adaptive

Table 6-107 GE_XPE Card Electrical Lines Settings (continued)

Parameter	Description	Card Mode	Options
Line Type	Sets the Line Type	<ul style="list-style-type: none"> L2-over-DWDM 10GE MXP 20GE MXP 	Default: <ul style="list-style-type: none"> C-BIT (for ONS-SC-E3-T3-PW ANSI) Unframed (for ONS-SC-E3-T3-PW ETSI) ESF (for ONS-SC-E1-T1-PW ANSI) Framed (for ONS-SC-E1-T1-PW ETSI) Options: <ul style="list-style-type: none"> G.751 (ETSI) G.832 (ETSI) C-BIT (ANSI) ESF (ANSI) M23 (ANSI) Framed (ETSI) Unframed (ETSI)
Line Coding	Sets the Line Coding	<ul style="list-style-type: none"> L2-over-DWDM 10GE MXP 20GE MXP 	Default: <ul style="list-style-type: none"> B3ZS (for ONS-SC-E3-T3-PW ANSI) HDB3 (for ONS-SC-E3-T3-PW ETSI) B8ZS (for ONS-SC-E1-T1-PW ANSI) HDB3 (for ONS-SC-E1-T1-PW ETSI) Options: <ul style="list-style-type: none"> AMI (ETSI) B3ZS (ANSI) B8ZS (ANSI) HDB3 (ETSI)
Line Length	(ANSI only) Sets the Line Length	<ul style="list-style-type: none"> L2-over-DWDM 10GE MXP 20GE MXP 	Defaults: <ul style="list-style-type: none"> 0-225 ft (for ONS-SC-E3-T3-PW ANSI) 266-399 ft (for ONS-SC-E1-T1-PW ANSI) Options (ANSI only): <ul style="list-style-type: none"> 0-133 ft 0-225 ft 133-266 ft 225-450 ft 266-399 ft 399-533 ft 533-655 ft

- Step 4** Click **Apply**.
- Step 5** Return to your originating procedure (NTP).

DLP-G381 Provision the GE_XP, 10GE_XP, GE_XPE, and 10GE_XPE Layer 2 Protection Settings

Purpose	This task provisions the Layer 2 protection settings for the GE_XP, 10GE_XP, GE_XPE, and 10GE_XPE cards when the cards are provisioned in L2-over-DWDM mode.
Tools/Equipment	None
Prerequisite Procedures	DLP-G46 Log into CTC, page 3-30
Required/As Needed	As needed
Onsite/Remote	Onsite or remote
Security Level	Provisioning or higher



Note

To perform this task, the GE_XP, 10GE_XP, GE_XPE, or 10GE_XPE card must be in L2-over-DWDM mode. To change the card mode, complete the “[DLP-G379 Change the GE_XP, 10GE_XP, GE_XPE, and 10GE_XPE Card Mode](#)” task on page 6-8.



Note

GE_XP, 10GE_XP, GE_XPE, and 10GE_XPE Layer 2 protection settings must be planned for the entire VLAN ring. One card in the ring is provisioned as the master card and one of its port is set to Blocking. The master card coordinates the protection switching for the GE_XP, 10GE_XP, GE_XPE, or 10GE_XPE in a VLAN ring.



Note

You can choose to enable another card in the ring to be the master card. However, only one card in the ring can be provisioned as master card. Make sure that the provisioning settings on the card that was previously configured as the master are disabled as soon as another card is enabled as the master card. To perform this task complete the “[DLP-G507 Enable a Different GE_XP, 10GE_XP, GE_XPE, or 10GE_XPE Card as the Master Card](#)” procedure on page 6-232

- Step 1** In node view (single-shelf mode) or shelf view (multishelf view), double-click the GE_XP, 10GE_XP, GE_XPE, or 10GE_XPE card where you want to change the protection settings. The card view appears.
- Step 2** Click the **Provisioning > Protection** tabs.
- Step 3** In the Status column, modify the port protection status by clicking the appropriate table cell and choosing one of the following from the drop-down list:
- Forwarding—Forwards the Ethernet packets that are received by the port.
 - Blocking—Blocks the Ethernet packets that are received by the port.



Note One port of the master card within a VLAN ring must be set to Blocking. All other ports must be set to Forwarding.

- Step 4** Check the **Master** check box if you want the card to serve as the protection coordinator for the VLAN ring. If not, continue with [Step 5](#).
- Step 5** From the Protection drop-down list, choose one of the following:
- Enabled—Enables protection.
 - Disabled—Disables protection.
 - Forced—Converts all the SVLANs to protected SVLANs irrespective of the SVLAN protection configuration in the SVLAN database. This is applicable to a point-to-point linear topology. The SVLAN protection must be forced to move all SVLANs, including protected and unprotected SVLANs, to the protect path irrespective of provisioned SVLAN attributes.
- Step 6** From the Hold Off Time drop-down list, choose one of the following:
- Disabled (default)—A FAPS switchover occurs immediately.
 - 50 msec, 100 msec, 200 msec, 500 msec, 1 sec, 2 sec, or 5 sec—Holds off FAPS protection for the selected duration.



Note To get consistent results ensure Hold Off Time values are the same throughout the ring.



Note FAPS is an L2 protection enabled on a VLAN. When a fiber fault occurs, L1 protection is triggered immediately to restore the traffic. Setting the Hold Off Time option prevents L2 FAPS protection from triggering at the same time as L1 protection thereby avoiding traffic hits.

- Step 7** Click **Apply**.
- Step 8** Return to your originating procedure (NTP).

DLP-G507 Enable a Different GE_XP, 10GE_XP, GE_XPE, or 10GE_XPE Card as the Master Card

Purpose	This task provisions another GE_XP, 10GE_XP, GE_XPE, or 10GE_XPE card on a stable VLAN ring, to be the master card when the cards are provisioned in L2-over-DWDM mode.
Tools/Equipment	None
Prerequisite Procedures	DLP-G46 Log into CTC, page 3-30 DLP-G381 Provision the GE_XP, 10GE_XP, GE_XPE, and 10GE_XPE Layer 2 Protection Settings, page 6-231
Required/As Needed	As needed
Onsite/Remote	Onsite or remote
Security Level	Provisioning or higher

**Note**

To perform this task, the GE_XP, 10GE_XP, GE_XPE, or 10GE_XPE card must be in L2-over-DWDM mode. To change the card mode, complete the “[DLP-G379 Change the GE_XP, 10GE_XP, GE_XPE, and 10GE_XPE Card Mode](#)” task on page 6-8.

**Note**

Do not attempt to change the master card when there is a failure in the FAPS ring.

**Note**

GE_XP, 10GE_XP, GE_XPE, and 10GE_XPE Layer 2 protection must be enabled for the entire VLAN ring. One card in the ring is provisioned as the master card and one of its port is set to Blocking. The master card coordinates the protection switching for the GE_XP, 10GE_XP, GE_XPE, or 10GE_XPE cards in a VLAN ring.

**Note**

You can choose to enable another card in the ring to be the master card. However, only one card in the ring can be provisioned as master card. Make sure that the provisioning settings on the card that was previously configured as the master are disabled as soon as another card is enabled as the master card.

Step 1

In node view (single-shelf mode) or shelf view (multishelf view), double-click the GE_XP, 10GE_XP, GE_XPE, or 10GE_XPE card in a VLAN ring where you want to enable master card provisioning. The card view appears. Perform the following steps:

- a. Click the **Provisioning > Protection** tabs.
- b. From the Status drop-down list, choose **Blocking** for a trunk port.

**Note**

One port of the master card within a VLAN ring must be set to Blocking. All other ports must be set to Forwarding.

- c. Check the **Master** check box for the card that serves as the protection coordinator for the VLAN ring.
- d. From the Protection drop-down list, choose **Enabled**.
- e. Click **Apply**.

Step 2

The master card provisioning on the other card must be disabled. Perform the following steps:

- a. Click the **Provisioning > Protection** tabs.
- b. Uncheck the **Master** check box for the card where Master node provisioning must be disabled.
- c. Click **Apply**.
- d. From the Protection drop-down list, choose **Disabled**.
- e. Click **Apply**.

Step 3

The protection on the card that was disabled in [Step 2](#) must be enabled again. Perform the following steps:

- a. Click the **Provisioning > Protection** tabs.
- b. From the Protection drop-down list, choose **Enabled**.
- c. Click **Apply**.

- d. From the Status drop-down list, choose **Forwarding** on both ports.
- e. Click **Apply**.

Step 4 Return to your originating procedure (NTP).

DLP-G382 Add and Remove SVLANS to/from GE_XP, 10GE_XP, GE_XPE, and 10GE_XPE NNI Ports

Purpose	This task adds or removes service provider VLAN (SVLAN) provisioning to/from GE_XP, 10GE_XP, GE_XPE, and 10GE_XPE ports. This task only applies to GE_XP, 10GE_XP, GE_XPE, and 10GE_XPE cards in L2-over- DWDM mode.
Tools/Equipment	None
Prerequisite Procedures	DLP-G46 Log into CTC, page 3-30 DLP-G421 Create and Store an SVLAN Database, page 8-58
Required/As Needed	As needed
Onsite/Remote	Onsite or remote
Security Level	Provisioning or higher



Note

To perform this task, the GE_XP, 10GE_XP, GE_XPE, or 10GE_XPE card must be in L2-over-DWDM mode. To change the card mode, complete the “[DLP-G379 Change the GE_XP, 10GE_XP, GE_XPE, and 10GE_XPE Card Mode](#)” task on page 6-8.



Note

This task can only be performed on ports provisioned as NNI. See the “[DLP-G380 Provision the GE_XP, 10GE_XP, GE_XPE, and 10GE_XPE Card Ethernet Settings](#)” task on page 6-219.

- Step 1** In node view (single-shelf mode) or shelf view (multishelf view), double-click the GE_XP, 10GE_XP, GE_XPE, or 10GE_XPE card where you want to change the SVLAN port settings. The card view appears.
- Step 2** Click the **Provisioning > SVLAN** tabs.
- Step 3** For each SVLAN shown in the table, click the check box under the Port [*port name*] table cell to include the SVLAN in that port. If you do not want the SVLAN included, uncheck the check box.



Note

If no SVLANs appear in the SVLAN tab, complete the “[DLP-G421 Create and Store an SVLAN Database](#)” task on page 8-58.

- Step 4** Click **Apply**.
 - Step 5** Return to your originating procedure (NTP).
-

DLP-G383 Provision the GE_XP, 10GE_XP, GE_XPE, and 10GE_XPE Quality of Service Settings

Purpose	This task provisions the Weighted Round Robin (WRR) value and bandwidth for QoS Class of Service (CoS) egress queues on a GE_XP, 10GE_XP, GE_XPE, and 10GE_XPE card port.
Tools/Equipment	None
Prerequisite Procedures	DLP-G46 Log into CTC, page 3-30
Required/As Needed	As needed
Onsite/Remote	Onsite or remote
Security Level	Provisioning or higher


Note

To perform this task, the GE_XP, 10GE_XP, GE_XPE, or 10GE_XPE card must be in L2-over-DWDM mode and the port must have QoS enabled. Refer to the “[DLP-G379 Change the GE_XP, 10GE_XP, GE_XPE, and 10GE_XPE Card Mode](#)” task on page 6-8 and the “[DLP-G380 Provision the GE_XP, 10GE_XP, GE_XPE, and 10GE_XPE Card Ethernet Settings](#)” task on page 6-219, if needed.

-
- Step 1** In node view (single-shelf mode) or shelf view (multishelf view), double-click the GE_XP, 10GE_XP, GE_XPE, or 10GE_XPE card where you want to change the QoS settings.
- Step 2** Click the **Provisioning > QoS** tabs.
- Step 3** In the Port field at the bottom of the window, choose the port where you want to provision the QoS settings.
- Step 4** For each CoS egress queue, 0 through 7, define the following:
- WRR weight—sets the Weighted Round Robin (WRR) level for the CoS egress queue. The default is 1. The range is 0 to 15, where 0 is Strict Priority.)
-
- Note**
- The GE_XP, 10GE_XP, GE_XPE, and 10GE_XPE define a set of eight queues, one queue for each CoS. Only one of the queues can be assigned the 0 WRR weight (Strict Priority).
- Bandwidth—sets the bandwidth allocated for the CoS egress queue, 100 is the default. This bandwidth value is the percentage (%) of bandwidth with respect to the SFP, XFP, or port speed (100 Mbps for FE, 1 Gbps for GE, and 10 Gbps for 10GE) of the interface.
- Step 5** Click **Apply**. Click **Yes** in the confirmation dialog box.
- Step 6** Return to your originating procedure (NTP).
-

DLP-G470 Provision the GE_XP, 10GE_XP, GE_XPE, and 10GE_XPE Class of Service (CoS) Settings

Purpose	This task provisions Class of Service (CoS) settings on the GE_XP, 10GE_XP, GE_XPE, or 10GE_XPE card.
Tools/Equipment	None
Prerequisite Procedures	DLP-G46 Log into CTC, page 3-30
Required/As Needed	As needed
Onsite/Remote	Onsite or remote
Security Level	Provisioning or higher


Note

To perform this task, the GE_XP, 10GE_XP, GE_XPE, and 10GE_XPE card must be in L2-over-DWDM mode and the port must be in OOS state.

-
- Step 1** In node view (single-shelf mode) or shelf view (multishelf view), double-click the GE_XP, 10GE_XP, GE_XPE, or 10GE_XPE card where you want to change the CoS settings.
- Step 2** Complete the following task:
- Refer to the Ingress CoS section in the [DLP-G380 Provision the GE_XP, 10GE_XP, GE_XPE, and 10GE_XPE Card Ethernet Settings, page 6-219](#).
- Step 3** Return to your originating procedure (NTP).
-

DLP-G384 Provision the GE_XP, 10GE_XP, GE_XPE, and 10GE_XPE QinQ Settings

Purpose	This task provisions the IEEE 802.1QinQ VLAN tags on the GE_XP, 10GE_XP, GE_XPE, or 10GE_XPE card UNI ports. QinQ tags expand the VLAN capability by tagging the tagged packets to produce a “double-tagged” Ethernet frame. For service providers the expanded VLAN allows specific services to be provided on specific VLANs for specific customers, while other types of services can be provided to other customers on other VLANs.
Tools/Equipment	None
Prerequisite Procedures	DLP-G46 Log into CTC, page 3-30 DLP-G421 Create and Store an SVLAN Database, page 8-58
Required/As Needed	As needed
Onsite/Remote	Onsite or remote
Security Level	Provisioning or higher

**Note**

To perform this task, the GE_XP, 10GE_XP, GE_XPE, or 10GE_XPE must be in L2-over-DWDM mode. To change the card mode, complete the “[DLP-G379 Change the GE_XP, 10GE_XP, GE_XPE, and 10GE_XPE Card Mode](#)” task on page 6-8.

**Note**

This task can only be performed on the GE_XP, 10GE_XP, GE_XPE, or 10GE_XPE cards UNI ports. (To provision the port Ethernet parameters, see the “[DLP-G380 Provision the GE_XP, 10GE_XP, GE_XPE, and 10GE_XPE Card Ethernet Settings](#)” task on page 6-219.)

- Step 1** In node view (single-shelf mode) or shelf view (multishelf view), double-click the GE_XP, 10GE_XP, GE_XPE, or 10GE_XPE card where you want to change the QinQ settings.
- Step 2** Click the **Provisioning > QinQ** tabs.
- Step 3** Click the **Port** field and choose the port where you want to provision QinQ.
Channel groups configured in UNI mode appear in the Port field along with the physical ports.
- Step 4** Click the **Mode** field and choose one of the following modes from the drop-down list:
- Selective—The incoming Ethernet packet is checked against the CVLAN and SVLAN table. If the CVLAN is not found, the packet is dropped. If you choose Selective, add an entry in the QinQ tab to map the administrative CVLAN to the SVLAN (if it is not same as the one used for data).
 - Transparent—All incoming packets are transported with the additional VLAN chosen in the SVLAN field. If you choose transparent, the traffic on administrative CVLAN will pass through.
- Step 5** Click the **BPDU** field and choose one of the following bridge protocol data unit (BPDU) modes from the drop-down list:
- Drop (default)—If checked, drops incoming packets with any of the following destination MAC addresses. The BPDU default can be applied for any UNI port.
 - 01-80-c2-00-00-00—IEEE 802.1D
 - 01-80-c2-00-00-02—Link Aggregation Control Protocol (LACP)
 - 01-80-0c-cc-cc-cc—VLAN Spanning Tree Plus (PVST+)
 - 01-00-c-cc-cc-cc—Cisco Discovery Protocol (CDP) type 0x2000, VLAN Trunk Protocol (VTP) type 0x2003, Port Aggregation Protocol (PAgP), type 0x0104, Uni-Directional Link Detection (UDLD) type 0x111, Dynamic Trunking Protocol (DTP) type 0x2004
 - Tunnel—If checked, transparently sends any of the destination MAC addresses listed above.
- Step 6** If the Mode was set to Selective, complete the following steps. If not, continue with [Step 7](#).
- a. To add a row, click **Add**.
 - b. Click the **CVLAN** table and type in the CVLAN range. You can enter a single value or a range using “-” between the two ends of the range.

**Note**

If you are using Software Release 8.5 or earlier, it is recommended that you do not specify a CVLAN range due to certain limitations in the feature.

- c. Click the **SVLAN** table cell and choose an SVLAN from the drop-down list.
- d. Click the **Operation** table cell and choose an operation:

- Add (default)—Adds the SVLAN on top of the CVLAN. The operation default can be applied for any UNI port.
- Translate—CVLAN is translated with the SVLAN value.
- Double Add—(GE_XPE and 10GE_XPE cards only) Adds an inner and an outer SVLAN to double tagged packets only. CVLAN settings are not required. If this double tagged selective operation is present on a port, no other selective operation can be present.
- Translate Add—(GE_XPE and 10GE_XPE cards only) CVLAN gets translated to inner SVLAN and the SVLAN is added.



Note If Double Add and Translate Add are configured on a GE_XP or a 10GE_XP card, a PROV-MISMATCH alarm is raised. Until this alarm is cleared, provisioning on the card is not possible.



Note A CVLAN with a value of 0 means “untagged packet”.



Note Two or more CVLANs cannot be translated over the same SVLAN.

- e. (GE_XPE and 10GE_XPE cards only) Click the **COS** table cell and choose a value from the drop down list.
- f. Click **Apply**.
- g. Continue with [Step 10](#).

- Step 7** If the Mode was set to Transparent, in the SVLAN field, choose the SVLAN to be added to incoming packets.
- Step 8** Click DSCP-Cos mapping Table to provision CoS based on DSCP for each port.
- Step 9** For each DSCP, choose a CoS value from 0 to 7 and click **OK**.
- Step 10** Return to your originating procedure (NTP).

DLP-G221 Enable MAC Address Learning on SVLANs for GE_XP, 10GE_XP, GE_XPE, or 10GE_XPE Cards

Purpose	This task enables MAC address learning on SVLANs for GE_XP, 10GE_XP, GE_XPE, or 10GE_XPE cards.
Tools/Equipment	None
Prerequisite Procedures	VLANs must already be created on the selected card.
Required/As Needed	As needed
Onsite/Remote	Onsite or remote
Security Level	Provisioning or higher

- Step 1** Complete the “DLP-G46 Log into CTC” task on page 3-30 at the node where you want to enable MAC Address Learning. If you are already logged in, continue with [Step 2](#).
- Step 2** Complete the following tasks, as needed:
- [DLP-G460 Enable MAC Address Learning on SVLANs for GE_XPE or 10GE_XPE Cards Using CTC, page 6-239](#)
 - [NTP-G226 Enable MAC Address Learning on SVLANs for GE_XP, 10GE_XP, GE_XPE, or 10GE_XPE Cards Using PCLI, page B-11](#)
- Stop. You have completed this procedure.**

DLP-G460 Enable MAC Address Learning on SVLANs for GE_XPE or 10GE_XPE Cards Using CTC

Purpose	This task enables MAC address learning on SVLANs attached to the port of a GE_XPE or 10GE_XPE card.
Tools/Equipment	None
Prerequisite Procedures	DLP-G46 Log into CTC, page 3-30 DLP-G379 Change the GE_XP, 10GE_XP, GE_XPE, and 10GE_XPE Card Mode, page 6-8
Required/As Needed	As needed
Onsite/Remote	Onsite or remote
Security Level	Provisioning or higher



Note To perform this task, the GE_XPE or 10GE_XPE card must be in L2-over-DWDM mode. Refer to the “[DLP-G379 Change the GE_XP, 10GE_XP, GE_XPE, and 10GE_XPE Card Mode](#)” task on page 6-8 if needed.



Note MAC address learning is applicable only for GE_XPE and 10GE_XPE cards. If MAC address learning is configured on a GE_XP or a 10GE_XP card, a PROV-MISMATCH alarm is raised. Until this alarm is cleared, provisioning on the card is not possible.

- Step 1** In node view (single-shelf mode) or shelf view (multishelf view), double-click the GE_XPE or 10GE_XPE card where you want to enable MAC address learning.
- Step 2** Enable MAC address learning on the port. Perform the following steps:
- Click **Provisioning > Ethernet**.
 - Check the **MAC Learning** check box.



Note If the per port MAC address learning is configured on a GE_XP or 10 GE_XP cards, before upgrading to a GE_XPE or 10 GE_XPE card, enable MAC address learning per SVLAN. Not doing so disables MAC address learning.

- Step 3** Enable MAC address learning on the SVLAN attached to the port. Perform the following steps:
- Click **SVLAN > SVLAN DB** tabs.
 - Click **Load**. This loads an SVLAN database from a network node or local file and replaces any SVLANs that are in the network view VLAN DB table.
 - Check the **MAC Learning** check box related to the SVLAN (one or more than one SVLAN) to be configured with MAC address learning.
 - Click **Store**. This records and enables the new configuration.
- Step 4** Return to your originating procedure (NTP).
-

DLP-G385 Provision the MAC Filter Settings for GE_XP, 10GE_XP, GE_XPE, or 10GE_XPE Card

Purpose	This task provisions the MAC address filter for the GE_XP, 10GE_XP, GE_XPE, or 10GE_XPE cards when the cards are provisioned in L2-over-DWDM mode. The MAC address filter is a list of MAC addresses whose packets should be accepted or dropped.
Tools/Equipment	None
Prerequisite Procedures	DLP-G46 Log into CTC, page 3-30
Required/As Needed	As needed
Onsite/Remote	Onsite or remote
Security Level	Provisioning or higher



Note To perform this task, the GE_XP, 10GE_XP, GE_XPE, or 10GE_XPE card must be in L2-over-DWDM mode. To change the card mode, complete the [“DLP-G379 Change the GE_XP, 10GE_XP, GE_XPE, and 10GE_XPE Card Mode” task on page 6-8](#).

- Step 1** In node view (single-shelf mode) or shelf view (multishelf view), double-click the GE_XP, 10GE_XP, GE_XPE, or 10GE_XPE card where you want to change the MAC filter settings.
- Step 2** Click the **Provisioning > Security > MAC Filter** tabs.
- Step 3** Click the port for which you want to create a MAC filter.
- Step 4** Click **Edit**.
- Step 5** In the Edit MAC Address dialog box, click **Add**. A new table entry appears with the MAC address 00-00-00-00-00-00.
- Step 6** In the MAC Address Port field, type in the MAC address you want to filter over the default 00-00-00-00-00-00 address.
- Step 7** If you want to add more MAC addresses, repeat Steps 5 and 6. (Up to eight MAC addresses can be added for each port.) If not, click **OK**.
- Step 8** On the MAC Filter table, provision the Allowed check box:
- Checked—All MAC addresses different from the address(es) entered in the table will be dropped.
 - Unchecked—All MAC addresses matching the address(es) entered in the table will be dropped.

- Step 9** Click **Apply**.
- Step 10** Repeat Steps 3 through 9 for each port of the GE_XP, 10GE_XP, GE_XPE, or 10GE_XPE card that you want to set up.
- Step 11** Return to your originating procedure (NTP).

NTP-G237 Retrieve and Clear MAC Addresses on SVLANs for GE_XP, 10GE_XP, GE_XPE, or 10GE_XPE Cards

Purpose	This procedure retrieves and clears MAC addresses learned on GE_XP, 10GE_XP, GE_XPE, or 10GE_XPE cards.
Tools/Equipment	None
Prerequisite Procedures	<ul style="list-style-type: none"> • DLP-G46 Log into CTC, page 3-30 • DLP-G379 Change the GE_XP, 10GE_XP, GE_XPE, and 10GE_XPE Card Mode, page 6-8 • DLP-G221 Enable MAC Address Learning on SVLANs for GE_XP, 10GE_XP, GE_XPE, or 10GE_XPE Cards, page 6-238
Required/As Needed	As needed
Onsite/Remote	Onsite or remote
Security Level	Provisioning or higher



Caution

Retrieving and clearing learned MAC addresses are CPU intensive and traffic affecting. You must clear the MAC addresses only during a scheduled maintenance window.



Note

It is not possible to simultaneously retrieve learned MAC addresses from both CTC and TL1 interfaces.

- Step 1** In the node view (single-shelf mode) or shelf view (multishelf view), double-click the GE_XP, 10GE_XP, GE_XPE, or 10GE_XPE card where you want to retrieve the MAC addresses.
- Step 2** To retrieve the MAC addresses learned, perform the following steps:
- Click **Maintenance > MAC Addresses > Learned**.
 - In the SVLAN field, type a valid SVLAN range. The SVLAN range is from 1 to 4093.
 - Click **Refresh**.

The table displays the following fields:

- MAC Address—Displays the MAC address for the port.
- VLAN—Displays the VLAN identifier for the port.
- Port—Displays the port number.

Right-click the column heading to display the following options:

- Row Count—Displays the number of learned MAC addresses retrieved.

- Sort Column—Sorts the table by the column's values.
- Hide Column—Hides the column from view.
- Reorder Columns Visibility—Displays all hidden columns.

Step 3 Click **Refresh** to refresh the list of MAC addresses learned.

Step 4 Click **Clear** to clear the MAC addresses learned on all the SVLANS of the card.



Note It is not possible to delete the MAC addresses learned on a per SVLAN basis.

Step 5 To view card MAC addresses, complete the [“DLP-G546 View Card MAC Addresses on GE_XP, 10GE_XP, GE_XPE, or 10GE_XPE Cards”](#) task on page 6-242.

Stop. You have completed this procedure.

DLP-G546 View Card MAC Addresses on GE_XP, 10GE_XP, GE_XPE, or 10GE_XPE Cards

Purpose	This task allows you to view the MAC addresses for each client and trunk port and the CPU port of the card.
Tools/Equipment	None
Prerequisite Procedures	DLP-G46 Log into CTC, page 3-30
Required/As Needed	As needed
Onsite/Remote	Onsite or remote
Security Level	Provisioning or higher

Step 1 To view the card MAC addresses, click **Maintenance > MAC Addresses > Card**. The MAC addresses for each client and trunk port and the CPU port are displayed.

The table displays the following fields:

- Port—Displays the port number.
- MAC Address—Displays the MAC address for the port.

Step 2 Return to your originating procedure.

NTP-G311 Provision the Storm Control Settings for GE_XP, 10GE_XP, GE_XPE, or 10GE_XPE Cards

Purpose	This task provisions the storm control settings for the GE_XP, 10GE_XP, GE_XPE, or 10GE_XPE cards when the cards are provisioned in L2-over-DWDM mode.
Tools/Equipment	None

Prerequisite Procedures	None
Required/As Needed	As needed
Onsite/Remote	Onsite or remote
Security Level	Provisioning or higher

**Note**

To perform this task, the GE_XP, 10GE_XP, GE_XPE, or 10GE_XPE card must be in L2-over-DWDM mode. To change the card mode, complete the “[DLP-G379 Change the GE_XP, 10GE_XP, GE_XPE, and 10GE_XPE Card Mode](#)” task on page 6-8.

- Step 1** In node view (single-shelf mode) or shelf view (multishelf view), double-click the GE_XP, 10GE_XP, GE_XPE, or 10GE_XPE card where you want to change the storm control settings.
- Step 2** Click the **Provisioning > Security > Storm Control** tabs.
- Step 3** Modify any of the settings as described in [Table 6-108](#).

Table 6-108 Storm Control Settings

Parameter	Description	Options
Port	(Display only) The Port number (<i>n-n</i>) and rate (GE or TEN_GE).	
DLF Storm Control	Enables or disables DLF storm control on the card.	<ul style="list-style-type: none"> Checked—DLF storm control is enabled. Unchecked—DLF storm control is disabled.
DLF Storm Control Threshold (pps)	Threshold value to set the number of unknown unicast packets per second.	Range: 0 to 16777215 packets per second
Mcast Storm Control	Enables or disables Multicast storm control on the card.	<ul style="list-style-type: none"> Checked—Multicast storm control is enabled. Unchecked—Multicast storm control is disabled.
Mcast Storm Control Threshold (pps)	Threshold value to set the number of multicast packets per second.	Range: 0 to 16777215 packets per second
Bcast Storm Control	Enables or disables Broadcast storm control on the card.	<ul style="list-style-type: none"> Checked—Broadcast storm control is enabled. Unchecked—Broadcast storm control is disabled.
Bcast Storm Control Threshold (pps)	Threshold value to set the number of broadcast packets per second.	Range: 0 to 16777215 packets per second

- Step 4** Click **Apply**.
- Stop. You have completed this procedure.**

NTP-G205 Enable Link Integrity on GE_XP, 10GE_XP, GE_XPE, or 10GE_XPE Cards

Purpose	This task enables link integrity on GE_XP, 10GE_XP, GE_XPE, or 10GE_XPE cards.
Tools/Equipment	None
Prerequisite Procedures	None
Required/As Needed	As needed
Onsite/Remote	Onsite or remote
Security Level	Provisioning or higher

Step 1 Complete the “[DLP-G46 Log into CTC](#)” task on page 3-30 at the node where you want to enable link integrity. If you are already logged in, continue with [Step 2](#).

Step 2 Complete the following tasks, as needed:

- [DLP-G509 Enable Link Integrity on GE_XP, 10GE_XP, GE_XPE, or 10GE_XPE Cards Using CTC, page 6-244](#)
- [NTP-G216 Enable Link Integrity on GE_XP, 10GE_XP, GE_XPE, or 10GE_XPE Cards Using PCLI, page B-12](#)

Stop. You have completed this procedure.

DLP-G509 Enable Link Integrity on GE_XP, 10GE_XP, GE_XPE, or 10GE_XPE Cards Using CTC

Purpose	This task enables link integrity on GE_XP, 10GE_XP, GE_XPE, or 10GE_XPE cards.
Tools/Equipment	None
Prerequisite Procedures	DLP-G46 Log into CTC, page 3-30
Required/As Needed	As needed
Onsite/Remote	Onsite or remote
Security Level	Provisioning or higher

Step 1 From the View menu, choose **Go to Network View**.

Step 2 Create or load an SVLAN profile. To create a SVLAN profile see [DLP-G471 Create a SVLAN or CVLAN Profile, page 6-247](#).



Note

Make sure the **Link Integrity** check box is selected to enable link integrity for a profile and save it to the node.

- Step 3** Associate the SVLAN profile (with Link Integrity enabled) to a SVLAN on a port. To do this perform the following steps:
- In node view (single-shelf mode), or shelf view (multishelf mode), double-click the GE_XP, 10GE_XP, GE_XPE, or 10GE_XPE card. The card view appears.
 - Click the **Provisioning > Profiles Mapping > SVLAN** tabs.
 - Enter the SVLANs or SVLAN range in the **SVLAN to View** text box.
A table appears that displays SVLANs and available ports. The SVLAN profiles that was created must be applied to a SVLAN and a port. However, make sure the SVLAN has already been associated with the port via the QinQ tab (For information on how to associate a SVLAN to a port, see the “[DLP-G384 Provision the GE_XP, 10GE_XP, GE_XPE, and 10GE_XPE QinQ Settings](#)” task on page 6-236).
 - Select the SVLAN for a port and choose the available SVLAN profile from the drop-box.
 - Click **Apply**.
- Step 4** AIS action must be set on a per-UNI port basis. Select **None** or **Squelch** from the AIS action drop-down list. For detailed instructions, see the “[DLP-G380 Provision the GE_XP, 10GE_XP, GE_XPE, and 10GE_XPE Card Ethernet Settings](#)” task on page 6-219.
- Step 5** Return to your originating procedure (NTP).

NTP-G289 Provision CVLAN Rate Limiting on the GE_XP, 10GE_XP, GE_XPE, or 10GE_XPE Card

Purpose	This task provisions CVLAN rate limiting on the GE_XP, 10GE_XP, GE_XPE, and 10GE_XPE cards.
Tools/Equipment	None
Prerequisite Procedures	DLP-G46 Log into CTC , page 3-30
Required/As Needed	As needed
Onsite/Remote	Onsite or remote
Security Level	Provisioning or higher



Note You cannot provision CVLAN rate limiting on channel groups.

- Step 1** Complete the “[DLP-G46 Log into CTC](#)” task on page 3-30 at the node where you want to provision CVLAN rate limiting. If you are already logged in, continue with [Step 2](#).
- Step 2** From the View menu, choose **Go to Network View**.
- Step 3** Create or load a CVLAN profile by setting Committed Info Rate, Committed Burst, Excess Info, Excess Burst. To create a CVLAN Profile see “[DLP-G471 Create a SVLAN or CVLAN Profile](#)” task on page 6-247.

Step 4 Associate the CVLAN profile to a CVLAN on a UNI port. To do this perform the following steps:

- a. In node view (single-shelf mode), or shelf view (multishelf mode), double-click the GE_XP, 10GE_XP, GE_XPE, and 10GE_XPE card. The card view appears.
- b. Click the **Provisioning > Profiles Mapping > CVLAN** tabs.
- c. Enter the CVLANs or CVLAN range in the **CVLANs to View** text box.
A table appears that displays CVLANs and available ports. The CVLAN profiles that were created must be applied to a CVLAN and port. However, make sure the CVLAN has already been associated with the port via the QinQ tab (For information on how to associate a CVLAN profile to a UNI port, see [“DLP-G384 Provision the GE_XP, 10GE_XP, GE_XPE, and 10GE_XPE QinQ Settings” task on page 6-236](#)).
- d. Select the CVLAN for a given port and choose the available CVLAN profile from the drop-down list.
- e. Click **Apply**.

Stop. You have completed this procedure.

NTP-G208 Provision SVLAN Rate Limiting on the GE_XP, 10GE_XP, GE_XPE, or 10GE_XPE Card

Purpose	This task provisions SVLAN rate limiting on the GE_XP, 10GE_XP, GE_XPE, and 10GE_XPE cards.
Tools/Equipment	None
Prerequisite Procedures	DLP-G46 Log into CTC, page 3-30
Required/As Needed	As needed
Onsite/Remote	Onsite or remote
Security Level	Provisioning or higher

Step 1 Complete the [“DLP-G46 Log into CTC” task on page 3-30](#) at the node where you want to enable SVLAN rate limiting. If you are already logged in, continue with [Step 2](#).

Step 2 Complete the following tasks, as needed:

- [DLP-G515 Provision SVLAN Rate Limiting on the GE_XP, 10GE_XP, GE_XPE, or 10GE_XPE Card Using CTC, page 6-247](#)
- [NTP-G225 Provision SVLAN Rate Limiting on the GE_XP, 10GE_XP, GE_XPE, or 10GE_XPE Card Using PCLI, page B-13](#)

Stop. You have completed this procedure.

DLP-G515 Provision SVLAN Rate Limiting on the GE_XP, 10GE_XP, GE_XPE, or 10GE_XPE Card Using CTC

Purpose	This task provisions SVLAN rate limiting on the GE_XP, 10GE_XP, GE_XPE, and 10GE_XPE cards.
Tools/Equipment	None
Prerequisite Procedures	DLP-G46 Log into CTC, page 3-30
Required/As Needed	As needed
Onsite/Remote	Onsite or remote
Security Level	Provisioning or higher

-
- Step 1** From the View menu, choose **Go to Network View**.
- Step 2** Create or load a SVLAN profile by setting Committed Info Rate, Committed Burst, Excess Info, Excess Burst. To create a SVLAN Profile see [“DLP-G471 Create a SVLAN or CVLAN Profile” task on page 6-247](#).
- Step 3** Associate the SVLAN profile to a SVLAN on a port. To do this, perform the following steps:
- In node view (single-shelf mode), or shelf view (multishelf mode), double-click the GE_XP, 10GE_XP, GE_XPE, and 10GE_XPE card. The card view appears.
 - Click the **Provisioning > Profiles Mapping > SVLAN** tabs.
 - Enter the SVLANs or SVLAN range in the **SVLAN to View** text box.
A table appears that displays SVLANs and available ports. The SVLAN profiles that were created must be applied to a SVLAN and port. However, make sure the SVLAN has already been associated with the port via the QinQ tab (For information on how to associate a SVLAN profile to a UNI port, see [“DLP-G384 Provision the GE_XP, 10GE_XP, GE_XPE, and 10GE_XPE QinQ Settings” task on page 6-236](#) and to a NNI port see [“DLP-G382 Add and Remove SVLANs to/from GE_XP, 10GE_XP, GE_XPE, and 10GE_XPE NNI Ports” task on page 6-234](#)).
 - Select the SVLAN for a given port and choose the available SVLAN profile from the drop-down list.
 - Click **Apply**.
- Stop. You have completed this procedure.**
-

DLP-G471 Create a SVLAN or CVLAN Profile

Purpose	This task creates an SVLAN profile.
Tools/Equipment	None
Prerequisite Procedures	DLP-G46 Log into CTC, page 3-30
Required/As Needed	As needed
Onsite/Remote	Onsite or remote
Security Level	Provisioning or higher

**Note**

You cannot associate SVLAN or CVLAN profiles to channel groups. You can associate a CVLAN profile only to a UNI port.

-
- Step 1** From the View menu, choose **Go to Network View**.
- Step 2** Click the **Provisioning > SVLAN > Profiles** tabs.
- Step 3** Click **Add** and a profile is added to the Profiles tab. Modify any of the settings as follows:
- **Name**—The profile name can be up to 32 alphanumeric/special characters.
 - **Committed Info Rate**—Sets the guaranteed information rate as provided by the service provider service-level agreement. The default value is 100 and the range is 0 to 100 percent.
 - **Committed Burst**—Sets the maximum number of bits that will be transferred per second.
 - **Peak Info Rate**—Sets the maximum information rate as provided by the service provider service-level agreement. The default value is 100 and the range is 0 to 100 percent. However, the value must be greater or equal to than the Committed Info Rate.
 - **Peak Burst Size**—The maximum number of bits that are credited for later transfer in the event the committed burst rate cannot be transmitted.
 - **Link Integrity**—Enables link integrity for the SVLAN profile. Do not check this check box if you are creating a CVLAN profile.

**Note**

When you set the Committed Info Rate above 40% on 10GE_XP and 10GE_XPE cards, the Committed Burst Size and Excess Burst Size must be set to at least 32K. The Committed Burst Size and Excess Burst Size can be increased based on the packet size and Committed Info Rate value.

- Step 4** Click **Store**.
- Step 5** In the Store Profile(s) dialog box, choose one of the following:
- **To Node(s)**—Stores the SVLAN profile at one or more network nodes. Choose the network nodes where you want to store the SVLAN profile. To choose more than one node, press the Shift key, or click Select All.
 - **To File**—Stores the SVLAN profile in a file. Enter a file name, then click Browse to navigate to a local or network drive where you want to store the file.
- Step 6** Click **OK**.
- Step 7** Return to your originating procedure (NTP).
-

NTP-G204 Enable IGMP Snooping on GE_XP, 10GE_XP, GE_XPE, or 10GE_XPE Cards

Purpose	This procedure enables Internet Group Management Protocol (IGMP) snooping on a per-SVLAN basis on GE_XP, 10GE_XP, GE_XPE, or 10GE_XPE cards.
Tools/Equipment	None

Prerequisite Procedures	None
Required/As Needed	As needed
Onsite/Remote	Onsite or remote
Security Level	Provisioning or higher

Step 1 Complete the “[DLP-G46 Log into CTC](#)” task on page 3-30 at the node where you want to enable IGMP snooping. If you are already logged in, continue with [Step 2](#).

Step 2 Complete the following tasks, as needed:

- “[DLP-G511 Enable IGMP Snooping, IGMP Fast Leave and IGMP Report Suppression on GE_XP, 10GE_XP, GE_XPE, or 10GE_XPE Cards Using CTC](#)” task on page 6-249.
- “[NTP-G220 Enable IGMP Snooping on GE_XP, 10GE_XP, GE_XPE, or 10GE_XPE Cards Using PCLI](#)” task on page B-14.
- “[NTP-G217 Enable IGMP Fast-Leave Processing on GE_XP, 10GE_XP, GE_XPE, or 10GE_XPE Cards Using PCLI](#)” procedure on page B-15.
- “[NTP-G219 Enable IGMP Report Suppression on GE_XP, 10GE_XP, GE_XPE, or 10GE_XPE Cards Using PCLI](#)” procedure on page B-17.

Stop. You have completed this procedure.

DLP-G511 Enable IGMP Snooping, IGMP Fast Leave and IGMP Report Suppression on GE_XP, 10GE_XP, GE_XPE, or 10GE_XPE Cards Using CTC

Purpose	This procedure explains how to enable IGMP snooping, IGMP fast leave and IGMP report suppression on GE_XP, 10GE_XP, GE_XPE, or 10GE_XPE cards using CTC.
Tools/Equipment	None
Prerequisite Procedures	DLP-G46 Log into CTC , page 3-30
Required/As Needed	As needed
Onsite/Remote	Onsite or remote
Security Level	Provisioning or higher

Step 1 From the View menu, choose **Go to Network View**.

Step 2 Click the **Provisioning > SVLAN > SVLAN DB** tabs. Click **Load** to load the SVLANs on the card where IGMP must be enabled.

Step 3 For each SVLAN shown in the table, select the following:

- IGMP—Check the IGMP check box to enable IGMP for the selected SVLAN.
- IGMP Fast Leave—Checking the IGMP Fast Leave causes the switch to immediately remove a port from the IP multicast group when it detects an IGMP, version 2 (IGMPv2) leave message on that port.
- IGMP Suppression—Check the IGMP Suppression check box to enable a single IGMP report to be sent to each multicast group in response to a single query.

Step 4 Click **Store SVLAN DB**.

Step 5 In the Store SVLAN DB dialog box, choose one of the following:

- To Node/Shelf/Card—Select the node and shelf. All the GE_XP, 10GE_XP, GE_XPE, or 10GE_XPE cards in L2 over DWDM mode are displayed. Select the card where you want to store the SVLAN DB.
- Stores the SVLAN database at one or more network nodes. Choose the network nodes where you want to store the SVLAN database. To choose more than one node, press the Shift key, or click **Select All**.
- To File—Stores the SVLAN database in a file. Enter a file name, then click **Browse** to navigate to a local or network drive where you want to store the file.
- Select the card on which you want to save the changes made in step 3.

Step 6 Click **OK**.



Note

If you want to add the multicast-capable ports to the forwarding table for every IP multicast, select the IGMP Static Router Port check box as described in the “[DLP-G380 Provision the GE_XP, 10GE_XP, GE_XPE, and 10GE_XPE Card Ethernet Settings](#)” task on page 6-219.

Stop. You have completed this procedure.

NTP-G206 Enable MVR on a GE_XP, 10GE_XP, GE_XPE, or 10GE_XPE Card

Purpose	This procedure enables Multicast VLAN Registration (MVR) on GE_XP, 10GE_XP, GE_XPE, or 10GE_XPE cards.
Tools/Equipment	None
Prerequisite Procedures	None
Required/As Needed	As needed
Onsite/Remote	Onsite or remote
Security Level	Provisioning or higher

Step 1 Complete the “[DLP-G46 Log into CTC](#)” task on page 3-30 at the node where you want to enable IGMP snooping. If you are already logged in, continue with [Step 2](#).

Step 2 Complete the following tasks, as needed:

- “[DLP-G513 Enable MVR on a GE_XP, 10GE_XP, GE_XPE, or 10GE_XPE Card Using CTC](#)” task on page 6-251.
- “[NTP-G224 Enable MVR on GE_XP, 10GE_XP, GE_XPE, or 10GE_XPE Cards Using PCLI](#)” task on page B-18.

Stop. You have completed this procedure.

DLP-G513 Enable MVR on a GE_XP, 10GE_XP, GE_XPE, or 10GE_XPE Card Using CTC

Purpose	This procedure enables Multicast VLAN Registration (MVR) on GE_XP, 10GE_XP, GE_XPE, or 10GE_XPE cards using CTC.
Tools/Equipment	None
Prerequisite Procedures	DLP-G382 Add and Remove SVLANs to/from GE_XP, 10GE_XP, GE_XPE, and 10GE_XPE NNI Ports, page 6-234
Required/As Needed	As needed
Onsite/Remote	Onsite or remote
Security Level	Provisioning or higher

Step 1 In node view (single-shelf mode), or shelf view (multishelf mode), double-click the GE_XP, 10GE_XP, GE_XPE, or 10GE_XPE card where you want to enable MVR. The card view appears.



Note At least one SVLAN must be configured on the card.

Step 2 Click the **Provisioning** > **MVR** tabs. The MVR Settings tab appears.

Step 3 Check the **Enabled** check box and enter the following information:

- **IGMP CVLAN**—Check box to enable IGMP snooping on CVLAN. This check box is enabled only when MVR is enabled through the Enabled check box.
- **Multicast SVLAN**—Select the MVR SVLAN ID. The default value is the SVLAN with the lowest ID configured on the card. The drop box lists all the SVLANs on the GE_XP, 10GE_XP, GE_XPE, or 10GE_XPE card.



Note SVLAN selected here can not be used for UNI port, make sure that the corresponding SVLAN on the NNI port is checked.

- **Multicast Address**—Sets the specified multicast group address as the MVR multicast group. The default address is 239.255.255.255 and the range is 224.0.0.0 to 239.255.255.255. Except the subrange [224-239].[0/128].0.x.
- **Count**—Sets the range of any additional multicast group addresses. The default is 1, and range is 1 to 256.

Step 4 Click **Apply**.

Step 5 Return to your originating procedure (NTP).

DLP-G386 Provision the Gigabit Ethernet Trunk Port Alarm and TCA Thresholds

Purpose	This task changes the GE_XP, 10GE_XP, GE_XPE, or 10GE_XPE card trunk port alarm and TCA thresholds.
Tools/Equipment	None
Prerequisite Procedures	DLP-G46 Log into CTC, page 3-30
Required/As Needed	As needed
Onsite/Remote	Onsite or remote
Security Level	Provisioning or higher

**Note**

The GE_XP, 10GE_XP, GE_XPE, and 10GE_XPE cards have two trunk ports. The GE_XP and GE_XPE trunk ports are 21-1 and 22-1 on the card graphic and 21 (Trunk) and 22 (Trunk) on the Optics Thresholds table. The 10GE_XP and 10GE_XPE card trunk ports are 3-1 and 4-1 on the card graphic and 3 (Trunk) and 4 (Trunk) on the Optics Thresholds table.

Step 1 In node view (single-shelf mode) or shelf view (multishelf view), double-click the GE_XP, 10GE_XP, GE_XPE, or 10GE_XPE card where you want to change the trunk port alarm and TCA settings.

Step 2 Click the **Provisioning > Optics Thresholds** tabs.

**Note**

You must modify 15 Min and 1 Day independently. To do so, choose the appropriate radio button and click **Refresh**.

**Note**

Do not modify the Laser Bias parameters.

**Note**

The hardware device that plugs into a TXP, MXP, GE_XP, 10GE_XP, GE_XPE, 10GE_XPE or ADM-10G card faceplate to provide a fiber interface to the card is called a Small Form-factor Pluggable (SFP or XFP). In CTC, SFPs and XFPs are called pluggable port modules (PPMs). SFPs/XFPs are hot-swappable input/output devices that plug into a port to link the port with the fiber-optic network. Multirate PPMs have provisionable port rates and payloads. For more information about SFPs and XFPs, refer to the “Transponder and Muxponder Cards” chapter in the *Cisco ONS 15454 DWDM Reference Manual*.

Step 3 If TCA is not selected, click **TCA** and then click **Refresh**. When TCA is selected, continue with [Step 4](#).

Step 4 Verify the trunk port TCA thresholds are provisioned as shown in [Table 6-109](#). Provision new thresholds as needed by double-clicking the threshold value you want to change, deleting it, entering a new value, and hitting **Enter**.

Table 6-109 GE_XP, 10GE_XP, GE_XPE, or 10GE_XPE Card Trunk Interface TCA Thresholds

Pluggable Port Module (XFP)	TCA RX Power High	TCA RX Power Low	TCA TX Power High	TCA TX Power Low
XFP WDM no FEC	-7	-23	6	-4

Table 6-109 GE_XP, 10GE_XP, GE_XPE, or 10GE_XPE Card Trunk Interface TCA Thresholds

Pluggable Port Module (XFP)	TCA RX Power High	TCA RX Power Low	TCA TX Power High	TCA TX Power Low
XFP WDM standard FEC	-7	-27	6	-4
XFP WDM Enhanced FEC	-7	-27	6	-4

Step 5 Under Types, click the **Alarm** radio button and click **Refresh**.



Note Do not modify the Laser Bias parameters.

Step 6 Verify the trunk port alarm thresholds are provisioned as shown in [Table 6-110](#). Provision new thresholds as needed by double-clicking the threshold value you want to change, deleting it, entering a new value, and hitting **Enter**.

Table 6-110 GE_XP, 10GE_XP, GE_XPE, or 10GE_XPE Card Trunk Interface Alarm Thresholds

Pluggable Port Module (XFP)	Alarm RX Power High	Alarm RX Power Low	Alarm TX Power High	Alarm TX Power Low
XFP WDM no FEC	-5	-26	5	-3
XFP WDM standard FEC	-5	-30	5	-3
XFP WDM Enhanced FEC	-5	-30	5	-3

Step 7 Click **Apply**.

Step 8 Repeat Steps 3 through 7 to provision the second trunk port.

Step 9 Return to your originating procedure (NTP).

DLP-G387 Provision the Gigabit Ethernet Client Port Alarm and TCA Thresholds

Purpose	This task provisions the client port alarm and TCA thresholds for the GE_XP, 10GE_XP, GE_XPE, and 10GE_XPE cards.
Tools/Equipment	None
Prerequisite Procedures	DLP-G277 Provision a Multirate PPM, page 6-11 DLP-G46 Log into CTC, page 3-30
Required/As Needed	Required
Onsite/Remote	Onsite or remote
Security Level	Provisioning or higher



Note

The GE_XP card has 20 client ports. The ports are 1-1 through 20-1 on the card graphic and 1 (Client) through 20 (Client) on the Optics Thresholds table. The 10GE_XP card has 2 client ports. The ports are 1-1 and 2-1 on the card graphic and 1 (Client) and 2 (Client) on the Optics Thresholds table.

**Note**

The hardware device that plugs into a TXP, MXP, GE_XP, 10GE_XP, GE_XPE, 10GE_XPE, or ADM-10G card faceplate to provide a fiber interface to the card is called a Small Form-factor Pluggable (SFP or XFP). In CTC, SFPs and XFPs are called pluggable port modules (PPMs). SFPs/XFPs are hot-swappable input/output devices that plug into a port to link the port with the fiber-optic network. Multirate PPMs have provisionable port rates and payloads. For more information about SFPs and XFPs, refer to the “Transponder and Muxponder Cards” chapter in the *Cisco ONS 15454 DWDM Reference Manual*.

- Step 1** In node view (single-shelf mode) or shelf view (multishelf view), double-click the GE_XP, 10GE_XP, GE_XPE, or 10GE_XPE card where you want to change the client port alarm and TCA settings.
- Step 2** Click the **Provisioning > Optics Thresholds** tabs. The TCA thresholds are shown by default.
- Step 3** If TCA is not selected, click **TCA** and then click **Refresh**. When TCA is selected, continue with [Step 4](#).
- Step 4** Verify the client port TCA thresholds are provisioned as shown in [Table 6-111](#). Provision new thresholds as needed by double-clicking the threshold value you want to change, deleting it, entering a new value, and hitting **Enter**.

Table 6-111 GE_XP, 10GE_XP, GE_XPE, or 10GE_XPE Card Client Interface TCA Thresholds

Pluggable Port Module (XFP)	TCA RX Power High	TCA RX Power Low	TCA TX Power High	TCA TX Power Low
10GE LAN PHY 10GBASE-LR	1	-14	5	-12
1000Base-SX (1Gbps) ¹	0	-17	3	-16
1000Base-LX ¹	-3	-20	3	-16

1. Gigabit Ethernet client

**Note**

You must modify 15 Min and 1 Day independently. To do so, choose the appropriate radio button and click **Refresh**.

- Step 5** Under Types, click the **Alarm** radio button and click **Refresh**.

**Note**

Do not modify the Laser Bias parameters.

- Step 6** Verify the client port Alarm thresholds are provisioned as shown in [Table 6-112](#). Provision new thresholds as needed by double-clicking the threshold value you want to change, deleting it, entering a new value, and hitting **Enter**.

Table 6-112 GE_XP, 10GE_XP, GE_XPE, or 10GE_XPE card Client Interface Alarm Thresholds

Pluggable Port Module (XFP)	Alarm RX Power High	Alarm RX Power Low	Alarm TX Power High	Alarm TX Power Low
10GE LAN PHY 10GBASE-LR	3	-16	1	-8
1000Base-SX (1Gbps) ¹	3	-20	-2	-12

Table 6-112 GE_XP, 10GE_XP, GE_XPE, or 10GE_XPE card Client Interface Alarm Thresholds

Pluggable Port Module (XFP)	Alarm RX Power High	Alarm RX Power Low	Alarm TX Power High	Alarm TX Power Low
1000Base-SX (2Gbps) ¹	3	-18	-2	-12
1000Base-LX ¹	0	-23	-1	-12

1. Gigabit Ethernet client

- Step 7** Click **Apply**.
- Step 8** Repeat Steps 3 through 7 to provision each additional client port.
- Step 9** Return to your originating procedure (NTP).

DLP-G388 Change the GE_XP, 10GE_XP, GE_XPE, or 10GE_XPE Card RMON Thresholds

Purpose	This task changes the GE_XP, 10GE_XP, GE_XPE, or 10GE_XPE card RMON threshold settings.
Tools/Equipment	None
Prerequisite Procedures	DLP-G46 Log into CTC, page 3-30
Required/As Needed	As needed
Onsite/Remote	Onsite or remote
Security Level	Provisioning or higher

- Step 1** In node view (single-shelf mode) or shelf view (multishelf view), display the GE_XP, 10GE_XP, GE_XPE, or 10GE_XPE card where you want to change the RMON thresholds.
- Step 2** Click the **Provisioning > RMON Thresholds** tabs.
- Step 3** Click **Create**. The Create Threshold dialog box appears.
- Step 4** From the Port drop-down list, choose an individual port, or choose **All** to provision RMON thresholds for all ports.
- Step 5** From the Variable drop-down list, choose an Ethernet variable. See [Table 6-113](#) for a list of available Ethernet RMON variables.



Note Variable descriptions were obtained from the following Internet Engineering Task Force (IETF) Requests for Comment (RFCs): RFC 3635, RFC 2233, and RFC 1757. Refer to the RFCs for additional information.

Table 6-113 Gigabit Ethernet RMON Variables

Variable	Description
rxTotalPkts	Total number of receive packets.
ifInUcastPkts	The number of packets, delivered by this sub-layer to a higher (sub-)layer, which were not addressed to a multicast or broadcast address at this sub-layer.
ifInMulticastPkts	The number of packets, delivered by this sub-layer to a higher (sub-)layer, which were addressed to a multicast address at this sub-layer. For a MAC layer protocol, this includes both Group and Functional addresses.
ifInBroadcastPkts	The number of packets, delivered by this sub-layer to a higher (sub-)layer, which were addressed to a broadcast address at this sub-layer.
ifInDiscards	The number of inbound packets which were chosen to be discarded even though no errors had been detected to prevent their being deliverable to a higher-layer protocol. One possible reason for discarding such a packet could be to free up buffer space.
ifInOctets	Total number of octets received on the interface, including framing characters.
ifOutOctets	Total number of octets transmitted out of the interface, including framing characters.
txTotalPkts	Total number of transmitted packets.
ifOutMulticastPkts	The total number of packets that higher-level protocols requested be transmitted, and which were addressed to a multicast address at this sub-layer, including those that were discarded or not sent. For a MAC layer protocol, this includes both group and functional addresses.
ifOutBroadcastPkts	The total number of packets that higher-level protocols requested be transmitted, and which were addressed to a broadcast address at this sub-layer, including those that were discarded or not sent.
ifOutDiscards	The number of outbound packets which were chosen to be discarded even though no errors had been detected to prevent their being transmitted. One possible reason for discarding such a packet could be to free up buffer space.
IfOutErrors	Number of outbound packets or transmission units that could not be transmitted because of errors.
dot3StatsFCSErrors	A count of frames received on a particular interface that are an integral number of octets in length but do not pass the FCS check.
dot3StatsFrameTooLong	A count of frames received on a particular interface that exceed the maximum permitted frame size.
dot3ControlInUnknownOpCode	A count of MAC control frames received on this interface that contain an opcode that is not supported by this device.
dot3InPauseFrames	A count of MAC control frames received on this interface with an opcode indicating the PAUSE operation.
dot33StatsFCSErrors	A count of frames received on a particular interface that are an integral number of octets in length but do not pass the FCS check.
dot3StatsFrameTooLong	A count of frames received on a particular interface that exceed the maximum permitted frame size.
dot3ControlInUnknownOpCode	A count of MAC control frames received on this interface that contain an opcode that is not supported by this device.
dot3InPauseFrames	A count of MAC control frames received on this interface with an opcode indicating the PAUSE operation.

Table 6-113 Gigabit Ethernet RMON Variables (continued)

Variable	Description
dot3OutPauseFrames	A count of MAC Control frames transmitted on this interface with an opcode indicating the PAUSE operation.
etherStatsCRCAlignErrors	Total number of packets received that had a length (excluding framing bits, but including FCS octets) of between 64 and 1518 octets, inclusive, but had either a bad FCS with an integral number of octets (FCS Error) or a bad FCS with a nonintegral number of octets (Alignment Error).
etherStatsUndersizePkts	The total number of packets received that were less than 64 octets long (excluding framing bits, but including FCS octets) and were otherwise well formed.
etherStatsFragments	The total number of packets received that were less than 64 octets in length (excluding framing bits but including FCS octets) and had either a bad Frame Check Sequence (FCS) with an integral number of octets (FCS Error) or a bad FCS with a non-integral.
etherStatsPkts	The total number of packets (including bad packets, broadcast packets, and multicast packets) received.
etherStatsPkts64Octets	The total number of packets (including bad packets) received that were 64 octets in length (excluding framing bits but including FCS octets).
etherStatsPkts65to127Octets	The total number of packets (including error packets) received that were between 65 and 127 octets in length inclusive (excluding framing bits but including FCS octets).
etherStatsPkts128to255Octets	The total number of packets (including error packets) received that were between 128 and 255 octets in length inclusive (excluding framing bits but including FCS octets).
etherStatsPkts256to511Octets	The total number of packets (including error packets) received that were between 256 and 511 octets in length inclusive (excluding framing bits but including FCS octets).
etherStatsPkts512to1023Octets	The total number of packets (including error packets) received that were between 512 and 1023 octets in length inclusive (excluding framing bits but including FCS octets).
etherStatsPkts1024to1518Octets	The total number of packets (including error packets) received that were between 1024 and 1518 octets in length inclusive (excluding framing bits but including FCS octets).
etherStatsPkts1519to1522Octets	The total number of packets (including error packets) received that were between 1519 and 1522 octets in length inclusive (excluding framing bits but including FCS octets). Note This variable is supported only on client ports.
etherStatsBroadcastPkts	The total number of good packets received that were directed to the broadcast address
etherStatsMulticastPkts	The total number of good packets received that were directed to a multicast address. Note that this number does not include packets directed to the broadcast address.
etherStatsOversizePkts	The total number of packets received that were longer than 1518 octets (for untagged packets) or 1522 octets (for tagged packets) (excluding framing bits, but including FCS octets) and were otherwise well formed.
etherStatsJabbers	The total number of packets received that were longer than 1518 octets (for untagged packets) or 1522 octets (for tagged packets) (excluding framing bits, but including FCS octets), and were not an integral number of octets in length or had a bad FCS.
etherStatsOctets	The total number of octets of data (including those in bad packets) received on the network (excluding framing bits but including FCS octets).

Step 6 From the Alarm Type drop-down list, indicate whether the event will be triggered by the rising threshold, the falling threshold, or both the rising and falling thresholds.

- Step 7** From the Sample Type drop-down list, choose either **Relative** or **Absolute**. Relative restricts the threshold to use the number of occurrences in the user-set sample period. Absolute sets the threshold to use the total number of occurrences, regardless of time period.
- Step 8** Type in an appropriate number of seconds for the Sample Period.
- Step 9** Type in the appropriate number of occurrences for the Rising Threshold.
- For a rising type of alarm, the measured value must move from below the falling threshold to above the rising threshold. For example, if a network is running below a rising threshold of 1000 collisions every 15 seconds and a problem causes 1001 collisions in 15 seconds, the excess occurrences trigger an alarm.
- Step 10** Enter the appropriate number of occurrences in the Falling Threshold field. In most cases a falling threshold is set lower than the rising threshold.
- A falling threshold is the counterpart to a rising threshold. When the number of occurrences is above the rising threshold and then drops below a falling threshold, it resets the rising threshold. For example, when the network problem that caused 1001 collisions in 15 seconds subsides and creates only 799 collisions in 15 seconds, occurrences fall below a falling threshold of 800 collisions. This resets the rising threshold so that if network collisions again spike over a 1000 per 15-second period, an event again triggers when the rising threshold is crossed. An event is triggered only the first time a rising threshold is exceeded (otherwise, a single network problem might cause a rising threshold to be exceeded multiple times and cause a flood of events).
- Step 11** Click **OK**.
- Step 12** To view all RMON thresholds, click **Show All RMON thresholds**. If not, continue with [Step 12](#)
- Step 13** Return to your originating procedure (NTP).

DLP-G389 Change the Gigabit Ethernet Optical Transport Network Settings

Purpose	This task changes the optical transport network (OTN) settings for the GE_XP, 10GE_XP, GE_XPE, and 10GE_XPE cards.
Tools/Equipment	None
Prerequisite Procedures	DLP-G46 Log into CTC, page 3-30
Required/As Needed	As needed
Onsite/Remote	Onsite or remote
Security Level	Provisioning or higher

- Step 1** In node view (single-shelf mode) or shelf view (multishelf view), double-click the GE_XP, 10GE_XP, GE_XPE, or 10GE_XPE card where you want to change the OTN settings.
- Step 2** Click the **Provisioning > OTN** tabs, then choose one of the following subtabs: **OTN Lines**, **G.709 Thresholds**, **FEC Thresholds**, or **Trail Trace Identifier**.
- Step 3** Modify any of the settings described in Tables [6-114](#) through [6-117](#).



Note You must modify Near End and Far End; 15 Min and 1 Day; and SM and PM independently. To do so, choose the appropriate radio button and click **Refresh**.

[Table 6-114](#) describes the values on the Provisioning > OTN > OTN Lines tab.

Table 6-114 *GE_XP, 10GE_XP, GE_XPE, or 10GE_XPE Card OTN Line Settings*

Parameter	Description	Options
Port	(Display only) Port number and description:	3 (Trunk) and 4 (Trunk). 10GE_XP and 10GE_XPE cards 21 (Trunk) and 22 (Trunk). GE_XP and GE_XPE cards
ITU-T G.709 OTN	Sets the OTN lines according to ITU-T G.709.	<ul style="list-style-type: none"> • Enable • Disable
FEC	Sets the OTN lines to forward error correction (FEC).	<ul style="list-style-type: none"> • Standard • Enhanced
SF BER	(Display only) Sets the signal fail bit error rate.	<ul style="list-style-type: none"> • 1E-5
SD BER	Sets the signal degrade bit error rate.	<ul style="list-style-type: none"> • 1E-5 • 1E-6 • 1E-7 • 1E-8 • 1E-9

[Table 6-115](#) describes the values on the Provisioning > OTN > ITU-T G.709 Thresholds tab.

Table 6-115 *GE_XP, 10GE_XP, GE_XPE, or 10GE_XPE Card ITU-T G.709 Threshold Settings*

Parameter	Description	Options
Port	(Display only) Port number and description:	3 (Trunk) and 4 (Trunk). 10GE_XP and 10GE_XPE cards 21 (Trunk) and 22 (Trunk). GE_XP and GE_XPE cards
ES	Errored seconds	Numeric. Can be set for Near End or Far End, for 15-minute or one-day intervals, or for SM (OTUk) or PM (ODUk). Select a bullet and click Refresh .
SES	Severely errored seconds	Numeric. Can be set for Near End or Far End, for 15-minute or one-day intervals, or for SM (OTUk) or PM (ODUk). Select a bullet and click Refresh .
UAS	Unavailable seconds	Numeric. Can be set for Near End or Far End, for 15-minute or one-day intervals, or for SM (OTUk) or PM (ODUk). Select a bullet and click Refresh .
BBE	Background block errors	Numeric. Can be set for Near End or Far End, for 15-minute or one-day intervals, or for SM (OTUk) or PM (ODUk). Select a bullet and click Refresh .
FC	Failure counter	Numeric. Can be set for Near End or Far End, for 15-minute or one-day intervals, or for SM (OTUk) or PM (ODUk). Select a bullet and click Refresh .

Table 6-116 describes the values on the Provisioning > OTN > FEC Threshold tab.

Table 6-116 *GE_XP, 10GE_XP, GE_XPE, or 10GE_XPE Card FEC Threshold Settings*

Parameter	Description	Options
Port	(Display only) Port number and description:	3 (Trunk) and 4 (Trunk). 10GE_XP and 10GE_XPE cards 21 (Trunk) and 22 (Trunk). GE_XP and GE_XPE cards
Bit Errors Corrected	Sets the value for bit errors corrected.	Numeric. Can be set for 15-minute or one-day intervals.
Uncorrectable Words	Sets the value for uncorrectable words.	Numeric. Can be set for 15-minute or one-day intervals.

Table 6-117 describes the values on the Provisioning > OTN > Trail Trace Identifier tab.

Table 6-117 *GE_XP, 10GE_XP, GE_XPE, and 10GE_XPE Card Trail Trace Identifier Settings*

Parameter	Description	Options
Port	(Display only) Port number.	2
Level	Sets the level.	<ul style="list-style-type: none"> Section Path
Received Trace Mode	Sets the trace mode.	<ul style="list-style-type: none"> Off/None Manual
Transmit	Displays the current transmit string; sets a new transmit string. You can click the button on the right to change the display. Its title changes, based on the current display mode. Click Hex to change the display to hexadecimal (button changes to ASCII); click ASCII to change the display to ASCII (button changes to Hex).	String of trace string size
Disable FDI on TTIM	If a Trace Identifier Mismatch on Section overhead alarm arises because of a J0 overhead string mismatch, no Forward Defect Indication (FDI) signal is sent to the downstream nodes if this box is checked.	<ul style="list-style-type: none"> Checked (FDI on TTIM is disabled) Unchecked (FDI on TTIM is not disabled)

Table 6-117 GE_XP, 10GE_XP, GE_XPE, and 10GE_XPE Card Trail Trace Identifier Settings

Parameter	Description	Options
Expected	Displays the current expected string; sets a new expected string. You can click the button on the right to change the display. Its title changes, based on the current display mode. Click Hex to change the display to hexadecimal (button changes to ASCII); click ASCII to change the display to ASCII (button changes to Hex).	String of trace string size
Received	(Display only) Displays the current received string. You can click Refresh to manually refresh this display, or check the Auto-refresh every 5 sec check box to keep this panel updated.	String of trace string size

- Step 4** Click **Apply**.
- Step 5** Return to your originating procedure (NTP).

NTP-G314 Add a GE_XP or 10GE_XP Card on a FAPS Ring

Purpose	This procedure adds a GE_XP or 10GE_XP card on a FAPS ring.
Tools/Equipment	Installed GE_XP or 10GE_XP cards.
Prerequisite Procedures	<p>DLP-G46 Log into CTC, page 3-30</p> <p>“NTP-G15 Install the Common Control Cards” in the <i>Cisco ONS 15454 Hardware Installation Guide</i></p> <p>NTP-G179 Install the TXP, MXP, GE_XP, 10GE_XP, GE_XPE, 10GE_XPE, ADM-10G, and OTU2_XP Cards, page 4-69</p> <p>DLP-G379 Change the GE_XP, 10GE_XP, GE_XPE, and 10GE_XPE Card Mode, page 6-8</p>
Required/As Needed	As needed
Onsite/Remote	Onsite or remote
Security Level	Provisioning or higher

- Step 1** Complete the [DLP-G46 Log into CTC, page 3-30](#) at the node where you want to add a GE_XP or 10GE_XP card on a FAPS ring. If you are already logged in, continue with [Step 2](#).
- Step 2** Perform any of the following tasks as needed:
- [DLP-G687 Add a GE_XP or 10GE_XP Card Facing Master Card on a FAPS Ring, page 6-262](#)
 - [DLP-G688 Add a GE_XP or 10GE_XP Card Between the Slave Cards on a FAPS Ring, page 6-263](#)
- Stop. You have completed this procedure.**

DLP-G687 Add a GE_XP or 10GE_XP Card Facing Master Card on a FAPS Ring

Purpose	This procedure adds a GE_XP or 10GE_XP card that faces the master card on a FAPS ring.
Tools/Equipment	None
Prerequisite Procedures	DLP-G46 Log into CTC, page 3-30
Required/As Needed	As needed
Onsite/Remote	Onsite or remote
Security Level	Provisioning or higher

-
- Step 1** Complete the [DLP-G46 Log into CTC, page 3-30](#) at the node where you want to add a GE_XP or 10GE_XP card on a FAPS ring.
- Step 2** Verify that the GE_XP or 10GE_XP card is installed according to the requirements specified in [Table 4-6 on page 4-109](#).
- Step 3** Insert the new GE-XP card with XFP on the slot.
- Step 4** Change the GE_XP card mode to L2-over-DWDM. See [DLP-G379 Change the GE_XP, 10GE_XP, GE_XPE, and 10GE_XPE Card Mode, page 6-8](#).
- Step 5** Create and store an SVLAN database on the new GE_XP card. See [DLP-G421 Create and Store an SVLAN Database, page 8-58](#).
- Step 6** Enable FAPS protection on the new card.
- Step 7** Attach SVLAN to the trunk ports of the new card.
- Step 8** Choose OOS,DSBLD from the Admin State column for port 22 on the master card that is facing toward the new card. This action places port 22 in the blocking state and port 21 in the forwarding state.
- FAPS configuration mismatch alarm is raised on the master card.
- Step 9** Switch the traffic to the protect path.
- Step 10** Choose OOS,DSBLD from the Admin State column for port 21 on the slave card that is facing toward the new card.
- Step 11** Connect the fiber from the slave card (that is facing toward the new card) to the new card in segment B.
- Step 12** Connect the fiber from the master card to the new card in segment A.
- Step 13** Choose IS from the Admin State column for port 21 on the slave card that is facing toward the new card.
- Step 14** Choose IS from the Admin State column for port 22 on the new card to bring up segment B.
- Step 15** Choose IS from the Admin State column for port 21 on the new card.



Note The FAPS state of the new card will be in the forwarding state for both the ports and port 21 of the slave card will be in the blocking state.

- Step 16** Choose IS from the Admin State column for port 22 on the master card to bring up segment A.

**Note**

The FAPS state of port 21 on the master card will be in the blocking state and port 22 will be in the forwarding state. The trunk ports of the remaining GE_XP cards will be in the forwarding state. The port 21 of the slave card (that is facing toward the new card) will change to the forwarding state.

Step 17 Return to your originating procedure (NTP).

DLP-G688 Add a GE_XP or 10GE_XP Card Between the Slave Cards on a FAPS Ring

Purpose	This procedure adds a GE_XP or 10GE_XP card between the two slave cards on a FAPS ring.
Tools/Equipment	None
Prerequisite Procedures	DLP-G46 Log into CTC, page 3-30
Required/As Needed	As needed
Onsite/Remote	Onsite or remote
Security Level	Provisioning or higher

-
- Step 1** Complete the [DLP-G46 Log into CTC, page 3-30](#) at the node where you want to add a GE_XP or 10GE_XP card on a FAPS ring.
- Step 2** Verify that the GE_XP or 10GE_XP card is installed according to the requirements specified in [Table 4-6 on page 4-109](#).
- Step 3** Insert the new GE-XP card with XFP on the slot.
- Step 4** Change the GE_XP card mode to L2-over-DWDM. See [DLP-G379 Change the GE_XP, 10GE_XP, GE_XPE, and 10GE_XPE Card Mode, page 6-8](#).
- Step 5** Create and store an SVLAN database on the new GE_XP card. See [DLP-G421 Create and Store an SVLAN Database, page 8-58](#).
- Step 6** Attach SVLAN to the trunk ports of the new card.
- Step 7** Choose OOS,DSBLD from the Admin State column for port 22 on both the slave cards that are facing toward the new card.
- Step 8** Connect the fiber from the slave card to the new card in segment B.
- Step 9** Connect the fiber from the master card to the new card in segment A.
- Step 10** Choose IS from the Admin State column for port 22 on the slave card.
- Step 11** Choose IS from the Admin State column for port 22 on the new card to bring up segment B.
- Step 12** Choose IS from the Admin State column for port 21 on the new card.
- Step 13** Choose IS from the Admin State column for port 21 on the slave card to bring up segment A.
- Step 14** Return to your originating procedure (NTP).

NTP-G197 Provision the OTU2_XP Card Line Settings, PM Parameters, and Thresholds

Purpose	This procedure changes line settings, PM parameters, and threshold setting for the OTU2_XP card.
Tools/Equipment	None
Prerequisite Procedures	<p>NTP-G179 Install the TXP, MXP, GE_XP, 10GE_XP, GE_XPE, 10GE_XPE, ADM-10G, and OTU2_XP Cards, page 4-69</p> <p>DLP-G63 Install an SFP or XFP, page 4-71</p> <p>DLP-G452 Change the OTU2_XP Card Mode, page 6-10</p>
Required/As Needed	As needed
Onsite/Remote	Onsite or remote
Security Level	Provisioning or higher

-
- Step 1** Complete the “[DLP-G46 Log into CTC](#)” task on page 3-30 at the node where you want to change the card settings. If you are already logged in, continue with Step 2.
- Step 2** As needed, complete the “[NTP-G103 Back Up the Database](#)” procedure on page 14-2 to preserve the existing transmission settings.
- Step 3** In node view (single-shelf mode) or shelf view (multishelf view), double-click the OTU2_XP card.
- Step 4** Verify the card mode:
- Display the OTU2_XP card in card view.
 - Click the **Provisioning > Card** tabs.
 - Verify that the card mode is set to the mode designated by your site plan:
 - Transponder
 - Standard Regen
 - Enhanced FEC
 - Mixed
 - 10G Ethernet LAN Phy to WAN Phy
- If the card mode is set correctly, continue with [Step 6](#). If not, complete the “[DLP-G452 Change the OTU2_XP Card Mode](#)” task on page 6-10.
- Step 5** Refer to the “OTU2_XP Card Configuration Rules” section in chapter “Transponder and Muxponder Cards” in the *Cisco ONS 15454 DWDM Reference Manual* before performing any task listed in [Step 6](#).
- Step 6** Perform any of the following tasks as needed.
- [DLP-G453 Change the OTU2_XP Card Settings](#), page 6-265
 - [DLP-G454 Change the OTU2_XP Line Settings](#), page 6-266
 - [DLP-G455 Change the OTU2_XP Line Section Trace Settings](#), page 6-270
 - [DLP-G456 Change the OTU2_XP Line Thresholds for SONET or SDH Payloads](#), page 6-271
 - [DLP-G457 Provision the OTU2_XP Port Alarm and TCA Thresholds](#), page 6-273
 - [DLP-G462 Change the OTU2_XP Line RMON Thresholds for the 10G Ethernet and 10G FC Payloads](#), page 6-275

- [DLP-G458 Change the OTU2_XP OTN Settings, page 6-278](#)
- [DLP-G523 Change the OTU2_XP Path Trace Settings, page 6-284](#)
- [DLP-G524 Provision the OTU2_XP Path Settings for 10G Ethernet LAN Phy to WAN Phy Configuration, page 6-285](#)

Stop. You have completed this procedure.

DLP-G453 Change the OTU2_XP Card Settings

Purpose	This task changes the card settings for the OTU2_XP card.
Tools/Equipment	None
Prerequisite Procedures	DLP-G46 Log into CTC, page 3-30
Required/As Needed	As needed
Onsite/Remote	Onsite or remote
Security Level	Provisioning or higher

- Step 1** In node view (single-shelf mode) or shelf view (multishelf view), double-click the OTU2_XP card where you want to change the card settings.
- Step 2** Click the **Provisioning > Card** tab.
- Step 3** Modify any of the settings described in [Table 6-118](#).

Table 6-118 OTU2_XP Card Settings

Parameter	Description	ONS 15454 (ANSI) Options	ONS 15454 SDH (ETSI) Options
Card Configuration	Sets the card configuration.	<ul style="list-style-type: none"> • Transponder • Standard Regen • Enhanced FEC • Mixed • 10G Ethernet LAN Phy to WAN Phy 	<ul style="list-style-type: none"> • Transponder • Standard Regen • Enhanced FEC • Mixed • 10G Ethernet LAN Phy to WAN Phy
Port Mode	Sets the port configuration when the card configuration is set as Mixed. For card configurations other than Mixed, this is a display-only parameter. You can configure Ports 2 and 4 as port mode, when the card is in 10G Ethernet LAN Phy to WAN Phy mode.	<ul style="list-style-type: none"> • Transponder • Standard Regen 	<ul style="list-style-type: none"> • Transponder • Standard Regen
Termination Mode	Sets the mode of operation. (This option is only available for SONET/SDH payloads). For Standard Regen and Enhanced FEC card configurations, this is a display-only parameter.	<ul style="list-style-type: none"> • Transparent • Section • Line 	<ul style="list-style-type: none"> • Transparent • Regeneration Section (RS) • Multiplex Section (MS)

Table 6-118 OTU2_XP Card Settings (continued)

Parameter	Description	ONS 15454 (ANSI) Options	ONS 15454 SDH (ETSI) Options
Framing Type	(Display only) The card framing type, either SONET or SDH.	—	—
AIS/Squelch	Sets the transparent termination mode configuration.	<ul style="list-style-type: none"> • AIS • Squelch 	<ul style="list-style-type: none"> • AIS • Squelch
Regen Line Name	Sets the regeneration line name.	—	—
ODU Transparency	Sets the ODU overhead byte configuration. For Transponder card configuration, this is a display-only parameter.	<ul style="list-style-type: none"> • Transparent Standard Use • Cisco Extended Use 	<ul style="list-style-type: none"> • Transparent Standard Use • Cisco Extended Use
Proactive Protection Regen	Enables or disables the proactive protection regen mode.	<ul style="list-style-type: none"> • Enable • Disable 	<ul style="list-style-type: none"> • Enable • Disable

Step 4 Click **Apply**.

Step 5 Return to your originating procedure (NTP).

DLP-G454 Change the OTU2_XP Line Settings

Purpose	This task changes the line settings for OTU2_XP card.
Tools/Equipment	None
Prerequisite Procedures	DLP-G46 Log into CTC, page 3-30
Required/As Needed	As needed
Onsite/Remote	Onsite or remote
Security Level	Provisioning or higher

Step 1 In node view (single-shelf mode) or shelf view (multishelf view), double-click the OTU2_XP card where you want to change the line settings.

Step 2 Click the **Provisioning > Line > Ports/SONET/Ethernet** tabs.

Step 3 Modify any of the settings described in [Table 6-119](#).

Table 6-119 OTU2_XP Line Settings

Parameter	Description	ONS 15454 (ANSI) Options	ONS 15454 SDH (ETSI) Options
Port	(Display only) Displays the port number.	<ul style="list-style-type: none"> 1-1 (OC192/10G Ethernet WAN Phy/10G Ethernet LAN Phy/10G FC) 2-1 (OC192/10G Ethernet WAN Phy/10G Ethernet LAN Phy/10G FC) 3-1 (OC192/10G Ethernet WAN Phy/10G Ethernet LAN Phy/10G FC) 4-1 (OC192/10G Ethernet WAN Phy/10G Ethernet LAN Phy/10G FC) IB_5G 	<ul style="list-style-type: none"> 1-1 (STM-64/10G Ethernet WAN Phy/10G Ethernet LAN Phy/10G FC) 2-1 (STM-64/10G Ethernet WAN Phy/10G Ethernet LAN Phy/10G FC) 3-1 (STM-64/10G Ethernet WAN Phy/10G Ethernet LAN Phy/10G FC) 4-1 (STM-64/10G Ethernet WAN Phy/10G Ethernet LAN Phy/10G FC) IB_5G
Port Name	Provides the ability to assign the specified port a name.	<p>User-defined. Name can be up to 32 alphanumeric/special characters. Blank by default.</p> <p>See the “DLP-G104 Assign a Name to a Port” task on page 8-3.</p>	<p>User-defined. Name can be up to 32 alphanumeric/special characters. Blank by default.</p> <p>See the “DLP-G104 Assign a Name to a Port” task on page 8-3.</p>
Admin State	Sets the port service state. For more information about administrative states, refer to the “Administrative and Service States” appendix in the <i>Cisco ONS 15454 DWDM Reference Manual</i> .	<ul style="list-style-type: none"> IS IS,AINS OOS,DSBLD OOS,MT 	<ul style="list-style-type: none"> Unlocked Unlocked,automaticInService Locked,disabled Locked,maintenance
Service State	(Display only) Identifies the autonomously generated state that gives the overall condition of the port. Service states appear in the format: Primary State-Primary State Qualifier, Secondary State. For more information about service states, refer to the “Administrative and Service States” appendix in the <i>Cisco ONS 15454 DWDM Reference Manual</i> .	<ul style="list-style-type: none"> IS-NR OOS-AU,AINS OOS-MA,DSBLD OOS-MA,MT 	<ul style="list-style-type: none"> Unlocked-enabled Unlocked-disabled,automaticInService Locked-enabled,disabled Locked-enabled,maintenance

Table 6-119 OTU2_XP Line Settings (continued)

Parameter	Description	ONS 15454 (ANSI) Options	ONS 15454 SDH (ETSI) Options
ALS Mode	Sets the ALS function mode. The DWDM transmitter supports ALS according to ITU-T G.644 (06/99). ALS can be disabled, or it can be set for one of three mode options.	<ul style="list-style-type: none"> Disabled (default): ALS is off; the laser is not automatically shut down when traffic outages (LOS) occur. Auto Restart: ALS is on; the laser automatically shuts down when traffic outages (LOS) occur. It automatically restarts when the conditions that caused the outage are resolved. Manual Restart: ALS is on; the laser automatically shuts down when traffic outages (LOS) occur. However, the laser must be manually restarted when conditions that caused the outage are resolved. Manual Restart for Test: Manually restarts the laser for testing. 	<ul style="list-style-type: none"> Disabled (default): ALS is off; the laser is not automatically shut down when traffic outages (LOS) occur. Auto Restart: ALS is on; the laser automatically shuts down when traffic outages (LOS) occur. It automatically restarts when the conditions that caused the outage are resolved. Manual Restart: ALS is on; the laser automatically shuts down when traffic outages (LOS) occur. However, the laser must be manually restarted when conditions that caused the outage are resolved. Manual Restart for Test: Manually restarts the laser for testing.
Reach	Displays the optical reach distance of the client/trunk ports.	The Reach options depend on the traffic type that has been selected.	The Reach options depend on the traffic type that has been selected.
Wavelength	Displays the wavelength of the client/trunk ports.	<ul style="list-style-type: none"> First Tunable Wavelength Further wavelengths: 850 nm through 1610 nm, 100-GHz ITU spacing; coarse wavelength division multiplexing (CWDM) spacing <p>Note Supported wavelengths are marked by asterisks (**).</p>	<ul style="list-style-type: none"> First Tunable Wavelength Further wavelengths: 850 nm through 1610 nm, 100-GHz ITU spacing; CWDM spacing <p>Note Supported wavelengths are marked by asterisks (**).</p>
AINS Soak	Sets the automatic in-service soak period. Double-click the time and use the up and down arrows to change settings.	<ul style="list-style-type: none"> Duration of valid input signal, in hh.mm format, after which the card becomes in service (IS) automatically 0 to 48 hours, 15-minute increments 	<ul style="list-style-type: none"> Duration of valid input signal, in hh.mm format, after which the card becomes IS automatically 0 to 48 hours, 15-minute increments
SF BER	(SONET [ANSI] or SDH [ETSI] only) Sets the signal fail bit error rate.	<ul style="list-style-type: none"> 1E-3 1E-4 1E-5 	<ul style="list-style-type: none"> 1E-3 1E-4 1E-5

Table 6-119 OTU2_XP Line Settings (continued)

Parameter	Description	ONS 15454 (ANSI) Options	ONS 15454 SDH (ETSI) Options
SD BER	(SONET [ANSI] or SDH [ETSI] only) Sets the signal degrade bit error rate.	<ul style="list-style-type: none"> 1E-5 1E-6 1E-7 1E-8 1E-9 	<ul style="list-style-type: none"> 1E-5 1E-6 1E-7 1E-8 1E-9
Type	(SONET [ANSI] or SDH [ETSI] only) The optical transport type.	<ul style="list-style-type: none"> SONET SDH <p>Note When Type is set to SDH in a SONET (ANSI) provisioning, SDCC or LDCC on OTU2_XP cards cannot be provisioned.</p>	<ul style="list-style-type: none"> SONET SDH
MTU	The maximum size of the Ethernet frames accepted by the port. The port must be in OOS/locked state.	<ul style="list-style-type: none"> 1548 bytes Jumbo (64 to 9,216 bytes) 	<ul style="list-style-type: none"> 1548 bytes Jumbo (64 to 9,216 bytes)
Incoming MAC Address	Sets the incoming MAC address.	Value of MAC address. Six bytes in hexadecimal format.	Value of MAC address. Six bytes in hexadecimal format.
Flow Control (Only when the card is in 10G Ethernet LAN Phy to WAN Phy mode)	Enables/disables flow control messaging with its peer port. When enabled, the port can send and receive PAUSE frames when buffer congestion occurs. When disabled, no PAUSE frames are transmitted and the PAUSE frames received are discarded.	<ul style="list-style-type: none"> ON (default)—Flow control is enabled. OFF—Flow control is disabled. 	<ul style="list-style-type: none"> ON (default)—Flow control is enabled. OFF—Flow control is disabled.
Client Distance (Only when the card is in 10G Ethernet LAN Phy to WAN Phy mode)	Sets the fiber distance between the client of OTU2_XP card and the LAN port that is connected to the OTU2_XP client port.	<ul style="list-style-type: none"> 10 km (default) 30 km 	<ul style="list-style-type: none"> 10 km (default) 30 km

Step 4 Click **Apply**.

Step 5 Return to your originating procedure (NTP).

DLP-G455 Change the OTU2_XP Line Section Trace Settings

Purpose	This task changes the line section trace settings for the OTU2_XP card.
Tools/Equipment	None
Prerequisite Procedures	DLP-G46 Log into CTC, page 3-30
Required/As Needed	As needed
Onsite/Remote	Onsite or remote
Security Level	Provisioning or higher

- Step 1** In node view (single-shelf mode) or shelf view (multishelf view), double-click the OTU2_XP card where you want to change the section trace settings.
- Step 2** Click the **Provisioning > Line > Section Trace** tabs.
- Step 3** Modify any of the settings described in [Table 6-120](#).

Table 6-120 OTU2_XP Section Trace Settings

Parameter	Description	ONS 15454 (ANSI) Options	ONS 15454 SDH (ETSI) Options
Port	Sets the port number.	<ul style="list-style-type: none"> 1-1 (OC192) 2-1 (OC192) 3-1 (OC192) 4-1 (OC192) 	<ul style="list-style-type: none"> 1-1 (STM-64) 2-1 (STM-64) 3-1 (STM-64) 4-1 (STM-64)
Received Trace Mode	Sets the trace mode.	<ul style="list-style-type: none"> Off/None Manual 	<ul style="list-style-type: none"> Off/None Manual
Disable AIS/RDI on TIM-S	<p>If a TIM on Section overhead alarm arises because of a J0 overhead string mismatch, no alarm indication signal is sent to downstream nodes if this box is checked.</p> <p>This is a display-only parameter under the following conditions:</p> <ul style="list-style-type: none"> Received Trace Mode is Off/None Termination Mode is set to Transparent or Section (see DLP-G453 Change the OTU2_XP Card Settings, page 6-265) 	<ul style="list-style-type: none"> Checked (AIS/RDI on TIM-S is disabled) Unchecked (AIS/RDI on TIM-S is not disabled) 	<ul style="list-style-type: none"> Checked (AIS/RDI on TIM-S is disabled) Unchecked (AIS/RDI on TIM-S is not disabled)
Transmit Section Trace String Size	Sets the trace string size.	<ul style="list-style-type: none"> 1 byte 16 byte 	<ul style="list-style-type: none"> 1 byte 16 byte

Table 6-120 OTU2_XP Section Trace Settings (continued)

Parameter	Description	ONS 15454 (ANSI) Options	ONS 15454 SDH (ETSI) Options
Transmit	Displays the current transmit string; sets a new transmit string. You can click the button on the right to change the display. Its title changes, based on the current display mode. Click Hex to change the display to hexadecimal (button changes to ASCII); click ASCII to change the display to ASCII (button changes to Hex).	String of trace string size	String of trace string size
Expected	Displays the current expected string; sets a new expected string. You can click the button on the right to change the display. Its title changes, based on the current display mode. Click Hex to change the display to hexadecimal (button changes to ASCII); click ASCII to change the display to ASCII (button changes to Hex).	String of trace string size	String of trace string size
Received	(Display only) Displays the current received string. You can click Refresh to manually refresh this display, or check the Auto-refresh check box to automatically refresh the display every 5 seconds.	String of trace string size	String of trace string size
Auto-refresh	If checked, automatically refreshes the display every 5 seconds.	Checked/unchecked (default)	Checked/unchecked (default)

Step 4 Click **Apply**.

Step 5 Return to your originating procedure (NTP).

DLP-G456 Change the OTU2_XP Line Thresholds for SONET or SDH Payloads

Purpose	This task changes the line threshold settings for the OTU2_XP card carrying SONET or SDH payload.
Tools/Equipment	None
Prerequisite Procedures	DLP-G46 Log into CTC, page 3-30
Required/As Needed	As needed
Onsite/Remote	Onsite or remote
Security Level	Provisioning or higher

Step 1 In node view (single-shelf mode) or shelf view (multishelf view), double-click the OTU2_XP card where you want to change the line threshold settings.

- Step 2** Click the **Provisioning > Line Thresholds > SONET Thresholds (ANSI)** or **SDH Thresholds (ETSI)** tabs.

**Note**

If you have enabled 10G Ethernet LAN Phy to WAN Phy on the OTU2_XP card, the STS option is automatically enabled.

Only near end STS thresholds are supported. No STS thresholds are support for Far End.

- Step 3** Modify any of the OTU2_XP card path threshold settings on a LAN Phy to WAN Phy mode, as seen in [Table 6-121](#).

Table 6-121 OTU2_XP Card Path Threshold Settings on a 10G Ethernet LAN Phy to WAN Phy Mode

Parameter	Description	ONS 15454 (ANSI) Options	ONS 15454 SDH (ETSI) Options
Port	(Display only) Port number.	<ul style="list-style-type: none"> Ports 3-1 (Trunk), STS-1 Ports 4-1 (Trunk), STS-1 	<ul style="list-style-type: none"> Port 3-1 (Trunk), VC4-1 Port 4-1 (Trunk), VC4-1

- Step 4** Modify any of the OTU2_XP Card Line Threshold settings described in [Table 6-122](#)

Table 6-122 OTU2_XP Card Line Threshold Settings

Parameter	Description	ONS 15454 (ANSI) Options	ONS 15454 SDH (ETSI) Options
Port	(Display only) Port number	<ul style="list-style-type: none"> 1-1 (OC192) 2-1 (OC192) 3-1 (OC192) 4-1 (OC192) 	<ul style="list-style-type: none"> 1-1 (STM-64) 2-1 (STM-64) 3-1 (STM-64) 4-1 (STM-64)
CV	Coding violations	Numeric. Threshold display options include: <ul style="list-style-type: none"> Direction—Near End or Far End Interval—15 Min (minutes) or 1 day Types—(Near end only) Line or Section Choose an option in each category and click Refresh .	Numeric. Threshold display options include: <ul style="list-style-type: none"> Direction—Near End or Far End Interval—15 Min (minutes) or 1 day Types—(Near end only) Multiplex Section or Regeneration Section Choose an option in each category and click Refresh .
ES	Errored seconds	Numeric. Threshold display options include: <ul style="list-style-type: none"> Direction—Near End or Far End Interval—15 Min (minutes) or 1 day Types—(Near end only) Line or Section Choose an option in each category and click Refresh .	Numeric. Threshold display options include: <ul style="list-style-type: none"> Direction—Near End or Far End Interval—15 Min (minutes) or 1 day Types—(Near end only) Multiplex Section or Regeneration Section Choose an option in each category and click Refresh .

Table 6-122 OTU2_XP Card Line Threshold Settings (continued)

Parameter	Description	ONS 15454 (ANSI) Options	ONS 15454 SDH (ETSI) Options
SES	Severely errored seconds	Numeric. Threshold display options include: <ul style="list-style-type: none"> Direction—Near End or Far End Interval—15 Min (minutes) or 1 day Types—(Near end only) Line or Section Choose an option in each category and click Refresh .	Numeric. Threshold display options include: <ul style="list-style-type: none"> Direction—Near End or Far End Interval—15 Min (minutes) or 1 day Types—(Near end only) Multiplex Section or Regeneration Section Choose an option in each category and click Refresh .
FC	(Line or Multiplex Section only) Failure count	Numeric. Threshold display options include: <ul style="list-style-type: none"> Direction—Near End or Far End Interval—15 Min (minutes) or 1 day Types—(Near end only) Line or Section Choose an option in each category and click Refresh .	Numeric. Threshold display options include: <ul style="list-style-type: none"> Direction—Near End or Far End Interval—15 Min (minutes) or 1 day Types—(Near end only) Multiplex Section or Regeneration Section Choose an option in each category and click Refresh .
UAS	(Line or Multiplex Section only) Unavailable seconds	Numeric. Threshold display options include: <ul style="list-style-type: none"> Direction—Near End or Far End Interval—15 Min (minutes) or 1 day Types—(Near end only) Line or Section Choose an option in each category and click Refresh .	Numeric. Threshold display options include: <ul style="list-style-type: none"> Direction—Near End or Far End Interval—15 Min (minutes) or 1 day Types—(Near end only) Multiplex Section or Regeneration Section Choose an option in each category and click Refresh .

Step 5 Click **Apply**.

Step 6 Return to your originating procedure (NTP).

DLP-G457 Provision the OTU2_XP Port Alarm and TCA Thresholds

Purpose	This task provisions the OTU2_XP port alarm and threshold crossing alert (TCA) thresholds.
Tools/Equipment	None
Prerequisite Procedures	DLP-G46 Log into CTC, page 3-30
Required/As Needed	As needed
Onsite/Remote	Onsite or remote
Security Level	Provisioning or higher

- Step 1** In node view (single-shelf mode) or shelf view (multishelf view), double-click the OTU2_XP card where you want to change the trunk port alarm and TCA settings.
- Step 2** Click the **Provisioning > Optics Thresholds** tabs.
- Step 3** Under Types, verify that the TCA radio button is checked. If not, select it, then click **Refresh**.
- Step 4** Refer to [Table 6-123](#) to provision the port TCA thresholds for RX Power High, RX Power Low, TX Power High, and TX Power Low.



Note You must modify 15 Min and 1 Day independently. To do so, choose the appropriate radio button and click **Refresh**.



Note Do not modify the Laser Bias parameters.

Table 6-123 OTU2_XP Port TCA Thresholds

Port	TCA RX Power High	TCA RX Power Low	TCA TX Power High	TCA TX Power Low
1-1 (OC-192/10G Ethernet WAN Phy/10G Ethernet LAN Phy/10G FC/IB_5G)	1.0 dBm	-14.0 dBm	5.0 dBm	-12.0 dBm
2-1 (OC-192/10G Ethernet WAN Phy/10G Ethernet LAN Phy/10G FC/IB_5G)	1.0 dBm	-14.0 dBm	5.0 dBm	-12.0 dBm
3-1 (OC-192/10G Ethernet WAN Phy/10G Ethernet LAN Phy/10G FC/IB_5G)	1.0 dBm	-14.0 dBm	5.0 dBm	-12.0 dBm
4-1 (OC-192/10G Ethernet WAN Phy/10G Ethernet LAN Phy/10G FC/IB_5G)	1.0 dBm	-14.0 dBm	5.0 dBm	-12.0 dBm

- Step 5** Click **Apply**.
- Step 6** Under Types, click the **Alarm** radio button and click **Refresh**.
- Step 7** Refer to [Table 6-124](#) to provision the port alarm thresholds for RX Power High, RX Power Low, TX Power High, and TX Power Low.



Note You must modify 15 Min and 1 Day independently. To do so, choose the appropriate radio button and click **Refresh**.

Table 6-124 OTU2_XP Port Alarm Thresholds

Port	Alarm RX Power High	Alarm RX Power Low	Alarm TX Power High	Alarm TX Power Low
1-1 (OC-192/10G Ethernet WAN Phy/10G Ethernet LAN Phy/10G FC/IB_5G)	3.0 dBm	-16.0 dBm	1.0 dBm	-8.0 dBm
2-1 (OC-192/10G Ethernet WAN Phy/10G Ethernet LAN Phy/10G FC/IB_5G)	3.0 dBm	-16.0 dBm	1.0 dBm	-8.0 dBm
3-1 (OC-192/10G Ethernet WAN Phy/10G Ethernet LAN Phy/10G FC/IB_5G)	3.0 dBm	-16.0 dBm	1.0 dBm	-8.0 dBm
4-1 (OC-192/10G Ethernet WAN Phy/10G Ethernet LAN Phy/10G FC/IB_5G)	3.0 dBm	-16.0 dBm	1.0 dBm	-8.0 dBm

- Step 8** Click **Apply**.
- Step 9** Return to your originating procedure (NTP).

DLP-G462 Change the OTU2_XP Line RMON Thresholds for the 10G Ethernet and 10G FC Payloads

Purpose	This task changes the line threshold settings for OTU2_XP card carrying the 10G Ethernet or 10G FC payloads.
Tools/Equipment	None
Prerequisite Procedures	DLP-G46 Log into CTC, page 3-30
Required/As Needed	As needed
Onsite/Remote	Onsite or remote
Security Level	Provisioning or higher

- Step 1** In node view (single-shelf mode) or shelf view (multishelf view), double-click the OTU2_XP card where you want to change the line threshold in the card view.
- Step 2** Click the **Provisioning > Line Thresholds > RMON Thresholds** tabs.
- Step 3** Click **Create**. The Create Threshold dialog box appears.
- Step 4** From the Port drop-down list, choose the applicable port.
- Step 5** From the Variable drop-down list, choose an Ethernet variable. See [Table 6-125](#) and [Table 6-126](#) for a list of available Ethernet variables.

Table 6-125 OTU2_XP Card 10G Ethernet Variables

Variable	Description
----------	-------------

Table 6-125 OTU2_XP Card 10G Ethernet Variables (continued)

ifInOctets	Total number of octets received on the interface, including framing characters.
rxTotalPkts	Total number of received packets. rxTotalPkts increments for 10G FC payload packets with FCS errors. However, 10G Ethernet LAN Phy payload packets with CRC errors are not counted.
ifInMulticastPkts	Number of multicast frames received error free.
ifInBroadcastPkts	Number of packets, delivered by a sublayer to a higher sublayer, that were addressed to a broadcast address at this sublayer.
ifInErrors	Number of inbound packets that contained errors preventing them from being delivered to a higher-layer protocol.
dot3StatsFCSErrors	Number of frames with frame check errors, that is, there is an integral number of octets, but an incorrect Frame Check Sequence (FCS).
etherStatsUndersizePkts	Total number of packets received that were less than 64 octets long (excluding framing bits, but including FCS octets) and were otherwise well formed.
etherStatsFragments	Total number of packets received that were less than 64 octets in length (excluding framing bits but including FCS octets) and had either a bad FCS with an integral number of octets (FCS Error) or a bad FCS with a nonintegral number of octets (Alignment Error). Note that it is entirely normal for etherStatsFragments to increment. This is because it counts both runts (which are normal occurrences due to collisions) and noise hits.
etherStatsPkts64Octets	Total number of packets (including bad packets) received that were 64 octets in length (excluding framing bits but including FCS octets).
etherStatsPkts65to127Octets	Total number of packets (including bad packets) received that were between 65 and 127 octets in length inclusive (excluding framing bits but including FCS octets).
etherStatsPkts128to255Octets	The total number of packets (including bad packets) received that were between 128 and 255 octets in length inclusive (excluding framing bits but including FCS octets).
etherStatsPkts256to511Octets	Total number of packets (including bad packets) received that were between 256 and 511 octets in length inclusive (excluding framing bits but including FCS octets).
etherStatsPkts512to1023Octets	Total number of packets (including bad packets) received that were between 512 and 1023 octets in length inclusive (excluding framing bits but including FCS octets).
etherStatsPkts1024to1518Octets	Total number of packets (including bad packets) received that were between 1024 and 1518 octets in length inclusive (excluding framing bits but including FCS octets).

Table 6-125 OTU2_XP Card 10G Ethernet Variables (continued)

etherStatsBroadcastPkts	Total number of good packets received that were directed to the broadcast address. Note that this does not include multicast packets.
etherStatsMulticastPkts	Total number of good packets received that were directed to a multicast address. Note that this number does not include packets directed to the broadcast address.
etherStatsOversizePkts	Total number of packets received that were longer than 1518 octets (excluding framing bits, but including FCS octets) and were otherwise well formed.
etherStatsJabbers	Total number of packets received that were longer than 1518 octets (excluding framing bits, but including FCS octets), and had either a bad FCS with an integral number of octets (FCS Error) or a bad FCS with a nonintegral number of octets (Alignment Error).
etherStatsOctets	Total number of octets of data (including those in bad packets) received on the network (excluding framing bits but including FCS octets).
rxControlFrames	Number of MAC control frames passed by the MAC sublayer to the MAC control sublayer.

Table 6-126 OTU2_XP Card 10G FC Variables

Variable	Description
ifInOctets	Total number of octets received on the interface, including framing characters.
mediaIndStatsRxFramesTruncated	Total number of fiber channel frames received that are less than the minimum 36-byte frame. This is inclusive of header, SOF, EOF, and CRC with no data bytes.
mediaIndStatsRxFramesTooLong	Total number of fiber channel frames received that exceed the maximum 2148-byte frame. This is inclusive of header, SOF, EOF, CRC, and data bytes.
mediaIndStatsRxFramesBadCRC	Total number of fiber channel frames received with CRC errors.
ifInDiscards	The number of inbound packets, which were chosen to be discarded even though no errors had been detected to prevent their being delivered to a higher-layer protocol. One possible reason for discarding such a packet could be to free up buffer space. ¹
ifOutOctets	Total number of octets transmitted out of the interface, including framing characters. ¹
mediaIndStatsTxFramesBadCRC	Number of transmitted data frames with payload CRC errors when HDLC framing is used. ¹
transmitPauseFrames	Number of transmitted pause frames. ¹
txTotalPkts	Total number of transmit packets. ¹

1. This variable is supported when the 10G Ethernet LAN Phy to WAN Phy mode is enabled on the OTU2_XP card.

Step 6 From the Alarm Type drop-down list, choose the event triggers. The available options are rising threshold, falling threshold, or rising and falling thresholds.

Step 7 From the Sample Type drop-down list, choose either **Relative** or **Absolute**. Relative restricts the threshold to use the number of occurrences in the user-set sample period. Absolute sets the threshold to use the total number of occurrences, regardless of time period.

Step 8 Enter an appropriate number of seconds for the Sample Period.

Step 9 Enter in the appropriate number of occurrences for the Rising Threshold.

For a rising type of alarm, the measured value must move from below the falling threshold to above the rising threshold. For example, if a network is running below a rising threshold of 1000 collisions every 15 seconds and a problem causes 1001 collisions in 15 seconds, the excess occurrences trigger an alarm.

Step 10 Enter the appropriate number of occurrences in the Falling Threshold field. In most cases a falling threshold is set lower than the rising threshold.

A falling threshold is the counterpart to a rising threshold. When the number of occurrences is above the rising threshold and then drops below a falling threshold, it resets the rising threshold. For example, when the network problem that caused 1001 collisions in 15 seconds subsides and creates only 799 collisions in 15 seconds, occurrences fall below a falling threshold of 800 collisions. This resets the rising threshold so that if network collisions again spike over a 1000 per 15-second period, an event again triggers when the rising threshold is crossed. An event is triggered only the first time a rising threshold is exceeded (otherwise, a single network problem might cause a rising threshold to be exceeded multiple times and cause a flood of events).

Step 11 Click **OK**.



Note To view all RMON thresholds, click **Show All RMON thresholds**.

Step 12 Return to your originating procedure (NTP).

DLP-G458 Change the OTU2_XP OTN Settings

Purpose	This task changes the OTN line settings for the OTU2_XP card.
Tools/Equipment	None
Prerequisite Procedures	DLP-G46 Log into CTC, page 3-30
Required/As Needed	As needed
Onsite/Remote	Onsite or remote
Security Level	Provisioning or higher

Step 1 In node view (single-shelf mode) or shelf view (multishelf view), double-click the OTU2_XP card where you want to change the OTN settings.

Step 2 Click the **Provisioning > OTN** tabs. Then click one of the following subtabs: **OTN Lines**, **ITU-T G.709 Thresholds**, **FEC Thresholds**, **Trail Trace Identifier**, or **Proactive Protection Regen**.

Step 3 Modify any of the settings described in Tables [6-29](#) through [6-32](#).



Note You must modify Near End and Far End independently, 15 Min and 1 Day independently, and SM and PM independently. To do so, select the appropriate radio button and click **Refresh**.

Table 6-127 describes the values on the **Provisioning > OTN > OTN Lines** tabs.

Table 6-127 OTU2_XP Card OTN Lines Settings

Parameter	Description	Options
Port	(Display only) Displays the port number and optional name.	—
ITU-T G.709 OTN	Sets the OTN lines according to ITU-T G.709. Check the box to enable.	<ul style="list-style-type: none"> • Enable • Disable
FEC	Sets the OTN lines FEC mode. Enhanced FEC mode can be enabled to provide greater range and lower bit error rate.	<ul style="list-style-type: none"> • Disable—FEC is off. • Standard—Standard FEC is on. • Enhanced—Enhanced FEC is on.
SD BER	Sets the signal degrade bit error rate.	<ul style="list-style-type: none"> • 1E-5 • 1E-6 • 1E-7 • 1E-8 • 1E-9
SF BER	(Display only) Indicates the signal fail bit error rate.	<ul style="list-style-type: none"> • 1E-5
No Fixed Stuff	<p>Sets the insertion of stuffing bytes. This parameter only applies to 10G Ethernet LAN Phy signals in transponder card configuration. This is a display-only parameter for all other card configurations.</p> <p>When the “No Fixed Stuff” parameter is disabled, the bit rate is 11.09 Gbps.</p> <p>When the “No Fixed Stuff” parameter is enabled, the bit rate is 11.05 Gbps.</p>	<ul style="list-style-type: none"> • Disable • Enable

Table 6-128 describes the values on the **Provisioning > OTN > ITU-T G.709 Thresholds** tab.

Table 6-128 OTU2_XP Card ITU-T G.709 Threshold Settings

Parameter	Description	Options
Port	(Display only) Displays the port number and optional name.	—
ES	Severely errored seconds. Two types of thresholds can be asserted. Selecting the SM (OTUk) radio button selects FEC, overhead management, and PM using OTUk. Selecting the PM radio button selects path PM using ODUk.	<p>Numeric. Threshold display options include:</p> <ul style="list-style-type: none"> • Direction—Near End or Far End • Interval—15 Min (minutes) or 1 day • Types—SM (OTUk) or PM (ODUk) <p>Choose an option in each category and click Refresh.</p> <p>Note SM (OTUk) is the ITU-T G.709 optical channel transport unit order of k overhead frame used for management and performance monitoring. PM (ODUk) is the ITU-T G.709 optical channel data unit order of k overhead frame unit used for path performance monitoring.</p>
SES	Severely errored seconds	<p>Numeric. Threshold display options include:</p> <ul style="list-style-type: none"> • Direction—Near End or Far End • Interval—15 Min (minutes) or 1 day • Types—SM (OTUk) or PM (ODUk) <p>Choose an option in each category and click Refresh.</p>
UAS	Unavailable seconds	<p>Numeric. Threshold display options include:</p> <ul style="list-style-type: none"> • Direction—Near End or Far End • Interval—15 Min (minutes) or 1 day • Types—SM (OTUk) or PM (ODUk) <p>Choose an option in each category and click Refresh.</p>

Table 6-128 OTU2_XP Card ITU-T G.709 Threshold Settings (continued)

Parameter	Description	Options
BBE	Background block errors	Numeric. Threshold display options include: <ul style="list-style-type: none"> • Direction—Near End or Far End • Interval—15 Min (minutes) or 1 day • Types—SM (OTUk) or PM (ODUk) Choose an option in each category and click Refresh .
FC	Failure counter	Numeric. Threshold display options include: <ul style="list-style-type: none"> • Direction—Near End or Far End • Interval—15 Min (minutes) or 1 day • Types—SM (OTUk) or PM (ODUk) Choose an option in each category and click Refresh .

Table 6-129 describes the values on the **Provisioning > OTN > FEC Thresholds** tab.

Table 6-129 OTU2_XP Card FEC Threshold Settings

Parameter	Description	Options
Port	(Display only) Displays the port number and optional name.	—
Bit Errors Corrected	Displays the number of bit errors corrected during the selected time period.	Numeric display. Can be set for 15-minute or one-day intervals.
Uncorrectable Words	Displays the number of uncorrectable words in the selected time period.	Numeric display. Can be set for 15-minute or one-day intervals.

Table 6-130 describes the values on the **Provisioning > OTN > Trail Trace Identifier** tab.

**Note**

You cannot change the Path Trail Trace Identifier settings when the OTU2_XP card is in the Standard Regen mode, and if the ODU transparency is set to “Transparent Standard Use”. You can change the Path Trail Trace Identifier settings when the OTU2_XP card is in the Standard Regen mode, and if the ODU transparency is set to “Cisco Extended Use”.

Table 6-130 OTU2_XP Card Trail Trace Identifier Settings

Parameter	Description	Options
Port	Sets the port number.	—
Level	Sets the level.	<ul style="list-style-type: none"> • Section • Path

Table 6-130 OTU2_XP Card Trail Trace Identifier Settings (continued)

Parameter	Description	Options
Received Trace Mode	Sets the trace mode.	<ul style="list-style-type: none"> Off/None Manual
Disable FDI on TTIM	If a Trace Identifier Mismatch on Section overhead alarm arises because of a J0 overhead string mismatch, no Forward Defect Indication (FDI) signal is sent to the downstream nodes if this box is checked.	<ul style="list-style-type: none"> Checked (FDI on TTIM is disabled) Unchecked (FDI on TTIM is not enabled)
Transmit	Displays the current transmit string; sets a new transmit string. You can click the button on the right to change the display. Its title changes, based on the current display mode. Click Hex to change the display to hexadecimal (button changes to ASCII); click ASCII to change the display to ASCII (button changes to Hex).	String of trace string size; trail trace identifier is 64 bytes in length.
Expected	Displays the current expected string; sets a new expected string. You can click the button on the right to change the display. Its title changes, based on the current display mode. Click Hex to change the display to hexadecimal (button changes to ASCII); click ASCII to change the display to ASCII (button changes to Hex).	String of trace string size
Received	(Display only) Displays the current received string. You can click Refresh to manually refresh this display, or check the Auto-refresh every 5 sec check box to keep this panel updated.	String of trace string size
Auto-refresh	If checked, automatically refreshes the display every 5 minutes.	Checked/unchecked (default)

Table 6-131 describes the values on the **Provisioning > OTN > Proactive Protection Regen** tabs.

**Note**

Proactive protection regen is supported on ports of OTU2_XP only in Standard Regen and Enhanced FEC mode.

Table 6-131 OTU2_XP Card Proactive Protection Regen Settings

Parameter	Description	Options
Port	(Display only) Displays the port number and name (optional).	—
Trigger threshold	Sets the maximum BER threshold to trigger proactive protection.	<ul style="list-style-type: none"> • 1E-3 • 9E-4 to 1E-4 • 9E-5 to 1E-5 • 9E-6 to 1E-6 • 9E-7 to 1E-7
Trigger window (ms)	<p>Sets the duration for which BER is monitored before triggering the proactive protection.</p> <p>The trigger window value must be a multiple of:</p> <ul style="list-style-type: none"> • 10 ms for trigger thresholds between 1E-3 and 6E-6 • 100 ms for trigger threshold between 5E-6 to 1E-7 <p>Trigger window must be less than or equal to 10000 ms.</p>	Time in milliseconds.
Revert Threshold	<p>Sets the revert threshold value of BER.</p> <p>Note Revert Threshold settings must be less than the Trigger Threshold values.</p>	<ul style="list-style-type: none"> • 1E-4 • 9E-5 to 1E-5 • 9E-6 to 1E-6 • 9E-7 to 1E-7 • 9E-8 to 5E-8
Revert window (ms)	<p>Sets the duration for which BER is monitored for settings that are less than the revert threshold value before which proactive protection provided to the router is removed.</p> <p>Revert Window value must be at least 2000ms and a multiple of:</p> <ul style="list-style-type: none"> • 10ms for a Revert Threshold of 1E-4 to 6E-7 • 100ms for a Revert Threshold of 5E-7 to 5E-8. <p>The revert window must be less than or equal to 10000ms.</p>	Time in milliseconds.

Step 4 Click **Apply**.

Step 5 Return to your originating procedure (NTP).

DLP-G523 Change the OTU2_XP Path Trace Settings

Purpose	This task changes the path trace settings for the OTU2_XP card.
Tools/Equipment	None
Prerequisite Procedures	DLP-G46 Log into CTC, page 3-30
Required/As Needed	As needed
Onsite/Remote	Onsite or remote
Security Level	Provisioning or higher

- Step 1** In node view (single-shelf mode) or shelf view (multishelf view), double-click the OTU2_XP card where you want to change the path trace settings.
- Step 2** Click the **Provisioning > Path > J1 Path Trace** tabs.
- Step 3** Modify any of the settings described in [Table 6-132](#).

Table 6-132 OTU2_XP Path Trace Settings

Parameter	Description	ONS 15454 (ANSI) Options	ONS 15454 SDH (ETSI) Options
Port	Sets the port number.	<ul style="list-style-type: none"> 3-1 (OC192) 4-1 (OC192) 	<ul style="list-style-type: none"> 3-1 (STM-64) 4-1 (STM-64)
Received Trace Mode	Sets the trace mode.	<ul style="list-style-type: none"> Off/None Manual 	<ul style="list-style-type: none"> Off/None Manual
Transmit	Displays the current transmit string; sets a new transmit string. You can click the button on the right to change the display. Its title changes, based on the current display mode. Click Hex to change the display to hexadecimal (button changes to ASCII); click ASCII to change the display to ASCII (button changes to Hex).	String of trace string size	String of trace string size

Table 6-132 OTU2_XP Path Trace Settings (continued)

Parameter	Description	ONS 15454 (ANSI) Options	ONS 15454 SDH (ETSI) Options
Expected	Displays the current expected string; sets a new expected string. You can click the button on the right to change the display. Its title changes, based on the current display mode. Click Hex to change the display to hexadecimal (button changes to ASCII); click ASCII to change the display to ASCII (button changes to Hex).	String of trace string size	String of trace string size
Received	(Display only) Displays the current received string. You can click Refresh to manually refresh this display, or check the Auto-refresh check box to automatically refresh the display every 5 seconds.	String of trace string size	String of trace string size
Auto-refresh	If checked, automatically refreshes the display every 5 seconds.	Checked/unchecked (default)	Checked/unchecked (default)

- Step 4** Click **Apply**.
Return to your originating procedure (NTP).

DLP-G524 Provision the OTU2_XP Path Settings for 10G Ethernet LAN Phy to WAN Phy Configuration

Purpose	This task changes the path settings of the OTU2_XP card for 10G Ethernet LAN Phy to WAN Phy configuration.
Tools/Equipment	None
Prerequisite Procedures	DLP-G46 Log into CTC, page 3-30
Required/As Needed	As needed
Onsite/Remote	Onsite or remote
Security Level	Provisioning or higher

- Step 1** In node view (single-shelf mode) or shelf view (multishelf view), double-click the OTU2_XP card where you want to change the path settings.

- Step 2** Click the **Provisioning > Path > SONET/SDH** tab. You can now provision the SF BER and SD BER values.
- Step 3** Modify any of the OTU2_XP path settings described in [Table 6-133](#).

Table 6-133 OTU2_XP Path Settings

Parameter	Description	ONS 15454 (ANSI) Options	ONS 15454 SDH (ETSI) Options
Port	Sets the port number.	<ul style="list-style-type: none"> Port 3-1 (trunk) Port 4-1 trunk 	<ul style="list-style-type: none"> Port 3-1 (trunk) Port 4-1 trunk
SF BER	Sets the signal fail bit error rate (SONET [ANSI] or SDH [ETSI]).	<ul style="list-style-type: none"> 1E-3 1E-4 1E-5 	<ul style="list-style-type: none"> 1E-3 1E-4 1E-5
SD BER	Sets the signal degrade bit error rate (SONET [ANSI] or SDH [ETSI]).	<ul style="list-style-type: none"> 1E-5 1E-6 1E-7 1E-8 1E-9 	<ul style="list-style-type: none"> 1E-5 1E-6 1E-7 1E-8 1E-9

- Step 4** Click **Apply**.
- Step 5** Return to your originating procedure (NTP).

NTP-G162 Change the ALS Maintenance Settings

Purpose	This procedure changes the ALS maintenance settings for the TXP, MXP, GE_XP, 10GE_XP, GE_XPE, 10GE_XPE, and OTU2_XP cards.
Tools/Equipment	None
Prerequisite Procedures	DLP-G46 Log into CTC, page 3-30
Required/As Needed	As needed
Onsite/Remote	Onsite or remote
Security Level	Provisioning or higher

**Note**

The automatic laser shutdown (ALS) function is normally disabled for TXP, MXP, GE_XP, 10GE_XP, GE_XPE, 10GE_XPE, and OTU2_XP cards. Enable ALS only when the cards are directly connected to each other.

- Step 1** In node view (single-shelf mode) or shelf view (multishelf mode), double-click the TXP, MXP, GE_XP, 10GE_XP, GE_XPE, 10GE_XPE, or OTU2_XP card where you want to change the ALS maintenance settings.
- Step 2** Click the **Maintenance > ALS** tabs.

- Step 3** Modify any of the settings described in [Table 6-134](#). The provisionable parameters are listed in the Options column in the table.

Table 6-134 ALS Settings

Parameter	Description	Options
ALS Mode	Automatic laser shutdown. ALS provides the ability to shut down the TXP, MXP, GE_XP, 10GE_XP, GE_XPE, 10GE_XPE, and OTU2_XP TX laser when the card detects an LOS.	From the drop-down list, choose one of the following: <ul style="list-style-type: none"> • Disable—Deactivates ALS. • Auto Restart—(Default) ALS is active. The power is automatically shut down when needed and automatically tries to restart using a probe pulse until the cause of the failure is repaired. • Manual Restart • Manual Restart for Test
Recovery Pulse Duration	(Display only) Displays the duration of the optical power pulse that begins when an amplifier restarts.	—
Recovery Pulse Interval	(Display only) Displays the interval between optical power pulses.	—
Currently Shutdown	(Display only) Displays the current status of the laser.	—
Request Laser Restart	If checked, allows you to restart the laser for maintenance.	Checked or unchecked

- Step 4** Click **Apply**. If the change affects traffic, a warning message displays. Click **Yes** to complete the change. **Stop. You have completed this procedure.**

NTP-G192 Force FPGA Update

Purpose	This procedure forces an upgrade of the FPGA image on the MXP_MR_10DME_C and MXP_MR_10DME_L cards.
Tools/Equipment	None
Prerequisite Procedures	DLP-G46 Log into CTC, page 3-30
Required/As Needed	As needed
Onsite/Remote	Onsite or remote
Security Level	Provisioning or higher

**Note**

Perform [Step 1](#) through [Step 4](#) if you are updating the node software. Otherwise continue with [Step 5](#) to force FPGA image upgrade on MXP_MR_10DME_C or MXP_MR_10DME_L card.

-
- Step 1** Close the CTC window, if open.
- Step 2** Delete the CTC Cache from the CTC Launcher browser window.
- Step 3** Close the CTC Launcher browser window.
- Step 4** Relaunch the CTC Launcher browser window.
- Step 5** In node view (single-shelf mode) or shelf view (multishelf mode), double-click the MXP_MR_10DME_C or MXP_MR_10DME_L card to be upgraded.
- Step 6** For all ports being provisioned on the card, click the **Provisioning > Line** tabs.
- Click the **Admin State** table cell and choose **OOS,DSBLD** (ANSI) or **Locked,Disabled** (ETSI).
 - Click **Apply**, then **Yes**.
- Step 7** Click the **Provisioning > Card** tabs.
- Step 8** Change the Card Mode as needed:
- FC-GE_ISC—Choose this option if you will provision any of the following PPM port rates: FC1G (Ports 1-1 through 4-1), FC2G (Ports 1-1 and 3-1 only), FICON1G (Ports 1-1 through 4-1), FICON2G (Ports 1-1 and 3-1 only), ONE_GE (Ports 1-1 through 4-1), ISC3 COMPAT (Ports 1-1 through 4-1), ISC3 PEER 1G (Ports 1-1 through 4-1), and ISC3 PEER 2G (Ports 1-1 and 3-1 only).
 - FC4G—Choose this option if you will provision an FC4G or FICON4G PPM (Port 1-1 only).
- Step 9** Click the **Force FPGA Update** button. This upgrades the FPGA image in the MXP_MR_10DME_C or MXP_MR_10DME_L card, as appropriate. The MXP_MR_10DME_C or MXP_MR_10DME_L card reboots and the FPGA now contains the updated image.
- Step 10** For all ports being provisioned on the card, click the **Provisioning > Line** tabs.
- Click the **Admin State** table cell and choose **IS** (ANSI) or **Unlocked** (ETSI).
 - Click **Apply**, then **Yes**.
- Stop. You have completed this procedure.**
-

NTP-G196 Force FPGA Update When the Card is Part of a Protection Group

Purpose	This procedure forces an upgrade of the FPGA image on the MXP_MR_10DME_C and MXP_MR_10DME_L cards when the card is part of a protection group.
Tools/Equipment	None
Prerequisite Procedures	DLP-G46 Log into CTC, page 3-30
Required/As Needed	As needed
Onsite/Remote	Onsite or remote
Security Level	Provisioning or higher



Note This procedure applies to a near-end node that has two MXP_MR_10DME_C or MXP_MR_10DME_L cards, one card acting as the working card and the other as the protect card. The far-end node has a similar configuration. The near-end working card trunk port is connected to the far-end working card trunk port. The near-end protect card trunk port is connected to the far-end protect card trunk port.



Note Perform [Step 1](#) through [Step 4](#) if you are updating the node software. Otherwise, continue with [Step 5](#) to force FPGA image upgrade on MXP_MR_10DME_C or MXP_MR_10DME_L card.

-
- Step 1** Close the CTC window, if open.
 - Step 2** Delete the CTC Cache from the CTC Launcher browser window.
 - Step 3** Close the CTC Launcher browser window.
 - Step 4** Relaunch the CTC Launcher browser window.
 - Step 5** Ensure traffic is running on the near-end and far-end working cards for each protection group on the MXP_MR_10DME_C or MXP_MR_10DME_L card.
 - Step 6** In node view (single-node mode) or multishelf view (multishelf mode), click the **Provisioning > Protection** tab.
 - Step 7** For each protection group, verify that the working card client port is reported as working/active and the protect card client port is reported as protect/standby.
 - Step 8** Repeat Steps [6](#) and [7](#) for the far-end node.
 - Step 9** For each protection group on the near-end and far-end nodes, complete the “[DLP-G182 Apply a Lockout](#)” task on [page 11-47](#) to prevent traffic from switching to the protect card.
 - Step 10** At the near-end and far-end nodes, complete the “[NTP-G192 Force FPGA Update](#)” procedure on [page 6-287](#) to force an upgrade of the FPGA image on the protect card.
 - Step 11** For each protection group on the near-end and far-end nodes, complete the “[DLP-G183 Clear a Lock-On or Lockout](#)” task on [page 11-47](#) to remove a lockout and return a protection group to its usual switching method.
 - Step 12** For each protection group on the near-end and far-end nodes, complete the “[DLP-G179 Apply a Force Y-Cable or Splitter Protection Switch](#)” task on [page 11-45](#) to move traffic from the working to the protect card.

- Step 13** At the near-end and far-end nodes, complete the “[NTP-G192 Force FPGA Update](#)” procedure on [page 6-287](#) to force an upgrade of the FPGA image on the working card.
- Step 14** For each protection group on the near-end and far-end nodes, complete the “[DLP-G180 Clear a Manual or Force Y-Cable or Splitter Protection Switch](#)” task on [page 11-45](#) to clear a Force protection switch on the working card. If the protection group is revertive, this operation causes the traffic to revert to the working card. If the protection group is non-revertive, this operation causes the traffic to remain on the protect card.
- Stop.** You have completed this procedure.

NTP-G232 Enabling Error Decorrelator

Purpose	This task enables error decorrelator on a TXP_MR_10EX_C, MXP_2.5G_10EX_C, or MXP_MR_10DMEX_C card.
Tools/Equipment	None
Prerequisite Procedures	DLP-G46 Log into CTC, page 3-30
Required/As Needed	As needed
Onsite/Remote	Onsite or remote
Security Level	Provisioning or higher

- Step 1** In node view (single-shelf mode) or shelf view (multishelf view), double-click the TXP_MR_10EX_C, MXP_2.5G_10EX_C, or MXP_MR_10DMEX_C card where you want to enable error decorrelator.
- Step 2** Click the **Provisioning > Line > Error Decorrelator Settings** tabs.
- Step 3** In the Error Decorrelator Settings area, Select **Enable**.



Note

To inter-operate with other cards, disable the error decorrelator. Click the **Provisioning > Line > Error Decorrelator Settings** tabs and then select **Disable**.



CHAPTER 7

Turn Up a Network

This chapter explains how to turn up and test a Cisco ONS 15454 dense wavelength division multiplexing (DWDM) network. For DWDM topology reference information and span loss tables, see the “Network Reference” chapter in *Cisco ONS 15454 DWDM Reference Manual*.

There are two main DWDM network types: metro core, where the channel power is equalized and dispersion compensation is applied, and metro access, where the channels are not equalized and dispersion compensation is not applied. The DWDM network topologies supported are hubbed rings, multihubbed rings, meshed rings, linear configurations, and single-span links. The DWDM node types supported are hub, terminal, optical add/drop multiplexing (OADM), reconfigurable optical add/drop multiplexing (ROADM), anti-amplified spontaneous emissions (anti-ASE), and line amplifier. For DWDM and hybrid node turn-up procedures, see [Chapter 4, “Turn Up a Node.”](#)



Note

The procedures and tasks described in this chapter for the Cisco ONS 15454 platform is applicable to the Cisco ONS 15454 M2 and Cisco ONS 15454 M6 platforms, unless noted otherwise.



Note

Unless otherwise specified, “ONS 15454” refers to both ANSI and ETSI shelf assemblies.

Before You Begin

This section lists the chapter procedures (NTPs). Turn to a procedure for applicable tasks (DLPs).

1. [NTP-G51 Verify DWDM Node Turn Up, page 7-2](#)—Complete this procedure before beginning network turn-up.
2. [NTP-G52 Verify Node-to-Node Connections, page 7-3](#)—Complete this procedure next.
3. [NTP-G201 Configure the Raman Pump on an MSTP Link, page 7-4](#)—Complete this procedure to set the Raman total power and Raman ratio.
4. [NTP-G53 Set Up Timing, page 7-22](#)—Complete this procedure next.
5. [NTP-G54 Provision and Verify a DWDM Network, page 7-27](#)—Complete this procedure next.
6. [NTP-G56 Verify the OSNR, page 7-32](#)—Complete as needed.
7. [NTP-G142 Perform a Protection Switch Test, page 7-33](#)—Complete as needed.
8. [NTP-G164 Configure Link Management Protocol, page 7-35](#)—Complete as needed.
9. [NTP-G233 Configure Link Management Protocol on the Cisco CRS-1 Router and the Cisco ONS 15454 DWDM Node, page 7-42](#)—Complete as needed.

10. [NTP-G57 Create a Logical Network Map, page 7-60](#)—Complete as needed.
11. [NTP-G325 View the Power Levels of Cisco ONS 15454 MSTP Nodes, page 7-61](#)—Complete as needed.
12. [NTP-G326 Provision SRLG on the Cisco ONS 15454 MSTP Network, page 7-62](#)—Complete as needed.

NTP-G51 Verify DWDM Node Turn Up

Purpose	This procedure verifies that each ONS 15454 is ready for DWDM network turn-up before adding nodes to a network. This procedure applies to all ROADMs, OADM, and line-amplifier nodes.
Tools/Equipment	Network plan provided by your network administrator
Prerequisite Procedures	Chapter 4, “Turn Up a Node”
Required/As Needed	Required
Onsite/Remote	Onsite or remote
Security Level	Provisioning or higher

-
- Step 1** Log in to an ONS 15454 node on the network that you will test. See the [“DLP-G46 Log into CTC” task on page 3-30](#) for instructions. If you are already logged in, continue with Step 2.
- Step 2** Click the **Alarms** tab.
- a. Verify that the alarm filter is not turned on. See the [“DLP-G128 Disable Alarm Filtering” task on page 10-26](#) as necessary.
 - b. Verify that no equipment alarms appear (EQPT in the Cond column) indicating equipment failure or other hardware problems. If equipment failure alarms appear, investigate and resolve them before continuing. Refer to the *Cisco ONS 15454 DWDM Troubleshooting Guide* for procedures.
- Step 3** Verify that the software version shown in the node view (single-shelf mode) or multishelf view (multishelf mode) status area matches the version required by your network. (The status area is located to the left of the shelf graphic.) If the software is not the correct version, perform one of the following procedures:
- Perform a software upgrade using a Cisco ONS 15454 software CD or Cisco ONS 15454 SDH software CD. Refer to the release-specific software upgrade document.
 - Replace TCC2/TCC2P/TCC3/TNC/TSC cards with cards containing the correct release.
- Step 4** Click the **Provisioning > General** tabs. Verify that all general node information settings are correct according to documentation provided by the network administrator. If not, see the [“NTP-G80 Change Node Management Information” procedure on page 11-11](#).
- Step 5** Click the **Provisioning > Network** tabs. Ensure that the IP settings and other Cisco Transport Controller (CTC) network access information is correct according to documentation provided by the network administrator. If not, see the [“NTP-G81 Change CTC Network Access” procedure on page 11-23](#).
- Step 6** Click the **Provisioning > Protection** tabs. Verify that all required protection groups have been created according to documentation provided by the network administrator. If not, see the [“NTP-G33 Create a Y-Cable Protection Group” procedure on page 6-21](#) or the [“NTP-G83 Modify or Delete Card Protection Settings” procedure on page 11-40](#).

- Step 7** Click the **Provisioning > Security** tabs. Verify that all users have been created and that their security levels are correct according to documentation provided by the network administrator. If not, see the “[NTP-G88 Modify Users and Change Security](#)” procedure on page 11-55.
- Step 8** If Simple Network Management Protocol (SNMP) is provisioned on the node, click the **Provisioning > SNMP** tabs. Verify that all SNMP settings are correct according to documentation provided by the network administrator. If not, see the “[NTP-G89 Change SNMP Settings](#)” procedure on page 11-67.
- Step 9** Repeat this procedure at each node in the network.
- Stop. You have completed this procedure.**

NTP-G52 Verify Node-to-Node Connections

Purpose	This procedure verifies optical service channel (OSC) terminations between nodes and checks span attenuation. This procedure applies to all ROADMs, OADM, and line-amplifier locations.
Tools/Equipment	None
Prerequisite Procedures	NTP-G51 Verify DWDM Node Turn Up , page 7-2
Required/As Needed	Required
Onsite/Remote	Onsite or remote
Security Level	Provisioning or higher



Note In this procedure, Side A refers to Slots 1 through 6, and Side B refers to Slots 12 through 17.

- Step 1** Check to see if the fibers coming from the adjacent nodes are connected to the OPT-BST, OPT-BST-E, OPT-AMP-17-C (operating in the booster amplifier mode), or OSC-CSM card LINE RX and TX ports. If yes, continue with [Step 2](#). If adjacent node fibers are not connected to the LINE RX and TX ports, do not continue. Install the cabling to the adjacent nodes using the “[NTP-G34 Install Fiber-Optic Cables on DWDM Cards and DCUs](#)” procedure on page 4-78.
- Step 2** Verify the following network fiber connections:
- The node’s Side A ports (LINE TX and RX) are connected to the Side B ports (LINE RX and TX) of the adjacent node.
 - The node’s Side B ports (LINE RX and TX) are connected to the Side A ports (LINE TX and RX) of the adjacent node.
- Step 3** Complete the “[DLP-G46 Log into CTC](#)” task on page 3-30 at the network node that you want to verify.
- Step 4** Click the **Provisioning > Comm Channels > OSC** tabs. Verify that OSC terminations appear under the OSC Terminations area for the Side B and Side A OSC-CSM or OSCM cards and that the port state is In-Service and Normal (IS-NR [ANSI]/Unlocked-enabled [ETSI]). If so, continue with [Step 5](#). If OSC terminations are not created, complete the “[NTP-G38 Provision OSC Terminations](#)” procedure on page 4-126.
- Step 5** Complete the “[NTP-G76 Verify Optical Span Loss Using CTC](#)” procedure on page 11-2 for all OSC-CSM cards. If the measured span loss is within the minimum and maximum expected span loss values, continue with [Step 6](#). If not, clean the fiber connected to the OPT-BST, OPT-BST-E, OPT-AMP-17-C (operating in the booster amplifier mode), or OSC-CSM cards on both ends of the span,

then repeat the “[NTP-G76 Verify Optical Span Loss Using CTC](#)” procedure on page 11-2. If the span loss is within the minimum and maximum expected span loss values, continue with [Step 6](#). If not, contact your next level of support.

Step 6 Repeat Steps 2 through 5 at each network node.

Stop. You have completed this procedure.

NTP-G201 Configure the Raman Pump on an MSTP Link

Purpose	This procedure configures the Raman pump on an Multiservice Transport Platform (MSTP) link.
Tools/Equipment	None
Prerequisite Procedures	None
Required/As Needed	Required
Onsite/Remote	Onsite or remote
Security Level	Provisioning or higher

Step 1 The Raman pump can be configured in three ways:

- [DLP-G468 Configure the Raman Pump Using the Installation Wizard, page 7-4](#)—This procedure is the preferred and recommended installation process.
- [DLP-G474 Configure the Raman Pump by Importing the CTP XML File, page 7-19](#)—Use this procedure when the span is longer than 42 dB (expand on span). This procedure is not recommended for spans of 42 dB or less.
- [DLP-G489 Configure the Raman Pump by Setting the ANS Parameters Manually, page 7-20](#)—Use this procedure if the Raman installation wizard fails and expert intervention is required.

Stop. You have completed this procedure.

DLP-G468 Configure the Raman Pump Using the Installation Wizard

Purpose	This procedure configures the Raman Pump on an MSTP link using the installation wizard.
Tools/Equipment	None

- Prerequisite Procedures**
- [DLP-G46 Log into CTC, page 3-30](#)
 - [NTP-G30 Install the DWDM Cards, page 4-64](#)
 - [NTP-G51 Verify DWDM Node Turn Up, page 7-2](#)
 - [NTP-G37 Run Automatic Node Setup, page 4-128.](#)
 - Create an optical service channel (OSC) termination link by completing the “[NTP-G38 Provision OSC Terminations](#)” procedure on [page 4-126](#) or create an optical transport section (OTS) provisionable patchcord terminations on line ports by completing “[NTP-G184 Create a Provisionable Patchcord](#)” procedure on [page 8-52](#), as required.

Required/As Needed	Required
Onsite/Remote	Onsite and remote
Security Level	Provisioning or higher



Note The installation wizard performs optical measurements and data exchange between the nodes. Make sure that the data communications network (DCN) is stable.



Note Running the installation wizard without setting the automatic node setup (ANS) parameters causes the wizard to fail. Complete the “[NTP-G37 Run Automatic Node Setup](#)” procedure on [page 4-128](#).



Note Running the installation wizard can impact traffic. Make sure that nobody is working on the nodes before continuing with this procedure.



Caution To perform optical measurements, the installation wizard automatically turns on hardware resources installed on the nodes. Alarms can occur during the installation process. Following the recommendations is critical to the success of installation.



Note Make sure that a Muxponder, a WSS, or a tunable transponder is present before you run the Raman installation wizard.

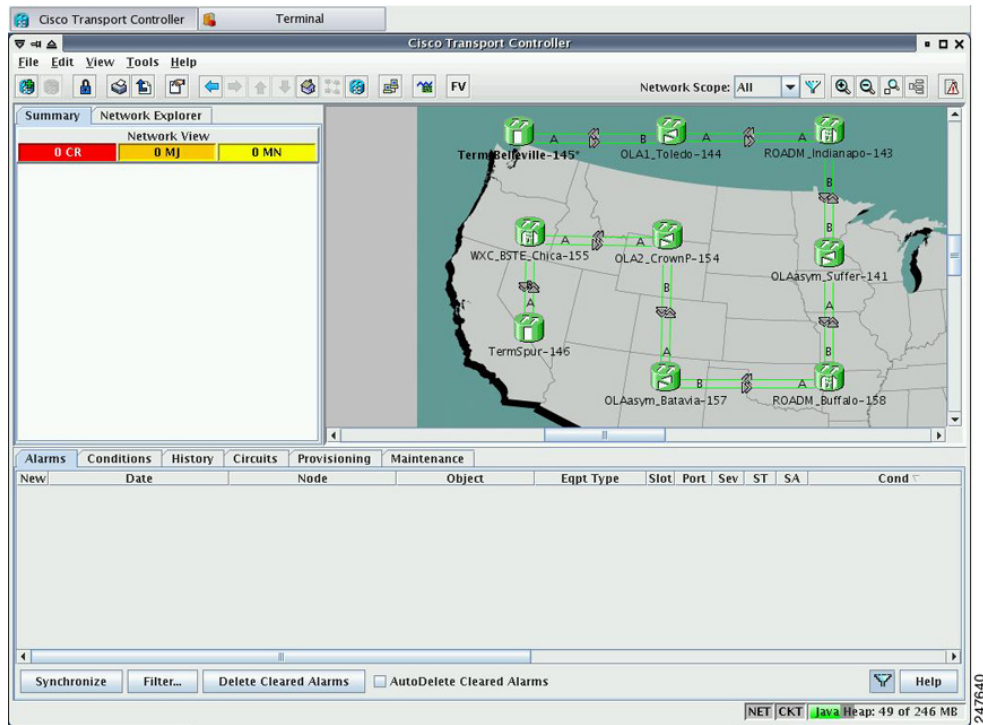


Note When the span is longer than 42 dB, do not use the Raman installation wizard.

Step 1 From the CTC View menu, choose Go to Network View.

Step 2 [Figure 7-1](#) shows a sample network view of nodes (terminal or ROADM) connected in the network.

Figure 7-1 Network View of Nodes (Terminal or ROADM)



The Raman pump on the OPT-RAMP-C or OPT-RAMP-CE card can be configured on a single span or multiple spans.

Step 3 To start the Raman installation wizard, complete one of the following steps:

- To configure Raman amplification on a single span, go to Network view, right-click on a single node or span and choose **Raman Installation Day0** from the shortcut menu. (Figure 7-2). Go to [Step 5](#).
- To configure Raman amplification on multispans, go to Network view, right-click on a specific span, and choose **Raman Installation Day0 Multi-span** from the shortcut menu (Figure 7-3).

Figure 7-2 Installing the Raman Pump on a Single Span

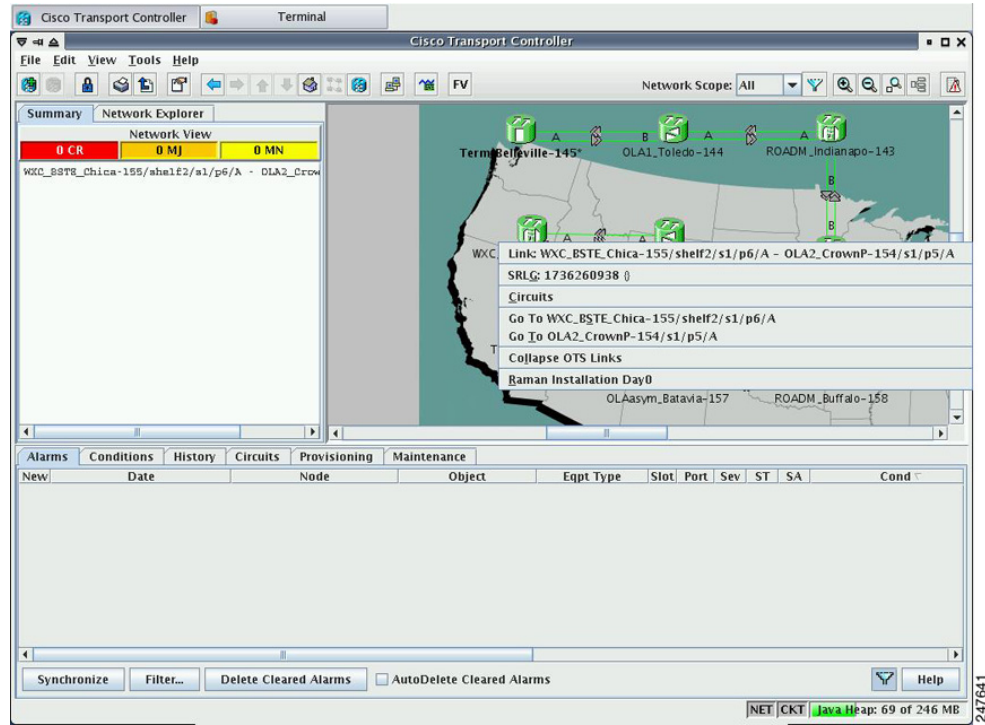
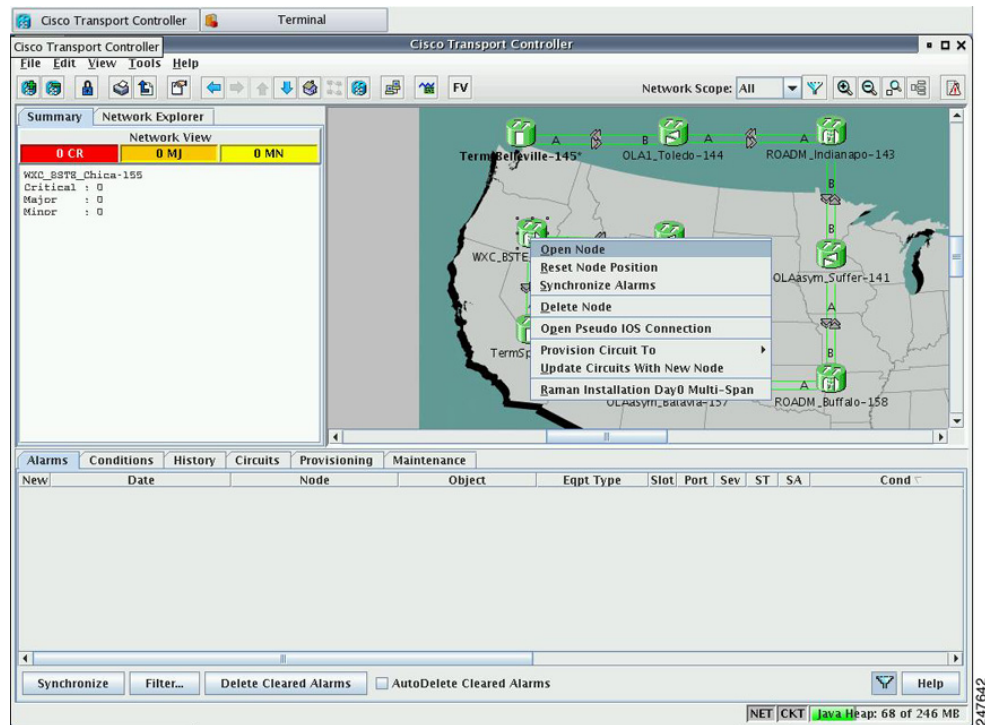
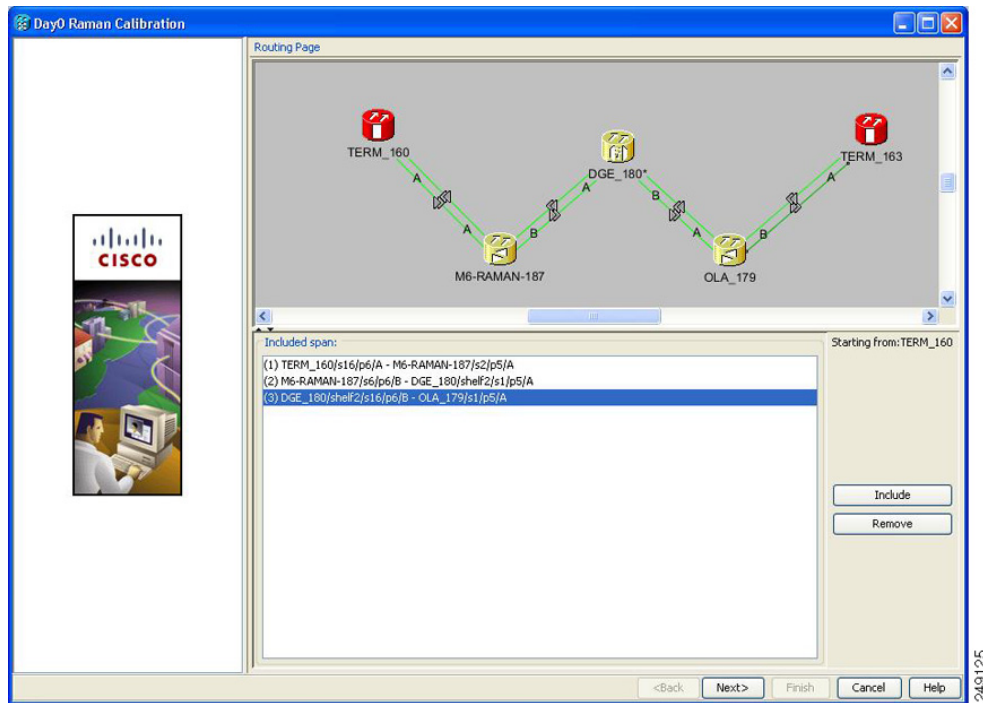


Figure 7-3 Installing the Raman Pump on Multiple Spans



The Routing page is displayed (Figure 7-4).

Figure 7-4 Selecting Spans for Raman Amplification



The Included Span list box lists all spans in the network.

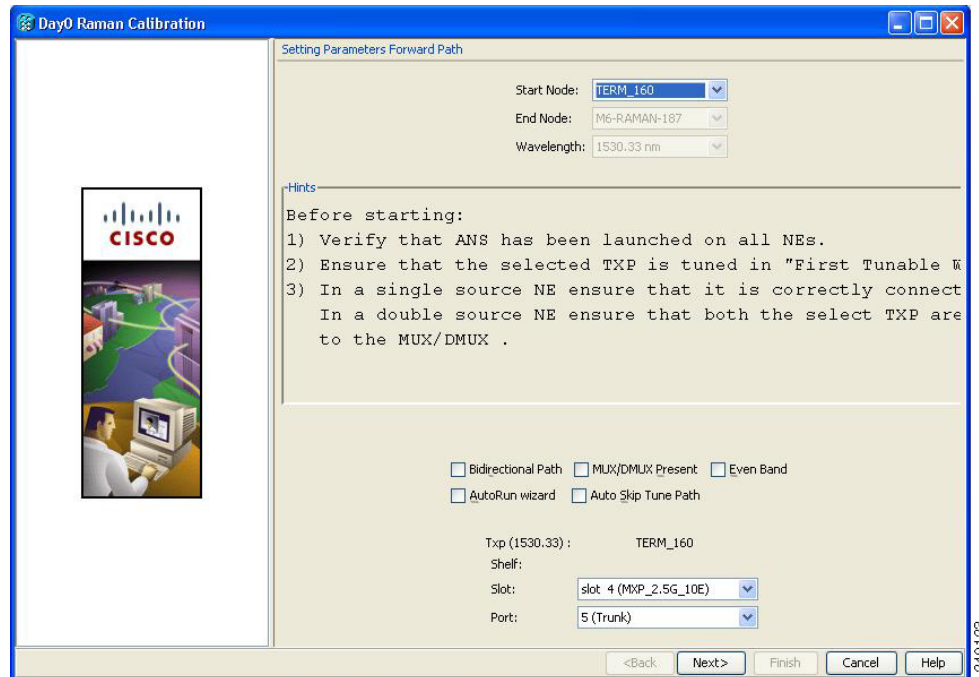
Step 4 Select a span from the network to add a span.

If you are setting up multispan, make sure that the span selection is made in a sequence; otherwise, an error message is displayed.

Step 5 When you have selected the span or spans, click **Next**.

The Setting Parameters page is displayed (see Figure 7-5).

Figure 7-5 Setting Raman Calibration Parameter



Note The Hints area displays the status of internal operations.



Note If multiple spans are selected, the applicable nodes are displayed on the left side of the page.

Step 6 Select one or more checkboxes as applicable:

- **Autorun wizard**—The Installation wizard tunes the selected span automatically, requiring no user intervention. However, if the wizard displays errors, the wizard requests for user acknowledgements.
- **Even Band**—This option is used for optical networks that support only even band channels. If the network supports odd and even channels, the Raman Installation wizard tunes the transponder to the first tunable odd band channel.
- **Auto Skip Tune Path**—The Raman Installation wizard skips spans that have been previously tuned by the wizard.
- **Bidirectional Path**—This configures the OPT-RAMP-C or OPT-RAMP-CE cards in both directions (source to destination and destination to source)
- **MUX/DMUX Present**—This option is used if the optical network has transponders connected to the A/D stage (MUX or WSS).

Several scenarios are discussed in the following section. Select as applicable:

- Check box Bidirectional Path is unchecked and check box MUX/DMUX Present is checked. See [Figure 7-6](#) and [Step 7a](#).
- Check box Bidirectional Path is unchecked and check box MUX/DMUX Present is unchecked. See [Figure 7-7](#) and [Step 7b](#).

- Check box Bidirectional Path is checked and check box MUX/DMUX Present is checked. See [Figure 7-8](#) and [Step 7c](#).
- Check box Bidirectional Path is checked and check box MUX/DMUX Present is unchecked. See [Figure 7-9](#) and [Step 7d](#).

**Note**

Before you check the MUX/DMUX Present check box, ensure that the following prerequisites are completed:

- At least one source node is a terminal node or a ROADM node.
- Two transponders/muxponders supporting wavelength of 1530.33 nm and 1560.61 nm, used as probe signals, are available on the source node for odd channels or wavelengths of 1530.72 nm and 1561.01 nm for even channels.
- Trunk ports are connected to the correct ADD ports.

**Note**

The Raman Wizard does not verify if the selected TXP connections are properly connected. The calibration process is terminated if a LOS-P alarm is detected on the MUX input port when the trunk port is turned on.

**Note**

If you do not use the MUX/DMUX Present check box, ensure that the following prerequisites are completed:

- Connect a UT2-based trunk port (from a transponder/muxponder card) to the COM-RX port of the booster amplifier connected to the OPT-RAMP-C or OPT-RAMP-CE card on the source node.
A full-spectrum, tunable interface allows the system to tune the signal on two required wavelengths without any human intervention.
- A 10-dB bulk attenuator must be connected between the TXP trunk port and the COM-RX port of the booster amplifier.

**Caution**

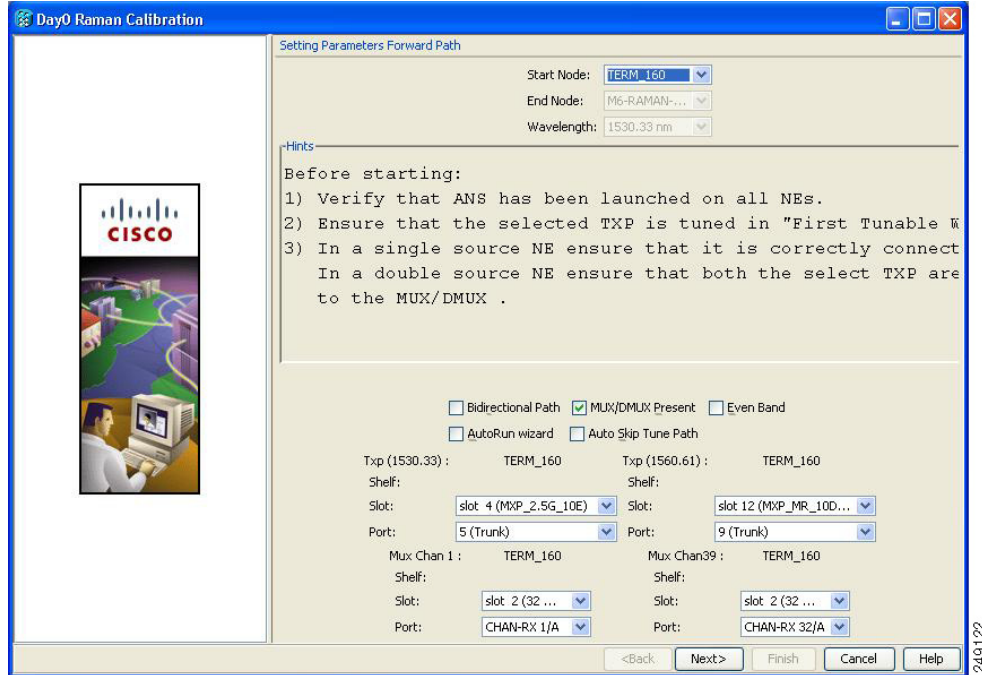
Make sure that the bulk attenuator is removed as soon as installation finishes and the correct fiber is reconnected to the COM-RX port of the booster amplifier.

Step 7

Perform any one of the following steps, based on your selection in [Step 6](#).

- a. Select the two transponders on the source node from the Slot drop-down list. The installation wizard tunes the transponders to the required wavelengths. ([Figure 7-6](#)).

Figure 7-6 Bidirectional Path Is Unchecked and MUX/DMUX Present Is Checked

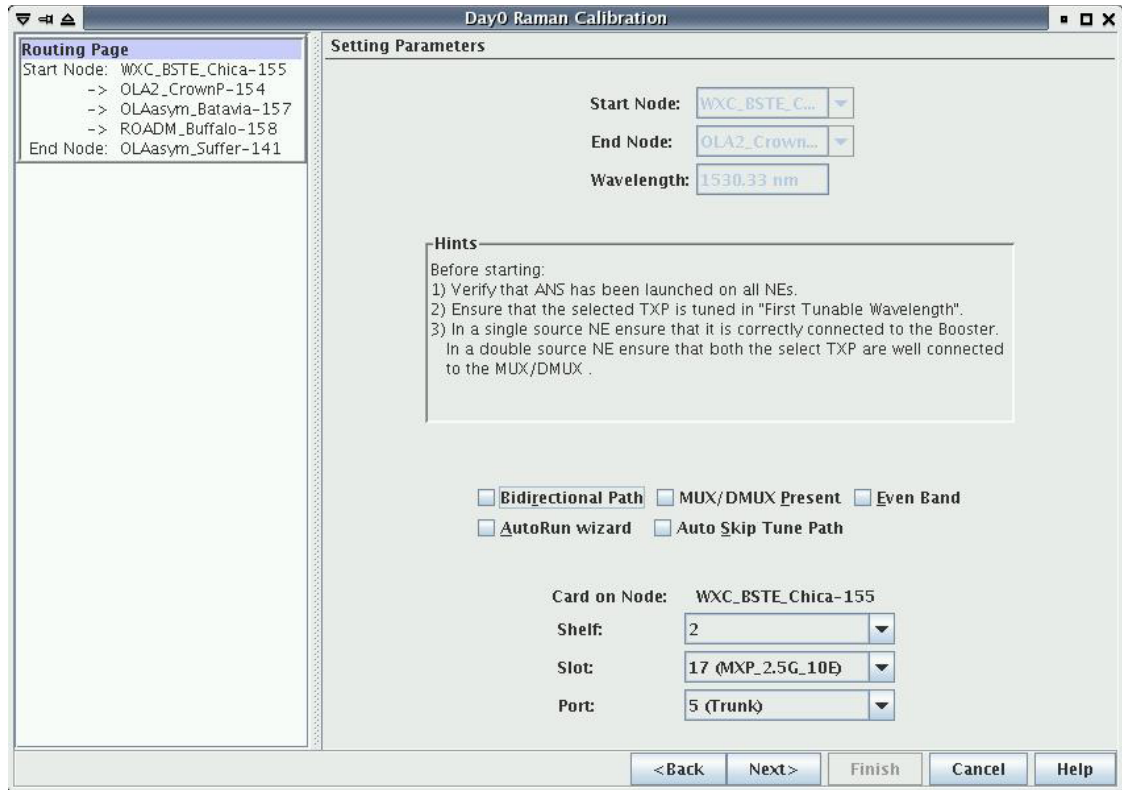


- b. Select one transponder on the source node from the Slot drop-down list. The installation wizard verifies if the transponder can tune on the first tunable wavelength. Make sure that the card used is a tunable C-band transponder and set the transponder to the “first tunable wavelength”. Otherwise, the wizard fails and the installation must be repeated using a correctly configured tunable transponder (Figure 7-7).



Note The wizard uses a pre-installed UT-2 based transponder.

Figure 7-7 Bidirectional Path Is Unchecked and MUX/DMUX Present Is Unchecked



- c. Select the two transponders on the source and destination nodes from the Slot drop-down list. The installation wizard verifies if the transponders are tuned to the expected wavelengths or on the first tunable wavelength. Otherwise, the wizard fails and the installation must be repeated (Figure 7-8).

Figure 7-8 Bidirectional Path Is Checked and MUX/DMUX Present Is Checked

Routing Page

Start Node: WXC_BSTE_Chica-155
 -> OLA2_CrownP-154
 -> OLAasym_Batavia-157
 -> ROADM_Buffalo-158
 End Node: OLAasym_Suffer-141

Setting Parameters

Start Node: WXC_BSTE_C...
 End Node: OLA2_Crown...
 Wavelength: 1530.33 nm

Hints

Before starting:
 1) Verify that ANS has been launched on all NEs.
 2) Ensure that the selected TXP is tuned in "First Tunable Wavelength".
 3) In a single source NE ensure that it is correctly connected to the Booster.
 In a double source NE ensure that both the select TXP are well connected to the MUX/DMUX .

Bidirectional Path MUX/DMUX Present Even Band
 AutoRun wizard Auto Skip Tune Path

Card on Node: WXC_BSTE_Chica-155 Card on Node: WXC_BSTE_Chica-155
 Shelf: 2 Shelf: 2
 Slot: 17 (MXP_2.5G_10E) Slot: 17 (MXP_2.5G_10E)
 Port: 5 (Trunk) Port: 5 (Trunk)

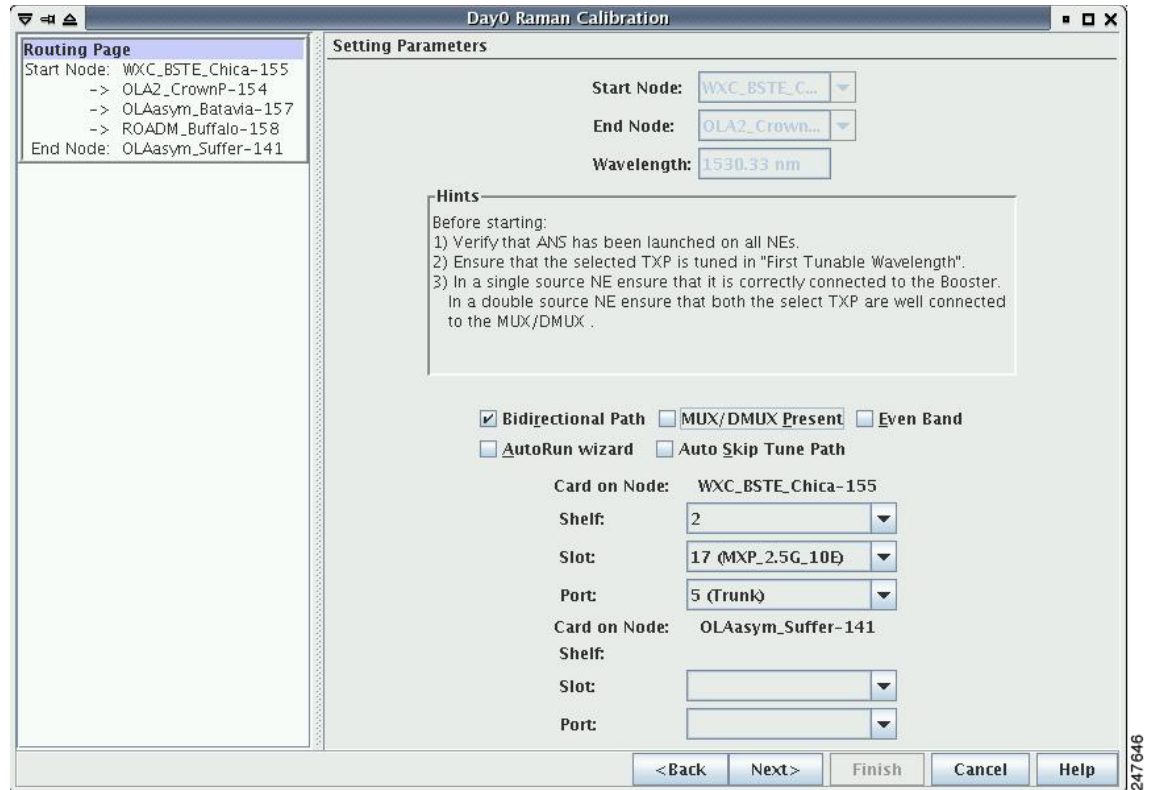
Card on Node: OLAasym_Suffer-141 Card on Node: OLAasym_Suffer-141
 Shelf: Shelf:
 Slot: Slot:
 Port: Port:

<Back Next> Finish Cancel Help

- d. Select a transponder on the source and destination nodes from the Slot drop-down list. The installation wizard verifies if the transponder can be tuned on the first tunable wavelength. Make sure that the transponder is a tunable C-band transponder. Otherwise, the wizard fails and the installation must be repeated (Figure 7-9).

247645

Figure 7-9 Bidirectional Path Is Checked and MUX/DMUX Present Is Unchecked



Step 8 Click Next. The Calibrate Raman Page is displayed (Figure 7-10).

Figure 7-10 Calibrating Raman Amplification

Routing Page
 Start Node: WXC_BSTE_Chica-155
 -> OLA2_CrownP-154
 -> OLAAsym_Batavia-157
 -> ROADM_Buffalo-158
 End Node: OLAAsym_Suffer-141

Setting Parameters
 Start Node: WXC_BSTE_Chica-155
 End Node: OLA2_CrownP-154
 End of Wizard
 Shelf: 2
 Slot: 17 (MXP_2.54)
 Port: 5 (Trunk)
 Mux/Dmux not present
 Selected Lambda: 1530.33 nm

Calibrate Raman

Card on Node:	WXC_BSTE_Chica-155	Card on Node:	OLA2_CrownP-154
Shelf:	2	Shelf:	2
Slot:	1 (OPT-RAMP CD)	Slot:	slot 1 (OPT-RAMP ...)
Port:	RAMAN-TX/A	Port:	RAMAN-TX/A

Hints
 The following steps will be performed:
 1) The Booster present on the Start Node will be turned on.
 2) The OPT-RAMP card on the start node will be turned on.
 3) Received power and the End Node will be measured.

WXC_BSTE_Chica-155 get Raman Params

Time Stamp:
 Low Power (dBm):
 High Power (dBm):

< Back Next > Finish Cancel Help

The installation wizard changes the trunk port to the In-Service (IS) state and turns on all the amplifiers. All the OTS and optical channel (OCH) ports in the span are changed to IS state.

Step 9 As soon as the Raman calibrations are complete, the Next button is enabled. Click **Next**.

Figure 7-11 Calibrating Raman Amplification

Routing Page
Start Node: WXC_BSTE_Chica-155
-> OLA2_CrownP-154
End Node: OLAasym_Batavia-157

Setting Parameters
Start Node: WXC_BSTE_Chica-155
End Node: OLA2_CrownP-154
End of Wizard
Shelf: 2
Slot: 17 (MXP_2.5)
Port: 5 (Trunk)
Mux/Dmux not present
Selected Lambda: 1530.33 nm

Calibrate Raman

Card on Node:	WXC_BSTE_Chica-155	Card on Node:	OLA2_CrownP-154
Shelf:	2	Shelf:	
Slot:	1 (OPT-RAMP CE)	Slot:	slot 1 (OPT-RAMP...)
Port:	RAMAN-TX/A	Port:	RAMAN-TX/A

Hints
The following steps will be performed:
1) The Booster present on the Start Node will be turned on.
2) The OPT-RAMP card on the start node will be turned on.
3) Received power and the End Node will be measured.

Repeat

Time Stamp: 16:11:37
Low Power (dBm): -4.4
High Power (dBm): 1.2

< Back Next > Finish Cancel Help

- Step 10** The power received on the destination node when wavelength on the source is turned on is shown. If you installed Raman amplification on multiple spans, click **Next** to view results of other spans.
- Step 11** If the installation wizard fails, click the **Repeat** button. The Raman installation wizard recalibrates the values on the destination node.

**Note**

If you have repeated the calibration several times and the wizard fails, press **Cancel** to abort the installation process. Log in to the Cisco Technical Support Website at <http://www.cisco.com/cisco/web/support/index.html> for more information or call Cisco Technical Support at (800) 553-2447.

- Step 12** Click **Next**. The Accept Results page is displayed (Figure 7-12).

Figure 7-12 Raman Amplification Results

Node	Card	Quality	Ratio	Tot Power ...	Gain	Tilt	Low
OLA2_Cro...	Slot 1 ,Por...	Well calibr...	35.5%	320	9.6	0.0	-4.4
OLAasym...	Slot 16 ,P...	Well calibr...	35.1%	309	8.7	0.0	-7.1

The calculated Raman power and Raman gain are displayed. (Figure 7-12.)

Step 13 The wizard compares the calculated Raman gain value with the expected results. Your action depends on the Raman gain values:

- Expected gain (Gt) – 0.5 dB ≤ (gain) ≤ (expected gain) + 0.5 dB—If the Raman gain is within this range, it means that the setup procedure was successful (Figure 7-13). Click **Next** and **Finish**.
- 3.0 dB ≤ (gain) ≤ (expected gain) – 0.5 dB—If the Raman gain is within this range, it means that the values are slightly outside the range. The wizard recommends that you verify the span length and cabling, and repeat the installation wizard procedure. If the Raman gain values are still not within the expected value range even after repeating the installation process, you can choose to forcibly apply these values by clicking **Force Calibration**.



Note

After you have forced the new calibration, the new value of the Raman gain is applied to the OPT-RAMP-C or OPT-RAMP-CE card as the set point; However, the new value does not update the value of the ANS set point for Raman gain. After the installation is complete, reanalyze the network in Cisco Transport Planner using this new value for the Raman gain set point and verify that it results in a good network design. After the CTP analysis is successful, import the updated CTP XML file again into CTC by completing the “[NTP-G143 Import the Cisco TransportPlanner NE Update Configuration File](#)” procedure on page 4-49. Launch, run, and apply the ANS parameters by completing “[NTP-G37 Run Automatic Node Setup](#)” procedure on page 4-128. This resolves the discrepancy between the values of the ANS parameters and the card parameters.

However, we recommend that you log in to the Cisco Technical Support Website at <http://www.cisco.com/cisco/web/support/index.html> for more information if the Raman gain values are still not within the expected value range or call Cisco Technical Support at (800) 553-2447.

- $(\text{gain}) < (\text{expected gain}) - 3.0 \text{ dB}$ or if $(\text{gain}) < (\text{expected gain}) + 0.5 \text{ dB}$ —If the Raman gain is within this range and the values calculated are far from the targeted results, the installation fails and the wizard recommends repeating the installation. If the results do not improve, it means that the installation process has failed. The Force Calibration option is not available. Click **Cancel** to abort the installation and log in to the Cisco Technical Support Website at <http://www.cisco.com/cisco/web/support/index.html> for more information or call Cisco Technical Support at (800) 553-2447.



Note The reason that the calculated values are not within the range may be due to installation issues (for example, the actual fiber type is different than the one used by Cisco Transport Planner to design the link) or procedural issues.

Step 14 Click **Exports Data** to export the Raman setup tuning data in text format.

Step 15 Click **Finish**.

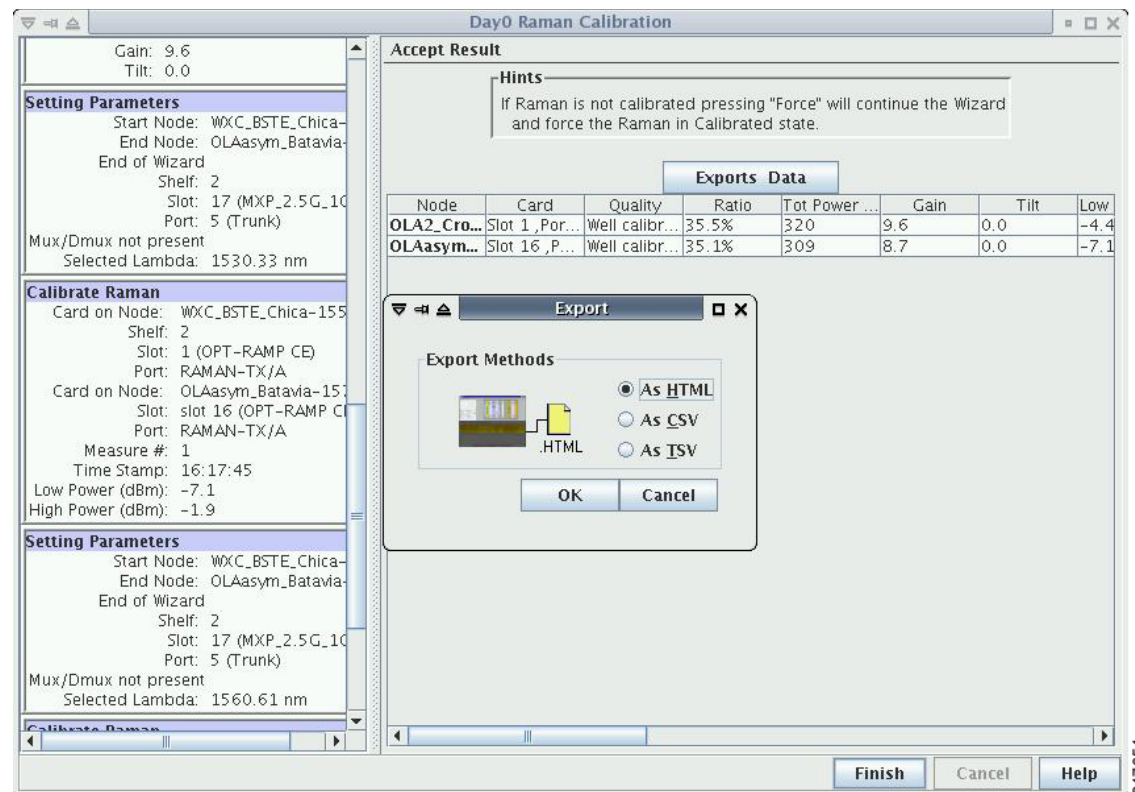


Note When an error occurs during calibration of multiple spans, the calibration process stops and the Force Calibration button becomes visible (Figure 7-13).



Note If an error occurs during calibration of multiple spans when using the AutoRun wizard, the calibration stops and the Force Calibration button becomes visible. (Figure 7-13). Click **Force Calibration** to force the results.

Figure 7-13 Force Raman Calibration



Step 16 Return to your originating procedure (NTP).

DLP-G474 Configure the Raman Pump by Importing the CTP XML File

Purpose	This procedure configures the Raman pump by importing the Cisco Transport Planner XML file.
Tools/Equipment	None
Prerequisite Procedures	DLP-G46 Log into CTC, page 3-30
Required/As Needed	Required
Onsite/Remote	Onsite or remote
Security Level	Provisioning or higher

- Step 1** Install the ANS parameters calculated using Cisco Transport Planner, by completing the “[NTP-G143 Import the Cisco TransportPlanner NE Update Configuration File](#)” procedure on page 4-49.
- Step 2** Launch, run, and apply ANS parameters by completing “[NTP-G37 Run Automatic Node Setup](#)” procedure on page 4-128.

- Step 3** Verify if the Raman pump was configured successfully. Perform the following steps:
- In node view (single-shelf mode) or shelf view (multishelf mode), double-click the OPT-RAMP-C or OPT-RAMP-CE amplifier to display the card view.
 - Click the **Maintenance > Installation** tabs.
 - Verify the value of the Raman Ratio and Total Pump Power parameters are consistent with the ANS set points.
 - Verify if the status of the Raman configuration displays the value as “Tuned by ANS”. If not, go to [Step 1](#) to repeat the procedure again.
- Step 4** Return to your originating procedure (NTP).
-

DLP-G489 Configure the Raman Pump by Setting the ANS Parameters Manually

Purpose	This procedure configures the Raman pump by setting the ANS parameters manually.
Tools/Equipment	None
Prerequisite Procedures	DLP-G46 Log into CTC, page 3-30
Required/As Needed	As needed, when the wizard fails and expert intervention is required.
Onsite/Remote	Onsite or remote
Security Level	Provisioning or higher



Note

This procedure can be performed only on a per span basis and not on multiple spans. To configure multiple spans, repeat this procedure on each span that you want to configure.

- Step 1** Provision the ANS parameters manually, by completing the “[DLP-G541 Add an ANS Parameter](#)” task on [page 4-62](#). The ANS parameters are:
- (Slot *i*.OPT-RAMP-CE).Port RAMAN-TX.Raman Gain
 - (Slot *i*.OPT-RAMP-CE).Port RAMAN-TX.Raman Ratio
 - (Slot *i*.OPT-RAMP-CE).Port RAMAN-TX.Raman Power
- ANS parameters are displayed in the Provisioning > WDM-ANS > Provisioning tab. For more information, see the “Node Reference” chapter in the *Cisco ONS 15454 DWDM Reference Guide*.
- Step 2** Launch, run, and apply ANS parameters by completing “[NTP-G37 Run Automatic Node Setup](#)” procedure on [page 4-128](#).
- Step 3** Verify if the Raman pump was configured successfully. Perform the following steps:
- In node view (single-shelf mode) or shelf view (multishelf mode), double-click the OPT-RAMP-C or OPT-RAMP-CE amplifier to display the card view.
 - Click the **Maintenance > Installation** tabs.
 - Verify the values of the Raman Ratio and Total Pump Power parameters are consistent with the ANS set points.
 - Verify the status of the Raman configuration displays the value, “Tuned by ANS”. If not, go to [Step 1](#) to repeat the procedure again.

Step 4 Return to your originating procedure (NTP).

DLP-490 Restore Raman Link After a Fiber Cut Occurs

Purpose	This procedure tunes Raman set points after a fiber cut has been repaired. The Raman total power value is calculated again, and the original Raman gain is restored.
Tools/Equipment	None
Prerequisite Procedures	DLP-G46 Log into CTC, page 3-30
Required/As Needed	As needed.
Onsite/Remote	Onsite or remote
Security Level	Provisioning or higher



Note

This procedure does not calculate the Raman pump ratio. The Raman pump ratio is not expected to change after the fiber cut is repaired.



Caution

This procedure affects traffic. Ensure that nobody is working on the nodes before you begin.

Step 1 Complete the [NTP-G54 Provision and Verify a DWDM Network, page 7-27](#).

Ensure that the network traffic is restored.

Step 2 Verify if the restore procedure was successful. Perform the following steps:

- a. In node view (single-shelf mode) or shelf view (multishelf mode), double-click the OPT-RAMP-C or OPT-RAMP-CE amplifier to display the card view.
- b. Click the **Maintenance > Installation** tabs.
- c. Verify the value of the Fiber Cut Recovery column. The possible values are:
 - Executed— The restore procedure was completed successfully.
 - Pending—The restore procedure is incomplete.
 - Failed —The system failed to execute the procedure.
- d. If the status is Pending or Failed in [Step 2c.](#), perform the following steps:
 - Click the **Maintenance > APC & Restore** tabs.
 - Click **Restore from Fiber Cut**. This recalculates the Raman gain on the span and verifies if this value is consistent with the ANS set point for Raman gain.

Step 3 Return to your originating procedure (NTP).

NTP-G53 Set Up Timing

Purpose	This procedure provisions Cisco ONS 15454 timing.
Tools/Equipment	None
Prerequisite Procedures	NTP-G51 Verify DWDM Node Turn Up , page 7-2
Required/As Needed	Required
Onsite/Remote	Onsite or remote
Security Level	Provisioning or higher

-
- Step 1** Complete the “[DLP-G46 Log into CTC](#)” task on page 3-30 at the node where you will set up timing. If you are already logged in, continue with [Step 2](#).
- Step 2** Complete the “[DLP-G95 Set Up External or Line Timing](#)” task on page 7-22 if an external building integrated timing supply (BITS) source is available. This is the most common ONS 15454 timing setup method.
- Step 3** If an external BITS source is not available, complete the “[DLP-G96 Set Up Internal Timing](#)” task on page 7-25. This task can provide only Stratum 3 timing.
- Step 4** Repeat this procedure at each node in the network.
- Step 5** Return to your originating procedure (NTP).
-

DLP-G95 Set Up External or Line Timing

Purpose	This task defines the ONS 15454 timing source (external or line).
Tools/Equipment	None
Prerequisite Procedures	DLP-G46 Log into CTC , page 3-30
Required/As Needed	Required
Onsite/Remote	Onsite or remote
Security Level	Provisioning or higher

-
- Step 1** In node view (single-node mode) or shelf view (multishelf mode), click the **Provisioning > Timing > General** tabs.
- Step 2** In the General Timing area, complete the following information:
- **Timing Mode**—Choose **External** if the ONS 15454 derives its timing from a BITS source wired to the backplane pins (ANSI) or a MIC-C/T/P front-mount electrical connection (FMEC) (ETSI); choose **Line** if timing is derived from an OSC-CSM or OSCM card that is optically connected to the timing node. A third option, **Mixed**, allows you to set both external and line timing references. Because **Mixed** timing might cause timing loops, we do not recommend its use. Use this mode with care.
 - **SSM Message Set**—Choose the Generation 2 synchronization status messaging (SSM) option. See the “Timing Reference” chapter in *Cisco ONS 15454 DWDM Reference Manual* for more information about SSM, including definitions of the SONET timing levels.



Note Generation 1 is used only by SONET or SDH ONS 15454 nodes that are connected to equipment that does not support Generation 2.

- **Quality of RES**—Sets the timing quality for the user-defined, reserved (RES) S1 byte if your timing sources supports RES. Most timing sources do not use RES. If it does not support RES, choose RES=DUS (do not use for timing reference). Qualities are displayed in descending quality order as ranges. For example, in Generation 1 SSM, ST3<RES<ST2 means that the timing reference RES is higher than a Stratum 3 (ST3) and lower than a Stratum 2 (ST2).
- **Revertive**—Select this check box if you want the ONS 15454 to revert to a primary reference source after the conditions that caused it to switch to a secondary timing reference are corrected.
- **Reversion Time**—If Revertive is checked, choose the amount of time that the ONS 15454 will wait before reverting to its primary timing source. Five minutes is the default.

Step 3 In the Reference Lists area, complete the following information:



Note You can define up to three timing references for the node and up to six BITS Out references. BITS Out references define the timing references used by equipment that can be attached to the node's BITS Out pins on the backplane (ANSI) or the MIC-C/T/P FMEC (ETSI). If you attach equipment to BITS Out pins, you normally attach it to a node with Line mode, because equipment near the external timing reference can be directly wired to the reference.

- **NE Reference**—Allows you to define three timing references (Ref 1, Ref 2, Ref 3). The node uses Reference 1 unless a failure occurs to that reference, in which case the node uses Reference 2. If Reference 2 fails, the node uses Reference 3, which is typically set to Internal Clock. Reference 3 is the Stratum 3 clock provided on the TCC2/TCC2P/TCC3/TNC/TSC card. The options that appear depend on the Timing Mode setting.
 - If the Timing Mode is set to External, your options are BITS-1, BITS-2, and Internal Clock.
 - If the Timing Mode is set to Line, your options are the node's working OSCM cards, OSC-CSM cards, transponder (TXP) cards, muxponder (MXP) cards, and Internal Clock. Choose the cards or ports that are directly or indirectly connected to the node wired to the BITS source. Set Reference 1 to the card that is closest to the BITS source. For example, if Slot 5 is connected to the node wired to the BITS source, choose Slot 5 as Reference 1.
 - If the Timing Mode is set to Mixed, both BITS references and the OSCM, OSC-CSM, TXP, or MXP cards are available, allowing you to set a mixture of external BITS clocks and OSCM, OSC-CSM, TXP, or MXP cards as timing references.
- **BITS-1 Out/BITS-2 Out**—Sets the timing references for equipment wired to the BITS Out backplane (ANSI) or MIC-C/T/P FMEC (ETSI) pins. BITS-1 Out and BITS-2 Out are enabled when BITS-1 Out and BITS-2 Out facilities are put in service. If Timing Mode is set to external, choose the OSCM, OSC-CSM, TXP, or MXP card used to set the timing. If Timing Mode is set to Line, you can choose an OSCM, OSC-CSM, TXP, or MXP card or choose NE Reference to have the BITS-1 Out, BITS-2 Out, or both, follow the same timing references as the network element (NE).



Note All TXP or MXP card client ports are available for timing regardless of the card's termination mode. TXP or MXP trunk ports can be a timing reference when ITU-T G.709 is set to OFF and the Termination Mode is set to LINE. You cannot choose TXP_MR_2.5G and OTU2_XP card client ports as a timing reference.



Note The system prevents BITS In and BITS Out timing to be set on the same node.

Step 4 Click **Apply**.

Step 5 Click the **BITS Facilities** tab.



Note The BITS Facilities section sets the parameters for your BITS-1 and BITS-2 timing references. Many of these settings are determined by the timing source manufacturer. If equipment is timed through BITS Out, you can set timing parameters to meet the requirements of the equipment.

Step 6 In the BITS In area, complete the following information:

- **Facility Type**—(TCC2P/TNC/TSC only) Choose the BITS signal type supported by your BITS clock, either DS1 or 64Khz+8Khz.
- **BITS In State**—If Timing Mode is set to External or Mixed, set the BITS In state for BITS-1, BITS-2, or both, to **IS** (in service) depending on whether one or both BITS input pin pairs are connected to the external timing source. If Timing Mode is set to Line, set the BITS In state to **OOS** (out of service).

Step 7 If the BITS In state is set to OOS, continue with [Step 8](#). If the BITS In state is set to IS, complete the following information:

- **Coding**—Choose the coding used by your BITS reference, either B8ZS (binary 8-zero substitution) or AMI (alternate mark inversion).
- **Framing**—Choose the framing used by your BITS reference, either ESF (Extended Super Frame) or SF (D4) (Super Frame).
- **Sync Messaging**—Check this check box to enable SSM. SSM is not available if Framing is set to Super Frame.
- **Admin SSM**—If the Sync Messaging check box is not checked, you can choose the SSM Generation 2 type from the drop-down list. Choices are PRS (Primary reference source; Stratum 1), ST2 (Stratum 2), TNC (Transit Node Clock), ST3E (Stratum 3E), ST3 (Stratum 3), SMC (SONET minimum clock), and ST4 (Stratum 4).

Step 8 In the BITS Out area, complete the following information, as needed:

- **Facility Type**—(TCC2P/TNC/TSC only) Choose the BITS Out signal type, either DS1 or 64Khz+8Khz.
- **BITS Out state**—If equipment is connected to the node's BITS output pins on the backplane (ANSI) or MIC-C/T/P FMEC (ETSI) and you want to time the equipment from a node reference, set the BITS Out state for BITS-1, BITS-2, or both, to **IS**, depending on which BITS Out pins are used for the external equipment. If equipment is not attached to the BITS output pins, set the BITS Out state to **OOS**.

Step 9 If the BITS Out state is set to OOS, continue with [Step 10](#). If the BITS Out state is set to IS, complete the following information:

- **Coding**—Choose the coding used by your BITS reference, either B8ZS or AMI.
- **Framing**—Choose the framing used by your BITS reference, either ESF or SF (D4).
- **AIS Threshold**—If SSM is disabled or Super Frame is used, choose the quality level where a node sends an alarm indication signal (AIS) from the BITS 1 Out and BITS 2 Out backplane pins (ANSI) or MIC-C/T/P FMEC (ETSI). An AIS alarm is raised when the optical source for the BITS reference falls to or below the SSM quality level defined in this field.

- LBO—If an external device is connected to the BITS Out pins, set the line build-out (LBO) distance between the ONS 15454 and an external device. If an external device is connected to BITS Out, choose the distance between the device and the ONS 15454. Options are: 0-133 ft (default), 134-266 ft, 267-399 ft, 400-533 ft, and 534-655 ft. Line build out (LBO) relates to the BITS cable length. If an external device is not connected to BITS Out, leave this field set to the default.

Step 10 Click **Apply**.



Note Refer to *Cisco ONS 15454 DWDM Troubleshooting Guide* for timing-related alarms.

Step 11 Return to your originating procedure (NTP).

DLP-G96 Set Up Internal Timing

Purpose	This task sets up internal timing (Stratum 3) for an ONS 15454.
Tools/Equipment	None
Prerequisite Procedures	DLP-G46 Log into CTC, page 3-30
Required/As Needed	As needed (use only if a BITS source is not available)
Onsite/Remote	Onsite or remote
Security Level	Provisioning or higher



Caution

Internal timing is Stratum 3 and is not intended for permanent use. All ONS 15454 SONET (ANSI) or SDH (ETSI) nodes should be timed to a Stratum 2 (or better) primary reference source. Internal timing is appropriate for DWDM nodes.

Step 1 In node view (single-node mode) or shelf view (multishelf mode), click the **Provisioning > Timing > General** tabs.

Step 2 In the General Timing area, enter the following:

- Timing Mode—Set to **External**.
- SSM Message Set—Set to **Generation 1**.
- Quality of RES—Does not apply to internal timing.
- Revertive—Does not apply to internal timing.
- Reversion Time—Does not apply to internal timing.

Step 3 In the Reference Lists area, enter the following information:

- NE Reference
 - Ref 1—Set to **Internal Clock**.
 - Ref 2—Set to **Internal Clock**.
 - Ref 3—Set to **Internal Clock**.
- BITS-1 Out/BITS-2 Out—Set to **None**.

Step 4 Click **Apply**.

- Step 5** Click the **BITS Facilities** tab.
- Step 6** In the BITS Facilities area, change the BITS In state and BITS Out state to **OOS** for BITS 1 and BITS 2. Disregard the other BITS Facilities settings; they are not relevant to internal timing.
- Step 7** Click **Apply**.
- Step 8** Return to your originating procedure (NTP).
-

DLP-G350 Use the Cisco Transport Planner Traffic Matrix Report

Purpose	This task describes how to use the Cisco Transport Planner traffic matrix report to provision and verify a DWDM network.
Tools/Equipment	None
Prerequisite Procedures	NTP-G139 Verify Cisco TransportPlanner Reports and Files, page 4-3
Required/As Needed	As needed
Onsite/Remote	Onsite
Security Level	Provisioning or higher

- Step 1** Display a printed copy of the Cisco Transport Planner Traffic Matrix report for your network. The report can be exported in Microsoft Excel (.xls) or HTML format.
- Step 2** View the following information:
- Service Demand—Lists the general service demand from site to site.
 - Service Circuit—Lists the service circuit.
 - OCH-CC Src—Lists the optical channel client connection (OCHCC) source site and the shelf direction, either Side B or Side A.
 - OCH-CC Src Position—Lists the OCHCC source rack, shelf, and slot.
 - OCH-CC Src Unit—Lists the OCHCC source TXP, MXP, or ITU-T line card.
 - OCH-CC Src Port—Lists the OCHCC source port.
 - A/D Src Position—Lists the optical channel add/drop card source rack, shelf, and slot.
 - A/D Src Unit—Lists the optical channel add/drop card source TXP, MXP, or ITU-T line card.
 - A/D Src Port—Lists the optical channel add/drop card source port.
 - OCH-CC Dst—Lists the OCHCC destination site and shelf direction, either Side B or Side A.
 - OCH-CC Dst Position—Lists the OCHCC destination rack, shelf, and slot.
 - OCH-CC Dst Unit—Lists the OCHCC destination TXP, MXP, or ITU-T line card.
 - OCH-CC Dst Port—Lists the OCHCC destination port.
 - A/D Dst Position—Lists the optical channel add/drop card destination rack, shelf, and slot
 - A/D Dst Unit—Lists the optical channel add/drop card destination TXP, MXP, or ITU-T line card.
 - A/D Dst Port—Lists the optical channel add/drop card destination port.
 - Dest Unit is the product ID of the optical path source card.
 - Dest Port is the port label reported on the front panel of the optical path destination card.

- **Cl Service Type**—Identifies the service type of the optical channel.
- **Protection**—Identifies the type of protection used for the optical channel:
 - Optical paths for unprotected-Side B and unprotected-Side A optical channels are routed along one direction only in the network.
 - Optical paths for Y-cable, fiber-switched, and client 1+1 optical channels are routed along two independent directions in the network.
- **Op Bypass Site Name**—Identifies where the optical channel is dropped and reinserted when it is not terminated on a TXP or MXP card (optical bypass).



Note If the word *None* appears in the Op Bypass Site Name column, no optical bypass is defined for the optical channel.

- **Wavelength**—Identifies the wavelength used for the optical channel. [Table 8-2 on page 8-7](#) lists the thirty-two available wavelengths.
- **DWDM Interface Type**—Identifies the DWDM interface type that is used for the optical channel:
 - *Transponder* indicates that a transponder (TXP), muxponder (MXP), or DWDM pluggable port module is used for the optical channel.
 - *Line Card* indicates that an ITU line card is used for the optical channel.
- **DWDM Card Type**—Identifies the type of TXP or line card that is used for the optical channel. For information about card types supported by Cisco Transport Planner, see *Cisco Transport Planner DWDM Operations Guide*.

Step 3 Return to your originating procedure (NTP).

NTP-G54 Provision and Verify a DWDM Network

Purpose	This procedure describes how to turn-up an optical service in MSTP networks. It also provides a guidance to perform an entry-level optical performances verification of an optical circuit (OCH-NC/OCH-CC/OCHTrail) created on the MSTP networks.
Tools/Equipment	Test set or protocol analyzer Cisco Transport Planner Traffic Matrix
Prerequisite Procedures	NTP-G179 Install the TXP, MXP, GE_XP, 10GE_XP, GE_XPE, 10GE_XPE, ADM-10G, and OTU2_XP Cards. Provisioning procedures of these cards are provided in Chapter 6, “Provision Transponder and Muxponder Cards” .
Required/As Needed	As needed
Onsite/Remote	Onsite or remote
Security Level	Provisioning or higher



Note In this procedure, Side A refers to Slots 1 through 6, and Side B refers to Slots 12 through 17.

-
- Step 1** Complete the “[DLP-G46 Log into CTC](#)” task on page 3-30 to log in to an ONS 15454 node on the network.
- Step 2** Click the **Alarms** tab:
- Verify that the alarm filter is not turned on. See the “[DLP-G128 Disable Alarm Filtering](#)” task on page 10-26, as necessary.
 - Verify that no equipment (EQPT) alarms appear. If equipment failure alarms appear, investigate and resolve them before continuing. Refer to *Cisco ONS 15454 DWDM Troubleshooting Guide* for procedures.
- Step 3** Using the Cisco Transport Planner Traffic Matrix (see [Table 4-1 on page 4-4](#)) for your site, identify the first channel (ITU wavelength) to be provisioned. Use the TXP, MXP, or line card that corresponds to the selected wavelength.
- Step 4** For the ITU wavelength identified in [Step 3](#), create an optical channel client connection (OCHCC) circuit, optical channel network connection (OCHNC) circuit, or optical channel trail circuit using one of the following tasks:
- [DLP-G346 Provision Optical Channel Client Connections](#), page 8-4.
 - [DLP-G105 Provision Optical Channel Network Connections](#), page 8-23.
 - [DLP-G395 Create an Optical Channel Trail](#), page 8-17
- .After creating the OCHCC or OCHNC circuit, return to this procedure and continue with [Step 5](#).



Note Every time a channel is created in the DWDM network, the amplifiers automatically calculate the optical output power needed to maintain a constant power level on each channel when working in Gain Control. If the amplifier is working in power control, APC tool is used for amplifiers power level calculation and setting. Automatic power control (APC) runs when you create new circuits. APC also runs periodically (every 60 minutes) to check and monitor power levels in all the significant sections of the network. If the span length changes, APC modifies amplifier gains and modifies express variable optical attenuation (VOA). For more information about APC, see the “Network Reference” chapter in *Cisco ONS 15454 DWDM Reference Manual*.

- Step 5** In node view (single-shelf mode) or multishelf view (multishelf mode), click the **Circuits** tab. Verify that the OCHCC or OCHNC created in [Step 4](#) has a DISCOVERED status and an IS state. If so, continue with [Step 6](#). If not, complete “[NTP-G183 Diagnose and Fix OCHNC and OCH Trail Circuits](#)” task on page 8-43.
- Step 6** Click the circuit and click **Edit**.
- Step 7** In the Edit Circuit dialog box, click the **State** tab.
- Step 8** In the Cross-Connections table, verify that the circuit path is correct and record all the nodes that appear in the Node column. The first node is the circuit source, and the last node is the circuit destination. If the circuit path is incorrect, delete the circuit and go back to [Step 4](#) to create a new circuit.
- Step 9** Perform the entry-level performance verification of the optical power levels matching with expected setpoints for the OCH-circuit identified in [Step 8](#).
- Optical verification is done for cards in the OCH-circuit. The verification must be done node by node, following the logical signal flow from source to destination node.
- Verify the power levels on the following:
- Fixed or reconfigurable add/drop cards.

- b. Amplifiers, including the raman cards.

**Note**

You need to verify the power setpoint for OPT-PSM cards in the path protection configuration.

Step 10

Display the circuit source node in node view (single-shelf mode), or shelf view (multishelf mode). Following the signal flow from the TXP, MXP, or line card Trunk ports, if an fixed or reconfigurable add/drop card is installed, complete the following steps. If not, continue with [Step 11](#).

**Note**

Use of Node Functional View to identify at a glance, the logical signal flow in complex nodes.

- a. In node view (single-node mode) or multishelf view (multishelf mode) click the **Provisioning > WDM-ANS > Provisioning** tabs.
- b. In the Selector area, select the first fixed or reconfigurable add/drop card to be checked. Identify the power parameter and record the corresponding port and active value from the parameter list.
- c. Check the power setpoint on the ports displayed in the Port field in CTC. The add/drop cards must meet this output power setpoint per channel.
- d. Display the selected fixed or reconfigurable add/drop module in card view:
- e. Click the **Provisioning** tabs.
- f. Locate the port selected in step [b](#) in the CTC menu.

**Note**

The CTC displays the name according to the card installed.

- g. Identify the row associated to the Port. Check the value reported in Power or Power To column in CTC.
 - If the card value matches the VOA Power Ref. cell or the recorded Power value, with +/- 1 dB of tolerance, continue with [Step 11](#).

**Note**

VOA Power Ref at card level must be equal to the Power Active Value recorded in step [b](#). If not, go back to Node view and click the ANS button. Then repeat this procedure.

- If the value is out of tolerance range from the VOA Power Ref, contact your next level of support.

Step 11

Display the circuit source node in node view (single-shelf mode), or shelf view (multishelf mode). Following the signal flow, if an amplifier card is installed, complete the following steps.

**Note**

Use of Node Functional View to identify the logical signal flow in complex nodes at a glance.

If not, continue with [Step 12](#).

- a. In node view (single-node mode) or multishelf view (multishelf mode) click the **Provisioning > WDM-ANS > Provisioning** tabs.
- b. In the Selector area, click the amplifier card to be checked. Identify the power parameter and record the corresponding port and active value from the parameter list.

- c. Check the power setpoint on the ports displayed in the Port field in CTC. The add/drop cards must meet this output power setpoint per channel.
- d. Display the selected amplifier in card view.
- e. Click the **Provisioning > Opt.Ampli.Line > Parameters** tabs. Identify the row associated to the Port selected in step b. Check the signal output power value.
 - If the value is equal to or greater (due to ASE accumulation) than the value shown in the Channel Power Ref cell, continue with [Step 12](#).



Note Channel Power Reference at card level must be equal to the Power Active Value noted in step b. If not, go back to Node view and click the ANS button. Then repeat this procedure.

- If the value is lower than the value shown in the Channel Power Reference cell, contact your next level of support.

Step 12 Go to the Edit Circuit dialog box and move to the next intermediate node in node view (single-shelf mode), or shelf view (multishelf mode). Following the signal flow, repeat [Step 10](#) and [Step 11](#) in order to check fixed or reconfigurable add/drop cards and amplifiers cards.

When all the intermediate nodes have been checked, move to [Step 13](#) to verify the destination node.

Step 13 Display the Destination node in node view (single-shelf mode), or shelf view (multishelf mode). Following the signal flow, if an amplifier card is installed, complete the power levels check according with [Step 11](#).

Complete the power level verification on the fixed or reconfigurable add/drop card that is dropping the signal using the following steps:

- a. In node view (single-node mode) or multishelf view (multishelf mode) click the **Provisioning > WDM-ANS > Provisioning** tabs.
- b. In the Selector area, click the last fixed or reconfigurable drop card to be checked. Identify the drop power parameter among the optical parameters and record the correspondent Port and Active Value.
- c. Check the power setpoint on the ports displayed in the Port field in CTC. The cards must meet this Drop Power setpoint per channel.
- d. Display the selected fixed or reconfigurable add/drop module in card view.
- e. Click the **Provisioning** tabs.
- f. Locate the port selected in step b in the CTC menu.



Note The CTC displays the name according to the card installed.

- g. Identify the row associated to the Port. Check the value reported in Power or Power To column in CTC.
 - If the card value matches the VOA Power Ref. cell (when present) or the recorded Power Drop value, with +/- 2 dB of tolerance, continue with [Step 14](#).



Note VOA Power Ref at card level must be equal to the Power Drop Active Value recorded in step b. If not, go back to Node view and click the ANS button. Then repeat this procedure.

- If the value is out of tolerance range from the VOA Power Ref, contact your next level of support.

- Step 14** Check the received power range on TXP, MXP, or line cards:
- a. Navigate to the node where the first TXP, MXP, or line card is installed.
 - b. Display the TXP, MXP, or line card in card view.
 - c. Complete the “[DLP-G136 Clear Selected PM Counts](#)” task on page 9-7.
 - d. Click the **Performance > Optics PM** tabs.
 - e. Record the values shown in the RX Optical Pwr field.
 - f. Click the **Provisioning > Optics Thresholds** tabs.
 - g. Verify that the value in Step e falls between the values shown for the RX Power High and RX Power Low. If so, continue with [Step 15](#). If not, complete one of the following.
 - Power lower than range—Clean the trunk fiber at the patch panel and on the TXP or MXP card. Repeat Steps e through g. If the power is still too low, contact your next level of support.
 - Power higher than range—Add attenuation to the fiber and repeat Steps e through g. If the power still does not fall within the range, contact your next level of support.
- Step 15** Perform a short-term bit error rate (BER) test:
- a. Complete the “[DLP-G136 Clear Selected PM Counts](#)” task on page 9-7 for the TXP, MXP, or line card.
 - b. Display the TXP, MXP, or line card in card view.
 - c. Click the **Performance > Payload PM** tabs, or, if OTN is provisioned, the **Performance > OTN PM** tabs.
 - d. Perform a short-term BER test using a test signal from a test set or protocol analyzer.
 - e. Monitor the payload performance monitoring (PM) for at least 10 minutes for errors.



Note To see an accurate PM count, the BER test results must be consistent with the transmitted bit rate for at least 10 minutes.



Note For information about using a test set or protocol analyzer, see the test set or protocol analyzer user guide.

- Step 16** Create a new OCHNC or OCHCC circuit for the next ITU wavelength listed in the Cisco Transport Planner Traffic Matrix and perform one of the following tasks:
- If the new circuit optical path is not including nodes different from those the first circuits belongs to, perform only steps from [Step 13](#) to [Step 15](#).
 - If the new circuit optical path includes new nodes, do the proper optical checks:
 - [Step 10](#) and [Step 11](#) if the new node is the Source node
 - [Step 12](#) if the new nodes are intermediate nodes
 - [Step 13](#) if the new node is the destination node

Stop. You have completed this procedure.

NTP-G56 Verify the OSNR

Purpose	This procedure verifies the optical signal-to-noise ratio (OSNR). The OSNR is the ratio between the signal power level and the noise power level.
Tools/Equipment	Optical spectrum analyzer
Prerequisite Procedures	DLP-G46 Log into CTC, page 3-30
Required/As Needed	As needed
Onsite/Remote	Onsite
Security Level	Provisioning or higher

Step 1 Complete the “[DLP-G46 Log into CTC](#)” task on page 3-30 at an ONS 15454 on the network.

Step 2 Using an optical spectrum analyzer, check the received OSNR for each transmitted channel on both ends of the span. Identify the last OSC-CSM, OPT-PRE, or OPT-BST MON port that the channel passes through before it is dropped.



Note The OPT-PRE reference also applies to the OPT-AMP-17-C card operating in OPT-PRE mode and the OPT-BST reference also applies to the OPT-AMP-17-C card operating in OPT-LINE mode.

Step 3 If OPT-PRE cards are installed with an OPT-BST, OPT-BST-E, or OSC-CSM card, use the OPT-PRE MON port.



Note For OSNR values for each card class, see Chapter 4, “Optical Amplifier Cards.”

Step 4 If the OSNR is too low, check the following, depending on your node configuration:



Note The purpose of this step is not to improve the signal-to-noise ratio (SNR), but to match the per-channel power level within the RX port power range.

- Check the fiber connections between the OPT-BST, OPT-BST-E, or OSC-CSM card and the OPT-PRE amplifier. If needed, clean the connectors. See the “[NTP-G115 Clean Fiber Connectors](#)” procedure on page 14-32.
- On the near-end OPT-BST amplifier, check the equalization of the added channels at the monitor output.
- On the OPT-PRE amplifier, check the output power on both COM TX and DC TX ports.
- On the far-end OPT-PRE amplifier, check the amplifier gain tilt at the monitor output.

If the OSNR is still too low, contact your next level of support.

Step 5 Repeat Steps 2 and 4 for all traffic in the network.

Stop. You have completed this procedure.

NTP-G142 Perform a Protection Switch Test

Purpose	This procedure tests the optical path, client TXP, MXP, GE_XP and GE_XPE (when provisioned in 10GE or 20GE MXP mode), 10GE_XP and 10GE_XPE (when provisioned in 10GE TXP mode), and OTU2_XP (when provisioned in TXP mode) cards and the Y-cable protection groups in your network for proper operation. The test signals can be generated by either the actual client device or a test set (whichever is available). We recommend that you repeat this test at each node in the network where protection group traffic is dropped.
Tools/Equipment	A list of protection groups. This information is provided in the Cisco Transport Planner Traffic Matrix. A test set or actual client device that provides the required payload for the circuits that are provisioned.
Prerequisite Procedures	None
Required/As Needed	As needed
Onsite/Remote	Onsite; personnel are required to be on site at each end of the circuit under test.
Security Level	Provisioning or higher

-
- Step 1** Complete the [“DLP-G46 Log into CTC” task on page 3-30](#) at an ONS 15454 on the network.
- Step 2** Identify the Y-cable circuit to be tested by viewing the Traffic Matrix for your site. Locate the TXP, MXP, GE_XP, 10GE_XP, GE_XPE, 10GE_XPE, or OTU2_XP cards in the ONS 15454 node that will be used for the protection group.
- Step 3** Verify that the Y-cable protection group is provisioned:
- In node view (single-node mode) or multishelf view (multishelf mode), click the **Provisioning > Protection** tabs.
 - In the Protect and Working areas, confirm that the correct TXP, MXP, GE_XP, 10GE_XP, GE_XPE, 10GE_XPE, or OTU2_XP cards are in the Y-cable protection group by viewing the slot number and card type.
 - If the required protection group is not provisioned, stop and perform the [“NTP-G33 Create a Y-Cable Protection Group” task on page 6-21](#). Otherwise, continue with [Step 4](#).
- Step 4** Repeat [Step 3](#) for each Y-cable protection group at the node. When all protection groups are verified, continue with the next step.
- Step 5** Physically connect the transmitter of the client or test set to either Port 10 or Port 12 of the Y-cable module protecting the test circuit. (See [Table 4-6 on page 4-109](#) and [Table 4-7 on page 4-109](#).)
- Step 6** If you connected the transmitter to Port 10, connect the client or test set receiver to Port 5 on the Y-cable module. If not, connect the client or test set receiver to Port 11 on the Y-cable module.
- Step 7** At the far-end site for the test circuit, physically loop the Y-cable module as follows:
- If this is the first client on the Y-cable module, loop Port 10 to Port 5 on the far-end Y-cable module.
 - If this is the second client on the Y-cable module, loop Ports 11 and 12 on the far-end Y-cable module.
- Step 8** At the near-end site for the test circuit, place the client device or test set into service and begin transmitting the required payload.

- Step 9** In CTC, display the near-end site in node view (single-node mode) or multishelf view (multishelf mode).
- Step 10** Click the **Maintenance > Protection** tabs.
- Step 11** In the Protection Groups area, highlight the protection group to be tested.
- Step 12** In the Selected Group area, identify the active slot and the standby slot.
- Step 13** Verify that the LEDs on the physical cards in the shelf match the following:
- a. For the active TXP, MXP, GE_XP, 10GE_XP, GE_XPE, 10GE_XPE, or OTU2_XP card, record the slot number: _____. Verify that the port LEDs appear as follows:
 - DWDM port is green.
 - Client port is green.
 - b. For the standby TXP, MXP, GE_XP, 10GE_XP, GE_XPE, 10GE_XPE, or OTU2_XP card, record the slot number: _____. Verify that the port LEDs appear as follows:
 - DWDM port is green.
 - Client port is not illuminated or amber, depending on the TXP, MXP, GE_XP, 10GE_XP, GE_XPE, 10GE_XPE, or OTU2_XP card.
- Step 14** In the Selected Group area, highlight the active TXP, MXP, GE_XP, 10GE_XP, GE_XPE, 10GE_XPE, or OTU2_XP slot.
- Step 15** From the Switch Commands area below the Selected Group area, click **Manual**, then click **YES**.
- Step 16** From the Selected Group area, record the following information and verify that the active and standby TXP, MXP, GE_XP, 10GE_XP, GE_XPE, 10GE_XPE, or OTU2_XP slot numbers are the opposite of [Step 13](#).
- a. For the active TXP, MXP, GE_XP, 10GE_XP, GE_XPE, 10GE_XPE, or OTU2_XP card, record the slot number: _____. Verify that the port LEDs appear as follows:
 - DWDM port is green.
 - Client port is green.
 - b. For the standby TXP, MXP, GE_XP, 10GE_XP, GE_XPE, 10GE_XPE, or OTU2_XP card, record the slot number: _____. Verify that the port LEDs appear as follows:
 - DWDM port is green.
 - Client port is not illuminated or amber, depending on the TXP, MXP, GE_XP, 10GE_XP, GE_XPE, 10GE_XPE, or OTU2_XP card.
- Step 17** Verify that the LEDs on the physical cards in the shelf match the following:
- a. For the active TXP, MXP, GE_XP, 10GE_XP, GE_XPE, 10GE_XPE, or OTU2_XP slot LEDs:
 - DWDM port is green.
 - Client port is green.
 - b. For the standby TXP, MXP, GE_XP, 10GE_XP, GE_XPE, 10GE_XPE, or OTU2_XP slot LEDs:
 - DWDM port is green.
 - Client port is not illuminated.
- Step 18** Confirm that the client or test set at the local site is operating normally without alarms. If the test set is reporting active alarms, contact your next level of support.



Note It is normal to see a traffic hit on the test set during a protection switch.

- Step 19** From the Switch Commands area below the Selected Group area, click **Clear**, then click **YES** to return the protection group to the original state.
- Step 20** Repeat Steps 5 through 19 for each protection group at your site.
- Stop. You have completed this procedure.**
-

NTP-G164 Configure Link Management Protocol

Purpose	This procedure configures Link Management Protocol (LMP). LMP manages the channels and links that are required between nodes for routing, signaling, and link management.
Tools/Equipment	None
Prerequisite Procedures	NTP-G51 Verify DWDM Node Turn Up, page 7-2
Required/As Needed	As needed
Onsite/Remote	Onsite or remote
Security Level	Provisioning or higher



Note

This procedure is normally required only when the Cisco ONS 15454 must run traffic to and from a Calient PXC or a Cisco CRS-1 router.



Note

Cisco ONS Software Release 9.1 and later supports only Cisco CRS-1 router using Cisco IOS XR Software Release 3.9.0. If you have an earlier version of the Cisco IOS XR software, you cannot configure LMP on the Cisco CRS-1 router, and the router will be visible as an unknown node in the CTC network view.

- Step 1** Complete the “[DLP-G46 Log into CTC](#)” task on page 3-30 to log in to the ONS 15454 on the network.
- Step 2** To enable LMP, complete the “[DLP-G372 Enable LMP](#)” task on page 7-36.
- Step 3** To set up one or more control channels, complete the “[DLP-G373 Create, Edit, and Delete LMP Control Channels](#)” task on page 7-36.
- Step 4** To set up one or more traffic engineering (TE) links, complete the “[DLP-G374 Create, Edit, and Delete LMP TE Links](#)” task on page 7-39.
- Step 5** To set up one or more data links, complete the “[DLP-G378 Create, Edit, and Delete LMP Data Links](#)” task on page 7-40.

Stop. You have completed this procedure.

DLP-G372 Enable LMP

Purpose	This task enables the LMP function on the ONS 15454 node.
Tools/Equipment	None
Prerequisite Procedures	None
Required/As Needed	As needed
Onsite/Remote	Onsite or remote
Security Level	Provisioning or higher

-
- Step 1** In node view, click the **Provisioning > Comm Channels > LMP > General** tabs.
- Step 2** In the Configuration area, click the **Enable LMP** check box to enable the LMP function.
- Step 3** In the Local Node Id text entry box, enter the local node ID in the form of an IP address.



Note Do not set the LMP Local Node ID to another IP address in use on the network. This introduces a duplicate IP address in the network for traffic going to the IP address that is used as the LMP Local Node ID. We recommended to you set the LMP Local Node ID to the node's IP address, because this does not introduce a duplicate IP address in the network.

-
- Step 4** If you are going to use LMP to manage a control channel between a Calient PXC node and a Cisco ONS 15454 DWDM node or between a Cisco CRS-1 router and Cisco ONS 15454 DWDM node, ensure that the LMP-WDM check box is unchecked.
- Step 5** If you are going to use LMP to manage a control channel between the ONS 15454 nodes, check the LMP-WDM check box and use the Role field to choose one of the following roles:
- PEER, to use LMP to manage links between two nodes where the other node is configured as OLS.
 - OLS, to use LMP to manage links between two nodes where the other node is configured as PEER.
- The role selection is available only when LMP-WDM is enabled on the local node. Both the local and remote nodes must be configured with LMP-WDM enabled.
- Step 6** Click **Apply**.
- Step 7** In the Status area, verify that the Operational State is Up. This indicates that LMP is enabled and the link is active.
- Step 8** Return to your originating procedure (NTP).
-

DLP-G373 Create, Edit, and Delete LMP Control Channels

Purpose	This task creates, edits, or deletes one or more LMP control channels between pairs of Cisco ONS 15454 nodes, between a Calient PXC and a Cisco ONS 15454, or between a Cisco CRS-1 router and a Cisco ONS 15454.
Tools/Equipment	None
Prerequisite Procedures	DLP-G372 Enable LMP, page 7-36

Required/As Needed	As needed
Onsite/Remote	Onsite or remote
Security Level	Provisioning or higher

Step 1 In node view, click the **Provisioning > Comm Channels > LMP > Control Channels** tabs.

Step 2 To create a control channel, click **Create**. The Create LMP Control Channel dialog box appears.



Note The values of the Admin State, Requested Hello Interval, Min Hello Interval, Max Hello Interval, Requested Hello Dead Interval, Min Hello Dead Interval, and Max Hello Dead Interval fields correspond to the values specified for these fields in the **NODE > Imp** section of the node view **Provisioning > Defaults** tabs. If you change the **NODE > Imp** values, those values are reflected as defaults in the Create LMP Control Channel dialog box. You can change the default values using the dialog box. However, the **NODE > Imp** values are always used as the initial defaults.

Step 3 In the Create LMP Control Channel dialog box, complete the following:

- **Admin State**—Select **unlocked** (if you are using an ETSI shelf) or **IS** (if you are using an ANSI shelf) to establish the control channel; otherwise, select **locked, disabled** (ETSI) or **OOS-DSBLD** (ANSI) to set the control channel to out of service.
- **Local Port**—Select **Routed** if the control channel is to be sent over the control plane or management network; otherwise, if the control channel is to be sent over the same fiber as the traffic (either in the payload or in the overhead), select one of the available traffic ports.
- **Local Port Id**—(Display only) Displays the local port identifier assigned by the node.
- **Remote Node Type**—Select **15454 or non-CRS1** if you are creating a control channel between two Cisco ONS 15454 nodes or between a Calient PXC and a Cisco ONS 15454 node; otherwise, select **CRS-1** if you are creating a control channel between a Cisco CRS-1 router and a Cisco ONS 15454 node.
- **Remote Node Address**—In dotted-decimal format, enter the number that identifies the IP address of the remote node (either a Calient PXC peer node, a Cisco CRS-1 router, or a Cisco ONS 15454 node) where the control channel will be established.
- **Remote Node ID**—Initially, CTC autopopulates this value to the remote node IP address that you just assigned. However, you can change the identifier to any nonzero 32-bit integer in dotted decimal format (for example, 10.92.29.10).
- **Requested Hello Interval**—Enter the Requested Hello Interval in milliseconds (ms). Before sending Hello messages, the Hello Interval and Hello Dead Interval parameters must be established by the local and remote nodes. These parameters are exchanged in the Config message. The Hello Interval indicates how frequently LMP Hello messages will be sent; the interval must be in the 300 ms to 5000 ms range. The Min Hello Interval must be less than or equal to the Requested Hello Interval, and the Requested Hello Interval must be less than or equal to the Max Hello Interval.
- **Min Hello Interval**—Enter the minimum Hello Interval in milliseconds. When the two nodes negotiate for the Hello Interval, the value that you enter here will be the minimum Hello Interval acceptable for the local node. The Min Hello Interval must be in the 300 ms to 5000 ms range. The Min Hello Interval must be less than or equal to the Requested Hello Interval and the Requested Hello Interval must be less than or equal to the Max Hello Interval.

- **Max Hello Interval**—Enter the maximum Hello Interval in milliseconds. When the two nodes negotiate for the Hello Interval, the value that you enter here will be the maximum Hello Interval acceptable for the local node. The Max Hello Interval must be in the 300 ms to 5000 ms range. The Min Hello Interval must be less than or equal to the Requested Hello Interval and the Requested Hello Interval must be less than or equal to the Max Hello Interval.
- **Requested Hello Dead Interval**—Enter the Requested Hello Dead Interval in milliseconds. The Requested Hello Dead Interval indicates how long a device should wait to receive a Hello message before declaring a control channel dead. The Requested Hello Dead interval must be in the 2000 ms to 20000 ms range. The Min Hello Dead Interval must be less than or equal to the Requested Hello Dead Interval and the Requested Hello Dead Interval must be less than or equal to the Max Hello Dead Interval.



Note The Requested Hello Dead Interval must be at least three times greater than the Requested Hello Interval.

- **Min Hello Dead Interval**—Enter the minimum Hello Dead Interval in milliseconds. The minimum Hello Dead Interval must be in the 2000 ms to 20000 ms range. The minimum Hello Dead Interval must be less than or equal to the Requested Hello Dead Interval and the Requested Hello Dead Interval must be less than or equal to the Max Hello Dead Interval. When the two nodes negotiate for the Hello Dead Interval, the value that you enter here will be the minimum Hello Dead Interval acceptable for the local node.



Note The value of the Min Hello Dead Interval must be greater than the Min Hello Interval.

- **Max Hello Dead Interval**—Enter the maximum Hello Dead Interval in milliseconds. This interval must be in the 2000 ms to 20000 ms range. The Min Hello Dead Interval must be less than or equal to the Requested Hello Dead Interval and the Requested Hello Dead Interval must be less than or equal to the Max Hello Dead Interval. When the two nodes negotiate for the Hello Dead Interval, the value that you enter here will be the maximum Hello Dead Interval acceptable for the local node.



Note The Max Hello Dead Interval must be greater than the Max Hello Interval.

- Step 4** Click **OK** to accept the parameters that you have entered, or click **Cancel** to return to the Control Channels tab without creating a control channel.
- Step 5** If you have chosen the Remote Node Type as CRS-1 in [Step 3](#) and if you have chosen that automatic LMP configuration in the “[DLP-G508 Configure the Cisco CRS-1 Router Parameters](#)” task on [page 7-44](#), a confirmation dialog box is displayed to indicate that this operation will also change the configuration of the Cisco CRS-1 router. Click **Yes**.
- Step 6** If you created a control channel, verify that the parameters for the new Control Channel appear properly in the Control Channels tab.



Note The Actual Hello Interval and Actual Hello Dead Interval parameters reflect the values of these parameters as a result of the negotiated agreement of the local and remote nodes. They may be different than the requested values.

- Step 7** After the LMP control channel has been created, observe the status of the channel in the Operational State column of the Control Channels tab, and take the appropriate action as shown in the following list:

- Up—The control channel contacted the far-end node and successfully negotiated a control channel.
 - Down—LMP is enabled and the link is inactive. Ensure that the Admin State of the control channel is unlocked (ETSI) or IS (ANSI) and not disabled (ETSI) or OOS-DSBLD (ANSI). If the state still does not transition to Up, the far-end control channel might have disjointed Hello negotiation times that prevent a control channel from transitioning to the Up state. For example, the local ONS 15454 Min Hello Interval and Max Hello Interval might be 900 to 1000, while the remote Min Hello Interval and Max Hello Interval is 1100 to 1200.
 - Config Send—The connection could not be made to the remote node. Check to make sure that the remote node address and remote node ID addresses are correct.
 - Config Received—The local node sent a configuration request to the remote node and received a response of either ConfigNack or ConfigAck.
 - Unknown
- Step 8** To delete a control channel, click the channel row to highlight it and click **Delete**. A confirmation dialog box appears that allows you to click **OK** or **Cancel**.
- Step 9** To edit a control channel, click the channel row to highlight it and click **Edit**. A dialog box appears that allows you to change the control channel parameters. You can then click **OK** or **Cancel**. If you are editing a control channel that involves a Cisco CRS-1 router, a confirmation dialog box is displayed. Click **Yes**.
- Step 10** Return to your originating procedure (NTP).

DLP-G374 Create, Edit, and Delete LMP TE Links

Purpose	This task creates, edits, or deletes TE links and their association to neighboring LMP nodes.
Tools/Equipment	None
Prerequisite Procedures	DLP-G372 Enable LMP, page 7-36
Required/As Needed	As needed
Onsite/Remote	Onsite or remote
Security Level	Provisioning or higher

- Step 1** In node view, click the **Provisioning > Comm Channels > LMP > TE Links** tabs.
- Step 2** To create a TE link, click **Create**. The Create LMP TE Link dialog box appears.
- Step 3** In the Create LMP TE Link dialog box, complete the following:
- Admin State—Select **unlocked** (for ETSI shelves) or **IS** (for ANSI shelves) to put the TE link in service; otherwise, select **locked, disabled** (ETSI) or **OOS-DSBLD** (ANSI) to set the TE link to out of service.
 - Remote Node Id—Select a remote node (either a Calient PXC peer node, a Cisco CRS-1 router, or a Cisco ONS 15454 node) for the other end of the TE link.
 - Remote TE Link Id—Enter an unsigned 32-bit value (such as 0x00000001) to identify the remote node identifier for the other end of the TE link. This option is not available if you have chosen the automatic LMP configuration in “[DLP-G508 Configure the Cisco CRS-1 Router Parameters](#)” task on page 7-44.

- MUX Capability—Select the MUX capability. This option is not available if you are creating a TE link that involves a Cisco CRS-1 router.
- Step 4** Click **OK** to accept the parameters that you have entered and create the TE link, or click **Cancel** to return to the Control Channels tab without creating a TE link.
- Step 5** If you created a TE link, verify that the parameters for the new TE link now appear properly in the TE Links tab.
- Step 6** After the TE link has been created, observe the status of the TE link in the Operational State column of the TE Links pane, and take the appropriate action as shown in the following list:
- Up—The TE link is active.
 - Down—Ensure that the Admin State of the TE link is unlocked (ETSI) or IS (ANSI) and not disabled (ETSI) or OOS-DSBLD (ANSI). The TE link does not transition to the Up state until a data link has been provisioned.
 - Init—Verify that the Remote Node ID and Remote TE Link ID values are correct for the remote node. Verify that the remote node is using the Cisco ONS 15454 or the Cisco CRS-1 router IP address for its remote node IP and that the remote node is using the local TE link index for its remote TE link index.
- Step 7** To delete a TE link, click the link row to highlight it and click **Delete**. A confirmation dialog box appears that allows you to click **OK** or **Cancel**.
- Step 8** To edit a TE link, click the link row to highlight it and click **Edit**. A dialog box appears that allows you to change the TE link parameters. You can then click **OK** or **Cancel**.
- Step 9** Return to your originating procedure (NTP).

DLP-G378 Create, Edit, and Delete LMP Data Links

Purpose	This task creates, edits, or deletes one or more data links, which define the node's transport parameters. CTC supports up to 256 LMP data links.
Tools/Equipment	None
Prerequisite Procedures	NTP-G54 Provision and Verify a DWDM Network, page 7-27 DLP-G372 Enable LMP, page 7-36
Required/As Needed	As needed
Onsite/Remote	Onsite or remote
Security Level	Provisioning or higher



Note

A port cannot be deleted if it is being used by a data link. A card cannot be deleted if any of its ports are being used by data links. Changing the state of the port impacts the state of a data link using the port.

- Step 1** In node view, click the **Provisioning > Comm Channels > LMP > Data Links** tabs.
- Step 2** To create a data link, click **Create**. The Create LMP Data Link dialog box appears.
- Step 3** In the Create LMP Data Link dialog box, complete the following:
- Local Port—Select one of the available local ports for the data link.
 - Local Port Id—(Display only) Displays the local port identifier.

- **Data Link Type**—Select **Port** or **Component**. A data link is considered to be either a port or a component link on each node where it terminates, depending on the multiplexing capability of the endpoint on that link; component links are multiplex capable, whereas ports are not multiplex capable.
 - **Local TE Link Id**—Select an identifier for one of the local TE links that has already been created.
 - **Remote CRS Port Id**—Select one of the available remote Cisco CRS-1 ports for the data link. This option is not available if you are creating a data link between two Cisco ONS 15454 nodes.
 - **Remote Port Id**—Enter an unsigned 32-bit value (such as 0x00000001) to identify the remote node identifier for the other end of the data link. This option is not available if you have chosen the automatic LMP configuration in the [“DLP-G508 Configure the Cisco CRS-1 Router Parameters” task on page 7-44](#).
- Step 4** Click **OK** to accept the parameters you have entered and create the data link, or click **Cancel** to return to the Data Links tab without creating a data link.
- Step 5** If you are creating a data link that involves a Cisco CRS-1 router and if you have chosen the automatic LMP configuration in the [“DLP-G508 Configure the Cisco CRS-1 Router Parameters” task on page 7-44](#), a confirmation dialog box is displayed to indicate that this operation will also change the configuration of the Cisco CRS-1 router. Click **Yes**.
- Step 6** If you created a data link, verify that the parameters for the new data link now appear properly in the Data Links tab.
- Step 7** After the data link has been created, observe its status in the Operational State column of the Data Links tab, and take the appropriate action as shown in the following list:
- **Up–Alloc or Up–Free**—If the data link state does not transition to Up–Alloc or Up–Free, verify that the port is in service. Verification must be done using the CTC card view > Provisioning tab for the cards. (The difference between Up–Alloc and Up–Free is that an Up–Alloc data link is allocated for data traffic. An Up–Free data link is not allocated for traffic. The far end is either not ready to receive traffic through this port, or the path is being used as a backup in case some other allocated data link goes down).
 - **Down**—The data link will be in the Down state if the port is not unlocked or not in-service. Verify that the remote port ID for the far-end data link is correct. On the far end, verify that the data link is using the local port ID as its remote port ID.
- Step 8** To delete a data link, click the data link row to highlight it and click **Delete**. A confirmation dialog box appears that allows you to click **OK** or **Cancel**.
- Step 9** To edit a data link, click the data link row to highlight it and click **Edit**. A dialog box appears that allows you to change the data link parameters. You can then click **OK** or **Cancel**. If you are editing a data link that involves a Cisco CRS-1 router, a confirmation dialog box is displayed. Click **Yes**.
- Step 10** Return to your originating procedure (NTP).
-

NTP-G233 Configure Link Management Protocol on the Cisco CRS-1 Router and the Cisco ONS 15454 DWDM Node

Purpose	This procedure configures LMP on the Cisco ONS 15454 DWDM node and on the corresponding Cisco CRS-1 physical layer interface module (PLIM) port.
Tools/Equipment	None
Prerequisite Procedures	NTP-G51 Verify DWDM Node Turn Up, page 7-2
Required/As Needed	As needed
Onsite/Remote	Onsite or remote
Security Level	Provisioning or higher



Note This procedure is normally required only when the Cisco ONS 15454 DWDM node must run traffic to and from a Cisco CRS-1 router.

-
- Step 1** Complete the “[DLP-G46 Log into CTC](#)” task on page 3-30 to log in to a DWDM node on the network.
- Step 2** Complete the “[DLP-G508 Configure the Cisco CRS-1 Router Parameters](#)” task on page 7-44 to configure the CRS-router parameters.
- Step 3** Complete the “[DLP-G481 Establish Telnet Session with the Cisco CRS-1 Router and Verify Configuration](#)” task on page 7-45 to establish a Telnet session with the Cisco CRS-1 router.
- Step 4** Complete the “[DLP-G510 Create a Task Group, User Group, and User Account on the Cisco CRS-1 Router](#)” task on page 7-46 to create task groups, user groups, and user accounts on the Cisco CRS-1 router.
- Step 5** If you have chosen the automatic LMP configuration in [Step 2](#), complete the “[NTP-G234 Automatically Configure Link Management Protocol on the Cisco CRS-1 Router and the Cisco ONS 15454 DWDM Node](#)” procedure on page 7-42.

If you have chosen the manual LMP configuration in [Step 2](#), complete the “[NTP-G207 Manually Configure Link Management Protocol on the Cisco CRS-1 Router and the Cisco ONS 15454 DWDM Node](#)” procedure on page 7-43.

Stop. You have completed this procedure.

NTP-G234 Automatically Configure Link Management Protocol on the Cisco CRS-1 Router and the Cisco ONS 15454 DWDM Node

Purpose	This procedure automatically configures LMP on the Cisco ONS 15454 DWDM node and on the corresponding Cisco CRS-1 PLIM port.
Tools/Equipment	None

Prerequisite Procedures [NTP-G233 Configure Link Management Protocol on the Cisco CRS-1 Router and the Cisco ONS 15454 DWDM Node, page 7-42](#)

Required/As Needed As needed

Onsite/Remote Onsite or remote

Security Level Provisioning or higher

-
- Step 1** Complete the [DLP-G372 Enable LMP, page 7-36](#) to enable the LMP function on the DWDM node.
- Step 2** Complete the [DLP-G373 Create, Edit, and Delete LMP Control Channels, page 7-36](#) to create the LMP control channel between the Cisco CRS-1 router and the DWDM node.
- Step 3** Complete the [DLP-G374 Create, Edit, and Delete LMP TE Links, page 7-39](#) to create TE links between the Cisco CRS-1 router and the DWDM node.
- Step 4** Complete the [DLP-G378 Create, Edit, and Delete LMP Data Links, page 7-40](#) to create a data link, which define the node's transport parameters.

Stop. You have completed this procedure.

NTP-G207 Manually Configure Link Management Protocol on the Cisco CRS-1 Router and the Cisco ONS 15454 DWDM Node

Purpose This procedure manually configures LMP on the Cisco ONS 15454 DWDM node and on the corresponding Cisco CRS-1 PLIM port.

Tools/Equipment None

Prerequisite Procedures [NTP-G233 Configure Link Management Protocol on the Cisco CRS-1 Router and the Cisco ONS 15454 DWDM Node, page 7-42](#)

Required/As Needed As needed

Onsite/Remote Onsite or remote

Security Level Provisioning or higher



Note For more information about the Cisco IOS XR commands used in the DLPs, see the *Cisco IOS XR Command Reference* publication at http://www.cisco.com/en/US/products/ps5845/products_product_indices_list.html.

- Step 1** Complete the [DLP-G372 Enable LMP, page 7-36](#) to enable the LMP function on the DWDM node.
- Step 2** Complete the [DLP-G373 Create, Edit, and Delete LMP Control Channels, page 7-36](#) to create the LMP control channel between the Cisco CRS-1 router and the DWDM node.
- Step 3** Complete the [DLP-G374 Create, Edit, and Delete LMP TE Links, page 7-39](#) to create TE links between the Cisco CRS-1 router and the DWDM node.
- Step 4** In node view, click the **Provisioning > Comm Channels > LMP > TE Links** tab and write down the value of the **Local TE Link** field so that it can be used later.
- Step 5** Complete the [DLP-G378 Create, Edit, and Delete LMP Data Links, page 7-40](#) to create a data link, which define the node's transport parameters.

- Step 6** In node view, click the **Provisioning > Comm Channels > LMP > Data Links** tab and write down the value of the **Local Port Id** field so that it can be used later.
- Step 7** Complete the [DLP-G482 Configure a Static Route, page 7-49](#) to configure a static route.
- Step 8** Complete the [DLP-G483 Configure Local and Remote TE Links, page 7-50](#) to configure the local and remote TE links.
- Step 9** Complete the [DLP-G484 Enable the LMP Message Exchange, page 7-52](#) to enable LMP message exchange with the LMP neighbor.
- Step 10** In node view, click the **Provisioning > Comm Channels > LMP > Data Links** tab and from the **Local Port** field, write down the card and the port involved in the LMP link. Double-click the card involved in the LMP link. In card view, click the **Provisioning > Optical Chn > Parameters** tabs and write down the value of the **Actual Wavelength** field for the port involved in the LMP link.
- Step 11** Complete the [DLP-G511 Configure the Wavelength on the Cisco CRS-1 Router, page 7-53](#) to configure the wavelength on the PLIM port of the Cisco CRS-1 router.
- Step 12** If you need RADIUS AAA services, complete the [DLP-G494 Configure the RADIUS Server, page 7-55](#) to configure a RADIUS server.
- Step 13** Complete the [DLP-G485 Enable Index Persistency on an SNMP Interface, page 7-56](#) to enable index persistency on an SNMP interface.
- Step 14** Complete the [DLP-G486 Configure the LMP Router ID, page 7-57](#) to configure LMP router ID.
- Step 15** Complete the [DLP-G487 Configure the 10 Gigabit Ethernet \(GE\) or POS Interface, page 7-58](#) to configure an interface and specify the IPv4 address for the interface.



Note Only users with proper task privileges, or a system administrator, can perform DLP-G482, DLP-G483, DLP-G484, DLP-G494, DLP-G485, and DLP-G486. The task privileges required to perform these DLPs are similar to the privileges required for automatic LMP configuration.


- Step 16** Complete the [DLP-G488 Display Summary of Link Management Information, page 7-59](#) to display the interface resource or a summary of link management information.
- Step 17** Complete the [DLP-G374 Create, Edit, and Delete LMP TE Links, page 7-39](#) to edit the TE link created in [Step 3](#). Change the Remote TE Link ID value to the value (Local TE Link ID) noted in [Step 1](#) of the [DLP-G488 Display Summary of Link Management Information, page 7-59](#).
- Step 18** Complete the [DLP-G378 Create, Edit, and Delete LMP Data Links, page 7-40](#) to edit the data link created in [Step 5](#). Change the Remote Port Id value to the value (Local Data Link ID) noted in [Step 1](#) of the [DLP-G488 Display Summary of Link Management Information, page 7-59](#).

Stop. You have completed this procedure.

DLP-G508 Configure the Cisco CRS-1 Router Parameters

Purpose	This task configures the Cisco CRS-1 router.
Tools/Equipment	None
Prerequisite Procedures	NTP-G54 Provision and Verify a DWDM Network, page 7-27 DLP-G372 Enable LMP, page 7-36
Required/As Needed	As needed

Onsite/Remote	Onsite or remote
Security Level	Provisioning or higher

-
- Step 1** In any CTC view, from the Edit menu, choose **Preferences**.
- Step 2** In the Preferences dialog box, click the **Router** tab.
- Step 3** Skip automatic LMP configuration on routers—Leave this option unchecked if you want CTC to automatically configure an interface on the Cisco CRS-1 router for the data link. If you check this option, you must manually perform the interface configuration on the Cisco CRS-1 router.
- Step 4** In the Router login area, enter the following:
- Username—Specify the name of the user on the Cisco CRS-1 router.
 - Password—Specify the user password.
 - Confirm Password—Specify the password again to confirm it.
-  **Note** If you leave the Username and Password fields blank, the CTC login information (username and password) will be used for the Cisco CRS-1 router.
-
- Step 5** Click **OK**.
- Step 6** Return to your originating procedure (NTP).
-

DLP-G481 Establish Telnet Session with the Cisco CRS-1 Router and Verify Configuration

Purpose	This task establishes a Telnet session with the Cisco CRS-1 router and verifies the node configuration, SSH, and/or XML module configuration.
Tools/Equipment	None
Prerequisite Procedures	None
Required/As Needed	As needed
Onsite/Remote	Onsite or remote
Security Level	Provisioning or higher

	Command or Action	Purpose
Step 1	telnet { <i>ip-address</i> / <i>host-name</i> } Example: router# telnet 10.58.41.169	Establishes a Telnet session with the Cisco CRS-1 router. When the session is established, you can log in with the root-system username and password. After you log in, the router displays the CLI prompt for the Cisco IOS XR software.
Step 2	show install active summary Example: router# show install active summary	Displays a summary of the active packages in a system or secure domain router. Ensure that the output of the show install active summary command includes the following lines: <pre>hfr-mpls-3.9.x hfr-k9sec-3.9.x hfr-mgbl-3.9.x</pre>
Step 3	show running-config Example: router# show running-config	Displays the contents of the currently running configuration and verifies that Extensible Markup Language (XML) agent service and Secure Shell (SSH) client are installed on the Cisco CRS-1 router. Ensure that the output of the show running-config command includes the following lines: <pre>ssh server v2 ssh server session-limit sessions ssh server rate-limit maxsessions_per_minute vty-pool default first-vty last-vty line-template default xml agent tty</pre> <p>If the output does not contain the above lines, check the SSH and/or XML module configuration. Refer to <i>Cisco IOS XR System Security Command Reference</i> and <i>Cisco IOS XR System Management Command Reference</i> for details about SSH and XML configuration.</p>
Step 4	Return to your originating procedure (NTP).	—

DLP-G510 Create a Task Group, User Group, and User Account on the Cisco CRS-1 Router

Purpose	This task creates task groups, user groups, and user accounts on the Cisco CRS-1 router.
Tools/Equipment	None
Prerequisite Procedures	None
Required/As Needed	As needed
Onsite/Remote	Onsite or remote
Security Level	Provisioning or higher



Note

Only users who have permission to create new task groups and configure required task privileges, or a system administrator, can perform this task.

	Command or Action	Purpose
Step 1	<code>configure terminal</code> Example: <code>router# configure terminal</code>	Enters global configuration mode.
Step 2	<code>taskgroup taskgroup-name</code> Example: <code>router# taskgroup ipodwdmop</code>	Creates a new task group and enters task group configuration submode. If you have chosen the automatic LMP configuration in the DLP-G508 Configure the Cisco CRS-1 Router Parameters, page 7-44 , perform Step 3 . If you have chosen the manual LMP configuration in the DLP-G508 Configure the Cisco CRS-1 Router Parameters, page 7-44 , perform Step 4 .
Step 3	<code>task {read write execute debug} taskid-name</code> Example: <code>router(config-tg)# task read cef</code>	Specifies a task ID to be associated with the task group named in Step 2 . Task IDs grant permission to perform certain tasks. Ensure that you specify the following task IDs to set up required privileges for the automatic LMP configuration: task read cef task read dwdm task read oui task read snmp task read static task read sysmgr task read logging task read mpls-te task read network task read interface task read basic-services task write dwdm task write ipv4 task write oui task write snmp task write static task write mpls-te task write network task write interface
Step 4	<code>task {read write execute debug} taskid-name</code> Example: <code>router(config-tg)# task read cef</code>	Specifies a task ID to be associated with the task group named in Step 2 . Task IDs grant permission to perform certain tasks. Ensure that you specify the following task IDs to set up required privileges for the manual LMP configuration: task read cef task read dwdm task read oui task read snmp task read static task read sysmgr task read logging task read mpls-te task read network task read interface task read basic-services task write interface

	Command or Action	Purpose
Step 5	end Example: router(config-tg)# end	Saves configuration changes. When you enter the end command, the system prompts you to commit the changes. Enter yes to save the configuration changes to the running configuration file and return to the EXEC mode.
Step 6	configure terminal Example: router# configure terminal	Enters global configuration mode.
Step 7	usergroup <i>usergroup-name</i> Example: router# usergroup ipodwdmop	Creates a new user group and enters user group configuration submode.
Step 8	taskgroup <i>taskgroup-name</i> Example: router(config-ug)# taskgroup ipodwdmop	Associates the user group named in Step 7 with the task group named in this step. The user group takes on the configuration attributes (task ID list and permissions) already defined for the entered task group.
Step 9	end Example: router(config-ug)# end	Saves configuration changes. When you enter the end command, the system prompts you to commit the changes. Enter yes to save the configuration changes to the running configuration file and return to the EXEC mode.
Step 10	configure terminal Example: router# configure terminal	Enters global configuration mode.
Step 11	username <i>user-name</i> Example: router# username user123	Creates a name for a new user (or identifies a current user) and enters username configuration submode. The <i>user-name</i> argument can be only one word. Spaces and quotation marks are not allowed. Note The user that you specify for this command must be the user you have specified in the DLP-G508 Configure the Cisco CRS-1 Router Parameters, page 7-44 .
Step 12	password {0 7} <i>password</i> Example: router(config-un)# password 0 passwd	Specifies a password for the user named in Step 11 . Entering 0 following the password command specifies that an unencrypted (clear-text) password follows. Entering 7 following the password command specifies that an encrypted password follows.
Step 13	group <i>group-name</i> Example: router(config-un)# group ipodwdmop	Assigns the user named in Step 11 to a user group that has already been defined through the usergroup command in Step 7 . <ul style="list-style-type: none"> • The user takes on all attributes of the user group, as defined by that user group's association to various task groups. • Each user must be assigned to at least one user group. A user may belong to multiple user groups.

	Command or Action	Purpose
Step 14	<code>end</code> Example: <code>router(config-ug)# end</code>	Saves configuration changes. When you enter the end command, the system prompts you to commit the changes. Enter yes to save the configuration changes to the running configuration file and return to the EXEC mode.
Step 15	Return to your originating procedure (NTP).	—

DLP-G482 Configure a Static Route

Purpose	This task explains how to configure a static route.
Tools/Equipment	None
Prerequisite Procedures	DLP-G481 Establish Telnet Session with the Cisco CRS-1 Router and Verify Configuration, page 7-45
Required/As Needed	As needed
Onsite/Remote	Onsite or remote
Security Level	Provisioning or higher


Note

Only users with proper task privileges, or a system administrator, can perform this task.


Note

In the examples shown in this task, the IP address of the DWDM node is 10.58.41.22 and the IP address of the Cisco CRS-1 router is 10.58.41.169. To remove the static route configuration, use the **no** form of the Cisco IOS XR command. For more information about the Cisco IOS XR commands, see the *Cisco IOS XR Command Reference* at http://www.cisco.com/en/US/products/ps5845/products_product_indices_list.html.

	Command or Action	Purpose
Step 1	<code>configure terminal</code> Example: <code>router# configure terminal</code>	Enters global configuration mode.
Step 2	<code>router static</code> Example: <code>router(config)# router static</code>	Enters static router configuration mode.
Step 3	<code>address-family ipv4 unicast</code> Example: <code>router(config-static)# address-family ipv4 unicast</code>	Enters address family configuration mode while configuring static routes.

	Command or Action	Purpose
Step 4	<pre>destination-prefix prefix-mask {ip-address interface-type interface-instance}</pre> <p>Example:</p> <pre>router(config-static-afi)# 10.58.41.22/32 MgmtEth 0/RP0/CPU0/0</pre>	<p>Establishes static routes in address family configuration mode. Specify the following options for this command:</p> <ul style="list-style-type: none"> <i>destination-prefix</i>—IP route prefix for the destination (that is, DWDM node involved in the LMP link). <i>prefix-mask</i>—Prefix mask for the destination. The network mask can be specified as either a four-part, dotted-decimal address or can be indicated as a slash (/) and number. <i>ip-address</i>—(Optional) IP address of the next hop that can be used to reach that network. The IP address is required, not optional, if the interface type and number are not specified. You can specify an IP address and an interface type and interface number. <i>interface-type</i>—(Optional) Interface type. <i>interface-instance</i>—(Optional) Either a physical interface instance or a virtual interface instance. <p>Note The interface that you specify for this command must be the management interface that connects the CRS-router to the DWDM node.</p>
Step 5	<pre>end</pre> <p>Example:</p> <pre>router(config-static-afi)# end</pre>	<p>Saves configuration changes.</p> <p>When you enter the end command, the system prompts you to commit the changes. Enter yes to save the configuration changes to the running configuration file and return to the EXEC mode.</p>
Step 6	Return to your originating procedure (NTP).	—

DLP-G483 Configure Local and Remote TE Links

Purpose	This task explains how to configure the local and remote TE links.
Tools/Equipment	None
Prerequisite Procedures	DLP-G481 Establish Telnet Session with the Cisco CRS-1 Router and Verify Configuration, page 7-45
Required/As Needed	As needed
Onsite/Remote	Onsite or remote
Security Level	Provisioning or higher


Note

Only users with proper task privileges, or a system administrator, can perform this task.


Note

In the examples shown in this task, the IP address of the DWDM node is 10.58.41.22 and the IP address of the Cisco CRS-1 router is 10.58.41.169. To remove the local and remote TE link configuration, use the **no** form of the Cisco IOS XR command. For more information about the Cisco IOS XR commands, see the *Cisco IOS XR Command Reference* at http://www.cisco.com/en/US/products/ps5845/products_product_indices_list.html.

	Command or Action	Purpose
Step 1	configure terminal Example: router# configure terminal	Enters global configuration mode.
Step 2	mpls traffic-eng interface <i>interface-type</i> <i>interface-instance</i> Example: router(config)# mpls traffic-eng interface TenGigE 0/1/0/1	Enables Multiprotocol Label Switching-Traffic Engineering (MPLS-TE) on an interface and enters MPLS-TE interface submode. Note The interface that you specify for this command must be the optical interface related to the PLIM port involved in the LMP link.
Step 3	lmp data-link adjacency Example: router(config-mpls-te-if)# lmp data-link adjacency	Enters the LMP neighbor adjacency configuration mode.
Step 4	neighbor <i>neighbor-name</i> Example: router(config-mpls-ouni-if-adj)# neighbor 10.58.41.22	Associates an interface with a given LMP neighbor.
Step 5	remote te-link-id unnum <i>identifier</i> Example: router(config-mpls-te-if-adj)# remote te-link-id unnum 1	Configures the LMP neighbor remote TE link ID. Note Specify the value (converted to decimal format) noted in Step 4 of NTP-G207 Manually Configure Link Management Protocol on the Cisco CRS-1 Router and the Cisco ONS 15454 DWDM Node, page 7-43 for the te-link-id unnum <i>identifier</i> keywords and argument.
Step 6	remote interface-id unnum <i>identifier</i> Example: router(config-mpls-te-if-adj)# remote interface-id unnum 57410	Configures the LMP neighbor remote interface identifier. Note Specify the value (converted to decimal format) noted in Step 6 of NTP-G207 Manually Configure Link Management Protocol on the Cisco CRS-1 Router and the Cisco ONS 15454 DWDM Node, page 7-43 for the interface-id unnum <i>identifier</i> keywords and argument.
Step 7	remote switching-capability fsc Example: router(config-mpls-te-if-adj)# remote switching-capability fsc	Configures the LMP neighbor remote TE interface switching capability.
Step 8	end Example: router(config-mpls-te-if-adj)# end	Saves configuration changes. When you enter the end command, the system prompts you to commit the changes. Enter yes to save the configuration changes to the running configuration file and return to the EXEC mode.
Step 9	Return to your originating procedure (NTP).	—

DLP-G484 Enable the LMP Message Exchange

Purpose	This task explains how to enable the LMP message exchange with the LMP neighbor.
Tools/Equipment	None
Prerequisite Procedures	DLP-G481 Establish Telnet Session with the Cisco CRS-1 Router and Verify Configuration, page 7-45
Required/As Needed	As needed
Onsite/Remote	Onsite or remote
Security Level	Provisioning or higher



Note Only users with proper task privileges, or a system administrator, can perform this task.



Note In the examples shown in this task, the IP address of the DWDM node is 10.58.41.22 and the IP address of the Cisco CRS-1 router is 10.58.41.169. To remove the LMP message exchange configuration, use the **no** form of the Cisco IOS XR command. For more information about the Cisco IOS XR commands, see the *Cisco IOS XR Command Reference* at http://www.cisco.com/en/US/products/ps5845/products_product_indices_list.html.

	Command or Action	Purpose
Step 1	configure terminal Example: router# configure terminal	Enters global configuration mode.
Step 2	mpls traffic-eng signalling advertise explicit-null Example: router(config)# mpls traffic-eng signalling advertise explicit-null	Specifies that tunnels terminating on a router use explicit-null labels.
Step 3	mpls traffic-eng lmp neighbor neighbor-name Example: router(config)# mpls traffic-eng lmp neighbor 10.58.41.22	Configures or updates a new or existing LMP neighbor.
Step 4	ipcc routed Example: router(config-mpls-te-nbr-10.58.41.22)# ipcc routed	Configures a routed Internet Protocol Control Channel (IPCC) for the LMP neighbor.

	Command or Action	Purpose
Step 5	<code>remote node-id ip-address</code> Example: router(config-mpls-te-nbr-10.58.41.22)# remote node-id 10.58.41.22	Configures the remote node ID for the LMP neighbor (DWDM node).
Step 6	<code>end</code> Example: router(config-mpls-te-nbr-10.58.41.22)# end	Saves configuration changes. When you enter the end command, the system prompts you to commit the changes. Enter yes to save the configuration changes to the running configuration file and return to the EXEC mode.
Step 7	Return to your originating procedure (NTP).	—

DLP-G511 Configure the Wavelength on the Cisco CRS-1 Router

Purpose	This task explains how to configure the wavelength on the PLIM port of the Cisco CRS-1 router.
Tools/Equipment	None
Prerequisite Procedures	DLP-G481 Establish Telnet Session with the Cisco CRS-1 Router and Verify Configuration, page 7-45
Required/As Needed	As needed
Onsite/Remote	Onsite or remote
Security Level	Provisioning or higher



Note Only users with proper task privileges, or a system administrator, can perform this task.



Note To remove the wavelength setting, use the **no** form of the Cisco IOS XR command. For more information about the Cisco IOS XR commands, see the *Cisco IOS XR Command Reference* at http://www.cisco.com/en/US/products/ps5845/products_product_indices_list.html.

	Command or Action	Purpose
Step 1	<p>show controllers dwdm interface-instance wavelength-map</p> <p>Example: router# show controllers dwdm 0/1/0/0 wavelength-map</p>	<p>Displays the wavelength information of an interface.</p> <p>Note The interface that you specify for this command must be the optical interface related to the PLIM port involved in the LMP link.</p> <p>The output of the show command will include the following lines:</p> <pre>Wavelength band: C-band MSA ITU channel range supported: 3~84 03 196.00 1529.553 ----- 04 195.95 1529.944 ----- 05 195.90 1530.334 ----- 06 195.85 1530.725 -----</pre> <p>From the output of the show command, write down the channel number of the wavelength that matches that of the wavelength noted in Step 10 of NTP-G207 Manually Configure Link Management Protocol on the Cisco CRS-1 Router and the Cisco ONS 15454 DWDM Node, page 7-43.</p>
Step 2	<p>configure terminal</p> <p>Example: router# configure terminal</p>	<p>Enters global configuration mode.</p>
Step 3	<p>controller dwdm interface-instance</p> <p>Example: router(config)# controller dwdm 0/1/0/0</p>	<p>Configures the DWDM controller.</p> <p>Note The interface that you specify for this command must be the optical interface related to the PLIM port involved in the LMP link.</p>
Step 4	<p>wavelength channel-number</p> <p>Example: router(config)# wavelength 04</p>	<p>Configures a specific wavelength to the DWDM controller.</p> <p>Note The channel number that you specify for this command must be the value noted down in Step 1.</p>
Step 5	<p>end</p> <p>Example: router(config-mpls-te-nbr-10.58.41.22)# end</p>	<p>Saves configuration changes.</p> <p>When you enter the end command, the system prompts you to commit the changes. Enter yes to save the configuration changes to the running configuration file and return to the EXEC mode.</p>
Step 6	<p>Return to your originating procedure (NTP).</p>	<p>—</p>

DLP-G494 Configure the RADIUS Server

Purpose	This task explains how to configure the RADIUS server.
Tools/Equipment	None
Prerequisite Procedures	DLP-G481 Establish Telnet Session with the Cisco CRS-1 Router and Verify Configuration, page 7-45
	For details on configuring a node for RADIUS authentication, see the DLP-G281 Configure the Node for RADIUS Authentication, page 11-65 . See the <i>User Guide for Cisco Secure ACS for Windows Server</i> for more information about configuring the RADIUS server.
Required/As Needed	As needed
Onsite/Remote	Onsite or remote
Security Level	Provisioning or higher



Note Only users with proper task privileges, or a system administrator, can perform this task.



Note In the examples shown in this task, the IP address of the RADIUS server is 10.58.39.57. To remove the RADIUS server configuration, use the **no** form of the Cisco IOS XR command. For more information about the Cisco IOS XR commands, see the *Cisco IOS XR Command Reference* at http://www.cisco.com/en/US/products/ps5845/products_product_indices_list.html.

	Command or Action	Purpose
Step 1	configure terminal	Enters global configuration mode.
	Example: router# configure terminal	
Step 2	radius-server host <i>ip-address</i> [auth-port <i>port-number</i>] [acct-port <i>port-number</i>] [key <i>string</i>]	Specifies the RADIUS server host.
	Example: router(config)# radius-server host 10.58.39.57 auth-port 1812 acct-port 1813 key 7 12485043475F	
Step 3	aaa group server radius <i>group-name</i>	Groups different RADIUS server hosts into distinct lists and enters server group configuration mode.
	Example: router(config)# aaa group server radius radgroup1	

	Command or Action	Purpose
Step 4	<pre>server ip-address [auth-port port-number] [acct-port port-number]</pre> <p>Example:</p> <pre>router(config-sg-radius)# server 10.58.39.57 auth-port 1812 acct-port 1813</pre>	Associates a particular RADIUS server with a defined server group.
Step 5	<pre>end</pre> <p>Example:</p> <pre>router(config-sg-radius)# end</pre>	Saves configuration changes. When you enter the end command, the system prompts you to commit the changes. Enter yes to save the configuration changes to the running configuration file and return to the EXEC mode.
Step 6	<pre>configure terminal</pre> <p>Example:</p> <pre>router# configure terminal</pre>	Enters global configuration mode.
Step 7	<pre>aaa authentication login {{console default} {group group_name local none}}</pre> <p>Example:</p> <pre>router(config)# aaa authentication login default group radgroup1 local</pre>	Configures the authentication method used for login to the Virtual Firewall (VFW) application CLI.
Step 8	<pre>end</pre> <p>Example:</p> <pre>router(config-if)# end</pre>	Saves configuration changes. When you enter the end command, the system prompts you to commit the changes. Enter yes to save the configuration changes to the running configuration file and return to the EXEC mode.
Step 9	Return to your originating procedure (NTP).	—

DLP-G485 Enable Index Persistency on an SNMP Interface

Purpose	This task explains how to enable index persistency on a Simple Network Management Protocol (SNMP) interface.
Tools/Equipment	None
Prerequisite Procedures	DLP-G481 Establish Telnet Session with the Cisco CRS-1 Router and Verify Configuration, page 7-45
Required/As Needed	As needed
Onsite/Remote	Onsite or remote
Security Level	Provisioning or higher



Note

Only users with proper task privileges, or a system administrator, can perform this task.

**Note**

To remove the index persistency configuration, use the **no** form of the Cisco IOS XR command. For more information about the Cisco IOS XR commands, see the *Cisco IOS XR Command Reference* at http://www.cisco.com/en/US/products/ps5845/products_product_indices_list.html.

	Command or Action	Purpose
Step 1	configure terminal Example: router# configure terminal	Enters global configuration mode.
Step 2	snmp-server interface <i>interface-type</i> <i>interface-instance</i> Example: router(config)# snmp-server interface TenGigE 0/1/0/1	Enables an interface to send SNMP trap notifications and enters SNMP interface configuration mode. Note The interface that you specify for this command must be the optical interface related to the PLIM port involved in the LMP link.
Step 3	index persistence Example: router(config-snmp-if)# index persistence	Enables index persistency on an SNMP interface. This command must be performed to ensure that the LMP IDs are persistent even after a system reload.
Step 4	end Example: router(config-snmp-if)# end	Saves configuration changes. When you enter the end command, the system prompts you to commit the changes. Enter yes to save the configuration changes to the running configuration file and return to the EXEC mode.
Step 5	Return to your originating procedure (NTP).	—

DLP-G486 Configure the LMP Router ID

Purpose	This task explains how to configure the LMP router ID.
Tools/Equipment	None
Prerequisite Procedures	DLP-G481 Establish Telnet Session with the Cisco CRS-1 Router and Verify Configuration, page 7-45
Required/As Needed	As needed
Onsite/Remote	Onsite or remote
Security Level	Provisioning or higher

**Note**

Only users with proper task privileges, or a system administrator, can perform this task.

**Note**

In the examples shown in this task, the IP address of the DWDM node is 10.58.41.22 and the IP address of the Cisco CRS-1 router is 10.58.41.169. To remove the LMP router ID configuration, use the **no** form of the Cisco IOS XR command. For more information about the Cisco IOS XR commands, see the *Cisco IOS XR Command Reference* at http://www.cisco.com/en/US/products/ps5845/products_product_indices_list.html.

	Command or Action	Purpose
Step 1	<code>configure terminal</code>	Enters global configuration mode.
	Example: <code>router# configure terminal</code>	
Step 2	<code>mpls traffic-eng lmp router-id ip-address</code>	Configures the LMP router ID.
	Example: <code>router(config)# mpls traffic-eng lmp router-id 10.58.41.169</code>	
Step 3	<code>end</code>	Saves configuration changes.
	Example: <code>router(config)# end</code>	When you enter the end command, the system prompts you to commit the changes. Enter yes to save the configuration changes to the running configuration file and return to the EXEC mode.
Step 4	Return to your originating procedure (NTP).	—

DLP-G487 Configure the 10 Gigabit Ethernet (GE) or POS Interface

Purpose	This task explains how to configure the 10 GE or POS interface.
Tools/Equipment	None
Prerequisite Procedures	DLP-G481 Establish Telnet Session with the Cisco CRS-1 Router and Verify Configuration, page 7-45
Required/As Needed	As needed
Onsite/Remote	Onsite or remote
Security Level	Provisioning or higher

**Note**

Only users with proper task privileges, or a system administrator, can perform this task.

**Note**

To remove the POS interface configuration, use the **no** form of the Cisco IOS XR command. For more information about the Cisco IOS XR commands, see the *Cisco IOS XR Command Reference* at http://www.cisco.com/en/US/products/ps5845/products_product_indices_list.html.

	Command or Action	Purpose
Step 1	configure terminal Example: router# configure terminal	Enters global configuration mode.
Step 2	interface <i>interface-type</i> <i>interface-instance</i> Example: router(config)# interface TenGigE 0/1/0/1	Enters interface configuration mode. Note The interface that you specify for this command must be the optical interface related to the PLIM port involved in the LMP link.
Step 3	ipv4 point-to-point Example: router(config-if)# ipv4 point-to-point	Configures a 10 GE interface to act as a point-to-point interface. Note For a POS interface, skip this step and continue with Step 4 .
Step 4	ipv4 unnumbered <i>interface-type</i> <i>interface-instance</i> Example: router(config-if)# ipv4 unnumbered MgmtEth 0/RP0/CPU0/0	Specifies the MPLS-TE tunnel IPv4 address for the interface. Note The interface that you specify for this command must be the management interface that connects the CRS-router to the DWDM node.
Step 5	end Example: router(config-if)# end	Saves configuration changes. When you enter the end command, the system prompts you to commit the changes. Enter yes to save the configuration changes to the running configuration file and return to the EXEC mode.
Step 6	Return to your originating procedure (NTP).	—

DLP-G488 Display Summary of Link Management Information

Purpose	This task displays the interface resource or a summary of link management information.
Tools/Equipment	None
Prerequisite Procedures	DLP-G481 Establish Telnet Session with the Cisco CRS-1 Router and Verify Configuration, page 7-45
Required/As Needed	As needed
Onsite/Remote	Onsite or remote
Security Level	Provisioning or higher

	Command or Action	Purpose
Step 1	<pre>show mpls traffic-eng lmp interface [interface-type interface-instance]</pre> <p>Example: <pre>router(config-if)# show mpls traffic-eng lmp interface TenGigE 0/1/0/1</pre></p>	Displays the interface resource or a summary of link management information. From the output of the show command, write down the value of the Local TE Link ID and the Local Data Link ID parameters.
Step 2	Return to your originating procedure (NTP).	—

NTP-G57 Create a Logical Network Map

Purpose	This procedure allows a Superuser to create a consistent network view for all nodes on the network, meaning that all users see the same network view on their login nodes.
Tools	None
Prerequisite Procedures	This procedure assumes that network turn-up is complete.
Required/As Needed	As needed
Onsite/Remote	Onsite or remote
Security Level	Superuser only

-
- Step 1** Complete the “[DLP-G46 Log into CTC](#)” task on page 3-30 at a node on the network where you want to create the network map. If you are already logged in, continue with Step 2.
- Step 2** From the View menu, choose **Go to Network View**.
- Step 3** Change the position of the nodes in the network view according to your site plan:
- Click a node to select it, then drag and drop the node icon to a new location.
 - Repeat Step a for each node that you need to position.
- Step 4** On the network view map, right-click and choose **Save Node Position** from the shortcut menu.
- Step 5** Click **Yes** in the Save Node Position dialog box.
- CTC opens a progress bar and saves the new node positions.



Note Retrieve, Provisioning, and Maintenance users can move nodes on the network map, but only Superusers can save new network map configurations. To restore the view to a previously saved version of the network map, right-click the network view map and choose **Reset Node Position**.

Stop. You have completed this procedure.

NTP-G325 View the Power Levels of Cisco ONS 15454 MSTP Nodes

Purpose	This procedure displays the power levels of the ports of the ONS 15454 MSTP nodes that traverse through an OCH or OCHNC trail using the Photonic Path Trace (PPT). The results are displayed in a histogram.
Tools	None
Prerequisite Procedures	None
Required/As Needed	As needed
Onsite/Remote	Onsite or remote
Security Level	Provisioning or higher

Step 1 Complete the “[DLP-G46 Log into CTC](#)” task on page 3-30 to log in to an ONS 15454 MSTP node on the network.

Step 2 In the network view, node view (single-node mode), multishelf view (multishelf mode), or card view click the **Circuits** tab.



Note An OCHNC or OCH trail circuit must exist on the optical path on which PPT is launched.

Step 3 Select the OCH trail and click **Edit**. The Edit Circuit window appears.

Step 4 In the Edit Circuit window, click the **Photonic Path Trace** tab.

Step 5 Click **Start** to start the PPT. The PPT creates a histogram that displays the power levels of the nodes versus the threshold levels.



Note The circuit must be in the DISCOVERED state to start the PPT.

Step 6 Click **Export** to export the data in the form of HTML.

Stop. You have completed this procedure.

NTP-G326 Provision SRLG on the Cisco ONS 15454 MSTP Network

Purpose	This procedure provisions Shared Risk Link Groups (SRLGs) for MSTP nodes and spans of the currently managed network using the SRLG management wizard. The SRLG information can be synchronized on Cisco CRS-1 routers and viewed as reports.
Tools	None
Prerequisite Procedures	None
Required/As Needed	As needed
Onsite/Remote	Onsite or remote
Security Level	Provisioning or higher

-
- Step 1** Complete the “[DLP-G46 Log into CTC](#)” task on page 3-30 to log in to an ONS 15454 MSTP node on the network.
- Step 2** To assign, modify, delete, or reset the SRLG attributes for the nodes or links, perform the following steps:
- Click the **Manage SRLGs** option in the Tools > Manage IPoDWDM menu. The SRLG Management wizard appears.
 - Choose one of the following options from the Select Type drop-down list:
 - **Manage Node SRLG**—To add or update the node SRLGs.
 - **Manage Link SRLG**—To add or update the link SRLGs.
 - Click **Next**.
 - In the Manage SRLG page, complete the following fields:
 - If you chose the **Manage Node SRLG** option in Step b., select the node from the Node drop-down list. If you chose **Manage Link SRLG** option in Step b., select the span from the Link drop-down list.
 - In the Unique SRLG field, an SRLG number is displayed. You can edit the value. If the SRLG value already exists, a message is displayed.
To reset the SRLG value, click **Set Default**. A confirmation box is displayed. Click **Yes**.



Note The unique SRLG range is from 0 to 4294967294.

- To add an additional SRLG, type a numeric value in the Additional SRLG field and click **Add**. If the SRLG value already exists, a message is displayed.



Note A maximum of 20 SRLGs can be added to the SRLG list.

- To delete an additional SRLG, choose the value from the SRLG list and click **Delete**. To reset the value, click **Set Default**. A confirmation box is displayed. Click **Yes**.
- e. Click **Finish** to exit the wizard.

- Step 3** To view the SRLG values of the nodes and links, perform the following steps:
- To view the SRLG values for the OTS, OSC, or PPC links, go to the Network view and right-click the link, or place the mouse pointer over the link to see the SRLG value as a tooltip.
 - To view the node SRLG values, click the **Provisioning > General** tab in the node view (single-shelf mode) or shelf view (multishelf view).
- Step 4** To synchronize the SRLG information on the Cisco CRS-1 router, go to Network view, right-click the router and choose **Synchronise IPoDWDM** from the shortcut menu.
- Step 5** Complete the “[DLP-G540 View SRLG Reports](#)” section on page 7-63 to view SRLG reports.
- Stop. You have completed this procedure.**
-

DLP-G540 View SRLG Reports

Purpose	This task explains how to view SRLG reports.
Tools	None
Prerequisite Procedures	NTP-G326 Provision SRLG on the Cisco ONS 15454 MSTP Network, page 7-62
Required/As Needed	As needed
Onsite/Remote	Onsite or remote
Security Level	Provisioning or higher

- Step 1** Complete the “[DLP-G46 Log into CTC](#)” task on page 3-30 to log in to an ONS 15454 MSTP node on the network.
- Step 2** To view the SRLG reports, perform the following steps:
- To view the consolidated SRLG report, click the **Consolidated SRLG Report** option in the Tools > Manage IPoDWDM > SRLG Report menu. The report displays the following information:
 - Resource Name—Displays the node name or link name.
 - Resource Type—Displays the resource type (node or link).
 - Unique SRLG—Displays the unique SRLG value.
 - Additional SRLG—Displays additional SRLG values.
 - To view the detailed SRLG report, click the **Detailed SRLG Report** option in the Tools > Manage IPoDWDM > SRLG Report menu. The report displays the following information:
 - Resource Name—Displays the node name or link name.
 - Resource Type—Displays the resource type (node or link).
 - SRLG Id—Displays the SRLG value.
 - SRLG Type—Displays the SRLG type (unique or additional).
- Step 3** Return to your originating procedure (NTP).
-



CHAPTER 8

Create Circuits and Provisionable Patchcords

This chapter explains how to create Cisco ONS 15454 dense wavelength division multiplexing (DWDM) optical channel client connections (OCHCCs), optical channel network connections (OCHNCs), optical trail circuits, and STS circuits. The chapter also tells you how to create provisionable patchcords, upgrade OCHNCs to OCHCCs, manage SVLANs for GE_XP, 10GE_XP, GE_XPE, and 10GE_XPE cards, and manage overhead circuits.

**Note**

The procedures and tasks described in this chapter for the Cisco ONS 15454 platform is applicable to the Cisco ONS 15454 M2 and Cisco ONS 15454 M6 platforms, unless noted otherwise.

**Note**

Unless otherwise specified, “ONS 15454” refers to both ANSI and ETSI shelf assemblies.

Before You Begin

Before performing any of the following procedures, investigate all alarms and clear any trouble conditions. Refer to the *Cisco ONS 15454 DWDM Troubleshooting Guide* as necessary.

This section lists the chapter procedures (NTPs). Turn to a procedure for applicable tasks (DLPs).

1. [NTP-G151 Create, Delete, and Manage Optical Channel Client Connections, page 8-2](#)—Complete as needed.
2. [NTP-G178 Create, Delete, and Manage Optical Channel Trails, page 8-16](#)—Complete as needed.
3. [NTP-G59 Create, Delete, and Manage Optical Channel Network Connections, page 8-21](#)—Complete as needed.
4. [NTP-G200 Create, Delete, and Manage STS or VC Circuits for the ADM-10G Card, page 8-29](#)—Complete as needed.
5. [NTP-G150 Upgrade Optical Channel Network Connections to Optical Channel Client Connections, page 8-39](#)—Complete as needed.
6. [NTP-G183 Diagnose and Fix OCHNC and OCH Trail Circuits, page 8-43](#)—Complete as needed to verify all conditions are valid before placing OCHNC or OCH trail circuits in service.
7. [NTP-G58 Locate and View Optical Channel Circuits, page 8-45](#)—Complete as needed to find, view, and filter OCHCC, OCHNC, and OCH trail circuits.
8. [NTP-G184 Create a Provisionable Patchcord, page 8-52](#)—Complete as needed.

9. [NTP-G181 Manage GE_XP, 10GE_XP, GE_XPE, and 10GE_XPE Card SVLAN Databases, page 8-58](#)—Complete as needed.
10. [NTP-G60 Create and Delete Overhead Circuits, page 8-61](#)—Complete as needed to create IP-encapsulated tunnels, firewall tunnels, and proxy tunnels; to create generic communications channel (GCC) terminations; to provision orderwire; or to create user data channel (UDC) circuits.
11. [NTP-G62 Create a J0 Section Trace, page 8-69](#)—Complete as needed to monitor interruptions or changes to traffic between two nodes.
12. [NTP-G203 Create End-to-End SVLAN Circuits, page 8-70](#)—Complete as needed to create end to end VLAN circuits.
13. [NTP-G229 Provision DCN Extension for a Network Using GCC/DCC, page 8-73](#)—Complete as needed to provision DCN extension for a network using GCC/DCC.

NTP-G151 Create, Delete, and Manage Optical Channel Client Connections

Purpose	This procedure creates, deletes, and manages OCHCC circuits. OCHCCs create an end-to-end optical management path between TXP, MXP, GE_XP, 10GE_XP, GE_XPE, and 10GE_XPE (when provisioned as TXPs or MXPs), or OTU2_XP client ports, or between ITU-T trunk ports. ITU-T line cards include: OC48 ELR/STM64 EH, OC192 SR1/STM64 IO, MRC-12, MRC-2.5-12, and MRC-2.5G-4. The OCHCC circuit is transported by an OCH trail circuit that is associated to one or more OCHNC circuits (for example, an OCHCC circuit passing through a regen node).
Tools/Equipment	None
Prerequisite Procedures	Chapter 4, “Turn Up a Node”
Required/As Needed	As needed
Onsite/Remote	Onsite or remote
Security Level	Provisioning or higher



Note

This procedure is not applicable to the ADM-10G card or GE_XP, 10GE_XP, GE_XPE, and 10GE_XPE cards that are not provisioned in L2-over-DWDM mode.

- Step 1** As needed, identify the OCHCC to be provisioned using the [“DLP-G350 Use the Cisco Transport Planner Traffic Matrix Report”](#) task on page 7-26.
- Step 2** Complete the [“DLP-G46 Log into CTC”](#) task on page 3-30 at a node on the network where you want to manage OCHCCs. If you are already logged in, continue with [Step 3](#).
- Step 3** If you want to assign a name to the OCHCC source and destination ports before you create the circuit, complete the [“DLP-G104 Assign a Name to a Port”](#) task on page 8-3. If not, continue with [Step 4](#).



Note

Naming the client ports helps you identify them correctly later.

- Step 4** If the client TXP, MXP, or ITU-T line cards are installed in a multishelf node, continue with [Step 5](#). If not, complete the following substeps:
- a. Use the information obtained from the Cisco TransportPlanner traffic matrix report in [Step 1](#) to complete the “[DLP-G344 Verify Provisionable and Internal Patchcords](#)” task on page 8-41. If provisionable patchcords (PPCs) exist between the nodes containing the TXP/MXP/ITU-T line cards and the DWDM nodes at each end of the OCHCC, continue with [Step 5](#). If not, continue with [Step b](#).
 - b. Complete the “[NTP-G184 Create a Provisionable Patchcord](#)” task on page 8-52 to create the PPCs between the OCHCC source and destination nodes.
- Step 5** If the client TXP/MXP/ITU-T line cards are installed in a multishelf node, use the information obtained from the Cisco TransportPlanner traffic matrix report in [Step 1](#) to create internal patchcords between the 32DMX, 32DMX-O, or 32DMX-L ports and the TXP/MXP trunk ports using the “[NTP-G242 Create an Internal Patchcord Manually](#)” task on page 4-114. Create the internal patchcords on both the source and destination nodes of each OCHCC path. If the TXP/MXP/ITU-T line cards are not installed in a multishelf node, continue with [Step 6](#).
- Step 6** Complete the “[DLP-G345 Verify OCHCC Client Ports](#)” task on page 8-4 to verify the port rate and service state.
- Step 7** Complete the “[DLP-G346 Provision Optical Channel Client Connections](#)” task on page 8-4, as needed.
- Step 8** Complete the “[DLP-G689 Provision Optical Channel Client Connections on OTU2_XP Cards](#)” task on page 8-10, as needed
- Step 9** Complete the “[DLP-G347 Delete Optical Channel Client Connections](#)” task on page 8-11, as needed.
- Step 10** Complete the “[DLP-G424 Edit an OCHCC Circuit Name](#)” task on page 8-12, as needed.
- Step 11** Complete the “[DLP-G394 Change an OCHCC Administrative State](#)” task on page 8-13, as needed.
- Step.** You have completed this procedure.
-

DLP-G104 Assign a Name to a Port

Purpose	This task assigns a name to a port on any ONS 15454 card.
Tools/Equipment	None
Prerequisite Procedures	DLP-G46 Log into CTC , page 3-30
Required/As Needed	As needed
Onsite/Remote	Onsite or remote
Security Level	Provisioning or higher

- Step 1** In node view, double-click the card that has the port that you want to provision. This can be any port on a traffic-carrying card. The card view opens.
- Step 2** Click the **Provisioning** tab.
- Step 3** Double-click the **Port Name** table cell for the port number where you are assigning a name. The cell activates and a blinking cursor indicates where you should enter the port name.
- Step 4** Enter the port name.
- The port name can be up to 32 alphanumeric/special characters. The field is blank by default.

- Step 5** Click **Apply**.
- Step 6** Return to your originating procedure (NTP).

DLP-G345 Verify OCHCC Client Ports

Purpose	This task verifies the rate and service state of the OCHCC client ports.
Tools/Equipment	None
Prerequisite Procedures	DLP-G46 Log into CTC, page 3-30
Required/As Needed	As needed
Onsite/Remote	Onsite or remote
Security Level	Provisioning or higher

- Step 1** In node view, double-click the TXP, MXP, OTU2_XP, or ITU-T line card where you want to verify the client ports. The card view opens.
- Step 2** Click the **Provisioning > Maintenance** tabs.
- Step 3** Click the **Provisioning > Pluggable Port Modules** tabs.
- Step 4** Verify that a pluggable port module has been created and that the port rate under the Pluggable Port area is provisioned. If so, continue with [Step 5](#). If not, complete the [DLP-G277 Provision a Multirate PPM, page 6-11](#) and the [DLP-G278 Provision the Optical Line Rate, page 6-14](#).
- Step 5** Repeat Steps [1](#) through [4](#) for each TXP, MXP, OTU2_XP, or ITU-T line card containing OCHCC ports that you want to verify.
- Step 6** Return to your originating procedure (NTP).

DLP-G346 Provision Optical Channel Client Connections

Purpose	This task creates an OCHCC between two TXP, MXP, GE_XP and GE_XPE (when configured in TXP or MXP mode), 10GE_XP and 10GE_XPE (when configured in TXP or MXP mode), or OTU2_XP client ports, or two ITU-T-compliant line card trunk ports.
Tools/Equipment	Cisco TransportPlanner Traffic Matrix Report
Prerequisite Procedures	DLP-G46 Log into CTC, page 3-30 DLP-G345 Verify OCHCC Client Ports, page 8-4
Required/As Needed	As needed
Onsite/Remote	Onsite or remote
Security Level	Provisioning or higher



Note

OCHCCs can be created on preprovisioned client cards or physically installed client cards.

**Note**

Creating an OCHCC circuit automatically creates an OCH trail circuit between the OCHCC source and destination client card trunk ports. The OCH trail circuit is created for the first OCHCC between two MXP cards. The OCH trail circuit is used by succeeding OCHCCs created between the MXP cards. When the OCH trail is created, it is assigned a system-generated name in the format *circuit-type_NE-name::unique sequence number*. To edit the OCH trail circuit name, complete the [“DLP-G424 Edit an OCHCC Circuit Name” task on page 8-12](#).

**Note**

If trunk ports are connected by a peer-to-peer provisionable patchcord (PPC), an OCH trail is not created.

**Note**

The OCH Wlen (wavelength) parameter on the Circuits page can be used to determine the OCHCC and OCH trail associations.

**Note**

If you want the OCHCC circuit to provision the client card trunk port’s ITU-T G.709, FEC, SD and SF threshold settings and Mapping parameters, you must place the client card trunk ports out of service. If any of the trunk ports, including OTU2-XP regen ports, are in in-service state, a warning message “Trunk settings are not applied on any of the trunk ports” is displayed with details of the trunk ports that are in in-service state.

**Note**

In a node using OTU2_XP cards configured in the regen mode, a single OCHCC circuit can be created that passes through the OTU2_XP card. Internal patch cords must be created from the OTU2_XP regen ports to the respective add/drop cards. OCHCC circuit creation through OTU2_XP cards in regen mode is not supported if different wavelengths are used on the two OTU2_XP regen ports.

**Note**

The OCHCC circuit creation is not supported between different payloads in the 40G-MXP-C card.

**Note**

The 40G-MXP-C card configured in the unidirectional regen mode does not support OCHCC circuit creation. Two bidirectional OCHNC circuits can be created, one on either side of the regenerator group for managing the circuit.

Step 1 From the View menu, choose **Go to Network View**.

Step 2 Click the **Circuits** tab, then click **Create**.

Step 3 In the Circuit Creation dialog box, choose **OCHCC** from the Circuit Type list.

Step 4 Click **Next**.

Step 5 In the Circuit area of the Circuit Attributes page, provision the OCHCC circuit attributes:

- **Name**—Assign a name to the OCHCC. The name can be alphanumeric and up to 48 characters (including spaces). Circuit names should be 44 characters or less if you want the ability to create monitor circuits. If you leave the field blank, Cisco Transport Controller (CTC) assigns a default name to the circuit.

- **Type**—(Display only) OCHCC.
- **Size**—Defines the circuit payload type and rate. Two fields are provided. The first specifies the payload type. Choose a payload type, then choose the rate in the next field. [Table 8-1](#) provides the OCHCC payload types and rates.



Note The payload type and rate must match the PPM provisioning on the client cards at the source and destination nodes.

Table 8-1 OCHCC Client Rates

Payload Type	Rates
SONET/SDH	OC-192 (ANSI)/STM-64 (ETSI)—9.92 Gbps OC-48 (ANSI)/STM-12 (ETSI)—2.48 Gbps OC-12 (ANSI)/STM-4 (ETSI)—622 Mbps OC-3 (ANSI)/STM-1 (ETSI)—155 Mbps
Ethernet	10GE—One Gigabit Ethernet 11.25 Gbps 1GE—One Gigabit Ethernet 1.125 Gbps
FC/FICON	10GFC—Fibre Channel 10 Gbps 4GFC—Fibre Channel 4 Gbps 2GFC—Fibre Channel 2.125 Gbps 1GFC—Fibre Channel 1.06 Gbps 4GFICON—FICON 4 Gbps 2GFICON—FICON 2.125 Gbps 1GFICON—FICON 1.06 Gbps
Data Storage	ESCON—Enterprise System Connection 200 Mbps (IBM signal) ISC Peer—Inter System Coupling Link 3 (ISC3) ISC3 Peer 1G—InterSystem Coupling Link 3 (ISC3) 1 Gbps ISC3 Peer 2G—InterSystem Coupling Link 3 (ISC3) 2 Gbps ISC COMPAT—InterSystem Coupling Link 1 (ISC1) ISC1—Inter system connect Link 1 (ISC1)
Video	HDTV—High Definition Television SDI/DI—Serial Digital Interface and Digital Video signal type 1 DV6000—Proprietary signal from video vendor DVB-ASI—Proprietary signal from video vendor
Other	Pass Through—Creates a pass-through OCHCC

- **OCHNC Wavelength**—Provides three fields to define the wavelength that the OCHCC will use to travel across the OCH network. Choose a wavelength from the first field. In the second field, you can change the wavelength band by choosing either **C Band** or **L Band**. In the third field, you can indicate whether odd or even C-band or L-band wavelengths appear. See [Table 8-2](#) and [Table 8-3](#) for C-band and L-band wavelengths.

**Note**

The OCHNC wavelength must match the trunk wavelength provisioned on the source and destination TXP or MXP cards. If the wavelengths do not match, the card will not appear as a source or destination.

Table 8-2 OCH C-Band Channels

Channel No.	Channel ID	Frequency (GHz)	Wavelength (nm)
1	30.3	195.9	1530.33
2	31.1	195.8	1531.12
3	31.9	195.7	1531.90
4	33.4	195.5	1532.68
5	32.6	195.6	1533.47 ¹
6	34.2	195.4	1534.25
7	35.0	195.3	1535.04
8	35.8	195.2	1535.82
9	36.1	195.1	1536.61
10	37.4	195	1537.40 ¹
11	38.1	194.9	1538.19
12	38.9	194.8	1538.98
13	39.7	194.7	1539.77
14	40.5	194.6	1540.56
15	41.3	194.5	1541.35 ¹
16	42.1	194.4	1542.14
17	42.9	194.3	1542.94
18	43.7	194.2	1543.73
19	44.5	194.1	1544.53
20	44.3	194	1545.32 ¹
21	46.1	193.9	1546.12
22	46.9	193.8	1546.92
23	47.7	193.7	1547.72
24	48.5	193.6	1548.51
25	49.3	193.5	1549.32 ¹
26	50.1	193.4	1550.12
27	50.9	193.3	1550.92
28	51.7	193.2	1551.72
29	52.5	193.1	1552.52
30	53.3	193	1553.33 ¹
31	54.1	192.9	1554.13
32	54.9	192.8	1544.94

Table 8-2 OCH C-Band Channels (continued)

Channel No.	Channel ID	Frequency (GHz)	Wavelength (nm)
33	55.7	192.7	1555.75
34	56.5	192.6	1556.55
35	57.3	192.5	1557.36 ¹
36	58.1	192.4	1558.17
37	58.9	192.3	1558.98
38	59.7	192.2	1559.79
39	60.6	192.1	1560.61
40	61.3	192	1561.42 ¹

1. Requires 40-channel MUX or WSS cards, and 40-channel DMX cards.

Table 8-3 OCH L-Band Channels

Channel Number	Frequency (THz)	Wavelength (nm)	Channel Number	Frequency (THz)	Wavelength (nm)
1	190.85	1570.83	41	188.85	1587.46
2	190.8	1571.24	42	188.8	1587.88
3	190.75	1571.65	43	188.75	1588.30
4	190.7	1572.06	44	188.7	1588.73
5	190.65	1572.48	45	188.65	1589.15
6	190.6	1572.89	46	188.6	1589.57
7	190.55	1573.30	47	188.55	1589.99
8	190.5	1573.71	48	188.5	1590.41
9	190.45	1574.13	49	188.45	1590.83
10	190.4	1574.54	50	188.4	1591.26
11	190.35	1574.95	51	188.35	1591.68
12	190.3	1575.37	52	188.3	1592.10
13	190.25	1575.78	53	188.25	1592.52
14	190.2	1576.20	54	188.2	1592.95
15	190.15	1576.61	55	188.15	1593.37
16	190.1	1577.03	56	188.1	1593.79
17	190.05	1577.44	57	188.05	1594.22
18	190	1577.86	58	188	1594.64
19	189.95	1578.27	59	187.95	1595.06
20	189.9	1578.69	60	187.9	1595.49
21	189.85	1579.10	61	187.85	1595.91
22	189.8	1579.52	62	187.8	1596.34
23	189.75	1579.93	63	187.75	1596.76

Table 8-3 OCH L-Band Channels (continued)

Channel Number	Frequency (THz)	Wavelength (nm)	Channel Number	Frequency (THz)	Wavelength (nm)
24	189.7	1580.35	64	187.7	1597.19
25	189.65	1580.77	65	187.65	1597.62
26	189.6	1581.18	66	187.6	1598.04
27	189.55	1581.60	67	187.55	1598.47
28	189.5	1582.02	68	187.5	1598.89
29	189.45	1582.44	69	187.45	1599.32
30	189.4	1582.85	70	187.4	1599.75
31	189.35	1583.27	71	187.35	1600.17
32	189.3	1583.69	72	187.3	1600.60
33	189.25	1584.11	73	187.25	1601.03
34	189.2	1584.53	74	187.2	1601.46
35	189.15	1584.95	75	187.15	1601.88
36	189.1	1585.36	76	187.1	1602.31
37	189.05	1585.78	77	187.05	1602.74
38	189	1586.20	78	187	1603.17
39	188.95	1586.62	79	186.95	1603.60
40	188.9	1587.04	80	186.9	1604.03

- Bidirectional—(Display only) OCHCCs are bidirectional. This field cannot be changed.
- Protection—Check to create a splitter-protected OCHCC (only MXPP/TXPP cards will be selectable as circuit endpoints) or a protected OCHCC when TXP is connected to a PSM card.

Step 6 In the State area of the Circuit Attributes page, provision the OCHCC state attributes:

- State—Provisions the OCHCC circuit state. The state can be **IS (ANSI)/Unlocked (ETSI)** or **OOS,DSBLD (ANSI)/Locked,Disabled (ETSI)**.
- Apply to OCHCC ports—If checked, applies the state chosen in the Apply to OCHCC ports drop-down list to the OCHCC client ports. For TXP, MXP, TXPP, or MXPP cards, the administrative state will apply to the client and all trunk ports. For ITU-T-compliant line cards, the administrative state will apply to the trunk port only. The states that you can apply include: IS (ANSI)/Unlocked (ETSI), OOS,DSBLD (ANSI)/Locked,Disabled (ETSI), and IS,AINS (ANSI)/Unlocked,AutomaticInService (ETSI).

Step 7 Click **Next**.

Step 8 In the Source area, choose the source node from the Node drop-down list, then choose the source shelf (multishelf nodes only) from the Shelf drop-down list, the source slot from the Slot drop-down list, and, if needed, the source port from the Port drop-down list.

If no nodes appear in the Node drop-down list, complete the following steps:

- Click **Back** and review your circuit attribute settings. Verify that they are set to the client attributes provisioned on the client cards. If necessary, click **Cancel** and complete the [“DLP-G345 Verify OCHCC Client Ports” task on page 8-4](#) to verify the client settings.

- b. If the source and/or destination nodes are not configured for multishelf, complete the “[DLP-G344 Verify Provisionable and Internal Patchcords](#)” task on page 8-41 to verify that the patchcords were created accurately.

If these steps do not solve the problem, refer to your next level of support.

Step 9 Click **Next**.

Step 10 In the Destination area, choose the destination node from the Node drop-down list, then choose the destination shelf (multishelf nodes only) from the Shelf drop-down list, the destination slot from the Slot drop-down list, and, if needed, the destination port from the Port drop-down list.

If no nodes appear in the Node drop-down list, complete the following steps:

- a. Click **Back** and review your circuit attribute settings. Verify that they are set to the client attributes provisioned on the client cards. If necessary, click **Cancel** and complete the “[DLP-G345 Verify OCHCC Client Ports](#)” task on page 8-4 to verify the client settings.
- b. If the source and/or destination nodes are not configured for multishelf, complete the “[DLP-G344 Verify Provisionable and Internal Patchcords](#)” task on page 8-41 to verify that the patchcords were created accurately.

If these steps do not solve the problem, refer to your next level of support.

Step 11 Click **Next**. If the OCHCC is between ITU-T cards, continue with [Step 12](#). If not, skip to [Step 14](#).

Step 12 Complete the “[DLP-G437 Set OCH Circuit Attributes](#)” task on page 8-14.

Step 13 Click **Next**.

Step 14 Complete the “[DLP-G438 Set OCH Routing Preferences](#)” task on page 8-15. Skip this step and continue with [Step 15](#) if no constraints are needed. If the trunk ports are already connected by an existing OCH Trail (MXP case) or by a direct PPC link, the OCH Circuit Routing Preferences page appears in read-only mode; all buttons are disabled. Continue with [Step 15](#).

Step 15 Click **Finish**. The OCHCC and its OCH trail appear in the Circuits page. After the circuit status has been verified, the DISCOVERED status appears in the Status column.

If the OCHCC status does not change to DISCOVERED within 2 to 3 minutes, contact your next level of support.

Step 16 Return to your originating procedure (NTP).

DLP-G689 Provision Optical Channel Client Connections on OTU2_XP Cards

Purpose	This task provisions an OCHCC circuit between two OTU2_XP cards configured in the transponder mode carrying 10G Ethernet payload.
Tools/Equipment	Cisco TransportPlanner Traffic Matrix Report
Prerequisite Procedures	DLP-G46 Log into CTC, page 3-30
Required/As Needed	As needed
Onsite/Remote	Onsite or remote
Security Level	Provisioning or higher

-
- Step 1** Create an OCHCC circuit between two OTU2_XP ports using the [“DLP-G346 Provision Optical Channel Client Connections” task on page 8-4](#). Set the mapping option to **Synchronous** during OCHCC circuit creation.
- Step 2** Change the administrative state of the OTU2_XP trunk port to **OOS,DSBLD** (ANSI) or **Locked,disabled** (ETSI) at both end points of the circuit using the [“DLP-G108 Change the Service State for a Port” task on page 8-65](#).
- Step 3** Enable the OTN line setting "No Fixed Stuff" using the [“DLP-G458 Change the OTU2_XP OTN Settings” task on page 6-278](#).
- Step 4** Change the administrative state of the OTU2_XP trunk port to **IS** (ANSI) or **Unlocked** (ETSI) at both end points of the circuit using the [“DLP-G108 Change the Service State for a Port” task on page 8-65](#).
- Step 5** Return to your originating procedure (NTP).
-

DLP-G347 Delete Optical Channel Client Connections

Purpose	This task deletes DWDM OCHCC circuits.
Tools/Equipment	None
Prerequisite Procedures	DLP-G46 Log into CTC, page 3-30
Required/As Needed	As needed
Onsite/Remote	Onsite or remote
Security Level	Provisioning or higher



Note If you are deleting more than half of all the active OCHCCs, Cisco recommends that you delete them two at a time to allow for proper power compensation. You do not need to delete the active OCHCCs two at a time if you are deleting all them.

- Step 1** Complete the [“NTP-G103 Back Up the Database” procedure on page 14-2](#) to preserve existing settings and, if you will recreate the circuits, record the circuit information.
- Step 2** Consult your network operations center (NOC) or other appropriate personnel to verify that the OCHCC can be safely deleted.
- Step 3** Investigate all network alarms and resolve any problems that might be affected by the OCHCC deletion.
- Step 4** From the View menu, choose **Go to Network View**.
- Step 5** Click the **Circuits** tab.
- Step 6** Under the Type column, choose one or more OCHCCs that you want to delete, then click **Delete**.
- Step 7** In the Delete Circuits confirmation dialog box, complete the following:
- Change drop port admin state—Check this box if you want to change the circuit source and destination port administrative state. After checking the box, choose one of the following administrative states:
 - **IS** (ANSI) or **Unlocked** (ETSI)—Puts the ports in service.
 - **IS,AINS** (ANSI) or **UnlockedAutomaticInService** (ETSI)—Puts the ports in automatic in service.

- **OOS,DSBLD** (ANSI) or **Locked,disabled** (ETSI)—Removes the ports from service and disables them.
- **OOS,MT** (ANSI) or **Locked,maintenance** (ETSI)—Removes the ports from service for maintenance.
- **Notify when completed**—If checked, the CTC Alerts confirmation dialog box notifies you when the OCHCC is deleted. During this time, you cannot perform other CTC functions. If you are deleting many OCHCCs, waiting for confirmation might take a few minutes. Circuits are deleted whether or not this check box is checked.



Note The CTC Alerts dialog box will not automatically open to show a deletion error unless you checked All alerts or Error alerts only in the CTC Alerts dialog box. For more information, see the [“DLP-G53 Configure the CTC Alerts Dialog Box for Automatic Popup” task on page 3-36](#). If the CTC Alerts dialog box is not set to open automatically, the red triangle inside the CTC Alerts toolbar icon indicates that a notification exists.

- Step 8** Complete one of the following:
- If you checked Notify when completed, the CTC Alerts dialog box appears. If you want to save the information, continue with [Step 9](#). If you do not want to save the information, continue with [Step 10](#).
 - If you did not check Notify when completed, the Circuits page appears. Continue with [Step 11](#).
- Step 9** If you want to save the information in the CTC Alerts dialog box, complete the following substeps. If you do not want to save it, continue with [Step 11](#).
- a. Click **Save**.
 - b. Click **Browse** and navigate to the directory where you want to save the file.
 - c. Type the file name using a TXT file extension, and click **OK**.
- Step 10** Click **Close** to close the CTC Alerts dialog box.
- Step 11** Complete the [“NTP-G103 Back Up the Database” procedure on page 14-2](#) if you require a backup of your changes.
- Step 12** Return to your originating procedure (NTP).

DLP-G424 Edit an OCHCC Circuit Name

Purpose	This task changes the name of an OCHCC circuit.
Tools/Equipment	None
Prerequisite Procedures	DLP-G105 Provision Optical Channel Network Connections, page 8-23 DLP-G46 Log into CTC, page 3-30
Required/As Needed	As needed
Onsite/Remote	Onsite or remote
Security Level	Provisioning or higher

- Step 1** From the View menu, choose **Go to Network View**.
- Step 2** Click the **Circuits** tab.

- Step 3** Click the OCHCC whose name you want to edit, then click **Edit**. The Edit Circuit dialog box appears with the General tab displayed.
- Step 4** In the Name field, enter the new OCHCC circuit name.
- Step 5** Click **Apply**.
- Step 6** Return to your originating procedure (NTP).
-

DLP-G394 Change an OCHCC Administrative State

Purpose	This task changes the administrative state of an OCHCC circuit.
Tools/Equipment	None
Prerequisite Procedures	DLP-G346 Provision Optical Channel Client Connections, page 8-4 DLP-G46 Log into CTC, page 3-30
Required/As Needed	As needed
Onsite/Remote	Onsite or remote
Security Level	Provisioning or higher

- Step 1** From the View menu, choose **Go to Network View**.
- Step 2** Click the **Circuits** tab.
- Step 3** Click the OCHCC that has the administrative state you want to change, then click **Edit**.
- Step 4** In the Edit Circuit dialog box, click the **State** tab.
- Step 5** Click the cell in the Admin State column for the card you want to change, and choose an administrative state from the drop-down list:
- **IS** (ANSI) or **Unlocked** (ETSI)
 - **OOS** (ANSI) or **Locked** (ETSI)
- Step 6** Click **Apply**.
- Step 7** If you are changing the OCHCC state to OOS/Locked, click **OK** on the confirmation dialog. (No confirmation dialog appears when placing OCHCCs in service.)



Note For information about the OCH circuit state transitions, refer to the “Administrative and Service States” appendix in the *Cisco ONS 15454 DWDM Reference Manual*.

- Step 8** Return to your originating procedure (NTP).
-

DLP-G437 Set OCH Circuit Attributes

Purpose	This task provisions OCH trunk attributes.
Tools/Equipment	None
Prerequisite Procedures	DLP-G46 Log into CTC, page 3-30 The OCH Circuit Attributes page must be open.
Required/As Needed	As needed
Onsite/Remote	Onsite or remote
Security Level	Provisioning or higher

Step 1 In the OCH Circuit Attributes Preferences page, change the trunk settings as necessary. The settings provisioned here can only be provisioned on the ports when the ports are out of service. If the ports are in service, these parameters must be the same as the source and destination card ports. If not, the trunk settings are not editable and are retained as they are on both the trunk ports. An information pop up window is shown after the circuit creation indicating that the trunk settings are not applied on any of the trunk ports. You can view the current trunk settings (display only) in the Current Values area.

- To change any of the trunk settings, complete the following in the Provisioning Values area:
 - ITU-T G.709 OTN—Choose **Enable** or **Disable** to set or disable the IEEE G.709 monitoring on the optical transport network. If the OCHCC source or destination is an TXP_MR_10EX_C, 40G-TXP-C, MXP_2.5G_10E, MXP_2.5G_10E_C, MXP_2.5G_10E_L, MXP_2.5G_10EX_C, MXP_MR_10DMEX_C, or 40G-MXP-C card, the ITU-T G.709 OTN parameter must always be checked. If ITU-T G.709 OTN is checked, the MXP_MR_2.5G and MXPP_MR_2.5G cards will not appear as OCHCC source and destination options.
 - FEC—Choose the type of FEC: **Disabled**, **Standard**, or **Enhanced**. The options that appear depend on the card type. If the OCHCC source or destination is an TXP_MR_10EX_C, MXP_2.5G_10EX_C, MXP_MR_10DMEX_C, 40G-MXP-C, or 40G-TXP-C card, the ITU-T G.709 OTN parameter must always be checked.
 - SD BER—Choose the signal degrade bit error rate.
 - Mapping—Sets the mapping for the TXP_MR_10E, TXP_MR_10E_C, TXP_MR_10E_L, TXP_MR_10EX_C, MXP_MR_10DME_C, MXP_MR_DME_L, and MXP_MR_10DMEX_C cards: **Not Used**, **ODU Multiplex** (client SONET/SDH payload), **Asynchronous**, or **Synchronous**. The choices available depend on the card. If you set mapping to Synchronous, the client signal is mapped into the OTU2 signal without justification of the payload because the client signal timing (the timing source) is the same as the trunk output timing. If you set mapping to Asynchronous, the trunk timing is disconnected from the client timing (because the network element [NE] is the timing source), so justification is needed to map the client signal (OC192/STM64) to OTU2 trunk output.



Note

When you create a 4xOC-48 OCHCC circuit, you need to select the G.709 and Synchronous options. A 4xOC-48 OCHCC circuit is supported by G.709 and synchronous mode. This is necessary to provision a 4xOC-48 OCHCC circuit.



Note If the OCHCC source or destination is an MXP_2.5G_10E, MXP_2.5G_10E_C, MXP_2.5G_10E_L, or MXP_2.5G_10EX_C card, the Mapping parameter must always be set to Synch.

Set the proactive protection attributes. Proactive Protection Regen is supported on OTU2XP ports alone in Standard Regen and Enhanced FEC mode



Note Proactive protection regen is supported only on CRS-based OCH trails.

- Proactive Protection—Choose **Enable** or **Disable**.
- Trigger Threshold—Choose the minimum BER threshold to trigger proactive protection by sending forward defect indication (FDI).
- Trigger Window—The trigger window value must be in multiples of 10 ms for trigger thresholds between 1E-3 and 6E-6 or 100 ms for trigger threshold between 5E-6 to 1E-7. Enter the duration to monitor the BER before triggering the proactive protection. The trigger window must be less than or equal to 10000 ms.
- Revert Threshold—Choose a BER value, to indicate the threshold at which the FDI is cleared to allow traffic.
- Revert Window—Enter the duration to monitor the BER for which it should be less than the revert threshold value before removing the FDI sent to the router. The revert window must be less than or equal to 10000ms. The revert window value must be at least 2000ms and in multiples of 10ms for a Revert Threshold of 1E-4 to 6E-7, or 100ms for a Revert Threshold of 5E-7 to 5E-8.
- Set the protection in the Protection area, as needed. The fields in the protection area are disabled if the OCHCC is not protected and for OCH Trails. Set the following attributes:
 - Revertive—If checked, traffic reverts to the working card after failure conditions remain corrected for the amount of time entered in the Reversion Time field.
 - Reversion Time—Sets the reversion time when Revertive is checked. The range is 0.5 to 12.0 minutes. The default is 5.0 minutes. Reversion time is the amount of time that will elapse before the traffic reverts to the working card after conditions causing the switch are cleared.

Step 2 Return to your originating procedure (NTP).

DLP-G438 Set OCH Routing Preferences

Purpose	This task provisions OCH routing preferences.
Tools/Equipment	None
Prerequisite Procedures	DLP-G46 Log into CTC, page 3-30 The OCH Circuit Routing Preferences page must be open.
Required/As Needed	As needed
Onsite/Remote	Onsite or remote
Security Level	Provisioning or higher

- Step 1** In the OCH Circuit Routing Preferences page, view the circuit route. The new OCH appears with blue span arrows. Moving your cursor over the arrow displays span information including source, destination, and span loss. Complete the following steps to manually provision the routing constraints.
- In the circuit map area, click a node that you want to include or exclude from the circuit route.
 - Click **Include** or **Exclude**. The node name will appear under the Included nodes or Excluded nodes list. Include and Exclude cannot be applied to source or destination nodes.
 - Repeat Steps **a** and **b** until the circuit routing constraints are complete. To remove a node from the Included nodes or Excluded nodes list, click the node in the list and click **Remove**. To move a node up or down in the routing sequence, click the node in the list and click **Up** or **Down**.



Note Use the Reset button as needed to clear the constraints and set the default routing.

- To force the circuit route through specific links, click **Advanced**. Select the sides where the circuit must cross this node and click **OK**:
 - No Side Constraints—Uncheck.
 - Side In—Choose the first side from the drop-down list.
 - Side Out—Choose the second side from the drop-down list.



Note All forced links appear in yellow.

- Click **Apply**. CTC verifies the circuit route. If the route is valid, a “Routing evaluation succeeded.” message appears. If this message appears, click **OK**. If the route is not valid, a Route Error dialog box appears with an error message. If an error message appears, evaluate the error, click **Close** to close the error dialog box and repeat Steps **a** through **e** until the circuit route is successfully validated.
- If the OCHCC is protected, repeat Steps **a** through **e** for the protect trunk ports.

- Step 2** Return to your originating procedure (NTP).

NTP-G178 Create, Delete, and Manage Optical Channel Trails

Purpose	This procedure creates and deletes DWDM OCH trail circuits and changes their administrative states.
Tools/Equipment	None
Prerequisite Procedures	Chapter 4, “Turn Up a Node”
Required/As Needed	As needed
Onsite/Remote	Onsite or remote
Security Level	Provisioning or higher

- Step 1** Complete the “[DLP-G46 Log into CTC](#)” task on page 3-30 at a node on the network where you want to manage OCHNCs. If you are already logged in, continue with Step 2.

- Step 2** If you want to assign a name to the OCHNC source and destination ports before you create the circuit, complete the “[DLP-G104 Assign a Name to a Port](#)” task on page 8-3. If not, continue with the next step.
- Step 3** Complete the “[DLP-G395 Create an Optical Channel Trail](#)” task on page 8-17, as needed, between ADM-10G cards or GE_XP, 10GE_XP, GE_XPE, and 10GE_XPE cards that are provisioned in L2-over-DWDM mode.
- Step 4** Complete the “[DLP-G418 Delete an Optical Channel Trail](#)” task on page 8-19, as needed.
- Step 5** Complete the “[DLP-G425 Edit an OCH Trail Circuit Name](#)” task on page 8-20, as needed.
- Step 6** Complete the “[DLP-G419 Change an OCH Trail Administrative State](#)” task on page 8-21, as needed.
- Stop. You have completed this procedure.**

DLP-G395 Create an Optical Channel Trail

Purpose	This task creates an OCH trail circuit between ADM-10G cards, CRS-1 routers, or GE_XP, 10GE_XP, GE_XPE, and 10GE_XPE cards when provisioned in L2-over-DWDM mode. For OCH trails connecting ADM-10G cards, the OCH trail provides the low-layer path to route STS or VC circuits over ADM-10G cards. For OCH trails connecting GE_XP, 10GE_XP, GE_XPE, and 10GE_XPE cards in L2-over-DWDM mode, the OCH trail provides the links associated to the SVLAN entities. For OCH trails connecting CRS-1 routers, the OCH trail provides end-to-end circuit connectivity between the CRS-1 routers passing through an MSTP network.
Tools/Equipment	None
Prerequisite Procedures	DLP-G46 Log into CTC , page 3-30
Required/As Needed	As needed
Onsite/Remote	Onsite or remote
Security Level	Provisioning or higher



Note OCH trail circuits are created automatically when you provision OCHCC circuits between TXP and MXP cards.

- Step 1** From the View menu, choose **Go to Network View**.
- Step 2** Click the **Circuits** tab, then click **Create**.
- Step 3** In the Circuit Creation dialog box, choose **OCHTRAIL** from the Circuit Type list.
- Step 4** Click **Next**.
- Step 5** In the Circuit area of the Circuit Attributes page, provision the OCH trail circuit attributes:
- Name—Assign a name to the OCH trail. The name can be alphanumeric and up to 48 characters (including spaces). Circuit names should be 44 characters or less if you want the ability to create monitor circuits. If you leave the field blank, CTC assigns a default name to the circuit.
 - Type—(Display only) OCHTRAIL.

- **Size**—(Display only) Equipped non specific is the default.
- **OCHNC Wavelength**—Choose a band (either **C Band** or **L Band**) in the lower drop-down list. Then, choose the OCHNC wavelength that you want to assign to the OCH trail circuit in the upper drop-down list. See [Table 8-2 on page 8-7](#) and [Table 8-3 on page 8-8](#) for C-band and L-band wavelengths.
- **Bidirectional**—This parameter does not apply to OCH trail circuits.
- **State**—Provision the OCH trail circuit state. The state can be **IS,AINS** (ANSI)/**Unlocked automatic inservice** (ETSI) or **OOS,DSBLD** (ANSI)/**Locked,Disabled** (ETSI).
- **Apply to trunk ports**—Check this box if you want to provision the administrative state of the OCH trail trunk ports. If checked, choose the state in the next field, either **IS** (ANSI)/**Unlocked** (ETSI) or **OOS,DSBLD** (ANSI)/**Locked,Disabled** (ETSI).

Step 6 Click **Next**.

Step 7 In the Circuit Source area, choose the source node from the Node drop-down list, then choose the source shelf (multishelf nodes only) from the Shelf drop-down list, the source slot from the Slot drop-down list, and, if needed, the source port from the Port drop-down list. For most cards, the port will be automatically chosen.

If you are creating an OCH trail circuit between CRS-1 routers, choose the source CRS-1 router from the Node drop-down list. The Shelf, Slot, and Port fields are not available. CTC automatically selects the PLIM port depending on the OCHNC Wavelength value specified in [Step 5](#).

The source In and Out shelf (multishelf nodes only), slot, and port appear under the OTS Lines area.

Step 8 Click **Next**.

Step 9 In the Circuit Destination area, choose the destination node from the Node drop-down list (only the source node will be available because the source and destination nodes are the same), then choose the destination shelf (multishelf nodes only) from the Shelf drop-down list, the destination slot from the Slot drop-down list, and, if needed, the destination port from Port drop-down list.

If you are creating an OCH trail circuit between CRS-1 routers, choose the destination CRS-1 router from the Node drop-down list. The Shelf, Slot, and Port fields are not available. CTC automatically selects the PLIM port depending on the OCHNC Wavelength value specified in [Step 5](#).

The destination In and Out shelf (multishelf only), slot, and port appear under the OTS Lines area to show the destination in and out shelf, slots, and ports.

Step 10 Click **Next**.

Step 11 Complete the [“DLP-G437 Set OCH Circuit Attributes” task on page 8-14](#).

Step 12 Click **Next**.

Step 13 Complete the [“DLP-G438 Set OCH Routing Preferences” task on page 8-15](#). Skip this step and continue with [Step 14](#) if no constraints are needed. If the trunk ports are already connected by an existing OCH Trail (MXP case) or by a direct PPC link, the OCH Circuit Routing Preferences page appears in read-only mode; all buttons are disabled. Continue with [Step 14](#).

Step 14 Click **Finish**. The Create Circuit wizard closes and the OCH trail circuit appears in the Circuits table with a DISCOVERED status in the Status column. (The circuit might take a few minutes to come up, depending on the size of the network.)

Step 15 Return to your originating procedure (NTP).

DLP-G418 Delete an Optical Channel Trail

Purpose	This task deletes DWDM OCH trail circuits.
Tools/Equipment	None
Prerequisite Procedures	DLP-G46 Log into CTC, page 3-30
Required/As Needed	As needed
Onsite/Remote	Onsite or remote
Security Level	Provisioning or higher



Note

If you are deleting more than half of all the active OCH trails, Cisco recommends that you delete them two at a time to allow for proper power compensation. You do not need to delete the active OCH trails two at a time if you are deleting all of them.

-
- Step 1** Complete the “[NTP-G103 Back Up the Database](#)” procedure on page 14-2 to preserve existing settings and, if you will recreate the circuits, record the circuit information.
- Step 2** Consult your network operations center (NOC) or other appropriate personnel to verify that the OCH trail can be safely deleted.
- Step 3** Investigate all network alarms and resolve any problems that might be affected by the OCH trail deletion.
- Step 4** From the View menu, choose **Go to Network View**.
- Step 5** Click the **Circuits** tab.
- Step 6** Choose one or more OCH trails from the Type column that you want to delete, then click **Delete**.
- Step 7** In the Delete Circuits confirmation dialog box, complete the following:
- Change drop port admin state—Check this box if you want to change the administrative state for the circuit source and destination ports. After checking the box, choose one of the following administrative states:
 - **IS (ANSI) or Unlocked (ETSI)**—Puts the ports in service.
 - **IS,AINS (ANSI) or UnlockedAutomaticInService (ETSI)**—Puts the ports in automatic in service.
 - **OOS,DSBLD (ANSI) or Locked,disabled (ETSI)**—Removes the ports from service and disables them.
 - **OOS,MT (ANSI) or Locked,maintenance (ETSI)**—Removes the ports from service for maintenance.
 - Notify when completed—If checked, the CTC Alerts confirmation dialog box indicates when the OCH trail is deleted. During this time, you cannot perform other CTC functions. If you are deleting many OCH trails, waiting for confirmation might take a few minutes. Circuits are deleted whether or not this check box is checked.



Note

The CTC Alerts dialog box will not automatically open to show a deletion error unless you checked All alerts or Error alerts only in the CTC Alerts dialog box. For more information, see the “[DLP-G53 Configure the CTC Alerts Dialog Box for Automatic Popup](#)” task on page 3-36. If the CTC Alerts dialog box is not set to open automatically with a notification, the red triangle inside the CTC Alerts toolbar icon indicates that a notification exists.

- Step 8** Complete one of the following:
- If you checked Notify when completed, the CTC Alerts dialog box appears. If you want to save the information, continue with [Step 9](#). If you do not want to save the information, continue with [Step 10](#).
 - If you did not check Notify when completed, the Circuits page appears. Continue with [Step 11](#).
- Step 9** If you want to save the information in the CTC Alerts dialog box, complete the following steps. If you do not want to save it, continue with [Step 11](#).
- a. Click **Save**.
 - b. Click **Browse** and navigate to the directory where you want to save the file.
 - c. Type the file name using a TXT file extension, and click **OK**.
- Step 10** Click **Close** to close the CTC Alerts dialog box.
- Step 11** Complete the “[NTP-G103 Back Up the Database](#)” procedure on page 14-2 if you require a backup of your changes.
- Step 12** Return to your originating procedure (NTP).
-

DLP-G425 Edit an OCH Trail Circuit Name

Purpose	This task changes the name of an OCH trail circuit.
Tools/Equipment	None
Prerequisite Procedures	DLP-G105 Provision Optical Channel Network Connections , page 8-23 DLP-G46 Log into CTC , page 3-30
Required/As Needed	As needed
Onsite/Remote	Onsite or remote
Security Level	Provisioning or higher

- Step 1** From the View menu, choose **Go to Network View**.
- Step 2** Click the **Circuits** tab.
- Step 3** Click the OCH trail whose name you want to edit, then click **Edit**. The Edit Circuit dialog box appears with the General tab displayed.
- Step 4** In the Name field, enter the new OCH trail circuit name.
- Step 5** Click **Apply**.
- Step 6** Return to your originating procedure (NTP).
-

DLP-G419 Change an OCH Trail Administrative State

Purpose	This task changes the administrative state of an OCH trail circuit.
Tools/Equipment	None
Prerequisite Procedures	DLP-G395 Create an Optical Channel Trail, page 8-17 DLP-G46 Log into CTC, page 3-30
Required/As Needed	As needed
Onsite/Remote	Onsite or remote
Security Level	Provisioning or higher

-
- Step 1** From the View menu, choose **Go to Network View**.
- Step 2** Click the **Circuits** tab.
- Step 3** Click the OCH trail whose administrative state you want to change, then click **Edit**.
- Step 4** In the Edit Circuit dialog box, click the **State** tab.
- Step 5** Click the cell in the Admin State column for the card you want to change, and choose an administrative state from the drop-down list:
- **IS,AINS** (ANSI) or **Unlocked, Automatic In Service** (ETSI)
 - **OOS, DSBLD** (ANSI) or **Locked** (ETSI)
- Step 6** Click **Apply**.
- Step 7** If you are changing the OCH trail state to OOS/Locked, click **OK** in the confirmation dialog. (No confirmation dialog appears when you place OCH trails in service.)



Note For information about the OCH circuit state transitions, refer to the “Administrative and Service States” appendix in the *Cisco ONS 15454 DWDM Reference Manual*.

- Step 8** Return to your originating procedure (NTP).
-

NTP-G59 Create, Delete, and Manage Optical Channel Network Connections

Purpose	This procedure creates and deletes DWDM OCHNC channels and changes their administrative states.
Tools/Equipment	None
Prerequisite Procedures	Chapter 4, “Turn Up a Node”
Required/As Needed	As needed
Onsite/Remote	Onsite or remote
Security Level	Provisioning or higher

-
- Step 1** Complete the “[DLP-G46 Log into CTC](#)” task on page 3-30 at a node on the network where you want to manage OCHNCs. If you are already logged in, continue with Step 2.
- Step 2** Complete the “[DLP-G105 Provision Optical Channel Network Connections](#)” task on page 8-23, as needed.
- Step 3** Complete the “[DLP-G493 Provision Protected Optical Channel Network Connections](#)” task on page 8-25, as needed.
- Step 4** Complete the “[DLP-G106 Delete Optical Channel Network Connections](#)” task on page 8-26, as needed.
- Step 5** Complete the “[DLP-G426 Edit an OCHNC Circuit Name](#)” task on page 8-27, as needed.
- Step 6** Complete the “[DLP-G420 Change an OCHNC Administrative State](#)” task on page 8-28, as needed.

Stop. You have completed this procedure.

DLP-G105 Provision Optical Channel Network Connections

Purpose	<p>This task creates an OCHNC between two optical nodes upon a specified C-band or L-band wavelength through the ports residing on the following wavelength selective switches, multiplexers, demultiplexer, and add/drop cards:</p> <ul style="list-style-type: none"> • 32WSS • 32WSS-L • 40-WSS-C • 40-WSS-CE • 32DMX-O • 32DMX • 32DMX-L • 40-DMX-C • 40-DMX-CE • 4MD • AD-1C-xx.x • AD-4C-xx.x • 40-SMR1-C • 40-SMR2-C • 80-WXC-C • 15216-MD-40-EVEN, 15216-EF-40-EVEN, or 15216-MD-48-EVEN • 15216-MD-40-ODD, 15216-EF-40-ODD, or 15216-MD-48-ODD <p>OCH trails, which carry OCHCC circuits, are associated to the OCHNCs.</p>
Tools/Equipment	None
Prerequisite Procedures	<ul style="list-style-type: none"> • DLP-G46 Log into CTC, page 3-30 • An OCHNC add port on the source node and an OCHNC drop port on destination node of the same wavelength • Cisco Transport Planner Traffic Matrix Report
Required/As Needed	As needed
Onsite/Remote	Onsite or remote
Security Level	Provisioning or higher


Note

In a node using OTU2_XP cards configured in the regen mode, you must create two OCHNC circuits, one on either side of the card.

-
- Step 1** From the View menu, choose **Go to Network View**.
- Step 2** Click the **Circuits** tab, then click **Create**.
- Step 3** In the Circuit Creation dialog box, choose **OCHNC** from the Circuit Type list.

- Step 4** Click **Next**.
- Step 5** In the Circuit area of the Circuit Attributes page, provision the OCHNC circuit attributes:
- Name—Assign a name to the OCHNC. The name can be alphanumeric and up to 48 characters (including spaces). Circuit names should be 44 characters or less if you want the ability to create monitor circuits. If you leave the field blank, CTC assigns a default name to the circuit.
 - Type—(Display only) OCHNC.
 - Size—(Display only) Equipped non specific is the default.
 - OCHNC Wavelength—Choose a band (either **C Band** or **L Band**) and wavelength number type (**Odd** or **Even**) in the lower drop-down list. Then, choose the wavelength that you want to provision in the upper drop-down list. See [Table 8-2 on page 8-7](#) for C-band and [Table 8-3 on page 8-8](#) for L-band wavelengths.
 - Bidirectional—Check this box to create a bidirectional OCHNC; uncheck it to create a unidirectional OCHNC.
 - OCHNC DCN—Check this box to create an OCHNC DCN. The OCHNC DCN establishes preliminary connectivity between nodes that lack LAN or optical service channel (OSC) connections. After the OCHNC is created, you create a GCC termination to provide permanent communications channel between the nodes. See the [“DLP-G76 Provision DCC/GCC Terminations” task on page 8-61](#).
 - Protection—Check to create a protected OCHNC. For more details, see the [“DLP-G493 Provision Protected Optical Channel Network Connections” task on page 8-25](#).
 - State—Provisions the OCHNC circuit state. The state can be **IS,AINS (ANSI)/Unlocked, automatic in-service (ETSI)** or **OOS,DSBLD (ANSI)/Locked,Disabled (ETSI)**.
- Step 6** Click **Next**.
- Step 7** In the Circuit Source area, choose the source node from the Node drop-down list, then choose the source shelf (multishelf nodes only) from the Shelf drop-down list, the source slot from the Slot drop-down list, and, if needed, the source port from the Port drop-down list.
- The source In and Out shelf (multishelf nodes only), slot, and port appear under the OTS Lines area.
- Step 8** Click **Next**.
- Step 9** In the Circuit Destination area, choose the destination node from the Node drop-down list, then choose the destination shelf (multishelf nodes only) from the Shelf drop-down list, the destination slot from the Slot drop-down list, and, if needed, the destination port from the Port drop-down list.
- The destination In and Out shelf (multishelf nodes only), slot, and port appear under the OTS Lines area.
- Step 10** Click **Next**.
- Step 11** Skip this step and continue with [Step 12](#) if no constraints are needed. If the trunk ports are already connected by an existing OCH Trail (MXP case) or by a direct PPC link, the OCH Circuit Routing Preferences page appears in read-only mode; all buttons are disabled. Continue with [Step 12](#). If not, complete the [“DLP-G438 Set OCH Routing Preferences” task on page 8-15](#).
- Step 12** Click **Finish**. The Circuit Creation wizard closes and the new OCHNC appears in the Circuits table with a DISCOVERED status in the Status column. (The circuit might take a few minutes to come up, depending on the size of the network.)
- Step 13** Return to your originating procedure (NTP).
-

DLP-G493 Provision Protected Optical Channel Network Connections

Purpose	This task creates a protected OCHNC circuit when a PSM card is provisioned at the endpoint nodes of a DWDM network. OCH trails, which carry OCHCC circuits, are associated to the OCHNCs.
Tools/Equipment	None
Prerequisite Procedures	DLP-G46 Log into CTC, page 3-30 An OCHNC add port on the source node and an OCHNC drop port on destination node of the same wavelength Cisco TransportPlanner Traffic Matrix Report
Required/As Needed	As needed
Onsite/Remote	Onsite or remote
Security Level	Provisioning or higher

-
- Step 1** From the View menu, choose **Go to Network View**.
- Step 2** Click the **Circuits** tab, then click **Create**.
- Step 3** In the Circuit Creation dialog box, choose **OCHNC** from the Circuit Type list.
- Step 4** Click **Next**.
- Step 5** In the Circuit area of the Circuit Attributes page, provision the OCHNC circuit attributes:
- **Name**—Assign a name to the OCHNC. The name can be alphanumeric and up to 48 characters (including spaces). Circuit names should be 44 characters or less if you want the ability to create monitor circuits. If you leave the field blank, CTC assigns a default name to the circuit.
 - **Type**—(Display only) OCHNC.
 - **Size**—(Display only) Equipped non specific is the default.
 - **OCHNC Wavelength**—Choose a band (either **C Band** or **L Band**) and wavelength number type (**Odd** or **Even**) in the lower drop-down list. Then, choose the wavelength that you want to provision in the upper drop-down list. See [Table 8-2 on page 8-7](#) and [Table 8-3 on page 8-8](#) for C-band and L-band wavelengths.
 - **Bidirectional**—Check this box to create a bidirectional OCHNC; uncheck it to create a unidirectional OCHNC. This field is not available if you check the Protection option.
 - **OCHNC DCN**—Check this box to create an OCHNC DCN. The OCHNC DCN establishes preliminary connectivity between nodes that lack LAN or optical service channel (OSC) connections. After the OCHNC is created, you create a GCC termination to provide permanent communications channel between the nodes. See the [“DLP-G76 Provision DCC/GCC Terminations” task on page 8-61](#).
 - **Protection**—Check to create a protected OCHNC (only endpoint nodes equipped with PSM cards will be selectable as circuit endpoints).
 - **State**—Provisions the OCHNC circuit state. The state can be **IS,AINS (ANSI)/Unlocked, automatic in-service (ETSI)** or **OOS,DSBLD (ANSI)/Locked,Disabled (ETSI)**.
- Step 6** Click **Next**.
- Step 7** In the Circuit Source area, choose the source node from the Node drop-down list. Only endpoint nodes equipped with PSM cards are available for selection in the Node drop-down list. The slot, port, and the source In and Out OTS lines are automatically chosen by CTC.

- Step 8** Click **Next**.
- Step 9** In the Circuit Destination area, choose the destination node from the Node drop-down list. Only endpoint nodes equipped with PSM cards are available for selection in the Node drop-down list. The slot, port, and the source In and Out OTS lines are automatically chosen by CTC.
- Step 10** Click **Next**. CTC completes the circuit creation by routing two distinct paths (a working path and a protected path) from the source node to the destination node. The working path is the one exiting the In/Out working source OTS lines and entering the In/Out working destination OTS lines. The protected path is the one exiting the In/Out protected source OTS lines and entering the In/Out protected destination OTS lines.
- Step 11** Complete the “[DLP-G438 Set OCH Routing Preferences](#)” task on page 8-15. Skip this step and continue with [Step 12](#) if no constraints are needed. If the trunk ports are already connected by an existing OCH Trail (MXP case) or by a direct PPC link, the OCH Circuit Routing Preferences page appears in read-only mode; all buttons are disabled. Continue with [Step 12](#).
- Step 12** Click **Finish**. The Circuit Creation wizard closes and the new OCHNC appears in the Circuits table with a DISCOVERED status in the Status column. (The circuit might take a few minutes to appear, depending on the size of the network.)
- Step 13** Return to your originating procedure (NTP).


DLP-G106 Delete Optical Channel Network Connections

Purpose	This task deletes DWDM OCHNC circuits.
Tools/Equipment	None
Prerequisite Procedures	DLP-G46 Log into CTC, page 3-30
Required/As Needed	As needed
Onsite/Remote	Onsite or remote
Security Level	Provisioning or higher



Note If you are deleting more than half of all the active OCHNCs, Cisco recommends that you delete them two at a time to allow for proper power compensation. You do not need to delete the active OCHNCs two at a time if you are deleting all the them.

- Step 1** To preserve existing settings you must back up the database of every node on the circuit's path. Complete the “[NTP-G103 Back Up the Database](#)” procedure on page 14-2 to back up the databases for all nodes on the circuit path. Record the circuit information if you plan to recreate the circuit.
- Step 2** Consult your NOC or other appropriate personnel to verify that the OCHNC can be safely deleted.
- Step 3** Investigate all network alarms and resolve any problems that might be affected by the OCHNC deletion.
- Step 4** From the View menu, choose **Go to Network View**.
- Step 5** Click the **Circuits** tab.
- Step 6** In the Circuits table, use the Circuit Name and Type columns to select the OCHNCs that you want to delete. (To choose more than one OCHNC, press the **Shift** or **Control** keys as you click the circuits.)
- Step 7** Click **Delete**.

- Step 8** In the Delete Circuits confirmation dialog box, check **Notify when completed**, as needed.
- If checked, the CTC Alerts confirmation dialog box will alert you when the OCHNC is deleted. During this time, you cannot perform other CTC functions. If you are deleting many OCHNCs, waiting for confirmation might take a few minutes. Circuits are deleted whether or not this check box is checked.
-  **Note** The CTC Alerts dialog box will not automatically open to show a deletion error unless you checked All alerts or Error alerts only in the CTC Alerts dialog box. For more information, see the “[DLP-G53 Configure the CTC Alerts Dialog Box for Automatic Popup](#)” task on page 3-36. If the CTC Alerts dialog box is not set to open automatically with a notification, the red triangle inside the CTC Alerts toolbar icon indicates that a notification exists.
- Step 9** Complete one of the following:
- If you checked Notify when completed, the CTC Alerts dialog box appears. If you want to save the information, continue with [Step 10](#). If you do not want to save the information, continue with [Step 11](#).
 - If you did not check Notify when completed, the Circuits page appears. Continue with [Step 12](#).
- Step 10** If you want to save the information in the CTC Alerts dialog box, complete the following steps.
- a. Click **Save**.
 - b. Click **Browse** and navigate to the directory where you want to save the file.
 - c. Type the file name using a.txt file extension, and click **OK**.
- Step 11** Click **Close** to close the CTC Alerts dialog box.
- Step 12** Complete the “[NTP-G103 Back Up the Database](#)” procedure on page 14-2 for every node on the circuit’s path if you require a backup of your changes.
- Step 13** Return to your originating procedure (NTP).

DLP-G426 Edit an OCHNC Circuit Name

Purpose	This task changes the name of an OCHNC circuit.
Tools/Equipment	None
Prerequisite Procedures	DLP-G105 Provision Optical Channel Network Connections , page 8-23 DLP-G46 Log into CTC , page 3-30
Required/As Needed	As needed
Onsite/Remote	Onsite or remote
Security Level	Provisioning or higher

- Step 1** From the View menu, choose **Go to Network View**.
- Step 2** Click the **Circuits** tab.
- Step 3** Click the OCHNC whose name you want to edit, then click **Edit**. The Edit Circuit dialog box appears with the General tab displayed.
- Step 4** In the Name field, enter the new OCHNC circuit name.

- Step 5** Click **Apply**.
- Step 6** Return to your originating procedure (NTP).
-

DLP-G420 Change an OCHNC Administrative State

Purpose	This task changes the administrative state of an OCHNC circuit.
Tools/Equipment	None
Prerequisite Procedures	DLP-G105 Provision Optical Channel Network Connections, page 8-23 DLP-G46 Log into CTC, page 3-30
Required/As Needed	As needed
Onsite/Remote	Onsite or remote
Security Level	Provisioning or higher

- Step 1** From the View menu, choose **Go to Network View**.
- Step 2** Click the **Circuits** tab.
- Step 3** Click the OCHNC with the administrative state you want to change, then click **Edit**.
- Step 4** In the Edit Circuit dialog box, click the **State** tab.
- Step 5** Choose an administrative state from the drop-down list:
- **IS,AINS** (ANSI) or **Unlocked, AutomaticInService** (ETSI)
 - **OOS** (ANSI) or **Locked** (ETSI)
- Step 6** Click **Apply**.
- Step 7** If you are changing the OCHNC state to OOS, DSBLD (ANSI) or Locked, Disabled (ETSI), click **OK** in the confirmation dialog. (No confirmation dialog appears when you place OCH trails in service.)



Note For information about the OCH circuit state transitions, refer to the “Administrative and Service States” appendix in the *Cisco ONS 15454 DWDM Reference Manual*.

- Step 8** Return to your originating procedure (NTP).
-

NTP-G200 Create, Delete, and Manage STS or VC Circuits for the ADM-10G Card

Purpose	This procedure creates and deletes STS and VC circuits for the ADM-10G card.
Tools/Equipment	None
Prerequisite Procedures	Chapter 4, “Turn Up a Node”
Required/As Needed	As needed
Onsite/Remote	Onsite or remote
Security Level	Provisioning or higher

-
- Step 1** Complete the [“DLP-G46 Log into CTC” task on page 3-30](#) at a node on the network where you want to manage the STS or VC circuits. If you are already logged in, continue with Step 2.
- Step 2** If you want to assign a name to the STS or VC source and destination ports before you create the circuit, complete the [“DLP-G104 Assign a Name to a Port” task on page 8-3](#). If not, continue with the next step.
- Step 3** If you are creating STS or VC circuits on ADM-10G cards across two nodes, you must complete the [“DLP-G395 Create an Optical Channel Trail” task on page 8-17](#). If not, continue with the next step.
- Step 4** Complete the [“DLP-G463 Create an Automatically Routed STS or VC Circuit” task on page 8-29](#), as needed.
- Step 5** Complete the [“DLP-G464 Create a Manually Routed STS or VC Circuit” task on page 8-33](#), as needed.
- Step 6** Complete the [“DLP-G467 Edit an STS or VC Circuit Name” task on page 8-38](#), as needed.
- Step 7** Complete the [“DLP-G466 Delete an STS or VC Circuit” task on page 8-37](#), as needed.

Stop. You have completed this procedure.

DLP-G463 Create an Automatically Routed STS or VC Circuit

Purpose	This procedure creates an automatically routed STS or VC circuit for the ADM-10G card. CTC chooses the circuit route based on the parameters you specify and on the software version.
Tools/Equipment	None
Prerequisite Procedures	Chapter 4, “Turn Up a Node”
Required/As Needed	As needed
Onsite/Remote	Onsite or remote
Security Level	Provisioning or higher



Note

This procedure requires the use of automatic routing. Automatic routing is not available if both the Automatic Circuit Routing NE default and the Network Circuit Automatic Routing Overridable NE default are set to FALSE. For a full description of these defaults see the “Network Element Defaults” appendix in the *Cisco ONS 15454 Reference Manual*.

-
- Step 1** From the View menu, choose **Go to Network View**.
- Step 2** Click the **Circuits** tab, then click **Create**.
- Step 3** In the Circuit Creation dialog box, complete the following fields:
- **Circuit Type**—Choose **STS** or **VC** from the Circuit Type list.
 - **Number of Circuits**—Enter the number of STS or VC circuits that you want to create. The default is 1. If you are creating multiple circuits with the same slot and sequential port numbers, you can use Auto-ranged to create the circuits automatically.
 - **Auto-ranged**—This check box is automatically selected if you enter more than 1 in the Number of Circuits field. Auto-ranging creates identical (same source and destination) sequential circuits automatically. Uncheck the box if you do not want CTC to create sequential circuits automatically.
- Step 4** Click **Next**.
- Step 5** Define the circuit attributes:
- **Name**—Assign a name to the circuit. The name can be alphanumeric and up to 48 characters, (including spaces). Circuit names should be 43 characters or less if you want the ability to create monitor circuits. If you leave the field blank, CTC assigns a default name to the circuit.
 - **Size**—Choose the circuit size.
 - Available SONET circuits are **STS-1**, **STS-3c**, **STS-6c**, **STS-9c**, **STS-12c**, **STS-18c**, **STS-24c**, **STS-36c**, **STS-48c**, and **STS-192c**.
 - Available SDH circuits are **VC4**, **VC4-2c**, **VC4-3c**, **VC4-4c**, **VC4-6c**, **VC4-8c**, **VC4-12c**, **VC4-16c**, and **VC4-64c**.



Note For creating a circuit using a Gigabit Ethernet port, choose the circuit size as **STS-24c** for a SONET circuit or **VC4-8c** for a SDH circuit.



Note An equivalent SDH circuit size for STS-1 SONET circuit does not exist.

- **Bidirectional**—Leave checked for this circuit (default).
- **Create cross-connects only (TL1-like)**—Check this box if you want to create one or more cross-connects to complete a signal path for TL1-generated circuits.
- **Diagnostic**—Leave unchecked.
- **State**—Choose the administrative state to apply to all of the cross-connects in a circuit:
 - **IS (ANSI)/Unlocked (ETSI)**—Puts the circuit cross-connects in the IS-NR (ANSI) or unlocked-enabled (ETSI) service state.
 - **OOS,DSBLD (ANSI)/Locked,Disabled (ETSI)**—Puts the circuit cross-connects in the OOS-MA,DSBLD (ANSI) or locked-enabled,disabled (ETSI) service state. Traffic is not passed on the circuit.
 - **IS,AINS (ANSI)/Unlocked,AutomaticInService (ETSI)**—Puts the circuit cross-connects in the OOS-AU,AINS (ANSI) or unlocked-disabled,automaticInService (ETSI) service state and suppresses alarms and conditions. When the connections receive a valid signal, the service state automatically changes to IS-NR (ANSI) or unlocked-enabled (ETSI).

- OOS,MT (ANSI)/Locked,maintenance (ETSI)—Puts the circuit cross-connects in the OOS-MA,MT (ANSI) or locked-enabled,maintenance (ETSI) service state. The maintenance state does not interrupt traffic flow; it suppresses alarms and conditions and allows loopbacks to be performed on the circuit. Use OOS,MT (ANSI) or locked,maintenance (ETSI) for circuit testing or to suppress circuit alarms temporarily.
- Apply to drop ports—Check this check box if you want to apply the administrative state chosen in the State field to the circuit source and destination ports. CTC applies the administrative state to the ports only if the circuit bandwidth is the same as the port bandwidth or, if the port bandwidth is larger than the circuit, the circuit must be the first circuit to use the port. If not, a Warning dialog box displays the ports where the administrative state could not be applied. If the check box is unchecked, CTC does not apply the administrative state to the source and destination ports.



Note If ports managed into the IS (ANSI) or Unlocked (ETSI) administrative state are not receiving signals, loss of signal alarms are generated and the port service state transitions to OOS-AU,FLT (ANSI) or Unlocked-disabled,failed (ETSI).

- Protected Drops—Check this box if you want the circuit routed on protected drops only, that is, to ONS 15454 cards that are in 1:1, 1:N, 1+1, or optimized 1+1 protection. If you check this box, CTC displays only protected cards and ports as source and destination choices.


- Step 6** If the circuit will be routed on a path protection configuration, complete the “[DLP-G465 Provision Path Protection Selectors](#)” task on page 8-36. Otherwise, continue with [Step 7](#).
- Step 7** Click **Next**.
- Step 8** In the Circuit Source area, choose the source node from the Node drop-down list, then choose the source shelf (multishelf nodes only) from the Shelf drop-down list, the source slot from the Slot drop-down list, and, if needed, the source port from the Port drop-down list. For most cards, the port will be automatically chosen.
- Step 9** If you need to create a secondary source, for example, a path protection bridge/selector circuit entry point in a multivendor path protection configuration, click **Use Secondary Source** and repeat [Step 8](#) to define the secondary source. If you do not need to create a secondary source, continue with [Step 10](#).
- Step 10** Click **Next**.
- Step 11** In the Circuit Destination area, choose the destination node from the Node drop-down list (only the source node will be available because the source and destination nodes are the same), then choose the destination shelf (multishelf nodes only) from the Shelf drop-down list, the destination slot from the Slot drop-down list, and, if needed, the destination port from Port drop-down list.
- Step 12** Click **Next**.
- Step 13** In the Circuit Routing Preferences area, choose **Route Automatically**. Two options are available; choose either, both, or none based on your preferences.
- Using Required Nodes/Spans—Check this check box if you want to specify nodes and spans to include or exclude in the CTC-generated circuit route.
Including nodes and spans for a circuit ensures that those nodes and spans are in the working path of the circuit (but not the protect path). Excluding nodes and spans ensures that the nodes and spans are not in the working or protect path of the circuit.
 - Review Route Before Creation—Check this check box if you want to review and edit the circuit route before the circuit is created.
- Step 14** To set the circuit path protection, complete one of the following:

- To route the circuit on a protected path, leave Fully Protected Path checked and continue with [Step 15](#). CTC creates a fully protected circuit route based on the path diversity option you choose. Fully protected paths might or might not have path protection path segments (with primary and alternate paths), and the path diversity options apply only to path protection path segments, if any exist.
 - To create an unprotected circuit, uncheck **Fully Protected Path** and continue with [Step 16](#).
- Step 15** If you selected Fully Protected Path in [Step 14](#) and the circuit will be routed on a path protection configuration, choose one of the following:
- Nodal Diversity Required—Ensures that the primary and alternate paths within path protection portions of the complete circuit path are nodally diverse.
 - Nodal Diversity Desired—Specifies that node diversity is preferred, but if node diversity is not possible, CTC creates fiber-diverse paths for the path protection portion of the complete circuit path.
 - Link Diversity Only—Specifies that only fiber-diverse primary and alternate paths for path protection portions of the complete circuit path are needed. The paths might be node-diverse, but CTC does not check for node diversity.
- Step 16** If you checked Using Required Nodes/Spans in [Step 13](#), complete the following substeps. Otherwise, continue with [Step 17](#).
- a. In the Circuit Constraints for Automatic Routing area, click a node or span on the circuit map.
 - b. Click **Include** to include the node or span in the circuit. Click **Exclude** to exclude the node or span from the circuit. The order in which you choose included nodes and spans is the order in which the circuit is routed. Click spans twice to change the circuit direction.
 - c. Repeat Step b for each node or span you wish to include or exclude.
 - d. Review the circuit route. To change the circuit routing order, choose a node in the Required Nodes/Lines or Excluded Nodes Links lists and click the **Up** or **Down** buttons to change the circuit routing order. Click **Remove** to remove a node or span.
- Step 17** Click **Next**.
- Step 18** If you selected Review Route Before Creation in [Step 13](#), complete the following substeps. If not, continue with [Step 19](#).
- a. Click **Next**.
 - b. Review the circuit route. To add or delete a circuit span, choose a node on the circuit route. Blue arrows show the circuit route. Green arrows indicate spans that you can add. Click a span arrowhead, then click **Include** to include the span or **Remove** to remove the span.
 - c. If the provisioned circuit does not reflect the routing and configuration you want, click **Back** to verify and change circuit information. If the circuit needs to be routed to a different path, see the [“DLP-G464 Create a Manually Routed STS or VC Circuit” procedure on page 8-33](#).
- Step 19** Click **Finish**. One of the following results occurs if you entered more than one circuit in the Number of Circuits field on the Circuit Creation dialog box.
- If you chose Auto-ranged, CTC automatically creates the number of circuits entered in the Number of Circuits field. If auto-ranging cannot complete all the circuits, for example, because sequential ports are unavailable at the source or destination, a dialog box appears. Set the new source or destination for the remaining circuits, then click **Finish** to continue auto-ranging. After completing the circuits, the Circuits window appears.
 - If you did not choose Auto-ranged, the Circuit Creation dialog box appears so you can create the remaining circuits. Repeat Steps [3](#) through [18](#) for each additional circuit. After completing the circuits, the Circuits window appears.

- Step 20** In the Circuits window, verify that the new circuits appear in the circuits list.
Stop. You have completed this procedure.
-

DLP-G464 Create a Manually Routed STS or VC Circuit

Purpose	This procedure creates an STS or VC circuit and allows you to provision the circuit route for the ADM-10G card.
Tools/Equipment	None
Prerequisite Procedures	Chapter 4, “Turn Up a Node”
Required/As Needed	As needed
Onsite/Remote	Onsite or remote
Security Level	Provisioning or higher

- Step 1** From the View menu, choose **Go to Network View**.
- Step 2** Click the **Circuits** tab, then click **Create**.
- Step 3** In the Circuit Creation dialog box, complete the following fields:
- **Circuit Type**—Choose **STS** or **VC** from the Circuit Type list.
 - **Number of Circuits**—Enter the number of STS or VC circuits that you want to create. The default is 1.
 - **Auto-ranged**—(Automatically routed circuits only) If you entered more than 1 in the Number of Circuits field on the Circuit Creation dialog box, uncheck this box. (The box is unavailable if only one circuit is entered in the Number of Circuits field.)
- Step 4** Click **Next**.
- Step 5** Define the circuit attributes:
- **Name**—Assign a name to the circuit. The name can be alphanumeric and up to 48 characters (including spaces). Circuit names should be 43 characters or less if you want the ability to create monitor circuits. If you leave the field blank, CTC assigns a default name to the circuit.
 - **Size**—Choose the circuit size.
 - Available SONET are **STS-1**, **STS-3c**, **STS-6c**, **STS-9c**, **STS-12c**, **STS-18c**, **STS-24c**, **STS-36c**, **STS-48c**, and **STS-192c**.
 - Available SDH circuits are **VC4**, **VC4-2c**, **VC4-3c**, **VC4-4c**, **VC4-6c**, **VC4-8c**, **VC4-12c**, **VC4-16c**, and **VC4-64c**.
-  **Note** For creating a circuit using a Gigabit Ethernet port, choose the circuit size as **STS-24c** for a SONET circuit or **VC4-8c** for a SDH circuit.
-
- **Bidirectional**—Leave checked for this circuit (default).
 - **Create cross-connects only (TL1-like)**—Check this box if you want to create one or more cross-connects to complete a signal path for TL1-generated circuits.
 - **State**—Choose the administrative state to apply to all of the cross-connects in a circuit:

- IS (ANSI)/Unlocked (ETSI)—Puts the circuit cross-connects in the IS-NR (ANSI) or unlocked-enabled (ETSI) service state.
- OOS,DSBLD (ANSI)/Locked,Disabled (ETSI)—Puts the circuit cross-connects in the OOS-MA,DSBLD (ANSI) or locked-enabled,disabled (ETSI) service state. Traffic is not passed on the circuit.
- IS,AINS (ANSI)/Unlocked,AutomaticInService (ETSI)—Puts the circuit cross-connects in the OOS-AU,AINS (ANSI) or unlocked-disabled,automaticInService (ETSI) service state and suppresses alarms and conditions. When the connections receive a valid signal, the service state automatically changes to IS-NR (ANSI) or unlocked-enabled (ETSI).
- OOS,MT (ANSI)/Locked,maintenance (ETSI)—Puts the circuit cross-connects in the OOS-MA,MT (ANSI) or locked-enabled,maintenance (ETSI) service state. The maintenance state does not interrupt traffic flow; it suppresses alarms and conditions and allows loopbacks to be performed on the circuit. Use OOS,MT (ANSI) or locked,maintenance (ETSI) for circuit testing or to suppress circuit alarms temporarily.
- Apply to drop ports—Check this check box if you want to apply the administrative state chosen in the State field to the circuit source and destination ports. CTC applies the administrative state to the ports only if the circuit bandwidth is the same as the port bandwidth or, if the port bandwidth is larger than the circuit, the circuit must be the first circuit to use the port. If not, a Warning dialog box displays the ports where the administrative state could not be applied. If the check box is unchecked, CTC does not apply the administrative state to the source and destination ports.



Note If ports managed into the IS (ANSI) or Unlocked (ETSI) administrative state are not receiving signals, loss of signal alarms are generated and the port service state transitions to OOS-AU,FLT (ANSI) or Unlocked-disabled,failed (ETSI).

- Protected Drops—Check this box if you want the circuit routed on protected drops only, that is, to ONS 15454 cards that are in 1:1, 1:N, 1+1, or optimized 1+1 protection. If you check this box, CTC shows only protected cards and ports as source and destination choices.

- Step 6** If the circuit will be routed on a path protection configuration, complete the [“DLP-G465 Provision Path Protection Selectors” task on page 8-36](#). Otherwise, continue with [Step 7](#).
- Step 7** Click **Next**.
- Step 8** In the Circuit Source area, choose the source node from the Node drop-down list, then choose the source shelf (multishelf nodes only) from the Shelf drop-down list, the source slot from the Slot drop-down list, and, if needed, the source port from the Port drop-down list. For most cards, the port will be automatically chosen.
- Step 9** If you need to create a secondary source, for example, a path protection bridge/selector circuit entry point in a multivendor path protection configuration, click **Use Secondary Source** and repeat [Step 8](#) to define the secondary source. If you do not need to create a secondary source, continue with [Step 10](#).
- Step 10** Click **Next**.
- Step 11** In the Circuit Destination area, choose the destination node from the Node drop-down list (only the source node will be available because the source and destination nodes are the same), then choose the destination shelf (multishelf nodes only) from the Shelf drop-down list, the destination slot from the Slot drop-down list, and, if needed, the destination port from Port drop-down list.
- Step 12** Click **Next**.
- Step 13** In the Circuit Routing Preferences area, uncheck **Route Automatically**.
- Step 14** To set the circuit path protection, complete one of the following:

- To route the circuit on a protected path, leave Fully Protected Path checked and continue with [Step 15](#). Fully protected paths might or might not have path protection path segments (with primary and alternate paths), and the path diversity options apply only to path protection path segments, if any exist.
 - To create an unprotected circuit, uncheck **Fully Protected Path** and continue with [Step 17](#).
- Step 15** If you selected Fully Protected Path in [Step 14](#) and the circuit will be routed on a path protection configuration, choose a Node-Diverse Path option:
- Nodal Diversity Required—Ensures that the primary and alternate paths within the path protection portions of the complete circuit path are nodally diverse.
 - Nodal Diversity Desired—Specifies that node diversity is preferred, but if node diversity is not possible, CTC creates fiber-diverse paths for the path protection portion of the complete circuit path.
 - Link Diversity Only—Specifies that only fiber-diverse primary and alternate paths for path protection portions of the complete circuit path are needed. The paths might be node-diverse, but CTC does not check for node diversity.
- Step 16** Click **Next**.
- Step 17** In the Route Review/Edit area, node icons appear for you to route the circuit manually. Click the source node icon if it is not already selected.
- Step 18** Starting with a span on the source node, click the arrow of the span you want the circuit to travel. The arrow turns yellow. In the Selected Span area, the From and To fields provide span information. The source STS or VC appears.
- Step 19** If you want to change the source STS or VC, adjust the Source STS or VC field; otherwise, continue with [Step 20](#).
- Step 20** Click Add Span. The span is added to the Included Spans list and the span arrow turns blue.
- Step 21** If the Fully Protect Path check box is checked in the Circuit Routing Preferences panel, you must add two spans for all path protection or unprotected portions of the circuit route from the source to the destination.
- Step 22** Repeat Steps [18](#) through [21](#) until the circuit is provisioned from the source to the destination node through all intermediary nodes.
- Step 23** Click **Finish**. CTC compares your manually provisioned circuit route with the specified path diversity option you chose in [Step 15](#). If the path does not meet the specified path diversity requirement, CTC displays an error message and allows you to change the circuit path.
- Step 24** If you entered more than 1 in the Number of Circuits field on the Circuit Creation dialog box, the Circuit Creation dialog box appears so you can create the remaining circuits. Repeat Steps [3](#) through [23](#) for each additional circuit.
- Step 25** When all the circuits are created, the main Circuits window appears. Verify that the circuits you created are correct.

Stop. You have completed this procedure.

DLP-G465 Provision Path Protection Selectors

Purpose	This task provisions path protection selectors during circuit creation or during a topology upgrade conversion.
Tools/Equipment	None
Prerequisite Procedures	DLP-G46 Log into CTC, page 3-30
Required/As Needed	The Circuit Attributes page of the Circuit Creation wizard must be open. As needed
Onsite/Remote	Onsite or remote
Security Level	Provisioning or higher



Note

Provisioning path signal degrade (SD-P) or path signal fail (SF-P) thresholds in the Circuit Attributes page of the Circuit Creation wizard sets the values only for path protection-protected spans. The circuit source and destination use the node default values of 10E-4 for SD-P and 10E-6 for SF-P for unprotected circuits and for the source and drop of path protection circuits.

- Step 1** In the path protection area of the Circuit Attributes page of the Circuit Creation wizard, set the path protection selectors:
- Provision working go and return on primary path—Check this box to route the working path on one fiber pair and the protect path on a separate fiber pair. This feature only applies to bidirectional path protection circuits.
 - Revertive—Check this box if you want traffic to revert to the working path when the conditions that diverted it to the protect path are repaired. If you do not choose Revertive, traffic remains on the protect path after the switch.
 - Reversion time—If Revertive is checked, click the Reversion time field and choose a reversion time from the drop-down list. The range is 0.5 to 12.0 minutes. The default is 5.0 minutes. This is the amount of time that will elapse before the traffic reverts to the working path. Traffic can revert when conditions causing the switch are cleared.
 - SF threshold—Set the path protection path-level signal failure bit error rate (BER) thresholds.
 - SD threshold—Set the path protection path-level signal degrade BER thresholds.
 - Switch on PDI-P—Check this box if you want traffic to switch when an STS or VC payload defect indicator is received.
- Step 2** Return to your originating procedure (NTP).

DLP-G466 Delete an STS or VC Circuit

Purpose	This task deletes STS or VC circuits.
Tools/Equipment	None
Prerequisite Procedures	DLP-G46 Log into CTC, page 3-30
Required/As Needed	As needed
Onsite/Remote	Onsite or remote
Security Level	Provisioning or higher

-
- Step 1** Complete the “[NTP-G103 Back Up the Database](#)” procedure on page 14-2 to preserve existing settings and, if you will recreate the circuits, record the circuit information.
- Step 2** Verify that traffic is no longer carried on the circuit and that the circuit can be safely deleted.
- Step 3** Investigate all network alarms and resolve any problems that might be affected by the circuit deletion.
- Step 4** From the View menu, choose **Go to Network View**.
- Step 5** Click the **Circuits** tab.
- Step 6** Choose one or more STS or VC circuits from the Type column that you want to delete, then click **Delete**.
- Step 7** In the Delete Circuits confirmation dialog box, complete the following:
- Change drop port admin state—Check this box if you want to change the administrative state for the circuit source and destination ports. After checking the box, choose one of the following administrative states:
 - **IS (ANSI) or Unlocked (ETSI)**—Puts the ports in service.
 - **IS,AINS (ANSI) or UnlockedAutomaticInService (ETSI)**—Puts the ports in automatic in service.
 - **OOS,DSBLD (ANSI) or Locked,disabled (ETSI)**—Removes the ports from service and disables them.
 - **OOS,MT (ANSI) or Locked,maintenance (ETSI)**—Removes the ports from service for maintenance.
 - Notify when completed—If checked, the CTC Alerts confirmation dialog box indicates when the circuit is deleted. During this time, you cannot perform other CTC functions. If you are deleting many circuits, waiting for confirmation might take a few minutes. Circuits are deleted whether or not this check box is checked.



Note The CTC Alerts dialog box will not automatically open to show a deletion error unless you checked All alerts or Error alerts only in the CTC Alerts dialog box. For more information, see the “[DLP-G53 Configure the CTC Alerts Dialog Box for Automatic Popup](#)” task on page 3-36. If the CTC Alerts dialog box is not set to open automatically with a notification, the red triangle inside the CTC Alerts toolbar icon indicates that a notification exists.

- Step 8** Complete one of the following:
- If you checked Notify when completed, the CTC Alerts dialog box appears. If you want to save the information, continue with [Step 9](#). If you do not want to save the information, continue with [Step 10](#).
 - If you did not check Notify when completed, the Circuits page appears. Continue with [Step 11](#).

- Step 9** If you want to save the information in the CTC Alerts dialog box, complete the following steps. If you do not want to save it, continue with [Step 11](#).
- Click **Save**.
 - Click **Browse** and navigate to the directory where you want to save the file.
 - Type the file name using a TXT file extension, and click **OK**.
- Step 10** Click **Close** to close the CTC Alerts dialog box.
- Step 11** Complete the “[NTP-G103 Back Up the Database](#)” procedure on page 14-2 if you require a backup of your changes.
- Step 12** Return to your originating procedure (NTP).
-

DLP-G467 Edit an STS or VC Circuit Name

Purpose	This task changes the name of an STS or VC circuit.
Tools/Equipment	None
Prerequisite Procedures	DLP-G46 Log into CTC, page 3-30
Required/As Needed	As needed
Onsite/Remote	Onsite or remote
Security Level	Provisioning or higher

- Step 1** From the View menu, choose **Go to Network View**.
- Step 2** Click the **Circuits** tab.
- Step 3** Click the STS or VC circuit whose name you want to edit, then click **Edit**. The Edit Circuit dialog box appears with the General tab displayed.
- Step 4** In the Name field, enter the new STS or VC circuit name.
- Step 5** Click **Apply**.
- Step 6** Return to your originating procedure (NTP).
-

NTP-G150 Upgrade Optical Channel Network Connections to Optical Channel Client Connections

Purpose	This procedure upgrades OCHNCs created in earlier software releases to OCHCCs. It also upgrades an OCHNC circuit to an OCH trail circuit (without the OCHCC circuit) in case the PPCs or internal patchcords connect to an ADM_10G or GE_XP, 10GE_XP, GE_XPE, and 10GE_XPE (only in L2-over-DWDM mode) cards.
Tools/Equipment	None
Prerequisite Procedures	DLP-G105 Provision Optical Channel Network Connections , page 8-23
Required/As Needed	As needed
Onsite/Remote	Onsite or remote
Security Level	Provisioning or higher



Note

During this procedure, the OCHNC is replaced with two circuit types, the OCHCC, which establishes a connection between the client card client ports, and the OCH trail, which establishes a connection between the client card trunk ports. The OCH trail is given the same name as the OCHNC. The OCHCC is given a system-generated name in the format: *circuit-type_NE-name::unique sequence number*. To edit the OCHCC circuit name, complete the [“DLP-G424 Edit an OCHCC Circuit Name”](#) task on page 8-12. To edit the OCH trail circuit name, complete the [“DLP-G424 Edit an OCHCC Circuit Name”](#) task on page 8-12.



Note

Multiple OCHCCs might use the same OCH trail. The OCH Wlen (wavelength) parameter on the Circuits page can be used to determine the OCHCC and OCH trail associations.

-
- Step 1** As needed, identify the OCHCC to be provisioned using the [“DLP-G350 Use the Cisco Transport Planner Traffic Matrix Report”](#) task on page 7-26.
- Step 2** Complete the [“DLP-G46 Log into CTC”](#) task on page 3-30 at a node on the network where you want to upgrade the OCHNCs. If you are already logged in, continue with [Step 3](#).
- Step 3** From the View menu, choose **Go to Network View**.
- Step 4** Click the **Circuits** tab and find the OCH you want to upgrade.
- Step 5** Record the following information:
- OCHNC Wlen (OCHNC wavelength)
 - Source node/shelf (if applicable)/slot/port/side (include both Side A and Side B nodes, if present)
 - Destination node/shelf (if applicable)/slot/port/side (include both Side A and Side B nodes, if present)
- Step 6** Use the information recorded in [Step 5](#) to complete one of the following
- [DLP-G344 Verify Provisionable and Internal Patchcords](#), page 8-41—Complete this task if provisionable patchcords (PPCs) and internal patchcords exist on the network but you are not sure whether one was created for the OCHNC that you want to upgrade.

- [NTP-G184 Create a Provisionable Patchcord, page 8-52](#)—Complete this procedure if you know that PPCs were not created between the OCHNC node and the client node. If you recently upgraded from a previous release, you must create PPCs between the source client and OCHNC node and between the destination client and OCHNC node.

Step 7 In network view, click the OCHNC that you want to upgrade.

Step 8 From the Tools menu, choose **Circuits > Upgrade OCHNC**. If the Upgrade OCHNC Initialization “Completed” status appears ([Figure 8-1](#)), continue with [Step 9](#). If the “Failed” status appears ([Figure 8-2](#)), complete the following substeps:

- Click each failure reason to view the failure details. A common cause of initialization failures is the absence or incorrect completion of PPCs or internal patchcords between the client nodes and the optical channel (OCH) nodes.
- Repeat [Steps 3 through 8](#), verifying that the OCHNC ports and provisionable patchcord (PPC) path match on both sides. If the upgrade “Failed” status appears again, click **Save** to save the results to a local or network computer. (The file can be opened with any text editor.) Then, contact your next level of support.

Figure 8-1 Upgrade OCHNC Initialization—Completed

Click to display details

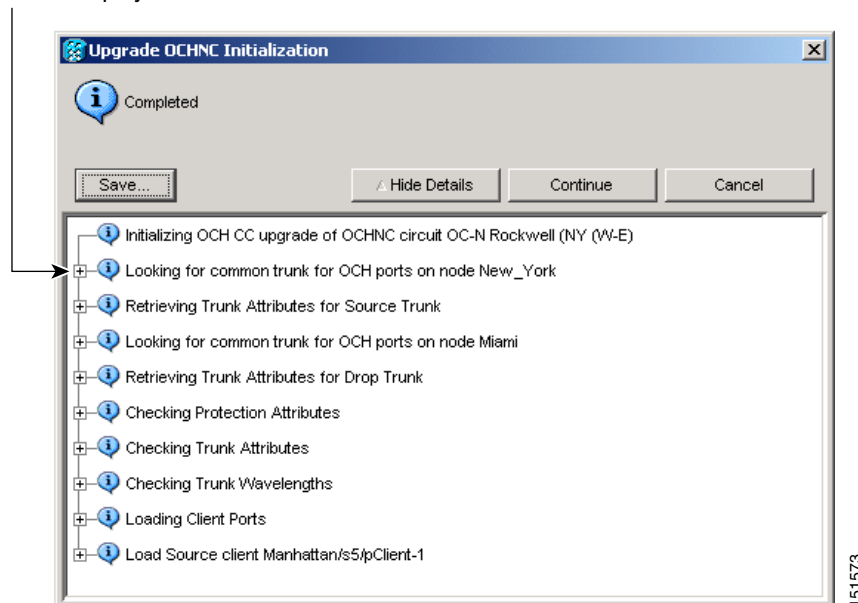
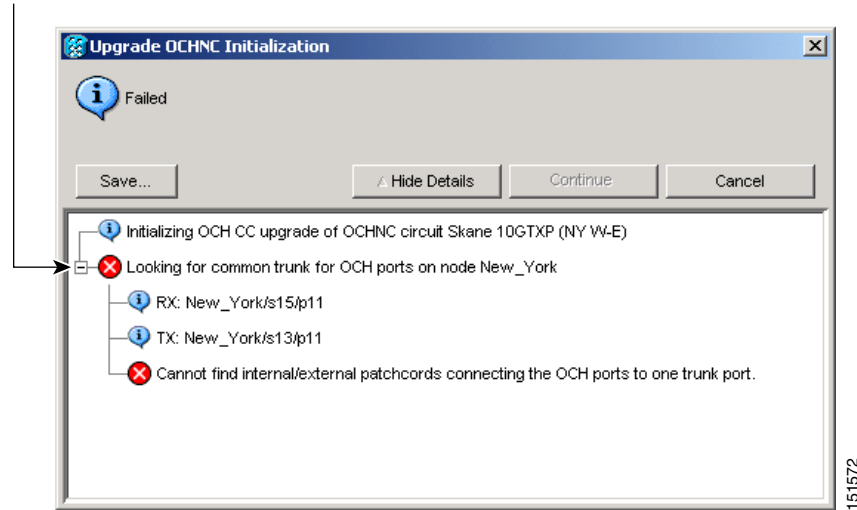


Figure 8-2 Upgrade OCHNC Initialization—Failed

Click to display details



- Step 9** Click each result to review the details. If you want to save the results, click **Save** and save the results to a file on a local or network computer. Click **Continue**.
- Step 10** Review the information in the Upgrade OCHNC dialog box, then click **OK**.
- Step 11** Click **Yes** in the confirmation dialog box, then click **OK** on the Completed Upgrade OCHNC wizard page.



Tip To see all of the information in the Source and Destination table cells, increase the column widths by clicking and dragging the column heading borders to the right or left.

- Step 12** View the OCHCC and its OCH trail in the Circuits page. For information and procedures for viewing and editing OCHCC and OCH trails, see the [“NTP-G58 Locate and View Optical Channel Circuits” procedure on page 8-45](#).

Stop. You have completed this procedure.

DLP-G344 Verify Provisionable and Internal Patchcords

Purpose	This task verifies the PPCs that are required between client TXP, MXP, ADM-10G, GE_XP, 10GE_XP, GE_XPE, 10GE_XPE, OTU2_XP, or ITU-T line cards and OCH DWDM nodes for OCHCCs. This task is not required for OCHNCs.
Tools/Equipment	None
Prerequisite Procedures	DLP-G46 Log into CTC, page 3-30
Required/As Needed	As needed
Onsite/Remote	Onsite or remote
Security Level	Provisioning or higher

- Step 1** From the View menu, choose **Go to Network View**.
- Step 2** Click the **Provisioning > Provisionable Patchcords (PPC)** tabs.
- Step 3** Use one of the following methods to verify that PPCs exist from the client TXP, MXP, ADM-10G, GE_XP, 10GE_XP, GE_XPE, 10GE_XPE, OTU2_XP, or ITU-T line card node, slot, and port to the DWDM OCH node, slot, port, and wavelength:
- Review the Patchcord Terminations table. PPCs should exist from the client TXP, MXP, ADM-10G, GE_XP, 10GE_XP, GE_XPE, 10GE_XPE, OTU2_XP, or ITU-T line card node to the OCH node, slot, and port recorded in the referring procedure.
 - Review the network graphic (see [Figure 8-3](#)). PPCs are represented by a small hand holding a lambda symbol. Clicking the PPC line on the graphic displays the PPC source and destination nodes, slots, and ports in the CTC information area. This information should match the node, slot, and port recorded in the referring procedure.

Figure 8-3 Viewing the Provisionable Patchcords Table

The screenshot displays the Cisco Transport Controller (CTC) interface. The top window shows a network map with various nodes and green lines representing Provisionable Patchcords (PPCs). A circular callout highlights a small icon of a hand holding a lambda symbol, which represents a PPC. Below the network map, the 'Patchcord Terminations' table is visible, listing details for each PPC.

Origination ID	Origination Node	Origination Shelf/Slot/Port	Termination ID	Termination Node
11	West	slot 1 (TXP_MR_10G), port 2 (Trunk)	13	New_York
12	New_York	slot 5 (32 DMXO), port 11	10	West
14	MTSP-WEST	slot 1 (TXP_MR_10G), port 2 (Trunk)	16	Miami
15	MTSP-WEST	slot 1 (TXP_MR_10G), port 2 (Trunk)	17	Miami
17	Manhattan	slot 5 (TXP_MR_2.5G), port 2 (Trunk)	19	New_York
18	New_York	slot 13 (32 DMXO), port 1	16	Manhattan
19	Miami	slot 5 (32 DMXO), port 1	21	Richardson
20	Miami	slot 3 (32 WSS), port 1	22	Richardson
51	EAST-5	slot 5 (OC48), port 1	55	Dallas

- Step 4** Display the OCHCC source node in node view.
- Step 5** Click the **Provisioning > WDM-ANS > Internal Patchcords** tab.
- Step 6** Verify that internal patchcords exist from the source TXP, MXP, GE_XP, 10GE_XP, GE_XPE, 10GE_XPE, or OTU2_XP OCH trunk port to the OCH filter port. If so, continue with [Step 7](#). If not, complete the “[NTP-G242 Create an Internal Patchcord Manually](#)” task on page 4-114.
- Step 7** Display the OCHCC destination node in node view.
- Step 8** Click the **Provisioning > WDM-ANS > Internal Patchcords** tab.

- Step 9** Verify that internal patchcords exist from the destination TXP, MXP, GE_XP, 10GE_XP, GE_XPE, 10GE_XPE, or OTU2_XP trunk port to the OCH filter port. If so, you are completed with this task. If not, complete the “[NTP-G242 Create an Internal Patchcord Manually](#)” task on page 4-114.
- Step 10** Return to your originating procedure (NTP).

NTP-G183 Diagnose and Fix OCHNC and OCH Trail Circuits

Purpose	This procedure checks nodes that are traversed by an OCHNC or OCH trail circuit to verify that all conditions required for bringing the circuit in service are in place. If not, the procedure identifies the invalid condition and provides links to the location in CTC where it can be fixed.
Tools/Equipment	None
Prerequisite Procedures	DLP-G105 Provision Optical Channel Network Connections , page 8-23, or DLP-G395 Create an Optical Channel Trail , page 8-17
Required/As Needed	As needed
Onsite/Remote	Onsite or remote
Security Level	Provisioning or higher



Note This procedure cannot be used for OCHCC circuits.

- Step 1** Complete the “[DLP-G46 Log into CTC](#)” task on page 3-30 at a node on the network where you want to diagnose and fix the OCHNC or OCH trail circuit. If you are already logged in, continue with [Step 2](#).



Note Do not check Disable Circuit Management in the Login dialog box. No circuits appear if this option is checked.

- Step 2** From the View menu, choose **Go to Network View**.
- Step 3** Click the **Circuits** tab.
- Step 4** Click the OCHNC or OCH trail that you want to diagnose.
- Step 5** Click **Edit**.
- Step 6** In the Edit Circuit dialog box, click the **Diagnostic and Fix** tab.
- Step 7** Click **Start**. The diagnostic checks all OCHNC or OCH trail node connections and displays the results in an expandable tree view under the OCH diagnostic heading.
- Step 8** Double-click **OCH diagnostic** to display the diagnostic messages.
- No problems are found—A “*node*: No issues found” message appears, where *node* is the node name or IP address of an ONS 15454 containing the OCHNC or OCH trail source, destination, or pass-through connection. If this message appears for all nodes, continue with [Step 9](#).
 - Problems are found—Double click on the nodes with problems and the error messages appear with a hyperlink labeled Fix or Check. If error messages appear, complete the fixes using the tasks and procedures listed in [Table 8-4](#).



Note Only one error per node is displayed. If multiple errors exist, you must fix the first error, then rerun the diagnostic to display the next error(s).

Table 8-4 Diagnostic and Fix Errors

Error Message	Description/Fix
Invalid connection state for “ <i>circuit name</i> ”: <i>administrative state</i>	The circuit state is not valid. Click Fix to display the State tab of the Edit Circuit dialog box where you can change the circuit state using the “DLP-G419 Change an OCH Trail Administrative State” task on page 8-21 or the “DLP-G420 Change an OCHNC Administrative State” task on page 8-28.
Invalid admin state: <i>administrative state</i>	The state of a port traversed by the circuit is not valid, for example, the port is in service. Click Fix to display the card view Provisioning tab, where you can change the port administrative state using the appropriate task for changing the optical line settings in “Change DWDM Card Settings” task on page 12-1.
ANS couldn’t regulate the port	ANS could not be regulated for the port. Click Fix to display the node view Provisioning > WDM-ANS > Port Status tab where you can launch ANS using the “NTP-G37 Run Automatic Node Setup” procedure on page 4-128.
APC couldn’t regulate the port	APC could not be regulated for the port. Click Fix to display the network view Maintenance > APC tab. Double-click the domain to expand the view. Right-click the node/side and choose the end you want to view. APC information is displayed on the right side. Read any message that might explain the failure, or restart APC by completing the “DLP-G158 Enable Automatic Power Control” task on page 11-5.
APC regulation is running	Indicates that APC regulation is running and must be allowed to finish. Click Check to display the node view Maintenance > DWDM > APC tab where you can monitor the APC regulation.
APC is not enabled for this side.	APC is not enabled on an ONS 15454 side. Click Fix to display the network view Maintenance > APC tab where you can enable APC using the “DLP-G158 Enable Automatic Power Control” task on page 11-5.

Step 9 If you want to save the diagnostic results to a text file, complete the following steps. If not, continue with [Step 10](#).

- a. Click **Save**.
- b. In the Save Diagnostic and Fix to File dialog box, enter the local directory and file name, or click **Browse** to navigate to a directory where you want to save the file.
- c. Click **OK**.

Step 10 Repeat Steps 7 through 9 until “No issues found” appears for all nodes traversed by the OCHNC or OCH trail circuit.

Stop. You have completed this procedure.

NTP-G58 Locate and View Optical Channel Circuits

Purpose	This procedure allows you to locate and view OCHNC, OCHCC and OCH trail circuits. You can also export circuit data into a text file.
Tools/Equipment	None
Prerequisite Procedures	DLP-G105 Provision Optical Channel Network Connections , page 8-23 DLP-G346 Provision Optical Channel Client Connections , page 8-4
Required/As Needed	As needed
Onsite/Remote	Onsite or remote
Security Level	Retrieve or higher

- Step 1** Complete the “[DLP-G46 Log into CTC](#)” task on page 3-30 at a node on the network where you want to view the circuits. If you are already logged in, continue with [Step 2](#).



Note Do not check Disable Circuit Management in the Login dialog box. No circuits appear if this option is checked.

- Step 2** As needed, complete the “[DLP-G100 Search for Optical Channel Circuits](#)” task on page 8-45.
- Step 3** As needed, complete the “[DLP-G101 View Optical Channel Circuit Information](#)” task on page 8-46.
- Step 4** As needed, complete the “[DLP-G102 Filter the Display of Optical Channel Circuits](#)” task on page 8-49.
- Step 5** As needed, complete the “[DLP-G103 View Optical Channel Circuits on a Span](#)” task on page 8-51.
- Step 6** As needed, complete the “[DLP-G114 Export CTC Data](#)” task on page 10-4.
- Stop. You have completed this procedure.**

DLP-G100 Search for Optical Channel Circuits

Purpose	This task searches for OCHNC, OCHCC, OCH trail, and ONS 15454 circuits at the network, node, or card level.
Tools/Equipment	None
Prerequisite Procedures	DLP-G46 Log into CTC , page 3-30
Required/As Needed	As needed
Onsite/Remote	Onsite or remote
Security Level	Retrieve or higher

- Step 1** Navigate to the appropriate CTC view:
- To search the entire network, from the View menu choose **Go to Network View**.
 - To search for circuits that originate, terminate, or pass through a specific node, from the View menu choose **Go to Other Node**, then choose the node you want to search and click **OK**.

- To search for circuits that originate, terminate, or pass through a specific card, double-click the card on the shelf graphic in node view (single-shelf mode) or shelf view (multishelf mode) to open the card in card view.
- Step 2** Click the **Circuits** tab.
- Step 3** If you are in node or card view, choose the scope for the search, **Node** or **Network (All)**, in the Scope drop-down list located at the bottom right side of the screen. Choose **Node** to see all of the circuits on that node, or choose **Network (All)** to see all circuits in the network.
- Step 4** Click **Search** if you need to search through the list of circuits.
- Step 5** In the Circuit Name Search dialog box, complete the following:
- Find What—Enter the text of the circuit name you want to find. This field is not case-sensitive.
 - Match whole word only—Check this check box to instruct CTC to select circuits only if the entire word matches the text in the Find What field.
 - Match case—Check this check box to instruct CTC to select circuits only when the capitalization matches the capitalization entered in the Find What field.
 - Direction—Choose the direction for the search. Searches are conducted up or down from the currently selected circuit.
- Step 6** Click **Find Next**. If a match is found the circuit will be highlighted in the Circuits page. To continue the search, click **Find Next** again to find the next circuit.
- Step 7** Repeat Steps 5 and 6 until you are finished, then click **Cancel**.
- Step 8** Return to your originating procedure (NTP).
-

DLP-G101 View Optical Channel Circuit Information

Purpose	This task provides information about OCHNC, OCHCC, OCH trail, and ONS 15454 circuits.
Tools/Equipment	None
Prerequisite Procedures	DLP-G46 Log into CTC, page 3-30
Required/As Needed	As needed
Onsite/Remote	Onsite or remote
Security Level	Retrieve or higher

- Step 1** Navigate to the appropriate CTC view:
- To view circuits for an entire network, from the View menu choose **Go to Network View**.
 - To view circuits that originate, terminate, or pass through a specific node, from the View menu choose **Go to Other Node**, then choose the node you want to search and click **OK**.
 - To view circuits that originate, terminate, or pass through a specific card, in node view (single-shelf mode) or shelf view (multishelf mode), double-click the card containing the circuits you want to view.



Note In node or card view, you can change the scope of the circuits that appear by choosing Card (in card view), Node, or Network from the Scope drop-down list in the bottom right corner of the Circuits page.

Step 2 Click the **Circuits** tab. The Circuits tab shows the following information:



Note The following order is the default column sequence, the order might be different on your screen, depending on your individual CTC setup.

- **Circuit Name**—Name of the circuit. The circuit name can be manually assigned or automatically generated.
- **Type**—OCHNC, OCHCC, or OCH-Trail.



Note The following circuit types are not applicable to DWDM nodes: STS, VT, VTT (VT tunnel), VAP (VT aggregation point), STS-v (STS VCAT circuit), VT-v (VT VCAT circuit), HOP (high-order circuit), LOP (low-order circuit), VCT (VC low-order tunnel), and VCA (low-order VCAT circuit).

- **Size**—Circuit size. OCHNC, OCHCC, and OCH-Trail sizes are Equipped not specific, Multi-rate, 2.5 Gbps No FEC, 2.5 Gbps FEC, 10 Gbps No FEC, and 10 Gbps FEC.



Note The following circuit types under the circuit size column are not applicable to DWDM nodes: STS, VT, VCAT, VC12, VC11, VC3, and VC4.

- **OCHNC Wlen**—The wavelength provisioned for the OCHNC, OCHCC, or OCH trail. See [Table 8-2 on page 8-7](#) for a list of channels and wavelengths.
- **Dir**—The circuit direction, either two-way or one-way.
- **Protection**—The type of circuit protection. See [Table 8-5 on page 8-48](#) for a list of protection types.
- **Status**—The circuit status. See [Table 8-6 on page 8-48](#) for a list of circuit statuses.
- **Source**—The circuit source in the format: *node/slot/port "port name"*. The port name will appear in quotes only if a name was assigned to it. (To assign names to ports, see the [“DLP-G104 Assign a Name to a Port” task on page 8-3](#).)
- **Destination**—The circuit destination in the format: *node/slot/port "port name"*. The port name will appear in quotes only if a name was assigned to it. (To assign names to ports, see the [“DLP-G104 Assign a Name to a Port” task on page 8-3](#).)
- **# of VLANs**—The number of VLANs used by an Ethernet circuit. VLANs are not applicable to DWDM nodes.
- **# of Spans**—The number of internode links that constitute the circuit. Right-clicking the column title shows a shortcut menu from which you can choose Span Details to show or hide circuit span detail.

- State—The circuit service state, which is an aggregate of the service states of its cross-connects. For ANSI shelves, the service state is IS, OOS, or OOS-PARTIAL. For ETSI shelves, the service state is Unlocked, Locked, or Locked-partial. For more information about ANSI and ETSI service states, see the “Administrative and Service States” appendix in the *Cisco ONS 15454 DWDM Reference Manual*.
 - IS/Unlocked—All cross-connects are in service and operational.
 - OOS/Locked—For ANSI, all cross-connects are OOS-MA,MT and/or OOS-MA,DSBLD. For ETSI, all cross-connects are Locked-enabled,maintenance and/or Locked-enabled,disabled.
 - OOS-PARTIAL/Locked-partial—At least one cross-connect is IS-NR (ANSI) or Unlocked-enabled (ETSI) and others are out-of-service.



Note Right-clicking a column title (Circuit name, Type, etc.) opens a shortcut menu that allows you to show or hide circuit details.

Table 8-5 *Circuit Protection Types*

Protection Type	Description
Y-cable	(OCHNC and OCH-Trail circuit types only) The circuit is protected by a transponder or muxponder card Y-cable protection group.
Splitter	The circuit is protected by the protect transponder splitter protection.
Unprot	A circuit with a source and destination on different nodes is not protected.
N/A	A circuit with connections on the same node is not protected.
Unknown	A circuit has a source and destination on different nodes and communication is down between the nodes. This protection type appears if not all circuit components are known.

Table 8-6 *Cisco ONS 15454 Circuit Status*

Status	Definition/Activity
CREATING	CTC is creating a circuit.
DISCOVERED	CTC created a circuit. All components are in place and a complete path exists from the circuit source to the circuit destination.
DELETING	CTC is deleting a circuit.

Table 8-6 Cisco ONS 15454 Circuit Status (continued)

Status	Definition/Activity
PARTIAL	<p>A CTC-created circuit is missing a cross-connect or network span, a complete path from source to destination(s) does not exist, or an alarm interface panel (AIP) change occurred on one of the circuit nodes and the circuit is in need of repair. (AIPs store the node MAC address.)</p> <p>In CTC, circuits are represented using cross-connects and network spans. If a network span is missing from a circuit, the circuit status is PARTIAL. However, a PARTIAL status does not necessarily mean that a circuit traffic failure has occurred, because traffic might flow on a protect path.</p> <p>Network spans are in one of two states: up or down. On CTC circuit and network maps, up spans are shown as green lines, and down spans are shown as gray lines. If a failure occurs on a network span during a CTC session, the span remains on the network map but its color changes to gray to indicate the span is down. If you restart your CTC session while the failure is active, the new CTC session cannot discover the span and its span line will not appear on the network map.</p> <p>Subsequently, circuits routed on a network span that goes down will appear as DISCOVERED during the current CTC session, but they will appear as PARTIAL to users who log in after the span failure.</p> <p>This status does not appear for OCHNC circuit types.</p>
DISCOVERED_TL1	<p>A TL1-created circuit or a TL1-like CTC-created circuit is complete. A complete path from source to destination(s) exists.</p> <p>This status does not appear for OCHNC circuit types.</p>
PARTIAL_TL1	<p>A TL1-created circuit or a TL1-like CTC-created circuit is missing a cross-connect, and a complete path from source to destination(s) does not exist.</p> <p>This status does not appear for OCHNC circuit types.</p>

Step 3 Return to your originating procedure (NTP).

DLP-G102 Filter the Display of Optical Channel Circuits

Purpose	This task filters the display of OCHNCs, OCHCCs, OCH trails and SONET or SDH circuits in the Circuits page. You can filter the circuits in network, node, or card view based on circuit or OCHNC name, size, type, direction, and other attributes.
Tools/Equipment	None
Prerequisite Procedures	DLP-G46 Log into CTC, page 3-30
Required/As Needed	As needed
Onsite/Remote	Onsite or remote
Security Level	Retrieve or higher

-
- Step 1** Navigate to the appropriate CTC view:
- To filter network circuits, from the View menu choose **Go to Network View**.
 - To filter circuits that originate, terminate, or pass through a specific node, from the View menu choose **Go to Other Node**, then choose the node you want to search and click **OK**.
 - To filter circuits that originate, terminate, or pass through a specific card, double-click the card on the shelf graphic in node view (single-shelf mode) or shelf view (multishelf mode) to open the card in card view.
- Step 2** Click the **Circuits** tab.
- Step 3** Set the attributes for filtering the circuit display:
- Click the **Filter** button.
 - In the General tab of the Circuit Filter dialog box, set the following filter attributes, as necessary:
 - Name—Enter a complete or partial circuit name to filter circuits based on the circuit name.
 - Direction—Choose one: **Any** (direction not used to filter circuits), **1-way** (display only one-way circuits), or **2-way** (display only two-way circuits).
 - OCHNC Wlen—(DWDM OCHNCs only) Choose an OCHNC wavelength to filter the circuits. For example, choosing 1530.33 will display channels provisioned on the 1530.33-nm wavelength.
 - Status—Choose one: **Any** (status not used to filter circuits) or **Discovered** (display only discovered circuits). Other statuses do not apply to OCHNCs.
 - State—Choose one: **OOS** (ANSI) or **Locked** (ETSI) to display only out-of-service circuits, **IS** (ANSI) or **Unlocked** (ETSI) to display only in-service circuits (OCHNCs have IS/Unlocked states only), or **OOS-PARTIAL** (ANSI) or **Locked-partial** (ETSI) to display only circuits with cross-connects in mixed service states.
 - Protection—Enter the circuit protection type to filter circuits based on their protection.
 - Shelf—(multishelf nodes only) Enter the shelf name to filter circuits based on that shelf.
 - Slot—Enter a slot number to filter circuits based on the source or destination slot.
 - Port—Enter a port number to filter circuits based on the source or destination port.
 - Type—Choose one: **Any** (type not used to filter circuits), **OCHNC** (displays only OCHNCs), **OCHCC** (displays only OCHCCs), or **OCH-Trail** (displays only OCH trail circuits).



Note The following circuit types are not applicable to DWDM nodes: STS, VT, VT Tunnel, STS-V, VT-V, and VT Aggregation Point, VC_HO_PATH_CIRCUIT, VC_LO_PATH_CIRCUIT, VC_LO_PATH_TUNNEL, VC_LO_PATH_AGGREGATION, VC_HO_PATH_VCAT_CIRCUIT, and VC_LO_PATH_VCAT_CIRCUIT.

- Size—Click the appropriate check boxes to filter circuits based on size. The following sizes are available, depending on the circuit type: **Multi-rate**, **Equipment non specific**, **2.5 Gbps FEC**, **2.5 Gbps No FEC**, **10 Gbps FEC**, and **10 Gbps No FEC**.



Note VT1.5, STS-1, STS3c, STS-6c, STS-9c, STS-12c, STS-24c, STS-48c, and STS-192c are not applicable to ANSI DWDM nodes. VC12, VC3, VC4, VC4-2c, VC4-3c, VC4-4c, VC4-6c, VC4-8c, VC4-9c, VC4-16c, and VC4-64 are not applicable to ETSI DWDM nodes.

The check boxes shown depend on the Type field selection. If you chose Any, all sizes are available. If you chose OCHNC as the circuit type, only Multi-rate, Equipment non specific, 2.5 Gbps FEC, 2.5 Gbps No FEC, 10 Gbps FEC, and 10 Gbps No FEC appear. If you choose OCHCC, only OCHCC is available. If you choose OCH Trail, only Equipment non specific is available.

- Step 4** To set the filter for the ring, node, link, and source and drop types, click the **Advanced** tab and complete the following substeps. If you do not want to make advanced filter selections, continue with [Step 5](#).
- a. If you made selections on the General tab, click **Yes** in the confirmation box to apply the settings.
 - b. In the Advanced tab of the Circuit Filter dialog box, set the following filter attributes as necessary:
 - Ring—Choose the ring from the drop-down list.
 - Node—Click the check boxes by each node in the network to filter circuits based on node.
 - Link—Choose a link in the network.
 - Source/Drop—Choose one of the following to filter circuits based on whether they have single or multiple sources and drops: **One Source and One Drop Only** or **Multiple Sources or Multiple Drops**.
- Step 5** Click **OK**. Circuits matching the attributes in the Filter Circuits dialog box appear in the Circuits page.
- Step 6** To turn filtering off, click the Filter icon in the lower right corner of the Circuits page. Click the icon again to turn filtering on, and click the **Filter** button to change the filter attributes.
- Step 7** Return to your originating procedure (NTP).
-

DLP-G103 View Optical Channel Circuits on a Span

Purpose	This task allows you to view OCHNCs, OCHCCs, and OCH trails on an ONS 15454 span.
Tools/Equipment	None
Prerequisite Procedures	DLP-G46 Log into CTC, page 3-30
Required/As Needed	As needed
Onsite/Remote	Onsite or remote
Security Level	Retrieve or higher

- Step 1** In node view (single-shelf mode) or multishelf view (multishelf mode), from the View menu choose **Go to Network View**. If you are already in network view, continue with [Step 2](#).
- Step 2** Right-click the green line between the nodes containing the circuits that you want to view and choose **Circuits** to view OCHNCs, OCHCCs, or unprotected circuits on the span.
- Step 3** In the Circuits on Span dialog box, view information about the circuits that traverse the span. The information that appears depends on the circuit type. For OCHNCs, the following information appears:
- Type—The type of circuit: OCHNC, OCHCC, or OCH-Trail.
 - Size—The circuit size.
 - OCHNC Wavelength—The wavelength provisioned for the OCHNC.
 - DIR—2-way or 1-way.

- Circuit—The OCHNC circuit name.
- OCHNC Dir—The direction provisioned for the OCHNC, either Side B to Side A or Side A to Side B.

Step 4 Return to your originating procedure (NTP).

NTP-G184 Create a Provisionable Patchcord

Purpose	This procedure creates a PPC, also called a virtual link. Four types of PPCs can be created: <ul style="list-style-type: none"> • Client/Trunk to Client/Trunk (L2) • Client/Trunk to Client/Trunk • Side to Side (OTS) • OCH-Trunk to OCH-Filter PPCs create a virtual connection between the OCH and the client nodes. (PPCs are not required for OCHNCs.) For more information about provisionable patchcords, refer to the “Optical Channel Circuits and Virtual Patchcords Reference” chapter in the <i>Cisco ONS 15454 DWDM Reference Manual</i> .
Tools/Equipment	OC-N, TXP, MXP, OADM, ROADM, multiplexer (MUX), and demultiplexer (DMX) cards
Prerequisite Procedures	DLP-G46 Log into CTC, page 3-30
Required/As Needed	As needed
Onsite/Remote	Onsite or remote
Security Level	Provisioning or higher



Note

If a Side-to-Side PPC is created between nodes, it will no longer function if the node Security Mode mode is enabled (see [DLP-G264 Enable Node Security Mode, page 4-26](#)). If the Secure mode is enabled, it is unable for the DCN extension feature to use the LAN interface to extend the internal network (due to the network isolation in this configuration mode). The result is that the topology discovery on the Side-to-Side PPC no longer operates.



Note

This task requires data communications channel (DCC) or generic communications channel (GCC) connectivity between the OCH node and the subtended TXP, MXP, or ITU-T line card client shelves.



Note

An optical port requires two patchcords when the remote end is Y-cable protected, or is an add/drop multiplexer, or multiplexer/demultiplexer port.



Note

This procedure automatically turns on any OPT-RAMP-C or OPT-RAMP-CE cards installed.

Step 1 Complete the following tasks, as needed, to verify the cabling between the TXP/MXP/line cards in the client node and the OCH cards in the DWDM node:

- [DLP-G349 Use the Cisco TransportPlanner Internal Connections Report, page 4-80](#)
- [DLP-G350 Use the Cisco Transport Planner Traffic Matrix Report, page 7-26](#)

Step 2 In the node view (single-shelf mode) or multishelf view (multishelf mode), click the **Provisioning > Comm Channels > PPC** tabs. Alternatively, in network view, click the **Provisioning > Provisionable Patchcord (PPC)** tabs.

PPCs can be created in either node or network view. However, if you create the PPC in node view, the PPC origination ports will be restricted to the cards installed on the node. Therefore, choose node view only if you know that the PPC origination port resides on a card installed in the node.



Note You can create OTS-to-OTS PPC only in the network view.

Step 3 Click **Create**. The PPC Attributes page of the PPC Creation wizard appears.

Step 4 Choose one of the following PPC link types. See [Table 8-7](#) for a list of ports that serve as PPC endpoints for each option.

- **Client/Trunk to Client/Trunk (L2)**—Creates a PPC between two NNI client or trunk ports on GE_XP, 10GE_XP, GE_XPE, 10GE_XPE cards provisioned in L2-over-DWDM mode.
- **Client/Trunk to Client/Trunk**—Creates a PPC between two optical channel trunk ports on TXP, MXP, GE_XP, 10GE_XP, GE_XPE, 10GE_XPE, ADM-10G, OTU2_XP, or ITU-T line cards.
- **Side to Side (OTS)**—Creates a PPC between two OTS (optical transport section) ports that belong to a Side. This option establishes DCN connectivity between nodes that do not have OSCM or OSC-CSM cards installed or TNC OSC provisioned and therefore do not have OSC connectivity. CTC selects the OTS ports after you choose the origination and termination sides.
- **OCH-Trunk to OCH-Filter**—Creates a PPC between an optical channel trunk port on a TXP, MXP, GE_XP, 10GE_XP, GE_XPE, 10GE_XPE, ADM-10G, OTU2_XP, or ITU-T line card and an optical channel filter port on a MUX, DMX, or WSS card, or 15216-MD-40-EVEN, 15216-EF-40-EVEN, 15216-MD-48-EVEN, 15216-MD-40-ODD, 15216-EF-40-ODD, or 15216-MD-48-ODD passive module.

Table 8-7 Provisionable Patchcord Ports

Card	Client/Trunk (L2) Port	Client/Trunk Port	OTS Port	OCH Filter Port
GE_XP 10GE_XP GE_XPE 10GE_XPE	Client or trunk port in NNI mode	Any trunk port	—	—
TXP cards MXP cards ADM-10G OTU2_XP ITU-T line cards	—	Any trunk port	—	—

Table 8-7 Provisionable Patchcord Ports (continued)

Card	Client/Trunk (L2) Port	Client/Trunk Port	OTS Port	OCH Filter Port
OPT-BST OPT-BST-E OPT-BST-L	—	—	LINE RX LINE TX	—
OPT-AMP-17-C OPT-AMP-C OPT-AMP-L	—	—	COM RX ¹ COM TX ¹ LINE RX ² LINE TX ²	—
OPT-PRE	—	—	COM RX ³ COM TX ³	—
OPT-RAMP-C OPT-RAMP-CE	—	—	LINE RX LINE TX	—
40-SMR1-C 40-SMR2-C	—	—	LINE RX LINE TX	—
32MUX 32MUX-O 40-MUX-C	—	—	—	Any CHAN RX port
32DMX 32DMX-L 32DMX-O 40-DMX-C 40-DMX-CE	—	—	—	Any CHAN TX port
32WSS 32WSS-L 40-WSS-C 40-WSS-CE	—	—	—	Any ADD port
40-WXC-C	—	—	COM RX COM TX	—
80-WXC-C	—	—	EAD(i) , i=1 to 8 COM AD COM RX DROP TX EXP TX	—
MMU	—	—	EXP A RX EXP A TX	—

Table 8-7 Provisionable Patchcord Ports (continued)

Card	Client/Trunk (L2) Port	Client/Trunk Port	OTS Port	OCH Filter Port
40-SMR2-C	—	—	—	ADD-RX DROP-RX EXP-TX EXPi-RX
40-SMR1-C	—	—	—	ADD-RX DROP-RX EXP-TX EXP-RX LINE-RX LINE-TX
TDC-CC TDC-FC	—	—	—	DC-RX DC-TX
XT-40G XM-40G	—	Any trunk port	—	—
PASSIVE-MD-40-ODD PASSIVE-MD-40-EVEN	—	—	Any CHANTX port	COM-RX COM-TX
PASSIVE-MD-ID-50 PASSIVE-15216-ID-50	—	—	—	COM-RX COM-TX
PASSIVE-PP-4-SMR PASSIVE-PP-MESH-4 PASSIVE-PP-MESH-8	—	—	—	EXP-RX EXP-TX
PASSIVE_DCU	—	—	—	DC-RX DC-TX

1. When Card Mode is OPT-PRE.
2. When Card Mode is OPT-LINE.
3. Line nodes with two OPT-PRE cards and no BST cards installed.

Step 5 If you chose Client/Trunk to Client/Trunk or OCH-Trunk to OCH-Filter in [Step 4](#), complete the following fields. If you chose Client/Trunk to Client/Trunk (L2) or Side to Side (OTS) (in [Step 4](#), continue with [Step 6](#).

- OCHNC Wavelength—(OCH Trunk to OCH Filter only) From the drop-down lists, choose the wavelength band (C or L), wavelength number type (Odd or Even), and then the wavelength.

- Protected—Check this box if you want only protected cards and ports to appear as options in the OCHNC origination and termination pages.

Step 6 Click **Next**.

Step 7 In the PPC Origination page, complete the fields shown in [Table 8-8](#). The table columns indicate whether the field is provisionable based on the option chosen in [Step 4](#).

Table 8-8 PPC Origination Fields

Field	Description	Client/Trunk to Client/Trunk(L2)	Client/Trunk to Client/Trunk	OCH-Trunk to OCH-Filter	Side to Side (OTS)
Node	Choose the node where the PPC will originate.	Yes	Yes	Yes	Yes
Side	Choose the side where the PPC will originate.	No	No	No	Yes
Shelf	(Multishelf only) Choose the shelf where the PPC will originate.	Yes	Yes	Yes	Yes
Slot	Choose the slot where the PPC will originate.	Yes	Yes	Yes	Yes
Port	Choose the port where the PPC will originate.	Yes	Yes	Yes	No
Tx Port	(Display only) The OTS TX port where the PPC will originate.	No	No	No	Yes
Rx Port	Choose the RX port where the PPC will originate.	No	No	No	Yes
Protection	(Display only) Displays the protection option chosen in Step 5 , if applicable.	No	Yes	Yes	No
ID	Displays the ID automatically assigned to the PPC.	Yes	Yes	No	No
Tx ID	Displays the transmit ID automatically assigned to the PPC.	No	No	Yes	Yes
Rx ID	Displays the receive ID automatically assigned to the PPC.	No	No	Yes	Yes

- Step 8** Click **Next**. If you chose Client/Trunk to Client/Trunk or OCH Trunk to OCH Filter with the Protected option in [Step 4](#), continue with [Step 9](#). If not, continue with [Step 11](#).
- Step 9** In the PPC Protect Termination page, provision the ID fields. If you chose OCH Trunk to OCH Trunk in [Step 4](#), one ID field is available. If you chose OCH Trunk to OCH Filter in [Step 4](#), two ID fields are available, Rx ID and Tx ID.
- Step 10** Click **Next**.
- Step 11** In the PPC Termination page, complete the fields shown in [Table 8-9](#). The OCH Trunk to OCH Trunk, OCH Trunk to OCH Filter, and Side to Side (OTS) columns indicate whether the field is provisionable.

Table 8-9 PPC Termination Fields

Field	Description	Client/Trunk to Client/Trunk (L2)	Client/Trunk to Client/Trunk	OCH Trunk to OCH Filter	Side to Side (OTS)
Node	Choose the node where the PPC will terminate.	Yes	Yes	Yes	Yes
Side	Choose the side where the PPC will terminate.	No	No	No	Yes
Shelf	(Multishelf only) Choose the shelf where the PPC will terminate.	Yes	Yes	Yes	Yes
Slot	Choose the slot where the PPC will terminate.	Yes	Yes	Yes	Yes
Port	Choose the port where the PPC will terminate.	Yes	Yes	No	No
Tx Port	Choose the TX port where the PPC will terminate.	No	No	Yes	Yes
Rx Port	Choose the RX port where the PPC will terminate.	No	No	Yes	Yes
Protection	(Display only) Displays the protection option chosen in Step 5 , if applicable.	No	Yes	No	No
ID	Displays the ID automatically assigned to the PPC.	Yes	Yes	No	No
Rx ID	Displays the receive ID automatically assigned to the PPC.	No	No	Yes	Yes
Tx ID	Displays the transmit ID automatically assigned to the PPC.	No	No	Yes	Yes

- Step 12** Click **Next**. If you chose Client/Trunk to Client/Trunk or OCH Trunk to OCH Filter with the Protected option in [Step 4](#), continue with [Step 13](#). If not, continue with [Step 14](#).

- Step 13** In the PPC Protect Termination page, provision the ID fields. If you chose Client/Trunk to Client/Trunk in [Step 4](#), one ID field is available. If you chose OCH Trunk to OCH Filter in [Step 4](#), two ID fields are available, Rx ID and Tx ID.
- Step 14** In the PPCs ID page, review the PPC information. If the PPC information is correct, click **Finish**. If you need to make corrections, click **Back** and return to the wizard page where you want to change the information.

Stop. You have completed this procedure.

NTP-G181 Manage GE_XP, 10GE_XP, GE_XPE, and 10GE_XPE Card SVLAN Databases

Purpose	This procedure creates a service provider VLAN (SVLAN) database for GE_XP, 10GE_XP, GE_XPE, and 10GE_XPE cards provisioned in L2-over-DWDM mode. The procedure stores newly created SVLANs in the card (each card has its own SVLAN DB). It also loads and merges SVLAN databases into the VLAN DB tab where they can be edited.
Tools/Equipment	OC-N, TXP, MXP, OADM, ROADM, multiplexer (MUX), and demultiplexer (DMX) cards
Prerequisite Procedures	Chapter 4, “Turn Up a Node”
Required/As Needed	As needed
Onsite/Remote	Onsite or remote
Security Level	Provisioning or higher

- Step 1** Complete the [“DLP-G46 Log into CTC” task on page 3-30](#) at the node on the network where you will manage the GE_XP, 10GE_XP, GE_XPE, and 10GE_XPE SVLAN databases.


- Step 2** As needed, complete the following tasks:
- [DLP-G421 Create and Store an SVLAN Database, page 8-58](#)
 - [DLP-G382 Add and Remove SVLANS to/from GE_XP, 10GE_XP, GE_XPE, and 10GE_XPE NNI Ports, page 6-234](#)
 - [DLP-G422 Load or Merge an SVLAN Database, page 8-60](#)

Stop. You have completed this procedure.

DLP-G421 Create and Store an SVLAN Database

Purpose	This task creates an SVLAN for a network of GE_XP, 10GE_XP, GE_XPE, and 10GE_XPE cards provisioned in L2-over-DWDM mode. It then stores the SVLAN database on the card and not on the node.
Tools/Equipment	None
Prerequisite Procedures	DLP-G46 Log into CTC, page 3-30

Required/As Needed	As needed
Onsite/Remote	Onsite or remote
Security Level	Provisioning or higher

-
- Step 1** From the View menu, choose **Go to Network View**.
- Step 2** Click the **Provisioning > SVLAN > SVLAN DB** tabs.
- Step 3** In the box next to the Add row(s) button, enter the number of SVLANs you want to create.
- Step 4** Click **Add row(s)**.
- Step 5** For each SVLAN row, enter the following:
- **SVLAN ID**—Enter the SVLAN ID. The range is 1 to 4093 with the following restrictions:
 - 0 indicates an untagged frame.
 - The database can contain a maximum of 4092 unprotected SVLANs. However, it can contain a maximum of 1024 protected SVLANs.
 - **SVLAN Name**—Enter the SVLAN name. It can be up to 32 alphanumeric characters.
 - **Protection**—If this is a protected SVLAN, check the Protection checkbox. A maximum of 1024 SVLANs can be protected.
 - **MAC Learning**—Enables or disables MAC learning for the port. MAC learning is used by Layer 2 switches to learn the MAC addresses of network nodes so they know where to send traffic. Layer 2 switches including the GE_XP and 10GE_XP cards in L2-over-DWDM mode maintain a MAC learning table that associates the MAC addresses and VLANs with a given port.
-  **Note** MAC address table aging is 300 seconds. It cannot be changed. To set this option, the card mode must be L2-over-DWDM.
-
- **IGMP**—Enables or disables the Internet Group Management Protocol (IGMP). By default, IGMP is disabled.
 - **IGMP Fast Leave**—Enables or disables the IGMP fast leave. By default, IGMP fast leave is disabled.
 - **IGMP Suppression**—Enables or disables the IGMP report suppression. By default, IGMP Suppression is disabled.
- Step 6** Click **Store**.
- Step 7** In the Store SVLAN DB dialog box, choose one of the following:
- **To Node(s)**—Stores the SVLAN database in one or more network nodes. Choose the network nodes where you want to store the SVLAN database.
 - **Shelf**—Appears only when the node is provisioned as a multishelf. Choose the shelf where you want to store the SVLAN database.
 - **Slot**—Choose the slot containing the card where the SVLAN database is stored. To choose more than one slot, press the **Shift** key, or click **Select All**.
 - **To File**—Stores the SVLAN database in a file. Enter a file name, then click **Browse** to navigate to a local or network drive where you want to store the file.
- Step 8** Click **OK**.

Step 9 Return to your originating procedure (NTP).

DLP-G422 Load or Merge an SVLAN Database

Purpose	This task loads or merges an SVLAN database stored on the card or local file into the VLAN DB tab on the CTC network view.
Tools/Equipment	None
Prerequisite Procedures	DLP-G46 Log into CTC, page 3-30
Required/As Needed	As needed
Onsite/Remote	Onsite or remote
Security Level	Provisioning or higher

Step 1 From the View menu, choose **Go to Network View**.

Step 2 Click the **Provisioning > SVLAN > SVLAN DB** tabs.

Step 3 Click one of the following:

- **Load**—Loads an SVLAN database from the card or local file and replaces any SVLANs that are in the network view VLAN DB table.
- **Merge**—Loads a SVLAN database from the card or local file, but does not replace any SVLANs that are in the network view VLAN DB table. The loaded database is merged with any SVLANs that might be in the table.

Step 4 In the Load SVLAN DB dialog box, choose one of the following:

- **From Node**—Loads the SVLAN database from the card. Choose the card where you want to load the SVLAN database.
- **Shelf**—Appears only when the node is provisioned as a multishelf. Choose the shelf where you want to load the SVLAN database.
- **Slot**—Choose the slot containing the card where you want to load the SVLAN database from.
- **From File**—Loads the SVLAN database from a file. Enter the file path in the blank field, or click **Browse** to navigate to a local or network directory containing the database file.

Step 5 Click **OK**.

Step 6 Return to your originating procedure (NTP).

NTP-G60 Create and Delete Overhead Circuits

Purpose	This procedure creates overhead circuits on an ONS 15454 network. Overhead circuits include ITU-T GCCs, the AIC-I card orderwire, and the AIC-I card UDC.
Tools/Equipment	None
Prerequisite Procedures	Chapter 4, “Turn Up a Node”
Required/As Needed	As needed
Onsite/Remote	Onsite or remote
Security Level	Provisioning or higher



Note

The DCCs, GCCs, and OSCs should not be provisioned between SONET (ANSI) and SDH (ETSI) nodes using CTC or TL1 because they cannot operate between SONET and SDH nodes. These communication channels should be provisioned on similar nodes, such as SONET-to-SONET or SDH-to-SDH.

-
- Step 1** Complete the [“DLP-G46 Log into CTC”](#) task on page 3-30 at the node where you will create the overhead circuit. If you are already logged in, continue with [Step 2](#).
- Step 2** As needed, complete the [“DLP-G76 Provision DCC/GCC Terminations”](#) task on page 8-61.
- Step 3** As needed, complete the [“DLP-G97 Provision a Proxy Tunnel”](#) task on page 8-64.
- Step 4** As needed, complete the [“DLP-G98 Provision a Firewall Tunnel”](#) task on page 8-65.
- Step 5** As needed, complete the [“DLP-G109 Provision Orderwire”](#) task on page 8-67.
- Step 6** As needed, complete the [“DLP-G110 Create a User Data Channel Circuit”](#) task on page 8-68.
- Step 7** As needed, complete the [“DLP-G112 Delete Overhead Circuits”](#) task on page 8-69.

Stop. You have completed this procedure.

DLP-G76 Provision DCC/GCC Terminations

Purpose	This task creates the DWDM DCC/GCC terminations required for network setup when using the TXP, MXP, and XP cards. Perform this task before you create OCHCC or OCHNC circuits for these cards. In this task, you can also set up the node so that it has direct IP access to a far-end non-ONS node over the DCC/GCC network.
Tools/Equipment	None
Prerequisite Procedures	DLP-G46 Log into CTC, page 3-30
Required/As Needed	As needed
Onsite/Remote	Onsite or remote
Security Level	Provisioning or higher

**Note**

For the OTU2_XP card, you can provision the GCC on any ITU-T G.709-enabled port in Transponder card configuration and on any port in Standard Regen or Enhanced FEC card configuration. The OTU2_XP card supports a maximum of three GCC terminations (on port 3, port 4, and either port 1 or 2) at a time.

**Note**

The DCCs, GCCs, and OSCs should not be provisioned between SONET (ANSI) and SDH (ETSI) nodes using CTC or TL1 because they cannot operate between SONET and SDH nodes. These communication channels should be provisioned on similar nodes, such as SONET-to-SONET or SDH-to-SDH.

- Step 1** If you are provisioning DCC termination on the TXP and MXP card, set the termination mode of the card as appropriate. For details, see the section “Termination Modes” in the chapter “Provision Transponder and Muxponder Cards” of *Cisco ONS 15454 DWDM Reference Manual*.
- Step 2** If you are provisioning DCC termination, ensure that the OTN is disabled on OTN interfaces (usually trunk ports). If OTN is enabled, provision GCC instead of DCC termination. For more information about managing OTN setting on the card, see the procedures for changing card OTN settings in [Chapter 6, “Provision Transponder and Muxponder Cards”](#).
- Step 3** In node view (single-shelf mode) or multishelf view (multishelf mode), click the **Provisioning > Comm Channels > GCC** tabs.
- Step 4** Select the DCC or GCC tabs as necessary. Available tabs are:
- GCC (both ANSI and ETSI)
 - DCC
 - SDCC and LDCC (for ANSI)
 - RS-DCC and MS-DCC (for ETSI)
- Step 5** Click the **Create** button. The Create Terminations dialog box appears.
- Step 6** Select the ports where you want to create the DCC/GCC termination. To select more than one port, press the **Shift** key or the **Ctrl** key.
- Step 7** Under Port Admin State area, select one of the following:
- **Leave unchanged**—Does not change the DCC/GCC termination port administrative state.
 - **Set to IS or Set to Unlocked** —Puts the DCC/GCC termination port in service.
 - **Set OOS,DSLBD to IS,AINS** (for ANSI) or **Set Locked,disabled to Unlocked,automaticInService** (for ETSI)—Changes a port that is currently out of service or locked to automatic in service.
 - **Set OOS,DSLBD to OOS,MT** (for ANSI) or **Set Locked,disabled to Locked,maintenance** (for ETSI)—Changes a port that is currently out of service or locked to out of service for maintenance.

**Note**

For GCC termination, the GCC Rate is set as 192 kbps by default. This rate currently cannot be changed.

- Step 8** Verify that the Disable OSPF on Link is unchecked. If this check box is checked, node discovery through the link termination will not happen.

- Step 9** If the DCC/GCC termination includes a non-ONS node, check the **Far End is Foreign** check box. This automatically sets the far-end node IP address to 0.0.0.0, which means that any address can be specified by the far end. To change the default to a specific IP address, see the “[DLP-G184 Change a DCC/GCC Termination](#)” task on page 11-49.
- Step 10** In the Layer 3 area, perform one of the following options:
- Check the **IP** box only if the DCC/GCC is between the ONS 15454 and another ONS node and only ONS nodes reside on the network. The DCC/GCC will use Point-to-Point Protocol (PPP).
 - Check both the **IP** box and the **OSI** box if the DCC/GCC is between the ONS 15454 and another ONS node, and third-party NEs that use the OSI protocol stack are on the same network. The DCC/GCC will use PPP.
- Step 11** If you checked OSI, complete the following substeps. If you checked IP only, continue with [Step 12](#).
- a. Click **Next**.
 - b. Provision the following fields:
 - Router—Choose the OSI router.
 - ESH—Sets the End System Hello (ESH) propagation frequency. End system (ES) NEs transmit ESHs to inform other ESs and intermediate systems (ISs) about the Network Service Access Points (NSAPs) that the ES NEs serve. The default is 10 seconds. The range is 10 to 1000 seconds.
 - ISH—Sets the Intermediate System Hello (ISH) protocol data unit (PDU) propagation frequency. IS NEs send ISHs to other ESs and ISs to inform them about the IS NEs that the IS NEs serve. The default is 10 seconds. The range is 10 to 1000 seconds.
 - IIH—Sets the Intermediate System to Intermediate System Hello (IIH) PDU propagation frequency. The IS-IS Hello PDUs establish and maintain adjacencies between ISs. The default is 3 seconds. The range is 1 to 600 seconds.
 - IS-IS Cost—Sets the cost for sending packets on the LAN subnet. The IS-IS protocol uses the cost to calculate the shortest routing path. The default metric cost for LAN subnets is 60. The cost normally should not be changed.
- Step 12** Click **Finish**. The following alarms appear until all the network DCC/GCC terminations are created and the ports are in service:
- GCC-EOC for GCC termination
 - EOC for SDCC termination
 - EOC-L for LDCC termination
- Step 13** Return to your originating procedure (NTP).
-

DLP-G97 Provision a Proxy Tunnel

Purpose	This task sets up a proxy tunnel to communicate with a non-ONS far-end node. Proxy tunnels are only necessary when the proxy server is enabled and a foreign GCC termination exists, or if static routes exist so that the GCC network is used to access remote networks or devices. You can provision a maximum of 12 proxy server tunnels.
Tools/Equipment	None
Prerequisite Procedures	DLP-G46 Log into CTC, page 3-30 DLP-G76 Provision DCC/GCC Terminations, page 8-61
Required/As Needed	As needed
Onsite/Remote	Onsite or remote
Security Level	Superuser only


Note

If the proxy server is disabled, you cannot set up a proxy tunnel.

- Step 1** In node view (single-shelf mode) or multishelf view (multishelf mode), click the **Provisioning > Network > Proxy** tabs.
- Step 2** Click **Create**.
- Step 3** In the Create Tunnel dialog box, complete the following fields:
- **Source Address**—Type the IP address of the source node (32-bit length) or source subnet (any other length).
 - **Length**—Choose the length of the source subnet mask.
 - **Destination Address**—Type the IP address of the destination node (32-bit length) or destination subnet (any other length).
 - **Length**—Choose the length of the destination subnet mask.
- Step 4** Click **OK**.
- Step 5** Continue with your originating procedure (NTP).
-

DLP-G98 Provision a Firewall Tunnel

Purpose	This task provisions destinations that will not be blocked by the firewall. Firewall tunnels are only necessary when the proxy server is enabled and a foreign GCC termination exists, or if static routes cause the GCC network to access remote networks or devices. You can provision a maximum of 12 firewall tunnels.
Tools/Equipment	None
Prerequisite Procedures	DLP-G46 Log into CTC, page 3-30 DLP-G76 Provision DCC/GCC Terminations, page 8-61
Required/As Needed	As needed
Onsite/Remote	Onsite or remote
Security Level	Superuser only



Note If the proxy server is configured as proxy-only or is disabled, you cannot set up a firewall tunnel.

-
- Step 1** In node view (single-shelf mode) or multishelf view (multishelf mode), click the **Provisioning > Network > Firewall** tabs.
- Step 2** Click **Create**.
- Step 3** In the Create Tunnel dialog box, complete the following fields:
- **Source Address**—Type the IP address of the source node (32-bit length) or source subnet (any other length).
 - **Length**—Choose the length of the source subnet mask.
 - **Destination Address**—Type the IP address of the destination node (32-bit length) or destination subnet (any other length).
 - **Length**—Choose the length of the destination subnet mask.
- Step 4** Click **OK**.
- Step 5** Continue with your originating procedure (NTP).
-

DLP-G108 Change the Service State for a Port

Purpose	This task puts a port in service or removes a port from service. After creating an IP-encapsulated tunnel, put the ports that are hosting the IP-encapsulated tunnel in service.
Tools/Equipment	None
Prerequisite Procedures	DLP-G46 Log into CTC, page 3-30
Required/As Needed	As needed
Onsite/Remote	Onsite or remote
Security Level	Provisioning or higher

**Note**

For more information about service states, refer to the “Administrative and Service States” appendix in the *Cisco ONS 15454 DWDM Reference Manual*.

-
- Step 1** In node view (single-shelf mode) or shelf view (multishelf mode) on the shelf graphic, double-click the card with the ports you want to put in or out of service. The card view appears.
- Step 2** Click the **Provisioning > Line** tabs.
- Step 3** In the Admin State column for the target port, choose one of the following from the drop-down list:
- **IS (ANSI) or Unlocked (ETSI)**—Puts the port in the IS-NR (ANSI) or Unlocked-enabled (ETSI) service state.
 - **OOS,DSBLD (ANSI) or Locked,disabled (ETSI)**—Puts the port in the OOS-MA,DSBLD (ANSI) or Locked-enabled,disabled (ETSI) service state.
 For ANSI nodes, traffic is not passed on the port until the service state is changed to IS-NR; OOS-MA,MT; or Out-of-Service and Autonomous, Automatic In-Service (OOS-AU,AINS). For ETSI nodes, traffic is not passed on the port until the service state is changed to Unlocked-enabled; Locked-enabled,maintenance; or Unlocked-disabled,automaticInService.
 - **OOS,MT (ANSI) or Locked,maintenance (ETSI)**—Puts the port in the OOS-MA,MT/Locked-enabled,maintenance service state. This state does not interrupt traffic flow, but alarm reporting is suppressed and loopbacks are allowed. Raised fault conditions, whether or not their alarms are reported, can be retrieved from the CTC Conditions tab or by using the TL1 RTRV-COND command. Use the OOS-MA,MT/Locked-enabled,maintenance administrative state for testing or to suppress alarms temporarily. Change to the IS-NR/Unlocked-enabled or OOS-AU,AINS/Unlocked-disabled,automaticInService administrative states when testing is complete.
 - **IS,AINS (ANSI) or Unlocked,automaticInService (ETSI)**—Puts the port in the OOS-AU,AINS/Unlocked-enabled,automaticInService service state. In this state, alarm reporting is suppressed, but traffic is carried and loopbacks are allowed. After the soak period passes, the port changes to IS-NR/Unlocked-enabled. Raised fault conditions, whether their alarms are reported or not, can be retrieved from the CTC Conditions tab or by using the TL1 RTRV-COND command.
- Step 4** If you set the Admin State field to IS-AINS or Unlocked,automaticInService, set the soak period time in the AINS Soak field. This is the amount of time that the port will stay in the OOS-AU,AINS or Unlocked-enabled,automaticInService state after a signal is continuously received. When the soak period elapses, the port changes to the IS-NR or Unlocked-enabled state.
- Step 5** Click **Apply**. The new port service state appears in the Service State column.
- Step 6** As needed, repeat this task for each port.
- Step 7** Return to your originating procedure (NTP).
-

DLP-G109 Provision Orderwire

Purpose	This task provisions orderwire on the AIC-I card.
Tools/Equipment	An AIC-I card must be installed in Slot 9. An OSCM, OSC-CSM, MXP_2.5_10E, MXP_2.5_10G, MXPP_MR_2.5G, or MXP_MR_2.5G card must be installed.
Prerequisite Procedures	DLP-G46 Log into CTC, page 3-30
Required/As Needed	As needed
Onsite/Remote	Onsite or remote
Security Level	Provisioning or higher

-
- Step 1** From the View menu, choose **Go to Network View**.
- Step 2** Click the **Provisioning > Overhead Circuits** tabs.
- Step 3** Click **Create**.
- Step 4** In the Overhead Circuit Creation dialog box, complete the following fields in the Circuit Attributes area:
- **Name**—Assign a name to the circuit. The name can be alphanumeric and up to 48 characters (including spaces).
 - **Circuit Type**—Choose either **Local Orderwire** or **Express Orderwire** depending on the orderwire path that you want to create. If regenerators are not used between ONS 15454 nodes, you can use either local or express orderwire channels. If regenerators exist, use the express orderwire channel. You can provision up to four ONS 15454 OC-N/STM-N ports for each orderwire path.
 - **PCM**—Choose the Pulse Code Modulation voice coding and companding standard, either **Mu_Law** (North America, Japan) or **A_Law** (Europe). The provisioning procedures are the same for both types of orderwire.



Caution

When provisioning orderwire for ONS 15454 nodes residing in a ring, do not provision a complete orderwire loop. For example, a four-node ring typically has Side B and Side A ports provisioned at all four nodes. However, to prevent orderwire loops, provision two orderwire ports (Side B and Side A) at all but one of the ring nodes.

-
- Step 5** Click **Next**.
- Step 6** In the Circuit Source area, complete the following information:
- **Node**—Choose the source node.
 - **Shelf**—(Multishelf mode only) Choose the source shelf.
 - **Slot**—Choose the source slot.
 - **Port**—If applicable, choose the source port.
- Step 7** Click **Next**.
- Step 8** In the Circuit Destination area, complete the following information:
- **Node**—Choose the destination node.
 - **Shelf**—(Multishelf mode only) Choose the destination shelf.
 - **Slot**—Choose the destination slot.

- Port—If applicable, choose the destination port.
- Step 9** Click **Finish**.
- Step 10** Return to your originating procedure (NTP).
-

DLP-G110 Create a User Data Channel Circuit

Purpose	This task creates a UDC circuit on the ONS 15454. A UDC circuit allows you to create a dedicated data channel between nodes.
Tools/Equipment	An OSCM, OSC-CSM, MXPP_MR_2.5G, or MXP_MR_2.5G card must be installed.
Prerequisite Procedures	DLP-G46 Log into CTC, page 3-30
Required/As Needed	As needed
Onsite/Remote	Onsite or remote
Security Level	Provisioning or higher

- Step 1** From the View menu, choose **Go to Network View**.
- Step 2** Click the **Provisioning > Overhead Circuits** tabs.
- Step 3** Click **Create**.
- Step 4** In the Overhead Circuit Creation dialog box, complete the following fields in the Circuit Attributes area:
- Name—Assign a name to the circuit. The name can be alphanumeric and up to 48 characters (including spaces).
 - Type—Choose either **User Data-F1** or **User Data D-4-D-12** from the drop-down list. (User Data D-4-D-12 is not available if the ONS 15454 is provisioned for DWDM.)
- Step 5** Click **Next**.
- Step 6** In the Circuit Source area, complete the following information:
- Node—Choose the source node.
 - Shelf—(Multishelf mode only) Choose the source shelf.
 - Slot—Choose the source slot.
 - Port—If applicable, choose the source port.
- Step 7** Click **Next**.
- Step 8** In the Circuit Destination area, complete the following information:
- Node—Choose the destination node.
 - Shelf—(Multishelf mode only) Choose the destination shelf.
 - Slot—Choose the destination slot.
 - Port—If applicable, choose the destination port.
- Step 9** Click **Finish**.
- Step 10** Return to your originating procedure (NTP).
-

DLP-G112 Delete Overhead Circuits

Purpose	This task deletes overhead circuits. Overhead circuits include IP-encapsulated tunnels, AIC-I card orderwire, and UDCs.
Tools/Equipment	None
Prerequisite Procedures	DLP-G46 Log into CTC, page 3-30
Required/As Needed	As needed
Onsite/Remote	Onsite or remote
Security Level	Provisioning or higher



Caution

Deleting overhead circuits is service affecting if the circuits are in service (IS). To put circuits out of service (OOS), see the [“DLP-G108 Change the Service State for a Port” task on page 8-65](#).

-
- Step 1** From the View menu, choose **Go to Network View**.
 - Step 2** Click the **Provisioning > Overhead Circuits** tabs.
 - Step 3** Click the overhead circuit that you want to delete: local or express orderwire, user data, IP-encapsulated tunnel, or DCC tunnel.
 - Step 4** Click **Delete**.
 - Step 5** In the confirmation dialog box, click **Yes** to continue.
 - Step 6** Return to your originating procedure (NTP).
-

NTP-G62 Create a JO Section Trace

Purpose	This procedure creates a repeated, fixed-length string of characters used to monitor interruptions or changes to traffic between nodes.
Tools/Equipment	One TXP or MXP card must be installed.
Prerequisite Procedures	NTP-G179 Install the TXP, MXP, GE_XP, 10GE_XP, GE_XPE, 10GE_XPE, ADM-10G, and OTU2_XP Cards, page 4-69 “DLP-G223 Change the 4x2.5G Muxponder Line Settings” section on page 6-102 (if necessary) “DLP-G224 Change the 4x2.5G Muxponder Section Trace Settings” section on page 6-104
Required/As Needed	As needed (optional if path trace is set)
Onsite/Remote	Onsite or remote
Security Level	Provisioning or higher

-
- Step 1** Complete the [“DLP-G46 Log into CTC” task on page 3-30](#) at a node on the network where you will create the section trace. If you are already logged in, continue with Step 2.
 - Step 2** In node view (single-shelf mode) or shelf view (multishelf mode), double-click the TXP or MXP card.

- Step 3** Click the **Provisioning > Line > Section Trace** tabs.
- Step 4** From the Port drop-down list, choose the port for the section trace.
- Step 5** From the Received Trace Mode drop-down list, enable the section trace expected string by choosing **Manual**.
- Step 6** In the Transmit Section Trace String Size area, click **1 byte** or **16 byte**. The 1 byte option allows you to enter one character and the 16 byte option allows a 15 character string.
- Step 7** In the New Transmit String field, enter the string that you want to transmit. Enter a string that makes the destination port easy to identify, such as the node IP address, node name, or another string. If the New Transmit String field is left blank, the J0 transmits a string of null characters.
- Step 8** If you set the Section Trace Mode field to Manual, enter the string that the destination port should receive from the source port in the New Expected String field.
- Step 9** If the card's Termination mode is set to Line, click the **Disable AIS and RDI if TIM-P is detected** check box if you want to suppress the alarm indication signal (AIS) and remote defect indication (RDI) when the STS Section Trace Identifier Mismatch Path (TIM-P) alarm appears. If the card's Termination mode is set to Section, the **Disable AIS and RDI if TIM-P is detected** check box will be grayed out and you will not be able to select it. Continue on to [Step 10](#). Refer to the *Cisco ONS 15454 DWDM Troubleshooting Guide* for descriptions of alarms and conditions.
- Step 10** Click **Apply**.
- Step 11** After you set up the section trace, the received string appears in the Received field. The following options are available:
- Click **Hex Mode** to display section trace in hexadecimal format. The button name changes to ASCII Mode. Click **ASCII Mode** to return the section trace to ASCII format.
 - Click the **Reset** button to reread values from the port.
 - Click **Default** to return to the section trace default settings (Section Trace Mode is set to Off and the New Transmit and New Expected Strings are null).

**Caution**

Clicking Default will generate alarms if the port on the other end is provisioned with a different string.

The expect and receive strings are updated every few seconds.

Stop. You have completed this procedure.

NTP-G203 Create End-to-End SVLAN Circuits

Purpose	This procedure manually creates an end-to-end SVLAN circuit for the GE_XP, 10GE_XP, GE_XPE, and 10GE_XPE cards provisioned in L2-over-DWDM mode.
Tools/Equipment	None

Prerequisite Procedures	DLP-G46 Log into CTC, page 3-30 DLP-G379 Change the GE_XP, 10GE_XP, GE_XPE, and 10GE_XPE Card Mode, page 6-8 DLP-G421 Create and Store an SVLAN Database, page 8-58 NTP-G178 Create, Delete, and Manage Optical Channel Trails, page 8-16
Required/As Needed	As needed
Onsite/Remote	Onsite or remote
Security Level	Provisioning or higher

Step 1 From the View menu, choose **Go to Network View**.

Step 2 Click the **Circuits > SVLAN** tabs.

Step 3 Click **Create**.

Step 4 Define the circuit attributes:

- **Name**—Assign a name to the source SVLAN circuit. The name can be alphanumeric and up to 48 characters (including spaces). If you leave the field blank, CTC assigns a default name to the source cross-connect.
- **Type**—(Display only) SVLAN.
- **SVLAN ID**—Displays the SVLAN identifier. Enter a SVLAN ID between 1 and 4093.



Note Do not duplicate SVLAN IDs.

- **Protection**—Before enabling SVLAN protection be sure to define the master node in the OCH Ring that contains the circuit. Protection must be enabled in order to have a SVLAN protected circuit provisioned.
Check/uncheck to enable/disable SVLAN protection. A maximum of 1024 SVLANs can be protected.

Step 5 Click **Next**.

Step 6 Provision the circuit source (UNI or NNI client interfaces):

- From the **Node** drop-down list, choose the circuit source node.
- From the **Slot** drop-down list, choose the slot where the card exists.
- From the **Port** drop-down list, choose the port where the circuit must originate (UNI or NNI client ports).

Step 7 Click **QinQ Settings**. Provision the IEEE 802.1QinQ VLAN tags on the GE_XP, 10GE_XP, GE_XPE, or 10GE_XPE cards. See the “[DLP-G384 Provision the GE_XP, 10GE_XP, GE_XPE, and 10GE_XPE QinQ Settings](#)” section on page 6-236.

Step 8 Click **Next**.

Step 9 Provision the circuit destination (UNI or NNI client interfaces):

- From the **Node** drop-down list, choose the circuit destination node.
- From the **Slot** drop-down list, choose the slot where the card exists.
- From the **Port** drop-down list, choose the port where the circuit must terminate (UNI or NNI client ports).

- Step 10** Click **QinQ Settings**. Provision the IEEE 802.1QinQ VLAN tags on the GE_XP, 10GE_XP, GE_XPE, and 10GE_XPE cards. See [“DLP-G384 Provision the GE_XP, 10GE_XP, GE_XPE, and 10GE_XPE QinQ Settings”](#) section on page 6-236.
- Step 11** Click **Next**.
- Step 12** The SVLAN Circuit Routing Preview pane provides the following information:
- **SVLAN Circuit Path**—Nodes and spans. Click a node to select it. Blue arrows show the new SVLAN route. Move your cursor over the arrow to view span information including source, destination, and span loss information.
 - **Selected Node**—Node that is currently chosen in the graphic. All actions that are invoked will apply to this node.
 - **Included Nodes**—Nodes that are included in the circuit path.
 - **Excluded Nodes**—Nodes that are excluded from the circuit path.
 - **Include**—Includes the node displayed in the Selected Node field in the circuit path. Click **Apply** to update the circuit with the new constraints. This option is not applicable for protected SVLAN circuits.
 - **Exclude**—Excludes the node displayed in the Selected Node field from the circuit path. Click **Apply** to update the circuit with the new constraints. This option is not applicable for protected SVLAN circuits.
- Step 13** Click **Finish** to complete the circuit creation.
- Step 14** To edit the SVLAN circuit, see instructions described in the [“DLP-G472 Edit the End-to-End SVLAN Circuit”](#) section on page 8-72.
- Stop. You have completed this procedure.**
-

DLP-G472 Edit the End-to-End SVLAN Circuit

Purpose	This task edits an end-to-end SVLAN circuit.
Tools/Equipment	None
Prerequisite Procedures	DLP-G46 Log into CTC, page 3-30
Required/As Needed	As needed
Onsite/Remote	Onsite or remote
Security Level	Provisioning or higher

- Step 1** From the View menu, choose **Go to Network View**.
- Step 2** Click the **Circuits > SVLAN** tabs.
- Step 3** Select the SVLAN circuit that you want to edit and click **Edit**.
- The Edit Circuit pane appears.
- Use the General tab to view circuit information (circuit type, size, protection type, and routing preference), and to modify the circuit name.
 - Use the End Points tab to view and define new circuit drops for the SVLAN circuit.

- Step 4** Return to your originating procedure (NTP).
-

NTP-G229 Provision DCN Extension for a Network Using GCC/DCC

Purpose	This procedure provisions a DCN extension for a network using GCC/DCC as the communication channel
Tools/Equipment	None
Prerequisite Procedures	Chapter 4, “Turn Up a Node”
Required/As Needed	As needed
Onsite/Remote	Onsite or remote
Security Level	Provisioning or higher

- Step 1** Complete the [“DLP-G46 Log into CTC” task on page 3-30](#) at a node on the network (for example, Node A) where you want to provision the DCN extension. If you are already logged in, continue with Step 2.
- Step 2** Complete the [“DLP-G105 Provision Optical Channel Network Connections” task on page 8-23](#), to create an OCHNC DCN circuit for the wavelength of the transponder (TXP) to be used for the GCC channel.
- Step 3** Complete the [“DLP-G76 Provision DCC/GCC Terminations” task on page 8-61](#), to create a GCC service channel on the transponder in Node A.
- Step 4** Complete the [“DLP-G46 Log into CTC” task on page 3-30](#) at another node on the network (for example, Node B) where you want to provision the DCN extension.
- Step 5** Complete the [“DLP-G105 Provision Optical Channel Network Connections” task on page 8-23](#), to create an OCHNC DCN circuit for the wavelength of the transponder to be used for the GCC channel.
- Step 6** Complete the [“DLP-G76 Provision DCC/GCC Terminations” task on page 8-61](#), to create a GCC service channel on the transponder in Node B.
- Step 7** Turn up the circuit by forcing an ALS manual restart on the line-facing amplifier:
- Double-click the line-facing amplifier card
 - Click the **Maintenance > ALS** tabs.
 - From the ALS Mode drop-down list, choose Manual Restart.
 - Click **Apply**. Click **Yes** in the confirmation dialog box.
- Step 8** When the circuit is up, CTC discovers the GCC topology and shows the two nodes (Node A and B) connected by the GCC link.
- Step 9** Complete the [“NTP-G184 Create a Provisionable Patchcord” task on page 8-52](#), to create an OTS-to-OTS PPC between the two nodes.
- Step 10** Complete the [“DLP-G472 Merge two OCHNC DCN Circuits” task on page 8-74](#), to merge the two OCHNC DCN circuits into a single OCHNC circuit.
- Stop. You have completed this procedure.**
-

DLP-G472 Merge two OCHNC DCN Circuits

Purpose	This task merges two OCHNC DCN circuits into a single OCHNC circuit
Tools/Equipment	None
Prerequisite Procedures	DLP-G46 Log into CTC, page 3-30
Required/As Needed	As needed
Onsite/Remote	Onsite or remote
Security Level	Provisioning or higher

-
- Step 1** From the View menu, choose **Go to Network View**.
- Step 2** Click the **Circuits** tab.
- Step 3** Select one of the OCHNC DCN circuits that you want to merge and click **Edit**. The Edit Circuit pane appears.
- Step 4** Click **Merge** tab.
- Step 5** Select the other OCHNC DCN circuit that you want to merge and click **Merge**.
- Step 6** Return to your originating procedure (NTP).
-

NTP-G245 Create an Automatically Routed VCAT Circuit

Purpose	This procedure creates an automatically routed VCAT circuit.
Tools/Equipment	ADM-10G card.
Prerequisite Procedures	ADM-10G card must be installed at the nodes used in the VCAT circuit. Chapter 4, “Turn Up a Node”
Required/As Needed	As needed
Onsite/Remote	Onsite
Security Level	Provisioning or higher



Note

This procedure requires the use of automatic routing. Automatic routing is not available if both the Automatic Circuit Routing NE default and the Network Circuit Automatic Routing Overridable NE default are set to FALSE. To view the NE default values, go to Shelf View and click the Provisioning->NE Defaults tab. For a full description of these defaults, see the “Network Element Defaults” appendix in the *Cisco ONS 15454 Reference Manual*.

-
- Step 1** Complete the “[DLP-G46 Log into CTC](#)” task on page 3-30 at the node where you would create the VCAT circuit. If you are already logged in, continue with [Step 2](#).
- Step 2** You must provision Ethernet or POS ports first before creating a VCAT circuit. Complete the following as necessary:
- To provision Ethernet ports for ADM-10G circuits, complete the “[DLP-G551 Provision ADM-10G Ethernet Ports](#)” task on page 8-81.

- To provision a VCAT circuit that traverses through a third-party network, complete the “[DLP-G553 Create a Server Trail](#)” procedure on page 8-82.

Step 3 From the View menu, choose **Go to Network View**.

Step 4 Click the **Circuits** tab, then click **Create**.

Step 5 In the Circuit Creation dialog box, choose **STS-V** or **VC_HO_PATH_VCAT_CIRCUIT** from the Circuit Type drop-down list. Click **Next**.

Step 6 Define the circuit attributes as follows:

- **Name**—Type the circuit name. The name can be alphanumeric and up to 48 characters (including spaces). Circuit names should be 43 characters or less if you want the ability to create monitor circuits. If you leave the field blank, CTC assigns a default name to the circuit. Monitor circuits are secondary circuits that monitor traffic on primary bidirectional circuits.
- **Type**—Displays the circuit type you chose in [Step 5](#).
- **Bidirectional**—Checked by default and creates a bidirectional circuit.
- **Create cross-connects only (TL1-like)**—Check this check box if you want to create one or more cross-connects to complete a signal path for TL1-generated circuits.
- **Apply to drop ports**—Check this check box to apply the IS administrative state to the circuit source and destination ports. The IS state is applied to the ports only if the circuit bandwidth is the same as the port bandwidth, or if the port bandwidth is larger than the circuit, the circuit must be the first circuit to use the port. If not, a Warning dialog box shows the ports where the administrative state could not be applied. If the check box is unchecked, CTC does not change the service state of the source and destination ports.



Note If the ports in the IS-state do not receive signals, then the loss of signal alarms are generated. This transitions the ports from the IS state to OOS-AU,FLT state.

- **Symmetric**—Checked by default. A bi-directional symmetrical VCAT circuit consists of only one VCAT member group. All member circuits are bi-directional circuits.
- **Open VCAT**—Check this check box to create open-ended VCAT circuits. For more information on open-ended VCAT, refer to the “Circuits and Tunnels” chapter in the *Cisco ONS 15454 Reference Manual*.
- **Member size**—Choose the member size. Choose the size of each member circuit in the VCG. STS1/STS3c for ANSI and VC4 for ETSI. For information about the member size that ADM-10G card supports, refer to the “Transponder and Muxponder Cards” chapter in the *Cisco ONS 15454 Reference Manual*.
- **Num. of members**—Choose the number of members. The number of members defines how much bandwidth is required at the trunk. Thus depending on bandwidth requirements of the ethernet traffic on the GE ports, choose appropriate number of members. For information about the number of members that ADM-10G card supports, refer to the “Transponder and Muxponder Cards” chapter in the *Cisco ONS 15454 Reference Manual*.



Note In ADM-10G cards, the Gigabit Ethernet port does not support flow control. When less than seven VC-4s are configured for the port, with the client traffic expected to be below the line rate, a burst in traffic beyond the supposed bandwidth leads to packet loss. It is, therefore, recommended to use an external flow control mechanism with less than seven VC-4s configured. Connecting a GE-XP or GE-XPE card between the client traffic and the ADM-10G Gigabit Ethernet interface enables such flow control.

- Mode—Select “None”. The ADM-10G card supports only pure VCAT and does not support SW-LCAS or HW-LCAS.

**Note**

A failure on one member causes the entire VCAT circuit to fail. For ADM-10G card, you can add or delete members after creating a VCAT circuit with no protection. But while adding or deleting the members, the entire VCAT circuit does not carry traffic.

Step 7 Click **Next**.

Step 8 Complete the “[DLP-G555 Provision a VCAT Circuit Source and Destination](#)” task on page 8-85 for the VCAT circuit you are creating. If you are creating an open-ended VCAT circuit, complete the “[DLP-G556 Provision an Open VCAT Circuit Source and Destination](#)” task on page 8-85.

Step 9 In the VCAT Circuit Routing Preferences area, choose **Route Automatically**. The following options are available (choose either, both, or none based on your preferences).

- Using Required Nodes/Spans—Check this check box to specify nodes and spans to include or exclude in the CTC-generated circuit route.
Including nodes and spans for a circuit ensures that those nodes and spans are in the working path of the circuit (but not the protect path). Excluding nodes and spans ensures that the nodes and spans are not in the working or protect path of the circuit.
- Review Route Before Creation—Check this check box to review and edit the circuit route before the circuit is created (you can see all the spans the circuit is traversing before the circuit creation is completed).

Step 10 If the VCAT circuit has a source or destination on a ADM-10G card, choose one of the following routing types.

- Common Routing—Routes the members on the same fiber.
- Split Routing—Allows the individual members to be routed on different fibers or each member to have different routing constraints. Split routing is required when creating circuits over a path protection configuration.


If the VCAT circuit does not have a source or destination on a ADM-10G card, common routing is automatically selected and you cannot change it.

Step 11 If you want to set preferences for individual members, complete the following in the Member Preferences area. Repeat for each member. To set identical preferences for all members, skip this step and continue with [Step 12](#):

- Number—Choose a number (between 1 and 256) from the drop-down list to identify the member.
- Name—Type a unique name to identify the member. The name can be alphanumeric and up to 48 characters (including spaces). If you leave the field blank, CTC assigns a default name to the circuit.
- Protection—Choose the member protection type:
 - Fully Protected—Routes the circuit on a protected path.
 - Unprotected—Creates an unprotected circuit.
 - PCA—Routes the circuit on a BLSR protection channel.
 - DRI—(Split routing only) Routes the member on a dual-ring interconnect circuit.
- Node-Diverse Path—(Split routing only) Available for each member when Fully Protected is chosen.

Step 12 To set preferences for all members, complete the following in the Set Preferences for All Members area:

- Protection—Choose the member protection type:
 - Fully Protected—Routes the circuit on a protected path.
 - Unprotected—Creates an unprotected circuit.
 - PCA—Routes the member on a BLSR protection channel.
 - DRI—(Split routing only) Routes the member on a dual-ring interconnect circuit.
- Node-Diverse Path—(Split routing only) Available when Fully Protected is chosen.

- Step 13** Click **Next**. If you chose Fully Protected or PCA, click **OK** to continue. If not, continue with the next step.
- Step 14** If you selected Using Required Nodes/Spans in [Step 9](#), complete the following substeps. If not, continue with [Step 15](#):
- a. In the Circuit Constraints area, choose the member that you want to route from the Route member number drop-down list.
 - b. Click a node or span on the circuit map.
 - c. Click **Include** to include the node or span in the circuit, or click **Exclude** to exclude the node or span from the circuit. The order in which you choose included nodes and spans is the order in which the circuit is routed. Click spans twice to change the circuit direction.
 - d. Repeat Steps b and c for each node or span you wish to include or exclude.
 - e. Review the circuit route. To change the circuit routing order, choose a node in the Required Nodes/Lines or Excluded Nodes Links lists, then click the **Up** or **Down** buttons to change the circuit routing order. Click **Remove** to remove a node or span.
 - f. Repeat Steps a through e for each member.
- Step 15** If you selected Review Route Before Creation in [Step 9](#), complete the following substeps. If not continue with [Step 16](#):
- a. In the Route Review/Edit area, choose the member that you want to route from the Route Member Number drop-down list.
 - b. Click a node or span on the circuit map.
 - c. Review the circuit route. To add or delete a circuit span, choose a node on the circuit route. Blue arrows indicate the circuit route. Green arrows indicate spans that you can add. Click a span arrowhead, then click **Include** to include the span or **Remove** to remove the span.
 - d. If the provisioned circuit does not reflect the routing and configuration you want, click **Back** to verify and change circuit information. If the circuit needs to be routed to a different path, see the [“NTP-G246 Create a Manually Routed VCAT Circuit” procedure on page 8-78](#) to assign the circuit route yourself.
 - e. Repeat Steps a through d for each member.
- Step 16** Click **Finish**. The Circuits window appears.
-  **Note** Depending on the complexity of the network and number of members, the VCAT circuit creation process can take several minutes.
- Step 17** In the Circuits window, verify that the circuit you created appears in the circuits list.
- Stop. You have completed this procedure.**

NTP-G246 Create a Manually Routed VCAT Circuit

Purpose	This procedure creates a manually routed VCAT circuit.
Tools/Equipment	ADM-10G card.
Prerequisite Procedures	ADM-10G card must be installed at the nodes used in the VCAT circuit. Chapter 4, “Turn Up a Node”
Required/As Needed	As needed
Onsite/Remote	Onsite or remote
Security Level	Provisioning or higher

-
- Step 1** Complete the [“DLP-G46 Log into CTC” task on page 3-30](#) at the node where you would create the circuit. If you are already logged in, continue with [Step 2](#).
- Step 2** If you want to assign a name to the tunnel source and destination ports before you create the circuit, complete the [“DLP-G104 Assign a Name to a Port” task on page 8-3](#). If not, continue with [Step 3](#).
- Step 3** You must provision Ethernet or POS ports first before creating a VCAT circuit. Complete the following as necessary:
- To provision Ethernet ports for ADM-10G circuits, complete the [“DLP-G551 Provision ADM-10G Ethernet Ports” task on page 8-81](#).
 - To provision a VCAT circuit that traverses through a third-party network, complete the [“DLP-G553 Create a Server Trail” procedure on page 8-82](#).
- Step 4** From the View menu, choose **Go to Network View**.
- Step 5** In the Circuit Creation dialog box, choose **STS-V** or **VC_HO_PATH_VCAT_CIRCUIT** from the Circuit Type drop-down list. Click **Next**.
- Step 6** Define the circuit attributes as follows:
- Name**—Type the circuit name. The name can be alphanumeric and up to 48 characters (including spaces). Circuit names should be 43 characters or less if you want the ability to create monitor circuits. If you leave the field blank, CTC assigns a default name to the circuit.
 - Type**—Displays the circuit type you chose in [Step 5](#).
 - Bidirectional**—Checked by default and creates a bidirectional circuit.
 - Create cross-connects only (TL1-like)**—Check this check box if you want to create one or more cross-connects to complete a signal path for TL1-generated circuits.
 - Apply to drop ports**—Check this check box to apply the IS administrative state to the circuit source and destination ports. The IS state is applied to the ports only if the circuit bandwidth is the same as the port bandwidth, or if the port bandwidth is larger than the circuit, the circuit must be the first circuit to use the port. If not, a Warning dialog box shows the ports where the administrative state could not be applied. If the check box is unchecked, CTC does not change the service state of the source and destination ports.
 - Symmetric**—Checked is the default. A bi-directional symmetrical VCAT circuit consists of only one VCAT member group. All member circuits are bi-directional circuits.
 - Open VCAT**—Check this check box to create open-ended VCAT circuits. For more information on open-ended VCAT, refer to the “Circuits and Tunnels” chapter in the *Cisco ONS 15454 Reference Manual*.

- Member size—Choose the member size. Choose the size of each member circuit in the VCG. STS1/STS3c for ANSI and VC4 for ETSI. For information about the member size that ADM-10G card supports, refer to the “Transponder and Muxponder Cards” chapter in the *Cisco ONS 15454 Reference Manual*.
- Num. of members—Choose the number of members. The number of members defines how much bandwidth is required at the trunk. Thus depending on bandwidth requirements of the ethernet traffic on the GE ports, choose appropriate number of members. For information about the number of members that ADM-10G card supports, refer to the “Transponder and Muxponder Cards” chapter in the *Cisco ONS 15454 Reference Manual*.

**Note**

In ADM-10G cards, the Gigabit Ethernet port does not support flow control. When less than seven VC-4s are configured for the port, with the client traffic expected to be below the line rate, a burst in traffic beyond the supposed bandwidth leads to packet loss. It is, therefore, recommended to use an external flow control mechanism with less than seven VC-4s configured. Connecting a GE-XP or GE-XPE card between the client traffic and the ADM-10G Gigabit Ethernet interface enables such flow control.

- Mode—ADM-10G card supports only pure VCAT and does not support SW-LCAS or HW-LCAS.

**Note**

A failure on one member causes the entire VCAT circuit to fail. For ADM-10G card, you can add or delete members after creating a VCAT circuit with no protection. But while adding or deleting the members, the entire VCAT circuit does not carry traffic.

Step 7 Click **Next**.

Step 8 Complete the “[DLP-G555 Provision a VCAT Circuit Source and Destination](#)” task on page 8-85 for the VCAT circuit you are creating. If you are creating an open-ended VCAT circuit, complete the “[DLP-G556 Provision an Open VCAT Circuit Source and Destination](#)” task on page 8-85.

Step 9 In the Circuit Routing Preferences area, uncheck **Route Automatically**.

Step 10 If the VCAT circuit has a source or destination on a ADM-10G card, choose one of the following routing types.

- Common Routing—Routes the members on the same fiber.
- Split Routing—Allows the individual members to be routed on different fibers or each member to have different routing constraints. Split routing is required when creating circuits over a path protection configuration.

If the VCAT circuit does not have a source or destination on a ADM-10G card, common routing is automatically selected and you cannot change it.

Step 11 If you want to set preferences for individual members, complete the following in the Member Preferences area. Repeat for each member. To set identical preferences for all members, skip this step and continue with [Step 12](#).

- Number—Choose a number (between 1 and 256) from the drop-down list to identify the member.
- Name—Type a unique name to identify the member. The name can be alphanumeric and up to 48 characters (including spaces). If you leave the field blank, CTC assigns a default name to the circuit.
- Protection—Choose the member protection type:
 - Fully Protected—Routes the circuit on a protected path.

- Unprotected—Creates an unprotected circuit.
 - PCA—Routes the member on a BLSR protection channel.
 - DRI—(Split routing only) Routes the member on a dual-ring interconnect circuit.
 - Node-Diverse Path—(Split routing only) Available for each member when Fully Protected is chosen.
- Step 12** To set preferences for all members, complete the following in the Set Preferences for All Members area:
- Protection—Choose the member protection type:
 - Fully Protected—Routes the circuit on a protected path.
 - Unprotected—Creates an unprotected circuit.
 - PCA—Routes the member on a BLSR protection channel.
 - DRI—(Split routing only) Routes the member on a dual-ring interconnect circuit.
 - Node-Diverse Path—(Split routing only) Available when Fully Protected is chosen.
- Step 13** Click **Next**. If you chose Fully Protected or PCA, click **OK**. If not, continue with the next step.
- Step 14** In the Route Review and Edit area, node icons appear so you can route the circuit manually.
- Step 15** Complete the “[DLP-G557 Provision a VCAT Circuit Route](#)” task on page 8-86.
- Step 16** Click **Finish**. If the path does not meet the specified path diversity requirement, CTC displays an error message and allows you to change the circuit path.



Note Depending on the complexity of the network and number of members, the VCAT circuit creation process can take several minutes.

- Step 17** When all the circuits are created, the main Circuits window appears. Verify that the circuit you created appears in the window.

Stop. You have completed this procedure.

NTP-G247 Enable or disable Path Performance Monitoring on Intermediate Nodes

Purpose	This task enables or disables path performance monitoring on STS circuits of intermediate nodes carrying high volume traffic.
Tools/Equipment	None
Prerequisite Procedures	DLP-G46 Log into CTC, page 3-30
Required/As Needed	As needed
Onsite/Remote	Onsite or remote
Security Level	Provisioning or higher



Note For PM parameter definitions, refer to the “Performance Monitoring Parameter Definitions” section in the “Transponder and Muxponder Cards” chapter of the *Cisco ONS 15454 Reference Manual*.

-
- Step 1** In node view, double-click the ADM-10G card to display the card view.
- Step 2** Click the **Provisioning > Line > SONET STS** tabs
- Step 3** In the Provisioning->Line->SONET STS pane, check the Enable IPPM check box to enable path performance monitoring on the STS circuit. Uncheck (default option) the Enable IPPM to disable path performance monitoring on the STS circuit.
- Step 4** Click **Apply**.
- Step 5** Click the **Performance** tab to view PM parameters. For IPPM parameter definitions, refer to the *Cisco ONS 15454 Reference Manual*.
- Step 6** Return to your originating procedure (NTP).
-

DLP-G551 Provision ADM-10G Ethernet Ports

Purpose	This task provisions ADM-10G Ethernet ports to carry traffic.
Tools/Equipment	None
Prerequisite Procedures	DLP-G46 Log into CTC, page 3-30
Required/As Needed	As needed
Onsite/Remote	Onsite or remote
Security Level	Provisioning or higher

-
- Step 1** Complete [DLP-G411 Provision an ADM-10G PPM and Port, page 6-9](#) to provision the PPM.
- Step 2** In node view (single-shelf view) or shelf view (multishelf view), double-click the ADM-10G card to display the card view.
- Step 3** Click the **Provisioning > Line > Ethernet** tabs.
- Step 4** For each ADM-10G port, provision the following parameters:
- Port Name—Enter a logical name that defines the port.
 - Admin State—Select the service state from the drop-down list. See the “[DLP-G108 Change the Service State for a Port](#)” task on page 8-65 for more information.
 - MTU—The maximum size of the Ethernet frames accepted by the port. For jumbo size Ethernet frames, choose jumbo (the valid range is 64-9216) or select 1548 (default).
 - Framing Type—Choose **GPF-F** POS framing (the default) or **HDLC** POS framing. The framing type needs to match the framing type of the POS device at the end of the circuit.
 - CRC Encap—With GFP-F framing, you can configure a **32-bit** cyclic redundancy check (CRC) or **none** (no CRC) (the default). HDLC framing provides a set 16-bit or 32-bit CRC. The encap and CRC should be set to match the encap and CRC of the POS device on the end of the circuit.
- Step 5** Click **Apply**.
- Step 6** Refresh the statistics to get the current RMON counts:
- a. Click the **Performance > Statistics** tabs.
 - b. Click **Refresh**.

Step 7 Return to your originating procedure (NTP).

DLP-G553 Create a Server Trail

Purpose	This procedure creates a server trail, which provides a connection between ONS nodes through a third-party network. You can create server trails between any two optical ports.
Tools/Equipment	None
Prerequisite Procedures	Chapter 4, “Turn Up a Node”
Required/As Needed	As needed
Onsite/Remote	Onsite or remote
Security Level	Provisioning or higher



Note

You cannot create server trails on ports with DCC links.

- Step 1** Complete the [“DLP-G46 Log into CTC” task on page 3-30](#) at the node where you would create the circuit. If you are already logged in, continue with [Step 2](#).
- Step 2** From the View menu, choose **Go to Network View**.
- Step 3** Click the **Provisioning > Server Trails** tabs.
- Step 4** Click **Create**.
- Step 5** In the Server Trail Creation dialog box, complete the following fields:
- **Type**—Choose **STS** or **VC**.
 - **Size**—Depending on the type selected, choose the server trail size. For STSs, choose STS-1, STS-3c, STS-6c, STS-9c, STS-12c, or STS-24c; for VCs, choose VC-4, VC-4-2c, VC-4-3c, VC-4-4c, or VC4-8c
 - **Protection Type**—Choose one of the following protection types: Preemptible, Unprotected, or Fully Protected. The server trail protection sets the protection type for any circuit that traverses it.
 - **Preemptible**—PCA circuits will use server trails with the Preemptible attribute.
 - **Unprotected**—In Unprotected Server Trail, CTC assumes that the circuits going out from that specific port will not be protected by provider network and will look for a secondary path from source to destination if you are creating a protected circuit.
 - **Fully Protected**—In Fully Protected Server Trail, CTC assumes that the circuits going out from that specific port will be protected by provider network and will not look for a secondary path from source to destination.
 - **Number of Trails**—Enter the number of server trails. Number of trails determine the number of circuits that can be created on server trail. You can create a maximum of 3744 server trails on a node. You can create multiple server trails from the same port. This is determined by how many circuits of a particular server trail size can be supported on the port.

- **SRLG**—Enter a value for the Shared Resource Link Group (SRLG). SRLG is used by Cisco Transport Manager (CTM) to specify link diversity. The SRLG field has no restrictions. If you create multiple server trails from one port, you can assign the same SRLG value to all the links to indicate that they originate from the same port.

Step 6 Click **Next**.

Step 7 In the Source area, complete the following:

- From the Node drop-down list, choose the node where the server trail originates.
- From the Slot drop-down list, choose the slot containing the card where the server trail originates. (If a card's capacity is fully utilized, the card does not appear in the list.)
- Depending on the origination card, choose the source port and/or STS or VC from the Port and STS or VC lists. The Port list is only available if the card contains multiple ports. STSs and VCs do not appear if they are already in use by other circuits.

Step 8 Click **Next**.

Step 9 In the Destination area, complete the following:

- From the Node drop-down list, choose the destination node.
- From the Slot drop-down list, choose the slot containing the card where the server trail will terminate (destination card). (If a card's capacity is fully utilized, the card does not appear in the list.)
- Depending on the card selected, choose the destination port and/or STS or VC from the Port and STS or VC drop-down lists. The Port drop-down list is available only if the card has multiple ports. The STSs that appear depend on the card, circuit size, and protection scheme.

Step 10 Click **Finish**.



Note

When Server Trails are created on an IPv4 or IPv6 node and the IP address of the node changes, complete the [“DLP-G554 Repair Server Trails” task on page 8-83](#) to repair the Server Trails.

Stop. You have completed this procedure.

DLP-G554 Repair Server Trails

Purpose	This procedure repairs server trail terminations in cases where the IP address changes for a node connected by a Server Trail link.
Tools/Equipment	None
Prerequisite Procedures	DLP-G46 Log into CTC, page 3-30
Required/As Needed	As needed
Onsite/Remote	Onsite or remote
Security Level	Provisioning or higher



Note

The Server Trail Repair wizard can only fix the IP address changes and cannot fix Server Trail terminations when you migrate from IPv4 to IPv6 addresses.

**Note**

The Server Trail Repair wizard cannot repair the server trails when IP address of nodes on both ends of the Server Trail are changed.

**Note**

When server trails are created on an IPv4 or IPv6 node and the IP address of the node changes, make sure that the Server Trail Repair wizard is launched on the IP address of the node that changed. For example, if the IP address of server trails created on an IPv4 node changes, run the Server Trail Repair wizard on the IPv4 node and not on the IPv6 node.

Step 1 Complete the “[DLP-G46 Log into CTC](#)” task on page 3-30 at the node where you would repair server trails. If you are already logged in, continue with [Step 2](#).

**Note**

The Server Trail Repair wizard works only when nodes at both ends of the server trail are added in the CTC. If CTC is launched after the IP address is changed or if the node on any of the sides is not discovered automatically, then the node has to be added manually into the CTC.

Step 2 From the View menu, choose **Go to Network View**.

Step 3 Choose the **Tools > Links > Repair Server Trails** option from the tool bar. The **Server Trail Repair** wizard appears.

Step 4 Specify the changed IP address. The **Server Trail Repair** window provides the following options:

- **Try to discover IP address changes**—The wizard searches and displays the list of changed IP addresses.

**Note**

The wizard can discover multiple IP address changes. However, the wizard can repair only one IP address change at a time. To repair multiple IP address changes, run the **Server Trail Repair** wizard multiple times.

- **Apply the following IP change**—Allows you to specify the changed IP address.

Select the node with the changed IP address and specify old IP address as Original IP Address. The wizard automatically displays the current IP address.

Step 5 Click **Next**.

If you selected the “Try to discover IP address changes” option in [Step 4](#), then the wizard displays all the IP address changes that will be fixed. Click **Next**.

If you selected the “Apply the following IP change” option in [Step 4](#), continue with [Step 6](#).

Step 6 The Server Trail Terminations to Repair window appears. Click **Finish** to repair the server trails. **Stop. You have completed this procedure.**

DLP-G555 Provision a VCAT Circuit Source and Destination

Purpose	This task provisions a virtual concatenated (VCAT) circuit source and destination.
Tools/Equipment	None
Prerequisite Procedures	DLP-G46 Log into CTC, page 3-30
Required/As Needed	As needed
Onsite/Remote	Onsite or remote
Security Level	Provisioning or higher


Note

After you have selected the circuit properties in the Circuit Source dialog box according to the specific circuit creation procedure, you are ready to provision the circuit source.

-
- Step 1** From the Node drop-down list (in the Source/Destination selection pane), choose the node where the circuit originates.
- Step 2** From the Slot drop-down list, choose the slot containing the ADM-10G card where the circuit originates. (If a card's capacity (bandwidth) is fully utilized, it does not appear in the list.)
- Step 3** Depending on the circuit origination card, choose the source port.
- Step 4** Click **Next**.
- Step 5** From the Node drop-down list, choose the destination node.
- Step 6** From the Slot drop-down list, choose the slot containing the ADM10-G card where the circuit will terminate (destination card). (If a card's capacity (bandwidth) is fully utilized, the card does not appear in the list.)
- Step 7** Choose the destination port.
- Step 8** Click **Next**.
- Step 9** Return to your originating procedure (NTP).
-

DLP-G556 Provision an Open VCAT Circuit Source and Destination

Purpose	This task provisions an open virtual concatenated (VCAT) circuit source and destination.
Tools/Equipment	None
Prerequisite Procedures	DLP-G46 Log into CTC, page 3-30
Required/As Needed	As needed
Onsite/Remote	Onsite or remote
Security Level	Provisioning or higher


Note

After you have selected the circuit properties in the Circuit Source dialog box according to the specific circuit creation procedure, you are ready to provision the circuit source.

-
- Step 1** From the Node drop-down list (in the Source/Destination selection pane), choose the node where the circuit originates.
- Step 2** From the Slot drop-down list, choose the slot containing the ADM-10G card where the circuit originates. (If a card's capacity (bandwidth) is fully utilized, it does not appear in the list.)
- Step 3** Depending on the circuit origination card, choose the source port.
- Step 4** Click **Next**.
- Step 5** Click the **Auto-ranged Destinations** check box to select the endpoints (CCAT/VCAT) automatically. Only the first endpoint needs to be selected; all the other endpoints are automatically created.
- If you have not chosen auto-ranged destinations from the card selected in [Step 2](#), then choose the source port and/or STS. If applicable, choose VC from the Port and STS drop down-lists. The Port drop-down list is available only if the card has multiple ports. STSs and VCs do not appear if they are already in use by other circuits.
- Step 6** From the **Select Destinations For** drop-down list, choose the member number.
- Step 7** From the Node drop-down list, choose the destination node.
- Step 8** From the Slot drop-down list, choose the slot containing the card where the circuit will terminate (destination card). (If a card's capacity (bandwidth) is fully utilized, the card does not appear in the list.) Non-data cards may be used for open VCAT circuits. The cards that do not have ethernet ports are non-data cards.
- Step 9** Click **Add Destinations**.
- Step 10** Click **Next**.
- Step 11** Verify that the open VCAT circuit source and destination appears.
- Step 12** Return to your originating procedure (NTP).
-

DLP-G557 Provision a VCAT Circuit Route

Purpose	This task provisions the circuit route for manually routed VCAT circuits.
Tools/Equipment	None
Prerequisite Procedures	DLP-G46 Log into CTC, page 3-30
Required/As Needed	As needed
Onsite/Remote	Onsite or remote
Security Level	Provisioning or higher

-
- Step 1** In the Circuit Creation wizard in the Route Review and Edit area, choose the member number from the Route Member Number drop-down list.
- Step 2** Click the source node icon if it is not already selected.
- Step 3** Starting with a span on the source node, click the arrow of the span you want the circuit to travel. The arrow turns yellow. In the Selected Span area, the From and To fields provide span information. The source STS or VC appears.
- Step 4** Click **Add Span**. The span is added to the Included Spans list and the span arrow turns blue.

- Step 5** Repeat Steps 3 and 4 until the circuit is provisioned from the source to the destination node through all intermediary nodes.
 - Step 6** Repeat Steps 1 through 5 for each member.
 - Step 7** Verify that a VCAT circuit route is provisioned.
 - Step 8** Return to your originating procedure (NTP).
-



CHAPTER 9

Monitor Performance

This chapter explains how to enable and view performance monitoring (PM) statistics for the Cisco ONS 15454. PM parameters are used by service providers to gather, store, set thresholds, and report performance data for early detection of problems. For more PM information, details, and definitions, refer to the *Cisco ONS 15454 DWDM Troubleshooting Guide*.

**Note**

The procedures and tasks described in this chapter for the Cisco ONS 15454 platform is applicable to the Cisco ONS 15454 M2 and Cisco ONS 15454 M6 platforms, unless noted otherwise.

**Note**

Unless otherwise specified, “ONS 15454” refers to both ANSI and ETSI shelf assemblies.

Before You Begin

Before performing any of the following procedures, investigate all alarms and clear any trouble conditions. Refer to the *Cisco ONS 15454 DWDM Troubleshooting Guide* as necessary.

This section lists the chapter procedures (NTPs). Turn to a procedure for applicable tasks (DLPs).

1. [NTP-G73 Change the PM Display, page 9-2](#)—Complete as needed to change the displayed PM counts.
2. [NTP-G279 Monitor TNC Card Performance, page 9-10](#)—Complete as needed to monitor the performance for the TNC card.
3. [NTP-G74 Monitor DWDM Card Performance, page 9-15](#)—Complete as needed to monitor performance for dense wavelength division multiplexing (DWDM) cards, which includes the OSCM, OSC-CSM, 32MUX-O, 32DMX, 32DMX-O, 32DMX-L, 40-MUX-C, 40-DMX-C, 40-DMX-CE, 40-WSS-C, 40-WSS-CE, 40-WXC-C, 80-WXC-C, 40-SMR1-C, 40-SMR2-C, 4MD-xx.x, AD-xC-xx.x, AD-xB-xx.x, 32WSS, 32WSS-L, TDC-CC, TDC-FC, OPT-BST, OPT-PRE, OPT-BST-L, OPT-AMP-L, OPT-AMP-17-C, OPT-RAMP-C and OPT-RAMP-CE cards.
4. [NTP-G75 Monitor Transponder and Muxponder Performance, page 9-26](#)—Complete as needed to monitor performance for all transponder (TXP), muxponder (MXP), Xponder (GE_XP, 10GE_XP, GE_XPE, 10GE_XPE, and OTU2_XP), and ADM-10G cards.
5. [NTP-G193 Enable or Disable AutoPM, page 9-35](#)—Complete as needed to enable or disable automatic autonomous performance monitoring (AutoPM) reports.

**Note**

For additional information regarding PM parameters, refer to Telcordia GR-499-CORE, GR-253-CORE, GR-820-CORE (titled *Generic Digital Transmission Surveillance*), and GR-1230-CORE, and to the ANSI T1.231 document titled *Digital Hierarchy - Layer 1 In-Service Digital Transmission Performance Monitoring*.

NTP-G73 Change the PM Display

Purpose	This procedure enables you to change the appearance of PM counts by selecting drop-down list or radio button options in the Performance window.
Tools/Equipment	None
Prerequisite Procedures	Before you monitor performance, be sure you have created the appropriate circuits and provisioned the card according to your specifications. For more information, see Chapter 8, “Create Circuits and Provisionable Patchcords,” Chapter 6, “Provision Transponder and Muxponder Cards,” and Chapter 12, “Change DWDM Card Settings.”
Required/As Needed	As needed
Onsite/Remote	Onsite or remote
Security Level	Retrieve or higher

Step 1 Complete the “[DLP-G46 Log into CTC](#)” task on [page 3-30](#) at the node that you want to monitor. If you are already logged in, continue with [Step 2](#).

Step 2 As needed, use the following tasks to change the display of PM counts:

- [DLP-G131 Refresh PM Counts at 15-Minute Intervals](#), page 9-3
- [DLP-G132 Refresh PM Counts at One-Day Intervals](#), page 9-4
- [DLP-G133 View Near-End PM Counts](#), page 9-5
- [DLP-G134 View Far-End PM Counts](#), page 9-5
- [DLP-G135 Reset Current PM Counts](#), page 9-6
- [DLP-G136 Clear Selected PM Counts](#), page 9-7
- [DLP-G410 Clear All PM Thresholds](#), page 9-8
- [DLP-G137 Set the Auto-Refresh Interval for Displayed PM Counts](#), page 9-9
- [DLP-G138 Refresh PM Counts for a Different Port](#), page 9-10

Stop. You have completed this procedure.

DLP-G131 Refresh PM Counts at 15-Minute Intervals

Purpose	This task changes the window view to display PM counts in 15-minute intervals.
Tools/Equipment	None
Prerequisite Procedures	DLP-G46 Log into CTC, page 3-30
Required/As Needed	As needed
Onsite/Remote	Onsite or remote
Security Level	Retrieve or higher

-
- Step 1** In node view (single-shelf mode), or shelf view (multishelf mode), double-click the DWDM, TXP, or MXP card where you want to change the PM count display interval. The card view appears.
- Step 2** Click the **Performance** tab.
- Step 3** If you want to change the PM interval to 15 minutes for a subtab, click the relevant subtab(s), located on the left side of the Performance tab.



Note Performance subtabs vary depending on the card.

- Step 4** If you want to change the PM interval to 15 minutes for a specific port, select the port from the Ports drop-down list (where available).
- Step 5** To go to any of the tabs, subtabs, or ports (found in the Ports drop-down list where available) for the card where you want to set the PM count interval, click the subtab and choose the port, if applicable from the drop-down list.
- Step 6** Click the **15 min** radio button.
- Step 7** Click **Refresh**. PM parameters appear in 15-minute intervals synchronized with the time of day.
- Step 8** View the Curr column to find PM counts for the current 15-minute interval.
- Each monitored performance parameter has corresponding threshold values for the current time period. If the value of the counter exceeds the threshold value for a particular 15-minute interval, a threshold crossing alert (TCA) is raised. The number represents the counter value for each specific PM parameter.
- Step 9** View the Prev-*n* columns to find PM counts for the previous 15-minute intervals.



Note If a complete 15-minute interval count is not possible, the value appears with a yellow background. An incomplete or incorrect count can be caused by monitoring for less than 15 minutes after the counter started, changing the node timing settings, changing the time zone settings, replacing a card, resetting a card, or changing port service states. When the problem is corrected, the subsequent 15-minute interval appears with a white background.

- Step 10** Return to your originating procedure (NTP).
-

DLP-G132 Refresh PM Counts at One-Day Intervals

Purpose	This task changes the window view to display PM parameters in 1-day intervals.
Tools/Equipment	None
Prerequisite Procedures	DLP-G46 Log into CTC, page 3-30
Required/As Needed	As needed
Onsite/Remote	Onsite or remote
Security Level	Retrieve or higher

-
- Step 1** In node view (single-shelf mode), or shelf view (multishelf mode), double-click the DWDM, TXP, or MXP card where you want to change the PM interval. The card view appears.
- Step 2** Click the **Performance** tab.
- Step 3** If you want to refresh the PM counts for a subtab, click the relevant subtab(s), located along the left side of the Performance tab.



Note Performance subtabs vary depending on the card.

- Step 4** If you want to refresh the PM counts for a specific port, select the port from the Ports drop-down list (where available).
- Step 5** Click the **1 day** radio button.
- Step 6** Click **Refresh**. Performance monitoring appears in 1-day intervals synchronized with the time of day.
- Step 7** View the Curr column to find PM counts for the current 1-day interval.

Each monitored performance parameter has corresponding threshold values for the current time period. If the value of the counter exceeds the threshold value for a particular 1-day interval, a TCA is raised. The number represents the counter value for each specific PM parameter.

- Step 8** View the Prev-*n* columns to find PM counts for the previous 1-day intervals.



Note If a complete count over a 1-day interval is not possible, the value appears with a yellow background. An incomplete or incorrect count can be caused by monitoring for less than 24 hours after the counter started, changing node timing settings, changing the time zone settings, replacing a card, resetting a card, or changing port service states. When the problem is corrected, the subsequent 1-day interval appears with a white background.

- Step 9** Return to your originating procedure (NTP).
-

DLP-G133 View Near-End PM Counts

Purpose	This task enables you to view near-end PM counts for the selected card and port.
Tools/Equipment	None
Prerequisite Procedures	DLP-G46 Log into CTC, page 3-30
Required/As Needed	As needed
Onsite/Remote	Onsite or remote
Security Level	Retrieve or higher

-
- Step 1** In node view (single-shelf mode), or shelf view (multishelf mode), double-click the DWDM, TXP, or MXP card where you want to view near end PM counts. The card view appears.
- Step 2** Click the **Performance** tab.
- Step 3** If you want to view the near-end PM counts for a subtab, click the relevant subtab(s), located on the left side of the Performance tab.



Note Performance subtabs vary depending on the card.

- Step 4** If you want to view near-end PM counts for a specific port, select the port from the Ports drop-down list (where available).
- Step 5** Click the **Near End** radio button, where available. (Viewing near-end PM counts is not available on some tabs.)
- Step 6** Click **Refresh**. All current PM parameters for the selected card on the incoming signal appear. For PM parameter definitions, refer to the “Performance Monitoring” chapter in the *Cisco ONS 15454 DWDM Reference Manual*.
- Step 7** View the Curr column to find PM counts for the current time interval.
- Step 8** View the Prev-*n* columns to find PM counts for the previous time intervals.
- Step 9** Return to your originating procedure (NTP).
-

DLP-G134 View Far-End PM Counts

Purpose	This task enables you to view far-end PM parameters for the selected card and port.
Tools/Equipment	None
Prerequisite Procedures	DLP-G46 Log into CTC, page 3-30
Required/As Needed	As needed
Onsite/Remote	Onsite or remote
Security Level	Retrieve or higher



Note Far-end PM parameters are not available for all ports.

-
- Step 1** In node view (single-shelf mode), or shelf view (multishelf mode), double-click the DWDM, TXP, or MXP card where you want to view far-end PM counts. The card view appears.
- Step 2** Click the **Performance** tab.
- Step 3** If you want to view far-end PM counts for a subtab, click the relevant subtab(s), located along the left side of the Performance tab.



Note Performance subtabs vary depending on the card.

- Step 4** If you want to view far-end PM counts for a specific port, select the port from the Ports drop-down list (where available).
- Step 5** Click the **Far End** radio button, where available. (Viewing far-end PM counts is not available on some tabs.)
- Step 6** Click **Refresh**. All PM parameters recorded by the far-end node for the selected card on the outgoing signal appear. For PM parameter definitions, refer to the “Performance Monitoring” chapter in the *Cisco ONS 15454 DWDM Reference Manual*.
- Step 7** View the Curr column to find PM counts for the current time interval.
- Step 8** View the Prev-*n* columns to find PM counts for the previous time intervals.
- Step 9** Return to your originating procedure (NTP).
-

DLP-G135 Reset Current PM Counts

Purpose	This task clears the current PM count, but it does not clear the cumulative PM count. This task allows you to see how quickly PM counts rise.
Tools/Equipment	None
Prerequisite Procedures	DLP-G46 Log into CTC, page 3-30
Required/As Needed	As needed
Onsite/Remote	Onsite or remote
Security Level	Retrieve or higher

-
- Step 1** In node view (single-shelf mode), or shelf view (multishelf mode), double-click the DWDM, TXP, or MXP card where you want to reset the current PM counts. The card view appears.
- Step 2** Click the **Performance** tab.
- Step 3** If you want to reset the PM counts for a subtab, click the relevant subtab(s), located along the left side of the Performance tab.



Note Performance subtabs vary depending on the card.

- Step 4** If you want to reset the PM counts for a specific port, select the port from the Ports drop-down list (where available).



Note For all TXP and MXP cards and the GE_XP, 10GE_XP, GE_XPE, 10GE_XPE, ADM-10G, and OTU2_XP card, you cannot change the PM count interval on the Optics PM > Current Values tab.

Step 5 Click **Baseline**.



Note The Baseline button clears the PM counts that appear in the current time interval but does not clear the PM counts on the card. When the current time interval expires or the window view changes, the total number of PM counts on the card and in the window appears in the appropriate column. The baseline values are discarded if you change views to a different window and then return to the Performance window.

Step 6 View the current statistics columns to observe changes to PM counts for the current time interval.

Step 7 Return to your originating procedure (NTP).

DLP-G136 Clear Selected PM Counts

Purpose	This task uses the Clear button to clear specified PM counts depending on the option selected.
Tools/Equipment	None
Prerequisite Procedures	DLP-G46 Log into CTC, page 3-30
Required/As Needed	As needed
Onsite/Remote	Onsite or remote
Security Level	Superuser only



Caution

Pressing the Clear button can mask problems if used incorrectly. This button is commonly used for testing purposes. After pressing this button, the current bin is marked invalid. Also note that the unavailable seconds (UAS) count is not cleared if you were counting UAS; therefore, this count could be unreliable when you press Clear.

Step 1 In node view (single-shelf mode), or shelf view (multishelf mode), double-click the DWDM, TXP, or MXP card where you want to clear the PM counts. The card view appears.

Step 2 Click the **Performance** tab.

Step 3 If you want to clear the selected PM counts for a subtab, click the relevant subtab(s), located along the left side of the Performance tab and click Clear.



Note Performance subtabs vary depending on the card.

Step 4 If you want to clear the selected PM counts for a specific port, select the OTN subtab or port from the Ports drop-down list (where available).



Note For all TXP and MXP cards and the GE_XP, 10GE_XP, GE_XPE, 10GE_XPE, ADM-10G, and OTU2_XP card, you cannot change the PM count interval on the Optics PM > Current Values tab.

- Step 5** Click **Clear**.
- Step 6** From the Clear Statistics dialog box, click one of the following radio buttons:
- **Displayed statistics:** Clearing displayed statistics erases all PM counts associated with the current combination of statistics on the selected port from the card and the window. This means that the selected time interval, direction, and signal type counts are erased from the card and the window.
 - **All statistics for port *x*:** Clearing all statistics for port *x* erases all PM counts associated with all combinations of the statistics on the selected port from the card and the window. This means that all time intervals, directions, and signal type counts are erased from the card and the window.
 - **All statistics for card:** Clearing all statistics for card erases all PM counts for all ports from the card and the window.
- Step 7** From the Clear Statistics dialog box, click **OK** to clear the selected statistics. Click **Yes** to confirm the change.
- Step 8** Verify that the selected PM counts have been cleared.
- Step 9** Return to your originating procedure (NTP).

DLP-G410 Clear All PM Thresholds

Purpose	This task clears and resets all PM thresholds to the default values.
Tools/Equipment	None
Prerequisite Procedures	DLP-G46 Log into CTC, page 3-30
Required/As Needed	As needed
Onsite/Remote	Onsite or remote
Security Level	Superuser only



Caution Pressing the Reset button can mask problems if used incorrectly. This button is commonly used for testing purposes.

- Step 1** In node view (single-shelf mode), or shelf view (multishelf mode), double-click the card where you want to view PM thresholds. The card view appears.
- Step 2** Click the **Provisioning** tab.
- Step 3** Click the **Thresholds** subtabs. The subtab names vary depending on the card selected.
- Step 4** Click **Reset to Default**.
- Step 5** Click **Yes** in the Reset to Default dialog box.
- Step 6** Verify that the PM thresholds have been reset.

Step 7 Return to your originating procedure (NTP).

DLP-G137 Set the Auto-Refresh Interval for Displayed PM Counts

Purpose	This task changes the window auto-refresh intervals for updating the PM counts.
Tools/Equipment	None
Prerequisite Procedures	DLP-G46 Log into CTC, page 3-30
Required/As Needed	As needed
Onsite/Remote	Onsite or remote
Security Level	Retrieve or higher

Step 1 In node view (single-shelf mode), or shelf view (multishelf mode), double-click the card where you want to set the auto-refresh interval for displayed PM counts. The card view appears.

Step 2 Click the **Performance** tab.

Step 3 If you want to set the PM auto-refresh interval for a subtab, click the relevant subtab(s), located along the left side of the Performance tab.



Note Performance subtabs vary depending on the card.

Step 4 If you want to set the PM auto-refresh interval for a specific port, select the port from the Ports drop-down list (where available).

Step 5 From the Auto-refresh drop-down list, choose one of the following options:

- **None:** This option disables the auto-refresh feature.
- **15 Seconds:** This option sets the window auto-refresh at 15-second time intervals.
- **30 Seconds:** This option sets the window auto-refresh at 30-second time intervals.
- **1 Minute:** This option sets the window auto-refresh at 1-minute time intervals.
- **3 Minutes:** This option sets the window auto-refresh at 3-minute time intervals.
- **5 Minutes:** This option sets the window auto-refresh at 5-minute time intervals.

Step 6 Click **Refresh**. The PM counts for the newly selected auto-refresh time interval appear.

Depending on the selected auto-refresh interval, the displayed PM counts automatically update when each refresh interval completes. If the auto-refresh interval is set to None, the PM counts that appear are not updated unless you click Refresh.

Step 7 Return to your originating procedure (NTP).

DLP-G138 Refresh PM Counts for a Different Port

Purpose	This task changes the window view to display PM counts for another port on a TXP and MXP cards, GE_XP, 10GE_XP, GE_XPE, 10GE_XPE, ADM-10G, and OTU2_XP cards.
Tools/Equipment	None
Prerequisite Procedures	DLP-G46 Log into CTC, page 3-30
Required/As Needed	As needed
Onsite/Remote	Onsite or remote
Security Level	Retrieve or higher

-
- Step 1** In node view (single-shelf mode), or shelf view (multishelf mode), double-click the DWDM, TXP, or MXP card where you want to refresh PM counts for a different port. The card view appears.
- Step 2** Click the **Performance** tab.
- Step 3** In the Port drop-down list, choose a port.
- Step 4** Click **Refresh**. The PM counts for the newly selected port appear.
- Step 5** Return to your originating procedure (NTP).

NTP-G279 Monitor TNC Card Performance

Purpose	This procedure enables you to view, transmit, and receive performance information for the TNC card and ports during selected time intervals to detect possible performance problems. This procedure also enables you to set the RMON thresholds. This procedure is applicable on the Cisco ONS 15454 M2 and the Cisco ONS 15454 M6 shelves.
Tools/Equipment	None
Prerequisite Procedures	Before you monitor performance, be sure you have created the appropriate circuits and provisioned the card according to your specifications. For more information, see Chapter 8, “Create Circuits and Provisionable Patchcords” and Chapter 12, “Change DWDM Card Settings.”
Required/As Needed	As needed
Onsite/Remote	Onsite or remote
Security Level	Retrieve or higher

-
- Step 1** Complete the [“DLP-G46 Log into CTC” procedure on page 3-30](#) at the node that you want to monitor performance. If you are already logged in, continue with [Step 2](#).
- Step 2** Complete the following tasks as needed:
- [DLP-G607 View Optics PM Parameters for the TNC Card, page 9-11](#)
 - [DLP-G608 View Payload PM Parameters for the TNC Card, page 9-11](#)
 - [DLP-G686 Set the TNC Card RMON Thresholds for the FE/ONE_GE Ethernet Payloads, page 9-12](#)

**Note**

To refresh, reset, or clear PM counts, see the “[NTP-G73 Change the PM Display](#)” procedure on page 9-2.

Stop. You have completed this procedure.

DLP-G607 View Optics PM Parameters for the TNC Card

Purpose	This task enables you to view the optics PM counts on TNC card to detect possible performance problems. This task is applicable on the ONS 15454 M2 and the ONS 15454 M6 shelves.
Tools/Equipment	None
Prerequisite Procedures	DLP-G46 Log into CTC, page 3-30
Required/As Needed	As needed
Onsite/Remote	Onsite or remote
Security Level	Retrieve or higher

**Note**

The optics PMs for data parameters can be viewed only after creating a pluggable port module (PPM). See the “[NTP-G128 Manage Pluggable Port Modules](#)” procedure on page 6-3 for more information about PPMs.

-
- Step 1** In node view (single-shelf mode), or shelf view (multishelf mode), double-click the TNC card where you want to view PM counts. The card view appears.
 - Step 2** Click the **Performance > Optics PM** tabs.
 - Step 3** View the PM parameter names that appear in the Param column of the Current Values and Historical PM tabs. In the Historical PM tab, the PM parameter values appear in the Curr (current) and Prev-*n* (previous) columns. For PM parameter definitions, refer to the “Performance Monitoring” chapter in the *Cisco ONS 15454 DWDM Reference Manual*.
 - Step 4** Return to your originating procedure (NTP).

DLP-G608 View Payload PM Parameters for the TNC Card

Purpose	This task enables you to view the payload PM counts on the TNC card to detect possible performance problems. This task is applicable on the ONS 15454 M2 and the ONS 15454 M6 shelves.
Tools/Equipment	None
Prerequisite Procedures	DLP-G46 Log into CTC, page 3-30
Required/As Needed	As needed
Onsite/Remote	Onsite or remote
Security Level	Retrieve or higher



Note The payload PMs for data parameters can be viewed only after creating a pluggable port module (PPM). See the “[NTP-G128 Manage Pluggable Port Modules](#)” procedure on page 6-3 for more information about PPMs.

- Step 1** In node view (single-shelf mode), or shelf view (multishelf mode), double-click the TNC card where you want to view PM counts. The card view appears.
- Step 2** Click the **Performance > Payload PM** tabs.
Ethernet and SONET tabs appear depending on the PPMs and ports that you provisioned through the Provisioning tab.
- Step 3** View the PM parameter names that appear in the Param column of the SONET tab. The PM parameter values appear in the Curr (or current), and Prev-*n* (previous) columns.
The Ethernet tab has three subtabs: Statistics, Utilization, and History. You can view the PM parameter names and current parameter values in the Statistics subtab. You can view the percentage of utilization of Tx and Rx ports in the Utilization subtab. You can view the PM parameter names and previous parameter values in the History subtab.
For PM parameter definitions, refer to the “Performance Monitoring” chapter in the *Cisco ONS 15454 DWDM Reference Manual*.
- Step 4** Return to your originating procedure (NTP).

DLP-G686 Set the TNC Card RMON Thresholds for the FE/ONE_GE Ethernet Payloads

Purpose	This task sets the RMON threshold settings for TNC card carrying the FE/ONE_GE payloads.
Tools/Equipment	None
Prerequisite Procedures	DLP-G46 Log into CTC, page 3-30 “DLP-G605 Provision PPM and Port for the TNC Card” in the <i>Cisco ONS 15454 Hardware Installation Guide</i>
Required/As Needed	As needed
Onsite/Remote	Onsite or remote
Security Level	Provisioning or higher



Note This task can only be performed if the TNC card has at least one PPM port provisioned for FE or ONE_GE payloads.

- Step 1** In node view (single-shelf mode) or shelf view (multishelf view), display the TNC card where you want to set the RMON thresholds.
- Step 2** Click the **Provisioning > RMON Thresholds** tabs.
- Step 3** Click **Create**. The Create Threshold dialog box appears.

- Step 4** From the Port drop-down list, choose an individual port (FE or ONE_GE), or choose **All** to provision RMON thresholds for all ports.
- Step 5** From the Variable drop-down list, choose an Ethernet variable. See [Table 9-1](#) for a list of available Ethernet RMON variables.

Table 9-1 TNC Card FE and ONE_GE RMON Thresholds

Variable	Description
ifInOctets	Total number of octets received on the interface, including framing characters.
rxTotalPkts	Total number of receive packets.
ifInUcastPkts	The number of packets, delivered by this sub-layer to a higher (sub-) layer, which were not addressed to a multicast or broadcast address at this sub-layer.
ifInMulticastPkts	The number of packets, delivered by this sub-layer to a higher (sub-)layer, which were addressed to a multicast address at this sub-layer. For a MAC layer protocol, this includes both Group and Functional addresses.
ifInBroadcastPkts	The number of packets, delivered by this sub-layer to a higher (sub-)layer, which were addressed to a broadcast address at this sub-layer.
ifInErrors	Number of inbound packets that contained errors preventing them from being delivered to a higher-layer protocol.
ifOutOctets	Total number of octets transmitted out of the interface, including framing characters.
txTotalPkts	Total number of transmitted packets.
ifOutUcastPkts	The number of packets transmitted by a port that are addressed to a unicast address.
ifOutMulticastPkts	The total number of packets that higher-level protocols requested be transmitted, and which were addressed to a multicast address at this sub-layer, including those that were discarded or not sent. For a MAC layer protocol, this includes both group and functional addresses.
ifOutBroadcastPkts	The total number of packets that higher-level protocols requested be transmitted, and which were addressed to a broadcast address at this sub-layer, including those that were discarded or not sent.
dot3StatsAlignmentErrors	The number of packets received by a port that have a length (excluding framing bits but including FCS) between 64 and 1522 bytes, both inclusive, and have a bad FCS with a non-integral number of bytes.
dot3StatsFCSErrors	A count of frames received on a particular interface that are an integral number of octets in length but do not pass the FCS check.
dot3StatsFrameTooLong	A count of frames received on a particular interface that exceed the maximum permitted frame size.
etherStatsUndersizePkts	The total number of packets received that were less than 64 octets long (excluding framing bits, but including FCS octets) and were otherwise well formed.
etherStatsFragments	The total number of packets received that were less than 64 octets in length (excluding framing bits but including FCS octets) and had either a bad Frame Check Sequence (FCS) with an integral number of octets (FCS Error) or a bad FCS with a non-integral.
etherStatsPkts64Octets	The total number of packets (including bad packets) received that were 64 octets in length (excluding framing bits but including FCS octets).
etherStatsPkts65to127Octets	The total number of packets (including error packets) received that were between 65 and 127 octets in length inclusive (excluding framing bits but including FCS octets).

Variable	Description
etherStatsPkts128to255Octets	The total number of packets (including error packets) received that were between 128 and 255 octets in length inclusive (excluding framing bits but including FCS octets).
etherStatsPkts256to511Octets	The total number of packets (including error packets) received that were between 256 and 511 octets in length inclusive (excluding framing bits but including FCS octets).
etherStatsPkts512to1023Octets	The total number of packets (including error packets) received that were between 512 and 1023 octets in length inclusive (excluding framing bits but including FCS octets).
etherStatsPkts1024to1518Octets	The total number of packets (including error packets) received that were between 1024 and 1518 octets in length inclusive (excluding framing bits but including FCS octets).
etherStatsBroadcastPkts	The total number of good packets received that were directed to the broadcast address
etherStatsMulticastPkts	The total number of good packets received that were directed to a multicast address. Note that this number does not include packets directed to the broadcast address.
etherStatsOversizePkts	The total number of packets received that were longer than 1518 octets (excluding framing bits, but including FCS octets) and were otherwise well formed.
etherStatsJabbers	The total number of packets received that were longer than 1518 octets (excluding framing bits, but including FCS octets), and were not an integral number of octets in length or had a bad FCS.
etherStatsOctets	The total number of octets of data (including those in bad packets) received on the network (excluding framing bits but including FCS octets).

- Step 6** From the Alarm Type drop-down list, indicate whether the event will be triggered by the rising threshold, the falling threshold, or both the rising and falling thresholds.
- Step 7** From the Sample Type drop-down list, choose either **Relative** or **Absolute**. Relative restricts the threshold to use the number of occurrences in the user-set sample period. Absolute sets the threshold to use the total number of occurrences, regardless of time period.
- Step 8** Enter the appropriate number of seconds for the Sample Period in the Sample Period field.
- Step 9** Enter the appropriate number of occurrences for the Rising Threshold in the Rising Threshold field.
- For a rising type of alarm, the measured value must move from below the falling threshold to above the rising threshold. For example, if a network is running below a rising threshold of 1000 collisions every 15 seconds and a problem causes 1001 collisions in 15 seconds, the excess occurrences trigger an alarm.
- Step 10** Enter the appropriate number of occurrences in the Falling Threshold field. In most cases a falling threshold is set lower than the rising threshold.
- A falling threshold is the counterpart to a rising threshold. When the number of occurrences is above the rising threshold and then drops below a falling threshold, it resets the rising threshold. For example, when the network problem that caused 1001 collisions in 15 seconds subsides and creates only 799 collisions in 15 seconds, occurrences fall below a falling threshold of 800 collisions. This resets the rising threshold so that if network collisions again spike over a 1000 per 15-second period, an event again triggers when the rising threshold is crossed. An event is triggered only the first time a rising threshold is exceeded (otherwise, a single network problem might cause a rising threshold to be exceeded multiple times and cause a flood of events).
- Step 11** Click **OK**.
- Step 12** To view all the RMON thresholds, click **Show All RMON thresholds**.
- Step 13** Return to your originating procedure (NTP).

NTP-G74 Monitor DWDM Card Performance

Purpose	This procedure enables you to view, transmit, and receive performance information for OSCM, OSC-CSM, 32MUX-O, 32DMX, 32DMX-O, 32DMX-L, 40-MUX-C, 40-DMX-C, 40-DMX-CE, 40-WSS-C, 40-WSS-CE, 40-WXC-C, 80-WXC-C, 4MD-xx.x, AD-xC-xx.x, AD-xB-xx.x, 32WSS, 32WSS-L, 40-SMR1-C, 40-SMR2-C, TDC-CC, TDC-FC, OPT-BST, OPT-PRE, OPT-BST-L, OPT-AMP-C, OPT-AMP-L, OPT-AMP-17-C, OPT-RAMP-C, and OPT-RAMP-CE cards and ports during selected time intervals to detect possible performance problems.
Tools/Equipment	None
Prerequisite Procedures	Before you monitor performance, be sure you have created the appropriate circuits and provisioned the card according to your specifications. For more information, see Chapter 8, “Create Circuits and Provisionable Patchcords” and Chapter 12, “Change DWDM Card Settings.”
Required/As Needed	As needed
Onsite/Remote	Onsite or remote
Security Level	Retrieve or higher

-
- Step 1** Complete the [“DLP-G46 Log into CTC” procedure on page 3-30](#) at the node that you want to monitor. If you are already logged in, continue with [Step 2](#).
- Step 2** Complete the following tasks as needed:
- [DLP-G139 View PM Parameters for OSCM and OSC-CSM cards, page 9-16.](#)
 - [DLP-G140 View Power Statistics for Optical Amplifier, 40-SMR1-C, and 40-SMR2-C Cards, page 9-16.](#)
 - [DLP-G141 View Optical Power Statistics for 32MUX-O, 32WSS, 32WSS-L, 32DMX-O, 32DMX, 32DMX-L, 40-WSS-C, 40-WSS-CE, 40-WXC-C, 80-WXC-C, 40-MUX-C, 40-DMX-C, and 40-DMX-CE Cards, page 9-20.](#)
 - [DLP-G479 View Optical Power Statistics for the PSM Card, page 9-21](#)
 - [DLP-G276 View Optical Power Statistics for 4MD-xx.x Cards, page 9-21](#)
 - [DLP-G142 View Power Statistics for AD-1C-xx.x, AD-2C-xx.x, and AD-4C-xx.x Cards, page 9-22.](#)
 - [DLP-G143 View Power Statistics for AD-1B-xx.x and AD-4B-xx.x Cards, page 9-23.](#)
 - [“DLP-G525 View Optical Power Statistics for TDC-CC and TDC-FC cards” section on page 9-24](#)
 - [DLP-G475 View the PM Parameters for All Facilities, page 9-25](#)



Note To refresh, reset, or clear PM counts, see the [“NTP-G73 Change the PM Display” procedure on page 9-2.](#)

Stop. You have completed this procedure.

DLP-G139 View PM Parameters for OSCM and OSC-CSM cards

Purpose	This task enables you to view optical service channel (OSC) PM counts at selected time intervals on optical service channel cards and ports (OSCM or OSC-CSM) to detect possible performance problems.
Tools/Equipment	None
Prerequisite Procedures	DLP-G46 Log into CTC, page 3-30
Required/As Needed	As needed
Onsite/Remote	Onsite or remote
Security Level	Retrieve or higher

-
- Step 1** In node view (single-shelf mode), or shelf view (multishelf mode), double-click the OSCM or OSC-CSM card where you want to view PM counts. The card view appears.
- Step 2** Click the **Performance > OC3 Line** tabs.
- Step 3** Click **Refresh**. PMs appear for the OC3 (Port 1).
- Step 4** Click the **Optical Line** tab.
- Step 5** In the Port drop-down list, choose the optical line port where you want to view the power statistics:
- 2—COM RX
 - 3—COM TX
 - 4—LINE RX (available only on the OSC-CSM card)
 - 5—LINE TX (available only on the OSC-CSM card)
 - 6—OSC RX (available only on the OSC-CSM card)
 - 7—OSC TX (available only on the OSC-CSM card)
- Step 6** Click **Refresh**. The minimum, maximum, and average optical power statistics for the selected line port appear.
- Step 7** Return to your originating procedure (NTP).
-

DLP-G140 View Power Statistics for Optical Amplifier, 40-SMR1-C, and 40-SMR2-C Cards

Purpose	This task enables you to view the power statistics of optical amplifiers (OPT-PRE, OPT-BST, OPT-BST-L, OPT-AMP-L, OPT-AMP-C, OPT-AMP-17-C, OPT-RAMP-C, or OPT-RAMP-CE), 40-SMR1-C, and 40-SMR2-C cards.
Tools/Equipment	None
Prerequisite Procedures	DLP-G46 Log into CTC, page 3-30
Required/As Needed	As needed
Onsite/Remote	Onsite or remote
Security Level	Retrieve or higher

-
- Step 1** In node view (single-shelf mode), or shelf view (multishelf mode), double-click the card where you want to view PM counts. The card view appears.
- Step 2** Click the **Performance > Optical Line** tab.
- Step 3** In the Port drop-down list, choose an optical line port where you want to view the optical power statistics:
- For the OPT-PRE card, the following ports are available to view:
 - 1—COM RX
 - 3—DC RX
 - 4—DC TX
 - For the OPT-BST and OPT-BST-E cards, the following ports are available to view:
 - 1—COM RX
 - 2—COM TX
 - 4—OSC TX
 - For the OPT-BST-L card, the following ports are available to view:
 - 1—COM RX
 - 2—COM TX
 - 4—OSC TX
 - For the OPT-AMP-L card, the following ports are available to view:
 - 1—COM RX
 - 2—COM TX
 - 4—OSC TX
 - 7—DC RX
 - 8—DC TX
 - For the OPT-AMP-17-C card, the following ports are available to view:
 - 1—COM RX
 - 2—COM TX
 - 3—COM RX
 - 4—OSC TX
 - For the OPT-RAMP-C card, the following ports are available to view:
 - 1—COM RX
 - 2—COM TX
 - 3—OSC RX
 - 4—OSC TX
 - 5—LINE-RX
 - 6—LINE-TX
 - 7—DC-RX
 - 9—RAMAN RX
 - 10—RAMAN TX

- For the OPT-RAMP-CE card, the following ports are available to view:
 - 1—COM RX
 - 2—COM TX
 - 3—OSC RX
 - 4—OSC TX
 - 5—LINE-RX
 - 6—LINE-TX
 - 7—DC-RX
 - 9—RAMAN RX
 - 10—RAMAN TX
- For the 40-SMR1-C card, the following ports are available to view:
 - 1—EXP-RX
 - 3—DC-RX
 - 4—DC-TX
 - 5—OSC-RX
 - 6—OSC-TX
 - 7—ADD-RX
 - 8—DROP-TX
 - 9—LINE-RX
 - 10—LINE-TX
- For the 40-SMR2-C card, the following ports are available to view:
 - 1—DC-RX
 - 2—DC-TX
 - 3—OSC-RX
 - 4—OSC-TX
 - 5—ADD-RX
 - 6—DROP-TX
 - 7—LINE-RX
 - 10—EXP-RX 1-2
 - 11—EXP-RX 1-3
 - 12—EXP-RX 1-4

Step 4 Click **Refresh**. Optical power statistics for the selected port appear.

Step 5 Click the **Opt. Ampli. Line** tab.

Step 6 Click **Refresh**. Optical power statistics for the optical amplifier output port appear:

- 2 (COM-TX), OPT-PRE card
- 6 (LINE-TX), OPT-BST card
- 6 (LINE-TX), OPT-AMP-17-C card
- 8 (DC-TX), OPT-RAMP-C card

- 8 (DC-TX), OPT-RAMP-CE card
- 2 (EXP-TX), 40-SMR1-C card
- 8 (LINE-TX), 9 (EXP-TX 1-1), 40-SMR2-C card

Step 7 Click the **OCH** tab. In the Port drop-down list, choose an OCH port where you want to view the optical power statistics:

- For the 40-SMR1-C card, the following ports are available to view:
 - 1—EXP-RX
 - 2—EXP-TX
 - 7—ADD-RX
 - 8—DROP-TX
 - 10—LINE-TX
- For the 40-SMR2-C card, the following ports are available to view:
 - 5—ADD-RX
 - 6—DROP-TX
 - 8—LINE-TX
 - 9—EXP-TX 1-1
 - 10—EXP-RX 1-2
 - 11—EXP-RX 1-3
 - 12—EXP-RX 1-4

Step 8 Click **Refresh**. The OCH power statistics (minimum, maximum, average) for the selected port appear.



Note For the 40-SMR1-C and 40-SMR2-C cards, the OCH power statistics are reported only for those ports that are part of a circuit.

Step 9 Click the **Opt. Raman. Line** tab. Optical power statistics for the optical amplifier output port appear:

- 10 (RAMAN-TX), OPT-RAMP-C card
- 10 (RAMAN-TX), OPT-RAMP-CE card

Step 10 Return to your originating procedure (NTP).

DLP-G141 View Optical Power Statistics for 32MUX-O, 32WSS, 32WSS-L, 32DMX-O, 32DMX, 32DMX-L, 40-WSS-C, 40-WSS-CE, 40-WXC-C, 80-WXC-C, 40-MUX-C, 40-DMX-C, and 40-DMX-CE Cards

Purpose	This task enables you to view optical power statistics for a 32MUX-O, 32WSS, 32WSS-L, 32DMX-O, 32DMX, 32DMX-L, 40-WSS-C, 40-WSS-CE, 40-WXC-C, 80-WXC-C, 40-MUX-C, 40-DMX-C, or 40-DMX-CE card.
Tools/Equipment	None
Prerequisite Procedures	DLP-G46 Log into CTC, page 3-30
Required/As Needed	As needed
Onsite/Remote	Onsite or remote
Security Level	Retrieve or higher

-
- Step 1** In node view (single-shelf mode), or shelf view (multishelf mode), double-click the card where you want to view PM counts. The card view appears.
- Step 2** Click the **Performance > Optical Chn** tabs.
- Step 3** In the Port drop-down list, select the port where you want to view the optical power statistics.
- 32MUX-O—optical channel receive port (CHAN RX), Ports 01 through 32.
 - 40-MUX-C—optical channel receive port (CHAN RX), Ports 01 through 40.
 - 32WSS and 32WSS-L—optical channel receive port (ADD RX) Ports 01 through 32, or a pass-through port (PT), Ports 33 through 64.
 - 32DMX-O, 32DMX, and 32DMX-L—optical channel transmit port (CHAN TX), Ports 01 through 32.
 - 40-DMX-C/40-DMX-CE—optical channel transmit port (CHAN TX), Ports 01 through 40.
 - 40-WSS-C/40-WSS-CE—optical add receive port (ADD RX), Ports 01 through 40, or a pass-through port (PT), Ports 41 through 80.
- Step 4** Click **Refresh**. Optical channel power statistics (minimum, maximum, average) for the selected port appear.
- Step 5** Click the **Optical Line** tab.
- Step 6** Select the port where you want to view the optical power statistics, in the Port drop-down list.
- 32WSS and 32WSS-L - Port 65, 66, 67, 68 or 69.
 - 32DMX-L or 32DMX-O - accept the default port (33)
 - 40-WXC-C and 40-WXC-CE - Port 10, 11, 12, or 13.
 - 80-WXC-C - Ports 1 through 13 (BIDIRECTIONAL mode), ports 1 through 10 (MULTIPLEXER or DEMULTIPLEXER mode).
 - 40-WSS-C and 40-WSS-CE - Port 81, 82, 83, 84, or 85.
 - 40-DMX-C and 40-DMX-CE - accept the default port (41).
- Step 7** Click **Refresh**. Optical channel power statistics (minimum, maximum, average) for the selected port appear.
- Step 8** Return to your originating procedure (NTP).

**Note**

To view the Optical Side graphs of DWDM cards, see the section “Power Side Monitoring” in the chapter, Network Reference in the *Cisco ONS 15454 DWDM Reference Manual, Release 9.2*.

DLP-G479 View Optical Power Statistics for the PSM Card

Purpose	This task enables you to view optical power statistics for a PSM card.
Tools/Equipment	None
Prerequisite Procedures	DLP-G46 Log into CTC, page 3-30
Required/As Needed	As needed
Onsite/Remote	Onsite or remote
Security Level	Retrieve or higher

-
- Step 1** In node view (single-shelf mode), or shelf view (multishelf mode), double-click the PSM card where you want to view PM counts. The card view appears.
- Step 2** Click the **Performance > Optical Line** tabs.
- Step 3** In the Port drop-down list, select the port where you want to view the optical power statistics.
- 1—W RX
 - 2—W TX
 - 3—P RX
 - 4—P TX
 - 5—COM RX
 - 6—COM TX
- Step 4** Click **Refresh**. Optical channel power statistics (minimum, maximum, average) for the selected port appear.
- Step 5** To change the auto-refresh interval, click **Auto Refresh** and choose one of the automatic refresh intervals: None, 15 seconds, 30 seconds, 1 minute, 3 minutes, or 5 minutes.
- Step 6** Return to your originating procedure (NTP).
-

DLP-G276 View Optical Power Statistics for 4MD-xx.x Cards

Purpose	This task enables you to view the minimum, maximum, and average optical power statistics for a 4MD-xx.x card channel and band ports.
Tools/Equipment	None
Prerequisite Procedures	DLP-G46 Log into CTC, page 3-30
Required/As Needed	As needed
Onsite/Remote	Onsite or remote
Security Level	Retrieve or higher

-
- Step 1** In node view (single-shelf mode), or shelf view (multishelf mode), double-click the 4MD-xx.x card where you want to view the optical power statistics. The card view appears.
- Step 2** Click the **Performance > Optical Chn** tabs.
- Step 3** In the Port drop-down list, choose the channel port where you want to view the power statistics (port 1 through 8 for CHAN Ports 01 through 08).
- Step 4** Click **Refresh**. The minimum, maximum, and average optical power for the selected channel port appear.
- Step 5** To change the auto-refresh interval, click **Auto Refresh** and choose one of the automatic refresh intervals: None, 15 seconds, 30 seconds, 1 minute, 3 minutes, or 5 minutes.
- Step 6** Click the **Optical Band** tab.
- Step 7** In the Port drop-down list, choose the band port where you want to view the power statistics (band port 9 or 10 for COM Ports 09 and 10).
- Step 8** Click **Refresh**. The minimum, maximum, and average optical power for the selected band port appear.
- Step 9** To change the auto-refresh interval, click **Auto Refresh** and choose one of the automatic refresh intervals: None, 15 seconds, 30 seconds, 1 minute, 3 minutes, or 5 minutes.
- Step 10** Return to your originating procedure (NTP).
-

DLP-G142 View Power Statistics for AD-1C-xx.x, AD-2C-xx.x, and AD-4C-xx.x Cards

Purpose	This task enables you to view channel optical add/drop multiplexer (OADM) minimum, maximum, and average power statistics on an AD-1C-xx.x, AD-2C-xx.x, or AD-4C-xx.x card.
Tools/Equipment	None
Prerequisite Procedures	DLP-G46 Log into CTC, page 3-30
Required/As Needed	As needed
Onsite/Remote	Onsite or remote
Security Level	Retrieve or higher

-
- Step 1** In node view (single-shelf mode), or shelf view (multishelf mode), double-click the optical AD-xC-xx.x card where you want to view the optical power statistics. The card view appears.
- Step 2** Click the **Performance > Optical Line** tabs.
- Step 3** In the Port drop-down list, choose an optical line port ([Table 9-2](#)) where you want to view the optical power statistics.

Table 9-2 Channel OADM Optical Line Ports

Port Name	AD-1C-xx.x Port Numbers	AD-2C-xx.x Port Numbers	AD-4C-xx.x Port Numbers
EXP RX	3	5	9
EXP TX	4	6	10

Table 9-2 Channel OADM Optical Line Ports

Port Name	AD-1C-xx.x Port Numbers	AD-2C-xx.x Port Numbers	AD-4C-xx.x Port Numbers
COM RX	5	7	11
COM TX	6	8	12

Step 4 Click **Refresh**. Optical line power statistics for the selected port appear.

Step 5 Click the **Optical Chn** tab.

Step 6 In the Port drop-down list, choose an optical channel port ([Table 9-3](#)) where you want to view the optical power statistics.

Table 9-3 Channel OADM Optical Channel Ports

Port Name	AD-1C-xx.x Port Numbers	AD-2C-xx.x Port Numbers	AD-4C-xx.x Port Numbers
CHAN RX	1	1	1
CHAN TX	2	2	2
CHAN RX	—	3	3
CHAN TX	—	4	4
CHAN RX	—	—	5
CHAN TX	—	—	6
CHAN RX	—	—	7
CHAN TX	—	—	8

Step 7 Click **Refresh**. Optical channel PM statistics for the selected port appear.

Step 8 Return to your originating procedure (NTP).

DLP-G143 View Power Statistics for AD-1B-xx.x and AD-4B-xx.x Cards

Purpose	This task enables you to view band OADM minimum, maximum, and average power statistics on an AD-1B-xx.x or AD-4B-xx.x card.
Tools/Equipment	None
Prerequisite Procedures	DLP-G46 Log into CTC, page 3-30
Required/As Needed	As needed
Onsite/Remote	Onsite or remote
Security Level	Retrieve or higher

Step 1 In node view (single-shelf mode), or shelf view (multishelf mode), double-click the optical AD-xB-xx.x card where you want to view the optical power statistics. The card view appears.

Step 2 Click the **Performance > Optical Line** tabs.

- Step 3** In the Port drop-down list, choose an optical line port ([Table 9-4](#)) where you want to view the optical power statistics.

Table 9-4 OADM Optical Line Ports

Port Name	AD-1B-XX.x Port Numbers	AD-4B-xx.x Port Numbers
EXP RX	3	9
EXP TX	4	10
COM RX	5	11
COM TX	6	12

- Step 4** Click **Refresh**. Optical line power statistics for the selected port appear.
- Step 5** Click the **Optical Band** tab.
- Step 6** In the Port drop-down list, choose an optical band port ([Table 9-5](#)) where you want to view the optical power statistics.

Table 9-5 OADM Optical Band Ports

Port Name	AD-1B-xx.x Port Numbers	AD-4B-xx.x Port Numbers
BAND RX	1	1
BAND TX	2	2
BAND RX	—	3
BAND TX	—	4
BAND RX	—	5
BAND TX	—	6
BAND RX	—	7
BAND TX	—	8

- Step 7** Click **Refresh**. Optical channel PM statistics for the selected port appear.
- Step 8** Return to your originating procedure (NTP).

DLP-G525 View Optical Power Statistics for TDC-CC and TDC-FC cards

Purpose	This task enables you to view optical power statistics for the TDC-CC and TDC-FC cards.
Tools/Equipment	None
Prerequisite Procedures	DLP-G46 Log into CTC, page 3-30
Required/As Needed	As needed
Onsite/Remote	Onsite or remote
Security Level	Retrieve or higher

-
- Step 1** In node view (single-shelf mode), or shelf view (multishelf mode), double-click the TDC-CC or TDC-FC card where you want to view PM counts. The card view appears.
 - Step 2** Click the **Optical Line** tab.
 - Step 3** Select the port where you want to view the optical power statistics, in the Port drop-down list.
 - Step 4** Click **Refresh**. Optical channel power statistics (minimum, maximum, average) for the selected port appear.
 - Step 5** Return to your originating procedure (NTP).
-

DLP-G475 View the PM Parameters for All Facilities

Purpose	This task enables you to view the admin state, service state and power level for all facilities on DWDM cards to detect possible performance problems.
Tools/Equipment	None
Prerequisite Procedures	DLP-G46 Log into CTC, page 3-30
Required/As Needed	As needed
Onsite/Remote	Onsite or remote
Security Level	Retrieve or higher

-
- Step 1** In node view (single-shelf mode), or shelf view (multishelf mode), click **Maintenance > DWDM > All Facilities** tabs.
 - Step 2** View the admin states, service states and power levels for all the facilities.
 - Step 3** Use the Mark button to selectively mark or unmark facilities. The marked facilities can be sorted on the Marked column. Sorting helps to group all the marked facilities in the table.
 - Step 4** Return to your originating procedure (NTP).
-

NTP-G75 Monitor Transponder and Muxponder Performance

Purpose	This procedure enables you to view node near-end or far-end performance during selected time intervals on a TXP, MXP, Xponder (GE_XP, 10GE_XP, GE_XPE, 10GE_XPE, and OTU2_XP) or ADM-10G card to detect possible performance problems. Transponder cards include the TXP_MR_10G, TXP_MR_10E, TXP_MR_10EX_C, TXP_MR_2.5G, TXPP_MR_2.5G, TXP_MR_10E_C, TXP_MR_10E_L. Muxponder cards include the MXP_MR_2.5G, MXPP_MR_2.5G, MXP_MR_10DMEX_C, MXP_MR_10DME_C., MXP_MR_10DME_L, MXP_2.5G_10G, MXP_2.5G_10E, MXP_2.5G_10EX_C, MXP_2.5G_10E_C, MXP_2.5G_10E_L, and 40G-MXP-C.
Tools/Equipment	None
Prerequisite Procedures	Before you monitor performance, be sure you have created the appropriate circuits and provisioned the card according to your specifications. For more information, see Chapter 8, “Create Circuits and Provisionable Patchcords,” Chapter 6, “Provision Transponder and Muxponder Cards,” or Chapter 12, “Change DWDM Card Settings.”
Required/As Needed	As needed
Onsite/Remote	Onsite or remote
Security Level	Retrieve or higher

Step 1 Complete the “[DLP-G46 Log into CTC](#)” task on page 3-30 at the node that you want to monitor. If you are already logged in, continue with Step 2.



Note

To view optical transport network (OTN) PMs, the OTN parameters must be enabled. For more information, see [Chapter 6, “Provision Transponder and Muxponder Cards.”](#)

- Step 2** Complete the following tasks as needed to view PM parameters:
- [DLP-G390 View Ethernet Statistic PM Parameters for GE_XP, 10GE_XP, GE_XPE, and 10GE_XPE Cards](#), page 9-27
 - [DLP-G391 View Ethernet Utilization PM Parameters for GE_XP, 10GE_XP, GE_XPE, and 10GE_XPE Cards](#), page 9-28
 - [DLP-G392 View Ethernet History PM Parameters for GE_XP, 10GE_XP, GE_XPE, and 10GE_XPE Cards](#), page 9-28
 - [DLP-G393 Refresh Ethernet PM Counts at a Different Time Interval for GE_XP, 10GE_XP, GE_XPE, and 10GE_XPE Cards](#), page 9-29
 - [DLP-G146 View Optics PM Parameters](#), page 9-30
 - [DLP-G147 View Payload PM Parameters](#), page 9-30
 - [DLP-G148 View OTN PM Parameters](#), page 9-32
 - [DLP-G149 View Payload Statistics PM Parameters](#), page 9-33
 - [DLP-G150 View Payload Utilization PM Parameters](#), page 9-33
 - [DLP-G151 View Payload History PM Parameters](#), page 9-34

- [DLP-G152 View Payload SONET/SDH PM Parameters, page 9-35](#)



Note To refresh, reset, or clear PM counts, see the “[NTP-G73 Change the PM Display](#)” procedure on [page 9-2](#).

Stop. You have completed this procedure.

DLP-G390 View Ethernet Statistic PM Parameters for GE_XP, 10GE_XP, GE_XPE, and 10GE_XPE Cards

Purpose	This task enables you to view current statistical PM counts on GE_XP, 10GE_XP, GE_XPE, and 10GE_XPE cards and ports to detect possible performance problems.
Tools/Equipment	None
Prerequisite Procedures	DLP-G46 Log into CTC, page 3-30
Required/As Needed	As needed
Onsite/Remote	Onsite or remote
Security Level	Retrieve or higher

- Step 1** In node view (single-shelf mode), or shelf view (multishelf mode), double-click the GE_XP, 10GE_XP, GE_XPE, or 10GE_XPE card where you want to view the Ethernet statistics. The card view appears.
- Step 2** Click the **Performance > Ether Ports > Statistics** tabs.
- Step 3** Click **Refresh**. Performance monitoring statistics for each port on the card appear.
- Step 4** View the PM parameter names appear in the Param column. The current PM parameter values appear in the Port # columns. For PM parameter definitions, refer to the “Performance Monitoring” chapter in the *Cisco ONS 15454 DWDM Reference Manual*.



Note To refresh, reset, or clear PM counts, see the “[NTP-G73 Change the PM Display](#)” procedure on [page 9-2](#).

- Step 5** Return to your originating procedure (NTP).

DLP-G391 View Ethernet Utilization PM Parameters for GE_XP, 10GE_XP, GE_XPE, and 10GE_XPE Cards

Purpose	This task enables you to view line utilization PM counts on GE_XP, 10GE_XP, GE_XPE, and 10GE_XPE cards and ports to detect possible performance problems.
Tools/Equipment	None
Prerequisite Procedures	DLP-G46 Log into CTC, page 3-30
Required/As Needed	As needed
Onsite/Remote	Onsite or remote
Security Level	Retrieve or higher

-
- Step 1** In node view, double-click the GE_XP, 10GE_XP, GE_XPE, or 10GE_XPE card where you want to view the Ethernet utilization. The card view appears.
- Step 2** Click the **Performance > Ether Ports > Utilization** tabs.
- Step 3** Click **Refresh**. The utilization percentages for each port on the card appear.
- Step 4** View the Port # column to find the port you want to monitor.

The transmit (Tx) and receive (Rx) bandwidth utilization values for the previous time intervals appear in the Prev-*n* columns. For PM parameter definitions, refer to the “Performance Monitoring” chapter in the *Cisco ONS 15454 DWDM Reference Manual*.



Note To refresh, reset, or clear PM counts, see the “[NTP-G73 Change the PM Display](#)” procedure on [page 9-2](#).

- Step 5** Return to your originating procedure (NTP).
-

DLP-G392 View Ethernet History PM Parameters for GE_XP, 10GE_XP, GE_XPE, and 10GE_XPE Cards

Purpose	This task enables you to view historical PM counts at selected time intervals on GE_XP, 10GE_XP, GE_XPE, and 10GE_XPE cards and ports to detect possible performance problems.
Tools/Equipment	None
Prerequisite Procedures	DLP-G46 Log into CTC, page 3-30
Required/As Needed	As needed
Onsite/Remote	Onsite or remote
Security Level	Retrieve or higher

-
- Step 1** In node view (single-shelf mode), or shelf view (multishelf mode), double-click the GE_XP, 10GE_XP, GE_XPE, and 10GE_XPE card where you want to view the Ethernet history PM data. The card view appears.
- Step 2** Click the **Performance > Ether Ports > History** tabs.
- Step 3** Click **Refresh**. Performance monitoring statistics for each port on the card appear.
- Step 4** View the PM parameter names that appear in the Param column. The PM parameter values appear in the Prev-*n* columns. For PM parameter definitions, refer to the “Performance Monitoring” chapter in the *Cisco ONS 15454 DWDM Reference Manual*.



Note To refresh, reset, or clear PM counts, see the “[NTP-G73 Change the PM Display](#)” procedure on [page 9-2](#).

- Step 5** Return to your originating procedure (NTP).
-

DLP-G393 Refresh Ethernet PM Counts at a Different Time Interval for GE_XP, 10GE_XP, GE_XPE, and 10GE_XPE Cards

Purpose	This task changes the window view to display specified PM counts in time intervals depending on the interval option selected for GE_XP, 10GE_XP, GE_XPE, and 10GE_XPE cards.
Tools/Equipment	None
Prerequisite Procedures	DLP-G46 Log into CTC , page 3-30
Required/As Needed	As needed
Onsite/Remote	Onsite or remote
Security Level	Retrieve or higher

-
- Step 1** In node view (single-shelf mode), or shelf view (multishelf mode), double-click the GE_XP, 10GE_XP, GE_XPE, or 10GE_XPE card where you want to view PM counts. The card view appears.
- Step 2** Click the **Performance** tab.
- Step 3** Click the **Ether Ports > Utilization** or the **Ether Ports > History** tabs.
- Step 4** From the Interval drop-down list, choose one of four options:
- **1 min**: This option shows the specified PM counts in one-minute time intervals.
 - **15 min**: This option shows the specified PM counts in 15-minute time intervals.
 - **1 hour**: This option shows the specified PM counts in one-hour time intervals.
 - **1 day**: This option shows the specified PM counts in one-day (24 hours) time intervals.
- Step 5** Click **Refresh**. The PM counts refresh with values based on the selected time interval.
- Step 6** Return to your originating procedure (NTP).
-

DLP-G146 View Optics PM Parameters

Purpose	This task enables you to view the optics PM counts on transponder cards (TXP_MR_10G, TXP_MR_2.5G, TXPP_MR_2.5G, TXP_MR_10E, TXP_MR_10E_C, TXP_MR_10E_L, TXP_MR_10EX_C), muxponder cards (MXP_2.5G_10E, MXP_2.5G_10E_C, MXP_2.5G_10E_L, MXP_2.5G_10EX_C, MXP_MR_2.5G, MXPP_MR_2.5G, MXP_2.5G_10G, MXP_MR_10DME_C, MXP_MR_10DME_L, MXP_MR_10DMEX_C, 40G-MXP-C), ADM-10G, or OTU2_XP cards to detect possible performance problems.
Tools/Equipment	None
Prerequisite Procedures	DLP-G46 Log into CTC, page 3-30
Required/As Needed	As needed
Onsite/Remote	Onsite or remote
Security Level	Retrieve or higher

-
- Step 1** In node view (single-shelf mode), or shelf view (multishelf mode), double-click the transponder or muxponder card where you want to view PM counts. The card view appears.
- Step 2** Click the **Performance > Optics PM > Historical PM** tabs.
- Step 3** View the PM parameter names that appear in the Param column of the Current Values and History PM tabs. The PM parameter values appear in the Curr (current) and Prev-*n* (previous) columns. For PM parameter definitions, refer to the “Performance Monitoring” chapter in the *Cisco ONS 15454 DWDM Reference Manual*.
- Step 4** Return to your originating procedure (NTP).
-

DLP-G147 View Payload PM Parameters

Purpose	This task enables you to view the payload PM counts on a transponder cards (TXP_MR_10G, TXP_MR_2.5G, TXPP_MR_2.5G, TXP_MR_10E, TXP_MR_10E_C, TXP_MR_10E_L, TXP_MR_10EX_C), muxponder cards (MXP_2.5G_10E, MXP_2.5G_10E_C, MXP_2.5G_10E_L, MXP_MR_2.5G, MXP_2.5G_10EX_C, MXPP_MR_2.5G, MXP_2.5G_10G, MXP_MR_10DME_C, MXP_MR_10DME_L, MXP_MR_10DMEX_C, 40G-MXP-C), ADM-10G, or OTU2_XP cards to detect possible performance problems.
Tools/Equipment	None
Prerequisite Procedures	DLP-G46 Log into CTC, page 3-30
Required/As Needed	As needed
Onsite/Remote	Onsite or remote
Security Level	Retrieve or higher

-
- Step 1** In node view (single-shelf mode), or shelf view (multishelf mode), double-click the transponder or muxponder card where you want to view PM counts. The card view appears.
- Step 2** Click the **Performance > Payload PM** tabs.
- Step 3** Go to any of the tabs, subtabs, or ports (found in the Ports drop-down list where available) for the card where you want to view the payload PM parameters by clicking on the desired subtab, and choosing the port from the Port drop-down list.
- Step 4** View the PM parameter names that appear in the Param column of the SONET (or SDH), Utilization, Statistics, and History tabs. The PM parameter values appear in the Curr (or current), and Prev-*n* (previous) columns. For PM parameter definitions, refer to the “Performance Monitoring” chapter in the *Cisco ONS 15454 DWDM Reference Manual*.



Note The payload PMs for data parameters can be viewed only after creating a pluggable port module (PPM). See the “[NTP-G128 Manage Pluggable Port Modules](#)” procedure on page 6-3 for more information about PPMs.



Note The PM parameters that appear depend on the data payload and framing type provisioned on the port. Unframed data payloads such as Enterprise System Connection (ESCON), DV6000, DSI/D1 video, and high-definition television (HDTV) do not provide payload PM information. The PM parameters that appear also depend on the PPM payload configured. The TXP_MR_10E card supports OC-192/STM-64, 10GE, 10G FC payloads; the MXP_2.5G_10G and MXP_2.5G_10E cards support the OC48/STM16 payload; the MXP_MR_2.5G and MXPP_MR_2.5G cards support the 1G FC, 2G FC, 1G FICON, 2G FICON, and 1GE payloads; the ADM-10G card supports the OC-3/STM-1, OC-12/STM-4, OC-48/STM-16, 1GIGE payloads on client ports and the OC-192/STM-64 payloads on trunk ports; the OTU2_XP card supports the OC-192/STM-64, 10GE, and 10G FC payloads.

- Step 5** Return to your originating procedure (NTP).
-

DLP-G148 View OTN PM Parameters

Purpose	This task enables you to view node near-end or far-end OTN PM parameters during selected time intervals on a TXP, MXP, or Xponder card to detect possible performance problems. Cards include: TXP_MR_10G, TXP_MR_2.5G, TXPP_MR_2.5G, TXP_MR_10E, TXP_MR_10E_C, TXP_MR_10E_L, TXP_MR_10EX_CMXP_MR_10DME_C, MXP_MR_10DME_L, MXP_MR_10DMEX_C, MXP_2.5G_10E, MXP_2.5G_10EX_C, MXP_MR_2.5G, MXPP_MR_2.5G, MXP_2.5G_10G, MXP_2.5G_10E_C, MXP_2.5G_10E_L, 40G-MXP-C, GE_XP, 10GE_XP, GE_XPE, 10GE_XPE, ADM-10G, and OTU2_XP.
Tools/Equipment	None
Prerequisite Procedures	<p>DLP-G46 Log into CTC, page 3-30</p> <p>ITU-T G.709 and FEC must be enabled using one of the following tasks:</p> <ul style="list-style-type: none"> • DLP-G234 Change the 2.5G Multirate Transponder OTN Settings, page 6-45 • DLP-G221 Change the 10G Multirate Transponder OTN Settings, page 6-69 • DLP-G228 Change the 4x2.5G Muxponder Line OTN Settings, page 6-115 • DLP-G366 Change the 10G Data Muxponder OTN Settings, page 6-157 • DLP-G389 Change the Gigabit Ethernet Optical Transport Network Settings, page 6-258 • DLP-G389 Change the Gigabit Ethernet Optical Transport Network Settings, page 6-258 • DLP-G402 Change the ADM-10G OTN Settings, page 6-93 • DLP-G458 Change the OTU2_XP OTN Settings, page 6-278
Required/As Needed	As needed
Onsite/Remote	Onsite or remote
Security Level	Retrieve or higher

-
- Step 1** In node view (single-shelf mode), or shelf view (multishelf mode), double-click the TXP or MXP card where you want to view PM counts. The card view appears.
- Step 2** Click the **Performance > OTN PM > ITU-T G.709 PM** tabs.
- Step 3** View the PM parameter names that appear in the Param column. The PM parameter values appear in the Curr (current) and Prev-*n* (previous) columns. For PM parameter definitions, refer to the “Performance Monitoring” chapter in the *Cisco ONS 15454 DWDM Reference Manual*.
- Step 4** Click the **FEC PM** tab.
- Step 5** View the PM parameter names that appear in the Param column. The PM parameter values appear in the Curr (current) and Prev-*n* (previous) columns. For PM parameter definitions, refer to the “Performance Monitoring” chapter in the *Cisco ONS 15454 DWDM Reference Manual*.

Step 6 Return to your originating procedure (NTP).

DLP-G149 View Payload Statistics PM Parameters

Purpose	This task enables you to view current statistical PM counts on an MXP_MR_2.5G or MXPP_MR_2.5G card and port to detect possible performance problems.
Tools/Equipment	None
Prerequisite Procedures	DLP-G46 Log into CTC, page 3-30
Required/As Needed	As needed
Onsite/Remote	Onsite or remote
Security Level	Retrieve or higher

Step 1 In node view (single-shelf mode), or shelf view (multishelf mode), double-click the MXP_MR_2.5G or MXPP_MR_2.5G card where you want to view PM counts. The card view appears.

Step 2 Click the **Performance > Payload PM > Statistics** tabs.

Step 3 Click **Refresh**. PM statistics appear for each port on the card.

Step 4 View the PM parameter names that appear in the Param column. The current PM parameter values appear in the Port # columns. For PM parameter definitions, refer to the “Performance Monitoring” chapter in the *Cisco ONS 15454 DWDM Reference Manual*.



Note To refresh, reset, or clear PM counts, see the “[NTP-G73 Change the PM Display](#)” procedure on [page 9-2](#).

Step 5 Return to your originating procedure (NTP).

DLP-G150 View Payload Utilization PM Parameters

Purpose	This task enables you to view line utilization PM counts on an MXP_MR_2.5G or MXPP_MR_2.5G card and port to detect possible performance problems.
Tools/Equipment	None
Prerequisite Procedures	DLP-G46 Log into CTC, page 3-30
Required/As Needed	As needed
Onsite/Remote	Onsite or remote
Security Level	Retrieve or higher

Step 1 In node view (single-shelf mode), or shelf view (multishelf mode), double-click the MXP_MR_2.5G or MXPP_MR_2.5G card where you want to view PM counts. The card view appears.

- Step 2** Click the **Performance > Payload PM > Utilization** tabs.
- Step 3** Click **Refresh**. PM utilization values appear for each port on the card.
- Step 4** View the appropriate row for the port you want to monitor.
- Step 5** The transmit (Tx) and receive (Rx) bandwidth utilization values for the previous time intervals appear in the Prev-*n* columns. For PM parameter definitions, refer to the “Performance Monitoring” chapter in the *Cisco ONS 15454 DWDM Reference Manual*.



Note To refresh, reset, or clear PM counts, see the “NTP-G73 Change the PM Display” procedure on page 9-2.

- Step 6** Return to your originating procedure (NTP).

DLP-G151 View Payload History PM Parameters

Purpose	This task enables you to view historical PM counts at selected time intervals on an MXP_MR_2.5G or MXPP_MR_2.5G card and port to detect possible performance problems.
Tools/Equipment	None
Prerequisite Procedures	DLP-G46 Log into CTC, page 3-30
Required/As Needed	As needed
Onsite/Remote	Onsite or remote
Security Level	Retrieve or higher

- Step 1** In node view (single-shelf mode), or shelf view (multishelf mode), double-click the MXP_MR_2.5G or MXPP_MR_2.5G card where you want to view PM counts. The card view appears.
- Step 2** Click the **Performance > Payload PM > History** tabs.
- Step 3** Select the desired port from the Port drop-down list.
- Step 4** Click **Refresh**. PM statistics appear for the selected port.
- Step 5** View the PM parameter names that appear in the Param column. The PM parameter values appear in the Prev-*n* columns. For PM parameter definitions, refer to the “Performance Monitoring” chapter in the *Cisco ONS 15454 DWDM Reference Manual*.



Note To refresh, reset, or clear PM counts, see the “NTP-G73 Change the PM Display” procedure on page 9-2.

- Step 6** Return to your originating procedure (NTP).

DLP-G152 View Payload SONET/SDH PM Parameters

Purpose	This task enables you to view SONET/SDH PM counts at selected time intervals on an MXP_MR_2.5G or MXPP_MR_2.5G card and port to detect possible performance problems.
Tools/Equipment	None
Prerequisite Procedures	DLP-G46 Log into CTC, page 3-30
Required/As Needed	As needed
Onsite/Remote	Onsite or remote
Security Level	Retrieve or higher

-
- Step 1** In node view (single-shelf mode), or shelf view (multishelf mode), double-click the MXP_MR_2.5G or MXPP_MR_2.5G card where you want to view PM counts. The card view appears.
- Step 2** Click the **Performance > Payload PM > SONET** or **SDH** tabs.
- Step 3** Click **Refresh**. PM statistics appear for the selected port.
- Step 4** View the PM parameter names that appear in the Param column. The PM parameter values appear in the Prev-*n* columns. For PM parameter definitions, refer to the “Performance Monitoring” chapter in the *Cisco ONS 15454 DWDM Reference Manual*.



Note The MXP_MR_2.5G and MXPP_MR_2.5G cards support only the OC48/STM16 payload. Each payload has a set of PM parameters.



Note To refresh, reset, or clear PM counts, see the “[NTP-G73 Change the PM Display](#)” procedure on [page 9-2](#).

- Step 5** Return to your originating procedure (NTP).
-

NTP-G193 Enable or Disable AutoPM

Purpose	This procedure allows you to enable or disable automatic autonomous performance monitoring (AutoPM) reports.
Tools/Equipment	None
Prerequisite Procedures	None
Required/As Needed	As needed
Onsite/Remote	Onsite or remote
Security Level	Provisioning or higher

-
- Step 1** Complete the [DLP-G46 Log into CTC, page 3-30](#). If you are already logged in, continue with Step 2.
- Step 2** Click the **Provisioning > Defaults** tabs.

- Step 3** In the Defaults Selector area, click **NODE > General** and choose **NODE.general.AutoPM**.
- Step 4** In the Default Value field, select **True** to enable AutoPM.
- Step 5** Click **Apply**.
- Step 6** Follow Steps 1 through 5 to disable AutoPM. Select **False** in the Default Value field in Step 4 before proceeding to Step 5.

Stop. You have completed this procedure.



CHAPTER 10

Manage Alarms

**Note**

The terms "Unidirectional Path Switched Ring" and "UPSR" may appear in Cisco literature. These terms do not refer to using Cisco ONS 15xxx products in a unidirectional path switched ring configuration. Rather, these terms, as well as "Path Protected Mesh Network" and "PPMN," refer generally to Cisco's path protection feature, which may be used in any topological network configuration. Cisco does not recommend using its path protection feature in any particular topological network configuration.

This chapter contains the procedures for viewing and managing the alarms and conditions on a Cisco ONS 15454.

Cisco Transport Controller (CTC) detects and reports alarms generated by the Cisco ONS 15454 and the Optical Networking System (ONS) network. You can use CTC to monitor and manage alarms at card, node, or network level. You can also view alarm counts on the LCD front panel.

**Note**

The procedures and tasks described in this chapter for the Cisco ONS 15454 platform is applicable to the Cisco ONS 15454 M2 and Cisco ONS 15454 M6 platforms, unless noted otherwise.

**Note**

Unless otherwise specified, "ONS 15454" refers to both ANSI and ETSI shelf assemblies.

Before You Begin

This section lists the chapter procedures (NTPs). Turn to a procedure for applicable tasks (DLPs).

1. [NTP-G63 Document Existing Provisioning, page 10-2](#)—Complete this procedure as needed to print or export node data.
2. [NTP-G64 View Alarms, History, Events, and Conditions, page 10-6](#)—Complete this procedure as needed to see alarms and conditions occurring on the node and a complete history of alarm and condition messages.
3. [NTP-G65 Delete Cleared Alarms from Display, page 10-14](#)—Complete this procedure as needed to delete cleared alarm information.
4. [NTP-G66 View Alarm-Affected Circuits, page 10-15](#)—Complete this procedure as needed to find circuits that are affected by a particular alarm or condition.
5. [NTP-G67 View Alarm Counts on the LCD for a Node, Shelf, Slot, or Port, page 10-15](#)—Complete this procedure as needed to see a statistical count of alarms that have occurred for a slot or port.

6. [NTP-G68 Create, Download, and Assign Alarm Severity Profiles, page 10-17](#)—Complete this procedure as needed to change the default severity for certain alarms, to assign the new severities to a port, card, or node, and to delete alarm profiles.
7. [NTP-G69 Enable, Modify, or Disable Alarm Severity Filtering, page 10-24](#)—Complete this procedure as needed to enable, disable, or modify alarm severity filtering in the Conditions, Alarms, or History screens at the node or network level.
8. [NTP-G70 Suppress Alarms or Discontinue Alarm Suppression, page 10-27](#)—Complete this procedure as needed to suppress reported alarms at the port, card, or node level and to disable the suppress command to resume normal alarm reporting.
9. [NTP-G72 Provision External Alarms and Controls on the Alarm Interface Controller-International Card, page 10-30](#)—Complete this procedure as needed to provision external alarms and controls on the Alarm Interface Controller-International (AIC-I) card.
10. [NTP-G277 Provision Alarms and Controls on the TNC or TSC Card, page 10-32](#) —Complete this procedure as needed to provision external alarms and controls on the TNC or TSC card.

NTP-G63 Document Existing Provisioning

Purpose	Use this procedure to document existing provisioning by printing or exporting card, node, or network CTC information. You can export information as delineated text files to other applications. This procedure is useful for network record keeping and troubleshooting.
Tools/Equipment	A printer connected to the CTC computer by a direct or network connection
Prerequisite Procedures	Chapter 4, “Turn Up a Node”
Required/As needed	As needed
Onsite/Remote	Onsite or remote
Security Level	Retrieve or higher

Step 1 Complete the [“DLP-G46 Log into CTC” task on page 3-30](#) at the node where you want to print or export data. If you are already logged in, continue with [Step 2](#).

Step 2 As needed, complete the [“DLP-G113 Print CTC Data” task on page 10-3](#).

Step 3 As needed, complete the [“DLP-G114 Export CTC Data” task on page 10-4](#).

Stop. You have completed this procedure.

DLP-G113 Print CTC Data

Purpose	This task prints CTC card, node, or network data in graphical or tabular format on a Windows-provisioned printer.
Tools/Equipment	Printer connected to the CTC computer by a direct or network connection
Prerequisite procedures	DLP-G46 Log into CTC, page 3-30
Required/As needed	As needed
Onsite/Remote	Onsite or remote
Security Level	Retrieve or higher

-
- Step 1** Click the tab (and subtab, if present) containing the information you want to print. For example, click the **Alarms** tab to print Alarms window data.
- The print operation is available for all network, node, and card view windows.
- Step 2** From the **File** menu choose **Print**. The Print dialog box appears.
- Step 3** In the Print dialog box, click a printing option:
- Entire Frame—Prints the entire CTC window including the graphical view of the card, node, or network. This option is available for all windows.
 - Tabbed View—Prints the lower half of the CTC window containing tabs and data. The printout includes the selected tab (on top) and the data shown in the tab window. For example, if you print the History window Tabbed View, you print only history items appearing in the window. This option is available for all windows.
 - Table Contents—Prints CTC data in table format without graphical representations of shelves, cards, or tabs. This option applies to all windows except:
 - Node view (single-shelf mode) or multishelf view (multishelf mode) Provisioning > General > General, Multishelf Config, and Power Monitor windows
 - Node view (single-shelf mode) or multishelf view (multishelf mode) Provisioning > Network > General window
 - Node view (single-shelf mode) or multishelf view (multishelf mode) Provisioning > Security > Policy, Access, Data Comm, and Legal Disclaimer windows
 - Node view (single-shelf mode) or multishelf view (multishelf mode) Provisioning > SNMP window
 - Node view (single-shelf mode) or shelf view (multishelf mode) Provisioning > Timing window > General and BITS Facilities windows
 - Node view (single-shelf mode) or multishelf view (multishelf mode) Provisioning > OSI > Main Setup window
 - Node view (single-shelf mode) or multishelf view (multishelf mode) Provisioning > OSI > TARP > Config window
 - Node view (single-shelf mode) or multishelf view (multishelf mode) Provisioning > Comm Channels > LMP > General window
 - Node view (single-shelf mode) or multishelf view (multishelf mode) Provisioning > WDM-ANS > Node Setup window
 - Node view (single-shelf mode) or shelf view (multishelf mode) Maintenance > Overhead XConnect window

- Node view (single-shelf mode) or multishelf view (multishelf mode) Maintenance > Database window
- Node view (single-shelf mode), multishelf view (multishelf mode), or shelf view (multishelf mode) Maintenance > Diagnostic window
- Node view (single-shelf mode) or shelf view (multishelf mode) Maintenance > Protection window
- Node view (single-shelf mode) or shelf view (multishelf mode) Maintenance > Timing > Source window
- Node view (single-shelf mode) or shelf view (multishelf mode) Maintenance > DWDM > ROADM Power Monitoring window

The Table Contents option prints all the data contained in a table and the table column headings. For example, if you print the History window Table Contents view, you print all data included in the table whether or not items appear in the window.



Tip When you print using the Tabbed View option, it can be difficult to distinguish whether the printout applies to the network, node, or card view. To determine the view, compare the tabs on the printout. The network, node, and card views are identical except that network view does not contain an Inventory tab or Performance tab.

- Step 4** Click **OK**.
- Step 5** In the Windows Print dialog box, click a printer and click **OK**.
- Step 6** Repeat this task for each window that you want to print.
- Step 7** Return to your originating procedure (NTP).

DLP-G114 Export CTC Data

Purpose	This task exports CTC table data as delineated text to view or edit the data in text editor, word processing, spreadsheet, database management, or web browser applications.
Tools/Equipment	None
Prerequisite procedures	DLP-G46 Log into CTC, page 3-30
Required/As needed	As needed
Onsite/Remote	Onsite or remote
Security Level	Retrieve or higher

- Step 1** Click the tab containing the information you want to export (for example, the Alarms tab or the Circuits tab).
- Step 2** If you want to export detailed circuit information, complete the following:
 - a. In the Circuits window, choose a circuit and click **Edit** to open it in the Edit Circuits window.
 - b. In the Edit Circuits window, choose the desired tab: Drops, Path Protection/SNCP Selectors, Path Protection/SNCP Switch Counts, State, or Merge.



Note Depending upon your configuration, you may or may not see all of the above tabs when you click Edit.

Step 3 Choose **Export** from the File menu. The Export dialog box appears.

Step 4 In the Export dialog box, click a data format:

- As HTML—Saves data as a simple HTML table file without graphics. The file must be viewed or edited with applications such as Microsoft Internet Explorer or other applications capable of opening HTML files.
- As CSV—Saves the CTC table as comma-separated values (CSV). This option does not apply to the Node view (single-shelf mode) or shelf view (multishelf mode) Maintenance > Timing > Report window.
- As TSV—Saves the CTC table as tab-separated values (TSV).

Step 5 If you want to open a file in a text editor or word processor application, procedures will vary. Typically, you can use the File > Open command to view the CTC data, or you can double-click the file name and choose an application such as Notepad.

Text editor and word processor applications format the data exactly as it is exported, including comma or tab separators. All applications that open the data files allow you to format the data.

Step 6 If you want to open the file in spreadsheet and database management applications, procedures will vary. Typically, you need to open the application and choose File > Import, then choose a delimited file to format the data in cells.

Spreadsheet and database management programs also allow you to manage the exported data.



Note An exported file cannot be opened in CTC.

The export operation applies to all tabular data except:

- Node view (single-shelf mode) or multishelf view (multishelf mode) Provisioning > General > General, Multishelf Config, and Power Monitor windows
- Node view (single-shelf mode) or multishelf view (multishelf mode) Provisioning > Network > General window
- Node view (single-shelf mode) or multishelf view (multishelf mode) Provisioning > Security > Policy, Access, Data Comm, and Legal Disclaimer windows
- Provisioning > SNMP window
- Node view (single-shelf mode) or shelf view (multishelf mode) Provisioning > Timing > General and BITS Facilities windows
- Node view (single-shelf mode) or multishelf view (multishelf mode) Provisioning > OSI > Main Setup window
- Node view (single-shelf mode) or multishelf view (multishelf mode) Provisioning > OSI > TARP > Config window
- Node view (single-shelf mode) or multishelf view (multishelf mode) Provisioning > WDM-ANS > Node Setup window
- Node view (single-shelf mode) or multishelf view (multishelf mode) Provisioning > Comm Channels > LMP > General window

- Node view (single-shelf mode) or shelf view (multishelf mode) Maintenance > Overhead XConnect window
- Node view (single-shelf mode) or multishelf view (multishelf mode) Maintenance > Database window
- Node view (single-shelf mode), multishelf view (multishelf mode), or shelf view (multishelf mode) Maintenance > Diagnostic window
- Node view (single-shelf mode) or shelf view (multishelf mode) Maintenance > Protection window
- Node view (single-shelf mode) or shelf view (multishelf mode) Maintenance > Timing > Source windows
- Node view (single-shelf mode) or multishelf view (multishelf mode) Maintenance > DWDM > ROADM Power Monitoring window [ETSI only]

Step 7 Click **OK**.

Step 8 In the Save dialog box, enter a name in the File name field using one of the following formats:

- *filename.html* for HTML files
- *filename.csv* for CSV files
- *filename.tsv* for TSV files

Step 9 Navigate to a directory where you want to store the file.

Step 10 Click **Save**.

Step 11 Repeat the task for each window that you want to export.

Step 12 Return to your originating procedure (NTP).

NTP-G64 View Alarms, History, Events, and Conditions

Purpose	Use this procedure to view current or historical alarms and conditions for a card, node, or network. This information is useful for monitoring and troubleshooting hardware and software events.
Tools/Equipment	None
Prerequisite Procedures	Chapter 3, “Connect the PC and Log into the GUI”
Required/As Needed	As needed
Onsite/Remote	Onsite or remote
Security Level	Provisioning or higher

Step 1 Complete the [“DLP-G46 Log into CTC” task on page 3-30](#). If you are already logged in, continue with Step 2.

Step 2 Complete the [“DLP-G115 View Alarms” task on page 10-7](#) as needed.

Step 3 Complete the [“DLP-G116 View Alarm or Event History” task on page 10-8](#) as needed.

Step 4 Complete the [“DLP-G117 Change the Maximum Number of Session Entries for Alarm History” task on page 10-10](#) as needed.

Step 5 Complete the [“DLP-G118 Display Alarms and Conditions Using Time Zone” task on page 10-11](#) as needed.

Step 6 Complete the “DLP-G119 Synchronize Alarms” task on page 10-12 as needed.

Step 7 Complete the “DLP-G120 View Conditions” task on page 10-12 as needed.

Stop. You have completed this procedure.

DLP-G115 View Alarms

Purpose	Use this task to view current alarms on a card, node, or network.
Tools/Equipment	None
Prerequisite Procedures	DLP-G46 Log into CTC, page 3-30
Required/As Needed	As needed
Onsite/Remote	Onsite or remote
Security Level	Provisioning or higher

Step 1 In card, node (single-shelf mode) or shelf view (multishelf mode), or network view, click the **Alarms** tab to view the alarms for that card, node, shelf, or network.

[Table 10-1](#) describes the columns in the Alarms window.

Table 10-1 Alarm Column Descriptions

Column	Information Recorded
Num	Sequence number of the original alarm.
Ref	Reference number of the original alarm.
New	Indicates a new alarm; to change this status, click either the Synchronize button or the Delete Cleared Alarms button.
Date	Date and time of the alarm.
Node	(Network view only) The name of the node where the alarm occurred.
Shelf	(Multishelf mode, multishelf view only) The number of the shelf where the alarm occurred.
Object	TL1 access identifier (AID) for the alarmed object; for an STSmon or VTmon, this is the monitored synchronous transport signal (STS) or Virtual Tributary (VT).
Eqpt Type	If an alarm is raised on a card, the card type in this slot.
Slot	If an alarm is raised on a card, the slot where the alarm occurred (appears only in network and node view (single-shelf mode) or shelf view (multishelf view)).
Port	If an alarm is raised on a card, the port where the alarm is raised; for STSTerm and VTTerm, the port refers to the upstream card it is partnered with.
Path Width	Indicates how many STSs are contained in the alarmed path. This information complements the alarm object notation, which is explained in the <i>Cisco ONS 15454 DWDM Troubleshooting Guide</i> .
Sev	Severity level: CR (Critical), MJ (Major), MN (minor), NA (Not Alarmed), NR (Not Reported).
ST	Status: R (raised), C (clear), T (transient).

Table 10-1 Alarm Column Descriptions (continued)

Column	Information Recorded
SA	When checked, indicates a service-affecting alarm.
Cond	The error message/alarm name; these names are alphabetically defined in the <i>Cisco ONS 15454 Troubleshooting DWDM Guide</i> .
Description	Description of the alarm.
Wavelength	The channel wavelength the alarm is related to. It is applicable to OCH port only.
Direction	—
Location	Indicates if an alarm is local to the interface (NE = Near End) or is propagated from remote (FE = Far End).

Table 10-2 lists the color codes for node alarm and condition severities.

Table 10-2 Color Codes for Node Alarms and Condition Severities

Color	Description
Red	Raised Critical (CR) alarm
Orange	Raised Major (MJ) alarm
Yellow	Raised Minor (MN) alarm
Magenta (pink)	Raised Not Alarmed (NA) condition
Blue	Raised Not Reported (NR) condition
White	Cleared (C) alarm or condition

- Step 2** If alarms are present, refer to the *Cisco ONS 15454 DWDM Troubleshooting Guide* for information and troubleshooting procedures.
- Step 3** Return to your originating procedure (NTP).

DLP-G116 View Alarm or Event History

Purpose	This task is used to view past cleared and uncleared ONS 15454 alarm messages at the card, node, or network level. This task is useful for troubleshooting configuration, traffic, or connectivity issues that are indicated by alarms.
Tools/Equipment	None
Prerequisite Procedures	DLP-G46 Log into CTC, page 3-30
Required/As Needed	As needed
Onsite/Remote	Onsite or remote
Security Level	Retrieve or higher

Step 1 Decide whether you want to view the alarm message history at the Network, node (single-shelf mode), multishelf (multishelf mode), shelf (multishelf mode), or card level.

Step 2 To view alarm history for a single-shelf node:

- a. In node view, click the **History > Session** tabs to view the alarms and conditions (events) raised during the current session.
- b. Click the **History > Shelf** tabs.
If you check the **Alarms** check box, the node alarm history appears. If you check the **Events** check box, the node Not Alarmed and transient event history appears. If you check both check boxes, you will retrieve shelf history for alarms and events.
- c. Click **Retrieve** to view all available messages for the History > Shelf tab.



Note Alarms can be unreported when they are filtered out of the display using the Filter button in either tab. See the [“DLP-G126 Enable Alarm Filtering” task on page 10-25](#) for information.



Tip Double-click an alarm in the alarm table or an event (condition) message in the history table to display the view that corresponds to the alarm message. For example, double-clicking a card alarm or event takes you to card view. In network view, double-clicking a node alarm or event takes you to node view.

Step 3 To view alarm history for a multishelf node:

- a. In multishelf view, click the **History > Session** tabs to view the alarms and conditions (events) raised during the current session for the multishelf.
- b. Click the **History > Node** tabs.
If you check the **Alarms** check box, the multishelf alarm history appears. If you check the **Events** check box, the multishelf Not Alarmed and transient event history appears. If you check both check boxes, you will retrieve the node history for alarms and events.
- c. Click **Retrieve** to view all available messages for the History > Node tab.

Step 4 To view alarm history for a shelf within a multishelf:

- a. In shelf view, click the **History > Session** tabs to view the alarms and conditions (events) raised during the current session for the shelf.
- b. Click the **History > Shelf** tabs.
If you check the **Alarms** check box, the shelf alarm history appears. If you check the **Events** check box, the shelf Not Alarmed and transient event history appears. If you check both check boxes, you will retrieve the shelf history for alarms and events.
- c. Click **Retrieve** to view all available messages for the History > Shelf tab.

Step 5 To view network alarm history:

- a. From the View menu, choose **Go to Network View**.
- b. Click the **History** tab.
Alarms and conditions (events) raised during the current session appear.

- Step 6** To view card alarm history:
- From the View menu, choose **Go to Network View**. Right-click the node with the card you wish to view and select **Open Node**.
 - If the node is a multishelf, double-click the shelf containing the card you want to view. If it is a single shelf, continue with Step c.
 - Double-click a card on the shelf graphic to open the card-level view. TCC2/TCC2P/TCC3/TSC cards do not have a card view.
 - Click the **History > Session** tabs to view the alarm messages raised during the current session.
 - Click the **History > Card** tabs to retrieve all available alarm messages for the card and click **Retrieve**.

If you check the **Alarms** check box, the node alarm history appears. If you check the **Events** check box, the Not Alarmed and transient event history appears. If you check both boxes, node history for both alarms and events appears.



Note The ONS 15454 can store up to 640 critical alarm messages, 640 major alarm messages, 640 minor alarm messages, and 640 condition messages. When any of these limits is reached, the ONS 15454 discards the oldest events in that category.

Raised and cleared alarm messages (and events, if selected) appear.

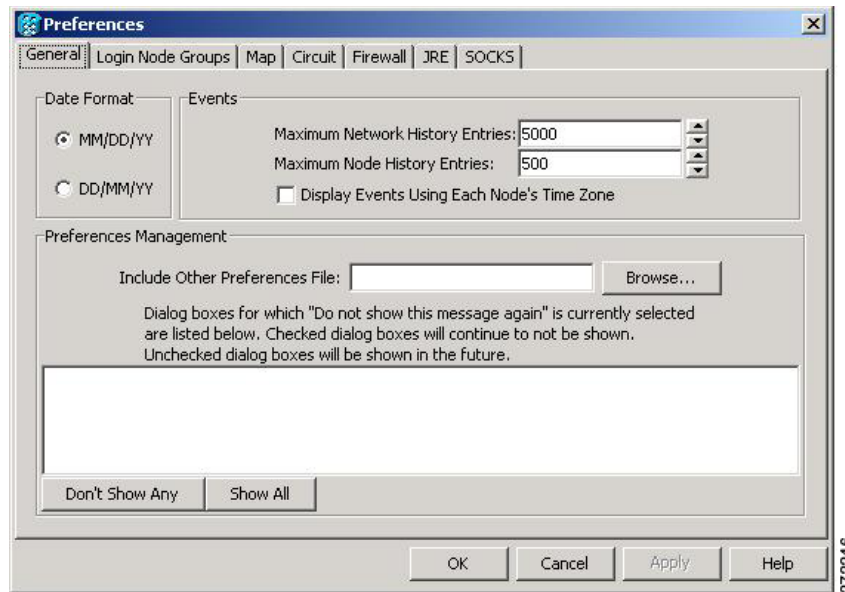
- Step 7** Return to your originating procedure (NTP).

DLP-G117 Change the Maximum Number of Session Entries for Alarm History

Purpose	This task changes the maximum number of session entries included in the alarm history. Use this task to expand the history list to save information for future reference or troubleshooting.
Tools/Equipment	None
Prerequisite Procedures	DLP-G46 Log into CTC, page 3-30
Required/As Needed	As needed
Onsite/Remote	Onsite or remote
Security Level	Provisioning or higher

- Step 1** From the CTC Edit menu, choose **Preferences**.
The CTC Preferences dialog box appears ([Figure 10-1](#)).

Figure 10-1 CTC Preferences Dialog Box



Step 2 Click the up or down arrow buttons next to the Maximum History Entries field to change the entry.

Step 3 Click **Apply** and **OK**.



Note Setting the Maximum History Entries value to the high end of the range uses more CTC memory and could impair CTC performance.



Note This task changes the maximum history entries recorded for CTC sessions. It does not affect the maximum number of history entries viewable for a network, node, or card.

Step 4 Return to your originating procedure (NTP).

DLP-G118 Display Alarms and Conditions Using Time Zone

Purpose	This task changes the time stamp for events to the time zone of the ONS node reporting the alarm. By default, the events time stamp is set to the time zone for the CTC workstation.
Tools/Equipment	None
Prerequisite Procedures	DLP-G46 Log into CTC, page 3-30
Required/As Needed	As needed
Onsite/Remote	Onsite or remote
Security Level	Provisioning or higher

Step 1 From the Edit menu, choose **Preferences**.

The CTC Preferences dialog box appears (Figure 10-1 on page 10-11).

- Step 2** Check the **Display Events Using Each Node's Time Zone** check box. The Apply button is enabled.
 - Step 3** Click **Apply** and **OK**.
 - Step 4** Return to your originating procedure (NTP).
-

DLP-G119 Synchronize Alarms

Purpose	This task is used to view ONS 15454 events at the card, node, or network level and to refresh the alarm listing so that you can check for new and cleared alarms and conditions.
Tools/Equipment	None
Prerequisite Procedures	DLP-G46 Log into CTC, page 3-30
Required/As Needed	As needed
Onsite/Remote	Onsite or remote
Security Level	Retrieve or higher

- Step 1** At card, node, or network view, click the **Alarms** tab.
- Step 2** Click **Synchronize**.

This button causes CTC to retrieve a current alarm summary for the card, node, or network. This step is optional because CTC updates the Alarms window automatically as raise/clear messages arrive from the node.



Note Alarms that have been raised during the session will have a check mark in the Alarms window New column. When you click Synchronize, the check mark disappears.

- Step 3** Return to your originating procedure (NTP).
-

DLP-G120 View Conditions

Purpose	This task is used to view conditions (events with a Not Reported [NR] severity) at the card, node, or network level. Conditions give you a clear record of changes or events that do not result in alarms.
Tools/Equipment	None
Prerequisite Procedures	DLP-G46 Log into CTC, page 3-30
Required/As Needed	As needed
Onsite/Remote	Onsite or remote
Security Level	Retrieve or higher

- Step 1** From card, node, or network view, click the **Conditions** tab.

Step 2 Click **Retrieve**.

The Retrieve button requests the current set of fault conditions from the node, card, or network. The window is not updated when events change on the node. You must click Retrieve to see any changes.

Conditions include all fault conditions raised on the node, whether or not they are reported.



Note Alarms and conditions can be unreported if they are filtered out of the display. See the [“DLP-G126 Enable Alarm Filtering” task on page 10-25](#) for information on filtering.

Events that are reported as Major (MJ), Minor (MN), or Critical (CR) severities are alarms. Events that are reported as Not Alarmed (NA) are conditions. Conditions that are not reported at all are marked Not Reported (NR) in the Conditions window severity column.

Conditions that have a default severity of Critical (CR), Major (MJ), Minor (MN), or Not Alarmed (NA) but are not reported due to exclusion or suppression are shown as NR in the Conditions window.



Note For more information about alarm suppression, see the [“DLP-G129 Suppress Alarm Reporting” task on page 10-28](#).

Current conditions are shown with the severity chosen in the alarm profile, if used. For more information about alarm profiles, see the [“NTP-G68 Create, Download, and Assign Alarm Severity Profiles” procedure on page 10-17](#).



Note When a port is placed in the Out-of-Service and Management, Maintenance (OOS-MA,MT) (ANSI) or Locked-enabled, maintenance (ETSI) service state, it raises an Alarms Suppressed for Maintenance (AS-MT) condition. For information about alarm and condition troubleshooting, refer to the *Cisco ONS 15454 DWDM Troubleshooting Guide*.

Step 3 If you want to apply exclusion rules, check the **Exclude Same Root Cause** check box at the node or network view, but do not check the Exclude Same Root Cause check box in card view.

An exclusion rule eliminates all lower-level alarms or conditions that originate from the same cause. For example, a fiber break might cause a loss of signal (LOS) alarm, an alarm indication signal (AIS) condition, and a signal fail (SF) condition. If you check the Exclude Same Root Cause check box, only the LOS alarm will appear. According to Telcordia, exclusion rules apply to a query of “all conditions from a node.”

Step 4 Return to your originating procedure (NTP).

NTP-G65 Delete Cleared Alarms from Display

Purpose	Use this procedure to delete Cleared (C) status alarms from the Alarms window or transient messages from the CTC History window.
Tools/Equipment	None
Prerequisite Procedures	Chapter 3, “Connect the PC and Log into the GUI”
Required/As Needed	As needed
Onsite/Remote	Onsite or remote
Security Level	Retrieve or higher

-
- Step 1** Complete the “[DLP-G46 Log into CTC](#)” task on page 3-30. If you are already logged in, continue with [Step 2](#).
- Step 2** To delete cleared node-level or multishelf-level alarms:
- a. In node view (single-shelf mode) or multishelf view (multishelf mode), click the **Alarms** tab.
 - b. Click **Delete Cleared Alarms**.
 - If the Autodelete Cleared Alarms check box is checked, an alarm disappears from the window when it is cleared.
 - If the Autodelete Cleared Alarms check box is not checked, an alarm remains in the window when it is cleared. The alarm appears white in the window and has a Clear (CL) severity. The alarm can be removed by clicking the **Delete Cleared Alarms** button.
- This action removes any cleared ONS 15454 alarms from the Alarms tab. The rows of cleared alarms turn white and have a C in their status (ST) column.
- Step 3** To delete cleared card-level alarms:
- a. In node view (single-shelf mode or multishelf mode), double-click the card graphic for the card you want to open.
 - b. Click the **Alarms** tab and then click **Delete Cleared Alarms**.
 - If the Autodelete Cleared Alarms check box is checked, an alarm disappears from the window when it is cleared.
 - If the Autodelete Cleared Alarms check box is not checked, an alarm remains in the window when it is cleared. The alarm appears white in the window and has a Clear (CL) severity. The alarm can be removed by clicking the **Delete Cleared Alarms** button.
- Step 4** To delete cleared network-level alarms:
- a. In node view, click **View > Go to Network View**.
 - b. Click the **Alarms** tab and then click **Delete Cleared Alarms**.
 - If the Autodelete Cleared Alarms check box is checked, an alarm disappears from the window when it is cleared.
 - If the Autodelete Cleared Alarms check box is not checked, an alarm remains in the window when it is cleared. The alarm appears white in the window and has a Clear (CL) severity. The alarm can be removed by clicking the **Delete Cleared Alarms** button.
- Step 5** To remove the transient messages from the History window, click **Delete Cleared Alarms**. Transient messages are single messages, not raise-and-clear pairs (that is, they do not have companion messages stating that they are cleared).

Stop. You have completed this procedure.

NTP-G66 View Alarm-Affected Circuits

Purpose	Use this procedure to view all optical channel network connections (OCHNCs) optical channel client connections (OCHCC), optical channel trail, and ONS 15454 circuits, if any, that are affected by an alarm or condition.
Tools/Equipment	None
Prerequisite Procedures	NTP-G64 View Alarms, History, Events, and Conditions, page 10-6
Required/As Needed	As needed
Onsite/Remote	Onsite or remote
Security Level	Retrieve or higher

- Step 1** Complete the “[DLP-G46 Log into CTC](#)” task on page 3-30. If you are already logged in, continue with [Step 2](#).
- Step 2** In network, node, shelf, or card view, click the **Alarms** tab or **Conditions** tab and then right-click anywhere in the row of an active alarm or condition.
- The Select Affected Circuit option appears on the shortcut menu.
- Step 3** Left-click or right-click **Select Affected Circuits**.
- The **Circuits** window appears with the affected OCHNC, OCHCC, or OCH trail highlighted.
- Stop. You have completed this procedure.**
-

NTP-G67 View Alarm Counts on the LCD for a Node, Shelf, Slot, or Port

Purpose	Use this procedure to view an alarm summary for a node, shelf, slot, or port without using CTC.
Tools/Equipment	None
Prerequisite Procedures	Chapter 1, “Install the Cisco ONS 15454, ONS 15454 M2, and ONS 15454 M6 Shelf”
Required/As Needed	As needed
Onsite/Remote	Onsite
Security Level	None



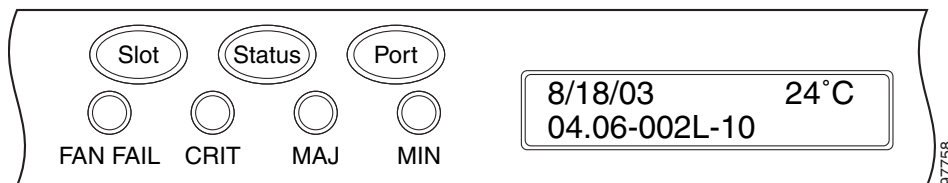
Note

In an ONS 15454 M2 shelf assembly, the LCD panel and the **Slot**, **Port**, and **Status** buttons are present on the fan-tray assembly. In an ONS 15454 M6 shelf assembly, the LCD is a separate unit installed above the external connection unit (ECU); the **Slot**, **Port**, and **Status** buttons are present on the LCD unit.

- Step 1** If you want to view the entire alarm summary:
- For a single shelf node, press either the **Slot** button or **Port** button on the LCD panel until “Node” appears on the LCD. You will also see the direction, “Status=Alm Ct.” This means that if you press the Status button at this time, as directed in [Step 2](#), you will see an alarm count for the node.
 - For a multishelf node, press the **Slot** button on the LCD panel on any shelf, until “Shelf” appears on the LCD. Then press the **Port** button until you see the direction, “Status=Alm Sums.” This means that if you press the Status button at this time, as directed in [Step 2](#), you will see an alarm count for the node.
- Step 2** Press the **Status** button to see a summary of alarms and severities for the node. You will see a message similar to “Alm Ct: 2: MJ:2 MN:2,” meaning that there are two critical alarms, two major alarms, and two minor alarms.
- Step 3** If you want to see alarm counts for a particular shelf (node controller or subtending shelf) in a multishelf configuration, press the **Slot** button on that shelf until “Shelf” appears on the LCD. Then press the **Port** button until you see the direction, “Status=Alm Ct.”
- Step 4** Press the **Status** button to see a summary of alarms and severities for that particular shelf.
- Step 5** If you want to see alarm counts for a particular slot, such as the alarms for an OC-3 card in Slot 3, press the **Slot** button until you see “Slot-3” on the LCD. You will see the direction, “Status=Alm Ct Sum.”
- Step 6** Press the **Status** button to see a summary of alarms and severities against the slot. For example, you might see “Slot-3 Alm Sum:0 MJ:1 MN:2.” This means that there are no critical alarms, one major alarm, and two minor alarms against the slot.
- Step 7** If you want to view the alarms against a port on the card, such as Port 3 of the OC-3 card you viewed previously, press the **Port** button until you see “Port-3 Status=Alm Ct.”
- Step 8** Press **Status** to view alarm counts against the port. You will see a message similar to “Slot-3 Port-0 Ct:0 MJ:1 MN:0.” This means that there is one major alarm against this port.

[Figure 10-2](#) shows the shelf LCD panel on the ONS 15454 shelf assembly.

Figure 10-2 Shelf LCD Panel—ONS 15454 Shelf Assembly



To return to the previous view from the Port screen, continue to press **Port** until the display cycles through all the ports on the slot.

To return to the node menu from the Slot screen, press **Slot** until you cycle through all the slots and see “Node.”

If you do not press any buttons, the LCD will return to its default display with the node name. However, if you did not cycle through the options to return to the node status, you will see the slot or port where you last checked status.



Note A blank LCD results when the fuse on the alarm interface panel (AIP) board has blown. If this occurs, contact the Cisco Technical Assistance Center (TAC). See the [“Obtaining Optical Networking Information”](#) section on page lxxxiii.

Stop. You have completed this procedure.

NTP-G68 Create, Download, and Assign Alarm Severity Profiles

Purpose	Use this procedure to create a customized alarm profile at the network, node, or card level. This procedure also provides links to tasks that describe how to assign custom severities individually to each port, card, or node, and to delete alarm profiles.
Tools/Equipment	None
Prerequisite Procedures	Chapter 3, “Connect the PC and Log into the GUI”
Required/As Needed	As needed
Onsite/Remote	Onsite or remote
Security Level	Provisioning or higher

-
- Step 1** Complete the [“DLP-G46 Log into CTC” task on page 3-30](#) at the node where you want to create an alarm profile. If you are already logged in, continue with [Step 2](#) to create, clone, or modify an alarm profile, or go to [Step 3](#) to download an alarm profile.
- Step 2** Complete the [“DLP-G121 Create a New or Cloned Alarm Severity Profile” task on page 10-18](#). This task clones a current alarm profile, renames the profile, and customizes the new profile.
- Step 3** Complete the [“DLP-G122 Download an Alarm Severity Profile” task on page 10-20](#). This task downloads an alarm severity profile from a CD or a node.



Note After storing a created or downloaded alarm profile, you must go to the node (either by logging into it or clicking on it from the network view) and activate the profile by applying it to the shelf, one or more cards, or one or more ports.

- Step 4** As necessary, complete the [“DLP-G123 Apply Alarm Profiles to Ports” task on page 10-21](#) or the [“DLP-G124 Apply Alarm Profiles to Cards and Nodes” task on page 10-22](#).
- Step 5** As necessary, complete the [“DLP-G125 Delete Alarm Severity Profiles” task on page 10-23](#).

Stop. You have completed this procedure.

DLP-G121 Create a New or Cloned Alarm Severity Profile

Purpose	This task creates a custom severity profile or clones and modifies the default severity profile.
Tools/Equipment	None
Prerequisite Procedures	DLP-G46 Log into CTC, page 3-30
Required/As Needed	As needed
Onsite/Remote	Onsite or remote
Security Level	Provisioning or higher

Step 1 From the CTC window View menu, select **Go To Network View**.

Step 2 To access the alarm profile editor from network view, click the **Provisioning > Alarm Profiles** tabs.



Note To access the profile editor from node view (single-shelf mode) or shelf view (multishelf mode), or card view, click the **Provisioning > Alarm Profiles > Alarm Profile Editor** tabs.

Step 3 If you want to create a new profile based on the default profile in use, click **New**. Continue with [Step 9](#).

Step 4 If you want to create a profile using an existing profile located on the node, click **Load** and **From Node** in the Load Profiles dialog box.

- a. Click the node name you are logged into in the Node Names list.
- b. Click the name of an existing profile in the Profile Names list, such as **Default**. Continue with [Step 6](#).

Step 5 If you want to create a profile using an existing profile located in a file that is stored locally or on a network drive, click **From File** in the Load Profiles dialog box.

- a. Click **Browse**.
- b. Navigate to the file location in the **Open** dialog box.
- c. Click **Open**.



Note All default or user-defined severity settings that are Critical (CR) or Major (MJ) are demoted to Minor (MN) in Non-Service-Affecting (NSA) situations as defined in Telcordia GR-474-CORE.

Step 6 Click **OK**.

The alarm severity profile appears in the Alarm Profiles window. The alarm profile list contains a master list of alarms that is used for a mixed node network. Some of these alarms might not be used in all ONS nodes.

Step 7 Right-click anywhere in the profile column to view the profile editing shortcut menu. (Refer to [Step 10](#) for further information about the Default profile.)

Step 8 Click **Clone** in the shortcut menu.



Tip To see the full list of profiles, including those available for loading or cloning, click Available. You must load a profile before you can clone it.

Step 9 In the New Profile dialog box, enter a name in the New Profile Name field.
Profile names must be unique. If you try to import or name a profile that has the same name as another profile, CTC adds a suffix to create a new name. Long file names are supported.

Step 10 Click **OK**.

A new alarm profile (named in [Step 9](#)) is created. (If this is the first alarm profile created during installation, the default alarm profile settings are displayed in the AlarmType::Condition column on the left.) This profile duplicates the default profile severities and appears at the right of the previous profile column in the Alarm Profiles window. You can select it and drag it to a different position.



Note Up to ten profiles, including the two reserved profiles, Inherited and Default, can be stored in CTC.

The Default profile sets severities to standard Telcordia GR-474-CORE settings. If an alarm has an Inherited profile, it inherits (copies) its severity from the same alarm's severity at the higher level. For example, if you choose the Inherited profile from the network view, the severities at the lower levels (node, card, and port) will be copied from this selection. A card with an Inherited alarm profile copies the severities used by the node that contains the card. (If you are creating profiles, you can apply these separately at any level. To do this, refer to the [“DLP-G124 Apply Alarm Profiles to Cards and Nodes” task on page 10-22.](#))

Step 11 Modify (customize) the new alarm profile:

- a. In the new alarm profile column, click the alarm severity you want to change in the custom profile.
- b. Choose a severity from the drop-down list.
- c. Repeat Steps [a](#) and [b](#) for each severity you want to customize. Refer to the following guidelines when you view the alarms or conditions after making modifications:
 - All Critical (CR) or Major (MJ) default or user-defined severity settings are demoted to Minor (MN) in Non-Service-Affecting (NSA) situations as defined in Telcordia GR-474-CORE.
 - Default severities are used for all alarms and conditions until you create and apply a new profile.
 - Changing a severity to inherited (I) or unset (U) does not change the severity of the alarm.

Step 12 After you have customized the new alarm profile, right-click the profile column to highlight it.

Step 13 Click **Store**.

Step 14 In the Store Profiles dialog box, click **To Node(s)** and go to Step [a](#), or click **To File** and go to Step [b](#).

- a. Choose the node where you want to save the profile:
 - If you want to save the profile to only one node, click the node in the Node Names list.
 - If you want to save the profile to all nodes, click **Select All**.
 - Press the Ctrl key, and simultaneously left-click the node where the profile is to be saved.
 - If you do not want to save the profile to any nodes, click **Select None**.
 - If you want to update alarm profile information, click (**Synchronize**).
 - Click **OK** to save the profile.
- b. Save the profile:
 - Click **Browse** and navigate to the profile save location.
 - Enter a name in the File name field.

- Click **Select** to choose this name and location. Long file names are supported. CTC supplies a suffix of *.pfl to stored files.
- Click **OK** to store the profile.

Step 15 As needed, perform any of the following actions. The following options are located at the bottom of the **Provisioning > Alarm Profile** window.

- Click the **Hide Identical Rows** check box to configure the Alarm Profiles window to view rows with dissimilar severities.
- Click the **Hide Reference Values** check box to configure the Alarm Profiles window to view severities that do not match the Default profile.
- Click the **Only show service-affecting severities** check box to configure the Alarm Profiles window not to display Minor and some Major alarms that will not affect service.

Step 16 Return to your originating procedure (NTP).

DLP-G122 Download an Alarm Severity Profile

Purpose	This task downloads a custom alarm severity profile from a network-drive-accessible CD-ROM, floppy disk, or hard disk location.
Tools/Equipment	None
Prerequisite Procedures	DLP-G46 Log into CTC, page 3-30
Required/As Needed	As needed
Onsite/Remote	Onsite or remote
Security Level	Provisioning or higher



Note

You must always store the alarm profile after editing it. If you edit an alarm profile without saving it, changes to the profile will be lost if you change views in CTC.

Step 1 To access the alarm profile editor from network view, click the **Provisioning > Alarm Profiles** tabs.



Note

To access the profile editor from node view (single-shelf mode) or shelf view (multishelf mode), or card view, click the **Provisioning > Alarm Profiles > Alarm Profile Editor** tabs.

Step 2 Click **Load**.

Step 3 If you want to download a profile that exists on the node, click **From Node** in the Load Profiles dialog box.

- Click the node name you are logged into in the Node Names list.
- Click the name of the profile in the Profile Names list, such as **Default**.
- Click **OK**.

Step 4 If you want to download a profile that is stored locally or on a network drive, click **From File** in the Load Profile dialog box.

- Click **Browse**.

- b. Navigate to the file location in the **Open** dialog box.
- c. Click **Open**.



Note All default or user-defined severity settings that are Critical (CR) or Major (MJ) are demoted to Minor (MN) in Non-Service-Affecting (NSA) situations as defined in Telcordia GR-474.

Step 5 Click **OK**.

The downloaded profile appears at the right side of the Alarm Profiles window.

Step 6 Right-click anywhere in the downloaded profile column to view the profile editing shortcut menu.

Step 7 Click **Store**.

Step 8 In the Store Profiles dialog box, click **To Node(s)**.

- a. Choose the nodes where you want to save the profile:
 - If you want to save the profile to only one node, click the node in the Node Names list.
 - If you want to save the profile to all nodes, click **Select All**.
 - Press the Ctrl key, and simultaneously left-click the node where the profile is to be saved.
 - If you do not want to save the profile to any nodes, click **Select None**.
 - If you want to update alarm profile information, click **Synchronize**.
- b. Click **OK**.

Step 9 Return to your originating procedure (NTP).

DLP-G123 Apply Alarm Profiles to Ports

Purpose	This task applies a custom or default alarm severity profile to a port or ports.
Tools/Equipment	None
Prerequisite Procedures	DLP-G121 Create a New or Cloned Alarm Severity Profile, page 10-18 DLP-G46 Log into CTC, page 3-30
Required/As Needed	As needed
Onsite/Remote	Onsite or remote
Security Level	Provisioning or higher



Note You can also apply alarm profiles to cards using the [“DLP-G124 Apply Alarm Profiles to Cards and Nodes” task on page 10-22](#).

Step 1 In node view (single-shelf mode) or shelf view (multishelf mode), double-click the card that you want to change to open the card view.



Note The card view is not available for the TCC2/TCC2P/TCC3/TSC card.

- Step 2** Click the **Provisioning > Alarm Profiles > Alarm Behavior** tabs.
Go to [Step 3](#) to apply profiles to a port. Go to [Step 4](#) to apply profiles to all ports on a card.
- Step 3** To apply profiles on a port basis:
- In card view, click the port row in the Profile column.
 - Choose the new profile from the drop-down list.
 - Click **Apply**. Confirm the profile updated to the port correctly.
- Step 4** To apply profiles to all ports on a card:
- In card view, click the **Force all ports to profile** drop-down arrow at the bottom of the window.
 - Choose the new profile from the drop-down list.
 - Click **Force (still need to “Apply”)**.
 - Click **Apply**. Confirm that the profile updated to all ports correctly.
- In node view, the Port Level Profiles column indicates port-level profiles with a notation such as “exist (1)”.
- Step 5** To reapply a previous alarm profile after you have applied a new one, select the previous profile and click **Apply** again.
- Step 6** Return to your originating procedure (NTP).
-

DLP-G124 Apply Alarm Profiles to Cards and Nodes

Purpose	This task applies a custom or default alarm profile to cards or nodes.
Tools/Equipment	None
Prerequisite Procedures	DLP-G121 Create a New or Cloned Alarm Severity Profile, page 10-18 DLP-G46 Log into CTC, page 3-30
Required/As Needed	As needed
Onsite/Remote	Onsite or remote
Security Level	Provisioning or higher

- Step 1** In node view (single-shelf mode) or shelf view (multishelf mode), click the **Provisioning > Alarm Profiles > Alarm Behavior** tab.
- Step 2** To apply profiles to a card:
- Click a selection from the Profile column for the card.
 - Choose the new profile from the drop-down list.
 - Click **Apply**.
- Step 3** To apply the profile to an entire node:
- Click the **Force All Ports to Profile** drop-down arrow at the bottom of the window.
 - Choose the new alarm profile from the drop-down list.
 - Click **Force (still need to apply)**.
- Step 4** Click **Apply** again.

Step 5 Return to your originating procedure (NTP).

DLP-G125 Delete Alarm Severity Profiles

Purpose	This task deletes a custom or default alarm severity profile.
Tools/Equipment	None
Prerequisite Procedures	DLP-G46 Log into CTC, page 3-30
Required/As Needed	As needed
Onsite/Remote	Onsite or remote
Security Level	Provisioning or higher

Step 1 To access the alarm profile editor from network view, click the **Provisioning > Alarm Profiles > Alarm Profile Editor** tabs.



Note To access the profile editor from node view (single-shelf mode) or shelf view (multishelf mode), or card view, click the **Provisioning > Alarm Profiles > Alarm Profile Editor** tabs.

Step 2 Click the Alarm Type::Condition column.

Step 3 Click **Delete**.

The Select Node/Profile Combination for Delete dialog box appears.



Note You cannot delete the Inherited or Default alarm profiles.



Note A previously created alarm profile cannot be deleted unless it has been stored on the node. If the profile is visible on the Alarm Profiles tab but is not listed in the Select Node/Profile Combinations to Delete dialog box, continue with [Step 8](#).

Step 4 Click the node name in the Node Names list to highlight the profile location.



Tip If you hold the Shift key down, you can select consecutive node names. If you hold the Ctrl key down, you can select any combination of nodes.

Step 5 Click the profile names that you want to delete in the Profile Names list.

Step 6 Click **OK**.

Step 7 Click **Yes** in the Delete Alarm Profile dialog box.

If you delete a profile from a node, it still appears in the network view Provisioning > Alarm Profile Editor window unless you remove it using the following step.

Step 8 To remove the alarm profile from the window, right-click the column of the profile that you deleted and choose **Remove** from the shortcut menu.

If a node and profile combination is selected but does not exist, a warning appears: “One or more of the profiles selected do not exist on one or more of the node(s) selected.” For example, if Node A has only Profile 1 stored and the user tries to delete both Profile 1 and Profile 2 from Node A, this warning appears. However, the operation still removes Profile 1 from Node A.

The Default and Inherited special profiles cannot be deleted and do not appear in the Select Node/Profile Combination for Delete window.

Step 9 Return to your originating procedure (NTP).

NTP-G69 Enable, Modify, or Disable Alarm Severity Filtering

Purpose	Use this procedure to start, change, or stop alarm filtering for one or more severities in the Alarms, Conditions, and History windows in all network nodes.
Tools/Equipment	None
Prerequisite Procedures	Chapter 3, “Connect the PC and Log into the GUI”
Required/As Needed	As needed
Onsite/Remote	Onsite or remote
Security Level	Retrieve or higher

- Step 1** Complete the “[DLP-G46 Log into CTC](#)” task on page 3-30 at the node where you want to enable alarm severity filtering. If you are already logged in, continue with [Step 2](#).
- Step 2** As needed, complete the “[DLP-G126 Enable Alarm Filtering](#)” task on page 10-25. This task enables alarm filtering at the card, shelf, node, and network views for all nodes in the network. Alarm filtering can be enabled for alarms, conditions, or events.
- Step 3** As needed, complete the “[DLP-G127 Modify Alarm, Condition, and History Filtering Parameters](#)” task on page 10-25 to modify the alarm filtering for network nodes to show or hide particular alarms or conditions.
- Step 4** As needed, complete the “[DLP-G128 Disable Alarm Filtering](#)” task on page 10-26 to disable alarm profile filtering for all network nodes.

Stop. You have completed this procedure.

DLP-G126 Enable Alarm Filtering

Purpose	This task enables alarm filtering for alarms, conditions, or event history in all network nodes.
Tools/Equipment	None
Prerequisite Procedures	DLP-G46 Log into CTC, page 3-30
Required/As Needed	As needed
Onsite/Remote	Onsite or remote
Security Level	Retrieve or higher

Step 1 At the shelf, node, network, or card view, click the **Alarms** tab.

Step 2 Click the **Filter** tool icon on the right side of the bottom toolbar.



Note The Filter tool icon differs from the Filter button at the bottom left of the screen.

Alarm filtering is enabled in the card, node, and network views of the same window for all nodes in the network. For example, if the Filter tool is enabled in the node view Alarms window, the network view Alarms window and card view Alarms window also show the tool enabled.

Step 3 If you want alarm filtering enabled when you view conditions, click on the **Conditions** tab and repeat Steps 1 and 2.

Step 4 If you want alarm filtering enabled when you view alarm history, click on the **Conditions** tab and repeat Steps 1 and 2.

Step 5 Return to your originating procedure (NTP).

DLP-G127 Modify Alarm, Condition, and History Filtering Parameters

Purpose	This task changes alarm and condition reporting in all network nodes.
Tools/Equipment	None
Prerequisite Procedures	DLP-G126 Enable Alarm Filtering, page 10-25 DLP-G46 Log into CTC, page 3-30
Required/As Needed	As needed
Onsite/Remote	Onsite or remote
Security Level	Retrieve or higher

Step 1 At the shelf, node, network, or card view, click the **Alarms** tab, **Conditions** tab, or **History** tab.

Step 2 Click the **Filter** button on the left side of the bottom toolbar.
The filter dialog box appears, displaying the General tab.

In the General tab Show Severity area, you can choose which alarm severities will show through the alarm filter and provision a time period during which filtered alarms show through the filter. To change the alarm severities shown in the filter, go to [Step 3](#). To change the time period filter for the alarms, go to [Step 4](#).

- Step 3** In the Show Severity area, click the check boxes for the severities [Critical (CR), Major (MJ), Minor (MN), or Not Alarmed (NA)] that you want to be reported at the network level. Leave severity check boxes deselected (unchecked) to prevent those severities from appearing.

When alarm filtering is disabled, all alarms show.

- Step 4** In the Time area, click the **Show alarms between time limits** check box to enable it. Click the up and down arrows in the From Date, To Date, and Time fields to modify the period of alarms that is shown.

To modify filter parameters for conditions, continue with [Step 5](#). If you do not need to modify them, continue with [Step 6](#).

- Step 5** Click the filter dialog box **Conditions** tab.

When filtering is enabled, conditions in the Show list are visible and conditions in the Hide list are invisible.

- To move conditions individually from the Show list to the Hide list, click the > button.
- To move conditions individually from the Hide list to the Show list, click the < button.
- To move conditions collectively from the Show list to the Hide list, click the >> button.
- To move conditions collectively from the Hide list to the Show list, click the << button.



Note Conditions include alarms.

- Step 6** Click **Apply** and **OK**.

Alarm and condition filtering parameters are enforced when alarm filtering is enabled (see the [“DLP-G126 Enable Alarm Filtering” task on page 10-25](#)), and the parameters are not enforced when alarm filtering is disabled (see the [“DLP-G128 Disable Alarm Filtering” task on page 10-26](#)).

- Step 7** Return to your originating procedure (NTP).
-

DLP-G128 Disable Alarm Filtering

Purpose	This task turns off specialized alarm filtering in all network nodes so that all severities are reported in CTC.
Tools/Equipment	None
Prerequisite Procedures	DLP-G126 Enable Alarm Filtering, page 10-25 DLP-G46 Log into CTC, page 3-30
Required/As Needed	As needed
Onsite/Remote	Onsite or remote
Security Level	Retrieve or higher

- Step 1** At node, network, or card view, click the **Alarms** tab.

- Step 2** Alarm filtering is enabled if the tool is indented (the filter icon is blue) and disabled if the tool is raised (not selected; the filter icon is white). To disable alarm filtering, click the **Filter** tool icon on the right side of the bottom toolbar until it is raised (turns white).



Note The Filter tool icon differs from the Filter button at the bottom left of the screen.

- Step 3** If you want alarm filtering disabled when you view conditions, click the **Conditions** tab and click the Filter tool.
- Step 4** If you want alarm filtering disabled when you view alarm history, click the **History** tab and click the Filter tool.
- Step 5** Return to your originating procedure (NTP).

NTP-G70 Suppress Alarms or Discontinue Alarm Suppression

Purpose	Use this procedure to prevent alarms from being reported for a port, card, shelf, or node in circumstances when an alarm or condition is known to exist but you do not want to include it in the Alarms or History display. This procedure also provides a link to a task that explains how to resume normal alarm reporting by discontinuing the suppression.
Tools/Equipment	None
Prerequisite Procedures	Chapter 3, “Connect the PC and Log into the GUI”
Required/As Needed	As needed
Onsite/Remote	Onsite or remote
Security Level	Provisioning or higher

- Step 1** Complete the [“DLP-G46 Log into CTC” task on page 3-30](#). If you are already logged in, continue with [Step 2](#).
- Step 2** Complete the [“DLP-G129 Suppress Alarm Reporting” task on page 10-28](#) to enable the node to send autonomous messages that clear specific raised alarms and cause suppressed alarms to appear in the Conditions window.
- Suppressing one or more alarms prevents them from appearing in the Alarm or History windows or in any other clients. The suppress command causes CTC to display them in the Conditions window with their severity, their severity color code, and their service-affecting status.
- Step 3** Complete the [“DLP-G130 Discontinue Alarm Suppression” task on page 10-29](#) to discontinue alarm suppression and resume normal alarm reporting.

Stop. You have completed this procedure.

DLP-G129 Suppress Alarm Reporting

Purpose	This task suppresses the reporting of ONS 15454 alarms at the node, shelf, card, or port level.
Tools/Equipment	None
Prerequisite Procedures	DLP-G46 Log into CTC, page 3-30
Required/As Needed	As needed
Onsite/Remote	Onsite or remote
Security Level	Provisioning or higher



Caution

If multiple CTC/TL1 sessions are open, suppressing alarms in one session suppresses the alarms in all other open sessions.



Note

Alarm suppression at the node level does not supersede alarm suppression at the card or port level. Suppression can exist independently for all three entities, and each entity will raise separate alarms suppressed by the user command (AS-CMD) alarm.

Step 1 From the network view, right-click the node you want to suppress alarms and choose **Open Node**. From node view, click the **Provisioning > Alarm Profiles > Alarm Behavior** tabs.

Step 2 To suppress alarms for the entire node:

- a. Check the **Suppress Alarms** check box.
- b. Click **Apply**.

All raised alarms for the node will change color to white in the Alarms window and their status will change to cleared. After suppressing alarms, clicking **Synchronize** in the Alarms window will remove cleared alarms from the window. However, an AS-CMD alarm will show in node or card view to indicate that node-level alarms were suppressed, and the word System will appear in the Object column.



Note

The only way to suppress building integrated timing supply (BITS), power source, or system alarms is to suppress alarms for all the non-card objects.

Step 3 To suppress alarms for individual cards, go to the shelf view and click the **Provisioning > Alarm Profiles > Alarm Behavior** tabs:

- a. In the alarm behavior window, locate the card row (using the Location column for the slot number or the Eqpt Type column for the equipment name).
- b. Check the **Suppress Alarms column** check box in that row.

Alarms that directly apply to this card will change appearance as described in [Step 2](#). For example, if you suppressed raised alarms for an TXP_MR_10G card in Shelf 2, Slot 16, raised alarms for this card will change in node or card view. The AS-CMD alarm will show the slot number in the Object number. For example, if you suppressed alarms for a Slot 16 TXP_MR_10G card, the AS-CMD object will be "SLOT-2-16."

- c. Click **Apply**.

- Step 4** To suppress alarms for ECU multishelf ports, go to the shelf view and click the **Provisioning > Alarm Profiles > ECU Multishelf Ports Alarm Suppression** tabs:
- In the ECU multishelf ports alarm suppression window, check the **Suppress Alarms** column check box for the port where you want to suppress alarms.
 - Click **Apply**.
- Alarms that apply directly to this port will change appearance as described in [Step 2](#).
- Step 5** To suppress alarms for individual card ports, double-click the card in node view.
- Click the **Provisioning > Alarm Profiles > Alarm Behavior** tabs.
 - Check the **Suppress Alarms** column check box for the port row where you want to suppress alarms.
 - Click **Apply**.
- Alarms that apply directly to this port will change appearance as described in [Step 2](#). (However, alarms raised on the entire card will remain raised.) A raised AS-CMD alarm that shows the port as its object will appear in either alarm window. For example, if you suppressed alarms for Port 1 on the Slot 16 OC-48 card, the alarm object will show “FAC-16-1.”
- Step 6** Return to your originating procedure (NTP).

DLP-G130 Discontinue Alarm Suppression

Purpose	This task discontinues alarm suppression and reenables alarm reporting on a port, card, shelf, or node.
Tools/Equipment	None
Prerequisite Procedures	DLP-G129 Suppress Alarm Reporting, page 10-28 DLP-G46 Log into CTC, page 3-30
Required/As Needed	As needed
Onsite/Remote	Onsite or remote
Security Level	Provisioning or higher



Caution

If multiple CTC sessions are open, discontinuing suppression in one session will discontinue suppression in all other open sessions.

- Step 1** To discontinue alarm suppression for the entire node:
- In node view, click the **Provisioning > Alarm Profiles > Alarm Behavior** tab.
 - Uncheck the **Suppress Alarms** check box.
- Suppressed alarms will reappear in the Alarms window. (They might have previously been cleared from the window using the Synchronize button.) The AS-CMD alarm with the System object will be cleared in all views.
- Step 2** To discontinue alarm suppression for individual cards:
- In node view, click the **Provisioning > Alarm Profiles > Alarm Behavior** tabs.
 - Locate the card that is suppressed in the slot list.

- c. Uncheck the Suppress Alarms column check box for that slot.
- d. Click **Apply**.

Suppressed alarms will reappear in the Alarms window. (They might have previously been cleared from the window using the Synchronize button.) The AS-CMD alarm with the slot object (for example, SLOT-16) will be cleared in all views.

Step 3 To discontinue alarm suppression for ECU ports, from the shelf view click the **Provisioning > Alarm Profiles > ECU Multishelf Ports Alarm Suppression** tabs:

- a. Uncheck the **Suppress Alarms** check box for the port(s) that you no longer want to suppress.
- b. Click **Apply**.

Step 4 To discontinue alarm suppression for card ports, from the card view click the **Provisioning > Alarm Profiles > Alarm Behavior** tabs.

- a. Uncheck the **Suppress Alarms** check box for the port(s) that you no longer want to suppress.
- b. Click **Apply**.

Suppressed alarms will reappear in the Alarms window. (They might have previously been cleared from the window using the Synchronize button.) The AS-CMD alarm with the port object (for example, FAC-16-1) will be cleared in all views.

Step 5 Return to your originating procedure (NTP).

NTP-G72 Provision External Alarms and Controls on the Alarm Interface Controller-International Card

Purpose	Use this procedure to create external (environmental) alarms and external controls for the AIC-I card.
Tools/Equipment	An AIC-I card must be installed in Slot 9.
Prerequisite Procedures	“DLP-G34 Install the AIC-I Card” in the <i>Cisco ONS 15454 Hardware Installation Guide</i>
Required/As Needed	As needed
Onsite/Remote	Onsite or remote
Security Level	Provisioning or higher



Note

On the ONS 15454 ANSI shelf, the AIC-I card alarm provides direct alarm contacts (external alarm inputs and external control outputs) routed through the backplane to wire-wrap pins accessible from the back of the shelf. If you install an Alarm Expansion Panel (AEP), the AIC-I alarm contacts cannot be used. Only the AEP alarm contacts can be used. For further information about the AEP, see “NTP-G9 Install the Alarm Expansion Panel (ANSI Only)” and the “NTP-G11 Install an External Wire-Wrap Panel on the AEP (ANSI Only)” in the *Cisco ONS 15454 Hardware Installation Guide*. The ONS 15454 ETSI shelf is not compatible with the AEP.



Note

For information about the AIC-I external alarms, external controls, and virtual wire, refer to the “Alarm and TCA Monitoring and Management” chapter in the *Cisco ONS 15454 DWDM Reference Manual*.

- Step 1** If you are using an ONS 15454 ANSI shelf, verify the backplane wiring. If you are using the AEP, see the “NTP-G9 Install the Alarm Expansion Panel (ANSI Only)” in the *Cisco ONS 15454 Hardware Installation Guide*. Otherwise, see the “NTP-G10 Attach Wires to Alarm, Timing, LAN, and Craft Pin Connections” in the *Cisco ONS 15454 Hardware Installation Guide* for information about the ONS 15454 backplane pins.
- For external alarms, verify that the external device relays are wired to the ENVIR ALARMS IN backplane pins.
 - For external controls, verify that the external device relays are wired to the ENVIR ALARMS OUT backplane pins.
- Step 2** If you are using an ONS 15454 ETSI shelf, verify the alarm contact wiring. See the “NTP-G10 Attach Wires to Alarm, Timing, LAN, and Craft Pin Connections” in the *Cisco ONS 15454 Hardware Installation Guide* for information about the ONS 15454 SDH contacts.
- For external alarms, verify that the external device relays are wired to the ENVIR ALARMS IN connector pins.
 - For external controls, verify the external device relays are wired to the ENVIR ALARMS OUT connector pins.
- Step 3** Complete the “[DLP-G46 Log into CTC](#)” task on page 3-30. If you are already logged in, continue with [Step 4](#).
- Step 4** In node or shelf view, double-click the AIC-I card on the shelf graphic. The card view appears.
- Step 5** Click the **Provisioning > Card** tabs.
- Step 6** In the Alarm Contacts area, click the **Add Extension** radio button if you are using the AEP. Clicking this option will choose the External Alarm input/output type and the AEP extension type; it will give you access to 16 external alarm contacts.
- Step 7** If you did not click Add Extension, in the Input/Output area choose either External Alarm or External Control. (External Alarm will limit your input/output options as explained in [Step 6](#).) Choosing External Control will enable both external alarms and external controls. This will convert four of the external alarm contacts to external controls, leaving 12 available external control contacts. The extension type for both options is AEP.
- Step 8** If you are provisioning external alarms, click the **External Alarms** tab. If you are not provisioning external alarms, skip Steps 9 through 11 and go to [Step 12](#).
- Step 9** For external alarms, complete the following fields:
- Enabled—Check the check box to activate the fields for the alarm input number.
 - Alarm Type—Choose an alarm type from the drop-down list.
 - Severity—Choose a severity from the drop-down list.
- The severity determines the alarm’s severity in the Alarms and History tabs and determines whether the LEDs are activated. Critical (CR), Major (MJ), and Minor (MN) alarms activate the LEDs. Not Alarmed (NA) and Not Reported (NR) events do not activate LEDs, but do report the information in CTC.
- Virtual Wire—Choose the virtual wire number from the drop-down list if you want to assign the external device to a virtual wire. Otherwise, do not change the None default.
 - Raised When—From the drop-down list, choose the contact condition (open or closed) that triggers the alarm.
 - Description—A default description is provided; enter a different description if needed. (Double-click the cell and highlight the text to change it.)

- Step 10** To provision additional devices, complete [Step 9](#) for each additional device.
- Step 11** Click **Apply**.
- When you provision an external alarm, the alarm object is ENV-IN-*nn*. The variable *nn* refers to the external alarm's number, regardless of the name you assign.
- Step 12** For external controls, click the **External Controls** tab and complete the following fields for each control wired to the ONS 15454 backplane (ANSI) or FMEC connector pins (ETSI):
- **Enabled**—Check this check box to activate the fields for the alarm input number.
 - **Control Type**—Choose the control type from the drop-down list: air conditioner, engine, fan, generator, heat, light, sprinkler, or miscellaneous.
 - **Trigger Type**—Choose a trigger type: a local minor, major, or critical alarm; a remote minor, major, or critical alarm; or a virtual wire activation.
 - **Description**—Enter a description. (Double-click on the cell and highlight the text to change it.)
- Step 13** To provision additional external controls, complete [Step 12](#) for each device.
- Step 14** Click **Apply**.



Note External alarms and controls should be recorded locally for the network element (NE). Both the alarm name and resolution are node-specific.

Stop. You have completed this procedure.

NTP-G277 Provision Alarms and Controls on the TNC or TSC Card

Purpose	Use this procedure to configure and view external (environmental) alarms and external controls for the TNC or TSC card on the 15454-M6 shelf.
Tools/Equipment	The TNC/TSC cards must be installed in Slot 1 or 8.
Prerequisite Procedures	“DLP-G604 Install the TNC or TSC Card” in the <i>Cisco ONS 15454 Hardware Installation Guide</i>
Required/As Needed	As needed
Onsite/Remote	Onsite or remote
Security Level	Provisioning or higher



Note For information about external alarms and external controls, refer to the “Alarm and TCA Monitoring and Management” chapter in the *Cisco ONS 15454 DWDM Reference Manual*.



Note You can configure up to 14 alarm input ports in the external alarms mode. You can configure up to 10 alarm input ports and four alarm output ports in the external control mode.

- Step 1** Verify the ECU connections.
- For external alarms, verify that the external device relays are wired to the ENVIR ALARMS IN ECU pins.

- b. For external controls, verify that the external device relays are wired to the ENVIR ALARMS OUT ECU pins.

For information on pinouts of external alarms and external controls, see the ONS 15454 M6 Alarm, Timing, LAN, and Craft Pin Connections section.

Step 2 Complete the “[DLP-G46 Log into CTC](#)” task on page 3-30. If you are already logged in, continue with Step 4.

Step 3 In node view, click the **Provisioning > Alarm Extenders > Alarm Dry Contacts Mode** tab.

Step 4 Choose whether to configure the alarms as external alarms or external controls.

- a. If you want to configure external alarms, click the **External Alarm** option and click **Apply**.
- b. If you want to configure external controls, click the **External Control** option and click **Apply**.

Step 5 If you are configuring external alarms, click the **External Alarms** tab.

Step 6 For configuring external alarms, complete the following fields and click **Apply**:

- **Enabled**—Check the check box to activate the fields for the alarm input number.
- **Alarm Type**—Choose an alarm type from the drop-down list.
- **Severity**—Choose a severity from the drop-down list.
The severity determines the alarm’s severity in the Alarms and History tabs.
- **Virtual Wire**—Choose the virtual wire number from the drop-down list if you want to assign the external device to a virtual wire. Otherwise, do not change the None value.
- **Raised When**—From the drop-down list, choose the contact condition (open or closed) that triggers the alarm.
- **Description**—Enter a description. (Double-click on the cell and highlight the text to change it.)

Step 7 If you are configuring external controls, click the **External Controls** tab.

Step 8 For configuring external controls, complete the following fields and click **Apply**:

- **Enabled**—Check this check box to activate the fields for the alarm input number.
- **Control Type**—Choose the control type from the drop-down list: air conditioner, engine, fan, generator, heat, light, sprinkler, or miscellaneous.
- **Trigger Type**—Choose a trigger type: a local minor, major, or critical alarm; a remote minor, major, or critical alarm; or a virtual wire activation.
- **Description**—Enter a description. (Double-click on the cell and highlight the text to change it.)



Note External alarms and external controls must be recorded locally for the network element (NE). Both the alarm name and resolution are node-specific.

Step 9 If you want to add new alarm types, complete the following:

- a. Click the **User Defined Alarms** tab.
- b. Click **Add**
- c. Enter the new alarm type and click **OK**.

Step 10 If you want to view the external alarms and external controls, click the **Maintenance > Alarm Extenders** tab.

Step 11 **Stop. You have completed this procedure.**



CHAPTER 11

Manage the Node

This chapter explains how to modify node provisioning for the Cisco ONS 15454 and perform common management tasks such as monitoring the dense wavelength division multiplexing (DWDM) automatic power control (APC) and span loss values. To provision a new node, see [Chapter 4, “Turn Up a Node.”](#) To change default network element (NE) settings and to view a list of those settings, refer to the “Network Element Defaults” appendix in the *Cisco ONS 15454 DWDM Reference Manual*.



Note

Unless otherwise specified, “ONS 15454” refers to both ANSI and ETSI shelf assemblies.

Before You Begin

Before performing the following procedures, investigate all alarms and clear any trouble conditions. Refer to the *Cisco ONS 15454 DWDM Troubleshooting Guide* as necessary.

This section lists the chapter procedures (NTPs). Turn to a procedure for applicable tasks (DLPs).

1. [NTP-G76 Verify Optical Span Loss Using CTC, page 11-2](#)—Complete this procedure as needed to view or modify the DWDM span loss values.
2. [NTP-G77 Manage Automatic Power Control, page 11-4](#)—Complete this procedure as needed to manage the DWDM APC.
3. [NTP-G78 View Side Power Monitoring, page 11-9](#)—Complete this procedure as needed to view and update a reconfigurable optical add/drop multiplexing (ROADM) node’s power equalization.
4. [NTP-G80 Change Node Management Information, page 11-11](#)—Complete this procedure as needed to change node name, contact information, latitude, longitude, date, time, and login legal disclaimer.
5. [NTP-G134 Modify OSI Provisioning, page 11-14](#)—Complete this procedure as needed to modify Open System Interconnection (OSI) parameters including the OSI routing mode, Target Identifier Address Resolution Protocol (TARP), routers, subnets, and IP-over-connectionless network service (CLNS) tunnels.
6. [NTP-G81 Change CTC Network Access, page 11-23](#)—Complete this procedure as needed to change the IP address, default router, subnet mask, network configuration settings, and static routes.
7. [NTP-G82 Customize the CTC Network View, page 11-31](#)—Complete this procedure as needed to create domains and customize the appearance of the network map, including specifying a different default map, creating domains, consolidating links in the network view, selecting your own map or image, and changing the background color.
8. [NTP-G83 Modify or Delete Card Protection Settings, page 11-40](#)—Complete this procedure as needed.

9. [NTP-G84 Initiate and Clear Y-Cable and Splitter External Switching Commands, page 11-43](#)—Complete this procedure as needed.
10. [NTP-G85 Modify or Delete OSC Terminations, DCC/GCC Terminations, and Provisionable Patchcords, page 11-48](#)—Complete this procedure as needed to modify or delete generic communications channel (GCC) terminations, optical service channel (OSC) terminations, and provisionable patchcords.
11. [NTP-G86 Convert a Pass-Through Connection to Add/Drop Connections, page 11-52](#)—Complete this procedure as needed to convert a pass-through connection to an add/drop connection.
12. [NTP-G87 Change Node Timing Parameters, page 11-53](#)—Complete this procedure as needed.
13. [NTP-G88 Modify Users and Change Security, page 11-55](#)—Complete this procedure as needed to make changes to user settings, including security level and security policies, and to delete users.
14. [NTP-G89 Change SNMP Settings, page 11-67](#)—Complete this procedure as needed.

NTP-G76 Verify Optical Span Loss Using CTC

Purpose	This procedure verifies the span loss between two DWDM nodes using Cisco Transport Controller (CTC). Perform this procedure after a node or network modification has occurred and you want to verify that the span loss between the nodes has not changed.
Tools/Equipment	None
Prerequisite Procedures	All procedures in Chapter 4, “Turn Up a Node.” <ul style="list-style-type: none"> • If an OSC exists on the link, create an OSC termination link by completing the “NTP-G38 Provision OSC Terminations” procedure on page 4-126. • If an OSC is not present on the link, create OTS provisionable patchcord terminations on line ports by completing the “NTP-G184 Create a Provisionable Patchcord” procedure on page 8-52, as required. • Ensure at least one channel is activated before performing this procedure on Raman links.
Required/As Needed	As needed
Onsite/Remote	Onsite or remote
Security Level	Superuser only


Note

Using CTC to verify span loss is faster than a span loss measurement using an optical time domain reflectometer (OTDR) and does not require fibers to be removed. However, the resolution is not as precise as an OTDR measurement.


Note

For a PSM card in line (or path) protection configuration, the span loss is measured for both the working and protect paths.

Step 1

Complete the [“DLP-G46 Log into CTC” task on page 3-30.](#) If you are already logged in, continue with Step 2.

Step 2 In node view (single-shelf mode) or multishelf view (multishelf mode), click the **Provisioning > Comm Channels > OSC** tabs. Verify that two OSC terminations are provisioned and have an In-Service and Normal (IS-NR) (ANSI) or Unlocked-enabled (ETSI) service state.



Note If a DCN extension is provisioned, verify that two provisionable patchcords are provisioned between the nodes.

Step 3 Click the **Maintenance > DWDM > WDM Span Check** tabs.

Step 4 Click **Retrieve Span Loss Values** to retrieve the latest span loss data.

Step 5 View the following information:

- Side—Shows the side to which the span loss values apply, from A through H.
- Measured By—Shows the different methods used to measure span loss:
 - OSC—The OSC is used to measure the span loss.
 - CHANNEL—The provisioned circuits are used to measure the span loss.



Note CTC automatically chooses the method (OSC or CHANNEL) to use for span loss measurement depending on which method is available and more accurate.

- Current Span Measure with Raman—Estimated span loss with Raman pump turned ON.
- Wizard Span Measure with Raman Off—Span loss with Raman pump turned OFF, during Raman installation.
- Last Span Measure with Raman Off—Span loss after a fiber cut restoration procedure.



Note The first span loss measurements must be triggered by the user and subsequent measurements are performed automatically on an hourly basis.

- Min Expected Span Loss (dB)—Shows the expected minimum span loss (in dB). You can change the minimum by entering a new value in the field.
- Max Expected Span Loss (dB)—Shows the expected maximum span loss (in dB). You can change the maximum by entering a new value in the field.
- Meas. Span Loss (dB)—Shows the measured span loss (in dB).



Note The minimum and maximum expected span loss values are calculated by Cisco TransportPlanner and imported to the node when you perform the [“NTP-G143 Import the Cisco TransportPlanner NE Update Configuration File” task on page 4-49](#).

- Resolution (dB)—Shows the accuracy of the span loss measurement (in dB).

If the measured span loss is not between the minimum and maximum expected span loss, which includes a measurement tolerance that is compliant with the Resolution value, the Span Loss Out of Range alarm is raised. Refer to the *Cisco ONS 15454 DWDM Troubleshooting Guide* for instructions on how to clear this alarm.

Stop. You have completed this procedure.

NTP-G77 Manage Automatic Power Control

Purpose	This procedure manages APC. It displays APC information at the network-level and node-level APC domain level, and it enables and disables APC domains.
Tools/Equipment	None
Prerequisite Procedures	All procedures in the following chapters: Chapter 4, “Turn Up a Node” Chapter 7, “Turn Up a Network”
Required/As Needed	As needed
Onsite/Remote	Onsite or remote
Security Level	Superuser only



Note

An APC domain is a set of nodes that are regulated by the same instance of APC at the network level. An APC domain optically identifies a network portion that can be independently regulated. Every domain is terminated by two node sides residing on a terminal node, ROADM node, hub node, line termination meshed node, or an XC termination meshed node. For more information about APC, refer to the “Automatic Power Control” section in the Network Reference chapter in the *ONS 15454 DWDM Reference Manual*.

-
- Step 1** Complete the “[DLP-G46 Log into CTC](#)” task on page 3-30 at a node on the network where you want to manage APC. If you are already logged in, continue with Step 2.
- Step 2** Complete the following tasks as necessary:
- [DLP-G157 Disable Automatic Power Control](#), page 11-4
 - [DLP-G158 Enable Automatic Power Control](#), page 11-5
 - [DLP-G430 Run Automatic Power Control](#), page 11-6
 - [DLP-G159 View Node-Level Automatic Power Control Information](#), page 11-7
 - [DLP-G431 View Network-Level Automatic Power Control Information](#), page 11-8
- Stop. You have completed this procedure.**
-

DLP-G157 Disable Automatic Power Control

Purpose	This task disables APC.
Tools/Equipment	None
Prerequisite Procedures	DLP-G46 Log into CTC , page 3-30
Required/As Needed	As needed
Onsite/Remote	Onsite or remote
Security Level	Superuser only

**Caution**

Disable APC only to perform specific troubleshooting or node provisioning tasks. Always enable and run APC as soon as the tasks are completed. Leaving APC disabled can cause traffic loss.

-
- Step 1** From the View menu, choose **Go to Network View**.
- Step 2** Click the **Maintenance > APC** tabs.
- Step 3** Click **Refresh**. The *APC Discovery dialog box* appears with the discovered APC domains. It may take 10-15 seconds for all the domains to appear. Each discovered domain will be identified as “Discovered: Domain” followed by “node name side, node name side”. If APC could not be discovered on a node, a triangle with an exclamation point appears next to the node. If this occurs, double-click the node to display the reason. If you want to save the APC discovery results to a text file, complete the following steps. Otherwise, continue with [Step 4](#).
- a. Click **Save**.
 - b. In the Save Detailed Error Dialog to File dialog box, enter the path to a local or network server where you want to save the file, or click **Browse** to navigate to the directory.
 - c. Click **OK**.
- Step 4** Click **Close** to close the APC Discovery dialog box.
- Step 5** Choose the domain that you want to disable. *Only domains with a status, APC State: Enabled, can be disabled.*
- Step 6** Click **Disable APC**.
- Step 7** In the APC window, verify that the Check APC State status changes to **Disable**.
- Step 8** Return to your originating procedure (NTP).
-

DLP-G158 Enable Automatic Power Control

Purpose	This task enables the DWDM APC.
Tools/Equipment	None
Prerequisite Procedures	DLP-G46 Log into CTC, page 3-30
Required/As Needed	As needed
Onsite/Remote	Onsite or remote
Security Level	Superuser only

-
- Step 1** From the View menu, choose **Go to Network View**.
- Step 2** Click the **Maintenance > APC** tabs.
- Step 3** Click **Refresh**. The APC Discovery dialog box appears with the discovered APC domains. It may take 10-15 seconds for all the domains to appear. Each discovered domain will be identified as “Discovered: Domain” followed by “node name side, node name side”. If APC could not be discovered on a node, a triangle with an exclamation point appears next to the node. If this occurs, double-click the node to display the reason. If you want to save the APC discovery results to a text file, complete the following steps. Otherwise, continue with [Step 4](#).
- a. Click **Save**.

- b. In the Save Detailed Error Dialog to File dialog box, enter the path to a local or network server where you want to save the file, or click Browse to navigate to the directory.
 - c. Click **OK**.
- Step 4** Click **Close** to close the APC Discovery dialog box.
- Step 5** Choose the domain that you want to enable. (Only domains with a status, APC State: Disabled can be enabled.)
- Step 6** Click **Enable APC**.
- Step 7** In the APC window, verify that the Check APC State status changes to Enable.
- Step 8** Return to your originating procedure (NTP).
-

DLP-G430 Run Automatic Power Control

Purpose	This task runs the DWDM APC.
Tools/Equipment	None
Prerequisite Procedures	DLP-G46 Log into CTC, page 3-30
Required/As Needed	As needed
Onsite/Remote	Onsite or remote
Security Level	Superuser only

- Step 1** From the View menu, choose **Go to Network View**.
- Step 2** Click the **Maintenance > APC** tabs.
- Step 3** Click **Refresh**. The APC Discovery dialog box appears with the discovered APC domains. It might take 10 to 15 seconds for all the domains to appear. Each discovered domain will be identified as “Discovered: Domain” followed by <node name side>, <node name side>. If APC could not be discovered on a node, a triangle with an exclamation point appears next to the node. If this occurs, double-click the node to display the reason. If you want to save the APC discovery results to a text file, complete the following steps. Otherwise, continue with [Step 4](#).
- a. Click **Save**.
 - b. In the Save Detailed Error Dialog to File dialog box, enter the path to a local or network server where you want to save the file, or click Browse to navigate to the directory.
 - c. Click **OK**.
- Step 4** Click **Close** to close the APC Discovery dialog box.
- Step 5** Choose the domain that you want to run. Only domains with the status, APC State: Enabled can be run.
- Step 6** Click **Run APC**.
- Step 7** Return to your originating procedure (NTP).
-

DLP-G159 View Node-Level Automatic Power Control Information

Purpose	This task displays the node-level APC information.
Tools/Equipment	A node provisioning plan prepared by Cisco TransportPlanner is required.
Prerequisite Procedures	DLP-G46 Log into CTC, page 3-30
Required/As Needed	As needed
Onsite/Remote	Onsite or remote
Security Level	Superuser only

- Step 1** In node view (single-shelf mode) or multishelf view (multishelf mode), click the **Maintenance > DWDM > APC** tabs.
- Step 2** In the Side field, choose the side where you want to view the APC information. Options include A, B, C, D, E, F, G, and H (D through H do not appear if the sides are not provisioned). Choose **All** to choose all sides.



Note If you have created a side for the PSM card, the Side field will display both the working (w) and the protected (p) side.

- Step 3** Click **Refresh**.
- Step 4** View the APC information:
- Position—The node, side, and slot.
 - Last Modification—The last time a modification to the APC parameters occurred, in Date-Hour-Time Zone format. APC parameters are reported only when their ports are in IS-NR/Unlocked-enabled service state.
 - Parameter—The parameter that was last modified. Parameters can include:
 - Gain and optical power setpoints on the LINE-TX ports of the OPT-BST, OPT-BST-L, OPT-BST-E, OPT-AMP-L, OPT-AMP-17-C, and OPT-AMP-C cards.
 - Gain and optical power setpoints on the COM-TX port of the OPT-PRE card.
 - Gain setpoints on the DC-TX ports of the OPT-RAMP-C and OPT-RAMP-CE cards.
 - VOA target attenuation on the DC-TX ports of the OPT-RAMP-C and OPT-RAMP-CE cards.
 - VOA target attenuation on the COM-RX ports of 32DMX, 32DMX-O, 32DMX-L, and 40-DMX-C/40-DMX-CE cards.
 - VOA target attenuation on the EXP-TX and DROP-TX ports of the AD-1B-x.xx, AD-4B-x.xx, AD-1C-x.xx, AD-2C-x.xx, and AD-4C-x.xx cards.
 - VOA target attenuation on the W-RX and P-RX ports of the PSM card.
 - Last Check—The date and time the APC parameters were last monitored, in Date-Hour-Time Zone format. APC parameters are reported only when their ports are in IS-NR/Unlocked-enabled service state.
 - Side—The letter of the side, A through H.



Note If you have created a side for the PSM card, the Side field will display both the working (w) and the protected (p) side.

- APC State—Displays the APC state:
 - Enabled—APC is enabled.
 - Disabled - User—APC was disabled by a user action.
 - Disabled Internal—APC was disabled by an internal action.
 - Not Applicable—APC parameters are not reported, for example, does not apply to the side, for example, no amplifiers are installed.

Step 5 Return to your originating procedure (NTP).

DLP-G431 View Network-Level Automatic Power Control Information

Purpose	This task displays the network-level APC information.
Tools/Equipment	A node provisioning plan prepared by Cisco TransportPlanner is required.
Prerequisite Procedures	DLP-G46 Log into CTC, page 3-30
Required/As Needed	As needed
Onsite/Remote	Onsite or remote
Security Level	Superuser only

Step 1 From the View menu, choose Go to Network View.

Step 2 Click the **Maintenance > APC** tabs.

Step 3 Click **Refresh**. The APC Discovery dialog box appears with the discovered APC domains. It may take 10-15 seconds for all the domains to appear. Each discovered domain will be identified as “Discovered: Domain” followed by “node name side, node name side”. If APC could not be discovered on a node, a triangle with an exclamation point appears next to the node. If this occurs, double-click the node to display the reason. If you want to save the APC discovery results to a text file, complete the following steps. Otherwise, continue with [Step 4](#).

- a. Click **Save**.
- b. In the Save Detailed Error Dialog to File dialog box, enter the path to a local or network server where you want to save the file, or click **Browse** to navigate to the directory.
- c. Click **OK**.

Step 4 Click **Close** to close the APC Discovery dialog box.

Step 5 Double-click the domain for which you want to view APC information.

Step 6 Right-click the APC span under the domain and choose the node and span.

Step 7 View the APC information:

- Domain—Optically identifies a set of nodes that can be independently regulated by the same instance of APC at the network level. Every domain is terminated by two node sides residing on a terminal node, ROADM node, hub node, line termination meshed node, or an XC termination meshed node.
- APC State—Displays the APC state:
 - Enabled—APC is enabled.
 - Disabled - User—APC was disabled by a user action.

- Disabled - Internal—APC was disabled by an internal action.
- Not Applicable—APC parameters are not normally reported, for example, a gain setpoint when working mode is set to Control Power.
- Admin State—Displays the admin state of the APC engine:
 - Free to run
 - APC Disabled
 - APC Disabled Internal
- Progress State—Indicates the APC engine state:
 - APC Running
 - APC Aborted
 - APC Run Completed
- Run APC—Runs the APC function manually for the selected domain. To run APC on multiple domains, press CTRL and select the desired domains, before clicking Run APC.

Step 8 Return to your originating procedure (NTP).

NTP-G78 View Side Power Monitoring

Purpose	This procedure allows you to view the side power levels.
Tools/Equipment	None
Prerequisite Procedures	DLP-G46 Log into CTC, page 3-30
Required/As Needed	As needed
Onsite/Remote	Onsite or remote
Security Level	Superuser only



Note This procedure applies to all DWDM node types except nodes without add/drop cards (for example, line sites) or nodes with add/drop cards such as AD-xC or AD-xB cards.

- Step 1** Complete the “[DLP-G46 Log into CTC](#)” task on page 3-30. If you are already logged in, continue with Step 2.
- Step 2** In node view (single-shelf mode) or multishelf view (multishelf mode), click the **Maintenance > DWDM > Side Power Monitoring > Optical Side n** tabs, where $n = A, B, C, D$.
- Step 3** On the Side Power Monitoring tab, view the power information. Each existing channel will have an IN and OUT power on each node side in the case of bidirectional circuits.

**Note**

OUT indicates the power on the output port with respect to the side to which it is referred to. It is the last port of the side before the first amplified port in the direction going from the node to the span or the output port of the side itself if there are no amplified ports. IN indicates the power on the input port with respect to the side to which is referred to. It is the first port of the side after the last amplified port in the direction going from the span to the node or the input port of the side itself if there are no amplified ports.

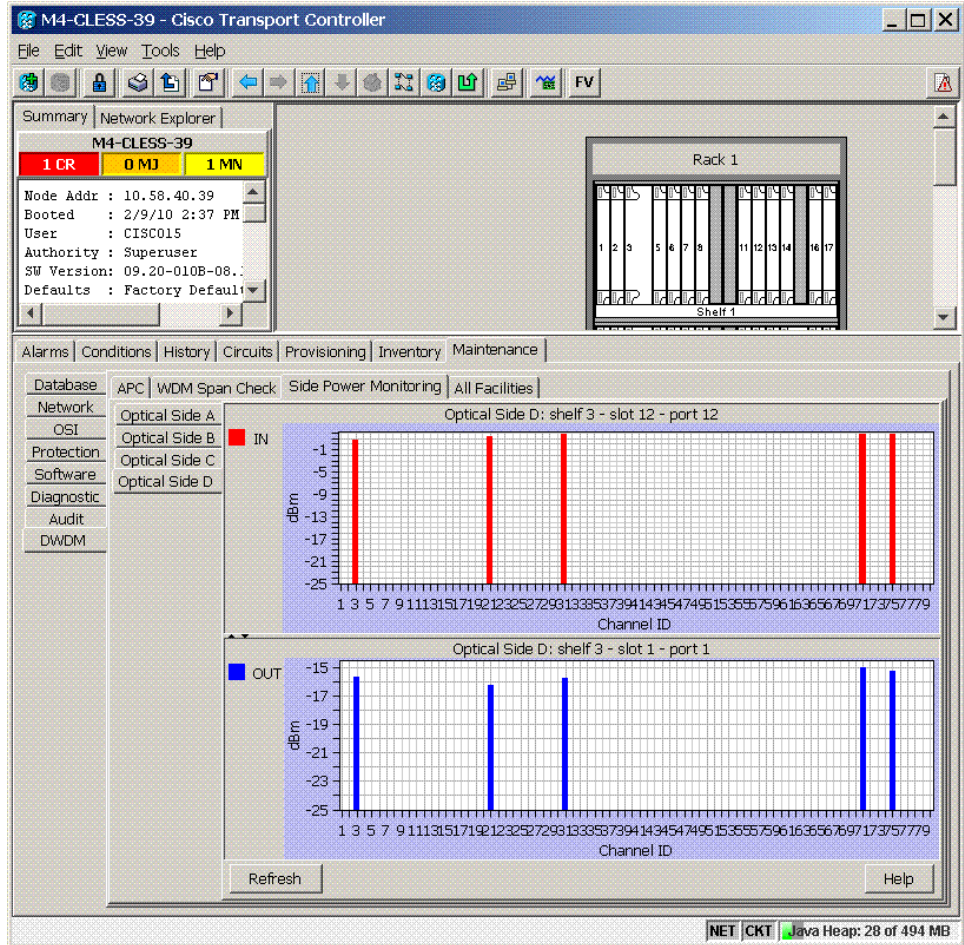
**Note**

The DWDM cards supporting this feature are designed to handle minor differences in output power. The output power does not need to be exactly the same for all wavelengths.

The **Side Power Monitoring > Optical Side** tab does not display accurate power values on pass-through channels when the ROADM node layout is based on the 40-WSS card. This issue is resolved in Release 9.3. To verify whether the incoming wavelengths are equalized or not among the drop and pass-through channels, click the **Provisioning > Optical Chn > Parameters** tabs and view the values on the 40-DMX card. To view accurate power values in CTC, at least one drop channel must be provisioned.

Figure 11-1 shows an example of the power levels for a four-degree ROADM node.

Figure 11-1 Optical Side A Power levels of a Four-degree ROADM Node



- Step 4** If needed, click **Refresh** to update the display.
Stop. You have completed this procedure.

NTP-G80 Change Node Management Information

Purpose	This procedure changes the node name, date, time, contact information, and login legal disclaimer.
Tools/Equipment	None
Prerequisite Procedures	NTP-G24 Set Up Name, Date, Time, and Contact Information , page 4-15
Required/As Needed	As needed
Onsite/Remote	Onsite or remote
Security Level	Provisioning or higher

-
- Step 1** Complete the “[DLP-G46 Log into CTC](#)” task on page 3-30. If you are already logged in, continue with Step 2.
- Step 2** Complete the “[NTP-G103 Back Up the Database](#)” procedure on page 14-2.
- Step 3** In node view (single-shelf mode) or multishelf view (multishelf mode), click the **Provisioning > General** tabs.
- Step 4** Complete the “[DLP-G160 Change the Node Name, Date, Time, and Contact Information](#)” task on page 11-12, as needed.
- Step 5** Complete the “[DLP-G161 Change the Login Legal Disclaimer](#)” task on page 11-13, as needed.
- Step 6** After confirming the changes, complete the “[NTP-G103 Back Up the Database](#)” procedure on page 14-2.
- Stop. You have completed this procedure.**
-

DLP-G160 Change the Node Name, Date, Time, and Contact Information

Purpose	This task changes basic information such as node name, date, time, and contact information.
Tools/Equipment	None
Prerequisite Procedures	DLP-G46 Log into CTC , page 3-30
Required/As Needed	As needed
Onsite/Remote	Onsite or remote
Security Level	Provisioning or higher



Caution

Changing the date, time, or time zone might invalidate the node’s performance monitoring counters.

- Step 1** In node view (single-shelf mode) or multishelf view (multishelf mode), click the **Provisioning > General** tabs.
- Step 2** Change any of the following:
- General: Node Name
 - General: Contact
 - Location: Latitude
 - Location: Longitude
 - Location: Description



Note

To see changes to longitude or latitude on the network map, you must go to network view and right-click the specified node, then click **Reset Node Position**.

- Time: Use NTP/SNTP Server
- Time: NTP/SNTP Server IP Address (if Use NTP/SNTP Server is checked)
- Time: Date (M/D/Y)

- Time: Time (H:M:S)
- Time: Time Zone
- Time: Use Daylight Saving Time
- AIS-V Insertion On STS-1 Signal Degrade - Path: Insert AIS-V on STS-1 SD-P
- AIS-V Insertion On STS-1 Signal Degrade - Path: SD-P BER

See the “[NTP-G24 Set Up Name, Date, Time, and Contact Information](#)” procedure on page 4-15 for detailed field descriptions.

Step 3 Click **Apply**.

Step 4 Return to your originating procedure (NTP).

DLP-G161 Change the Login Legal Disclaimer

Purpose	This task modifies the legal disclaimer statement shown in the CTC login dialog box so that it will display customer-specific information when users log in to the network.
Tools/Equipment	None
Prerequisite Procedures	DLP-G46 Log into CTC , page 3-30
Required/As Needed	As needed
Onsite/Remote	Onsite or remote
Security Level	Superuser only

Step 1 In node view (single-shelf mode) or multishelf view (multishelf mode), click the **Provisioning > Security > Legal Disclaimer > HTML** tabs.

Step 2 The existing statement is a default, non-customer-specific disclaimer. If you want to edit this statement with specifics for your company, you can change the text. Use the HTML commands in [Table 11-1](#) to format the text, as needed.

Table 11-1 HTML Commands for the Legal Disclaimer

Command	Description
	Begins boldface font
	Ends boldface font
<center>	Aligns type in the center of the window
</center>	Ends the center alignment
<font= <i>n</i> > (where <i>n</i> = font point size)	Changes the font to the new size
	Ends the font size command
<p>	Creates a line break
<sub>	Begins subscript
</sub>	Ends subscript
<sup>	Begins superscript

Table 11-1 HTML Commands for the Legal Disclaimer (continued)

Command	Description
</sup>	Ends superscript
<u>	Begins underline
</u>	Ends underline

- Step 3** If you want to preview your changed statement and formatting, click the **Preview** subtab.
- Step 4** Click **Apply**.
- Step 5** Return to your originating procedure (NTP).

NTP-G134 Modify OSI Provisioning

Purpose	This procedure modifies the ONS 15454 OSI parameters including the OSI routing mode, TARP, routers, subnets, and IP-over-CLNS tunnels.
Tools/Equipment	None
Prerequisite Procedures	NTP-G132 Provision OSI, page 4-38
Required/As Needed	As needed
Onsite/Remote	Onsite or remote
Security Level	Provisioning or higher



Note

Additional information about the ONS 15454 implementation of OSI is provided in the “Management Network Connectivity” chapter of the *Cisco ONS 15454 DWDM Reference Manual*.

- Step 1** Complete the “[DLP-G46 Log into CTC](#)” task on page 3-30. If you are already logged in, continue with Step 2.
- Step 2** Complete the “[NTP-G103 Back Up the Database](#)” procedure on page 14-2.
- Step 3** Perform any of the following tasks as needed:
- [DLP-G284 Modify the TARP Operating Parameters, page 11-15](#)
 - [DLP-G285 Add a Static TID-to-NSAP Entry to the TARP Data Cache, page 4-42](#)
 - [DLP-G286 Remove a Static TID to NSAP Entry from the TARP Data Cache, page 11-17](#)
 - [DLP-G287 Add a TARP Manual Adjacency Table Entry, page 11-17](#)
 - [DLP-G292 Remove a TARP Manual Adjacency Table Entry, page 11-18](#)
 - [DLP-G293 Change the OSI Routing Mode, page 11-19](#)
 - [DLP-G294 Edit the OSI Router Configuration, page 11-20](#)
 - [DLP-G295 Edit the OSI Subnetwork Point of Attachment, page 11-21](#)
 - [DLP-G296 Edit an IP-Over-CLNS Tunnel, page 11-22](#)
 - [DLP-G297 Delete an IP-Over-CLNS Tunnel, page 11-23](#)

- Step 4** Complete the “[NTP-G103 Back Up the Database](#)” procedure on page 14-2.
Stop. You have completed this procedure.
-

DLP-G284 Modify the TARP Operating Parameters

Purpose	This task modifies the TARP operating parameters including TARP protocol data unit (PDU) propagation, timers, and loop detection buffer (LDB).
Tools/Equipment	None
Prerequisite Procedures	DLP-G46 Log into CTC , page 3-30
Required/As Needed	As needed
Onsite/Remote	Onsite or remote
Security Level	Superuser only

Step 1 In node view (single-shelf mode) or multishelf view (multishelf mode), click the **Provisioning > OSI > TARP > Config** tabs.

Step 2 Provision the following parameters, as needed:

- TARP PDUs L1 Propagation—If checked (default), TARP Type 1 PDUs that are received by the node and are not excluded by the LDB are propagated to other NEs within the Level 1 OSI area. (Type 1 PDUs request a protocol address that matches a target identifier [TID] within a Level 1 routing area.) The propagation does not occur if the NE is the target of the Type 1 PDU, and PDUs are not propagated to the NE from which the PDU was received.



Note The TARP PDUs L1 Propagation parameter is not used when the Node Routing Area (Provisioning > OSI > Main Setup tab) is set to End System.

- TARP PDUs L2 Propagation—If checked (default), TARP Type 2 PDUs received by the node that are not excluded by the LDB are propagated to other NEs within the Level 2 OSI areas. (Type 2 PDUs request a protocol address that matches a TID within a Level 2 routing area.) The propagation does not occur if the NE is the target of the Type 2 PDU, and PDUs are not propagated to the NE from which the PDU was received.



Note The TARP PDUs L2 Propagation parameter is only used when the Node Routing Area is provisioned to Intermediate System Level 1/Level 2.

- TARP PDUs Origination—If checked (default), the node performs all TARP origination functions including:
 - TID to Network Service Access Point (NSAP) resolution requests (originate TARP Type 1 and Type 2 PDUs)
 - NSAP to TID requests (originate Type 5 PDUs)
 - TARP address changes (originate Type 4 PDUs)



Note TARP Echo and NSAP to TID are not supported.

- TARP Data Cache—If checked (default), the node maintains a TARP data cache (TDC). The TDC is a database of TID-to-NSAP pairs created from TARP Type 3 PDUs that are received by the node and modified by TARP Type 4 PDUs (TID-to-NSAP updates or corrections). TARP 3 PDUs are responses to Type 1 and Type 2 PDUs. The TDC can also be populated with static entries entered on the TARP > Static TDC tab.



Note This parameter is only used when the TARP PDUs Origination parameter is enabled.

- L2 TARP Data Cache—If checked (default), the TIDs and NSAPs of NEs originating Type 2 requests are added to the TDC before the node propagates the requests to other NEs.



Note The L2 TARP Data Cache parameter is designed for Intermediate System Level 1/Level 2 nodes that are connected to other Intermediate System Level 1/Level 2 nodes. Enabling the parameter for Intermediate System Level 1 nodes is not recommended.

- LDB—If checked (default), enables the TARP loop detection buffer. The LDB prevents TARP PDUs from being sent more than once on the same subnet.



Note The LDB parameter is not used if the Node Routing Mode is provisioned to End System or if the TARP PDUs L1 Propagation parameter is not enabled.

- LAN TARP Storm Suppression—If checked (default), enables TARP storm suppression. This function prevents redundant TARP PDUs from being unnecessarily propagated across the LAN network.
- Send Type 4 PDU on Startup—If checked, a TARP Type 4 PDU is originated during the initial ONS 15454 startup. Type 4 PDUs indicate that a TID or NSAP change has occurred at the NE. (The default setting is not enabled.)
- Type 4 PDU Delay—Sets the amount of time that will pass before the Type 4 PDU is generated when Send Type 4 PDU on Startup is enabled. 60 seconds is the default. The range is 0 to 255 seconds.



Note The Send Type 4 PDU on Startup and Type 4 PDU Delay parameters are not used if the TARP PDUs Origination parameter is not enabled.

- LDB Entry—Sets the TARP loop detection buffer timer. The LDB buffer time is assigned to each LDB entry for which the TARP sequence number (tar-seq) is zero. The default is 5 minutes. The range is 1 to 10 minutes.
- LDB Flush—Sets the frequency period for flushing the LDB. The default is 5 minutes. The range is 0 to 1440 minutes.
- T1—Sets the amount of time to wait for a response to a Type 1 PDU. Type 1 PDUs seek a specific NE TID within an OSI Level 1 area. The default is 15 seconds. The range is 0 to 3600 seconds.
- T2—Sets the amount of time to wait for a response to a Type 2 PDU. TARP Type 2 PDUs seek a specific NE TID value within OSI Level 1 and Level 2 areas. The default is 25 seconds. The range is 0 to 3600 seconds.

- T3—Sets the amount of time to wait for an address resolution request. The default is 40 seconds. The range is 0 to 3600 seconds.
- T4—Sets the amount of time to wait for an error recovery. This timer begins after the T2 timer expires without finding the requested NE TID. The default is 20 seconds. The range is 0 to 3600 seconds.



Note The T1, T2, and T4 timers are not used if TARP PDUs Origination is not enabled.

- Step 3** Click **Apply**.
- Step 4** Return to your originating procedure (NTP).

DLP-G286 Remove a Static TID to NSAP Entry from the TARP Data Cache

Purpose	This task removes a static TID to NSAP entry from the TDC.
Tools/Equipment	None
Prerequisite Procedures	DLP-G46 Log into CTC, page 3-30
Required/As Needed	As needed
Onsite/Remote	Onsite or remote
Security Level	Provisioning or higher

- Step 1** In node view (single-shelf mode) or multishelf view (multishelf mode), click the **Provisioning > OSI > TARP > Static TDC** tabs.
- Step 2** Click the static entry that you want to delete.
- Step 3** Click **Delete Static Entry**.
- Step 4** In the Delete TDC Entry dialog box, click **Yes**.
- Step 5** Return to your originating procedure (NTP).

DLP-G287 Add a TARP Manual Adjacency Table Entry

Purpose	This task adds an entry to the TARP manual adjacency table (MAT). Entries are added to the MAT when the ONS 15454 must communicate across routers or non-SONET NEs that lack TARP capability.
Tools/Equipment	None
Prerequisite Procedures	DLP-G46 Log into CTC, page 3-30
Required/As Needed	As needed
Onsite/Remote	Onsite or remote
Security Level	Provisioning or higher

-
- Step 1** In the node view (single-shelf mode) or multishelf view (multishelf mode), click the **Provisioning > OSI > TARP > MAT** tabs.
- Step 2** Click **Add**.
- Step 3** In the Add TARP Manual Adjacency Table Entry dialog box, enter the following:
- **Level**—Sets the TARP Type Code that will be sent:
 - **Level 1**—Indicates that the adjacency is within the same area as the current node. The entry generates Type 1 PDUs.
 - **Level 2**—Indicates that the adjacency is in a different area from the current node. The entry generates Type 2 PDUs.
 - **NSAP**—Enter the OSI NSAP address in the NSAP field or, if preferred, click **Use Mask** and enter the address in the Masked NSAP Entry dialog box.
- Step 4** Click **OK** to close the Masked NSAP Entry dialog box, if used, and then click **OK** to close the Add Static Entry dialog box.
- Step 5** Return to your originating procedure (NTP).
-

DLP-G292 Remove a TARP Manual Adjacency Table Entry

Purpose	This task removes an entry from the TARP MAT.
Tools/Equipment	None
Prerequisite Procedures	DLP-G46 Log into CTC, page 3-30
Required/As Needed	As needed
Onsite/Remote	Onsite or remote
Security Level	Provisioning or higher



Caution If TARP manual adjacency is the only means of communication to a group of nodes, loss of visibility will occur when the adjacency table entry is removed.

- Step 1** In node view (single-shelf mode) or multishelf view (multishelf mode), click the **Provisioning > OSI > TARP > MAT** tabs.
- Step 2** Click the MAT entry that you want to delete.
- Step 3** Click **Remove**.
- Step 4** In the Delete TDC Entry dialog box, click **OK**.
- Step 5** Return to your originating procedure (NTP).
-

DLP-G293 Change the OSI Routing Mode

Purpose	This task changes the OSI routing mode.
Tools/Equipment	None
Prerequisite Procedures	DLP-G46 Log into CTC, page 3-30
Required/As Needed	As needed
Onsite/Remote	Onsite or remote
Security Level	Provisioning or higher



Caution

Do not complete this procedure until you confirm the role of the node within the network. It will be either an ES, IS Level 1, or IS Level 1/Level 2. This decision must be carefully considered. For additional information about OSI provisioning, refer to the “Management Network Connectivity” chapter of the *Cisco ONS 15454 DWDM Reference Manual*.



Caution

Link state PDU (LSP) buffers must be the same at all NEs within the network, or loss of visibility could occur. Do not modify the LSP buffers unless you are sure that all NEs within the OSI have the same buffer size.



Caution

LSP buffer sizes cannot be greater than the LAP-D MTU size within the OSI area.

Step 1

Verify the following:

- All L1/L2 virtual routers on the NE must reside in the same area. This means that all neighboring virtual routers must have at least one common area address.
- For OSI L1/L2 to ES routing mode changes, only one L1/L2 virtual router and no more than one subnet can be configured.
- For OSI L1 to ES routing mode changes, only one L1 virtual router and no more than one subnet can be configured.

Step 2

In node view (single-shelf mode) or multishelf view (multishelf mode), click the **Provisioning > OSI > Main Setup** tabs.

Step 3

Choose one of the following node routing modes:

- **End System**—The ONS 15454 performs OSI IS functions. It communicates with IS and ES nodes that reside within its OSI area. It depends upon an IS L1/L2 node to communicate with IS and ES nodes that reside outside its OSI area.
- **Intermediate System Level 1**—The ONS 15454 performs IS functions. It communicates with IS and ES nodes that reside within its OSI area. It does not communicate with IS nodes that reside in other OSI areas except through an IS L1/L2 node residing in its own area.
- **Intermediate System Level 1/Level 2**—The ONS 15454 performs IS functions. It communicates with IS and ES nodes that reside within its OSI area. It also communicates with IS L1/L2 nodes that reside in other OSI areas. Before choosing this option, verify the following:
 - The node is connected to another IS Level 1/Level 2 node that resides in a different OSI area.
 - The node is connected to all nodes within its area that are provisioned as IS L1/L2.



Note Changing a routing mode should be carefully considered. Additional information about OSI ESs and ISs and the ES-IS and IS-IS protocols are provided in the “Management Network Connectivity” chapter of the *Cisco ONS 15454 DWDM Reference Manual*.

- Step 4** Although Cisco does not recommend changing the LSP buffer sizes, you can adjust the buffers in the following fields:
- L1 LSP Buffer Size—Adjusts the Level 1 link state PDU buffer size.
 - L2 LSP Buffer Size—Adjusts the Level 2 link state PDU buffer size.
- Step 5** Return to your originating procedure (NTP).

DLP-G294 Edit the OSI Router Configuration

Purpose	This task allows you to edit the OSI router configuration, including enabling and disabling OSI routers, editing the primary area address, and creating or editing additional area addresses.
Tools/Equipment	None
Prerequisite Procedures	DLP-G46 Log into CTC, page 3-30
Required/As Needed	As needed
Onsite/Remote	Onsite or remote
Security Level	Provisioning or higher

- Step 1** Click the **Provisioning > OSI > Routers > Setup** tabs.
- Step 2** Choose the router you want to provision and click **Edit**.
- Step 3** In the OSI Router Editor dialog box:
- a. Check or uncheck the Enabled box to enable or disable the router.



Note Router 1 must be enabled before you can enable Routers 2 and 3.

- b. For enabled routers, edit the primary area address, if needed. The address can be between 8 and 24 alphanumeric characters in length.
 - c. If you want to add or edit an area address to the primary area, enter the address at the bottom of the Multiple Area Addresses area. The area address can be 2 to 26 numeric characters (0–9) in length. Click **Add**.
 - d. Click **OK**.
- Step 4** Return to your originating procedure (NTP).

DLP-G295 Edit the OSI Subnetwork Point of Attachment

Purpose	This task allows you to view and edit the OSI subnetwork point of attachment parameters. The parameters are initially provisioned when you create a section data communications channel (SDCC) (ANSI) or regeneration section (RS-DCC) (ETSI), Line data communications channel (LDCC) (ANSI) or multiplex section (MS-DCC) (ETSI), generic communications channel (GCC), or optical service channel (OSC), or when you enable the LAN subnet.
Tools/Equipment	None
Prerequisite Procedures	DLP-G46 Log into CTC, page 3-30
Required/As Needed	As needed
Onsite/Remote	Onsite or remote
Security Level	Provisioning or higher

-
- Step 1** If the subnet router is not enabled, complete the “[DLP-G294 Edit the OSI Router Configuration](#)” task on [page 11-20](#) to enable it. If it is enabled, continue with [Step 2](#).
- Step 2** In the node view (single-shelf mode) or multishelf view (multishelf mode), click the **Provisioning > OSI > Routers > Subnet** tabs.
- Step 3** Choose the subnet you want to edit, then click **Edit**.
- Step 4** In the Edit <subnet type> Subnet <slot/port> dialog box, edit the following fields:
- ESH—The End System Hello (ESH) PDU propagation frequency. An end system NE transmits ESHs to inform other ESs and ISs about the NSAPs it serves. The default is 10 seconds. The range is 10 to 1000 seconds.
 - ISH—The Intermediate System Hello (ISH) PDU propagation frequency. An intermediate system NE sends ISHs to other ESs and ISs to inform them about the NEs it serves. The default is 10 seconds. The range is 10 to 1000 seconds.
 - IIH—The Intermediate System to Intermediate System Hello (IIH) PDU propagation frequency. The IS-IS Hello PDUs establish and maintain adjacencies between ISs. The default is 3 seconds. The range is 1 to 600 seconds.



Note The IS-IS Cost and DIS Priority parameters are provisioned when you create or enable a subnet. You cannot change the parameters after the subnet is created. To change the DIS Priority and IS-IS Cost parameters, delete the subnet and create a new one.

- Step 5** Click **OK**.
- Step 6** Return to your originating procedure (NTP).
-

DLP-G296 Edit an IP-Over-CLNS Tunnel

Purpose	This task allows you to edit the parameters of an IP-over-CLNS tunnel.
Tools/Equipment	None
Prerequisite Procedures	DLP-G291 Create an IP-Over-CLNS Tunnel, page 4-46 DLP-G46 Log into CTC, page 3-30
Required/As Needed	As needed
Onsite/Remote	Onsite or remote
Security Level	Provisioning or higher



Caution

Changing the IP or NSAP addresses or an IP-over-CLNS tunnel can cause loss of NE visibility or NE isolation. Do not change network addresses until you verify the changes with your network administrator.

Step 1 Click the **Provisioning > OSI > Tunnels** tabs.

Step 2 Click **Edit**.

Step 3 In the Edit IP Over OSI Tunnel dialog box, complete the following fields:

- Tunnel Type—Edit the tunnel type:
 - **Cisco**—Creates the proprietary Cisco IP tunnel. Cisco IP tunnels add the CLNS header to the IP packets.
 - **GRE**—Creates a generic routing encapsulation (GRE). GRE tunnels add the CLNS header and a GRE header to the IP packets.

The Cisco proprietary tunnel is slightly more efficient than the GRE tunnel because it does not add the GRE header to each IP packet. The two tunnel types are not compatible. Most Cisco routers support the Cisco IP tunnel, while only a few support both GRE and Cisco IP tunnels. You generally should create Cisco IP tunnels if you are tunneling between two Cisco routers or between a Cisco router and an ONS node.



Caution

Always verify that the IP-over-CLNS tunnel type you choose is supported by the equipment at the other end of the tunnel.

- IP Address—Enter the IP address of the IP-over-CLNS tunnel destination.
- IP Mask—Enter the IP address subnet mask of the IP-over-CLNS destination.
- OSPF Metric—Enter the Open Shortest Path First (OSPF) metric for sending packets across the IP-over-CLNS tunnel. The OSPF metric, or cost, is used by OSPF routers to calculate the shortest path. The default is 110. Normally, it is not changed unless you are creating multiple tunnel routes and want to prioritize routing by assigning different metrics.
- NSAP Address—Enter the destination NE or OSI router NSAP address.

Step 4 Click **OK**.

Step 5 Return to your originating procedure (NTP).

DLP-G297 Delete an IP-Over-CLNS Tunnel

Purpose	This task allows you to delete an IP-over-CLNS tunnel.
Tools/Equipment	None
Prerequisite Procedures	DLP-G46 Log into CTC, page 3-30
Required/As Needed	As needed
Onsite/Remote	Onsite or remote
Security Level	Provisioning or higher



Caution

Deleting an IP-over-CLNS tunnel might cause the nodes to lose visibility or cause node isolation. If node isolation occurs, onsite provisioning might be required to regain connectivity. Always confirm tunnel deletions with your network administrator.

-
- Step 1** Click the **Provisioning > OSI > Tunnels** tabs.
- Step 2** Choose the IP-over-CLNS tunnel that you want to delete.
- Step 3** Click **Delete**.
- Step 4** Click **OK**.
- Step 5** Return to your originating procedure (NTP).
-

NTP-G81 Change CTC Network Access

Purpose	This procedure changes or deletes network information, including IP settings, static routes, OSPF options, proxy tunnels, and firewall tunnels.
Tools/Equipment	None
Prerequisite Procedures	NTP-G26 Set Up CTC Network Access, page 4-18
Required/As Needed	As needed
Onsite/Remote	Onsite or remote
Security Level	Provisioning or higher



Note

Additional ONS 15454 networking information, including IP addressing examples, dual IP addressing (secure mode) information, static route scenarios, OSPF protocol information, and Routing Information Protocol (RIP) options are provided in the “Management Network Connectivity” chapter in the *Cisco ONS 15454 DWDM Reference Manual*.

-
- Step 1** Complete the “[DLP-G46 Log into CTC](#)” task on page 3-30. If you are already logged in, continue with Step 2.
- Step 2** Complete the “[NTP-G103 Back Up the Database](#)” procedure on page 14-2.
- Step 3** Perform any of the following tasks as needed:
- [DLP-G162 Change IP Settings, page 11-24](#)

- [DLP-G265 Lock Node Security](#), page 11-25
- [DLP-G266 Modify Backplane Port IP Settings in Security Mode](#), page 11-26
- [DLP-G267 Disable Secure Mode](#), page 11-28
- [DLP-G163 Modify a Static Route](#), page 11-29
- [DLP-G164 Delete a Static Route](#), page 11-30
- [DLP-G165 Disable OSPF](#), page 11-30
- [DLP-G59 Set Up or Change Open Shortest Path First Protocol](#), page 4-29
- [DLP-G167 Delete a Firewall Tunnel](#), page 11-31

Step 4 Complete the “[NTP-G103 Back Up the Database](#)” procedure on page 14-2.

Stop. You have completed this procedure.

DLP-G162 Change IP Settings

Purpose	This task changes the IP address, subnet mask, default router, Dynamic Host Configuration Protocol (DHCP) access, firewall Internet Inter-Object Request Broker Protocol (IIOP) listener port, LCD IP display, and proxy server settings.
Tools/Equipment	None
Prerequisite Procedures	DLP-G46 Log into CTC , page 3-30 DLP-G56 Provision IP Settings , page 4-19
Required/As Needed	As needed
Onsite/Remote	Onsite or remote
Security Level	Superuser only



Caution

Changing the node IP address, subnet mask, or IIOP listener port causes the TCC2/TCC2P/TCC3/TNC/TSC cards to reboot. If Ethernet circuits using Spanning Tree Protocol (STP) originate or terminate on E-Series Ethernet cards installed in the node, circuit traffic will be lost for several minutes while the spanning trees reconverge. Other circuits are not affected by TCC2/TCC2P/TCC3/TNC/TSC reboots.



Note

If the node contains TCC2P/TCC3/TNC/TSC cards and is in default (repeater) mode, the node IP address refers to the TCC2P/TCC3/TNC/TSC front-access TCP/IP (LAN) port as well as the backplane LAN port. If the node is in secure mode, this task only changes the front-access port IP address only. If the node is in secure mode and has been locked, the IP address cannot be changed unless the lock is removed by Cisco Technical Support.

Step 1 In node view (single-shelf mode) or multishelf view (multishelf mode), click the **Provisioning > Network > General** tabs.

Step 2 Change any of the following, as required:

- IP Address

- Net/Subnet Mask Length
- Default Router
- IPv6 Configuration
- LCD Setting
- Suppress CTC IP Display
- Forward DHCP Request To

Gateway Settings

- Enable SOCKS proxy on Port. If enabled, one of the following:
 - External Network Element
 - Gateway Network Element
 - SOCK Proxy only

See the “[DLP-G56 Provision IP Settings](#)” task on page 4-19 for detailed field descriptions.

Step 3 Click **Apply**.

If you changed a network field that will cause the node to reboot, such as the IP address, or subnet mask, the Change Network Configuration confirmation dialog box appears. If you changed a gateway setting, a confirmation appropriate to the gateway field appears.

Step 4 If a confirmation dialog box appears, click **Yes**.

If you changed an IP address, subnet mask length, TCC2/TCC2P/TCC3/TNC/TSC cards reboot, one at a time. A TCC2/TCC2P/TCC3/TNC/TSC card reboot causes a temporary loss of connectivity to the node, but traffic is unaffected.

Step 5 Confirm that the changes appear on the Provisioning > Network > General tabs. If not, refer to the *Cisco ONS 15454 DWDM Troubleshooting Guide*.

Step 6 Return to your originating procedure (NTP).

DLP-G265 Lock Node Security

Purpose	This task locks the secure mode. When secure mode is locked, two IP addresses must always be provisioned for the node. The first address is provisioned for the TCC2P/TCC3/TNC/TSC LAN (TCP/IP) port. The second address is provisioned for the backplane LAN port (ONS 15454), EMS RJ-45 port on the ECU (ONS 15454 M6), EMS RJ-45 port on the power module (ONS 15454 M2).
Tools/Equipment	TCC2P/TCC3/TNC/TSC cards must be installed.
Prerequisite Procedures	DLP-G46 Log into CTC , page 3-30 DLP-G264 Enable Node Security Mode , page 4-26
Required/As Needed	As needed
Onsite/Remote	Onsite or remote
Security Level	Superuser only

**Caution**

When a node is locked, it cannot be unlocked by any user or action. It can only be changed by Cisco Technical Support. Even if the node's database is deleted and another unlocked database is loaded, the node will remain locked. Do not proceed unless you want the node to permanently retain the current secure configuration including dual IP addresses.

**Note**

The options in this task are available only when TCC2P/TCC3/TNC/TSC cards are installed.

- Step 1** In node view (single-shelf mode) or multishelf view (multishelf mode), click the **Provisioning > Security > Data Comm** tabs.
- Step 2** Click **Lock**.
- Step 3** In the Confirm Lock Secure Mode dialog box, click **Yes**.
- Step 4** Return to your originating procedure (NTP).

DLP-G266 Modify Backplane Port IP Settings in Security Mode

Purpose	This task modifies the ONS 15454 backplane IP address, subnet mask, and default router when security mode is enabled. It also modifies settings that control backplane IP address visibility in CTC and the ONS 15454 LCD.
Tools/Equipment	TCC2P/TCC3/TNC/TSC cards must be installed.
Prerequisite Procedures	NTP-G103 Back Up the Database, page 14-2 DLP-G46 Log into CTC, page 3-30 DLP-G264 Enable Node Security Mode, page 4-26
Required/As Needed	As needed
Onsite/Remote	Onsite or remote
Security Level	Superuser only

**Caution**

Provisioning an IP address that is incompatible with the ONS 15454 network might be service affecting.

**Caution**

This task cannot be performed on a secure mode NE that has been locked.

**Note**

The options in this task are available only when TCC2P/TCC3/TNC/TSC cards are installed.

- Step 1** Click the **Provisioning > Security > Data Comm** tabs.
- Step 2** Modify the following fields, as necessary:
- IP Address
 - Subnet Mask

- Default Router
- LCD IP Setting—Choose one of the following:
 - **Allow Configuration**—Displays the backplane IP address on the LCD and allows it to be changed using the LCD buttons.
 - **Display only**—Displays the backplane IP address on the LCD but does not allow it to be changed using the LCD buttons.
 - **Suppress Display**—Suppresses the display of the IP address on the LCD.
- Suppress CTC IP Address—If checked, suppresses the IP address from display on the Data Comm subtab, CTC node view or multishelf view information area, and other locations.
- IPv6 Configuration—Allows provisioning of IPv6 addresses. After you provision an IPv6 address, you can access the device using the IPv6 address. Configure these settings only if you want to enable IPv6 on the node. IPv6 cannot be configured using the LCD push buttons.
 - Enable IPv6—Select this check box to assign an IPv6 address to the node. The IPv6 Address, Prefix Length, and IPv6 Default Router fields are enabled only if this check box is selected. The check box is disabled by default.



Note The Enable SOCKS Proxy on Port check box is enabled when you enable IPv6 and can be disabled only when IPv6 is disabled.

- IPv6 Address—Enter the IPv6 address that you want to assign to the node. This IP address is the global unicast IPv6 address. This field is disabled if the Enable IPv6 check box is not selected.
- Prefix Length—Enter the prefix length of the IPv6 address. This field is disabled if the Enable IPv6 check box is not selected.
- IPv6 Default Router—Enter the IPv6 address of the default router of the IPv6 NE. This is optional. This field is disabled if the Enable IPv6 check box is not selected.



Note ONS platforms use NAT-PT internally to support native IPv6. NAT-PT uses the IPv4 address range 128.0.0.0 to 128.0.1.254 for packet translation. Do not use this address range when you enable the IPv6 feature.



Caution Ensure that the IPv6 address assigned to the node is unique in the network. Duplicate IP addresses in the same network causes loss of visibility.

Step 3 Click **Apply**.

If you changed the IP address, subnet mask, or default router, the node will reboot. This will take 5 to 10 minutes.

Step 4 Return to your originating procedure (NTP).

DLP-G267 Disable Secure Mode

Purpose	This task disables the secure mode and allows only one IP address to be provisioned for the backplane LAN port (ONS 15454), EMS RJ-45 port on the ECU (ONS 15454 M6), EMS RJ-45 port on the power module (ONS 15454 M2), and the TCC2P/TCC3/TNC/TSC LAN port.
Tools/Equipment	TCC2P/TCC3/TNC/TSC cards must be installed.
Prerequisite Procedures	DLP-G46 Log into CTC, page 3-30 DLP-G264 Enable Node Security Mode, page 4-26
Required/As Needed	As needed
Onsite/Remote	Onsite or remote
Security Level	Superuser only



Note

The node will reboot after you complete this task, causing a temporary disconnection between the CTC computer and the node.



Note

If you change an NE from secure mode to the default (repeater) mode, the backplane IP address becomes the node IP address.



Note

This task cannot be performed if the NE's secure mode configuration is locked. If secure mode is locked, you must contact Cisco Technical Support to change the node configuration.



Note

The options in this task are only available when TCC2P/TCC3/TNC/TSC cards are installed.

- Step 1** Click the **Provisioning > Security > Data Comm** tabs.
- Step 2** Click **Change Mode**.
- Step 3** Review the information on the Change Secure Mode wizard page, then click **Next**.
- Step 4** On the Node IP Address page, choose the address you want to assign to the node:
 - **Backplane Ethernet Port**—Assigns the backplane IP address as the node IP address.
 - **TCC Ethernet Port**—Assigns the TCC2P/TCC3/TNC/TSC port IP address as the node IP address.
 - **New IP Address**—Allows you to define a new IP address. If you choose this option, enter the new IP address, subnet mask, and default router IP address.
- Step 5** Click **Next**.
- Step 6** On the SOCKS Proxy Server Settings page, choose one of the following:
 - **External Network Element (ENE)**—If selected, SOCKS proxy will be disabled by default, and the CTC computer is only visible to the ONS 15454 where the CTC computer is connected. The computer is not visible to the secure mode data communications channel (DCC)-connected nodes. Firewall is enabled, which means that the node prevents IP traffic from being routed between the DCC and the LAN port.

- **Gateway Network Element (GNE)**—If selected, the CTC computer is visible to other DCC-connected nodes and SOCKS proxy remains enabled. However, the node prevents IP traffic from being routed between the DCC and the LAN port.
- **Proxy-only**—If selected, the ONS 15454 responds to CTC requests with a list of DCC-connected nodes within the firewall for which the node serves as a proxy. The CTC computer is visible to other DCC-connected nodes. The node does not prevent traffic from being routed between the DCC and LAN port.

Step 7 Click **Finish**.

Within the next 30 to 40 seconds, the TCC2P/TCC3/TNC/TSC cards reboot. CTC switches to network view, and the CTC Alerts dialog box appears. In network view, the node changes to gray and a DISCONNECTED condition appears.

Step 8 In the CTC Alerts dialog box, click **Close**. Wait for the reboot to finish. (This might take several minutes.)

Step 9 Return to your originating procedure (NTP).

DLP-G163 Modify a Static Route

Purpose	This task modifies a static route on an ONS 15454.
Tools/Equipment	None
Prerequisite Procedures	DLP-G46 Log into CTC, page 3-30 DLP-G58 Create a Static Route, page 4-28
Required/As Needed	As needed
Onsite/Remote	Onsite or remote
Security Level	Provisioning or higher

Step 1 In node view (single-shelf mode) or multishelf view (multishelf mode), click the **Provisioning > Network** tabs.

Step 2 Click the **Static Routing** tab.

Step 3 Click the static route you want to edit.

Step 4 Click **Edit**.

Step 5 In the Edit Selected Static Route dialog box, enter the following:

- Mask
- Next Hop
- Cost

See the “[DLP-G58 Create a Static Route](#)” task on [page 4-28](#) for detailed field descriptions.

Step 6 Click **OK**.

Step 7 Return to your originating procedure (NTP).

DLP-G164 Delete a Static Route

Purpose	This task deletes an existing static route on an ONS 15454.
Tools/Equipment	None
Prerequisite Procedures	DLP-G46 Log into CTC, page 3-30 DLP-G58 Create a Static Route, page 4-28
Required/As Needed	As needed
Onsite/Remote	Onsite or remote
Security Level	Provisioning or higher

-
- Step 1** In node view (single-shelf mode) or multishelf view (multishelf mode), click the **Provisioning > Network > Static Routing** tabs.
- Step 2** Click the static route that you want to delete.
- Step 3** Click **Delete**. A confirmation dialog box appears.
- Step 4** Click **Yes**.
- Step 5** Return to your originating procedure (NTP).
-

DLP-G165 Disable OSPF

Purpose	This task disables the OSPF routing protocol process for an ONS 15454 LAN.
Tools/Equipment	None
Prerequisite Procedures	DLP-G46 Log into CTC, page 3-30 DLP-G59 Set Up or Change Open Shortest Path First Protocol, page 4-29
Required/As Needed	As needed
Onsite/Remote	Onsite or remote
Security Level	Provisioning or higher

-
- Step 1** In node view (single-shelf mode) or multishelf view (multishelf mode), click the **Provisioning > Network > OSPF** tabs. The OSPF subtab has several options.
- Step 2** In the OSPF on LAN area, uncheck the **OSPF active on LAN** check box.
- Step 3** Click **Apply**. Confirm that the changes appear.
- Step 4** Return to your originating procedure (NTP).
-

DLP-G167 Delete a Firewall Tunnel

Purpose	This task removes a firewall tunnel.
Tools/Equipment	None
Prerequisite Procedures	DLP-G46 Log into CTC, page 3-30
Required/As Needed	As needed
Onsite/Remote	Onsite or remote
Security Level	Superuser only

-
- Step 1** Click the **Provisioning > Network > Firewall** subtabs.
- Step 2** Click the firewall tunnel that you want to delete.
- Step 3** Click **Delete**.
- Step 4** Return to your originating procedure (NTP).
-

NTP-G82 Customize the CTC Network View

Purpose	This procedure modifies the CTC network view, including grouping nodes into domains for a less-cluttered display, changing the network view background color, and using a custom image for the network view background.
Tools/Equipment	None
Prerequisite Procedures	DLP-G46 Log into CTC, page 3-30
Required/As Needed	As needed
Onsite/Remote	Onsite or remote
Security Level	Superuser only

-
- Step 1** Complete the “[DLP-G46 Log into CTC](#)” task on page 3-30. If you are already logged in, continue with Step 2.
- Step 2** Complete the following tasks, as needed:
- [DLP-G168 Change the Network View Background Color, page 11-32](#)
 - [DLP-G169 Change the Default Network View Background Map, page 11-32](#)
 - [DLP-G170 Apply a Custom Network View Background Map, page 11-33](#)
 - [DLP-G171 Create Domain Icons, page 11-34](#)
 - [DLP-G172 Manage Domain Icons, page 11-34](#)
 - [DLP-G173 Enable Dialog Box Do-Not-Display Option, page 11-36](#)
 - [DLP-G174 Switch Between TDM and DWDM Network Views, page 11-36](#)
 - [DLP-G330 Consolidate Links in Network View, page 11-37](#)

Stop. You have completed this procedure.

DLP-G168 Change the Network View Background Color

Purpose	This task changes the network view background color or the domain view background color (the area displayed when you open a domain).
Tools/Equipment	None
Prerequisite Procedures	DLP-G46 Log into CTC, page 3-30
Required/As Needed	As needed
Onsite/Remote	Onsite or remote
Security Level	Retrieve or higher



Note

If you modify background colors, the change is stored in your CTC user profile on the computer. The change does not affect other CTC users.

- Step 1** From the View menu in CTC, choose **Go to Network View**.
- Step 2** If you want to change a domain background, double-click the domain. If not, continue with [Step 3](#).
- Step 3** Right-click the network view or domain map area and choose **Set Background Color** from the shortcut menu.
- Step 4** In the Choose Color dialog box, select a background color.
- Step 5** Click **OK**.
- Step 6** Return to your originating procedure (NTP).
-

DLP-G169 Change the Default Network View Background Map

Purpose	This task changes the default map of the CTC network view.
Tools/Equipment	None
Prerequisite Procedures	DLP-G46 Log into CTC, page 3-30
Required/As Needed	As needed
Onsite/Remote	Onsite or remote
Security Level	Superuser only



Note

If you modify the background image, the change is stored in your CTC user profile on the computer. The change does not affect other CTC users.

- Step 1** From the Edit menu, choose **Preferences > Map** and check the **Use Default Map** check box.
- Step 2** Click **Apply**.

- Step 3** Click **OK**. Verify that the United States map is displayed.
- Step 4** In network view, double-click any node on the map.
- Step 5** In node view (single-shelf mode) or multishelf view (multishelf mode), click the **Provisioning > Defaults** tabs. Wait for the Defaults selector frame to load the defaults. This could take a few minutes.
- Step 6** In the Defaults Selector area, choose **CTC** and then **network**. (You might have to scroll down on the list to find “network.”)
- Step 7** Click the **Default Value** field and choose a default map from the drop-down list. Map choices are Germany, Japan, Netherlands, South Korea, United Kingdom, and the United States.
- Step 8** Click **Apply**.
- Step 9** Click **OK**.
- Step 10** From the View menu, select **Go to Network View**. Confirm that the new map is displayed.
- Step 11** If the ONS 15454 icons are not visible, right-click the network view and choose **Zoom Out**. Repeat until all the ONS 15454 icons are visible. (You can also choose **Fit Graph to Window**.)
- Step 12** If you need to reposition the node icons, drag and drop them one at a time to a new location on the map.
- Step 13** If you want to change the magnification of the icons, right-click the network view and choose **Zoom In**. Repeat until the ONS 15454 icons are displayed at the magnification you want.
- Step 14** Return to your originating procedure (NTP).

DLP-G170 Apply a Custom Network View Background Map

Purpose	This task changes the background image or map of the CTC network view.
Tools/Equipment	None
Prerequisite Procedures	DLP-G46 Log into CTC, page 3-30
Required/As Needed	As needed
Onsite/Remote	Onsite or remote
Security Level	Retrieve or higher



Note

You can replace the network view background image with any JPEG or GIF image that is accessible on a local or network drive. If you apply a custom background image, the change is stored in your CTC user profile on the computer. The change does not affect other CTC users.

- Step 1** From the Edit menu, choose **Preferences > Map** and uncheck the **Use Default Map** check box.
- Step 2** From the View menu, choose **Go to Network View**.
- Step 3** Right-click the network or domain map and choose **Set Background Image**.
- Step 4** Click **Browse**. Navigate to the graphic file you want to use as a background.
- Step 5** Select the file. Click **Open**.
- Step 6** Click **Apply** and then click **OK**.
- Step 7** If the ONS 15454 icons are not visible, right-click the network view and choose **Zoom Out**. Repeat this step until all the ONS 15454 icons are visible.

- Step 8** If you need to reposition the node icons, drag and drop them one at a time to a new location on the map.
- Step 9** If you want to change the magnification of the icons, right-click the network view and choose **Zoom In**. Repeat until the ONS 15454 icons are displayed at the magnification you want.
- Step 10** Return to your originating procedure (NTP).
-

DLP-G171 Create Domain Icons

Purpose	This task creates a domain, which is an icon that groups ONS 15454 icons in CTC network view. By default, domains are visible to all CTC sessions that log in to the network.
Tools/Equipment	None
Prerequisite Procedures	DLP-G46 Log into CTC, page 3-30
Required/As Needed	As needed
Onsite/Remote	Onsite or remote
Security Level	Superuser only



Note

To allow users of any security level to create local domains, that is, domains that are visible on the home CTC session only, superusers can change the CTC.network.LocalDomainCreationAndViewing NE default value to TRUE. A TRUE value means any user can maintain the domain information in his or her Preferences file, meaning domain changes will not affect other CTC sessions. The groups are stored in the CTC preferences file available in the user's HOME directory. The filename is *CTC.ini* (Windows PC) and *.cterc* (Linux, Apple MAC, and Solaris). (The default value is FALSE, meaning domain information affects all CTC sessions and only superusers can create a domain or put a node into a domain.) See the “[NTP-G135 Edit Network Element Defaults](#)” procedure on page 14-50 to change NE default values.

- Step 1** From the View menu, choose **Go to Network View**.
- Step 2** Right-click the network map and choose **Create New Domain** from the shortcut menu.
- Step 3** When the domain icon appears on the map, click the map name and type the domain name.
- Step 4** Press **Enter**.
- Step 5** Return to your originating procedure (NTP).
-

DLP-G172 Manage Domain Icons

Purpose	This task manages CTC network view domain icons. By default, domains are visible to all CTC sessions that log in to the network.
Tools/Equipment	None
Prerequisite Procedures	DLP-G46 Log into CTC, page 3-30 DLP-G171 Create Domain Icons, page 11-34
Required/As Needed	As needed

Onsite/Remote	Onsite or remote
Security Level	Superuser only

**Note**

To allow users of any security level to create local domains, that is, domains that are visible on the home CTC session only, superusers can change the CTC.network.LocalDomainCreationAndViewing NE default value to TRUE. A TRUE value means any user can maintain the domain information in his or her Preferences file, meaning domain changes will not affect other CTC sessions. The groups are stored in the CTC preferences file available in the user's HOME directory. The filename is *CTC.ini* (Windows PC) and *.cterc* (Linux, Apple MAC, and Solaris). (The default value is FALSE, meaning domain information affects all CTC sessions and only superusers can create a domain or put a node into a domain.) See the “[NTP-G135 Edit Network Element Defaults](#)” procedure on page 14-50 to change NE default values.

Step 1 From the View menu, choose **Go to Network View**.

Step 2 Locate the domain action that you want to perform in [Table 11-2](#) and complete the appropriate steps.

Table 11-2 *Managing Domains*

Domain Action	Steps
Move a domain	Press Ctrl and drag and drop the domain icon to the new location.
Rename a domain	Right-click the domain icon and choose Rename Domain from the shortcut menu. Type the new name in the domain name field.
Add a node to a domain	Drag and drop the node icon to the domain icon.
Move a node from a domain to the network map	Open the domain and right-click a node. Choose Move Node Back to Parent View .
Open a domain	Complete one of the following: <ul style="list-style-type: none"> • Double-click the domain icon. • Right-click the domain and choose Open Domain.
Return to network view	Right-click the domain view area and choose Go to Parent View from the shortcut menu.
Preview domain contents	Right-click the domain icon and choose Show Domain Overview . The domain icon shows a small preview of the nodes in the domain. To turn off the domain overview, right-click the overview and select Show Domain Overview .
Remove domain	Right-click the domain icon and choose Remove Domain . Any nodes in the domain are returned to the network map.

Step 3 Return to your originating procedure (NTP).

DLP-G173 Enable Dialog Box Do-Not-Display Option

Purpose	This task ensures that a user-selected do-not-display dialog box preference is enabled for subsequent sessions or disables the do-not-display option.
Tools/Equipment	None
Prerequisite Procedures	DLP-G46 Log into CTC, page 3-30
Required/As Needed	As needed
Onsite/Remote	Onsite or remote
Security Level	Provisioning or higher



Note

If any user who has rights to perform an operation (for example, creating a circuit) selects the “Do not show this message again” check box in a dialog box, the dialog box is not displayed for any other users who perform that operation on the network from the same computer unless the command is overridden using the following task. (The preference is stored on the computer, not in the node database.)

-
- Step 1** From the Edit menu, choose **Preferences**.
- Step 2** In the Preferences dialog box, click the **General** tab.
- The Preferences Management area field lists all dialog boxes where “Do not show this message again” is enabled.
- Step 3** Choose one of the following options, or uncheck the individual dialog boxes that you want to appear:
- **Don’t Show Any**—Hides all do-not-display check boxes.
 - **Show All**—Overrides do-not-display check box selections and displays all dialog boxes.
- Step 4** Click **OK**.
- Step 5** Return to your originating procedure (NTP).
-

DLP-G174 Switch Between TDM and DWDM Network Views

Purpose	Use this task to switch between time division multiplexing (TDM) and DWDM network views.
Tools/Equipment	None
Prerequisite Procedures	DLP-G46 Log into CTC, page 3-30
Required/As Needed	As needed
Onsite/Remote	Onsite or remote
Security Level	Retrieve or higher

-
- Step 1** From the View menu, choose **Go to Network View**.
- Step 2** From the Network Scope drop-down list on the toolbar, choose one of the following:
- **All**—Displays both TDM and DWDM nodes.

- **TDM**—Displays only ONS 15454s with SONET or SDH cards including the transponder (TXP) and muxponder (MSP) cards.
- **DWDM**—Displays only ONS 15454s with DWDM cards, including the TXP and MXP cards.

Step 3 Return to your originating procedure (NTP).

DLP-G330 Consolidate Links in Network View

Purpose	This task consolidates DCC, GCC, optical transport service (OTS) and provisionable patchcord (PPC) links in CTC network view.
Tools/Equipment	None
Prerequisite Procedures	DLP-G46 Log into CTC, page 3-30
Required/As Needed	As needed
Onsite/Remote	Onsite or remote
Security Level	Retrieve or higher



Note Global consolidation persists when CTC is re-launched but local consolidation does not persist.

Step 1 From the View menu, choose **Go to Network View**. CTC shows the link icons by default.

Step 2 Perform the following steps as needed:

- To toggle between the links, go to [Step 3](#).
- To consolidate all the links on the network map, go to [Step 4](#).
- To consolidate a link or links between two nodes, go to [Step 5](#).
- To view information about a consolidated link, go to [Step 6](#).
- To access an individual link within a consolidated link, go to [Step 7](#).
- To expand consolidated links, go to [Step 8](#).
- To filter the links by class, go to [Step 9](#).

Step 3 Right-click on the network map and choose **Show Link Icons** to toggle the link icons on and off.

Step 4 To consolidate all the links on the network map (global consolidation):

- Right-click anywhere on the network map.
- Choose **Collapse/Expand Links** from the shortcut menu. The Collapse/Expand Links dialog window appears.
- Select the check boxes for the link classes you want to consolidate.
- Click **OK**. The selected link classes are consolidated throughout the network map.

Step 5 To consolidate a link or links between two nodes (local consolidation):

- Right-click the link on the network map.
- Choose **Collapse Link** from the shortcut menu. The selected link type consolidates to show only one link.



Note The links consolidate by class. For example, if you select a DCC link for consolidation only the DCC links will consolidate, leaving any other link classes expanded.

Figure 11-2 shows the network view with unconsolidated DCC and PPC links.

Figure 11-2 Unconsolidated Links in the Network View

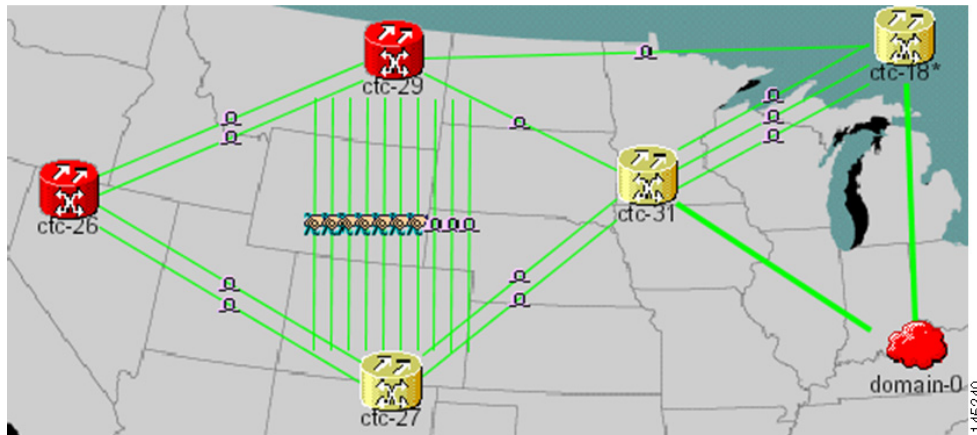


Figure 11-3 shows a network view with globally consolidated links.

Figure 11-3 Consolidated Links in the Network View

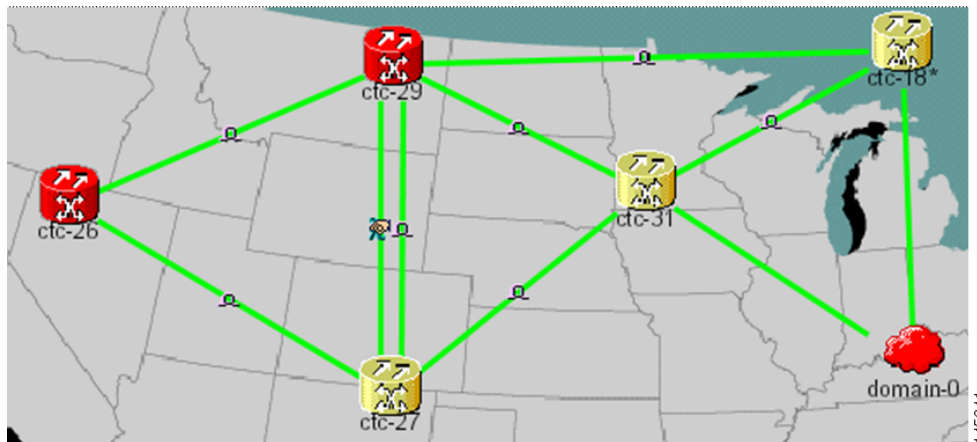


Figure 11-4 shows a network view with local DCC link consolidation between two nodes.

Figure 11-4 Network View with Local Link Consolidation



- Step 6** To view information about a consolidated link, either move your mouse over the link (the tooltip displays the number of links and the link class) or single-click the link to display detailed information on the left side of the window.
- Step 7** To access an individual link within a consolidated link (for example, if you need to perform a span upgrade):
- Right-click the consolidated link. A shortcut menu appears with a list of the individual links.
 - Hover the mouse over the selected link. A cascading menu appears where you can select an action for the individual link or navigate to one of the nodes where the link is attached.
- Step 8** To expand locally consolidated links, right-click the consolidated link and choose **Expand [link class] Links** from the shortcut menu, where “link class” is DCC, PPC, etc.
- Step 9** To filter the links by class:
- Click the **Link Filter** button in the upper right area of the window. The Link Filter dialog appears. The link classes that appear in the Link Filter dialog are determined by the Network Scope you choose in the network view (Table 11-3).

Table 11-3 Link Classes By Network Scope

Network Scope	Displayed Link Classes
ALL	DCC, GCC, OTS, PPC, Server Trail
DWDM	GCC, OTS, PPC
TDM	DCC, PPC

- Check the check boxes next to the links you want to display.
 - Click **OK**.
- Step 10** Return to your originating procedure (NTP).

NTP-G83 Modify or Delete Card Protection Settings

Purpose	This procedure modifies and deletes card protection settings.
Tools/Equipment	None
Prerequisite Procedures	NTP-G33 Create a Y-Cable Protection Group, page 6-21
Required/As Needed	As needed
Onsite/Remote	Onsite or remote
Security Level	Provisioning or higher



Caution Modifying and deleting protection groups can be service affecting.

-
- Step 1** Complete the “[DLP-G46 Log into CTC](#)” task on page 3-30. If you are already logged in, continue with Step 2.
- Step 2** Perform any of the following tasks as needed:
- [DLP-G175 Modify a Y-Cable Protection Group, page 11-40](#)
 - [DLP-G176 Modify a Splitter Protection Group, page 11-41](#)
 - [DLP-G177 Delete a Y-Cable Protection Group, page 11-42](#)
 - [DLP-G459 Delete a Splitter Protection Group, page 11-43](#)
- Step 3** Complete the “[NTP-G103 Back Up the Database](#)” procedure on page 14-2.
- Stop. You have completed this procedure.**
-

DLP-G175 Modify a Y-Cable Protection Group

Purpose	This task modifies a Y-cable protection group that has been created for two TXP, MXP, GE_XP, 10GE_XP, GE_XPE, 10GE_XPE, or OTU2_XP card client ports.
Tools/Equipment	None
Prerequisite Procedures	NTP-G33 Create a Y-Cable Protection Group, page 6-21 DLP-G46 Log into CTC, page 3-30
Required/As Needed	As needed
Onsite/Remote	Onsite or remote
Security Level	Provisioning or higher

-
- Step 1** In node view (single-shelf mode) or shelf view (multishelf mode), click the **Provisioning > Protection** tabs.
- Step 2** In the Protection Groups area, click the Y-cable protection group that you want to modify.
- Step 3** Click **Edit**.
- Step 4** In the Selected Group area, you can modify the following, as needed:

- **Name**—Type the changes to the protection group name. The name can have up to 32 alphanumeric characters.
- **Revertive**—Check this box if you want traffic to revert to the working card after failure conditions stay corrected for the amount of time chosen from the Reversion Time list. Uncheck this box if you do not want traffic to revert.
- **Reversion time**—If the Revertive check box is selected, choose the reversion time from the Reversion time drop-down list. The range is 0.5 to 12.0 minutes. The default is 5.0 minutes. This is the amount of time that will elapse before the traffic reverts to the working card. Traffic can revert when conditions causing the switch are cleared.

Step 5 Click **OK**. Confirm that the changes appear.

Step 6 Return to your originating procedure (NTP).

DLP-G176 Modify a Splitter Protection Group

Purpose	This task modifies a splitter protection group that has been created on a TXPP_MR_2.5G, MXPP_MR_2.5G, PSM, or OTU2_XP card. Splitter protection is automatically created when the TXPP_MR_2.5G, MXPP_MR_2.5G, or PSM card is installed. For the OTU2_XP card, a splitter protection group is configurable and can be created on Ports 3 and 4.
Tools/Equipment	None
Prerequisite Procedures	DLP-G46 Log into CTC, page 3-30
Required/As Needed	As needed
Onsite/Remote	Onsite or remote
Security Level	Provisioning or higher

Step 1 In node view (single-shelf mode) or shelf view (multishelf mode), click the **Provisioning > Protection** tabs.

Step 2 In the Protection Groups area, click the splitter protection group that you want to modify.

Step 3 Click **Edit**.

Step 4 In the Selected Group area, you can modify the following, as needed:

- **Name**—Type the changes to the protection group name. The name can have up to 32 alphanumeric characters.
- **Revertive**—Check this box if you want traffic to revert to the working card after failure conditions stay corrected for the amount of time chosen from the Reversion Time list. Uncheck this box if you do not want traffic to revert.
- **Reversion time**—If the Revertive check box is selected, choose the reversion time from the Reversion time drop-down list. The range is 0.5 to 12.0 minutes. The default is 5.0 minutes. This is the amount of time that will elapse before the traffic reverts to the working card. Traffic can revert when conditions causing the switch are cleared.



Note For the PSM card, you can only edit the protection group name. All other fields are grayed out.

- Step 5** Click **OK**. Confirm that the changes appear.
- Step 6** Return to your originating procedure (NTP).

DLP-G177 Delete a Y-Cable Protection Group

Purpose	This task deletes a Y-cable protection group.
Tools/Equipment	None
Prerequisite Procedures	DLP-G46 Log into CTC, page 3-30
Required/As Needed	As needed
Onsite/Remote	Onsite or remote
Security Level	Provisioning or higher

- Step 1** In node view (single-shelf mode) or shelf view (multishelf mode), double-click the near end transponder card to open it in the card view.
- Step 2** In the card view mode, click the **Provisioning** tab. The Line tab view with the ports provisioned is displayed.
- Step 3** Click the **Admin State** list box and select the **Out-of-Service (OOS)** option for the near end transponder **trunk and client ports (for example, "1-1(OC3), 2(OC48")**.
- Step 4** Click **Apply**. Repeat Steps 1 to 4 for the far end transponder card.
- Step 5** Right-click the transponder card in card view mode and select **Go to Parent View**.
- Step 6** In node view (single-shelf mode) or shelf view (multishelf mode), click the **Provisioning > Protection** tabs.
- Step 7** In the Protection Groups area, disconnect the Y-cable fiber for the protection transponder ports in the protection group you want to delete.
- Step 8** Select the protection group and click **Delete**.
- Step 9** Click **Yes** in the Delete Protection Group dialog box. Confirm that the changes appear.
- Step 10** Return to your originating procedure (NTP).



Note

When you delete the protection group, traffic drops because both the transponder TX ports will be in IS state (protect TX port gets turned on). The transponder TX ports are connected through a Y-cable and as a result two signals will be passing through the same fiber. Therefore, you should put the protect port out of service, remove the fibering for the protect port, and then delete the protection group.

DLP-G459 Delete a Splitter Protection Group

Purpose	This task deletes a splitter protection group on the OTU2_XP card. For the TXPP_MR_2.5G, MXPP_MR_2.5G, or PSM card, the splitter protection group is deleted when you delete the card.
Tools/Equipment	None
Prerequisite Procedures	DLP-G46 Log into CTC, page 3-30
Required/As Needed	As needed
Onsite/Remote	Onsite or remote
Security Level	Provisioning or higher

-
- Step 1** In node view (single-shelf mode) or shelf view (multishelf mode), click the **Provisioning > Protection** tabs.
- Step 2** In the Protection Groups area, click the protection group you want to delete.
- Step 3** Click **Delete**.
- Step 4** Click **Yes** in the Delete Protection Group dialog box. Confirm that the changes appear.
- Step 5** Return to your originating procedure (NTP).
-

NTP-G84 Initiate and Clear Y-Cable and Splitter External Switching Commands

Purpose	This procedure describes how to apply and remove Manual and Force protection switches on Y-cable and splitter protection groups. It also describes how to apply and remove a Lock On or Lock Out protection command to a Y-cable protection group.
Tools/Equipment	None
Prerequisite Procedures	NTP-G179 Install the TXP, MXP, GE_XP, 10GE_XP, GE_XPE, 10GE_XPE, ADM-10G, and OTU2_XP Cards, page 4-69 NTP-G33 Create a Y-Cable Protection Group, page 6-21
Required/As Needed	As needed
Onsite/Remote	Onsite
Security Level	Superuser only



Note

Splitter protection groups are automatically created when you install a TXPP_MR_2.5G, MXPP_MR_2.5G, or PSM card. You can also create splitter protection groups on trunk ports for the OTU2_XP card.

-
- Step 1** Complete the “[DLP-G46 Log into CTC](#)” task on page 3-30. If you are already logged in, continue with Step 2.

- Step 2** To perform a Manual protection switch, complete the “[DLP-G178 Apply a Manual Y-Cable or Splitter Protection Switch](#)” task on page 11-44.
- Step 3** To perform a Force protection switch, complete the “[DLP-G179 Apply a Force Y-Cable or Splitter Protection Switch](#)” task on page 11-45.
- Step 4** To clear a Force or Manual protection switch, complete the “[DLP-G180 Clear a Manual or Force Y-Cable or Splitter Protection Switch](#)” task on page 11-45.
- Step 5** To prevent traffic on a working or protect card from switching to the other card in the pair, complete the “[DLP-G181 Apply a Lock-On](#)” task on page 11-46.
- Step 6** To prevent traffic from switching to the protect card, complete the “[DLP-G182 Apply a Lockout](#)” task on page 11-47.
- Step 7** To remove a lock-on or lockout and return a protection group to its usual switching method, complete the “[DLP-G183 Clear a Lock-On or Lockout](#)” task on page 11-47.

Stop. You have completed this procedure.

DLP-G178 Apply a Manual Y-Cable or Splitter Protection Switch

Purpose	This task performs a Manual protection switch on a Y-cable or splitter protection group.
Tools/Equipment	None
Prerequisite Procedures	DLP-G46 Log into CTC , page 3-30
Required/As Needed	As needed
Onsite/Remote	Onsite or remote
Security Level	Maintenance or higher



Caution

A Manual switch will move traffic from the active to the standby card only if network conditions permit it. If conditions change during the switch, CTC will attempt to place traffic back on the original active card.

- Step 1** In node view (single-shelf mode) or shelf view (multishelf mode), click the **Maintenance > Protection** tabs.
- Step 2** In the Protection Groups list, click the Y-cable or splitter protection group where you want to apply the Manual protection switch.
- Step 3** In the Selected Group area, click the active card or port.
- Step 4** In the Switch Commands drop-down list, click **Manual**.
- Step 5** In the Confirm Manual Operation dialog box, click **Yes**.
- If conditions permit, the Manual switch will be applied. To clear the Manual switch, see the “[DLP-G180 Clear a Manual or Force Y-Cable or Splitter Protection Switch](#)” task on page 11-45.
- Step 6** Return to your originating procedure (NTP).
-

DLP-G179 Apply a Force Y-Cable or Splitter Protection Switch

Purpose	This task performs a Force protection switch on a Y-cable or splitter protection group.
Tools/Equipment	None
Prerequisite Procedures	DLP-G46 Log into CTC, page 3-30
Required/As Needed	As needed
Onsite/Remote	Onsite or remote
Security Level	Maintenance or higher



Caution

A Force switch will move traffic from the active to the standby card or port immediately, regardless of network conditions. The switch will remain in effect until it is cleared.

-
- Step 1** In node view (single-shelf mode) or shelf view (multishelf mode), click the **Maintenance > Protection** tabs.
- Step 2** In the Protection Groups list, click the Y-cable or splitter protection group where you want to apply the Force protection switch.
- Step 3** In the Selected Group area, click the active card or port.
- Step 4** In the Switch Commands drop-down list, click **Force**.
- Step 5** In the Confirm Manual Operation dialog box, click **Yes**.
The Force switch will be applied. To clear the Force switch, see the “[DLP-G180 Clear a Manual or Force Y-Cable or Splitter Protection Switch](#)” task on page 11-45.
- Step 6** Return to your originating procedure (NTP).
-

DLP-G180 Clear a Manual or Force Y-Cable or Splitter Protection Switch

Purpose	This task clears a Manual or Force protection switch on a Y-cable or splitter protection group.
Tools/Equipment	None
Prerequisite Procedures	DLP-G46 Log into CTC, page 3-30 One of the following tasks: <ul style="list-style-type: none"> • DLP-G178 Apply a Manual Y-Cable or Splitter Protection Switch, page 11-44 • DLP-G179 Apply a Force Y-Cable or Splitter Protection Switch, page 11-45
Required/As Needed	As needed
Onsite/Remote	Onsite or remote
Security Level	Maintenance or higher

-
- Step 1** In node view (single-shelf mode) or shelf view (multishelf mode), click the **Maintenance > Protection** tabs.
- Step 2** In the Protection Groups area, click the protection group that contains the card you want to clear.
- Step 3** In the Selected Group area, click the card that you want to clear.
- Step 4** In the Switch Commands drop-down list, click **Clear**.
- Step 5** Click **Yes** in the confirmation dialog box.
The Manual or Force protection switch is cleared.
- Step 6** Return to your originating procedure (NTP).
-

DLP-G181 Apply a Lock-On

Purpose	This task prevents traffic from being switched from the working/active card in a Y-cable protection group or port in a splitter protection group.
Tools/Equipment	None
Prerequisite Procedures	DLP-G46 Log into CTC, page 3-30
Required/As Needed	As needed
Onsite/Remote	Onsite or remote
Security Level	Maintenance or higher



Note You can apply the Lock On command only to the working/active card or port. If the working card or port is standby (traffic is switched), the Lock On button is not available.

-
- Step 1** In node view (single-shelf mode) or shelf view (multishelf mode), click the **Maintenance > Protection** tabs.
- Step 2** In the Protection Groups area, click the protection group that contains the card (Y-cable) or port (splitter) that you want to lock on.
- Step 3** In the Selected Group area, click the working/active card.
- Step 4** In the Inhibit Switching drop-down list, click **Lock On**.
- Step 5** Click **Yes** in the confirmation dialog box.

The lock-on has been applied. Traffic cannot switch to the protect card. To clear the lock-on, see the [“DLP-G183 Clear a Lock-On or Lockout” task on page 11-47](#).



Note Provisioning a lock-on raises a LOCKON-REQ or an FE-LOCKON condition in CTC. Clearing the lock-on switch request clears these conditions.

- Step 6** Return to your originating procedure (NTP).
-

DLP-G182 Apply a Lockout

Purpose	This task keeps traffic from switching to the protect/standby card or port. The Lock Out command overrides the Force and Manual switching commands.
Tools/Equipment	None
Prerequisite Procedures	DLP-G46 Log into CTC, page 3-30
Required/As Needed	As needed
Onsite/Remote	Onsite or remote
Security Level	Maintenance or higher



Note You can apply the lockout to the protect/standby card or port. If the protect card or port is active (traffic is switched), the lockout task cannot be performed.

-
- Step 1** In node view (single-shelf mode) or shelf view (multishelf mode), click the **Maintenance > Protection** tabs.
- Step 2** In the Protection Groups area, click the protection group that contains the card (Y-cable) or port (splitter) that you want to lock out.
- Step 3** In the Selected Group area, click the protect/standby card.
- Step 4** In the Inhibit Switching drop-down list, click **Lock Out**.
- Step 5** Click **Yes** in the confirmation dialog box.

The lockout has been applied. Traffic cannot switch to the protect card. To clear the lockout, see the “[DLP-G183 Clear a Lock-On or Lockout](#)” task on page 11-47.



Note Provisioning a lockout raises a LOCKOUT-REQ or an FE-LOCKOUT condition in CTC. Clearing the lockout switch request clears these conditions.

- Step 6** Return to your originating procedure (NTP).
-

DLP-G183 Clear a Lock-On or Lockout

Purpose	This task clears a lock-on or lockout.
Tools/Equipment	None
Prerequisite Procedures	DLP-G46 Log into CTC, page 3-30 One of the following tasks: <ul style="list-style-type: none"> • DLP-G181 Apply a Lock-On, page 11-46 • DLP-G182 Apply a Lockout, page 11-47
Required/As Needed	As needed

Onsite/Remote	Both
Security Level	Maintenance or higher

-
- Step 1** In node view (single-shelf mode) or shelf view (multishelf mode), click the **Maintenance > Protection** tabs.
- Step 2** In the Protection Groups area, click the protection group that contains the card you want to clear.
- Step 3** In the Selected Group area, click the card you want to clear.
- Step 4** In the Inhibit Switching drop-down list, click **Unlock**.
- Step 5** Click **Yes** in the confirmation dialog box.
The lock-on or lockout is cleared.
- Step 6** Return to your originating procedure (NTP).
-

NTP-G85 Modify or Delete OSC Terminations, DCC/GCC Terminations, and Provisionable Patchcords

Purpose	This procedure modifies DCC/GCC terminations, and deletes provisionable patchcords, OSC terminations, and DCC/GCC terminations.
Tools/Equipment	None
Prerequisite Procedures	One or more of the following tasks: <ul style="list-style-type: none"> • DLP-G76 Provision DCC/GCC Terminations, page 8-61 • NTP-G38 Provision OSC Terminations, page 4-126 • NTP-G184 Create a Provisionable Patchcord, page 8-52
Required/As Needed	As needed
Onsite/Remote	Onsite or remote
Security Level	Provisioning or higher



Caution Deleting an OSC termination can cause you to lose visibility of nodes that do not have other OSCs or network connections to the CTC computer.

- Step 1** Complete the “[DLP-G46 Log into CTC](#)” task on page 3-30. If you are already logged in, continue with Step 2.
- Step 2** In node view (single-shelf mode) or multishelf view (multishelf mode), complete the following tasks as needed:
- [DLP-G184 Change a DCC/GCC Termination, page 11-49](#).
 - [DLP-G185 Delete a DCC/GCC Termination, page 11-49](#).
 - [DLP-G186 Delete an OSC Termination, page 11-50](#).
 - [DLP-G187 Delete a Provisionable Patchcord, page 11-51](#).

Stop. You have completed this procedure.

DLP-G184 Change a DCC/GCC Termination

Purpose	This task modifies a DCC/GCC termination. You can enable or disable OSPF and enable or disable the foreign node setting.
Tools/Equipment	None
Prerequisite Procedures	DLP-G46 Log into CTC, page 3-30
Required/As Needed	As needed
Onsite/Remote	Remote
Security Level	Provisioning or higher

-
- Step 1** In node view (single-shelf mode) or shelf view (multishelf mode), click the **Provisioning > Comm Channels**.
- Step 2** Select the DCC or GCC tabs as necessary. Available tabs are:
- GCC (both ANSI and ETSI)
 - DCC
 - SDCC and LDCC (for ANSI)
 - RS-DCC and MS-DCC (for ETSI)
- Step 3** Select the DCC/GCC that you want to change.
- Step 4** Click **Edit**. The Edit Termination dialog box appears.
- Step 5** Complete the following as necessary:
- GCC Rate—(Display only) Indicates the communication channel rate.
 - Disable OSPF on Link—If checked, OSPF is disabled on the link. OSPF should be disabled only when the slot and port connect to third-party equipment that does not support OSPF.
 - Far End is Foreign—Check this box to specify that the DCC/GCC termination is a non-ONS node.
 - Far end IP—If you checked the Far End is Foreign check box, type the IP address of the far-end node or leave the 0.0.0.0 default. An IP address of 0.0.0.0 means that any address can be used by the far end.
- Step 6** Click **OK**.
- Step 7** Return to your origination procedure (NTP).
-

DLP-G185 Delete a DCC/GCC Termination

Purpose	This task deletes the DWDM DCC/GCC terminations required for network setup when using TXP, MXP, or ADM-10G cards.
Tools/Equipment	None

Prerequisite Procedures [DLP-G46 Log into CTC, page 3-30](#)

Required/As Needed As needed

Onsite/Remote Onsite or remote

Security Level Provisioning or higher



Note

Deleting the DCC/GCC termination on a port also deletes any provisionable patchcord links that might exist on the port.

-
- Step 1** In node view (single-shelf mode) or shelf view (multishelf mode), click the **Provisioning > Comm Channel**.
- Step 2** Select the DCC or GCC tabs as necessary. Available tabs are:
- GCC (both ANSI and ETSI)
 - DCC
 - SDCC and LDCC (for ANSI)
 - RS-DCC and MS-DCC (for ETSI)
- Step 3** Select the DCC/GCC that you want to delete.
- Step 4** Click **Delete**.
- Step 5** In the Delete Terminations dialog box, check the **Set port OOS** check box if you want to place ports out of service.
- Step 6** Click **Yes**. The following alarms will appear until all network terminations are deleted and the ports are out of service:
- GCC-EOC for GCC termination
 - EOC for SDCC termination
 - EOC-L for LDCC termination
- Step 7** Return to your originating procedure (NTP).
-

DLP-G186 Delete an OSC Termination

Purpose This task deletes an OSC termination on the ONS 15454.

Tools/Equipment None

Prerequisite Procedures [DLP-G46 Log into CTC, page 3-30](#)

Required/As Needed As needed

Onsite/Remote Onsite or remote

Security Level Provisioning or higher



Caution

Deleting an OSC termination might cause node isolation and loss of visibility to nodes that do not have other OSCs or network connections to the CTC computer.



Note To delete OSC on a TNC port, UDC/VoIP configuration must be set to None.

-
- Step 1** In node view (single-shelf mode) or shelf view (multishelf mode), click the **Provisioning > Comm Channel > OSC** tabs.
- Step 2** Click the OSC termination that you want to delete and click **Delete**.
- Step 3** In the Delete OSC Termination confirmation box, click **Yes**. Confirm that the changes appear.
Until all network OSC terminations are deleted, loss of signal (LOS) or power failure alarms might appear on the OPT-BST amplifier, OSCM card, and OSC-CSM card.
- Step 4** Return to your originating procedure (NTP).
-

DLP-G187 Delete a Provisionable Patchcord

Purpose	This task deletes a provisionable patchcord.
Tools/Equipment	None
Prerequisite Procedures	DLP-G46 Log into CTC, page 3-30 NTP-G184 Create a Provisionable Patchcord, page 8-52
Required/As Needed	As needed
Onsite/Remote	Onsite or remote
Security Level	Provisioning and higher

- Step 1** In node view (single-shelf mode) or multishelf view (multishelf mode), click the **Provisioning > Comm Channels > PPC** tabs. If you are in network view, click the **Provisioning > Provisionable Patchcords** tabs.
- Step 2** Click the provisionable patchcord that you want to delete.
- Step 3** Click **Delete**.
- Step 4** In the confirmation dialog box, click **Yes**.
- Step 5** Return to your originating procedure (NTP).
-

NTP-G86 Convert a Pass-Through Connection to Add/Drop Connections

Purpose	This procedure converts a pass-through connection into add/drop connections (one on the add side and the other on the drop side). Use this procedure during a network upgrade. Pass-through channel connections can be provided between channel input and output ports for the AD-xC-xx.x, 4MD-xx.x, 32MUX-O, 32DMX-O, 32DMX, 32DMX-L, 40-MUX-C, and 40-DMX-C/40-DMX-CE cards. You can set up pass-through connections in nodes that might require more add or drop channel capability or configuration.
Tools/Equipment	None
Prerequisite Procedures	None
Required/As Needed	As needed
Onsite/Remote	Onsite
Security Level	Provisioning or higher

-
- Step 1** Complete the [“DLP-G46 Log into CTC” task on page 3-30](#) at an ONS 15454 on the network.
- Step 2** In node view (single-shelf mode) or multishelf view (multishelf mode), click the **Circuits** tab. Delete the unidirectional or bidirectional pass-through optical channel network connection (OCHNC) that applies to the pass-through connection to be removed.
- Step 3** Remove the physical pass-through cabling. Click the **Provisioning > WDM-ANS > Internal Patchcords** tabs to identify the card ports to be removed. The pass-through connection that you are removing can be connected in both OADM and hub nodes.
- For a hub node—Connect the 32DMX-O, 32DMX, or 32DMX-L output port to the 32MUX-O input port. Alternatively, connect the 40-DMX-C/40-DMX-CE output port to the 40-MUX-C input port.
 - For an OADM node—Connect the AD-xC-xx.x drop (TX) port to the AD-xC-xx.x add (RX) port.
- Step 4** Physically connect the proper client interface to the correct add and drop ports.
- Step 5** Delete the filter connections related to the pass-through connection that is being converted to an add/drop connection:
- a. In node view (single-shelf mode) or multishelf view (multishelf mode), click the **Provisioning > WDM-ANS > Internal Patchcords** tabs.
 - b. Highlight the pass-through connections between ITU-T channel add and drop port filters.
 - c. Click **Delete**.
- Step 6** Create two new unidirectional OCHNCs (one heading Side B, the other heading Side A) to support the new add/drop channels. See the [“DLP-G105 Provision Optical Channel Network Connections” task on page 8-23](#).
- Step 7** As necessary, complete the [“NTP-G184 Create a Provisionable Patchcord” procedure on page 8-52](#).
- Step 8** As necessary, add an optical attenuator between the channel TX port of the AD-xC-xx.x, 4MD-xx.x, 32DMX-O, 32DMX, 32-DMX-L, or 40-DMX-C/40-DMX-CE card and the DWDM RX port on the TXP, MXP, or OC-N/STM-N ITU-T line card.



Note If the channel is coming from a 32DMX-O, the optical power can be adjusted in CTC by modifying the value of the internal per-channel variable optical attenuator (VOA).

- Step 9** (Optional) The following verification steps might be needed for an intermediate node when a pass-through connection is converted:
- a. Verify that the received channels are at the specified power level. See the “[NTP-G76 Verify Optical Span Loss Using CTC](#)” procedure on page 11-2 for instructions.
 - b. Verify that the added channels are equalized with the express channels within +/-1 dB.
 - c. If the channels are not equalized with the express channels within +/-1 dB, check the attenuation of the VOAs.
 - d. Check all the fiber adapters to minimize their insertion losses. See the “[NTP-G115 Clean Fiber Connectors](#)” procedure on page 14-31 for instructions.

Stop. You have completed this procedure.

NTP-G87 Change Node Timing Parameters

Purpose	This procedure changes the timing parameters for the ONS 15454. To switch the timing reference, see the “ NTP-G112 Change the Node Timing Reference ” procedure on page 14-18.
Tools/Equipment	None
Prerequisite Procedures	NTP-G53 Set Up Timing , page 7-22
Required/As Needed	As needed
Onsite/Remote	Onsite or remote
Security Level	Provisioning or higher



Caution The following procedure might be service affecting and should be performed during a scheduled maintenance window.

- Step 1** Complete the “[DLP-G46 Log into CTC](#)” task on page 3-30. If you are already logged in, continue with Step 2.
- Step 2** Complete the “[NTP-G103 Back Up the Database](#)” procedure on page 14-2.
- Step 3** Click the **Provisioning > Timing > General** tabs.
- Step 4** In the General Timing section, change any of the following information:
- Timing Mode



Note Because mixed timing can cause timing loops, Cisco does not recommend using the Mixed Timing option. Use this mode with care.

- SSM Message Set

- Quality of RES
- Revertive
- Revertive Time

See the [“NTP-G53 Set Up Timing” task on page 7-22](#) for field descriptions.

Step 5 In the Reference Lists area, you can change the following information:



Note Reference lists define up to three timing references for the node and up to six BITS Out references. BITS Out references define the timing references used by equipment that can be attached to the node’s BITS Out pins on the backplane. If you attach equipment to BITS Out pins, you normally attach it to a node with Line mode because equipment near the external timing reference can be directly wired to the reference.

- NE Reference
- BITS 1 Out
- BITS 2 Out

Step 6 In node view (single-shelf mode) or shelf view (multishelf mode), click the **Provisioning > Timing > BITS Facilities** tabs.

Step 7 In the BITS In section, you can change the following information:



Note The BITS Facilities section sets the parameters for your BITS1 and BITS2 timing references. Many of these settings are determined by the timing source manufacturer. If equipment is timed through BITS Out, you can set timing parameters to meet the requirements of the equipment.

- BITS In State
- Coding
- State
- Framing
- Sync Messaging
- Admin SSM

Step 8 In the BITS Out section, you can change the following information:

- Coding
- Framing
- AIS Threshold
- LBO

Step 9 Click **Apply**. Confirm that the changes appear.



Caution Internal timing is Stratum 3 and is not intended for permanent use. All ONS 15454s should be timed to a Stratum 2 or better primary reference source.

Step 10 Complete the [“NTP-G103 Back Up the Database” procedure on page 14-2](#).

Stop. You have completed this procedure.

NTP-G88 Modify Users and Change Security

Purpose	This procedure modifies user and security properties for the ONS 15454.
Tools/Equipment	None
Prerequisite Procedures	NTP-G23 Create Users and Assign Security, page 4-12
Required/As Needed	As needed
Onsite/Remote	Onsite or remote
Security Level	Superuser only

- Step 1** Complete the “[DLP-G46 Log into CTC](#)” task on page 3-30. If you are already logged in, continue with Step 2.
- Step 2** Complete the “[NTP-G103 Back Up the Database](#)” procedure on page 14-2.
- Step 3** Perform any of the following tasks as needed:
- [DLP-G188 Change Security Policy for a Single Node, page 11-56](#)
 - [DLP-G189 Change Security Policy for Multiple Nodes, page 11-57](#)
 - [DLP-G317 Change Node Access and PM Clearing Privilege, page 11-58](#)
 - [DLP-G328 Grant Superuser Privileges to a Provisioning User, page 11-59](#)
 - [DLP-G191 Change User Password and Security Level on a Single Node, page 11-60](#)
 - [DLP-G192 Change User Password and Security Level for Multiple Nodes, page 11-61](#)
 - [DLP-G193 Delete a User From a Single Node, page 11-62](#)
 - [DLP-G194 Delete a User From Multiple Nodes, page 11-63](#)
 - [DLP-G195 Log Out a User on a Single Node, page 11-63](#)
 - [DLP-G196 Log Out a User on Multiple Nodes, page 11-64](#)
 - [DLP-G281 Configure the Node for RADIUS Authentication, page 11-65](#)
 - [DLP-G282 View and Terminate Active Logins, page 11-66](#)
- Step 4** Complete the “[NTP-G103 Back Up the Database](#)” procedure on page 14-2.
- Stop. You have completed this procedure.**
-

DLP-G188 Change Security Policy for a Single Node

Purpose	This task changes the security policy for a single node, including idle user timeouts, user lockouts, password changes, and concurrent login policies.
Tools/Equipment	None
Prerequisite Procedures	DLP-G46 Log into CTC, page 3-30
Required/As Needed	As needed
Onsite/Remote	Onsite or remote
Security Level	Superuser only

-
- Step 1** In node view (single-shelf mode) or multishelf view (multishelf mode), click the **Provisioning > Security > Policy** tabs.
- Step 2** If you want to modify the idle user timeout period, click the hour (H) and minute (M) arrows in the Idle User Timeout area for the security level that you want to provision: RETRIEVE, MAINTENANCE, PROVISIONING, or SUPERUSER. The idle period time range is 0 and 16 hours, and 0 and 59 minutes. The user is logged out after the idle user timeout period is reached.
- Step 3** In the User Lockout area, you can modify the following:
- Failed Logins Before Lockout—The number of failed login attempts a user can make before the user is locked out from the node. You can choose a value between 0 and 10.
 - Manual Unlock by Superuser—Allows a user with Superuser privileges to manually unlock a user who has been locked out from a node.
 - Lockout Duration—Sets the amount of time the user will be locked out after a failed login. You can choose a value between 0 and 10 minutes, and 0 and 55 seconds (in five-second intervals).



Note Manual Unlock by Superuser and Lockout Duration are mutually exclusive.

- Step 4** In the Password Change area, you can modify the following:
- Prevent Reusing Last [] Passwords—Choose a value between 1 and 10 to set the number of different passwords that the user must create before they can reuse a password.
 - New Password must Differ from the Old Password—Choose the number of characters that must differ between the old and new password. The default number is 1. The range is 1 to 5.
 - Cannot Change New Password for [] days—If checked, prevents users from changing their password for the specified period. The range is 20 to 95 days.
 - Require Password Change on First Login to New Account—If checked, requires users to change their password the first time they log in to their account.
- Step 5** To require users to change their password at periodic intervals, check the Enforce Password Aging check box in the Password Aging area. If checked, provision the following parameters:
- Aging Period—Sets the amount of time that must pass before the user must change his or her password for each security level: RETRIEVE, MAINTENANCE, PROVISIONING, and SUPERUSER. The range is 20 to 95 days.
 - Warning Period—Sets the number of days the user will be warned to change his or her password for each security level. The range is 2 to 20 days.
- Step 6** In the Other area, you can provision the following:

- Single Session Per User—If checked, limits users to one login session at one time.
- Disable Inactive User—If checked, disables users who do not log in to the node for the period of time specified in the Inactive Duration box. The Inactive Duration range is 1 to 99 days.

Step 7 Click **Apply**. Confirm that the changes appear.

Step 8 Return to your originating procedure (NTP).

DLP-G189 Change Security Policy for Multiple Nodes

Purpose	This task changes the security policy for multiple nodes including idle user timeouts, user lockouts, password changes, and concurrent login policies.
Tools/Equipment	None
Prerequisite Procedures	DLP-G46 Log into CTC, page 3-30
Required/As Needed	As needed
Onsite/Remote	Onsite or remote
Security Level	Superuser only

Step 1 From the View menu, choose **Go to Network View**.

Step 2 Click the **Provisioning > Security > Policy** tabs. A read-only table of nodes and their policies appears.

Step 3 Click a node on the table that you want to modify, then click **Change**.

Step 4 If you want to modify the idle user timeout period, click the hour (H) and minute (M) arrows in the Idle User Timeout area for the security level that you want to provision: RETRIEVE, MAINTENANCE, PROVISIONING, or SUPERUSER. The idle period time range is 0 and 16 hours, and 0 and 59 minutes. The user is logged out after the idle user timeout period is reached.

Step 5 In the User Lockout area, you can modify the following:

- Failed Logins Before Lockout—The number of failed login attempts a user can make before the user is locked out from the node. You can choose a value between 0 and 10.
- Manual Unlock by Superuser—Allows a user with Superuser privileges to manually unlock a user who has been locked out from a node.
- Lockout Duration—Sets the amount of time the user will be locked out after a failed login. You can choose a value between 0 and 10 minutes, and 0 and 55 seconds (in five-second intervals).



Note Manual Unlock by Superuser and Lockout Duration are mutually exclusive.

Step 6 In the Password Change area, you can modify the following:

- Prevent Reusing Last [] Passwords—Choose a value between 1 and 10 to set the number of different passwords that the user must create before they can reuse a password.
- New Password must Differ from the Old Password—Choose the number of characters that must differ between the old and new password. The default number is 1. The range is 1 to 5.
- Cannot Change New Password for [] days—If checked, prevents users from changing their password for the specified period. The range is 20 to 95 days.

- **Require Password Change on First Login to New Account**—If checked, requires users to change their password the first time they log in to their account.
- Step 7** To require users to change their password at periodic intervals, check the **Enforce Password Aging** check box in the **Password Aging** area. If checked, provision the following parameters:
- **Aging Period**—Sets the amount of time that must pass before the user must change his or her password for each security level: **RETRIEVE**, **MAINTENANCE**, **PROVISIONING**, and **SUPERUSER**. The range is 20 to 95 days.
 - **Warning Period**—Sets the number days the user will be warned to change his or her password for each security level. The range is 2 to 20 days.
- Step 8** In the **Other** area, you can provision the following:
- **Single Session Per User**—If checked, limits users to one login session at one time.
 - **Disable Inactive User**—If checked, disables users who do not log in to the node for the period of time specified in the **Inactive Duration** box. The **Inactive Duration** range is 1 to 99 days.
- Step 9** In the **Select Applicable Nodes** area, uncheck any nodes where you do not want to apply the changes.
- Step 10** Click **OK**.
- Step 11** In the **Security Policy Change Results** dialog box, confirm that the changes are correct, then click **OK**.
- Step 12** Return to your originating procedure (NTP).
-

DLP-G317 Change Node Access and PM Clearing Privilege

Purpose	This task provisions the physical access points and shell programs used to connect to the ONS 15454 and sets the user security level that can clear node performance monitoring (PM) data.
Tools/Equipment	None
Prerequisite Procedures	DLP-G46 Log into CTC, page 3-30
Required/As Needed	As needed
Onsite/Remote	Onsite or remote
Security Level	Superuser only

- Step 1** In node view (single-shelf mode) or multishelf view (multishelf mode), click the **Provisioning > Security > Access** tabs.
- Step 2** In the **Access** area, provision the following:
- **LAN access**—Choose one of the following options to set the access paths to the node:
 - **No LAN Access**—Allows access to the node only through DCC connections. Access through the TCC2/TCC2P/TCC3/TNC/TSC RJ-45 port and backplane is not permitted.
 - **Front only**—Allows access through the TCC2/TCC2P/TCC3/TNC/TSC RJ-45 port. Access through the DCC and the backplane is not permitted.
 - **Backplane only**—Allows access through DCC connections and the backplane. Access through the TCC2/TCC2P/TCC3/TNC/TSC RJ-45 port is not allowed.
 - **Front and Backplane**—Allows access through DCC, TCC2/TCC2P/TCC3/TNC/TSC RJ-45 port, and backplane connections.

- Restore Timeout—Sets a time delay for enabling of front and backplane access when DCC connections are lost and “DCC only” is chosen in LAN Access. Front and backplane access is enabled after the restore timeout period has passed. Front and backplane access is disabled as soon as DCC connections are restored.
 - Disable IPv4 access for IPv6 enabled ports— Select this option to disable IPv4 on ports which are IPv6 enabled. Before you select this option, ensure that IPv6 is enabled and the node is not in multishelf mode.
- Step 3** In the Shell Access area, set the shell program used to access the node:
- Access State—Allows you to set the shell program access mode to Disable (disables shell access), Non-Secure, or Secure. Secure mode allows access to the node using the Secure Shell (SSH) program. SSH is a terminal-remote host Internet protocol that uses encrypted links.
 - Telnet Port—Allows access to the node using the Telnet port. Telnet is the terminal-remote host Internet protocol developed for the Advanced Agency Research Project Network (ARPANET). Port 23 is the default.
 - Enable Shell Password—If checked, enables the SSH password. To enable the shell password, check the box and click **Apply**. To disable the password, uncheck the check box, click **Apply**, type the current password in the Disable Shell Password dialog box, then click **OK**.
- Step 4** In the TL1 Access area, select the desired level of TL1 access. Disabled completely disables all TL1 access; Non-Secure and Secure allow access using SSH.
- Step 5** In the PM Clearing Privilege field, choose the minimum security level that can clear node PM data: PROVISIONING or SUPERUSER.
- Step 6** Select the Enable Craft Port check box to turn on the shelf controller serial ports.
- Step 7** Select the EMS access state from the list. Available states are Non-Secure and Secure (allows access using SSH).
- Step 8** In the TCC CORBA (IIOP/SSLIO) Listener Port area, choose a listener port option:
- **Default - TCC Fixed**—Uses Port 57790 to connect to ONS 15454s on the same side of the firewall or if no firewall is used (default). This option can be used for access through a firewall if Port 57790 is open.
 - **Standard Constant**—Uses Port 683 (IIOP) or Port 684 (SSLIO), the CORBA default port number.
 - **Other Constant**—If the default port is not used, type the IIOP or SSLIO (Secure Socket Layer Inter-ORB Protocol) port specified by your firewall administrator.
- Step 9** In the SNMP Access area, set the Simple Network Management Protocol (SNMP) access state to Non-Secure or Disabled (disables SNMP access).
- Step 10** Click **Apply**.
- Step 11** Return to your originating procedure (NTP).

DLP-G328 Grant Superuser Privileges to a Provisioning User

Purpose	This task enables a provisioning user to retrieve audit logs, restore databases, clear PMs, and activate and revert software loads.
Tools/Equipment	None
Prerequisite Procedures	DLP-G46 Log into CTC, page 3-30

Required/As Needed	As needed
Onsite/Remote	Onsite or remote
Security Level	Superuser only

-
- Step 1** In node view (single-shelf mode) or multishelf view (multishelf mode), click the **Provisioning > Defaults** tabs.
- Step 2** In the Defaults Selector area, choose **NODE**.
- Step 3** In the Default Name area, choose one of the following parameters:
- NODE.security.grantPermission.RetrieveAuditLog
 - NODE.security.grantPermission.RestoreDB
 - NODE.security.grantPermission.PMClearingPrivilege
 - NODE.security.grantPermission.ActivateRevertSoftware
- Step 4** Click the Default Value column and choose **Provisioning** from the drop-down list for each property in [Step 3](#) that you want to change.



Note If you click **Reset** before you click **Apply**, all values will return to their original settings.

- Step 5** Click **Apply**.
- A pencil icon will appear next to the default name that will be changed as a result of editing the defaults file.
- Step 6** Return to your originating procedure (NTP).
-

DLP-G191 Change User Password and Security Level on a Single Node

Purpose	This task changes settings for an existing user at one node.
Tools/Equipment	None
Prerequisite Procedures	DLP-G46 Log into CTC, page 3-30
Required/As Needed	As needed
Onsite/Remote	Onsite or remote
Security Level	Superuser only



Note Each ONS 15454 must have one user with a Superuser security level. The default CISCO15 user name and security level cannot be changed unless you create another user with Superuser security.

- Step 1** In node view (single-shelf mode) or multishelf view (multishelf mode), click the **Provisioning > Security > Users** tabs.
- Step 2** Click the user whose settings you want to modify, then click **Edit**.
- Step 3** In the Change User dialog box, you can:
- Change a user password.

- Modify the user security level.
- Lock out the user.
- Disable the user.
- Force the user to change password on next login.

See the “[DLP-G54 Create a New User on a Single Node](#)” task on page 4-13 for field descriptions.

Step 4 Click **OK**.

Step 5 Click **OK** in the confirmation dialog box.



Note User settings that you changed during this task will not appear until that user logs out and logs back in.

Step 6 Return to your originating procedure (NTP).

DLP-G192 Change User Password and Security Level for Multiple Nodes

Purpose	This task changes settings for an existing user at multiple nodes.
Tools/Equipment	None
Prerequisite Procedures	DLP-G46 Log into CTC, page 3-30
Required/As Needed	As needed
Onsite/Remote	Onsite or remote
Security Level	Superuser only



Note You must add the same user name and password to each node that the user will access.

Step 1 From the View menu, choose **Go to Network View**. Verify that you can access all the nodes where you want to change the users.

Step 2 Click the **Provisioning > Security > Users** tabs. Highlight the user’s name whose settings you want to change.

Step 3 Click **Change**. The Change User dialog box appears.

Step 4 In the Change User dialog box, you can:

- Change a user’s password.
- Modify the user’s security level.
- Lock out the user.
- Disable the user.
- Force the user to change password on next login.

See the “[DLP-G55 Create a New User on Multiple Nodes](#)” task on page 4-14 for field descriptions.

Step 5 In the Select Applicable Nodes area, uncheck any nodes where you do not want to change the user’s settings (all network nodes are selected by default).



Note The Select Applicable Nodes area does not appear for users who are provisioned for only one node.

- Step 6** Click **OK**. A Change Results confirmation dialog box appears.
- Step 7** Click **OK** to acknowledge the changes.
- Step 8** Return to your originating procedure (NTP).
-

DLP-G193 Delete a User From a Single Node

Purpose	This task deletes an existing user from a single node.
Tools/Equipment	None
Prerequisite Procedures	DLP-G46 Log into CTC, page 3-30
Required/As Needed	As needed
Onsite/Remote	Onsite or remote
Security Level	Superuser only



Note You cannot delete a user who is currently logged in. To log out a user, you can complete the [“DLP-G195 Log Out a User on a Single Node” task on page 11-63](#), or you can choose the “Logout before delete” option in the Delete User dialog box.



Note CTC will allow you to delete other Superusers if one Superuser remains. For example, you can delete the CISCO15 user if you have created another Superuser. Use this option with caution.

- Step 1** In node view (single-shelf mode) or multishelf view (multishelf mode), click the **Provisioning > Security > Users** tabs.
- Step 2** Choose the user that you want to delete.
- Step 3** Click **Delete**.
- Step 4** In the Delete User dialog box, verify that the user name displayed is the one that you want to delete. Click **Logout before delete** if the user is currently logged in. (You cannot delete users if they are logged in.)
- Step 5** Click **OK**.
- Step 6** In the User Deletion Results box, click **OK**.
- Step 7** Return to your originating procedure (NTP).
-

DLP-G194 Delete a User From Multiple Nodes

Purpose	This task deletes an existing user from multiple nodes.
Tools/Equipment	None
Prerequisite Procedures	DLP-G46 Log into CTC, page 3-30
Required/As Needed	As needed
Onsite/Remote	Onsite or remote
Security Level	Superuser only


Note

You cannot delete a user who is currently logged in. To log out a user, you can complete the “[DLP-G196 Log Out a User on Multiple Nodes](#)” task on page 11-64, or you can choose the “Logout before delete” option in the Delete User dialog box.


Note

CTC will allow you to delete other Superusers if one Superuser remains. For example, you can delete the CISCO15 user if you have created another Superuser. Use this option with caution.

- Step 1** From the View menu, choose **Go to Network View**.
- Step 2** Click the **Provisioning > Security** tabs. Highlight the name of the user you want to delete.
- Step 3** Click **Delete**. The Delete User dialog box appears.
- Step 4** In the Select Applicable Nodes area, uncheck any nodes where you do not want to delete this user.


Note

The Select Applicable Nodes area does not appear for users who are provisioned for only one node.

- Step 5** Click **OK**. A User Deletion Results confirmation dialog box appears.
- Step 6** Click **OK** to acknowledge the changes.
- Step 7** Return to your originating procedure (NTP).

DLP-G195 Log Out a User on a Single Node

Purpose	This task logs out a user from a single node.
Tools/Equipment	None
Prerequisite Procedures	DLP-G46 Log into CTC, page 3-30
Required/As Needed	As needed
Onsite/Remote	Onsite or remote
Security Level	Superuser only

- Step 1** In node view (single-shelf mode) or multishelf view (multishelf mode), click the **Provisioning > Security > Active Logins** tabs.

- Step 2** Choose the user that you want to log out and click **Logout**.
 - Step 3** In the Logout User dialog box, check **Lockout before Logout** if you want to lock the user out. This prevents the user from logging in after logout based on user lockout parameters provisioned in the Policy tab. A manual unlock by a Superuser is required, or else the user is locked out for the amount of time specified in the Lockout Duration field. See the “[DLP-G188 Change Security Policy for a Single Node](#)” task on page 11-56 for more information.
 - Step 4** Click **OK**.
 - Step 5** Click **OK** to confirm the logout.
 - Step 6** Return to your originating procedure (NTP).
-

DLP-G196 Log Out a User on Multiple Nodes

Purpose	This task logs out a user from multiple nodes.
Tools/Equipment	None
Prerequisite Procedures	DLP-G46 Log into CTC, page 3-30
Required/As Needed	As needed
Onsite/Remote	Onsite or remote
Security Level	Superuser only

- Step 1** From the View menu, choose **Go to Network View**.
 - Step 2** Click the **Provisioning > Security > Active Logins** tabs.
 - Step 3** Choose the user that you want to log out.
 - Step 4** Click **Logout**.
 - Step 5** In the Logout User dialog box, check the nodes where you want to log out the user.
 - Step 6** Check **Lockout before Logout** if you want to lock the user out prior to logout. This prevents the user from logging in after logout based on user lockout parameters provisioned in the Policy tab. A manual unlock by a Superuser is required, or else the user is locked out for the amount of time specified in the Lockout Duration field. See the “[DLP-G189 Change Security Policy for Multiple Nodes](#)” task on page 11-57 for more information.
 - Step 7** In the Select Applicable Nodes area, uncheck any nodes where you do not want to change the user’s settings (all network nodes are selected by default).
 - Step 8** Click **OK**.
 - Step 9** Click **OK** in the confirmation dialog box.
 - Step 10** Return to your originating procedure (NTP).
-

DLP-G281 Configure the Node for RADIUS Authentication

Purpose	This task allows you to configure a node for Remote Authentication Dial In User Service (RADIUS) authentication. RADIUS validates remote users who are attempting to connect to the network.
Tools/Equipment	None
Prerequisite Procedures	DLP-G46 Log into CTC, page 3-30
Required/As Needed	As needed
Onsite/Remote	Onsite or remote
Security Level	Superuser only



Caution

Do not configure a node for RADIUS authentication until after you have added that node to the RADIUS server and added the RADIUS server to the list of authenticators. If you do not add the node to a RADIUS server prior to activating RADIUS authentication, no user will be able to access the node. Refer to the *User Guide for Cisco Secure ACS for Windows Server* for more information about adding a node to a RADIUS server.



Note

The following Cisco vendor-specific attribute (VSA) needs to be specified when adding users to the RADIUS server:

```
shell:priv-lvl=N
```

where *N* is equal to:

- 0 for Retrieve user
- 1 for Maintenance user
- 2 for Provisioning user
- 3 for Superuser

-
- Step 1** In node view (single-shelf mode) or multishelf view (multishelf mode), click the **Provisioning > Security > RADIUS Server** tabs.
- Step 2** Click **Create** to add a RADIUS server to the list of authenticators. The Create RADIUS Server Entry dialog box appears.
- Step 3** Enter the RADIUS server IP address in the Node Address field. If the node is an end network element (ENE), enter the IP address of the gateway network element (GNE) in this field.
- The GNE passes authentication requests from the ENes in its network to the RADIUS server, which grants authentication if the GNE is listed as a client on the server.



Note

In ONS 15454 Software Release 9.1 and later, you can configure IPv6 addresses for RADIUS servers, in addition to IPv4 addresses.

**Caution**

Because the ENE nodes use the GNE to pass authentication requests to the RADIUS server, you must add the ENEs to the RADIUS server individually for authentication. If you do not add the ENE node to a RADIUS server prior to activating RADIUS authentication, no user will be able to access the node. Refer to the *User Guide for Cisco Secure ACS for Windows Server* for more information about adding a node to a RADIUS server.

- Step 4** Enter the shared secret in the Shared Secret field. A shared secret is a text string that serves as a password between a RADIUS client and RADIUS server.
- Step 5** Enter the RADIUS authentication port number in the Authentication Port field. The default port is 1812. If the node is an ENE, set the authentication port to a number within the range of 1860 to 1869.
- Step 6** Enter the RADIUS accounting port in the Accounting Port field. The default port is 1813. If the node is an ENE, set the accounting port to a number within the range of 1870 to 1879.
- Step 7** Click **OK**. The RADIUS server is added to the list of RADIUS authenticators.

**Note**

You can add up to 10 RADIUS servers to a node's list of authenticators.

- Step 8** Click **Edit** to make changes to an existing RADIUS server. You can change the IP address, the shared secret, the authentication port, and the accounting port.
- Step 9** Click **Delete** to delete the selected RADIUS server.
- Step 10** Select a server and click **Move Up** or **Move Down** to reorder that server in the list of RADIUS authenticators. The node requests authentication from the servers sequentially from top to bottom. If one server is unreachable, the node will request authentication from the next RADIUS server on the list.
- Step 11** Click the **Enable RADIUS Authentication** check box to activate remote-server authentication for the node.
- Step 12** Click the **Enable RADIUS Accounting** check box if you want to show RADIUS authentication information in the audit trail.
- Step 13** Click the **Enable the Node as the Final Authenticator** check box if you want the node to be the final authenticator. This means that if every RADIUS authenticator is unavailable, the node will authenticate the login rather than locking the user out.
- Step 14** Click **Apply** to save all changes or **Reset** to clear all changes.
- Step 15** Return to your originating procedure (NTP).

DLP-G282 View and Terminate Active Logins

Purpose	This task allows you to view active CTC logins, retrieve the last activity time, and terminate all current logins.
Tools/Equipment	None
Prerequisite Procedures	DLP-G46 Log into CTC, page 3-30
Required/As Needed	As needed
Onsite/Remote	Onsite or remote
Security Level	Retrieve or higher for viewing; Superuser for session termination

-
- Step 1** In node view (single-shelf mode) or multishelf view (multishelf mode), click the **Provisioning > Security > Active Logins** tabs. The Active Logins tab displays the following information:
- User ID
 - User IP address
 - Current node the user is logged in to
 - Session Type (EMS, TL1, FTP, Telnet, or SSH)
 - Login time
 - Last activity time
- Step 2** Click **Logout** to end the session of every logged-in user. This will log out all current users, excluding the initiating Superuser.
- Step 3** Click **Retrieve Last Activity Time** to display the most recent activity date and time for users in the Last Activity Time field.
- Step 4** Return to your originating procedure (NTP).
-

NTP-G89 Change SNMP Settings

Purpose	This procedure modifies the SNMP settings for the ONS 15454.
Tools/Equipment	None
Prerequisite Procedures	NTP-G29 Set Up SNMP, page 4-47
Required/As Needed	As needed
Onsite/Remote	Onsite or remote
Security Level	Provisioning or higher

-
- Step 1** Complete the “[DLP-G46 Log into CTC](#)” task on page 3-30. If you are already logged in, continue with Step 2.
- Step 2** Complete the “[NTP-G103 Back Up the Database](#)” procedure on page 14-2.
- Step 3** Perform any of the following tasks as needed:
- [DLP-G197 Modify SNMP Trap Destinations, page 11-68](#)
 - [DLP-G198 Delete SNMP Trap Destinations, page 11-69](#)
- Step 4** Complete the “[NTP-G103 Back Up the Database](#)” procedure on page 14-2.
- Stop. You have completed this procedure.**
-

DLP-G197 Modify SNMP Trap Destinations

Purpose	This task modifies the SNMP trap destinations on an ONS 15454 including community name, default User Datagram Protocol (UDP) port, SNMP trap version, and maximum traps per second.
Tools/Equipment	None
Prerequisite Procedures	DLP-G46 Log into CTC, page 3-30
Required/As Needed	As needed
Onsite/Remote	Onsite or remote
Security Level	Provisioning or higher

-
- Step 1** In node view (single-shelf mode) or multishelf view (multishelf mode), click the **Provisioning > SNMP** tabs.
- Step 2** Select a trap from the **Trap Destinations** area.
For a description of SNMP traps, refer to the *Cisco ONS 15454 DWDM Reference Manual*.
- Step 3** Highlight the Destination row field entry in the Community column and change the entry to another valid community name.

The community name is a form of authentication and access control. The community name assigned to the ONS 15454 is case-sensitive and must match the community name of the network management system (NMS).
- Step 4** If needed, modify the UDP port in the UDP Port field. The default UDP port for SNMP is 162.
- Step 5** Set the Trap Version field for either SNMPv1 or SNMPv2.
Refer to your NMS documentation to determine whether to use SNMPv1 or SNMPv2.
- Step 6** If you want the SNMP agent to accept SNMP SET requests on certain MIBs, click the **Allow SNMP Sets** check box. If this box is not checked, SET requests are rejected.
- Step 7** If you want to set up the SNMP proxy feature to allow network management, message reporting, and performance statistics retrieval across ONS firewalls, click the **Enable SNMP Proxy** check box located on the SNMP tab.
- Step 8** Click **Apply**.
- Step 9** SNMP settings are now modified. To view SNMP information for each node, highlight the node IP address in the Trap Destinations area of the Trap Destinations area. Confirm that the changes appear; if not, repeat the task.
- Step 10** Return to your originating procedure (NTP).
-

DLP-G198 Delete SNMP Trap Destinations

Purpose	This task deletes SNMP trap destinations on an ONS 15454.
Tools/Equipment	None
Prerequisite Procedures	DLP-G46 Log into CTC, page 3-30
Required/As Needed	As needed
Onsite/Remote	Onsite or remote
Security Level	Provisioning or higher

-
- Step 1** In node view (single-shelf mode) or multishelf view (multishelf mode), click the **Provisioning > SNMP** tabs.
- Step 2** In the Trap Destinations area, click the trap that you want to delete.
- Step 3** Click **Delete**. A confirmation dialog box appears.
- Step 4** Click **Yes**. Confirm that the changes appear; if not, repeat the task.
- Step 5** Return to your originating procedure (NTP).
-

NTP-G231 View Optical Power Values and Alarms Using the Network Functional View

Purpose	This procedure allows you to view optical power values and alarms of the circuit selected in the Network Functional View.
Tools/Equipment	None
Prerequisite Procedures	DLP-G46 Log into CTC, page 3-30
Required/As Needed	As needed
Onsite/Remote	Onsite or remote
Security Level	Superuser only

-
- Step 1** From the View menu, choose **Go to Network View**. Click the **FV** button on the toolbar.
- Step 2** Click the **Circuit** tab to view the list of circuits present in the network.
- Step 3** Select the circuit from the list. A new tab with the <circuit name> appears.
- Step 4** Click the <circuit name> tab to view the following circuit information:
- General info
 - Status
 - Physical
 - Span and Power Level—Click the **Span and Power Level** tab to view **the span loss and node power level**.

- Alarms tab—Click the **Alarms** tab to view the Alarms.

**Note**

You can also view the following optical power information (graphical display) of a circuit. On the toolbar, click:

dB—To view the power of the circuit

SL— To view the loss of signal of the desired span

PV—Shows the insertion loss of the patch cord.

Refer to Displaying Optical Power, in reference manual for additional information.

Step 5 Perform the following task as needed.

- [DLP-G529 Export Network Functional View Reports, page 11-70](#)

Stop. You have completed this procedure.

DLP-G529 Export Network Functional View Reports

Purpose	This task export the Network Functional View report in .html and .jpeg formats.
Tools/Equipment	None
Prerequisite Procedures	DLP-G46 Log into CTC, page 3-30
Required/As Needed	As needed
Onsite/Remote	Onsite or remote
Security Level	Superuser only

Step 1 From the View menu, choose **Go to Network View**.

Step 2 Go to **File>Export**. The Export Methods window dialogue box opens.

Step 3 You can export the files in any of the following formats:

- As HTML —The export file is saved as HTML file. It provides optical power, alarms at the network, the aggregated power of the selected circuits and circuit alarm related information. Click **HTML> Save> OK**, to save the export file as HTML.

**Note**

To de-select a circuit, press CTRL and select the circuit.

**Note**

If you do not select any circuit, the export file provides the network-level alarms and aggregated power values.

- AS CSV—The file is saved in the Comma Separated Values (.csv) format. The circuit information is saved in a text file where each of the reports (optical power, alarms, the aggregated power information) is separated with a comma.
- TSV—The file is saved in a Tab Separated Values (.tsv) file. The circuit information is saved in a data table that is separated by tabs.

Step 4 Specify the file name and the desired folder to save the export data.

Step 5 Click **OK**.



Note

All export operation creates two files, an HTML and a JPEG format of the NFV information. The .jpg file provides a graphical representation of the site layout.

Stop. You have completed this procedure.



CHAPTER 12

Change DWDM Card Settings

This chapter explains how to change line, performance monitoring (PM), and threshold settings on Cisco ONS 15454 DWDM cards. To install cards, see the [“NTP-G30 Install the DWDM Cards” procedure on page 4-64](#).



Note

The procedures and tasks described in this chapter for the Cisco ONS 15454 platform is applicable to the Cisco ONS 15454 M2 and Cisco ONS 15454 M6 platforms, unless noted otherwise.



Note

Unless otherwise specified, the term “ONS 15454” refers to both ANSI and ETSI shelf assemblies and card parameters apply to cards installed in both ANSI and ETSI shelf assemblies.

Before You Begin

Before performing any of the following procedures, investigate all alarms and clear any trouble conditions. Refer to the *Cisco ONS 15454 DWDM Troubleshooting Guide* as necessary.



Caution

Changing card settings can be service affecting. You should make all changes during a scheduled maintenance window.

This section lists the chapter procedures (NTPs). Turn to a procedure for applicable tasks (DLPs).

1. [NTP-G90 Modify OSCM and OSC-CSM Card Line Settings and PM Thresholds, page 12-2](#)—Complete as needed.
2. [NTP-G91 Modify OPT-PRE and OPT-BST Card Line Settings and PM Thresholds, page 12-13](#)—Complete as needed.
3. [NTP-G160 Modify OPT-AMP-L, OPT-AMP-17-C, OPT-AMP-C, OPT-RAMP-C, and OPT-RAMP-CE Card Line Settings and PM Thresholds, page 12-27](#)—Complete as needed.
4. [NTP-G202 Modify PSM Card Line Settings and PM Thresholds, page 12-44](#)—Complete as needed.
5. [NTP-G175 Modify 32MUX-O, 32DMX-O, 32DMX, 32DMX-L, 40-MUX-C, 40-DMX-C, 40-DMX-CE, and 4MD-xx.x Line Card Settings and PM Thresholds, page 12-51](#)—Complete as needed.
6. [NTP-G93 Modify the 32WSS, 32WSS-L, 40-WSS-C, or 40-WSS-CE Line Settings and PM Thresholds, page 12-62](#)—Complete as needed.

7. [NTP-G174 Modify the 40-WXC-C or 80-WXC-C Line Settings and PM Thresholds, page 12-76](#)—Complete as needed.
8. [NTP-G241 Modify the 40-SMR1-C and 40-SMR2-C Line Settings and PM Thresholds, page 12-93](#)—Complete as needed.
9. [NTP-G149 Modify the MMU Line Settings and PM Thresholds, page 12-113](#)—Complete as needed.
10. [NTP-G101 Modify Alarm Interface Controller–International Settings, page 12-116](#)—As needed, complete this procedure to change settings for external alarms, controls, and orderwire for the AIC-I card.
11. [NTP-G102 Change Card Service State, page 12-119](#)—Complete as needed.
12. [NTP-G240 Modify TDC-CC and TDC-FC Line Settings and PM Thresholds, page 12-73](#)
13. [NTP-G280 Modify Threshold Settings for the TNC Card, page 12-120](#)

NTP-G90 Modify OSCM and OSC-CSM Card Line Settings and PM Thresholds

Purpose	This procedure changes the optical service channel (OSC) and PM parameters and thresholds for the OSCM and OSC-CSM cards.
Tools/Equipment	None
Prerequisite Procedures	NTP-G30 Install the DWDM Cards, page 4-64
Required/As Needed	As needed
Onsite/Remote	Onsite or remote
Security Level	Provisioning or higher

-
- Step 1** Complete the [“DLP-G46 Log into CTC” task on page 3-30](#) at the node where you want to change the OSCM or OSC-CSM card settings. If you are already logged in, proceed to [Step 2](#).
- Step 2** Complete the [“NTP-G103 Back Up the Database” procedure on page 14-2](#).
- Step 3** Perform any of the following tasks as needed:
- [DLP-G199 Change the OSCM and OSC-CSM OC-3/STM-1 Line Settings, page 12-3](#)
 - [DLP-G200 Change the OSCM and OSC-CSM OC-3/STM-1 Line SONET/SDH Thresholds, page 12-5](#)
 - [DLP-G201 Change Optical Line Parameters for OSCM and OSC-CSM Cards, page 12-7](#)
 - [DLP-G202 Change the OSCM and OSC-CSM Optical Line Threshold Settings, page 12-8](#)
 - [DLP-G203 Change the OSCM and OSC-CSM ALS Maintenance Settings, page 12-12](#)
- Step 4** Complete the [“NTP-G103 Back Up the Database” procedure on page 14-2](#).

Stop. You have completed this procedure.

DLP-G199 Change the OSCM and OSC-CSM OC-3/STM-1 Line Settings

Purpose	This task changes the OC-3/STM-1 line settings for the OSC signal transmitted by OSCM and OSC-CSM cards.
Tools/Equipment	None
Prerequisite Procedures	DLP-G46 Log into CTC, page 3-30
Required/As Needed	As needed
Onsite/Remote	Onsite or remote
Security Level	Provisioning or higher

- Step 1** In node view (single-shelf mode) or shelf view (multishelf view), double-click the OSCM or OSC-CSM card where you want to change the OC-3/STM-1 line settings.
- Step 2** Click the **Provisioning > OC3 Line > OC3 Line (ANSI)** or **Provisioning > STM-1 > STM-1 Line (ETSI)** tabs.
- Step 3** Modify any of the settings described in [Table 12-1](#).

Table 12-1 OSCM and OSC-CSM Card OC-3/STM-1 Line Settings

Parameter	Description	Options
Port	(Display only) Displays the port number.	1
Port Name	Provides the ability to assign the specified port a name.	User-defined. Name can be up to 32 alphanumeric/special characters. Blank by default. See the “ DLP-G104 Assign a Name to a Port ” task on page 8-3 .
Admin State	(Display only) Displays the port administrative state. For more information about administrative states, see the “Administrative and Service States” appendix in the <i>Cisco ONS 15454 DWDM Reference Manual</i> .	<ul style="list-style-type: none"> IS (ANSI) or Unlocked (ETSI)—Puts the port in service. The port service state changes to IS-NR (ANSI) or Unlocked-enabled (ETSI). IS,AINS (ANSI) or Unlocked,automaticInService (ETSI)—Puts the port in automatic in-service. The port service state changes to OOS-AU,AINS (ANSI) or Unlocked-disabled,automaticInService (ETSI).

Table 12-1 OSCM and OSC-CSM Card OC-3/STM-1 Line Settings (continued)

Parameter	Description	Options
Service State	(Display only) Identifies the autonomously generated state that gives the overall condition of the port. Service states appear in the format: Primary State-Primary State Qualifier, Secondary State. For more information about service states, see “Administrative and Service States” appendix in the <i>Cisco ONS 15454 DWDM Reference Manual</i> .	<ul style="list-style-type: none"> IS-NR (In-Service and Normal [ANSI]) or Unlocked-enabled (ETSI)—The port is fully operational and is performing as provisioned. OOS-AU,AINS (Out-Of-Service and Autonomous, Automatic In-Service [ANSI]) or Unlocked-disabled,automaticInService (ETSI)—The port is out of service, but traffic is carried. Alarm reporting is suppressed. The ONS node monitors the ports for an error-free signal. After an error-free signal is detected, the port stays in the OOS-AU,AINS/Unlocked-disabled,automaticInService state for the duration of the soak period. After the soak period ends, the port service state changes to IS-NR/Unlocked-enabled. OOS-MA,DSBLD (Out-of-Service and Management, Disabled [ANSI]) or Locked-enabled,disabled (ETSI)—The port is out of service and unable to carry traffic. OOS-MA,MT (Out-of-Service and Management, Maintenance [ANSI]) or Locked-enabled,maintenance (ETSI)—The port is out of service for maintenance. Alarm reporting is suppressed, but traffic is carried and loopbacks are allowed.
SF BER	Sets the signal fail bit error rate.	From the drop-down list, choose one of the following: <ul style="list-style-type: none"> 1E-3 1E-4 1E-5
SD BER	Sets the signal degrade bit error rate.	From the drop-down list, choose one of the following: <ul style="list-style-type: none"> 1E-5 1E-6 1E-7 1E-8 1E-9
Provides Synch	(Display only) If checked, the card is provisioned as a network element (NE) timing reference.	<ul style="list-style-type: none"> Checked Unchecked
SyncMsgIn	Enables synchronization status messages (SSM) on the S1 byte, which allow the node to choose the best timing source.	<ul style="list-style-type: none"> Checked Unchecked
Send Do Not Use	When checked, sends a Do Not Use for Synchronization (DUS) message on the S1 byte.	<ul style="list-style-type: none"> Checked Unchecked

Table 12-1 OSCM and OSC-CSM Card OC-3/STM-1 Line Settings (continued)

Parameter	Description	Options
PJSTSMon #	(Display only) Sets the STS that will be used for pointer justification.	This parameter is set to Off. It cannot be changed.
AINS Soak	(Display only) The automatic in-service soak period. It is always 00.00.	—
Type	Defines the port as SONET or SDH. The Enable Sync Msg field and the Send Do Not Use field must be disabled before the port can be set to SDH.	From the drop-down list, choose one of the following: <ul style="list-style-type: none"> • SONET • SDH

- Step 4** Click **Apply**. If the change affects traffic, a warning message appears. Click **Yes** to complete the change.
- Step 5** Return to your originating procedure (NTP).

DLP-G200 Change the OSCM and OSC-CSM OC-3/STM-1 Line SONET/SDH Thresholds

Purpose	This task changes the OC-3/STM-1 line SONET/SDH thresholds settings for the OSC signal transmitted by the OSCM and OSC-CSM cards.
Tools/Equipment	None
Prerequisite Procedures	DLP-G46 Log into CTC, page 3-30
Required/As Needed	As needed
Onsite/Remote	Onsite or remote
Security Level	Provisioning or higher

- Step 1** In node view (single-shelf mode) or shelf view (multishelf view), double-click the OSCM or OSC-CSM card where you want to change the SONET/SDH threshold settings.
- Step 2** Click the **Provisioning > OC3 Line > SONET Thresholds (ANSI)** or **Provisioning > OC3 Line > SDH Thresholds (ETSI)** tabs.
- Step 3** Thresholds can be set for Near End or Far End directions for either the 15-minute or 1-day intervals. You can set thresholds for either the Line or Section types. Path thresholds do not apply. Modify any of the settings described in [Table 12-2 \(ANSI\)](#) or [Table 12-3 \(ETSI\)](#).

Table 12-2 OSCM and OSC-CSM Cards OC3 Line SONET Threshold Settings

Parameter	Description	Options
Port	(Display only) Displays the port number.	1
CV	Coding violations	Numeric. Can be set for 15-minute or one-day intervals for Line or Section (Near and Far End). Select the bullet and click Refresh .

Table 12-2 OSCM and OSC-CSM Cards OC3 Line SONET Threshold Settings (continued)

Parameter	Description	Options
ES	Errored seconds	Numeric. Can be set for 15-minute or one-day intervals for Line or Section (Near and Far End). Select the bullet and click Refresh .
SES	Severely errored seconds	Numeric. Can be set for 15-minute or one-day intervals for Line or Section (Near and Far End). Select the bullet and click Refresh .
SEFS	Severely errored framing seconds (Section only)	Numeric. Can be set for Far End, for 15-minute or one-day intervals for Section only. Select the bullet and click Refresh .
FC	Failure count (Line only)	Numeric. Can be set for 15-minute or one-day intervals for Line (Near and Far End). Select the bullet and click Refresh .
UAS	Unavailable seconds (Line only)	Numeric. Can be set for 15-minute or one-day intervals for Line (Near and Far End). Select the bullet and click Refresh .

Table 12-3 OSCM and OSC-CSM Cards OC3 Line SDH Threshold Settings

Parameter	Description	Options
Port	(Display only) Displays the port number.	1
EB	Errored block	Numeric. Can be set for 15-minute or one-day intervals for MS (Multiplex Section) or RS (Regeneration Section) (Near and Far End). Select the bullet and click Refresh .
ES	Errored seconds	Numeric. Can be set for 15-minute or one-day intervals for MS or RS (Near and Far End). Select the bullet and click Refresh .
SES	Severely errored seconds	Numeric. Can be set for 15-minute or one-day intervals for MS or RS (Near and Far End). Select the bullet and click Refresh .
BBE	Background block error	Numeric. Can be set for 15-minute or one-day intervals for MS or RS (Near and Far End). Select the bullet and click Refresh .
OFS	Out of frame seconds	Numeric. Can be set for 15-minute or one-day intervals for RS, Near End. Select the bullet and click Refresh .
UAS	Unavailable seconds	Numeric. Can be set for 15-minute or one-day intervals for MS or RS (Near and Far End). Select the bullet and click Refresh .

Step 4 Click **Apply**. If the change affects traffic, a warning message appears. Click **Yes** to complete the change.

Step 5 Return to your originating procedure (NTP).

DLP-G201 Change Optical Line Parameters for OSCM and OSC-CSM Cards

Purpose	This task changes the optical line parameters for OSCM and OSC-CSM cards.
Tools/Equipment	None
Prerequisite Procedures	DLP-G46 Log into CTC, page 3-30
Required/As Needed	As needed
Onsite/Remote	Onsite or remote
Security Level	Provisioning or higher

- Step 1** In node view (single-shelf mode) or shelf view (multishelf mode), double-click the OSCM or OSC-CSM card where you want to change the optical line parameters.
- Step 2** Click the **Provisioning > Optical Line > Parameters** tabs.
- Step 3** Modify any of the settings described in [Table 12-4](#). The provisionable parameters are listed in the Options column in the table. In the Options column, the SONET (ANSI) option is followed by the SDH (ETSI) option.

Table 12-4 OSCM and OSC-CSM Card Optical Line Parameter Settings

Parameter	Description	Options
Port	(Display only) Displays the port number, port type, and direction (TX or RX).	OSCM <ul style="list-style-type: none"> • 2 (OSC-RX) • 3 (OSC-TX) OSC-CSM <ul style="list-style-type: none"> • 2 (COM-RX) • 3 (COM-TX) • 4 (LINE-RX) • 5 (LINE-TX) • 6 (OSC-RX) • 7 (OSC-TX)
Port Name	Provides the ability to assign the specified port a name.	User-defined. Name can be up to 32 alphanumeric/special characters. Blank by default. See the “DLP-G104 Assign a Name to a Port” task on page 8-3 .
Admin State	Sets the port administrative state unless network conditions prevent the change. For more information about administrative states, refer to the “Administrative and Service States” appendix in the <i>Cisco ONS 15454 DWDM Reference Manual</i> .	From the drop-down list, choose one of the following: <ul style="list-style-type: none"> • IS,AINS/Unlocked,automaticInService • OOS,DSBLD/Locked,disabled • OOS,MT/Locked,maintenance

Table 12-4 OSCM and OSC-CSM Card Optical Line Parameter Settings (continued)

Parameter	Description	Options
Service State	(Display only) Identifies the autonomously generated state that gives the overall condition of the port. Service states appear in the format: Primary State-Primary State Qualifier, Secondary State. For more information about service states, refer to the “Administrative and Service States” appendix in the <i>Cisco ONS 15454 DWDM Reference Manual</i> .	<ul style="list-style-type: none"> IS-NR/Unlocked-enabled OOS-AU,AINS/Unlocked-disabled, automaticInService OOS-MA,DSBLD/Locked-enabled,disabled OOS-MA,MT/Locked-enabled,maintenance
Power	(Display only) Shows the current power level per port.	—
VOA Mode	(Display only) Shows the functional mode of the variable optical attenuator (VOA), when present.	<ul style="list-style-type: none"> Constant Attenuation Constant Power
VOA Power Ref	(Display only) Shows the optical power setpoint that must be reached when a VOA is present and VOA Mode is set to Constant Power. This parameter can only be modified by ANS.	—
VOA Power Calib	Modifies the optical power value of the VOA when VOA Mode is set to Constant Power.	Numeric. Double-click the parameter, enter a value, and press Enter .
VOA Attenuation Ref	(Display only) Shows the VOA attenuation value when VOA Mode is set to Constant Attenuation. This parameter can only be modified by ANS.	—
VOA Attenuation Calib	Modifies the attenuation value of the VOA when the VOA Mode is set to Constant Attenuation.	Numeric. Double-click the parameter, enter a value, and press Enter .
Active Channels	(Display only) Indicates how many channels the amplifier is carrying. Generally reflects the number of provisioned channels.	—
OSC Power	(Display only) Shows the OSC power level per port.	—

Step 4 Click **Apply**. If the change affects traffic, a warning message appears. Click **Yes** to complete the change.

Step 5 Return to your originating procedure (NTP).

DLP-G202 Change the OSCM and OSC-CSM Optical Line Threshold Settings

Purpose	This task changes the optical line threshold settings for OSCM and OSC-CSM cards.
Tools/Equipment	None
Prerequisite Procedures	DLP-G46 Log into CTC, page 3-30
Required/As Needed	As needed
Onsite/Remote	Onsite or remote
Security Level	Provisioning or higher

- Step 1** In node view (single-shelf mode) or shelf view (multishelf mode), double-click the OSCM or OSC-CSM card where you want to change the optical line threshold settings.
- Step 2** Click the **Provisioning > Optical Line > Optics Thresholds** tabs.
- Step 3** Under Types, choose the type of threshold that you want to change, either **Warning** or **Alarm**.

**Caution**

Warning thresholds are not monitored by CTC. They must be user-provisioned and monitored through custom alarm profiles.

- Step 4** Click **Refresh**.
- Step 5** Modify any of the warning or alarm threshold settings. [Table 12-5](#) shows the thresholds for warnings. [Table 12-6](#) shows the thresholds for alarms.

Table 12-5 *OSCM and OSC-CSM Cards Optical Line Warning Thresholds Settings*

Parameter	Description	Options
Port	(Display only) Displays the port number, port type, and direction (TX or RX).	OSCM <ul style="list-style-type: none"> • 2 (OSC-RX) • 3 (OSC-TX) OSC-CSM <ul style="list-style-type: none"> • 2 (COM-RX) • 3 (COM-TX) • 4 (LINE-RX) • 5 (LINE-TX) • 6 (OSC-RX) • 7 (OSC-TX)
opwrMin (dBm) (OSCM only)	Sets the low power warning level.	Numeric. Can be set for 15-minute or one-day intervals. The default is -50 dBm. Double-click the parameter, enter a value, and press Enter .
opwrMax (dBm) (OSCM only)	Sets the high power warning level.	Numeric. Can be set for 15-minute or one-day intervals. The default is 30 dBm. Double-click the parameter, enter a value, and press Enter .
opwrMin OSC (dBm)	Sets the OSC low power warning level.	Numeric. Can be set for 15-minute or one-day intervals. The default is -50 dBm. Double-click the parameter, enter a value, and press Enter .
opwrMax OSC (dBm)	Sets the OSC high power warning level.	Numeric. Can be set for 15-minute or one-day intervals. The default is 30 dBm. Double-click the parameter, enter a value, and press Enter .

Table 12-6 OSCM and OSC-CSM Cards Optical Line Alarm Thresholds Settings

Parameter	Description	Options
Port	(Display only) Displays the port number, port type, and direction (TX or RX).	OSCM <ul style="list-style-type: none"> • 2 (OSC-RX) • 3 (OSC-TX) OSC-CSM <ul style="list-style-type: none"> • 2 (COM-RX) • 3 (COM-TX) • 4 (LINE-RX) • 5 (LINE-TX) • 6 (OSC-RX) • 7 (OSC-TX)
Power Failure Low (dBm)	<p>Shows the optical power failure low threshold for the port. If the VOA Mode is Constant Attenuation, you can manually change the threshold. The value must be within the optical power range that is specified for the card. (Refer to the “Hardware Specifications” appendix in the <i>Cisco ONS 15454 DWDM Reference Manual</i>.)</p> <p>If VOA Mode is Constant Power, you cannot change the threshold manually because it is based on the Power setpoint (VOA Power Ref + VOA Power Calib). To change the threshold, you must change the VOA Power Calib value. This adjusts the Power setpoint. The threshold is automatically set to a value that is 5 dB lower than the Power setpoint.</p> <p>You can set the threshold manually at the COM-RX and LINE-RX ports.</p>	Numeric (dB). Double-click the table cell, enter a value, then press Enter .
Pwr OSC Degrad Low (dBm)	<p>Shows the power degrade low threshold. This power value applies to the corresponding port and is automatically calculated when ANS is run.</p> <p>This threshold applies to a port associated to a VOA (OSC-VOA) always active in Constant Power mode.</p> <p>In this case, the threshold is automatically linked to the Power setpoint (VOA Power Ref + VOA Power Calib) that is provisioned. Changing the setpoint will result in changing the threshold (always 2 dB lower).</p>	Numeric.

Table 12-6 OSCM and OSC-CSM Cards Optical Line Alarm Thresholds Settings (continued)

Parameter	Description	Options
Pwr OSC Degrade High (dBm)	Shows the power degrade high threshold. This power value applies to the corresponding port and is automatically calculated when ANS is run. This threshold applies to a port that is associated to a VOA (OSC-VOA). In Constant Power mode, the port is always active and the threshold is automatically linked to the Power setpoint (VOA Power Ref + VOA Power Calib). To change the threshold, change the Power setpoint. The threshold will always be 2 dB higher than the Power setpoint.	Numeric.
Pwr OSC Failure (dBm)	Shows the optical power failure low threshold for the port. The threshold is calculated automatically when you run ANS. If the VOA Mode is Constant Attenuation, you can manually change the threshold. The value must be within the optical power range that is specified for the card. (Refer to the “Hardware Specifications” appendix in the <i>Cisco ONS 15454 DWDM Reference Manual</i> .) If VOA Mode is Constant Power, you cannot change the threshold manually because it is based on the Power setpoint (VOA Power Ref + VOA Power Calib). To change the threshold, you must change the VOA Power Calib value. This adjusts the Power setpoint. The threshold is automatically set to a value that is 5 dB lower than the Power setpoint.	Numeric.
VOA Degrade High (dBm)	Does not apply to OSCM and OSC-CSM cards.	—
VOA Degrade Low (dBm)	Does not apply to OSCM and OSC-CSM cards.	—

Step 6 Click **Apply**. If the change affects traffic, a warning message appears. Click **Yes** to complete the change.

Step 7 Return to your originating procedure (NTP).

DLP-G203 Change the OSCM and OSC-CSM ALS Maintenance Settings

Purpose	This task changes the automatic laser shutdown (ALS) maintenance settings for the OSC-CSM and OSCM cards.
Tools/Equipment	None
Prerequisite Procedures	DLP-G46 Log into CTC, page 3-30
Required/As Needed	As needed
Onsite/Remote	Onsite or remote
Security Level	Provisioning or higher


Note

The ALS function should only be disabled temporarily for installation or maintenance reasons. Activate ALS immediately after maintenance or installation.


Warning

Invisible laser radiation could be emitted from the end of the unterminated fiber cable or connector. Do not stare into the beam directly with optical instruments. Viewing the laser output with certain optical instruments (for example, eye loupes, magnifiers, and microscopes) within a distance of 100 mm could pose an eye hazard. Statement 1056

- Step 1** In node view (single-shelf mode) or shelf view (multishelf mode), double-click the OSC-CSM or OSCM card where you want to change the ALS maintenance settings.
- Step 2** Click the **Maintenance > ALS** tabs.
- Step 3** Modify any of the settings described in [Table 12-7](#). The provisionable parameters are listed in the Options column in the table.

Table 12-7 OSC-CSM and OSCM ALS Maintenance Settings

Parameter	Description	Options
OSRI	Optical safety remote interlock. When set to On, the OSC TX output power is shut down.	From the drop-down list, choose one of the following: <ul style="list-style-type: none"> On Off
ALS Mode	Automatic laser shutdown mode. For OSCM cards, ALS provides the ability to shut down the OSC TX laser when the OSC RX detects a loss of signal (LOS). For OSC-CSM cards, ALS provides the same functions as the OSCM card and also enables an optical safety mechanism at the DWDM network layer. Refer to the “Card Reference” chapter in the <i>Cisco ONS 15454 DWDM Reference Manual</i> for more detail.	From the drop-down list, choose one of the following: <ul style="list-style-type: none"> Disable—Deactivates ALS. Auto Restart—(Default) ALS is active. The power is automatically shut down when needed and automatically tries to restart using a probe pulse until the cause of the failure is repaired. Manual Restart Manual Restart for Test

Table 12-7 OSC-CSM and OSCM ALS Maintenance Settings (continued)

Parameter	Description	Options
Recovery Pulse Duration	(Display only) Displays the duration of the optical power pulse that begins when an amplifier restarts.	—
Recovery Pulse Interval	(Display only) Displays the interval between optical power pulses.	—
Currently Shutdown	(Display only) Displays whether or not the laser is currently shut down, either YES or NO.	—
Request Laser Restart	If checked, allows you to restart the laser.	Checked or unchecked

Step 4 Click **Apply**. If the change affects traffic, a warning message appears. Click **Yes** to complete the change.

Step 5 Return to your originating procedure (NTP).

NTP-G91 Modify OPT-PRE and OPT-BST Card Line Settings and PM Thresholds

Purpose	This procedure changes the line and threshold settings for an OPT-PRE, OPT-BST, OPT-BST-E, or OPT-BST-L amplifier card.
Tools/Equipment	None
Prerequisite Procedures	NTP-G30 Install the DWDM Cards, page 4-64
Required/As Needed	As needed
Onsite/Remote	Onsite or remote
Security Level	Provisioning or higher

Step 1 Complete the “[DLP-G46 Log into CTC](#)” task on page 3-30 at the node where you want to change the OPT-PRE, OPT-BST, OPT-BST-E, or OPT-BST-L amplifier card settings. If you are already logged in, proceed to [Step 2](#).

Step 2 Complete the “[NTP-G103 Back Up the Database](#)” procedure on page 14-2.

Step 3 Perform any of the following tasks as needed:

- [DLP-G204 Change Optical Line Settings for OPT-PRE and OPT-BST Amplifiers, page 12-14](#)
- [DLP-G205 Change Optical Line Threshold Settings for OPT-PRE and OPT-BST Amplifiers, page 12-15](#)
- [DLP-G206 Change Optical Amplifier Line Settings for OPT-PRE and OPT-BST Amplifiers, page 12-19](#)
- [DLP-G207 Change Optical Amplifier Threshold Settings for OPT-PRE and OPT-BST Amplifiers, page 12-21](#)
- [DLP-G322 Change the OPT-BST ALS Maintenance Settings, page 12-25](#)

- Step 4** Complete the “[NTP-G103 Back Up the Database](#)” procedure on page 14-2.
Stop. You have completed this procedure.

DLP-G204 Change Optical Line Settings for OPT-PRE and OPT-BST Amplifiers

Purpose	This task changes the optical line settings for an OPT-PRE, OPT-BST, OPT-BST-E, or OPT-BST-L amplifier card.
Tools/Equipment	None
Prerequisite Procedures	DLP-G46 Log into CTC , page 3-30
Required/As Needed	As needed
Onsite/Remote	Onsite or remote
Security Level	Provisioning or higher

- Step 1** In node view (single-shelf mode) or shelf view (multishelf mode), double-click the OPT-PRE, OPT-BST, OPT-BST-E, or OPT-BST-L amplifier where you want to change the optical line settings.
- Step 2** Click the **Provisioning > Optical Line > Parameters** tabs.
- Step 3** Modify any of the settings described in [Table 12-8](#). The provisionable parameters are listed in the Options column in the table. In the Options column, the SONET (ANSI) option is followed by the SDH (ETSI) option.

Table 12-8 *OPT-PRE, OPT-BST, OPT-BST-E, and OPT-BST-L Amplifier Optical Line Settings*

Parameter	Description	Options
Port	(Display only) Displays the port number, port type, and direction (TX or RX).	OPT-BST, OPT-BST-E, and OPT-BST-L <ul style="list-style-type: none"> • 1 (COM-RX) • 2 (COM-TX) • 3 (OSC-RX) • 4 (OSC-TX) • 5 (LINE-RX) OPT-PRE <ul style="list-style-type: none"> • 1 (COM-RX) • 3 (DC-RX) • 4 (DC-TX)
Port Name	Provides the ability to assign the specified port a name.	User-defined. Name can be up to 32 alphanumeric/special characters. Blank by default. Double-click the Port Name table cell, enter the name, and press Enter . See the “ DLP-G104 Assign a Name to a Port ” task on page 8-3.

Table 12-8 OPT-PRE, OPT-BST, OPT-BST-E, and OPT-BST-L Amplifier Optical Line Settings (continued)

Parameter	Description	Options
Admin State	Sets the port administrative state unless network conditions prevent the change. For more information about administrative states, refer to the “Administrative and Service States” appendix in the <i>Cisco ONS 15454 DWDM Reference Manual</i> .	From the drop-down list, choose one of the following: <ul style="list-style-type: none"> IS,AINS/Unlocked,automaticInService OOS,DSBLD/Locked,disabled (OPT-PRE only) OOS,MT/Locked,maintenance
Service State	(Display only) Identifies the autonomously generated state that gives the overall condition of the port. Service states appear in the format: Primary State-Primary State Qualifier, Secondary State. For more information about service states, refer to the “Administrative and Service States” appendix in the <i>Cisco ONS 15454 DWDM Reference Manual</i> .	<ul style="list-style-type: none"> IS-NR/Unlocked-enabled OOS-AU,AINS/Unlocked-disabled, automaticInService OOS-MA,DSBLD/Locked-enabled,disabled OOS-MA,MT/Locked-enabled,maintenance
Power	(Display only) Shows the current power level per port.	—
Active Channels	(Display only) Indicates how many channels the port is carrying. Generally reflects the number of provisioned channels.	—
OSC Power	(Display only) Shows the OSC power level per port. Does not apply to OPT-PRE.	—

Step 4 Click **Apply**. If the change affects traffic, a warning message appears. Click **Yes** to complete the change.

Step 5 Return to your originating procedure (NTP).

DLP-G205 Change Optical Line Threshold Settings for OPT-PRE and OPT-BST Amplifiers

Purpose	This task changes the optical line threshold settings for an OPT-PRE, OPT-BST, OPT-BST-E, or OPT-BST-L amplifier card.
Tools/Equipment	None
Prerequisite Procedures	DLP-G46 Log into CTC, page 3-30
Required/As Needed	As needed
Onsite/Remote	Onsite or remote
Security Level	Provisioning or higher



Caution

Warning thresholds are not monitored by CTC. They must be user-provisioned and monitored through custom alarm profiles.

- Step 1** In node view (single-shelf mode) or shelf view (multishelf mode), double-click the OPT-PRE, OPT-BST, OPT-BST-E, or OPT-BST-L amplifier where you want to change the optical line threshold settings.
- Step 2** Click the **Provisioning > Optical Line > Optics Thresholds** tabs.
- Step 3** If you want to change the warning thresholds, complete the following steps. If not, continue with [Step 4](#).
- Under Types, choose **Warning**.
 - Choose the warning interval that you want to provision, either **15 minutes** or **1 Day**.
 - Click **Refresh**.
 - Modify any of the warning thresholds shown under the Options column in [Table 12-9](#).
 - Click **Apply**. If the change affects traffic, a warning message appears. Click **Yes** to complete the change.

Table 12-9 *OPT-PRE, OPT-BST, OPT-BST-E, and OPT-BST-L Card Optical Line Warning Threshold Settings*

Parameter	Description	Options
Port	(Display only) Displays the port number, port type, and direction (TX or RX).	OPT-BST, OPT-BST-E, and OPT-BST-L <ul style="list-style-type: none"> • 1 (COM-RX) • 2 (COM-TX) • 3 (OSC-RX) • 4 (OSC-TX) • 5 (LINE-RX) OPT-PRE <ul style="list-style-type: none"> • 1 (COM-RX) • 3 (DC-RX) 4 (DC-TX)
opwrMin (dBm)	Sets the low power warning level.	Numeric. Can be set for 15-minute or one-day intervals. The default is -50 dBm. Double-click the table cell, enter the name, and press Enter .
opwrMax (dBm)	Sets the high power warning level.	Numeric. Can be set for 15-minute or one-day intervals. The default is 30 dBm. Double-click the table cell, enter the name, and press Enter .
opwrMin OSC (dBm)	Sets the OSC low power warning level.	Numeric. Can be set for 15-minute or one-day intervals. The default is -50 dBm. Double-click the table cell, enter the name, and press Enter .
opwrMax OSC (dBm)	Sets the OSC high power warning level.	Numeric. Can be set for 15-minute or one-day intervals. The default is 30 dBm. Double-click the table cell, enter the name, and press Enter .

- Step 4** If you want to change the alarm thresholds, complete the following steps. If not, continue with [Step 5](#).
- Under Types, choose **Alarm**.
 - Click **Refresh**.
 - Modify any of the alarm thresholds shown under the Options column in [Table 12-10](#).
 - Click **Apply**. If the change affects traffic, a warning message appears. Click **Yes** to complete the change.

Table 12-10 *OPT-PRE, OPT-BST, OPT-BST-E, and OPT-BST-L Card Optical Line Alarm Thresholds Settings*

Parameter	Description	Options
Port	(Display only) Displays the port number, port type, and direction (RX or TX).	OPT-BST, OPT-BST-E, and OPT-BST-L <ul style="list-style-type: none"> • 1 (COM-RX) • 2 (COM-TX) • 3 (OSC-RX) • 4 (OSC-TX) • 5 (LINE-RX) OPT-PRE <ul style="list-style-type: none"> • 1 (COM-RX) • 3 (DC-RX) • 4 (DC-TX)
Power Failure Low (dBm)	Shows the optical power failure low threshold for the port. The threshold is calculated automatically when you run ANS. You can manually change the threshold. The value must be within the optical power range that is specified for the card. (Refer to the “Hardware Specifications” appendix in the <i>Cisco ONS 15454 DWDM Reference Manual</i> .) For OPT-BST, OPT-BST-E, OPT-BST-L cards, this parameter applies to the COM-RX and LINE-RX ports.	Numeric. Double-click the table cell, enter a value and press Enter .
Power Degradate High (dBm)	Does not apply to OPT-BST, OPT-BST-E, OPT-BST-L, and OPT-PRE line parameters.	—
Power Degradate Low (dBm)	Does not apply to OPT-BST, OPT-BST-E, OPT-BST-L, and OPT-PRE line parameters.	—

Table 12-10 *OPT-PRE, OPT-BST, OPT-BST-E, and OPT-BST-L Card Optical Line Alarm Thresholds Settings (continued)*

Parameter	Description	Options
Pwr OSC Degrade Low (dBm)	Shows the power degrade low threshold. This power value applies to the corresponding port and is automatically calculated when ANS is run. This threshold applies to a port associated to a VOA (OSC-VOA) always active in Constant Power mode. In this case, the threshold is automatically linked to the Power setpoint (VOA Power Ref + VOA Power Calib) that is provisioned. Changing the setpoint will result in changing the threshold (always 2 dB lower). Does not apply to OPT-PRE.	Numeric.
Pwr OSC Degrade High (dBm)	Shows the power degrade high threshold. This power value applies to the corresponding port and is automatically calculated when ANS is run. This threshold applies to a port that is associated to a VOA (OSC-VOA). In Constant Power mode, the port is always active and the threshold is automatically linked to the Power setpoint (VOA Power Ref + VOA Power Calib). To change the threshold, change the Power setpoint. The threshold will always be 2 dB higher than the Power setpoint. Does not apply to OPT-PRE.	Numeric.
Pwr OSC Failure (dBm)	Shows the optical power low threshold for the OSC channel of the port. You can set the threshold manually at the LINE-RX port.	—
Gain Degrade Low (dB)	Does not apply to OPT-BST, OPT-BST-E, OPT-BST-L, and OPT-PRE line parameters.	—
Gain Degrade High (dB)	Does not apply to OPT-BST, OPT-BST-E, OPT-BST-L, and OPT-PRE line parameters.	—

Step 5 Return to your originating procedure (NTP).

DLP-G206 Change Optical Amplifier Line Settings for OPT-PRE and OPT-BST Amplifiers

Purpose	This task changes the optical amplifier line settings for an OPT-PRE, OPT-BST, OPT-BST-E, or OPT-BST-L amplifier card.
Tools/Equipment	None
Prerequisite Procedures	DLP-G46 Log into CTC, page 3-30
Required/As Needed	As needed
Onsite/Remote	Onsite or remote
Security Level	Provisioning or higher

- Step 1** In node view (single-shelf mode) or shelf view (multishelf mode), double-click the OPT-PRE, OPT-BST, OPT-BST-E, or OPT-BST-L amplifier where you want to change the optical amplifier line settings.
- Step 2** Click the **Provisioning > Opt. Ampli. Line > Parameters** tabs.
- Step 3** Modify any of the settings described in [Table 12-11](#). The provisionable parameters are listed in the Options column in the table. In the Options column, the SONET (ANSI) option is followed by the SDH (ETSI) option.

Table 12-11 OPT-PRE, OPT-BST, OPT-BST-E, and OPT-BST-L Optical Amplifier Line Settings

Parameter	Description	Options
Port	(Display only) Displays the port number, port type, and direction (TX or RX).	OPT-PRE <ul style="list-style-type: none"> • 2 (COM-TX) OPT-BST, OPT-BST-E, OPT-BST-L <ul style="list-style-type: none"> • 6 (LINE-TX)
Port Name	Provides the ability to assign the specified port a name.	User-defined. Name can be up to 32 alphanumeric/special characters. Blank by default. See the “DLP-G104 Assign a Name to a Port” task on page 8-3 .
Admin State	Sets the port service state unless network conditions prevent the change. For more information about administrative states, refer to the “Administrative and Service States” appendix in the <i>Cisco ONS 15454 DWDM Reference Manual</i> .	From the drop-down list, choose one of the following: <ul style="list-style-type: none"> • IS,AINS/Unlocked,automaticInService • OOS,DSBLD/Locked,disabled • OOS,MT/Locked,maintenance
Service State	(Display only) Identifies the autonomously generated state that gives the overall condition of the port. Service states appear in the format: Primary State-Primary State Qualifier, Secondary State. For more information about service states, refer to the “Administrative and Service States” appendix in the <i>Cisco ONS 15454 DWDM Reference Manual</i> .	<ul style="list-style-type: none"> • IS-NR/Unlocked-enabled • OOS-AU,AINS/Unlocked-disabled, automaticInService • OOS-MA,DSBLD/Locked-enabled,disabled • OOS-MA,MT/Locked-enabled,maintenance
Total Output Power	(Display only) Shows the current power level per port.	—

Table 12-11 OPT-PRE, OPT-BST, OPT-BST-E, and OPT-BST-L Optical Amplifier Line Settings (continued)

Parameter	Description	Options
Channel Power Ref.	(Display only) Shows the optical per-channel signal power setpoint that must be reached at the amplifier output when gain control is active.	—
Offset	Adjusts the Total Output Power unless network conditions prevent the adjustment, for example, the port is in IS state.	Numeric. Double-click the table cell, enter a value, then press Enter .
Active Channels	(Display only) Indicates how many channels the amplifier is carrying. Generally reflects the number of provisioned channels.	
OSC Power	Shows the OSC power level per port. Does not apply to OPT-PRE.	
Signal Output Power	(Display only) Shows the current output power leaving the amplifier, including the amplified spontaneous emissions (ASE) contribution.	—
Output Power Set-Point	(Display only) Shows the output power setpoint.	—
Working Mode	(Display only) Shows the working mode, either GAIN or POWER.	—
Gain	(Display only) The current gain of the amplifiers.	—
Gain Set Point	The value of the gain that the amplifier must achieve. APC can modify this value based on the number of optical channel network connection (OCHNC) circuits that are managed by the amplifier or to compensate for fiber aging insertion loss. Refer to the “Network Reference” chapter in the <i>Cisco ONS 15454 DWDM Reference Manual</i> for more information.	Display only or numeric depending on mode setting. When the system is configured as metro core, this field is display only. When the system is configured as metro access, this field can be changed by the user.
Tilt Reference	(Display only) Shows the default value for the amplifier tilt. This field can only be modified by ANS.	—
Tilt Calibration	Allows you to manually change the amplifier tilt.	Numeric. Double-click the parameter, enter a value, and press Enter .
DCU Insertion Loss	(Display only; OPT-PRE cards only) Shows the dispersion compensation unit (DCU) insertion loss.	—

Step 4 Click **Apply**. If the change affects traffic, a warning message appears. Click **Yes** to complete the change.

Step 5 Return to your originating procedure (NTP).

DLP-G207 Change Optical Amplifier Threshold Settings for OPT-PRE and OPT-BST Amplifiers

Purpose	This task changes the optical amplifier threshold settings for an OPT-PRE, OPT-BST, OPT-BST-E, or OPT-BST-L amplifier card.
Tools/Equipment	None
Prerequisite Procedures	DLP-G46 Log into CTC, page 3-30
Required/As Needed	As needed
Onsite/Remote	Onsite or remote
Security Level	Provisioning or higher



Caution

Warning thresholds are not monitored by CTC. They must be user-provisioned and monitored through custom alarm profiles.

- Step 1** In node view (single-shelf mode) or shelf view (multishelf mode), double-click the OPT-PRE, OPT-BST, OPT-BST-E, or OPT-BST-L amplifier where you want to change the optical amplifier threshold settings.
- Step 2** Click the **Provisioning > Opt Apli Line > Optics Thresholds** tabs.
- Step 3** If you want to change the warning thresholds, complete the following steps. If not, continue with [Step 4](#).
- Under Types, choose **Warning**.
 - Choose the warning interval that you want to provision, either **15 minutes** or **1 Day**.
 - Click **Refresh**.
 - Modify any of the warning thresholds shown under the Options column in [Table 12-12](#).
 - Click **Apply**. If the change affects traffic, a warning message appears. Click **Yes** to complete the change.

Table 12-12 *OPT-PRE, OPT-BST, OPT-BST-E, and OPT-BST-L Card Amplifier Line Warning Threshold Settings*

Parameter	Description	Options
Port	(Display only) Displays the port number, port type, and direction (TX or RX).	OPT-PRE <ul style="list-style-type: none"> • 2 (COM-TX) OPT-BST, OPT-BST-E, OPT-BST-L <ul style="list-style-type: none"> • 6 (LINE-TX)
opwrMin (dBm)	Sets the low power warning level.	Numeric. Can be set for 15-minute or one-day intervals. The default is -50 dBm. Double-click the parameter, enter a value, and press Enter .
opwrMax (dBm)	Sets the high power warning level.	Numeric. Can be set for 15-minute or one-day intervals. The default is 30 dBm. Double-click the parameter, enter a value, and press Enter .

Table 12-12 *OPT-PRE, OPT-BST, OPT-BST-E, and OPT-BST-L Card Amplifier Line Warning Threshold Settings*

Parameter	Description	Options
opwrMin OSC (dBm)	Sets the OSC low power warning level. Does not apply to OPT-PRE.	Numeric. Can be set for 15-minute or one-day intervals. The default is -50 dBm. Double-click the parameter, enter a value, and press Enter .
opwrMax OSC (dBm)	Sets the OSC high power warning level. Does not apply to OPT-PRE.	Numeric. Can be set for 15-minute or one-day intervals. The default is 30 dBm. Double-click the parameter, enter a value, and press Enter .

- Step 4** If you want to change the alarm thresholds, complete the following steps. If not, continue with [Step 5](#).
- Choose the alarm interval that you want to provision, either **15 minutes** or **1 Day**.
 - Under Types, choose **Alarm**.
 - Click **Refresh**.
 - Modify any of the alarm thresholds shown under the Options column in [Table 12-13](#).
 - Click **Apply**. If the change affects traffic, a warning message appears. Click **Yes** to complete the change.

Table 12-13 *OPT-PRE, OPT-BST, OPT-BST-E, and OPT-BST-L Card Amplifier Line Alarm Thresholds Setting*

Parameter	Description	Options
Port	(Display only) Displays the port number, port type, and direction (TX or RX).	OPT-PRE <ul style="list-style-type: none"> 2 (COM-TX) OPT-BST, OPT-BST-E, OPT-BST-L <ul style="list-style-type: none"> 6 (LINE-TX)
Power Failure Low (dBm)	Shows the optical power failure low threshold for the port. The threshold is calculated automatically when you run ANS. You can manually change the threshold. The value must be within the optical power range that is specified for the card. (Refer to the “Hardware Specifications” appendix in the Cisco ONS 15454 DWDM Reference Manual.)	Numeric. Double-click the parameter, enter a value, and press Enter .

Table 12-13 *OPT-PRE, OPT-BST, OPT-BST-E, and OPT-BST-L Card Amplifier Line Alarm Thresholds Setting (continued)*

Parameter	Description	Options
Power Degradate High (dBm)	<p>(Display only) Shows the current value of the optical power degrade high threshold. This threshold applies only when the amplifier is active and in constant power mode.</p> <p>Power Degradate High refers to the port's Signal Output Power value and is automatically calculated by the TCC2/TCC2P/TCC3/TNC/TSC when the amplifier is turned up.</p> <p>The Power Degradate High threshold is linked to the Output Power Setpoint on the Parameters tab. Changing the setpoint changes the Power Degradate High threshold. The threshold value is always 2 dB higher than the Output Power Setpoint value.</p> <p>APC can modify this value based on the number of OCHNC circuits that the amplifier is managing. Refer to the "Network Reference" chapter in the Cisco ONS 15454 DWDM Reference Manual for more information.</p>	—
Power Degradate Low (dBm)	<p>(Display only) Shows the current value of the optical power degrade high threshold configured in the card. This threshold applies only when the amplifier is active and in constant power mode.</p> <p>Power Degradate Low refers to the port's Signal Output Power value and is automatically calculated by the TCC2/TCC2P/TCC3/TNC/TSC when the amplifier is turned up.</p> <p>The Power Degradate Low threshold is automatically linked to the Output Power Setpoint on the Parameters tab. Changing the setpoint changes the Power Degradate Low threshold. The threshold value is always 2 dB lower than the Output Power Setpoint.</p> <p>APC can modify this value based on the number of OCHNC circuits that the amplifier is managing.</p>	—

Table 12-13 *OPT-PRE, OPT-BST, OPT-BST-E, and OPT-BST-L Card Amplifier Line Alarm Thresholds Setting (continued)*

Parameter	Description	Options
Gain Degrade High (dBm)	<p>(Display only) Shows the current value of the gain degrade high threshold configured in the card. This threshold applies only when the amplifier is active and in constant gain mode.</p> <p>Gain Degrade High refers to the port's Gain value and is automatically calculated by the TCC2/TCC2P/TCC3/TNC/TSC when the amplifier is turned up.</p> <p>The Gain Degrade High threshold is linked to the Gain setpoint. Changing the setpoint changes the Gain Degrade High threshold. The threshold value is always 2 dB higher than the Gain Setpoint value.</p> <p>APC can modify this value based on the number of OCHNC circuits that the amplifier is managing and to compensate for insertion loss due to fiber aging.</p>	—
Gain Degrade Low (dBm)	<p>(Display only) Shows the current value of the gain degrade low threshold configured in the card. This threshold applies only when the amplifier is active and in constant gain mode.</p> <p>Gain Degrade Low refers to the port's Gain value and is automatically calculated by the TCC2/TCC2P/TCC3/TNC/TSC when the amplifier is turned up.</p> <p>The Gain Degrade Low threshold is automatically linked to the Gain Setpoint that is provisioned. Changing the setpoint changes the Gain Degrade Low threshold. The threshold value is always 2 dB lower than the Gain Setpoint value.</p> <p>APC can also modify this value based on the number of OCHNC circuits that the amplifier is managing.</p>	—

Step 5 Return to your originating procedure (NTP).

DLP-G322 Change the OPT-BST ALS Maintenance Settings

Purpose	This task changes the ALS maintenance settings for the OPT-BST, OPT-BST-E, and OPT-BST-L cards.
Tools/Equipment	None
Prerequisite Procedures	DLP-G46 Log into CTC, page 3-30
Required/As Needed	As needed
Onsite/Remote	Onsite or remote
Security Level	Provisioning or higher



Note

The ALS function should only be disabled temporarily for installation or maintenance reasons. Activate ALS immediately after maintenance or installation.



Warning

Invisible laser radiation could be emitted from the end of the unterminated fiber cable or connector. Do not stare into the beam directly with optical instruments. Viewing the laser output with certain optical instruments (for example, eye loupes, magnifiers, and microscopes) within a distance of 100 mm could pose an eye hazard. Statement 1056

- Step 1** In node view (single-shelf mode) or shelf view (multishelf mode), double-click the OPT-BST, OPT-BST-E, or OPT-BST-L where you want to change the ALS maintenance settings.
- Step 2** Click the **Maintenance > ALS Mode** tabs.
- Step 3** Modify any of the settings described in [Table 12-14](#). The provisionable parameters are listed in the Options column in the table.

Table 12-14 OPT-BST ALS Maintenance Settings

Parameter	Description	Options
OSRI	Optical safety remote interlock. When set to On, the OPT-BST TX output power is shut down.	From the drop-down list, choose one of the following: <ul style="list-style-type: none"> • On • Off
ALS Mode	Automatic laser shutdown. For OPT-BST cards, ALS provides the ability to shut down the OPT-BST TX laser when the OPT-BST RX detects an LOS. ALS also enables an optical safety mechanism at the DWDM network layer. See the “Automatic Laser Shutdown” section in the “Card Reference” chapter of the <i>ONS 15454 DWDM Reference Manual</i> for more information.	From the drop-down list, choose one of the following: <ul style="list-style-type: none"> • Disable—Deactivates ALS. If the OPT-BST faces a span without an OSC connection, choose this option. • Auto Restart—(Default) ALS is active. The power is automatically shut down when needed and automatically tries to restart using a probe pulse until the cause of the failure is repaired. • Manual Restart • Manual Restart for Test
Recovery Pulse Duration	(Display only) Displays the duration of the optical power pulse that begins when an amplifier restarts.	—
Recovery Pulse Interval	(Display only) Displays the interval between optical power pulses.	—
Currently Shutdown	(Display only) Displays whether or not the laser is currently shut down, either YES or NO.	—
Request Laser Restart	If checked, allows you to restart the laser.	Checked or unchecked

Step 4 Click **Apply**. If the change affects traffic, a warning message appears. Click **Yes** to complete the change.

Step 5 Return to your originating procedure (NTP).

NTP-G160 Modify OPT-AMP-L, OPT-AMP-17-C, OPT-AMP-C, OPT-RAMP-C, and OPT-RAMP-CE Card Line Settings and PM Thresholds

Purpose	This procedure changes the line and threshold settings for the OPT-AMP-L, OPT-AMP-17-C, OPT-AMP-C, OPT-AMP-C, OPT-RAMP-C, and OPT-RAMP-CE amplifier cards.
Tools/Equipment	None
Prerequisite Procedures	NTP-G30 Install the DWDM Cards, page 4-64
Required/As Needed	As needed
Onsite/Remote	Onsite or remote
Security Level	Provisioning or higher

Step 1 Complete the “[DLP-G46 Log into CTC](#)” task on page 3-30 at the node where you want to change the OPT-AMP-L, OPT-AMP-17-C, OPT-AMP-C, OPT-RAMP-C, or OPT-RAMP-CE amplifier card settings. If you are already logged in, proceed to [Step 2](#).

Step 2 Complete the “[NTP-G103 Back Up the Database](#)” procedure on page 14-2.

Step 3 Set the card working mode:



Caution

Do not change the OPT-AMP-L, OPT-AMP-17-C, or OPT-AMP-C working mode if it is in service and circuits are provisioned.

- a. Display the OPT-AMP-L, OPT-AMP-17-C, or OPT-AMP-C card view.
- b. Click the **Provisioning > Card** tabs.
- c. In the Card Working Mode field, choose one of the following:
 - **OPT-PRE**—Sets the card working mode to optical preamplifier.
 - **OPT-LINE**—Sets the card working mode to optical booster amplifier.
- d. Click **Apply**.

Step 4 Perform any of the following tasks as needed:

- [DLP-G323 Change Optical Line Settings for OPT-AMP-L, OPT-AMP-17-C, OPT-AMP-C, OPT-RAMP-C, and OPT-RAMP-CE Amplifiers, page 12-28](#)
- [DLP-G324 Change Optical Line Threshold Settings for OPT-AMP-L, OPT-AMP-17-C, OPT-AMP-C, OPT-RAMP-C, and OPT-RAMP-CE Amplifiers, page 12-30](#)
- [DLP-G325 Change Optical Amplifier Line Settings for OPT-AMP-L, OPT-AMP-17-C, OPT-AMP-C, OPT-RAMP-C, and OPT-RAMP-CE Amplifiers, page 12-33](#)
- [DLP-G326 Change Optical Amplifier Threshold Settings for OPT-AMP-L, OPT-AMP-17-C, OPT-AMP-C, OPT-RAMP-C, and OPT-RAMP-CE Amplifiers, page 12-35](#)
- [DLP-G327 Change the ALS Maintenance Settings of OPT-AMP-L, OPT-AMP-17-C, OPT-AMP-C, OPT-RAMP-C, and OPT-RAMP-CE Cards, page 12-42](#)

Step 5 Complete the “[NTP-G103 Back Up the Database](#)” procedure on page 14-2.

Stop. You have completed this procedure.

DLP-G323 Change Optical Line Settings for OPT-AMP-L, OPT-AMP-17-C, OPT-AMP-C, OPT-RAMP-C, and OPT-RAMP-CE Amplifiers

Purpose	This task changes the optical line settings for the OPT-AMP-L, OPT-AMP-17-C, OPT-AMP-C, OPT-RAMP-C, or OPT-RAMP-CE amplifier cards.
Tools/Equipment	None
Prerequisite Procedures	DLP-G46 Log into CTC, page 3-30
Required/As Needed	As needed
Onsite/Remote	Onsite or remote
Security Level	Provisioning or higher

- Step 1** In node view (single-shelf mode) or shelf view (multishelf mode), double-click the OPT-AMP-L, OPT-AMP-17-C, OPT-AMP-C, OPT-RAMP-C, or OPT-RAMP-CE amplifier where you want to change the optical line settings.
- Step 2** Click the **Provisioning > Optical Line > Parameters** tabs.
- Step 3** Modify any of the settings described in [Table 12-15](#). The provisionable parameters are listed in the Options column in the table. In the Options column, the SONET (ANSI) option is followed by the SDH (ETSI) option.

Table 12-15 *OPT-AMP-L, OPT-AMP-17-C, OPT-AMP-C, OPT-RAMP-C, and OPT-RAMP-CE Amplifier Optical Line Settings*

Parameter	Description	Options
Port	(Display only) Displays the port number, port type, and direction (TX or RX).	<ul style="list-style-type: none"> • 1 (COM-RX) • 2 (COM-TX) • 3 (OSC-RX) • 4 (OSC-TX) • 5 (LINE-RX) • 6 (LINE-TX), OPT-RAMP-C and OPT-RAMP-CE only • 7 (DC-RX), OPT-AMP-L, OPT-AMP-C, OPT-RAMP-C, and OPT-RAMP-CE only • 8 (DC-TX), OPT-AMP-L and OPT-AMP-C only • 9 (RAMAN-RX), OPT-RAMP-C and OPT-RAMP-CE only
Port Name	Provides the ability to assign the specified port a name.	<p>User-defined. Name can be up to 32 alphanumeric/special characters. Blank by default. Double-click, enter the name, and press Enter.</p> <p>See the “DLP-G104 Assign a Name to a Port” task on page 8-3.</p>
Admin State	Sets the port administrative state unless network conditions prevent the change. For more information about administrative states, refer to the “Administrative and Service States” appendix in the <i>Cisco ONS 15454 DWDM Reference Manual</i> .	<p>From the drop-down list, choose one of the following:</p> <ul style="list-style-type: none"> • IS,AINS/Unlocked,automaticInService • OOS,DSBLD/Locked,disabled (OPT-RAMP-C, and OPT-RAMP-CE only) • OOS,MT/Locked,maintenance
Service State	(Display only) Identifies the autonomously generated state that gives the overall condition of the port. Service states appear in the format: Primary State-Primary State Qualifier, Secondary State. For more information about service states, refer to the “Administrative and Service States” appendix in the <i>Cisco ONS 15454 DWDM Reference Manual</i> .	<ul style="list-style-type: none"> • IS-NR/Unlocked-enabled • OOS-AU,AINS/Unlocked-disabled, automaticInService • OOS-MA,DSBLD/Locked-enabled,disabled • OOS-MA,MT/Locked-enabled,maintenance
Power	(Display only) Shows the current power level per port.	—
ActiveChannel	(Display only) Indicates how many channels the amplifier is carrying. Generally reflects the number of provisioned channels.	—
OSC Power	Shows the OSC power level per port. Does not apply to OPT-RAMP-C and OPT-RAMP-CE.	—

Step 4 Click **Apply**. If the change affects traffic, a warning message appears. Click **Yes** to complete the change.

- Step 5** Return to your originating procedure (NTP).
-

DLP-G324 Change Optical Line Threshold Settings for OPT-AMP-L, OPT-AMP-17-C, OPT-AMP-C, OPT-RAMP-C, and OPT-RAMP-CE Amplifiers

Purpose	This task changes the optical line threshold settings for OPT-AMP-L, OPT-AMP-17-C, OPT-AMP-C, OPT-RAMP-C, and OPT-RAMP-CE amplifier cards.
Tools/Equipment	None
Prerequisite Procedures	DLP-G46 Log into CTC, page 3-30
Required/As Needed	As needed
Onsite/Remote	Onsite or remote
Security Level	Provisioning or higher



Caution

Warning thresholds are not monitored by CTC. They must be user-provisioned and monitored through custom alarm profiles.

- Step 1** In node view (single-shelf mode) or shelf view (multishelf mode), double-click the OPT-AMP-L, OPT-AMP-17-C, OPT-AMP-C, OPT-RAMP-C, or OPT-RAMP-CE amplifier where you want to change the optical line threshold settings.
- Step 2** Click the **Provisioning > Optical Line > Optics Thresholds** tabs.
- Step 3** If you want to change the warning thresholds, complete the following steps. If not, continue with [Step 4](#).
- Under Types, choose **Warning**.
 - Choose the warning interval that you want to provision, either **15 minutes** or **1 Day**.
 - Click **Refresh**.
 - Modify any of the warning thresholds shown under the Options column in [Table 12-16](#).
 - Click **Apply**. If the change affects traffic, a warning message appears. Click **Yes** to complete the change.

Table 12-16 *OPT-AMP-L, OPT-AMP-17-C, OPT-AMP-C, OPT-RAMP-C, and OPT-RAMP-CE Card Optical Line Warning Threshold Settings*

Parameter	Description	Options
Port	(Display only) Displays the port number, port type, and direction (TX or RX):	<ul style="list-style-type: none"> • 1 (COM-RX) • 2 (COM-TX) • 3 (OSC-RX) • 4 (OSC-TX) • 5 (LINE-RX) • 6 (LINE-TX), OPT-RAMP-C and OPT-RAMP-CE only • 7 (DC-RX), OPT-AMP-L, OPT-AMP-C, OPT-RAMP-C, and OPT-RAMP-CE only • 8 (DC-TX), OPT-AMP-L and OPT-AMP-C only • 9 (RAMAN-RX), OPT-RAMP-C and OPT-RAMP-CE only
opwrMin (dBm)	Sets the low power warning level.	Numeric. Can be set for 15-minute or one-day intervals. The default is -50 dBm. Double-click the table cell, enter the name, and press Enter .
opwrMax (dBm)	Sets the high power warning level.	Numeric. Can be set for 15-minute or one-day intervals. The default is 30 dBm. Double-click the table cell, enter the name, and press Enter .
opwrMin OSC (dBm)	Sets the OSC low power warning level. Does not apply to OPT-RAMP-C and OPT-RAMP-CE.	Numeric. Can be set for 15-minute or one-day intervals. The default is -50 dBm. Double-click the table cell, enter the name, and press Enter .
opwrMax OSC (dBm)	Sets the OSC high power warning level. Does not apply to OPT-RAMP-C and OPT-RAMP-CE.	Numeric. Can be set for 15-minute or one-day intervals. The default is 30 dBm. Double-click the table cell, enter the name, and press Enter .

- Step 4** If you want to change the alarm thresholds, complete the following steps. If not, continue with [Step 5](#).
- a. Under Types, choose **Alarm**.
 - b. Click **Refresh**.
 - c. Modify any of the alarm thresholds shown under the Options column in [Table 12-17](#).
 - d. Click **Apply**. If the change affects traffic, a warning message appears. Click **Yes** to complete the change.

Table 12-17 *OPT-AMP-L, OPT-AMP-17-C, OPT-AMP-C, OPT-RAMP-C, and OPT-RAMP-CE Card Optical Line Alarm Thresholds Setting*

Parameter	Description	Options
Port	(Display only) Displays the port number.	<ul style="list-style-type: none"> • 1 (COM-RX) • 2 (COM-TX) • 3 (OSC-RX) • 4 (OSC-TX) • 5 (LINE-RX) • 6 (LINE-TX), OPT-RAMP-C and OPT-RAMP-CE only • 7 (DC-RX), OPT-AMP-L, OPT-AMP-C, OPT-RAMP-C, and OPT-RAMP-CE only • 8 (DC-TX), OPT-AMP-L and OPT-AMP-C only • 9 (RAMAN-RX), OPT-RAMP-C and OPT-RAMP-CE only
Power Failure Low (dBm)	<p>Shows the optical power failure low threshold for the port. The threshold is calculated automatically when you run ANS. You can manually change the threshold. The value must be within the optical power range that is specified for the card. (Refer to the “Hardware Specifications” appendix in the <i>Cisco ONS 15454 DWDM Reference Manual</i>.)</p> <p>You can manually set the threshold at the COM-RX and LINE-RX ports.</p>	Numeric.
Pwr OSC Failure (dBm)	<p>Shows the optical power failure low threshold for the OSC channel of the port.</p> <p>You can manually set the threshold at the LINE-RX port.</p>	Numeric.

Step 5 Return to your originating procedure (NTP).

DLP-G325 Change Optical Amplifier Line Settings for OPT-AMP-L, OPT-AMP-17-C, OPT-AMP-C, OPT-RAMP-C, and OPT-RAMP-CE Amplifiers

Purpose	This task changes the optical amplifier line settings for OPT-AMP-L, OPT-AMP-17-C, OPT-AMP-C, OPT-RAMP-C, and OPT-RAMP-CE amplifier cards.
Tools/Equipment	None
Prerequisite Procedures	DLP-G46 Log into CTC, page 3-30
Required/As Needed	As needed
Onsite/Remote	Onsite or remote
Security Level	Provisioning or higher

- Step 1** In node view (single-shelf mode) or shelf view (multishelf mode), double-click the OPT-AMP-L, OPT-AMP-17-C, OPT-AMP-C, OPT-RAMP-C, or OPT-RAMP-CE amplifier where you want to change the optical amplifier line settings.
- Step 2** Click the **Provisioning > Opt. Ampli. Line > Parameters** tabs.
- Step 3** Modify any of the settings described in [Table 12-18](#). The provisionable parameters are listed in the Options column in the table. In the Options column, the SONET (ANSI) option is followed by the SDH (ETSI) option.

Table 12-18 OPT-AMP-L, OPT-AMP-17-C, and OPT-AMP-C Optical Amplifier Line Settings

Parameter	Description	Options
Port	(Display only) Displays the port number, port type, and direction.	6 (LINE-TX) 8 (DC-TX), OPT-RAMP-C and OPT-RAMP-CE only
Port Name	Assigns a name to the specified port.	User-defined. Name can be up to 32 alphanumeric/special characters. Blank by default. See the “ DLP-G104 Assign a Name to a Port ” task on page 8-3 .
Admin State	Sets the port administrative state unless network conditions prevent the change. For more information about administrative states, refer to the “Administrative and Service States” appendix in the <i>Cisco ONS 15454 DWDM Reference Manual</i> .	From the drop-down list, choose one of the following: <ul style="list-style-type: none"> IS,AINS/Unlocked,automaticInService OOS,DSBLD/Locked,disabled OOS,MT/Locked,maintenance
Service State	(Display only) Identifies the autonomously generated state that gives the overall condition of the port. Service states appear in the format: Primary State-Primary State Qualifier, Secondary State. For more information about service states, refer to the “Administrative and Service States” appendix in the <i>Cisco ONS 15454 DWDM Reference Manual</i> .	<ul style="list-style-type: none"> IS-NR/Unlocked-enabled OOS-AU,AINS/Unlocked-disabled, automaticInService OOS-MA,DSBLD/Locked-enabled,disabled OOS-MA,MT/Locked-enabled,maintenance
Total Output Power	(Display only) Shows the current power level per port.	—

Table 12-18 OPT-AMP-L, OPT-AMP-17-C, and OPT-AMP-C Optical Amplifier Line Settings (continued)

Parameter	Description	Options
Channel Power Ref.	(Display only) Shows the optical per-channel signal power setpoint that must be reached at the amplifier output when gain control is active.	—
Offset	Adjusts the Total Output Power unless network conditions prevent the adjustment, for example, the port is in IS state.	Numeric. Double-click to change.
Signal Output Power	(Display only) Shows the current output power leaving the amplifier, including the ASE contribution.	—
Output Power Set-Point	(Display only) Shows the output power setpoint. Does not apply to OPT-AMP-L, OPT-AMP-C, or OPT-AMP-17-C.	—
Working Mode	(Display only) Shows the working mode, either Output Power or Control Gain for the OPT-AMP-L or OPT-AMP-C; Control Power for the OPT-AMP-17-C; or Control Gain for the OPT-RAMP-C or OPT-RAMP-CE.	—
Gain	(Display only) The current gain of the amplifiers.	—
Gain Set Point	The value of the gain that the amplifier must achieve. APC can modify this value based on the number of OCHNC circuits that are managed by the amplifier or to compensate for fiber aging insertion loss. Refer to the “Network Reference” chapter in the <i>Cisco ONS 15454 DWDM Reference Manual</i> for more information.	Display only or numeric depending on mode setting. When the system is configured as metro core, this field is display only.
Tilt (OPT-AMP-L and OPT-AMP-C)	(Display only) Shows the default value for the amplifier tilt. This field cannot be modified.	—
Tilt Reference (OPT-AMP-L and OPT-AMP-C)	(Display only) Shows the default value for the amplifier tilt. This field can only be modified by ANS.	—
Tilt Calibration (OPT-AMP-L and OPT-AMP-C)	Allows you to manually change the amplifier tilt.	Numeric. Double-click the parameter, enter a value, and press Enter .
DCU Insertion Loss (OPT-AMP-L and OPT-AMP-C)	(Display only) When provisioned as an OPT-PRE only) Shows the DCU insertion loss.	—
Active Channels	(Display only) Indicates how many channels the amplifier is carrying. Generally reflects the number of provisioned channels.	—
VOA Attenuation Ref	(Display only) Indicates the value for the VOA attenuation setpoint. This field can only be modified by ANS.	—
VOA Attenuation Calib	Allows you to manually change the VOA setpoint.	Numeric. Double-click the parameter, enter a value, and press Enter .

- Step 4** Click **Apply**. If the change affects traffic, a warning message appears. Click **Yes** to complete the change.
- Step 5** Return to your originating procedure (NTP).

DLP-G326 Change Optical Amplifier Threshold Settings for OPT-AMP-L, OPT-AMP-17-C, OPT-AMP-C, OPT-RAMP-C, and OPT-RAMP-CE Amplifiers

Purpose	This task changes the optical channel threshold settings for the OPT-AMP-L, OPT-AMP-17-C, OPT-AMP-C, OPT-RAMP-C, and OPT-RAMP-CE amplifier cards.
Tools/Equipment	None
Prerequisite Procedures	DLP-G46 Log into CTC, page 3-30
Required/As Needed	As needed
Onsite/Remote	Onsite or remote
Security Level	Provisioning or higher



Caution

Warning thresholds are not monitored by CTC. They must be user-provisioned and monitored through custom alarm profiles.

- Step 1** In node view (single-shelf mode) or shelf view (multishelf mode), double-click the OPT-AMP-L, OPT-AMP-17-C, OPT-AMP-C, OPT-RAMP-C, or OPT-RAMP-CE amplifier where you want to change the optical amplifier threshold settings.
- Step 2** Click the **Provisioning > Opt Ampli Line > Optics Thresholds** tabs.
- Step 3** If you want to change the warning thresholds, complete the following steps. If not, continue with [Step 4](#).
- Under Types, choose **Warning**.
 - Choose the warning interval that you want to provision, either **15 minutes** or **1 Day**.
 - Click **Refresh**.
 - Modify any of the warning thresholds shown under the Options column in [Table 12-19](#).
 - Click **Apply**. If the change affects traffic, a warning message appears. Click **Yes** to complete the change.

Table 12-19 *OPT-AMP-L, OPT-AMP-17-C, OPT-AMP-C, OPT-RAMP-C, and OPT-RAMP-CE Card Amplifier Line Warning Threshold Settings*

Parameter	Description	Options
Port	(Display only) Displays the port number, port type, and direction.	6 (LINE-TX) 8 (DC-TX), OPT-RAMP-C and OPT-RAMP-CE only
opwrMin (dBm)	Sets the low power warning level.	Numeric. Can be set for 15-minute or one-day intervals. The default is -50 dBm. Double-click the parameter, enter a value, and press Enter .

Table 12-19 *OPT-AMP-L, OPT-AMP-17-C, OPT-AMP-C, OPT-RAMP-C, and OPT-RAMP-CE Card Amplifier Line Warning Threshold Settings*

Parameter	Description	Options
opwrMax (dBm)	Sets the high power warning level.	Numeric. Can be set for 15-minute or one-day intervals. The default is 30 dBm. Double-click the parameter, enter a value, and press Enter .
opwrMin OSC (dBm)	Sets the OSC low power warning level. Does not apply to OPT-RAMP-C and OPT-RAMP-CE.	Numeric. Can be set for 15-minute or one-day intervals. The default is -50 dBm. Double-click the table cell, enter the name, and press Enter .
opwrMax OSC (dBm)	Sets the OSC high power warning level. Does not apply to OPT-RAMP-C and OPT-RAMP-CE.	Numeric. Can be set for 15-minute or one-day intervals. The default is 30 dBm. Double-click the table cell, enter the name, and press Enter .

- Step 4** If you want to change the alarm thresholds, complete the following steps. If not, continue with [Step 5](#).
- Under Types, choose **Alarm**.
 - Click **Refresh**.
 - Modify any of the alarm thresholds shown under the Options column in [Table 12-20](#).
 - Click **Apply**. If the change affects traffic, a warning message appears. Click **Yes** to complete the change.

Table 12-20 *OPT-AMP-L, OPT-AMP-17-C, OPT-AMP-C, OPT-RAMP-C, and OPT-RAMP-CE Card Amplifier Line Alarm Thresholds Settings*

Parameter	Description	Options
Port	(Display only) Displays the port number, port type, and direction.	6 (LINE-TX) 8 (DC-TX), OPT-RAMP-C and OPT-RAMP-CE only
Power Failure Low (dBm)	Shows the optical power failure low threshold for the port. The threshold is calculated automatically when you run ANS. You can manually change the threshold. The value must be within the optical power range that is specified for the card. (Refer to the “Hardware Specifications” appendix in the <i>Cisco ONS 15454 DWDM Reference Manual</i> .)	Numeric. Double-click to change.

Table 12-20 *OPT-AMP-L, OPT-AMP-17-C, OPT-AMP-C, OPT-RAMP-C, and OPT-RAMP-CE Card Amplifier Line Alarm Thresholds Settings (continued)*

Parameter	Description	Options
Power Degradate High (dBm)	<p>(Display only) Shows the current value of the optical power degrade high threshold. This threshold applies only when the amplifier is active and in constant power mode.</p> <p>Power Degradate High refers to the port's Signal Output Power value and is automatically calculated by the TCC2/TCC2P/TCC3/TNC/TSC when the amplifier is turned up.</p> <p>The Power Degradate High threshold is linked to the Output Power Setpoint on the Parameters tab. Changing the setpoint changes the Power Degradate High threshold. The threshold value is always 2 dB higher than the Output Power Setpoint value.</p> <p>APC can modify this value based on the number of OCHNC circuits that the amplifier is managing. Refer to the "Network Reference" chapter in the <i>Cisco ONS 15454 DWDM Reference Manual</i> for more information.</p>	—
Power Degradate Low (dBm)	<p>(Display only) Shows the current value of the optical power degrade high threshold configured in the card. This threshold applies only when the amplifier is active and in constant power mode.</p> <p>Power Degradate Low refers to the port's Signal Output Power value and is automatically calculated by the TCC2/TCC2P/TCC3/TNC/TSC when the amplifier is turned up.</p> <p>The Power Degradate Low threshold is automatically linked to the Output Power Setpoint on the Parameters tab. Changing the setpoint changes the Power Degradate Low threshold. The threshold value is always 2 dB lower than the Output Power Setpoint.</p> <p>APC can modify this value based on the number of OCHNC circuits that the amplifier is managing.</p>	—

Table 12-20 *OPT-AMP-L, OPT-AMP-17-C, OPT-AMP-C, OPT-RAMP-C, and OPT-RAMP-CE Card Amplifier Line Alarm Thresholds Settings (continued)*

Parameter	Description	Options
Gain Degradate High (dBm)	<p>(Display only) Shows the current value of the gain degrade high threshold configured in the card. This threshold applies only when the amplifier is active and in constant gain mode.</p> <p>Gain Degradate High refers to the port's Gain value and is automatically calculated by the TCC2/TCC2P/TCC3/TNC/TSC when the amplifier is turned up.</p> <p>The Gain Degradate High threshold is linked to the Gain setpoint. Changing the setpoint changes the Gain Degradate High threshold. The threshold value is always 2 dB higher than the Gain Setpoint value.</p> <p>APC can modify this value based on the number of OCHNC circuits that the amplifier is managing and to compensate for insertion loss due to fiber aging.</p>	—
Gain Degradate Low (dBm)	<p>(Display only) Shows the current value of the gain degrade low threshold configured in the card. This threshold applies only when the amplifier is active and in constant gain mode.</p> <p>Gain Degradate Low refers to the port's Gain value and is automatically calculated by the TCC2/TCC2P/TCC3/TNC/TSC when the amplifier is turned up.</p> <p>The Gain Degradate Low threshold is automatically linked to the Gain Setpoint that is provisioned. Changing the setpoint changes the Gain Degradate Low threshold. The threshold value is always 2 dB lower than the Gain Setpoint value.</p> <p>APC can also modify this value based on the number of OCHNC circuits that the amplifier is managing.</p>	—

Step 5 Return to your originating procedure (NTP).

DLP-G538 Change Optical Raman Line Settings for OPT-RAMP-C and OPT-RAMP-CE Amplifiers

Purpose	This task changes the optical Raman line settings for OPT-RAMP-C and OPT-RAMP-CE amplifier cards.
Tools/Equipment	None
Prerequisite Procedures	DLP-G46 Log into CTC, page 3-30
Required/As Needed	As needed
Onsite/Remote	Onsite or remote
Security Level	Provisioning or higher

- Step 1** In node view (single-shelf mode) or shelf view (multishelf mode), double-click the OPT-RAMP-C or OPT-RAMP-CE amplifier where you want to change the optical Raman line settings.
- Step 2** Click the **Provisioning > Opt. Raman. Line > Parameters** tab.
- Step 3** Modify any of the settings described in [Table 12-21](#). The provisionable parameters are listed in the Options column in the table. In the Options column, the SONET (ANSI) option is followed by the SDH (ETSI) option.

Table 12-21 OPT-RAMP-C and OPT-RAMP-CE Optical Raman Line Settings

Parameter	Description	Options
Port	(Display only) Displays the port number, port type, and direction.	10 RAMAN-TX
Port Name	Assigns a name to the specified port.	User-defined. Name can be up to 32 alphanumeric/special characters. This field is blank by default. See the “ DLP-G104 Assign a Name to a Port ” task on page 8-3 .
Admin State	Sets the port administrative state unless network conditions prevent the change. For more information about administrative states, refer to the “Administrative and Service States” appendix in the <i>Cisco ONS 15454 DWDM Reference Manual</i> .	From the drop-down list, choose one of the following: <ul style="list-style-type: none"> IS,AINS/Unlocked,automaticInService OOS,DSBLD/Locked,disabled OOS,MT/Locked,maintenance
Service State	(Display only) Identifies the autonomously generated state that gives the overall condition of the port. Service states appear in the format: Primary State-Primary State Qualifier, Secondary State. For more information about service states, refer to the “Administrative and Service States” appendix in the <i>Cisco ONS 15454 DWDM Reference Manual</i> .	<ul style="list-style-type: none"> IS-NR/Unlocked-enabled OOS-AU,AINS/Unlocked-disabled, automaticInService OOS-MA,DSBLD/Locked-enabled,disabled OOS-MA,MT/Locked-enabled,maintenance
Power	(Display only) Indicates the current Raman power.	—

Table 12-21 OPT-RAMP-C and OPT-RAMP-CE Optical Raman Line Settings (continued)

Parameter	Description	Options
Active Channels	(Display only) Indicates how many channels the amplifier is carrying. Generally reflects the number of provisioned channels. This field can be modified by ANS or the Raman wizard.	—
Ratio	(Display only) Indicates the ratio of the Raman power setpoint distributed between the two Raman pumps.	—
Power Setpoint	(Display only) Indicates the Raman power setpoint as the sum of Pump1 and Pump 2 setpoints. This field is modified by ANS or the Raman wizard.	—

Step 4 Click **Apply**. If the change affects traffic, a warning message appears. Click **Yes** to complete the change.

Step 5 Return to your originating procedure (NTP).

DLP-G539 Change Optical Raman Line Threshold Settings for OPT-RAMP-C and OPT-RAMP-CE Amplifiers

Purpose	This task changes the optical channel threshold settings for the OPT-RAMP-C and OPT-RAMP-CE amplifier cards.
Tools/Equipment	None
Prerequisite Procedures	DLP-G46 Log into CTC, page 3-30
Required/As Needed	As needed
Onsite/Remote	Onsite or remote
Security Level	Provisioning or higher



Caution

Warning thresholds are not monitored by CTC. They must be user-provisioned and monitored through custom alarm profiles.

- Step 1** In node view (single-shelf mode) or shelf view (multishelf mode), double-click the OPT-RAMP-C or OPT-RAMP-CE amplifier where you want to change the optical Raman threshold settings.
- Step 2** Click the **Provisioning > Opt. Raman. Line > Optics Thresholds** tabs.
- Step 3** If you want to change the warning thresholds, complete the following steps. If not, continue with [Step 4](#).
- Under Types, choose **Warning**.
 - Choose the warning interval that you want to provision, either **15 minutes** or **1 Day**.
 - Click **Refresh**.
 - Modify any of the warning thresholds shown under the Options column in [Table 12-22](#).

- e. Click **Apply**. If the change affects traffic, a warning message appears. Click **Yes** to complete the change.

Table 12-22 *OPT-RAMP-C and OPT-RAMP-CE Card Raman Line Warning Threshold Settings*

Parameter	Description	Options
Port	(Display only) Displays the port number, port type, and direction.	10 RAMAN-TX
opwrMin (dBm)	Sets the low power warning level.	Numeric. Can be set for 15-minute or one-day intervals. The default is -50 dBm. Double-click the parameter, enter a value, and press Enter .
opwrMax (dBm)	Sets the high power warning level.	Numeric. Can be set for 15-minute or one-day intervals. The default is 30 dBm. Double-click the parameter, enter a value, and press Enter .

- Step 4** If you want to change the alarm thresholds, complete the following steps. If not, continue with [Step 5](#).
- a. Under Types, choose **Alarm**.
 - b. Click **Refresh**.
 - c. Modify any of the alarm thresholds shown under the Options column in [Table 12-20](#).
 - d. Click **Apply**. If the change affects traffic, a warning message appears. Click **Yes** to complete the change.

Table 12-23 *OPT-RAMP-C and OPT-RAMP-CE Card Raman Line Alarm Thresholds Settings*

Parameter	Description	Options
Port	(Display only) Displays the port number, port type, and direction.	10 RAMAN-TX
Power Failure Low (dBm)	Shows the optical power failure low threshold for the port. The threshold is calculated automatically when you run ANS. You can manually change the threshold. The value must be within the optical power range that is specified for the card. (Refer to the “Hardware Specifications” appendix in the <i>Cisco ONS 15454 DWDM Reference Manual</i> .)	Numeric. Double-click to change.

- Step 5** Return to your originating procedure (NTP).

DLP-G327 Change the ALS Maintenance Settings of OPT-AMP-L, OPT-AMP-17-C, OPT-AMP-C, OPT-RAMP-C, and OPT-RAMP-CE Cards

Purpose	This task changes the ALS maintenance settings for the OPT-AMP-L, OPT-AMP-17-C, OPT-AMP-C, OPT-RAMP-C, and OPT-RAMP-CE amplifier cards.
Tools/Equipment	None
Prerequisite Procedures	DLP-G46 Log into CTC, page 3-30
Required/As Needed	As needed
Onsite/Remote	Onsite or remote
Security Level	Provisioning or higher

**Note**

To perform this task, the OPT-AMP-L, OPT-AMP-17-C, or OPT-AMP-C card must be in OPT-LINE mode.

**Note**

The ALS function should only be disabled temporarily for installation or maintenance reasons. Activate ALS immediately after maintenance or installation.

**Warning**

Invisible laser radiation could be emitted from the end of the unterminated fiber cable or connector. Do not stare into the beam directly with optical instruments. Viewing the laser output with certain optical instruments (for example, eye loupes, magnifiers, and microscopes) within a distance of 100 mm could pose an eye hazard. Statement 1056

- Step 1** In node view (single-shelf mode) or shelf view (multishelf mode), double-click the OPT-AMP-L, OPT-AMP-17C, OPT-AMP-C, OPT-RAMP-C, or OPT-RAMP-CE card where you want to change the ALS maintenance settings.
- Step 2** Click the **Maintenance > ALS** tabs.
- Step 3** Modify any of the settings described in [Table 12-24](#). The provisionable parameters are listed in the Options column in the table.

Table 12-24 *OPT-AMP-L, OPT-AMP-17-C, OPT-AMP-C, OPT-RAMP-C, OPT-RAMP-CE ALS Maintenance Settings*

Parameter	Description	Options
Port	(Display only) Displays the port number, port type, and direction.	10 (RAMAN-RX), OPT-RAMP-C and OPT-RAMP-CE only 8 (DC-TX), OPT-RAMP-C and OPT-RAMP-CE only
OSRI	Optical safety remote interlock. When set to On , the OPT-AMP-L, OPT-AMP-17-C, OPT-AMP-C, OPT-RAMP-C, or OPT-RAMP-CE TX output power is shut down.	From the drop-down list, choose one of the following: <ul style="list-style-type: none"> On Off

Table 12-24 *OPT-AMP-L, OPT-AMP-17-C, OPT-AMP-C, OPT-RAMP-C, OPT-RAMP-CE ALS Maintenance Settings (continued)*

Parameter	Description	Options
ALS Mode	<p>Sets the Automatic laser shutdown mode. For OPT-AMP-L, OPT-AMP-17-C, OPT-AMP-C, OPT-RAMP-C, and OPT-RAMP-CE cards, ALS provides the ability to shut down the TX laser when the card RX detects an LOS.</p> <p>ALS also enables an optical safety mechanism at the DWDM network layer. See the “Network Reference” chapter in the <i>ONS 15454 DWDM Reference Manual</i> for more information.</p>	<p>From the drop-down list, choose one of the following:</p> <ul style="list-style-type: none"> • Disable—Deactivates ALS. If the OPT-AMP-L, OPT-AMP-17-C, or OPT-AMP-C, faces a span without an OSC connection, choose this option. • Auto Restart—(Default) Activates ALS. The power is automatically shut down when needed and automatically tries to restart using a probe pulse until the cause of the failure is repaired. • Manual Restart • Manual Restart for Test
Recovery Pulse Duration	(Display only) Displays the duration of the optical power pulse that begins when an amplifier restarts.	—
Recovery Pulse Interval	(Display only) Displays the interval between optical power pulses.	—
Currently Shutdown	(Display only) Displays the current status of the laser.	—
Request Laser Restart	If checked, allows you to restart the laser for maintenance.	Checked or unchecked
OSC Based Startup	If checked, allows the Raman pump to be turned on even though OSC is the only detected power and there is no Raman signal.	Checked or unchecked.

Step 4 Click **Apply**. If the change affects traffic, a warning message appears. Click **Yes** to complete the change.

Step 5 Return to your originating procedure (NTP).

NTP-G202 Modify PSM Card Line Settings and PM Thresholds

Purpose	This procedure changes the line and threshold settings for the PSM card.
Tools/Equipment	None
Prerequisite Procedures	NTP-G30 Install the DWDM Cards, page 4-64
Required/As Needed	As needed
Onsite/Remote	Onsite or remote
Security Level	Provisioning or higher

-
- Step 1** Complete the “[DLP-G46 Log into CTC](#)” task on page 3-30 at the node where you want to change the card settings. If you are already logged in, proceed to [Step 2](#).
- Step 2** Complete the “[NTP-G103 Back Up the Database](#)” procedure on page 14-2.
- Step 3** Perform any of the following tasks as needed:
- [DLP-G514 Change the PSM Card Mode, page 12-44](#)
 - [DLP-G476 Change Optical Line Settings for the PSM Card, page 12-45](#)
 - [DLP-G477 Change Optical Line Threshold Settings for the PSM Card, page 12-46](#)
 - [DLP-G478 Change the PSM ALS Maintenance Settings, page 12-49](#)
- Step 4** Complete the “[NTP-G103 Back Up the Database](#)” procedure on page 14-2.
- Stop. You have completed this procedure.**
-

DLP-G514 Change the PSM Card Mode

Purpose	This task changes the PSM card mode.
Tools/Equipment	None
Prerequisite Procedures	DLP-G46 Log into CTC, page 3-30
Required/As Needed	As needed
Onsite/Remote	Onsite or remote
Security Level	Provisioning or higher



Note You cannot change the PSM card mode if any of the PSM ports is in use in the normal configuration, that is, at least one patchcord is provisioned on the PSM ports.

- Step 1** In the node view (single-shelf mode) or shelf view (multishelf mode), double-click the PSM card where you want to change the card mode.
- Step 2** Click the **Provisioning > Card** tab.
- Step 3** From the Mode drop-down list, choose one of the following:
- Normal—Sets the PSM card in normal configuration. In this configuration, the PSM card supports channel protection, line protection, and multiplex section protection configurations.

- Standalone—Sets the PSM card in standalone configuration. In this configuration, the PSM card can be equipped in any slot and supports all node configurations. When you select this option, CTC will:
 - Not support creation of patchcords
 - Set all VOA setpoints to 0dB attenuation
 - Move the administrative state of all ports to IS (ANSI) or Unlocked (ETSI)



Note In the standalone configuration, you cannot change the administrative state of the PSM ports. However, you can enable optical safety in standalone configuration.

Step 4 Return to your originating procedure (NTP).

DLP-G476 Change Optical Line Settings for the PSM Card

Purpose	This task changes the optical line settings for the PSM card.
Tools/Equipment	None
Prerequisite Procedures	DLP-G46 Log into CTC, page 3-30
Required/As Needed	As needed
Onsite/Remote	Onsite or remote
Security Level	Provisioning or higher

- Step 1** In node view (single-shelf mode) or shelf view (multishelf mode), double-click the PSM card where you want to change the optical line settings.
- Step 2** Click the **Provisioning > Optical Line > Parameters** tabs.
- Step 3** Modify any of the settings described in [Table 12-25 on page 12-45](#). The provisionable parameters are listed in the Options column.

Table 12-25 PSM Card Optical Line Settings

Parameter	Description	Options
Port	(Display only) Displays the port number, port type, and direction (TX or RX).	<ul style="list-style-type: none"> • 1 (W-RX) • 2 (W-TX) • 3 (P-RX) • 4 (P-TX) • 5 (COM-RX) • 6 (COM-TX)
Port Name	Provides the ability to assign the specified port a name.	User-defined. Name can be up to 32 alphanumeric/special characters. Blank by default. Double-click, enter the name, and press Enter . See the “ DLP-G104 Assign a Name to a Port ” task on page 8-3.

Table 12-25 PSM Card Optical Line Settings (continued)

Parameter	Description	Options
Admin State	Sets the port administrative state unless network conditions prevent the change. For more information about administrative states, refer to the “Administrative and Service States” appendix in the <i>Cisco ONS 15454 DWDM Reference Manual</i> .	From the drop-down list, choose one of the following: <ul style="list-style-type: none"> IS,AINS/Unlocked,automaticInService OOS,DSBLD/Locked,disabled OOS,MT/Locked,maintenance
Service State	(Display only) Identifies the autonomously generated state that gives the overall condition of the port. Service states appear in the format: Primary State-Primary State Qualifier, Secondary State. For more information about service states, refer to the “Administrative and Service States” appendix in the <i>Cisco ONS 15454 DWDM Reference Manual</i> .	<ul style="list-style-type: none"> IS-NR/Unlocked-enabled OOS-AU,AINS/Unlocked-disabled,automaticInService OOS-MA,DSBLD/Locked-enabled,disabled OOS-MA,MT/Locked-enabled,maintenance
Power	(Display only) Shows the current power level per port.	—
VOA Mode	(Display only) Shows the functional mode of the VOA, when present. Note For W-RX and P-RX ports, the VOA Mode is always set to Constant Attenuation.	<ul style="list-style-type: none"> Constant Attenuation Constant Power
VOA Attenuation Ref	(Display only) Shows the VOA attenuation value when VOA Mode is set to Constant Attenuation. This parameter can only be modified by ANS.	—
VOA Attenuation Calib	Modifies the attenuation value of the VOA when the VOA Mode is set to Constant Attenuation.	Numeric. Double-click the parameter, enter a value, and press Enter .
Active Channels	(Display only) Indicates how many channels the PSM card is carrying. Generally reflects the number of provisioned channels.	—

Step 4 Click **Apply**. If the change affects traffic, a warning message appears. Click **Yes** to complete the change.

Step 5 Return to your originating procedure (NTP).

DLP-G477 Change Optical Line Threshold Settings for the PSM Card

Purpose	This task changes the optical line threshold settings for the PSM card.
Tools/Equipment	None
Prerequisite Procedures	DLP-G46 Log into CTC, page 3-30
Required/As Needed	As needed
Onsite/Remote	Onsite or remote
Security Level	Provisioning or higher

**Caution**

It is recommended that you use the optical line threshold values imported from the Cisco TransportPlanner XML configuration file. If you want to modify the threshold values, consult your network operations center (NOC) or other appropriate personnel who can understand and set the correct threshold values.

**Caution**

Warning thresholds are not monitored by CTC. They must be user-provisioned and monitored through custom alarm profiles.

- Step 1** In node view (single-shelf mode) or shelf view (multishelf mode), double-click the PSM card where you want to change the optical line threshold settings.
- Step 2** Click the **Provisioning > Optical Line > Optics Thresholds** tabs.
- Step 3** If you want to change the warning thresholds, complete the following steps. If not, continue with [Step 4](#).
- Under Types, choose **Warning**.
 - Choose the warning interval that you want to provision, either **15 minutes** or **1 Day**.
 - Click **Refresh**.
 - Modify any of the warning thresholds shown under the Options column in [Table 12-26](#).
 - Click **Apply**. If the change affects traffic, a warning message appears. Click **Yes** to complete the change.

Table 12-26 PSM Card Optical Line Warning Threshold Settings

Parameter	Description	Options
Port	(Display only) Displays the port number, port type, and direction (TX or RX)	<ul style="list-style-type: none"> • 1 (W-RX) • 2 (W-TX) • 3 (P-RX) • 4 (P-TX) • 5 (COM-RX) • 6 (COM-TX)
opwrMin (dBm)	Sets the low power warning level.	Numeric. Can be set for 15-minute or one-day intervals. The default is -50 dBm. Double-click the table cell, enter the value, and press Enter .
opwrMax (dBm)	Sets the high power warning level.	Numeric. Can be set for 15-minute or one-day intervals. The default is 30 dBm. Double-click the table cell, enter the value, and press Enter .

- Step 4** If you want to change the alarm thresholds, complete the following steps. If not, continue with [Step 5](#).
- Under Types, choose **Alarm**.
 - Click **Refresh**.
 - Modify any of the alarm thresholds shown under the Options column in [Table 12-27](#).

- d. Click **Apply**. If the change affects traffic, a warning message appears. Click **Yes** to complete the change.

Table 12-27 PSM Card Optical Line Alarm Thresholds Setting

Parameter	Description	Options
Port	(Display only) Displays the port number, port type, and direction (TX or RX)	<ul style="list-style-type: none"> • 1 (W-RX) • 2 (W-TX) • 3 (P-RX) • 4 (P-TX) • 5 (COM-RX) • 6 (COM-TX)
Power Failure Low (dBm)	Shows the optical power failure low threshold for the port. You can manually change the threshold. The value must be within the optical power range that is specified for the card. (Refer to the “Hardware Specifications” appendix in the <i>Cisco ONS 15454 DWDM Reference Manual</i> .)	Numeric. Double-click the table cell, enter a value, then press Enter .
VOA Degrade High (dB)	<p>(Display only) Shows the VOA degrade high threshold. This VOA value applies to the corresponding port and is automatically calculated when ANS is run.</p> <p>This threshold applies to a port associated to a VOA that is always active in Constant Attenuation mode.</p> <p>The threshold is automatically linked to the VOA setpoint that is provisioned (VOA Attenuation Ref + VOA Attenuation Calib). Changing the setpoint will result in changing the threshold (always 2 dB higher).</p>	Numeric.
VOA Degrade Low (dB)	<p>(Display only) Shows the VOA degrade low threshold. This VOA value applies to the corresponding port and is automatically calculated when ANS is run.</p> <p>This threshold applies to a port associated to a VOA that is always active in Constant Attenuation mode.</p> <p>The threshold is automatically linked to the VOA setpoint that is provisioned (VOA Attenuation Ref + VOA Attenuation Calib). Changing the setpoint will result in changing the threshold (always 2 dB lower).</p>	Numeric.

Step 5 Return to your originating procedure (NTP).

DLP-G478 Change the PSM ALS Maintenance Settings

Purpose	This task changes the ALS maintenance settings for the PSM card.
Tools/Equipment	None
Prerequisite Procedures	DLP-G46 Log into CTC, page 3-30
Required/As Needed	As needed
Onsite/Remote	Onsite or remote
Security Level	Provisioning or higher



Note

The ALS function is applicable for a PSM card in line (or path) protection configuration only. It is not applicable for all other PSM protection configurations.



Note

The ALS function should only be disabled temporarily for installation or maintenance reasons. Activate ALS immediately after maintenance or installation.



Warning

Invisible laser radiation could be emitted from the end of the unterminated fiber cable or connector. Do not stare into the beam directly with optical instruments. Viewing the laser output with certain optical instruments (for example, eye loupes, magnifiers, and microscopes) within a distance of 100 mm could pose an eye hazard. Statement 1056

- Step 1** In node view (single-shelf mode) or shelf view (multishelf mode), double-click the PSM card where you want to change the ALS maintenance settings.
- Step 2** Click the **Maintenance > ALS** tabs.
- Step 3** Modify any of the settings described in [Table 12-28](#). The provisionable parameters are listed in the Options column in the table.

Table 12-28 PSM ALS Maintenance Settings

Parameter	Description	Options
OSRI	Optical safety remote interlock. When set to On, only the PSM TX output power of the protect path is shut down.	From the drop-down list, choose one of the following: <ul style="list-style-type: none"> • On • Off
ALS Mode	Automatic laser shutdown. ALS provides the ability to shut down the PSM TX VOA when the PSM RX detects an LOS. ALS also enables an optical safety mechanism at the DWDM network layer. See the “Automatic Laser Shutdown” section in the “Card Reference” chapter of the <i>ONS 15454 DWDM Reference Manual</i> for more information.	From the drop-down list, choose one of the following: <ul style="list-style-type: none"> • Disable—Deactivates ALS. • Auto Restart—(Default) ALS is active. The power is automatically shut down when needed and automatically tries to restart using a probe pulse until the cause of the failure is repaired. • Manual Restart • Manual Restart for Test
Recovery Pulse Duration	(Display only) Displays the duration of the optical power pulse that begins when the VOA restarts.	—
Recovery Pulse Interval	(Display only) Displays the interval between optical power pulses.	—
Currently Shutdown	(Display only) Displays whether or not the VOA is currently shut down.	<ul style="list-style-type: none"> • YES • NO • APR—This is a temporary option that is displayed when the Currently Shutdown status is changing from YES to NO.
Request Laser Restart	If checked, allows you to restart the VOA.	Checked or unchecked

Step 4 Click **Apply**. If the change affects traffic, a warning message appears. Click **Yes** to complete the change.

Step 5 Return to your originating procedure (NTP).

NTP-G175 Modify 32MUX-O, 32DMX-O, 32DMX, 32DMX-L, 40-MUX-C, 40-DMX-C, 40-DMX-CE, and 4MD-xx.x Line Card Settings and PM Thresholds

Purpose	This procedure changes the line and PM parameter threshold settings for the multiplexer and demultiplexer cards. The cards included in this category are the 32MUX-O, 32DMX-O, 32DMX, 32DMX-L, 40-MUX-C, 40-DMX-C, 40-DMX-CE, and 4MD-xx.x cards.
Tools/Equipment	None
Prerequisite Procedures	NTP-G30 Install the DWDM Cards, page 4-64
Required/As Needed	As needed
Onsite/Remote	Onsite or remote
Security Level	Provisioning or higher



Note

Complete the “[DLP-G141 View Optical Power Statistics for 32MUX-O, 32WSS, 32WSS-L, 32DMX-O, 32DMX, 32DMX-L, 40-WSS-C, 40-WSS-CE, 40-WXC-C, 80-WXC-C, 40-MUX-C, 40-DMX-C, and 40-DMX-CE Cards](#)” task on page 9-20 to optical power statistics.

-
- Step 1** Complete the “[DLP-G46 Log into CTC](#)” task on page 3-30 at the node where you want to change the card settings. If you are already logged in, continue with [Step 2](#).
- Step 2** Complete the “[NTP-G103 Back Up the Database](#)” procedure on page 14-2 as needed.
- Step 3** Perform any of the following tasks as needed:
- [DLP-G414 Change Optical Line Settings for 32MUX-O, 32DMX-O, 32DMX, 32DMX-L, 40-MUX-C, 40-DMX-C, 40-DMX-CE, or 4MD-xx.x Cards, page 12-52](#)
 - [DLP-G415 Change Optical Line Threshold Settings for 32MUX-O, 32DMX-O, 32DMX, 32DMX-L, 40-MUX-C, 40-DMX-C, 40-DMX-CE, or 4MD-xx.x Cards, page 12-54](#)
 - [DLP-G416 Change Optical Channel Settings for 32MUX-O, 32DMX-O, 32DMX, 32DMX-L, 40-MUX-C, 40-DMX-C, 40-DMX-CE, or 4MD-xx.x Cards, page 12-57](#)
 - [DLP-G417 Change Optical Channel Threshold Settings for 32MUX-O, 32DMX-O, 32DMX, 32DMX-L, 40-MUX-C, 40-DMX-C, 40-DMX-CE, or 4MD-xx.x Cards, page 12-59](#)
- Step 4** Complete the “[NTP-G103 Back Up the Database](#)” procedure on page 14-2.
- Stop. You have completed this procedure.**
-

DLP-G414 Change Optical Line Settings for 32MUX-O, 32DMX-O, 32DMX, 32DMX-L, 40-MUX-C, 40-DMX-C, 40-DMX-CE, or 4MD-xx.x Cards

Purpose	This task changes the optical line settings for a 32MUX-O, 32DMX-O, 32DMX, 32DMX-L, 40-MUX-C, 40-DMX-C, 40-DMX-CE, or 4MD-xx.x card.
Tools/Equipment	None
Prerequisite Procedures	DLP-G46 Log into CTC, page 3-30
Required/As Needed	As needed
Onsite/Remote	Onsite or remote
Security Level	Provisioning or higher

-
- Step 1** In node view (single-shelf mode) or shelf view (multishelf mode), double-click the multiplexer or demultiplexer card where you want to change the optical line settings.
- Step 2** Perform one of the following:
- For 32MUX-O, 32DMX-O, 32DMX, 32DMX-L, 40-MUX-C, 40-DMX-C, and 40-DMX-CE cards, click the **Provisioning > Optical Line > Parameters** tabs.
 - For 4MD-xx.x cards, click the **Provisioning > Optical Band > Parameters** tabs.
- Step 3** Modify any of the settings described in [Table 12-29](#). The provisionable parameters are listed in the Options column in the table. In the Options column, the SONET (ANSI) option is followed by the SDH (ETSI) option.

Table 12-29 Multiplexer and Demultiplexer Card Optical Line Settings

Parameter	Description	Options
Port	(Display only) Displays the port number, port type, and direction (TX or RX).	32DMX, 32DMX-O, 32DMX-L <ul style="list-style-type: none"> 33 (COM-RX) 32MUX-O <ul style="list-style-type: none"> 33 (COM-TX) 40-DMX-C, 40-DMX-CE <ul style="list-style-type: none"> 41 (COM-RX) 40-MUX-C <ul style="list-style-type: none"> 41 (COM-TX) 4MD-xx.x 9 (COM-RX) and 10 (COM-TX)
Port Name	Provides the ability to assign the specified port a name.	User-defined. Name can be up to 32 alphanumeric/special characters. Blank by default. Double-click the table cell, enter the name, and press Enter . See the “DLP-G104 Assign a Name to a Port” task on page 8-3.

Table 12-29 Multiplexer and Demultiplexer Card Optical Line Settings (continued)

Parameter	Description	Options
Admin State	Sets the port administrative state unless network conditions prevent the change. For more information about administrative states, refer to the “Administrative and Service States” appendix in the <i>Cisco ONS 15454 DWDM Reference Manual</i> .	From the drop-down list, choose one of the following: <ul style="list-style-type: none"> IS,AINS/Unlocked,automaticInService OOS,DSBLD/Locked,disabled OOS,MT/Locked,maintenance
Service State	(Display only) Identifies the autonomously generated state that gives the overall condition of the port. Service states appear in the format: Primary State-Primary State Qualifier, Secondary State. For more information about service states, refer to the “Administrative and Service States” appendix in the <i>Cisco ONS 15454 DWDM Reference Manual</i> .	<ul style="list-style-type: none"> IS-NR/Unlocked-enabled OOS-AU,AINS/Unlocked-disabled,automaticInService OOS-MA,DSBLD/Locked-enabled,disabled OOS-MA,MT/Locked-enabled,maintenance
Power	(Display only) Shows the current power level per port.	—
AINS Soak	(Display only) The automatic in-service soak period. It is always 00.00.	—
VOA Mode	(Display only; 32DMX and 32DMX-L cards only) Shows the functional mode of the VOA, when present.	<ul style="list-style-type: none"> Constant Attenuation Constant Power
VOA Power Ref	(Display only; 32DMX and 32DMX-L cards only) Shows the optical power setpoint that must be reached when a VOA is present and VOA Mode is set to Constant Power. This parameter can only be modified by ANS.	—
VOA Power Calib	(32DMX and 32DMX-L cards only) Modifies the optical power value of the VOA when VOA Mode is set to Constant Power.	Numeric. Double-click the parameter, enter a value, and press Enter .
VOA ATTenuation Ref	(Display only; 32DMX and 32DMX-L cards only) Shows the VOA attenuation value when VOA Mode is set to Constant Attenuation. This parameter can only be modified by ANS.	—
VOA Attenuation Calib	(32DMX and 32DMX-L cards only) Modifies the attenuation value of the VOA when the VOA Mode is set to Constant Attenuation.	Numeric. Double-click the parameter, enter a value, and press Enter .
Active Channels	(Display only) Indicates how many channels the amplifier is carrying. Generally reflects the number of provisioned channels.	—

Step 4 Click **Apply**. If the change affects traffic, a warning message appears. Click **Yes** to complete the change.

Step 5 Return to your originating procedure (NTP).

DLP-G415 Change Optical Line Threshold Settings for 32MUX-O, 32DMX-O, 32DMX, 32DMX-L, 40-MUX-C, 40-DMX-C, 40-DMX-CE, or 4MD-xx.x Cards

Purpose	This task changes the optical line threshold settings for a 32MUX-O, 32DMX-O, 32DMX, 32DMX-L, 40-DMX-C, 40-DMX-CE, 40-MUX-C, or 4MD-xx.x card.
Tools/Equipment	None
Prerequisite Procedures	DLP-G46 Log into CTC, page 3-30
Required/As Needed	As needed
Onsite/Remote	Onsite or remote
Security Level	Provisioning or higher

- Step 1** In node view (single-shelf mode) or shelf view (multishelf mode), double-click the multiplexer or demultiplexer card where you want to change the optical line threshold settings.
- Step 2** Perform one of the following:
- For 32MUX-O, 32DMX-O, 32DMX, 32DMX-L, 40-DMX-C, 40-DMX-CE, or 40-MUX-C cards, click the **Provisioning > Optical Line > Optics Thresholds** tabs.
 - For 4MD-xx.x cards, click the **Provisioning > Optical Band > Optics Thresholds** tabs.
- Step 3** If you want to change the warning thresholds, complete the following steps. If not, continue with [Step 4](#).
- Under Types, choose **Warning**.
 - Choose the warning interval that you want to provision, either **15 minutes** or **1 Day**.
 - Click **Refresh**.
 - Modify any of the warning thresholds shown under the Options column in [Table 12-30](#).
 - Click **Apply**. If the change affects traffic, a warning message appears. Click **Yes** to complete the change.

Table 12-30 Multiplexer and Demultiplexer Card Optical Line Warning Threshold Settings

Parameter	Description	Options
Port	(Display only) Displays the port number and description.	<ul style="list-style-type: none"> 33 (COM-RX) for 32DMX, 32DMX-O, 32DMX-L 33 (COM-TX) for 32MUX-O 41 (COM-RX) for 40-DMX-C/40-DMX-CE 41 (COM-TX) for 40-MUX-C 9 (COM-RX) and 10 (COM-TX) for 4MD-xx.x

Table 12-30 *Multiplexer and Demultiplexer Card Optical Line Warning Threshold Settings (continued)*

Parameter	Description	Options
opwrMin (dBm)	Sets the low power warning level.	Numeric. Can be set for 15-minute or one-day intervals. The default is -50 dBm. Double-click the parameter, enter a value, and press Enter .
opwrMax (dBm)	Sets the high power warning level.	Numeric. Can be set for 15-minute or one-day intervals. The default is 30 dBm. Double-click the parameter, enter a value, and press Enter .



Caution

Warning thresholds are not monitored by CTC. They must be user-provisioned and monitored through custom alarm profiles.

- Step 4** If you want to change the alarm thresholds, complete the following steps. If not, continue with [Step 5](#).
- a. Under Types, choose **Alarm**.
 - b. Click **Refresh**.
 - c. Modify any of the alarm thresholds shown under the Options column in [Table 12-31](#).
 - d. Click **Apply**. If the change affects traffic, a warning message appears. Click **Yes** to complete the change.

Table 12-31 Multiplexer and Demultiplexer Optical Line Alarm Threshold Settings

Parameter	Description	Options
Port	(Display only) Displays the port number, port type, and direction (TX or RX).	32DMX, 32DMX-O, 32DMX-L <ul style="list-style-type: none"> • 33 (COM-RX) 32MUX-O <ul style="list-style-type: none"> • 33 (COM-TX) 40-DMX-C, 40-DMX-CE <ul style="list-style-type: none"> • 41 (COM-RX) 40-MUX-C <ul style="list-style-type: none"> • 41 (COM-TX) 4MD-xx.x <ul style="list-style-type: none"> • 9 (COM-RX) and 10 (COM-TX)
Power Failure Low (dBm)	Shows the optical power failure low threshold for the port. The threshold is calculated automatically when you run ANS. You can manually change the threshold. The value must be within the optical power range that is specified for the card. (Refer to the “Hardware Specifications” appendix in the <i>Cisco ONS 15454 DWDM Reference Manual</i> .)	Numeric. Double-click the parameter, enter a value, and press Enter .
Power Degrade High (dBm)	Not applicable to 32MUX-O, 32DMX-O, 32DMX, 32DMX-L, 40-DMX-C, 40-DMX-CE, 40-MUX-C, and 4MD-xx.x cards.	—
Power Degrade Low (dBm)	Not applicable to 32MUX-O, 32DMX-O, 32DMX, 32DMX-L, 40-DMX-C, 40-DMX-CE, 40-MUX-C, and 4MD-xx.x cards.	—

Step 5 Return to your originating procedure (NTP).

DLP-G416 Change Optical Channel Settings for 32MUX-O, 32DMX-O, 32DMX, 32DMX-L, 40-MUX-C, 40-DMX-C, 40-DMX-CE, or 4MD-xx.x Cards

Purpose	This task changes the optical channel settings for a 32MUX-O, 32DMX-O, 32DMX, 32DMX-L, 40-DMX-C, 40-DMX-CE, 40-MUX-C, or 4MD-xx.x card.
Tools/Equipment	None
Prerequisite Procedures	DLP-G46 Log into CTC, page 3-30
Required/As Needed	As needed
Onsite/Remote	Onsite or remote
Security Level	Provisioning or higher

- Step 1** In node view (single-shelf mode) or shelf view (multishelf mode), double-click the multiplexer or demultiplexer card where you want to change the optical channel settings.
- Step 2** Click the **Provisioning > Optical Chn > Parameters** tabs.
- Step 3** Modify any of the settings described in [Table 12-32](#). The provisionable parameters are listed in the Options column in the table. In the Options column, the SONET (ANSI) option is followed by the SDH (ETSI) option.

Table 12-32 Multiplexer and Demultiplexer Card Optical Channel Settings

Parameter	Description	Options
Port	(Display only) Displays the port number, port type, and direction (TX or RX).	32MUX-O, 32DMX-O, 32DMX, 32DMX-L <ul style="list-style-type: none"> • 1 through 32 (CHAN-RX or CHAN-TX) 40-MUX-C, 40-DMX-C, 40-DMX-CE <ul style="list-style-type: none"> • 1 through 40 (CHAN-RX or CHAN-TX) 4MD-xx.x <ul style="list-style-type: none"> • 1 through 8 (CHAN-RX or CHAN-TX)
Port Name	Provides the ability to assign the specified port a name.	User-defined. Name can be up to 32 alphanumeric/special characters. Blank by default. Double-click, enter the name, and press Enter . See the “DLP-G104 Assign a Name to a Port” task on page 8-3 .
Admin State	Sets the port administrative state unless network conditions prevent the change. For more information about administrative states, refer to the “Administrative and Service States” appendix in the <i>Cisco ONS 15454 DWDM Reference Manual</i> .	From the drop-down list, choose one of the following: <ul style="list-style-type: none"> • IS,AINS/Unlocked,automaticInService • OOS,DSBLD/Locked,disabled • OOS,MT/Locked,maintenance

Table 12-32 Multiplexer and Demultiplexer Card Optical Channel Settings (continued)

Parameter	Description	Options
Service State	(Display only) Identifies the autonomously generated state that gives the overall condition of the port. Service states appear in the format: Primary State-Primary State Qualifier, Secondary State. For more information about service states, refer to the “Administrative and Service States” appendix in the <i>Cisco ONS 15454 DWDM Reference Manual</i> .	<ul style="list-style-type: none"> IS-NR/Unlocked-enabled OOS-AU,AINS/Unlocked-disabled, automaticInService OOS-MA,DSBLD/Locked-enabled,disabled OOS-MA,MT/Locked-enabled,maintenance
Power	(Display only) Shows the current power level per port.	—
Actual Wavelength	(Display only) Shows the wavelength specified by the manufacturing data. This field cannot be set manually.	—
Expected Wavelength	Shows the preprovisioned wavelength.	Numeric. This field cannot be changed.
AINS Soak	(Display only) The automatic in-service soak period. It is always 00.00.	—
VOA Mode	Not applicable to the 32MUX-O, 32DMX-0, 4MD-xx.x cards. Shows the current functional mode of the VOA.	<ul style="list-style-type: none"> Constant Power Constant Attenuation
VOA Power Ref.	Not applicable to the 32MUX-O, 32DMX-0, 4MD-xx.x cards. Shows the power setpoint that must be reached on the path when a VOA is present and the VOA Mode is Constant Power. Demultiplexers show the reference value of the desired optical power going to the client. Multiplexers show the reference value of the desired per-channel optical power. This parameter can only be modified by ANS.	—
VOA Power Calib.	Not applicable to the 32MUX-O, 32DMX-0, 4MD-xx.x cards. The user can modify the optical output power to the VOA if necessary. The VOA power calibration offsets the VOA power reference. For demultiplexers, you can modify the optical output power to the client if necessary. For multiplexers, you can modify the output power per channel. This feature is normally used when the Network Type is configured as Access in the Provisioning > WDM-ANS tab.	Numeric. Double-click the parameter, enter a value and press Enter .

Table 12-32 Multiplexer and Demultiplexer Card Optical Channel Settings (continued)

Parameter	Description	Options
VOA Attenuation Ref.	Not applicable to the 32MUX-O, 32DMX-0, 4MD-xx.x cards. Shows the attenuation value of the VOA when the VOA is set in attenuation mode. This parameter can only be modified by ANS and APC.	—
VOA Attenuation Calib.	Not applicable to the 32MUX-O, 32DMX-0, and 4MD-xx.x cards. Allows the user to modify the attenuation value of the VOA if necessary when the VOA mode is set for constant attenuation.	Numeric. Double-click the parameter, enter a value, and press Enter .

Step 4 Click **Apply**. If the change affects traffic, a warning message appears. Click **Yes** to complete the change.

Step 5 Return to your originating procedure (NTP).

DLP-G417 Change Optical Channel Threshold Settings for 32MUX-O, 32DMX-O, 32DMX, 32DMX-L, 40-MUX-C, 40-DMX-C, 40-DMX-CE, or 4MD-xx.x Cards

Purpose	This task changes the optical channel threshold settings for a 32MUX-O, 32DMX-O, 32DMX, 32DMX-L, 40-DMX-C, 40-DMX-CE, 40-MUX-C, or 4MD-xx.x card.
Tools/Equipment	None
Prerequisite Procedures	DLP-G46 Log into CTC, page 3-30
Required/As Needed	As needed
Onsite/Remote	Onsite or remote
Security Level	Provisioning or higher



Caution

Warning thresholds are not monitored by CTC. They must be user-provisioned and monitored through custom alarm profiles.

- Step 1** In node view (single-shelf mode) or shelf view (multishelf mode), double-click the multiplexer or demultiplexer card where you want to change the optical channel threshold settings.
- Step 2** Click the **Provisioning > Optical Chn > Optics Thresholds** tabs.
- Step 3** If you want to change the warning thresholds, complete the following steps. If not, continue with [Step 4](#).
- Under Types, choose **Warning**.
 - Choose the warning interval that you want to provision, either **15 minutes** or **1 Day**.
 - Click **Refresh**.
 - Modify any of the warning thresholds shown under the Options column in [Table 12-33](#).
 - Click **Apply**. If the change affects traffic, a warning message appears. Click **Yes** to complete the change.

Table 12-33 Multiplexer and Demultiplexer Card Optical Channel Warning Threshold Settings

Parameter	Description	Options
Port	(Display only) Displays the port number, port type, and direction (TX or RX).	32MUX-O, 32DMX-O, 32DMX, 32DMX-L <ul style="list-style-type: none"> 1 through 32 (CHAN-RX or CHAN-TX) 40-MUX-C, 40-DMX-C, 40-DMX-CE <ul style="list-style-type: none"> 1 through 40 (CHAN-RX or CHAN-TX) 4MD-xx.x <ul style="list-style-type: none"> 1 through 8 (CHAN-RX or CHAN-TX)
opwrMin (dBm)	Set the low power warning level.	Numeric. Can be set for 15-minute or one-day intervals. The default is -50 dBm. Double-click the parameter, enter a value, and press Enter .
opwrMax (dBm)	Set the high power warning level.	Numeric. Can be set for 15-minute or one-day intervals. The default is 30 dBm. Double-click the parameter, enter a value, and press Enter .

- Step 4** If you want to change the alarm thresholds, complete the following steps. If not, continue with [Step 5](#).
- a. Under Types, choose **Alarm**.
 - b. Click **Refresh**.
 - c. Modify any of the alarm thresholds shown under the Options column in [Table 12-34](#).
 - d. Click **Apply**. If the change affects traffic, a warning message appears. Click **Yes** to complete the change.

Table 12-34 Multiplexer and Demultiplexer Card Optical Channel Alarm Threshold Settings

Parameter	Description	Options
Port	(Display only) Displays the port number, port type, and direction (TX or RX).	32MUX-O, 32DMX-O, 32DMX, 32DMX-L <ul style="list-style-type: none"> 1 through 32 (CHAN-RX or CHAN-TX) 40-MUX-C, 40-DMX-C, 40-DMX-CE <ul style="list-style-type: none"> 1 through 40 (CHAN-RX or CHAN-TX) 4MD-xx.x <ul style="list-style-type: none"> 1 through 8 (CHAN-RX or CHAN-TX)
Power Failure Low (dBm)	<p>Shows the power failure low threshold. This power value applies to the corresponding port and is automatically calculated when ANS is run.</p> <p>This threshold applies to a port associated to a VOA (OSC-VOA) that is always active in Constant Power mode.</p> <p>The threshold is automatically linked to the Power Setpoint (VOA Power Ref + VOA Power Calib) that is provisioned. Changing the setpoint results in changing the threshold (always 5 dB lower).</p> <p>The 32DMX and 40-DMX-C/40-DMX/CE are exceptions. 32DMX and 40-DMX-C/40-DMX-CE Power Failure Low thresholds apply to ports that are not associated to a VOA. The threshold is calculated automatically when you run ANS. You can manually change the threshold. The value must be within the optical power range that is specified for the card. (Refer to the “Hardware Specifications” appendix in the <i>Cisco ONS 15454 DWDM Reference Manual</i>.)</p>	<p>Numeric. Double-click the parameter, enter a value, and press Enter.</p>

Table 12-34 *Multiplexer and Demultiplexer Card Optical Channel Alarm Threshold Settings (continued)*

Parameter	Description	Options
Power Degrade High (dBm)	<p>(32MUX-O, 32DMX-0, and 4MD-xx.x cards only) Shows the power degrade high threshold. This power value applies to the corresponding port and is automatically calculated when ANS is run.</p> <p>This threshold applies to a port associated to a VOA (OSC-VOA) that is always active in Constant Power mode.</p> <p>The threshold is automatically linked to the Power Setpoint (VOA Power Ref + VOA Power Calib) that is provisioned. Changing the setpoint will result in changing the threshold (always 3 dB higher).</p>	—
Power Degrade Low (dBm)	<p>(32MUX-O, 32DMX-0, and 4MD-xx.x cards only) Shows the power degrade low threshold. This power value applies to the corresponding port and is automatically calculated when ANS is run.</p> <p>This threshold applies to a port associated to a VOA (OSC-VOA) that is always active in Constant Power mode.</p> <p>The threshold is automatically linked to the Power Setpoint (VOA Power Ref + VOA Power Calib) that is provisioned. Changing the setpoint will result in changing the threshold (always 2 dB lower).</p>	—

Step 5 Return to your originating procedure (NTP).

NTP-G93 Modify the 32WSS, 32WSS-L, 40-WSS-C, or 40-WSS-CE Line Settings and PM Thresholds

Purpose	This procedure changes the 32WSS, 32WSS-L, 40-WSS-C, or 40-WSS-CE card thresholds and settings.
Tools/Equipment	None
Prerequisite Procedures	NTP-G30 Install the DWDM Cards, page 4-64
Required/As Needed	As needed
Onsite/Remote	Onsite or remote
Security Level	Provisioning or higher

-
- Step 1** Complete the “[DLP-G46 Log into CTC](#)” task on page 3-30 at the node where you want to change the 32WSS, 32WSS-L, 40-WSS-C, or 40-WSS-CE card settings. If you are already logged in, continue with Step 2.
- Step 2** Complete the “[NTP-G103 Back Up the Database](#)” procedure on page 14-2.
- Step 3** Perform any of the following tasks as needed:
- [DLP-G212 Change 32WSS, 32WSS-L, 40-WSS-C, or 40-WSS-CE Card Optical Channel Parameters](#), page 12-63
 - [DLP-G213 Change the 32WSS, 32WSS-L, 40-WSS-C, or 40-WSS-CE Card Optical Channel Thresholds](#), page 12-66



Note To use the alarm profile tab, including creating alarm profiles and suppressing alarms, see [Chapter 10, “Manage Alarms.”](#)

- [DLP-G214 Change 32WSS, 32WSS-L, 40-WSS-C, or 40-WSS-CE Card Optical Line Parameters](#), page 12-70
 - [DLP-G215 Change the 32WSS, 32-WSS-L, 40-WSS-C, or 40-WSS-CE Card Optical Line Thresholds](#), page 12-71
- Step 4** Complete the “[NTP-G103 Back Up the Database](#)” procedure on page 14-2.
- Stop. You have completed this procedure.**
-

DLP-G212 Change 32WSS, 32WSS-L, 40-WSS-C, or 40-WSS-CE Card Optical Channel Parameters

Purpose	This task changes the optical channel parameter settings for the 32WSS, 32WSS-L, 40-WSS-C, or 40-WSS-CE cards.
Tools/Equipment	None
Prerequisite Procedures	DLP-G46 Log into CTC , page 3-30
Required/As Needed	As needed
Onsite/Remote	Onsite or remote
Security Level	Provisioning or higher

-
- Step 1** In node view (single-shelf mode) or shelf view (multishelf mode), double-click the 32WSS, 32WSS-L, 40-WSS-C, or 40-WSS-CE card where you want to change the optical channel parameter settings.
- Step 2** Click the **Provisioning > Optical Chn: Optical Connector n > Parameters** tabs, where n = one of the four available groups of eight optical channels.
- Step 3** Modify any of the settings described in [Table 12-35](#). The provisionable parameters are listed in the Options column in the table. In the Options column, the SONET (ANSI) option is followed by the SDH (ETSI) option.

Table 12-35 32WSS, 32WSS-L, 40-WSS-C, or 40-WSS-CE Optical Channel Parameter Settings

Parameter	Description	Options
Port	<p>(Display only) Shows the port number. Each optical channel (wavelength) has two logical ports. However, only one is active at a time depending on the operating mode provisioned for the port on the card view Maintenance tab: either CHAN-RX or PASS-THROUGH.</p> <p>For the 32WSS or 32WSS-L, ports 1 through 32 (CHAN-RX) are assigned to optical channels configured as add channels.</p> <p>For the 40-WSS-C or 40-WSS-CE, CHAN-RX ports are 1 through 40.</p> <p>32WSS or 32WSS-L ports 33 through 64 (PASS-THROUGH) are assigned to optical channels configured as pass-through channels.</p> <p>40-WSS-C or 40-WSS-CE ports 41 through 80 are PASS-THROUGH channels.</p>	—
Port Name	Allows a logical name to be assigned for each of the port.	<p>User-defined. Name can be up to 32 alphanumeric/special characters. Blank by default. Double-click, enter the name, and press Enter.</p> <p>See the “DLP-G104 Assign a Name to a Port” task on page 8-3.</p>
Admin State	Sets the port administrative state unless network conditions prevent the change. For more information about administrative states, refer to the “Administrative and Service States” appendix in the <i>Cisco ONS 15454 DWDM Reference Manual</i> .	<p>From the drop-down list, choose one of the following:</p> <ul style="list-style-type: none"> IS,AINS/Unlocked,automaticInService OOS,DSBLD/Locked,disabled OOS,MT/Locked,maintenance
Service State	(Display only) Identifies the autonomously generated state that gives the overall condition of the port. Service states appear in the format: Primary State-Primary State Qualifier, Secondary State. For more information about service states, refer to the “Administrative and Service States” appendix in the <i>Cisco ONS 15454 DWDM Reference Manual</i> .	<ul style="list-style-type: none"> IS-NR/Unlocked-enabled OOS-AU,AINS/Unlocked-disabled,automaticInService OOS-MA,DSBLD/Locked-enabled,disabled OOS-MA,MT/Locked-enabled,maintenance

Table 12-35 32WSS, 32WSS-L, 40-WSS-C, or 40-WSS-CE Optical Channel Parameter Settings

Parameter	Description	Options
Power	(Display only) Power value read by the photodiode located after the VOA associated to the port, and calibrated to the COM_TX port. For more information, see the “Card Reference” chapter or the “Hardware Specifications” appendix in the <i>Cisco ONS 15454 DWDM Reference Manual</i> .	Numeric value (dB)
Actual Wavelength	(Display only) Displays the actual wavelength utilized by the channel.	—
Expected Wavelength	(Display only) Displays the expected wavelength assigned for the channel.	—
AINS Soak	(Display only) The automatic in-service soak period. It is always 00.00.	—
VOA Mode	(Display only) Displays the active VOA working mode.	<ul style="list-style-type: none"> • Constant Power • Constant Attenuation
VOA Power Reference	(Display only) Shows the value of the optical power setpoint that must be reached on the path where a VOA is present, when VOA Mode is set to Constant Power. This value is the desired per-channel optical power. This parameter can only be modified by ANS.	Numeric value (dB)
VOA Power Calibration	Allows you to modify the VOA power value when VOA Mode is Constant Power.	<p>Double-click the parameter, enter a value, and press Enter.</p> <ul style="list-style-type: none"> • Numeric value (dB) • -37 dB to -2 dB
VOA Attenuation Reference	(Display only) Shows the attenuation value of the VOA when the VOA Mode is Constant Attenuation. This parameter can only be modified by ANS.	Numeric value (dB)
VOA Attenuation Calibration	Allows you to modify the VOA attenuation value when VOA Mode is Constant Attenuation.	<p>Double-click the parameter, enter a value, and press Enter.</p> <ul style="list-style-type: none"> • Numeric value (dB) • -30 dB to +30 dB

Table 12-35 32WSS, 32WSS-L, 40-WSS-C, or 40-WSS-CE Optical Channel Parameter Settings

Parameter	Description	Options
Power ADD	(Display only) Displays a measurement of the optical power coming in on the ADD RX port, reported in the CHAN-RX port column. This is the power transmitted by the TX laser of the TXP or MXP card that is connected to the 32WSS, 32WSS-L, 40-WSS-C, or 40-WSS-CE.	Numeric value (dB)
Path Value	(Display only) Displays the path value for the CHAN-RX port column parameter.	<ul style="list-style-type: none"> Standby

Step 4 Click **Apply**. If the change affects traffic, a warning message appears. Click **Yes** to complete the change.

Step 5 Return to your originating procedure (NTP).

DLP-G213 Change the 32WSS, 32WSS-L, 40-WSS-C, or 40-WSS-CE Card Optical Channel Thresholds

Purpose	This task changes the optical channel threshold settings for the 32WSS, 32WSS-L, 40-WSS-C, or 40-WSS-CE cards.
Tools/Equipment	None
Prerequisite Procedures	DLP-G46 Log into CTC, page 3-30
Required/As Needed	As needed
Onsite/Remote	Onsite or remote
Security Level	Provisioning or higher



Caution

Warning thresholds are not monitored by CTC. They must be user-provisioned and monitored through custom alarm profiles.

- Step 1** In node view (single-shelf mode) or shelf view (multishelf mode), double-click the 32WSS, 32WSS-L, 40-WSS-C, or 40-WSS-CE card where you want to change the optical channel threshold settings.
- Step 2** Click the **Provisioning > Optical Chn: Optical Connector_n > Optics Thresholds** tabs, where *n* = one of the four available groups of eight optical channels.
- Step 3** If you want to change the warning thresholds, complete the following steps. If not, continue with [Step 4](#).
- Under Types, choose **Warning**.
 - Choose the warning interval that you want to provision, either **15 minutes** or **1 Day**.
 - Click **Refresh**.
 - Modify any of the warning thresholds shown under the Options column in [Table 12-36](#).

Table 12-36 32WSS, 32WSS-L, 40-WSS-C, and 40-WSS-CE Optical Channel Warning Threshold Settings

Parameter	Description	Options
Port	(Display only) Shows the port number, port type, and direction (RX or TX). Each optical channel (wavelength) has two logical ports. However, only one is active at a time depending on the operating mode provisioned for the port on the card view Maintenance tab: either CHAN-RX or PASS-THROUGH.	—
opwrMin (dBm)	Set the low power warning level.	Numeric. Can be set for 15-minute or one-day intervals. Double-click the parameter, enter a value, and press Enter .
opwrMax (dBm)	Set the high power warning level.	Numeric. Can be set for 15-minute or one-day intervals. Double-click the parameter, enter a value, and press Enter .

- e. Click **Apply**. If the change affects traffic, a warning message appears. Click **Yes** to complete the change.

Step 4 If you want to change the alarm thresholds, complete the following steps. If not, continue with [Step 5](#).

- a. Under Types, choose **Alarm**.
- b. Click **Refresh**.
- c. Modify any of the alarm thresholds shown under the Options column in [Table 12-37](#).

Table 12-37 32WSS, 32WSS-L, 40-WSS-C, and 40-WSS-CE Optical Channel Alarm Threshold Settings

Parameter	Description	Options
Port	<p>(Display only) Displays the port number, port type, and direction (RX or TX). For each optical channel (wavelength), two logical ports are associated. Only one port can be active at a time, depending on the port's operating mode. The operating mode, provisioned on the card view Maintenance tab, is either CHAN RX or PASS-THROUGH.</p> <p>32WSS and 32WSS-L ports 1 through 32 (CHAN-RX) are associated to optical channels configured as add/drop channels.</p> <p>40-WSS-C or 40-WSS-CE ports 1 through 40 are the CHAN-RX channels.</p> <p>32WSS or 32WSS-L ports 33 through 64 (PASS-THROUGH) are associated to optical channels configured as pass-through channels.</p> <p>For the 40-WSS-C or 40-WSS-CE, ports 41 through 80 are the PASS-THROUGH channels.</p>	—
Power Failure Low (dBm)	<p>(Display only) Shows the power failure low threshold. This power value applies to the corresponding port and is automatically calculated when ANS is run.</p> <p>This threshold applies to a port associated to a VOA (OSC-VOA) that is always active in Constant Power mode.</p> <p>The threshold is automatically linked to the Power Setpoint (VOA Power Ref + VOA Power Calib) that is provisioned. Changing the setpoint results in changing the threshold (always 5 dB lower).</p> <p>The threshold is calculated automatically when you run ANS. (Refer to the "Hardware Specifications" appendix in the <i>Cisco ONS 15454 DWDM Reference Manual</i>.)</p>	—

Table 12-37 32WSS, 32WSS-L, 40-WSS-C, and 40-WSS-CE Optical Channel Alarm Threshold Settings (continued)

Parameter	Description	Options
Power Degrade High (dBm)	<p>(Display only) Shows the power degrade high threshold. This power value applies to the corresponding port and is automatically calculated when ANS is run.</p> <p>This threshold applies to a port associated to a VOA (OSC-VOA) that is always active in Constant Power mode.</p> <p>The threshold is automatically linked to the Power Setpoint (VOA Power Ref + VOA Power Calib) that is provisioned. Changing the setpoint results in changing the threshold (always 3 dB higher).</p>	—
Power Degrade Low (dBm)	<p>(Display only) Shows the power degrade low threshold. This power value applies to the corresponding port and is automatically calculated when ANS is run.</p> <p>This threshold applies to a port associated to a VOA (OSC-VOA) that is always active in Constant Power mode.</p> <p>The threshold is automatically linked to the Power Setpoint (VOA Power Ref + VOA Power Calib) that is provisioned. Changing the setpoint results in changing the threshold (always 2 dB lower).</p>	Numeric
Power ADD Failure Low (dBm)	<p>Shows the power add failure low threshold. This power value applies to the corresponding port and is automatically calculated when ANS is run.</p> <p>This threshold applies to the actual measurement of the optical power on the ADD RX port. It is reported as CHAN RX, that is, the power transmitted by the Trunk-TX laser of the TXP/MXP card connected to the 32WSS, 32WSS-L, 40-WSS-C, or 40-WSS-CE card.</p>	Numeric. CTC does not allow it to be changed.

- d. Click **Apply**. If the change affects traffic, a warning message appears. Click **Yes** to complete the change.

Step 5 Return to your originating procedure (NTP).

DLP-G214 Change 32WSS, 32WSS-L, 40-WSS-C, or 40-WSS-CE Card Optical Line Parameters

Purpose	This task changes the optical line parameter settings for the 32WSS, 32WSS-L, 40-WSS-C or 40-WSS-CE cards.
Tools/Equipment	None
Prerequisite Procedures	DLP-G46 Log into CTC, page 3-30
Required/As Needed	As needed
Onsite/Remote	Onsite or remote
Security Level	Provisioning or higher

- Step 1** In node view (single-shelf mode) or shelf view (multishelf mode), double-click the 32WSS, 32WSS-L, 40-WSS-C, or 40-WSS-CE card where you want to change the optical line parameter settings.
- Step 2** Click the **Provisioning > Optical Line > Parameters** tabs.
- Step 3** Modify any of the settings described in [Table 12-38](#). The provisionable parameters are listed in the Options column. The SONET (ANSI) option is followed by the SDH (ETSI) option.

Table 12-38 32WSS, 32WSS-L, 40-WSS-C, and 40-WSS-CE Optical Line Parameter Settings

Parameter	Description	Options
Port	(Display only) Displays the port number, port type, and direction (RX or TX),	32WSS or 32WSS-L: <ul style="list-style-type: none"> • 65 (EXP-TX) • 66 (EXP-RX) • 67 (COM-TX) • 68 (COM-RX) • 69 (DROP-TX) 40-WSS-C or 40-WSS-CE: <ul style="list-style-type: none"> • 81 (EXP-TX) • 82 (EXP-RX) • 83 (COM-TX) • 84 (COM-RX) • 85 (DROP-TX)
Port Name	Allows you to assign a logical name for each of the ports shown.	User-defined. Name can be up to 32 alphanumeric/ special characters. Blank by default. Double-click, enter the name, and press Enter . See the “DLP-G104 Assign a Name to a Port” task on page 8-3 .

Table 12-38 32WSS, 32WSS-L, 40-WSS-C, and 40-WSS-CE Optical Line Parameter Settings

Parameter	Description	Options
Admin State	Sets the port administrative state unless network conditions prevent the change. For more information about administrative states, refer to the “Administrative and Service States” appendix in the <i>Cisco ONS 15454 DWDM Reference Manual</i> .	From the drop-down list, choose one of the following: <ul style="list-style-type: none"> IS,AINS/Unlocked,automaticInService OOS,DSBLD/Locked,disabled OOS,MT/Locked,maintenance
Service State	(Display only) Identifies the autonomously generated state that gives the overall condition of the port. Service states appear in the format: Primary State-Primary State Qualifier, Secondary State. For more information about service states, refer to the “Administrative and Service States” appendix in the <i>Cisco ONS 15454 DWDM Reference Manual</i> .	<ul style="list-style-type: none"> IS-NR/Unlocked-enabled OOS-AU,AINS/Unlocked-disabled, automaticInService OOS-MA,DSBLD/Locked-enabled,disabled OOS-MA,MT/Locked-enabled,maintenance
Power	(Display only) Power value read by the photodiode associated with the port.	Numeric value (dB)
AINS Soak	(Display only) The automatic in-service soak period. It is always 00.00.	—
Actual Channels	Number of active channels carried by the port (the difference between provisioned and failed)	—

Step 4 Return to your originating procedure (NTP).

DLP-G215 Change the 32WSS, 32-WSS-L, 40-WSS-C, or 40-WSS-CE Card Optical Line Thresholds

Purpose	This task changes the 32WSS, 32WSS-L, 40-WSS-C, or 40-WSS-CE card optical line threshold settings.
Tools/Equipment	None
Prerequisite Procedures	DLP-G46 Log into CTC, page 3-30
Required/As Needed	As needed
Onsite/Remote	Onsite or remote
Security Level	Provisioning or higher



Caution

Warning thresholds are not monitored by CTC. They must be user-provisioned and monitored through custom alarm profiles.

- Step 1** In node view (single-shelf mode) or shelf view (multishelf mode), double-click the 32WSS, 32WSS-L, 40-WSS-C, or 40-WSS-CE card where you want to change the optical line threshold settings.
- Step 2** Click the **Provisioning > Optical Line > Optics Thresholds** tabs for one of the groups of optical channels that are available.
- Step 3** If you want to change the warning thresholds, complete the following steps. If not, continue with [Step 4](#).
- Under Types, choose **Warning**.
 - Choose the warning interval that you want to provision, either **15 minutes** or **1 Day**.
 - Click **Refresh**.
 - Modify any of the warning thresholds shown under the Options column in [Table 12-39](#).

Table 12-39 *32WSS, 32WSS-L, 40-WSS-C, and 40-WSS-CE Optical Line Warning Threshold Settings*

Parameter	Description	Options
Port	(Display only) Displays the port number, port type, and direction (RX or TX),	32WSS or 32WSS-L: <ul style="list-style-type: none"> • 65 (EXP-TX) • 66 (EXP-RX) • 67 (COM-TX) • 68 (COM-RX) • 69 (DROP-TX) 40-WSS-C or 40-WSS-CE: <ul style="list-style-type: none"> • 81 (EXP-TX) • 82 (EXP-RX) • 83 (COM-TX) • 84 (COM-RX) • 85 (DROP-TX)
opwrMin (dBm)	Set the low power warning level.	Numeric. Can be set for 15-minute or one-day intervals. The default is -50 dBm.
opwrMax (dBm)	Set the high power warning level.	Numeric. Can be set for 15-minute or one-day intervals. The default is 30 dBm.

- Click **Apply**. If the change affects traffic, a warning message appears. Click **Yes** to complete the change.
- Step 4** If you want to change the alarm thresholds, complete the following steps. If not, continue with [Step 5](#).
- Under Types, choose **Alarm**.
 - Click **Refresh**.
 - Modify any of the alarm thresholds shown under the Options column in [Table 12-40](#).

Table 12-40 32WSS, 32WSS-L, 40-WSS-C, and 40-WSS-CE Optical Line Alarm Threshold Settings

Parameter	Description	Options
Port	(Display only) Displays the port number, port type, and direction (RX or TX),	32WSS or 32WSS-L: <ul style="list-style-type: none"> • 65 (EXP-TX) • 66 (EXP-RX) • 67 (COM-TX) • 68 (COM-RX) • 69 (DROP-TX) 40-WSS-C or 40-WSS-CE: <ul style="list-style-type: none"> • 81 (EXP-TX) • 82 (EXP-RX) • 83 (COM-TX) • 84 (COM-RX) • 85 (DROP-TX)
Power Failure Low (dBm)	Shows the power failure low threshold. This power value applies to the corresponding port and is automatically calculated when ANS is run. You can manually change the threshold. The value must be within the optical power range that is specified for the card. (Refer to the “Hardware Specifications” appendix in the <i>Cisco ONS 15454 DWDM Reference Manual</i> .)	Numeric. Double-click the parameter, enter a value, and press Enter .

- d. Click **Apply**. If the change affects traffic, a warning message appears. Click **Yes** to complete the change.

Step 5 Return to your originating procedure (NTP).

NTP-G240 Modify TDC-CC and TDC-FC Line Settings and PM Thresholds

Purpose	This procedure changes the TDC-CC or TDC-FC card line settings and PM thresholds.
Tools/Equipment	None
Prerequisite Procedures	NTP-G30 Install the DWDM Cards, page 4-64
Required/As Needed	As needed

Onsite/Remote	Onsite or remote
Security Level	Provisioning or higher

-
- Step 1** Complete the “[DLP-G46 Log into CTC](#)” section on page 3-30 task at the node where you want to change the TDC-CC or TDC-FC card settings. If you are already logged in, continue with [Step 2](#).
- Step 2** Complete the “[NTP-G103 Back Up the Database](#)” procedure on page 14-2.
- Step 3** Perform any of the following tasks as needed:
- [DLP-G545 Modify the Chromatic Dispersion Value for the TDC-CC and TDC-FC Cards](#), page 12-74.
 - [DLP-G528 Change Optical Line Threshold Settings for TDC-CC or TDC-FC Card](#), page 12-75.
- Step 4** Complete the “[NTP-G103 Back Up the Database](#)” procedure on page 14-2.
- Stop. You have completed this procedure.**
-

DLP-G545 Modify the Chromatic Dispersion Value for the TDC-CC and TDC-FC Cards

Purpose	This procedure modifies the chromatic dispersion (CD) value for the TDC-CC and TDC-FC cards.
Tools/Equipment	None
Prerequisite Procedures	DLP-G46 Log into CTC , page 3-30
Required/As Needed	As needed
Onsite/Remote	Onsite or remote
Security Level	Provisioning or higher

-
- Step 1** In the node view (single-shelf mode) or shelf view (multishelf view), double-click the TDC-CC or TDC-FC card.
- Step 2** Click **Provisioning > Card** tab and then select the CD value from the Compensating Value drop-down list.
- Step 3** Click **Apply**. A warning message appears stating that the change in compensation value could affect traffic.
- Step 4** Click **Yes**. The compensation value is set.
- Step 5** Return to your originating procedure (NTP).
-

DLP-G528 Change Optical Line Threshold Settings for TDC-CC or TDC-FC Card

Purpose	This task changes the optical line threshold settings for the TDC-CC or TDC-FC card.
Tools/Equipment	None
Prerequisite Procedures	DLP-G46 Log into CTC, page 3-30
Required/As Needed	As needed
Onsite/Remote	Onsite or remote
Security Level	Provisioning or higher



Caution

Warning thresholds are not monitored by CTC. The warning thresholds must be user-provisioned and monitored through custom alarm profiles.

- Step 1** In node view (single-shelf mode) or shelf view (multishelf mode), double-click the TDC-CC or TDC-FC card where you want to change the optical channel threshold settings.
- Step 2** Click the **Provisioning > Optical Line > Optics Thresholds** tabs.
- Step 3** If you want to change the warning thresholds, complete the following steps. If not continue with Step 4.
- Under Types, choose **Warning**.
 - Choose the warning interval that you want to provision, either **15 minutes** or **1 Day**.
 - Click **Refresh**.
 - Modify any of the warning thresholds shown under the Options column in [Table 12-41](#).

Table 12-41 TDC-CC and TDC-FC Cards Optical Line Warning Threshold Settings

Parameter	Description	Options
Port	(Display only) Displays the port number, port type, and direction (DC-RX or DC-TX).	<ul style="list-style-type: none"> 1 (DC-RX) 2 (DC-TX)
opwrMin (dBm)	Sets the low power warning level.	Numeric. Can be set for 15-minute or one-day intervals. The default is -50 dBm. Double-click the table cell, enter a value, and press Enter .
opwrMax (dBm)	Sets the high power warning level.	Numeric. Can be set for 15-minute or one-day intervals. The default is 30 dBm. Double-click the table cell, enter a value, and press Enter .

- Click **Apply**. If the change affects traffic, a warning message appears. Click **Yes** to complete the change.
- Step 4** If you want to change the alarm thresholds, complete the following steps. If not, continue with Step 5.
- Under Types, choose **Alarm**.
 - Click **Refresh**.
 - Modify any of the alarm thresholds shown under the Options column in [Table 12-42](#).

Table 12-42 TDC-CC and TDC-FC Cards Optical Line Alarm Thresholds Setting

Parameter	Description	Options
Port	(Display only) Displays the port number, port type, and direction (DC-RX or DC-TX).	<ul style="list-style-type: none"> 1 (DC-RX) 2 (DC-TX)
Power Failure Low (dBm)	Shows the optical power failure low threshold for the port. You can manually change the threshold. The value must be within the optical power range that is specified for the card. (Refer to the “Hardware Specifications” appendix in the <i>Cisco ONS 15454 DWDM Reference Manual</i> .)	Numeric. Double-click the table cell, enter a value, and press Enter .

- d. Click **Apply**. If the change affects traffic, a warning message appears. Click **Yes** to complete the change.

Step 5 Return to your originating procedure (NTP).

NTP-G174 Modify the 40-WXC-C or 80-WXC-C Line Settings and PM Thresholds

Purpose	This procedure changes the 40-WXC-C or 80-WXC-C card thresholds and settings.
Tools/Equipment	None
Prerequisite Procedures	NTP-G30 Install the DWDM Cards, page 4-64
Required/As Needed	As needed
Onsite/Remote	Onsite or remote
Security Level	Provisioning or higher

- Step 1** Complete the “[DLP-G46 Log into CTC](#)” task on page 3-30 at the node where you want to change the 40-WXC-C or 80-WXC-C card settings. If you are already logged in, continue with [Step 2](#).
- Step 2** Complete the “[NTP-G103 Back Up the Database](#)” procedure on page 14-2. For 40-WXC-C cards, continue with [Step 4](#). For 80-WXC-C cards, continue with [Step 3](#).
- Step 3** Verify the card mode for 80-WXC-C cards. Complete the following steps:
- Display the 80-WXC-C card in card view.
 - Click the **Provisioning > Card** tabs.
 - Verify that the card mode is set to the mode designated by your site plan:
 - BIDIRECTIONAL
 - MULTIPLEXER

– DE-MULTIPLEXER

Step 4 If the card mode is set correctly, continue with [Step 4](#). If not, complete the “[DLP-G603 Change the 80-WXC-C Card Mode](#)” task on page 12-77.

Step 5 Perform any of the following tasks as needed:

- [DLP-G406 Change 40-WXC-C or 80-WXC-C Card Optical Channel Parameters](#), page 12-78
- [DLP-G407 Change the 40-WXC-C or 80-WXC-C Optical Channel Thresholds](#), page 12-81



Note To use the alarm profile tab, including creating alarm profiles and suppressing alarms, see [Chapter 10, “Manage Alarms.”](#)

- [DLP-G408 Change 40-WXC-C or 80-WXC-C Optical Line Parameters](#), page 12-84
- [DLP-G409 Change the 40-WXC-C or 80-WXC-C Optical Line Thresholds](#), page 12-86
- [DLP-G413 Change 40-WXC-C or 80-WXC-C Card WXC Line Parameters](#), page 12-88
- [DLP-G771 Changing the WXC Line Thresholds for the 80-WXC-C Card](#), page 12-90

Step 6 Complete the “[NTP-G103 Back Up the Database](#)” procedure on page 14-2.

Stop. You have completed this procedure.

DLP-G603 Change the 80-WXC-C Card Mode

Purpose	This task changes the card mode of the 80-WXC-C cards.
Tools/Equipment	None
Prerequisite Procedures	DLP-G46 Log into CTC , page 3-30
Required/As Needed	As needed
Onsite/Remote	Onsite or remote
Security Level	Provisioning or higher

Step 1 In node view (single-shelf mode) or shelf view (multishelf mode), double-click the 80-WXC-C card where you want to change the card mode.

Step 2 Click the **Provisioning > WXC Line > Parameters** tabs.

Step 3 Verify that any provisioned client or trunk ports have an **OOS-MA,DSBLD** (ANSI) or **Locked-enabled,disabled** (ETSI) service state in the Service State column. If so, continue with [Step 4](#). If not, complete the following substeps.

- a. For the first port that is in service, in the Admin State column, choose **OOS,DSBLD** (ANSI) or **Locked,disabled** (ETSI).
- b. Repeat [Step a.](#) for each port that is in service.
- c. Click **Apply**.

Step 4 Click the **Provisioning > Card** tabs. Choose one of the card modes shown in [Table 12-43](#).

Table 12-43 80-WXC-C Card Modes

Mode	Description
Bidirectional	Provisions the 80-WXC-C card in the bidirectional mode. Traffic received from any of the nine input ports (EAD i , $i=1$ to 8, AD ports) are multiplexed and sent to the common output port (COM ports). The pre-amplifier output signal from the preamplifier is split in a 40%-to-60% ratio, 40% is sent on the drop path (DROP-TX port) and 60% is sent pass-through path (EXP-TX port).
Multiplexer	Provisions the 80-WXC-C card in the multiplexer mode. Traffic received from any of the nine input ports (EAD i , $i=1$ to 8, AD ports) are multiplexed and sent to the common output port (COM port).
Demultiplexer	Provisions the 80-WXC-C card in the demultiplexer mode. Traffic received from common input port (COM port) is demultiplexed and sent to the nine output ports (EAD i , $i=1$ to 8, AD ports).

Step 5 Click **Apply**, then click **Yes** in the confirmation dialog box.

Step 6 Return to your originating procedure (NTP)

DLP-G406 Change 40-WXC-C or 80-WXC-C Card Optical Channel Parameters

Purpose	This task changes the optical channel parameter settings for the 40-WXC-C or 80-WXC-C cards.
Tools/Equipment	None
Prerequisite Procedures	DLP-G46 Log into CTC, page 3-30
Required/As Needed	As needed
Onsite/Remote	Onsite or remote
Security Level	Provisioning or higher

Step 1 In node view (single-shelf mode) or shelf view (multishelf mode), double-click the 40-WXC-C or 80-WXC-C card where you want to change the optical channel parameter settings.

Step 2 Click the **Provisioning > OCH > Parameters** tabs. For 40-WXC-C cards, continue with [Step 4](#). For 80-WXC-C cards, continue with [Step 3](#).

Step 3 Choose a wavelength from the Wavelength drop-down list and click **Retrieve** to retrieve the OCH parameters.

- Step 4** Modify any of the settings described in [Table 12-44](#). The provisionable parameters are listed in the Options column in the table. In the Options column, the SONET (ANSI) option is followed by the SDH (ETSI) option.

Table 12-44 40-WXC-C and 80-WXC-C Optical Channel Parameter Settings

Parameter	Description	Options
Circuit Name	(Display only) Shows the circuit name. This is provisioned in the Circuits tab.	—
Admin State	Sets the port administrative state unless network conditions prevent the change. For more information about administrative states, refer to the “Administrative and Service States” appendix in the <i>Cisco ONS 15454 DWDM Reference Manual</i> .	<ul style="list-style-type: none"> IS,AINS/Unlocked,automaticInService OOS,DSBLD/Locked,disabled OOS,MT/Locked,maintenance (40-WXC-C only)
Service State	(Display only) Identifies the autonomously generated state that gives the overall condition of the port. Service states appear in the format: Primary State-Primary State Qualifier, Secondary State. For more information about service states, refer to the “Administrative and Service States” appendix in the <i>Cisco ONS 15454 DWDM Reference Manual</i> .	<ul style="list-style-type: none"> IS-NR/Unlocked-enabled OOS-AU,AINS/Unlocked-disabled,automaticInService (40-WXC-C only) OOS-MA,DSBLD/Locked-enabled,disabled (40-WXC-C only) OOS-MA,MT/Locked-enabled,maintenance (40-WXC-C only)
From	(Display only) The port where the circuit originated.	—
Power (40-WXC-C only)	(Display only) Power value read by the photodiode located after the VOA associated to the port, and calibrated to the COM_TX port. For more information, refer to the “Hardware Specifications” appendix in the <i>Cisco ONS 15454 DWDM Reference Manual</i> .	Numeric value (dB)
Power From (80-WXC-C only)	Power on the port where the circuit originated.	—
To (80-WXC-C only)	(Display only) The port where the circuit terminated.	—
Power To (80-WXC-C only)	Power on the port where the circuit terminated.	—

Table 12-44 40-WXC-C and 80-WXC-C Optical Channel Parameter Settings (continued)

Parameter	Description	Options
Force Channel (80-WXC-C only)	Starts the channel by moving the VOA from Open to Closed loop. You can force a channel only when the Force Channel Status is in the Unlocked state.	<ul style="list-style-type: none"> • OFF • ON
Force Channel Status (80-WXC-C only)	(Display only) Displays the channel status.	<ul style="list-style-type: none"> • Unlocked—Can force channel startup • Locked—Cannot force channel startup as the device is under control of other functions like optical safety • Forced—Channel startup has already been forced
Actual Wavelength (40-WXC-C only)	(Display only) Displays the actual wavelength utilized by the channel.	—
VOA Mode	(Display only) Displays the active VOA working mode.	<ul style="list-style-type: none"> • Constant Power • Constant Attenuation
VOA Power Ref.	(Display only) Shows the value of the optical power setpoint that must be reached on the path where a VOA is present, when VOA Mode is set to Constant Power. This value is the desired per-channel optical power. This parameter can only be modified by ANS.	Numeric value (dB)
VOA Power Calib.	Allows you to modify the VOA power value when VOA Mode is Constant Power.	Double-click the parameter, enter a value, and press Enter . <ul style="list-style-type: none"> • Numeric value (dB) • -37 dB to -2 dB
VOA Attenuation Ref. (40-WXC-C only)	(Display only) Shows the attenuation value of the VOA when the VOA Mode is Constant Attenuation. This parameter can only be modified by ANS.	Numeric value (dB)
VOA Attenuation Calib. (40-WXC-C only)	Allows you to modify the VOA attenuation value when VOA Mode is Constant Attenuation.	Double-click the parameter, enter a value, and press Enter . <ul style="list-style-type: none"> • Numeric value (dB) • -30 dB to +30 dB

Step 5 Click **Apply**. If the change affects traffic, a warning message appears. Click **Yes** to complete the change.

Step 6 Return to your originating procedure (NTP).

DLP-G407 Change the 40-WXC-C or 80-WXC-C Optical Channel Thresholds

Purpose	This task changes the optical channel threshold settings for the 40-WXC-C or 80-WXC-C cards.
Tools/Equipment	None
Prerequisite Procedures	DLP-G46 Log into CTC, page 3-30
Required/As Needed	As needed
Onsite/Remote	Onsite or remote
Security Level	Provisioning or higher



Caution

Warning thresholds are not monitored by CTC. They must be user-provisioned and monitored through custom alarm profiles.

- Step 1** In node view (single-shelf mode) or shelf view (multishelf mode), double-click the 40-WXC-C or 80-WXC-C card where you want to change the optical channel threshold settings.
- Step 2** Click the **Provisioning > OCH > OCH Thresholds** tabs, where n = one of the four available groups of eight optical channels.
- Step 3** If you want to change the warning thresholds, complete the following steps. If not, continue with [Step 4](#).
- Under Types, choose **Warning**.
 - Choose the warning interval that you want to provision, either **15 minutes** or **1 Day**. For 40-WXC-C card, continue with [Step 3c](#). For 80-WXC-C card, continue with [Step 3d](#).
 - Click **Refresh**. Continue with [Step 3g](#).
 - Choose a wavelength from the Wavelength drop-down list.
 - In the Port drop-down list, choose an OCH port where you want to change the optical channel threshold settings.
 - Click **Retrieve**.
 - Modify any of the warning thresholds shown under the Options column in [Table 12-45](#).

Table 12-45 40-WXC-C and 80-WXC-C Optical Channel Warning Threshold Settings

Parameter	Description	Options
Circuit Name	(Display only) Shows the circuit name. This is provisioned in the Circuits tab.	—
Port Name	(Display only) Shows the port name.	—
Actual Wavelength	(Display only) Displays the actual wavelength utilized by the channel.	—
opwrMin (dBm)	Set the low power warning level.	Numeric. Can be set for 15-minute or one-day intervals. Double-click the parameter, enter a value, and press Enter .
opwrMax (dBm)	Set the high power warning level.	Numeric. Can be set for 15-minute or one-day intervals. Double-click the parameter, enter a value, and press Enter .

- h. Click **Apply**. If the change affects traffic, a warning message appears. Click **Yes** to complete the change.

Step 4 If you want to change the alarm thresholds, complete the following steps. If not, continue with [Step 5](#).

- a. Under Types, choose **Alarm**. For 40-WXC-C card, continue with [Step 4b](#). For 80-WXC-C card, continue with [Step 4c](#).
- b. Click **Refresh**. Continue with [Step 4f](#).
- c. Choose a wavelength from the Wavelength drop-down list.
- d. In the Port drop-down list, choose an OCH port where you want to change the optical channel threshold settings:

For the 80-WXC-C card, the following ports are available to view:

- 1 (EAD)
- 2 (EAD)
- 3 (EAD)
- 4 (EAD)
- 5 (EAD)
- 6 (EAD)
- 7 (EAD)
- 8 (EAD)
- 9 (AD)
- 10 (COM)
- (DROP-TX) (in BIDI mode)

- e. Click **Retrieve**.
- f. Modify any of the alarm thresholds shown under the Options column in [Table 12-46](#).

Table 12-46 40-WXC-C and 80-WXC-C Optical Channel Alarm Threshold Settings

Parameter	Description	Options
Circuit Name	(Display only) Shows the circuit name. This is provisioned in the Circuits tab.	—
Port Name	(Display only) Shows the port name.	—
Actual Wavelength	(Display only) Displays the actual wavelength utilized by the channel.	—

Table 12-46 40-WXC-C and 80-WXC-C Optical Channel Alarm Threshold Settings (continued)

Parameter	Description	Options
Power Failure Low (dBm)	<p>(Display only) Shows the power failure low threshold. This power value applies to the corresponding port and is automatically calculated when ANS is run.</p> <p>This threshold applies to a port associated to a VOA (OSC-VOA) that is always active in Constant Power mode.</p> <p>The threshold is automatically linked to the Power Setpoint (VOA Power Ref + VOA Power Calib) that is provisioned. Changing the setpoint results in changing the threshold (always 5 dB lower).</p> <p>The threshold is calculated automatically when you run ANS. (Refer to the “Hardware Specifications” appendix in the <i>Cisco ONS 15454 DWDM Reference Manual</i>.)</p>	—
Power Degrade High (dBm)	<p>(Display only) Shows the power degrade high threshold. This power value applies to the corresponding port and is automatically calculated when ANS is run.</p> <p>This threshold applies to a port associated to a VOA (OSC-VOA) that is always active in Constant Power mode.</p> <p>The threshold is automatically linked to the Power Setpoint (VOA Power Ref + VOA Power Calib) that is provisioned. Changing the setpoint results in changing the threshold (always 3 dB higher).</p>	—
Power Degrade Low (dBm)	<p>(Display only) Shows the power degrade low threshold. This power value applies to the corresponding port and is automatically calculated when ANS is run.</p> <p>This threshold applies to a port associated to a VOA (OSC-VOA) that is always active in Constant Power mode.</p> <p>The threshold is automatically linked to the Power Setpoint (VOA Power Ref + VOA Power Calib) that is provisioned. Changing the setpoint results in changing the threshold (always 2 dB lower).</p>	Numeric

- g. Click **Apply**. If the change affects traffic, a warning message appears. Click **Yes** to complete the change.

Step 5 Return to your originating procedure (NTP).

DLP-G408 Change 40-WXC-C or 80-WXC-C Optical Line Parameters

Purpose	This task changes the optical line parameter settings for 40-WXC-C or 80-WXC-C cards.
Tools/Equipment	None
Prerequisite Procedures	DLP-G46 Log into CTC, page 3-30
Required/As Needed	As needed
Onsite/Remote	Onsite or remote
Security Level	Provisioning or higher

- Step 1** In node view (single-shelf mode) or shelf view (multishelf mode), double-click the 40-WXC-C or 80-WXC-C card where you want to change the optical line parameter settings.
- Step 2** Click the **Provisioning > Optical Line > Parameters** tabs.
- Step 3** Modify any of the settings described in [Table 12-47](#). The provisionable parameters are listed in the Options column. The SONET (ANSI) option is followed by the SDH (ETSI) option.

Table 12-47 40-WXC-C or 80-WXC-C Optical Line Parameter Settings

Parameter	Description	Options
Port	(Display only) Displays the port number, port type, and direction (RX or TX),	40-WXC-C card options: <ul style="list-style-type: none"> • 10 (DROP-TX) • 11 (EXP-TX) • 12 (COM-RX) • 13 (COM-TX) 80-WXC-C card options: <ul style="list-style-type: none"> • 11 (DROP-TX) • 12 (EXP-TX) • 13 (COM-RX)
Port Name	Allows you to assign a logical name for each of the ports shown.	User-defined. Name can be up to 32 alphanumeric/ special characters. Blank by default. Double-click, enter the name, and press Enter . See the “DLP-G104 Assign a Name to a Port” task on page 8-3 .

Table 12-47 40-WXC-C or 80-WXC-C Optical Line Parameter Settings (continued)

Parameter	Description	Options
Admin State	Sets the port administrative state unless network conditions prevent the change. For more information about administrative states, refer to the “Administrative and Service States” appendix in the <i>Cisco ONS 15454 DWDM Reference Manual</i> .	From the drop-down list, choose one of the following: <ul style="list-style-type: none"> IS,AINS/Unlocked,automaticInService OOS,DSBLD/Locked,disabled OOS,MT/Locked,maintenance
Service State	(Display only) Identifies the autonomously generated state that gives the overall condition of the port. Service states appear in the format: Primary State-Primary State Qualifier, Secondary State. For more information about service states, refer to the “Administrative and Service States” appendix in the <i>Cisco ONS 15454 DWDM Reference Manual</i> .	<ul style="list-style-type: none"> IS-NR/Unlocked-enabled OOS-AU,AINS/Unlocked-disabled, automaticInService OOS-MA,DSBLD/Locked-enabled,disabled OOS-MA,MT/Locked-enabled,maintenance
Power (40-WXC-C only)	(Display only) Power value read by the photodiode associated with the port.	Numeric value (dB)
Active Channels (40-WXC-C only)	Number of active channels carried by the port (the difference between provisioned and failed)	—
VOA Mode (80-WXC-C in BIDI mode only)	(Display only) Displays the active VOA working mode.	<ul style="list-style-type: none"> Constant Power Constant Attenuation
VOA Attenuation Ref. (80-WXC-C in BIDI mode only)	(Display only) Shows the attenuation value of the VOA when the VOA Mode is Constant Attenuation. This parameter can only be modified by ANS.	Numeric value (dB)
VOA Attenuation Calib. (80-WXC-C in BIDI mode only)	Allows you to modify the VOA attenuation value when VOA Mode is Constant Attenuation.	Double-click the parameter, enter a value, and press Enter . <ul style="list-style-type: none"> Numeric value (dB) -30 dB to +30 dB

Step 4 Return to your originating procedure (NTP).

DLP-G409 Change the 40-WXC-C or 80-WXC-C Optical Line Thresholds

Purpose	This task changes the 40-WXC-C or 80-WXC-C card optical line threshold settings.
Tools/Equipment	None
Prerequisite Procedures	DLP-G46 Log into CTC, page 3-30
Required/As Needed	As needed
Onsite/Remote	Onsite or remote
Security Level	Provisioning or higher



Caution

Warning thresholds are not monitored by CTC. They must be user-provisioned and monitored through custom alarm profiles.

- Step 1** In node view (single-shelf mode) or shelf view (multishelf mode), double-click the 40-WXC-C or 80-WXC-C card where you want to change the optical line threshold settings.
- Step 2** Click the **Provisioning > Optical Line > Optics Thresholds** tabs for one of the groups of optical channels that are available.
- Step 3** If you want to change the warning thresholds, complete the following steps. If not, continue with [Step 4](#).
- Under Types, choose **Warning**.
 - Choose the warning interval that you want to provision, either **15 minutes** or **1 Day**.
 - Click **Refresh**.
 - Modify any of the warning thresholds shown under the Options column in [Table 12-48](#).

Table 12-48 40-WXC-C or 80-WXC-C Optical Line Warning Threshold Settings

Parameter	Description	Options
Port	(Display only) Displays the port number, port type, and direction (RX or TX),	40-WXC-C card options: <ul style="list-style-type: none"> • 10 (DROP-TX) • 11 (EXP-TX) • 12 (COM-RX) • 13 (COM-TX) 80-WXC-C card options: <ul style="list-style-type: none"> • 11 (DROP-TX) • 12 (EXP-TX) • 13 (COM-RX)
opwrMin (dBm)	Set the low power warning level.	Numeric. Can be set for 15-minute or one-day intervals. The default is -50 dBm.
opwrMax (dBm)	Set the high power warning level.	Numeric. Can be set for 15-minute or one-day intervals. The default is 30 dBm.

- e. Click **Apply**. If the change affects traffic, a warning message appears. Click **Yes** to complete the change.

Step 4 If you want to change the alarm thresholds, complete the following steps. If not, continue with [Step 5](#).

- a. Under Types, choose **Alarm**.
- b. Click **Refresh**.
- c. Modify any of the alarm thresholds shown under the Options column in [Table 12-49](#).

Table 12-49 40-WXC-C or 80-WXC-C Optical Line Alarm Threshold Settings

Parameter	Description	Options
Port	(Display only) Displays the port number, port type, and direction (RX or TX),	40-WXC-C card options: <ul style="list-style-type: none"> • 10 (DROP-TX) • 11 (EXP-TX) • 12 (COM-RX) • 13 (COM-TX) 80-WXC-C card options: <ul style="list-style-type: none"> • 11 (DROP-TX) • 12 (EXP-TX) • 13 (COM-RX)
Power Failure Low (dBm)	Shows the power failure low threshold. This power value applies to the corresponding port and is automatically calculated when ANS is run. You can manually change the threshold. The value must be within the optical power range that is specified for the card. (Refer to the “Hardware Specifications” appendix in the <i>Cisco ONS 15454 DWDM Reference Manual</i> .)	Numeric. Double-click the parameter, enter a value, and press Enter .

- d. Click **Apply**. If the change affects traffic, a warning message appears. Click **Yes** to complete the change.

Step 5 Return to your originating procedure (NTP).

DLP-G413 Change 40-WXC-C or 80-WXC-C Card WXC Line Parameters

Purpose	This task changes the WXC line parameter settings for 40-WXC-C or 80-WXC-C cards.
Tools/Equipment	None
Prerequisite Procedures	DLP-G46 Log into CTC, page 3-30
Required/As Needed	As needed
Onsite/Remote	Onsite or remote
Security Level	Provisioning or higher

-
- Step 1** In node view (single-shelf mode) or shelf view (multishelf mode), double-click the 40-WXC-C or 80-WXC-C card where you want to change the optical line parameter settings.
- Step 2** Click the **Provisioning > WXC Line > Parameters** tabs.
- Step 3** Modify any of the settings described in [Table 12-50](#). The provisionable parameters are listed in the Options column. The SONET (ANSI) option is followed by the SDH (ETSI) option.

Table 12-50 40-WXC-C or 80-WXC-C WXC Line Parameter Settings

Parameter	Description	Options
Port	(Display only) Displays the port number, port type, and direction (RX or TX),	<p>40-WXC-C card options:</p> <ul style="list-style-type: none"> • 1 (EXP-RX) • 2 (EXP-RX) • 3 (EXP-RX) • 4 (EXP-RX) • 5 (EXP-RX) • 6 (EXP-RX) • 7 (EXP-RX) • 8 (EXP-RX) • 9 (ADD-RX) <p>80-WXC-C card options:</p> <ul style="list-style-type: none"> • 1 (EAD) • 2 (EAD) • 3 (EAD) • 4 (EAD) • 5 (EAD) • 6 (EAD) • 7 (EAD) • 8 (EAD) • 9 (AD) • 10 (COM)
Port Name	Allows you to assign a logical name for each of the ports shown.	<p>User-defined. Name can be up to 32 alphanumeric/ special characters. Blank by default. Double-click, enter the name, and press Enter.</p> <p>See the “DLP-G104 Assign a Name to a Port” task on page 8-3.</p>
Admin State	Sets the port administrative state unless network conditions prevent the change. For more information about administrative states, refer to the “Administrative and Service States” appendix in the <i>Cisco ONS 15454 DWDM Reference Manual</i> .	<p>From the drop-down list, choose one of the following:</p> <ul style="list-style-type: none"> • IS,AINS/Unlocked,automaticInService • OOS,DSBLD/Locked,disabled • OOS,MT/Locked,maintenance

Table 12-50 40-WXC-C or 80-WXC-C WXC Line Parameter Settings (continued)

Parameter	Description	Options
Service State	(Display only) Identifies the autonomously generated state that gives the overall condition of the port. Service states appear in the format: Primary State-Primary State Qualifier, Secondary State. For more information about service states, refer to the “Administrative and Service States” appendix in the <i>Cisco ONS 15454 DWDM Reference Manual</i> .	<ul style="list-style-type: none"> IS-NR/Unlocked-enabled OOS-AU,AINS/Unlocked-disabled, automaticInService OOS-MA,DSBLD/Locked-enabled,disabled OOS-MA,MT/Locked-enabled,maintenance
Active Channels	(Display only) Indicates how many channels the port is carrying. Generally reflects the number of provisioned channels.	—
Power (80-WXC-C only)	(Display only) Shows the current power level per port.	—

Step 4 Return to your originating procedure (NTP).

DLP-G771 Changing the WXC Line Thresholds for the 80-WXC-C Card

Purpose	This task changes the WXC line thresholds for the 80-WXC-C card.
Tools/Equipment	None
Prerequisite Procedures	DLP-G46 Log into CTC, page 3-30
Required/As Needed	As needed
Onsite/Remote	Onsite or remote
Security Level	Provisioning or higher



Caution

Warning thresholds are monitored by CTC as part of performance monitoring. They must be user-provisioned.

- Step 1** In node view (single-shelf mode) or shelf view (multishelf mode), double-click the 80-WXC-C card where you want to change the WXC line thresholds.
- Step 2** Click the **Provisioning > WXC Line > WXC Line Thresholds** tabs for one of the groups of optical channels that are available.
- Step 3** If you want to change the warning thresholds, complete the following steps. If not, continue with [Step 4](#).
- Under Types, choose **Warning**.
 - Choose the warning interval that you want to provision, either **15 minutes** or **1 Day**.
 - Click **Refresh**.

- d. Modify any of the warning thresholds shown under the Options column in the following table.

Table 12-51 80-WXC-C WXC Line Warning Thresholds

Parameter	Description	Options
Port	(Display only) Displays the port number, port type, and direction (RX or TX),	80-WXC-C card options: <ul style="list-style-type: none"> • 1 (EAD) • 2 (EAD) • 3 (EAD) • 4 (EAD) • 5 (EAD) • 6 (EAD) • 7 (EAD) • 8 (EAD) • 9 (AD) • 10 (COM)
opwrMin (dBm)	Set the low power warning level.	Numeric. Can be set for 15-minute or one-day intervals. The default is -50 dBm.
opwrMax (dBm)	Set the high power warning level.	Numeric. Can be set for 15-minute or one-day intervals. The default is 30 dBm.

- e. Click **Apply**. If the change affects traffic, a warning message appears. Click **Yes** to complete the change.

Step 4 If you want to change the alarm thresholds, complete the following steps. If not, continue with [Step 5](#).

- a. Under Types, choose **Alarm**.
- b. Click **Refresh**.
- c. Modify any of the alarm thresholds shown under the Options column in this table.

Table 12-52 80-WXC-C WXC Line Alarm Thresholds

Parameter	Description	Options
Port	(Display only) Displays the port number, port type, and direction (RX or TX),	80-WXC-C card options: <ul style="list-style-type: none"> • 1 (EAD) • 2 (EAD) • 3 (EAD) • 4 (EAD) • 5 (EAD) • 6 (EAD) • 7 (EAD) • 8 (EAD) • 9 (AD) • 10 (COM)
Power Failure Low (dBm)	Shows the power failure low threshold. This power value applies to the corresponding port and is automatically calculated when ANS is run. You can manually change the threshold. The value must be within the optical power range that is specified for the card.	Numeric. Double-click the parameter, enter a value, and press Enter.

- d. Click **Apply**. If the change affects traffic, a warning message appears. Click **Yes** to complete the change.

Step 5 Return to your originating procedure (NTP).

DLP-G429 Multiplex a Single Wavelength on 40-WXC-C Card

Purpose	This task multiplexes a single wavelength onto the COM-TX port of a 40-WXC-C card. Perform this task for testing and troubleshooting a 40-WXC-C card.
Tools/Equipment	None
Prerequisite Procedures	DLP-G46 Log into CTC, page 3-30
Required/As Needed	As needed
Onsite/Remote	Onsite or remote
Security Level	Provisioning or higher

Step 1 In node view (single-shelf mode) or shelf view (multishelf mode), double-click the 40-WXC-C card where you want to multiplex a wavelength.

Step 2 Click the **Maintenance > OCHNC** tabs.

Step 3 Enter the following values:

Target Power (dBm)—Enter the target power. The default is -14.0 dBm.

- Input Port—Choose the EXP-RX or ADD-RX port where you want to multiplex the wavelength from.
- VOA Attenuation (dB)—Enter the VOA attenuation. The default values are:
 - 20 dB for four-way mesh and an EXP-RX input port
 - 16 dB for 8-way mesh and an EXP-RX input port
 - 22 dB for an ADD-RX input port
- Wavelength—Choose the wavelength that you want to multiplex. The supported wavelengths are the 40 channels of the C-band from 1530.33 nm to 1561.32 nm. A “Maintenance” wavelength is also provided that corresponds to a “Lambda zero” wavelength of 1529.55 nm.



Note You cannot multiplex a wavelength that is already allocated on the COM-TX port.

- Step 4** Click **Apply**. This creates a cross-connection (add or pass-through) for the specified wavelength. This cross-connection remains active until you click **Clear**.
- Step 5** If you want to multiplex additional channels, click **Clear** to delete the existing cross-connection, and repeat Steps 3 and 4. If not, continue with Step 6.
- Step 6** To view the actual power on the COM-TX port, click **Refresh**. Wait 10-15 seconds for the actual power to appear.
- Step 7** Return to your originating procedure (NTP).

NTP-G241 Modify the 40-SMR1-C and 40-SMR2-C Line Settings and PM Thresholds

Purpose	This procedure changes the 40-SMR1-C and 40-SMR2-C card thresholds and settings.
Tools/Equipment	None
Prerequisite Procedures	NTP-G30 Install the DWDM Cards, page 4-64
Required/As Needed	As needed
Onsite/Remote	Onsite or remote
Security Level	Provisioning or higher

- Step 1** Complete the “[DLP-G46 Log into CTC](#)” task on page 3-30 at the node where you want to change the 40-SMR1-C or 40-SMR2-C card settings. If you are already logged in, continue with Step 2.
- Step 2** Complete the “[NTP-G103 Back Up the Database](#)” procedure on page 14-2.
- Step 3** Perform any of the following tasks as needed:
- [DLP-G532 Change Optical Line Settings for 40-SMR1-C and 40-SMR2-C Cards, page 12-94](#)

- [DLP-G533 Change Optical Line Threshold Settings for 40-SMR1-C and 40-SMR2-C Cards](#), page 12-96
- [DLP-G534 Change Optical Amplifier Line Settings for 40-SMR1-C and 40-SMR2-C Cards](#), page 12-100
- [DLP-G535 Change Optical Amplifier Threshold Settings for 40-SMR1-C and 40-SMR2-C Cards](#), page 12-102
- [DLP-G536 Change 40-SMR1-C and 40-SMR2-C Card Optical Channel Parameters](#), page 12-107
- [DLP-G537 Change the 40-SMR1-C and 40-SMR2-C Optical Channel Thresholds](#), page 12-109



Note To use the alarm profile tab, including creating alarm profiles and suppressing alarms, see [Chapter 10, “Manage Alarms.”](#)

Step 4 Complete the [“NTP-G103 Back Up the Database”](#) procedure on page 14-2.

Stop. You have completed this procedure.

DLP-G532 Change Optical Line Settings for 40-SMR1-C and 40-SMR2-C Cards

Purpose	This task changes the optical line settings for the 40-SMR1-C and 40-SMR2-C cards.
Tools/Equipment	None
Prerequisite Procedures	DLP-G46 Log into CTC , page 3-30
Required/As Needed	As needed
Onsite/Remote	Onsite or remote
Security Level	Provisioning or higher

Step 1 In node view (single-shelf mode) or shelf view (multishelf mode), double-click the 40-SMR1-C or 40-SMR2-C card where you want to change the optical line settings.

Step 2 Click the **Provisioning > Optical Line > Parameters** tabs.

Step 3 Modify any of the settings described in [Table 12-53](#). The provisionable parameters are listed in the Options column in the table. In the Options column, the SONET (ANSI) option is followed by the SDH (ETSI) option.

Table 12-53 40-SMR1-C and 40-SMR2-C Optical Line Settings

Parameter	Description	Options
Port	(Display only) Displays the port number, port type, and direction (TX or RX).	<p>40-SMR1-C card options:</p> <ul style="list-style-type: none"> • 1 (EXP-RX) • 3 (DC-RX) • 4 (DC-TX) • 5 (OSC-RX) • 6 (OSC-TX) • 7 (ADD-RX) • 8 (DROP-TX) • 9 (LINE-RX) • 10 (LINE-TX) <p>40-SMR2-C card options:</p> <ul style="list-style-type: none"> • 1 (DC-RX) • 2 (DC-TX) • 3 (OSC-RX) • 4 (OSC-TX) • 5 (ADD-RX) • 6 (DROP-TX) • 7 (LINE-RX) • 10 (EXP-RX 1-2) • 11 (EXP-RX 1-3) • 12 (EXP-RX 1-4)
Port Name	Provides the ability to assign the specified port, a name.	<p>User-defined. Name can be up to 32 alphanumeric/special characters. Blank by default. Double-click, enter the name, and press Enter.</p> <p>See the “DLP-G104 Assign a Name to a Port” task on page 8-3.</p>
Admin State	Sets the port administrative state unless network conditions prevent the change. For more information about administrative states, refer to the “Administrative and Service States” appendix in the <i>Cisco ONS 15454 DWDM Reference Manual</i> .	<p>From the drop-down list, choose one of the following:</p> <ul style="list-style-type: none"> • IS,AINS/Unlocked,automaticInService • OOS,DSBLD/Locked,disabled • OOS,MT/Locked,maintenance <p>Note You cannot set the OOS,DSBLD/Locked,disabled administrative state for LINE and OSC ports, and hence the OOS-MA,DSBLD/Locked-enabled,disabled service state is not applicable for these ports.</p>

Table 12-53 40-SMR1-C and 40-SMR2-C Optical Line Settings (continued)

Parameter	Description	Options
Service State	(Display only) Identifies the autonomously generated state that gives the overall condition of the port. Service states appear in the format: Primary State-Primary State Qualifier, Secondary State. For more information about service states, refer to the “Administrative and Service States” appendix in the <i>Cisco ONS 15454 DWDM Reference Manual</i> .	<ul style="list-style-type: none"> IS-NR/Unlocked-enabled OOS-AU,AINS/Unlocked-disabled, automaticInService OOS-MA,DSBLD/Locked-enabled,disabled OOS-MA,MT/Locked-enabled,maintenance <p>Note You cannot set the OOS,DSBLD/Locked,disabled administrative state for LINE and OSC ports, and hence the OOS-MA,DSBLD/Locked-enabled,disabled service state is not applicable for these ports.</p>
Power	(Display only) Shows the current power level per port.	—
VOA Mode	(Display only) Shows the functional mode of the variable optical attenuator (VOA), when present.	<ul style="list-style-type: none"> Constant Attenuation Constant Power
VOA Attenuation Ref	(Display only) Shows the VOA attenuation value when VOA Mode is set to Constant Attenuation. This parameter can only be modified by ANS.	—
VOA Attenuation Calib	Modifies the attenuation value of the VOA when the VOA Mode is set to Constant Attenuation.	Numeric. Double-click the parameter, enter a value, and press Enter .
Active Channels	(Display only) Indicates how many channels the amplifier is carrying. Generally reflects the number of provisioned channels.	—
OSC Power	(Display only) Shows the OSC power level per port.	—

Step 4 Click **Apply**. If the change affects traffic, a warning message appears. Click **Yes** to complete the change.

Step 5 Return to your originating procedure (NTP).

DLP-G533 Change Optical Line Threshold Settings for 40-SMR1-C and 40-SMR2-C Cards

Purpose	This task changes the optical line threshold settings for the 40-SMR1-C and 40-SMR2-C cards.
Tools/Equipment	None
Prerequisite Procedures	DLP-G46 Log into CTC, page 3-30
Required/As Needed	As needed
Onsite/Remote	Onsite or remote
Security Level	Provisioning or higher

**Caution**

CTC does not monitor warning thresholds. They must be user-provisioned and monitored through custom alarm profiles.

-
- Step 1** In node view (single-shelf mode) or shelf view (multishelf mode), double-click the 40-SMR1-C or 40-SMR2-C card where you want to change the optical line threshold settings.
- Step 2** Click the **Provisioning > Optical Line > Optics Thresholds** tabs.
- Step 3** If you want to change the warning thresholds, complete the following steps. If not, continue with [Step 4](#).
- a. Under Types, choose **Warning**.
 - b. Choose the warning interval that you want to provision, either **15 minutes** or **1 Day**.
 - c. Click **Refresh**.
 - d. Modify any of the warning thresholds shown under the Options column in [Table 12-54](#).
 - e. Click **Apply**. If the change affects service, a warning message appears. Click **Yes** to complete the change.

Table 12-54 40-SMR1-C and 40-SMR2-C Card Optical Line Warning Threshold Settings

Parameter	Description	Options
Port	(Display only) Displays the port number, port type, and direction (TX or RX):	<p>40-SMR1-C card options:</p> <ul style="list-style-type: none"> • 1 (EXP-RX) • 3 (DC-RX) • 4 (DC-TX) • 5 (OSC-RX) • 6 (OSC-TX) • 7 (ADD-RX) • 8 (DROP-TX) • 9 (LINE-RX) • 10 (LINE-TX) <p>40-SMR2-C card options:</p> <ul style="list-style-type: none"> • 1 (DC-RX) • 2 (DC-TX) • 3 (OSC-RX) • 4 (OSC-TX) • 5 (ADD-RX) • 6 (DROP-TX) • 7 (LINE-RX) • 10 (EXP-RX 1-2) • 11 (EXP-RX 1-3) • 12 (EXP-RX 1-4)
opwrMin (dBm)	Sets the low power warning level.	Numeric. Can be set for 15-minute or one-day intervals. The default is -50 dBm. Double-click the table cell, enter the value, and press Enter .
opwrMax (dBm)	Sets the high power warning level.	Numeric. Can be set for 15-minute or one-day intervals. The default is 30 dBm. Double-click the table cell, enter the value, and press Enter .
opwrMin OSC (dBm)	Sets the OSC low power warning level.	Numeric. Can be set for 15-minute or one-day intervals. The default is -50 dBm. Double-click the table cell, enter the value, and press Enter .
opwrMax OSC (dBm)	Sets the OSC high power warning level.	Numeric. Can be set for 15-minute or one-day intervals. The default is 30 dBm. Double-click the table cell, enter the value, and press Enter .

- Step 4** If you want to change the alarm thresholds, complete the following steps. If not, continue with [Step 5](#).
- Under Types, choose **Alarm**.
 - Click **Refresh**.
 - Modify any of the alarm thresholds shown under the Options column in [Table 12-55](#).
 - Click **Apply**. If the change affects traffic, a warning message appears. Click **Yes** to complete the change.

Table 12-55 40-SMR1-C and 40-SMR2-C Card Optical Line Alarm Thresholds Setting

Parameter	Description	Options
Port	(Display only) Displays the port number.	40-SMR1-C card options: <ul style="list-style-type: none"> • 1 (EXP-RX) • 3 (DC-RX) • 4 (DC-TX) • 5 (OSC-RX) • 6 (OSC-TX) • 7 (ADD-RX) • 8 (DROP-TX) • 9 (LINE-RX) • 10 (LINE-TX) 40-SMR2-C card options: <ul style="list-style-type: none"> • 1 (DC-RX) • 2 (DC-TX) • 3 (OSC-RX) • 4 (OSC-TX) • 5 (ADD-RX) • 6 (DROP-TX) • 7 (LINE-RX) • 10 (EXP-RX 1-2) • 11 (EXP-RX 1-3) • 12 (EXP-RX 1-4)
Power Failure Low (dBm)	Shows the optical power failure low threshold for the port. The threshold is calculated automatically when you run ANS. You can manually change the threshold. The value must be within the optical power range that is specified for the card. (Refer to the “Hardware Specifications” appendix in the <i>Cisco ONS 15454 DWDM Reference Manual</i> .)	Numeric.

Table 12-55 40-SMR1-C and 40-SMR2-C Card Optical Line Alarm Thresholds Setting (continued)

Parameter	Description	Options
Power Degrade High (dBm)	Does not apply to 40-SMR1-C and 40-SMR2-C line parameters.	—
Power Degrade Low (dBm)	Does not apply to 40-SMR1-C and 40-SMR2-C line parameters.	—
Pwr OSC Degrade High (dBm)	Does not apply to 40-SMR1-C and 40-SMR2-C line parameters.	—
Pwr OSC Degrade Low (dBm)	Does not apply to 40-SMR1-C and 40-SMR2-C line parameters.	—
Pwr OSC Failure (dBm)	Shows the optical power failure threshold for the OSC. The threshold is calculated automatically when you run ANS. You can manually change the threshold. The value must be within the optical power range that is specified for the card. If there is a failure, an LOS-O alarm is raised. (Refer to the “Hardware Specifications” appendix in the <i>Cisco ONS 15454 DWDM Reference Manual</i> .)	Numeric.

Step 5 Return to your originating procedure (NTP).

DLP-G534 Change Optical Amplifier Line Settings for 40-SMR1-C and 40-SMR2-C Cards

Purpose	This task changes the optical amplifier line settings for 40-SMR1-C and 40-SMR2-C cards.
Tools/Equipment	None
Prerequisite Procedures	DLP-G46 Log into CTC, page 3-30
Required/As Needed	As needed
Onsite/Remote	Onsite or remote
Security Level	Provisioning or higher

- Step 1** In node view (single-shelf mode) or shelf view (multishelf mode), double-click the 40-SMR1-C or 40-SMR2-C card where you want to change the optical amplifier line settings.
- Step 2** Click the **Provisioning > Opt. Ampli. Line > Parameters** tabs.
- Step 3** Modify any of the settings described in [Table 12-56](#). The provisionable parameters are listed in the Options column in the table. In the Options column, the SONET (ANSI) option is followed by the SDH (ETSI) option.

Table 12-56 40-SMR1-C and 40-SMR2-C Card Line Settings

Parameter	Description	Options
Port	(Display only) Displays the port number, port type, and direction.	40-SMR1-C card options: <ul style="list-style-type: none"> • 2 (EXP-TX) 40-SMR1-C card options: <ul style="list-style-type: none"> • 8 (LINE-TX) • 9 (EXP-TX 1-1)
Port Name	Provides the ability to assign the specified port, a name.	User-defined. Name can be up to 32 alphanumeric/special characters. Blank by default. See the “DLP-G104 Assign a Name to a Port” task on page 8-3.
Admin State	Sets the port administrative state unless network conditions prevent the change. For more information about administrative states, refer to the “Administrative and Service States” appendix in the <i>Cisco ONS 15454 DWDM Reference Manual</i> .	From the drop-down list, choose one of the following: <ul style="list-style-type: none"> • IS,AINS/Unlocked,automaticInService • OOS,DSBLD/Locked,disabled • OOS,MT/Locked,maintenance Note You cannot set the OOS,DSBLD/Locked,disabled administrative state for LINE-TX and EXP-TX ports, and hence the OOS-MA,DSBLD/Locked-enabled,disabled service state is not applicable for these ports.
Service State	(Display only) Identifies the autonomously generated state that gives the overall condition of the port. Service states appear in the format: Primary State-Primary State Qualifier, Secondary State. For more information about service states, refer to the “Administrative and Service States” appendix in the <i>Cisco ONS 15454 DWDM Reference Manual</i> .	<ul style="list-style-type: none"> • IS-NR/Unlocked-enabled • OOS-AU,AINS/Unlocked-disabled, automaticInService • OOS-MA,DSBLD/Locked-enabled,disabled • OOS-MA,MT/Locked-enabled,maintenance Note You cannot set the OOS,DSBLD/Locked,disabled administrative state for LINE-TX and EXP-TX ports, and hence the OOS-MA,DSBLD/Locked-enabled,disabled service state is not applicable for these ports.
Total Output Power	(Display only) Shows the current power level per port.	—
Offset	Adjusts the total output power unless network conditions prevent the adjustment, for example, if the port is in IS state.	Numeric. Double-click to change.
Active Channels	(Display only) Indicates how many channels the card is carrying. Generally reflects the number of provisioned channels.	—
OSC Power	(Display only) Shows the OSC power level per port.	—

Table 12-56 40-SMR1-C and 40-SMR2-C Card Line Settings (continued)

Parameter	Description	Options
Channel Power Ref.	(Display only) Shows the optical per channel signal power setpoint that must be reached at the amplifier output when gain control is active.	—
Signal Output Power	(Display only) Shows the current output power leaving the amplifier, including the ASE contribution.	—
Output Power Set-Point	(Display only) Shows the output power setpoint.	—
Working Mode	(Display only) Shows the working mode, either Output Power or Control Gain.	—
DCU Insertion Loss	(Display only) Shows the DCU insertion loss.	—
Gain	(Display only) The current gain of the amplifiers.	—
Gain Set Point	(Display only) The value of the gain that the amplifier must achieve. APC can modify this value based on the number of OCHNC circuits that the amplifier manages, or to compensate for fiber aging insertion loss. Refer to the “Network Reference” chapter in the <i>Cisco ONS 15454 DWDM Reference Manual</i> for more information.	—
Tilt Reference	(Display only) Shows the default value for the amplifier tilt. Only ANS can modify this field.	—
Tilt Calibration	Allows you to manually change the amplifier tilt.	Numeric. Double-click the parameter, enter a value, and press Enter .

Step 4 Click **Apply**. If the change affects traffic, a warning message appears. Click **Yes** to complete the change.

Step 5 Return to your originating procedure (NTP).

DLP-G535 Change Optical Amplifier Threshold Settings for 40-SMR1-C and 40-SMR2-C Cards

Purpose	This task changes the optical channel threshold settings for the 40-SMR1-C and 40-SMR2-C cards.
Tools/Equipment	None
Prerequisite Procedures	DLP-G46 Log into CTC, page 3-30
Required/As Needed	As needed
Onsite/Remote	Onsite or remote
Security Level	Provisioning or higher

**Caution**

CTC does not monitor warning thresholds. They must be user-provisioned and monitored through custom alarm profiles.

- Step 1** In node view (single-shelf mode) or shelf view (multishelf mode), double-click the 40-SMR1-C or 40-SMR2-C card where you want to change the optical amplifier threshold settings.
- Step 2** Click the **Provisioning > Opt Ampli Line > Optics Thresholds** tabs.
- Step 3** If you want to change the warning thresholds, complete the following steps. If not, continue with [Step 4](#).
- Under Types, choose **Warning**.
 - Choose the warning interval that you want to provision, either **15 minutes** or **1 Day**.
 - Click **Refresh**.
 - Modify any of the warning thresholds shown under the Options column in [Table 12-57](#).
 - Click **Apply**. If the change affects traffic, a warning message appears. Click **Yes** to complete the change.

Table 12-57 40-SMR1-C and 40-SMR2-C Card Line Warning Threshold Settings

Parameter	Description	Options
Port	(Display only) Displays the port number, port type, and direction.	40-SMR1-C card options: <ul style="list-style-type: none"> • 2 (EXP-TX) 40-SMR2-C card options: <ul style="list-style-type: none"> • 8 (LINE-TX) • 9 (EXP-TX 1-1)
opwrMin (dBm)	Sets the low power warning level.	Numeric. Can be set for 15-minute or one-day intervals. The default is -50 dBm. Double-click the parameter, enter a value, and press Enter .
opwrMax (dBm)	Sets the high power warning level.	Numeric. Can be set for 15-minute or one-day intervals. The default is 30 dBm. Double-click the parameter, enter a value, and press Enter .
opwrMin OSC (dBm)	Sets the OSC low power warning level.	Numeric. Can be set for 15-minute or one-day intervals. The default is -50 dBm. Double-click the parameter, enter a value, and press Enter .
opwrMax OSC (dBm)	Sets the OSC high power warning level.	Numeric. Can be set for 15-minute or one-day intervals. The default is 30 dBm. Double-click the parameter, enter a value, and press Enter .

- Step 4** If you want to change the alarm thresholds, complete the following steps. If not, continue with [Step 5](#).
- Under Types, choose **Alarm**.
 - Click **Refresh**.

- c. Modify any of the alarm thresholds shown under the Options column in [Table 12-58](#).
- d. Click **Apply**. If the change affects service, a warning message appears. Click **Yes** to complete the change.

Table 12-58 40-SMR1-C and 40-SMR2-C Card Line Alarm Thresholds Settings

Parameter	Description	Options
Port	(Display only) Displays the port number, port type, and direction.	40-SMR1-C card options: <ul style="list-style-type: none"> • 2 (EXP-TX) 40-SMR1-C card options: <ul style="list-style-type: none"> • 8 (LINE-TX) • 9 (EXP-TX 1-1)
Gain Degrade Low (dBm)	(Display only) Shows the current value of the gain degrade low threshold configured in the card. This threshold applies only when the amplifier is active and in constant gain mode. Gain Degrade Low refers to the Gain value of the port, which the TCC2/TCC2P/TCC3/TNC/TSC automatically calculates when the amplifier is turned up. The Gain Degrade Low threshold is automatically linked to the Gain Setpoint that is provisioned. Changing the setpoint changes the Gain Degrade Low threshold. The threshold value is always 2 dB lower than the Gain Setpoint value. APC can also modify this value based on the number of OCHNC circuits that the amplifier is managing.	—
Gain Degrade High (dBm)	(Display only) Shows the current value of the gain degrade high threshold configured in the card. This threshold applies only when the amplifier is active and in constant gain mode. Gain Degrade High refers to the Gain value of the port, which the TCC2/TCC2P/TCC3/TNC/TSC automatically calculates when the amplifier is turned up. The Gain Degrade High threshold is linked to the Gain setpoint. Changing the setpoint changes the Gain Degrade High threshold. The threshold value is always 2 dB higher than the Gain Setpoint value. APC can modify this value based on the number of OCHNC circuits that the amplifier is managing and to compensate for insertion loss due to fiber aging.	—

Table 12-58 40-SMR1-C and 40-SMR2-C Card Line Alarm Thresholds Settings (continued)

Parameter	Description	Options
Power Failure Low (dBm)	Shows the optical power failure low threshold for the port. The threshold is calculated automatically when you run ANS. You can manually change the threshold. The value must be within the optical power range that is specified for the card. (Refer to the “Hardware Specifications” appendix in the <i>Cisco ONS 15454 DWDM Reference Manual</i> .)	Numeric. Double-click to change.

Table 12-58 40-SMR1-C and 40-SMR2-C Card Line Alarm Thresholds Settings (continued)

Parameter	Description	Options
Power Degrade High (dBm)	<p>(Display only) Shows the current value of the optical power degrade high threshold. This threshold applies only when the amplifier is active and in constant power mode.</p> <p>Power Degrade High refers to the Signal Output Power value of the port, which the TCC2/TCC2P/TCC3/TNC/TSC automatically calculates when the amplifier is turned up.</p> <p>The Power Degrade High threshold is linked to the Output Power Setpoint on the Parameters tab. Changing the setpoint changes the Power Degrade High threshold. The threshold value is always 2 dB higher than the output power setpoint value.</p> <p>APC can modify this value based on the number of OCHNC circuits that the amplifier is managing. Refer to the “Network Reference” chapter in the <i>Cisco ONS 15454 DWDM Reference Manual</i> for more information.</p> <p>Note In Control Power working mode, this parameter is applicable only on the EXP-TX port for the 40-SMR2-C card.</p>	—
Power Degrade Low (dBm)	<p>(Display only) Shows the current value of the optical power degrade low threshold configured in the card. This threshold applies only when the amplifier is active and in constant power mode.</p> <p>Power Degrade Low refers to the Signal Output Power value of the port, which the TCC2/TCC2P/TCC3/TNC/TSC automatically calculates when the amplifier is turned up.</p> <p>The Power Degrade Low threshold is automatically linked to the Output Power Setpoint on the Parameters tab. Changing the setpoint changes the Power Degrade Low threshold. The threshold value is always 2 dB lower than the output power setpoint.</p> <p>APC can modify this value based on the number of OCHNC circuits that the amplifier is managing.</p> <p>Note In Control Power working mode, this parameter is applicable only on the EXP-TX port for the 40-SMR2-C card.</p>	—

Step 5 Return to your originating procedure (NTP).

DLP-G536 Change 40-SMR1-C and 40-SMR2-C Card Optical Channel Parameters

Purpose	This task changes the optical channel parameter settings for the 40-SMR1-C and 40-SMR2-C cards.
Tools/Equipment	None
Prerequisite Procedures	DLP-G46 Log into CTC, page 3-30
Required/As Needed	As needed
Onsite/Remote	Onsite or remote
Security Level	Provisioning or higher

- Step 1** In node view (single-shelf mode) or shelf view (multishelf mode), double-click the 40-SMR1-C or 40-SMR2-C card where you want to change the optical channel parameter settings.
- Step 2** Click the **Provisioning > OCH > Parameters** tab.
- Step 3** From the Wavelength drop-down list, choose a wavelength and click **Retrieve** to retrieve the OCH parameters.
- Step 4** Modify any of the settings described in [Table 12-59](#). The provisionable parameters are listed in the Options column in the table. In the Options column, the SONET (ANSI) option is followed by the SDH (ETSI) option.

Table 12-59 40-SMR1-C or 40-SMR2-C Card Optical Channel Parameter Settings

Parameter	Description	Options
Admin State	Sets the port administrative state unless network conditions prevent the change. For more information about administrative states, refer to the “Administrative and Service States” appendix in the <i>Cisco ONS 15454 DWDM Reference Manual</i> .	From the drop-down list, choose one of the following: <ul style="list-style-type: none"> IS,AINS/Unlocked,automaticInService OOS,DSBLD/Locked,disabled OOS,MT/Locked,maintenance Note You cannot set the OOS,MT/Locked,maintenance administrative state, and hence the OOS-MA,MT/Locked-enabled, maintenance service state is not applicable.
Service State	(Display only) Identifies the autonomously generated state that gives the overall condition of the port. Service states appear in the format: Primary State-Primary State Qualifier, Secondary State. For more information about service states, refer to the “Administrative and Service States” appendix in the <i>Cisco ONS 15454 DWDM Reference Manual</i> .	<ul style="list-style-type: none"> IS-NR/Unlocked-enabled OOS-AU,AINS/Unlocked-disabled, automaticInService OOS-MA,DSBLD/Locked-enabled, disabled OOS-MA,MT/Locked-enabled, maintenance Note You cannot set the OOS,MT/Locked,maintenance administrative state, and hence the OOS-MA,MT/Locked-enabled, maintenance service state is not applicable.
Power	(Display only) Power value read by the photodiode located after the VOA associated to the port, and calibrated to the port. For more information, refer to the “Hardware Specifications” appendix in the <i>Cisco ONS 15454 DWDM Reference Manual</i> .	Numeric value (dB).
Circuit Name	(Display only) Shows the circuit name. This is provisioned in the Circuits tab.	—
From	(Display only) The port where the circuit originated.	—
To	(Display only) The port where the circuit terminated.	—
Power From	Power on the From port where the circuit originated.	—
Power To	Power on the To port where the circuit terminated.	—

Table 12-59 40-SMR1-C or 40-SMR2-C Card Optical Channel Parameter Settings (continued)

Parameter	Description	Options
Force Channel	Allows you to move the VOA from Open to Closed loop to start the channel. You can force a channel only when the Force Channel Status is in the Unlocked state.	From the drop-down list, choose one of the following: <ul style="list-style-type: none"> • OFF • ON
VOA Power Ref.	(Display only) Shows the value of the optical power setpoint that must be reached on the path where a VOA is present, when VOA Mode is set to Constant Power. This value is the desired per channel optical power. Only ANS can modify this field.	Numeric value (dB).
VOA Power Calib.	Allows you to modify the VOA power value when VOA Mode is Constant Power.	Double-click the parameter, enter a value, and press Enter . <ul style="list-style-type: none"> • Numeric value (dB) • -25 dB to +12 dB
Force Channel Status	(Display only) Displays the channel status. The different statuses are: <ul style="list-style-type: none"> • Unlocked—Can force channel startup • Locked—Cannot force channel startup as the device is under control of other functions like optical safety • Forced—Channel startup has already been forced 	—

Step 5 Click **Apply**. If the change affects traffic, a warning message appears. Click **Yes** to complete the change.

Step 6 Return to your originating procedure (NTP).

DLP-G537 Change the 40-SMR1-C and 40-SMR2-C Optical Channel Thresholds

Purpose This task changes the optical channel threshold settings for the 40-SMR1-C and 40-SMR2-C cards.

Tools/Equipment None

Prerequisite Procedures [DLP-G46 Log into CTC, page 3-30](#)

Required/As Needed As needed

Onsite/Remote Onsite or remote

Security Level Provisioning or higher

**Caution**

CTC does not monitor warning thresholds. They must be user-provisioned and monitored through custom alarm profiles.

- Step 1** In node view (single-shelf mode) or shelf view (multishelf mode), double-click the 40-SMR1-C or 40-SMR2-C card where you want to change the optical channel threshold settings.
- Step 2** Click the **Provisioning > OCH > OCH Thresholds** tab.
- Step 3** If you want to change the warning thresholds, complete the following steps. If not, continue with [c..](#)
- a. Under Types, choose **Warning**.
 - b. Choose the warning interval that you want to provision, either **15 minutes** or **1 Day**.
 - c. Choose a wavelength from the Wavelength drop-down list.
 - d. In the Port drop-down list, choose an OCH port where you want to change the optical channel threshold settings:

For the 40-SMR1-C card, the following ports are available to view:

- 1 (EXP-RX)
- 2 (EXP-TX)
- 7 (ADD-RX)
- 8 (DROP-TX)
- 10 (LINE-TX)

For the 40-SMR2-C card, the following ports are available to view:

- 5 (ADD-RX)
- 6 (DROP-TX)
- 8 (LINE-TX)
- 9 (EXP-TX 1-1)
- 10 (EXP-RX 1-2)
- 11 (EXP-RX 1-3)
- 12 (EXP-RX 1-4)

- e. Click **Retrieve**. Modify any of the warning thresholds shown under the Options column in [Table 12-60](#).

Table 12-60 40-SMR1-C or 40-SMR2-C Card Optical Channel Warning Threshold Settings

Parameter	Description	Options
Circuit Name	(Display only) Shows the circuit name. This is provisioned in the Circuits tab.	—
Port Name	(Display only) Shows the port name.	—
Actual Wavelength	(Display only) Displays the actual wavelength that the channel utilizes.	—

Table 12-60 40-SMR1-C or 40-SMR2-C Card Optical Channel Warning Threshold Settings

Parameter	Description	Options
opwrMin (dBm)	Set the low power warning level.	Numeric. Can be set for 15-minute or one-day intervals. Double-click the parameter, enter a value, and press Enter .
opwrMax (dBm)	Set the high power warning level.	Numeric. Can be set for 15-minute or one-day intervals. Double-click the parameter, enter a value, and press Enter .

- f. Click **Apply**. If the change affects traffic, a warning message appears. Click **Yes** to complete the change.

Step 4 If you want to change the alarm thresholds, complete the following steps. If not, continue with [Step 5](#).

- a. Under Types, choose **Alarm**.
- b. Choose a wavelength from the Wavelength drop-down list.
- c. In the Port drop-down list, choose an OCH port where you want to change the optical channel threshold settings.
- d. Click **Retrieve**. Modify any of the alarm thresholds shown under the Options column in [Table 12-61](#).

Table 12-61 40-SMR1-C or 40-SMR2-C Card Optical Channel Alarm Threshold Settings

Parameter	Description	Options
Circuit Name	(Display only) Shows the circuit name. This is provisioned in the Circuits tab.	—
Port Name	(Display only) Shows the port name.	—
Actual Wavelength	(Display only) Displays the actual wavelength utilized by the channel.	—
Power Failure Low (dBm)	Shows the power failure low threshold. This power value applies to the corresponding port and is automatically calculated when ANS is run. This threshold applies to a port associated to a VOA (OSC-VOA) that is always active in Constant Power mode. The threshold is automatically linked to the Power Setpoint (VOA Power Ref + VOA Power Calib) that is provisioned. Changing the setpoint results in changing the threshold (always 5 dB lower). (Refer to the “Hardware Specifications” appendix in the <i>Cisco ONS 15454 DWDM Reference Manual</i> .)	—

Table 12-61 40-SMR1-C or 40-SMR2-C Card Optical Channel Alarm Threshold Settings (continued)

Parameter	Description	Options
Power Degrade High (dBm)	<p>(Display only) Shows the power degrade high threshold. This power value applies to the corresponding port and is automatically calculated when ANS is run.</p> <p>This threshold applies to a port associated to a VOA (OSC-VOA) that is always active in Constant Power mode.</p> <p>The threshold is automatically linked to the Power Setpoint (VOA Power Ref + VOA Power Calib) that is provisioned. Changing the setpoint results in changing the threshold (always 3 dB higher).</p> <p>Note This threshold applies only to certain ports depending on the working mode you have set.</p>	—
Power Degrade Low (dBm)	<p>(Display only) Shows the power degrade low threshold. This power value applies to the corresponding port and is automatically calculated when ANS is run.</p> <p>This threshold applies to a port associated to a VOA (OSC-VOA) that is always active in Constant Power mode.</p> <p>The threshold is automatically linked to the Power Setpoint (VOA Power Ref + VOA Power Calib) that is provisioned. Changing the setpoint results in changing the threshold (always 2 dB lower).</p> <p>Note This threshold applies only to certain ports depending on the working mode you have set.</p>	Numeric

- e. Click **Apply**. If the change affects traffic, a warning message appears. Click **Yes** to complete the change.

Step 5 Return to your originating procedure (NTP).

NTP-G149 Modify the MMU Line Settings and PM Thresholds

Purpose	This procedure changes the MMU card thresholds and settings.
Tools/Equipment	None
Prerequisite Procedures	NTP-G30 Install the DWDM Cards, page 4-64
Required/As Needed	As needed
Onsite/Remote	Onsite or remote
Security Level	Provisioning or higher

-
- Step 1** Complete the “[DLP-G46 Log into CTC](#)” task on page 3-30 at the node where you want to change the MMU card settings. If you are already logged in, continue with Step 2.
- Step 2** Complete the “[NTP-G103 Back Up the Database](#)” procedure on page 14-2.
- Step 3** Perform any of the following tasks as needed:



Note To use the alarm profile tab, including creating alarm profiles and suppressing alarms, see [Chapter 10, “Manage Alarms.”](#)

- [DLP-G342 Change MMU Optical Line Parameters, page 12-113](#)
 - [DLP-G343 Change the MMU Optical Line Thresholds, page 12-115](#)
- Step 4** Complete the “[NTP-G103 Back Up the Database](#)” procedure on page 14-2.
- Stop. You have completed this procedure.**
-

DLP-G342 Change MMU Optical Line Parameters

Purpose	This task changes the optical line parameter settings for the MMU card.
Tools/Equipment	None
Prerequisite Procedures	DLP-G46 Log into CTC, page 3-30
Required/As Needed	As needed
Onsite/Remote	Onsite or remote
Security Level	Provisioning or higher

-
- Step 1** In node view (single-shelf mode) or shelf view (multishelf mode), double-click the MMU card where you want to change the optical line parameter settings.
- Step 2** Click the **Provisioning > Optical Line > Parameters** tabs.
- Step 3** Modify any of the settings described in [Table 12-62](#). The provisionable parameters are listed in the Options column in the table. In the Options column, the SONET (ANSI) option is followed by the SDH (ETSI) option.

Table 12-62 MMU Optical Line Parameter Settings

Parameter	Description	Options
Port	(Display only) Displays the port number, port type, and direction (RX or TX): <ul style="list-style-type: none"> • 1 (EXP-RX) • 2 (EXP-TX) • 3 (COM-RX) • 4 (COM-TX) • 5 (EXP A-RX) • 6 (EXP A-TX) 	—
Port Name	Allows you to assign a logical name for each of the ports shown.	User-defined. Name can be up to 32 alphanumeric/special characters. Blank by default. Double-click, enter the name, and press Enter . See the “DLP-G104 Assign a Name to a Port” task on page 8-3 .
Admin State	Sets the port administrative state unless network conditions prevent the change. For more information about administrative states, refer to the “Administrative and Service States” appendix in the <i>Cisco ONS 15454 DWDM Reference Manual</i> .	From the drop-down list, choose one of the following: <ul style="list-style-type: none"> • IS,AINS/Unlocked,automaticInService • OOS,DSBLD/Locked,disabled • OOS,MT/Locked,maintenance
Service State	(Display only) Identifies the autonomously generated state that gives the overall condition of the port. Service states appear in the format: Primary State-Primary State Qualifier, Secondary State. For more information about service states, refer to the “Administrative and Service States” appendix in the <i>Cisco ONS 15454 DWDM Reference Manual</i> .	<ul style="list-style-type: none"> • IS-NR/Unlocked-enabled • OOS-AU,AINS/Unlocked-disabled,automaticInService • OOS-MA,DSBLD/Locked-enabled,disabled • OOS-MA,MT/Locked-enabled,maintenance
Power	(Display only) Power value read by the photodiode associated with the port.	Numeric value (dB)
AINS Soak	(Display only) The automatic in-service soak period. It is always 00.00.	—
Actual Channels	Number of active channels carried by the port (the difference between provisioned and failed)	—

Step 4 Return to your originating procedure (NTP).

DLP-G343 Change the MMU Optical Line Thresholds

Purpose	This task changes the MMU card optical line threshold settings.
Tools/Equipment	None
Prerequisite Procedures	DLP-G46 Log into CTC, page 3-30
Required/As Needed	As needed
Onsite/Remote	Onsite or remote
Security Level	Provisioning or higher



Caution

Warning thresholds are not monitored by CTC. They must be user-provisioned and monitored through custom alarm profiles.

- Step 1** In node view (single-shelf mode) or shelf view (multishelf mode), double-click the MMU card where you want to change the optical line threshold settings.
- Step 2** Click the **Provisioning > Optical Line > Optics Thresholds** tabs.
- Step 3** If you want to change the warning thresholds, complete the following steps. If not, continue with [Step 4](#).
- Under Types, choose **Warning**.
 - Choose the warning interval that you want to provision, either **15 minutes** or **1 Day**.
 - Click **Refresh**.
 - Modify any of the warning thresholds shown under the Options column in [Table 12-63](#).
 - Click **Apply**. If the change affects traffic, a warning message appears. Click **Yes** to complete the change.

Table 12-63 MMU Optical Line Warning Threshold Settings

Parameter	Description	Options
Port	(Display only) Displays the port number, port type, and direction (RX or TX):	<ul style="list-style-type: none"> • 1 (EXP-RX) • 2 (EXP-TX) • 3 (COM-RX) • 4 (COM-TX) • 5 (EXP A-RX) • 6 (EXP A-TX)
opwrMin (dBm)	Set the low power warning level.	Numeric. Can be set for 15-minute or one-day intervals. The default is -50 dBm.
opwrMax (dBm)	Set the high power warning level.	Numeric. Can be set for 15-minute or one-day intervals. The default is 30 dBm.

- Step 4** If you want to change the alarm thresholds, complete the following steps. If not, continue with [Step 5](#).
- Under Types, choose **Alarm**.
 - Click **Refresh**.

- c. Modify any of the alarm thresholds shown under the Options column in [Table 12-64](#).
- d. Click **Apply**. If the change affects traffic, a warning message appears. Click **Yes** to complete the change.

Table 12-64 MMU Optical Line Alarm Threshold Settings

Parameter	Description	Options
Port	(Display only) Displays the port number, port type, and direction (RX or TX).	<ul style="list-style-type: none"> • 1 (EXP-RX) • 2 (EXP-TX) • 3 (COM-RX) • 4 (COM-TX) • 5 (EXP A-RX) • 6 (EXP A-TX)
Power Failure Low (dBm)	<p>Shows the power failure low threshold. This power value applies to the corresponding port and is automatically calculated when ANS is run.</p> <p>You can manually change the threshold. The value must be within the optical power range that is specified for the card. (Refer to the “Hardware Specifications” appendix in the <i>Cisco ONS 15454 DWDM Reference Manual</i>.)</p>	Numeric. Double-click the parameters, enter a value, and press Enter .

Step 5 Return to your originating procedure (NTP).

NTP-G101 Modify Alarm Interface Controller–International Settings

Purpose	This procedure provisions the AIC-I card to receive input from or send output to external devices wired to the backplane (called external alarms and controls or environmental alarms), or changes orderwire settings.
Tools/Equipment	None
Prerequisite Procedures	NTP-G72 Provision External Alarms and Controls on the Alarm Interface Controller-International Card, page 10-30 DLP-G109 Provision Orderwire, page 8-67
Required/As Needed	As needed
Onsite/Remote	Onsite or remote
Security Level	Provisioning or higher

-
- Step 1** Complete the “[DLP-G46 Log into CTC](#)” task on page 3-30 at the node where you want to change the AIC-I card settings. If you are already logged in, proceed to [Step 2](#).
- Step 2** Complete the “[NTP-G103 Back Up the Database](#)” procedure on page 14-2.
- Step 3** Perform any of the following tasks as needed:
- [DLP-G245 Change External Alarms Using the AIC-I Card](#), page 12-117
 - [DLP-G246 Change External Controls Using the AIC-I Card](#), page 12-118
 - [DLP-G247 Change AIC-I Card Orderwire Settings](#), page 12-119
- Step 4** Complete the “[NTP-G103 Back Up the Database](#)” procedure on page 14-2.
- Stop. You have completed this procedure.**
-

DLP-G245 Change External Alarms Using the AIC-I Card

Purpose	This task changes external alarm settings on the AIC-I card.
Tools/Equipment	None
Prerequisite Procedures	DLP-G46 Log into CTC , page 3-30
Required/As Needed	As needed
Onsite/Remote	Onsite or remote
Security Level	Provisioning or higher



Note The procedure is the same if you are using the alarm expansion panel (AEP). In this case, the number of contacts that are shown on the screen is changed accordingly.

- Step 1** Confirm that external-device relays are wired to the ENVIR ALARMS IN pins. See the “[DLP-G20 Install Alarm Wires on the MIC-A/P \(ETSI Only\)](#)” or the “[DLP-G23 Install Alarm Wires on the Backplane \(ANSI Only\)](#)” in the *Cisco ONS 15454 Hardware Installation Guide* for more information.
- Step 2** Double-click the AIC-I card to display it in card view.
- Step 3** Click the **Provisioning > External Alarms** tabs.
- Step 4** Modify any of the following fields for each external device wired to the ONS 15454 backplane. For definitions of these fields, see the “[NTP-G72 Provision External Alarms and Controls on the Alarm Interface Controller-International Card](#)” procedure on page 10-30.
- Enabled
 - Alarm Type
 - Severity
 - Virtual Wire
 - Raised When
 - Description
- Step 5** Click **Apply**.

Step 6 Return to your originating procedure (NTP).

DLP-G246 Change External Controls Using the AIC-I Card

Purpose	This task changes external control settings on the AIC-I card.
Tools/Equipment	None
Prerequisite Procedures	DLP-G46 Log into CTC, page 3-30
Required/As Needed	As needed
Onsite/Remote	Onsite or remote
Security Level	Provisioning or higher



Note The task is the same if you are using the AEP. In this case, the number of contacts that are shown on the screen is changed accordingly.

- Step 1** Verify the external control relays to the ENVIR ALARMS OUT backplane pins. See the “DLP-G20 Install Alarm Wires on the MIC-A/P (ETSI Only)” or the “DLP-G23 Install Alarm Wires on the Backplane (ANSI Only)” in the *Cisco ONS 15454 Hardware Installation Guide*.
- Step 2** In node view (single-shelf mode) or shelf view (multishelf mode), double-click the AIC-I card to display it in card view.
- Step 3** Click the **Provisioning > External Controls** tabs.
- Step 4** Modify any of the following fields for each external control wired to the ONS 15454 backplane. For definitions of these fields, see the “[NTP-G72 Provision External Alarms and Controls on the Alarm Interface Controller-International Card](#)” procedure on page 10-30.
- Enabled
 - Trigger Type
 - Control Type
 - Description
- Step 5** Click **Apply**.
- Step 6** Return to your originating procedure (NTP).
-

DLP-G247 Change AIC-I Card Orderwire Settings

Purpose	This task changes orderwire settings on the AIC-I card.
Tools/Equipment	None
Prerequisite Procedures	DLP-G46 Log into CTC, page 3-30
Required/As Needed	As needed
Onsite/Remote	Onsite or remote
Security Level	Provisioning or higher



Caution

When provisioning orderwire for ONS 15454s residing in a ring, do not provision a complete orderwire loop. For example, a four-node ring typically has Side B and Side A ports provisioned at all four nodes. However, to prevent orderwire loops, provision two orderwire ports (Side B and Side A) at all but one of the ring nodes.



Tip

Before you begin, make a list of the ONS 15454 slots and ports that require orderwire communication.

- Step 1** In node view (single-shelf mode) or shelf view (multishelf mode), double-click the AIC-I card to display it in card view.
- Step 2** Click the **Provisioning > Local Orderwire** tabs or the **Provisioning > Express Orderwire** tabs, depending on the orderwire path that you want to change. Provisioning steps are the same for both types of orderwire.
- Step 3** If needed, adjust the transmit (Tx) and receive (Rx) dBm values by moving the slider to the right or left for the headset type (four-wire or two-wire) that you will use. In general, you should not need to adjust the dBm values.
- Step 4** If you want to turn on the audible alert (buzzer) for the orderwire, check the **Buzzer On** check box.
- Step 5** Click **Apply**.
- Step 6** Return to your originating procedure (NTP).

NTP-G102 Change Card Service State

Purpose	This procedure changes a card service state.
Tools/Equipment	None
Prerequisite Procedures	NTP-G30 Install the DWDM Cards, page 4-64 or NTP-G179 Install the TXP, MXP, GE_XP, 10GE_XP, GE_XPE, 10GE_XPE, ADM-10G, and OTU2_XP Cards, page 4-69
Required/As Needed	As needed
Onsite/Remote	Onsite or remote
Security Level	Provisioning or higher

-
- Step 1** Complete the “[DLP-G46 Log into CTC](#)” task on page 3-30 at the node where you want to change the card service state.
- Step 2** In node view (single-shelf mode) or multishelf view (multishelf mode), click the **Inventory** tab.
- Step 3** Click the cell in the Admin State column for the card you want to change, and choose an administrative state from the drop-down list:
- **IS** (ANSI) or **Unlocked** (ETSI)
 - **OOS,MT** (ANSI) or **Locked-enabled** (ETSI)
- Step 4** Click **Apply**.
- Step 5** If an error message appears indicating that the card state cannot be changed from its current state, click **OK**.

For information about the card state transitions, refer to the “Administrative and Service States” appendix in the *Cisco ONS 15454 DWDM Reference Manual*.

Stop. You have completed this procedure.

NTP-G280 Modify Threshold Settings for the TNC Card

Purpose	This procedure changes the optical and line threshold settings for the TNC card on the Cisco ONS 15454 M2 and the Cisco ONS 15454 M6 shelves.
Tools/Equipment	None
Prerequisite Procedures	DLP-G46 Log into CTC, page 3-30 “DLP-G605 Provision PPM and Port for the TNC Card” in the <i>Cisco ONS 15454 Hardware Installation Guide</i>
Required/As Needed	As needed
Onsite/Remote	Onsite or remote
Security Level	Provisioning or higher

-
- Step 1** Complete the “[DLP-G46 Log into CTC](#)” task on page 3-30 at the node where you want to modify the threshold settings.
- Step 2** Perform any of the following tasks as needed:
- “[DLP-G609 Modify Optical Threshold Settings for the TNC Card](#)” task on page 12-121
 - “[DLP-G610 Modify Line Threshold Settings for the TNC Card](#)” task on page 12-122
- Stop. You have completed this procedure.**

DLP-G609 Modify Optical Threshold Settings for the TNC Card

Purpose	This task changes the optical threshold settings for the TNC card on the ONS 15454 M2 and the ONS 15454 M6 shelves.
Tools/Equipment	None
Prerequisite Procedures	DLP-G46 Log into CTC, page 3-30 “DLP-G605 Provision PPM and Port for the TNC Card” in the <i>Cisco ONS 15454 Hardware Installation Guide</i>
Required/As Needed	As needed
Onsite/Remote	Onsite or remote
Security Level	Provisioning or higher

- Step 1** In node view (single-shelf mode) or shelf view (multishelf mode), double-click the TNC card where you want to change the optical threshold settings.
- Step 2** Click the **Provisioning > Optics Thresholds** tabs.
- Step 3** Under Types, choose the type of threshold that you want to change, either **TCA** or **Alarm**.
- Step 4** Click **Refresh**.
- Step 5** Modify any of the threshold settings as needed by double-clicking the threshold value, deleting it, entering a new value, and hitting Enter. [Table 12-65](#) shows the thresholds for warnings and alarms.



Note

You can modify the optics thresholds either for 15 minutes or 1 day. To do so, choose the appropriate radio button and click Refresh. 15 minutes and 1 day interval are not applicable for alarm thresholds.

Table 12-65 TNC Card Optical Warning and Alarms Thresholds Settings

Parameter	Description	Options
Port	(Display only) Displays the port number and port type.	<ul style="list-style-type: none"> port number (OC3) port number (FE) port number (ONE-GE)
Laser Bias High (%)	Sets the maximum laser bias.	Numeric. Can be set for 15-minute or one-day intervals. Double-click the parameter, enter a value, and press Enter .
RX Power High (dBm)	Sets the maximum optical power received.	Numeric. Can be set for 15-minute or one-day intervals. Double-click the parameter, enter a value, and press Enter .
RX Power Low (dBm)	Sets the minimum optical power received.	Numeric. Can be set for 15-minute or one-day intervals. Double-click the parameter, enter a value, and press Enter .

Table 12-65 TNC Card Optical Warning and Alarms Thresholds Settings

Parameter	Description	Options
TX Power High (dBm)	Sets the maximum optical power transmitted.	Numeric. Can be set for 15-minute or one-day intervals. Double-click the parameter, enter a value, and press Enter .
TX Power Low (dBm)	Sets the minimum optical power transmitted.	Numeric. Can be set for 15-minute or one-day intervals. Double-click the parameter, enter a value, and press Enter .

Step 6 Click **Apply**. If the change affects traffic, a warning message appears. Click **Yes** to complete the change.

Step 7 Return to your originating procedure (NTP).

DLP-G610 Modify Line Threshold Settings for the TNC Card

Purpose	This task changes the line threshold settings for the TNC card on the ONS 15454 M2 and the ONS 15454 M6 shelves.
Tools/Equipment	None
Prerequisite Procedures	DLP-G46 Log into CTC, page 3-30 “DLP-G605 Provision PPM and Port for the TNC Card” in the <i>Cisco ONS 15454 Hardware Installation Guide</i>
Required/As Needed	As needed
Onsite/Remote	Onsite or remote
Security Level	Provisioning or higher

Step 1 In node view (single-shelf mode) or shelf view (multishelf mode), double-click the TNC card where you want to change the line threshold settings.

Step 2 Click the **Provisioning > Line** tabs.

Step 3 Modify any of the threshold settings as described in the following tables. These settings are found in Ports, OC3 Line, and SONET Thresholds subtabs.

Table 12-66 TNC Card Line Threshold Settings (Ports tab)

Parameter	Description	Options
Port	(Display only) Displays the port number and port type.	<ul style="list-style-type: none"> <i>port number</i> (OC3) <i>port number</i> (FE) <i>port number</i> (ONE-GE)
Port Name	Provides the ability to assign the specified port a name.	User-defined. Name can be up to 32 alphanumeric/special characters. Blank by default. See the “DLP-G104 Assign a Name to a Port” task on page 8-3.

Table 12-66 TNC Card Line Threshold Settings (continued) (Ports tab)

Parameter	Description	Options
Admin State	(Display only) Displays the port administrative state. For more information about administrative states, see the "Administrative and Service States" appendix in the <i>Cisco ONS 15454 DWDM Reference Manual</i> .	<ul style="list-style-type: none"> <li data-bbox="1084 317 1529 443">• IS (ANSI) or Unlocked (ETSI)—Puts the port in service. The port service state changes to IS-NR (ANSI) or Unlocked-enabled (ETSI). <li data-bbox="1084 457 1529 676">• IS,AINS (ANSI) or Unlocked,automaticInService (ETSI)—Puts the port in automatic in-service. The port service state changes to OOS-AU,AINS (ANSI) or Unlocked-disabled,automaticInService (ETSI).

Table 12-66 TNC Card Line Threshold Settings (continued) (Ports tab)

Parameter	Description	Options
Service State	(Display only) Identifies the autonomously generated state that displays the overall condition of the port. Service states appear in these formats: Primary State-Primary State Qualifier, Secondary State. For more information about service states, see "Administrative and Service States" appendix in the <i>Cisco ONS 15454 DWDM Reference Manual</i> .	<ul style="list-style-type: none"> IS-NR (In-Service and Normal [ANSI]) or Unlocked-enabled (ETSI)—The port is fully operational and is performing as provisioned. OOS-AU,AINS (Out-Of-Service and Autonomous, Automatic In-Service [ANSI]) or Unlocked-disabled,automaticInService (ETSI)—The port is out of service, but traffic is carried. Alarm reporting is suppressed. The ONS node monitors the ports for an error-free signal. After an error-free signal is detected, the port stays in the OOS-AU,AINS/Unlocked-disabled,automaticInService state for the duration of the soak period. After the soak period ends, the port service state changes to IS-NR/Unlocked-enabled.
Reach	Indicates the distance from one node to another node	<p>From the drop-down list, choose one of the following:</p> <ul style="list-style-type: none"> Auto Provision LX SX CX T DX HX ZX VX CWDM DWDM LR 2 (SONET) L2 (SDH) ULH (SDH and SONET)

Table 12-67 TNC Card Line Threshold Settings (OC3 Line tab)

Parameter	Description	Options
SF BER	Sets the signal fail bit error rate.	From the drop-down list, choose one of the following: <ul style="list-style-type: none"> • 1E-3 • 1E-4 • 1E-5
SD BER	Sets the signal degrade bit error rate.	From the drop-down list, choose one of the following: <ul style="list-style-type: none"> • 1E-5 • 1E-6 • 1E-7 • 1E-8 • 1E-9
ProvidesSync	(Display only) If checked, the card is provisioned as a network element (NE) timing reference.	<ul style="list-style-type: none"> • Checked • Unchecked
SyncMsgIn	Enables synchronization status messages (SSM) on the S1 byte, which allow the node to choose the best timing source.	<ul style="list-style-type: none"> • Checked • Unchecked
SendDoNotUse	When checked, sends a “Do Not Use for Synchronization (DUS)” message on the S1 byte.	<ul style="list-style-type: none"> • Checked • Unchecked
PJSTSMon#	(Display only) Sets the STS that will be used for pointer justification.	This parameter is set to 0. It cannot be changed.
AINS Soak	(Display only) The automatic in-service soak period. It is always 00.00.	—
Type	Defines the port as SONET or SDH. The ProvidesSync Msg field and the Send Do Not Use field must be disabled before the port can be set to SDH.	From the drop-down list, choose one of the following: <ul style="list-style-type: none"> • SONET • SDH

Table 12-68 TNC Card Line Threshold Settings (SONET)

Parameter	Description	Options
CV	Coding violations	Numeric. Can be set for 15-minute or one-day intervals for Line or Section (Near and Far End).
ES	Errored seconds	Numeric. Can be set for 15-minute or one-day intervals for Line or Section (Near and Far End).
SES	Severely errored seconds	Numeric. Can be set for 15-minute or one-day intervals for Line or Section (Near and Far End).

Parameter	Description	Options
SEFS	Severely errored framing seconds (Section only)	Numeric. Can be set for 15-minute or one-day intervals for Section (Near and Far End).
FC	Failure count (Line only)	Numeric. Can be set for 15-minute or one-day intervals for Line (Near and Far End).
UAS	Unavailable seconds (Line only)	Numeric. Can be set for 15-minute or one-day intervals for Line (Near and Far End).

Table 12-69 TNC Card Line Threshold Settings (SDH)

Parameter	Description	Options
RS-OFS	Out of frame seconds	Numeric. Can be set for 15-minute or one-day intervals for Section (Near and Far End).
EB	Errored block	Numeric. Can be set for 15-minute or one-day intervals for MS (Multiplex Section) or RS (Regeneration Section) (Near and Far End). Select the bullet and click Refresh .
ES	Errored seconds	Numeric. Can be set for 15-minute or one-day intervals for MS or RS (Near and Far End). Select the bullet and click Refresh .
SES	Severely errored seconds	Numeric. Can be set for 15-minute or one-day intervals for MS or RS (Near and Far End). Select the bullet and click Refresh .
BBE	Background block error	Numeric. Can be set for 15-minute or one-day intervals for MS or RS (Near and Far End). Select the bullet and click Refresh .
OFS	Out of frame seconds	Numeric. Can be set for 15-minute or one-day intervals for RS, Near End. Select the bullet and click Refresh .



Note Far end is not applicable for optics thresholds and Regenerator Section STM1 thresholds (or section thresholds in OC3).

- Step 4** Click **Apply**. If the change affects traffic, a warning message appears. Click **Yes** to complete the change.
- Step 5** Return to your originating procedure (NTP).



CHAPTER 13

Upgrade, Add, and Remove Cards and Nodes



Note

The terms "Unidirectional Path Switched Ring" and "UPSR" may appear in Cisco literature. These terms do not refer to using Cisco ONS 15xxx products in a unidirectional path switched ring configuration. Rather, these terms, as well as "Path Protected Mesh Network" and "PPMN," refer generally to Cisco's path protection feature, which may be used in any topological network configuration. Cisco does not recommend using its path protection feature in any particular topological network configuration.

This chapter provides procedures for adding and removing dense wavelength division multiplexing (DWDM) cards and nodes.



Note

The procedures and tasks described in this chapter for the Cisco ONS 15454 platform is applicable to the Cisco ONS 15454 M2 and Cisco ONS 15454 M6 platforms, unless noted otherwise.



Note

Unless otherwise specified, "ONS 15454" refers to both ANSI and ETSI shelf assemblies.

Before You Begin

Before performing any of the following procedures, investigate all alarms and clear any trouble conditions. Refer to the *Cisco ONS 15454 DWDM Troubleshooting Guide* as necessary for general troubleshooting information and alarm or error descriptions.

This section lists the chapter procedures (NTPs). Turn to a procedure to view its tasks (DLPs).

1. [NTP-G107 Remove Permanently or Remove and Replace DWDM Cards](#), page 13-2—Complete as needed.
2. [NTP-G127 Add an AD-xC-xx.x Card to an OADM Node](#), page 13-6—Complete as needed.
3. [NTP-G129 Add a DWDM Node](#), page 13-9—Complete as needed.
4. [NTP-G130 Remove a DWDM Node](#), page 13-11—Complete as needed.
5. [NTP-G146 Add a Rack, Passive Unit, or Shelf to a Multishelf Node](#), page 13-13—Complete as needed.
6. [NTP-G147 Delete a Passive Unit, Shelf, or Rack from a Multishelf Node](#), page 13-16—Complete as needed.
7. [NTP-G173 Convert an OADM Node to a ROADM Node](#), page 13-18—Complete as needed.

8. [NTP-G176 Convert an Line Amplifier Node to an OADM Node, page 13-21](#)—Complete as needed.
9. [NTP-G182 Convert a Line Amplifier Node to a ROADM Node, page 13-23](#)—Complete as needed.
10. [NTP-G195 Convert a Protected ROADM Node from two Separate Nodes to a Single Multishelf Node, page 13-25](#)—Complete as needed.
11. [NTP-G177 Upgrade ANS Parameters on a DWDM Node, page 13-32](#)—Complete as needed.
12. [NTP-G242 Modify the CD setting of TDC-CC and TDC-FC Cards, page 13-33.](#)
13. [NTP-G278 Upgrade the TSC Card to the TNC Card, page 13-35](#)

NTP-G107 Remove Permanently or Remove and Replace DWDM Cards

Purpose	This procedure permanently removes or removes and replaces DWDM cards installed in the ONS 15454 shelf and rack.
Tools/Equipment	None
Prerequisite Procedures	NTP-G30 Install the DWDM Cards, page 4-64 NTP-G179 Install the TXP, MXP, GE_XP, 10GE_XP, GE_XPE, 10GE_XPE, ADM-10G, and OTU2_XP Cards, page 4-69
Required/As Needed	As needed
Onsite/Remote	Onsite
Security Level	Provisioning or higher


Caution

Removing and replacing cards can be traffic affecting.


Caution

Do not use this procedure to replace a TCC2/TCC2P/TCC3/TNC/TSC card.

Step 1 Complete the [“DLP-G46 Log into CTC” task on page 3-30.](#)


Note

If you cannot log into Cisco Transport Controller (CTC) and you need to remove a card, remove the card as described in [Step 6](#). After you log into CTC, troubleshoot the mismatched equipment alarm (MEA) with the *Cisco ONS 15454 DWDM Troubleshooting Guide*.

Step 2 Click the **Alarms** tab.

- a. Verify that the alarm filter is not on. See the [DLP-G128 Disable Alarm Filtering, page 10-26](#) as necessary.
- b. Verify that no unexplained alarms appear on the network. If alarms appear, investigate and resolve them before continuing. Refer to the *Cisco ONS 15454 DWDM Troubleshooting Guide* for procedures.

Step 3 If you are removing and replacing a card, go to [Step 5](#).

Step 4 If you are permanently removing a card, go to [Step 11](#).

- Step 5** To remove and replace a card, complete the following tasks, as needed:
- The circuits traversing through the card that needs to be replaced (for example, an amplifier) need to be protection switched. For instance, if the card you want to replace is an active transponder (TXP) or muxponder (MXP) in a Y-cable protection group, complete the “[DLP-G179 Apply a Force Y-Cable or Splitter Protection Switch](#)” task on page 11-45 to force traffic away from the TXP or MXP that you will remove. If the card you want to replace is the standby TXP or MXP in a Y-cable protection group, complete the “[DLP-G182 Apply a Lockout](#)” task on page 11-47 to prevent traffic from switching to the TXP or MXP that you will remove. See the *Cisco ONS 15454 Procedure Guide* or the *Cisco ONS 15454 SDH Procedure Guide* for other types of protection switching (path protection, BLSR, optical, and electrical).
 - If the card is used as a node timing reference, complete the “[NTP-G112 Change the Node Timing Reference](#)” procedure on page 14-18 to change the timing reference to a card that will not be removed.
 - If the card is an OSCM or OSC-CSM with an optical service channel (OSC) or TXP, MXP, GE_XP, 10GE_XP, GE_XPE, 10GE_XPE, ADM-10G, and OTU2_XP cards with generic communications channel (GCC) termination, complete the “[NTP-G85 Modify or Delete OSC Terminations, DCC/GCC Terminations, and Provisionable Patchcords](#)” procedure on page 11-48 to delete the termination and recreate it on a card that will not be removed.
- Step 6** Physically remove the card:
- a. Disconnect any cables.
 - b. Open the card latches/ejectors.
 - c. Use the latches/ejectors to pull the card forward and away from the shelf.
- Step 7** Insert the new card using one of the following procedures as applicable:
- [NTP-G30 Install the DWDM Cards](#), page 4-64
 - [NTP-G179 Install the TXP, MXP, GE_XP, 10GE_XP, GE_XPE, 10GE_XPE, ADM-10G, and OTU2_XP Cards](#), page 4-69
- Step 8** Complete the “[NTP-G34 Install Fiber-Optic Cables on DWDM Cards and DCUs](#)” procedure on page 4-78.
- Step 9** Complete the following tasks or procedures, as needed:
- If you switched a Y-cable protection group in [Step 5](#), complete the “[DLP-G180 Clear a Manual or Force Y-Cable or Splitter Protection Switch](#)” task on page 11-45.
 - If you deleted circuits in [Step 5](#), complete the “[DLP-G105 Provision Optical Channel Network Connections](#)” task on page 8-23.
 - If you switched the timing reference in [Step 5](#), complete the “[NTP-G112 Change the Node Timing Reference](#)” procedure on page 14-18 to change the reference back to the new card.
 - If you deleted an OSC or GCC termination in [Step 5](#), complete the “[NTP-G38 Provision OSC Terminations](#)” procedure on page 4-126 or the “[DLP-G76 Provision DCC/GCC Terminations](#)” task on page 8-61.
- Step 10** Go to [Step 13](#).
- Step 11** To permanently remove a card, complete the following tasks:
- Delete the circuits associated with the card being removed. Complete the “[DLP-G106 Delete Optical Channel Network Connections](#)” task on page 8-26, the “[DLP-G347 Delete Optical Channel Client Connections](#)” task on page 8-11, or the “[DLP-G418 Delete an Optical Channel Trail](#)” task on page 8-19 as needed.

- Delete the DWDM patchcords and optical side associated with the card being removed. Complete the "DLP-Gxxx Delete DWDM Patchcords in CTC" procedure on page yy-yy and the "NTP-G209 Create, Edit, and Delete Optical Sides" procedure on page 4-123.
- If there are pluggable port modules (PPMs) that terminate on the card, complete the "DLP-G280 Delete a PPM" procedure on page 6-19 to delete these PPMs.
- Physically remove the card:
 - Disconnect and remove any cables, patchcords, and attenuators attached to the card.
 - Open the card latches/ejectors.
 - Use the latches/ejectors to pull the card forward and away from the shelf.

Step 12 If the card you are removing is an OSCM, OSC-CSM, DWDM Amplifier, or Filter card, complete the following tasks; otherwise, go to [Step 13](#).

- Reconfigure the circuits (OCHCC, OCHNC, Trails) as needed. Complete the "DLP-G105 Provision Optical Channel Network Connections" task on page 8-23, the "DLP-G346 Provision Optical Channel Client Connections" task on page 8-4, or the "DLP-G395 Create an Optical Channel Trail" task on page 8-17.
- Reload ANS provisioning. Complete the "NTP-G143 Import the Cisco TransportPlanner NE Update Configuration File" procedure on page 4-49.
- Relaunch ANS. Complete the "NTP-G37 Run Automatic Node Setup" task on page 4-128.

Step 13 Click the **Alarms** tab.

- Verify that the alarm filter is not on. See the "DLP-G128 Disable Alarm Filtering" task on page 10-26 as necessary.
- Verify that no unexplained alarms appear on the network. If alarms appear, investigate and resolve them. Refer to the *Cisco ONS 15454 DWDM Troubleshooting Guide* for procedures.

Stop. You have completed this procedure.

DLP-G254 Place Amplifier Ports Out of Service

Purpose	This task places OPT-BST, OPT-BST-E, OPT-BST-L, OPT-PRE, OPT-AMP-L, or OPT-AMP-17-C card ports out of service in preparation for card removal.
Tools/Equipment	None
Prerequisite Procedures	DLP-G46 Log into CTC, page 3-30
Required/As Needed	As needed
Onsite/Remote	Onsite or remote
Security Level	Provisioning or higher

Step 1 On the shelf graphic in CTC, double-click the OPT-BST, OPT-BST-E, OPT-BST-L, OPT-PRE, OPT-AMP-L, or OPT-AMP-17-C card with the ports that you want to put out of service.

Step 2 Click the **Provisioning > Optical Line > Parameters** tabs.

Step 3 In the Admin State column for the card's ports, choose **OOS,MT (ANSI)** or **Locked,disabled (ETSI)** for each port that does not have an OOS-MA,DSBLD or Locked-enabled,disabled service state.

- Step 4** Click **Apply**.
- Step 5** In the confirmation dialog box, click **Yes**.
- Step 6** Click the **Provisioning > Opt Apli Line > Parameters** tabs.
- Step 7** In the Admin State column for the card's ports, choose **OOS,MT** or **IS,AINS (ANSI)** or **Locked,maintenance** or **unlocked,automaticinservice** (ETSI) for each port that does not have an OOS-MA,DSBLD or Locked,disabled service state.
- Step 8** Click **Apply**.
- Step 9** In the confirmation dialog box, click **Yes**.
- Step 10** Return to your originating procedure (NTP).
-

DLP-G318 Place Amplifier Ports In Service

Purpose	This task places OPT-BST, OPT-BST-E, OPT-BST-L, OPT-PRE, OPT-AMP-L or OPT-AMP-17-C card ports in service.
Tools/Equipment	None
Prerequisite Procedures	DLP-G46 Log into CTC, page 3-30
Required/As Needed	As needed
Onsite/Remote	Onsite or remote
Security Level	Provisioning or higher

- Step 1** On the shelf graphic in CTC, double-click the OPT-BST, OPT-BST-E, OPT-BST-L, OPT-PRE, OPT-AMP-L, or OPT-AMP-17-C card with the ports that you want to put in service.
- Step 2** Click the **Provisioning > Optical Line > Parameters** tabs.
- Step 3** In the Admin State column for the card's ports, choose **IS,AINS (ANSI)** or **Unlocked-automaticInService** (ETSI) for Port 1 (COM-RX) of the OPT-PRE card (or OPT-AMP-L or OPT-AMP-17-C cards provisioned in OPT-PRE mode), or Port 2 (OSC-RX) and Port 3 (COM-TX) of the OPT-BST, OPT-BST-E, or OPT-BST-L cards (or OPT-AMP-L or OPT-AMP-17-C cards provisioned in OPT-LINE mode).
- Step 4** Click **Apply**.
- Step 5** In the confirmation dialog box, click **Yes**.
- Step 6** Return to your originating procedure (NTP).
-

NTP-G127 Add an AD-xC-xx.x Card to an OADM Node

Purpose	This procedure adds an AD-xC-xx.x card to an optical add/drop multiplexing (OADM) node.
Tools/Equipment	None
Prerequisite Procedures	Chapter 7, “Turn Up a Network” A Cisco TransportPlanner OADM site plan recalculated for the new OADM card
Required/As Needed	As needed
Onsite/Remote	Onsite
Security Level	Provisioning or higher



Note

Do not begin this procedure until the Cisco TransportPlanner site plan has been recalculated with the new AD-xC-xx.x card added to the OADM node.



Caution

This procedure will affect the service of unprotected circuits that pass through the OADM node.

-
- Step 1** Complete the “[DLP-G46 Log into CTC](#)” task on page 3-30 at a node in the OADM network.
- Step 2** In node view (single-shelf mode) or multishelf view (multishelf mode), display the OADM node where you will add the card.
- Step 3** Click the **Circuits** tab.
- Step 4** Make a list of all optical channel network connections (OCHNCs) and/or optical channel client connections (OCHCCs) that are carried on the express path for both the Side B-to-Side A and Side A-to-Side B directions.
- Step 5** For OCHNCs and/or OCHCCs identified in [Step 4](#) that are routed on the active path of a splitter or Y-cable protection group, force the traffic to the protect path in the opposite side of the ring using the “[DLP-G179 Apply a Force Y-Cable or Splitter Protection Switch](#)” task on page 11-45.
- Step 6** Click the **Circuits** tab.
- Step 7** Complete the following steps for all OCHNCs and/or OCHCCs carried on the express path that were identified in [Step 4](#):
- Choose the OCHNC or OCHCC circuit(s) and click **Edit**. (To choose multiple circuits, press the Shift key while you click the circuits.)
 - In the Edit Circuit dialog box, click the **State** tab.
 - In the State field on the right, choose **OOS,DSBLD** (ANSI) or **Locked,disabled** (ETSI) from the drop-down list.
 - Click **Apply**.
 - Repeat Steps [a](#) through [d](#) for each OCHNC or OCHCC circuit.
- Step 8** From the Tools menu, choose **Open TL1 Connection**.
- Step 9** In the Select Node dialog box, choose the OADM node where you will add the AD-xC-xx.x card and click **OK**.

Step 10 In the TL1 dialog box, use the **DLT-OCHNC** command to delete the OCHNC cross-connects for the express path OCHNC listed in [Step 4](#), using the following format:

```
DLT-OCHNC:[<TID>]:<SRC>,<DST>:<CTAG>:::[CKTID=<CKTID>],[CMDMDE=<CMDMDE>];
```

where:

- <SRC> is the access identifier from the Channel section in a two-way wavelength.
- <DST> is the destination access identifier from the LINEWL section in a two-way wavelength.
- <CKTID> is the cross-connect ID. The default is Blank or None. CKTD is a string of ASCII characters. The maximum length is 48. If CKTID is empty or null, the CKTID field will not be displayed.
- <CMDMDE> is the command execution mode. NORM mode is the default behavior for all commands but you can specify FRCD to force the system to override a state in which the command would normally be denied.

For additional information, including valid command values, refer to the *Cisco ONS SONET TL1 Command Guide* or the *Cisco ONS 15454 SDH and Cisco ONS 15600 SDH TL1 Command Guide*.

Step 11 In the TL1 dialog box, use the **DLT-OCHCC** command to delete the OCHCC cross-connects for the express path OCHCC listed in [Step 4](#), using the following format:

```
DLT-OCHCC:[<TID>]:<AID>:<CTAG>[:::CKTID=<CKTID>],[CMDMDE=<CMDMDE>];
```

where:

- <AID> is the access identifier from the Channel section i in a two-way wavelength.
- <CKTID> is the cross-connect ID. The default is Blank or None. CKTD is a string of ASCII characters. The maximum length is 48. If CKTID is empty or null, the CKTID field will not be displayed.
- <CMDMDE> is the command execution mode. NORM mode is the default behavior for all commands but you can specify FRCD to force the system to override a state in which the command would normally be denied.

For additional information, including valid command values, refer to the *Cisco ONS SONET TL1 Command Guide* or the *Cisco ONS 15454 SDH and Cisco ONS 15600 SDH TL1 Command Guide*.

Step 12 Click **Close** to close the TL1 dialog box.

Step 13 In node view (single-shelf mode) or multishelf view (multishelf mode), click the **Provisioning > WDM-ANS > Internal Patchcords** tabs.

Step 14 Highlight the two express connections that carry the deleted circuits passing through the node. (The express connections are the only ones connecting an EXP_TX port on the last Side A OADM card, with an EXP_RX port on the first Side B OADM card.)

Step 15 Click **Delete**.

Step 16 Remove the physical express cables between the EXP_TX and EXP_RX ports specified in [Step 14](#).

Step 17 Insert the new AD-xC-xx.x card in the slot identified by your Cisco TransportPlanner site plan.

Step 18 Complete the “[NTP-G34 Install Fiber-Optic Cables on DWDM Cards and DCUs](#)” procedure on [page 4-78](#) for the OADM node, following the new internal connections table generated by Cisco TransportPlanner.

Step 19 Complete the “[NTP-G152 Create and Verify Internal Patchcords](#)” procedure on [page 4-113](#).

Step 20 Import the recalculated OADM site parameters. See the “[NTP-G143 Import the Cisco TransportPlanner NE Update Configuration File](#)” task on [page 4-49](#).

- Step 21** In node view (single-shelf mode) or multishelf view (multishelf mode), click the **Provisioning > WDM-ANS > Port Status** tabs.
- Step 22** Click **Launch ANS**.
- Step 23** From the Tools menu, choose **Open TL1 Connection**.
- Step 24** In the Select Node dialog box, choose the OADM node and click **OK**.
- Step 25** In the TL1 dialog box, use the **DLT-OCHNC** command to delete the OCHNC cross-connects for the express path OCHNC listed in [Step 14](#), using the following format:
- ```
DLT-OCHNC:[<TID>]:<SRC>,<DST>:<CTAG>:::[CKTID=<CKTID>],[CMDMDE=<CMDMDE>];
```
- where:
- <SRC> is the access identifier from the Channel section in a two-way wavelength.
  - <DST> is the destination access identifier from the LINEWL section in a two-way wavelength.
  - <CKTID> is the cross-connect ID. The default is Blank or None. CKTD is a string of ASCII characters. The maximum length is 48. If CKTID is empty or null, the CKTID field will not be displayed.
  - <CMDMDE> is the command execution mode. NORM mode is the default behavior for all commands but you can specify FRCD to force the system to override a state in which the command would normally be denied.
- For additional information, including valid command values, refer to the *Cisco ONS SONET TL1 Command Guide* or the *Cisco ONS 15454 SDH and Cisco ONS 15600 SDH TL1 Command Guide*.
- Step 26** In the TL1 dialog box, use the **DLT-OCHCC** command to delete the OCHCC cross-connects for the express path OCHCC listed in [Step 14](#), using the following format:
- ```
DLT-OCHCC:[<TID>]:<AID>:<CTAG>:::[CKTID=<CKTID>], [CMDMDE=<CMDMDE>]
```
- where:
- <AID> is the access identifier from the Channel section.
 - <CKTID> is the cross-connect ID. The default is Blank or None. CKTD is a string of ASCII characters. The maximum length is 48. If CKTID is empty or null, the CKTID field will not be displayed.
 - <CMDMDE> is the command execution mode. NORM mode is the default behavior for all commands but you can specify FRCD to force the system to override a state in which the command would normally be denied.
 - <PST> is the Primary state, which indicates the current overall service condition of an entity. The default is IS (in service).
 - <SST> is the Secondary state, which provides additional information pertaining to PST and PSTQ. The default is AINS.
- For additional information, including valid command values, refer to the *Cisco ONS SONET TL1 Command Guide* or the *Cisco ONS 15454 SDH and Cisco ONS 15600 SDH TL1 Command Guide*.
- Step 27** Click **Close** to close the TL1 dialog box.
- Step 28** In node view (single-shelf mode) or multishelf view (multishelf mode), click the **Circuits** tab.
- Step 29** Complete the following steps for all OCHNCs and/or OCHCCs set to OOS,DSBLD (ANSI) or Locked,disabled (ETSI) in [Step 7](#):
- Choose the OCHNC or OCHCC circuit(s) and click **Edit**. To choose multiple circuits, press the Shift key while you click the circuits.
 - In the Edit Circuit dialog box, click the **State** tab.

- c. In the State field on the right, choose **IS,AINS** (ANSI) or **Unlocked,automaticInService** (ETSI) from the drop-down list.
- d. Click **Apply**, and then click **OK**.

Step 30 Complete the “[DLP-G180 Clear a Manual or Force Y-Cable or Splitter Protection Switch](#)” task on [page 11-45](#) for OCHNCs and/or OCHCCs that were switched to the opposite side of the ring as part of a splitter or Y-cable protection group to return the traffic to its condition before the card was added.

Stop. You have completed this procedure.

NTP-G129 Add a DWDM Node

Purpose	This procedure adds a DWDM node to an existing DWDM network.
Tools/Equipment	None
Prerequisite Procedures	<ul style="list-style-type: none"> • “DLP-G46 Log into CTC” task on page 3-30 • Complete the turn up procedures in Chapter 4, “Turn Up a Node” for the node to be added • An updated Cisco Transport Planner network plan recalculated with the new node
Required/As Needed	As needed
Onsite/Remote	Onsite
Security Level	Provisioning or higher



Caution

During this procedure, spans will be disconnected in the network at the point where the new node is added. This is traffic affecting for any unprotected circuits that pass through these spans.

- Step 1** If the Cisco Transport Planner network design has not been updated and recalculated for the new node and client services, update and recalculate it now, using the procedures in the *Cisco Transport Planner DWDM Operations Guide*.
- Step 2** Complete the “[NTP-G51 Verify DWDM Node Turn Up](#)” procedure on [page 7-2](#) for the node to be added. If the node has not been turned up, do not continue. Complete the relevant procedures in [Chapter 4](#), “[Turn Up a Node](#)” and [Chapter 5](#), “[Perform Node Acceptance Tests](#),” before you begin this procedure again.
- Step 3** Identify the spans that must be disconnected to insert the new node.
- Step 4** From the View menu, choose **Go to Network View**.
- Step 5** In network view, click the **Circuits** tab.
- Step 6** Identify the OCHCC, OCHNC, or OCHTRAIL circuits on the fiber spans identified in [Step 3](#) on both the Side B-to-Side A and Side A-to-Side B directions.
- Step 7** If the OCHCC, OCHNC, or OCHTRAIL circuit is on the active path and is protected by a splitter or Y-cable protection group, complete the “[DLP-G179 Apply a Force Y-Cable or Splitter Protection Switch](#)” task on [page 11-45](#) to divert traffic away from the span where the node will be added and continue with [Step 9](#). If the circuit is unprotected, go to [Step 8](#).

- Step 8** (Optional) Place the unprotected circuits in OOS,DSBLD (ANSI) or Locked,disabled (ETSI) state by completing the following steps:
- In the network view, select the OCHNC, OCHCC, or OCHTRAIL circuit and click **Edit**.
 - In the Edit Circuit dialog box, click the **State** tab.
 - In the State field, choose the **OOS,DSBLD (ANSI)** or **Locked,disabled (ETSI)** option from the drop-down list.
 - Click **Apply**, then click **OK**.
- Step 9** Remove the fibers from the cards at the adjacent nodes that will connect to the new node.
- Step 10** Install the fibers from the adjacent nodes to the new node using the [“NTP-G34 Install Fiber-Optic Cables on DWDM Cards and DCUs” procedure on page 4-78](#).
- Step 11** Update the ANS parameters for the adjacent nodes by completing the following steps:
- Display an adjacent node in the node view.
 - Complete the [“NTP-G143 Import the Cisco TransportPlanner NE Update Configuration File” procedure on page 4-49](#) to load the new NE Update file to the node.
 - Complete the [“NTP-G37 Run Automatic Node Setup” procedure on page 4-128](#) to recalculate the ANS parameters of the node.
 - Repeat the above two substeps for the second adjacent node.
- Step 12** Display the new node in the node view.
- Step 13** Log out of CTC and log back in.
- Step 14** From the **View** menu, choose the **Go to Network View** option to display the nodes. The new node must appear on the network map. Wait for a few minutes to allow all the nodes to appear.
- Step 15** Click the **Circuits** tab and wait for all the circuits to appear, including spans. Count the number of incomplete circuits.
- Step 16** In the network view, right-click the new node and choose the **Update Circuits With New Node** option from the shortcut menu. Wait for the confirmation dialog box to appear. Verify that the number of updated circuits that appear in the dialog box is correct.
- Step 17** If the circuits take more than a minute to appear, log out of CTC, and log back in.
- Step 18** Click the **Circuits** tab and verify there are no incomplete circuits.
- Step 19** Put the circuits placed in OOS,DSBLD (ANSI) or Locked,disabled (ETSI) in [Step 8](#) back in service by completing the following steps:
- In the network view, select the OCHNC, OCHCC, or OCHTRAIL circuit and click **Edit**.
 - In the Edit Circuit dialog box, click the **State** tab.
 - In the State field, choose the **IS-AINS (ANSI)** or **Unlocked,automaticInService (ETSI)** option from the drop-down list.
 - Click **Apply**, then click **OK**.
- Step 20** Complete the [“DLP-G180 Clear a Manual or Force Y-Cable or Splitter Protection Switch” task on page 11-45](#) for the circuits that were switched in [Step 7](#) to return the traffic to its original paths.
- Step 21** Complete the [“DLP-G105 Provision Optical Channel Network Connections” task on page 8-23](#) to create new circuits.

Stop. You have completed this procedure.

NTP-G130 Remove a DWDM Node

Purpose	This procedure removes a node from a DWDM network.
Tools/Equipment	None
Prerequisite Procedures	A Cisco TransportPlanner network plan recalculated for the new topology.
Required/As Needed	As needed
Onsite/Remote	Onsite
Security Level	Provisioning or higher



Note

During this procedure, you will use TL1 commands to delete and recreate OCHNC or OCHCC cross-connects. You might need to refer to the *Cisco ONS SONET TL1 Command Guide* or the *Cisco ONS 15454 SDH and Cisco ONS 15600 SDH TL1 Command Guide*.



Caution

This procedure will affect the service of unprotected circuits that pass through the span where the node will be removed.

- Step 1** If the Cisco TransportPlanner network design has not been updated and recalculated with the node removed, update and recalculate the design now by following the procedures in the Cisco TransportPlanner documentation.
- Step 2** Complete the [“DLP-G46 Log into CTC” task on page 3-30](#) at the DWDM target node that will be removed.
- Step 3** Click the **Circuits** tab.
- Step 4** Identify all the OCHNCs and OCHCCs that are passing through or are added and dropped at the node that will be removed.
- Step 5** Delete the OCHNCs and OCHCCs identified in [Step 4](#) that terminate (add/drop) on the target DWDM node. See the [“DLP-G347 Delete Optical Channel Client Connections” task on page 8-11](#) and the [“DLP-G106 Delete Optical Channel Network Connections” task on page 8-26](#) to delete OCHCCs and OCHNCs, respectively.
- Step 6** For the protected pass through circuits on the target node, perform [Step 7](#). Else, go to [Step 10](#).



Note

Non-protected pass through circuits need not be modified or deleted.

- Step 7** If the OCHNC and OCHCC circuits pass through the target node on the active path and are protected by a splitter or Y-cable protection group, navigate to an adjacent node connected to the target node and complete the [“DLP-G179 Apply a Force Y-Cable or Splitter Protection Switch” task on page 11-45](#) to force the traffic away from the node that will be deleted. Otherwise, continue with [Step 8](#).
- Step 8** Complete the following steps for the protected pass through circuits:
- Select the OCHNCs or OCHCCs and click **Edit**.
 - In the Edit Circuit dialog box, click the **State** tab.
 - In the State field, choose **OOS,DSBLD** (ANSI) or **Locked,disabled** (ETSI) from the drop-down list.
 - Click **Apply**, then click **OK**.

- Step 9** Complete the following steps to delete the cross-connects on the target node for each circuit placed in the OOS,DSBLD (ANSI) or Locked,disabled (ETSI) state in [Step 8](#):
- From the Tools menu, choose **Open TL1 Connection**.
 - In the Select Node dialog box, select the new node and click **OK**.
 - In the TL1 dialog box, use the **DLT-OCHNC** command to delete the OCHNC cross-connects for each unprotected pass-through circuit as follows:

```
DLT-OCHNC:[<TID>]:<SRC>,<DST>:<CTAG>:::[CKTID=<CKTID>],
[CMDMDE=<CMDMDE>];
```

 where:
 - <SRC> is the source access identifier from the Channel section in a two-way wavelength.
 - <DST> is the destination access identifier from the LINEWL section in a two-way wavelength.
 - <CKTID> is the cross-connect ID. The default is Blank or None. CKTD is a string of ASCII characters. The maximum length is 48. If CKTID is empty or null, the CKTID field will not be displayed.
 - <CMDMDE> is the command execution mode. NORM mode is the default behavior for all commands but you can specify FRCD to force the system to override a state in which the command would normally be denied.
 For additional information, including valid command values, refer to the *Cisco ONS SONET TL1 Command Guide* or the *Cisco ONS 15454 SDH and Cisco ONS 15600 SDH TL1 Command Guide*.
 - Click **Close** to close the TL1 dialog box.
- Step 10** Remove the fibers from the target node, and reconnect the fibers to the adjacent nodes. Note that once the fibers are rerouted, the non-protected pass through circuits will go to OOS-PARTIAL (ANSI) or Locked-partial (ETSI) state.
- Step 11** Complete the following steps to update the ANS parameters at the adjacent nodes:
- Display an adjacent node in node view.
 - Complete the [“NTP-G143 Import the Cisco TransportPlanner NE Update Configuration File” procedure on page 4-49](#) to load the new NE Update file onto the node.
 - Complete the [“NTP-G37 Run Automatic Node Setup” procedure on page 4-128](#) to recalculate the ANS parameters at the node.
 - Display the next adjacent node in node view.
 - Repeat Steps **b** and **c** for the second adjacent node.
- Step 12** Repeat [Step 8](#) to change the circuits placed in OOS,DSBLD (ANSI) or Locked,disabled (ETSI) back in service by changing the Target Circuit Admin State field to **IS-AINS** (ANSI) or **Unlocked,AutomaticInService** (ETSI).
- Step 13** Complete the [“DLP-G180 Clear a Manual or Force Y-Cable or Splitter Protection Switch” task on page 11-45](#) for the OCHNCs and OCHCCs that were switched in [Step 7](#).
- Step 14** To discover the non-protected pass through circuits that are in the OOS-PARTIAL (ANSI) or Locked-partial (ETSI) state after completing [Step 10](#), select the circuit and choose **Tools > Circuits > Reconfigure Circuits** from the menu bar. The Reconfigure Circuits dialog box is displayed; click **Yes**.
Stop. You have completed this procedure.
-

NTP-G146 Add a Rack, Passive Unit, or Shelf to a Multishelf Node

Purpose	This procedure adds a rack, passive unit, or subtending shelf to a multishelf node.
Tools/Equipment	None
Prerequisite Procedures	One of the following: <ul style="list-style-type: none"> “NTP-G301 Connect the ONS 15454 Multishelf Node and Subtending Shelves to an MS-ISC-100T Card” in the <i>Cisco ONS 15454 Hardware Installation Guide</i> “NTP-G302 Connect the ONS 15454 Multishelf Node and Subtending Shelves to a Catalyst 2950” in the <i>Cisco ONS 15454 Hardware Installation Guide</i> “NTP-G295 Connect the ONS 15454 Multishelf Node and Subtending Shelves to a Catalyst 3560” in the <i>Cisco ONS 15454 Hardware Installation Guide</i> “NTP-G296 Upgrade the ONS 15454 Multishelf with MS-ISC Card Configuration Using the Catalyst 3560” in the <i>Cisco ONS 15454 Hardware Installation Guide</i> “NTP-G297 Upgrade the ONS 15454 Multishelf with Catalyst 2950 Configuration Using the Catalyst 3560” in the <i>Cisco ONS 15454 Hardware Installation Guide</i> “NTP-G308 Connect the ONS 15454 M6 Multishelf Node and the ONS 15454 M6 Subtending Shelves” in the <i>Cisco ONS 15454 Hardware Installation Guide</i> “NTP-G309 Connect the ONS 15454 M6 and the ONS 15454 in a Mixed Multishelf Configuration” in the <i>Cisco ONS 15454 Hardware Installation Guide</i> “NTP-G310 Upgrade the ONS 15454 Multishelf Configuration using the ONS 15454 M6” in the <i>Cisco ONS 15454 Hardware Installation Guide</i> Chapter 4, “Turn Up a Node”
Required/As Needed	As needed
Onsite/Remote	Onsite
Security Level	Provisioning or higher


Note

Each shelf you want to add to a multishelf configuration must have network connectivity. For more information, see [Chapter 3, “Connect the PC and Log into the GUI.”](#)

-
- Step 1** Complete the “[DLP-G46 Log into CTC](#)” task on page 3-30 at the multishelf DWDM node where you want to add a shelf.
- Step 2** To add a rack, in the multishelf view right-click the gray area and choose **Add Rack**. If you do not need to add a rack, continue with [Step 3](#).

Step 3 To add a passive unit, in the multishelf view right-click the gray space inside the rack and choose the passive unit from the **Add Shelf > PASSIVE CHASSIS** options. The passive unit is added to the rack.



Note To add a passive DCU, you need to choose a slot number from the Slot Number Selection dialog box and click **OK**.

Step 4 To add a shelf, in the multishelf view right-click the gray space inside the rack and choose **Add Shelf > CHASSIS_454SDH(ETSI)** or **CHASSIS_454(ANSI)** or **15454 M6 ANSI** or **15454 M6 ETSI**.

Step 5 In the Shelf ID Selection dialog box, choose a shelf ID from the drop-down list.

Step 6 Click **OK**. The shelf appears in the multishelf view.

Step 7 Complete the “[DLP-G46 Log into CTC](#)” task on page 3-30 at the new shelf that has to be configured as a subtending shelf.

Step 8 In multishelf view, click the **Provisioning > General > Multishelf Config** tabs.

Step 9 Click **Enable as Subtended Shelf**.

Step 10 From the Shelf ID drop-down list, choose the shelf ID that you created in [Step 5](#).

Step 11 Click **Apply**.

Step 12 In the confirmation dialog box, click **Yes** to reboot the shelf. The CTC view changes to network view and the node icon changes to gray. (This might take several minutes.)

Step 13 If you are connecting the new ONS 15454 subtending shelf to the Ethernet Adapter Panel (EAP), complete the following steps. If not, continue with [Step 16](#).

- a. Using a cross-over (CAT 5) LAN cable, plug one connector into the RJ-45 front panel port of the subtending shelf TCC2/TCC2P/TCC3 card in Slot 7 and plug the other end into the SSC port on the left patch panel.
- b. Using a cross-over (CAT 5) LAN cable, plug one connector into the RJ-45 front panel port of the subtending shelf TCC2/TCC2P/TCC3 card in Slot 11 and plug the other end into the SSC port on the right patch panel.

Step 14 If you are connecting the ONS 15454 subtending shelf to the Catalyst 2950 or the Catalyst 3560 switch, complete the following steps. If not, continue with [Step 16](#).

- a. Plug one end of a cross-over (CAT-5) LAN cable into the RJ-45 front panel port of the subtending shelf TCC2/TCC2P/TCC3 card in Slot 7 and plug the other end into Port 2 of the active Catalyst 2950 or Catalyst 3560.
- b. Plug one end of a cross-over (CAT-5) LAN cable into the RJ-45 front panel port of the subtending shelf TCC2/TCC2P/TCC3 card in Slot 11 and plug the other end into Port 2 of the standby Catalyst 2950 or Catalyst 3560.

Step 15 To connect an ONS 15454 M6 subtending shelf to the Catalyst 3560 switches, complete the following:

- a. Using a cross-over (CAT-5) LAN cable, plug one connector into the MSM port that corresponds to the TNC/TSC card in Slot 1 of the subtending ONS 15454 M6 shelf and plug the other end into Port 2 of the active Catalyst 3560.
- b. Using a cross-over (CAT-5) LAN cable, plug one connector into the MSM port that corresponds to the TNC/TSC card in Slot 8 and plug the other end into Port 2 of the standby Catalyst 3560.
- c. Repeat Steps **a** and **b** for each subtending shelf in the multishelf configuration using Ports 3 through 21 on the Catalyst 3560 switches.

**Note**

In order to connect the ONS 15454 M6 subtending shelves to the ONS 15454 M6 node controller without using a catalyst, follow the steps described in “NTP-G308 Connect the ONS 15454 M6 Multishelf Node and the ONS 15454 M6 Subtending Shelves” in the *Cisco ONS 15454 Hardware Installation Guide*. To connect an ONS 15454 subtending shelf to the ONS 15454 M6 node controller without using a catalyst switch, connect the MSM ports that correspond to the TNC/TSC cards in Slot 1 and Slot 8 of the ONS 15454 M6 node controller to the ONS 15454 subtending shelf TCC2/TCC2P/TCC3 cards in Slot 7 and Slot 11.

Step 16 Repeat Steps 4 through 16 for each subtending shelf in the multishelf configuration.

Stop. You have completed this procedure.

NTP-G147 Delete a Passive Unit, Shelf, or Rack from a Multishelf Node

Purpose	This procedure deletes a passive unit, shelf, or rack from a multishelf node.
Tools/Equipment	None
Prerequisite Procedures	One of the following: <ul style="list-style-type: none"> “NTP-G301 Connect the ONS 15454 Multishelf Node and Subtending Shelves to an MS-ISC-100T Card” in the <i>Cisco ONS 15454 Hardware Installation Guide</i> “NTP-G302 Connect the ONS 15454 Multishelf Node and Subtending Shelves to a Catalyst 2950” in the <i>Cisco ONS 15454 Hardware Installation Guide</i> “NTP-G295 Connect the ONS 15454 Multishelf Node and Subtending Shelves to a Catalyst 3560” in the <i>Cisco ONS 15454 Hardware Installation Guide</i> “NTP-G296 Upgrade the ONS 15454 Multishelf with MS-ISC Card Configuration Using the Catalyst 3560” in the <i>Cisco ONS 15454 Hardware Installation Guide</i> “NTP-G297 Upgrade the ONS 15454 Multishelf with Catalyst 2950 Configuration Using the Catalyst 3560” in the <i>Cisco ONS 15454 Hardware Installation Guide</i> “NTP-G308 Connect the ONS 15454 M6 Multishelf Node and the ONS 15454 M6 Subtending Shelves” in the <i>Cisco ONS 15454 Hardware Installation Guide</i> “NTP-G309 Connect the ONS 15454 M6 and the ONS 15454 in a Mixed Multishelf Configuration” in the <i>Cisco ONS 15454 Hardware Installation Guide</i> “NTP-G310 Upgrade the ONS 15454 Multishelf Configuration using the ONS 15454 M6” in the <i>Cisco ONS 15454 Hardware Installation Guide</i> Chapter 4, “Turn Up a Node”
Required/As Needed	As needed
Onsite/Remote	Onsite
Security Level	Provisioning or higher


Note

You cannot delete a node controller shelf from a multishelf node configuration.

- Step 1** Complete the [“DLP-G46 Log into CTC”](#) task on page 3-30 at the multishelf DWDM node where you want to delete a passive unit, shelf, or rack. If you want to delete a passive unit, continue with [Step 2](#). If you want to delete a shelf, continue with [Step 5](#). If you want to delete only a rack, go to [Step 12](#).
- Step 2** Complete the following tasks, as needed:

- If passive units on the shelf carry unprotected circuits, you must delete the circuits. Complete the “[DLP-G106 Delete Optical Channel Network Connections](#)” task on page 8-26 and the “[DLP-G347 Delete Optical Channel Client Connections](#)” task on page 8-11.
- If passive units use internal patchcords, complete the “[DLP-G355 Delete an Internal Patchcord](#)” task on page 4-123.

Step 3 From the View menu, choose **Go to Parent View** to return to multishelf view.

Step 4 Right-click the passive unit you want to delete and choose **Delete Unit**. The shelf is automatically deleted.

Step 5 Complete the following tasks, as needed:

- If cards on the shelf carry unprotected circuits, you must delete the circuits. Complete the “[DLP-G106 Delete Optical Channel Network Connections](#)” task on page 8-26 and the “[DLP-G347 Delete Optical Channel Client Connections](#)” task on page 8-11.
- If cards use internal patchcords, complete the “[DLP-G355 Delete an Internal Patchcord](#)” task on page 4-123.
- If OSCM or OSC-CSM cards with OSC or GCC terminations are on the shelf, complete the “[NTP-G85 Modify or Delete OSC Terminations, DCC/GCC Terminations, and Provisionable Patchcords](#)” procedure on page 11-48 to delete the terminations.
- Put all ports in the Out-of-Service and Management, Disabled (OOS-MA,DSBLD) (ANSI) or Locked-enabled,disabled (ETSI) service state. For more information, see [Chapter 12, “Change DWDM Card Settings.”](#)



Note It is not necessary to delete the cards from the shelf before deleting a shelf.

- If the shelf receives the timing signals from any client or trunk port, complete the “[DLP-G95 Set Up External or Line Timing](#)” task on page 7-22, to receive timing signals from an external source.

Step 6 From the View menu, choose **Go to Parent View** to return to multishelf view.

Step 7 Right-click the subtending shelf you want to delete and choose **Delete Shelf**.

Step 8 In the confirmation dialog box, click **Yes**.

Step 9 To return the deleted shelf to a single-shelf node, you must use the LCD panel:

- Repeatedly press the **Status** button until Shelf Status appears.
- Repeatedly press the **Port** button until Controller Status=MS Config appears.
- Press **Status** again and press **Port** to set multishelf mode to MS=N.
- Press **Status** again and press **Port** until ID is set to ID=1.
- Press **Status** again and press **Port** to set VLAN=N.
- Press **Status** to choose **Done**.
- Repeatedly press **Status** until “Save and Reboot?” appears, and then press **Slot** to choose Apply. This reboots the shelf. A “Saving changes; TCC may reboot” message appears on the LCD.

Step 10 After the TCC2/TCC2P/TCC3/TNC/TSC reboot is complete, complete the following steps to disconnect the removed subtending shelf from the patch panel or Catalyst 2950 or Catalyst 3560:

- Remove the cross-over (CAT 5) LAN cable from the RJ-45 front panel port of the TCC2/TCC2P/TCC3 card in Slot 7 of the ONS 15454 or from the MSM port that corresponds to TNC/TSC card in Slot 1 of the ONS 15454 M6.

- b. Remove the cross-over (CAT 5) LAN cable from the RJ-45 front panel port of the TCC2/TCC2P/TCC3 card in Slot 11 of the ONS 15454 or from the MSM port that corresponds to TNC/TSC card in Slot 8 of the ONS 15454 M6.
- Step 11** Reconnect the shelf to the LAN through either the backplane or one of the RJ-45 front panel ports of the TCC2/TCC2P/TCC3 cards of the ONS 15454, or the EMS port or one of the RJ-45 front panel ports of the TNC/TSC cards of the ONS 15454 M6. For more information, see [Chapter 3, “Connect the PC and Log into the GUI.”](#)
- Step 12** To delete an empty rack from the CTC window, right-click the gray area on the rack graphic and choose **Delete Rack**.
- Stop. You have completed this procedure.**
-

NTP-G173 Convert an OADM Node to a ROADM Node

Purpose	This procedure converts an OADM node to a ROADM node.
Tools/Equipment	None
Prerequisite Procedures	Chapter 7, “Turn Up a Network” A Cisco TransportPlanner site plan recalculated for the new ROADM node.
Required/As Needed	As needed
Onsite/Remote	Onsite
Security Level	Provisioning or higher



Note

Do not begin this procedure until the Cisco TransportPlanner site plan has been recalculated with the new ROADM node. You will import the new NE Update file and run ANS to recalculate the ANS parameters. In addition, you will run ANS at the two adjacent nodes to recalculate the ANS parameters at those nodes.



Note

During this procedure, you will use TL1 commands to delete and recreate OCHNC or OCHCC cross-connects. You might need to refer to the *Cisco ONS SONET TL1 Command Guide* or the *Cisco ONS 15454 SDH and Cisco ONS 15600 SDH TL1 Command Guide*.



Caution

This procedure will affect the service of unprotected circuits that pass through the OADM node.

- Step 1** Complete the [“DLP-G46 Log into CTC” task on page 3-30](#) at a node in the OADM network.
- Step 2** In node view (single-shelf mode) or multishelf view (multishelf mode), display the OADM node that you will convert to a ROADM node.
- Step 3** Click the **Circuits** tab.
- Step 4** Make a list of the following OCHNCs and/or optical channel client connections (OCHCCs) that:
- Terminate (add/drop) at the node.

- Pass through the node on the express path for both the Side B-to-Side A and Side A-to-Side B directions.
- Step 5** If OCHNCs and/or OCHCCs identified in [Step 4](#) are routed on the active path of a splitter or Y-cable protection group, complete the following steps. If not, continue with [Step 6](#).
- a. Display the node containing the TXP, MXP, ADM-10G, GE_XP, 10GE_XP, GE_XPE, 10GE_XPE, or ITU-T line card with the Y-cable or splitter protection.
 - a. Force the traffic to the protect path in the opposite side of the ring using the “[DLP-G179 Apply a Force Y-Cable or Splitter Protection Switch](#)” task on page 11-45.
- Step 6** In node view, display node that will be converted.
- Step 7** Complete the “[DLP-G347 Delete Optical Channel Client Connections](#)” task on page 8-11 and/or the “[DLP-G106 Delete Optical Channel Network Connections](#)” task on page 8-26 to delete OCHCCs and/or OCHNCs identified in [Step 4](#) that:
- Terminate (add/drop) at the node.
 - Pass through the node on an unprotected express path for both the Side B-to-Side A and Side A-to-Side B directions.
- Step 8** From the Tools menu, choose **Open TL1 Connection**.
- Step 9** In the Select Node dialog box, choose the OADM node and click **OK**.
- Step 10** In the TL1 dialog box, use the **DLT-OCHNC** command to delete the OCHNC cross-connects for the express path OCHNCs listed in [Step 4](#), using the following format:
- ```
DLT-OCHNC:[<TID>]:<SRC>,<DST>:<CTAG>:::[CKTID=<CKTID>],[CMDMDE=<CMDMDE>];
```
- where:
- <SRC> is the source access identifier from the Channel section in a two-way wavelength.
  - <DST> is the destination access identifier from the LINEWL section in a two-way wavelength.
  - <CKTID> is the cross-connect ID. The default is Blank or None. CKTD is a string of ASCII characters. The maximum length is 48. If CKTID is empty or null, the CKTID field will not be displayed.
  - <CMDMDE> is the command execution mode. NORM mode is the default behavior for all commands but you can specify FRCD to force the system to override a state in which the command would normally be denied.
- For additional information, including valid command values, refer to the *Cisco ONS SONET TL1 Command Guide* or the *Cisco ONS 15454 SDH and Cisco ONS 15600 SDH TL1 Command Guide*.
- Step 11** In the TL1 dialog box, use the **DLT-OCHCC** command to delete the OCHCC cross-connects for the express path OCHCCs listed in [Step 4](#), using the following format:
- ```
DLT-OCHCC:[<TID>]:<AID>:<CTAG>[:::[CKTID=<CKTID>],[CMDMDE=<CMDMDE>];
```
- where:
- <AID> is the access identifier from the Facility section.
 - <CKTID> is the cross-connect ID. The default is Blank or None. CKTD is a string of ASCII characters. The maximum length is 48. If CKTID is empty or null, the CKTID field will not be displayed.
 - <CMDMDE> is the command execution mode. NORM mode is the default behavior for all commands but you can specify FRCD to force the system to override a state in which the command would normally be denied.

For additional information, including valid command values, refer to the *Cisco ONS SONET TL1 Command Guide* or the *Cisco ONS 15454 SDH and Cisco ONS 15600 SDH TL1 Command Guide*.

- Step 12** Click **Close** to close the TL1 dialog box.
- Step 13** Delete the internal patchcords:
- In node view (single-shelf mode) or multishelf view (multishelf mode), click the **Provisioning > WDM-ANS > Internal Patchcords** tabs.
 - Highlight all of the internal patchcords.
 - Click **Delete**.
 - Click **Yes** on the confirmation dialog box.
- Step 14** Delete the OSC terminations:
- Click the **Provisioning > Comm Channels > OSC** tabs.
 - Highlight all of the OSC terminations.
 - Click **Delete**.
 - Click **Yes** on the confirmation dialog box.
- Step 15** Remove the cables from all the AD-xC-xx.x and/or AD-xB-xx.x cards.
- Step 16** Remove the AD-xC-xx.x and/or AD-xB-xx.x cards from the shelf.
- Step 17** Remove any amplifier cards (OPT-BST, OPT-PRE) that are installed but not required in the ROADM node.
- Step 18** Install the new ROADM cards in the slots identified by your Cisco TransportPlanner site plan using the [“NTP-G30 Install the DWDM Cards” procedure on page 4-64](#).
- Step 19** Complete the [“NTP-G34 Install Fiber-Optic Cables on DWDM Cards and DCUs” procedure on page 4-78](#) for the ROADM node, following the new internal connections table generated by Cisco TransportPlanner.
- Step 20** Complete the [“NTP-G152 Create and Verify Internal Patchcords” procedure on page 4-113](#) to recreate the internal patchcords deleted in [Step 13](#).
- Step 21** Complete the [“NTP-G38 Provision OSC Terminations” procedure on page 4-126](#) to recreate the OSC terminations deleted in [Step 14](#).
- Step 22** Import the recalculated ROADM site parameters using the [“NTP-G143 Import the Cisco TransportPlanner NE Update Configuration File” procedure on page 4-49](#).
- Step 23** Complete the [“NTP-G37 Run Automatic Node Setup” procedure on page 4-128](#).
- Step 24** Update the ANS parameters at the adjacent nodes:
- Display an adjacent node in node view.
 - Complete the [“NTP-G143 Import the Cisco TransportPlanner NE Update Configuration File” procedure on page 4-49](#) to load the new NE Update file onto the node.
 - Complete the [“NTP-G37 Run Automatic Node Setup” procedure on page 4-128](#) to recalculate the ANS parameters at the node.
 - Display the next adjacent node in node view.
 - Repeat Steps [b](#) and [c](#) for the second adjacent node.
- Step 25** Display the new ROADM node in node view.
- Step 26** Recreate the OCHNCs and/or OCHCCs deleted in [Step 7](#) using the following tasks:
- [DLP-G346 Provision Optical Channel Client Connections, page 8-4](#)

- [DLP-G105 Provision Optical Channel Network Connections](#), page 8-23

Step 27 Complete the “[DLP-G180 Clear a Manual or Force Y-Cable or Splitter Protection Switch](#)” task on [page 11-45](#) for OCHNCs and/or OCHCCs that were switched to the opposite side of the ring as part of a splitter or Y-cable protection group to return the traffic to its condition before the card was added.

Stop. You have completed this procedure.

NTP-G176 Convert an Line Amplifier Node to an OADM Node

Purpose	This procedure converts a full line amplifier node with OPT-PRE and OPT-BST cards installed on each side of the shelf to an OADM node.
Tools/Equipment	Cisco TransportPlanner reports and NE Update file for the new OADM node.
Prerequisite Procedures	Chapter 7, “Turn Up a Network” A Cisco TransportPlanner site plan recalculated for the new ROADM node.
Required/As Needed	As needed
Onsite/Remote	Onsite
Security Level	Provisioning or higher



Caution

This procedure will affect the service of unprotected circuits that pass through the OADM node.



Caution

This procedure applies to line amplifier nodes with OPT-BST and OPT-PRE cards installed on both sides of the shelf. If the line amplifier node has a different configuration, the upgrade might affect the adjacent nodes and require an update of their ANS parameters. If the line amplifier node is not a full line amplifier, contact your next level of support.

Step 1 Complete the “[NTP-G139 Verify Cisco TransportPlanner Reports and Files](#)” procedure on [page 4-3](#) procedure to verify that you have the files and reports prepared by Cisco TransportPlanner for the OADM node.

Step 2 Complete the “[DLP-G46 Log into CTC](#)” task on [page 3-30](#) at the line amplifier node.

Step 3 Click the **Circuits** tab.

Step 4 Make a list of the OCHNCs, OCH trails, and OCHCCs that pass through the node on the express path for both the Side B-to-Side A and Side A-to-Side B directions.



Caution

You will delete the optical channel circuits in the next step and use the list to recreate the circuits later. Do not proceed until you complete the circuit list.

Step 5 Delete the circuits identified in [Step 4](#) using one or more of the following tasks:

- [DLP-G347 Delete Optical Channel Client Connections](#), page 8-11
- [DLP-G418 Delete an Optical Channel Trail](#), page 8-19
- [DLP-G106 Delete Optical Channel Network Connections](#), page 8-26

- Step 6** Click the **Provisioning > WDM-ANS > Internal Patchcords** tabs.
- Step 7** In the internal patchcords table, click the OPT-PRE COM-TX to OPT-BST COM-RX internal patchcord.
- Step 8** Click **Delete**.
- Step 9** On the confirmation dialog, click **OK**.
- Step 10** Remove the physical fiber and attenuators, if present, that connect the COM-TX to COM-RX ports and COM-RX to COM-TX ports between the OPT-BST and OPT-PRE cards installed in Side B.
- Step 11** Referring to the Cisco TransportPlanner Shelf Layout report, install the AD-xC-xx-x and/or AD-xB-xx.x cards on both Side B and Side A of the node.
- Step 12** Referring to the Cisco TransportPlanner Internal Connections report, connect the fibers to the new AD-xC-xx-x and/or AD-xB-xx.x cards.
- Step 13** Click **Default Patchcords**.
- Step 14** Verify that the new internal patchcords are created for the physical cables connected to the new AD-xC-xx.x and AD-xB-xx.x card(s) in [Step 12](#). If not, complete the [“NTP-G242 Create an Internal Patchcord Manually” task on page 4-114](#) to manually create the internal patchcords.
- Step 15** Complete the [“NTP-G143 Import the Cisco TransportPlanner NE Update Configuration File” procedure on page 4-49](#).
- Step 16** Complete the [“NTP-G37 Run Automatic Node Setup” procedure on page 4-128](#).
- Step 17** In node view, click the **Circuits** tab.
- Step 18** Complete one or more of the following procedures to recreate circuits identified in [Step 4](#) that will pass through the OADM node:
- [DLP-G105 Provision Optical Channel Network Connections, page 8-23](#)
 - [DLP-G346 Provision Optical Channel Client Connections, page 8-4](#)
 - [DLP-G395 Create an Optical Channel Trail, page 8-17](#)



Note Cisco recommends that you recreate the circuits one at a time.

- Step 19** Verify that each circuit appears on the Circuits table with a DISCOVERED status and an IS/Unlocked state. If not, complete [Steps 17 and 18](#).
- If the circuits still do not appear with a DISCOVERED status and IS/Unlocked state, contact your next level of support.
- Step 20** Referring to the Cisco TransportPlanner Traffic Matrix report, repeat [Steps 18 and 19](#) to create the new add/drop circuits at the node, as needed.

Stop. You have completed this procedure.

NTP-G182 Convert a Line Amplifier Node to a ROADM Node

Purpose	This procedure converts a line amplifier node with OPT-PRE and OPT-BST cards installed on each side of the shelf to an ROADM node.
Tools/Equipment	Cisco TransportPlanner reports and NE Update file for the new ROADM node.
Prerequisite Procedures	Chapter 7, “Turn Up a Network” A Cisco TransportPlanner site plan recalculated for the new ROADM node.
Required/As Needed	As needed
Onsite/Remote	Onsite
Security Level	Provisioning or higher


Caution

This procedure will affect the service of unprotected circuits that pass through the ROADM node.


Caution

This procedure applies to line amplifier nodes with OPT-BST and OPT-PRE cards installed on both sides of the shelf. If the line amplifier node has a different configuration, the upgrade might affect the adjacent nodes and require an update of their ANS parameters. If the line amplifier node is not a full line amplifier, contact your next level of support.

- Step 1** Complete the [“NTP-G139 Verify Cisco TransportPlanner Reports and Files” procedure on page 4-3](#) to verify that you have the files and reports prepared by Cisco TransportPlanner for the ROADM node.
- Step 2** Complete the [“DLP-G46 Log into CTC” task on page 3-30](#) at the line amplifier node.
- Step 3** Click the **Circuits** tab.
- Step 4** Make a list of the following OCHNCs, OCH trails, and OCHCCs that pass through the node on the express path for both the Side B-to-Side A and Side A-to-Side B directions.


Caution

You will delete the optical channel circuits in the next step and use the list to recreate the circuits later. Do not proceed until you complete the circuit list.

- Step 5** Delete the circuits identified in [Step 4](#) using one or more of the following tasks:
- [DLP-G347 Delete Optical Channel Client Connections, page 8-11](#)
 - [DLP-G418 Delete an Optical Channel Trail, page 8-19](#)
 - [DLP-G106 Delete Optical Channel Network Connections, page 8-26](#)
- Step 6** Click the **Provisioning > WDM-ANS > Internal Patchcords** tabs.
- Step 7** In the internal patchcords table, click the OPT-PRE COM-TX to OPT-BST COM-RX internal patchcord.
- Step 8** Click **Delete**.
- Step 9** In the confirmation dialog box, click **OK**.
- Step 10** Remove the physical fiber and attenuators, if present, that connect the COM-TX to COM-RX ports and COM-RX to COM-TX ports between the OPT-BST and OPT-PRE cards installed in Side B.
- Step 11** Referring to the Cisco TransportPlanner Shelf Layout report, install one of the following sets of cards on both Side B and Side A of the node as described by the Cisco TransportPlanner NE Update file:

- 32WSS and 32DMX cards
- 32WSS-L and 32DMX-L cards
- 40-WSS-C/40-WSS-CE and 40-DMX-C/40-DMX-CE cards

- Step 12** Referring to the Cisco TransportPlanner Internal Connections report, connect the fibers to the new wavelength selective switch and demultiplexer cards.
- Step 13** Complete the [“NTP-G143 Import the Cisco TransportPlanner NE Update Configuration File” procedure on page 4-49](#).
- Step 14** Verify that the new internal patchcords are created for the physical cables connected to the new wavelength selective switch and demultiplexer cards in [Step 12](#). If not, complete the [“NTP-G242 Create an Internal Patchcord Manually” task on page 4-114](#) to manually create the internal patchcords.
- Step 15** Complete the [“NTP-G143 Import the Cisco TransportPlanner NE Update Configuration File” procedure on page 4-49](#).
- Step 16** Complete the [“NTP-G37 Run Automatic Node Setup” procedure on page 4-128](#).
- Step 17** In node view, click the **Circuits** tab.
- Step 18** Complete one or more of the following procedures to recreate circuits identified in [Step 4](#) that will pass through the ROADM node:
- [DLP-G105 Provision Optical Channel Network Connections, page 8-23](#)
 - [DLP-G346 Provision Optical Channel Client Connections, page 8-4](#)
 - [DLP-G395 Create an Optical Channel Trail, page 8-17](#)



Note Cisco recommends that you recreate the circuits one at a time.

- Step 19** Verify that each circuit appears on the Circuits table with a DISCOVERED status and an IS/Unlocked state. If not, repeat [Steps 17](#) and [18](#).
- If the circuits still do not appear with a DISCOVERED status and IS/Unlocked state, contact your next level of support.
- Step 20** Referring to the Cisco TransportPlanner Traffic Matrix report, repeat [Steps 17](#) and [18](#) to create the new add/drop circuits at the node, as needed.

Stop. You have completed this procedure.

NTP-G195 Convert a Protected ROADM Node from two Separate Nodes to a Single Multishelf Node

Purpose	This procedure converts a protected ROADM node from two separate nodes to a single multishelf node.
Tools/Equipment	None.
Prerequisite Procedures	Chapter 7, “Turn Up a Network” A Cisco TransportPlanner site plan recalculated for the new node.
Required/As Needed	As needed
Onsite/Remote	Onsite
Security Level	Provisioning or higher


Caution

This procedure will affect the service of unprotected circuits that pass through the ROADM node.


Caution

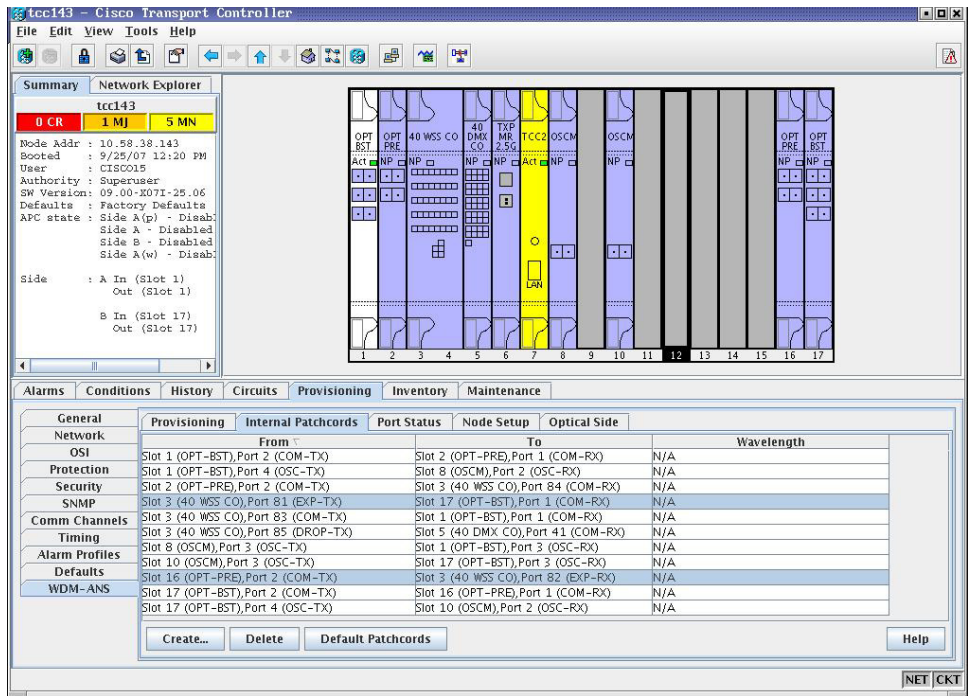
This procedure applies to two ROADM nodes, where ROADM Node 1 has amplifier cards (such as, OPT-BST and OPT-PRE) or optical service channel cards (OSCM or OSC-CSM) installed on both the sides of the shelf and 40-WSS-C/40-DMX-C card (or the 32WSS/32DMX and 32WSS-L/32DMX-L cards) installed in Side A (Slots 1 through 6) and the ROADM Node 2 has amplifier cards (such as, OPT-BST and OPT-PRE) or optical service channel cards (OSCM or OSC-CSM) installed on both the sides of the shelf and 40-WSS-C/40-DMX-C card (or the 32WSS/32DMX and 32WSS-L/32DMX-L cards) installed in Side B (Slots 12 through 17).


Note

In this procedure, ROADM Node 1 will be used as node controller and ROADM Node 2 will be added to the multishelf configuration as a subtending shelf.

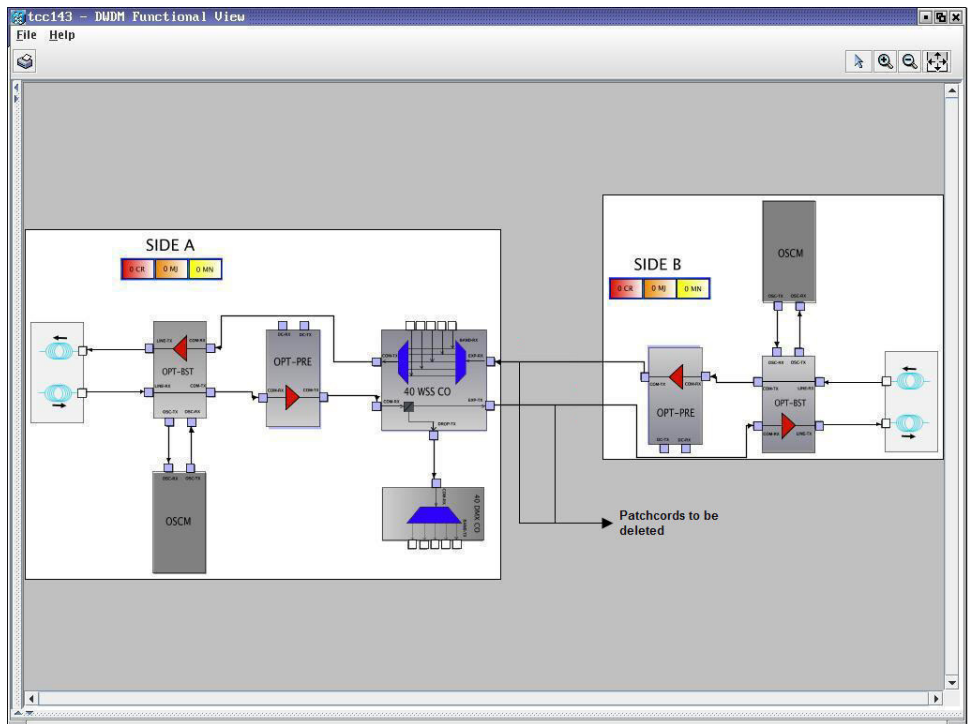
- Step 1** Complete the “[NTP-G139 Verify Cisco TransportPlanner Reports and Files](#)” procedure on page 4-3 to verify that you have the files and reports prepared by Cisco TransportPlanner for the ROADM nodes.
- Step 2** Complete the “[DLP-G46 Log into CTC](#)” task on page 3-30 at the ROADM Node 1. [Figure 13-1](#) shows the shelf view of ROADM Node 1 and [Figure 13-2](#) shows the functional view of ROADM Node 1.

Figure 13-1 ROADM Node 1 Shelf View



240933

Figure 13-2 ROADM Node 1 Functional View



240935

Step 3 Click the Circuits tab.

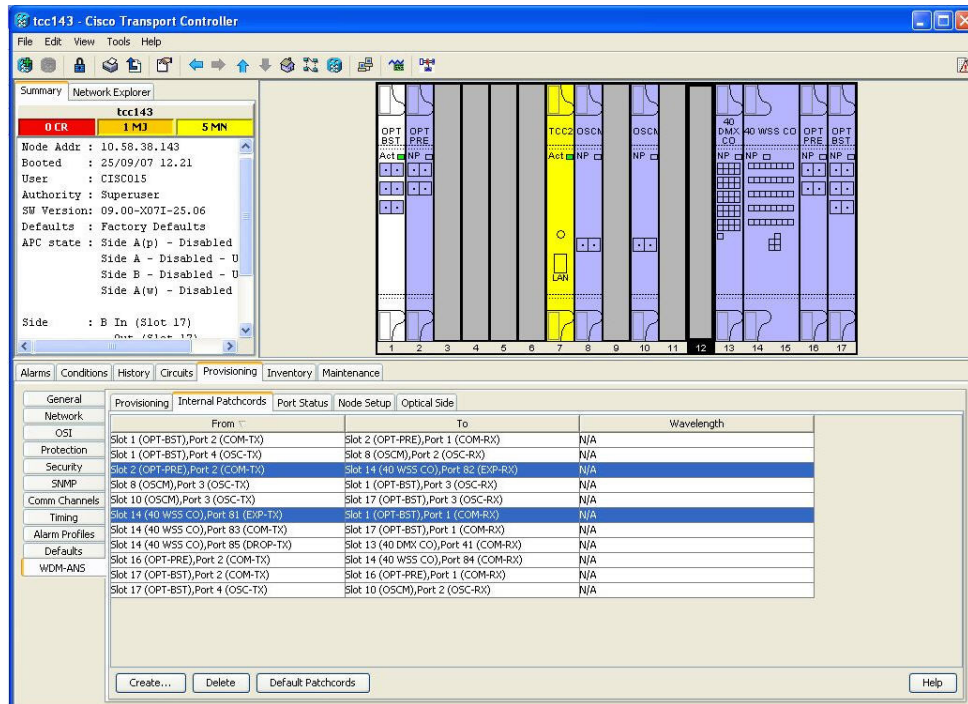
Step 4 Make a list of all the OCHNCs, OCH trails, and OCHCCs that pass through or terminate (add/drop) at the amplifier or optical service channel cards installed in Side B of ROADM Node 1.

**Caution**

You will delete only the pass-through circuits in the next step and use the list to recreate the circuits later. Do not proceed until you complete the circuit list. The add/drop circuits will not be deleted and continues to transport traffic.

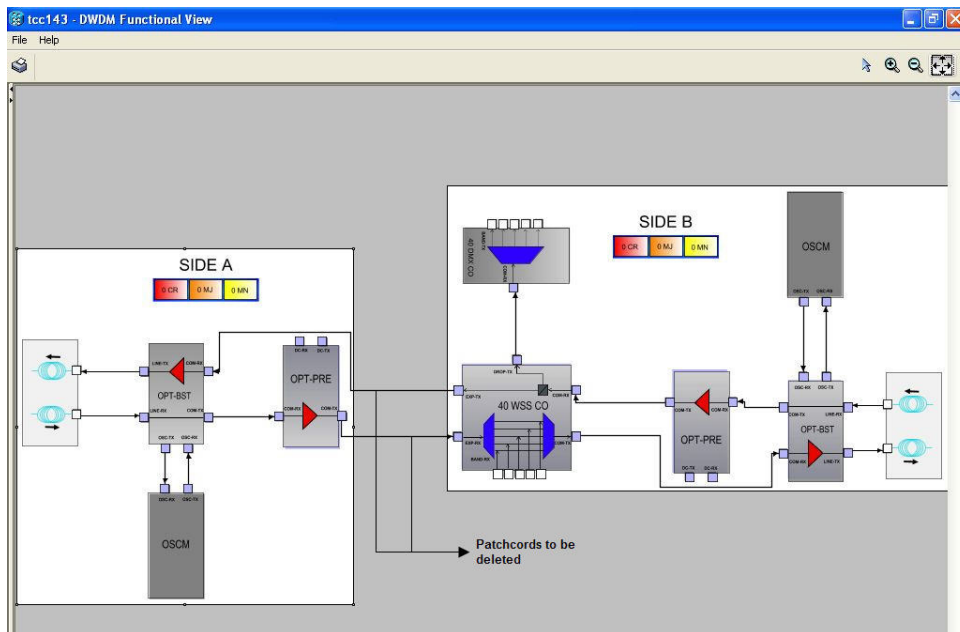
- Step 5** If OCHNCs and/or OCHCCs identified in [Step 4](#) are routed on the active path of a splitter or Y-cable protection group, complete the following steps. If not, continue with [Step 6](#).
- Display the node containing the amplifier or optical service channel cards with the Y-cable or splitter protection.
 - Force the traffic to the protect path in the opposite side of the ring using the “[DLP-G179 Apply a Force Y-Cable or Splitter Protection Switch](#)” task on page 11-45.
- Step 6** Delete the circuits identified in [Step 4](#) using one or more of the following tasks:
- [DLP-G347 Delete Optical Channel Client Connections](#), page 8-11
 - [DLP-G418 Delete an Optical Channel Trail](#), page 8-19
 - [DLP-G106 Delete Optical Channel Network Connections](#), page 8-26
- Step 7** Click the **Provisioning > WDM-ANS > Optical Side** tab.
- Step 8** In the optical sides table, click the optical side corresponding to the amplifier or optical service channel cards installed in Side B of ROADM Node 1.
- Step 9** Click **Delete**.
- Step 10** In the confirmation dialog box, click **Yes**.
- Step 11** Click the **Provisioning > WDM-ANS > Internal Patchcords** tab.
- Step 12** Look in the To column of the internal patchcords table and make a list of internal patchcords that connect the amplifier or optical service channel cards in Side B to the 40-WSS-C/40-DMX-C card (or the 32WSS/32DMX and 32WSS-L/32DMX-L cards) in Side A of ROADM Node 1.
- Step 13** Click **Delete**.
- Step 14** In the confirmation dialog box, click **Yes**.
- Step 15** Remove the physical fiber and attenuators, if present, that connect the amplifier or optical service channel cards in Side B to the 40-WSS-C/40-DMX-C card (or the 32WSS/32DMX and 32WSS-L/32DMX-L cards) in Side A of ROADM Node 1.
- Step 16** Complete the [NTP-G107 Remove Permanently or Remove and Replace DWDM Cards](#), page 13-2 to delete the amplifier or optical service channel cards installed in Side B of ROADM Node 1.
- Step 17** Complete the “[DLP-G46 Log into CTC](#)” task on page 3-30 at the ROADM Node 2. [Figure 13-3](#) shows the ROADM Node 2 shelf view and [Figure 13-4](#) shows the functional view of ROADM Node 1.

Figure 13-3 ROADM Node 2 Shelf View



240931

Figure 13-4 ROADM Node 2 Functional View



240936

Step 18 Click the **Circuits** tab.

Step 19 Make a list of all the OCHNCs, OCH trails, and OCHCCs that pass through or terminate (add/drop) at the amplifier or optical service channel cards installed in Side A of ROADM Node 2.

**Caution**

You will delete all the pass-through and add/drop circuits in the next step and use the list to recreate the circuits later. Do not proceed until you complete the circuit list.

- Step 20** If OCHNCs and/or OCHCCs identified in [Step 19](#) are routed on the active path of a splitter or Y-cable protection group, complete the following steps. If not, continue with [Step 21](#).
- Display the node containing the amplifier or optical service channel cards with the Y-cable or splitter protection.
 - Force the traffic to the protect path in the opposite side of the ring using the “[DLP-G179 Apply a Force Y-Cable or Splitter Protection Switch](#)” task on [page 11-45](#).
- Step 21** Delete the circuits identified in [Step 19](#) using one or more of the following tasks:
- [DLP-G347 Delete Optical Channel Client Connections](#), [page 8-11](#)
 - [DLP-G418 Delete an Optical Channel Trail](#), [page 8-19](#)
 - [DLP-G106 Delete Optical Channel Network Connections](#), [page 8-26](#)
- Step 22** If overhead circuits exist in the amplifier or optical service channel cards installed in Side A of ROADM Node 2, complete “[DLP-G112 Delete Overhead Circuits](#)” task on [page 8-69](#) to delete these overhead circuits.
- Step 23** Click the **Provisioning > WDM-ANS > Optical Side** tab.
- Step 24** In the optical sides table, click the optical side corresponding to the amplifier or optical service channel cards installed in Side A of ROADM Node 2.
- Step 25** Click **Delete**.
- Step 26** In the confirmation dialog box, click **Yes**.
- Step 27** Click the **Provisioning > WDM-ANS > Internal Patchcords** tab.
- Step 28** Look in the To column of the internal patchcords table and make a list of internal patchcords that connect the amplifier or optical service channel cards in Side A to the 40-WSS-C/40-DMX-C card (or the 32WSS/32DMX and 32WSS-L/32DMX-L cards) in Side B of ROADM Node 2.
- Step 29** Click **Delete**.
- Step 30** In the confirmation dialog box, click **Yes**.
- Step 31** Remove the physical fiber and attenuators, if present, that connect the amplifier or optical service channel cards in Side A to the 40-WSS-C/40-DMX-C card (or the 32WSS/32DMX and 32WSS-L/32DMX-L cards) in Side B of ROADM Node 2.
- Step 32** If there are pluggable port modules (PPMs) that terminate on the ROADM Node 2, complete the “[DLP-G280 Delete a PPM](#)” task on [page 6-19](#) to delete these PPMs.
- Step 33** Complete the [NTP-G107 Remove Permanently or Remove and Replace DWDM Cards](#), [page 13-2](#) to delete the amplifier or optical service channel cards installed in Side A of ROADM Node 2.
- Step 34** Complete the [NTP-G163 Upgrade Nodes in Single-Shelf Mode to Multishelf Mode](#), [page 4-131](#) to upgrade ROADM Node 1 to a multishelf configuration and add ROADM Node 2 as a subtending shelf. [Figure 13-5](#) shows the final multishelf view of the node.

Figure 13-5 Final Multishelf View of the Node

The screenshot shows the Cisco Transport Controller interface for MixedMS-94. The left pane displays node details:

- Node Addr : 10.64.106.94
- Booted : 4/29/10 2:15 PM
- User : CISCO15
- Authority : Superuser
- SW Version: 09.20-010D-25.04-
- Defaults : Factory Defaults

The main area shows a rack layout diagram with two racks, Rack 1 and Rack 2. Rack 1 contains Shelf 1, Shelf 29, and Shelf 20. Rack 2 contains Shelf 30. The shelves are populated with various cards, including 40-WSS-C cards and 32WSS/32DMX cards.

The bottom pane shows the 'Rack Layout Config' table:

Shelf ID	Rack Number	Rack Position	Shelf Type
Shelf 1	1	1	15454 M6 ANSI
Shelf 20	1	13	CHASSIS_454
Shelf 29	1	7	15454 M6 ANSI
Shelf 30	2	1	CHASSIS_454

The interface also includes a navigation menu with tabs for Alarms, Conditions, History, Circuits, Provisioning, Inventory, and Maintenance. The 'Provisioning' tab is active, and the 'WDM-ANS' sub-tab is selected. The 'Internal Patchcords' sub-tab is also visible.

- Step 35** In the multishelf view, click the **Provisioning > WDM-ANS > Internal Patchcords** tab.
- Step 36** Click **Create**. The Internal Patchcord Creation wizard appears.
- Step 37** In the Internal Patchcord Attributes page, choose OTS/OCH to OTS/OCH option and select the Bidirectional checkbox.
- Step 38** Click **Next**.
- Step 39** In the Internal Patchcord Origination page, provision the internal patchcord origination parameters.
- Shelf—Choose the shelf where the internal patchcord originates.
 - Slot—Choose one of the two 40-WSS-C cards (or the 32WSS/32DMX and 32WSS-L/32DMX-L cards) where the internal patchcord originates.
 - Tx Port—Choose the EXP TX port where the internal patchcord originates.
- Step 40** Click **Next**.
- Step 41** In the Internal Patchcord Termination page, provision the internal patchcord origination parameters.
- Shelf—Choose the shelf where the internal patchcord terminates.
 - Slot—Choose the other 40-WSS-C card (or the 32WSS/32DMX and 32WSS-L/32DMX-L cards) where the internal patchcord terminates.

- Rx Port—Choose the EXP RX port where the internal patchcord terminates.

Step 42 Click **Next**.

Step 43 Review the display-only information on the Internal Patchcord Origination Reverse page. This page shows the shelf, slot, and port that CTC will use for the opposite internal patchcord origination route.

Step 44 Click **Next**.

Step 45 Review the information displayed on the Internal Patchcord Termination Reverse page. This display-only page shows the shelf, slot, and port that CTC will use for the reverse internal patchcord termination route.

Step 46 Click **Finish**. The new internal patchcord appears on the Internal Patchcord table.

Step 47 Complete the “[NTP-G37 Run Automatic Node Setup](#)” procedure on page 4-128.

Step 48 In node view, click the **Circuits** tab.

Step 49 Complete one or more of the following procedures to recreate circuits identified in Steps 4 and 19:

- [DLP-G105 Provision Optical Channel Network Connections](#), page 8-23
- [DLP-G346 Provision Optical Channel Client Connections](#), page 8-4
- [DLP-G395 Create an Optical Channel Trail](#), page 8-17



Note Cisco recommends that you recreate the circuits one at a time.

Step 50 Complete the “[NTP-G60 Create and Delete Overhead Circuits](#)” procedure on page 8-61 to recreate circuits deleted in Step 22.

Step 51 Verify that each circuit appears on the Circuits table with a DISCOVERED status and an IS/Unlocked state. If not, repeat Steps 48 and 49.

If the circuits still do not appear with a DISCOVERED status and IS/Unlocked state, contact your next level of support.

Step 52 Click the **Provisioning > Pluggable Port Module > Pluggable Port Module** tab and click **Create** to recreate the PPMs deleted in Step 32.

Step 53 Complete the “[DLP-G180 Clear a Manual or Force Y-Cable or Splitter Protection Switch](#)” task on page 11-45 for OCHNCs and/or OCHCCs that were switched to the opposite side of the ring as part of a splitter or Y-cable protection group to return the traffic to its original condition.

Stop. You have completed this procedure.

NTP-G177 Upgrade ANS Parameters on a DWDM Node

Purpose	This procedure upgrades the ANS parameters on a DWDM node.
Tools/Equipment	None
Prerequisite Procedures	Chapter 4, “Turn Up a Node” An updated Cisco TransportPlanner NE Update file recalculated for the node.
Required/As Needed	As needed
Onsite/Remote	Onsite
Security Level	Provisioning or higher


Note

Do not begin this procedure until the Cisco TransportPlanner NE Update file is prepared for the node. You will import the new NE Update file and run ANS to recalculate the ANS parameters for the node.


Caution

Upgrading ANS parameters on one node requires ANS upgrades on all the other nodes within the network. Do not begin this procedure until you are prepared to complete the upgrade on all network nodes.


Caution

This procedure will affect the service of unprotected circuits that pass through the node.

- Step 1** Complete the [“DLP-G46 Log into CTC” task on page 3-30](#) at the node you want to update.
- Step 2** Click the **Circuits** tab.
- Step 3** Make a list of the OCHCCs, OCHNCs, and OCH trails that:
- Terminate (add/drop) at the node.
 - Pass through the node on the express path for both the Side B-to-Side A and Side A-to-Side B directions.
- Step 4** If OCHNCs, OCH trails, and/or OCHCCs identified in [Step 3](#) are routed on the active path of a splitter or Y-cable protection group, complete the following steps. If not, continue with [Step 5](#).
- Display the node containing the TXP, MXP, ADM-10G, GE_XP, 10GE_XP, GE_XPE, 10GE_XPE, or ITU-T line card with the Y-cable or splitter protection.
 - Force the traffic to the protect path in the opposite side of the ring using the [“DLP-G179 Apply a Force Y-Cable or Splitter Protection Switch” task on page 11-45](#).
- Step 5** For each circuit identified in [Step 3](#) that was not switched in [Step 4](#), place the circuit out of service using one or more of the following tasks.
- [DLP-G394 Change an OCHCC Administrative State, page 8-13](#)
 - [DLP-G419 Change an OCH Trail Administrative State, page 8-21](#)
 - [DLP-G420 Change an OCHNC Administrative State, page 8-28](#)
- Step 6** Complete the [“NTP-G143 Import the Cisco TransportPlanner NE Update Configuration File” procedure on page 4-49](#).
- Step 7** Complete the [“NTP-G37 Run Automatic Node Setup” procedure on page 4-128](#).

- Step 8** In node view, click the **Circuits** tab.
- Step 9** If you placed circuits out of service in [Step 5](#), complete one or more of the following tasks to put them in service.
- [DLP-G394 Change an OCHCC Administrative State, page 8-13](#)
 - [DLP-G419 Change an OCH Trail Administrative State, page 8-21](#)
 - [DLP-G420 Change an OCHNC Administrative State, page 8-28](#)
- Step 10** Verify that each circuit appears on the Circuits table with a DISCOVERED status and an IS/Unlocked state. If not, complete one or more of the following tasks to recreate the circuits.
- [“DLP-G105 Provision Optical Channel Network Connections” task on page 8-23](#)
 - [“DLP-G346 Provision Optical Channel Client Connections” task on page 8-4](#)
 - [“DLP-G395 Create an Optical Channel Trail” task on page 8-17](#)



Note Cisco recommends that you recreate the circuits one at a time.

If the circuits still do not appear with a DISCOVERED status and IS/Unlocked state, contact your next level of support.

Stop. You have completed this procedure.

NTP-G242 Modify the CD setting of TDC-CC and TDC-FC Cards

Purpose	This procedure allows you to modify the CD settings of the TDC-CC and TDC-FC cards.
Tools/Equipment	None
Prerequisite Procedures	NTP-G30 Install the DWDM Cards, page 4-64
Required/As Needed	As needed
Onsite/Remote	Onsite or remote
Security Level	Provisioning or higher

Step 1 Complete the [DLP-G46 Log into CTC, page 3-30](#) task at the node where you want to change the TDC-CC or TDC-FC card settings. If you are already logged in, continue with [Step 2](#).

Step 2 Complete the [“NTP-G103 Back Up the Database” procedure on page 14-2](#).



Note Changing the CD value of the T-DCU can severely affect the performance of the channels travelling through the T-DCU. As a general rule the new value is provided through an additional analysis performed by the CTP. In this case, complete [NTP-G177 Upgrade ANS Parameters on a DWDM Node, page 13-32](#) procedure. If for some reason, the [NTP-G177 Upgrade ANS Parameters on a DWDM Node, page 13-32](#) procedure cannot be applied, then a skilled operator can directly change the CD value according to the CTP findings. To modify the CD setting of the TDC-CC or TDC-FC card proceed to [Step 3](#).

Step 3 To modify the CD setting of the TDC-CC or TDC-FC card, perform any of the following tasks as needed:

**Note**

As the operation is traffic affecting, change the CD value during a maintenance window.

- [DLP-G526 Modify the CD Value of the TDC-CC and TDC-FC When Connected to OPT-AMP-C, OPT-PRE, 40-SMR-1 and 40-SMR-2 Cards](#), page 13-34.
- [DLP-G527 Modify the CD Value of the TDC-CC and TDC-FC cards When Connected to OPT-RAMP-C and OPT-RAMP-CE Amplifiers](#), page 13-34.

Step 4 Complete the “[NTP-G103 Back Up the Database](#)” procedure on page 14-2.

Stop. You have completed this procedure.

DLP-G526 Modify the CD Value of the TDC-CC and TDC-FC When Connected to OPT-AMP-C, OPT-PRE, 40-SMR-1 and 40-SMR-2 Cards

Purpose	This procedure allows you to modify the CD value when the TDC-CC and TDC-FC cards are connected to the DC ports of the OPT-PRE, OPT-AMP-C, 40-SMR-1 and 40-SMR-2 cards.
Tools/Equipment	None
Prerequisite Procedures	DLP-G46 Log into CTC , page 3-30
Required/As Needed	As needed
Onsite/Remote	Onsite or remote
Security Level	Provisioning or higher

- Step 1** Before you modify the CD value of the TDC-CC or TDC-FC card, disable the Automatic Power Control (APC) in the domain that has the TDC-CC or TDC-FC card. To disable the APC domain, complete the “[DLP-G157 Disable Automatic Power Control](#)” section on page 11-4.
- Step 2** Modify the CD value for the TDC-CC or TDC-FC Card. To modify the CD value, Complete the “[DLP-G545 Modify the Chromatic Dispersion Value for the TDC-CC and TDC-FC Cards](#)” section on page 12-74.
- Step 3** Enable the APC domain that has the TDC-CC or TDC-FC card. To enable the APC domain, complete the “[DLP-G158 Enable Automatic Power Control](#)” section on page 11-5.
- Step 4** Return to your originating procedure (NTP).

DLP-G527 Modify the CD Value of the TDC-CC and TDC-FC cards When Connected to OPT-RAMP-C and OPT-RAMP-CE Amplifiers

Purpose	This procedure allows you to modify the CD value of the TDC-CC and TDC-FC cards when connected to the DC ports of the OPT-RAMP-C and OPT-RAMP-CE amplifiers.
Tools/Equipment	None

Prerequisite Procedures	DLP-G46 Log into CTC, page 3-30
Required/As Needed	As needed
Onsite/Remote	Onsite or remote
Security Level	Provisioning or higher

-
- Step 1** Before you modify the CD value of the TDC-CC or TDC-FC card, run the APC. To run the APC, complete the [“DLP-G430 Run Automatic Power Control”](#) section on page 11-6.
- Step 2** Modify the CD value for the TDC-CC or TDC-FC Card. To modify the CD value, Complete the [“DLP-G545 Modify the Chromatic Dispersion Value for the TDC-CC and TDC-FC Cards”](#) section on page 12-74.



Note Do not change the compensation value directly in one instance. In order to avoid traffic drops and alarms, it is required to change the CD value in steps not too large. For example, if you want to change the CD value of a TDC-CC from -880 to -1320 ps/nm, do not change the CD value in a single step, but in a couple of steps. Change the CD value to an intermediate value of -1100 ps/nm and then to -1320 ps/nm. Change the CD value of the TDC-CC by steps no larger than 330 ps/nm and the CD value of the TDC-FC by steps no larger than 270 ps/nm. This approach of changing the CD value avoids misleading alarms and traffic drops.

-
- Step 3** Run the APC. To run the APC, complete the [“DLP-G430 Run Automatic Power Control”](#) section on page 11-6.
- Step 4** If the **APC correction skipped** alarm appears, then force the APC correction. Do the following:
- Click the alarmed port.
 - Click the **Maintenance** tab.
 - Click the **Force APC correction** button.
- Step 5** Repeat steps 2 to 4 until the CD target value is set.
- Step 6** Return to your originating procedure (NTP).
-

NTP-G278 Upgrade the TSC Card to the TNC Card

Purpose	This procedure upgrades the TSC card to the TNC card on the Cisco ONS 15454 M6 shelf.
Tools/Equipment	Two TNC cards
Prerequisite Procedures	None
Required/As Needed	As needed
Onsite/Remote	Onsite
Security Level	Maintenance or higher

**Note**

Downgrade procedures from TNC cards to TSC cards are not supported. Contact Cisco TAC for more information. See the [“Obtaining Optical Networking Information”](#) section on page lxxxiii for contact information.

-
- Step 1** Complete the [“DLP-G46 Log into CTC”](#) task on page 3-30.
- Step 2** Verify that the LAN wires on the RJ-45 LAN port are installed properly. The TNC card does not autodetect miswired LAN connections. If a LAN connection is miswired, a LAN Connection Polarity Reversed condition appears. For information on installing LAN wires, refer to the *Cisco ONS 15454 Procedure Guide*.
- Step 3** Verify that the node you are upgrading has ONS 15454 M6 Software R9.2 installed. The software version is displayed in the upper left corner of the window.
- Step 4** Complete the *NTP-U214 Back Up the Software Database* procedure before beginning the upgrade.
- Step 5** Physically replace the standby TSC card with a TNC card.
- Check the LED on the faceplate. The ACT/STBY LED on the faceplate of the TNC/TSC card indicates whether the card is in active or standby mode. A green ACT/STBY LED indicates an active card and an amber light indicates a standby card.
 - Open the ejectors on the standby TSC card.
 - Slide the card out of the slot. This raises the IMPROPRMVL alarm, which clears when the upgrade is complete.
 - Right-click the slot from which the TSC card was ejected out.
 - Click **Delete Card** to delete TSC from CTC.

**Note**

If the TSC card is not deleted from the CTC shelf view before inserting the TNC card, the MEA (card mismatch) alarm appears on that slot.

- Open the ejectors on the TNC card to be installed.
- Slide the TNC card into the slot along the guide rails.
- Close the ejectors.
- In CTC node view, Ldg (loading) appears on the newly installed TNC card.

**Note**

It takes approximately 10 minutes for the active TSC card to copy the system software and database to the newly installed TNC card. During this operation, the LEDs on the TNC card flash Fail and then the active/standby LED flashes. When the transfer completes, the TNC card reboots and goes into standby mode after approximately three minutes. Do not remove the card from the shelf during a database transfer.

**Caution**

If your active TSC card resets during the upgrade before the new TNC card is in full standby mode, remove the new TNC card immediately.

- Step 6** When the newly installed TNC card is in standby, right-click the active TSC card in CTC.
- Step 7** From the pull-down menu, click **Reset Card**.

Wait for the TSC card to reboot. The standby TNC card is switched to active mode. The TSC card verifies that it has the same database as the TNC card and then switches to standby.

- Step 8** Verify that the remaining TSC card is now in standby mode (the ACT/STBY LED changes to amber).
- Step 9** Physically replace the remaining TSC card with the second TNC card.
- Open the ejectors on the TSC card.
 - Slide the card out of the slot. This raises the IMPROPRMVL alarm, which clears when the upgrade is complete.
 - Right-click the slot from which the TSC card was ejected out.
 - Click **Delete Card** to delete TSC from CTC.



Note If the TSC card is not deleted from the CTC shelf view before inserting the TNC card, the MEA (card mismatch) alarm appears on that slot.

- Open the ejectors on the TNC card.
- Slide the TNC card into the slot along the guide rails.
- Close the ejectors.

The second TNC card boots up. The second TNC card must also copy the database. Do not remove the card from the shelf during a database transfer.

- Step 10** If power-related alarms occur after the second TNC card is installed, check the voltage on the RJ-45 LAN port. Refer to the *Cisco ONS 15454 Troubleshooting Guide* for information on clearing the alarms.

Stop. You have completed this procedure.



CHAPTER 14

Maintain the Node

This chapter provides procedures for maintaining the Cisco ONS 15454, including database backup and restoration, removing and replacing cards, viewing the ONS 15454 audit trail, and hardware maintenance procedures such as cleaning fibers, changing the fan tray filter, and other maintenance procedures.



Note

The procedures and tasks described in this chapter for the Cisco ONS 15454 platform is applicable to the Cisco ONS 15454 M2 and Cisco ONS 15454 M6 platforms, unless noted otherwise.



Note

Unless otherwise specified, “ONS 15454” refers to both ANSI and ETSI shelf assemblies.

Before You Begin

Before performing any of the following procedures, investigate all alarms and clear any trouble conditions. Refer to the *Cisco ONS 15454 DWDM Troubleshooting Guide* as necessary for general troubleshooting information and alarm or error descriptions.

This section lists the chapter procedures (NTPs). Turn to a procedure to view its tasks (DLPs).

1. [NTP-G103 Back Up the Database, page 14-2](#)—Complete as needed.
2. [NTP-G104 Restore the Database, page 14-3](#)—Complete as needed.
3. [NTP-G105 Restore the Node to Factory Configuration, page 14-5](#)—Complete as needed to clear the database and upload a blank database and the latest software.
4. [NTP-G133 View and Manage OSI Information, page 14-10](#)—Complete as needed.
5. [NTP-G106 Reset Cards Using CTC, page 14-13](#)—Complete as needed to reset the TCC2/TCC2P/TCC3/TNC/TSC cards and the dense wavelength division multiplexing (DWDM) cards.
6. [NTP-G108 Viewing the Audit Trail Records, page 14-15](#)—Complete as needed.
7. [NTP-G109 Off-Load the Audit Trail Record, page 14-16](#)—Complete as needed.
8. [NTP-G110 Off-Load the Diagnostics File, page 14-17](#)—Complete as needed.
9. [NTP-G112 Change the Node Timing Reference, page 14-18](#)—Complete as needed.
10. [NTP-G113 View the ONS 15454 Timing Report, page 14-20](#)—Complete as needed.
11. [NTP-G114 Inspect and Replace the Air Filter, page 14-23](#)—Complete as needed.

12. [NTP-G274 Replace the Air Filter of the ONS 15454 M2 Shelf Assembly, page 14-26](#)—Complete as needed.
13. [NTP-G262 Replace the Air Filter of the ONS 15454 M6 Shelf Assembly, page 14-28](#)—Complete as needed.
14. [NTP-G263 Replace the Air Filter of the AC Power Module in the ONS 15454 M6 Shelf Assembly, page 14-31](#)—Complete as needed.
15. [NTP-G115 Clean Fiber Connectors, page 14-32](#)—Complete as needed.
16. [NTP-G40 Replace the Front Door, page 14-35](#)—Complete as needed.
17. [NTP-G116 Replace the Fan-Tray Assembly, page 14-37](#)—Complete as needed.
18. [NTP-G272 Replace the Fan-Tray Assembly of the ONS 15454 M2 Shelf Assembly, page 14-42](#)—Complete as needed.
19. [NTP-G260 Replace the Fan-Tray Assembly of the ONS 15454 M6 Shelf Assembly, page 14-44](#)—Complete as needed.
20. [NTP-G117 Replace the ANSI Shelf Alarm Interface Panel, page 14-46](#)—Complete as needed.
21. [NTP-G118 Replace the ANSI Shelf Plastic Lower Backplane Cover, page 14-49](#)—Complete as needed.
22. [NTP-G135 Edit Network Element Defaults, page 14-51](#)—Complete as needed to edit the factory-configured (default) network element (NE) settings for the Cisco ONS 15454.
23. [NTP-G136 Import Network Element Defaults, page 14-52](#)—Complete as needed to import the factory-configured (default) NE settings for the Cisco ONS 15454.
24. [NTP-G137 Export Network Element Defaults, page 14-53](#)—Complete as needed to export the factory-configured (default) NE settings for the Cisco ONS 15454.
25. [NTP-G166 View the Facilities, page 14-54](#)—Complete as needed to view all facilities for the Cisco ONS 15454.
26. [NTP-G119 Power Down the Node, page 14-54](#)—Complete as needed to power down the node.

NTP-G103 Back Up the Database

Purpose	This procedure stores a backup version of the TCC2/TCC2P/TCC3/TNC/TSC (software) database on the workstation running Cisco Transport Controller (CTC) or on a network server.
Tools/Equipment	None
Prerequisite Procedures	None
Required/As Needed	Required. Cisco recommends performing a database backup at approximately weekly intervals and prior to and after configuration changes.
Onsite/Remote	Onsite or remote
Security Level	Maintenance or higher

-
- Step 1** Complete the “[DLP-G46 Log into CTC](#)” task on [page 3-30](#) at the node you want to back up. If you are already logged in, continue with [Step 2](#).

- Step 2** In node view (single-shelf mode) or multishelf view (multishelf mode), click the **Maintenance > Database** tabs.
- Step 3** Click **Backup**.
- Step 4** Save the database on the workstation's hard drive or on network storage. Use an appropriate file name with the DB file extension; for example, database.db.
- Step 5** Click **Save**.
- Step 6** Click **OK** in the confirmation dialog box.
- Stop. You have completed this procedure.**
-

NTP-G104 Restore the Database

Purpose	This procedure restores the TCC2/TCC2P/TCC3/TNC/TSC card software database, either partially or completely.
Tools/Equipment	None
Prerequisite Procedures	NTP-G103 Back Up the Database, page 14-2
Required/As Needed	As needed
Onsite/Remote	Onsite or remote
Security Level	Superuser only



Note

You must back up and restore the database for each node on a circuit path in order to maintain a complete circuit.



Note

The following parameters are restored only when the **Complete Database (System and Provisioning)** checkbox is checked: node name, IP address, subnet mask and gateway, and IOP port. If you change the node name and then restore a backed up database on this node, the circuits automatically map to the newly renamed node. It is recommended to keep a record of the old and new node names.



Caution

If you are restoring the database on multiple nodes, wait approximately one minute after the TCC2/TCC2P/TCC3/TNC/TSC card reboot has completed on each node before proceeding to the next node.



Caution

TCC2P/TCC3/TNC/TSC cards can be used in single IP address (repeater) and dual IP address (secure) mode. The secure mode has advanced features that affect database restore. A database from a secure node cannot be loaded on an unsecure repeater node. A repeater mode database can be loaded onto a secure node but the database will follow the node characteristics (that is, it will become secure). A secure database cannot be loaded onto a TCC2; only TCC2P/TCC3/TNC/TSC cards support secure mode. For more information about the dual IP secure mode, see the “[NTP-G26 Set Up CTC Network Access](#)” procedure on page 4-18. Also refer to the “Management Network Connectivity” chapter of the *Cisco ONS 15454 DWDM Reference Manual*.

-
- Step 1** Complete the “[DLP-G46 Log into CTC](#)” task on page 3-30 at the node where you are restoring the database. If you are already logged in, continue with Step 2.
- Step 2** In node view (single-shelf mode) or multishelf view (multishelf mode), click the **Circuits** tab. Verify that no optical channel network connection (OCHNC) circuits have a PARTIAL_OOS state. If so, investigate and resolve the partial state before continuing.
- Step 3** Complete the “[DLP-G157 Disable Automatic Power Control](#)” task on page 11-4.
- Step 4** In multishelf view (multishelf mode) or in node view (single-shelf mode), click the **Maintenance > Database** tabs.
- Step 5** Click **Restore**.
- Step 6** Locate the database file stored on the workstation hard drive or on network storage.



Note To clear all existing provisioning, locate and upload the database found on the latest ONS 15454 software CD.

- Step 7** Click the database file to highlight it.
- Step 8** Click **Open**. The DB Restore dialog box appears.



Caution Opening a restore file from another node or from an earlier backup might affect traffic on the login node.

- Step 9** If you need a complete database restore, check the **Complete database (System and Provisioning)** checkbox. Continue with [Step 11](#).



Note Complete database restore may be used only on a node that is removed from the network, and does not carry live provisioning traffic. This operation needs to be done by a live operator onsite, and must not use a remote connection.

- Step 10** If you need to restore only the provisioning database (partial restore), do not check the **Complete database (System and Provisioning)** checkbox.
- Step 11** Click **Ok**.
The Restore Database dialog box monitors the file transfer.
- Step 12** Wait for the file to complete the transfer to the TCC2/TCC2P/TCC3/TNC/TSC card.
- Step 13** Click **OK** when the “Lost connection to node, changing to Network View” dialog box appears. Wait for the node to reconnect.
- Step 14** Complete the “[DLP-G158 Enable Automatic Power Control](#)” task on page 11-5.
Stop. You have completed this procedure.
-

NTP-G105 Restore the Node to Factory Configuration

Purpose	This procedure reinitializes the Cisco ONS 15454, ONS 15454 M2, and ONS 15454 M6 using the CTC reinitialization tool. Reinitialization uploads a new software package to the TCC2/TCC2P/TCC3/TNC/TSC cards, clears the node database, and restores the factory default parameters.
Tools/Equipment	ONS 15454 System Software CD, Version 9.2 JRE 1.6 is recommended to log into the node after reinitialization is complete. The reinitialization tool can run on JRE 1.3.1_02, JRE 1.4.2, or JRE 1.6.
Prerequisite Procedures	NTP-G103 Back Up the Database, page 14-2 NTP-G17 Set Up Computer for CTC, page 3-2 One of the following: <ul style="list-style-type: none"> • NTP-G18 Set Up CTC Computer for Local Craft Connection to the ONS 15454, page 3-9 • NTP-G19 Set Up a CTC Computer for a Corporate LAN Connection to the ONS 15454, page 3-25
Required/As Needed	As needed
Onsite/Remote	Onsite
Security Level	Superuser only


Caution

Cisco strongly recommends that you keep different node databases in separate folders. This is because the reinitialization tool chooses the first product-specific software package in the specified directory if you use the Search Path field instead of the Package and Database fields. You might accidentally copy an incorrect database if multiple databases are kept in the specified directory.


Caution

Restoring a node to the factory configuration deletes all cross-connects on the node.


Caution

Cisco recommends that you save the node database to safe location if you will not be restoring the node using the database provided on the software CD.


Note

The following parameters are not backed up and restored when you delete the database and restore the factory settings: node name, IP address, subnet mask and gateway, and IIOP port. If you change the node name and then restore a backed up database with a different node name, the circuits map to the new renamed node. Cisco recommends keeping a record of the old and new node names.


Note

A node will remain locked in secure mode even if it is restored with the factory database. A node locked in secure mode can only be unlocked by Cisco Technical Support.

-
- Step 1** If you need to install or replace one or more TCC2/TCC2P/TCC3 cards, see the “DLP-G33 Install the TCC2, TCC2P, or TCC3 Card” in the *Cisco ONS 15454 Hardware Installation Guide*. If you need to install one or more TNC/TSC cards, see the “DLP-G604 Install the TNC or TSC Card” in the *Cisco ONS 15454 Hardware Installation Guide*.
- Step 2** If you are using Microsoft Windows, complete the “DLP-G248 Use the Reinitialization Tool to Clear the Database and Upload Software (Windows)” task on page 14-6.
- Step 3** If you are using UNIX, complete the “DLP-G249 Use the Reinitialization Tool to Clear the Database and Upload Software (UNIX)” task on page 14-8.
- Stop. You have completed this procedure.**
-

DLP-G248 Use the Reinitialization Tool to Clear the Database and Upload Software (Windows)

Purpose	This task reinitializes the Cisco ONS 15454, ONS 15454 M2, and ONS 15454 M6 using the CTC reinitialization tool on a Windows computer. Reinitialization uploads a new software package to the TCC2/TCC2P/TCC3/TNC/TSC cards, clears the node database, and restores the factory default parameters.
Tools/Equipment	ONS 15454 System Software CD, Version 9.2 JRE 1.6 must be installed on the computer to log into the node at the completion of the reinitialization. The reinitialization tool can run on JRE 1.3.1_02, JRE 1.4.2, or JRE 1.6.
Prerequisite Procedures	NTP-G103 Back Up the Database, page 14-2 NTP-G17 Set Up Computer for CTC, page 3-2 One of the following: <ul style="list-style-type: none"> • NTP-G18 Set Up CTC Computer for Local Craft Connection to the ONS 15454, page 3-9 • NTP-G19 Set Up a CTC Computer for a Corporate LAN Connection to the ONS 15454, page 3-25
Required/As Needed	As needed to clear the existing database from the TCC2/TCC2P/TCC3/TNC/TSC cards and restore the node default settings.
Onsite/Remote	Onsite
Security Level	Superuser only



Caution

Restoring a node to the factory configuration deletes all cross-connects on the node.



Note

The ONS 14545 Software CD is if the Reinit.jar file, the CISCO 15454 package file, and the NE default file are not stored on your computer.

**Note**

A node will remain locked in secure mode after the node's database is deleted, even if it is restored with the factory database. A node locked in secure mode can only be unlocked by Cisco Technical Support.

-
- Step 1** Insert the ONS 15454 System Software CD, Version 9.2, into the computer CD-ROM drive. If the CTC Installation Wizard appears, click **Cancel**.
- Step 2** From the Windows Start menu, choose **Run**. In the Run dialog box, click **Browse** and navigate to the CISCO15454 or CISCO15454SDH folder on the software CD.
- Step 3** In the Browse dialog box Files of Type field, choose **All Files**.
- Step 4** Choose the RE-INIT.jar file and click **Open**. The NE Re-Initialization window appears.
- Step 5** Complete the following fields:
- GNE IP—If the node you are reinitializing is accessed through another node configured as a gateway network element (GNE), enter the GNE IP address. If you have a direct connection to the node, leave this field blank.
 - Node IP—Enter the node name or IP address of the node that you are reinitializing.
 - User ID—Enter the user ID needed to access the node.
 - Password—Enter the password for the user ID.
 - Upload Package—Check this box to send the software package file to the node. If unchecked, the software stored on the node is not modified.
 - Force Upload—Check this box to send the software package file to the node even if the node is running the same software version. If unchecked, reinitialization will not send the software package if the node is already running the same version.
 - Activate/Revert—Check this box to activate the uploaded software (if the software is a later than the installed version) or revert to the uploaded software (if the software is earlier than the installed version) as soon as the software file is uploaded. If unchecked, the software is not activated or reverted after the upload, allowing you to initiate the functions later from the node view Maintenance > Software tab.
 - Re-init Database—Check this box to send a new database to the node. (This is equivalent to the CTC database restore operation.) If unchecked, the node database is not modified.
 - Confirm—Check this box if you want a warning message displayed before any operation is performed. If unchecked, reinitialization does not display a warning message.
 - Search Path—Enter the path to the CISCO15454 folder on the CD drive.
- Step 6** Click **Go**.

**Caution**

Before continuing with the next step, verify that the database to upload is correct. You cannot reverse the upload process after you click Yes.

- Step 7** Review the information in the Confirm NE Re-Initialization dialog box, then click **Yes** to start the reinitialization.

The reinitialization begins. After the software is downloaded and activated, and the database is uploaded to the TCC2/TCC2P/TCC3/TNC/TSC cards, "Complete" appears in the status bar, and the TCC2/TCC2P/TCC3/TNC/TSC cards reboot. Wait a few minutes for the reboot to complete.

- Step 8** After the reboot is complete, log into the node using the “DLP-G46 Log into CTC” task on page 3-30.
- Step 9** Complete the “NTP-G24 Set Up Name, Date, Time, and Contact Information” procedure on page 4-15 and the “NTP-G26 Set Up CTC Network Access” procedure on page 4-18.
- Step 10** Return to your originating procedure (NTP).

DLP-G249 Use the Reinitialization Tool to Clear the Database and Upload Software (UNIX)

Purpose	This task reinitializes the Cisco ONS 15454, ONS 15454 M2, and ONS 15454 M6 using the CTC reinitialization tool on a UNIX computer. Reinitialization uploads a new software package to the TCC2/TCC2P/TCC3/TNC/TSC cards, clears the node database, and restores the factory default parameters.
Tools/Equipment	ONS 15454 SONET System Software CD, Version 9.2 JRE 1.6 must be installed on the computer to log into the node at the completion of the reinitialization. The reinitialization tool can run on JRE 1.3.1_02, JRE 1.4.2, or JRE 1.6.
Prerequisite Procedures	NTP-G103 Back Up the Database, page 14-2 NTP-G17 Set Up Computer for CTC, page 3-2 One of the following: <ul style="list-style-type: none"> • NTP-G18 Set Up CTC Computer for Local Craft Connection to the ONS 15454, page 3-9 • NTP-G19 Set Up a CTC Computer for a Corporate LAN Connection to the ONS 15454, page 3-25
Required/As Needed	As needed to clear the existing database from the TCC2/TCC2P/TCC3/TNC/TSC cards and restore the node default settings.
Onsite/Remote	Onsite
Security Level	Superuser only



Caution


Restoring a node to the factory configuration deletes all cross-connects on the node.



Note

A node will remain locked in secure mode after the node's database is deleted, even if it is restored with the factory database. A node locked in secure mode can only be unlocked by Cisco Technical Support.

- Step 1** Insert the system software CD containing the reinitialization tool, software, and defaults database into the computer CD-ROM drive. If the CTC Installation Wizard appears, click **Cancel**.
- Step 2** To find the recovery tool file, go to the CISCO15454 directory on the CD (usually /cdrom/cdrom0/CISCO15454 or /cdrom/cdrom0/CISCO15454SDH).

- Step 3** If you are using a file explorer, double-click the **RE-INIT.jar** file. If you are working with a command line, run **java -jar RE-INIT.jar**. The NE Re-Initialization window appears.
- Step 4** Complete the following fields:
- GNE IP—If the node you are reinitializing is accessed through another node configured as a GNE, enter the GNE IP address. If you have a direct connection to the node, leave this field blank.
 - Node IP—Enter the node name or IP address of the node that you are reinitializing.
 - User ID—Enter the user ID needed to access the node.
 - Password—Enter the password for the user ID.
 - Upload Package—Check this box to send the software package file to the node. If unchecked, the software stored on the node is not modified.
 - Force Upload—Check this box to send the software package file to the node even if the node is running the same software version. If unchecked, reinitialization will not send the software package if the node is already running the same version.
 - Activate/Revert—Check this box to activate the uploaded software (if the software is a later than the installed version) or revert to the uploaded software (if the software is earlier than the installed version) as soon as the software file is uploaded. If unchecked, the software is not activated or reverted after the upload, allowing you to initiate the functions later from the node view Maintenance > Software tab.
 - Re-init Database—Check this box to send a new database to the node. (This is equivalent to the CTC database restore operation.) If unchecked, the node database is not modified.
 - Confirm—Check this box if you want a warning message displayed before any operation is performed. If unchecked, reinitialization does not display a warning message.
 - Search Path—Enter the path to the CISCO15454 or CISCO15454SDH folder on the CD drive.
- Step 5** Click **Go**.
- 
- Caution** Before continuing with the next step, verify that the database to upload is correct. You cannot reverse the upload process after you click Yes.
- Step 6** Review the information in the Confirm NE Re-Initialization dialog box, then click **Yes** to start the reinitialization.
- The reinitialization begins. After the software is downloaded and activated and the database is uploaded to the TCC2/TCC2P/TCC3/TNC/TSC cards, “Complete” appears in the status bar and the TCC2/TCC2P/TCC3/TNC/TSC cards will reboot. Wait a few minutes for the reboot to complete.
- Step 7** After the reboot is complete, log into the node using the [“DLP-G46 Log into CTC” task on page 3-30](#).
- Step 8** Complete the [“NTP-G24 Set Up Name, Date, Time, and Contact Information” procedure on page 4-15](#) and the [“NTP-G26 Set Up CTC Network Access” procedure on page 4-18](#).
- Step 9** Return to your originating procedure (NTP).

NTP-G133 View and Manage OSI Information

Purpose	This procedure allows you to view and manage Open Systems Interconnection (OSI) including the End System to Intermediate System (ES-IS) and Intermediate System to Intermediate System (IS-IS) routing information tables, the Target Identifier Address Resolution Protocol (TARP) data cache, and the manual area table.
Tools/Equipment	None
Prerequisite Procedures	NTP-G103 Back Up the Database, page 14-2 NTP-G17 Set Up Computer for CTC, page 3-2 NTP-G132 Provision OSI, page 4-38
Required/As Needed	As needed
Onsite/Remote	Onsite or remote
Security Level	Provisioning or higher


Note

Additional information about the ONS 15454 implementation of OSI is provided in the “Management Network Connectivity” chapter in the *Cisco ONS 15454 DWDM Reference Manual*.

- Step 1** Complete the “[DLP-G46 Log into CTC](#)” task on page 3-30. If you are already logged in, continue with Step 2.
- Step 2** Perform any of the following tasks as needed:
- [DLP-G298 View IS-IS Routing Information Base, page 14-10](#)
 - [DLP-G299 View ES-IS Routing Information Base, page 14-11](#)
 - [DLP-G300 Manage the TARP Data Cache, page 14-12](#)

Stop. You have completed this procedure.

DLP-G298 View IS-IS Routing Information Base

Purpose	This task allows you to view the IS-IS protocol routing information base (RIB). IS-IS is an OSI routing protocol that floods the network with information about NEs on the network. Each NE uses the information to build a complete and consistent picture of a network topology. The IS-IS RIB shows the network view from the perspective of the IS node.
Tools/Equipment	None
Prerequisite procedures	DLP-G46 Log into CTC, page 3-30
Required/As needed	As needed
Onsite/Remote	Onsite or remote
Security Level	Provisioning or higher

-
- Step 1** In node view (single-shelf mode) or multishelf view (multishelf mode), click the **Maintenance > OSI > IS-IS RIB** tabs.
- Step 2** View the following RIB information for Router 1:
- **Subnet Type**—Indicates the OSI subnetwork point of attachment type used to access the destination address. Subnet types include SDCC, LDCC, GCC, OSC, and LAN.
 - **Location**—Indicates the OSI subnetwork point of attachment. For data communications channel (DCC) subnets, the slot and port are displayed. LAN subnets are shown as LAN.
 - **Destination Address**—The destination Network Service Access Point (NSAP) of the IS.
 - **MAC Address**—For destination NEs that are accessed by LAN subnets, the NE's MAC address.
- Step 3** If additional routers are enabled, you can view their RIBs by choosing the router number in the Router field and clicking **Refresh**.
- Step 4** Return to your originating procedure (NTP).
-

DLP-G299 View ES-IS Routing Information Base

Purpose	This task allows you to view the ES-IS protocol RIB. ES-IS is an OSI protocol that defines how end systems (hosts) and intermediate systems (routers) learn about each other. For ESs, the ES-IS RIB shows the network view from the perspective of the ES node. For ISs, the ES-IS RIB shows the network view from the perspective of the IS node.
Tools/Equipment	None
Prerequisite procedures	DLP-G46 Log into CTC, page 3-30
Required/As needed	As needed
Onsite/Remote	Onsite or remote
Security Level	Provisioning or higher

-
- Step 1** In node view (single-shelf mode) or multishelf view (multishelf mode), click the **Maintenance > OSI > ES-IS RIB** tabs.
- Step 2** View the following RIB information for Router 1:
- **Subnet Type**—Indicates the OSI subnetwork point of attachment type used to access the destination address. Subnet types include SDCC, LDCC, GCC, OSC, and LAN.
 - **Location**—Indicates the subnet interface. For DCC subnets, the slot and port are displayed. LAN subnets are shown as LAN.
 - **Destination Address**—The destination IS NSAP.
 - **MAC Address**—For destination NEs that are accessed by LAN subnets, the NE's MAC address.
- Step 3** If additional routers are enabled, you can view their RIBs by choosing the router number in the Router field and clicking **Refresh**.
- Step 4** Return to your originating procedure (NTP).
-

DLP-G300 Manage the TARP Data Cache

Purpose	This task allows you to view and manage the TARP data cache (TDC). The TDC facilitates TARP processing by storing a list of TID to NSAP mappings.
Tools/Equipment	None
Prerequisite procedures	DLP-G46 Log into CTC, page 3-30
Required/As needed	As needed
Onsite/Remote	Onsite or remote
Security Level	Provisioning or higher

Step 1 In node view (single-shelf mode) or multishelf view (multishelf mode), click the **Maintenance > OSI > TDC** tabs.

Step 2 View the following TDC information:

- **TID**—The target identifier of the originating NE. For ONS 15454s, the TID is the name entered in the Node Name/TID field on the Provisioning > General tab.
- **NSAP/NET**—The NSAP or Network Element Title (NET) of the originating NE.
- **Type**—Indicates how the TDC entry was created:
 - **Dynamic**—The entry was created through the TARP propagation process.
 - **Static**—The entry was manually created and is a static entry.

Step 3 If you want to query the network for an NSAP that matches a TID, complete the following steps. Otherwise, continue with [Step 4](#).



Note The TID to NSAP function is not available if the TDC is not enabled on the Provisioning > OSI > TARP subtab.

- a. Click the **TID to NSAP** button.
- b. In the TID to NSAP dialog box, enter the TID you want to map to an NSAP.
- c. Click **OK**, then click **OK** in the information message box.
- d. On the TDC tab, click **Refresh**.

If TARP finds the TID in its TDC, it returns the matching NSAP. If not, TARP sends protocol data units (PDUs) across the network. Replies will return to the TDC later, and a check TDC later message is displayed.

Step 4 If you want to delete all the dynamically generated TDC entries, click the **Flush Dynamic Entries** button. If not, continue with [Step 5](#).

Step 5 Return to your originating procedure (NTP).

NTP-G106 Reset Cards Using CTC

Purpose	This procedure resets the TCC2/TCC2P/TCC3/TNC/TSC and DWDM cards using CTC.
Tools/Equipment	None
Prerequisite Procedures	<p>“DLP-G33 Install the TCC2, TCC2P, or TCC3 Card” in the <i>Cisco ONS 15454 Hardware Installation Guide</i></p> <p>“DLP-G604 Install the TNC or TSC Card” in the <i>Cisco ONS 15454 Hardware Installation Guide</i></p>
Required/As Needed	As needed
Onsite/Remote	Onsite or remote
Security Level	Superuser only

-
- Step 1** Complete the “[DLP-G46 Log into CTC](#)” task on page 3-30 at the node where you are performing the TCC2/TCC2P/TCC3/TNC/TSC reset. If you are already logged in, continue with [Step 2](#).
- Step 2** As needed, complete the “[DLP-G250 Reset the TCC2/TCC2P/TCC3/TNC/TSC Card](#)” task on page 14-13.
- Step 3** As needed, complete the “[DLP-G251 Reset DWDM Cards Using CTC](#)” task on page 14-14.
- Stop. You have completed this procedure.**
-

DLP-G250 Reset the TCC2/TCC2P/TCC3/TNC/TSC Card

Purpose	This task resets the TCC2/TCC2P/TCC3/TNC/TSC card and switches the node to the redundant TCC2/TCC2P/TCC3/TNC/TSC card.
Tools/Equipment	None
Prerequisite Procedures	<p>“DLP-G33 Install the TCC2, TCC2P, or TCC3 Card” in the <i>Cisco ONS 15454 Hardware Installation Guide</i></p> <p>“DLP-G604 Install the TNC or TSC Card” in the <i>Cisco ONS 15454 Hardware Installation Guide</i></p> <p>DLP-G46 Log into CTC, page 3-30</p>
Required/As Needed	As needed
Onsite/Remote	Onsite or remote
Security Level	Superuser only



Warning

Do not reach into a vacant slot or chassis while you install or remove a module or a fan. Exposed circuitry could constitute an energy hazard. Statement 206



Note

Before you reset the TCC2/TCC2P/TCC3/TNC/TSC card, you should wait at least 60 seconds after the last provisioning change you made to avoid losing any changes to the database.

**Note**

(On ONS 15454 shelf) When a software reset is performed on an active TCC2/TCC2P/TCC3, the AIC-I card goes through an initialization process and also resets. The AIC-I card reset is normal and happens each time an active TCC2/TCC2P/TCC3 card goes through a software-initiated reset.

- Step 1** In node view (single-shelf mode) or multishelf view (multishelf mode), click the **Alarms** tab.
- Verify that the alarm filter is not on. See the [“DLP-G128 Disable Alarm Filtering” task on page 10-26](#) as necessary.
 - Verify that no unexplained alarms appear on the network. If alarms appear, investigate and resolve them before continuing. Refer to the *Cisco ONS 15454 DWDM Troubleshooting Guide* for procedures.
- Step 2** In node view, right-click the TCC2/TCC2P/TCC3/TNC/TSC card to reveal a shortcut menu.
- Step 3** For TCC2/TCC2P/TCC3 cards, click **Reset Card** to initiate a soft reset.
For TNC/TSC cards, click **Soft-Reset Card** to initiate a soft reset.

**Note**

To initiate a hard reset on the TNC/TSC card, right-click the card and click **Hard-Reset Card** when the card is in OOS-MT state. See [A.5 Equipment Inventory, page A-16](#) for more information.

- Step 4** Click **Yes** when the confirmation dialog box appears.
- Step 5** Click **Close** when the “Lost connection to node, changing to Network View” dialog box appears.
- Step 6** Return to node view (single-shelf mode) or multishelf view (multishelf mode) and confirm that the TCC2/TCC2P/TCC3/TNC/TSC card LED is amber (standby).
- Step 7** Return to your originating procedure (NTP).

DLP-G251 Reset DWDM Cards Using CTC

Purpose	This task resets the OSCM, OSC-CSM, 32MUX-O, 40-MUX-C, 32DMX-O, 32DMX, 40-DMX-C, 40-DMX-CE, 32WSS, 40-WSS-C, 40-WSS-CE, 40-SMR1-C, 40-SMR2-C, TDC-CC, TDC-FC, OPT-BST, OPT-PRE, OPT-AMP-17-C, 40-WXC-C, 80-WXC-C, AD-xC.xx.x, AD-xB.xx.x, transponder (TXP), muxponder (MXP), and ADM-10G cards using CTC.
Tools/Equipment	None
Prerequisite Procedures	<p>NTP-G30 Install the DWDM Cards, page 4-64</p> <p>NTP-G179 Install the TXP, MXP, GE_XP, 10GE_XP, GE_XPE, 10GE_XPE, ADM-10G, and OTU2_XP Cards, page 4-69</p> <p>DLP-G46 Log into CTC, page 3-30</p>
Required/As Needed	As needed
Onsite/Remote	Onsite or remote
Security Level	Superuser only

**Warning**

Do not reach into a vacant slot or chassis while you install or remove a module or a fan. Exposed circuitry could constitute an energy hazard. Statement 206

**Note**

ONS 15454 cards normally do not need to be reset. However, you might occasionally need to reset a card for testing or as an initial trouble-clearing step. For additional information, refer to the *Cisco ONS 15454 DWDM Troubleshooting Guide*.

**Note**

A software reset of the TXP and MXP card leads to removal of PM data from the PM counters. As a result, the PM counters do not display any PM data.

- Step 1** If you will switch an active TXP or MXP card that is in a Y-cable protection group, complete the “[DLP-G179 Apply a Force Y-Cable or Splitter Protection Switch](#)” task on page 11-45. If not, continue with [Step 2](#).
- Step 2** Right-click the card that you want to reset to reveal a shortcut menu.
- Step 3** Click **Reset Card**.
- Step 4** Click **Yes** when the confirmation dialog box appears.
- The card LED on the ONS 15454 shelf graphic will go through the following sequence: Fail (white LED), Ldg (white LED), and Act (green LED). The reset should complete within 1 to 2 minutes.
- Step 5** If you performed a Y-cable protection group switch in [Step 1](#), complete the “[DLP-G180 Clear a Manual or Force Y-Cable or Splitter Protection Switch](#)” task on page 11-45. If not, continue with [Step 6](#).
- Step 6** Return to your originating procedure (NTP).

NTP-G108 Viewing the Audit Trail Records

Purpose	This procedure explains how to view audit trail records. Audit trail records are useful for maintaining security, recovering lost transactions, and enforcing accountability. Accountability refers to tracing user activities; that is, associating a process or action with a specific user.
Tools/Equipment	None
Prerequisite Procedures	None
Required/As Needed	As needed
Onsite/Remote	Onsite or remote
Security Level	Provisioning or higher

- Step 1** Complete the “[DLP-G46 Log into CTC](#)” task on page 3-30 at the node where you want to view the audit trail log. If you are already logged in, continue with [Step 2](#).
- Step 2** In node view (single-shelf mode) or multishelf view (multishelf mode), click the **Maintenance > Audit** tabs.

Step 3 Click **Retrieve**.

A window containing the most recent audit trail records appears.

A definition of each column in the audit trail log is listed in [Table 14-1](#).

Table 14-1 *Audit Trail Column Definitions*

Column	Definition
Date	Date when the action occurred in the format MM/dd/yy HH:mm:ss
Num	Incrementing count of actions
User	User ID that initiated the action
P/F	Pass/Fail (that is, whether or not the action was executed)
Operation	Action that was taken

Left-click the column headings to display the list in ascending-to-descending or descending-to-ascending order.

Right-click the column heading to display the following options:

- Reset Sorting—Resets the column to the default setting.
- Hide Column—Hides the column from view.
- Sort Column—Sorts the table by the column’s values.
- Sort Column (incremental)—Sorts the table incrementally by multiple columns.
- Reset Columns Order/Visibility—Displays all hidden columns.
- Row Count—Provides a numerical count of log entries.

Shift-click the column heading for an incremental sort of the list.

Stop. You have completed this procedure.

NTP-G109 Off-Load the Audit Trail Record

Purpose	This procedure describes how to off-load up to 640 audit trail log entries in a local or network drive file to maintain a record of actions performed for the node. If the audit trail log is not off-loaded, the oldest entries are overwritten after the log reaches capacity.
Tools/Equipment	None
Prerequisite Procedures	None
Required/As Needed	As needed
Onsite/Remote	Onsite or remote
Security Level	Provisioning or higher

- Step 1** Complete the “[DLP-G46 Log into CTC](#)” task on page 3-30 at the node where you want to off-load the audit trail log. If you are already logged in, continue with [Step 2](#).

- Step 2** In node view (single-shelf mode) or multishelf view (multishelf mode), click, click the **Maintenance > Audit** tabs.
- Step 3** Click **Retrieve**.
- Step 4** Click **Archive**.
- Step 5** In the Archive Audit Trail dialog box, navigate to the directory (local or network) where you want to save the file.
- Step 6** Enter a name in the File Name field.
You do not have to give the archive file a particular extension. It is readable in any application that supports text files, such as WordPad, Microsoft Word (imported), etc.
- Step 7** Click **Save**. Click **OK**.
The 640 entries are saved in this file. The next entries continue with the next number in the sequence, rather than starting over.



Note Archiving does not delete entries from the CTC audit trail log. However, entries can be self-deleted by the system after the log maximum is reached. If you archived the entries, you cannot reimport the log file back into CTC and will have to view the log in a different application.

Stop. You have completed this procedure.

NTP-G110 Off-Load the Diagnostics File

Purpose	This procedure describes how to off-load a diagnostic file. The diagnostic file contains a set of debug commands that were run on a node and their results. This file is useful to the Cisco Technical Assistance Center (TAC) when troubleshooting problems with the node.
Tools/Equipment	None
Prerequisite Procedures	None
Required/As Needed	As needed
Onsite/Remote	Onsite or remote
Security Level	Maintenance or higher

- Step 1** Complete the “[DLP-G46 Log into CTC](#)” task on page 3-30 at the node where you want to off-load the diagnostics file. If you are already logged in, continue with [Step 2](#).
- Step 2** In node view (single-shelf mode) or multishelf view (multishelf mode), click the **Maintenance > Diagnostic** tabs.
- Step 3** Click **Node Diagnostic Logs**. The Node Diagnostics dialog box is displayed.
- Step 4** Click **OK** to continue.
- Step 5** In the Select a Filename for the Node Diagnostics Zip Archive dialog box, navigate to the directory (local or network) where you want to save the file.
- Step 6** Enter a name in the File Name field.

You do not have to give the archive file a particular extension. It is a compressed file (.zip) that can be unzipped and read by Cisco Technical Support.

Step 7 Click **Save**.

The status window shows a progress bar indicating the percentage of the file being saved.

Step 8 Click **OK**.

Stop. You have completed this procedure.

NTP-G112 Change the Node Timing Reference

Purpose	This procedure enables automatic timing reference switching or returns the node timing to normal operation.
Tools/Equipment	None
Prerequisite Procedures	NTP-G53 Set Up Timing, page 7-22
Required/As Needed	As needed
Onsite/Remote	Onsite or remote
Security Level	Maintenance or higher

Step 1 Complete the “[DLP-G46 Log into CTC](#)” task on page 3-30 at the node where you want to enable timing switching. If you are already logged in, continue with [Step 2](#).

Step 2 Complete the “[DLP-G259 Manual or Force Switch the Node Timing Reference](#)” task on page 14-18 as needed.

Step 3 Complete the “[DLP-G260 Clear a Manual or Force Switch on a Node Timing Reference](#)” task on page 14-19 as needed.

Stop. You have completed this procedure.

DLP-G259 Manual or Force Switch the Node Timing Reference

Purpose	This task commands the node to switch to the timing reference you have selected.
Tools/Equipment	None
Prerequisite Procedures	DLP-G46 Log into CTC, page 3-30
Required/As Needed	As needed
Onsite/Remote	Onsite or remote
Security Level	Maintenance or higher

Step 1 In node view (single-shelf mode) or shelf view (multishelf mode), click the **Maintenance > Timing > Source** tabs.

Step 2 From the Reference drop-down list for the desired Clock, choose the desired reference.

- Step 3** From the Operation drop-down list for the desired Clock, choose one of the following options:
- **Manual**—This operation commands the node to switch to the reference you have selected if the synchronization status message (SSM) quality of the reference is not lower than the current timing reference.
 - **Force**—This operation commands the node to switch to the reference you have selected, regardless of the SSM quality (if the reference is valid).



Note For information about the Clear option, see the [“DLP-G260 Clear a Manual or Force Switch on a Node Timing Reference” task on page 14-19.](#)

- Step 4** Click **Apply** next to the timing source.
- Step 5** Click **Yes** in the confirmation dialog box. If the selected timing reference is an acceptable valid reference, the node switches to the selected timing reference. If the selected timing reference is invalid, a warning dialog box appears. Click **OK**; the node will not switch to the new timing reference.
- Step 6** Return to your originating procedure (NTP).

DLP-G260 Clear a Manual or Force Switch on a Node Timing Reference

Purpose	This task clears a Manual or Force switch on a node timing reference and reverts the timing reference to its provisioned reference.
Tools/Equipment	None
Prerequisite Procedures	DLP-G46 Log into CTC, page 3-30
Required/As Needed	As needed
Onsite/Remote	Onsite or remote
Security Level	Maintenance or higher

- Step 1** In node view (single-shelf mode) or shelf view (multishelf mode), click the **Maintenance > Timing > Source** tabs.
- Step 2** Find the Clock reference that is currently set to Manual or Force in the Operation drop-down list.
- Step 3** From the Operation drop-down list, choose **Clear**.
- Step 4** Click **Apply**.
- Step 5** Click **Yes** in the confirmation dialog box. If the normal timing reference is an acceptable valid reference, the node switches back to the normal timing reference as defined by the system configuration. If the normal timing reference is invalid or has failed, a warning dialog box appears. Click **OK**; the timing reference will not revert.
- Step 6** Return to your originating procedure (NTP).

NTP-G113 View the ONS 15454 Timing Report

Purpose	This procedure displays the current status of the ONS 15454 timing references.
Tools/Equipment	None
Prerequisite Procedures	NTP-G53 Set Up Timing, page 7-22
Required/As Needed	As needed
Onsite/Remote	Onsite or remote
Security Level	Maintenance or higher

-
- Step 1** Complete the “[DLP-G46 Log into CTC](#)” task on page 3-30 at the node where you want to view the node timing status. If you are already logged in, continue with [Step 2](#).
- Step 2** In node view (single-shelf mode) or shelf view (multishelf mode), click the **Maintenance > Timing > Report** tabs.
- Step 3** In the Timing Report area, you can view node timing information. The date and time of the report appear at the top of the report. The time stamp is the same as the alarms time stamp and can be configured using the “[DLP-G118 Display Alarms and Conditions Using Time Zone](#)” task on page 10-11. [Table 14-2](#) describes the report fields and entries.
- Step 4** To update the report, click **Refresh**.

Table 14-2 ONS 15454 Timing Report

Item	Description	Option	Option Description
Clock	Indicates the timing clock. The report section that follows applies to the timing clock indicated.	NE	The node timing clock.
		BITS-1 Out	The BITS-1 Out timing clock.
		BITS-2 Out	The BITS-2 Out timing clock.

Table 14-2 ONS 15454 Timing Report (continued)

Item	Description	Option	Option Description
Status	Indicates the status of the timing clock.	INIT_STATE	The timing reference has not been provisioned. For an NE reference, this status appears just before the first provisioning messages when the TCC2/TCC2P/TCC3/TNC/TSC card is booting. Timing is provisioned to the internal clock of the node.
		HOLDOVER_STATE	The clock was locked onto a valid timing reference for more than 140 seconds when a failure occurred. Holdover state timing is a computation based on timing during the normal state combined with the node's internal clock. The node holds onto this frequency until the valid reference is restored. This status appears for NE references only.
		FREERUN_STATE	The node is running off its internal clock without any modification except the calibrated value to bring timing to 0 PPM. Freerun state can occur when a Force switch to the Internal clock is initiated, when all references fail without the 140 seconds of holdover data, or when only Internal timing references are defined. This status appears for NE references only.
		NO_SYNC_STATE	A synchronization timing reference is not defined. BITS-1 Out or BITS-2 Out default to this status until an OC-N/STM-N card is defined as its reference on the Provisioning > Timing tab. This status appears for external references only.
		NE_SYNCH_STATE	BITS-1 Out and BITS-2 Out use the same timing source as the NE. This is displayed when NE Reference is selected in the BITS-1 Out and BITS-2 Out Reference List on the Provisioning > Timing tab.
		NORMAL_STATE	The timing reference is locked onto one of its provisioned references. The reference cannot be Internal or NO SYNC STATE.
		FAST_START_STATE	The node has switched references, but the reference is too far away to reach NORMAL_STATE within an acceptable amount of time. FAST_START_STATE is a fast acquisition mode to allow the node to quickly acquire the reference. After it achieves this goal, the node progresses to NORMAL_STATE.
		FAST_START_FAILED_STATE	A timing reference is too far away to reach in normal state. The FAST_START_STATE could not acquire sufficient timing information within the allowable amount of time.
Status Changed At	Date and time of the last status change.	—	—
Switch Type	Type of switch.	AUTOMATIC	The timing switch was system-generated.
		Manual	The timing switch was a user-initiated Manual switch.
		Force	The timing switch was user-initiated Force switch.

Table 14-2 ONS 15454 Timing Report (continued)

Item	Description	Option	Option Description
Reference	Indicates the timing reference.	Three timing references are available on the Provisioning > Timing tab.	—
Selected	Indicates whether the reference is selected.	Selected references are indicated with an X.	—
Facility	Indicates the timing facility provisioned for the reference on the Provisioning > Timing tab.	BITS-1	The timing facility is a building integrated timing supply (BITS) clock attached to the node's BITS-1 pins.
		BITS-2	The timing facility is a BITS clock attached to the node's BITS-2 pins.
		OC-N/STM-N card with port number	If the node is set to line timing, this is the OC-N/STM-N card and port provisioned as the timing reference.
		Internal clock	The node is using its internal clock.
State	Indicates the timing reference state.	IS	The timing reference is in service.
		OOS	The timing reference is out of service.
Condition	Indicates the timing reference state.	OKAY	The reference is valid to use as a timing reference.
		OOB	Out of bounds; the reference is not valid and cannot be used as a timing reference, for example, a BITS clock is disconnected.
Condition Changed	Indicates the date and time of the last status change in MM/DD/YY HH:MM:SS format.	—	—
SSM	Indicates whether SSM is enabled for the timing reference.	Enabled	SSM is enabled.
		Disabled	SSM is not enabled.
SSM Quality	Indicates the SSM timing quality.	8 to 10 SSM quality messages might be displayed.	For a list of SSM message sets, see the "Timing" chapter in the <i>Cisco ONS 15454 DWDM Reference Manual</i> .
SSM Changed	Indicates the date and time of the last SSM status change in MM/DD/YY HH:MM:SS format.	—	—

Stop. You have completed this procedure.

NTP-G114 Inspect and Replace the Air Filter

Purpose	This procedure ensures that the air filter is free from dirt and dust, which allows optimum air flow and prevents dirt and dust from entering the shelf.
Tools/Equipment	New air filter and pinned hex key tool
Prerequisite Procedures	None
Required/As Needed	As needed
Onsite/Remote	Onsite
Security Level	None



Warning

Do not reach into a vacant slot or chassis while you install or remove a module or a fan. Exposed circuitry could constitute an energy hazard. Statement 206



Note

The air filters are single-use only. They must not be cleaned and reused. This is a Telcordia NEBS requirement, GR-63-CORE Issue 4.



Note

Air filters must be inspected every month. If they are dirty or clogged with dust, they must be replaced with a new air filter.



Caution

If you install the air filter below 15454E-CC-FTA or 15454-CC-FTA, only filters with part numbers 700-23193-01 and 700-23194-01 can be used in this configuration.



Caution

Although the air filter can work with older fan trays if it is installed with either side facing up, it is recommended that you install it with the metal bracing facing up to preserve the surface of the filter. You must install the air filter with the metal bracing facing up with 15454E-CC-FTA or 15454-CC-FTA.



Note

To install the air filter inside the air ramp unit (15454E-AIR-RAMP or 15454-AIR-RAMP), use the ETSI version of the air filter (15454-FTF2 or 15454E-FTF4).

- Step 1** If the air filter is installed in the external filter brackets, slide the filter out of the brackets while being careful not to dislodge any dust that might have collected on the filter and proceed to [Step 8](#). [Figure 14-1](#) shows the reusable fan-tray air filter in an external filter bracket on an ANSI shelf. [Figure 14-2](#) shows the reusable fan-tray air filter in an external filter bracket on an ETSI shelf.
- Step 2** If the filter is installed below the fan tray and not in the external filter brackets, open the front door of the shelf assembly. If the front door is already open, proceed to [Step 3](#).
- Open the front door lock.

The ONS 15454 comes with a pinned hex key for locking and unlocking the front door. Turn the key counterclockwise to unlock the door and clockwise to lock it.

- b. Press the door button to release the latch.
- c. Swing the door open.

Step 3 (Optional) Remove the front door using the “DLP-G10 Remove the Front Door” in the *Cisco ONS 15454 Hardware Installation Guide*. If you do not want to remove the door or it is already removed, proceed to [Step 4](#).

Figure 14-1 ANSI Shelf Fan-Tray Air Filter in an External Filter Bracket (Front Door Removed)

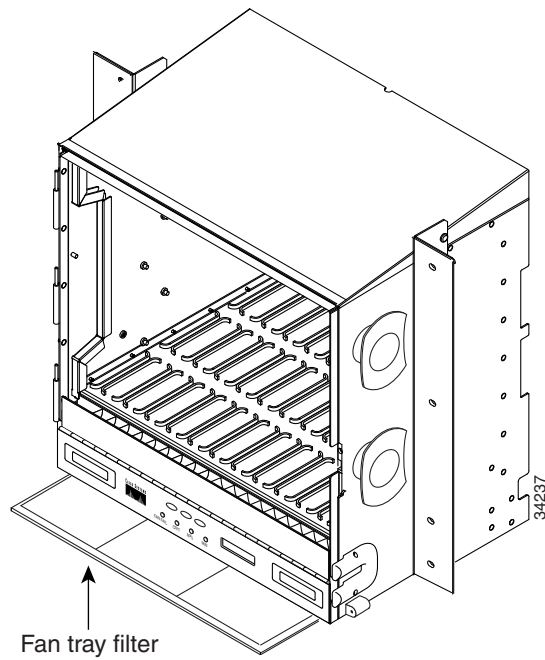
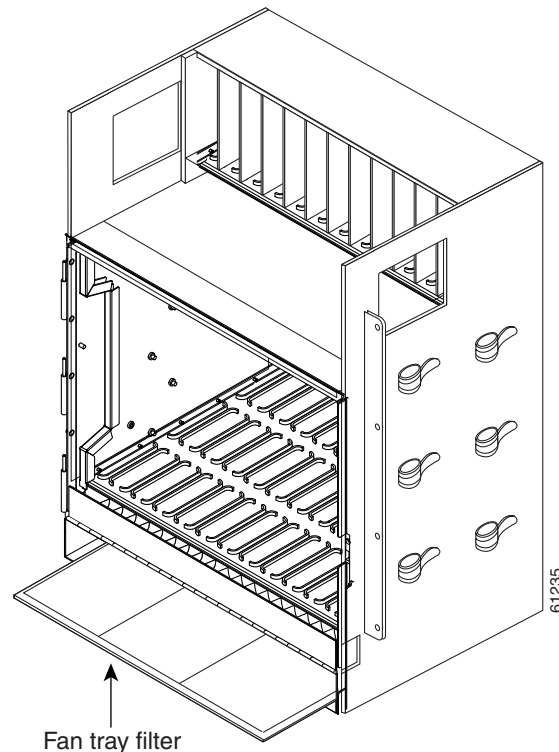


Figure 14-2 ETSI Shelf Fan-Tray Air Filter in an External Filter Bracket (Front Door Removed)



- Step 4** Push the outer side of the handles on the fan-tray assembly to expose the handles.
- Step 5** Pull the handles and slide the fan-tray assembly one half inch (12.7 mm) out of the shelf assembly and wait until the fans stop.
- Step 6** When the fans have stopped, pull the fan-tray assembly completely out of the shelf assembly.
- Step 7** Gently remove the air filter from the shelf assembly. Be careful not to dislodge any dust that might have collected on the filter.
- Step 8** Visually inspect the air filter material for dirt and dust.
- Step 9** Replace the air filter with a new one if the air filter is dirty or clogged with dust.



Caution

Do not leave the fan tray out of the chassis for an extended period of time because excessive heat can damage the ONS 15454 cards.

- Step 10** Replace the air filter:
- a. If the air filter is installed in the external filter brackets, slide the dry air filter all the way to the back of the brackets.
 - b. If the filter is installed below the fan-tray assembly, slide the dry/clean air filter into the recessed compartment at the bottom of the shelf assembly. Put the front edge of the air filter flush against the front edge of the recessed compartment. Push the fan tray back into the shelf assembly.



Caution

If the fan tray does not slide all the way to the back of the shelf assembly, pull the fan tray out and readjust the position of the reusable filter until the fan tray fits correctly.



Note On a powered-up ONS 15454, the fans start immediately after the fan-tray assembly is correctly inserted.

- Step 11** To verify that the tray is plugged into the backplane, ensure that the LCD on the front of the fan-tray assembly is activated and displays node information.
- Step 12** Rotate the retractable handles back into their compartments.
- Step 13** If you removed the door, complete the “[NTP-G40 Replace the Front Door](#)” procedure on page 14-35. If not, close and lock the door.

Stop. You have completed this procedure.

NTP-G274 Replace the Air Filter of the ONS 15454 M2 Shelf Assembly

Purpose	This procedure replaces the air filter of the ONS 15454 M2 shelf assembly.
Tools/Equipment	New air filter
Prerequisite Procedures	<ul style="list-style-type: none"> “NTP-G266 Install the ONS 15454 M2 Shelf Assembly” in the <i>Cisco ONS 15454 Hardware Installation Guide</i> Connect the chassis to the office ground. For detailed instructions on how to ground the chassis, refer to the Cisco ONS Electrostatic Discharge (ESD) and Grounding Guide.
Required/As Needed	As Needed
Onsite/Remote	Remote
Security Level	Provisioning or higher



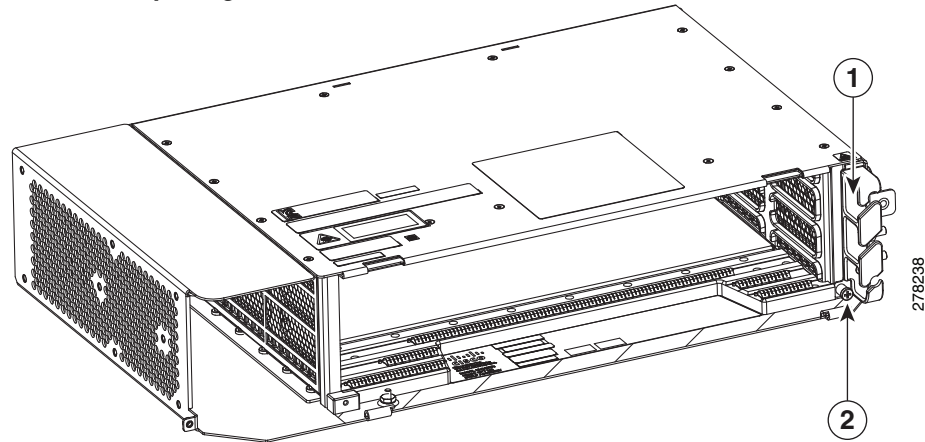
Note The air filters are single-use only. They must not be cleaned and reused. This is a Telcordia NEBS requirement, GR-63-CORE Issue 4.



Note Air filters must be inspected every month. If they are dirty or clogged with dust, they must be replaced with a new air filter.

- Step 1** Untighten the screw on the air-filter as shown in [Figure 14-3](#).

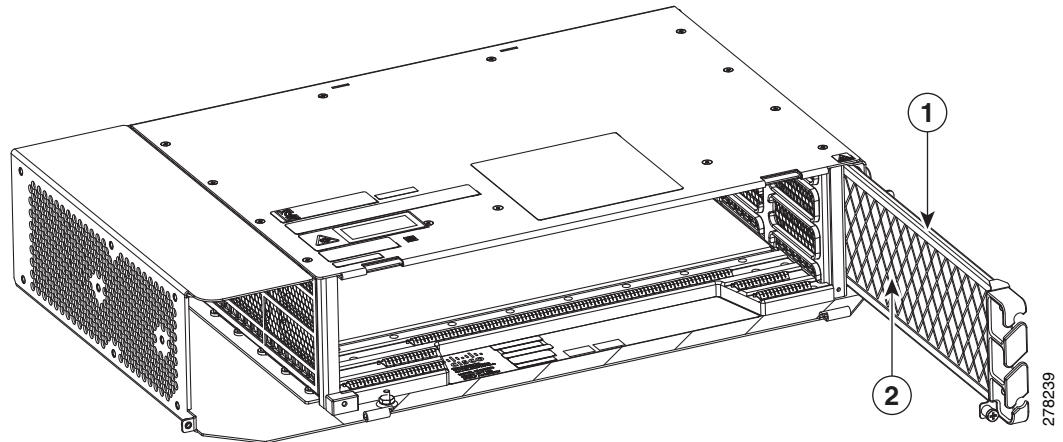
Figure 14-3 Replacing the Air Filter



1	Air filter	2	Screw
----------	------------	----------	-------

Step 2 Extract the air filter from the shelf assembly as shown in [Figure 14-4](#).

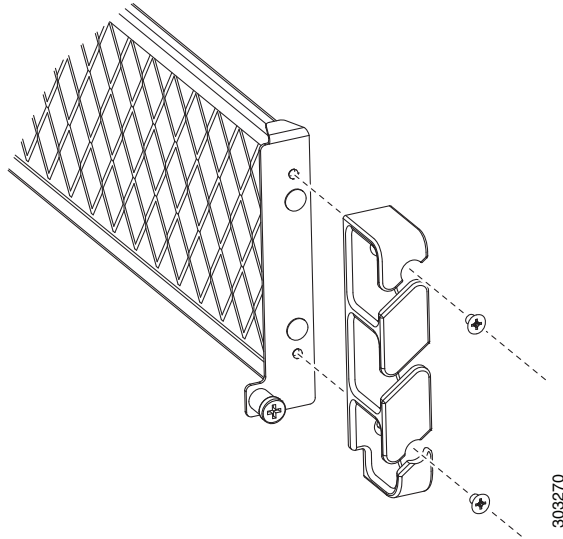
Figure 14-4 Replacing the Air Filter



1	Air filter	2	Filter grid
----------	------------	----------	-------------

Step 3 Separate the cable guides from the air filter as shown in [Figure 14-5](#).

Figure 14-5 Replacing the Air Filter



Step 4 Replace the air filter with a new one if the air filter is dirty or clogged with dust.

Step 5 Attach the cable guide and insert the air filter into the shelf assembly.



Note The air filter must be inserted with the grid facing the shelf assembly as shown in [Figure 14-7](#).

Step 6 Tighten the screw on the air-filter.

Stop. You have completed this procedure.

NTP-G262 Replace the Air Filter of the ONS 15454 M6 Shelf Assembly

Purpose	This procedure replaces the air filter of the ONS 15454 M6 shelf assembly.
Tools/Equipment	New air filter
Prerequisite Procedures	<ul style="list-style-type: none"> “NTP-G252 Install the ONS 15454 M6 Shelf Assembly” in the <i>Cisco ONS 15454 Hardware Installation Guide</i> Connect the chassis to the office ground. For detailed instructions on how to ground the chassis, refer to the Cisco ONS Electrostatic Discharge (ESD) and Grounding Guide.
Required/As Needed	As Needed
Onsite/Remote	Remote
Security Level	Provisioning or higher



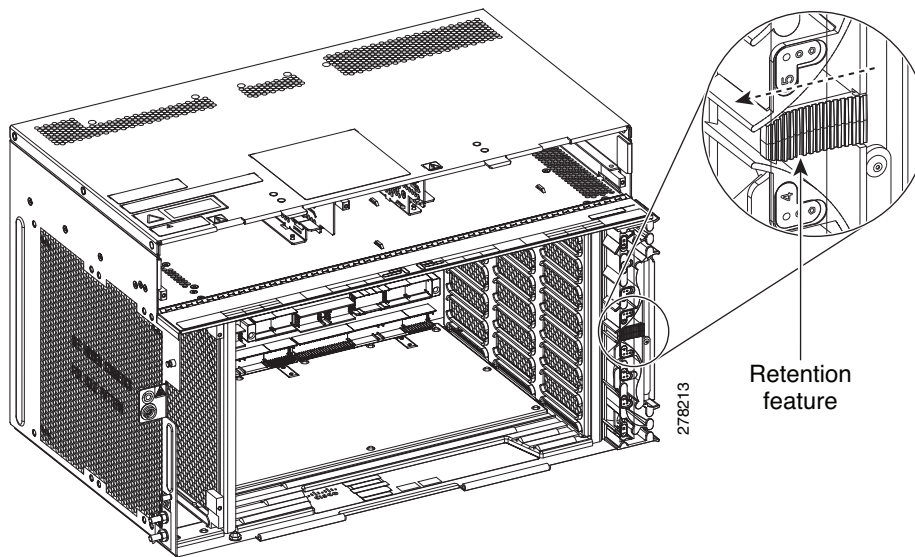
Note The air filters are single-use only. They must not be cleaned and reused. This is a Telcordia NEBS requirement, GR-63-CORE Issue 4.



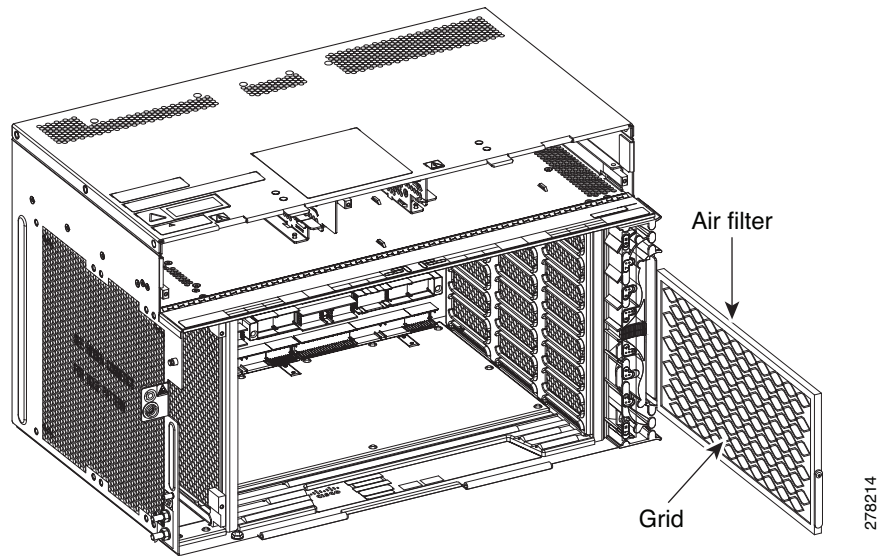
Note Air filters must be inspected every month. If they are dirty or clogged with dust, they must be replaced with a new air filter.

- Step 1** Open the front door of the shelf assembly (see “DLP-G576 Open the Front Door of the ONS 15454 M6 Shelf Assembly” in the *Cisco ONS 15454 Hardware Installation Guide*). If the shelf assembly does not have a front door, continue with [Step 3](#).
- Step 2** (Optional) Complete the “DLP-G577 Remove the Front Door of the ONS 15454 M6 Shelf Assembly” in the *Cisco ONS 15454 Hardware Installation Guide* to remove the front door. If you do not want to remove the door, proceed to [Step 3](#).
- Step 3** Push the retention feature present on the right side of the shelf assembly to the left side (see [Figure 14-6](#)).

Figure 14-6 Replacing the Air Filter



- Step 4** Extract the air filter from the shelf assembly (see [Figure 14-7](#)).

Figure 14-7 Extracting the Air Filter

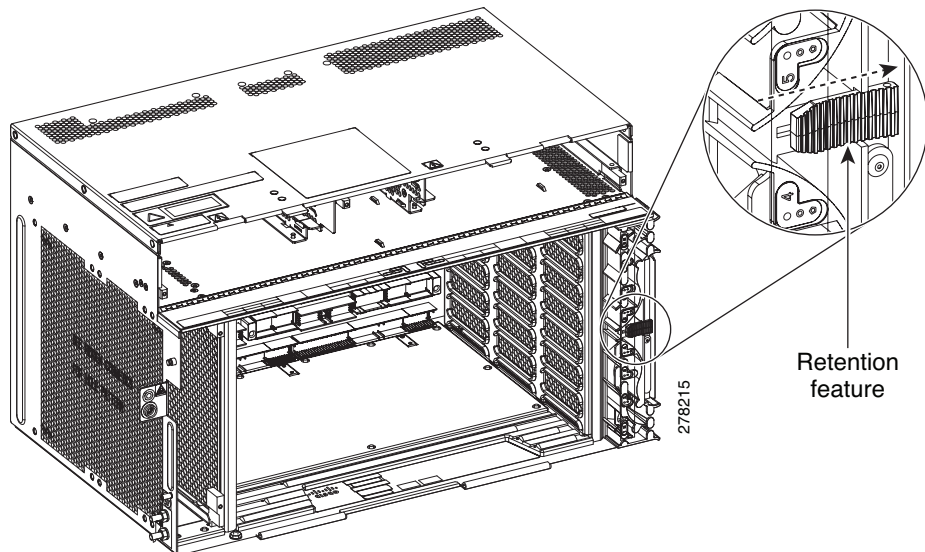
Step 5 Replace the air filter with a new one if the air filter is dirty or clogged with dust.

Step 6 Insert the air filter into the shelf assembly (see [Figure 14-7](#)).



Note The air filter must be inserted with the grid facing the shelf assembly as shown in [Figure 14-7](#).

Step 7 Push the retention feature to the right side (see [Figure 14-8](#)).

Figure 14-8 Replacing the Air Filter

Step 8 Close the front door. If you removed the door, complete the “NTP-G258 Install the Front Door of the ONS 15454 M6 Shelf Assembly” in the *Cisco ONS 15454 Hardware Installation Guide*.

Stop. You have completed this procedure.

NTP-G263 Replace the Air Filter of the AC Power Module in the ONS 15454 M6 Shelf Assembly

Purpose	This procedure replaces the air filter of the AC power module in the ONS 15454 M6 shelf assembly.
Tools/Equipment	New air filter
Prerequisite Procedures	<ul style="list-style-type: none"> “NTP-G252 Install the ONS 15454 M6 Shelf Assembly” in the <i>Cisco ONS 15454 Hardware Installation Guide</i>. Connect the chassis to the office ground. For detailed instructions on how to ground the chassis, refer to the Cisco ONS Electrostatic Discharge (ESD) and Grounding Guide. “DLP-G569 Install the AC Power Module in the ONS 15454 M6 Shelf Assembly” in the <i>Cisco ONS 15454 Hardware Installation Guide</i>.
Required/As Needed	As Needed
Onsite/Remote	Remote
Security Level	Provisioning or higher



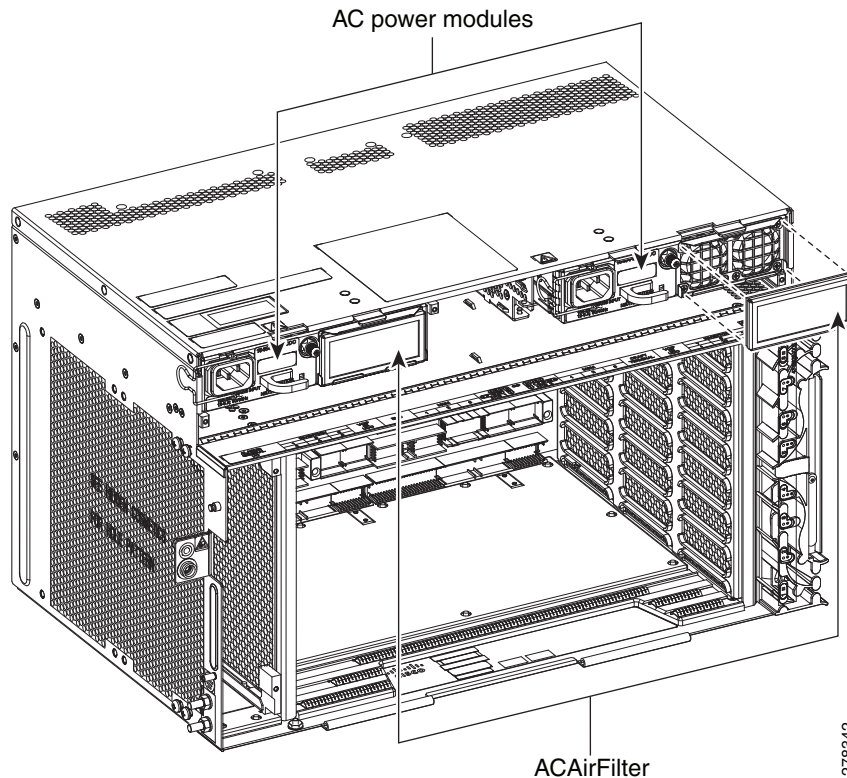
Note The air filters are single-use only. They must not be cleaned and reused. This is a Telcordia NEBS requirement, GR-63-CORE Issue 4.



Note Air filters must be inspected every month. If they are dirty or clogged with dust, they must be replaced with a new air filter.

- Step 1** Open the front door of the shelf assembly (see “DLP-G576 Open the Front Door of the ONS 15454 M6 Shelf Assembly” in the *Cisco ONS 15454 Hardware Installation Guide*). If the shelf assembly does not have a front door, continue with [Step 3](#).
- Step 2** (Optional) Complete the “DLP-G577 Remove the Front Door of the ONS 15454 M6 Shelf Assembly” in the *Cisco ONS 15454 Hardware Installation Guide* to remove the front door. If you do not want to remove the door, proceed to [Step 3](#).
- Step 3** Remove the air filter on the AC power module (see [Figure 14-6](#)).

Figure 14-9 Replacing the Air Filter—AC Power Module



- Step 4** Replace the air filter with a new one if the air filter is dirty or clogged with dust.
- Step 5** Close the front door. If you removed the door, complete the “NTP-G258 Install the Front Door of the ONS 15454 M6 Shelf Assembly” in the *Cisco ONS 15454 Hardware Installation Guide*.
- Stop. You have completed this procedure.**

NTP-G115 Clean Fiber Connectors

Purpose	This procedure cleans the fiber connectors.
Tools/Equipment	<ul style="list-style-type: none"> Inspection microscope Type A Fiber Optic Connector Cleaner (CLETOP reel) Optical swab Optical receiver cleaning stick
Prerequisite Procedures	None
Required/As Needed	Required
Onsite/Remote	Onsite
Security Level	None

**Warning**

Invisible laser radiation may be emitted from the end of the unterminated fiber cable or connector. Do not view directly with optical instruments. Viewing the laser output with certain optical instruments (for example, eye loupes, magnifiers, and microscopes) within a distance of 100 mm may pose an eye hazard. Statement 1056

Step 1 Using an inspection microscope, inspect each fiber connector for dirt, cracks, or scratches.

Step 2 Replace any damaged fiber connectors.



Note Replace all dust caps whenever the equipment is unused for 30 minutes or more.

Step 3 Complete the “[DLP-G262 Clean Fiber Connectors with CLETOP](#)” task on page 14-34 as necessary.

Step 4 Complete the “[DLP-G263 Clean the Fiber Adapters](#)” task on page 14-34 as necessary.

**Note**

To clean multi-fiber optic connectors, complete the “[DLP-G261 Clean Multi Fiber-Optic Cable Connectors](#)” task on page 14-33 as necessary.

Stop. You have completed this procedure.

DLP-G261 Clean Multi Fiber-Optic Cable Connectors

Purpose	This task cleans the multi fiber optic connectors
Tools/Equipment	Cleaning Cartridge for multi fiber optic connectors
Prerequisite Procedures	None
Required/As Needed	Required
Onsite/Remote	Onsite
Security Level	None

**Warning**

Invisible laser radiation may be emitted from disconnected fibers or connectors. Do not stare into beams or view directly with optical instruments. Statement 1051

Step 1 Remove the protective cap on the optical fiber cable connector.

Step 2 Read the manufacturer (cleaning cartridge) instructions to insert the connector into the cleaning cartridge.

Step 3 Slide the lever on the cartridge to swipe the connector surface.

Step 4 Insert the fiber connector into the applicable adapter or attach a dust cap to the fiber connector.

**Note**

If you must replace a dust cap on a connector, first verify that the dust cap is clean.

Step 5 Return to your originating procedure (NTP).

DLP-G262 Clean Fiber Connectors with CLETOP

Purpose	This task cleans the fiber connectors with CLETOP.
Tools/Equipment	Type A Fiber Optic Connector Cleaner (CLETOP reel) Optical receiver cleaning stick
Prerequisite Procedures	None
Required/As Needed	Required
Onsite/Remote	Onsite
Security Level	None

-
- Step 1** Remove the dust cap from the fiber connector.
- Step 2** Press the lever up to open the shutter door. Each time you press the lever, you expose a clean wiping surface.
- Step 3** Insert the connector into the CLETOP cleaning cassette slot, rotate one quarter turn, and gently swipe downwards.
- Step 4** Use an inspection microscope to inspect each fiber connector for dirt, cracks, or scratches. If the connector is not clean, repeat Steps 1 to 3.
- Step 5** Insert the fiber connector into the applicable adapter or attach a dust cap to the fiber connector.



Note If you must replace a dust cap on a connector, first verify that the dust cap is clean. To clean the dust cap, wipe the outside of the cap using a dry, lint-free wipe and the inside of the dust cap using a CLETOP stick swab (14100400).

- Step 6** Return to your originating procedure (NTP).
-

DLP-G263 Clean the Fiber Adapters

Purpose	This task cleans the fiber adapters.
Tools/Equipment	CLETOP stick swab
Prerequisite Procedures	None
Required/As Needed	Required
Onsite/Remote	Onsite
Security Level	None

-
- Step 1** Remove the dust plug from the fiber adapter.
- Step 2** Insert a CLETOP stick swab (14100400) into the adapter opening and rotate the swab.
- Step 3** Place dust plugs on the fiber adapters when not in use.
- Step 4** Return to your originating procedure (NTP).
-

NTP-G40 Replace the Front Door

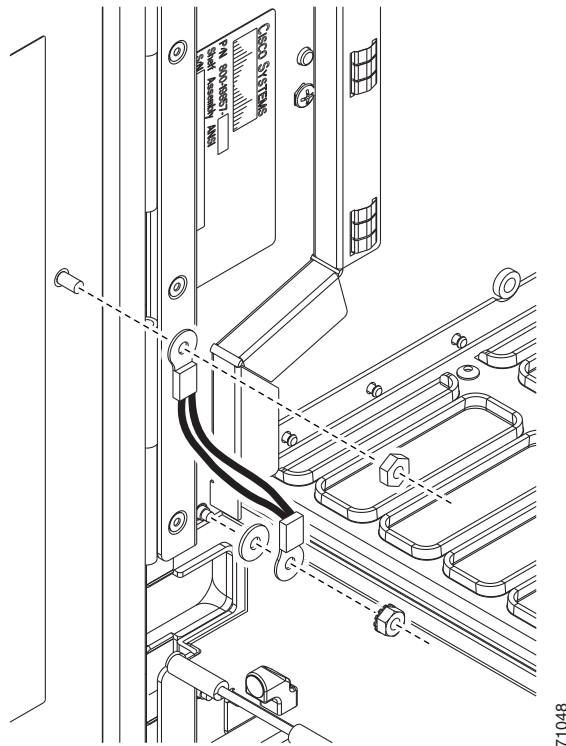
Purpose	This procedure replaces the front door and door ground strap after installing cards and fiber-optic cables.
Tools/Equipment	#2 Phillips screwdriver Medium slot-head screwdriver Small slot-head screwdriver
Prerequisite Procedures	“NTP-G3 Open and Remove the Front Door” in the <i>Cisco ONS 15454 Hardware Installation Guide</i>
Required/As Needed	Required
Onsite/Remote	Onsite
Security Level	None


Note

Be careful not to crimp any fiber cables that are connected to the MXP/TXP cards or DWDM cards. Some might not have the fiber boot attached.

- Step 1** Insert the front door into the hinges on the shelf assembly.
- Step 2** (ANSI only) Attach one end of the ground strap terminal lug (72-3622-01) to the male stud on the inside of the door. Attach and tighten the #6 Kepnut (49-0600-01) using the open-end wrench ([Figure 14-10](#)).

Figure 14-10 Installing the Door Ground Strap Retrofit Kit



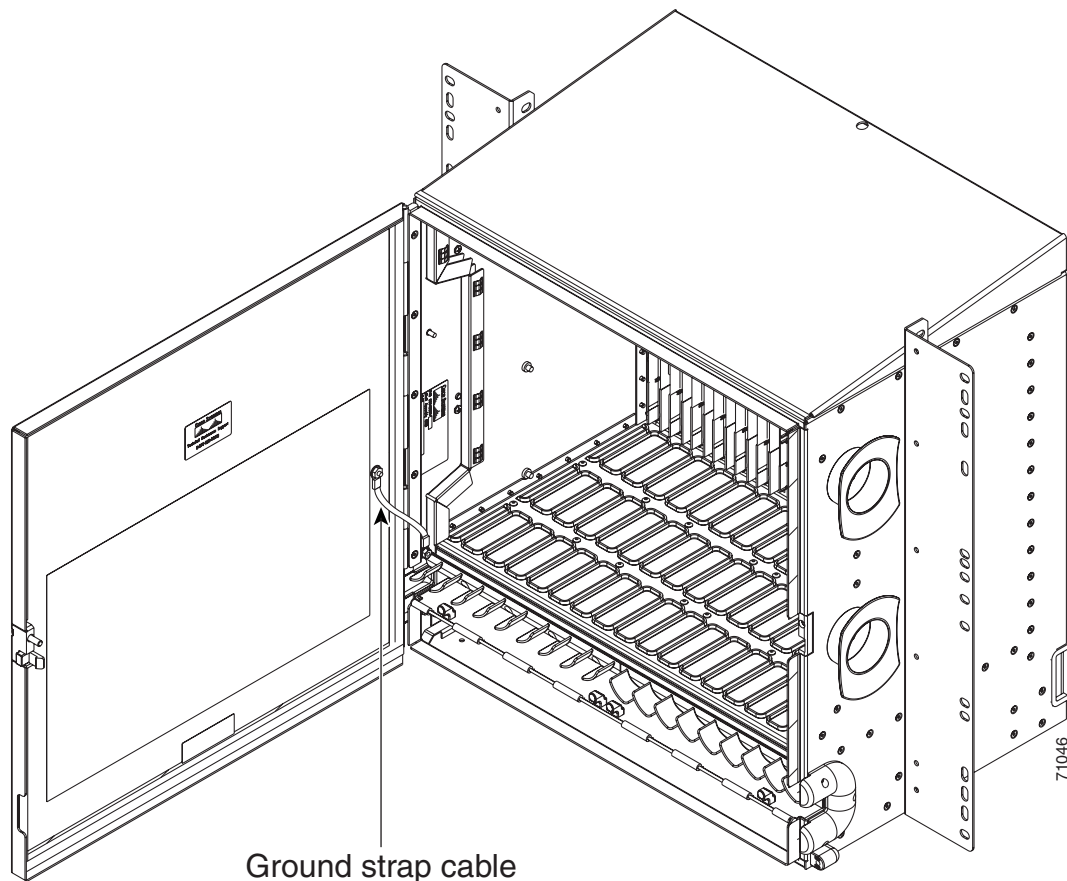
- Step 3** (ANSI only) Attach the other end of the ground strap to the longer screw on the fiber guide.
- Attach the lock washer.
 - Attach the terminal lug.
 - Using the open-end wrench, attach and tighten the #4 Kepnut (49-0337-01) on the terminal lug.

**Note**

To avoid interference with the traffic (line) card, make sure the ground strap is in a flat position when the door is open. To move the ground strap into a flat position, rotate the terminal lug counterclockwise before tightening the Kepnut.

- Step 4** Replace the left cable-routing channel if it was removed. If not, continue with [Step 5](#).
- Step 5** Using a Phillips screwdriver, insert and tighten the screws for the cable-routing channel. [Figure 14-11](#) shows the shelf assembly with the front door and ground strap installed.

Figure 14-11 Shelf Assembly with Door Ground Strap Retrofit Kit Installed (ANSI)



- Step 6** Swing the door closed and lock the door with the provided pinned-hex key. Turn the key clockwise to lock the door; counterclockwise to unlock it.

Stop. You have completed this procedure.

NTP-G116 Replace the Fan-Tray Assembly

Purpose	This procedure replaces a malfunctioning fan-tray assembly.
Tools/Equipment	None
Prerequisite Procedures	“NTP-G8 Install the Fan-Tray Assembly” in the <i>Cisco ONS 15454 Hardware Installation Guide</i>
Required/As Needed	As needed
Onsite/Remote	Onsite
Security Level	None


Caution

The 15454-FTA3 fan-tray assembly can only be installed in ONS 15454 R3.1 and later shelf assemblies (15454-SA-ANSI, P/N: 800-19857; 15454-SA-HD, P/N: 800-24848). The fan-tray assembly includes a pin that prevents it from being installed in ONS 15454 shelf assemblies released before ONS 15454 R3.1 (15454-SA-NEBS3E, 15454-SA-NEBS3, and 15454-SA-R1, P/N: 800-07149). Equipment damage can result from attempting to install the 15454-FTA3 in a incompatible shelf assembly.


Caution

Do not force a fan-tray assembly into place. Doing so can damage the connectors on the fan tray and/or the connectors on the backplane.


Caution

15454-CC-FTA (ANSI) is compatible with Software R2.2.2 and greater, and shelf assemblies 15454-SA-ANSI and 15454-SA-HD. 15454E-CC-FTA (ETSI) is compatible with Software R4.0 and greater, and shelf assembly 15454-SA-ETSI.


Caution

As with the FTA3, the 15454E-CC-FTA and 15454-CC-FTA Fan Fail LED on the front of the fan-tray assembly illuminates when one or more fans fail to indicate that a fan-tray assembly or AIP replacement is required. But the Fan Fail LED on the 15454E-CC-FTA and 15454-CC-FTA will also illuminate when only one power source is connected to the chassis, and or any fuse blows. In such conditions, the Fan Alarm is triggered and the fans run at maximum speed.


Note

To replace the fan-tray assembly, it is not necessary to move any of the cable management facilities.

Step 1

Review [Table 14-3](#) (ANSI) or [Table 14-4](#) (ETSI) to ensure that you have compatible components when replacing the fan-tray assembly. Note the alarms that will be generated when an incompatibility occurs.


Note

If you need to determine the hardware that has been installed on a node, click the Inventory tab in node view.

Table 14-3 Incompatibility Alarms for ONS 15454 ANSI

Shelf Assembly ¹	Fan Tray ²	AIP ³	10G Cards ⁴	Ethernet Cards ⁵	Alarms
—	—	No fuse	—	—	Mismatch of equipment attributes (MEA) on the alarm interface panel (AIP)
NEBS3E or NEBS3	2A	2A	No	—	None
NEBS3E or NEBS3	2A	2A	Yes	—	MEA on 10G
NEBS3E or NEBS3	2A	5A	No	—	None
NEBS3E or NEBS3	2A	5A	Yes	—	MEA on 10G
ANSI or HD	2A	2A	No	—	None
ANSI or HD	2A	2A	Yes	2.5G compatible	MEA on fan tray, AIP, and Ethernet
ANSI or HD	2A	2A	Yes	10G compatible	MEA on fan tray and AIP
ANSI or HD	2A	5A	No	Either	None
ANSI or HD	2A	5A	Yes	2.5G compatible	MEA on fan tray and Ethernet
ANSI or HD	2A	5A	Yes	10G compatible	MEA on fan tray
ANSI or HD	5A	2A	No	Either	MEA on AIP
ANSI or HD	5A	2A	Yes	2.5G compatible	MEA on AIP and Ethernet
ANSI or HD	5A	2A	Yes	10G compatible	MEA on AIP
ANSI or HD	5A	5A	No	Either	None
ANSI or HD	5A	5A	Yes	Either	None

- 15454-SA-NEBS3E (P/N: 800-07149-xx) or 15454-SA-NEBS3 (P/N: 800-06741-xx) = shelf assemblies released before ONS 15454 Release 3.1
15454-SA-ANSI (P/N: 800-19857-01) = ONS 15454 Release 3.1 and later shelf assembly
15454-SA-HD (P/N: 800-24848) = ONS 15454 Release 3.1 and later shelf assembly
- 5A Fan Tray = 15454-FTA3 (P/N: 800-19858-xx), 15454-FTA3-T (P/N: 800-21448-xx), 15454-CC-FTA (P/N: 800-27558-xx)
2A Fan Tray = 15454-FTA2 (P/Ns: 800-07145-xx, 800-07385-xx, 800-19591-xx, 800-19590-xx)
- 5A AIP (P/N: 73-7665-01), 2A AIP (P/N: 73-5262-01)
- 10G cards include the XC10G, OC192, and OC48AS.
- 2.5G compatible indicates cards that are compatible with the XCVT cross-connect card. 10G compatible indicates cards that are compatible with the XC10G and XC-VXC-10G cross-connect cards.

Table 14-4 Incompatibility Alarms for ONS 15454 ETSI

Shelf Assembly ¹	Fan Tray ²	10G Cards ³	Ethernet Cards	Alarms
15454E-SA-ETSI	2A	No	—	None
15454E-SA-ETSI	2A	Yes	—	MEA on 10G
15454E-SA-ETSI	2A	No	—	None

Table 14-4 Incompatibility Alarms for ONS 15454 ETSI (continued)

Shelf Assembly ¹	Fan Tray ²	10G Cards ³	Ethernet Cards	Alarms
15454E-SA-ETSI	2A	Yes	—	MEA on 10G
15454E-SA-ETSI	5A	No	—	MEA on fan tray
15454E-SA-ETSI	5A	Yes	—	MEA on fan tray and 10G cards
15454E-SA-ETSI	5A	No	—	None
15454E-SA-ETSI	5A	Yes	—	MEA on 10G
ETSI	2A	No	—	None
ETSI	2A	Yes	2.5G compatible	MEA on fan tray or Ethernet
ETSI	2A	Yes	10G compatible	MEA on fan tray
ETSI	2A	No	Either	None
ETSI	2A	Yes	2.5G compatible	MEA on fan tray, Ethernet
ETSI	2A	Yes	10G compatible	MEA on fan tray
ETSI	5A	Yes	2.5G compatible	MEA on Ethernet
ETSI	5A	No	Either	None
ETSI	5A	Yes	Either	None

1. 15454-SA-ETSI (P/N: 800-08708-XX) = ONS 15454 SDH Release 3.3 and later shelf assembly

2. 5A Fan Tray = 15454E-FTA-60V, 15454E-CC-FTA
2A Fan Tray = 15454E-FTA-48V

3. 10G cards = XC10G, XC-VXL-10G, XC-VXC-10G

- Step 2** Open the front door of the shelf assembly. If the shelf assembly does not have a front door, continue with [Step 4](#).
- Open the front door lock.
The ONS 15454 comes with a pinned hex key for locking and unlocking the front door. Turn the key counterclockwise to unlock the door and clockwise to lock it.
 - Press the door button to release the latch.
 - Swing the door open.
- Step 3** (Optional) Complete the “DLP-G10 Remove the Front Door” in the *Cisco ONS 15454 Hardware Installation Guide* to remove the front door. If you do not want to remove the door, proceed to [Step 4](#).
- Step 4** Push the outer side of the handles on the fan-tray assembly to expose the handles.
- Step 5** Fold out the retractable handles at the outside edges of the fan tray.
- Step 6** Pull the handles and slide the fan-tray assembly one inch (25.4 mm) out of the shelf assembly and wait until the fans stop.
- Step 7** When the fans have stopped, pull the fan-tray assembly completely out of the shelf assembly. [Figure 14-12](#) shows the location of the fan tray on the ONS 15454 ANSI shelf.

Figure 14-12 Removing or Replacing the Fan-Tray Assembly (Front Door Removed) (ANSI)

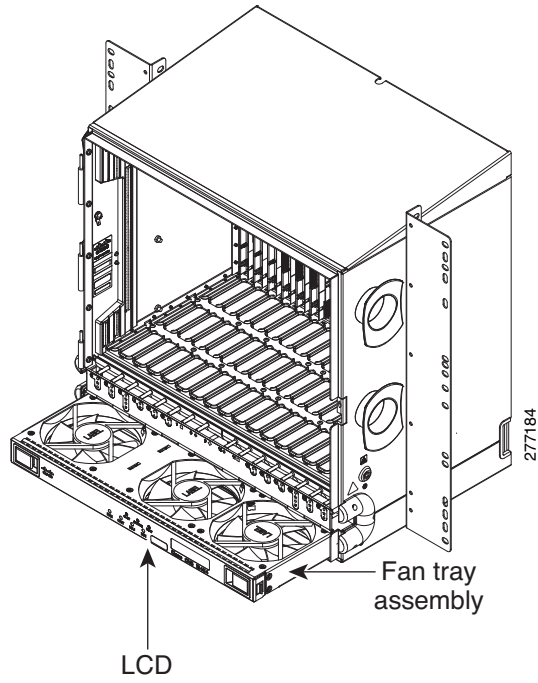
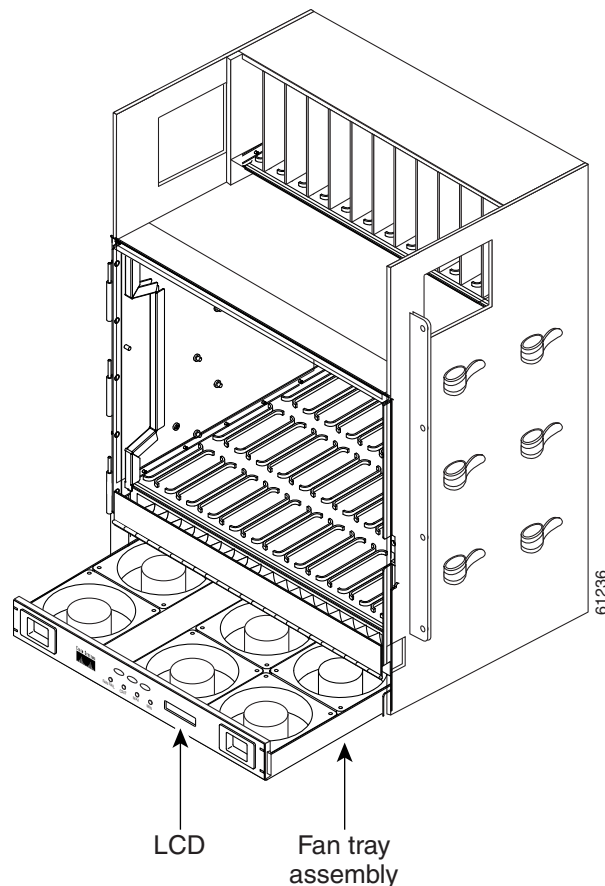


Figure 14-13 shows the location of the fan tray on the ONS 15454 ETSI shelf.

Figure 14-13 Removing or Replacing the Fan-Tray Assembly (Front Door Removed) (ETSI)



- Step 8** If you are replacing the fan-tray air filter and it is installed beneath the fan-tray assembly, slide the existing air filter out of the shelf assembly and replace it before replacing the fan-tray assembly.
- If you are replacing the fan-tray air filter and it is installed in the external bottom bracket (ANSI shelf only), you can slide the existing air filter out of the bracket and replace it at anytime. For more information on the fan-tray air filter, see the [“NTP-G114 Inspect and Replace the Air Filter” procedure on page 14-23](#).
- Step 9** Slide the new fan tray into the shelf assembly until the electrical plug at the rear of the tray plugs into the corresponding receptacle on the backplane.
- Step 10** To verify that the tray has plugged into the backplane, ensure that the LCD on the front of the fan tray is activated.
- If you removed the door, complete the [“NTP-G40 Replace the Front Door” procedure on page 14-35](#).
- Stop. You have completed this procedure.**



Note

The estimated time of replacement by a skilled technician is 2 minutes.

NTP-G272 Replace the Fan-Tray Assembly of the ONS 15454 M2 Shelf Assembly

Purpose	This procedure replaces the fan-tray assembly of the ONS 15454 M2 shelf assembly.
Tools/Equipment	Small slot-head screwdriver
Prerequisite Procedures	“NTP-G268 Install the Fan-Tray Assembly in the ONS 15454 M2 Shelf Assembly” in the <i>Cisco ONS 15454 Hardware Installation Guide</i>
Required/As Needed	Required
Onsite/Remote	Onsite
Security Level	None


Caution

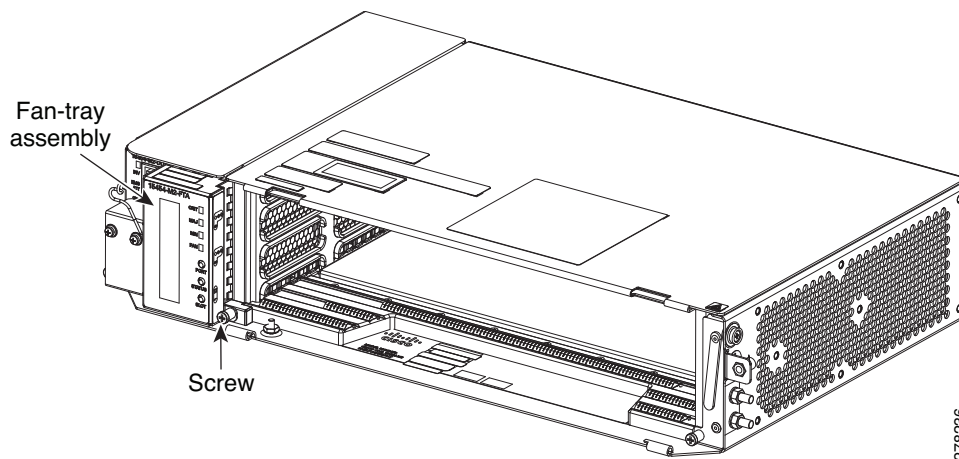
Do not force a fan-tray assembly into place. Doing so can damage either the connectors on the fan tray or the connectors on the back panel of the shelf assembly, or both.


Note

The estimated time required to change a fan-tray assembly is 2 minutes.

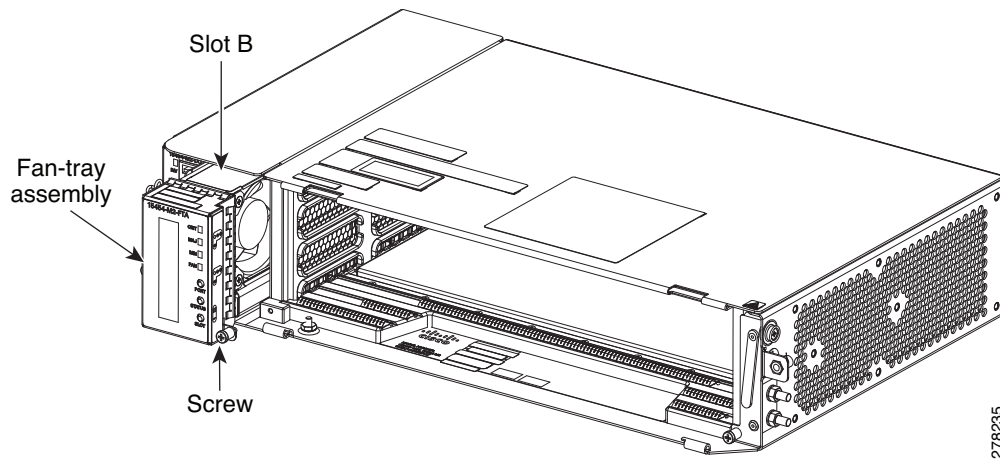
Step 1 Loosen the screw on the fan-tray assembly (see [Figure 14-14](#)).

Figure 14-14 Fan-Tray Assembly installed in the ONS 15454 M2 Shelf Assembly



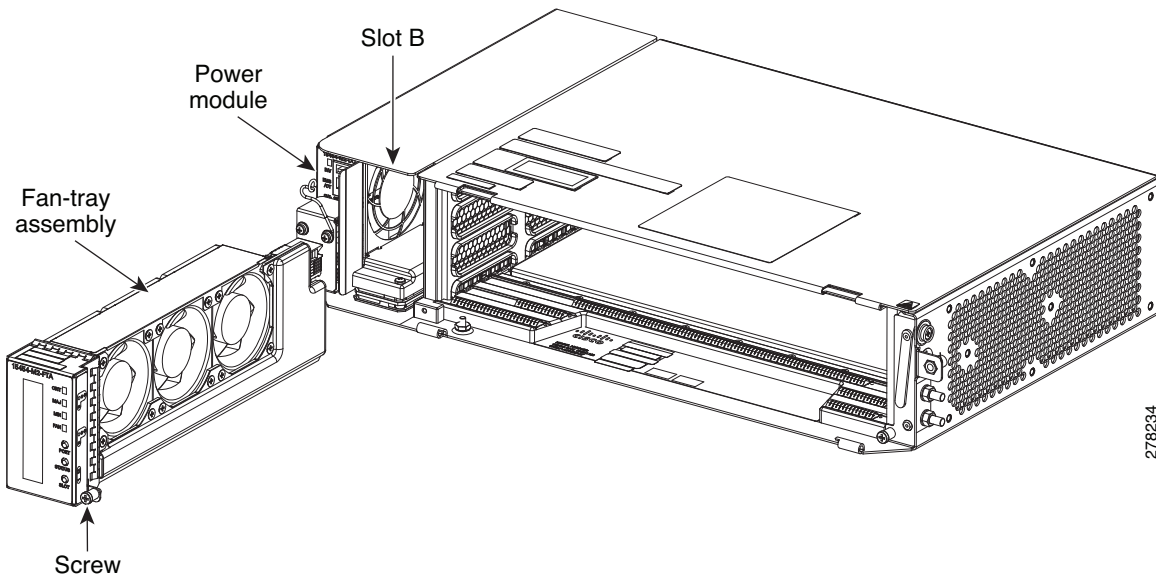
Step 2 Extract the fan-tray assembly partially to disconnect the backplane connector and wait until the fan stops (see [Figure 14-15](#))

Figure 14-15 Fan -Tray Extracted Partially with Power Connector Disconnected



- Step 3** When the fans have stopped, pull the fan-tray assembly completely out of the shelf assembly (see [Figure 14-16](#)).

Figure 14-16 Fan-Tray Extracted



- Step 4** Slide the new fan-tray assembly into the shelf assembly until the electrical plug at the rear of the tray plugs into the corresponding receptacle on the backplane.
- Step 5** To verify that the tray has plugged into the backplane, ensure that the LCD on the front of the fan-tray is activated.

Stop. You have completed this procedure.

NTP-G260 Replace the Fan-Tray Assembly of the ONS 15454 M6 Shelf Assembly

Purpose	This procedure replaces the fan-tray assembly of the ONS 15454 M6 shelf assembly.
Tools/Equipment	Small slot-head screwdriver
Prerequisite Procedures	“NTP-G257 Install the Fan-Tray Assembly in the ONS 15454 M6 Shelf Assembly” in the <i>Cisco ONS 15454 Hardware Installation Guide</i>
Required/As Needed	Required
Onsite/Remote	Onsite
Security Level	None

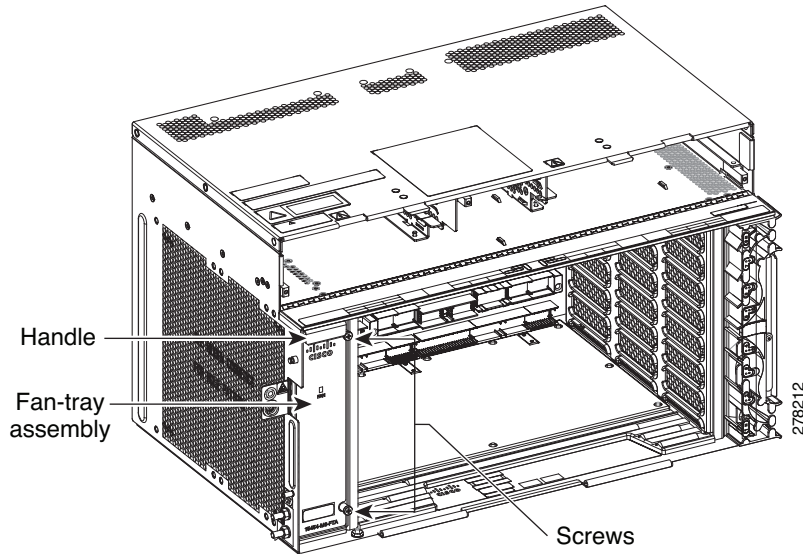

Caution

Do not force a fan-tray assembly into place. Doing so can damage either the connectors on the fan tray or the connectors on the back panel of the shelf assembly, or both.

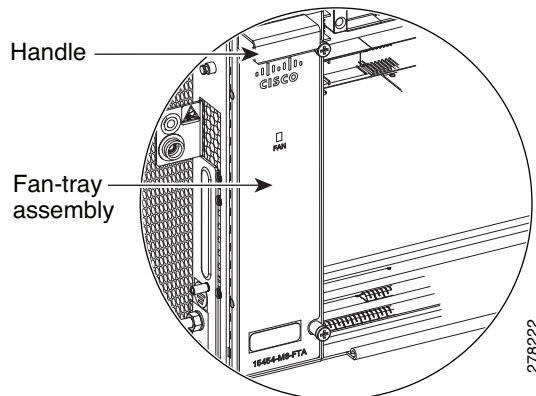

Note

The estimated time required to change a fan-tray assembly is 2 minutes.

- Step 1** Open the front door of the shelf assembly (see “DLP-G576 Open the Front Door of the ONS 15454 M6 Shelf Assembly” in the *Cisco ONS 15454 Hardware Installation Guide*). If the shelf assembly does not have a front door, continue with [Step 3](#).
- Step 2** (Optional) Complete the “DLP-G577 Remove the Front Door of the ONS 15454 M6 Shelf Assembly” in the *Cisco ONS 15454 Hardware Installation Guide* to remove the front door. If you do not want to remove the door, proceed to [Step 3](#).
- Step 3** Untighten the screws on the fan-tray assembly (see [Figure 14-17](#)).

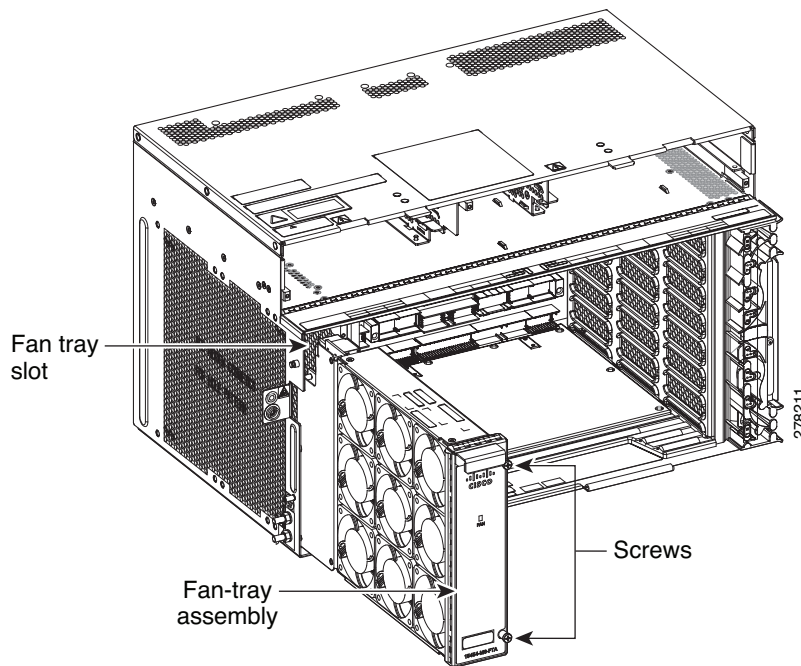
Figure 14-17 Extract the Fan-Tray Assembly

- Step 4** Extract the fan tray partially using the handle in order to disconnect the backplane connector and wait until the fan stops (see [Figure 14-18](#))

Figure 14-18 Fan-Tray Assembly Extracted Partially with Power Connector Disconnected

- Step 5** When the fans have stopped, pull the fan-tray assembly completely out of the shelf assembly (see [Figure 14-19](#)).

Figure 14-19 Fan-Tray Extracted



- Step 6** Slide the new fan-tray into the shelf assembly until the electrical plug at the rear of the tray plugs into the corresponding receptacle on the backplane.
- Step 7** To verify that the tray has plugged into the backplane, ensure that the LED on the front of the fan-tray is activated.

If you removed the door, complete the “NTP-G258 Install the Front Door of the ONS 15454 M6 Shelf Assembly” in the *Cisco ONS 15454 Hardware Installation Guide*.

Stop. You have completed this procedure.

NTP-G117 Replace the ANSI Shelf Alarm Interface Panel

Purpose	This procedure replaces the AIP on the ONS 15454 ANSI shelf assembly.
Tools/Equipment	#2 Phillips screwdriver
Prerequisite Procedures	None
Required/As Needed	As needed
Onsite/Remote	Onsite or remote
Security Level	Provisioning or higher



Caution

Do not use a 2A AIP with a 5A fan-tray assembly; doing so will cause a blown fuse on the AIP.

**Caution**

Always use the supplied ESD wristband when working with a powered ONS 15454. For detailed instructions on how to wear the ESD wristband, refer to the [Cisco ONS Electrostatic Discharge \(ESD\) and Grounding Guide](#).

**Caution**

Do not perform this procedure on a node with live traffic. Hot-swapping the AIP can affect traffic and result in a loss of data. For assistance with AIP replacement, contact the Cisco TAC. See the [“Obtaining Documentation, Obtaining Support, and Security Guidelines”](#) section on page lxxxiii.

- Step 1** Review [Table 14-3 on page 14-38](#) to ensure that you have compatible components when replacing the ANSI shelf AIP and note the alarms that will occur when an incompatibility occurs.
- Step 2** Ensure that all nodes in the affected network are running the same software version before replacing the AIP and repairing circuits:
- a. In network view or multishelf view (multishelf mode), click, click the **Maintenance > Software** tabs. The working software version for each node is listed in the Working Version column.
 - b. If you need to upgrade the software on a node, refer to the release-specific software upgrade document. No hardware should be changed or circuit repair performed until after the software upgrade is complete. If you do not need to upgrade software or have completed the software upgrade, proceed to [Step 3](#).
- Step 3** Record the MAC address of the old AIP:
- a. Log into the node where you will replace the AIP. See the [“DLP-G46 Log into CTC”](#) task on [page 3-30](#).
 - b. In node view (single-shelf mode) or multishelf view (multishelf mode), click the **Provisioning > Network** tabs.
 - c. Record the MAC address shown in the General tab.
- Step 4** Call Cisco TAC for assistance in replacing the AIP and maintaining the original MAC address. See the [“Cisco Optical Networking Product Documentation CD-ROM”](#) section on page lxxxiii.
- Step 5** Complete the [“DLP-G13 Remove the Lower Backplane Cover”](#) in the *Cisco ONS 15454 Hardware Installation Guide*.
- Step 6** Unscrew the two screws that hold the AIP cover in place.
- Step 7** Grip the cover and gently pull away from the backplane.

**Note**

On the 15454-SA-HD (P/N: 800-24848), 15454-SA-NEBS3E, 15454-SA-NEBS3, and 15454-SA-R1 (P/N: 800-07149) shelves, the AIP cover is clear plastic. On the 15454-SA-ANSI shelf (P/N: 800-19857), the AIP cover is metal.

- Step 8** Grip the AIP and gently pull it away from the backplane.
- Step 9** Disconnect the fan-tray assembly power cable from the AIP.
- Step 10** Set the old AIP aside for return to Cisco.

**Caution**

The type of shelf that the AIP resides in determines the version of AIP that should replace the failed AIP. The 15454-SA-ANSI shelf (P/N: 800-19857) and 15454-SA-HD (P/N: 800-24848) currently use the 5A AIP, (P/N: 73-7665-01). The 15454-SA-NEBS3E, 15454-SA-NEBS3, and 15454-SA-R1 (P/N: 800-07149) shelves and earlier use the 2A AIP (P/N: 73-5262-01).

**Caution**

Do not put a 2A AIP (P/N: 73-5262-01) into a 15454-SA-ANSI (P/N: 800-19857) or 15454-SA-HD (P/N: 800-24848) shelf; doing so will cause a blown fuse on the AIP.

- Step 11** Attach the fan-tray assembly power cable to the new AIP.
- Step 12** Place the new AIP on the backplane by plugging the panel into the backplane using the DIN connector.
- Step 13** Replace the AIP cover over the AIP and secure the cover with the two screws.
- Step 14** Replace the lower backplane cover and secure the cover with the five screws.
- Step 15** In node view (single-shelf mode) or multishelf view (multishelf mode), click the **Provisioning > Network** tabs.

**Caution**

Cisco recommends that TCC2/TCC2P/TCC3/TNC/TSC card resets be performed in a maintenance window to avoid any potential service disruptions.

- Step 16** Reset the standby TCC2/TCC2P/TCC3/TNC/TSC card:
- Right-click the standby TCC2/TCC2P/TCC3/TNC/TSC card and choose **Reset Card**.
 - Click **Yes** in the Resetting Card dialog box. As the card resets, a loading (Ldg) indication appears on the card in CTC.

**Note**

The reset takes approximately five minutes. Do not perform any other steps until the reset is complete.

- Step 17** Complete the “[DLP-G250 Reset the TCC2/TCC2P/TCC3/TNC/TSC Card](#)” task on page 14-13 to reset the active TCC2/TCC2P/TCC3/TNC/TSC card.
- Step 18** From the **File** drop-down list, choose **Exit** to exit the CTC session.
- Step 19** Log back into the node. In the Login dialog box, choose (**None**) from the Additional Nodes drop-down list.
- Step 20** Record the new MAC address:
- In node view (single-shelf mode) or multishelf view (multishelf mode), click the **Provisioning > Network** tabs.
 - Record the MAC address shown in the General tab.
- Step 21** In node view (single-shelf mode) or multishelf view (multishelf mode), click the **Circuits** tab. Note that all circuits listed have a status of PARTIAL.
- Step 22** In node view (single-shelf mode) or multishelf view (multishelf mode), choose **Repair Circuits** from the **Tools** drop-down list. The Circuit Repair dialog box appears.
- Step 23** Read the instructions in the Circuit Repair dialog box. If all the steps in the dialog box have been completed, click **Next**. Ensure that you have the old and new MAC addresses.

- Step 24** The Node MAC Addresses dialog box appears:
- From the Node drop-down list, choose the name of the node where you replaced the AIP.
 - In the Old MAC Address field, enter the old MAC address that was recorded in [Step 3](#).
 - Click **Next**.
- Step 25** The Repair Circuits dialog box appears. Read the information in the dialog box and click **Finish**.



Note The CTC session freezes until all circuits are repaired. Circuit repair can take up to five minutes or more depending on the number of circuits provisioned.

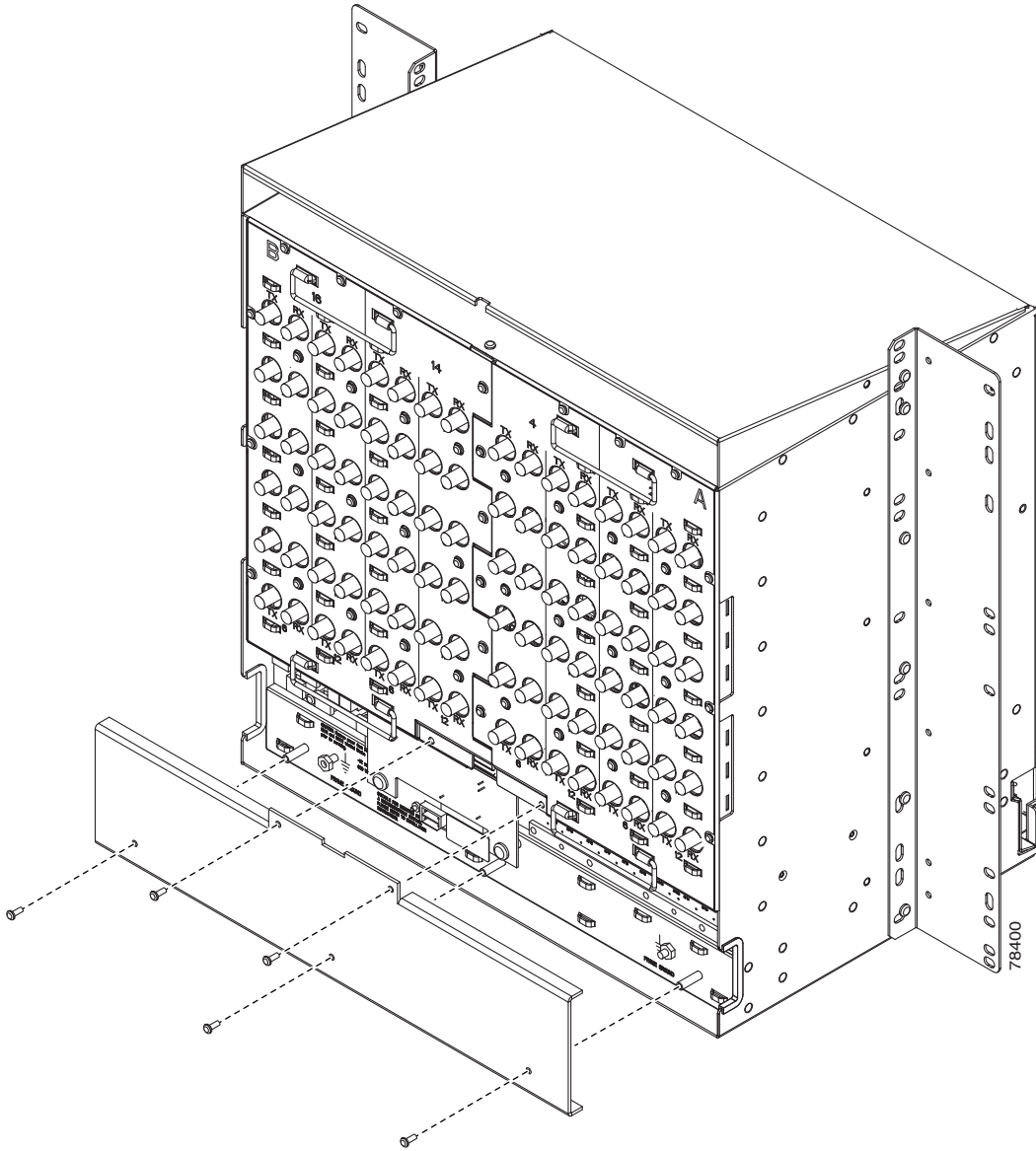
When the circuit repair is complete, the Circuits Repaired dialog box appears.

- Step 26** Click **OK**.
- Step 27** In node view of the new node, click the **Circuits** tab. Check to ensure that all circuits listed have a status of DISCOVERED. If all circuits listed are not DISCOVERED, call the Cisco TAC at (800) 553-2447 to open a Return Material Authorization (RMA).
- Stop. You have completed this procedure.**

NTP-G118 Replace the ANSI Shelf Plastic Lower Backplane Cover

Purpose	This procedure replaces the metal cover with the plastic cover located at the bottom rear of the ONS 15454 ANSI shelf.
Tools/Equipment	Phillips screwdriver
Prerequisite Procedures	None
Required/As Needed	As needed
Onsite/Remote	Onsite
Security Level	None

- Step 1** Use the Phillips screwdriver to unscrew the five retaining screws that hold the metal cover in place.
- Step 2** Grasp the metal cover on each side.
- Step 3** Gently pull the metal cover away from the backplane.
- Step 4** Place the plastic cover against the shelf assembly and align the screw holes on the cover and the shelf assembly ([Figure 14-20](#)).

Figure 14-20 Attaching Plastic Lower Backplane Cover

- Step 5** Tighten the five retaining screws that hold the plastic cover in place.
Stop. You have completed this procedure.
-

NTP-G135 Edit Network Element Defaults

Purpose	This procedure edits the factory-configured NE defaults using the NE Defaults editor. The new defaults can be applied to the node where they are edited, or exported to a file to be imported for use on other nodes.
Tools/Equipment	None
Prerequisite Procedures	None
Required/As Needed	As needed
Onsite/Remote	Onsite or remote
Security Level	Superuser only



Note For a list of NE defaults, see the “Network Element Defaults” appendix in the *Cisco ONS 15454 DWDM Reference Manual*.

- Step 1** Complete the “[DLP-G46 Log into CTC](#)” task on page 3-30 at the node where you want to edit NE defaults.
- Step 2** In node view (single-shelf mode) or multishelf view (multishelf mode), click the **Provisioning > Defaults** tabs. Wait for the Defaults selector frame to load the defaults. This could take several minutes.
- Step 3** Under Defaults Selector, choose either a card (if editing card-level defaults) or NODE (if editing node-level defaults). Clicking on the node name (at the top of the Defaults Selector column) lists all available NE defaults (both node- and card-level) under Default Name.
- Step 4** Locate a default that you want to change under Default Name.
- Step 5** Click in the **Default Value** column for the default property that you are changing and either choose a value from the drop-down list (when available), or type in the desired new value.



Note If you click **Reset** before you click **Apply**, all values will return to their original settings.

- Step 6** Click **Apply** (click in the **Default Name** column to activate the Apply button if it is unavailable). You can modify multiple default values before applying the changes.
- A pencil icon will appear next to any default value that will be changed as a result of editing the defaults file.
- Step 7** If you are modifying node-level defaults, a dialog box appears telling you that defaults were successfully applied to the node. Click **Yes**.
- If you are modifying the IIOP Listener Port setting, a dialog box appears warning you that the node will reboot and asks if you want to continue. Click **Yes**.



Note Changes to most node defaults reprovision the node when you click Apply. Changes made to card settings using the Defaults Editor do not change the settings for cards that are already installed or slots that are preprovisioned for cards, but rather, change only cards that are installed or preprovisioned thereafter. To change settings for installed cards or preprovisioned slots, see [Chapter 12, “Change DWDM Card Settings.”](#) To change settings for transponder or muxponder cards see [Chapter 6, “Provision Transponder and Muxponder Cards.”](#)



Note Changing some NE defaults can cause CTC disconnection or a reboot of the node in order for the default to take effect. Before you change a default, view the Side Effects column of the Defaults editor (right-click a column header and select **Show Column > Side Effects**) and be prepared for the occurrence of any side effects listed for that default.

Stop. You have completed this procedure.

NTP-G136 Import Network Element Defaults

Purpose	This procedure imports the NE defaults using the NE Defaults editor. The defaults can either be imported from the CTC software CD (factory defaults) or from a customized file exported and saved from a node.
Tools/Equipment	None
Prerequisite Procedures	None
Required/As Needed	As needed
Onsite/Remote	Onsite or remote
Security Level	Superuser only



Note For a list of NE defaults, refer to the “Network Element Defaults” document.

- Step 1** Complete the [“DLP-G46 Log into CTC” task on page 3-30](#) at the node where you want to import NE defaults.
- Step 2** In node view (single-shelf mode) or multishelf view (multishelf mode), click the **Provisioning > Defaults** tabs.
- Step 3** Click **Import**.
- Step 4** If the correct file name and location of the desired file do not appear in the Import Defaults from File dialog box, click **Browse** and browse to the file that you are importing.
- Step 5** When the correct file name and location appear in the dialog box, click **OK**. If you are importing the factory defaults, the correct file name is 15454-defaults.txt for ANSI shelves and 15454SDH-defaults.txt for ETSI shelves.
A pencil icon will appear next to any default value that will be changed as a result of importing the new defaults file.
- Step 6** Click **Apply**.
- Step 7** If the imported file fails to pass all edits, the problem field shows the first encountered problem default value that must be fixed. Change the problem default value and click **Apply**. Repeat until the imported file passes all edits successfully.
- Step 8** If you are modifying node-level defaults, a dialog box appears telling you that defaults were successfully applied to the node. Click **Yes**.
- Step 9** If you are modifying the IIOP Listener Port setting, a dialog box appears warning you that the node will reboot and asks if you want to continue. Click **Yes**.

**Note**

Changes to most node defaults reprovision the node when you click Apply. Changes made to card settings using the Defaults Editor do not change the settings for cards that are already installed or slots that are preprovisioned for cards, but rather, change only cards that are installed or preprovisioned thereafter. To change settings for installed cards or preprovisioned slots, see [Chapter 12, “Change DWDM Card Settings.”](#) To change settings for transponder or muxponder cards, see [Chapter 6, “Provision Transponder and Muxponder Cards.”](#)

**Note**

Changing some NE defaults can cause CTC disconnection or a reboot of the node in order for the default to take effect. Before you change a default, view the Side Effects column of the Defaults editor (right-click a column header and select **Show Column > Side Effects**) and be prepared for the occurrence of any side effects listed for that default.

Stop. You have completed this procedure.

NTP-G137 Export Network Element Defaults

Purpose	This procedure exports the NE defaults using the NE Defaults editor. The exported defaults can be imported to other nodes.
Tools/Equipment	None
Prerequisite Procedures	None
Required/As Needed	As needed
Onsite/Remote	Onsite or remote
Security Level	Superuser only

**Note**

The defaults currently displayed are exported whether or not they have been applied to the current node.

**Note**

The NE defaults can also be exported from the File > Export menu. These exported defaults are for reference only and cannot be imported.

**Note**

For a list of NE defaults, refer to the “Network Element Defaults” document.

- Step 1** Complete the [“DLP-G46 Log into CTC” task on page 3-30](#) at the node where you want to export NE defaults.
- Step 2** In node view (single-shelf mode) or multishelf view (multishelf mode), click the **Provisioning > Defaults** editor tabs.
- Step 3** Click **Export**.
- Step 4** If the location where you want to export the file does not appear in the Export Defaults to File dialog box, click **Browse** and browse to the location.

Step 5 Change the file name to something that is easy to remember (the file name has no extension).

Step 6 Click **OK**.

Stop. You have completed this procedure.

NTP-G166 View the Facilities

Purpose	This procedure displays DWDM facility information for all facilities in a node (single-shelf mode), shelf view (multishelf mode), or multishelf node (multishelf mode).
Tools/Equipment	None
Prerequisite Procedures	None
Required/As Needed	As needed
Onsite/Remote	Onsite or remote
Security Level	Maintenance and higher

Step 1 Complete the “[DLP-G46 Log into CTC](#)” task on page 3-30 at the node where you want to view DWDM facilities.

Step 2 In node view (single-shelf mode), shelf view (multishelf mode), or multishelf view (multishelf mode), click the **Maintenance > DWDM > All Facilities** tabs.

- **Marked**—Displays a check mark if you have designated the facility for logical grouping. To mark a facility to group it with others, go to [Step 3](#).
- **Location**—Displays the slot number, slot type, port number, and port type of the facility.
- **Admin State**—Displays the administrative state of the facility.
- **Service State**—Displays the service state of the facility.
- **Power**—Displays the power level of the facility.

Step 3 To mark certain facilities to group during column sorting, click the desired row and click **Mark**. A check mark appears in the Marked column. Click the Marked column header to group all of the checked facilities in ascending order. Click the Marked header again to sort in descending order.

Step 4 To sort the facilities by the Location, Admin State, Service State, or Power columns in ascending order, click on the desired column header. Click the column header again to sort in descending order.

Stop. You have completed this procedure.

NTP-G119 Power Down the Node

Purpose	This procedure stops all node activity.
Tools/Equipment	None
Prerequisite Procedures	None
Required/As Needed	As needed

Onsite/Remote	Onsite
Security Level	Provisioning or higher

**Warning**

Do not reach into a vacant slot or chassis while you install or remove a module or a fan. Exposed circuitry could constitute an energy hazard. Statement 206

**Caution**

The following procedure is designed to minimize traffic outages when powering down nodes, but traffic will be lost if you delete and recreate circuits that passed through a working node.

**Note**

Always use the supplied ESD wristband when working with the Cisco ONS 15454. Plug the wristband into the ESD jack located on the fan-tray assembly or on the lower right outside edge of the shelf on the NEBS 3 shelf assembly. To access the ESD plug on the NEBS 3 shelf assembly, open the front door of the Cisco ONS 15454. The front door is grounded to prevent electrical shock. For detailed instructions on how to wear the ESD wristband, refer to the [Cisco ONS Electrostatic Discharge \(ESD\) and Grounding Guide](#).

**Note**

The CTC views referenced in this procedure depend on the mode. For more information about CTC views, see [Appendix A, “CTC Information and Shortcuts.”](#)

- Step 1** Identify the node that you want to power down. If no cards are installed, go to [Step 20](#). If cards are installed, log into the node. See the “[DLP-G46 Log into CTC](#)” task on [page 3-30](#) for instructions.
- Step 2** Choose **Go to Network View** from the View menu.
- Step 3** Verify that the node is not connected to a network.
- If the node is part of a Software R4.7 or later dense wavelength division multiplexing (DWDM) configuration, see the “[NTP-G130 Remove a DWDM Node](#)” procedure on [page 13-11](#) continue with [Step 4](#).
 - If the node is not connected to a working network and the current configurations are no longer required, proceed to [Step 4](#).

**Note**

Before the power-down of a DWDM node, the fiber spans connected around it must be disconnected from the network. This is to prevent the accidental disconnection of wavelengths that pass through the shelf. A good indication that the shelf has been disconnected from the network is optical service channel (OSC) alarms, or no OSC channels provisioned.

**Note**

Current configurations will be saved if [Steps 4 to 20](#) are skipped.

- Step 4** In node view (single-shelf mode) or multishelf view (multishelf mode), click the **Circuits** tab and verify that no circuits appear, then proceed to [Step 5](#). If circuits appear, delete all the circuits that originate or terminate in the node. Complete the “[DLP-G106 Delete Optical Channel Network Connections](#)” task on [page 8-26](#), the “[DLP-G347 Delete Optical Channel Client Connections](#)” task on [page 8-11](#), or the “[DLP-G112 Delete Overhead Circuits](#)” task on [page 8-69](#) as needed.



Note When deleting circuits from a node, make sure that the node is not connected to any network.

- Step 5** In node view (single-shelf mode) or shelf view (multishelf mode), click the **Provisioning > Protection** tabs and delete all protection groups:
- Click the protection group that needs to be deleted and click **Delete**.
 - Click **Yes**.
- Repeat until no protection groups appear.
- Step 6** In node view (single-shelf mode) or multishelf view (multishelf mode), click the **Provisioning > Comm Channels** tabs and delete all communications channel terminations:
- Click the section data communications channel (SDCC), line data communications channel (LDCC), generic communications channel (GCC), link management protocol (LMP), provisionable (external) patchcords (PPC), or OSC termination that needs to be deleted and click **Delete**.
 - Click **Yes**.
- Repeat until no SDCC, LDCC, GCC, or OSC terminations are present.
- Step 7** Before deleting any installed DWDM cards, the optical sides and the optical patchcords must be deleted. In node view (single-shelf mode) or multishelf view (multishelf mode), click **Provisioning > WDM-ANS > Optical Side** tabs.
- Select all the connections and click **Delete**.
 - Click **Yes**.
- Step 8** In node view (single-shelf mode) or multishelf view (multishelf mode), click **Provisioning > WDM-ANS > Internal Patchcords** tabs.
- Select all the connections and click **Delete**.
 - Click **Yes**.
- Step 9** In node view (single-shelf mode) or multishelf view (multishelf mode), click **Provisioning > WDM-ANS > Provisioning** tabs and delete all the ANS parameters.
- Select all the ANS parameters and click **Remove**. The Network Type parameter cannot be deleted.
 - Click **Yes**.
- Step 10** In node view (single-shelf mode) or multishelf view (multishelf mode), click **Provisioning > WDM-ANS > Passive Cards** tabs, and delete all the passive cards.
- Click the passive card you want to delete.
 - Click **Delete**, then click **Yes**.
- Step 11** Repeat Step **a** and Step **b** for each installed passive card.
- Step 12** For each installed channel-bearing card (AD-1C-xx.x, AD-2C-xx.x, and AD-4C-xx.x, where xx.x refers to the specific wavelengths), make sure all lines and bands are not in IS-NR (ANSI) or Unlocked-Enabled (ETSI) service state:
- In card view, click the **Provisioning > Optical Line > Parameters** tabs.
 - In the Admin State column for each line, make sure that the default state IS, AINS (ANSI), or Unlocked,automaticInservice (ETSI) is selected.
 - Click the **Provisioning > Optical Chn > Parameters** tabs.
 - In the Admin State column for each line, make sure that the default state IS, AINS (ANSI), or Unlocked,automaticInservice (ETSI) is selected.

- Step 13** For each installed DWDM band-bearing card (AD-1B-xx.x and AD-4B-xx.x, where xx.x refers to the specific wavelengths), make sure all lines and bands are not in the IS-NR (ANSI) or Unlocked-Enabled (ETSI) service state:
- In card view, click the **Provisioning > Optical Line > Parameters** tabs.
 - In the Admin State column for each line, make sure that the default state IS, AINS (ANSI), or Unlocked,automaticInservice (ETSI) is selected.
 - Click the **Provisioning > Optical Band > Parameters** tabs.
 - In the Admin State column for each line, make sure that the default state IS, AINS (ANSI), or Unlocked,automaticInservice (ETSI) is selected.
- Step 14** For each installed transponder (TXP), muxponder (MXP), multiplexer, demultiplexer, amplifier, OSC-CSM, OSCM, wavelength switch, or single module ROADM card (32MUX-O, 32DMX-0, 32DMX, 32WSS, 4MD-xx.x, 40-WSS-C, 40-WSS-CE, 40-WXC-C, 80-WXC-C, 40-DMX-C, 40-DMX-CE, 40-MUX-C, TDC-CC, TDC-FC, 40-SMR1-C, 40-SMR2-C, OPT-BST, OPT-PRE, TXP_MR_10G, TXP_MR_10E, TXP_MR_2.5G, TXPP_MR_2.5G, MXP_2.5G_10G, MXP_2.5G_10E, MXP_MR_2.5G, MXPP_MR_2.5G, 40G-MXP-C, GE_XP, 10GE_XP, GE_XPE, 10GE_XPE, or ADM-10G), make sure all lines are not in the IS-NR (ANSI) or Unlocked-enabled (ETSI) service state:
- In card view, click the appropriate tab depending on the card:
 - For MXP_2.5G, MXP_2.5G_10G, TXP_MR_10G, TXP_MR_10E, 40G-MXP-C cards, click the **Provisioning > Line > SONET** tabs if the card was provisioned for a SONET payload, or the **Provisioning > Line > SDH** tabs if the card was provisioned for an SDH payload.
 - For TXP_MR_2.5G, TXPP_MR_2.5G, and MXPP_MR_2.5G cards, click the **Provisioning > Line > SONET** tabs.
 - For MXP_2.5G_10E cards, click the **Provisioning > Line > Trunk** tabs.
 - For MXP_MR_2.5G cards, click the **Provisioning > Line > Client** tabs.
 - For ADM-10G cards, click the **Provisioning > Line > Ports** tabs.
 - For 32MUX-O, 32DMX-0, 32DMX, 32WSS, 40MUX, 40DMUX-C, TDC-CC, TDC-FC, OPT-BST, OPT-PRE cards, click the **Provisioning > Optical Line > Parameters** tabs.
 - For 32DMX, 32DMX-O, 40-DMX-C, 40-MUX-C, 40-DMX-CE, 4MD cards, click the **Provisioning > Optical Chn > Parameters** tabs.
 - For 40-WSS-C/40-WSS-CE cards, click the **Provisioning > Optical Chn: Optical Connector x > Parameters** tabs.
 - For 40-WXC-C cards, click the **Provisioning > WXC Line > Parameters** tabs.
 - For 40-DMX-C, 40-MUX-C, and 40-DMX-CE cards, click the **Provisioning > Optical Line > Parameters** tabs.
 - For 4MD-xx.x cards, click the **Provisioning > Optical Band > Parameters** tabs.
 - For GE_XP, 10GE_XP, GE_XPE, and 10GE_XPE cards, click the **Provisioning > Ether Ports > Ports** tabs.
 - For OPT-BST and OPT-PRE cards, click the **Provisioning > Optical Ampli Line > Parameters** tabs.
 - For the 40-SMR1-C and 40-SMR2-C cards, click the **Provisioning > Optical Line > Parameters** tabs and **Provisioning > Opt. Ampli. Line > Parameters** tabs.
 - For OSC-CSM and OSCM cards, click the **Provisioning > Optical Line > Parameters** tabs.
 - For ADM_10G cards, click the **Provisioning > Line > Ports** tabs.

- b. In the Admin State column for each line, make sure that the default state IS, AINS (ANSI) or Unlocked,automaticInservice (ETSI) is selected.
- c. Repeat Steps a and b for each installed DWDM card.

**Note**

Ports are put in service when circuits are provisioned, and put out of service when circuits are deleted. When circuits are deleted the Admin State displays as IS, AINS (ANSI) or Unlocked,automaticInservice (ETSI) and the Service State displays OOS-AU,AINS (ANSI) or Unlocked-disabled,automaticInService (ETSI).

- Step 15** Remove all fiber connections to the cards.
- Step 16** In node view (single-shelf mode) or shelf view (multishelf mode), right-click an installed card and click **Delete**.
- Step 17** Click **Yes**.
- Step 18** After you have deleted the card, open the card ejectors and remove it from the node.
- Step 19** Repeat [Step 15](#) through [Step 18](#) for each installed card.

**Note**

You cannot delete a TCC2/TCC2P/TCC3/TNC/TSC card in Cisco Transport Controller (CTC). Physically remove it after all the other cards have been deleted and removed.

**Note**

(On 15454 M2 and 15454-M6) You cannot delete an active TNC/TSC card in Cisco Transport Controller (CTC). Physically remove it after all the other cards have been deleted and removed.

- Step 20** Shut off the power from the power supply that feeds the node.
 - Step 21** Disconnect the node from its external fuse source.
 - Step 22** Store all of the cards that you removed and update inventory records according to local site practice.
- Stop. You have completed this procedure.**
-



APPENDIX **A**

CTC Information and Shortcuts

**Note**

The terms "Unidirectional Path Switched Ring" and "UPSR" may appear in Cisco literature. These terms do not refer to using Cisco ONS 15xxx products in a unidirectional path switched ring configuration. Rather, these terms, as well as "Path Protected Mesh Network" and "PPMN," refer generally to Cisco's path protection feature, which may be used in any topological network configuration. Cisco does not recommend using its path protection feature in any particular topological network configuration.

This appendix describes the Cisco Transport Controller (CTC) views, menu options, tool options, shortcuts, and table display options. This appendix also describes the shelf inventory data presented in CTC. For more information about CTC, refer to the "Cisco Transport Controller Operation" chapter in the *Cisco ONS 15454 DWDM Reference Manual*.

**Note**

Unless otherwise specified, "ONS 15454" refers to both ANSI and ETSI shelf assemblies.

**Note**

If network discovery is enabled on the node, CTC searches each node in the network for more recent versions of the CTC software. If a more recent version is discovered, CTC gives you the option of downloading the Java archive (JAR) files to your PC.

**Note**

The LBAND cards are not supported in M2 and M6 chassis.

A.1 Multishelf and Single-Shelf Modes

In a DWDM configuration, CTC views can be displayed in one of two modes. If a node contains only one shelf, the possible views are network view, node view, and card view. This is known as single-shelf mode. In multishelf mode, a control node and subtending shelves are configured to operate as a single node. In this mode, four views are possible: network view, multishelf view, shelf view, and card view. Multishelf view is the home view for nodes that are configured in multishelf mode. Multishelf view displays all of the shelves in the node. When you open a shelf from multishelf view, shelf view appears, which looks similar to node view but does not contain the tabs and subtabs that are used for node-level operations.

A.2 Display CTC Views

CTC provides four views of the ONS 15454, ONS 15454-M6, and the ONS network:

- If the login ONS 15454 or ONS 15454-M6 node is in multishelf mode, the multishelf view appears when you first log into the node. This view shows a graphic of the ONS 15454 or ONS 15454-M6 racks and provides access to tabs and subtabs that you use to manage the multishelf node and its subtending shelves.
- If the login ONS 15454 or ONS 15454-M6 node is in single-shelf mode, node view appears when you first log into an ONS 15454 or ONS 15454-M6. This view shows a graphic of the ONS 15454 or ONS 15454-M6 shelf and provides access to tabs and subtabs that you use to manage the node. When you open a shelf from multishelf view, shelf view appears, which looks similar to node view but does not contain the tabs and subtabs that are used for node operations.
- Card view provides access to individual ONS 15454 or ONS 15454-M6 cards. This view provides a graphic of the card and provides access to tabs and subtabs that you use to manage the card.
- Network view shows all the nodes in a ring and provides access to tabs and subtabs that you use to manage the network. A Superuser can create a network view that is identical for all users who log into the network or users can create custom views with maps.

Users can group a subset of nodes into a domain, which is used to isolate nodes or groups of nodes for easier maintenance and a more streamlined network view. Double-clicking a domain displays all the nodes that are members of the domain. Nodes connected to the domain nodes are grayed out.

[Table A-1](#) lists different actions for changing CTC views.

Table A-1 Change CTC Views

To Display	Perform One of the Following
Multishelf view (multishelf mode)	<ul style="list-style-type: none"> In network view, double-click a node icon, or right-click the node and choose Open Node from the shortcut menu. In network view, single-click a node icon, then choose Go To Selected Object View from the View menu. From the View menu, choose Go To Other Node, then choose the node you want from the shortcut menu. Use the arrows on the CTC toolbar to navigate up or down views until you reach node view.
Node view (single-shelf mode) or shelf view (multishelf mode)	<ul style="list-style-type: none"> In network view, double-click a node icon, or right-click the node and choose Open Node from the shortcut menu. If the node is in multishelf view (multishelf mode), double-click a shelf icon, or right-click and choose Open Shelf from the shortcut menu. In network view, single-click a node icon, then choose Go To Selected Object View from the View menu. If the node is in multishelf mode, double-click a shelf icon, or right-click and choose Open Shelf from the shortcut menu. In multishelf view (multishelf mode), double-click a shelf icon, or right-click and choose Open Shelf from the shortcut menu. From the View menu, choose Go To Other Node, then choose the node you want from the shortcut menu. Use the arrows on the CTC toolbar to navigate up or down views until you reach node view.
Network view	<ul style="list-style-type: none"> In node view (single-shelf mode) or multishelf view (multishelf mode), click the up arrow or the Network View tool on the CTC toolbar. If in shelf view (multishelf mode), you must click the up arrow twice. In multishelf view (multishelf mode), click the up arrow or the Network View tool on the CTC toolbar. From the View menu, choose Go To Network View.
Card view	<ul style="list-style-type: none"> In node view, double-click a card or right-click the card and choose Open Card. In node view (single-shelf mode) or shelf view (multishelf mode), single-click a card icon, then choose Go To Selected Object View from the View menu. Use the arrows on the CTC toolbar to navigate up or down views. For example, in node view, click a card, then click the down arrow.

A.3 Node Icons on the Network View Map

Table A-2 lists the node icons on the network view map.

**Note**

In the mixed configuration node with ONS 15454 and ONS 15454-M6 cards, only the node controller icon will be displayed in the network view.

Table A-2 Description of Node Icons on Network View Map

Node Name	Icon	Description
SONET SDH Hybrid OADM Hybrid line amplifier Hybrid terminal Passive hybrid terminal Amplified TDM		<p>A SONET, SDH, hybrid, or amplified time-division multiplexing (TDM) node icon is represented as a cylinder with crossed arrows.</p> <ul style="list-style-type: none"> A SONET or SDH node can include OC-N cards, electrical cards, cross-connects, Storage Access Management (SAM) cards, and Ethernet cards. A hybrid optical add/drop multiplexing (OADM) node contains at least one AD-xC-xx.x card or one AD-xB-xx.x card and two TCC2/TCC2P/TCC3/TNC/TSC cards. TDM cards can be installed in any available slot. Hard reset can be done on a TNC/TSC cards. A hybrid line amplifier node contains amplifiers and both TDM and dense wavelength division multiplexing (DWDM) cards. A hybrid terminal node contains at least one 32MUX-O card, one 32DMX-O card, amplifiers, two TCC2/TCC2P/TCC3/TNC/TSC cards, and TDM cards. Alternatively, the node may contain at least one 40-MUX-C, one 40-DMX-C card, amplifiers, two TCC2/TCC2P/TCC3/TNC/TSC cards, and TDM cards. A passive hybrid terminal node has the same equipment as the hybrid terminal node, but does not contain amplifiers. <p>An amplified TDM node is a node that increases the span length between two ONS 15454 nodes that contain TDM cards and optical amplifiers. Amplified TDM nodes contain either OPT-BST amplifiers or AD-1C-xx.x cards.</p>
Hub		<p>A DWDM hub node icon is represented as a three-dimensional cylinder with amplifiers. A hub node contains one of the following combinations:</p> <ul style="list-style-type: none"> Two 32MUX-O cards and two 32DMX-O or 32DMX cards Two 32WSS cards and two 32DMX or 32DMX-O cards Two 32WSS-L cards and two 32DMX-L cards Two 40-WSS-C or 40-WSS-CE cards and two 40-DMX-C or 40DMX-CE cards Two 40-SMR1-C or 40-SMR2-C cards and two 15216-MD-40-ODD cards <p>No OADM cards are provisioned in a hub node.</p>

Table A-2 Description of Node Icons on Network View Map (continued)







Node Name	Icon	Description
OADM		<p>A DWDM OADM node icon is represented as a three-dimensional cylinder with arrows. An OADM node contains at least one AD-xC-xx.x card or one AD-xB-xx.x card. No 32MUX-O, 32DMX-O, 32DMX, 40-MUX-C, or 40-DMX-C cards are provisioned.</p> <p> Note The 32MUX-O and 32DMX-O cards are not supported in M2.</p>
ROADM		<p>A reconfigurable OADM (ROADM) node icon is represented as a three-dimensional cylinder with two amplifier symbols that have arrows between them. A ROADM node contains one of the following combinations:</p> <ul style="list-style-type: none"> • Two 32WSS cards and, optionally, two 32DMX or 32DMX-O cards • Two 32WSS-L cards and, optionally, two 32DMX-L cards • Two 40-WSS-C or 40-WSS-CE cards and, optionally, two 40-DMX-C or 40-DMX-CE cards • Two 40-SMR1-C or 40-SMR2-C cards and two 15216-MD-40-ODD cards • Two 80-WXC-C and two 15216-MD-40-ODD or 15216-MD-40-EVEN units <p>Transponders (TXPs) and muxponders (MXPs) can be installed in Slots 6 and 12. If amplification is not used, TXPs or MXPs can be installed in Slots 1 and 17. If OPT-BSTs are not installed, OSC-CSM cards are installed in Slots 2 and 16 and Slots 8 and 10 are empty.</p>
Terminal		<p>A terminal node is represented as a three-dimensional cylinder with a white rectangle in the center. A terminal node contains one of the following combinations:</p> <ul style="list-style-type: none"> • One 32MUX-O card and one 32DMX-O card • One 32WSS card and either a 32DMX or a 32DMX-O card • One 32WSS-L card and one 32DMX-L card • One 40-WSS-C or 40-WSS-CE card and one 40-DMX-C or 40-DMX-CE card • One 40-MUX-C and one 40-DMX-C or 40-DMX-CE card • One 40-SMR1-C or 40-SMR2-C card and one 15216-MD-40-ODD card • 80-WXC-C and one 15216-MD-40-ODD and one 15216-MD-40-EVEN • A flexible terminal node contains a series of OADM and amplifier cards.

Table A-2 Description of Node Icons on Network View Map (continued)

Node Name	Icon	Description
Line OSC regeneration line		Line and OSC regeneration line nodes are represented as a three-dimensional cylinder with one arrow pointing west and another arrow pointing east. <ul style="list-style-type: none"> A line node has only OPT-PRE or OPT-BST amplifiers provisioned. An optical service channel (OSC) regeneration line node contains two OSC-CSM cards.
Unknown		An unknown DWDM node icon is represented as a three-dimensional cylinder with one arrow pointing north. An unknown node means that the provisioned cards do not allow the node to fit any of the defined DWDM node categories.

A.4 Manage the CTC Window

Different navigational methods are available within the CTC window to access views and perform management actions. You can double-click and right-click objects in the graphic area and move the mouse over nodes, cards, and ports to view popup status information.

A.4.1 CTC Menu and Toolbar Options

The CTC window menu bar and toolbar provide primary CTC functions. Table A-3 shows the actions that are available from the CTC menu and toolbar.

Table A-3 CTC Menu and Toolbar Options






Menu	Menu Option	Toolbar	Description
File	Add Node		Adds a node to the current session. See the “DLP-G49 Add a Node to the Current Session or Login Group” task on page 3-34.
	Delete Selected Node		Deletes a node from the current session.
	Lock CTC		Locks CTC without closing the CTC session. A user name and password are required to open CTC.
	Print		Prints CTC data. See the “DLP-G113 Print CTC Data” task on page 10-3.
	Export		Exports CTC data. See the “DLP-G114 Export CTC Data” task on page 10-4.
	Exit	—	Closes the CTC session.

Table A-3 CTC Menu and Toolbar Options (continued)











Menu	Menu Option	Toolbar	Description
Edit	Preferences		Displays the Preferences dialog box, which shows the following tabs: <ul style="list-style-type: none"> General—Allows you to change event defaults and manage preferences. Login Node Groups—Allows you to create login node groups. See the “DLP-G48 Create Login Node Groups” task on page 3-33. Map—Allows you to customize the network view. See the “DLP-G168 Change the Network View Background Color” task on page 11-32 and the “DLP-G170 Apply a Custom Network View Background Map” task on page 11-33. Circuit—Allows you to change the color of circuit spans. This task is not applicable on DWDM-only nodes. Firewall—Sets the Internet Inter-ORB Protocol (IIOP) listener ports for access to the ONS 15454 through a firewall. See the “NTP-G27 Set Up the ONS 15454 for Firewall Access” procedure on page 4-34. JRE—Allows you to select another Java Runtime Environment (JRE) version. See the “DLP-G52 Change the JRE Version” task on page 3-9.
View	Go To Previous View		Displays the previous CTC view. Available only after you navigate to a next view.
	Go To Next View		Displays the next CTC view. Go to Previous View and Go to Next View are similar to forward and backward navigation in a web browser.
	Go To Parent View		References the CTC view hierarchy: network view, multishelf view (multishelf mode), node view (single-shelf mode), shelf view (multishelf mode), and card view. In card view, this command displays the node view (single-shelf mode) or shelf view (multishelf mode); in node view (single-shelf mode) or multishelf view (multishelf mode), the command displays network view. Not available in network view. In shelf view (multishelf mode), this command displays multishelf view.
	Go To Selected Object View		Displays the object selected in the CTC window.
	Go To Home View		Displays the login node in node view (single-shelf mode) or multishelf view (multishelf mode). If the login node is a multishelf node controller, the multishelf view displays.
	Go To Network View		Displays the network view.
	Go To Other Node		Displays a dialog box allowing you to type in the node name or IP address of a network node that you want to view.
	Show Status Bar	—	Click this item to display or hide the status bar at the bottom of the CTC window.
	Show Tool Bar	—	Click this item to display or hide the CTC toolbar.
—	—		(Toolbar only) Zooms out the network view area.
—	—		(Toolbar only) Zooms in the network view area.

Table A-3 *CTC Menu and Toolbar Options (continued)*


Menu	Menu Option	Toolbar	Description
—	—		(Toolbar only) Zooms in a selected network view area.

Table A-3 CTC Menu and Toolbar Options (continued)






Menu	Menu Option	Toolbar	Description
Tools	Circuits	—	<p>Displays the following options:</p> <ul style="list-style-type: none"> Repair Circuits—Repairs incomplete circuits following replacement of the ONS 15454 alarm interface panel (AIP). Refer to the <i>Cisco ONS 15454 DWDM Troubleshooting Guide</i> for more information. Reconfigure Circuits—Allows you to reconfigure circuits. Not applicable to DWDM nodes. Set Path Selector Attributes—Allows you to edit path protection or subnetwork connection protection (SNCP) circuit path selector attributes. Not applicable to DWDM nodes. Set Circuit State—Allows you to change a circuit state. Not applicable on DWDM nodes. Roll Circuit—Allows you to reroute live traffic without interrupting service. Delete Rolls—Removes rolls that are not deleted by CTC after a roll has been completed. Upgrade OCHNC—(ONS 15454 only) Upgrades OCHNCs created in earlier software releases to OCHCCs. Refer to the <i>Cisco ONS 15454 DWDM Procedure Guide</i> for more information. Show RPR Circuit Ring—Shows the RPR ring for the circuit selected on the Circuits window.
	Overhead Circuits	—	(SONET and SDH only) Displays the Repair IP Tunnels option, which fixes circuits that are in the PARTIAL status as a result of node IP address changes.
	Links	—	Displays the Repair PPCs option that launches the PPC Repair wizard. The PPC Repair wizard fixes PPC termination in cases where the IP address changes for one node connected by one link. It will also discover the IP address change based on information stored by the PPC terminations.
	Topology Upgrade	—	<p>Displays the following options:</p> <ul style="list-style-type: none"> Convert Path Protection to BLSR (or Convert SNCP to MS-SPRing)—Converts a path protection configuration to a bidirectional line switch ring (BLSR) or an SNCP to a multiplex section-shared protection ring (MS-SPRing). Not applicable to DWDM nodes. Convert Unprotected to Path Protection (or SNCP)—Converts a point-to-point or linear add/drop multiplexer (ADM) to path protection or SNCP. Not applicable to DWDM nodes.
	Manage VLANs	—	Displays a list of VLANs that have been created and allows you to delete VLANs. Not applicable to DWDM nodes.
	Open TL1 Connection		Displays the TL1 session dialog box so you can create a TL1 session to a specific node. Refer to the <i>Cisco ONS SONET TL1 Reference Guide</i> and the <i>Cisco ONS 15454 SDH and Cisco ONS 15600 SDH TL1 Reference Guide</i> .
	Manage TL1 Tunnels	—	Creates, edits, deletes, opens, and closes TL1 tunnels that transports the TCP traffic to and from ONS ENs through the OSI-based GNE.
	Open IOS Connection		Displays the Cisco IOS command line interface (CLI) dialog box if a Cisco IOS capable card (ML-Series card) is installed in the node. Not applicable to DWDM nodes.

Table A-3 CTC Menu and Toolbar Options (continued)

Menu	Menu Option	Toolbar	Description
Help	Manage TL1 Tunnels	—	Displays existing TL1 tunnels; allows you to create, edit, and delete the tunnels.
	Open Pseudo IOS Connection	—	Displays the simulated Cisco IOS command line interface (CLI) on a DWDM node.
	Update CTC	—	Allows you to update CTC to a newer version, if a newer version was found during network discovery.
	Contents and Index	—	Displays the online help window.
	User Manuals	—	Displays the Cisco ONS 15454 documentation.
	About CTC	—	Displays the software version and the nodes in the CTC session.
—	Network Scope	—	Displays the selected network scope. The network scope drop-down list has three options: DWDM, TDM, or All. If you choose DWDM, DWDM and hybrid nodes appear on the network view map. If you choose TDM, TDM and hybrid nodes appear on the network view map. If you choose All, every node on the network appears on the network view map.
—	Link Filter		<p>Opens the Link Filter dialog box, which allows you to choose which link classes appear on the nondetail network map. The available classes vary according to the selected network scope.</p> <ul style="list-style-type: none"> • ALL—DCC, GCC, OTS, PPC • DWDM—GCC, OTS, PPC • TDM—DCC, PPC
—	—	 	<p>Opens the CTC Alerts dialog box, which shows the status of certain CTC background tasks. When the CTC Alerts toolbar icon contains a red triangle, unread notifications exist. When there are no unread notifications, the CTC Alerts toolbar icon contains a gray triangle (see the icons in the Toolbar column for comparison). Notifications include:</p> <ul style="list-style-type: none"> • Network disconnection. • Send-PDIP inconsistency—CTC discovers a new node that does not have a SEND-PDIP setting consistent with the login node. • Circuit deletion status—Reports when the circuit deletion process completes if you chose “Notify when complete” as described in the “DLP-G106 Delete Optical Channel Network Connections” task on page 8-26 and the “DLP-G347 Delete Optical Channel Client Connections” task on page 8-11. The CTC Alerts window always reports circuit deletion errors. • Conditions retrieval error. • Software download failure. <p>You can save a notification by clicking the Save button in the CTC Alerts dialog box and navigating to the directory where you want to save the text file.</p> <p>By default, the CTC Alerts dialog box appears automatically. To disable automatic popup, see the “DLP-G53 Configure the CTC Alerts Dialog Box for Automatic Popup” task on page 3-36.</p>

A.4.2 CTC Mouse Options

In addition to the CTC menu bar and toolbar, you can invoke actions by double-clicking CTC window items with your mouse, or by right-clicking an item and selecting actions from shortcut menus.

[Table A-4](#) lists the CTC window mouse shortcuts.

Table A-4 CTC Window Mouse Shortcuts

Technique	Description
Double-click	<ul style="list-style-type: none"> • Node in network view—Displays the node view (single-shelf mode) or multishelf view (multishelf mode) view. • Domain in network view—Displays the domain view. • Shelf in multishelf view—Displays the shelf view. • Card in node view (single-shelf mode) or shelf view (multishelf mode)—Displays the card view. • Alarm/Event—Displays the object that raised the alarm or event. • Circuits—Displays the Edit Circuit window.
Right-click	<ul style="list-style-type: none"> • Network view graphic area—Displays a shortcut menu that you can use to create a new domain; change the position and zoom level of the graphic image; save the map layout (if you have a Superuser security level); reset the default layout of the network view; set, change, or remove the background image and color; collapse and expand links; and save or reset the node position. • Domain in network view—Displays a shortcut menu that you can use to open a domain, show the domain overview, rename the domain, and delete the domain. • Node in network view—Displays a shortcut menu that you can use to open the node, reset the node icon position to the longitude and latitude that is set on the Provisioning > General tab, delete the node, fix the node position for automatic layout, provision circuits, provision channels, and update circuits or channels with a new node. • Multishelf view (multishelf mode)—Right-clicking over an existing shelf displays a shortcut menu that you can use to open or delete a shelf. Right-clicking over an empty space in a rack displays a shortcut menu that allows you to add a shelf. Right-clicking over an empty space that is outside of a rack displays a shortcut menu that you can use to add a new rack. Right-clicking over the rack number displays a shortcut menu that you can use to delete a rack. • Span in network view—Displays a shortcut menu that you can use to view information about the span's source and destination ports, the protection scheme, and the optical or electrical level. You can display the Circuits on Spans dialog box, which displays additional span information. You can also expand and collapse links. • Card in node view (single-shelf mode) or shelf view (multishelf mode)—Displays a shortcut menu that you can use to open, delete, reset, and change cards. The card that you choose determines the commands that appear. • Card in card view—Displays a shortcut menu that you can use to reset the card, or go to the parent view (node view). • Empty slot in node view (single-shelf mode) or shelf view (multishelf mode)—Displays a shortcut menu with cards that you can choose to preprovision the slot.

Table A-4 *CTC Window Mouse Shortcuts (continued)*

Technique	Description
Move mouse cursor	<ul style="list-style-type: none"> Over node in network view—Displays a summary of node alarms and provides a warning if the node icon has been moved out of the map range. Over span in network view—Displays circuit (node, slot, port) bandwidth and protection information. For DWDM spans, the span loss optical direction and optical ring ID appear. If the span terminates on the trunk port of a transponder (TXP) or muxponder (MXP) card, the associated DWDM wavelength also appears. Over domain in network view—Displays domain name and the number of nodes in the domain. Over card in node view (single-shelf mode) or multishelf view (multishelf mode)—Displays card type, card status, alarm profile status and, depending on the DWDM card type, number of bands or channels. Over card port in node/shelf view—Displays port number and/or name, port service state, and alarm profile status. Over card port in card view—Displays port name (if applicable), port service state, protection status (if applicable), and alarm profile status. For DWDM cards, the port number is labeled as channel, band, or line depending on the card type along with the port state and alarm profile status.

A.4.3 Multishelf View Shortcuts

Table A-5 shows actions on ONS 15454 cards that you can perform by moving your mouse over the CTC window in multishelf view (multishelf mode).

Table A-5 *Multishelf View Card-Related Shortcuts*

Action	Shortcut
Display card information	In multishelf view (multishelf mode), move your mouse over cards in the graphic to display tool tips with the card type, card status (active or standby), the highest level of alarm (if any), and the alarm profile used by the card.

A.4.4 Node View (Single-Shelf Mode) and Shelf View (Multishelf Mode) Shortcuts

Table A-6 shows actions that you can perform by moving your mouse in the CTC window in node (single-shelf mode) or shelf (multishelf mode) view.

Table A-6 Node/Shelf View Card-Related Shortcuts

Action	Shortcut
Display card information	In node view (single-shelf mode) or shelf view (multishelf mode), move your mouse over cards in the graphic to display tool tips with the card type, card status (active or standby), the highest level of alarm (if any), and the alarm profile used by the card.
Open, reset, or delete a card	In node view (single-shelf mode) or shelf view (multishelf mode), right-click a card. Choose Open Card to display the card in card view, Delete Card to delete it, or Reset Card to reset the card. It is recommended that the card be physically removed from its slot before deleting it from CTC.
Preprovision a slot	In node view (single-shelf mode) or shelf view (multishelf mode), right-click an empty slot. Choose the card type for which you want to provision the slot from the shortcut menu.
Change a card	In node view (single-shelf mode) or shelf view (multishelf mode), right-click an OC-N card or a DS3 card, and choose Change Card . In the Change Card dialog box, choose the card type. Change Card retains all card provisioning, including data communications channel (DCC) terminations, protection, circuits, and rings.

A.4.5 Network View Tasks

Right-click the network view graphic area or a node, span, or domain to display shortcut menus. [Table A-7](#) lists the actions that are available from the network view.

Table A-7 Network Management Tasks in Network View

Action	Task
Open a node	Any of the following: <ul style="list-style-type: none"> • Double-click a node icon. • Right-click a node icon and choose Open Node from the shortcut menu. • Click a node and choose Go To Selected Object View from the View menu. • From the View menu, choose Go To Other Node. Choose a node from the Select Node dialog box. • Double-click a node alarm or event in the Alarms or History tab.
Move a node icon	Press and hold the left mouse button to drag the node icon to a new location.
Reset node icon position	Right-click a node and choose Reset Node Position from the shortcut menu. The node icon moves to the position defined by the longitude and latitude fields on the Provisioning > General tab in node view (single-shelf mode) or multishelf view (multishelf mode).
Consolidate links	Right-click on a link and choose Collapse OTS Links from the shortcut menu. For more detailed instructions, refer to Chapter 11, “Manage the Node.”

Table A-7 Network Management Tasks in Network View (continued)

Action	Task
Provision a circuit	Right-click a node. From the shortcut menu, choose Provision Circuit To and choose the node where you want to provision the circuit. For circuit creation procedures, see Chapter 8, “Create Circuits and Provisionable Patchcords.”
Update circuits with new node	Right-click a node and choose Update Circuits With New Node from the shortcut menu. Use this command when you add a new node and want to pass circuits through it.
Display a link end point	Right-click a span. From the shortcut menu, choose Go To {<node> <port> <slot>} for the drop port you want to view. CTC displays the card in card view.
Display span properties	Do any of the following: <ul style="list-style-type: none"> • Move the mouse over a span; the properties appear near the span. • Click a span; the properties appear in the upper left corner of the window. • Right-click a span; the properties appear at the top of the shortcut menu.
Perform a Path Protection (ANSI) or SNCP (ETSI) protection switch for an entire span	Right-click a network span and click Circuits . In the Circuits on Span dialog box, switch options appear in the Path Protection (or SNCP) Span Switching field.
Display DWDM span properties	Right-click a DWDM network span and choose Circuits from the shortcut menu. The optical channel network connection (OCHNC), optical direction, and circuit appear.
Upgrade a span	Right-click a span and choose Upgrade Span from the shortcut menu. Not applicable to DWDM nodes.

A.4.6 Table Display Options

Right-clicking a table column displays a shortcut menu. [Table A-8](#) shows table display options, which include rearranging or hiding CTC table columns and sorting table columns by primary or secondary keys.

Table A-8 Table Display Options

Task	Click	Right-Click Shortcut Menu
Resize column	Click while dragging the column separator to the right or left.	—
Rearrange column order	Click while dragging the column header to the right or left.	—
Reset column order	—	Choose Reset Columns Order/Visibility .
Hide column	—	Choose Hide Column .
Show column	—	Choose Show Column > <i>column_name</i> .
Display all hidden columns	—	Choose Reset Columns Order/Visibility .

Table A-8 *Table Display Options (continued)*

Task	Click	Right-Click Shortcut Menu
Sort table (primary)	Click a column header; each click changes sort order (ascending or descending).	Choose Sort Column .
Sort table (secondary sorting keys)	Press the Shift key and simultaneously click the column header.	Choose Sort Column (incremental) .
Reset sorting	—	Choose Reset Sorting .
View table row count	—	View the number after “Row count=” (it is the last item on the shortcut menu).

A.5 Equipment Inventory

In node view (single-shelf mode) and multishelf view (multishelf mode), the Inventory tab displays information about the ONS 15454 equipment, including:

- Location—Identifies where the equipment is installed, either chassis or slot number.
- Eqpt Type—Displays the type of equipment.



Note CTC lists the 12 passive inventory ports for the M6 chassis in the format USBP_SIDE_PORT (for example, CTC displays USBP_A_1 for port 1 on the left side of the chassis, and USBP_B_1 for port 1 on the right side of the chassis). These are labeled on the M6 chassis from 1-12.

- Actual Eqpt Type—Displays the specific card name.
- Admin State—Changes the card service state unless network conditions prevent the change. For more information about card administrative states, refer to the “Administrative and Service States” appendix in the *Cisco ONS 15454 DWDM Reference Manual*.
 - IS (ANSI) or Unlocked (ETSI)—Puts the card in the In-Service and Normal (IS-NR [ANSI]) or Unlocked-enabled (ETSI) service state.
 - OOS,MA (ANSI) or Locked,maintenance (ETSI)—Puts the card in the Out-of-Service and Autonomous, Maintenance (OOS-AU,MT [ANSI]) or Unlocked-disabled,maintenance (ETSI) service state.
- Service State—Displays the current card service state, which is an autonomously generated state that gives the overall condition of the card. Service states appear in the format: Primary State-Primary State Qualifier, Secondary State. For more information about card service states, refer to the “Administrative and Service States” appendix in the *Cisco ONS 15454 DWDM Reference Manual*.
- HW Part #—Displays the hardware part number; this number is printed on the top of the card or equipment piece.
- HW Rev—Displays the hardware revision number.
- Serial #—Displays the equipment serial number; this number is unique to each card.
- CLEI Code—Displays the Common Language Equipment Identifier code.

- Bootroom Rev—Displays the boot read-only memory (ROM) revision number.
- Product ID—Displays the manufacturing product identifier for a hardware component, such as a fan tray, chassis, or card. The Product ID column displays “N/A” for equipment existing before Software Release 4.6.
- Version ID—Displays the manufacturing version identifier for a fan tray, chassis, or card. The Version ID column displays “N/A” for equipment existing before Software Release 4.6.

Buttons at the bottom of the Inventory tab are used to delete or reset a card when a card is selected, or to delete a PPM if a PPM is selected on the table.

**Note**

After the card is upgraded using the boot code upgrade procedure, the bootstrap version is displayed in the Inventory tab in CTC. However, the boot code version is not displayed.

A.6 Facilities View

In node view (single-shelf mode), shelf view (multishelf mode), and multishelf view (multishelf mode), the Maintenance > DWDM > All Facilities tab displays facility information for all facilities on the ONS 15454 equipment:

- Marked—Displays a check mark if you have designated the facility for logical grouping. For information on marking a facility to group it with others, see the [“NTP-G166 View the Facilities” procedure on page 14-54](#).
- Location—Displays the slot number, slot type, port number, and port type of the facility.
- Admin State—Displays the administrative state of the facility.
- Service State—Displays the service state of the facility.
- Power—Displays the power level of the facility.



Configuring GE_XP, 10GE_XP, GE_XPE, and 10GE_XPE Cards Using PCLI

This chapter explains how to provision GE_XP, 10GE_XP, GE_XPE, and 10GE_XPE cards using Pseudo Command Line Interface (PCLI).

**Note**

The procedures and tasks described in this chapter for the Cisco ONS 15454 platform is applicable to the Cisco ONS 15454 M2 and Cisco ONS 15454 M6 platforms, unless noted otherwise.

**Note**

Unless otherwise specified, “ONS 15454” refers to both ANSI and ETSI shelf assemblies.

Before You Begin

Before performing any of the following procedures, investigate all alarms and clear any trouble conditions. Refer to the *Cisco ONS 15454 DWDM Troubleshooting Guide* as necessary.

**Caution**

Provisioning TXP and MXP cards can be service affecting. You should make all changes during a scheduled maintenance window.

This section lists the chapter procedures (NTPs). Turn to a procedure for applicable tasks (DLPs).

- [NTP-G222 Access PCLI Text Interface](#), page B-2.
- [NTP-G223 Create a Policy on GE_XP, 10GE_XP, GE_XPE, or 10GE_XPE Cards Using PCLI](#), page B-4.
- [NTP-G216 Enable Link Integrity on GE_XP, 10GE_XP, GE_XPE, or 10GE_XPE Cards Using PCLI](#), page B-12.
- [NTP-G220 Enable IGMP Snooping on GE_XP, 10GE_XP, GE_XPE, or 10GE_XPE Cards Using PCLI](#), page B-14.
- [NTP-G217 Enable IGMP Fast-Leave Processing on GE_XP, 10GE_XP, GE_XPE, or 10GE_XPE Cards Using PCLI](#), page B-15.
- [NTP-G218 Configure a Multicast Router Port on GE_XP, 10GE_XP, GE_XPE, or 10GE_XPE Cards Using PCLI](#), page B-16.

- [NTP-G219 Enable IGMP Report Suppression on GE_XP, 10GE_XP, GE_XPE, or 10GE_XPE Cards Using PCLI](#), page B-17.
- [NTP-G224 Enable MVR on GE_XP, 10GE_XP, GE_XPE, or 10GE_XPE Cards Using PCLI](#), page B-18.
- [NTP-G225 Provision SVLAN Rate Limiting on the GE_XP, 10GE_XP, GE_XPE, or 10GE_XPE Card Using PCLI](#), page B-13.
- [NTP-G226 Enable MAC Address Learning on SVLANs for GE_XP, 10GE_XP, GE_XPE, or 10GE_XPE Cards Using PCLI](#), page B-11.
- [NTP-G227 Create SVLAN for GE_XP, 10GE_XP, GE_XPE, or 10GE_XPE Cards Using PCLI](#), page B-19.
- [NTP-G282 Configure the Channel Group on the GE_XP, 10GE_XP, GE_XPE, or 10GE_XPE Cards Using PCLI](#), page B-23
- [NTP-G286 Configure EFM on the GE_XP, 10GE_XP, GE_XPE, or 10GE_XPE Cards Using PCLI](#), page B-26
- [NTP-G284 Configure CFM on the GE_XP, 10GE_XP, GE_XPE, or 10GE_XPE Cards Using PCLI](#), page B-28
- [NTP-G288 Configure REP on the GE_XP, 10GE_XP, GE_XPE, or 10GE_XPE Cards Using PCLI](#), page B-32

NTP-G222 Access PCLI Text Interface

Purpose	This procedure explains how to access PCLI text interface using CTC or Telnet.
Tools/Equipment	None
Prerequisite Procedures	None
Required/As Needed	As needed
Onsite/Remote	Onsite or remote
Security Level	Retrieve or higher

-
- Step 1** Complete the “[DLP-G46 Log into CTC](#)” task on page 3-30 at the node where you want to access PCLI. If you are already logged in, continue with [Step 2](#).
- Step 2** PCLI can be accessed in the following ways:
- To access PCLI text interface using CTC, select **Tools > Open Pseudo IOS Connection** menu option or right-click on the node in the Network View and select **Open Pseudo IOS Connection**.
 - To access PCLI from the command prompt, telnet or SSH may be used depending on the access state set for PCLI access in **Provisioning > Security > Pseudo IOS Access** in Node view. If the access state is set to the default state, non-secure, a PCLI session can be established using telnet as shown in the following procedure:

	Command or Action	Purpose
Step 1	<pre>telnet <node ip or node name> <port number></pre> <p>Example: telnet 10.76.148.176 65000 MSTP-176></p>	Establishes a PCLI session using Telnet. Note The default port number for non-secure mode is 65000. The port number can be provisioned in CTC. To do so, go to Node view and click Provisioning > Security > Pseudo IOS Access .
Step 2	<pre>exit</pre> <p>Example: MSTP-176> exit</p>	Exits PCLI text interface.
Step 3	<pre>enable shelf/slot</pre> <p>Example: MSTP 176# enable 1/12</p>	Enters the Privileged EXEC mode from where you can enter other configuration modes. Several show commands are also available in the Privileged EXEC mode.
	Stop. You have completed this procedure.	—

- If the access state is set to secure, a PCLI session can be established using a SSH client like Open SSH as shown in the following procedure:

	Command or Action	Purpose
Step 1	<pre>ssh -p <node ip or node name > <port number></pre> <p>Example: ssh -p 10.76.148.194 64000 MSTP-176></p>	Establishes a PCLI session using SSH. Note The default port number for secure mode is 64000. The port number can be provisioned in CTC. To do so, go to Node view and click Provisioning > Security > Pseudo IOS Access .
Step 2	<pre>exit</pre> <p>Example: MSTP-176> exit</p>	Exits PCLI text interface.
Step 3	<pre>enable shelf/slot</pre> <p>Example: MSTP 176> enable 1/12</p>	Enters the Privileged EXEC mode from where you can enter other configuration modes. Several show commands are also available in the Privileged EXEC mode. For more information on PCLI commands see the <i>Cisco ONS DWDM Reference Manual</i> .
	Stop. You have completed this procedure.	—

Stop. You have completed this procedure.

NTP-G223 Create a Policy on GE_XP, 10GE_XP, GE_XPE, or 10GE_XPE Cards Using PCLI

Purpose	This procedure explains how to create a policy on GE_XP, 10GE_XP, GE_XPE, or 10GE_XPE cards using PCLI.
Tools/Equipment	None
Prerequisite Procedures	None
Required/As Needed	As needed
Onsite/Remote	Onsite or remote
Security Level	Provisioning or higher



Note For detailed information on PCLI, see the *Cisco ONS 15454 DWDM Reference Manual*.

Step 1 Complete the “[NTP-G222 Access PCLI Text Interface](#)” task on page B-2 at the node where you want to create a policy. If you are already logged in, continue with [Step 2](#).

Step 2 Complete the following tasks, as needed:

- [DLP-G517 Create an Ingress Policy on GE_XP, 10GE_XP, GE_XPE, or 10GE_XPE cards Using PCLI, page B-4](#)
- [DLP-G518 Create a Egress Policy on GE_XP, 10GE_XP, GE_XPE, or 10GE_XPE Cards Using PCLI, page B-5](#)
- [DLP-G519 Create a Service Instance Policy on GE_XP, 10GE_XP, GE_XPE, or 10GE_XPE Cards Using PCLI, page B-7](#)
- [DLP-G520 Apply an Ingress Policy to a Port on GE_XP, 10GE_XP, GE_XPE, or 10GE_XPE Cards Using PCLI, page B-8](#)
- [DLP-G521 Apply an Egress Policy to a Port on GE_XP, 10GE_XP, GE_XPE, or 10GE_XPE Cards Using PCLI, page B-9](#)
- [DLP-G522 Apply a Service Instance Policy to a Port on GE_XPE or 10GE_XPE Cards Using PCLI, page B-9](#)

Stop. You have completed this procedure.

DLP-G517 Create an Ingress Policy on GE_XP, 10GE_XP, GE_XPE, or 10GE_XPE cards Using PCLI

Purpose	This procedure explains how to create CIR, EIR, CBS, EBS and Ingress COS parameters as part of Ingress policy on GE_XP, 10GE_XP, GE_XPE, or 10GE_XPE cards using PCLI.
Tools/Equipment	None
Prerequisite Procedures	None

Required/As Needed	As needed
Onsite/Remote	Onsite or remote
Security Level	Provisioning or higher

**Note**

Once the CIR, EIR, CBS, EBS and Ingress COS parameters are created, the policy can be used across other cards of these types in the node. See [“DLP-G520 Apply an Ingress Policy to a Port on GE_XP, 10GE_XP, GE_XPE, or 10GE_XPE Cards Using PCLI”](#) task on page B-8.

Step 1 Complete the following tasks, as needed:

	Command or Action	Purpose
Step 1	<pre>configure terminal</pre> <p>Example: MSTP 176# configure terminal</p>	Enters global configuration mode.
Step 2	<pre>policy-map name</pre> <p>Example: MSTP 176# (config) policy-map pmap MSTP-176# (config-pmap)#</p>	Enters policy map configuration mode.
Step 3	<pre>police cir percent % bc bytes be bytes</pre> <p>Example: MSTP-176(config-pmap)#police cir percent 20 bc 64 be 128</p>	Sets CIR, EIR, CBS and EBS values.
Step 4	<pre>set cos number</pre> <p>Example: MSTP 176 (config-pmap)# set cos 6</p>	Sets the Ingress COS parameter.
Step 5	<pre>exit</pre> <p>Example: MSTP-176(config-pmap# exit</p>	Exits policy map configuration mode.
	Stop. You have completed this procedure.	—

DLP-G518 Create a Egress Policy on GE_XP, 10GE_XP, GE_XPE, or 10GE_XPE Cards Using PCLI

Purpose	This procedure explains how to create an egress policy on GE_XP, 10GE_XP, GE_XPE, or 10GE_XPE cards using PCLI.
Tools/Equipment	None
Prerequisite Procedures	None

Before You Begin

Required/As Needed	As needed
Onsite/Remote	Onsite or remote
Security Level	Provisioning or higher

**Note**

Once the Egress policy is created, the policy can be used across other cards of these types in the node. “DLP-G521 Apply an Egress Policy to a Port on GE_XP, 10GE_XP, GE_XPE, or 10GE_XPE Cards Using PCLI” task on page B-9.

Step 1 Complete the following tasks, as needed:

	Command or Action	Purpose
Step 1	<pre>configure terminal</pre> <p>Example: MSTP 176# configure terminal</p>	Enters global configuration mode.
Step 2	<pre>policy-map name</pre> <p>Example: MSTP 176# (config) policy-map pmap MSTP-176# (config-pmap)#</p>	Enters policy map configuration mode.
Step 3	<pre>wrr-queue cos-map <queue-id> <cos1> <cosn></pre> <p>Example: MSTP-176(config-pmap)#wrr-queue cos-map 1 1</p>	Maps a queue ID to a given COS.
Step 4	<pre>wrr-queue <queue-id> weight <1-16> bandwidth percent <%></pre> <p>Example: MSTP 176 (config-pmap)# wrr-queue 1 weight 2 band per 90</p>	Sets the WRR and bandwidth values on a queue.
Step 5	<pre>exit</pre> <p>Example: MSTP-176(config-pmap)# exit</p>	Exits policy map configuration mode.
	Stop. You have completed this procedure.	—

DLP-G519 Create a Service Instance Policy on GE_XP, 10GE_XP, GE_XPE, or 10GE_XPE Cards Using PCLI

Purpose	This procedure explains how to create a service instance policy which can be used to define a COS for a CVLAN on GE_XP, 10GE_XP, GE_XPE, or 10GE_XPE cards using PCLI.
Tools/Equipment	None
Prerequisite Procedures	None
Required/As Needed	As needed
Onsite/Remote	Onsite or remote
Security Level	Provisioning or higher



Note Once the service instance policy is created, the policy can be used across other cards of these types in the node. [“DLP-G522 Apply a Service Instance Policy to a Port on GE_XPE or 10GE_XPE Cards Using PCLI” task on page B-9](#)

Step 1 Complete the following tasks, as needed:

	Command or Action	Purpose
Step 1	<pre>configure terminal</pre> <p>Example: MSTP 176# configure terminal</p>	Enters global configuration mode.
Step 2	<pre>policy-map name</pre> <p>Example: MSTP 176# (config) policy-map pmap MSTP-176# (config-pmap)#</p>	Enters policy map configuration mode.
Step 3	<pre>set cos <number></pre> <p>Example: MSTP 176 (config-pmap)# set cos 6</p>	Sets the COS value.
Step 4	<pre>exit</pre> <p>Example: MSTP-176(config-pmap)# exit</p>	Exits policy map configuration mode.
	Stop. You have completed this procedure.	—

DLP-G520 Apply an Ingress Policy to a Port on GE_XP, 10GE_XP, GE_XPE, or 10GE_XPE Cards Using PCLI

Purpose	This procedure explains how to apply an Ingress policy to a port on GE_XP, 10GE_XP, GE_XPE, or 10GE_XPE cards using PCLI.
Tools/Equipment	None
Prerequisite Procedures	<ul style="list-style-type: none"> Complete DLP-G517 Create an Ingress Policy on GE_XP, 10GE_XP, GE_XPE, or 10GE_XPE cards Using PCLI, page B-4. Before you apply the Ingress policy on the GE_XP, 10GE_XP, GE_XPE, or 10GE_XPE card, make sure the port is shutdown.
Required/As Needed	As needed
Onsite/Remote	Onsite or remote
Security Level	Provisioning or higher

Step 1 Complete the following tasks, as needed:

	Command or Action	Purpose
Step 1	<code>configure terminal</code> Example: <code>MSTP 176# configure terminal</code>	Enters global configuration mode.
Step 2	<code>interface type port</code> Example: <code>MSTP 176# (config) interface giga 1</code> <code>MSTP-176# (config-if)#</code>	Enters interface configuration mode.
Step 3	<code>service-policy input <name></code> Example: <code>MSTP 176 (config-if)# service-pol input</code> <code>ingresspolicy1</code>	Maps the specified ingress policy to the port.
Step 4	<code>exit</code> Example: <code>MSTP-176(config-if# exit</code>	Exits interface configuration mode.
	Stop. You have completed this procedure.	—

DLP-G521 Apply an Egress Policy to a Port on GE_XP, 10GE_XP, GE_XPE, or 10GE_XPE Cards Using PCLI

Purpose	This procedure explains how to apply an Egress policy to a port on GE_XP, 10GE_XP, GE_XPE, or 10GE_XPE cards using PCLI.
Tools/Equipment	None
Prerequisite Procedures	<ul style="list-style-type: none"> Complete DLP-G518 Create a Egress Policy on GE_XP, 10GE_XP, GE_XPE, or 10GE_XPE Cards Using PCLI, page B-5.
Required/As Needed	As needed
Onsite/Remote	Onsite or remote
Security Level	Provisioning or higher

Step 1 Complete the following tasks, as needed:

	Command or Action	Purpose
Step 1	<pre>configure terminal</pre> <p>Example: MSTP 176# configure terminal</p>	Enters global configuration mode.
Step 2	<pre>interface type port</pre> <p>Example: MSTP 176# (config) interface giga 1 MSTP-176# (config-if)#</p>	Enters interface configuration mode.
Step 3	<pre>service-policy output <name></pre> <p>Example: MSTP 176 (config-if)# service-policy output egresspolicy1</p>	Maps the specified Egress policy to the port.
Step 4	<pre>exit</pre> <p>Example: MSTP-176(config-if)# exit</p>	Exits interface configuration mode.
	Stop. You have completed this procedure.	—

DLP-G522 Apply a Service Instance Policy to a Port on GE_XPE or 10GE_XPE Cards Using PCLI

Purpose	This procedure explains how to apply a service instance policy to a port on GE_XPE or 10GE_XPE cards using PCLI.
Tools/Equipment	None

- Prerequisite Procedures**
- Complete [DLP-G519 Create a Service Instance Policy on GE_XP, 10GE_XP, GE_XPE, or 10GE_XPE Cards Using PCLI](#), page B-7.
 - Before you apply the Egress policy on the GE_XP, 10GE_XP, GE_XPE, or 10GE_XPE card, make sure the port is shutdown.

Required/As Needed	As needed
Onsite/Remote	Onsite or remote
Security Level	Provisioning or higher



Note A service instance cannot be edited on a port using PCLI. The service instance policy must be specified at the time of service instance creation.

Step 1 Complete the following tasks, as needed:

	Command or Action	Purpose
Step 1	<code>configure terminal</code> Example: <code>MSTP 176# configure terminal</code>	Enters global configuration mode.
Step 2	<code>interface type port</code> Example: <code>MSTP 176# (config) interface giga 1</code> <code>MSTP-176# (config-if#</code>	Enters interface configuration mode.
Step 3	<code>service instance ethernet vlan</code> Example: <code>MSTP 176# (config-if) service instance ethernet vlan1</code> <code>MSTP-176# (config-if-srv)#</code>	Enters service instance configuration mode.
Step 4	<code>rewrite ingress tag translate 1-to-1 <multipurpose vlan> push dot1q <svlan></code> Example: <code>MSTP 176 (config-if-srv)# rewrite ingress tag translate 1 1 push dot1 1</code>	Specifies the CVLAN and SVLAN relation on the port.
Step 5	<code>service policy input <policy name></code> Example: <code>MSTP 176 (config-if-srv)# service-policy input serviceinstancepolicy1</code>	Associates the service instance policy specified to a port.
Step 6	<code>exit</code> Example: <code>MSTP-176(config-if-srv)# exit</code> <code>MSTP-176(config-if)#</code>	Exits service instance configuration mode.

	Command or Action	Purpose
Step 7	<pre>exit</pre> <p>Example: MSTP-176(config-if)# exit</p>	Exits interface configuration mode.
	Stop. You have completed this procedure.	—

NTP-G226 Enable MAC Address Learning on SVLANs for GE_XP, 10GE_XP, GE_XPE, or 10GE_XPE Cards Using PCLI

Purpose	This procedure explains how to enable MAC address learning on GE_XP, 10GE_XP, GE_XPE, or 10GE_XPE cards using PCLI.
Tools/Equipment	None
Prerequisite Procedures	NTP-G222 Access PCLI Text Interface, page B-2
Required/As Needed	As needed
Onsite/Remote	Onsite or remote
Security Level	Provisioning or higher



Note For detailed information on PCLI, see the *Cisco ONS 15454 DWDM Reference Manual*.

- Step 1** Complete the “[NTP-G222 Access PCLI Text Interface](#)” task on [page B-2](#) at the node where you want to enable MAC address learning. If you are already logged in, continue with [Step 2](#).
- Step 2** Complete the following tasks, as needed:

	Command or Action	Purpose
Step 1	<pre>enable shelf/slot</pre> <p>Example: MSTP 176# enable 1/12</p>	Selects shelf and slot to be configured for a card.
Step 2	<pre>configure terminal</pre> <p>Example: MSTP 176# configure terminal</p>	Enters global configuration mode.
Step 3	<pre>mac-address-table learning vlan <vlan-id></pre> <p>Example: MSTP-176(config)# mac-address-table learning vlan 2</p>	Enables interface based learning of MAC address. Repeat the command on each SVLAN to enable MAC address learning.

Before You Begin

	Command or Action	Purpose
Step 4	<pre>mac-address-table learning interface <type> <port></pre> <p>Example: MSTP-176(config)# mac-address-table learning gigabitethernet 2</p>	Enables interface based learning of MAC address. Repeat the command on each SVLAN to enable MAC address learning.
Step 5	<pre>exit</pre> <p>Example: MSTP-176(config)# exit</p>	Exits global configuration mode.
Step 6	Return to your originating procedure (NTP).	—

NTP-G216 Enable Link Integrity on GE_XP, 10GE_XP, GE_XPE, or 10GE_XPE Cards Using PCLI

Purpose	This procedure explains how to enable link integrity on GE_XP, 10GE_XP, GE_XPE, or 10GE_XPE cards using PCLI.
Tools/Equipment	None
Prerequisite Procedures	NTP-G222 Access PCLI Text Interface, page B-2
Required/As Needed	As needed
Onsite/Remote	Onsite or remote
Security Level	Provisioning or higher



Note For detailed information on PCLI, see the *Cisco ONS 15454 DWDM Reference Manual*.

Step 1 Complete the “[NTP-G222 Access PCLI Text Interface](#)” task on page B-2 at the node where you want to enable link integrity. If you are already logged in, continue with [Step 2](#).

Step 2 Complete the following tasks, as needed:

	Command or Action	Purpose
Step 1	<pre>configure terminal</pre> <p>Example: MSTP 176# configure terminal</p>	Enters global configuration mode.
Step 2	<pre>vlan profile name</pre> <p>Example: MSTP 176 (config)# vlan profile profile4 MSTP 176 (config-profile)</p>	Enters VLAN profile configuration mode.

	Command or Action	Purpose
Step 3	<pre>link integrity</pre> <p>Example: MSTP 176 (config-profile) link integrity</p>	Enables link integrity.
Step 4	<pre>exit</pre> <p>Example: MSTP-176(config-profile)# exit</p>	Exits VLAN profile configuration mode.
Step 5	<pre>vlan profile name vlan svlanid interface type port</pre> <p>Example: MSTP 176 (config)# vlan profile a vlan 2 interface gigabitethernet 2</p>	Associates the SVLAN profile to a SVLAN on a port.
Step 6	<pre>interface type port</pre> <p>Example: MSTP 176 (config)# interface gigabitethernet 2</p>	Enters interface configuration mode.
Step 7	<pre>link integrity action {none squelch propagate}</pre> <p>Example: MSTP 176 (config-if)# link integrity action squelch</p>	When an AIS packet is received on a SVLAN terminating on the UNI port, the UNI port is squelched.
Step 8	<pre>exit</pre> <p>Example: MSTP-176(config-profile)# exit</p>	Exits interface configuration mode.
Step 9	Return to your originating procedure (NTP).	—

NTP-G225 Provision SVLAN Rate Limiting on the GE_XP, 10GE_XP, GE_XPE, or 10GE_XPE Card Using PCLI



Note For detailed information on PCLI, see the *Cisco ONS 15454 DWDM Reference Manual*.

- Step 1** Complete the “[NTP-G222 Access PCLI Text Interface](#)” task on page B-2 at the node where you want to provision SVLAN rate limiting. If you are already logged in, continue with [Step 2](#).
- Step 2** Complete the following tasks, as needed:

Before You Begin

	Command or Action	Purpose
Step 1	<pre>configure terminal</pre> <p>Example: MSTP 176# configure terminal</p>	Enters global configuration mode.
Step 2	<pre>vlan profile name</pre> <p>Example: MSTP 176 (config)# vlan profile profile4 MSTP 176 (config-profile)</p>	Enters VLAN profile configuration mode.
Step 3	<pre>police cir percent <%> pir percent <%> bc <byte> be <byte></pre> <p>Example: MSTP-176(config-profile)# police cir percent 20 bc 64 be 128</p>	Enters ingress rate limits.
Step 4	<pre>exit</pre> <p>Example: MSTP-176(config-profile)# exit</p>	Exits VLAN profile configuration mode.
Step 5	<pre>vlan profile name vlan svlanid interface type port</pre> <p>Example: MSTP 176 (config)# vlan profile a vlan 2 interface gigabitethernet 2</p>	Associates the SVLAN profile to a SVLAN on a port.
Step 6	Return to your originating procedure (NTP).	—

NTP-G220 Enable IGMP Snooping on GE_XP, 10GE_XP, GE_XPE, or 10GE_XPE Cards Using PCLI

Purpose	This procedure explains how to enable IGMP snooping on GE_XP, 10GE_XP, GE_XPE, or 10GE_XPE cards using PCLI.
Tools/Equipment	None
Prerequisite Procedures	None
Required/As Needed	As needed
Onsite/Remote	Onsite or remote
Security Level	Provisioning or higher

**Note**

For detailed information on PCLI, see the *Cisco ONS 15454 DWDM Reference Manual*.

- Step 1** Complete the “[NTP-G222 Access PCLI Text Interface](#)” task on page B-2 at the node where you want to enable IGMP snooping. If you are already logged in, continue with [Step 2](#).
- Step 2** Complete the following tasks, as needed:

	Command or Action	Purpose
Step 1	<pre>configure terminal</pre> <p>Example: MSTP 176# configure terminal</p>	Enters global configuration mode.
Step 2	<pre>vlan <vlan-id></pre> <p>Example: MSTP-176# (config)# vlan 2 MSTP-176# (config-vlan)#</p>	Enters VLAN configuration mode.
Step 3	<pre>ip igmp snooping</pre> <p>Example: MSTP-176(config-vlan)# ip igmp snooping</p>	Enables IGMP snooping. Note To disable IGMP snooping, use the no ip igmp snooping command.
Step 4	<pre>exit</pre> <p>Example: MSTP-176(config-vlan)# exit</p>	Exits VLAN configuration mode.
Step 5	Return to your originating procedure (NTP)	—

NTP-G217 Enable IGMP Fast-Leave Processing on GE_XP, 10GE_XP, GE_XPE, or 10GE_XPE Cards Using PCLI

Purpose	This procedure explains how to enable fast-leave processing on GE_XP, 10GE_XP, GE_XPE, or 10GE_XPE cards using PCLI.
Tools/Equipment	None
Prerequisite Procedures	None
Required/As Needed	As needed
Onsite/Remote	Onsite or remote
Security Level	Provisioning or higher



Note For detailed information on PCLI, see the *Cisco ONS 15454 DWDM Reference Manual*.

- Step 1** Complete the “[NTP-G222 Access PCLI Text Interface](#)” task on page B-2 at the node where you want to enable IGMP fast-leave processing. If you are already logged in, continue with [Step 2](#).
- Step 2** Complete the following tasks, as needed:

Before You Begin

	Command or Action	Purpose
Step 1	configure terminal Example: MSTP 176# configure terminal	Enters global configuration mode.
Step 2	vlan <vlan-id> Example: MSTP-176# (config)# vlan 2 MSTP-176# (config-vlan)#	Enters VLAN configuration mode.
Step 3	ip igmp snooping immediate-leave Example: MSTP-176(config-vlan)# ip igmp snooping immediate-leave	Enables IGMP fast-leave processing. Note To disable fast-leave processing, use the no ip igmp snooping immediate-leave configuration command.
Step 4	exit Example: MSTP-176(config-vlan)# exit	Exits VLAN configuration mode.
	Stop. You have completed this procedure.	—

NTP-G218 Configure a Multicast Router Port on GE_XP, 10GE_XP, GE_XPE, or 10GE_XPE Cards Using PCLI

Purpose	This procedure explains how to configure multicast router port on GE_XP, 10GE_XP, GE_XPE, or 10GE_XPE cards using PCLI.
Tools/Equipment	None
Prerequisite Procedures	None
Required/As Needed	As needed
Onsite/Remote	Onsite or remote
Security Level	Provisioning or higher

**Note**

For detailed information on PCLI, see the *Cisco ONS 15454 DWDM Reference Manual*.

- Step 1** Complete the “[NTP-G222 Access PCLI Text Interface](#)” task on page B-2 at the node where you want to configure multicast router ports. If you are already logged in, continue with [Step 2](#).
- Step 2** Complete the following tasks, as needed:

	Command or Action	Purpose
Step 1	configure terminal Example: MSTP 176# configure terminal	Enters global configuration mode.
Step 2	interface {gigabitethernet tengigabitethernet} port Example: MSTP-176(config)# interface gigabitethernet 1 MSTP-176(config-if)#	Enters interface configuration mode.
Step 3	ip igmp snooping mrouter Example: MSTP-176(config-if)# ip igmp snooping mrouter	Enables multicast router port functionality on a port. Note To disable multicast router functionality on the port, enter interface configuration mode, and use the no ip igmp snooping mrouter command.
Step 4	exit Example: MSTP-176(config-if)# exit	Exits interface configuration mode.
	Stop. You have completed this procedure.	—

NTP-G219 Enable IGMP Report Suppression on GE_XP, 10GE_XP, GE_XPE, or 10GE_XPE Cards Using PCLI

Purpose	This procedure explains to how enable IGMP report suppression on GE_XP, 10GE_XP, GE_XPE, or 10GE_XPE cards using PCLI.
Tools/Equipment	None
Prerequisite Procedures	None
Required/As Needed	As needed
Onsite/Remote	Onsite or remote
Security Level	Provisioning or higher



Note For detailed information on PCLI, see the *Cisco ONS 15454 DWDM Reference Manual*.

- Step 1** Complete the “[NTP-G222 Access PCLI Text Interface](#)” task on page B-2 at the node where you want to enable report suppression. If you are already logged in, continue with [Step 2](#).
- Step 2** Complete the following tasks, as needed:

Before You Begin

	Command or Action	Purpose
Step 1	<code>configure terminal</code> Example: <code>MSTP 176# configure terminal</code>	Enters global configuration mode.
Step 2	<code>vlan id</code> Example: <code>MSTP-176# (config)# vlan 2</code> <code>MSTP-176# (config-vlan)#</code>	Enters VLAN configuration mode.
Step 3	<code>ip igmp snooping report-suppression</code> Example: <code>MSTP-176(config-vlan)# ip igmp snooping report-suppression</code>	Globally enables IGMP snooping report suppression. Note To disable report suppression, use the no ip igmp snooping report-suppression in VLAN configuration mode.
Step 4	<code>exit</code> Example: <code>MSTP-176(config-vlan)# exit</code>	Exits VLAN configuration mode.
	Stop. You have completed this procedure.	—

NTP-G224 Enable MVR on GE_XP, 10GE_XP, GE_XPE, or 10GE_XPE Cards Using PCLI

Purpose	This procedure explains how to enable MVR on GE_XP, 10GE_XP, GE_XPE, or 10GE_XPE cards using PCLI.
Tools/Equipment	None
Prerequisite Procedures	None
Required/As Needed	As needed
Onsite/Remote	Onsite or remote
Security Level	Provisioning or higher

**Note**

For detailed information on PCLI, see the *Cisco ONS 15454 DWDM Reference Manual*.

- Step 1** Complete the “[NTP-G222 Access PCLI Text Interface](#)” task on page B-2 at the node where you want to enable MVR. If you are already logged in, continue with [Step 2](#).
- Step 2** Complete the following tasks, as needed:

	Command or Action	Purpose
Step 1	<pre>configure terminal</pre> <p>Example: MSTP 176# configure terminal</p>	Enters global configuration mode.
Step 2	<pre>mvr group ip-address count</pre> <p>Example: MSTP-176(config)# mvr group 228.1.23.4</p>	<p>Specify the starting IP address for a range of multicast group addresses for which MVR needs to be enabled. Use the count parameter to limit the number of groups.</p> <p>Note A maximum of 256 MVR multicast groups can be configured on the GE_XP, 10GE_XP, GE_XPE, or 10GE_XPE card.</p> <p>Note MVR is applied only on multicast groups configured here. For multicast groups that are not in this range, normal IGMP processing occurs.</p> <p>Note Count can be set from 1 to 256. Use 1 to enable MVR on a single group. The IP address range must be 224.0.0.0 to 239.255.255.255.</p>
Step 3	<pre>mvr vlan vlan-id</pre> <p>Example: MSTP-176(config)# mvr vlan 2</p>	Specifies the VLAN in which multicast data is received; all ports must belong to this VLAN. The VLAN range is 1 to 4093.
Step 4	<pre>mvr</pre> <p>Example: MSTP-176(config)# mvr</p>	<p>Enables MVR.</p> <p>Note To disable MVR, use the no mvr in global configuration mode.</p>
Step 5	<pre>exit</pre> <p>Example: MSTP-176(config-if)# exit</p>	Exits global configuration mode.
Step 6	Return to your originating procedure (NTP).	—

NTP-G227 Create SVLAN for GE_XP, 10GE_XP, GE_XPE, or 10GE_XPE Cards Using PCLI

Purpose	This procedure explains how to create or delete SVLANs on GE_XP, 10GE_XP, GE_XPE, or 10GE_XPE cards using PCLI.
Tools/Equipment	None
Prerequisite Procedures	None
Required/As Needed	As needed
Onsite/Remote	Onsite or remote
Security Level	Provisioning or higher

Before You Begin



Note For detailed information on PCLI, see the *Cisco ONS 15454 DWDM Reference Manual*.

- Step 1** Complete the “[NTP-G222 Access PCLI Text Interface](#)” task on page B-2 at the node where you want to create an SVLAN. If you are already logged in, continue with [Step 2](#).
- Step 2** Complete the following tasks, as needed:

	Command or Action	Purpose
Step 1	<code>configure terminal</code>	Enters global configuration mode.
	Example: <code>MSTP 176# configure terminal</code>	
Step 2	<code>vlan <vlan-id></code>	Creates a VLAN. Note To delete an SVLAN, use the no config vlan <vlan-id> command in global configuration mode.
	Example: <code>MSTP-176# (config)# vlan 2</code>	
Step 3	<code>exit</code>	Exits global configuration mode.
	Example: <code>MSTP-176(config)# exit</code>	
	Stop. You have completed this procedure.	—

NTP-G228 Create a Service Instance Using PCLI

Purpose	This procedure explains how to create a service instance that is used to define the VLAN configuration on the UNI and NNI ports of GE_XP, 10GE_XP, GE_XPE, or 10GE_XPE cards using PCLI.
Tools/Equipment	None
Prerequisite Procedures	Create SVLANs that you want to include in the service instance.
Required/As Needed	As needed
Onsite/Remote	Onsite or remote
Security Level	Provisioning or higher



Note For detailed information on PCLI, see the *Cisco ONS 15454 DWDM Reference Manual*.

- Step 1** Complete the “[NTP-G222 Access PCLI Text Interface](#)” task on page B-2 at the node where you want to create an SVLAN. If you are already logged in, continue with [Step 2](#).
- Step 2** Complete the following tasks, as needed:

	Command or Action	Purpose
Step 1	<pre>configure terminal</pre> <p>Example: MSTP 176# configure terminal</p>	Enters global configuration mode.
Step 2	<pre>interface type port</pre> <p>Example: MSTP 176# (config) interface giga 1 MSTP-176# (config-if)#</p>	Enters interface configuration mode.
Step 3	<pre>service instance ethernet vlan</pre> <p>Example: MSTP 176# (config-if)# service instance ethernet vlan10 MSTP-176# (config-if-srv)#</p>	Enters service instance configuration mode. If the port is configured as a UNI, then go to Step 4 . If the port is configured as an NNI port, go to step Step 14 .
Step 4	<pre>encapsulation default</pre> <p>Example: MSTP 176# (config-if-srv)# encapsulation default</p>	Configures the port in transparent mode. Note Before executing this command, the ports must be in disabled state. Note The encapsulation and rewrite commands must be executed as pairs. Every rewrite command must be preceded by an encapsulation command. Only one encapsulation and rewrite command pair can be executed per port.
Step 5	<pre>rewrite ingress tag push dot1q <svlan></pre> <p>Example: MSTP 176# (config-if-srv)# rewrite ingress tag push dot1q 10</p>	Note Before executing this command, the ports must be in disabled state. Note The encapsulation and rewrite commands must be executed as pairs. Every rewrite command must be preceded by an encapsulation command. Only one encapsulation and rewrite command pair can be executed per port.
Step 6	<pre>encapsulation dot1q <first cvlan> <last cvlan></pre> <p>Example: MSTP 176# (config-if-srv)# encapsulation dot1 20 30</p>	Configures a port in selective add mode with a range of CVLANs mapped to a given SVLAN. Tagged frames with VLAN ID in the range between 20 to 30 (Inclusive of 20 and 30) are matched.
Step 7	<pre>rewrite ingress tag push dot1q <svlan></pre> <p>Example: MSTP 176# (config-if-srv)# rewrite ingress tag push dot1q 10</p>	Note Before executing this command, the ports must be in disabled state. Note The encapsulation and rewrite commands must be executed as pairs. Every rewrite command must be preceded by an encapsulation command. Only one encapsulation and rewrite command pair can be executed per port. Note Multiple encapsulation and rewrite commands can be configured as part of the same service instance.

Before You Begin

	Command or Action	Purpose
Step 8	<pre>encapsulation dot1q <first cvlan> <last cvlan></pre> <p>Example: MSTP 176# (config-if-srv)# encapsulation dot1 20 20</p>	<p>Configures a port in selective translate mode.</p> <p>Tagged frames with VLAN ID 20 are matched.</p>
Step 9	<pre>rewrite ingress tag translate 1-to-1 <svlan></pre> <p>Example: MSTP 176# (config-if-srv)# rewrite ingress tag translate 1 10</p>	<p>Overwrites the Ingress tag 20 with the SVLAN tag value of 10.</p> <p>Note No two encapsulation and rewrite commands on the port that are configured either as part of a given service instance or as a different service instance can have the same SVLAN.</p>
Step 10	<pre>encapsulation untagged</pre> <p>Example: MSTP 176# (config-if-srv)# encapsulation untagged</p>	<p>Configures a port in double add mode.</p> <p>To match untagged packets specify CVLAN to be 0.</p>
Step 11	<pre>rewrite ingress tag push dot1q <multipurpose vln> second-dot1q <svlan></pre> <p>Example: MSTP 176# (config-if-srv)# rewrite ingress tag push dot1q 10 second-dot1q 20</p>	<p>To add two SVLAN tags to the Ingress untagged packet.</p> <p>Note Only one encapsulation and rewrite command pair can be executed per port.</p> <p>Note This configuration is supported only on GE_XPE & 10 GE_XPE cards.</p>
Step 12	<pre>encapsulation dot1q <first cvlan> <last cvlan></pre> <p>Example: MSTP 176# (config-if-srv)# encapsulation dot1q 9 9</p>	<p>Matches tagged frames with VLAN ID, 9.</p>
Step 13	<pre>rewrite ingress tag translate 1-to-1 <multipurpose vln> push dot1q <svlan></pre> <p>Example: MSTP 176# (config-if-srv)# rewrite ingress tag translate 1 25 push dot1 30</p>	<p>Translates CVLAN tag to SVLAN tag 25 and adds another SVLAN tag, 30.</p> <p>Note This configuration is supported only on GE_XPE & 10 GE_XPE cards.</p>
Step 14	<pre>bridge-domain <svlan></pre> <p>Example: MSTP 176# (config-if-srv)# bridge-domain 10</p>	<p>Adds the port to SVLAN 10.</p>
Step 15	<pre>exit</pre> <p>Example: MSTP 176# (config-if-srv)# exit MSTP 176# (config-if)#</p>	<p>Exits service instance configuration mode.</p>

	Command or Action	Purpose
Step 16	<pre>exit</pre> <p>Example: MSTP 176# (config-if)# exit MSTP-176(config)#</p>	Exits interface configuration mode.
Step 17	<pre>exit</pre> <p>Example: MSTP-176(config)# exit</p>	Exits global configuration mode.
	Stop. You have completed this procedure.	—

NTP-G282 Configure the Channel Group on the GE_XP, 10GE_XP, GE_XPE, or 10GE_XPE Cards Using PCLI

Purpose	This procedure explains how to create and configure the channel group on the GE_XP, 10GE_XP, GE_XPE, or 10GE_XPE cards using PCLI.
Tools/Equipment	None
Prerequisite Procedures	“NTP-G222 Access PCLI Text Interface” task on page B-2
Required/As Needed	As needed
Onsite/Remote	Onsite or remote
Security Level	Provisioning or higher



Note For detailed information on PCLI, see the *Cisco ONS 15454 DWDM Reference Manual*.

- Step 1** Complete the [“NTP-G222 Access PCLI Text Interface” task on page B-2](#) at the node where you want to create and configure the channel group. If you are already logged in, continue with [Step 2](#).
- Step 2** Complete the following tasks, as needed:
- [DLP-G619 Create a Channel Group on the GE_XP, 10GE_XP, GE_XPE, or 10GE_XPE Cards Using PCLI, page B-24](#)
 - [DLP-G620 Add Ports to a Channel Group on the GE_XP, 10GE_XP, GE_XPE, or 10GE_XPE Cards Using PCLI, page B-25](#)
- Stop. You have completed this procedure.**

DLP-G619 Create a Channel Group on the GE_XP, 10GE_XP, GE_XPE, or 10GE_XPE Cards Using PCLI

Purpose	This procedure explains how to create a channel group and change the channel group mode on the GE_XP, 10GE_XP, GE_XPE, or 10GE_XPE cards using PCLI.
Tools/Equipment	None
Prerequisite Procedures	“NTP-G222 Access PCLI Text Interface” task on page B-2
Required/As Needed	As needed
Onsite/Remote	Onsite or remote
Security Level	Provisioning or higher

**Note**

You can create up to 11 channel groups on GE_XP and GE_XPE cards and up to 2 channel groups on 10GE_XP and 10GE_XPE cards.

Step 1 Complete the following tasks, as needed:

	Command or Action	Purpose
Step 1	<code>configure terminal</code>	Enters global configuration mode.
	Example: <code>MSTP 176# configure terminal</code>	
Step 2	<code>interface channel-group <i>number</i></code>	Creates a channel group with id 7.
	Example: <code>MSTP 176(config)# interface channel-group 7</code>	
Step 3	<code>interface <i>channel-number</i></code>	Enters interface configuration mode.
	Example: <code>MSTP 176#(config)# interface 1</code> <code>MSTP-176# (config-if)#</code>	
Step 4	<code>mode <i>chanlgrp-mode</i></code>	Sets a channel group mode to passive.
	Example: <code>MSTP 176 (config-if)# mode passive</code>	
Step 5	<code>exit</code>	Exits interface configuration mode.
	Example: <code>MSTP-176(config-if)# exit</code>	
	Stop. You have completed this procedure.	—

DLP-G620 Add Ports to a Channel Group on the GE_XP, 10GE_XP, GE_XPE, or 10GE_XPE Cards Using PCLI

Purpose	This procedure explains how to add ports to a channel group on the GE_XP, 10GE_XP, GE_XPE, or 10GE_XPE cards using PCLI.
Tools/Equipment	None
Prerequisite Procedures	“NTP-G222 Access PCLI Text Interface” task on page B-2
Required/As Needed	As needed
Onsite/Remote	Onsite or remote
Security Level	Provisioning or higher



Note You can assign up to eight ports to a channel group on the GE_XP and GE_XPE cards and up to three ports on the 10GE_XP and 10GE_XPE cards.

Step 1 Complete the following tasks, as needed:

	Command or Action	Purpose
Step 1	<code>configure terminal</code> Example: <code>MSTP 176# configure terminal</code>	Enters global configuration mode.
Step 2	<code>interface type port</code> Example: <code>MSTP 176# (config) interface giga 15</code> <code>MSTP-176# (config-if)#</code>	Enters interface configuration mode.
Step 3	<code>channel-group port-number</code> Example: <code>MSTP 176 (config-if)# channel-group 1</code>	Adds a port to a channel group.
Step 4	<code>exit</code> Example: <code>MSTP-176(config-if)# exit</code>	Exits interface configuration mode.
	Stop. You have completed this procedure.	—

NTP-G286 Configure EFM on the GE_XP, 10GE_XP, GE_XPE, or 10GE_XPE Cards Using PCLI

Purpose	This procedure explains how to configure EFM on the GE_XP, 10GE_XP, GE_XPE, or 10GE_XPE cards using PCLI.
Tools/Equipment	None
Prerequisite Procedures	“NTP-G222 Access PCLI Text Interface” task on page B-2
Required/As Needed	As needed
Onsite/Remote	Onsite or remote
Security Level	Provisioning or higher

**Note**

For detailed information on PCLI, see the *Cisco ONS 15454 DWDM Reference Manual*.

Step 1 Complete the [“NTP-G222 Access PCLI Text Interface” task on page B-2](#) at the node where you want to configure EFM. If you are already logged in, continue with [Step 2](#).

Step 2 Complete the following tasks, as needed:

- [DLP-G643 Enable EFM on the GE_XP, 10GE_XP, GE_XPE, or 10GE_XPE Cards Using PCLI, page B-26](#)
- [DLP-G644 Configure the EFM Mode on the GE_XP, 10GE_XP, GE_XPE, or 10GE_XPE Cards Using PCLI, page B-27](#)

Stop. You have completed this procedure.

DLP-G643 Enable EFM on the GE_XP, 10GE_XP, GE_XPE, or 10GE_XPE Cards Using PCLI

Purpose	This procedure explains how to enable EFM on the GE_XP, 10GE_XP, GE_XPE, or 10GE_XPE cards using PCLI.
Tools/Equipment	None
Prerequisite Procedures	“NTP-G222 Access PCLI Text Interface” task on page B-2
Required/As Needed	As needed
Onsite/Remote	Onsite or remote
Security Level	Provisioning or higher

**Note**

EFM is enabled on an interface.

Step 1 Complete the following tasks, as needed:

	Command or Action	Purpose
Step 1	<pre>configure terminal</pre> <p>Example: MSTP 176# configure terminal</p>	Enters global configuration mode.
Step 2	<pre>interface type port</pre> <p>Example: MSTP 176# (config) interface giga 1 MSTP-176# (config-if)#</p>	Enters interface configuration mode.
Step 3	<pre>ethernet oam mode efm_mode</pre> <p>Example: MSTP 176 (config-if)# ethernet oam mode passive</p>	Enables EFM on an interface.
Step 4	<pre>exit</pre> <p>Example: MSTP-176(config-if)# exit</p>	Exits interface configuration mode.
	Stop. You have completed this procedure.	—

DLP-G644 Configure the EFM Mode on the GE_XP, 10GE_XP, GE_XPE, or 10GE_XPE Cards Using PCLI

Purpose	This procedure explains how to configure the EFM mode on the GE_XP, 10GE_XP, GE_XPE, or 10GE_XPE cards using PCLI.
Tools/Equipment	None
Prerequisite Procedures	“NTP-G222 Access PCLI Text Interface” task on page B-2
Required/As Needed	As needed
Onsite/Remote	Onsite or remote
Security Level	Provisioning or higher

Before You Begin

Step 1 Complete the following tasks, as needed:

	Command or Action	Purpose
Step 1	<pre>configure terminal</pre> <p>Example: MSTP 176# configure terminal</p>	Enters global configuration mode.
Step 2	<pre>interface type port</pre> <p>Example: MSTP 176# (config) interface giga 1 MSTP-176# (config-if)#</p>	Enters interface configuration mode.
Step 3	<pre>ethernet oam mode efm-mode</pre> <p>Example: MSTP 176 (config-if)# ethernet oam mode passive</p>	Sets the EFM mode to passive.
Step 4	<pre>exit</pre> <p>Example: MSTP-176(config-if)# exit</p>	Exits interface configuration mode.
	Stop. You have completed this procedure.	—

NTP-G284 Configure CFM on the GE_XP, 10GE_XP, GE_XPE, or 10GE_XPE Cards Using PCLI

Purpose	This procedure explains how to configure CFM on the GE_XP, 10GE_XP, GE_XPE, or 10GE_XPE cards using PCLI.
Tools/Equipment	None
Prerequisite Procedures	“NTP-G222 Access PCLI Text Interface” task on page B-2
Required/As Needed	As needed
Onsite/Remote	Onsite or remote
Security Level	Provisioning or higher

**Note**

For detailed information on PCLI, see the *Cisco ONS 15454 DWDM Reference Manual*.

Step 1 Complete the [“NTP-G222 Access PCLI Text Interface” task on page B-2](#) at the node where you want to configure CFM. If you are already logged in, continue with [Step 2](#).

Step 2 Complete the following tasks, as needed:

- [DLP-G635 Enable CFM on the GE_XP, 10GE_XP, GE_XPE, or 10GE_XPE Cards Using PCLI, page B-29](#)

- [DLP-G636 Create a Maintenance Domain on the GE_XP, 10GE_XP, GE_XPE, or 10GE_XPE Cards Using PCLI, page B-29](#)
- [DLP-G637 Create a Maintenance Intermediate Point on the GE_XP, 10GE_XP, GE_XPE, or 10GE_XPE Cards Using PCLI, page B-30](#)
- [DLP-G638 Create a Maintenance End Point on the GE_XP, 10GE_XP, GE_XPE, or 10GE_XPE Cards Using PCLI, page B-31](#)

Stop. You have completed this procedure.

DLP-G635 Enable CFM on the GE_XP, 10GE_XP, GE_XPE, or 10GE_XPE Cards Using PCLI

Purpose	This procedure explains how to enable CFM on the GE_XP, 10GE_XP, GE_XPE, or 10GE_XPE cards using PCLI.
Tools/Equipment	None
Prerequisite Procedures	“NTP-G222 Access PCLI Text Interface” task on page B-2
Required/As Needed	As needed
Onsite/Remote	Onsite or remote
Security Level	Provisioning or higher

Step 1 Complete the following tasks, as needed:

	Command or Action	Purpose
Step 1	<code>configure terminal</code> Example: <code>MSTP 176# configure terminal</code>	Enters global configuration mode.
Step 2	<code>ethernet cfm ieee</code> Example: <code>MSTP 176(config)# ethernet cfm ieee</code>	Enables CFM on the card.
Step 3	<code>exit</code> Example: <code>MSTP-176(config)# exit</code>	Exits global configuration mode.
	Stop. You have completed this procedure.	—

DLP-G636 Create a Maintenance Domain on the GE_XP, 10GE_XP, GE_XPE, or 10GE_XPE Cards Using PCLI

Purpose	This procedure explains how to create a maintenance domain on the GE_XP, 10GE_XP, GE_XPE, or 10GE_XPE cards using PCLI.
Tools/Equipment	None

Prerequisite Procedures	“NTP-G222 Access PCLI Text Interface” task on page B-2
Required/As Needed	As needed
Onsite/Remote	Onsite or remote
Security Level	Provisioning or higher

Step 1 Complete the following tasks, as needed:

	Command or Action	Purpose
Step 1	<pre>configure terminal</pre> <p>Example: MSTP 176# configure terminal</p>	Enters global configuration mode.
Step 2	<pre>ethernet cfm domain <i>domain_name</i> level <i>level</i></pre> <p>Example: MSTP 176 (config)# ethernet cfm domain test_domain level 4</p>	Creates a maintenance domain with a specific maintenance level.
Step 3	<pre>exit</pre> <p>Example: MSTP-176(config)# exit</p>	Exits global configuration mode.
	Stop. You have completed this procedure.	—

DLP-G637 Create a Maintenance Intermediate Point on the GE_XP, 10GE_XP, GE_XPE, or 10GE_XPE Cards Using PCLI

Purpose	This procedure explains how to create a Maintenance Intermediate Point (MIP) on the GE_XP, 10GE_XP, GE_XPE, or 10GE_XPE cards using PCLI.
Tools/Equipment	None
Prerequisite Procedures	“NTP-G222 Access PCLI Text Interface” task on page B-2
Required/As Needed	As needed
Onsite/Remote	Onsite or remote
Security Level	Provisioning or higher

Step 1 Complete the following tasks, as needed:

	Command or Action	Purpose
Step 1	<pre>configure terminal</pre> <p>Example: MSTP 176# configure terminal</p>	Enters global configuration mode.
Step 1	<pre>interface type port</pre> <p>Example: MSTP 176# (config) interface giga 1 MSTP-176# (config-if)#</p>	Enters interface configuration mode.
Step 2	<pre>ethernet cfm mip level level vlan vlan</pre> <p>Example: MSTP 176 (config-if)# ethernet cfm mip level 4 vlan 100</p>	Creates a MIP and configures the MIP parameters.
Step 3	<pre>exit</pre> <p>Example: MSTP-176(config-if)# exit</p>	Exits interface configuration mode.
	Stop. You have completed this procedure.	—

DLP-G638 Create a Maintenance End Point on the GE_XP, 10GE_XP, GE_XPE, or 10GE_XPE Cards Using PCLI

Purpose	This procedure explains how to create a Maintenance End Point (MEP) on the GE_XP, 10GE_XP, GE_XPE, or 10GE_XPE cards using PCLI.
Tools/Equipment	None
Prerequisite Procedures	“NTP-G222 Access PCLI Text Interface” task on page B-2
Required/As Needed	As needed
Onsite/Remote	Onsite or remote
Security Level	Provisioning or higher

Before You Begin

Step 1 Complete the following tasks, as needed:

	Command or Action	Purpose
Step 1	<pre>configure terminal</pre> <p>Example: MSTP 176# configure terminal</p>	Enters global configuration mode.
Step 1	<pre>interface type port</pre> <p>Example: MSTP 176# (config) interface giga 1 MSTP-176# (config-if)#</p>	Enters interface configuration mode.
Step 2	<pre>ethernet cfm mep domain domain_name mepid mepid vlan vlan</pre> <p>Example: MSTP 176 (config-if)# ethernet cfm mep domain test_mep mepid 100 vlan 200</p>	Creates a MEP and configures the MEP parameters.
Step 3	<pre>exit</pre> <p>Example: MSTP-176(config-if)# exit</p>	Exits interface configuration mode.
	Stop. You have completed this procedure.	—

NTP-G288 Configure REP on the GE_XP, 10GE_XP, GE_XPE, or 10GE_XPE Cards Using PCLI

Purpose	This procedure explains how to configure REP on the GE_XP, 10GE_XP, GE_XPE, or 10GE_XPE cards using PCLI.
Tools/Equipment	None
Prerequisite Procedures	“NTP-G222 Access PCLI Text Interface” task on page B-2
Required/As Needed	As needed
Onsite/Remote	Onsite or remote
Security Level	Provisioning or higher

**Note**

For detailed information on PCLI, see the *Cisco ONS 15454 DWDM Reference Manual*.

Step 1 Complete the [“NTP-G222 Access PCLI Text Interface” task on page B-2](#) at the node where you want to configure REP. If you are already logged in, continue with [Step 2](#).

Step 2 Complete the following tasks, as needed:

- [DLP-G649 Create a Segment on the GE_XP, 10GE_XP, GE_XPE, or 10GE_XPE Cards Using PCLI, page B-33](#)

- [DLP-G650 Configure STCN on the GE_XP, 10GE_XP, GE_XPE, or 10GE_XPE Cards Using PCLI, page B-34](#)
- [DLP-G651 Configure Preemption Delay on the Primary Edge Port Using PCLI, page B-35](#)
- [DLP-G652 Configure VLAN Load Balancing on the Primary Edge Port Using PCLI, page B-36](#)

Stop. You have completed this procedure.

DLP-G649 Create a Segment on the GE_XP, 10GE_XP, GE_XPE, or 10GE_XPE Cards Using PCLI

Purpose	This procedure explains how to enable REP on the GE_XP, 10GE_XP, GE_XPE, or 10GE_XPE cards using PCLI.
Tools/Equipment	None
Prerequisite Procedures	“NTP-G222 Access PCLI Text Interface” task on page B-2
Required/As Needed	As needed
Onsite/Remote	Onsite or remote
Security Level	Provisioning or higher

Step 1 Complete the following tasks, as needed:

	Command or Action	Purpose
Step 1	<code>configure terminal</code> Example: <code>MSTP 176# configure terminal</code>	Enters global configuration mode.
Step 2	<code>interface type port</code> Example: <code>MSTP 176# (config) interface giga 1</code> <code>MSTP-176# (config-if)#</code>	Enters interface configuration mode.
Step 3	<code>rep segment id edge primary</code> Example: <code>MSTP 176# (config-if) rep segment 10</code> <code>edge primary</code>	Enables REP on a port and assigns a segment ID to the port. This command also configures the port as the primary edge port.
Step 4	<code>rep segment id edge</code> Example: <code>MSTP 176# (config-if) rep segment 10</code> <code>edge</code>	Configures the port as the secondary edge port.
Step 5	<code>rep segment id edge no-neighbor</code> Example: <code>MSTP 176# (config-if) rep segment 10</code> <code>edge no-neighbor</code>	Specifies that the edge port must not have a neighbor port.

Before You Begin

	Command or Action	Purpose
Step 6	<pre>rep segment id preferred</pre> <p>Example: MSTP 176# (config-if) rep segment 10 preferred</p>	Configures the edge port as a preferred alternate port.
Step 7	<pre>exit</pre> <p>Example: MSTP-176(config-if)# exit</p>	Exits interface configuration mode.
	Stop. You have completed this procedure.	—

DLP-G650 Configure STCN on the GE_XP, 10GE_XP, GE_XPE, or 10GE_XPE Cards Using PCLI

Purpose	This procedure explains how to configure segment topology change notifications (STCNs) on the GE_XP, 10GE_XP, GE_XPE, or 10GE_XPE cards using PCLI.
Tools/Equipment	None
Prerequisite Procedures	“NTP-G222 Access PCLI Text Interface” task on page B-2
Required/As Needed	As needed
Onsite/Remote	Onsite or remote
Security Level	Provisioning or higher

Step 1 Complete the following tasks, as needed:

	Command or Action	Purpose
Step 1	<pre>configure terminal</pre> <p>Example: MSTP 176# configure terminal</p>	Enters global configuration mode.
Step 2	<pre>interface type port</pre> <p>Example: MSTP 176# (config) interface giga 1 MSTP-176# (config-if)#</p>	Enters interface configuration mode.
Step 3	<pre>rep stcn segment id</pre> <p>Example: MSTP 176 (config-if)# rep stcn segment 25</p>	Configures a edge port to send REP STCNs to a specific segment.

	Command or Action	Purpose
Step 4	<pre>rep stcn interface id</pre> <p>Example: MSTP 176 (config-if)# rep stcn interface 10</p>	Configures a edge port to send REP STCNs to a specific interface.
Step 5	<pre>exit</pre> <p>Example: MSTP-176(config-if)# exit</p>	Exits interface configuration mode.
	Stop. You have completed this procedure.	—

DLP-G651 Configure Preemption Delay on the Primary Edge Port Using PCLI

Purpose	This procedure explains how to configure preemption time delay on a primary edge port using PCLI.
Tools/Equipment	None
Prerequisite Procedures	“NTP-G222 Access PCLI Text Interface” task on page B-2
Required/As Needed	As needed
Onsite/Remote	Onsite or remote
Security Level	Provisioning or higher

Step 1 Complete the following tasks, as needed:

	Command or Action	Purpose
Step 1	<pre>configure terminal</pre> <p>Example: MSTP 176# configure terminal</p>	Enters global configuration mode.
Step 2	<pre>interface type port</pre> <p>Example: MSTP 176# (config) interface giga 1 MSTP-176# (config-if)#</p>	Enters interface configuration mode.
Step 3	<pre>rep preempt delay seconds</pre> <p>Example: MSTP 176 (config-if)# rep preempt delay 100</p>	Configures preemption time delay of 100 seconds on the primary edge port.
Step 4	<pre>exit</pre> <p>Example: MSTP-176(config-if)# exit</p>	Exits interface configuration mode.
	Stop. You have completed this procedure.	—

DLP-G652 Configure VLAN Load Balancing on the Primary Edge Port Using PCLI

Purpose	This procedure explains how to configure VLAN load balancing on a primary edge port using PCLI.
Tools/Equipment	None
Prerequisite Procedures	“NTP-G222 Access PCLI Text Interface” task on page B-2
Required/As Needed	As needed
Onsite/Remote	Onsite or remote
Security Level	Provisioning or higher

Step 1 Complete the following tasks, as needed:

	Command or Action	Purpose
Step 1	<pre>configure terminal</pre> <p>Example: MSTP 176# configure terminal</p>	Enters global configuration mode.
Step 2	<pre>interface type port</pre> <p>Example: MSTP 176# (config) interface giga 1 MSTP-176# (config-if)#</p>	Enters interface configuration mode.
Step 3	<pre>rep block port id port_id vlan vlan_list</pre> <p>Example: MSTP 176 (config-if)# rep block port id 0X0080001647FB1780 vlan 1-100</p>	Configures the alternate port to block VLANs 1 to 100.
Step 4	<pre>rep block port preferred vlan vlan_list</pre> <p>Example: MSTP 176 (config-if)# rep block port preferred vlan 1-100</p>	Configures VLAN load balancing for the preferred port.
Step 5	<pre>exit</pre> <p>Example: MSTP-176(config-if)# exit</p>	Exits interface configuration mode.
	Stop. You have completed this procedure.	—