



Configuring Dynamic ARP Inspection

This chapter describes how to configure Dynamic ARP Inspection (DAI) on the Catalyst 4000 family switch.

This chapter includes the following major sections:

- [Overview of Dynamic ARP Inspection, page 38-1](#)
- [Configuring Dynamic ARP Inspection, page 38-5](#)

**Note**

For complete syntax and usage information for the switch commands used in this chapter, refer to the *Catalyst 4500 Series Switch Cisco IOS Command Reference* and related publications at this location:

<http://www.cisco.com/en/US/products/ps6350/index.html>

Overview of Dynamic ARP Inspection

Dynamic ARP Inspection (DAI) is a security feature that validates Address Resolution Protocol (ARP) packets in a network. DAI allows a network administrator to intercept, log, and discard ARP packets with invalid MAC-IP pairs. This capability protects the network from certain “man-in-the-middle” attacks.

This section contains the following subsections:

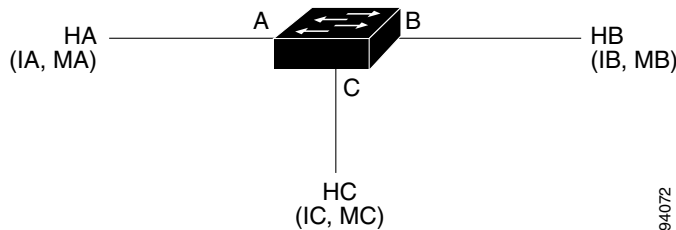
- [ARP Cache Poisoning, page 38-2](#)
- [Purpose of Dynamic ARP Inspection, page 38-2](#)
- [Interface Trust State, Security Coverage and Network Configuration, page 38-3](#)
- [Relative Priority of Static Bindings and DHCP Snooping Entries, page 38-4](#)
- [Logging of Dropped Packets, page 38-4](#)
- [Rate Limiting of ARP Packets, page 38-4](#)
- [Port Channels and Their Behavior, page 38-5](#)

ARP Cache Poisoning

You can attack hosts, switches, and routers connected to your Layer 2 network by “poisoning” their ARP caches. For example, a malicious user might intercept traffic intended for other hosts on the subnet by poisoning the ARP caches of systems connected to the subnet.

Consider the following configuration:

Figure 38-1 ARP Cache Poisoning



Hosts HA, HB, and HC are connected to the switch on interfaces A, B and C, all of which are on the same subnet. Their IP and MAC addresses are shown in parentheses; for example, Host HA uses IP address IA and MAC address MA. When HA needs to communicate to HB at the IP Layer, HA broadcasts an ARP request for the MAC address associated with IB. As soon as HB receives the ARP request, the ARP cache on HB is populated with an ARP binding for a host with the IP address IA and a MAC address MA. When HB responds to HA, the ARP cache on HA is populated with a binding for a host with the IP address IB and a MAC address MB.

Host HC can “poison” the ARP caches of HA and HB by broadcasting forged ARP responses with bindings for a host with an IP address of IA (or IB) and a MAC address of MC. Hosts with poisoned ARP caches use the MAC address MC as the destination MAC address for traffic intended for IA or IB. This means that HC intercepts that traffic. Because HC knows the true MAC addresses associated with IA and IB, HC can forward the intercepted traffic to those hosts using the correct MAC address as the destination. HC has inserted itself into the traffic stream from HA to HB, the classic “man in the middle” attack.

Purpose of Dynamic ARP Inspection

To prevent ARP poisoning attacks, a switch must ensure that only valid ARP requests and responses are relayed. DAI prevents these attacks by intercepting all ARP requests and responses. Each of these intercepted packets is verified for valid MAC address to IP address bindings before the local ARP cache is updated or the packet is forwarded to the appropriate destination. Invalid ARP packets are dropped.

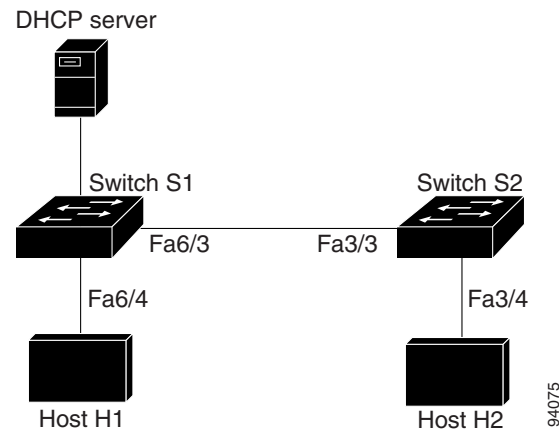
DAI determines the validity of an ARP packet based on valid MAC address to IP address bindings stored in a trusted database. This database is built at runtime by DHCP snooping, provided this feature is enabled on VLANs and on the switch. In addition, in order to handle hosts that use statically configured IP addresses, DAI can also validate ARP packets against user-configured ARP ACLs.

DAI can also be configured to drop ARP packets when the IP addresses in the packet are invalid or when the MAC addresses in the body of the ARP packet do not match the addresses specified in the Ethernet header.

Interface Trust State, Security Coverage and Network Configuration

DAI associates a trust state with each interface on the system. Packets arriving on trusted interfaces bypass all DAI validation checks, while those arriving on untrusted interfaces go through the DAI validation process. In a typical network configuration for DAI, all ports connected to host ports are configured as untrusted, while all ports connected to switches are configured as trusted. With this configuration, all ARP packets entering the network from a given switch pass the security check.

Figure 38-2 Validation of ARP Packets on a DAI-enabled VLAN



Use the trust state configuration carefully. Configuring interfaces as untrusted when they should be trusted can result in a loss of connectivity. If we assume that both S1 and S2 (in Figure 38-2) run DAI on the VLAN ports that contains H1 and H2, and if H1 and H2 were to acquire their IP addresses from the DHCP server connected to S1, then only S1 binds the IP to MAC address of H1. Therefore, if the interface between S1 and S2 is untrusted, the ARP packets from H1 get dropped on S2. This condition would result in a loss of connectivity between H1 and H2.

Configuring interfaces to be trusted when they are actually untrusted leaves a security hole in the network. If S1 were not running DAI, then H1 can easily poison the ARP of S2 (and H2, if the inter-switch link is configured as trusted). This condition can occur even though S2 is running DAI.

DAI ensures that hosts (on untrusted interfaces) connected to a switch running DAI do not poison the ARP caches of other hosts in the network. It does not, however, ensure that hosts from other portions of the network do not poison the caches of the hosts connected to it.

To handle cases in which some switches in a VLAN run DAI and other switches do not, the interfaces connecting such switches should be configured as untrusted. To validate the bindings of packets from non-DAI switches, however, the switch running DAI should be configured with ARP ACLs. When it is not feasible to determine such bindings, switches running DAI should be isolated from non-DAI switches at Layer 3.



Note

Depending on the setup of the DHCP server and the network, it may not be possible to perform validation of a given ARP packet on all switches in the VLAN.

Relative Priority of Static Bindings and DHCP Snooping Entries

As mentioned previously, DAI populates its database of valid MAC address to IP address bindings through DHCP snooping. It also validates ARP packets against statically configured ARP ACLs. It is important to note that ARP ACLs have precedence over entries in the DHCP snooping database. ARP packets are first compared to user-configured ARP ACLs. If the ARP ACL denies the ARP packet, then the packet is denied even if a valid binding exists in the database populated by DHCP snooping.

Logging of Dropped Packets

When the switch drops a packet, it places an entry in the log buffer and then generates system messages on a rate-controlled basis. After the message is generated, the switch clears the entry from the log buffer. Each log entry contains flow information, such as the receiving VLAN, the port number, the source and destination IP addresses, and the source and destination MAC addresses.

You use the **ip arp inspection log-buffer** global configuration command to configure the number of entries in the buffer and the number of entries needed in the specified interval to generate system messages. You specify the type of packets that are logged by using the **ip arp inspection vlan logging** global configuration command. For configuration information, see the [“Configuring the Log Buffer” section on page 38-14](#).

Rate Limiting of ARP Packets

DAI performs validation checks in the CPU, so the number of incoming ARP packets is rate-limited to prevent a denial of service attack. By default, the rate for untrusted interfaces is set to 15 pps second, whereas trusted interfaces have no rate limit. When the rate of incoming ARP packets exceeds the configured limit, the port is placed in the errdisable state. The port remains in that state until an administrator intervenes. With the **errdisable recovery** global configuration command, you can enable errdisable recovery so that ports emerge from this state automatically after a specified timeout period.

You use the **ip arp inspection limit** global configuration command to limit the rate of incoming ARP requests and responses on the interface. Unless a rate limit is explicitly configured on an interface, changing the trust state of the interface also changes its rate limit to the default value for that trust state; that is, 15 packets per second for untrusted interfaces and unlimited for trusted interfaces. Once a rate limit is configured explicitly, the interface retains the rate limit even when its trust state is changed. At any time, the interface reverts to its default rate limit if the *no* form of the **rate limit** command is applied. For configuration information, see the [“Limiting the Rate of Incoming ARP Packets” section on page 38-16](#).



Note

When you enable DAI, all ARP packets are forwarded by CPU (software forwarding, the slow path). With this mechanism, whenever a packet exits through multiple ports, the CPU must create as many copies of the packet as there are egress ports. So, the number of egress ports is a multiplying factor for the CPU. Furthermore, when QoS policing is applied on egress packets that were forwarded by CPU, QoS must be applied in the CPU as well. (You cannot apply QoS in hardware on CPU generated packets because the hardware forwarding path is turned off for CPU generated packets.) Both factors can drive the CPU to a very high utilization level.

Port Channels and Their Behavior

A given physical port can join a channel only when the trust state of the physical port and of the channel match. Otherwise, the physical port remains suspended in the channel. A channel inherits its trust state from the first physical port that joined the channel. Consequently, the trust state of the first physical port need not match the trust state of the channel.

Conversely, when the trust state is changed on the channel, the new trust state is configured on all the physical ports that comprise the channel.

The rate limit check on port channels is unique. The rate of incoming packets on a physical port is checked against the port channel configuration rather than the physical ports' configuration.

The rate limit configuration on a port channel is independent of the configuration on its physical ports.

The rate limit is cumulative across all physical ports; that is, the rate of incoming packets on a port channel equals the sum of rates across all physical ports.

When you configure rate limits for ARP packets on trunks, you must account for VLAN aggregation because a high rate limit on one VLAN can cause a “denial of service” attack to other VLANs when the port is errdisabled by software. Similarly, when a port channel is errdisabled, a high rate limit on one physical port can cause other ports in the channel to go down.

Configuring Dynamic ARP Inspection

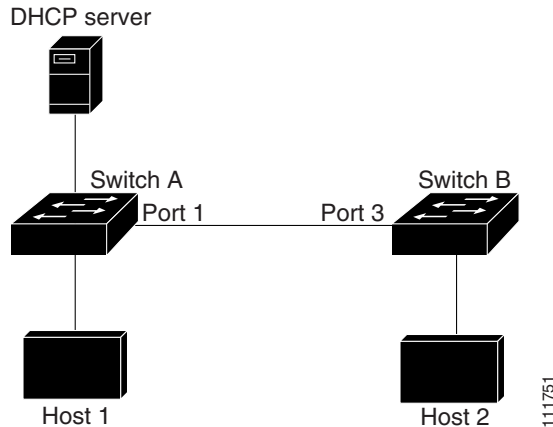
These sections describe how to configure dynamic ARP inspection on your switch:

- [Configuring Dynamic ARP Inspection in DHCP Environments, page 38-5](#) (required)
- [Configuring ARP ACLs for Non-DHCP Environments, page 38-11](#) (optional)
- [Configuring the Log Buffer, page 38-14](#) (optional)
- [Limiting the Rate of Incoming ARP Packets, page 38-16](#) (optional)
- [Performing Validation Checks, page 38-19](#) (optional)

Configuring Dynamic ARP Inspection in DHCP Environments

This procedure shows how to configure dynamic ARP inspection when two switches support this feature. Host 1 is connected to Switch A, and Host 2 is connected to Switch B as shown in Figure 38-3. Both switches are running dynamic ARP inspection on VLAN 100 where the hosts are located. A DHCP server is connected to Switch A. Both hosts acquire their IP addresses from the same DHCP server. Therefore, Switch A has the bindings for Host 1, and Switch B has the bindings for Host 2.

Figure 38-3 ARP Packet Validation on a VLAN Enabled for Dynamic ARP Inspection

**Note**

Dynamic ARP inspection depends on the entries in the DHCP snooping binding database to verify IP-to-MAC address bindings in incoming ARP requests and ARP responses. Make sure to enable DHCP snooping to permit ARP packets that have dynamically assigned IP addresses. For configuration information, see [Chapter 37, “Configuring DHCP Snooping, IP Source Guard, and IPSG for Static Hosts.”](#)

For information on how to configure dynamic ARP inspection when only one switch supports the feature, see the [“Configuring ARP ACLs for Non-DHCP Environments”](#) section on page 38-11.

To configure dynamic ARP inspection, perform this task on both switches:

| | Command | Purpose |
|--------|-------------------------------------------------------------------------------|------------------------------------------------------------------------------------------------------------------------------------------------------------------------------------------------------------------------------------------------------------------------------------------------------------------------------------------------------------------------------------------------------------------------------------------------------------------------------------------------------|
| Step 1 | Switch# show cdp neighbors | Verifies the connection between the switches. |
| Step 2 | Switch# configure terminal | Enters global configuration mode. |
| Step 3 | Switch(config)# [no] ip arp inspection vlan <i>vlan-range</i> | Enables dynamic ARP inspection on a per-VLAN basis. By default, dynamic ARP inspection is disabled on all VLANs. To disable dynamic ARP inspection, use the no ip arp inspection vlan <i>vlan-range</i> global configuration command. For <i>vlan-range</i> , specify a single VLAN identified by VLAN ID number, a range of VLANs separated by a hyphen, or a series of VLANs separated by a comma. The range is 1 to 4094. Specify the same VLAN ID for both switches. |
| Step 4 | Switch(config)# interface <i>interface-id</i> | Specifies the interface connected to the other switch, and enter interface configuration mode. |

| | Command | Purpose |
|---------|---------------------------------------------------------------------------------------------------------------------|----------------------------------------------------------------------------------------------------------------------------------------------------------------------------------------------------------------------------------------------------------------------------------------------------------------------------------------------------------------------------------------------------------------------------------------------------------------------------------------------------------------------------------------------------------------------------------------------------------------------------------------------------------------------------------------------------------------------------------------------------------------------------------------------------------------------------------------------------------------------------------------------------------------------------------------------------------------------|
| Step 5 | Switch(config-if)# ip arp inspection trust | Configures the connection between the switches as trusted. To return the interfaces to an untrusted state, use the no ip arp inspection trust interface configuration command. By default, all interfaces are untrusted. The switch does not check ARP packets that it receives from the other switch on the trusted interface. It simply forwards the packets. For untrusted interfaces, the switch intercepts all ARP requests and responses. It verifies that the intercepted packets have valid IP-to-MAC address bindings before updating the local cache and before forwarding the packet to the appropriate destination. The switch drops invalid packets and logs them in the log buffer according to the logging configuration specified with the ip arp inspection vlan logging global configuration command. For more information, see the “Configuring the Log Buffer” section on page 38-14 . |
| Step 6 | Switch(config-if)# end | Returns to privileged EXEC mode. |
| Step 7 | Switch# show ip arp inspection interfaces Switch# show ip arp inspection vlan <i>vlan-range</i> | Verifies the dynamic ARP inspection configuration. |
| Step 8 | Switch# show ip dhcp snooping binding | Verifies the DHCP bindings. |
| Step 9 | Switch# show ip arp inspection statistics vlan <i>vlan-range</i> | Checks the dynamic ARP inspection statistics. |
| Step 10 | Switch# copy running-config startup-config | (Optional) Saves your entries in the configuration file. |

This example shows how to configure dynamic ARP inspection on Switch A in VLAN 100. You would perform a similar procedure on Switch B.

On Switch A

```
SwitchA# show cdp neighbors
Capability Codes: R - Router, T - Trans Bridge, B - Source Route Bridge
                  S - Switch, H - Host, I - IGMP, r - Repeater, P - Phone

Device ID          Local Intrfce    Holdtme    Capability    Platform    Port ID
SwitchB            Gig 3/48        179        R S I         WS-C4506    Gig 3/46

SwitchA# configure terminal
SwitchA(config)# ip arp inspection vlan 100
SwitchA(config)# interface g3/48
SwitchA(config-if)# ip arp inspection trust
SwitchA(config-if)# end
SwitchA# show ip arp inspection interfaces

Interface          Trust State      Rate (pps)      Burst Interval
-----
Gi1/1              Untrusted        15               1
Gi1/2              Untrusted        15               1
Gi3/1              Untrusted        15               1
Gi3/2              Untrusted        15               1
Gi3/3              Untrusted        15               1
Gi3/4              Untrusted        15               1
```

| | | | |
|--------|-----------|------|-----|
| Gi3/5 | Untrusted | 15 | 1 |
| Gi3/6 | Untrusted | 15 | 1 |
| Gi3/7 | Untrusted | 15 | 1 |
| Gi3/8 | Untrusted | 15 | 1 |
| Gi3/9 | Untrusted | 15 | 1 |
| Gi3/10 | Untrusted | 15 | 1 |
| Gi3/11 | Untrusted | 15 | 1 |
| Gi3/12 | Untrusted | 15 | 1 |
| Gi3/13 | Untrusted | 15 | 1 |
| Gi3/14 | Untrusted | 15 | 1 |
| Gi3/15 | Untrusted | 15 | 1 |
| Gi3/16 | Untrusted | 15 | 1 |
| Gi3/17 | Untrusted | 15 | 1 |
| Gi3/18 | Untrusted | 15 | 1 |
| Gi3/19 | Untrusted | 15 | 1 |
| Gi3/20 | Untrusted | 15 | 1 |
| Gi3/21 | Untrusted | 15 | 1 |
| Gi3/22 | Untrusted | 15 | 1 |
| Gi3/23 | Untrusted | 15 | 1 |
| Gi3/24 | Untrusted | 15 | 1 |
| Gi3/25 | Untrusted | 15 | 1 |
| Gi3/26 | Untrusted | 15 | 1 |
| Gi3/27 | Untrusted | 15 | 1 |
| Gi3/28 | Untrusted | 15 | 1 |
| Gi3/29 | Untrusted | 15 | 1 |
| Gi3/30 | Untrusted | 15 | 1 |
| Gi3/31 | Untrusted | 15 | 1 |
| Gi3/32 | Untrusted | 15 | 1 |
| Gi3/33 | Untrusted | 15 | 1 |
| Gi3/34 | Untrusted | 15 | 1 |
| Gi3/35 | Untrusted | 15 | 1 |
| Gi3/36 | Untrusted | 15 | 1 |
| Gi3/37 | Untrusted | 15 | 1 |
| Gi3/38 | Untrusted | 15 | 1 |
| Gi3/39 | Untrusted | 15 | 1 |
| Gi3/40 | Untrusted | 15 | 1 |
| Gi3/41 | Untrusted | 15 | 1 |
| Gi3/42 | Untrusted | 15 | 1 |
| Gi3/43 | Untrusted | 15 | 1 |
| Gi3/44 | Untrusted | 15 | 1 |
| Gi3/45 | Untrusted | 15 | 1 |
| Gi3/46 | Untrusted | 15 | 1 |
| Gi3/47 | Untrusted | 15 | 1 |
| Gi3/48 | Trusted | None | N/A |

```
SwitchA# show ip arp inspection vlan 100
```

```
Source Mac Validation : Disabled
Destination Mac Validation : Disabled
IP Address Validation : Disabled
```

| Vlan | Configuration | Operation | ACL Match | Static ACL |
|------|---------------|-----------|-----------|------------|
| 100 | Enabled | Active | | |

| Vlan | ACL Logging | DHCP Logging |
|------|-------------|--------------|
| 100 | Deny | Deny |

```
SwitchA# show ip dhcp snooping binding
```

| MacAddress | IpAddress | Lease(sec) | Type | VLAN | Interface |
|-------------------|-----------|------------|---------------|------|---------------------|
| 00:01:00:01:00:01 | 170.1.1.1 | 3597 | dhcp-snooping | 100 | GigabitEthernet3/27 |

Total number of bindings: 1

```
SwitchA# show ip arp inspection statistics vlan 100
```

| Vlan | Forwarded | Dropped | DHCP Drops | ACL Drops |
|------|-----------|---------|------------|-----------|
| 100 | 15 | 0 | 0 | 0 |

| Vlan | DHCP Permits | ACL Permits | Source MAC Failures |
|------|--------------|-------------|---------------------|
| 100 | 0 | 0 | 0 |

| Vlan | Dest MAC Failures | IP Validation Failures | Invalid Protocol Data |
|------|-------------------|------------------------|-----------------------|
| 100 | 0 | 0 | 0 |

```
SwitchA#
```

On Switch B

```
SwitchB# show cdp neighbors
```

Capability Codes: R - Router, T - Trans Bridge, B - Source Route Bridge
S - Switch, H - Host, I - IGMP, r - Repeater, P - Phone

| Device ID | Local Intrfce | Holdtme | Capability | Platform | Port ID |
|-----------|---------------|---------|------------|-----------|----------|
| SwitchA | Gig 3/46 | 163 | R S I | WS-C4507R | Gig 3/48 |

```
SwitchB#
```

```
SwitchB# configure terminal
```

Enter configuration commands, one per line. End with CNTL/Z.

```
SwitchB(config)# ip arp inspection vlan 100
```

```
SwitchB(config)# interface g3/46
```

```
SwitchB(config-if)# ip arp inspection trust
```

```
SwitchB(config-if)# end
```

```
SwitchB#
```

```
SwitchB# show ip arp inspection interfaces
```

| Interface | Trust State | Rate (pps) | Burst Interval |
|-----------|-------------|------------|----------------|
| Gi1/1 | Untrusted | 15 | 1 |
| Gi1/2 | Untrusted | 15 | 1 |
| Gi3/1 | Untrusted | 15 | 1 |
| Gi3/2 | Untrusted | 15 | 1 |
| Gi3/3 | Untrusted | 15 | 1 |
| Gi3/4 | Untrusted | 15 | 1 |
| Gi3/5 | Untrusted | 15 | 1 |
| Gi3/6 | Untrusted | 15 | 1 |
| Gi3/7 | Untrusted | 15 | 1 |
| Gi3/8 | Untrusted | 15 | 1 |
| Gi3/9 | Untrusted | 15 | 1 |
| Gi3/10 | Untrusted | 15 | 1 |
| Gi3/11 | Untrusted | 15 | 1 |
| Gi3/12 | Untrusted | 15 | 1 |
| Gi3/13 | Untrusted | 15 | 1 |
| Gi3/14 | Untrusted | 15 | 1 |
| Gi3/15 | Untrusted | 15 | 1 |
| Gi3/16 | Untrusted | 15 | 1 |
| Gi3/17 | Untrusted | 15 | 1 |
| Gi3/18 | Untrusted | 15 | 1 |
| Gi3/19 | Untrusted | 15 | 1 |
| Gi3/20 | Untrusted | 15 | 1 |
| Gi3/21 | Untrusted | 15 | 1 |
| Gi3/22 | Untrusted | 15 | 1 |
| Gi3/23 | Untrusted | 15 | 1 |
| Gi3/24 | Untrusted | 15 | 1 |
| Gi3/25 | Untrusted | 15 | 1 |

```

Gi3/26      Untrusted      15      1
Gi3/27      Untrusted      15      1
Gi3/28      Untrusted      15      1
Gi3/29      Untrusted      15      1
Gi3/30      Untrusted      15      1
Gi3/31      Untrusted      15      1
Gi3/32      Untrusted      15      1
Gi3/33      Untrusted      15      1
Gi3/34      Untrusted      15      1
Gi3/35      Untrusted      15      1
Gi3/36      Untrusted      15      1
Gi3/37      Untrusted      15      1
Gi3/38      Untrusted      15      1
Gi3/39      Untrusted      15      1
Gi3/40      Untrusted      15      1
Gi3/41      Untrusted      15      1
Gi3/42      Untrusted      15      1
Gi3/43      Untrusted      15      1
Gi3/44      Untrusted      15      1
Gi3/45      Untrusted      15      1
Gi3/46      Trusted        None     N/A
Gi3/47      Untrusted      15      1
Gi3/48      Untrusted      15      1

```

SwitchB# **show ip arp inspection vlan 100**

```

Source Mac Validation      : Disabled
Destination Mac Validation : Disabled
IP Address Validation      : Disabled

```

```

Vlan      Configuration      Operation      ACL Match      Static ACL
----      -
100      Enabled              Active

```

```

Vlan      ACL Logging          DHCP Logging
----      -
100      Deny                 Deny#

```

SwitchB# **show ip dhcp snooping binding**

```

MacAddress      IPAddress      Lease(sec)    Type          VLAN      Interface
-----
00:02:00:02:00:02  170.1.1.2    3492         dhcp-snooping  100      GigabitEthernet3/31
Total number of bindings: 1

```

SwitchB# **show ip arp insp statistics vlan 100**

```

Vlan      Forwarded      Dropped      DHCP Drops      ACL Drops
----      -
100      2398           0            0               0

```

```

Vlan      DHCP Permits      ACL Permits      Source MAC Failures
----      -
100      2398              0                0

```

```

Vlan      Dest MAC Failures      IP Validation Failures      Invalid Protocol Data
----      -
100      0                      0                            0

```

SwitchB#

Configuring ARP ACLs for Non-DHCP Environments

This procedure shows how to configure dynamic ARP inspection when Switch B shown in [Figure 38-3 on page 38-6](#) does not support dynamic ARP inspection or DHCP snooping.

If you configure port 1 on Switch A as trusted, a security hole is created because both Switch A and Host 1 could be attacked by either Switch B or Host 2. To prevent this possibility, you must configure port 1 on Switch A as untrusted. To permit ARP packets from Host 2, you must set up an ARP ACL and apply it to VLAN 100. If the IP address of Host 2 is not static, such that it is impossible to apply the ACL configuration on Switch A, you must separate Switch A from Switch B at Layer 3 and use a router to route packets between them.

To configure an ARP ACL (on switch A in a non-DHCP environment), perform this task:

| | Command | Purpose |
|--------|-----------------------------------------------------------------------------------------------------------------|------------------------------------------------------------------------------------------------------------------------------------------------------------------------------------------------------------------------------------------------------------------------------------------------------------------------------------------------------------------------------------------------------------------------------------------------------------------------------------------------------------------------------------------------------------------------------------------------------------------|
| Step 1 | Switch# configure terminal | Enters global configuration mode. |
| Step 2 | Switch(config)# arp access-list <i>acl-name</i> | Defines an ARP ACL, and enter ARP access-list configuration mode. By default, no ARP access lists are defined. Note At the end of the ARP access list, there is an implicit deny ip any mac any command. |
| Step 3 | Switch(config-arp-nac)# permit ip host <i>sender-ip</i> mac <i>host sender-mac</i> [log] | Permits ARP packets from the specified host (Host 2). <ul style="list-style-type: none"> For <i>sender-ip</i>, enter the IP address of Host 2. For <i>sender-mac</i>, enter the MAC address of Host 2. (Optional) Specify log to log a packet in the log buffer when it matches the access control entry (ACE). Matches are logged if you also configure the matchlog keyword in the ip arp inspection vlan logging global configuration command. For more information, see the “Configuring the Log Buffer” section on page 38-14. |
| Step 4 | Switch(config-arp-nac)# exit | Returns to global configuration mode. |

| | Command | Purpose |
|---------|-----------------------------------------------------------------------------------------------------------------------------------------------------------------------------|-------------------------------------------------------------------------------------------------------------------------------------------------------------------------------------------------------------------------------------------------------------------------------------------------------------------------------------------------------------------------------------------------------------------------------------------------------------------------------------------------------------------------------------------------------------------------------------------------------------------------------------------------------------------------------------------------------------------------------------------------------------------------------------------------------------------------------------------------------------------------------------------------------------------------------------------------------------------------------------------------------------------------------------------------------------------------------------------------------|
| Step 5 | Switch(config)# ip arp inspection filter <i>arp-acl-name</i> vlan <i>vlan-range</i> [static] | <p>Applies the ARP ACL to the VLAN. By default, no defined ARP ACLs are applied to any VLAN.</p> <ul style="list-style-type: none"> For <i>arp-acl-name</i>, specify the name of the ACL created in Step 2. For <i>vlan-range</i>, specify the VLAN that the switches and hosts are in. You can specify a single VLAN identified by VLAN ID number, a range of VLANs separated by a hyphen, or a series of VLANs separated by a comma. The range is 1 to 4094. (Optional) Specify static to treat implicit denies in the ARP ACL as explicit denies and to drop packets that do not match any previous clauses in the ACL. DHCP bindings are not used. <p>If you do not specify this keyword, it means that there is no explicit deny in the ACL that denies the packet, and DHCP bindings determine whether a packet is permitted or denied if the packet does not match any clauses in the ACL.</p> <p>ARP packets containing only IP-to-MAC address bindings are compared against the ACL. Packets are permitted only if the access list permits them.</p> |
| Step 6 | Switch(config)# interface <i>interface-id</i> | Specifies the Switch A interface that is connected to Switch B, and enter interface configuration mode. |
| Step 7 | Switch(config-if)# no ip arp inspection trust | <p>Configures the Switch A interface that is connected to Switch B as untrusted.</p> <p>By default, all interfaces are untrusted.</p> <p>For untrusted interfaces, the switch intercepts all ARP requests and responses. It verifies that the intercepted packets have valid IP-to-MAC address bindings before updating the local cache and before forwarding the packet to the appropriate destination. The switch drops invalid packets and logs them in the log buffer according to the logging configuration specified with the ip arp inspection vlan logging global configuration command. For more information, see the “Configuring the Log Buffer” section on page 38-14.</p> |
| Step 8 | Switch(config-if)# end | Returns to privileged EXEC mode. |
| Step 9 | Switch# show arp access-list [<i>acl-name</i>] Switch# show ip arp inspection vlan <i>vlan-range</i> Switch# show ip arp inspection interfaces | Verifies the dynamic ARP inspection configuration. |
| Step 10 | Switch# copy running-config startup-config | (Optional) Saves your entries in the configuration file. |

To remove the ARP ACL, use the **no arp access-list** global configuration command. To remove the ARP ACL attached to a VLAN, use the **no ip arp inspection filter** *arp-acl-name* **vlan** *vlan-range* global configuration command.

This example shows how to configure an ARP ACL called *host2* on Switch A, to permit ARP packets from HostB (IP address 170.1.1.2 and MAC address 2.2.2), to apply the ACL to VLAN 100, and to configure port 1 on Switch A as untrusted:

```
SwitchA# configure terminal
Enter configuration commands, one per line.  End with CNTL/Z.
SwitchA(config)# arp access-list hostB
SwitchA(config-arp-nacl)# permit ip host 170.1.1.2 mac host 2.2.2 log
SwitchA(config-arp-nacl)# exit
SwitchA(config)# ip arp inspection filter hostB vlan 100 static
SwitchA(config)# interface g3/48
SwitchA(config-if)# no ip arp inspection trust
SwitchA(config-if)# end
SwitchA# show arp access-list hostB
ARP access list hostB
    permit ip host 170.1.1.2 mac host 0002.0002.0002 log
```

```
SwitchA# show ip arp inspection interfaces
```

| Interface | Trust State | Rate (pps) | Burst Interval |
|-----------|-------------|------------|----------------|
| Gi1/1 | Untrusted | 15 | 1 |
| Gi1/2 | Untrusted | 15 | 1 |
| Gi3/1 | Untrusted | 15 | 1 |
| Gi3/2 | Untrusted | 15 | 1 |
| Gi3/3 | Untrusted | 15 | 1 |
| Gi3/4 | Untrusted | 15 | 1 |
| Gi3/5 | Untrusted | 15 | 1 |
| Gi3/6 | Untrusted | 15 | 1 |
| Gi3/7 | Untrusted | 15 | 1 |
| Gi3/8 | Untrusted | 15 | 1 |
| Gi3/9 | Untrusted | 15 | 1 |
| Gi3/10 | Untrusted | 15 | 1 |
| Gi3/11 | Untrusted | 15 | 1 |
| Gi3/12 | Untrusted | 15 | 1 |
| Gi3/13 | Untrusted | 15 | 1 |
| Gi3/14 | Untrusted | 15 | 1 |
| Gi3/15 | Untrusted | 15 | 1 |
| Gi3/16 | Untrusted | 15 | 1 |
| Gi3/17 | Untrusted | 15 | 1 |
| Gi3/18 | Untrusted | 15 | 1 |
| Gi3/19 | Untrusted | 15 | 1 |
| Gi3/20 | Untrusted | 15 | 1 |
| Gi3/21 | Untrusted | 15 | 1 |
| Gi3/22 | Untrusted | 15 | 1 |
| Gi3/23 | Untrusted | 15 | 1 |
| Gi3/24 | Untrusted | 15 | 1 |
| Gi3/25 | Untrusted | 15 | 1 |
| Gi3/26 | Untrusted | 15 | 1 |
| Gi3/27 | Untrusted | 15 | 1 |
| Gi3/28 | Untrusted | 15 | 1 |
| Gi3/29 | Untrusted | 15 | 1 |
| Gi3/30 | Untrusted | 15 | 1 |
| Gi3/31 | Untrusted | 15 | 1 |
| Gi3/32 | Untrusted | 15 | 1 |
| Gi3/33 | Untrusted | 15 | 1 |
| Gi3/34 | Untrusted | 15 | 1 |
| Gi3/35 | Untrusted | 15 | 1 |
| Gi3/36 | Untrusted | 15 | 1 |

```

Gi3/37      Untrusted      15          1
Gi3/38      Untrusted      15          1
Gi3/39      Untrusted      15          1
Gi3/40      Untrusted      15          1
Gi3/41      Untrusted      15          1
Gi3/42      Untrusted      15          1
Gi3/43      Untrusted      15          1
Gi3/44      Untrusted      15          1
Gi3/45      Untrusted      15          1
Gi3/46      Untrusted      15          1
Gi3/47      Untrusted      15          1
Gi3/48      Untrusted      15          1

```

```
SwitchA# show ip arp inspection statistics vlan 100
```

```

Vlan      Forwarded      Dropped      DHCP Drops      ACL Drops
----      -
100              15            169            160              9

Vlan      DHCP Permits      ACL Permits      Source MAC Failures
----      -
100              0                0                0

Vlan      Dest MAC Failures      IP Validation Failures      Invalid Protocol Data
----      -
100              0                        0                        0

```

```
SwitchA#
```

Configuring the Log Buffer

When the switch drops a packet, it places an entry in the log buffer and then generates system messages on a rate-controlled basis. After the message is generated, the switch clears the entry from the log buffer. Each log entry contains flow information, such as the receiving VLAN, the port number, the source and destination IP addresses, and the source and destination MAC addresses.

A log-buffer entry can represent more than one packet. For example, if an interface receives many packets on the same VLAN with the same ARP parameters, the switch combines the packets as one entry in the log buffer and generates a single system message for the entry.

If the log buffer overflows, it means that a log event does not fit into the log buffer, and the display for the **show ip arp inspection log** privileged EXEC command is affected. No other statistics are provided for the entry.

To configure the log buffer, perform this task beginning in privileged EXEC mode:

| | Command | Purpose |
|--------|------------------------------------------------------------------------------------------------------------------------------------------------------------------------------------------------------------------------|-------------------------------------------------------------------------------------------------------------------------------------------------------------------------------------------------------------------------------------------------------------------------------------------------------------------------------------------------------------------------------------------------------------------------------------------------------------------------------------------------------------------------------------------------------------------------------------------------------------------------------------------------------------------------------------------------------------------------------------------------------------------------------------------------------------------------------------------------------------------------------------------------------------------------------------------------------------------------------------------------------------------------------------------------------------------------------------------------------------------------------------------------------------------------------------------------------------------------------------------------------------------------------------------------------------------------------------------------------------------------------------------------|
| Step 1 | Switch# configure terminal | Enters global configuration mode. |
| Step 2 | Switch(config)# ip arp inspection log-buffer { entries <i>number</i> logs <i>number</i> interval <i>seconds</i> } | <p>Configures the dynamic ARP inspection logging buffer.</p> <p>By default, when dynamic ARP inspection is enabled, denied or dropped ARP packets are logged. The number of log entries is 32. The number of system messages is limited to 5 per second. The logging-rate interval is 1 second.</p> <p>The keywords have these meanings:</p> <ul style="list-style-type: none"> For entries <i>number</i>, specify the number of entries to be logged in the buffer. The range is 0 to 1024. For logs <i>number</i> interval <i>seconds</i>, specify the number of entries to generate system messages in the specified interval. <p>For logs <i>number</i>, the range is 0 to 1024. A 0 value means that the entry is placed in the log buffer, but a system message is not generated.</p> <p>For interval <i>seconds</i>, the range is 0 to 86400 seconds (1 day). A 0 value means that a system message is immediately generated (and the log buffer is always empty).</p> <p>An interval setting of 0 overrides a log setting of 0.</p> <p>The logs and interval settings interact. If the logs <i>number</i> X is greater than interval <i>seconds</i> Y, X divided by Y (X/Y) system messages are sent every second. Otherwise, one system message is sent every Y divided by X (Y/X) seconds.</p> |
| Step 3 | Switch(config)# [no] ip arp inspection vlan <i>vlan-range</i> logging { acl-match { matchlog none } dhcp-bindings { all none permit }} | <p>Controls the type of packets that are logged per VLAN. By default, all denied or all dropped packets are logged. The term <i>logged</i> means the entry is placed in the log buffer and a system message is generated.</p> <p>The keywords have these meanings:</p> <ul style="list-style-type: none"> For <i>vlan-range</i>, specify a single VLAN identified by VLAN ID number, a range of VLANs separated by a hyphen, or a series of VLANs separated by a comma. The range is 1 to 4094. For acl-match matchlog, log packets based on the ACE logging configuration. If you specify the matchlog keyword in this command and the log keyword in the permit or deny ARP access-list configuration command, ARP packets permitted or denied by ACEs with log keyword are logged. For acl-match none, do not log packets that match ACLs. For dhcp-bindings all, log all packets that match DHCP bindings. For dhcp-bindings none, do not log packets that match DHCP bindings. For dhcp-bindings permit, log DHCP-binding permitted packets. |
| Step 4 | Switch(config)# exit | Returns to privileged EXEC mode. |

| | Command | Purpose |
|--------|---------------------------------------------------|----------------------------------------------------------|
| Step 5 | Switch# show ip arp inspection log | Verifies your settings. |
| Step 6 | Switch# copy running-config startup-config | (Optional) Saves your entries in the configuration file. |

To return to the default log buffer settings, use the **no ip arp inspection log-buffer** global configuration command. To return to the default VLAN log settings, use the **no ip arp inspection vlan *vlan-range* logging {acl-match | dhcp-bindings}** global configuration command. To clear the log buffer, use the **clear ip arp inspection log** privileged EXEC command.

This example shows how to configure the number of entries for the log buffer to 1024. It also shows how to configure your Catalyst 4500 series switch so that the logs must be generated from the buffer at the rate of 100 per 10 seconds.

```
SwitchB# configure terminal
Enter configuration commands, one per line. End with CNTL/Z.
SwitchB(config)# ip arp inspection log-buffer entries 1024
SwitchB(config)# ip arp inspection log-buffer logs 100 interval 10
SwitchB(config)# end
SwitchB# show ip arp inspection log
Total Log Buffer Size : 1024
Syslog rate : 100 entries per 10 seconds.
```

```
Interface   Vlan   Sender MAC           Sender IP           Num Pkts   Reason           Time
-----
Gi3/31     100    0002.0002.0003      170.1.1.2           5    DHCP Deny       02:05:45 UTC
Fri Feb 4 2005
SwitchB#
```

Limiting the Rate of Incoming ARP Packets

The switch CPU performs dynamic ARP inspection validation checks; therefore, the number of incoming ARP packets is rate-limited to prevent a denial-of-service attack.

When the rate of incoming ARP packets exceeds the configured limit, the switch places the port in the error-disabled state. The port remains in that state until you intervene or you enable error-disable recovery so that ports automatically emerge from this state after a specified timeout period.



Note

Unless you explicitly configure a rate limit on an interface, changing the trust state of the interface also changes its rate limit to the default value for that trust state. After you configure the rate limit, the interface retains the rate limit even when its trust state is changed. If you enter the **no ip arp inspection limit** interface configuration command, the interface reverts to its default rate limit.

To limit the rate of incoming ARP packets, perform this task beginning in privileged EXEC mode.

| | Command | Purpose |
|--------|--------------------------------------------------|-------------------------------------------------------------------------------------|
| Step 1 | Switch# configure terminal | Enters global configuration mode. |
| Step 2 | Switch(config)# interface interface-id | Specifies the interface to be rate-limited, and enter interface configuration mode. |

| | Command | Purpose |
|--------|--------------------------------------------------------------------------------------------|-------------------------------------------------------------------------------------------------------------------------------------------------------------------------------------------------------------------------------------------------------------------------------------------------------------------------------------------------------------------------------------------------------------------------------------------------------------------------------------------------------------------------------------------------------------------------------------------------------------------------------------------------------------------------------------------------------------------------------------------------------|
| Step 3 | Switch(config-if)# [no] ip arp inspection limit {rate pps [burst interval seconds] none} | Limits the rate of incoming ARP requests and responses on the interface. The default rate is 15 pps on untrusted interfaces and unlimited on trusted interfaces. The burst interval is 1 second. The keywords have these meanings: <ul style="list-style-type: none"> For rate pps, specify an upper limit for the number of incoming packets processed per second. The range is 0 to 2048 pps. (Optional) For burst interval seconds, specify the consecutive interval in seconds, over which the interface is monitored for a high rate of ARP packets. The range is 1 to 15. For rate none, specify no upper limit for the rate of incoming ARP packets that can be processed. |
| Step 4 | Switch(config-if)# exit | Returns to global configuration mode. |
| Step 5 | Switch(config)# errdisable recovery {cause arp-inspection interval interval} | (Optional) Enables error recovery from the dynamic ARP inspection error-disable state. By default, recovery is disabled, and the recovery interval is 300 seconds. For interval interval , specify the time in seconds to recover from the error-disable state. The range is 30 to 86400. |
| Step 6 | Switch(config)# exit | Returns to privileged EXEC mode. |
| Step 7 | Switch# show ip arp inspection interfaces | Verifies your settings. |
| Step 8 | Switch# show errdisable recovery | Verifies your settings. |
| Step 9 | Switch# copy running-config startup-config | (Optional) Saves your entries in the configuration file. |

To return to the default rate-limit configuration, use the **no ip arp inspection limit** interface configuration command. To disable error recovery for dynamic ARP inspection, use the **no errdisable recovery cause arp-inspection** global configuration command.

This example shows how to set an upper limit for the number of incoming packets (100 pps) and to specify a burst interval (1 second):

```
SwitchB# configure terminal
Enter configuration commands, one per line. End with CNTL/Z.
SwitchB(config)# interface g3/31
SwitchB(config-if)# ip arp inspection limit rate 100 burst interval 1
SwitchB(config-if)# exit
SwitchB(config)# errdisable recovery cause arp-inspection
SwitchB(config)# exit
SwitchB# show ip arp inspection interfaces
```

| Interface | Trust State | Rate (pps) | Burst Interval |
|-----------|-------------|------------|----------------|
| Gi1/1 | Untrusted | 15 | 1 |
| Gi1/2 | Untrusted | 15 | 1 |
| Gi3/1 | Untrusted | 15 | 1 |
| Gi3/2 | Untrusted | 15 | 1 |
| Gi3/3 | Untrusted | 15 | 1 |
| Gi3/4 | Untrusted | 15 | 1 |
| Gi3/5 | Untrusted | 15 | 1 |

| | | | |
|--------|-----------|------|-----|
| Gi3/6 | Untrusted | 15 | 1 |
| Gi3/7 | Untrusted | 15 | 1 |
| Gi3/8 | Untrusted | 15 | 1 |
| Gi3/9 | Untrusted | 15 | 1 |
| Gi3/10 | Untrusted | 15 | 1 |
| Gi3/11 | Untrusted | 15 | 1 |
| Gi3/12 | Untrusted | 15 | 1 |
| Gi3/13 | Untrusted | 15 | 1 |
| Gi3/14 | Untrusted | 15 | 1 |
| Gi3/15 | Untrusted | 15 | 1 |
| Gi3/16 | Untrusted | 15 | 1 |
| Gi3/17 | Untrusted | 15 | 1 |
| Gi3/18 | Untrusted | 15 | 1 |
| Gi3/19 | Untrusted | 15 | 1 |
| Gi3/20 | Untrusted | 15 | 1 |
| Gi3/21 | Untrusted | 15 | 1 |
| Gi3/22 | Untrusted | 15 | 1 |
| Gi3/23 | Untrusted | 15 | 1 |
| Gi3/24 | Untrusted | 15 | 1 |
| Gi3/25 | Untrusted | 15 | 1 |
| Gi3/26 | Untrusted | 15 | 1 |
| Gi3/27 | Untrusted | 15 | 1 |
| Gi3/28 | Untrusted | 15 | 1 |
| Gi3/29 | Untrusted | 15 | 1 |
| Gi3/30 | Untrusted | 15 | 1 |
| Gi3/31 | Untrusted | 100 | 1 |
| Gi3/32 | Untrusted | 15 | 1 |
| Gi3/33 | Untrusted | 15 | 1 |
| Gi3/34 | Untrusted | 15 | 1 |
| Gi3/35 | Untrusted | 15 | 1 |
| Gi3/36 | Untrusted | 15 | 1 |
| Gi3/37 | Untrusted | 15 | 1 |
| Gi3/38 | Untrusted | 15 | 1 |
| Gi3/39 | Untrusted | 15 | 1 |
| Gi3/40 | Untrusted | 15 | 1 |
| Gi3/41 | Untrusted | 15 | 1 |
| Gi3/42 | Untrusted | 15 | 1 |
| Gi3/43 | Untrusted | 15 | 1 |
| Gi3/44 | Untrusted | 15 | 1 |
| Gi3/45 | Untrusted | 15 | 1 |
| Gi3/46 | Trusted | None | N/A |
| Gi3/47 | Untrusted | 15 | 1 |
| Gi3/48 | Untrusted | 15 | 1 |

SwitchB# **show errdisable recovery**

| ErrDisable Reason | Timer Status |
|-------------------|--------------|
| ----- | ----- |
| udld | Disabled |
| bpduguard | Disabled |
| security-violatio | Disabled |
| channel-misconfig | Disabled |
| vmps | Disabled |
| pagp-flap | Disabled |
| dtp-flap | Disabled |
| link-flap | Disabled |
| l2ptguard | Disabled |
| psecure-violation | Disabled |
| gbic-invalid | Disabled |
| dhcp-rate-limit | Disabled |
| unicast-flood | Disabled |
| storm-control | Disabled |
| arp-inspection | Enabled |

Timer interval: 300 seconds

Interfaces that will be enabled at the next timeout:

```
SwitchB#
1w2d: %SW_DAI-4-PACKET_RATE_EXCEEDED: 101 packets received in 739 milliseconds on Gi3/31.
1w2d: %PM-4-ERR_DISABLE: arp-inspection error detected on Gi3/31, putting Gi3/31 in
err-disable state
SwitchB# show clock
*02:21:43.556 UTC Fri Feb 4 2005
SwitchB#
SwitchB# show interface g3/31 status

Port      Name          Status      Vlan      Duplex  Speed  Type
Gi3/31                   err-disabled 100        auto     auto   10/100/1000-TX
SwitchB#
SwitchB#
1w2d: %PM-4-ERR_RECOVER: Attempting to recover from arp-inspection err-disable state on
Gi3/31
SwitchB# show interface g3/31 status

Port      Name          Status      Vlan      Duplex  Speed  Type
Gi3/31                   connected   100        a-full   a-100  10/100/1000-TX
SwitchB# show clock
*02:27:40.336 UTC Fri Feb 4 2005
SwitchB#
```

Performing Validation Checks

Dynamic ARP inspection intercepts, logs, and discards ARP packets with invalid IP-to-MAC address bindings. You can configure the switch to perform additional checks on the destination MAC address, the sender and target IP addresses, and the source MAC address.

To perform specific checks on incoming ARP packets, perform this task.

| | Command | Purpose |
|--------|------------------------------------------------------------------------------|-----------------------------------------------------------------------------------------------------------------------------------------------------------------------------------------------------------------------------------------------------------------------------------------------------------------------------------------------------------------------------------------------------------------------------------------------------------------------------------------------------------------------------------------------------------------------------------------------------------------------------------------------------------------------------------------------------------------------------------------------------------------------------------------------------------------------------------------------------------------------------------------------------------------------------------------------------------------------------------------------------------------------------------------------------------------------------------------------------------------------------------------------------------------------------------------------------------------------------------------------------------------------------------------------------------------------------------------------------------------------------------------------------------------------|
| Step 1 | Switch# configure terminal | Enters global configuration mode. |
| Step 2 | Switch(config)# ip arp inspection validate {[src-mac] [dst-mac] [ip]} | <p>Performs a specific check on incoming ARP packets. By default, no additional checks are performed.</p> <p>The keywords have these meanings:</p> <ul style="list-style-type: none"> • For src-mac, check the source MAC address in the Ethernet header against the sender MAC address in the ARP body. This check is performed on both ARP requests and responses. When enabled, packets with different MAC addresses are classified as invalid and are dropped. • For dst-mac, check the destination MAC address in the Ethernet header against the target MAC address in ARP body. This check is performed for ARP responses. When enabled, packets with different MAC addresses are classified as invalid and are dropped. • For ip, check the ARP body for invalid and unexpected IP addresses. Addresses include 0.0.0.0, 255.255.255.255, and all IP multicast addresses. Sender IP addresses are checked in all ARP requests and responses, and target IP addresses are checked only in ARP responses. <p>You must specify at least one of the keywords. Each command overrides the configuration of the previous command; that is, if a command enables src and dst mac validations, and a second command enables IP validation only, the src and dst mac validations are disabled as a result of the second command.</p> |
| Step 3 | Switch(config)# exit | Returns to privileged EXEC mode. |
| Step 4 | Switch# show ip arp inspection vlan <i>vlan-range</i> | Verifies your settings. |
| Step 5 | Switch# copy running-config startup-config | (Optional) Saves your entries in the configuration file. |

To disable checking, use the **no ip arp inspection validate [src-mac] [dst-mac] [ip]** global configuration command. To display statistics for forwarded, dropped, MAC validation failure, and IP validation failure packets, use the **show ip arp inspection statistics** privileged EXEC command.

This example shows how to configure source mac validation. Packets are dropped and an error message may be generated when the source address in the Ethernet header does not match the sender hardware address in the ARP body.

```
SwitchB# configure terminal
Enter configuration commands, one per line. End with CNTL/Z.
SwitchB(config)# ip arp inspection validate src-mac
SwitchB(config)# exit
SwitchB# show ip arp inspection vlan 100

Source Mac Validation      : Enabled
Destination Mac Validation : Disabled
IP Address Validation      : Disabled
```

| Vlan | Configuration | Operation | ACL Match | Static ACL |
|------|---------------|-----------|-----------|------------|
| ---- | ----- | ----- | ----- | ----- |
| 100 | Enabled | Active | | |

| Vlan | ACL Logging | DHCP Logging |
|------|-------------|--------------|
| ---- | ----- | ----- |
| 100 | Deny | Deny |

SwitchB#

1w2d: %SW_DAI-4-INVALID_ARP: 9 Invalid ARPs (Req) on Gi3/31, vlan

100.([0002.0002.0002/170.1.1.2/0001.0001.0001/170.1.1.1/02:30:24 UTC Fri Feb 4 2005])

