



Cisco Aironet Converter Clip for Channel Grid Suspended Ceilings (AIR-ACC-CLIP-20)

This document describes the AIR-ACC-CLIP-20 converter clip for channel grid suspended ceilings, hereafter referred to as the *converter clip*. The converter clip can be used to mount a Cisco Aironet 1130 Series Access Point and certain Cisco Aironet antennas to channel grid suspended ceiling systems.

Contents

This document contains the following sections:

- [“Overview” section on page 2](#)
- [“Tools and Equipment Required” section on page 2](#)
- [“Mounting an Antenna” section on page 3](#)
- [“Mounting an 1130 Series Access Point” section on page 4](#)



Americas Headquarters:
Cisco Systems, Inc., 170 West Tasman Drive, San Jose, CA 95134-1706 USA

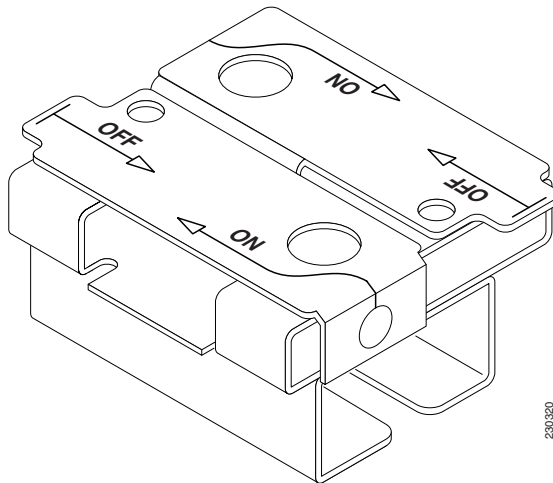
© 2007 Cisco Systems, Inc. All rights reserved.

Overview

You can use the converter clip ([Figure 1](#)) to install an 1130 series access point and the following Cisco Aironet antennas:

- AIR-ANT2430V-R
- AIR-ANT5140V-R
- AIR-ANT5145V-R
- AIR-ANT5959

Figure 1 Converter Clip



The converter clips are shipped in a kit containing 20 clips; enough to mount 10 devices.

Tools and Equipment Required

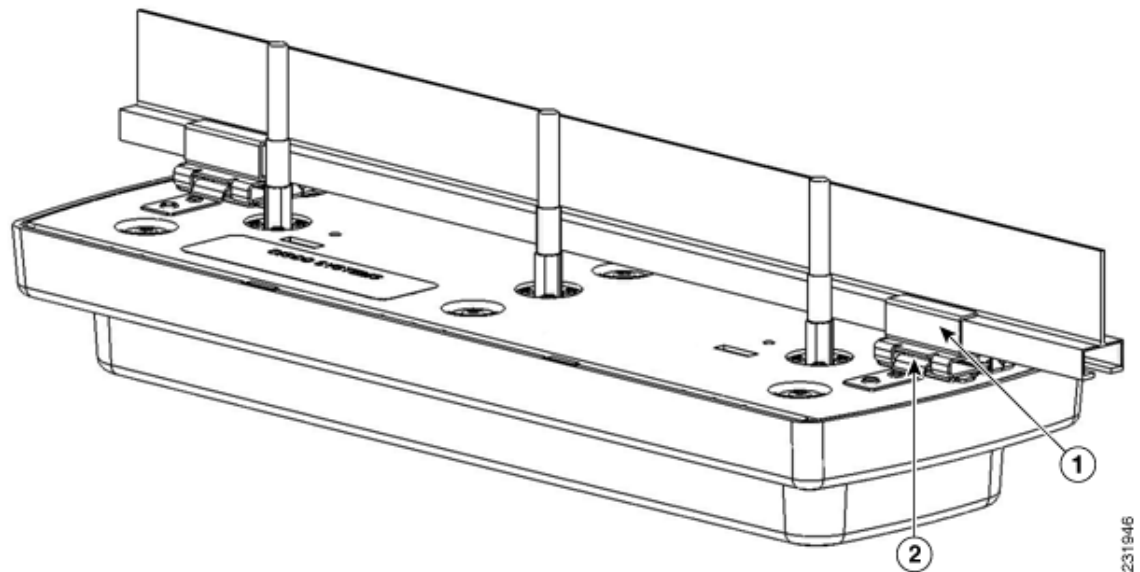
To mount your antenna or access point, you need the following tools and equipment:

- A pencil (not supplied)
- A ruler
- A small standard screwdriver (not supplied)
- A cutting tool suitable for cutting and trimming suspended ceiling tiles
- Masking tape
- An access point mounting plate (supplied with your 1130 series access point)
- An access point adjustable mounting bracket (supplied with your 1130 series access point)
- 4 8x32 flat head machine screws (supplied with your 1130 series access point)

Mounting an Antenna

Mounting an antenna on a channel grid suspended ceiling requires two converter clips. The clips attach to the ceiling channel and must be disassembled before you can attach them. [Figure 2](#) shows how the converter clips are installed on a channel and how the antenna attaches to the converter clips.

Figure 2 Antenna Mounted on a Ceiling Channel



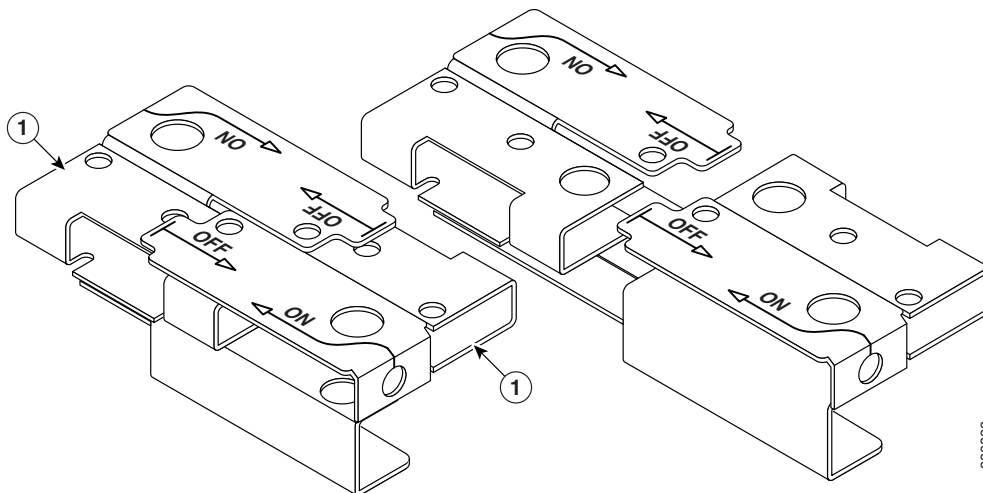
231946

1 Channel converter clip	2 Antenna mounting E-Z clip
--------------------------	-----------------------------

Follow these steps to mount the antenna on a suspended ceiling channel.

- Step 1** Identify the location where you intend to mount the antenna.
- Step 2** Raise the ceiling tiles on both sides of the channel. If desired, you can remove the tiles.
- Step 3** Use a ruler to measure the distance between the center points of the antenna E-Z clips.
- Step 4** Use a pencil to mark the distance you measured in Step 2 channel where you will install the converter clips. Make sure the marks are above the channel so you can see them when you install the converter clips.
- Step 5** Remove two converter clips from the mounting kit.
- Step 6** Disassemble each converter clip by pushing on its OFF tabs using your thumb and forefinger. See [Figure 3](#).

Figure 3 **Disassembling the Converter Clip**



- Step 7** Position both parts of the converter clip on the channel, one part on one side and the other on the opposite side.
 - a.** Make sure the ON arrows on the converter clip are pointing towards each other as shown in [Figure 3](#). The OFF arrows will point away from each other.
- Step 8** Squeeze the two parts together by pushing on its ON tabs with your thumb and forefinger until they snap together.
- Step 9** Install the other converter clip.
- Step 10** Position the converter clips so that each one is centered over the index marks you made in Step 3.
- Step 11** Use a small standard screwdriver to tighten the two set screws on the converter clips and secure it to the channel. Do not overtighten the set screws.
- Step 12** Align the antenna E-Z clips with the slots on the converter clips.
- Step 13** Insert the E-Z clips into the converter clip slots and push the clips into the slots until they will go no further.
- Step 14** Connect the antenna cable to the access point or extender cables.
- Step 15** Lower the ceiling tiles onto the channel. If you removed the tiles, replace them.

Mounting an 1130 Series Access Point

Mounting an 1130 series access point on a channel grid suspended ceiling requires two converter clips, the access point mounting plate and the access point adjustable mounting bracket. The converter clips are used to attach the adjustable mounting bracket to the channel. The access point mounting plate is attached to the adjustable mounting bracket and the access point is attached to the mounting plate.

Follow these steps to mount the access point to a suspended ceiling channel.

- Step 1** Identify the location where you intend to mount the access point.
- Step 2** Raise the ceiling tiles on both sides of the channel. If desired, you can remove the tiles.

Step 3 Use a pencil to mark two index marks on the channel rail 3½-in (8.9 cm) apart. Make sure the index marks are on the space above the channel so you can see them when you install the converter clips.



Note This measurement is the distance between the tabs on the access point adjustable bracket.

Step 4 Remove two converter clips from the mounting kit.

Step 5 Disassemble each converter clip by pushing on its OFF tabs using your thumb and forefinger. See [Figure 3](#).

Step 6 Position both parts of the converter clip on the channel, one part on one side and the other on the opposite side.

- a. Make sure the ON arrows on the converter clip are pointing towards each other as shown in [Figure 3](#). The OFF arrows will point away from each other.

Step 7 Squeeze the two parts together by pushing on its ON tabs with your thumb and forefinger until they snap together.

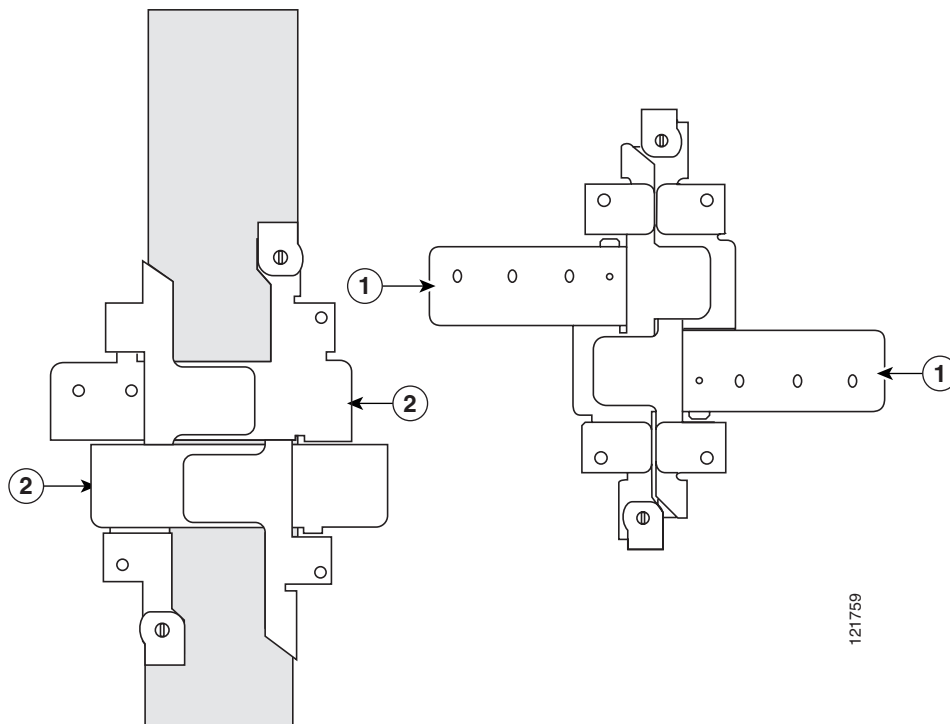
Step 8 Install the other converter clip.

Step 9 Position the converter clips so that each one is centered over the index marks you made in Step 3.

Step 10 Use a small standard screwdriver to tighten the two set screws on the converter clips and secure it to the channel. Do not overtighten the set screws.

Step 11 Expand the access point adjustable mounting bracket. See [Figure 4](#).

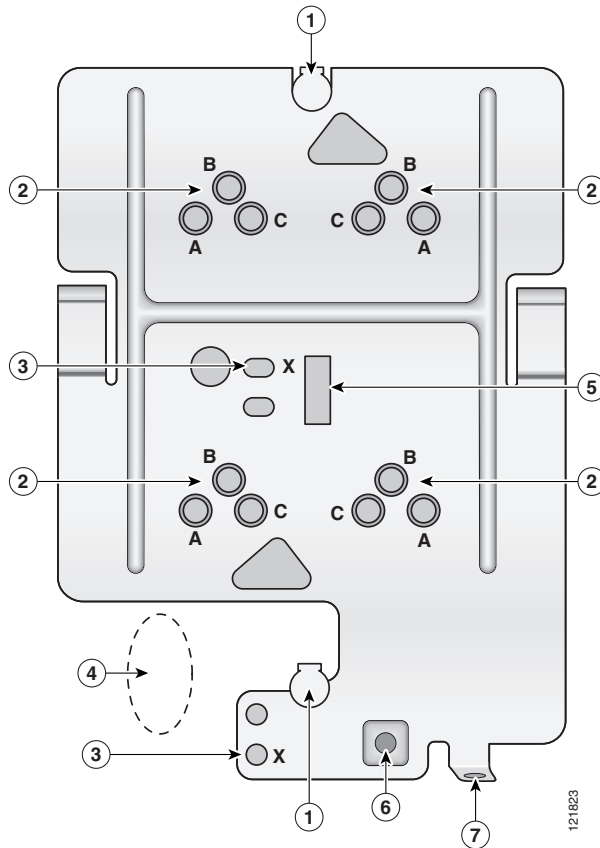
Figure 4 Adjustable Access Point Bracket



1 Push here to expand	2 Push here to close
------------------------------	-----------------------------

- Step 12** Align the tabs on the adjustable bracket with the slots on the converter clips.
- Step 13** Carefully close the adjustable bracket. The tabs should enter the slots on each side of the converter clips.
- Step 14** Use a small standard screwdriver to tighten the set screws on the access point adjustable bracket.
- Step 15** Align the access point mounting plate mounting plate with the adjustable mounting bracket. The holes on the adjustable mounting bracket will line up with hole B on the mounting plate. See [Figure 5](#).

Figure 5 Access Point Mounting Plate



1	Keyhole clips	5	T-bar hanger clip hole
2	Screw holes (A, B, C)	6	Security screw hole
3	Screw hole X	7	Padlock hole
4	Location for cable access hole		

- Step 16** Start 4 8x32 flat head machine screws into the hole marked B on the mounting plate.
- Step 17** Use a standard screwdriver to tighten the screws. Do not overtighten.
- Step 18** Attach the access point to the mounting plate.
- Step 19** Lower or reinstall the ceiling tiles.

Cisco and the Cisco Logo are trademarks of Cisco Systems, Inc. and/or its affiliates in the U.S. and other countries. A listing of Cisco's trademarks can be found at www.cisco.com/go/trademarks. Third party trademarks mentioned are the property of their respective owners. The use of the word partner does not imply a partnership relationship between Cisco and any other company. (1005R)

© 2007 Cisco Systems, Inc. All rights reserved.