



## Adjustable Mount for 2.4-GHz WLAN Yagi Antenna (AIR-ACC2662)

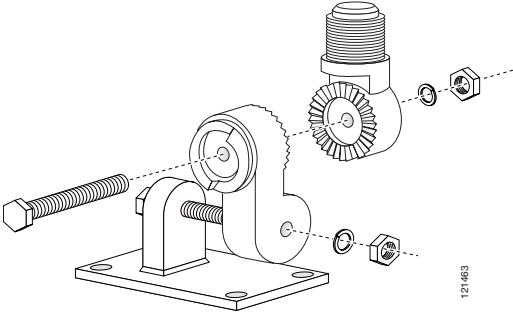
---

This mount is designed to be used with the AIR-ANT1949 and AIR-ANT2410Y-R 2.4-GHz yagi antennas. The mount is designed to adjust the antenna's position both vertically and horizontally. The mount can be attached to a variety of surfaces.

The following information is provided in this document.

- [Specifications, page 2](#)
- [Unpacking the Adjustable Mount, page 2](#)
- [Attaching the Antenna to the Mounting Plate, page 2](#)
- [Installing the Mount, page 4](#)
- [Obtaining Documentation and Submitting a Service Request, page 5](#)

# Specifications

Range of Adjustment	Vertical: 130° in 10° increments Horizontal: 170° in 10° increments	
Length	3.62 in (9.19 cm)	
Width	2.56 in (6.50 cm)	
Height	4.87 in (12.37 cm)	
Weight	16 oz (455 g)	
Material	Mount: nylon Mounting plate: aluminum Hardware: stainless steel	
Environment	Indoor or outdoor	

## Unpacking the Adjustable Mount

Each adjustable mount is shipped with the following items:

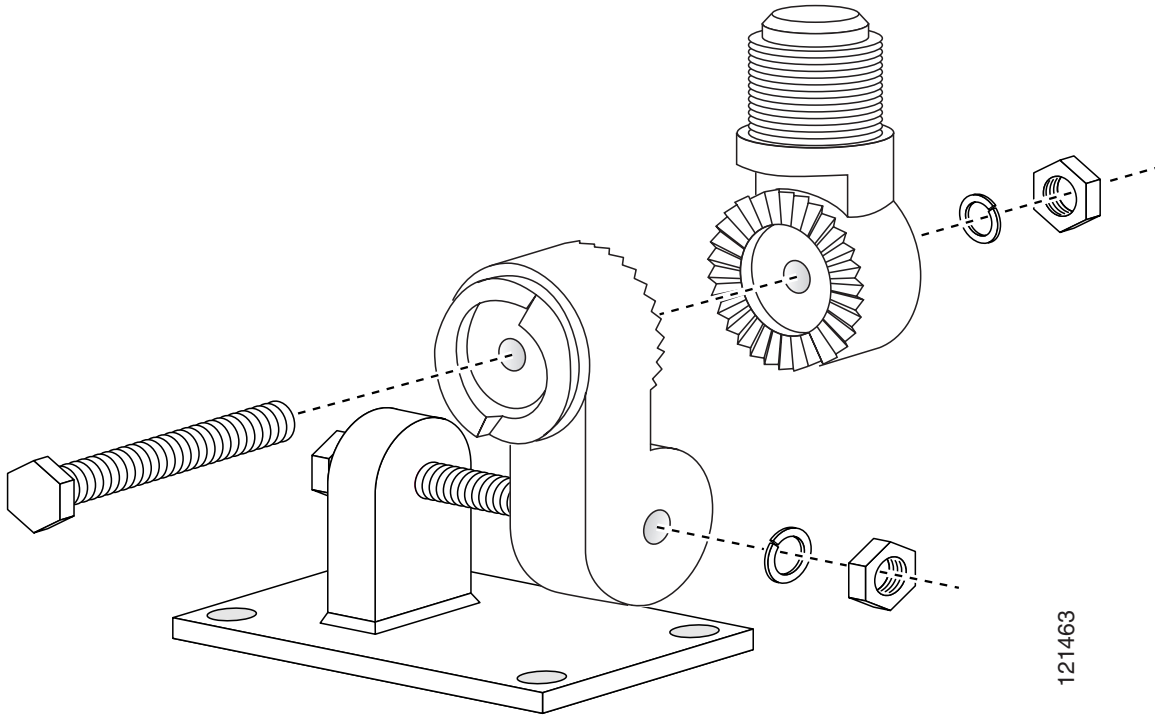
Qty	Description
1	Mounting kit
1	Mounting plate
1	1 x 14 nut
4	1/4 x 20 hex head bolt
4	1/4 x 20 hex nut
4	Split lock washer
8	Flat washer

## Attaching the Antenna to the Mounting Plate

Follow these steps to attach the antenna to the mounting plate:

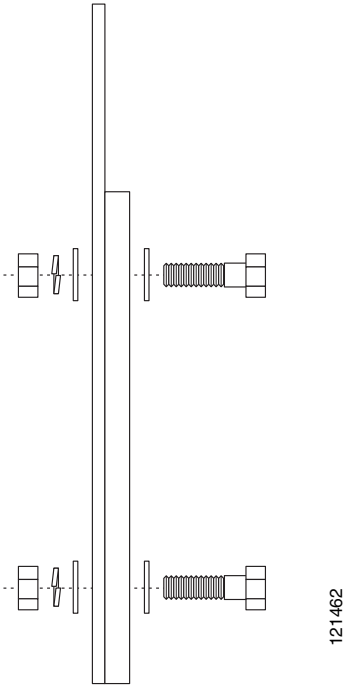
- Step 1** Assemble the mount as shown in Figure 1.
- Step 2** Hand tighten all hardware.

Figure 1 Assembly Details



**Step 3** Attach the mounting plate to your antenna using the 1/4-20 x 1-inch bolts, flat washers, split washers, and nuts as shown in Figure 2

Figure 2 Mounting the Antenna to the Mounting Plate

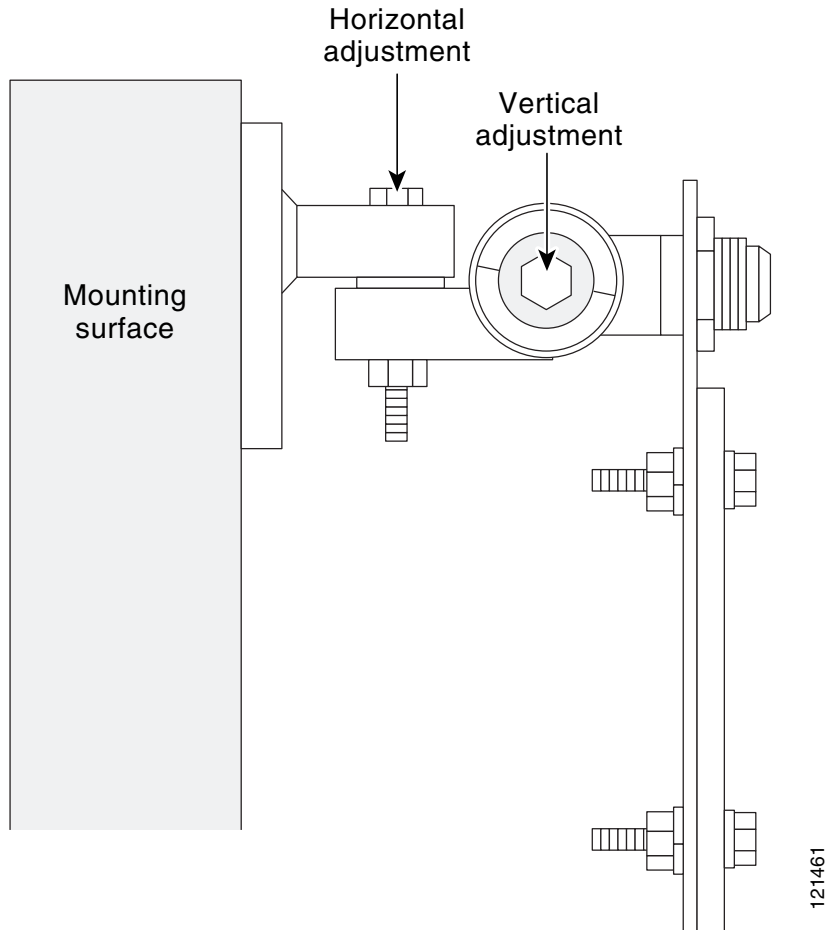


# Installing the Mount

When you determine the location at which to install the mount, consider the range of adjustment required to establish a link with another antenna. Follow these steps to install the mount:

- Step 1** Use the 1/4-20 x 1 15/16 inch fasteners to install the base of the mount to the surface on which you have chosen to mount it. Make sure the base is securely fastened to its mounting surface. See Figure 3.

**Figure 3** Overall Mounting View



**Note** You must provide adequate fasteners if those provided are incompatible with your installation.

- Step 2** Use the 1-14 nut to install the antenna with mounting plate to the adjustable mount.
- Step 3** Adjust the antenna vertically and tighten the vertical adjustment.
- Step 4** Adjust the antenna horizontally and tighten the horizontal adjustment.

# Obtaining Documentation and Submitting a Service Request

For information on obtaining documentation, submitting a service request, and gathering additional information, see the monthly *What's New in Cisco Product Documentation*, which also lists all new and revised Cisco technical documentation, at:

<http://www.cisco.com/en/US/docs/general/whatsnew/whatsnew.html>

Subscribe to the *What's New in Cisco Product Documentation* as a Really Simple Syndication (RSS) feed and set content to be delivered directly to your desktop using a reader application. The RSS feeds are a free service and Cisco currently supports RSS Version 2.0.

## 1

---

Cisco and the Cisco Logo are trademarks of Cisco Systems, Inc. and/or its affiliates in the U.S. and other countries. A listing of Cisco's trademarks can be found at [www.cisco.com/go/trademarks](http://www.cisco.com/go/trademarks). Third party trademarks mentioned are the property of their respective owners. The use of the word partner does not imply a partnership relationship between Cisco and any other company. (1005R)

Copyright © 2005 Cisco Systems, Inc. All rights reserved.