



Installation, Maintenance, and Upgrade

- [Power the Unit via the AC Power Supply, on page 1](#)
- [Power the Unit via DC Power Cable, on page 2](#)
- [Power the Unit via DC Terminal Block Adapter, on page 3](#)
- [Connect to the Network, on page 4](#)

Power the Unit via the AC Power Supply

Safety Warnings

Take note of the following warning:



Warning Ensure the unit's power source(s) have been turned OFF before servicing.

To power the unit:

Before you begin

- Make sure that the chassis ground is connected on the chassis before you begin installing the AC power supply. See [Ground the Chassis](#) for the procedure.



Note Powering Options are ordered separately. See the Ordering Guide for more details.

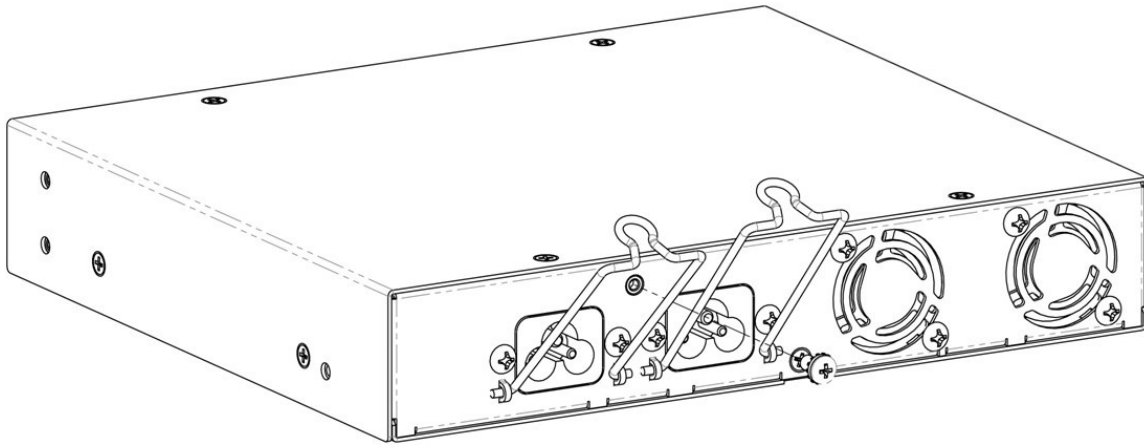
Step 1 Connect the AC plug(s) to the AC appliance coupler.

Step 2 Plug the power cord into a suitable power outlet.

Step 3 Secure the power cord through the retainer clip.

Warning The AC plug must be connected to a properly grounded AC outlet.

Figure 1: Power Cord Retainer Clip



Power the Unit via DC Power Cable

Safety Warnings

Take note of the following warning:



Warning Ensure the unit's power source(s) have been turned OFF before servicing.

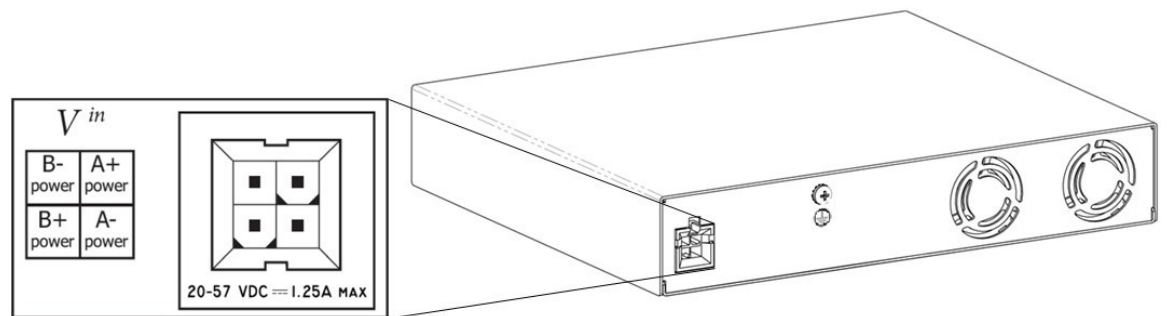
An approved external power supply switch or circuit breaker must be installed in the supply lines and be readily accessible to act as a disconnect device. The switch or circuit breaker must disconnect all poles simultaneously and be rated 5.0A max.

Connect the protective earthing terminal(s) on the power supply(ies) to the same protective earthing point as used to ground the unit.

The DC Battery Return (BR) input terminal(s) of the unit are not connected to the equipment frame or grounding means of the equipment and must be configured as isolated DC Return (DC-I) in compliance with GR-1089-CORE requirements.

For centralized DC power connection, the equipment must be installed in a Restricted Access Location.

Figure 2: DC Power Input



To power the unit via the power cable:

Before you begin

- Make sure that the chassis ground is connected on the chassis before you begin installing the DC power supply. See [Ground the Chassis](#) for the procedure.



Note Powering Options are ordered separately. See the Ordering Guide for more details.

Step 1 Establish the proper connections, between the cable end and the power sources.

Step 2 Connect the DC connector to the back of the Module.

Power the Unit via DC Terminal Block Adapter

Safety Warnings

Take note of the following warning:



Warning Ensure the unit's power source(s) have been turned OFF before servicing.

An approved external power supply switch or circuit breaker must be installed in the supply lines and be readily accessible to act as a disconnect device. The switch or circuit breaker must disconnect all poles simultaneously and be rated 5.0A max.

Connect the protective earthing terminal(s) on the power supply(ies) to the same protective earthing point as used to ground the unit.

The DC Battery Return (BR) input terminal(s) of the unit are not connected to the equipment frame or grounding means of the equipment and must be configured as isolated DC Return (DC-I) in compliance with GR-1089-CORE requirements.

For centralized DC power connection, the equipment must be installed in a Restricted Access Location.

In a 1U rackmount bracket installation, it is sometimes preferable to use DC power through directly secured wires as opposed to the DC power adapter.

To power the unit via the terminal block adapter:

Before you begin

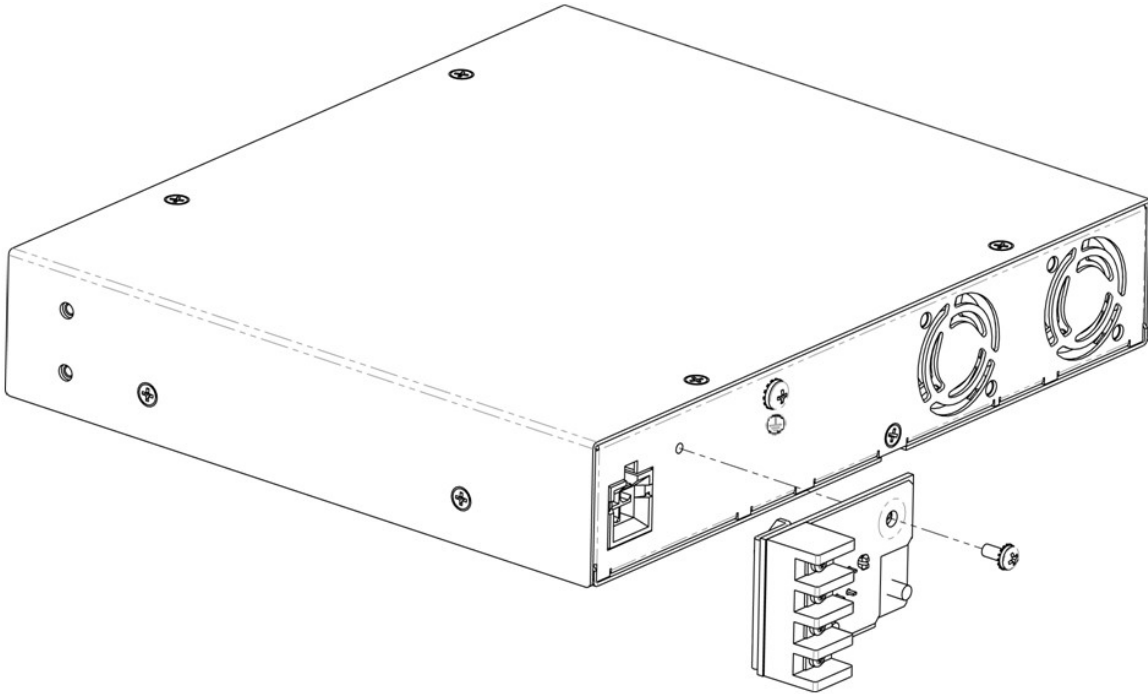
- Make sure that the chassis ground is connected on the chassis before you begin installing the DC power supply. See [Ground the Chassis](#) for the procedure.



Note Powering Options are ordered separately. See the Ordering Guide for more details.

Step 1 Fasten the Terminal Block Adapter to the back of the unit.

Figure 3: Fasten the Terminal Block Adapter



Step 2 Connect the two DC inputs to the Terminal Block Adapter.

Connect to the Network

Establish the Ethernet connections to the unit by plugging the appropriate media types to the proper ports of the unit (see the numbered diagram of the [Front Panel](#)).



Note For more information, refer to the User Material.
