



Mount the Chassis

- [Unpack and Inspect the Chassis, on page 1](#)
- [Desktop-Mount the Chassis, on page 2](#)
- [Wall-Mount the Chassis, on page 2](#)
- [Rack-Mount the Chassis, on page 5](#)
- [Ground the Chassis, on page 7](#)

Unpack and Inspect the Chassis



Note The chassis is thoroughly inspected before shipment. If any damage occurred during transportation or any items are missing, contact your customer service representative immediately. Keep the shipping container in case you need to send the chassis back due to damage.

See [Package Contents](#) for a list of what shipped with the chassis.



Note Mounting kits are ordered separately.



Warning You must install the unit in a restricted access location in the following cases:

- If you are using a DC power connection and the ambient temperature is more than 50°C.
 - If you are using a centralized DC power connection.
-

Step 1 Remove the chassis from its cardboard container and save all packaging material.

Step 2 Compare the shipment to the equipment list provided by your customer service representative. Verify that you have all items.

Step 3 Check for damage and report any discrepancies or damage to your customer service representative. Have the following information ready:

- Invoice number of shipper (see the packing slip)
- Model and serial number of the damaged unit
- Description of damage
- Effect of damage on the installation

Desktop-Mount the Chassis

Safety Warnings

Take note of the following warnings:



Warning The unit must be installed in a restricted access location if either of the following applies:

- The unit is operating where the ambient temperature exceeds 122°F (50°C).
- A centralized DC power connection is being used.



Warning

- Do not place hands, fingers or foreign objects in any holes, insertion slots or gaps.
- To avoid damage to the equipment, keep objects clear of system ventilation inlets, outlets and system fans, if any, ensuring the air flow through the units is not obstructed, and that the fans rotate freely.
- Do not disassemble or alter the unit.
- The intra-building ports of the equipment or subassembly is suitable for connection to intra-building or unexposed wiring or cabling only. The intra-building ports of the equipment **MUST NOT** be metallically connected to interfaces that connect to the OSP or its wiring.

Attach the included rubber feet to the bottom of the unit for added stability when placing it on a desktop or other flat surface.

Wall-Mount the Chassis



Note Mounting kits are ordered separately.

Safety Warnings

Take note of the following warnings:



Warning The unit must be installed in a restricted access location if either of the following applies:

- The unit is operating where the ambient temperature exceeds 50°C (122°F).
 - A centralized DC power connection is being used.
-



Warning

- Do not place hands, fingers or foreign objects in any holes, insertion slots or gaps.
 - To avoid damage to the equipment, keep objects clear of system ventilation inlets, outlets and system fans, if any, ensuring the air flow through the units is not obstructed, and that the fans rotate freely.
 - Do not disassemble or alter the unit.
 - The intra-building ports of the equipment or subassembly is suitable for connection to intra-building or unexposed wiring or cabling only. The intra-building ports of the equipment **MUST NOT** be metallically connected to interfaces that connect to the OSP or its wiring.
-

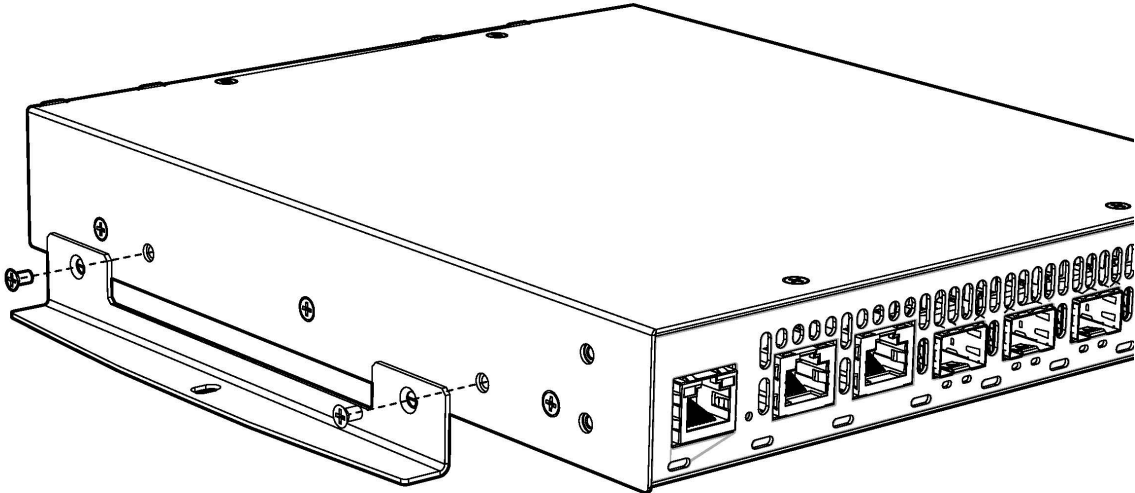
When mounting a unit on a wall, ensure that:

- The support surface and the fasteners you use must support at least 6 kg (13.2 lbs).
- Cable pull (accidental or otherwise) does not exceed the 2 kg (4.4 lbs) limit.

To mount the unit on a wall:

Step 1 Secure the Wallmount Kit to both sides of the unit using the provided screws.

Figure 1: Secure the Wallmount Kit



Step 2 Install the unit on the wall in the position shown below.

Figure 2: Wall Installation Position Option 1

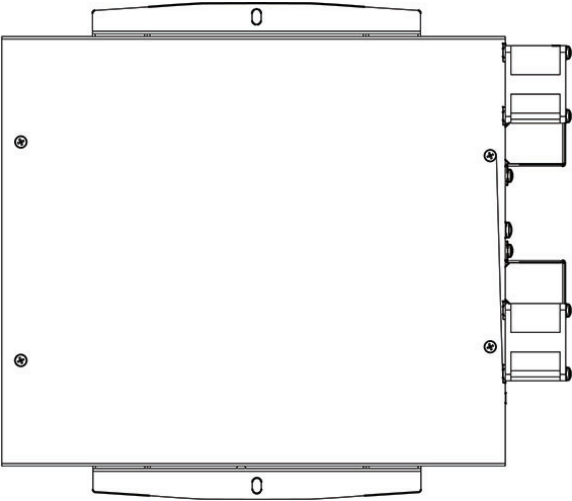
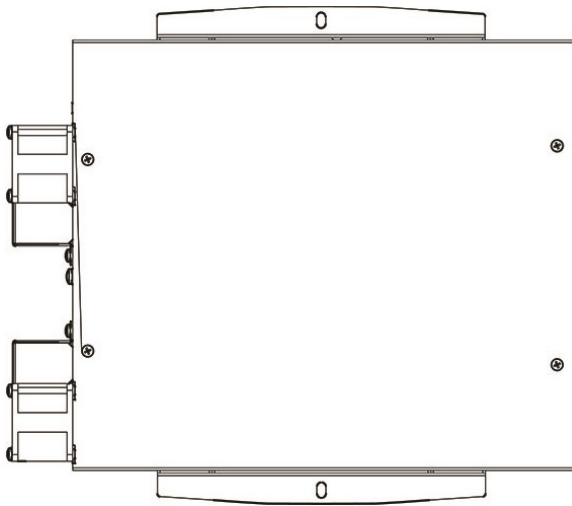


Figure 3: Wall Installation Position Option 2



Rack-Mount the Chassis



Note Mounting kits are ordered separately.

Safety Warnings

Take note of the following warnings:



Warning The unit must be installed in a restricted access location if either of the following applies:

- The unit is operating where the ambient temperature exceeds 50°C (122°F).
- A centralized DC power connection is being used.



Warning

- Do not place hands, fingers or foreign objects in any holes, insertion slots or gaps.
- To avoid damage to the equipment, keep objects clear of system ventilation inlets, outlets and system fans, if any, ensuring the air flow through the units is not obstructed, and that the fans rotate freely.
- Do not disassemble or alter the unit.
- The intra-building ports of the equipment or subassembly is suitable for connection to intra-building or unexposed wiring or cabling only. The intra-building ports of the equipment **MUST NOT** be metallically connected to interfaces that connect to the OSP or its wiring.

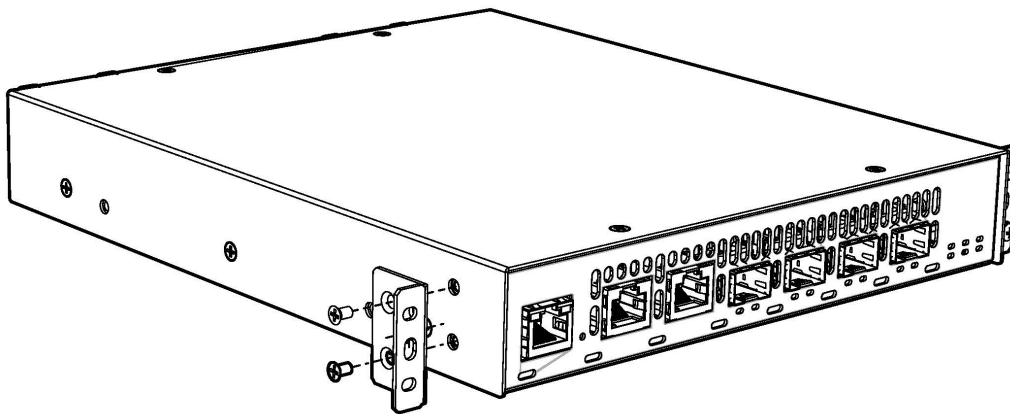


Tip Only the flush mounting options are NEBS compliant.

To conform to the NEBS Seismic Zone 4 requirements, the bracket must be secured, using screws specified by the rack manufacturer, to a NEBS Seismic Zone 4 compliant rack. Such screws are not provided with the bracket kit.

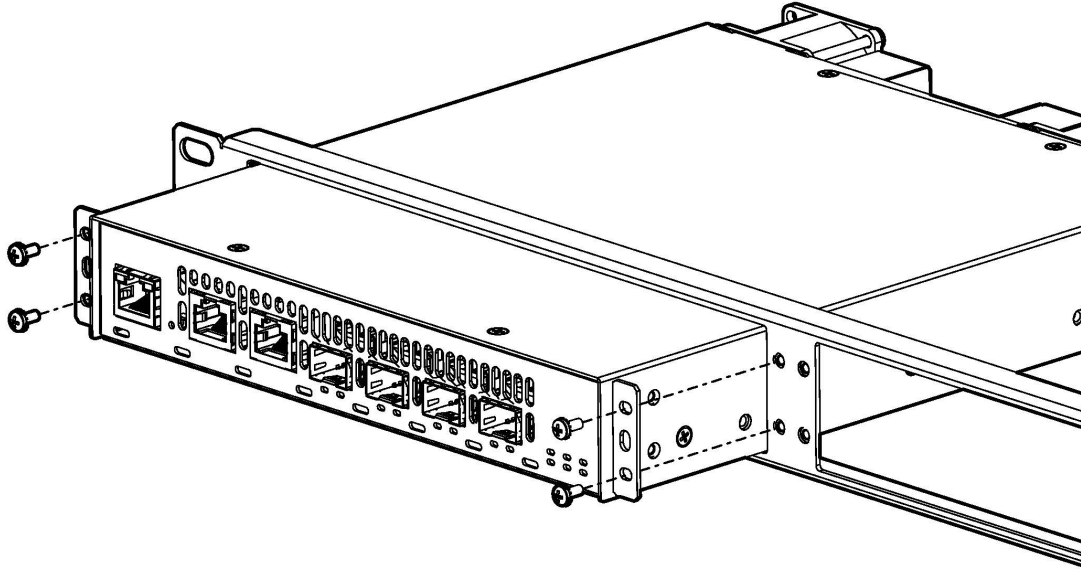
Step 1 Secure the L-shaped mounting bracket vertically to both sides of each unit using the provided screws.

Figure 4: Secure the L-shaped Mounting Brackets



Step 2 Carefully slide each unit into the rack mount bracket. Secure with screws. The rack mount bracket may provide up to two bays.

Figure 5: Slide Each Unit into the Rack Mount Bracket



Ground the Chassis

For safety reasons, connect the protective ground screw to a suitable grounding point before applying power.

Safety Warnings

Take note of the following warnings:



Warning

Statement 1101—Connected To Grounded Outlet

In the Scandinavian countries (Denmark, Finland, Iceland, Norway, and Sweden) the appliance must be connected to a grounded outlet.



Note

Applicable wire range: 2.5 to 6.0 mm² (14 to 10 AWG).

