



# Prerequisites

- [Prerequisites for ESXi, on page 1](#)
- [Prerequisites for Hyper-V, on page 3](#)

## Prerequisites for ESXi

### ESXi Installation Prerequisites

Before installing HxBench, review the following installation and configuration requirements:

#### Open Virtual Appliance (OVA) Size

HxBench Controller OVA	
vCPU	8
RAM	8 GB
OS Disk	16 GB
Access Credentials	Username: <i>appadmin</i> Password: Default is <i>password</i>
HxBench Test OVA	
vCPU	1
RAM	2 GB
OS Disk	8 GB
Data Disk	As provisioned by user for testing.
Number of test VMs	As defined by user for testing.
Access Credentials	Username: <i>appadmin</i> Password: Default is <i>password</i>

**Credentials to Access vCenter**

Username	<root or admin> username
Password	<root or admin> password

**Supported Browsers**

Chrome	Chrome version 50 or higher.
Firefox	Not supported.
Internet Explorer	Not supported.
Safari	Not supported.

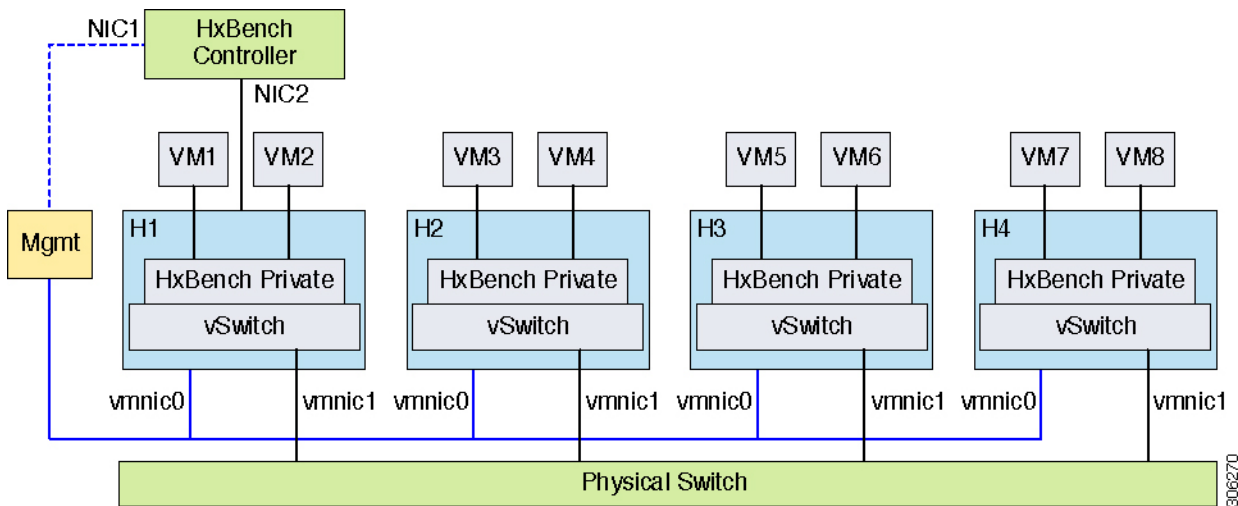
# ESXi Network Prerequisites

This section describes how to set up the network to deploy the test virtual machines successfully and to run storage performance testing. You can set up the network manually to run the tests. This section provides the step-by-step tasks for manual network creation.

**Datacenter or Cluster with Multiple Hosts**

For a datacenter or cluster with multiple hosts, segment the network that connects to subordinate VMs as shown in the figure below. The HxBench Controller assigns static IP addresses to the test VMs and provides IP addresses to the subordinate VMs.

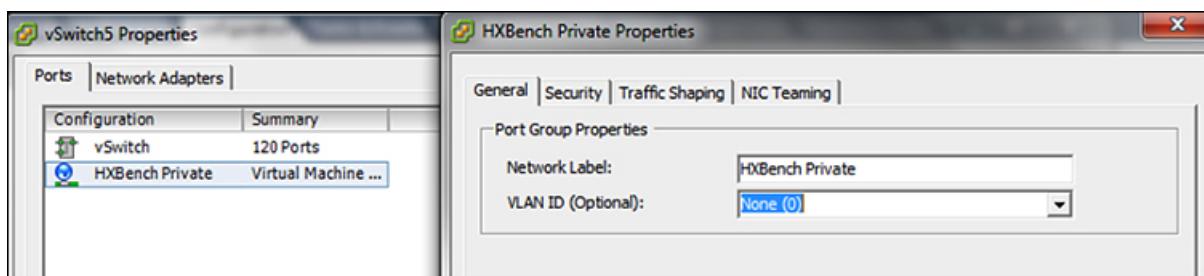
Figure 1: Network Consideration—Datacenter or Cluster with Multiple Hosts



Follow these steps to create the required Standard Switch and Port Group for HxBench:

1. Create a Standard Switch with an uplink connected to a physical switch. Alternatively, you can select an existing Standard Switch with uplink connected to the switch.

- Using vSphere Web Client, create a **Port Group** labeled *HxBench Private* on the newly created Standard Switch or on the selected Standard Switch with a valid VLAN ID.
- Repeat steps 1 and 2 on all the hosts in the cluster.
- During OVA deployment, map NIC-2 of the HxBench Controller to the newly created **HxBench Private Port Group**.
- Using vSphere Web Client, update the VLAN ID of the *HxBench Private* Port Group. Click **Edit > Properties**. On the **HxBench Private Properties** page, under the **General** tab, configure **VLAN ID** from the drop-down list.
- Make sure that the VLAN ID is updated in the physical switch configuration and that the switch is configured to process traffic based on specific VLAN IDs.



**Note** For procedural steps on manual network creation for a Datacenter or cluster with a single host, refer to [Appendix](#) at the end of this guide.

## Prerequisites for Hyper-V

### Hyper-V Installation Prerequisites

Before installing HxBench, review the following installation and configuration requirements.

#### Virtual Hard Disk (VHDX) Size

The following table lists the prerequisites for setting up the HxBench Virtual Application on Hyper-V:

HxBench Controller VHDX	
vCPU	8
RAM	8 GB
OS Disk	16 GB
Access Credentials	Username: <i>appadmin</i> Password: Default is <i>password</i>
HxBench Test VHDX	

vCPU	1
RAM	2 GB
OS Disk	8 GB
Data Disk	As provisioned by user for testing.
Number of test VMs	As defined by user for testing.
Access Credentials	Username: <i>appadmin</i> Password: Default is <i>password</i>

### Supported Browsers

Chrome	Chrome version 50 or higher.
Firefox	Not supported.
Internet Explorer	Not supported.
Safari	Not supported.

### Related Topics

[Hyper-V Network Prerequisites](#), on page 4

## Hyper-V Network Prerequisites

### Hyper-V Network Prerequisites

Complete the following Hyper-V network prerequisites:

1. From the HyperV Manager, under **Actions of the HyperV server**, click **Virtual Switch Manager**.
2. Under the tab **New virtual network switch** choose the **Private** network switch, then click **Create Virtual Switch**.
3. Specify the name of the switch as **HxBench Private**.
4. Click **Apply** then **OK**.