



CHAPTER 13

Maintain the Node

This chapter provides procedures for maintaining the Cisco ONS 15454, including database backup and restoration, removing and replacing cards, viewing the ONS 15454 audit trail, and hardware maintenance procedures such as cleaning fibers, changing the fan tray filter, and other maintenance procedures.



Note

Unless otherwise specified, “ONS 15454” refers to both ANSI and ETSI shelf assemblies.

Before You Begin

Before performing any of the following procedures, investigate all alarms and clear any trouble conditions. Refer to the *Cisco ONS 15454 DWDM Troubleshooting Guide* as necessary for general troubleshooting information and alarm or error descriptions.

This section lists the chapter procedures (NTPs). Turn to a procedure to view its tasks (DLPs).

1. [NTP-G103 Back Up the Database, page 13-2](#)—Complete as needed.
2. [NTP-G104 Restore the Database, page 13-2](#)—Complete as needed.
3. [NTP-G105 Restore the Node to Factory Configuration, page 13-4](#)—Complete as needed to clear the database and upload a blank database and the latest software.
4. [NTP-G133 View and Manage OSI Information, page 13-10](#)—Complete as needed.
5. [NTP-G106 Reset Cards Using CTC, page 13-13](#)—Complete as needed to reset the TCC2/TCC2P cards and the dense wavelength division multiplexing (DWDM) cards.
6. [NTP-G108 Viewing the Audit Trail Records, page 13-15](#)—Complete as needed.
7. [NTP-G109 Off-Load the Audit Trail Record, page 13-17](#)—Complete as needed.
8. [NTP-G110 Off-Load the Diagnostics File, page 13-18](#)—Complete as needed.
9. [NTP-G112 Change the Node Timing Reference, page 13-18](#)—Complete as needed.
10. [NTP-G113 View the ONS 15454 Timing Report, page 13-20](#)—Complete as needed.
11. [NTP-G114 Inspect and Replace the Air Filter, page 13-23](#)—Complete as needed.
12. [NTP-G115 Clean Fiber Connectors, page 13-26](#)—Complete as needed.
13. [NTP-G40 Replace the Front Door, page 13-29](#)—Complete as needed.
14. [NTP-G116 Replace the Fan-Tray Assembly, page 13-31](#)—Complete as needed.
15. [NTP-G117 Replace the ANSI Shelf Alarm Interface Panel, page 13-36](#)—Complete as needed.

16. [NTP-G118 Replace the ANSI Shelf Plastic Lower Backplane Cover, page 13-40](#)—Complete as needed.
17. [NTP-G135 Edit Network Element Defaults, page 13-42](#)—Complete as needed to edit the factory-configured (default) network element (NE) settings for the Cisco ONS 15454.
18. [NTP-G136 Import Network Element Defaults, page 13-43](#)—Complete as needed to import the factory-configured (default) NE settings for the Cisco ONS 15454.
19. [NTP-G137 Export Network Element Defaults, page 13-44](#)—Complete as needed to export the factory-configured (default) NE settings for the Cisco ONS 15454.
20. [NTP-G166 View the Facilities, page 13-45](#)—Complete as needed to view all facilities for the Cisco ONS 15454.

NTP-G103 Back Up the Database

Purpose	This procedure stores a backup version of the TCC2/TCC2P (software) database on the workstation running Cisco Transport Controller (CTC) or on a network server.
Tools/Equipment	None
Prerequisite Procedures	None
Required/As Needed	Required. Cisco recommends performing a database backup at approximately weekly intervals and prior to and after configuration changes.
Onsite/Remote	Onsite or remote
Security Level	Maintenance or higher

-
- Step 1** Complete the “[DLP-G46 Log into CTC](#)” task on page 2-26 at the node you want to back up. If you are already logged in, continue with [Step 2](#).
- Step 2** In node view (single-shelf mode) or multishelf view (multishelf mode), click the **Maintenance > Database** tabs.
- Step 3** Click **Backup**.
- Step 4** Save the database on the workstation’s hard drive or on network storage. Use an appropriate file name with the DB file extension; for example, database.db.
- Step 5** Click **Save**.
- Step 6** Click **OK** in the confirmation dialog box.
- Stop. You have completed this procedure.**
-

NTP-G104 Restore the Database

Purpose	This procedure restores the TCC2/TCC2P card software database, either partially or completely.
Tools/Equipment	None

Prerequisite Procedures	NTP-G103 Back Up the Database, page 13-2
Required/As Needed	As needed
Onsite/Remote	Onsite or remote
Security Level	Superuser only

**Note**

You must back up and restore the database for each node on a circuit path in order to maintain a complete circuit.

**Note**

The following parameters are restored only when the **Complete Database (System and Provisioning)** checkbox is checked: node name, IP address, subnet mask and gateway, and IIOP port. If you change the node name and then restore a backed up database on this node, the circuits automatically map to the newly renamed node. It is recommended to keep a record of the old and new node names.

**Caution**

If you are restoring the database on multiple nodes, wait approximately one minute after the TCC2/TCC2P card reboot has completed on each node before proceeding to the next node.

**Caution**

TCC2P cards can be used in single IP address (repeater) and dual IP address (secure) mode. The secure mode has advanced features that affect database restore. A database from a secure node cannot be loaded on an unsecure repeater node. A repeater mode database can be loaded onto a secure node but the database will follow the node characteristics (that is, it will become secure). A secure database cannot be loaded onto a TCC2; only TCC2P cards support secure mode. For more information about the dual IP secure mode, see the “[NTP-G26 Set Up CTC Network Access](#)” procedure on page 3-13. Also refer to the “Management Network Connectivity” chapter of the *Cisco ONS 15454 DWDM Reference Manual*.

- Step 1** Complete the “[DLP-G46 Log into CTC](#)” task on page 2-26 at the node where you are restoring the database. If you are already logged in, continue with Step 2.
- Step 2** In node view (single-shelf mode) or multishelf view (multishelf mode), click the **Circuits** tab. Verify that no optical channel network connection (OCHNC) circuits have a PARTIAL_OOS state. If so, investigate and resolve the partial state before continuing.
- Step 3** Complete the “[DLP-G157 Disable Automatic Power Control](#)” task on page 10-4.
- Step 4** In multishelf view (multishelf mode) or in node view (single-shelf mode), click the **Maintenance > Database** tabs.
- Step 5** Click **Restore**.
- Step 6** Locate the database file stored on the workstation hard drive or on network storage.

**Note**

To clear all existing provisioning, locate and upload the database found on the latest ONS 15454 software CD.

- Step 7** Click the database file to highlight it.
- Step 8** Click **Open**. The DB Restore dialog box appears.

**Caution**

Opening a restore file from another node or from an earlier backup might affect traffic on the login node.

Step 9

If you need a complete database restore, check the **Complete database (System and Provisioning)** checkbox. Continue with [Step 11](#).

**Note**

Complete database restore may be used only on a node that is removed from the network, and does not carry live provisioning traffic. This operation needs to be done by a live operator onsite, and must not use a remote connection.

Step 10

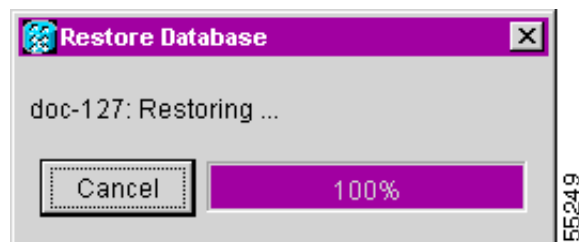
If you need to restore only the provisioning database (partial restore), do not check the **Complete database (System and Provisioning)** checkbox.

Step 11

Click **Ok**.

The Restore Database dialog box monitors the file transfer ([Figure 13-1](#)).

Figure 13-1 Restoring the Database—In-Process Notification

**Step 12**

Wait for the file to complete the transfer to the TCC2/TCC2P card.

Step 13

Click **OK** when the “Lost connection to node, changing to Network View” dialog box appears. Wait for the node to reconnect.

Step 14

Complete the “[DLP-G158 Enable Automatic Power Control](#)” task on [page 10-5](#).

Stop. You have completed this procedure.

NTP-G105 Restore the Node to Factory Configuration

Purpose

This procedure reinitializes the ONS 15454 using the CTC reinitialization tool. Reinitialization uploads a new software package to the TCC2/TCC2P cards, clears the node database, and restores the factory default parameters.

Tools/Equipment

ONS 15454 System Software CD, Version 9.0

JRE 5.0 is recommended to log into the node after reinitialization is complete. The reinitialization tool can run on JRE 1.3.1_02, JRE 1.4.2, or JRE 5.0.

Prerequisite Procedures [NTP-G103 Back Up the Database, page 13-2](#)
[NTP-G17 Set Up Computer for CTC, page 2-2](#)

One of the following:

- [NTP-G18 Set Up CTC Computer for Local Craft Connection to the ONS 15454, page 2-9](#), or
- [NTP-G19 Set Up a CTC Computer for a Corporate LAN Connection to the ONS 15454, page 2-21](#)

Required/As Needed As needed
Onsite/Remote Onsite
Security Level Superuser only

**Caution**

Cisco strongly recommends that you keep different node databases in separate folders. This is because the reinitialization tool chooses the first product-specific software package in the specified directory if you use the Search Path field instead of the Package and Database fields. You might accidentally copy an incorrect database if multiple databases are kept in the specified directory.

**Caution**

Restoring a node to the factory configuration deletes all cross-connects on the node.

**Caution**

Cisco recommends that you save the node database to safe location if you will not be restoring the node using the database provided on the software CD.

**Note**

The following parameters are not backed up and restored when you delete the database and restore the factory settings: node name, IP address, subnet mask and gateway, and IIOp port. If you change the node name and then restore a backed up database with a different node name, the circuits map to the new renamed node. Cisco recommends keeping a record of the old and new node names.

**Note**

A node will remain locked in secure mode even if it is restored with the factory database. A node locked in secure mode can only be unlocked by Cisco Technical Support.

- Step 1** If you need to install or replace one or more TCC2/TCC2P cards, see the [“DLP-G33 Install the TCC2 or TCC2P Card” task on page 1-77](#).
- Step 2** If you are using Microsoft Windows, complete the [“DLP-G248 Use the Reinitialization Tool to Clear the Database and Upload Software \(Windows\)” task on page 13-6](#).
- Step 3** If you are using UNIX, complete the [“DLP-G249 Use the Reinitialization Tool to Clear the Database and Upload Software \(UNIX\)” task on page 13-8](#).

Stop. You have completed this procedure.

DLP-G248 Use the Reinitialization Tool to Clear the Database and Upload Software (Windows)

Purpose	This task reinitializes the ONS 15454 using the CTC reinitialization tool on a Windows computer. Reinitialization uploads a new software package to the TCC2/TCC2P cards, clears the node database, and restores the factory default parameters.
Tools/Equipment	ONS 15454 System Software CD, Version 9.0 JRE 5.0 must be installed on the computer to log into the node at the completion of the reinitialization. The reinitialization tool can run on JRE 1.3.1_02, JRE 1.4.2, or JRE 5.0.
Prerequisite Procedures	NTP-G103 Back Up the Database, page 13-2 NTP-G17 Set Up Computer for CTC, page 2-2 One of the following: <ul style="list-style-type: none"> • NTP-G18 Set Up CTC Computer for Local Craft Connection to the ONS 15454, page 2-9, or • NTP-G19 Set Up a CTC Computer for a Corporate LAN Connection to the ONS 15454, page 2-21
Required/As Needed	As needed to clear the existing database from a TCC2/TCC2P and restore the node default settings.
Onsite/Remote	Onsite
Security Level	Superuser only



Caution

Restoring a node to the factory configuration deletes all cross-connects on the node.



Note

The ONS 14545 Software CD is if the Reinit.jar file, the CISCO 15454 package file, and the NE default file are not stored on your computer.



Note

A node will remain locked in secure mode after the node's database is deleted, even if it is restored with the factory database. A node locked in secure mode can only be unlocked by Cisco Technical Support.

- Step 1** Insert the ONS 15454 System Software CD, Version 9.0, into the computer CD-ROM drive. If the CTC Installation Wizard appears, click **Cancel**.
- Step 2** From the Windows Start menu, choose **Run**. In the Run dialog box, click **Browse** and navigate to the CISCO15454 or CISCO15454SDH folder on the software CD.
- Step 3** In the Browse dialog box Files of Type field, choose **All Files**.
- Step 4** Choose the RE-INIT.jar file and click **Open**. The NE Re-Initialization window appears ([Figure 13-2](#)).

Figure 13-2 Reinitialization Tool

Step 5 Complete the following fields:

- **GNE IP**—If the node you are reinitializing is accessed through another node configured as a gateway network element (GNE), enter the GNE IP address. If you have a direct connection to the node, leave this field blank.
- **Node IP**—Enter the node name or IP address of the node that you are reinitializing.
- **User ID**—Enter the user ID needed to access the node.
- **Password**—Enter the password for the user ID.
- **Upload Package**—Check this box to send the software package file to the node. If unchecked, the software stored on the node is not modified.
- **Force Upload**—Check this box to send the software package file to the node even if the node is running the same software version. If unchecked, reinitialization will not send the software package if the node is already running the same version.
- **Activate/Revert**—Check this box to activate the uploaded software (if the software is a later than the installed version) or revert to the uploaded software (if the software is earlier than the installed version) as soon as the software file is uploaded. If unchecked, the software is not activated or reverted after the upload, allowing you to initiate the functions later from the node view Maintenance > Software tab.
- **Re-init Database**—Check this box to send a new database to the node. (This is equivalent to the CTC database restore operation.) If unchecked, the node database is not modified.
- **Confirm**—Check this box if you want a warning message displayed before any operation is performed. If unchecked, reinitialization does not display a warning message.
- **Search Path**—Enter the path to the CISCO15454 folder on the CD drive.

Step 6 Click **Go**.**Caution**

Before continuing with the next step, verify that the database to upload is correct. You cannot reverse the upload process after you click Yes.

Step 7 Review the information in the Confirm NE Re-Initialization dialog box, then click **Yes** to start the reinitialization.

The reinitialization begins. After the software is downloaded and activated, and the database is uploaded to the TCC2/TCC2P cards, “Complete” appears in the status bar and the TCC2/TCC2P cards will reboot. Wait a few minutes for the reboot to complete.

Step 8 After the reboot is complete, log into the node using the [“DLP-G46 Log into CTC” task on page 2-26](#).

- Step 9** Complete the “NTP-G24 Set Up Name, Date, Time, and Contact Information” procedure on page 3-10 and the “NTP-G26 Set Up CTC Network Access” procedure on page 3-13.
- Step 10** Return to your originating procedure (NTP).

DLP-G249 Use the Reinitialization Tool to Clear the Database and Upload Software (UNIX)

Purpose	This task reinitializes the ONS 15454 using the CTC reinitialization tool on a UNIX computer. Reinitialization uploads a new software package to the TCC2/TCC2P cards, clears the node database, and restores the factory default parameters.
Tools/Equipment	ONS 15454 SONET System Software CD, Version 9.0 JRE 5.0 must be installed on the computer to log into the node at the completion of the reinitialization. The reinitialization tool can run on JRE 1.3.1_02, JRE 1.4.2, or JRE 5.0.
Prerequisite Procedures	NTP-G103 Back Up the Database, page 13-2 NTP-G17 Set Up Computer for CTC, page 2-2 One of the following: <ul style="list-style-type: none"> • NTP-G18 Set Up CTC Computer for Local Craft Connection to the ONS 15454, page 2-9, or • NTP-G19 Set Up a CTC Computer for a Corporate LAN Connection to the ONS 15454, page 2-21
Required/As Needed	As needed to clear the existing database from a TCC2/TCC2P and restore the node default settings.
Onsite/Remote	Onsite
Security Level	Superuser only



Caution

Restoring a node to the factory configuration deletes all cross-connects on the node.



Note

A node will remain locked in secure mode after the node's database is deleted, even if it is restored with the factory database. A node locked in secure mode can only be unlocked by Cisco Technical Support.

- Step 1** Insert the system software CD containing the reinitialization tool, software, and defaults database into the computer CD-ROM drive. If the CTC Installation Wizard appears, click **Cancel**.
- Step 2** To find the recovery tool file, go to the CISCO15454 directory on the CD (usually /cdrom/cdrom0/CISCO15454 or /cdrom/cdrom0/CISCO15454SDH).
- Step 3** If you are using a file explorer, double-click the **RE-INIT.jar** file. If you are working with a command line, run **java -jar RE-INIT.jar**. The NE Re-Initialization window appears ([Figure 13-2](#)).
- Step 4** Complete the following fields:

- GNE IP—If the node you are reinitializing is accessed through another node configured as a GNE, enter the GNE IP address. If you have a direct connection to the node, leave this field blank.
- Node IP—Enter the node name or IP address of the node that you are reinitializing.
- User ID—Enter the user ID needed to access the node.
- Password—Enter the password for the user ID.
- Upload Package—Check this box to send the software package file to the node. If unchecked, the software stored on the node is not modified.
- Force Upload—Check this box to send the software package file to the node even if the node is running the same software version. If unchecked, reinitialization will not send the software package if the node is already running the same version.
- Activate/Revert—Check this box to activate the uploaded software (if the software is a later than the installed version) or revert to the uploaded software (if the software is earlier than the installed version) as soon as the software file is uploaded. If unchecked, the software is not activated or reverted after the upload, allowing you to initiate the functions later from the node view Maintenance > Software tab.
- Re-init Database—Check this box to send a new database to the node. (This is equivalent to the CTC database restore operation.) If unchecked, the node database is not modified.
- Confirm—Check this box if you want a warning message displayed before any operation is performed. If unchecked, reinitialization does not display a warning message.
- Search Path—Enter the path to the CISCO15454 or CISCO15454SDH folder on the CD drive.

Step 5 Click **Go**.



Caution

Before continuing with the next step, verify that the database to upload is correct. You cannot reverse the upload process after you click Yes.

Step 6 Review the information in the Confirm NE Re-Initialization dialog box, then click **Yes** to start the reinitialization.

The reinitialization begins. After the software is downloaded and activated and the database is uploaded to the TCC2/TCC2P cards, “Complete” appears in the status bar and the TCC2/TCC2P cards will reboot. Wait a few minutes for the reboot to complete.

Step 7 After the reboot is complete, log into the node using the [“DLP-G46 Log into CTC”](#) task on page 2-26.

Step 8 Complete the [“NTP-G24 Set Up Name, Date, Time, and Contact Information”](#) procedure on page 3-10 and the [“NTP-G26 Set Up CTC Network Access”](#) procedure on page 3-13.

Step 9 Return to your originating procedure (NTP).

NTP-G133 View and Manage OSI Information

Purpose	This procedure allows you to view and manage Open Systems Interconnection (OSI) including the End System to Intermediate System (ES-IS) and Intermediate System to Intermediate System (IS-IS) routing information tables, the Target Identifier Address Resolution Protocol (TARP) data cache, and the manual area table.
Tools/Equipment	None
Prerequisite Procedures	NTP-G103 Back Up the Database, page 13-2 NTP-G17 Set Up Computer for CTC, page 2-2 NTP-G132 Provision OSI, page 3-32
Required/As Needed	As needed
Onsite/Remote	Onsite or remote
Security Level	Provisioning or higher


Note

Additional information about the ONS 15454 implementation of OSI is provided in the “Management Network Connectivity” chapter in the *Cisco ONS 15454 DWDM Reference Manual*.

-
- Step 1** Complete the “[DLP-G46 Log into CTC](#)” task on page 2-26. If you are already logged in, continue with Step 2.
- Step 2** Perform any of the following tasks as needed:
- [DLP-G298 View IS-IS Routing Information Base, page 13-10](#)
 - [DLP-G299 View ES-IS Routing Information Base, page 13-11](#)
 - [DLP-G300 Manage the TARP Data Cache, page 13-12](#)
- Stop. You have completed this procedure.**
-

DLP-G298 View IS-IS Routing Information Base

Purpose	This task allows you to view the IS-IS protocol routing information base (RIB). IS-IS is an OSI routing protocol that floods the network with information about NEs on the network. Each NE uses the information to build a complete and consistent picture of a network topology. The IS-IS RIB shows the network view from the perspective of the IS node.
Tools/Equipment	None
Prerequisite procedures	DLP-G46 Log into CTC, page 2-26
Required/As needed	As needed
Onsite/Remote	Onsite or remote
Security Level	Provisioning or higher

-
- Step 1** In node view (single-shelf mode) or multishelf view (multishelf mode), click the **Maintenance > OSI > IS-IS RIB** tabs.
- Step 2** View the following RIB information for Router 1:
- **Subnet Type**—Indicates the OSI subnetwork point of attachment type used to access the destination address. Subnet types include SDCC, LDCC, GCC, OSC, and LAN.
 - **Location**—Indicates the OSI subnetwork point of attachment. For data communications channel (DCC) subnets, the slot and port are displayed. LAN subnets are shown as LAN.
 - **Destination Address**—The destination Network Service Access Point (NSAP) of the IS.
 - **MAC Address**—For destination NEs that are accessed by LAN subnets, the NE's MAC address.
- Step 3** If additional routers are enabled, you can view their RIBs by choosing the router number in the Router field and clicking **Refresh**.
- Step 4** Return to your originating procedure (NTP).
-

DLP-G299 View ES-IS Routing Information Base

Purpose	This task allows you to view the ES-IS protocol RIB. ES-IS is an OSI protocol that defines how end systems (hosts) and intermediate systems (routers) learn about each other. For ESs, the ES-IS RIB shows the network view from the perspective of the ES node. For ISs, the ES-IS RIB shows the network view from the perspective of the IS node.
Tools/Equipment	None
Prerequisite procedures	DLP-G46 Log into CTC, page 2-26
Required/As needed	As needed
Onsite/Remote	Onsite or remote
Security Level	Provisioning or higher

-
- Step 1** In node view (single-shelf mode) or multishelf view (multishelf mode), click the **Maintenance > OSI > ES-IS RIB** tabs.
- Step 2** View the following RIB information for Router 1:
- **Subnet Type**—Indicates the OSI subnetwork point of attachment type used to access the destination address. Subnet types include SDCC, LDCC, GCC, OSC, and LAN.
 - **Location**—Indicates the subnet interface. For DCC subnets, the slot and port are displayed. LAN subnets are shown as LAN.
 - **Destination Address**—The destination IS NSAP.
 - **MAC Address**—For destination NEs that are accessed by LAN subnets, the NE's MAC address.
- Step 3** If additional routers are enabled, you can view their RIBs by choosing the router number in the Router field and clicking **Refresh**.
- Step 4** Return to your originating procedure (NTP).
-

DLP-G300 Manage the TARP Data Cache

Purpose	This task allows you to view and manage the TARP data cache (TDC). The TDC facilitates TARP processing by storing a list of TID to NSAP mappings.
Tools/Equipment	None
Prerequisite procedures	DLP-G46 Log into CTC, page 2-26
Required/As needed	As needed
Onsite/Remote	Onsite or remote
Security Level	Provisioning or higher

Step 1 In node view (single-shelf mode) or multishelf view (multishelf mode), click the **Maintenance > OSI > TDC** tabs.

Step 2 View the following TDC information:

- **TID**—The target identifier of the originating NE. For ONS 15454s, the TID is the name entered in the Node Name/TID field on the Provisioning > General tab.
- **NSAP/NET**—The NSAP or Network Element Title (NET) of the originating NE.
- **Type**—Indicates how the TDC entry was created:
 - **Dynamic**—The entry was created through the TARP propagation process.
 - **Static**—The entry was manually created and is a static entry.

Step 3 If you want to query the network for an NSAP that matches a TID, complete the following steps. Otherwise, continue with [Step 4](#).



Note The TID to NSAP function is not available if the TDC is not enabled on the Provisioning > OSI > TARP subtab.

- a. Click the **TID to NSAP** button.
- b. In the TID to NSAP dialog box, enter the TID you want to map to an NSAP.
- c. Click **OK**, then click **OK** in the information message box.
- d. On the TDC tab, click **Refresh**.

If TARP finds the TID in its TDC, it returns the matching NSAP. If not, TARP sends protocol data units (PDUs) across the network. Replies will return to the TDC later, and a check TDC later message is displayed.

Step 4 If you want to delete all the dynamically generated TDC entries, click the **Flush Dynamic Entries** button. If not, continue with [Step 5](#).

Step 5 Return to your originating procedure (NTP).

NTP-G106 Reset Cards Using CTC

Purpose	This procedure resets the TCC2/TCC2P and DWDM cards using CTC.
Tools/Equipment	None
Prerequisite Procedures	DLP-G33 Install the TCC2 or TCC2P Card, page 1-77
Required/As Needed	As needed
Onsite/Remote	Onsite or remote
Security Level	Superuser only

-
- Step 1** Complete the [“DLP-G46 Log into CTC” task on page 2-26](#) at the node where you are performing the TCC2/TCC2P reset. If you are already logged in, continue with [Step 2](#).
- Step 2** As needed, complete the [“DLP-G250 Reset the TCC2/TCC2P Card” task on page 13-13](#).
- Step 3** As needed, complete the [“DLP-G251 Reset DWDM Cards Using CTC” task on page 13-14](#).
- Stop. You have completed this procedure.**
-

DLP-G250 Reset the TCC2/TCC2P Card

Purpose	This task resets the TCC2/TCC2P card and switches the node to the redundant TCC2/TCC2P.
Tools/Equipment	None
Prerequisite Procedures	DLP-G33 Install the TCC2 or TCC2P Card, page 1-77 DLP-G46 Log into CTC, page 2-26
Required/As Needed	As needed
Onsite/Remote	Onsite or remote
Security Level	Superuser only



Warning

Do not reach into a vacant slot or chassis while you install or remove a module or a fan. Exposed circuitry could constitute an energy hazard. Statement 206



Note

Before you reset the TCC2/TCC2P, you should wait at least 60 seconds after the last provisioning change you made to avoid losing any changes to the database.



Note

When a software reset is performed on an active TCC2/TCC2P, the AIC-I card goes through an initialization process and also resets. The AIC-I card reset is normal and happens each time an active TCC2/TCC2P card goes through a software-initiated reset.

-
- Step 1** In node view (single-shelf mode) or multishelf view (multishelf mode), click the **Alarms** tab.
- a. Verify that the alarm filter is not on. See the “[DLP-G128 Disable Alarm Filtering](#)” task on page 9-29 as necessary.
 - b. Verify that no unexplained alarms appear on the network. If alarms appear, investigate and resolve them before continuing. Refer to the *Cisco ONS 15454 DWDM Troubleshooting Guide* for procedures.
- Step 2** In node view, right-click the TCC2/TCC2P card to reveal a shortcut menu.
- Step 3** Click **Reset Card**.
- Step 4** Click **Yes** when the confirmation dialog box appears.
- Step 5** Click **Close** when the “Lost connection to node, changing to Network View” dialog box appears.
- Step 6** Return to node view (single-shelf mode) or multishelf view (multishelf mode) and confirm that the TCC2/TCC2P card LED is amber (standby).
- Step 7** Return to your originating procedure (NTP).
-

DLP-G251 Reset DWDM Cards Using CTC

Purpose	This task resets the OSCM, OSC-CSM, 32MUX-O, 40-MUX-C, 32DMX-O, 32DMX, 40-DMX-C, 40-DMX-CE, 32WSS, 40-WSS-C, 40-WSS-CE, OPT-BST, OPT-PRE, OPT-AMP-17-C, 40-WXC-C, AD-xC.xx.x, AD-xB.xx.x, transponder (TXP), muxponder (MXP), and ADM-10G cards using CTC.
Tools/Equipment	None
Prerequisite Procedures	NTP-G30 Install the DWDM Cards, page 3-55 NTP-G179 Install the TXP, MXP, GE_XP, 10GE_XP, GE_XPE, 10GE_XPE, ADM-10G, and OTU2_XP Cards, page 3-60 DLP-G46 Log into CTC, page 2-26
Required/As Needed	As needed
Onsite/Remote	Onsite or remote
Security Level	Superuser only



Warning

Do not reach into a vacant slot or chassis while you install or remove a module or a fan. Exposed circuitry could constitute an energy hazard. Statement 206



Note

ONS 15454 cards normally do not need to be reset. However, you might occasionally need to reset a card for testing or as an initial trouble-clearing step. For additional information, refer to the *Cisco ONS 15454 DWDM Troubleshooting Guide*.



Note

A software reset of the TXP and MXP card leads to removal of PM data from the PM counters. As a result, the PM counters do not display any PM data.

-
- Step 1** If you will switch an active TXP or MXP card that is in a Y-cable protection group, complete the “[DLP-G179 Apply a Force Y-Cable or Splitter Protection Switch](#)” task on page 10-44. If not, continue with [Step 2](#).
- Step 2** Right-click the card that you want to reset to reveal a shortcut menu.
- Step 3** Click **Reset Card**.
- Step 4** Click **Yes** when the confirmation dialog box appears.
- The card LED on the ONS 15454 shelf graphic will go through the following sequence: Fail (white LED), Ldg (white LED), and Act (green LED). The reset should complete within 1 to 2 minutes.
- Step 5** If you performed a Y-cable protection group switch in [Step 1](#), complete the “[DLP-G180 Clear a Manual or Force Y-Cable or Splitter Protection Switch](#)” task on page 10-44. If not, continue with [Step 6](#).
- Step 6** Return to your originating procedure (NTP).
-

NTP-G108 Viewing the Audit Trail Records

Purpose	This procedure explains how to view audit trail records. Audit trail records are useful for maintaining security, recovering lost transactions, and enforcing accountability. Accountability refers to tracing user activities; that is, associating a process or action with a specific user.
Tools/Equipment	None
Prerequisite Procedures	None
Required/As Needed	As needed
Onsite/Remote	Onsite or remote
Security Level	Provisioning or higher

-
- Step 1** Complete the “[DLP-G46 Log into CTC](#)” task on page 2-26 at the node where you want to view the audit trail log. If you are already logged in, continue with [Step 2](#).
- Step 2** In node view (single-shelf mode) or multishelf view (multishelf mode), click, click the **Maintenance > Audit** tabs.
- Step 3** Click **Retrieve**.
- A window containing the most recent audit trail records appears as shown in [Figure 13-3](#).

NTP-G109 Off-Load the Audit Trail Record

Purpose	This procedure describes how to off-load up to 640 audit trail log entries in a local or network drive file to maintain a record of actions performed for the node. If the audit trail log is not off-loaded, the oldest entries are overwritten after the log reaches capacity.
Tools/Equipment	None
Prerequisite Procedures	None
Required/As Needed	As needed
Onsite/Remote	Onsite or remote
Security Level	Provisioning or higher

-
- Step 1** Complete the “[DLP-G46 Log into CTC](#)” task on page 2-26 at the node where you want to off-load the audit trail log. If you are already logged in, continue with [Step 2](#).
- Step 2** In node view (single-shelf mode) or multishelf view (multishelf mode), click, click the **Maintenance > Audit** tabs.
- Step 3** Click **Retrieve**.
- Step 4** Click **Archive**.
- Step 5** In the Archive Audit Trail dialog box, navigate to the directory (local or network) where you want to save the file.
- Step 6** Enter a name in the File Name field.
- Step 7** Click **Save**. Click **OK**.

The 640 entries are saved in this file. The next entries continue with the next number in the sequence, rather than starting over.



Note Archiving does not delete entries from the CTC audit trail log. However, entries can be self-deleted by the system after the log maximum is reached. If you archived the entries, you cannot reimport the log file back into CTC and will have to view the log in a different application.

Stop. You have completed this procedure.

NTP-G110 Off-Load the Diagnostics File

Purpose	This procedure describes how to off-load a diagnostic file. The diagnostic file contains a set of debug commands that were run on a node and their results. This file is useful to the Cisco Technical Assistance Center (TAC) when troubleshooting problems with the node.
Tools/Equipment	None
Prerequisite Procedures	None
Required/As Needed	As needed
Onsite/Remote	Onsite or remote
Security Level	Maintenance or higher

-
- Step 1** Complete the “[DLP-G46 Log into CTC](#)” task on page 2-26 at the node where you want to off-load the diagnostics file. If you are already logged in, continue with [Step 2](#).
- Step 2** In node view (single-shelf mode) or multishelf view (multishelf mode), click the **Maintenance > Diagnostic** tabs.
- Step 3** Click **Retrieve Tech Support Log**.
- Step 4** In the Saving Diagnostic File dialog box, navigate to the directory (local or network) where you want to save the file.
- Step 5** Enter a name in the File Name field.
- You do not have to give the archive file a particular extension. It is a compressed file (gzip) that can be unzipped and read by Cisco Technical Support.
- Step 6** Click **Save**.
- The Get Diagnostics status window shows a progress bar indicating the percentage of the file being saved, then shows “Get Diagnostics Complete.”
- Step 7** Click **OK**.
- Stop. You have completed this procedure.**
-

NTP-G112 Change the Node Timing Reference

Purpose	This procedure enables automatic timing reference switching or returns the node timing to normal operation.
Tools/Equipment	None
Prerequisite Procedures	NTP-G53 Set Up Timing , page 6-21
Required/As Needed	As needed
Onsite/Remote	Onsite or remote
Security Level	Maintenance or higher

-
- Step 1** Complete the “[DLP-G46 Log into CTC](#)” task on page 2-26 at the node where you want to enable timing switching. If you are already logged in, continue with [Step 2](#).

- Step 2** Complete the “[DLP-G259 Manual or Force Switch the Node Timing Reference](#)” task on page 13-19 as needed.
- Step 3** Complete the “[DLP-G260 Clear a Manual or Force Switch on a Node Timing Reference](#)” task on page 13-20 as needed.

Stop. You have completed this procedure.

DLP-G259 Manual or Force Switch the Node Timing Reference

Purpose	This task commands the node to switch to the timing reference you have selected.
Tools/Equipment	None
Prerequisite Procedures	DLP-G46 Log into CTC, page 2-26
Required/As Needed	As needed
Onsite/Remote	Onsite or remote
Security Level	Maintenance or higher

- Step 1** In node view (single-shelf mode) or multishelf view (multishelf mode), click the **Maintenance > Timing > Source** tabs.
- Step 2** From the Reference drop-down list for the desired Clock, choose the desired reference.
- Step 3** From the Operation drop-down list for the desired Clock, choose one of the following options:
- **Manual**—This operation commands the node to switch to the reference you have selected if the synchronization status message (SSM) quality of the reference is not lower than the current timing reference.
 - **Force**—This operation commands the node to switch to the reference you have selected, regardless of the SSM quality (if the reference is valid).



Note For information about the Clear option, see the “[DLP-G260 Clear a Manual or Force Switch on a Node Timing Reference](#)” task on page 13-20.

- Step 4** Click **Apply** next to the timing source.
- Step 5** Click **Yes** in the confirmation dialog box. If the selected timing reference is an acceptable valid reference, the node switches to the selected timing reference. If the selected timing reference is invalid, a warning dialog box appears. Click **OK**; the node will not switch to the new timing reference.
- Step 6** Return to your originating procedure (NTP).
-

DLP-G260 Clear a Manual or Force Switch on a Node Timing Reference

Purpose	This task clears a Manual or Force switch on a node timing reference and reverts the timing reference to its provisioned reference.
Tools/Equipment	None
Prerequisite Procedures	DLP-G46 Log into CTC, page 2-26
Required/As Needed	As needed
Onsite/Remote	Onsite or remote
Security Level	Maintenance or higher

-
- Step 1** In node view (single-shelf mode) or multishelf view (multishelf mode), click the **Maintenance > Timing > Source** tabs.
- Step 2** Find the Clock reference that is currently set to Manual or Force in the Operation drop-down list.
- Step 3** From the Operation drop-down list, choose **Clear**.
- Step 4** Click **Apply**.
- Step 5** Click **Yes** in the confirmation dialog box. If the normal timing reference is an acceptable valid reference, the node switches back to the normal timing reference as defined by the system configuration. If the normal timing reference is invalid or has failed, a warning dialog box appears. Click **OK**; the timing reference will not revert.
- Step 6** Return to your originating procedure (NTP).
-

NTP-G113 View the ONS 15454 Timing Report

Purpose	This procedure displays the current status of the ONS 15454 timing references.
Tools/Equipment	None
Prerequisite Procedures	NTP-G53 Set Up Timing, page 6-21
Required/As Needed	As needed
Onsite/Remote	Onsite or remote
Security Level	Maintenance or higher

-
- Step 1** Complete the “[DLP-G46 Log into CTC](#)” task on page 2-26 at the node where you want to view the node timing status. If you are already logged in, continue with [Step 2](#).
- Step 2** In node view (single-shelf mode) or multishelf view (multishelf mode), click the **Maintenance > Timing > Report** tabs.
- Step 3** In the Timing Report area, you can view node timing information. The date and time of the report appear at the top of the report. The time stamp is the same as the alarms time stamp and can be configured using the “[DLP-G118 Display Alarms and Conditions Using Time Zone](#)” task on page 9-12. [Table 13-2](#) describes the report fields and entries.
- Step 4** To update the report, click **Refresh**.

Table 13-2 ONS 15454 Timing Report

Item	Description	Option	Option Description
Clock	Indicates the timing clock. The report section that follows applies to the timing clock indicated.	NE	The node timing clock.
		BITS-1 Out	The BITS-1 Out timing clock.
		BITS-2 Out	The BITS-2 Out timing clock.
Status	Indicates the status of the timing clock.	INIT_STATE	The timing reference has not been provisioned. For an NE reference, this status appears just before the first provisioning messages when the TCC2/TCC2P card is booting. Timing is provisioned to the internal clock of the node.
		HOLDOVER_STATE	The clock was locked onto a valid timing reference for more than 140 seconds when a failure occurred. Holdover state timing is a computation based on timing during the normal state combined with the node's internal clock. The node holds onto this frequency until the valid reference is restored. This status appears for NE references only.
		FREERUN_STATE	The node is running off its internal clock without any modification except the calibrated value to bring timing to 0 PPM. Freerun state can occur when a Force switch to the Internal clock is initiated, when all references fail without the 140 seconds of holdover data, or when only Internal timing references are defined. This status appears for NE references only.
		NO_SYNC_STATE	A synchronization timing reference is not defined. BITS-1 Out or BITS-2 Out default to this status until an OC-N/STM-N card is defined as its reference on the Provisioning > Timing tab. This status appears for external references only.
		NE_SYNCH_STATE	BITS-1 Out and BITS-2 Out use the same timing source as the NE. This is displayed when NE Reference is selected in the BITS-1 Out and BITS-2 Out Reference List on the Provisioning > Timing tab.
		NORMAL_STATE	The timing reference is locked onto one of its provisioned references. The reference cannot be Internal or NO SYNC STATE.
		FAST_START_STATE	The node has switched references, but the reference is too far away to reach NORMAL_STATE within an acceptable amount of time. FAST_START_STATE is a fast acquisition mode to allow the node to quickly acquire the reference. After it achieves this goal, the node progresses to NORMAL_STATE.
		FAST_START_FAILED_STATE	A timing reference is too far away to reach in normal state. The FAST_START_STATE could not acquire sufficient timing information within the allowable amount of time.

Table 13-2 ONS 15454 Timing Report (continued)

Item	Description	Option	Option Description
Status Changed At	Date and time of the last status change.	—	—
Switch Type	Type of switch.	AUTOMATIC	The timing switch was system-generated.
		Manual	The timing switch was a user-initiated Manual switch.
		Force	The timing switch was user-initiated Force switch.
Reference	Indicates the timing reference.	Three timing references are available on the Provisioning > Timing tab.	—
Selected	Indicates whether the reference is selected.	Selected references are indicated with an X.	—
Facility	Indicates the timing facility provisioned for the reference on the Provisioning > Timing tab.	BITS-1	The timing facility is a building integrated timing supply (BITS) clock attached to the node's BITS-1 pins.
		BITS-2	The timing facility is a BITS clock attached to the node's BITS-2 pins.
		OC-N/STM-N card with port number	If the node is set to line timing, this is the OC-N/STM-N card and port provisioned as the timing reference.
		Internal clock	The node is using its internal clock.
State	Indicates the timing reference state.	IS	The timing reference is in service.
		OOS	The timing reference is out of service.
Condition	Indicates the timing reference state.	OKAY	The reference is valid to use as a timing reference.
		OOB	Out of bounds; the reference is not valid and cannot be used as a timing reference, for example, a BITS clock is disconnected.
Condition Changed	Indicates the date and time of the last status change in MM/DD/YY HH:MM:SS format.	—	—
SSM	Indicates whether SSM is enabled for the timing reference.	Enabled	SSM is enabled.
		Disabled	SSM is not enabled.

Table 13-2 ONS 15454 Timing Report (continued)

Item	Description	Option	Option Description
SSM Quality	Indicates the SSM timing quality.	8 to 10 SSM quality messages might be displayed.	For a list of SSM message sets, see the “Timing” chapter in the <i>Cisco ONS 15454 DWDM Reference Manual</i> .
SSM Changed	Indicates the date and time of the last SSM status change in MM/DD/YY HH:MM:SS format.	—	—

Stop. You have completed this procedure.

NTP-G114 Inspect and Replace the Air Filter

Purpose	This procedure ensures that the air filter is free from dirt and dust, which allows optimum air flow and prevents dirt and dust from entering the shelf.
Tools/Equipment	New air filter and pinned hex key tool
Prerequisite Procedures	None
Required/As Needed	As needed
Onsite/Remote	Onsite
Security Level	None



Warning

Do not reach into a vacant slot or chassis while you install or remove a module or a fan. Exposed circuitry could constitute an energy hazard. Statement 206



Note

The air filters are single-use only. They must not be cleaned and reused. This is a Telcordia NEBS requirement, GR-63-CORE Issue 4.



Note

Air filters must be inspected every month. If they are dirty or clogged with dust, they must be replaced with a new air filter.



Caution

If you install the air filter below 15454E-CC-FTA or 15454-CC-FTA, only filters with part numbers 700-23193-01 and 700-23194-01 can be used in this configuration.

**Caution**

Although the air filter can work with older fan trays if it is installed with either side facing up, it is recommended that you install it with the metal bracing facing up to preserve the surface of the filter. You must install the air filter with the metal bracing facing up with 15454E-CC-FTA or 15454-CC-FTA.

**Note**

To install the air filter inside the air ramp unit (15454E-AIR-RAMP or 15454-AIR-RAMP), use the ETSI version of the air filter (15454-FTF2 or 15454E-FTF4).

- Step 1** If the air filter is installed in the external filter brackets, slide the filter out of the brackets while being careful not to dislodge any dust that might have collected on the filter and proceed to [Step 8](#). [Figure 13-4](#) shows the reusable fan-tray air filter in an external filter bracket on an ANSI shelf. [Figure 13-5](#) shows the reusable fan-tray air filter in an external filter bracket on an ETSI shelf.
- Step 2** If the filter is installed below the fan tray and not in the external filter brackets, open the front door of the shelf assembly. If the front door is already open, proceed to [Step 3](#).
- a. Open the front door lock.

The ONS 15454 comes with a pinned hex key for locking and unlocking the front door. Turn the key counterclockwise to unlock the door and clockwise to lock it.
 - b. Press the door button to release the latch.
 - c. Swing the door open.
- Step 3** (Optional) Remove the front door using the “[DLP-G10 Remove the Front Door](#)” task on page 1-24. If you do not want to remove the door or it is already removed, proceed to [Step 4](#).

Figure 13-4 ANSI Shelf Fan-Tray Air Filter in an External Filter Bracket (Front Door Removed)

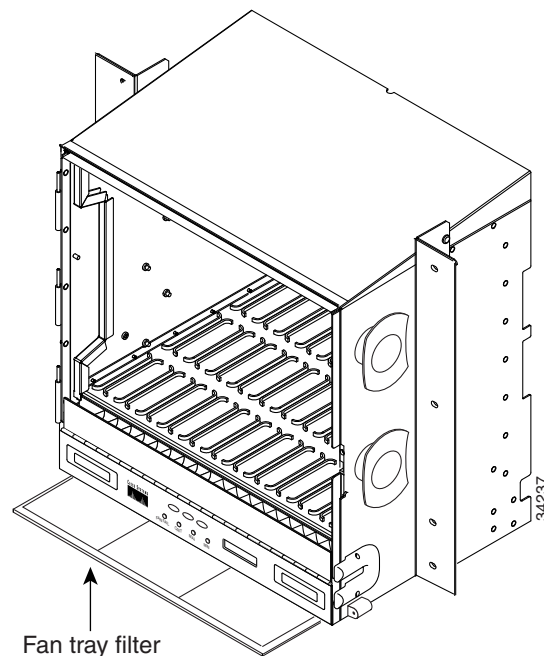
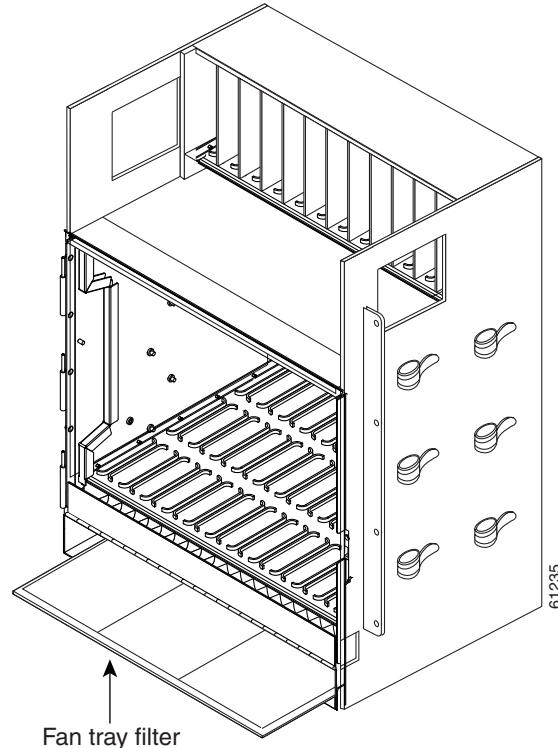


Figure 13-5 ETSI Shelf Fan-Tray Air Filter in an External Filter Bracket (Front Door Removed)



- Step 4** Push the outer side of the handles on the fan-tray assembly to expose the handles.
- Step 5** Pull the handles and slide the fan-tray assembly one half inch (12.7 mm) out of the shelf assembly and wait until the fans stop.
- Step 6** When the fans have stopped, pull the fan-tray assembly completely out of the shelf assembly.
- Step 7** Gently remove the air filter from the shelf assembly. Be careful not to dislodge any dust that might have collected on the filter.
- Step 8** Visually inspect the air filter material for dirt and dust.
- Step 9** Replace the air filter with a new one if the air filter is dirty or clogged with dust.



Caution

Do not leave the fan tray out of the chassis for an extended period of time because excessive heat can damage the ONS 15454 cards.

- Step 10** Replace the air filter:
- a. If the air filter is installed in the external filter brackets, slide the dry air filter all the way to the back of the brackets.
 - b. If the filter is installed below the fan-tray assembly, slide the dry/clean air filter into the recessed compartment at the bottom of the shelf assembly. Put the front edge of the air filter flush against the front edge of the recessed compartment. Push the fan tray back into the shelf assembly.



Caution

If the fan tray does not slide all the way to the back of the shelf assembly, pull the fan tray out and readjust the position of the reusable filter until the fan tray fits correctly.



Note On a powered-up ONS 15454, the fans start immediately after the fan-tray assembly is correctly inserted.

- Step 11** To verify that the tray is plugged into the backplane, ensure that the LCD on the front of the fan-tray assembly is activated and displays node information.
- Step 12** Rotate the retractable handles back into their compartments.
- Step 13** If you removed the door, complete the [“NTP-G40 Replace the Front Door” procedure on page 13-29](#). If not, close and lock the door.

Stop. You have completed this procedure.

NTP-G115 Clean Fiber Connectors

Purpose	This procedure cleans the fiber connectors.
Tools/Equipment	Inspection microscope Type A Fiber Optic Connector Cleaner (CLETOP reel) Optical swab Optical receiver cleaning stick
Prerequisite Procedures	None
Required/As Needed	Required
Onsite/Remote	Onsite
Security Level	None



Warning

Invisible laser radiation may be emitted from the end of the unterminated fiber cable or connector. Do not view directly with optical instruments. Viewing the laser output with certain optical instruments (for example, eye loupes, magnifiers, and microscopes) within a distance of 100 mm may pose an eye hazard. Statement 1056

- Step 1** Using an inspection microscope, inspect each fiber connector for dirt, cracks, or scratches.
- Step 2** Replace any damaged fiber connectors.



Note Replace all dust caps whenever the equipment is unused for 30 minutes or more.

- Step 3** Complete the [“DLP-G262 Clean Fiber Connectors with CLETOP” task on page 13-27](#) as necessary.
- Step 4** Complete the [“DLP-G263 Clean the Fiber Adapters” task on page 13-28](#) as necessary.



Note To clean multi-fiber optic connectors, complete the [“DLP-G261 Clean Multi Fiber-Optic Cable Connectors” task on page 13-27](#) as necessary.

Stop. You have completed this procedure.

DLP-G261 Clean Multi Fiber-Optic Cable Connectors

Purpose	This task cleans the multi fiber optic connectors
Tools/Equipment	Cleaning Cartridge for multi fiber optic connectors
Prerequisite Procedures	None
Required/As Needed	As needed
Onsite/Remote	Onsite
Security Level	None



Warning

Invisible laser radiation may be emitted from the end of the unterminated fiber cable or connector. Do not stare into the beam or view directly with optical instruments. Statement 1051

- Step 1** Remove the protective cap on the optical fiber cable connector.
- Step 2** Read the manufacturer (cleaning cartridge) instructions to insert the connector into the cleaning cartridge.
- Step 3** Slide the lever on the cartridge to swipe the connector surface.
- Step 4** Insert the fiber connector into the applicable adapter or attach a dust cap to the fiber connector.



Note

If you must replace a dust cap on a connector, first verify that the dust cap is clean.

- Step 5** Return to your originating procedure (NTP).
-

DLP-G262 Clean Fiber Connectors with CLETOP

Purpose	This task cleans the fiber connectors with CLETOP.
Tools/Equipment	Type A Fiber Optic Connector Cleaner (CLETOP reel) Optical receiver cleaning stick
Prerequisite Procedures	None
Required/As Needed	Required
Onsite/Remote	Onsite
Security Level	None

- Step 1** Remove the dust cap from the fiber connector.

- Step 2** Press the lever up to open the shutter door. Each time you press the lever, you expose a clean wiping surface.
- Step 3** Insert the connector into the CLETOP cleaning cassette slot, rotate one quarter turn, and gently swipe downwards.
- Step 4** Use an inspection microscope to inspect each fiber connector for dirt, cracks, or scratches. If the connector is not clean, repeat Steps 1 to 3.
- Step 5** Insert the fiber connector into the applicable adapter or attach a dust cap to the fiber connector.



Note If you must replace a dust cap on a connector, first verify that the dust cap is clean. To clean the dust cap, wipe the outside of the cap using a dry, lint-free wipe and the inside of the dust cap using a CLETOP stick swab (14100400).

- Step 6** Return to your originating procedure (NTP).
-

DLP-G263 Clean the Fiber Adapters

Purpose	This task cleans the fiber adapters.
Tools/Equipment	CLETOP stick swab
Prerequisite Procedures	None
Required/As Needed	Required
Onsite/Remote	Onsite
Security Level	None

- Step 1** Remove the dust plug from the fiber adapter.
- Step 2** Insert a CLETOP stick swab (14100400) into the adapter opening and rotate the swab.
- Step 3** Place dust plugs on the fiber adapters when not in use.
- Step 4** Return to your originating procedure (NTP).
-

NTP-G40 Replace the Front Door

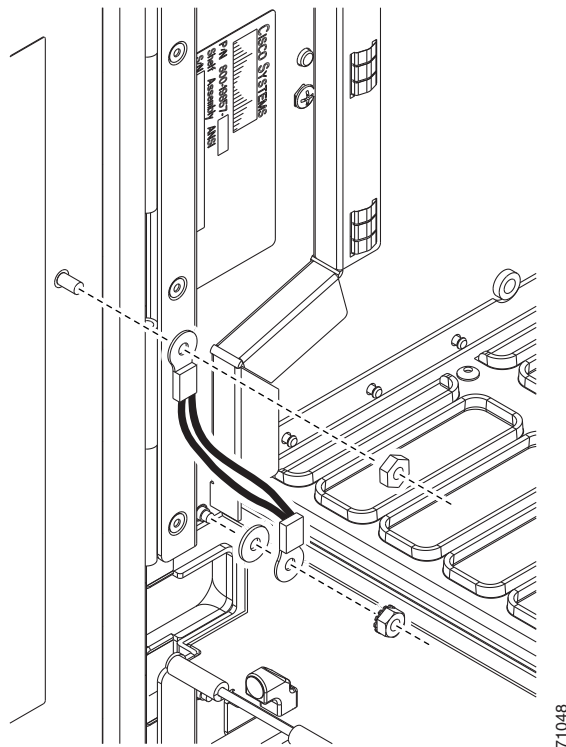
Purpose	This procedure replaces the front door and door ground strap after installing cards and fiber-optic cables.
Tools/Equipment	#2 Phillips screwdriver Medium slot-head screwdriver Small slot-head screwdriver
Prerequisite Procedures	NTP-G3 Open and Remove the Front Door, page 1-22
Required/As Needed	Required
Onsite/Remote	Onsite
Security Level	None


Note

Be careful not to crimp any fiber cables that are connected to the MXP/TXP cards or DWDM cards. Some might not have the fiber boot attached.

- Step 1** Insert the front door into the hinges on the shelf assembly.
- Step 2** (ANSI only) Attach one end of the ground strap terminal lug (72-3622-01) to the male stud on the inside of the door. Attach and tighten the #6 Kepnut (49-0600-01) using the open-end wrench ([Figure 13-6](#)).

Figure 13-6 Installing the Door Ground Strap Retrofit Kit



- Step 3** (ANSI only) Attach the other end of the ground strap to the longer screw on the fiber guide.
- Attach the lock washer.

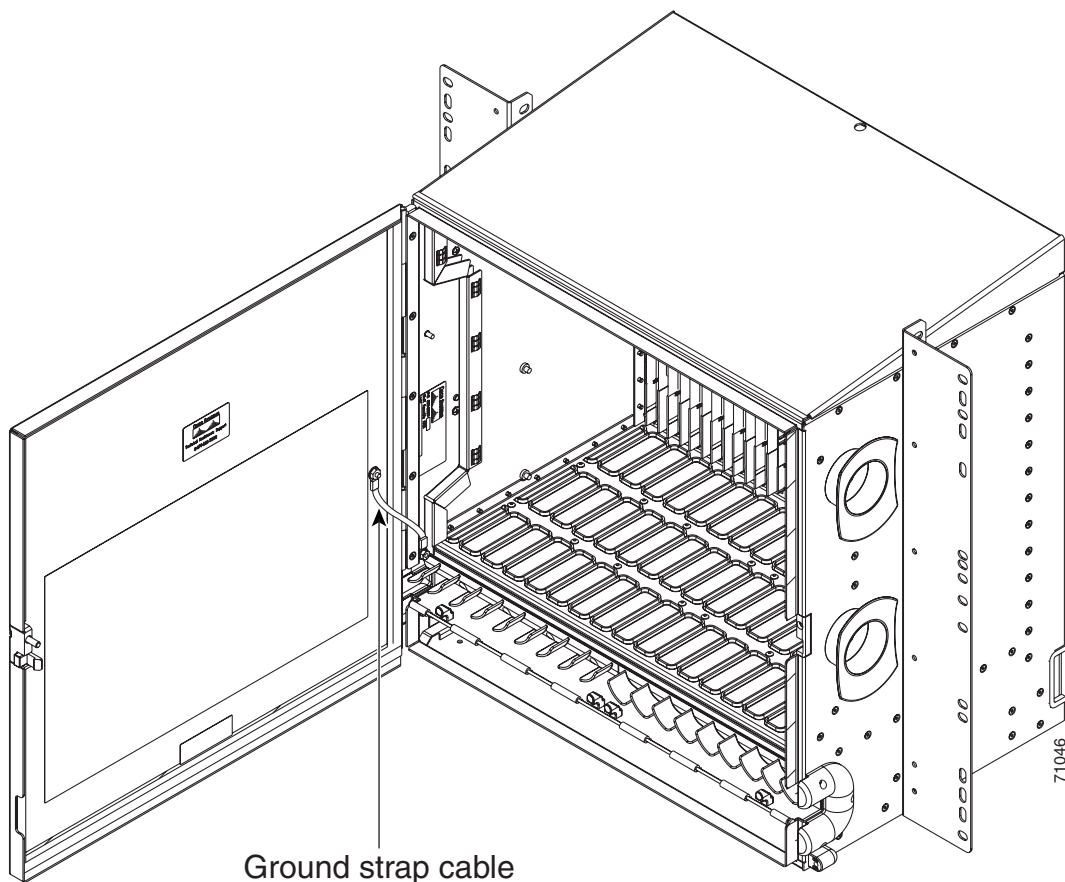
- b. Attach the terminal lug.
- c. Using the open-end wrench, attach and tighten the #4 Kepnut (49-0337-01) on the terminal lug.



Note To avoid interference with the traffic (line) card, make sure the ground strap is in a flat position when the door is open. To move the ground strap into a flat position, rotate the terminal lug counterclockwise before tightening the Kepnut.

- Step 4** Replace the left cable-routing channel if it was removed. If not, continue with [Step 5](#).
- Step 5** Using a Phillips screwdriver, insert and tighten the screws for the cable-routing channel. [Figure 13-7](#) shows the shelf assembly with the front door and ground strap installed.

Figure 13-7 Shelf Assembly with Door Ground Strap Retrofit Kit Installed (ANSI)



- Step 6** Swing the door closed and lock the door with the provided pinned-hex key. Turn the key clockwise to lock the door; counterclockwise to unlock it.

Stop. You have completed this procedure.

NTP-G116 Replace the Fan-Tray Assembly

Purpose	This procedure replaces a malfunctioning fan-tray assembly.
Tools/Equipment	None
Prerequisite Procedures	NTP-G8 Install the Fan-Tray Assembly
Required/As Needed	As needed
Onsite/Remote	Onsite
Security Level	None


Caution

The 15454-FTA3 fan-tray assembly can only be installed in ONS 15454 R3.1 and later shelf assemblies (15454-SA-ANSI, P/N: 800-19857; 15454-SA-HD, P/N: 800-24848). The fan-tray assembly includes a pin that prevents it from being installed in ONS 15454 shelf assemblies released before ONS 15454 R3.1 (15454-SA-NEBS3E, 15454-SA-NEBS3, and 15454-SA-R1, P/N: 800-07149). Equipment damage can result from attempting to install the 15454-FTA3 in a incompatible shelf assembly.


Caution

Do not force a fan-tray assembly into place. Doing so can damage the connectors on the fan tray and/or the connectors on the backplane.


Caution

15454-CC-FTA (ANSI) is compatible with Software R2.2.2 and greater, and shelf assemblies 15454-SA-ANSI and 15454-SA-HD. 15454E-CC-FTA (ETSI) is compatible with Software R4.0 and greater, and shelf assembly 15454-SA-ETSI.


Caution

As with the FTA3, the 15454E-CC-FTA and 15454-CC-FTA Fan Fail LED on the front of the fan-tray assembly illuminates when one or more fans fail to indicate that a fan-tray assembly or AIP replacement is required. But the Fan Fail LED on the 15454E-CC-FTA and 15454-CC-FTA will also illuminate when only one power source is connected to the chassis, and or any fuse blows. In such conditions, the Fan Alarm is triggered and the fans run at maximum speed.


Note

To replace the fan-tray assembly, it is not necessary to move any of the cable management facilities.

Step 1

Review [Table 13-3](#) (ANSI) or [Table 13-4](#) (ETSI) to ensure that you have compatible components when replacing the fan-tray assembly. Note the alarms that will be generated when an incompatibility occurs.


Note

If you need to determine the hardware that has been installed on a node, click the Inventory tab in node view.

Table 13-3 Incompatibility Alarms for ONS 15454 ANSI

Shelf Assembly ¹	Fan Tray ²	AIP ³	10G Cards ⁴	Ethernet Cards ⁵	Alarms
—	—	No fuse	—	—	Mismatch of equipment attributes (MEA) on the alarm interface panel (AIP)
NEBS3E or NEBS3	2A	2A	No	—	None
NEBS3E or NEBS3	2A	2A	Yes	—	MEA on 10G
NEBS3E or NEBS3	2A	5A	No	—	None
NEBS3E or NEBS3	2A	5A	Yes	—	MEA on 10G
ANSI or HD	2A	2A	No	—	None
ANSI or HD	2A	2A	Yes	2.5G compatible	MEA on fan tray, AIP, and Ethernet
ANSI or HD	2A	2A	Yes	10G compatible	MEA on fan tray and AIP
ANSI or HD	2A	5A	No	Either	None
ANSI or HD	2A	5A	Yes	2.5G compatible	MEA on fan tray and Ethernet
ANSI or HD	2A	5A	Yes	10G compatible	MEA on fan tray
ANSI or HD	5A	2A	No	Either	MEA on AIP
ANSI or HD	5A	2A	Yes	2.5G compatible	MEA on AIP and Ethernet
ANSI or HD	5A	2A	Yes	10G compatible	MEA on AIP
ANSI or HD	5A	5A	No	Either	None
ANSI or HD	5A	5A	Yes	Either	None

- 15454-SA-NEBS3E (P/N: 800-07149-xx) or 15454-SA-NEBS3 (P/N: 800-06741-xx) = shelf assemblies released before ONS 15454 Release 3.1
15454-SA-ANSI (P/N: 800-19857-01) = ONS 15454 Release 3.1 and later shelf assembly
15454-SA-HD (P/N: 800-24848) = ONS 15454 Release 3.1 and later shelf assembly
- 5A Fan Tray = 15454-FTA3 (P/N: 800-19858-xx), 15454-FTA3-T (P/N: 800-21448-xx), 15454-CC-FTA (P/N: 800-27558-xx)
2A Fan Tray = 15454-FTA2 (P/Ns: 800-07145-xx, 800-07385-xx, 800-19591-xx, 800-19590-xx)
- 5A AIP (P/N: 73-7665-01), 2A AIP (P/N: 73-5262-01)
- 10G cards include the XC10G, OC192, and OC48AS.
- 2.5G compatible indicates cards that are compatible with the XCVT cross-connect card. 10G compatible indicates cards that are compatible with the XC10G and XC-VXC-10G cross-connect cards.

Table 13-4 Incompatibility Alarms for ONS 15454 ETSI

Shelf Assembly ¹	Fan Tray ²	10G Cards ³	Ethernet Cards	Alarms
15454E-SA-ETSI	2A	No	—	None
15454E-SA-ETSI	2A	Yes	—	MEA on 10G
15454E-SA-ETSI	2A	No	—	None

Table 13-4 Incompatibility Alarms for ONS 15454 ETSI (continued)

Shelf Assembly ¹	Fan Tray ²	10G Cards ³	Ethernet Cards	Alarms
15454E-SA-ETSI	2A	Yes	—	MEA on 10G
15454E-SA-ETSI	5A	No	—	MEA on fan tray
15454E-SA-ETSI	5A	Yes	—	MEA on fan tray and 10G cards
15454E-SA-ETSI	5A	No	—	None
15454E-SA-ETSI	5A	Yes	—	MEA on 10G
ETSI	2A	No	—	None
ETSI	2A	Yes	2.5G compatible	MEA on fan tray or Ethernet
ETSI	2A	Yes	10G compatible	MEA on fan tray
ETSI	2A	No	Either	None
ETSI	2A	Yes	2.5G compatible	MEA on fan tray, Ethernet
ETSI	2A	Yes	10G compatible	MEA on fan tray
ETSI	5A	Yes	2.5G compatible	MEA on Ethernet
ETSI	5A	No	Either	None
ETSI	5A	Yes	Either	None

1. 15454-SA-ETSI (P/N: 800-08708-XX) = ONS 15454 SDH Release 3.3 and later shelf assembly

2. 5A Fan Tray = 15454E-FTA-60V, 15454E-CC-FTA
2A Fan Tray = 15454E-FTA-48V

3. 10G cards = XC10G, XC-VXL-10G, XC-VXC-10G

- Step 2** Open the front door of the shelf assembly. If the shelf assembly does not have a front door, continue with [Step 4](#).
- Open the front door lock.
The ONS 15454 comes with a pinned hex key for locking and unlocking the front door. Turn the key counterclockwise to unlock the door and clockwise to lock it.
 - Press the door button to release the latch.
 - Swing the door open.
- Step 3** (Optional) Complete the “[DLP-G10 Remove the Front Door](#)” procedure on page 1-24 to remove the front door. If you do not want to remove the door, proceed to [Step 4](#).
- Step 4** Push the outer side of the handles on the fan-tray assembly to expose the handles.
- Step 5** Fold out the retractable handles at the outside edges of the fan tray.
- Step 6** Pull the handles and slide the fan-tray assembly one inch (25.4 mm) out of the shelf assembly and wait until the fans stop.
- Step 7** When the fans have stopped, pull the fan-tray assembly completely out of the shelf assembly. [Figure 13-8](#) shows the location of the fan tray on the ONS 15454 ANSI shelf.

Figure 13-8 Removing or Replacing the Fan-Tray Assembly (Front Door Removed) (ANSI)

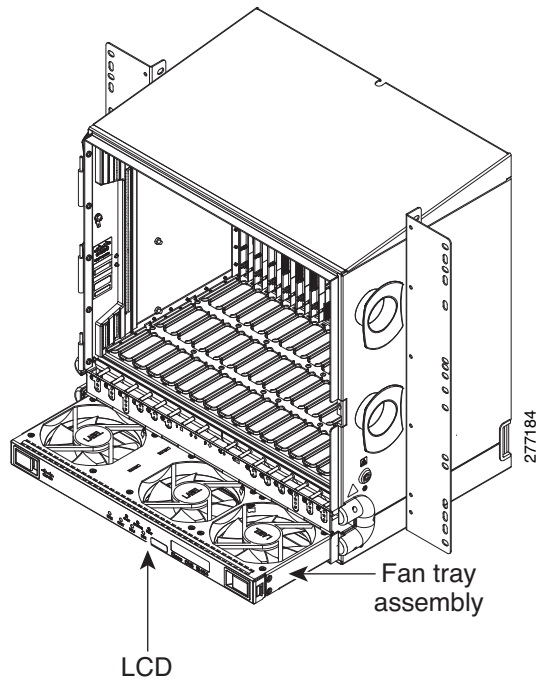
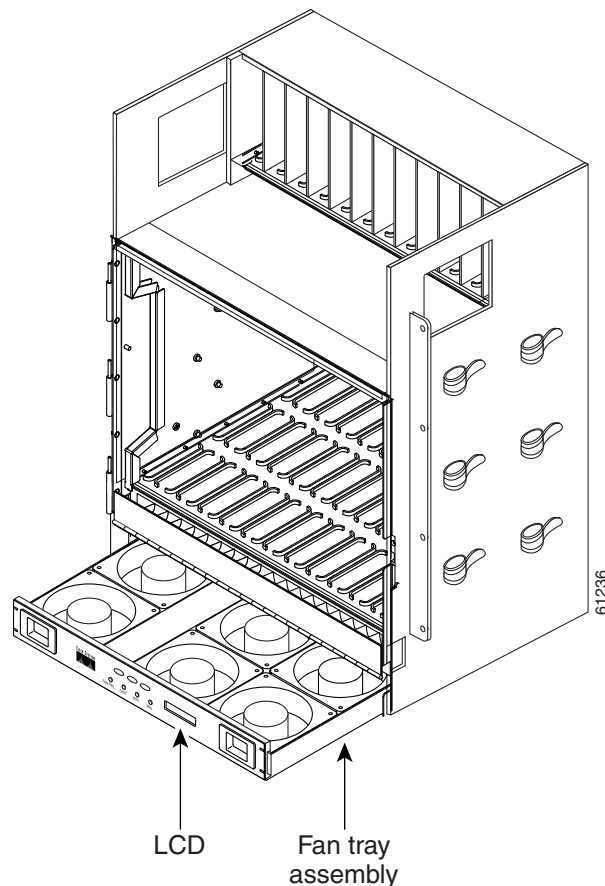


Figure 13-9 shows the location of the fan tray on the ONS 15454 ETSI shelf.

Figure 13-9 Removing or Replacing the Fan-Tray Assembly (Front Door Removed) (ETSI)



- Step 8** If you are replacing the fan-tray air filter and it is installed beneath the fan-tray assembly, slide the existing air filter out of the shelf assembly and replace it before replacing the fan-tray assembly.
- If you are replacing the fan-tray air filter and it is installed in the external bottom bracket (ANSI shelf only), you can slide the existing air filter out of the bracket and replace it at anytime. For more information on the fan-tray air filter, see the [“NTP-G114 Inspect and Replace the Air Filter” procedure on page 13-23](#).
- Step 9** Slide the new fan tray into the shelf assembly until the electrical plug at the rear of the tray plugs into the corresponding receptacle on the backplane.
- Step 10** To verify that the tray has plugged into the backplane, ensure that the LCD on the front of the fan tray is activated.
- If you removed the door, complete the [“NTP-G40 Replace the Front Door” procedure on page 13-29](#).
- Stop. You have completed this procedure.**



Note

The estimated time of replacement by a skilled technician is 2 minutes.

NTP-G117 Replace the ANSI Shelf Alarm Interface Panel

Purpose	This procedure replaces the AIP on the ONS 15454 ANSI shelf assembly.
Tools/Equipment	#2 Phillips screwdriver
Prerequisite Procedures	None
Required/As Needed	As needed
Onsite/Remote	Onsite or remote
Security Level	Provisioning or higher


Caution

Do not use a 2A AIP with a 5A fan-tray assembly; doing so will cause a blown fuse on the AIP.


Caution

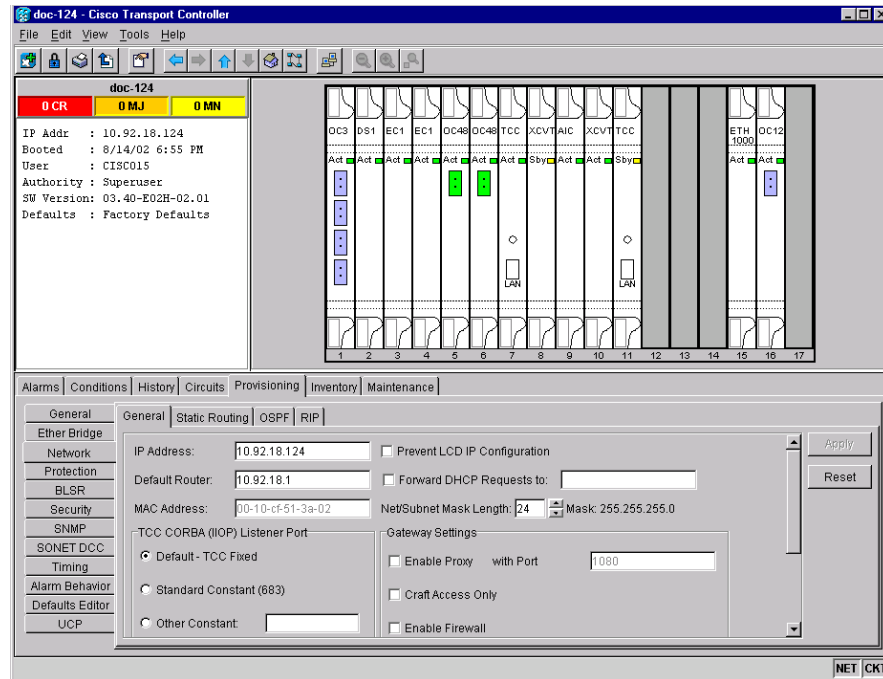
Always use the supplied ESD wristband when working with a powered ONS 15454. Plug the wristband cable into the ESD jack located on the lower-right outside edge of the shelf assembly.


Caution

Do not perform this procedure on a node with live traffic. Hot-swapping the AIP can affect traffic and result in a loss of data. For assistance with AIP replacement, contact the Cisco TAC. See the [“Obtaining Documentation, Obtaining Support, and Security Guidelines”](#) section on page lxxvii.

-
- Step 1** Review [Table 13-3 on page 13-32](#) to ensure that you have compatible components when replacing the ANSI shelf AIP and note the alarms that will occur when an incompatibility occurs.
- Step 2** Ensure that all nodes in the affected network are running the same software version before replacing the AIP and repairing circuits:
- In network view or multishelf view (multishelf mode), click, click the **Maintenance > Software** tabs. The working software version for each node is listed in the Working Version column.
 - If you need to upgrade the software on a node, refer to the release-specific software upgrade document. No hardware should be changed or circuit repair performed until after the software upgrade is complete. If you do not need to upgrade software or have completed the software upgrade, proceed to [Step 3](#).
- Step 3** Record the MAC address of the old AIP:
- Log into the node where you will replace the AIP. See the [“DLP-G46 Log into CTC”](#) task on [page 2-26](#).
 - In node view (single-shelf mode) or multishelf view (multishelf mode), click the **Provisioning > Network** tabs.
 - Record the MAC address shown in the General tab ([Figure 13-10](#)).

Figure 13-10 Find the MAC Address



- Step 4** Call Cisco TAC for assistance in replacing the AIP and maintaining the original MAC address. See the “Obtaining Documentation, Obtaining Support, and Security Guidelines” section on page lxxvii.
- Step 5** Complete the “DLP-G13 Remove the Lower Backplane Cover” task on page 1-29.
- Step 6** Unscrew the two screws that hold the AIP cover in place.
- Step 7** Grip the cover and gently pull away from the backplane.



Note On the 15454-SA-HD (P/N: 800-24848), 15454-SA-NEBS3E, 15454-SA-NEBS3, and 15454-SA-R1 (P/N: 800-07149) shelves, the AIP cover is clear plastic. On the 15454-SA-ANSI shelf (P/N: 800-19857), the AIP cover is metal.

- Step 8** Grip the AIP and gently pull it away from the backplane.
- Step 9** Disconnect the fan-tray assembly power cable from the AIP.
- Step 10** Set the old AIP aside for return to Cisco.



Caution The type of shelf that the AIP resides in determines the version of AIP that should replace the failed AIP. The 15454-SA-ANSI shelf (P/N: 800-19857) and 15454-SA-HD (P/N: 800-24848) currently use the 5A AIP, (P/N: 73-7665-01). The 15454-SA-NEBS3E, 15454-SA-NEBS3, and 15454-SA-R1 (P/N: 800-07149) shelves and earlier use the 2A AIP (P/N: 73-5262-01).



Caution Do not put a 2A AIP (P/N: 73-5262-01) into a 15454-SA-ANSI (P/N: 800-19857) or 15454-SA-HD (P/N: 800-24848) shelf; doing so will cause a blown fuse on the AIP.

- Step 11** Attach the fan-tray assembly power cable to the new AIP.

- Step 12** Place the new AIP on the backplane by plugging the panel into the backplane using the DIN connector.
- Step 13** Replace the AIP cover over the AIP and secure the cover with the two screws.
- Step 14** Replace the lower backplane cover and secure the cover with the five screws.
- Step 15** In node view (single-shelf mode) or multishelf view (multishelf mode), click the **Provisioning > Network** tabs.

**Caution**

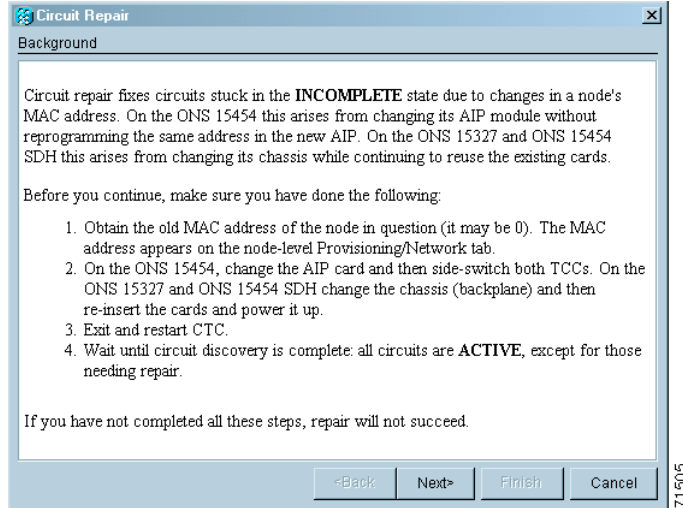
Cisco recommends that TCC2/TCC2P card resets be performed in a maintenance window to avoid any potential service disruptions.

- Step 16** Reset the standby TCC2/TCC2P card:
- a. Right-click the standby TCC2/TCC2P card and choose **Reset Card**.
 - b. Click **Yes** in the Resetting Card dialog box. As the card resets, a loading (Ldg) indication appears on the card in CTC.

**Note**

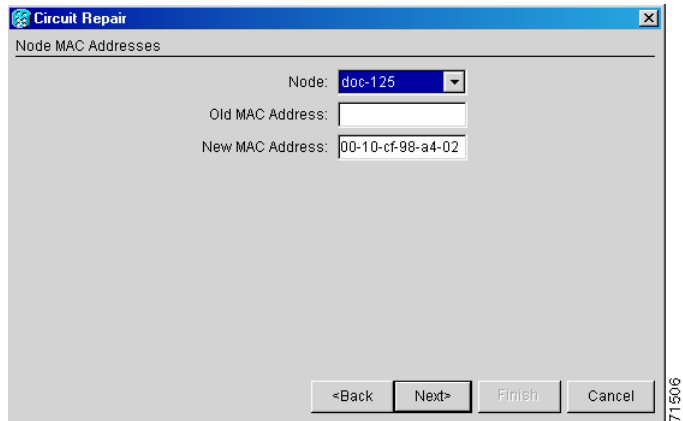
The reset takes approximately five minutes. Do not perform any other steps until the reset is complete.

- Step 17** Complete the [“DLP-G250 Reset the TCC2/TCC2P Card” task on page 13-13](#) to reset the active TCC2/TCC2P card.
- Step 18** From the **File** drop-down list, choose **Exit** to exit the CTC session.
- Step 19** Log back into the node. In the Login dialog box, choose **(None)** from the Additional Nodes drop-down list.
- Step 20** Record the new MAC address:
- a. In node view (single-shelf mode) or multishelf view (multishelf mode), click the **Provisioning > Network** tabs.
 - b. Record the MAC address shown in the General tab.
- Step 21** In node view (single-shelf mode) or multishelf view (multishelf mode), click the **Circuits** tab. Note that all circuits listed have a status of PARTIAL.
- Step 22** In node view (single-shelf mode) or multishelf view (multishelf mode), choose **Repair Circuits** from the **Tools** drop-down list. The Circuit Repair dialog box appears.
- Step 23** Read the instructions in the Circuit Repair dialog box ([Figure 13-11](#)). If all the steps in the dialog box have been completed, click **Next**. Ensure that you have the old and new MAC addresses.

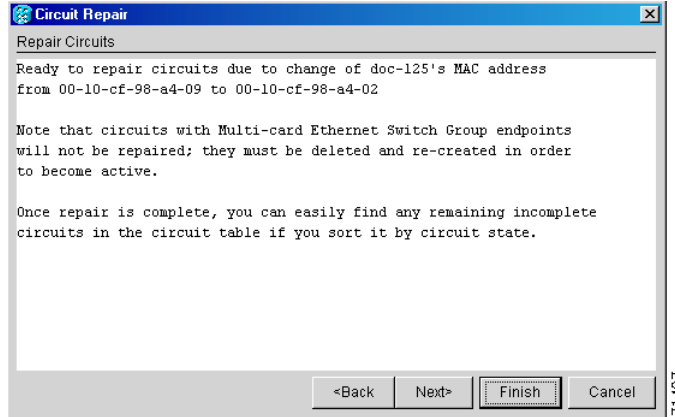
Figure 13-11 Repairing Circuits

Step 24 The Node MAC Addresses dialog box appears (Figure 13-12):

- a. From the Node drop-down list, choose the name of the node where you replaced the AIP.
- b. In the Old MAC Address field, enter the old MAC address that was recorded in Step 3.
- c. Click **Next**.

Figure 13-12 Recording the Old MAC Address Before Replacing the AIP

Step 25 The Repair Circuits dialog box appears (Figure 13-13). Read the information in the dialog box and click **Finish**.

Figure 13-13 Circuit Repair Information

Note The CTC session freezes until all circuits are repaired. Circuit repair can take up to five minutes or more depending on the number of circuits provisioned.

When the circuit repair is complete, the Circuits Repaired dialog box appears.

Step 26 Click **OK**.

Step 27 In node view of the new node, click the **Circuits** tab. Check to ensure that all circuits listed have a status of **DISCOVERED**. If all circuits listed are not **DISCOVERED**, call the Cisco TAC at (800) 553-2447 to open a Return Material Authorization (RMA).

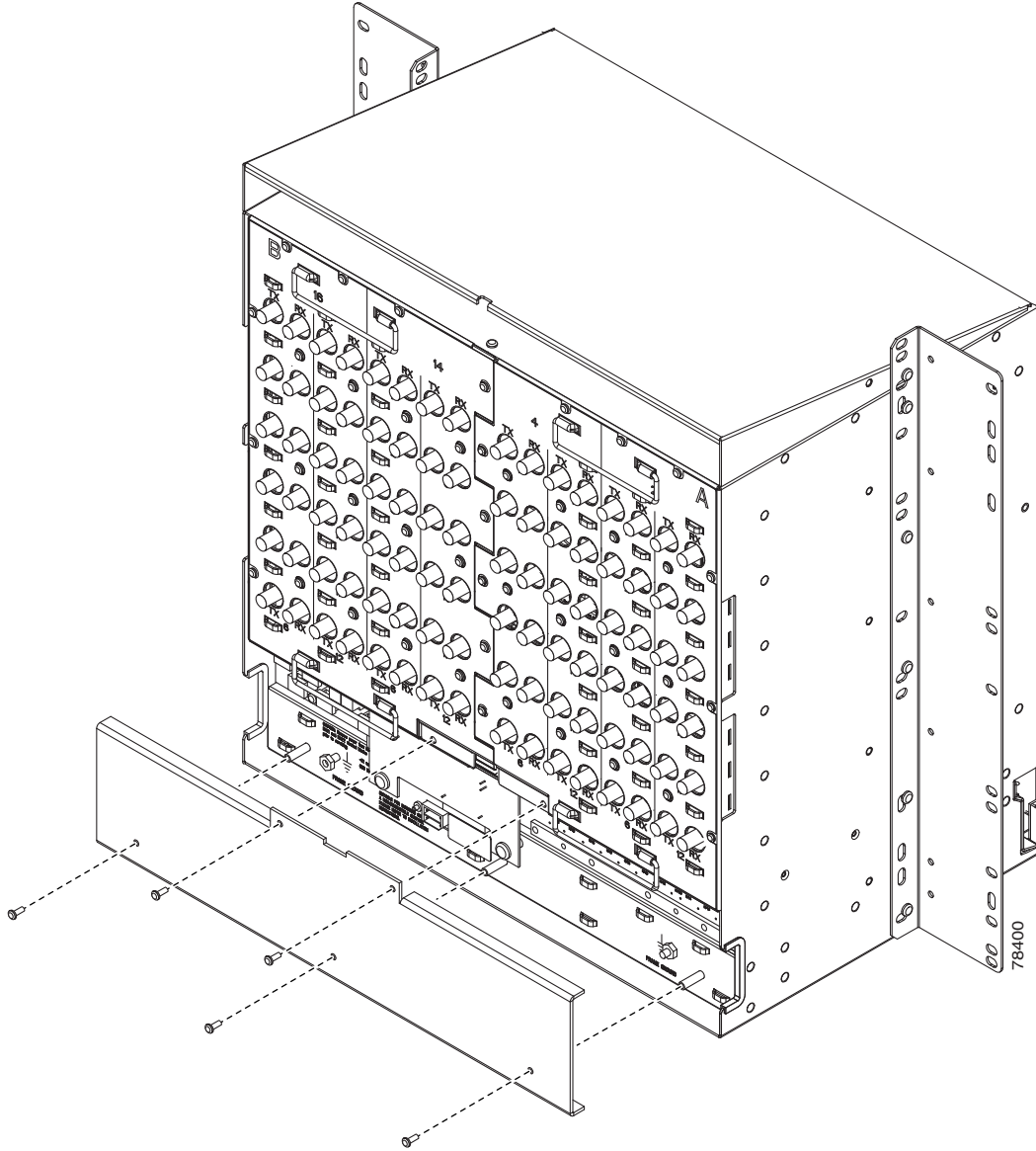
Stop. You have completed this procedure.

NTP-G118 Replace the ANSI Shelf Plastic Lower Backplane Cover

Purpose	This procedure replaces the metal cover with the plastic cover located at the bottom rear of the ONS 15454 ANSI shelf.
Tools/Equipment	Phillips screwdriver
Prerequisite Procedures	None
Required/As Needed	As needed
Onsite/Remote	Onsite
Security Level	None

- Step 1** Use the Phillips screwdriver to unscrew the five retaining screws that hold the metal cover in place.
- Step 2** Grasp the metal cover on each side.
- Step 3** Gently pull the metal cover away from the backplane.
- Step 4** Place the plastic cover against the shelf assembly and align the screw holes on the cover and the shelf assembly (Figure 13-14).

Figure 13-14 Attaching Plastic Lower Backplane Cover



- Step 5** Tighten the five retaining screws that hold the plastic cover in place.
Stop. You have completed this procedure.

NTP-G135 Edit Network Element Defaults

Purpose	This procedure edits the factory-configured NE defaults using the NE Defaults editor. The new defaults can be applied to the node where they are edited, or exported to a file to be imported for use on other nodes.
Tools/Equipment	None
Prerequisite Procedures	None
Required/As Needed	As needed
Onsite/Remote	Onsite or remote
Security Level	Superuser only



Note For a list of NE defaults, see the “Network Element Defaults” appendix in the *Cisco ONS 15454 DWDM Reference Manual*.

- Step 1** Complete the “[DLP-G46 Log into CTC](#)” task on page 2-26 at the node where you want to edit NE defaults.
- Step 2** In node view (single-shelf mode) or multishelf view (multishelf mode), click the **Provisioning > Defaults** tabs. Wait for the Defaults selector frame to load the defaults. This could take several minutes.
- Step 3** Under Defaults Selector, choose either a card (if editing card-level defaults) or NODE (if editing node-level defaults). Clicking on the node name (at the top of the Defaults Selector column) lists all available NE defaults (both node- and card-level) under Default Name.
- Step 4** Locate a default that you want to change under Default Name.
- Step 5** Click in the **Default Value** column for the default property that you are changing and either choose a value from the drop-down list (when available), or type in the desired new value.



Note If you click **Reset** before you click **Apply**, all values will return to their original settings.

- Step 6** Click **Apply** (click in the **Default Name** column to activate the Apply button if it is unavailable). You can modify multiple default values before applying the changes.
- A pencil icon will appear next to any default value that will be changed as a result of editing the defaults file.
- Step 7** If you are modifying node-level defaults, a dialog box appears telling you that defaults were successfully applied to the node. Click **Yes**.
- If you are modifying the IOP Listener Port setting, a dialog box appears warning you that the node will reboot and asks if you want to continue. Click **Yes**.



Note Changes to most node defaults reprovision the node when you click Apply. Changes made to card settings using the Defaults Editor do not change the settings for cards that are already installed or slots that are preprovisioned for cards, but rather, change only cards that are installed or preprovisioned thereafter. To change settings for installed cards or preprovisioned slots, see [Chapter 11, “Change DWDM Card Settings.”](#) To change settings for transponder or muxponder cards see [Chapter 5, “Provision Transponder and Muxponder Cards.”](#)



Note Changing some NE defaults can cause CTC disconnection or a reboot of the node in order for the default to take effect. Before you change a default, view the Side Effects column of the Defaults editor (right-click a column header and select **Show Column > Side Effects**) and be prepared for the occurrence of any side effects listed for that default.

Stop. You have completed this procedure.

NTP-G136 Import Network Element Defaults

Purpose	This procedure imports the NE defaults using the NE Defaults editor. The defaults can either be imported from the CTC software CD (factory defaults) or from a customized file exported and saved from a node.
Tools/Equipment	None
Prerequisite Procedures	None
Required/As Needed	As needed
Onsite/Remote	Onsite or remote
Security Level	Superuser only



Note For a list of NE defaults, refer to the “Network Element Defaults” document.

- Step 1** Complete the [“DLP-G46 Log into CTC” task on page 2-26](#) at the node where you want to import NE defaults.
- Step 2** In node view (single-shelf mode) or multishelf view (multishelf mode), click the **Provisioning > Defaults** tabs.
- Step 3** Click **Import**.
- Step 4** If the correct file name and location of the desired file do not appear in the Import Defaults from File dialog box, click **Browse** and browse to the file that you are importing.
- Step 5** When the correct file name and location appear in the dialog box, click **OK**. If you are importing the factory defaults, the correct file name is 15454-defaults.txt for ANSI shelves and 15454SDH-defaults.txt for ETSI shelves.
- A pencil icon will appear next to any default value that will be changed as a result of importing the new defaults file.
- Step 6** Click **Apply**.
- Step 7** If the imported file fails to pass all edits, the problem field shows the first encountered problem default value that must be fixed. Change the problem default value and click **Apply**. Repeat until the imported file passes all edits successfully.
- Step 8** If you are modifying node-level defaults, a dialog box appears telling you that defaults were successfully applied to the node. Click **Yes**.
- Step 9** If you are modifying the IIOP Listener Port setting, a dialog box appears warning you that the node will reboot and asks if you want to continue. Click **Yes**.



Note Changes to most node defaults reprovision the node when you click Apply. Changes made to card settings using the Defaults Editor do not change the settings for cards that are already installed or slots that are preprovisioned for cards, but rather, change only cards that are installed or preprovisioned thereafter. To change settings for installed cards or preprovisioned slots, see [Chapter 11, “Change DWDM Card Settings.”](#) To change settings for transponder or muxponder cards, see [Chapter 5, “Provision Transponder and Muxponder Cards.”](#)



Note Changing some NE defaults can cause CTC disconnection or a reboot of the node in order for the default to take effect. Before you change a default, view the Side Effects column of the Defaults editor (right-click a column header and select **Show Column > Side Effects**) and be prepared for the occurrence of any side effects listed for that default.

Stop. You have completed this procedure.

NTP-G137 Export Network Element Defaults

Purpose	This procedure exports the NE defaults using the NE Defaults editor. The exported defaults can be imported to other nodes.
Tools/Equipment	None
Prerequisite Procedures	None
Required/As Needed	As needed
Onsite/Remote	Onsite or remote
Security Level	Superuser only



Note The defaults currently displayed are exported whether or not they have been applied to the current node.



Note The NE defaults can also be exported from the File > Export menu. These exported defaults are for reference only and cannot be imported.



Note For a list of NE defaults, refer to the “Network Element Defaults” document.

- Step 1** Complete the [“DLP-G46 Log into CTC” task on page 2-26](#) at the node where you want to export NE defaults.
- Step 2** In node view (single-shelf mode) or multishelf view (multishelf mode), click the **Provisioning > Defaults** editor tabs.
- Step 3** Click **Export**.
- Step 4** If the location where you want to export the file does not appear in the Export Defaults to File dialog box, click **Browse** and browse to the location.

Step 5 Change the file name to something that is easy to remember (the file name has no extension).

Step 6 Click **OK**.

Stop. You have completed this procedure.

NTP-G166 View the Facilities

Purpose	This procedure displays DWDM facility information for all facilities in a node (single-shelf mode), shelf view (multishelf mode), or multishelf node (multishelf mode).
Tools/Equipment	None
Prerequisite Procedures	None
Required/As Needed	As needed
Onsite/Remote	Onsite or remote
Security Level	Maintenance and higher

Step 1 Complete the “[DLP-G46 Log into CTC](#)” task on page 2-26 at the node where you want to view DWDM facilities.

Step 2 In node view (single-shelf mode), shelf view (multishelf mode), or multishelf view (multishelf mode), click the **Maintenance > DWDM > All Facilities** tabs.

- **Marked**—Displays a check mark if you have designated the facility for logical grouping. To mark a facility to group it with others, go to [Step 3](#).
- **Location**—Displays the slot number, slot type, port number, and port type of the facility.
- **Admin State**—Displays the administrative state of the facility.
- **Service State**—Displays the service state of the facility.
- **Power**—Displays the power level of the facility.

Step 3 To mark certain facilities to group during column sorting, click the desired row and click **Mark**. A check mark appears in the Marked column. Click the Marked column header to group all of the checked facilities in ascending order. Click the Marked header again to sort in descending order.

Step 4 To sort the facilities by the Location, Admin State, Service State, or Power columns in ascending order, click on the desired column header. Click the column header again to sort in descending order.

Stop. You have completed this procedure.
