



CHAPTER 16

Manage Network Connectivity

This chapter provides an overview of ONS 15454 data communications network (DCN) connectivity. Cisco Optical Networking System (ONS) network communication is based on IP, including communication between Cisco Transport Controller (CTC) computers and ONS 15454 nodes, and communication among networked ONS 15454 nodes. The chapter shows common Cisco ONS 15454 IP network configurations and includes detailed data communications network (DCN) case studies that are based on actual ONS 15454 installations. The chapter provides information about the ONS 15454 IP routing table, external firewalls, and open gateway network element (GNE) networks.

Although ONS 15454 DCN communication is based on IP, ONS 15454 nodes can be networked to equipment that is based on the Open System Interconnection (OSI) protocol suites. This chapter also describes the ONS 15454 OSI implementation and provides scenarios that show how the ONS 15454 can be networked within a mixed IP and OSI environment.

This chapter does not provide a comprehensive explanation of IP networking concepts and procedures, nor does it provide IP addressing examples to meet all networked scenarios. For ONS 15454 networking setup instructions, refer to the “Turn Up a Node” chapter of the *Cisco ONS 15454 DWDM Procedure Guide*.



Note

Unless otherwise specified, in this chapter “ONS 15454” refers to both ANSI and ETSI shelf assemblies.

Chapter topics include:

- [16.1 IP Networking Overview, page 16-2](#)
- [16.2 IP Addressing Scenarios, page 16-2](#)
- [16.3 DCN Case Studies, page 16-23](#)
- [16.4 DCN Extension, page 16-37](#)
- [16.5 Routing Table, page 16-39](#)
- [16.6 External Firewalls, page 16-41](#)
- [16.7 Open GNE, page 16-42](#)
- [16.8 TCP/IP and OSI Networking, page 16-45](#)
- [16.9 Link Management Protocol, page 16-49](#)
- [16.10 IPv6 Network Compatibility, page 16-55](#)
- [16.11 IPv6 Native Support, page 16-55](#)
- [16.12 Integration with Cisco CRS-1 Routers, page 16-58](#)

**Note**

To connect ONS 15454s to an IP network, you must work with a LAN administrator or other individual at your site who has IP networking training and experience.

16.1 IP Networking Overview

ONS 15454s can be connected in many different ways within an IP environment:

- They can be connected to LANs through direct connections or a router.
- IP subnetting can create ONS 15454 node groups that allow you to provision nodes in a network that are not connected with a data communications channel (DCC).
- Different IP functions and protocols can be used to achieve specific network goals. For example, Proxy Address Resolution Protocol (ARP) enables one LAN-connected ONS 15454 to serve as a gateway for ONS 15454s that are not connected to the LAN.
- Static routes can be created to enable connections among multiple CTC sessions with ONS 15454s that reside on the same subnet with multiple CTC sessions.
- ONS 15454s can be connected to Open Shortest Path First (OSPF) networks so ONS 15454 network information is automatically communicated across multiple LANs and WANs.
- The ONS 15454 proxy server can control the visibility and accessibility between CTC computers and ONS 15454 element nodes.

16.2 IP Addressing Scenarios

ONS 15454 IP addressing generally has nine common scenarios or configurations. Use the scenarios as building blocks for more complex network configurations. [Table 16-1](#) provides a general list of items to check when setting up ONS 15454s in IP networks.

Table 16-1 General ONS 15454 IP Troubleshooting Checklist

Item	What to Check
Link integrity	Verify that link integrity exists between: <ul style="list-style-type: none"> • CTC computer and network hub/switch • ONS 15454s (backplane [ANSI] or MIC-C/T/P [ETSI] wire-wrap pins or RJ-45 port) and network hub/switch • Router ports and hub/switch ports
ONS 15454 hub/switch ports	If connectivity problems occur, set the hub or switch port that is connected to the ONS 15454 to 10 Mbps half-duplex.
Ping	Ping the node to test connections between computers and ONS 15454s.
IP addresses/subnet masks	Verify that ONS 15454 IP addresses and subnet masks are set up correctly.
Optical connectivity	Verify that ONS 15454 optical trunk ports are in service and that a DCC is enabled on each trunk port.

16.2.1 Scenario 1: CTC and ONS 15454s on Same Subnet

Scenario 1 shows a basic ONS 15454 LAN configuration (Figure 16-1). The ONS 15454s and CTC computer reside on the same subnet. All ONS 15454s connect to LAN A, and all ONS 15454s have DCC connections.

Figure 16-1 Scenario 1: CTC and ONS 15454s on Same Subnet (ANSI and ETSI)

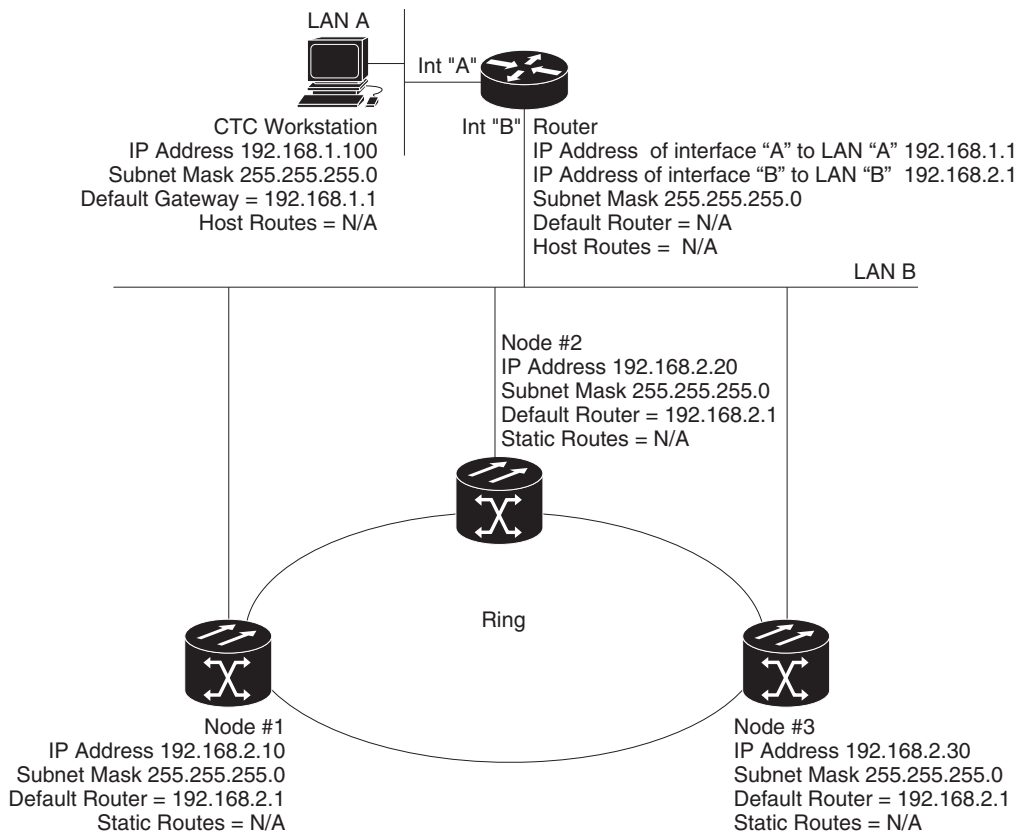
CTC Workstation

16.2.2 Scenario 2: CTC and ONS 15454s Connected to a Router

In Scenario 2, the CTC computer resides on a subnet (192.168.1.0) and attaches to LAN A (Figure 16-2). The ONS 15454s reside on a different subnet (192.168.2.0) and attach to LAN B. A router connects LAN A to LAN B. The IP address of router interface A is set to LAN A (192.168.1.1), and the IP address of router interface B is set to LAN B (192.168.2.1). The routers each have a subnet mask of 255.255.255.0.

On the CTC computer, the default gateway is set to router interface A. If the LAN uses Dynamic Host Configuration Protocol (DHCP), the default gateway and IP address are assigned automatically. In the Figure 16-2 example, a DHCP server is not available.

Figure 16-2 Scenario 2: CTC and ONS 15454s Connected to Router (ANSI and ETSI)



16.2.3 Scenario 3: Using Proxy ARP to Enable an ONS 15454 Gateway

ARP matches higher-level IP addresses to the physical addresses of the destination host. It uses a lookup table (called ARP cache) to perform the translation. When the address is not found in the ARP cache, a broadcast is sent out on the network with a special format called the ARP request. If one of the machines on the network recognizes its own IP address in the request, it sends an ARP reply back to the requesting host. The reply contains the physical hardware address of the receiving host. The requesting host stores this address in its ARP cache so that all subsequent datagrams (packets) to this destination IP address can be translated to a physical address.

Proxy ARP enables one LAN-connected ONS 15454 to respond to the ARP request for ONS 15454s not connected to the LAN. (ONS 15454 proxy ARP requires no user configuration.) For this to occur, the DCC-connected ONS 15454s must reside on the same subnet as the LAN-connected (gateway) ONS 15454. When a LAN device sends an ARP request to an ONS 15454 that is not connected to the LAN, the gateway ONS 15454 (the one connected to the LAN) returns its MAC address to the LAN

device. The LAN device then sends the datagram for the remote ONS 15454 to the MAC address of the proxy ONS 15454. The proxy ONS 15454 uses its routing table to forward the datagram to the non-LAN ONS 15454.

Scenario 3 is similar to Scenario 1, but only one ONS 15454 (Node 1) connects to the LAN (Figure 16-3). Two ONS 15454s (Node 2 and Node 3) connect to ONS 15454 Node 1 through the section DCC. Because all three ONS 15454s are on the same subnet, proxy ARP enables ONS 15454 Node 1 to serve as a gateway for ONS 15345 Node 2 and Node 3.

**Note**

This scenario assumes all CTC connections are to Node 1. If you connect a laptop to either ONS 15454 Node 2 or Node 3, network partitioning occurs; neither the laptop or the CTC computer can see all nodes. If you want laptops to connect directly to end network elements (ENEs), you must create static routes (see the “16.2.5 Scenario 5: Using Static Routes to Connect to LANs” section on page 16-8) or enable the ONS 15454 proxy server (see “16.2.7 Scenario 7: Provisioning the ONS 15454 Proxy Server” section on page 16-12).

Be aware that:

- GNE and ENE 15454 proxy ARP is disabled.
- There is exactly one proxy ARP server on any given Ethernet segment; however, there might be more than one server in an ANSI or ETSI topology.
- The proxy ARP server does not perform the proxy ARP function for any node or host that is on the same Ethernet segment.
- It is important in Figure 16-3 that the CTC workstation be located within the same subnet and on the same Ethernet segment as the proxy ARP server.

Figure 16-3 Scenario 3: Using Proxy ARP (ANSI and ETSI)

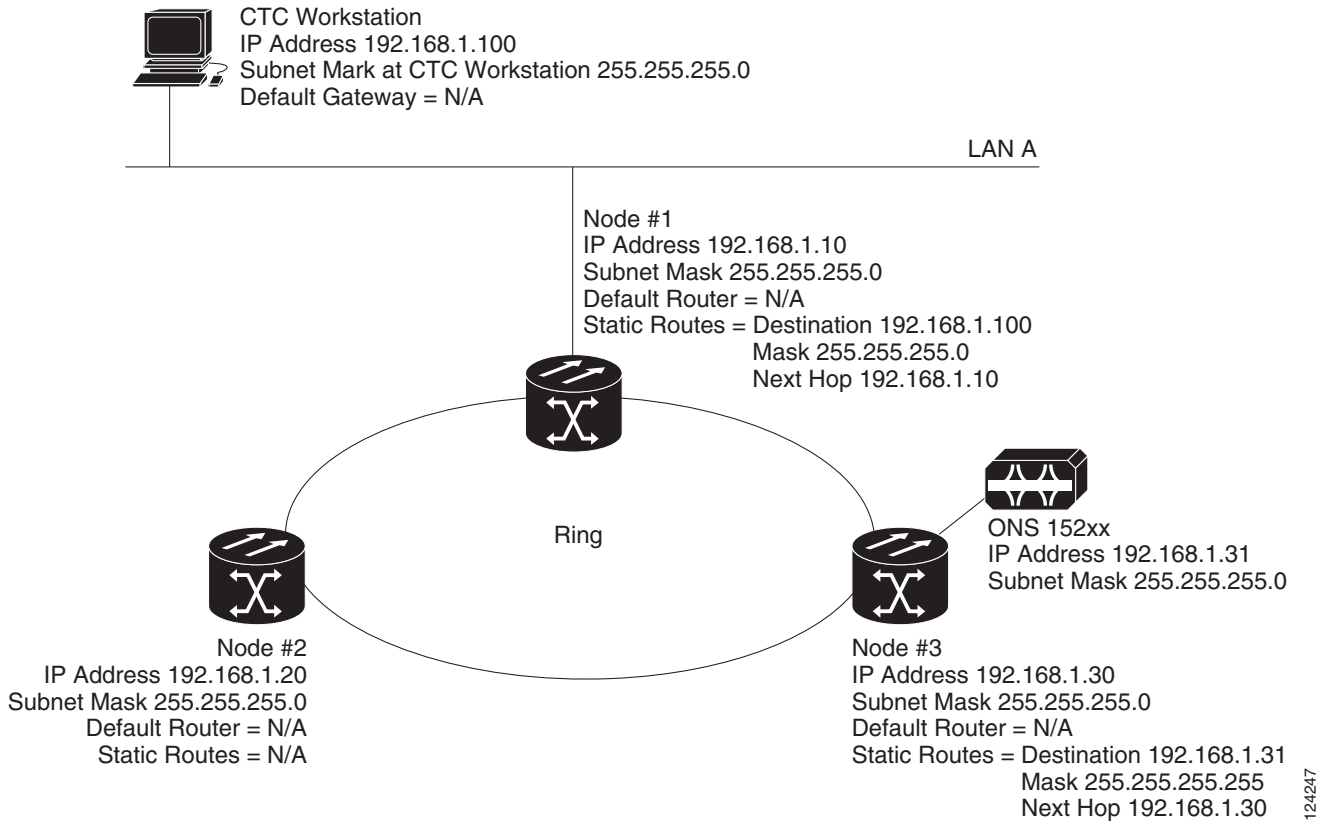
> Workstation
 address 192.168.1.100

You can also use proxy ARP to communicate with hosts attached to the craft Ethernet ports of DCC-connected nodes (Figure 16-4). The node with an attached host must have a static route to the host. Static routes are propagated to all DCC peers using OSPF. The existing proxy ARP node is the gateway for additional hosts. Each node examines its routing table for routes to hosts that are not connected to the DCC network but are within the subnet. The existing proxy server replies to ARP requests for these additional hosts with the node MAC address. The existence of the host route in the routing table ensures that the IP packets addressed to the additional hosts are routed properly. Other than establishing a static route between a node and an additional host, no provisioning is necessary. The following restrictions apply:

- Only one node acts as the proxy ARP server for any given additional host.
- A node cannot be the proxy ARP server for a host connected to its Ethernet port.

In Figure 16-4, Node 1 announces to Node 2 and 3 that it can reach the CTC host. Similarly, Node 3 announces that it can reach the ONS 152xx. The ONS 152xx is shown as an example; any network element can be set up as an additional host.

Figure 16-4 Scenario 3: Using Proxy ARP with Static Routing (ANSI and ETSI)



16.2.4 Scenario 4: Default Gateway on CTC Computer

Scenario 4 is similar to Scenario 3, but Nodes 2 and 3 reside on different subnets, 192.168.2.0 and 192.168.3.0, respectively (Figure 16-5). Node 1 and the CTC computer are on subnet 192.168.1.0. Proxy ARP is not used because the network includes different subnets. For the CTC computer to communicate with Nodes 2 and 3, Node 1 is entered as the default gateway on the CTC computer.

Figure 16-5 Scenario 4: Default Gateway on a CTC Computer (ANSI and ETSI)



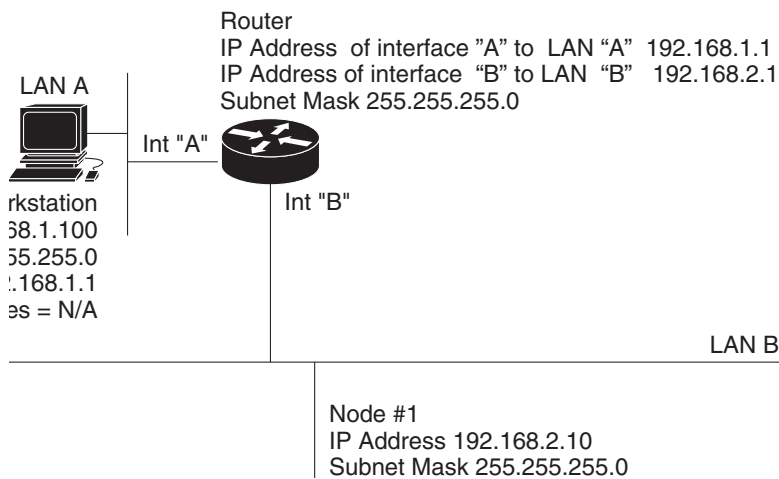
16.2.5 Scenario 5: Using Static Routes to Connect to LANs

Static routes are used for two purposes:

- To connect ONS 15454s to CTC sessions on one subnet connected by a router to ONS 15454s residing on another subnet. (These static routes are not needed if OSPF is enabled. Scenario 6 shows an OSPF example.)
- To enable multiple CTC sessions among ONS 15454s residing on the same subnet.

In [Figure 16-6](#), one CTC residing on subnet 192.168.1.0 connects to a router through interface A (the router is not set up with OSPF). ONS 15454s residing on different subnets are connected through Node 1 to the router through interface B. Because Nodes 2 and 3 are on different subnets, proxy ARP does not enable Node 1 as a gateway. To connect to CTC computers on LAN A, a static route is created on Node 1.

Figure 16-6 Scenario 5: Static Route With One CTC Computer Used as a Destination (ANSI and ETSI)

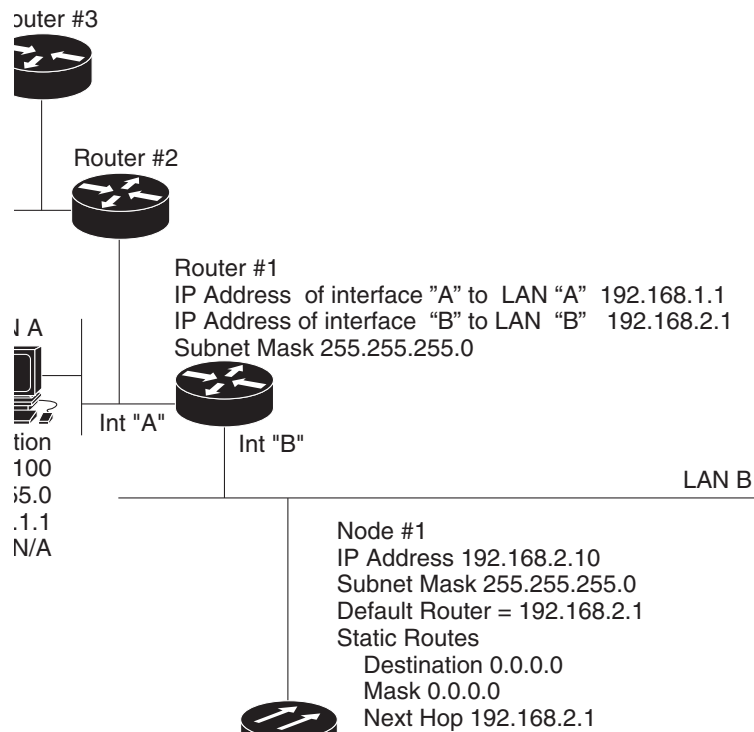


The destination and subnet mask entries control access to the ONS 15454s:

- If a single CTC computer is connected to a router, enter the complete CTC “host route” IP address as the destination with a subnet mask of 255.255.255.255.
- If CTC computers on a subnet are connected to a router, enter the destination subnet (in this example, 192.168.1.0) and a subnet mask of 255.255.255.0.
- If all CTC computers are connected to a router, enter a destination of 0.0.0.0 and a subnet mask of 0.0.0.0. [Figure 16-7](#) shows an example.

The IP address of router interface B is entered as the next hop, and the cost (number of hops from source to destination) is 2.

Figure 16-7 Scenario 5: Static Route With Multiple LAN Destinations (ANSI and ETSI)



16.2.6 Scenario 6: Using OSPF

Open Shortest Path First (OSPF) is a link state Internet routing protocol. Link state protocols use a “hello protocol” to monitor their links with adjacent routers and to test the status of their links to their neighbors. Link state protocols advertise their directly connected networks and their active links. Each link state router captures the link state “advertisements” and puts them together to create a topology of the entire network or area. From this database, the router calculates a routing table by constructing a shortest path tree. Routes are recalculated when topology changes occur.

ONS 15454s use the OSPF protocol in internal ONS 15454 networks for node discovery, circuit routing, and node management. You can enable OSPF on the ONS 15454s so that the ONS 15454 topology is sent to OSPF routers on a LAN. Advertising the ONS 15454 network topology to LAN routers

eliminates the need to manually enter static routes for ONS 15454 subnetworks. [Figure 16-8](#) shows a network enabled for OSPF. [Figure 16-9](#) shows the same network without OSPF. Static routes must be manually added to the router for CTC computers on LAN A to communicate with Nodes 2 and 3 because these nodes reside on different subnets.

OSPF divides networks into smaller regions, called areas. An area is a collection of networked end systems, routers, and transmission facilities organized by traffic patterns. Each OSPF area has a unique ID number, known as the area ID. Every OSPF network has one backbone area called “area 0.” All other OSPF areas must connect to area 0.

When you enable an ONS 15454 OSPF topology for advertising to an OSPF network, you must assign an OSPF area ID in decimal format to the ONS 15454 network. An area ID is a “dotted quad” value that appears similar to an IP address. Coordinate the area ID number assignment with your LAN administrator. All DCC-connected ONS 15454s should be assigned the same OSPF area ID.

**Note**

It is recommended that the number of ONS 15454s in an OSPF area be limited, because this allows faster loading into a CTC and is less likely to incur any problems.

Figure 16-8 Scenario 6: OSPF Enabled (ANSI and ETSI)

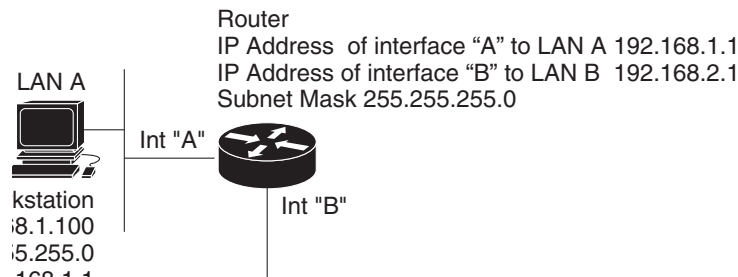
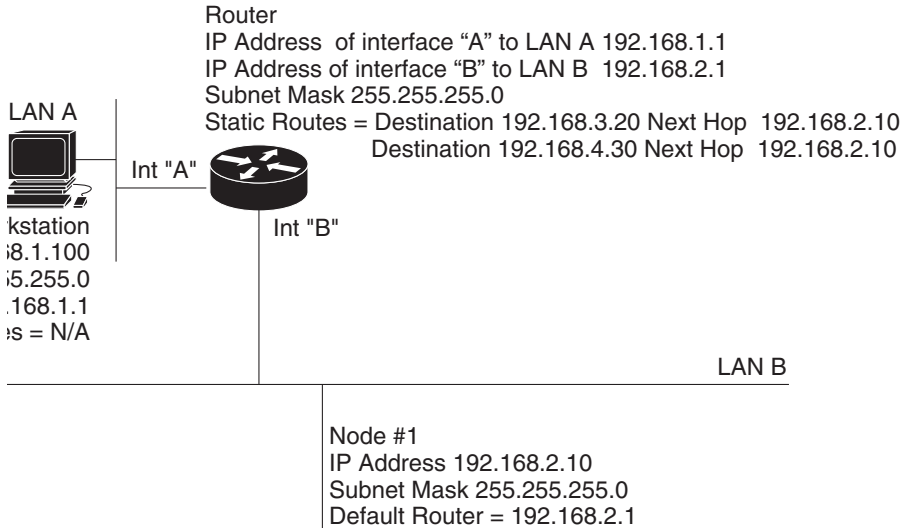


Figure 16-9 Scenario 6: OSPF Not Enabled (ANSI and ETSI)



16.2.7 Scenario 7: Provisioning the ONS 15454 Proxy Server

The ONS 15454 proxy server is a set of functions that allows you to network ONS 15454s in environments where visibility and accessibility between ONS 15454s and CTC computers must be restricted. For example, you can set up a network so that field technicians and network operations center (NOC) personnel can both access the same ONS 15454s while preventing the field technicians from accessing the NOC LAN. To do this, one ONS 15454 is provisioned as a GNE and the other ONS 15454s are provisioned as end ENEs. The GNE ONS 15454 tunnels connections between CTC computers and ENE ONS 15454s, providing management capability while preventing access for non-ONS 15454 management purposes.

The ONS 15454 gateway setting performs the following tasks:

- Isolates DCC IP traffic from Ethernet (craft port) traffic and accepts packets based on filtering rules. The filtering rules (see [Table 16-3 on page 16-17](#) and [Table 16-4 on page 16-17](#)) depend on whether the packet arrives at the ONS 15454 DCC or TCC2/TCC2P Ethernet interface.
- Processes Simple Network Time Protocol (SNTP) and Network Time Protocol (NTP) requests. ONS 15454 ENEs can derive time-of-day from an SNTP/NTP LAN server through the GNE ONS 15454.
- Processes Simple Network Management Protocol version 1 (SNMPv1) traps. The GNE ONS 15454 receives SNMPv1 traps from the ENE ONS 15454s and forwards or relays the traps to SNMPv1 trap destinations or ONS 15454 SNMP relay nodes.

The ONS 15454 proxy server is provisioned using the Enable proxy server on port check box on the Provisioning > Network > General tab. If checked, the ONS 15454 serves as a proxy for connections between CTC clients and ONS 15454s that are DCC-connected to the proxy ONS 15454. The CTC client establishes connections to DCC-connected nodes through the proxy node. The CTC client can connect to nodes that it cannot directly reach from the host on which it runs. If not selected, the node does not proxy for any CTC clients, although any established proxy connections continue until the CTC client exits. In addition, you can set the proxy server as an ENE or a GNE:

- External Network Element (ENE)—If set as an ENE, the ONS 15454 neither installs nor advertises default or static routes that go through its Ethernet port. However, an ENE does install and advertise routes that go through the DCC. CTC computers can communicate with the ONS 15454 using the TCC2/TCC2P craft port, but they cannot communicate directly with any other DCC-connected ONS 15454.

In addition, firewall is enabled, which means that the node prevents IP traffic from being routed between the DCC and the LAN port. The ONS 15454 can communicate with machines connected to the LAN port or connected through the DCC. However, the DCC-connected machines cannot communicate with the LAN-connected machines, and the LAN-connected machines cannot communicate with the DCC-connected machines. A CTC client using the LAN to connect to the firewall-enabled node can use the proxy capability to manage the DCC-connected nodes that would otherwise be unreachable. A CTC client connected to a DCC-connected node can only manage other DCC-connected nodes and the firewall itself.

- Gateway Network Element (GNE)—If set as a GNE, the CTC computer is visible to other DCC-connected nodes and firewall is enabled.
- SOCKS Proxy-only—If Proxy-only is selected, firewall is not enabled. CTC can communicate with any other DCC-connected ONS 15454s.

**Note**

If you launch CTC against a node through a Network Address Translation (NAT) or Port Address Translation (PAT) router and that node does not have proxy enabled, your CTC session starts and initially appears to be fine. However CTC never receives alarm updates and disconnects and reconnects every two minutes. If the proxy is accidentally disabled, it is still possible to enable the proxy during a reconnect cycle and recover your ability to manage the node, even through a NAT/PAT firewall.

**Note**

ENEs that belong to different private subnetworks do not need to have unique IP addresses. Two ENEs that are connected to different GNEs can have the same IP address. However, ENEs that connect to the same GNE must always have unique IP addresses.

Figure 16-10 shows an ONS 15454 proxy server implementation. A GNE ONS 15454 is connected to a central office LAN and to ENE ONS 15454s. The central office LAN is connected to a NOC LAN, which has CTC computers. The NOC CTC computer and craft technicians must both be able to access the ONS 15454 ENEs. However, the craft technicians must be prevented from accessing or seeing the NOC or central office LANs.

In the example, the ONS 15454 GNE is assigned an IP address within the central office LAN and is physically connected to the LAN through its LAN port. ONS 15454 ENEs are assigned IP addresses that are outside the central office LAN and given private network IP addresses. If the ONS 15454 ENEs are collocated, the craft LAN ports could be connected to a hub. However, the hub should have no other network connections.

Figure 16-10 Scenario 7: ONS 15454 Proxy Server with GNE and ENEs on the Same Subnet (ANSI and ETSI)

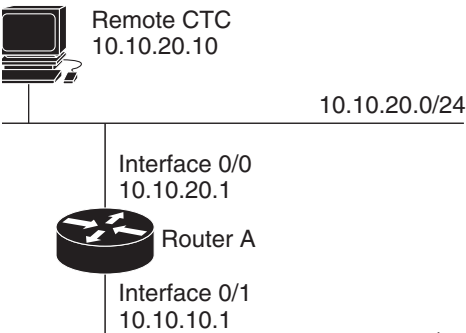


Table 16-2 shows recommended settings for ONS 15454 GNEs and ENEs in the configuration shown in Figure 16-10.

Table 16-2 ONS 15454 Gateway and End NE Settings

Setting	ONS 15454 Gateway NE	ONS 15454 End NE
OSPF	Off	Off

Table 16-2 ONS 15454 Gateway and End NE Settings (continued)

Setting	ONS 15454 Gateway NE	ONS 15454 End NE
SNTP server (if used)	SNTP server IP address	Set to ONS 15454 GNE IP address
SNMP (if used)	SNMPv1 trap destinations	Set SNMPv1 trap destinations to ONS 15454 GNE, port 391

Figure 16-11 shows the same proxy server implementation with ONS 15454 ENEs on different subnets. The ONS 15454 GNEs and ENEs are provisioned with the settings shown in Table 16-2.

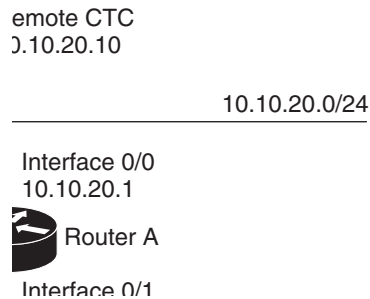
Figure 16-11 Scenario 7: ONS 15454 Proxy Server with GNE and ENEs on Different Subnets (ANSI and ETSI)

Figure 16-12 shows the same proxy server implementation with ONS 15454 ENEs in multiple rings.

Figure 16-12 Scenario 7: ONS 15454 Proxy Server With ENEs on Multiple Rings (ANSI and ETSI)

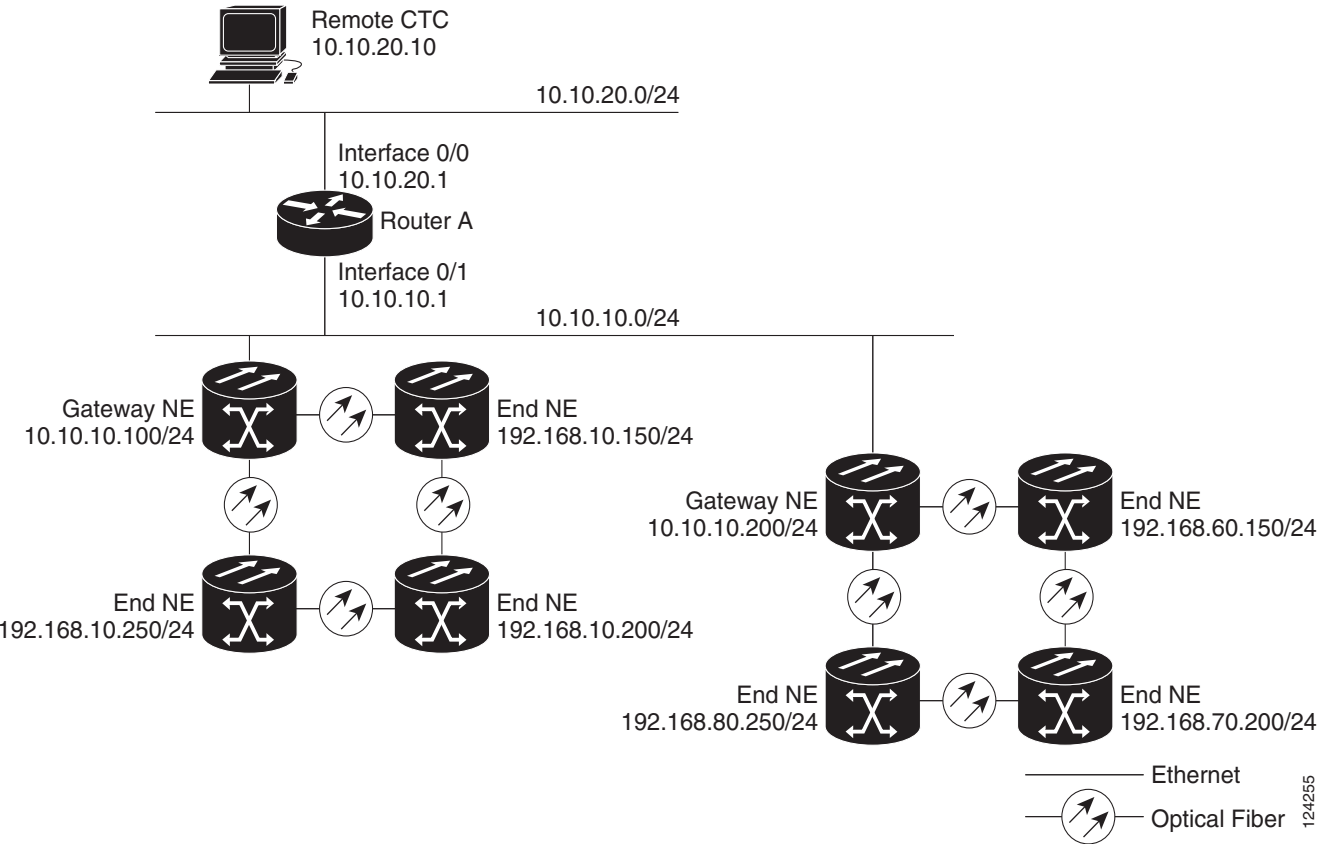


Table 16-3 shows the rules the ONS 15454 follows to filter packets for the firewall when nodes are configured as ENEs and GNEs. If the packet is addressed to the ONS 15454, additional rules (shown in Table 16-4) are applied. Rejected packets are silently discarded.

Table 16-3 Proxy Server Firewall Filtering Rules

Packets Arriving At:	Are Accepted if the Destination IP Address is:
TCC2/TCC2P Ethernet interface	<ul style="list-style-type: none"> • The ONS 15454 itself • The ONS 15454's subnet broadcast address • Within the 224.0.0.0/8 network (reserved network used for standard multicast messages) • Subnet mask = 255.255.255.255
DCC interface	<ul style="list-style-type: none"> • The ONS 15454 itself • Any destination connected through another DCC interface • Within the 224.0.0.0/8 network

Table 16-4 Proxy Server Firewall Filtering Rules

Packets Arriving At:	Are Rejected If:
TCC2/TCC2P Ethernet interface	<ul style="list-style-type: none"> • User Datagram Protocol (UDP) packets addressed to the SNMP trap relay port (391)
DCC interface	<ul style="list-style-type: none"> • Transmission Control Protocol (TCP) packets addressed to the proxy server port (1080)

If you implement the proxy server, note that all DCC-connected ONS 15454s on the same Ethernet segment must have the same gateway setting. Mixed values produce unpredictable results, and might leave some nodes unreachable through the shared Ethernet segment.

If nodes become unreachable, correct the setting by performing one of the following:

- Disconnect the craft computer from the unreachable ONS 15454. Connect to the ONS 15454 through another network ONS 15454 that has a DCC connection to the unreachable ONS 15454.
- Disconnect all DCCs to the node by disabling them on neighboring nodes. Connect a CTC computer directly to the ONS 15454 and change its provisioning.

16.2.8 Scenario 8: Dual GNEs on a Subnet

The ONS 15454 provides GNE load balancing, which allows CTC to reach ENEs over multiple GNEs without the ENEs being advertised over OSPF. This feature allows a network to quickly recover from the loss of GNE, even if the GNE is on a different subnet. If a GNE fails, all connections through that GNE fail. CTC disconnects from the failed GNE and from all ENEs for which the GNE was a proxy, and then reconnects through the remaining GNEs. GNE load balancing reduces the dependency on the launch GNE and DCC bandwidth, both of which enhance CTC performance.



Note

Dual GNEs do not need special provisioning

Figure 16-13 shows a network with dual GNEs on the same subnet.

Figure 16-13 Scenario 8: Dual GNEs on the Same Subnet (ANSI and ETSI)

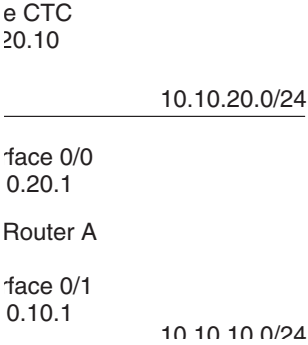
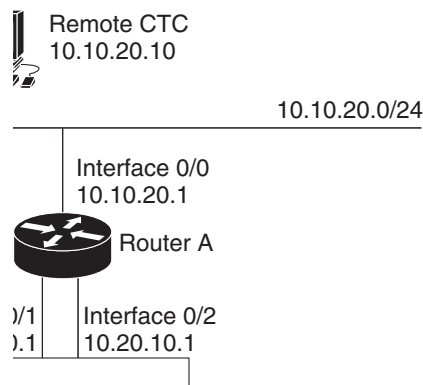


Figure 16-14 shows a network with dual GNEs on different subnets.

Figure 16-14 Scenario 8: Dual GNEs on Different Subnets (ANSI and ETSI)



16.2.9 Scenario 9: IP Addressing with Secure Mode Enabled

The TCC2 card and TCC2P card both default to repeater mode. In this mode, the front and back Ethernet (LAN) ports share a single MAC address and IP address. TCC2P cards allow you to place a node in secure mode, which prevents a front-access craft port user from accessing the LAN through the backplane port. Secure mode can be locked, which prevents the mode from being altered. To place a node in secure mode refer to the “DLP -G264 Enable Node Security Mode” task in the “Turn Up a Node” chapter of the *Cisco ONS 15454 DWDM Procedure Guide*. To lock secure node, refer to the “DLP-G265 Lock Node Security” task in the “Manage the Node” chapter of the *Cisco ONS 15454 DWDM Procedure Guide*.

16.2.9.1 Secure Mode Behavior

Changing a TCC2P node from repeater mode to secure mode allows you to provision two IP addresses for the ONS 15454 and causes the node to assign the ports different MAC addresses. In secure mode, one IP address is provisioned for the ONS 15454 backplane LAN port, and the other IP address is provisioned for the TCC2P Ethernet port. Both addresses reside on different subnets, providing an additional layer of separation between the craft access port and the ONS 15454 LAN. If secure mode is enabled, the IP addresses provisioned for the backplane LAN port and TCC2P Ethernet port must follow general IP addressing guidelines and must reside on different subnets from each other.

In secure mode, the IP address assigned to the backplane LAN port becomes a private address, which connects the node to an operations support system (OSS) through a central office LAN or private enterprise network. A Superuser can configure the node to hide or reveal the backplane's LAN IP address in CTC, the routing table, or TL1 autonomous message reports.

In repeater mode, a node can be a GNE or ENE. Placing the node into secure mode automatically turns on SOCKS proxy and defaults the node to GNE status. However, the node can be changed back to an ENE. In repeater mode, an ENE's SOCKS proxy can be disabled—effectively isolating the node beyond the LAN firewall—but it cannot be disabled in secure mode. To change a node's GNE or ENE status and disable the SOCKS proxy, refer to the “DLP-G56 Provision IP Settings” task in the “Turn Up a Node” chapter of the *Cisco ONS 15454 DWDM Procedure Guide*.



Caution

Enabling secure mode causes the TCC2P card to reboot; a TCC2P card reboot affects traffic.



Caution

The TCC2 card fails to boot when it is added as a standby card to a node containing an active TCC2P card configured in the secure mode.



Note

If both front and backplane access ports are disabled in an ENE and the node is isolated from DCC communication (due to user provisioning or network faults), the front and backplane ports are automatically reenabled.

Figure 16-15 shows an example of secure mode ONS 15454 nodes with front-access Ethernet port addresses that reside on the same subnet.

Figure 16-15 Scenario 9: ONS 15454 GNE and ENes on the Same Subnet with Secure Mode Enabled

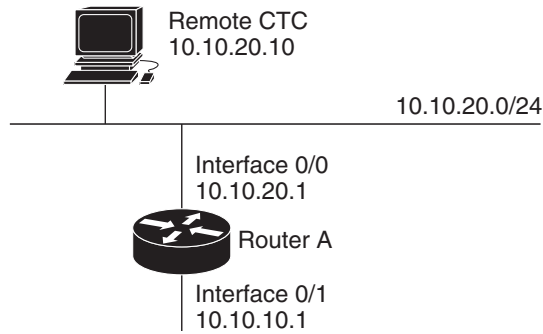
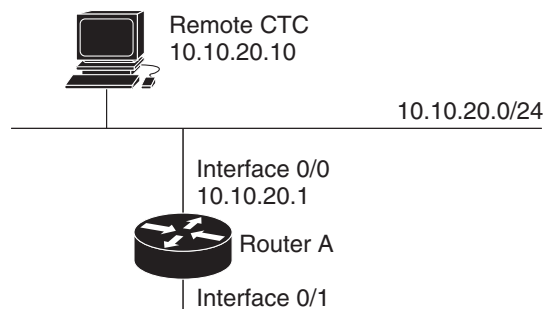


Figure 16-16 shows an example of ONS 15454 nodes connected to a router with secure mode enabled. In each example, the node's TCC2P port address (node address) resides on a different subnet from the node backplane addresses.

Figure 16-16 Scenario 9: ONS 15454 GNE and ENEs on Different Subnets with Secure Mode Enabled



16.2.9.2 Secure Node Locked and Unlocked Behavior

Secure mode can be locked or unlocked on a node operating in secure mode. The default status is unlocked, and only a Superuser can issue a lock. When secure mode is locked, the node's configuration (including Ethernet port status) and lock status cannot be changed by any network user. To have a secure node's lock removed, contact Cisco Technical Support to arrange a Return Material Authorization (RMA) for the shelf assembly. See the [“Obtaining Documentation and Submitting a Service Request” section on page -lxv](#) as needed. Enabling a lock makes a permanent change to the shelf's EEPROM.

A node's configuration lock is maintained if the active TCC2P card's database is reloaded. For example, if you attempt to load an unlocked node database onto a locked node's standby TCC2P card for transfer to the active TCC2P card (an action that is not recommended), the unlocked node's status (via the uploaded database) will not override the node's lock status. If you attempt to load a locked database onto the standby TCC2P card of an unlocked secure node, the active TCC2P card will upload the database. If the uploaded defaults indicate a locked status, this will cause the node to become locked. If a software load has been customized before a lock is enabled, all lockable provisioning features are permanently set to the customized NE defaults provided in the load and cannot be changed by any user.

16.3 DCN Case Studies

The ONS 15454 network is managed over the IP DCN and the optical service channels (OSCs), DCCs, and generic communications channels (GCCs). ONS 15454s perform many of the same functions as Layer 3 routers because they manage traffic between the DCN network management system (NMS) and the dense wavelength division multiplexing (DWDM) optical networks.

This section provides case studies that show different ways an ONS 15454 network can be implemented within the DCN. The case studies are based on actual field installations. They include the network problem, the network topology created to solve it, IP addressing examples, and strengths and weaknesses of the solution. Routing principles followed throughout the case studies include:

- If the ONS 15454 is connected to a DCN router, the default gateway points to the router.
- If the default gateway must advertise to the OSC/DCC/GCC network, a static route is added for the default gateway.
- If the network element (NE) is not connected to a DCN router, the default gateway is set to 0.0.0.0.

16.3.1 SOCKS Proxy Settings

SOCKS proxy (described in the “[16.2.7 Scenario 7: Provisioning the ONS 15454 Proxy Server](#)” section on page 16-12) enables the ONS 15454 to serve as a proxy for connections between CTC clients and ONS 15454 nodes connected by OSCs, GCCs, or DCCs. Although SOCKS proxy can make DCN implementations easier, it should not be used when any of the following conditions exist:

- Network management is based on SNMP and SNMP traps. The ONS 15454 can proxy SNMP traps, but if a redundant DCN connection is required, trap duplication on the network management platform will occur.
- Telnet and debug session are required. These are not possible over SOCKS proxy.
- Direct IP connectivity to every node is required.

If these conditions are not present and no requirement to have direct IP connectivity to every node exists (that is, management is performed using CTC and/or Cisco Transport Manager [CTM]), Cisco recommends that you use the SOCKS proxy only option for all nodes that connect to a DCN router.

16.3.2 OSPF

Activating OSPF (described in the “[16.2.6 Scenario 6: Using OSPF](#)” section on page 16-10) on the ONS 15454 LAN interface is another option that can be used to create resilient DCN connections. However, this option can only be enabled if every element in the network, from the NEs to the NOC, runs OSPF. This is not always possible, for example, the DCN connections might be on a public network out of the control of the organization using the ONS 15454 network. If you are considering enabling OSPF on the LAN, the following limitations must be considered:

- If OSPF is enabled on the LAN, the internal OSC/DCC/GCC OSPF area cannot be 0.0.0.0.
- The ONS 15454 can act as an OSPF area border gateway and support OSPF virtual links. However, virtual links cannot pass over the OSC/DCC/GCC network.

If all elements in the DCN network are not running OSPF, enabling OSPF on the LAN is very difficult without creating isolated areas and/or segmentation of OSPF area 0. However, if the DCN network is a full OSPF network, enabling OSPF on the LAN might be employed for resilient DCN networks.

16.3.3 Management of Non-LAN Connected Multishelf Node

When using dense wavelength division multiplexing (DWDM) multishelf management feature to subtend shelves from a node controller shelf, the Node Controller must be specially provisioned in case it does not have direct LAN reachability.

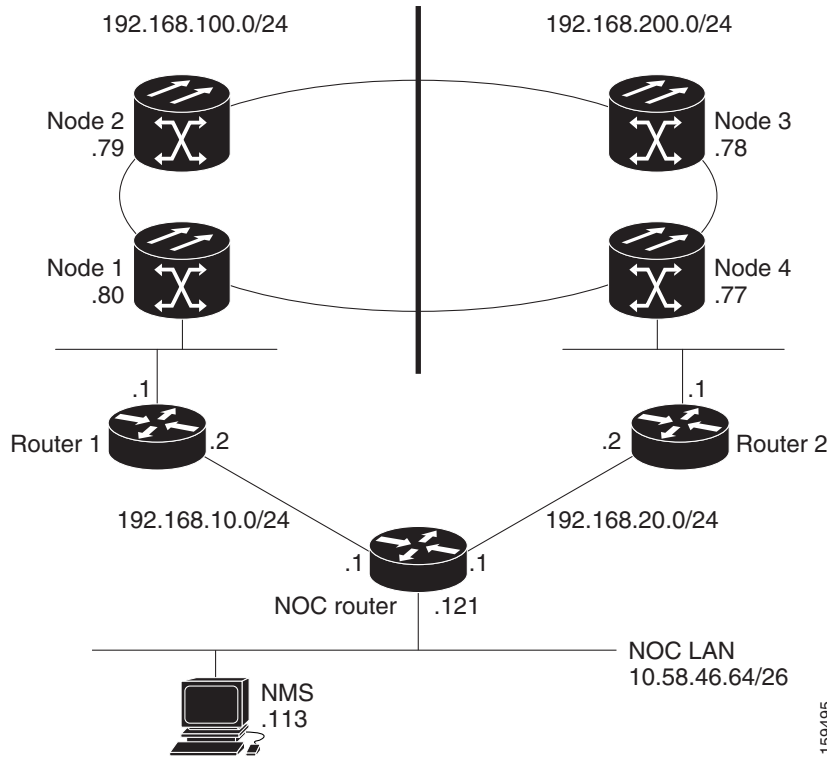
Non-LAN connected Multishelf nodes are not manageable from CTC unless SOCKS Proxy is enabled on the node. In a GNE/ENE firewall configuration, non-LAN connected network elements must be set up as end network elements (ENEs) if Firewall is required. If firewall is not required on the non-LAN connected Multishelf node, then the node must be set up as SOCKS Proxy

LAN-connected network elements (LNEs) can be set up as gateway network elements (GNEs) or as SOCKS proxies, depending upon network security requirements. If the GNE/ENE firewall feature is required, the LNE must be set up as a GNE. If the design does not require the firewall feature but does require all-IP networking, the LNE must be set up as a SOCKS proxy. For procedures to provision a node or shelf as a GNE, ENE or SOCKS proxy, refer to the *Cisco ONS 15454 DWDM Procedure Guide*.

16.3.4 DCN Case Study 1: Ring Topology with Two Subnets and Two DCN Connections

DCN Case Study 1 (Figure 16-17) shows an ONS 15454 ring (DWDM or SONET/SDH). The ring is divided into two subnets and has two DCN connections for resiliency.

Figure 16-17 DCN Case Study 1: ONS 15454 Ring with Two Subnets and Two DCN Connections

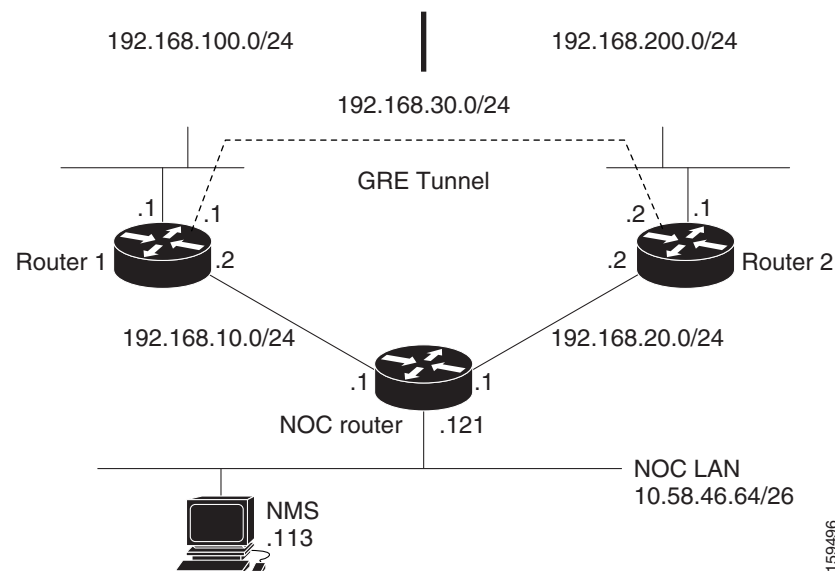


During normal operation, this configuration balances the management traffic load over the two available DCN connections. If one of the two DCN connections fails, the second DCN connection maintains accessibility so NE management can continue. However, if complete IP connectivity is required, for example, for SNMP when SOCKS proxy cannot be used, connection resilience is difficult to achieve because:

- The ONS 15454 does not support route overloading. Configuring different routers with different costs for the same network destination is not possible.
- The ONS 15454 always tries to route traffic on the LAN interface when its link is up, and the link on the NE connected to DCN router is always up.
- If the DCN connection fails, the route is no longer available.

One solution is to create a generic routing encapsulation (GRE) tunnel to logically connect the remote Router 1 and remote Router 2 using the OSC/DCC/GCC network (Figure 16-18). With the GRE tunnel, both remote routers have an alternate path to reach the NOC network in case of DCN failure. However, the alternate path might become overloaded on the routing tables, resulting in higher costs.

Figure 16-18 DCN Case Study 1: ONS 15454 Ring with Two Subnets, Two DCN Connections, and GRE Tunnel



16.3.4.1 DCN Case Study 1 IP Configuration

The following sections show sample IP configuration at the routers and ONS 15454 nodes in DCN Case Study 1.

16.3.4.1.1 NOC Router Configuration

Interface configuration:

```
interface Ethernet0/0
 ip address 10.58.46.121 255.255.255.192
 no ip directed-broadcast
 !
interface Ethernet1/0
```

```

ip address 192.168.20.1 255.255.255.0
no ip directed-broadcast
!
interface Ethernet2/0
ip address 192.168.10.1 255.255.255.0
no ip directed-broadcast
!

```

Static routes with alternate paths at different costs:

```

ip classless
ip route 192.168.100.0 255.255.255.0 192.168.10.2
ip route 192.168.100.0 255.255.255.0 192.168.20.2 10
ip route 192.168.200.0 255.255.255.0 192.168.20.2
ip route 192.168.200.0 255.255.255.0 192.168.10.2 10

```

16.3.4.1.2 Router 1 IP Configuration

Interface configuration:

```

interface Ethernet0/0
ip address 192.168.10.2 255.255.255.0
no ip directed-broadcast
!
interface Ethernet1/0
ip address 192.168.100.1 255.255.255.0
no ip directed-broadcast
!

```

GRE tunnel interface configuration:

```

interface Tunnel0
ip address 192.168.30.1 255.255.255.0
tunnel source Ethernet1/0
tunnel destination 192.168.200.1

```

Static routes with alternate paths at different costs:

```

ip classless
ip route 0.0.0.0 0.0.0.0 192.168.10.1
ip route 10.0.0.0 255.0.0.0 192.168.10.1
ip route 10.0.0.0 255.0.0.0 Tunnel0 10
ip route 192.168.200.0 255.255.255.0 Tunnel0 10
ip route 192.168.200.1 255.255.255.255 192.168.100.80

```

Note the host route to the peer Router 2 (192.168.200.1) points to the ONS 15454 network (through 192.168.100.80). This is required to set up the GRE tunnel. In this configuration, only the external route to 10.0.0.0 (that includes the NOC network) is overloaded with the alternate path. However, overloading might occur on this last-resort route.

16.3.4.1.3 Router 2 IP Configuration

Interface configuration:

```

interface Ethernet0/0
ip address 192.168.20.2 255.255.255.0
no ip directed-broadcast
!
interface Ethernet1/0
ip address 192.168.200.1 255.255.255.0
no ip directed-broadcast

```

GRE tunnel interface configuration:

```
interface Tunnel0
ip address 192.168.30.2 255.255.255.0
tunnel source Ethernet1/0
tunnel destination 192.168.100.1
```

Static routes with alternate paths at different costs:

```
ip classless
ip route 0.0.0.0 0.0.0.0 192.168.20.1
ip route 10.0.0.0 255.0.0.0 192.168.20.1
ip route 10.0.0.0 255.0.0.0 Tunnel0 10
ip route 192.168.100.0 255.255.255.0 Tunnel0 10
ip route 192.168.100.1 255.255.255.255 192.168.200.77
```

The host routing path to the Router 1 (192.168.100.1) points to the ONS 15454 network (by 192.168.200.77). This is required to set up the GRE tunnel. In this configuration, only the external route to 10.0.0.0 (that includes the NOC network) is overloaded with the alternate path. However, overloading the last-resort route might occur. [Table 16-5](#) shows network settings on the four ONS 15454 nodes. The static routes are created so the DCN-connected nodes advertise their capability to act as last-resort routers.

Table 16-5 DCN Case Study 1 Node IP Addresses

Node	IP Address/Mask	Default Gateway	Static Routes: Destination/Mask – Next Hop
Node 1	192.168.100.80/24	192.168.100.1	0.0.0.0/0 – 192.168.100.1
Node 2	192.168.100.79/24	0.0.0.0	—
Node 3	192.168.100.78/24	0.0.0.0	—
Node 4	192.168.100.77/24	192.168.100.1	0.0.0.0/0 – 192.168.200.1

16.3.4.2 DCN Case Study 1 Limitations

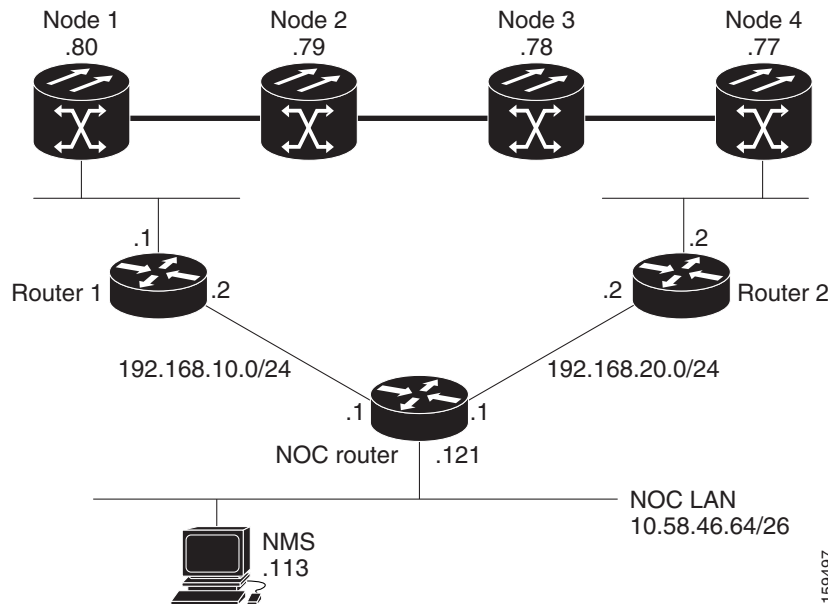
DCN Case Study 1 shows how a GRE tunnel can be created between two routers to create DCN connection resiliency. While the resiliency is a benefit, when a DCN failure forces traffic to the GRE tunnel, the path calculated by the ONS 15454 OSPF algorithm running in the OSC/DCC/GCC network is no longer the shortest one. Subsequently, the round-trip delay time (RTT) might increase significantly because the DCN protection in this configuration is transparent to the ONS 15454 network. The ONS 15454 continues to use the same routing table. In addition, if a DCN failure occurs, the routing path that uses the GRE tunnel adds additional latency because of the number and length of OSC/DCC/GCC spans that the tunnel has to travel over the ONS 15454 network.

This latency makes this DCN Case Study 1 solution difficult to scale to large networks. If this solution is used and the network grows significantly, a larger number of DCN-connected NEs are required. For example, the common rule in ONS 15454 DCN design is that all nodes should be within five section data communications channel (LDCC)/regeneration section DCC (RS-DCC/OSC or eight line DCC (LDCC) /multiplex section DCC (MS-DCC) spans from the network attached node. If Case Study 1 design is implemented, the maximum span numbers should be cut in half. However, if the DCN Case Study 1 design is used in networks that have full IP routing, have connectivity to every NE, and require only CTC/CTM management, the SOCKS proxy feature can be used to provide the same DCN connectivity resilience.

16.3.5 DCN Case Study 2: Linear Topology with DCN Connections on Both Ends

DCN Case Study 2, shown in Figure 16-19, shows a four-node linear topology with DCN connectivity at both ends.

Figure 16-19 DCN Case Study 2: ONS 15454 Linear Topology with DCN Connections at Both Ends



To maintain DCN resilience, static routes are used and a GRE tunnel is created between Router 1 and Router 2 over the DCC/OSC/GCC optical link. In this example, all ONS 15454s are part of the same subnet. Therefore, the Router 1 and Router 2 static route tables have more entries because alternate paths must be configured for every host.

16.3.5.1 DCN Case Study 2 IP Configurations

The following sections provide sample IP configurations at routers and ONS 15454 nodes in DCN Case Study 2.

16.3.5.1.1 NOC Router IP Configuration

Interface configuration:

```
interface Ethernet0/0
 ip address 10.58.46.121 255.255.255.192
 no ip directed-broadcast
!
interface Ethernet1/0
 ip address 192.168.20.1 255.255.255.0
 no ip directed-broadcast
!
interface Ethernet2/0
 ip address 192.168.10.1 255.255.255.0
 no ip directed-broadcast
!
```

Static routes with alternate paths at different costs:

```
ip classless
ip route 192.168.100.0 255.255.255.0 192.168.10.2
ip route 192.168.100.0 255.255.255.0 192.168.20.2 100
ip route 192.168.100.77 255.255.255.255 192.168.20.2
ip route 192.168.100.77 255.255.255.255 192.168.10.2 10
ip route 192.168.100.78 255.255.255.255 192.168.20.2
ip route 192.168.100.78 255.255.255.255 192.168.10.2 10
ip route 192.168.100.79 255.255.255.255 192.168.10.2
ip route 192.168.100.79 255.255.255.255 192.168.20.2 10
ip route 192.168.100.80 255.255.255.255 192.168.10.2
ip route 192.168.100.80 255.255.255.255 192.168.20.2 10
```

16.3.5.1.2 Router 1 IP Configuration

Site 1 router interface:

```
interface Ethernet0/0
ip address 192.168.10.2 255.255.255.0
no ip directed-broadcast
!
interface Ethernet1/0
ip address 192.168.100.1 255.255.255.0
no ip directed-broadcast
```

GRE tunnel interface configuration:

```
interface Tunnel0
ip address 192.168.30.1 255.255.255.0
tunnel source Ethernet1/0
tunnel destination 192.168.100.2
```

Static routes with alternate paths at different costs:

```
ip classless
ip route 0.0.0.0 0.0.0.0 192.168.10.1
ip route 10.0.0.0 255.0.0.0 192.168.10.1
ip route 10.0.0.0 255.0.0.0 Tunnel0 10
ip route 192.168.100.2 255.255.255.255 192.168.100.80
```

Note that the host routing path to the peer DCN router (Site 2, 192.168.100.2) points to the ONS 15454 network (by 192.168.100.80) that is required to set up the GRE tunnel. In this configuration, only the external route to 10.0.0.0 (that include the NOC network) is overloaded with the alternate path, but overloading of the last-resort route might also occur.

16.3.5.1.3 Router 2 IP Configuration

Interface configuration:

```
interface Ethernet0/0
ip address 192.168.20.2 255.255.255.0
no ip directed-broadcast
!
interface Ethernet1/0
ip address 192.168.100.2 255.255.255.0
no ip directed-broadcast
```

GRE tunnel interface configuration:

```
interface Tunnel0
ip address 192.168.30.2 255.255.255.0
tunnel source Ethernet1/0
```

```
tunnel destination 192.168.100.1
```

Static routes with alternate paths at different costs:

```
ip classless
ip route 0.0.0.0 0.0.0.0 192.168.20.1
ip route 10.0.0.0 255.0.0.0 192.168.20.1
ip route 10.0.0.0 255.0.0.0 Tunnel0 10
ip route 192.168.100.1 255.255.255.255 192.168.100.77
```

Note that the host route to the Router 1 (192.168.100.1) points to the ONS 15454 network (by 192.168.200.77). This is required to set up the GRE tunnel. In this configuration, only the external route to 10.0.0.0 (that includes the NOC network) is overloaded with the alternate path. However, overloading the last-resort route might also occur.

Table 16-6 shows network settings on the four ONS 15454 nodes. The static routes are created so the DCN-connected nodes advertise their capability to act as last-resort routers.

Table 16-6 DCN Case Study 2 Node IP Addresses

Node	IP Address/Mask	Default Gateway	Static Routes: Destination/Mask – Next Hop
Node 1	192.168.100.80/24	192.168.100.1	0.0.0.0/0 – 192.168.100.1
Node 2	192.168.100.79/24	0.0.0.0	—
Node 3	192.168.100.78/24	0.0.0.0	—
Node 4	192.168.100.77/24	192.168.100.1	0.0.0.0/0 – 192.168.200.1

16.3.5.2 DCN Case Study 2 Limitations

The linear configuration in DCN Case Study 2 does not effectively protect the management network communication for every fiber failure because the DCN router is not notified of the failures. Therefore, it continues to send packets on the low-cost path. This problem does not occur in ring topologies where the fiber failure is internally protected from the optical ring network. However, the OSPF dynamic routing protocol can be used over the DCN network to provide a solution to this problem. An OSPF configuration is shown in DCN Case Study 3.

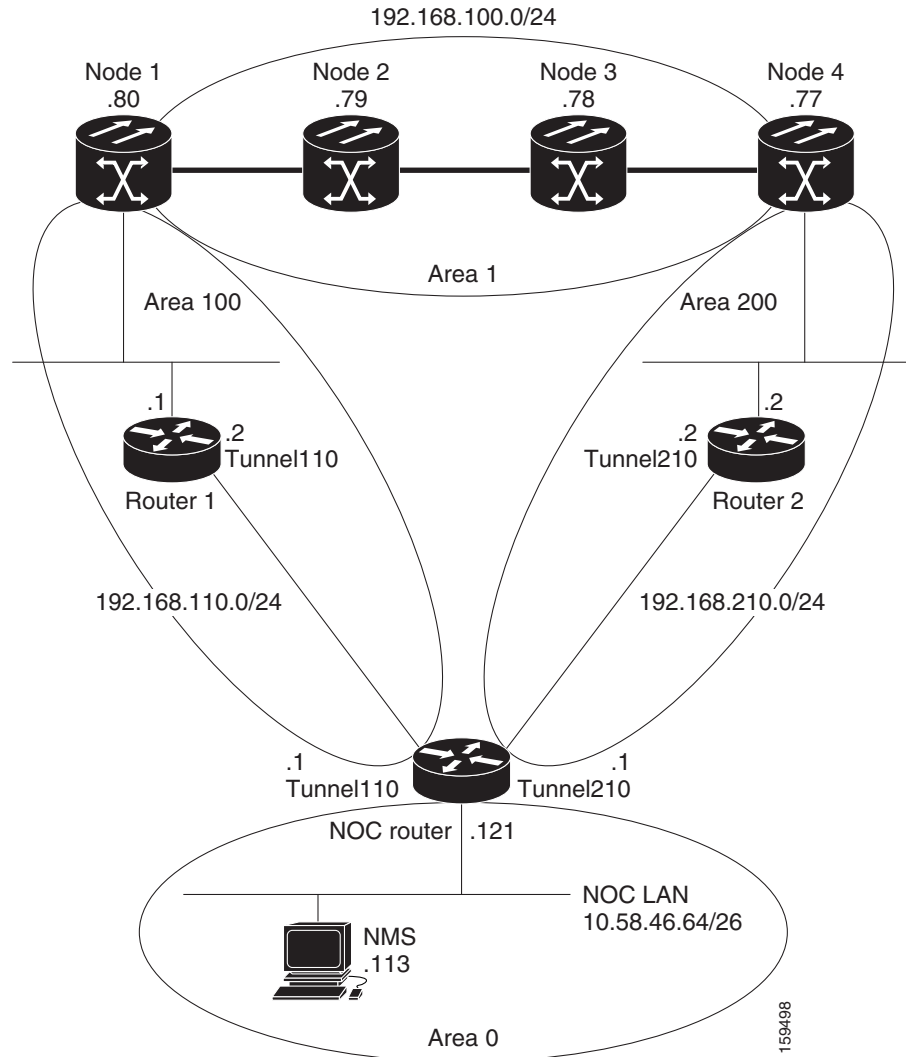
16.3.6 DCN Case Study 3: Linear Topology with DCN Connections on Both Ends Using OSPF Routing

DCN Case Study 3 is the same linear topology as DCN Case Study 2 except OSPF routing is used on the DCN network. This requires the OSPF active on LAN option, located on the node view (single-shelf mode) or multishelf view (multishelf mode) Provisioning > Network > OSPF tab, to be enabled at the end ONS 15454 nodes. In addition, OSPF must be running between Router 1, Router 2, and the NOC router.

Because the DCN connection usually passes over a public network where OSPF is not always an option, the connection between Router 1, Router 2, and the NOC router is configured as a GRE tunnel so OSPF can run on the tunnel itself.

Figure 16-20 shows the linear configuration with the separate OSPF areas, the tunnel connections, and the required OSPF virtual link. (The physical connections where the tunnels are passed are not shown in the figure because they are not directly part of the actual routing path.)

Figure 16-20 DCN Case Study 3: ONS 15454 Linear Topology with DCN Connections at Both Ends Using OSPF



16.3.6.1 DCN Case Study 3 IP Configurations

The following sections provide sample IP configurations at routers and ONS 15454 nodes for DCN Case Study 3.

16.3.6.1.1 NOC Router IP Configuration

Interface configuration:

```
interface Ethernet0/0
 ip address 10.58.46.121 255.255.255.192
 no ip directed-broadcast
!
interface Ethernet1/0
 ip address 192.168.20.1 255.255.255.0
 no ip directed-broadcast
```

```

!
interface Ethernet2/0
 ip address 192.168.10.1 255.255.255.0
 no ip directed-broadcast
!
interface Loopback0
 ip address 1.1.1.1 255.255.255.0
 no ip directed-broadcast
!

```

GRE tunnel interface configuration:

```

interface Tunnel110
 ip address 192.168.110.1 255.255.255.0
 tunnel source Ethernet2/0
 tunnel destination 192.168.10.2
!
interface Tunnel210
 ip address 192.168.210.1 255.255.255.0
 tunnel source Ethernet1/0
 tunnel destination 192.168.20.2
!

```

OSPF routing configuration:

```

router ospf 1
 network 1.1.1.0 0.0.0.255 area 0
 network 10.0.0.0 0.255.255.255 area 0
 network 192.168.110.0 0.0.0.255 area 100
 network 192.168.210.0 0.0.0.255 area 200
 area 100 virtual-link 192.168.100.80
 area 200 virtual-link 192.168.100.77
!

```

Note that the OSPF virtual link to the end ONS 15454s is created to connect the DCC/OSC/GCC OSPF area 1 to the backbone area 0. No static routes are defined on the NOC router.

16.3.6.1.2 Router 1 IP Configuration

Interface configuration:

```

interface Ethernet0/0
 ip address 192.168.10.2 255.255.255.0
 no ip directed-broadcast
!
interface Ethernet1/0
 ip address 192.168.100.1 255.255.255.0
 no ip directed-broadcast

```

GRE tunnel interface configuration:

```

interface Tunnel110
 ip address 192.168.110.2 255.255.255.0
 tunnel source Ethernet0/0
 tunnel destination 192.168.10.1
!

```

OSPF and static routing configuration:

```

router ospf 1
 log-adjacency-changes
 network 192.168.100.0 0.0.0.255 area 100
 network 192.168.110.0 0.0.0.255 area 100
!

```



```
ip classless
ip route 0.0.0.0 0.0.0.0 192.168.10.1
```

16.3.6.1.3 Router 2 IP Configuration

Interface configuration:

```
interface Ethernet0/0
ip address 192.168.20.2 255.255.255.0
no ip directed-broadcast
!
interface Ethernet1/0
ip address 192.168.100.2 255.255.255.0
no ip directed-broadcast
```

GRE tunnel interface configuration:

```
interface Tunnel210
ip address 192.168.210.2 255.255.255.0
tunnel source Ethernet0/0
tunnel destination 192.168.20.1
!
```

OSPF and static routing configuration:

```
router ospf 1
network 192.168.100.0 0.0.0.255 area 200
network 192.168.210.0 0.0.0.255 area 200
!
ip classless
ip route 0.0.0.0 0.0.0.0 192.168.20.1
```

Table 16-7 shows network settings on the four ONS 15454 nodes. The static routes are created so the DCN-connected nodes can advertise their capability to act as last-resort routers.

Table 16-7 DCN Case Study 3 Node IP Addresses

Node	IP Address/Mask	Default Gateway	OSPF Configuration
Node 1	192.168.100.80/24	192.168.100.1	DCC/OSC/GCC area: 0.0.0.1 LAN area: 0.0.0.100 OSPF Area Range Table: <ul style="list-style-type: none"> • 192.168.100.79/32 - Area 0.0.0.1 • 192.168.100.78/32 - Area 0.0.0.1 • 192.168.100.77/32 - Area 0.0.0.1 Virtual Link Table: 1.1.1.1
Node 2	192.168.100.79/24	0.0.0.0	DCC/OSC/GCC area: 0.0.0.1 OSPF disabled on LAN

Table 16-7 DCN Case Study 3 Node IP Addresses (continued)

Node	IP Address/Mask	Default Gateway	OSPF Configuration
Node 3	192.168.100.78/24	0.0.0.0	DCC/OSC/GCC area: 0.0.0.1 OSPF disabled on LAN
Node 4	192.168.100.77/24	192.168.100.1	DCC/OSC/GCC area: 0.0.0.1 LAN area: 0.0.0.200 OSPF Area Range Table: <ul style="list-style-type: none"> • 192.168.100.80/32 - Area 0.0.0.1 • 192.168.100.79/32 - Area 0.0.0.1 • 192.168.100.78/32 - Area 0.0.0.1 Virtual Link Table: 1.1.1.1

The OSPF virtual link requires its neighbor to be indicated with its router ID, not the physical or tunnel interface connected to the network. Using a loopback interface on the NOC router makes the router ID selection independent from real interface IP address.

16.3.6.2 DCN Case Study 3 Limitations

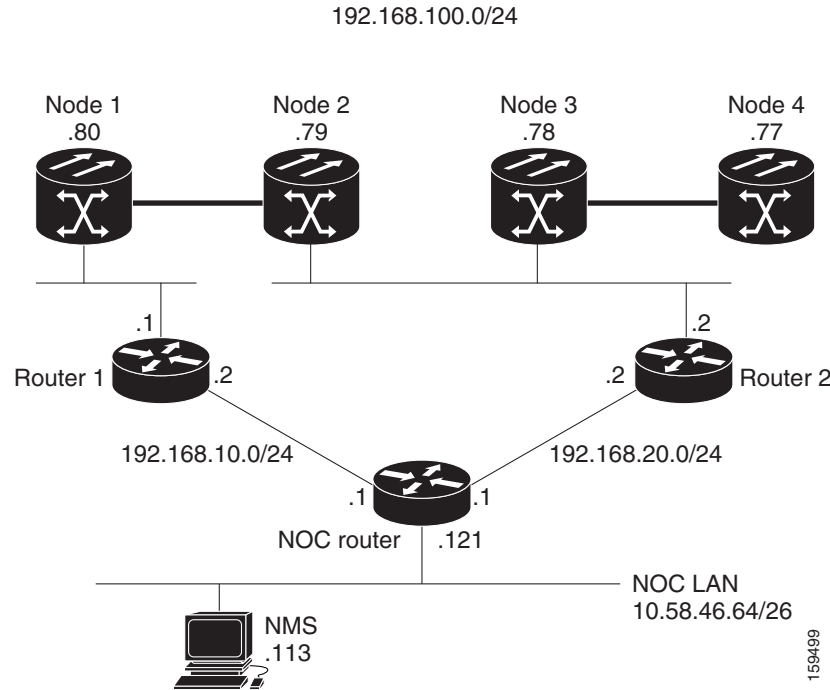
DCN Case Study 3 shows that OSPF can provide better DCN resilience and more efficient routing choices, which results in better performance. OSPF also provides better network scalability. Some limitations of using OSPF include:

- OSPF introduces additional complexity, for example, provisioning the OSPF virtual links and advertisement on the ONS 15454s and routers requires thought and planning.
- OSPF must be enabled on the DCN connection between the NOC and the site routers. This can also be done through GRE tunnels, as shown in this case study.
- Planning and thought must be given to the separation of the OSPF areas. Creation of virtual links to overcome the limitations described in the “[16.3.2 OSPF](#)” section on page 16-23 and to avoid isolated areas and segmentation in the backbone area requires planning as well.

16.3.7 DCN Case Study 4: Two Linear Cascaded Topologies With Two DCN Connections

DCN Case Study 4, shown in [Figure 16-21](#), extends the simple linear topology shown in DCN Case Study 3. However in this example, two linear DCN connections go to the same site router and all the ONS 15454s are in the same subnet. A GRE tunnel logically connects the remote Router 1 and Router 2 over the OSC/DCC/GCC network, which is similar to the DCN Case Study 1 configuration ([Figure 16-18](#)). The GRE tunnel provides the remote routers with an alternate path to reach the NOC network in case a DCN failure occurs. However, the alternate paths might overload the router routing tables and carry a higher cost because all alternate paths are host-based due to the fact the ONS 15454s reside in the same subnet.

Figure 16-21 DCN Case Study 4: Two Linear Cascaded Topologies with Two DCN Connections



16.3.7.1 DCN Case Study 4 IP Configurations

The following sections provide sample IP configurations at the routers and ONS 15454 nodes for DCN Case Study 4.

16.3.7.1.1 NOC Router IP Configuration

Interface configuration:

```
interface Ethernet0/0
 ip address 10.58.46.121 255.255.255.192
 no ip directed-broadcast
!
interface Ethernet1/0
 ip address 192.168.20.1 255.255.255.0
 no ip directed-broadcast
!
interface Ethernet2/0
 ip address 192.168.10.1 255.255.255.0
 no ip directed-broadcast
!
```

Static routes with alternate paths at different costs:

```
ip classless
ip route 192.168.100.0 255.255.255.0 192.168.10.2
ip route 192.168.100.0 255.255.255.0 192.168.20.2 100
ip route 192.168.100.77 255.255.255.255 192.168.20.2 10
ip route 192.168.100.77 255.255.255.255 192.168.10.2 20
ip route 192.168.100.78 255.255.255.255 192.168.20.2
ip route 192.168.100.78 255.255.255.255 192.168.10.2 10
ip route 192.168.100.79 255.255.255.255 192.168.20.2
```

```

ip route 192.168.100.79 255.255.255.255 192.168.10.2 10
ip route 192.168.100.80 255.255.255.255 192.168.10.2
ip route 192.168.100.80 255.255.255.255 192.168.20.2 10
ip route 192.168.200.0 255.255.255.0 192.168.20.2
ip route 192.168.200.0 255.255.255.0 192.168.10.2 100

```

16.3.7.1.2 Router 1 IP Configuration

Interface configuration:

```

interface Ethernet0/0
ip address 192.168.10.2 255.255.255.0
no ip directed-broadcast
!
interface Ethernet1/0
ip address 192.168.100.1 255.255.255.0
no ip directed-broadcast

```

GRE tunnel interface configuration:

```

interface Tunnel0
ip address 192.168.30.1 255.255.255.0
tunnel source Ethernet1/0
tunnel destination 192.168.100.2

```

Static routes with alternate paths at different costs:

```

ip classless
ip route 0.0.0.0 0.0.0.0 192.168.10.1
ip route 10.0.0.0 255.0.0.0 192.168.10.1
ip route 10.0.0.0 255.0.0.0 Tunnel0 10
ip route 192.168.100.2 255.255.255.255 192.168.100.80
ip route 192.168.100.77 255.255.255.255 Tunnel0 20
ip route 192.168.100.78 255.255.255.255 Tunnel0 10
ip route 192.168.100.79 255.255.255.255 Tunnel0 10

```

Note that the host routing path to the peer DCN router (Router 2, 192.168.100.2) points to the ONS 15454 network (by 192.168.100.80). This is required to set up the GRE tunnel. In this configuration, only the external route to 10.0.0.0 (that includes the NOC network) is overloaded with the alternate path. However, overloading of the last-resort route could also occur.

16.3.7.1.3 Router 2 IP Configuration

Interface configuration:

```

interface Ethernet0/0
ip address 192.168.20.2 255.255.255.0
no ip directed-broadcast
!
interface Ethernet1/0
ip address 192.168.100.2 255.255.255.0
no ip directed-broadcast

```

GRE tunnel interface configuration:

```

interface Tunnel0
ip address 192.168.30.2 255.255.255.0
tunnel source Ethernet1/0
tunnel destination 192.168.100.1

```

Static routes with alternate paths at different costs:

```

ip classless
ip route 0.0.0.0 0.0.0.0 192.168.20.1

```

```
ip route 10.0.0.0 255.0.0.0 192.168.20.1
ip route 10.0.0.0 255.0.0.0 Tunnel0 10
ip route 192.168.100.1 255.255.255.255 192.168.100.79
ip route 192.168.100.80 255.255.255.255 Tunnel0 10
```

Note that the host routing path to the peer DCN router (Router, IP 192.168.100.1) points to the ONS 15454 network (by 192.168.200.79). This is required to set up the GRE tunnel. In this configuration, only the external route to 10.0.0.0 (that include the NOC network) is overloaded with the alternate path. However, overloading the last-resort route is also possible.

Table 16-8 shows network settings on the four ONS 15454 nodes. The static routes are created so the DCN-connected nodes can advertise their capability to act as last-resort routers.

Table 16-8 DCN Case Study 4 Node IP Addresses

Node	IP Address/Mask	Default Gateway	Static Routes: Destination/Mask – Next Hop
Node 1	192.168.100.80/24	192.168.100.1	0.0.0.0/0 – 192.168.100.1 192.168.100.1/32 – 192.168.100.80
Node 2	192.168.100.79/24	192.168.100.2	192.168.100.2/32 – 192.168.100.79
Node 3	192.168.100.78/24	192.168.100.2	0.0.0.0/0 – 192.168.100.2
Node 4	192.168.100.77/24	0.0.0.0	—

16.3.7.2 DCN Case Study 4 Limitations

Many limitations described in the “16.3.4.2 DCN Case Study 1 Limitations” section on page 16-27 also apply to this case study. However, the problems are less acute because of the DCN connection in the middle of the optical network. For DWDM networks, increased latency might become a problem if the linear topology has many spans with intermediate line amplifier or optical add/drop multiplexing (OADM) nodes, which is sometimes done to cover long-distance connections. In this case, when one DCN fails, management packets for nodes near the middle of the span travel 1.5 times the complete point-to-point connection. The normal routing figure is 0.5. The full connection length of a GRE tunnel is used as an alternate routing path.

16.4 DCN Extension

ONS 15454 DWDM networks require a communication channel to exchange data among the different nodes within the network. Until Software Release 7.0, the only usable channel was the optical service channel (OSC) provided by the OSCM and OSC-CSM cards. In a long DWDM metro network, usage of OSC channel adds limitations in terms of cost and performance because the OSC channel maximum loss is 37 dB.

The primary aim of the DCN extension feature is to remove the OSC constraint and leverage on already available external DCN or traffic matrix that allows nodes to be reached without using an OSC channel.

You can connect two nodes in a DWDM network without using an OSC channel in the following two methods:

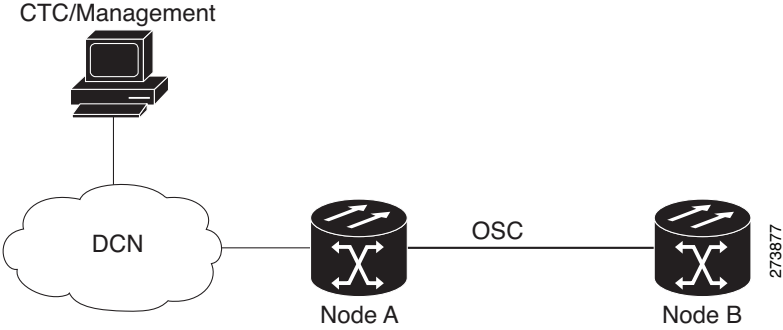
- Using external DCN
- Using GCC/DCC

The following sections describe the different communication methods and the factors to be considered while provisioning the connectivity.

16.4.1 Network Using OSC

Figure 16-22 shows a point-to-point network that uses OSC as the communication channel.

Figure 16-22 Network Using OSC

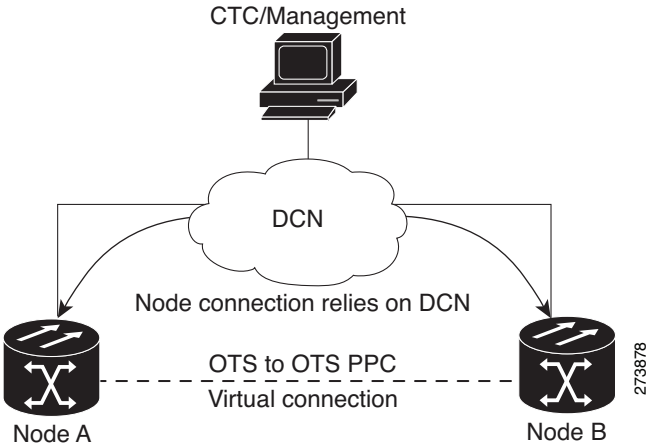


In a network using OSC channel, it is possible to supervise all the nodes from the network operations center (NOC) and all nodes can communicate with each other using the OSC channel. Network topology discovery is automatic when you use an OSC channel.

16.4.2 Network Using External DCN

Figure 16-23 shows a point-to-point network that uses external DCN as the communication channel.

Figure 16-23 Network Using External DCN



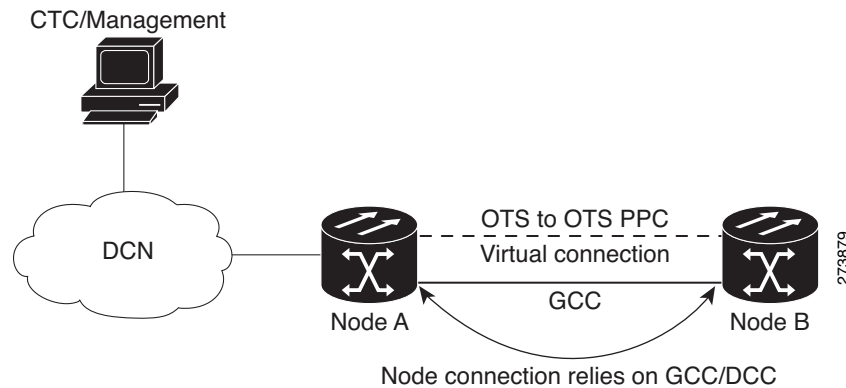
In a network using external DCN, it is possible to supervise all the nodes from the network operations center (NOC) and all nodes can communicate with each other using external DCN. The NOC is connected to each node through the external DCN. Since nodes do not have OSC connectivity, you must

create an OTS-to-OTS PPC between the nodes. The OTS-to-OTS PPC creates a DCN connection between the nodes. Refer to the “Create Circuits and Provisionable Patchcords” chapter in the *Cisco ONS 15454 DWDM Procedure Guide* for instructions on how to provision an OTS-to-OTS PPC.

16.4.3 Network Using GCC/DCC

Figure 16-24 shows a point-to-point network that uses GCC/DCC as the communication channel.

Figure 16-24 Network Using GCC/DCC



In a network using GCC/DCC, one ONS 15454 node (for example, Node A) is provisioned as a gateway network element (GNE). The NOC is connected only to the GNE. It is possible to supervise all the nodes from the network operations center (NOC) and all nodes can communicate with each other using GCC/DCC.

However in such a network, because of the absence of the embedded OSC channel, discovery of the network topology is not automatic. You must manually provision the adjacency of nodes in order to configure the correct topology. Refer to the “Create Circuits and Provisionable Patchcords” chapter in the *Cisco ONS 15454 DWDM Procedure Guide* for instructions on how to provision DCN extension for a network using GCC/DCC.

16.5 Routing Table

ONS 15454 routing information is displayed on the Maintenance > Routing Table tab. The routing table provides the following information:

- Destination—Displays the IP address of the destination network or host.
- Mask—Displays the subnet mask used to reach the destination host or network.
- Gateway—Displays the IP address of the gateway used to reach the destination network or host.
- Usage—Shows the number of times the listed route has been used.
- Interface—Shows the ONS 15454 interface used to access the destination. Values are:
 - motfcc0—The ONS 15454 Ethernet interface, that is, the RJ-45 jack on the TCC2/TCC2P and, for ANSI shelves, the LAN 1 pins on the backplane or, for ETSI shelves, the LAN connection on the MIC-C/T/P.

- pdcc0—An SDCC or RS-DCC interface, that is, an OC-N/STM-N trunk card identified as the SDCC or RS-DCC termination.
- lo0—A loopback interface.

Table 16-9 shows sample routing entries for an ONS 15454.

Table 16-9 Sample Routing Table Entries

Entry	Destination	Mask	Gateway	Usage	Interface
1	0.0.0.0	0.0.0.0	172.20.214.1	265103	motfcc0
2	172.20.214.0	255.255.255.0	172.20.214.92	0	motfcc0
3	172.20.214.92	255.255.255.255	127.0.0.1	54	lo0
4	172.20.214.93	255.255.255.255	0.0.0.0	16853	pdcc0
5	172.20.214.94	255.255.255.255	172.20.214.93	16853	pdcc0

Entry 1 shows the following:

- Destination (0.0.0.0) is the default route entry. All undefined destination network or host entries on this routing table are mapped to the default route entry.
- Mask (0.0.0.0) is always 0 for the default route.
- Gateway (172.20.214.1) is the default gateway address. All outbound traffic that cannot be found in this routing table or is not on the node's local subnet is sent to this gateway.
- Interface (motfcc0) indicates that the ONS 15454 Ethernet interface is used to reach the gateway.

Entry 2 shows the following:

- Destination (172.20.214.0) is the destination network IP address.
- Mask (255.255.255.0) is a 24-bit mask, meaning all addresses within the 172.20.214.0 subnet can be a destination.
- Gateway (172.20.214.92) is the gateway address. All outbound traffic belonging to this network is sent to this gateway.
- Interface (motfcc0) indicates that the ONS 15454 Ethernet interface is used to reach the gateway.

Entry 3 shows the following:

- Destination (172.20.214.92) is the destination host IP address.
- Mask (255.255.255.255) is a 32 bit mask, meaning only the 172.20.214.92 address is a destination.
- Gateway (127.0.0.1) is a loopback address. The host directs network traffic to itself using this address.
- Interface (lo0) indicates that the local loopback interface is used to reach the gateway.

Entry 4 shows the following:

- Destination (172.20.214.93) is the destination host IP address.
- Mask (255.255.255.255) is a 32 bit mask, meaning only the 172.20.214.93 address is a destination.
- Gateway (0.0.0.0) means the destination host is directly attached to the node.
- Interface (pdcc0) indicates that a DCC interface is used to reach the destination host.

Entry 5 shows a DCC-connected node that is accessible through a node that is not directly connected:

- Destination (172.20.214.94) is the destination host IP address.

- Mask (255.255.255.255) is a 32-bit mask, meaning only the 172.20.214.94 address is a destination.
- Gateway (172.20.214.93) indicates that the destination host is accessed through a node with IP address 172.20.214.93.
- Interface (pdcc0) indicates that a DCC interface is used to reach the gateway.

16.6 External Firewalls

This section provides information on firewall ports required for various type of connections that are established with the NE (controller card). Also, there are examples of Access Control List (ACL) for external firewall configuration that makes a connection feasible with the controller card.

16.6.1 Firewall Ports

Table 16-10 lists the ports that must be enabled to establish a communication channel with the NE (controller card).

Table 16-10 Firewall Ports for Various Sessions

Session Type	Session Description	Mode	Port Number	Firewall ACL
CORBA	CORBA listener port on the NE	Standard	57790 (default); user configurable to the standard port 683 or any other port. ¹	Inbound
		Secure	57791 (default); user configurable to the standard port 684 or any other port.	
	Standard Internet Inter-ORB Protocol (IIOP) listener port on machine running CTC	Standard	Dynamic (default); user configurable to the standard port 683 or any other port. ²	Outbound
		Secure	Dynamic (default); user configurable to the standard port 684 or any other port.	
SOCKS	CTC configured with SOCKS or GNE	—	1080	Inbound
HTTP	HTTP port on the NE	—	80	Inbound
HTTPS	HTTPS port on the NE	—	433 ³	Inbound
TL1	TL1 port on NE	Standard	3082, 3083, 2362	Inbound
		Secure	4083	
SNMP	SNMP listener port on NE	Standard	161	Inbound
		Secure		
	SNMP trap listener port on the machine receiving the traps	Standard	162 (default); user configurable to any port between 1024 to 65535	Outbound
		Secure		

1. To configure the port, see “DLP-G61 Provision the IIOP Listener Port on the ONS 15454” in the *Cisco ONS 15454 DWDM Procedure Guide*.

2. To configure the port, see “DLP-G62 Provision the IIOP Listener Port on the CTC Computer” in the *Cisco ONS 15454 DWDM Procedure Guide*.

3. If this port is blocked, NE could take long time to initialize.

16.6.2 ACL Examples

The following access control list (ACL) example shows a firewall configuration when the proxy server gateway setting is not enabled. In the example, the CTC workstation's address is 192.168.10.10, and the ONS 15454 address is 10.10.10.100. The firewall is attached to the GNE; hence, inbound is from the CTC to the GNE and outbound is from the GNE to CTC. The CTC Common Object Request Broker Architecture (CORBA) standard port is 683 and the TCC CORBA default port on TCC is 57790.

```
access-list 100 remark *** Inbound ACL, CTC -> NE ***
access-list 100 remark
access-list 100 permit tcp host 192.168.10.10 host 10.10.10.100 eq www
access-list 100 remark *** allows initial contact with ONS 15454 using http (port 80) ***
access-list 100 remark
access-list 100 permit tcp host 192.168.10.10 host 10.10.10.100 eq 57790
access-list 100 remark *** allows CTC communication with ONS 15454 GNE (port 57790) ***
access-list 100 remark
access-list 100 permit tcp host 192.168.10.10 host 10.10.10.100 established
access-list 100 remark *** allows ACKs back from CTC to ONS 15454 GNE ***

access-list 101 remark *** Outbound ACL, NE -> CTC ***
access-list 101 remark
access-list 101 permit tcp host 10.10.10.100 host 192.168.10.10 eq 683
access-list 101 remark *** allows alarms etc., from the 15454 (random port) to the CTC
workstation (port 683) ***
access-list 100 remark
access-list 101 permit tcp host 10.10.10.100 host 192.168.10.10 established
access-list 101 remark *** allows ACKs from the 15454 GNE to CTC ***
```

The following ACL example shows a firewall configuration when the proxy server gateway setting is enabled. As with the first example, the CTC workstation address is 192.168.10.10 and the ONS 15454 address is 10.10.10.100. The firewall is attached to the GNE; hence, inbound is from the CTC to the GNE and outbound is from the GNE to CTC. The CTC Common Object Request Broker Architecture (CORBA) standard port is 683 and the TCC CORBA default port on TCC is 57790.

```
access-list 100 remark *** Inbound ACL, CTC -> NE ***
access-list 100 remark
access-list 100 permit tcp host 192.168.10.10 host 10.10.10.100 eq www
access-list 100 remark *** allows initial contact with the 15454 using http (port 80) ***
access-list 100 remark
access-list 100 permit tcp host 192.168.10.10 host 10.10.10.100 eq 1080
access-list 100 remark *** allows CTC communication with the 15454 GNE (port 1080) ***
access-list 100 remark

access-list 101 remark *** Outbound ACL, NE -> CTC ***
access-list 101 remark
access-list 101 permit tcp host 10.10.10.100 host 192.168.10.10 established
access-list 101 remark *** allows ACKs from the 15454 GNE to CTC ***
```

16.7 Open GNE

The ONS 15454 can communicate with non-ONS nodes that do not support Point-to-Point Protocol (PPP) vendor extensions or OSPF type 10 opaque link-state advertisements (LSA), both of which are necessary for automatic node and link discovery. An open GNE configuration allows a GCC-based network to function as an IP network for non-ONS nodes.

To configure an open GNE network, you can provision GCC terminations to include a far-end, non-ONS node using either the default IP address of 0.0.0.0 or a specified IP address. You provision a far-end, non-ONS node by checking the Far End is Foreign check box during GCC creation. The default 0.0.0.0 IP address allows the far-end, non-ONS node to identify itself with any IP address; if you set an IP address other than 0.0.0.0, a link is established only if the far-end node identifies itself with that IP address, providing an extra level of security.

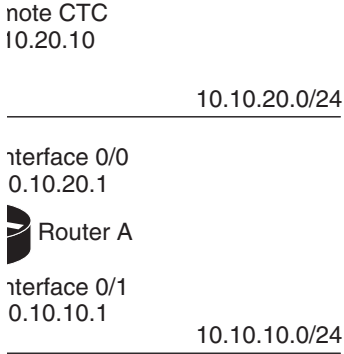
By default, the proxy server only allows connections to discovered ONS peers and the firewall blocks all IP traffic between the GCC network and LAN. You can, however, provision proxy tunnels to allow up to 12 additional destinations for SOCKS version 5 connections to non-ONS nodes. You can also provision firewall tunnels to allow up to 12 additional destinations for direct IP connectivity between the GCC network and LAN. Proxy and firewall tunnels include both a source and destination subnet. The connection must originate within the source subnet and terminate within the destination subnet before either the SOCKS connection or IP packet flow is allowed. A proxy connection is allowed if the CTC client is in a source subnet and the requested destination is in the destination subnet. Firewall tunnels allow IP traffic to route between the node Ethernet and pdcc interfaces. An inbound Ethernet packet is allowed through the firewall if its source address matches a tunnel source and its destination matches a tunnel destination. An inbound pdcc packet is allowed through the firewall if its source address matches a tunnel destination and its destination address matches a tunnel source. Tunnels only affect TCP and UDP packets.

The availability of proxy and/or firewall tunnels depends on the network access settings of the node:

- If the node is configured with the proxy server enabled in GNE or ENE mode, you must set up a proxy tunnel and/or a firewall tunnel.
- If the node is configured with the proxy server enabled in proxy-only mode, you can set up proxy tunnels. Firewall tunnels are not allowed.
- If the node is configured with the proxy server disabled, neither proxy tunnels nor firewall tunnels are allowed.

Figure 16-25 shows an example of a foreign node connected to the GCC network. Proxy and firewall tunnels are useful in this example because the GNE would otherwise block IP access between the PC and the foreign node.

Figure 16-25 Proxy and Firewall Tunnels for Foreign Terminations





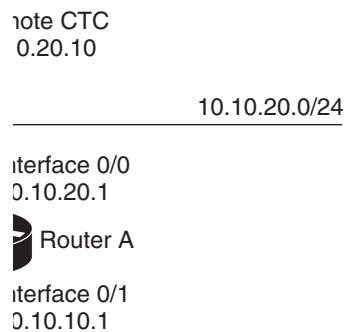
  ENE
 Figure 16-26 shows a remote node connected to an ENE Ethernet port. Proxy and firewall tunnels are useful in this example because the GNE would otherwise block IP access between the PC and foreign node. This configuration also requires a firewall tunnel on the ENE.

Figure 16-26 Foreign Node Connection to an ENE Ethernet Port

16.8 TCP/IP and OSI Networking

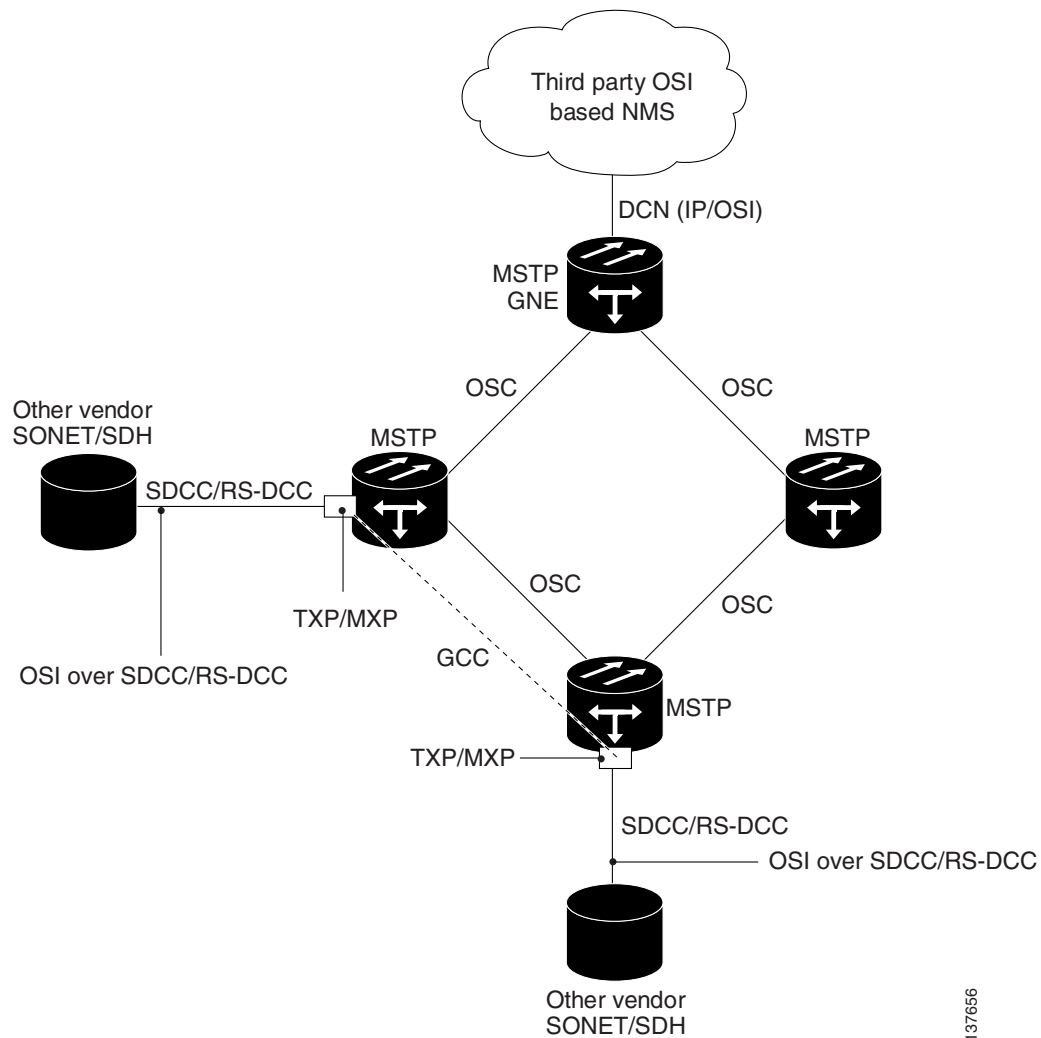
ONS 15454 DCN communication is based on the TCP/IP protocol suite. However, ONS 15454s can also be networked with equipment that uses the OSI protocol suite. While TCP/IP and OSI protocols are not directly compatible, they do have the same objectives and occupy similar layers of the OSI reference model. For detailed information about OSI protocols, processes, and scenarios, refer to the “Management Network Connectivity” chapter in the *ONS 15454 Reference Manual*. OSI/MultiService Transport Platform (MSTP) scenarios are provided in the following sections.

In OSI/MSTP Scenario 1 ([Figure 16-27](#)), an SDCC or RS-DCC carries an OC-N/STM-N signal from an OSI-based third-party NE to a transponder (TXP) or muxponder (MXP) card on an ONS NE. It is carried by GCC to a TXP/MXP card on another MSTP NE and then by SDCC or RS-DCC to a second third-party NE. This scenario requires TXPs/MXPs whose client interfaces can be provisioned in section or line termination mode. These include:

- TXP_MR_2.5 and TXPP_MR_2.5 (when equipped with OC-N/STM-N SFPs)
- TXP_MR_10G and TXP_MR_10E (when the client is configured as OC-192/STM-64)
- MXP_2.5_10G and MXP_2.5_10E

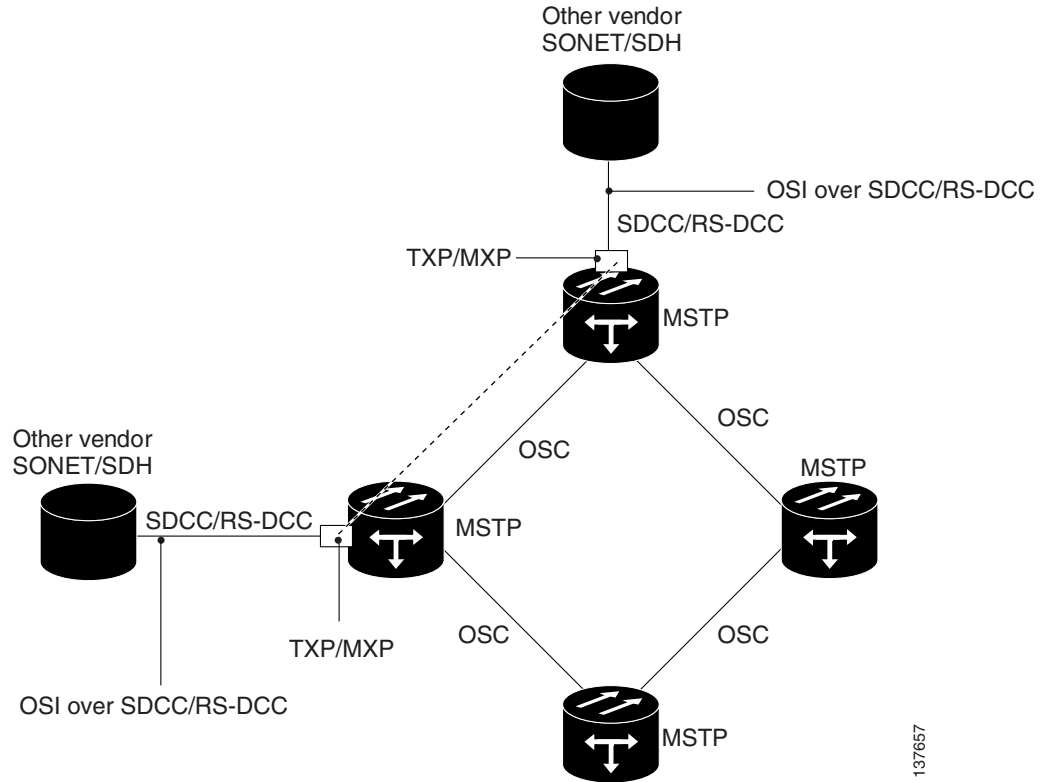
OSI has to be carried or tunneled to the other TXP/MXP card through an OSC termination, GCC termination, or both. The third-party NMS has OSI connectivity to its NEs with the MSTP ONS NE serving as the GNE for third-party vendor, OSI-based SONET equipment.

Figure 16-27 OSI/MSTP Scenario 1



OSI/MSTP Scenario 2 (Figure 16-28) is similar to Scenario 1, except the MSTP NEs do not have connectivity to an OSI NMS.

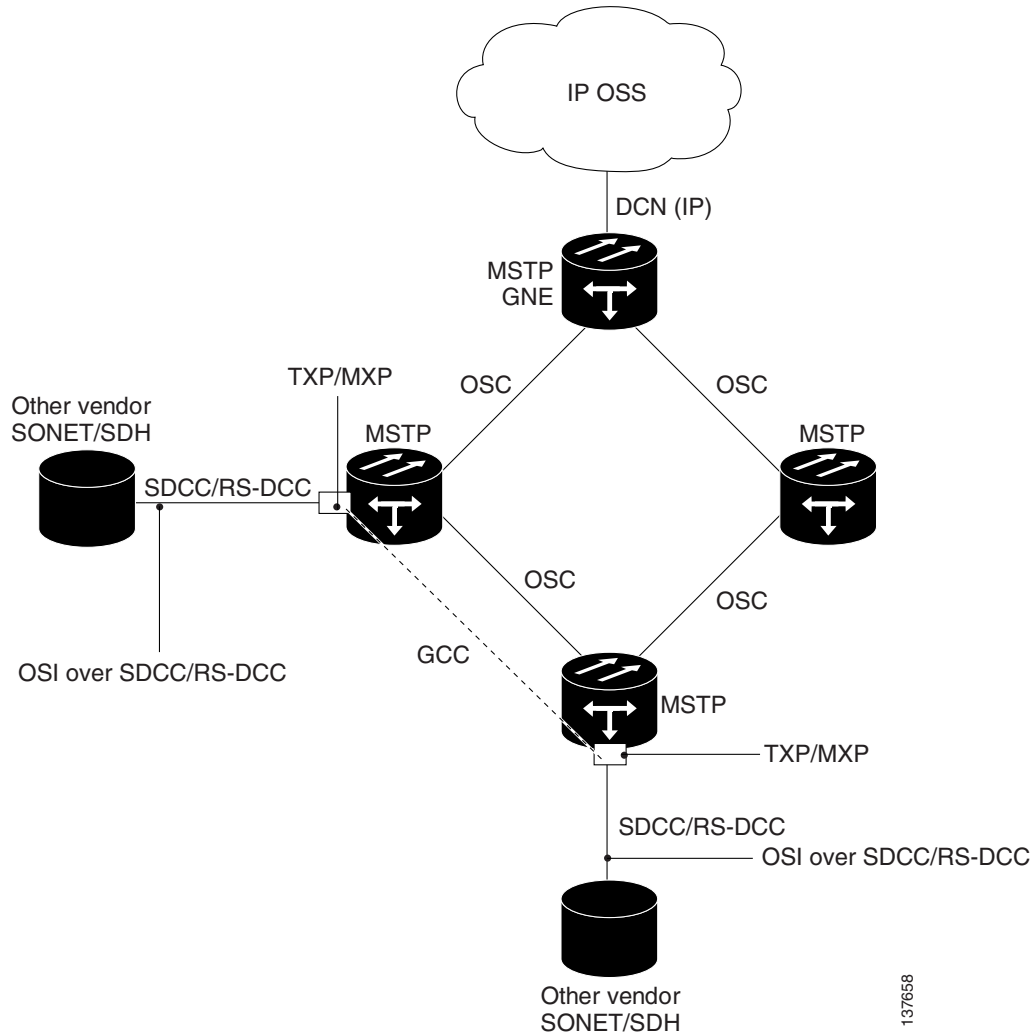
Figure 16-28 OSI/MSTP Scenario 2



OSI/MSTP Scenario 3 (Figure 16-29) shows the following:

- OSI is carried over an SDCC or RS-DCC termination.
- OSI has to be carried or tunneled to the other peer TXP/MXP through an OSC termination, GCC termination, or both.
- An OSS has IP connectivity to all the NEs.
- The MSTP NE is a GNE for the third-party OSI-based SONET NEs. The MSTP NEs perform all mediation functions.

Figure 16-29 OSI/MSTP Scenario 3

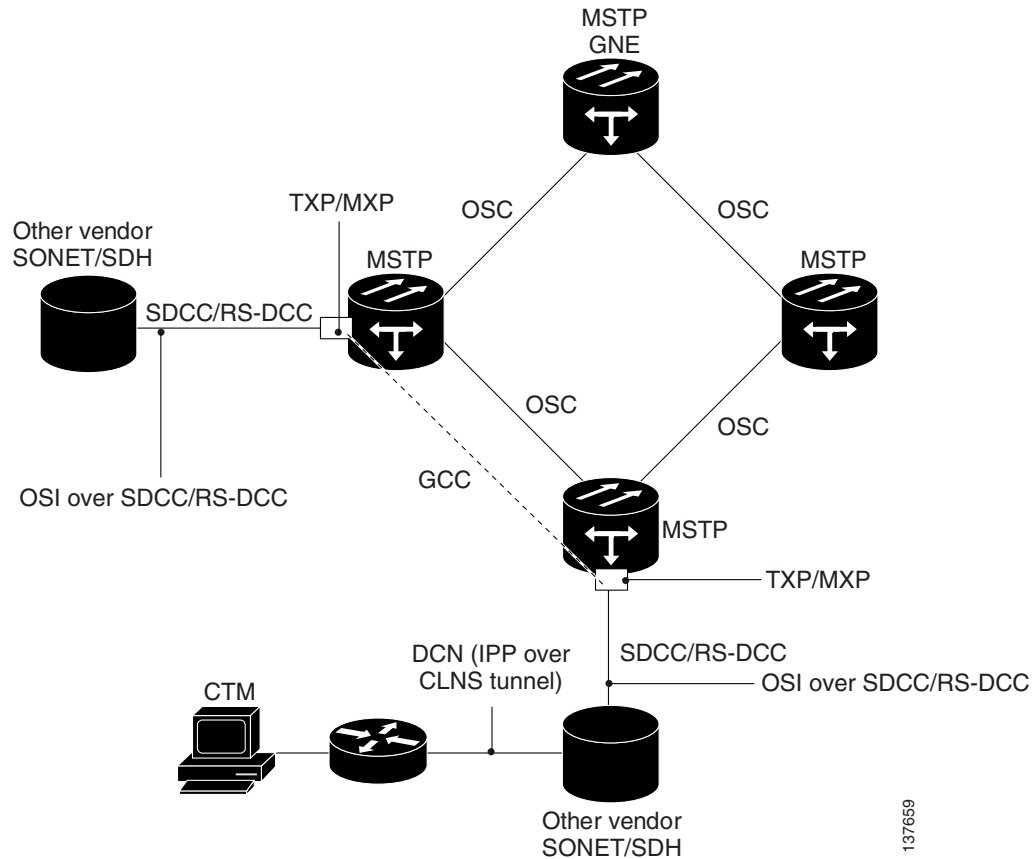


137658

OSI/MSTP Scenario 4 (Figure 16-30) shows the following:

- OSI is carried over an SDCC or RS-DCC termination.
- OSI has to be carried or tunneled to the other peer TXP/MXP through an OSC termination, GCC termination, or both
- An OSS has IP connectivity to all the NEs through third-party NE network.
- The MSTP NE is a GNE for the third-party OSI-based SONET NEs. The MSTP NEs perform all mediation functions.
- The third-party vendor NE is a GNE for the Cisco MSTP network.

Figure 16-30 OSI/IP Scenario 4



137659

16.9 Link Management Protocol

This section describes Link Management Protocol¹ (LMP) management and configuration. To troubleshoot specific alarms, refer to the *Cisco ONS 15454 DWDM Troubleshooting Guide*. To configure LMP, refer to the *Cisco ONS 15454 DWDM Procedure Guide*.



Note

CTM support is not required for LMP.

LMP is used to establish traffic engineering (TE) links between Cisco ONS 15454 nodes or between Cisco ONS 15454 nodes and selected non-Cisco nodes that use vendor-specific hardware.

16.9.1 Overview

LMP manages TE links between nodes through the use of control channels. TE links are designed to define the most efficient paths possible for traffic to flow over a network and through the Internet. Traffic engineering encompasses traffic management, capacity management, traffic measurement and modeling,

1. The LMP protocol is specified by the IETF in an Internet-Draft, draft-ietf-ccamp-lmp-10.txt, which was published as a Proposed Standard, RFC 4204, (<http://www.ietf.org/rfc/rfc4204.txt>), on 2005-10-28.

network modeling, and performance analysis. Traffic engineering methods include call routing, connection routing, quality of service (QoS) resource management, routing table management, and capacity management.

LMP manages TE links between peer nodes, such as two optical cross-connect (OXC) nodes. Peer nodes have equivalent signaling and routing. LMP also manages TE links between a node such as an OXC and an adjacent optical line system (OLS) node. An example of an OLS node is an ONS 15454 DWDM node.

Networks with routers, switches, OXC nodes, DWDM OLS nodes, and add/drop multiplexers (ADM) use a common control plane such as Generalized Multiprotocol Label Switching (GMPLS) to provision resources and provide network survivability using protection and restoration techniques. LMP is part of the GMPLS protocol suite.

A single TE link can be formed from several individual links. Management of TE links can be accomplished with in-band messaging, as well as with out-of-band methods. The following material describes the LMP between a pair of nodes that manages TE links. LMP accomplishes the following:

- Maintains control channel connectivity
- Verifies the physical connectivity of the data links
- Correlates the link property information
- Suppresses downstream alarms
- Localizes link failures for protection/restoration purposes in multiple types of networks

DWDM networks often use Multiprotocol Label Switching (MPLS) and GMPLS as common-control planes to control how packets are routed through the network.

LMP manages the control channel that must exist between nodes for routing, signaling, and link management. For a control channel to exist, each node must have an IP interface that is reachable from the other node. Together, the IP interfaces form a control channel. The interface for the control messages does not have to be the same interface as the one for the data.

16.9.1.1 MPLS

MPLS provides a mechanism for engineering network traffic patterns that is independent of routing tables and routing protocols. MPLS assigns short labels to network packets that describe how to forward the packets through the network. The traditional Layer 3 forwarding mechanism requires each hop to analyze the packet header and determine the next hop based on routing table lookup. With MPLS, the analysis of the packet header is performed just once, when a packet enters the MPLS cloud. The packet is then assigned to a stream known as a Label Switch Path (LSP), which is identified with a label. The short, fixed-length label is an index into a forwarding table, which is more efficient than the traditional routing table lookup at each hop. Using MPLS, both the control protocol (used to manage the LSPs) and user data can be carried over the same bearer interfaces.

16.9.1.2 GMPLS

GMPLS is based on MPLS, with protocol extensions to support additional technologies, including time division multiplexing (TDM) slots (such as SONET and SDH), wavelength division multiplexing (WDM) wavelengths at Layer 1, and fiber. For MPLS, the control traffic (signaling and routing) can run over bearer interfaces. This is not the case with GMPLS, where a separate control channel is used. The GMPLS control channel is managed with LMP. With GMPLS, the control channels between two adjacent nodes do not need to use the same physical medium as the data links between those nodes.

16.9.2 Configuring LMP

Configuring LMP consists of the following four topics:

- Control channel management
- TE link management
- Link connectivity verification
- Fault management

16.9.2.1 Control Channel Management

Control channel management establishes and maintains control channels between adjacent nodes. Control channels use a Config message exchange and a fast keep-alive mechanism between the nodes. The latter is required if lower-level mechanisms are not available to detect control-channel failures. A maximum of four LMP control channels can be supported.

The nodes initially exchange configuration messages (Config, ConfigAck, and ConfigNack), which are used to exchange identifiers and negotiate parameters for the keep-alive protocol. The nodes then perform a continuous rapid exchange of Hello messages, which are used to monitor the health on the channel.



Note The identifiers are Local Node Id, Remote Node Id, Local Control Channel Id, and Remote Control Channel Id. The parameters are the HelloInterval and the HelloDeadInterval.

LMP out-of-fiber and LMP out-of-band control channels are supported and terminated on the shelf. An out-of-fiber control channel includes using the control plane network (Ethernet) for the control channel because Ethernet is separate from the fiber used for the data plane. An out-of-band control channel includes using overhead bytes, such as the SDCC and LDCC bytes, for the control channel because overhead bytes are separate from the payload. In-band means that the control messages are in the same channel as the data messages; therefore, out-of-band refers to overhead bytes in the same fiber, separate circuits dedicated to control messages in the same fiber (SONET/SDH circuits), or separate wavelengths in the same fiber (DWDM).



Note Overhead bytes are SDCC or LDCC for SONET networks, RS-DCC or MS-DCC for SDH networks, and GCC or OSC for DWDM networks.

Out-of-band implies in-fiber, but not in-band. In-fiber means that the control messages are in the same fiber as the data messages, and includes both in-band and out-of-band. Out-of-fiber means that the control messages take a path separate from the data plane. This includes separate fiber and Ethernet.

The control channel management for a peer node to OLS link is the same as that for a link between two peer nodes.



Note The software supports gracefully taking a control channel down for administration purposes (refer to Section 3.2.3 of the IETF LMP document). However, there is no provision for a graceful restart (refer to Section 8 of RFC 4204).

- Graceful means that the nodes participating in the control channel agree that the link should go down. To gracefully take down a control channel, the node sets the ControlChannelDown flag in its messages to the other node until either the HelloDeadInterval expires or the other node sends a

message back with the ControlChannelDown flag set. In either case, the node then stops sending messages for this control channel. Before a control channel is taken down, there should be a backup control channel in place that can be used to manage the data links.

- Non-graceful means that one of the nodes just stops sending messages. The other side would declare a failure after the HelloDeadInterval, but would continue to send Hello messages to see if the control channel will come back up.

16.9.2.2 TE Link Management

LMP ensures that links are grouped into TE links and that the properties of those links are the same at both endpoints. This is called TE link management, or link property correlation.

Link property correlation is used to synchronize the TE link properties and verify the TE link configuration. The link property correlation function of LMP aggregates one or more data links into a TE link and synchronizes the properties of the TE link with the neighbor node. The procedure starts by sending a LinkSummary message to the neighbor. The LinkSummary message includes the local and remote Link Identifier, a list of all data links that make up the TE link, and various link properties. It is mandatory that a LinkSummaryAck or LinkSummaryNack message be sent in response to the receipt of a LinkSummary message, indicating agreement or disagreement with the link properties.



Note

A maximum of 256 LMP TE links is supported.

16.9.2.3 Link Connectivity Verification

Link connectivity verification is not supported in this release, but might be supported in the future.

16.9.2.4 Fault Management

Fault management is particularly useful when the control channels are physically diverse from the data links. It is used for rapid notification regarding the status of one or more TE-link data channels. The use of fault management is negotiated as part of the TE link's LinkSummary exchange. Data links and TE link failures can be rapidly isolated and fault management supports both unidirectional and bidirectional LSPs. Transparent devices are useful because traditional methods for monitoring the health of allocated data links might no longer be appropriate. Instead, fault detection is delegated to the physical layer (for example, loss of light or optical monitoring of the data) instead of Layer 2 or Layer 3. Fault management uses the ChannelStatus, ChannelStatusAck, ChannelStatusRequest, and ChannelStatusResponse messages.



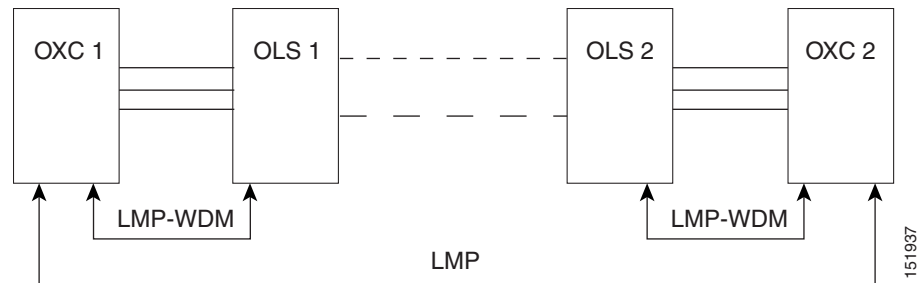
Note

The LMP Channel Activation/Deactivation Indication procedures are not supported; they are described in the IETF LMP document, Sections 6.4 and 6.5.

16.9.3 LMP WDM

LMP manages traffic engineering links between peer nodes (nodes that are peers in signaling and/or routing). The purpose of the LMP WDM extensions¹ is to allow LMP to be used between an OXC node and an adjacent DWDM OLS node. Figure 16-31 illustrates the relationship between LMP and LMP-WDM. OXC 1 and OXC 2 are peer nodes whose control channel is managed with LMP. LMP-WDM manages the control channel between an OXC node and an OLS node.

Figure 16-31 LMP and LMP-WDM Relationship



When the two OLS nodes can communicate their configuration and the current state of their optical link to the two peer nodes (OXC 1 and OXC 2) through LMP-WDM, network usability is improved through the reduction of manual configuration and enhanced fault detection and recovery.

16.9.4 LMP Network Implementation

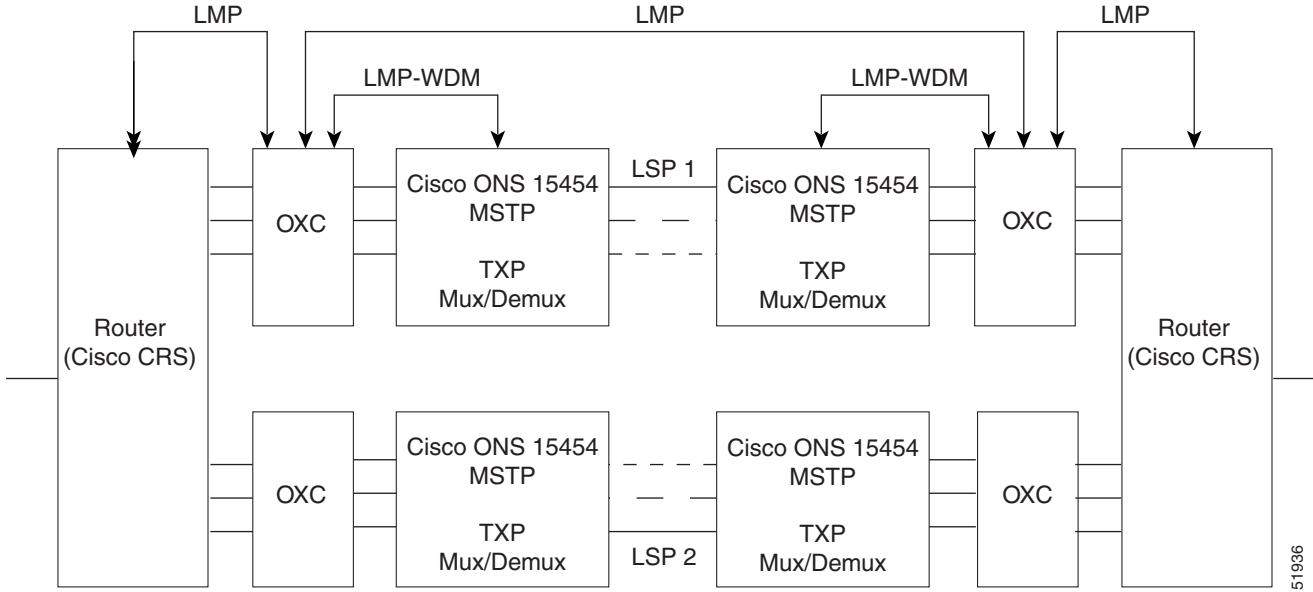
Figure 16-32 shows a network-level LMP implementation. It is an IP-plus-optical network, with end-to-end routing based on MPLS and GMPLS. The primary network components are:

- Routers
 - Cisco Carrier Router System (CSR)
 - Cisco Gigabit Switch Router (GSR)
- An OXC node
- Ultra long-haul (ULH) DWDM equipment

LMP and other features allow the Cisco ONS 15454 DWDM node to fulfill the ULH DWDM role. Figure 16-32 illustrates the relationship between the network components.

1. LMP-WDM extensions that allow management of links between a peer node and an adjacent OLS node are described in the following IETF document: Internet-Draft, draft-ietf-ccamp-lmp-wdm-03.txt, published as a Proposed Standard, RFC 4209 (<http://www.ietf.org/rfc/rfc4209.txt>), 2005-11-1

Figure 16-32 LMP System Implementation



16.10 IPv6 Network Compatibility

IPv6 simplifies IP configuration and administration and has a larger address space than IPv4 to support the future growth of the Internet and Internet related technologies. It uses 128-bit addresses as against the 32-bit used in IPv4 addresses. Also, IPv6 gives more flexibility in designing newer addressing architectures.

Cisco ONS 15454 DWDM can function in an IPv6 network when an Internet router that supports Network Address Translation-Protocol Translation (NAT-PT) is positioned between the GNE, such as an ONS 15454 DWDM, and the client workstation. NAT-PT is a migration tool that helps users transition from IPv4 networks to IPv6 networks. NAT-PT is defined in RFC-2766. IPv4 and IPv6 nodes communicate with each other using NAT-PT by allowing both IPv6 and IPv4 stacks to interface between the IPv6 DCN and the IPv4 DCC networks.



Note

IPv6 is supported on Cisco ONS 15454 DWDM Software R8.0 and later with an external NAT-PT router.

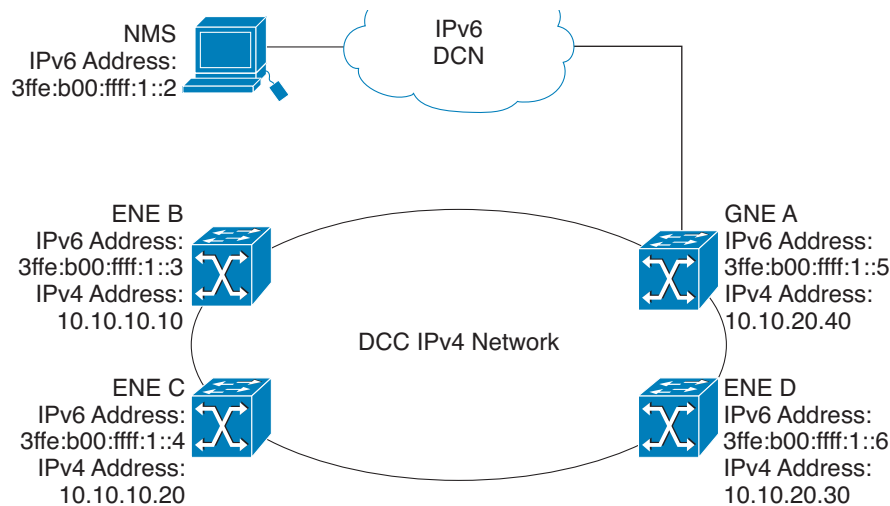
16.11 IPv6 Native Support

Cisco ONS 15454 DWDM Software R9.0 and later supports native IPv6. ONS 15454 DWDM can be managed over IPv6 DCN networks by enabling the IPv6 feature. After you enable IPv6 in addition to IPv4, you can use CTC, TL1, and SNMP over an IPv6 DCN to manage ONS 15454 DWDM. Each NE can be assigned an IPv6 address in addition to the IPv4 address. You can access the NE by entering the IPv4 address, an IPv6 address or the DNS name of the device. The IPv6 address is assigned only on the LAN interface of the NE. DCC/GCC interfaces use the IPv4 address.

By default, when IPv6 is enabled, the node processes both IPv4 and IPv6 packets on the LAN interface. If you want to process only IPv6 packets, you need to disable IPv4 on the node. Before you disable IPv4, ensure that IPv6 is enabled and the node is not in multishelf mode.

Figure 16-33 shows how an IPv6 DCN interacts with and IPv4 DCC.

Figure 16-33 IPv6-IPv4 Interaction



270827

You can manage MSTP multishelf nodes over IPv6 DCN. RADIUS, FTP, SNTP, and other network applications support IPv6 DCN. To enable IPv6 addresses, you need to make the necessary configuration changes from the CTC or TL1 management interface. After you enable IPv6, you can start a CTC or TL1 session using the provisioned IPv6 address. The ports used for all IPv6 connections to the node are the same as the ports used for IPv4.

An NE can either be in IPv6 mode or IPv4 mode. In IPv4 mode, the LAN interface does not have an IPv6 address assigned to it. An NE, whether it is IPv4 or IPv6, has an IPv4 address and subnet mask. TCC2/TCC2P cards do not reboot automatically when you provision an IPv6 address, but a change in IPv4 address initiates a TCC2/TCC2P card reset. [Table 16-11](#) describes the differences between an IPv4 node and an IPv6 node.

Table 16-11 Differences Between an IPv6 Node and an IPv4 Node

IPv6 Node	IPv4 Node
Has both IPv6 address and IPv4 address assigned to its craft Ethernet interface.	Does not have an IPv6 address assigned to its craft Ethernet interface.
The default router has an IPv6 address for IPv6 connectivity, and an IPv4 address for IPv4 connectivity.	The default router has an IPv4 address.
Cannot enable OSPF on LAN. Cannot change IPv4 NE to IPv6 NE if OSPF is enabled on the LAN.	Can enable OSPF on the LAN.
Cannot enable RIP on the LAN. Cannot change IPv4 NE to IPv6 NE if RIP is enabled on the LAN.	Can enable static routes/RIP on the LAN.
Not supported on static routes, proxy tunnels, and firewall tunnels.	Supported on static routes, proxy tunnels, and firewall tunnels.
Routing decisions are based on the default IPv6 router provisioned.	

16.11.1 IPv6 Enabled Mode

The default IP address configured on the node is IPv4. You can use either CTC or the TL1 management interface to enable IPv6. For more information about enabling IPv6 from the CTC interface, see the *Cisco ONS 15454 DWDM Procedure Guide*. For more information about enabling IPv6 using TL1 commands, see the *Cisco ONS 15454 TL1 Command Guide*.

16.11.2 IPv6 Disabled Mode

You can disable IPv6 either from the CTC or from the TL1 management interface. For more information about disabling IPv6 from the CTC interface, see the *Cisco ONS 15454 DWDM Procedure Guide*. For more information about disabling IPv6 using TL1 commands, see the *Cisco ONS 15454 TL1 Command Guide*.

16.11.3 IPv6 in Non-secure Mode

In non-secure mode, IPv6 is supported on the front and the rear Ethernet interfaces. You can start a CTC or TL1 session using the IPv6 address provisioned on the on the front and rear ports of the NE.

16.11.4 IPv6 in Secure Mode

In secure mode, IPv6 is only supported on the rear Ethernet interface. The front port only supports IPv4 even if it is disabled on the rear Ethernet interface. For more information about provisioning IPv6 addresses in secure mode, see the *Cisco ONS 15454 DWDM Procedure Guide*. For more information on secure mode behavior, see section [16.2.9 Scenario 9: IP Addressing with Secure Mode Enabled](#), page 16-19.

16.11.5 IPv6 Limitations

IPv6 has the following configuration restrictions:

- You can provision an NE as IPv6 enabled only if the node is a SOCKS-enabled or firewall-enabled GNE/ENE.
- IPsec is not supported.
- OSPF/RIP cannot be enabled on the LAN interface if the NE is provisioned as an IPv6 node.
- Static route/firewall/proxy tunnel provisioning is applicable only to IPv4 addresses even if the IPv6 is enabled.
- In secure mode, IPv6 is supported only on the rear Ethernet interface. IPv6 is not supported on the front port.
- ONS platforms use NAT-PT internally for providing IPv6 native support. NAT-PT uses the IPv4 address range 128.x.x.x for packet translation. Do not use the 128.x.x.x address range when you enable IPv6 feature.

16.12 Integration with Cisco CRS-1 Routers

This section describes the integration of a Cisco ONS 15454 DWDM node with a Cisco CRS-1 router. To troubleshoot specific alarms, refer to the *Cisco ONS 15454 DWDM Troubleshooting Guide*. To provision end-to-end circuit connectivity between a DWDM node and a CRS-1 router, refer to the *Cisco ONS 15454 DWDM Procedure Guide*.

This feature provides end-to-end circuit provisioning from one CRS-1 router to another CRS-1 router passing through an MSTP network (without using GMPLS). In other words, you can use CTC to create an OCH trail circuit that includes the CRS-1 nodes involved in the MSTP network. With this feature, circuit provisioning is extended to the physical layer interface module (PLIM) trunk ports of the CRS-1 router.

For more information on the Cisco CRS-1 router, refer to the documentation set available at http://www.cisco.com/en/US/products/ps5763/tsd_products_support_series_home.html.

16.12.1 Card Compatibility

The following CRS-1 DWDM PLIMs support this feature:

- 4-10GE-ITU/C
- 1OC768-ITU/C

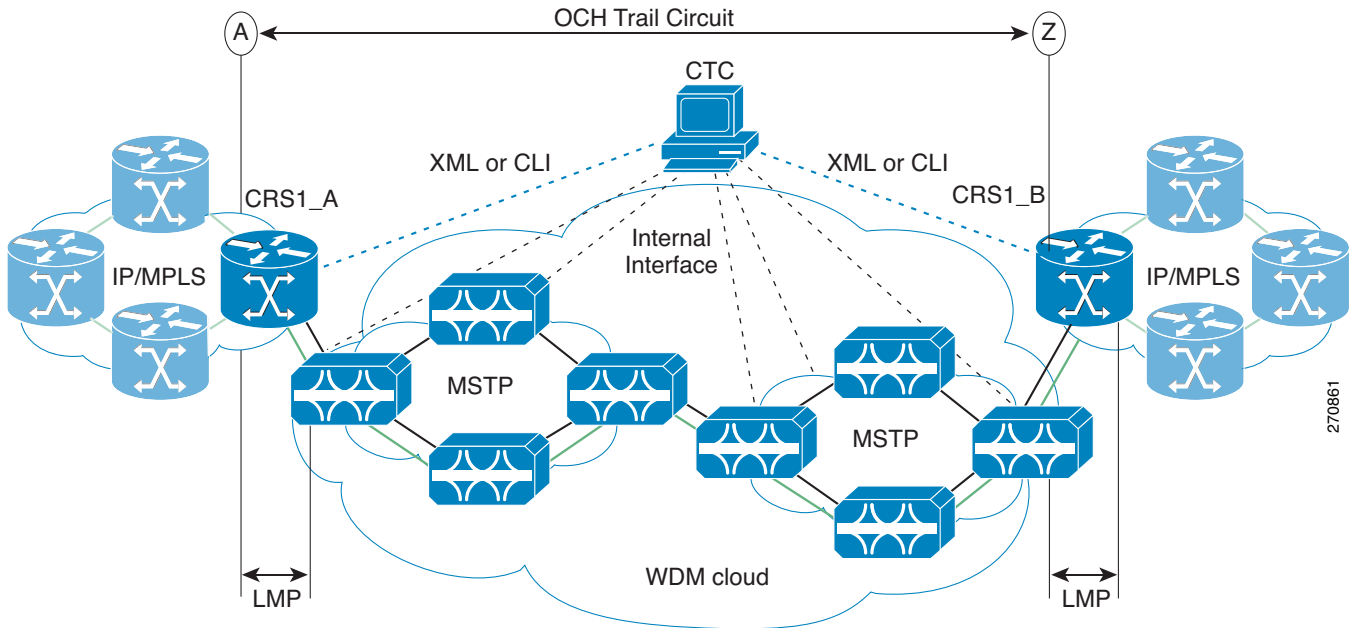
The following ONS 15454 DWDM cards support this feature:

- 32MUX-O
- 32DMX-O
- 32WSS
- 32DMX
- 40-DMX-C
- 40-DMX-CE
- 40-MUX-C
- 40-WSS-C
- 40-WSS-CE

16.12.2 Node Management

Figure 16-34 depicts a typical network that includes DWDM nodes and CRS-1 routers.

Figure 16-34 Cisco ONS 15454 DWDM Node and Cisco CRS-1 Router Network



16.12.2.1 Physical Connections

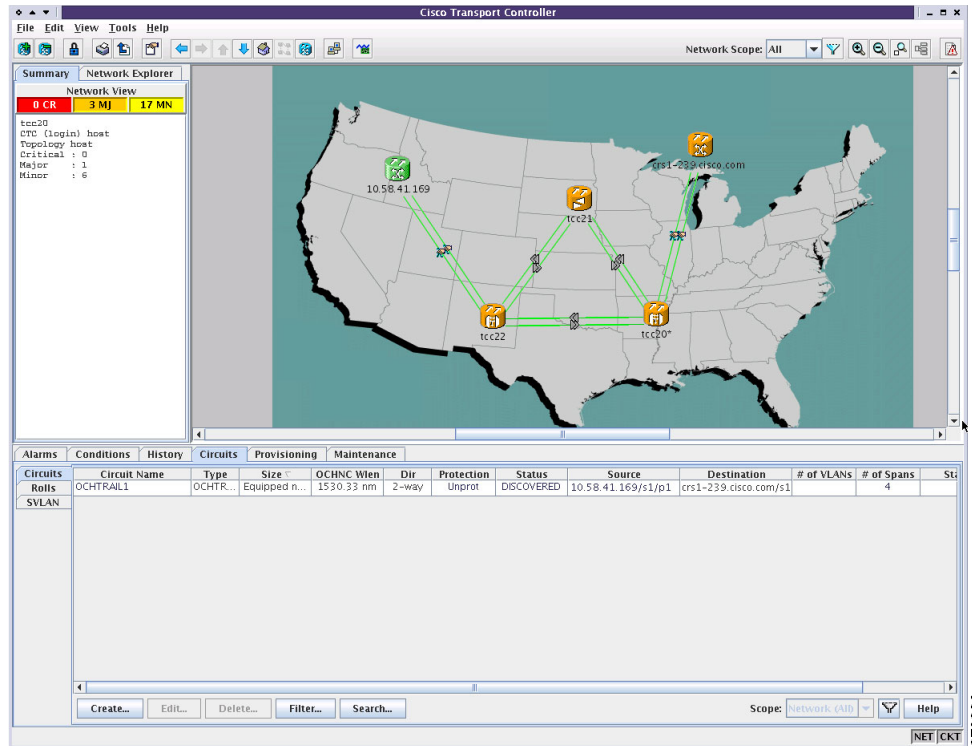
The ONS 15454 DWDM node can be connected to CTC using multiple ways as described in “[13.4 ONS 15454 Connections](#)” section on page 13-7. The CRS-1 router must be connected to CTC via TCP/IP using an Ethernet interface. Between the DWDM node and the CRS-1 router there must be two physical connections:

- For LMP provisioning, through the 10-Mbps Ethernet interface provided by the TCC2P card (on the ONS 15454 side) and the RP card (on the CRS-1 router side).
- For 10-Gbps and 40-Gbps traffic, through the fiber connection provided from the OCH ports of the multiplexer, demultiplexer, or WSS cards (on the ONS 15454 side) and from the PLIM trunk ports (on the CRS-1 router side). You must use LC connectors on both the ONS 15454 side and the CRS-1 router side.

16.12.2.2 CTC Display

The CTC network view displays CRS-1 routers that have LMP control channels to the DWDM node that you logged into and to the DWDM nodes with DCC connections to the login node (Figure 16-35). Once a data link has been established, the network view also displays the link between the CRS-1 router and the DWDM node.

Figure 16-35 CRS-1 Router in CTC Network View



The color of the CRS-1 router in network view depends on the CRS-1 router alarm status. The color of the link between the DWDM node and the CRS-1 router depends on the link status. For more information on node and link colors, see the “13.5.3.2 CTC Node Colors” section on page 13-17 and the “13.5.3.3 DCC Links” section on page 13-17.

16.12.3 Circuit Management

This section describes user account configuration, LMP provisioning, and OCH trail circuit provisioning on the DWDM node and the CRS-1 router.

16.12.3.1 User Account Configuration

The user account used to access the DWDM node must also be a valid user account for the CRS-1 router. The system administrator has two configuration options: either enable RADIUS AAA on both the nodes or create a new user (with the same username and password as the DWDM node) as member of the sysadmin group on the CRS-1 router.

For more information on configuring RADIUS authentication and creating a user account, refer to the *Cisco IOS XR System Security Configuration Guide*.

16.12.3.2 LMP Provisioning

To provision end-to-end circuit connectivity from one CRS-1 router to another CRS-1 router passing through a DWDM network, you must configure LMP on the OCH ports of the first and last DWDM nodes (those adjacent to the CRS-1 routers) and on the PLIM trunk ports of the CRS-1 router.

Configuring LMP involves creating control channels, TE links, and data links. CTC primarily uses data links to discover circuit routes. For each 10-Gbps or 40-Gbps fiber between the CRS-1 router and the DWDM node, you must create a TE link and a data link. You must have a dedicated TE link for each data link because the CRS-1 router does not support link bundling (aggregation of one or more data links into a single TE link). When the port association is correct (checked using the LinkSummary message), the operational state of the data link transitions to Up-Free.

During creation of data links between the OCH ports of the DWDM node and the PLIM trunk ports of the CRS-1 router, CTC performs lambda tuning. That is, CTC automatically tunes the PLIM trunk port wavelength to match the supported wavelength on the OCH ports of the DWDM node. For more information on LMP, see the “[16.9 Link Management Protocol](#)” section on page 16-49.

You can configure LMP on the DWDM nodes through CTC. However, you cannot configure LMP on the CRS-1 router through CTC. You must use Cisco IOS command line interface (CLI) to configure LMP on the CRS-1 router.

For details on configuring LMP on a DWDM node and on the corresponding CRS-1 PLIM port, refer to the *Cisco ONS 15454 DWDM Procedure Guide*.

16.12.3.3 OCH Trail Circuit Provisioning

After you have provisioned LMP on the DWDM nodes and the CRS-1 routers, you can create an OCH trail circuit from one CRS-1 router to another CRS-1 router passing through an MSTP network. The endpoints (source and destination) of the OCH trail circuit must be CRS-1 routers. CTC does not allow mixed nodes (CRS-1 router to DWDM node) for OCH trail circuits.

As part of OCH trail circuit creation, you must also define the following OTN line parameters on both end points of the circuit:

- ITU-T G.709
- Forward error correction (FEC)
- Signal fail bit error rate (SF BER)
- Signal degrade bit error rate (SD BER)

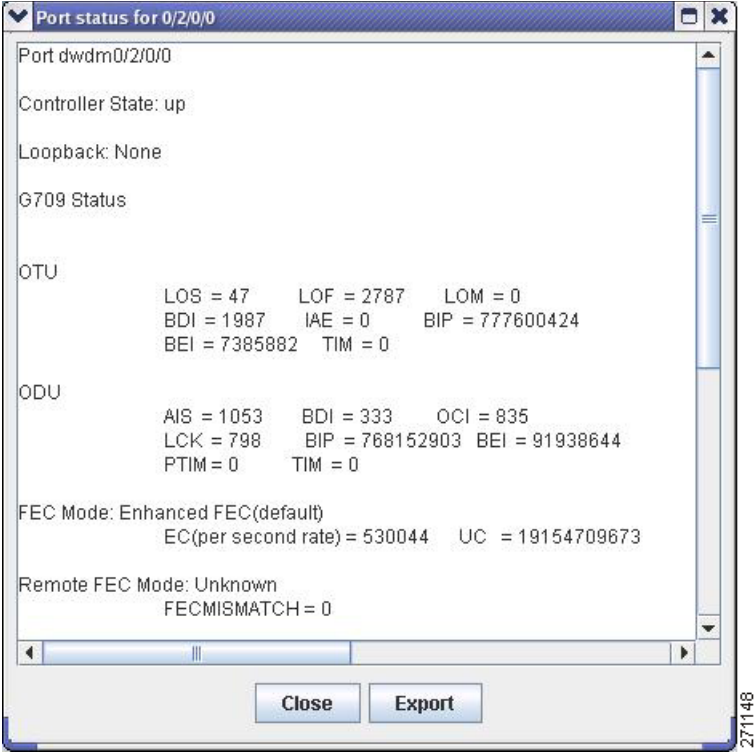
After you define the source and destination nodes for the OCH trail circuit, CTC evaluates the circuit if a route exists between the two endpoints. If a valid route exists, CTC creates the required connections on all the impacted nodes.

16.12.4 CRS-1 Router Management from CTC

After you have provisioned LMP on the CRS-1 router and the DWDM node, the CRS-1 router gets displayed in the CTC network view. You can view active alarms, performance monitoring (PM) parameters, and software version of the CRS-1 router from CTC.

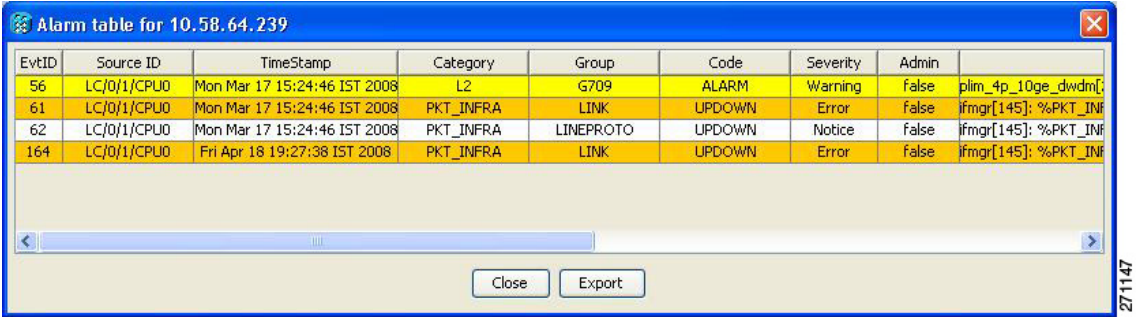
To view PM parameters for a specific PLIM port, right-click the CRS-1 router in CTC network view and choose **Show Router Port Status** > *rack/slot/module/port* ([Figure 16-36](#)).

Figure 16-36 CRS-1 Router PM Parameters



To view all the active alarms, right-click the CRS-1 router in CTC network view and choose **Show Active Alarms** (Figure 16-37).

Figure 16-37 CRS-1 Router Active Alarms



Note

The Loss of Signal (LOS) alarm is not reported as critical for the CRS-1 router, whereas, it is reported as critical for the ONS 15454 node. To avoid this inconsistency, you can use Cisco Craft Works Interface (CWI) to manually change the severity for the LOS alarm of the CRS-1 router.

To view the software version, click the **Maintenance > Software** tabs in the CTC network view. The working software version for each node is listed in the Working Version column (Figure 16-38).

Figure 16-38 CRS-1 Router Software Version

The screenshot shows the Cisco Transport Controller (CTC) interface. The top pane displays a network map of the United States with four routers: tcc20, tcc21, tcc22, and tcc20*. The bottom pane shows a table with columns: Software, Node, Type, Node Status, Working Version, Protect Version, and Download Status. The table lists software versions for nodes tcc20, tcc22, and tcc21, all showing Major Alarm conditions.

Software	Node	Type	Node Status	Working Version	Protect Version	Download Status
Diagnostic	10.58.41.169	crs	Major Alarm	3.5.2	N/A	
APC	crs1-239.cisco.com	crs	Major Alarm	3.5.2	N/A	
	tcc20	15454	Major Alarm	9.0.0 @9.00-X08C-11...	7.0.1 @7.01-006D-20...	
	tcc22	15454	Major Alarm	9.0.0 @9.00-X08C-11...	9.0.0 @9.00-X08C-10...	
	tcc21	15454	Major Alarm	9.0.0 @9.00-X08C-11...	9.0.0 @9.00-X08C-10...	

271149
NET|CKT

