



Replacing Power Supply Modules

The Cisco external power supply accommodates four DC hot-swappable power supply modules. Each module provides -48V of power, and a single installed power supply module meets the inline telephony requirements. Additional installed power supply modules provide redundancy, load sharing, and increased system availability. When no cables are connected, DC power supply modules can be removed or inserted without affecting system operation.

[Figure 3-1](#) shows the DC power supply modules for the external power supply, [Figure 3-2](#) shows the location of the power supply module in the external power supply chassis.

Figure 3-1 Power Supply Modules

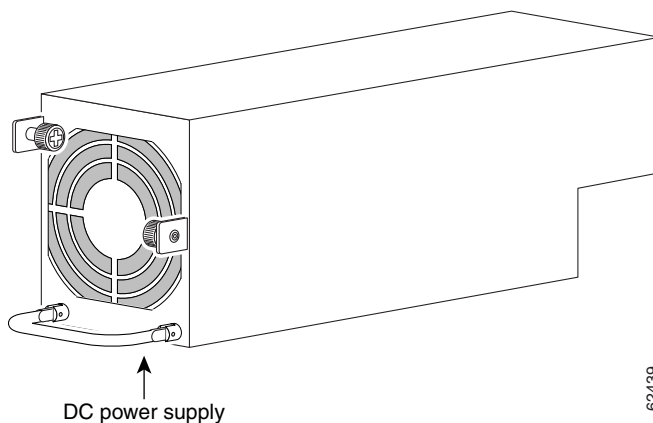
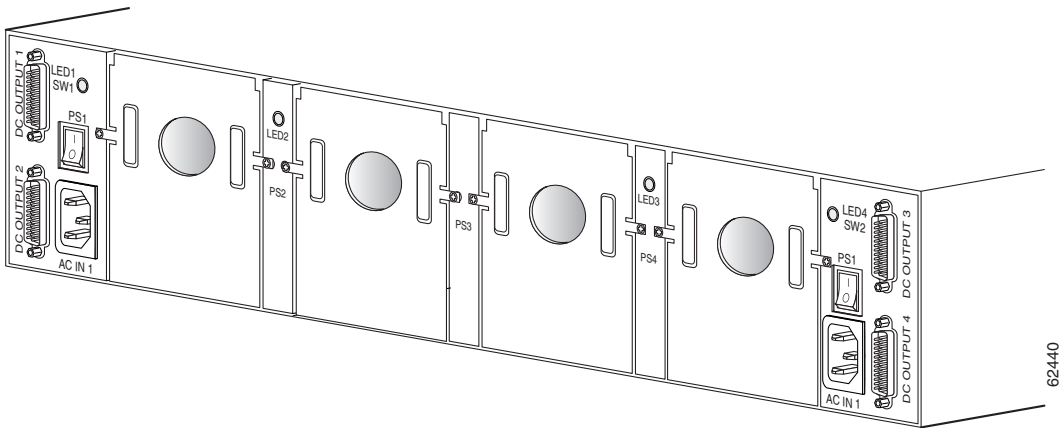


Figure 3-2 Rear View of the Cisco External Power Supply Chassis



Tools and Equipment Required

You need the following tools and equipment to remove and install power supplies in an external power supply chassis:

- Number 2 Phillips screwdriver
- Wire cutters to cut cable tie-wraps
- ESD-preventive wrist strap

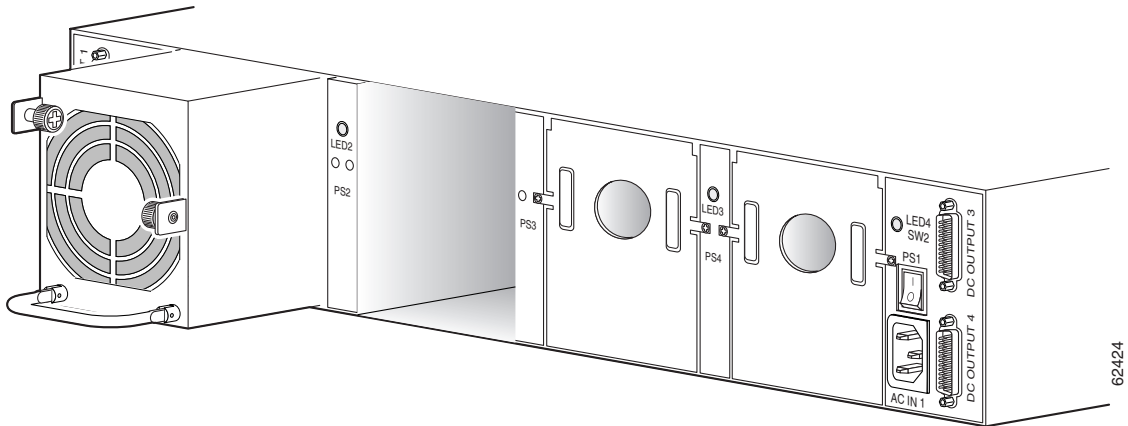
Removing the Power Supply Module

Use the following procedure to remove a power supply module:

-
- Step 1** Identify the failed power supply by checking the power supply LEDs on the chassis rear panel.
- Step 2** Facing the rear panel, identify the failed power supply by checking the bay that it is installed in, and checking that the LED on the power supply is orange or off. (See [Figure 3-2](#) for the location of the power supply LED.)

- Step 3** Loosen the two captive screws holding the power supply in the chassis bay, using the Phillips or flat-blade screwdriver. (See [Figure 3-3](#).)
- Step 4** Slide the power supply out of the bay.

Figure 3-3 Removing a Power Supply



Installing the Power Supply Module

Use the following procedure to install a power supply:

- Step 1** Align the power supply with the chassis bay, and slide it in until the center hole (between the captive screws) is aligned with the hole in the bay's lower shelf. (See [Figure 3-3](#).)
- Step 2** Tighten the two captive screws that secure the power supply in the chassis bay, using the Phillips or flat-blade screwdriver.
- Step 3** Check that the LED on the power supply is green. (See [Figure 3-2](#) for the location of the power supply LED.)
- Step 4** Check that the LED on the front panel is green.

■ Installing the Power Supply Module