



Setting up the Power Supplies

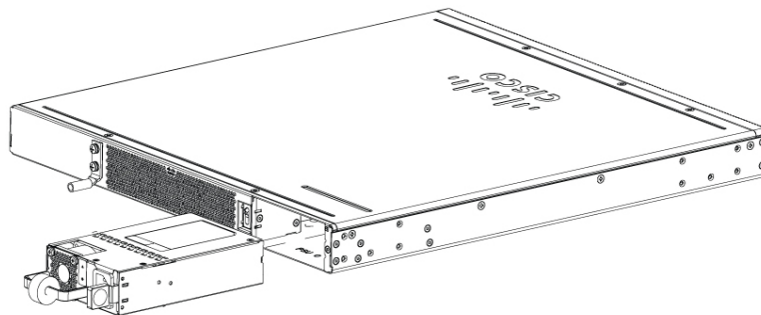
The following chapter describes the AC power supply for Cisco VG410 Voice Gateway, and how to set up the power supply for your voice gateway.

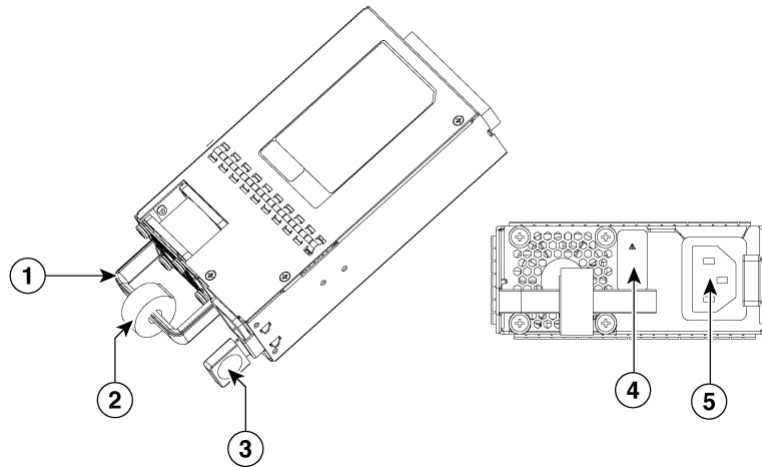
- [AC Power Supply, on page 1](#)

AC Power Supply

The Cisco VG410 Voice Gateway supports a PWR-VG410-250WAC AC power supply. The following images display the AC power supply.

Figure 1: Cisco VG410 Voice Gateway AC Power Supply



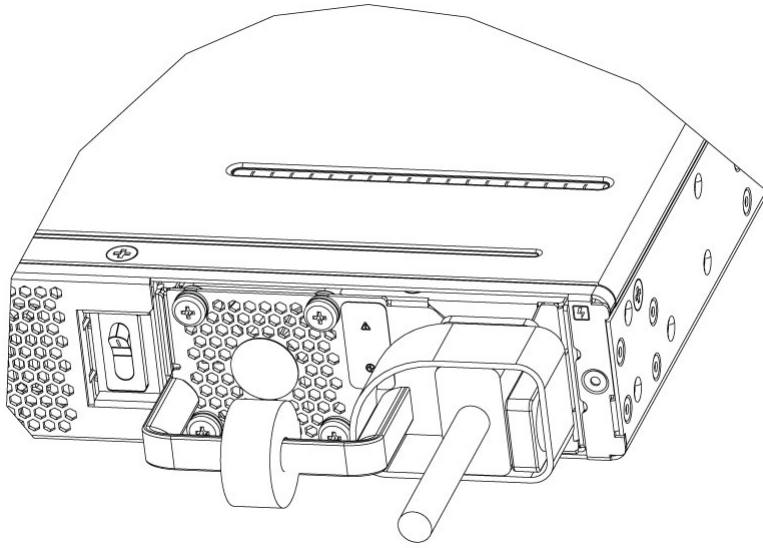


1	Handle
2	Velcro strap
3	Latch tab
4	Status LED
5	Power socket

Removing the AC Power Supply

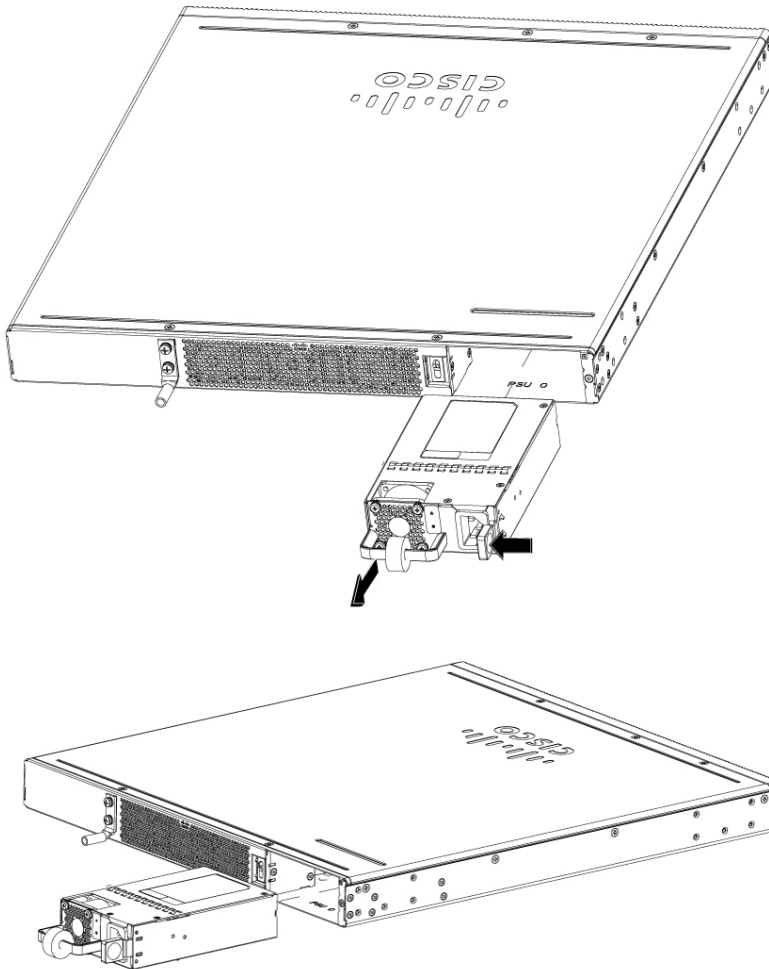
To remove an AC power supply from the voice gateway, perform these steps:

-
- Step 1** Read the safety warnings section of this document.
 - Step 2** Shut down the device before removing the power supply.
 - Step 3** If in use, remove the Velcro strap securing the power supply cable to the power supply latch.



Step 4 Remove the AC power cord from the power socket.

Step 5 Depress the power supply latch and use the handle to pull the supply out of the device.



Replacing the AC Power Supply

To replace or install an AC power supply into the device, perform these steps:

- Step 1** Use the handle to push the power supply into the router. The power supply latch should provide an audible click when the supply is fully seated.
- Step 2** Install the AC power cord into the power socket on the power supply.
- Step 3** If used, reapply the Velcro strap around the power cord and the power supply latch.
- Step 4** If the device was turned off, turn the power back on to the device.