



G.8275.1 Telecom Profile

First Published: March 29, 2016

Precision Time Protocol (PTP) is a protocol for distributing precise time and frequency over packet networks. PTP is defined in the IEEE Standard 1588. It defines an exchange of timed messages

PTP allows for separate profiles to be defined in order to adapt PTP for use in different scenarios. A profile is a specific selection of PTP configuration options that are selected to meet the requirements of a particular application.

Effective Cisco IOS-XE Release 3.18S, Cisco ASR 903 routers with RSP2 module support the G.8275.1 telecom profile. This profile targets accurate time and phase distribution and requires boundary clocks at every node in the network.

Effective Cisco IOS-XE Release 3.18SP, Cisco ASR 903 routers with RSP3 module support the G.8275.1 telecom profile and G.8273.2 telecom recommendation.

This recommendation allows for proper network operation for phase and time synchronization distribution when network equipment embedding a telecom boundary clock (T-BC) and a telecom time slave clock (T-TSC) is timed from another T-BC or a telecom grandmaster clock (T-GM). This recommendation addresses only the distribution of phase and time synchronization with the full timing support architecture as defined in ITU-T G.8275.

Effective from Cisco IOS Release 3.18.1SP, the Cisco ASR 901 Router supports G.8275.1 telecom profile.

- [Why G.8275.1?, page 1](#)
- [Configuring the G.8275.1 Profile, page 6](#)
- [Additional References, page 11](#)
- [Feature Information for G.8275.1, page 11](#)

Why G.8275.1?

The G.8275.1 profile is used in mobile cellular systems that require accurate synchronization of time and phase. For example, the fourth generation (4G) of mobile telecommunications technology.

The G.8275.1 profile is also used in telecom networks where phase or time-of-day synchronization is required and where each network device participates in the PTP protocol.

Because a boundary clock is used at every node in the chain between PTP Grandmaster and PTP Slave, there is reduction in time error accumulation through the network.

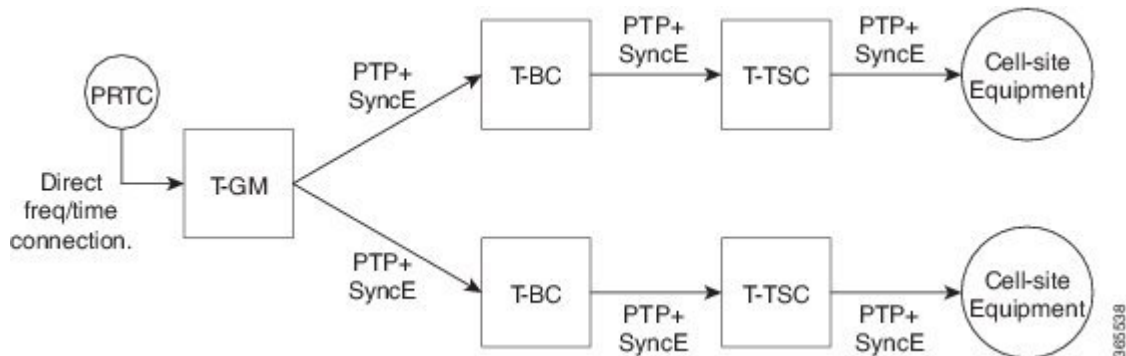
More About G.8275.1

The G.8275.1 must meet the following requirements:

- Non-participant devices, that is, devices that only forward PTP packets, and PTP transparent clocks are not allowed.
- The telecom grandmaster (T-GM) provides timing to all other devices on the network. It does not synchronize its local clock with any other network element other than the Primary Reference Time Clock (PRTC).
- The telecom time slave clock (T-TSC) synchronizes its local clock to another PTP clock (in most cases, the T-BC), and does not provide synchronization through PTP to any other device.
- The telecom boundary clock (T-BC) synchronizes its local clock to a T-GM or an upstream T-BC, and provides timing information to downstream T-BCs or T-TSCs. If at a given point in time there are no higher-quality clocks available to a T-BC to synchronize to, it may act as a grandmaster.

The following figure describes a sample G.8275.1 topology.

Figure 1: A Sample G.8275.1 Topology



PTP Domain

A PTP domain is a logical grouping of clocks that communicate with each other using the PTP protocol.

A single computer network can have multiple PTP domains operating separately, for example, one set of clocks synchronized to one time scale and another set of clocks synchronized to another time scale. PTP can run over either Ethernet or IP, so a domain can correspond to a local area network or it can extend across a wide area network.

The allowed domain numbers of PTP domains within a G.8275.1 network are between 24 and 43 (both inclusive).

PTP Messages and Transport

The following PTP transport parameters are defined:

- For transmitting PTP packets, either the forwardable multicast MAC address (01-1B-19-00-00-00) or the non-forwardable multicast MAC address (01-80-C2-00-00-0E) must be used as the destination MAC address. The MAC address in use is selected on a per-port basis through the configuration. However, the non-forwardable multicast MAC address (01-80-C2-00-00-0E) will be used if no destination MAC is configured.

The source MAC address is the interface MAC address.

- For receiving PTP packets, both multicast MAC addresses (01-80-C2-00-00-0E and 01-1B-19-00-00-00) are supported.
- The packet rate for Announce messages is 8 packets-per-second. For Sync, Delay-Req, and Delay-Resp messages, the rate is 16 packets-per-second.
- Signaling and management messages are not used.

PTP Modes

Two-Way Operation

To transport phase and time synchronization and to measure propagation delay, PTP operation must be two-way in this profile. Therefore, only two-way operation is allowed in this profile.

One-Step and Two-Step Clock Mode

Both one-step and two-step clock modes are supported in the G.8275.1 profile.

A slave port must be capable of receiving and processing messages from both one-step clocks and two-step clocks, without any particular configuration. However, the master supports only one-step mode.

PTP Clocks

Two types of ordinary clocks and boundary clocks are used in this profile:

Ordinary Clock (OC)

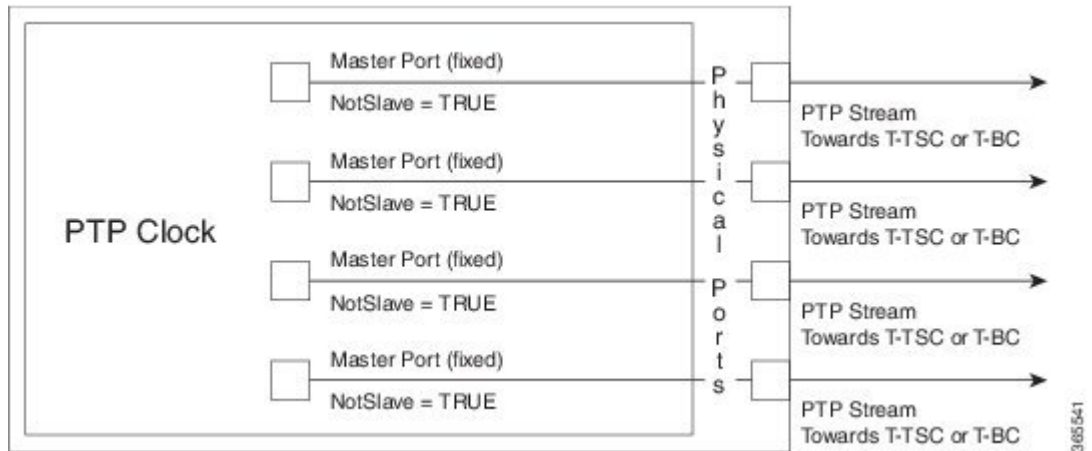
- 1 OC that can only be a grandmaster clock (T-GM). In this case, one or more PTP ports will be used as master ports.

The T-GM uses the frequency, 1PPS, and ToD input from an upstream grandmaster clock.

**Note**

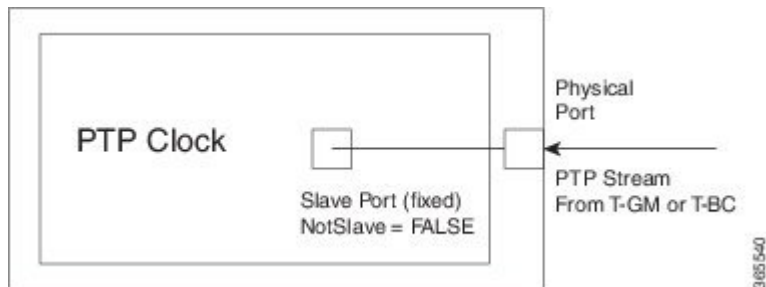
The T-GM master port is a fixed master port.

Figure 2: Ordinary Clock As T-GM



- 1 OC that can only be a slave clock (T-TSC). In this case, only one PTP port is used for T-TSC, which in turn will have only one PTP master associated with it.

Figure 3: Ordinary Clock As Slave Clock (T-TSC)

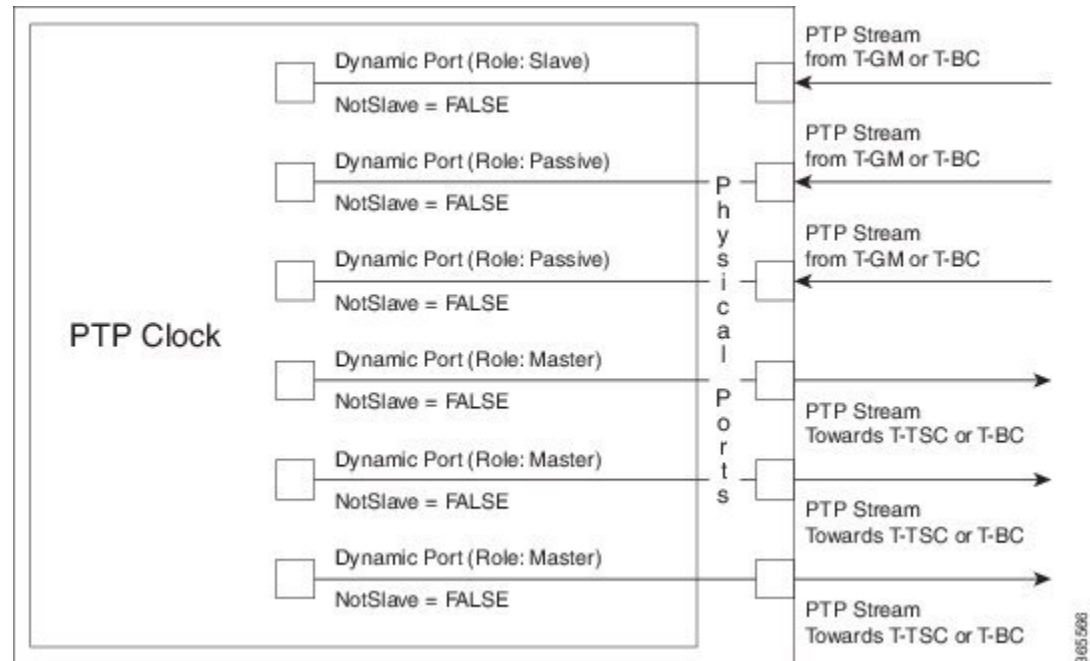


Boundary Clock (T-BC)

- 1 T-BC that can only be a grandmaster clock (T-GM).
- 2 T-BC that can become a master clock and can also be a slave clock to another PTP clock.

If the BMCA selects a port on the T-BC to be a slave port, all other ports are moved into the master role or a passive state.

Figure 4: Boundary Clock



PTP Ports

A port can be configured to perform either fixed master or slave role or can be configured to change its role dynamically. If no role is assigned to a port, it can dynamically assume a master, passive, or slave role based on the BMCA.

A master port provides the clock to its downstream peers.

A slave port receives clock from an upstream peer.

A dynamic port can work either as a master or a slave based on the BMCA decision.

In Cisco's implementation of the G.8275.1:

- OC clocks can support only fixed master or slave port.
- One PTP port can communicate with only one PTP peer.
- BC can have a maximum of 64 ports. Fixed slave ports are not supported on the BC.

Virtual Port Support on T-BC

G.8275.1 introduces the concept of a virtual port on the T-BC. A virtual port is an external frequency, phase and time input interface on a T-BC, which can participate in the source selection.

Alternate BMCA

The BMCA implementation in G.8275.1 is different from that in the default PTP profile. The G.8275.1 implementation is called the Alternate BMCA. Each device uses the alternate BMCA to select a clock to synchronize to, and to decide the port states of its local ports.

Benefits

With upcoming technologies like LTE-TDD, LTE-A CoMP, LTE-MBSFN and Location-based services, eNodeBs (base station devices) are required to be accurately synchronized in phase and time. Having GNSS systems at each node is not only expensive, but also introduces vulnerabilities. The G.8275.1 profile meets the synchronization requirements of these new technologies.

Prerequisites for Using the G.8275.1 Profile

- PTP over Multicast Ethernet must be used.
- Every node in the network must be PTP aware.
- It is mandatory to have a stable physical layer frequency whilst using PTP to define the phase.
- Multiple active grandmasters are recommended for redundancy.

Restrictions for Using the G.8275.1 Profile

- PTP Transparent clocks are not permitted in this profile.
- Changing PTP profile under an existing clock configuration is not allowed. Different ports under the same clock cannot have different profiles. You must remove clock configuration before changing the PTP profile. Only removing all the ports under a clock is not sufficient.
- One PTP port is associated with only one physical port in this profile.
- There is no support for BDI and VLAN.
- Signaling and management messages are not used.
- PTP message rates are not configurable.
- Non-hybrid T-TSC and T-BC clock configurations are not supported.
- SyncE is not compliant with G.8262 when G.8275.1 is enabled.

Configuring the G.8275.1 Profile

**Note**

To know more about the commands referenced in this module, see the [Cisco IOS Interface and Hardware Component Command Reference](#) or the [Cisco IOS Master Command List](#).

Configuring Physical Frequency Source

For more information, see the [Configuring Synchronous Ethernet ESMC and SSM](#) section in the Clocking and Timing chapter of this book.

Creating a Master-Only Ordinary Clock

```
ptp clock ordinary domain 24
local-priority 1
priority2 128
clock-port master-port-1
master profile g8275.1
local-priority 1
transport ethernet multicast interface Gig 0/0/1
clock-port master-port-2
master profile g8275.1
transport ethernet multicast interface Gig 0/0/2
clock-port master-port-3
master profile g8275.1
transport ethernet multicast interface Gig 0/0/3
clock-port master-port-4
master profile g8275.1
transport ethernet multicast interface Gig 0/0/4
```

Associated Commands

- [ptp clock](#)
- [local-priority](#)
- [priority2](#)

Creating an Ordinary Slave

```
ptp clock ordinary domain 24
hybrid
clock-port slave-port
slave profile g8275.1
transport ethernet multicast interface Gig 0/0/0
```

Creating Dynamic Ports



Note

Dynamic ports can be created when you do not specify whether a port is master or slave. In such cases, the BMCA dynamically chooses the role of the port.

```
ptp clock boundary domain 24
hybrid
clock-port bc-port-1
profile g8275.1
local-priority 1
```

```

transport ethernet multicast interface Gig 0/0/0
clock-port bc-port-2
profile g8275.1
local-priority 2
transport ethernet multicast interface Gig 0/0/1

```

Configuring Virtual Ports

Restrictions

- Virtual port configuration is not allowed under Ordinary Clocks.
- Virtual port configuration is not supported under non-hybrid T-BC cases.

```

ptp clock boundary domain 24
hybrid
virtual-port virtual-port-1
profile g8275.1 local-priority 1
input lpps
R0
input tod R0
ntp

```

Associated Commands

- [input](#)

Verifying the Local Priority of the PTP Clock

```

Router# show ptp clock dataset default
CLOCK [Boundary Clock, domain 24]
  Two Step Flag: No
  Clock Identity: 0x2A:0:0:0:58:67:F3:4
  Number Of Ports: 1
  Priority1: 128
  Priority2: 90
Local Priority: 200
  Domain Number: 24
  Slave Only: No
  Clock Quality:
    Class: 224
    Accuracy: Unknown
    Offset (log variance): 4252

```

Verifying the Port Parameters

```

Router# show ptp port dataset port
PORT [MASTER]
  Clock Identity: 0x49:BD:D1:0:0:0:0:0
  Port Number: 0
  Port State: Unknown
  Min Delay Req Interval (log base 2): 42
  Peer Mean Path Delay: 648518346341351424
  Announce interval (log base 2): 0

```



```
Announce Receipt Timeout: 2
Sync Interval (log base 2): 0
Delay Mechanism: End to End
Peer Delay Request Interval (log base 2): 0
PTP version: 2
Local Priority: 1
Not-slave: True
```

Verifying the Foreign Master Information

```
Router# show platform software ptp foreign-master domain 24
PTPd Foreign Master Information:

Current Master: SLA

Port: SLA
Clock Identity: 0x74:A2:E6:FF:FE:5D:CE:3F
Clock Stream Id: 0
Priority1: 128
Priority2: 128
Local Priority: 128
Clock Quality:
  Class: 6
  Accuracy: Within 100ns
  Offset (Log Variance): 0x4E5D
Steps Removed: 1
Not-Slave: FALSE
```

Verifying Current PTP Time

```
Router# show platform software ptpd tod
PTPd ToD information:

Time: 01/05/70 06:40:59
```

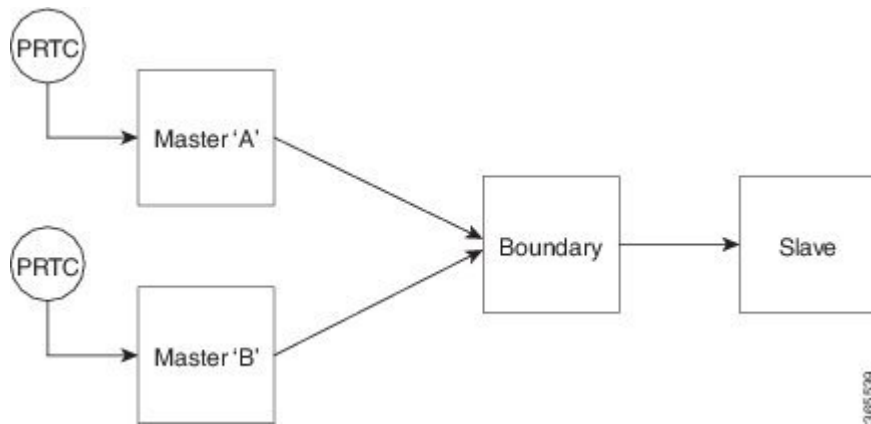
Verifying the Virtual Port Status

```
Router# show ptp port virtual domain 24
VIRTUAL PORT [vp]
Status: down
Clock Identity: 0x74:A2:E6:FF:FE:5D:CE:3F
Port Number: 1
Clock Quality:
  Class: 6
  Accuracy: 0x21
  Offset (log variance): 0x4E5D
Steps Removed: 0
Priority1: 128
Priority2: 128
Local Priority: 128
Not-slave: False
```

G.8275.1 Deployment Scenario

The following example illustrates a possible configuration for a G.8275.1 network with two masters, a boundary clock and a slave. Let's assume that master A is the primary master and B is the backup master.

Figure 5: Topology for a Configuration Example



The configuration on master clock A is:

```

ptp clock ordinary domain 24
  clock-port master-port profile g8275.1
  transport ethernet multicast interface GigabitEthernet 0/0/0
  
```

The configuration on master clock B is:

```

ptp clock ordinary domain 25
  clock-port master-port profile g8275.1
  transport ethernet multicast interface GigabitEthernet 0/1/0
  
```

The configuration on the boundary clock is:

```

ptp clock boundary domain 24 hybrid
  local-priority 3
  clock-port slave-port-a profile g8275.1 local-priority 1
  transport ethernet multicast interface Gig 0/0/1
  clock-port slave-port-b profile g8275.1 local-priority 2
  transport ethernet multicast interface Gig 0/1/1
  clock-port master-port profile g8275.1
  transport Ethernet multicast interface Gig 0/2/1
  
```

The configuration on the slave clock is:

```

ptp clock ordinary domain 24 hybrid
  clock-port slave-port slave profile g8275.1
  transport Ethernet multicast interface Gig 0/0/0
  
```

Additional References

Related Documents

Related Topic	Document Title
Cisco IOS commands	Cisco IOS Master Commands List, All Releases
Interface and Hardware Component commands	Cisco IOS Interface and Hardware Component Command Reference
Clocking and Timing	Clocking and Timing

Standards

Standard	Title
G.8275.1/Y.1369.1 (07/14)	SERIES G: TRANSMISSION SYSTEMS AND MEDIA, DIGITAL SYSTEMS AND NETWORKS Packet over Transport aspects – Synchronization, quality and availability targets
G.8273.2/Y.1368.2 (05/14)	

MIBs

MIB	MIBs Link
—	To locate and download MIBs for selected platforms, Cisco software releases, and feature sets, use Cisco MIB Locator found at the following URL: http://www.cisco.com/go/mibs

RFCs

RFC	Title
—	There are no new RFCs for this feature.

Feature Information for G.8275.1

Use Cisco Feature Navigator to find information about platform support and software image support. Cisco Feature Navigator enables you to determine which software images support a specific software release, feature

set, or platform. To access Cisco Feature Navigator, go to <http://www.cisco.com/go/cfn> . An account on Cisco.com is not required.

**Note**

[Table 1: Feature Information for G.8275.1](#) , on page 12 lists only the software release that introduced support for a given feature in a given software release train. Unless noted otherwise, subsequent releases of that software release train also support that feature.

Table 1: Feature Information for G.8275.1

Feature Name	Releases	Feature Information
G.8275.1—Support for 1588 profile	XE 3.18	<p>This PTP telecom profile introduces phase and time synchronization with full timing support from the network.</p> <p>The following commands were introduced</p> <ul style="list-style-type: none"> • local-priority <p>The following commands were modified:</p> <ul style="list-style-type: none"> • clock-port • show ptp clock dataset default • show ptp port dataset port <p>The following command is deprecated for the G.8275.1 profile clocks:</p> <ul style="list-style-type: none"> • show ptp port running <p>The alternate command is show platform software ptp foreign-master [domain-number].</p> <p>Note This command is applicable only for the G.8275.1 profile clocks.</p>