



IP Multicast: LSM Configuration Guide, Cisco IOS XE Gibraltar 16 (Cisco ASR 920 Series)

First Published: 2019-07-31

Americas Headquarters

Cisco Systems, Inc.
170 West Tasman Drive
San Jose, CA 95134-1706
USA
<http://www.cisco.com>
Tel: 408 526-4000
800 553-NETS (6387)
Fax: 408 527-0883

THE SPECIFICATIONS AND INFORMATION REGARDING THE PRODUCTS IN THIS MANUAL ARE SUBJECT TO CHANGE WITHOUT NOTICE. ALL STATEMENTS, INFORMATION, AND RECOMMENDATIONS IN THIS MANUAL ARE BELIEVED TO BE ACCURATE BUT ARE PRESENTED WITHOUT WARRANTY OF ANY KIND, EXPRESS OR IMPLIED. USERS MUST TAKE FULL RESPONSIBILITY FOR THEIR APPLICATION OF ANY PRODUCTS.

THE SOFTWARE LICENSE AND LIMITED WARRANTY FOR THE ACCOMPANYING PRODUCT ARE SET FORTH IN THE INFORMATION PACKET THAT SHIPPED WITH THE PRODUCT AND ARE INCORPORATED HEREIN BY THIS REFERENCE. IF YOU ARE UNABLE TO LOCATE THE SOFTWARE LICENSE OR LIMITED WARRANTY, CONTACT YOUR CISCO REPRESENTATIVE FOR A COPY.

The Cisco implementation of TCP header compression is an adaptation of a program developed by the University of California, Berkeley (UCB) as part of UCB's public domain version of the UNIX operating system. All rights reserved. Copyright © 1981, Regents of the University of California.

NOTWITHSTANDING ANY OTHER WARRANTY HEREIN, ALL DOCUMENT FILES AND SOFTWARE OF THESE SUPPLIERS ARE PROVIDED "AS IS" WITH ALL FAULTS. CISCO AND THE ABOVE-NAMED SUPPLIERS DISCLAIM ALL WARRANTIES, EXPRESSED OR IMPLIED, INCLUDING, WITHOUT LIMITATION, THOSE OF MERCHANTABILITY, FITNESS FOR A PARTICULAR PURPOSE AND NON-INFRINGEMENT OR ARISING FROM A COURSE OF DEALING, USAGE, OR TRADE PRACTICE.

IN NO EVENT SHALL CISCO OR ITS SUPPLIERS BE LIABLE FOR ANY INDIRECT, SPECIAL, CONSEQUENTIAL, OR INCIDENTAL DAMAGES, INCLUDING, WITHOUT LIMITATION, LOST PROFITS OR LOSS OR DAMAGE TO DATA ARISING OUT OF THE USE OR INABILITY TO USE THIS MANUAL, EVEN IF CISCO OR ITS SUPPLIERS HAVE BEEN ADVISED OF THE POSSIBILITY OF SUCH DAMAGES.

Any Internet Protocol (IP) addresses and phone numbers used in this document are not intended to be actual addresses and phone numbers. Any examples, command display output, network topology diagrams, and other figures included in the document are shown for illustrative purposes only. Any use of actual IP addresses or phone numbers in illustrative content is unintentional and coincidental.

All printed copies and duplicate soft copies of this document are considered uncontrolled. See the current online version for the latest version.

Cisco has more than 200 offices worldwide. Addresses and phone numbers are listed on the Cisco website at www.cisco.com/go/offices.

The documentation set for this product strives to use bias-free language. For purposes of this documentation set, bias-free is defined as language that does not imply discrimination based on age, disability, gender, racial identity, ethnic identity, sexual orientation, socioeconomic status, and intersectionality. Exceptions may be present in the documentation due to language that is hardcoded in the user interfaces of the product software, language used based on standards documentation, or language that is used by a referenced third-party product.

Cisco and the Cisco logo are trademarks or registered trademarks of Cisco and/or its affiliates in the U.S. and other countries. To view a list of Cisco trademarks, go to this URL: <https://www.cisco.com/c/en/us/about/legal/trademarks.html>. Third-party trademarks mentioned are the property of their respective owners. The use of the word partner does not imply a partnership relationship between Cisco and any other company. (1721R)

© 2019–2020 Cisco Systems, Inc. All rights reserved.



CONTENTS

CHAPTER 1

MLDP-Based MVPN 1

Finding Feature Information	1
Prerequisites for MLDP-Based MVPN	1
Restrictions for MLDP-Based MVPN on the RSP2 Module	2
Restrictions for MLDP-Based VPN on the RSP3 Module	2
Information About MLDP-Based MVPN	3
MLDP-Based MVPN	3
Benefits of MLDP-Based MVPN	3
Initial Deployment of an MLDP-Based MVPN	3
Default MDT Creation	3
Data MDT Scenario	9
P2MP and MP2MP Label Switched Paths	10
Packet Flow in mLDP-based Multicast VPN	11
Realizing a mLDP-based Multicast VPN	11
Supported mLDP Profiles	11
Configuring MLDPv4-Based MVPN	13
Configuring Initial MLDP Settings	13
Configuring an MLDP-Based MVPN	13
Verifying the Configuration of an MLDP-Based MVPN	15
Configuration Examples for MLDP-Based MVPN	17
Example Initial Deployment of an MLDP-Based MVPN	17
Default MDT Configuration	18
Data MDT Configuration	21
MLDPv6-Based MVPN	25
Restrictions for mLDPV6-Based MVPN	25
mLDPv6 supported scale numbers	26

Configuring mLDPv6-based MVPN	26
Verifying the Configuration of an mLDPv6-Based MVPN	26
Configuration Examples of mLDPv6-based MVPN	30
MLDP Option-A and Option-C	33
Additional References	34

CHAPTER 2	MVPN mLDP Partitioned MDT	35
	Finding Feature Information	35
	Prerequisites for MVPN mLDP Partitioned MDT	35
	Restrictions for MVPN mLDP Partitioned MDT	35
	Information About MVPN mLDP Partitioned MDT	36
	Overview of MVPN mLDP Partitioned MDT	36
	How to Configure MVPN mLDP Partitioned MDT	37
	Configuring MVPN mLDP Partitioned MDT	37
	Configuration Examples for MVPN mLDP Partitioned MDT	39
	Example: MVPN mLDP Partitioned MDT	39
	Additional References	41
	Feature Information for Configuring MVPN mLDP Partitioned MDT	42

CHAPTER 3	MLDP In-Band Signaling/Transit Mode	43
	Finding Feature Information	43
	Restrictions for MLDP In-Band Signaling	43
	Information About MLDP In-Band Signaling/Transit Mode	44
	MLDP In-Band Signaling/Transit Mode	44
	How to Configure MLDP In-Band Signaling/Transit Mode	44
	Enabling In-Band Signaling on a PE Device	44
	Additional References	45
	Configuration Examples for MLDP In-Band Signaling/Transit Mode	46
	Example: In-Band Signaling	46
	Feature Information for Configuring MLDP In-Band Signaling/Transit Mode	48



CHAPTER 1

MLDP-Based MVPN

The MLDP-based MVPN feature provides extensions to Label Distribution Protocol (LDP) for the setup of point-to-multipoint (P2MP) and multipoint-to-multipoint (MP2MP) label switched paths (LSPs) for transport in the Multicast Virtual Private Network (MVPN) core network.

- [Finding Feature Information, on page 1](#)
- [Prerequisites for MLDP-Based MVPN, on page 1](#)
- [Restrictions for MLDP-Based MVPN on the RSP2 Module , on page 2](#)
- [Restrictions for MLDP-Based VPN on the RSP3 Module, on page 2](#)
- [Information About MLDP-Based MVPN, on page 3](#)
- [Configuring MLDPv4-Based MVPN, on page 13](#)
- [Configuration Examples for MLDP-Based MVPN, on page 17](#)
- [MLDPv6-Based MVPN, on page 25](#)
- [MLDP Option-A and Option-C, on page 33](#)
- [Additional References, on page 34](#)

Finding Feature Information

Your software release may not support all the features documented in this module. For the latest caveats and feature information, see [Bug Search Tool](#) and the release notes for your platform and software release. To find information about the features documented in this module, and to see a list of the releases in which each feature is supported, see the feature information table.

Use Cisco Feature Navigator to find information about platform support and Cisco software image support. To access Cisco Feature Navigator, go to <https://cfngn.cisco.com/>. An account on Cisco.com is not required.

Prerequisites for MLDP-Based MVPN

- You must be familiar with IPv4 multicast routing configuration tasks and concepts.
- Cisco Express Forwarding (CEF) must be enabled on the router for label switching.
- Unicast routing must be operational.
- To enable MLDP based multicast VPN, you must configure a VPN routing and forwarding (VRF) instance. For more information about configuring a VRF, see *MPLS Layer 3 VPN Configuration Guide* for your router.

Restrictions for MLDP-Based MVPN on the RSP2 Module

The following restrictions apply to the MLDP-Based MVPN feature on the RSP2 module:

- mLDPv4 extranet is supported from Cisco IOS XE Release 3.17.0S onwards on RSP2 module.
- Route leaking (Leaking the mroutes/traffic from Virtual Routing and Forwarding (VRF) to global table or to between VRFs) for mLDPv4 is supported from Cisco IOS XE Release 3.17.0S onwards.
- MLDP FRR is partially supported (only link level).
- Spanning of mLDP packets in the bud node is *not* supported.
- Bridge domain interfaces (BDI) in the core is *not* supported for mLDPv4 in Cisco IOS XE Release 3.17; Only routed port in the core is supported. Starting with Cisco IOS Release 3.18 and later, MLDPv4 and MLDPv6 with BDI interfaces in core is supported.
- MLDP and Point-to-Multipoint Traffic Engineering (P2MP TE) coexistence is not supported.
- MLDP and MVPN GRE cannot co-exist in the same VRF.
- More than 20 Multicast VRFs (MVRFs) for MLDP is not supported.
- Following multicast groups are not supported:
 - IPv4 on the RSP2 module - more than 2000
 - IPv6 on the RSP2 module - more than 1000
- The **no mpls mldp forwarding recursive** command is required when multiple paths exist .
- Recursive Forwarding Equivalence Class (FEC) is not supported on Rosen MLDP.
- When ip multicast-routing is disabled on bud node, traffic for the downstream tail ends is not be forwarded.
- Routed port-channel, EFP and trunk EFP-based port-channel is not supported as core facing interface on the RSP2 module.

Restrictions for MLDP-Based VPN on the RSP3 Module

In addition to the resticions on the router, the following are applicable on the RSP3 module:

- MLDP Profile 7 is not supported on the RSP3 module.
- MLDP extranet is *not* supported on the RSP3 module.
- P2MP TE is not supported on the RSP3 module.
- EFP and trunk EFP-based port channel is not supported as core facing interface on the RSP3 in Cisco IOS XE Everest 16.5.1.
- Route leaking of mroutes or traffic from the VRF to the global or between VRFs is *not* supported.
- MLDP Fast-reroute (FRR) is *not* supported.

- Maximum number of VRFs supported is 20.
- Maximum number of IPv4 max routes supported is 4000.
- Maximum number of mroutes for IPv6 supported is 1000.
- The **no mpls mldp forwarding recursive** command is required when multiple paths exist .
- Recursive Forwarding Equivalence Class (FEC) is not supported on Rosen MLDP.
- The multicast groups are not supported:
 - IPv4 on the RSP3 module - more than 4000
 - IPv6 on the RSP3 module - more than 1000

Information About MLDP-Based MVPN

MLDP-Based MVPN

The MLDP-based MVPN feature provides extensions to Label Distribution Protocol (LDP) for the setup of point-to-multipoint (P2MP) and multipoint-to-multipoint (MP2MP) label switched paths (LSPs) for transport in the Multicast Virtual Private Network (MVPN) core network. These LSPs can be used for transporting both IPv4 and IPv6 multicast packets, either in the global table or VPN context.

Benefits of MLDP-Based MVPN

- Enables the use of a single MPLS forwarding plane for both unicast and multicast traffic.
- Enables existing MPLS protection (for example, MPLS Traffic Engineering/Resource Reservation Protocol (TE/RSVP link protection) and MPLS Operations Administration and Maintenance (OAM) mechanisms to be used for multicast traffic.
- Reduces operational complexity due to the elimination of the need for PIM in the MPLS core network.

Initial Deployment of an MLDP-Based MVPN

Initial deployment of an MLDP-based MVPN involves the configuration of a default MDT and one or more data MDTs.

A static default MDT is established for each multicast domain. The default MDT defines the path used by PE devices to send multicast data and control messages to every other PE device in the multicast domain. A default MDT is created in the core network using a single MP2MP LSP.

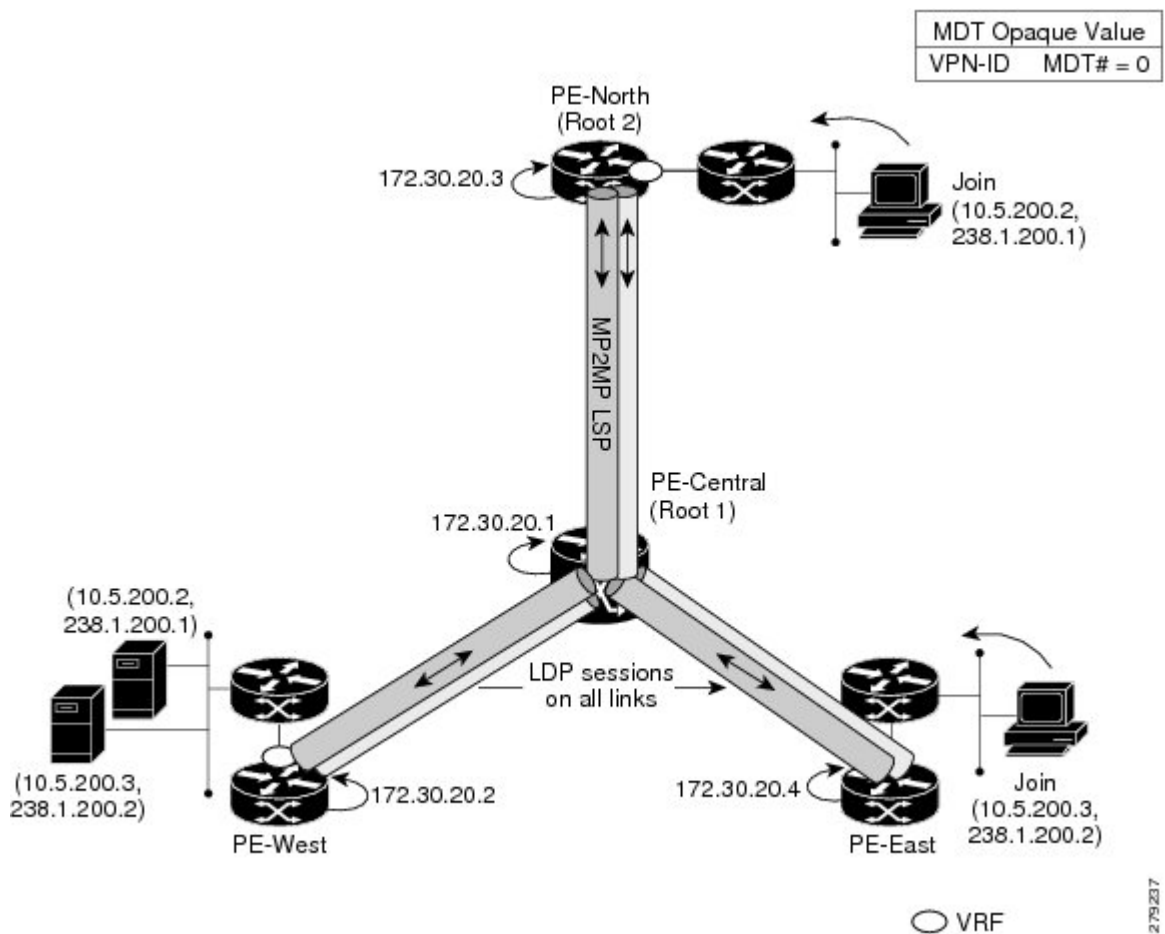
An MLDP-based MVPN also supports the dynamic creation of data MDTs for high-bandwidth transmission.

Default MDT Creation

The figure shows the default MDT scenario. The Opaque value used to signal a default MDT consists of two parameters: the VPN ID and the MDT number for the VPN in the format (vpn-id, 0) where vpn-id is a manually configured 7-byte number that uniquely identifies this VPN. The default MDT is set to zero.

In this scenario, each of the three PE devices belong to the VRF called VRF and they have the same VPN ID. Each PE device with the same VPN ID will join the same MP2MP tree. The PE devices have created a primary MP2MP tree rooted at P-Central (Root 1) and a backup MP2MP tree rooted at PE-North (Root 2). There are two sources at PE-West and interested receivers at both PE-North and PE-East. PE-West will choose one of the MP2MP trees to transmit the customer VPN traffic, but all PE devices can receive traffic on either of the MP2MP trees.

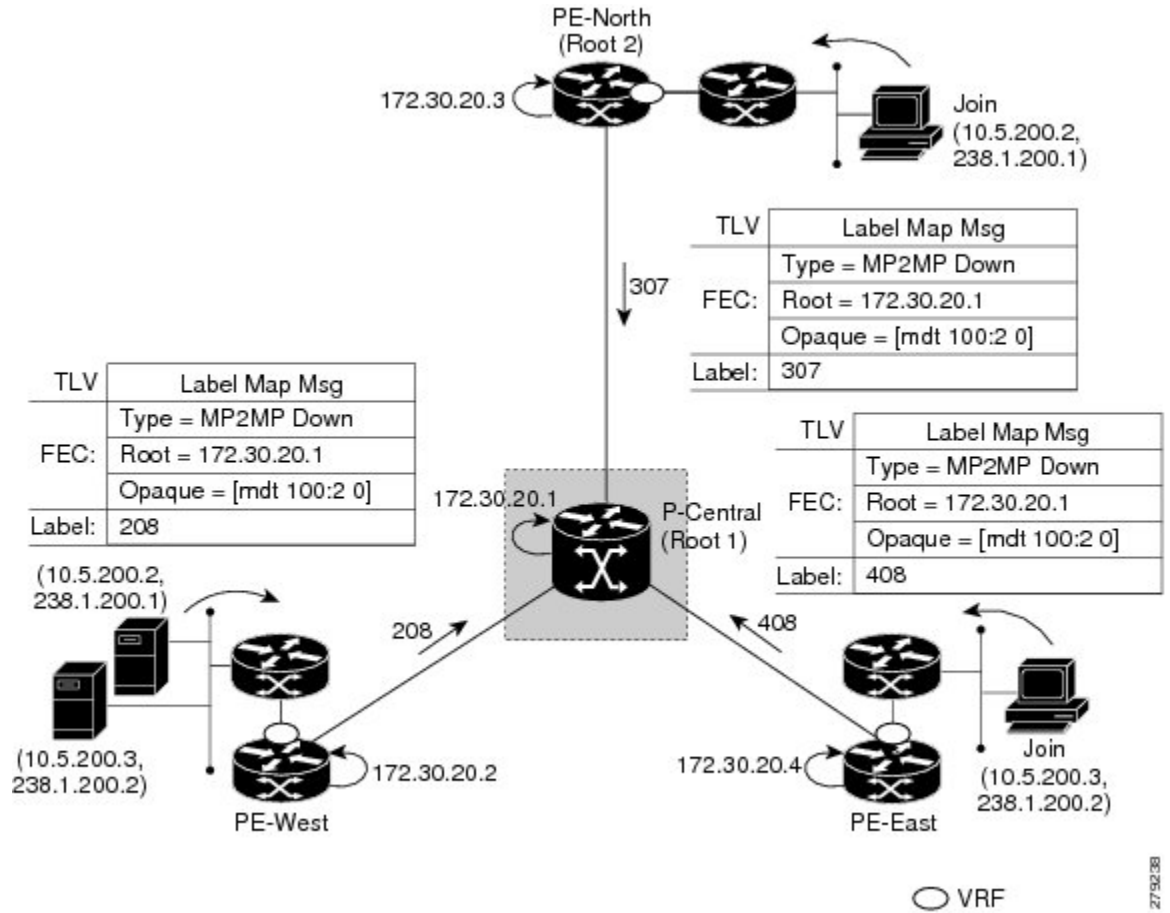
Figure 1: Default MDT Scenario



LSP Downstream Default MDT Creation

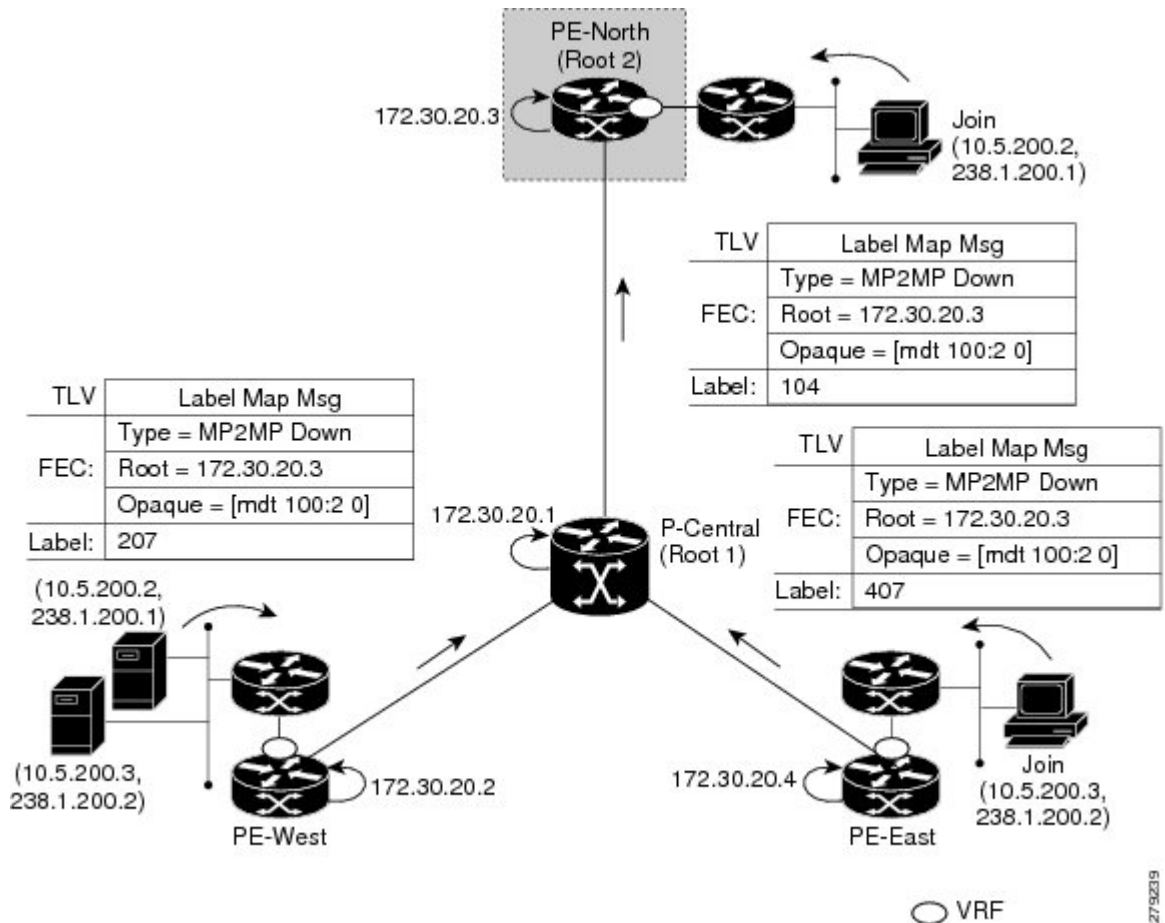
The figures show the downstream tree creation for each of the roots. Each PE device configured with VPN ID 100:2 creates the same Forwarding Equivalence Class (FEC) Type Length Value (TLV), but with a different root and downstream labels per MP2MP tree. The FEC type will be MP2MP Down, which prompts the receiving Label Switched Route (LSR) to respond with an upstream label mapping message to create the upstream path.

Figure 2: Default MDT Downstream--Root 1



275238

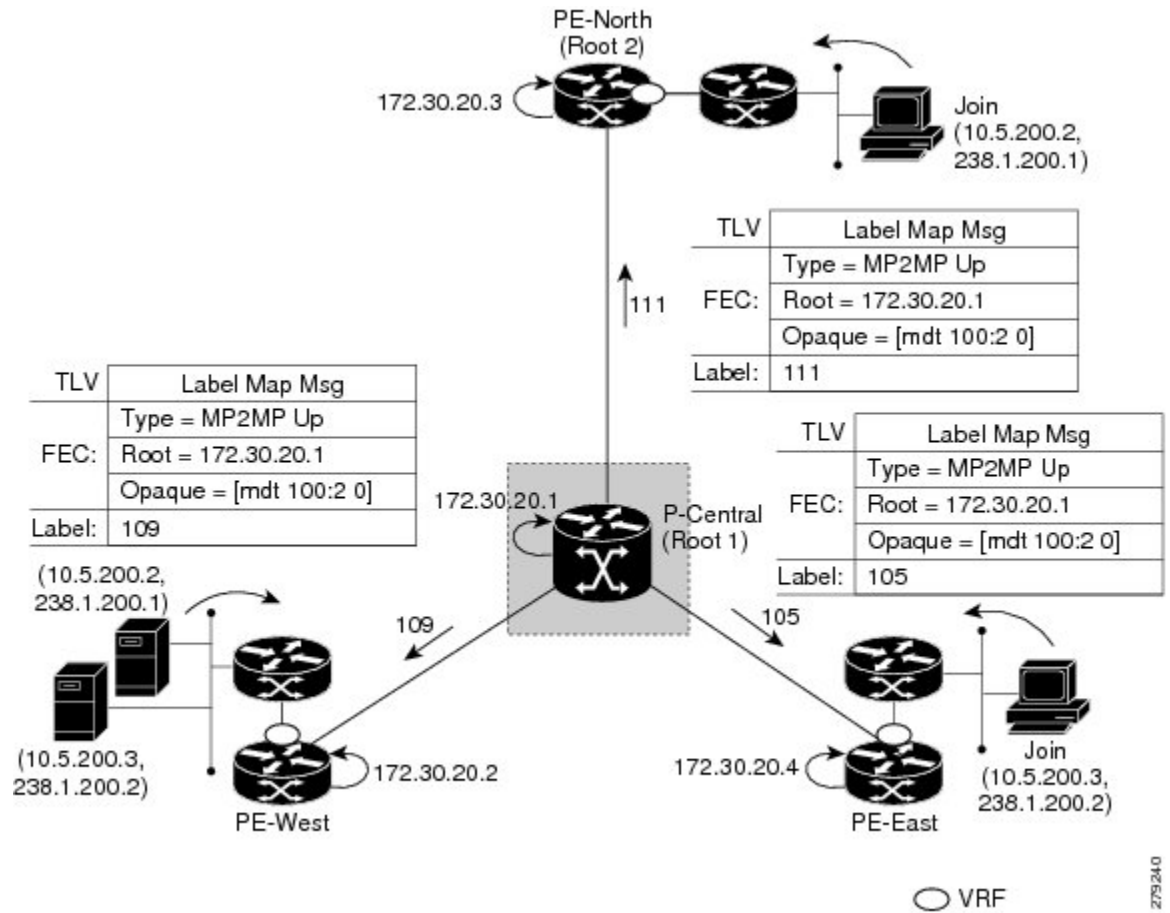
Figure 3: Default MDT Downstream--Root 2



LSP Upstream Default MDT Creation

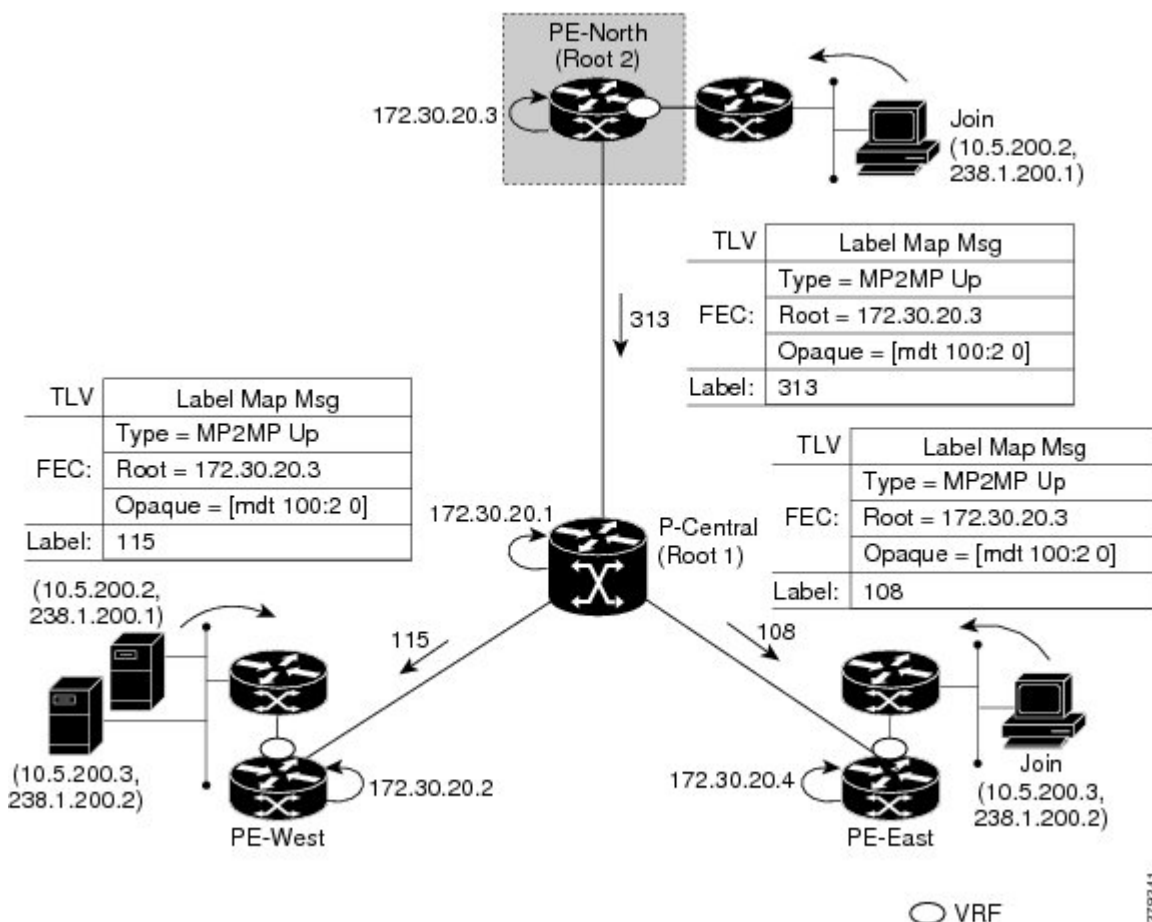
The figures show the upstream LSP creation for the default MDTs. For each downstream label received, a corresponding upstream label is sent. In the first figure, P-Central sends out three upstream labels (111, 109, and 105) to each downstream directly connected neighbor (downstream is away from the root). The process for PE-North is the same except that it only sends a single upstream label (313) as there is only one directly connected downstream neighbor, as shown in the second figure.

Figure 4: Default MDT Upstream--Root 1



27524.0

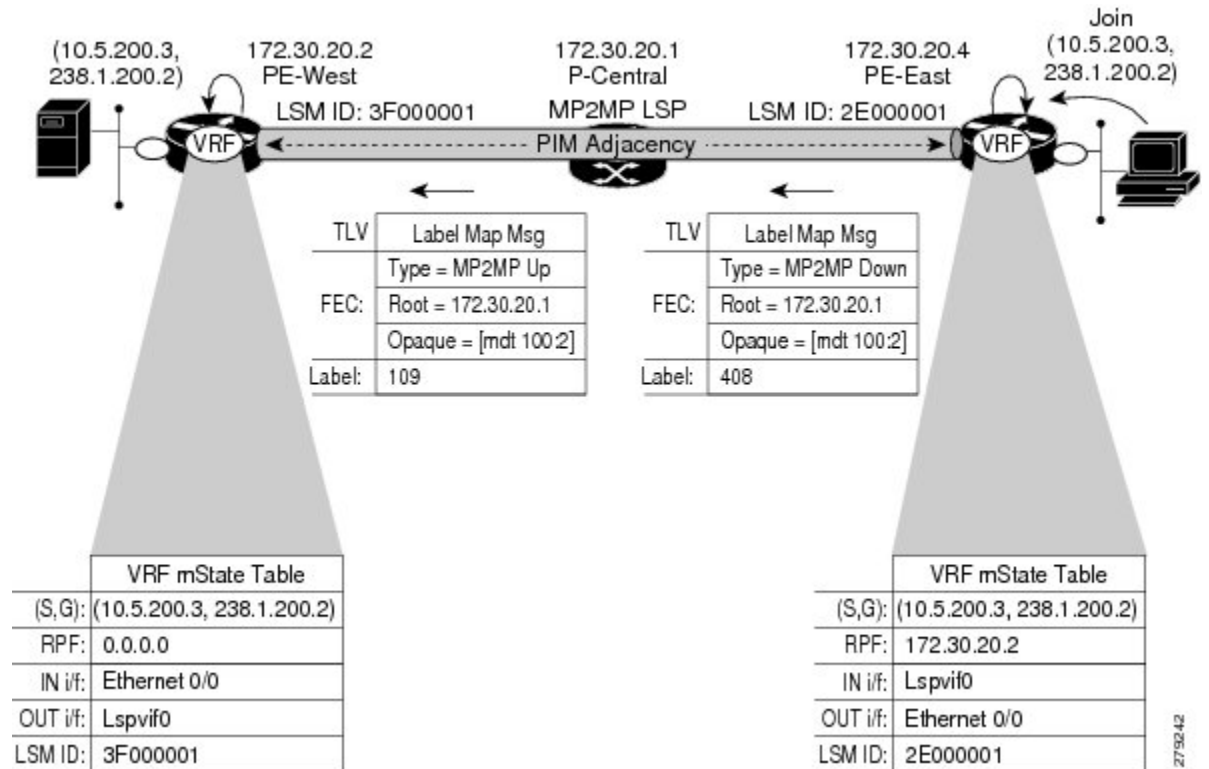
Figure 5: Default MDT Upstream--Root 2



PIM Overlay Signaling of VPN Multicast State

The signaling of the multicast state within a VPN is via PIM. It is called overlay signaling because the PIM session runs over the multipoint LSP and maps the VPN multicast flow to the LSP. In an MVPN, the operation of PIM is independent of the underlying tunnel technology. In the MVPN solution, a PIM adjacency is created between PE devices, and the multicast states within a VRF are populated over the PIM sessions. When using MLDP, the PIM session runs over an LSP-VIF interface. The figure shows PIM signaling running over the default MDT MP2MP LSP. Access to the MP2MP LSP is via the LSP-VIF, which can see all the leaf PE devices at the end of branches, much like a LAN interface. In the figure, PE-East sends a downstream label mapping message to the root, P-Central, which in turn sends an upstream label mapping message to PE-West. These messages result in the creation of the LSP between the two leaf PE devices. A PIM session can then be activated over the top of the LSP allowing the (S, G) states and control messages to be signaled between PE-West and PE-East. In this case, PE-East receives a Join TLV message for (10.5.200.3, 238.1.200.2) within VRF, which it inserts into the mroute table. The Join TLV message is then sent via the PIM session to PE-West (BGP next-hop of 10.5.200.3), which populates its VRF mroute table. This procedure is identical to the procedure using an mGRE tunnel.

Figure 6: PIM Signaling over LSP



279342

Data MDT Scenario

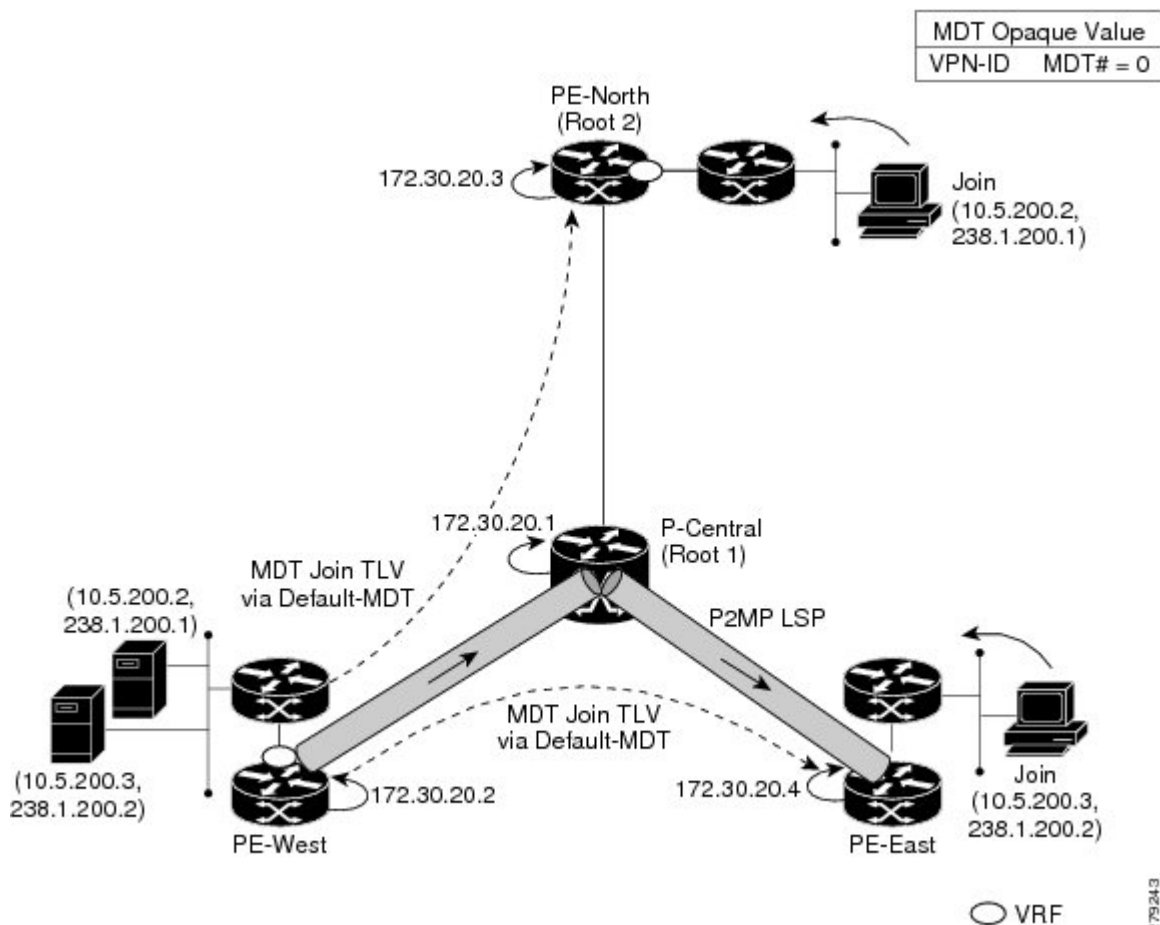
In an MVPN, traffic that exceeds a certain threshold can move off the default MDT onto a data MDT.

The figure shows the data MDT scenario. The Opaque value used to signal a data MDT consists of two parameters: the VPN ID and the MDT number in the format (vpn-id, MDT# > 0) where vpn-id is a manually configured 7-byte number that uniquely identifies this VPN. The second parameter is the unique data MDT number for this VPN, which is a number greater than zero.

In the scenario, two receivers at PE-North and PE-East are interested in two sources at PE-West. If the source 10.5.200.3 exceeds the threshold on the default MDT, PE-West will issue an MDT Join TLV message over the default MDT MP2MP LSP advising all PE devices that a new data MDT is being created.

Because PE-East has an interested receiver in VRF, it will build a multipoint LSP using P2MP back to PE-West, which will be the root of the tree. PE-North does not have a receiver for 10.5.200.3, therefore it will just cache the Join TLV message.

Figure 7: Data MDT Scenario



P2MP and MP2MP Label Switched Paths

MLDP is an application that sets up Multipoint Label Switched Paths (MP LSPs) in MPLS networks without requiring multicast routing protocols in the MPLS core. mLDP constructs the P2MP or MP2MP LSPs without interacting with or relying upon any other multicast tree construction protocol. Using LDP extensions for MP LSPs and Unicast IP routing, mLDP can setup MP LSPs. The two types of MP LSPs that can be setup are Point-to-Multipoint (P2MP) and Multipoint-to-Multipoint (MP2MP) type LSPs.

A P2MP LSP allows traffic from a single root (ingress node) to be delivered to a number of leaves (egress nodes), where each P2MP tree is uniquely identified with a 2-tuple (root node address, P2MP LSP identifier). A P2MP LSP consists of a single root node, zero or more transit nodes, and one or more leaf nodes, where typically root and leaf nodes are PEs and transit nodes are P routers. A P2MP LSP setup is receiver-driven and is signaled using mLDP P2MP FEC, where LSP identifier is represented by the MP Opaque Value element. MP Opaque Value carries information that is known to ingress LSRs and Leaf LSRs, but need not be interpreted by transit LSRs. There can be several MP LSPs rooted at a given ingress node, each with its own identifier.

A MP2MP LSP allows traffic from multiple ingress nodes to be delivered to multiple egress nodes, where a MP2MP tree is uniquely identified with a 2-tuple (root node address, MP2MP LSP identifier). For a MP2MP LSP, all egress nodes, except the sending node, receive a packet sent from an ingress node.

A MP2MP LSP is similar to a P2MP LSP, but each leaf node acts as both an ingress and egress node. To build an MP2MP LSP, you can setup a downstream path and an upstream path so that:

- Downstream path is setup just like a normal P2MP LSP
- Upstream path is setup like a P2P LSP towards the upstream router, but inherits the downstream labels from the downstream P2MP LSP.

Packet Flow in mLDP-based Multicast VPN

For each packet coming in, MPLS creates multiple out-labels. Packets from the source network are replicated along the path to the receiver network. The CE1 router sends out the native IP multicast traffic. The PE1 router imposes a label on the incoming multicast packet and replicates the labeled packet towards the MPLS core network. When the packet reaches the core router (P), the packet is replicated with the appropriate labels for the MP2MP default MDT or the P2MP data MDT and transported to all the egress PEs. Once the packet reaches the egress PE, the label is removed and the IP multicast packet is replicated onto the VRF interface.

Realizing a mLDP-based Multicast VPN

There are different ways a Label Switched Path (LSP) built by mLDP can be used depending on the requirement and nature of application such as:

- P2MP LSPs for global table transit Multicast using in-band signaling.
- P2MP/MP2MP LSPs for MVPN based on MI-PMSI or Multidirectional Inclusive Provider Multicast Service Instance (Rosen Draft).
- P2MP/MP2MP LSPs for MVPN based on MS-PMSI or Multidirectional Selective Provider Multicast Service Instance (Partitioned E-LAN).

The router performs the following important functions for the implementation of MLDP:

1. Encapsulating VRF multicast IP packet with GRE/Label and replicating to core interfaces (imposition node).
2. Replicating multicast label packets to different interfaces with different labels (Mid node).
3. Decapsulate and replicate label packets into VRF interfaces (Disposition node).

Supported mLDP Profiles

Profile Name	Supported on mLDPv4	Supported on mLDPv6
Profile 1 Default MDT - MLDP MP2MP - PIM C-mcast Signaling	Yes	Yes Note While configuring the IPv6 address-family in the VRF definition, ensure that the IPv4 address-family is already configured.

Profile Name	Supported on mLDPv4	Supported on mLDPv6
Profile 2 Partitioned MDT - MLDP MP2MP - PIM C-mcast Signaling	No	No
Profile 4 Partitioned MDT - MLDP MP2MP - BGP-AD - PIM C-mcast Signaling	No	No
Profile 5 Partitioned MDT - MLDP P2MP - BGP-AD - PIM C-mcast Signaling	No	No
Profile 6 VRF MLDP - In-band Signaling	Yes	Yes
Profile 7 Global MLDP In-band Signaling	Yes	Yes
Profile 9 Default MDT - MLDP - MP2MP - BGP-AD - PIM C-mcast Signaling	Yes	Yes
Profile 12 Default MDT - MLDP - P2MP - BGP-AD - BGP C-mcast Signaling	Yes	Yes
Profile 13 Default MDT - MLDP - MP2MP - BGP-AD - BGP C-mcast Signaling	Yes	Yes
Profile 14 Partitioned MDT - MLDP P2MP - BGP-AD - BGP C-mast Signaling	Yes	Yes
Profile 15 Partitioned MDT - MLDP MP2MP - BGP-AD - BGP C-mast Signaling	No	No
Profile 17 Default MDT - MLDP - P2MP - BGP-AD - PIM C-mcast Signaling	Yes	Yes

For more information on mLDP profiles, see:

- IPv4: <http://www.cisco.com/c/en/us/support/docs/ip/multicast/118985-configure-mcast-00.html#anc0>
- IPv6: <https://www.cisco.com/c/en/us/support/docs/ip/ip-multicast/118984-configure-ipmulticast-00.html>

Configuring MLDPv4-Based MVPN

Configuring Initial MLDP Settings

Perform this task to configure the initial MLDP settings.

SUMMARY STEPS

1. `enable`
2. `configure terminal`
3. `mpls mldp logging notifications`
4. `mpls mldp forwarding recursive`
5. `end`

DETAILED STEPS

	Command or Action	Purpose
Step 1	enable Example: Device> enable	Enables privileged EXEC mode. <ul style="list-style-type: none"> • Enter your password if prompted.
Step 2	configure terminal Example: Device# configure terminal	Enters global configuration mode.
Step 3	mpls mldp logging notifications Example: Device(config)# mpls mldp logging notifications	Enables MLDP logging notifications.
Step 4	mpls mldp forwarding recursive Example: Device(config)# mpls mldp forwarding recursive	Enables MLDP recursive forwarding over a P2MP LSP.
Step 5	end Example: Device(config)# end	Ends the current configuration session and returns to privileged EXEC mode.

Configuring an MLDP-Based MVPN

Perform this task to configure an MLDP-based MVPN.

SUMMARY STEPS

1. **enable**
2. **configure terminal**
3. **ip multicast-routing**
4. **ip multicast-routing vrf** *vrf-name*
5. **ip vrf** *vrf-name*
6. **rd** *route-distinguisher*
7. **vpn id** *oui* : *vpn-index*
8. **route target export** *route-target-ext-community*
9. **route target import** *route-target-ext-community*
10. **mdt preference** { **mldp** | **pim** }
11. **mdt default mpls mldp** *group-address*
12. **mdt data mpls mldp** *number-of-data-mdt*
13. **mdt data threshold** *kb/s list access-list*
14. **end**

DETAILED STEPS

	Command or Action	Purpose
Step 1	enable Example: Device> enable	Enables privileged EXEC mode. • Enter your password if prompted.
Step 2	configure terminal Example: Device# configure terminal	Enters global configuration mode.
Step 3	ip multicast-routing Example: Device(config)# ip multicast-routing	Enables IP multicast routing.
Step 4	ip multicast-routing vrf <i>vrf-name</i> Example: Device(config)# ip multicast-routing vrf VRF	Enables IP multicast routing for the MVPN VRF specified for the <i>vrf-name</i> argument.
Step 5	ip vrf <i>vrf-name</i> Example: Device(config-vrf)# ip vrf VRF	Defines a VRF instance and enters VRF configuration mode.
Step 6	rd <i>route-distinguisher</i> Example:	Creates a route distinguisher (RD) (in order to make the VRF functional). Creates the routing and forwarding tables,

	Command or Action	Purpose
	<code>Device(config-vrf)# rd 50:11</code>	associates the RD with the VRF instance, and specifies the default RD for a VPN.
Step 7	vpn id <i>oui</i> : <i>vpn-index</i> Example: <code>Device(config-vrf)# vpn id 50:10</code>	Sets or updates the VPN ID on a VRF instance.
Step 8	route target export <i>route-target-ext-community</i> Example: <code>Device(config-vrf)# route target export 100:100</code>	Creates an export route target extended community for the specified VRF.
Step 9	route target import <i>route-target-ext-community</i> Example: <code>Device(config-vrf)# route target import 100:100</code>	Creates an import route target extended community for the specified VRF.
Step 10	mdt preference { mldp / pim } Example: <code>Device(config-vrf)# mdt preference mldp</code>	Specifies a preference for a particular MDT type (MLDP or PIM).
Step 11	mdt default mpls mldp <i>group-address</i> Example: <code>Device(config-vrf)# mdt default mpls mldp 172.30.20.1</code>	Configures a default MDT group for a VPN VRF instance.
Step 12	mdt data mpls mldp <i>number-of-data-mdt</i> Example: <code>Device(config-vrf)# mdt data mpls mldp 255</code>	Specifies a range of addresses to be used in the data MDT pool.
Step 13	mdt data threshold <i>kb/s</i> list <i>access-list</i> Example: <code>Device(config-vrf)# mdt data threshold 40 list 1</code>	Defines the bandwidth threshold value in kilobits per second.
Step 14	end Example: <code>Device(config)# end</code>	Ends the current configuration session and returns to privileged EXEC mode.

Verifying the Configuration of an MLDP-Based MVPN

Perform this task in privileged EXEC mode to verify the configuration of an MLDP-based MVPN.

SUMMARY STEPS

1. show mpls mldp database
2. show ip pim neighbor [vrf vrf-name] neighbor [interface-type interface-number]
3. show ip mroute [vrf vrf-name] [[active [kpbs] [interface type number] | bidirectional | count [terse] | dense | interface type number | proxy | pruned | sparse | ssm | static | summary] | [group-address [source-address]] [count [terse] | interface type number | proxy | pruned | summary] | [source-address group-address] [count [terse] | interface type number | proxy | pruned | summary] | [group-address] active [kpbs] [interface type number | verbose]]
4. show mpls forwarding-table [network {mask | length} | labels label [- label] | interface interface | next-hop address | lsp-tunnel [tunnel-id]] [vrf vrf-name] [detail]
5. show adjacency [ip-address] [interface-type interface-number | null number | port-channel number | sysclock number | vlan number | fcpa number | serial number] [connectionid number] [link {ipv4 | mpls}] [detail | encapsulation]

DETAILED STEPS

Step 1 show mpls mldp database

Enter the **show mpls mldp database** command to display information in the MLDP database. It shows the FEC, the Opaque value of the FEC decoded, and the replication clients associated with it:

Example:

```
Device# show mpls mldp database
* Indicates MLDP recursive forwarding is enabled
LSM ID : D3000001 (RNR LSM ID: 8A000002)   Type: MP2MP   Uptime : 00:04:54
FEC Root      : 172.30.20.1
Opaque decoded : [mdt 100:2 0]
Opaque length  : 11 bytes
Opaque value   : 07 000B 000001000000001000000000
RNR active LSP : (this entry)
Upstream client(s) :
  172.30.20.1:0 [Active]
    Expires      : Never           Path Set ID   : 99000001
    Out Label (U) : 32             Interface     : Ethernet1/0*
    Local Label (D) : 30           Next Hop      : 10.0.1.7
Replication client(s):
  MDT (VRF VRF)
    Uptime       : 00:04:54       Path Set ID   : 5000002
    Interface    : Lspvif0
```

Step 2 show ip pim neighbor [vrf vrf-name] neighbor [interface-type interface-number]

Enter the **show ip pim neighbor** command to display PIM adjacencies information:

Example:

```
Device# show ip pim vrf VRF neighbor
192.168.10.18   Serial6/0      04:53:19/00:01:18 v2 1 / G
172.30.20.3     Lspvif0       04:52:32/00:01:28 v2 1 / B S P G
172.30.20.2     Lspvif0       04:52:32/00:01:17 v2 1 / B S P G
```

Step 3 show ip mroute [vrf vrf-name] [[active [kpbs] [interface type number] | bidirectional | count [terse] | dense | interface type number | proxy | pruned | sparse | ssm | static | summary] | [group-address [source-address]] [count [terse] |

```
interface type number | proxy | pruned | summary] | [source-address group-address] [count [terse]] | interface type
number | proxy | pruned | summary] | [group-address] active [kbits] [interface type number | verbose]]
```

Enter the **show ip mroute** command to display the contents of the multicast routing (mroute) table:

Example:

```
Device# show ip mroute vrf VRF 238.1.200.2 10.5.200.3
(10.5.200.3, 238.1.200.2), 04:54:18/00:02:40, flags: sT
Incoming interface: Lspvif0, RPF nbr 172.30.20.2
Outgoing interface list:
Serial6/0, Forward/Sparse-Dense, 04:54:18/00:02:40
```

Step 4 **show mpls forwarding-table** [*network {mask | length}*] | **labels** *label* [- *label*] | **interface** *interface* | **next-hop** *address* | **lsp-tunnel** [*tunnel-id*] [**vrf** *vrf-name*] [**detail**]

Enter the **show mpls forwarding-table** command to display the contents of the MPLS Label Forwarding Information Base (LFIB):

Example:

```
Device# show mpls forwarding-table | inc 1F000001
105 307 mLDP:1F000001 38468 Se5/0 point2point
    208 mLDP:1F000001 38468 Se4/0 point2point
109 307 mLDP:1F000001 34738 Se5/0 point2point
    408 mLDP:1F000001 34738 Se6/0 point2point
111 408 mLDP:1F000001 282 Se6/0 point2point
    208 mLDP:1F000001 282 Se4/0 point2point
```

Step 5 **show adjacency** [*ip-address*] [*interface-type interface-number*] | **null** *number* | **port-channel** *number* | **sysclock** *number* | **vlan** *number* | **fcpa** *number* | **serial** *number*] [**connectionid** *number*] [**link** {**ipv4** | **mpls**}] [**detail** | **encapsulation**]

Enter the **show adjacency** command to display adjacency information for the specified LSP-VIF interface:

Example:

```
Device# show adjacency lspvif0
105 307 mLDP:1F000001 38468 Se5/0 point2point
    208 mLDP:1F000001 38468 Se4/0 point2point
109 307 mLDP:1F000001 34738 Se5/0 point2point
    408 mLDP:1F000001 34738 Se6/0 point2point
111 408 mLDP:1F000001 282 Se6/0 point2point
    208 mLDP:1F000001 282 Se4/0 point2point
```

Configuration Examples for MLDP-Based MVPN

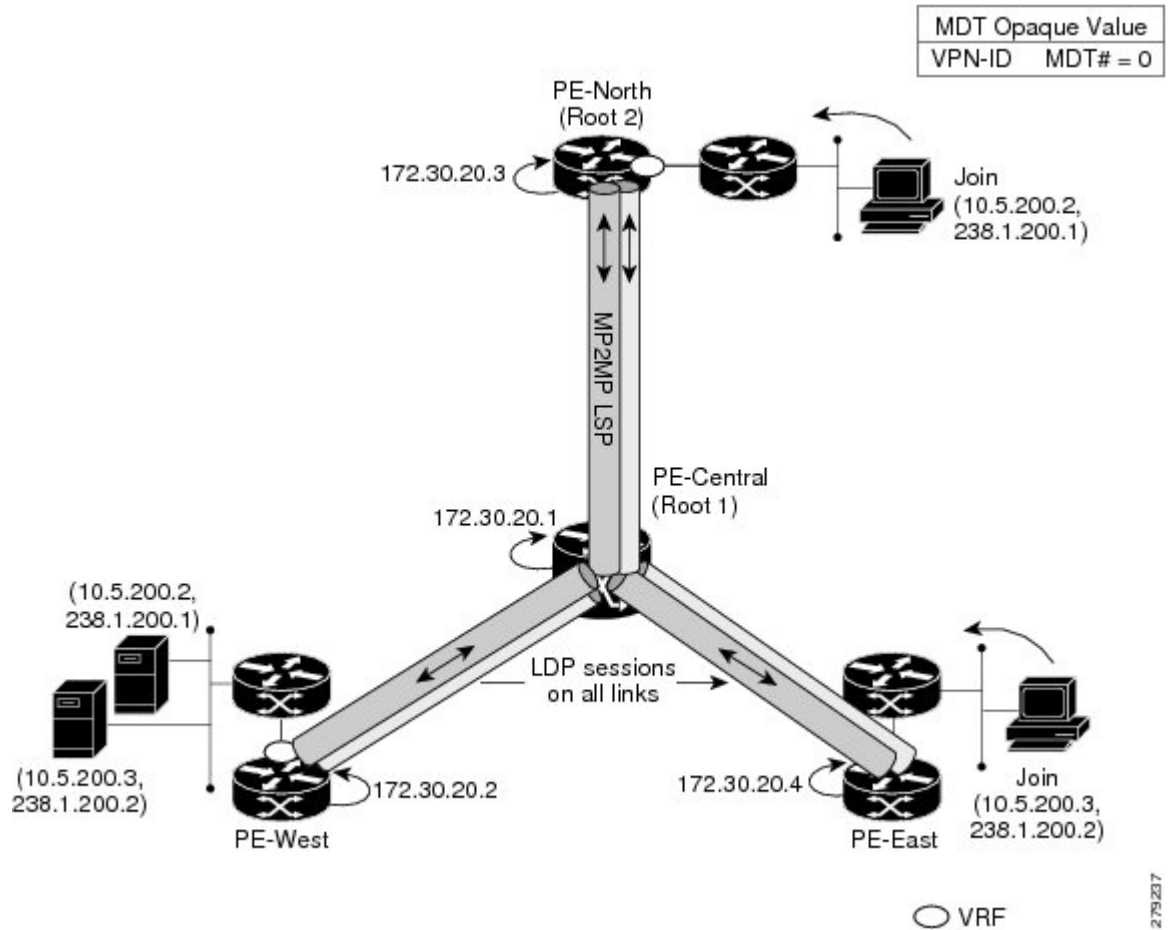
Example Initial Deployment of an MLDP-Based MVPN

Initial deployment of an MLDP-based MVPN involves the configuration of a default MDT and one or more data MDTs.

Default MDT Configuration

The following example shows how to configure the default MDT for an MLDP-based MVPN. This configuration is based on the sample topology illustrated in the figure.

Figure 8: Default MDT Example



This configuration is consistent for every PE device participating in the same VPN ID. The **vpn id 100:2** command replaces the MDT group address used with the mGRE transport method. To provide redundancy, two default MDT trees are statically configured, rooted at P-Central and PE-North. The selection as to which MP2MP tree the default MDT will use at a particular PE device is determined by Interior Gateway Protocol (IGP) metrics. An MP2MP LSP is implicit for the default MDT.

```

ip pim mpls source Loopback0
ip multicast-routing
ip multicast-routing vrf VRF
!
ip vrf VRF
 rd 100:2
  vpn id 100:2
  route-target export 200:2
  route-target import 200:2
  mdt default mpls mldp 172.30.20.1 (P-Central)
  mdt default mpls mldp 172.30.20.3 (PE-North)
    
```

PIM Adjacencies

PIM operates over the LSP-VIF as if it were a regular tunnel interface. That means PIM hellos are exchanged over the LSP-VIF to establish PIM adjacencies over the default MDT. The sample output in this section displays the three PIM adjacencies in VRF of PE-East. The first is the adjacency to the receiver network over serial interface 6/0, and the next two are the adjacencies to PE-West and PE-North over the MP2MP LSP via LSP-VIF interface 0.

```
PE-East# show ip pim vrf VRF neighbor
192.168.10.18      Serial6/0          04:53:19/00:01:18 v2 1 / G
172.30.20.3       Lspvif0           04:52:32/00:01:28 v2 1 / B S P G
172.30.20.2       Lspvif0           04:52:32/00:01:17 v2 1 / B S P G
```

The output from the **show ip mroute** command also shows the (S, G) entry for VRF. The stream 238.1.200.2 has the Reverse Path Forwarding (RPF) interface of LSP-VIF interface 0 and the neighbor 172.30.20.2, which is PE-West.

```
PE-East# show ip mroute vrf VRF 238.1.200.2 10.5.200.3
(10.5.200.3, 238.1.200.2), 04:54:18/00:02:40, flags: sT
Incoming interface: Lspvif0, RPF nbr 172.30.20.2
Outgoing interface list:
Serial6/0, Forward/Sparse-Dense, 04:54:18/00:02:40
```

MLDP Database Entry--PE-East

The sample output in this section displays the database entries for the MP2MP trees supporting the default MDT at PE-East. The database is searched by Opaque value MDT 100:2, which results in information for two MP2MP trees (one for each root) being returned. Both trees have different system IDs (2E000001, F2000005) and use the same Opaque value ([mdt 100:2 0]), but with different roots. The last 0 in the Opaque value indicates this tree is a default MDT. Entry 79000004 shows it is the primary MP2MP tree, therefore PE-East will transmit all source multicast traffic on this LSP, and B2000006 will be the backup root. Note that interface LSP-VIF interface 0 represents both MP2MP LSPs. The Local Label (D) is the downstream label allocated by PE-East for this tree. In other words, traffic from the root will be received with either label 408 (Primary Tree) or 407 (Backup Tree). The Out Label (U) is the label that PE-East will use to send traffic into the tree; upstream towards the root, either 105 for the Primary Tree or 108 for the Backup Tree. Both these labels were received from P-Central.

```
PE-East# show mpls mldp database opaque_type mdt 100:2
* Indicates MLDP recursive forwarding is enabled
LSM ID : 79000004 (RNR LSM ID: 8A000002)   Type: MP2MP   Uptime : 00:04:54
  FEC Root      : 172.30.20.1
  Opaque decoded : [mdt 100:2 0]
  Opaque length  : 11 bytes
  Opaque value   : 07 000B 0000010000000100000000
  RNR active LSP : (this entry)
  Upstream client(s) :
    172.30.20.1:0 [Active]
      Expires      : Never           Path Set ID : 99000001
      Out Label (U) : 32             Interface   : Ethernet1/0*
      Local Label (D) : 30           Next Hop    : 10.0.1.7
  Replication client(s) :
    MDT (VRF VRF)
      Uptime       : 00:04:54       Path Set ID : 50000002
      Interface    : Lspvif0
LSM ID : 79000005 (RNR LSM ID: 8A000003)   Type: MP2MP   Uptime : 00:04:54
  FEC Root      : 172.30.20.3
  Opaque decoded : [mdt 100:2 0]
  Opaque length  : 11 bytes
```

```

Opaque value      : 07 000B 000001000000001000000001
RNR active LSP   : (this entry)
Upstream client(s) :
  172.30.20.1:0 [Active]
    Expires      : Never          Path Set ID : 99000002
    Out Label (U) : 32            Interface   : Ethernet1/0*
    Local Label (D) : 30          Next Hop    : 10.0.1.7
Replication client(s):
  MDT (VRF VRF)
    Uptime       : 00:04:54      Path Set ID : 5000003
    Interface    : Lspvif0

```

Label Forwarding Entry--P-Central (Root 1)

The sample output shown in this section displays the VRF (MDT 100:2) MLDP database entry 1F000001 for the primary MP2MP LSP, which is P-Central. Because the local device P-Central is the root, there is no upstream peer ID, therefore no labels are allocated locally. However there are three replication clients, representing each of the three PE devices: PE-North, PE-West, and PE-East. These replication clients are the downstream nodes of the MP2MP LSP. These clients receive multipoint replicated traffic.

In the replication entry looking from the perspective of the root, there are two types of labels:

- Out label (D)--These are labels received from remote peers that are downstream to the root (remember traffic flows downstream away from the root).
- Local label (U)--These are labels provided by P-Central to its neighbors to be used as upstream labels (sending traffic to the root). It is easy to identify these labels as they all start in the 100 range, which we have configured for P-Central to use. P-Central sends these labels out when it receives a FEC with the type as MP2MP Down.

From the labels received and sent in the replication entries, the Label Forwarding Information Base (LFIB) is created. The LFIB has one entry per upstream path and one entry per downstream path. In this case because P-Central is the root, there are only upstream entries in the LFIB that have been merged with the corresponding downstream labels. For example, label 105 is the label P-Central sent to PE-East to send source traffic upstream. Traffic received from PE-East will then be replicated using the downstream labels 307 to PE-West and 208 to PE-North.

```

P-Central# show mpls mldp database opaque_type mdt 100:2
LSM ID : 79000006 (RNR LSM ID: 1F000001)   Type: MP2MP   Uptime : 00:04:54
FEC Root      : 172.30.20.1
Opaque decoded : [mdt 100:2 0]
Opaque length  : 11 bytes
Opaque value   : 07 000B 000001000000001000000000
RNR active LSP : (this entry)
Upstream client(s) : None
Replication client(s):
  172.3.20.2:0
    Uptime       : 01:46:43      Path Set ID : AC000008
    Out label (D) : 208          Interface   : Serial4/0
    Local label (U) : 109        Next Hop    : 172.30.10.2
  172.3.20.3:0
    Uptime       : 01:42:43      Path Set ID : E00000C
    Out label (D) : 307          Interface   : Serial5/0
    Local label (U) : 111        Next Hop    : 172.30.10.6
  172.3.20.4:0
    Uptime       : 01:40:43      Path Set ID : 3D000010
    Out label (D) : 408          Interface   : Serial6/0
    Local label (U) : 105        Next Hop    : 172.30.10.10
P-Central# show mpls forwarding-table | inc 1F000001
105  307          mLDP:1F000001   38468          Se5/0          point2point

```


	208	mLDP:1F000001	38468	Se4/0	point2point
109	307	mLDP:1F000001	34738	Se5/0	point2point
	408	mLDP:1F000001	34738	Se6/0	point2point
111	408	mLDP:1F000001	282	Se6/0	point2point
	208	mLDP:1F000001	282	Se4/0	point2point

The sample output shown in this section displays the entry on P-Central for the MP2MP LSP rooted at PE-North (backup root). In this tree P-Central is a branch of the tree, not a root, therefore there are some minor differences to note:

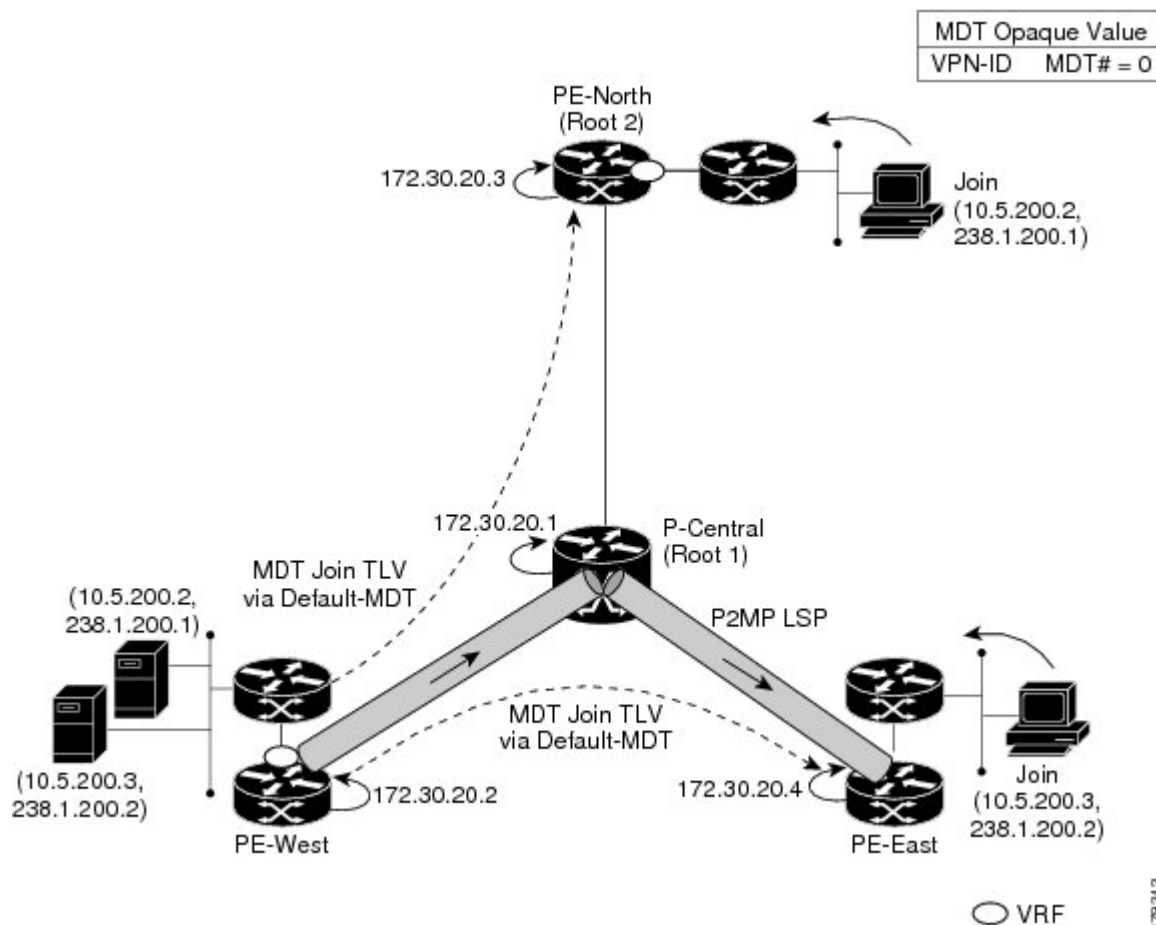
- The upstream peer ID is PE-North, therefore P-Central has allocated label 104 in the downstream direction towards PE-North and subsequently PE-North has responded with an upstream label of 313.
- Two replication entries representing PE-East and PE-West are displayed.
- The merged LFIB shows three entries:
 - One downstream entry label 104 receiving traffic from Root 2 (PE-North), which is then directed further downstream using labels 207 PE-West and 407 PE-East.
 - Two upstream entries 108 and 115 receiving traffic from the leaves and directing it either downstream 207, 407 or upstream using label 313.

```
Central_P# show mpls mldp database opaque_type mdt 100:2
LSM ID          : E6000004
Uptime         : 00:42:03
Tree type      : MP2MP
FEC Root       : 172.30.20.3
Opaque length  : 14 bytes
Opaque value   : 07000B00 01000000 00020000 00009C
Opaque decoded : [mdt 100:2 0]
Upstream peer ID : 172.30.20.3:0, Label local (D): 104 remote (U): 313 active
Path Set ID    : 48000003
Replication client(s):
172.30.20.2:0  uptime: 00:42:03   Path Set ID: CF000004
                remote label (D): 207 local label (U): 115
                nhop: 172.30.10.2 intrf: Serial4/0
172.30.20.4:0  uptime: 00:41:44   Path Set ID: 5800000E
                remote label (D): 407 local label (U): 108
                nhop: 172.30.10.10 intrf: Serial6/0
Central_P# show mpls forwarding-table | inc E6000004
104  207      mLDP:E6000004    251228      Se4/0      point2point
     407      mLDP:E6000004    251334      Se6/0      point2point
108  207      mLDP:E6000004     0           Se4/0      point2point
     313      mLDP:E6000004     0           Se5/0      point2point
115  313      mLDP:E6000004     0           Se5/0      point2point
     407      mLDP:E6000004     0           Se6/0      point2point
```

Data MDT Configuration

The following example shows how to configure the data MDT for an MLDP-based MVPN. This configuration is based on the sample topology illustrated in the figure.

Figure 9: Data MDT Example



The sample output in this section displays the data MDT configuration for all the PE devices. The **mdt data** commands are the only additional commands necessary. The first **mdt data** command allows a maximum of 60 data MDTs to be created, and the second **mdt data** command sets the threshold. If the number of data MDTs exceeds 60, then the data MDTs will be reused in the same way as they are for the mGRE tunnel method (the one with the lowest reference count).

```
ip pim vrf VRF mpls source Loopback0
!
ip vrf VRF
 rd 100:2
  vpn id 100:2
  route-target export 200:2
  route-target import 200:2
  mdt default mpls mldp 172.30.20.1 (P-Central)
  mdt default mpls mldp 172.30.20.3 (PE-North)
  mdt data mpls mldp 60
  mdt data threshold 1
```

VRF mroute Table--PE-West

The sample output in this section displays the VRF mroute table on PE-West before the high-bandwidth source exceeds the threshold. At this point there are two streams, representing each of the two VPN sources at

PE-West, on a single MP2MP LSP (System ID D8000000). The LSP represents the default MDT accessed via LSP-VIF interface 0.

```
PE-West# show ip mroute vrf VRF verbose
.
.
.
(10.5.200.2, 238.1.200.1), 00:00:25/00:03:29, flags: sT
  Incoming interface: Serial6/0, RPF nbr 192.168.10.6
  Outgoing interface list:
    Lspvif0, LSM MDT: D8000000 (default),Forward/Sparse-Dense,
.
.
.
(10.5.200.3, 238.1.200.2), 00:11:14/00:02:48, flags: sT
  Incoming interface: Serial6/0, RPF nbr 192.168.10.6
  Outgoing interface list:
    Lspvif0, LSM MDT: D8000000 (default),Forward/Sparse-Dense,
.
.
.
```

The sample output in this section displays the output after the source transmission exceeds the threshold. PE-West sends an MDT Join TLV message to signal the creation of a data MDT. In this case, the data MDT number is 1, therefore PE-East will send a label mapping message back to PE-West with a FEC TLV containing root=PE-West, Opaque value=(mdt vpn-id 1). The System ID is now changed to 4E000003 signaling a different LSP; however, the LSP-VIF is still LSP-VIF interface 0. The (S, G) entry also has the “y” flag set indicating this stream has switched to a data MDT.

```
PE-West# show ip mroute vrf VRF 10.5.200.3 238.1.200.2 verbose
.
.
.
(10.5.200.3, 238.1.200.2), 00:00:08/00:03:27, flags: sTy
  Incoming interface: Serial6/0, RPF nbr 192.168.10.6
  MDT TX nr: 1 LSM-ID 4E000003
  Outgoing interface list:
    Lspvif0, LSM MDT: 4E000003 (data) Forward/Sparse-Dense,
```

LSP-VIF Adjacencies--PE-West

For the interface LSP-VIF, each virtual circuit represents a unique multipoint LSP forwarding instance. The correct adjacency is selected when sending the multicast packet. The sample output in this section displays the application of that concept on PE-West. There is a single LSP-VIF interface 0 interface, but it has three adjacencies as follows:

- 4E000003 is the single data MDT created for (10.5.200.3, 238.1.200.2)
- 58000000 is the default MDT (backup root)
- D8000000 is the default MDT (primary root)

```
PE-West# show adjacency lspvif 0

Protocol Interface Address
IP       Lspvif0  4E000003 (5)
IP       Lspvif0  58000000 (4)
IP       Lspvif0  D8000000 (3)
```

MLDP Database Entries

The sample output in this section displays the MLDP entry for the data MDT (4E000003) on the ingress device PE-West. The following points about this entry should be noted:

- The tree type is P2MP with PE-West (172.30.20.2) as the root.
- The Opaque value is [mdt 100:2 1] denoting the first data MDT.
- There are no labels allocated as it is the root.
- There are two replication client entries on this tree.
- Label 112 will be used to send the traffic downstream towards PE-East (via P-Central).
- The MDT entry is an internal construct.

```
PE-West# show mpls mldp database id 4E000003

LSM ID : 4E000003 (RNR LSM ID: 8A000002)   Type: P2MP   Uptime : 00:04:54
FEC Root      : 172.30.20.2
Opaque decoded : [mdt 100:2 1]
Opaque length  : 11 bytes
Opaque value   : 07 000B 000001000000001000000000
RNR active LSP : (this entry)
Upstream client(s) : None
Replication client(s):
  MDT (VRF VRF)
    Uptime      : 00:04:54      Path Set ID : 5000002
    Interface   : Lspvif0
  172.30.20.1:0
    Uptime      : 01:41:43      Path Set ID : D9000007
    Out label (D) : 27          Interface   : Serial4/0
    Local label (U) : 112       Next Hop    : 172.30.10.1
```

The sample output in this section displays the database entry for the data MDT on PE-East, the egress device. Also shown is the MDT Join TLV message that was sent from PE-West over the default MDT. The MDT Join TLV message contains all the necessary information to allow PE-East to create a label mapping message P2MP LSP back to the root of PE-West. Label 414 will be used by P-Central to send traffic to PE-East.

```
*Feb 19 04:43:24.039: PIM(1): MDT join TLV received for (10.5.200.3,238.1.200.2)
```

```
*Feb 19 04:43:24.039: MLDP: LDP root 172.30.20.2 added
```

```
*Feb 19 04:43:24.039: MLDP: [mdt 100:2 1] label mapping msg sent to 172.30.20.1:0
```

```
PE-East# show mpls mldp database opaque_type mdt 100:2 1

LSM ID : 4E000003 (RNR LSM ID: 8A000002)   Type: P2MP   Uptime : 00:04:54
FEC Root      : 172.30.20.2
Opaque decoded : [mdt 100:2 1]
Opaque length  : 11 bytes
Opaque value   : 07 000B 000001000000001000000000
RNR active LSP : (this entry)
Upstream client(s) : None
Replication client(s):
  MDT (VRF VRF)
    Uptime      : 00:04:54      Path Set ID : 5000002
    Interface   : Lspvif0
```

LFIB Entry for the Data MDT

The sample output in this section displays the LFIB entry for the data MDT as it passes through P-Central and PE-East. The Tunnel ID used for the LSP is the Opaque value [mdt 100:2 1].

```
P-Central# show mpls for label 112
Local      Outgoing  Prefix          Bytes Label    Outgoing  Next Hop
Label      Label     or Tunnel Id   Switched       interface
111        414      [mdt 100:2 1]  2993584       Se6/0     point2point
PE-East# show mpls for label 400

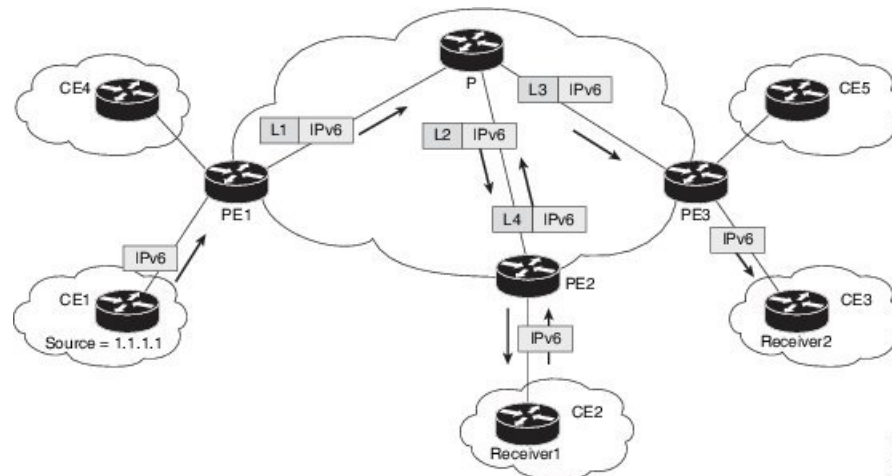
Local      Outgoing  Prefix          Bytes Label    Outgoing  Next Hop
Label      Label     or Tunnel Id   Switched       interface
414        [T]      No Label       [mdt 100:2 1][V] 3297312       aggregate/green
```

MLDPv6-Based MVPN

The MLDPv6 based MVPN configuration enables IPv6 multicast packet delivery using MPLS. This configuration uses MPLS labels to construct default P2MP and MP2MP LSPs. The MPLS replication is used as a forwarding mechanism in the core network.

For MLDP MVPN configuration to work, ensure that the global MPLS MLDP configuration is enabled. These LSPs can be used for transporting IPv6 multicast packets, either in the global table or VPN context.

Figure 10: mLDpv6 topology



3165-559

Restrictions for mLDpv6-Based MVPN

The following restrictions apply to the mLDpv6-Based MVPN feature:

- mLDpv6 extranet is not supported.
- Fast Reroute(FRR) for mLDpv6 is not supported.
- mLDpv4 and mLDpv6 is not supported in the same Virtual Routing and Forwarding (VRF).
- RP configuration on PE routers is not supported.

- It is recommended to have 5 second delay while toggling IPv6 Multicast Routing for VRF.
- Only 1 EFP per BD is supported with Bridge domain interface (BDI) in the core.
- MLDP and MVPN coexistence is not supported in the same VRF.

mLDPv6 supported scale numbers

- Maximum number of mVRFs supported for mLDPv6 is 20.
- Default template supports 1000 IPv6 Mroutes.
- IP template supports 1000 IPv6 Mroutes.
- Video template supports 1000 IPv6 Mroutes.

Configuring mLDPv6-based MVPN

mLDPv6 based MVPN is configured based on the following VRF configuration:

- MP2MP
- P2MP

Perform following task to configure mLDPv6-based MVPN:

Before you begin

Enable IPv6 multicast routing on all the devices

```
enable
  configure terminal
    ipv6 multicast-routing
    ipv6 multicast-routing vrf c1
```

Procedure

Perform following task to configure mLDPv6-based MVPN:

MP2MP configuration:

```
vrf definition c1
rd 10:3
vpn id 10:3
route-target export 10:3
route-target import 10:3
address-family ipv6
mdt default mpls mldp 9.9.9.9
exit-address-family
```

Verifying the Configuration of an mLDPv6-Based MVPN

To verify the configuration, perform the following commands in privileged EXEC mode to display summary configuration information:

Identify the failing (S,G) for non-working VRF:

- Get the mLDP PI database
- show mpls mldp database

Show commands:

- show ipv6 pim vrf < vrf_name > nei
- show ipv6 pim vrf < vrf_name > inter
- show ipv6 mfib vrf < vrf_name > < mcast_group > verb
- show ipv6 mfib vrf < vrf_name > summary
- show ipv6 mroute vrf < vrf_name > active
- show ipv6 rpf vrf < vrf_name >
- show platform hardware pp active tcam utilization mcastv6 detail <0|1>
- show platform soft obj fp act statistics
- show platform software object-manager FP active error-object
- show platform hardware pp active sdm current

SUMMARY STEPS

1. Check VRF name and Table
2. **show platform software mpls rp active forwarding-table** command to display the contents of the MPLS Label Forwarding Information Base.
3. Enter the **show mpls mldp database** command to display information in the MLDP database. It shows the FEC, the Opaque value of the FEC decoded, and the replication clients associated with it:
4. Enter **show ipv6 pim vrf vrf-name neighbor** command to display the PIM neighbors.
5. **show ipv6 mld vrf vrf-name groups** command to display mld groups.
6. **show ipv6 mroute vrf vrf-name** command to display mroute entries.
7. **show ipv6 mfib vrf vrf-name** command to display mFIB entries.

DETAILED STEPS**Step 1**

Check VRF name and Table

Enter the **show ip multicast mpls vif** command to display the LSP VIFs created for all the PEs.

Example:

```
Device# sh ip multicast mpls vif
```

Interface	Next-hop	Application	Ref-Count	Table / VRF name	Flags
Lspvif0	0.0.0.0	MDT	N/A	2 (vrf c1)	0x2
Lspvif1	0.0.0.0	MDT	N/A	3 (vrf c2)	0x2
Lspvif2	0.0.0.0	MDT	N/A	4 (vrf c3)	0x3
Lspvif3	0.0.0.0	MDT	N/A	5 (vrf c4)	0x1

Step 2 **show platform software mpls rp active forwarding-table** command to display the contents of the MPLS Label Forwarding Information Base.

Example:

```
Device# show platform software mpls rp active forwarding-table
Number of label entries in the forwarding table 0: 22
```

Label	Next Object	Index	Flags	Metadata
0	OBJ_EOS_CHOICE	0x1b		OM handle: 0x420b0dec
1	OBJ_EOS_CHOICE	0x1e		OM handle: 0x420b1f34
2	OBJ_EOS_CHOICE	0x26		OM handle: 0x420b32dc
3	OBJ_ADJ_DROP	0		OM handle: 0x420b40a4
7	OBJ_LABEL	0x2c		OM handle: 0x420b4c64
13	OBJ_LABEL	0x29		OM handle: 0x420b441c
1000	OBJ_EOS_CHOICE	0x36c		OM handle: 0x4215fd4c
1001	OBJ_LABEL	0x370		OM handle: 0x42160654
1002	OBJ_EOS_CHOICE	0x373		OM handle: 0x42160f5c
1003	OBJ_EOS_CHOICE	0x364		OM handle: 0x42161864
1004	OBJ_LABEL	0x36f		OM handle: 0x42162814
1005	OBJ_EOS_CHOICE	0x39d		OM handle: 0x4216e934
1006	OBJ_EOS_CHOICE	0x39e		OM handle: 0x4216f444
1007	OBJ_EOS_CHOICE	0x39f		OM handle: 0x4216fc24
1008	OBJ_EOS_CHOICE	0x3a9		OM handle: 0x42172b14
1009	OBJ_EOS_CHOICE	0x3ac		OM handle: 0x4217404c
1010	OBJ_EOS_CHOICE	0x3af		OM handle: 0x42174fb4
1011	OBJ_EOS_CHOICE	0x3b2		OM handle: 0x42175aac
1012	OBJ_EOS_CHOICE	0x3b4		OM handle: 0x42176694
1013	OBJ_EOS_CHOICE	0x3b6		OM handle: 0x4217712c
1014	OBJ_EOS_CHOICE	0x3b9		OM handle: 0x42177b9c
1015	OBJ_EOS_CHOICE	0x3c5		OM handle: 0x4217b22c

Step 3 Enter the **show mpls mldp database** command to display information in the MLDP database. It shows the FEC, the Opaque value of the FEC decoded, and the replication clients associated with it:

Example:

```
Device# show ipv6 mfib vrf c1 FF33::1
Active Multicast Sources - sending >= 4 kbps
VRF c1
Group: FF33::1
  Source: 40::100,
    SW Rate: 0 pps/0 kbps(1sec), 0 kbps(last 205 sec)
    HW Rate: 20 pps/160 kbps(1sec)
```

Step 4 Enter **show ipv6 pim vrf vrf-name neighbor** command to display the PIM neighbors.

Example:

```
Device# show ipv6 pim vrf c1 neighbor
Mode: B - Bidir Capable, G - GenID Capable
Neighbor Address      Interface      Uptime      Expires      Mode DR pri
::FFFF:3.3.3.3       Lspvif0       06:57:45    00:01:33    B G      1
```



```

::FFFF:4.4.4.4          Lspvif0          06:57:44 00:01:30 B G    1
::FFFF:9.9.9.9          Lspvif0          06:57:45 00:01:34 B G  DR 1

```

Step 5 `show ipv6 mld vrf vrf-name groups` command to display mld groups.

Example:

```

Device# show ipv6 mld vrf c1 groups
Group Address          Interface          Uptime
Expires
FF33::1                BDI1              00:00:26
not used

```

Step 6 `show ipv6 mroute vrf vrf-name` command to display mroute entries.

Example:

```

Device# show ipv6 mroute vrf c1 FF33::1
Flags: D - Dense, S - Sparse, B - Bidir Group, s - SSM Group,
C - Connected, L - Local, I - Received Source Specific Host Report,
P - Pruned, R - RP-bit set, F - Register flag, T - SPT-bit set,
J - Join SPT, Y - Joined MDT-data group,
y - Sending to MDT-data group
g - BGP signal originated, G - BGP Signal received,
N - BGP Shared-Tree Prune received, n - BGP C-Mroute suppressed,
q - BGP Src-Active originated, Q - BGP Src-Active received
E - Extranet
Timers: Uptime/Expires
Interface state: Interface, State

(40::100, FF33::1), 00:01:01/never, flags: sTI
Incoming interface: Lspvif1
RPF nbr: ::FFFF:1.1.1.1
Immediate Outgoing interface list:
BDI1, Forward, 00:01:01/never

```

Step 7 `show ipv6 mfib vrf vrf-name` command to display mFIB entries.

Example:

```

Device# show ipv6 mfib vrf c1 FF33::1 verbose
Entry Flags: C - Directly Connected, S - Signal, IA - Inherit A flag,
ET - Data Rate Exceeds Threshold, K - Keepalive
DDE - Data Driven Event, HW - Hardware Installed
ME - MoFRR ECMP entry, MNE - MoFRR Non-ECMP entry, MP - MFIB
MoFRR Primary, RP - MRIB MoFRR Primary, P - MoFRR Primary
MS - MoFRR Entry in Sync, MC - MoFRR entry in MoFRR Client.
I/O Item Flags: IC - Internal Copy, NP - Not platform switched,
NS - Negate Signalling, SP - Signal Present,
A - Accept, F - Forward, RA - MRIB Accept, RF - MRIB Forward,
MA - MFIB Accept, A2 - Accept backup,
RA2 - MRIB Accept backup, MA2 - MFIB Accept backup

Forwarding Counts: Pkt Count/Pkts per second/Avg Pkt Size/Kbits per second
Other counts:      Total/RPF failed/Other drops
I/O Item Counts:  FS Pkt Count/PS Pkt Count
VRF c1
(40::100,FF33::1) Flags: K HW
0x1708 OIF-IC count: 0, OIF-A count: 1
SW Forwarding: 0/0/0/0, Other: 0/0/0
HW Forwarding: 2323/20/1000/160, Other: 0/0/0

```

```

Lspvif1, LSM/4 Flags: RA A MA
BDI1 Flags: RF F NS
CEF: Adjacency with MAC: 333300000001508789DC603F86DD
Pkts: 0/0

```

Configuration Examples of mLDPv6-based MVPN

MP2MP

```

vrf definition c1
 rd 100:3
  vpn id 100:3
  route-target export 100:3
  route-target import 100:3
 !
 address-family ipv4
  exit-address-family
 !
 address-family ipv6
  mdt default mpls mldp 9.9.9.9 exit-address-family
 !
 ip multicast-routing distributed
 ip multicast-routing vrf c1 distributed
 !
 ipv6 unicast-routing
 ipv6 multicast-routing
 ipv6 multicast-routing vrf c1
 !
 interface Loopback0
  ip address 1.1.1.1 255.255.255.255
  ip pim sparse-mode
  ip ospf 100 area 0
  ipv6 address 11::11/128
  ipv6 ospf 100 area 0
 !
 interface Loopback1
  vrf forwarding c1
  no ip address
  ip pim sparse-mode
  ipv6 address 111::113/128
  ospfv3 100 ipv6 area 0
 !
 interface GigabitEthernet0/4/0
  mtu 9216
  ip address 2.0.0.1 255.0.0.0
  ip ospf 100 area 0
  load-interval 30
  negotiation auto
  mpls ip
  mpls label protocol ldp
 !
 interface GigabitEthernet0/4/1
  no ip address
  negotiation auto
  service instance trunk 1 ethernet
  encapsulation dot1q 1-100
  rewrite ingress tag pop 1 symmetric
  bridge-domain from-encapsulation
 !

```

```

!
interface BDI1
 vrf forwarding c1
 no ip address
 load-interval 30
 ipv6 address 40::1/64
 ospfv3 100 ipv6 area 0
!
router ospfv3 100
 router-id 1.1.1.1
!
 address-family ipv6 unicast
  exit-address-family
!
 address-family ipv6 unicast vrf c1
  exit-address-family
!
router ospf 100
 router-id 1.1.1.1
 redistribute connected subnets
 redistribute static subnets
!
router bgp 100
 bgp log-neighbor-changes
 neighbor 3.3.3.3 remote-as 100
 neighbor 3.3.3.3 update-source Loopback0
!
 address-family ipv4
  redistribute connected
  redistribute static
  neighbor 3.3.3.3 activate
  neighbor 3.3.3.3 send-community both
 exit-address-family
!
 address-family ipv4 mvpn
  neighbor 3.3.3.3 activate
  neighbor 3.3.3.3 send-community extended
 exit-address-family
!
 address-family vpv4
  neighbor 3.3.3.3 activate
  neighbor 3.3.3.3 send-community extended
 exit-address-family
!
 address-family ipv4 mdt
  neighbor 3.3.3.3 activate
  neighbor 3.3.3.3 send-community extended
 exit-address-family
!
 address-family vpv6
  neighbor 3.3.3.3 activate
  neighbor 3.3.3.3 send-community both
 exit-address-family
!
 address-family ipv6 vrf c1
  redistribute connected
  redistribute static
 exit-address-family
!
ipv6 pim vrf c1 rp-address 111::113
!
mpls ldp router-id Loopback0 force
!
end

```

P2MP

```

vrf definition c1
 rd 100:3
  vpn id 100:3
  route-target export 100:3
  route-target import 100:3
 !
 address-family ipv4
  exit-address-family
 !
 address-family ipv6
  mdt default mpls mldp 9.9.9.9
  mdt data mpls mldp 500
  mdt data threshold 500
  exit-address-family
 !
 ip multicast-routing distributed
 ip multicast-routing vrf c1 distributed
 !
 ipv6 unicast-routing
 ipv6 multicast-routing
 ipv6 multicast-routing vrf c1
 !
 interface Loopback0
  ip address 1.1.1.1 255.255.255.255
  ip ospf 100 area 0
  ipv6 address 11::11/128
  ipv6 ospf 100 area 0
 !
 interface Loopback1
  vrf forwarding c1
  no ip address
  ipv6 address 111::113/128
  ospfv3 100 ipv6 area 0
 !
 interface GigabitEthernet0/4/0
  mtu 9216
  ip address 2.0.0.1 255.0.0.0
  ip ospf 100 area 0
  load-interval 30
  negotiation auto
  mpls ip
  mpls label protocol ldp
 !
 interface GigabitEthernet0/4/1
  no ip address
  negotiation auto
  service instance trunk 1 ethernet
  encapsulation dot1q 1-100
  rewrite ingress tag pop 1 symmetric
  bridge-domain from-encapsulation
 !
 !
 interface BDI1
  vrf forwarding c1
  no ip address
  load-interval 30
  ipv6 address 40::1/64
  ospfv3 100 ipv6 area 0
 !
 router ospfv3 100
  router-id 1.1.1.1
 !

```

```

address-family ipv6 unicast
exit-address-family
!
address-family ipv6 unicast vrf c1
exit-address-family
!
router ospf 100
router-id 1.1.1.1
redistribute connected subnets
redistribute static subnets
!
router bgp 100
bgp log-neighbor-changes
neighbor 3.3.3.3 remote-as 100
neighbor 3.3.3.3 update-source Loopback0
!
address-family ipv4
redistribute connected
redistribute static
neighbor 3.3.3.3 activate
neighbor 3.3.3.3 send-community both
exit-address-family
!
address-family ipv4 mvpn
neighbor 3.3.3.3 activate
neighbor 3.3.3.3 send-community extended
exit-address-family
!
address-family vpnv4
neighbor 3.3.3.3 activate
neighbor 3.3.3.3 send-community extended
exit-address-family
!
address-family ipv4 mdt
neighbor 3.3.3.3 activate
neighbor 3.3.3.3 send-community extended
exit-address-family
!
address-family vpnv6
neighbor 3.3.3.3 activate
neighbor 3.3.3.3 send-community both
exit-address-family
!
address-family ipv6 vrf c1
redistribute connected
redistribute static
exit-address-family
!
ipv6 pim vrf c1 rp-address 111::113
!
mpls ldp router-id Loopback0 force
!
end

```

MLDP Option-A and Option-C

Configuration of MLDP profile for both, VPN Option A and VPN Option C which are Layer 3 VPN (L3VPN) configurations, is supported. On both the autonomous systems, MLDP configurations should be symmetrical.

Additional References

Related Documents

Related Topic	Document Title
Cisco IOS commands	https://www.cisco.com/c/en/us/td/docs/ios-xml/ios/mcl/allreleasemcl/all-book.html

Standards and RFCs

Standard/RFC	Title
No specific Standards and RFCs are supported by the features in this document.	—

MIBs

MB	MIBs Link
—	To locate and download MIBs for selected platforms, Cisco IOS releases, and feature sets, use Cisco MIB Locator found at the following URL: http://www.cisco.com/go/mibs

Technical Assistance

Description	Link
<p>The Cisco Support website provides extensive online resources, including documentation and tools for troubleshooting and resolving technical issues with Cisco products and technologies.</p> <p>To receive security and technical information about your products, you can subscribe to various services, such as the Product Alert Tool (accessed from Field Notices), the Cisco Technical Services Newsletter, and Really Simple Syndication (RSS) Feeds.</p> <p>Access to most tools on the Cisco Support website requires a Cisco.com user ID and password.</p>	http://www.cisco.com/cisco/web/support/index.html



CHAPTER 2

MVPN mLDP Partitioned MDT

The MVPN mLDP partitioned MDT feature uses Upstream Multicast Hop-Provider Multicast Service Interface (UMS-PMSI), a subset of provider edge routers (PEs) to transmit data to other PEs; similar to the usage of multiple selective-PMSI (S-PMSI) by data multicast distribution tree (MDT). In the partitioned MDT approach, egress PE routers that have interested receivers for traffic from a particular ingress PE joins a point-to-point (P2P) connection rooted at that ingress PE. This makes the number of ingress PE routers in a network to be low resulting in a limited number of trees in the core.

- [Finding Feature Information, on page 35](#)
- [Prerequisites for MVPN mLDP Partitioned MDT , on page 35](#)
- [Restrictions for MVPN mLDP Partitioned MDT, on page 35](#)
- [Information About MVPN mLDP Partitioned MDT, on page 36](#)
- [How to Configure MVPN mLDP Partitioned MDT, on page 37](#)
- [Configuration Examples for MVPN mLDP Partitioned MDT, on page 39](#)
- [Additional References, on page 41](#)
- [Feature Information for Configuring MVPN mLDP Partitioned MDT, on page 42](#)

Finding Feature Information

Your software release may not support all the features documented in this module. For the latest caveats and feature information, see [Bug Search Tool](#) and the release notes for your platform and software release. To find information about the features documented in this module, and to see a list of the releases in which each feature is supported, see the feature information table.

Use Cisco Feature Navigator to find information about platform support and Cisco software image support. To access Cisco Feature Navigator, go to <https://cfnng.cisco.com/>. An account on Cisco.com is not required.

Prerequisites for MVPN mLDP Partitioned MDT

MVPN BGP auto discovery should be configured.

Restrictions for MVPN mLDP Partitioned MDT

- PIM Dense mode (except for Auto-RP) and PIM-Bidir in the VRF are not supported.

- BGP multicast signaling is supported and PIM signaling is not supported.
- Only point-to-multi point (P2MP) mLDP label switch path is supported.
- Same VRF (for which mLDP in-band signaling is configured) needs to be configured on IPv4
- mLDP Partitioned multicast distribution tree (MDT) supports PIM-Source Specific Multicast (SSM) traffic only.
- Rosen mLDP recursive FEC is not supported. Partitioned MDT is applicable to inter-AS VPN (Inter AS option B and option C are not supported).
- mLDP filtering is not supported.
- Only interface-based strict RPF is supported with partitioned MDT.
- The **strict-rpf interface** command is *not* supported.

Information About MVPN mLDP Partitioned MDT

Overview of MVPN mLDP Partitioned MDT

MVPN allows a service provider to configure and support multicast traffic in an MPLS VPN environment. This type supports routing and forwarding of multicast packets for each individual VPN routing and forwarding (VRF) instance, and it also provides a mechanism to transport VPN multicast packets across the service provider backbone. In the mLDP case, the regular label switch path forwarding is used, so core does not need to run PIM protocol. In this scenario, the c-packets are encapsulated in the MPLS labels and forwarding is based on the MPLS Label Switched Paths (LSPs).

The MVPN mLDP service allows you to build a Protocol Independent Multicast (PIM) domain that has sources and receivers located in different sites.

To provide Layer 3 multicast services to customers with multiple distributed sites, service providers look for a secure and scalable mechanism to transmit customer multicast traffic across the provider network. Multicast VPN (MVPN) provides such services over a shared service provider backbone, using native multicast technology similar to BGP/MPLS VPN.

MVPN emulates MPLS VPN technology in its adoption of the multicast domain (MD) concept, in which provider edge (PE) routers establish virtual PIM neighbor connections with other PE routers that are connected to the same customer VPN. These PE routers thereby form a secure, virtual multicast domain over the provider network. Multicast traffic is then transmitted across the core network from one site to another, as if the traffic were going through a dedicated provider network.

Separate multicast routing and forwarding tables are maintained for each VPN routing and forwarding (VRF) instance, with traffic being sent through VPN tunnels across the service provider backbone.

In the Rosen MVPN mLDP solution, a multipoint-to-multipoint (MP2MP) default MDT is setup to carry control plane and data traffic. A disadvantage with this solution is that all PE routers that are part of the MVPN need to join this default MDT tree. Setting up a MP2MP tree between all PE routers of a MVPN is equivalent to creating N P2MP trees rooted at each PE (Where N is the number of PE routers). In an Inter-AS (Option A) solution this problem is exacerbated since all PE routers across all AS'es need to join the default MDT. Another disadvantage of this solution is that any packet sent through a default MDT reaches all the PE routers even if there is no requirement.

In the partitioned MDT approach, only those egress PE routers that receive traffic requests from a particular ingress PE join the PMSI configured at that ingress PE. This makes the number of ingress PE routers in a network to be low resulting in a limited number of trees in the core.

How to Configure MVPN mLDP Partitioned MDT

Configuring MVPN mLDP Partitioned MDT

SUMMARY STEPS

1. **enable**
2. **configure terminal**
3. **ip multicast-routing vrf** *vrf-name*
4. **ip vrf** *vrf-name*
5. **rd** *route-distinguisher*
6. **route target export** *route-target-ext-community*
7. **route target import** *route-target-ext-community*
8. **mdt partitioned mldp p2mp**
9. **mdt auto-discovery mldp** [*inter-as*]
10. **exit**
11. **show ip pim mdt**
12. **show ip pim vrf mdt** [*send* | *receive*]
13. **show ip multicast mpls vif**

DETAILED STEPS

	Command or Action	Purpose
Step 1	enable Example: Device> enable	Enables privileged EXEC mode. • Enter your password if prompted.
Step 2	configure terminal Example: Device# configure terminal	Enters global configuration mode.
Step 3	ip multicast-routing vrf <i>vrf-name</i> Example: Device(config)# ip multicast-routing vrf VRF	Enables IP multicast routing for the MVPN VRF specified for the <i>vrf-name</i> argument.
Step 4	ip vrf <i>vrf-name</i> Example:	Defines a VRF instance and enters VRF configuration mode.

	Command or Action	Purpose
	<code>Device(config-vrf)# ip vrf VRF</code>	
Step 5	rd <i>route-distinguisher</i> Example: <code>Device(config-vrf)# rd 50:11</code>	Creates a route distinguisher (RD) (in order to make the VRF functional). <ul style="list-style-type: none"> Creates the routing and forwarding tables, associates the RD with the VRF instance, and specifies the default RD for a VPN.
Step 6	route target export <i>route-target-ext-community</i> Example: <code>Device(config-vrf)# route target export 100:100</code>	Creates an export route target extended community for the specified VRF.
Step 7	route target import <i>route-target-ext-community</i> Example: <code>Device(config-vrf)# route target import 100:100</code>	Creates an import route target extended community for the specified VRF.
Step 8	mdt partitioned mldp p2mp Example: <code>Device(config-vrf)# mdt partitioned mldp p2mp</code>	Configures partitioned MDT. <ul style="list-style-type: none">
Step 9	mdt auto-discovery mldp [inter-as] Example: <code>Device(config-vrf)# mdt auto-discovery mldp inter-as</code>	Enables inter-AS operation with BGP A-D.
Step 10	exit Example: <code>Device(config-vrf)# exit</code>	Exits the VRF configuration mode and returns to privileged EXEC mode.
Step 11	show ip pim mdt Example: <code>Device# show ip pim mdt</code>	Displays information on wildcard S-PMSI A-D route.
Step 12	show ip pim vrf mdt [send receive] Example: <code>Device# show ip pim vrf mdt send</code>	Displays information on wildcard S-PMSI A-D route along with MDT group mappings received from other PE routers or the MDT groups that are currently in use.
Step 13	show ip multicast mpls vif Example:	Displays the LSPVIFs created for all the PEs.

	Command or Action	Purpose
	Device# end	

Configuration Examples for MVPN mLDP Partitioned MDT

Example: MVPN mLDP Partitioned MDT

```

!
vrf definition cul
 rd 1:1
  vpn id 1:1
  !
  address-family ipv4
   mdt auto-discovery mldp

   mdt partitioned mldp p2mp
   mdt data mpls mldp 1
   mdt overlay use-bgp
   route-target export 1:1
   route-target import 1:1
  exit-address-family
!
ip multicast-routing distributed
ip multicast-routing vrf cul distributed
!
mpls label protocol ldp
mpls ldp session protection
mpls ldp igp sync holddown 10000
mpls ldp discovery targeted-hello accept
no mpls mldp forwarding recursive
mpls mldp path traffic-eng
mpls traffic-eng tunnels
mpls traffic-eng auto-tunnel backup nhop-only
mpls traffic-eng auto-tunnel primary onehop

!
redundancy
 mode sso
bridge-domain 1
!
!
!
interface Loopback0
 ip address 10.10.10.1 255.255.255.255
 ip ospf 100 area 0
 load-interval 30
!
interface Loopback1
 vrf forwarding cul
 ip address 11.11.11.1 255.255.255.0
 ip pim sparse-mode
 load-interval 30
!
!
interface GigabitEthernet0/3/0

```

Example: MVPN mLDP Partitioned MDT

```

ip address 13.0.0.1 255.255.255.0
ip ospf 100 area 0
negotiation auto
mpls ip
mpls label protocol ldp
mpls traffic-eng tunnels
cdp enable
ip rsvp bandwidth
!
interface GigabitEthernet0/3/4
no ip address
negotiation auto
service instance 1 ethernet
encapsulation dot1q 1
rewrite ingress tag pop 1 symmetric
bridge-domain 1
!
interface GigabitEthernet0/4/1
ip address 12.0.0.1 255.255.255.0
ip ospf 100 area 0
load-interval 30
negotiation auto
mpls ip
mpls label protocol ldp
mpls traffic-eng tunnels
cdp enable
ip rsvp bandwidth
!
interface BDI1
vrf forwarding cul
ip address 11.0.1.1 255.255.255.0
ip pim sparse-mode
load-interval 30
!
router ospf 100
router-id 10.10.10.1
fast-reroute per-prefix enable prefix-priority low
timers throttle spf 50 200 5000
timers throttle lsa 50 200 5000
timers lsa arrival 100
network 1.1.1.1 0.0.0.0 area 0
mpls traffic-eng router-id Loopback0
mpls traffic-eng area 0
mpls traffic-eng multicast-intact
!
router bgp 100
bgp log-neighbor-changes
neighbor 10.10.10.2 remote-as 100
neighbor 10.10.10.2 update-source Loopback0
neighbor 10.10.10.3 remote-as 100
neighbor 10.10.10.3 update-source Loopback0
!
address-family ipv4
redistribute connected
neighbor 10.10.10.2 activate
neighbor 10.10.10.2 send-community extended
neighbor 10.10.10.3 activate
neighbor 10.10.10.3 send-community extended
exit-address-family
!
address-family ipv4 mvpn
neighbor 10.10.10.2 activate
neighbor 10.10.10.2 send-community extended
neighbor 10.10.10.3 activate

```

```

    neighbor 10.10.10.3 send-community extended
  exit-address-family
  !
  address-family vpnv4
    neighbor 10.10.10.2 activate
    neighbor 10.10.10.2 send-community extended
    neighbor 10.10.10.3 activate
    neighbor 10.10.10.3 send-community extended
  exit-address-family
  !
  address-family ipv4 vrf cu1
    redistribute connected
  exit-address-family
  !
  !
ip forward-protocol nd
!
no ip http server
no ip http secure-server
ip pim vrf cu1 rp-address 11.11.11.1
!

```

Additional References

Related Documents

Related Topic	Document Title
Cisco IOS commands	https://www.cisco.com/c/en/us/td/docs/ios-xml/ios/mcl/allreleasemcl/all-book.html

Standards and RFCs

Standard/RFC	Title
No specific Standards and RFCs are supported by the features in this document.	—

MIBs

MB	MIBs Link
—	To locate and download MIBs for selected platforms, Cisco IOS releases, and feature sets, use Cisco MIB Locator found at the following URL: http://www.cisco.com/go/mibs

Technical Assistance

Description	Link
<p>The Cisco Support website provides extensive online resources, including documentation and tools for troubleshooting and resolving technical issues with Cisco products and technologies.</p> <p>To receive security and technical information about your products, you can subscribe to various services, such as the Product Alert Tool (accessed from Field Notices), the Cisco Technical Services Newsletter, and Really Simple Syndication (RSS) Feeds.</p> <p>Access to most tools on the Cisco Support website requires a Cisco.com user ID and password.</p>	<p>http://www.cisco.com/cisco/web/support/index.html</p>

Feature Information for Configuring MVPN mLDP Partitioned MDT

The following table provides release information about the feature or features described in this module. This table lists only the software release that introduced support for a given feature in a given software release train. Unless noted otherwise, subsequent releases of that software release train also support that feature.

Use Cisco Feature Navigator to find information about platform support and Cisco software image support. To access Cisco Feature Navigator, go to www.cisco.com/go/cfn. An account on Cisco.com is not required.

Table 1: Feature Information for Configuring MVPN mLDP Partitioned MDT

Feature Name	Releases	Feature Information
Configuring MVPN mLDP Partitioned MDT	Cisco IOS XE Release 3.15.0S	This feature was introduced on the Cisco ASR 920 Series Aggregation Services Router (ASR-920-12CZ-A, ASR-920-12CZ-D, ASR-920-4SZ-A, ASR-920-4SZ-D, ASR-920-10SZ-PD, ASR-920-24SZ-IM, ASR-920-24SZ-M, ASR-920-24TZ-M) .



CHAPTER 3

MLDP In-Band Signaling/Transit Mode

This module contains information for configuring Multicast Label Distribution Protocol (MLDP) in-band signaling to enable the MLDP core to create (S,G) or (*,G) state without using out-of-band signaling such as Border Gateway protocol (BGP) or Protocol Independent Multicast (PIM).

- [Finding Feature Information, on page 43](#)
- [Restrictions for MLDP In-Band Signaling, on page 43](#)
- [Information About MLDP In-Band Signaling/Transit Mode, on page 44](#)
- [How to Configure MLDP In-Band Signaling/Transit Mode, on page 44](#)
- [Additional References, on page 45](#)
- [Configuration Examples for MLDP In-Band Signaling/Transit Mode, on page 46](#)
- [Feature Information for Configuring MLDP In-Band Signaling/Transit Mode, on page 48](#)

Finding Feature Information

Your software release may not support all the features documented in this module. For the latest caveats and feature information, see [Bug Search Tool](#) and the release notes for your platform and software release. To find information about the features documented in this module, and to see a list of the releases in which each feature is supported, see the feature information table.

Use Cisco Feature Navigator to find information about platform support and Cisco software image support. To access Cisco Feature Navigator, go to <https://cfng.cisco.com/>. An account on Cisco.com is not required.

Restrictions for MLDP In-Band Signaling

- MLDP in-band signaling supports SOURCE-SPECIFIC MULTICAST (SSM) multicast traffic only.
- MLDP in-band signaling is not supported in the same VRF for which Rosen Model MLDP-based MVPN or GRE-based MVPN is configured.

Information About MLDP In-Band Signaling/Transit Mode

MLDP In-Band Signaling/Transit Mode

Multicast Label Distribution Protocol (MLDP)-supported multicast VPN (MVPN) allows VPN multicast streams to be aggregated over a VPN-specific tree. No customer state is created in the MLDP core; there is only state for default and data multicast distribution trees (MDTs). In certain scenarios, the state created for VPN streams is limited and does not appear to be a risk or limiting factor. In these scenarios, MLDP can build in-band MDTs that are transit Label Switched Paths (LSPs).

Trees used in a VPN space are MDTs. Trees used in the global table are transit point-to-multipoint (P2MP) or multipoint-to-multipoint (MP2MP) LSPs. In both cases, a single multicast stream (VPN or not) is associated with a single LSP in the MPLS core. The stream information is encoded in the Forwarding Equivalence Class (FEC) of the LSP. This is in-band signaling.

MLDP in-band signaling uses access control lists (ACLs) with the range of the multicast (S, G) to be transported by the MLDP LSP. Each multicast channel (S, G) maps, one-to-one, to each tree in the in-band tree. The (S,G) join is registered in the Multicast Routing Information Base (MRIB), which is a client of MLDP. Each MLDP LSP is identified by the FEC of [(S,G) + RD], where RD is the Route Distinguisher (RD) obtained from BGP. This differs from MLDP-based MVPN, where the identity is in a FEC of [MDT #, VPN ID, Tree #].

The ingress Provider Edge (PE) device uses the FEC to decode the stream information and associate the multicast stream with the LSP (in the FEC). This service model is only applicable for transporting Protocol Independent Multicast (PIM) source-specific multicast (SSM) traffic. There is no need to run PIM over the LSP because the stream signaling is done in-band.

The MLDP In-Band Signaling/Transit Mode feature is supported on IPv4 networks. MLDP in-band signaling and MLDP-based MVPN cannot be supported in the same VRF.

How to Configure MLDP In-Band Signaling/Transit Mode

Enabling In-Band Signaling on a PE Device

Before you begin

- VRF instances for in-band signaling must be configured.
- Access control lists (ACLs) for controlling streams must be configured.

SUMMARY STEPS

1. **enable**
2. **configure terminal**
3. **ip multicast [vrf vrf] mpls mldp [range acl]**

DETAILED STEPS

	Command or Action	Purpose
Step 1	enable Example: Device> enable	Enables privileged EXEC mode. <ul style="list-style-type: none"> • Enter your password if prompted.
Step 2	configure terminal Example: Device# configure terminal	Enters global configuration mode.
Step 3	ip multicast [vrf vrf] mpls mldp [range acl] Example: Device (config)# ip multicast vrf vrf1 mpls mldp	Brings up the MLDP MRIB process and registers MLDP with the MRIB. <ul style="list-style-type: none"> • To enable in-band signaling globally, use this command without the vrf vrf keyword and argument combination. • To identify streams for in-band signaling, use this command with the range keyword on the egress PE.

Additional References

Related Documents

Related Topic	Document Title
Cisco IOS commands	https://www.cisco.com/c/en/us/td/docs/ios-xml/ios/mcl/allreleasemcl/all-book.html

Standards and RFCs

Standard/RFC	Title
No specific Standards and RFCs are supported by the features in this document.	—

MIBs

MB	MIBs Link
—	To locate and download MIBs for selected platforms, Cisco IOS releases, and feature sets, use Cisco MIB Locator found at the following URL: http://www.cisco.com/go/mibs

Technical Assistance

Description	Link
<p>The Cisco Support website provides extensive online resources, including documentation and tools for troubleshooting and resolving technical issues with Cisco products and technologies.</p> <p>To receive security and technical information about your products, you can subscribe to various services, such as the Product Alert Tool (accessed from Field Notices), the Cisco Technical Services Newsletter, and Really Simple Syndication (RSS) Feeds.</p> <p>Access to most tools on the Cisco Support website requires a Cisco.com user ID and password.</p>	<p>http://www.cisco.com/cisco/web/support/index.html</p>

Configuration Examples for MLDP In-Band Signaling/Transit Mode

Example: In-Band Signaling

```

vrf definition cul
 rd 1:1
  vpn id 1:1
  !
  address-family ipv4
   route-target export 1:1
   route-target import 1:1
  exit-address-family
 !
 ip multicast-routing distributed
 ip multicast-routing vrf cul distributed
 !
 ip multicast mpls mldp
 ip multicast vrf cul mpls mldp
 !
 !
 mpls label protocol ldp
 mpls ldp session protection
 mpls ldp igp sync holddown 10000
 mpls ldp discovery targeted-hello accept
 no mpls mldp forwarding recursive
 !
 redundancy
 mode sso
 interface Loopback0
 ip address 10.10.10.3 255.255.255.255
 ip ospf 100 area 0
 load-interval 30
 !
 interface Loopback1
 vrf forwarding cul
 ip address 33.33.33.1 255.255.255.0
 ip pim sparse-mode

```

```

load-interval 30
!
interface GigabitEthernet0/2/0
ip address 13.0.0.2 255.255.255.0
ip ospf 100 area 0
negotiation auto
mpls ip
mpls label protocol ldp
cdp enable
ip rsvp bandwidth
!
interface GigabitEthernet0/2/1
no ip address
negotiation auto
service instance 1 ethernet
encapsulation dot1q 1
rewrite ingress tag pop 1 symmetric
bridge-domain 1
!
interface BDI1
vrf forwarding cul
ip address 31.0.1.1 255.255.0.0
ip pim sparse-mode
ip igmp version 3
load-interval 30
!
!
router ospf 100
router-id 10.10.10.3
timers throttle spf 50 200 5000
timers throttle lsa 50 200 5000
timers lsa arrival 100
network 1.1.1.1 0.0.0.0 area 0
!
router bgp 100
bgp log-neighbor-changes
neighbor 10.10.10.1 remote-as 100
neighbor 10.10.10.1 update-source Loopback0
neighbor 10.10.10.2 remote-as 100
neighbor 10.10.10.2 update-source Loopback0
!
address-family ipv4
redistribute connected
neighbor 10.10.10.1 activate
neighbor 10.10.10.1 send-community extended
neighbor 10.10.10.2 activate
neighbor 10.10.10.2 send-community extended
exit-address-family
!
address-family ipv4 mvpn
neighbor 10.10.10.1 activate
neighbor 10.10.10.1 send-community extended
neighbor 10.10.10.2 activate
neighbor 10.10.10.2 send-community extended
exit-address-family
!
address-family vpv4
neighbor 10.10.10.1 activate
neighbor 10.10.10.1 send-community extended
neighbor 10.10.10.2 activate
neighbor 10.10.10.2 send-community extended
exit-address-family
!
address-family ipv4 vrf cul

```

```

    redistribute connected
  exit-address-family
  !
  address-family ipv4 vrf cu10
    redistribute connected
  !
  ip pim ssm range SSM-range
  ip pim mpls source Loopback0
  !
  ip pim vrf cu1 ssm range SSM-range
  !
  !
  ip access-list standard SSM-range
  permit 226.0.0.0 0.255.255.255

```

Feature Information for Configuring MLDP In-Band Signaling/Transit Mode

The following table provides release information about the feature or features described in this module. This table lists only the software release that introduced support for a given feature in a given software release train. Unless noted otherwise, subsequent releases of that software release train also support that feature.

Use Cisco Feature Navigator to find information about platform support and Cisco software image support. To access Cisco Feature Navigator, go to www.cisco.com/go/cfn. An account on Cisco.com is not required.

Table 2: Feature Information for Configuring MLDP In-Band Signaling/Transit Mode

Feature Name	Releases	Feature Information
MLDP In-Band Signaling/Transit Mode	Cisco IOS XE Release 3.15.0S	This feature was introduced on the Cisco ASR 920 Series Aggregation Services Router (ASR-920-12CZ-A, ASR-920-12CZ-D, ASR-920-4SZ-A, ASR-920-4SZ-D, ASR-920-10SZ-PD, ASR-920-24SZ-IM, ASR-920-24SZ-M, ASR-920-24TZ-M) .