



# Cisco Aironet 8-dBi Omni-Directional Antenna (AIR-ANT2480V-N)

---

This chapter contains the following:

- [Overview, on page 1](#)
- [Technical Specifications, on page 2](#)
- [System Requirements, on page 8](#)
- [General Safety Precautions, on page 8](#)
- [Guidelines to Achieving Optimal RF and Antenna Performance, on page 10](#)
- [Installation Notes, on page 13](#)
- [Communications, Services, and Additional Information, on page 15](#)

## Overview

This section describes the Cisco Aironet AIR-ANT2480V-N 8 dBi Omni-directional Antenna, and provides specifications and mounting instructions. The antenna operates in the 2400 MHz frequency range and is designed for outdoor use with Cisco Aironet 1500 Series Lightweight Outdoor Mesh Access Points.



## Technical Specifications

Antenna type	Omni-directional (collinear array)
Operating frequency range	2400–2484 MHz
VSWR	< 1.7:1
Gain	8 dBi
Polarization	Linear, vertical
Horizontal half-power beamwidth	10 degrees
Vertical half-power beamwidth	Omni-directional
Length	19-1/2 in. (49.5 cm)
Tube diameter	3/4 in. (1.91 cm)
Cable length and type	none
Connector	N-male
Operating temperature	–22 to 158° F (–30 to +70° C)

Wind rating	100 mph operational, 165 mph gusts (160–265 km/h)
-------------	--

Figure 1: Azimuth Radiation Pattern

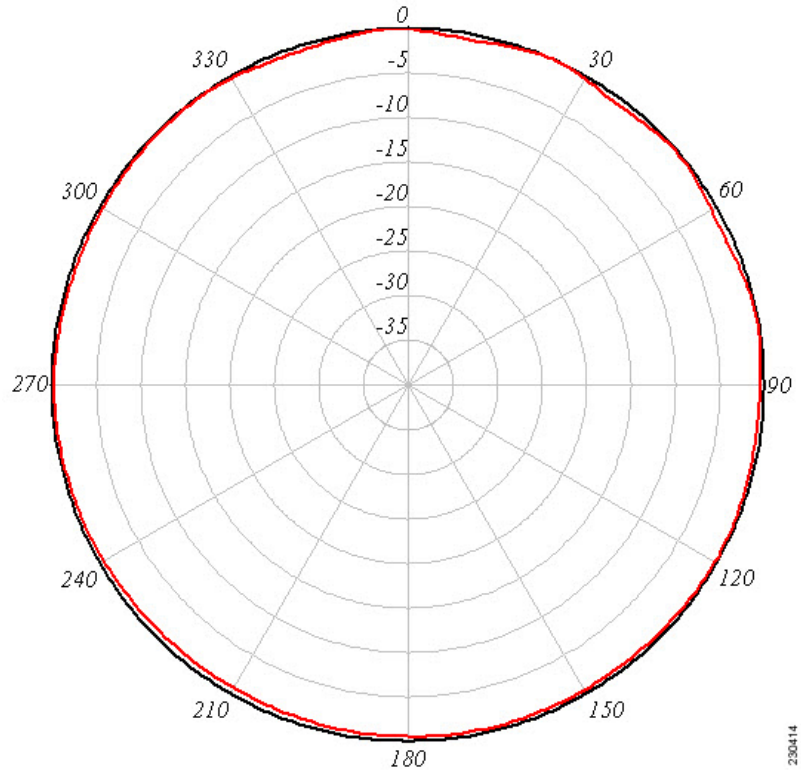
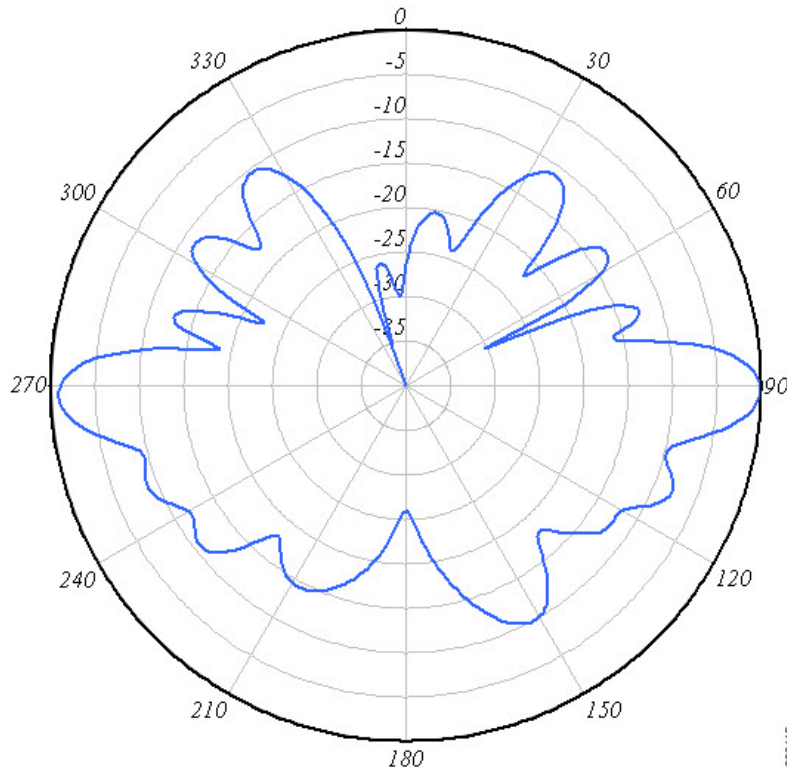


Figure 2: Elevation Radiation Pattern



The following tables list the minimum required attenuation between the access point radio and the antenna when using the lowest RF power setting. Using a higher RF power setting will require additional attenuation (for a given antenna).

The attenuation can be in the form of an attenuator, coax cable loss, or both. This attenuation is required for the system to meet the regulatory requirements of the indicated country. Failure to install the minimum amount of attenuation shown results in non-compliant operation. The following tables show the required attenuation in dB.



**Note** X indicates that the antenna is not authorized for use in that country.

Table 1: Required Attenuation in dB for 2.4 GHz Antennas (802.11 B/G) (Asia)

	<b>AIR-ANT2480V-N</b> <b>2.4 GHZ</b> <b>8 dBi Omni</b>	<b>AIR-ANT2410Y-R</b> <b>2.4 GHZ</b> <b>10 dBi Yagi</b>	<b>AIR-ANT2414S-R</b> <b>2.4 GHZ</b> <b>14 dBi Sector</b>
Australia	None	None	None
China	None	None	None
Hong Kong	None	None	None

	<b>AIR-ANT2480V-N</b> <b>2.4 GHZ</b> <b>8 dBi Omni</b>	<b>AIR-ANT2410Y-R</b> <b>2.4 GHZ</b> <b>10 dBi Yagi</b>	<b>AIR-ANT2414S-R</b> <b>2.4 GHZ</b> <b>14 dBi Sector</b>
India	None	None	None
Japan	None	X	X
Korea	X	X	X
New Zealand	None	None	None
Singapore	None	-1	-5
Taiwan	None	X	X
Thailand	None	-1	-5

**Table 2: Required Attenuation in dB for 5 GHz Antennas (802.11 A) (Asia)**

	<b>AIR-ANT58G10SSA-N</b> <b>5 GHz</b> <b>9.5 dBi Sector</b>	<b>AIR-ANT5114P-N</b> <b>4.9–5.8 GHz</b> <b>14 dBi Patch</b>	<b>AIR-ANT5117S-N</b> <b>4.9–5.8 GHz</b> <b>17 dBi Sector</b>
Australia	None	-1	-4
China	None	-1	-4
Hong Kong	None	-1	-4
India	X	X	X
Japan	X	X	X
Korea	X	X	X
New Zealand	None	-1	-4
Singapore	None	-1	-4
Taiwan	None	X	X
Thailand	X	X	X

Table 3: Required Attenuation in dB for 2.4 GHz Antennas (802.11 B /G) (EU)

	<b>AIR-ANT2480V-N</b> <b>2.4 GHZ</b> <b>8 dBi Omni</b>	<b>AIR-ANT2410Y-R</b> <b>2.4 GHZ</b> <b>10 dBi Yagi</b>	<b>AIR-ANT2414S-R</b> <b>2.4 GHZ</b> <b>14 dBi Sector</b>
Belgium	None	-1	-5
Denmark	None	-1	-5
Finland	None	-1	-5
France	None	-1	-5
Germany	None	-1	-5
Italy	None	-1	-5
Netherlands	None	-1	-5
Norway	None	-1	-5
Spain	None	-1	-5
Sweden	None	-1	-5
Switzerland	None	-1	-5
United Kingdom	None	-1	-5

Table 4: Required Attenuation in dB for 5 GHz Antennas (802.11 A) (EU)

	<b>AIR-ANT58G10SSA-N</b> <b>5 GHz</b> <b>9.5 dBi Sector</b>	<b>AIR-ANT5114P-N</b> <b>4.9–5.8 GHz</b> <b>14 dBi Patch</b>	<b>AIR-ANT5117S-N</b> <b>4.9–5.8 GHz</b> <b>17 dBi Sector</b>
Belgium	None	-2	-5
Denmark	None	-2	-5
Finland	None	-2	-5
France	None	-2	-5
Germany	None	-2	-5
Italy	None	-2	-5
Netherlands	None	-2	-5
Norway	None	-2	-5

	<b>AIR-ANT58G10SSA-N</b> <b>5 GHz</b> <b>9.5 dBi Sector</b>	<b>AIR-ANT5114P-N</b> <b>4.9–5.8 GHz</b> <b>14 dBi Patch</b>	<b>AIR-ANT5117S-N</b> <b>4.9–5.8 GHz</b> <b>17 dBi Sector</b>
Spain	None	-2	-5
Sweden	None	-2	-5
Switzerland	None	-2	-5
United Kingdom	None	-2	-5

**Table 5: Required Attenuation in dB for 2.4 GHz Antennas (802.11 B/G) (North America)**

	<b>AIR-ANT2480V-N</b> <b>2.4 GHZ</b> <b>8 dBi Omni</b>	<b>AIR-ANT2410Y-R</b> <b>2.4 GHZ</b> <b>10 dBi Yagi</b>	<b>AIR-ANT2414S-R</b> <b>2.4 GHZ</b> <b>14 dBi Sector</b>
United States	None	X	X
Canada	None	X	X
Mexico	None	None	None

**Table 6: Required Attenuation in dB for 5 GHz Antennas (802.11 A) (North America)**

	<b>AIR-ANT58G10SSA-N</b> <b>5 GHz</b> <b>9.5 dBi Sector</b>	<b>AIR-ANT5114P-N</b> <b>4.9–5.8 GHz</b> <b>14 dBi Patch</b>	<b>AIR-ANT5117S-N</b> <b>4.9–5.8 GHz</b> <b>17 dBi Sector</b>
United States	None	None	None
Canada	None	None	None
Mexico	None	-1	-4

**Table 7: Required Attenuation in dB for 2.4 GHz Antennas (802.11 B/G) (South America)**

	<b>AIR-ANT2480V-N</b> <b>2.4 GHZ</b> <b>8 dBi Omni</b>	<b>AIR-ANT2410Y-R</b> <b>2.4 GHZ</b> <b>10 dBi Yagi</b>	<b>AIR-ANT2414S-R</b> <b>2.4 GHZ</b> <b>14 dBi Sector</b>
Brazil	None	None	None

Table 8: Required Attenuation in dB for 5 GHz Antennas (802.11 A) (South America)

	AIR-ANT58G10SSA-N 5 GHz 9.5 dBi Sector	AIR-ANT5114P-N 4.9–5.8 GHz 14 dBi Patch	AIR-ANT5117S-N 4.9–5.8 GHz 17 dBi Sector
Brazil	None	-1	-4

## System Requirements

This antenna is designed for use with Cisco Aironet access points and bridges but can be used with any Cisco Aironet radio device that uses an N-connector.

## General Safety Precautions



### Warning

This warning symbol means danger. You are in a situation that could cause bodily injury. Before you work on any equipment, be aware of the hazards involved with electrical circuitry and be familiar with standard practices for preventing accidents. Use the statement number provided at the end of each warning to locate its translation in the translated safety warnings that accompanied this device. **Statement 1071**



### Warning

Do not work on the system or connect or disconnect cables during periods of lightning activity. **Statement 1001**



### Warning

Do not locate the outdoor antenna near overhead power lines or other electric light or power circuits, or where it can come into contact with such circuits. When installing the antenna, take extreme care not to come into contact with such circuits, as they may cause serious injury or death. For proper installation and grounding of the antenna, please refer to national and local codes (for example, U.S.:NFPA 70, National Electrical Code, Article 810, Canada:Canadian Electrical Code, Section 54). **Statement 1052**



### Warning

In order to comply with FCC radio frequency (RF) exposure limits, antennas should be located at a minimum of 7.9 inches (20 cm) or more from the body of all persons. **Statement 332**



### Note

For your safety, and to help you achieve a good installation, please read and follow these safety precautions.



### Mast Mounted or Building Mounted Installations

The following instructions are common to most mast mounted or building mounted installations. For specific installation instructions for each antenna, see the antenna data-sheet and the router hardware installation guide.

- Find someone to help you—installing an antenna is often a two-person job.
- Select your installation site with safety, as well as performance, in mind. Remember that electric power lines and phone lines look alike. For your safety, assume that any overhead line can kill you.
- Contact your electric power company. Tell them your plans and ask them to come look at your proposed installation.
- Do not use a metal ladder.
- Do not work on a wet or windy day.
- Do dress properly—wear shoes with rubber soles and heels, rubber gloves, and a long-sleeved shirt or jacket.
- If the assembly starts to drop, move away from it and let it fall. Because the antenna, mast, cable, and metal guy wires are all excellent conductors of electrical current, even the slightest touch of any of these parts to a power line completes an electrical path through the antenna and the installer.
- If any part of the antenna system should come in contact with a power line, do not touch it or try to remove it yourself. Call your local power company to have it removed safely.
- If an accident should occur with the power lines, call for qualified emergency help immediately.
- Assemble your new antenna on the ground or a level surface at the installation site.
- Connect its coaxial cable while you are on the ground and attach the antenna to the mast.
- Ensure that the mast does not fall as you raise or remove it. Use a durable non-conductive rope secured at each two foot level as the mast is raised. Have an assistant tend the rope, ready to pull the mast clear of any hazards (such as power lines) should it begin to fall.
- Use the mounting bracket provided with the antenna.
- If the installation will use guy wires:
  - Install guy anchor bolts.
  - Estimate the length of guy wire and cut it before raising the mast.
  - Attach guy wires to a mast using guy rings.
  - In the case of a guyed (tall, thin mast) installation, you must have at least one assistant to hold the mast upright while the guy wires are attached and tightened to the anchor bolts.
- Attach a “DANGER” label at eye level on the mast.
- Install ground rods to remove any static electricity buildup and connect a ground wire to the mast and ground rod. Use ground rods designed for that purpose, not a spare piece of pipe.

### Unused Antenna Ports

Port plugs must be installed in any unused antenna ports.

The weatherproof caps on the connectors protect the router interior from environmental elements including water, heat, cold, and dust. They are installed on unused ports before the router is shipped.

When you install a new antenna in a port with an N-connector:

- Chassis-mounted antennas—Remove the weather proof cap before installing a chassis-mounted antenna.
- External antennas—Remove weatherproof cap, then connect the supported Cisco cable to the connector.

## Guidelines to Achieving Optimal RF and Antenna Performance

Antennas are a critical component of a wireless communication system. Selecting a suitable antenna, an optimal antenna location, or antenna site is essential for optimum performance of a wireless links.

This section covers general tips for optimizing RF performance of indoor and outdoor terrestrial radio systems in the 400-7125 MHz frequency range. Examples of terrestrial radio systems include 4G LTE, 5G NR, Wi-Fi, LoRa, LR-WPAN and similar. In this context GPS SPS would not be considered a terrestrial system as the signal is received from space, not from another terrestrial site.

Because the antenna transmits and receives radio signals over the air, overall RF performance of the link is susceptible to RF obstructions and common sources of RF interference that can reduce throughput and range of the system.

Follow these guidelines to optimize performance. When in doubt, consult a qualified RF professional, and check with your solution partner for specific recommendations.

### Antenna Model Selection and Performance

Consider the following when planning your installation:

- When selecting the antenna, ensure that it covers the frequency ranges or frequency bands of interest, and that it has good RF parameters such as antenna efficiency, VSWR and suitable radiation pattern for every frequency range that your application will use with this antenna.
- Antenna pattern is important. Omni-directional antennas have lower gain, but allow communicating to devices in all azimuth directions. Directional antennas concentrate the beam in a specific direction, making them ideal for point to point communication.
- When a system has multiple RF ports for receive and / or transmit, as is the case for 4G LTE , 5G NR or Wi-Fi, it is highly recommended to populate all the RF ports with suitable antennas to take advantage of MIMO, rather than rely on a single port or single antenna to save on cost. Please see the MIMO section for a detailed description of MIMO benefits.
- For RF systems that support multiple RF ports and multiple RF standards such as LTE, Wi-Fi, and GPS: consider using a multi-element antenna that integrates multiple antennas under the same radome (cover). Doing so may reduce cost compared to deploying and mounting a discrete single port antenna for every RF port.
- For communication between fixed infrastructure devices, such as mesh nodes or a point-to-point backhaul link, each device should have an antenna with the same polarization. If communicating with mobile devices that might be randomly oriented, consider dual-polarized antennas, such as those with both vertical and horizontal or slant +45° and -45° polarized elements.

### Antenna Environmental Specifications

The selected antenna must have suitable mechanical and environmental specifications for the environment where it will be deployed. For example, shock and vibration specifications for transportation, corrosion resistant construction for marine and oil and gas industries, or IP (ingress protection) rating for outdoor deployment. Indoor antennas are typically not suitable for harsh industrial environments. Please check with your system integrator for environmental requirements for your application.

### Antenna Accessories and Mounting

Consider the following when planning your installation:

- Carefully consider what type of other RF accessories, besides antenna, such as RF cables, lightning arrestors or RF adapters may be required in your installations. It is best to minimize long RF cable runs due to RF signal losses in the cable. Thinner RF cables have more RF loss, thicker cables are less flexible and more expensive.
- Carefully consider how the antenna will be physically mounted, as this may affect antenna selection. For example, a stud mount mechanical mounting design is a better fit for mounting on top of an electrical cabinet than a mast mount antenna.
- For outdoor deployments, follow installation instructions for the antenna. It is good practice to keep protective covers on the radio's RF ports and any antenna or accessory RF ports until the moment the interfaces are mated. This reduces chances of contamination, trapping water or condensation inside the connector, or accidental damage to RF interfaces.

### MIMO Performance and Arrays

MIMO systems deliver benefits of higher SNR, higher reliability and higher throughput compared to single antenna systems. In more technical terms, MIMO delivers array gain, diversity gain and multiplexing gain compared to single antenna.

- Array gain — Improvement in SNR (signal to noise ratio) by coherently combining signals from multiple antennas. For example, increasing SNR through beamforming techniques.
- Diversity gain — Improvement in reliability by mitigating deep fading or strong destructive EM wave interference. For example, in a two-antenna system, if one antenna is experiencing deep fading due to an EM destructive null at its location at a given instant, the other antenna is unlikely to have a null at the same instant, and the combined SNR stays at a reliable level. In contrast, a single antenna would see SNR oscillating between good SNR and very poor SNR and reliability would degrade.
- Multiplexing gain — Increase in system capacity or throughput by sending independent data over multiple spatial streams simultaneously. The number of streams cannot be more than the number of antennas. For example, to support three spatial streams, a minimum of three antennas is required. Often there may be additional antennas for diversity or redundancy, such as in the case of 4x4:3, or 4x4 MIMO with 3 spatial streams.

If deploying multiple single-element antennas for a MIMO system in an array, ensure sufficient spacing between the antennas. Omnidirectional elements should generally be at least one wavelength apart at the lowest operating frequency.

Consider the following:

- For Wi-Fi systems operating in the 2.4, 5, and/or 6 GHz bands, space elements at least 5 inches (12.5 cm) apart.

- For 4G LTE and 5G systems with the lowest operating frequency of 617 MHz , space elements at least 20 inches (50 cm) apart.
- Note that spacing between elements inside multi-element MIMO antennas is often less than one wavelength. However multi-element antennas are engineered with MIMO performance in mind, by providing antenna diversity through pattern, polarization, and isolation between MIMO elements.

### Antenna siting and location

Consider the following when planning your installation:

- Plan antenna location ahead of time. Ideal location for an antenna is in LOS (line of sight) of the counterpart that it is trying to communicate with. Under LOS conditions the signals propagate directly between the two communication nodes, without relying on signal bouncing off a wall or other structure to reach the counterpart. This is sometimes not possible to achieve in practice, but it is a useful goal to keep in mind when optimizing antenna location.
- While it is good to keep RF cables short, it is most desirable for an antenna to be in the best location it can be to provide the desired coverage.
- For large deployments involving multiple units communicating with each other across a complex urban or industrial landscape, consider running an RF propagation modeling study to predict approximate simulated coverage maps and determine initial placement of the units. A propagation study may help reduce overall deployment cost by discovering and mitigating issues with RF coverage before the infrastructure is physically installed.
- Keep the antenna away from metal obstructions such as heating and air-conditioning ducts, large ceiling trusses, building superstructures, and major power cabling runs. One exception is if the antenna is designed to be mounted on a ground plane. If mounting on a ground plane, mount the antenna on a flat metal surface away from adjacent obstructions.
- It is strongly recommended not to install antennas directly on the router or access point (AP), unless the router or AP is specifically engineered to directly mount the antennas. Products that are engineered for direct mounting of antennas specifically address each of the below issues.
- Reasons to mount antennas away from the router include:
  - Router location may not be optimal location for antenna to communicate with the counterpart wirelessly, so router and antenna may need to be in different locations.
  - Router may have a clutter of Ethernet cable and power cables around it, which will obstruct antenna signal.
  - A number of routers, such as the IR1835, are modular. They have plug-in RF modules for Wi-Fi , 4G LTE or 5G NR such as WP-WIFI6, P-LTEAP18-GL, P-5GS6-GL. These modules have RF connectors spaced close together, and while it is mechanically possible to install four or five antennas directly attached, this will result in significant degradation to RF performance of antennas due to mutual de-tuning between closely spaced antennas. It is strongly recommended to install antennas away from the chassis in modular cases.
- If installing an antenna indoors, consider that the density and electromagnetic properties of the materials used in the building construction determines the number of walls the signal can pass through and still maintain adequate coverage.
  - Paper and vinyl walls have very little effect on signal penetration.

- Solid and pre-cast concrete walls limit signal penetration to one or two walls without degrading coverage.
- Concrete and wood block walls limit signal penetration to three or four walls.
- A signal can penetrate five or six walls constructed of drywall or wood.
- A thick metal wall causes signals to reflect off, causing poor penetration.
- A chain link fence or wire mesh spaced between 1 and 1 1/2 in. (2.5 and 3.8 cm) acts as a harmonic reflector that blocks a 2.4-GHz radio signal.
- Install the antenna away from microwave ovens and 2-GHz cordless phones. These products can cause signal interference because they operate in the same frequency range as the device your antenna is connected to.

## Installation Notes

The antenna is designed to mount on a dedicated mounting panel on the access point. No special tools are required.

The antenna is resistant to the full range of outdoor environments. Therefore, Cisco does not recommend using cable or antenna waterproofing materials. Using such materials may cause important drainage holes to be blocked. The antenna base has four drain holes.

There are also drain holes located under the cap at the top of the antenna. These holes allow proper drainage if the antenna is deployed with the cap pointing towards the ground.

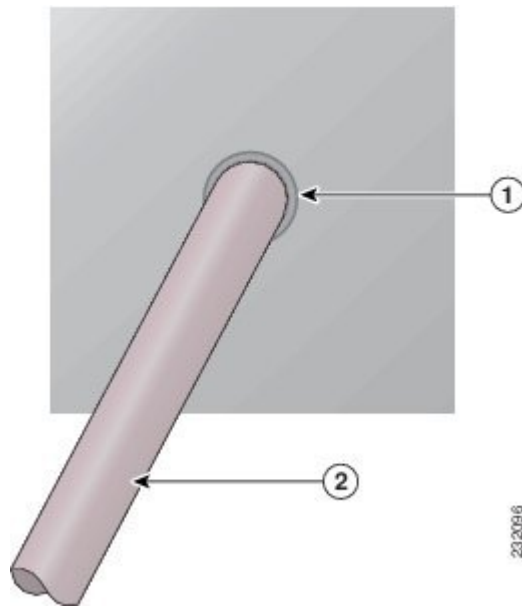


---

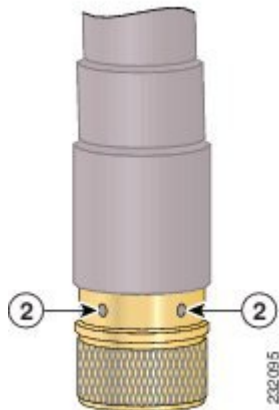
**Note** Ensure that the cap is not damaged.

---

The following graphics show the location of the drain holes in both the antenna base (2) and under the antenna cap (1).



232096



232095

## Choosing a Mounting Location

The antenna is designed to create an omni-directional broadcast pattern. To achieve this pattern, the access point should be mounted clear of any obstructions to the sides of the radiating element. If the mounting location is on the side of a building or tower, the antenna pattern is degraded on the building or tower side.

Generally, the higher an antenna is above the ground, the better it performs. Good practice is to install your antenna about 5 to 10 ft (1.5 to 3 m) above the roof line and away from all power lines and obstructions.

## Tools and Equipment Required

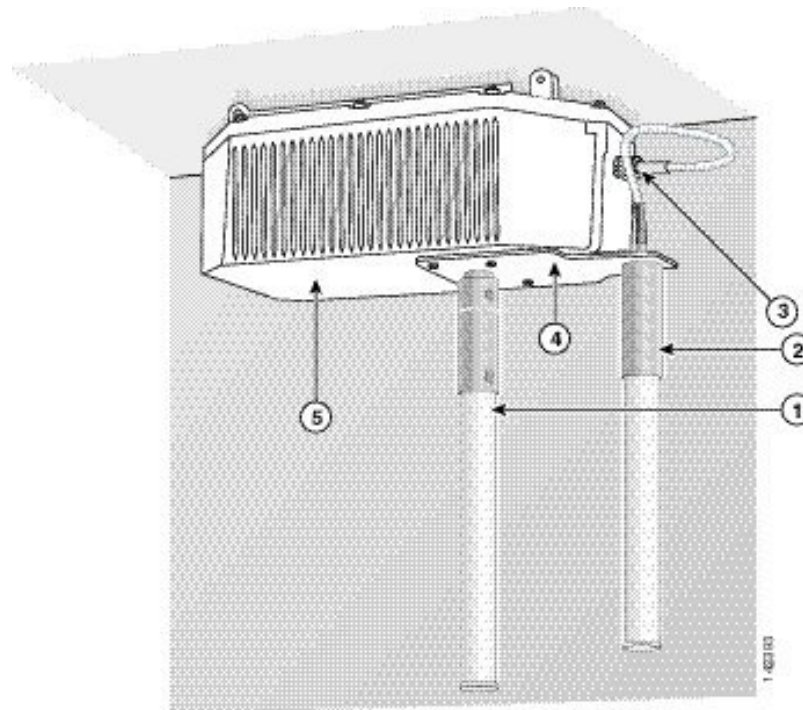
No tools are needed to secure the antenna on the 2.4 GHz antenna mounting panel on the access point.

For information about the tools required to mount the access point, reference your access point documentation.

## Mounting the Antenna

To mount the antenna on the access point, position the antenna below the antenna connector on the access point and thread it hand tight, as shown in the following figure.

**Figure 3: Antenna Mounting**



1	2.4-GHz antenna	4	Antenna mounting panel
2	5-GHz antenna	5	Access point
3	5-GHz antenna connector		

## Communications, Services, and Additional Information

- To receive timely, relevant information from Cisco, sign up at [Cisco Profile Manager](#).
- To get the business impact you're looking for with the technologies that matter, visit [Cisco Services](#).
- To submit a service request, visit [Cisco Support](#).
- To discover and browse secure, validated enterprise-class apps, products, solutions, and services, visit [Cisco DevNet](#).
- To obtain general networking, training, and certification titles, visit [Cisco Press](#).
- To find warranty information for a specific product or product family, access [Cisco Warranty Finder](#).

## Cisco Bug Search Tool

[Cisco Bug Search Tool](#) (BST) is a web-based tool that acts as a gateway to the Cisco bug tracking system that maintains a comprehensive list of defects and vulnerabilities in Cisco products and software. BST provides you with detailed defect information about your products and software.

## Documentation Feedback

To provide feedback about Cisco technical documentation, use the feedback form available in the right pane of every online document.

## Cisco Support Community

Cisco Support Community is a forum for you to ask and answer questions, share suggestions, and collaborate with your peers. Join the forum at <https://supportforums.cisco.com/index.jspa>.