



OTN Wrapper Overview

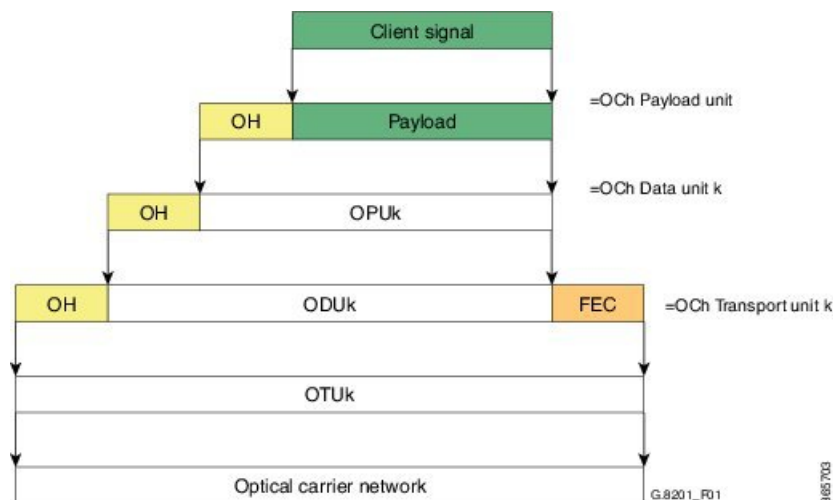
Optical Transport Network (OTN) Wrapper feature provides robust transport services that leverage many of the benefits such as resiliency and performance monitoring, while adding enhanced multi-rate capabilities in support of packet traffic, plus the transparency required by Dense Wavelength Division Multiplexing (DWDM) networks. OTN is the ideal technology to bridge the gap between next generation IP and legacy Time Division Multiplexing (TDM) networks by acting as a converged transport layer for newer packet-based and existing TDM services. OTN is defined in ITU G.709 and allows network operators to converge networks through seamless transport of the numerous types of legacy protocols, while providing the flexibility required to support future client protocols.

OTN Wrapper feature is supported on the following interface modules:

- 8-port 10 Gigabit Ethernet Interface Module (8x10GE) (A900-IMA8Z) (NCS4200-8T-PS) - The encapsulation type is OTU1e and OTU2e.
- 2-port 40 Gigabit Ethernet QSFP Interface Module (2x40GE) (A900-IMA2F) (NCS4200-2Q-P) - The encapsulation type is OTU3.
- 1-port 100 Gigabit Ethernet Interface Module (1X100GE) (NCS4200-1H-PK) (A900-IMA1C) - The encapsulation type is OTU4.

The chassis acts as an aggregator for ethernet, TDM, and SONET traffic to connect to an OTN network and vice versa. The ports on the interface modules are capable of OTN functionality. The OTN controller mode enables the IPoDWDM technology in the interface modules. The OTN Wrapper encapsulates 10G LAN, 40G LAN, and 100G LAN into the corresponding OTU1e or OTU2e, OTU3, and OTU4 containers, respectively. This enables the ports of the interface modules to work in layer 1 optical mode in conformance with standard G.709.

Figure 1: OTN Signal Structure



OTN Frame

The key sections of the OTN frame are the Optical Channel Transport Unit (OTU) overhead section, Optical Channel Data Unit (ODU) overhead section, Optical Channel Payload Unit (OPU) overhead section, OPU payload section, and Forward Error Correction (FEC) overhead section. The network routes these OTN frames across the network in a connection-oriented way. The Overhead carries the information required to identify, control and manage the payload, which maintains the deterministic quality. The Payload is simply the data transported across the network, while the FEC corrects errors when they arrive at the receiver. The number of correctable errors depends on the FEC type.

- [Advantages of OTN, on page 3](#)
- [ODU and OTU, on page 3](#)
- [Deriving OTU1e and OTU2e Rates, on page 3](#)
- [OTU1e and OTU 2e Support on 8x10GE Interface Module, on page 4](#)
- [OTU3 Support in 2x40GE Interface Module, on page 5](#)
- [OTU4 Support on 1-port 100 Gigabit Ethernet Interface Module \(1X100GE\) , on page 5](#)
- [Supported Transceivers, on page 5](#)
- [OTN Specific Functions, on page 5](#)
- [Standard MIBS, on page 6](#)
- [Restrictions for OTN, on page 6](#)
- [DWDM Provisioning, on page 7](#)
- [Configuring Transport Mode in 8x10GE and 2x40GE Interface Modules, on page 7](#)
- [Configuring Transport Mode in 1X100GE Interface Module, on page 10](#)
- [OTN Alarms, on page 12](#)
- [OTN Threshold, on page 15](#)
- [Configuring OTU Alerts, on page 17](#)
- [Configuring ODU Alerts, on page 17](#)
- [Configuring ODU Alerts, on page 17](#)
- [Loopback, on page 19](#)
- [Configuring Loopback, on page 19](#)
- [Forward Error Connection, on page 20](#)
- [SNMP Support, on page 23](#)

- [Performance Monitoring, on page 24](#)
- [Troubleshooting Scenarios, on page 31](#)
- [Associated Commands, on page 31](#)

Advantages of OTN

The following are the advantages of OTN:

- Provides multi-layer performance monitoring and enhanced maintenance capability for signals traversing multi-operator networks.
- Allows Forward Error Correction (FEC) to improve the system performance.
- Provides enhanced alarm handling capability.
- Insulates the network against uncertain service mix by providing transparent native transport of signals encapsulating all client-management information.
- Performs multiplexing for optimum capacity utilization, thereby improving network efficiency.
- Enables network scalability as well as support for dedicated Ethernet services with service definitions.

ODU and OTU

Optical Channel Transport Unit (OTU) and Optical Channel Data Unit (ODU) are the two digital layer networks. All client signals are mapped into the optical channel via the ODU and OTU layer networks.

OTU

The OTU section is composed of two main sections: the Frame Alignment section and the Section Monitoring (SM) section. The OTU Overhead (OH) provides the error detection correction as well as section-layer connection and monitoring functions on the section span. The OTU OH also includes framing bytes, enabling receivers to identify frame boundaries. For more information, see *G.709 document*.

ODU

The ODU section is an internal element allowing mapping or switching between different rates, which is important in allowing operators the ability to understand how the end user pipe is transferred through to the higher network rates. The ODU OH contains path overhead bytes allowing the ability to monitor the performance, fault type and location, generic communication, and six levels of channel protection based on Tandem Connection Monitoring (TCM). For more information, see *G.709 document*.

Deriving OTU1e and OTU2e Rates

A standard OTN frame consists of 255 16-column blocks and the payload rate is 9953280 Kbit/s. This is because the overhead and stuffing in the OTN frames happen at a granularity of 16-column blocks. Thus, OPU payload occupies $(3824-16)/16=238$ blocks. The ODU occupies 239 blocks and the OTU (including FEC) occupies 255 blocks. Hence, the multiplication factor in the G.709 spec is specified using numbers like 237, 238, 255.

Since OPU2e uses 16 columns that are reserved for stuffing and also for payload, the effective OPU2e frequency is:

- $OPU2e = 238/237 \times 10312500 \text{ Kbit/s} = 10.356012 \text{ Gbit/s}$
- $ODU2e = 239/237 \times 10312500 \text{ Kbit/s} = 10.399525 \text{ Gbit/s}$
- $OTU2e = 255/237 \times 10312500 \text{ Kbit/s} = 11.095727 \text{ Gbit/s}$

Since OPU1e uses 16 columns that are reserved for stuffing and also for payload, the effective OPU1e frequency is:

- $OPU1e = 238/238 \times 10312500 \text{ Kbit/s} = 10.3125 \text{ Gbit/s}$
- $ODU1e = 239/238 \times 10312500 \text{ Kbit/s} = 10.355829 \text{ Gbit/s}$
- $OTU1e = 255/238 \times 10312500 \text{ Kbit/s} = 11.049107 \text{ Gbit/s}$

OTU1e and OTU 2e Support on 8x10GE Interface Module

The OTU1e and OTU2e are mapping mechanisms to map a client 10G Base-R signal to OTN frames transparently as per ITU-T G series Supplement 43 specification. Both these modes are over-clocked OTN modes. These mechanisms provide real bit transparency of 10 GbE LAN signals and are useful for deployment of 10G services.

The OTU1e and OTU2e are inherently intra-domain interfaces (IaDI) and are generally applicable only to a single vendor island within an operator's network to enable the use of unique optical technology. The OTU1e and OTU2e are not standard G.709 bit-rate signals and they do not interwork with the standard mappings of Ethernet using GFP-F. These two over-clocked mechanisms do not interwork with each other. As a result, such signals are only deployed in a point-to-point configuration between equipment that implements the same mapping.

The standard 10 GbE LAN has a data rate of 10.3125 Gbps. In the OTU1e and OTU2e mapping schemes, the full 10.3125 Gbit/s is transported including the 64B/66B coded information, IPG, MAC FCS, preamble, start-of-frame delimiter (SFD) and the ordered sets (to convey fault information). So, the effective OTU2e and OTU1e rates are:

- OTU1e: 11.0491 Gbits/s +/- 100ppm
- OTU2e: 11.0957 Gbits/s +/- 100ppm

The 10GBase-R client signal with fixed stuff bytes is accommodated into an OPU-like signal, then into an ODU-like signal, and further into an OTU-like signal. These signals are denoted as OPU2e, ODU2e and OTU2e, respectively. The OTU1e does not add 16 columns of fixed stuff bytes and hence overall data rate is relatively lesser at 11.0491 Gbps as compared to OTU2e which is 11.0957 Gbps.

The following table shows the standard OTU rates:

Table 1: Standard OTU Rates

| G.709 Interface | Line Rate | Corresponding Ethernet Rate | Line Rate |
|-----------------|--------------------------------------|-----------------------------|----------------|
| OTU-1e | 11.0491 Gbit/s without stuffing bits | 10 Gig E-LAN | 10.3125 Gbit/s |

| G.709 Interface | Line Rate | Corresponding Ethernet Rate | Line Rate |
|-----------------|--------------------------------------|-----------------------------|----------------|
| OTU-2e | 11.0957 Gbit/s without stuffing bits | 10 Gig E-LAN | 10.3125 Gbit/s |
| OTU-3 | 43.018 Gbit/s | STM-256 or OC-768 | 39.813 Gbit/s |

OTU3 Support in 2x40GE Interface Module

When 40GbE LAN is transported over OTN, there is no drop in line rate when the LAN client is mapped into the OPU3 using the standard CBR40G mapping procedure as specified in G.709 clause 17.2.3. The 40G Ethernet signal (41.25 Gbit/s) uses 64B/66B coding making it slightly larger than the OPU3 payload rate that is 40.15 Gbit/s. Hence, to transport 40G Ethernet service over ODU3, the 64B/66B blocks are transcoded into 1024B/1027B block code to reduce their size. The resulting 40.117 Gbit/s transcoded stream is then mapped in standard OPU3.

OTU4 Support on 1-port 100 Gigabit Ethernet Interface Module (1X100GE)

A 100G ethernet client signal running at 103.125 Gbit/s rate can be mapped directly into an OPU4 payload area.

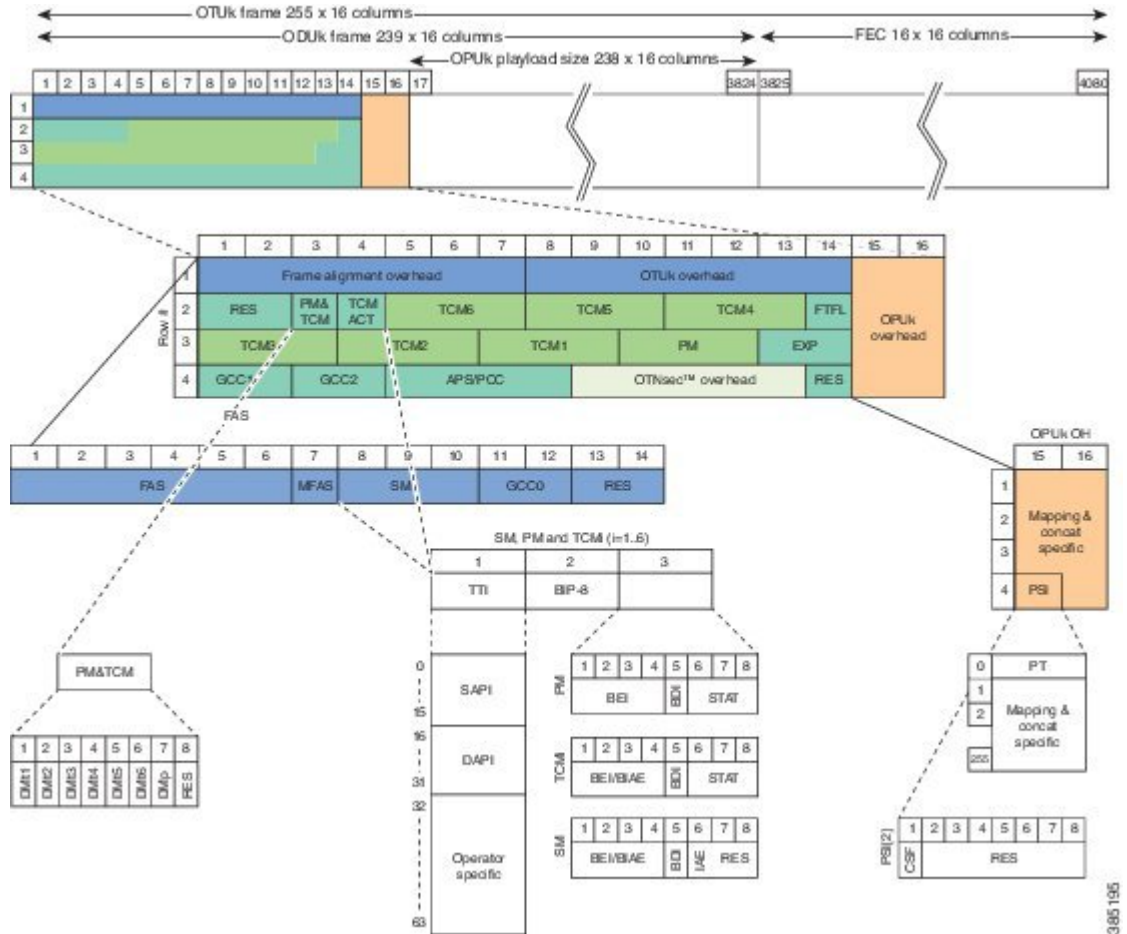
Supported Transceivers

The OTN wrapper feature works with the standard transceiver types that are supported for the LAN mode of 10G, 40G and 100G on the interface modules. The SFP-10G-LR-X, QSFP-40G-LR4, and CPAK-100G-SR10 are used for 8x10GE, 2x40GE, and 1X100GE interface modules, respectively.

OTN Specific Functions

The following figure shows the OTN specific functions related to overhead processing, alarm handling, FEC and TTI:

Figure 2: OTN Specific Functions



Standard MIBS

The following are the standard MIBS:

- RFC2665
- RFC1213
- RFC2907
- RFC2233
- RFC3591

Restrictions for OTN

The following are the restrictions for OTN:

- OTL alarms are not supported.
- FECMISMATCH alarm is not supported.
- Enhanced FEC is not supported.
- Alarm and error counters are visible when the controller is in shutdown state.

DWDM Provisioning

All DWDM provisioning configurations take place on the controller. To configure a DWDM controller, use the controller `dwdm` command in global configuration mode.

Prerequisites for DWDM Provisioning

The `g709` configuration commands can be used only when the controller is in the shutdown state. Use the **no shutdown** command after configuring the parameters, to remove the controller from shutdown state and to enable the controller to move to up state.

Configuring DWDM Provisioning

Use the following commands to configure DWDM provisioning:

```
enable
configure terminal
controller dwdm 0/1/0
```

Configuring Transport Mode in 8x10GE and 2x40GE Interface Modules

Use the **transport-mode** command in interface configuration mode to configure LAN and OTN transport modes in 8x10GE and 2x40GE interface modules. The **transport-mode** command **otn** option has the bit-transparent sub-option, using which bit transparent mapping into OPU1e or OPU2e can be configured.

Use the following commands to configure LAN and OTN transport modes:

```
enable
configure terminal
controller dwdm 0/0/0
transport-mode otn bit-transparent opule
```



Note LAN transport mode is the default mode.

To configure the transport administration state on a DWDM port, use the **admin-state** command in DWDM configuration mode. To return the administration state from a DWDM port to the default, use the **no** form of this command.

Verification of LAN Transport Mode Configuration

Use the **show interfaces** command to verify the configuration of LAN transport mode:

```
Router#sh int te0/1/0
TenGigabitEthernet0/1/0 is up, line protocol is up
  MTU 1500 bytes, BW 10000000 Kbit/sec, DLY 10 usec,
    reliability 255/255, txload 8/255, rxload 193/255
  Encapsulation ARPA, loopback not set
  Keepalive set (10 sec)
  Full Duplex, 10000Mbps, link type is force-up, media type is SFP-SR
  output flow-control is unsupported, input flow-control is on
  Transport mode LAN
  ARP type: ARPA, ARP Timeout 04:00:00
  Last input 04:02:09, output 04:02:09, output hang never
  Last clearing of "show interface" counters 00:29:47
  Input queue: 0/375/0/0 (size/max/drops/flushes); Total output drops: 0
  Queueing strategy: fifo
  Output queue: 0/40 (size/max)
  5 minute input rate 7605807000 bits/sec, 14854906 packets/sec
  5 minute output rate 335510000 bits/sec, 655427 packets/sec
    26571883351 packets input, 1700600465344 bytes, 0 no buffer
    Received 0 broadcasts (0 IP multicasts)
    0 runts, 0 giants, 0 throttles
    0 input errors, 0 CRC, 0 frame, 0 overrun, 0 ignored
    0 watchdog, 0 multicast, 0 pause input
    10766634813 packets output, 689064271464 bytes, 0 underruns
    0 output errors, 0 collisions, 0 interface resets
    0 unknown protocol drops
    0 babbles, 0 late collision, 0 deferred
    0 lost carrier, 0 no carrier, 0 pause output
    0 output buffer failures, 0 output buffers swapped out
Router#
```

Verification of OTN Transport Mode Configuration in 8x10GE Interface Modules

Use the **show interfaces** command to verify the configuration of OTN transport mode in 8x10GE interface modules:

```
Router#sh int te0/1/1
TenGigabitEthernet0/1/1 is up, line protocol is up
  MTU 1500 bytes, BW 10000000 Kbit/sec, DLY 10 usec,
    reliability 255/255, txload 193/255, rxload 7/255
  Encapsulation ARPA, loopback not set
  Keepalive set (10 sec)
  Full Duplex, 10000Mbps, link type is force-up, media type is SFP-SR
  output flow-control is unsupported, input flow-control is on
  Transport mode OTN (10GBASE-R over OPuLe w/o fixed stuffing, 11.0491Gb/s)
  ARP type: ARPA, ARP Timeout 04:00:00
  Last input 03:28:14, output 03:28:14, output hang never
  Last clearing of "show interface" counters 00:30:47
  Input queue: 0/375/0/0 (size/max/drops/flushes); Total output drops: 0
  Queueing strategy: fifo
  Output queue: 0/40 (size/max)
  5 minute input rate 281326000 bits/sec, 549608 packets/sec
  5 minute output rate 7596663000 bits/sec, 14837094 packets/sec
    10766669034 packets input, 689066159324 bytes, 0 no buffer
    Received 0 broadcasts (0 IP multicasts)
    0 runts, 0 giants, 0 throttles
    0 input errors, 0 CRC, 0 frame, 0 overrun, 0 ignored
    0 watchdog, 0 multicast, 0 pause input
```



```

27457291925 packets output, 1757266795328 bytes, 0 underruns
0 output errors, 0 collisions, 0 interface resets
0 unknown protocol drops
0 babbles, 0 late collision, 0 deferred
0 lost carrier, 0 no carrier, 0 pause output
0 output buffer failures, 0 output buffers swapped out
Router#

```

Verification of OTN Transport Mode Configuration in 2x40GE Interface Modules

Use the **show interfaces** command to verify the configuration of OTN transport mode in 2x40GE interface modules:

```

Router#show int fo0/4/0
FortyGigabitEthernet0/4/0 is up, line protocol is up
  MTU 1500 bytes, BW 40000000 Kbit/sec, DLY 10 usec,
    reliability 255/255, txload 1/255, rxload 1/255
  Encapsulation ARPA, loopback not set
  Keepalive set (10 sec)
  Full Duplex, 40000Mbps, link type is force-up, media type is QSFP_40GE_SR
  output flow-control is unsupported, input flow-control is on
  Transport mode OTN OTU3 (43.018Gb/s)
  ARP type: ARPA, ARP Timeout 04:00:00
  Last input never, output never, output hang never
  Last clearing of "show interface" counters never
  Input queue: 0/375/0/0 (size/max/drops/flushes); Total output drops: 0
  Queueing strategy: fifo
  Output queue: 0/40 (size/max)
  5 minute input rate 0 bits/sec, 0 packets/sec
  5 minute output rate 0 bits/sec, 0 packets/sec
    0 packets input, 0 bytes, 0 no buffer
    Received 0 broadcasts (0 IP multicasts)
    0 runs, 0 giants, 0 throttles
    0 input errors, 0 CRC, 0 frame, 0 overrun, 0 ignored
    0 watchdog, 0 multicast, 0 pause input
    0 packets output, 0 bytes, 0 underruns
    0 output errors, 0 collisions, 2 interface resets
    0 unknown protocol drops
    0 babbles, 0 late collision, 0 deferred
    0 lost carrier, 0 no carrier, 0 pause output
    0 output buffer failures, 0 output buffers swapped out

```

Changing from OTN to LAN Mode

Use the following methods to change from OTN mode to LAN mode:

- Use the following commands to make the transport mode as LAN mode:

```

enable
configure terminal
controller dwdm 0/0/0
transport-mode lan

```

- Use the following commands to set the controller default transport mode as LAN mode:

```

enable
configure terminal

```

```
controller dwdm 0/0/0
default transport-mode
```

Verification of Enabled Ports for Controller Configuration

Use the `show controllers` command to verify the enabled ports for the controller configuration:

```
#show controllers
TenGigabitEthernet0/0/0
TenGigabitEthernet0/0/1
TenGigabitEthernet0/0/2
TenGigabitEthernet0/0/3
TenGigabitEthernet0/0/4
TenGigabitEthernet0/0/5
TenGigabitEthernet0/0/6
TenGigabitEthernet0/0/7
TenGigabitEthernet0/1/0
TenGigabitEthernet0/1/1
FortyGigabitEthernet0/4/0
FortyGigabitEthernet0/4/1
TenGigabitEthernet0/5/0
TenGigabitEthernet0/5/1
TenGigabitEthernet0/5/2
TenGigabitEthernet0/5/3
TenGigabitEthernet0/5/4
TenGigabitEthernet0/5/5
TenGigabitEthernet0/5/6
TenGigabitEthernet0/5/7
#
```

Configuring Transport Mode in 1X100GE Interface Module

Use the **transport-mode** command in interface configuration mode to configure LAN and OTN transport modes in 1X100GE interface module. The **transport-mode** command *otn* option has the bit-transparent sub-option.

Use the following commands to configure LAN and OTN transport modes:

```
enable
configure terminal
controller dwdm 0/0/0
transport-mode otn otu4 100G
```



Note LAN transport mode is the default mode.

To configure the transport administration state on a DWDM port, use the **admin-state** command in DWDM configuration mode. To return the administration state from a DWDM port to the default, use the **no** form of this command.

Verification of Transport Mode Configuration on 1X100GE Interface Module

Use the following commands to verify the transport mode configuration on 1X100GE interface module:

```

#show interfaces Hu0/8/0
HundredGigE0/8/0 is up, line protocol is up
  Hardware is NCS4200-1H-PK, address is 7426.acf6.8048 (bia 7426.acf6.8048)
  MTU 1500 bytes, BW 100000000 Kbit/sec, DLY 10 usec,
    reliability 255/255, txload 1/255, rxload 1/255
  Encapsulation ARPA, loopback not set
  Keepalive set (10 sec)
  Full Duplex, 100000Mbps, link type is force-up, media type is CPAK-100G-SR10
  output flow-control is off, input flow-control is off
  Transport mode OTN OTU4 (111.80997Gb/s)
  ARP type: ARPA, ARP Timeout 04:00:00
  Last input never, output never, output hang never
  Last clearing of "show interface" counters never
  Input queue: 0/375/0/0 (size/max/drops/flushes); Total output drops: 0
  Queueing strategy: fifo
  Output queue: 0/40 (size/max)
  5 minute input rate 0 bits/sec, 0 packets/sec
  5 minute output rate 0 bits/sec, 0 packets/sec
    0 packets input, 0 bytes, 0 no buffer
  Received 0 broadcasts (0 IP multicasts)
    0 runts, 0 giants, 0 throttles
    0 input errors, 0 CRC, 0 frame, 0 overrun, 0 ignored
    0 watchdog, 0 multicast, 0 pause input
    0 packets output, 0 bytes, 0 underruns
    0 output errors, 0 collisions, 2 interface resets
    0 unknown protocol drops
    0 babbles, 0 late collision, 0 deferred
    0 lost carrier, 0 no carrier, 0 pause output
    0 output buffer failures, 0 output buffers swapped out

#

#show controllers dwdm 0/8/0
G709 Information:
Controller dwdm 0/8/0, is up (no shutdown)
Transport mode OTN OTU4
Loopback mode enabled : None
TAS state is : IS
G709 status : Enabled
OTU
      LOS = 0          LOF = 0          LOM = 0
      AIS = 0          BDI = 0          BIP = 0
      TIM = 0          IAE = 0          BEI = 0
ODU
      AIS = 0          BDI = 0          TIM = 0
      OCI = 0          LCK = 0          PTIM = 0
      BIP = 0          BEI = 0
FEC Mode: None
Remote FEC Mode: Unknown
      FECM              = 0
      EC(current second) = 0
      EC                = 0
      UC                = 0
Detected Alarms: NONE
Asserted Alarms: NONE
Detected Alerts: NONE
Asserted Alerts: NONE
Alarm reporting enabled for: LOS LOF LOM OTU-AIS OTU-IAE OTU-BDI OTU-TIM ODU-AIS ODU-OCI
ODU-LCK ODU-BDI ODU-PTIM ODU-TIM ODU-BIP
Alert reporting enabled for: OTU-SD-BER OTU-SF-BER OTU-SM-TCA ODU-SD-BER ODU-SF-BER ODU-PM-TCA
BER thresholds: ODU-SF = 10e-3 ODU-SD = 10e-6 OTU-SF = 10e-3 OTU-SD = 10e-6
TCA thresholds: SM = 10e-3 PM = 10e-3
OTU TTI Sent      String SAPI ASCII      : Tx TTI Not Configured
OTU TTI Sent      String DAPI ASCII       : Tx TTI Not Configured
OTU TTI Sent      String OPERATOR ASCII   : Tx TTI Not Configured

```

```

OTU TTI Expected String SAPI ASCII      : Exp TTI Not Configured
OTU TTI Expected String DAPI ASCII     : Exp TTI Not Configured
OTU TTI Expected String OPERATOR ASCII : Exp TTI Not Configured
OTU TTI Received String HEX           : 0000000000000000000000000000000000000000000000000000000000000000
                                         0000000000000000000000000000000000000000000000000000000000000000
                                         0000000000000000000000000000000000000000000000000000000000000000
ODU TTI Sent      String SAPI ASCII     : Tx TTI Not Configured
ODU TTI Sent      String DAPI ASCII     : Tx TTI Not Configured
ODU TTI Sent      String OPERATOR ASCII : Tx TTI Not Configured
ODU TTI Expected String SAPI ASCII     : Exp TTI Not Configured
ODU TTI Expected String DAPI ASCII     : Exp TTI Not Configured
ODU TTI Expected String OPERATOR ASCII : Exp TTI Not Configured
ODU TTI Received String HEX           : 0000000000000000000000000000000000000000000000000000000000000000
                                         0000000000000000000000000000000000000000000000000000000000000000
                                         0000000000000000000000000000000000000000000000000000000000000000

```

OTN Alarms

OTN supports alarms in each layer of encapsulation. All the alarms follow an alarm hierarchy and the highest level of alarm is asserted and presented as a Syslog message or on the CLI.

OTU Alarms

The types of alarms enabled for reporting:

- AIS - Alarm indication signal (AIS) alarms
- BDI - Backward defect indication (BDI) alarms
- IAE - Incoming alignment error (IAE) alarms
- LOF - Loss of frame (LOF) alarms
- LOM - Loss of multiple frames (LOM) alarms
- LOS - Loss of signal (LOS) alarms
- TIM - Type identifier mismatch (TIM) alarms
- SM - TCA - SM threshold crossing alert
- SD-BER - SM BER is in excess of the SD BER threshold
- SF-BER - SM BER is in excess of the SF BER threshold

ODU Alarms

The types of alarms enabled for reporting:

- AIS - Alarm indication signal (AIS) alarms
- BDI - Backward defect indication (BDI) alarms
- LCK - Upstream connection locked (LCK) error status
- OCI - Open connection indication (OCI) error status
- PM-TCA - Performance monitoring (PM) threshold crossing alert (TCA)
- PTIM - Payload TIM error status

- SD-BER - SM BER is in excess of the SD BER threshold
- SF-BER - SM BER is in excess of the SF BER threshold
- TIM - Type identifier mismatch (TIM) alarms

Configuring OTN Alarm Reports

By default, all the OTN alarm reports are enabled. To control OTN alarm reports, disable all the alarms and enable the specific alarms.



Note You need to shutdown the interface using the **shut** command to configure the alarms.

Configuring OTU Alarm Reports

Use the following commands to configure OTU alarm reports:

```
enable
configure terminal
controller dwdm 0/4/1
shut
g709 otu report bdi
no shut
end
```



Note Fecmismatch is not supported.



Note Use **no g709 otu report** command to disable the OTU alarm reports.

Verification of OTU Alarm Reports Configuration

Use the **show controllers** command to verify OTU alarm reports configuration:

```
#show controllers dwdm 0/4/1
G709 Information:

Controller dwdm 0/4/1, is up (no shutdown)

Transport mode OTN OTU3
Loopback mode enabled : None

TAS state is : IS
G709 status : Enabled
( Alarms and Errors )
OTU
      LOS = 3          LOF = 1          LOM = 0
      AIS = 0          BDI = 0          BIP = 74444
      TIM = 0          IAE = 0          BEI = 37032

ODU
```

```

AIS = 0          BDI = 0          TIM = 0
OCI = 0          LCK = 0          PTIM = 0
BIP = 2         BEI = 0

FEC Mode: FEC

Remote FEC Mode: Unknown
FECM              = 0
EC(current second) = 0
EC                = 186
UC                = 10695

Detected Alarms: NONE
Asserted Alarms: NONE
Detected Alerts: NONE
Asserted Alerts: NONE
Alarm reporting enabled for: LOS LOF LOM OTU-AIS OTU-IAE OTU-BDI ODU-AIS ODU-OCI ODU-LCK
ODU-BDI ODU-PTIM ODU-BIP
Alert reporting enabled for: OTU-SD-BER OTU-SF-BER OTU-SM-TCA ODU-SD-BER ODU-SF-BER ODU-PM-TCA
BER thresholds: ODU-SF = 10e-3 ODU-SD = 10e-6 OTU-SF = 10e-3 OTU-SD = 10e-6
TCA thresholds: SM = 10e-3 PM = 10e-3

OTU TTI Sent      String SAPI ASCII      : Tx TTI Not Configured
OTU TTI Sent      String DAPI ASCII      : Tx TTI Not Configured
OTU TTI Sent      String OPERATOR ASCII   : Tx TTI Not Configured
OTU TTI Expected String SAPI ASCII      : Exp TTI Not Configured
OTU TTI Expected String DAPI ASCII      : Exp TTI Not Configured
OTU TTI Expected String OPERATOR ASCII   : Exp TTI Not Configured
OTU TTI Received String HEX : 0000000000000000000000000000000000000000000000000000000000000000
0000000000000000000000000000000000000000000000000000000000000000
0000000000000000000000000000000000000000000000000000000000000000

ODU TTI Sent      String SAPI ASCII      : Tx TTI Not Configured
ODU TTI Sent      String DAPI ASCII      : Tx TTI Not Configured
ODU TTI Sent      String OPERATOR ASCII   : Tx TTI Not Configured
ODU TTI Expected String SAPI ASCII      : Exp TTI Not Configured
ODU TTI Expected String DAPI ASCII      : Exp TTI Not Configured
ODU TTI Expected String OPERATOR ASCII   : Exp TTI Not Configured
ODU TTI Received String HEX : 0000000000000000000000000000000000000000000000000000000000000000
0000000000000000000000000000000000000000000000000000000000000000
0000000000000000000000000000000000000000000000000000000000000000

```

Syslog Generation for LOS Alarm

The following example shows the syslog generation for LOS alarm:

```

(config-if)#
*Jan 16 06:32:50.487 IST: %DWDM-4-G709ALARM: dwdm-0/4/1: LOS declared
*Jan 16 06:32:51.048 IST: %LINK-3-UPDOWN: Interface FortyGigabitEthernet0/4/1, changed state
to down
*Jan 16 06:32:51.489 IST: %DWDM-4-G709ALARM: dwdm-0/4/1: LOF declared
*Jan 16 06:32:51.495 IST: %DWDM-4-G709ALARM: dwdm-0/4/1: LOS cleared

```

Configuring ODU Alarm Report

Use the following commands to configure ODU alarm reports:

```

enable
configure terminal
controller dwdm 0/4/1
shut

```

```
g709 odu report ais
no shut
end
```



Note Use **no g709 odu report** command to disable the ODU alarm reports.

OTN Threshold

The signal degrade and signal failure thresholds are configured for alerts.

The following types of thresholds are configured for alerts for OTU and ODU layers:

- SD-BER—Section Monitoring (SM) bit error rate (BER) is in excess of the signal degradation (SD) BER threshold.
- SF-BER—SM BER is in excess of the signal failure (SF) BER threshold.
- PM-TCA—Performance monitoring (PM) threshold crossing alert (TCA).
- SM-TCA—SM threshold crossing alert.

Configuring OTU Threshold

To configure OTU threshold:

```
enable
configure terminal
controller dwdm 0/4/1
shut
g709 otu threshold sm-tca 3
no shut
end
```



Note Use **no g709 otu threshold** command to disable OTU threshold.

Configuring ODU Threshold

To configure ODU threshold:

```
enable
configure terminal
controller dwdm 0/4/1
shut
g709 odu threshold sd-ber 3
no shut
end
```



Note Use **no g709 odu threshold** command to disable configuration of ODU threshold.

Verification of OTU and ODU Threshold Configuration

Use the **show controllers** command to verify OTU and ODU threshold configuration:

```

Router#show controllers dwdm 0/1/2
G709 Information:

Controller dwdm 0/1/2, is up (no shutdown)

Transport mode OTN (10GBASE-R over OPUle w/o fixed stuffing, 11.0491Gb/s)
Loopback mode enabled : None

TAS state is : UNKNWN
G709 status : Enabled

OTU
      LOS = 0          LOF = 0          LOM = 0
      AIS = 0          BDI = 0          BIP = 0
      TIM = 0          IAE = 0          BEI = 0

ODU
      AIS = 0          BDI = 0          TIM = 0
      OCI = 0          LCK = 0          PTIM = 0
      BIP = 0          BEI = 0

FEC Mode: FEC

Remote FEC Mode: Unknown
      FECM              = 0
      EC(current second) = 0
      EC                 = 0
      UC                 = 0

Detected Alarms: NONE
Asserted Alarms: NONE
Detected Alerts: NONE
Asserted Alerts: NONE
Alarm reporting enabled for: LOS LOF LOM OTU-AIS OTU-IAE OTU-BDI OTU-TIM ODU-AIS ODU-OCI
ODU-LCK ODU-BDI ODU-PTIM ODU-TIM ODU-BIP
Alert reporting enabled for: OTU-SD-BER OTU-SF-BER OTU-SM-TCA ODU-SD-BER ODU-SF-BER ODU-PM-TCA
BER thresholds: ODU-SF = 10e-3 ODU-SD = 10e-6 OTU-SF = 10e-3 OTU-SD = 10e-6
TCA thresholds: SM = 10e-3 PM = 10e-3

OTU TTI Sent      String SAPI ASCII      : AABBCDD
OTU TTI Sent      String DAPI ASCII      : AABBCDD
OTU TTI Sent      String OPERATOR ASCII   : AABBCDD
OTU TTI Expected  String SAPI ASCII      : AABBCDD
OTU TTI Expected  String DAPI ASCII      : AABBCDD
OTU TTI Expected  String OPERATOR HEX    : AABBCDD
OTU TTI Received  String HEX      : 0052414D4553480000000000000000000052414D45534800
                                0000000000000041414242434344440000000000000000
                                00000000000000000000000000000000

ODU TTI Sent      String SAPI ASCII      : AABBCDD
ODU TTI Sent      String DAPI ASCII      : AABBCDD
ODU TTI Sent      String OPERATOR HEX    : 11223344
ODU TTI Expected  String SAPI ASCII      : AABBCDD
ODU TTI Expected  String DAPI ASCII      : AABBCDD
ODU TTI Expected  String OPERATOR HEX    : 11223344
ODU TTI Received  String HEX      : 0052414D4553480000000000000000000052414D45534800
                                0000000000000011223344000000000000000000000000

```



```
00000000000000000000000000000000
```

```
Router#
```

Configuring OTU Alerts

To configure OTU alerts:

```
enable
configure terminal
controller dwdm 0/4/1
shutdown
g709 otu
g709 otu threshold
g709 otu threshold sd-ber
no shutdown
end
```

Configuring ODU Alerts

To configure ODU alerts:

```
enable
configure terminal
controller dwdm 0/4/1
shutdown
g709 otu
g709 otu threshold
g709 otu threshold pm-tca
no shutdown
end
```

Configuring ODU Alerts

To configure ODU alerts:

```
enable
configure terminal
controller dwdm 0/4/1
shutdown
g709 otu
g709 otu threshold
g709 otu threshold pm-tca
no shutdown
end
```

Verifying Alerts Configuration

Use the show controllers command to verify the alerts configuration:

```
#show controllers dwdm 0/4/1
G709 Information:

Controller dwdm 0/4/1, is down (shutdown)
```


Loopback

Loopback provides a means for remotely testing the throughput of an Ethernet port on the router. You can verify the maximum rate of frame transmission with no frame loss. Two types of loopback is supported:

- Internal Loopback - All packets are looped back internally within the router before reaching an external cable. It tests the internal Rx to Tx path and stops the traffic to egress out from the Physical port.
- Line Loopback - Incoming network packets are looped back through the external cable.

Configuring Loopback

To configure loopback:

```
enable
configure terminal
controller dwdm 0/4/1
shutdown
loopback line
no shutdown
end
```

Verifying Loopback Configuration

Use the **show controllers** command to verify the loopback configuration:

```
#show controllers dwdm 0/4/1
G709 Information:

Controller dwdm 0/4/1, is up (no shutdown)

Transport mode OTN OTU3
Loopback mode enabled : Line

TAS state is : IS
G709 status : Enabled

OTU
      LOS = 5          LOF = 1          LOM = 0
      AIS = 0          BDI = 0          BIP = 149549
      TIM = 0          IAE = 0          BEI = 74685

ODU
      AIS = 0          BDI = 0          TIM = 0
      OCI = 0          LCK = 0          PTIM = 0
      BIP = 2          BEI = 0

FEC Mode: FEC

Remote FEC Mode: Unknown
      FECM                    = 0
      EC(current second)     = 0
      EC                      = 856
      UC                      = 23165

Detected Alarms: NONE
```

```

Asserted Alarms: NONE
Detected Alerts: NONE
Asserted Alerts: NONE
Alarm reporting enabled for: LOS LOF LOM OTU-AIS OTU-IAE OTU-BDI ODU-AIS ODU-OCI ODU-LCK
ODU-BDI ODU-PTIM ODU-BIP
Alert reporting enabled for: OTU-SD-BER OTU-SF-BER OTU-SM-TCA ODU-SD-BER ODU-SF-BER ODU-PM-TCA
BER thresholds: ODU-SF = 10e-3 ODU-SD = 10e-6 OTU-SF = 10e-3 OTU-SD = 10e-4
TCA thresholds: SM = 10e-3 PM = 10e-3

OTU TTI Sent      String SAPI ASCII      : Tx TTI Not Configured
OTU TTI Sent      String DAPI ASCII      : Tx TTI Not Configured
OTU TTI Sent      String OPERATOR ASCII  : Tx TTI Not Configured
OTU TTI Expected String SAPI ASCII      : Exp TTI Not Configured
OTU TTI Expected String DAPI ASCII      : Exp TTI Not Configured
OTU TTI Expected String OPERATOR ASCII  : Exp TTI Not Configured
OTU TTI Received String HEX      : 0000000000000000000000000000000000000000000000000000000000000000
                                0000000000000000000000000000000000000000000000000000000000000000
                                0000000000000000000000000000000000000000000000000000000000000000

ODU TTI Sent      String SAPI ASCII      : Tx TTI Not Configured
ODU TTI Sent      String DAPI ASCII      : Tx TTI Not Configured
ODU TTI Sent      String OPERATOR ASCII  : Tx TTI Not Configured
ODU TTI Expected String SAPI ASCII      : Exp TTI Not Configured
ODU TTI Expected String DAPI ASCII      : Exp TTI Not Configured
ODU TTI Expected String OPERATOR ASCII  : Exp TTI Not Configured
ODU TTI Received String HEX      : 0000000000000000000000000000000000000000000000000000000000000000
                                0000000000000000000000000000000000000000000000000000000000000000
                                0000000000000000000000000000000000000000000000000000000000000000

#

```

Forward Error Connection

Forward error correction (FEC) is a method of obtaining error control in data transmission in which the source (transmitter) sends redundant data and the destination (receiver) recognizes only the portion of the data that contains no apparent errors. FEC groups source packets into blocks and applies protection to generate a desired number of repair packets. These repair packets may be sent on demand or independently of any receiver feedback.

Standard FEC is supported on 8x10GE and 2x40GE interface modules.

The packets that can be corrected by FEC are known as Error Corrected Packets. The packets that cannot be corrected by FEC due to enhanced bit errors are known as Uncorrected Packets.

Benefits of FEC

The following are the benefits of FEC:

- FEC reduces the number of transmission errors, extends the operating range, and reduces the power requirements for communications systems.
- FEC increases the effective systems throughput.
- FEC supports correction of bit errors occurring due to impairments in the transmission medium.

Configuring FEC

To configure FEC:

```
enable
configure terminal
controller dwdm 0/4/1
shutdown
g709 fec standard
no shutdown
end
```

Verifying FEC Configuration

Use the **show controllers** command to verify FEC configuration:

```
G709 Information:

Controller dwdm 0/4/1, is up (no shutdown)

Transport mode OTN OTU3
Loopback mode enabled : Line

TAS state is : IS
G709 status : Enabled

OTU
      LOS = 5           LOF = 1           LOM = 0
      AIS = 0           BDI = 0           BIP = 149549
      TIM = 0           IAE = 0           BEI = 74685

ODU
      AIS = 0           BDI = 0           TIM = 0
      OCI = 0           LCK = 0           PTIM = 0
      BIP = 2           BEI = 0

FEC Mode: FEC

Remote FEC Mode: Unknown <- This is a limitation by which we do not show the remote FEC
mode
      FECM                = 0
      EC(current second)  = 0
      EC                   = 856          <- This is the counter for Error
corrected bits .
      UC                   = 23165       <- this is the counter for Uncorrected
alarms .

Detected Alarms: NONE
Asserted Alarms: NONE
Detected Alerts: NONE
Asserted Alerts: NONE
Alarm reporting enabled for: LOS LOF LOM OTU-AIS OTU-IAE OTU-BDI ODU-AIS ODU-OCI ODU-LCK
ODU-BDI ODU-PTIM ODU-BIP
Alert reporting enabled for: OTU-SD-BER OTU-SF-BER OTU-SM-TCA ODU-SD-BER ODU-SF-BER ODU-PM-TCA
BER thresholds: ODU-SF = 10e-3 ODU-SD = 10e-6 OTU-SF = 10e-3 OTU-SD = 10e-5
TCA thresholds: SM = 10e-3 PM = 10e-4

OTU TTI Sent      String SAPI ASCII      : Tx TTI Not Configured
OTU TTI Sent      String DAPI ASCII       : Tx TTI Not Configured
OTU TTI Sent      String OPERATOR ASCII    : Tx TTI Not Configured
```

```

OTU TTI Expected String SAPI ASCII      : Exp TTI Not Configured
OTU TTI Expected String DAPI ASCII      : Exp TTI Not Configured
OTU TTI Expected String OPERATOR ASCII  : Exp TTI Not Configured
OTU TTI Received String HEX             : 0000000000000000000000000000000000000000000000000000000000000000
                                         0000000000000000000000000000000000000000000000000000000000000000
                                         0000000000000000000000000000000000000000000000000000000000000000

ODU TTI Sent      String SAPI ASCII      : Tx TTI Not Configured
ODU TTI Sent      String DAPI ASCII      : Tx TTI Not Configured
ODU TTI Sent      String OPERATOR ASCII  : Tx TTI Not Configured
ODU TTI Expected String SAPI ASCII      : Exp TTI Not Configured
ODU TTI Expected String DAPI ASCII      : Exp TTI Not Configured
ODU TTI Expected String OPERATOR ASCII  : Exp TTI Not Configured
ODU TTI Received String HEX             : 0000000000000000000000000000000000000000000000000000000000000000
                                         0000000000000000000000000000000000000000000000000000000000000000

```

Trail Trace Identifier

The Trail Trace Identifier (TTI) is a 64-Byte signal that occupies one byte of the frame and is aligned with the OTUk multiframe. It is transmitted four times per multiframe. TTI is defined as a 64-byte string with the following structure:

- TTI [0] contains the Source Access Point Identifier (SAPI) [0] character, which is fixed to all-0s.
- TTI [1] to TTI [15] contain the 15-character source access point identifier (SAPI[1] to SAPI[15]).
- TTI [16] contains the Destination Access Point Identifier (DAPI) [0] character, which is fixed to all-0s.
- TTI [17] to TTI [31] contain the 15-character destination access point identifier (DAPI [1] to DAPI [15]).
- TTI [32] to TTI [63] are operator specific.

TTI Mismatch

TTI mismatch occurs when you have enabled path trace and the "received string" is different from the "expected string". This alarm condition stops traffic.

When TTI mismatch occurs, the interface is brought to down state. This is only supported for SAPI and DAPI and is not supported for **User Operator Data** field.

Configuring TTI

To configure TTI:

```

enable
configure terminal
controller dwdm 0/1/1
shutdown
g709 tti-processing enable
no shutdown
end

```

Trace Identifier Mismatch (TIM) is reported in the Detected Alarms where there is a mismatch in the expected and received string. Action on detection of TIM can be configured in ODU and OTU layers as follows:

```

enable
configure terminal
controller dwdm 0/1/1
shutdown
g709 tti-processing enable otu

```

```
no shutdown
end
```

Configuring TTI for SAPI DAPI Operator Specific Fields

To configure TTI SAPI, DAPI, and operator specific fields for OTU and ODU layers:

```
enable
configure terminal
controller dwdm 0/1/1
g709 fec standard
g709 otu overhead tti sent ascii sapi AABCCDD
end
```

Verification of TTI SAPI DAPI Operator Specific Fields Configuration

Use the show controller command to verify TTI SAPI, DAPI, Operator Specific fields configuration:

```
Router#show controllers dwdm 0/1/1
G709 Information:
Controller dwdm 0/1/1, is up (no shutdown)

Transport mode OTN (10GBASE-R over OPU1e w/o fixed stuffing, 11.0491Gb/s)

<<truncated other output >>

OTU TTI Sent String SAPI ASCII : AABCCDD
OTU TTI Sent String DAPI ASCII : AABCCDD
OTU TTI Sent String OPERATOR ASCII : AABCCDD
OTU TTI Expected String SAPI ASCII : AABCCDD
OTU TTI Expected String DAPI ASCII : AABCCDD
OTU TTI Expected String OPERATOR HEX : AABCCDD
OTU TTI Received String HEX : 0052414D45534800000000000000000000000052414D455348000
000000000000004141424243434444000000000000000000
0000000000000000000000000000000000000000

ODU TTI Sent String SAPI ASCII : AABCCDD
ODU TTI Sent String DAPI ASCII : AABCCDD
ODU TTI Sent String OPERATOR HEX : 11223344
ODU TTI Expected String SAPI ASCII : AABCCDD
```

SNMP Support

Simple Network Management Protocol (SNMP) is an application-layer protocol that provides a message format for communication between SNMP managers and agents. SNMP provides a standardized framework and a common language that is used for monitoring and managing devices in a network.

SNMP sets are not supported for the following tables:

- coiIfControllerTable
- coiOtnNearEndThresholdsTable
- coiOtnFarEndThresholdsTable
- coiFECThresholdsTable

Refer to CISCO-OTN-IF-MIB and *SNMP Configuration Guide* for SNMP support.

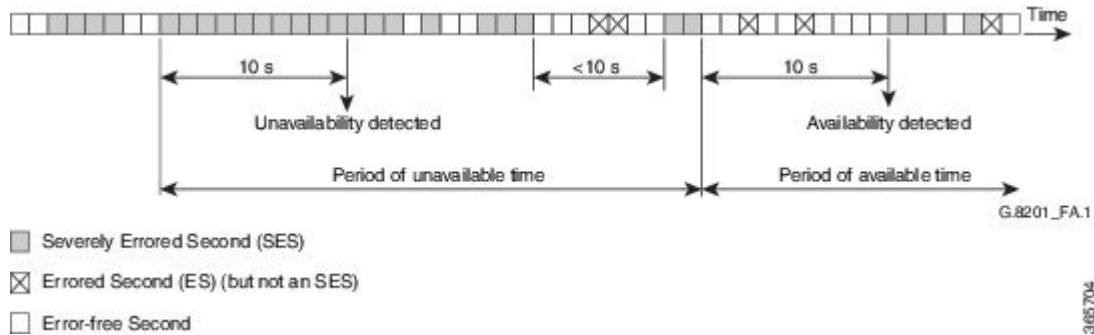
Performance Monitoring

Performance monitoring (PM) parameters are used by service providers to gather, store, set thresholds for, and report performance data for early detection of problems. Thresholds are used to set error levels for each PM parameter. During the accumulation cycle, if the current value of a performance monitoring parameter reaches or exceeds its corresponding threshold value, a threshold crossing alert (TCA) is generated. The TCAs provide early detection of performance degradation. PM statistics are accumulated on a 15-minute basis, synchronized to the start of each quarter-hour. Historical counts are maintained for 33 15-minutes intervals and 2 daily intervals. PM parameters are collected for OTN and FEC.

Calculation and accumulation of the performance-monitoring data is in 15-minute and 24-hour intervals.

PM parameters require the errored ratio to be less than the standard reference that is dependent on the encapsulation. If any loss or error event does not happen within a second, it is called an error free second. If some error in transmission or alarm happens in a second, the second is called Errored Second. The error is termed as Errored Second or Severely Errored Second or Unavailable Second depending upon the nature of error. The error calculation depends on the Errored Blocks. Errored second is a second where one BIP error or BEI error occurs. Severely Errored Second occurs when the errored frames crosses a threshold or there is an alarm is generated. Unavailable Second occurs when there are 10 consecutive severely errored seconds.

Figure 3: Performance Monitoring



PM occurs in near end and far end for both encapsulations for ODUk and OTUk. ODU is referred as Path Monitoring (PM) and OTU is referred to as Section Monitoring (SM).

The following table shows the details of each type of PM parameter for OTN:

Table 2: PM Parameters for OTN

| Parameter | Definition |
|-----------|--|
| BBE-PM | Path Monitoring Background Block Errors (BBE-PM) indicates the number of background block errors recorded in the optical transport network (OTN) path during the PM time interval. |
| BBE-SM | Section Monitoring Background Block Errors (BBE-SM) indicates the number of background block errors recorded in the OTN section during the PM time interval. |

| Parameter | Definition |
|-----------|---|
| BBER-PM | Path Monitoring Background Block Errors Ratio (BBER-PM) indicates the background block errors ratio recorded in the OTN path during the PM time interval. |
| BBER-SM | Section Monitoring Background Block Errors Ratio (BBER-SM) indicates the background block errors ratio recorded in the OTN section during the PM time interval. |
| ES-PM | Path Monitoring Errored Seconds (ES-PM) indicates the errored seconds recorded in the OTN path during the PM time interval. |
| ESR-PM | Path Monitoring Errored Seconds Ratio (ESR-PM) indicates the errored seconds ratio recorded in the OTN path during the PM time interval. |
| ESR-SM | Section Monitoring Errored Seconds Ratio (ESR-SM) indicates the errored seconds ratio recorded in the OTN section during the PM time interval. |
| ES-SM | Section Monitoring Errored Seconds (ES-SM) indicates the errored seconds recorded in the OTN section during the PM time interval. |
| FC-PM | Path Monitoring Failure Counts (FC-PM) indicates the failure counts recorded in the OTN path during the PM time interval. |
| FC-SM | Section Monitoring Failure Counts (FC-SM) indicates the failure counts recorded in the OTN section during the PM time interval. |
| SES-PM | Path Monitoring Severely Errored Seconds (SES-PM) indicates the severely errored seconds recorded in the OTN path during the PM time interval. |
| SES-SM | Section Monitoring Severely Errored Seconds (SES-SM) indicates the severely errored seconds recorded in the OTN section during the PM time interval. |
| SESR-PM | Path Monitoring Severely Errored Seconds Ratio (SESR-PM) indicates the severely errored seconds ratio recorded in the OTN path during the PM time interval. |

| Parameter | Definition |
|-----------|---|
| SESR-SM | Section Monitoring Severely Errored Seconds Ratio (SESR-SM) indicates the severely errored seconds ratio recorded in the OTN section during the PM time interval. |
| UAS-PM | Path Monitoring Unavailable Seconds (UAS-PM) indicates the unavailable seconds recorded in the OTN path during the PM time interval. |
| UAS-SM | Section Monitoring Unavailable Seconds (UAS-SM) indicates the unavailable seconds recorded in the OTN section during the PM time interval. |

The following table shows the details of each type of PM parameter for FEC:

Table 3: PM Parameters for FEC

| Parameter | Definition |
|-----------|--|
| EC | Bit Errors Corrected (BIEC) indicated the number of bit errors corrected in the DWDM trunk line during the PM time interval. |
| UC-WORDS | Uncorrectable Words (UC-WORDS) is the number of uncorrectable words detected in the DWDM trunk line during the PM time interval. |

OTUk Section Monitoring

Section Monitoring (SM) overhead for OTUk is terminated as follows:

- TTI
- BIP
- BEI
- BDI
- IAE
- BIAE

BIP and BEI counters are block error counters (block size equal to OTUk frame size). The counters can be read periodically by a PM thread to derive one second performance counts. They are sufficiently wide for software to identify a wrap-around with up to 1.5 sec between successive readings.

The following OTUk level defects are detected:

- dAIS
- dTIM
- dBDI

- dIAE
- dBIAE

Status of the defects is available through CPU readable registers, and a change of status of dLOF, dLOM, and dAIS will generate an interruption.

ODUk Path Monitoring

Path Monitoring (PM) overhead for higher order ODUk and lower order ODUk is processed as follows:

- TTI
- BIP
- BEI
- BDI
- STAT including ODU LCK/OCI/AIS

The following ODUk defects are detected:

- dTIM
- dLCK and dAIS (from STAT field)
- dBDI

LOS, OTU LOF, OOF and ODU-AIS alarms bring down the interface in system.

Configuring PM Parameters for FEC

To set TCA report status on FEC layer in 15-minute interval:

```
enable
configure terminal
controller dwdm 0/1/0
pm 15-min fec report ec-bits enable
pm 15-min fec report uc-words enable
end
```

To set TCA report status on FEC layer in 24-hour interval:

```
enable
configure terminal
controller dwdm 0/1/0
pm 24-hr fec report ec-bits enable
pm 24-hr fec report uc-words enable
end
```

To set threshold on FEC layer in 15-minute interval:

```
enable
configure terminal
controller dwdm 0/1/0
pm 15-min fec threshold ec-bits
pm 15-min fec threshold uc-words
end
```

To set threshold on FEC layer in 24-hour interval:

```
enable
configure terminal
controller dwdm 0/1/0
pm 24-hr fec threshold ec-bits
pm 24-hr fec threshold uc-words
end
```

Configuring PM Parameters for OTN

To set OTN report status in 15-minute interval:

```
enable
configure terminal
controller dwdm 0/1/0
pm 15-min otn report es-pm-ne enable
end
```

To set OTN report status in 24-hour interval:

```
enable
configure terminal
controller dwdm slot/bay/port
pm 24-hr otn report es-pm-ne enable
end
```

To set OTN threshold in 15-minute interval:

```
enable
configure terminal
controller dwdm 0/1/0
pm 15-min otn threshold es-pm-ne
end
```

To set OTN threshold in 24-hour interval:

```
enable
configure terminal
controller dwdm 0/1/0
pm 24-hr otn threshold es-pm-ne
end
```

Verifying PM Parameters Configuration

Use the **show controllers** command to verify PM parameters configuration for FEC in 15-minute interval:

```
Router#show controllers dwdm 0/1/0 pm interval 15-min fec 0
g709 FEC in the current interval [9 :15:00 - 09:16:40 Thu Jun 9 2016]

FEC current bucket type : INVALID
  EC-BITS      :          0  Threshold :          200  TCA(enable) : YES
  UC-WORDS    :          0  Threshold :          23   TCA(enable) : YES
```

```
Router#show controllers dwdm 0/1/0 pm interval 15-min fec 1
g709 FEC in interval 1 [9 :00:00 - 9 :15:00 Thu Jun 9 2016]

FEC current bucket type : VALID
  EC-BITS      :          0  UC-WORDS   :          0
```

Use the **show controllers** command to verify PM parameters configuration for FEC in 24-hour interval:

```
Router#show controllers dwdm 0/1/0 pm interval 24 fec 0
g709 FEC in the current interval [00:00:00 - 09:17:01 Thu Jun 9 2016]
```

```
FEC current bucket type : INVALID
EC-BITS      :          0   Threshold :          0   TCA(enable) : NO
UC-WORDS    :          0   Threshold :          0   TCA(enable) : NO
```

```
Router#show controllers dwdm 0/1/0 pm interval 24 fec 1
g709 FEC in interval 1 [00:00:00 - 24:00:00 Wed Jun 8 2016]
```

```
FEC current bucket type : VALID
EC-BITS      :          717   UC-WORDS :          1188574
```

Use the **show controllers** command to verify PM parameters configuration for OTN in 15-minute interval:

```
Router#show controllers dwdm 0/1/0 pm interval 15-min otn 0
g709 OTN in the current interval [9 :15:00 - 09:15:51 Thu Jun 9 2016]
```

```
OTN current bucket type: INVALID
```

```
OTN Near-End Valid : YES
ES-SM-NE      :          0   Threshold :          0   TCA(enable) : NO
ESR-SM-NE     : 0.00000   Threshold : 0.00010   TCA(enable) : YES
SES-SM-NE     :          0   Threshold :          0   TCA(enable) : NO
SESR-SM-NE    : 0.00000   Threshold : 0.02300   TCA(enable) : NO
UAS-SM-NE     :          0   Threshold :          0   TCA(enable) : NO
BBE-SM-NE     :          0   Threshold :          0   TCA(enable) : NO
BBER-SM-NE    : 0.00000   Threshold : 0.02300   TCA(enable) : NO
FC-SM-NE     :          0   Threshold :          0   TCA(enable) : NO
ES-PM-NE     :          0   Threshold :          200   TCA(enable) : YES
ESR-PM-NE    : 0.00000   Threshold : 1.00000   TCA(enable) : NO
SES-PM-NE     :          0   Threshold :          0   TCA(enable) : NO
SESR-PM-NE    : 0.00000   Threshold : 0.02300   TCA(enable) : NO
UAS-PM-NE     :          0   Threshold :          0   TCA(enable) : NO
BBE-PM-NE     :          0   Threshold :          0   TCA(enable) : NO
BBER-PM-NE    : 0.00000   Threshold : 0.02300   TCA(enable) : NO
FC-PM-NE     :          0   Threshold :          0   TCA(enable) : NO
```

```
OTN Far-End Valid : YES
ES-SM-FE      :          0   Threshold :          0   TCA(enable) : NO
ESR-SM-FE     : 0.00000   Threshold : 1.00000   TCA(enable) : NO
SES-SM-FE     :          0   Threshold :          0   TCA(enable) : NO
SESR-SM-FE    : 0.00000   Threshold : 0.02300   TCA(enable) : NO
UAS-SM-FE     :          0   Threshold :          0   TCA(enable) : NO
BBE-SM-FE     :          0   Threshold :          0   TCA(enable) : NO
BBER-SM-FE    : 0.00000   Threshold : 0.02300   TCA(enable) : NO
FC-SM-FE     :          0   Threshold :          0   TCA(enable) : NO
ES-PM-FE     :          0   Threshold :          0   TCA(enable) : NO
ESR-PM-FE    : 0.00000   Threshold : 1.00000   TCA(enable) : NO
SES-PM-FE     :          0   Threshold :          0   TCA(enable) : NO
SESR-PM-FE    : 0.00000   Threshold : 0.02300   TCA(enable) : NO
UAS-PM-FE     :          0   Threshold :          0   TCA(enable) : NO
BBE-PM-FE     :          0   Threshold :          0   TCA(enable) : NO
BBER-PM-FE    : 0.00000   Threshold : 0.02300   TCA(enable) : NO
FC-PM-FE     :          0   Threshold :          0   TCA(enable) : NO
```

```
Router#show controllers dwdm 0/1/0 pm interval 15-min otn 1
g709 OTN in interval 1 [9 :00:00 - 9 :15:00 Thu Jun 9 2016]
```

```
OTN current bucket type: VALID
```

```

OTN Near-End Valid : YES
ES-SM-NE      :      0
ESR-SM-NE     : 0.00000
SES-SM-NE     :      0
SESR-SM-NE    : 0.00000
UAS-SM-NE     :      0
BBE-SM-NE     :      0
BBER-SM-NE    : 0.00000
FC-SM-NE      :      0
ES-PM-NE      :      0
ESR-PM-NE     : 0.00000
SES-PM-NE     :      0
SESR-PM-NE    : 0.00000
UAS-PM-NE     :      0
BBE-PM-NE     :      0
BBER-PM-NE    : 0.00000
FC-PM-NE      :      0

OTN Far-End Valid : YES
ES-SM-FE      :      0
ESR-SM-FE     : 0.00000
SES-SM-FE     :      0
SESR-SM-FE    : 0.00000
UAS-SM-FE     :      0
BBE-SM-FE     :      0
BBER-SM-FE    : 0.00000
FC-SM-FE      :      0
ES-PM-FE      :      0
ESR-PM-FE     : 0.00000
SES-PM-FE     :      0
SESR-PM-FE    : 0.00000
UAS-PM-FE     :      0
BBE-PM-FE     :      0
BBER-PM-FE    : 0.00000
FC-PM-FE      :      0

```

Use the **show controllers** command to verify PM parameters configuration for OTN in 24-hour interval:

```

Router#show controllers dwdm 0/1/0 pm interval 24-hour otn 0
g709 OTN in the current interval [00:00:00 - 09:16:10 Thu Jun 9 2016]

```

```

OTN current bucket type: INVALID

```

```

OTN Near-End Valid : YES
ES-SM-NE      :      0      Threshold :      0      TCA(enable) : NO
ESR-SM-NE     : 0.00000    Threshold : 0.00000  TCA(enable) : NO
SES-SM-NE     :      0      Threshold :      0      TCA(enable) : NO
SESR-SM-NE    : 0.00000    Threshold : 0.00000  TCA(enable) : NO
UAS-SM-NE     :      0      Threshold :      0      TCA(enable) : NO
BBE-SM-NE     :      0      Threshold :      0      TCA(enable) : NO
BBER-SM-NE    : 0.00000    Threshold : 0.00000  TCA(enable) : NO
FC-SM-NE      :      0      Threshold :      0      TCA(enable) : NO
ES-PM-NE      :      0      Threshold :      0      TCA(enable) : NO
ESR-PM-NE     : 0.00000    Threshold : 0.00000  TCA(enable) : NO
SES-PM-NE     :      0      Threshold :      0      TCA(enable) : NO
SESR-PM-NE    : 0.00000    Threshold : 0.00000  TCA(enable) : NO
UAS-PM-NE     :      0      Threshold :      0      TCA(enable) : NO
BBE-PM-NE     :      0      Threshold :      0      TCA(enable) : NO
BBER-PM-NE    : 0.00000    Threshold : 0.00000  TCA(enable) : NO
FC-PM-NE      :      0      Threshold :      0      TCA(enable) : NO

```

```

OTN Far-End Valid : YES
ES-SM-FE      :      0      Threshold :      0      TCA(enable) : NO
ESR-SM-FE     : 0.00000    Threshold : 0.00000  TCA(enable) : NO
SES-SM-FE     :      0      Threshold :      0      TCA(enable) : NO
SESR-SM-FE    : 0.00000    Threshold : 0.00000  TCA(enable) : NO
UAS-SM-FE     :      0      Threshold :      0      TCA(enable) : NO
BBE-SM-FE     :      0      Threshold :      0      TCA(enable) : NO
BBER-SM-FE    : 0.00000    Threshold : 0.00000  TCA(enable) : NO
FC-SM-FE      :      0      Threshold :      0      TCA(enable) : NO
ES-PM-FE      :      0      Threshold :      0      TCA(enable) : NO
ESR-PM-FE     : 0.00000    Threshold : 0.00000  TCA(enable) : NO
SES-PM-FE     :      0      Threshold :      0      TCA(enable) : NO
SESR-PM-FE    : 0.00000    Threshold : 0.00000  TCA(enable) : NO
UAS-PM-FE     :      0      Threshold :      0      TCA(enable) : NO
BBE-PM-FE     :      0      Threshold :      0      TCA(enable) : NO
BBER-PM-FE    : 0.00000    Threshold : 0.00000  TCA(enable) : NO
FC-PM-FE      :      0      Threshold :      0      TCA(enable) : NO

```

```
Router#show controllers dwdm 0/1/0 pm interval 24-hour otn 1
g709 OTN in interval 1 [00:00:00 - 24:00:00 Wed Jun 8 2016]
```

```
OTN current bucket type: INVALID
```

```
OTN Near-End Valid : YES          OTN Far-End Valid : NO
ES-SM-NE      :      7          ES-SM-FE      :      0
ESR-SM-NE     : 0.00000        ESR-SM-FE     : 0.00000
SES-SM-NE     :      7          SES-SM-FE     :      0
SESR-SM-NE    : 0.00000        SESR-SM-FE    : 0.00000
UAS-SM-NE     :     41          UAS-SM-FE     :      0
BBE-SM-NE     :      0          BBE-SM-FE     :      0
BBER-SM-NE    : 0.00000        BBER-SM-FE    : 0.00000
FC-SM-NE      :      3          FC-SM-FE      :      0
ES-PM-NE      :      2          ES-PM-FE      :      1
ESR-PM-NE     : 0.00000        ESR-PM-FE     : 0.00000
SES-PM-NE     :      0          SES-PM-FE     :      0
SESR-PM-NE    : 0.00000        SESR-PM-FE    : 0.00000
UAS-PM-NE     :      0          UAS-PM-FE     :      0
BBE-PM-NE     :      3          BBE-PM-FE     :      1
BBER-PM-NE    : 0.00000        BBER-PM-FE    : 0.00000
FC-PM-NE      :      0          FC-PM-FE      :      0
```

If TCA is enabled for OTN or FEC alarm, a syslog message is displayed for the 15-minute or 24-hour interval as follows:

```
*Jun  9 09:18:02.274: %PMDWDM-4-TCA: dwdm-0/1/0: G709 ESR-SM NE value (540) threshold (10)
15-min
```

Troubleshooting Scenarios

The following table shows the troubleshooting solutions for the feature.

| Problem | Solution |
|---|--|
| Link is not coming up | Perform shut and no shut actions of the interface. Check for TTI Mismatch. Verify the major alarms. Verify the FEC mode. Verify that Cisco supported transceiver list is only used on both sides . |
| Incrementing BIP Error | Verify FEC Mismatch. |
| FEC contains UC and EC errors and link is not coming up | Verify the FEC Mismatch. |

Associated Commands

The following commands are used to configure OTN Wrapper:

| Commands | Links |
|-----------------------------|---|
| controller dwdm | http://www.cisco.com/c/en/us/td/docs/ios-xml/ios/interface/command/ir-cr-book/ir-c2.html#wp1680149833 |
| g709 disable | http://www.cisco.com/c/en/us/td/docs/ios-xml/ios/interface/command/ir-cr-book/ir-f1.html#wp7175256270 |
| g709 fec | http://www.cisco.com/c/en/us/td/docs/ios-xml/ios/interface/command/ir-cr-book/ir-f1.html#wp3986227580 |
| g709 odu report | http://www.cisco.com/c/en/us/td/docs/ios-xml/ios/interface/command/ir-cr-book/ir-f1.html#wp3893551740 |
| g709 odu threshold | http://www.cisco.com/c/en/us/td/docs/ios-xml/ios/interface/command/ir-cr-book/ir-f1.html#wp3365653610 |
| g709 otu report | http://www.cisco.com/c/en/us/td/docs/ios-xml/ios/interface/command/ir-cr-book/ir-f1.html#wp3306168000 |
| g709 otu threshold | http://www.cisco.com/c/en/us/td/docs/ios-xml/ios/interface/command/ir-cr-book/ir-f1.html#wp2500217585 |
| g709 overhead | http://www.cisco.com/c/en/us/td/docs/ios-xml/ios/interface/command/ir-cr-book/ir-f1.html#wp6997702360 |
| g709 tti processing | http://www.cisco.com/c/en/us/td/docs/ios-xml/ios/interface/command/ir-cr-book/ir-f1.html#wp3679037909 |
| pm fec threshold | http://www.cisco.com/c/en/us/td/docs/ios-xml/ios/interface/command/ir-cr-book/ir-o1.html#wp8624772760 |
| pm otn report | http://www.cisco.com/c/en/us/td/docs/ios-xml/ios/interface/command/ir-cr-book/ir-o1.html#wp2518071708 |
| pm otn threshold | http://www.cisco.com/c/en/us/td/docs/ios-xml/ios/interface/command/ir-cr-book/ir-o1.html#wp1512678519 |
| show controller dwdm | http://www.cisco.com/c/en/us/td/docs/ios-xml/ios/interface/command/ir-cr-book/ir-s2.html#wp7346292950 |

| Commands | Links |
|------------------------|---|
| show interfaces | http://www.cisco.com/c/en/us/td/docs/ios-xml/ios/interface/command/ir-cr-book/ir-s4.html#wp2987586133 |
| transport-mode | http://www.cisco.com/c/en/us/td/docs/ios-xml/ios/interface/command/ir-cr-book/ir-t1.html#wp3012872075 |

