



Rack-Mount the Chassis

- [Unpack and Inspect the Chassis, on page 1](#)
- [Rack-Mount the Chassis, on page 2](#)

Unpack and Inspect the Chassis



Note The chassis is thoroughly inspected before shipment. If any damage occurred during transportation or any items are missing, contact your customer service representative immediately. Keep the shipping container in case you need to send the chassis back due to damage.

See [Package Contents](#) for a list of what shipped with the chassis.

Procedure

-
- Step 1** Remove the chassis from its cardboard container and save all packaging material.
- Step 2** Compare the shipment to the equipment list provided by your customer service representative. Verify that you have all items.
- Step 3** Check for damage and report any discrepancies or damage to your customer service representative. Have the following information ready:
- Invoice number of shipper (see the packing slip)
 - Model and serial number of the damaged unit
 - Description of damage
 - Effect of damage on the installation
-

Rack-Mount the Chassis

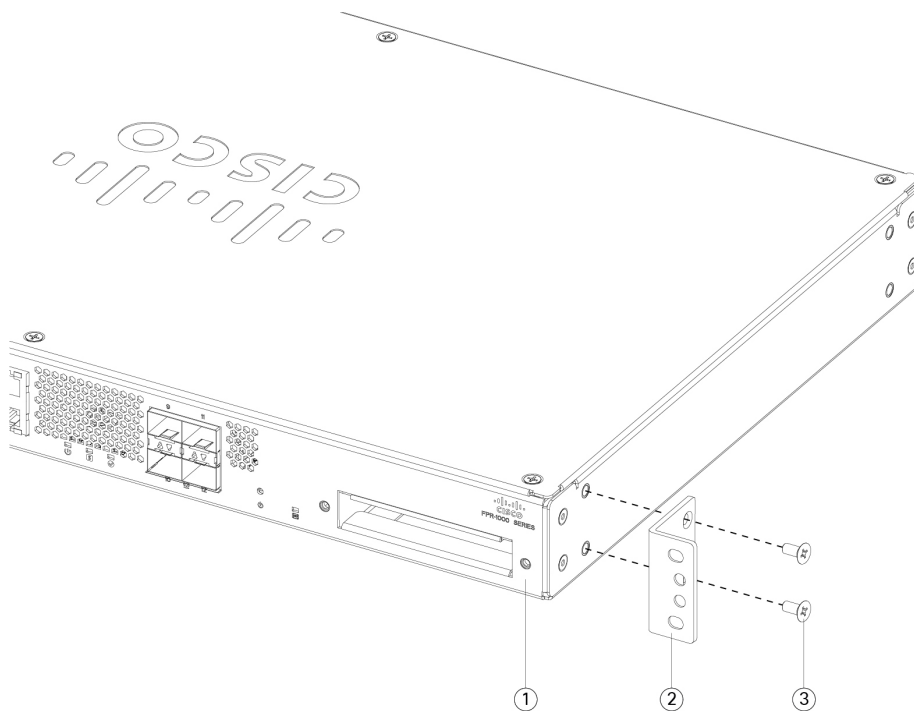
The chassis ships with rack-mount brackets and four screws that you can install on the front or the rear of the chassis. We recommend you install the rack-mount brackets on the I/O side (rear panel) so that the front of the chassis faces the hot aisle. See [Package Contents](#) for the rack-mount items in the accessory kit.

The rack is a standard Electronic Industries Association (EIA) rack. It is a 4-post-EIA-310-D, which is the current revision as specified by EIA. The vertical hole spacing alternates at .50 inches (12.70 mm) to .625 inches (15.90 mm) to .625 inches (15.90 mm) and repeats. The start and stop space is in the middle of the .50-inch holes. The horizontal spacing is 18.312 inches (465.1 mm), and the rack opening is specified as a minimum of 17.75 inches (450 mm).

Procedure

- Step 1** Attach both brackets (part number 700-117078-01) to the sides of the chassis using the four M4 x 8-mm Phillips screws (part number 848-0451-01) that shipped with your chassis. After the brackets are secured to the chassis, you can mount it in the rack.

Figure 1: Attach Brackets to Chassis

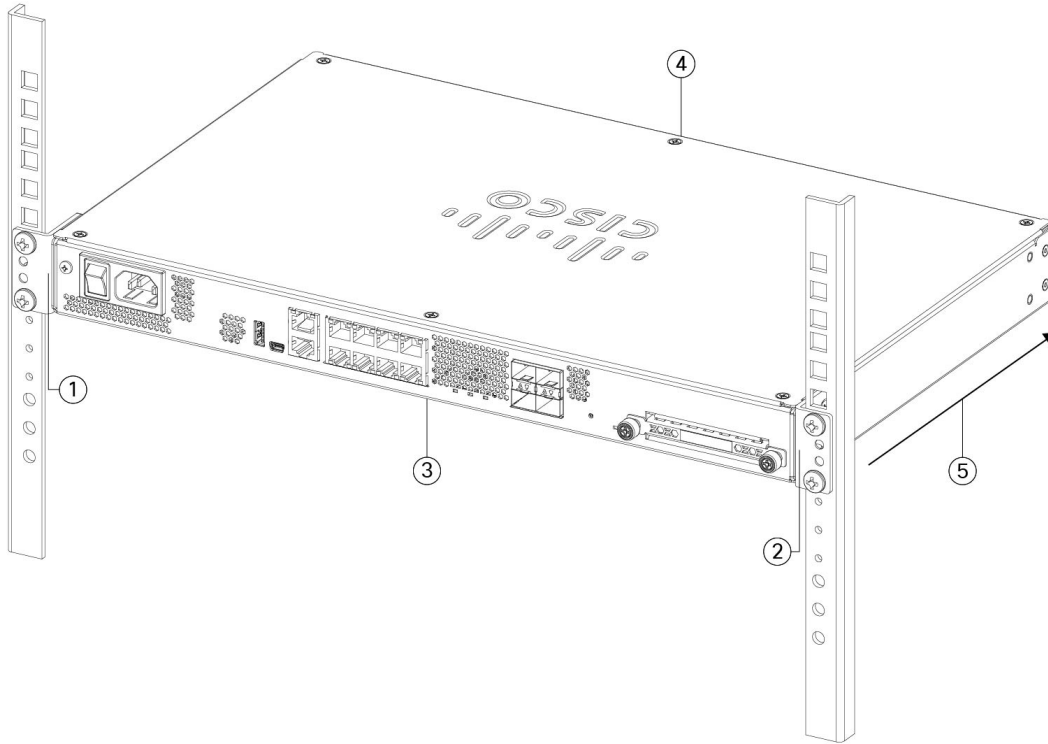


1	Chassis back panel	2	Rack-mount bracket
3	M4 x 8-mm Phillips screws (two per side)		—

- Step 2** Attach the chassis to the rack using the screws that you supply for your rack.

We recommend that you install the chassis with the I/O side (rear panel) facing the cold aisle. See the following illustration for an example of air flow from rear panel (cold aisle) to the front panel (hot aisle).

Figure 2: Install the Chassis in the Rack



1	Rack-mount bracket	2	Rack-mount bracket
3	Cold aisle Chassis I/O side (rear panel)	4	Hot aisle Chassis non-I/O side (front panel)
5	Air flow direction (I/O side to non-I/O side)		—

What to do next

You can now install the cables and power cord, as described in the [Cisco Firepower 1100 Getting Started Guide](#).

