



CHAPTER 1

Overview

This chapter describes the Cisco Video Surveillance 6400 High-Definition IP Camera, and includes the following topics:

- [Introduction, page 1-1](#)
- [Package Contents, page 1-2](#)
- [IP Camera Physical Details, page 1-2](#)

Introduction

The Cisco Video Surveillance 6400 IP camera offers 1080p HD resolution with superb image quality. The 6400 is a high-end bullet camera with outdoor-specific features, such as concealed wiring to prevent tampering, which makes it the camera of choice for applications such as parking lots, gas stations, and building entrances.

The 6400 boasts high-definition 2-megapixel (1920 x 1080) resolution, allowing for the delivery of extremely detailed images and coverage six times larger than a VGA camera. To maximize the benefit of the 2-megapixel sensor, the 6400 employs several innovative technologies for optimized bandwidth efficiency. Furthermore, multiple video streams can be delivered simultaneously in different resolutions, frame rates, and image qualities for viewing on different platforms to meet different needs or bandwidth constraints. The 6400 also offers activity adaptive streaming support that dynamically allocates bandwidth according to the video content and trigger state.

Aimed at outdoor surveillance, the 6400 features auto-iris capability to protect the lens from damage induced by direct sunlight. To adapt to light changes throughout the day, the camera is furnished with an automatic IR-cut filter and IR illuminators for superior image quality around the clock. The 6400 also comes with an IP66-rated housing that offers protection against rain and dust to ensure functional operation in all types of weather conditions. For easy management and protection against tempering and vandalism, the 6400 is also equipped with a mounting bracket that conceals all cables within the bracket.

With other advanced features such as 802.3af compliant PoE and micro SD/SDHC card for onboard storage, the 6400 is a full-fledged surveillance solution for outdoor environments.

Package Contents

The Cisco Video Surveillance 6400 IP Camera package includes the following items:

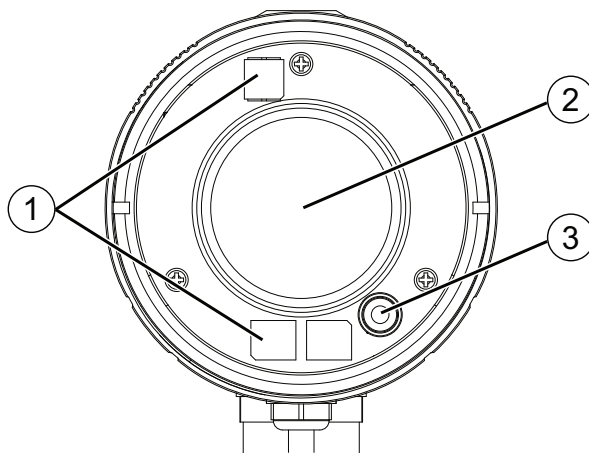
- Cisco Video Surveillance 6400 IP camera (1)
- Mounting plate alignment sticker (1)
- Wall mount bracket with mounting plate (1)
- Waterproof connector assembly for RJ45 Ethernet enclosure (1)
- Waterproof connector assembly for power and I/O cables (1)
- Sun shield(1)
- Standoff screws (2)
- Screws (6)
- Double sided tape (1)
- Silica gel (1)
- Pad (1)
- Cisco pointer card (1)
- RoHS Document (1)

IP Camera Physical Details

Front View

Figure 1-1 and the table that follows describe the front view of the 6400 IP camera.

Figure 1-1 Front View of IP Camera



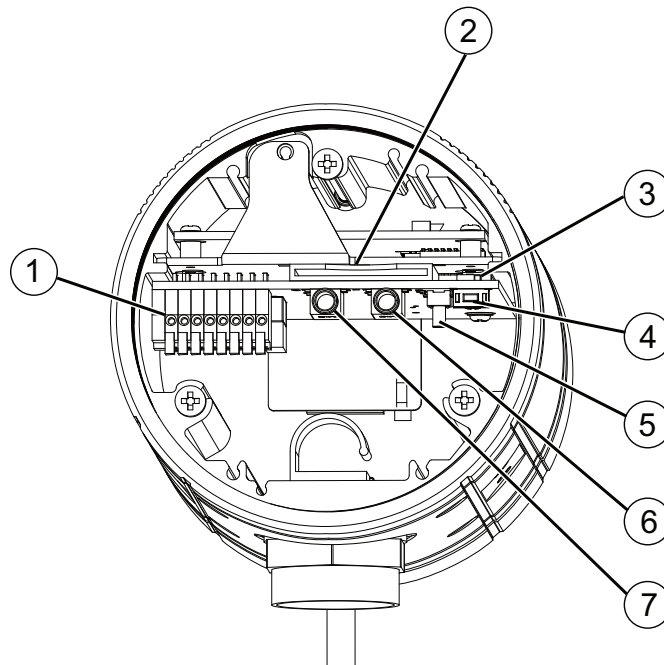
1	Single reflector illuminator LEDs (SRLEDs)	IR LEDs that enhance the video image when the IP camera is running in night mode.
----------	--	---

2	Varifocal lens	IP camera lens that changes focus as the focal length changes.
3	Light sensor	Senses the level of ambient light to determine when to switch day/night mode.

Back View

Figure 1-2 and the table that follows describe the back view of the 6400 IP camera.

Figure 1-2 Back View of IP Camera



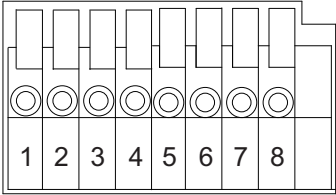
1	General Purpose I/O (GPIO) terminal block	GPIO terminal block that is used to connect external input and output devices. For more information, see Figure 1-3 .
2	SD/SDHC card slot	The IP camera is compliant with Micro SD/SDHC (up to 32GB) and other preceding standard SD cards.
3	Video output switch	Switches the video output between to following standards: <ul style="list-style-type: none"> • NTSC 60Hz (up)—switches camera operation to the National Television System Committee (NTSC) standard. • PAL 50Hz (down)—switches camera operation to the Phase Alternating Line (PAL) standard.
4	Focus assist button	Used in conjunction with an analog display to fine tune the IP camera focus.

5	Reset button	Reboots the IP camera or resets it to a default state. Depending on how long you depress the reset button, you can do either of the following: <ul style="list-style-type: none"> Reset—Press and release the reset button. Wait for the IP Camera to reboot. Restore—Press and hold the reset button for about 30 seconds. All settings will be restored to factory default.
6	Audio/Video out (green)	Allows the connection of an optional Y cable or mini cable with BNC connector. You can connect a video monitor to the mini cable with BNC connector. Both cables are included in the optional audio/video cables accessory kit can be purchased from Cisco (Cisco part number CIVS-AVCABLE). <p>Note Support for audio will be in future releases.</p>
7	Microphone In (pink)	Connection for an external microphone.

General Purpose I/O Terminal Block

Figure 1-3 shows the GPIO terminal block pin locations and descriptions.

Figure 1-3 GPIO Terminal Block Pin Locations and Descriptions



Pin	Description
1	12 VDC-
2	12 VDC+
3	24 VAC
4	24 VAC
5	DI-
6	DI+
7	DO-
8	DO+



Note

The maximum output load from pins 7 and 8 is 400mA.