



# Configure

This chapter contains the following topics:

- [Templates, on page 1](#)
- [Backup, on page 33](#)
- [Image Management, on page 45](#)
- [LAN Telemetry Health, on page 64](#)
- [SAN, on page 78](#)

## Templates

The **Templates** menu includes the following option:

## Template Library

**Template Library** includes the following tabs:

### Template Library

You can add, edit, or delete templates that are configured across different Cisco Nexus and Cisco MDS platforms using Cisco DCNM Web client. From Cisco DCNM Web client home page, choose **Configure > Templates > Template Library > Templates**. The following parameters are displayed for each template that is configured on Cisco DCNM Web client. Templates support JavaScript. You can use the JavaScript function in a template to perform arithmetic operations and string manipulations in the template syntax.

The following table describes the fields that appear on this page.

**Table 1: Templates Operations**

Field	Description
Add Template	Allows you to add a new template.
Launch job creation wizard	Allows you to create jobs.
Modify/View Template	Allows you to view the template definition and modify as required.

Field	Description
Save Template As	Allows you to save the selected template in a different name. You can edit the template as required.
Delete Template	Allows you to delete a template
Import Template	Allows you to import a template from your local directory, one at a time.
Export template	Allows you to export the template configuration to a local directory location.
Import Template Zip File	Allows you to import .zip file, that contains more than one template that is bundled in a .zip format  All the templates in the ZIP file are extracted and listed in the table as individual templates.



**Note** Notifications appear next to **Import Template Zip File** if there are issues while loading templates after restarting the server. Click the notifications to see the errors in the **Issues in loading Template** window. Templates with errors are not listed in the **Templates** window. To import these templates, correct the errors, and import them.

**Table 2: Template Properties**

Field	Description
Template Name	Displays the name of the configured template.
Template Description	Displays the description that is provided while configuring templates.
Tags	Displays the tag that is assigned for the template and aids to filter templates based on the tags.
Supported Platforms	Displays the supported Cisco Nexus platforms compatible with the template. Check the check box of platforms that are supported with the template.  <b>Note</b> You can select multiple platforms.
Template Type	Displays the type of the template.
Template Sub Type	Specifies the sub type that is associated with the template.
Template Content Type	Specifies if it is Jython or Template CLI.

**Table 3: Advanced Template Properties**

Field	Description
Implements	Displays the abstract template to be implemented.
Dependencies	Specifies the specific feature of a switch.
Published	Specifies if the template is published or not.
Imports	Specifies the base template for importing.

In addition, from the menu bar, choose **Configure > Templates > Template Library > Templates** and you can also:

- Click **Show Filter** to filter the templates that is based on the headers.
- Click **Print** to print the list of templates.
- Click **Export to Excel** to export the list of template to a Microsoft Excel spreadsheet.

This section contains the following:

## Template Structure

The configuration template content mainly consists of four parts. Click the **Help** icon next to the **Template Content** for information about editing the content of the template.

This section contains the following:

### Template Format

This section describes the basic information of the template. The possible fields are as detailed in the table below.

Property Name	Description	Valid Values	Optional?
name	The name of the template	Text	No
description	Brief description about the template	Text	Yes
userDefined	Indicates whether the user created the template. Value is 'true' if user created.	"true" or "false"	Yes
supportedPlatforms	List of device platforms supports this configuration template. Specify 'All' to support all platforms.	N1K, N3K, N3500, N4K, N5K, N5500, N5600, N6K, N7K, N9K, MDS, VDC, N9K-9000v, IOS-XE, IOS-XR, Others, All Nexus Switches list separated by comma.	No

Property Name	Description	Valid Values	Optional?
templateType	Specifies the type of Template used.	<ul style="list-style-type: none"><li>• CLI</li><li>• POAP</li><li>• POLICY</li><li>• SHOW</li><li>• PROFILE</li><li>• FABRIC</li><li>• ABSTRACT</li></ul>	Yes

Property Name	Description	Valid Values	Optional?
templateSubType	Specifies the sub type associated with the template.		

Property Name	Description	Valid Values	Optional?
		<ul style="list-style-type: none"> <li>• CLI                             <ul style="list-style-type: none"> <li>• N/A</li> </ul> </li> <li>• POAP                             <ul style="list-style-type: none"> <li>• N/A</li> <li>• VXLAN</li> <li>• FABRICPATH</li> <li>• VLAN</li> <li>• PMN</li> </ul> </li> <li>• POLICY                             <ul style="list-style-type: none"> <li>• VLAN</li> <li>• NIERFACE_VLAN</li> <li>• INTERFACE_VPC</li> <li>• NIERFACE_ETHNET</li> <li>• INTERFACE_BD</li> <li>• NIERFACE&gt;NNL</li> <li>• INTERFACE_FC</li> <li>• NIERFACE_MGMT</li> <li>• NIERFACE_LOOPBACK</li> <li>• INTERFACE_NVE</li> <li>• INTERFACE_VFC</li> <li>• NIERFACE&gt;NNL</li> <li>• DEVICE</li> <li>• FEX</li> <li>• NIRA_FABRIC_LINK</li> <li>• NIER_FABRIC_LINK</li> <li>• INTERFACE</li> </ul> </li> <li>• SHOW                             <ul style="list-style-type: none"> <li>• VLAN</li> <li>• NIERFACE_VLAN</li> <li>• INTERFACE_VPC</li> </ul> </li> </ul>	

Property Name	Description	Valid Values	Optional?
		<ul style="list-style-type: none"> <li>• <del>INTERFACE_HRNET</del></li> <li>• INTERFACE_BD</li> <li>• <del>INTERFACE_CHANNEL</del></li> <li>• INTERFACE_FC</li> <li>• INTERFACE_MGMT</li> <li>• <del>INTERFACE_COBACK</del></li> <li>• INTERFACE_NVE</li> <li>• INTERFACE_VFC</li> <li>• <del>INTERFACE_CHANNEL</del></li> <li>• DEVICE</li> <li>• FEX</li> <li>• <del>NIRA_FABRIC_LINK</del></li> <li>• <del>NIR_FABRIC_LINK</del></li> <li>• INTERFACE</li> <li>• PROFILE                             <ul style="list-style-type: none"> <li>• VXLAN</li> </ul> </li> <li>• FABRIC                             <ul style="list-style-type: none"> <li>• NA</li> </ul> </li> </ul>	

Property Name	Description	Valid Values	Optional?
		<ul style="list-style-type: none"> <li>• ABSTRACT</li> <li>• VLAN</li> <li>• INTERFACE_VLAN</li> <li>• INTERFACE_VPC</li> <li>• INTERFACE_ETHNET</li> <li>• INTERFACE_BD</li> <li>• <del>INTERFACE_CHANNEL</del></li> <li>• INTERFACE_FC</li> <li>• INTERFACE_MGMT</li> <li>• <del>INTERFACE_COBACK</del></li> <li>• INTERFACE_NVE</li> <li>• INTERFACE_VFC</li> <li>• <del>INTERFACE_CHANNEL</del></li> <li>• DEVICE</li> <li>• FEX</li> <li>• <del>NIRA_FABRIC_LINK</del></li> <li>• <del>NIER_FABRIC_LINK</del></li> <li>• INTERFACE</li> </ul>	



Property Name	Description	Valid Values	Optional?
contentType		<ul style="list-style-type: none"> <li>• CLI <ul style="list-style-type: none"> <li>• TEMPLATE_CLI</li> </ul> </li> <li>• POAP <ul style="list-style-type: none"> <li>• TEMPLATE_CLI</li> </ul> </li> <li>• POLICY <ul style="list-style-type: none"> <li>• TEMPLATE_CLI</li> </ul> </li> <li>• PYTHON</li> <li>• SHOW <ul style="list-style-type: none"> <li>• TEMPLATE_CLI</li> </ul> </li> <li>• PROFILE <ul style="list-style-type: none"> <li>• TEMPLATE_CLI</li> </ul> </li> <li>• PYTHON</li> <li>• FABRIC <ul style="list-style-type: none"> <li>• PYTHON</li> </ul> </li> <li>• ABSTRACT <ul style="list-style-type: none"> <li>• TEMPLATE_CLI</li> </ul> </li> <li>• PYTHON</li> </ul>	Yes
implements	Used to implement the abstract template.	Text	Yes
dependencies	Used to select the specific feature of a switch.	Text	Yes
published	Used to Mark the template as read only and avoids changes to it.	“true” or “false”	Yes

### Template Variables

This section contains declared variables, the data type, default values, and valid values conditions for the parameters that are used in the template. These declared variables are used for value substitution in the template content section during the dynamic command generation process. Also these variables are used in decision making and in iteration blocks in the template content section. Variables have predefined data types. You can also add a description about the variable. The following table describes the syntax and usage for the available datatypes.

Variable Type	Valid Value	Iterative?
boolean	true false	No
enum	Example: running-config, startup-config	No
float	Floating number format	No
floatRange	Example: 10.1,50.01	Yes
Integer	Any number	No
integerRange	Contiguous numbers separated by “_”  Discrete numbers separated by “,”  Example: 1-10,15,18,20	Yes
interface	Format: <if type><slot>[/<sub slot>]/<port>  Example: eth1/1, fa10/1/2 etc.	No
interfaceRange	Example: eth10/1/20-25, eth11/1-5	Yes
ipAddress	IPv4 OR IPv6 address	No
ipAddressList	You can have a list of IPv4, IPv6, or a combination of both types of addresses.  Example 1: 172.22.31.97, 172.22.31.99, 172.22.31.105, 172.22.31.109  Example 2: 2001:0cb8:85a3:0000:0000:8a2e:0370:7334,  2001:0cb8:85a3:0000:0000:8a2e:0370:7335,  2001:0cb8:85a3:1230:0000:8a2f:0370:7334 Example 3: 172.22.31.97, 172.22.31.99,  2001:0cb8:85a3:0000:0000:8a2e:0370:7334,  172.22.31.254	Yes

Variable Type	Valid Value	Iterative?
ipAddressWithoutPrefix	Example: 192.168.1.1 or Example: 1:2:3:4:5:6:7:8	No
ipV4Address	IPv4 address	No
ipV4AddressWithSubnet	Example: 192.168.1.1/24	No
ipV6Address	IPv6 address	No
ipV6AddressWithPrefix	Example: 1:2:3:4:5:6:7:8 22	No
ipV6AddressWithSubnet	IPv6 Address with Subnet	No
ISISNetAddress	Example: 49.0001.00a0.c96b.c490.00	No
long	Example: 100	No
macAddress	14 or 17 character length MAC address format	No
string	Free text, for example, used for the description of a variable  Example: string scheduledTime { regularExpr="^([01]\d 2[0-3]):([0-5]\d)\$"; }	No
string[]	Example: {a,b,c,str1,str2}	Yes

Variable Type	Valid Value	Iterative?
struct	<p>Set of parameters that are bundled under a single variable.</p> <pre> struct &lt;structure name declaration &gt; { &lt;parameter type&gt; &lt;parameter 1&gt;; &lt;parameter type&gt; &lt;parameter 2&gt;; .... } [&lt;structure_inst1&gt;] [, &lt;structure_inst2&gt;] [, &lt;structure_array_inst3 []&gt;;  struct interface_detail { string inf_name; string inf_description; ipAddress inf_host; enum duplex { validValues = auto, full, half; }; }myInterface, myInterfaceArray[]; </pre>	<p>No</p> <p><b>Note</b> If the struct variable is declared as an array, the variable is iterative.</p>
<p>wwn</p> <p>(Available only in Cisco DCNM Web Client)</p>	<p>Example:</p> <p>20:01:00:08:02:11:05:03</p>	No

### Example: Template Variables

```

##template variables
integer VSAN_ID;
string SLOT_NUMBER;
integerRange PORT_RANGE;
integer VFC_PREFIX;
##

```

### Variable Meta Property

Each variable that is defined in the template variable section has a set of meta properties. The meta properties are mainly the validation rules that are defined for the variable.

The following table describes the various meta properties applicable for the available variable types.

Variable Type	Description	Variable Meta Property											
		default Value	valid Values	decimal Length	min	max	min Slot	max Slot	min Port	max Port	min Length	max Length	regular Expr
boolean	A boolean value. Example: true	Yes											
enum			Yes										
float	signed real number. Example: 75.56, -8.5	Yes	Yes	Yes	Yes	Yes							
float Range	range of signed real numbers Example: 50.5 - 54.75	Yes	Yes	Yes	Yes	Yes							
integer	signed number Example: 50, -75	Yes	Yes		Yes	Yes							
integer Range	Range of signed numbers Example: 50-65	Yes	Yes		Yes	Yes							
interface	specifies interface Example: Ethernet 5/10	Yes	Yes				Yes	Yes	Yes	Yes			
interface Range		Yes	Yes				Yes	Yes	Yes	Yes			

Variable Type	Description	Variable Meta Property											
		default Value	valid Values	decimal Length	min	max	min Slot	max Slot	min Port	max Port	min Length	max Length	regular Expr
ipAddr	IP address in IPv4 or IPv6 format	Yes											

Variable Type	Description	Variable Meta Property											
		default Value	valid Values	decimal Length	min	max	min Slot	max Slot	min Port	max Port	min Length	max Length	regular Expr
ipAddressList	<p>You can have a list of IPv4, IPv6, or a combination of both types of addresses.</p> <p>Example 1:                      172.23.9,                      172.3.9,                      172.3.15,                      172.3.10</p> <p>Example 2:                      2001:0502:                      2001:0502:                      2001:0502:10</p> <p>Example 3:                      172.3.9,                      172.3.9,                      2001:0502,                      172.3.29</p> <p><b>Note</b> Separate the addresses in the list using commas and not hyphens.</p>	Yes											

Variable Type	Description	Variable Meta Property											
		default Value	valid Values	decimal Length	min	max	min Slot	max Slot	min Port	max Port	min Length	max Length	regular Expr
<del>ipAddr</del>	IPv4 or IPv6 Address (does not require prefix)												
<del>ip4Addr</del>	IPv4 address	Yes											
<del>ip4Subnet</del>	IPv4 Address with Subnet	Yes											
<del>ip6Addr</del>	IPv6 address	Yes											
<del>ip6Prefix</del>	IPv6 Address with prefix	Yes											
<del>ip6Subnet</del>	IPv6 Address with Subnet	Yes											
<del>ip6Subnet</del>	Example: 4008:5:50												
long	Example: 100	Yes			Yes	Yes							
<del>macAddr</del>	MAC address												



Variable Type	Description	Variable Meta Property											
		default Value	valid Values	decimal Length	min	max	min Slot	max Slot	min Port	max Port	min Length	max Length	regular Expr
string	literal string  Example for string  Regular expression string  <code>string {                      ...                      }</code>	Yes									Yes	Yes	Yes
string[]	string literals that are separated by a comma (,)  Example: {string1, string2}	Yes											

Variable Type	Description	Variable Meta Property											
		default Value	valid Values	decimal Length	min	max	min Slot	max Slot	min Port	max Port	min Length	max Length	regular Expr
struct	<p>Set of <del>params</del> that are bundled under a single variable.</p> <pre> struct &lt;structure name declaration&gt; &gt; { &lt;parameter type&gt; &lt;parameter 1&gt;; &lt;parameter type&gt; &lt;parameter 2&gt;; ... } [<del>struct1</del>] [, &lt;del&gt;struct2] [, &lt;del&gt;struct3] [ ]&gt;;                     </pre>												
wnn	WWN address												

**Example: Meta Property Usage**

```

##template variables

integer VLAN_ID {
min = 100;
max= 200;
};

string USER_NAME {
defaultValue = admin123;
minLength = 5;
};

struct interface_a{
                    
```

```

string inf_name;
string inf_description;
ipAddress inf_host;
enum duplex {
    validValues = auto, full, half;
};
}myInterface;

##

```

### Variable Annotation

You can configure the variable properties marking the variables using annotations.



**Note** Variable Annotations are available for POAP only. However, the annotations do not impact on the template type 'CLI'.

The following annotations can be used in the template variable section.

Annotation Key	Valid Values	Description
AutoPopulate	Text	Copies values from one field to another
DataDepend	Text	
Description	Text	Description of the field appearing in the window
DisplayName	Text <b>Note</b> Enclose the text with quotes, if there is space.	Display name of the field appearing in the window
Enum	Text1, Text2, Text3, and so on	Lists the text or numeric values to select from
IsAlphaNumeric	"true" or "false"	Validates if the string is alphanumeric
IsAsn	"true" or "false"	
IsDestinationDevice	"true" or "false"	
IsDestinationFabric	"true" or "false"	
IsDestinationInterface	"true" or "false"	
IsDestinationSwitchName	"true" or "false"	
IsDeviceID	"true" or "false"	
IsDot1qId	"true" or "false"	

Annotation Key	Valid Values	Description
IsFEXID	“true” or “false”	
IsGateway	“true” or “false”	Validates if the IP address is a gateway
IsInternal	“true” or “false”	Makes the fields internal and does not display them on the window  <b>Note</b> Use this annotation only for the ipAddress variable.
IsManagementIP	“true” or “false”  <b>Note</b> This annotation must be marked only for variable “ipAddress”.	
IsMandatory	“true” or “false”	Validates if a value should be passed to the field mandatorily
IsMTU	“true” or “false”	
IsMultiCastGroupAddress	“true” or “false”	
IsMultiLineString	“true” or “false”	Converts a string field to multiline string text area
IsMultiplicity	“true” or “false”	
IsPassword	“true” or “false”	
IsPositive	“true” or “false”	Checks if the value is positive
IsReplicationMode	“true” or “false”	
IsShow	“true” or “false”	Displays or hides a field on the window
IsSiteId	“true” or “false”	
IsSourceDevice	“true” or “false”	
IsSourceFabric	“true” or “false”	
IsSourceInterface	“true” or “false”	

Annotation Key	Valid Values	Description
IsSourceSwitchName	“true” or “false”	
IsSwitchName	“true” or “false”	
IsRMID	“true” or “false”	
IsVPCDomainID	“true” or “false”	
IsVPCID	“true” or “false”	
IsVPCPeerLinkPort	“true” or “false”	
IsVPCPeerLinkPortChannel	“true” or “false”	
IsVPCPortChannel	“true” or “false”	
Password	Text	Validates the password field
UsePool	“true” or “false”	
UseDNSReverseLookup		
Username	Text	Displays the username field on the window
Warning	Text	Provides text to override the Description annotation

#### Example: AutoPopulate Annotation

```
##template variables
string BGP_AS;
@(AutoPopulate="BGP_AS")
  string SITE_ID;
##
```

#### Example: DisplayName Annotation

```
##template variables
@(DisplayName="Host Name", Description = "Description of the host")
String hostname;
@(DisplayName="Host Address", Description = " test description" IsManagementIP=true)
ipAddress hostAddress;
##
```

#### Example: IsMandatory Annotation

```
##template variables
@(IsMandatory="ipv6!=null")
ipV4Address ipv4;
@(IsMandatory="ipv4!=null")
ipV6Address ipv6;
##
```

**Example: IsMultiLineString Annotation**

```
##template variables
@(IsMultiLineString=true)
string EXTRA_CONF_SPINE;
##
```

**IsShow Annotation**

```
##template variables
boolean isVlan;
@(IsShow="isVlan==true")
integer vlanNo;
##

##template variables
boolean enableScheduledBackup;
@(IsShow="enableScheduledBackup==true",Description="Server time")
string scheduledTime;
##
The condition "enableScheduledBackup==true" evaluates to true/false

##template variables
@(Enum="Manual,Back2BackOnly,ToExternalOnly,Both")
string VRF_LITE_AUTOCONFIG;
@(IsShow="VRF_LITE_AUTOCONFIG!=Manual", Description="Target Mask")
integer DCI_SUBNET_TARGET_MASK
##
The condition "VRF_LITE_AUTOCONFIG!=Manual" matches string comparison to evaluate to true
or false
```

**Example: Warning Annotation**

```
##template variables
@(Warning="This is a warning msg")
string SITE_ID;
##
```

*Templates Content*

This section includes the configuration commands and any parameters that you want to include in the template. These commands can include the variables declared in the template variables section. During the command generation process the variable values are substituted appropriately in the template content.




---

**Note** You must specify the commands that you include as if you were entering them in the global configuration command mode on any device. You must consider the command mode when you include commands.

---

Template content is governed by the usage of variables.

- **Scalar variables:** does not take a range or array of values which cannot be used for iteration (In the variable types table those marked iterate-able as 'No'). Scalar variables must be defined inside the template content.

```
Syntax: $$<variable name>$$
Example: $$USER_NAME$$
```

- **Iterative variables:** used for block iteration. These loop variable must be accessed as shown below inside the iteration block.

```
Syntax:@<loop variable>
Example:
foreach val in $$INTEGER_RANGE_VALUE$$ {
@val
}
}
```

- **Scalar Structure Variable:** Structure member variables can be accessed inside the template content.

```
Syntax: $$<structure instance name>.<member variable name>$$
Example: $$myInterface.inf_name$$
```

- **Array Structure Variable:** Structure member variables can be accessed inside the template content.

```
Syntax: $$<structure instance name>.<member variable name>$$
Example: $$myInterface.inf_name$$
```

In addition to the template variables, you can use the conditional and iterative command generation using the following statements:

- **if-else if-else Statement:** makes a logical decision in inclusion/exclusion of set of configuration command based on the value assigned for the variable in it.

```
Syntax: if(<operand 1> <logical operator> <operand 2>){
command1 ..
command2..
..
}
else if (<operand 3> <logical operator> <operand 4> )
{
Command3 ..
Command4..
..
}
else
{
Command5 ..
Command6..
..
}
}
Example: if-else if-else statement
if($$USER_NAME$$ == 'admin'){
Interface2/10
no shut
}
else {
Interface2/10
shut
}
}
```

- **foreach Statement:** used for iterating a block of commands. The iteration is performed based on the assigned loop variable value.

```
Syntax:
foreach <loop index variable> in $$<loop variable>$$ {
@<loop index variable> ..
}
}
Example: foreach Statement
foreach ports in $$MY_INF_RANGE$${
interface @ports
}
```

```
no shut
}
```

- **Optional parameters:** By default all parameters are mandatory. To make a parameter optional, you must annotate the parameter.
- **Interactive command handling:** Include prompt and response as part of the template content for handling interactive commands.

Example:

```
##template variables
string srcFile;
string srcDir;
string password;
string vrf;
##

##template content
copy scp://root@10.127.117.65/$$srcFile$$ bootflash: vrf $$vrf$$ <prompt:'(yes/no)?',
response:'yes'> <prompt:'(y/n)?[n] ',
response:'y'> <prompt:'password:',
response:'$$password$$'>
```

In the variable section, you can include the following command:

- **@(IsMandatory=false)**
- **Integer frequency;**

In the template content section, a command can be excluded or included without using “if” condition check, by assigning a value to the parameter. The optional command can be framed as below:

- **probe icmp [frequency frequency-value] [timeout seconds] [retry-count retry-count-value]**

## Template Content Editor

The template content editor has the following features:

- **Syntax highlighting:** The editor highlights the syntax, like different types of statements, keywords, and so on, for Python scripting.
- **Autocompletion:** The editor suggests the template datatypes, annotations, or metaproperties when you start typing.
- **Go to line:** You can navigate to the exact line in the template content editor instead of scrolling. Press **Command-L** in Mac or **Ctrl-L** in Windows, and enter the line number to which you want to navigate to in the pop-up window.

If you enter a value greater than the number of lines in the editor, you will be navigated to the last line in the editor window.

- **Template search and replace:** Press **Command-F** in Mac or **Ctrl-F** in Windows, enter the search term in the **Search for** field, and select the type of search in the search window. You can perform the following searches in the editor:
  - **RegExp Search:** You can perform the regular expression search in the editor.
  - **CaseSensitive Search:** You can perform a case-sensitive search in the editor.



- **Whole Word Search:** You can perform a whole word search to find the exact words in the editor. For example, a regular search for the word "play" returns results where it is part of words like "display," but the whole word search returns results only when there is an exact match for the word "play".
- **Search In Selection:** You can perform a search in the selected content. Select the content to which you want to limit the search and enter the search term.

Choose the + icon in the search window to use the replace option. Enter the replacing word in the **Replace with** field. You can replace the selected word once by selecting **Replace**. To replace all the occurrences of the selected word, select **All**.

- **Code folding:** You can expand or group code blocks in the editor by clicking the arrow next to their line numbers.
- **Other features:** The editor automatically indents the code, the closing braces, and highlights the matching parenthesis.

## Template Editor Settings

You can edit the following features of a template editor by clicking **Template Editor Settings**.

- **Theme:** Select the required theme for the editor from the drop-down list.
- **KeyBinding:** Select the editor mode from the **KeyBinding** drop-down list to customize the editor. **Vim** and **Ace** modes are supported. The default is **Ace**.
- **Font Size:** Select the required font size for the editor.

## Advanced Features

The following are the advanced features available to configure templates.

- **Assignment Operation**

Config template supports assignment of variable values inside the template content section. The values are validated for the declared data type of the variable. If there is a mismatch, the value is not assigned.

Assignment operation can be used under the following guidelines:

- The operator on the left must be any of the template parameters or a for loop parameter.
- The operator on the right values can be any of the values from template parameters, for loop parameters, literal string values surrounded by quotes or simple string values.

If a statement does not follow these guidelines, or if it does not suit this format, it will not be considered as assignment operation. It is substituted during command generation like other normal lines.

```
Example: Template with assignment operation
##template properties
name =vlan creation;
userDefined= true;
supportedPlatforms = All;
templateType = CLI;
published = false;
##
##template variables
integerRange vlan_range;
```

```

@(internal=true)
integer vlanName;
##
##template content
foreach vlanID in $$vlan_range$${
vlan @vlanID
$$vlanName$$=@vlanID
name myvlan$$vlanName$$
}
##

```

- Evaluate methods

Config template uses the Java runtime provided JavaScript environment to perform arithmetic operations (such as ADD, SUBTRACT, and so on), string manipulations, and so on.

Locate the JavaScript file in the template repository path. This file contains primary set of arithmetic, string functions. You can also add custom JavaScript methods.

These methods can be called from config template content section in below format:

```

Example1:
$$somevar$$ = evalscript(add, "100", $$anothervar$$)

```

Also the *evalscript* can be called inside if conditions as below:

```

if($$range$$ > evalscript(sum, $$vlan_id$$, -10)){
do something...
}

```

You can call a method that is located at the backend of the JavaScript file.

- Dynamic decision

Config template provides a special internal variable “LAST\_CMD\_RESPONSE”. This variable stores the last command response from the device during the execution of the command. This can be used in the config template content to make dynamic decisions to deliver the commands that are based on the device condition.




---

**Note** The if block must be followed by an else block in a new line, which can be empty.

---

An example use case to create a VLAN, if it does not exist on the device.

```

Example: Create VLAN
##template content
show vlan id $$vlan_id$$
if($$LAST_CMD_RESPONSE$$ contains "not found"){
vlan $$vlan_id$$
}
else{
}
##

```

This special implicit variable can be used only in the “IF” blocks.

- Template referencing

You can have a base template with all the variables defined. This base template can be imported to multiple templates. The base template content is substituted in the appropriate place of the extending

template. The imported template parameters and the contents can be accessed inside the extending template.

```
Example: Template Referencing
Base template:
##template properties
  name =a vlan base;
  userDefined= true;
  supportedPlatforms = All;
  templateType = CLI;
  published = false;
  timestamp = 2015-07-14 16:07:52;
  imports = ;
##
##template variables
  integer vlan_id;
##
##template content
  vlan $$vlan_id$$
##

Derived Template:
##template properties
  name =a vlan extended;
  userDefined= true;
  supportedPlatforms = All;
  templateType = CLI;
  published = false;
  timestamp = 2015-07-14 16:07:52;
  imports = a vlan base,template2;
##
##template variables
  interface vlanInterface;
##
##template content
  <substitute a vlan base>
  interface $$vlanInterface$$
  <substitute a vlan base>
##
```

When you launch the extended template, the parameter inputs for the base template are also obtained. In addition, the substituted content is used for complete CLI command generation.

- Solution POAP Templates for VXLAN and FabricPath

From Cisco DCNM Release 10.0(1), Cisco provides you a set of defined templates to aid in POAP operations. You can download Cisco-defined templates from <https://software.cisco.com/download/release.html>.

For instructions on how to download and install POAP templates, see *Cisco DCNM Installation Guide, Release 10.0(x)*.

## Adding a Template

To add user-defined templates and schedule jobs from the Cisco DCNM Web UI, perform the following steps:

### Procedure

---

**Step 1** Choose **Configure > Templates > Template Library > Templates**.

The **Templates** window is displayed with the name of the template along with its description, supported platforms, and tags.

**Step 2** Click **Add** to add a new template.

The Template Properties window appears.

**Step 3** Specify a template name, description, tags, and supported platforms for the new template.

**Step 4** Specify a **Template Type** for the template. Select **POAP** to make this template available when you power on the application.

**Note** The template is considered as a CLI template if **POAP** is not selected.

**Step 5** Select a **Template Sub Type** and **Template Content Type** for the template.

**Step 6** Click the **Advanced** tab to edit other properties like **Implements**, **Dependencies**, **Published**, and **Imports**. Select **Published** to make the template read-only. You cannot edit a published template.

**Step 7** From the **Imports > Template Name** list, check the template check box.

The base template content is displayed in the **Template Content** window. The base template displays the template properties, template variables, and template content. This template can be imported in to another template and the base template content is substituted in the appropriate place of the extending template. When you launch the extended template, the parameter inputs for the base template are also obtained. Also, the substituted content is used for complete CLI command generation.

**Note** The base templates are CLI templates.

**Step 8** Click **OK** to save the template properties, or click the cancel icon at the top-right corner of the window to revert the changes.

**Note** You can edit the template properties by clicking **Template Property**.

**Step 9** Click **Template Content** to edit the template syntax. For information about the structure of the Configuration Template, see the *Template Structure* section.

**Step 10** Click **Validate Template Syntax** to validate the template values.

If an error or a warning message appears, you can check the validation details in **Validation Table** by clicking the error and warnings field.

**Note** You can continue to save the template if there are warnings only. However, if there is an error, you must edit the templates to fix the errors before you proceed. Click the line number under the Start Line column to locate the error in the template content. You will get an error if you validate a template that does not have a template name.

**Step 11** Click **Save** to save the template.

**Step 12** Click **Save and Exit** to save the configuration and go back to the configuring templates screen.

## Configuring Template Job

To configure and schedule jobs for individual templates from the Cisco DCNM Web UI, perform the following steps:

## Procedure

---

- Step 1** Choose **Configure > Templates > Template Library > Templates**.
- Step 2** Select a template.
- Note** Config Job wizard is applicable only for CLI templates.
- Step 3** Click **Launch job creation wizard** icon and click **Next**.
- Step 4** Use the drop-down to select **Device Scope**.
- The devices that are configured under the selected **Device Scope** are displayed.
- Note** If no devices are displayed, check if the device LAN credentials are configured by choosing **Administration > Credentials Management > LAN Credentials**.
- Step 5** Use the arrows to move the devices to the right column for job creation and click **Next**.
- Step 6** In the **Define Variable** section, specify the VSAN\_ID, VLAN\_ID, ETH\_SLOT\_NUMBER, VFC\_SLOT\_NUMBER, SWITCH\_PORT\_MODE, ETH\_PORT\_RANGE and ALLOWED\_VLANS values.
- Note** Based on the selected template, variables vary.
- Step 7** In the **Edit Variable Per Device** section, double click the fields to edit the variables for specific devices and click **Next**.
- Step 8** If you have selected multiple devices, use the drop-down to select a specific device and preview its configuration. Click **Back** to edit the configuration or click **Next**.
- Step 9** Specify a job name and description.
- The Device Credentials are populated from **Administration > Credentials Management > LAN Credentials**.
- Step 10** Use the radio button to select **Instant Job** or **Schedule Job**.
- If you select **Schedule Job**, specify the date and time for the job delivery.
- Step 11** Use the check box to select **Copy Run to Start**.
- Step 12** If you want to configure more transaction and delivery options, use the check box to select **Show more options**.
- Step 13** Under **Transaction Options(Optional)**, if you have a device with rollback feature support, select **Enable Rollback** check box and select the appropriate radio button.
- You can choose one of the following options by selecting the appropriate radio button:
- **Rollback the configuration on a device if there is any failure on that device**
  - **Rollback the configuration on all the devices if there is any failure on any device**
  - **Rollback the configuration on a device if there is any failure on any device and stop further configuration delivery to remaining devices**
- Step 14** Under **Delivery Options (Optional)**, specify the command response timeout in seconds and use the radio button to select a delivery order. The value of command response timeout ranges from 1 to 180.
- You can choose one of the following options by selecting the appropriate radio button:
- **Deliver configuration one device at a time in sequential**

- **Delivery configuration in parallel to all devices at the same time**

**Step 15** Click **Finish** to create the job.

A confirmation message is displayed that the job has been successfully created. The jobs are listed in the **Jobs** window.

---

## Modifying a Template

You can edit the user-defined templates. However, the predefined templates and templates that are already published cannot be edited.

### Procedure

---

**Step 1** From **Configure > Templates > Template Library > Templates**, select a template.

**Step 2** Click **Modify/View template**.

**Step 3** Edit the template description and tags.

The edited template content is displayed in a pane on the right.

**Step 4** From the **Imports > Template Name** list, check the template check box.

The base template content is displayed in the **Template Content** window. You can edit the template content based on your requirement in the **Template Content** window. Click the help icon next to the **Template Content** window for information about editing the content of the template.

**Step 5** Edit the supported platforms for the template.

**Step 6** Click **Validate Template Syntax** to validate the template values.

**Step 7** Click **Save** to save the template.

**Step 8** Click **Save and Exit** to save the configuration and go back to the configuring templates screen.

---

## Copying a Template

To copy a template from the Cisco DCNM Web UI, perform the following steps:

### Procedure

---

**Step 1** Choose **Configure > Templates > Template Library > Templates**, and select a template.

**Step 2** Click **Save Template As**.

**Step 3** Edit the template name, description, tags, and other parameters.

The edited template content is displayed in the right-hand pane.

**Step 4** From the **Imports > Template Name** list, check the template check box.

The base template content is displayed in the **Template Content** window. You can edit the template content that is based on your requirement in the **Template Content** window. Click the help icon next to the **Template Content** window for information about editing the content of the template.

- Step 5** Edit the supported platforms for the template.
  - Step 6** Click **Validate Template Syntax** to validate the template values.
  - Step 7** Click **Save** to save the template.
  - Step 8** Click **Save and Exit** to save the configuration and go back to the configuring templates screen.
- 

## Deleting a Template

You can delete the user-defined templates. However, you cannot delete the predefined templates. From Cisco DCNM Release 11.0(1), you can delete multiple templates at once.

To delete a template from the Cisco DCNM Web UI, perform the following steps:

### Procedure

---

- Step 1** Choose **Configure > Templates > Template Library > Templates**.
  - Step 2** Use the check box to select a template and click **Remove template** icon.  
The template is deleted without any warning message.
- 

### What to do next

The template is deleted from the list of templates on the DCNM Web UI. When you restart the DCNM services, the deleted templates are displayed on the **Configure > Templates > Template Library > Templates** page.

To delete the template permanently, delete the template that is located in your local directory: `C:\Cisco Systems\dcm\dcnm\data\templates\`.

## Importing a Template

To import a template from the Cisco DCNM Web UI, perform the following steps:

### Procedure

---

- Step 1** Choose **Configure > Templates > Template Library > Templates** and click **Import Template**.
- Step 2** Browse and select the template that is saved on your computer.  
You can edit the template parameters, if necessary. For information, see [Modifying a Template, on page 30](#).  
**Note** The “\n” in the template is considered as a new line character when imported and edited, but it works fine when imported as a ZIP file.
- Step 3** Click **Validate Template Syntax** to validate the template.
- Step 4** Click **Save** to save the template or **Save and Exit** to save the template and exit.

**Note** You can import Cisco-defined FabricPath and IP VXLAN Programmable Fabric POAP Templates to the Cisco DCNM Web Client. For more information, see *Installing POAP Templates*.

---

## Exporting a Template

To export a template from the Cisco DCNM Web UI, perform the following steps:

### Procedure

---

**Step 1** Choose **Configure > Templates > Template Library > Templates**.

**Step 2** Use the check box to select a template and click **Export Template**.

The browser requests you to open or save the template to your directory.

---

## Installing POAP Templates

Cisco DCNM allows you to add, edit, or delete user-defined templates that are configured across different Cisco Nexus platforms. From Cisco DCNM Release 10.0(x), Cisco-defined FabricPath and IP VXLAN Programmable Fabric POAP Templates are provided as a separate download on the official Cisco website. These templates are compatible for use with the DCNM Virtual Appliance (OVA or ISO) for use with Nexus 2000, Nexus 5000, Nexus 6000, Nexus 7000, and Nexus 9000 Series switches.

You can download the Cisco-defined templates from <https://software.cisco.com/download/release.html>.

Perform the following task to install the POAP templates from the Cisco DCNM.

### Procedure

---

**Step 1** Navigate to <https://software.cisco.com/download/release.html>, and download the file.

You can choose one of the following:

- dcnm\_ip\_vxlan\_fabric\_templates.10.0.1a.zip
- dcnm\_fabricpath\_fabric\_templates.10.0.1a.zip file

**Step 2** Unzip and extract the files to the local directory on your computer.

**Step 3** Choose **Configure > Templates > Template Library > Templates**.

**Step 4** Click **Import Template**.

**Step 5** Browse and select the template that is saved on your computer. You can edit the template parameters, if necessary.

**Step 6** Check **POAP** and **Publish** check box to designate these templates as POAP templates.

**Step 7** Click **Validate Template Syntax** to validate the template.

**Step 8** Click **Save** to save the template or **Save and Exit** to save the template and exit.

---



## Configuring Jobs

To configure jobs from the Cisco DCNM Web UI, perform the following steps:

### Procedure

- 
- Step 1** Choose **Configure > Templates > Templates Library > Jobs**.
- The jobs are listed along with the Job ID, description and status. The latest task will be listed at the top.
- Note** If failover is triggered in Native HA, the Job ID sequence number is incremented by 32.
- Step 2** Click **Show Filter** to filter the list.
- In the **Status** column, use the drop-down to select the job status.
- Step 3** Select a job and click the **Delete** icon to delete the job.
- Step 4** To view the status of a job, click the **Job ID** radio button and click **Status**.
- Step 5** To view the command execution status for a device, click the radio button of a device name from the **Devices** table in the **Job Execution Status** window.
- Note** You can delete multiple jobs at once, but you cannot view the status of multiple jobs at once.
- 

## Backup

The **Backup** menu includes the following submenus:

### Switch Configuration

This feature allows you to backup device configurations from running configuration as a regular text file in the file system. However, you can also perform operations on startup configuration. The backup files can be stored in the DCNM server host or on a file server.

You can also configure the archive system to support scheduling of jobs for the selected list of devices. You can configure only one job for a switch.

The following tables describe the icons and fields that appear on **Configure > Backup > Switch Configuration**.

**Table 4: Switch Configuration Operations**

Icon	Description
Copy Configuration to bootflash	Allows you to copy a configuration file of a switch to the bootflash of the selected destination switches.
View Configuration	Allows you to view the configuration file.
Delete Configuration	Allows you to delete the configuration file.

Icon	Description
Compare Configuration	Allows you to compare two configuration files, from different devices or on the same device.
Export Configuration	Allows you to export a configuration file from the DCNM server.
Import User-Defined Configuration	Allows you to import a user-defined configuration file to the DCNM server.
Restore Configuration to devices	Allows you to restore configuration from the selected devices.
Archive Jobs	Allows you to add, delete, view, or modify the jobs.

**Table 5: Switch Configuration Field and Description**

Field	Description
Device Name	Displays the device name Click the arrow next to the device to view the configuration files.
IP Address	Displays the IP address of the device.
Group	Displays the group of the device.
Configuration	Displays the configuration files that are archived for that device.
Archive Time	Displays the time when the device configuration files were archived. The format is Day:Mon:DD:YYYY HH:MM:SS.
Size	Displays the size of the archived file.

This section contains the following:

## Copy Configuration

You can copy the configuration files to the same device, to another device, or multiple devices concurrently.

Perform the following task to view the status of tasks.

### Procedure

- 
- Step 1** From Cisco DCNM home page, choose **Configure > Backup > Switch Configuration**. Select any startup/running/archive configuration of the device that you must copy.
- Step 2** Click **Copy Configuration to bootflash**.

**Copy Configuration to bootflash** page appears, displaying the **Source Configuration Preview** and **Selected Devices** area.

**Source Configuration Preview** area shows the contents of running/startup/version configuration file which is copied to the devices.

**Step 3** In the **Selected Devices** area, check the device name check box to copy the configuration to the device.

**Note** You can select multiple destination devices to copy the configuration.

The selected devices area shows the following fields:

- Device Name—Specifies the target device name to which the source configuration is copied.
- IP Address—Specifies the IP Address of the destination device.
- Group—Specifies the group to which the device belongs.
- Status—Specifies the status of the device.

**Step 4** Click **Copy**.

A confirmation window appears.

**Step 5** Click **Yes** to copy the configuration to the destination device configuration.

---

## View Configuration

You can view or edit the configuration file on the device.

Perform the following task to view or edit the configuration file for the devices.

### Procedure

---

**Step 1** From Cisco DCNM home page, choose **Configure > Backup > Switch Configuration**. Click the arrow next to the device name to view the configuration files on the device. Select the configuration file radio button to view the configuration file.

**Step 2** Click the View Configuration.

The View Configuration window appears showing the configuration file content.

---

## Delete Configuration

Perform the following task to delete the configuration file from the device.



**Note** Ensure that you take a backup of the configuration file before you delete.

---

### Procedure

---

- Step 1** From Cisco DCNM home page, choose **Configure > Backup > Switch Configuration**. Click the arrow next to the device name to view the configuration files on the device.
- Step 2** Click the configuration file radio button to be deleted.
- Note** You can delete multiple configuration files. However, you cannot delete startup, or running configuration files.
- Step 3** Click **Yes** to delete the configuration file.
- 

## Compare Configuration Files

This feature allows you to compare the configuration file with another version of the same device or with the configuration file of another device.

Perform the following task to compare the configuration files.

### Procedure

---

- Step 1** Navigate to **Configure > Backup > Switch Configuration**. Click the arrow next to the device name to view the configuration files on the device.
- Step 2** Check the check box and select two configuration files to compare.
- The first file that you selected is designated as Source and the second configuration file is designated as the Target file.
- Step 3** Click **Compare Configuration**.
- View Config Diff** page appears, displaying the difference between the two configuration files.
- The Source and Target configuration files content is displayed in two columns. From the drop-down list in the right-top corner, choose **All** to view the entire configuration. You can also choose **Changed** to view the configuration differences of the configuration files.
- The differences in the configuration file are show in the table, with legends.
- **Red:** Deleted configuration details.
  - **Green:** New added configuration.
  - **Blue:** Modified configuration details.
- Step 4** Click **Copy to Target** to copy the source configuration to the target configuration file. Click **Cancel** to revert to the configuration details page.
- The Copy Configuration window displays the source configuration preview and the target device of the destination configuration. The selected devices area shows the following fields:
- Device Name—Specifies the target device name to which the source configuration is copied.
  - IP Address—Specifies the IP Address of the destination device.

- **Group**—Specifies the group to which the device belongs.
- **Status**—Specifies the status of the device.

**Step 5** Click **Yes** to copy the configuration to the destination device configuration.

---

## Export Configuration

You can export a configuration file from the Cisco DCNM server. Perform the following task to export a configuration file.

### Procedure

---

**Step 1** From Cisco DCNM home page, choose **Configure > Backup**, select a configuration to export.

**Step 2** Click **Export Configuration**.

The files are downloaded in your local system. You can use the third-party file transfer tools to transfer these files to an external server.

---

## Import Configuration File

You can import the configuration file from the file server to the Cisco DCNM.

Perform the following task to import a single or multiple configuration files.

### Procedure

---

**Step 1** From Cisco DCNM home page, choose **Configure > Backup > Switch Configuration** and click **Import User-Defined Configuration**.

The file server directory opens.

**Step 2** Browse the directory and select the configuration file that you want to import. Click **Open**.

A confirmation screen appears.

**Note** The file name should not contain forward slash (/) or backward slash (\).

**Step 3** Click **Yes** to import the selected file.

The imported configuration file appears as a User Imported file.

---

## Restore Configuration

You can restore the configuration file from the selected switches. From Cisco DCNM Release 11.0(1), you can restore configuration based on the selected date as well.




---

**Note** You cannot restore the configuration for SAN switches and FCoE-enabled switches.

---

Perform the following task to restore the configuration from the selected devices.

### Procedure

---

- Step 1** From Cisco DCNM home page, choose **Configure > Backup > Switch Configuration**, and click **Restore**.
- Step 2** Select the type of restore from the drop-down list. You can choose **Version-based** or **Date-based**.
- Note**
- If you choose date-based restore, you have to select the date and time. The configuration available before the mentioned time is restored.
  - If you choose version-based restore, you have to choose a configuration from the **Configuration** column. You can view the configuration details in the **View** column.
- Step 3** Check the **Device Name** check box from which you want to restore the configuration. Click **Restore**. The **Devices** area shows the following fields:
- Device Name—Specifies the device name from which the configuration file is restored.
  - IP Address—Specifies the IP Address of the device.
  - Group—Specifies the group to which the device belongs.
  - Status—Specifies the status of the device.
- Note** You can restore the configuration only from the same device. If you select user-imported configuration files, you can restore configuration for any number of devices.
- 

## Archive Jobs

This section contains context-sensitive online help content under Cisco DCNM **Configure > Backup > Switch Configuration > Archive Jobs**.




---

**Note** The configuration files from the archived jobs are located in the DCNM Server directory: `\dcm\dcnm\data\archive\<<dcnm-ip-address>\`. You can use the third-party file transfer tools or file transfer commands to transfer these files to an external server.

---

The following table describes the fields that appear on the **Archive Jobs** window.

Field	Description
User	Specifies who created this job.
Group	Specifies the group to which this job belongs.

Field	Description
Group Job	Specifies whether it is a group job or a per-device job. The values are <b>true</b> or <b>false</b> .
Schedule	Specifies the schedule of the job. Also show the recurrence information.
Last Execution	Specifies the date and time at which this job was last executed.
Job Status	Specifies if the job was successful, scheduled, running, or failure.  <b>Note</b> <b>Running</b> and <b>Scheduled</b> status is not applicable for existing jobs in an upgraded Cisco DCNM.
User Comments	Specifies the comments or description provided by the user.

## Archive Jobs

To add, delete or view the job from the Cisco DCNM Web UI, perform the following steps:



**Note** You must set the SFTP/TFTP/SCP credentials before you configure jobs. On the DCNM Web Client, navigate to **Administration > DCNM Server > Archive FTP Credentials** to set the credentials.

### Procedure

**Step 1** Choose **Configure > Backup > Switch Configuration > Archive Jobs > Archive Jobs** tab, and click **Add Job**.

The Create Job screen displays the Schedule, Device Selection and Selected Devices.

A backup is scheduled as defined.

- a) In the **Schedule** area, configure the start time, repeat interval and repeat days.
  - **Start At:** Configure the start time using the hour:minutes:second drop-down lists.
    - **Once:** Configure the job to be executed once, on the particular day. The time at which this job will be executed is determined by the **Start At** field.
    - **Now**—Configure the job to be executed immediately. Cisco DCNM will consider the default date and time as configured on the server.
 

**Note** You can schedule a job to run **Now** even if a job is already scheduled.
    - **Daily:** Check the check box on the days you want this job to be executed. The time at which this job will be executed is determined by the **Start At** field.

- **Real Time:** Configure the job to be executed if there is any configuration changes in the device. The device must be quiet for 5 minutes, after which the DCNM Sever will execute this job.

- **Repeat Interval:** Check the Repeat Interval check box to repeat the job at scheduled intervals. Configure the intervals using either days or hours drop-down list.
- **Comments:** Enter your comments, if any.

b) In the **Device Selection** area, use the radio button to choose one of the following:

- **Device Group:** Click the Device Group radio button to select the entire group of devices for this job.

Select the Device Group from the drop-down list.

**Note** When the devices are not licensed, they will not be shown under the group on the Cisco DCNM **Configure > Backup > Switch Configuration > Archive Jobs**. When none of the devices under a group is licensed, the group alone will be shown with no devices, until a device under that group is licensed.

- **Selected Devices:** Click the **Selected Devices** radio button to select one of multiple devices from various groups for this job.

Select the devices from the drop-down list.

From Cisco DCNM Release 11.2(1), you can apply VRF for all the selected devices simultaneously. You can either apply Management VRFs or Default VRFs.

**Note** When the SAN and LAN credentials are not configured for a switch, it will not be listed in the Selected Devices drop-down list. To configure, navigate to **Administration > Credentials Management > SAN Credentials** and **Administration > Credentials Management > LAN Credentials**.

c) In the **Selected Devices** area, the following fields are shown:

- **Name:** Specifies the name of the device on which the job is scheduled.
- **IP Address:** Specifies the IP Address of the device.
- **Group:** Specifies the group to which the device belongs.
- **VRF:** Specifies the virtual routing and forwarding (VRF) instance.

Select a VRF type to modify the existing VRF type to the specified device. You can either apply Management VRFs or Default VRFs.

**Note** If a job for a device exists under device level, you can create a group level job which includes this switch as part of that group. However, this switch will be excluded during the execution of the job.

d) Click **Create** to add a new job.

**Step 2** To delete a job, from the Cisco DCNM home page, choose **Configure > Backup > Switch Configuration > Archive Jobs > Archive Jobs**, and select a job.

a) Click **Delete Job**.



The Schedule, Device Selection and the Selected devices for this job is displayed.

b) Click **Delete**.

**Step 3** To view the details of the job, from the Cisco DCNM home page, choose **Configure > Backup > Switch Configuration > Archive Jobs > Archive Jobs**, and check the job check box.

a) Click **View/Modify Job**.

The Schedule, Device Selection and the Selected devices for this job is displayed.

b) Modify the required details. Click **OK** to revert to view the list of jobs.

- Note**
- You cannot modify a job that is scheduled to be run **Now** to one that is scheduled to be run **Daily**.
  - You cannot modify the repeat interval duration for an archive job. When you try to modify, the operation fails and the job is deleted. You must delete existing repeat interval archive job and create a new job.

### What to do next

You can also configure the Cisco DCNM to retain the number of archived files per device. Choose **Administration > DCNM Server > Server Properties**, and update the **archived.versions.limit** field.

### Job Execution Details

The Cisco DCNM **Web Client > Configure > Backup > Switch Configuration > Archive Jobs > Archive Jobs > Job Execution Details** tab shows the following tabs in the Job Execution History table.

Field	Description
Job Name	Displays the system-generated job name.
User	Specifies the persona of the person who created the job.
Device Group	Specifies fabric or the LAN group under which the job was created.
Device	Specifies the IP Address of the Device.
Server	Specifies the IP Address of the DCNM Server to which the device is associated with.
Protocol	Specifies if the SFTP, TFTP, or SCP protocol is applied.
Execution time	Specifies the time at which the job was last executed.
Status	Specifies the status of the job. <ul style="list-style-type: none"> <li>• Skipped</li> <li>• Failed</li> <li>• Successful</li> </ul>

Field	Description
Error Cause	<p>Specifies the error if the job has failed. The categories are as follows:</p> <ul style="list-style-type: none"> <li>• No change in the configuration.</li> <li>• Switch is not managed by this server.</li> </ul> <p><b>Note</b> If the error cause column is empty, it implies that the job was executed successfully.</p> <p>Hover over the error cause to view the complete description.</p>

## Archives

A user with network operator role can view configuration archives for a switch and their details in the **Archives** window.

The following tables describe the icons and fields that are displayed in this window.

**Table 6: Archive Operations**

Icon	Description
Compare	Allows you to compare two configuration files either from different devices or on the same device.
View	Allows you to view a configuration file.

**Table 7: Archive Field and Description**

Field Name	Description
Device Name	<p>Displays the device name</p> <p>Click on the arrow next to the device to view the configuration files.</p>
IP Address	Displays the IP address of the device.
Group	Displays the group of the device.
Configuration	Displays the configuration files that are archived for that device.
Archive Time	<p>Displays the time at which the device configuration files were archived.</p> <p>The format is Day:Mon:DD:YYYY HH:MM:SS.</p>
Size	Displays the size of the archived file.

This section contains the following:

## Compare Configuration Files

You can compare one version of a configuration file with another version of the same configuration file in the same device, or the configuration files of two different devices.

To compare the configuration files from the Cisco DCNM Web UI, perform the following steps:

### Procedure

---

- Step 1** Choose **Configure > Backup > Archives**.
- Step 2** In the **Archives** area, click the arrow that is adjacent the name of the device whose configuration files you want to view. The list of configuration files is displayed.
- Step 3** Check the check box next to configuration files and select two configuration files to compare.
- The first file that you select is designated as the source and the second configuration file is designated as the target file.
- Step 4** Click **Compare**.
- The **View Config Diff** page displays the difference between the two configuration files.
- The Source and Target configuration files content are displayed in two columns. Choose **All** from the drop-down list in the right-top corner to view the entire configuration. Choose **Changed** to view the configuration differences between the configuration files.
- The differences in the configuration files are shown in a table, with legends.
- **Red**: Deleted configuration details.
  - **Green**: New added configuration.
  - **Blue**: Modified configuration details.
- 

## View Configuration

You can view an archived configuration file.

To view or edit the configuration file for the devices from the Cisco DCNM Web UI, perform the following steps:

### Procedure

---

- Step 1** Choose **Configure > Backup > Archives**.
- The **Archives** window is displayed.
- Step 2** Click the arrow that is next to the name of the device whose configuration files you want to view.
- The list of configuration files are displayed.
- Step 3** Select the radio button that is next to the corresponding file you want to view.
- Step 4** Click the **View** configuration icon.

The **View** configuration window appears showing the configuration file content in the right column.

---

## Network Config Audit

Cisco DCNM provides auditing for the configuration changes across the network switches. The Network Audit Reporting feature enables you to generate audit reports so that you can track the added, deleted, or modified configurations. You will be able to generate the network audit reports only when you have existing archival jobs. Using the generated reports, you can view the config differences on a device for a specified period.

This section contains the following:

### Generating Network Config Audit Reports

To generate the network config audit reports from the Cisco DCNM Web UI, perform the following steps:

#### Procedure

---

- Step 1** Choose **Configure > Backup > Network Config Audit**.  
The **Network Audit Report** window is displayed.
- Step 2** In the **Devices** drop-down list, choose the devices to generate a report.
- Step 3** Specify the **Start Date** and the **End Date**.
- Step 4** Click **Generate Report** to view the configuration differences. The configuration differences are color-coded.
- Red: Deleted Configuration
  - Green: Newly Added Configuration
  - Blue: Changed configuration
  - Strikethrough: Old configuration

After you generate a report, you can export the configuration reports into an HTML file.

---

### Creating a Network Config Audit Report

To create a network config audit job and view the configuration differences between the devices from the Cisco DCNM Web UI, perform the following steps:

#### Procedure

---

- Step 1** Choose **Monitor > Report > Generate**.  
The left pane shows various reports that you can create.
- Step 2** Choose **Common > Network Config Audit**.
- Step 3** In the **Report Name** field, enter the name of the report.

- Step 4** In the **Repeat** field, choose the appropriate repeat interval, that is, Daily, Weekly, or Monthly. Daily job generates a report of configuration differences for all the selected devices for last 1 day. Weekly job generates a report for the last 7 days, and the monthly job generates a report for the last 30 days.
- Step 5** In the **Start** and **End** date fields, specify the start and end date for the report.
- Step 6** In the **Email Report** field, specify the email delivery options.
- No: Select this option if you do not want to send the report through email.
  - Link Only: Select this option if you want to send the link to the report.
  - Contents: Select this option if you want to send the report content.
- If you select Link Only or the Contents option, enter the email address and subject in the **To** and **Subject** fields.
- 

### Monitoring Network Config Audit Report

To monitor the network config audit report from the Cisco DCNM Web UI, perform the following steps:

#### Procedure

---

- Step 1** Choose **Monitor > Report > View**.
- Step 2** Choose **Common > Network Config Audit** in the left pane to the network config audit reports.
- 

### Deleting a Network Config Audit Report

To delete a network config audit report from the Cisco DCNM Web UI, perform the following steps:

#### Procedure

---

- Step 1** Choose **Monitor > Report > View**.
- Step 2** Choose **Common > Network Config Audit**.  
The **View Reports** window is displayed with the reports that you have created.
- Step 3** Select the reports that you want to delete, and click the **Delete** icon.
- 

## Image Management

Upgrading your devices to the latest software version manually might take a long time and prone to error, which requires a separate maintenance window. To ensure rapid and reliable software upgrades, image management automates the steps associated with upgrade planning, scheduling, downloading, and monitoring. Image management is supported only for Cisco Nexus switches.



**Note** Before you upgrade, ensure that the POAP boot mode is disabled for Cisco Nexus 9000 Series switches and Cisco Nexus 3000 Series switches. To disable POAP, run the `no boot poap enable` command on the switch console. You can however, enable it after the upgrade.

The **Image Management** menu includes the following submenu:

## Upgrade [ISSU]

The **Upgrade [ISSU]** menu includes the following submenus:

### Upgrade History [ISSU]

This feature enables you to upgrade the Cisco Nexus Platform Switches using In-Service Software Upgrade (ISSU). This upgrade procedure may be disruptive or non-disruptive based on the device configuration. You can select the Kickstart, System, or SSI images required for the upgrade from a remote server using SFTP, SCP, TFTP, FTP or from image repository or the file system on the device. Image repository can use SCP, SFTP, FTP, or TFTP as file transfer protocol. To select the images from the repository, the same needs to be uploaded from **Configure > Image Management > Repositories** tab.

The following table describes the fields that appear on **Configure > Image Management > Upgrade [ISSU] > Upgrade History**.

Field	Description
Task Id	Specifies the serial number of the task. The latest task will be listed in the top.  <b>Note</b> If Failover is triggered in Native HA, the Task Id sequence number is incremented by 32.
Task Type	Specifies the type of task. <ul style="list-style-type: none"> <li>• Compatibility</li> <li>• Upgrade</li> </ul>
Owner	Based on the Role-Based Authentication Control (RBAC), specifies the owner who initiated this task.
Devices	Displays all the devices that were selected for this task.

Field	Description
Job Status	<p>Specifies the status of the job.</p> <ul style="list-style-type: none"> <li>• Planned</li> <li>• In Progress</li> <li>• Completed</li> <li>• Completed with Exceptions</li> </ul> <p><b>Note</b> If the job fails on a single or multiple devices, the status field shows COMPLETED WITH EXCEPTION indicating a failure.</p>
Created Time	Specifies the time when the task was created.
Scheduled At	Specifies the time when the task is specified to be executed. You can also choose to schedule a task to be executed at a later time.
Completed Time	Specifies the time when the task was completed.
Comment	Shows any comments that the Owner has added while performing the task.



**Note** After a fresh Cisco DCNM installation, this page will have no entries.

You can perform the following:

## New Installation

To upgrade the devices that are discovered from the Cisco DCNM, perform the following steps:

### Procedure

- Step 1** Choose **Configure > Image Management > Upgrade [ISSU] > Upgrade History**.
- Step 2** Choose **New Installation** to install, or upgrade the kickstart and the system images on the devices. The devices with default VDCs are displayed in the **Select Switches** window.
- Step 3** Select the check box to the left of the switch name. You can select more than one switch and move the switches to the right column.
- Step 4** Click **Add** or **Remove** icons to include the appropriate switches for upgrade. The selected switches appear in a column on the right.
- Step 5** Click **Next**.

The **Specify Software Images** window appears. This tab displays the switches that you selected in the previous screen. You can choose the images for upgrade as well.

- The **Auto File Selection** check box enables you to specify a file server, an image version, and a path where you can apply the upgraded image to the selected devices.
- In the **Select File Server** drop-down list, select the one of the file servers that is created in the Cisco DCNM repositories.
- In the **Image Version** field, specify the image version. For example, enter 7.3.9.D1.1 in the **Image Version** field if you have selected m9700-sf3ek9-kickstart-mz.7.3.0.D1.1.bin as the image version.
- In the **Path** field, specify the image path. Specify an absolute path if you choose SCP or SFTP. For example, `//root/images/`. Specify a relative path to the FTP or TFTP home directory if you choose FTP or TFTP. Specify the absolute path of the image if you're using TFTP server that is provided by Cisco DCNM, local DCNM TFTP. You can't use the same DCNM TFTP server for creating another job when the current job is in progress.

**Step 6** Click **Select Image** in the **Kickstart image** column.

The **Software Image Browser** dialog box appears.

- Note**
- Cisco Nexus 3000 Series and 9000 Series Switches require only the system image to load the Cisco NX-OS operating system. Therefore, the option to select kickstart images for these devices is disabled.
  - If there's an issue in viewing the **Software Image Browser** dialog box, reduce the font size of your browser and retry.

**Step 7** Click **Select Image** in the **System Image** column.

The **Software Image Browser** dialog box appears.

**Step 8** On the **Software Image Browser** dialog box, you can choose the image from **File Server** or **Switch File System**.

If you choose **File Server**:

- From the **Select the File server** list, choose the appropriate file server on which the image is stored. The servers at **Configure > Image Management > Repositories** are displayed in the drop-down list.
- From the **Select Image** list, choose the appropriate image. Check the check box to use the same image for all other selected devices of the same platform.

Example: For platform types N7K-C7009 and N7K-C7010, logic matches platform (N7K) and three characters (C70) from subplatform. The same logic is used across all platform switches.

- Note** Only files with BIN extension are listed if you select **File Server**. To view other files, choose **Administration > DCNM Server > Server Properties**, set **FILE\_SELECTION\_FILTER** to **false**, and restart the server. It is set to **true** by default.

- Click **OK**.

If the file server selected is either ftp or tftp, in the text box, enter the relative path of the file from the home directory.

If you choose **Switch File System**:



a) From the **Select Image** list, choose the appropriate image that is located on the flash memory of the device.

**Note** Only files with BIN extension are listed if you select **Switch File System**. To view other files, choose **Administration > DCNM Server > Server Properties**, set **FILE\_SELECTION\_FILTER** to **false**, and restart the server. It is set to **true** by default.

b) Click **OK** to choose the kickstart image or **Cancel** to revert to the **Specify Software Images** dialog box.

**Step 9** The **Vrf** column indicates the name of the virtual routing and forwarding (VRF).  
VRF is not applicable for Cisco MDS devices.

**Step 10** In the **Available Space** column, specify the available space for the **Primary Supervisor** and **Secondary Supervisor** modules of the switch.  
**Available Space** column shows the available memory in MB on the switch (for less than 1 MB, it's shown and marked as KB).

Bootflash browser shows the filename, size, and last modified date for all the files and directories on the switch bootflash. You can delete files by selecting them and clicking **Delete** to increase the available space on the switch.

**Step 11** **Selected Files Size** column shows the size of images that are selected from the SCP or SFTP server.  
If the total size of selected images is greater than available space on a switch, the file size is marked in red. We recommend that you create more space on the switch to copy images to it and install.

**Step 12** Drag and drop the switches to reorder the upgrade task sequence.

**Step 13** Select **Skip Version Compatibility** if you are sure that the version of the Cisco NX-OS software on your device is compatible with the upgraded images that you have selected.

**Step 14** Select **Select Parallel Line Card upgrade** to upgrade all the line cards at the same time.  
Upgrading a parallel line card isn't applicable for Cisco MDS devices.

**Step 15** Click **Options** under the **Upgrade Options** column to choose the type of upgrade.

**Upgrade Options** window appears with two upgrade options. The drop-down list for **Upgrade Option 1** has the following options:

- NA
- bios-force
- non-disruptive

NA is the default value.

The drop-down list for **Upgrade Option 2** has the following options:

- NA
- bios-force

When **NA** is selected under **Upgrade Option 1**, **Upgrade Option 2** is disabled.

When you choose **bios-force** under **Upgrade Option 1**, **Upgrade Option 2** is disabled.

When **non-disruptive** is selected under **Upgrade Option 1**, you can choose **NA** or **bios-force** under **Upgrade Option 2**.

Check the **Use this Option for all other selected devices** check box to use the selected option for all the selected devices and click **OK**.

- Note**
- The upgrade options are applicable only for Cisco Nexus 3000 Series and 9000 Series switches.
  - Selecting the **non-disruptive** option for upgrading does not ensure a non-disruptive upgrade. Perform a compatibility check to ensure that the device supports non-disruptive upgrade.

**Step 16** Click **Next**.

If you didn't select **Skip Version Compatibility**, the Cisco DCNM performs a compatibility check.

You can choose to wait until the check is complete or click **Finish Installation Later**.

The installation wizard is closed and a compatibility task is created in **Configure > Image Management > Upgrade [ISSU] > Upgrade History** tasks.

The time that is taken to check the image compatibility depends on the configuration and the load on the device.

The **Version Compatibility Verification** status column displays the status of verification.

If you skip the version compatibility check by choosing **Skip Version Compatibility**, Cisco DCNM displays only the name of the device. The **Current Action** column displays **Completed**, and the **Version Compatibility Verification** column displays **Skipped**.

**Step 17** Click **Finish Installation Later** to perform the upgrade later.

**Step 18** Click **Next**.

**Step 19** Check the **Next** check box to put a device in maintenance mode before upgrade.

**Step 20** Check the check box to save the running configuration to the startup configuration before upgrading the device.

**Step 21** You can schedule the upgrade process to occur immediately or later.

- a. Select **Deploy Now** to upgrade the device immediately.
- b. Select **Choose time to Deploy** and specify the time in MMM/DD/YYYY HH:MM:SS format to perform the upgrade later.

This value is relative to the server time. If the selected time to deploy is in the past, the job is executed immediately.

**Step 22** You can choose the execution mode based on the devices and the line cards you have chosen to upgrade.

- a. Select **Sequential** to upgrade the devices in the order you chose them.
- b. Select **Concurrent** to upgrade all the devices at the same time.

**Step 23** Click **Finish** to begin the upgrade process.

The Installation wizard closes and a task to upgrade is created on the **Configure > Image Management > Upgrade [ISSU] > Upgrade History** page.

---

### What to do next

After you complete the ISSU on the switch, ensure that you wait for 20 minutes to allow the switch to reboot, and stabilize the SNMP agent. DCNM discovers polling cycles in order to display the new version of the switch on the Cisco DCNM Web UI.

## Finish Installation

You can choose to complete the installation for tasks which was completed on the **Compatibility Check** page. Perform the following task to complete the upgrade process on the devices.

### Procedure

---

- Step 1** Choose **Configure > Image Management > Upgrade [ISSU] > Upgrade History**, select a task for which the compatibility check is complete.
- Select only one task at a time.
- Step 2** Click **Finish Installation**.
- Software Installation Wizard** appears.
- Step 3** Check the check box to save the running configuration to the startup configuration before upgrading the device.
- Step 4** Check the check box to put a device in maintenance mode before upgrade. This option is valid only for the devices that support maintenance mode.
- Step 5** You can schedule the upgrade process to occur immediately or later.
- Select **Deploy Now** to upgrade the device immediately.
  - Select **Choose time to Deploy** and specify the time in DD/MM/YYYY HH:MM:SS format to perform the upgrade later.
- Step 6** You can choose the execution mode that is based on the devices and the line cards that you have chosen to upgrade.
- Select **Sequential** to upgrade the devices in the order in which they were chosen.
  - Select **Concurrent** to upgrade the devices at the same time.
- Step 7** Click **Finish** to complete the upgrade process.
- 

## View

To view the image upgrade history from the Cisco DCNM Web UI, perform the following steps:

### Procedure

---

- Step 1** Choose **Configure > Image Management > Upgrade [ISSU] > Upgrade History**, check the task ID check box.

Select only one task at a time.

**Step 2** Click **View**.

The **Installation Task Details** window appears.

**Step 3** Click **Settings**. Expand the **Columns** menu and choose the details you want to view.

You can view the following information in this window:

- Location of the kickstart and system images
- Compatibility check status
- Installation status
- Descriptions
- Logs

**Step 4** Select the device.

The detailed status of the task appears. For the completed tasks, the response from the device appears.

If the upgrade task is in progress, a live log of the installation process appears.

- Note**
- This table autorefreshes every 30 secs for jobs in progress, when you're on this window.
  - The switch-level status for an ongoing upgrade on a Cisco MDS switch doesn't appear for other users without SAN credentials. To apply SAN Credentials, choose **Administration > Credentials Management > SAN Credentials**.

---

## Delete

To delete a task from the Cisco DCNM Web UI, perform the following steps:

### Procedure

**Step 1** Choose **Configure > Image Management > Upgrade [ISSU] > Upgrade History**, and check the **Task ID** check box.

**Step 2** Click **Delete**.

**Step 3** Click **OK** to confirm deletion of the job.

---

## Switch Level History

You can view the history of the upgrade process at a switch level. You can view the current version of the switch and other details.

The following table describes the fields that appear on **Configure > Image Management > Upgrade [ISSU] > Switch Level History**.

Field	Description
Switch Name	Specifies the name of the switch
IP Address	Specifies the IP Address of the switch
Platform	Specifies the Cisco Nexus switch platform
Current Version	Specifies the current version on the switch software

Click the radio button next to a switch name to select the switch and view its upgrade history. Click **View** to view the upgrade task history for the selected switch.

The following table describes the fields that appear on **Configure > Image Management > Upgrade [ISSU] > Switch Level History > View Device Upgrade Tasks**:

Field	Description
Owner	Specifies the owner who initiated the upgrade.
Job Status	Specifies the status of the job. <ul style="list-style-type: none"> <li>• Planned</li> <li>• In Progress</li> <li>• Completed</li> </ul>
KickStart Image	Specifies the kickStart image that is used to upgrade the Switch.
System Image	Specifies the system image that is used to upgrade the switch.
Completed Time	Specifies the date and time at which the upgrade was successfully completed.
Status Description	Specifies the installation log information of the job.

## Patch [SMU]

The Patch [SMU] menu includes the following submenus:

### Installation History

This feature allows you to activate or deactivate packages using Software Maintenance Update (SMU). Personnel with Admin privileges can perform this operation.

The following table describes the fields that appear on **Configure > Image Management > Patch [SMU] > Installation History**.

Field	Description
Task Id	Specifies the serial number of the task. The latest task is listed at the top.  The tasks are performed in the sequential order.
Switch Name	Specifies the name of the switch for which the patch file is installed.
IP Address	Specifies the IP Address of the device.
Task	Specifies if the patch is installed or uninstalled on this device.
Package	Specifies the name of the patch file.
Status	Specifies the status of installation or uninstallation of the patch files.
Status Description	Describes the status of installation or uninstallation of the patch files.

This section contains the following:

## Install Patch

To install the patch on your devices from Cisco DCNM Web Client, perform the following steps:

### Procedure

- 
- Step 1** Choose **Configure > Image Management > Patch [SMU] > Installation History**, click **Install**.  
The **Select Switches** window appears. All the Cisco Nexus switches that are discovered by Cisco DCNM are displayed.
- Step 2** Select the check box to the left of a switch name.  
You can select more than one device.
- Step 3** Click **Add** or **Remove** icons to include the appropriate switches for installing the patch.  
The selected switches appear in the right column.
- Step 4** Click **Next**.
- Step 5** Click **Select Packages** in the **Packages** column.  
The **SMU Package Browser** dialog box appears.
- Step 6** In the **SMU Package Browser** dialog box, you can choose the patch file from **File Server** or **Switch File System**.  
If you choose **File Server**:
- a) From the **Select the file server** list, choose the appropriate file server on which the patch is stored.

The servers, which are listed in the **Repositories** window, are displayed in the drop-down list. Choose **Configure > Image Management > Repositories** to view the **Repositories** window.

- b) From the **Select Image** list, choose the appropriate patch that must be installed on the device.

You can select more than one patch file to be installed on the device.

**Note** If the patch installation results in the restart of the device, select only one patch file.

Check the check box to use the same patch for all other selected devices of the same platform.

Only files with BIN extension are listed if you select **File Server**. To view other files, choose **Administration > DCNM Server > Server Properties**, set **FILE\_SELECTION\_FILTER** to **false**, and restart the server. It is set to **true** by default.

- c) From the **Select Vrf** list, choose the appropriate virtual routing and forwarding (VRF).

The two options in the drop-down list are **management** and **default**.

Check the check box to use the same VRF for all other selected devices.

- d) Click **OK** to choose the patch image or **Cancel** to revert to the SMU installation wizard.

If you choose **Switch File System**:

- a) From the **Select Image** list, choose the appropriate patch file image that is located on the flash memory of the device.

You can select more than one patch file to be installed on the device.

Only files with BIN extension are listed if you select **Switch File System**. To view other files, choose **Administration > DCNM Server > Server Properties**, set **FILE\_SELECTION\_FILTER** to **false**, and restart the server. It is set to **true** by default.

- b) Click **OK** to choose the image, **Clear Selections** to uncheck all the check boxes, or **Cancel** to revert to the **SMU Package Browser** dialog box.

**Step 7** Click **Finish**.

You will get a confirmation window. Click **OK**.

**Note** SMU installation may reload the switch if the SMU is reloaded.

You can view the list of patches that are installed on the switch in the **Switches** window by choosing **DCNM > Inventory > Switches**.

## Uninstall Patch

To uninstall the patch on your devices from Cisco DCNM Web Client, perform the following steps:

### Procedure

- Step 1** Choose **Configure > Image Management > Patch [SMU] > Installation History**, click **Uninstall**.

The **Select Switches** page appears. The discovered Cisco Nexus switches are displayed.

- Step 2** Check the check box on the left of the switch name.

You can select more than one image device.

**Step 3** Click **Add** or **Remove** icons to include the appropriate switches for installing the patch.  
The selected switches appear in a column on the right.

**Step 4** Click **Next**.  
The **Active Packages** page appears.

**Step 5** Click **Select Packages** under the **Installed Packages** column.  
The **Packages Installed** window appears, which lists the patches that are applied to the switch.

**Step 6** Select the patches that you want to uninstall from this device.  
You can select more than one patch that is applied on the device.

**Note** If the patch uninstallation results in the restart of the device, select only one patch.

**Step 7** Click **Finish** to uninstall the patch from the device.  
You will get a confirmation window. Click **OK**.  
You can uninstall more than one patch at a time.

**Note** SMU uninstallation may reload the switch if the SMU is reloaded.

## Delete Patch Installation Tasks

To delete the patch installation tasks from the Cisco DCNM Web UI, perform the following steps:

### Procedure

- Step 1** Choose **Configure > Image Management > Patch [SMU] > Installation History**, check the task ID check box.
- Step 2** Click **Delete**.
- Step 3** Click **OK** to confirm deletion of the patch installation task.

## Switch Installed Patches

You can view the patches that are installed on all the switches in the network. You can refresh the view to see the latest installed patches.

The following table describes the fields that appear on **Configure > Image Management > Patch [SMU] > Switch Installed Patches**.

Field	Description
Switch Name	Specifies the name of the switch.
IP Address	Specifies the IP address of the switch.



Field	Description
Platform	Specifies the Cisco Nexus switch platform.
Installed Patches	Specifies the currently installed patches on switches.

Click **Refresh** to refresh the table.

## Package [RPM]

The Package [RPM] menu includes the following submenus:

### Package Installation [RPM]

The package [RPM] feature allows you to install RPM packages. This feature is available for the Cisco Nexus 9000 Series and 3000 Series Switches.

The following table describes the fields that appear on **Configure > Image Management > Package [RPM] > Installation History**.

Field	Description
Task Id	Specifies the serial number of the task. The latest task is listed in the top.  The tasks are performed in the sequential order.
Switch Name	Specifies the name of the switch for which the package file is installed.
IPAddress	Specifies the IP address of the device.
Task	Specifies if the package is installed or uninstalled on this device.
Package	Specifies the name of the package file.
Status	Specifies the status of installation or uninstallation of the package files.
Completed Time	Specifies the time at which the installation or uninstallation task completed.
Status Description	Describes the status of installation or uninstallation of the package files.

This section contains the following:

### Install Package [RPM]

Perform the following task to install the package on your devices using Cisco DCNM Web client.

## Procedure

---

- Step 1** Choose **Configure > Image Management > Package [RPM] > Installation History**, click **Install**.  
The **Select Switches** page appears.
- Step 2** Check the check box on the left of the switch name.  
You can select more than one device.
- Step 3** Click **Add** or **Remove** to include appropriate switches for installing packaging.  
The selected switches appear in a column on the right.
- Step 4** Click **Next**.
- Step 5** Click **Select Packages** in the **Packages** column.  
The **RPM Package Browser** screen appears.
- Step 6** Choose the package file from **File Server** or **Switch File System**.  
If you choose **File Server**:
- From the **Select the file server** list, choose the appropriate file server on which the package is stored.  
The servers at **Configure > Image Management > Repositories** are displayed in the drop-down list.
  - From the **Select Image** list, choose the appropriate package that must be installed on the device.  
You can select more than one package file to be installed on the device.  
Only files with RPM extension are listed if you select **File Server**. To view other files, choose **Administration > DCNM Server > Server Properties**, set **FILE\_SELECTION\_FILTER** to **false**, and restart the server. It is set to **true** by default.  
Check the check box to use the same package for all other selected devices of the same platform.
  - Click **OK** to choose the patch image or **Cancel** to revert to the RPM Installation Wizard.
- If you choose **Switch File System**:
- From the **Select Image** list, choose the appropriate package file image that is located on the flash memory of the device.  
You can select more than one package file to be installed on the device.  
Only files with RPM extension are listed if you select **Switch File System**. To view other files, choose **Administration > DCNM Server > Server Properties**, set **FILE\_SELECTION\_FILTER** to **false**, and restart the server. It is set to **true** by default.
  - Click **OK**.
- Step 7** In the **Installation Type** column, choose one of the installation types:
- **Normal**—Fresh installation
  - **Upgrade**—Upgrading the existing RPM
  - **Downgrade**—Downgrading the existing RPM
- Step 8** Click **Finish**.

You can view the list of packages that are installed on the switch, on the **Web Client > Inventory > Switches** page.

**Note** If you are using Cisco DCNM Release 10.1(2), in case of installation of reload RPMs, perform a manual install commit on the switch after it switch reloads.

---

## Uninstall Package [RPM]

To uninstall the RPM on your devices from the Cisco DCNM Web UI, perform the following steps:

### Procedure

---

**Step 1** Choose **Configure > Image Management > Package [RPM] > Installation History**, click **Uninstall**. The **Select Switches** window appears.

**Step 2** Check the check box on the left of the switch name.  
You can select more than one switch.

**Step 3** Click the **Add** or **Remove** icons to include the appropriate switches for uninstalling the package. The selected switches appear in a column on the right.

**Step 4** Click **Next**.  
The **Active Packages** page appears.

**Step 5** Click **Select Packages** under the **Installed Packages** column.  
The **Packages Installed** window appears, which lists the packages that are installed in the switch.

**Step 6** Click **Finish** to uninstall the package from the device.  
You will get a confirmation window. Click **OK**.  
You can uninstall more than one package at a time.

**Note**

- If you are using Cisco DCNM Release 10.1(2), in case of uninstallation of reload RPMs, a manual install commit needs to be performed on the switch once the switch is reloaded.
- RPM uninstallation may reload the switch if the RPM is reload RPM.

---

## Delete Package Installation Tasks

To delete the package installation tasks from the history view from the Cisco DCNM Web UI, perform the following steps:

### Procedure

- 
- Step 1** Choose **Configure > Image Management > Package [RPM] > Installation History**, select the task ID check box.
- Step 2** Click **Delete**.
- Step 3** Click **OK** to confirm deletion of the task.
- 

## Switch Installed Packages

You can view the RPM packages that are installed on all Switches in the network. You can refresh the view to see the latest installed packages.

The following table describes the fields that appear on **Configure > Image Management > Packages [RPM] > Switch Installed Packages**.

Field	Description
Switch Name	Specifies the name of the switch.
IP Address	Specifies the IP address of the switch.
Platform	Specifies the Cisco Nexus switch platform.
Installed Packages	Specifies the currently installed packages on the switches and the type of package. The installed packages can be base packages or non-base packages.

Click **Refresh** to refresh the table.

## Maintenance Mode [GIR]

The Maintenance Mode [GIR] menu includes the following submenus:

### Maintenance Mode

The maintenance mode allows you to isolate the Cisco Nexus Switch from the network to perform an upgrade or debug, using Graceful Insertion and Removal (GIR). When the switch maintenance is complete, you can return the switch to normal mode. When the switch is in the maintenance mode, all protocols are gracefully brought down and all physical ports are shut down. When the normal mode is restored, all the protocols and ports are initiated again.

Perform the following to change the system mode of the devices.

### Procedure

- 
- Step 1** Choose **Configure > Image Management > Maintenance Mode [GIR] > Maintenance Mode**, check the switch name check box.
- You can select multiple switches.

**Step 2** Choose one of the following options under the **Mode Selection** column:

- Shutdown
- Isolate

**Note** Click the appropriate option before you change the mode.

**Step 3** Click **Change System Mode**.

A confirmation message appears.

**Step 4** Click **OK** to confirm to change the maintenance mode of the device.

The status of operation can be viewed in the **System Mode** and the **Maintenance Status**.

## Switch Maintenance History

You can view the history of the maintenance mode changes executed from the Cisco DCNM.

The following table describes the fields that appear on **Configure > Image Management > Maintenance Mode [GIR] > Switch Maintenance History**.

Field	Description
Task Id	Specifies the serial number of the task. The latest tasks that are listed in the top.
Switch Name	Specifies the name of the switch for which the maintenance mode was changed.
IP Address	Specifies the IP address of the switch.
User	Specifies the name of the user who initiated the maintenance.
System Mode	Specifies the mode of the system.
Maintenance Status	Specifies the mode of the maintenance process.
Status	Specifies the status of the mode change.
Completed Time	Specified the time at which the maintenance mode activity was completed.

Click the radio button next to the switch name to select the switch for which you need to view the upgrade history. Click **View** to view the upgrade task history for the selected switch.

The following table describes the fields that appear on **Configure > Image Management > Upgrade [ISSU] > Switch Level History > View > Upgrade Tasks History**

Field	Description
Owner	Specifies the owner who initiated the upgrade.

Field	Description
Job Status	Specifies the status of the job. <ul style="list-style-type: none"> <li>• Planned</li> <li>• In Progress</li> <li>• Completed</li> </ul>
KickStart Image	Specifies the kickstart image that is used to upgrade the Switch.
System Image	Specifies the system image that is used to upgrade the switch.
Completed Time	Specifies the date and time at which the upgrade was successfully completed.

## Image and Configuration Servers

To view the **Image and Configuration Servers** window from the Cisco DCNM Web UI homepage, choose **Configure > Image Management > Repositories**.

You can view the following details in the **Image and Configuration Servers** window.

Field	Descriptions
Name	Specifies the name of the repository you upload.
URL	Specifies the path where you uploaded the repository.
Username	Specifies the username of the remote server.
Last Modified	Specifies the date and timestamp of the last modification.

### Add Image or Configuration Server URL

To add an image or a configuration server URL to the repository from the Cisco DCNM Web UI, perform the following steps:

#### Procedure

- 
- Step 1** On the **Image and Configuration Servers** window, click the **Add** icon.  
The **Add Image or Configuration Server URL** window is displayed.
- Step 2** Specify a name for the image.
- Step 3** Click the radio button to select the protocol.

The available protocols are **SCP**, **FTP**, **SFTP**, and **TFTP**. Use the SCP protocol for POAP and Image Management.

You can use IPv4 and IPv6 addresses with these protocols.

**Step 4** Enter the hostname or IP address and the path to download or upload files.

**Note** If you choose **SCP** or **SFTP** protocol and the path is root or /directory, adding an image or configuration server will not be successful.

**Step 5** Specify the username and password.

**Step 6** Click **OK** to save.

---

## Deleting an Image

To delete an image from the repository from the Cisco DCNM Web UI, perform the following steps:

### Procedure

---

**Step 1** Choose **Configure > Image Management > Repositories**.

The **Image and Configuration Servers** window appears.

**Step 2** Choose an existing image from the list and click the **Delete Image** icon.

A confirmation window appears.

**Step 3** Click **Yes** to delete the image.

---

## Editing an Image or Configuration Server URL

To edit an image or a configuration server URL to the repository from the Cisco DCNM Web UI, perform the following steps:

### Procedure

---

**Step 1** On the **Image and Configuration Servers** window, select an existing image and configuration server from the list, and click **Edit**.

**Step 2** In the **Edit Image or Configuration Server URL** window, edit the required fields.

**Step 3** Click **OK** to save or click **Cancel** to discard the changes.

---

## File Browser

You can view the contents of the server on the **Image and Configuration Servers** page.

1. In the **Image and Configurations** page, check the **Server Name** check box to view the content.

2. Click **File Browser** to view the contents of this server.

## Image Upload

To upload different types of images to the server from the Cisco DCNM Web UI, perform the following steps:



**Note** Devices use these images during POAP or image upgrade.

Your user role should be **network-admin** to upload an image. You can't perform this operation with the **network-stager** user role.

### Procedure

- Step 1** Choose **Configure > Image Management > Repositories**.  
The **Image and Configuration Servers** window appears.
- Step 2** Click **Image Upload**.  
The **Select File to Upload** dialog box appears.
- Step 3** Click **Choose file** to choose a file from the local repository of your device.
- Step 4** Choose the file and click **Upload**.
- Step 5** Click **OK**.  
The upload takes some time depending on the file size and network bandwidth.

## LAN Telemetry Health

Starting from DCNM 11.2(1), Streaming LAN Telemetry preview feature in DCNM is obsolete and is replaced by Network Insights Resources (NIR) application. NIR can be deployed using Cisco DCNM Applications Framework on **Web UI > Applications**. After the NIR is enabled on a fabric, you can monitor the status on the window in the Cisco DCNM Web UI.

When the connection status is shown as **Disconnected** the port configuration may not be accepted by the switch correctly. On the switch image 7.0(3)I7(6), if a switch already had **nxapi** configuration, and later it was managed by DCNM and telemetry was enabled on that fabric, DCNM pushes **http port 80** configuration so that it could query some NXAPI commands such as **show telemetry transport** and **show telemetry data collector details**, to monitor telemetry connection statistics. In this case, the switch does not update **http port 80** in its configuration even though the command was executed correctly. In such a scenario, issue the following commands on the switch:

```
switch# configure
switch(config)# no feature nxapi
switch(config)# feature nxapi
switch(config)# http port 80
```



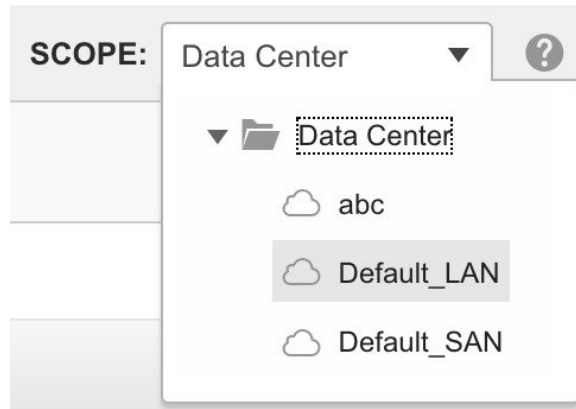


**Note** ICAM telemetry commands such as forwarding TCAM and ACL TCAM are not supported on Cisco Nexus C9504, C9508, and C9516 Series platforms for switch images 7.0(3)I7(5) and 7.0(3)I7(6)

LAN Telemetry has the following topics:

## Health

Cisco DCNM allows you to monitor the configuration health attributes of Software Telemetry and Flow Telemetry for each fabric. The attributes are displayed for a particular fabric or all fabrics based on the selected **SCOPE**. **Data Center scope** displays all fabrics by default.



## Software Telemetry

Software Telemetry Configuration Health 10 Total

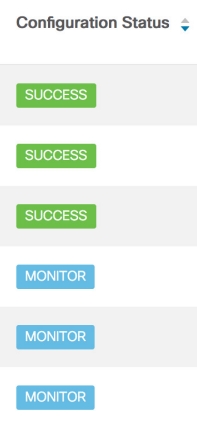
Fabric Name	Switch Name	Switch IP	Receiver IP Port	Receiver Status	Expected Config	Configuration Status	Sensor Status	Status Reason	Sensor Details
DEF	gmurthy-spine3	15.15.15.25		—	❌	—	— — —	Unsupported switch ...	...
EXT	gmurthy-n9k-leaf3	15.15.15.10		—	❌	—	— — —	Unsupported switch ...	...
EXT	gmurthy-n9k-leaf2	15.15.15.9		—	❌	FAILED	— — 24	Sensor configuration...	...
EXT	gmurthy-n9k-leaf1	15.15.15.8		—	❌	FAILED	— — 24	Sensor configuration...	...
EXT-MON	gmurthy-n9k-leaf5	15.15.15.21	17.17.17.162:33002	—	❌	MONITOR	— — —	Configure switch by f...	...
EXT-MON	gmurthy_n9k_leaf4	15.15.15.20	17.17.17.162:33002	—	❌	MONITOR	— — —	Configure switch by f...	...
EXT-MON	7050SX-1	10.60.0.235		—	❌	MONITOR	— — —	Third party switch ve...	...
DEF	gmurthy-n9k-leaf7	15.15.15.26	17.17.17.162:33002	DISCONNECTED	❌	SUCCESS	43 — —	Receiver status reas...	...
EXT	gmurthy-n9k-spine1	15.15.15.11	17.17.17.162:33002	—	❌	SUCCESS	36 — —	Fabric status will be f...	...
DEF	gmurthy-n9k-leaf6	15.15.15.23	17.17.17.162:33002	DISCONNECTED	❌	SUCCESS	43 — —	Receiver status reas...	...

The following table describes the fields that appear in the **LAN Telemetry > Health > Software Telemetry** window.


Field	Description
Fabric Name	Displays the fabric name.
Switch Name	Displays the switch name.
Switch IP	Displays the switch management IP address.
Switch Serial	Displays the switch serial number. This column is hidden by default. Click the <b>Settings</b> icon, and check the <b>Switch Serial</b> check box to add it to the columns displayed.
Switch Model	Displays the switch model. This column is hidden by default. Click the <b>Settings</b> icon, and check the <b>Switch Model</b> check box to add it to the columns displayed.
Switch Version	Displays the switch image version. This column is hidden by default. Click the <b>Settings</b> icon, and check the <b>Switch Version</b> check box to add it to the columns displayed.
Receiver IP Port	Displays the receiver IP and port assigned to a switch to transport telemetry data. The assigned IP and port will be based on the configured telemetry network, out-of-band or in-band, and the corresponding receiver microservice that is running in NIR application.

Field	Description
Receiver Status	<p>Displays the status of the connection used to transport telemetry data between the switch and the receiver running in the NIR application.</p> <p>The telemetry manager polls the switch for the connection status every 5 mins.</p> <p>The valid values are:</p> <ul style="list-style-type: none"> <li>• <b>Connected:</b> The status is <b>Connected</b> when the telemetry manager is able to poll the receiver connection status from the switches.</li> <li>• <b>Disconnected:</b> If the status is <b>Disconnected</b>, the reason is mentioned in the <b>Status Reason</b> column.</li> <li>• <b>Null:</b> The status is <b>Null</b> when the telemetry manager in DCNM has not polled the receiver connection status from the switches or when it has not received any response from the switch for that request. When the receiver status is <b>Null</b> and if the configuration status is <b>MONITOR</b> or <b>SUCCESS</b>, log into the switch and check the nxapi configuration.</li> </ul> <p>When you enable telemetry on a fabric that is managed by DCNM, the telemetry manager pushes the <b>httpport 80</b> configuration. If the switch does not have <b>httpport 80</b> configuration, run the following commands on the switch:</p> <pre>switch# configure terminal switch(config)# no feature nxapi switch(config)# feature nxapi switch(config)# http port80</pre>
Configuration Type	<p>Displays the connection type ex: gRPC as reported by the switch. This value is obtained as part of the receiver connection status response from the switch. This column is hidden by default. It can be selected by clicking on the settings button.</p>

Field	Description
Expected Config	<p>Click the <b>Expected Config</b> icon to view the expected configuration for the switch in a dialog box. In case of error, the error reason will be displayed in the output.</p> <p>Expected Switch Configuration (Fabric: EXT, Switch: gmurthy-n9k-spine1)</p> <pre> configure terminal  feature nxapi nxapi http port 80  feature ntp ntp server 15.15.15.162 prefer use-vrf management  feature lldp feature icam feature telemetry  telemetry destination-profile   use-vrf default   source-interface loopback0 destination-group 500   ip address 17.17.17.162 port 33002 protocol gRPC encoding GPB sensor-group 508   data-source DME   path sys/intf depth 1 query-condition query-target=subtree&amp;target-subtree-class= query-target-filter=deleted()</pre>

Field	Description
Configuration Status	<p>Displays the telemetry configuration switch summary status.</p> <p>The valid values are:</p> <ul style="list-style-type: none"> <li>• <b>MONITOR</b>: Implies that the switch in the fabric was configured as <b>Monitored</b> in the NIR app. In this case, configure these switches manually with the telemetry configurations as displayed in the <b>Expected Config</b> column.</li> <li>• <b>PROCESSING</b>: Implies that the switch belonging to the fabric was configured as <b>Managed</b> in the NIR app. In this case, the telemetry manager will configure the switches and when configuration is in progress, it is displayed as <b>PROCESSING</b>.</li> <li>• <b>SUCCESS</b>: Implies that the switches were successfully configured.</li> <li>• <b>PARTIAL SUCCESS</b>: Implies that some of the telemetry configurations could not be pushed to the switches. The <b>Status Reason</b> column will indicate the failure reason.</li> <li>• <b>FAILED</b>: Implies that the DCNM job failed to configure the switches. It could happen that some configuration did get pushed to the switches while some did not, in that case also DCNM marks the whole job as <b>Failed</b>. The <b>Status Reason</b> column will indicate the failure reason.</li> </ul> <p>You can filter the switches based on a particular status using the search option or you can sort the switches based on the status.</p> 

Field	Description
Sensor Status	<p data-bbox="738 289 1485 346">Displays the sensor configuration status in a distributed color format. The sensor count is divided into three categories:</p> <ul data-bbox="771 367 1485 598" style="list-style-type: none"><li data-bbox="771 367 1485 430">• Green color (Success): Number of sensor paths that got configured successfully</li><li data-bbox="771 451 1485 514">• Yellow color (Pending): Number of sensor paths that are pending to be configured</li><li data-bbox="771 535 1485 598">• Red color (Failed): Number of sensor paths that could not be configured</li></ul>
Status Reason	<p data-bbox="738 640 1485 697">Displays the failure reasons for telemetry configuration status and receiver connection status or other information.</p>

Field	Description																									
Sensor Details	<p>Displays the following sensor details:</p> <ul style="list-style-type: none"> <li>• <b>Group ID:</b> The group ID to which the sensor path belongs</li> <li>• <b>Name:</b> The sensor path name as seen on the switch, for example: <b>show processes cpu</b></li> <li>• <b>Cadence (Seconds):</b> The sample interval, in seconds, at which the switch streams that sensor path. For example: If the value is 60, every 60 seconds the switch shall stream that sensor metric.</li> <li>• <b>Packets:</b> Specifies the number of metric samples that is collected till time.</li> <li>• <b>Job ID:</b> This is the DCNM telemetry job ID that was used to configure the sensor path on the switch.</li> <li>• <b>Status:</b> The status of the job.</li> <li>• <b>Status Reason:</b> The status reason of the job. In case the job failed, it specifies the failure reason of that job.</li> </ul> <p>Switch: gmurthy-n9k-leaf6, Fabric: DEF</p> <p>Sensor Details  43 Total</p> <table border="1" data-bbox="808 1066 1620 1444"> <thead> <tr> <th>Group ID</th> <th>Name</th> <th>Cadence (Seconds)</th> <th>Packets</th> <th>Job ID</th> </tr> </thead> <tbody> <tr> <td>510</td> <td>show interface hardwar...</td> <td>32</td> <td>11</td> <td>59</td> </tr> <tr> <td>510</td> <td>show hosts</td> <td>32</td> <td>11</td> <td>59</td> </tr> <tr> <td>510</td> <td>show lldp neighbors</td> <td>32</td> <td>11</td> <td>59</td> </tr> <tr> <td>510</td> <td>show system internal elt...</td> <td>32</td> <td>11</td> <td>59</td> </tr> </tbody> </table>	Group ID	Name	Cadence (Seconds)	Packets	Job ID	510	show interface hardwar...	32	11	59	510	show hosts	32	11	59	510	show lldp neighbors	32	11	59	510	show system internal elt...	32	11	59
Group ID	Name	Cadence (Seconds)	Packets	Job ID																						
510	show interface hardwar...	32	11	59																						
510	show hosts	32	11	59																						
510	show lldp neighbors	32	11	59																						
510	show system internal elt...	32	11	59																						

## Flow Telemetry

Fabric Name	Switch Name	Switch IP	Exporter ID	Receiver IP Port	Expected Config	Overall Status	FT Setup Status	Flow Rules Status	Status Reason	Flow Rules
EXT-MON	gmurthy-n9k-leaf4	15.15.15.20	9	17.17.17.162:33000,17...		MONITOR	MONITOR	4 --		...
EXT-MON	gmurthy-n9k-leaf5	15.15.15.21	8	17.17.17.162:33000,17...		MONITOR	MONITOR	4 --		...
DEF	gmurthy-n9k-leaf6	15.15.15.23	10	17.17.17.162:33000,17...		SUCCESS	SUCCESS	4 --		...
DEF	gmurthy-n9k-leaf7	15.15.15.26	11	17.17.17.162:33000,17...		SUCCESS	SUCCESS	4 --		...

The following icons appear in the **LAN Telemetry > Health > Flow Telemetry** window.

- **Retry All:** Click the **Retry All** icon to retry the failed configurations on the switches. However, this option does not fix the issue for the unsupported configurations automatically.
- **Export:** Click the **Export** icon to download the data in a spreadsheet.
- **Settings:** Click the **Settings** icon to add or delete the columns you want to view.

The following table describes the columns in the **LAN Telemetry > Health > Flow Telemetry** tab.

**Table 8: Fields and Description on Flow Telemetry Health tab**



Field	Description
Fabric Name	Displays the name of the fabric.
Switch Name	Displays the name of the switch.
Switch IP	Displays the switch management IP address.
Switch Serial	Displays the serial number of the switch. By default, this column is hidden. It can be selected by clicking the Settings button.
Switch Model	Displays the switch model. By default, this column is hidden. It can be selected by clicking the Settings button.
Switch Version	Displays the switch image version. By default, this column is hidden. It can be selected by clicking the Settings button.
Exporter ID	Displays the exporter ID that is configured on the switch as part of the flow analytics configuration.




Field	Description
Receiver IP Port	<p>Displays the comma-separated list of receiver IP addresses and ports assigned to a switch to transport flow telemetry data. The assigned IP addresses and ports will be that of the corresponding receiver microservices that are running in the NIR application and listening on the in-band network.</p>
Expected Config	<p>On clicking, it displays the expected configuration for the switch in a pop-up window. In case of an error, the reason for the error is displayed in the output.</p> <p>Expected Switch Configuration (Fabric: DEF, Switch: gmur</p> <pre> configure terminal  ip access-list telemetryipv4acl  30 permit tcp 12.12.12.0/24 14.14.14.0/24  31 permit tcp 14.14.14.0/24 12.12.12.0/24  65535 deny ip any any exit  ipv6 access-list telemetryipv6acl  32 permit udp 2001::/55 2003::/66  33 permit udp 2003::/66 2001::/55  65535 deny ipv6 any any exit  feature analytics flow exporter telemetryExp_0  destination 17.17.17.162 use-vrf default  transport udp 33000  source loopback0  dscp 44 flow exporter telemetryExp_1  destination 17.17.17.162 use-vrf default  transport udp 33000  source loopback0  dscp 44                     </pre>

Field	Description
Overall Status	

Field	Description
	<p>The flow telemetry configuration involves 2 components namely the Flow telemetry setup and Flow ACL configurations. The overall status column displays the summary of both these statuses. The following statuses are displayed:</p> <p><b>MONITOR:</b> Implies that the switch in the fabric was configured as "Monitored" in the NIR app. In this case, it is your responsibility to configure these switches manually with the telemetry configurations as displayed in the Expected Config column.</p> <p><b>PROCESSING:</b> This indicates that the switch belonging to the fabric was configured as "Managed" in the NIR app. In this case, the telemetry manager will configure the switches and when configuration is in progress, it is displayed as "PROCESSING".</p> <p><b>SUCCESS:</b> This indicates that the switches were successfully configured.</p> <p><b>PARTIAL SUCCESS:</b> This indicates that some of the telemetry configurations could not be pushed to the switches. The Status Reason column will indicate the failure reason.</p> <p><b>FAILED:</b> This indicates that the DCNM job failed to configure the switches. It could happen that some configuration did get pushed to the switches while some did not, in that case also DCNM marks the whole job as Failed. The Status Reason column will indicate the failure reason.</p> <p>You can filter the switches based on a particular status using the search option (or) you can sort the switches based on the status.</p>

Field	Description
	<p data-bbox="959 321 1166 401"><b>Overall Status</b>  </p> <div data-bbox="924 470 1188 596" style="background-color: #f0f0f0; padding: 5px; margin-bottom: 10px;"> <p data-bbox="959 512 1122 554" style="text-align: center; color: white; background-color: #0070c0; padding: 5px; border-radius: 3px;">MONITOR</p> </div> <div data-bbox="959 638 1122 680" style="text-align: center; color: white; background-color: #0070c0; padding: 5px; border-radius: 3px; margin-bottom: 10px;">MONITOR</div> <div data-bbox="924 722 1188 848" style="background-color: #f0f0f0; padding: 5px; margin-bottom: 10px;"> <p data-bbox="959 764 1122 806" style="text-align: center; color: white; background-color: #70ad47; padding: 5px; border-radius: 3px;">SUCCESS</p> </div> <div data-bbox="959 890 1122 932" style="text-align: center; color: white; background-color: #70ad47; padding: 5px; border-radius: 3px;">SUCCESS</div>
FT Setup Status	<p data-bbox="924 982 1482 1104">Displays the Flow telemetry setup status. If this shows <b>Failed</b>, it indicated that the flow analytics could not be enabled on the switches correctly and hence, the flow data cannot be exported from the switches.</p>
Flow Rules Status (or) Flow ACL Status	<p data-bbox="924 1136 1442 1192">Displays the Flow ACL configuration status in a color-coded format.</p> <p data-bbox="924 1213 1390 1270">The flow rules status count is divided into 3 categories:</p> <ul data-bbox="959 1291 1482 1520" style="list-style-type: none"> <li data-bbox="959 1291 1482 1348">• Green (Success): Number of flow rules (ACEs) that got configured successfully.</li> <li data-bbox="959 1369 1482 1425">• Yellow (Pending): Number of flow rules (ACEs) that are pending to be configured.</li> <li data-bbox="959 1446 1482 1520">• Red (Failed): Number of flow rules (ACEs) that could not be configured.</li> </ul>
Status Reason	<p data-bbox="924 1566 1458 1623">Displays the failure reasons for the flow telemetry configuration (or) other information.</p>

Field	Description																				
Flow Rules	<p>Displays the following flow rule details:</p> <ul style="list-style-type: none"> <li>• <b>ACL Name:</b> The name of the access-list as configured on the switch. Only 2 ACLs get created namely telemetryipv4acl for IPv4 and telemetryipv6acl for IPv6.</li> <li>• <b>Flow Rule#:</b> This is the ACE rule number as configured within a particular ACL.</li> <li>• <b>Flow Rule:</b> This is the ACE rule that indicates the flow details like the protocol, source IP, source port, destination IP, destination port that should be exported.</li> <li>• <b>Job ID:</b> This is the DCNM telemetry job id that was used to configure the flow rules on the switch.</li> <li>• <b>Status:</b> The status of the job.</li> <li>• <b>Reason:</b> The status reason of the job. In case the job failed, it displays the failure reason of that job. If successful, it may show compliance and deployment successful in the case of Lan Fabric deployments.</li> </ul> <p>Switch: gmurthy-n9k-leaf7, Fabric: D</p> <p>Flow Rules  4 Total</p> <table border="1" data-bbox="1042 1234 1620 1621"> <thead> <tr> <th>ACL Name</th> <th>Flow Rule#</th> <th>Flow Rule</th> <th>Job ID</th> </tr> </thead> <tbody> <tr> <td>telemetryipv4acl</td> <td>30</td> <td>permit tcp 12.1...</td> <td>61</td> </tr> <tr> <td>telemetryipv4acl</td> <td>31</td> <td>permit tcp 14.1...</td> <td>61</td> </tr> <tr> <td>telemetryipv6acl</td> <td>32</td> <td>permit udp 200...</td> <td>61</td> </tr> <tr> <td>telemetryipv6acl</td> <td>33</td> <td>permit udp 200...</td> <td>61</td> </tr> </tbody> </table>	ACL Name	Flow Rule#	Flow Rule	Job ID	telemetryipv4acl	30	permit tcp 12.1...	61	telemetryipv4acl	31	permit tcp 14.1...	61	telemetryipv6acl	32	permit udp 200...	61	telemetryipv6acl	33	permit udp 200...	61
ACL Name	Flow Rule#	Flow Rule	Job ID																		
telemetryipv4acl	30	permit tcp 12.1...	61																		
telemetryipv4acl	31	permit tcp 14.1...	61																		
telemetryipv6acl	32	permit udp 200...	61																		
telemetryipv6acl	33	permit udp 200...	61																		



**Note** In case of MONITOR mode, you can configure flow telemetry on the switches using the following API that is available at <https://<dcnm-ip>/api-docs:/telemetry/switches/{serialNumber}/flow-analytics-config> -> where serialNumber is the switch serial number as a string.

The Health table data gets refreshed every 70 seconds automatically. It can be manually refreshed by clicking the Refresh icon.

## SAN

The SAN menu includes the following submenus:

## VSANs

Beginning with Cisco DCNM Release 11, you can configure and manage Virtual SANs (VSANs) from the Cisco DCNM. From the menu bar, choose **Configure > SAN > VSAN** to view VSAN information. You can view or configure VSAN for the discovered fabrics, with either **Manageable** or **Manage Continuously** status. For the selected fabric, a VSAN Scope tree is displayed in the left panel.

You can achieve higher security and greater stability in Fibre Channel fabrics by using virtual SANs (VSANs) on Cisco Data Center Switches and Cisco MDS 9000 Family switches. VSANs provide isolation among devices that are physically connected to the same fabric. With VSANs, you can create multiple logical SANs over a common physical infrastructure. Each VSAN can contain up to 239 switches and has an independent address space that allows identical Fibre Channel IDs (FC IDs) to be used simultaneously in different VSANs.




---

**Note** Cisco DCNM doesn't discover, nor display any suspended VSAN.

---




---

**Note** When changing VSAN of the Switch port in DCNM, If the port was associated with Isolated VSAN, then the previous VSAN column will be blank.

---

The information that is associated with the selected VSAN scope appears in the right panel. If a VSAN is segmented, each individual segmented VSAN is a VSAN scope. For every selected VSAN scope, you can view information in tabs.

- [Switches tab](#)
- [ISLs Tab](#)
- [Host Ports Tab](#)
- [Storage Tab](#)
- [Attributes Tab](#)
- [Domain ID Tab](#)
- [VSAN Membership Tab](#)

For description on all fields that appear on the tabs, refer [Field and Descriptions for VSANs, on page 88](#).

## Information About VSANs

With the introduction of VSANs, the network administrator can build a single topology containing switches, links, and one or more VSANs. Each VSAN in this topology has the same behavior and property of a SAN. A VSAN has the following additional features:

- Multiple VSANs can share the same physical topology.
- The same Fibre Channel IDs (FC IDs) can be assigned to a host in another VSAN, thus increasing VSAN scalability.
- Every instance of a VSAN runs all required protocols such as FSPF, domain manager, and zoning.
- Fabric-related configurations in one VSAN don't affect the associated traffic in another VSAN.
- Events causing traffic disruptions in one VSAN are contained within that VSAN and aren't propagated to other VSANs.

A VSAN is in the operational state if the VSAN is active and at least one port is up. This state indicates that traffic can pass through this VSAN. This state can't be configured.

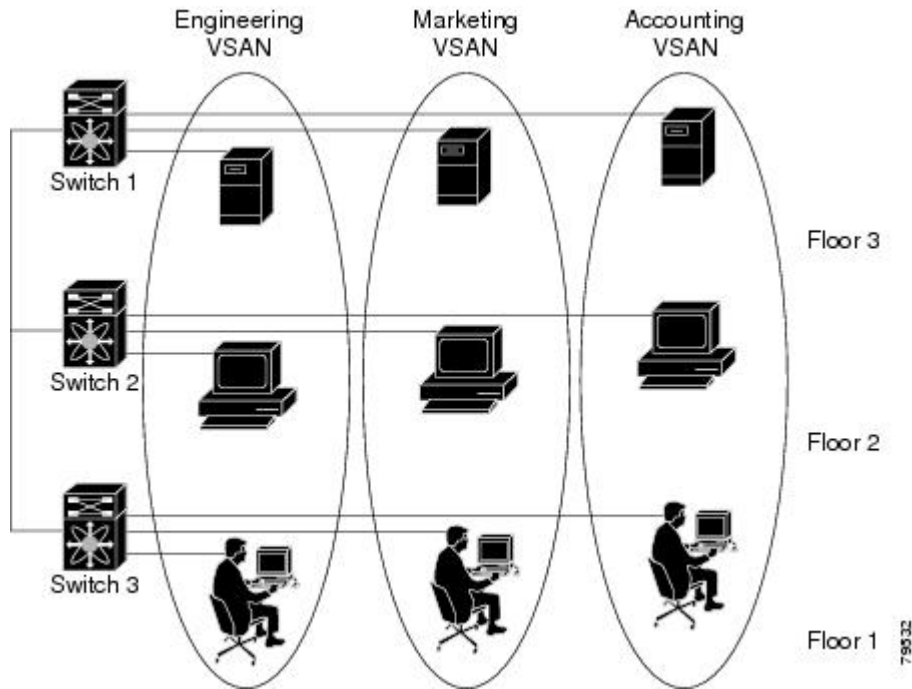
Interoperability enables the products of multiple vendors to come into contact with each other. Fibre Channel standards guide vendors towards common external Fibre Channel interfaces. You can enable FICON in up to eight VSANs.

This section describes VSANs and includes the following topics:

### VSAN Topologies

The following figure shows a fabric with three switches, one on each floor. The geographic location of the switches and the attached devices is independent of their segmentation into logical VSANs. No communication between VSANs is possible. Within each VSAN, all members can talk to one another.

Figure 1: Logical VSAN Segmentation

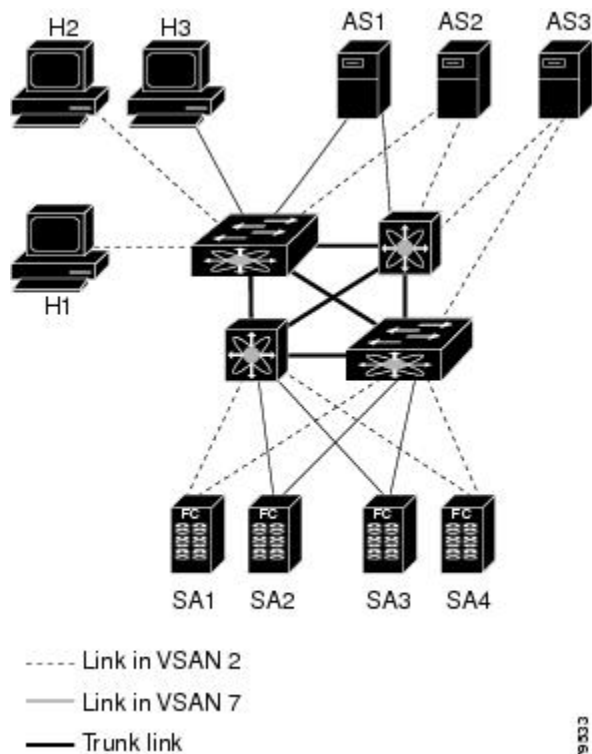


The following shows a physical Fibre Channel switching infrastructure with two defined VSANs: VSAN 2 (dashed) and VSAN 7 (solid). VSAN 2 includes hosts H1 and H2, application servers AS2 and AS3, and storage arrays SA1 and SA4. VSAN 7 connects H3, AS1, SA2, and SA3.

The four switches in this network are interconnected by trunk links that carry both VSAN 2 and VSAN 7 traffic. The inter-switch topology of both VSAN 2 and VSAN 7 are identical. This isn't a requirement and a network administrator can enable certain VSANs on certain links to create different VSAN topologies.



Figure 2: Example of Two VSANs



Without VSANs, a network administrator would need separate switches and links for separate SANs. By enabling VSANs, the same switches and links may be shared by multiple VSANs. VSANs allow SANs to be built on port granularity instead of switch granularity. The above figure illustrates that a VSAN is a group of hosts or storage devices that communicate with each other using a virtual topology defined on the physical SAN.

The criteria for creating such groups differ based on the VSAN topology:

- VSANs can separate traffic based on the following requirements:
  - Different customers in storage provider data centers
  - Production or test in an enterprise network
  - Low and high security requirements
  - Back up traffic on separate VSANs
  - Replicating data from user traffic
- VSANs can meet the needs of a particular department or application.

## VSAN Advantages

VSANs offer the following advantages:

- Traffic isolation—Traffic is contained within VSAN boundaries and devices reside only in one VSAN ensuring absolute separation between user groups, if desired.

- Scalability—VSANs are overlaid on top of a single physical fabric. The ability to create several logical VSAN layers increases the scalability of the SAN.
- Per VSAN fabric services—Replication of fabric services on a per VSAN basis provides increased scalability and availability.
- Redundancy—Several VSANs created on the same physical SAN ensure redundancy. If one VSAN fails, redundant protection (to another VSAN in the same physical SAN) is configured using a backup path between the host and the device.
- Ease of configuration—Users can be added, moved, or changed between VSANs without changing the physical structure of a SAN. Moving a device from one VSAN to another only requires configuration at the port level, not at a physical level.

Up to 256 VSANs can be configured in a switch. Of these, one is a default VSAN (VSAN 1), and another is an isolated VSAN (VSAN 4094). User-specified VSAN IDs range 2–4093.

## VSAN Configuration

VSANs have the following attributes:

- VSAN ID—The VSAN ID identifies the VSAN as the default VSAN (VSAN 1), user-defined VSANs (VSAN 2–4093), and the isolated VSAN (VSAN 4094).
- State—The administrative state of a VSAN can be configured to an active (default) or suspended state. Once VSANs are created, they may exist in various conditions or states.
  - The active state of a VSAN indicates that the VSAN is configured and enabled. By enabling a VSAN, you activate the services for that VSAN.
  - The suspended state of a VSAN indicates that the VSAN is configured but not enabled. If a port is configured in this VSAN, it's disabled. Use this state to deactivate a VSAN without losing the VSAN's configuration. All ports in a suspended VSAN are disabled. By suspending a VSAN, you can preconfigure all the VSAN parameters for the whole fabric and activate the VSAN immediately.
- VSAN name—This text string identifies the VSAN for management purposes. The name can be 1–32 characters long and it must be unique across all VSANs. By default, the VSAN name is a concatenation of VSAN and a four-digit string representing the VSAN ID. For example, the default name for VSAN 3 is VSAN0003.




---

**Note** A VSAN name must be unique.

---

- Load balancing attributes—These attributes indicate the use of the source-destination ID (src-dst-id) or the originator exchange OX ID (src-dst-ox-id, the default) for load-balancing path selection.




---

**Note** OX ID-based load balancing of IVR traffic from IVR-enabled switches isn't supported on Generation 1 switching modules. OX ID-based load balancing of IVR traffic from a non-IVR MDS 9000 Family switch should work. Generation 2 switching modules support OX ID-based load balancing of IVR traffic from IVR-enabled switches.

---

- Load-balancing attributes indicate the use of the source-destination ID (src-dst-id) or the originator exchange OX ID (src-dst-ox-id, the default) for load-balancing path selection.

## Port VSAN Membership

Port VSAN membership on the switch is assigned on a port-by-port basis. By default, each port belongs to the default VSAN. You can assign VSAN membership to ports using one of two methods:

- Statically—By assigning VSANs to ports
- Dynamically—By assigning VSANs based on the device WWN

This method is referred to as dynamic port VSAN membership (DPVM).

## Types of VSAN

The following are the different types of VSAN:

### Default VSAN

The factory settings for switches in the Cisco MDS 9000 Family have only the default VSAN 1 enabled. We recommend that you don't use VSAN 1 as your production environment VSAN. If no VSANs are configured, all devices in the fabric are considered part of the default VSAN. By default, all ports are assigned to the default VSAN.




---

**Note** VSAN 1 can't be deleted, but it can be suspended.

---

Up to 256 VSANs can be configured in a switch. Of these, one is a default VSAN (VSAN 1), and another is an isolated VSAN (VSAN 4094). User-specified VSAN IDs range 2–4093.

### Isolated VSAN

VSAN 4094 is an isolated VSAN. All nontrunking ports are transferred to this VSAN when the VSAN to which they belong is deleted. This avoids an implicit transfer of ports to the default VSAN or to another configured VSAN. All ports in the deleted VSAN are isolated (disabled).




---

**Note** When you configure a port in VSAN 4094 or move a port to VSAN 4094, that port is immediately isolated.

---




---

**Caution** Don't use an isolated VSAN to configure ports.

---

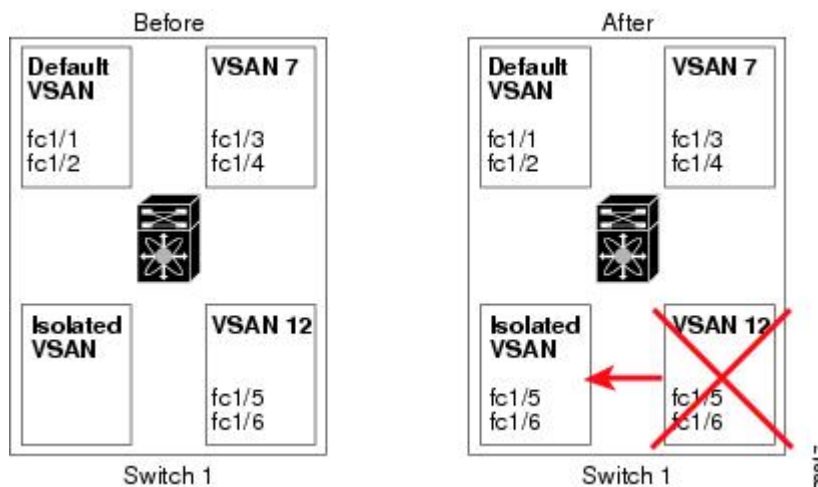
Up to 256 VSANs can be configured in a switch. Of these, one is a default VSAN (VSAN 1), and another is an isolated VSAN (VSAN 4094). User-specified VSAN IDs range 2–4093.

## Static VSAN Deletion

When an active VSAN is deleted, all of its attributes are removed from the running configuration. VSAN-related information is maintained by the system software as follows:

- VSAN attributes and port membership details are maintained by the VSAN manager. This feature is affected when you delete a VSAN from the configuration. When a VSAN is deleted, all the ports in that VSAN are made inactive and the ports are moved to the isolated VSAN. If the same VSAN is recreated, the ports don't automatically get assigned to that VSAN. Reconfigure the port VSAN membership explicitly (see the following figure).

Figure 3: VSAN Port Membership Details – 79947.ps



- VSAN-based runtime (name server), zoning, and configuration (static routes) information is removed when the VSAN is deleted.
- Configured VSAN interface information is removed when the VSAN is deleted.



**Note** The allowed VSAN list isn't affected when a VSAN is deleted.

Any commands for a non-configured VSAN are rejected. For example, if VSAN 10 isn't configured in the system, then a command request to move a port to VSAN 10 is rejected.

## Feature Information for Configuring and Managing VSANs

The following table shows the licensing requirements for this feature:

License Description

ENTERPRISE\_PKG The enterprise license is required to enable VSAN. For a complete explanation of the licensing scheme, see the Cisco DCNM Licensing Guide.

License	License Description
ENTERPRISE_PKG	The enterprise license is required to enable VSAN. For a complete explanation of the licensing scheme, see the Cisco DCNM Licensing Guide.

## Default VSAN Settings

The following table lists the default settings for all configured VSANs.

Parameters	Default
Default VSAN	VSAN 1.
State	Active State
Name	Concatenation of VSAN and a four-digit string representing the VSAN ID. For example, VSAN 3 is VSAN0003.
Load-balancing attribute	OX ID (src-dst-ox-id).

## Create VSAN Wizard

VSAN Creation Wizard Work flow includes:

- Specify VSAN ID and name.
- Select Switches.
- Specify VSAN attributes.
- Specify VSAN Domain.
- Specify VSAN Members.

Beginning with Release 11, you can configure VSAN using a wizard that facilitates creating VSANs on multiple switches in a managed Fabric. Choose **Configure** > **SAN** > **VSAN**. After you select a Fabric from the drop-down list, click **Create VSAN Wizard** icon. The Welcome screen of the wizard is displayed.




---

**Note** Ensure that the VSAN isn't already created.

---




---

**Note** Ensure that you provide Switch credentials, if you are different from the Discover user. To provide SAN credentials, navigate to **Administration** > **Credentials Management** > **SAN Credentials**.

---

To create and configure VSANs from the Cisco DCNM Web UI, perform the following steps:

### Before you begin

You cannot configure any application-specific parameters for a VSAN before creating the VSAN.

Ensure that the VSAN isn't already created. Do not create the VSAN in suspended state.




---

**Note** The suspended VSANs aren't managed.

---

## Procedure

---

- Step 1** On the Create VSAN Wizard Welcome screen, click **Next**.  
The **Select VSAN ID and Name** window is displayed.
- Step 2** In the Select VSAN ID and Name window, perform the following steps:
- Ensure that the correct Fabric is against the Fabric field.
  - In the VSAN ID field, select VSAN ID from the drop-down list.  
The range is 2–4094. Create the list of VSAN ID in at least one Switch in the Fabric. VSAN ID 4079 is for reserved VSAN.
  - In the Name field, enter a name for VSAN.  
**Note** If the field is left blank, the Switch assigns a default name to the VSAN.
  - Click FICON checkbox to enable FICON on the switch.
  - Click Next.
- Step 3** In the Select Switches screen, click the checkbox next to the Switch Name, to create the VSAN.  
If the switch name is grayed out, it implies that the switch is already a part of VSAN. It may also imply that the switch doesn't have FICON feature enabled, if FICON is checked in the previous step.  
Click **Next**.
- Step 4** In the Config VSAN Attributes screen, configure the VSAN attributes.
- Note** If you create a VSAN in a suspended state, it doesn't appear on the Cisco DCNM as DCNM doesn't manage suspended VSANs.
- In the LoadBalancing, select the load balancing type to be used on the VSAN.  
The following types are available:
    - srcIdDestId: based on only source ID (S\_ID) and destination ID (D\_ID)
    - srcIdDestIdOxId: Originator exchange ID (OX\_ID) is also used for load balancing, in addition to S\_ID and D\_ID. OX\_ID is an exchange ID assigned by the originator Interconnect Port for an exchange with the target Interconnect Port.

**Note** srcId/DestId/OxId is the default for non-FICON VSAN and it isn't available for FICON VSAN, srcId/DestId is the default for FICON VSAN.
  - In the InterOp field, select the interoperability value the drop-down list.  
The InterOp value is used to interoperate with different vendor devices. You can choose from one of the following:
    - 0: implies that the interoperability is disabled.
    - 1: implies that the VSAN can interoperate with all the Fibre Channel vendor devices.
    - 2: implies that the VSAN can interoperate with specific Fibre Channel vendor devices for basic to advanced functionalities.
    - 3: implies that the VSAN can interoperate with specific Fibre Channel vendor devices for basic to advanced functionalities.

- 4: implies that the VSAN can interoperate with specific Fibre Channel vendor devices for basic to advanced functionalities.

**Note** InterOp isn't supported on FICON VSAN.

c) In the Admin State field, select the configurable state for this VSAN.

- active: implies that the VSAN is configured and services for this VSAN is activated.
- suspended: implies that the VSAN is configured, but the service for this VSAN is deactivated.

Choose this state to preconfigure all the VSAN parameters for the whole Fabric.

**Note** DCCNM doesn't manage a suspended VSAN, and therefore it does not appear in the VSAN scope.

d) Check the Inorder Delivery checkbox to allow in-order delivery.

When the value of fcInorderDelivery is changed, the value of this object is set to the new value of that object.

e) In the Add Fabric Binding DB field, check the checkbox if you want to enable the fabric binding for the FICON VSAN.

If the checkbox is selected, the all the peers in the selected switches are added to each switch in the selected list.

f) In the All Port Prohibited field, check the checkbox if you want to prohibit all the ports for FICON VSAN.

If the checkbox is selected, the FICON VSAN is created as all Ports prohibited, by default.

g) Click **Next**.

**Step 5** In the Config VSAN Domain screen, configure the static domain IDs for FICON VSAN.

- Select the Use Static Domain IDs field, to configure the domain ID for the switches in the VSAN.
- The Available Domain IDs field shows all the available Domain IDs in the Fabric.

Click **Apply Available Domain IDs** to assign the domain ID for every switch that is selected to be a part of the VSAN.

c) For every switch in the table, enter the domain ID from the list of available Domain IDs.

d) Click **Next**.

**Step 6** In the Config Port VSAN Membership screen, for every switch in the VSAN, configure the interfaces, as the member of the new VSAN.

**Note** Modifying the Port VSAN may affect the I/O of the interface.

Click **Next**.

**Step 7** In the Summary screen, verify if you have configured the VSAN correctly.

Click **Previous** to navigate to the earlier screen and modify the configuration.

Click **Cancel** to discard the configuration.

Click **Finish** to confirm and configure the VSAN. The VSAN creation result is displayed at the bottom of the window.

**Note** After the VSAN is created, it will take few minutes for the new VSAN to appear in the VSAN scope tree.

**Note** If the switch port is associated with Isolated VSAN then the previous VSAN information will be blank.

---

## Delete VSAN

To delete a VSAN and its attributes from the Cisco DCNM Web UI, perform the following steps:

### Procedure

---

**Step 1** Choose **Configure > SAN > VSAN**.

The **VSAN** window is displayed.

**Step 2** From the Fabric drop-down list, select the Fabric to which the VSAN is associated.

The VSAN scope tree for the selected Fabric is displayed in the VSAN area.

**Step 3** Expand the Fabric and select the VSAN that you want to delete.

**Note** You can't delete Segmented VSAN.

**Step 4** Click the **Delete VSAN** icon.

The Delete VSAN screen appears, showing the switches associated with the VSAN.

**Step 5** Select the checkbox of the Switch for which you want to remove the VSAN.

Click **Delete**.

A confirmation window appears.

**Step 6** Click **Yes** to confirm the deletion or click **No** to close the dialog box without deleting the VSAN.

**Note** After the VSAN is deleted, it will take few minutes for the new VSAN to disappear from the VSAN scope tree.

---

## Field and Descriptions for VSANs

The Field and Descriptions for all the tabs that are displayed on **Cisco Web UI > SAN > VSAN** are explained in the following tables.

- [Switches tab, on page 89](#)
- [ISLs Tab, on page 89](#)
- [Host Ports Tab, on page 90](#)
- [Storage Tab, on page 90](#)
- [Attributes Tab, on page 91](#)
- [Domain ID Tab, on page 92](#)



- [VSAN Membership Tab, on page 93](#)

### Switches tab

This tab displays Switches in the VSAN scope. Click the Switch name to view the summary information of the switch. The following table describes the fields that appear on the Switches tab.

**Table 9: Field and Description on Switches Tab**

Field	Description
Name	Specifies the name of the switch in the VSAN. Click the name to view the switch summary. For description about the fields in the Switch Summary, refer to <a href="#">Viewing Inventory Information for Switches</a> . Click <b>Show more Details</b> to view complete information.
Domain ID	Specifies an insistent domain ID.
VSAN WWN	Specifies the WorldWide Name (WWN) of the VSAN.
Principal WWN	Specifies the WorldWide Name (WWN) of the switch. <b>Note</b> For the principal switch, the value is "self".
Model	Specifies the model name of the switch.
Release	Specifies the NX-OS version on the switch.
Uptime	Specifies the time from which the switch is up.
Icons	
Total	The number next to Total specifies the entries under this tab.
Refresh	Click the Refresh icon to refresh the entries.

### ISLs Tab

This tab displays information about the ISLs about the switches in the VSAN scope. Click the Switch name to view the summary information. **Click Show more details** to view complete information on the selected switch. The following table describes the fields that appear on the ISLs tab. If the VSAN is configured on both the switches across the ISL and if VSAN is not enabled on the ISL, DCNM considers VSAN as segmented. Therefore, add the VSAN to the trunked VSANs across the ISL to clear the warning message. Alternatively, you can ignore this warning message.

**Table 10: Field and Description on ISLs Tab**

Field	Description
VSANs	All VSANs which this ISL runs traffic on.
From Switch	The source switch of the link.
From Interface	The port index of source E_port of the link.
To Switch	The switch on the other end of the link.

Field	Description
To Interface	The port index of destination E_port of the link.
Speed	The speed of this ISL.
Status	The operational status of the link.
Port Channel Members	The member of Port Channel if ISL is a Port Channel.
Additional Info	Additional information for this ISL, e.g., TE/TF/TNP ISL
Icons	
Total	The number next to Total specifies the entries under this tab.
Refresh Icon	Click the Refresh icon to refresh the entries.

### Host Ports Tab

This tab displays information about the host ports on the switches in the VSAN scope. The following table describes the fields that appear on the Host Ports tab.

**Table 11: Field and Description on Host Ports Tab**

Field	Description
Enclosure	The name of the enclosure.
device Alias	The device alias of this entry.
Port WWN	The assigned PWWN for this host.
FcId	The FC ID assigned for this host.
Switch Interface	Interface on the switch that is connected with the end device.
Link Status	The operational status of the link.
Vendor	Specifies the name of the vendor.
Model	Specifies the name of the model.
Firmware	The version of the firmware that is executed by this HBA.
Driver	The version of the driver that is executed by this HBA.
Additional Info	The information list corresponding to this HBA.
Icons	
Total	The number next to Total specifies the entries under this tab.
Refresh	Click the Refresh icon to refresh the entries.

### Storage Tab

This tab displays information about the storage ports on the switches in the VSAN scope. The following table describes the fields that appear on the Storage Ports tab.

Table 12: Field and Description on Storage Tab

Field	Description
Enclosure	The name of the enclosure.
device Alias	The device alias of this entry.
Port WWN	The assigned PWWN for this host.
FcId	The FC ID assigned for this host.
Switch Interface	Interface on the switch that is connected with the end device.
Link Status	The operational status of the link.
Icons	
Total	The number next to Table specifies the entries under this tab.
Refresh	Click the Refresh icon to refresh the entries.

### Attributes Tab

This tab displays the attributes of all the switches in the VSAN scope. The following table describes the fields that appear on the Attributes tab.

Table 13: Field and Description on Attributes Tab

Field	Description
Edit	<p>Click <b>Edit</b> to modify the attributes of the VSAN and to push the same VSAN attributes to the selected switches.</p> <p>If the VSAN is FICON VSAN in any selected switch, the following fields won't appear on the UI, as they can't be modified for the FICON VSAN.</p> <ul style="list-style-type: none"> <li>• Load-balancing</li> <li>• InterOp</li> <li>• InorderDelivery</li> </ul> <p>After modify the attributes, you can click <b>Apply</b> to save changes or <b>Cancel</b> to discard.</p>
Switch Name	Displays the name of the switch that is associated with the VSAN.
Name	Displays the name of the VSAN.
Admin	<p>Specifies if the status of the Admin is either Active or Suspend.</p> <ul style="list-style-type: none"> <li>• <b>active</b> implies that the VSAN is configured and services for the VSAN is activated.</li> <li>• <b>suspended</b> implies that the VSAN is configured; however, the service for the VSAN is deactivated. You can use set this state to preconfigure all the VSAN parameters by using the CLI only.</li> </ul> <p><b>Note</b> If you suspend a VSAN, it's removed from Cisco DCNM as well.</p>

Field	Description
Oper	The operational state of the VSAN.
MTU	Displays the MTU for the switch.
LoadBalancing	Specifies the load-balancing type that is used in the VSAN. The type of load balancing used on this VSAN. <ul style="list-style-type: none"> <li>• srcId/DestId—use source and destination ID for path selection</li> <li>• srcId/DestId/0xId—use source, destination, and exchange IDs</li> </ul>
InterOp	The interoperability mode of the local switch on this VSAN. <ul style="list-style-type: none"> <li>• standard</li> <li>• interop-1</li> <li>• interop-2</li> <li>• interop-3</li> </ul>
InorderDelivery	The InorderDelivery guarantee flag of device. If true, then the inorder delivery is guaranteed. If false, it's not guaranteed.
FICON	True if the VSAN is FICON-enabled.
Icons	
Total	The number next to Table specifies the entries under this tab.
Refresh Icon	Click the Refresh icon to refresh the entries.

### Domain ID Tab

This tab displays information about the VSAN domain and its parameters. The following table describes the fields that appear on the Domain ID tab.

**Table 14: Field and Description on Domain ID Tab**

Field	Description
Edit	Click Edit icon to modify the Domain ID information for the selected switch.
Switch Name	Specifies the switch name in the VSAN. <b>Note</b> NPV switches aren't listed in this column. However, the NPV switches exist in this VSAN fabric.
State	Specifies the state of the Switch.
Enable	Specifies if the Domain ID is enabled or disabled.
Running	Specifies the running domain.
Config Type	Specifies the usage of the domain ID type— <b>preferred</b> or <b>static</b> .

Field	Description
Icons	
Total	The number next to Table specifies the entries under this tab.
Refresh Icon	Click the Refresh icon to refresh the entries.

### VSAN Membership Tab

This tab displays information about the interfaces on the switches that form the VSAN. The following table describes the fields that appear on the VSAN Membership tab.

**Table 15: Field and Description on VSAN Membership Tab**

Field	Description
Edit	Click Edit icon to modify Port VSAN Membership for selected VSAN and selected switch. Port VSAN Membership is presented by different types including FC (physical), PortChannel, FCIP, iSCSI, VFC (slot/port), VFC (ID), VFC (Channel), VFC FEX, and VFC Breakout, PortChooser is provided for each type to show all existing interfaces on a selected switch for the user to choose from.  <b>Note</b> If you modify Post VSAN Membership for any operational trunking port or port channel members, a warning appears. Use the Device Manager to change Allowed VSAN List for Trunking Interface.
Switch Name	Name of the switch
Interfaces	FC Ports in VSAN
Icons	
Total	The number next to Table specifies the entries under this tab.
Refresh Icon	Click the Refresh icon to refresh the entries.

## SAN Zoning

Zoning enables you to set up access control between storage devices or user groups. If you have administrator privileges in your fabric, you can create zones to increase the network security and to prevent data loss or corruption. Zoning is enforced by examining the source-destination ID field.



**Note** When device aliases are used for zoning in web GUI/SAN Client, end devices must be logged into the fabric thus web GUI can configure zoning using device aliases. If end nodes are not logged in, PWWN can be used for zoning.

The following table describes the fields and icons that appear on Cisco DCNM **Configure > SAN > Zoning** tab.

Field	Description
Fabric	From the Fabric drop-down list, you can choose the fabric for which you are configuring or viewing the SAN Zoning.
VSAN	From the VSAN drop-down list, you can choose the VSAN for which you are configuring zoning.
Switches	From the Switch drop-down list, select the switch to which you want to configure.
Commit Changes	Commits the Zoning configuration changes to all the switches. This field is only applicable when a zone is in the enhanced or smart mode.
Distribute	Distributes the Zoning configuration to all the switches. This field is only applicable when a zone is in the basic mode.
Export All	You can export the Zoning configurations to a .csv file, and save it on your local directory.
Zonesets	Lists all the Zoneset configured for the selected Fabric, VSAN, and the Switch.
Zones	Lists all the Zones that are configured under the selected Zoneset.
Zone Members	Lists the members present in the selected Zone.
Available to Add	Lists the available devices to add to the Zones.
Clear Server Cache	Clears the cache on the Cisco DCNM server.
Discard Pending Changes	Discards the changes in progress.

This section contains the following:

## Zonesets

Based on the selected Fabric, VSAN and Switch, the Zoneset area displays the configured zonesets and their status. You can create, copy, delete or edit the zonesets. Further, the zonesets can be activated or deactivated.

### Procedure

**Step 1** To create zonesets from Cisco DCNM Web UI, choose **Configure > SAN Zoning > Zonesets** and click **Create Zoneset** icon.

The **Create Zoneset** window appears.

**Step 2** Enter a valid name for the zoneset, and click **Create**.

A zoneset is created and is listed in the **Zoneset** area.

- Step 3** Choose the zone radio button and click **Clone/Copy Zoneset** icon to clone or copy zonesets. The Clone or Copy Zoneset window shows two options.
- Choose the appropriate **Action** radio button. You can choose of the of the following:
    - **Copy**: Creates a new zoneset that consists copies of the zones in the initial zoneset. You can prepend or append a string to identify the copied zoneset. Enter a valid string in the **Tag** field, and choose the **Prepend** or **Append** radio button.
    - **Clone**: To create a new zoneset with a new name consisting of the same zones as the source zoneset. In the **Name** field, enter a valid name for the new zoneset.
  - Click **OK** to clone or copy the zoneset. The cloned or the copied zoneset appears in the **Zoneset** area.
- Step 4** To delete the zoneset, choose the zoneset radio button and click delete zoneset icon. A confirmation window appears. Click **Yes** to delete the zoneset.
- Step 5** To edit the zone name, choose the zone radio button and click **Rename Zoneset** icon. In the **Name** field, enter the new name for the zoneset. Click **Rename**.
- Step 6** To activate a zoneset, choose the zoneset radio button and click **Activate**. The **Zoneset Differences** window shows the changes made to the zoneset since it was activated previously. Click **Activate**.
- Step 7** To deactivate a zoneset, choose the zoneset radio button and click **Deactivate**. A confirmation window appears. Click **Yes** to deactivate the zoneset.

## Zones

Based on the Zoneset that is selected, the zones that are configured under that zoneset are displayed in the **Zones** area. It also displays true or false only when the VSAN has smart zone that is enabled. You can create, copy, delete, or edit the zones. Furthermore, the zones can be added to or removed from the selected Zoneset. You can also enable or disable the smart zone on the zone table.



**Note** Select the **Zoneset** for which you must alter the zones. Select **Zoneset** radio button in the Zonesets area. The zones that are configured on the selected Zoneset and zones on the switch are displayed. The zones that are a part of the Zone are marked with a green check mark.

The Zones area has the following fields and their descriptions.

Field	Description
In Zoneset	Specifies whether a zone is part of a zoneset.

Field	Description
	Displays <b>true</b> if the zone is part of a zoneset. Otherwise, displays <b>false</b> .  You can search by choosing true or false from the <b>In Zoneset</b> drop-down list.
Zone Name	Displays the name of the zone.  You can search by specifying the zone name.
Smart Zone	Specifies whether a zone is a smart zone.  Displays <b>true</b> if the zone is a smart zone. Otherwise, displays <b>false</b> .  You can search this field by choosing <b>true</b> or <b>false</b> from the <b>Smart Zone</b> drop-down list. This field only shows that up when the VSAN has smart zone that is enabled.

### Procedure

- 
- Step 1** To create zones, choose **Configure > SAN > Zoning > Zones**, click **Create** icon.
- In the Create Zone window, enter a valid name for the Zone, and click **Create**.  
A zone is created and is listed in the **Zones** area.
- Step 2** To Clone Zones, choose **Configure > SAN > Zoning > Zones**, select the **Zone** radio button and click **Clone Zone** icon.
- The **Clone Zone** window is displayed.
- In the Name field, enter a valid name for the new zoneset.
  - Click **Clone** to clone the zone.  
The cloned zones appear in the **Zones** area.
- Step 3** To add zone to a zoneset, choose **Configure > SAN Zoning > Zones**, select the zone that is not a part of the zoneset. Click **Add Zone** icon. You can select more than one zone to be added to the Zoneset.
- The zone is added to the selected Zoneset. A green tick mark appears next to the Zone name to indicate that the zone is added to the zoneset.
- Step 4** To remove zone from a zoneset, choose **Configure > SAN Zoning > Zones**, check the **Zone** check box. Click **Remove Zone** icon. You can select more than one Zone to be deleted from the Zoneset.
- The zone is removed from the selected Zoneset. A green tick mark disappears next to the Zone name to indicate that the zone is removed from the zoneset.
- Step 5** To Delete Zones, choose **Configure > SAN Zoning > Zones**, check the **Zone** check box. Click **Delete Zone** icon.
- A confirmation window appears.



Click **Yes** to delete the selected zones.

**Note** You cannot delete a zone that is a member of the selected zoneset. Remove the zone from the zoneset to delete it.

**Step 6** To edit the zone name, choose **Configure > SAN Zoning > Zones**, select the **Zone** radio button. Click **Rename Zone** icon.

In the Name field, enter the new name for the zone.

Click **Rename**.

**Step 7** To enable smart zone, choose **Configure > SAN Zoning > Zones**, select the **Zone** radio button. Click **Enable Smart Zone** icon.

Under the **Smart Zone** column, it displays True.

**Step 8** To disable smart zone, choose **Configure > SAN Zoning > Zones**, select the **Zone** radio button. Click **Disable Smart Zone** icon.

Under the **Smart Zone** column, it displays false.

## Zone Members

Based on the selected Zoneset and the Zone, the Zone Members area displays the zone members and their status. You can create, or remove members from the Zoneset.

The Zone Members area has the following fields and their descriptions.

Field	Description
Zone	Displays the Zone under which this member is present. You can search by zone name in this field.
Zoned By	Displays the type of zoning. You can search by type of zoning such as WWN, FCID, fcAlias, or iSCSI.
Device Type	Displays the smart zoning device type. The applicable values are <b>Host</b> , <b>Storage</b> , or <b>Both</b> . You can search this field by choosing <b>Host</b> , <b>Storage</b> or <b>Both</b> from the <b>Device Type</b> drop-down list. This field only shows up when the VSAN has smart zone that is enabled.
Name	Displays the name of the zone member. You can search by specifying the zone name.
Switch Interface	Specifies the switch interface that the zone member is attached to. You can search by specifying the switch interface.

Field	Description
FcId	Specifies the FcID associated with the zone member. You can search by specifying the FcID associated with the zone member.
WWN	Specifies the WWN of the switch. You can search by specifying the WWN of the switch.

### Procedure

**Step 1** To create zone members, from Cisco DCNM Web Client > **Configure** > **SAN Zoning** > **Zone Members**, click Create icon.

- a) In the **Create and Add Member** window, enter the WWN name for the zone member.
- b) Click **Create and Add**.

The create and add feature allows you to add a member to a zone that does not exist in the fabric, currently. This feature can also be utilized when the device discovery did not discover all the devices. With the Available to add feature, you can add a discovered device to the zone.

**Step 2** To Remove Zone Member, from Cisco DCNM Web Client > **Configure** > **SAN Zoning** > **Zone Members**, check the **Zone Member** check box. Click **Remove Member** icon.

You can remove more than one zone member at a time, for deletion.

## Available to Add

The **Available to Add** area has the following fields and their descriptions.

Field	Description
Type	Displays the smart zoning device type. The applicable values are <b>Host</b> or <b>Storage</b> . You can search this field by choosing <b>Host</b> or <b>Storage</b> from the <b>Type</b> drop-down list.
Name	Displays the name of the zone. You can search by specifying the zone name.
Switch Interface	Specifies the switch interface that the zone member is attached to. You can search by specifying the switch interface.
FcId	Specifies the FcID associated with the zone member. You can search by specifying the FcID associated with the zone member.

Field	Description
WWN	Specifies the WWN of the switch. You can search by specifying the WWN of the switch.

To add discovered devices to one or more zones from the Cisco DCNM Web UI, perform the following steps:

### Procedure

- 
- Step 1** Choose **Configure > SAN > Zoning > Available to Add**.
- Step 2** In the **Zone by area**, select the Ports or Device radio buttons.
- The **Zone by** feature determines if the device must be added to the zone using the device WWN or Device alias.
- A window appears showing the list of End Ports or Devices available to add.
- If you choose **Zone By: End Port**, the devices are added to the zones by WWN. If you choose **Zone By: Device Alias**, the devices are added to the zones by Device Alias. Based on the zone by option you choose, the devices are displayed.
- Step 3** Select the devices to add to a zone.
- Step 4** Click **Add** to add the selected devices to the zone.
- Note** You can select more than one zone. A dialog appears that shows a list of all the zones that are currently selected on the zone table.
- 

## IVR Zoning

From Cisco DCNM Release 11.0(1), IVR Zoning feature is supported. You can use IVR Zoning to create, edit, copy, or delete IVR zones in the web client.

The IVR Zoning page is launched from Cisco DCNM **Configure > SAN > IVR Zoning** menu item. After you launch the IVR Zoning page, you will see the following fields and sections:

- Fabric
- Region ID
- Switches
- Commit Changes
- Export All
- Clear Server Cache
- Discard Pending Changes
- Zonesets
- Zone Members

- Zones
- Available to Add

The following table describes the fields and icons on Cisco DCNM **Configure** > **SAN** > **IVR Zoning** tab.

Field	Description
Fabric	From the Fabric drop-down list, you can choose the fabric for which you are configuring or viewing the IVR Zoning. You must select a fabric to view the options of Region ID and Switches.
Region ID	From the Region ID drop-down list, you can choose the region for a switch.
Switches	From the Switch drop-down list, select the switch to which you want to configure. Zone Seed switch is selected by default.
Commit Changes	Commits the IVR zoning configuration changes to all the switches. This field is only applicable when a zone is in the enhanced or smart mode.
Export All	You can export the IVR zoning configurations to a .csv file, and save it on your local directory.
Clear Server Cache	Clears the discovered zoning cache on the Cisco DCNM server.
Discard Pending Changes	Discards the changes in progress.

To display the zone sets, you need to select the desired fabric, region ID, and switch. This is different from regular zoning, which needs the fabric, VSAN, and switch.

Three checks are made when a switch is selected and can result in a warning dialog including one or more of the following warnings:

- Check for IVR Cisco Fabric Services enabled.
- Check for NAT and Auto Topology Enabled.
- Check if there is an existing IVR zone merge failure.

If the IVR Cisco Fabric Services feature is not enabled, then **Activate**, **Deactivate**, **Commit Changes**, and **Discard Pending Changes** are blocked. If IVR NAT and IVR Auto Topology are not enabled, you will get a warning to enable them.

This section contains the following:

## Zonesets

Based on the selected fabric, region and switch, the **Zoneset** area displays the configured zonesets and their status. You can create, copy or clone, delete, rename, activate, or deactivate a zoneset.

The following table describes the fields and icons that appear on **Cisco DCNM Web Client > Configure > SAN > IVR Zoning > Zonesets** area.

Fields	Description
Create Zoneset	Creates a zoneset.
Copy\Clone Zoneset	<ul style="list-style-type: none"> <li>• Copy—Creates a zoneset and copies of zones in the original zoneset. The copied names are the existing names that are prepended or appended with a specified string.</li> <li>• Clone—Creates only a zoneset with a new name consisting the same zones as the original zoneset.</li> </ul>
Delete Zoneset	Deletes the selected zoneset.
Rename Zoneset	Renames the selected zoneset.
Zoneset	Lists all the zonesets that is configured for the selected fabric, region ID, and the switch.
Status	Displays if the zoneset is active or not.
Modified	Displays if the zoneset is modified or not.

### Procedure

- Step 1** To create zonesets, choose **Configure > SAN > IVR Zoning > Zonesets**. Click **Create Zoneset** icon.
- In the Create Zoneset window, enter a valid name for the zoneset.
  - Click **Create**.
- A zoneset is created and is listed in the **Zoneset** area.
- Step 2** To clone or copy zonesets, choose **Configure > SAN > IVR Zoning > Zonesets**. Select the radio button of the zoneset to be copied or cloned. Click **Clone\Copy Zoneset** icon.
- The **Clone\Copy Zoneset** window shows two options.
- Click the appropriate Action radio button.
- You can choose one of the following:
- **Copy**—You can prepend or append a string to identify the copied zoneset. Enter a valid string in the **Tag** field, and select the **Prepend** or **Append** radio button.
  - **Clone**—In the Name field, enter a valid name for the new zoneset.
- Click **OK** to clone or copy the zoneset.
- The cloned or the copied zoneset appears in the **Zoneset** area.
- Step 3** To delete the zoneset, choose **Configure > SAN > IVR Zoning > Zonesets**. Select the **Zoneset** radio button. Click **Delete Zoneset** icon.

A confirmation window appears.

Click **Yes** to delete the zoneset.

**Step 4** To rename the zoneset name, choose **Configure > SAN > IVR Zoning > Zonesets**. Select the zoneset radio button. Click **Rename Zoneset** icon.

In the Name field, enter the new name for the zoneset.

Click **Rename**.

**Step 5** To activate a zoneset, choose **Configure > SAN > IVR Zoning > Zonesets**. Select the zoneset radio button. Click **Activate**.

The Zoneset Differences window shows the changes that are made to the zoneset after the previous activation.

Click **Activate**.

**Step 6** To deactivate a zoneset, choose **Configure > SAN > IVR Zoning > Zonesets**. Select the zoneset radio button. Click **Deactivate**.

A confirmation window appears.

Click **Yes** to deactivate the zoneset.

## Zones

All zones that are configured appear under **Zones** when a zoneset is selected. The zones that belong to the selected zoneset have a green check box. You can create, copy, delete, or edit zones. Furthermore, the zones can be added to or removed from the selected zoneset. You can also enable or disable the smart zone on the zone table.

The following table describes the fields and icons that appear on Cisco DCNM **Configure > SAN > IVR Zoning > Zones**:

Fields	Description
Create Zone	Creates a zone.
Clone Zone	Creates a zone with a new name consisting the same zone members as the source zone.
Add Zone	Adds a zone to the selected zoneset.
Remove Zone	Removes the selected zones from a zoneset.
Delete Zone	Deletes the selected zones that do not belong to a zoneset.
Rename Zone	Renames the selected zone.

Fields	Description
In Zoneset	Specifies whether a zone is part of a zoneset. The check box is selected if the zone is part of a zoneset. You can search by choosing true or false from the <b>In Zoneset</b> drop-down list.
Zone Name	Displays the name of the zone. You can search by specifying the zone name.
Smart Zone	Specifies whether a zone is a smart zone. Displays <b>true</b> if the zone is a smart zone. Otherwise, displays <b>false</b> . You can search this field by choosing <b>true</b> or <b>false</b> from the <b>Smart Zone</b> drop-down list. This field only is displayed when the VSAN has smart zone that is enabled.

### Procedure

**Step 1** To create a zone, choose **Configure > SAN > IVR Zoning > Zones**.

**Step 2** Click **Create Zone**.

- a) In the **Create Zone** window, enter a valid name for the zone.
- b) Click **Create**.

A zone is created and is listed in the **Zones** area.

**Step 3** To clone a zone, **Configure > SAN > IVR Zoning > Zones**, select a zoneset.

All the zones in the fabric appear under **Zones**. From **Zones**, select a zone and click **Clone Zone**.

**Note** You can clone only one zone at a time.

- a) In the **Clone Zone** window, enter a valid name for the new zone.
- b) Click **Clone**.

The cloned zones appear under **Zones**.

**Step 4** To add a zone that is not part of a zoneset, choose **Configure > SAN > IVR Zoning > Zoneset**, select a zoneset.

All the zones in the fabric appear under **Zones**. From **Zones**, select a zone that is not part of the zoneset. Click **Add Zone** icon.

You can select more than one zone to be added to the zoneset.

The zone are added to the selected zoneset. A green check mark appears next to the zone name to indicate that the zone is added to the zoneset.

- Step 5** To remove a zone from a zoneset, choose **Configure > SAN > IVR Zoning > Zonesets**. Select a zoneset. All the zones in the fabric appear under **Zones**. From **Zones**, select a zone that belongs to the selected zoneset and click **Remove Zone**. The zone is removed from the selected zoneset. The green check mark next to the zone name disappears to indicate that the zone is removed from the zoneset.
- Step 6** To delete a zone from a zoneset, choose **Configure > SAN > IVR Zoning > Zonesets**, select a zoneset. All the zones in the fabric appear under **Zones**. From **Zones**, select a zone that does not belong to the selected zoneset and click **Delete Zone**. A confirmation window appears. Click **Yes** to delete the selected zones.
- Note** You cannot delete a zone that is a member of the selected zoneset. Remove the zone from the zoneset to delete it.
- Step 7** To rename a zone, choose **Configure > SAN > IVR Zoning > Zonesets**, select a zoneset. From **Zones**, select the zone to be renamed and click **Rename Zone**. In the **Name** field, enter the new name for the zone. Click **Rename**.
- Step 8** To enable a smart zone, choose **Configure > SAN > IVR Zoning > Zones**. Select a zoneset. From **Zones**, select a zone, and click **Enable Smart Zone**. Under the **Smart Zone** column, it displays **True**.
- Step 9** To disable a smart zone, choose **Configure > SAN > IVR Zoning > Zonesets**, select a zoneset. From **Zones**, select a zone, and click **Disable Smart Zone**. Under the **Smart Zone** column, it displays **False**.

## Zone Members

Based on the selected zoneset and zone, the **Zone Members** area displays the zone members and their status. The following table describes the fields and icons that appear on Cisco DCNM **Configure > SAN > IVR Zoning > Zone Members** area.

Field	Description
Create and Add Member to Zone	Creates a zone member and adds it to a zone.
Remove Member	Removes a zone member. You can remove more than one member at a time.
Zone	Displays the zone under which this member is present. You can search by zone name in this field.
Zoned By	Displays the type of zoning.



Field	Description
	You can search by type of zoning such as WWN, FCID, fcAlias, or iSCSI.
Name	Displays the name of the zone member. You can search by specifying the zone name.
Switch Interface	Specifies the switch interface that the zone member is attached to. You can search by specifying the switch interface.
VSAN	Specifies the VSAN the zone member is in.
FcId	Specifies the FcID associated with the zone member. You can search by specifying the FcID associated with the zone member.
WWN	Specifies the WWN of the switch. You can search by specifying the WWN of the switch.

To add or remove members from the zoneset from the Cisco DCNM Web UI, perform the following steps:

#### Before you begin

Select a zoneset and zones to view the list of zone members.

#### Procedure

**Step 1** To create and add zone members, choose **Configure > SAN > IVR Zoning > Zone Members**. Click **Create and Add Member to Zone**.

a) In the **Create and Add Member** window, enter the WWN name and VSAN for the zone member.

You can enter the WWN name with or without colons.

b) Click **Create and Add**.

The Create and Add feature allows you to add a member to a zone that does not exist in the fabric, currently. This feature can be also utilized when the device discovery did not discover all the devices. With the Available to add feature, you can add a discovered device to the zone.

**Step 2** To remove a zone member, choose **Configure > SAN > IVR Zoning > Zone Members**, select a zone member. Click **Remove Member**.

## Available to Add

You can add discovered devices to the zones using **Available to Add** option. The **Add Member** dialog has an additional field for VSAN to be entered, which is only visible when launched from the IVR Zoning page and not the regular Zoning page.

The following table describes the fields and icons that appear on Cisco DCNM **Configure > SAN > IVR Zoning > Available to Add**.

Field	Description
Add Member	Adds a device to a zone.
Zone By	The <b>Zone by</b> feature determines if the device must be added to the zone using the device WWN or device alias. If you choose <b>Zone By: End Ports</b> , the devices are added to the zones by WWN. If you choose <b>Zone By: Device Alias</b> , the devices are added to the zones by device alias.
Type	Displays the smart zoning device type. The applicable values are <b>Host</b> or <b>Storage</b> . You can search this field by choosing <b>Host</b> or <b>Storage</b> from the <b>Type</b> drop-down list.
Name	Displays the name of the zone. You can search by specifying the zone name.
Switch Interface	Specifies the switch interface that the zone member is attached to. You can search by specifying the switch interface.
VSAN	Specifies the VSAN the zone member is in.
FcId	Specifies the FcID associated with the zone member. You can search by specifying the FcID associated with the zone member.
WWN	Specifies the WWN of the switch. You can search by specifying the WWN of the switch.

### Procedure

- 
- Step 1** Choose **Configure > SAN > IVR Zoning > Available to Add**.
- Step 2** In the **Zone by** field, select **End Ports** or **Device Alias** radio button.  
A window appears showing the list of end ports or devices available to add.
- Step 3** Select the devices to be added to a zone.
- Step 4** Click **Add**.

- Note** Specify the device type for smart zoning if smart zone is enabled for that zone.
- You can select more than one zone. When this occurs, a dialog appears that shows a list of all the zones that are currently selected on the zone table.
- 

## Configuring FCIP

Cisco DCNM allows you to create FCIP links between Gigabit Ethernet ports, enables Fibre Channel write acceleration and IP compression.

To configure FCIP from the Cisco DCNM Web UI, perform the following steps:

### Procedure

---

- Step 1** Choose **Configure > SAN > FCIP**.
- The Welcome page displays the tasks to configure FCIP using the FCIP Wizard.
- Step 2** Click **Next** to select the switch pair.
- Note** FCIP is not supported on Cisco MDS 9000 24/10-Port SAN Extension Module.
- Step 3** Select two MDS switches to connect via FCIP for **Between Switch** and **Switch** from the drop-down list. Each switch must have an Ethernet port that is connected to an IP network to function correctly.
- Note** In the case of a federation setup, both switches must belong to the fabrics that are discovered or managed by the same server.
- Step 4** Click **Next** to select the Ethernet ports.
- Step 5** Select the Ethernet ports to be used in FCIP ISL between the selected switches.
- Down ports must be enabled to function correctly. Security can be enforced for unconfigured 14+2, 18+4, 9250i and SSN16 Ethernet ports.
- Step 6** Click **Next** to specify the IP addresses and add an IP route.
- Step 7** Enter the Ethernet ports IP addresses and specify the IP Routes if the port addresses are in a different subnet.
- Note** Click **Next** to apply the changes to IP Address and IP Route.
- Step 8** Click **Next** to specify Tunnel properties.
- Step 9** Specify the following parameters to tunnel the TCP connections.
- Enter the parameters.
- **Max Bandwidth:** Enter the number between 1 to 5000. The unit is **Mb**.
  - **Min Bandwidth:** Enter the minimum bandwidth value. The unit is **Mb**.
  - **Estimated RTT(RoundTrip Time)**—Enter the number between 0 to 300000. The unit is **us**. Click **Measure** to measure the roundtrip time.

- **Write Acceleration:** Check the check box to enable the write acceleration.

**Note** If Write Acceleration is enabled, ensure that flows will not load balance across multiple ISLs.

- **Enable Optimum Compression:** Check the check box to enable the optimum compression.
- **Enable XRC Emulator:** Check the check box to enable XRC emulator.
- **Connections:** Enter the number of connections from 0 to 100.

**Step 10** Click **Next** to create FCIP ISL.

**Step 11** Enter the **Profile ID** and **Tunnel ID** for the switch pair, and select the **FICON Port Address** from the drop-down list.

**Step 12** Click **View Configured** to display the **Profiles** and **Tunnels** information.

**Step 13** Select the **Trunk Mode** from **non-Trunk**, **trunk**, and **auto**. Specify the **Port VSAN** for **non-Trunk** and **auto**, and allowed **VSAN List** for Trunk tunnel.

**Step 14** Click **Next** to the last summary page.

The **Summary** view displays what you have selected in the previous steps.

**Step 15** Click **Deploy** to configure FCIP or click **Finish** complete the configuration and deploy later.

## Port Channels

Port Channels refer to the aggregation of multiple physical interfaces into one logical interface to provide higher aggregated bandwidth, load balancing, and link redundancy. Port Channels can connect to interfaces across switching modules, so a failure of a switching module cannot bring down the Port Channel link.

Beginning with Cisco Data Center Network Manager 11.0(1), you can configure and edit Port Channels. Navigate to **Configure > SAN > Port Channel** to create or edit Port Channels.

Click **Create New Port Channel** to launch the wizard to create new Port Channel.

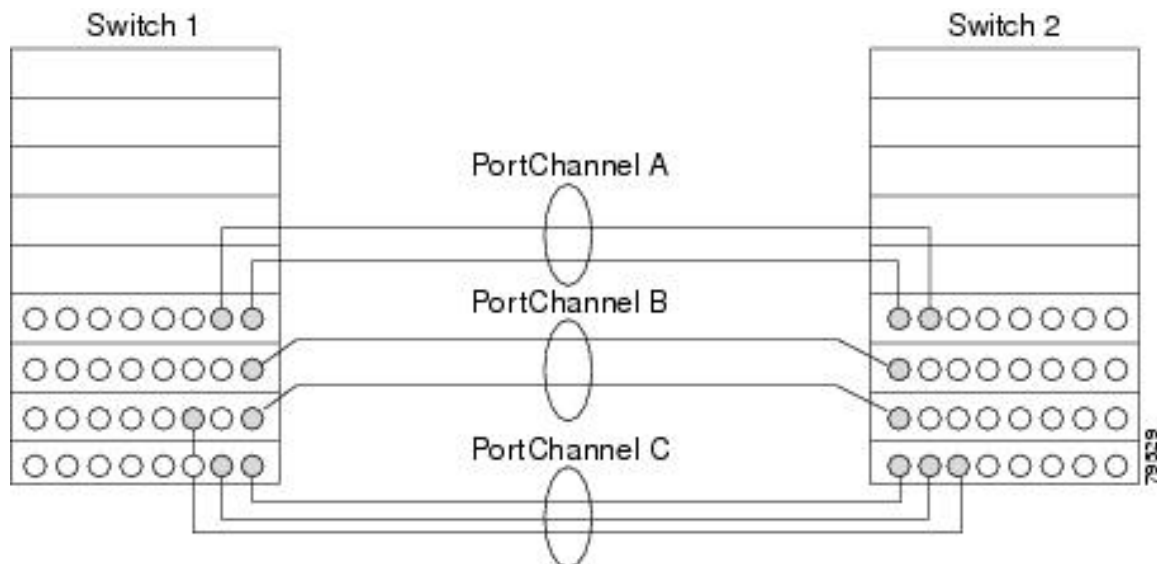
Click **Edit Existing Port Channel** to launch the wizard to edit an existing Port Channel.

## Information About Configuring Port Channels

### Port Channels Overview

Port Channels refer to the aggregation of multiple physical interfaces into one logical interface to provide higher aggregated bandwidth, load balancing, and link redundancy (See below figure). Port Channels can connect to interfaces across switching modules, so a failure of a switching module cannot bring down the Port Channel link.

Figure 4: Port Channel Flexibility



Port Channels on Cisco MDS 9000 Family switches allow flexibility in configuration. This illustrates three possible Port Channel configurations:

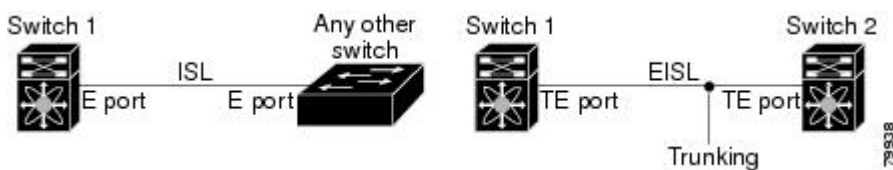
- Port Channel A aggregates two links on two interfaces on the same switching module at each end of a connection.
- Port Channel B also aggregates two links, but each link is connected to a different switching module. If the switching module goes down, traffic is not affected.
- Port Channel C aggregates three links. Two links are on the same switching module at each end, while one is connected to a different switching module on switch 2.

### Port Channeling and Trunking

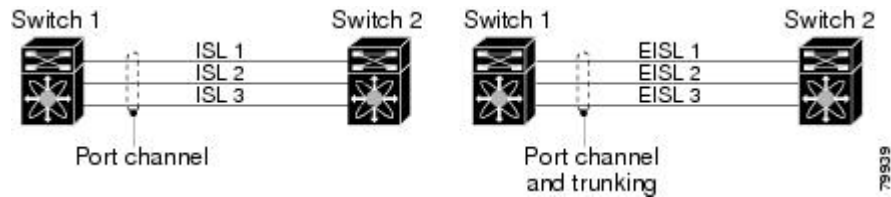
Trunking is a commonly used storage industry term. However, the Cisco NX-OS software and switches in the Cisco MDS 9000 Family implement trunking and Port Channeling as follows:

- Port Channeling enables several physical links to be combined into one aggregated logical link.
- Trunking enables a link transmitting frames in the EISL format to carry (trunk) multiple VSAN traffic. For example, when trunking is operational on an E port, that E port becomes a TE port. A TE port is specific to switches in the Cisco MDS 9000 Family. An industry standard E port can link to other vendor switches and is referred to as a nontrunking interface (See [Figure 5: Trunking Only, on page 109](#) and [Figure 6: Port Channeling and Trunking, on page 110](#)).

Figure 5: Trunking Only



**Figure 6: Port Channeling and Trunking**



Port Channeling and trunking are used separately across an ISL.

- Port Channeling—Interfaces can be channeled between the following sets of ports:
  - E ports and TE ports
  - F ports and NP ports
  - TF ports and TNP ports
- Trunking—Trunking permits carrying traffic on multiple VSANs between switches.
- Both Port Channeling and trunking can be used between TE ports over EISLs.

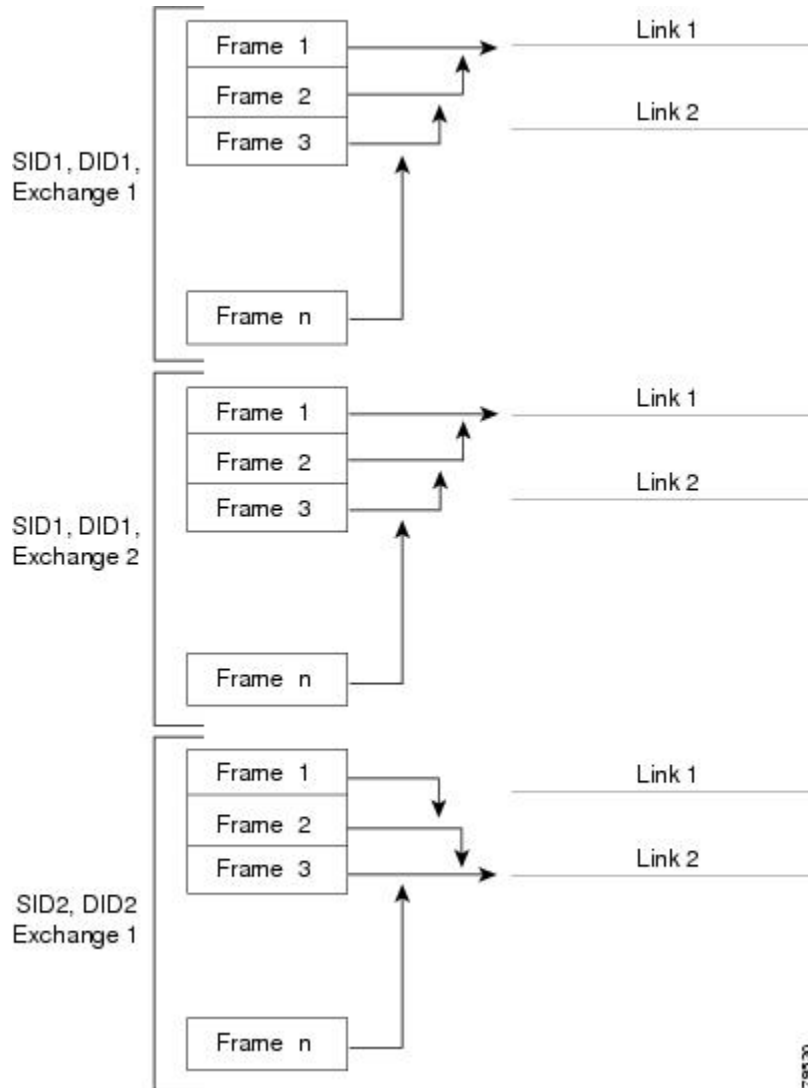
## Load Balancing

Two methods support the load-balancing functionality:

- Flow-based—All frames between a source and destination follow the same links for a given flow. That is, whichever link is selected for the first exchange of the flow is used for all subsequent exchanges.
- Exchange-based—The first frame in an exchange picks a link and subsequent frames in the exchange follow the same link. However, subsequent exchanges can use a different link. This provides more granular load balancing while preserving the order of frames for each exchange.

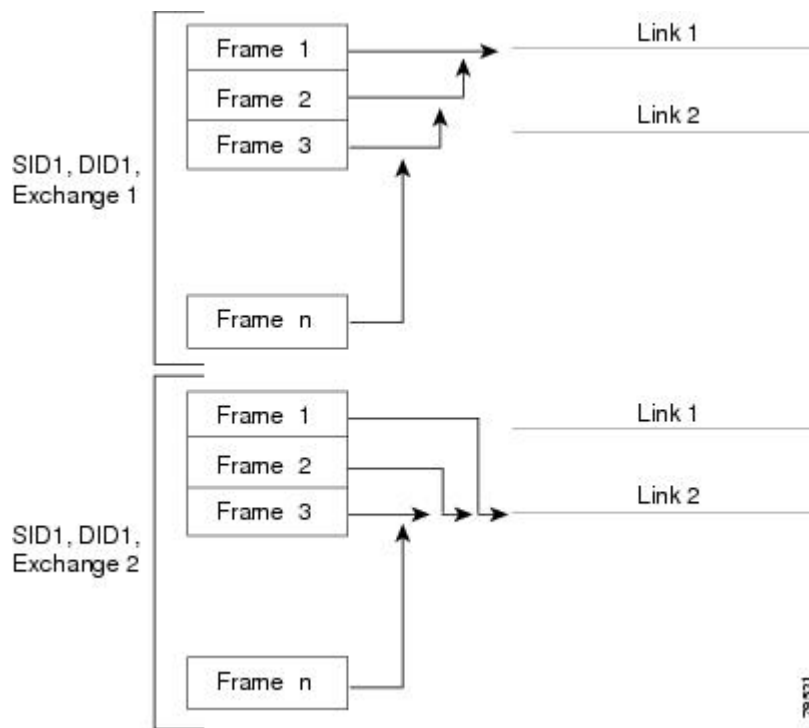
The following figure illustrates how a source ID 1 (SID1) and destination ID1 (DID1)-based load balancing works. When the first frame in a flow is received on an interface for forwarding, link 1 is selected. Each subsequent frame in that flow is sent over the same link. No frame in SID1 and DID1 utilizes link 2.

Figure 7: SID1 and DID1-Based Load Balancing



The following figure illustrates how exchange-based load balancing works. When the first frame in an exchange is received for forwarding on an interface, link 1 is chosen by a hash algorithm. All remaining frames in that particular exchange are sent on the same link. For exchange 1, no frame uses link 2. For the next exchange, link 2 is chosen by the hash algorithm. Now all frames in exchange 2 use link 2.

Figure 8: SID1, DID1, and Exchange-Based Load Balancing



## Port Channel Modes

You can configure each Port Channel with a channel group mode parameter to determine the Port Channel protocol behavior for all member ports in this channel group. The possible values for a channel group mode are as follows:

- **ON (default)**—The member ports only operate as part of a Port Channel or remain inactive. In this mode, the Port Channel protocol is not initiated. However, if a Port Channel protocol frame is received from a peer port, the software indicates its nonnegotiable status. This mode is backward compatible with the existing implementation of Port Channels in releases prior to Release 2.0(1b), where the channel group mode is implicitly assumed to be ON. In Cisco MDS SAN-OS Releases 1.3 and earlier, the only available Port Channel mode was the ON mode. Port Channels that are configured in the ON mode require you to explicitly enable and disable the Port Channel member ports at either end if you add or remove ports from the Port Channel configuration. You must physically verify that the local and remote ports are connected to each other.
- **ACTIVE**—The member ports initiate Port Channel protocol negotiation with the peer ports regardless of the channel group mode of the peer port. If the peer port, while configured in a channel group, does not support the Port Channel protocol, or responds with a nonnegotiable status, it defaults to the ON mode behavior. The ACTIVE Port Channel mode allows automatic recovery without explicitly enabling and disabling the Port Channel member ports at either end.

The following table compares ON and ACTIVE modes.



Table 16: Channel Group Configuration Differences

ON Mode	ACTIVE Mode
No protocol is exchanged.	A Port Channel protocol negotiation is performed with the peer ports.
Moves interfaces to the suspended state if its operational values are incompatible with the Port Channel.	Moves interfaces to the isolated state if its operational values are incompatible with the Port Channel.
When you add or modify a Port Channel member port configuration, you must explicitly disable (shut) and enable (no shut) the Port Channel member ports at either end.	When you add or modify a Port Channel interface, the Port Channel automatically recovers.
Port initialization is not synchronized.	There is synchronized startup of all ports in a channel across peer switches.
All misconfigurations are not detected as no protocol is exchanged.	Consistently detect misconfigurations using a Port Channel protocol.
Transitions misconfigured ports to the suspended state. You must explicitly disable (shut) and enable (no shut) the member ports at either end.	Transitions misconfigured ports to the isolated state to correct the misconfiguration. Once you correct the misconfiguration, the protocol ensures automatic recovery.

## Port Channel Deletion

When you delete the Port Channel, the corresponding channel membership is also deleted. All interfaces in the deleted Port Channel convert to individual physical links. After the Port Channel is removed, regardless of the mode used (ACTIVE and ON), the ports at either end are gracefully brought down, indicating that no frames are lost when the interface is going down.

If you delete the Port Channel for one port, then the individual ports within the deleted Port Channel retain the compatibility parameter settings (speed, mode, port VSAN, allowed VSAN, and port security). You can explicitly change those settings as required.

- If you use the default ON mode to avoid inconsistent states across switches and to maintain consistency across switches, then the ports shut down. You must explicitly enable those ports again.
- If you use the ACTIVE mode, then the Port Channel ports automatically recover from the deletion.

## Interfaces in a Port Channel

You can add or remove a physical interface (or a range of interfaces) to an existing Port Channel. The compatible parameters on the configuration are mapped to the Port Channel. Adding an interface to a Port Channel increases the channel size and bandwidth of the Port Channel. Removing an interface from a Port Channel decreases the channel size and bandwidth of the Port Channel.

This section describes interface configuration for a Port Channel and includes the following topics:

### Interface Addition to a Port Channel

You can add a physical interface (or a range of interfaces) to an existing Port Channel. The compatible parameters on the configuration are mapped to the Port Channel. Adding an interface to a Port Channel increases the channel size and bandwidth of the Port Channel.

A port can be configured as a member of a static Port Channel only if the following configurations are the same in the port and the Port Channel:

- Speed
- Mode
- Rate mode
- Port VSAN
- Trunking mode
- Allowed VSAN list or VF-ID list

After the members are added, regardless of the mode (ACTIVE and ON) used, the ports at either end are gracefully brought down, indicating that no frames are lost when the interface is going down (see the “Generation 1 Port Channel Limitations” section on page -12).

### Compatibility Check

A compatibility check ensures that the same parameter settings are used in all physical ports in the channel. Otherwise, they cannot become part of a Port Channel. The compatibility check is performed before a port is added to the Port Channel.

The check ensures that the following parameters and settings match at both ends of a Port Channel:

- Capability parameters (type of interface, Gigabit Ethernet at both ends, or Fibre Channel at both ends).
- Administrative compatibility parameters (speed, mode, rate mode, port VSAN, allowed VSAN list, and port security).




---

**Note** Ports in shared rate mode cannot form a Port Channel or a trunking Port Channel.

---

- Operational parameters (remote switch WWN and trunking mode).

A port addition procedure fails if the capability and administrative parameters in the remote switch are incompatible with the capability and administrative parameters in the local switch. If the compatibility check is successful, the interfaces are operational and the corresponding compatibility parameter settings apply to these interfaces.

### Suspended and Isolated States

If the operational parameters are incompatible, the compatibility check fails and the interface is placed in a suspended or isolated state based on the configured mode:

- An interface enters the suspended state if the interface is configured in the ON mode.
- An interface enters the isolated state if the interface is configured in the ACTIVE mode.

### Forcing an Interface Addition

You can force the port configuration to be overwritten by the Port Channel. In this case, the interface is added to a Port Channel.

- If you use the default ON mode to avoid inconsistent states across switches and to maintain consistency across switches, then the ports shut down. You have to explicitly enable those ports again.
- If you use the ACTIVE mode, then the Port Channel ports automatically recover from the addition.



---

**Note** When Port Channels are created from within an interface, the force option cannot be used.

---

After the members are forcefully added, regardless of the mode (ACTIVE and ON) used, the ports at either end are gracefully brought down, indicating that no frames are lost when the interface is going down.

### Interface Deletion from a Port Channel

When a physical interface is deleted from the Port Channel, the channel membership is automatically updated. If the deleted interface is the last operational interface, then the Port Channel status is changed to a down state. Deleting an interface from a Port Channel decreases the channel size and bandwidth of the Port Channel.

- If you use the default ON mode to avoid inconsistent states across switches and to maintain consistency across switches, then the ports shut down. You must explicitly enable those ports again.
- If you use the ACTIVE mode, then the Port Channel ports automatically recover from the deletion.

After the members are deleted, regardless of the mode (ACTIVE and ON) used, the ports at either end are gracefully brought down, indicating that no frames are lost when the interface is going down.

## Port Channel Protocols

In earlier Cisco SAN-OS releases, Port Channels required additional administrative tasks to support synchronization. The Cisco NX-OS software provides robust error detection and synchronization capabilities. You can manually configure channel groups or they can be automatically created. In both cases, the channel groups have the same capability and configurable parameters. Any change in configuration that is applied to the associated Port Channel interface is propagated to all members of the channel group.

A protocol to exchange Port Channel configurations is available in all Cisco MDS switches. This addition simplifies Port Channel management with incompatible ISLs. An additional autocreation mode enables ISLs with compatible parameters to automatically form channel groups without manual intervention.

The Port Channel protocol is enabled by default.

The Port Channel protocol expands the Port Channel functional model in Cisco MDS switches. It uses the exchange peer parameters (EPP) services to communicate across peer ports in an ISL. Each switch uses the information that is received from the peer ports along with its local configuration and operational values to decide if it should be part of a Port Channel. The protocol ensures that a set of ports is eligible to be part of the same Port Channel. They are only eligible to be part of the same Port Channel if all the ports have a compatible partner.

The Port Channel protocol uses two subprotocols:

- Bringup protocol—Automatically detects misconfigurations so you can correct them. This protocol synchronizes the Port Channel at both ends so that all frames for a given flow (as identified by the source FC ID, destination FC ID and OX\_ID) are carried over the same physical link in both directions. This helps make applications such as write acceleration, work for Port Channels over FCIP links.
- Autocreation protocol—Automatically aggregates compatible ports into a Port Channel.

This section describes how to configure the Port Channel protocol and includes the following sections:

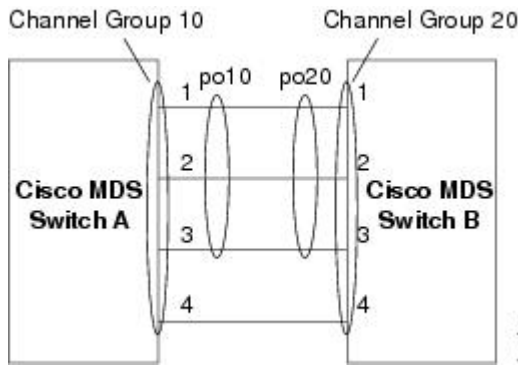
**Channel Group Creation**



**Note** Channel groups are not supported on internal ports in the Cisco Fabric Switch for HP c-Class BladeSystem and the Cisco Fabric Switch for IBM BladeSystem.

Assuming link A1-B1 comes up first (see Figure 1-9), that link is operational as an individual link. When the next link comes up, for example, A2-B2, the Port Channel protocol identifies if this link is compatible with link A1-B1 and automatically creates channel groups 10 and 20 in the respective switches. If link A3-B3 can join the channel groups (the Port Channels), the respective ports have compatible configurations. If link A4-B4 operates as an individual link, it is because of the incompatible configuration of the two end ports with the other member ports in this channel group.

**Figure 9: Autocreating Channel Groups**



The channel group numbers are selected dynamically, and as such, the administrative configuration of the ports forming the channel group at either end are applicable to the newly created channel group. The channel group number being chosen dynamically may be different across reboots for the same set of Port Channels based on the order of ports that are initialized in the switch.

Table 1-10 identifies the differences between user-configured and auto-configured channel groups.

User-Configured Channel Group	Autocreating Channel Group
Manually configured by the user.	Created automatically when compatible links come up between two compatible switches, if channel group autocreation is enabled in all ports at both ends.
Member ports cannot participate in autocreation of channel groups. The autocreation feature cannot be configured.	None of these ports are members of a user-configured channel group.
You can form the Port Channel with a subset of the ports in the channel group. Incompatible ports remain in a suspended or isolated state depending on the ON or ACTIVE mode configuration.	All ports included in the channel group participate in the Port Channel—no member port becomes isolated or suspended; instead, the member port is removed from the channel group when the link is found to be incompatible.

Any administrative configuration that is made to the Port Channel is applied to all ports in the channel group, and you can save the configuration for the Port Channel interface.	Any administrative configuration that is made to the Port Channel is applied to all ports in the channel group, but the configurations are saved for the member ports; no configuration is saved for the Port Channel interface. You can explicitly convert this channel group, if required.
You can remove any channel group and add members to a channel group.	You cannot remove a channel group, or add/remove any of its members. The channel group is removed when no member ports exist.

### Autocreation

The autocreation protocol has the following functionality:

- A port is not allowed to be configured as part of a Port Channel when the autocreation feature is enabled. These two configurations are mutually exclusive.
- Autocreation must be enabled in both the local and peer ports to negotiate a Port Channel.
- Aggregation occurs in one of two ways:
  - A port is aggregated into a compatible autocreated Port Channel.
  - A port is aggregated with another compatible port to form a new Port Channel.
- Newly created Port Channels are allocated from the maximum Port Channel (128 for Generation 1 or a combination of Generation 1 and Generation 2 switches, or 256 for Generation 2 switches) in a decreasing order based on availability. If all 128 (or 256) numbers are used up, aggregation is not allowed.
- You cannot change the membership or delete an autocreated Port Channel.
- When you disable autocreation, all member ports are removed from the autocreated Port Channel.
- Once the last member is removed from an autocreated Port Channel, the channel is automatically deleted and the number is released for reuse.
- An autocreated Port Channel is not persistent through a reboot. An autocreated Port Channel can be manually configured to appear the same as a persistent Port Channel. Once the Port Channel is made persistent, the autocreation feature is disabled in all member ports.
- You can enable or disable the autocreation feature on a per-port basis or for all ports in the switch. When this configuration is enabled, the channel group mode is assumed to be active. The default for this task is disabled.
- If autocreation of channel groups is enabled for an interface, you must first disable autocreation before downgrading to earlier software versions or before configuring the interface in a manually configured channel group.



#### Note

When enabling autocreation in any switch in the Cisco MDS 9000 Family, we recommend that you retain at least one interconnected port between the switches without any autocreation configuration. If all ports between two switches are configured with the autocreation feature at the same time, you may face a possible traffic disruption between these two switches as the ports are automatically disabled and reenabled when ports are added to an autocreated Port Channel.

### Manually Configured Channel Groups

A user-configured channel group cannot be converted to an autogenerated channel group. However, you can convert an autogenerated channel group to a manual channel group. Once performed, this task is irreversible. The channel group number does not change, but the member ports operate according to the properties of the manually configured channel group, and the autcreation of channel group is implicitly disabled for all member ports.



---

**Tip** If you enable persistence, be sure to enable it at both ends of the Port Channel.

---

## Prerequisites for Configuring Port Channels

Before configuring a Port Channel, consider the following guidelines:

- Configure the Port Channel across switching modules to implement redundancy on switching module reboots or upgrades.
- Ensure that one Port Channel is not connected to different sets of switches. Port Channels require point-to-point connections between the same set of switches.

On switches with Generation 1 switching modules, or a combination of Generation 1 and Generation 2 switching modules, you can configure a maximum of 128 Port Channels. On switches with only Generation 2 switching modules, or Generation 2 and Generation 3 switching modules, you can configure a maximum of 256 Port Channels.

If you misconfigure Port Channels, you may receive a misconfiguration message. If you receive this message, the Port Channel's physical links are disabled because an error has been detected.

A Port Channel error is detected if the following requirements are not met:

- Each switch on either side of a Port Channel must be connected to the same number of interfaces.
- Each interface must be connected to a corresponding interface on the other side (see Figure 1-11 for an example of an invalid configuration).
- Links in a Port Channel cannot be changed after the Port Channel is configured. If you change the links after the Port Channel is configured, be sure to reconnect the links to interfaces within the Port Channel and reenble the links.

If all three conditions are not met, the faulty link is disabled.

Enter the show interface command for that interface to verify that the Port Channel is functioning as required.

## Guidelines and Limitations for Configuring Port Channels

This section includes the guidelines and limitations for this feature:

### General Guidelines for Cisco MDS 9000 Series Switches

Cisco MDS 9000 Family switches support the following number of Port Channels per switch:

- Switches with only Generation 1 switching modules do not support F and TF Port Channels.

- Switches with Generation 1 switching modules, or a combination of Generation 1 and Generation 2 switching modules, support a maximum of 128 Port Channels. Only Generation 2 ports can be included in the Port Channels.
- Switches with only Generation 2 switching modules or Generation 2 and Generation 3 modules support a maximum of 256 Port Channels with 16 interfaces per Port Channel.
- A Port Channel number refers to the unique identifier for each channel group. This number ranges from of 1 to 256.

### Generation 1 Port Channel Limitations

This section includes the restrictions on creation and addition of Port Channel members to a Port Channel on Generation 1 hardware:

- The 32-port 2-Gbps or 1-Gbps switching module.
- The MDS 9140 and 9120 switches.

When configuring the host-optimized ports on Generation 1 hardware, the following Port Channel guidelines apply:

- If you execute the write erase command on a 32-port switching module, and then copy a saved configuration to the switch from a text file that contains the no system default switchport shutdown command, you have to copy the text file to the switch again for the E ports to come up without manual configuration.
- Any (or all) full line rate ports in the Cisco MDS 9100 Series can be included in a Port Channel.
- The host-optimized ports in the Cisco MDS 9100 Series are subject to the same Port Channel rules as 32-port switching modules; only the first port of each group of four ports is included in a Port Channel.
  - You can configure only the first port in each 4-port group as an E port (for example, the first port in ports 1–4, the fifth port in ports 5–8, and so on). If the first port in the group is configured as a Port Channel, the other three ports in each group (ports 2–4, 6–8, and so on) are not usable and remain in the shutdown state.
  - If any of the other three ports are configured in a no shutdown state, you cannot configure the first port to be a Port Channel. The other three ports continue to remain in a no shutdown state.

### F and TF Port Channel Limitations

The following guidelines and restrictions are applicable for F and TF Port Channels:

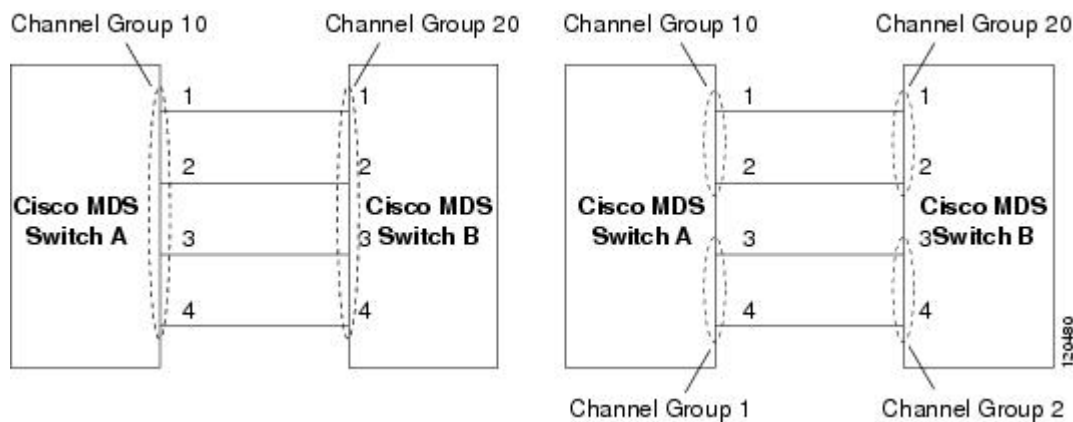
- The ports must be in F mode.
- Automatic creation is not supported.
- The Port Channel interface must be in ACTIVE mode when multiple FCIP interfaces are grouped with WA.
- ON mode is not supported. Only ACTIVE-ACTIVE mode is supported. By default, the mode is ACTIVE on the NPV switches.
- Devices that are logged in through F Port Channel on an MDS switch are not supported in IVR non-NAT configuration. The devices are supported only in IVR NAT configuration.

- Port security rules are enforced only on physical pWWNs at the single link level.
- FC-SP authenticates only the first physical FLOGI of every Port Channel member.
- Since the FLOGI payload carries only the VF bits to trigger the use of a protocol after the FLOGI exchange, those bits will be overridden. In the case of the NPV switches, the core has a Cisco WWN and tries to initiate the PCP protocol.
- The name server registration of the N ports logging in through an F Port Channel uses the fWWN of the Port Channel interface.
- DPVM configuration is not supported.
- The Port Channel port VSAN cannot be configured using DPVM.
- The Dynamic Port VSAN Management (DPVM) database is queried only for the first physical FLOGI of each member, so that the port VSAN can be configured automatically.
- DPVM does not bind FC\_IDs to VSANs, but pWWNs to VSANs. It is queried only for the physical FLOGI.

### Valid and Invalid Port Channel Examples

Port Channels are created with default values. You can change the default configuration just like any other physical interface. The following figure provides examples of valid Port Channel configurations.

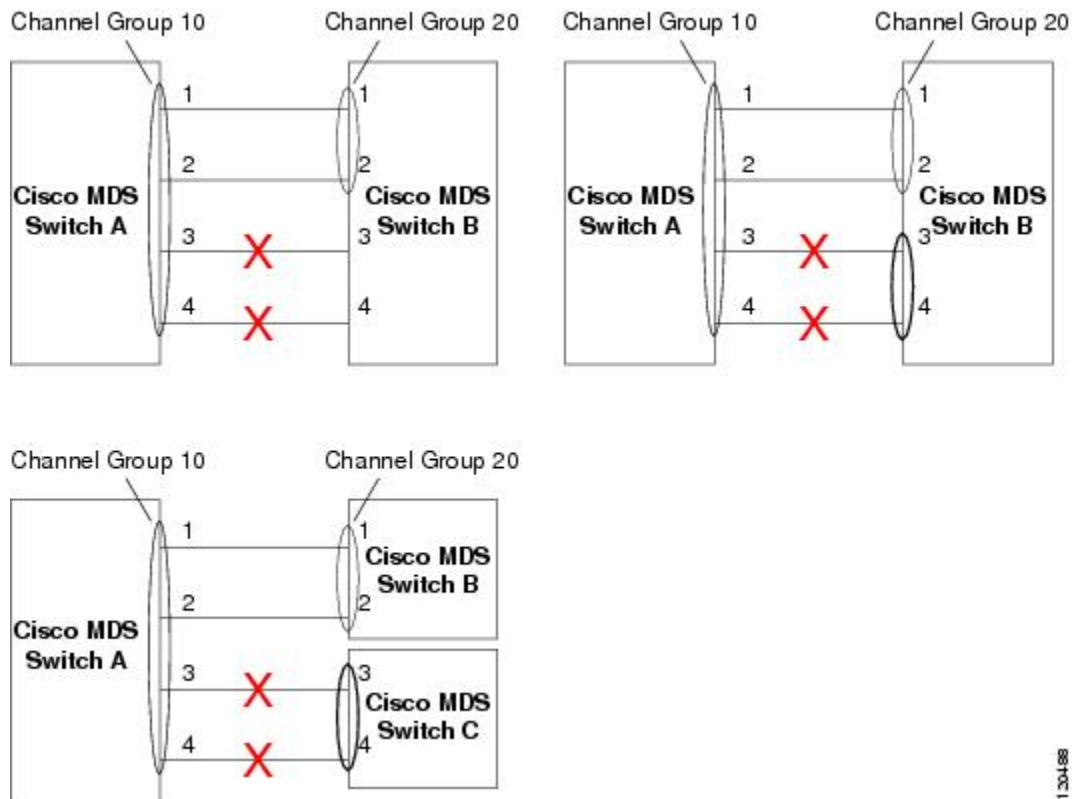
**Figure 10: Valid Port Channel Configurations**



The following figure provides examples of invalid configurations. Assuming that the links are brought up in the 1, 2, 3, 4 sequence, links 3 and 4 will be operationally down as the fabric is misconfigured.



Figure 11: Misconfigured Configurations



130488

## Default Settings

The following table lists the default settings for Port Channels.

Table 17: Default Port Channel Parameters

Parameters	Default
Port Channels	FSPF is enabled by default.
Create Port Channel	Administratively up.
Default Port Channel mode	ON mode on non-NPV and NPIV core switches. ACTIVE mode on NPV switches.
Autocreation	Disabled.

## Create Port Channel Wizard

To create a Port Channel using the Create New Port Channel Wizard on the DCNM Web UI, perform the following steps:

## Procedure

---

- Step 1** Choose **Configure > SAN > Port Channel**.
- Click **Create New Port Channel** to launch the Create Port Channel Wizard.
- Step 2** In the Select Switch Pair screen, perform the following steps:
- Select the appropriate fabric from the Fabric drop-down.  
The list contains switch pairs in the fabric that have an ISL between them, that is not already in a port channel.
  - Select a switch pair to be linked by an FC Port Channel.  
If there are NPV links between NPIV-core and NPV switches, you must enable F Port Trunking and Channeling Protocol using the **feature fport-channel-trunk** command on the NPIV switch in order to see the switch-pair and the number of NPV links.
  - Click **Next**.
- Step 3** In the Select ISLs screen, select one or more ISLs or Links to create a new Channel between the switch pair.
- From the list of ISLs in the Available area, select and click right arrow to move the ISL to the Selected area.
  - Click **Next**.
- Step 4** In the Create Port Channel screen, define, or edit the channel attributes.
- Channel ID field is populated with the next unused channel ID. Change the channel ID or description for each switch, if necessary.  
The range of the channel ID is from 1 to 256.
  - FICON Port Address is only enabled if the switches are FICON enabled. From the drop-down list, select the appropriate FICON port address on the switch. Select the port address that you want to assign to the Port Channel port.
  - In the Channel Attributes area, to configure the speed, click the appropriate radio button.
  - Select the appropriate Trunk Mode radio button to enable trunking on the links in the Port Channel.
    - Select **trunk** if your link is between TE ports.
    - Select **nonTrunk** if your link is between E ports.
    - Select **auto** if you are not sure.
  - In the Port VSAN field, enter the interface ID for port VSAN which must be used when trunking is not enabled.  
Every interface must have a port VSAN even if trunking is enabled. If trunking is enabled, this port VSAN is not used. However, the switch must configure the port, so that the network knows what VSAN to use by default, if trunking is disabled.
  - VSAN list field provides a list of VSANs you want to allow the port channel to use for trunking.  
This field is disabled if the Trunk Mode is set to **nonTrunk** or **auto**.
  - In the Core Switch Bandwidth field, select dedicated or shared radio button to allocate the switch bandwidth.  
This bandwidth is applicable only for port channels between an NPIV and NPV switch.

- h) Check the **Force Admin, Trunk, Speed, and VSAN attributes to be identical** checkbox to ensure that the same parameter settings are used in all physical ports in the channel. If these settings are not identical, the ports cannot become part of the Port Channel.

- Step 5** Click **Previous** to return to the previous screen and edit the settings. Click **Finish** to configure the Port Channel. A success message appears.
- Step 6** Click **Close** to close the Create Port Channel Wizard.
- 

## Edit Existing Port Channel

To edit a Port Channel using the Edit Port Channel Wizard on the DCNM Web UI, follow these steps:

### Procedure

---

- Step 1** From the Cisco DCNM Web UI, navigate to **Configure > SAN > Port Channel**. Click on **Edit Existing Port Channel** to launch the Edit Port Channel Wizard.
- Step 2** In the Select Switch Pair screen, do the following:
- a) Select the appropriate fabric from the Fabric drop-down list.  
The switch pairs that have port channels between them are listed in the area below.
  - b) Select a switch pair to edit the port channel.
  - c) Click **Next**.
- Step 3** In the Select Port Channel screen, select a Port Channel to edit. Click **Next**.
- Step 4** In the Edit Port Channel screen, select the desired ISL.
- a) Click the right and left arrow to select the available ISLs.  
**Note** The selected ISLs are contained in the Port Channel after you save the changes. If the Selected ISLs list is empty, the Delete Port Channel is Empty checkbox is enabled.
  - b) If you do not choose any ISL, check the **Delete Port Channel if Empty** checkbox to delete the port channel.
  - c) Check the **Force admin, trunk, speed, VSAN attributes to be identical** checkbox to choose identical values for admin, trunk, speed and VSAN attributes.
  - d) Click **Next**.
- Step 5** Click **Finish** to apply the changes.  
Click **Previous** to go back to the previous screen and edit the values.  
Click **Cancel** to abort the changes.
-

## Device Alias

A device alias is a user-friendly name for a port WWN. Device alias name can be specified when configuring features such as zoning, QoS, and port security. The device alias application uses the Cisco Fabric Services (CFS) infrastructure to enable efficient database management and fabric-wide distribution.

This section contains context-sensitive online help content under **Configure > SAN > Device Alias**.

The following table describes the fields that appear under **Configure > SAN > Device Alias**.

Field	Description
Seed Switch	Displays the device alias seed switch name.
Device Alias	Displays the alias retrieved from the seed switch.
pWWN	Displays the port WWN.

This section contains the following:

## Configuration

Select the Fabric from the Fabric drop-down list. The list of device aliases existing on the fabric will be retrieved and displayed.

Before performing any Device Alias configuration, check the status on the **CFS** tab, to ensure that the status is "success".



**Note** To perform Device Alias configuration from the Cisco DCNM Web client, the fabric must be configured as Device Alias enhanced mode.

### Procedure

**Step 1** To delete the device alias, Cisco DCNM Web Client > **Configure > SAN > Device Alias > Configuration** tab, check the device alias you need to delete.

a) Click **Delete**.

A confirmation message appears.

**Note** Deleting the device alias may cause traffic interruption.

b) Click **Yes** to delete the topic alias.

**Step 2** To create the device alias, from Cisco DCNM Web Client > **Configure > SAN > Device Alias > Configuration** tab, click **Create**.

The Add Device Alias windows appears.

All the provisioned port WWNs are populated in the table.

a) Enter a device alias name in the **Device Alias** field to indicate to create a device alias for the selected pWWN.

- b) Click **Save** to exit the inline editor mode.
- c) Click **Apply** to assign the device alias to the switches.

You can also create a device alias with a non-provisioned port WWN.

- a) Click **New Alias** to create a new table row in inline editor mode.
- b) In the **pWWN** field, enter the non-provisioned port WWN for the new alias.
- c) Click **Save** to exit the inline editor mode.
- d) Click **Apply** to assign the device alias and the associated pWWN to the switches.

**Note** If you close the Add Device Alias window before applying the device alias to the switches, the changes will be discarded and the device alias will not be created.

**Step 3** For end devices with an attached service profile, the service profile name is populated to the **Device Alias** field. This allows the service profile name as device alias name for those devices.

---

Device Alias creation is CFS auto-committed after clicking Apply. Click **CFS** tab to check if CFS is properly performed after the device alias was created. In case of failure, you must troubleshoot and fix the problem.

## CFS

Select the Fabric from the Fabric drop-down list. The list of device aliases existing on the fabric is retrieved and displayed.

CFS information is listed for all the eligible switches in the fabric. Before performing any Device Alias configuration, check the status on the **CFS** tab to ensure that the status is "success". If the CFS is locked by another user, or if the previous operation failed, ensure that the CFS session is unlocked.

To view CFS information from the Cisco DCNM Web UI, perform the following steps:

### Procedure

---

**Step 1** Choose **Configure > SAN > Device Alias > CFS**.

**Step 2** To commit the CFS configuration, select the **Switch** radio button.  
Click **Commit**.

The CFS configuration for this switch is committed.

**Step 3** To abort the CFS configuration, select the **Switch** radio button.  
Click **Abort**.

The CFS configuration for this switch is aborted.

**Step 4** To clear the lock on the CFS configuration of the switch, select the **Switch** radio button.  
Click **Clear Lock**.

If the CFS is locked by another user, or if the previous operation failed, ensure that the CFS session is unlocked.

---

## Port Monitoring

This feature allows you to save custom Port Monitoring policies in the Cisco DCNM database. It allows you to push the selected custom policy to one or more fabrics or Cisco MDS 9000 Series Switches. The policy is designated as active Port-Monitor policy in the switch.

This feature is supported only on the Cisco MDS 9000 SAN Switches and therefore the Cisco DCNM user is allowed to select the MDS switch to push the policy.

Cisco DCNM provides five templates to customize the policy. The user-defined policies are saved in the Cisco DCNM database. You can select any template or customized policy to push to the selected fabric or switch with the desired port type.



**Note** You can edit only user-defined policies.

The following table describes the fields that appear on Cisco DCNM **Configure > SAN > Port Monitoring**.

Field	Description
Templates	<p>This drop-down list shows the following templates for policies:</p> <ul style="list-style-type: none"> <li>• Normal_accessPort</li> <li>• Normal_allPort</li> <li>• Normal_trunksPort</li> <li>• Aggressive_accessPort</li> <li>• Aggressive_allPort</li> <li>• Aggressive_trunksPort</li> <li>• Most-Aggressive_accessPort</li> <li>• Most-Aggressive_allPort</li> <li>• Most-Aggressive_trunksPort</li> <li>• default</li> <li>• slowdrain</li> </ul>
Save	Allows you to save your changes for the user-defined policies.
Save As	<p>Allows you to save an existing policy as a new policy with a different name.</p> <p>This creates another item in the templates as Custom Policy. The customized policy is saved under this category.</p> <p>If you click <b>Save As</b> while the policy is edited, the customized policy is saved.</p>

Field	Description
	<p><b>Note</b> The port type of the customized policy will not be saved when Save As is selected.</p>
Delete	Allows you to delete any user-defined policies.
Push to switches	<p>Allows you to select a fabric or switch and push the selected policies with a desired port type.</p> <p>The available port types are:</p> <ul style="list-style-type: none"> <li>• trunks/Core</li> <li>• access-port/Edge</li> <li>• all</li> </ul> <p><b>Note</b> If you choose trunks or all, the port guard is disabled.</p> <p>The following policies select the trunks/Core policy type:</p> <ul style="list-style-type: none"> <li>• Normal_trunksPort</li> <li>• Aggressive_trunksPort</li> <li>• Most-Aggressive_trunksPort</li> </ul> <p>The following policies select the access-port/Edge policy type:</p> <ul style="list-style-type: none"> <li>• Normal_accessPort</li> <li>• Aggressive_accessPort</li> <li>• Most-Aggressive_accessPort</li> <li>• slowdrain</li> </ul> <p>The following policies select the all policy type:</p> <ul style="list-style-type: none"> <li>• Normal_allPort</li> <li>• Aggressive_allPort</li> <li>• Most-Aggressive_allPort</li> <li>• default</li> </ul> <p>Select the parameters and click <b>Push</b> to push the policies to the switches in the fabric.</p> <p>If there is any active policy with the same or common port type, the push command configures the same policy on the selected devices. This policy replaces</p>

Field	Description
	the existing active policy with the same or common port type.  If you click <b>Push to Switches</b> while the policy is edited, the customized policy will not be saved.
Counter Description	Specifies the counter type.  Move the pointer to the "i" icon next to the counter description to view detailed information.
Rising Threshold	Specifies the upper threshold limit for the counter type.
Rising Event	Specifies the type of event to be generated when rising threshold is reached or crossed.
Falling Threshold	Specifies the lower threshold limit for the counter type.
Falling Event	Specifies the type of event to be generated when falling threshold is reached or crossed.
Poll Interval	Specifies the time interval to poll for the counter value.
Warning Threshold	Allows you to set an optional threshold value lower than the rising threshold value and higher than the falling threshold value to generate syslogs. The range is 0–9223372036854775807.
Port Guard	Specifies if the port guard is enabled or disabled. The value can be false, flap, or errordisable.  The default value is "false".
Monitor ?	The default value is "true".

## SAN Insights - Overview

### Introduction to SAN Insights

The SAN Insights feature enables you to configure, monitor, and view the flow analytics in fabrics. Cisco DCNM enables you to visualize the health-related indicators in the interface so that you can quickly identify issues in fabrics. Also, the health indicators enable you to understand the problems in fabrics. The SAN Insights feature also provides more comprehensive end-to-end flow-based data from the host to LUN.

From Release 11.2(1), Cisco DCNM supports SAN Telemetry Streaming (STS) using compact GPB transport, for better telemetry performance and to improve the overall scalability of SAN Insights.

For SAN insights streaming stability and performance, refer to System Requirements section in the *Cisco DCNM Installation Guide for SAN Deployment Guide* and the section Increasing Elasticsearch Database Heap Size of the *Cisco DCNM SAN Management for OVA and ISO Deployments Configuration Guide*. Ensure



system RAM is of adequate size. Use of NTP is recommended to maintain time synchronization between the DCNM and the switches. Enable PM collection for viewing counter statistics.

## Prerequisites

- The SAN Insights feature is supported for Cisco MDS NX-OS Release 8.3(1) and later.
- The SAN Insights feature isn't supported on small deployment.
- Every Federation node must consist of three Large DCNM nodes.
- For SAN Insights streaming stability and performance, the recommended Elasticsearch heap size is 16GB. To increase the heap size, see [Increasing Elasticsearch Database Heap Size, on page 136](#).
- If SAN Insights streaming was configured with KVGPB encoding using versions of Cisco DCNM SAN Insights older than 11.2(1), the switch continues to stream with KVGPB encoding while configuring streaming with DCNM versions 11.2(1) and above. Compact GPB streaming configuration for SAN Insights is supported starting from Cisco DCNM 11.2(1). To stream using Compact GPB, disable the old KVGPB streaming before configuring SAN Insights newly, after the upgrade. To disable analytics and telemetry, on the Cisco DCNM Web client, choose **Configure > SAN > SAN Insights**. Click **Continue**. Select the appropriate fabric and click **Continue**. On the Switch Selection screen, click **Disable Analytics** to clear all the analytics and telemetry configuration on the selected switches.

## Guidelines and Limitations

- Ensure that the time configurations in Cisco DCNM and the supported switches are synchronized to the local NTP server for deploying the SAN Insights feature.
- Any applicable daylight time savings settings must be consistent across the switches and Cisco DCNM.
- To modify the streaming interval, use the CLI from the switch, and remove the installed query for Cisco DCNM. Modify the **san.telemetry.streaming.interval** property in the DCNM server properties. The allowed values for the interval are 30–300 seconds. The default value is 30 seconds. Again configure the same switch from Cisco DCNM to push the new streaming interval.
- Use the ISL query installation type only for the switches that have storage connected (storage-edge switches).
- For the ISL query installation type, in the Configure SAN Insights wizard, analytics can't be enabled on interfaces that are members of port-channel ISL to non-MDS platform switches.
- After installing the switch-based FM\_Server\_PKG license, the Configure SAN Insights wizard may take up to 5 minutes to detect the installed license.

For information about the SAN Insights dashboard, see [SAN Insights Dashboard](#).

For information about configuring the SAN Insights dashboard, see [Configuring SAN Insights, on page 131](#).

## Server Properties for SAN Insights

The following table describes the property name and its default values. To modify these values, navigate to **Administration > DCNM Server > Server Properties** on the Web UI.



**Note** After applying changes to the server properties, you must restart all the DCNM services.

For OVA Deployment—Restart the DCNM Services by using the following commands in the same sequence.

```
(dccnm-server) # sysadmin user
(dccnm-server) # appmgr stop dccnm
(dccnm-server) # appmgr start dccnm
```

After the applications are up and running, choose **Web UI > Applications > Catalog**. Restart **SAN Insight Pipeline Collector** and **SAN Insight Post Processor** applications.



**Note** If you change the server properties, ensure that you restart the Cisco DCNM to use the new properties value. Restart the SAN Insights service to use the new properties.

**Table 18: Server Properties for SAN Insights**

Property Name	Description	Default Value
san.telemetry.processing.interval	Specifies the SAN Insights processing interval.	300,000 milliseconds
san.telemetry.streaming.interval	Specifies the SAN Insights streaming interval.	30 seconds
san.telemetry.use.noop.data	Specifies if the noop frames are used in ECT baseline training calculation.	TRUE
san.telemetry.train.timeframe	Specifies the training time frame for flows ECT baseline.	7 days
san.telemetry.train.reset	Specifies the time duration to periodically restart the ECT baseline training after number of days.	28 days
san.telemetry.expire.flows	Specifies the retention policy after which the flows data is deleted.	7 days
san.telemetry.expire.baseline	Specifies the retention policy after which the post processed data is deleted.	14 days
san.telemetry.expire.rollup	Specifies the retention policy after which the hourly rollups data is deleted.	90 days
san.telemetry.deviation.low	Specifies the deviation low mark for SCSI telemetry	10
san.telemetry.deviation.med	Specifies the deviation medium mark for SCSI telemetry	30
san.telemetry.deviation.high	Specifies the deviation high mark for SCSI telemetry	50
san.telemetry.nvme.deviation.low	Specifies the deviation low mark for NVMe/FC telemetry	0
san.telemetry.nvme.deviation.med	Specifies the deviation medium mark for NVMe/FC telemetry	2

Property Name	Description	Default Value
san.telemetry.nvme.deviation.high	Specifies the deviation high mark for NVMe/FC telemetry	5
san.telemetry.default.protocol	Specifies the desired default protocol selection in the SAN Insights UI pages to view corresponding data: SCSI or NVMe.	SCSI

## Configuring SAN Insights

To configure SAN insights from the Cisco DCNM Web UI, perform the following steps:

### Before you begin



**Note** From Release 11.3(1), the SAN Insights feature is supported on Cisco DCNM Deployment using OVA/ISO image with Huge deployment option only.

From Release 11.3(1), the Elasticsearch heap size is set to 25% of the total system RAM, up to a maximum of 32G heap size. SAN Insights require a minimum of 16GB Elasticsearch heap size for proper functioning. As Cisco DCNM SAN deployment with OVA/ISO is already configured with sufficient system requirements, you need not increase the Heap Size manually.

Refer to [Increasing Elasticsearch Database Heap Size, on page 136](#) for more instructions.

### Procedure

#### Step 1

Choose **Configure > SAN > SAN Insights**.

The **Configure SAN Insights** wizard appears.



## Configure SAN Insights

Enable on-box data collection. See [how it works](#).

### Important:

For SAN Insights streaming stability and performance, refer to the Server Resource Requirements section of the Cisco DCNM Installation Guide for SAN Deployment and the Increasing Elasticsearch Database Heap Size section of the DCNM SAN Management Configuration Guide.

Ensure system RAM is of adequate size.

Use of NTP is recommended to maintain time synchronization between DCNM and switches.

Enable PM collection for viewing counter statistics.

Continue

#### Step 2

In the **Configure SAN Insights** page, click **Continue**.

The **Fabric Selection** window appears.

1. Fabric Selection    2. Switch Selection    3. Module Configuration    4. Interface Selection    5. Review and Enable Feature

## 1. Select a Fabric

Choose a fabric where you want SAN Insights functionality to be configured.

Fabric\_N5596UP-17486

← Back    Continue

### Step 3

Select a fabric where you want the SAN Insights functionality to be configured. The wizard works with one fabric at a time.

1. Fabric Selection    2. Switch Selection    3. Module Configuration    4. Interface Selection    5. Review and Enable Feature

## 2. Select Switches

Choose the switch(es) on which SAN Insights is to be configured in Fabric\_N5696Q-17494

DCNM server time: 10:59:54.246 PST Tuesday November 12 2019

Selected 1 / Total 4

Disable Analytics...    Show    Quick Filter

Switch	Model	Release	Licensed	Switch Time	Subscriptions	Install Query	Receiver
<input type="checkbox"/> MDS9706-174146	DS-C9706	8.4(1a)	Yes	06:55:40 294 PDT Fri Sep 04 2020	None	Storage	172.25.174.105
<input type="checkbox"/> MDS9132T-174139	DS-C9132T-K9	8.4(2)	Yes	06:55:40 294 PDT Fri Sep 04 2020	SCSI & NVMe	Host	172.25.174.105
<input type="checkbox"/> MDS9148T-17429	DS-C9148T-K9	8.4(1)	Yes	11:01:18.633 PST Tue Nov 12 2019	None	None	172.25.170.216
<input type="checkbox"/> MDS9710-174141	DS-C9710	8.3(2)	Yes	11:01:21.078 PST Tue Nov 12 2019	None	None	172.25.170.216

← Back    Continue


**Note** The Cisco DCNM time is displayed and switch time is in RED if the switch time is found to be deviating from the DCNM time.

For the selected DCNM Receiver in the last column, the receiver can subscribe to telemetry: SCSI only, NVMe only, both SCSI & NVMe, or None. This allows you to configure one DCNM server to receive SCSI telemetry and another DCNM server to receive NVMe telemetry.

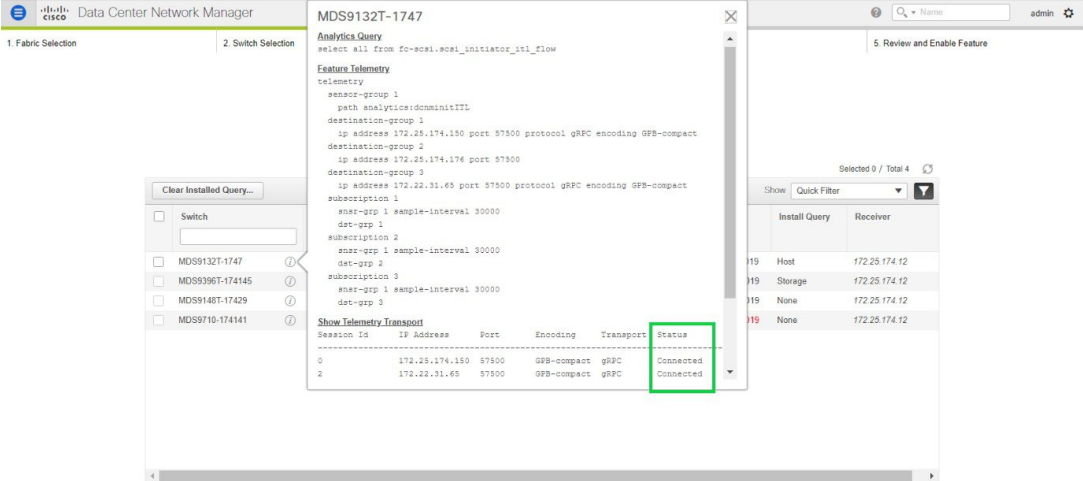
In Cisco DCNM SAN OVA/ISO deployments, the IP address that is assigned to eth0 or eth1 can be used for receiving SAN Insights streaming from the switch. However, ensure that streaming is configured to the DCNM interface having IP reachability from the respective switches. In the **Receiver** column all the discovered interfaces are listed. Choose the corresponding interface IP address that is configured while installing SAN OVA/ISO for streaming analytics data from the switch.

The Subscription column allows you to specify which protocol to which the Receiver subscribes. You can choose from SCSI, NVMe, both or none.

**Note** If you select **None for Subscription**, the existing telemetry configurations for the selected Receiver in the last column is removed from the switch.

You can click the  (information) icon in the Switch column to get the configuration details for analytics and telemetry features from the switch (if Analytics Query and Telemetry features are configured).

If Analytics Query of either type (dcnminitTL, dcnmtgtTL, dcnmispcITL, dcnminitTN, dcnmtgtTN, or dcnmispcITN) isn't configured on the switch, the telemetry configurations won't be displayed.



The screenshot displays the configuration for MDS9132T-1747. The 'Feature Telemetry' section is expanded, showing configuration for analytics queries and subscriptions. A table at the bottom shows the status of telemetry sessions, with 'Connected' status highlighted in green.

Session ID	IP Address	Port	Encoding	Transport	Status
0	172.25.174.150	57500	GPB-compact	gRPC	Connected
2	172.22.31.65	57500	GPB-compact	gRPC	Connected

**Step 4** Click **Continue**. The switches that are capable of streaming analytics are listed in the **Select Switches** page.  
**Step 5** Select the switches on which SAN Insights must be configured.

**Note** Both Cisco DCNM and switch time are recorded and displayed when you navigate to the **Select Switches** page. This helps you to ensure that the clocks of Cisco DCNM and switch are in sync.

Click **Disable Analytics** to clear all the analytics and telemetry configuration on the selected switches.

If SAN Insights streaming was configured with KVGPB encoding using versions of Cisco DCNM SAN Insights older than 11.2(1), the switch continues to stream with KVGPB encoding while configuring streaming with DCNM versions 11.2(1) and above. From Cisco DCNM Release 11.2(1), Compact GPB streaming configuration for SAN Insights is supported. To stream using Compact GPB, the old KVGPB streaming must be disabled before configuring SAN Insights, newly after the upgrade.

In the **Install Query** column, choose one type of port per switch, and then click Save. You can choose from these options: **ISL**, **host**, or **storage**.

- **host**—lists all ports where hosts or initiators are connected on the switch.
- **storage**—lists all ports where storage or targets are connected on the switch.
- **ISL**—lists all ISL and port channel ISL ports on the switch.
- **None**—indicates that no query is installed.

The following queries are used:

- dcnmtgtITL/dcnmtgtITN—This is the storage-only query.
- dcnmunitITL/dcnmunitITN—This is the host-only query.
- dcnmislpcITL/dcnmislpcITN—This is the ISL and pc-member query.

**Note** Cisco DCNM supports 20K (ITLs + ITNs) per DCNM server; however, it doesn't manage duplicate ITLs\ITNs. If you configure both host and storage queries (on the switches where their Hosts and Storage are connected respectively), the data is duplicated for the same ITL\ITN. This results in inconsistencies in the computed metrics.

When the administrator selects the ISL\Host\Storage on the configure wizard, the respective ports are filtered and listed on the next step.

### Step 6

Click **Continue**. You can see all the analytics supported modules on the switches that are selected in the previous view, which is listed with the respective instantaneous NPU load in the last column. Port-sampling configuration (optional) for the module can be specified in this step. The default configuration on the switch is to monitor all analytics-enabled ports on the switch for analytics.

Switch	Module	Slo	Description	Sample Window ...	Rotation Interval (s...)	NPU Load %
MDS9706-174...	DS-X9648-153...	1	4/8/16/32 Gbps Advanced FC Mo...	24	30	2 %
MDS9706-174...	DS-X9748-307...	5	8/16/32/64 Gbps Advanced FC M...	Not Supported	Not Supported	Not Supported
MDS9706-174...	DS-X9648-153...	6	4/8/16/32 Gbps Advanced FC Mo...	48	30	1 %

**Note** If port sampling is enabled on multiple ISL ports with ISL query installed, the metrics aggregation isn't accurate. Because all exchanges won't be available at the same time, the metrics aggregation isn't accurate. We recommend that you don't use port sampling with ISL queries, with multiple ISLs.

Beginning with Release 11.5(4), Cisco DCNM supports discovery of 64G modules. Port-sampling is not supported on these modules and NPU load is not applicable for 64G SAN analytics. Therefore, you cannot configure sample window and rotation interval for 64G modules.

**Note** For 64G modules, you can edit the Sample Window field and enter the number of ports. However, the following error message appears:

```
Port sampling is not supported for this module.
```

### Step 7

In the **Configure Modules** tab, configure the module(s) for SAN Insights functionality.

To change the values for **Sample Window (ports)** and **Rotation Interval (seconds)**, click the row and enter the desired values.

- To undo the changes, click **Cancel**.
- To save changes, click **Save**.

The **NPU Load** column displays the Network Processing Unit (NPU) within a module.

**Step 8** Click **Continue**.

4. Select Interfaces

Choose the switch interfaces that will generate analytics data within Fabric\_N5596UP-17486

Switch	Module	Interface	Connected To	Type	Analytics Status	Enable / Disable SCSI Telemetry	Enable / Disable NVMe Telemetry	
▼ MDS9710-174...				1 module(s)				13 interface(s)
▼ DS-X9648-1538K9				13 interface(s)				
		fc7/3	20:01:00:11:0d:...	storage	enabled	<input type="checkbox"/>	<input type="checkbox"/>	
		fc7/27	Vexata_VX100-...	storage	enabled	<input type="checkbox"/>	<input type="checkbox"/>	
		fc7/29	HDS-93040500...	storage	enabled	<input type="checkbox"/>	<input type="checkbox"/>	
		fc7/30	HDS-410081-C...	storage	enabled	<input type="checkbox"/>	<input type="checkbox"/>	
		fc7/31	IBM-50-05-07-6...	storage	enabled	<input type="checkbox"/>	<input type="checkbox"/>	
		fc7/32	IBM-50-05-07-6...	storage	enabled	<input type="checkbox"/>	<input type="checkbox"/>	
		fc7/34	IBM-50-05-07-6...	storage	enabled	<input type="checkbox"/>	<input type="checkbox"/>	
		fc7/35	IBM-50-01-73-8...	storage	enabled	<input type="checkbox"/>	<input type="checkbox"/>	
		fc7/36	NetApp-50-0a-...	storage	enabled	<input type="checkbox"/>	<input type="checkbox"/>	
		fc7/37	NetApp-50-0a-...	storage	enabled	<input type="checkbox"/>	<input type="checkbox"/>	
		fc7/38	NetApp-50-0a-...	storage	enabled	<input type="checkbox"/>	<input type="checkbox"/>	

← Back Continue

**Step 9** In the **Select Interfaces** tab, select the interfaces that generate analytics data within the fabric.

For each interface, you can enable or disable telemetry by type: SCSI or NVMe enable SCSI only, NVMe only, both SCSI & NVMe, or None on each interface.

You can click the toggle button to enable or disable analytics on the desired port.

**Step 10** Click **Continue**, and then review the changes that you have made.

5. Review and Enable SAN Insights

Switch	Task
1 MDS9148T-17429	Module:1, Sample window:48, Rotation interval:30
2 MDS9148T-17429	SCSI-Enable: fc1/1 NVMe-Enable: fc1/1
3 MDS9148T-17429	Install query and configure telemetry. Copy r s. Query: Host Receiver: 172.22.29.88, Subscriptions: all
4 MDS9396T-174145	NVMe-Disable: fc1/30
5 MDS9396T-174145	Install query and configure telemetry. Copy r s. Query: Host Receiver: 172.22.29.88, Subscriptions: all

← Back Commit

- Step 11** Click **Commit**. The CLI is executed on the switch.
- Step 12** Review the results and see that the response is successful.
- Note** Some SAN Insights pages can take up to 2 hours to display data.
- Step 13** Click **Close** to return to the home page. **Close** icon appears only after all CLI commands are executed on the switch.
- Navigate to the **Configure > SAN Insights** page again, to modify the SAN Insights configurations.
- 

## Increasing Elasticsearch Database Heap Size

The Java heap size is the amount of memory allocated to applications running in the Java Virtual Machine used by DCNM server itself. Objects in heap memory can be shared between threads and improve performance. SAN Insights benefits from an appropriate quantity of heap.

From Release 11.3(1), the Elasticsearch heap size is set to 25% of the total system RAM for RHEL/OVA/ISO SAN deployments, up to a maximum of 32G heap size. SAN Insights require a minimum of 16GB Elasticsearch heap size for proper functioning. In Release 11.3(1), with adequate system RAM at the time of deployment, it won't be necessary to modify the Elasticsearch heap size.

To increase the Elasticsearch heap size for SAN OVA/ISO deployments, increase the total system RAM and restart the DCNM VM/Server. This increases the Elasticsearch heap size by 25% of the total system RAM.

## Viewing Services

The SAN Insights feature uses PIPELINE and SanInsight process to listen to the switch port and collect data. These services are run on OVA as applications and are available on the **Web Client > Applications > Catalog**. They are identified as the SAN Insight Pipeline Collector, and SAN Insight Post Processor, respectively.