



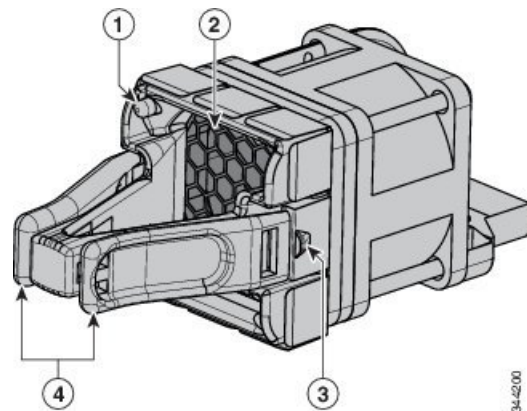
## Installing the Fan

- [Fan Module Overview](#) , on page 1
- [Installation Guidelines](#), on page 2
- [Installing a Fan Module](#), on page 2
- [Finding the Fan Module Serial Number](#), on page 3

## Fan Module Overview

Depending on the switch model, three or five internal hot-swappable are available. A powered switch should always have more than one operational fan. The switch can operate with two operational fans and one nonfunctional fan, but the failed fan should be replaced as soon as possible to avoid a service interruption due to a second fan fault.

**Figure 1: Fan Module for WS-C3850 Switches**

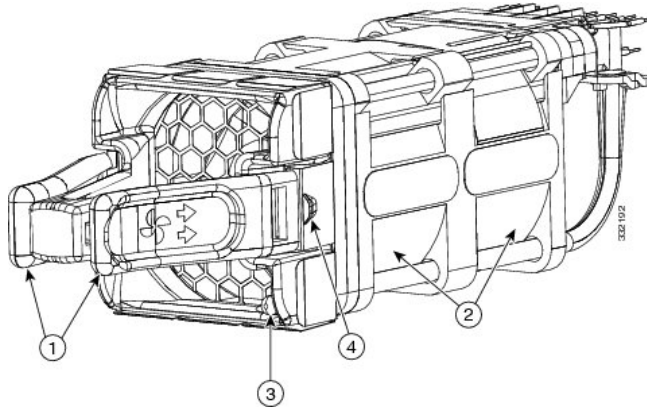


1	Fan LED	3	Retainer clip
2	Exhaust vent	4	Extraction handles



**Note** The WS-C3850 switches require three fans for proper cooling.

Figure 2: Fan Module for Catalyst WS-C3850-48XS Switch Models



1	Fan assembly levers	3	Fan status LED (red/green)
2	Fans	4	Fan assembly retention latch



**Note** Ensure that the power supplies are inserted correctly to match the corresponding fans. Power supplies with blue handles correspond to fans with blue handles, and power supplies with red handles correspond to fans with red handles.



**Note** The WS-C3850-48XS switches require five fans for proper cooling.

## Installation Guidelines

Observe these guidelines when removing or installing a fan module:

- Do not force the fan module into the slot. This can damage the pins on the switch if they are not aligned with the module.
- A fan module that is only partially connected to the switch can disrupt the system operation.
- The switch supports hot swapping of the fan module. You can remove and replace the module without interrupting normal switch operation.

## Installing a Fan Module

### Procedure

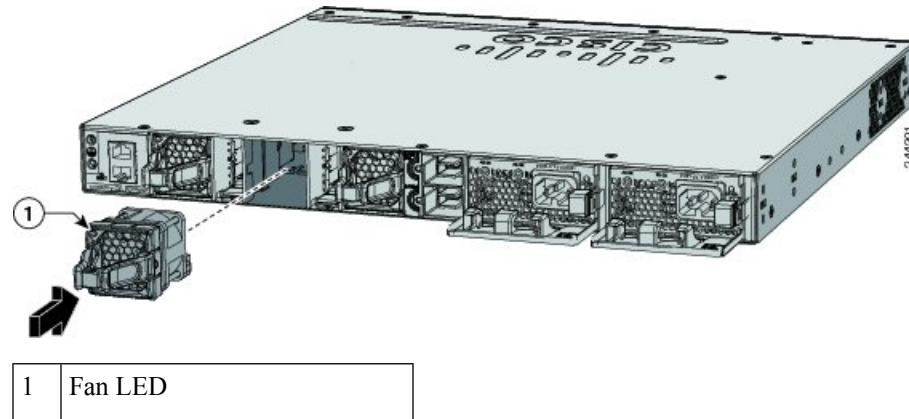
- Step 1** Pinch the fan module release handle, and slide the module out.

**Caution** You should replace the fan module within 5 minutes to avoid overheating the switch.

**Step 2** Install the fan module in the fan slot, and firmly push it into the slot, applying pressure to the end of the module, not the extraction handles. When correctly inserted, the fan module is flush with the switch rear panel. When the fan is operating, a green LED is on in the top left corner of the fan.

**Warning** Do not reach into a vacant slot when installing or removing a module. Exposed circuitry is an energy hazard. Statement 206

**Figure 3: Installing the Fan Module**



**Note** The airflow for C3850-48XS switches will depend on the power supply and fans installed. Ensure that the power supplies are inserted correctly to match the corresponding fans. Power supplies with blue handles correspond to fans with blue handles, and power supplies with red handles correspond to fans with red handles.

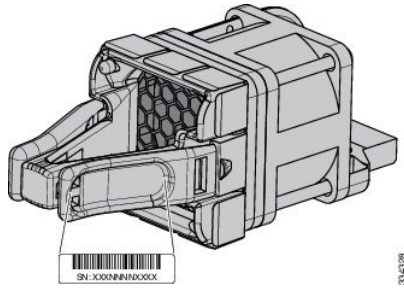
- For power supplies and fans with red handles, airflow is from the front panel to the rear panel (warm air is 'pulled out of' the switch.)
- For power supplies and fans with blue handles, airflow is from the rear panel to the front panel (cool air is 'pushed into' the switch.)

**Note** Ensure that the fans are inserted correctly to match the corresponding power supplies. Fans with blue handles correspond to power supplies with blue handles, and fans with red handles correspond to power supplies with red handles.

## Finding the Fan Module Serial Number

If you contact Cisco Technical Assistance regarding a fan module, you need to know the fan module serial number. See the following illustration to find the serial number.

**Figure 4: Fan (Single) Module Serial Number**



**Figure 5: Fan (Double) Module Serial Number**

