



## Configuring VTP

---

- [Prerequisites for VTP, on page 1](#)
- [Restrictions for VTP, on page 2](#)
- [Information About VTP, on page 2](#)
- [How to Configure VTP, on page 9](#)
- [Monitoring VTP, on page 19](#)
- [Configuration Examples for VTP, on page 19](#)
- [Where to Go Next, on page 20](#)
- [Additional References, on page 20](#)
- [Feature History for VTP, on page 20](#)

## Prerequisites for VTP

Before you create VLANs, you must decide whether to use the VLAN Trunking Protocol (VTP) in your network. Using VTP, you can make configuration changes centrally on one or more devices and have those changes automatically communicated to all the other devices in the network. Without VTP, you cannot send information about VLANs to other devices.

VTP is designed to work in an environment where updates are made on a single device and are sent through VTP to other devices in the domain. It does not work well in a situation where multiple updates to the VLAN database occur simultaneously on devices in the same domain, which would result in an inconsistency in the VLAN database.

You can enable or disable VTP per port by entering the **[no] vtp** interface configuration command. When you disable VTP on trunking ports, all VTP instances for that port are disabled. You cannot set VTP to *off* for the MST database and *on* for the VLAN database on the same port.

When you globally set VTP mode to *off*, it applies to all the trunking ports in the system. However, you can specify *on* or *off* on a per-VTP instance basis. For example, you can configure the device as a VTP server for the VLAN database but with VTP *off* for the MST database.

Because trunk ports send and receive VTP advertisements, you must ensure that at least one trunk port is configured on the device or device stack and that this trunk port is connected to the trunk port of another device. Otherwise, the device cannot receive any VTP advertisements.

## Restrictions for VTP

The following are restrictions for a VTP:



---

**Caution** Before adding a VTP client device to a VTP domain, always verify that its VTP configuration revision number is lower than the configuration revision number of the other devices in the VTP domain. Devices in a VTP domain always use the VLAN configuration of the device with the highest VTP configuration revision number. If you add a device that has a revision number higher than the revision number in the VTP domain, it can erase all VLAN information from the VTP server and VTP domain.

---

## Information About VTP

The following sections provide information about VTP and VTP configuration:

### VTP

VTP is a Layer 2 messaging protocol that maintains VLAN configuration consistency by managing the addition, deletion, and renaming of VLANs on a network-wide basis. VTP minimizes misconfigurations and configuration inconsistencies that can cause several problems, such as duplicate VLAN names, incorrect VLAN-type specifications, and security violations.

VTP functionality is supported across the stack, and all devices in the stack maintain the same VLAN and VTP configuration inherited from the active device. When a device learns of a new VLAN through VTP messages or when a new VLAN is configured by the user, the new VLAN information is communicated to all devices in the stack.

When a device joins the stack or when stacks merge, the new devices get VTP information from the active device.

### VTP Domain

A VTP domain (also called a VLAN management domain) consists of one device or several interconnected devices under the same administrative responsibility sharing the same VTP domain name. A device can be in only one VTP domain. You make global VLAN configuration changes for the domain.

By default, the device is in the VTP no-management-domain state until it receives an advertisement for a domain over a trunk link (a link that carries the traffic of multiple VLANs) or until you configure a domain name. You can create or modify VLANs on a VTP server without specifying the domain name. However, when the management domain name is not specified VLAN information is not propagated over the network.

If the device receives a VTP advertisement over a trunk link, it inherits the management domain name and the VTP configuration revision number. The device then ignores advertisements with a different domain name or an earlier configuration revision number.

When you make a change to the VLAN configuration on a VTP server, the change is propagated to all devices in the VTP domain. VTP advertisements are sent over all IEEE trunk connections, including IEEE 802.1Q.

VTP dynamically maps VLANs with unique names and internal index associates across multiple LAN types. Mapping eliminates excessive device administration required from network administrators.

If you configure a device for VTP transparent mode, you can create and modify VLANs, but the changes are not sent to other devices in the domain, and they affect only the individual device. However, configuration changes made when the device is in this mode are saved in the device running configuration and can be saved to the device startup configuration file.

## VTP Modes

Table 1: VTP Modes

VTP Mode	Description
VTP server	<p>In VTP server mode, you can create, modify, and delete VLANs, and specify other configuration (such as the VTP version) for the entire VTP domain. VTP servers advertise their VLAN configurations to other devices in the same VTP domain and synchronize their VLAN configurations with other devices based on advertisements received over trunk links.</p> <p>VTP server is the default mode.</p> <p>In VTP server mode, VLAN configurations are saved in NVRAM. If the device detects a failure to save a configuration to NVRAM, VTP mode automatically changes from server mode to client mode. If the device cannot be returned to VTP server mode until the NVRAM is functioning.</p>
VTP client	<p>A VTP client functions like a VTP server and transmits and receives VTP updates on its trunks, but cannot create, change, or delete VLANs on a VTP client. VLANs are configured on another device in the same VTP domain that is in server mode.</p> <p>In VTP versions 1 and 2 in VTP client mode, VLAN configurations are not saved in NVRAM. In VTP version 3, VLAN configurations are saved in NVRAM in client mode.</p>
VTP transparent	<p>VTP transparent devices do not participate in VTP. A VTP transparent device does not advertise its VLAN configuration and does not synchronize its VLAN configuration based on received advertisements. In VTP version 2 or version 3, transparent devices do forward VTP advertisements that they receive from other devices through their trunk interfaces. You can create, modify, and delete VLANs on a device in VTP transparent mode.</p> <p>In VTP versions 1 and 2, the device must be in VTP transparent mode when you create private VLANs. When private VLANs are configured, you should not change the VTP mode from transparent to client or server mode. VTP version 3 also supports private VLANs in client and server modes. When private VLANs are configured, you should not change the VTP mode from transparent to client or server mode.</p> <p>When the device is in VTP transparent mode, the VTP and VLAN configurations are saved in NVRAM. However, they are not advertised to other devices. In this mode, VTP mode and domain name are saved in the device running configuration, and you can save this information in the device startup configuration file by using the <b>copy running-config startup-config</b> privileged EXEC command.</p> <p>In a device stack, the running configuration and the saved configuration are the same for all devices in the stack.</p>
VTP off	<p>A device in VTP off mode functions in the same manner as a VTP transparent device, except that it does not forward VTP advertisements on trunks.</p>

## VTP Advertisements

Each device in the VTP domain sends periodic global configuration advertisements from each trunk port to a reserved multicast address. Neighboring devices receive these advertisements and update their VTP and VLAN configurations as necessary.

Because trunk ports send and receive VTP advertisements, you must ensure that at least one trunk port is configured on the switch stack and that this trunk port is connected to the trunk port of another switch. Otherwise, the switch cannot receive any VTP advertisements.

VTP advertisements distribute this global domain information:

- VTP domain name
- VTP configuration revision number
- Update identity and update timestamp
- MD5 digest VLAN configuration, including maximum transmission unit (MTU) size for each VLAN
- Frame format

VTP advertisements distribute this VLAN information for each configured VLAN:

- VLAN IDs (including IEEE 802.1Q)
- VLAN name
- VLAN type
- VLAN state
- Additional VLAN configuration information specific to the VLAN type

In VTP version 3, VTP advertisements also include the primary server ID, an instance number, and a start index.

## VTP Version 2

If you use VTP in your network, you must decide which version of VTP to use. By default, VTP operates in version 1.

VTP version 2 supports these features that are not supported in version 1:

- Token Ring support—VTP version 2 supports Token Ring Bridge Relay Function (TrBRF) and Token Ring Concentrator Relay Function (TrCRF) VLANs.
- Unrecognized Type-Length-Value (TLV) support—A VTP server or client propagates configuration changes to its other trunks, even for TLVs it is not able to parse. The unrecognized TLV is saved in NVRAM when the device is operating in VTP server mode.
- Version-Dependent Transparent Mode—In VTP version 1, a VTP transparent device inspects VTP messages for the domain name and version and forwards a message only if the version and domain name match. Although VTP version 2 supports only one domain, a VTP version 2 transparent device forwards a message only when the domain name matches.
- Consistency Checks—In VTP version 2, VLAN consistency checks (such as VLAN names and values) are performed only when you enter new information through the CLI or SNMP. Consistency checks are

not performed when new information is obtained from a VTP message or when information is read from NVRAM. If the MD5 digest on a received VTP message is correct, its information is accepted.

## VTP Version 3

VTP version 3 supports these features that are not supported in version 1 or version 2:

- Enhanced authentication—You can configure the authentication as **hidden** or **secret**. When **hidden**, the secret key from the password string is saved in the VLAN database file, but it does not appear in plain text in the configuration. Instead, the key associated with the password is saved in hexadecimal format in the running configuration. You must reenter the password if you enter a takeover command in the domain. When you enter the **secret** keyword, you can directly configure the password secret key.
- Support for extended range VLAN (VLANs 1006 to 4094) database propagation—VTP versions 1 and 2 propagate only VLANs 1 to 1005.



---

**Note** VTP pruning still applies only to VLANs 1 to 1005, and VLANs 1002 to 1005 are still reserved and cannot be modified.

---

- Private VLAN support.
- Support for any database in a domain—In addition to propagating VTP information, version 3 can propagate Multiple Spanning Tree (MST) protocol database information. A separate instance of the VTP protocol runs for each application that uses VTP.
- VTP primary server and VTP secondary servers—A VTP primary server updates the database information and sends updates that are honored by all devices in the system. A VTP secondary server can only back up the updated VTP configurations received from the primary server to its NVRAM.

By default, all devices come up as secondary servers. You can enter the **vtp primary** privileged EXEC command to specify a primary server. Primary server status is only needed for database updates when the administrator issues a takeover message in the domain. You can have a working VTP domain without any primary servers. Primary server status is lost if the device reloads, after a switchover, or domain parameters change, even when a password is configured on the device.

- With VTP version 3 in server mode the VLAN configuration is saved into vlan.dat file. VLAN configuration is not saved in NVRAM as is the case in the transparent mode. While taking a backup of the switch configuration, you also have to take a backup of the vlan.dat file.



---

**Note** VTP versions 1 and 2 are capable of publishing only standard VLANs (VLANs 1 to 1001) and extended VLANs (VLANs 1006 to 4094) are stored locally in the flash drive or the running configuration. VTP version 3 is capable of publishing extended VLANs to the entire VTP domain and extended VLANs are not stored locally.

---

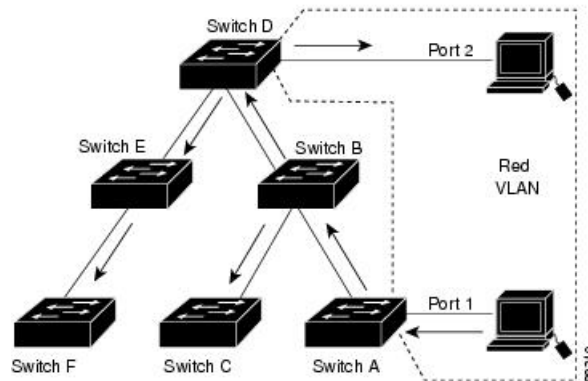
## VTP Pruning

VTP pruning increases network available bandwidth by restricting flooded traffic to those trunk links that the traffic must use to reach the destination devices. Without VTP pruning, a device floods broadcast, multicast, and unknown unicast traffic across all trunk links within a VTP domain even though receiving devices might discard them. VTP pruning is disabled by default.

VTP pruning blocks unneeded flooded traffic to VLANs on trunk ports that are included in the pruning-eligible list. Only VLANs included in the pruning-eligible list can be pruned. By default, VLANs 2 through 1001 are pruning eligible device trunk ports. If the VLANs are configured as pruning-ineligible, the flooding continues. VTP pruning is supported in all VTP versions.

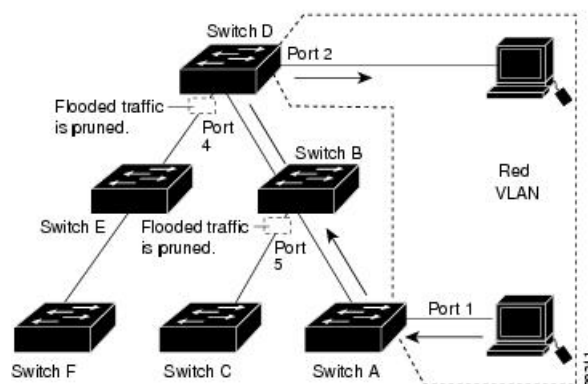
**Figure 1: Flooding Traffic without VTP Pruning**

VTP pruning is disabled in the switched network. Port 1 on Device A and Port 2 on Device D are assigned to the Red VLAN. If a broadcast is sent from the host connected to Device A, Device A floods the broadcast and every device in the network receives it, even though Devices C, E, and F have no ports in the Red VLAN.



**Figure 2: Optimized Flooded Traffic VTP Pruning**

VTP pruning is enabled in the switched network. The broadcast traffic from Device A is not forwarded to Devices C, E, and F because traffic for the Red VLAN has been pruned on the links shown (Port 5 on Device B and Port 4 on Device D).



With VTP versions 1 and 2, when you enable pruning on the VTP server, it is enabled for the entire VTP domain. In VTP version 3, you must manually enable pruning on each device in the domain. Making VLANs pruning-eligible or pruning-ineligible affects pruning eligibility for those VLANs on that trunk only (not on all devices in the VTP domain).

VTP pruning takes effect several seconds after you enable it. VTP pruning does not prune traffic from VLANs that are pruning-ineligible. VLAN 1 and VLANs 1002 to 1005 are always pruning-ineligible; traffic from these VLANs cannot be pruned. Extended-range VLANs (VLAN IDs higher than 1005) are also pruning-ineligible.

## VTP and Device Stacks

VTP configuration is the same in all members of a device stack. When the device stack is in VTP server or client mode, all devices in the stack carry the same VTP configuration. When VTP mode is transparent, the stack is not taking part in VTP.

- When a device joins the stack, it inherits the VTP and VLAN properties of the active device.
- All VTP updates are carried across the stack.
- When VTP mode is changed in a device in the stack, the other devices in the stack also change VTP mode, and the device VLAN database remains consistent.

VTP version 3 functions the same on a standalone device or a stack except when the switch stack is the primary server for the VTP database. In this case, the MAC address of the active device is used as the primary server ID. If the active device reloads or is powered off, a new active device is elected.

- If you do not configure the persistent MAC address feature, when the new active device is elected, it sends a takeover message with the new active MAC address as the primary server.
- If a persistent MAC address is configured, the new active device waits for the configured timer value. If the previous active device does not rejoin the stack during this time, then the new active device issues the takeover message.

## VTP Configuration Guidelines

This section provides information about VTP configuration guidelines:

### VTP Configuration Requirements

When you configure VTP, you must configure a trunk port so that the device can send and receive VTP advertisements to and from other devices in the domain.

VTP versions 1 and 2 do not support private VLANs. VTP version 3 does support private VLANs. If you configure private VLANs, the device must be in VTP transparent mode. When private VLANs are configured on the device, do not change the VTP mode from transparent to client or server mode.

### VTP Settings

The VTP information is saved in the VTP VLAN database. When VTP mode is transparent, the VTP domain name and mode are also saved in the device running configuration file, and you can save it in the device startup configuration file by entering the **copy running-config startup-config** privileged EXEC command. You must use this command if you want to save VTP mode as transparent, even if the device resets.

When you save VTP information in the device startup configuration file and reboot the device, the device configuration is selected as follows:

- If the VTP mode is transparent in the startup configuration and the VLAN database and the VTP domain name from the VLAN database matches that in the startup configuration file, the VLAN database is

ignored (cleared), and the VTP and VLAN configurations in the startup configuration file are used. The VLAN database revision number remains unchanged in the VLAN database.

- If the VTP mode or domain name in the startup configuration do not match the VLAN database, the domain name and VTP mode and configuration for VLAN IDs 1 to 1005 use the VLAN database information.

## Domain Names for Configuring VTP

When configuring VTP for the first time, you must always assign a domain name. You must configure all devices in the VTP domain with the same domain name. Devices in VTP transparent mode do not exchange VTP messages with other devices, and you do not need to configure a VTP domain name for them.




---

**Note** If the NVRAM and DRAM storage is sufficient, all devices in a VTP domain should be in VTP server mode.

---




---

**Caution** Do not configure a VTP domain if all devices are operating in VTP client mode. If you configure the domain, it is impossible to make changes to the VLAN configuration of that domain. Make sure that you configure at least one device in the VTP domain for VTP server mode.

---

## Passwords for the VTP Domain

You can configure a password for the VTP domain, but it is not required. If you do configure a domain password, all domain devices must share the same password and you must configure the password on each device in the management domain. Devices without a password or with the wrong password reject VTP advertisements.

If you configure a VTP password for a domain, a device that is booted without a VTP configuration does not accept VTP advertisements until you configure it with the correct password. After the configuration, the device accepts the next VTP advertisement that uses the same password and domain name in the advertisement.

If you are adding a new device to an existing network with VTP capability, the new device learns the domain name only after the applicable password has been configured on it.




---

**Caution** When you configure a VTP domain password, the management domain does not function properly if you do not assign a management domain password to each device in the domain.

---

## VTP Version

Follow these guidelines when deciding which VTP version to implement:

- All devices in a VTP domain must have the same domain name, but they do not need to run the same VTP version.
- A VTP version 2-capable device can operate in the same VTP domain as a device running VTP version 1 if version 2 is disabled on the version 2-capable device (version 2 is disabled by default).



- If a device running VTP version 1, but capable of running VTP version 2, receives VTP version 3 advertisements, it automatically moves to VTP version 2.
- If a device running VTP version 3 is connected to a device running VTP version 1, the VTP version 1 device moves to VTP version 2, and the VTP version 3 device sends scaled-down versions of the VTP packets so that the VTP version 2 device can update its database.
- A device running VTP version 3 cannot move to version 1 or 2 if it has extended VLANs.
- Do not enable VTP version 2 on a device unless all of the devices in the same VTP domain are version-2-capable. When you enable version 2 on a device, all of the version-2-capable devices in the domain enable version 2. If there is a version 1-only device, it does not exchange VTP information with device that have version 2 enabled.
- Cisco recommends placing VTP version 1 and 2 device at the edge of the network because they do not forward VTP version 3 advertisements.
- If there are TrBRF and TrCRF Token Ring networks in your environment, you must enable VTP version 2 or version 3 for Token Ring VLAN switching to function properly. To run Token Ring and Token Ring-Net, disable VTP version 2.
- For VTP version 1 and version 2, the device must be in VTP transparent mode when you create extended-range VLANs. VTP version 3 also supports creating extended-range VLANs in client or server mode.
- When a VTP version 3 device trunk port receives messages from a VTP version 2 device, it sends a scaled-down version of the VLAN database on that particular trunk in VTP version 2 format. A VTP version 3 device does not send VTP version 2-formatted packets on a trunk unless it first receives VTP version 2 packets on that trunk port.
- When a VTP version 3 device detects a VTP version 2 device on a trunk port, it continues to send VTP version 3 packets, in addition to VTP version 2 packets, to allow both kinds of neighbors to coexist on the same trunk.
- A VTP version 3 device does not accept configuration information from a VTP version 2 or version 1 device.
- Two VTP version 3 regions can only communicate in transparent mode over a VTP version 1 or version 2 region.
- Devices that are only VTP version 1 capable cannot interoperate with VTP version 3 devices.

## How to Configure VTP

The following sections provide information about Configuring VTP:

### Configuring VTP Mode

You can configure VTP mode as one of these:

- VTP server mode—In VTP server mode, you can change the VLAN configuration and have it propagated throughout the network.

- VTP client mode—In VTP client mode, you cannot change its VLAN configuration. The client device receives VTP updates from a VTP server in the VTP domain and then modifies its configuration accordingly.
- VTP transparent mode—In VTP transparent mode, VTP is disabled on the device. The device does not send VTP updates and does not act on VTP updates received from other devices. However, a VTP transparent device running VTP version 2 does forward received VTP advertisements on its trunk links.
- VTP off mode—VTP off mode is the same as VTP transparent mode except that VTP advertisements are not forwarded.

When you configure a domain name, it cannot be removed; you can only reassign a device to a different domain.

### Procedure

	Command or Action	Purpose
<b>Step 1</b>	<b>enable</b> <b>Example:</b> <pre>Device&gt; enable</pre>	Enables privileged EXEC mode. Enter your password if prompted.
<b>Step 2</b>	<b>configure terminal</b> <b>Example:</b> <pre>Device# configure terminal</pre>	Enters global configuration mode.
<b>Step 3</b>	<b>vtp domain <i>domain-name</i></b> <b>Example:</b> <pre>Device(config)# vtp domain eng_group</pre>	Configures the VTP administrative-domain name. The name can be 1 to 32 characters. All devices operating in VTP server or client mode under the same administrative responsibility must be configured with the same domain name. This command is optional for modes other than server mode. VTP server mode requires a domain name. If the device has a trunk connection to a VTP domain, the device learns the domain name from the VTP server in the domain. You should configure the VTP domain before configuring other VTP parameters.
<b>Step 4</b>	<b>vtp mode {client   server   transparent   off} {vlan   mst   unknown}</b> <b>Example:</b> <pre>Device(config)# vtp mode server</pre>	Configures the device for VTP mode (client, server, transparent, or off). <ul style="list-style-type: none"> <li>• <b>vlan</b>—The VLAN database is the default if none are configured.</li> <li>• <b>mst</b>—The multiple spanning tree (MST) database.</li> </ul>

	Command or Action	Purpose
		<ul style="list-style-type: none"> <li>• <b>unknown</b>—An unknown database type.</li> </ul>
<b>Step 5</b>	<b>vtp password</b> <i>password</i> <b>Example:</b> Device(config) # <b>vtp password mypassword</b>	(Optional) Sets the password for the VTP domain. The password can be 8 to 64 characters. If you configure a VTP password, the VTP domain does not function properly if you do not assign the same password to each device in the domain.
<b>Step 6</b>	<b>end</b> <b>Example:</b> Device(config) # <b>end</b>	Returns to privileged EXEC mode.
<b>Step 7</b>	<b>show vtp status</b> <b>Example:</b> Device# <b>show vtp status</b>	Verifies your entries in the <i>VTP Operating Mode</i> and the <i>VTP Domain Name</i> fields of the display.
<b>Step 8</b>	<b>copy running-config startup-config</b> <b>Example:</b> Device# <b>copy running-config startup-config</b>	(Optional) Saves the configuration in the startup configuration file.  Only VTP mode and domain name are saved in the device running configuration and can be copied to the startup configuration file.

## Configuring a VTP Version 3 Password

You can configure a VTP version 3 password on the device.

### Procedure

	Command or Action	Purpose
<b>Step 1</b>	<b>enable</b> <b>Example:</b> Device> <b>enable</b>	Enables privileged EXEC mode.  Enter your password if prompted.
<b>Step 2</b>	<b>configure terminal</b> <b>Example:</b> Device# <b>configure terminal</b>	Enters global configuration mode.

	Command or Action	Purpose
<b>Step 3</b>	<b>vtp version 3</b> <b>Example:</b> <pre>Device(config)# vtp version 3</pre>	Enables VTP version 3 on the device. The default is VTP version 1.
<b>Step 4</b>	<b>vtp password <i>password</i> [hidden   secret]</b> <b>Example:</b> <pre>Device(config)# vtp password mypassword hidden</pre>	(Optional) Sets the password for the VTP domain. The password can be 8 to 64 characters. <ul style="list-style-type: none"> <li>• (Optional) <b>hidden</b>: Saves the secret key generated from the password string in the <code>nvrn:vlan.dat</code> file. If you configure a takeover by configuring a VTP primary server, you are prompted to reenter the password.</li> <li>• (Optional) <b>secret</b>: Directly configures the password. The secret password must contain 32 hexadecimal characters.</li> </ul> <p><b>Note</b> We recommend that you use the <b>secret</b> or <b>hidden</b> option to configure the password so that the password is not displayed in clear text.</p>
<b>Step 5</b>	<b>end</b> <b>Example:</b> <pre>Device(config)# end</pre>	Returns to privileged EXEC mode.
<b>Step 6</b>	<b>show vtp password</b> <b>Example:</b> <pre>Device# show vtp password</pre>	Verifies your entries.
<b>Step 7</b>	<b>copy running-config startup-config</b> <b>Example:</b> <pre>Device# copy running-config startup-config</pre>	(Optional) Saves your entries in the configuration file.

## Configuring a VTP Version 3 Primary Server

When you configure a VTP server as a VTP primary server, the takeover operation starts.

## Procedure

	Command or Action	Purpose
<b>Step 1</b>	<b>vtp version 3</b> <b>Example:</b> Device(config)# <b>vtp version 3</b>	Enables VTP version 3 on the device. The default is VTP version 1.
<b>Step 2</b>	<b>vtp primary [vlan   mst] [force]</b> <b>Example:</b> Device# <b>vtp primary vlan force</b>	Changes the operational state of a device from a secondary server (the default) to a primary server and advertises the configuration to the domain. If the device password is configured as <b>hidden</b> , you are prompted to reenter the password. <ul style="list-style-type: none"> <li>• (Optional) <b>vlan</b>—Selects the VLAN database as the takeover feature. This is the default.</li> <li>• (Optional) <b>mst</b>—Selects the multiple spanning tree (MST) database as the takeover feature.</li> <li>• (Optional) <b>force</b>—Overwrites the configuration of any conflicting servers. If you do not enter <b>force</b>, you are prompted for confirmation before the takeover.</li> </ul>

## Enabling the VTP Version

VTP version 2 and version 3 are disabled by default.

- When you enable VTP version 2 on a device, every VTP version 2-capable device in the VTP domain enables version 2. To enable VTP version 3, you must manually configure it on each device.
- With VTP versions 1 and 2, you can configure the version only on devices in VTP server or transparent mode. If a device is running VTP version 3, you can change to version 2 when the device is in client mode if no extended VLANs exist, no private VLANs exist, and no hidden password was configured.



**Caution** VTP version 1 and VTP version 2 are not interoperable on devices in the same VTP domain. Do not enable VTP version 2 unless every device in the VTP domain supports version 2.

- In TrCRF and TrBRF Token Ring environments, you must enable VTP version 2 or VTP version 3 for Token Ring VLAN switching to function properly. For Token Ring and Token Ring-Net media, disable VTP version 2.



**Caution** In VTP version 3, both the primary and secondary servers can exist on an instance in the domain.

### Procedure

	Command or Action	Purpose
<b>Step 1</b>	<b>enable</b> <b>Example:</b> Device> <b>enable</b>	Enables privileged EXEC mode. Enter your password if prompted.
<b>Step 2</b>	<b>configure terminal</b> <b>Example:</b> Device# <b>configure terminal</b>	Enters global configuration mode.
<b>Step 3</b>	<b>vtp version {1   2   3}</b> <b>Example:</b> Device(config)# <b>vtp version 2</b>	Enables the VTP version on the device. The default is VTP version 1.
<b>Step 4</b>	<b>end</b> <b>Example:</b> Device(config)# <b>end</b>	Returns to privileged EXEC mode.
<b>Step 5</b>	<b>end</b> <b>Example:</b> Device(config)# <b>end</b>	Returns to privileged EXEC mode.
<b>Step 6</b>	<b>show vtp status</b> <b>Example:</b> Device# <b>show vtp status</b>	Verifies that the configured VTP version is enabled.
<b>Step 7</b>	<b>copy running-config startup-config</b> <b>Example:</b> Device# <b>copy running-config</b>	(Optional) Saves your entries in the configuration file.

	Command or Action	Purpose
	<code>startup-config</code>	

## Enabling VTP Pruning

### Before you begin

VTP pruning is not designed to function in VTP transparent mode. If one or more devices in the network are in VTP transparent mode, you should do one of these actions:

- Turn off VTP pruning in the entire network.
- Turn off VTP pruning by making all VLANs on the trunk of the device upstream to the VTP transparent device pruning ineligible.

To configure VTP pruning on an interface, use the **switchport trunk pruning vlan** interface configuration command. VTP pruning operates when an interface is trunking. You can set VLAN pruning-eligibility, whether or not VTP pruning is enabled for the VTP domain, whether or not any given VLAN exists, and whether or not the interface is currently trunking.

### Procedure

	Command or Action	Purpose
<b>Step 1</b>	<b>enable</b> <b>Example:</b> <pre>Device&gt; enable</pre>	Enables privileged EXEC mode. Enter your password if prompted.
<b>Step 2</b>	<b>configure terminal</b> <b>Example:</b> <pre>Device# configure terminal</pre>	Enters global configuration mode.
<b>Step 3</b>	<b>vtp pruning</b> <b>Example:</b> <pre>Device(config)# vtp pruning</pre>	Enables pruning in the VTP administrative domain. By default, pruning is disabled. You need to enable pruning on only one device in VTP server mode.
<b>Step 4</b>	<b>end</b> <b>Example:</b> <pre>Device(config)# end</pre>	Returns to privileged EXEC mode.

	Command or Action	Purpose
<b>Step 5</b>	<b>show vtp status</b> <b>Example:</b> Device# <code>show vtp status</code>	Verifies your entries in the <i>VTP Pruning Mode</i> field of the display.

## Configuring VTP on a Per-Port Basis

With VTP version 3, you can enable or disable VTP on a per-port basis. You can enable VTP only on ports that are in trunk mode. Incoming and outgoing VTP traffic are blocked, not forwarded.

### Procedure

	Command or Action	Purpose
<b>Step 1</b>	<b>enable</b> <b>Example:</b> Device> <code>enable</code>	Enables privileged EXEC mode. Enter your password if prompted.
<b>Step 2</b>	<b>configure terminal</b> <b>Example:</b> Device# <code>configure terminal</code>	Enters global configuration mode.
<b>Step 3</b>	<b>interface <i>interface-id</i></b> <b>Example:</b> Device(config)# <code>interface gigabitethernet0/1</code>	Identifies an interface, and enters interface configuration mode.
<b>Step 4</b>	<b>vtp</b> <b>Example:</b> Device(config-if)# <code>vtp</code>	Enables VTP on the specified port.
<b>Step 5</b>	<b>end</b> <b>Example:</b> Device(config)# <code>end</code>	Returns to privileged EXEC mode.
<b>Step 6</b>	<b>show running-config interface <i>interface-id</i></b> <b>Example:</b>	Verifies the change to the port.



	Command or Action	Purpose
	Device# <code>show running-config interface gigabitethernet 1/0/1</code>	
<b>Step 7</b>	<b>show vtp status</b> <b>Example:</b> Device# <code>show vtp status</code>	Verifies the configuration.

## Adding a VTP Client to a VTP Domain

Follow these steps to verify and reset the VTP configuration revision number on a device *before* adding it to a VTP domain.

### Before you begin

Before adding a VTP client to a VTP domain, always verify that its VTP configuration revision number is *lower* than the configuration revision number of the other devices in the VTP domain. Devices in a VTP domain always use the VLAN configuration of the device with the highest VTP configuration revision number. With VTP versions 1 and 2, adding a device that has a revision number higher than the revision number in the VTP domain can erase all VLAN information from the VTP server and VTP domain. With VTP version 3, the VLAN information is not erased.

You can use the **vtp mode transparent** global configuration command to disable VTP on the device and then to change its VLAN information without affecting the other devices in the VTP domain.

### Procedure

	Command or Action	Purpose
<b>Step 1</b>	<b>enable</b> <b>Example:</b> Device> <code>enable</code>	Enables privileged EXEC mode. Enter your password if prompted.
<b>Step 2</b>	<b>show vtp status</b> <b>Example:</b> Device# <code>show vtp status</code>	Checks the VTP configuration revision number. If the number is 0, add the device to the VTP domain. If the number is greater than 0, follow these substeps: <ul style="list-style-type: none"> <li>• Write down the domain name.</li> <li>• Write down the configuration revision number.</li> </ul>

	Command or Action	Purpose
		<ul style="list-style-type: none"> <li>• Continue with the next steps to reset the device configuration revision number.</li> </ul>
<b>Step 3</b>	<b>configure terminal</b> <b>Example:</b> Device# <code>configure terminal</code>	Enters global configuration mode.
<b>Step 4</b>	<b>vtp domain <i>domain-name</i></b> <b>Example:</b> Device (config)# <code>vtp domain domain123</code>	Changes the domain name from the original one displayed in Step 1 to a new name.
<b>Step 5</b>	<b>end</b> <b>Example:</b> Device (config)# <code>end</code>	Returns to privileged EXEC mode. The VLAN information on the device is updated and the configuration revision number is reset to 0.
<b>Step 6</b>	<b>show vtp status</b> <b>Example:</b> Device# <code>show vtp status</code>	Verifies that the configuration revision number has been reset to 0.
<b>Step 7</b>	<b>configure terminal</b> <b>Example:</b> Device# <code>configure terminal</code>	Enters global configuration mode.
<b>Step 8</b>	<b>vtp domain <i>domain-name</i></b> <b>Example:</b> Device (config)# <code>vtp domain domain012</code>	Enters the original domain name on the device.
<b>Step 9</b>	<b>end</b> <b>Example:</b> Device (config)# <code>end</code>	Returns to privileged EXEC mode. The VLAN information on the device is updated.

	Command or Action	Purpose
<b>Step 10</b>	<b>show vtp status</b> <b>Example:</b> Device# <code>show vtp status</code>	(Optional) Verifies that the domain name is the same as in Step 1 and that the configuration revision number is 0.

## Monitoring VTP

This section describes commands used to display and monitor the VTP configuration.

You monitor VTP by displaying VTP configuration information: the domain name, the current VTP revision, and the number of VLANs. You can also display statistics about the advertisements sent and received by the device.

*Table 2: VTP Monitoring Commands*

Command	Purpose
<code>show vtp counters</code>	Displays counters about VTP messages.
<code>show vtp devices [conflict]</code>	Displays information about all VTP version 3 devices with conflicting primary servers. Do not display information when the device is not a primary server.
<code>show vtp interface [interface-id]</code>	Displays VTP status and configuration for the specified interface.
<code>show vtp password</code>	Displays whether the VTP password is configured.
<code>show vtp status</code>	Displays the VTP device configuration.

## Configuration Examples for VTP

The following section shows a VTP configuration example:

### Example: Configuring a Device as the Primary Server

This example shows how to configure a device as the primary server for the VLAN database (the default) when a hidden or secret password was configured:

```

Device# vtp primary vlan
Enter VTP password: mypassword
This switch is becoming Primary server for vlan feature in the VTP domain

VTP Database Conf Switch ID      Primary Server Revision System Name
-----
VLANDB          Yes  00d0.00b8.1400=00d0.00b8.1400 1          stp7

```

Do you want to continue (y/n) [n]? **y**

## Where to Go Next

After configuring VTP, you can configure the following:

- VLANs
- VLAN trunking
- Voice VLANs
- Private VLANs

## Additional References

### Related Documents

Related Topic	Document Title
For complete syntax and usage information for the commands used in this chapter.	<i>Command Reference (Catalyst 9300 Series Switches)</i>

### Standards and RFCs

Standard/RFC	Title
RFC 1573	Evolution of the Interfaces Group of MIB-II
RFC 1757	Remote Network Monitoring Management
RFC 2021	SNMPv2 Management Information Base for the Transmission Control Protocol using SMIPv2

## Feature History for VTP

This table provides release and related information for features explained in this module.

These features are available on all releases subsequent to the one they were introduced in, unless noted otherwise.

Release	Feature	Feature Information
Cisco IOS XE Everest 16.5.1a	VLAN Trunking Protocol (VTP)	VTP is a Layer 2 messaging protocol that maintains VLAN configuration consistency by managing the addition, deletion, and renaming of VLANs on a network-wide basis. VTP minimizes misconfigurations and configuration inconsistencies that can cause several problems, such as duplicate VLAN names, incorrect VLAN-type specifications, and security violations.
Cisco IOS XE Gibraltar 16.12.4	VTP <b>show vtp password</b> command output modification	The <b>show vtp password</b> command output now displays whether the password is or is not configured.
Cisco IOS XE Cupertino 17.7.1	VLAN Trunking Protocol (VTP)  <b>show vtp password</b> command output modification	This feature was implemented on supervisor modules C9400X-SUP-2 and C9400X-SUP-2XL, which were introduced in this release.

Use Cisco Feature Navigator to find information about platform and software image support. To access Cisco Feature Navigator, go to <http://www.cisco.com/go/cfn>.

