



# Configuring Optional Spanning-Tree Features

---

- [Information About Optional Spanning-Tree Features, on page 1](#)
- [How to Configure Optional Spanning-Tree Features, on page 16](#)
- [Monitoring the Spanning-Tree Status, on page 31](#)
- [Additional References for Optional Spanning Tree Features, on page 31](#)
- [Feature History for Optional Spanning Tree Features, on page 31](#)

## Information About Optional Spanning-Tree Features

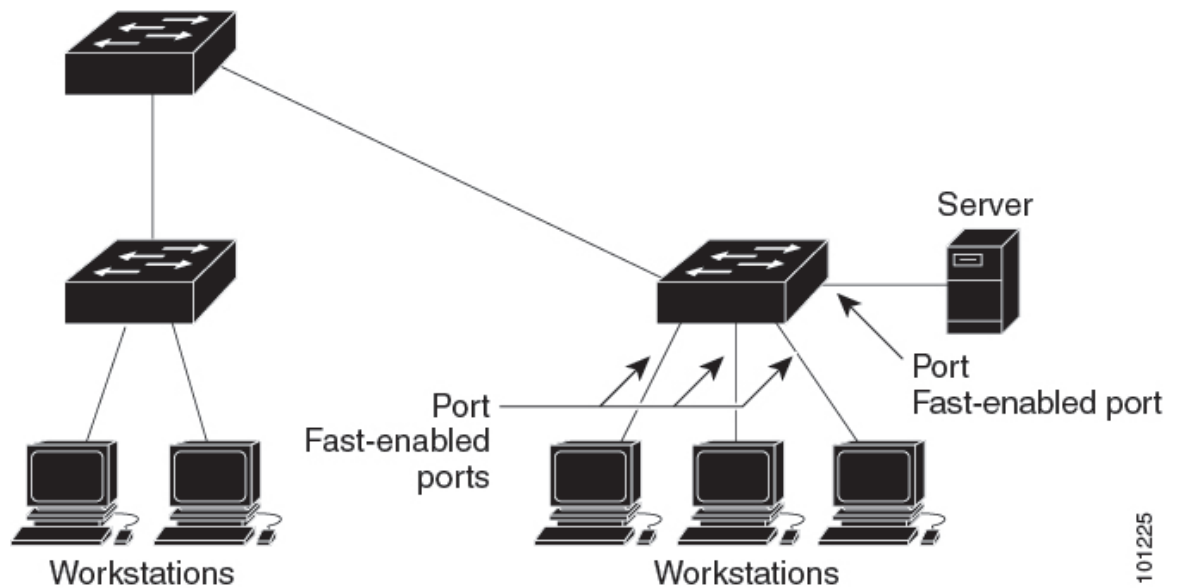
The following sections provide information about Optional Spanning-Tree features:

### PortFast

PortFast immediately brings an interface that is configured as an access or trunk port to the forwarding state from a blocking state, bypassing the listening and learning states.

***Figure 1: PortFast-Enabled Interfaces***

You can use PortFast on interfaces that are connected to a single workstation or server to allow those devices to immediately connect to the network, rather than waiting for the spanning tree to converge.



Interfaces connected to a single workstation or server should not receive bridge protocol data units (BPDUs). An interface with PortFast enabled goes through the normal cycle of spanning-tree status changes when the switch is restarted.

You can enable this feature by enabling it on either the interface or on all nontrunking ports.

## Spanning Tree Protocol PortFast Port Types

You can configure a spanning tree port (STP) as an edge port, a network port, or a normal port. A port can be in only one of these states at a given time. The default spanning tree port type is normal. You can configure the port type either globally or per interface.

Depending on the type of device to which the interface is connected, you can configure a spanning tree port as one of these port types:

- A PortFast edge port: It is connected to a Layer 2 host. This can be either an access port or an edge trunk port (**portfast edge trunk**). This type of port interface immediately transitions to the forwarding state, bypassing the listening and learning states. Use PortFast edge on Layer 2 access ports that are connected to a single workstation or server to allow those devices to connect to the network immediately, rather than waiting for spanning tree to converge.

Even if the interface receives a bridge protocol data unit (BPDU), spanning tree does not place the port into the blocking state. Spanning tree sets the operating state of the port to nonport fast even if the configured state remains port fast edge and starts participating in the topology change.




---

**Note** If you configure a port that is connected to a Layer 2 switch or bridge as an edge port, you might create a bridging loop.

---

- A PortFast network port: It is connected only to a Layer 2 switch or bridge.

Bridge Assurance is enabled only on PortFast network ports. For more information, see [#unique\\_100](#).



---

**Note** If you configure a port that is connected to a Layer 2 host as a spanning tree network port, the port automatically moves into the blocking state.

---

- A PortFast normal port: It is the default type of spanning tree port.



---

**Note** If you enter the **spanning-tree portfast trunk** command in the global or interface configuration mode, the system automatically saves it as **spanning-tree portfast edge trunk**.

---

## Bridge Protocol Data Unit Guard

The Bridge Protocol Data Unit (BPDU) guard feature can be globally enabled on the switch or can be enabled per port, but the feature operates with some differences.

When you enable BPDU guard at the global level on PortFast edge-enabled ports, spanning tree shuts down ports that are in a PortFast edge-operational state if any BPDU is received on them. In a valid configuration, PortFast edge-enabled ports do not receive BPDUs. Receiving a BPDU on a PortFast edge-enabled port means an invalid configuration, such as the connection of an unauthorized device, and the BPDU guard feature puts the port in the error-disabled state. When this happens, the switch shuts down the entire port on which the violation occurred.

When you enable BPDU guard at the interface level on any port without also enabling the PortFast edge feature, and the port receives a BPDU, it is put in the error-disabled state.

The BPDU guard feature provides a secure response to invalid configurations because you must manually put the interface back in service. Use the BPDU guard feature in a service-provider network to prevent an access port from participating in the spanning tree.

## Bridge Protocol Data Unit Filtering

The BPDU filtering feature can be globally enabled on the switch or can be enabled per interface, but the feature operates with some differences.

Enabling BPDU filtering on PortFast edge-enabled interfaces at the global level keeps those interfaces that are in a PortFast edge-operational state from sending or receiving BPDUs. The interfaces still send a few BPDUs at link-up before the switch begins to filter outbound BPDUs. You should globally enable BPDU filtering on a switch so that hosts that are connected to these interfaces do not receive BPDUs. If a BPDU is received on a PortFast edge-enabled interface, the interface loses its PortFast edge-operational status, and BPDU filtering is disabled.

Enabling BPDU filtering on an interface without also enabling the PortFast edge feature keeps the interface from sending or receiving BPDUs.



---

**Caution** Enabling BPDU filtering on an interface is the same as disabling spanning tree on it and can result in spanning-tree loops.

---

You can enable the BPDU filtering feature for the entire switch or for an interface.

## Bridge Assurance

You can use Bridge Assurance to help prevent looping conditions that are caused by unidirectional links (one-way traffic on a link or port), or a malfunction in a neighboring switch. Here, a malfunction refers to a switch that is not able to run STP any more, while still forwarding traffic (a brain dead switch).

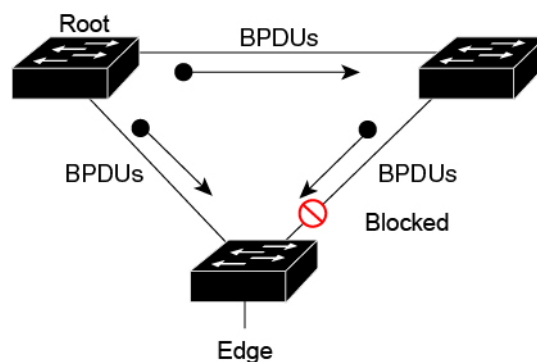
BPDUs are sent out on all operational network ports, including alternate and backup ports, for each hello time period. Bridge Assurance monitors the receipt of BPDUs on point-to-point links on all network ports. When a port does not receive BPDUs within the allotted hello time period, the port is put into a blocked state (the same as a port inconsistent state, which stops forwarding of frames). When the port resumes receipt of BPDUs, the port resumes normal spanning tree operations.



**Note** Only Rapid PVST+ and MST spanning tree protocols support Bridge Assurance. PVST+ does not support Bridge Assurance.

The following example shows how Bridge Assurance protects your network from bridging loops. Here, [Figure 2: Network with Normal STP Topology](#), on page 4 shows a normal STP topology, and [Figure 3: Network Loop Due to a Malfunctioning Switch](#), on page 5 demonstrates a potential network problem when the device fails (brain dead) and Bridge Assurance is not enabled on the network.

**Figure 2: Network with Normal STP Topology**



**Figure 3: Network Loop Due to a Malfunctioning Switch**

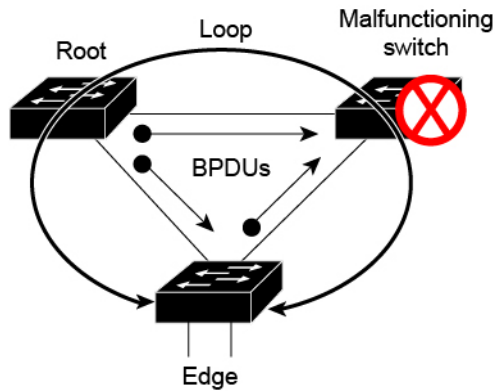


Figure 4: Network with STP Topology Running Bridge Assurance , on page 5 shows that the network with Bridge Assurance enabled, and the STP topology progressing normally with bidirectional BDPUs issuing from every STP network port. Figure 5: Network Problem Averted with Bridge Assurance Enabled, on page 6 shows how the potential network problem shown in Figure 3: Network Loop Due to a Malfunctioning Switch , on page 5 does not occur when you have Bridge Assurance enabled on your network.

**Figure 4: Network with STP Topology Running Bridge Assurance**

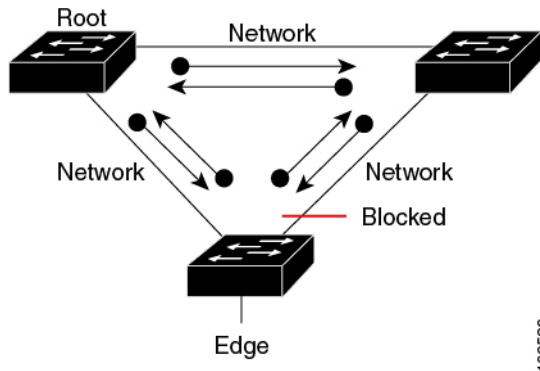
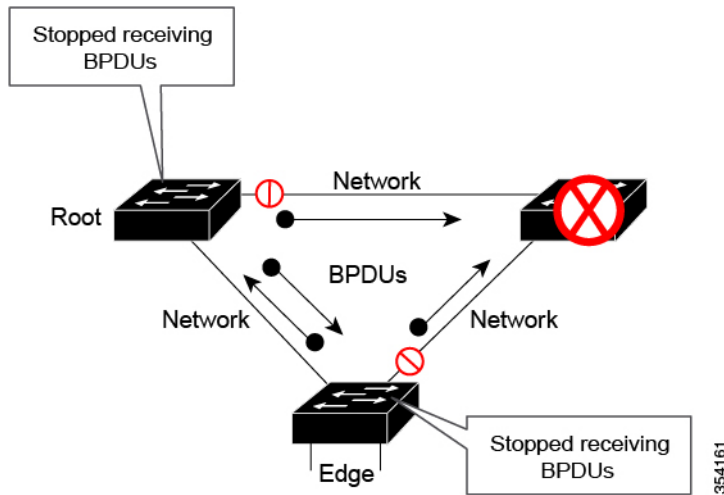


Figure 5: Network Problem Averted with Bridge Assurance Enabled



The system generates syslog messages when a port is blocked or unblocked. The following sample outputs show the log that is generated for each of these states:

Blocked port:

```
Sep 17 09:48:16.249 PDT: %SPANTREE-2-BRIDGE_ASSURANCE_BLOCK: Bridge Assurance blocking port GigabitEthernet5/8 on VLAN0200. (stack-dut-R4-4)
```

Unblocked Port:

```
Sep 17 09:48:58.426 PDT: %SPANTREE-2-BRIDGE_ASSURANCE_UNBLOCK: Bridge Assurance unblocking port GigabitEthernet5/8 on VLAN0200. (stack-dut-R4-4)
```

## Guidelines for Configuring Bridge Assurance

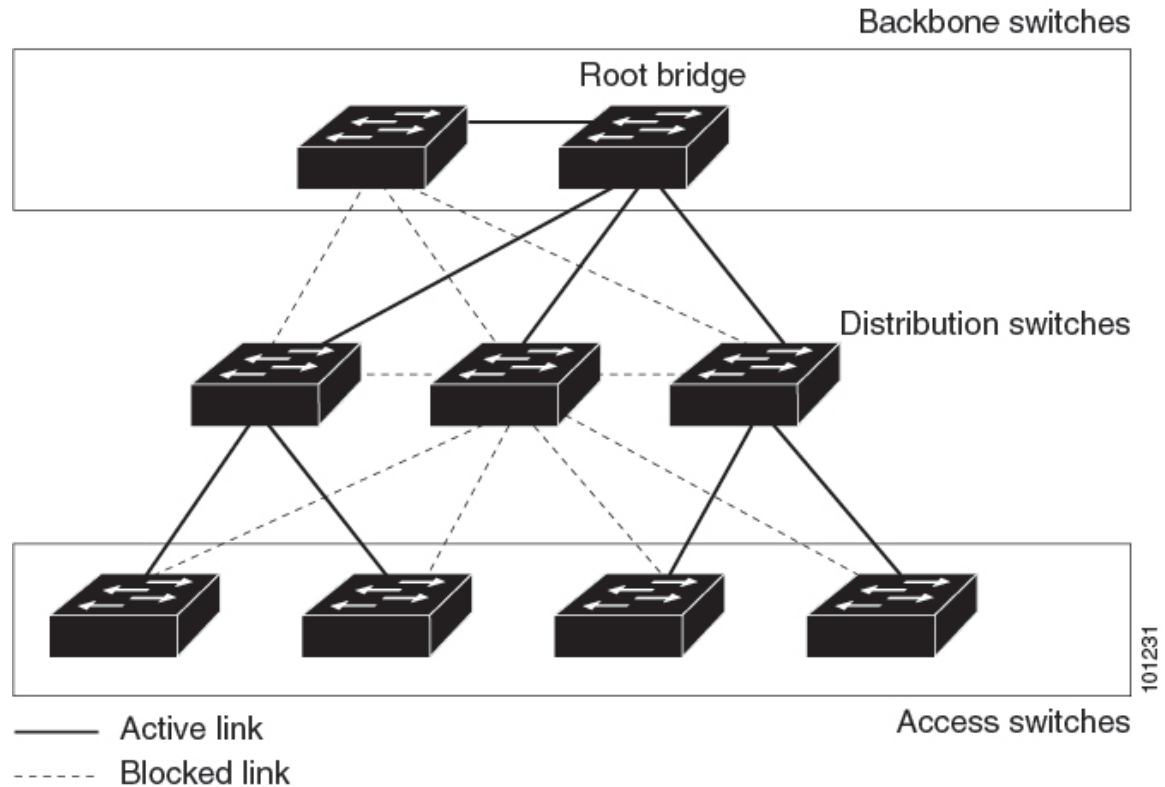
Observe these guidelines when configuring Bridge Assurance:

- Bridge Assurance can be enabled or disabled globally.
- Bridge Assurance applies to all operational network ports, including alternate and backup ports.
- Only Rapid PVST+ and MST spanning tree protocols support Bridge Assurance. PVST+ does not support Bridge Assurance.
- For Bridge Assurance to work properly, it must be supported and configured on both ends of a point-to-point link. If the device on one side of the link has Bridge Assurance enabled and the device on the other side does not, then the connecting port is blocked (a Bridge Assurance inconsistent state). We recommend that you enable Bridge Assurance throughout your network.
- To enable Bridge Assurance on a port, BPDU filtering and BPDU Guard must be disabled.
- You can enable Bridge Assurance along with Loop Guard.
- You can enable Bridge Assurance along with Root Guard. The latter is designed to provide a way to enforce the root bridge placement in the network.

# UplinkFast

**Figure 6: Switches in a Hierarchical Network**

Switches in hierarchical networks can be grouped into backbone switches, distribution switches, and access switches. This complex network has distribution switches and access switches that each have at least one redundant link that spanning tree blocks to prevent loops.



If a switch loses connectivity, it begins using the alternate paths when the spanning tree selects a new root port. You can accelerate the choice of a new root port when a link or switch fails or when the spanning tree reconfigures itself by enabling UplinkFast. The root port transitions to the forwarding state immediately without going through the listening and learning states, as it would with the normal spanning-tree procedures.

When the spanning tree reconfigures the new root port, other interfaces flood the network with multicast packets, one for each address that was learned on the interface. You can limit these bursts of multicast traffic by reducing the max-update-rate parameter (the default for this parameter is 150 packets per second). However, if you enter zero, station-learning frames are not generated, so the spanning-tree topology converges more slowly after a loss of connectivity.



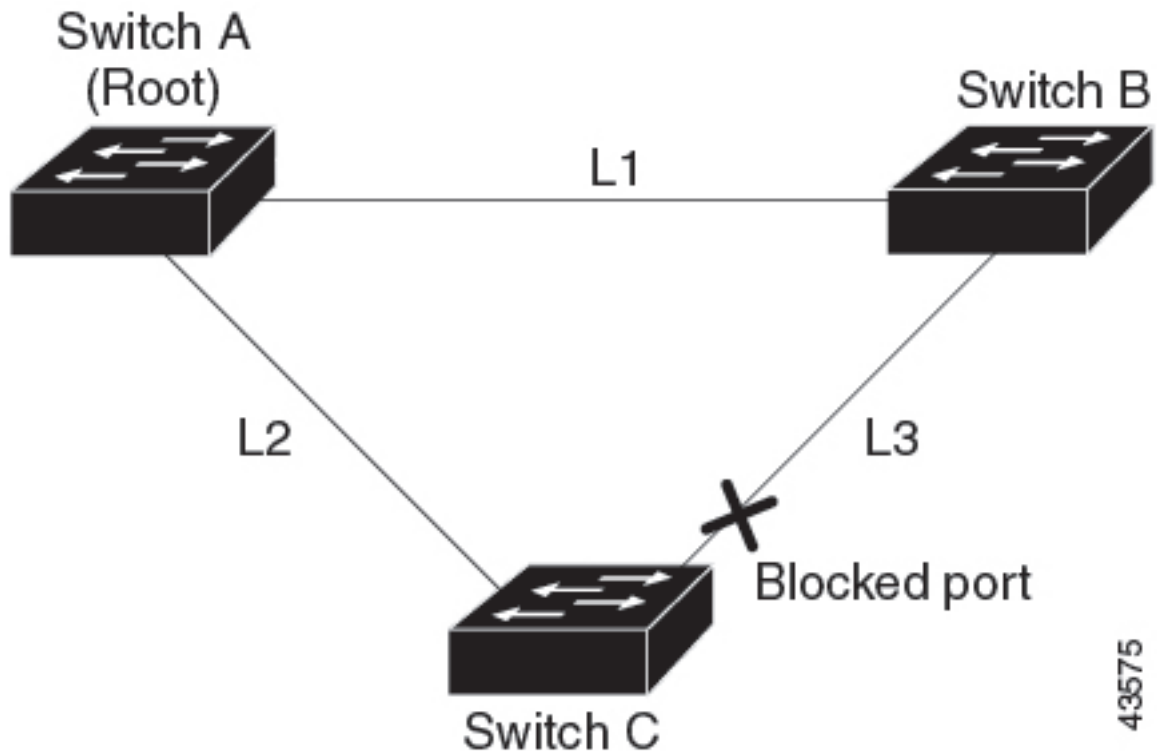
**Note** UplinkFast is most useful in wiring-closet switches at the access or edge of the network. It is not appropriate for backbone devices. This feature might not be useful for other types of applications.

UplinkFast provides fast convergence after a direct link failure and achieves load-balancing between redundant Layer 2 links using uplink groups. An uplink group is a set of Layer 2 interfaces (per VLAN), only one of which is forwarding at any given time. Specifically, an uplink group consists of the root port (which is

forwarding) and a set of blocked ports, except for self-looping ports. The uplink group provides an alternate path in case the currently forwarding link fails.

**Figure 7: UplinkFast Example Before Direct Link Failure**

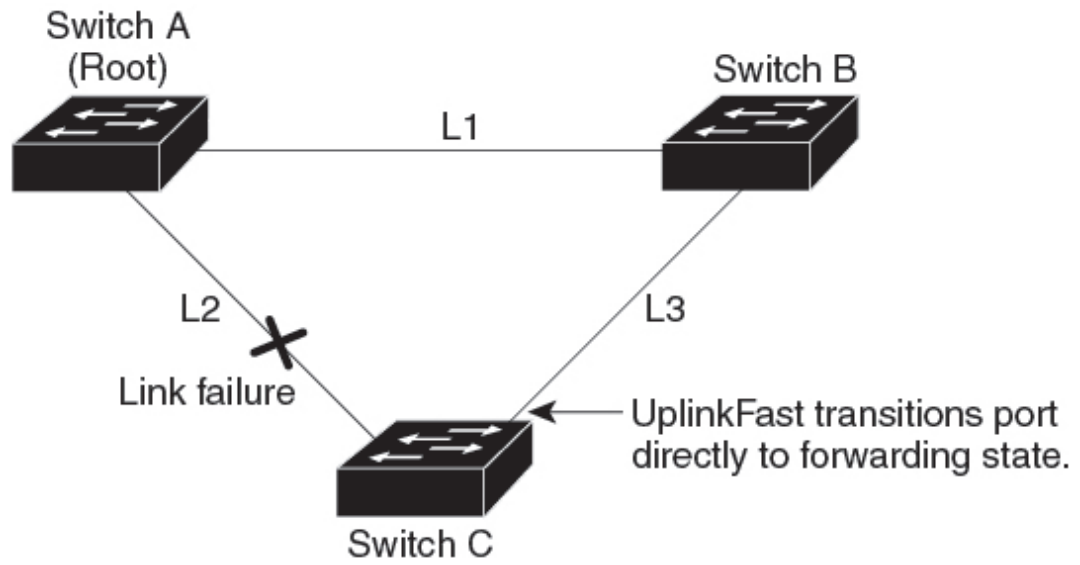
This topology has no link failures. Switch A, the root switch, is connected directly to Switch B over link L1 and to Switch C over link L2. The Layer 2 interface on Switch C that is connected directly to Switch B is in a blocking state.



**Figure 8: UplinkFast Example After Direct Link Failure**

If Switch C detects a link failure on the currently active link L2 on the root port (a direct link failure), UplinkFast unblocks the blocked interface on Switch C and transitions it to the forwarding state without going through the listening and learning states. This change takes approximately 1 to 5 seconds.





43576

## Cross-Stack UplinkFast

Cross-Stack UplinkFast (CSUF) provides a fast spanning-tree transition (fast convergence in less than 1 second under normal network conditions) across a switch stack. During the fast transition, an alternate redundant link on the switch stack is placed in the forwarding state without causing temporary spanning-tree loops or loss of connectivity to the backbone. With this feature, you can have a redundant and resilient network in some configurations. CSUF is automatically enabled when you enable the UplinkFast feature.

CSUF might not provide a fast transition all the time; in these cases, the normal spanning-tree transition occurs, completing in 30 to 40 seconds. For more information, see [Related Topics](#).

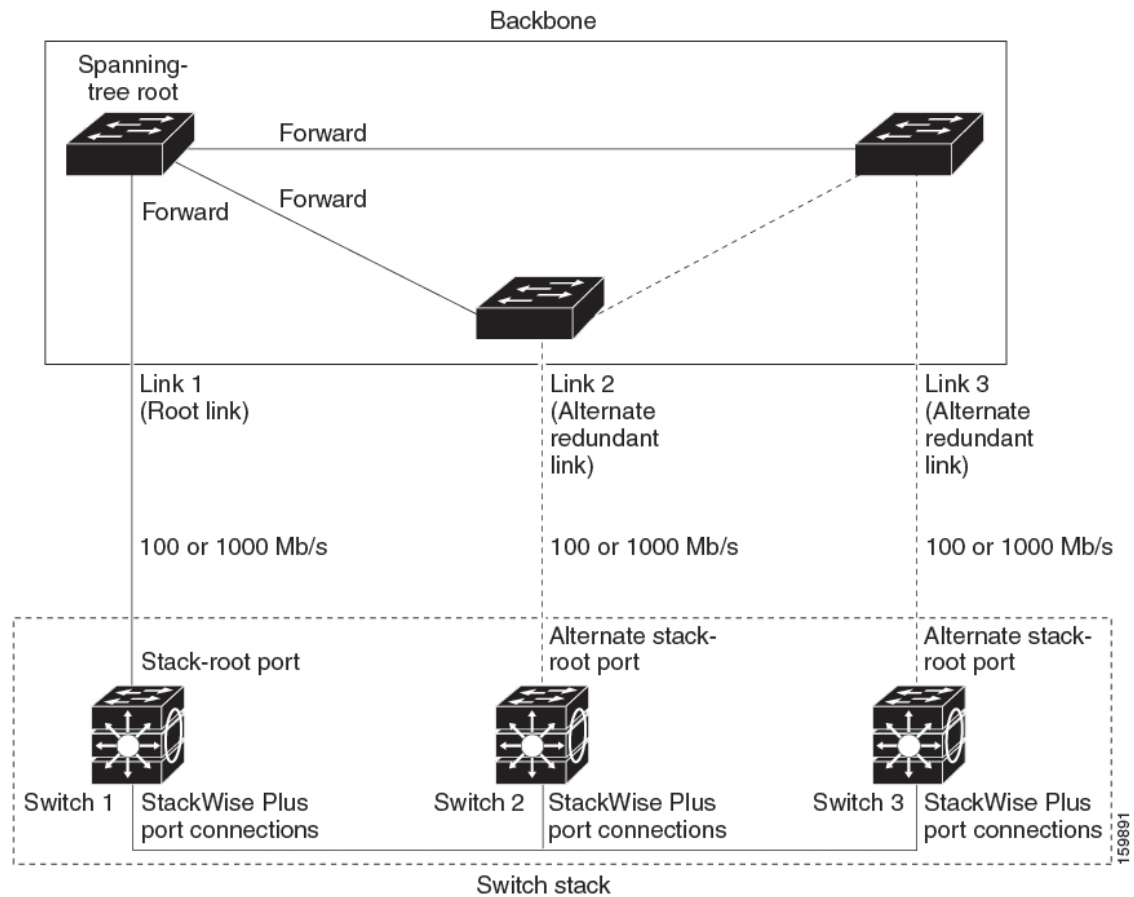
### How Cross-Stack UplinkFast Works

Cross-Stack UplinkFast (CSUF) ensures that one link in the stack is elected as the path to the root.

**Figure 9: Cross-Stack UplinkFast Topology**

The stack-root port on Switch 1 provides the path to the root of the spanning tree. The alternate stack-root ports on Switches 2 and 3 can provide an alternate path to the spanning-tree root if the current stack-root switch fails or if its link to the spanning-tree root fails.

Link 1, the root link, is in the spanning-tree forwarding state. Links 2 and 3 are alternate redundant links that are in the spanning-tree blocking state. If Switch 1 fails, if its stack-root port fails, or if Link 1 fails, CSUF selects either the alternate stack-root port on Switch 2 or Switch 3 and puts it into the forwarding state in less than 1 second.



When certain link loss or spanning-tree events occur (described in the following topic), the Fast Uplink Transition Protocol uses the neighbor list to send fast-transition requests to stack members.

The switch sending the fast-transition request needs to do a fast transition to the forwarding state of a port that it has chosen as the root port, and it must obtain an acknowledgment from each stack switch before performing the fast transition.

Each switch in the stack decides if the sending switch is a better choice than itself to be the stack root of this spanning-tree instance by comparing the root, cost, and bridge ID. If the sending switch is the best choice as the stack root, each switch in the stack returns an acknowledgment; otherwise, it sends a fast-transition request. The sending switch then has not received acknowledgments from all stack switches.

When acknowledgments are received from all stack switches, the Fast Uplink Transition Protocol on the sending switch immediately transitions its alternate stack-root port to the forwarding state. If acknowledgments from all stack switches are not obtained by the sending switch, the normal spanning-tree transitions (blocking, listening, learning, and forwarding) take place, and the spanning-tree topology converges at its normal rate ( $2 * \text{forward-delay time} + \text{max-age time}$ ).

The Fast Uplink Transition Protocol is implemented on a per-VLAN basis and affects only one spanning-tree instance at a time.

## Events That Cause Fast Convergence

Depending on the network event or failure, the CSUF fast convergence might or might not occur.

Fast convergence (less than 1 second under normal network conditions) occurs under these circumstances:

- The stack-root port link fails.

If two switches in the stack have alternate paths to the root, only one of the switches performs the fast transition.

- The failed link, which connects the stack root to the spanning-tree root, recovers.
- A network reconfiguration causes a new stack-root switch to be selected.
- A network reconfiguration causes a new port on the current stack-root switch to be chosen as the stack-root port.



---

**Note** The fast transition might not occur if multiple events occur simultaneously. For example, if a stack member is powered off, and at the same time, the link connecting the stack root to the spanning-tree root comes back up, the normal spanning-tree convergence occurs.

---

Normal spanning-tree convergence (30 to 40 seconds) occurs under these conditions:

- The stack-root switch is powered off, or the software failed.
- The stack-root switch, which was powered off or failed, is powered on.
- A new switch, which might become the stack root, is added to the stack.

## BackboneFast

BackboneFast detects indirect failures in the core of the backbone. BackboneFast is a complementary technology to the UplinkFast feature, which responds to failures on links that are directly connected to access switches. BackboneFast optimizes the maximum-age timer, which controls the amount of time the switch stores protocol information that is received on an interface. When a switch receives an inferior BPDU from the designated port of another switch, the BPDU is a signal that the other switch might have lost its path to the root, and BackboneFast tries to find an alternate path to the root.

BackboneFast starts when a root port or blocked interface on a switch receives inferior BPDUs from its designated switch. An inferior BPDU identifies a switch that declares itself as both the root bridge and the designated switch. When a switch receives an inferior BPDU, it means that a link to which the switch is not directly connected (an indirect link) has failed (that is, the designated switch has lost its connection to the root switch). Under spanning-tree rules, the switch ignores inferior BPDUs for the maximum aging time (default is 20 seconds).

The switch tries to find if it has an alternate path to the root switch. If the inferior BPDU arrives on a blocked interface, the root port and other blocked interfaces on the switch become alternate paths to the root switch. (Self-looped ports are not considered alternate paths to the root switch.) If the inferior BPDU arrives on the root port, all blocked interfaces become alternate paths to the root switch. If the inferior BPDU arrives on the root port and there are no blocked interfaces, the switch assumes that it has lost connectivity to the root switch, causes the maximum aging time on the root port to expire, and becomes the root switch according to normal spanning-tree rules.

If the switch has alternate paths to the root switch, it uses these alternate paths to send a root link query (RLQ) request. The switch sends the RLQ request on all alternate paths to learn if any stack member has an alternate

root to the root switch and waits for an RLQ reply from other switches in the network and in the stack. The switch sends the RLQ request on all alternate paths and waits for an RLQ reply from other switches in the network.

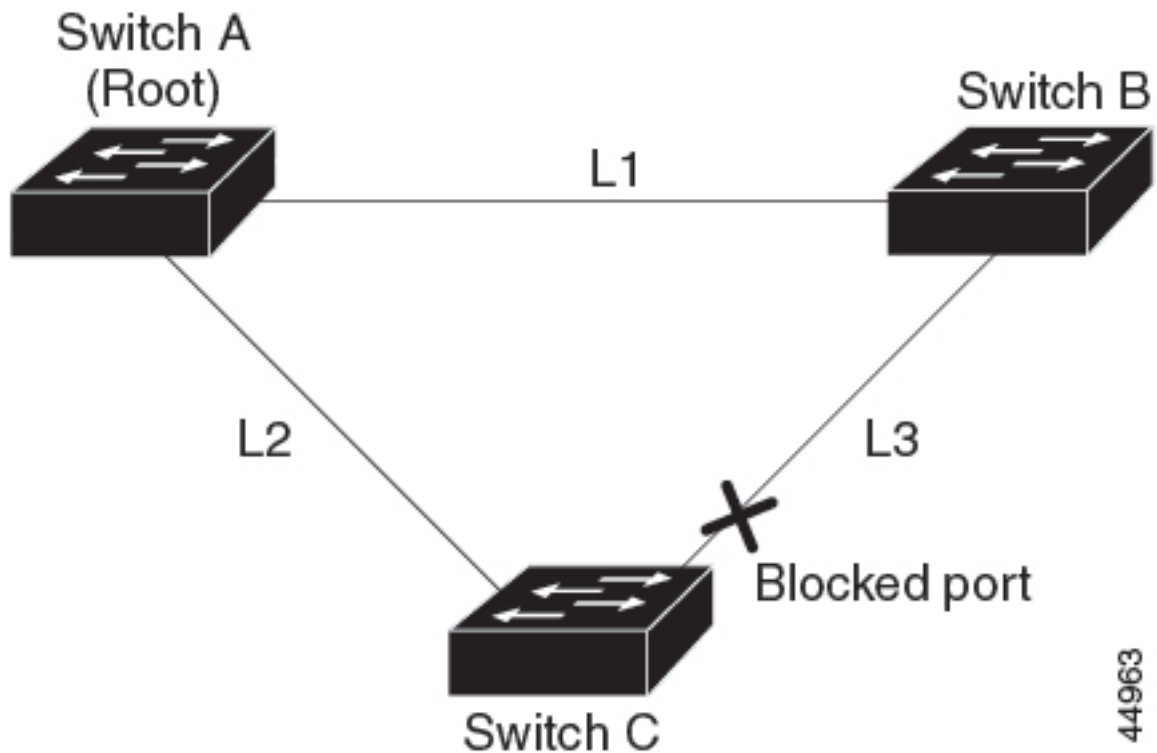
When a stack member receives an RLQ reply from a nonstack member on a blocked interface and the reply is destined for another nonstacked switch, it forwards the reply packet, regardless of the spanning-tree interface state.

When a stack member receives an RLQ reply from a nonstack member and the response is destined for the stack, the stack member forwards the reply so that all the other stack members receive it.

If the switch discovers that it still has an alternate path to the root, it expires the maximum aging time on the interface that received the inferior BPDU. If all the alternate paths to the root switch indicate that the switch has lost connectivity to the root switch, the switch expires the maximum aging time on the interface that received the RLQ reply. If one or more alternate paths can still connect to the root switch, the switch makes all interfaces on which it received an inferior BPDU its designated ports and moves them from the blocking state (if they were in the blocking state), through the listening and learning states, and into the forwarding state.

**Figure 10: BackboneFast Example Before Indirect Link Failure**

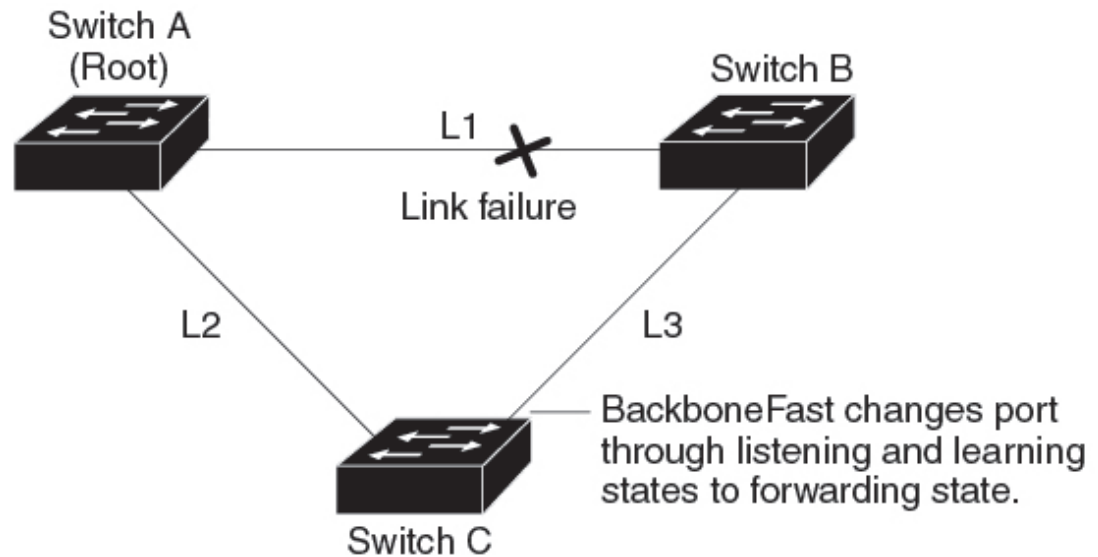
This is an example topology with no link failures. Switch A, the root switch, connects directly to Switch B over link L1 and to Switch C over link L2. The Layer 2 interface on Switch C that connects directly to Switch B is in the blocking state.



**Figure 11: BackboneFast Example After Indirect Link Failure**

If link L1 fails, Switch C cannot detect this failure because it is not connected directly to link L1. However, because Switch B is directly connected to the root switch over L1, it detects the failure, elects itself the root, and begins sending BPDUs to Switch C, identifying itself as the root. When Switch C receives the inferior

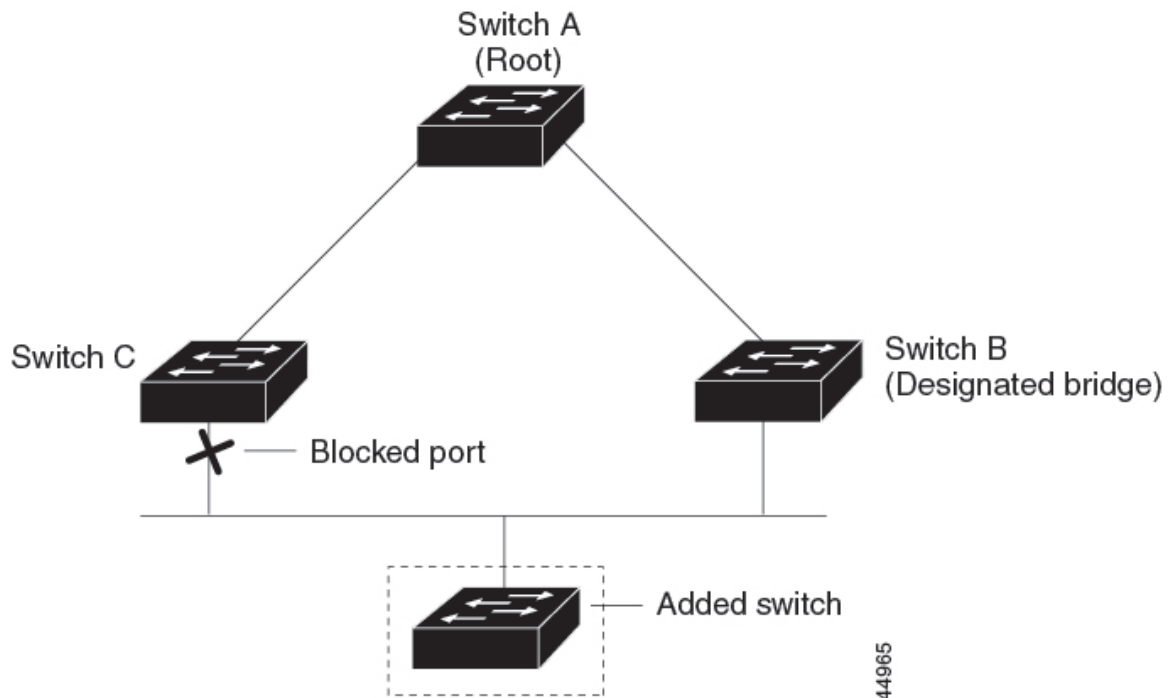
BPDUs from Switch B, Switch C assumes that an indirect failure has occurred. At that point, BackboneFast allows the blocked interface on Switch C to move immediately to the listening state without waiting for the maximum aging time for the interface to expire. BackboneFast then transitions the Layer 2 interface on Switch C to the forwarding state, providing a path from Switch B to Switch A. The root-switch election takes approximately 30 seconds, twice the Forward Delay time if the default Forward Delay time of 15 seconds is set. BackboneFast reconfigures the topology to account for the failure of link L1.



44964

**Figure 12: Adding a Switch in a Shared-Medium Topology**

If a new switch is introduced into a shared-medium topology, BackboneFast is not activated because the inferior BPDUs did not come from the recognized designated switch (Switch B). The new switch begins sending inferior BPDUs that indicate it is the root switch. However, the other switches ignore these inferior BPDUs, and the new switch learns that Switch B is the designated switch to Switch A, the root switch.



## EtherChannel Guard

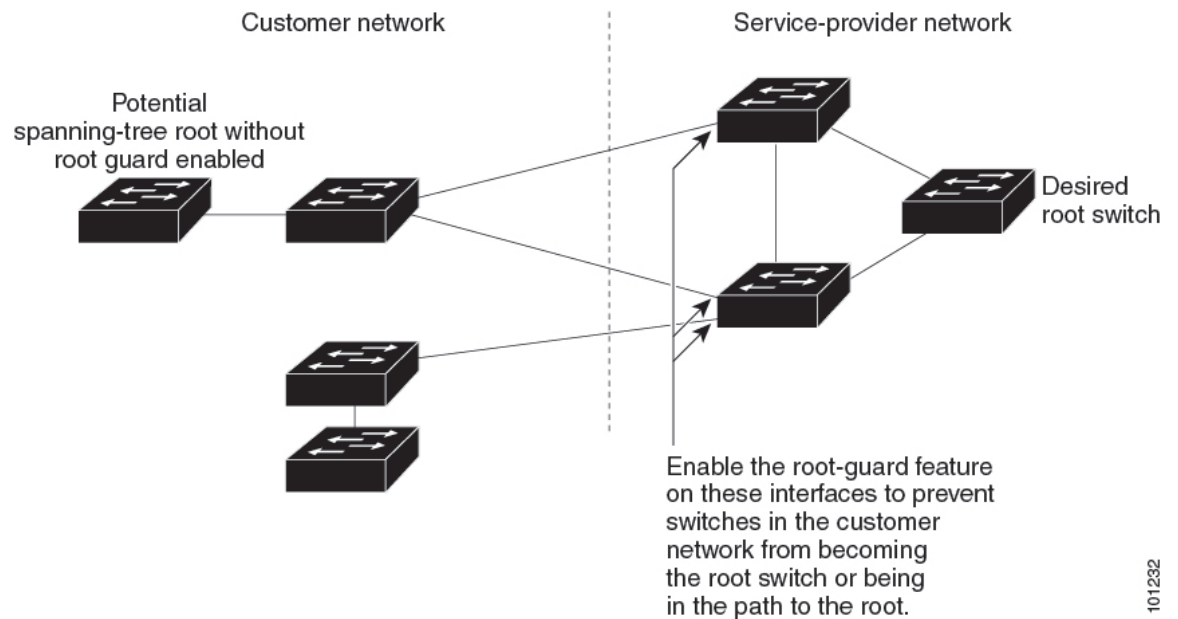
You can use EtherChannel guard to detect an EtherChannel misconfiguration between the switch and a connected device. A misconfiguration can occur if the switch interfaces are configured in an EtherChannel, but the interfaces on the other device are not. A misconfiguration can also occur if the channel parameters are not the same at both ends of the EtherChannel.

If the switch detects a misconfiguration on the other device, EtherChannel guard places the switch interfaces in the error-disabled state, and displays an error message.

## Root Guard

*Figure 13: Root Guard in a Service-Provider Network*

The Layer 2 network of a service provider (SP) can include many connections to switches that are not owned by the SP. In such a topology, the spanning tree can reconfigure itself and select a customer switch as the root switch. You can avoid this situation by enabling root guard on SP switch interfaces that connect to switches in your customer's network. If spanning-tree calculations cause an interface in the customer network to be selected as the root port, root guard then places the interface in the root-inconsistent (blocked) state to prevent the customer's switch from becoming the root switch or being in the path to the root.



If a switch outside the SP network becomes the root switch, the interface is blocked (root-inconsistent state), and spanning tree selects a new root switch. The customer's switch does not become the root switch and is not in the path to the root.

If the switch is operating in MST mode, root guard forces the interface to be a designated port. If a boundary port is blocked in an internal spanning-tree (IST) instance because of root guard, the interface also is blocked in all MST instances. A boundary port is an interface that connects to a LAN, the designated switch of which is either an IEEE 802.1D switch or a switch with a different MST region configuration.

Root guard that is enabled on an interface applies to all the VLANs to which the interface belongs. VLANs can be grouped and mapped to an MST instance.



**Caution** Misuse of the root guard feature can cause a loss of connectivity.

## Loop Guard

You can use loop guard to prevent alternate or root ports from becoming designated ports because of a failure that leads to a unidirectional link. This feature is most effective when it is enabled on the entire switched network. Loop guard prevents alternate and root ports from becoming designated ports, and spanning tree does not send BPDUs on root or alternate ports.

When the switch is operating in PVST+ or rapid-PVST+ mode, loop guard prevents alternate and root ports from becoming designated ports, and spanning tree does not send BPDUs on root or alternate ports.

When the switch is operating in MST mode, BPDUs are not sent on nonboundary ports only if the interface is blocked by loop guard in all MST instances. On a boundary port, loop guard blocks the interface in all MST instances.

# How to Configure Optional Spanning-Tree Features

The following sections provide information about configuring Optional Spanning-Tree features:

## (Optional) Enabling PortFast

An interface with the PortFast feature enabled is moved directly to the spanning-tree forwarding state without waiting for the standard forward-time delay.

If you enable the voice VLAN feature, the PortFast feature is automatically enabled. When you disable voice VLAN, the PortFast feature is not automatically disabled.

You can enable this feature if your switch is running PVST+, Rapid PVST+, or MSTP.



**Caution** Use PortFast only when connecting a single end station to an access or trunk port. Enabling this feature on an interface that is connected to a switch or hub could prevent spanning tree from detecting and disabling loops in your network, which could cause broadcast storms and address-learning problems.

To enable PortFast, perform this procedure:

### Procedure

	Command or Action	Purpose
<b>Step 1</b>	<b>enable</b> <b>Example:</b> Device> <b>enable</b>	Enables privileged EXEC mode. Enter your password if prompted.
<b>Step 2</b>	<b>configure terminal</b> <b>Example:</b> Device# <b>configure terminal</b>	Enters global configuration mode.
<b>Step 3</b>	<b>interface <i>interface-id</i></b> <b>Example:</b> Device(config)# <b>interface gigabitethernet 1/0/2</b>	Specifies an interface to configure, and enters interface configuration mode.
<b>Step 4</b>	<b>spanning-tree portfast [trunk]</b> <b>Example:</b> Device(config-if)# <b>spanning-tree portfast trunk</b>	Enables PortFast on an access port that is connected to a single workstation or server. By specifying the <b>trunk</b> keyword, you can enable PortFast on a trunk port.



	Command or Action	Purpose
		<p><b>Note</b> To enable PortFast on trunk ports, you must use the <b>spanning-tree portfast trunk</b> interface configuration command. The <b>spanning-tree portfast</b> command will not work on trunk ports.</p> <p>Make sure that there are no loops in the network between the trunk port and the workstation or server before you enable PortFast on a trunk port.</p> <p>By default, PortFast is disabled on all interfaces.</p>
<b>Step 5</b>	<p><b>end</b></p> <p><b>Example:</b></p> <pre>Device(config-if)# end</pre>	Returns to privileged EXEC mode.

**What to do next**

You can use the **spanning-tree portfast default** global configuration command to globally enable the PortFast feature on all nontrunking ports.

## Enabling PortFast Port Types

The following sections provide configurational information about enabling PortFast port types:

### Configuring the PortFast Default State Globally

To configure the default PortFast state, perform this task:

**Procedure**

	Command or Action	Purpose
<b>Step 1</b>	<p><b>configure terminal</b></p> <p><b>Example:</b></p> <pre>Device# configure terminal</pre>	Enters global configuration mode.
<b>Step 2</b>	<p><b>spanning-tree portfast [ edge   network   normal] default</b></p> <p><b>Example:</b></p> <pre>Device(config)# spanning-tree portfast edge default</pre>	<p>Configures the default state for all interfaces on the switch. You have these options:</p> <ul style="list-style-type: none"> <li>• (Optional) <b>edge</b>: Configures all interfaces as edge ports. This assumes that all ports are connected to hosts/servers.</li> <li>• (Optional) <b>network</b>: Configures all interfaces as spanning tree network ports. This assumes that all ports are connected</li> </ul>

	Command or Action	Purpose
		<p>to switches and bridges. Bridge Assurance is enabled on all network ports by default.</p> <ul style="list-style-type: none"> <li>• (Optional) <b>normal</b>: Configures all interfaces as normal spanning tree ports. These ports can be connected to any type of device.</li> <li>• <b>default</b>: The default port type is <b>normal</b>.</li> </ul>
<b>Step 3</b>	<b>end</b>  <b>Example:</b> Device(config)# <b>end</b>	Exits configuration mode.

**Related Topics**

[Configuring a PortFast Edge Port on a Specified Interface](#), on page 18

[Configuring a PortFast Network Port on a Specified Interface](#), on page 20

**Configuring a PortFast Edge Port on a Specified Interface**

Interfaces configured as edge ports immediately transition to the forwarding state, without passing through the blocking or learning states, on linkup. To configure an edge port on a specified interface, perform this task:



**Note** Because the purpose of this type of port is to minimize the time that access ports must wait for spanning tree to converge, it is most effective when used on access ports. If you enable PortFast edge on a port connecting to another switch, you risk creating a spanning tree loop.

To configure a PortFast edge port on a specified interface, perform this procedure:

**Procedure**

	Command or Action	Purpose
<b>Step 1</b>	<b>configure terminal</b>  <b>Example:</b> Device# <b>configure terminal</b>	Enters global configuration mode.
<b>Step 2</b>	<b>interface</b> { <b>fastethernet</b>   <b>gigabitethernet</b>   <b>tengigabitethernet</b> } <i>slot /port</i> }   { <b>port-channel</b> <i>port_channel_number</i> }  <b>Example:</b> Device(config)# <b>interface</b> <b>gigabitethernet1/1</b>	Specifies an interface to configure, and enters interface configuration mode.

	Command or Action	Purpose
<b>Step 3</b>	<p><b>[no] spanning-tree portfast edge</b></p> <p><b>Example:</b></p> <pre>Device(config-if)# spanning-tree portfast edge</pre>	<p>Enables edge behavior on a Layer 2 access port connected to an end workstation or server.</p> <p>(Optional) <b>trunk</b>: Enables edge behavior on a trunk port. Use this keyword if the link is a trunk. Use this command only on ports that are connected to end host devices that terminate VLANs and from which the port should never receive STP BPDUs. Such end host devices include workstations, servers, and ports on routers that are not configured to support bridging.</p> <p>Use the <b>no</b> version of the command to disable PortFast edge.</p>
<b>Step 4</b>	<p><b>end</b></p> <p><b>Example:</b></p> <pre>Device(config-if)# end</pre>	Exits configuration mode.
<b>Step 5</b>	<p><b>show spanning-tree interface</b> { {fastethernet   gigabitethernet   tengigabitethernet } slot /port }   { port-channel port_channel_number } portfast edge</p> <p><b>Example:</b></p> <pre>Device# show spanning-tree interface</pre>	Displays spanning-tree PortFast information for the specified interface.

### Example

This example shows how to enable edge behavior on GigabitEthernet interface 5/7 and verify the configuration:

```
Device# configure terminal
Device(config)# interface fastethernet 5/7
Device(config-if)# spanning-tree portfast edge
Device(config-if)# end
Device#

Device# show running-config interface fastethernet 5/7
Building configuration...
Current configuration:
!
interface GigabitEthernet5/7
no ip address
switchport
switchport access vlan 200
switchport mode access
spanning-tree portfast edge
end
```

This example shows how you can display that port GigabitEthernet 5/8 is currently in the edge state:

```
Device# show spanning-tree vlan 200
VLAN0200
```

```

Spanning tree enabled protocol rstp
Root ID Priority 2
Address 001b.2a68.5fc0
Cost 3
Port 125 (GigabitEthernet5/9)
Hello Time 2 sec Max Age 20 sec Forward Delay 15 sec

Bridge ID Priority 2 (priority 0 sys-id-ext 2)
Address 7010.5c9c.5200
Hello Time 2 sec Max Age 20 sec Forward Delay 15 sec
Aging Time 0 sec

Interface Role Sts Cost Prio.Nbr Type
-----
Gi5/7 Desg FWD 4 128.1 P2p Edge

```

### Related Topics

[Configuring the PortFast Default State Globally](#), on page 17

[Configuring a PortFast Network Port on a Specified Interface](#), on page 20

## Configuring a PortFast Network Port on a Specified Interface

Ports that are connected to Layer 2 switches and bridges can be configured as network ports.



**Note** Bridge Assurance is enabled only on PortFast network ports. For more information, see [Bridge Assurance, on page 4](#).

To configure a port as a network port, perform this task:

### Procedure

	Command or Action	Purpose
<b>Step 1</b>	<b>configure terminal</b> <b>Example:</b> Device# <b>configure terminal</b>	Enters global configuration mode.
<b>Step 2</b>	<b>interface</b> { { <b>fastethernet</b>   <b>gigabitethernet</b>   <b>tengigabitethernet</b> } <i>slot /port</i> }   { <b>port-channel</b> <i>port_channel_number</i> } <b>Example:</b> Device(config)# <b>interface</b> <b>gigabitethernet1/1</b>	Specifies an interface to configure, and enters interface configuration mode.
<b>Step 3</b>	<b>[no] spanning-tree portfast network</b> <b>Example:</b> Device(config-if)# <b>spanning-tree portfast network</b>	Configures the port as a network port. If you have enabled Bridge Assurance globally, it automatically runs on a spanning tree network port.  Use the <b>no</b> keyword to disable PortFast.

	Command or Action	Purpose
<b>Step 4</b>	<b>end</b> <b>Example:</b> Device(config-if)# <b>end</b>	Exits configuration mode.
<b>Step 5</b>	<b>show running interface</b> { {fastethernet   gigabitethernet   tengigabitethernet } slot /port }   {port-channel port_channel_number} <b>Example:</b> Device# <b>show running interface gigabitethernet 5/8</b>	Verifies the configuration.

### Example

This example shows how to configure GigabitEthernet interface 5/8 as a network port and verify configuration:

```
Device# configure terminal
Device(config)# interface gigabitethernet 5/8
Device(config-if)# spanning-tree portfast network
Device(config-if)# end
Device#

Device# show running-config interface gigabitethernet 5/8
Building configuration...
Current configuration:
!
interface GigabitEthernet5/8
no ip address
switchport
switchport access vlan 200
switchport mode access
spanning-tree portfast network
end
```

### Related Topics

[Configuring the PortFast Default State Globally](#), on page 17

[Configuring a PortFast Edge Port on a Specified Interface](#), on page 18

## (Optional) Enabling Bridge Protocol Data Unit Guard

You can enable the BPDU guard feature if your switch is running PVST+, Rapid PVST+, or MSTP.



**Caution** Configure PortFast edge only on ports that connect to end stations; otherwise, an accidental topology loop could cause a data packet loop and disrupt switch and network operation.

To enable BPDU guard, perform this procedure:

**Procedure**

	<b>Command or Action</b>	<b>Purpose</b>
<b>Step 1</b>	<b>enable</b> <b>Example:</b> Device> <b>enable</b>	Enables privileged EXEC mode. Enter your password if prompted.
<b>Step 2</b>	<b>configure terminal</b> <b>Example:</b> Device# <b>configure terminal</b>	Enters global configuration mode.
<b>Step 3</b>	<b>spanning-tree portfast edge bpduguard default</b> <b>Example:</b> Device(config)# <b>spanning-tree portfast edge bpduguard default</b>	Enables BPDU guard.
<b>Step 4</b>	<b>interface <i>interface-id</i></b> <b>Example:</b> Device(config)# <b>interface gigabitethernet 1/0/2</b>	Specifies the interface that is connected to an end station, and enters interface configuration mode.
<b>Step 5</b>	<b>spanning-tree portfast edge</b> <b>Example:</b> Device(config-if)# <b>spanning-tree portfast edge</b>	Enables the PortFast edge feature.
<b>Step 6</b>	<b>end</b> <b>Example:</b> Device(config-if)# <b>end</b>	Returns to privileged EXEC mode.

**What to do next**

To prevent the port from shutting down, you can use the **errdisable detect cause bpduguard shutdown vlan** global configuration command to shut down just the offending VLAN on the port where the violation occurred.

You also can use the **spanning-tree bpduguard enable** interface configuration command to enable BPDU guard on any port without also enabling the PortFast edge feature. When the port receives a BPDU, it is put it in the error-disabled state.

**(Optional) Enabling Bridge Protocol Data Unit Filtering**

You can also use the **spanning-tree bpdupfilter enable** interface configuration command to enable BPDU filtering on any interface without also enabling the PortFast edge feature. This command prevents the interface from sending or receiving BPDUs.



**Caution** Enabling BPDU filtering on an interface is the same as disabling spanning tree on it and can result in spanning-tree loops.

You can enable the BPDU filtering feature if your switch is running PVST+, Rapid PVST+, or MSTP.



**Caution** Configure PortFast edge only on interfaces that connect to end stations; otherwise, an accidental topology loop could cause a data packet loop and disrupt switch and network operation.

To enable BPDU filter, perform this procedure:

**Procedure**

	Command or Action	Purpose
<b>Step 1</b>	<b>enable</b> <b>Example:</b> Device> <b>enable</b>	Enables privileged EXEC mode. Enter your password if prompted.
<b>Step 2</b>	<b>configure terminal</b> <b>Example:</b> Device# <b>configure terminal</b>	Enters global configuration mode.
<b>Step 3</b>	<b>spanning-tree portfast edge bpdufilter default</b> <b>Example:</b> Device(config)# <b>spanning-tree portfast edge bpdufilter default</b>	Globally enables BPDU filtering. By default, BPDU filtering is disabled.
<b>Step 4</b>	<b>interface interface-id</b> <b>Example:</b> Device(config)# <b>interface gigabitethernet 1/0/2</b>	Specifies the interface that is connected to an end station, and enters interface configuration mode.
<b>Step 5</b>	<b>spanning-tree portfast edge</b> <b>Example:</b> Device(config-if)# <b>spanning-tree portfast edge</b>	Enables the PortFast edge feature on the specified interface.
<b>Step 6</b>	<b>end</b> <b>Example:</b> Device(config-if)# <b>end</b>	Returns to privileged EXEC mode.

## Configuring Bridge Assurance

### Procedure

	Command or Action	Purpose
<b>Step 1</b>	<b>configure terminal</b>  <b>Example:</b> Device# <code>configure terminal</code>	Enters the global configuration mode.
<b>Step 2</b>	<b>spanning-tree bridge assurance</b>  <b>Example:</b> Device# <code>spanning-tree bridge assurance</code>	Enables Bridge Assurance on all network ports on the switch.  Bridge Assurance is enabled by default.  Use the <b>no</b> version of the command to disable the feature. Disabling Bridge Assurance causes all configured network ports to behave as normal spanning tree ports.
<b>Step 3</b>	<b>end</b>  <b>Example:</b> Device# <code>end</code>	Exits configuration mode.
<b>Step 4</b>	<b>show spanning-tree summary</b>  <b>Example:</b> Device# <code>show spanning-tree summary</code>	Displays spanning tree information and shows if Bridge Assurance is enabled.

### Example

This example shows how to display spanning tree information and verify if Bridge Assurance is enabled. Look for these details in the output:

- Portfast Default—Network
- Bridge Assurance—Enabled

```
Device# show spanning-tree summary
Switch is in rapid-pvst mode
Root bridge for: VLAN0199-VLAN0200, VLAN0128
EtherChannel misconfig guard is enabled
Extended system ID is enabled
Portfast Default is network
Portfast Edge BPDU Guard Default is disabled
Portfast Edge BPDU Filter Default is disabled
Loopguard Default is enabled
PVST Simulation Default is enabled but inactive in rapid-pvst mode
Bridge Assurance is enabled
UplinkFast is disabled
BackboneFast is disabled
Configured Pathcost method used is short
```

```
Name Blocking Listening Learning Forwarding STP Active
-----
```



```
VLAN0199 0 0 0 5 5
VLAN0200 0 0 0 4 4
VLAN0128 0 0 0 4 4
```

```
-----
3 vlans 0 0 0 13 13
```

This example shows how to verify if GigabitEthernet 5/8 (configured as a network port), is in a normal state.

(From the **show spanning-tree summary** output above, we know that Bridge Assurance is enabled on GigabitEthernet 5/8).

```
Device# show spanning-tree vlan
Sep 17 09:51:36.370 PDT: %SYS-5-CONFIG_I: Configured from console by console2
VLAN0200
Spanning tree enabled protocol rstp
Root ID Priority 2
Address 7010.5c9c.5200
This bridge is the root
Hello Time 2 sec Max Age 20 sec Forward Delay 15 sec

Bridge ID Priority 2 (priority 0 sys-id-ext 2)
Address 7010.5c9c.5200
Hello Time 2 sec Max Age 20 sec Forward Delay 15 sec
Aging Time 0 sec

Interface Role Sts Cost Prio.Nbr Type
-----
Gi5/7 Desg FWD 4 128.1 P2p Edge
Gi5/8 Desg FWD 3 128.480 P2p Network
Gi5/9 Desg FWD 4 128.169 P2p Edge
Gi5/10 Desg FWD 4 128.215 P2p Network
```

This example shows how port GigabitEthernet 5/8 (configured as a network port), is currently in the Bridge Assurance inconsistent state:




---

**Note** The output shows the port type as network and \*BA\_Inc, indicating that the port is in an inconsistent state.

---

```
Device# show spanning-tree vlan

VLAN200
Spanning tree enabled protocol rstp
Root ID Priority 32778
Address 0002.172c.f400
This bridge is the root
Hello Time 2 sec Max Age 20 sec Forward Delay 15 sec
Bridge ID Priority 32778 (priority 32768 sys-id-ext 10)
Address 0002.172c.f400
Hello Time 2 sec Max Age 20 sec Forward Delay 15 sec
Aging Time 300
Interface Role Sts Cost Prio.Nbr Type
-----
Gia5/8 Desg BKN*4 128.270 Network, P2p *BA_Inc
```

## (Optional) Enabling UplinkFast for Use with Redundant Links



**Note** When you enable UplinkFast, it affects all VLANs on the switch or switch stack. You cannot configure UplinkFast on an individual VLAN.

You can configure the UplinkFast or the Cross-Stack UplinkFast (CSUF) feature for Rapid PVST+ or for the MSTP, but the feature remains disabled (inactive) until you change the spanning-tree mode to PVST+.

Follow these steps to enable UplinkFast and CSUF.

### Before you begin

UplinkFast cannot be enabled on VLANs that have been configured with a switch priority. To enable UplinkFast on a VLAN with switch priority configured, first restore the switch priority on the VLAN to the default value using the **no spanning-tree vlan *vlan-id* priority** global configuration command.

### Procedure

	Command or Action	Purpose
<b>Step 1</b>	<b>enable</b> <b>Example:</b> Device> <b>enable</b>	Enables privileged EXEC mode. Enter your password if prompted.
<b>Step 2</b>	<b>configure terminal</b> <b>Example:</b> Device# <b>configure terminal</b>	Enters global configuration mode.
<b>Step 3</b>	<b>spanning-tree uplinkfast [max-update-rate <i>pkts-per-second</i>]</b> <b>Example:</b> Device(config)# <b>spanning-tree uplinkfast max-update-rate 200</b>	Enables UplinkFast.  (Optional) For <i>pkts-per-second</i> , the range is 0 to 32000 packets per second; the default is 150.  If you set the rate to 0, station-learning frames are not generated, and the spanning-tree topology converges more slowly after a loss of connectivity.  When you enter this command, CSUF also is enabled on all nonstack port interfaces.
<b>Step 4</b>	<b>end</b> <b>Example:</b> Device(config)# <b>end</b>	Returns to privileged EXEC mode.

When UplinkFast is enabled, the switch priority of all VLANs is set to 49152. If you change the path cost to a value less than 3000 and you enable UplinkFast or UplinkFast is already enabled, the path cost of all interfaces and VLAN trunks is increased by 3000 (if you change the path cost to 3000 or above, the path cost is not altered). The changes to the switch priority and the path cost reduce the chance that a switch will become the root switch.

When UplinkFast is disabled, the switch priorities of all VLANs and path costs of all interfaces are set to default values if you did not modify them from their defaults.

When you enable the UplinkFast feature using these instructions, CSUF is automatically globally enabled on nonstack port interfaces.

## (Optional) Disabling UplinkFast

Follow these steps to disable UplinkFast and Cross-Stack UplinkFast (CSUF).

### Before you begin

UplinkFast must be enabled.

### Procedure

	Command or Action	Purpose
<b>Step 1</b>	<b>enable</b> <b>Example:</b> Device> <b>enable</b>	Enables privileged EXEC mode. Enter your password if prompted.
<b>Step 2</b>	<b>configure terminal</b> <b>Example:</b> Device# <b>configure terminal</b>	Enters global configuration mode.
<b>Step 3</b>	<b>no spanning-tree uplinkfast</b> <b>Example:</b> Device(config)# <b>no spanning-tree uplinkfast</b>	Disables UplinkFast and CSUF on the switch and all of its VLANs.
<b>Step 4</b>	<b>end</b> <b>Example:</b> Device(config)# <b>end</b>	Returns to privileged EXEC mode.

When UplinkFast is disabled, the switch priorities of all VLANs and path costs of all interfaces are set to default values if you did not modify them from their defaults.

When you disable the UplinkFast feature using these instructions, CSUF is automatically globally disabled on nonstack port interfaces.

## (Optional) Enabling BackboneFast

You can enable BackboneFast to detect indirect link failures and to start the spanning-tree reconfiguration sooner.

You can configure the BackboneFast feature for Rapid PVST+ or for the MSTP, but the feature remains disabled (inactive) until you change the spanning-tree mode to PVST+.

Follow these steps to enable BackboneFast on the switch.

**Before you begin**

If you use BackboneFast, you must enable it on all switches in the network. BackboneFast is not supported on Token Ring VLANs. This feature is supported for use with third-party switches.

**Procedure**

	Command or Action	Purpose
<b>Step 1</b>	<b>enable</b> <b>Example:</b> Device> <b>enable</b>	Enables privileged EXEC mode. Enter your password if prompted.
<b>Step 2</b>	<b>configure terminal</b> <b>Example:</b> Device# <b>configure terminal</b>	Enters global configuration mode.
<b>Step 3</b>	<b>spanning-tree backbonefast</b> <b>Example:</b> Device(config)# <b>spanning-tree backbonefast</b>	Enables BackboneFast.
<b>Step 4</b>	<b>end</b> <b>Example:</b> Device(config)# <b>end</b>	Returns to privileged EXEC mode.

**(Optional) Enabling EtherChannel Guard**

You can enable EtherChannel guard to detect an EtherChannel misconfiguration if your device is running PVST+, Rapid PVST+, or MSTP.

Follow these steps to enable EtherChannel Guard on the device.

**Procedure**

	Command or Action	Purpose
<b>Step 1</b>	<b>enable</b> <b>Example:</b> Device> <b>enable</b>	Enables privileged EXEC mode. Enter your password if prompted.
<b>Step 2</b>	<b>configure terminal</b> <b>Example:</b> Device# <b>configure terminal</b>	Enters global configuration mode.
<b>Step 3</b>	<b>spanning-tree etherchannel guard misconfig</b> <b>Example:</b> Device(config)# <b>spanning-tree etherchannel guard misconfig</b>	Enables EtherChannel guard.

	Command or Action	Purpose
<b>Step 4</b>	<b>end</b> <b>Example:</b> Device(config)# <b>end</b>	Returns to privileged EXEC mode.

**What to do next**

You can use the **show interfaces status err-disabled** privileged EXEC command to show which device ports are disabled because of an EtherChannel misconfiguration. On the remote device, you can enter the **show etherchannel summary** command in privileged EXEC mode to verify the EtherChannel configuration.

After the configuration is corrected, enter the **shutdown** and **no shutdown** interface configuration commands on the port-channel interfaces that were misconfigured.

## (Optional) Enabling Root Guard

Root guard that is enabled on an interface applies to all the VLANs to which the interface belongs. Do not enable the root guard on interfaces to be used by the UplinkFast feature. With UplinkFast, the backup interfaces (in the blocked state) replace the root port in the case of a failure. However, if root guard is also enabled, all the backup interfaces used by the UplinkFast feature are placed in the root-inconsistent state (blocked) and are prevented from reaching the forwarding state.



**Note** You cannot enable both root guard and loop guard at the same time.

You can enable this feature if your switch is running PVST+, Rapid PVST+, or MSTP.

Follow these steps to enable root guard on the switch.

**Procedure**

	Command or Action	Purpose
<b>Step 1</b>	<b>enable</b> <b>Example:</b> Device> <b>enable</b>	Enables privileged EXEC mode. Enter your password if prompted.
<b>Step 2</b>	<b>configure terminal</b> <b>Example:</b> Device# <b>configure terminal</b>	Enters global configuration mode.
<b>Step 3</b>	<b>interface interface-id</b> <b>Example:</b> Device(config)# <b>interface gigabitethernet 1/0/2</b>	Specifies an interface to configure, and enters interface configuration mode.
<b>Step 4</b>	<b>spanning-tree guard root</b> <b>Example:</b>	Enables root guard on the interface.

	Command or Action	Purpose
	Device (config-if) # <b>spanning-tree guard root</b>	By default, root guard is disabled on all interfaces.
<b>Step 5</b>	<b>end</b>  <b>Example:</b> Device (config-if) # <b>end</b>	Returns to privileged EXEC mode.

## (Optional) Enabling Loop Guard

You can use loop guard to prevent alternate or root ports from becoming designated ports because of a failure that leads to a unidirectional link. This feature is most effective when it is configured on the entire switched network. Loop guard operates only on interfaces that are considered point-to-point by the spanning tree.



**Note** You cannot enable both loop guard and root guard at the same time.

You can enable this feature if your device is running PVST+, Rapid PVST+, or MSTP.

Follow these steps to enable loop guard on the device.

### Procedure

	Command or Action	Purpose
<b>Step 1</b>	Enter one of the following commands: <ul style="list-style-type: none"> <li>• <b>show spanning-tree active</b></li> <li>• <b>show spanning-tree mst</b></li> </ul> <b>Example:</b> Device# <b>show spanning-tree active</b>  or Device# <b>show spanning-tree mst</b>	Verifies which interfaces are alternate or root ports.
<b>Step 2</b>	<b>configure terminal</b>  <b>Example:</b> Device# <b>configure terminal</b>	Enters global configuration mode.
<b>Step 3</b>	<b>spanning-tree loopguard default</b>  <b>Example:</b> Device (config) # <b>spanning-tree loopguard default</b>	Enables loop guard.  By default, loop guard is disabled.
<b>Step 4</b>	<b>end</b>  <b>Example:</b> Device (config) # <b>end</b>	Returns to privileged EXEC mode.

# Monitoring the Spanning-Tree Status

Table 1: Commands for Monitoring the Spanning-Tree Status

Command	Purpose
<code>show spanning-tree active</code>	Displays spanning-tree information on active interfaces only.
<code>show spanning-tree detail</code>	Displays a detailed summary of interface information.
<code>show spanning-tree interface interface-id</code>	Displays spanning-tree information for the specified interface.
<code>show spanning-tree mst interface interface-id</code>	Displays MST information for the specified interface.
<code>show spanning-tree summary [totals]</code>	Displays a summary of interface states or displays the total line spanning-tree state section.
<code>show spanning-tree mst interface interface-id portfast edge</code>	Displays spanning-tree PortFast information for the specified interface.

## Additional References for Optional Spanning Tree Features

### Related Documents

Related Topic	Document Title
For complete syntax and usage information for the commands used in this chapter.	<i>Command Reference (Catalyst 9600 Series Switches)</i>

## Feature History for Optional Spanning Tree Features

This table provides release and related information for features explained in this module.

These features are available on all releases subsequent to the one they were introduced in, unless noted otherwise.

Release	Feature	Feature Information
Cisco IOS XE Gibraltar 16.11.1	Optional Spanning Tree Protocol	The optional features of the STP enhance loop prevention, protect against some possible user misconfigurations, and provide better control over the protocol parameters.

Use Cisco Feature Navigator to find information about platform and software image support. To access Cisco Feature Navigator, go to <http://www.cisco.com/go/cfn>.

