



Installing Cisco RP-Series PDUs

This chapter contains the following sections:

- [Preparing to Install an RP-Series PDU, on page 1](#)
- [Installing a Zero-U PDU, on page 1](#)
- [Installing a 1RU or 2RU PDU, on page 6](#)

Preparing to Install an RP-Series PDU

Before you install a PDU, plan how to route the power cable. It can be routed through the bottom of the Cisco R42612 rack, through the two knockout cabling portholes on the top enclosure of the rack, or through the large opening with brushes at the rear of the top enclosure of the rack.

Installing a Zero-U PDU

There are five models of PDUs that can be mounted vertically in a Cisco R42612 Rack. These PDUs can be installed on the PDU trays on both sides of the rack; the PDUs do not require any RU space, so they are also referred to as zero-U PDUs.



Note The Cisco R42612 rack can accommodate up to six zero-U PDUs. When servicing Cisco UCS servers, some products may require the temporary removal of cables to provide service space for rear-facing field replaceable units (FRUs).

For additional information on how to install a PDU, see the [Eaton ePDU G3 Installation and Connectivity Quick Start](#) or the [Eaton Enclosure Power Distribution Unit \(ePDU\) G3 - Operations Manual](#).

The following table provides descriptions for these PDUs. For detailed specifications and illustrations, see [PDU Specifications](#).

Table 1: Zero-RU PDU Descriptions

Product ID	Description	Plug	Country
RP208-30M1P-6-36	30 A, metered input, single-phase, vertical-mount PDU with 6 C19 and 36 C13 connectors	L6-30P	North America
RP208-30M3P-6-30	30 A, metered input, three-phase, vertical-mount PDU with 6 C19 and 30 C13 connectors	L15-30P	North America
RP208-60M3P-12-9	60 A, metered input, three-phase, vertical-mount PDU with 12 C19 and 9 C13 connectors	IEC60309 460P9	North America
RP230-32M1P-6-36	32 A, metered input, single-phase, button-mount (rear and sides) PDU with 6 C19 and 36 C13 connectors	IEC60309 332P6	International
RP230-32M3P-12-12	32 A, metered input, three-phase, button-mount (rear and sides) PDU with 12 C19 and 12 C13 connectors	IEC60309 532P6	International



Note The RP208-60M3P-12-9 PDU must be installed in the rear facing locations as shown in [Figure 5: One Zero-U PDU Installed on the Rear-Facing Flange, on page 6](#). The increased size of this PDU requires the rear-facing installation to avoid interference with equipment and cabling.



Warning No serviceable parts inside. To avoid risk of electric shock, do not open.



Warning Read the installation instructions before using, installing or connecting the system to the power source.



Warning This product relies on the building's installation for short-circuit (overcurrent) protection. To reduce risk of electric shock or fire, ensure that the protective device is rated not greater than:



Warning This equipment must be grounded. To reduce the risk of electric shock, never defeat the ground conductor or operate the equipment in the absence of a suitably installed ground conductor. Contact the appropriate electrical inspection authority or an electrician if you are uncertain that suitable grounding is available.

**Warning**

For Nordic countries (Norway, Finland, Sweden and Denmark) this system must be installed in a Restricted Access Location, where the voltage of the main ground connection of all equipment is the same (equipotential earth) and the system is connected to a grounded electrical outlet.

**Warning**

Connect the device to a grounded power outlet.

You can install up to six zero-U PDUs in the Cisco R42612 Rack. When servicing UCS servers, some products may require temporary removal of cables to provide service space for rear-facing field replaceable units (FRUs). Due to height restrictions, RP208-60M3P-12-9 must be installed facing the rear of the rack.

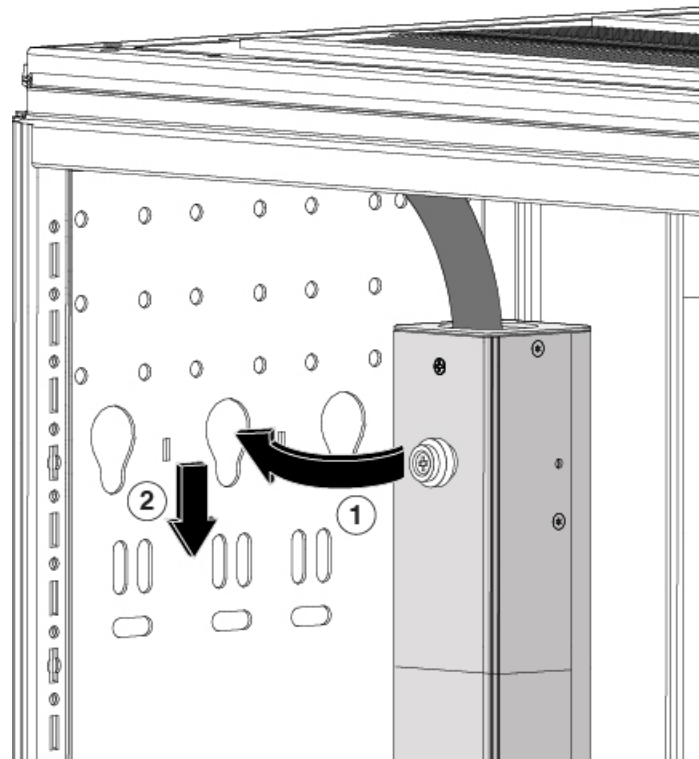
Each PDU needs a PDU retention bracket attached to the top of the PDU. When secured to the PDU tray, the PDU retention bracket ensures that each PDU is securely held in place.

With the rear of the rack open, follow these steps to install a zero-U PDU:

Procedure**Step 1**

Insert the mounting button on the back of the PDU into a key hole near the top of the PDU tray or into the top key hole of the rear-facing flange. Callout 1 in the following figure shows the mounting button and the key hole of the PDU tray on the side of the rack.

Figure 1: PDU Mounting Button



305981

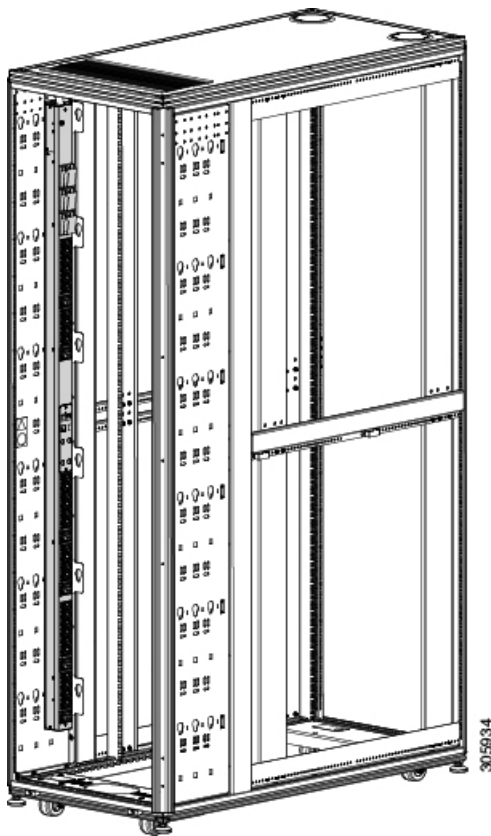
- Step 2** Slide the PDU down slightly so that it locks into place in the key hole on the PDU tray (see callout 2 in the preceding figure) or the rear-facing flange.
- Step 3** Secure the lower PDU mounting button into place as in steps 1 and 2.
- Step 4** Install a PDU retention bracket on the top of the PDU as shown in the following figure. Secure the bracket to the PDU tray with the screws provided.

Figure 2: Attaching the PDU Retention Bracket to the PDU Tray

- Step 5** Route the PDU power cable either through the large access opening in the back of the rack canopy.
- Step 6** Connect the PDU power cord to the AC power source.

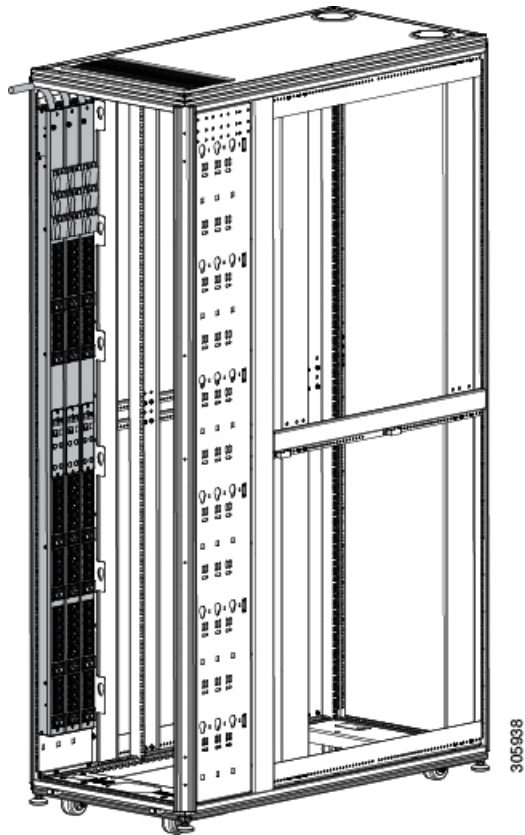
The following figure shows a single zero-U PDU installed in the PDU tray.

Figure 3: One Zero-U PDU Installed



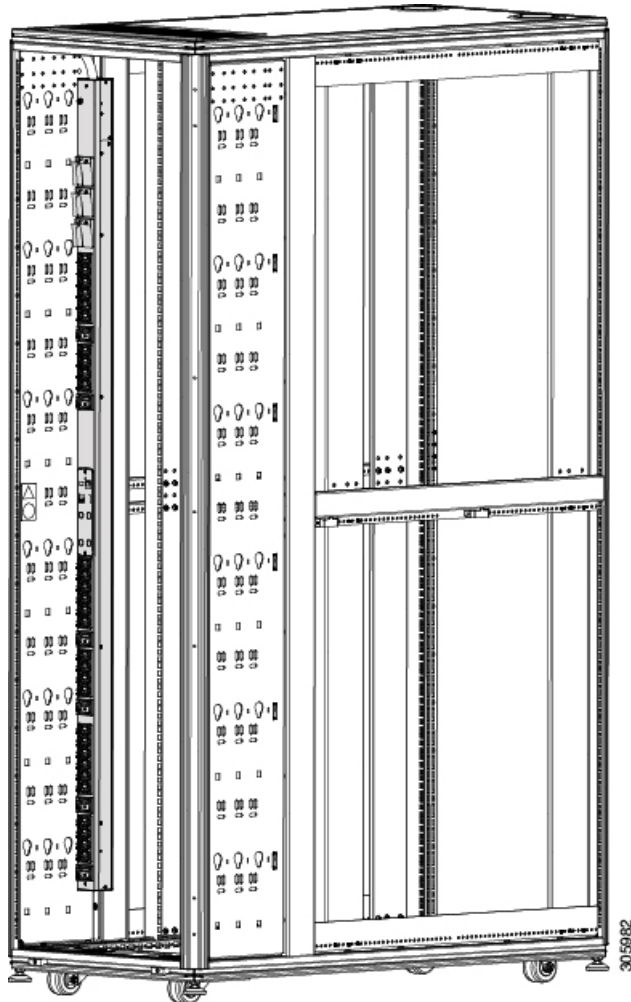
The following figure shows three zero-U PDUs installed side-by-side in the PDU tray.

Figure 4: Three Zero-U PDUs Installed



The following figure shows a single zero-U PDU installed on the rear-facing flange.

Figure 5: One Zero-U PDU Installed on the Rear-Facing Flange



Installing a 1RU or 2RU PDU

The RP208-30M1P-4-8 PDU and the RP208-60M3P-12 PDU mount horizontally in one of the available RU spaces.

For additional information on how to install a PDU, see the [Eaton ePDU G3 Installation and Connectivity Quick Start](#) or the [Eaton Enclosure Power Distribution Unit \(ePDU\) G3 - Operations Manual](#).

The following table provides the specifications for these PDUs. For detailed specifications and illustrations, see [PDU Specifications](#).

Table 2: 1RU and 2RU PDU Specifications

Product ID	Description	Plug	Country
RP208-30M1P-4-8	30 A, metered input, single-phase, horizontal-mount PDU with 4 C19 and 8 C13 connectors	L6-30P	North America
RP208-60M3P-12	60 A, metered input, three-phase, horizontal mount PDU with 12 C 19 connectors	IEC 60309 460P9	North America



Warning No serviceable parts inside. To avoid risk of electric shock, do not open.



Warning Read the installation instructions before using, installing or connecting the system to the power source.



Warning This product relies on the building's installation for short-circuit (overcurrent) protection. To reduce risk of electric shock or fire, ensure that the protective device is rated not greater than:



Warning This equipment must be grounded. To reduce the risk of electric shock, never defeat the ground conductor or operate the equipment in the absence of a suitably installed ground conductor. Contact the appropriate electrical inspection authority or an electrician if you are uncertain that suitable grounding is available.



Warning For Nordic countries (Norway, Finland, Sweden and Denmark) this system must be installed in a Restricted Access Location, where the voltage of the main ground connection of all equipment is the same (equipotential earth) and the system is connected to a grounded electrical outlet.



Warning Connect the device to a grounded power outlet.

To install a 1RU or 2RU PDU, follow these steps:

Procedure

- Step 1** Attach the four cage nuts to the interior side of the rack posts, spacing the nuts apart to the 1RU or 2RU position, depending on which PDU you are installing.
- Step 2** Use the supplied mounting screws to secure the unit in place, as shown in the following figures.

Figure 6: Mounting the RP208-30M-P-4-8 1RU PDU

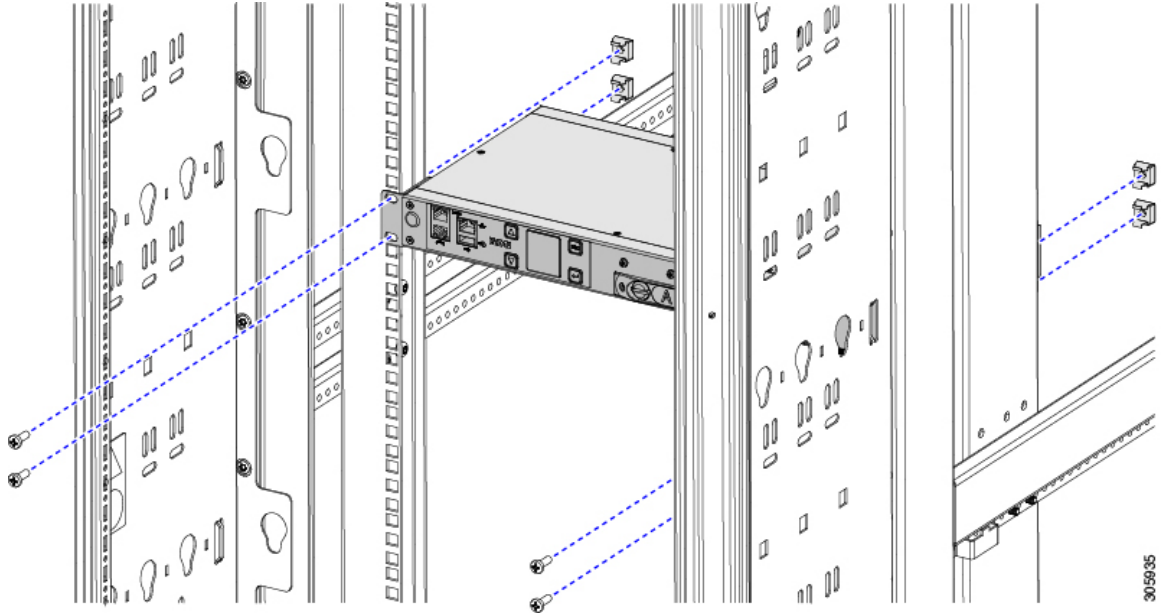


Figure 7: Mounting the RP208-60M3P-12 2RU PDU

