



Installing the Compute Node

This chapter contains the following topics:

- [Removing a Compute Node Blank, on page 1](#)
- [Installing a Compute Node Blank, on page 2](#)
- [Removing a Compute Node, on page 4](#)
- [Installing a Compute Node, on page 5](#)
- [Compute Node Configuration, on page 7](#)

Removing a Compute Node Blank

Do not operate the Cisco UCS X9508 chassis with an empty compute node slot. Fill any empty compute node slots with either a blank or a compute node.

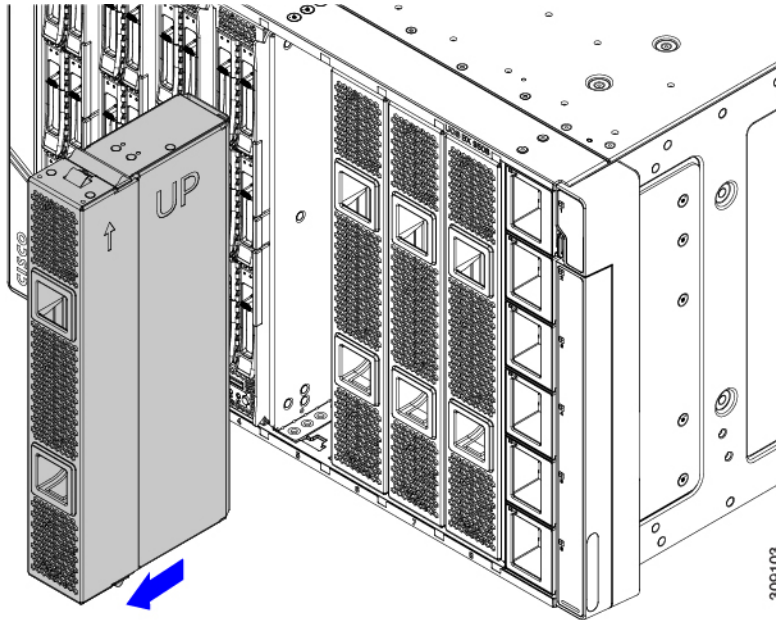
Use this task to remove a compute node blank.

Procedure

Step 1 Grasp the compute node blank by the finger holds.

Step 2 Pull the blank towards you until it is completely removed from the chassis.

Notice that the module blank has indicators that show how to orient the blank. You will use this information when you install a blank.

Figure 1: Removing a Compute Node Blank

Installing a Compute Node Blank

If you remove a compute node, and you will not be installing another compute node, you must install a node blank (UCSX-9508-FSBK). Do not operate the UCS X9508 chassis with an empty compute node slot. The minimum configuration is 1 installed compute node, so in this configuration you need 7 module blanks installed.

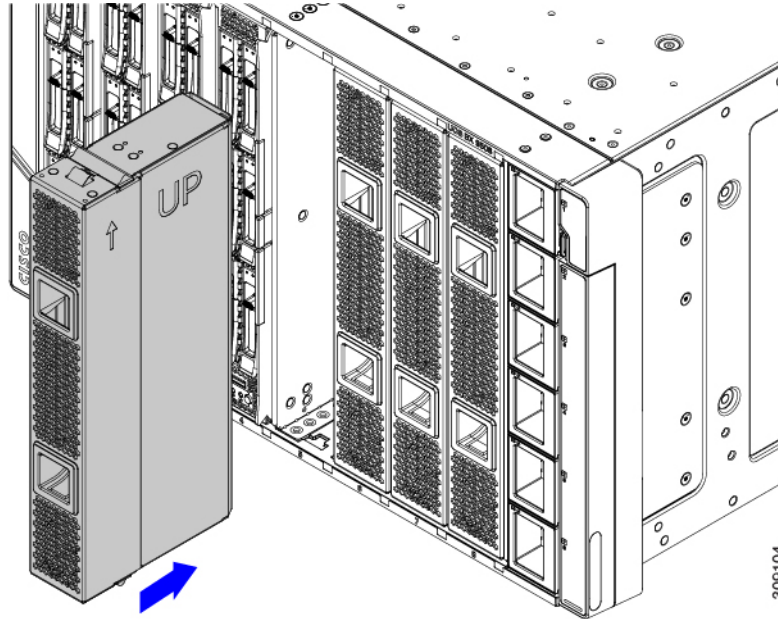
Compute node blanks are interchangeable within the same chassis or other Cisco UCS X9508 chassis.

Use this task to install a compute node blank

Procedure

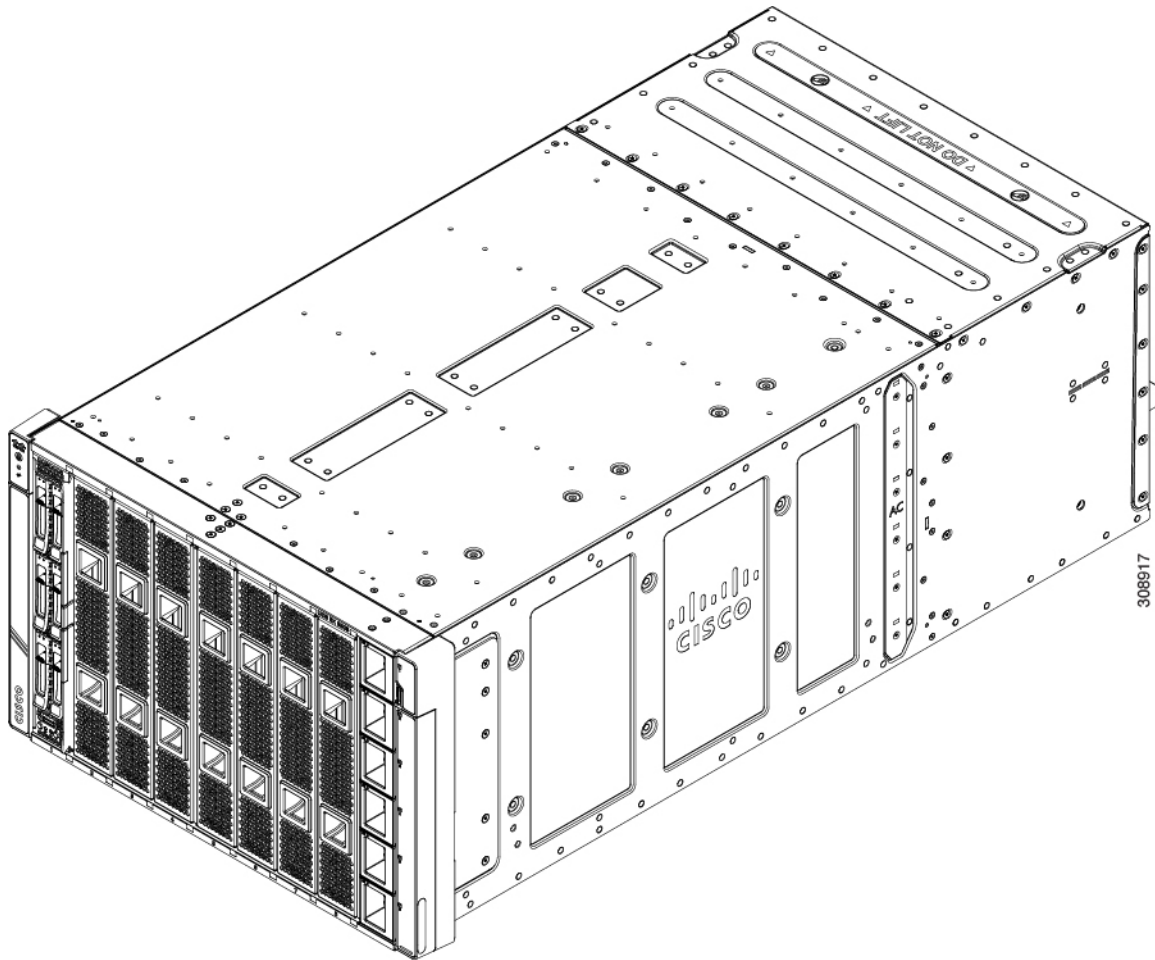
- Step 1** Grasp the blank by the finger holds.
- Step 2** Hold the module blank vertically and align the module blank with the slot.

The module blank has indicators that show how to orient the blank.



Step 3 Keeping the compute node blank vertical, slide it into the slot until the blank is flush with the face of the chassis.

Figure 2: Installing a Compute Node Blank



Removing a Compute Node

You must decommission the compute node using Cisco UCS management software (Cisco Intersight or Cisco UCS Manager) before physically removing the compute node.

Do not operate the chassis with an empty compute node slot. If you will not be installing a compute node in an empty slot, install a compute node blank (UCSX-9508-FSBK) to cover the empty slot.

Procedure

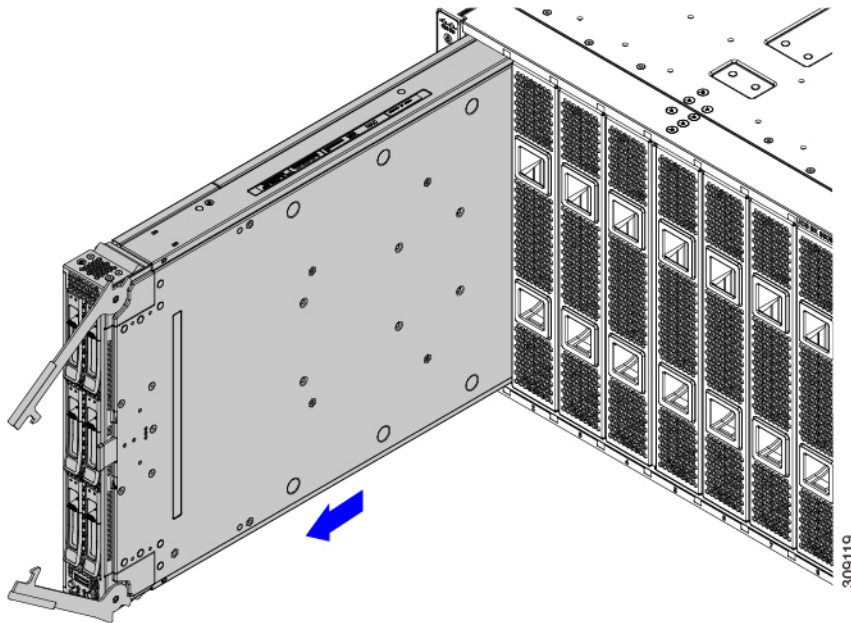
- Step 1** Decommission the compute node by using Cisco UCS management software.
- Step 2** Press the release button at the center of the compute node's faceplate to disengage the ejector handles.
- Step 3** Grasp the ejector handles and pull them outward so that they arc vertically away from each other.

While moving the compute node handles, you might feel some resistance. This resistance is normal. It occurs because the connectors at the rear of the compute node are unseating from the corresponding sockets in the chassis.

Also, when the compute node disconnects from the midplane, the compute node powers off.

Caution Whenever a compute node is removed, you must wait at least 20 seconds before inserting the compute node back into the chassis.

Figure 3: Removing a Compute Node



Step 4 Grasp the compute node handles and slide it partially out of the chassis.

Make sure to keep the compute node vertical while removing it.

Step 5 Place your other hand underneath the compute node to support it and slide the compute node completely out of the chassis.

Step 6 Once removed, place the compute node on an antistatic mat or antistatic foam if you are not immediately reinstalling it.

Step 7 Do one of the following:

- If you will be installing another compute node, see [Installing a Compute Node, on page 5](#).
- If the compute node slot is to remain empty, reinstall the compute node blank panels (UCSX-9508-FSBK) to maintain proper thermal temperatures and to keep dust out of the chassis.

Installing a Compute Node

Before you begin

The compute node must have its cover installed before installing it into the chassis to ensure adequate airflow.

Procedure

Step 1 Remove a compute node blank.

See [Removing a Compute Node, on page 4](#).

Caution Whenever a compute node is removed, you must wait at least 20 seconds before inserting the compute node back into the chassis.

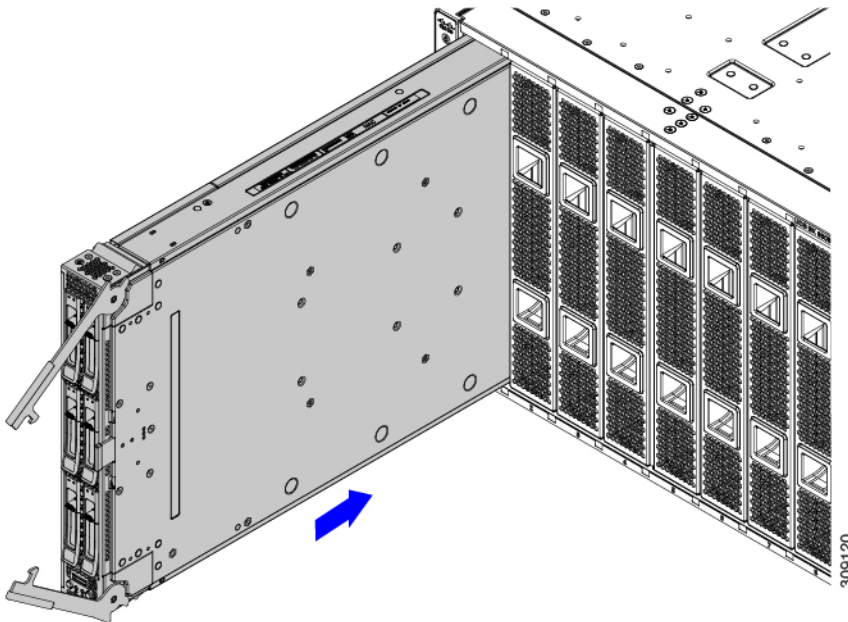
Step 2 Press the release button at the center of the compute node faceplate to release the ejectors.

Note While you are inserting the compute node, keep the ejectors open.

Step 3 Holding the compute node vertical, align it with the empty module bay in the chassis.

The compute node is correctly aligned when the compute node top cover is pointing to the left.

Figure 4: Aligning and Installing a Compute Node



Step 4 When the compute node is almost completely installed, grasp the ejector handles and arc them toward each other. This step seats the compute node into the connector. The compute node should power up.

Step 5 Push the ejectors until they are parallel with the face of the compute node.

When the compute node is completely installed, the retention latches at the end of each handle click into place.

Step 6 Configure the compute node as needed through Cisco UCS management software.

See [Compute Node Configuration, on page 7](#).

Compute Node Configuration

Cisco UCS M8 compute nodes, such as the Cisco UCS X215c M8, can be configured and managed using the Cisco UCS management software, either:

- Cisco Intersight management platform in Intersight Managed Mode (Cisco Intersight Managed Mode). For details, see the *Cisco Intersight Managed Mode Configuration Guide*, which is available at the following URL: [Cisco Intersight Managed Mode Configuration Guide](#)
- Cisco UCS Manager (UCSM), version 4.3(5) or later. For details, see the latest version of the *Cisco UCS Manager Administration Management Guide 4.3* which is available at the following URL: [Cisco UCS Manager Administration Management Guide 4.3](#)

