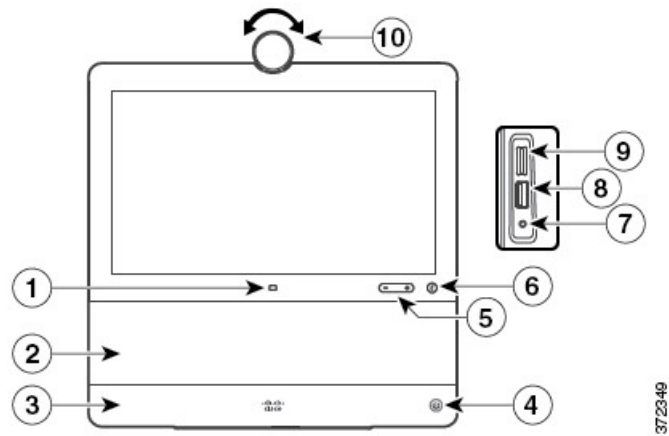




## Device Descriptions

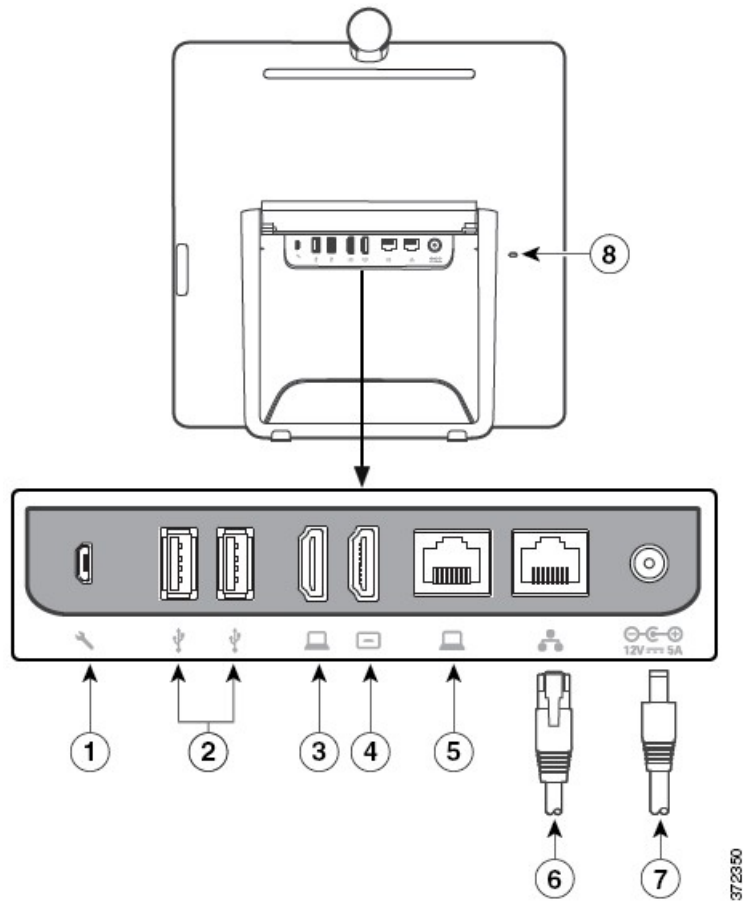
- [Cisco DX70 Hardware, page 1](#)
- [Cisco DX80 Hardware, page 3](#)
- [Cisco DX650 Hardware, page 5](#)

### Cisco DX70 Hardware



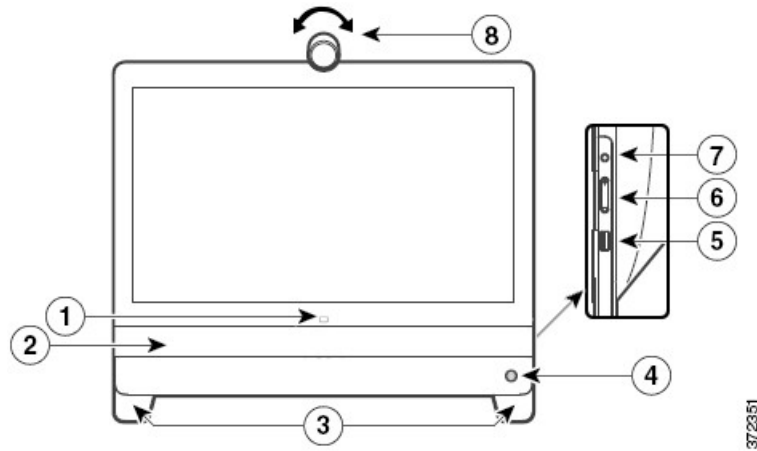
|   |               |    |                             |
|---|---------------|----|-----------------------------|
| 1 | Source button | 6  | Mute button                 |
| 2 | Speaker       | 7  | Mini jack 3.5 mm output     |
| 3 | Microphone    | 8  | USB charging port           |
| 4 | Power button  | 9  | microSD card slot           |
| 5 | Volume button | 10 | Camera with privacy shutter |

# Cisco DX70 Cable Installation



|   |                  |   |               |
|---|------------------|---|---------------|
| 1 | micro-B USB port | 5 | Computer port |
| 2 | USB ports        | 6 | Network port  |
| 3 | HDMI in          | 7 | Power port    |
| 4 | HDMI out         |   |               |

# Cisco DX80 Hardware

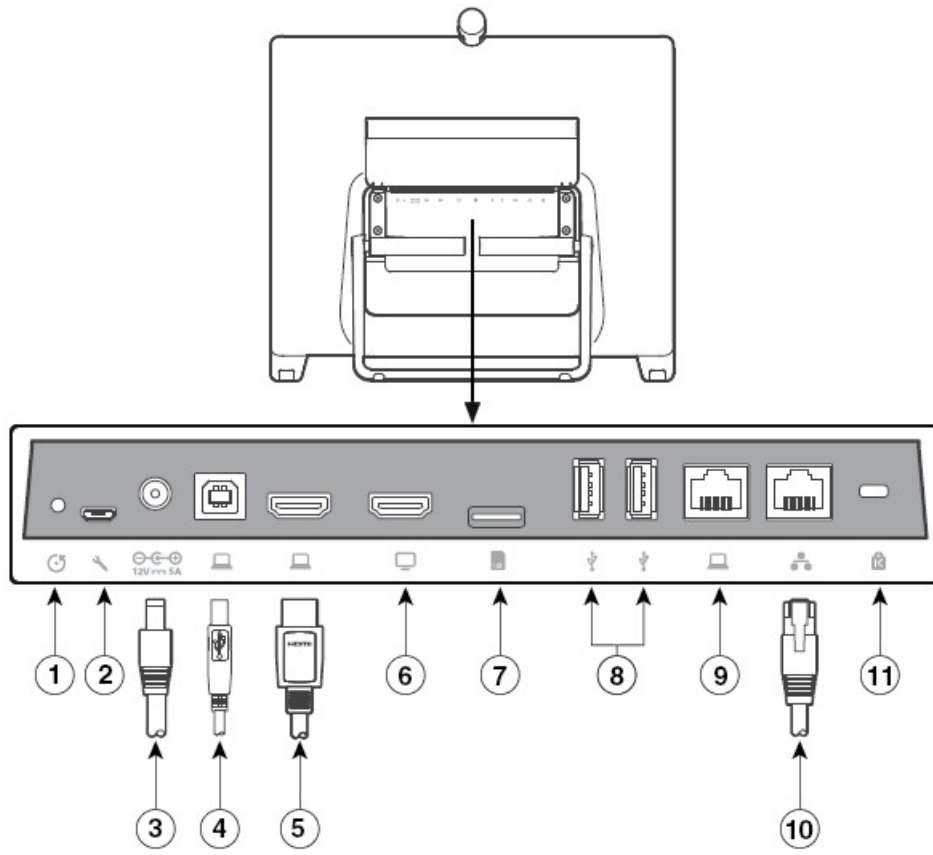


|   |                         |   |                             |
|---|-------------------------|---|-----------------------------|
| 1 | Source button           | 5 | USB port                    |
| 2 | Speaker                 | 6 | Volume button               |
| 3 | Microphones in each leg | 7 | Mute button                 |
| 4 | Power button            | 8 | Camera with privacy shutter |

Cisco DX80 includes an Acoustic Echo Canceller (AEC) and laptop shadowing. Users at the far end of a call experience clear audio quality even if the user puts an obstacle, such as a laptop, in front of one of the microphones. If the current microphone is blocked by an object, the device automatically switches to the other microphone array in the other foot.

Cisco DX80 also includes two microphone array beam forming. If the user moves out of the beam (that is, out of the camera view), the sound sent to the far end weakens. All sound sources that are not located within the pickup beam (in front of the unit) attenuate.

# Cisco DX80 Cable Installation



372392

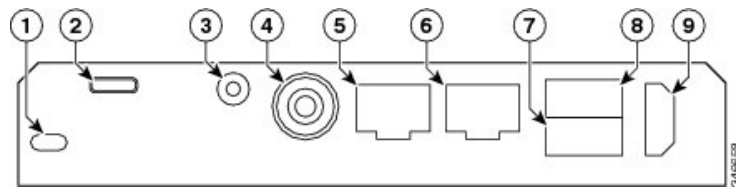
|   |                       |    |                                   |
|---|-----------------------|----|-----------------------------------|
| 1 | Factory reset pinhole | 7  | microSD card slot                 |
| 2 | micro-B USB port      | 8  | USB ports                         |
| 3 | Power port            | 9  | Computer port                     |
| 4 | USB type B port       | 10 | Network port                      |
| 5 | HDMI in               | 11 | Kensington Security Slot (K-Slot) |
| 6 | HDMI out              |    |                                   |

# Cisco DX650 Hardware



|   |  |    |                          |
|---|--|----|--------------------------|
| 1 | Privacy shutter slide switch                       | 10 | Conference button        |
| 2 | Camera   | 11 | Transfer button          |
| 3 | Touchscreen  | 12 | Volume button            |
| 4 | 12 key dial pad                                    | 13 | Speaker button           |
| 5 | Micro Secure Digital Standard Capacity (HDSC) slot | 14 | Stop Video button        |
| 6 | Lock button  | 15 | Headset button           |
| 7 | USB port   | 16 | Mute button              |
| 8 | End call button                                    | 17 | Handset with light strip |
| 9 | Hold button  |    |                          |

## Cisco DX650 Cable Installation



|   |                                   |   |               |
|---|-----------------------------------|---|---------------|
| 1 | Kensington Security Slot (K-Slot) | 6 | Computer port |
|---|-----------------------------------|---|---------------|

|   |                                |   |                  |
|---|--------------------------------|---|------------------|
| 2 | micro-B USB port               | 7 | Auxiliary port   |
| 3 | 3.5-mm stereo line in/out jack | 8 | USB 2.0 port     |
| 4 | Power port                     | 9 | HDMI type A port |
| 5 | Network port                   |   |                  |