



Installing and Removing Cisco Aironet Access Point Modules

Last Updated: November 5, 2014

This document provides instructions for installing and removing the following Cisco Aironet Access Point Modules:

- Cisco Aironet Access Point Module for 802.11ac
- Cisco Aironet Access Point Module for Wireless Security

This document consists of the following sections:

- [Compatibility Table, page 2](#)
- [Related Documentation, page 2](#)
- [Installing the Module, page 3](#)
- [Removing the Installed Module, page 5](#)
- [Obtaining Documentation and Submitting a Service Request, page 6](#)



Compatibility Table

Module	Cisco Aironet Series Access Point supported	Software Releases supported
802.11ac Module	3600	<p>Cisco Unified Wireless Network Software Release with AireOS Wireless Controllers:</p> <ul style="list-style-type: none"> 7.5 or later for support of the 802.11ac Wave 1 Module for the 3600 Series Access Point. <p>Cisco IOS XE Software Release:</p> <ul style="list-style-type: none"> 3.3.0SE or later for the Cisco 802.11ac Wave 1 Module for the 3600 Series Access Point.
Wireless Security Module (WSM)	3600	<p>Cisco Unified Wireless Network Software Release with AireOS Wireless Controllers:</p> <ul style="list-style-type: none"> 7.4 or later for support of the Wireless Security Module for the 3600 Series Access Point. <p>Cisco IOS XE Software Release:</p> <ul style="list-style-type: none"> 3.3.0SE or later for the Cisco 802.11ac Wave 1 Module for the 3600 Series Access Point.
	3700	<p>Cisco Unified Wireless Network Software Release with AireOS Wireless Controllers:</p> <ul style="list-style-type: none"> 7.6 or later for support of the Wireless Security Module for the 3700 Series Access Point. <p>Cisco IOS XE Software Release:</p> <ul style="list-style-type: none"> Not currently supported. Future support planned.

Related Documentation

Cisco Aironet Access Point Modules page—This page provides the links to information such as the module models supported and the corresponding documentation. This page is at the following URL:

<http://www.cisco.com/c/en/us/products/interfaces-modules/aironet-access-point-modules/index.html>

Cisco Aironet Access Point Module for 802.11ac Data Sheet—at the following URL:

http://www.cisco.com/c/en/us/products/collateral/interfaces-modules/aironet-access-point-module-802-11ac/data_sheet_c78-727794.html

Cisco Aironet Access Point Module for Wireless Security Data Sheet—at the following URL:

http://www.cisco.com/c/en/us/products/collateral/wireless/aironet-3600-series/data_sheet_c78-720719.html

Installing the Module

Follow these steps to install the module:

Step 1 Remove the module from the packaging.

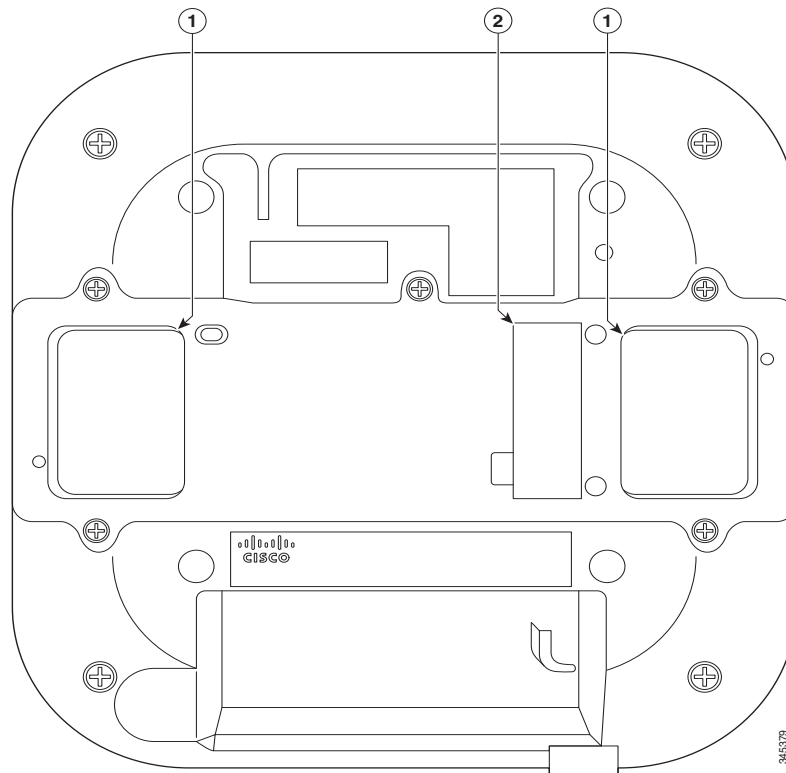
Step 2 Power down the access point.



Note If you install a module while the AP is powered on, the AP will reboot.

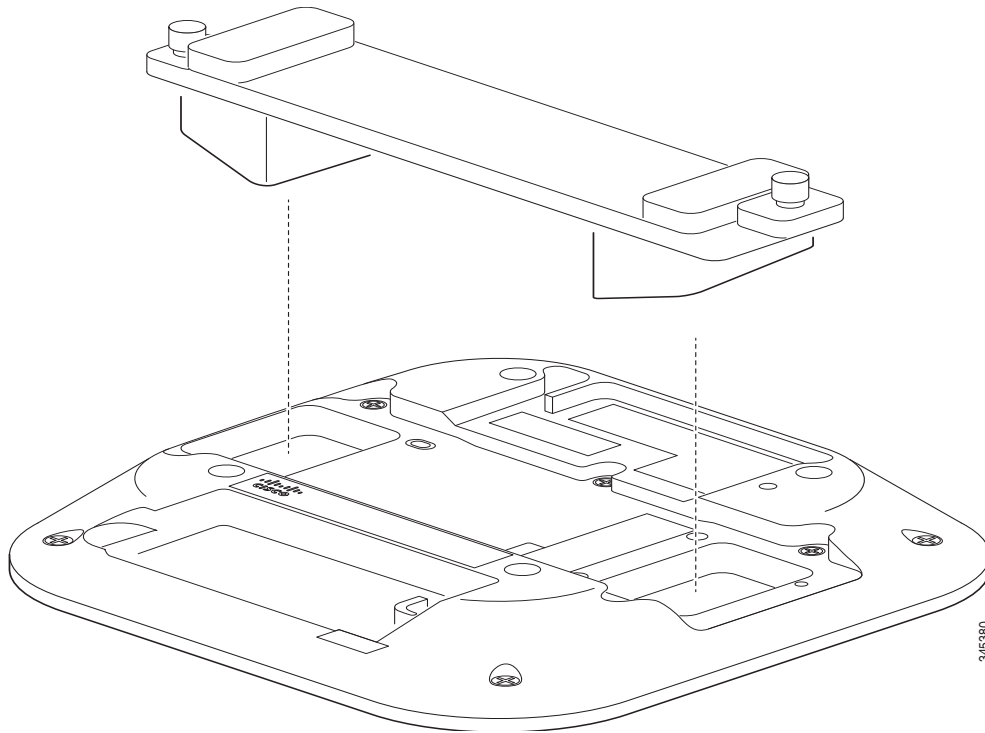
Step 3 Peel off the Module Port Protective Cover from the back of the access point to reveal the module port connector, labeled 2 in the following figure.

The PCIe connector on the module will go into the AP's module port connector.



1	Openings for module's antennas	2	Removable Module Port Protective Cover
---	--------------------------------	---	--

- Step 4** Align the PCIe connector with the module port connector on the back of the access point and click the module down into place. Press firmly on the center of the module to properly seat the PCIe connector into the AP's module port connector



- Step 5** Screw down the thumb screws on the module, by hand only. Hand tighten each screw until the resistance is obvious and you know you cannot further tighten the screws. If the screws are not fully tightened, the module will not be detected and hence will not operate properly.


Caution

Do not use any mechanical tool or device such as pliers or a torque wrench to tighten the screws.


Caution

The thumbscrews used to mechanically secure the radio module into the AP are an integral part of the radio module detection circuitry within the AP. Therefore, to ensure reliable radio module detection by the AP the thumbscrews must be installed to their maximum travel depth and tightened to the maximum tightness that can be achieved by hand.

If the thumbscrews are not properly installed and appropriately tightened the radio module may not be detected by the AP and/or the AP may reboot unpredictably, for instance, when subjected to mechanical shock or vibration. However, do not use any tool or device intended to provide mechanical advantage, to tighten the thumbscrews. Doing so can result in permanent damage to the thumbscrews, radio module, or AP.

- Step 6** Power up the access point.
When the access point boots up, it detects the module.

Removing the Installed Module

Follow these steps to remove the installed module:

Step 1 Power down the access point.

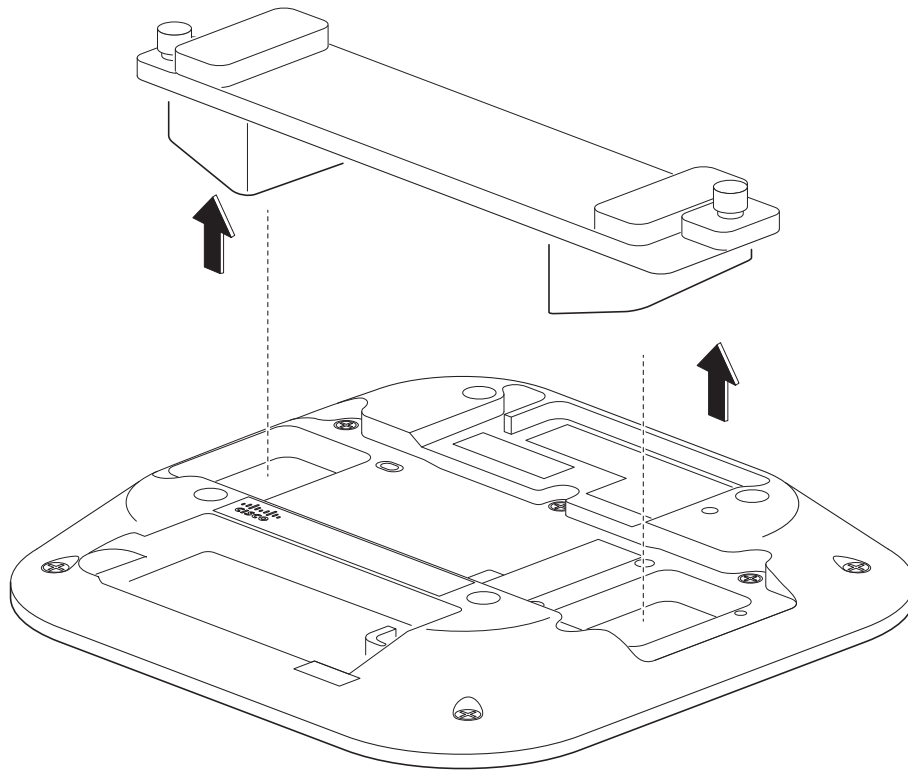


Caution

If you loosen the thumbscrews or try to remove a module while the AP is powered on, the AP will reboot. The thumbscrews are not only used to mechanically secure the radio module into the AP, but are also an integral part of the radio module detection circuitry within the AP.

Step 2 Unscrew the thumb screws on the module, by hand.

Step 3 Pull out the module gently.



Step 4 Power up the access point.

Obtaining Documentation and Submitting a Service Request

For information on obtaining documentation, submitting a service request, and gathering additional information, see the monthly *What's New in Cisco Product Documentation*, which also lists all new and revised Cisco technical documentation:

<http://www.cisco.com/c/en/us/td/docs/general/whatsnew/whatsnew.html>

Subscribe to the *What's New in Cisco Product Documentation* as an RSS feed and set content to be delivered directly to your desktop using a reader application. The RSS feeds are a free service. Cisco currently supports RSS Version 2.0.

Cisco and the Cisco logo are trademarks or registered trademarks of Cisco and/or its affiliates in the U.S. and other countries. To view a list of Cisco trademarks, go to this URL: www.cisco.com/go/trademarks. Third-party trademarks mentioned are the property of their respective owners. The use of the word partner does not imply a partnership relationship between Cisco and any other company. (1110R)

© 2014 Cisco Systems, Inc. All rights reserved.