



Hardware Features

This chapter describes the hardware features of Cisco Wireless 9176I Wi-Fi 7 Access Point and contains the following sections:

- [Access Point Views, Ports, and Connectors, on page 1](#)

Access Point Views, Ports, and Connectors

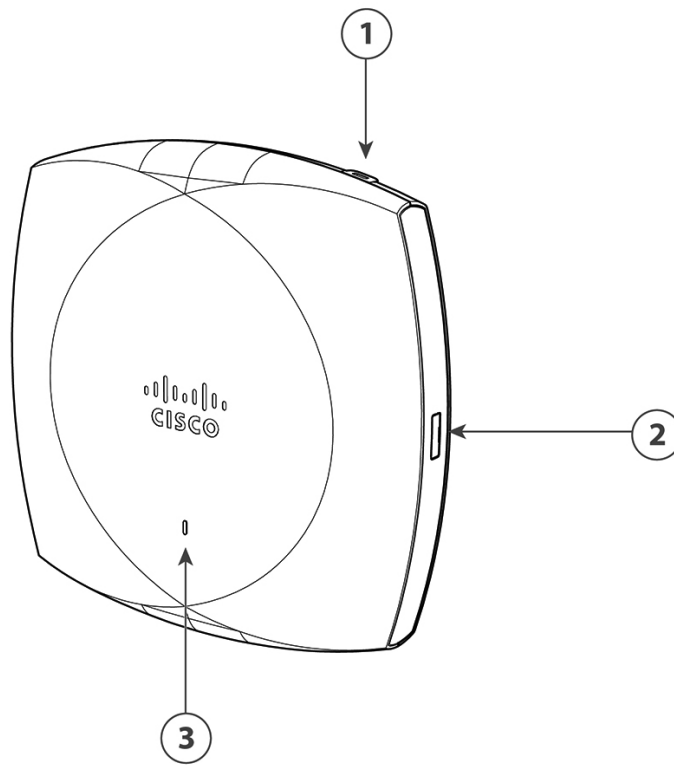
Cisco Wireless 9176I Wi-Fi 7 Access Point has multiple options that you can use to power the AP. For information about connectors and ports for the AP models, see [Connectors and Ports on the AP, on page 1](#).

Connectors and Ports on the AP

The following figures show the available ports on the AP:

CW9176I Face View

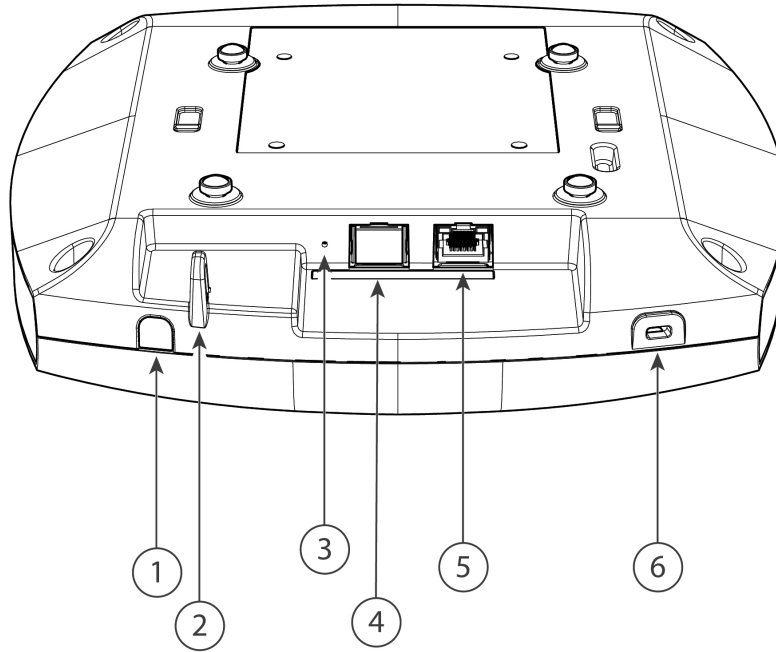
Figure 1: CW9176I Face View



| | |
|---|--|
| 1 | Kensington lock slot |
| 2 | USB 2.0 port |
| 3 | Status LED For information on the LEDs status, see LED Status Indications . |

CW9176I Top View

Figure 2: CW9176I Top View with Connectors and Ports



| | | | |
|---|--|---|----------------------|
| 1 | GPS external port | 5 | Ethernet port 0 |
| 2 | Security hasp for padlocking AP to mounting bracket | 6 | Kensington lock slot |
| 3 | Reset button For information about how to use the Reset button, see the Using the Mode Button section | | |
| 4 | RJ-45 console port Default baud rate is 115200. | | |

