



Hardware Features

This chapter describes the hardware features of Cisco Wireless 9176D1 Wi-Fi 7 Access Point and contains the following sections:

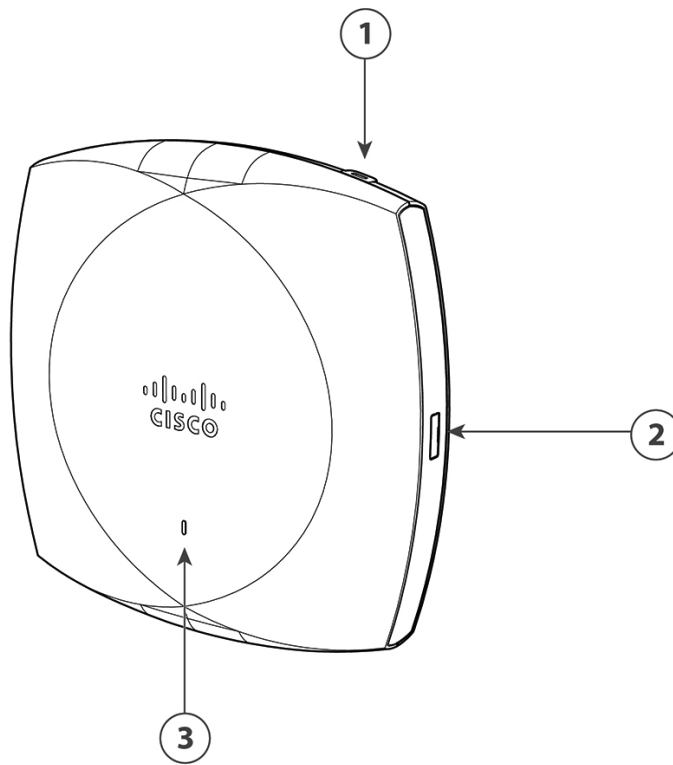
- [Access Point Views, Ports, and Connectors, on page 1](#)

Access Point Views, Ports, and Connectors

Cisco Wireless 9176D1 Wi-Fi 7 Access Point has multiple options that you can use to power the AP. For information about connectors and ports for the AP models, see [Connectors and Ports on the AP, on page 1](#).

Connectors and Ports on the AP

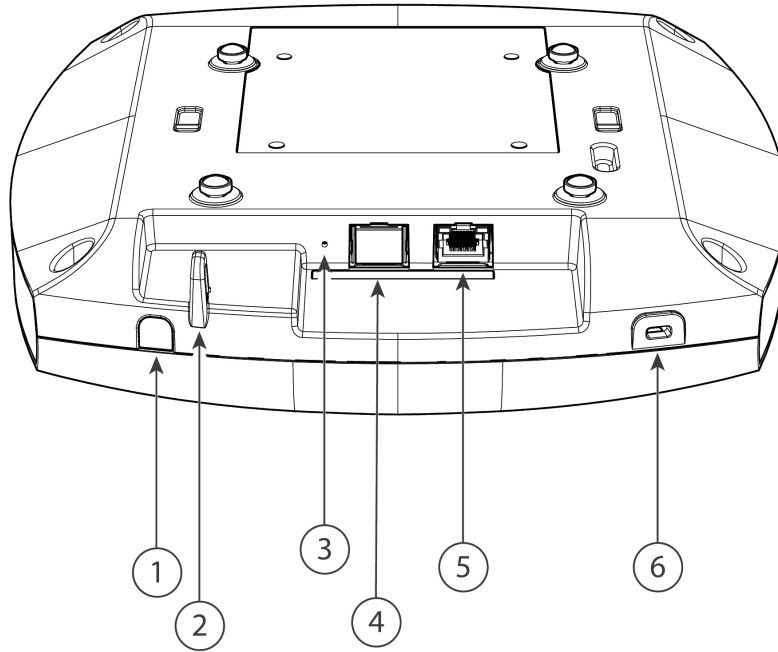
The following figures show the available ports on the AP:

CW9176D1 Face View*Figure 1: CW9176D1 Face View*

1	Kensington lock slot
2	USB 2.0 port
3	Status LED For information on the LEDs status, see LED Status Indications .

CW9176D1 Top View

Figure 2: CW9176D1 Top View with Connectors and Ports



1	GPS external port	5	Ethernet port 0
2	Security hasp for padlocking AP to mounting bracket	6	Kensington lock slot
3	Reset button For information about how to use the Reset button, see the Using the Mode Button section		
4	RJ-45 console port Default baud rate is 115200.		

