

MGCP中的Hookflash傳輸

目錄

[簡介](#)

[必要條件](#)

[需求](#)

[採用元件](#)

[慣例](#)

[設定](#)

[網路圖表](#)

[VG200的配置](#)

[驗證](#)

[疑難排解](#)

[疑難排解指令](#)

[相關資訊](#)

簡介

當您將IP語音(VoIP)技術整合到舊式專用交換分機(PBX)和公共交換電話網路(PSTN)時，有時需要傳遞一種訊號型別，稱為hookflash。hookflash是回圈啟動中繼上環路電流的短暫中斷，連線的系統不會將其解釋為呼叫斷開連線。

本文重點介紹如何使用Cisco CallManager和媒體網關控制協定(MGCP)信令協定對模擬網關上的連線快閃記憶體傳輸進行故障排除。Cisco VG200平台用於運行MGCP協定的語音網關，Cisco CallManager版本3.2(2)c用作MGCP協定的呼叫代理(CA)。Cisco CallManager對hookflash的解釋是呼叫來電轉駁的附加功能。Cisco CallManager預設啟用此功能。不能更改Hookflash的解釋以表示其他功能，如會議或三方呼叫。

必要條件

需求

嘗試此組態之前，請確保符合以下要求：

- 能夠將語音網關配置為與使用MGCP協定的Cisco CallManager進行通訊。如需詳細資訊，請參閱[使用IOS MGCP闡道 \(類比FXO、FXS連線埠\) 設定Cisco CallManager 3.x](#)的檔案。
- 瞭解hookflash和hookflash使用情況的基本知識
- 能夠在Cisco CallManager上啟用捕獲跟蹤以進行調試捕獲。有關過程，請參閱[使用Cisco CallManager跟蹤收集工具診斷跟蹤](#)文檔。

採用元件

本文中的資訊係根據以下軟體和硬體版本：

- 採用NM-2V雙語音和傳真介面卡插槽網路模組和VIC-2FXS雙埠外部交換站(FXS)語音介面卡(VIC)的VG200(執行Cisco IOS®軟體版本vg200-i6s-mz.122-12a.bin)
- 採用IP電話負載P2的Cisco CallManager版本3.2(2)00303020204
- 連線到VG200的兩個模擬電話
- 在LAN上註冊到Cisco CallManager的兩台IP電話

本文中的資訊是根據特定實驗室環境內的裝置所建立。文中使用到的所有裝置皆從已清除(預設)的組態來啟動。如果您的網路正在作用，請確保您已瞭解任何指令可能造成的影響。

慣例

如需文件慣例的詳細資訊，請參閱[思科技術提示慣例](#)。

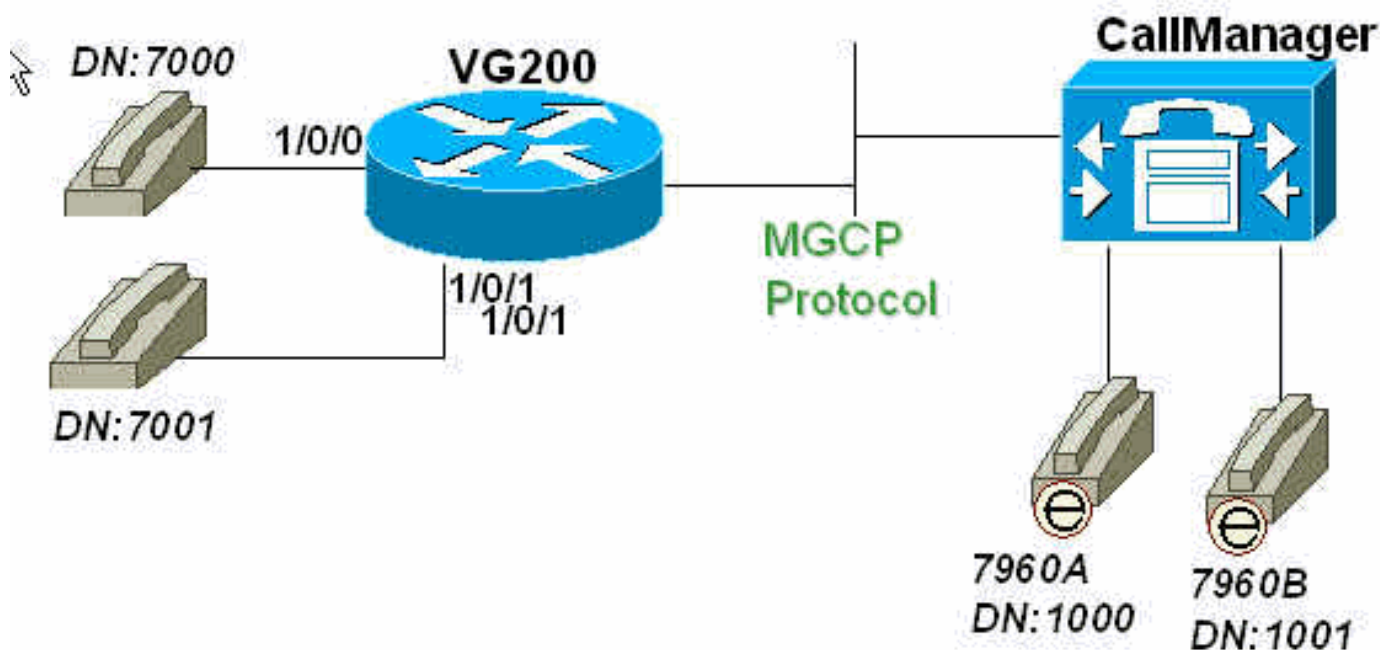
設定

本節提供用於設定本文件中所述功能的資訊。

注意：要查詢有關本文檔中使用的命令的其他資訊，請使用[命令查詢工具](#)([僅限註冊客戶](#))。

網路圖表

本檔案會使用以下網路設定：



VG200的配置

VG200路由器指向Cisco CallManager(171.69.85.107)作為其CA。MGCP協定智慧位於CA(本例中為Cisco CallManager)中。連線到VG200 FXS埠的模擬電話的撥號方案配置也完全在CA上配置。

VG200 關道

```
VG200-2# show run
Building configuration...

Current configuration : 869 bytes
!
version 12.2
no service pad
service timestamps debug datetime msec
service timestamps log datetime msec
no service password-encryption
!
hostname VG200-2
!
logging buffered 1000000 debugging
enable secret 5 $1$hDbz$wuyPYPrmvFLIP6gMjuTG4e0
!
ip subnet-zero
no ip domain-lookup
!
mgcp
mgcp call-agent 171.69.85.107
mgcp dtmf-relay codec all mode out-of-band
call rsvp-sync
!
!
ccm-manager mgcp
!
!
interface FastEthernet0/0
 ip address 172.16.13.169 255.255.255.224
 duplex auto
 speed auto
!
ip classless
ip route 0.0.0.0 0.0.0.0 172.16.13.161
no ip http server
!
!
voice-port 1/0/0
!
voice-port 1/0/1
!
dial-peer voice 101 pots
 application mgcpapp
 port 1/0/1
!
dial-peer voice 100 pots
 application mgcpapp
 port 1/0/0
!
!
line con 0
line aux 0
line vty 0 4
 password ww
 login
!
ntp clock-period 17180017
ntp server 172.13.16.80
ntp server 172.16.13.80
end
```

驗證

本節提供的資訊可用於確認配置功能是否正常。

注意：此部分中的命令用於驗證MGCP埠的狀態、CA相對於VG200的狀態，以及VG200上的模擬埠狀態。

[輸出直譯器工具](#)(僅供註冊客戶使用)支援某些show命令，此工具可讓您檢視show命令輸出的分析。

- [show mgcp](#) — 發出以顯示MGCP引數的值。
- [show ccm-manager](#) -Issue以顯示Cisco CallManager伺服器清單以及當前狀態和可用性。
- [show mgcp endpoint](#) — 發出以顯示由MGCP控制的終端的資訊。
- [show mgcp statistics](#) — 發出以顯示有關已接收和已傳輸網路消息的MGCP統計資訊。
- [show voice port \[summary\]](#) — 顯示特定語音埠的配置資訊。

```
VG200-2# show mgcp
```

```
MGCP Admin State ACTIVE, Oper State ACTIVE - Cause Code NONE
!--- Be sure that both states are "ACTIVE". MGCP call-agent: 171.69.85.107 Initial protocol
service is MGCP
MGCP block-newcalls DISABLED
MGCP dtmf-relay codec all mode out-of-band
MGCP modem passthrough: CA
MGCP request timeout 500, MGCP request retries 3
MGCP gateway port: 2427, MGCP maximum waiting delay 3000
MGCP restart delay 0, MGCP vad DISABLED
MGCP simple-sdp DISABLED
MGCP undotted-notation DISABLED
MGCP codec type g711ulaw, MGCP packetization period 20
MGCP JB threshold lwm 30, MGCP JB threshold hwm 150
MGCP LAT threshold lwm 150, MGCP LAT threshold hwm 300
MGCP PL threshold lwm 1000, MGCP PL threshold hwm 10000
MGCP playout mode is adaptive 60, 4, 200 in msec
MGCP IP ToS low delay disabled, MGCP IP ToS high throughput disabled
MGCP IP ToS high reliability disabled, MGCP IP ToS low cost disabled
MGCP IP precedence 5, MGCP default package: line-package
MGCP supported packages: gm-package dtmf-package trunk-package line-package
hs-package
```

```
VG200-2# show ccm-manager
```

```
MGCP Domain Name: VG200-2
!--- Be sure that Cisco CallManager MGCP domain name field matches what !--- you see here. Total
number of host: 1 Priority Status Host
===== Primary
Registered 171.69.85.107
!--- The gateway shows registration with Cisco CallManager !--- (171.699.85.107). First
backup Undefined Second backup Undefined Current active Call
Manager: 171.69.85.107
Current backup Call Manager: None
Redundant link port: 2428
Failover Interval: 30 seconds
Keepalive Interval: 15 seconds
Last keepalive sent: 3d03h (elapsed time: 00:00:04)
Last MGCP traffic time: 3d03h (elapsed time: 00:00:04)
Last switchover time: None
Switchback mode: Not selected (Default:Graceful)
```

```
VG200-2# show mgcp endpoint
```

```
voice-port 1/0/0
```

```
voice-port 1/0/1
```

```
VG200-2# show mgcp statistics
```

```
UDP pkts rx 18856, tx 18984
Unrecognized rx pkts 0, MGCP message parsing errors 0
Duplicate MGCP ack tx 0, Invalid versions count 0
CreateConn rx 55, successful 55, failed 0
DeleteConn rx 56, successful 55, failed 1
ModifyConn rx 214, successful 214, failed 0
DeleteConn tx 1, successful 1, failed 0
NotifyRequest rx 164, successful 164, failed 0
AuditConnection rx 0, successful 0, failed 0
AuditEndpoint rx 43, successful 43, failed 0
RestartInProgress tx 55, successful 55, failed 0
Notify tx 18282, successful 18282, failed 0
ACK tx 439, NACK tx 1
ACK rx 18357, NACK rx 16
```

```
IP address based Call Agents statistics:
IP address 171.69.85.107, Total msg rx 11814,
                        successful 11808, failed 4
IP address 172.16.13.152, Total msg rx 7042,
                        successful 6948, failed 13
```

```
VG200-2# show voice port summary
```

PORT	CH	SIG-TYPE	ADMIN	OPER	IN STATUS	OUT STATUS	EC
1/0/0	--	fxs-ls	up	dorm	on-hook	idle	y
1/0/1	--	fxs-ls	up	dorm	on-hook	idle	y

```
VG200-2#
```

疑難排解

本節提供的資訊可用於對組態進行疑難排解。

疑難排解指令

成功呼叫的調試

本部分顯示電話從FXS語音埠執行的hookflash傳輸成功功能調試捕獲。

基本呼叫流程如下：

1. IP電話A (撥出的號碼[DN]為1000) 呼叫語音埠1/0/0上的VG200電話C (DN為7000)。
2. 電話C應答呼叫，然後快速掛機或摘機執行Hookflash。
3. VG200將訊號檢測為Hookflash，並將訊號轉發到使用MGCP的Cisco CallManager。
4. Cisco CallManager向VG200傳送響應，並指示VG200播放撥號音並保留IP電話A。
5. 然後，電話C上的使用者撥打IP電話B分機 (DN是1001)。VG200收集數字並將呼叫轉發到Cisco CallManager。
6. 一旦Cisco CallManager找到匹配的撥號模式，CallManager就會振鈴IP電話B並等待應答。
7. IP電話B摘機，Cisco CallManager連線雙方 (IP電話A和IP電話B)。
8. 呼叫轉接已完成。

以下是在VG200路由器上啟用的有用調試清單，用於對路由器上的捕獲日誌檔案進行故障排除和調

試：

注意：發出debug命令之前，請參閱[有關Debug命令的重要資訊](#)。

- [debug mgcp \[packets\]](#) — 問題以檢視在Cisco CallManager和路由器之間交換的完整MGCP資料包。

```
VG200-2# debug mgcp packet
Media Gateway Control Protocol packets debugging is on
```

- [debug vpm signal](#) -Issue to view the on-hook and off-hook signaling for the voice port.

```
VG200-2# debug vpm signal
Voice Port Module signaling debugging is enabled
```

- [debug vtsp dsp](#) — 用於檢視在路由器上執行的數字收集。

```
VG200-2# debug vtsp dsp
Voice telephony call control dsp debugging is on
```

- [debug vtsp tone](#) — 發出以檢視路由器生成的任何音，如撥號音、忙訊號或快速忙音。

```
VG200-2# debug vtsp tone
Voice telephony call control tone generation debugging is on
```

以下是建立呼叫流程時VG200上日誌的開始。

注意：由於空間限制，此處的某些輸出出現在多行上。

```
VG200-2# show log
```

```
Syslog logging: enabled (0 messages dropped, 0 messages rate-limited, 2
flushes, 0 overruns)
```

```
Console logging: level debugging, 58646 messages logged
Monitor logging: level debugging, 6066 messages logged
Buffer logging: level debugging, 57766 messages logged
Logging Exception size (4096 bytes)
Trap logging: level informational, 45 message lines logged
```

```
Log Buffer (1000000 bytes):
```

```
*Mar  4 03:40:38.339: MGCP Packet received -
```

```
CRCX 689 AALN/S1/SU0/0@VG200-2 MGCP 0.1
```

```
!--- A create connection (CRCX) request with sequence number 689 is received !--- from Cisco
CallManager to set up the call for voice port 1/0/0. C: A0000000010001b9 X: 31 M: inactive
```

```
      R: L/hd !--- "R: L/hd" is the Cisco CallManager request to be notified if
the line !--- package (L) signal off-hook (hd) is detected. S: L/rg !--- "S: L/rg" indicates
that Cisco CallManager sends a signal generation !--- request (S) to have the gateway line
package ring (rg) the phone. Q: process,loop *Mar  4 03:40:38.347:htsp_process_event: [1/0/0,
```

```
FXSLS_ONHOOK, E_HTSP_SETUP_REQ]fxsls_
```

```
onhook_setu
```

```
!--- The FXS voice port 1/0/0 has received an event, a set-up request. *Mar  4 03:40:38.347:
[1/0/0] set signal state = 0x0 timestamp = 0 *Mar  4 03:40:38.347: dsp_close_voice_channel:
[1/0/0 (168)] packet_len=8 channel_id=1 packet_id=75 *Mar  4 03:40:38.347:
dsp_open_voice_channel_20: [1/0/0 (168)] packet_len=16 channel_id=1 packet_id=74
alaw_ulaw_select=0 associated_signaling_channel=128 time_slot=65535 serial_port=65535 *Mar  4
03:40:38.347: dsp_encap_config: [1/0/0 (168)] packet_len=30 channel_id=1 packet_id=92
TransportProtocol 2 t_ssrc=0x0 r_ssrc=0x0 t_vpxcc=0x0 r_vpxcc=0x0 sid_support=1,
tse_payload=65535, seq_num=0xCE9, redundancy=0 *Mar  4 03:40:38.351: dsp_set_playout_delay *Mar
4 03:40:38.351: dsp_set_playout: [1/0/0 (168)] packet_len=18 channel_id=1 packet_id=76 mode=1
initial=60 min=40 max=200 fax_nom=300 *Mar  4 03:40:38.351: dsp_set_playout_config: [1/0/0
(168)] packet_len=18 channel_id=1 packet_id=76 mode=1 initial=60 min=4 max=200 fax_nom=300 *Mar
4 03:40:38.351: dsp_echo_canceler_control: echo_cancel: 1 *Mar  4 03:40:38.351:
dsp_echo_canceler_control: [1/0/0 (168)] echo_cancel 1, disable_hpf 0, flags=0x0, threshold=-21
*Mar  4 03:40:38.351: dsp_echo_canceler_control: [1/0/0 (168)] packet_len=14 channel_id=1
packet_id=66 flags=0x0, threshold=-21, suppressor coverage=7 *Mar  4 03:40:38.351:
dsp_idle_code_det: [1/0/0 (168)] packet_len=14 channel_id=1 packet_id=116 enable=0, code=0,
```

duration=6000 *Mar 4 03:40:38.355: set_gains: FXx/E&M: msg->message.set_codec_gains.out_gain=65506 *Mar 4 03:40:38.355: dsp_set_gains: [1/0/0 (168)] packet_len=12 channel_id=1 packet_id=91 in_gain=0 out_gain=65506 *Mar 4 03:40:38.355: dsp_vad_enable: [1/0/0 (168)] enable: packet_len=16 channel_id=1 packet_id=78 thresh=-38 vadtime=250 aggressive=0 *Mar 4 03:40:38.359: dsp_idle_mode: [1/0/0 (168)] packet_len=8 channel_id=1 packet_id=68 *Mar 4 03:40:38.363: dsp_encap_config: [1/0/0 (168)] packet_len=30 channel_id=1 packet_id=92 TransportProtocol 2 t_ssrc=0x0 r_ssrc=0x0 t_vpxcc=0x0 r_vpxcc=0x0 sid_support=0, tse_payload=65535, seq_num=0x534, redundancy=0 *Mar 4 03:40:38.363: dsp_voice_mode: [1/0/0 (168)] cdb 8127AD60, cdb->codec_params.modem 2, inband_detect flags 0x21 *Mar 4 03:40:38.363: map_dtmf_relay_type--digit relay mode: 3 *Mar 4 03:40:38.363: dsp_voice_mode: [1/0/0 (168)] packet_len=24 channel_id=1 packet_id=73 coding_type=1 voice_field_size=160 VAD_flag=0 echo_length=64 comfort_noise=1 inband_detect=33 digit_relay_mode=3 AGC_flag=0 *Mar 4 03:40:38.363: dsp_vad_enable: [1/0/0 (168)] disable: packet_len=8 channel_id=1 packet_id=77 *Mar 4 03:40:38.363: htsp_process_event: [1/0/0, FXSLS_ONHOOK, E_HTSP_VOICE_CUT_THROUGH] *Mar 4 03:40:38.367: send_mgcp_msg, MGCP Packet sent --> 200 689 OK !--- The router sends "200 OK" back to Cisco CallManager to acknowledge !--- the CRCX with sequence number 689. I: 39 v=0 o=- A0000000010001b9 0 IN IP4 172.16.13.169 s=Cisco SDP 0 c=IN IP4 172.16.13.169 t=0 0 m=audio 16384 RTP/AVP 0 8 96 97 98 2 99 100 101 102 103 104 18 a=rtpmap:96 G.729a/8000/1 a=rtpmap:97 G.726-16/8000/1 a=rtpmap:98 G.726-24/8000/1 a=rtpmap:99 G.728/8000/1 a=rtpmap:100 G.723.1-H/8000/1 a=rtpmap:101 G.723.1-L/8000/1 a=rtpmap:102 G.729b/8000/1 a=rtpmap:103 G.723.1a-H/8000/1 a=rtpmap:104 G.723.1a-L/8000/1 <--- *Mar 4 03:40:38.371: htsp_process_event: [1/0/0, FXSLS_ONHOOK, E_HTSP_POWER_RINGING] fxsls_onhook_ringing !--- The router instructs to ring the phone off voice port 1/0/0. *Mar 4 03:40:38.371: [1/0/0] set signal state = 0x0 timestamp = 0htsp_alert *Mar 4 03:40:40.819: vtsp_process_dsp_message: MSG_TX_GET_TX_STAT: rtp_timestamp= 0xB23DAB2A *Mar 4 03:40:43.280: vtsp_process_dsp_message: MSG_TX_GET_TX_STAT: rtp_timestamp= 0xB23DF80A *Mar 4 03:40:45.740: vtsp_process_dsp_message: MSG_TX_GET_TX_STAT: rtp_timestamp= 0xB23E44EA *Mar 4 03:40:48.200: vtsp_process_dsp_message: MSG_TX_GET_TX_STAT: rtp_timestamp= 0xB23E91CA *Mar 4 03:40:49.116: htsp_process_event: [1/0/0, FXSLS_WAIT_OFFHOOK, E_DSP_SIG_1100] fxsls_waitoff_offhook !--- The router waits for the called party to pick up the phone. *Mar 4 03:40:49.116: [1/0/0] set signal state = 0x4 timestamp = 0 *Mar 4 03:40:49.116: [1/0/0] set signal state = 0x6 timestamp = 0 htsp_dial *Mar 4 03:40:49.116: htsp_process_event: [1/0/0, FXSLS_CONNECT, E_DSP_DIALING_DONE] !--- The router detects that the called party went off-hook, went into !--- the CONNECT state, and connected both parties. *Mar 4 03:40:49.116: dsp_cp_tone_off: [1/0/0 (168)] packet_len=8 channel_id=1 packet_id= 71 *Mar 4 03:40:49.116: dsp_cp_tone_off: [1/0/0 (168)] packet_len=8 channel_id=1 packet_id= 71 *Mar 4 03:40:49.120: send_mgcp_msg, MGCP Packet sent ---> NTFY 18351 AALN/S1/SU0/0@VG200-2 MGCP 0.1 !--- The router sends the notify (NTFY) message to Cisco CallManager with sequence number !--- 18351 to inform CallManager of the off-hook status. X: 31 O: L/hd !--- "L/hd" indicates line package and off-hook. <--- *Mar 4 03:40:49.120: dsp_cp_tone_off: [1/0/0 (168)] packet_len=8 channel_id=1 packet_id= 71 *Mar 4 03:40:49.120: act_gen_tone: Tone Busy generated in direction Network, stop_tone_on_digit = FALSE *Mar 4 03:40:49.124: MGCP Packet received - 200 18351 !--- The router receives the 200 "OK" acknowledgement !--- from Cisco CallManager !--- for sequence number 18351. *Mar 4 03:40:49.152: MGCP Packet received - MDCX 690 AALN/S1/SU0/0@VG200-2 MGCP 0.1 !--- The router receives the modify connect (MDCX) message from Cisco CallManager !--- with sequence number 690. C: A0000000010001b9 I: 39 X: 32 L: p:20, a:PCMU, s:off !--- "L: p:20, a:PCMU, s:off" indicates line package 20 bytes payload !--- with coder-decoder !--- (codec) G.711ulaw and voice activity detection (VAD) disabled. M: recvonly !--- "M: recvonly" indicates that media (M) mode went !--- into the receive only state. R: L/hu !--- "R: L/hu" indicates the Cisco CallManager request to be notified if !--- line package detects an on-hook (hu) status. Q: process,loop *Mar 4 03:40:49.160: send_mgcp_msg, MGCP Packet sent ---> 200 690 OK !--- The router sends a "200 OK" back to Cisco CallManager !--- and acknowledges the !--- MDCX sequence number 690. <--- *Mar 4 03:40:49.168: MGCP Packet received - MDCX 691 AALN/S1/SU0/0@VG200-2 MGCP 0.1 !--- The router has received MDCX with sequence number 691. C: A0000000010001b9 I: 39 X: 33 L: p:20, a:PCMU, s:off M: sendrecv !--- "M: sendrecv" indicates a change of the media state to sendrecv !--- (audio in both directions). R: L/hu, L/hf, D/[0-9ABCD*#] !--- "R: L/hu, L/hf" indicates the Cisco CallManager request !--- to be notified if line package on-hook and

hookflash (hf) are detected. !--- "D/[0-9ABCD*#]" indicates the Cisco CallManager request to be notified if the router !--- detects any dual tone multifrequency (DTMF) tones or digits. S: Q: process,loop v=0 o=- 57 0 IN EPN AALN/S1/SU0/0@VG200-2 s=Cisco SDP 0 t=0 0 c=IN IP4 10.17.178.246 !--- "c: IN IP4 10.17.178.246" is the IP address !--- of the remote IP phone for the Real-Time Transport Protocol (RTP) voice traffic. m=audio 16922 RTP/AVP 0 !--- "m: audio 16922 RTP/AVP 0" is the User Datagram Protocol (UDP) port !--- used by the remote IP phone for the RTP voice traffic and codec is g711ulaw. *Mar 4 03:40:49.176: dsp_idle_mode: [1/0/0 (168)] packet_len=8 channel_id=1 packet_id=68 *Mar 4 03:40:49.176: dsp_voice_mode: [1/0/0 (168)] cdb 8127AD60, cdb->codec_params.modem 2, inband_detect flags 0x421 *Mar 4 03:40:49.176: map_dtmf_relay_type--digit relay mode: 3 *Mar 4 03:40:49.176: dsp_voice_mode: [1/0/0 (168)] packet_len=24 channel_id=1 packet_id= 73 coding_type=1 voice_field_size=160 VAD_flag=0 echo_length=64 comfort_noise=1 inband_detect=1057 digit_relay_mode=3 AGC_flag=0 *Mar 4 03:40:49.176: htsp_process_event: [1/0/0, FXSLS_CONNECT, E_HTSP_VOICE_CUT_THROUGH] !--- The router cuts through the audio in both directions. *Mar 4 03:40:49.180: send_mgcp_msg, MGCP Packet sent ---> 200 691 OK !--- The router sends "200 OK" back to acknowledge the MDCX 691. <--- *Mar 4 03:40:51.944: vtsp_process_dsp_message: MSG_TX_GET_TX_STAT: rtp_timestamp= 0xD662FC5C *Mar 4 03:40:52.296: htsp_process_event: [1/0/0, FXSLS_CONNECT, E_DSP_SIG_0100] fxsls_offhook_onhook, HF duration=500 *Mar 4 03:40:52.296: htsp_timer - 500 msec *Mar 4 03:40:52.732: htsp_process_event: [1/0/0, FXSLS_CONNECT, E_DSP_SIG_1100] fxsls_offhook_offhook *Mar 4 03:40:52.736: htsp_timer_stop !--- The router detects on-hook and off-hook signaling. Once on-hook is detected, !--- an HTSP_timer is started for 500 milliseconds (msec) (the default value). !--- Once the off-hook is detected, the timer stops. Notice the time difference between !--- the on-hook and off-hook signal. The difference in time is 440 msec !--- (732 msec - 296 msec = 440 msec). This difference, 440 msec, is within the hookflash !--- timer (500) defined on the router, thus the router considers this action to be a !--- hookflash and reports it back to Cisco CallManager by MGCP. *Mar 4 03:40:52.736: send_mgcp_msg, MGCP Packet sent ---> NTFY 18352 AALN/S1/SU0/0@VG200-2 MGCP 0.1 !--- The router reports the hookflash event back to Cisco CallManager. X: 33 O: L/hf !--- "O: L/hf" indicates the observed (O) hookflash event. <--- *Mar 4 03:40:52.740: MGCP Packet received - 200 18352 !--- Cisco CallManager responds back with "200 OK". *Mar 4 03:40:52.768: MGCP Packet received - MDCX 692 AALN/S1/SU0/0@VG200-2 MGCP 0.1 !--- The router receives an MDCX message with sequence number 692. C: A0000000010001b9 I: 39 X: 34 M: recvonly !--- "M: recvonly" indicates a change in the media mode to receive only. R: L/hu !--- "R: L/hu" is the Cisco CallManager request to be notified when the !--- router line package detects on-hook. Q: process,loop *Mar 4 03:40:52.776: send_mgcp_msg, MGCP Packet sent ---> 200 692 OK !--- The router sends back "200 OK" to acknowledge Cisco CallManager MDCX 692. <--- *Mar 4 03:40:52.788: MGCP Packet received - RQNT 693 AALN/S1/SU0/0@VG200-2 MGCP 0.1 !--- The router receives request notification (RQNT) for Cisco CallManager !--- to play the dial tone and watch for on-hook and DTMF digits. X: 35 R: L/hu, D/[0-9ABCD*#] !--- "R: L/hu, D/[0-9ABCD*#]" is the Cisco CallManager request !--- to be notified if the router line package detects an on-hook event !--- and any DTMF tones or digits. S: L/dl !--- "S: L/dl" indicates that Cisco CallManager sends !--- a signal generation request to have the router play the dial tone (dl). Q: process,loop *Mar 4 03:40:52.792: send_mgcp_msg, MGCP Packet sent ---> 200 693 OK !--- The router sends back "200 OK" to the Cisco CallManager !--- request notification sequence number 693. <--- *Mar 4 03:40:52.796: dsp_cp_tone_off: [1/0/0 (168)] packet_len=8 channel_id=1 packet_id= 71 *Mar 4 03:40:52.796: act_gen_tone: Tone Dial generated in direction Network, stop_tone_ on_digit = TRUE !--- The router plays the dial tone toward to the user off the voice port 1/0/0. *Mar 4 03:40:52.796: dsp_cp_tone_on: [1/0/0 (168)] packet_len=38 channel_id=1 packet_id= 72 tone_id=4 n_freq=2 freq_of_first=350 freq_of_second=440 amp_of_first=6942 amp_of_second=6942 direction=1 on_time_first=65535 off_time_first=0 on_time_second=0 off_time_second=0 *Mar 4 03:40:54.156: vtsp_process_dsp_message: MSG_TX_GET_TX_STAT: rtp_timestamp= 0xD663416C *Mar 4 03:40:55.892: vtsp_process_dsp_message: MSG_TX_DTMF_DIGIT_BEGIN: digit=1,


```
rtp_timestamp=0xD6637628
!--- The router detects the first digit (digit 1) dialed by the user !--- off the voice port
1/0/0. *Mar 4 03:40:55.972: vtsp_process_dsp_message: MSG_TX_DTMF_DIGIT_OFF: digit=1, duration=
110
*Mar 4 03:40:55.972: dsp_cp_tone_off: [1/0/0 (168)] packet_len=8 channel_id=1 packet_
id=71
*Mar 4 03:40:55.976: send_mgcp_msg, MGCP Packet sent --->
NTFY 18353 AALN/S1/SU0/0@VG200-2 MGCP 0.1
!--- The router notifies Cisco CallManager of the first digit detected. X: 35 O: D/1 !---
"O: D/1" indicates the observed DTMF digit 1 (D/1). <--- *Mar 4 03:40:55.976: dsp_cp_tone_off:
[1/0/0 (168)] packet_len=8 channel_id=1 packet_id= 71 *Mar 4 03:40:55.976: act_gen_tone: Tone
Busy generated in direction Network,
stop_tone_on_digit = FALSE
!--- The router stops playing the dial tone to the user off the voice port. *Mar 4
03:40:55.980: MGCP Packet received -
200 18353
!--- The router receives "200 OK" back from !--- Cisco CallManager for NTFY sequence number
18353. *Mar 4 03:40:55.980: MGCP Packet received - RQNT 694 AALN/S1/SU0/0@VG200-2 MGCP 0.1 !---
Cisco CallManager instructs the router to continue to detect !--- DTMF tones or digits and watch
for an on-hook event. X: 36 R: L/hu, D/[0-9ABCD*#], L/hf !--- "R: L/hu, D/[0-9ABCD*#], L/hf"
indicates !--- the Cisco CallManager request to be notified of on-hook, !--- hookflash events
and if any DTMF digits or tones are detected. S: Q: process,loop *Mar 4 03:40:55.984:
send_mgcp_msg, MGCP Packet sent --->
200 694 OK
!--- The router responds back with "200 OK". <--- *Mar 4 03:40:56.232:
vtsp_process_dsp_message: MSG_TX_DTMF_DIGIT_BEGIN: digit=0,
rtp_timestamp=0xD66380C8
*Mar 4 03:40:56.332: vtsp_process_dsp_message: MSG_TX_DTMF_DIGIT_OFF: digit=0, duration=
130
!--- The router detects another digit (digit 0 with 130 msec duration). *Mar 4 03:40:56.332:
send_mgcp_msg, MGCP Packet sent --->
NTFY 18354 AALN/S1/SU0/0@VG200-2 MGCP 0.1
!--- The router sends !--- a notify message to Cisco CallManager regarding this digit (0). X: 36
O: D/0 <--- *Mar 4 03:40:56.336: MGCP Packet received -
200 18354
!--- Cisco CallManager responds back with "200 OK". *Mar 4 03:40:56.572:
vtsp_process_dsp_message: MSG_TX_DTMF_DIGIT_BEGIN: digit=0,
rtp_timestamp=0xD6638B68
*Mar 4 03:40:56.712: vtsp_process_dsp_message: MSG_TX_DTMF_DIGIT_OFF: digit=0, duration=
170
!--- The router detects another digit (digit 0 with a duration of 170 msec). *Mar 4
03:40:56.712: send_mgcp_msg, MGCP Packet sent --->
NTFY 18355 AALN/S1/SU0/0@VG200-2 MGCP 0.1
!--- The router sends !--- a notify message to Cisco CallManager regarding this digit (0). X: 36
O: D/0 <--- *Mar 4 03:40:56.716: MGCP Packet received -
200 18355
!--- Cisco CallManager responds back with "200 OK". *Mar 4 03:40:57.032:
vtsp_process_dsp_message: MSG_TX_DTMF_DIGIT_BEGIN: digit=1,
rtp_timestamp=0xD66399C8
*Mar 4 03:40:57.112: vtsp_process_dsp_message: MSG_TX_DTMF_DIGIT_OFF: digit=1, duration=
110
!--- The router detects another digit (digit 1 with a duration of 110 msec). *Mar 4
03:40:57.112: send_mgcp_msg, MGCP Packet sent --->
NTFY 18356 AALN/S1/SU0/0@VG200-2 MGCP 0.1
!--- The router sends a notify message to Cisco CallManager !--- regarding this digit (1). X: 36
O: D/1 <--- *Mar 4 03:40:57.120: MGCP Packet received -
200 18356
!--- Cisco CallManager responds back with "200 OK". *Mar 4 03:40:57.148: MGCP Packet received -
RQNT 695 AALN/S1/SU0/0@VG200-2 MGCP 0.1
!--- The router receives a request notification from Cisco CallManager. X: 37 R: L/hu !--- "R:
L/hu" is the Cisco CallManager request to be notified if the !--- router line package detects an
```

```

on-hook. S: G/rt !--- "S:G/rt" indicates that Cisco CallManager sends !--- a signal generation
request to have the router use a generic (G) package !--- and play ring-back tone. Q:
process,loop *Mar 4 03:40:57.152: send_mgcp_msg, MGCP Packet sent --->
200 695 OK
!--- The router responds back with "200 OK". <--- *Mar 4 03:40:57.156: dsp_cp_tone_off: [1/0/0
(168)] packet_len=8 channel_id=1 packet_id= 71 *Mar 4 03:40:57.156: act_gen_tone: Tone Ring
Back generated in direction Network, stop_tone_on_digit = FALSE *Mar 4 03:40:57.156:
dsp_cp_tone_on: [1/0/0 (168)] packet_len=38 channel_id=1 packet_id= 72 tone_id=1 n_freq=2
freq_of_first=440 freq_of_second=480 amp_of_first=7354 amp_of_ second=7354 direction=1
on_time_first=2000 off_time_first=4000 on_time_second=0 off_ time_second=0 *Mar 4 03:40:57.224:
MGCP Packet received -
DLCX 696 AALN/S1/SU0/0@VG200-2 MGCP 0.1
!--- The router has received a delete connection (DLCX) from !--- Cisco CallManager to
disconnect the connection. C: A0000000010001b9 I: 39 X: 38 R: L/hu !--- "R: L/hu" indicates the
Cisco CallManager request to be notified !--- when the router detects the on-hook signal. S: Q:
process,loop *Mar 4 03:40:57.228: dsp_cp_tone_off: [1/0/0 (168)] packet_len=8 channel_id=1
packet_id= 71 *Mar 4 03:40:57.228: act_gen_tone: Tone Busy generated in direction Network,
stop_tone_on_digit = FALSE *Mar 4 03:40:57.228: send_mgcp_msg, MGCP Packet sent --->
250 696 OK
!--- The router responds back with "250 OK" to clear the call !--- (250 means connection
deleted). P: PS=180, OS=28800, PR=177, OR=28320, PL=0, JI=352, LA=0 <---
*Mar 4 03:41:00.152: htsp_process_event: [1/0/0, FXSLS_CONNECT, E_DSP_SIG_0100]
fxspls_offhook_onhook, HF duration=500
*Mar 4 03:41:00.652: htsp_process_event: [1/0/0, FXSLS_CONNECT, E_HTSP_EVENT_TIMER]
fxspls_connect_wait_release_req
!--- The router disconnects the call from the voice port 1/0/0. *Mar 4 03:41:00.652:
htsp_timer_stop *Mar 4 03:41:00.652: dsp_cp_tone_off: [1/0/0 (168)] packet_len=8 channel_id=1
packet_id= 71 *Mar 4 03:41:00.656: act_gen_tone: Tone Busy generated in direction Network,
stop_tone_on_digit = FALSE *Mar 4 03:41:00.656: dsp_get_levels: [1/0/0 (168)] packet_len=8
channel_id=1 packet_id=89 *Mar 4 03:41:00.656: vtsp_process_dsp_message: MSG_TX_GET_TX_STAT:
rtp_timestamp= 0xD6640CA0 *Mar 4 03:41:00.656: dsp_idle_mode: [1/0/0 (168)] packet_len=8
channel_id=1 packet_id=68 *Mar 4 03:41:00.656: htsp_process_event: [1/0/0,
FXSLS_WAIT_RELEASE_REQ,
E_HTSP_RELEASE_REQ]fxspls_waitrls_req_rl
!--- The router disconnects the call from the voice port 1/0/0 *Mar 4 03:41:00.656: [1/0/0] set
signal state = 0x4 timestamp = 0htsp_report_onhook_sig *Mar 4 03:41:00.660: dsp_cp_tone_off:
[1/0/0 (168)] packet_len=8 channel_id=1 packet_id= 71 *Mar 4 03:41:00.660: dsp_idle_mode:
[1/0/0 (168)] packet_len=8 channel_id=1 packet_id=68 *Mar 4 03:41:00.660:
dsp_close_voice_channel: [1/0/0 (168)] packet_len=8 channel_id=1 packet_id=75 *Mar 4
03:41:00.664: send_mgcp_msg, MGCP Packet sent --->
NTFY 18357 AALN/S1/SU0/0@VG200-2 MGCP 0.1
!--- The router notifies Cisco CallManager that the phone went on-hook. X: 39 O: L/hu !--- "O:
L/hu" indicates that an on-hook event is observed. <--- *Mar 4 03:41:00.668: MGCP Packet
received -
200 18357
!--- Cisco CallManager sends back the "200 OK". *Mar 4 03:41:00.676: MGCP Packet received -
RQNT 698 AALN/S1/SU0/0@VG200-2 MGCP 0.1
!--- The router receives a request notification from Cisco CallManager. X: 3a R: L/hd !--- "R:
L/hd" indicates the Cisco CallManager request to be notified !--- if the router detects an off-
hook event. S: Q: process,loop *Mar 4 03:41:00.676: send_mgcp_msg, MGCP Packet sent --->
200 698 OK
!--- The router sends a "200 OK" to acknowledge !--- the request notification. <--- VG200-2# ---
-----

```

以下是在已啟用跟蹤的Cisco CallManager上相同呼叫的相應調試，如本文檔的[成功呼叫調試](#)部分所述：

注意：由於空間限制，此處的某些輸出出現在多行上。

```

S:
Q: process,loop
|<CLID::ctrieu-sunpc-Cluster><NID::171.69.85.107><CT::1,100,53,1.41811><IP::172.16.13.169>

```

<DEV::AALN/S1/SU0/0@VG200-2>
01/08/2003 17:16:03.037 Cisco CallManager|Digit analysis: match(fqcn="7000", cn="7000",
pss="Line1", dd="1")|<CLID::ctrieu-sunpc-Cluster><NID::171.69.85.107>
<CT::1,100,53,1.41811><IP::172.16.13.169><DEV::AALN/S1/SU0/0@VG200-2>
01/08/2003 17:16:03.037 Cisco CallManager|Digit analysis: potentialMatches=
PotentialMatchesExist|<CLID::ctrieu-sunpc-Cluster><NID::171.69.85.107>
<CT::1,100,53,1.41811><IP::172.16.13.169><DEV::AALN/S1/SU0/0@VG200-2>
01/08/2003 17:16:03.037 Cisco CallManager|MGCPHandler received msg from: 172.16.13.169
200 694 OK
|<CLID::ctrieu-sunpc-Cluster><NID::171.69.85.107><CT::1,100,53,1.41812><IP::172.16.13.169>
<DEV::>
01/08/2003 17:16:03.037 Cisco CallManager|MGCPHandler received RESP header w/ transId=
694|<CLID::ctrieu-sunpc-Cluster><NID::171.69.85.107><CT::1,100,53,1.41812>
<IP::172.16.13.169><DEV::>
01/08/2003 17:16:03.037 Cisco CallManager|<CLID::ctrieu-sunpc-Cluster><NID::171.69.85.107>
<CT::1,100,53,1.41812><MN::MGCP endPoint><MV::AALN/S1/SU0/0@VG200-2>
<DEV::AALN/S1/SU0@VG200-2>
01/08/2003 17:16:03.037 Cisco CallManager|MGCPHandler received RESP header w/ transId= 694
FOUND a match for RQNT|<CLID::ctrieu-sunpc-Cluster><NID::171.69.85.107>
<CT::1,100,53,1.41812><IP::172.16.13.169><DEV::AALN/S1/SU0@VG200-2>
01/08/2003 17:16:03.037 Cisco CallManager|MGCPHandler recv RQNT Ack from 172.16.13.169|
<CLID::ctrieu-sunpc-Cluster><NID::171.69.85.107><CT::1,100,53,1.41812><IP::172.16.13.169>
<DEV::AALN/S1/SU0@VG200-2>
01/08/2003 17:16:03.358 Cisco CallManager|StationInit - InboundStim - KeepAliveMessage -
Send KeepAlive to Device Controller. DeviceName=MOH_ctrieu-sunp, TCPHandle=0x6ad42d0,
Socket=0x774, IPAddr=171.69.85.107, Port=2403, Device Controller=[1,69,2]|
<CLID::ctrieu-sunpc-Cluster><NID::171.69.85.107><CT::1,100,93,1.76446><IP::171.69.85.107>
<DEV::MOH_ctrieu-sunp>
01/08/2003 17:16:03.358 Cisco CallManager|StationInit: 6ad42d0 KeepAliveAck.|
<CLID::ctrieu-sunpc-Cluster><NID::171.69.85.107><CT::1,100,93,1.76446><IP::171.69.85.107>
<DEV::MOH_ctrieu-sunp>
01/08/2003 17:16:03.388 Cisco CallManager|MGCPHandler received msg from: 172.16.13.169
NTFY 18354 AALN/S1/SU0/0@VG200-2 MGCP 0.1
X: 36
O: D/0
|<CLID::ctrieu-sunpc-Cluster><NID::171.69.85.107><CT::1,100,53,1.41813><IP::172.16.13.169>
<DEV::>
01/08/2003 17:16:03.388 Cisco CallManager|<CLID::ctrieu-sunpc-Cluster><NID::171.69.85.107>
<CT::1,100,53,1.41813><MN::MGCP endPoint><MV::AALN/S1/SU0/0@VG200-2><DEV::>
01/08/2003 17:16:03.388 Cisco CallManager|MGCPHandler send msg SUCCESSFULLY to:
172.16.13.169
200 18354
|<CLID::ctrieu-sunpc-Cluster><NID::171.69.85.107><CT::1,100,53,1.41813><IP::172.16.13.169>
<DEV::AALN/S1/SU0/0@VG200-2>
01/08/2003 17:16:03.398 Cisco CallManager|Digit analysis: match(fqcn="7000", cn="7000",
pss="Line1", dd="10")|<CLID::ctrieu-sunpc-Cluster><NID::171.69.85.107>
<CT::1,100,53,1.41813><IP::172.16.13.169><DEV::AALN/S1/SU0/0@VG200-2>
01/08/2003 17:16:03.398 Cisco CallManager|Digit analysis: analysis results|
<CLID::ctrieu-sunpc-Cluster><NID::171.69.85.107><CT::1,100,53,1.41813><IP::172.16.13.169>
<DEV::AALN/S1/SU0/0@VG200-2>
01/08/2003 17:16:03.398 Cisco CallManager||PretransformCallingPartyNumber=7000
|CallingPartyNumber=7000
|DialingPartition=
|DialingPattern=1.@
|DialingRoutePatternRegularExpression=(1)(0)
|DialingWhere=
|PatternType=National
|PotentialMatches=PotentialMatchesExist
|DialingSdlProcessId=(1,30,17)
|PretransformDigitString=10
|PretransformTagsList=ACCESS-CODE:LOCAL-OPERATOR
|PretransformPositionalMatchList=1:0
|CollectedDigits=0
|UnconsumedDigits=

```
|TagsList=LOCAL-OPERATOR
|PositionalMatchList=0
|VoiceMailbox=
|VoiceMailCallingSearchSpace=
|VoiceMailPilotNumber=
|DisplayName=
|RouteBlockFlag=RouteThisPattern
|InterceptPartition=
|InterceptPattern=
|InterceptWhere=
|InterceptSdlProcessId=(0,0,0)
|InterceptSsType=0
|InterceptSsKey=0|<CLID::ctrieu-sunpc-Cluster><NID::171.69.85.107><CT::1,100,53,1.41813>
<IP::172.16.13.169><DEV::AALN/S1/SU0/0@VG200-2>
01/08/2003 17:16:03.768 Cisco CallManager|MGCPHandler received msg from: 172.16.13.169
NTFY 18355 AALN/S1/SU0/0@VG200-2 MGCP 0.1
X: 36
O: D/0
|<CLID::ctrieu-sunpc-Cluster><NID::171.69.85.107><CT::1,100,53,1.41814><IP::172.16.13.169>
<DEV::>
01/08/2003 17:16:03.768 Cisco CallManager|<CLID::ctrieu-sunpc-Cluster><NID::171.69.85.107>
<CT::1,100,53,1.41814><MN::MGCPEndPoint><MV::AALN/S1/SU0/0@VG200-2><DEV::>
01/08/2003 17:16:03.768 Cisco CallManager|MGCPHandler send msg SUCCESSFULLY to:
172.16.13.169
200 18355
|<CLID::ctrieu-sunpc-Cluster><NID::171.69.85.107><CT::1,100,53,1.41814><IP::172.16.13.169>
<DEV::AALN/S1/SU0/0@VG200-2>
01/08/2003 17:16:03.768 Cisco CallManager|Digit analysis: match(fqcn="7000", cn="7000",
pss="Line1", dd="100")|<CLID::ctrieu-sunpc-Cluster><NID::171.69.85.107>
<CT::1,100,53,1.41814><IP::172.16.13.169><DEV::AALN/S1/SU0/0@VG200-2>
01/08/2003 17:16:03.768 Cisco CallManager|Digit analysis: analysis results|
<CLID::ctrieu-sunpc-Cluster><NID::171.69.85.107><CT::1,100,53,1.41814><IP::172.16.13.169>
<DEV::AALN/S1/SU0/0@VG200-2>
01/08/2003 17:16:03.778 Cisco CallManager||PretransformCallingPartyNumber=7000
|CallingPartyNumber=7000
|DialingPartition=
|DialingPattern=1.@
|DialingRoutePatternRegularExpression=(1)(00)
|DialingWhere=
|PatternType=National
|PotentialMatches=PotentialMatchesExist
|DialingSdlProcessId=(1,30,17)
|PretransformDigitString=100
|PretransformTagsList=ACCESS-CODE:LONG-DISTANCE-OPERATOR
|PretransformPositionalMatchList=1:00
|CollectedDigits=00
|UnconsumedDigits=
|TagsList=LONG-DISTANCE-OPERATOR
|PositionalMatchList=00
|VoiceMailbox=
|VoiceMailCallingSearchSpace=
|VoiceMailPilotNumber=
|DisplayName=
|RouteBlockFlag=RouteThisPattern
|InterceptPartition=
|InterceptPattern=
|InterceptWhere=
|InterceptSdlProcessId=(0,0,0)
|InterceptSsType=0
|InterceptSsKey=0|<CLID::ctrieu-sunpc-Cluster><NID::171.69.85.107><CT::1,100,53,1.41814>
<IP::172.16.13.169><DEV::AALN/S1/SU0/0@VG200-2>
01/08/2003 17:16:04.059 Cisco CallManager|CMPProcMon - -----Entered Router Verification|
<CLID::ctrieu-sunpc-Cluster><NID::171.69.85.107>
01/08/2003 17:16:04.059 Cisco CallManager|CMPProcMon - ----Exited Router Verification|
```

```
<CLID::ctrieu-sunpc-Cluster><NID::171.69.85.107>
01/08/2003 17:16:04.169 Cisco CallManager|MGCPHandler received msg from: 172.16.13.169
NTFY 18356 AALN/S1/SU0/0@VG200-2 MGCP 0.1
X: 36
O: D/1
|<CLID::ctrieu-sunpc-Cluster><NID::171.69.85.107><CT::1,100,53,1.41815><IP::172.16.13.169>
<DEV::>
01/08/2003 17:16:04.169 Cisco CallManager|<CLID::ctrieu-sunpc-Cluster><NID::171.69.85.107>
<CT::1,100,53,1.41815><MN::MGCP endPoint><MV::AALN/S1/SU0/0@VG200-2><DEV::>
01/08/2003 17:16:04.169 Cisco CallManager|MGCPHandler send msg SUCCESSFULLY to:
172.16.13.169
200 18356
|<CLID::ctrieu-sunpc-Cluster><NID::171.69.85.107><CT::1,100,53,1.41815><IP::172.16.13.169>
<DEV::AALN/S1/SU0/0@VG200-2>
01/08/2003 17:16:04.179 Cisco CallManager|Digit analysis: match(fqcn="7000", cn="7000",
pss="Line1", dd="1001")|<CLID::ctrieu-sunpc-Cluster><NID::171.69.85.107>
<CT::1,100,53,1.41815><IP::172.16.13.169><DEV::AALN/S1/SU0/0@VG200-2>
01/08/2003 17:16:04.179 Cisco CallManager|Digit analysis: analysis results|
<CLID::ctrieu-sunpc-Cluster><NID::171.69.85.107><CT::1,100,53,1.41815><IP::172.16.13.169>
<DEV::AALN/S1/SU0/0@VG200-2>
01/08/2003 17:16:04.179 Cisco CallManager||PretransformCallingPartyNumber=7000
|CallingPartyNumber=7000
|DialingPartition=Line1
|DialingPattern=1001
|DialingRoutePatternRegularExpression=(1001)
|DialingWhere=
|PatternType=Enterprise
|PotentialMatches=NoPotentialMatchesExist
|DialingSdlProcessId=(1,37,65)
|PretransformDigitString=1001
|PretransformTagsList=SUBSCRIBER
|PretransformPositionalMatchList=1001
|CollectedDigits=1001
|UnconsumedDigits=
|TagsList=SUBSCRIBER
|PositionalMatchList=1001
|VoiceMailbox=
|VoiceMailCallingSearchSpace=
|VoiceMailPilotNumber=
|DisplayName=
|RouteBlockFlag=RouteThisPattern
|InterceptPartition=
|InterceptPattern=
|InterceptWhere=
|InterceptSdlProcessId=(0,0,0)
|InterceptSsType=0
|InterceptSsKey=0|<CLID::ctrieu-sunpc-Cluster><NID::171.69.85.107><CT::1,100,53,1.41815>
<IP::172.16.13.169><DEV::AALN/S1/SU0/0@VG200-2>
01/08/2003 17:16:04.179 Cisco CallManager|<CLID::ctrieu-sunpc-Cluster><NID::171.69.85.107>
<CT::1,100,53,1.41815><MN::Directory Number><MV::1001><DEV::AALN/S1/SU0/0@VG200-2>
01/08/2003 17:16:04.179 Cisco CallManager|Locations_reserveBandwidth -- cdccPID=(1.15.223)
Orig=Dest=0 no need to reserve bw.|<CLID::ctrieu-sunpc-Cluster><NID::171.69.85.107>
01/08/2003 17:16:04.179 Cisco CallManager|StationD: 6ad4398 StationOutputDisplayText don't
need to send, because mIsALegacyDevice = 0|<CLID::ctrieu-sunpc-Cluster>
<NID::171.69.85.107><CT::1,100,53,1.41815><IP::172.16.13.169>
<DEV::AALN/S1/SU0/0@VG200-2>
01/08/2003 17:16:04.189 Cisco CallManager|StationD: 6ad4398 CallState callState=4
lineInstance=1 callReference=16777659|<CLID::ctrieu-sunpc-Cluster>
<NID::171.69.85.107><CT::1,100,53,1.41815><IP::172.16.13.169>
<DEV::AALN/S1/SU0/0@VG200-2>
01/08/2003 17:16:04.189 Cisco CallManager|StationD: 6ad4398 CallInfo callingPartyName=''
callingParty=7000 cgpnVoiceMailbox= calledPartyName='' calledParty=1001 cdpnVoiceMailbox=
originalCalledPartyName='' originalCalledParty=1001 originalCdpnVoiceMailbox=
originalCdpnRedirectReason=0 lastRedirectingPartyName='' lastRedirectingParty=1001
```

lastRedirectingVoiceMailbox= lastRedirectingReason=0 callType=1(InBound) lineInstance=1
callReference=16777659. version: 3|<CLID::ctrieu-sunpc-Cluster><NID::171.69.85.107>
<CT::1,100,53,1.41815><IP::172.16.13.169><DEV::AALN/S1/SU0/0@VG200-2>
01/08/2003 17:16:04.189 Cisco CallManager|StationD::star_StationOutputCallInfo():
callInfo: CI=16777659, CallingPartyName=, CallingParty=7000, CalledPartyName=,
CalledParty=1001, OriginalCalledPartyName=, OriginalCalledParty=1001,
lastRedirectingPartyName=, lastRedirectingParty=|<CLID::ctrieu-sunpc-Cluster>
<NID::171.69.85.107><CT::1,100,53,1.41815><IP::172.16.13.169>
<DEV::AALN/S1/SU0/0@VG200-2>
01/08/2003 17:16:04.189 Cisco CallManager|StationD: 6ad4398 SetLamp stimulus=9(Line)
stimulusInstance=1 lampMode=5(LampBlink).|<CLID::ctrieu-sunpc-Cluster>
<NID::171.69.85.107><CT::1,100,53,1.41815><IP::172.16.13.169>
<DEV::AALN/S1/SU0/0@VG200-2>
01/08/2003 17:16:04.189 Cisco CallManager|StationD: 6ad4398 SetRinger ringMode=2
(InsideRing).|<CLID::ctrieu-sunpc-Cluster><NID::171.69.85.107>
<CT::1,100,53,1.41815><IP::172.16.13.169><DEV::AALN/S1/SU0/0@VG200-2>
01/08/2003 17:16:04.189 Cisco CallManager|StationD: 6ad4398 DisplayNotify timeOutValue=10
notify='€7000' content='From 7000' ver=3.|<CLID::ctrieu-sunpc-Cluster>
<NID::171.69.85.107><CT::1,100,53,1.41815><IP::172.16.13.169>
<DEV::AALN/S1/SU0/0@VG200-2>
01/08/2003 17:16:04.189 Cisco CallManager|StationD: 6ad4398 DisplayPromptStatus
timeOutValue=0 promptStatus='€7000' content='From 7000' lineInstance=1
callReference=16777659 ver=3.|<CLID::ctrieu-sunpc-Cluster><NID::171.69.85.107>
<CT::1,100,53,1.41815><IP::172.16.13.169><DEV::AALN/S1/SU0/0@VG200-2>
01/08/2003 17:16:04.189 Cisco CallManager|StationD: 6ad4398 SelectSoftKeys instance=1
reference=16777659 softKeySetIndex=3 validKeyMask=-1.|<CLID::ctrieu-sunpc-Cluster>
<NID::171.69.85.107><CT::1,100,53,1.41815><IP::172.16.13.169><DEV::AALN/S1/SU0/0@VG200-2>
01/08/2003 17:16:04.199 Cisco CallManager|MGCPStationD - MGCPOutputStartTone: 79
endpointId=AALN/S1/SU0/0@VG200-2 |<CLID::ctrieu-sunpc-Cluster>
<NID::171.69.85.107><CT::1,100,53,1.41815><IP::172.16.13.169>
<DEV::AALN/S1/SU0/0@VG200-2>
01/08/2003 17:16:04.199 Cisco CallManager|MGCPHandler send msg SUCCESSFULLY to:
172.16.13.169
RQNT 695 AALN/S1/SU0/0@VG200-2 MGCP 0.1
X: 37
R: L/hu
S: G/rt
Q: process,loop
|<CLID::ctrieu-sunpc-Cluster><NID::171.69.85.107><CT::1,100,53,1.41815><IP::172.16.13.169>
<DEV::AALN/S1/SU0/0@VG200-2>
01/08/2003 17:16:04.199 Cisco CallManager|Insert an entry into MonitorPartyTable, now this
table has 3 entries|<CLID::ctrieu-sunpc-Cluster><NID::171.69.85.107>
<CT::1,100,53,1.41815><IP::172.16.13.169><DEV::AALN/S1/SU0/0@VG200-2>
01/08/2003 17:16:04.199 Cisco CallManager|Insert an entry into MonitorPartyTable, now this
table has 4 entries|<CLID::ctrieu-sunpc-Cluster><NID::171.69.85.107>
<CT::1,100,53,1.41815><IP::172.16.13.169><DEV::AALN/S1/SU0/0@VG200-2>
01/08/2003 17:16:04.209 Cisco CallManager|TransferManager: SsInfoInd : complete transfer,
TransferringSecondarSsParty=16777658, TransferringPartyDslAddr
(0,64566112,-1458761556,2427), TransferringPartyPID (1,37,66),
TransferDestinationSsParty=16777659, TransferDestinationDslAddr(0,0,1488064778,50826),
TransferDesinatonPID (1,37,65).|<CLID::ctrieu-sunpc-Cluster><NID::171.69.85.107>
01/08/2003 17:16:04.209 Cisco CallManager|Delete entries from TransTable, now this
table has 3 entries|<CLID::ctrieu-sunpc-Cluster><NID::171.69.85.107>
<CT::1,100,53,1.41815><IP::172.16.13.169><DEV::AALN/S1/SU0/0@VG200-2>
01/08/2003 17:16:04.209 Cisco CallManager|Insert an entry into TransTable, now this
table has 4 entries|<CLID::ctrieu-sunpc-Cluster><NID::171.69.85.107>
<CT::1,100,53,1.41815><IP::172.16.13.169><DEV::AALN/S1/SU0/0@VG200-2>
01/08/2003 17:16:04.209 Cisco CallManager|Delete entries from TransTable, now this
table has 3 entries|<CLID::ctrieu-sunpc-Cluster><NID::171.69.85.107>
<CT::1,100,53,1.41815><IP::172.16.13.169><DEV::AALN/S1/SU0/0@VG200-2>
01/08/2003 17:16:04.209 Cisco CallManager|MGCPHandler received msg from: 172.16.13.169
200 695 OK
|<CLID::ctrieu-sunpc-Cluster><NID::171.69.85.107><CT::1,100,53,1.41816><IP::172.16.13.169>
<DEV::>

01/08/2003 17:16:04.209 Cisco CallManager|MGCPHandler received RESP header w/ transId= 695|<CLID::ctrieu-sunpc-Cluster><NID::171.69.85.107><CT::1,100,53,1.41816><IP::172.16.13.169><DEV::>

01/08/2003 17:16:04.209 Cisco CallManager|<CLID::ctrieu-sunpc-Cluster><NID::171.69.85.107><CT::1,100,53,1.41816><MN::MGCPEndPoint><MV::AALN/S1/SU0/0@VG200-2><DEV::AALN/S1/SU0/0@VG200-2>

01/08/2003 17:16:04.209 Cisco CallManager|MGCPHandler received RESP header w/ transId= 695 FOUND a match for RQNT|<CLID::ctrieu-sunpc-Cluster><NID::171.69.85.107><CT::1,100,53,1.41816><IP::172.16.13.169><DEV::AALN/S1/SU0/0@VG200-2>

01/08/2003 17:16:04.209 Cisco CallManager|MGCPHandler recv RQNT Ack from 172.16.13.169|<CLID::ctrieu-sunpc-Cluster><NID::171.69.85.107><CT::1,100,53,1.41816><IP::172.16.13.169><DEV::AALN/S1/SU0/0@VG200-2>

01/08/2003 17:16:04.209 Cisco CallManager|Insert an entry into TransTable, now this table has 4 entries|<CLID::ctrieu-sunpc-Cluster><NID::171.69.85.107><CT::1,100,53,1.41815><IP::172.16.13.169><DEV::AALN/S1/SU0/0@VG200-2>

01/08/2003 17:16:04.219 Cisco CallManager|Delete entries from TransTable, now this table has 3 entries|<CLID::ctrieu-sunpc-Cluster><NID::171.69.85.107><CT::1,100,53,1.41815><IP::172.16.13.169><DEV::AALN/S1/SU0/0@VG200-2>

01/08/2003 17:16:04.219 Cisco CallManager|Insert an entry into TransTable, now this table has 4 entries|<CLID::ctrieu-sunpc-Cluster><NID::171.69.85.107><CT::1,100,53,1.41815><IP::172.16.13.169><DEV::AALN/S1/SU0/0@VG200-2>

01/08/2003 17:16:04.219 Cisco CallManager|Delete entries from TransTable, now this table has 3entries|<CLID::ctrieu-sunpc-Cluster><NID::171.69.85.107><CT::1,100,53,1.41815><IP::172.16.13.169><DEV::AALN/S1/SU0/0@VG200-2>

01/08/2003 17:16:04.229 Cisco CallManager|ConnectionManager - wait_AuDisconnectRequest (16777657,0): STOP SESSION|<CLID::ctrieu-sunpc-Cluster><NID::171.69.85.107><CT::1,100,53,1.41815><IP::172.16.13.169><DEV::AALN/S1/SU0/0@VG200-2>

01/08/2003 17:16:04.229 Cisco CallManager|ConnectionManager - storeMediaInfo(16777657): EXISTING ENTRY DISCOVERED, tail == 2|<CLID::ctrieu-sunpc-Cluster><NID::171.69.85.107><CT::1,100,53,1.41815><IP::172.16.13.169><DEV::AALN/S1/SU0/0@VG200-2>

01/08/2003 17:16:04.229 Cisco CallManager|ConnectionManager - storeMediaInfo(0): NULL CI IGNORED, tail == 2|<CLID::ctrieu-sunpc-Cluster><NID::171.69.85.107><CT::1,100,53,1.41815><IP::172.16.13.169><DEV::AALN/S1/SU0/0@VG200-2>

01/08/2003 17:16:04.229 Cisco CallManager|MediaCoordinator - wait_AuDisconnectRequest|<CLID::ctrieu-sunpc-Cluster><NID::171.69.85.107><CT::1,100,53,1.41815><IP::172.16.13.169><DEV::AALN/S1/SU0/0@VG200-2>

01/08/2003 17:16:04.229 Cisco CallManager|MediaCoordinator - wait_AuDisconnectRequest - no parties found|<CLID::ctrieu-sunpc-Cluster><NID::171.69.85.107><CT::1,100,53,1.41815><IP::172.16.13.169><DEV::AALN/S1/SU0/0@VG200-2>

01/08/2003 17:16:04.229 Cisco CallManager|MediaCoordinator - wait_AuDisconnectRequest, extending disconnect to partyA interface instance(41)|<CLID::ctrieu-sunpc-Cluster><NID::171.69.85.107><CT::1,100,53,1.41815><IP::172.16.13.169><DEV::AALN/S1/SU0/0@VG200-2>

01/08/2003 17:16:04.229 Cisco CallManager|ConnectionManager - wait_AuDisconnectReply (16777657,0): STOP SESSION|<CLID::ctrieu-sunpc-Cluster><NID::171.69.85.107><CT::1,100,53,1.41815><IP::172.16.13.169><DEV::AALN/S1/SU0/0@VG200-2>

01/08/2003 17:16:04.229 Cisco CallManager|ConnectionManager - deleteMediaInfoEntry(16777657): ENTRY DELETED, tail == 1|<CLID::ctrieu-sunpc-Cluster><NID::171.69.85.107><CT::1,100,53,1.41815><IP::172.16.13.169><DEV::AALN/S1/SU0/0@VG200-2>

01/08/2003 17:16:04.229 Cisco CallManager|ConnectionManager - ERROR deleteMediaInfoEntry(0): ENTRY NOT FOUND, tail == 1|<CLID::ctrieu-sunpc-Cluster><NID::171.69.85.107><CT::1,100,53,1.41815><IP::172.16.13.169><DEV::AALN/S1/SU0/0@VG200-2>

01/08/2003 17:16:04.229 Cisco CallManager|Insert an entry into TransTable, now this table has 4 entries|<CLID::ctrieu-sunpc-Cluster><NID::171.69.85.107><CT::1,100,53,1.41815><IP::172.16.13.169><DEV::AALN/S1/SU0/0@VG200-2>

01/08/2003 17:16:04.229 Cisco CallManager|Insert an entry into TransTable, now this table has 5 entries|<CLID::ctrieu-sunpc-Cluster><NID::171.69.85.107><CT::1,100,53,1.41815><IP::172.16.13.169><DEV::AALN/S1/SU0/0@VG200-2>

01/08/2003 17:16:04.239 Cisco CallManager|ConnectionManager - wait_AuDisconnectRequest (16777658,0): NO ENTRY FOUND IN TABLE|<CLID::ctrieu-sunpc-Cluster><NID::171.69.85.107><CT::1,100,53,1.41815><IP::172.16.13.169><DEV::AALN/S1/SU0/0@VG200-2>

01/08/2003 17:16:04.239 Cisco CallManager|Delete entries from CiCcp table, now this table has 4 entries|<CLID::ctrieu-sunpc-Cluster><NID::171.69.85.107><CT::1,100,53,1.41815>

<IP::172.16.13.169><DEV::AALN/S1/SU0/0@VG200-2>
01/08/2003 17:16:04.239 Cisco CallManager|Delete entries from TransTable, now this table
has 4 entries|<CLID::ctrieu-sunpc-Cluster><NID::171.69.85.107><CT::1,100,53,1.41815>
<IP::172.16.13.169><DEV::AALN/S1/SU0/0@VG200-2>
01/08/2003 17:16:04.239 Cisco CallManager|Delete entries from TransTable, now this table
has 3 entries|<CLID::ctrieu-sunpc-Cluster><NID::171.69.85.107><CT::1,100,53,1.41815>
<IP::172.16.13.169><DEV::AALN/S1/SU0/0@VG200-2>
01/08/2003 17:16:04.239 Cisco CallManager|Delete entries from TransTable, now this table
has 3 entries|<CLID::ctrieu-sunpc-Cluster><NID::171.69.85.107><CT::1,100,53,1.41815>
<IP::172.16.13.169><DEV::AALN/S1/SU0/0@VG200-2>
01/08/2003 17:16:04.239 Cisco CallManager|Delete entries from CiCcp table, now this table
has 4 entries|<CLID::ctrieu-sunpc-Cluster><NID::171.69.85.107><CT::1,100,53,1.41815>
<IP::172.16.13.169><DEV::AALN/S1/SU0/0@VG200-2>
01/08/2003 17:16:04.249 Cisco CallManager|Locations_releaseBandwidth -- cdccPID=(1.15.225)
no entry.|<CLID::ctrieu-sunpc-Cluster><NID::171.69.85.107>
01/08/2003 17:16:04.249 Cisco CallManager|<CLID::ctrieu-sunpc-Cluster><NID::171.69.85.107>
<CT::1,100,53,1.41815><MN::Directory Number><MV::1001><DEV::AALN/S1/SU0/0@VG200-2>
01/08/2003 17:16:04.249 Cisco CallManager|<CLID::ctrieu-sunpc-Cluster><NID::171.69.85.107>
<CT::1,100,53,1.41815><MN::Directory Number><MV::1001><DEV::AALN/S1/SU0/0@VG200-2>
01/08/2003 17:16:04.259 Cisco CallManager|Delete entries from MonitorPartyTable, now this
table has 3 entries|<CLID::ctrieu-sunpc-Cluster><NID::171.69.85.107>
<CT::1,100,53,1.41815><IP::172.16.13.169><DEV::AALN/S1/SU0/0@VG200-2>
01/08/2003 17:16:04.259 Cisco CallManager|Delete entries from TransTable, now this table
has 3 entries|<CLID::ctrieu-sunpc-Cluster><NID::171.69.85.107><CT::1,100,53,1.41815>
<IP::172.16.13.169><DEV::AALN/S1/SU0/0@VG200-2>
01/08/2003 17:16:04.259 Cisco CallManager|Delete entries from CiCcp table, now this table
has 3 entries|<CLID::ctrieu-sunpc-Cluster><NID::171.69.85.107><CT::1,100,53,1.41815>
<IP::172.16.13.169><DEV::AALN/S1/SU0/0@VG200-2>
01/08/2003 17:16:04.259 Cisco CallManager|<CLID::ctrieu-sunpc-Cluster><NID::171.69.85.107>
<CT::1,100,53,1.41815><MN::Directory Number><MV::1000><DEV::AALN/S1/SU0/0@VG200-2>
01/08/2003 17:16:04.259 Cisco CallManager|StationD: 6ad4398 CallInfo callingPartyName=
' callingParty=1000 cgpnVoiceMailbox= calledPartyName=' calledParty=1001
cdpnVoiceMailbox= originalCalledPartyName=' originalCalledParty=1001
originalCdpnVoiceMailbox= originalCdpnRedirectReason=0 lastRedirectingPartyName='
lastRedirectingParty=1001 lastRedirectingVoiceMailbox= lastRedirectingReason=0
callType=1(InBound) lineInstance=1 callReference=16777659. version: 3|
<CLID::ctrieu-sunpc-Cluster><NID::171.69.85.107><CT::1,100,53,1.41815>
<IP::172.16.13.169><DEV::AALN/S1/SU0/0@VG200-2>
01/08/2003 17:16:04.259 Cisco CallManager|StationD::star_StationOutputCallInfo():
callInfo: CI=16777659, CallingPartyName=, CallingParty=1000, CalledPartyName=,
CalledParty=1001, OriginalCalledPartyName=, OriginalCalledParty=1001,
lastRedirectingPartyName=, lastRedirectingParty=1001|<CLID::ctrieu-sunpc-Cluster>
<NID::171.69.85.107><CT::1,100,53,1.41815><IP::172.16.13.169>
<DEV::AALN/S1/SU0/0@VG200-2>
01/08/2003 17:16:04.259 Cisco CallManager|<CLID::ctrieu-sunpc-Cluster><NID::171.69.85.107>
<CT::1,100,53,1.41815><MN::Directory Number><MV::1000><DEV::AALN/S1/SU0/0@VG200-2>
01/08/2003 17:16:04.259 Cisco CallManager|Locations_releaseBandwidth -- cdccPID=(1.15.224)
no entry.|<CLID::ctrieu-sunpc-Cluster><NID::171.69.85.107>
01/08/2003 17:16:04.269 Cisco CallManager|<CLID::ctrieu-sunpc-Cluster><NID::171.69.85.107>
<CT::1,100,53,1.41815><MN::Directory Number><MV::1001><DEV::AALN/S1/SU0/0@VG200-2>
01/08/2003 17:16:04.269 Cisco CallManager|StationD - CTI Reason Code: CtiReasonTransferred
Call|<CLID::ctrieu-sunpc-Cluster><NID::171.69.85.107><CT::1,100,53,1.41815>
<IP::172.16.13.169><DEV::AALN/S1/SU0/0@VG200-2>
01/08/2003 17:16:04.269 Cisco CallManager|StationD: 6ad4334 CallInfo callingPartyName=
' callingParty=1000 cgpnVoiceMailbox= calledPartyName=' calledParty=1001
cdpnVoiceMailbox= originalCalledPartyName=' originalCalledParty=
originalCdpnVoiceMailbox= originalCdpnRedirectReason=0 lastRedirectingPartyName='
lastRedirectingParty=1001 lastRedirectingVoiceMailbox= lastRedirectingReason=0
callType=2(OutBound) lineInstance=1 callReference=16777656. version: 3|
<CLID::ctrieu-sunpc-Cluster><NID::171.69.85.107><CT::1,100,53,1.41815>
<IP::172.16.13.169><DEV::AALN/S1/SU0/0@VG200-2>
01/08/2003 17:16:04.269 Cisco CallManager|StationD::star_StationOutputCallInfo():
callInfo: CI=16777656, CallingPartyName=, CallingParty=1000, CalledPartyName=,
CalledParty=1001, OriginalCalledPartyName=, OriginalCalledParty=,

lastRedirectingPartyName=, lastRedirectingParty=1001|<CLID::ctrieu-sunpc-Cluster>
<NID::171.69.85.107><CT::1,100,53,1.41815><IP::172.16.13.169>
<DEV::AALN/S1/SU0/0@VG200-2>
01/08/2003 17:16:04.269 Cisco CallManager|StationD: 6ad4334 StartTone tone=36
(AlertingTone), direction=0.|<CLID::ctrieu-sunpc-Cluster><NID::171.69.85.107>
<CT::1,100,53,1.41815><IP::172.16.13.169><DEV::AALN/S1/SU0/0@VG200-2>
01/08/2003 17:16:04.279 Cisco CallManager|<CLID::ctrieu-sunpc-Cluster><NID::171.69.85.107>
<CT::1,100,53,1.41815><MN::Directory Number><MV::1000><DEV::AALN/S1/SU0/0@VG200-2>
01/08/2003 17:16:04.279 Cisco CallManager|StationD - CTI Reason Code: CtiReasonTransferred
Call|<CLID::ctrieu-sunpc-Cluster><NID::171.69.85.107><CT::1,100,53,1.41815>
<IP::172.16.13.169><DEV::AALN/S1/SU0/0@VG200-2>
01/08/2003 17:16:04.279 Cisco CallManager|MGCPHandler send msg SUCCESSFULLY to:
172.16.13.169
DLCX 696 AALN/S1/SU0/0@VG200-2 MGCP 0.1
C: A0000000010001b9
I: 39
X: 38
R: L/hu
S:
Q: process,loop
|<CLID::ctrieu-sunpc-Cluster><NID::171.69.85.107><CT::1,100,53,1.41815><IP::172.16.13.169>
<DEV::AALN/S1/SU0/0@VG200-2>
01/08/2003 17:16:04.279 Cisco CallManager|Delete entries from MonitorPartyTable, now this
table has 2 entries|<CLID::ctrieu-sunpc-Cluster><NID::171.69.85.107>
<CT::1,100,53,1.41815><IP::172.16.13.169><DEV::AALN/S1/SU0/0@VG200-2>
01/08/2003 17:16:04.279 Cisco CallManager|Delete entries from TransTable, now this table
has 3 entries|<CLID::ctrieu-sunpc-Cluster><NID::171.69.85.107><CT::1,100,53,1.41815>
<IP::172.16.13.169><DEV::AALN/S1/SU0/0@VG200-2>
01/08/2003 17:16:04.279 Cisco CallManager|Delete entries from CiCcp table, now this table
has 2 entries|<CLID::ctrieu-sunpc-Cluster><NID::171.69.85.107><CT::1,100,53,1.41815>
<IP::172.16.13.169><DEV::AALN/S1/SU0/0@VG200-2>
01/08/2003 17:16:04.279 Cisco CallManager|Locations_releaseBandwidth -- cdccPID=(1.15.223)
no entry.|<CLID::ctrieu-sunpc-Cluster><NID::171.69.85.107>
01/08/2003 17:16:04.289 Cisco CallManager|MGCPHandler received msg from: 172.16.13.169
250 696 OK
P: PS=180, OS=28800, PR=177, OR=28320, PL=0, JI=352, LA=0
|<CLID::ctrieu-sunpc-Cluster><NID::171.69.85.107><CT::1,100,53,1.41817><IP::172.16.13.169>
<DEV::>
01/08/2003 17:16:04.289 Cisco CallManager|MGCPHandler received RESP header w/ transId=
696|<CLID::ctrieu-sunpc-Cluster><NID::171.69.85.107><CT::1,100,53,1.41817>
<IP::172.16.13.169><DEV::>
01/08/2003 17:16:04.289 Cisco CallManager|<CLID::ctrieu-sunpc-Cluster><NID::171.69.85.107>
<CT::1,100,53,1.41817><MN::MGCP endPoint><MV::AALN/S1/SU0/0@VG200-2>
<DEV::AALN/S1/SU0@VG200-2>
01/08/2003 17:16:04.289 Cisco CallManager|MGCPHandler received RESP header w/ transId= 696
FOUND a match for DLCX|<CLID::ctrieu-sunpc-Cluster><NID::171.69.85.107>
<CT::1,100,53,1.41817><IP::172.16.13.169><DEV::AALN/S1/SU0@VG200-2>
01/08/2003 17:16:06.062 Cisco CallManager|CMPProcMon - -----Entered Router Verification|
<CLID::ctrieu-sunpc-Cluster><NID::171.69.85.107>
01/08/2003 17:16:06.062 Cisco CallManager|CMPProcMon - ----Exited Router Verification|
<CLID::ctrieu-sunpc-Cluster><NID::171.69.85.107>
01/08/2003 17:16:06.422 Cisco CallManager|MGCPHandler received msg from: 172.16.13.81
NTFY 11416 *@3660-4 MGCP 0.1
X: 0
O:
|<CLID::ctrieu-sunpc-Cluster><NID::171.69.85.107><CT::1,100,53,1.41818><IP::172.16.13.81>
<DEV::>
01/08/2003 17:16:06.422 Cisco CallManager|<CLID::ctrieu-sunpc-Cluster><NID::171.69.85.107>
<CT::1,100,53,1.41818><MN::MGCP endPoint><MV::*@3660-4><DEV::>
01/08/2003 17:16:06.422 Cisco CallManager|MGCPHandler send msg SUCCESSFULLY to:
172.16.13.81
200 11416
|<CLID::ctrieu-sunpc-Cluster><NID::171.69.85.107><CT::1,100,53,1.41818><IP::172.16.13.81>
<DEV::>

01/08/2003 17:16:06.432 Cisco CallManager|MGCPManager remove recent Incoming transId
11414|<CLID::ctrieu-sunpc-Cluster><NID::171.69.85.107><CT::1,100,53,1.41802>
<IP::172.16.13.81><DEV::>

01/08/2003 17:16:07.313 Cisco CallManager|Insert an entry into CiCcp table, now this table
has 3 entries|<CLID::ctrieu-sunpc-Cluster><NID::171.69.85.107><CT::1,100,53,1.41817>
<IP::172.16.13.169><DEV::AALN/S1/SU0@VG200-2>

01/08/2003 17:16:07.313 Cisco CallManager|Insert an entry into CiCcp table, now this table
has 4 entries|<CLID::ctrieu-sunpc-Cluster><NID::171.69.85.107><CT::1,100,53,1.41817>
<IP::172.16.13.169><DEV::AALN/S1/SU0@VG200-2>

01/08/2003 17:16:07.323 Cisco CallManager|Digit analysis: match(fqcn="7000", cn="7000",
pss="Line1", dd="")|<CLID::ctrieu-sunpc-Cluster><NID::171.69.85.107>
<CT::1,100,53,1.41817><IP::172.16.13.169><DEV::AALN/S1/SU0@VG200-2>

01/08/2003 17:16:07.323 Cisco CallManager|Digit analysis: potentialMatches=
PotentialMatchesExist|<CLID::ctrieu-sunpc-Cluster><NID::171.69.85.107>
<CT::1,100,53,1.41817><IP::172.16.13.169><DEV::AALN/S1/SU0@VG200-2>

01/08/2003 17:16:07.323 Cisco CallManager|MGCPStationD - MGCPOutputStartTone: 24
endpointId=AALN/S1/SU0/0@VG200-2 |<CLID::ctrieu-sunpc-Cluster><NID::171.69.85.107>
<CT::1,100,53,1.41817><IP::172.16.13.169><DEV::AALN/S1/SU0@VG200-2>

01/08/2003 17:16:07.323 Cisco CallManager|MGCPHandler send msg SUCCESSFULLY to:
172.16.13.169

RQNT 697 AALN/S1/SU0/0@VG200-2 MGCP 0.1
X: 39
R: L/hu, D/[0-9ABCD*#]
S: L/dl
Q: process,loop
|<CLID::ctrieu-sunpc-Cluster><NID::171.69.85.107><CT::1,100,53,1.41817><IP::172.16.13.169>
<DEV::AALN/S1/SU0@VG200-2>

01/08/2003 17:16:07.333 Cisco CallManager|MGCPHandler received msg from: 172.16.13.169
200 697 OK
|<CLID::ctrieu-sunpc-Cluster><NID::171.69.85.107><CT::1,100,53,1.41819><IP::172.16.13.169>
<DEV::>

01/08/2003 17:16:07.333 Cisco CallManager|MGCPHandler received RESP header w/ transId=
697|<CLID::ctrieu-sunpc-Cluster><NID::171.69.85.107><CT::1,100,53,1.41819>
<IP::172.16.13.169><DEV::>

01/08/2003 17:16:07.333 Cisco CallManager|<CLID::ctrieu-sunpc-Cluster><NID::171.69.85.107>
<CT::1,100,53,1.41819><MN::MGCPEndPoint><MV::AALN/S1/SU0/0@VG200-2>
<DEV::AALN/S1/SU0@VG200-2>

01/08/2003 17:16:07.333 Cisco CallManager|MGCPHandler received RESP header w/ transId= 697
FOUND a match for RQNT|<CLID::ctrieu-sunpc-Cluster><NID::171.69.85.107>
<CT::1,100,53,1.41819><IP::172.16.13.169><DEV::AALN/S1/SU0@VG200-2>

01/08/2003 17:16:07.333 Cisco CallManager|MGCPHandler recv RQNT Ack from 172.16.13.169|
<CLID::ctrieu-sunpc-Cluster><NID::171.69.85.107><CT::1,100,53,1.41819><IP::172.16.13.169>
<DEV::AALN/S1/SU0@VG200-2>

01/08/2003 17:16:07.714 Cisco CallManager|MGCPHandler received msg from: 172.16.13.169
NTFY 18357 AALN/S1/SU0/0@VG200-2 MGCP 0.1
X: 39
O: L/hu
|<CLID::ctrieu-sunpc-Cluster><NID::171.69.85.107><CT::1,100,53,1.41820><IP::172.16.13.169>
<DEV::>

01/08/2003 17:16:07.714 Cisco CallManager|<CLID::ctrieu-sunpc-Cluster><NID::171.69.85.107>
<CT::1,100,53,1.41820><MN::MGCPEndPoint><MV::AALN/S1/SU0/0@VG200-2><DEV::>

01/08/2003 17:16:07.724 Cisco CallManager|MGCPHandler send msg SUCCESSFULLY to:
172.16.13.169
200 18357
|<CLID::ctrieu-sunpc-Cluster><NID::171.69.85.107><CT::1,100,53,1.41820><IP::172.16.13.169>
<DEV::AALN/S1/SU0/0@VG200-2>

01/08/2003 17:16:07.724 Cisco CallManager|MGCPHandler send msg SUCCESSFULLY to:
172.16.13.169

RQNT 698 AALN/S1/SU0/0@VG200-2 MGCP 0.1
X: 3a
R: L/hd
S:
Q: process,loop
|<CLID::ctrieu-sunpc-Cluster><NID::171.69.85.107><CT::1,100,53,1.41820><IP::172.16.13.169>

<DEV::AALN/S1/SU0/0@VG200-2>
01/08/2003 17:16:07.734 Cisco CallManager|Delete entries from TransTable, now this table
has 3 entries|<CLID::ctrieu-sunpc-Cluster><NID::171.69.85.107><CT::1,100,53,1.41820>
<IP::172.16.13.169><DEV::AALN/S1/SU0/0@VG200-2>
01/08/2003 17:16:07.734 Cisco CallManager|Delete entries from CiCcp table, now this table
has 2 entries|<CLID::ctrieu-sunpc-Cluster><NID::171.69.85.107><CT::1,100,53,1.41820>
<IP::172.16.13.169><DEV::AALN/S1/SU0/0@VG200-2>
01/08/2003 17:16:07.734 Cisco CallManager|MGCPHandler received msg from: 172.16.13.169
200 698 OK
|<CLID::ctrieu-sunpc-Cluster><NID::171.69.85.107><CT::1,100,53,1.41821><IP::172.16.13.169>
<DEV::>
01/08/2003 17:16:07.734 Cisco CallManager|MGCPHandler received RESP header w/ transId=
698|<CLID::ctrieu-sunpc-Cluster><NID::171.69.85.107><CT::1,100,53,1.41821>
<IP::172.16.13.169><DEV::>
01/08/2003 17:16:07.734 Cisco CallManager|<CLID::ctrieu-sunpc-Cluster><NID::171.69.85.107>
<CT::1,100,53,1.41821><MN::MGCPEndPoint><MV::AALN/S1/SU0/0@VG200-2>
<DEV::AALN/S1/SU0@VG200-2>
01/08/2003 17:16:07.734 Cisco CallManager|MGCPHandler received RESP header w/ transId= 698
FOUND a match for RQNT|<CLID::ctrieu-sunpc-Cluster><NID::171.69.85.107>
<CT::1,100,53,1.41821><IP::172.16.13.169><DEV::AALN/S1/SU0@VG200-2>
01/08/2003 17:16:07.734 Cisco CallManager|MGCPHandler recv RQNT Ack from 172.16.13.169|
<CLID::ctrieu-sunpc-Cluster><NID::171.69.85.107><CT::1,100,53,1.41821><IP::172.16.13.169>
<DEV::AALN/S1/SU0@VG200-2>
01/08/2003 17:16:07.734 Cisco CallManager|Locations_releaseBandwidth -- cdccPID=(1.15.226)
no entry.|<CLID::ctrieu-sunpc-Cluster><NID::171.69.85.107>
01/08/2003 17:16:08.064 Cisco CallManager|CMPProcMon - -----Entered Router Verification|
<CLID::ctrieu-sunpc-Cluster><NID::171.69.85.107>
01/08/2003 17:16:08.064 Cisco CallManager|CMPProcMon - ----Exited Router Verification|
<CLID::ctrieu-sunpc-Cluster><NID::171.69.85.107>
01/08/2003 17:16:09.787 Cisco CallManager|StationInit: 6ad4398 SoftKeyEvent softKeyEvent=
11 lineInstance=1 callReference=16777659.|<CLID::ctrieu-sunpc-Cluster>
<NID::171.69.85.107><CT::1,100,93,1.76447><IP::10.17.178.88><DEV::SEP003094C3C1FE>
01/08/2003 17:16:09.787 Cisco CallManager|StationD: 6ad4398 SetSpeakerMode speakermode=1
(On).|<CLID::ctrieu-sunpc-Cluster><NID::171.69.85.107><CT::1,100,93,1.76447>
<IP::10.17.178.88><DEV::SEP003094C3C1FE>
01/08/2003 17:16:09.787 Cisco CallManager|StationD: 6ad4398 ClearNotify.|
<CLID::ctrieu-sunpc-Cluster><NID::171.69.85.107><CT::1,100,93,1.76447><IP::10.17.178.88>
<DEV::SEP003094C3C1FE>
01/08/2003 17:16:09.787 Cisco CallManager|StationD: 6ad4398 SetRinger ringMode=1(RingOff)
.|<CLID::ctrieu-sunpc-Cluster><NID::171.69.85.107><CT::1,100,93,1.76447>
<IP::10.17.178.88><DEV::SEP003094C3C1FE>
01/08/2003 17:16:09.787 Cisco CallManager|StationD: 6ad4398 SetLamp stimulus=9(Line)
stimulusInstance=1 lampMode=2(LampOn).|<CLID::ctrieu-sunpc-Cluster><NID::171.69.85.107>
<CT::1,100,93,1.76447><IP::10.17.178.88><DEV::SEP003094C3C1FE>
01/08/2003 17:16:09.787 Cisco CallManager|StationD: 6ad4398 CallState callState=1
lineInstance=1 callReference=16777659|<CLID::ctrieu-sunpc-Cluster><NID::171.69.85.107>
<CT::1,100,93,1.76447><IP::10.17.178.88><DEV::SEP003094C3C1FE>
01/08/2003 17:16:09.787 Cisco CallManager|StationD: 6ad4398 ActivateCallPlane
lineInstance=1.|<CLID::ctrieu-sunpc-Cluster><NID::171.69.85.107><CT::1,100,93,1.76447>
<IP::10.17.178.88><DEV::SEP003094C3C1FE>
01/08/2003 17:16:09.797 Cisco CallManager|ConnectionManager - wait_AuConnectRequest
(16777656,16777659): INFORM MEDIA LAYER|<CLID::ctrieu-sunpc-Cluster><NID::171.69.85.107>
<CT::1,100,93,1.76447><IP::10.17.178.88><DEV::SEP003094C3C1FE>
01/08/2003 17:16:09.797 Cisco CallManager|ConnectionManager - storeMediaInfo(16777656):
EXISTING ENTRY DISCOVERED, tail == 1|<CLID::ctrieu-sunpc-Cluster><NID::171.69.85.107>
<CT::1,100,93,1.76447><IP::10.17.178.88><DEV::SEP003094C3C1FE>
01/08/2003 17:16:09.797 Cisco CallManager|ConnectionManager - storeMediaInfo(16777659):
ADD NEW ENTRY, tail == 2|<CLID::ctrieu-sunpc-Cluster><NID::171.69.85.107>
<CT::1,100,93,1.76447><IP::10.17.178.88><DEV::SEP003094C3C1FE>
01/08/2003 17:16:09.797 Cisco CallManager|MediaCoordinator - wait_AuConnectRequest()|
<CLID::ctrieu-sunpc-Cluster><NID::171.69.85.107><CT::1,100,93,1.76447><IP::10.17.178.88>
<DEV::SEP003094C3C1FE>
01/08/2003 17:16:09.797 Cisco CallManager|MediaCoordinator - wait_AuConnectRequest -
starting MediaManager w/ existing (0) connections|<CLID::ctrieu-sunpc-Cluster>

<NID::171.69.85.107><CT::1,100,93,1.76447><IP::10.17.178.88><DEV::SEP003094C3C1FE>
01/08/2003 17:16:09.797 Cisco CallManager|MediaCoordinator - wait_AuConnectRequest - new
MediaManager(43,72) started|<CLID::ctrieu-sunpc-Cluster><NID::171.69.85.107>
<CT::1,100,93,1.76447><IP::10.17.178.88><DEV::SEP003094C3C1FE>
01/08/2003 17:16:09.797 Cisco CallManager|MediaManager(72) started|
<CLID::ctrieu-sunpc-Cluster><NID::171.69.85.107><CT::1,100,43,72.1><IP::><DEV::>
01/08/2003 17:16:09.807 Cisco CallManager|MediaManager - wait_AuConnectRequest|
<CLID::ctrieu-sunpc-Cluster><NID::171.69.85.107><CT::1,100,93,1.76447><IP::10.17.178.88>
<DEV::SEP003094C3C1FE>
01/08/2003 17:16:09.807 Cisco CallManager|MediaManager - wait_AuConnectRequest - normal
connection|<CLID::ctrieu-sunpc-Cluster><NID::171.69.85.107><CT::1,100,93,1.76447>
<IP::10.17.178.88><DEV::SEP003094C3C1FE>
01/08/2003 17:16:09.807 Cisco CallManager|MediaManager - wait_AuConnectReply|
<CLID::ctrieu-sunpc-Cluster><NID::171.69.85.107><CT::1,100,93,1.76447><IP::10.17.178.88>
<DEV::SEP003094C3C1FE>
01/08/2003 17:16:09.807 Cisco CallManager|MediaManager - wait_AuConnectReply - received 1
responses, forwarding reply for party1(16777656) and party2(16777659)|
<CLID::ctrieu-sunpc-Cluster><NID::171.69.85.107><CT::1,100,93,1.76447><IP::10.17.178.88>
<DEV::SEP003094C3C1FE>
01/08/2003 17:16:09.807 Cisco CallManager|MediaCoordinator - wait_AuConnectReply|
<CLID::ctrieu-sunpc-Cluster><NID::171.69.85.107><CT::1,100,93,1.76447><IP::10.17.178.88>
<DEV::SEP003094C3C1FE>
01/08/2003 17:16:09.807 Cisco CallManager|ConnectionManager - wait_AuConnectReply
(16777656,16777659)|<CLID::ctrieu-sunpc-Cluster><NID::171.69.85.107>
<CT::1,100,93,1.76447><IP::10.17.178.88><DEV::SEP003094C3C1FE>
01/08/2003 17:16:09.817 Cisco CallManager|StationD: 6ad4398 StopTone.|
<CLID::ctrieu-sunpc-Cluster><NID::171.69.85.107><CT::1,100,10,63.1><IP::><DEV::>
01/08/2003 17:16:09.817 Cisco CallManager|StationD: 6ad4398 OpenReceiveChannel
conferenceID=0 passThruPartyID=1009 millisecondPacketSize=20 compressionType=4
(Media_Payload_G711Ulaw64k) qualifierIn=?. myIP: 58b2110a (10.17.178.88)|
<CLID::ctrieu-sunpc-Cluster><NID::171.69.85.107><CT::1,100,10,63.1><IP::><DEV::>
01/08/2003 17:16:09.817 Cisco CallManager|StationD: 6ad4334 StopTone.|
<CLID::ctrieu-sunpc-Cluster><NID::171.69.85.107><CT::1,100,93,1.76447><IP::10.17.178.88>
<DEV::SEP003094C3C1FE>
01/08/2003 17:16:09.817 Cisco CallManager|StationD: 6ad4334 OpenReceiveChannel
conferenceID=0 passThruPartyID=994 millisecondPacketSize=20 compressionType=4
(Media_Payload_G711Ulaw64k) qualifierIn=?. myIP: f6b2110a (10.17.178.246)|
<CLID::ctrieu-sunpc-Cluster><NID::171.69.85.107><CT::1,100,93,1.76447>
<IP::10.17.178.88><DEV::SEP003094C3C1FE>
01/08/2003 17:16:09.817 Cisco CallManager|<CLID::ctrieu-sunpc-Cluster><NID::171.69.85.107>
<CT::1,100,93,1.76447><MN::Directory Number><MV::1000><DEV::SEP003094C3C1FE>
01/08/2003 17:16:09.817 Cisco CallManager|StationD: 6ad4398 StopTone.|
<CLID::ctrieu-sunpc-Cluster><NID::171.69.85.107><CT::1,100,93,1.76447><IP::10.17.178.88>
<DEV::SEP003094C3C1FE>
01/08/2003 17:16:09.817 Cisco CallManager|StationD: 6ad4398 CallState callState=5
lineInstance=1 callReference=16777659|<CLID::ctrieu-sunpc-Cluster><NID::171.69.85.107>
<CT::1,100,93,1.76447><IP::10.17.178.88><DEV::SEP003094C3C1FE>
01/08/2003 17:16:09.827 Cisco CallManager|StationD: 6ad4398 CallInfo callingPartyName=
' callingParty=1000 cgpnVoiceMailbox= calledPartyName=' calledParty=1001
cdpnVoiceMailbox= originalCalledPartyName=' originalCalledParty=1001
originalCdpnVoiceMailbox= originalCdpnRedirectReason=0 lastRedirectingPartyName=
' lastRedirectingParty=1001 lastRedirectingVoiceMailbox= lastRedirectingReason=0
callType=1(InBound) lineInstance=1 callReference=16777659. version: 3|
<CLID::ctrieu-sunpc-Cluster><NID::171.69.85.107><CT::1,100,93,1.76447>
<IP::10.17.178.88><DEV::SEP003094C3C1FE>
01/08/2003 17:16:09.827 Cisco CallManager|StationD: :star_StationOutputCallInfo():
callInfo: CI=16777659, CallingPartyName=, CallingParty=1000, CalledPartyName=,
CalledParty=1001, OriginalCalledPartyName=, OriginalCalledParty=1001,
lastRedirectingPartyName=, lastRedirectingParty=1001|<CLID::ctrieu-sunpc-Cluster>
<NID::171.69.85.107><CT::1,100,93,1.76447><IP::10.17.178.88><DEV::SEP003094C3C1FE>
01/08/2003 17:16:09.827 Cisco CallManager|StationD: 6ad4398 SelectSoftKeys instance=1
reference=16777659 softKeySetIndex=1 validKeyMask=-1.|<CLID::ctrieu-sunpc-Cluster>
<NID::171.69.85.107><CT::1,100,93,1.76447><IP::10.17.178.88><DEV::SEP003094C3C1FE>
01/08/2003 17:16:09.827 Cisco CallManager|StationD: 6ad4398 DisplayPromptStatus

timeOutValue=0 promptStatus='€' content='Connected' lineInstance=1 callReference=16777659
ver=3.|<CLID::ctrieu-sunpc-Cluster><NID::171.69.85.107><CT::1,100,93,1.76447>
<IP::10.17.178.88><DEV::SEP003094C3C1FE>
01/08/2003 17:16:09.827 Cisco CallManager|StationD: 6ad4334 CallInfo callingPartyName=
' callingParty=1000 cgpnVoiceMailbox= calledPartyName=' calledParty=1001
cdpnVoiceMailbox= originalCalledPartyName=' originalCalledParty=
originalCdpnVoiceMailbox= originalCdpnRedirectReason=0 lastRedirectingPartyName='
lastRedirectingParty=1001 lastRedirectingVoiceMailbox= lastRedirectingReason=0
callType=2(OutBound) lineInstance=1 callReference=16777656. version: 3|
<CLID::ctrieu-sunpc-Cluster><NID::171.69.85.107><CT::1,100,93,1.76447>
<IP::10.17.178.88><DEV::SEP003094C3C1FE>
01/08/2003 17:16:09.827 Cisco CallManager|StationD::star_StationOutputCallInfo():
callInfo: CI=16777656, CallingPartyName=, CallingParty=1000, CalledPartyName=,
CalledParty=1001, OriginalCalledPartyName=, OriginalCalledParty=,
lastRedirectingPartyName=, lastRedirectingParty=1001|<CLID::ctrieu-sunpc-Cluster>
<NID::171.69.85.107><CT::1,100,93,1.76447><IP::10.17.178.88><DEV::SEP003094C3C1FE>
01/08/2003 17:16:09.827 Cisco CallManager|StationD: 6ad4334 StopTone.|
<CLID::ctrieu-sunpc-Cluster><NID::171.69.85.107><CT::1,100,93,1.76447><IP::10.17.178.88>
<DEV::SEP003094C3C1FE>
01/08/2003 17:16:09.827 Cisco CallManager|StationInit: 6ad4334 OpenReceiveChannelAck
Status=0, IpAddr=0xf6b2110a, Port=18284, PartyID=994|<CLID::ctrieu-sunpc-Cluster>
<NID::171.69.85.107><CT::1,100,93,1.76448><IP::10.17.178.246><DEV::SEP000AF4083CA6>
01/08/2003 17:16:09.827 Cisco CallManager|StationD: 6ad4398 StartMediaTransmission
conferenceID=0 passThruPartyID=1009 remoteIpAddress=f6b2110a(10.17.178.246)
remotePortNumber=18284 milliSecondPacketSize=20 compressType=4(Media_Payload_G711Ulaw64k)
qualifierOut=?. myIP: 58b2110a (10.17.178.88)|<CLID::ctrieu-sunpc-Cluster>
<NID::171.69.85.107><CT::1,100,93,1.76448><IP::10.17.178.246><DEV::SEP000AF4083CA6>
01/08/2003 17:16:09.827 Cisco CallManager|StationInit: 6ad4398 OpenReceiveChannelAck
Status=0, IpAddr=0x58b2110a, Port=18130, PartyID=1009|<CLID::ctrieu-sunpc-Cluster>
<NID::171.69.85.107><CT::1,100,93,1.76449><IP::10.17.178.88><DEV::SEP003094C3C1FE>
01/08/2003 17:16:09.827 Cisco CallManager|MediaManager - wait_AuConnectInfo|
<CLID::ctrieu-sunpc-Cluster><NID::171.69.85.107><CT::1,100,93,1.76449><IP::10.17.178.88>
<DEV::SEP003094C3C1FE>
01/08/2003 17:16:09.827 Cisco CallManager|MediaManager - wait_AuConnectInfo - received
response, forwarding|<CLID::ctrieu-sunpc-Cluster><NID::171.69.85.107>
<CT::1,100,93,1.76449><IP::10.17.178.88><DEV::SEP003094C3C1FE>
01/08/2003 17:16:09.827 Cisco CallManager|MediaCoordinator - wait_AuConnectInfoInd|
<CLID::ctrieu-sunpc-Cluster><NID::171.69.85.107><CT::1,100,93,1.76449><IP::10.17.178.88>
<DEV::SEP003094C3C1FE>
01/08/2003 17:16:09.827 Cisco CallManager|StationD: 6ad4334 StartMediaTransmission
conferenceID=0 passThruPartyID=994 remoteIpAddress=58b2110a(10.17.178.88)
remotePortNumber=18130 milliSecondPacketSize=20 compressType=4(Media_Payload_G711Ulaw64k)
qualifierOut=?. myIP: f6b2110a (10.17.178.246)|<CLID::ctrieu-sunpc-Cluster>
<NID::171.69.85.107><CT::1,100,93,1.76449><IP::10.17.178.88><DEV::SEP003094C3C1FE>
01/08/2003 17:16:09.837 Cisco CallManager|Locations: adjust: cdcc=222 readjusting
ciA=16777656 ciB=16777659 |<CLID::ctrieu-sunpc-Cluster><NID::171.69.85.107>
<CT::1,100,93,1.76449><IP::10.17.178.88><DEV::SEP003094C3C1FE>
01/08/2003 17:16:09.837 Cisco CallManager|Locations_adjustBandwidth -- cdccPID=(1.15.222)
Orig=Dest=0 no entry for cdcc. No need to adjust.|<CLID::ctrieu-sunpc-Cluster>
<NID::171.69.85.107>
01/08/2003 17:16:10.067 Cisco CallManager|CMPProcMon - -----Entered Router Verification|
<CLID::ctrieu-sunpc-Cluster><NID::171.69.85.107>
01/08/2003 17:16:10.067 Cisco CallManager|CMPProcMon - ----Exited Router Verification|
<CLID::ctrieu-sunpc-Cluster><NID::171.69.85.107>
01/08/2003 17:16:12.060 Cisco CallManager|CMPProcMon - -----Entered Router Verification|
<CLID::ctrieu-sunpc-Cluster><NID::171.69.85.107>
01/08/2003 17:16:12.060 Cisco CallManager|CMPProcMon - ----Exited Router Verification|
<CLID::ctrieu-sunpc-Cluster><NID::171.69.85.107>
01/08/2003 17:16:12.481 Cisco CallManager|StationInit: 6ad4398 OnHook.|
<CLID::ctrieu-sunpc-Cluster><NID::171.69.85.107><CT::1,100,93,1.76450><IP::10.17.178.88>
<DEV::SEP003094C3C1FE>
01/08/2003 17:16:12.481 Cisco CallManager|CTI: RoutePatternToCtiCommandData::findValue() :
RP=1001:Line1, bRc=0, T=, #entries=0|<CLID::ctrieu-sunpc-Cluster><NID::171.69.85.107>
01/08/2003 17:16:12.491 Cisco CallManager|StationD: 6ad4398 SetSpeakerMode

speakermode=2(Off).|<CLID::ctrieu-sunpc-Cluster><NID::171.69.85.107>
<CT::1,100,93,1.76450><IP::10.17.178.88><DEV::SEP003094C3C1FE>
01/08/2003 17:16:12.491 Cisco CallManager|StationD: 6ad4398 ClearPromptStatus
lineInstance=1 callReference=16777659.|<CLID::ctrieu-sunpc-Cluster>
<NID::171.69.85.107><CT::1,100,93,1.76450><IP::10.17.178.88><DEV::SEP003094C3C1FE>
01/08/2003 17:16:12.491 Cisco CallManager|StationD: 6ad4398 CallState callState=2
lineInstance=1 callReference=16777659|<CLID::ctrieu-sunpc-Cluster><NID::171.69.85.107>
<CT::1,100,93,1.76450><IP::10.17.178.88><DEV::SEP003094C3C1FE>
01/08/2003 17:16:12.491 Cisco CallManager|StationD: 6ad4398 SelectSoftKeys instance=0
reference=0 softKeySetIndex=0 validKeyMask=7.|<CLID::ctrieu-sunpc-Cluster>
<NID::171.69.85.107><CT::1,100,93,1.76450><IP::10.17.178.88><DEV::SEP003094C3C1FE>
01/08/2003 17:16:12.491 Cisco CallManager|StationD: 6ad4398 DisplayPromptStatus
timeOutValue=0 promptStatus='€' content='Your current options' lineInstance=0
callReference=0 ver=3.|<CLID::ctrieu-sunpc-Cluster><NID::171.69.85.107>
<CT::1,100,93,1.76450><IP::10.17.178.88><DEV::SEP003094C3C1FE>
01/08/2003 17:16:12.491 Cisco CallManager|StationD: 6ad4398 ActivateCallPlane
lineInstance=0.|<CLID::ctrieu-sunpc-Cluster><NID::171.69.85.107><CT::1,100,93,1.76450>
<IP::10.17.178.88><DEV::SEP003094C3C1FE>
01/08/2003 17:16:12.491 Cisco CallManager|StationD: 6ad4398 SetLamp stimulus=9(Line)
stimulusInstance=1 lampMode=1(LampOff).|<CLID::ctrieu-sunpc-Cluster><NID::171.69.85.107>
<CT::1,100,93,1.76450><IP::10.17.178.88><DEV::SEP003094C3C1FE>
01/08/2003 17:16:12.491 Cisco CallManager|StationD: 6ad4398 DefineTimeDate timeDateInfo=?
systemTime=1042074972.|<CLID::ctrieu-sunpc-Cluster><NID::171.69.85.107>
<CT::1,100,93,1.76450><IP::10.17.178.88><DEV::SEP003094C3C1FE>
01/08/2003 17:16:12.491 Cisco CallManager|StationD: 6ad4398 StopTone.|
<CLID::ctrieu-sunpc-Cluster><NID::171.69.85.107><CT::1,100,93,1.76450><IP::10.17.178.88>
<DEV::SEP003094C3C1FE>
01/08/2003 17:16:12.501 Cisco CallManager|ConnectionManager - wait_AuDisconnectRequest
(16777659,16777656): STOP SESSION|<CLID::ctrieu-sunpc-Cluster><NID::171.69.85.107>
<CT::1,100,93,1.76450><IP::10.17.178.88><DEV::SEP003094C3C1FE>
01/08/2003 17:16:12.501 Cisco CallManager|ConnectionManager - storeMediaInfo(16777659):
EXISTING ENTRY DISCOVERED, tail == 2|<CLID::ctrieu-sunpc-Cluster><NID::171.69.85.107>
<CT::1,100,93,1.76450><IP::10.17.178.88><DEV::SEP003094C3C1FE>
01/08/2003 17:16:12.501 Cisco CallManager|ConnectionManager - storeMediaInfo(16777656):
EXISTING ENTRY DISCOVERED, tail == 2|<CLID::ctrieu-sunpc-Cluster><NID::171.69.85.107>
<CT::1,100,93,1.76450><IP::10.17.178.88><DEV::SEP003094C3C1FE>
01/08/2003 17:16:12.501 Cisco CallManager|MediaCoordinator - wait_AuDisconnectRequest|
<CLID::ctrieu-sunpc-Cluster><NID::171.69.85.107><CT::1,100,93,1.76450><IP::10.17.178.88>
<DEV::SEP003094C3C1FE>
01/08/2003 17:16:12.501 Cisco CallManager|MediaCoordinator - wait_AuDisconnectRequest -
sending disconnect to MediaManager(72)|<CLID::ctrieu-sunpc-Cluster><NID::171.69.85.107>
<CT::1,100,93,1.76450><IP::10.17.178.88><DEV::SEP003094C3C1FE>
01/08/2003 17:16:12.501 Cisco CallManager|MediaManager - wait_AuDisconnectRequest|
<CLID::ctrieu-sunpc-Cluster><NID::171.69.85.107><CT::1,100,93,1.76450><IP::10.17.178.88>
<DEV::SEP003094C3C1FE>
01/08/2003 17:16:12.501 Cisco CallManager|MediaManager - wait_AuDisconnectRequest -
StopSession sending disconnect to (74,72) and remove connection from list|
<CLID::ctrieu-sunpc-Cluster><NID::171.69.85.107><CT::1,100,93,1.76450><IP::10.17.178.88>
<DEV::SEP003094C3C1FE>
01/08/2003 17:16:12.501 Cisco CallManager|StationD: 6ad4334 CloseReceiveChannel
conferenceID=0 passThruPartyID=994. myIP: f6b2110a (10.17.178.246)|
<CLID::ctrieu-sunpc-Cluster><NID::171.69.85.107><CT::1,100,93,1.76450><IP::10.17.178.88>
<DEV::SEP003094C3C1FE>
01/08/2003 17:16:12.501 Cisco CallManager|StationD: 6ad4334 StopMediaTransmission
conferenceID=0 passThruPartyID=994. myIP: f6b2110a (10.17.178.246)|
<CLID::ctrieu-sunpc-Cluster><NID::171.69.85.107><CT::1,100,93,1.76450><IP::10.17.178.88>
<DEV::SEP003094C3C1FE>
01/08/2003 17:16:12.501 Cisco CallManager|StationD: 6ad4398 CloseReceiveChannel
conferenceID=0 passThruPartyID=1009. myIP: 58b2110a (10.17.178.88)|
<CLID::ctrieu-sunpc-Cluster><NID::171.69.85.107><CT::1,100,93,1.76450><IP::10.17.178.88>
<DEV::SEP003094C3C1FE>
01/08/2003 17:16:12.501 Cisco CallManager|StationD: 6ad4398 StopMediaTransmission
conferenceID=0 passThruPartyID=1009. myIP: 58b2110a (10.17.178.88)|
<CLID::ctrieu-sunpc-Cluster><NID::171.69.85.107><CT::1,100,93,1.76450><IP::10.17.178.88>

<DEV::SEP003094C3C1FE>
01/08/2003 17:16:12.511 Cisco CallManager|MediaManager - wait_AuDisconnectReply|
<CLID::ctrieu-sunpc-Cluster><NID::171.69.85.107><CT::1,100,93,1.76450><IP::10.17.178.88>
<DEV::SEP003094C3C1FE>
01/08/2003 17:16:12.511 Cisco CallManager|MediaManager - wait_AuDisconnectReply - received
all disconnect replies, forwarding a reply for party1(16777659) and party2(16777656)|
<CLID::ctrieu-sunpc-Cluster><NID::171.69.85.107><CT::1,100,93,1.76450><IP::10.17.178.88>
<DEV::SEP003094C3C1FE>
01/08/2003 17:16:12.511 Cisco CallManager|MediaCoordinator - wait_AuDisconnectReply|
<CLID::ctrieu-sunpc-Cluster><NID::171.69.85.107><CT::1,100,93,1.76450><IP::10.17.178.88>
<DEV::SEP003094C3C1FE>
01/08/2003 17:16:12.511 Cisco CallManager|MediaCoordinator - wait_AuDisconnectReply -
removing MediaManager(72) from connection list|<CLID::ctrieu-sunpc-Cluster>
<NID::171.69.85.107><CT::1,100,93,1.76450><IP::10.17.178.88><DEV::SEP003094C3C1FE>
01/08/2003 17:16:12.511 Cisco CallManager|ConnectionManager - wait_AuDisconnectReply
(16777659,16777656): STOP SESSION|<CLID::ctrieu-sunpc-Cluster><NID::171.69.85.107>
<CT::1,100,93,1.76450><IP::10.17.178.88><DEV::SEP003094C3C1FE>
01/08/2003 17:16:12.511 Cisco CallManager|ConnectionManager - deleteMediaInfoEntry
(16777659): ENTRY DELETED, tail == 1|<CLID::ctrieu-sunpc-Cluster><NID::171.69.85.107>
<CT::1,100,93,1.76450><IP::10.17.178.88><DEV::SEP003094C3C1FE>
01/08/2003 17:16:12.511 Cisco CallManager|ConnectionManager - deleteMediaInfoEntry
(16777656): ENTRY DELETED, tail == 0|<CLID::ctrieu-sunpc-Cluster><NID::171.69.85.107>
<CT::1,100,93,1.76450><IP::10.17.178.88><DEV::SEP003094C3C1FE>
01/08/2003 17:16:12.511 Cisco CallManager|<CLID::ctrieu-sunpc-Cluster><NID::171.69.85.107>
<CT::1,100,93,1.76450><MN::Directory Number><MV::1000><DEV::SEP003094C3C1FE>
01/08/2003 17:16:12.511 Cisco CallManager|CTI: RoutePatternToCtiCommandData::findValue() :
RP=1000:Line1, bRc=0, T=, #entries=0|<CLID::ctrieu-sunpc-Cluster><NID::171.69.85.107>
01/08/2003 17:16:12.511 Cisco CallManager|CTI: RoutePatternToCtiCommandData::findValue() :
RP=1000:Line1, bRc=0, T=, #entries=0|<CLID::ctrieu-sunpc-Cluster><NID::171.69.85.107>
01/08/2003 17:16:12.511 Cisco CallManager|StationCdpc - INFO: clearType=0, mHoldFlag=0,
mMediaConnFlag=1.|<CLID::ctrieu-sunpc-Cluster><NID::171.69.85.107><CT::1,100,93,1.76450>
<IP::10.17.178.88><DEV::SEP003094C3C1FE>
01/08/2003 17:16:12.511 Cisco CallManager|StationCdpc - INFO: NormalClear.|
<CLID::ctrieu-sunpc-Cluster><NID::171.69.85.107><CT::1,100,93,1.76450><IP::10.17.178.88>
<DEV::SEP003094C3C1FE>
01/08/2003 17:16:12.511 Cisco CallManager|StationD: 6ad4334 DefineTimeDate timeDateInfo=?
systemTime=1042074972.|<CLID::ctrieu-sunpc-Cluster><NID::171.69.85.107>
<CT::1,100,93,1.76450><IP::10.17.178.88><DEV::SEP003094C3C1FE>
01/08/2003 17:16:12.521 Cisco CallManager|StationD: 6ad4334 SetSpeakerMode
speakermode=2(Off).|<CLID::ctrieu-sunpc-Cluster><NID::171.69.85.107>
<CT::1,100,93,1.76450><IP::10.17.178.88><DEV::SEP003094C3C1FE>
01/08/2003 17:16:12.521 Cisco CallManager|StationD: 6ad4334 ClearPromptStatus
lineInstance=1 callReference=16777656.|<CLID::ctrieu-sunpc-Cluster>
<NID::171.69.85.107><CT::1,100,93,1.76450><IP::10.17.178.88><DEV::SEP003094C3C1FE>
01/08/2003 17:16:12.521 Cisco CallManager|StationD: 6ad4334 CallState callState=2
lineInstance=1 callReference=16777656|<CLID::ctrieu-sunpc-Cluster><NID::171.69.85.107>
<CT::1,100,93,1.76450><IP::10.17.178.88><DEV::SEP003094C3C1FE>
01/08/2003 17:16:12.521 Cisco CallManager|StationD: 6ad4334 SelectSoftKeys instance=0
reference=0 softKeySetIndex=0 validKeyMask=7.|<CLID::ctrieu-sunpc-Cluster>
<NID::171.69.85.107><CT::1,100,93,1.76450><IP::10.17.178.88><DEV::SEP003094C3C1FE>
01/08/2003 17:16:12.521 Cisco CallManager|StationD: 6ad4334 DisplayPromptStatus
timeOutValue=0 promptStatus='€' content='Your current options' lineInstance=0
callReference=0 ver=3.|<CLID::ctrieu-sunpc-Cluster><NID::171.69.85.107>
<CT::1,100,93,1.76450><IP::10.17.178.88><DEV::SEP003094C3C1FE>
01/08/2003 17:16:12.521 Cisco CallManager|StationD: 6ad4334 ActivateCallPlane
lineInstance=0.|<CLID::ctrieu-sunpc-Cluster><NID::171.69.85.107><CT::1,100,93,1.76450>
<IP::10.17.178.88><DEV::SEP003094C3C1FE>
01/08/2003 17:16:12.521 Cisco CallManager|StationD: 6ad4334 SetLamp stimulus=9(Line)
stimulusInstance=1 lampMode=1(LampOff).|<CLID::ctrieu-sunpc-Cluster><NID::171.69.85.107>
<CT::1,100,93,1.76450><IP::10.17.178.88><DEV::SEP003094C3C1FE>
01/08/2003 17:16:12.521 Cisco CallManager|StationD: 6ad4334 DefineTimeDate timeDateInfo=?
systemTime=1042074972.|<CLID::ctrieu-sunpc-Cluster><NID::171.69.85.107>
<CT::1,100,93,1.76450><IP::10.17.178.88><DEV::SEP003094C3C1FE>
01/08/2003 17:16:12.521 Cisco CallManager|StationD: 6ad4334 StopTone.|

<CLID::ctrieu-sunpc-Cluster><NID::171.69.85.107><CT::1,100,93,1.76450><IP::10.17.178.88>
<DEV::SEP003094C3C1FE>
01/08/2003 17:16:12.521 Cisco CallManager|Delete entries from MonitorPartyTable, now this
table has 1 entries|<CLID::ctrieu-sunpc-Cluster><NID::171.69.85.107>
<CT::1,100,93,1.76450><IP::10.17.178.88><DEV::SEP003094C3C1FE>
01/08/2003 17:16:12.521 Cisco CallManager|Delete entries from MonitorPartyTable, now this
table has 0 entries|<CLID::ctrieu-sunpc-Cluster><NID::171.69.85.107>
<CT::1,100,93,1.76450><IP::10.17.178.88><DEV::SEP003094C3C1FE>
01/08/2003 17:16:12.521 Cisco CallManager|Delete entries from TransTable, now this table
has 3 entries|<CLID::ctrieu-sunpc-Cluster><NID::171.69.85.107><CT::1,100,93,1.76450>
<IP::10.17.178.88><DEV::SEP003094C3C1FE>
01/08/2003 17:16:12.521 Cisco CallManager|Delete entries from CiCcp table, now this table
has 0 entries|<CLID::ctrieu-sunpc-Cluster><NID::171.69.85.107><CT::1,100,93,1.76450>
<IP::10.17.178.88><DEV::SEP003094C3C1FE>
01/08/2003 17:16:12.531 Cisco CallManager|Locations_releaseBandwidth -- cdccPID=(1.15.222)
no entry.|<CLID::ctrieu-sunpc-Cluster><NID::171.69.85.107>
01/08/2003 17:16:14.063 Cisco CallManager|CMPProcMon - -----Entered Router Verification|
<CLID::ctrieu-sunpc-Cluster><NID::171.69.85.107>
01/08/2003 17:16:14.063 Cisco CallManager|CMPProcMon - ----Exited Router Verification|
<CLID::ctrieu-sunpc-Cluster><NID::171.69.85.107>
01/08/2003 17:16:16.066 Cisco CallManager|CMPProcMon - -----Entered Router Verification|
<CLID::ctrieu-sunpc-Cluster><NID::171.69.85.107>
01/08/2003 17:16:16.066 Cisco CallManager|CMPProcMon - ----Exited Router Verification|
<CLID::ctrieu-sunpc-Cluster><NID::171.69.85.107>
01/08/2003 17:16:18.069 Cisco CallManager|CMPProcMon - -----Entered Router Verification|
<CLID::ctrieu-sunpc-Cluster><NID::171.69.85.107>
01/08/2003 17:16:18.069 Cisco CallManager|CMPProcMon - ----Exited Router Verification|
<CLID::ctrieu-sunpc-Cluster><NID::171.69.85.107>
01/08/2003 17:16:20.072 Cisco CallManager|CMPProcMon - -----Entered Router Verification|
<CLID::ctrieu-sunpc-Cluster><NID::171.69.85.107>
01/08/2003 17:16:20.072 Cisco CallManager|CMPProcMon - ----Exited Router Verification|
<CLID::ctrieu-sunpc-Cluster><NID::171.69.85.107>
01/08/2003 17:16:21.424 Cisco CallManager|MGCPHandler received msg from: 172.16.13.81
NTFY 11417 *@3660-4 MGCP 0.1
X: 0
O:
|<CLID::ctrieu-sunpc-Cluster><NID::171.69.85.107><CT::1,100,53,1.41822><IP::172.16.13.81>
<DEV::>
01/08/2003 17:16:21.424 Cisco CallManager|<CLID::ctrieu-sunpc-Cluster><NID::171.69.85.107>
<CT::1,100,53,1.41822><MN::MGCP endPoint><MV::*@3660-4><DEV::>
01/08/2003 17:16:21.424 Cisco CallManager|MGCPHandler send msg SUCCESSFULLY to:
172.16.13.81
200 11417
|<CLID::ctrieu-sunpc-Cluster><NID::171.69.85.107><CT::1,100,53,1.41822><IP::172.16.13.81>
<DEV::>
01/08/2003 17:16:21.434 Cisco CallManager|MGCPManager remove recent Incoming transId
11415|<CLID::ctrieu-sunpc-Cluster><NID::171.69.85.107><CT::1,100,53,1.41804>
<IP::172.16.13.81><DEV::>
01/08/2003 17:16:22.075 Cisco CallManager|CMPProcMon - -----Entered Router Verification|
<CLID::ctrieu-sunpc-Cluster><NID::171.69.85.107>
01/08/2003 17:16:22.075 Cisco CallManager|CMPProcMon - ----Exited Router Verification|
<CLID::ctrieu-sunpc-Cluster><NID::171.69.85.107>
01/08/2003 17:16:22.726 Cisco CallManager|MGCPHandler received msg from: 172.16.13.169
NTFY 18358 *@VG200-2 MGCP 0.1
X: 0
O:
|<CLID::ctrieu-sunpc-Cluster><NID::171.69.85.107><CT::1,100,53,1.41823><IP::172.16.13.169>
<DEV::>
01/08/2003 17:16:22.726 Cisco CallManager|<CLID::ctrieu-sunpc-Cluster><NID::171.69.85.107>
<CT::1,100,53,1.41823><MN::MGCP endPoint><MV::*@VG200-2><DEV::>
01/08/2003 17:16:22.736 Cisco CallManager|MGCPHandler send msg SUCCESSFULLY to:
172.16.13.169
200 18358
|<CLID::ctrieu-sunpc-Cluster><NID::171.69.85.107><CT::1,100,53,1.41823><IP::172.16.13.169>

<DEV::>
01/08/2003 17:16:22.816 Cisco CallManager|Db - Getting Host by Name. IP Name = 2620vgw|
<CLID::ctrieu-sunpc-Cluster><NID::171.69.85.107><CT::1,100,68,1.1><IP::><DEV::>
01/08/2003 17:16:24.078 Cisco CallManager|CMPProcMon - -----Entered Router Verification|
<CLID::ctrieu-sunpc-Cluster><NID::171.69.85.107>
01/08/2003 17:16:24.078 Cisco CallManager|CMPProcMon - ----Exited Router Verification|
<CLID::ctrieu-sunpc-Cluster><NID::171.69.85.107>
01/08/2003 17:16:25.099 Cisco CallManager|Db - Timeout! Host could not be found by name
given. Device Name = 2620vgw|<CLID::ctrieu-sunpc-Cluster><NID::171.69.85.107>
<CT::1,100,68,1.1><IP::><DEV::>
01/08/2003 17:16:26.081 Cisco CallManager|CMPProcMon - -----Entered Router Verification|
<CLID::ctrieu-sunpc-Cluster><NID::171.69.85.107>
01/08/2003 17:16:26.081 Cisco CallManager|CMPProcMon - ----Exited Router Verification|
<CLID::ctrieu-sunpc-Cluster><NID::171.69.85.107>
01/08/2003 17:16:26.181 Cisco CallManager|MGCPManager remove recent Incoming transId
18351|<CLID::ctrieu-sunpc-Cluster><NID::171.69.85.107><CT::1,100,53,1.41805>
<IP::172.16.13.169><DEV::>
01/08/2003 17:16:27.212 Cisco CallManager|StationInit - InboundStim - KeepAliveMessage -
Send KeepAlive to Device Controller. DeviceName=SEP003094C3C1FE, TCPHandle=0x6ad4398,
Socket=0x800, IPAddr=10.17.178.88, Port=50826, Device Controller=[1,92,22]|
<CLID::ctrieu-sunpc-Cluster><NID::171.69.85.107><CT::1,100,93,1.76451><IP::10.17.178.88>
<DEV::SEP003094C3C1FE>
01/08/2003 17:16:27.212 Cisco CallManager|StationInit: 6ad4398 KeepAliveAck.|
<CLID::ctrieu-sunpc-Cluster><NID::171.69.85.107><CT::1,100,93,1.76451><IP::10.17.178.88>
<DEV::SEP003094C3C1FE>
01/08/2003 17:16:28.094 Cisco CallManager|CMPProcMon - -----Entered Router Verification|
<CLID::ctrieu-sunpc-Cluster><NID::171.69.85.107>
01/08/2003 17:16:28.094 Cisco CallManager|CMPProcMon - ----Exited Router Verification|
<CLID::ctrieu-sunpc-Cluster><NID::171.69.85.107>
01/08/2003 17:16:28.354 Cisco CallManager|StationInit - InboundStim - KeepAliveMessage -
Send KeepAlive to Device Controller. DeviceName=MTP_ctrieu-sunp, TCPHandle=0x6ad426c,
Socket=0x70c, IPAddr=171.69.85.107, Port=2377, Device Controller=[1,46,2]|
<CLID::ctrieu-sunpc-Cluster><NID::171.69.85.107><CT::1,100,93,1.76452><IP::171.69.85.107>
<DEV::MTP_ctrieu-sunp>
01/08/2003 17:16:28.354 Cisco CallManager|StationInit: 6ad426c KeepAliveAck.|
<CLID::ctrieu-sunpc-Cluster><NID::171.69.85.107><CT::1,100,93,1.76452><IP::171.69.85.107>
<DEV::MTP_ctrieu-sunp>
01/08/2003 17:16:29.806 Cisco CallManager|MGCPManager remove recent Incoming transId
18352|<CLID::ctrieu-sunpc-Cluster><NID::171.69.85.107><CT::1,100,53,1.41808>
<IP::172.16.13.169><DEV::>
01/08/2003 17:16:30.097 Cisco CallManager|CMPProcMon - -----Entered Router Verification|
<CLID::ctrieu-sunpc-Cluster><NID::171.69.85.107>
01/08/2003 17:16:30.097 Cisco CallManager|CMPProcMon - ----Exited Router Verification|
<CLID::ctrieu-sunpc-Cluster><NID::171.69.85.107>
01/08/2003 17:16:30.467 Cisco CallManager|StationInit - InboundStim - KeepAliveMessage -
Send KeepAlive to Device Controller. DeviceName=SEP000AF4083CA6, TCPHandle=0x6ad4334,
Socket=0x84c, IPAddr=10.17.178.246, Port=52860, Device Controller=[1,92,17]|
<CLID::ctrieu-sunpc-Cluster><NID::171.69.85.107><CT::1,100,93,1.76453><IP::10.17.178.246>
<DEV::SEP000AF4083CA6>
01/08/2003 17:16:30.467 Cisco CallManager|StationInit: 6ad4334 KeepAliveAck.|
<CLID::ctrieu-sunpc-Cluster><NID::171.69.85.107><CT::1,100,93,1.76453><IP::10.17.178.246>
<DEV::SEP000AF4083CA6>
01/08/2003 17:16:31.789 Cisco CallManager|StationInit - InboundStim - KeepAliveMessage -
Send KeepAlive to Device Controller. DeviceName=CFB_ctrieu-sunp, TCPHandle=0x6ad4208,
Socket=0x1e4, IPAddr=171.69.85.107, Port=2389, Device Controller=[1,102,2]|
<CLID::ctrieu-sunpc-Cluster><NID::171.69.85.107><CT::1,100,93,1.76454><IP::171.69.85.107>
<DEV::CFB_ctrieu-sunp>
01/08/2003 17:16:31.789 Cisco CallManager|StationInit: 6ad4208 KeepAliveAck.|
<CLID::ctrieu-sunpc-Cluster><NID::171.69.85.107><CT::1,100,93,1.76454><IP::171.69.85.107>
<DEV::CFB_ctrieu-sunp>
01/08/2003 17:16:32.090 Cisco CallManager|CMPProcMon - -----Entered Router Verification|
<CLID::ctrieu-sunpc-Cluster><NID::171.69.85.107>
01/08/2003 17:16:32.090 Cisco CallManager|CMPProcMon - ----Exited Router Verification|
<CLID::ctrieu-sunpc-Cluster><NID::171.69.85.107>

01/08/2003 17:16:32.200 Cisco CallManager|EnvProcessCdr::wait_CdrFileTimer|
<CLID::ctrieu-sunpc-Cluster><NID::171.69.85.107><CT::1,100,6,1.1><IP::><DEV::>
01/08/2003 17:16:32.200 Cisco CallManager|EnvProcessCdr::closeCdrFile|
<CLID::ctrieu-sunpc-Cluster><NID::171.69.85.107><CT::1,100,6,1.1><IP::><DEV::>
01/08/2003 17:16:32.200 Cisco CallManager|EnvProcessCdr::closeCmrFile|
<CLID::ctrieu-sunpc-Cluster><NID::171.69.85.107><CT::1,100,6,1.1><IP::><DEV::>
01/08/2003 17:16:33.061 Cisco CallManager|MGCPManager remove recent Incoming transId
18353|<CLID::ctrieu-sunpc-Cluster><NID::171.69.85.107><CT::1,100,53,1.41811>
<IP::172.16.13.169><DEV::>
01/08/2003 17:16:33.402 Cisco CallManager|MGCPManager remove recent Incoming transId
18354|<CLID::ctrieu-sunpc-Cluster><NID::171.69.85.107><CT::1,100,53,1.41813>
<IP::172.16.13.169><DEV::>
01/08/2003 17:16:33.442 Cisco CallManager|StationInit - InboundStim - KeepAliveMessage -
Send KeepAlive to Device Controller. DeviceName=MOH_ctrieu-sunp, TCPHandle=0x6ad42d0,
Socket=0x774, IPAddr=171.69.85.107, Port=2403, Device Controller=[1,69,2]|
<CLID::ctrieu-sunpc-Cluster><NID::171.69.85.107><CT::1,100,93,1.76455><IP::171.69.85.107>
<DEV::MOH_ctrieu-sunp>
01/08/2003 17:16:33.442 Cisco CallManager|StationInit: 6ad42d0 KeepAliveAck.|
<CLID::ctrieu-sunpc-Cluster><NID::171.69.85.107><CT::1,100,93,1.76455><IP::171.69.85.107>
<DEV::MOH_ctrieu-sunp>
01/08/2003 17:16:33.782 Cisco CallManager|MGCPManager remove recent Incoming transId
18355|<CLID::ctrieu-sunpc-Cluster><NID::171.69.85.107><CT::1,100,53,1.41814>
<IP::172.16.13.169><DEV::>
01/08/2003 17:16:34.093 Cisco CallManager|CMPProcMon - -----Entered Router Verification|
<CLID::ctrieu-sunpc-Cluster><NID::171.69.85.107>
01/08/2003 17:16:34.093 Cisco CallManager|CMPProcMon - ----Exited Router Verification|
<CLID::ctrieu-sunpc-Cluster><NID::171.69.85.107>
01/08/2003 17:16:34.183 Cisco CallManager|MGCPManager remove recent Incoming transId
18356|<CLID::ctrieu-sunpc-Cluster><NID::171.69.85.107><CT::1,100,53,1.41815>
<IP::172.16.13.169><DEV::>
01/08/2003 17:16:36.095 Cisco CallManager|CMPProcMon - -----Entered Router Verification|
<CLID::ctrieu-sunpc-Cluster><NID::171.69.85.107>
01/08/2003 17:16:36.095 Cisco CallManager|CMPProcMon - ----Exited Router Verification|
<CLID::ctrieu-sunpc-Cluster><NID::171.69.85.107>
01/08/2003 17:16:36.416 Cisco CallManager|MGCPHandler received msg from: 172.16.13.81
NTFY 11418 *@3660-4 MGCP 0.1
X: 0
O:
|<CLID::ctrieu-sunpc-Cluster><NID::171.69.85.107><CT::1,100,53,1.41824><IP::172.16.13.81>
<DEV::>
01/08/2003 17:16:36.416 Cisco CallManager|<CLID::ctrieu-sunpc-Cluster><NID::171.69.85.107>
<CT::1,100,53,1.41824><MN::MGCPEndPoint><MV::*@3660-4><DEV::>
01/08/2003 17:16:36.426 Cisco CallManager|MGCPManager remove recent Incoming transId
11416|<CLID::ctrieu-sunpc-Cluster><NID::171.69.85.107><CT::1,100,53,1.41818>
<IP::172.16.13.81><DEV::>
01/08/2003 17:16:36.426 Cisco CallManager|MGCPHandler send msg SUCCESSFULLY to:
172.16.13.81
200 11418
|<CLID::ctrieu-sunpc-Cluster><NID::171.69.85.107><CT::1,100,53,1.41824><IP::172.16.13.81>
<DEV::>
01/08/2003 17:16:37.728 Cisco CallManager|MGCPManager remove recent Incoming transId
18357|<CLID::ctrieu-sunpc-Cluster><NID::171.69.85.107><CT::1,100,53,1.41820>
<IP::172.16.13.169><DEV::>
01/08/2003 17:16:37.738 Cisco CallManager|MGCPHandler received msg from: 172.16.13.169
NTFY 18359 *@VG200-2 MGCP 0.1
X: 0
O:
|<CLID::ctrieu-sunpc-Cluster><NID::171.69.85.107><CT::1,100,53,1.41825><IP::172.16.13.169>
<DEV::>
01/08/2003 17:16:37.738 Cisco CallManager|<CLID::ctrieu-sunpc-Cluster><NID::171.69.85.107>
<CT::1,100,53,1.41825><MN::MGCPEndPoint><MV::*@VG200-2><DEV::>
01/08/2003 17:16:37.738 Cisco CallManager|MGCPHandler send msg SUCCESSFULLY to:
172.16.13.169
200 18359

```
|<CLID::ctrieu-sunpc-Cluster><NID::171.69.85.107><CT::1,100,53,1.41825><IP::172.16.13.169>
<DEV::>
01/08/2003 17:16:38.098 Cisco CallManager|CMPProcMon - -----Entered Router Verification|
<CLID::ctrieu-sunpc-Cluster><NID::171.69.85.107>
01/08/2003 17:16:38.098 Cisco CallManager|CMPProcMon - ----Exited Router Verification|
<CLID::ctrieu-sunpc-Cluster><NID::171.69.85.107>
01/08/2003 17:16:40.101 Cisco CallManager|CMPProcMon - -----Entered Router Verification|
<CLID::ctrieu-sunpc-Cluster><NID::171.69.85.107>
01/08/2003 17:16:40.101 Cisco CallManager|CMPProcMon - ----Exited Router Verification|
<CLID::ctrieu-sunpc-Cluster><NID::171.69.85.107>
01/08/2003 17:16:42.104 Cisco CallManager|CMPProcMon - -----Entered Router Verification|
<CLID::ctrieu-sunpc-Cluster><NID::171.69.85.107>
01/08/2003 17:16:42.104 Cisco CallManager|CMPProcMon - ----Exited Router Verification|
<CLID::ctrieu-sunpc-Cluster><NID::171.69.85.107>
01/08/2003 17:16:44.107 Cisco CallManager|CMPProcMon - -----Entered Router Verification|
<CLID::ctrieu-sunpc-Cluster><NID::171.69.85.107>
01/08/2003 17:16:44.107 Cisco CallManager|CMPProcMon - ----Exited Router Verification|
<CLID::ctrieu-sunpc-Cluster><NID::171.69.85.107>
01/08/2003 17:16:46.100 Cisco CallManager|CMPProcMon - -----Entered Router Verification|
<CLID::ctrieu-sunpc-Cluster><NID::171.69.85.107>
01/08/2003 17:16:46.100 Cisco CallManager|CMPProcMon - ----Exited Router Verification|
<CLID::ctrieu-sunpc-Cluster><NID::171.69.85.107>
01/08/2003 17:16:48.113 Cisco CallManager|CMPProcMon - -----Entered Router Verification|
<CLID::ctrieu-sunpc-Cluster><NID::171.69.85.107>
01/08/2003 17:16:48.113 Cisco CallManager|CMPProcMon - ----Exited Router Verification|
<CLID::ctrieu-sunpc-Cluster><NID::171.69.85.107>
01/08/2003 17:16:50.116 Cisco CallManager|CMPProcMon - -----Entered Router Verification|
<CLID::ctrieu-sunpc-Cluster><NID::171.69.85.107>
01/08/2003 17:16:50.116 Cisco CallManager|CMPProcMon - ----Exited Router Verification|
<CLID::ctrieu-sunpc-Cluster><NID::171.69.85.107>
01/08/2003 17:16:51.418 Cisco CallManager|MGCPHandler received msg from: 172.16.13.81
NTFY 11419 *@3660-4 MGCP 0.1
X: 0
O:
|<CLID::ctrieu-sunpc-Cluster><NID::171.69.85.107><CT::1,100,53,1.41826><IP::172.16.13.81>
<DEV::>
01/08/2003 17:16:51.418 Cisco CallManager|<CLID::ctrieu-sunpc-Cluster><NID::171.69.85.107>
<CT::1,100,53,1.41826><MN::MGCPEndPoint><MV::*@3660-4><DEV::>
01/08/2003 17:16:51.418 Cisco CallManager|MGCPManager remove recent Incoming transId
11417|<CLID::ctrieu-sunpc-Cluster><NID::171.69.85.107><CT::1,100,53,1.41822>
<IP::172.16.13.81><DEV::>
01/08/2003 17:16:51.418 Cisco CallManager|MGCPHandler send msg SUCCESSFULLY to:
172.16.13.81
200 11419
|<CLID::ctrieu-sunpc-Cluster><NID::171.69.85.107><CT::1,100,53,1.41826><IP::172.16.13.81>
<DEV::>
01/08/2003 17:16:52.109 Cisco CallManager|CMPProcMon - -----Entered Router Verification|
<CLID::ctrieu-sunpc-Cluster><NID::171.69.85.107>
01/08/2003 17:16:52.109 Cisco CallManager|CMPProcMon - ----Exited Router Verification|
<CLID::ctrieu-sunpc-Cluster><NID::171.69.85.107>
01/08/2003 17:16:52.740 Cisco CallManager|MGCPHandler received msg from: 172.16.13.169
NTFY 18360 *@VG200-2 MGCP 0.1
X: 0
O:
|<CLID::ctrieu-sunpc-Cluster><NID::171.69.85.107><CT::1,100,53,1.41827><IP::172.16.13.169>
<DEV::>
01/08/2003 17:16:52.740 Cisco CallManager|<CLID::ctrieu-sunpc-Cluster><NID::171.69.85.107>
<CT::1,100,53,1.41827><MN::MGCPEndPoint><MV::*@VG200-2><DEV::>
01/08/2003 17:16:52.740 Cisco CallManager|MGCPHandler send msg SUCCESSFULLY to:
172.16.13.169
200 18360
|<CLID::ctrieu-sunpc-Cluster><NID::171.69.85.107><CT::1,100,53,1.41827><IP::172.16.13.169>
<DEV::>
01/08/2003 17:16:52.750 Cisco CallManager|MGCPManager remove recent Incoming transId
```

18358|<CLID::ctrieu-sunpc-Cluster><NID::171.69.85.107><CT::1,100,53,1.41823>
<IP::172.16.13.169><DEV::>
01/08/2003 17:16:54.112 Cisco CallManager|CMPProcMon - -----Entered Router Verification|
<CLID::ctrieu-sunpc-Cluster><NID::171.69.85.107>
01/08/2003 17:16:54.112 Cisco CallManager|CMPProcMon - ----Exited Router Verification|
<CLID::ctrieu-sunpc-Cluster><NID::171.69.85.107>
01/08/2003 17:16:55.213 Cisco CallManager|Db - Getting Host by Name. IP Name = 2620vgw|
<CLID::ctrieu-sunpc-Cluster><NID::171.69.85.107><CT::1,100,68,1.1><IP::><DEV::>
01/08/2003 17:16:56.125 Cisco CallManager|CMPProcMon - -----Entered Router Verification|
<CLID::ctrieu-sunpc-Cluster><NID::171.69.85.107>
01/08/2003 17:16:56.125 Cisco CallManager|CMPProcMon - ----Exited Router Verification|
<CLID::ctrieu-sunpc-Cluster><NID::171.69.85.107>
01/08/2003 17:16:57.216 Cisco CallManager|StationInit - InboundStim - KeepAliveMessage -
Send KeepAlive to Device Controller. DeviceName=SEP003094C3C1FE, TCPHandle=0x6ad4398,
Socket=0x800, IPAddr=10.17.178.88, Port=50826, Device Controller=[1,92,22]|
<CLID::ctrieu-sunpc-Cluster><NID::171.69.85.107><CT::1,100,93,1.76456><IP::10.17.178.88>
<DEV::SEP003094C3C1FE>
01/08/2003 17:16:57.216 Cisco CallManager|StationInit: 6ad4398 KeepAliveAck.|
<CLID::ctrieu-sunpc-Cluster><NID::171.69.85.107><CT::1,100,93,1.76456><IP::10.17.178.88>
<DEV::SEP003094C3C1FE>
01/08/2003 17:16:57.497 Cisco CallManager|Db - Timeout! Host could not be found by name
given. Device Name = 2620vgw|<CLID::ctrieu-sunpc-Cluster><NID::171.69.85.107>
<CT::1,100,68,1.1><IP::><DEV::>
01/08/2003 17:16:58.128 Cisco CallManager|CMPProcMon - -----Entered Router Verification|
<CLID::ctrieu-sunpc-Cluster><NID::171.69.85.107>
01/08/2003 17:16:58.128 Cisco CallManager|CMPProcMon - ----Exited Router Verification|
<CLID::ctrieu-sunpc-Cluster><NID::171.69.85.107>
01/08/2003 17:16:58.538 Cisco CallManager|StationInit - InboundStim - KeepAliveMessage -
Send KeepAlive to Device Controller. DeviceName=MTP_ctrieu-sunp, TCPHandle=0x6ad426c,
Socket=0x70c, IPAddr=171.69.85.107, Port=2377, Device Controller=[1,46,2]|
<CLID::ctrieu-sunpc-Cluster><NID::171.69.85.107><CT::1,100,93,1.76457><IP::171.69.85.107>
<DEV::MTP_ctrieu-sunp>
01/08/2003 17:16:58.538 Cisco CallManager|StationInit: 6ad426c KeepAliveAck.|
<CLID::ctrieu-sunpc-Cluster><NID::171.69.85.107><CT::1,100,93,1.76457><IP::171.69.85.107>
<DEV::MTP_ctrieu-sunp>
01/08/2003 17:17:00.141 Cisco CallManager|CMPProcMon - -----Entered Router Verification|
<CLID::ctrieu-sunpc-Cluster><NID::171.69.85.107>
01/08/2003 17:17:00.161 Cisco CallManager|CMPProcMon - ----Exited Router Verification|
<CLID::ctrieu-sunpc-Cluster><NID::171.69.85.107>
01/08/2003 17:17:00.471 Cisco CallManager|StationInit - InboundStim - KeepAliveMessage -
Send KeepAlive to Device Controller. DeviceName=SEP000AF4083CA6, TCPHandle=0x6ad4334,
Socket=0x84c, IPAddr=10.17.178.246, Port=52860, Device Controller=[1,92,17]|
<CLID::ctrieu-sunpc-Cluster><NID::171.69.85.107><CT::1,100,93,1.76458><IP::10.17.178.246>
<DEV::SEP000AF4083CA6>
01/08/2003 17:17:00.471 Cisco CallManager|StationInit: 6ad4334 KeepAliveAck.|
<CLID::ctrieu-sunpc-Cluster><NID::171.69.85.107><CT::1,100,93,1.76458><IP::10.17.178.246>
<DEV::SEP000AF4083CA6>
01/08/2003 17:17:01.993 Cisco CallManager|StationInit - InboundStim - KeepAliveMessage -
Send KeepAlive to Device Controller. DeviceName=CFB_ctrieu-sunp, TCPHandle=0x6ad4208,
Socket=0x1e4, IPAddr=171.69.85.107, Port=2389, Device Controller=[1,102,2]|
<CLID::ctrieu-sunpc-Cluster><NID::171.69.85.107><CT::1,100,93,1.76459><IP::171.69.85.107>
<DEV::CFB_ctrieu-sunp>
01/08/2003 17:17:01.993 Cisco CallManager|StationInit: 6ad4208 KeepAliveAck.|
<CLID::ctrieu-sunpc-Cluster><NID::171.69.85.107><CT::1,100,93,1.76459><IP::171.69.85.107>
<DEV::CFB_ctrieu-sunp>
01/08/2003 17:17:02.164 Cisco CallManager|CMPProcMon - -----Entered Router Verification|
<CLID::ctrieu-sunpc-Cluster><NID::171.69.85.107>
01/08/2003 17:17:02.164 Cisco CallManager|CMPProcMon - ----Exited Router Verification|
<CLID::ctrieu-sunpc-Cluster><NID::171.69.85.107>
01/08/2003 17:17:03.606 Cisco CallManager|StationInit - InboundStim - KeepAliveMessage -
Send KeepAlive to Device Controller. DeviceName=MOH_ctrieu-sunp, TCPHandle=0x6ad42d0,
Socket=0x774, IPAddr=171.69.85.107, Port=2403, Device Controller=[1,69,2]|
<CLID::ctrieu-sunpc-Cluster><NID::171.69.85.107><CT::1,100,93,1.76460><IP::171.69.85.107>
<DEV::MOH_ctrieu-sunp>

```

01/08/2003 17:17:03.606 Cisco CallManager|StationInit: 6ad42d0 KeepAliveAck.|
<CLID::ctrieu-sunpc-Cluster><NID::171.69.85.107><CT::1,100,93,1.76460><IP::171.69.85.107>
<DEV::MOH_ctrieu-sunpc>
01/08/2003 17:17:04.167 Cisco CallManager|CMPProcMon - -----Entered Router Verification|
<CLID::ctrieu-sunpc-Cluster><NID::171.69.85.107>
01/08/2003 17:17:04.167 Cisco CallManager|CMPProcMon - ----Exited Router Verification|
<CLID::ctrieu-sunpc-Cluster><NID::171.69.85.107>
01/08/2003 17:17:06.169 Cisco CallManager|CMPProcMon - -----Entered Router Verification|
<CLID::ctrieu-sunpc-Cluster><NID::171.69.85.107>
01/08/2003 17:17:06.169 Cisco CallManager|CMPProcMon - ----Exited Router Verification|
<CLID::ctrieu-sunpc-Cluster><NID::171.69.85.107>
01/08/2003 17:17:06.420 Cisco CallManager|MGCPHandler received msg from: 172.16.13.81
NTFY 11420 *@3660-4 MGCP 0.1
X: 0
O:
|<CLID::ctrieu-sunpc-Cluster><NID::171.69.85.107><CT::1,100,53,1.41828><IP::172.16.13.81>
<DEV::>
01/08/2003 17:17:06.420 Cisco CallManager|<CLID::ctrieu-sunpc-Cluster><NID::171.69.85.107>
<CT::1,100,53,1.41828><MN::MGCPEndPoint><MV::*@3660-4><DEV::>
01/08/2003 17:17:06.420 Cisco CallManager|MGCPHandler send msg SUCCESSFULLY to:
172.16.13.81
200 11420
|<CLID::ctrieu-sunpc-Cluster><NID::171.69.85.107><CT::1,100,53,1.41828><IP::172.16.13.81>
<DEV::>
01/08/2003 17:17:06.450 Cisco CallManager|MGCPManager remove recent Incoming transId
11418|<CLID::ctrieu-sunpc-Cluster><NID::171.69.85.107><CT::1,100,53,1.41824>
<IP::172.16.13.81><DEV::>
01/08/2003 17:17:07.742 Cisco CallManager|MGCPHandler received msg from: 172.16.13.169
NTFY 18361 *@VG200-2 MGCP 0.1
X: 0
O:
|<CLID::ctrieu-sunpc-Cluster><NID::171.69.85.107><CT::1,100,53,1.41829><IP::172.16.13.169>
<DEV::>
01/08/2003 17:17:07.742 Cisco CallManager|<CLID::ctrieu-sunpc-Cluster><NID::171.69.85.107>
<CT::1,100,53,1.41829><MN::MGCPEndPoint><MV::*@VG200-2><DEV::>
01/08/2003 17:17:07.742 Cisco CallManager|MGCPHandler send msg SUCCESSFULLY to:
172.16.13.169
200 18361
|<CLID::ctrieu-sunpc-Cluster><NID::171.69.85.107><CT::1,100,53,1.41829><IP::172.16.13.169>
<DEV::>
01/08/2003 17:17:07.752 Cisco CallManager|MGCPManager remove recent Incoming transId
18359|<CLID::ctrieu-sunpc-Cluster><NID::171.69.85.107><CT::1,100,53,1.41825>
<IP::172.16.13.169><DEV::>
01/08/2003 17:17:08.162 Cisco CallManager|CMPProcMon - -----Entered Router Verification|
<CLID::ctrieu-sunpc-Cluster><NID::171.69.85.107>
01/08/2003 17:17:08.162 Cisco CallManager|CMPProcMon - ----Exited Router Verification|
<CLID::ctrieu-sunpc-Cluster><NID::171.69.85.107>
01/08/2003 17:17:10.165 Cisco CallManager|CMPProcMon - -----Entered Router Verification|
<CLID::ctrieu-sunpc-Cluster><NID::171.69.85.107>
01/08/2003 17:17:10.165 Cisco CallManager|CMPProcMon - ----Exited Router Verification|
<CLID::ctrieu-sunpc-Cluster><NID::171.69.85.107>
01/08/2003 17:17:12.168 Cisco CallManager|CMPProcMon - -----Entered Router Verification|
<CLID::ctrieu-sunpc-Cluster><NID::171.69.85.107>
01/08/2003 17:17:12.168 Cisco CallManager|CMPProcMon - ----Exited Router Verification|
<CLID::ctrieu-sunpc-Cluster><NID::171.69.85.107>

```

=====

失敗呼叫的調試

本節提供電話在FXS語音連線埠上執行錯誤連線快閃記憶體範例。

基本呼叫流程如下：

1. IP電話A (DN是1000) 從語音埠1/0/0呼叫VG200電話C (DN是7000) 。
2. 電話C應答呼叫，然後使用電話上的快閃記憶體功能按鈕執行Hookflash。
3. VG200無法檢測訊號為hookflash並丟棄呼叫。

造成這種故障的原因在於，一些電話機有一個稱為flash或recall的按鈕，用於傳送定時環路中斷，或校準快閃記憶體，其本質上是設定了精確定時值的掛鉤快閃記憶體。在本示例中，計時值超過了為語音埠定義的hookflash-input預設時間值。因此，路由器將hookflash視為掛機信令，並斷開呼叫。

解析:在語音埠設定下發出**timing hookflash-input milliseconds**命令，以增加語音埠的hookflash-input值。但是，此操作有一個缺點。當FXS埠配置為長的hookflash輸入計時值 (值大於500毫秒) 時，使用者可能會發現，當他們掛斷並立即拿起聽筒時，該呼叫尚未清除。在這種情況下，必須將聽筒置於鉤子上較長時間才能清除呼叫。如果值設定過低，則hookflash可能會被解釋為掛接。在某些情況下，搖籃彈跳也會導致問題。(當聽筒掛起來時，鉤子按鈕上的彈簧張力會導致線路上的多個短路，稱為支架彈跳。) 有時，需要仔細調整hookflash輸入計時值以獲得最佳結果。

以下是路由器上啟用的調試清單，用於排除路由器上捕獲日誌檔案的故障並對其進行調試。此處只顯示調試的相關輸出。輸出的其餘部分與本文[成功呼叫調試部分](#)中顯示的輸出相同。

注意：由於空間限制，此處的某些輸出出現在多行上。

```
*Mar 6 00:01:35.733: htsp_process_event: [1/0/0, FXSLS_CONNECT,
E_DSP_SIG_0100]fxspls_offhook_onhook, HF duration=500
!--- The router detects the on-hook signal from FXS voice port 1/0/0. *Mar 6 00:01:35.737:
htsp_timer - 500 msec
*Mar 6 00:01:36.237: htsp_process_event: [1/0/0, FXSLS_CONNECT, E_HTSP_EVENT_TIMER]
fxspls_connect_wait_release_req
*Mar 6 00:01:36.237: htsp_timer_stop
!--- Notice that the hookflash-input timer (500 msec) has expired, and the router !--- still
has not seen the off-hook signal, so the call is disconnected. *Mar 6 00:01:36.237:
send_mgcp_msg, MGCP Packet sent --->
NTFY 29083 AALN/S1/SU0/0@VG200-2 MGCP 0.1
!--- The router notifies Cisco CallManager of this on-hook event detection. X: f1 O: L/hu !---
"O: L/hu" indicates that an on-hook event is observed. <--- *Mar 6 00:01:36.241: MGCP Packet
received -
200 29083
!--- Cisco CallManager responds back with "200 OK". *Mar 6 00:01:36.249: MGCP Packet received -
DLCX 911 AALN/S1/SU0/0@VG200-2 MGCP 0.1
!--- The router has received a delete connection !--- from Cisco CallManager to clear the call.
C: A00000000100025b I: 54 X: f2 R: L/hd !--- "R: L/hu" is the Cisco CallManager request to be
notified if !--- the router detects off-hook status. S: Q: process,loop *Mar 6 00:01:36.253:
dsp_get_levels: [1/0/0 (229)] packet_len=8 channel_id=1 packet_id=89 *Mar 6 00:01:36.253:
vtsp_process_dsp_message: MSG_TX_GET_TX_STAT: rtp_timestamp=0x314A987A *Mar 6 00:01:36.253:
dsp_idle_mode: [1/0/0 (229)] packet_len=8 channel_id=1 packet_id=68 *Mar 6 00:01:36.257:
htsp_process_event: [1/0/0, FXSLS_WAIT_RELEASE_REQ,
E_HTSP_RELEASE_REQ]fxspls_waitrls_req_rls
*Mar 6 00:01:36.257: [1/0/0] set signal state = 0x4 timestamp = 0htsp_report_onhook_sig
*Mar 6 00:01:36.257: dsp_cp_tone_off: [1/0/0 (229)] packet_len=8 channel_id=1 packet_id=
71
*Mar 6 00:01:36.257: dsp_idle_mode: [1/0/0 (229)] packet_len=8 channel_id=1 packet_id=68
*Mar 6 00:01:36.257: dsp_close_voice_channel: [1/0/0 (229)] packet_len=8 channel_id=1
packet_id=75
*Mar 6 00:01:36.261: send_mgcp_msg, MGCP Packet sent --->
250 911 OK
!--- The router sends a "250 OK" back !--- to Cisco CallManager to indicate the connection is
deleted. P: PS=491, OS=78560, PR=489, OR=78240, PL=0, JI=272, LA=0 <--- *Mar 6 00:01:36.353:
htsp_process_event: [1/0/0, FXSLS_ONHOOK, E_DSP_SIG_1100]
fxspls_onhook_offhook htsp_setup_ind
!--- Here is the other half of the hookflash signal, but it is too late. !--- The router
```

interprets this as a regular off-hook event and plays the dial tone. !--- Notice the time between the on-hook and off-hook events !--- (00:01:36.353 - 00:01:35.733 = 620 msec), which exceeds the 500 msec default value.

```
*Mar 6 00:01:36.357: [1/0/0] get_local_station_id calling
num= calling name= calling time=00/00 00:00 *Mar 6 00:01:36.361: dsp_close_voice_channel:
[1/0/0:231] packet_len=8 channel_id=1 packet_id=75 *Mar 6 00:01:36.361:
dsp_open_voice_channel_20: [1/0/0:231] packet_len=16 channel_id=1 packet_id=74
alaw_ulaw_select=0 associated_signaling_channel=0 time_slot=65535 serial_port=65535 *Mar 6
00:01:36.361: dsp_encap_config: [1/0/0:231] packet_len=30 channel_id=1 packet_id= 92
TransportProtocol 2 t_ssrc=0x0 r_ssrc=0x0 t_vpxcc=0x0 r_vpxcc=0x0 sid_support=1,
tse_payload=65535, seq_num=0x17EF, redundancy=0 *Mar 6 00:01:36.361: dsp_set_playout_delay
*Mar 6 00:01:36.361: dsp_set_playout: [1/0/0:231] packet_len=18 channel_id=1 packet_id=76
mode=1 initial=60 min=40 max=200 fax_nom=300 *Mar 6 00:01:36.361: dsp_set_playout_config:
[1/0/0:231] packet_len=18 channel_id=1 packet_id=76 mode=1 initial=60 min=40 max=200 fax_nom=300
*Mar 6 00:01:36.361: dsp_echo_canceler_control: echo_cancel: 1 *Mar 6 00:01:36.365:
dsp_echo_canceler_control: [1/0/0:231] echo_cancel 1, disable_hpf 0, flags=0x0, threshold=-21
*Mar 6 00:01:36.365: dsp_echo_canceler_control: [1/0/0:231] packet_len=14 channel_id=1
packet_id=66 flags=0x0, threshold=-21, suppressor_coverage=7 *Mar 6 00:01:36.365:
dsp_idle_code_det: [1/0/0:231] packet_len=14 channel_id=1 packet_id= 116 enable=0, code=0,
duration=6000 *Mar 6 00:01:36.365: set_gains: FXx/E&M: msg-
>message.set_codec_gains.out_gain=65506 *Mar 6 00:01:36.365: dsp_set_gains: [1/0/0:231]
packet_len=12 channel_id=1 packet_id=91 in_gain=0 out_gain=65506 *Mar 6 00:01:36.365:
dsp_vad_enable: [1/0/0:231] enable: packet_len=16 channel_id=1 packet_id=78 thresh=-38
vadtime=250 aggressive=0 *Mar 6 00:01:36.369: send_mgcp_msg, MGCP Packet sent --->
```

NTFY 29084 AALN/S1/SU0/0@VG200-2 MGCP 0.1

!--- The router notifies Cisco CallManager of the off-hook event.

```
X: f2 O: L/hd <--- *Mar 6
00:01:36.369: dsp_encap_config: [1/0/0:231] packet_len=30 channel_id=1 packet_id= 92
TransportProtocol 2 t_ssrc=0x0 r_ssrc=0x0 t_vpxcc=0x0 r_vpxcc=0x0 sid_support=1,
tse_payload=65535, seq_num=0x17EF, redundancy=0 *Mar 6 00:01:36.369: dsp_voice_mode:
[1/0/0:231] cdb 8127AD60, cdb->codec_params.modem 2, inband_detect flags 0x21 *Mar 6
00:01:36.373: map_dtmf_relay_type--digit relay mode: 2 *Mar 6 00:01:36.373: dsp_voice_mode:
[1/0/0:231] packet_len=24 channel_id=1 packet_id=73 coding_type=1 voice_field_size=160
VAD_flag=0 echo_length=64 comfort_noise=1 inband_detect=33 digit_relay_mode=2
AGC_flag=0dsp_dtmf_mode(VTSP_TONE_DTMF_MODE) *Mar 6 00:01:36.373: dsp_dtmf_mode: [1/0/0:231]
packet_len=10 channel_id=1 packet_id=65 dtmf_or_mf=0 *Mar 6 00:01:36.373: htsp_process_event:
[1/0/0, FXSLS_WAIT_SETUP_ACK, E_HTSP_SETUP_ACK] *Mar 6 00:01:36.373: htsp_process_event:
[1/0/0, FXSLS_OFFHOOK, E_HTSP_CONNECT] fxsls_offhook_connect *Mar 6 00:01:36.373: [1/0/0] set
signal state = 0x6 timestamp = 0 *Mar 6 00:01:36.377: MGCP Packet received -
```

200 29084

!--- The router receives the "200 OK" acknowledgement from Cisco CallManager.

```
*Mar 6
00:01:36.389: MGCP Packet received -
```

RQNT 912 AALN/S1/SU0/0@VG200-2 MGCP 0.1

!--- The router receives request notification to look for an on-hook event !--- and DTMF digits, and to play the dial tone. X: f3 R: L/lu, D/[0-9ABCD#] !--- "R: L/lu, D/[0-9ABCD*#]" is the Cisco CallManager request to be notified !--- when the router line packet detects an on-hook event and any DTMF tones or digits. S: L/dl !--- "S: L/dl" indicates that Cisco CallManager sends !--- a signal generation request to the router to play the dial tone. Q: process,loop*

```
*Mar 6 00:01:36.393: dsp_idle_mode: [1/0/0:231] packet_len=8 channel_id=1 packet_id=68 *Mar 6
00:01:36.393: dsp_voice_mode: [1/0/0:231] cdb 8127AD60, cdb->codec_params.modem 2, inband_detect
flags 0x421 *Mar 6 00:01:36.393: map_dtmf_relay_type--digit relay mode: 2 *Mar 6 00:01:36.393:
dsp_voice_mode: [1/0/0:231] packet_len=24 channel_id=1 packet_id=73 coding_type=1
voice_field_size=160 VAD_flag=0 echo_length=64 comfort_noise=1 inband_detect=1057
digit_relay_mode=2 AGC_flag=0 *Mar 6 00:01:36.397: htsp_process_event: [1/0/0, FXSLS_CONNECT,
E_HTSP_VOICE_CUT_THROUGH] *Mar 6 00:01:36.397: send_mgcp_msg, MGCP Packet sent --->
```

200 912 OK

!--- The router sends a "200 OK" to acknowledge the request !--- notification sequence number 912.

```
<--- *Mar 6 00:01:36.397: dsp_cp_tone_off: [1/0/0:231] packet_len=8 channel_id=1
packet_id=71 *Mar 6 00:01:36.397: act_gen_tone: Tone Dial generated in direction Network,
stop_tone_on_digit = TRUE
```

!--- The router plays the dial tone to the user off FXS voice port 1/0/0.

```
*Mar 6 00:01:36.397:
dsp_cp_tone_on: [1/0/0:231] packet_len=38 channel_id=1 packet_id=72 tone_id=4 n_freq=2
freq_of_first=350 freq_of_second=440 amp_of_first=6942 amp_of_second= 6942 direction=1
on_time_first=65535 off_time_first=0 on_time_second=0 off_time_second=0 VG200-2# *Mar 6
00:01:41.413: htsp_process_event: [1/0/0, FXSLS_CONNECT, E_DSP_SIG_0100]
fxsls_offhook_onhook, HF duration=500
```

```

!--- The router detects an on-hook event. *Mar 6 00:01:41.417: htsp_timer - 500 msec
*Mar 6 00:01:41.917: htsp_process_event: [1/0/0, FXSLS_CONNECT, E_HTSP_EVENT_TIMER]
fxspls_connect_wait_release_req
*Mar 6 00:01:41.917: htsp_timer_stop
*Mar 6 00:01:41.917: dsp_cp_tone_off: [1/0/0:231] packet_len=8 channel_id=1 packet_id=71
*Mar 6 00:01:41.917: act_gen_tone: Tone Busy generated in direction Network,
stop_tone_on_digit = FALSE

*Mar 6 00:01:41.921: dsp_cp_tone_off: [1/0/0:231] packet_len=8 channel_id=1 packet_id=71
*Mar 6 00:01:41.921: dsp_idle_mode: [1/0/0:231] packet_len=8 channel_id=1 packet_id=68
*Mar 6 00:01:41.921: htsp_process_event: [1/0/0, FXSLS_WAIT_RELEASE_REQ,
E_HTSP_RELEASE_REQ]fxspls_waitrls_req_rls
!--- The router releases the call and clears the voice port. *Mar 6 00:01:41.921: [1/0/0] set
signal state = 0x4 timestamp = 0htsp_report_onhook_sig *Mar 6 00:01:41.921: dsp_cp_tone_off:
[1/0/0:231] packet_len=8 channel_id=1 packet_id=71 *Mar 6 00:01:41.925: dsp_idle_mode:
[1/0/0:231] packet_len=8 channel_id=1 packet_id=68 *Mar 6 00:01:41.925:
dsp_close_voice_channel: [1/0/0:231] packet_len=8 channel_id=1 packet_id=75 *Mar 6
00:01:41.929: send_mgcp_msg, MGCP Packet sent --->
NTFY 29085 AALN/S1/SU0/0@VG200-2 MGCP 0.1
!--- The router sends the notify message to Cisco CallManager !---regarding the on-hook event.
X: f3 O: L/hu <--- *Mar 6 00:01:41.933: MGCP Packet received -
200 29085
!--- The router receives the "200 OK" acknowledgement. *Mar 6 00:01:41.941: MGCP Packet
received -
RQNT 913 AALN/S1/SU0/0@VG200-2 MGCP 0.1
!--- The router receives request notification from Cisco CallManager !--- to reset and watch for
an off-hook event. X: f4 R: L/hd S: Q: process,loop *Mar 6 00:01:41.945:
send_mgcp_msg, MGCP Packet sent --->
200 913 OK
!--- The router sends back a "200 OK" to acknowledge it. <--- VG200-2# VG200-2# *Mar 6
00:01:56.945: send_mgcp_msg, MGCP Packet sent --->
NTFY 29086 *@VG200-2 MGCP 0.1
!--- This is the MGCP keepalive from the router to Cisco CallManager. X: 0 O: <--- *Mar 6
00:01:56.949: MGCP Packet received -
200 29086
!--- Cisco CallManager acknowledges the keepalive.

```

FXS語音埠上的增強的Hookflash輸入計時器示例

本節介紹通過VG200配置增加Hookflash輸入計時器對FXS語音埠的影響。

```

VG200-2# configure terminal
Enter configuration commands, one per line. End with CNTL/Z.
VG200-2(config)#voice-port 1/0/0
VG200-2(config-voiceport)#timing hookflash-in ?
<50-1550> milliseconds

VG200-2(config-voiceport)#timing hookflash-in 1000
VG200-2(config-voiceport)#
VG200-2# show debug
MGCP:
Media Gateway Control Protocol packets debugging is on
Voice Telephony dsp debugging is on
Voice Telephony tone generation debugging is on
Voice Port Module signaling debugging is on
VG200-2# terminal monitor

```

此部分僅顯示已發出的調試的相關輸出。輸出從按下電話上的快閃記憶體按鈕時開始。

注意：由於空間限制，此處的某些輸出出現在多行上。

VG200-2#

*Mar 6 02:34:40.560: vtsp_process_dsp_message: MSG_TX_GET_TX_STAT: rtp_timestamp=0x534008E4

*Mar 6 02:34:41.288: htsp_process_event: [1/0/0, FXSLS_CONNECT, E_DSP_SIG_0100] fxsls_offhook_onhook, HF duration=1000

*Mar 6 02:34:41.292: htsp_timer - 1000 msec

*Mar 6 02:34:41.908: htsp_process_event: [1/0/0, FXSLS_CONNECT, E_DSP_SIG_1100] fxsls_offhook_offhook

*Mar 6 02:34:41.912: htsp_timer_stop

!--- Notice that the router sees the on-hook and off-hook message, and that !--- the time between the two signals is 620 msec (02:34:41.908 - 02:34:41.288 = !--- 620 msec). This value is within the 1-sec (1000-msec) hookflash-input timer !--- defined under FXS voice port 1/0/0.

*Mar 6 02:34:41.912: send_mgcp_msg, MGCP Packet sent ---->

NTFY 29703 AALN/S1/SU0/0@VG200-2 MGCP 0.1

*!--- The router sends the notify message to inform Cisco CallManager of the !--- hookflash event. X: 100 O: L/hf <--- *Mar 6 02:34:41.916: MGCP Packet received -*

200 29703

!--- Cisco CallManager sends back "200 OK" to acknowledge it.

相關資訊

- [配置Cisco IOS MGCP網關](#)
- [在Cisco CallManager伺服器上配置MGCP網關和FXO/FXS埠](#)
- [語音技術支援](#)
- [語音和整合通訊產品支援](#)
- [Cisco IP電話故障排除](#)
- [技術支援與文件 - Cisco Systems](#)