



Cisco Remote PHY Device Software Configuration Guide for Cisco 1x2 / Compact Shelf RPD Software 3.1

First Published: 2017-11-23

Americas Headquarters

Cisco Systems, Inc.
170 West Tasman Drive
San Jose, CA 95134-1706
USA
<http://www.cisco.com>
Tel: 408 526-4000
800 553-NETS (6387)
Fax: 408 527-0883



CONTENTS

PART I

Remote PHY System Overview 1

CHAPTER 1

Cisco Remote PHY System Overview 3

Introduction 3

Hardware Compatibility Matrix for Cisco Remote PHY Device 4

Benefits 5

Cisco CCAP RF Line Card for R-PHY 5

Cisco Digital Physical Interface Card 5

Cisco Remote PHY Device 7

Network Architecture 8

Network Topologies 8

PART II

Remote PHY System Bring Up 11

CHAPTER 2

Cisco Remote PHY System Bring Up 13

Hardware Compatibility Matrix for Cisco Remote PHY Device 13

Information about RPD Bring Up 14

How to Bring Up RPD 14

 Configuring DHCP Server 14

 Configuring PTP 16

 Configuring cBR-8 17

PART III

Remote PHY Provisioning 19

CHAPTER 3

Network Authentication 21

Hardware Compatibility Matrix for Cisco Remote PHY Device 21

Information about Network Authentication 22

How to Enable Network Authentication 22

Installing Certificates in Radius Server	23
Configuring Radius Server	23
Configuring Switch	23
Verifying Authentication Status	24

CHAPTER 4**Synchronizing Time on Cisco Remote PHY Devices 25**

Hardware Compatibility Matrix for Cisco Remote PHY Device	25
Information about Time Synchronization	26
Remote DTI	26
Restrictions for Configuring Time Synchronization	26
How to Configure Time Synchronization	27
Configuring Time Interface and PTP domain	27
Verifying Time Interface and PTP Domain Configuration	29
Configure RPD PTP Connection	29
Verifying RPD PTP Connection Configuration	29
Associate R-DTI with RPD	29
Verifying Associating R-DTI with RPD	30
Verifying PTP Clock Functioning	32
Verifying PTP Clock Running Domain	32
Verifying Time Sync State	32
Verifying Time Sync Statistics	33
Configuration Examples	33
Example: Configuring Time Interface and PTP Domain	33
Example: Configure RPD PTP Connection	34
Example: Associate R-DTI with RPD	34
Feature Information for Synchronizing Time on R-PHY Devices	34

CHAPTER 5**DEPI Latency Measurement 37**

Hardware Compatibility Matrix for Cisco Remote PHY Device	37
Information about DEPI Latency Measurement	38
How to Configure DLM	38
Configuring DLM	38
Verifying DLM Configuration	39
Example: DLM Configuration	39
Feature Information for DLM	39

CHAPTER 6**Multiple Cores 41**

- Hardware Compatibility Matrix for Cisco Remote PHY Device 41
- Information about Multiple Cores 42
 - Restrictions for Multiple Cores Configuration 42
- How to Configure Multiple Cores 42
 - Configuring Multiple Cores 43
 - Verifying Multiple Cores Configuration 43

CHAPTER 7**Cisco Remote PHY DS OFDM Channel Configuration 45**

- Hardware Compatibility Matrix for Cisco Remote PHY Device 45
- Information About R-PHY DOCSIS 3.1 DS OFDM Channel 46
- How to Configure DS OFDM Channel 46
 - Verify OFDM Channel Profile 46
 - Configuring RPD Port/Controller and Channel 48
 - Configuring RF Channel Bandwidth in Wideband Interface 49
 - Verify the Profile Ordering 49
 - Verify OFDM Channel Profile 49
 - Verify OFDM Channel 51
 - Verify OCD and DPD of MAC Domain 51
 - Verify Profile Management Data 52
 - Verify OCD and DPD Messages in RPD 53
 - Verify per-Profile Counter on RPD 53
 - Verify the Drop Counter in DPS 54
- Configuration Example 55
- Feature Information for RPHY DS OFDM Channel Configuration 55

PART IV**Remote PHY Controller Profile and RPD Configuration 57**

CHAPTER 8**Cisco Remote PHY Controller Profile and RPD Configuration 59**

- Hardware Compatibility Matrix for Cisco Remote PHY Device 60
- Information About Controller Profile and RPD 60
 - RPD Configurations 61
 - Prerequisites for Configuring Controller Profile and RPD 61
 - Restrictions for Configuring Controller Profile and RPD 62

How to Configure Controller Profile and RPD	62
Configuring Upstream Controller Profile	62
Verifying Upstream Controller Profile Configuration	63
Configuring RPD for US Controller Profile	64
Configuring Downstream Controller Profile	64
Verifying Downstream Controller Profile Configuration	64
Configuring RPD for DS Controller Profile	64
Verifying RPD Association with Controller Profile	65
Configuring Downstream Sharing	65
Configuring Controller in Fiber Node	65
Verifying CM RPD Association	65
Displaying GCP Related Information	66
Displaying DEPI Related Information	67
Troubleshooting Tips	68
Configuration Examples	68
Example: Controller Profile Configuration	68
Example: Downstream Sharing Configuration	69
Feature Information for Remote PHY Controller Profile and RPD Configuration	69

PART V
Remote PHY Downstream Virtual Splitting 71

CHAPTER 9
Cisco Remote PHY Device Downstream Virtual Splitting 73

Hardware Compatibility Matrix for Cisco Remote PHY Device	73
Information about RPD Downstream Virtual Splitting	74
How to Configure RPD Downstream Virtual Splitting	74
Configuring Multicast DEPI Pool	74
Enabling Multicast Sharing under Downstream Controller Profile	75
Configuring the RPD with the Same Downstream Controller and Profile	75
Configuring the RPDs to different fiber-nodes	76
Configuring the RPDs to MAC Domain	76
Enabling Multicast on Cisco cBR-8 Router	76
Enabling Multicast on Layer 2 Switch	76
Enabling Multicast on Layer 3 Router	77
Verifying RPD Downstream Virtual Splitting Configuration on cBR-8 Side	77
Verifying RPD Virtual Downstream Splitting Configuration on Node Side	78

Example: RPD Downstream Virtual Splitting Configuration 78

Feature Information for RPD Downstream Virtual Splitting 80

PART VI

Remote PHY Video Configuration 81

CHAPTER 10

Cisco Remote PHY Video Configuration 83

Hardware Compatibility Matrix for Cisco Remote PHY Device 83

Hardware Compatibility Matrix for Cisco Remote PHY Device 84

Information About R-PHY Video Configuration 85

How to Configure R-PHY Video 85

 Configuring Downstream Controller Profile 85

 Configuring RPD 86

 Configuring Downstream Sharing 86

 Configuring Video 87

Example: R-PHY Video Configuration 87

Feature Information for Remote PHY Video 88

CHAPTER 11

Cisco Remote PHY PowerKEY VOD 89

Hardware Compatibility Matrix for Cisco Remote PHY Device 89

Information About PowerKEY VOD 90

 Overview of PowerKEY VoD 90

How to Configure RPHY PowerKey VOD 91

 Configuring the Encryption Type on the Line Card 91

 Verifying the Encryption Configuration 91

 Configuring the Encrypted Virtual Carrier Groups 91

 Configuring the Encrypted Virtual Carrier Groups 92

 Verifying the Encrypted Virtual Carrier Groups Configuration 92

 Configuring the Service Distribution Groups and Binding 92

 Configuring the Logical Edge Device and GQI Protocol 93

 Verifying the PowerKEY VoD Configuration 93

Configuration Examples 95

 Example: Configuring Encryption Type on the Line Card 95

 Example: Configuring Encrypted Virtual Carrier Groups 95

 Example: Configuring Service Distribution Groups and Binding 95

Feature Information for Rmote PHY PowerKEY VoD 95

CHAPTER 12**Cisco Remote PHY Pre-encrypted Broadcast Video 97**

- Hardware Compatibility Matrix for Cisco Remote PHY Device 97
- Information About Pre-encrypted Broadcast Video 98
 - Multicast Table-based Sessions 98
 - MPTS Pass-through Session 99
- How to Configure Pre-encrypted Broadcast Video Sessions 99
 - Configure a Port-Channel Interface 99
 - Configuring Pre-encrypted Broadcast Sessions 99
 - Configuring the Service Distribution Groups and Binding 100
- Configuration Example for Pre-encrypted Broadcast Video Session 100
- Feature Information for RPHY Pre-encrypted Broadcast Video 100

CHAPTER 13**Remote PHY BFS QAM Configuration 103**

- Hardware Compatibility Matrix for Cisco Remote PHY Device 103
- Information About BFS QAM Support 104
- How to Configure BFS QAM for EC 7.x 104
 - Mapping Cisco cBR-8 as a GQI QAM 105
 - Creating VCG with One QAM Channel 105
 - Creating SDG for BFS Sessions on Cisco cBR 105
 - Create VCG for BFS 106
 - Creating Logical Edge Device 106
 - Creating GQI QAM for BFS on EC 7.x 107
- How to Configure BFS QAM for RPD 107
 - Creating SDG for BFS Sessions for RPD 107
 - Creating LED for RPD 108
 - Defining Cable RPD 108
- How to Configure BFS QAM for EC 8.x 108
 - Creating VCG for VoD QAM Channels 109
 - Creating VCG for SDV QAM Channels 109
 - Creating SDG 109
 - Creating LEDs 110
- Configuration Example for BFS QAM Configuration 110
 - Example: BFS QAM Configuration on Cisco cBR for EC 7.x 110
 - Example: BFS QAM Configuration on RPD 111

Example: BFS QAM Configuration on Cisco cBR for EC 8.x 112

Feature Information for BFS QAM Configuration 113

CHAPTER 14**Remote PHY QAM Profile Configuration 115**

Information About QAM Profile 115

How to Configure Remote PHY QAM Profile 116

 Configuring the QAM Profile on Downstream Channels 116

 Verifying QAM Profile on Downstream Channels 117

Configuration Example 117

Feature Information for QAM Profile Configuration 117

CHAPTER 15**Remote PHY DVB Video on Demand 119**

Information About DVB VOD 119

 Overview of DVB VOD 119

 Session based Scrambling Setup 120

 Fail-to-Clear 120

 Tier based Scrambling Setup 121

 Restrictions for DVB 121

How to Configure DVB 122

 Configuring RPHY DVB VoD 122

 Verifying the DVB Configuration 123

 Troubleshooting Tips 125

Configuration Examples 125

 Example: Basic Session-based Scrambling Configuration 125

 Example: Basic Tier-based Scrambling Configuration 126

 Example: Basic Session-based Dualcrypt Scrambling Configuration 127

Additional References 128

Feature Information for RPHY DVB VoD Support 128

CHAPTER 16**Remote PHY Switched Digital Video 129**

Switched Digital Video Services 129

 Session Cloning 130

 Redundant Multicast Sources 130

 Benefits of Switched Digital Video 131

 Prerequisites for Switched Digital Video 131

Restrictions for Switched Digital Video	131
Information About Switched Digital Video	132
QAM Sharing	132
QAM Replication	132
MPTS Pass-through Session	132
How to Configure the Switched Digital Video Services	133
Configuring Multicast Routing	133
Configuring Multicast Label	133
Configuring Multicast Table-based Sessions	133
Configuring Source Switching	134
Verifying Switched Digital Video Configuration	134
Troubleshooting Switched Digital Video Configuration	135
Configuration Examples for Switched Digital Video	136
Feature Information for Switched Digital Video	139

PART VII
Remote PHY Out of Band 141

CHAPTER 17
Cisco Remote PHY Out of Band 143

Hardware Compatibility Matrix for Cisco Remote PHY Device	143
Information About Out of Band	144
OOB 55-1	144
Forward Channels	145
OOB 55-2	145
Prerequisites	146
How to Configure 55-1 OOB	146
Configuring Global 55-1 OOB	146
Configuring Profile for 55-1 OOB	147
Configuring Remote PHY Device for 55-1 OOB	147
Configuring OOB with VRF	147
Configuring Two Forward Channels	148
Verifying OOB DS Details	148
Verifying OOB US Details	148
Verifying OOB Channel Details	148
Debugging OOB	148
Example: OOB Configuration	148

Feature Information for OOB 149

PART VIII

Remote PHY Line Card and Supervisor Redundancy 151

CHAPTER 18

Cisco Remote PHY Line Card and Supervisor Redundancy 153

Hardware Compatibility Matrix for Cisco Remote PHY Device 153

Information About Remote PHY Line Card and Supervisor Redundancy 154

Line Card Redundancy 154

Supervisor Redundancy 156

How to Configure Remote PHY Line Card Redundancy 156

Configuring DPIC Ports 156

Configuring RPD 157

Configuring Remote PHY Line Card Redundancy 157

Verifying Remote PHY Line Card Redundancy Configuration 157

Feature Information for Remote PHY Line Card and Supervisor Redundancy 158

PART IX

Remote PHY Management 159

CHAPTER 19

Secure Software Download 161

Hardware Compatibility Matrix for Cisco Remote PHY Device 161

Information About Secure Software Download 162

Prerequisites for Upgrading Software using SSD 162

How to Upgrade Software from RPD and Cisco cBR Using SSD 162

Initiating RPD Software Upgrade from Cisco cBR 163

Initiating Software Upgrade from RPD Using SSD 163

Verifying Software Upgrade Using SSD Configuration 163

Examples for Upgrading RPD Software Using SSD 164

Example: RPD Software Upgrade Using SSD on Cisco cBR 164

Example: RPD Software Upgrade Using SSD on RPD 164

Feature Information for Secure Software Download 164

CHAPTER 20

Cisco Remote PHY Fault Management 165

Information About Fault Management 165

RPD Event Reporting 165

Restrictions for Configuring RPD Events 166

How to Configure RPD Events	166
Configuring RPD Events	166
Applying the Event Profile to RPD	166
Getting RPD Events	167
Clearing all events on Cisco cBR Database	167
Viewing the RPD Events	167
Viewing RPD Events Using Log	167
Configuration Examples	167
Example: RPD Event Configuration	167
Feature Information for R-PHY Fault Management	168

CHAPTER 21

Cisco Remote PHY Device Operations and Debugging	169
Hardware Compatibility Matrix for Cisco Remote PHY Device	169
Information about RPD Operations and Debugging	170
Prerequisites for RPD Operations	170
How to Access and Debug RPD	170
Accessing RPD using SSH	170
Disabling SSH Login Password	171
Debugging RPD	171
Verifying Disabled SSH Password Login	172
IOS Example	172
Example: Generating a New NMS pubkey	172
Example: Adding NMS pubkey in RPD	172
Feature Information for RPD Operations and Debugging	173

PART X**Remote PHY IPv6 175****CHAPTER 22**

Cisco Remote PHY Device IPv6	177
Hardware Compatibility Matrix for Cisco Remote PHY Device	177
Information about RPD IPv6	178
How to Configure RPD IPv6 Unicast Online	178
Configuring Unicast IPv6	179
Configuring RPD core interface	179
Configuring IPv6 PTP Clock Option	179
Verifying IPv6 PTP Clock Option Configuration	180

Verifying RPD IPv6 Configuration	181
How to Configure IPv6 DS Splitting	181
Configure the multicast IPv6 DEPI pool	181
Enabling Multicast Sharing under Downstream Controller Profile	182
Configuring the RPD with the Same Downstream Controller and Profile	182
Configuring the RPDs to different fiber-nodes	182
Configuring the RPDs to MAC Domain	182
Enable IPv6 multicast on Cisco cBR-8 Router	183
Verifying the IPv6 DS Splitting Configuration	183
Feature Information for Remote-PHY Device IPv6	184



PART **I**

Remote PHY System Overview

- [Cisco Remote PHY System Overview, page 3](#)



CHAPTER

1

Cisco Remote PHY System Overview

Finding Feature Information

Your software release may not support all the features documented in this module. For the latest feature information and caveats, see the release notes for your platform and software release. To find information about the features documented in this module, and to see a list of the releases in which each feature is supported, see the Feature Information Table at the end of this document.

Use Cisco Feature Navigator to find information about platform support and Cisco software image support. To access Cisco Feature Navigator, go to <http://tools.cisco.com/ITDIT/CFN/>. An account on <http://www.cisco.com/> is not required.

- [Introduction, page 3](#)
- [Hardware Compatibility Matrix for Cisco Remote PHY Device, page 4](#)
- [Benefits, page 5](#)
- [Cisco CCAP RF Line Card for R-PHY, page 5](#)
- [Cisco Digital Physical Interface Card, page 5](#)
- [Cisco Remote PHY Device, page 7](#)
- [Network Architecture, page 8](#)
- [Network Topologies, page 8](#)

Introduction

Driven by market evolution towards triple-play services, cable operators in emerging markets are seeking standardized and digital fiber-based solutions for economical and future proof access technologies. Much of the demand is driven by the need to provide higher bandwidth packet transport for Internet connectivity, video and voice services.

Data Over Cable Systems Interface Standard (DOCSIS®) is a standardized technology for services over cable and thus has strong interoperability between system providers. It also provides robust Quality of Service (QoS) methods, ensuring packet delivery during periods of network congestion. Traditionally, DOCSIS runs on linear fiber (or HFC) to provide service and is not naturally applicable for digital fiber. Cisco has bridged the gap by introducing a new access technology called the Remote PHY.

Existing Architecture

In the emerging markets, most triple-play consumers live in multi-tenant buildings (referred to as Multi Dwelling Units or MDU) with the number of residents usually being less than 500 residents per building or cluster. These buildings are typically served by fiber with one of several “final 100 meter” technologies installed in the buildings. These technologies include fiber, twisted pair, Ethernet, and coaxial. Cable operators have access to the cable in the building and use this cable for their services. Several technologies exist for enabling two-way services over cable. These include a number of proprietary and vendor-specific methods. However, a standards-based approach to using cable is typically preferred by operators, since this ensures vendor interoperability.

Need for the Cisco Remote PHY Solution

DOCSIS and EuroDOCSIS are standards that define two-way operation over a cable network. DOCSIS provides the necessary Quality of Service (QoS) tools for ensuring voice call connectivity during periods of network congestion that are anticipated in triple-play networks. DOCSIS is a robust and mature technology for voice, video, and IP video services.

The Cisco Remote PHY solution leverages existing IP technologies like Ethernet PON (EPON), Gigabit-capable Passive Optical Networks (GPON), and Metro Ethernet (MetroE) equipment; it deploys DOCSIS in MDUs over digital fiber to enable two-way services over cable.

Hardware Compatibility Matrix for Cisco Remote PHY Device



Note

The hardware components introduced in a given Cisco Remote PHY Device Software Release are supported in all subsequent releases unless otherwise specified.

Table 1: Hardware Compatibility Matrix for the Cisco Remote PHY Device

Cisco HFC Platform	Remote PHY Device
Cisco GS7000 Node	<p>Cisco 1x2 RPD Software 1.1 and Later Releases</p> <p>Cisco Remote PHY Device 1x2</p> <ul style="list-style-type: none"> • PID—RPD-1X2= • RPD-1X2-PKEY=
Intelligent NODE (iNODE)	<p>Cisco 1x2 RPD Software 3.1 and Later Releases</p> <p>Cisco Remote PHY Device 1x2</p> <ul style="list-style-type: none"> • IRPD-1X2= • IRPD-1X2-PKEY=

**Note**

The -PKEY suffix in the PID indicates units that enable the SCTE-55-2 Out-of-Band protocol support.

Benefits

The Cisco Remote PHY solution provides a cost-effective digital fiber-based DOCSIS solution that uses Ethernet PON (EPON), Gigabit-capable Passive Optical Networks (GPON), or Metro Ethernet (MetroE) as the transmission network between the Cisco CMTS and CM. Both the PON technology and DOCSIS is used in the same network.

- Simple and low cost PON transmission as opposed to costly HFC transformation.
- Reduced investment cost including capital and operational expenditure.
- Low-cost yet highly stable Cisco GS7000 node (includes only the PHY layer).
- Reduced CMTS hardware complexity.
- No restriction on Converged Interconnect Network (CIN) network.
- Futureproof architecture. Easy to migrate as the hardware and control functions are on separate layers.
- End-to-end QoS assurance provided by DOCSIS.
- Support for all DOCSIS services.
- Support for existing DOCSIS network provisioning system.
- High access bandwidth.
- With deep fiber, the optical noise contribution to SNR is eliminated. As a result, the remote QAM modulator runs at higher orders of modulation as compared to a centralized QAM modulator.

Cisco CCAP RF Line Card for R-PHY

The Cisco CCAP RF line card for remote PHY architecture is available in two flavours:

- CBR-LC-8D31-16U30—This RF line card with the downstream and upstream PHY modules can be connected with the Cisco GS7000 node by configuring it using the **card cBR-CCAP-LC-40G r-phy** command.
- CBR-CCAP-LC-40G-R—This RF line card with no downstream and upstream PHY modules can be connected with the Cisco GS7000 node.

Cisco Digital Physical Interface Card

The Cisco Digital Physical Interface Card (DPIC) transmits and receives RF signals between the subscriber and headend over the hybrid fiber-coaxial (HFC) system and is DOCSIS-compliant. This interface card is designed specifically for the Cisco cBR router and conforms to the Integrated CMTS (I-CMTS) architecture. The PID is cBR-DPIC-8X10G.

The DPIC is installed in the CMTS and connected to the Cisco GS7000 node via the EPON, GPON, or Metro Ethernet. It supports both downstream and upstream traffic. Both the downstream and upstream traffic share the same ports.

Table 2: Physical Specifications of the DPIC

Unit	Dimensions
Width	10.96 in (27.8cm)
Height	1.43 in (3.6cm)
Depth	7.32 in (18.6cm) with handle
Weight	2.943lb (1.335kg)

The DPIC supports:

- Eight ten gigabit ethernet SFP+ interfaces
- 80 gigabit non-blocking switching architecture with 40+40 protection scheme
- 40 gigabit DOCSIS traffic bandwidth when connected with the Cisco CBR-CCAP-LC-40G-R line card
- Cisco SFP-10G-SR-S/Cisco SFP-10G-LR-S/Cisco SFP-10G-ZR-S/Cisco SFP-10G-ER-S optic modules
- MACSec and 1588 TC

The faceplate of the Cisco DPIC has the following:

- Optic Cable Clip—Helps route and manage the optic cables.
- 8 x SFP+ ports—Used as 8 x 10GE lanes for DOCSIS traffic to the Cisco RPDs.
- 10GE Link Status LED—Indicates the status of the 10GE link.
- Status LED—Indicates the status of the Cisco DPIC.
- Replace LED—Indicates the Cisco DPIC must be replaced.

Onboard Failure Logging

The Onboard Failure Logging (OBFL) feature enables the storage and collection of critical failure information in the nonvolatile memory of a Field Replaceable Unit (FRU), like a route processor (RP) or line card. The data stored through OBFL assists in understanding and debugging the field failures upon Return Material Authorization (RMA) of a RP or line card at repair and failure analysis sites. OBFL records operating temperatures, voltages, hardware uptime, and any other important events that assist board diagnosis in case of hardware failures.

For more information about the feature, see [Onboard Failure Logging](#).



Note

The sample output provided in the [Onboard Failure Logging](#) guide may vary slightly for the Cisco CMTS routers.

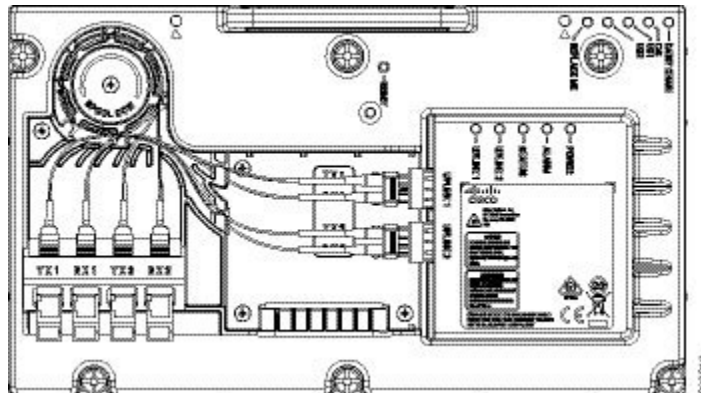
Cisco Remote PHY Device

The Cisco Remote PHY Device (RPD) has two variants – The standard RPD and the newer Intelligent RPD (iRPD). The standard RPD resides inside the Cisco GS7000 node while the Intelligent RPD (iRPD) resides inside the Intelligent Node. Below are some of its features:

- Full spectrum DOCSIS 3.0 support
- Full spectrum DOCSIS 3.1 support
- Converged broadcast, narrowcast, and VOD video support
- Out of Band (OOB) signaling support
- Dual 10GBE SFP/SFP+ backhaul connectivity
- Support of Daisy Chain architecture topology
- CCAP support
- Support of optical overlay architectures

Additionally, the Cisco Intelligent Remote PHY Device (iRPD) provides an interface to the Intelligent Node RF section. This interface supports control plane communication that allows more extensive diagnostic and configuration control. The Intelligent Node supports touch-less configuration, per port spectrum capture, power-savings mode, and other enhanced features.

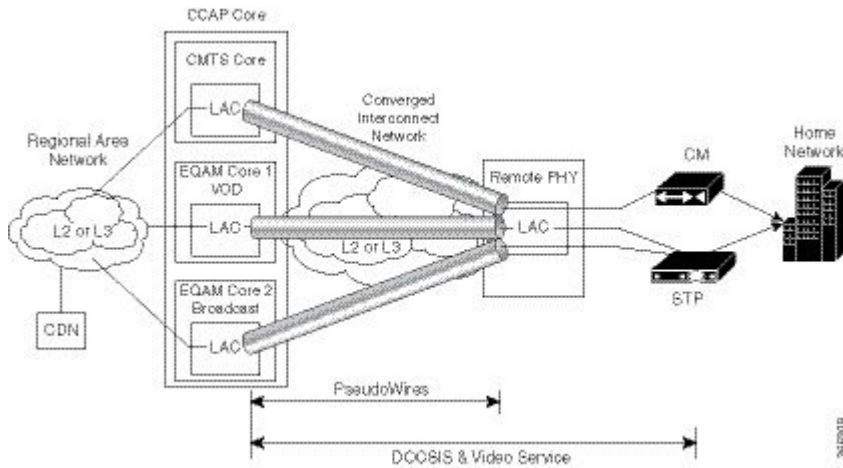
Figure 1: Cisco RPD



Network Architecture

The Cisco Remote PHY solution supports the *Single Controller Sharing* architecture. In this architecture, multiple Cisco GS7000 equipments share the downstream and upstream channels of a Cisco RF line card in a cisco cBR chassis.

Figure 2: Single Controller Sharing Architecture



Network Topologies

The topologies supported by the Cisco Remote PHY solution include:

- Ethernet Based Networking

- PON

Figure 3: Standard Deployment

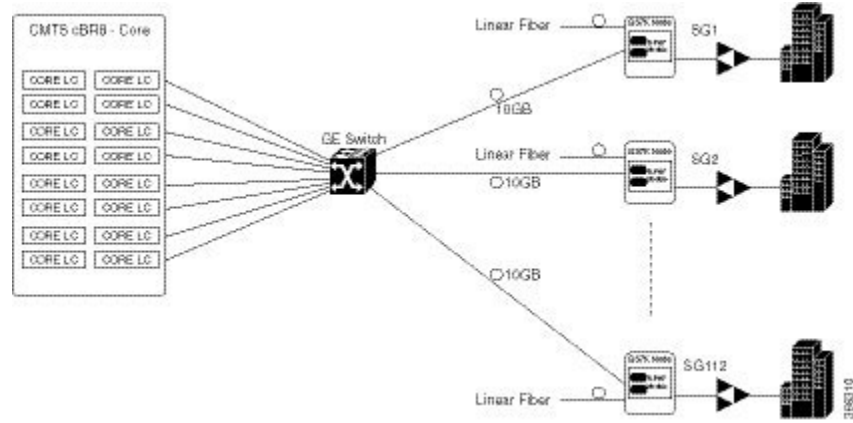


Figure 4: Path Redundancy Deployment

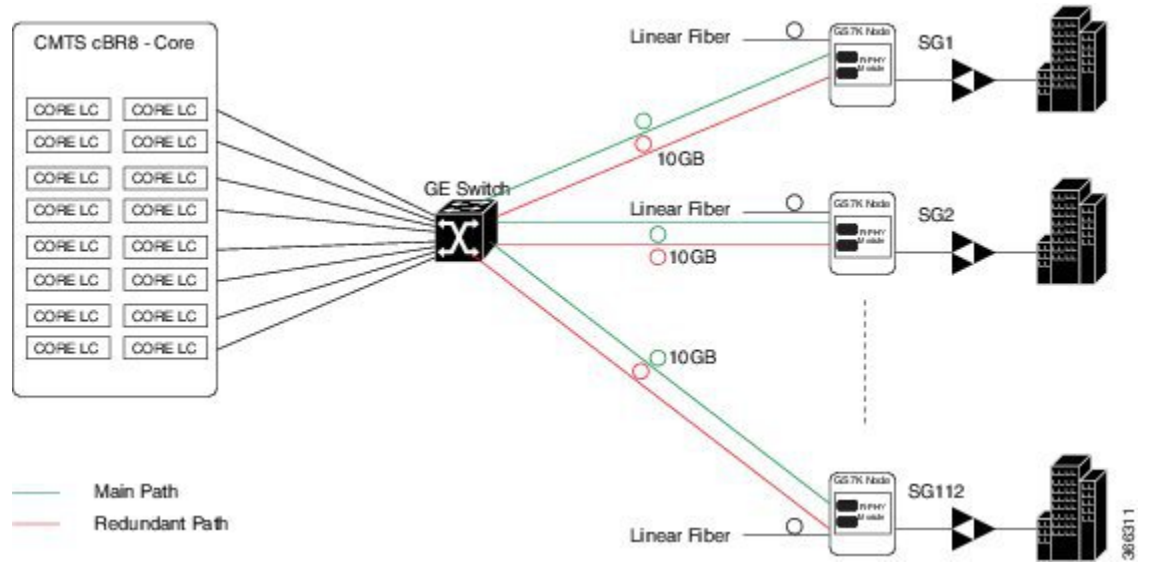


Figure 5: Daisy Chain Deployment

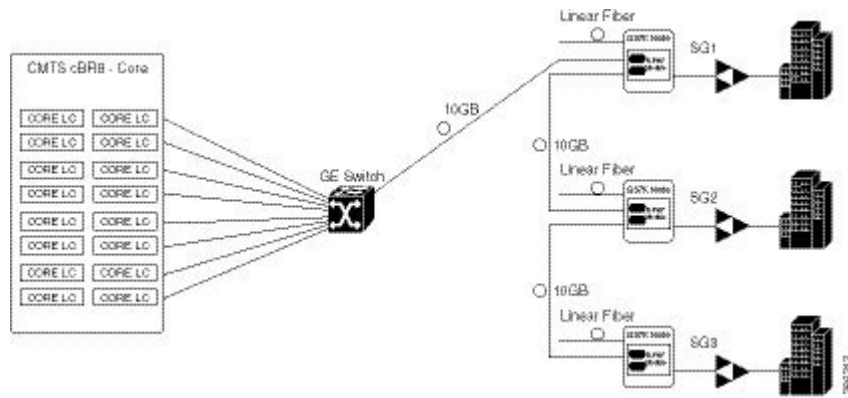
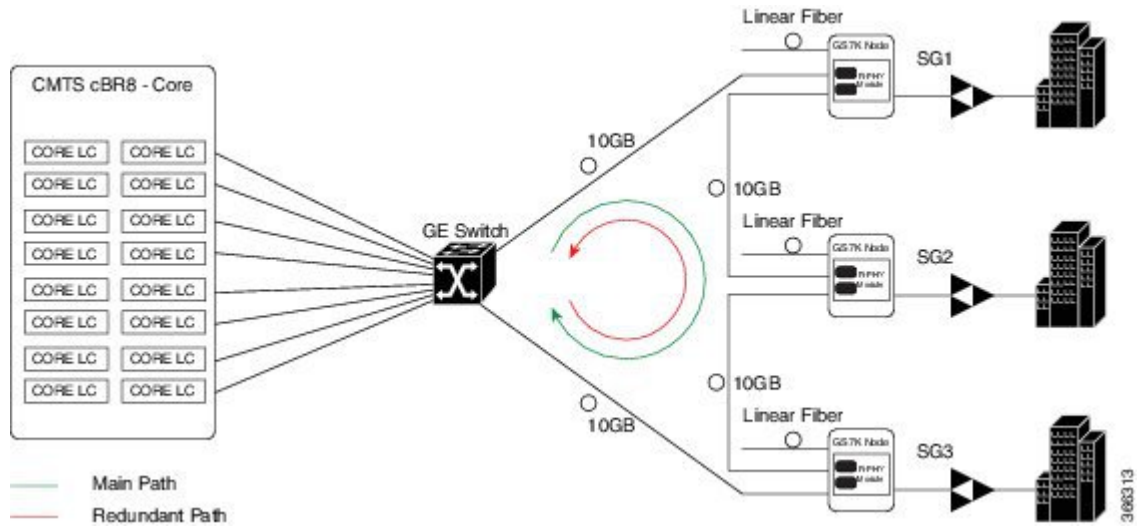


Figure 6: Redundant Ring Deployment





PART **II**

Remote PHY System Bring Up

- [Cisco Remote PHY System Bring Up, page 13](#)



CHAPTER 2

Cisco Remote PHY System Bring Up

Finding Feature Information

Your software release may not support all the features documented in this module. For the latest feature information and caveats, see the release notes for your platform and software release. To find information about the features documented in this module, and to see a list of the releases in which each feature is supported, see the Feature Information Table at the end of this document.

Use Cisco Feature Navigator to find information about platform support and Cisco software image support. To access Cisco Feature Navigator, go to <http://tools.cisco.com/ITDIT/CFN/>. An account on <http://www.cisco.com/> is not required.

- [Hardware Compatibility Matrix for Cisco Remote PHY Device](#), page 13
- [Information about RPD Bring Up](#), page 14
- [How to Bring Up RPD](#), page 14

Hardware Compatibility Matrix for Cisco Remote PHY Device



Note

The hardware components introduced in a given Cisco Remote PHY Device Software Release are supported in all subsequent releases unless otherwise specified.

Table 3: Hardware Compatibility Matrix for the Cisco Remote PHY Device

Cisco HFC Platform	Remote PHY Device
Cisco GS7000 Node	Cisco 1x2 RPD Software 1.1 and Later Releases Cisco Remote PHY Device 1x2 <ul style="list-style-type: none">• PID—RPD-1X2=• RPD-1X2-PKEY=

Cisco HFC Platform	Remote PHY Device
Intelligent NODE (iNODE)	Cisco 1x2 RPD Software 3.1 and Later Releases Cisco Remote PHY Device 1x2 <ul style="list-style-type: none"> • IRPD-1X2= • IRPD-1X2-PKEY=

**Note**

The -PKEY suffix in the PID indicates units that enable the SCTE-55-2 Out-of-Band protocol support.

Information about RPD Bring Up

Remote PHY device bring up process is prerequisite to the operation of the remote PHY system, just like the cable modem bring up in a DOCSIS system.

How to Bring Up RPD

This section describes how to bring up RPD on Cisco cBR-8.

Configuring DHCP Server

To configure DHCP server, follow the steps below:

Step 1 Add option for CCAP-Core. Fill in the name, DHCP type, and vendor option string as shown in the figure below.

Design > DHCPv4 > Options

List/Add DHCP Option Definition Sets

Edit DHCP Option Definition Set *rpd*

Attribute	Value
Name*	rpd
DHCP Type*	V4
Description	<input type="text"/>
Vendor Option String	RPD
Vendor Option Regex String	<input type="text"/>
Vendor Option Enterprise Id	<input type="text"/>

366349

Step 2 Define option. Fill in the option number and name as shown in the figure below.

Design > DHCPv4 > Options

List/Add DHCP Option Definition Sets

Edit DHCP Option Definition Set *rpd*

Number	Name
<input type="checkbox"/> 43	rpd-option-43
<input type="checkbox"/> 2	device-type
<input type="checkbox"/> 61	ccap-cores

366350

Step 3 Define suboption. Fill in the name, type and repeat of suboption 61 as shown in the figure below..

Design > DHCPv4 > Options

List/Add DHCP Option Definition Sets

Edit DHCP Option Definition Set rpd

Attribute	Value	Data Type
Number*	61	unsigned 32-bit
Name*	ccap-cores	string
Description		string
type*	IP address	attribute type
repeat	1+	32-bit enum

Step 4 Add the option into policy as shown in the figure below. Replace the IP address 120.102.15.1 in the figure to the DPIC port IP address.

DHCPv4 Vendor Options

dhcp-cablelabs-config Select

Name	Number	Data Type
Configured Options	[43] (rpd)	rpdp-option-43 (binary)

Configuring PTP

To configure PTP, use the following example as reference:

On cBR-8 router:

```
interface Loopback1588
 ip address 159.159.159.4 255.255.255.255
interface TenGigabitEthernet5/1/3 /* connect to ASR903 */
 ip address 192.104.10.4 255.255.255.0

ip route 10.90.3.93 255.255.255.255 192.104.10.93 /* route to ASR903 loopback ip */

ptp clock ordinary domain 0
 servo tracking-type R-DTI
 clock-port slave-from-903 slave
 delay-req interval -4
 sync interval -5
 sync one-step
 transport ipv4 unicast interface Lo1588 negotiation
 clock source 10.90.3.93 /* ASR903 loopback ip */

ptp r-dti 1
 ptp-domain 0 /* same domain number with ptp server */
 clock-port 1
```

```

    ethernet 1 /* default value is same index with clock-port index, for RPD, ethernet
1=vbh0, ethernet 2=vbh1 */
    clock-source 10.90.3.93 gateway 93.3.10.2 /* clock-source is ASR093 loopback ip,
gateway is ASR903 BDI ID for node */

```

On ASR903 router as PTP master:

```

ptp clock ordinary domain 0
clock-port Master-to-all-cBR8 master
sync interval -5
sync one-step
transport ipv4 unicast interface Lo1588 negotiation

interface Loopback1588
ip address 10.90.3.93 255.255.255.255

interface GigabitEthernet0/3/5
no ip address
negotiation auto
cdp enable
service instance 31 ethernet /* 31 is vlan id */
encapsulation dot1q 31
rewrite ingress tag pop 1 symmetric
bridge-domain 31
service instance 32 ethernet
encapsulation dot1q 32
rewrite ingress tag pop 1 symmetric
bridge-domain 32
interface BDI31 /* for cBR, SUP PIC */
ip address 192.104.10.93 255.255.255.0
no shut
interface BDI32 /* For RPD */
ip address 93.3.10.2 255.255.255.0
no shut

ip route 159.159.159.4 255.255.255.255 192.104.10.48 /* route to cbr-8 loopback ip */

```

Configuring cBR-8

To configure the cBR-8 to bring up the RPD, use the following example as reference:

```

/* D-PIC TenGiga interface config */
interface TenGigabitEthernet0/1/0
ip address 93.3.10.1 255.255.255.0
ip helper-address 20.1.0.33

/* Downstream/Upstream controller profile */
cable downstream controller-profile 101
rf-chan 0 95
type DOCSIS
frequency 381000000
rf-output NORMAL
qam-profile 1
docsis-channel-id 1

cable upstream controller 201
us-channel 0 channel-width 1600000 1600000
us-channel 0 docsis-mode atdma
us-channel 0 minislots-size 4
us-channel 0 modulation-profile 221
no us-channel 1 shutdown

/* RPD configuration */
cable rpd node1
identifier 0004.9f03.0061
core-interface Te0/1/0
rpd-ds 0 downstream-cable 0/0/0 profile 101
rpd-us 0 upstream-cable 0/0/0 profile 201
r-dti 1
rpd-event profile 0

```

```
interface Cable0/0/0
  load-interval 30
  downstream Downstream-Cable 0/0/0 rf-channel 0-23
  upstream 0 Upstream-Cable 0/0/0 us-channel 0
  upstream 1 Upstream-Cable 0/0/0 us-channel 1
  upstream 2 Upstream-Cable 0/0/0 us-channel 2
  upstream 3 Upstream-Cable 0/0/0 us-channel 3
  cable upstream bonding-group 1
    upstream 0
    upstream 1
    upstream 2
    upstream 3
    attributes 80000001
    cable bundle 1
  cable ip-init ipv6
interface Wideband-Cable0/0/0:0
  cable bundle 1
  cable rf-channels channel-list 0-7 bandwidth-percent 10
interface Wideband-Cable0/0/0:1
  cable bundle 1
  cable rf-channels channel-list 8-15 bandwidth-percent 10
cable fiber-node 200
  downstream Downstream-Cable 0/0/0
  upstream Upstream-Cable 0/0/0
```




PART **III**

Remote PHY Provisioning

- [Network Authentication, page 21](#)
- [Synchronizing Time on Cisco Remote PHY Devices, page 25](#)
- [DEPI Latency Measurement, page 37](#)
- [Multiple Cores, page 41](#)
- [Cisco Remote PHY DS OFDM Channel Configuration, page 45](#)



Network Authentication

This document describes the Remote PHY device network authentication on the Cisco cBR Series Converged Broadband Router.

Finding Feature Information

Your software release may not support all the features documented in this module. For the latest feature information and caveats, see the release notes for your platform and software release. To find information about the features documented in this module, and to see a list of the releases in which each feature is supported, see the Feature Information Table at the end of this document.

Use Cisco Feature Navigator to find information about platform support and Cisco software image support. To access Cisco Feature Navigator, go to <http://tools.cisco.com/ITDIT/CFN/>. An account on <http://www.cisco.com/> is not required.

- [Hardware Compatibility Matrix for Cisco Remote PHY Device, page 21](#)
- [Information about Network Authentication, page 22](#)
- [How to Enable Network Authentication, page 22](#)

Hardware Compatibility Matrix for Cisco Remote PHY Device



Note

The hardware components introduced in a given Cisco Remote PHY Device Software Release are supported in all subsequent releases unless otherwise specified.

Table 4: Hardware Compatibility Matrix for the Cisco Remote PHY Device

Cisco HFC Platform	Remote PHY Device
Cisco GS7000 Node	Cisco 1x2 RPD Software 1.1 and Later Releases Cisco Remote PHY Device 1x2 <ul style="list-style-type: none"> • PID—RPD-1X2= • RPD-1X2-PKEY=
Intelligent NODE (iNODE)	Cisco 1x2 RPD Software 3.1 and Later Releases Cisco Remote PHY Device 1x2 <ul style="list-style-type: none"> • IRPD-1X2= • IRPD-1X2-PKEY=

**Note**

The -PKEY suffix in the PID indicates units that enable the SCTE-55-2 Out-of-Band protocol support.

Information about Network Authentication

RPD must be able to operate in both authenticated and unauthenticated networks. Whether authentication is required for an RPD is determined by the network that it is connected to. In some cases, RPD is located in an untrusted network, and it must connect to devices inside the trusted network, which presents a potential security vulnerability. 802.1x is introduced to provide authentication services to eliminate the potential security issues.

802.1x is a Layer 2 protocol that uses EAP (Extensible Authentication Protocol) to provide authentication services. Following certificates are needed to use the network authentication:

- Cablelabs Root CA certificate: caRoot.pem
- CableLabs Device CA Certificate: deviceCA.pem
- RPD Certificate: rpdCert.pem, private key: rpd.key
- Cablelabs Service Provider CA Certificate: spCA.pem
- AAA Server Certificate: aaaCert.pem, private key: aaa.key

How to Enable Network Authentication

This section describes how to enable network authentication for RPD.

Installing Certificates in Radius Server

To install the certificate in Radius server, follow the steps below:

Step 1 Combine CA certificate for AAA server.

Example:

```
cat spCA.pem caRoot.pem > ca_root_srv.pem
```

Step 2 In freeRadius Server, copy "ca_root_srv.pem", "spCA.pem", "aaaCert.pem" and "aaa.key" to "/etc/freeradius/certs".

Configuring Radius Server

To install the certificate in RPD, follow the steps below:

Step 1 Define a new client in /etc/freeradius/clients.conf.

Example:

```
client rphytest_ng13 {
    ipaddr = 20.5.0.36
    secret = rphytest
    shortname = ng13_switch
    require_message_authenticator = yes
}
```

The "ipaddr" is the switch's management ip address.

Step 2 In "/etc/freeradius/eap.conf", change the following lines in "tls" to specify the server's private key file and certificate files.

Example:

```
tls {
    ...
    private_key_file = ${certdir}/aaa.key
    certificate_file = ${certdir}/aaaCert.pem
    CA_file = ${cadir}/ca_root_srv.pem
}
```

Step 3 Start radius in radius sever.

Example:

```
sudo freeradius
```

Make sure only one freeradius instance is running.

Configuring Switch

To configure the switch, follow the steps below:



Note This procedure is for Catalyst 3750 switch, other switch may use different commands.

Step 1 Add the following configuration in global configuration mode.

Example:

```
dot1x system-auth-control /* enable 802.1x */
aaa new-model
aaa authentication dot1x default group radius
radius-server host 10.79.41.103 auth-port 1812 key rphytest
```

Step 2 Add the following configuration under interface which connects to RPD.

Example:

```
authentication port-control auto
dot1x pae authenticator
```

Verifying Authentication Status

To displays dot1x authentication information for RPD, use the **show dot1x** command as shown in the following example:

```
Router# show dot1x summary
  Interface      Core-id          EAP_Received  Status
  vbh0           CORE-3415960568 True           UP

Router# show dot1x detail
  Interface      Core-id          EAP_Received  Status
  vbh0           CORE-3415960568 True           UP
  bssid=01:80:c2:00:00:03
  freq=0
  ssid=
  id=0
  mode=station
  pairwise_cipher=NONE
  group_cipher=NONE
  key_mgmt=IEEE 802.1X (no WPA)
  wpa_state=COMPLETED
  ip_address=30.85.40.47
  address=00:04:9f:00:03:73
  Supplicant PAE state=AUTHENTICATED
  suppPortStatus=Authorized
  EAP state=SUCCESSselected
  Method=13 (EAP-TLS)EAP TLS
  cipher=ECDHE-RSA-AES256-SHA
  tls_session_reused=0
  eap_session_id=0b53798f3b46014cc92a4ac1151521bae6a14c98f919d5e9c81a7011b7272be7f812e7e5a75881768d746311795a3b1f0e37bfa7fff7dbca4685c96f216bec59850
  uuid=ab722cfb-84dc-5835-a905-edfec20f78c3
```



Synchronizing Time on Cisco Remote PHY Devices

This section explains how to synchronize time on the Remote PHY (R-PHY) devices and CCAP core of the Cisco cBR Router.

- [Hardware Compatibility Matrix for Cisco Remote PHY Device](#), page 25
- [Information about Time Synchronization](#), page 26
- [How to Configure Time Synchronization](#), page 27
- [Configuration Examples](#), page 33
- [Feature Information for Synchronizing Time on R-PHY Devices](#), page 34

Hardware Compatibility Matrix for Cisco Remote PHY Device



Note

The hardware components introduced in a given Cisco Remote PHY Device Software Release are supported in all subsequent releases unless otherwise specified.

Table 5: Hardware Compatibility Matrix for the Cisco Remote PHY Device

Cisco HFC Plaform	Remote PHY Device
Cisco GS7000 Node	Cisco 1x2 RPD Software 1.1 and Later Releases Cisco Remote PHY Device 1x2 <ul style="list-style-type: none">• PID—RPD-1X2=• RPD-1X2-PKEY=

Cisco HFC Platform	Remote PHY Device
Intelligent NODE (iNODE)	Cisco 1x2 RPD Software 3.1 and Later Releases Cisco Remote PHY Device 1x2 <ul style="list-style-type: none"> • IRPD-1X2= • IRPD-1X2-PKEY=

**Note**

The -PKEY suffix in the PID indicates units that enable the SCTE-55-2 Out-of-Band protocol support.

Information about Time Synchronization

In a Remote PHY system, synchronizing its local timestamp and reference frequency to the cable converged access platform core function (CCAP Core) is important. The protocol used for this feature, the Precision Time Protocol (PTP), helps in synchronizing time between a CCAP core function and a series of remote PHY devices (RPD) that enable R-PHY and provides support for converged DOCSIS, video, and out-of-band (OOB) services.

Cisco CBR-8 supports PTP Ordinary Clock (OC) slave mode, in which the PTP slave ports are from the backhaul 10GE Ethernet ports or the management Ethernet ports of SUP PIC.

Remote DTI

Remote DOCSIS Timing Interface (R-DTI) is the network synchronization protocol used between CCAP-core and R-PHY. When traffic from the CCAP-Core is received on the downstream receiver, the following processes occur:

- Terminates DEPI framing
- Extracts the payload, frames it, modulates, and transmits it out

During the upstream process, the signal is received from the coax and the system demodulates it. From the FEC payload, the DOCSIS frames are extracted and placed in the UEPI encapsulation. The frames are then transmitted through the upstream transmitter to the CCAP core. A local CPU manages DEPI and GCP control planes, and interfaces with network management. A clocking circuit interfaces with the R-DTI and manages clocking for the R-DTI entity.

The GS7000 R-PHY supports map re-stamp option.

Restrictions for Configuring Time Synchronization

The following restrictions are applicable to configuring time synchronization on Cisco cBR.

- Cisco cBR does not support the following components for this feature:
 - PTP on port-channels

- G.8275.2 profile

- Cisco cBR and RPD do not support PTP over IPv6
- Cisco cBR supports only the PTP slave on SUP-PIC

How to Configure Time Synchronization



Note

To know more about the commands referenced in this module, see the [Cisco IOS Master Command List](#).

Configuring Time Interface and PTP domain

To configure time interface and PTP domain, use the following procedure.

```
enable
configure terminal
interface type [slot_#/]port_#
interface Loopback1588
    ip address <IP Address/subnet>

interface TenGigabitEthernet<slot/port>
    ip address <IP Address/subnet>

ip route < PTP master IP Address/subnet> < loopback IP Address>

ptp clock ordinary domain 0 (This is for CBR PTP connection)
    servo tracking-type R-DTI
    clock-port slave-from-903 slave
    delay-req interval -4
    sync interval -5
    sync one-step
    transport ipv4 unicast interface Lo1588 negotiation
    clock source < PTP master loopback IP Address>
```

The following table explains the parameters used in this example:

Table 6: Parameters for time interface and PTP domain configuration

Parameter	Description	Value Range	Default Value
ptp r-dti [id]		1-64	
description	R-DTI name or description		
ptp-domain [id]	Domain number of IEEE 1588	0-127	
local-priority [value]	Set local priority	128	128
priority1 [value]	Set priority1	0-255	128
priority2 [value]	Set priority2	0-255	255

Parameter	Description	Value Range	Default Value
mode [value]	R-DTI mode	other, slave master	slave
profile [value]	Set PTP ITU-T profile	default/G.8275.2	default
clock-port [id]	Configure clock port	1-32	
state [value]	Set Ethernet port admin status	other, up, down, testing	up
ethenet [value]	Set Ethernet port for clock port	0-32	The default value is clock port index
clock source [ip] gateway [ip]	Set clock address	ipv4 address, ipv6 address	
clock alternate-first	Select alternate source first		
transport [value]	Set transport encapsulation	other, ipv4, ipv6	ipv4
transport cos [value]	COS of 802.1Q	0-7	6
transport dscp [value]	DSCP of IP differentiated services	0-63	47
local-priority [value]	Set local priority	1-255	128
sync interval [value]	Set an interval for sync packets	0-7(-7 -0)	
announce interval [value]	Set an interval for announcement packets	0-3(-3 -0)	
delay-req interval [value]	Set an interval for PTP delay-req packets	0-7(-7 -0)	
announce timeout [value]	Set timeout interval for announcement packets	3-255	
unicast grant-duration [value]	Set the grant duration time in seconds for unicast	60-1000	300
description	Clock port name or description		

Verifying Time Interface and PTP Domain Configuration

The following example shows how to verify the time interface and PTP domain configuration:

```
Router# show ptp clock running domain 0
Load for five secs: 5%/2%; one minute: 6%; five minutes: 6%
No time source, 15:16:20.421 CST Wed Mar 15 2017

          PTP Ordinary Clock [Domain 0]
State      Ports Pkts sent Pkts rcvd Redundancy Mode
PHASE_ALIGNED 1      3687693   11177073 Hot standby

          PORT SUMMARY
Name      Tx Mode Role  Transport State Sessions Port Addr
slave-from-903 unicast slave Lol588 Slave 2      10.10.10.11

          SESSION INFORMATION
slave-from-903 [Lol588] [Sessions 2]
Peer addr      Pkts in Pkts out In Errs Out Errs
10.10.10.11    5588900 1843789 0      0
10.10.10.12    5588173 1843904 0      0
```

Configure RPD PTP Connection

To configure RPD PTP connection, use the following commands.

```
enable
configure terminal
interface type [slot_#/]port_#
ptp r-dti 1 (RPD PTP connection)
  ptp-domain 0
  clock-port <same domain number with PTP server>
  clock source ip <IP Address> gateway ip <IP Address>
  clock source ip <IP Address> gateway ip <IP Address> alternate
  !--<clock-source is PTP master loopback ip, gw is the next hop to reach the ptp master
--!
```

Verifying RPD PTP Connection Configuration

The following example shows how to verify the RPD PTP Connection configuration:

```
Router# show ptp clock 0 config
Domain/Mode      : 0/OC SLAVE
Priority 1/2/local : 128/255/128
Profile          : 001b19000100-000000 E2E
Total Ports/Streams : 1 /2
--PTP Port 1, Enet Port 1 ----
  Port local Address :10.10.10.11
  Unicast Duration :300 Sync Interval : -4
  Announce Interval : 0 Timeout : 11
  Delay-Req Intreval : -4 Pdelay-req : -4
  Priority local :128 COS: 6 DSCP: 47
  ==Stream 0 : Port 1 Master IP: 10.10.10.11
  ==Stream 1 : Port 1 Master IP: 10.10.10.11
```

Associate R-DTI with RPD

To associate R-DTthe local prefix SID associated to the segment ID, use the following commands.

```
enable
configure terminal
interface type [slot_#/]port_#
cable rpd node1
identifier 0044.4f04.0044 (node vbh0 mac)
core-interface Te3/1/0
rpd-ds 0 downstream-cable 3/0/0 profile 3
```

```

rpd-us 0 upstream-cable 3/0/0 profile 3
r-dti 1
rpd-event profile 0

```

Verifying Associating R-DTI with RPD

The following example shows how to verify whether the RPD is associated to R-DTI:

```

Router# show running-config
Load for five secs: 8%/2%; one minute: 9%; five minutes: 9%
Time source is user configuration, 11:00:17.381 CST Wed Mar 22 2017
Building configuration...
Current configuration : 107879 bytes
!
! Last configuration change at 10:59:23 CST Wed Mar 22 2017
!
version 16.6
service timestamps debug datetime msec localtime show-timezone
service timestamps log datetime msec localtime show-timezone
service internal
no platform punt-keepalive disable-kernel-core
platform ipcc1 log-history 0
platform punt-policer 10 10
platform punt-policer 10 10 high
platform punt-policer 80 10
platform punt-sbri1 subscriber rate no-drop
platform shell
!
hostname RphyNode-L09
!
boot-start-marker
boot system harddisk:cbrsup-universalk9.16.05.01prd9.SPA.bin
boot-end-marker
!
!
----
!
cable tag 10
  name docsis1.0
  docsis-version docsis10
!
cable tag 11
  name docsis1.1
  docsis-version docsis11
!
-----
cable load-balance docsis-group 1
  restricted
  upstream Upstream-Cable 3/0/3 us-channel 0-3
  method utilization
  threshold load 15
  threshold load minimum 2
  policy pure-ds-load
  init-tech-list 4
  interval 60
  tag docsis1.0
  tag docsis1.1
  tag docsis2.0
  tag docsis3.0
!
---
cable metering ipdr-d3 session 1 type 1
cable metering source-interface TenGigabitEthernet4/1/1
cable modem remote-query 30 public
cable modem vendor 00.02.00 "Apache-ACB"
cable modem vendor E8.6D.52 "Motorola"
cable modem vendor 00.1F.E1 "Ambit"
cable modem vendor 00.1F.E2 "Ambit"
cable modem vendor 00.D0.DD "Sunrise"
!
!

```

```

----
!
no network-clock synchronization automatic
!
ptp clock boundary domain 0
  servo tracking-type R-DTI
  clock-port slave-from-903 slave
  delay-req interval -4
  sync interval -5
  sync one-step
  transport ipv4 unicast interface Lo1588 negotiation
  clock source 10.10.10.11
  clock source 192.168.0.0
  clock-port master-local master
  transport ipv4 unicast interface Lo1588 negotiation
!
-----
r-dti 2
  rpd-event profile 0
!
ptp r-dti 2
  ptp-domain 0
  clock-port 1
    clock source ip 10.10.10.11
    clock source ip 192.168.0.0 alternate
!
ptp r-dti 3
  ptp-domain 0
  clock-port 1
    clock source ip 10.10.10.11
    clock source ip 192.168.0.0 alternate
!
ptp r-dti 10
  ptp-domain 0
  clock-port 1
    clock source ip 10.10.10.11
    clock source ip 192.168.0.0 alternate
  announce interval -3
  announce timeout 3
!
ptp r-dti 11
  ptp-domain 0
  priority1 101
  priority2 102
  local-priority 100
  clock-port 2
    ethernet 1
      clock alternate-first
      clock source ip 10.10.10.11
      clock source ip 192.168.0.0 alternate
      transport cos 0
      transport dscp 63
      sync interval -1
      announce timeout 255
      delay-req interval -7
      unicast grant-duration 60
      local-priority 255
!
ptp r-dti 12
  ptp-domain 0
  clock-port 1
    ethernet 0
      clock source ip 10.10.10.11
!
ptp r-dti 60
  ptp-domain 0
!
cable video
!
end

```

Verifying PTP Clock Functioning

To verify whether the PTP Clock is running, use the following commands:

```
Router#show ptp clock running
Load for five secs: 5%/2%; one minute: 5%; five minutes:
Time source is NTP, 14 CST Fri Feb 17 2017
PTP Ordinary clock [Domain 0]
State      Ports pkts sent pkts rcvd Redundancy Mode
PHASE-ALIGNED 1      7339500  22245593  Hot standby
  Port Summary
Name      Tx Mode Role  Transport State Sessions PTP Master Port Addr
slave-from-903 unicast slave  L01588  Slave 2      10.10.10.11
```

Verifying PTP Clock Running Domain

The following example shows how to verify the PTP clock running domain:

```
Router#show ptp clock running domain 0
Load for five secs: 5%/2%; one minute: 6%; five minutes: 6%
No time source, 15:16:20.421 CST Wed Mar 15 2017
PTP Ordinary Clock [Domain 0]
State      Ports Pkts sent Pkts rcvd Redundancy Mode
PHASE_ALIGNED 1      3687693  11177073  Hot standby
  PORT SUMMARY
Name      Tx Mode Role  Transport State Sessions PTP Master Port Addr
slave-from-903 unicast slave  L01588  Slave 2      10.10.10.11

SESSION INFORMATION
slave-from-903 [L01588] [Sessions 2]
Peer addr      Pkts in Pkts out In Errs Out Errs
10.10.10.11    5588900 1843789 0      0      0
192.168.0.10   5588173 1843904 0      0      0
```

Verifying Time Sync State

To verify the status of time synchronization, use the show ptp clock <n> state command as given in the following example:

```
Router# show ptp clock 0 state
apr state      : PHASE_LOCK
clock state    : SUB_SYNC
current tod    : 1485414295   Thu Jan 26 07:04:55 2017
active stream  : 0
==stream 0 :
  port id      : 0
  master ip    : 10.10.10.11
  stream state : PHASE_LOCK
  Master offset : -405
  Path delay   : -17071
  Forward delay : -17476
  Reverse delay : -16623
  Freq offset  : -291143
  1Hz offset   : -676
==stream 1 :
  port id      : 0
  master ip    : 192.168.0.11
  stream state : PHASE_LOCK
  Master offset : -369
  Path delay   : -1619
  Forward delay : -1988
  Reverse delay : -1260
  Freq offset  : -297905
  1Hz offset   : -664
```

Verifying Time Sync Statistics

To verify the statistics of the time synchronization, use the show ptp clock <n> state command as given in the following example:

```
Router# show ptp clock 0 statistics
AprState 4 :
 2@0-00:06:51.568 1@0-00:06:41.930 0@0-00:04:17.925
 4@0-00:03:58.724
ClockState 5 :
 5@0-00:07:12.640 4@0-00:07:10.182 3@0-00:07:06.825
 2@0-00:06:51.825 1@0-00:06:51.530
BstPktStrm 1 :
 0@0-00:06:42.029
SetTime 1 :
 1000000000@0-00:04:00.045
StepTime 1 :
 125126755@0-00:06:14.670
AdjustTime 64 :
 -676@0-07:34:32.546 -733@0-07:33:31.545 -838@0-07:32:30.546
 -892@0-07:31:29.545 -935@0-07:30:28.545 -1033@0-07:29:27.545
 -914@0-07:28:26.546 916@0-07:26:24.545 2507@0-07:25:18.170
streamId msgType rx rxProcessed lost tx
0 SYNC 433439 433439 4294574083 0
0 DELAY REQUEST 0 0 0 433439
0 P-DELAY REQUEST 0 0 0 0
0 P-DELAY RESPONSE 0 0 0 0
0 FOLLOW UP 0 0 0 0
0 DELAY RESPONSE 433437 433437 4294548766 0
0 P-DELAY FOLLOWUP 0 0 0 0
0 ANNOUNCE 27098 27098 0 0
0 SIGNALING 285 285 0 285
0 MANAGEMENT 0 0 0 0
TOTAL 894259 894259 8589122849 433724
1 SYNC 433435 433435 4294574085 0
1 DELAY REQUEST 0 0 0 433439
1 P-DELAY REQUEST 0 0 0 0
1 P-DELAY RESPONSE 0 0 0 0
1 FOLLOW UP 0 0 0 0
1 DELAY RESPONSE 10351 10351 4104 0
1 P-DELAY FOLLOWUP 0 0 0 0
1 ANNOUNCE 27098 27098 4294901760 0
1 SIGNALING 285 285 0 285
1 MANAGEMENT 0 0 0 0
TOTAL 471169 471169 8589479949 433724
```

Configuration Examples

This section provides examples for configuring Cisco cBR for time synchronization.

Example: Configuring Time Interface and PTP Domain

The following example shows how to configure time interface and PTP domain:

```
enable
configure terminal
interface Loopback1588
ip address 10.10.10.11 255.255.255.224

interface TenGigabitEthernet5/1/3 (connect to PTP master)
ip address 192.168.0.13 255.255.255.224

ip route 10.10.10.11 255.255.255.224 192.168.0.12 (route to PTP master loopback ip)

ptp clock ordinary domain 0 (This is for cbr ptp connection)
servo tracking-type R-DTI
```

```

clock-port slave-from-903 slave
delay-req interval -4
sync interval -5
sync one-step
transport ipv4 unicast interface Lo1588 negotiation
clock source 10.10.1.11 (PTP master loopback ip)

```

Example: Configure RPD PTP Connection

The following example shows how to configure RPD PTP connection:

```

enable
configure terminal
ptp r-dti 1
ptp-domain 0
mode slave
priority1 128
priority2 255
local-priority 128
clock-port 1
    ethernet 1
...
clock-port 2
    ethernet 2
...
clock-port 1
    ethernet 1
    state up
    transport ipv4
    clock source ip 10.10.1.12 gw 10.10.1.1
    clock source ip 192.168.0.0 gateway ip 10.10.1.2 alternate
    transport cos 6
    transport dscp 47
    sync interval -4
    announce interval 0
    announce timeout 11
    delay-req interval -4
    unicast grant-duration 300
    local-priority 128

```

Example: Associate R-DTI with RPD

The following example shows how to associate R-DTI with RPD:

```

enable
configure terminal
cable rpd node1
    identifier 0004.9f03.0061 (node vbh0 mac)
    core-interface Te3/1/0
    rpd-ds 0 downstream-cable 3/0/0 profile 3
    rpd-us 0 upstream-cable 3/0/0 profile 3
r-dti 1
    rpd-event profile 0

```

Feature Information for Synchronizing Time on R-PHY Devices

Use Cisco Feature Navigator to find information about platform support and software image support. Cisco Feature Navigator enables you to determine which software images support a specific software release, feature set, or platform. To access Cisco Feature Navigator, go to <http://www.cisco.com/go/cfn>. An account on [Cisco.com](http://www.cisco.com) is not required.

**Note**

The table below lists only the software release that introduced support for a given feature in a given software release train. Unless noted otherwise, subsequent releases of that software release train also support that feature.

Table 7: Feature Information for Synchronizing Time on R-PHY Devices

Feature Name	Releases	Feature Information
Synchronizing Time on R-PHY Devices	Cisco 1x2 / Compact Shelf RPD Software 3.1	This feature was integrated into the Cisco Remote PHY Device.



DEPI Latency Measurement

This document describes how to configure the DEPI latency measurement on the Cisco cBR Series Converged Broadband Router.

Finding Feature Information

Your software release may not support all the features documented in this module. For the latest feature information and caveats, see the release notes for your platform and software release. To find information about the features documented in this module, and to see a list of the releases in which each feature is supported, see the Feature Information Table at the end of this document.

Use Cisco Feature Navigator to find information about platform support and Cisco software image support. To access Cisco Feature Navigator, go to <http://tools.cisco.com/ITDIT/CFN/>. An account on <http://www.cisco.com/> is not required.

- [Hardware Compatibility Matrix for Cisco Remote PHY Device, page 37](#)
- [Information about DEPI Latency Measurement, page 38](#)
- [How to Configure DLM, page 38](#)
- [Example: DLM Configuration, page 39](#)
- [Feature Information for DLM, page 39](#)

Hardware Compatibility Matrix for Cisco Remote PHY Device



Note

The hardware components introduced in a given Cisco Remote PHY Device Software Release are supported in all subsequent releases unless otherwise specified.

Table 8: Hardware Compatibility Matrix for the Cisco Remote PHY Device

Cisco HFC Platform	Remote PHY Device
Cisco GS7000 Node	Cisco 1x2 RPD Software 1.1 and Later Releases Cisco Remote PHY Device 1x2 <ul style="list-style-type: none"> • PID—RPD-1X2= • RPD-1X2-PKEY=
Intelligent NODE (iNODE)	Cisco 1x2 RPD Software 3.1 and Later Releases Cisco Remote PHY Device 1x2 <ul style="list-style-type: none"> • IRPD-1X2= • IRPD-1X2-PKEY=

**Note**

The -PKEY suffix in the PID indicates units that enable the SCTE-55-2 Out-of-Band protocol support.

Information about DEPI Latency Measurement

The DEPI Latency Measurement (DLM) packet is a specific type of data packet used for measuring the network latency between the CCAP core and the RPD. There are two types of DLM packets, ingress DLM packet and egress DLM packet. The ingress DLM measures the latency between the CCAP core and the ingress point in the RPD, and the egress DLM measures the latency between the CCAP core and the egress point of the RPD. For now, only the ingress DLM is supported. Egress DLM will be supported in the future if required.

How to Configure DLM

This section describes how to configure DLM on Cisco cBR-8.

Configuring DLM

To configure DLM, complete the following procedure. DLM is disabled by default, only enabled when configured.

```

configure terminal
cable rpd name
core-interface interface_name
network-delay dlm interval_in_seconds
  
```

Verifying DLM Configuration

To verify the DLM configuration, use the **show cable rpd dlm** command as shown in the example below:

```
Router# show cable rpd 0000.bbbaa.0002 dlm
Load for five secs: 4%/1%; one minute: 4%; five minutes: 4%
Time source is NTP, 13:12:36.253 CST Sun Jan 1 2017
DEPI Latency Measurement (ticks) for 0000.bbbaa.0002
  Last Average DLM:          4993
  Average DLM (last 10 samples): 4990
  Max DLM since system on:   5199
  Min DLM since system on:   4800
  Sample #      Latency (usecs)
  x-----x-----
  0              491
  1              496
  2              485
  3              492
  4              499
  5              505
  6              477
  7              474
  8              478
  9              471
```

The table below shows descriptions for the fields displayed by this command:

Table 9: show cable rpd dlm Field Descriptions

Field	Description
Last Average DLM	It means the last time average DLM (AD). At first, the Last Average DLM (LAD) is always 0, when the absolute value of (LAD - AD) exceeds or equal to 75us, LAD will be updated to be the value of AD, MAP advance triggered to update, AD will keep updating with the last (latest) 10 samples.

Example: DLM Configuration

The following example shows how to configure DLM:

```
Router# configure terminal
Router(config)#cable rpd 1
Router(config-rpd)#core-interface tenGigabitEthernet 3/1/0
Router(config-rpd-core)#network-delay dlm 10
```

Feature Information for DLM

The following table provides release information about the feature or features described in this module. This table lists only the software release that introduced support for a given feature in a given software release train. Unless noted otherwise, subsequent releases of that software release train also support that feature.

Use Cisco Feature Navigator to find information about platform support and Cisco software image support. To access Cisco Feature Navigator, go to www.cisco.com/go/cfn. An account on Cisco.com is not required.

Table 10: Feature Information for DLM

Feature Name	Releases	Feature Information
DEPI Latency Measurement	Cisco 1x2 / Compact Shelf RPD Software 3.1	This feature was integrated into the Cisco Remote PHY Device.



Multiple Cores

This document describes the multiple cores in the Remote PHY system.

Finding Feature Information

Your software release may not support all the features documented in this module. For the latest feature information and caveats, see the release notes for your platform and software release. To find information about the features documented in this module, and to see a list of the releases in which each feature is supported, see the Feature Information Table at the end of this document.

Use Cisco Feature Navigator to find information about platform support and Cisco software image support. To access Cisco Feature Navigator, go to <http://tools.cisco.com/ITDIT/CFN/>. An account on <http://www.cisco.com/> is not required.

- [Hardware Compatibility Matrix for Cisco Remote PHY Device, page 41](#)
- [Information about Multiple Cores, page 42](#)
- [How to Configure Multiple Cores, page 42](#)

Hardware Compatibility Matrix for Cisco Remote PHY Device



Note

The hardware components introduced in a given Cisco Remote PHY Device Software Release are supported in all subsequent releases unless otherwise specified.

Table 11: Hardware Compatibility Matrix for the Cisco Remote PHY Device

Cisco HFC Platform	Remote PHY Device
Cisco GS7000 Node	<p>Cisco 1x2 RPD Software 1.1 and Later Releases</p> <p>Cisco Remote PHY Device 1x2</p> <ul style="list-style-type: none"> • PID—RPD-1X2= • RPD-1X2-PKEY=

Cisco HFC Platform	Remote PHY Device
Intelligent NODE (iNODE)	Cisco 1x2 RPD Software 3.1 and Later Releases Cisco Remote PHY Device 1x2 <ul style="list-style-type: none"> • IRPD-1X2= • IRPD-1X2-PKEY=

**Note**

The -PKEY suffix in the PID indicates units that enable the SCTE-55-2 Out-of-Band protocol support.

Information about Multiple Cores

The RPD can be managed by more than one CCAP core. An RPD is controlled by exactly one principal CCAP core and zero or more auxiliary CCAP core(s). Each CCAP core manages a subset of RPD resources, e.g., particular channels or RF ports.

Principal core is responsible for the configuration of common parameters for the RPD and for certain device management functions. Principal core can provide DOCSIS, video or OOB service. Auxiliary cores are responsible for providing video or OOB services. They are restricted to the resource set assigned to them by the principal core.

Restrictions for Multiple Cores Configuration

The following restrictions are applicable to multiple cores configuration:

- Maximum four cores are supported.
- DOCSIS controllers can only be configured to principal core, while video controllers can be configured to all cores.
- Only one core can be principal, the rest will be auxiliary.
- Principal core needs to be configured explicitly.
- At least one DOCSIS downstream controller and one upstream controller are needed for principal core.
- No upstream controller for auxiliary core and at least one downstream controller is needed for auxiliary core.
- Only single CMTS is supported.
- No downstream frequency and channel id overlap is allowed for all the cores.

How to Configure Multiple Cores

This section describes how to configure multiple cores on Cisco cBR-8.

Configuring Multiple Cores

To configure the multiple cores, follow the example below:

```
Router(config)# cable rpd sjc_block22 /* unique name for each rpd */
Router(config-rpd)# description rpd for sjc block 22
Router(config-rpd)# identifier 1122.3344.5566 /* unique id for each rpd.*/
Router(config-rpd)# rpd-ds 0 power-level 5 /* DS max-carrier and power-level info */
Router(config-rpd)# rpd-ds 0 dedicated-cw-tone cw1 /* DS pilot tone info */
Router(config-rpd)# core-interface Te3/1/0 /* Core side interface (D-PIC interface) for
services below */
Router(config-rpd-core)# principal /* Specify the principal core */
Router(config-rpd-core)# rpd-ds 0 controller downstream-cable 3/0/0 profile 100 /* DS docsis
channel config*/
Router(config-rpd-core)# rpd-ds 0 controller downstream-cable 3/0/1 profile 200 /* DS docsis
channel config*/
Router(config-rpd-core)# rpd-ds 0 downstream-cable 3/0/2 profile 300 /* DS video channel
config*/
Router(config-rpd-core)# rpd-ds 0 downstream-cable 3/0/3 profile 400 /* DS video channel
config*/
Router(config-rpd-core)# rpd-us 0 upstream-cable 3/0/0 profile 101 /* US 0 docsis channel
config*/
Router(config-rpd-core)# rpd-us 1 upstream-cable 3/0/1 profile 101 /* US 1 docsis channel
config*/
Router(config-rpd-core)# depi depi_rpd_block22 /* RPD DEPI configuration.*/
Router(config-rpd-core)# exit
Router(config-rpd)# core-interface Te9/1/1 /* Support multiple core-interface for cases
such as video is using separate LC*/
Router(config-rpd-core)# rpd-ds 0 downstream-cable 9/0/1 profile 200 /* DS video channel
config*/
Router(config-rpd-core)# depi depi_rpd_block22 /* RPD DEPI configuration.*/
Router(config-rpd-core)# exit
Router(config-rpd)# r-dti 1
Router(config-rpd)# rpd-event profile 0
```

Verifying Multiple Cores Configuration

To display the information of the principal and auxiliary cores, use the **show cable rpd** command as shown in the example below:

```
Router# show cable rpd
MAC Address      IP Address      I/F           State      Role HA Name
0004.9f00.0907  120.100.2.20   Te1/1/6       online     Pri   Act node
0004.9f00.0907  120.100.2.20   Te1/1/0       online     Aux   Act node
0004.9f00.0907  120.100.2.20   Te1/1/1       online     Aux   Act node
0004.9f00.0907  120.100.2.20   Te1/1/2       online     Aux   Act node
```



Note

Only the active cores are displayed, stand-by cores are hidden.



Cisco Remote PHY DS OFDM Channel Configuration

This document provides information on how to configure DOCSIS 3.1 DS OFDM channel on Remote PHY systems.

Finding Feature Information

Your software release may not support all the features documented in this module. For the latest feature information and caveats, see the release notes for your platform and software release. To find information about the features documented in this module, and to see a list of the releases in which each feature is supported, see the Feature Information Table at the end of this document.

Use Cisco Feature Navigator to find information about platform support and Cisco software image support. To access Cisco Feature Navigator, go to <http://tools.cisco.com/ITDIT/CFN/>. An account on <http://www.cisco.com/> is not required.

- [Hardware Compatibility Matrix for Cisco Remote PHY Device, page 45](#)
- [Information About R-PHY DOCSIS 3.1 DS OFDM Channel, page 46](#)
- [How to Configure DS OFDM Channel, page 46](#)
- [Configuration Example, page 55](#)
- [Feature Information for RPHY DS OFDM Channel Configuration, page 55](#)

Hardware Compatibility Matrix for Cisco Remote PHY Device



Note

The hardware components introduced in a given Cisco Remote PHY Device Software Release are supported in all subsequent releases unless otherwise specified.

Table 12: Hardware Compatibility Matrix for the Cisco Remote PHY Device

Cisco HFC Platform	Remote PHY Device
Cisco GS7000 Node	Cisco 1x2 RPD Software 1.1 and Later Releases Cisco Remote PHY Device 1x2 <ul style="list-style-type: none"> • PID—RPD-1X2= • RPD-1X2-PKEY=
Intelligent NODE (iNODE)	Cisco 1x2 RPD Software 3.1 and Later Releases Cisco Remote PHY Device 1x2 <ul style="list-style-type: none"> • IRPD-1X2= • IRPD-1X2-PKEY=

**Note**

The -PKEY suffix in the PID indicates units that enable the SCTE-55-2 Out-of-Band protocol support.

Information About R-PHY DOCSIS 3.1 DS OFDM Channel

Cisco cBR routers support DS OFDM channels in an R-PHY system. The OFDM-channel-support includes one OFDM channel for each Remote PHY device (RPD) with a channel bandwidth up to 192 MHz and the modulation up to 4096 QAM.

Each OFDM channel supports a control profile, the NCP profile, and up to five data profiles. For a line card, a maximum of 16 DS OFDM channels are supported.

How to Configure DS OFDM Channel

**Note**

To know more about the commands referenced in this section, see the [Cisco IOS Master Command List](#).

This section contains the following:

Verify OFDM Channel Profile

To view the details of an OFDM Channel Profile, run the following command:

```
Router# show controllers downstream-Cable 7/0/0 rf-channel 158 verbose
```

```
Chan State Admin Mod-Type Start Width PLC Profile-ID dcid output
          Frequency
158 UP UP OFDM 807000000 192000000 963000000 20 162 NORMAL
Resource status: OK
License: granted <20:11:58 CST Jul 3 2017>
```

```

OFDM channel license spectrum width: 128200000
Config lock status: Open
OFDM config state: Configured

```

```

OFDM channel details: [7/0/0:158]
-----

```

```

OFDM channel frequency/subcarrier range      : 807000000[ 128] - 998999999[3967]
OFDM spectrum frequency/subcarrier range     : 800600000[  0] - 1005399999[4095]
Active spectrum frequency/subcarrier range   : 808900000[ 166] - 997049999[3929]
OFDM channel center frequency/subcarrier    : 903000000[2048]
PLC spectrum start frequency/subcarrier     : 963000000[3248]
PLC frequency/subcarrier                    : 965800000[3304]
Channel width                               : 192000000
Active Channel width                        : 128200000
OFDM Spectrum width                        : 204800000
Chan prof id                               : 20
Cyclic Prefix                              : 1024
Roll off                                    : 128
Interleave depth                            : 16
Spacing                                     : 50KHZ
Pilot Scaling                              : 48
Control modulation default                  : 1024
NCP modulation default                      : 16
Data modulation default                     : None
Data modulation profile                     : None
Lower guardband width in freq/subcarriers   : 1900000[38]
Upper guardband width in freq/subcarriers   : 1900000[38]

```

```

PLC spectrum frequencies [subcarriers]      :
963000000[3248] - 968999999[3367]

```

```

PLC channel frequencies [subcarriers]      :
965800000[3304] - 966199999[3311]   Size: 8 subcarriers

```

```

Excluded frequencies [subcarriers]        :
800600000[  0] - 808899999[ 165]   865000000[1288] - 924999999[2487]
997100000[3930] - 1005399999[4095]
Count: 1532

```

```

Pilot frequencies [subcarriers]           :
*:PLC pilots
810150000[ 191]   812700000[ 242]   815250000[ 293]   817800000[ 344]
820350000[ 395]   822900000[ 446]   825450000[ 497]   828000000[ 548]
830550000[ 599]   833100000[ 650]   835650000[ 701]   838200000[ 752]
840750000[ 803]   843300000[ 854]   845850000[ 905]   848400000[ 956]
Count: 4

```

```

Active frequencies [subcarriers]          :
808900000[ 166] - 864999999[1287]   925000000[2488] - 997099999[3929]
Count: 2564

```

```

Data frequencies [subcarriers]           :
808900000[ 166] - 810149999[ 190]   810200000[ 192] - 812699999[ 241]
812750000[ 243] - 815249999[ 292]   815300000[ 294] - 817799999[ 343]
817850000[ 345] - 820349999[ 394]   820400000[ 396] - 822899999[ 445]
822950000[ 447] - 825449999[ 496]   825500000[ 498] - 827999999[ 547]

```

```

..
Count: 2500

```

```

Profiles:

```

```

Number of profiles: 2

```

```

CTRL profile (Profile A): rate: 864000 kbps

```

```

Active frequencies [subcarriers]:

```

```

Modulation:Start-freq[start-subcarrier] - End-freq[end-subcarrier]
-----

```

```

1024 :808900000[ 166] - 810100000[ 190]           1024 :810200000[ 192] - 812650000[ 241]
1024 :812750000[ 243] - 815200000[ 292]           1024 :815300000[ 294] - 817750000[ 343]
1024 :817850000[ 345] - 820300000[ 394]           1024 :820400000[ 396] - 822850000[ 445]
1024 :822950000[ 447] - 825400000[ 496]           1024 :825500000[ 498] - 827950000[ 547]

```

```

...

```

```

Active subcarrier count: 2500, ZBL count: 0
Discontinuity time [days:hours:mins:secs]: 00:00:00:00

NCP profile:
Active frequencies [subcarriers]:
Modulation:Start-freq[start-subcarrier] - End-freq[end-subcarrier]
-----
16 :808900000[ 166] - 810100000[ 190]    16 :810200000[ 192] - 812650000[ 241]
16 :812750000[ 243] - 815200000[ 292]    16 :815300000[ 294] - 817750000[ 343]
16 :817850000[ 345] - 820300000[ 394]    16 :820400000[ 396] - 822850000[ 445]
16 :822950000[ 447] - 825400000[ 496]    16 :825500000[ 498] - 827950000[ 547]
...
Active subcarrier count: 2500, ZBL count: 0

CCCs:
OCD CCC: 1
DPD CCCs:
Control profile (Profile A) CCC: 1
NCP profile CCC: 1
Resource config time taken: 29 msec
JIB channel number: 768
Chan Pr  EnqQ  Pipe  RAF  SyncTmr  DqQ  ChEn  RAF  Tun#  SessionId  Valid  P/S  XFI  0[TkbRt  MaxP]
1[TkbRt  MaxP]
768  0  384  0  308  0  384  1  5551  0  16778240  TRUE  0  0  479610000  4485120
383688000  4485120
768  1  384  0  4786  0  384  1  2190  0  16778240  TRUE  0  0  479610000  4485120
383688000  4485120
Encap Chan-id Data:0 PLC:5
Chan  Qos-Hi  Qos-Lo  Med-Hi  Med-Lo  Low-Hi  Low-Lo
768  24576  16384  24576  16384  40960  24576
Chan  Med Low TB-neg  Qos_Exc  Med_Xof  Low_Xof  Qdrops(H-M-L)  Pos  Qlen(Hi-Med-lo)  Fl  Tgl_cnt
Rdy_sts
768  0  0  0  0  0  0  0  0  0  0  Y  0  0  0  0
0 ff
Chan  Rate  Neg  Pos  LastTS  CurrCr  Pos  [PLC Rate Neg Pos]
768  10485750  65535  65535  123395759  268431360  Y  [MM 86 128 1024][EM 87 128 6144][TR 2
9 3072]

```

Configuring RPD Port/Controller and Channel

To configure the port or controller and channel, use the following commands.

```

enable
configure terminal
cable rpd <rpd_name_string>
  identifier <xxxx.xxx.xxx>
  core-interface Te slot/subslot/port
  principal
  rpd-ds <port> downstream-cable slot/subslot/port profile <ID>
  rpd-us <port> upstream-cable slot/subslot/port profile <ID>

cable downstream controller-profile <ID>
max-ofdm-spectrum value

rf-chan [id]
type DOCSIS
frequency value
  rf-output NORMAL
  qam-profile id
  docsis-channel-id id
rf-chan [id]
  docsis-channel-id id
  ofdm channel-profile id start-frequency value width value [plc value]

```

The OFDM channel IDs range from 158 to 162.

Configuring RF Channel Bandwidth in Wideband Interface

To add the RF channel to a wideband interface, and to specify the RF channel bandwidth allocated for the channel, use the following commands:



Note

Cisco cBR router does not support Dynamic Bandwidth Sharing (DBS). Hence, the bandwidth-percentage value does not apply.

```
enable
configure terminal
interface Wideband-Cable{slot/subslot/port}:wideband-channel
 cable bundle id
 cable rf-channels channel-list grouplist bandwidth-percent percentage-bandwidth
```

Verify the Profile Ordering

To view the details of the profile downgrade ordering on a specific OFDM channel, run the following command:
Router#show controllers downstream-cable 7/0/0 rf-channel 158 prof-order

```
OFDM channel data profile order: [2/0/3:158]
```

```
-----
Data Profile:      Downgrade Profile:
Profile 1         -> Profile 0
Profile 2         -> Profile 1
Profile 3         -> Profile 2
```

Verify OFDM Channel Profile

To view the details of an OFDM Channel Profile, run the following command:

```
Router# show controllers downstream-Cable 7/0/0 rf-channel 158 verbose
```

```
Chan State Admin Mod-Type Start      Width      PLC      Profile-ID dcid output
                Frequency
158  UP    UP    OFDM    807000000  192000000  963000000    20      162  NORMAL
Resource status: OK
License: granted <20:11:58 CST Jul 3 2017>
OFDM channel license spectrum width: 128200000
Config lock status: Open
OFDM config state: Configured

OFDM channel details: [7/0/0:158]
-----
OFDM channel frequency/subcarrier range      : 807000000[ 128] - 998999999[3967]
OFDM spectrum frequency/subcarrier range     : 800600000[  0] - 1005399999[4095]
Active spectrum frequency/subcarrier range   : 808900000[ 166] - 997049999[3929]
OFDM channel center frequency/subcarrier     : 903000000[2048]
PLC spectrum start frequency/subcarrier      : 963000000[3248]
PLC frequency/subcarrier                     : 965800000[3304]
Channel width                                : 192000000
Active Channel width                         : 128200000
OFDM Spectrum width                          : 204800000
Chan prof id                                 : 20
Cyclic Prefix                               : 1024
Roll off                                     : 128
Interleave depth                             : 16
Spacing                                       : 50KHZ
Pilot Scaling                                : 48
Control modulation default                   : 1024
NCP modulation default                       : 16
Data modulation default                       : None
```

```

Data modulation profile           : None
Lower guardband width in freq/subcarriers : 1900000[38]
Upper guardband width in freq/subcarriers  : 1900000[38]

PLC spectrum frequencies [subcarriers]      :
963000000[3248] - 968999999[3367]

PLC channel frequencies [subcarriers]      :
965800000[3304] - 966199999[3311]   Size: 8 subcarriers

Excluded frequencies [subcarriers]        :
800600000[  0] - 808899999[ 165]     865000000[1288] - 924999999[2487]
997100000[3930] - 1005399999[4095]
Count: 1532

Pilot frequencies [subcarriers]           :
*:PLC pilots
810150000[ 191]  812700000[ 242]  815250000[ 293]  817800000[ 344]
820350000[ 395]  822900000[ 446]  825450000[ 497]  828000000[ 548]
830550000[ 599]  833100000[ 650]  835650000[ 701]  838200000[ 752]
840750000[ 803]  843300000[ 854]  845850000[ 905]  848400000[ 956]
Count: 4

Active frequencies [subcarriers]          :
808900000[ 166] - 864999999[1287]     925000000[2488] - 997099999[3929]
Count: 2564

Data frequencies [subcarriers]            :
808900000[ 166] - 810149999[ 190]     810200000[ 192] - 812699999[ 241]
812750000[ 243] - 815249999[ 292]     815300000[ 294] - 817799999[ 343]
817850000[ 345] - 820349999[ 394]     820400000[ 396] - 822899999[ 445]
822950000[ 447] - 825449999[ 496]     825500000[ 498] - 827999999[ 547]

..
Count: 2500

Profiles:
Number of profiles: 2
CTRL profile (Profile A): rate: 864000 kbps
Active frequencies [subcarriers]:
Modulation:Start-freq[start-subcarrier] - End-freq[end-subcarrier]
-----
1024 :808900000[ 166] - 810100000[ 190]     1024 :810200000[ 192] - 812650000[ 241]
1024 :812750000[ 243] - 815200000[ 292]     1024 :815300000[ 294] - 817750000[ 343]
1024 :817850000[ 345] - 820300000[ 394]     1024 :820400000[ 396] - 822850000[ 445]
1024 :822950000[ 447] - 825400000[ 496]     1024 :825500000[ 498] - 827950000[ 547]

...

Active subcarrier count: 2500, ZBL count: 0
Discontinuity time [days:hours:mins:secs]: 00:00:00:00

NCP profile:
Active frequencies [subcarriers]:
Modulation:Start-freq[start-subcarrier] - End-freq[end-subcarrier]
-----
16 :808900000[ 166] - 810100000[ 190]     16 :810200000[ 192] - 812650000[ 241]
16 :812750000[ 243] - 815200000[ 292]     16 :815300000[ 294] - 817750000[ 343]
16 :817850000[ 345] - 820300000[ 394]     16 :820400000[ 396] - 822850000[ 445]
16 :822950000[ 447] - 825400000[ 496]     16 :825500000[ 498] - 827950000[ 547]

...
Active subcarrier count: 2500, ZBL count: 0

CCCs:
OCD CCC: 1
DPD CCCs:
Control profile (Profile A) CCC: 1
NCP profile CCC: 1
Resource config time taken: 29 msec
JIB channel number: 768
Chan Pr EnqQ Pipe RAF SyncTmr DqQ ChEn RAF Tun# SessionId Valid P/S XFI 0[TkbRt MaxP]
1[TkbRt MaxP]
768 0 384 0 308 0 384 1 5551 0 16778240 TRUE 0 0 479610000 4485120

```



```

383688000 4485120
768 1 384 0 4786 0 384 1 2190 0 16778240 TRUE 0 0 479610000 4485120
383688000 4485120
Encap Chan-id Data:0 PLC:5
Chan Qos-Hi Qos-Lo Med-Hi Med-Lo Low-Hi Low-Lo
768 24576 16384 24576 16384 40960 24576
Chan Med Low TB-neg Qos_Exc Med_Xof Low_Xof Qdrops(H-M-L) Pos Qlen(Hi-Med-lo) Fl Tgl_cnt
Rdy_sts
768 0 0 0 0 0 0 0 0 0 Y 0 0 0 0
0 ff
Chan Rate Neg Pos LastTS CurrCr Pos [PLC Rate Neg Pos]
768 10485750 65535 65535 123395759 268431360 Y [MM 86 128 1024] [EM 87 128 6144] [TR 2
9 3072]

```

Verify OFDM Channel

To view the details of an OFDM channel, run the following command:

```
Router#show controllers downstream-Cable 7/0/0 counter ofdm-channel
```

Controller	Chan#	Profile/PLC	Packets	Bytes	MaxRate (Mbps)	Rate (Mbps)	Utilization (%)
7/0/0	158	Total	101694	9225522	-	0.015590	0.0
7/0/0	158	0	29216	2557604	864	0.004551	0.0
7/0/0	158	PLC-MMM	72474	6667608		0.011039	
7/0/0	158	PLC-EM	0	0		0.000000	
7/0/0	158	PLC-TR	0	0		0.000000	

Verify OCD and DPD of MAC Domain

To display the MAC domain's OFDM Channel Descriptor (OCD) and Downstream Profile Descriptor (DPD) messages, use the **show cable mac-domain dpd|ocd** command in privileged EXEC mode.

```
Router# show cable mac-domain cable 7/0/0 ocd
```

```
DCID: 162 OFDM Controller:channel 7/0/0:158
```

```
OCD Message
```

```
MAC Header
```

```

Frame Control          : 0xC2 (MAC specific, MAC msg, EHDR Off)
MAC Parameters         : 0x0
Length                 : 190
Header Check Sequence : 0x84A2 (33954)

```

```
MAC Management Header
```

```
?
```

```

Destination MAC ADDR   : 01e0.2f00.0001
Source MAC ADDR        : c414.3c17.3ead
Length                 : 172
Destination SAP        : 0
Source SAP             : 0
Control                : 3
Version                : 5
Type                   : 49
Multipart              : 0 (Sequence number 0, Fragments 0)

```

```
OCD fields
```

```

DCID                   : 162
CCC                    : 1
TLV 0 Spacing          : 50 KHz
TLV 1 Cyclic Prefix    : 1024 samples
TLV 2 Rolloff          : 128 samples
TLV 3 Spectrum Location : 800600000 Hz
TLV 4 Interleave Depth : 16
TLV 5 Subcarrier Assignment : Continuous Pilots (list)
0191 0242 0293 0344 0395 0446 0497 0548 0599 0650
0701 0752 0803 0854 0905 0956 1007 1058 1109 1160
1211 1262 2513 2564 2615 2666 2717 2768 2819 2870
2921 2972 3023 3074 3125 3176 3227 3257 3269 3280

```

```

3289 3326 3335 3346 3358 3398 3449 3500 3551 3602
3653 3704 3755 3806 3857 3908
TLV 5 Subcarrier Assignment      : Excluded Subcarriers (range)
                                : 0000 - 0165
TLV 5 Subcarrier Assignment      : Excluded Subcarriers (range)
                                : 1288 - 2487
TLV 5 Subcarrier Assignment      : Excluded Subcarriers (range)
                                : 3930 - 4095
TLV 5 Subcarrier Assignment      : PLC Subcarriers (range)
                                : 3304 - 3311
TLV 6 Primary Capable           : 0 (No)
-----

```

Verify Profile Management Data

To view the detailed profile management data associated with each cable modem.

```
Router#show cable modem c0c6.87ff.dabc prof-mgmt
```

```

Downstream Profile Management Data:
MAC Address      : c0c6.87ff.dcea
IP Address       : 60.11.0.12
IPv6 Address     : ---

RxMer Exempt Percent : 2
RxMer Margin qdB    : 0
Automatic Prof Dwngrd : Active

DCID              : 162
Configured Profile(s) : 0
Profile(s) in REG-RSP-MP : 0
Profile(s) in DBC-REQ  : N/A
Current profile     : 0 [1024-QAM]
Percentages of ideal BL vs Curr Prof : 96 (better) 3 (equal)
Downgrade profile   : 0
Recommend profile    : 0
Unfit profile(s)    : N/A
Recommend profile (Expired) : N/A
Unfit profile(s) (Expired) : N/A
Number of SubCarriers : 4096
1st Active SubCarrier : 166
# of Active SubCarriers: 3764
Tx Time           : 0h:15m:15s ago
Rx Time           : 0h:15m:15s ago
OFDM Profile Failure Rx: N/A
MER Poll Period (min): 60
Recommend Timeout (min): 120
Unfit Timeout (min): 60
Source            : OPT
Sub-              RxMER
Carrier
0x0000 00000000 00000000 00000000 00000000 00000000 00000000 00000000 00000000
0x0020 00000000 00000000 00000000 00000000 00000000 00000000 00000000 00000000
0x0040 00000000 00000000 00000000 00000000 00000000 00000000 00000000 00000000
0x0060 00000000 00000000 00000000 00000000 00000000 00000000 00000000 00000000
0x0080 00000000 00000000 00000000 00000000 00000000 00000000 00000000 00000000
0x00A0 00000000 0000A5A3 A4A1A2A1 A5A3A39E A5A3A6A4 A6A1A6A2 A3A69FA2 A1A4A4A2
0x00C0 A2A0A4A4 A49EA7A6 A4A29EA4 A2A2A1A4 A3A1A1A4 A4A3A0A6 A4A1A4A6 A4A4A2A5
0x00E0 A5A2A3A5 A8A3A3A3 A6A1A1A0 A2A3A4A4 A3A2A19E A4A89FA3 A4A4A3A4 A4A4A5A2
0x0100 A5A3A1A1 A0A4A59E 9FA2A3A3 9F9FAAA4 A5A09FA4 A4A1A2A6 9DA1A1A0 A4A2A4A3
0x0120 A3A0A3A8 A29FA5A5 A3A6A1A0 A69EA1A2 A1A2A3A2 A1A2A3A5 9FA6A4A5 A1A7A4A4
0x0140 A5A4A5A1 A3A4A2A4 A2A2A4A3 A1A2A5A4 A19FA4A5 A1A0A5A4 9FA4A1A1 A6A2A59F
0x0160 A1A2A4A5 A3A5A4A1 A4A3A5A1 A3A3A5A0 A0A3A3A0 A2A3A3A3 A2A2A2A5 A5A4A4A3
0x0180 9EA4A3A1 A4A5A2A3 A29FA39F A6A1A0A2 A4A59FA3 A4A2A4A1 A2A4A3A3 A6A39DA2
0x01A0 A3A1A1A2 A3A2A2A1 A2A0A39F A7A39FA5 A1A4A4A1 A2A4A2A0 A6A49F9F A6A39D9F
0x01C0 9FA2A5A2 9BA1A1A0 A3A2A1A3 A39FA3A1 A19EA3A5 9DA1A0A0 A3A0A39F A0A3A2A1
0x01E0 A5A4A0A1 A0A39F9E A09FA2A4 9FA2A39F A2A3A49C A3A29FA0 A0A3A2A5 A3A0A1A1
... ..
Upstream Profile Management Data:

```

Verify OCD and DPD Messages in RPD

To view OCD and DPD messages from RPD, run the following command. The output must be identical to the messages on Cisco cBR-8 routers.

```
RPD-config# show downstream ofdm configuration
OCD Message

OCD fields
DCID : 0
CCC : 1
TLV 0 Spacing : 50 KHz
TLV 1 Cyclic Prefix : 1024 samples
TLV 2 Rolloff : 128 samples
TLV 3 Spectrum Location : 800600000 Hz
TLV 4 Interleave Depth : 16
TLV 5 Subcarrier Assignment : Continuous Pilots (list)
  191 242 293 344 395 446 497 548 599 650
  701 752 803 854 905 956 1007 1058 1109 1160
  1211 1262 2513 2564 2615 2666 2717 2768 2819 2870
  2921 2972 3023 3074 3125 3176 3227 3257 3269 3280
  3289 3326 3335 3346 3358 3398 3449 3500 3551 3602
  3653 3704 3755 3806 3857 3908
TLV 5 Subcarrier Assignment : Excluded Subcarriers (range)
  : 0 - 165
TLV 5 Subcarrier Assignment : Excluded Subcarriers (range)
  : 1288 - 2487
TLV 5 Subcarrier Assignment : Excluded Subcarriers (range)
  : 3930 - 4095
TLV 5 Subcarrier Assignment : PLC Subcarriers (range)
  : 3304 - 3311
TLV 6 Primary Capable : 1 (Yes)

DPD Message
DPD fields
DCID : 0
Profile ID : 0
CCC : 1
TLV 5 Subcarrier Range/List : Range (continuous)
  Modulation : 1024 (default value)
  : 0 - 4095

DPD Message
DPD fields
DCID : 0
Profile ID : 255
CCC : 1
TLV 5 Subcarrier Range/List : Range (continuous)
  Modulation : 16 (default value)
  : 0 - 4095
```

Verify per-Profile Counter on RPD

The following example shows how to verify the per-profile counter on RPD:

```
RPD-config# show downstream ofdm counter profile
```

Profile	Pkts	Sum-Pkts	Bytes	Sum-Bytes	Codewords	Sum-Codewords
0	7735	7735	677110	677110	4815	4815
1	0	0	0	0	0	0
2	0	0	0	0	0	0
3	0	0	0	0	0	0
4	0	0	0	0	0	0
5	0	0	0	0	0	0
6	0	0	0	0	0	0
7	0	0	0	0	0	0
8	0	0	0	0	0	0
9	0	0	0	0	0	0
10	0	0	0	0	0	0

```

11      0      0      0      0      0      0
12      0      0      0      0      0      0
13      0      0      0      0      0      0
14      0      0      0      0      0      0
15      0      0      0      0      0      0

```

Verify the Drop Counter in DPS

To verify the drop counter, especially in the DPS module, run the following command:

```
RPD-config#show downstream channel counter
```

```
----- Packets counter in TPMI -----
```

```

Level      Rx-pkts      Rx-sum-pkts
Node Rcv  32690704    32690704
Depi Pkt  32471383    32471383

```

```

Port Chan Rx-pkts      Rx-sum-pkts
DS_0 0    3599407      3599407
DS_0 1    3605066      3605066

```

```

DS_0 5    3602293      3602293
DS_0 6    3596193      3596193
DS_0 7    3598393      3598393
DS_0 8    599          599
US_0 5    598656       598656

```

```

Port      Rx-pkts      Rx-sum-pkts Drop-pkts Drop-sum-pkts
DS_0      28998897     28998897    0          0
US_0      3602539      3602539     0          0
US_1      2244         2244        0          0

```

```
----- Packets counter in DPMI -----
```

```

Field      Pkts      Sum-pkts
Dpmi Ingress 28844845  28844845
Pkt Delete 0          0
Data Len Err 0          0

```

```

Chan Flow_id Octets      Sum-octs      SeqErr-pkts SeqErr-sum-pkts
0     0          374242        374242        1            1
0     1          710485        710485        1            1
0     2          218477141     218477141    1            1
0     3          0             0             0            0
1     0          379530        379530        1            1
1     1          700973        700973        1            1
1     2          218859695     218859695    1            1
1     3          0             0             0            0
2     0          372126        372126        1            1
2     1          695623        695623        1            1

```

```

31    2          0             0             0            0
31    3          0             0             0            0
158   0          0             0             0            0
158   1          682214        682214        1            1
158   2          0             0             0            0
158   3          0             0             1            1
163   0          0             0             0            0
163   1          0             0             1            1
163   2          0             0             0            0
163   3          1654620      1654620      1            1

```

```
----- Packets counter in DPS -----
```

```

Chan Tx-packets Tx-octets Drop-pkts Tx-sum-pkts Tx-sum-octs Drop-sum-pkts
0     3599803    219580072    0          3599803     219580072    0

```

1	3605466	219958582	0	3605466	219958582	0
2	3602414	219728291	0	3602414	219728291	0
3	3604543	219858566	0	3604543	219858566	0
31	599	20366	0	599	20366	0
158	7797	682524	0	7797	682524	0

Configuration Example

The following example shows how to configure OFDM channel:

```

cable downstream ofdm-chan-profile 0
  description System Profile 0
  cyclic-prefix 1024
  interleaver-depth 16
  pilot-scaling 48
  roll-off 128
  subcarrier-spacing 50KHZ
  profile-control modulation-default 256-QAM
  profile-ncp modulation-default 16-QAM
  profile-data 1 modulation-default 1024-QAM

cable downstream controller-profile 100
max-ofdm-spectrum 192000000
rf-chan 0 7
  type DOCSIS
  frequency 453000000
  rf-output NORMAL
  qam-profile 1
  docsis-channel-id 1
rf-chan 158
  docsis-channel-id 159
  ofdm channel-profile 0 start-frequency 645000000 width 192000000 plc 651000000

cable rpd node_0873
  identifier 0004.9f00.0873
  core-interface Te7/1/0
  principal
  rpd-ds 0 downstream-cable 7/0/0 profile 100
  rpd-us 0 upstream-cable 7/0/0 profile 1

```

Feature Information for RPHY DS OFDM Channel Configuration

Use Cisco Feature Navigator to find information about platform support and software image support. Cisco Feature Navigator enables you to determine which software images support a specific software release, feature set, or platform. To access Cisco Feature Navigator, go to <http://www.cisco.com/go/cfn>. An account on [Cisco.com](http://www.cisco.com) is not required.



Note

The table below lists only the software release that introduced support for a given feature in a given software release train. Unless noted otherwise, subsequent releases of that software release train also support that feature.

Table 13: Feature Information for RPHY DS OFDM Channel Configuration

Feature Name	Releases	Feature Information
Remote PHY DS OFDM Channel Configuration	Cisco 1x2 / Compact Shelf RPD Software 3.1	This feature was integrated into the Cisco Remote PHY Device.



PART **IV**

Remote PHY Controller Profile and RPD Configuration

- [Cisco Remote PHY Controller Profile and RPD Configuration, page 59](#)



Cisco Remote PHY Controller Profile and RPD Configuration

The Remote PHY (R-PHY) Controller Profile includes upstream controller-profile and downstream controller-profile. Upstream controller-profile is used to specify the upstream (US) channels and related parameters, which are part of a specific profile, similar to the following:

- Channel width
- DOCSIS mode
- Frequency
- Minislot size
- Modulation-profile

The downstream controller-profile is used to specify the RF channels and their RF parameters that belong to a specific profile, including the following details:

- Channel type (DOCSIS, Video Sync, Video Async)
- Frequency
- RF output
- QAM-profile (annex, modulation, inter-leaver, symbol rate, and so on)

Finding Feature Information

Your software release may not support all the features documented in this module. For the latest feature information and caveats, see the release notes for your platform and software release. To find information about the features documented in this module, and to see a list of the releases in which each feature is supported, see the Feature Information Table at the end of this document.

Use Cisco Feature Navigator to find information about platform support and Cisco software image support. To access Cisco Feature Navigator, go to <http://tools.cisco.com/ITDIT/CFN/>. An account on <http://www.cisco.com/> is not required.

- [Hardware Compatibility Matrix for Cisco Remote PHY Device](#), page 60
- [Information About Controller Profile and RPD](#), page 60

- [How to Configure Controller Profile and RPD](#), page 62
- [Troubleshooting Tips](#), page 68
- [Configuration Examples](#), page 68
- [Feature Information for Remote PHY Controller Profile and RPD Configuration](#), page 69

Hardware Compatibility Matrix for Cisco Remote PHY Device


Note

The hardware components introduced in a given Cisco Remote PHY Device Software Release are supported in all subsequent releases unless otherwise specified.

Table 14: Hardware Compatibility Matrix for the Cisco Remote PHY Device

Cisco HFC Platform	Remote PHY Device
Cisco GS7000 Node	Cisco 1x2 RPD Software 1.1 and Later Releases Cisco Remote PHY Device 1x2 <ul style="list-style-type: none"> • PID—RPD-1X2= • RPD-1X2-PKEY=
Intelligent NODE (iNODE)	Cisco 1x2 RPD Software 3.1 and Later Releases Cisco Remote PHY Device 1x2 <ul style="list-style-type: none"> • IRPD-1X2= • IRPD-1X2-PKEY=


Note

The -PKEY suffix in the PID indicates units that enable the SCTE-55-2 Out-of-Band protocol support.

Information About Controller Profile and RPD

The Controller Profile functions in a similar way to the controller integrated-cable Slot/Bay/Port (for downstream controller) or upstream-cable Slot/Bay/Port (for upstream controller) in I-CMTS. However if a Controller Profile is not associated to an RPD, physical resources cannot be allocated.

You can either unicast or multicast this profile. Multicast profile is used for DS sharing. You can multicast the same traffic to all RPDs in the multicast group, or to applications such as switched digital video (SDV) or BC video.

An R-PHY configuration consists of one principal core interface and one auxiliary core interface. The principal core specifies the DPIC interface to which the RPD connects. Auxiliary core interfaces specify the external DPIC interfaces that can be used for downstream sharing. Auxiliary core is used in this release only for video multicast and video OOB.

Configuring Controller Profile and cable RPD are the prerequisites for configuring R-PHY video.

RPD Configurations

Compared to the iCMTS configuration, R-PHY configuration supports the following features:

- Up to 512 RPDs per CBR-8 chassis and 64 RPDs per CBR-CCAP-LC-40G-R line card
- 512 separate service groups per CBR-8 chassis
- 32 downstream controllers and up to 768 downstream channels per CBR-CCAP-LC-40G-R line card
- Up to 158 downstream channels (0-157) per downstream controller
- 64 upstream controllers and 128 upstream channels per CBR-CCAP-LC-40G-R line card



Note

Although 128 maximum upstream SCQAM channels per CBR-CCAP-LC-40G-R line card could be configured, but the upstream maximum throughput per CBR-CCAP-LC-40G-R line card is 3Gbps which is due to USJIB limitation. So the upstream service could not be guaranteed when upper than 3Gbps upstream throughput per CBR-CCAP-LC-40G-R line card.

In the R-PHY configuration, the following mapping relationships are supported between the controller and the port on RPD:

- Downstream 1:N ($N \geq 2$) mapping: one DS controller is shared by several RPDs and one DS controller is mapped to one DS port of all these RPDs, that is “DS virtual split”, all these DS ports share the same signals from the same DS controller.
- Downstream N:1 mapping: several DS controllers are mapped into the same DS port of one RPD. Notice: the DS channels in these DS controller should use different rf-channel numbers
- Downstream N:N mapping: mixed 1:N and N:1 mapping. For example: several DS controllers are mapped into one DS port of one RPD. But at the same time they are “virtual split” DS controllers and are shared by several RPDs.
- Upstream 1:1 mapping: one US controller is only mapped to one US port on one RPD. Currently max two US ports are supported on RPD, and for each port, we could configure one US controller.



Note

Downstream 1:1 mapping is not supported under 512 RPD configuration, but still supported under smaller scale configuration.

Prerequisites for Configuring Controller Profile and RPD

The following restrictions are applicable to configuring controller profiles:

- All channels within the profiles of an RPD must be unique. Frequencies must not overlap each other.
- The principal core must contain at least one DOCSIS downstream profile
- Auxiliary core should contain only video and out-of-band profiles
- A DS controller can be associated to only one profile

Restrictions for Configuring Controller Profile and RPD

The following restrictions are applicable to configuring upstream controller profiles:

- Legacy controller configuration commands are not supported
- Legacy controller configuration cannot be shown in running-configuration

How to Configure Controller Profile and RPD



Note To know more about the commands referenced in this module, see the [Cisco IOS Master Command List](#).

Configuring Upstream Controller Profile

To configure the upstream controller-profile, use the cable upstream controller-profile command, as given in the following example:

```
Router#cable upstream controller-profile 4
  cable def-phy-burst 0
  us-channel 0 chan-class-id 0
  us-channel 0 channel-width 1600000 1600000
  us-channel 0 docsis-mode atdma
  us-channel 0 equalization-coefficient
  us-channel 0 frequency 50000000
  us-channel 0 hop-priority frequency modulation channel-width
  us-channel 0 ingress-noise-cancellation 100
  us-channel 0 maintain-psd
  us-channel 0 max-logical-chans 1
  us-channel 0 minislots-size 4
  us-channel 0 modulation-profile 221
  us-channel 0 power-level 0
  us-channel 0 rng-holdoff 0
  us-channel 0 shutdown
  us-channel 0 specsvl error-adaptive-profile 1
  us-channel 0 threshold cnr-profiles 25 13
  us-channel 0 threshold corr-fec 3
  us-channel 0 threshold hysteresis 3
  us-channel 0 threshold snr-profiles 25 13
  us-channel 0 threshold uncorr-fec 1
  ...
end
```

Verifying Upstream Controller Profile Configuration

To verify the Upstream controller profile configuration, use the **show cable downstream controller-profile** command or **show running-config | section upstream controller-profile <ID>** command, as shown in the following example:

```
Router#show cable upstream controller-profile 0
Load for five secs: 2%/0%; one minute: 3%; five minutes: 3%
Time source is NTP, 15:14:27.916 CST Fri Feb 24 2017

Upstream controller-profile 0
Description:
Upstream controller-profile 0 is being used by controller Upstream-Cable:
8/0/1, 8/0/0
  Controller Upstream-Cable
  ...
  Upstream-channel 0
    chan-class-id          : 0x0
    channel-width          : 1600000 1600000
    docsis-mode            : atdma
    ...
```

Example for the **show running-config | section upstream controller-profile <ID>** command

```
Router#show running-config | s cable upstream controller-profile 0
cable upstream controller-profile 0
us-channel 0 channel-width 1600000 1600000
us-channel 0 docsis-mode atdma
us-channel 0 equalization-coefficient
us-channel 0 frequency 6000000
us-channel 0 minislots-size 4
us-channel 0 modulation-profile 221
no us-channel 0 shutdown
us-channel 1 channel-width 1600000 1600000
us-channel 1 docsis-mode atdma
us-channel 1 equalization-coefficient
us-channel 1 frequency 7600000
us-channel 1 minislots-size 4
us-channel 1 modulation-profile 221
no us-channel 1 shutdown
us-channel 2 channel-width 1600000 1600000
us-channel 2 docsis-mode atdma
us-channel 2 equalization-coefficient
us-channel 2 frequency 9200000
us-channel 2 minislots-size 4
us-channel 2 modulation-profile 221
no us-channel 2 shutdown
us-channel 3 channel-width 1600000 1600000
us-channel 3 docsis-mode atdma
us-channel 3 equalization-coefficient
us-channel 3 frequency 10800000
us-channel 3 minislots-size 4
us-channel 3 modulation-profile 221
no us-channel 3 shutdown
us-channel 4 channel-width 1600000 1600000
us-channel 4 docsis-mode atdma
us-channel 4 frequency 12400000
us-channel 4 minislots-size 4
us-channel 4 modulation-profile 221
no us-channel 4 shutdown
us-channel 5 channel-width 1600000 1600000
us-channel 5 docsis-mode atdma
us-channel 5 frequency 14000000
us-channel 5 minislots-size 4
us-channel 5 modulation-profile 221
```

Configuring RPD for US Controller Profile

To configure RPD for associating an upstream controller-profile, using the `rpds <port-id> Upstream-Cable <slot/sub-slot/controller> [profile <id>]` command, as given in the following example:

```
Router#cable rpd 1
identifier 0004.9f00.0743
core-interface Te8/1/0
principal
rpds 0 upstream-cable 8/0/0 profile 0
rpds 1 upstream-cable 8/0/1 profile 4
r-dti 11
rpd-event profile 0
---
end
```

Configuring Downstream Controller Profile

To configure downstream controller profile, use the following commands:

```
configure terminal
cable downstream controller-profile <profile ID>
multicast-pool <id>
rf-chan 20 47
type video <SYNC | ASYNC>
frequency 231000000
rf-output NORMAL
qam-profile <profile ID>
```

The `multicast-pool <id>` defines the DEPI multicast group. The type video `<SYNC | ASYNC>` defines synchronous or asynchronous mode.

Verifying Downstream Controller Profile Configuration

To verify the Downstream controller profile configuration, use the `show cable downstream controller-profile` command as shown in the following example:

```
Router#show running-config | section downstream controller-profile
cable downstream controller-profile 0
rf-chan 0 3
type DOCSIS
frequency 111000000
rf-output NORMAL
qam-profile 1
docsis-channel-id 1
```

Configuring RPD for DS Controller Profile

To configure RPD for associating a downstream controller-profile, use the following commands:

```
configure terminal
cable rpd RPD01
identifier 0004.9f31.0435
core-interface Te3/1/0
principal
rpds 0 downstream-cable 3/0/0 profile 1
rpds 0 downstream-cable 3/0/1 profile 2
rpds 0 upstream-cable 3/0/0 profile 1
core-interface te6/1/0
rpds 0 downstream-cable 6/0/0 profile 2
r-dti 1
rpd-event profile 0
```

The `rpds 0 downstream-cable 3/0/0 profile 1` associates *controller 3/0/0* with *profile 1*, which is a DOCSIS profile.

The `rpds 0 downstream-cable 3/0/1 profile 2` associates *controller 3/0/1* with *profile 3*, which is a video profile.

The *core-interface te6/1/0* defines an auxiliary interface for this RPD. This auxiliary interface is used to configure downstream sharing across line cards.

Verifying RPD Association with Controller Profile

To verify the downstream controller profile association with RPD, use the `show running-config | section cable rpd <ID>` command as shown in the following example:

```
Router#show running-config | section cable rpd RPD01
cable rpd toi-test1
  identifier 0000.lcbf.0000
  core-interface Te2/1/0
  principal
  rpds 0 downstream-cable 2/0/9 profile 0
  rpd-event profile 0
```

Configuring Downstream Sharing

This configuration is optional. DS sharing is used for multicast (MC) traffic. To configure downstream sharing, use the following commands:

```
configure terminal
cable rpd RPD01
core-interface Te3/1/0
principal
rpds 0 downstream-cable 3/0/1 profile 2
cable rpd RPD02
core-interface te3/1/0
principal
rpds 0 downstream-cable 3/0/1 profile 2
```



Note

All RPDs in the same multicast group should have the same controller and profile association.

Configuring Controller in Fiber Node

To configure the controllers in fiber-node, use the `cable fiber-node` command, as given in the following example:

```
cable fiber-node 113
  downstream Downstream-Cable 8/0/0
  upstream Upstream-Cable 8/0/1
```

Verifying CM RPD Association

To verify the RPD associated with the cable modem, use the `show cable modem rpd` command as shown in the following example:

```
Router# show cable modem rpd 0004.9f03.0249
Load for five secs: 4%/2%; one minute: 3%; five minutes: 4%
Time source is NTP, 10:48:11.763 CST Tue Feb 28 2017
```

MAC Address	IP Address	I/F	MAC State	Prim Sid	RxPwr (dBmV)	Timing Offset	Num CPE	I P
0023.be5a.bb6c	10.10.10.12	C6/0/0/UB	w-online	5	0.00	862	0	N
1859.3356.8876	10.10.10.13	C6/0/0/UB	w-online	6	0.50	907	0	N

Displaying GCP Related Information

To display Generic Control Plane (GCP) related information of the RPD, use the command as shown in the following example:

```
Router#show cable rpd 0004.9f03.0280 Te3/1/0 gcp-state
```

```
MAC Address      IP Address      I/F      State      Role HA Name
0004.9f03.0280  10.10.10.11    Te3/1/0  ready     Pri Act 2
```

```
A06#show cable rpd 0004.9f03.0280 Te3/1/0 gcp-state
```

```
MAC Address      IP Address      I/F      State      Role HA Name
0004.9f03.0280  10.10.10.11    Te3/1/0  ready     Pri Act 2
```

```
Router#show cable rpd name node te1/1/0 gcp-session
```

```
GCP Session ID : 10
Core Address    : 10.100.10.11:8190
RPD Address     : 10.10.10.11:60656
Next Hop MAC    : 0004.9F00.0901
Session State   : Active
```

```
Packet Statistics:
```

```
=====
Rx           : 5038
Tx           : 5034
Rx Dropped  : 0
Tx Dropped  : 0
```

```
Message Statistics:
```

```
=====
Rx           : 5948
Tx           : 5954
Rx Dropped  : 7
Tx Dropped  : 0
Rx Illegal  : 0
Tx Illegal  : 0
```

```
Router#show cable rpd 120.102.6.7 te9/1/1 gcp-transaction
```

```
Load for five secs: 3%/1%; one minute: 4%; five minutes: 4%
No time source, *10:22:57.158 CST Thu Mar 16 2017
```

RPD ID	I/F	TRANS ID	GCP MSG TYPE	RCP MSG TYPE	TIMESTAMP
0004.9f31.1007	Te9/1/1	7452	GCP_MSG_ID_EDS_RSP	TYPE_REX	2017-03-16
10:22:54.440					
0004.9f31.1007	Te9/1/1	7452	GCP_MSG_ID_EDS	TYPE_REX	2017-03-16
10:22:54.415					
0004.9f31.1007	Te9/1/1	7451	GCP_MSG_ID_EDS_RSP	TYPE_REX	2017-03-16
10:22:54.240					
0004.9f31.1007	Te9/1/1	7451	GCP_MSG_ID_EDS	TYPE_REX	2017-03-16
10:22:54.215					
0004.9f31.1007	Te9/1/1	7450	GCP_MSG_ID_EDS_RSP	TYPE_REX	2017-03-16
10:22:54.040					
0004.9f31.1007	Te9/1/1	7450	GCP_MSG_ID_EDS	TYPE_REX	2017-03-16
10:22:54.015					
0004.9f31.1007	Te9/1/1	7449	GCP_MSG_ID_EDS_RSP	TYPE_REX	2017-03-16
10:22:53.836					
0004.9f31.1007	Te9/1/1	7449	GCP_MSG_ID_EDS	TYPE_REX	2017-03-16
10:22:53.815					
0004.9f31.1007	Te9/1/1	7448	GCP_MSG_ID_EDS_RSP	TYPE_REX	2017-03-16
10:22:50.236					
0004.9f31.1007	Te9/1/1	7448	GCP_MSG_ID_EDS	TYPE_REX	2017-03-16
10:22:50.215					
0004.9f31.1007	Te9/1/1	7447	GCP_MSG_ID_EDS_RSP	TYPE_REX	2017-03-16
10:22:50.038					
0004.9f31.1007	Te9/1/1	7447	GCP_MSG_ID_EDS	TYPE_REX	2017-03-16
10:22:50.015					
0004.9f31.1007	Te9/1/1	7446	GCP_MSG_ID_EDS_RSP	TYPE_REX	2017-03-16
10:22:49.839					


```
0004.9f31.1007 Te9/1/1 7446 GCP_MSG_ID_EDS TYPE_REX 2017-03-16
10:22:49.815
```

Displaying DEPI Related Information

To display the Downstream External PHY Interface (DEPI) related information, use the command as shown in the following example:

```
Router#show cable rpd depi
```

```
DEPI Tunnel and Session Information Total tunnels 1 sessions 26
LocTunID  RemTunID  Remote Device  State  Remote Address  Sessn L2TP Class
Count
338514820  671581873  0004.9f00.0901  est   10.10.10.11    26    rphy-l2tp-gl...
```

```
LocID      RemID      Pseudowire    State  Last Chg Uniq ID  Type Mode RemSt
0x41040008 0x00000B02 US1/0/0:2(R)  est   00:34:57 21    P    PSP  UP
0x41010000 0x00000600 US1/0/0:0(D)  est   00:34:57 11    P    PSP  UP
0x00002006 0x00000405 DS1/0/0:5     est   00:34:57 6     P    PSP  UP
0x00002004 0x00000403 DS1/0/0:3     est   00:34:57 4     P    PSP  UP
0x4100000C 0x00000D03 US1/0/0:3(M)  est   00:34:57 23    P    PSP  UP
0x00002002 0x00000401 DS1/0/0:1     est   00:34:57 2     P    PSP  UP
0x00002007 0x00000406 DS1/0/0:6     est   00:34:57 7     P    PSP  UP
0x00002008 0x00000407 DS1/0/0:7     est   00:34:57 8     P    PSP  UP
0x4101000C 0x00000603 US1/0/0:3(D)  est   00:34:57 24    P    PSP  UP
0x41000004 0x00000D01 US1/0/0:1(M)  est   00:34:57 15    P    PSP  UP
0x00002001 0x00000400 DS1/0/0:0     est   00:34:57 1     P    PSP  UP
0x41080008 0x00000F02 US1/0/0:2(S)  est   00:34:57 22    P    PSP  UP
0x41010004 0x00000601 US1/0/0:1(D)  est   00:34:57 16    P    PSP  UP
0x41020000 0x00000800 US1/0/0:0(B)  est   00:34:57 12    P    PSP  UP
0x00002009 0x00000408 DS1/0/0:8     est   00:34:57 9     P    PSP  UP
0x41010008 0x00000602 US1/0/0:2(D)  est   00:34:57 20    P    PSP  UP
0x41000008 0x00000D02 US1/0/0:2(M)  est   00:34:57 19    P    PSP  UP
0x4108000C 0x00000F03 US1/0/0:3(S)  est   00:34:57 26    P    PSP  UP
0x00002003 0x00000402 DS1/0/0:2     est   00:34:57 3     P    PSP  UP
0x41080000 0x00000F00 US1/0/0:0(S)  est   00:34:57 14    P    PSP  UP
0x41040004 0x00000B01 US1/0/0:1(R)  est   00:34:57 17    P    PSP  UP
0x41080004 0x00000F01 US1/0/0:1(S)  est   00:34:57 18    P    PSP  UP
0x41000000 0x00000D00 US1/0/0:0(M)  est   00:34:56 10    P    PSP  UP
0x00002005 0x00000404 DS1/0/0:4     est   00:34:56 5     P    PSP  UP
0x4104000C 0x00000B03 US1/0/0:3(R)  est   00:34:56 25    P    PSP  UP
0x41040000 0x00000B00 US1/0/0:0(R)  est   00:34:56 13    P    PSP  UP
```

```
outer#show cable rpd 0004.9f03.0214 te7/1/0 depi tunnel
```

```
Load for five secs: 7%/2%; one minute: 6%; five minutes: 6%
No time source, *12:41:44.228 CST Mon Mar 20 2017
```

```
LocTunID  RemTunID  Remote Device  State  Remote Address  Sessn L2TP Class
Count
3388764998 1054297851 0004.9f03.0214  est   10.10.10.11    29    rphy-l2tp-gl...
```

Table 15: show cable rpd depi Field Descriptions

Field	Description
LocID	Local session ID.
RemID	Remote session ID.
US1/0/0:2(R)	US means UEPI session, DS means DEPI session. This string means UEPI session on line card slot 1, controller 0, rf-channel 2.

Field	Description
est in State	Established state.
P in Type	On primary line card.

Troubleshooting Tips

Refer to the following troubleshooting tips if configuration errors occur.

If you configure DS controller profile and cable RPD, you can check the controller status, regardless of the status of the RPD. If the channel's state is DOWN, use verbose option to view the reason.

```
Router#show controllers downstream-Cable 6/0/1 rf-channel 20 <verbose>
Chan State Admin Frequency Type Annex Mod srate Interleaver dcid output
20 UP UP 231000000 VIDEO-SYNC B 256 5361 I128-J1 - NORMAL
```

Configuration Examples

This section provides example configurations for the R-PHY Controller Profile.

Example: Controller Profile Configuration

Upstream Controller Profile Configuration

```
configure terminal
cable upstream controller-profile 2
 cable def-phy-burst 0
 us-channel 0 chan-class-id 0
 us-channel 0 channel-width 1600000 1600000
 us-channel 0 docsis-mode atdma
 us-channel 0 equalization-coefficient
 us-channel 0 frequency 50000000
 us-channel 0 hop-priority frequency modulation channel-width
 us-channel 0 ingress-noise-cancellation 100
 us-channel 0 maintain-psd
 us-channel 0 max-logical-chans 1
 us-channel 0 minislots-size 4
 us-channel 0 modulation-profile 221
 us-channel 0 power-level 0
 us-channel 0 rng-holdoff 0
 us-channel 0 shutdown
 us-channel 0 specsvl error-adaptive-profile 1
 us-channel 0 threshold cnr-profiles 25 13
 us-channel 0 threshold corr-fec 3
 us-channel 0 threshold hysteresis 3
 us-channel 0 threshold snr-profiles 25 13
 us-channel 0 threshold uncorr-fec 1
 ...
end
```

Downstream Controller Profile Configuration

```
configure terminal
cable downstream controller-profile 1
multicast-pool 20
Rf-channel 0 15
Type docsis
```

```

Frequency 111000000
Rf-output NORMAL
Qam-profile 1
Docsis-channel-id 1
cable downstream controller-profile 2
multicast-pool 20
Rf-channel 20 47
Type video sync
Frequency 231000000
Rf-output NORMAL
Qam-profile 14

```

Example: Downstream Sharing Configuration

```

cable rpd RPD01
identifier 0004.9f31.0979
core-interface te6/1/0
principal
rpd-ds 0 downstream-cable 6/0/0 profile 1
rpd-ds 0 downstream-cable 6/0/1 profile 2
rpd-us 0 upstream-cable 6/0/0 profile 1
r-dti 6
rpd-event profile 0
cable rpd RPD2
identifier 0004.9f31.1437
core-interface Te3/1/0
principal
rpd-ds 0 downstream-cable 3/0/0 profile 1
rpd-us 0 upstream-cable 3/0/0 profile 1
core-interface Te6/1/0
rpd-ds 0 downstream-cable 6/0/1 profile 2
r-dti 3
rpd-event profile 0

```

Feature Information for Remote PHY Controller Profile and RPD Configuration

Use Cisco Feature Navigator to find information about platform support and software image support. Cisco Feature Navigator enables you to determine which software images support a specific software release, feature set, or platform. To access Cisco Feature Navigator, go to <http://www.cisco.com/go/cfn>. An account on [Cisco.com](http://www.cisco.com) is not required.



Note

The table below lists only the software release that introduced support for a given feature in a given software release train. Unless noted otherwise, subsequent releases of that software release train also support that feature.

Table 16: Feature Information for Remote PHY Controller Profile and RPD Configuration

Feature Name	Releases	Feature Information
Large Scale Controller Support (32DS/64US) with node	Cisco 1x2 / Compact Shelf RPD Software 3.1	This feature was integrated into the Cisco Remote PHY Device.
256 RPD Support per Chassis	Cisco 1x2 / Compact Shelf RPD Software 3.1	This feature was integrated into the Cisco Remote PHY Device.
Controller profile configuration	Cisco 1x2 / Compact Shelf RPD Software 3.1	This feature was integrated into the Cisco Remote PHY Device.

Feature Name	Releases	Feature Information
US 128 channels	Cisco 1x2 / Compact Shelf RPD Software 3.1	This feature was integrated into the Cisco Remote PHY Device.



PART **V**

Remote PHY Downstream Virtual Splitting

- [Cisco Remote PHY Device Downstream Virtual Splitting, page 73](#)



CHAPTER 9

Cisco Remote PHY Device Downstream Virtual Splitting

Finding Feature Information

Your software release may not support all the features documented in this module. For the latest feature information and caveats, see the release notes for your platform and software release. To find information about the features documented in this module, and to see a list of the releases in which each feature is supported, see the Feature Information Table at the end of this document.

Use Cisco Feature Navigator to find information about platform support and Cisco software image support. To access Cisco Feature Navigator, go to <http://tools.cisco.com/ITDIT/CFN/>. An account on <http://www.cisco.com/> is not required.

- [Hardware Compatibility Matrix for Cisco Remote PHY Device, page 73](#)
- [Information about RPD Downstream Virtual Splitting, page 74](#)
- [How to Configure RPD Downstream Virtual Splitting, page 74](#)
- [Example: RPD Downstream Virtual Splitting Configuration, page 78](#)
- [Feature Information for RPD Downstream Virtual Splitting, page 80](#)

Hardware Compatibility Matrix for Cisco Remote PHY Device



Note

The hardware components introduced in a given Cisco Remote PHY Device Software Release are supported in all subsequent releases unless otherwise specified.

Table 17: Hardware Compatibility Matrix for the Cisco Remote PHY Device

Cisco HFC Platform	Remote PHY Device
Cisco GS7000 Node	Cisco 1x2 RPD Software 1.1 and Later Releases Cisco Remote PHY Device 1x2 <ul style="list-style-type: none"> • PID—RPD-1X2= • RPD-1X2-PKEY=
Intelligent NODE (iNODE)	Cisco 1x2 RPD Software 3.1 and Later Releases Cisco Remote PHY Device 1x2 <ul style="list-style-type: none"> • IRPD-1X2= • IRPD-1X2-PKEY=

**Note**

The -PKEY suffix in the PID indicates units that enable the SCTE-55-2 Out-of-Band protocol support.

Information about RPD Downstream Virtual Splitting

The primary use case for multicast delivery between CCAP-core and the RPD is for the delivery of broadcast video services from a single CCAP-core element to a number of RPDs. This allows the system to scale by allowing a single CCAP-core element to generate and serve streams to all the RPDs that are configured to receive the same broadcast lineup. Since broadcast serving groups are quite large (~100,000 or more subscribers), using multicast to deliver the same copy to hundreds of remote PHY devices provides significant cost savings for operators. This mechanism can be used for broadcast video delivered via MPEG QAM channels or for that delivered via IP over DOCSIS. It is meant for the replication of an entire QAM channel to multiple RPDs.

How to Configure RPD Downstream Virtual Splitting

This section describes how to configure RPD Downstream Virtual Splitting on Cisco cBR-8.

Configuring Multicast DEPI Pool

To configure the multicast DEPI pool, complete the following procedure:

```

configure terminal
cable depi multicast pool id
ip address ip mask
  
```


To verify the multicast DEPI pool configuration, use the **show cable depi multicast pool** command as shown in the example below:

```
Router# show cable depi multicast pool
POOL ID      Net IP          Net Mask        DESCRIPTION
1            225.225.225.0  255.255.255.0
2            224.244.244.0  255.255.255.0
```

Enabling Multicast Sharing under Downstream Controller Profile

To enable the multicast sharing under downstream controller profile, complete the following procedure:

```
configure terminal
cable downstream controller-profile id
multicast-pool id
```

Then configure the other parameters of the controller profile and related RF channels.

To verify the multicast sharing is enabled under the downstream controller profile, use the **show cable downstream controller-profile** command as shown in the example below:

```
Router# show cable downstream controller-profile 1
Load for five secs: 8%/1%; one minute: 10%; five minutes: 10%
No time source, *07:14:32.551 CST Tue Nov 15 2016
Downstream controller-profile 1
Description:
Downstream controller-profile 1 is being used by controller Downstream-Cable:
 3/0/0,
  Admin: UP
  MaxOfdmSpectrum: 0
  MaxCarrier: 128
  BasePower: 33.0 dBmV
  Mode: normal
  Frequency profile: unconfigured
  DS Splitting: Yes
  Multicast Pool ID: 1
```

Configuring the RPD with the Same Downstream Controller and Profile

To configure the RPDs with the same downstream controller and profile, complete the following procedure:

```
configure terminal
cable rpd name
identifier id
core-interface TenGigabitEthernet slot/subslot/port
principal
rpd-ds 0 downstream-cable slot/subslot/port profile id
rpd-us 0 upstream-cable slot/subslot/port profile id
r-dti id
rpd-event profile id
```



Note

Configure at least 2 RPDs with the same downstream controller and profile to implement the multicast DEPI.

Configuring the RPDs to different fiber-nodes

To configure the RPDs to different fiber-nodes, complete the following procedure:

```
configure terminal
cable fiber-node id
downstream Downstream-Cable slot/subslot/port
upstream Upstream-Cable slot/subslot/port
```



Note

Configure at least 2 fiber-nodes with the same downstream controller to implement the multicast DEPI.

Configuring the RPDs to MAC Domain

To configure the RPDs to the MAC domain, complete the following procedure:

```
configure terminal
interface cable slot/subslot/port
downstream Downstream-Cable slot/subslot/port rf-channel id
upstream index Upstream-Cable slot/subslot/port us-channel index
cable upstream index jumbo-grants
cable upstream balance-scheduling
cable upstream bonding-group id
upstream id
attributes 80000F0
cable bundle id
cable map-advance static value
cable sid-cluster-group num-of-cluster value
cable sid-cluster-switching max-request value
```



Note

Different RPDs can be configured to share the same downstream controller under one MAC domain or different MAC domains.

Enabling Multicast on Cisco cBR-8 Router

To enable the multicast on cBR-8, complete the following procedure:

```
configure terminal
ip multicast-routing distributed
```

Enabling Multicast on Layer 2 Switch

To enable multicast on Layer 2 switch, complete the following procedure:

```
configure terminal
ip igmp snooping
vlan configuration vlan
ip igmp snooping querier ip
```

Only need to create IGMP Snooping Group on one switch between DPIC and RPD.

Create IGMP Snooping Group under vlan which is used for connection between DPIC and RPD.

IP address used for IGMP snooping querier can be any address that is not conflict with the existing IP address in the system.

Enabling Multicast on Layer 3 Router

To enable multicast on Layer 3 router, complete the following procedure:

```
configure terminal
ip pim ssm default
interface gigabitEthernet 0/0/0
ip pim sparse-dense-mode
ip igmp version 3
```

SSM must be enabled on all routers between DPIC and RPD.

All PIM neighbor must be enabled on all routers.

PIM neighbor can use sparse-dense-mode or sparse-mode.

Verifying RPD Downstream Virtual Splitting Configuration on cBR-8 Side

To verify the RPD Downstream Virtual Splitting configuration on cBR-8 side, complete the procedure as shown in the example below, and check if these criteria are met:

- The remote session ID begins with 0x8 in the output of the **show cable rpd depi | in Ds** command.

```
Router# show cable rpd depi | in Ds
0x40003F21 0x80003D22 1377638051 Ds3/0/0:0      est  04:20:36 1      P
0x40003F31 0x80003D32 1377638051 Ds3/0/0:16   est  04:20:35 3      P
0x40003F41 0x80003D42 1377638051 Ds3/0/0:32   est  04:20:35 5      P
0x40003F39 0x80003D3A 1377638051 Ds3/0/0:24   est  04:20:35 4      P
0x40003F29 0x80003D2A 1377638051 Ds3/0/0:8    est  04:20:34 2      P
0x40103F21 0x80003D22 1404837649 Ds3/0/0:0    est  00:07:21 14     P
0x40103F39 0x80003D3A 1404837649 Ds3/0/0:24   est  00:07:21 17     P
0x40103F41 0x80003D42 1404837649 Ds3/0/0:32   est  00:07:21 18     P
0x40103F29 0x80003D2A 1404837649 Ds3/0/0:8    est  00:07:21 15     P
0x40103F31 0x80003D32 1404837649 Ds3/0/0:16   est  00:07:21 16     P
```

- There is assigned IP and pool ID in the output of the **show cable depi multicast ip all** command.

```
Router# show cable depi multicast ip all
Load for five secs: 7%/2%; one minute: 8%; five minutes: 8%
No time source, *23:00:55.344 CST Sun Nov 13 2016
ASSIGNED IP      POOL ID      CONTROLLER
225.225.225.0    1              3/0/0
```

- The cable modem is online in the output of the **show cable modem rpd** command.

```
Router# show cable modem
Load for five secs: 8%/3%; one minute: 9%; five minutes: 9%
No time source, *16:06:52.191 CST Thu Mar 2 2017

D
MAC Address      IP Address      I/F            MAC              Prim  RxPwr  Timing Num
I
State
Sid  (dBmv)  Offset  CPE
P
5039.558a.6c1c  40.242.0.17    C7/0/0/U1     online           5     0.50   816    0
N
5039.558a.754a  40.242.9.201   C7/0/0/U0     online           6     0.00   814    0
N
5039.558a.754e  40.242.9.207   C7/0/0/U0     online           7     0.00   814    0
N
5039.558a.6b98  40.242.0.16    C7/0/0/U0     online           8     0.00   817    0
N
0025.2e34.4380  40.242.62.172  C7/0/1/U1     online           2     0.00   783    0
```

```

N

Router# show cable rpd
Load for five secs: 8%/3%; one minute: 9%; five minutes: 9%
No time source, *16:06:55.706 CST Thu Mar 2 2017

MAC Address      IP Address      I/F      State      Role HA Name
0004.9f03.0214   120.105.4.7    Te7/1/0  online    Pri Act rpd_b
000c.2923.9991   120.105.4.6    Te7/1/0  online    Pri Act rpd_a
000c.2923.9991   120.105.4.6    Te6/1/0  online    Aux Act rpd_a

Router# show cable modem rpd 0004.9f03.0214
Load for five secs: 8%/3%; one minute: 9%; five minutes: 9%
No time source, *16:07:07.790 CST Thu Mar 2 2017

D
MAC Address      IP Address      I/F      MAC      State      Prim  RxPwr  Timing Num
I
                                State      Sid      (dBmv)  Offset CPE
P
5039.558a.6c1c   40.242.0.17    C7/0/0/U1  online    5        0.50   816    0
N
5039.558a.754a   40.242.9.201   C7/0/0/U0  online    6        0.00   814    0
N
5039.558a.754e   40.242.9.207   C7/0/0/U0  online    7        0.00   814    0
N
    
```

Verifying RPD Virtual Downstream Splitting Configuration on Node Side

To verify the RPD Downstream Virtual Splitting configuration on node side, complete the procedure as shown in the example below, and check if these criteria are met:

- All L2TP session ID must be start with 800.

```

Router# show l2tp session
L2TP Tunnel Information Total tunnels 1 sessions 13
LocSessID RemSessID LocTunID RemTunID State Type Last Chg
80003d22 40103f21 9fef9255 53bc1f11 est MCM 07:10:54 2016-11-13
80003d2a 40103f29 9fef9255 53bc1f11 est MCM 07:10:57 2016-11-13
80003d42 40103f41 9fef9255 53bc1f11 est MCM 07:10:56 2016-11-13
80003d32 40103f31 9fef9255 53bc1f11 est MCM 07:10:59 2016-11-13
80003d3a 40103f39 9fef9255 53bc1f11 est MCM 07:10:56 2016-11-13
    
```

- All downstream DEPI SrcIP must be multicast IP that is the same as cBR-8 side.

```

Router# show downstream depi configuration
Channel PwSubtype SessionId SrcIp
0 MCM 2147499298 225.225.225.0
8 MCM 2147499306 225.225.225.0
16 MCM 2147499314 225.225.225.0
24 MCM 2147499322 225.225.225.0
32 MCM 2147499330 225.225.225.0
    
```

Example: RPD Downstream Virtual Splitting Configuration

The following example shows how to configure RPD Downstream Virtual Splitting:

```

Router# configure terminal
Router(config)# cable depi multicast pool 1
Router(config-multicast-pool)# ip address 225.225.225.0 255.255.255.0
Router(config-multicast-pool)# exit
Router(config)# cable downstream controller-profile 0
Router(config-controller-profile)# multicast-pool 1
Router(config-controller-profile)# max-carrier 128
Router(config-controller-profile)# base-channel-power 34
    
```

```

Router(config-controller-profile)# rf-chan 0 95
Router (config-prof-rf-chan)# type DOCSIS
Router (config-prof-rf-chan)# frequency 285000000
Router (config-prof-rf-chan)# rf-output NORMAL
Router (config-prof-rf-chan)# gam-profile 1
Router (config-prof-rf-chan)# power-adjust 0
Router (config-prof-rf-chan)# docsis-channel-id 1
Router (config-prof-rf-chan)# end
Router# configure terminal
Router(config)# cable rpd node_1
Router(config-rpd)# identifier_0004.9f03.0214
Router(config-rpd)# core-interface Te9/1/0
Router(config-rpd-core)# principal
Router(config-rpd-core)# rpd-ds 0 downstream-cable 9/0/0 profile 0
Router(config-rpd-core)# rpd-us 0 upstream-cable 9/0/0 profile 221
Router(config-rpd-core)# exit
Router(config-rpd)# r-dti 20
Router(config-rpd)# rpd-event profile 0
Router(config-rpd)# exit
Router(config)# cable rpd node_2
Router(config-rpd)# identifier_000c.2923.9991
Router(config-rpd)# core-interface Te9/1/0
Router(config-rpd-core)# principal
Router(config-rpd-core)# rpd-ds 0 downstream-cable 9/0/0 profile 0
Router(config-rpd-core)# rpd-us 0 upstream-cable 9/0/1 profile 221
Router(config-rpd-core)# exit
Router(config-rpd)# r-dti 20
Router(config-rpd)# rpd-event profile 0
Router(config-rpd)# exit
Router(config)# cable fiber-node 100
Router(config-fiber-node)# downstream Downstream-Cable 9/0/0
Router(config-fiber-node)# upstream Upstream-Cable 9/0/0
Router(config-fiber-node)# exit
Router(config)# cable fiber-node 101
Router(config-fiber-node)# downstream Downstream-Cable 9/0/0
Router(config-fiber-node)# upstream Upstream-Cable 9/0/1
Router(config-fiber-node)# exit
Router(config)# interface Cable 9/0/0
Router(config-if)# downstream Downstream-Cable 9/0/0 rf-channel 0
Router(config-if)# downstream Downstream-Cable 9/0/0 rf-channel 8
Router(config-if)# upstream 0 Upstream-Cable 9/0/0 us-channel 0
Router(config-if)# upstream 1 Upstream-Cable 9/0/0 us-channel 1
Router(config-if)# upstream 2 Upstream-Cable 9/0/0 us-channel 2
Router(config-if)# upstream 3 Upstream-Cable 9/0/0 us-channel 3
Router(config-if)# upstream 4 Upstream-Cable 9/0/1 us-channel 0
Router(config-if)# upstream 5 Upstream-Cable 9/0/1 us-channel 1
Router(config-if)# upstream 6 Upstream-Cable 9/0/1 us-channel 2
Router(config-if)# upstream 7 Upstream-Cable 9/0/1 us-channel 3
Router(config-if)# cable upstream 0 jumbo-grants
Router(config-if)# cable upstream balance-scheduling
Router(config-if)# cable upstream bonding-group 1
Router(config-upstream-bonding)# upstream 0
Router(config-upstream-bonding)# upstream 1
Router(config-upstream-bonding)# upstream 2
Router(config-upstream-bonding)# upstream 3
Router(config-upstream-bonding)# attributes 800000F0
Router(config-upstream-bonding)# exit
Router(config-if)# cable upstream bonding-group 2
Router(config-upstream-bonding)# upstream 4
Router(config-upstream-bonding)# upstream 5
Router(config-upstream-bonding)# upstream 6
Router(config-upstream-bonding)# upstream 7
Router(config-upstream-bonding)# attributes 8000000F
Router(config-upstream-bonding)# exit
Router(config-if)# cable bundle 1
Router(config-if)# cable map-advance static 1000
Router(config-if)# cable sid-cluster-group num-of-cluster 2
Router(config-if)# cable sid-cluster-switching max-request 2
Router(config-if)# exit
Router(config)# ip multicast-routing distributed
Router(config)# interface TenGigabitEthernet 9/1/0
Router(config-if)# ip address 192.168.3.1 255.255.255.0

```

```
Router(config-if)# end
```

Feature Information for RPD Downstream Virtual Splitting

The following table provides release information about the feature or features described in this module. This table lists only the software release that introduced support for a given feature in a given software release train. Unless noted otherwise, subsequent releases of that software release train also support that feature.

Use Cisco Feature Navigator to find information about platform support and Cisco software image support. To access Cisco Feature Navigator, go to www.cisco.com/go/cfn. An account on Cisco.com is not required.

Table 18: Feature Information for RPD Downstream Virtual Splitting

Feature Name	Releases	Feature Information
DS virtual splitting	Cisco 1x2 / Compact Shelf RPD Software 3.1	This feature was integrated into the Cisco Remote PHY Device.



PART VI

Remote PHY Video Configuration

- [Cisco Remote PHY Video Configuration, page 83](#)
- [Cisco Remote PHY PowerKEY VOD, page 89](#)
- [Cisco Remote PHY Pre-encrypted Broadcast Video, page 97](#)
- [Remote PHY BFS QAM Configuration, page 103](#)
- [Remote PHY QAM Profile Configuration, page 115](#)
- [Remote PHY DVB Video on Demand, page 119](#)
- [Remote PHY Switched Digital Video, page 129](#)



Cisco Remote PHY Video Configuration

Finding Feature Information

Your software release may not support all the features documented in this module. For the latest feature information and caveats, see the release notes for your platform and software release. To find information about the features documented in this module, and to see a list of the releases in which each feature is supported, see the Feature Information Table at the end of this document.

Use Cisco Feature Navigator to find information about platform support and Cisco software image support. To access Cisco Feature Navigator, go to <http://tools.cisco.com/ITDIT/CFN/>. An account on <http://www.cisco.com/> is not required.

- [Hardware Compatibility Matrix for Cisco Remote PHY Device, page 83](#)
- [Hardware Compatibility Matrix for Cisco Remote PHY Device, page 84](#)
- [Information About R-PHY Video Configuration, page 85](#)
- [How to Configure R-PHY Video, page 85](#)
- [Example: R-PHY Video Configuration, page 87](#)
- [Feature Information for Remote PHY Video, page 88](#)

Hardware Compatibility Matrix for Cisco Remote PHY Device



Note

The hardware components introduced in a given Cisco Remote PHY Device Software Release are supported in all subsequent releases unless otherwise specified.

Table 19: Hardware Compatibility Matrix for the Cisco Remote PHY Device

Cisco HFC Platform	Remote PHY Device
Cisco GS7000 Node	<p>Cisco 1x2 RPD Software 1.1 and Later Releases</p> <p>Cisco Remote PHY Device 1x2</p> <ul style="list-style-type: none"> • PID—RPD-1X2= • RPD-1X2-PKEY=
Intelligent NODE (iNODE)	<p>Cisco 1x2 RPD Software 3.1 and Later Releases</p> <p>Cisco Remote PHY Device 1x2</p> <ul style="list-style-type: none"> • IRPD-1X2= • IRPD-1X2-PKEY=



Note

The -PKEY suffix in the PID indicates units that enable the SCTE-55-2 Out-of-Band protocol support.

Hardware Compatibility Matrix for Cisco Remote PHY Device



Note

The hardware components introduced in a given Cisco Remote PHY Device Software Release are supported in all subsequent releases unless otherwise specified.

Table 20: Hardware Compatibility Matrix for the Cisco Remote PHY Device

Cisco HFC Platform	Remote PHY Device
Cisco GS7000 Node	<p>Cisco 1x2 RPD Software 1.1 and Later Releases</p> <p>Cisco Remote PHY Device 1x2</p> <ul style="list-style-type: none"> • PID—RPD-1X2= • RPD-1X2-PKEY=
Intelligent NODE (iNODE)	<p>Cisco 1x2 RPD Software 3.1 and Later Releases</p> <p>Cisco Remote PHY Device 1x2</p> <ul style="list-style-type: none"> • IRPD-1X2= • IRPD-1X2-PKEY=



Note The -PKEY suffix in the PID indicates units that enable the SCTE-55-2 Out-of-Band protocol support.

Information About R-PHY Video Configuration

The controller profile specifies the RF channels that belong to this profile and their RF parameters. Profile can either be unicast or multicast.

Multicast profile is used for downstream sharing. Multiple Remote PHY Devices (RPDs) can be configured to receive the same downstream controller. The traffic is multicast to all RPDs configured to receive the downstream controller. Applications include Video on Demand (VOD), Switched Digital Video (SDV) and Broadcast Video.

There is one principal core interface, and up to four auxiliary core interfaces in the RPD configuration. Principal core specifies the DPIC interface with which RPD connects. Auxiliary cores specify external DPIC interfaces that can be used for downstream sharing. Auxiliary core is currently used for narrowcast video, broadcast video and out-of-band data signaling path (OOB) only.

How to Configure R-PHY Video

This section describes how to configure R-PHY video on Cisco cBR-8.

Configuring Downstream Controller Profile

To configure the downstream controller profile, use the example below:

```
Router# configure terminal
Router(config)# cable depi multicast pool 20
Router(config-multicast-pool)# ip address 225.28.0.0 255.255.0.0
Router(config-multicast-pool)# exit
Router(config)# cable downstream controller-profile 1
Router(config-controller-profile)# multicast-pool 20
Router(config-controller-profile)# rf-chan 0 15
Router(config-prof-rf-chan)# type docsis
Router(config-prof-rf-chan)# frequency 111000000
Router(config-prof-rf-chan)# rf-output normal
Router(config-prof-rf-chan)# qam-profile 1
Router(config-prof-rf-chan)# docsis-channel-id 1
Router(config-prof-rf-chan)# exit
Router(config-controller-profile)# rf-chan 16 19
Router(config-prof-rf-chan)# type video sync
Router(config-prof-rf-chan)# frequency 699000000
Router(config-prof-rf-chan)# rf-output normal
Router(config-prof-rf-chan)# qam-profile 1
Router(config-prof-rf-chan)# exit
Router(config-controller-profile)# exit
Router(config)# cable downstream controller-profile 2
Router(config-controller-profile)# multicast-pool 1
Router(config-controller-profile)# rf-chan 20 47
Router(config-prof-rf-chan)# type video sync
Router(config-prof-rf-chan)# frequency 231000000
Router(config-prof-rf-chan)# rf-output normal
Router(config-prof-rf-chan)# qam-profile 4
```

In the above example, two profiles are configured, profile 1 is a mixed profile, profile 2 is a video only profile.

Configuring RPD

To configure the RPD to include the controller profile, follow the example below:

```
Router# configure terminal
Router(config)# cable rpd RPD01
Router(config-rpd)# identifier 0004.9f31.0455
Router(config-rpd)# core-interface Te3/1/0
Router(config-rpd-core)# principal
Router(config-rpd-core)# rpd-ds 0 downstream-cable 3/0/0 profile 1
Router(config-rpd-core)# rpd-ds 0 downstream-cable 3/0/1 profile 2
Router(config-rpd-core)# rpd-us 0 upstream-cable 3/0/0 profile 1
Router(config-rpd-core)# exit
Router(config-rpd)# core-interface te6/1/0
Router(config-rpd-core)# rpd-ds 0 downstream-cable 6/0/0 profile 2
Router(config-rpd-core)# exit
Router(config-rpd)# r-dti 1
Router(config-rpd)# rpd-event profile 0
```



Note

- All channels within the profiles of a RPD must be unique, frequencies must not overlap each other.
- There must be at least one DOCSIS downstream profile in the principal core.
- Auxiliary core must only contain video and out-of-band profiles.
- A downstream controller can only be associated to one profile.

Configuring Downstream Sharing

Downstream sharing is used for multicast (MC) traffic. To configure downstream sharing, follow the example below:

```
Router# configure terminal
Router(config)# cable rpd RPD01
Router(config-rpd)# core-interface Te3/1/0
Router(config-rpd-core)# principal
Router(config-rpd-core)# rpd-ds 0 downstream-cable 3/0/1 profile 2
Router(config-rpd-core)# exit
Router(config-rpd)# exit
Router(config)# cable rpd RPD02
Router(config-rpd)# core-interface te3/1/0
Router(config-rpd-core)# principal
Router(config-rpd-core)# rpd-ds 0 downstream-cable 3/0/1 profile 2
Router(config-rpd-core)# exit
Router(config-rpd)# exit
Router(config)# cable rpd RPD03
Router(config-rpd)# core-interface te6/1/0
Router(config-rpd-core)# principal
Router(config-rpd-core)# rpd-ds 0 downstream-cable 6/0/1 profile 3
Router(config-rpd-core)# exit
Router(config-rpd)# core-interface te3/1/0
Router(config-rpd-core)# rpd-ds 0 downstream-cable 3/0/1 profile 2
```



Note

All RPDs in the same multicast group have the same controller and profile association.

Configuring Video

To configure Video, see [Cisco Converged Broadband Routers Video Configuration Guide for Cisco IOS XE Everest 16.5.1](#).

Example: R-PHY Video Configuration

The following example shows how to configure Remote-PHY video:

```

Router# configure terminal
Router(config)# cable downstream qam-profile 7
Router(config-qam-prof)# annex B modulation 256
Router(config-qam-prof)# interleaver-depth I32-J4
Router(config-qam-prof)# symbol-rate 5361
Router(config-qam-prof)# spectrum-inversion off
Router(config-qam-prof)# description default-annex-b-256-qam
Router(config-qam-prof)# exit
Router(config)# cable depi multicast pool 20
Router(config-multicast-pool)# ip address 225.28.0.0 255.255.0.0
Router(config-multicast-pool)# exit
Router(config)# cable downstream controller-profile 1
Router(config-controller-profile)# multicast-pool 20
Router(config-controller-profile)# rf-channel 0 15
Router(config-prof-rf-chan)# type docsis
Router(config-prof-rf-chan)# frequency 111000000
Router(config-prof-rf-chan)# rf-output NORMAL
Router(config-prof-rf-chan)# qam-profile 7
Router(config-prof-rf-chan)# docsis-channel-id 1
Router(config-prof-rf-chan)# exit
Router(config-controller-profile)# exit
Router(config)# cable downstream controller-profile 2
Router(config-controller-profile)# multicast-pool 20
Router(config-controller-profile)# rf-channel 20 47
Router(config-prof-rf-chan)# type video sync
Router(config-prof-rf-chan)# frequency 231000000
Router(config-prof-rf-chan)# rf-output NORMAL
Router(config-prof-rf-chan)# qam-profile 7
Router(config-prof-rf-chan)# exit
Router(config-controller-profile)# exit
Router(config)# cable rpd RPD01
Router(config-rpd)# identifier 0004.9f31.0979
Router(config-rpd)# core-interface te6/1/0
Router(config-rpd-core)# principal
Router(config-rpd-core)# rpd-ds 0 downstream-cable 6/0/0 profile 1
Router(config-rpd-core)# rpd-ds 0 downstream-cable 6/0/1 profile 2
Router(config-rpd-core)# rpd-us 0 upstream-cable 6/0/0 profile 1
Router(config-rpd-core)# exit
Router(config-rpd)# r-dti 6
Router(config-rpd)# rpd-event profile 0
Router(config-rpd)# exit
Router(config)# cable rpd RPD2
Router(config-rpd)# identifier 0004.9f31.1437
Router(config-rpd)# core-interface Te3/1/0
Router(config-rpd-core)# principal
Router(config-rpd-core)# rpd-ds 0 downstream-cable 3/0/0 profile 1
Router(config-rpd-core)# rpd-us 0 upstream-cable 3/0/0 profile 1
Router(config-rpd-core)# exit
Router(config-rpd)# core-interface Te6/1/0
Router(config-rpd-core)# rpd-ds 0 downstream-cable 6/0/1 profile 2
Router(config-rpd-core)# exit
Router(config-rpd)# r-dti 3
Router(config-rpd)# rpd-event profile 0
Router(config-rpd)# exit
Router(config)# cable video
Router(config-video)# service-distribution-group RPD_SDG
Router(config-video-sdg)# rpd downstream-cable 6/0/1
Router(config-video-sdg)# exit

```

```

Router(config-video)# virtual-carrier-group RPC_VCG
Router(config-video-vcg)# rf-channel 20-47 tsid 20-47 output-port-number 20-47
Router(config-video-vcg)# exit
Router(config-video)# bind-vcg
Router(config-video-bd)# vcg RPC_VCG sdg RPD_SDG
Router(config-video-bd)# exit
Router(config-video)# logical-edge-device RPD_LED
Router(config-video-led)# protocol table-based
Router(config-video-led-protocol)# virtual-edge-input-ip 174.102.1.1 input-port-number 1
Router(config-video-led-protocol)# vcg RPD_VCG
Router(config-video-led-protocol)# active
Router(config-video-led-protocol)# table-based
Router(config-video-tb)# vcg RPD_VCG
Router(config-video-tb-vcg)# rf-channel 20-47
Router(config-video-tb-vcg-sess)# session tbsession-1 input-port 1 start-udp-port 49152
num-sessions-per-qam 20 processing-type remap start-program 1 bit-rate 1800000

```

Feature Information for Remote PHY Video

The following table provides release information about the feature or features described in this module. This table lists only the software release that introduced support for a given feature in a given software release train. Unless noted otherwise, subsequent releases of that software release train also support that feature.

Use Cisco Feature Navigator to find information about platform support and Cisco software image support. To access Cisco Feature Navigator, go to www.cisco.com/go/cfn. An account on Cisco.com is not required.

Table 21: Feature Information for Remote PHY Video

Feature Name	Releases	Feature Information
RPHY Video PME VOD	Cisco 1x2 RPD Software 1.1	This feature was introduced on the Cisco Remote PHY Device.
RPHY Video Pre-Encrypted MPTS Pass-Thru Support	Cisco 1x2 RPD Software 1.1	This feature was introduced on the Cisco Remote PHY Device.
RPHY Pre-encrypted Broadcast Video Support	Cisco 1x2 / Compact Shelf RPD Software 2.1	This support was introduced on the Cisco Remote PHY Device 1x2.



Cisco Remote PHY PowerKEY VOD

PowerKEY Video-on-Demand refers to video content that is chosen by the subscriber and streamed specifically to the subscriber. The content is encrypted using PowerKEY conditional access through a video session that is created on the line card in R-PHY mode on Cisco cBR-8, specifically for each request.

Finding Feature Information

Your software release may not support all the features documented in this module. For the latest feature information and caveats, see the release notes for your platform and software release. To find information about the features documented in this module, and to see a list of the releases in which each feature is supported, see the Feature Information Table at the end of this document.

Use Cisco Feature Navigator to find information about platform support and Cisco software image support. To access Cisco Feature Navigator, go to <http://tools.cisco.com/ITDIT/CFN/>. An account on <http://www.cisco.com/> is not required.

- [Hardware Compatibility Matrix for Cisco Remote PHY Device, page 89](#)
- [Information About PowerKEY VOD, page 90](#)
- [How to Configure RPHY PowerKey VOD, page 91](#)
- [Configuration Examples, page 95](#)
- [Feature Information for Rmote PHY PowerKEY VoD, page 95](#)

Hardware Compatibility Matrix for Cisco Remote PHY Device



Note

The hardware components introduced in a given Cisco Remote PHY Device Software Release are supported in all subsequent releases unless otherwise specified.

Table 22: Hardware Compatibility Matrix for the Cisco Remote PHY Device

Cisco HFC Platform	Remote PHY Device
Cisco GS7000 Node	Cisco 1x2 RPD Software 1.1 and Later Releases Cisco Remote PHY Device 1x2 <ul style="list-style-type: none"> • PID—RPD-1X2= • RPD-1X2-PKEY=
Intelligent NODE (iNODE)	Cisco 1x2 RPD Software 3.1 and Later Releases Cisco Remote PHY Device 1x2 <ul style="list-style-type: none"> • IRPD-1X2= • IRPD-1X2-PKEY=

**Note**

The -PKEY suffix in the PID indicates units that enable the SCTE-55-2 Out-of-Band protocol support.

Information About PowerKEY VOD

The line cards in R-PHY mode on Cisco cBR-8 supports session-based PowerKey VOD. In both RPHY and integrated modes, the Cisco cBR-8 router establishes a GQI Remote Procedure Call (RPC) connection to the Edge Resource Manager (SRM), which may be an Explorer Controller (EC), USRM, or any other session manager. The Cisco cBR-8 supports 40G-R line cards, which can be configured for RPHY.

Configure the PowerKey VOD carriers in a GQI protocol LED. The Virtual Carrier Groups (VCG) in the LED, must be bound to a Service Distribution Group (SDG) with downstream-cable ports (instead of the integrated-cable ports).

Overview of PowerKEY VoD

PowerKEY VOD allows the operator to provide secure, encrypted video streams to a particular subscriber over the RF plant. PowerKEY video-on-demand is used in a Cisco cable environment to provide edge-encrypted video-on-demand movies and other content to subscribers. A subscriber can select the content through an on-screen selection and the set-top box (STB) notifies the head-end of the request.

The head-end equipment receives the request from the STB and triggers the Session Resource Manager (SRM) to create an encrypted video session on the Cisco cBR-8. At the same time, the video streamer is triggered to begin streaming the content in a UDP stream to the Cisco cBR-8. The Cisco cBR-8 receives an unscrambled video content, encrypts it using PowerKEY, combines the scrambled stream with other content intended for the RF carrier into a Multi-Program Transport Stream (MPTS), encapsulates it using R-DEPI protocol, and sends it out on Ethernet port to the Converged Interconnect Network (CIN) between the cBR-8 RPHY core and the RPHY Device (RPD).

How to Configure RPHY PowerKey VOD



Note To know more about the commands referenced in this section, see the [Cisco IOS Master Command List](#).

Configuring the Encryption Type on the Line Card

The Cisco IOS-XE supports PowerKey encryption CA systems, but allows only one encryption type to be installed on the line card. There are two levels in the CA system. The lower level scrambler, which encrypts the actual data streams and the upper level conditional access system, which handles how the control words are transferred from the encrypting device to the decrypting device.

To specify the type of encryption used to scramble the data streams, complete the following procedure:

```
configure terminal cable video encryption
linecard slot/bay ca-system [powerkey] scrambler scrambler-type
exit
```

PowerKey currently supports DES type of encryption.

Verifying the Encryption Configuration

To verify the encryption type of a line card, use the show cable video encryption linecard command as shown in the following example:

```
show cable video encryption linecard 7/0
Line card: 7/0
CA System Scrambler
=====
powerkey des
```

Configuring the Encrypted Virtual Carrier Groups

For the sessions to be encrypted on the Cisco cBR-8, the Virtual Carrier Groups (VCGs) must be specified as encrypt and the line card must be configured as encrypted. In this way, the operator can choose the carriers on the line card that support encryption and other carriers that support only clear or pre-encrypted sessions. Each encrypted carrier consumes an encrypted carrier license.

For the VCG to be used in a Logical Edge Device (LED) that is configured with the GQI protocol, each RF carrier must be assigned with an output port number. The LED must be configured with the Generic QAM Interface (GQI) protocol in order to support session-based operation.



Note For PowerKEY VOD, you have to specify the session-based operation.

To configure the VCG, complete the following procedure:

```
configure terminal cable video
virtual-carrier-group vcg-name
encrypt
rf-channel channel range tsid tsid range output-port-number port num range
exit
```

Configuring the Encrypted Virtual Carrier Groups

For the sessions to be encrypted on the Cisco cBR-8, the Virtual Carrier Groups (VCGs) must be specified as **encrypt** and the line card must be configured as encrypted. In this way, the operator can choose the carriers on the line card that support encryption and other carriers that support only clear or pre-encrypted sessions. Each encrypted carrier consumes an encrypted carrier license.

For the VCG to be used in a Logical Edge Device (LED) that is configured with the GQI protocol, each RF carrier must be assigned with an output port number. The LED must be configured with the Generic QAM Interface (GQI) protocol in order to support session-based operation.



Note For PowerKEY VOD, you have to specify the session-based operation.

To configure the VCG, complete the following procedure:

```

configure terminal
cable video
virtual-carrier-group vcg-name
rf-channel channel range tsid tsid range output-port-number port num range
virtual-edge-input ip-address [vrf] vrf name input-port-number number
encrypt
exit

```

Verifying the Encrypted Virtual Carrier Groups Configuration

To verify the encrypted VCGs configuration, use the **show cable video virtual-carrier-group name** command as shown in the example below:

```
show cable video virtual-carrier-group name vod-grp
```

Configuring the Service Distribution Groups and Binding

The Service Distribution Group (SDG) is a collection of one or more RF ports and defines the physical slot/bay/port to be used in a video service. After you configure an SDG, you can bind a VCG to an SDG. The binding connects the carriers defined in the VCG to the physical port listed in the SDG. After binding, a path from the Virtual Edge Input (VEI) is mapped to the RF channels.

The following example shows how to configure the SDGs and binding:

```

configure terminal cable video
  mgmt-intf VirtualPortGroup 0

  service-distribution-group sdg1 id 1
    rpd downstream-cable 7/0/0
  virtual-carrier-group vcg1 id 1
    service-type narrowcast
    encrypt
    rf-channel 0-10 tsid 1-11 output-port-number 1-11

bind-vcg
  vcg vcg1 sdg sdg1

```

Configuring the Logical Edge Device and GQI Protocol

The PowerKEY VOD feature on the Cisco cBR-8 is directed by an external Session Resource Manager (SRM) that creates video sessions in response to a subscriber selecting VOD content to watch on the set top box. You must configure a Logical Edge Device (LED) supporting the GQI protocol on the Cisco cBR-8 to support the PowerKEY VOD.

The LED is configured with the GQI protocol as the LED communicates with an external SRM using the GQI protocol. The GQI protocol supports the creation and deletion of sessions on the carriers owned by this LED.



Note

Use the following command to get the chassis MAC address:

```
Router#show diag all eeprom detail | include MAC
Chassis MAC Address : 54a2.740e.2000
MAC Address block size : 1024
```

Using the Chassis MAC as a basis, increment the least significant number to give a unique identifier (mac-address) for each LED. This number needs to be unique with respect to the GQI server and does not really relate to a true MAC address. Thus, the number is irrelevant, but needs to be unique.

To configure the Logical Edge Device and GQI Protocol, complete the following procedure:

```
cable video
logical-edge-device led1 id 1
  protocol gqi
    mgmt-ip management ip address
    mac-address mac address from this chassis range
    server ip address of srm
    keepalive retry 3 interval 10
    reset interval 8
    virtual-edge-input-ip ip addr for content input-port-number num
    vcg virtual edge qam name (may be multiple vcgs in an LED)
    active
```

Verifying the PowerKEY VoD Configuration

The PowerKEY encrypted VOD LED is active and communicates with the external SRM device after configuring the encryption type on the line card, VCGs, binding of SDGs, and LED with GQI protocol are completed.

To verify the Logical Edge Device configuration, use the show cable video logical-edge-device name led name command or the show cable video logical-edge-device id led number command as shown in the example below:

```
show cable video logical-edge-device name pkvodled
Logical Edge Device: pkvodled
Id: 1
Protocol: gqi
Service State: Active
Discovery State: Disable
Management IP: 1.23.2.10
MAC Address: 54a2.740d.dc99
Number of Servers: 1
Server 1: 1.200.3.75
Reset Interval: 8
Keepalive Interval: 10
Retry Count:3
Number of Virtual Carrier Groups: 1
Number of Share Virtual Edge Input: 1
Number of Physical Qams: 20
Number of Sessions: 0
No Reserve PID Range
Virtual Edge Input:
```

Input Port ID	VEI IP	Slot/Bay ID	Bundle	Gateway
1	174.10.2.1	7/0	--	

Verify the following:

- The service state of the LED should be active and the other fields must be same as the configured values.
- The connection to the remote SRM should be displayed to ensure that there is a valid network connection to the SRM.
- Execute the show cable video gqi connections command. The following is the sample output when the connection is not established to the SRM:

LED Management ID	Server IP	Connection Status	Version Pending	Event Indication	Reset Discovery	Encryption
1	1.23.2.10	1.200.3.75 Not Connected	0	0	Not Sent	Not Sent

The following is the sample output when the connection is established to the SRM:

LED Management ID	Server IP	Connection Status	Version Pending	Event Indication	Reset Discovery	Encryption
1	1.23.2.10	1.200.3.75 Not Connected	2	0	ACKED ACKED	

After the connection is established, the SRM may create encrypted sessions on the carriers of the LED.

- To view the encrypted sessions, use the show cable video session logical-edge-device id led name summary command as shown in the example below:

```
show cable video session logical-edge-device id 1summary
Video Session Summary:

Active      : 1  Init      : 0  Idle      : 0
Off         : 0  Blocked : 0  PSI-Ready : 1
UDP        : 1  ASM       : 0  SSM       : 0
Remap      : 1  Data     : 0  Passthru  : 0
Total Sessions: 1
```

- The individual session information can be displayed for the entire LED, for a particular port or line card. The details of a single session may be displayed by specifying a session-id or session-name. To display all the sessions on the LED, use the show cable video session logical-edge-device name led name command as shown in the example below:

```
show cable video session logical-edge-device name pkvodled
Total Sessions = 1

Session Output Streaming Session Destination UDP Output Input Output Input
Id Port Type Type Type Port Program State State Bitrate
-----
1048576 1 Remap UDP 174.101.1.1 4915 1 ACTIVE-PSI ON 732788

Output Encrypt Encrypt Session
Bitrate Type Status Name
-----
1715446 PowerKey Encrypted 0x00000000000001
```

If the session is encrypted and transmitted properly, the session is displayed as shown in the above example. The input state is "ACTIVE-PSI". The output state is "ON". For PowerKEY encrypted sessions, the Encrypt Type will be "PowerKey" and the Encrypt Status will be "Encrypted".

If the session is created as a clear session, then the Encrypt Type will be "CLEAR" and the Encrypt Status will be "-".

Configuration Examples

This section provides configuration examples for the PowerKEY VOD feature:

Example: Configuring Encryption Type on the Line Card

The following example shows how to create a management IP interface:

```
configure terminal cable video encryption
linecard 6/0 ca-system powerkey scrambler des
exit
```

Example: Configuring Encrypted Virtual Carrier Groups

The following example shows how to configure the QAM channels from 64 to 158. These channels are encryption capable once the VCG is successfully bound to a Service Distribution Group. The sessions created on these QAM carriers are encrypted using the scrambler installed on the line card.

```
configure terminal cable video
virtual-carrier-group RPC_VCG
encrypt
rf-channel 20-47 tsid 20-47 output-port-number 20-47
virtual-edge-input-ip 174.102.1.1 input-port-number 1
exit
```

Example: Configuring Service Distribution Groups and Binding

The following example shows how to configure the service distribution groups and binding:

```
configure terminal cable video
  mgmt-intf VirtualPortGroup 0

service-distribution-group sdg1 id 1
  rpd downstream-cable 7/0/0
virtual-carrier-group vcg1 id 1
  service-type narrowcast
  encrypt
  rf-channel 0-10 tsid 1-11 output-port-number 1-11

bind-vcg
  vcg vcg1 sdg sdg1
logical-edge-device led1 id 1
  protocol gqi
  mgmt-ip 1.22.2.10
  mac-address c414.3c17.e001
  server 1.200.1.189
  keepalive retry 3 interval 10
  reset interval 8
  virtual-edge-input-ip 174.102.1.1 input-port-number 1
  vcg vcg2
  active
```

Feature Information for Rmote PHY PowerKEY VoD

Use Cisco Feature Navigator to find information about platform support and software image support. Cisco Feature Navigator enables you to determine which software images support a specific software release, feature set, or platform. To access Cisco Feature Navigator, go to <http://www.cisco.com/go/cfn>. An account on [Cisco.com](http://www.cisco.com) is not required.

**Note**

The table below lists only the software release that introduced support for a given feature in a given software release train. Unless noted otherwise, subsequent releases of that software release train also support that feature.

Table 23: Feature Information for RPHY PowerKEY VoD

Feature Name	Releases	Feature Information
Remote PHY PowerKEY VoD	Cisco 1x2 / Compact Shelf RPD Software 2.1	This feature was introduced on Cisco Remote PHY Device 1x2.



Cisco Remote PHY Pre-encrypted Broadcast Video

This document describes how to configure pre-encrypted Broadcast Video sessions on Cisco cBR-8 routers.

Finding Feature Information

Your software release may not support all the features documented in this module. For the latest feature information and caveats, see the release notes for your platform and software release. To find information about the features documented in this module, and to see a list of the releases in which each feature is supported, see the Feature Information Table at the end of this document.

Use Cisco Feature Navigator to find information about platform support and Cisco software image support. To access Cisco Feature Navigator, go to <http://tools.cisco.com/ITDIT/CFN/>. An account on <http://www.cisco.com/> is not required.

- [Hardware Compatibility Matrix for Cisco Remote PHY Device, page 97](#)
- [Information About Pre-encrypted Broadcast Video, page 98](#)
- [How to Configure Pre-encrypted Broadcast Video Sessions, page 99](#)
- [Configuration Example for Pre-encrypted Broadcast Video Session, page 100](#)
- [Feature Information for RPHY Pre-encrypted Broadcast Video, page 100](#)

Hardware Compatibility Matrix for Cisco Remote PHY Device



Note

The hardware components introduced in a given Cisco Remote PHY Device Software Release are supported in all subsequent releases unless otherwise specified.

Table 24: Hardware Compatibility Matrix for the Cisco Remote PHY Device

Cisco HFC Platform	Remote PHY Device
Cisco GS7000 Node	Cisco 1x2 RPD Software 1.1 and Later Releases Cisco Remote PHY Device 1x2 <ul style="list-style-type: none"> • PID—RPD-1X2= • RPD-1X2-PKEY=
Intelligent NODE (iNODE)	Cisco 1x2 RPD Software 3.1 and Later Releases Cisco Remote PHY Device 1x2 <ul style="list-style-type: none"> • IRPD-1X2= • IRPD-1X2-PKEY=

**Note**

The -PKEY suffix in the PID indicates units that enable the SCTE-55-2 Out-of-Band protocol support.

Information About Pre-encrypted Broadcast Video

The Cisco cBR-8 line card supports broadcast video. It also provides support to the WAN ports for receiving Multi program Transport Streams (MPTS). The Cisco cBR passes the MPTS streams in its entirety to multiple RPDs in the network to provide an output on their RF ports.

The content is multiplexed and encrypted during upstream traffic and reaches Cisco cBR-8 router as pre-encrypted in a constant bit-rate MPTS with all the PSI present. The Cisco cBR routers perform the following:

- De-jittering
- Clock recovery
- PCR re-stamping
- Regenerates PAT with correct TSID

Typically, multi-system operators (MSO) have between 64 and 75 carriers of Broadcast video content in their system. In the RPHY environment, the Cisco cBR routers convert the Broadcast carriers into DEPI multicast streams and send them to an unlimited number of RPDs over the Converged Interconnect Network.

Multicast Table-based Sessions

Similar to table-based unicast session configuration, sessions can be configured as individual sessions under each QAM carrier that is assigned to a table-based LED. To configure multicast video session, you must configure a port-channel interface.

A multicast session can be configured with a single input multicast input source or multiple input sources for backup purpose. For multiple backup sources, a label is required to be associated with the session configuration. Same label can be applied to multiple sessions on different QAM channel. These sessions are considered as cloned sessions.

For session cloning on multiple QAMs within the same line card, only one copy of the traffic is forwarded to the line card. The line card replicates the input packets and forwards them to multiple QAMs. Each cloned copy of a remapped session will have the same or different output program number.

MPTS Pass-through Session

The Cisco cBR-8 router supports multicast MPTS pass-session type. For a pass-through session:

- The PMT and other program data are not changed.
- PID remapping is not performed.
- Input NULL packets are dropped.
- Oversubscription results in random TP dropping, and all ghost PIDs are preserved in the output.

How to Configure Pre-encrypted Broadcast Video Sessions



Note

To know more about the commands referenced in this section, see the [Cisco IOS Master Command List](#).

This section contains the following:

Configure a Port-Channel Interface

The following example shows how to configure a port-channel interface.

```
interface Port-channel27
description connection for Core A
ip address 2.27.1.1 255.255.255.252
ip pim sparse-mode
ip access-group 101 out
ip igmp version 3
ip ospf 64512 area 27
load-interval 30
carrier-delay msec 500
```

Configuring Pre-encrypted Broadcast Sessions

The following example shows how to configure the pre-encrypted Broadcast Video sessions on Cisco cBR routers.

```
cable video
multicast-uplink Port-channel32 access-list all-multicasts

table-based
multicast-label label group group-ip source source-ip source2 source-ip source3 source-ip
source4 source-ip
multicast-label label group group-ip source source-ip source2 source-ip source3 source-ip
source4 source-ip
```

```

    vcg vcg-name
  rf-channel channel
    session session-name multicast-label label processing-type {remap | passthru | data}
cbr
  rf-channel channel
    session session-name multicast-label label processing-type {remap | passthru | data}
cbr

```

Configuring the Service Distribution Groups and Binding

The Service Distribution Group (SDG) defines the physical slot/bay/port to be used in a video service. After you configure an SDG, you can bind a VCG to an SDG. The binding connects the carriers defined in the VCG to the physical port listed in the SDG. After binding, a path from the Virtual Edge Input (VEI) is mapped to the RF channels.

The following example shows how to configure the SDGs and binding:

```

configure terminal
cable video
service-distribution-group sdg99 id 99
  rpd downstream-cable 9/0/31

virtual-carrier-group vcg99 id 99
  service-type broadcast
  rf-channel 64-78 tsid 38901-38915 output-port-number 1-15
  rf-channel 80-127 tsid 38917-38964 output-port-number 17-64

bind-vcg
  vcg vcg99 sdg sdg99

logical-edge-device led31 id 31
protocol table-based
vcg vcg99
active

```

Configuration Example for Pre-encrypted Broadcast Video Session

The following example shows an example of configuring pre-encrypted Broadcast Video sessions on Cisco cBR routers.

```

cable video
table-based
  multicast-label mpts1 group 236.0.1.1 source 175.10.5.2 source2 175.10.6.2 source3
175.10.7.2 source4 175.10.8.2
  multicast-label mpts2 group 236.0.1.2 source 175.10.5.2 source2 175.10.6.2 source3
175.10.7.2 source4 175.10.8.2
  vcg vcg99
  rf-channel 64
    session mpts1 multicast-label mpts1 processing-type passthru cbr
  rf-channel 65
    session mpts2 multicast-label mpts2 processing-type passthru cbr

```

Feature Information for RPHY Pre-encrypted Broadcast Video

Use Cisco Feature Navigator to find information about platform support and software image support. Cisco Feature Navigator enables you to determine which software images support a specific software release,

feature set, or platform. To access Cisco Feature Navigator, go to <http://www.cisco.com/go/cfn>. An account on [Cisco.com](http://www.cisco.com) is not required.

**Note**

The table below lists only the software release that introduced support for a given feature in a given software release train. Unless noted otherwise, subsequent releases of that software release train also support that feature.

Table 25: Feature Information for RPHY Pre-encrypted Broadcast Video

Feature Name	Releases	Feature Information
RPHY Pre-encrypted Broadcast Video	Cisco 1x2 / Compact Shelf RPD Software 2.1	This feature was introduced on Cisco Remote PHY Device 1x2.



Remote PHY BFS QAM Configuration

This document provides information on how to configure Cisco cBR-8 as a Broadcast File System (BFS) Quadrature Amplitude Modulation (QAM), which interfaces with Explorer Controller (EC) versions 7.x and 8.x.

Finding Feature Information

Your software release may not support all the features documented in this module. For the latest feature information and caveats, see the release notes for your platform and software release. To find information about the features documented in this module, and to see a list of the releases in which each feature is supported, see the Feature Information Table at the end of this document.

Use Cisco Feature Navigator to find information about platform support and Cisco software image support. To access Cisco Feature Navigator, go to <http://tools.cisco.com/ITDIT/CFN/>. An account on <http://www.cisco.com/> is not required.

- [Hardware Compatibility Matrix for Cisco Remote PHY Device, page 103](#)
- [Information About BFS QAM Support, page 104](#)
- [How to Configure BFS QAM for EC 7.x, page 104](#)
- [How to Configure BFS QAM for RPD, page 107](#)
- [How to Configure BFS QAM for EC 8.x, page 108](#)
- [Configuration Example for BFS QAM Configuration, page 110](#)
- [Feature Information for BFS QAM Configuration, page 113](#)

Hardware Compatibility Matrix for Cisco Remote PHY Device



Note

The hardware components introduced in a given Cisco Remote PHY Device Software Release are supported in all subsequent releases unless otherwise specified.

Table 26: Hardware Compatibility Matrix for the Cisco Remote PHY Device

Cisco HFC Platform	Remote PHY Device
Cisco GS7000 Node	Cisco 1x2 RPD Software 1.1 and Later Releases Cisco Remote PHY Device 1x2 <ul style="list-style-type: none"> • PID—RPD-1X2= • RPD-1X2-PKEY=
Intelligent NODE (iNODE)	Cisco 1x2 RPD Software 3.1 and Later Releases Cisco Remote PHY Device 1x2 <ul style="list-style-type: none"> • IRPD-1X2= • IRPD-1X2-PKEY=

**Note**

The -PKEY suffix in the PID indicates units that enable the SCTE-55-2 Out-of-Band protocol support.

Information About BFS QAM Support

The BFS provides a mechanism for a standardized downloading of applications, games, images, and other data formats required by the applications. The BFS QAM enables the router to transfer the broadcast data from an EC to the target platform such as a set-top unit. All forms of BFS data from EC flows as IP multicast, except the CVT carousel, which is through the GQI insert packets.

The BFS QAM configuration on the Cisco cBR-8 router varies based on the version of EC, which interfaces with the router.

- For EC 7.x-Model a GQI-based LED as BFS QAM. One for each LC on Cisco cBR-8.

For Remote PHY-A single GQI-based LED as BFS QAM for the entire Cisco cBR-8 chassis, as the Cisco cBR-8 can support DEPI multicast for all Remote PHY devices (RPD).

For EC 8.x-EC 8.x multicasts CVT carousel data in addition to GQI insert packets, but only in the presence of GQAM configured as BFS QAM. Hence, in this setup, a single table-based LED, modeled as BFS QAM, for each Cisco cBR-8 chassis is sufficient. Using cross LC replication, this BFS data can be replicated to other LCs on the Cisco cBR.

How to Configure BFS QAM for EC 7.x

This configuration applies to Cisco cBR-8 routers running Converged Cable Access Platform (CCAP) with Ethernet input and RF output.

If Cisco cBR-8 interacts with EC 7.x, configure an LED on each line card. Use the following procedure to configure BFS QAM on Cisco cBR router.

- Configure an LED with GQI protocol on each line card.
- On EC 7.x, provision BFS QAM.
- Manually create sessions on EC 7.x.
- Generate the QAM, based on GQI model.
- Generate a new source definition and use the new QAM as a target using the same PIDs.
- Ensure that everything is set up on the EC to match the Cisco cBR-8 LED configuration.

**Note**

To know more about the commands referenced in this section, see the [Cisco IOS Master Command List](#).

This section contains the following:

Mapping Cisco cBR-8 as a GQI QAM

On the EC 7.x, configure BFS sessions on the registered BFS QAM by using one of the following:

- Proprietary Remote Procedure Call (RPC) (with GQAM)
- GQI (with RFGW-1)

You can use a standard GQI model where the sessions will be generated on the individual line card on a single LED per line card basis. Individual BFS sessions are added to the LEDs at the Source Definition for all in-band BFS sources. Sessions must be unique in numbering and QAM selection, although all other settings must be duplicates of the original settings.

Creating VCG with One QAM Channel

The following example shows how to create a video virtual carrier group (VCG) with one QAM channel, which can carry the BFS data.

```
enable
configure terminal
cable video

virtual-carrier-group (name) id (id)
  service-type broadcast
  rf-channel (rf-channel number 1) tsid (id) output-port-number (port number 1)
virtual-carrier-group (name 2) id (id 2)
  service-type broadcast
  rf-channel (rf-channel number 1) tsid (id 2) output-port-number (port number 1)
```

Creating SDG for BFS Sessions on Cisco cBR

The following example shows how to create Service Distribution Group (SDG) for BFS sessions and map this to as many RF ports as required.

```
enable
configure terminal
cable video

service-distribution-group sdg_bdcast id 20
  rf-port integrated-cable 8/0/0
  rf-port integrated-cable 8/0/1
```

```

rf-port integrated-cable 8/0/2
rf-port integrated-cable 8/0/3
rf-port integrated-cable 8/0/4
rf-port integrated-cable 8/0/5
rf-port integrated-cable 8/0/6
rf-port integrated-cable 8/0/7
service-distribution-group sdg_bdcast-9 id 21
rf-port integrated-cable 9/0/0
rf-port integrated-cable 9/0/1
rf-port integrated-cable 9/0/2
rf-port integrated-cable 9/0/3
rf-port integrated-cable 9/0/4
rf-port integrated-cable 9/0/5
rf-port integrated-cable 9/0/6
rf-port integrated-cable 9/0/7

```

Create VCG for BFS

The following example shows how to create VCG for BFS.

```

configure terminal
cable video

virtual-carrier-group vcg_bdcast id 20
  service-type broadcast
  rf-channel 76 tsid 1011 output-port-number 1
virtual-carrier-group vcg_bdcast-9 id 21
  service-type broadcast
  rf-channel 76 tsid 1012 output-port-number 1

vcg vcg_bdcast sdg sdg_bdcast
vcg vcg_bdcast-9 sdg sdg_bdcast-9

bind-vcg
vcg vcg_bdcast sdg sdg_bdcast
vcg vcg_bdcast-9 sdg sdg_bdcast-9

```

Creating Logical Edge Device

The following example shows how to create an LED.



Note

Ensure that the LED settings are the same as GQI QAM settings on the EC. For more details, see [Creating GQI QAM for BFS on EC 7.x](#)

```

enable
configure terminal
cable video

logical-edge-device led_BFS id 20
  protocol gqi
  mgmt-ip 192.0.2.1
  mac-address <MAC address>
  server 198.51.100.1
  keepalive retry 3 interval 10
  reset interval 8
  virtual-edge-input-ip 203.0.113.1 input-port-number 1
  vcg vcg_bdcast
  active
logical-edge-device led_BFS-9 id 21
  protocol gqi

```



```

mgmt-ip 192.0.2.1
mac-address <MAC address>
server 198.51.100.1
keepalive retry 3 interval 10
reset interval 8
virtual-edge-input-ip 203.0.113.1 input-port-number 1
vcg vcg_bdcast-9
active

```

Creating GQI QAM for BFS on EC 7.x

Prerequisites

- To create the GQI QAM on the EC, enable packet insertion in the QAM Model.
- You can duplicate the standard RFGW model to ensure that no interference occurs with the current operations.
- The router must have a GQI QAM per LED.
- The individual QAM must be BFS-capable.

Procedure

Use the following procedure to create GQI QAM for BFS.

- 1 Choose EC > GQI Based QAM Model List > Edit GQI Based QAM.
- 2 (Optional) Select the BFS Capable checkbox.
- 3 Choose RF Carriers from the left pane.
- 4 Ensure that the Carriers and Ethernet Port values are the same as those on the LEDs.

You can create the sessions for each BFS source by generating a Multicast Through GQI Based QAM session through each BFS source's Source Definition.

How to Configure BFS QAM for RPD

This configuration applies to Cisco cBR-8 routers running CCAP with Ethernet input and Ethernet output.

The configuration procedure for RPD is similar to the configuration on Cisco cBR-8 routers with EC 7.x. However, only one LED is needed for BFS QAM configuration.

You can use the sessions configured on the LED on every RPD by defining an Auxiliary Core on each RPD as needed for BFS distribution.

Creating SDG for BFS Sessions for RPD

The following example shows how to create SDG for BFS sessions on RPDs.

```

service-distribution-group sdg_bdcast id 20
  rpd downstream-cable 2/0/30

virtual-carrier-group vcg_bdcast id 20
  service-type broadcast
  rf-channel 79 tsid 1013 output-port-number 1

```

Creating LED for RPD

The following example shows how to create an LED.

```
logical-edge-device led_BFS id 20
  protocol gqi
    mgmt-ip 192.0.2.1
    mac-address <MAC address>
    server 198.51.100.1
    keepalive retry 3 interval 10
    reset interval 8
    virtual-edge-input-ip 203.0.113.1 input-port-number 1
    vcg vcg_bdcast
```

Defining Cable RPD

The RPD definition must include the RPD defined in the BFS SDG for every RPD to which you want to distribute BFS data: The following example shows how to define RPD.

```
cable rpd RPD07
  identifier xxxx.xxxx.xxxx
  core-interface Te2/1/4
  principal
    rpd-ds 0 downstream-cable 2/0/16 profile 11
    rpd-us 0 upstream-cable 2/0/12 profile 1
  core-interface Te2/1/6
    rpd-ds 0 downstream-cable 2/0/30 profile 10
  r-dti 3
  rpd-event profile 0
!
cable rpd RPD08
  identifier xxxx.xxxx.xxxx
  core-interface Te2/1/4
  principal
    rpd-ds 0 downstream-cable 2/0/17 profile 11
    rpd-us 0 upstream-cable 2/0/14 profile 1
  core-interface Te2/1/6
    rpd-ds 0 downstream-cable 2/0/30 profile 10
  r-dti 3
  rpd-event profile 0
```

For information on how to create GQI QAM on the EC, see [Creating GQI QAM for BFS](#).

How to Configure BFS QAM for EC 8.x

When Cisco cBR-8 interfaces with EC 8.x, all sessions on the router are configured as multicast and perform a multicast join.

The Cisco cBR routers are not directly mapped on the EC. Hence, this BFS QAM configuration requests and processes the multicast BFS sessions that are setup on the actual BFS QAM. If the Cisco cBR-8 routers have to process these sessions, you must set up table-based multicast sessions, which are similar to the ones available on the BFS QAM.

Configure QAM replication group (QRG), spanning across line cards (LC) to replicate these BFS sessions on every RF port (if each RF port is a service group) of every LC.

To replicate across line cards, you must configure table-based sessions. You can perform cross-line-card-replication only through table-based sessions.

Use the following procedure to configure BFS QAM on Cisco cBR router for EC 8.x.

- 1 Create a VCG with one QAM channel for carrying this BFS data.
- 2 Within the same VCG, allocate a few more QAM channels for MPTS pass-through sessions.
- 3 Create VCG for VoD QAM channels.
- 4 Create VCG for SDV QAM channels.

Creating VCG for VoD QAM Channels

The following example shows how to create VCG for VoD QAM channels.

```
enable
configure terminal
cable video

virtual-carrier-group vcg_VoD
service-type narrowcast
rf-channel 1-32 tsid 2-33 output-port 2-33
```

Creating VCG for SDV QAM Channels

The following example shows how to create VCG for SDV QAM channels.

```
enable
configure terminal
cable video

virtual-carrier-group vcg_SDV
service-type narrowcast
rf-channel 33-48 tsid 34-49 output-port 34-49
```

Creating SDG

The following procedures are applicable when you create an SDG.

- 1 Create SDG for broadcast sessions and map this to as many RF ports as required, depending on the Service Groups which need this broadcast data.
- 2 Create separate SDG for VoD.
- 3 Create separate SDG for SDV, which probably contains replication.

```
enable
configure terminal
cable video

service-distribution-group sdg_bdcast
rf-port integrated-cable 1/0/0
rf-port integrated-cable 1/0/1
rf-port integrated-cable 2/0/0
rf-port integrated-cable 2/0/1
rf-port integrated-cable 3/0/0
rf-port integrated-cable 3/0/1

service-distribution-group sdg_VoD
rf-port integrated-cable 1/0/0

service-distribution-group sdg_SDV
rf-port integrated-cable 1/0/0
rf-port integrated-cable 1/0/1
```

```
bind-vcg
vcg vcg_BFS sdg sdg_BFS
vcg vcg_VoD1 sdg sdg_VoD
vcg vcg_SDV sdg sdg_SDV
```

Creating LEDs

The following procedures are applicable for creating LEDs.

- 1 Create a table based LED for broadcast carrying BFS and MPTS pass-through sessions.
- 2 Create separate LEDs for VoD and SDV.

```
logical-edge-device led_BFS id 1
  protocol table-based
  virtual-edge-input-ip 203.0.113.1 input-port-number 1
  vcg vcg_bdcast
  active
  table-based
  vcg vcg_bdcast
  rf-channel 0
  session BFS group 203.0.113.4 start-udp-port 49152 num-sessions-per-qam 1
  processing-type remap start-program 20 bit-rate 300000 jitter 100 vbr
  rf-channel 48 session MPTS_passthru group 203.0.113.5 start-udp-port 49152
  num-sessions-per-qam 1 processing-type passthru jitter 100 vbr
  rf-channel 49 session MPTS_passthru group 203.0.113.6 start-udp-port 49152
  num-sessions-per-qam 1 processing-type passthru jitter 100 vbr

logical-edge-device led_VoD id 2
  protocol gqi
  virtual-edge-input-ip 203.0.113.1 input-port-number 1
  vcg vcg_VoD
  active
```

Configuration Example for BFS QAM Configuration

This section provides examples for BFS QAM support.

Example: BFS QAM Configuration on Cisco cBR for EC 7.x

The following example shows the BFS QAM configuration for EC 7.x.

```
virtual-carrier-group vcg_bdcast id 20
  service-type broadcast
  rf-channel 76 tsid 1011 output-port-number 1
virtual-carrier-group vcg_bdcast-9 id 21
  service-type broadcast
  rf-channel 76 tsid 1012 output-port-number 1

service-distribution-group sdg_bdcast id 20
  rf-port integrated-cable 8/0/0
  rf-port integrated-cable 8/0/1
  rf-port integrated-cable 8/0/2
  rf-port integrated-cable 8/0/3
  rf-port integrated-cable 8/0/4
  rf-port integrated-cable 8/0/5
  rf-port integrated-cable 8/0/6
  rf-port integrated-cable 8/0/7
service-distribution-group sdg_bdcast-9 id 21
  rf-port integrated-cable 9/0/0
```

```

rf-port integrated-cable 9/0/1
rf-port integrated-cable 9/0/2
rf-port integrated-cable 9/0/3
rf-port integrated-cable 9/0/4
rf-port integrated-cable 9/0/5
rf-port integrated-cable 9/0/6
rf-port integrated-cable 9/0/7

virtual-carrier-group vcg_bdcast id 20
  service-type broadcast
  rf-channel 76 tsid 1011 output-port-number 1
virtual-carrier-group vcg_bdcast-9 id 21
  service-type broadcast
  rf-channel 76 tsid 1012 output-port-number 1

vcg vcg_bdcast sdg sdg_bdcast
vcg vcg_bdcast-9 sdg sdg_bdcast-9

bind-vcg
vcg vcg_bdcast sdg sdg_bdcast
vcg vcg_bdcast-9 sdg sdg_bdcast-9

logical-edge-device led_BFS id 20
  protocol gqi
  mgmt-ip 192.0.2.1
  mac-address <MAC address>
  server 198.51.100.1
  keepalive retry 3 interval 10
  reset interval 8
  virtual-edge-input-ip 203.0.113.1 input-port-number 1
  vcg vcg_bdcast
  active
logical-edge-device led_BFS-9 id 21
  protocol gqi
  mgmt-ip 192.0.2.1
  mac-address <MAC address>
  server 198.51.100.1
  keepalive retry 3 interval 10
  reset interval 8
  virtual-edge-input-ip 203.0.113.1 input-port-number 1
  vcg vcg_bdcast-9
  active

```

Example: BFS QAM Configuration on RPD

The following example shows the BFS QAM configuration on RPD.

```

service-distribution-group sdg_bdcast id 20
  rpd downstream-cable 2/0/30

virtual-carrier-group vcg_bdcast id 20
  service-type broadcast
  rf-channel 79 tsid 1013 output-port-number 1

logical-edge-device led_BFS id 20
  protocol gqi
  mgmt-ip 192.0.2.1
  mac-address <MAC address>
  server 198.51.100.1
  keepalive retry 3 interval 10
  reset interval 8
  virtual-edge-input-ip 203.0.113.1 input-port-number 1
  vcg vcg_bdcast
cable rpd RPD07
  identifier xxxx.xxxx.xxxx
  core-interface Te2/1/4
  principal
  rpd-ds 0 downstream-cable 2/0/16 profile 11
  rpd-us 0 upstream-cable 2/0/12 profile 1
  core-interface Te2/1/6

```

```

    rpd-ds 0 downstream-cable 2/0/30 profile 10
    r-dti 3
    rpd-event profile 0
!
cable rpd RPD08
  identifier xxxx.xxxx.xxxx
  core-interface Te2/1/4
  principal
    rpd-ds 0 downstream-cable 2/0/17 profile 11
    rpd-us 0 upstream-cable 2/0/14 profile 1
  core-interface Te2/1/6
    rpd-ds 0 downstream-cable 2/0/30 profile 10
  r-dti 3
  rpd-event profile 0

```

Example: BFS QAM Configuration on Cisco cBR for EC 8.x

The following example shows the BFS QAM configuration for EC 8.x.

```

virtual-carrier-group vcg_bdcast
  service-type broadcast
  rf-channel 0 tsid 1 out 1
  rf-channel 49-63 tsid 50-64 output-port 50-64

virtual-carrier-group vcg_VoD
  service-type narrowcast
  rf-channel 1-32 tsid 2-33 output-port 2-33

virtual-carrier-group vcg_SDV
  service-type narrowcast
  rf-channel 33-48 tsid 34-49 output-port 34-49

service-distribution-group sdg_bdcast
  rf-port integrated-cable 1/0/0
  rf-port integrated-cable 1/0/1
  rf-port integrated-cable 2/0/0
  rf-port integrated-cable 2/0/1
  rf-port integrated-cable 3/0/0
  rf-port integrated-cable 3/0/1

service-distribution-group sdg_VoD
  rf-port integrated-cable 1/0/0

service-distribution-group sdg_SDV
  rf-port integrated-cable 1/0/0
  rf-port integrated-cable 1/0/1

bind-vcg
  vcg vcg_BFS sdg sdg_BFS
  vcg vcg_VoD1 sdg sdg_VoD
  vcg vcg_SDV sdg sdg_SDV

logical-edge-device led_BFS id 1
  protocol table-based
  virtual-edge-input-ip 203.0.113.1 input-port-number 1
  vcg vcg_bdcast
  active
  table-based
  vcg vcg_bdcast
  rf-channel 0
    session BFS group 203.0.113.4 start-udp-port 49152 num-sessions-per-qam 1
  processing-type remap start-program 20 bit-rate 300000 jitter 100 vbr
  rf-channel 48
    session MPTS_passthru group 203.0.113.5 start-udp-port 49152 num-sessions-per-qam
  1 processing-type passthru jitter 100 vbr
  rf-channel 49
    session MPTS_passthru group 203.0.113.6 start-udp-port 49152 num-sessions-per-qam
  1 processing-type passthru jitter 100 vbr

```

```

logical-edge-device led_VoD id 2
  protocol gqi
  virtual-edge-input-ip 203.0.113.1 input-port-number 1
  vcg vcg_VoD
  active

```

Feature Information for BFS QAM Configuration

Use Cisco Feature Navigator to find information about platform support and software image support. Cisco Feature Navigator enables you to determine which software images support a specific software release, feature set, or platform. To access Cisco Feature Navigator, go to <http://www.cisco.com/go/cfn>. An account on [Cisco.com](http://www.cisco.com) is not required.



Note

The table below lists only the software release that introduced support for a given feature in a given software release train. Unless noted otherwise, subsequent releases of that software release train also support that feature.

Table 27: Feature Information for BFS QAM Configuration

Feature Name	Releases	Feature Information
BFS QAM Configuration	Cisco 1x2 / Compact Shelf RPD Software 2.1	This feature was introduced on Cisco Remote PHY Device 1x2.



Remote PHY QAM Profile Configuration

This document describes how to configure the QAM profile on the Cisco cBR Series Converged Broadband Router.

Finding Feature Information

Your software release may not support all the features documented in this module. For the latest feature information and caveats, see the release notes for your platform and software release. To find information about the features documented in this module, and to see a list of the releases in which each feature is supported, see the Feature Information Table at the end of this document.

Use Cisco Feature Navigator to find information about platform support and Cisco software image support. To access Cisco Feature Navigator, go to <http://tools.cisco.com/ITDIT/CFN/>. An account on <http://www.cisco.com/> is not required.

- [Information About QAM Profile, page 115](#)
- [How to Configure Remote PHY QAM Profile, page 116](#)
- [Configuration Example, page 117](#)
- [Feature Information for QAM Profile Configuration, page 117](#)

Information About QAM Profile

A QAM profile describes the common downstream channel modulator settings, referred to as physical layer parameters. This includes QAM constellation, symbol rate, interleaver-depth, spectrum-inversion, and annex.

The QAM profile is described by CCAP DownPhyParams object. Default QAM profiles are supported and customized for DOCSIS or MPEG Video, which are described as DocsisPhyDefault and VideoPhyDefault objects, respectively.

A maximum of 32 QAM profiles can be defined. There are four system-defined QAM profiles (0 to 3), which cannot be deleted or modified. You can define profiles 4 to 31.

The system defined profiles are:

- Profile 0 - default-annex-b-64-qam
 - interleaver-depth: I32-J4

- symbol rate: 5057 kilo-symbol/second
- spectrum-inversion: off
- Profile 1 - default-annex-b-256-qam
 - interleaver-depth: I32-J4
 - symbol rate: 5361 kilo-symbol/second
 - spectrum-inversion: off
- Profile 2 - default-annex-a-64-qam
 - interleaver-depth: I12-J17
 - symbol rate: 6952 kilo-symbol/second
 - spectrum-inversion: off
- Profile 3 - default-annex-a-256-qam
 - interleaver-depth: I12-J17
 - symbol rate: 6952 kilo-symbol/second
 - spectrum-inversion: off

How to Configure Remote PHY QAM Profile



Note

To know more about the commands referenced in this section, see the [Cisco IOS Master Command List](#).

Configuring the QAM Profile on Downstream Channels

```
Enable
configure terminal
  cabledownstream qam-profile Qam_Profile_ID D

  annex {A | B | C}
  description LINE
  interleaver-depth {I12-J17 | I128-J1 | I128-J2 |
I128-J3 | I128-J4 | I128-J5 | I128-J6 | I128-J7 |
I128-J8 | I16-J8 | I32-J4 | I64-J2 | I8-J16}
  modulation {256 | 64} spectrum-inversion {off | on}
  symbol-rate value
exit
```

You can configure symbol rate for Annex A video and Annex C video. The valid range for Annex A video is 3500 to 7000 kilo-symbols/sec. The valid range for Annex C video is 3500 to 5309 kilo-symbols/sec. The channel width in kHz is symbol-rate * (1 + alpha) with 0.15 alpha for Annex A and 0.13 alpha for Annex C.

Verifying QAM Profile on Downstream Channels

Use the following commands to verify the QAM Profile on Downstream Channels:

```
Router#show running-config | section downstream controller-profile
cable downstream controller-profile 0
  rf-chan 0 3
  type DOCSIS
  frequency 111000000
  rf-output NORMAL
  qam-profile 1
  docsis-channel-id 1
```

Configuration Example

QAM Profile Configuration

```
configure terminal
  cable downstream controller-profile 1
  multicast-pool 20
  Rf-channel 0 15
  Type docsis
  Frequency 111000000
  Rf-output NORMAL
  Qam-profile 1
  Docsis-channel-id 1
  cable downstream controller-profile 2
  multicast-pool 20
  Rf-channel 20 47
  Type video sync
  Frequency 231000000
  Rf-output NORMAL
  Qam-profile 14
```

Feature Information for QAM Profile Configuration

Use Cisco Feature Navigator to find information about platform support and software image support. Cisco Feature Navigator enables you to determine which software images support a specific software release, feature set, or platform. To access Cisco Feature Navigator, go to <http://www.cisco.com/go/cfn>. An account on [Cisco.com](http://www.cisco.com) is not required.



Note

The table below lists only the software release that introduced support for a given feature in a given software release train. Unless noted otherwise, subsequent releases of that software release train also support that feature.

Table 28: Feature Information for QAM Profile Configuration

Feature Name	Releases	Feature Information
QAM Profile Configuration-RPHY Annex B	Cisco 1x2 / Compact Shelf RPD Software 1.1	This feature was introduced on the Cisco Remote PHY Device.

Feature Name	Releases	Feature Information
QAM Profile Configuration-RPHY Annex A and C	Cisco 1x2 / Compact Shelf RPD Software 3.1	This feature was introduced on the Cisco Remote PHY Device.



Remote PHY DVB Video on Demand

The Digital Video Broadcasting (DVB) protocol for encrypting video services as defined in the ETSI TS 103 197 DVB Simulcrypt specification has been implemented on the line card for DVB R-PHY on Cisco cBR-8. This document contains an overview of the commands for configuring DVB and the commands for viewing the status of the encryption of services.

Finding Feature Information

Your software release may not support all the features documented in this module. For the latest feature information and caveats, see the release notes for your platform and software release. To find information about the features documented in this module, and to see a list of the releases in which each feature is supported, see the Feature Information Table at the end of this document.

Use Cisco Feature Navigator to find information about platform support and Cisco software image support. To access Cisco Feature Navigator, go to <http://tools.cisco.com/ITDIT/CFN/>. An account on <http://www.cisco.com/> is not required.

- [Information About DVB VOD, page 119](#)
- [How to Configure DVB, page 122](#)
- [Configuration Examples, page 125](#)
- [Additional References, page 128](#)
- [Feature Information for RPHY DVB VoD Support, page 128](#)

Information About DVB VOD

Overview of DVB VOD

This feature enables the operator to scramble the video sessions on the chassis. It involves the configuration to establish a connection with the Entitlement Control Message Generator (ECMG) and the Event Information Scheduler (EIS).

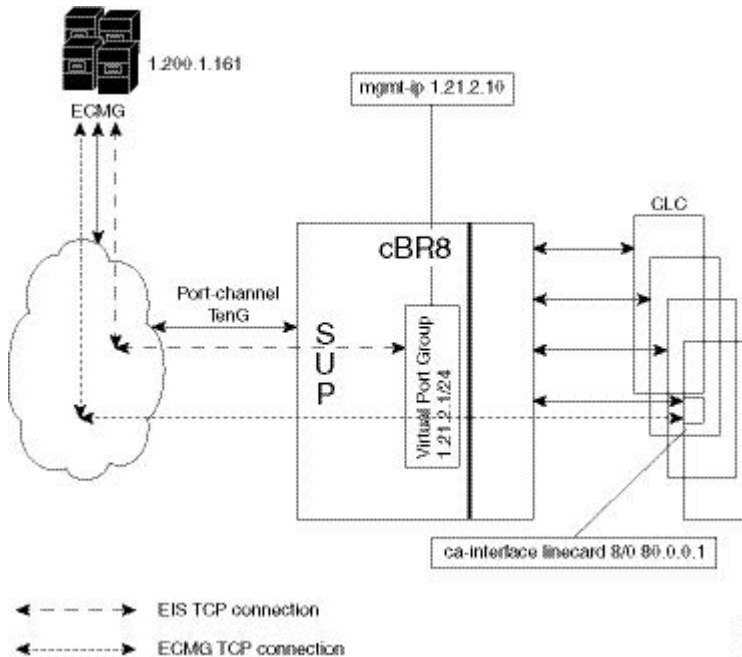
The two primary modes of scrambling are: session based scrambling and tier-based scrambling. The basic difference between the two modes is that the manner in which the Entitlement Control Messages (ECM) are requested from the ECMG. For session based scrambling, a control word (CW) is generated once every Crypto

Period (CP) and the ECM is requested for each session. For tier-based scrambling, the control word is generated once every CP and the ECM generated by the ECMG for the CW is used by all the sessions in the chassis.

Session based Scrambling Setup

The connection with the external EIS Server is established via the Virtual Port Group in the Supervisor. The connection with the external ECMG server is established via the linecard.

Figure 7: Session based Setup



Fail-to-Clear

The fail-to-clear-duration feature is supported on DVB sessions and DualCrypt encryption modes. Based on the session encryption, the following two features are supported on the Cisco cBR Series Converged Broadband Routers.

Fail-to-Clear Duration for DVB Session-based Encryption

This feature is used along with DVB or DualCrypt encryption with external Event Information Scheduler (EIS) configuration. When encryption for a session fails in Cisco cBR-8, this feature enables the operator to control the configured DVB-encrypted sessions to function without encryption for a configured duration. If the encryption still fails, the DVB session is marked as `Fail-to-black` after the fail-to-clear duration timeout.

Fail-to-Clear for DVB Tier-based Encryption

This feature is used along with Tier-based configuration. When encryption for a session fails in Cisco cBR-8, this feature enables the operator to control the configured DVB-encrypted sessions to function without encryption.

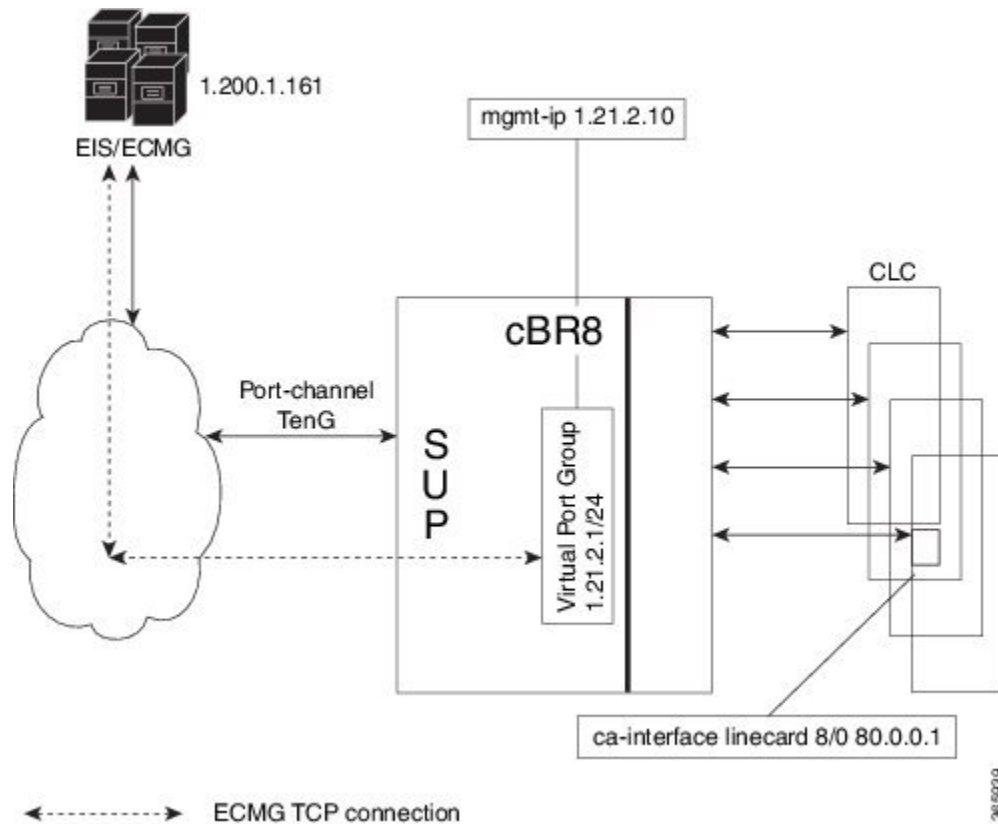
If fail-to-clear is configured, tier-based configuration is enabled, and then if the encryption fails, the DVB session's `Encrypt Status` is marked as `clear`. The status changes to `Encrypted` when the encryption starts.

This feature is not enabled by default.

Tier based Scrambling Setup

The connection with the external ECMG server is established via the Virtual Port Group in the Supervisor.

Figure 8: Tier based Setup



Restrictions for DVB

- This feature is applicable only for remapped table based sessions.
- Fail-to-clear-duration feature is applicable only to session-based scrambling for DVB CAS encryption.
- Fail-to-clear feature is applicable only to DVB tier-based scrambling sessions.

How to Configure DVB

Configuring RPHY DVB VoD

Before You Begin

- Virtual Port Group interface must be configured and the management IP for DVB must be identified.
- Management interface is set to this Virtual Port Group interface under cable video configuration.
- Logical Edge Device is configured with the table based protocol.
- The encryption algorithm of the linecard is set to DVB-CSA.
- For session based scrambling, the CA interface on the linecard and the route for reaching the ECMG server must be specified.

To configure session based scrambling, follow the steps below:

```
enable
config terminal
  interface int_id
    vrf forwarding vrf_script_red_1
    ip address ip-address subnet-mask
    no mop enabled
    no mop sysid
  exit
cable video
  mgmt-intf VirtualPortGroup group_id
  encryption
    linecard slot/bay ca-system dvb scrambler dvb-csa
    dvb
      route-ecmg ECMG_Server_IP_Address Netmask Interface Forwarding_Router_IP_Address
      mgmt-ip management ip address
      eis EIS_name id EIS_id
        listening-port <1-65535> bind led id <led id | led name>
      ca-interface linecard slot/bay IP_Address
      ecmg ECMG_Name id ECMG_ID
        mode vod linecard slot/bay
        type standard
        ca-system-id CA_System_ID CA_Subsystem_ID
        auto-channel-id
        ecm-pid-source sid
        connection id ID priority connection_priority IP_Address Port
      service-distribution-group sdg name id SDG_ID onid onid number
      rpd downstream-cable slot/subslot/bay
      virtual-carrier-group vcg-name id vcg_id
      encrypt
        service-type narrowcast
      rf-channel channel tsid tsid_number output-port-number number
  bind-vcg
    vcg vcg-name sdg sdg-name
  logical-edge-device led-name id led_id
  protocol gqi
    mgmt-ip IP_Address
    mac-address MAC address
    server server_ip address
    keepalive retry 3 interval 10
    reset interval 8
    virtual-edge-input-ip IP address input-port-number 1
    vcg vcg-name
    active
```

The fail-to-clear-duration is measured in seconds. The valid values are in the range from 0 to 10800 seconds. The default value is 0.

To configure tier based scrambling, follow the steps below:

```
enable
config terminal
  interface VirtualPortGroup group_id
    vrf forwarding Mgmt-intf
    ip address ip-address subnet-mask
    no mop enabled
    no mop sysid
  exit

cable video
  mgmt-intf VirtualPortGroup group_id
  encryption
    linecard slot/bay ca-system dvb scrambler dvb-csa
    dvb
      route-ecmg ECMG_Server_IP_Address Netmask Interface Forwarding_Router_IP_Address
      ecmg ECMG_Name id ECMG_ID
        mode tier-based
        type standard
        ca-system-id CA_System_ID CA_Subsystem_ID
        auto-channel-id
        ecm-pid-source sid
        connection id ID priority connection_priority IP_Address Port
      tier-based
        ecmg id ECMG_ID access- criteria access_criteria_in_hex
        fail-to-clear
        enable
      service-distribution-group sdg name id SDG ID onid onid number
        rpd downstream-cable slot/subslot/port
      virtual-carrier-group vcg-name id vcg_id
        encrypt
        service-type narrowcast
        rf-channel channel tsid tsid_number output-port-number number
      bind-vcg
        vcg vcg-name sdg sdg-name
      logical-edge-device led-name id led_id
        protocol table-based
        virtual-edge-input-ip IP address input-port-number 1
        vcg vcg-name
        active
      table-based
        vcg vcg-name
        rf-channel channel
          session session_name input-port id start-udp-port udp port number processing-type
      remap start-program 1 cbr
```



Note

If the tier-based configuration is already enabled, you must first disable the tier-based configuration using the **no enable**, before you configure fail-to-clear feature.

Verifying the DVB Configuration

To verify the configuration of the encryption algorithm on the linecard, use the **show cable video encryption linecard** command as shown in the example below:

```
Router# show cable video encryption linecard 7/0
Line card: 7/0
CA System      Scrambler      DVB-Conformance
=====
dvb            dvb-csa        Enabled
```

To verify the ECMG connection, use the **show cable video encryption dvb ecmg id id connection** command as shown in the example below:

```
Router# show cable video encryption dvb ecmg id 1 connection
```

ECMG ID	ECMG Auto Chan Name	ECMG Slot	ECMG Type	ECMG Connections	CA Sys ID	CA Subsys ID	PID Source	Lower limit	Upper limit	Streams/ECMG	Open Streams/ECMG	ID
1	polaris_ecmg01		standard	0x4748	0x0	sid	0	0	1	1		
Enabled RP 1 Tier-Based												

ECMG Connections for ECMG ID = 1

```
-----
```

Conn -ID	Conn Priority	IP Address	Port Number	Channel ID	Conn Status	Open Streams
1	1	10.10.1.1	8888	1	Open	1

The sample output of the session based scrambling configuration verification command is shown below:

```
Router# show cable video encryption dvb ecmg id 7 connection
```

ECMG ID	ECMG Auto Chan Name	ECMG Slot	ECMG Type	ECMG Connections	CA Sys ID	CA Subsys ID	PID Source	Lower limit	Upper limit	Streams/ECMG	Open Streams/ECMG	ID
7	ecmg-7		standard	0x950	0x1234	sid	0	0	1680	1680		
Enabled 7 1 VOD												

ECMG Connections for ECMG ID = 1

```
-----
```

Conn -ID	Conn Priority	IP Address	Port Number	Channel ID	Conn Status	Open Streams
1	1	10.10.1.10	8888	1	Open	1

The status of the connection with the ECMG Server is indicated by the Conn Status. The Open Streams field indicates the number of Active ECM Streams.

To verify the EIS connection, use the **show cable video encryption dvb eis id id** command as shown in the example below:

```
Router# show cable video encryption dvb eis id 1
```

```
-----
```

EIS ID	EIS Name	Peer IP	Management IP	TCP Port	CP Overrule	CP Duration	Overwrite SCG	Fail-To-Clear Duration	Connection Status
1	test	10.10.1.11	10.10.1.1	9898	DISABLED	0	DISABLED	400	Connected

To verify the CA Interface configuration in the case of session based scrambling, use the **show cable video encryption dvb ca-interface brief** command as shown in the example below:

```
Router# show cable video encryption dvb ca-interface brief
```

CA Interface configuration

```
-----
```

Linecard	IP Address	VRF
7	10.10.1.1	N/A

ECMG Route configuration

```
-----
```

IP Address	NetMast	Interface
10.10.1.10	255.255.255.224	TenGigabitEthernet4/1/2

To verify the encryption status of the sessions, use the **show cable video session logical-edge-device id** command as shown in the example below:

```
Router# show cable video session logical-edge-device id 1
Total Sessions = 1

Session Output Streaming Session Session Source          UDP  Output  Input
Output Input  Output  Encrypt Encrypt  Low   Session          UDP  Output  Input
Id      Port   Type    Type    Type    Ucast Dest IP/Mcast IP (S, G) Port  Program State
State  Bitrate Bitrate Type    Status  Latency Name
-----
1048576 1      Remap   UDP     10.10.1.1  49167 20      ACTIVE-PSI
      1695161 1689747 DVB     Encrypted N      dvbssess.1.0.1.0.23167
```

To verify the ECM PID and whether the CA Descriptor is added to the PMT, use the **show cable video session logical-edge-device id session-id** command as shown in the example below:

```
Router# show cable video session logical-edge-device id 1 session-id 1048576
Output PMT Info:
=====
Program 20, Version 3, PCR 49, Info len 18, (CA SYS-ID 4748, PID 79)
PID 49: Type 2, Info len 0
PID 50: Type 3, Info len 6, (lang eng)
```

Troubleshooting Tips

If some configuration errors occur, see the following troubleshooting tips:

- The Management IP must be unique and in the subnet of virtual port group.
- Ensure that the ECMG Server is pingable with source interface as the virtual port group from the Cisco cBR-8 console. This indicates that the ECMG Server is reachable and route is valid.
- Ensure that the TCP port number configured for the ECMG Server in the Cisco cBR-8 is the same as that of the ECMG Server listening port.
- Ensure that the management IP is pingable from the EIS Server. Otherwise, check the routing between the cBR-8 chassis and the EIS server.
- Ensure that the listening port that is configured for the EIS is used for establishing the connection from the EIS Server.
- Ensure that the Virtual Port Group interface is active.
- Ensure that the TenGigabitEthernet interface using which the management traffic reaches the Cisco cBR-8 and the interface through which the CA interface route is configured are active.

Configuration Examples

This section provides examples for the DVB configuration.

Example: Basic Session-based Scrambling Configuration

```
enable
config terminal
  interface VirtualPortGroup0
    vrf forwarding vrf_script_red_1
    ip address 10.10.1.1 255.255.255.224
    no mop enabled
    no mop sysid
```

```

exit
cable video
  mgmt-intf VirtualPortGroup 0
  encryption
    linecard 7/0 ca-system dvb scrambler dvb-csa
  dvb
    route-ecmg 10.20.1.1 255.255.255.224 TenGigabitEthernet4/1/2 10.20.1.1
    mgmt-ip 10.10.1.2
    eis eis-1 id 1
      listening-port 8890 bind led id 1
    ca-interface linecard 7/0 10.30.1.1
    ecmg ecmg-7 id 7
      mode vod linecard 7/0
      type standard
      ca-system-id 950 1234
      auto-channel-id
      ecm-pid-source sid
      connection id 1 priority 1 10.20.1.3 8888
    service-distribution-group sdg-1 id 1 onid 1
      rpd downstream-cable 7/0/1
    virtual-carrier-group vcg-1 id 1
      encrypt
      service-type narrowcast
      rf-channel 0 tsid 1 output-port-number 1
    bind-vcg
      vcg vcg-1 sdg sdg-1
    logical-edge-device led-1 id 1
      protocol table-based
      virtual-edge-input-ip 192.0.2.0 input-port-number 1
      vcg vcg-1
      active
    table-based
      vcg vcg-1
      rf-channel 0
      session dvb-1 input-port 1 start-udp-port 49152 processing-type
    remap start-program 1 cbr

```

Example: Basic Tier-based Scrambling Configuration

```

enable
config terminal
  interface VirtualPortGroup0
    vrf forwarding vrf_script_red 1
    ip address 10.10.1.1 255.255.255.224
    no mop enabled
    no mop sysid
  exit
cable video
  mgmt-intf VirtualPortGroup 0
  encryption
    linecard 7/0 ca-system dvb scrambler dvb-csa
  dvb
    route-ecmg 10.20.1.0 255.255.255.224 TenGigabitEthernet4/1/2 10.20.1.1
    ecmg ecmg-7 id 7
      mode tier-based
      type standard
      ca-system-id 950 1234
      auto-channel-id
      ecm-pid-source sid
      connection id 1 priority 1 10.20.1.3 8888
    tier-based
      ecmg id 7 access-criteria 1122334455
      fail-to-clear
      enable
    service-distribution-group sdg-1 id 1 onid 1
      rpd downstream-cable 7/0/1
    virtual-carrier-group vcg-1 id 1
      encrypt
      service-type narrowcast

```

```

    rf-channel 0 tsid 1 output-port-number 1
  bind-vcg
    vcg vcg-1 sdg sdg-1
  logical-edge-device led-1 id 1
    protocol table-based
      virtual-edge-input-ip 192.0.2.0 input-port-number 1
      vcg vcg-1
      active
  table-based
    vcg vcg-1
      rf-channel 0
        session dvb-1 input-port 1 start-udp-port 49152 processing-type remap start-program
1 cbr

```

Example: Basic Session-based Dualcrypt Scrambling Configuration

```

enable
config terminal
  interface VirtualPortGroup0
    vrf forwarding vrf_script_red_1
    ip address 10.10.1.1 255.255.255.224
    no mop enabled
    no mop sysid
    exit
  cable video
    mgmt-intf VirtualPortGroup 0
    encryption
      linecard 7/0 ca-system dvb scrambler dvb-csa
      dvb
        route-ecmg 10.20.1.0 255.255.255.224 TenGigabitEthernet4/1/2 10.20.1.1
        mgmt-ip 10.10.1.2
        eis eis-1 id 1
          listening-port 8890 bind led id 1
        ca-interface linecard 7/0 10.30.1.1
        ecmg ecmg-7 id 7
          mode vod linecard 7/0
          type standard
          ca-system-id 950 1234
          auto-channel-id
          ecm-pid-source sid
          connection id 1 priority 1 10.20.1.3 8888
        service-distribution-group sdg-1 id 1 onid 1
          rpd downstream-cable 7/0/1
        virtual-carrier-group vcg-1 id 1
          encrypt
          service-type narrowcast
          rf-channel 0 tsid 1 output-port-number 1
        bind-vcg
          vcg vcg-1 sdg sdg-1
        logical-edge-device led-1 id 1
          protocol gqi
            mgmt-ip 10.10.1.3
            mac-address xxxx.yyyy.zzzz
            server 10.20.1.2
            keepalive retry 3 interval 10
            reset interval 8
            virtual-edge-input-ip 192.0.2.0 input-port-number 1
            vcg vcg-1
            active

```

Additional References

Related Documents

Related Topic	Document Title
Configuring Tier-Based Scrambling	<i>Cisco RF Gateway 10 Software Configuration Guide</i>

Technical Assistance

Description	Link
<p>The Cisco Support website provides extensive online resources, including documentation and tools for troubleshooting and resolving technical issues with Cisco products and technologies.</p> <p>To receive security and technical information about your products, you can subscribe to various services, such as the Product Alert Tool (accessed from Field Notices), the Cisco Technical Services Newsletter, and Really Simple Syndication (RSS) Feeds.</p> <p>Access to most tools on the Cisco Support website requires a Cisco.com user ID and password.</p>	http://www.cisco.com/support

Feature Information for RPHY DVB VoD Support

Use Cisco Feature Navigator to find information about platform support and software image support. Cisco Feature Navigator enables you to determine which software images support a specific software release, feature set, or platform. To access Cisco Feature Navigator, go to <http://www.cisco.com/go/cfn>. An account on [Cisco.com](http://www.cisco.com) is not required.



Note

The table below lists only the software release that introduced support for a given feature in a given software release train. Unless noted otherwise, subsequent releases of that software release train also support that feature.

Table 29: Feature Information for RPHY DVB VoD Support

Feature Name	Releases	Feature Information
RPHY DVB VoD Support	Cisco 1x2 / Compact Shelf RPD Software 3.1	This feature was introduced on the Cisco Remote PHY Device.



Remote PHY Switched Digital Video

This document provides information on how to configure Switched Digital Video for Cisco Remote PHY Device.

Finding Feature Information

Your software release may not support all the features documented in this module. For the latest feature information and caveats, see the release notes for your platform and software release. To find information about the features documented in this module, and to see a list of the releases in which each feature is supported, see the Feature Information Table at the end of this document.

Use Cisco Feature Navigator to find information about platform support and Cisco software image support. To access Cisco Feature Navigator, go to <http://tools.cisco.com/ITDIT/CFN/>. An account on <http://www.cisco.com/> is not required.

- [Switched Digital Video Services, page 129](#)
- [Information About Switched Digital Video, page 132](#)
- [How to Configure the Switched Digital Video Services, page 133](#)
- [Configuration Examples for Switched Digital Video, page 136](#)
- [Feature Information for Switched Digital Video, page 139](#)

Switched Digital Video Services

The Switched Digital Video (SDV) services are supported for the MPEG video subsystem on the Cisco Remote PHY Device. It consists of Multicast IP Packet based video streams that are managed as "Video Sessions". The Cisco Remote PHY Device supports both Any Source Multicast (ASM) and Source Specific Multicast (SSM) sessions.

- For ASM, the input is identified by the group IP address.
- For SSM, the input is identified by the source and group IP address pair.

In both cases, the UDP ports are ignored. Both ASM and SSM can co-exist but cannot overlap in a group IP address. Hence, for a group IP address, either a single ASM, or one or more SSM can be used.

Session Cloning

Session cloning refers to the ability of forwarding an input to multiple output QAM channels. Only multicast sessions can be cloned. The output QAM channels are located on the same or different line cards. However, an input cannot be cloned on the same QAM channel. Cloning is available on session-based GQIv2 or Table-based sessions. It is applicable to re-mapped, pass-through, and data piping sessions. All cloned sessions must have the same processing type, bitrate and jitter value. For re-mapped sessions, each output copy will have a different output program number.

Redundant Multicast Sources

The redundant multicast sources feature supports up to four SSM/ASM multicast address pairs per video session. However, only multicast traffic from one source is forwarded to the output QAMs. When the active source fails, another source is chosen automatically. Multicast sources must be unique within a redundant group and cannot overlap across redundant groups.

The order of the sources is critical when multicast sessions are configured via GQI or VSRM. For a given group IP address, the source IP addresses must be specified in the same order.

For example: The group IP address 232.1.2.3 used with two sessions must have the source IP addresses specified in the same order.

Session A configured with group IP 232.1.2.3 source 174.2.3.4 source2 174.4.5.6 source3 174.7.8.9 and session B or any session created after session A configured using group IP 232.1.2.3, must have the source IP addresses in this same order as specified for session A. That is, source 174.2.3.4 source2 174.4.5.6 source3 174.7.8.9.

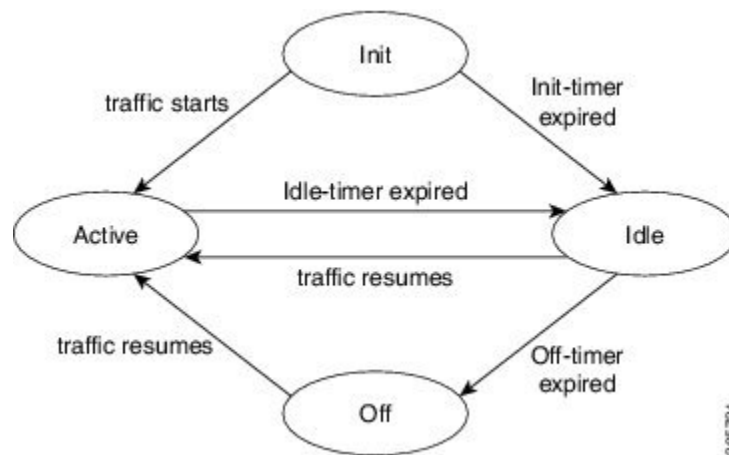
This ensures that all sessions switch to the same source IP address when a source switch occurs. Additionally, sessions configured via GQI have up to three sources available for redundancy, whereas multicast labels configured for table-based sessions have up to four sources available for redundancy.

Multicast labels must use unique groups and S/G pairs. These pairs cannot be used by other multicast labels or by multicast sessions that use S/G pairs. For example, when one multicast session uses {[S1, G], [S2, G] and [S3, G]}, another session cannot use {[S1, G], [S4, G]}.

Multicast source change is based on the session state; INIT, IDLE, ACTIVE or OFF. A session configured for the first time is in INIT state and stays in this state for a brief time. If traffic starts before the INIT timer expires, it moves to the ACTIVE state, otherwise to the IDLE state.

When traffic starts, the session remains in ACTIVE state as long as traffic continues to flow. When traffic stops for a time longer than the IDLE timer, the session moves to IDLE state. During IDLE state, PAT and PMT of the session is retained as the output. If traffic resumes in this state, the session moves to ACTIVE state again with all its previous PSI and remapping information unaltered.

In IDLE state, if traffic does not start or resume before the OFF timer expires, the session transitions to OFF state. When traffic resumes for a session in OFF state, it is treated as a new session.



Sessions that transition from ACTIVE to IDLE have higher priority and will be moved to the backup source than those that were newly created and have changed from INIT to IDLE.

Benefits of Switched Digital Video

Switched Digital Video provides the following benefits:

- Saves space, maintenance and cost.
- Allows customers to oversubscribe bandwidth.

Prerequisites for Switched Digital Video

- To access multicast capability, configure multicast routing.
- To switch sources for table-based sessions, configure at least two sources for a multicast label and then associate with the desired session.

Restrictions for Switched Digital Video

- While creating a multicast label, up to four sources can be associated with one group IP address.
- Labels are used with table-based video sessions only.
- Sessions created with GQI Tools do not use labels. However, they can have up to three sources associated with one group IP address.

Information About Switched Digital Video

QAM Sharing

Unicast and multicast video sessions can co-exist on the same QAM channel for VOD, SDV or Gaming sessions. QAM sharing requires a common Edge Resource Manager to avoid oversubscription of QAM resources between services.



Note

QAM sharing with MPTS pass-thru sessions is not supported.

QAM Replication

Multicast sessions can be replicated from one port to other ports on the same line card and/or across line cards.

The difference between a cloned session and replicated sessions is:

- Cloned sessions are initiated by a user on session creation. Each session has a unique session id and may have different output configuration.
- Replicated sessions have the same output configuration attributes. For sessions that are replicated across line cards, session on each line card will have its own unique session id.

MPTS Pass-through Session

Switched digital video (SDV) sessions are typically multicast SPTS remap type. The Cisco Remote PHY Device also supports multicast MPTS pass-through and data-piping session types.

The MPTS session is assumed to have no collision in the PID space and program number space with other sessions that already exist within a QAM. Hence, SPTS remap and MPTS pass-through sessions cannot co-exist on the same QAM. Otherwise, there might be conflict when the PID and program numbers in the MPTS and SPTS remuxing are not unique on the output QAM channel.

For a pass-through session:

- The PAT is snooped and regenerated with the correct TSID.
- The PMT and other program data are not changed.
- PID remapping is not performed.
- Input NULL packets are dropped.
- Oversubscription results in random TP dropping, and all ghost PIDs are preserved in the output.

How to Configure the Switched Digital Video Services

Configuring Multicast Routing

You can enable IP Multicast Distributed Switching (MDS) to provide distributed switching of multicast packets received at the line cards.

```
enable
configure terminal
ip multicast-routing distributed
ip pim ssm range all-multicasts
ip pim rp-address ip-address
interface type number
ip pim sparse-dense-mode
ip igmp version 3
cable video
multicast-uplink interface-name access-list access-list-name
```

Configuring Multicast Label

The Cisco Remote PHY Device supports up to four multicast address pairs per multicast session for backup purpose. To specify additional sources for a multicast session for table-based, a label needs to be configured and attached to the session configuration. A maximum of 2000 multicast labels can be created but only 2048 multicast addresses can be active at a time.

Multicast label is used for table-based session configuration when more than one multicast source [S, G] is used as backup for the sessions. A multicast label can only be created or deleted; it cannot be modified. The multicast label cannot be deleted before the sessions using it are removed.

Groups used by multicast labels must be unique like the multicast S/G pairs. However, sources may be used by more than one label as long as the group is unique. A maximum of 4 multicast sources is allowed in one label. If the label is used in multiple sessions, the sessions are considered as cloned sessions.

```
enable
configure terminal
cable video
table-based
multicast-label label group group-ip source source-ip source2 source-ip source3 source-ip source4
source-ip
```

Configuring Multicast Table-based Sessions

Similar to table-based unicast session configuration, sessions can be configured as individual sessions under each QAM carrier that is assigned to a table-based LED.

A multicast session can be configured with a single input multicast input source or multiple input sources for backup purpose. For multiple backup sources, a label is required to be associated with the session configuration. Same label can be applied to multiple sessions on different QAM channel. These sessions are considered as cloned sessions.

For session cloning on multiple QAMs within the same line card, only one copy of the traffic is forwarded to the line card. The line card replicates the input packets and forwards them to multiple QAMs. Each cloned copy of a remapped session will have the same or different output program number.

```
enable
configure terminal
cable video
table-based
vcg vcg-name
rf-channel channel
session session-name group group-ip source source-ip processing-type {remap | passthru |
data} start-program program-num [bit-rate bit-rate-number] [jitter jitter-number] [cbr | vbr]
```

Configuring Source Switching

Source switching happens automatically when the current source goes down. If more than one source IP is configured, the software will automatically switch to the next valid source IP, if it is available. However, to force switch from one valid source to another valid source, use the following commands:

```
Router(config)# cable video source-switch from-group group-ip from-source source-ip
```

or

```
Router(config)# cable video source-switch to-group group-ip to-source source-ip
```

Verifying Switched Digital Video Configuration

```
Router#show cable video session logical-edge-device id 2
Total Sessions = 4
```

Session Id	Output Port	Streaming Input	Streaming Output	Session Type	Session Encrypt Type	Session Source Ucast Dest IP/Mcast	Session IP (S,G)	UDP Port	Output Program	
2097152	142	Remap	0	SSM	CLEAR	175.2.5.6,232.5.6.7	SESS_PME2.1.7.338	0	1	OFF
2097153	163	Remap	0	SSM	CLEAR	175.6.1.13,232.2.1.6	SESS_PME3.1.7.497	0	2	OFF
2097154	184	Passthru	0	SSM	CLEAR	175.2.6.7,232.5.6.15	SESS_PME4.1.7.656	0	-	OFF
2097155	230	Data-Piping	0	SSM	CLEAR	175.7.2.2,232.2.6.7	SESS_PME6.1.7.978	0	-	OFF

```
Router#show cable video session logical-edge-device id 2 session-id 2097152
```

```
Session Name      : SESS_PME2.1.7.338
Session Id       : 2097152
Creation Time    : Fri Jun 24 16:30:45 2016
```

```
Output Port      : 142
TSID             : 142
ONID             : 0
Number of Sources : 1
  Source IP      : 175.2.5.6
  Group IP       : 232.5.6.7
  UDP Port       : 0
Config Bitrate   : not specified
Jitter           : 100 ms
Processing Type   : Remap
Stream Rate      : VBR
```

```

Program Number      : 1
Idle Timeout       : 2000 msec
Init Timeout       : 2000 msec
Off Timeout        : 60 sec
Encryption Type    : CLEAR
Encryption Status  : -

```

Input Session Stats:

```

=====
State: OFF, Uptime: 0 days 00:26:35
IP Packets: In 0, RTP 0, Drop 0
TP Packets: In 0, PCR 0, PSI 0, Null 0
            Unreference 0, Discontinuity 0
Errors: Sync loss 0, CC error 0, PCR Jump 0,
        Underflow 0, Overflow 0, Block 0
Bitrate: Measured 0 bps, PCR 0 bps

```

Output Session Stats:

```

=====
State: ON, Uptime: 0 days 00:26:35
TP Packets: In 0, PCR 0, PSI 0,
            Drop 0, Forward 0, Insert 0
Errors: Info Overrun 0, Info Error 0, Block 0, Overdue 0,
        Invalid Rate 0, Underflow 0, Overflow 0
Bitrate: Measured 0 bps

```

Troubleshooting Switched Digital Video Configuration

Problem	Possible Causes	Recommended Solution
%ERROR: Duplicate multicast source 175.2.5.6 group 232.5.6.7 not allowed for use in label groupDuplicate.	Group and Source are already used in an existing label.	Assign unique group and source IPs across multicast labels.
%ERROR: Duplicate multicast source 178.3.3.3 group 232.222.222.222 not allowed within label DuplicateSourceHere.	Source has been repeated within a label.	Assign unique source IP within a multicast label.
%ERROR: Duplicate multicast source 175.2.5.6 group 232.5.6.7 not allowed for use in this session.	Session has been created with a duplicate group IP. This group IP has been used in an existing multicast label.	Create the session with a unique group IP.
%ERROR Only one multicast session can be created per multicast session command; rf-channel range values, such as rf-channel 20-30, not allowed.	Session has been created on a range of RF channels.	RF channel range is not allowed. Create the session on an RF channel.

Configuration Examples for Switched Digital Video

Example 1: Table-based Multicast Session Configuration

```

enable
configure terminal
ip pim rp-address 9.1.1.1
ip pim ssm range all-multicasts
ip access-list standard all-multicasts
permit 233.0.0.0 0.255.255.255
permit 234.0.0.0 0.255.255.255
permit 235.0.0.0 0.255.255.255
permit 236.0.0.0 0.255.255.255
permit 237.0.0.0 0.255.255.255
permit 238.0.0.0 0.255.255.255
permit 232.0.0.0 0.255.255.255
permit 224.0.0.0 0.255.255.255
permit 239.0.0.0 0.255.255.255
interface TenGigabitEthernet4/1/2
ip address 2.33.1.1 255.255.255.252
ip pim sparse-mode
ip igmp version 3
ip ospf 64512 area 9
load-interval 30
cable video
multicast-uplink TenGigabitEthernet4/1/2 access-list all-multicasts
service-distribution-group sdg-1 id 1
  rf-port downstream-cable 7/0/0
virtual-carrier-group vcg-1 id 1
  service-type narrowcast
  rf-channel 0-55 tsid 1-56 output-port-number 1-56
bind-vcg
  vcg vcg-1 sdg sdg-1
logical-edge-device led_multicast id 1
  protocol table-based
  virtual-edge-input-ip 174.102.1.1 input-port-number 1
  vcg vcg-1
  active
table-based
multicast-label label1 group 232.2.1.1 source 175.2.2.2
  vcg vcg-1
  rf-channel 0
  session mcast1 multicast-label label1 processing-type remap start-program 1 jitter
100 vbr
  session mcast2 group 236.0.1.1 source 175.10.5.2 processing-type passthru jitter
100 cbr

```

Example 2: Table-based Configuration for Replicated Multicast Pass-through Sessions

Below is a table-based configuration for multicast pass-through sessions replicated to all QAM ports on the same line card.

```

enable
configure terminal
cable video
multicast-uplink TenGigabitEthernet4/1/2 access-list all-multicasts
service-distribution-group sdg1 id 1
  rf-port downstream-cable 7/0/0
  rf-port downstream-cable 7/0/1
  rf-port downstream-cable 7/0/2
  rf-port downstream-cable 7/0/3
  rf-port downstream-cable 7/0/4
  rf-port downstream-cable 7/0/5

```

```

    rf-port downstream-cable 7/0/6
    rf-port downstream-cable 7/0/7
  virtual-carrier-group vcg1 id 1
    rf-channel 0-95 tsid 0-95 output-port-number 1-96
  bind-vcg
    vcg vcg1 sdg sdg1
  logical-edge-device led1 id 1
    protocol table-based
      virtual-edge-input-ip 174.102.1.1 input-port-number 1
      vcg vcg1
      active
  table-based
    multicast-label mlabell1 group 236.0.1.1 source 175.10.5.2 source2 175.10.6.20 source3
175.10.7.2
    vcg vcg1
      rf-channel 0
        session mcast1 multicast-label mlabell1 processing-type passthru vbr
      rf-channel 5
        session mcast2 group 237.0.1.1 source 175.10.6.2 processing-type passthru vbr

```

Example 3: QAM Sharing Configuration

Below is an example of how to create a PMT encrypted table-based session for both VOD and SDV on the same QAM channel on 7/0/0 RF port.

```

cable video
  multicast-uplink TenGigabitEthernet4/1/2 access-list all-multicasts
  mgmt-intf VirtualPortGroup 0
  encryption
    linecard 7/0 ca-system pme scrambler dvs042
    pme vodsid 111
    pme cem 1.200.1.163 5000
    pme mgmt-ip 1.33.2.6
  service-distribution-group sdg1 id 1
    rf-port downstream-cable 7/0/0
  virtual-carrier-group vcg1 id 1
    virtual-edge-input-ip 174.102.1.1 input-port-number 1
    encrypt
    service-type narrowcast
    rf-channel 20-34 tsid 20-34 output-port-number 20-34
  bind-vcg
    vcg vcg1 sdg sdg1
  logical-edge-device led1 id 1
    protocol table-based
      vcg vcg1
      active
  table-based
    multicast-label mlabell1 group 236.0.1.1 source 175.10.5.2 source2 175.10.6.2 source3
175.10.7.2
    vcg vcg1
      rf-channel 20
        session VOD input-port 1 start-udp-port 49152 processing-type remap start-program
1 jitter 100 vbr
        session SDV multicast-label mlabell1 processing-type remap start-program 1000 jitter
100 vbr
    !

```

Example 4: QAM Replication Configuration

Below is an example of how to configure multicast sessions with four backup sources and replicated on multiple line cards and multiple RF ports within the same line card.

```

cable video
  multicast-uplink TenGigabitEthernet4/1/2 access-list all-multicasts
  service-distribution-group sdg-1 id 1
    rf-port downstream-cable 7/0/0
    rf-port downstream-cable 7/0/1

```

```

        rf-port downstream-cable 8/0/0
        rf-port downstream-cable 8/0/1
    virtual-carrier-group vcg-1 id 1
        service-type broadcast
        rf-channel 0-55 tsid 1-56 output-port-number 1-56
bind-vcg
    vcg vcg-1 sdg sdg-1
    logical-edge-device led_multicast id 1
        protocol table-based
            virtual-edge-input-ip 174.102.1.1 input-port-number 1
            vcg vcg-1
            active
        table-based
            multicast-label label1 group 232.2.1.1 source 175.2.2.2 source2 175.2.3.2 source3
175.2.4.2 source4 175.5.1.12
            vcg vcg-1
                rf-channel 0
                    session mcast1 multicast-label label1 processing-type remap start-program 1 jitter
100 vbr
    
```

Example 5: SSM Session Configuration

The following examples show how to configure SSM sessions on a range of QAM channels with three multicast sources.

```

table-based
    multicast-label label110_1 group 232.2.1.35 source 175.2.2.2 source2 175.6.1.12 source3
175.2.9.2
    multicast-label label103_1 group 232.2.1.30 source 175.2.2.2 source2 175.6.1.12 source3
175.2.9.2
        vcg vcg-uni-multi0
            rf-channel 0
                session mcast multicast-label label110_1 processing-type remap start-program 1
jitter 100 cbr
            rf-channel 6
                session mcast multicast-label label103_1 processing-type remap start-program 1
jitter 100 cbr
    
```

Example 6: Multicast Session with Virtual Carrier Group as Service Type Broadcast Configuration

```

virtual-carrier-group VCG_PME0 id 1
    service-type broadcast
    rf-channel 20-35 tsid 100-115 output-port-number 100-115

table-based
    multicast-label a2 group 232.5.6.7 source 175.2.5.6
    multicast-label exampleLabel group 232.2.1.6 source 175.6.1.13 source2 175.6.1.12 source3
180.1.1.1 source4 175.6.1.14
    vcg VCG_PME2
        rf-channel 22
            session SESS_PME2 multicast-label a2 processing-type remap start-program 1
    vcg VCG_PME3
        rf-channel 23
            session SESS_PME3 multicast-label exampleLabel processing-type remap start-program
2
    
```

Example 7: Sessions with Passthru and Data Processing Type

```

table-based
    multicast-label a2 group 232.5.6.7 source 175.2.5.6
    multicast-label exampleLabel group 232.2.1.6 source 175.6.1.13 source2 175.6.1.12 source3
180.1.1.1 source4 175.6.1.14
    vcg VCG_PME2
        rf-channel 22
    
```



```

    session SESS_PME2 multicast-label a2 processing-type remap start-program 1
vcg VCG_PME3
  rf-channel 23
    session SESS_PME3 multicast-label exampleLabel processing-type remap start-program
2
vcg VCG_PME4
  rf-channel 24
    session SESS_PME4 group 232.5.6.15 source 175.2.6.7 processing-type passthru
vcg VCG_PME6
  rf-channel 30
    session SESS_PME6 group 232.2.6.7 source 175.7.2.2 processing-type data

```

Feature Information for Switched Digital Video

Use Cisco Feature Navigator to find information about platform support and software image support. Cisco Feature Navigator enables you to determine which software images support a specific software release, feature set, or platform. To access Cisco Feature Navigator, go to <http://www.cisco.com/go/cfn>. An account on [Cisco.com](http://www.cisco.com) is not required.



Note

The table below lists only the software release that introduced support for a given feature in a given software release train. Unless noted otherwise, subsequent releases of that software release train also support that feature.

Feature Name	Releases	Feature Information
Switched Digital Video	Cisco 1x2 / Compact Shelf RPD Software 3.1	This feature was integrated into the Cisco Remote PHY Device.



PART **VII**

Remote PHY Out of Band

- [Cisco Remote PHY Out of Band, page 143](#)



Cisco Remote PHY Out of Band

Finding Feature Information

Your software release may not support all the features documented in this module. For the latest feature information and caveats, see the release notes for your platform and software release. To find information about the features documented in this module, and to see a list of the releases in which each feature is supported, see the Feature Information Table at the end of this document.

Use Cisco Feature Navigator to find information about platform support and Cisco software image support. To access Cisco Feature Navigator, go to <http://tools.cisco.com/ITDIT/CFN/>. An account on <http://www.cisco.com/> is not required.

- [Hardware Compatibility Matrix for Cisco Remote PHY Device](#), page 143
- [Information About Out of Band](#), page 144
- [How to Configure 55-1 OOB](#), page 146
- [Example: OOB Configuration](#), page 148
- [Feature Information for OOB](#), page 149

Hardware Compatibility Matrix for Cisco Remote PHY Device



Note

The hardware components introduced in a given Cisco Remote PHY Device Software Release are supported in all subsequent releases unless otherwise specified.

Table 30: Hardware Compatibility Matrix for the Cisco Remote PHY Device

Cisco HFC Platform	Remote PHY Device
Cisco GS7000 Node	Cisco 1x2 RPD Software 1.1 and Later Releases Cisco Remote PHY Device 1x2 <ul style="list-style-type: none"> • PID—RPD-1X2= • RPD-1X2-PKEY=
Intelligent NODE (iNODE)	Cisco 1x2 RPD Software 3.1 and Later Releases Cisco Remote PHY Device 1x2 <ul style="list-style-type: none"> • IRPD-1X2= • IRPD-1X2-PKEY=

**Note**

The -PKEY suffix in the PID indicates units that enable the SCTE-55-2 Out-of-Band protocol support.

Information About Out of Band

Out of Band (OOB) data is used by set-top boxes on the cable plant for the delivery of data streams that support set-top box operation in the downstream and to convey responses and commands from the STB in the upstream.

The two OOB systems are OOB 55-1 and OOB 55-2. The OOB 55-2 system has a scheduled TDMA upstream, which is intolerant of packet network latency. The SCTE 55-1 system does not include such upstream scheduling capabilities, however requires multiple upstream frequencies to operate.

OOB 55-1

To facilitate the delivery of OOB streams from the headend to the customer-facing CPE via the Remote PHY (R-PHY) architecture, a solution is needed that delivers the OOB streams to the RPD via the same Ethernet carriers that the rest of the services traverse. The following sections describe 55-1 OOB approaches to this transport:

For downstream:

- Ethernet from the OM device: The OM processes OOB source streams per SCTE-55-1 and outputs datagrams via IP multicast.
- CCAP-Core forward as virtual OM: The CCAP joins and processes streams from OM device per SCTE-55-1 and forwards them downstream to the RPD.

For upstream:

- ATM from STB: The STB send augment ATM upstream packet to RPD per SCTE-55-1, RPD build up upstream packet per ARPD protocol (version 2) and forward it to CCAP core.
- CCAP-Core forward as virtual ARPD: The CCAP receive 55-1 packet via UEPI and forwards them upstream to the NC.

The Out-of-Band Modulator (OM) handles the receiving of OOB source data streams and creating a multiplexed signal in accordance with OOB 55-1. The MPEG transport stream, containing the OOB is IP multicast using the UDP to the CCAP Core over an Ethernet link.

Each OM can output only a single OOB multiplex. Hence, a CCAP Core may receive OOB streams from multiple OMs. Each of these streams is intended for a different set of RPDs.

OM2000 does not include null frames in its Ethernet output stream. The OM provides an output of non-null packets in its Ethernet output transport streams. Hence, the downstream QPSK modulator should insert nulls when necessary. The Remote PHY device inserts null packets as necessary to maintain the required module rate of the OOB 55-1 downstream QPSK channel. The downstream modulator need not maintain precise inter-packet timing. The modulator can effectively insert null packets wherever necessary without checking for excessive data packet displacement.

Each virtual ARPD uses a unique source IP address and a unique destination UDP port in packets that are sent to the NC. The NC relies on IP address and UDP port to identify the ARPD from which the traffic is arriving.

Using GCP, the CCAP Core configures the attached RPDs with the appropriate ARPD source ID, RF port ID, and demodulator ID corresponding to each UEPI tunnel. The RPD uses this information when forming the ARPD datagram.

The RPD aggregates multiple physical demodulators into a single virtual ARPD demodulator ID.

The RPD also supports power level setting of the OOB 55-1 FDC in a range of -7 dBc to 0 dBc relative to the 256-QAM level, in 0.2 dB steps.

Forward Channels

To support the orderly transition of set-top boxes to a higher frequency, the SCTE 55-1 forward data can be carried on two forward channels with distinct frequencies. The data content sent on both channels is identical.

The RPD can support two SCTE 55-1 forward channels on any of its downstream RF port.

OOB 55-2

In the video headend, the OOB 55-2 Controller maintains all interfaces with the existing applications and services but contains only a subset of the functions available with the existing 55-2 Modulator/Demodulator. The remaining functions are moved to the RPD.

The OOB 55-2 Remote PHY solution places components necessary for performing ATM slot receipt acknowledgement within the RPD, and all other components of the OOB 55-2 MAC located in the 55-2 Controller where feasible. The OOB 55-2 Controller handles the configuration and monitoring of 55-2 specific functions within the RPD. Some monitoring is also included in the upstream data packets sent by the RPD to the 55-2 Controller.

The current 55-2 Digital Home Communication Terminal (DHCT) service group sizes are more than 10,000 DHCTs, versus the expected RPD DHCT counts which can be 1000 or lower. For compatibility with existing infrastructure, RPDs are grouped with a single 55-2 Controller as follows:

- Multiple RPDs are bound by operator configuration to a single 55-2 Controller which can service >10,000 DHCTs.
- RPD demodulators are assigned an Upstream Group ID between 0 and 7. All demodulators in the same Upstream Group logically-share the same upstream slot assignments for 55-2 compatibility. Upstream Group ID is equivalent to SCTE 55-2 Demodulator Number, but is zero indexed instead of 1 indexed. Upstream Group ID 0 corresponds to SCTE 55-2 Demodulator Number 1 (R1), Upstream Group ID 7 corresponds to SCTE 55-2 Demodulator Number 8 (R8).
- All RPDs bound to a single 55-2 Controller share a single L2TPv3 multicast tunnel for downstream data.

An RPD can incorporate a number of SCTE 55-2 modules, each represented by Oob55d2Module object. The number of SCTE 55-2 Modules is communicated using RPD capabilities. Common parameters for all 55-2 modules are grouped into an Oob55-2Config object.

Each SCTE55-2 module consists of one modulator and one to eight demodulators. The Oob55-2Modulator can be associated with one or more downstream RF ports, and the Oob55-2Demodulator can be associated with zero or one upstream RF ports.

The RPD reports these associations to the CCAP Core.

Prerequisites

The RPD must support the following:

- RPD connects to only one 55-2 controller.
- OOB 55-2 specific L2TPv3 multicast packets containing downstream ATM cells and metadata.
- OOB 55-2 specific IP and L2TPv3 encapsulation of upstream ATM cells and metadata.
- Sending at least one L2TPv3 upstream tunnel per RPD to the 55-2 Controller.
- Forwarding the IP unicast packets to the 55-2 Controller.
- GCP configuration by the 55-2 Controller using authenticated and secured connections.
- An authenticated and secured L2TPv3 control connection with the 55-2 Controller.

How to Configure 55-1 00B

This section describes how to configure OOB on Cisco cBR-8.

Configuring Global 55-1 00B

To configure OOB, complete the following procedure:

```

configure terminal
cable oob
virtual-om o-id
ip ip subnet_mask
join-group ip source-ip ip out-group ip
virtual-arpd id
ip ip subnet_mask

```



```
nc ip udp-port number
source-id s-id
```

Configuring Profile for 55-1 OOB

To configure profile to use OOB, complete the following procedure:

```
configure terminal
controller downstream-oob 55d1-profile dp-id
no ds-channel 0 rf-mute
no ds-channel 0 shutdown
ds-channel 0 frequency f-value
ds-channel 0 poweradjust p-value
controller upstream-oob 55d1-profile up-id
no us-channel 0 shutdown
us-channel 0 frequency f-value
us-channel 0 varpd-portid va-id varpd-demodid vd-id
no us-channel 1 shutdown
us-channel 1 frequency f-value
us-channel 1 varpd-portid va-id varpd-demodid vd-id
no us-channel 2 shutdown
us-channel 2 frequency f-value
us-channel 2 varpd-portid va-id varpd-demodid vd-id
```

Configuring Remote PHY Device for 55-1 OOB

To configure the RPD to use OOB, complete the following procedure:

```
configure terminal
cable rpd name
identifier id
no sbfd enable
core-interface TenGigabitEthernet slot/subslot/port
principal
rpd-ds 0 downstream-oob-vom o-id profile dp-id
rpd-us 0 upstream-oob-varpd a-id profile up-id
rpd-us 1 upstream-oob-varpd a-id profile up-id
r-dti value
rpd-event profile id
```

Configuring OOB with VRF

The following example shows how to configure the OOB with VRF:

```
cable oob
  virtual-om 1
    ip 100.100.100.100 255.255.255.0 vrf xxx
    join-group 235.1.1.1 source-ip 2.3.4.5 out-group 239.2.2.2
  virtual-arpd 1
    ip 20.20.20.20 255.255.255.0 vrf xxx
    source-id 1
  nc 200.1.1.100 udp-port 100
```

Configuring Two Forward Channels

The following example shows how to configure two forward channels. This configuration is OOB DS profile: (1 port per RPD, 1 channel per port, 2 output RF frequency per channel):

```
controller downstream-oob 55d1-profile 100
  no ds-channel 0 rf-mute
  no ds-channel 0 shutdown
  ds-channel 0 frequency 70000000
  ds-channel 0 poweradjust 0
  no ds-channel 0 sf-mute
  no ds-channel 0 sf-shutdown
  ds-channel 0 second-frequency 130000000
  ds-channel 0 sf-poweradjust -10
```

Verifying OOB DS Details

Use the following commands to verify the DS details.

```
show platform software cable F0 oob-ds

show platform software cable F0 oob-ds statistics
clear platform software cable F0 oob-ds statistics

show platform software cable F0 oob-ds group <G2 address>
```

Verifying OOB US Details

Use the following commands to verify the US details.

```
show platform software cable F0 oob-us
show platform software cable F0 oob-us statistics
clear platform software cable F0 oob-us statistics
show platform software cable F0 oob-us source-id <RPD source id>
```

Verifying OOB Channel Details

Use the following commands to view the OOB channel details.

```
show cable rpd db-dump rpd-oob-ds-chan (all)
show cable rpd db-dump rpd-oob-us-chan (all)
```

Debugging OOB

Use the following commands to view the OOB channel details.

```
debug cable rphy-oob
```

Example: OOB Configuration

The following example shows how to configure OOB:

```
Router#configure terminal
Router(config)# cable oob
Router(config-oob)# virtual-om 1
Router(config-oob-vom)# ip 100.100.100.100 255.255.255.0
Router(config-oob-vom)# join-group 235.1.1.1 source-ip 2.3.4.5 out-group 239.2.2.2
Router(config-oob-vom)# exit

Router(config-oob)# virtual-arpd 1
Router(config-oob-varpd)# ip 32.32.32.32 255.255.255.0
Router(config-oob-varpd)# nc 3.3.3.3 udp-port 100
```

```

Router(config-oob-varpd)# source-id 1
Router(config-oob-varpd)# exit
Router(config-oob)# exit

Router(config)# controller downstream-OOB 55d1-profile 1
Router(config-profile)# no ds-channel 0 rf-mute
Router(config-profile)# no ds-channel 0 shutdown
Router(config-profile)# ds-channel 0 frequency 70000000
Router(config-profile)# ds-channel 0 poweradjust 1
Router(config-profile)# exit

Router(config)# controller upstream-OOB 55d1-profile 1
Router(config-profile)# no us-channel 0 shutdown
Router(config-profile)# us-channel 0 frequency 5216000
Router(config-profile)# us-channel 0 varpd-portid 3 varpd-demodid 2
Router(config-profile)# no us-channel 1 shutdown
Router(config-profile)# us-channel 1 frequency 6000000
Router(config-profile)# us-channel 1 varpd-portid 3 varpd-demodid 4
Router(config-profile)# no us-channel 2 shutdown
Router(config-profile)# us-channel 2 frequency 8000000
Router(config-profile)# us-channel 2 varpd-portid 3 varpd-demodid 6
Router(config-profile)# exit

Router(config)# cable rpd node1
Router(config-rpd)# identifier 0004.9f00.0685
Router(config-rpd)# no sbfd enable
Router(config-rpd)# core-interface Te7/1/0
Router(config-rpd-core)# principal
Router(config-rpd-core)# rpd-ds 0 downstream-cable 7/0/0 profile 3
Router(config-rpd-core)# rpd-ds 0 downstream-oob-vom 1 profile 1
Router(config-rpd-core)# rpd-us 0 upstream-cable 7/0/0 profile 3
Router(config-rpd-core)# rpd-us 0 upstream-oob-varpd 1 profile 1
Router(config-rpd-core)# exit

Router(config-rpd)# r-dti 1
Router(config-rpd)# rpd-event profile 0

```

Feature Information for OOB

The following table provides release information about the feature or features described in this module. This table lists only the software release that introduced support for a given feature in a given software release train. Unless noted otherwise, subsequent releases of that software release train also support that feature.

Use Cisco Feature Navigator to find information about platform support and Cisco software image support. To access Cisco Feature Navigator, go to www.cisco.com/go/cfn. An account on Cisco.com is not required.

Table 31: Feature Information for OOB

Feature Name	Releases	Feature Information
Out of Band	Cisco 1x2 / Compact Shelf RPD Software 3.1	This feature was integrated into the Cisco Remote PHY Device.
Support for OOB 55-2	Cisco 1x2 / Compact Shelf RPD Software 3.1	This feature was integrated into the Cisco Remote PHY Device.



PART **VIII**

Remote PHY Line Card and Supervisor Redundancy

- [Cisco Remote PHY Line Card and Supervisor Redundancy, page 153](#)



CHAPTER 18

Cisco Remote PHY Line Card and Supervisor Redundancy

Finding Feature Information

Your software release may not support all the features documented in this module. For the latest feature information and caveats, see the release notes for your platform and software release. To find information about the features documented in this module, and to see a list of the releases in which each feature is supported, see the Feature Information Table at the end of this document.

Use Cisco Feature Navigator to find information about platform support and Cisco software image support. To access Cisco Feature Navigator, go to <http://tools.cisco.com/ITDIT/CFN/>. An account on <http://www.cisco.com/> is not required.

- [Hardware Compatibility Matrix for Cisco Remote PHY Device, page 153](#)
- [Information About Remote PHY Line Card and Supervisor Redundancy, page 154](#)
- [How to Configure Remote PHY Line Card Redundancy, page 156](#)
- [Feature Information for Remote PHY Line Card and Supervisor Redundancy, page 158](#)

Hardware Compatibility Matrix for Cisco Remote PHY Device



Note

The hardware components introduced in a given Cisco Remote PHY Device Software Release are supported in all subsequent releases unless otherwise specified.

Table 32: Hardware Compatibility Matrix for the Cisco Remote PHY Device

Cisco HFC Plaform	Remote PHY Device
Cisco GS7000 Node	Cisco 1x2 RPD Software 1.1 and Later Releases Cisco Remote PHY Device 1x2 <ul style="list-style-type: none"> • PID—RPD-1X2= • RPD-1X2-PKEY=
Intelligent NODE (iNODE)	Cisco 1x2 RPD Software 3.1 and Later Releases Cisco Remote PHY Device 1x2 <ul style="list-style-type: none"> • IRPD-1X2= • IRPD-1X2-PKEY=

**Note**

The -PKEY suffix in the PID indicates units that enable the SCTE-55-2 Out-of-Band protocol support.

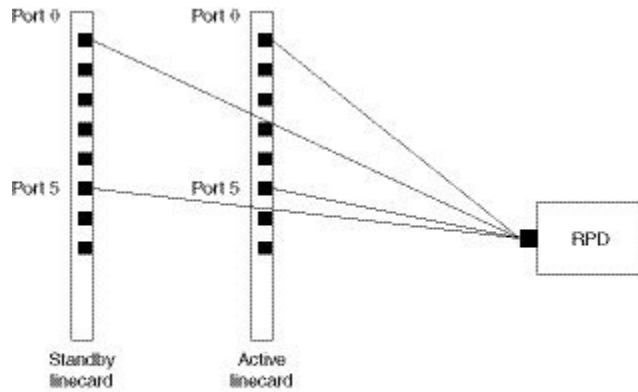
Information About Remote PHY Line Card and Superviosr Redundancy

Line Card Redundancy

In Remote PHY (R-PHY) configuration, RPDs connect to both active linecard and standby linecard, and have active connections to active linecard, standby connections to standby linecard. From RPD side, it connects to active core and standby core independently.

Each RPD has one principal core, and may have several auxiliary cores. LCHA needs to support multiple cores. These cores are on the same linecard or different linecards. The port on the standby linecard can protect all the same ports on the active linecards.

Figure 9: Multiple cores on the same line card



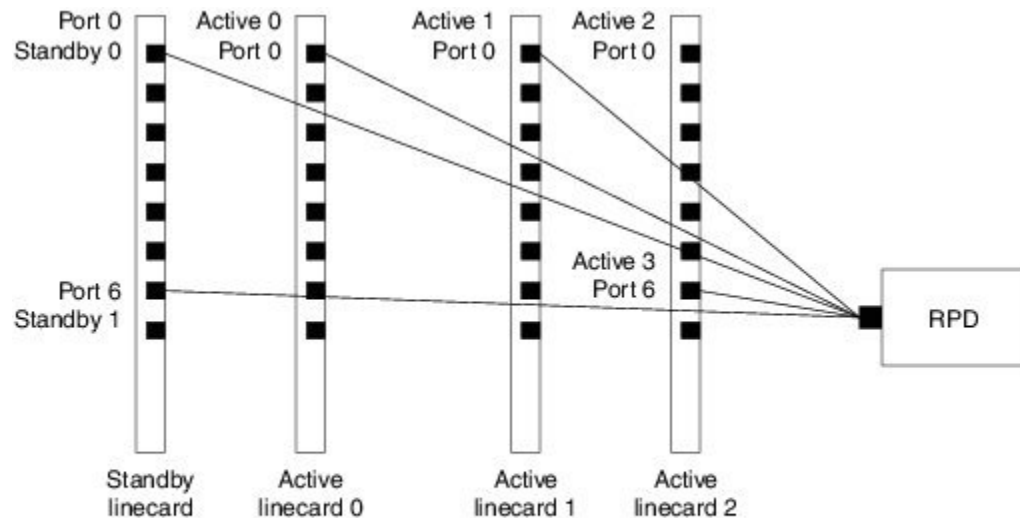
■ The Giga port

383342

In the figure above, the RPD has multiple cores connected to the same active linecard. In order to support LCHA, RPD needs to connect to the same port on the standby linecard. In this way, RPD has several standby cores to protect the active cores. The standby core have the same resource as the active core.

When multiple cores connect to different active linecards, if they connect to different ports of the linecard, there will have different standby cores. If active core connects to the same port on different linecard, they share one standby core.

Figure 10: Multiple cores on different line cards



■ The Giga port

386034-1

In the figure above, RPD have two standby cores. One standby core connects to port 6 of the standby linecard, it can protect the active core which connects to port 6 of the active linecard 2. The other standby core connects to port 0 of the standby linecard, it can protect the active cores connect to port 0 of linecard 0 and linecard 1. So for the standby core 0, it contains the resource for both active core 0 and active core 1.

When active linecard 0 fails over to standby linecard, the standby core 1 will be deleted, the standby core 0 will bring the resource of active core 0 to active. When linecard 2 fails over to standby linecard, the standby core 0 will be deleted, and standby core 1 will become active for active core 3.

For more information about Line Card Redundancy, see [Line Card Redundancy](#).

Supervisor Redundancy

Compared to the SUP high availability recover process in iCMTS configuration, the Remote PHY SUP high availability recover process has RPD status change as shown in the example below:

```
show cable rpd 0004.9f00.0625 lcha-cores
MAC Address      IP Address      I/F      State      Role  HA   Name
0004.9f00.0625  120.105.6.10  Te0/1/1  recovering Pri  Act  node1
0004.9f00.0625  120.105.6.10  Te9/1/1  recovering NA   Sby  node1

show cable rpd 0004.9f00.0625 lcha-cores
MAC Address      IP Address      I/F      State      Role  HA   Name
0004.9f00.0625  120.105.6.10  Te0/1/1  init(l2tp) Pri  Act  node1
0004.9f00.0625  120.105.6.10  Te9/1/1  init(l2tp) NA   Sby  node1

show cable rpd 0004.9f00.0625 lcha-cores
MAC Address      IP Address      I/F      State      Role  HA   Name
0004.9f00.0625  120.105.6.10  Te0/1/1  online     Pri  Act  node1
0004.9f00.0625  120.105.6.10  Te9/1/1  online     NA   Sby  node1
```

The status of the RPD changes from recovering to online, indicating that the SUP redundancy is working in the Remote PHY configuration.

For more information about SUP redundancy, see [Supervisor Redundancy](#).

How to Configure Remote PHY Line Card Redundancy

This section describes how to configure Remote PHY (R-PHY) Line Card Redundancy on Cisco cBR-8.

Configuring DPIC Ports

The following example shows how to configure DPIC port to support Remote PHY Line Card Redundancy:

```
Router# configure terminal
Router(config)# interface TenGigabitEthernet8/1/0
Router(config-if)# vrf forwarding te80
Router(config-if)# ip address 80.6.16.166 255.255.255.0
Router(config-if)# ip mtu 1500
Router(config-if)# exit
Router(config)# interface TenGigabitEthernet8/1/1
Router(config-if)# vrf forwarding te81
Router(config-if)# ip address 80.6.16.167 255.255.255.0
Router(config-if)# ip mtu 1500
Router(config-if)# exit
Router(config)# interface TenGigabitEthernet6/1/0
Router(config-if)# vrf forwarding te60
Router(config-if)# ip address 80.6.16.186 255.255.255.0
Router(config-if)# ip mtu 1500
Router(config-if)# exit
Router(config)# interface TenGigabitEthernet6/1/1
Router(config-if)# vrf forwarding te61
```

```
Router(config-if)# ip address 80.6.16.187 255.255.255.0
Router(config-if)# ip mtu 1500
```

Configuring RPD

The following example shows how to configure RPD to support Remote PHY Line Card Redundancy:

```
Router# configure terminal
Router(config)# cable rpd node1
Router(config-rpd)# identifier 0004.9f03.0055
Router(config-rpd)# core-interface te8/1/0
Router(config-rpd-core)# principal
Router(config-rpd-core)# rpd-ds 0 downstream-cable 8/1/0 profile 0
Router(config-rpd-core)# rpd-us 0 upstream-cable 8/1/0 profile 0
Router(config-rpd-core)# exit
Router(config-rpd)# core-interface te8/1/1
Router(config-rpd-core)# rpd-ds 0 downstream-cable 8/1/1 profile 0
Router(config-rpd-core)# rpd-us 0 upstream-cable 8/1/1 profile 0
Router(config-rpd-core)# exit
Router(config-rpd)# exit
Router(config)# cable rpd node2
Router(config-rpd)# identifier 0004.9f03.0163
Router(config-rpd)# core-interface te8/1/2
Router(config-rpd-core)# principal
Router(config-rpd-core)# rpd-ds 0 downstream-cable 8/0/1 profile 1
Router(config-rpd-core)# rpd-us 0 upstream-cable 8/0/2 profile 2
```

Configuring Remote PHY Line Card Redundancy

The following example shows how to configure Remote PHY Line Card Redundancy:

```
Router# configure terminal
Router(config)# redundancy
Router(config-red)# mode sso
Router(config-red)# linecard-group 0 internal-switch
Router(config-red-lc)# class 1:N
Router(config-red-lc)# member slot 8 primary
Router(config-red-lc)# member slot 6 secondary
Router(config-red-lc)# no revertive
```

Verifying Remote PHY Line Card Redundancy Configuration

To verify the Remote PHY line card redundancy configuration, use the example below:

```
Router# show redundancy linecard all
```

Slot	Subslot	LC Group	My State	Peer State	Peer Slot	Peer Subslot	Role	Mode
8	-	0	Active	Stdby Warm	6	-	Active	Primary
6	-	0	-	-	Multiple	None	Standby	Secondary

```
Router# show cable rpd lcha-cores
```

MAC Address	IP Address	I/F	State	Core Role	HA Role
0004.9f03.0055	80.6.16.15	Te6/1/0	online	Principal	Standby
0004.9f03.0055	80.6.16.15	Te8/1/0	online	Principal	Active
0004.9f03.0163	80.6.16.16	Te6/1/1	online	Principal	Standby
0004.9f03.0163	80.6.16.16	Te8/1/1	online	Principal	Active

```
Router# show cable rpd
```

MAC Address	IP Address	I/F	State	Core Role	HA Role
0004.9f03.0055	80.6.16.15	Te6/1/0	online	Principal	Active
0004.9f03.0163	80.6.16.16	Te6/1/1	online	Principal	Active

Feature Information for Remote PHY Line Card and Supervisor Redundancy

The following table provides release information about the feature or features described in this module. This table lists only the software release that introduced support for a given feature in a given software release train. Unless noted otherwise, subsequent releases of that software release train also support that feature.

Use Cisco Feature Navigator to find information about platform support and Cisco software image support. To access Cisco Feature Navigator, go to www.cisco.com/go/cfn. An account on Cisco.com is not required.

Table 33: Feature Information for Remote PHY Line Card and Supervisor Redundancy

Feature Name	Releases	Feature Information
Remote PHY LCHA	Cisco 1x2 / Compact Shelf RPD Software 3.1	This feature was integrated into the Cisco Remote PHY Device.
Remote PHY SUPHA	Cisco 1x2 / Compact Shelf RPD Software 3.1	This feature was integrated into the Cisco Remote PHY Device.



PART **IX**

Remote PHY Management

- [Secure Software Download, page 161](#)
- [Cisco Remote PHY Fault Management, page 165](#)
- [Cisco Remote PHY Device Operations and Debugging, page 169](#)



CHAPTER 19

Secure Software Download

This document describes how to upgrade software from RPD and Cisco cBR by using Secure Software Download feature.

- [Hardware Compatibility Matrix for Cisco Remote PHY Device, page 161](#)
- [Information About Secure Software Download, page 162](#)
- [How to Upgrade Software from RPD and Cisco cBR Using SSD, page 162](#)
- [Examples for Upgrading RPD Software Using SSD, page 164](#)
- [Feature Information for Secure Software Download, page 164](#)

Hardware Compatibility Matrix for Cisco Remote PHY Device



Note

The hardware components introduced in a given Cisco Remote PHY Device Software Release are supported in all subsequent releases unless otherwise specified.

Table 34: Hardware Compatibility Matrix for the Cisco Remote PHY Device

Cisco HFC Platform	Remote PHY Device
Cisco GS7000 Node	Cisco 1x2 RPD Software 1.1 and Later Releases Cisco Remote PHY Device 1x2 <ul style="list-style-type: none">• PID—RPD-1X2=• RPD-1X2-PKEY=

Cisco HFC Platform	Remote PHY Device
Intelligent NODE (iNODE)	Cisco 1x2 RPD Software 3.1 and Later Releases Cisco Remote PHY Device 1x2 <ul style="list-style-type: none"> • IRPD-1X2= • IRPD-1X2-PKEY=

**Note**

The -PKEY suffix in the PID indicates units that enable the SCTE-55-2 Out-of-Band protocol support.

Information About Secure Software Download

The secure software download (SSD) feature allows you to authenticate the source of a code file and verify the downloaded code file before using it in your system. The SSD is applicable to Remote PHY (R-PHY) devices installed in unsecure locations.

The Remote PHY architecture allows RPDs to download code. Hence, authenticating the source and checking the integrity of the downloaded code is important.

To authenticate and verify downloading of the code, SSD helps in verifying the manufacturer signature and the operator signature, if any. The manufacturer signature affirms the source and integrity of the code file to the RPD. If an additional signature is available from the operator, the RPD verifies both signatures with a certificate chain before accepting a code file.

Prerequisites for Upgrading Software using SSD

The following prerequisites are applicable to upgrading RPD software using SSD:

- The R-PHY node supports downloading software initiated through the GCP message sent from Cisco cBR.
- RPD supports a secure software download initiated using SSH and CLI directly on the RPD.
- R-PHY uses TFTP or HTTP to access the server to retrieve the software update file.

How to Upgrade Software from RPD and Cisco cBR Using SSD

**Note**

To know more about the commands referenced in this module, see the [Cisco IOS Master Command List](#).

Initiating RPD Software Upgrade from Cisco cBR

The RPD software upgrade can be initiated from Cisco cBR-8 Router. Use the following commands for initiating the upgrade:

```
cable rpd {all|oui|slot|RPD IP|RPD MAC} ssd server_IP {
    tftp|http} file_name [c-cvc-c|m-cvc-c]
    [CVC Chain File Name]
```

Initiating Software Upgrade from RPD Using SSD

If you want to initiate the software upgrade from RPD, set the SSD parameters on RPD. Use the following commands.

Setting the value for SSD CVC (Manufacturer's and Co-signer Code Validation Certificates) parameter is optional.

Configure the values for the following parameters

- SSD server IP address
- Filename
- Transport method

```
ssd set server server_IP filename file_name transport {tftp|http}
ssd set cvc {manufacturer|co-signer} cvc_chain_file_name
ssd control start
```

Verifying Software Upgrade Using SSD Configuration

To display the RPD SSD status, use the `cable rpd [all|oui|slot|RPD IP|RPD MAC] ssd status` command as given in the following example.

```
Router# cable rpd all ssd status
RPD-ID      ServerAddress Protocol Status      Filename
0004.9f00.0591 192.0.2.0    TFTP      ImageDownloading
image/RPD_seres_rpd_20170216_010001.itb.SSA
0004.9f00.0861 192.0.2.2    TFTP      CodeFileVerified
userid/RPD_seres_rpd_20170218_010001.itb.SSA
0004.9f03.0091 192.0.2.1    TFTP      ImageDownloadFail chuangli/openwrt-seres-rpd-rdb.itb.SSA
```

The available statuses are the following:

- CVCVerified
- CVCRejected
- CodeFileVerified
- CodeFileRejected
- ImageDownloading
- ImageDownloadSucceed
- ImageDownloadFail
- MissRootCA

Examples for Upgrading RPD Software Using SSD

This section provides example for the Software Using SSD configuration.

Example: RPD Software Upgrade Using SSD on Cisco cBR

```
cable rpd 0004.9f00.0861 ssid 20.1.0.33
  tftp userid/RPD_seres_rpd_20170218_010001.itb.SSA
rpd 0004.9f00.0861 server:20.1.0.33, proto:TFTP,
file:userid/RPD_seres_rpd_20170218_010001.itb.SSA
```

Example: RPD Software Upgrade Using SSD on RPD

```
RPHY#ssid set server 10.79.41.148
filename RPD_seres_rpd_20170103_010002.itb.SSA transport tftp
Router#ssid control start
```

Feature Information for Secure Software Download

Use Cisco Feature Navigator to find information about platform support and software image support. Cisco Feature Navigator enables you to determine which software images support a specific software release, feature set, or platform. To access Cisco Feature Navigator, go to <http://www.cisco.com/go/cfn>. An account on [Cisco.com](http://www.cisco.com) is not required.



Note

The table below lists only the software release that introduced support for a given feature in a given software release train. Unless noted otherwise, subsequent releases of that software release train also support that feature.

Table 35: Feature Information for Secure Software Download

Feature Name	Releases	Feature Information
Secure Software Download	Cisco 1x2 RPD Software 1.1	This feature was introduced on the Cisco Remote PHY Device.



Cisco Remote PHY Fault Management

This document describes how to configure the events for fault management on the Cisco cBR Series Converged Broadband Router.

- [Information About Fault Management, page 165](#)
- [How to Configure RPD Events, page 166](#)
- [Configuration Examples , page 167](#)
- [Feature Information for R-PHY Fault Management, page 168](#)

Information About Fault Management

Fault management on RPD is required for remote monitoring, detection, diagnosis, reporting, and correcting the issues.

The Fault management module provides the following support:

- RPD can send events to the CCAP core
- CCAP core can get events from RPD
- On the CCAP core, view log in to the CLI
- SNMP poll events are supported

RPD Event Reporting

An RPD logs events, generates asynchronous notifications that indicate malfunction situations, and notifies the operator about important events. The RPD event reporting includes two methods of reporting.

- During the initialization of RPD, CCAP core synchronizes events from the RPD.
- During run-time operations, RPD notifies the CCAP Core of the events

Restrictions for Configuring RPD Events

Following restrictions are applicable:

A maximum of 1000 events are retained on Cisco cBR. The RPD retains 1000 events locally and 1000 events in pending state.

How to Configure RPD Events



Note

To know more about the commands referenced in this module, see the [Cisco IOS Master Command List](#).

Configuring RPD Events

You can configure an event profile and apply it to RPD. Use the following commands to configure RPD events:

```
enable
configure terminal
cable profile rpd-event profile_id
  priority {emergency|alert|critical|error|warning|notice|informational|debug}
  {0x0|0x1|0x2|0x3}
  enable-notify
```

- 0x0—No log
- 0x1— Save log in RPD local storage
- 0x2—Report to Cisco cBR
- 0x3— Save log in RPD local storage and report to Cisco cBR

You must enable-notifications for the RPD to report any event to the Core.

Applying the Event Profile to RPD

Use the following commands to apply the Event Profile to an RPD:

```
enable
configure terminal
cable rpd rpd_name
  rpd-event profile profile_id
```



Note

If RPD is online when changing the profile, reset the RPD, after you change the profile.

Getting RPD Events

To pull Events from RPD, use the `cable rpd [RPD IP|RPD MAC] all event {locallog|pending}` command, as given in the following example:

```
Router#cable rpd 30.84.2.111 event pending
```

Clearing all events on Cisco cBR Database

To remove all Events on Cisco cBR, use the `clear cable rpd all event` command, as given in the following example:

```
Router#clear cable rpd all event
```

Viewing the RPD Events

To view all RPD Events, use the `show cable rpd [RPD IP|RPD MAC] event` command as given in the following example.

```
Router# show cable rpd 93.3.50.7 event
RPD      EventId      Level Count  LastTime      Message
0004.9f00.0861 66070204   Error  1    Feb21 12:11:06 GCP Connection Failure
CCAP-IP=30.85.33.2;RPD-ID=0004.9f00.0861;
0004.9f00.0861 2148074241 Error  1    Feb21 12:11:25 Session failed:connecting timeout,
@SLAVE: 93.3.50.7:None --> 30.85.33.2:8190;RPD-ID=0004.9f00.0861;
```

Viewing RPD Events Using Log

To view all RPD Events, use the `show logging` command, as given in the following example.

```
Router# show logging | include RPD-ID=0004.9f00.0861
004181: Feb 21 12:18:59.649 CST: %RPHYMAN-3-RPD_EVENT_ERROR: CLC5: rphyman:
GCP Connection Failure CCAP-IP=30.85.33.2;RPD-ID=0004.9f00.0861;EVENT-ID=66070204;
FirstTime=2017-2-21,12:11:6.0;
LastTime=2017-2-21,12:11:6.0;
Count=1;PendingQueue;
004185: Feb 21 12:19:18.875 CST: %RPHYMAN-3-RPD_EVENT_ERROR: CLC5: rphyman:
Session failed:connecting timeout, @SLAVE: 93.3.50.7:None --> 10.10.10.12:1190;
RPD-ID=0004.9f00.0861;
EVENT-ID=2148074241;
FirstTime=2017-2-21,12:11:25.0;
LastTime=2017-2-21,12:11:25.0;
Count=1;PendingQueue;
```

Configuration Examples

This section provides example for the fault management configuration on Cisco cBR-8.

Example: RPD Event Configuration

```
enable
configure terminal
cable profile rpd-event 6
  priority emergency 0x3
  priority alert 0x3
  priority critical 0x3
  priority error 0x3
```

```

priority warning 0x3
priority notice 0x3
priority informational 0x3
enable-notify
cable rpd node6
  identifier badb.ad13.5e08
  core-interface Te3/1/5
    principal
      rpd-ds 0 downstream-cable 3/0/17 profile 10
      rpd-us 0 upstream-cable 3/0/34 profile 13
  r-dti 16
  rpd-event profile 6

```

Feature Information for R-PHY Fault Management

Use Cisco Feature Navigator to find information about platform support and software image support. Cisco Feature Navigator enables you to determine which software images support a specific software release, feature set, or platform. To access Cisco Feature Navigator, go to <http://www.cisco.com/go/cfn>. An account on [Cisco.com](http://www.cisco.com) is not required.



Note

The table below lists only the software release that introduced support for a given feature in a given software release train. Unless noted otherwise, subsequent releases of that software release train also support that feature.

Table 36: Feature Information for R-PHY Fault Management

Feature Name	Releases	Feature Information
R-PHY Fault Management	Cisco 1x2 / Compact Shelf RPD Software 3.1	This feature was integrated into the Cisco Remote PHY Device.



CHAPTER 21

Cisco Remote PHY Device Operations and Debugging

This document describes the RPD operations and debugging of an RPD.

- [Hardware Compatibility Matrix for Cisco Remote PHY Device](#), page 169
- [Information about RPD Operations and Debugging](#), page 170
- [How to Access and Debug RPD](#), page 170
- [IOS Example](#), page 172
- [Feature Information for RPD Operations and Debugging](#), page 173

Hardware Compatibility Matrix for Cisco Remote PHY Device



Note

The hardware components introduced in a given Cisco Remote PHY Device Software Release are supported in all subsequent releases unless otherwise specified.

Table 37: Hardware Compatibility Matrix for the Cisco Remote PHY Device

Cisco HFC Platform	Remote PHY Device
Cisco GS7000 Node	<p>Cisco 1x2 RPD Software 1.1 and Later Releases</p> <p>Cisco Remote PHY Device 1x2</p> <ul style="list-style-type: none"> • PID—RPD-1X2= • RPD-1X2-PKEY=

Cisco HFC Plaform	Remote PHY Device
Intelligent NODE (iNODE)	Cisco 1x2 RPD Software 3.1 and Later Releases Cisco Remote PHY Device 1x2 <ul style="list-style-type: none"> • IRPD-1X2= • IRPD-1X2-PKEY=

**Note**

The -PKEY suffix in the PID indicates units that enable the SCTE-55-2 Out-of-Band protocol support.

Information about RPD Operations and Debugging

The operators might need secure remote access to the RPD for activities such as setting up the RPD before the installation, maintenance, or troubleshooting. The RPD supports Secure Shell (SSH) server that allows secure access to the RPD.

Prerequisites for RPD Operations

The following prerequisites are applicable for debugging or checking RPD operations:

- RPD has established GCP connection with the CCAP-core, and RPD IP address is retrievable from CCAP-core.
- RPD is assigned an IP address through the DHCP process, and the IP address is retrievable from the DHCP server.

How to Access and Debug RPD

**Note**

To know more about the commands referenced in this module, see the [Cisco IOS Master Command List](#).

Accessing RPD using SSH

After logging in to the RPD for the first time, the system shows a security warning.

```
SECURITY WARNING: ssh password login is accessible!
Please use pubkey login and set password login off!
```

The following procedure shows how to use SSH to access RPD without password from NMS.

- 1 Check whether NMS already has an SSH key. If yes, do not generate a new key.
- 2 Generate a new SSH key in NMS.

```
cat ~/.ssh/id_rsa.pub
ssh-keygen -t rsa
```


- 3 Add the NMS public key in RPD.


```
ssh pubkey add ?
LINE          NMS's pubkey
```
- 4 Verify whether NMS can connect using SSH to RPD without a password.


```
ssh -l admin <RPD ip>
```

Disabling SSH Login Password

Use the following commands to apply the Event Profile to an RPD:

```
R-PHY#conf t
R-PHY(config)#ssh password ?
off          disable ssh password login
on           enable ssh password login
R-PHY(config)#ssh password off
R-PHY(config)#end
```

Debugging RPD

Use the following procedure to debug RPD:

- 1 Disable RPD auto reboot by setting the reboot hold.


```
R-PHY# set reboot hold
```
- 2 Secure copy the logs of RPD to the server using the following command.


```
logging provision-archive scp server_ip user_id dst_location
```
- 3 Collect the show CLI output.

For RPD online issues, check which status is failed. You can check the following outputs:

- show provision all
- show provision history
- show dot1x detail
- show dhcp
- show tod
- show ptp clock 0 config
- show ptp clock 0 state

For modem online issue, check ds/us config and l2tp session.

You can collect the following outputs:

- show downstream channel configuration
- show downstream channel counter dps (show multiple times)
- show downstream depi configuration
- show upstream channel configuration <port number> <channel number>
- show upstream iuc counter <port number> <channel number> (show multiple times)
- show upstream map counter <port number> <channel number> (show multiple times)

- show upstream uepi configuration
- show l2tp tunnel
- show l2tp session

4 Enable RPD auto reboot, after collecting all logs and CLI output.

```
R-PHY#clear reboot hold
```

Verifying Disabled SSH Password Login

To check whether the SSH logging in using a password is disabled, use the show ssh session command as given in the following example.

```
R-PHY#show ssh session
connected session: 1
ssh password auth: off
ssh NMS pubkey num: 1
R-PHY#
```

IOS Example

This section provides example for the fault management configuration on R-PHY.

Example: Generating a New NMS pubkey

```
$ cat ~/.ssh/id_rsa.pub

$ ssh-keygen -t rsa

$ cat ~/.ssh/id_rsa.pub
ssh-rsa AAAAB3NzaC1yc2EAAAABIwAAAQEAtQCXVFmRIwemejbTxx0+U8taMq5n4Zetu
71xb+dtHV8Rr0wejiK1YJkT93n9hcBxsjHRu76bLp991+DDNL3+TH1jwnMQC1CsdvRmGXoe
Gf1mT9aTlGDf/ RW9ZywY9t8Kep9VnANu2DWSoh0wg2pE49HFOJAbGfuFOvPEdwZGGDMQNWS
Eq/3xAQjBxajQqfgu4IqjVzKoo4PM/xx9X4Z1aMwxS3DvyN7L8O0o33mcDNsas13Ss1IjMSNfG
YpwOFvQve8c2onrYHUx2p3BwQOb/b0FzFQhZMTBxm/pDMXq/fkkD0uguk1xOGnqAATMJsSHIN
0UOdvbzhmFRBBM4NzqQG5knt7KvnWgxE7HdaleRvMyBC2MCGbFShmQFyWmHBHPPmLIxK98W
XutoR8fzszs+4hingZ4X9DMMNwTQ6WOzjuKq6iU= userid@example.cisco.com
```

Example: Adding NMS pubkey in RPD

```
R-PHY#conf t
R-PHY(config)#ssh pubkey add ?
LINE          NMS's pubkey
R-PHY(config)#ssh pubkey add ssh-rsa AAAAB3NzaC1yc2EAAAABIwAAAQEAtQCXVFmRIwemejbTxx0+U8taMq5n4Zetu71xb+dtHV8Rr0wejiK1YJkT93n9hcBxsjHRu76bLp991+DDNL3+TH1jwnMQC1CsdvRmGXoeGf1mT9aTlGDf/YfKxZMozMnR9q1GJFX1RAwGMsCR1llnV6IkFyh59P9UdkdSSWv+QL8lCftWBmMnyt/CkqL98NK0Vp0gIYRv7UKCwhK40c8X7PhzxcmKVFTUv3bf9VIPNA2esgzKDFpJZkqCjrnXU1Xu00j8Twei7f0ytSrFvVKuWp4XZbVDPWGH90BOQR8gKHmqurP3nFp0v0k3Nf4UvSTuOOQi2h0mAf+9wzm+ab41ToadUbMawHyFYyuU= xxx@xxx.xxx.com
R-PHY(config)#end
```

```
R-PHY#show ssh nms-pubkey ssh-rsa AAAAB3NzaC1yc2EAAAABIwAAAQEAtQCXVFmRIwemejbTxx0+U8taMq5n4Zetu71xb+dtHV8Rr0wejiK1YJkT93n9hcBxsjHRu76bLp991+DDNL3+TH1jwnMQC1CsdvRmGXoeGf1mT9aTlGDf/YfKxZMozMnR9q1GJFX1RAwGMsCR1llnV6IkFyh59P9UdkdSSWv+QL8lCftWBmMnyt/CkqL98NK0Vp0gIYRv7UKCwhK40c8X7PhzxcmKVFTUv3bf9VIPNA2esgzKDFpRvMyBC2MCGbFShmQFyWmHBHPPmLIxK98WXutoR8fzszs+4hingZ4X9DMMNwTQ6WOzjuKq6iU= xxx@xxx.xxx.com
```

Feature Information for RPD Operations and Debugging

Use Cisco Feature Navigator to find information about platform support and software image support. Cisco Feature Navigator enables you to determine which software images support a specific software release, feature set, or platform. To access Cisco Feature Navigator, go to <http://www.cisco.com/go/cfn>. An account on [Cisco.com](http://www.cisco.com) is not required.


Note

The table below lists only the software release that introduced support for a given feature in a given software release train. Unless noted otherwise, subsequent releases of that software release train also support that feature.

Table 38: Feature Information for RPD Operations and Debugging

Feature Name	Releases	Feature Information
RPD Operations and Debugging	Cisco 1x2 / Compact Shelf RPD Software 3.1	This feature was integrated into the Cisco Remote PHY Device.



PART **X**

Remote PHY IPv6

- [Cisco Remote PHY Device IPv6, page 177](#)



Cisco Remote PHY Device IPv6

Finding Feature Information

Your software release may not support all the features documented in this module. For the latest feature information and caveats, see the release notes for your platform and software release. To find information about the features documented in this module, and to see a list of the releases in which each feature is supported, see the Feature Information Table at the end of this document.

Use Cisco Feature Navigator to find information about platform support and Cisco software image support. To access Cisco Feature Navigator, go to <http://tools.cisco.com/ITDIT/CFN/>. An account on <http://www.cisco.com/> is not required.

- [Hardware Compatibility Matrix for Cisco Remote PHY Device](#), page 177
- [Information about RPD IPv6](#), page 178
- [How to Configure RPD IPv6 Unicast Online](#), page 178
- [How to Configure IPv6 DS Splitting](#), page 181
- [Feature Information for Remote-PHY Device IPv6](#), page 184

Hardware Compatibility Matrix for Cisco Remote PHY Device



Note

The hardware components introduced in a given Cisco Remote PHY Device Software Release are supported in all subsequent releases unless otherwise specified.

Table 39: Hardware Compatibility Matrix for the Cisco Remote PHY Device

Cisco HFC Platform	Remote PHY Device
Cisco GS7000 Node	Cisco 1x2 RPD Software 1.1 and Later Releases Cisco Remote PHY Device 1x2 <ul style="list-style-type: none"> • PID—RPD-1X2= • RPD-1X2-PKEY=
Intelligent NODE (iNODE)	Cisco 1x2 RPD Software 3.1 and Later Releases Cisco Remote PHY Device 1x2 <ul style="list-style-type: none"> • IRPD-1X2= • IRPD-1X2-PKEY=

**Note**

The -PKEY suffix in the PID indicates units that enable the SCTE-55-2 Out-of-Band protocol support.

Information about RPD IPv6

The CableLabs' MHA v2 standards requires CCAP Core and RPD must support both IPv4 and IPv6, which means the Remote PHY Signaling between the CCAP Core and RPD is able to run on both IPv4 and IPv6 networks.

**Note**

- CCAP Core can support IPv4/IPv6 dual stack.
- RPD can support either IPv4 or IPv6 network.
- RPD does not support IPv4/IPv6 Dual Stack at the same time.
- RPD will try IPv6 connection first. When DHCPv6 failed, RPD will try DHCPv4.
- For single RPD, all the server addresses, protocols to communicate with it must be in the same IP version.

How to Configure RPD IPv6 Unicast Online

This section describes how to configure RPD IPv6 Unicast Online on Cisco cBR-8.

Configuring Unicast IPv6

To configure Unicast IPv6, complete the following procedure:

- 1 Enable IPv6 unicast routing.


```
configure terminal
ipv6 unicast-routing
```
- 2 Configure IPv6 Address on DPIC interface.


```
configure terminal
interface TenGigabitEthernet slot1/port
ipv6 enable
ipv6 address ipv6_address
```

Configuring RPD core interface

To configure RPD core interface, complete the following procedure:

```
configure terminal
cable rpd name
identifier rpd_mac
core-interface tenG_interface
principal
rpd-ds id downstream-cable controller profile id
rpd-us id upstream-cable controller profile id
```

Configuring IPv6 PTP Clock Option

To configure the IPv6 PTP Clock Option, complete the following procedure:

- 1 Configure CBR as PTP slave, see the configuration example below:

```
configure terminal
interface Loopback1588
ip address 158.158.158.5 255.255.255.255
ptp clock ordinary domain 0
servo tracking-type R-DTI
clock-port slave-from-903 slave
delay-req interval -4
sync interval -5
sync one-step
transport ipv4 unicast interface Lo15888 negotiation
clock source 10.90.3.93
```



Note

CCAP-Core as PTP slave can only support IPv4.

- 2 Configure R-DTI for RPD PTP IPv6.

```
configure terminal
ptp r-dti number
ptp-domain domain
clock-port number
ethernet number
transport ipv6
clock source ipv6 address gateway ipv6 gateway
```

**Note**

- PTP domain and 1588 master have same domain number.
- Clock source IPv6 address is 1588 master IPv6 address.
- Gateway is next hop to 1588 master, and it is optional.
- For RPD, ethernet 1=vbh0, ethernet 2=vbh1, ethernet 0 will choose either vbh0 or vbh1 which is functional as clock-port.

3 Associate R-DTI with RPD configuration.**configure terminal****cable rpd** *id***r-dti** *number*

Verifying IPv6 PTP Clock Option Configuration

To display the CBR PTP Status, use the **show ptp clock running** command as shown in the example below:

```
Router# show ptp clock running
```

```
Load for five secs: 6%/2%; one minute: 7%; five minutes: 8%
```

```
No time source, *05:11:13.610 UTC Sun Oct 22 2017
```

```
PTP Ordinary Clock [Domain 0]
```

State	Ports	Pkts sent	Pkts rcvd	Redundancy Mode
PHASE_ALIGNED	1	2478203	7512533	Hot standby

PORT SUMMARY

Name	Tx Mode	Role	Transport	State	Sessions	PTP Master Port Addr
slave-from-903	unicast	slave	Lo15888	Slave	1	10.90.3.93

To display the RPD PTP Status, use the **show ptp clock** command as shown in the example below:

```
Router# show ptp clock 0 config
```

```
Domain/Mode : 0/OC_SLAVE
```

```
Priority 1/2/local : 128/255/128
```

```
Profile : 001b19000100-000000 E2E
```

```
Total Ports/Streams : 1 /1
```

```
--PTP Port 23, Enet Port 1 ----
```

```
Port local Address :2001:120:102:70:7:1b71:476c:70ba
```

```
Unicast Duration :300 Sync Interval : -4
```

```
Announce Interval : 0 Timeout : 11
```

```
Delay-Req Intreval : -4 Pdelay-req : -4
```

```
Priority local :128 COS: 6 DSCP: 47
```

```
==Stream 0 : Port 23 Master IP: 2001:10:90:3::93
```

```
Router# show ptp clock 0 state
```

```
apr state : PHASE_LOCK
```

```
clock state : SUB_SYNC
```

```
current tod : 1508640223 Sun Oct 22 02:43:43 2017
```

```
active stream : 0
```

```
==stream 0 :
```

```
port id : 0
```

```
master ip : 2001:10:90:3::93
```

```
stream state : PHASE_LOCK
```

```
Master offset : 3490
```

```
Path delay : -27209
```

```
Forward delay : -27333
```

```
Reverse delay : -27085
```

```
Freq offset : 6544364
```

```
1Hz offset : 49
```

```
Router# show ptp clock 0 statistics
```

```
AprState 4 :
```

```

2@0-00:06:25.027          1@0-00:06:15.382          0@0-00:03:51.377
4@0-00:03:32.176
ClockState 5 :
5@0-00:06:36.141          4@0-00:06:33.684          3@0-00:06:30.510
2@0-00:06:25.512          1@0-00:06:24.982
BstPktStrm 1 :
0@0-00:06:15.987
StepTime 1 :
908222863@0-00:05:42.199
AdjustTime 2589 :
-339@1-20:18:42.949      -321@1-20:17:41.949      49@1-20:16:40.949
145@1-20:15:39.949      6@1-20:14:38.949        261@1-20:13:37.949
327@1-20:12:36.949      76@1-20:11:35.949      157@1-20:10:34.949
streamId  msgType      rx      rxProcessed  lost      tx
0          SYNC            2549177  2549177      4292476931 0
0          DELAY REQUEST    0         0             0          2549150
0          P-DELAY REQUEST  0         0             0          0
0          P-DELAY RESPONSE 0         0             0          0
0          FOLLOW UP      0         0             0          0
0          DELAY RESPONSE 2549144  2549144      4292476934 0
0          P-DELAY FOLLOWUP 0         0             0          0
0          ANNOUNCE      159330   159330       4294836225 0
0          SIGNALING    1662     1662         0            1663
0          MANAGEMENT   0         0             0            0
TOTAL      5259313   5259313     12879790090 2550813

```

Verifying RPD IPv6 Configuration

To display the RPD IPv6 Status, use the **show cable rpd ipv6** command as shown in the example below:

```

Router# show cable rpd ipv6
Load for five secs: 7%/2%; one minute: 9%; five minutes: 8%
No time source, *14:03:13.622 UTC Sun Oct 22 2017
MAC Address      I/F      State      Role HA  Auth IP Address
0004.9f03.0226  Te0/1/6  online     Pri  Act N/A 2001:120:102:70:7:1B71:476C:70BA
0004.9f03.0232  Te0/1/7  online     Pri  Act N/A ---
0004.9f03.0256  Te0/1/2  online     Pri  Act N/A 2001:120:102:70:3:830A:FAEA:CF7E
0004.9f03.0268  Te0/1/6  online     Pri  Act N/A 2001:120:102:70:7:41F1:7CCD:4475
0004.9f03.0268  Te6/1/6  online     Aux  Act N/A 2001:120:102:70:7:41F1:7CCD:4475
badb.ad13.5d7e  Te0/1/2  online     Pri  Act N/A 2001:120:102:70:3:FF46:1FF9:29FE

```

How to Configure IPv6 DS Splitting

This section describes how to configure RPD IPv6 DS splitting on Cisco cBR-8. In this configuration, different RPDs share the same DS SG traffic. For each DS sharing controller, one unique IPv6 multicast IP is assigned according to multicast pool. When RPD is IPv6 online, all DS sharing Controller associated multicast IPs are IPv6 type. Multiple DS controllers used by one RPD core must be either IPv4 or IPv6 and cannot be mixed. RPD sharing same DS Controller must only be IPv4 or IPv6 online and cannot be mixed. Multiple RPD cores in one RPD must only be IPv4 or IPv6 online and cannot be mixed.

Configure the multicast IPv6 DEPI pool

To configure multicast IPv6 DEPI pool, complete the following procedure:

```

configure terminal
cable depi multicast pool id
ipv6 address ip/prefix

```

Enabling Multicast Sharing under Downstream Controller Profile

To configure Unicast IPV6, complete the following procedure (same as IPv4 downstream splitting):

```
configure terminal
cable downstream controller-profile id
multicast-pool id
```

Configuring the RPD with the Same Downstream Controller and Profile

To configure the RPDs with the same downstream controller and profile, complete the procedure as shown in the example below (same as IPv4 downstream splitting):

```
configure terminal
cable rpd node_1
  core-interface tenGigabitEthernet 9/1/0
    rpd-ds 0 controller downstream-cable 9/0/0 profile 0
    rpd-us 0 controller upstream-cable 9/0/0 profile 221
cable rpd node_2
  core-interface tenGigabitEthernet 9/1/0
    rpd-ds 0 controller downstream-cable 9/0/0 profile 0
    rpd-us 0 controller upstream-cable 9/0/0 profile 221
```

Configuring the RPDs to different fiber-nodes

To configure the RPDs to different fiber-nodes, complete the procedure as shown in the example below (same as IPv4 downstream splitting):

```
configure terminal
cable fiber-node 100
  downstream Downstream-Cable 9/0/0
  upstream Upstream-Cable 9/0/0
cable fiber-node 101
  downstream Downstream-Cable 9/0/0
  upstream Upstream-Cable 9/0/1
```

Configuring the RPDs to MAC Domain

To configure the RPDs to the MAC domain, complete the procedure as shown in the example below (same as IPv4 downstream splitting):

```
configure terminal
interface Cable9/0/0
  downstream Downstream-Cable 9/0/0 rf-channel 0
  downstream Downstream-Cable 9/0/0 rf-channel 8
  upstream 0 Upstream-Cable 9/0/0 us-channel 0
  upstream 1 Upstream-Cable 9/0/0 us-channel 1
  upstream 2 Upstream-Cable 9/0/0 us-channel 2
  upstream 3 Upstream-Cable 9/0/0 us-channel 3
  upstream 4 Upstream-Cable 9/0/1 us-channel 0
  upstream 5 Upstream-Cable 9/0/1 us-channel 1
  upstream 6 Upstream-Cable 9/0/1 us-channel 2
  upstream 7 Upstream-Cable 9/0/1 us-channel 3
  cable upstream bonding-group 1
    upstream 0
    upstream 1
    upstream 2
    upstream 3
    attributes 800000F0
  cable upstream bonding-group 2
    upstream 4
    upstream 5
```

```

upstream 6
upstream 7
attributes 8000000F

```

Or use the following example (same as IPv4 downstream splitting):

```

configure terminal
interface Cable9/0/0
  downstream Downstream-Cable 9/0/0 rf-channel 0
  upstream 0 Upstream-Cable 9/0/0 us-channel 0
  upstream 1 Upstream-Cable 9/0/0 us-channel 1
  upstream 2 Upstream-Cable 9/0/0 us-channel 2
  upstream 3 Upstream-Cable 9/0/0 us-channel 3
  cable upstream bonding-group 1
    upstream 0
    upstream 1
    upstream 2
    upstream 3
    attributes 800000F0
configure terminal
interface Cable9/0/1
  downstream Downstream-Cable 9/0/0 rf-channel 8
  upstream 0 Upstream-Cable 9/0/1 us-channel 0
  upstream 1 Upstream-Cable 9/0/1 us-channel 1
  upstream 2 Upstream-Cable 9/0/1 us-channel 2
  upstream 3 Upstream-Cable 9/0/1 us-channel 3
  cable upstream bonding-group 1
    upstream 0
    upstream 1
    upstream 2
    upstream 3
    attributes 800000F0

```

Enable IPv6 multicast on Cisco cBR-8 Router

To enable the IPv6 multicast on cBR-8, complete the following procedure:

```

configure terminal
ipv6 multicast-routing

```

If cBR-8 and RPD are connected in L2 network, we recommend to enable MLD Snooping in L2 switches.

Verifying the IPv6 DS Splitting Configuration

To display the IPv6 multicast DEPI pool, use the **show cable depi multicast pool ipv6** command as shown in the example below:

```

Router# show cable depi multicast pool ipv6
Load for five secs: 8%/2%; one minute: 7%; five minutes: 8%
No time source, *06:57:11.898 UTC Sun Oct 22 2017
POOL ID   IPv6                                DESCRIPTION
22        FF3B::8000:0/100
50        FF3A::8000:0/126                    zyq
100       FF39::8000:0/120                    zyq

```

```

Infra_C05#show cable depi multicast pool ipv6 id 22
Load for five secs: 8%/2%; one minute: 8%; five minutes: 8%
No time source, *07:00:03.577 UTC Sun Oct 22 2017
POOL ID   IPv6                                DESCRIPTION
22        FF3B::8000:0/100

```

To display the assigned IPv6 multicast address, use the **show cable depi multicast ipv6** command as shown in the example below:

```

Router# show cable depi multicast ipv6 all
Load for five secs: 10%/3%; one minute: 8%; five minutes: 8%
No time source, *07:01:33.659 UTC Sun Oct 22 2017
IPv6                                POOL ID   CONTROLLER
FF3A::8000:0                        50        9/0/2 (291)
FF3A::8000:1                        50        9/0/28 (317)

```

```

FF39::8000:0          100          9/0/29 (318)
FF3A::8000:2          50           9/0/30 (319)
Infra C05#show cable depi multicast ipv6 FF3A::8000:0
Load for five secs: 7%/2%; one minute: 8%; five minutes: 8%
No time source, *07:01:44.020 UTC Sun Oct 22 2017
IPv6                  POOL ID      CONTROLLER
FF3A::8000:0          50           9/0/2 (291)
    
```

To display the relationship between the downstream controller profile and IPv6 multicast Pool, use the **show cable downstream controller-profile** command as shown in the example below:

```

Router# show cable downstream controller-profile 100
Load for five secs: 24%/3%; one minute: 10%; five minutes: 8%
No time source, *07:10:28.074 UTC Sun Oct 22 2017

Downstream controller-profile 100, type RPHY
Description:
Downstream controller-profile 100 is being used by controller Downstream-Cable:
 0/0/30,
  Admin: UP
  MaxOfdmSpectrum: 192000000
  MaxCarrier: 158
  Mode: normal
  Free freq block list has 3 blocks:
    45000000 - 449999999
    594000000 - 602999999
    795000000 - 1217999999
DS Splitting: Yes
Multicast Pool ID: 50
  OFDM frequency exclusion bands: None
    
```

```

Configured RF Channels:
Chan Admin Frequency Type Annex Mod srate Qam-profile dcid output
0 UP 453000000 DOCSIS B 256 5361 1 1 NORMAL
1 UP 459000000 DOCSIS B 256 5361 1 2 NORMAL
2 UP 465000000 DOCSIS B 256 5361 1 3 NORMAL
    
```

To display the RPD associated with the downstream controller, use the **show controllers downstream-Cable** command as shown in the example below:

```

Router# show controllers downstream-Cable 9/0/2 rpd
Load for five secs: 8%/2%; one minute: 9%; five minutes: 8%
No time source, *07:14:20.326 UTC Sun Oct 22 2017
Controller RPD DS Port List:(2 of 2)
RPD ID I/F Name
-----
badb.ad13.5d7e Te9/1/2 node_3
0004.9f03.0256 Te9/1/2 node_5
    
```

When the DS Controller IPv4/IPv6 type and the RPD IPv4/IPv6 online type conflicts, the RPD log prompts the confliction as shown in the example below:

```

Router# show cable rpd 0004.9f00.0979 Te3/1/0 log reverse
RPD ID I/F Severity Time LOG INFORMATION
-----
0004.9f00.0979 Te3/1/0 ERROR
2017-09-23 21:44:52.851 RPD 0004.9f00.0979 CoreTe 3/1/0 reset connection due to unmatched
IPv4/IPv6 between GCP connection(IPv6) and Downstream Sharing Controllers 3/1/0(IPv4)
0004.9f00.0979 Te3/1/0 ERROR
2017-09-23 21:44:50.817 RPD 0004.9f00.0979 CoreTe 3/1/0 reset connection due to unmatched
IPv4/IPv6 between GCP connection(IPv6) and Downstream Sharing Controllers 3/1/0(IPv4)
    
```

Feature Information for Remote-PHY Device IPv6

The following table provides release information about the feature or features described in this module. This table lists only the software release that introduced support for a given feature in a given software release train. Unless noted otherwise, subsequent releases of that software release train also support that feature.

Use Cisco Feature Navigator to find information about platform support and Cisco software image support. To access Cisco Feature Navigator, go to www.cisco.com/go/cfn. An account on Cisco.com is not required.

Table 40: Feature Information for Remote-PHY Device IPv6

Feature Name	Releases	Feature Information
Remote-PHY Device IPv6	Cisco 1x2 / Compact Shelf RPD Software 3.1	This feature was introduced on the Cisco Remote PHY Device.

