



Rack-Mount the Chassis

- [Unpack and Inspect the Chassis, on page 1](#)
- [Desktop-Mount the Chassis, on page 2](#)
- [Wall-Mount the Chassis, on page 2](#)
- [19-Inch Rack-Mount the Chassis - Flush, on page 4](#)
- [19-Inch Rack-Mount the Chassis - Recessed, on page 4](#)
- [23-Inch Rack-Mount the Chassis - Flush, on page 5](#)
- [23-Inch Rack-Mount the Chassis - Recessed, on page 6](#)
- [Ground the Chassis, on page 7](#)

Unpack and Inspect the Chassis



Note The chassis is thoroughly inspected before shipment. If any damage occurred during transportation or any items are missing, contact your customer service representative immediately. Keep the shipping container in case you need to send the chassis back due to damage.

See [Package Contents](#) for a list of what shipped with the chassis.



Note Mounting kits are ordered separately.



Warning You must install the unit in a restricted access location in the following cases:

- If you are using a DC power connection and the ambient temperature is more than 50°C.
- If you are using a centralized DC power connection.

Step 1 Remove the chassis from its cardboard container and save all packaging material.

Step 2 Compare the shipment to the equipment list provided by your customer service representative. Verify that you have all items.

Step 3 Check for damage and report any discrepancies or damage to your customer service representative. Have the following information ready:

- Invoice number of shipper (see the packing slip)
- Model and serial number of the damaged unit
- Description of damage
- Effect of damage on the installation

Desktop-Mount the Chassis

Attach the included rubber feet to the bottom of the unit for added stability when placing on a desktop or other flat surface.

Ensure that the fan airflow is not blocked by any obstacles.



Caution Do not stack one chassis on top of another chassis. If you stack the units, they overheat, which causes the units to power cycle.

Wall-Mount the Chassis

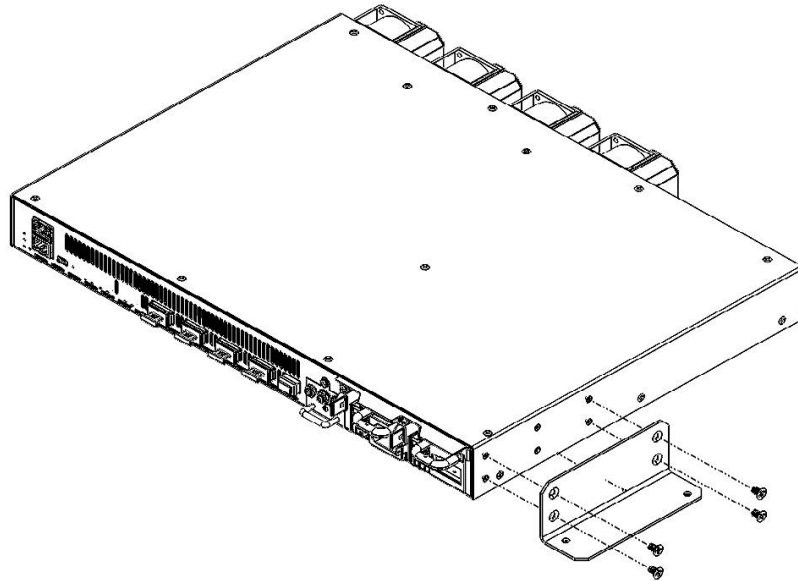
When mounting a unit on a wall, ensure that:

- The support surface and the fasteners you use must support at least 57 lb (26 kg).
- Cable pull (accidental or otherwise) does not exceed the 4.4 lb (2 kg).

Follow these steps to mount your chassis on a wall.

Step 1 Using a Philips screwdriver, align the Adapter Wallmount Kit brackets with the holes on the side of the unit and attach with four flat head screws provided.

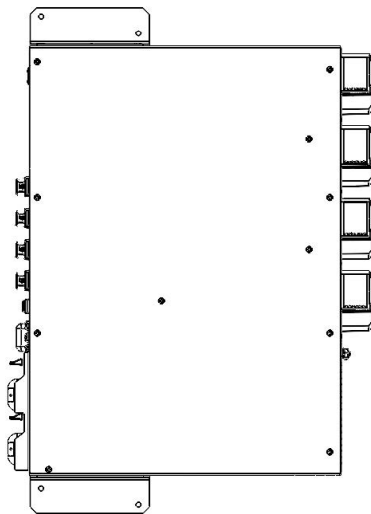
Figure 1: Align and Attach the Adapter Wallmount Kit



Step 2 Secure to the wall using the screws provided.

Warning Ensure to install the unit on the wall in the position shown below to ensure proper ventilation of the unit.

Figure 2: Wall Installation Position



19-Inch Rack-Mount the Chassis - Flush

Safety Warnings

Take note of the following warning:

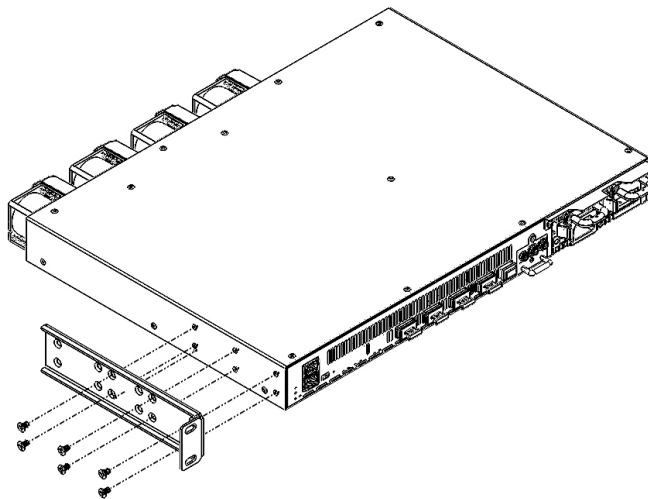


Warning

To conform to the NEBS Seismic Zone 4 requirements, the bracket must be secured, using screws specified by the rack manufacturer, to a NEBS Seismic Zone 4 compliant rack. Such screws are not provided with the bracket kit.

Step 1 Position the L-bracket as shown in the figure below.

Figure 3: 19-Inch Rack Flush Mount



Step 2 Align the bracket with the appropriate holes.

Step 3 Attach the bracket with six flat head screws.

Step 4 Secure to the rack using pan headscrews.

19-Inch Rack-Mount the Chassis - Recessed

Safety Warnings

Take note of the following warning:

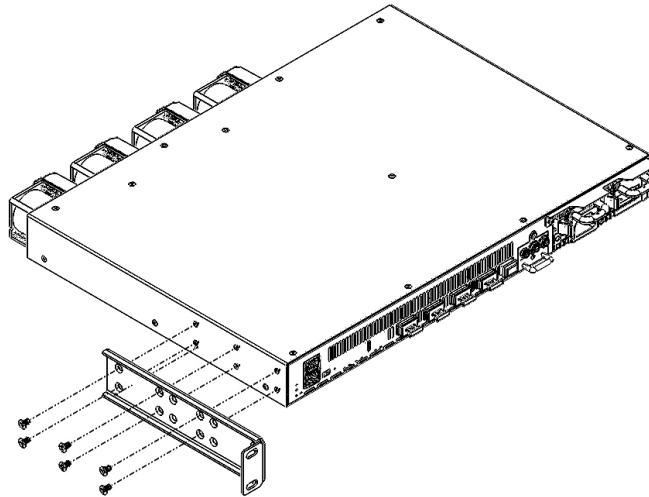
**Warning**

To conform to the NEBS Seismic Zone 4 requirements, the bracket must be secured, using screws specified by the rack manufacturer, to a NEBS Seismic Zone 4 compliant rack. Such screws are not provided with the bracket kit.

Step 1

Position the L-bracket as shown in the figure below.

Figure 4: 19-Inch Rack Recessed Mount



Step 2 Align the bracket with the appropriate holes.

Step 3 Attach the bracket with six flat head screws.

Step 4 Secure to the rack using pan headscrews.

23-Inch Rack-Mount the Chassis - Flush

Safety Warnings

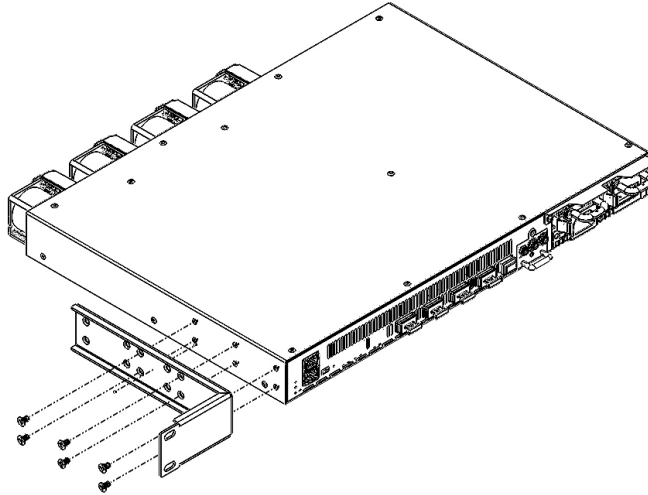
Take note of the following warning:

**Warning**

To conform to the NEBS Seismic Zone 4 requirements, the bracket must be secured, using screws specified by the rack manufacturer, to a NEBS Seismic Zone 4 compliant rack. Such screws are not provided with the bracket kit.

Step 1 Position the L-bracket as shown in the figure below.

Figure 5: 23-Inch Rack Flush Mount



Step 2 Align the bracket with the appropriate holes.

Step 3 Attach the bracket with six flat head screws.

Step 4 Secure to the rack using pan headscrews.

23-Inch Rack-Mount the Chassis - Recessed

Safety Warnings

Take note of the following warning:

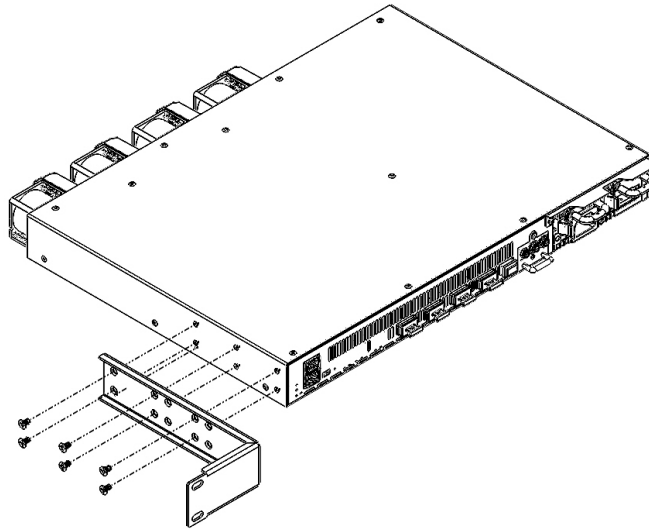


Warning

To conform to the NEBS Seismic Zone 4 requirements, the bracket must be secured, using screws specified by the rack manufacturer, to a NEBS Seismic Zone 4 compliant rack. Such screws are not provided with the bracket kit.

Step 1 Position the L-bracket as shown in the figure below.

Figure 6: 23-Inch Rack Recessed Mount



- Step 2** Align the bracket with the appropriate holes.
- Step 3** Attach the bracket with six flat head screws.
- Step 4** Secure to the rack using pan headscrews.

Ground the Chassis

For safety reasons, connect the protective ground lug to a suitable grounding point before applying power, as shown in the following figure.

Safety Warnings

Take note of the following warnings:



Warning **Statement 1101**—Connected To Grounded Outlet

In the Scandinavian countries (Denmark, Finland, Iceland, Norway, and Sweden) the appliance must be connected to a grounded outlet.



Note Applicable wire range: 2.5 to 16 mm² (14 to 6 AWG). Lug Type: 2 Stud #10 Hole, 16 mm spacing.

Figure 7: Fasten the Ground Lug

