



## **Cisco Nexus 9000v Guide, Release 10.1(x)**

**First Published:** 2021-02-16

### **Americas Headquarters**

Cisco Systems, Inc.  
170 West Tasman Drive  
San Jose, CA 95134-1706  
USA  
<http://www.cisco.com>  
Tel: 408 526-4000  
800 553-NETS (6387)  
Fax: 408 527-0883

THE SPECIFICATIONS AND INFORMATION REGARDING THE PRODUCTS REFERENCED IN THIS DOCUMENTATION ARE SUBJECT TO CHANGE WITHOUT NOTICE. EXCEPT AS MAY OTHERWISE BE AGREED BY CISCO IN WRITING, ALL STATEMENTS, INFORMATION, AND RECOMMENDATIONS IN THIS DOCUMENTATION ARE PRESENTED WITHOUT WARRANTY OF ANY KIND, EXPRESS OR IMPLIED.

The Cisco End User License Agreement and any supplemental license terms govern your use of any Cisco software, including this product documentation, and are located at: <http://www.cisco.com/go/softwareterms>. Cisco product warranty information is available at <http://www.cisco.com/go/warranty>. US Federal Communications Commission Notices are found here <http://www.cisco.com/c/en/us/products/us-fcc-notice.html>.

IN NO EVENT SHALL CISCO OR ITS SUPPLIERS BE LIABLE FOR ANY INDIRECT, SPECIAL, CONSEQUENTIAL, OR INCIDENTAL DAMAGES, INCLUDING, WITHOUT LIMITATION, LOST PROFITS OR LOSS OR DAMAGE TO DATA ARISING OUT OF THE USE OR INABILITY TO USE THIS MANUAL, EVEN IF CISCO OR ITS SUPPLIERS HAVE BEEN ADVISED OF THE POSSIBILITY OF SUCH DAMAGES.

Any products and features described herein as in development or available at a future date remain in varying stages of development and will be offered on a when-and if-available basis. Any such product or feature roadmaps are subject to change at the sole discretion of Cisco and Cisco will have no liability for delay in the delivery or failure to deliver any products or feature roadmap items that may be set forth in this document.

Any Internet Protocol (IP) addresses and phone numbers used in this document are not intended to be actual addresses and phone numbers. Any examples, command display output, network topology diagrams, and other figures included in the document are shown for illustrative purposes only. Any use of actual IP addresses or phone numbers in illustrative content is unintentional and coincidental.

The documentation set for this product strives to use bias-free language. For the purposes of this documentation set, bias-free is defined as language that does not imply discrimination based on age, disability, gender, racial identity, ethnic identity, sexual orientation, socioeconomic status, and intersectionality. Exceptions may be present in the documentation due to language that is hardcoded in the user interfaces of the product software, language used based on RFP documentation, or language that is used by a referenced third-party product.

Cisco and the Cisco logo are trademarks or registered trademarks of Cisco and/or its affiliates in the U.S. and other countries. To view a list of Cisco trademarks, go to this URL: [www.cisco.com go trademarks](http://www.cisco.com/go/trademarks). Third-party trademarks mentioned are the property of their respective owners. The use of the word partner does not imply a partnership relationship between Cisco and any other company. (1721R)

© 2021–2022 Cisco Systems, Inc. All rights reserved.



## CONTENTS

### Trademarks ?

---

#### PREFACE

<b>Preface</b>	<b>vii</b>
Audience	<b>vii</b>
Document Conventions	<b>vii</b>
Related Documentation for Cisco Nexus 9000 Series Switches	<b>viii</b>
Documentation Feedback	<b>viii</b>
Communications, Services, and Additional Information	<b>viii</b>

---

#### CHAPTER 1

<b>New and Changed Information</b>	<b>1</b>
New and Changed Information	<b>1</b>

---

#### CHAPTER 2

<b>Cisco Nexus 9000v</b>	<b>3</b>
About Cisco Nexus 9000v	<b>3</b>
Cisco Nexus 9000v Guidelines and Limitations	<b>4</b>
Benefits of Virtualization Using the Cisco Nexus 9000v	<b>5</b>
Cisco Nexus 9000v Software Functionality	<b>6</b>
Cisco Nexus 9000v Resource Requirements	<b>10</b>
VMware ESXi Support Information	<b>10</b>
KVM-QEMU Support Information	<b>10</b>
VirtualBox Support Information	<b>11</b>
VMware Fusion Support Information	<b>11</b>
Cisco Nexus 9000v Installation and Deployment	<b>11</b>
Cisco Nexus 9000v Software Upgrade and Downgrade	<b>11</b>
Cisco Nexus 9000v Configuration	<b>12</b>
Upgrading Cisco Nexus 9000v Using Disruptive ISSU	<b>12</b>

Configuring Disruptive ISSU	13
Cisco Nexus 9000v Deployment	13
Provisioning Cisco Nexus 9000v in the ESXi Hypervisor Using the Distributed OVA	13
Deploying a Cisco Nexus 9000v on a KVM or QEMU in a Hypervisor	14
KVM or QEMU Environment Networking	16
Deploying the Cisco Nexus 9000v on VirtualBox	16
Deploying Cisco Nexus 9000v on VirtualBox with Vagrant Using a Pre-Packaged Box	17
Deleting the VM	18
Network Topology Examples	18

**CHAPTER 3**

<b>Troubleshooting the Cisco Nexus 9000v</b>	<b>23</b>
Common Issues For All Hypervisors	23
How to boot when VM falls into "loader >" prompt	23
How to prevent VM from dropping into "loader >" prompt	24
ESXi Hypervisor	24
How to use SATA controller to speed up Cisco Nexus 9000v booting process	24
How to access the "loader >" prompt from the serial console	24
How to connect to the switch on ESXi if the EFI serial console is not enabled	25
The vCenter or UCS server connectivity is lost as soon as Cisco Nexus 9000v is up	26
Cisco Nexus 9000v data port is not passing traffic in ESXi server	26
KVM or QEMU Hypervisor	26
Multicast on KVM or QEMU Hypervisor	26
VirtualBox	27
Networking on VirtualBox or Vagrant	27
VM Fails to Boot up on VirtualBox/Vagrant	27
L2FWDER Troubleshooting	27
Overview	27
Commands for L2FWDER	29
Troubleshooting RX/TX Path	29
Troubleshooting MAC Learning	30
Troubleshooting Packet Drops in l2fwder/pktmgr/netstack for layer 2/Layer 3 Traffic	30
Troubleshooting VXLAN BGP EVPN	34
Troubleshooting VXLAN Encap/Decap	35
Commands	36

Collecting VM Logs 36





## Preface

---

This preface includes the following sections:

- [Audience, on page vii](#)
- [Document Conventions, on page vii](#)
- [Related Documentation for Cisco Nexus 9000 Series Switches, on page viii](#)
- [Documentation Feedback, on page viii](#)
- [Communications, Services, and Additional Information, on page viii](#)

## Audience

This publication is for network administrators who install, configure, and maintain Cisco Nexus switches.

## Document Conventions

Command descriptions use the following conventions:

Convention	Description
<b>bold</b>	Bold text indicates the commands and keywords that you enter literally as shown.
<i>Italic</i>	Italic text indicates arguments for which you supply the values.
[x]	Square brackets enclose an optional element (keyword or argument).
[x   y]	Square brackets enclosing keywords or arguments that are separated by a vertical bar indicate an optional choice.
{x   y}	Braces enclosing keywords or arguments that are separated by a vertical bar indicate a required choice.
[x {y   z}]	Nested set of square brackets or braces indicate optional or required choices within optional or required elements. Braces and a vertical bar within square brackets indicate a required choice within an optional element.

Convention	Description
<i>variable</i>	Indicates a variable for which you supply values, in context where italics cannot be used.
string	A nonquoted set of characters. Do not use quotation marks around the string or the string includes the quotation marks.

Examples use the following conventions:

Convention	Description
screen font	Terminal sessions and information the switch displays are in screen font.
<b>boldface screen font</b>	Information that you must enter is in boldface screen font.
<i>italic screen font</i>	Arguments for which you supply values are in italic screen font.
<>	Nonprinting characters, such as passwords, are in angle brackets.
[ ]	Default responses to system prompts are in square brackets.
!, #	An exclamation point (!) or a pound sign (#) at the beginning of a line of code indicates a comment line.

## Related Documentation for Cisco Nexus 9000 Series Switches

The entire Cisco Nexus 9000 Series switch documentation set is available at the following URL:

[http://www.cisco.com/en/US/products/ps13386/tsd\\_products\\_support\\_series\\_home.html](http://www.cisco.com/en/US/products/ps13386/tsd_products_support_series_home.html)

## Documentation Feedback

To provide technical feedback on this document, or to report an error or omission, please send your comments to [nexus9k-docfeedback@cisco.com](mailto:nexus9k-docfeedback@cisco.com). We appreciate your feedback.

## Communications, Services, and Additional Information

- To receive timely, relevant information from Cisco, sign up at [Cisco Profile Manager](#).
- To get the business impact you're looking for with the technologies that matter, visit [Cisco Services](#).
- To submit a service request, visit [Cisco Support](#).
- To discover and browse secure, validated enterprise-class apps, products, solutions and services, visit [Cisco Marketplace](#).
- To obtain general networking, training, and certification titles, visit [Cisco Press](#).
- To find warranty information for a specific product or product family, access [Cisco Warranty Finder](#).



### **Cisco Bug Search Tool**

[Cisco Bug Search Tool](#) (BST) is a web-based tool that acts as a gateway to the Cisco bug tracking system that maintains a comprehensive list of defects and vulnerabilities in Cisco products and software. BST provides you with detailed defect information about your products and software.





# CHAPTER 1

## New and Changed Information

---

The table provides a list of new/modified features for 10.1(x).

- [New and Changed Information, on page 1](#)

## New and Changed Information

*Table 1: New and Changed Features*

Feature	Description	Changed in Release	Where Documented
No new features for this release.		10.1(1)	





## CHAPTER 2

# Cisco Nexus 9000v

---

This chapter contains the following sections:

- [About Cisco Nexus 9000v, on page 3](#)
- [Cisco Nexus 9000v Guidelines and Limitations, on page 4](#)
- [Benefits of Virtualization Using the Cisco Nexus 9000v, on page 5](#)
- [Cisco Nexus 9000v Software Functionality, on page 6](#)
- [Cisco Nexus 9000v Resource Requirements, on page 10](#)
- [VMware ESXi Support Information, on page 10](#)
- [KVM-QEMU Support Information, on page 10](#)
- [VirtualBox Support Information, on page 11](#)
- [VMware Fusion Support Information, on page 11](#)
- [Cisco Nexus 9000v Installation and Deployment, on page 11](#)
- [Cisco Nexus 9000v Software Upgrade and Downgrade, on page 11](#)
- [Cisco Nexus 9000v Configuration, on page 12](#)
- [Upgrading Cisco Nexus 9000v Using Disruptive ISSU, on page 12](#)
- [Configuring Disruptive ISSU, on page 13](#)
- [Cisco Nexus 9000v Deployment, on page 13](#)
- [Network Topology Examples , on page 18](#)

## About Cisco Nexus 9000v

The Cisco Nexus 9000v is a virtual platform that is designed to simulate the control plane aspects of a network element running Cisco Nexus 9000 software. The Cisco Nexus 9000v shares the same software image running on Cisco Nexus 9000 hardware platform although no specific hardware emulation is implemented. When the software runs as a virtual machine, line card (LC) ASIC provisioning or any interaction from the control plane to hardware ASIC is handled by the Cisco Nexus 9000v software data plane.

The Cisco Nexus 9000v for the Cisco Nexus 9000 Series provides a useful tool to enable the devops model and rapidly test changes to the infrastructure or to infrastructure automation tools. This enables customers to validate configuration changes on a simulated network prior to applying them on a production network. Some users have also expressed interest in using the simulation system for feature test, verification, and automation tooling development and test simulation prior to deployment. Cisco Nexus 9000v can be used as a programmability vehicle to validate software defined networks (SDNs) and Network Function Virtualization (NFV) based solutions.

# Cisco Nexus 9000v Guidelines and Limitations

Cisco Nexus 9000v has the following guidelines and limitations:

- Cisco Nexus 9000v does not support the VGA console. You must provision a serial console on a VM to access the Nexus 9000v switch prompt on initial boot. See [Deploying the Cisco Nexus 9000v on VirtualBox, on page 16](#) for more information.
- When N9000v VMs are created by KVM hypervisor, the following issues may occur due to the default setting on the Linux Bridge:
  - LLDP communication between the VMs: The LLDP communication is not established between N9000v. For the solution, the following Linux Bridge settings should be configured. (In the example, assume vb7af2d7ab777d0 is the Linux Bridge that is used for connecting two VMs.
    1. Stop STP running on the Linux Bridge using the **brctl setageing vb7af2d7ab777d0 0** command.
    2. Allow LLDP to be forwarded on the Linux Bridge using the **echo 0x4000 > /sys/class/net/vb7af2d7ab777d0/bridge/group\_fwd\_mask** command.
    3. Stop LLDP service running on Linux base host (on which the topology is running) using the **/etc/init.d/lldpd stop** command.
    4. [Optional] Disable multicast snooping using the **echo 0 > /sys/devices/virtual/net/vb7af2d7ab777d0/bridge/multicast\_snooping** command.
  - LACP connection between the VMs: The LACP connection is not formed between eNXOSv. For the solution, complete the following steps:
    - The Linux kernel should be patched.
    - Group forward mask should be set up using the **echo 0x4 > /sys/class/net/vb7af2d7ab777d0/bridge/group\_fwd\_mask** command.
    - The multicast packet may not flow through the Linux Bridge. For the solution, use the **echo 0 > /sys/devices/virtual/net/vb7af2d7ab777d0/bridge/multicast\_snooping** command.
    - Some ports may get into STP blocked port by the Linux Bridge. For the solution, disable the STP running on the Linux Bridge using the **brctl setageing vb7af2d7ab777d0 0** command.
- After initial setup of the Cisco Nexus 9000v, you must configure the booting image in your system. Otherwise, the Cisco Nexus 9000v drops to the `loader>` prompt after reload/shut down.

```
switch# configure terminal
switch(config)# boot nxos bootflash:nxos.9.2.1.bin
switch(config)# copy running-config startup-config
```
- Cisco Nexus 9000v does not support VGA console. You must provision the serial console on any VM to access the Cisco Nexus 9000v switch prompt on initial boot.
- Cisco Nexus 9000v chassis node can be managed using the Cisco Network Manager, such as SNMP.
- The Cisco Nexus 9000v uses vNICs that are entered from the KVM/QEMU command line or from the GUI on ESXi for networking either externally or internally within a hypervisor server. The first NIC is always used as the Cisco Nexus 9000v management interface. The subsequent NICs are used as data

ports as e1/1, e1/2, ... e1/9. Maximum 128 interfaces can be supported on the Cisco Nexus 9000v VM depending on the hypervisor capability. Since currently, only KVM/Qemu hypervisor has this maximum capability, total 129 NICs are required



---

**Note** A maximum of 128 data ports (e1/1, e1/2, ... e1/128) are supported.

---

Connect only the first NIC for the Cisco Nexus 9000v VM as the management interface to your LAN physical switch or vSwitch (VM Network) connecting directly to a physical switch. Do not connect any data port vNIC to any physical switch that conflicts with your server management connectivity.

- Cisco Nexus 9000v only supports the ESXi standard vSwitch when VMs are interconnected within a hypervisor or an external physical switch.
- The vSwitch mapping to data port interface is required to have Promiscuous Mode as the Accept mode in order to pass traffic between VMs.
- The Cisco Nexus 9000v operates as a bridge that generates BPDU packets on its Ethernet interfaces as it participates in Spanning Tree Protocol (STP). It also forwards broadcast, unknown unicast, and multicast traffic as expected by classic bridging logic. Do not connect the Cisco Nexus 9000v data plane interfaces to the upstream network in a manner that would create bridging loops or interfere with upstream STP operation.
- Cisco Nexus 9000v is supported in the Virtual Internet Routing Lab (VIRL) and the Cisco Modeling Lab (CML) environment running as a VM.
- VXLAN BGP EVPN is supported on Cisco Nexus 9000v. For details on VXLAN configuration, see the [Cisco Nexus 9000 Series NX-OS VXLAN Configuration Guide](#).
- Beginning with Cisco NX-OS Release 9.2(1), VXLAN EVPN multi-site is supported on Cisco Nexus 9000v. For details on VXLAN EVPN multi-site configuration, see the [Cisco Nexus 9000 Series NX-OS VXLAN Configuration Guide](#).
- When you configure the supported Cisco Nexus 9000 features on Cisco Nexus 9000v, it is necessary that you configure the TCAM carving. For example, when configuring ARP suppression with BGP-EVPN, use the **hardware access-list tcam region arp-ether size double-wide** command to accommodate ARP in this region. (You must decrease the size of an existing TCAM region before using this command.)
- Beginning with Cisco NX-OS Release 9.3(5), the **show interface counters** is supported for analyzing packet-flow on network topology. The users can use CLI or any SNMP query to get traffic flow counters on a N9Kv device.
- Statistics for Routed packet and Multicast packets are not supported.
- 

## Benefits of Virtualization Using the Cisco Nexus 9000v

This virtual platform provides these virtualization benefits in a cloud environment and you are not limited to the type of hardware as well as other resources.

Benefits	Description
Hardware Independence	This virtual platform provides these virtualization benefits in a cloud environment and users is not limited to hardware as well as other resources.  <b>Note</b> The minimum RAM/memory requirement for an Cisco Nexus 9000v based VM is 5GB
Resource Sharing	The resources used by Cisco Nexus 9000v are managed by the hypervisor, and can be shared among VMs. The amount of hardware resources that VM sever allocates to a specific VM, can be reallocated to another VM on the server.
Flexibility in Deployment	You can easily move a VM from one server to another, Thus, you can move the Cisco Nexus 9000v from a server in one physical location to a server in another physical location without moving any hardware resources.
Dynamic Networking	Users can change network connectivity and configuration in a matter of mins without any physical cabling.

## Cisco Nexus 9000v Software Functionality

### Supported Features

The following table displays specific Layer 2 and Layer 3 software feature support based on branch/lineup.

**Table 2: Supported Layer 2 and Layer 3 Features (Software)**

Technology	Nexus Feature Name	Support Statement
OS Infra	Bash Shell	Supported
	Guest Shell	Supported
	SSH	Supported
	RPM Installation	Supported
	POAP	Supported
	Programmability	NXAPI
	Ansible	Supported
	Puppet Integration (Guest Shell)	Supported



Technology	Nexus Feature Name	Support Statement
	Chef Integration (Guest Shell)	Supported
	NETCONF	Supported
	RESTCONF	Supported
	gRPC	Supported
	Docker	Supported (Kubernetes API Server) For information on the Docker support, see <a href="#">Cisco Nexus 9000 Series NX-OS Programmability Guide</a>
L3 Features	L3 SVI	Supported
	BGP v4	Supported (No BFD, EVPN)
	BGP v6	Supported (No BFD, EVPN)
	OSPFv2	Supported (No BFD, EVPN)
	OSPFv3	Supported (No BFD, EVPN)
	EIGRP	Supported
	RIP	Supported
L2 Features	L2 Switching Unicast	Supported
	L2 Switching Broadcast	Supported
	CDP	Supported
	LLDP	Supported
	L2 Switching Multicast	Supported as Broadcast (not explicit Mcast) , No PIM or Mcast Group support
	ARP Suppression	Supported
	MAC learning	Supported
	Static/Router MAC	Supported
	Switchport	Supported
	802.1q VLAN Trunk/Access	Supported
	STP	Supported
	Subinterfaces	Supported

Technology	Nexus Feature Name	Support Statement
	VXLAN and VXLAN EVPN	Supported
	VXLAN EVPN Multi-Site	Supported (with non-vPC on border-leaves).
	vPC	Supported
	Port channel	Supported
	SNMP	Supported



**Note** The Cisco Nexus 9000v features in this table have been verified to operate only with the Cisco devices mentioned in this document.

If a networking or system feature is not identified as a supported feature in this document, it should be considered as unsupported despite that it may seem to work correctly. Unsupported features did not have any level of regression testing on Cisco Nexus 9000v.

**Table 3: NX-OS Features Not Supported (Not Tested)**

NX-OS Features	Limitations
QoS	Not supported on Cisco Nexus 9000v.
BFD	Not supported on Cisco Nexus 9000v.
ACL	Not supported on Cisco Nexus 9000v.
Policy maps	Not supported on Cisco Nexus 9000v.
SPAN	Not supported on Cisco Nexus 9000v.
IGMP Snooping	Not supported on Cisco Nexus 9000v.
AMT	Not supported on Cisco Nexus 9000v.

The following list (not comprehensive) contains known system limitations.

**Table 4: NX-OS System Limitations**

System Capabilities	Limitations
MAC Address	Cisco Nexus 9000v does not integrate the L2FM module and L2FDWR data plane. It maintains its own MAC Table. Therefore the behavior of the MAC address related CLIs will be different from the physical platform.
Statistics	Cisco Nexus 9000v does not sure interface statistics.

System Capabilities	Limitations
Consistency Checker	The consistency checker has a hardware dependency and hence is not supported on Cisco Nexus 9000v. All 'show' and 'exec' commands will result with appropriate error/warnings.
Network Throughput	Low data plane performance. Additional rate limiter is in place to limit the total amount of traffic received by Cisco Nexus 9000v to 4M.
TOR-ISSU	TOR-ISSU is not supported.
Link Status	Cisco Nexus 9000v virtual interfaces serve as the 'Ethernet Ports'. The link status of these links within the NX-OS is dependent on the Hypervisor's capability.
Link-down	Connectivity between the two ends of the interface link is simulated, hence it is important that you shut the interface in both the ends, followed by no shut at both the ends of the interface link.

### Cisco Nexus 9000v Feature UI/CLI Difference From Hardware Platform

Feature enablement in the Cisco Nexus 9000v virtual platform is the same as Cisco Nexus 9000 hardware platform.

For example, the following features can be enabled:

- **feature telnet**
- **feature bash-shell**
- **feature ospf**
- **feature bgp**
- **feature interface-vlan**
- **feature nv overlay**

However, not all commands are available for Cisco Nexus 9000v, such as hardware data plane specific commands. Some of these commands exist in the command parse chain, but these commands might not display correct output information. It is not possible for the virtual platform to verify all commands on Cisco Nexus 9000v that exist for the Cisco Nexus 9000 hardware platform.

A few commands are critical for Cisco Nexus 9000v to display Layer 2/Layer 3 information, but are not provided for the Cisco Nexus 9000v platform. The following displays substitute commands:

NX-OS Hardware Platform Commands	Substitute for Cisco Nexus 9000v
show mac address-table	show system internal l2fwder mac
clear mac address-table	clear mac address-table datapath static dynamic

# Cisco Nexus 9000v Resource Requirements

The Cisco Nexus 9000v uses the Cisco Nexus 9000 Series hardware software image. It requires the minimum resources as shown in the following list. These resources are generally not oversubscribed on any server.

- Minimum 6G. We recommend a 8G VM configuration for complex topology and enabling features.
- 1-4 vCPUs
- 8G hard disk
- 1 serial port
- 1 network interface card (NIC)

## Server Software Requirements

The Cisco Nexus 9000v can run on Cisco Unified Computing System (UCS) servers or servers from leading vendors that support VMware ESXi 5.1 (Post Build 1065491/ ESXi 5.5) or the combination of Ubuntu Linux 14.04LTS or later version and KVM-QEMU 2.5.

if you only need a standalone Cisco Nexus 9000v node, the Cisco Nexus 9000v can also be deployed on a laptop or and Apple Mac Pro with a virtual box hypervisor as long as your laptop meets basic resource requirements.

## VMware ESXi Support Information

The virtual machine (VM) runs on the VMware vSphere Hypervisor. You can use the same VMware vSphere hypervisor to run serial VMs. Use the VMware vSphere Client GUI to create and manager VMs.

The VMware vSphere Client is an application for creating, configuring, and managing VMs on the VMware vCenter Server. The Cisco Nexus 9000v can boot from a virtual disk located on the data store. You can perform basic administration tasks such as starting and stopping the Cisco Nexus 9000v, using the VMware vSphere Client.

VMWare vCenter Server manages the vSphere environment and provides unified management of all the hosts and VMs in the data center from a single console.

For more information about how Cisco and VMware work together, see <https://www.vmware.com/partners/global-alliances/cisco.html>.

For more information about VMware features and operations, see the <https://www.vmware.com/support/pubs/>

## KVM-QEMU Support Information

The kernel-based Virtual Machine (KVM) is an open-source, full-virtualization solution for Linux on x86 hardware, containing virtualization extensions. It consists of a loadable kernel module, `kvm.ko`, that provides the core virtualization infrastructure and a processor-specific module, `ivm-intel.ko` or `kvm-amd.ko`

Quick Emulator (QEMU) is a free and open-source software product that performs hardware virtualization. You can run QEMU on the Cisco UCS server with KVM installed. The recommended version of QEMU for the Cisco Nexus 9000v reference platform is version 2.2.0 or later.

128 interfaces are supported for Cisco Nexus 9000v switches only on KVM hypervisor. This support is applicable for Ubuntu 14.04.4 LTS and 16.04.3 LTS environments and Qemu distort qemu-2.10.0-rc3.tar.xz.

## VirtualBox Support Information

VirtualBox is a powerful x86 and AMD64/Intel 64 virtualization product for enterprise as well as for the home user. It is free software available as Open Source Software under the terms of the GNU General Public License (GPL) version 2 and you can obtain more information and download from <https://www.virtualbox.org/> web site.

## VMware Fusion Support Information

VMware Fusion is also a powerful virtualization product for enterprise as well as PC user.

## Cisco Nexus 9000v Installation and Deployment

Cisco Nexus 9000v currently does not support virtio block disk. To optimize performance, specific virtual artifact formats are recommended to be used in particular hypervisor.

Hypervisor	Virtual Artifact Format
EXSi	Open Virtualization Appliance (ova) <b>Note</b> 9.3 (1) Ova virtual artifact is verified and supported only in ESXI 6.5 version.
KVM/Qemu	QEMU Copy On Write (qcow2), Open Virtualization Appliance (ova)
Virtual Box	packaged box
VMware Fusion	Open Virtualization Appliance (ova)

## Cisco Nexus 9000v Software Upgrade and Downgrade

The software upgrade and downgrade of Cisco Nexus 9000v does not follow normal hardware platform procedures. A common upgrade method for Cisco Nexus 9000v is to tftp or scp a new image into the bootflash, then boot the new image from the loader> prompt or set the boot image in "config t; boot nxos bootflash:new\_image.bin". A similar approach is used for downgrade.



---

**Note** This approach requires sufficient bootflash disk space to hold another image. As such, the nxos.7.0.3.I2.2a image is not upgradable to a new release. In this case, you can create a new VM based on the nxosv-final.7.0.3.I2.2d release; and then upgrade to a new release.

---

## Cisco Nexus 9000v Configuration

Cisco Cisco Nexus 9000v supports the Cisco Virtual Appliance Configuration (CVAC). This out-of-band configuration mechanism is similar to the PowerOn Auto Provisioning (POAP) autoconfiguration, but instead of downloading the configuration across the network as POAP does, CVAC receives the configuration injected into the Cisco Cisco Nexus 9000v environment on a CD-ROM. The configuration is detected and applied at startup time.

CVAC can be used for a bootstrap configuration (supplying just enough configuration to bring the switch into a reachable state suitable for subsequent configuration using Telnet, RESTful APIs, or other standard mechanisms) or a full configuration (taking the entire configuration of another router and replicating it into a newly launched platform VM). The configuration should be in a plain-text file called `nxos_config.txt`. You can package the configuration file onto the CD-ROM using the following command:

```
mkisofs -output nxosconfig.iso -l --relaxed-filenames --iso-level 2 <file(s) to add>
```

If the system does not detect a CVAC configuration, the POAP process begins, and the POAP interface prompts you for the initial installation. See the *NX-OS Fundamentals Configuration Guide* for information about POAP for a newly installed switch.

The Cisco Cisco Nexus 9000v supports the same control plane features and configuration that are supported on the Cisco Nexus 9000 Series hardware platforms. The configuration commands for the control plane features follow the same syntax as the Cisco Nexus 9000 Series switches.

## Upgrading Cisco Nexus 9000v Using Disruptive ISSU

ISSU (In-service Software Upgrade) is the software upgrade procedure for Cisco Nexus 9000 platform switches. There are two flavors of the ISSU procedure for Cisco Nexus 9000 platform switches:

- Fast Reload is the ISSU procedure and the following steps take place:
  - The switch loads the NX-OS software image and upgrades the kernel. All applications undergo a stateless cold reboot and they are restarted through the startup configuration.
  - The control plane is disrupted.
  - The data plane is also disrupted.
- Enhanced ISSU: Cisco Nexus 9000v supports disruptive ISSU.
  - Disruptive upgrade mode: Cisco Nexus 9000 platform switches that do not meet the basic enhanced ISSU criteria (for example, 16G memory and hard disk requirement) still use the disruptive upgrade procedure by default. It requires switch reboot to activate the new software release. The disruptive ISSU is only supported for programmability perspective.

- ISSUD (ISSU Downgrade) is always disruptive.

## Configuring Disruptive ISSU

ISSU and ISSUD are the same procedures and they are both disruptive. No special VM configuration is required for the ISSU upgrade procedure.

Complete the following steps to perform disruptive ISSU procedure:

### Procedure

	Command or Action	Purpose
<b>Step 1</b>	<b>show install all impact nxos bootflash:image.bin</b>	Checks the impact of upgrading the software before actually performing the upgrade.
<b>Step 2</b>	<b>show file bootflash:image.bin sha256sum</b>	Displays the SHA256 checksum for the file to verify the operating system integrity and ensure that the downloaded image is safe to install and use.
<b>Step 3</b>	show install all status	Displays the entire upgrade process.
<b>Step 4</b>	show version	Verifies that the device is running the required software version.
<b>Step 5</b>	<b>install all nxos bootflash:image.bin</b>	Upgrades the Cisco NX-OS software.

## Cisco Nexus 9000v Deployment

### Provisioning Cisco Nexus 9000v in the ESXi Hypervisor Using the Distributed OVA

#### Before you begin

Ensure the following:

- You have installed the ESXi hypervisor.
- The distributed OVA file has been downloaded to the desktop.

#### Procedure

- 
- Step 1** Log into the ESXi vCenter.
- Step 2** Right-click version 6.5 and select **Deploy OVF Template**.

**Note** Perform the self-guided instructions in the subsequent screens that appear.

- Step 3** In the **Need name** screen, choose **Local file** and click **Browse**. Choose the downloaded distribute OVA file from your desktop.
- Step 4** In the **need name** screen, choose the datacenter(or a folder and enter the VM name).
- Step 5** In the **need name** screen, select an ESXi server for the Virtual Machine to be deployed into, and click **Finish** after the validation.
- Step 6** In the **need name** screen, review the details, and click **Next**.
- Step 7** In the **Configuration** screen click click **Next**.
- Step 8** In the **Select Storage** screen, select the datastore, and click **Next**.
- Step 9** In the **Select Networks** screen, ensure that the following values are selected:

- Source Network name - mgmt 0
- Destination Network - lab management LAN vSwitch

It is important that none other vNIC destinations are selected as the lab management LAN vSwitch. Failure to do so will result in management connectivity issues due to the Cisco Nexus 9000v data ports conflict with the physical switches.

- Step 10** In the **Ready to Complete** screen, click **Finish**, and wait for the completion of the process.
- Step 11** Under the **Virtual Hardware** tab, select the **Use Network** panel, and select the following options:
- Direction - Server
  - Port URL - telnet://0.0.0.0:1000, where 1000 is the unique port number in this server.
- Step 12** Under the **Virtual Hardware** tab, select the **Firmware** panel, and choose **EFI**.
- Step 13** Under the **Virtual Hardware** tab, select the **Advance** panel and in the **Edit Configuration** screen, enter the following values in the corresponding fields:
- Name - efi.serialconsole.enabled
  - Column - TRUE
- Click **OK**. This allows you to view the booting up process in both, the VGA and the serial console mode.
- Step 14** Power on the virtual machine.

## Deploying a Cisco Nexus 9000v on a KVM or QEMU in a Hypervisor

The Cisco Nexus 9000v can be brought up in the KVM or QEMU hypervisor. The following table lists the parameters that are supported for the Cisco Nexus 9000v deployment on KVM or QEMU.

Parameter	Example	Description
/path_to/qemu	/usr/bin/qemu-system-x86_64	Path to QEMU executable. (The QEMU software can be downloaded from <a href="http://wiki.qemu.org/download">http://wiki.qemu.org/download</a> for different versions.)



Parameter	Example	Description
-nographic	-nographic	Recommended, as the Cisco Nexus 9000v does not support VGA.
-bios file	-bios bios.bin	<p>Required. The Cisco Nexus 9000v uses EFI boot and requires a compatible BIOS image to operate.</p> <p>We recommend using the latest OVMF BIOS file with the SATA controller for better performance in terms of disk operation. QEMU 2.6 is recommended with the SATA controller. To extract the bios file from this rpm package in any Linux machine, enter the following:</p> <pre>rpm2cpio edk2.git-ovmf-x64-0-20191016.1281.g1bcc65b9a1.noarch.rpm   cpio -idmv</pre> <p>Look for the bios file located in this directory: <code>./usr/share/edk2.git/ovmf-x64/OVMF-pure-efi.fd</code></p>
-smp	-smp 4	The Cisco Nexus 9000v supports one to four vCPUs, but two to four are recommended.
-m memory	-m 8096	Memory in MB.
-serial telnet:host:port,server,nowait	-serial telnet:localhost:8888,server,nowait or -serial telnet:server_ip:8888,server,nowait	Requires at least one.

Parameter	Example	Description
-net ... -net ... or -netdev ... -device ...	<pre> -net socket,name=e1_0,listen=localhost,12000 or -net nic, virtio,mac=e1000,addr=aa:bb:cc:dd:ee:ff -netdev socket,listen=localhost,12000,id=eth_s_f -device e1000,addr=s.f,netdev=eth_s_f, mac=aa:bb:cc:dd:ee:ff,multifunction=on,romfile= or -netdev tap,ifname=tap_s_f,script=no, downscript=no,id=eth_s_f -device e1000,addr=s.f,netdev=eth_s_f, mac=aa:bb:cc:dd:ee:ff,multifunction=on,romfile= </pre>	<p>The net/net or netdev/device pairs are for networking a virtual network interface card (vNIC).</p> <p>The _s_f represents the PCI slot number and function number. QEMU 2.0 or above has the capability to plug in at least 20 PCI slots and four functions, which accommodates about 80 vNICs in total. The slot range is from 3 to 19, and the function number range is from 0 to 3.</p> <p>The mac= option passes the MAC address of each vNIC MAC address to the VM interfaces. The first -netdev is automatically mapped to the mgmt0 interface on the VM. The second -netdev is mapped to the e1/1 interface and so on up to the sixty-fifth on e1/64. Make sure these MAC addresses are unique for each network device.</p>
-enable-kvm	-enable-kvm	This flag is required for the Cisco Nexus 9000v.
-drive ... -device ... (for the SATA controller)	<pre> -device ahci, id=ahci0,bus=pci.0 -drive file=img.qcow2, if=none,id=drive-sata-disk0, format=qcow2 -device ide-drive, bus=ahci0.0, drive=drive-sata-disk0, id=drive-sata-disk0 </pre>	<p>Format to use the SATA controller. We recommend using the SATA controller with QEMU 2.6.0 because this controller offers better performance than the IDE controller. However, you can use the IDE controller if you have an early QEMU version that does not support the SATA controller.</p>
-drive ... media=cdrom	-drive file=cfg.iso,media=cdrom	<p>CD-ROM disk containing a switch configuration file that will be applied after the Cisco Nexus 9000v comes up.</p> <ol style="list-style-type: none"> <li>1. Name a text file (nxos_config.txt).</li> <li>2. Use Linux commands to make cfg.iso, mkisofs -o cfg.iso -l --iso-level 2 nxos_config.txt.</li> </ol>

## KVM or QEMU Environment Networking

### Deploying the Cisco Nexus 9000v on VirtualBox

Cisco Nexus 9000v deployment on VirtualBox uses Pre-packaged Box along with Vagrant software. However, the box is created for simple standalone VM deployment with very minimal configuration. This procedure is

covered in [Deploying Cisco Nexus 9000v on VirtualBox with Vagrant Using a Pre-Packaged Box](#), on page 17.

Some basic steps and concepts are shown here to create a virtual machine similar to other kinds of VM guests. These instructions are generally for Mac users, but slight differences are highlighted for Window users.

## Deploying Cisco Nexus 9000v on VirtualBox with Vagrant Using a Pre-Packaged Box

See the following customization guidelines and caveats for using Vagrant/vbox:

- The users' customization in Vagrant file is no longer needed.
- There is no need to change the named pipe for Windows users. The serial console can be accessed using port 2023. Now all users can use the **telnet localhost 2023** command to access the serial console using port 2023.
- Now the standard box process is used as any other VM distribution. You can simply bring-up a VM using the base box name.
- The box name can be changed into a different name other than **base** using the **config.vm.box** field.
- The bootstrap configuration is still possible if you want to apply a different configuration on the switch other than pre-baked configuration in **.box** from the release image file. In this case, **vb.customize pre-boot** should be used, for example:

```
vb.customize "pre-boot", [
    "storage attach", :id,
    "--storagectl", "SATA",
    "--port", "1",
    "--device", "0",
    "--type", "dvddrive",
    "--medium", "./nxosv_config.iso", ]
```

- The VM interface MAC address can be customized using the **config.vm.base\_mac** field, but this modification must be done prior to entering the **vagrant up** CLI command and after entering the **vagrant init** CLI command. If you want to modify the MAC address after entering the **vagrant up** CLI command or after the VM is created, the box commands should be used to modify the VM.

For example, enter the **vboxmanage list vms** CLI command to find out the VM that is created by the **vagrant up** CLI command:

```
vboxmanage list vms
```

Use the VM listed from the earlier command output, for example, `test_default_1513628849309_59058` is found from the **vboxmanage list vms** command as displayed in the following example:

```
vboxmanage modifyvm test_default_1513628849309_59058 --macaddress1 080B206CEEAC
```

Complete the following steps to deploy Cisco Nexus 9000v on VirtualBox with Vagrant using a pre-packaged box:

## Deleting the VM

### Procedure

---

**Step 1** Shut down the VM.

```
nexus9000v-user@fe-ucs-dt13:~/n9kv/box-test$ vagrant halt --force box-test ==> box-test:
Forcing shutdown of VM...
nexus9000v-user@fe-ucs-dt13:~/n9kv/box-test$
```

**Step 2** Delete the VM from the system.

```
nexus9000v-user@fe-ucs-dt13:~/n9kv/box-test$ vagrant destroy box-test
   box-test: Are you sure you want to destroy the 'box-test' VM? [y/N] y
==> box-test: Destroying VM and associated drives...
nexus9000v-user@fe-ucs-dt13:~/n9kv/box-test$
```

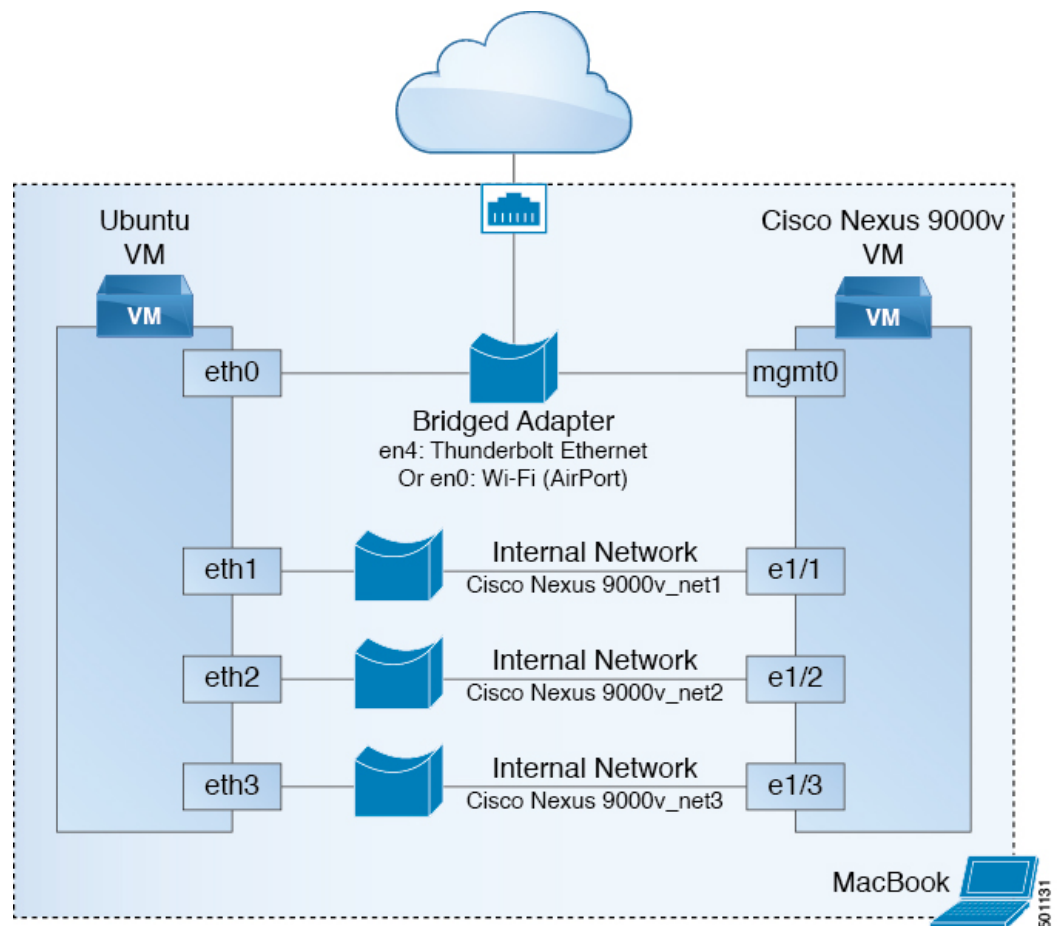
---

## Network Topology Examples

A key advantage of Cisco Nexus 9000v is that you can set up a quick networking topology without hardware or complicated cabling tasks to obtain a look and feel about a Cisco Nexus 9000 switch platform.

For example, you can quickly set up a two node system with a server connecting to a Cisco Nexus 9000 virtual machine on laptop. A more complex system can also be setup with a large resource server to do a multiple node simulation. With the topology, you can do tooling and automation in a simulated network that could be applied in a real customer network environment. The following examples show how to interconnect VMs on a laptop or UCS servers.

## VirtualBox Topology on a Laptop

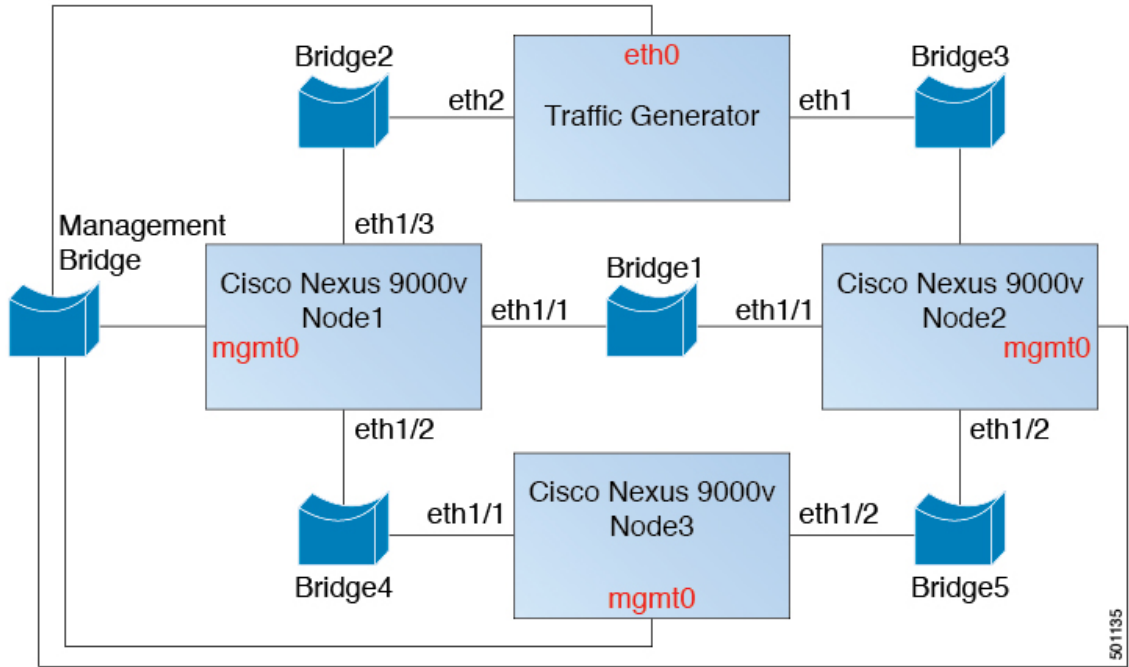


An example diagram above is a typical configuration with Cisco Nexus 9000v and Ubuntu VM two node system. In this case, Both Ubuntu VM and Cisco Nexus 9000v would obtain IPs statically or dynamically via DHCP protocol reachable from cloud. Similarly, both Ubuntu and Cisco Nexus 9000v can be managed through management network. Ubuntu VM can send/receive packets to Cisco Nexus 9000v through Cisco Nexus 9000v data ports, eth1/1, eth1/2, and eth1/3, or ... e1/9.

Key to Setup:

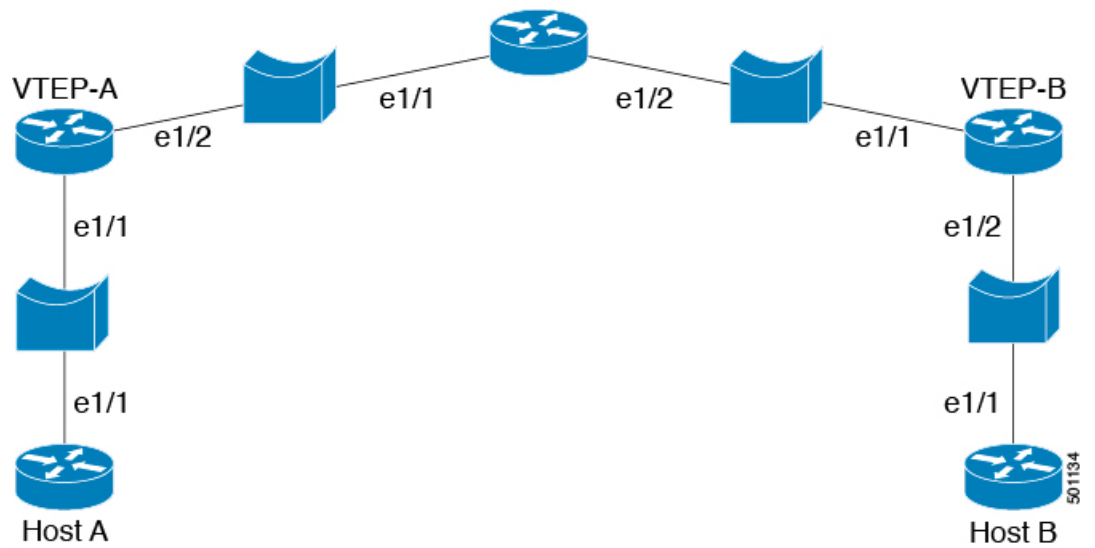
- Bridge or NAT to Laptop physical ethernet port for management connectivity
- Internal Network for data ports between VMs, change "Promiscuous Mode" to "Allow All"

### Three Node Topology with Traffic Generator



The nodes in the above diagram are instantiated using the hypervisor specific machine definitions. For networking, each data port interface pair needs to be connected to unique bridge/vSwitch. All the management ports of the Cisco Nexus 9000v (mgmt0) need to be connected to the management bridge and provided a unique IP address, which will enable access to these devices from an external network.

Each data port interface pair that needs to be interconnected should be mapped to the same Bridge/vSwitch. Similar to VirtualBox topology, vSwitch/Bridge must have "Promiscuous Mode" set to "Accept" and "Vlan ID" to "All" for networking to work between Cisco Nexus 9000v nodes. Please read "Troubleshooting" section for hypervisor specific handling for data port communication.

**Five Nodes VXLAN Topology**

This topology can simulate basic vxlan functionality on Cisco Nexus 9000v platform. Similar bridge/vSwitch setup should be done as shown in other topology examples.







## CHAPTER 3

# Troubleshooting the Cisco Nexus 9000v

This chapter contains the following sections:

- [Common Issues For All Hypervisors, on page 23](#)
- [ESXi Hypervisor, on page 24](#)
- [KVM or QEMU Hypervisor, on page 26](#)
- [VirtualBox, on page 27](#)
- [L2FWDER Troubleshooting, on page 27](#)
- [Collecting VM Logs, on page 36](#)

## Common Issues For All Hypervisors

### How to boot when VM falls into "loader >" prompt

Generally, the first time boot is successful. However, the system boot could fail and drops to the "loader >" prompt on the VGA console or serial console depending on how the VM is provisioned.

Example:

```
loader > dir
Setting listing for bootflash:
Number of devices detected by BIOS is 1
Number of devices detected by BIOS is 1
Number of devices detected by BIOS is 1
Going to print files for device bootflash:
.rpmstore
nxos.7.9.3.15.9.66. bin
Number of devices detected by BIOS is 1
Number of devices detected by BIOS is 1
Number of devices detected by BIOS is 1
Clearing listing for bootflash:

loader >
```

To continue the boot, enter the **boot nxos.7.0.3.I5.0.66.bin** command at the "loader >" prompt

## How to prevent VM from dropping into "loader >" prompt

As soon as you set up your Cisco Nexus 9000v (following set up of POAP interface), you need to configure the boot image in your system to avoid dropping to the "loader >" prompt after reload/shut down.

Example:

```
config t
    boot nxos n9000-dk9.7.0.3.I2.0.454.bin
copy running starting
```

## ESXi Hypervisor

### How to use SATA controller to speed up Cisco Nexus 9000v booting process

Cisco Nexus 9000v uses the same hardware platform image boot on hypervisors. ESXi 5.5 and later versions support a SATA controller on an ESXi server that you can use to speed up Cisco Nexus 9000v boot time. To create a VM with a SATA controller, the regular ESXi VM creation steps are applicable except the following are required for a successful VM boot:

- The VMware vSphere Web Client is needed to access this support.
- Download the vmdk image into the ESXi server.

Convert this monolith vmdk into a VMware native disk type using vmkfstools (command line tool available with the ESXi server)

Example:

```
vmkfstools -i nexus9000v-final.7.0.3.I5.0.66.vmdk nexus9000v-final.7.0.3.I5.0.66-esx.vmdk)
```

- Create a VM that is compatible with ESXi 5.5 (or later) and VM version 10.
- Add the SATA controller.
- Add the existing disk with the SATA controller selected.
- Continue the VM booting process from the ESXi VM creation instruction.

### How to access the "loader >" prompt from the serial console

EFI BIOS defaults all input/output to the VM console. When a VM drops to "loader >" prompt, you must go to the vSphere client to access "loader >" to boot another image. You can change this behavior by adding an extra configuration in the ESXi VM editing mode.

You can use one of the following methods:

- In the vSphere client Configuration Parameters window, you can add one row in the configuration (Edit Settings > VM Options > Advanced > Edit Configuration).
- You can add **efi.serialconsole.enabled = "TRUE"** to the .vmx file once the VM is created.

## How to connect to the switch on ESXi if the EFI serial console is not enabled

On ESXi when you are monitoring the VM console, you might see "Leaving grub land". After this, even though it appears that nothing is happening, the communication has transferred to the serial port you had configured.

```
Read length 646737920
Hd5 for size 646737920
  [Initrd, addr=0x59236000, size=0x268c70000]

segment header
length: 4, vendor: 16 flags: 4, loadaddr: 2500000, image len: 600 memory length
: 600
Reading data for vendor seg . Length 1536

Image length: 651842048 bytes

image hash: d411d638 b48101f6 2e5e7f0b f0130b67
Leaving grub land
```

To connect to the switch you need to open a terminal and enter the `telnet <esxi host> <port number>` command.

```
rahushen@rtp-ads-150->
rahushen@rtp-ads-150->telnet fe-ucs-dt7 7000
Trying 10.122.84.213...
Connected to fe-ucs-dt7.
Escape character is '^]'.

User Access Verification
switch login: admin
Password :
Cisco NX-OS Software
Copyright (c) 2002-2015, Cisco Systems, Inc. All rights reserved.
Cisco Nexus 9000v software ("Cisco Nexus 9000v") and related documentation,
files or other reference materials ("Documentation") are
the proprietary property and confidential information of Cisco
Systems, Inc. ("Cisco") and are protected, without limitation,
pursuant to United States and International copyright and trademark
laws in the applicable jurisdiction which provide civil and criminal
penalties for copying or distribution without Cisco's authorization.

Any use or disclosure, in whole or in part, of the Cisco Nexus 9000v Software
or Documentation to any third party for any purposes is expressly
prohibited except as otherwise authorized by Cisco in writing.
The copyrights to certain works contained herein are owned by other
third parties and are used and distributed under license. Some parts
of this software may be covered under the GNU Public License or the
GNU Lesser General Public License. A copy of each such license is
available at
http://www.gnu.org/licenses/gpl.html and
http://www.gnu.org/licenses/lgpl.html
*****
* Cisco Nexus 9000v is strictly limited to use for evaluation, demonstration *
* and NX-OS education. Cisco Nexus 9000v is provided as-is and is not supported *
* by Cisco's Technical Advisory Center. Any use or disclosure, in whole *
* or in part of the Cisco Nexus 9000v Software or Documentation to any third *
* party for any purposes is expressly prohibited except as otherwise *
* authorized by Cisco in writing. *
*****

switch#
```

## The vCenter or UCS server connectivity is lost as soon as Cisco Nexus 9000v is up



### Caution

When connecting a vNIC into a vSwitch or bridge, an incorrect network connection might result in losing the connectivity to your hypervisor server or vCenter on ESXi.

Cisco Nexus 9000v uses vNICs users entered from the KVM/QMEU command line or from a graphical representation on ESXi for networking, either externally or internally within a hypervisor server. The first NIC is always used as the Cisco Nexus 9000v management interface. The subsequent NICs are used as a data port, such as e1/1, e1/2, and up to e1/9.

Connect only the first NIC for the Cisco Nexus 9000v VM as the management interface to your lab LAN physical switch or vSwitch (VM Network) connecting directly to physical switch in the lab (or do not connect any data port vNIC to any physical switch conflicting with your server management connectivity).

## Cisco Nexus 9000v data port is not passing traffic in ESXi server

To ensure a smooth operation, specific configuration settings on vSwitch must be enabled:

1. Ensure all instances of vSwitch connecting to Cisco Nexus 9000v be in "Promiscuous Mode" = "Accept", pointing to the UCS server. You can access this option through "Configuration > Properties > Edit" from the vSphere Client.
2. Ensure all instances of vSwitch pass through all VLANs. You can access this option through "Configuration > Properties > Edit" from the vSphere Client.

## KVM or QEMU Hypervisor

### Multicast on KVM or QEMU Hypervisor

The Cisco Nexus 9000v multicast feature is supported as broadcast. To get this feature work properly, the IGMP multicast snooping must be disabled in this environment on all bridge interfaces.

The following example shows how to disable vxlan\_br1, vxlan\_br2, vxlan\_br3, and vxlan\_br4 from the linux prompt.

```
echo 0 > /sys/devices/virtual/net/vxlan_br1/bridge/multicast_snooping
echo 0 > /sys/devices/virtual/net/vxlan_br2/bridge/multicast_snooping
echo 0 > /sys/devices/virtual/net/vxlan_br3/bridge/multicast_snooping
echo 0 > /sys/devices/virtual/net/vxlan_br4/bridge/multicast_snooping
```

# VirtualBox

## Networking on VirtualBox or Vagrant

To use the dataplane interfaces on VirtualBox or Vagrant, ensure the following:

- The interfaces must be in 'promiscuous' mode.

In the VirtualBox network settings, select "Allow All" for the Promiscuous mode.

- Ensure all instances of Cisco Nexus 9000v in your topology have unique MAC addresses by using the **show interface mac** command.

## VM Fails to Boot up on VirtualBox/Vagrant

Check the following:

- Ensure that enough resources, such as memory or vCPU, are available. Close all applications that consume a significant amount of memory in your PC or server. Check the available free memory.
- Go to the VirtualBox GUI and power down the corresponding VM created from the Vagrant software (long name with tag specified in Vagrant configuration file) or VM created manually from vmdk.
- Make sure that the "serial console" is correctly provisioned.
- Check block disk type and make ensure it is using the SATA controller.
- PowerOn the VM again. The VGA console should appear with the "loader >" prompt. Follow "How to Boot If VM Fails to loader > prompt" troubleshooting topic, and monitor the booting up process through the serial console.

# L2FWDER Troubleshooting

## Overview

L2fwder is a centralized forwarding component in Cisco Nexus 9000v which performs the following:

- Rx and Tx packets from or to the vmmics
- L2 switching or bridging
  - MAC learning
    - Dynamic MAC learned in packet path
    - Static MACs learned from L2FM via MTS notifications
      - VMACS
      - GW-MAC

- Switching
  - Maintains an array of potential bridge domains
    - Each Bridge domain keeps track of interfaces
      - In forwarding state
      - In Blocked state as an STP state
  - Switching of packets based on the destination MAC in bridge domain based MAC tables
    - Unicast traffic
    - BUM traffic
  - VXLAN Decapsulation
- Punting packets for Layer 3 processing to kstack and netstack
- VXLAN Decap
  - NVE peer-learning by punting the first packet to kstack/netstack for NVE processing.
  - Learning of remote MACs against the remote VTEP interface.
  - Punting ARP packets in case of Layer 3-gateway to kstack/netstack for ARP to learn the remote host routes.
- VXLAN Encap
  - Performed by netstack and packet manger. (Similar to process in hardware, Nexus 9000 platform, for sup-generated packets.)
- VXLAN BGP EVPN
  - In Cisco Nexus 9000v, MAC routes are produced by L2FWDER into L2RIB directly by replacing L2FM, while HMM continues to produce the MAC IP routes into L2RIB similarly as it occurs in Cisco Nexus 9000v.

## Commands for L2FWDER

Common Commands	<b>debug l2fwder ?</b>	
	<b>err</b>	Control and data path errors.
	<b>fdb</b>	Events over fdb.
	<b>ha</b>	Events from sysmgr.
	<b>ipc</b>	Events over ipc.
	<b>packet</b>	Packet forwarding information.
	<b>pkttrace</b>	Packet trace.
	<b>vxlan</b>	VXLAN plugin.
Clear Commands	<b>clear mac address-table datapath dynamic</b>	
	<b>clear mac address-table datapath static</b>	

## Troubleshooting RX/TX Path

- Rx-Path

The logs to monitor for successful pickup from vmnics and sending it to kstack/netstack.

```
l2fwder_get_data_with_wrr(515):Packet received over Driver type 0
l2fwder_input(67):In 0x0800 78 0 5254.005b.cf97 -> 5254.004c.4e42 Eth1/4
l2fwder_ethernet_output(196):Driver TUN
l2fwder_action_send_to_stack(865):l2fwder_action_send_to_stack: tx to ifindex 0 iod 8
l2fwder_ethernet_output(304):l2fwder_ethernet_output: driver_type[2] pktQ count[1]
```

- Tx-Path

The logs to monitor for successful pickup from tuntap and sending it to kstack/netstack.

```
l2fwder_get_data_with_wrr(515):Packet received over Driver type 2
l2fwder_ethernet_output(199):Driver ETH
l2fwder_ethernet_output(251):Out 0x0800 78 0 5254.004c.4e42 -> 5254.005b.cf97 Eth1/4
l2fwder_ethernet_output(304):l2fwder_ethernet_output: driver_type[0] pktQ count[1]
```

- Known Unicast MAC forwarding

```
l2fwder_action_process(934):l2fwder_action_process: process action 1
```

```
l2fwder_action_tx_unicast(796):l2fwder_action_tx_unicast: tx to ifindex 1a000600 iod 8
h_type 0
```

```
l2fwder_ethernet_output(199):Driver ETH
```

- MAC database (FDB) lookup related logs for a success lookup (Other than BUM traffic)

```
l2fwder_get_mac_lookup_fwd_info(857):Lookup Result is * 0xPo200(1) ret is 1
l2fwder_get_mac_lookup_fwd_info(897):action ucast
```

- MAC database (FDB) lookup for BUM traffic

## Troubleshooting MAC Learning

- Command to check the MAC database in L2FWDER:

```
switch# show system internal l2fwder mac
```

Legend:

\* - primary entry, G - Gateway MAC, (R) - Routed MAC, O - Overlay MAC

age - seconds since last seen,+ - primary entry using vPC Peer-Link,

(T) - True, (F) - False, C - ControlPlane MAC

VLAN	MAC Address	Type	age	Secure	NTFY	Ports
G 100	5254.004c.4e42	static	-	F	F	sup-eth1 (R)
G 200	5254.004c.4e42	static	-	F	F	sup-eth1 (R)
* 200	5254.00c5.9daf	dynamic	00:07:45	F	F	Po200

- Event history command to check for static MAC learning:

```
Event:E_DEBUG, length:73, at 930108 usecs after Wed Sep 14 04:13:14 2016
```

```
[117] [23935]: Learning SUCCESS for static 1 mac 52:54:00:c5:9d:af bd 200
```

- Debug log check for dynamic MAC learning:

```
l2fwder_fdb_insert_entry(231):FDB insert for MAC 52:54:00:c5:9d:af bd 200 total entries
1
```

## Troubleshooting Packet Drops in l2fwder/pktmgr/netstack for layer 2/Layer 3 Traffic

- L2FWDER Global Counters:

```
switch(config)# show l2fwder statistics
```



Decap stats:

	RX	DROP
DCE_CORE	0	0
2 dot1q decap	0	0
Sub-interface	0	0
Switchport	140940	0
Undefined	210758	0
Stack	635671	0
1 dot1q decap	0	0
VXLAN	0	0
PORT_CHANNEL	105986	0

Encap stats:

	TX	DROP
DCE_CORE	0	0
2 dot1q decap	0	0
Sub-interface	0	0
Switchport	482493	0
Undefined	211186	0
Stack	0	0
1 dot1q decap	0	0
VXLAN	0	0
PORT_CHANNEL	0	0

Switching stats:

Unicast	860
Flood	29372
Multicast	0
Punt	29615
Drop	0
LTL Packet Count	0

Punt stats:

Packets punted 351004

SMM stats:

MAC	Eth-type	Hit-count
0180.c200.0014	0x0000	0
0180.c200.0015	0x0000	0
0100.0cdf.dfdf	0x0000	0
ffff.ffff.ffff	0x0806	29078
0180.c200.0041	0x22f4	0
0100.0ccc.cccc	0x0000	13963
0180.c200.0002	0x0000	0
0180.c200.0003	0x0000	0
0180.c200.000e	0x0000	0
0180.c200.0000	0x0000	1652
0100.0ccc.cccd	0x0000	97087
0001.0203.0405	0x0000	1604
0000.0000.0000	0x0000	0

Dropped 31  
 Consumed 115690  
 No Action 29070  
 lookup fail 206781

RMM stats:

Dropped 0  
 Consumed 205699  
 Rate Limit Dropped 0

VACL stats:

sw-bd	VACL	Hit-count

=====

```

Dropped          0
Consumed         0
Copy+Fwd        0
No Action       0
    
```

Port-Channel stats:

```
VSL Drop Packets      0
```

MAC Learning Disabled stats:

```
Packets recieved on Peer-Link:MAC Learning Disabled      313
```

Action Flood Stats:

```

Port-Channel Split-Horizon Packets      48
VSL Drop Packets                        0
    
```

Forwarding state of ports in bridge domains

```
switch# show system internal l2fwder bd
```

Following is the BD State:-

```

BD_ID  State  Enh_Fwd  Mode
-----  -----  -
      1      1      0      0
    
```

List of all IODs: 9

List of BLK IODs: 8

```

BD_ID  State  Enh_Fwd  Mode
-----  -----  -
     100      0      0      0
    
```

List of all IODs: 5 7 16

List of BLK IODs: 16

## Troubleshooting VXLAN BGP EVPN

In the Cisco Nexus 9000v, L2FWDER is the emulated data plane and is responsible for the MAC learning of the connected hosts through source MAC learning.



**Note** For more information about BGP EVPN, see the *Cisco 9000 Series NX-OS VXLAN Configuration Guide*.

The example in this section considers the following two VTEP end points:

- Leaf0 (VTEP 1) which has hosts with MAC addresses 2222.3333.4444, 000c.2980.d40a in VLAN 1001 and 1002 respectively.
- Leaf1 (VTEP 2) which has hosts with MAC addresses 000c.29b9.1375, 000c.29b9.1375 in VLAN 1001 and 1002 respectively.

The following examples shows the MAC and MAC IP route exchange between the two VTEP end points:

• **Local MAC and MAC IP routes in Leaf0**

- Command to view the source MAC learning:

```
leaf0# show sys int l2fwder mac | inc dynamic
* 1002 000c.2980.d40a dynamic 01:13:40 F F Eth1/2
* 1001 2222.3333.4444 dynamic 00:58:38 F F Eth1/2
```

- L2FWDER produces the learnt end host MACs as MAC routes in the L2RIB table. The command to display the learnt MAC routes in L2RIB:

```
leaf0# show l2route mac all | inc Local

Flags -(Rmac):Router MAC (Stt):Static (L):Local (R):Remote (V):vPC link
1001 2222.3333.4444 Local L, 0 Eth1/2
1002 000c.2980.d40a Local L, 0 Eth1/2
```

- While L2FWDER is responsible for producing the mac routes, the MAC IP route information is produced by Host Mobility Manager(HMM) in L2RIB. The command to display the MAC IP route information in L2RIB is:

```
switch# sh l2route mac-ip all | inc Local

Flags -(Rmac):Router MAC (Stt):Static (L):Local (R):Remote (V):vPC link
1001 2222.3333.4444 HMM -- 0 5.1.1.1 Local
1002 000c.2980.d40a HMM -- 0 5.2.1.1 Local
```

- The MAC IP route information is produced by the Host Mobility Manager (HMM) in L2RIB. The command to display the MAC IP route information is:

```
leaf0# show l2route mac-ip all | inc Local

Flags -(Rmac):Router MAC (Stt):Static (L):Local (R):Remote (V):vPC link
1001 2222.3333.4444 HMM -- 0 5.1.1.1 Local
1002 000c.2980.d40a HMM -- 0 5.2.1.1 Local
```

- The command to display the BGP learnt local MAC and MAC IP routes per VNI is:

```
leaf1# show bgp l2vpn evpn vni-id 5001
BGP routing table information for VRF default, address family L2VPN EVPN

BGP table version is 79, local router ID is 6.1.1.1

Status: s-suppressed, x-deleted, S-stale, d-dampened, h-history, *-valid, >-best

Path type: i-internal, e-external, c-confed, l-local, a-aggregate, r-redist,
I-injected
Origin codes: i - IGP, e - EGP, ? - incomplete, | - multipath, & - backup
*>l[2]:[0]:[0]:[48]:[2222.3333.4444]:[0]:[0.0.0.0]/216
      6.1.1.1
      100      32768 i
*>l[2]:[0]:[0]:[48]:[2222.3333.4444]:[32]:[5.1.1.1]/272
      6.1.1.1
      100      32768 i
```

• Remote MAC and MAC IP routes in Leaf1

- In the remote VTEP, the MAC and the MAC IP route information flows through BGP into the L2RIB, and finally L2FWDER receives the end host MAC reachability information.

```
leaf1# show bgp l2vpn evpn vni-id 5001
BGP routing table information for VRF default, address family L2VPN EVPN
BGP table version is 53, local router ID is 6.2.2.2
Status: s-suppressed, x-deleted, S-stale, d-dampened, h-history, *-valid, >-best
Path type: i-internal, e-external, c-confed, l-local, a-aggregate, r-redist, I-i
njected
Origin codes: i - IGP, e - EGP, ? - incomplete, | - multipath, & - backup

  Network          Next Hop          Metric    LocPrf      Weight      Path
*>i[2]:[0]:[0]:[48]:[2222.3333.4444]:[0]:[0.0.0.0]/216
      6.1.1.1
      100           0 i
*>i[2]:[0]:[0]:[48]:[2222.3333.4444]:[32]:[5.1.1.1]/272
      6.1.1.1
      100           0 i

leaf1# show l2route mac all | inc BGP
1001      2222.3333.4444 BGP    SplRcv      0           6.1.1.1
1002      000c.2980.d40a BGP    SplRcv      0           6.1.1.1

leaf1# show l2route mac-ip all | inc BGP
1001      2222.3333.4444 BGP    --          0           5.1.1.1      6.1.1.1
1002      000c.2980.d40a BGP    --          0           5.2.1.1      6.1.1.1

leaf1# show system internal l2fwder mac | inc nve-peer
* 1002    000c.2980.d40a  static -          F      F (0x47000001) nve-peer1
6.1.1.1
* 1001    2222.3333.4444  static -          F      F (0x47000001) nve-peer1
6.1.1.1
```

## Troubleshooting VXLAN Encap/Decap

The following is in addition to the normal datapath debugging described in other sections:

NVE manager commands to check the provisioning and learning of NVE peers.	<b>show nve vni</b>
	<b>show nve peers all</b>
	<b>show ip overlay-traffic</b>

## Commands

Counter gauging commands.	<b>show l2fwder statistics</b>
	<b>show system internal pktmgr stats</b>
	<b>show ip traffic</b>
Debug commands to capture packet in datapath.	<b>debug l2fwder [packet   pktrace   error]</b>
	<b>debug pktmgr [frame   pkt-errors   data   tunnel]</b>
	<b>debug ip packet</b>
	<b>tcpdump</b> <b>Note</b> (Debug on the vmnic.)

## Collecting VM Logs

The Cisco Nexus 9000v uses all code from the physical hardware platform. Therefore, all logging and core files collected from the hardware platform apply to the Cisco Nexus 9000v system. If any issues arise, we recommend that you take a snapshot of the VM or make a copy of the .vmdk or .qcow2 file for further analysis.