



Cisco ASR 1000 Series Aggregation Services Routers SIP and SPA Software Configuration Guide

First Published: 2016-09-16

Last Modified: 2016-09-16

Americas Headquarters

Cisco Systems, Inc.
170 West Tasman Drive
San Jose, CA 95134-1706
USA
<http://www.cisco.com>
Tel: 408 526-4000
800 553-NETS (6387)
Fax: 408 527-0883

Text Part Number: OL-14127-17

THE SPECIFICATIONS AND INFORMATION REGARDING THE PRODUCTS IN THIS MANUAL ARE SUBJECT TO CHANGE WITHOUT NOTICE. ALL STATEMENTS, INFORMATION, AND RECOMMENDATIONS IN THIS MANUAL ARE BELIEVED TO BE ACCURATE BUT ARE PRESENTED WITHOUT WARRANTY OF ANY KIND, EXPRESS OR IMPLIED. USERS MUST TAKE FULL RESPONSIBILITY FOR THEIR APPLICATION OF ANY PRODUCTS.

THE SOFTWARE LICENSE AND LIMITED WARRANTY FOR THE ACCOMPANYING PRODUCT ARE SET FORTH IN THE INFORMATION PACKET THAT SHIPPED WITH THE PRODUCT AND ARE INCORPORATED HEREIN BY THIS REFERENCE. IF YOU ARE UNABLE TO LOCATE THE SOFTWARE LICENSE OR LIMITED WARRANTY, CONTACT YOUR CISCO REPRESENTATIVE FOR A COPY.

The Cisco implementation of TCP header compression is an adaptation of a program developed by the University of California, Berkeley (UCB) as part of UCB's public domain version of the UNIX operating system. All rights reserved. Copyright © 1981, Regents of the University of California.

NOTWITHSTANDING ANY OTHER WARRANTY HEREIN, ALL DOCUMENT FILES AND SOFTWARE OF THESE SUPPLIERS ARE PROVIDED "AS IS" WITH ALL FAULTS. CISCO AND THE ABOVE-NAMED SUPPLIERS DISCLAIM ALL WARRANTIES, EXPRESSED OR IMPLIED, INCLUDING, WITHOUT LIMITATION, THOSE OF MERCHANTABILITY, FITNESS FOR A PARTICULAR PURPOSE AND NON-INFRINGEMENT OR ARISING FROM A COURSE OF DEALING, USAGE, OR TRADE PRACTICE.

IN NO EVENT SHALL CISCO OR ITS SUPPLIERS BE LIABLE FOR ANY INDIRECT, SPECIAL, CONSEQUENTIAL, OR INCIDENTAL DAMAGES, INCLUDING, WITHOUT LIMITATION, LOST PROFITS OR LOSS OR DAMAGE TO DATA ARISING OUT OF THE USE OR INABILITY TO USE THIS MANUAL, EVEN IF CISCO OR ITS SUPPLIERS HAVE BEEN ADVISED OF THE POSSIBILITY OF SUCH DAMAGES.

Any Internet Protocol (IP) addresses and phone numbers used in this document are not intended to be actual addresses and phone numbers. Any examples, command display output, network topology diagrams, and other figures included in the document are shown for illustrative purposes only. Any use of actual IP addresses or phone numbers in illustrative content is unintentional and coincidental.

Cisco and the Cisco logo are trademarks or registered trademarks of Cisco and/or its affiliates in the U.S. and other countries. To view a list of Cisco trademarks, go to this URL: <https://www.cisco.com/go/trademarks>. Third-party trademarks mentioned are the property of their respective owners. The use of the word partner does not imply a partnership relationship between Cisco and any other company. (1721R)

© 2008–2016 Cisco Systems, Inc. All rights reserved.



CONTENTS

PREFACE

Preface	xxvii
Objectives	xxvii
Documentation Revision History	xxvii
Document Organization	xxxix
Document Conventions	xxxix
Related Documentation	xxxix
Obtaining Documentation and Submitting a Service Request	xxxix

CHAPTER 1

Using Cisco IOS XE Software	1
Accessing the CLI Using a Router Console	1
Accessing the CLI Using a Directly-Connected Console	1
Connecting to the Console Port	2
Using the Console Interface	3
Accessing the CLI from a Remote Console Using Telnet	4
Preparing to Connect to the Router Console Using Telnet	4
Using Telnet to Access a Console Interface	4
Using Keyboard Shortcuts	6
Using the History Buffer to Recall Commands	6
Understanding Command Modes	7
Getting Help	8
Finding Command Options: An Example	8
Using the no and default Forms of Commands	11
Saving Configuration Changes	11
Filtering the Output of the show and more Commands	11
Finding Support Information for Platforms and Cisco Software Images	12
Using the Cisco Feature Navigator	12

Using the Software Advisor	12
Using Software Release Notes	12

CHAPTER 2	SIP and SPA Product Overview	13
	Introduction to SIPs and SPAs	13
	SPA Interface Processors	13
	Shared Port Adapters	14
	SIP and SPA Compatibility	15
	Modular Optics Compatibility	18

CHAPTER 3	Overview of the SIP	23
	Release History	23
	Supported SIP Features	24
	Cisco ASR1000-SIP10 Features	24
	Cisco ASR1000-SIP40 Features	24
	Cisco ASR1000-SIP10 High-Availability Features	25
	Supported MIBS	25
	Command Reference Information	25

CHAPTER 4	Configuring the SIP	27
	Configuration Tasks	27
	Identifying Slots and Subslots for the SIPs and SPAs	27
	Specifying the Slot Location for a SIP	27
	Specifying the SIPSubslot Location for a SPA	28
	Hardware Module Scheduling Commands	29
	Ingress Scheduling	29
	Resetting a SIP	30

CHAPTER 5	Troubleshooting the SIP	31
	General Troubleshooting Information	31
	Interpreting Console Error Messages	31
	Using debug Commands	31
	Using show Commands	32
	Using the Cisco IOS Event Tracer to Troubleshoot Problems	32

Preparing for Online Insertion and Removal of a SIP and SPAs	32
Preparing for Online Removal of a SIP	33
Deactivating a SIP	33
Reactivating a SIP	34
Verifying the Deactivation and Activation of a SIP	34
Preparing for Online Removal of a SPA	35
Deactivating a SPA	36
Reactivating a SPA	37
Verifying the Deactivation and Activation of a SPA	37
Deactivation and Activation Configuration Examples	38
Deactivation of a SIP Configuration	38
Activation of a SIP Configuration	38
Deactivation of a SPA Configuration	38
Activation of a SPA Configuration Example	39

CHAPTER 6
Overview of the ATM SPAs 41

Release History	41
Supported Features	42
Basic Features	42
SONET/SDH Error, Alarm, and Performance Monitoring	43
Layer 2 Features	44
Layer 3 Features	44
High-Availability Features	45
Restrictions	45
Supported MIBs	46
SPA Architecture	47
Path of Cells in the Ingress Direction	47
Path of Packets in the Egress Direction	48
Displaying the SPA Hardware Type	48
Displaying Over-Subscription Counters	49
Overview	49
Old Behavior	49
New Behavior	49
Example of the show controllers Command	50

CHAPTER 7**Configuring the ATM SPAs 53**

Configuration Tasks	53
Required Configuration Tasks	53
Required Configuration Tasks	54
Specifying the Interface Address on a SPA	56
Modifying the Interface MTU Size	56
Interface MTU Configuration Guidelines	56
Interface MTU Configuration Task	57
Verifying the MTU Size	59
Creating a Permanent Virtual Circuit	60
Verifying a PVC Configuration	63
Creating a PVC on a Point-to-Point Subinterface	63
Configuring a PVC on a Multipoint Subinterface	65
Verifying a Multipoint PVC Configuration	67
Configuring a Range of PVCs on a Multipoint Subinterface	68
Configuring Traffic Parameters for PVCs	69
Verifying the Traffic Parameter Configuration	72
Configuring Virtual Circuit Classes	72
Verifying the Virtual Circuit Class Configuration	74
Configuring SONET and SDH Framing	74
Verifying the SONET and SDH Framing Configuration	76
Configuring AToM VP Cell Mode Relay Support	76
VP Mode Configuration Guidelines	77
VP Mode Configuration Example	77
Verifying ATM Cell Relay VP Mode	78
Configuring PPPoEoA on ATM SPAs	78
Saving the Configuration	78
Shutting Down and Restarting an Interface on a SPA	79
Verifying the Interface Configuration	80
Verifying Per-Port Interface Status	80
Monitoring Per-Port Interface Statistics	81
Configuration Examples	82
Basic Interface Configuration Example	82

MTU Configuration Example	83
PVC on a Point-to-Point Subinterface Configuration Example	83
PVC Ranges on a Multipoint Subinterface for PPPoEoA Configuration Example	83
AToM VP Cell Mode Relay Configuration Example	84
PPPoEoA VC Class and PVC Range Configuration Example	84
SONET and SDH Framing Configuration Example	85

CHAPTER 8**Troubleshooting the ATM SPAs 87**

General Troubleshooting Information	87
Interpreting Console Error and System Messages	87
Using debug Commands	88
General debug Commands	88
ATM debug Commands	88
Using show Commands	88
Performing Basic Interface Troubleshooting	89
Using the ping Command to Verify Network Connectivity	90
Displaying Additional ATM SPA Data	91
Displaying ATM SPA Hardware Information	91
Displaying Information About PVCs	92
Using loopback Commands	92
Using the loopback diagnostic Command to Create a Local Loopback	92
Examples	94
Using the loopback line Command	95
Using the Cisco IOS Event Tracer to Troubleshoot Problems	95
Change in Informational Alarm	96
Preparing for Online Insertion and Removal of a SPA	96

CHAPTER 9**Overview of the Ethernet SPAs 99**

Release History	99
Supported Features	100
Restrictions	101
Prerequisites for Configuring 1-Port 10-Gigabit Ethernet LAN/WAN PHY SPA	102
Synchronous Ethernet	102
Squelching	103

SSM and ESMC	103
Synchronization Status Message	103
Ethernet Synchronization Messaging Channel	103
Supported MIBs	104
Supported Ethernet SPAs	105
2-Port Gigabit Synchronous Ethernet SPA	105
SPA Architecture	106
Path of a Packet in the Ingress Direction	106
Path of a Packet in the Egress Direction	106
Displaying the SPA Hardware Type	107
Example of the show interfaces Command	107
Overview of LAN/WAN-PHY Controllers	109
Difference Between POS and 10GBASE-W	110

CHAPTER 10**Configuring the Ethernet SPAs 111**

Configuration Tasks	111
Required Configuration Tasks	111
Specifying the Interface Address on a SPA	113
Modifying the MAC Address on an Interface	114
Verifying a MAC Address	114
Gathering MAC Address Accounting Statistics	114
Configuring the Hot Standby Router Protocol	114
Verifying HSRP	115
Modifying the Interface MTU Size	115
Interface MTU Configuration Guidelines	116
Interface MTU Configuration Task	116
Verifying the MTU Size	116
QoS Classification	117
Port-Level or Physical-Level QoS Classification	118
Configuring the Encapsulation Type	119
Configuring the Autonegotiation on an Interface	119
Disabling Autonegotiation	119
Configuring Speed and Duplex	120
Configuring the Media Type	121

Enabling Autonegotiation	121
Configuring a Subinterface on a VLAN	121
VLAN Classification	122
Addition of Warning Message when Enabling VLAN Scale Configuration	122
Verifying Subinterface Configuration on a VLAN	123
Saving the Configuration	124
Shutting Down and Restarting an Interface on a SPA	124
Verifying the Interface Configuration	124
Verifying Per-Port Interface Status	124
Using show Commands to Check SFP Module and XFP Module Status	125
Configuring the Network Clock for the 2-Port Gigabit Synchronous Ethernet SPA on a Cisco ASR 1000 Series Router	126
Configuring the Network Clock in Global Configuration Mode	127
Configuring the Network Clock in Interface Configuration Mode	130
Managing Synchronization	131
Sample Configuration	132
Verifying Synchronous Ethernet Configuration	133
Troubleshooting the Synchronous Ethernet Configuration	137
Change in show running-config command output for SPA-4X1FE-TX-V2 SPA	138
Release Number for Behavioral Change	138
Old-Behavior	138
New Behavior	139
Configuring LAN/WAN-PHY Controllers	139
Configuring 1-Port 10-Gigabit Ethernet LAN/WAN PHY SPA	139
Mandatory Initial Configuration Steps	139
Configuring the LAN-PHY Mode	142
Configuring the WAN-PHY Mode	145
Configuring the Flag for Path Trace	149
Configuring Alarm Reporting	152
Configuring WAN-PHY Signal Failure and Signal Degrade Bit Error Rates	155
Prerequisites	155
Configuring the BER and TCA Threshold Values	156
Configuration Examples	159
Basic Interface Configuration	159

MAC Address Configuration	160
MAC Address Accounting Configuration	161
MTU Configuration	162
VLAN Configuration	163

CHAPTER 11	Troubleshooting the Gigabit Ethernet SPAs	165
	Overview	165
	General Troubleshooting Information	165
	Using debug Commands	165
	Using show Commands	166
	Performing Basic Interface Troubleshooting	166
	Verifying the Interface Is Up	168
	Verifying the Line Protocol Is Up	169
	Verifying the CRC Counter	169
	Verifying the Carrier Signal	169
	Understanding SPA Automatic Recovery	169
	When Automatic Recovery Occurs	170
	If Automatic Recovery Fails	170
	Using the Cisco IOS Event Tracer to Troubleshoot Problems	170
	Preparing for Online Insertion and Removal of a SPA	171

CHAPTER 12	Overview of the POS SPAs	173
	Release History	173
	POS Technology Overview	174
	Supported Features	174
	SONET/SDH Compliance Features	174
	SONET/SDH Error, Alarm, and Performance Monitoring Features	175
	SONET/SDH Synchronization Features	175
	WAN Protocol Features	175
	Network Management Features	176
	Restrictions	176
	Supported MIBs	176
	SPA Architecture	177
	4-Port OC-3c/STM-1 POS SPA Architecture	177

Path of a Packet in the Ingress Direction	178
Path of a Packet in the Egress Direction	178
2-Port OC-48c/STM-16 POS SPA Architecture	178
Path of a Packet in the Ingress Direction	179
Path of a Packet in the Egress Direction	179
1-Port OC-192c/STM-64 POS/RPR XFP SPA Architecture	180
Path of a Packet in the Ingress Direction	180
Path of a Packet in the Egress Direction	180
Displaying the SPA Hardware Type	181
Example of the show interfaces Command	181
Example of the show controllers Command	182

CHAPTER 13**Configuring the POS SPAs 185**

Configuration Tasks	185
Specifying the Interface Address on a SPA	185
Modifying the Interface MTU Size	186
Interface MTU Configuration Guidelines	186
Interface MTU Configuration Task	187
Verifying the MTU Size	187
Modifying the POS Framing	187
Verifying the POS Framing	188
Modifying the Keepalive Interval	188
Verifying the Keepalive Interval	189
Modifying the CRC Size	189
Verifying the CRC Size	189
Modifying the Clock Source	190
Verifying the Clock Source	190
Modifying SONET Payload Scrambling	190
Verifying SONET Payload Scrambling	191
Configuring the Encapsulation Type	191
Verifying the Encapsulation Type	191
Configuring POS Alarm Trigger Delays	191
Path-Level Triggers	192
Verifying POS Alarm Trigger Delays	192

Saving the Configuration	192
Shutting Down and Restarting an Interface on a SPA	193
Verifying the Interface Configuration	193
Verifying Per-Port Interface Status	193
Monitoring Per-Port Interface Statistics	194
Configuration Examples	194
Basic Interface Configuration Example	194
MTU Configuration Example	195
POS Framing Configuration Example	196
Keepalive Configuration Example	197
CRC Configuration Example	197
Clock Source Configuration Example	198
SONET Payload Scrambling Configuration Example	198
Encapsulation Configuration Example	199
POS Alarm Trigger Delays Configuration Example	199

CHAPTER 14
Overview of the Serial SPAs 201

Release History	201
Supported Features	202
Restrictions	205
Supported MIBs	206
Displaying the SPA Hardware Type	207
Examples of the show interfaces Command	208
Examples of the show controllers Command	209

CHAPTER 15
Configuring the 8-Port Channelized T1/E1 Serial SPA 213

Configuration Tasks	213
Required Configuration Tasks	213
Setting the Card Type	213
Enabling the Interfaces on the Controller	215
Verifying Controller Configuration	216
Setting the IP Address	217
Verifying Interface Configuration	217
Specifying the Interface Address on a SPA	218

Optional Configurations	218
Configuring Framing	218
Configuring Encapsulation	219
Configuring the CRC Size for T1	220
Configuring FDL	221
Invert Data on the T1/E1 Interface	222
Changing a Channel Group Configuration	223
Configuring QoS Features on Serial SPAs	223
Saving the Configuration	223
Verifying the Interface Configuration	223
Verifying Per-Port Interface Status	224
Configuration Examples	224
Framing and Encapsulation Configuration Example	224
CRC Configuration Example	225
Facility Data Link Configuration Example	225
Invert Data on the T1/E1 Interface Example	225

CHAPTER 16**Configuring the 2-Port and 4-Port Channelized T3 SPAs 227**

Configuration Tasks	227
Required Configuration Tasks	227
Configuring the T3 Controller	227
Configuring the Logical T1 Interfaces	229
Verifying T3 Controller Configuration	230
Verifying Interface Configuration	231
Specifying the Interface Address on a SPA	232
Optional Configurations	233
Configuring Data Service Unit Mode	233
Configuring Maintenance Data Link	234
Configuring Encapsulation	236
Configuring T3 Framing	237
Configuring FDL	237
Configuring Scramble	238
Saving the Configuration	239
Verifying the Interface Configuration	240

Verifying Per-Port Interface Status	240
Configuration Examples	241
DSU Configuration Example	241
MDL Configuration Example	242
Encapsulation Configuration Example	242
Framing in Unchannelized Mode Configuration Example	242
Facility Data Link Configuration Example	243
Scrambling Configuration Example	243
Creating a Multilink Bundle Configuration Example	243
Assigning a T1 Interface to a Multilink Bundle Configuration Example	243

CHAPTER 17**Configuring the 2-Port and 4-Port T3/E3 Serial SPA 245**

Configuration Tasks	245
Required Configuration Tasks	245
Setting the Card Type	245
Setting the IP Address	246
Verifying Controller Configuration	247
Verifying the Interface Configuration	248
Specifying the Interface Address on a SPA	249
Optional Configurations	249
Configuring Data Service Unit Mode	249
Configuring Maintenance Data Link	250
Configuring Scramble	252
Configuring Framing	253
Configuring Encapsulation	255
Configuring Cable Length	256
Configuring Invert Data	256
Configuring the Trace Trail Buffer	257
Configuring QoS Features on Serial SPAs	258
Saving the Configuration	258
Verifying the Interface Configuration	258
Verifying the Per-Port Interface Status	258
Monitoring the Per-Port Interface Statistics	259
Configuration Examples	260

DSU Configuration Example	260
MDL Configuration Example	260
Scrambling Configuration Example	261
Framing Configuration Example	261
Encapsulation Configuration Example	261
Cable Length Configuration Example	262
Invert Data Configuration Example	262
Trace Trail Buffer Configuration Example	262

CHAPTER 18**Configuring the 4-Port Serial Interface SPA 265**

Configuration Tasks	265
Configuring the 4-Port Serial Interface SPA	265
Verifying the Configuration	266
Using show Commands	266
Using the ping Command to Verify Network Connectivity	269
Using loopback Commands	270
Specifying the Interface Address on a SPA	270
Optional Configurations	271
Configuring Timing Signals	271
Inverting the Clock Signal	272
Configuring NRZI Format	272
Configuring Cyclic Redundancy Checks	273
Configuring Encapsulation	273
Saving the Configuration	274
Verifying the Interface Configuration	275
Verifying the Per-Port Interface Status	275
Configuration Examples	276
Inverting the Clock Signal Configuration Example	276
NRZI Format Configuration Example	276
Cyclic Redundancy Checks Configuration Example	276
Encapsulation Configuration Example	276
Distributed Multilink PPP Configuration Example	276

CHAPTER 19

Configuring the 1-Port Channelized OC-3/STM-1 SPA and 1-Port Channelized OC-12/STM-4 SPA**279**

Restrictions for Configuring the 1-Port Channelized OC-12/STM-4 SPA	279
Configuration Tasks	279
Specifying the Physical Address for Controller and Interface Configuration	280
Naming the Interface	280
Required Configuration Tasks	281
Configuring the Controller for the SONET Mode and the SDH Mode	281
Configuring the SONET Mode	281
Configuring the SDH Mode	283
Configuring the Channelized DS3 Mode	284
Configuring DS1 (Channelized T3 mode)	286
Configuring E1 (Channelized T3/E3 mode)	288
Configuring the Unchannelized E3 Serial Interface	290
Verifying the Interface Configuration	291
Optional Configurations	292
Configuring the Encapsulation Method	292
Configuring the CRC Size for T1	293
Configuring FDL	294
Configuring FRF.12	295
Configuring Multilink Point-to-Point Protocol (Hardware-Based on the QFP)	295
Configuring LFI	298
Inverting Data on the T1/E1 Interface	300
Changing a Channel Group Configuration	300
Configuring BERT	301
Saving the Configuration	303
Verifying Interface Configuration	303
Verifying Per-Port Interface Status	303
Configuration Examples	305
Example of T3 Framing Configuration	305
Example of Cyclic Redundancy Check Configuration	306
Example of Facility Data Link Configuration	306
Example of Invert Data on T1/E1 Interface	306

CHAPTER 20	Troubleshooting the Serial SPAs	307
	General Troubleshooting Information	307
	Interpreting Console Error Messages	307
	Using debug Commands	308
	Using show Commands	308
	Performing Basic Interface Troubleshooting	308
	Serial Lines: show interfaces serial Status Line Conditions	308
	Serial Lines: Increasing Output Drops on Serial Link	313
	Serial Lines: Increasing Input Drops on Serial Link	313
	Serial Lines: Increasing Input Errors in Excess of 1 Per Cent of Total Interface Traffic	314
	Serial Lines: Troubleshooting Serial Line Input Errors	314
	Serial Lines: Increasing Interface Resets on Serial Link	317
	Serial Lines: Increasing Carrier Transitions Count on Serial Link	318
	Using Bit Error Rate Tests	318
	Configuring a BER Test	320
	Viewing a BER Test	320
	Interpreting BER Test Results	321
	Using loopback Commands	321
	Verifying Loopback Mode	322
	Using the Cisco IOS Event Tracer to Troubleshoot Problems	323
	Preparing for Online Insertion and Removal of a SPA	323
CHAPTER 21	Overview of the Cisco WebEx Node for the Cisco ASR 1000 Series Routers	325
	Release History	325
	Overview of the Cisco WebEx Node SPA Environment	326
	Cisco WebEx Node Management System	327
	Supported Features	328
	Restrictions	329
	Supported MIBs	329
	Displaying the SPA Hardware Type	330
	Example of the show interfaces service-engine Command	330
	Example of the show hw-module subslot service-engine status Command	331

CHAPTER 22	Configuring the Cisco WebEx Node for the ASR 1000 Series Aggregation Services Routers	333
	Prerequisites	333
	Registering with the WebEx Data Center and the Cisco WebEx Node Management System	333
	Obtaining an Account in the Cisco WebEx Node Management System	334
	Registering a Cisco WebEx Node SPA in the Cisco WebEx Node Management System	335
	Completing the Cisco WebEx Node SPA Configuration Prerequisites	336
	Configuration Tasks	337
	Specifying the Service Engine Interface Address on the Cisco WebEx Node SPA	337
	Configuring the Virtual Service Engine Interface	337
	Virtual Service-Engine Interface Configuration Guidelines	337
	What To Do Next	340
	Saving the Configuration	341
	Shutting Down and Removing the Cisco WebEx Node SPA	341
	Verifying the Service Engine Configuration	342
	Showing Cisco WebEx Node SPA Settings and Activity	342
	Showing Service Engine Status	342
	Configuring the WebEx Node	343
	Configuring the WebEx Node Using a USB Memory Stick as a Backup	344
	Configuring the WebEx Node Using a USB Memory Stick as a Backup	347
	Configuring the WebEx Node from the Bootflash	351
	Configuring the WebEx Node from the Bootflash	354
	Configuration Examples	358

CHAPTER 23	Troubleshooting the Cisco WebEx Node for the ASR 1000 Series Aggregation Services Routers	359
	General Troubleshooting Information	359
	Interpreting Console Error and System Messages	359
	Using show Commands	360
	show Commands to Display Cisco WebEx Node SPA Status	360
	show Commands to Display Cisco WebEx Node SPA IDPROM	360
	show Command to Display Cisco WebEx Node SPA Service Engine Status	360
	show Command to Display Cisco WebEx Node SPA FPD version	361
	show Command to Display Cisco WebEx Node SPA Error Messages on the RP Console	361
	Accessing the SIP and SPA Consoles for Troubleshooting	361

Accessing the SIP Console	361
Accessing the Cisco WebEx Node SPA Console	362
Handling TraceBack and Core Dump Files on the Cisco WebEx Node SPA	363
Collecting Core Dump Files for the Cisco WebEx Node SPA	363
Collecting Traceback Information for the Cisco WebEx Node SPA	364
Performing Basic Troubleshooting	366
Troubleshooting Booting Failures	367
Troubleshooting Longer Booting Times in the Cisco WebEx Node SPA	367
Troubleshooting the Cisco WebEx Node SPA in an Out-of-Service State	368
Troubleshooting Hardware Failures	370
Troubleshooting Service Engine Application Status Errors	370
Using the ping Command from the Cisco ASR 1000 Series Aggregation Services Router to Verify Network Connectivity	372
Using the Cisco IOS Event Tracer to Troubleshoot Problems	373
Preparing for Online Insertion and Removal of a SPA	373

CHAPTER 24**Overview of the Cisco DSP SPA for the ASR 1000 Series Aggregation Services Routers 375**

Release History	375
Prerequisites	376
Rules for Installing SPA-DSP	376
Overview of the Cisco DSP SPA	376
High-Level System Details	377
Understanding Codecs and Maximum Channels Supported	377
Supported Features	378
Inband DTMF Interworking	379
Managing Jitters for Voice Packets	379
Comfort Noise and Voice Activity Detection (VAD)	380
Restrictions	380
Introduction to RTCP	380
Understanding the RTCP Packet Types	381
Restrictions	381
Terminating and Generating the RTCP by the SPA-DSP	381
Supported MIBs	382

CHAPTER 25**Configuring the Cisco DSP SPA for the ASR 1000 Series Aggregation Services Routers 383**

Voice Transcoding Overview 383

DSP Farm Profiles 383

Configuration Tasks 384

Prerequisites 384

Configuring a DSP Farm Profile 384

What to Do Next 386

Enabling or Disabling Voice Activity Detection (VAD) 386

Change in Command Output During Call Recovery 388

Configuring the RTCP on the SPA-DSP 388

Configuring the RTCP on the SPA-DSP on the Cisco Unified Border Element for the Unified Model 389

Configuring the RTCP on the SPA-DSP on the Cisco Unified Border Element for the Distributed Model 389

Configuration Examples for Universal Voice Transcoding 390

Additional References 391

CHAPTER 26**Upgrading Field-Programmable Devices 393**

Release History 393

FPD Upgrade 393

Overview of FPD Images and Packages 394

Upgrading Your Cisco IOS Release and FPD Image 394

Upgrading Only Your Cisco IOS Release and Retaining Your Current FPD Image 395

Upgrading FPD Images in a Production System 395

Using a Nonproduction System to Upgrade the Cisco ASR 1000 Series Aggregation Services Routers SPA FPD Image 395

Verifying System Compatibility First 396

Optional FPD Procedures 397

Manually Upgrading SPA FPD Images 397

Upgrading Multiple FPD Images 397

Displaying Current and Minimum Required FPD Image Versions 398

Displaying Information About the Default FPD Image Package 399

Verifying the FPD Image Upgrade Progress 399

FPD Image Upgrade Examples	400
Automatic FPD Image Upgrade Example	400
Manual FPD Image Upgrade Example	400
Troubleshooting Problems with FPD Image Upgrades	401
Power Failure or Removal of a SPA During an FPD Image Upgrade	401
Performing an FPD Recovery Upgrade	402
Verifying a Successful Upgrade	404

CHAPTER 27**Classifying and Scheduling Packets for the ASR 1000 Series Aggregation Services Routers 405**

Release History	405
Overview of Ingress Classification and Scheduling	405
Prerequisites for Ingress Classification and Scheduling	406
Classification and Scheduling Restrictions	406
Information About Ingress Classification	407
Ingress Classification Architecture	407
Resolving Oversubscription	409
Ingress Classification Overview	410
SPA-Based Classification	411
SIP-Based Classification	411
Default Classification	411
High Availability and Online Insertion and Removal	412
Configuring the Ingress Classification	412
Defining the L3 Classification Template	412
Classifying IPv4 Packets	413
Displaying a warning message for no form of commands	415
Information About Ingress Scheduling	419
Scheduling Overview	419
Intra-CC Scheduling	420
Inter-CC Scheduling	420
Behavioral Changes in Scheduling	420
Configuring Intra-CC Scheduling	421
Configuring Inter-CC Scheduling	424

CHAPTER 28**Overview of the Circuit Emulation over Packet Shared Port Adapter 427**

Release History	427
Overview	428
CEoP Frame Formats	429
Circuit Emulation Services over Packet Switched Network Mode	429
Overview of SAToP mode	431
Supported Features	432
Basic Features	432
SONET/SDH Error, Alarm, and Performance Monitoring	433
T1/E1 Errors and Alarms	434
T3/E3 Errors and Alarms	435
High-Availability Features	435
Unsupported Features	435
Restrictions	436
Scalability	437
Supported MIBs	437
Displaying the SPA Hardware Type	439
Examples of the show interfaces cem Command	439
Example of the show interfaces atm Command	441

CHAPTER 29
Configuring the Circuit Emulation over Packet Shared Port Adapter 443

Release History	443
Configuration Tasks	444
Referring an Interface on a SPA	444
Configuring Port Usage: An Overview	444
Configuring SPA-1CHOC3-CE-ATM for SONET VT1.5	445
Configuring SPA-1CHOC3-CE-ATM for SDH AU-4 C-12	445
Configuring SPA-1CHOC3-CE-ATM for SDH AU-3 C-11	446
Configuring the Card Type and CEM Group for the 24-Port Channelized T1/E1 ATM CEoP SPA	447
Configuring the Card Type for the 2-Port Channelized T3/E3 ATM CEoP SPA	448
Verifying the 2-Port Channelized T3/E3 CEoP SPA Configuration	450
Configuring the ATM Connection on a SPA	454
SPA-2CHT3-CE-ATM	454
Guideline for Configuring ATM Connections on a SPA	454

SPA-24CHT1-CE-ATM	454
Guidelines for Configuring ATM Connections on a SPA	454
VC QoS on VP-PWRestriction	455
Configuring a Pseudowire for an ATM Connection	455
Configuring the T3E3 ATM and T1E1 ATM SPAs in the Layer 2 Permanent Virtual Circuit (L2 PVC) Mode	455
Configuring the T3E3 ATM and T1E1 ATM SPAs in the Layer 2 Permanent Virtual Path (L2 PVP) Mode	456
Configuring the T3E3 ATM and T1E1 ATM SPAs in the Layer 3 Permanent Virtual Path (L3 PVP) Mode	457
Configuring the Layer 3 Permanent Virtual Circuit (L3 PVC) for the Point-to-Point (P2P) Connection	458
Configuring Pseudowire Redundancy	459
Configuring the 2-Port Channelized T3/E3 ATM CEoP SPA for the T3 Mode and the E3 Mode	461
Configuring a SPA Port for the T3 Mode	461
Configuring a SPA Port for the T3 Mode	463
Configuring the T3/E3 SPA Port for the Clear-Channel ATM Mode	464
Configuring the Scrambling Payload Feature on T3/E3 SPA Port	465
Configuring CEM	465
Prerequisites	465
Configuration Guidelines and Restrictions	466
Configuring a CEM Group	467
Configuring a CEM Class (Optional)	468
Configuring a CEM Pseudowire	469
Configuring TDM Local Switching	470
Verifying Switching Connections	471
Local Switching Redundancy	471
Guidelines for Local Switching Redundancy	471
Configuring a Backup Switched Connection	472
Verifying Backup and Primary Circuits	472
Configuring Pseudowire Redundancy	473
Example	474
Configuring T1 on a 24-Port Channelized T1/E1 ATM CEoP SPA	474
Configuring E1 on a 24-Port Channelized T1/E1 ATM CEoP SPA	475
Configuring a 24-Port Channelized T1/E1 ATM CEoP SPA in the Clear-Channel ATM Mode	476

Examples for Configuring a 24-Port Channelized T1/E1 ATM CEoP SPA in the Clear-Channel ATM Mode	478
Configuring SONET (OC-3)	481
Configuring the SONET Controller	481
Configuring SDH for AU-4 C-12	482
Configuring SDH for AU-3 C-11	482
Configuring Clocking	483
BITS Clock Support Receive and Distribute CEM SPA	483
Guidelines for Configuring the Network Clock	484
Configuring the Network Clock	484
Verifying the Network Clock Configuration	485
Configuring Clock Recovery	486
Applying the Recovered Clock to the Controller	487
Example for Configuring Clock Recovery	487
Verifying Clock Recovery	488
Configuring Out-of-Band Clocking	488
Benefits of Out-Of-Bank Clocking	489
Guidelines for Configuring Out-Of-Band Clocking	489
Overview of Configuring Out-of-band Clocking Between Two CEM SPAs	490
Creating the Master Clock Interface	491
Configuring an Out-Of-Band Channel	492
Configuring the Slave Clock Interface	493
Verifying Out-of-Band Clocking	494
Removing the Out-of-Band Clocking Configuration	495
Example: Out-of-Band Clocking Configuration	496
Example: Configuring CEM Circuits for Out-of-Band Clocking	497
Configuring CEM Parameters	498
Configuring Payload Size (Optional)	498
Setting the De jitter Buffer Size	499
Setting the Idle Pattern (Optional)	499
Enabling the Dummy Mode	499
Setting the Dummy Pattern	499
Shutting Down a CEM Channel	499
Configuring Layer 3 QoS on CEoP SPAs	500

Restrictions	500
Supported Interface	500
Configuring the QoS Features on the 2-Port Channelized T3/E3 ATM CEoP SPA	500
Sample Configuration	501
Verifying the Configuration	501
Configuring AIS and RAI Alarm Forwarding in the CESoPSN Mode on the CEoP SPAs	503
Restrictions	503
Configuring AIS and RAI Alarm Forwarding for T1 on the CEoP SPA	503
Configuring AIS and RAI Alarm Forwarding for E1 on the CEoP SPA	504
Configuring the SONET Mode	505
Configuring the SDH AU-4 Mode	506
Configuring the SDH AU-3 Mode	507
Restrictions	507
Verifying the Interface Configuration	508

Glossary ?

ARPA	?
ATM	?
blank filler plate	?
FPD	?
FPD image package	?
LAN	?
MAC	?
MIB	?
OIR	?
PPP	?
QoS	?
SFP	?
single height	?
SIP	?
SNMP	?
SPA	?
subslot	?
VLAN	?



Preface

This preface describes the objectives and organization of this document and explains how to find additional information on related products and services. This preface contains the following sections:

- [Objectives, on page xxvii](#)
- [Documentation Revision History, on page xxvii](#)
- [Document Organization, on page xxxi](#)
- [Document Conventions, on page xxxiv](#)
- [Related Documentation, on page xxxv](#)
- [Obtaining Documentation and Submitting a Service Request, on page xxxvi](#)

Objectives

This document describes the configuration and troubleshooting of SPA interface processors (SIPs) and shared port adapters (SPAs) that are supported on the Cisco ASR 1000 Series Routers.

Documentation Revision History

The Document Revision History records technical changes to this document. The table shows the Cisco IOS XE software release number and document revision number for the change, the date of the change, and a brief summary of the change.

Release No.	Revision No.	Date	Change Summary
Cisco IOS XE Release 3.12.0S	OL-14127-18	March 21, 2014	<p>The following PB-free SPAs were supported on the Cisco ASR 1000 Series Routers:</p> <ul style="list-style-type: none"> • SPA-2XT3/E3-V2, SPA-4XT3/E3-V2 • SPA-1CHSTM1/OC3V2 • SPA-2XCT3/DS0-V2, SPA-4XCT3/DS0-V2 <p>The following serial SPAs were supported on the SIP40 linecard:</p> <ul style="list-style-type: none"> • Channelized TE1 SPA • Channelized T3 SPA • Channelized OC3 STM SPA • Clear Channel T3E3 SPA <p>All serial SPAs supported SIP10 on cascades release will be supported on SIP40.</p>
Cisco IOS XE Release 3.11.0S	OL-14127-17	November 21, 2013	<p>The Adjustable statistics poll interval for SPA-8XCHT1/E1 feature was supported on the Cisco ASR 1000 Series Routers:</p> <p>The8XCHT1/E1-V2 SPA was supported on the Cisco ASR 1000 Series Routers.</p> <p>Note SPA-8XCHT1/E1-V2 is supported from Cisco IOS XE Release 3.10.1S.</p>
Cisco IOS XE Release 3.10.0S	OL-14127-16	July 31, 2013	<p>Added support for the following POS SPAs to the Minimal Disruptive Restart (MDR) feature on the Cisco ASR 1000 Series Routers with SIP40s:</p> <ul style="list-style-type: none"> • SPA-2XOC3-POS • SPA-4XOC3-POS • SPA-4XOC3-POS-V2 • SPA-8XOC3-POS • SPA-1XOC12-POS • SPA-2XOC12-POS • SPA-4XOC12-POS • SPA-8XOC12-POS
Cisco IOS XE Release 3.9.0S	OL-14127-15	March 28, 2013	<p>Added information pertaining to the support for the 8-Port Clear-Channel T3/E3 Serial SPA on the Cisco ASR1000-SIP10, the Cisco ASR 1001 Router, the Cisco ASR 1002 Router, and the Cisco ASR 1002-F Router.</p>

Release No.	Revision No.	Date	Change Summary
Cisco IOS XE Release 3.8.0S	OL-14127-14	November 28, 2012	<p>Added information pertaining to the following updates:</p> <ul style="list-style-type: none"> • Support for the WebEx T28.4 version of the WebEx Node SPA • Support for the 8-Port Clear-Channel T3/E3 Serial SPA (SPA-8XT3/E3) on the Cisco ASR 1000 Series SIP • Added support for the following GigabitEthernet SPAs to the Minimal Disruptive Restart (MDR) feature on the Cisco ASR 1000 Series Routers with SIP40s: <ul style="list-style-type: none"> • SPA-2X1GE-V2 • SPA-5X1GE-V2 • SPA-8X1GE-V2 • SPA-10X1GE-V2 • SPA-1X10GE-L-V2 • Support for the Adaptive Multi-Rate Wideband (AMR-WB) feature on the session border controller (SBC) on the Cisco ASR 1000 Series Aggregation Services Routers <p>Information about these new features has been added in various sections in this guide.</p>
Cisco IOS XE Release 3.7.0S	OL-14127-13	July 2012	<p>Added information pertaining to the following updates:</p> <ul style="list-style-type: none"> • Introduction of the Cisco ASR 1002-X Router • Introduction of the Cisco ASR1000-ESP100 • Support for Cisco ASR1000-SIP40 on all routers that support Cisco ASR1000-SIP10 <p>Information about these new features has been added in various sections in this guide.</p>
Cisco IOS XE Release 3.6.0S	OL-14127-12	March 29, 2012	<ul style="list-style-type: none"> • Added information about support for the circuit emulation (CEM) mode in the <i>2-Port Channelized T3/E3 ATM CEoP SPA</i> chapter. • Added information about Audio and Video SPA supporting high-definition (HD) video.
Cisco IOS XE Release 3.5.0S	OL-14127-11	November 28, 2011	<p>Added information pertaining to support for clear-channel E3 ATM mode in the <i>SPA-2CHT3-CE-ATM</i> chapter.</p>
Cisco IOS XE Release 3.4.0S	OL-14127-10	July 25, 2011	<p>Addition of information pertaining to the overview and configuration for the following SPAs added on the Cisco ASR 1000 Series Aggregation Services Routers:</p> <ul style="list-style-type: none"> • 2-Port Channelized T3/E3 ATM CEoP SPA • 24-Port Channelized T1/E1 ATM CEoP SPA • Support for generation and termination of RTCP on the SPA-DSP

Release No.	Revision No.	Date	Change Summary
Cisco IOS XE Release 3.3.0S	OL-14127-09	March 30, 2011	<p>Addition of information pertaining to the overview and configuration for the following SPAs added on the Cisco ASR 1000 Series Aggregation Services Routers:</p> <ul style="list-style-type: none"> • 1-Port 10-Gigabit Ethernet LAN/WAN Phy SPA • 1-Port Channelized OC-3 STM1 ATM CEoP SPA (Circuit Emulation Mode only)
Cisco IOS XE Release 3.2S	OL-14127-08	November 24, 2010	<p>Addition of information pertaining to the overview and configuration for the following SPAs added on the Cisco ASR 1000 Series Aggregation Services Routers:</p> <ul style="list-style-type: none"> • Introduction of a 2-Port Synchronous Gigabit Ethernet SPA • Configuration of a 2-Port Synchronous Gigabit Ethernet SPA • Introduction of a SPA DSP • Configuration of a SPA DSP
Cisco IOS XE Release 3.1S	OL-14127-07	July 23, 2010	<p>Addition of information pertaining to:</p> <ul style="list-style-type: none"> • Change in show running-config interface Fast Ethernet slot/subslot/port command output for 4-Port Fast Ethernet SPA added. • Information and features added to support the new SIPCisco ASR1000-SIP40. • Applying default maximum bandwidth of SIP-10 when SIP--40 is downgraded to SIP-10 was added • Support of ingress classification on QinQ VLAN based on either outer or inner VLAN Id cos bits was added.
Cisco IOS XE Release 2.6	OL-14127-06	February 26, 2010	<p>Addition of information pertaining to the support of the following SPA and other information updates:</p> <ul style="list-style-type: none"> • 1-Port Channelized OC-12/STM-4 SPA • Updates for optics module behavior and compatibility including: <ul style="list-style-type: none"> • Correction to show support for the GLC-GE-100FX optics module for the 5-Port and 10-Port Gigabit Ethernet SPA. • Correction to the auto negotiation behavior for the SFP-GE-T module. • Correction to show support for additional modules for the 2-Port, 4-Port, and 8-Port OC-3c/STM-1 and OC-12c/STM-4 POS SPA. • Added descriptions for the services SPAs and double-height SPAs.

Release No.	Revision No.	Date	Change Summary
Cisco IOS XE Release 2.5	OL-14127-05	November 25, 2009	<p>Addition of information pertaining to the support for the following areas:</p> <ul style="list-style-type: none"> • 1-Port Clear Channel OC-12 ATM SPA • The hw-module subslot ethernet vlan unlimited command was introduced to remove the restriction of a maximum of 8100 802.1Q VLANs per Ethernet SPA. • Additional verification and troubleshooting information was added for the Cisco WebEx Node for ASR 1000 Series.
Cisco IOS XE Release 2.4	OL-14127-04	June 30, 2009	<p>Addition of information pertaining to the support for the following SPAs:</p> <ul style="list-style-type: none"> • 2-Port, 4-Port, and 8-Port OC-3c/STM-1 and OC-12c/STM-4 POS SPA • 1-Port OC-48c/STM-16 POS SPA • 8-Port OC-3c/STM-1 POS SPA • 1-Port OC-192c/STM-64 POS/RPR XFP SPA • Cisco WebEx Node for ASR 1000 Series
Cisco IOS XE Release 2.3	OL-14127-03	November 24, 2008	<p>Addition of information pertaining to the support for the following SPA:</p> <ul style="list-style-type: none"> • 1-Port and 3-Port Clear Channel OC-3 ATM SPA
Cisco IOS XE Release 2.2	OL-14127-02	September 10, 2008	<p>Addition of information pertaining to the support for the following SPAs:</p> <ul style="list-style-type: none"> • 2-Port and 4-Port OC-48c/STM-16 POS SPA • 1-Port Channelized STM-1/OC-3 SPA
Cisco IOS XE Release 2.1	OL-14127-01	April 25, 2008	First release.

Document Organization

This document is organized into the following chapters:

Chapter	Title	Description
Chapter 1	Using Cisco IOS XE Software	Provides an introduction to accessing the command-line interface (CLI) and using the Cisco IOS software and related tools.
Chapter 2	SIP and SPA Product Overview	Provides a brief introduction to the SIP and SPA products on the Cisco ASR 1000 Series Routers, and information about the SIP and SPAs, and optics compatibility.
Chapter 3	Overview of the SIP	Describes release history, and feature and Management Information Base (MIB) support for the SIP on the Cisco ASR 1000 Series Routers.

Chapter	Title	Description
Chapter 4	Configuring the SIP	Describes related configuration and verification
Chapter 5	Troubleshooting the SIP	Describes techniques that you can use to troubleshoot the operation of the SIP on the Cisco ASR 1000 Series Routers.
Chapter 7	Overview of the ATM SPAs	Describes release history, feature and Management Information Base (MIB) support, and an introduction to the ATM SPA architecture on the Cisco ASR 1000 Series Routers.
Chapter 6	Configuring the ATM SPAs	Describes the related configuration and verification information for the ATM SPAs on the Cisco ASR 1000 Series Routers.
Chapter 8	Troubleshooting the ATM SPAs	Describes techniques that you can use to troubleshoot the operation of the ATM SPAs on the Cisco ASR 1000 Series Routers.
Chapter 9	Overview of the Ethernet SPAs	Describes release history, feature and Management Information Base (MIB) support, and an introduction to the Gigabit Ethernet SPA architecture on the Cisco ASR 1000 Series Routers.
Chapter 10	Configuring the Ethernet SPAs	Describes the related configuration and verification information for the Gigabit Ethernet SPAs on the Cisco ASR 1000 Series Routers.
Chapter 11	Troubleshooting the Gigabit Ethernet SPAs	Describes techniques that you can use to troubleshoot the operation of the Gigabit Ethernet SPAs on the Cisco ASR 1000 Series Routers.
Chapter 12	Overview of the POS SPAs	Describes release history, feature and Management Information Base (MIB) support, and an introduction to the POS SPA architecture on the Cisco ASR 1000 Series Routers.
Chapter 13	Configuring the POS SPAs	Describes the related configuration and verification information for the POS SPAs on the Cisco ASR 1000 Series Routers.
Chapter 14	Overview of the Serial SPAs	Describes release history, feature and Management Information Base (MIB) support, and an introduction to the serial SPA architecture on the Cisco ASR 1000 Series Routers.
Chapter 15	Configuring the 8-Port Channelized T1/E1 Serial SPA	Describes the related configuration and verification information for the 8-Port Channelized T1/E1 Serial SPAs on the Cisco ASR 1000 Series Routers.
Chapter 16	Configuring the 2-Port and 4-Port Channelized T3 Serial SPAs	Describes the related configuration and verification information for the 2-Port and 4-Port Channelized T3 SPAs on the Cisco ASR 1000 Series Routers.
Chapter 17	Configuring the 2-Port and 4-Port T3/E3 Clear Channel Serial SPA	Describes the related configuration and verification information for the 2-Port and 4-Port T3/E3 Serial SPAs on the Cisco ASR 1000 Series Routers.
Chapter 18	Configuring the 4-Port Serial Interface SPA	Describes the related configuration and verification information for the 4-Port Serial Interface SPA on the Cisco ASR 1000 Series Routers.

Chapter	Title	Description
Chapter 19	Configuring the 1-Port Channelized OC-3/STM-1 SPA and 1-Port Channelized OC-12/STM-4 SPA	Describes the related configuration and verification information for the 1-Port Channelized STM-1/OC-3 SPA on the Cisco ASR 1000 Series Routers.
Chapter 20	Troubleshooting the Serial SPAs	Describes techniques that you can use to troubleshoot the operation of the serial SPAs on the Cisco ASR 1000 Series Routers.
Chapter 21	Overview of the Cisco WebEx Node for the Cisco ASR 1000 Series Routers	Describes release history, feature and Management Information Base (MIB) support, and an introduction to the Cisco WebEx Node for ASR 1000 Series on the Cisco ASR 1000 Series Aggregation Services Routers, also referred to as the Cisco WebEx Node services shared port adapter (SPA).
Chapter 22	Configuring the Cisco WebEx Node for the ASR 1000 Series Aggregation Services Routers	Describes the related configuration and verification information for the Cisco WebEx Node for ASR 1000 Series on the Cisco ASR 1000 Series Aggregation Services Routers, including information about registering the Cisco WebEx Node SPA with the Cisco WebEx Data Center and Cisco WebEx Node Management System.
Chapter 23	Troubleshooting the Cisco WebEx Node for the ASR 1000 Series Aggregation Services Routers	Describes techniques that you can use to troubleshoot the operation of the Cisco WebEx Node for ASR 1000 Series on the Cisco ASR 1000 Series Aggregation Services Routers.
Chapter 24	Overview of the Cisco DSP SPA for the ASR 1000 Series Aggregation Services Routers	Describes the release history, features, and Management Information Base (MIB) support, and an introduction to the Cisco DSP SPA for the ASR 1000 Series on the Cisco ASR 1000 Series Aggregation Services Routers. The Cisco DSP SPA is referred to as the SPA-DSP shared port adapter (SPA).
Chapter 25	Configuring the Cisco DSP SPA for the ASR 1000 Series Aggregation Services Routers	Describes the related configuration information pertaining to the Cisco DSP SPA for the ASR 1000 Series on the Cisco ASR 1000 Series Aggregation Services Routers, including information about enabling DSP SPA, and creating the profiles and commands used to configure the DSP SPA.
Chapter 26	Upgrading Field-Programmable Devices	Provides information about upgrading the field-programmable devices on the Cisco ASR 1000 Series Routers.
Chapter 27	Classifying and Scheduling Packets for the ASR 1000 Series Aggregation Services Routers	Provides information about classifying and scheduling the ingress packets on the Cisco ASR 1000 Series Aggregation Service Routers.
Chapter 28	Overview of the Circuit Emulation over Packet Shared Port Adapter	Describes the release history, feature, and the MIBs supported, and provides an introduction to the Circuit Emulation over Packet Shared Port Adapter.

Chapter	Title	Description
Chapter 29	Configuring the Circuit Emulation over Packet Shared Port Adapter	Describes the related configuration information pertaining to the Circuit Emulation over Packet (CEoP) Shared Port Adapter on the Cisco ASR 1000 Series Routers.

Document Conventions

Within the SIP and SPA software configuration guides, the term router is generally used to refer to a variety of Cisco products (for example, routers, access servers, and switches). Routers, access servers, and other networking devices that support Cisco IOS software are shown interchangeably within examples. These products are used only for illustrative purposes; that is, an example that shows one product does not necessarily indicate that other products are not supported.

This document uses the following conventions:

Convention	Description
^ or Ctrl	Both the ^ symbol and Ctrl represent the Control (Ctrl) key on a keyboard. For example, the key combination ^D or Ctrl-D means that you hold down the Control key while you press the D key. (Keys are indicated in capital letters but are not case sensitive.)
bold font	Commands and keywords and user-entered text appear in bold font .
<i>Italic font</i>	Document titles, new or emphasized terms, and arguments for which you supply values are in <i>italic font</i> .
Courier font	Terminal sessions and information the system displays appear in <i>courier font</i> .
Bold Courier font	Bold Courier font indicates text that the user must enter.
[x]	Elements in square brackets are optional.
...	An ellipsis (three consecutive nonbolded periods without spaces) after a syntax element indicates that the element can be repeated.
	A vertical line, called a pipe, indicates a choice within a set of keywords or arguments.
[x y]	Optional alternative keywords are grouped in brackets and separated by vertical bars.
{x y}	Required alternative keywords are grouped in braces and separated by vertical bars.
[x {y z}]	Nested set of square brackets or braces indicate optional or required choices within optional or required elements. Braces and a vertical bar within square brackets indicate a required choice within an optional element.

Convention	Description
string	A nonquoted set of characters. Do not use quotation marks around the string or the string will include the quotation marks.
< >	Nonprinting characters such as passwords are in angle brackets.
[]	Default responses to system prompts are in square brackets.
!, #	An exclamation point (!) or a pound sign (#) at the beginning of a line of code indicates a comment line.

Reader Alert Conventions

This document uses the following conventions for reader alerts:



Note Means *reader take note*. Notes contain helpful suggestions or references to material not covered in the manual.



Tip Means *the following information will help you solve a problem*.



Caution Means *reader be careful*. In this situation, you might do something that could result in equipment damage or loss of data.



Timesaver Means *the described action saves time*. You can save time by performing the action described in the paragraph.



Warning Means *reader be warned*. In this situation, you might perform an action that could result in bodily injury.

Related Documentation

This section refers you to other documentation that also might be useful as you configure your Cisco ASR 1000 Series Aggregation Services Routers.

Cisco IOS XE Features and Software Configuration

- Information about supported features and their configuration on the Cisco ASR 1000 Series Aggregation Services Routers are available in the Cisco IOS XE software configuration guides at: http://www.cisco.com/en/US/products/ps9587/products_installation_and_configuration_guides_list.html
- A summary of the new features in a particular release can be found at: http://www.cisco.com/en/US/products/ps9587/products_feature_guides_list.html

- Command documentation for the Cisco ASR 1000 Series Aggregation Services Routers is available at: http://www.cisco.com/en/US/products/ps9587/prod_command_reference_list.html

Cisco ASR 1000 Series Aggregation Services Routers Documentation

As you configure SIPs and SPAs on your Cisco Aggregation Services Router 1000 Series, you should also refer to the following companion publication for important hardware installation information:

- *Cisco Aggregation Services Router 1000 Series SIP and SPA Hardware Installation Guide*

Some of the following other Cisco ASR 1000 Series Routers publications might be useful to you as you configure your Cisco ASR 1000 Series Routers.

- *Cisco ASR 1000 Series Routers Hardware Installation Guide*
- Three Quick Start Guides:
 - *Cisco ASR 1002 Router Quick Start Guide*
 - *Cisco ASR 1004 Router Quick Start Guide*
 - *Cisco ASR 1006 Router Quick Start Guide*
- Command Reference Guide: *Cisco IOS Quality of Service Solutions Command Reference guide at the URL: http://www.cisco.com/en/US/docs/ios/qos/command/reference/qos_book.html*
- *Regulatory Compliance and Safety Information for the Cisco ASR 1000 Series Routers*
- *Cisco ASR 1000 Series Aggregation Services Routers Software Configuration Guide*
- *Cisco ASR 1000 Series Routers MIB Specifications Guide*
- *Release Notes for Cisco ASR 1000 Series Aggregation Services Routers*

Several other publications are also related to the Cisco ASR 1000 Series Routers. For a complete reference of related documentation, see the Cisco ASR 1000 Series Routers Documentation Roadmap located at the following URL: http://www.cisco.com/en/US/products/ps9343/products_documentation_roadmaps_list.html

Your router and the Cisco IOS software running on it contain extensive features. You can find documentation for Cisco products at the following URL:

<http://www.cisco.com/cisco/web/psa/default.html?mode=prod>

Obtaining Documentation and Submitting a Service Request

For information on obtaining documentation, using the Cisco Bug Search Tool (BST), submitting a service request, and gathering additional information, see [What's New in Cisco Product Documentation](#).

To receive new and revised Cisco technical content directly to your desktop, you can subscribe to the . RSS feeds are a free service.



CHAPTER 1

Using Cisco IOS XE Software

This chapter provides information to prepare you to configure a SPA interface processor (SIP) or shared port adapter (SPA) using the Cisco IOS XE software. It includes the following sections:

- [Accessing the CLI Using a Router Console, on page 1](#)
- [Using Keyboard Shortcuts, on page 6](#)
- [Using the History Buffer to Recall Commands, on page 6](#)
- [Understanding Command Modes, on page 7](#)
- [Getting Help, on page 8](#)
- [Using the no and default Forms of Commands, on page 11](#)
- [Saving Configuration Changes, on page 11](#)
- [Filtering the Output of the show and more Commands, on page 11](#)
- [Finding Support Information for Platforms and Cisco Software Images, on page 12](#)

Accessing the CLI Using a Router Console

The following sections describe how to access the command-line interface (CLI) using a directly-connected console or by using Telnet to obtain a remote console:

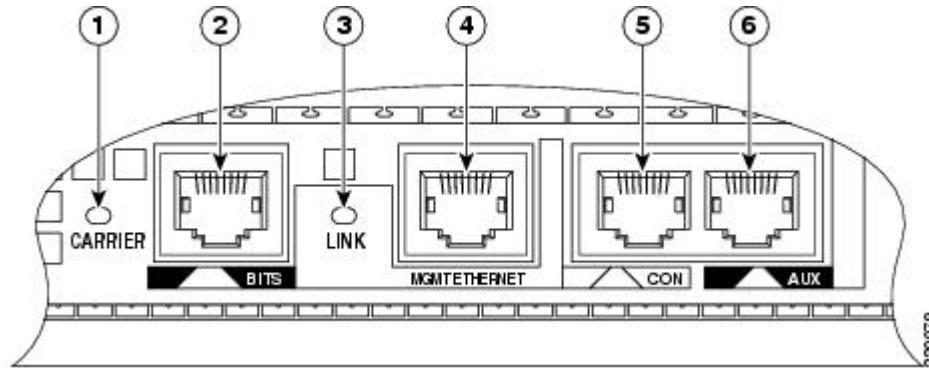
For more detailed information about configuring and accessing a router through various services, refer to the [Cisco IOS Terminal Services Configuration Guide](#) and [Cisco IOS Terminal Services Command Reference](#) publications.

Accessing the CLI Using a Directly-Connected Console

This section describes how to connect to the console port on the router and use the console interface to access the CLI.

The console port on a Cisco ASR 1000 Series Router is an EIA/TIA-232 asynchronous, serial connection with no flow control and an RJ-45 connector. The console port is located on the front panel of each Route Processor, as shown in the following figure.

Figure 1: Cisco ASR 1000 Series Aggregation Services Routers Console Port Connector



1 CARRIER LED	4 MGMT Ethernet connector
2 BITS connector	5 CON connector
3 LINK LED	6 AUX connector

Connecting to the Console Port

Before you can use the console interface on the router using a terminal or PC, you must perform the following steps:

SUMMARY STEPS

1. Configure your terminal emulation software with the following settings:
2. Connect to the port using the RJ-45-to-RJ-45 cable and RJ-45-to-DB-25 DTE adapter or using the RJ-45-to-DB-9 DTE adapter (labeled “Terminal”).

DETAILED STEPS

Step 1 Configure your terminal emulation software with the following settings:

- 9600 bits per second (b/s)
- 8 data bits
- No parity
- 1 stop bit
- No flow control

Note These are the default serial communication parameters on the router. For information about how to change the default settings to meet the requirements of your terminal or host, refer to the [Cisco IOS Terminal Services Configuration Guide](#).

Step 2 Connect to the port using the RJ-45-to-RJ-45 cable and RJ-45-to-DB-25 DTE adapter or using the RJ-45-to-DB-9 DTE adapter (labeled “Terminal”).

Using the Console Interface

To access the CLI using the console interface, complete the following steps:

SUMMARY STEPS

1. After you attach the terminal hardware to the console port on the router and you configure your terminal emulation software with the proper settings, the following prompt appears:
2. Press **Return** to enter user EXEC configuration mode. The following prompt appears:
3. From user EXEC configuration mode, enter the **enable** command as shown in the following example:
4. At the password prompt, enter your system password. The following example shows entry of the password called “enablepass”:
5. When your enable password is accepted, the privileged EXEC mode prompt appears:
6. You now have access to the CLI in privileged EXEC mode and you can enter the necessary commands to complete your desired tasks.
7. To exit the console session, enter the **quit** command as shown in the following example:

DETAILED STEPS

Step 1 After you attach the terminal hardware to the console port on the router and you configure your terminal emulation software with the proper settings, the following prompt appears:

Example:

```
Press Return for Console prompt
```

Step 2 Press **Return** to enter user EXEC configuration mode. The following prompt appears:

Example:

```
Router>
```

Step 3 From user EXEC configuration mode, enter the **enable** command as shown in the following example:

Example:

```
Router> enable
```

Step 4 At the password prompt, enter your system password. The following example shows entry of the password called “enablepass”:

Example:

```
Password: enablepass
```

Step 5 When your enable password is accepted, the privileged EXEC mode prompt appears:

Example:

```
Router#
```

Step 6 You now have access to the CLI in privileged EXEC mode and you can enter the necessary commands to complete your desired tasks.

Step 7 To exit the console session, enter the **quit** command as shown in the following example:

Example:

```
Router# quit
```

Accessing the CLI from a Remote Console Using Telnet

This section describes how to connect to the console interface on a router using Telnet to access the CLI.

Preparing to Connect to the Router Console Using Telnet

Before you can access the router remotely using Telnet from a TCP/IP network, you need to configure the router to support virtual terminal lines (vty) using the **line vty** global configuration command. You also should configure the vty to require login and specify a password.



Note

To prevent disabling login on the line, be careful that you specify a password with the **password** command when you configure the **login** line configuration command. If you are using authentication, authorization, and accounting (AAA), you should configure the **login authentication** line configuration command. To prevent disabling login on the line for AAA authentication when you configure a list with the **login authentication** command, you must also configure that list using the **aaa authentication login** global configuration command. For more information about AAA services, refer to the [Cisco IOS Security Configuration Guide](#) and [Cisco IOS Security Command Reference](#) publications.

In addition, before you can make a Telnet connection to the router, you must have a valid hostname for the router or have an IP address configured on the router. For more information about requirements for connecting to the router using Telnet, information about customizing your Telnet services, and using Telnet key sequences, refer to the [Cisco IOS Terminal Services Configuration Guide](#).

Using Telnet to Access a Console Interface

To access a console interface using Telnet, complete the following steps:

SUMMARY STEPS

1. From your terminal or PC, enter one of the following commands:
2. At the password prompt, enter your login password. The following example shows entry of the password called “mypass”:
3. From user EXEC mode, enter the **enable** command as shown in the following example:
4. At the password prompt, enter your system password. The following example shows entry of the password called “enablepass”:
5. When the enable password is accepted, the privileged EXEC mode prompt appears:
6. You now have access to the CLI in privileged EXEC mode and you can enter the necessary commands to complete your desired tasks.
7. To exit the Telnet session, use the **exit** or **logout** command as shown in the following example:

DETAILED STEPS

Step 1 From your terminal or PC, enter one of the following commands:

- **connect** *host* [*port*] [*keyword*]
- **telnet** *host* [*port*] [*keyword*]

In this syntax, *host* is the router hostname or an IP address, *port* is a decimal port number (23 is the default), and *keyword* is a supported keyword. For more information, refer to the *Cisco IOS Terminal Services Command Reference*.

Note If you are using an access server, then you will need to specify a valid port number such as **telnet 172.20.52.40 2004**, in addition to the hostname or IP address.

The following example shows the **telnet** command to connect to the router named *router*:

Example:

```
unix_host% telnet router
Trying 172.20.52.40...
Connected to 172.20.52.40.
Escape character is '^]'.
unix_host% connect
```

Step 2 At the password prompt, enter your login password. The following example shows entry of the password called “mypass”:

Example:

```
User Access Verification
Password: mypass
```

Note If no password has been configured, press **Return**.

Step 3 From user EXEC mode, enter the **enable** command as shown in the following example:

Example:

```
Router> enable
```

Step 4 At the password prompt, enter your system password. The following example shows entry of the password called “enablepass”:

Example:

```
Password: enablepass
```

Step 5 When the enable password is accepted, the privileged EXEC mode prompt appears:

Example:

```
Router#
```

Step 6 You now have access to the CLI in privileged EXEC mode and you can enter the necessary commands to complete your desired tasks.

Step 7 To exit the Telnet session, use the **exit** or **logout** command as shown in the following example:

Example:

```
Router# logout
```

Using Keyboard Shortcuts

Commands are not case sensitive. You can abbreviate commands and parameters if the abbreviations contain enough letters to be different from any other currently available commands or parameters.

The following table lists the keyboard shortcuts for entering and editing commands.

Table 1: Keyboard Shortcuts

Keystrokes	Purpose
Ctrl-B or the Left Arrow key ¹	Move the cursor back one character
Ctrl-F or the Right Arrow key ¹	Move the cursor forward one character
Ctrl-A	Move the cursor to the beginning of the command line
Ctrl-E	Move the cursor to the end of the command line
Esc B	Move the cursor back one word
Esc F	Move the cursor forward one word

¹ The arrow keys function only on ANSI-compatible terminals such as VT100s.

Using the History Buffer to Recall Commands

The history buffer stores the last 20 commands you entered. History substitution allows you to access these commands without retyping them, by using special abbreviated commands.

The following table lists the history substitution commands.

Table 2: History Substitution Commands

Command	Purpose
Ctrl-P or the Up Arrow key ²	Recall commands in the history buffer, beginning with the most recent command. Repeat the key sequence to recall successively older commands.
Ctrl-N or the Down Arrow key ¹	Return to more recent commands in the history buffer after recalling commands with Ctrl-P or the Up Arrow key.
Router# show history	While in EXEC mode, list the last several commands you have just entered.

² The arrow keys function only on ANSI-compatible terminals such as VT100s.

Understanding Command Modes

You use the CLI to access Cisco IOS XE software. Because the CLI is divided into many different modes, the commands available to you at any given time depend on the mode that you are currently in. Entering a question mark (?) at the CLI prompt allows you to obtain a list of commands available for each command mode.

When you log in to the CLI, you are in user EXEC mode. User EXEC mode contains only a limited subset of commands. To have access to all commands, you must enter privileged EXEC mode, normally by using a password. From privileged EXEC mode, you can issue any EXEC command—user or privileged mode—or you can enter global configuration mode. Most EXEC commands are one-time commands. For example, **show** commands show important status information, and **clear** commands clear counters or interfaces. The EXEC commands are not saved when the software reboots.

Configuration modes allow you to make changes to the running configuration. If you later save the running configuration to the startup configuration, these changed commands are stored when the software is rebooted. To enter specific configuration modes, you must start at global configuration mode. From global configuration mode, you can enter interface configuration mode and a variety of other modes, such as protocol-specific modes.

ROM monitor mode is a separate mode used when the Cisco IOS XE software cannot load properly. If a valid software image is not found when the software boots or if the configuration file is corrupted at startup, the software might enter ROM monitor mode.

The following table describes how to access and exit various common command modes of the Cisco IOS XE software. It also shows examples of the prompts displayed for each mode.

Table 3: Accessing and Exiting Command Modes

Command Mode	Access Method	Prompt	Exit Method
User EXEC	Log in.	Router>	Use the logout command.
Privileged EXEC	From user EXEC mode, use the enable EXEC command.	Router#	To return to user EXEC mode, use the disable command.
Global configuration	From privileged EXEC mode, use the configure terminal privileged EXEC command.	Router(config)#	To return to privileged EXEC mode from global configuration mode, use the exit or end command.
Interface configuration	From global configuration mode, specify an interface using an interface command.	Router(config-if)#	To return to global configuration mode, use the exit command. To return to privileged EXEC mode, use the end command.
ROM monitor	From privileged EXEC mode, use the reload EXEC command. Press the Break key during the first 60 seconds while the system is booting.	>	To exit ROM monitor mode, use the continue command.

For more information on command modes, refer to the “Using the Command-Line Interface” chapter in the http://www.cisco.com/en/US/docs/ios/fundamentals/configuration/guide/12_4/cf_12_4_book.html Cisco IOS Configuration Fundamentals Configuration Guide .

Getting Help

Entering a question mark (?) at the CLI prompt displays a list of commands available for each command mode. You can also get a list of keywords and arguments associated with any command by using the context-sensitive help feature.

To get help specific to a command mode, a command, a keyword, or an argument, use one of the following commands, as shown in the following table:

Table 4: Help Commands and Purpose

Command	Purpose
<code>help</code>	Provides a brief description of the help system in any command mode.
<code>abbreviated-command-entry ?</code>	Provides a list of commands that begin with a particular character string. (No space between command and question mark.)
<code>abbreviated-command-entry <Tab></code>	Completes a partial command name.
<code>?</code>	Lists all commands available for a particular command mode.
<code>command ?</code>	Lists the keywords or arguments that you must enter next on the command line. (Space between command and question mark.)

Finding Command Options: An Example

This section provides an example of how to display syntax for a command. The syntax can consist of optional or required keywords and arguments. To display keywords and arguments for a command, enter a question mark (?) at the configuration prompt or after entering part of a command followed by a space. The Cisco IOS XE software displays a list and brief description of available keywords and arguments. For example, if you were in global configuration mode and wanted to see all the keywords or arguments for the **arap** command, you would type **arap ?**.

The `<cr>` symbol in command help output stands for “carriage return”. On older keyboards, the carriage return key is the Return key. On most modern keyboards, the carriage return key is the Enter key. The `<cr>` symbol at the end of command help output indicates that you have the option to press **Enter** to complete the command and that the arguments and keywords in the list preceding the `<cr>` symbol are optional. The `<cr>` symbol by itself indicates that no more arguments or keywords are available and that you must press **Enter** to complete the command.

The following table shows examples of how you can use the question mark (?) to assist you in entering commands.

Table 5: Finding Command Options

Command	Comment
<pre>Router> enable Password: <password> Router#</pre>	<p>Enter the enable command and password to access privileged EXEC commands. You are in privileged EXEC mode when the prompt changes to a “#” from the “>”; for example, Router> to Router# .</p>
<pre>Router# configure terminal Enter configuration commands, one per line. End with CNTL/Z. Router(config)#</pre>	<p>Enter the configure terminal privileged EXEC command to enter global configuration mode. You are in global configuration mode when the prompt changes to Router(config)# .</p>
<pre>Router(config)# interface serial ? <0-6> Serial interface number Router(config)# interface serial 4 ? / Router(config)# interface serial 4/ ? <0-3> Serial interface number Router(config)# interface serial 4/0 ? <cr> Router(config)# interface serial 4/0 Router(config-if)#</pre>	<p>Enter interface configuration mode by specifying the serial interface that you want to configure using the interface serial global configuration command.</p> <p>Enter ? to display what you must enter next on the command line. In this example, you must enter the serial interface slot number and port number, separated by a forward slash.</p> <p>When the <cr> symbol is displayed, you can press Enter to complete the command.</p> <p>You are in interface configuration mode when the prompt changes to Router(config-if)# .</p>
<pre>Router(config-if)# ? Interface configuration commands: ip Interface Internet Protocol config commands keepalive Enable keepalive lan-name LAN Name command llc2 LLC2 Interface Subcommands load-interval Specify interval for load calculation for an locaddr-priority Assign a priority group logging Configure logging for interface loopback Configure internal loopback on an interface mac-address Manually set interface MAC address mls mls router sub/interface commands mpoa MPOA interface configuration commands mtu Set the interface Maximum Transmission Unit (MTU) netbios Use a defined NETBIOS access list or enable no negate a command or set its defaults nrzi-encoding Enable use of NRZI encoding ntp Configure NTP Router(config-if)#</pre>	<p>Enter ? to display a list of all the interface configuration commands available for the serial interface. This example shows only some of the available interface configuration commands.</p>

Command	Comment
<pre>Router(config-if)# ip ? Interface IP configuration subcommands: access-group Specify access control for packets accounting Enable IP accounting on this interface address Set the IP address of an interface authentication authentication subcommands bandwidth-percent Set EIGRP bandwidth limit broadcast-address Set the broadcast address of an interface cgmp Enable/disable CGMP directed-broadcast Enable forwarding of directed broadcasts dvmrp DVMRP interface commands hello-interval Configures IP-EIGRP hello interval helper-address Specify a destination address for UDP broadcasts hold-time Configures IP-EIGRP hold time Router(config-if)# ip</pre>	<p>Enter the command that you want to configure for the interface. This example uses the ip command.</p> <p>Enter ? to display what you must enter next on the command line. This example shows only some of the available interface IP configuration commands.</p>
<pre>Router(config-if)# ip address ? A.B.C.D IP address negotiated IP Address negotiated over PPP Router(config-if)# ip address</pre>	<p>Enter the command that you want to configure for the interface. This example uses the ip address command.</p> <p>Enter ? to display what you must enter next on the command line. In this example, you must enter an IP address or the negotiated keyword.</p> <p>A carriage return (<cr>) is not displayed; therefore, you must enter additional keywords or arguments to complete the command.</p>
<pre>Router(config-if)# ip address 172.16.0.1 ? A.B.C.D IP subnet mask Router(config-if)# ip address 172.16.0.1</pre>	<p>Enter the keyword or argument that you want to use. This example uses the 172.16.0.1 IP address.</p> <p>Enter ? to display what you must enter next on the command line. In this example, you must enter an IP subnet mask.</p> <p>A <cr> is not displayed; therefore, you must enter additional keywords or arguments to complete the command.</p>
<pre>Router(config-if)# ip address 172.16.0.1 255.255.255.0 ? secondary Make this IP address a secondary address <cr> Router(config-if)# ip address 172.16.0.1 255.255.255.0</pre>	<p>Enter the IP subnet mask. This example uses the 255.255.255.0 IP subnet mask.</p> <p>Enter ? to display what you must enter next on the command line. In this example, you can enter the secondary keyword, or you can press Enter.</p> <p>A <cr> is displayed; you can press Enter to complete the command, or you can enter another keyword.</p>
<pre>Router(config-if)# ip address 172.16.0.1 255.255.255.0 Router(config-if)#</pre>	<p>In this example, Enter is pressed to complete the command.</p>

Using the no and default Forms of Commands

Almost every configuration command has a **no** form. In general, use the **no** form to disable a function. Use the command without the **no** keyword to re-enable a disabled function or to enable a function that is disabled by default. For example, IP routing is enabled by default. To disable IP routing, use the **no ip routing** command; to re-enable IP routing, use the **ip routing** command. The Cisco IOS software command reference publications provide the complete syntax for the configuration commands and describe what the **no** form of a command does.

Many CLI commands also have a **default** form. By issuing the command **default command-name**, you can configure the command to its default setting. The Cisco IOS software command reference publications describe the function of the **default** form of the command when the **default** form performs a different function than the plain and **no** forms of the command. To see what default commands are available on your system, enter **default ?** in the appropriate command mode.

Saving Configuration Changes

Use the **copy running-config startup-config** command to save your configuration changes to the startup configuration so that the changes will not be lost if the software reloads or a power outage occurs. For example:

```
Router# copy running-config startup-config
Building configuration...
```

It might take a minute or two to save the configuration. After the configuration has been saved, the following output appears:

```
[OK]
Router#
```

On most platforms, this task saves the configuration to NVRAM. On the Class A Flash file system platforms, this task saves the configuration to the location specified by the CONFIG_FILE environment variable. The CONFIG_FILE variable defaults to NVRAM.

Filtering the Output of the show and more Commands

You can search and filter the output of **show** and **more** commands. This functionality is useful if you need to sort through large amounts of output or if you want to exclude output that you need not see.

To use this functionality, enter a **show** or **more** command followed by the “pipe” character (|); one of the keywords **begin**, **include**, or **exclude**; and a regular expression on which you want to search or filter (the expression is case sensitive):

```
show command | {begin | include | exclude} regular-expression
```

The output matches certain lines of information in the configuration file. The following example illustrates how to use output modifiers with the **show interface** command when you want the output to include only lines in which the expression “protocol” appears:

```
Router# show interface | include protocol
FastEthernet0/0 is up, line protocol is up
```

```
Serial4/0 is up, line protocol is up
Serial4/1 is up, line protocol is up
Serial4/2 is administratively down, line protocol is down
Serial4/3 is administratively down, line protocol is down
```

For more information on the search and filter functionality, refer to the “Using the Command-Line Interface” chapter in the [Cisco IOS Configuration Fundamentals Configuration Guide](#) .

Finding Support Information for Platforms and Cisco Software Images

Cisco software is packaged in feature sets consisting of software images that support specific platforms. The feature sets available for a specific platform depend on which Cisco software images are included in a release. To identify the set of software images available in a specific release or to find out if a feature is available in a given Cisco IOS XE software image, you can use Cisco Feature Navigator or the software release notes.

Using the Cisco Feature Navigator

Use Cisco Feature Navigator to find information about platform support and Cisco IOS software image support. Access Cisco Feature Navigator at <http://tools.cisco.com/ITDIT/CFN/jsp/index.jsp> . You must have an account on Cisco.com. If you do not have an account or have forgotten your username or password, click the appropriate button at the login dialog box and follow the instructions that appear.

Using the Software Advisor

To see if a feature is supported by a Cisco IOS release, to locate the software document for that feature, or to check the minimum software requirements of Cisco IOS software with the hardware installed on your router, Cisco maintains the Software Advisor tool on Cisco.com at:

<http://tools.cisco.com/Support/Fusion/FusionHome.do>

You must be a registered user on Cisco.com to access this tool.

Using Software Release Notes

Cisco IOS XE software releases include release notes that provide the following information:

- Platform support information
- Memory recommendations
- New feature information
- Open and resolved severity 1 and 2 caveats for all platforms

Release notes are intended to be release-specific for the most current release, and the information provided in these documents may not be cumulative in providing information about features that first appeared in previous releases. Refer to Cisco Feature Navigator for cumulative feature information.



CHAPTER 2

SIP and SPA Product Overview

This chapter provides an introduction to SPA interface processors (SIPs) and shared port adapters (SPAs). It includes the following sections:

For more hardware details for the specific SIPs and SPAs that are supported on the Cisco ASR 1000 Series Routers, refer to the companion publication, *Cisco Aggregation Services Router 1000 Series SIP and SPA Hardware Installation Guide*.

- [Introduction to SIPs and SPAs, on page 13](#)
- [SIP and SPA Compatibility, on page 15](#)
- [Modular Optics Compatibility, on page 18](#)

Introduction to SIPs and SPAs

Cisco Aggregation Services Router 1000 Series SIPs and SPAs are a carrier card and port adapter architecture that increases modularity, flexibility, and density across Cisco routers for network connectivity. This section describes the SIPs and SPAs and provides some guidelines for their use.

SPA Interface Processors

The following list describes some of the general characteristics of a SIP:

- A SIP is a carrier card that inserts into a router slot like a line card. It provides no network connectivity on its own.
- A SIP contains one or more subslots, which are used to house one or more SPAs. The SPA provides interface ports for network connectivity.
- During normal operation, the SIP should reside in the router fully populated either with functional SPAs in all subslots, or with a blank filler plate (SPA-BLANK=) inserted in all empty subslots.
- SIPs support online insertion and removal (OIR) with SPAs inserted in their subslots. SPAs also support OIR and can be inserted or removed independently from the SIP.



Note Fully populate all slots and subslots with blank filler plates or functional SPAs for maximum efficiency of the cooling system.

Shared Port Adapters

The following list describes some of the general characteristics of a SPA:

- A SPA is a modular type of port adapter that inserts into a subslot of a compatible SIP carrier card to provide network connectivity and increased interface port density. A SIP can hold one or more SPAs, depending on the SIP type.
- Some SPAs provide services rather than network connectivity, and can be inserted into the subslots of a compatible SIP, for example, the Cisco WebEx Node for ASR 1000 Series that provides WebEx meeting services, and the DSP SPA that provides voice transcoding and transrating capabilities.
- SPAs are available in the following sizes, as shown in the following figures:
 - Single-height SPA—Inserts into one SIP subslot.
 - Double-height SPA—Inserts into two single, vertically aligned SIP subslots.

Figure 2: Single-Height and Double-Height SPA Sizes

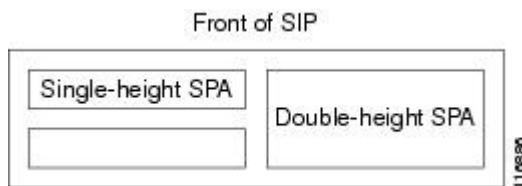
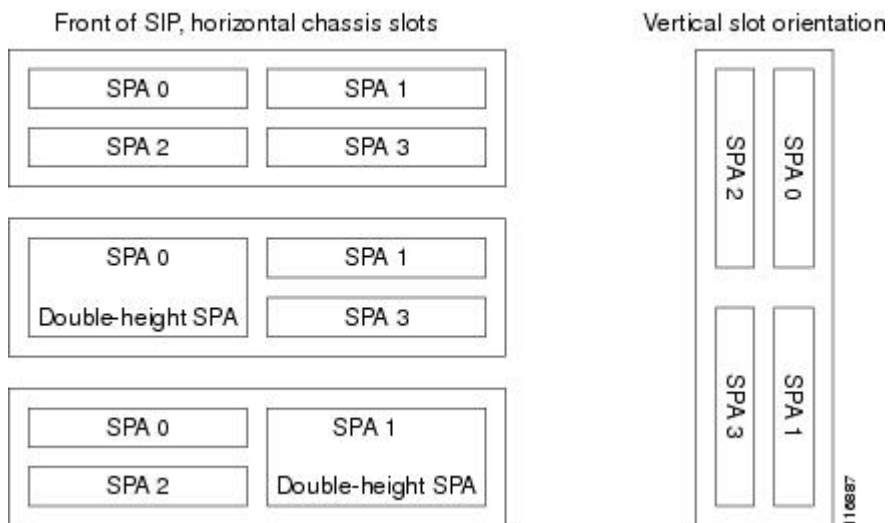


Figure 3: Horizontal and Vertical Chassis Slot Orientation for SPAs



Caution

SIP subslot 0 is not available on the Cisco ASR 1002 Router as that is the slot occupied by the integrated Route Processor with native Gigabit Ethernet ports.

- Each SPA provides a certain number of connectors, or ports, that are the interfaces to one or more networks. These interfaces can be individually configured using the Cisco IOS command-line interface (CLI).

- Either a blank filler plate or a functional SPA should reside in every subslot of a SIP during normal operation to maintain cooling integrity. Blank filler plates are available in single-height form only.
- SPAs support online insertion and removal (OIR). They can be inserted or removed independently from the SIP. SIPs also support OIR with SPAs inserted in their subslots.

SIP and SPA Compatibility

The following tables explain SIP and SPA compatibility by SPA technology area on the Cisco ASR 1000 Series Routers.



Note For more information about the support for different SIPs and SPAs, refer to the “Release History” section in the *Overview of the SIP* chapter.

Table 6: SIP and SPA Compatibility for Ethernet SPAs

SPA	Product ID	SIP Supported: Cisco ASR1000-SIP10	SIP Supported: Cisco ASR1000-SIP40
4-Port and 8-Port Fast Ethernet SPA	SPA-4X1FE-TX-V2 SPA-8X1FE-TX-V2	Yes	Yes
1-Port 10-Gigabit Ethernet SPA	SPA-1X10GE-L-V2	Yes	Yes
1-Port 10-Gigabit Ethernet LAN/WAN PHY SPA	SPA-1X10GE-WL-V2	Yes	Yes
2-Port Gigabit Ethernet SPA	SPA-2X1GE-V2	Yes	Yes
5-Port Gigabit Ethernet SPA	SPA-5X1GE-	Yes	Yes
10-Port Gigabit Ethernet SPA ³	SPA-10X1GE-V2	Yes	Yes
2-Port Gigabit Synchronous Ethernet SPA	SPA-2X1GE-SYNCE	Yes	Yes

³ The 10-Port Gigabit Ethernet SPA is a double-height SPA. The 10-Port Gigabit Ethernet SPA is not supported on Cisco ASR 1001 or Cisco ASR 1002-F Routers.

Table 7: SIP and SPA Compatibility for Packet over SONET SPAs

SPA	Product ID	SIP Supported: Cisco ASR1000-SIP10	SIP Supported: Cisco ASR1000-SIP40
1-Port OC-12c/STM-4 POS SPA	SPA-1XOC12-POS	Yes	Yes

SPA	Product ID	SIP Supported: Cisco ASR1000-SIP10	SIP Supported: Cisco ASR1000-SIP40
2-Port, 4-Port, and 8-Port OC-3c/STM-1 and OC-12c/STM-4 POS SPA	SPA-2XOC12-POSSPA-4XOC12-POSSPA-8XOC12-POS	Yes	Yes
2-Port, 4-Port, and 8-Port OC-3c/STM-1 POS SPA	SPA-2XOC3-POS SPA-4XOC3-POSSPA-8XOC3-POS	Yes	Yes
1-Port OC-48c/STM-16 POS SPA	SPA-1XOC48-POS	Yes	Yes
2-Port and 4-Port OC-48c/STM-16 POS SPA	SPA-2XOC48-POS/RPR SPA-4XOC48-POS/RPR	Yes	Yes
1-Port OC-192c/STM-64 POS/RPR XFP SPA	SPA-1XOC192POS-XFP	Yes	Yes
4-Port OC-3c/STM-1 POS SPA	SPA-4XOC3-POS-V2	Yes	Yes

Table 8: SIP and SPA Compatibility for Serial SPAs

SPA	Product ID	SIP Supported: Cisco ASR1000-SIP10	SIP Supported: Cisco ASR1000-SIP40
2-Port and 4-Port T3/E3 Serial SPA	SPA-2XT3/E3 SPA-4XT3/E3	Yes	Yes
8-Port Clear-Channel T3/E3 Serial SPA	SPA-8XT3/E3	No	Yes
2-Port and 4-Port Channelized T3 SPA	SPA-2XCT3/DS0 SPA-4XCT3/DS0	Yes	Yes
4-Port Serial Interface SPA	SPA-4XT-Serial	Yes	Yes ⁴
8-Port Channelized T1/E1 Serial SPA	SPA-8XCHT1/E1 SPA-8XCHT1/E1-V2	Yes	Yes
1-Port Channelized OC-3/STM-1 SPA	SPA-1XCHSTM1/OC3	Yes	Yes
1-Port Channelized OC-12/STM-4 SPA	SPA-1XCHOC12/DS0	Yes	Yes

⁴ The SPA-4XT-Serial SPA is supported on SIP-40 with the initial Cisco IOS XE Release 3.1.1S when plugged into an ASR1000 SIP-40 linecard.

Table 9: SIP and SPA Compatibility for Service SPAs

SPA	Product ID	SIP Supported: Cisco ASR1000-SIP10	SIP Supported: Cisco ASR1000-SIP40
Cisco WebEx Node for ASR 1000 Series	SPA-WMA-K9	Yes	Yes
Cisco DSP SPA for ASR 1000 Series	SPA-DSP	Yes	Yes

Table 10: SIP and SPA Compatibility for CEoP SPA

SPA	Product ID	SIP Supported: Cisco ASR1000-SIP10	SIP Supported: Cisco ASR1000-SIP40
1-Port Channelized OC3/STM-1 ATM and Circuit Emulation SPA ⁵	SPA-1CHOC3-CE-ATM	Yes	Yes
2-Port Channelized T3/E3 ATM CEoP SPA ⁶	SPA-2CHT3-CE-ATM	Yes	Yes
24-Port Channelized T1/E1 ATM CEoP SPA ⁷	SPA-24CHT1-CE-ATM	Yes	Yes

⁵ Restriction: The SPA-1CHOC3-CE-ATM is not supported on the Cisco ASR 1001 Router (1 RU chassis), but supported on all other ASR 1000 chassis. All the other ASR 1000 Routers support the SPA-1CHOC3-CE-ATM for Circuit Emulation application; but not ATM applications. Effective from Cisco IOS XE Release 3.3.0S, the SPA-1CHOC3-CE-ATM is supported only with these software images: ADVANCED ENTERPRISE SERVICES, ADVANCED ENTERPRISE W/O CRYPTO, ADVANCED IP SERVICES, or ADVANCED IP SERVICES W/O CRYPTO. The SPA-1CHOC3-CE-ATM is not supported with these software images: IP BASE and IP BASE W/O CRYPTO.

⁶ Restriction: Effective from Cisco IOS XE Release 3.4.0S, the SPA-2CHT3-CE-ATM is supported on all the Cisco ASR 1000 Series Routers except on the Cisco ASR 1001 Router. However, the SPA-2CHT3-CE-ATM supports only the T3 ATM mode in Cisco IOS XE Release 3.4.0S and not the Circuit Emulation (CEM) mode. Maximum Virtual Circuits supported are 1024. Interim Local Management Interface (ILMI) 1.0 is not supported. IETF RFC 2364 and 2516 for Point-to-Point Protocol (PPP) over ATM is not supported. IETF RFC 1577 support for classical IP and Address Resolution Protocol (ARP) over ATM is not supported. ATM Forum UNI 3.0, 3.1, and 4.0 is not supported. Effective from Cisco IOS XE Release 3.5.0S, the SPA-2CHT3-CE-ATM supports ATM on clear-channel E3 SPA. All the existing ATM features are supported in the E3 mode. Effective from Cisco IOS XE Release 3.8.0S, the SPA-2CHT3-CE-ATM is supported on the Cisco ASR 1001 Router. The SPA-2CHT3-CE-ATM on the Cisco ASR 1001 Router supports both the T3 and E3 ATM modes and does not support the CEM mode.

⁷ Restriction: The SPA-24CHT1-CE-ATM is not supported on the Cisco ASR 1001 Router (1 RU chassis), but supported on all other ASR 1000 chassis. Effective from Cisco IOS XE Release 3.4.0S, the SPA-24CHT1-CE-ATM supports only the CEM mode. Effective from Cisco IOS XE Release 3.4.0S, the SPA-24CHT1-CE-ATM is supported only with these software images: ADVANCED ENTERPRISE SERVICES, ADVANCED ENTERPRISE W/O CRYPTO, ADVANCED IP SERVICES, or ADVANCED IP SERVICES W/O CRYPTO. The SPA-24CHT1-CE-ATM is not supported with these software images: IP BASE and IP BASE W/O CRYPTO.

Modular Optics Compatibility

Some SPAs implement small form-factor pluggable (SFP) optical transceivers to provide network connectivity. An SFP module is a transceiver device that mounts into the front panel to provide network connectivity.

Cisco qualifies the SFP modules that can be used with SPAs.



Note The SPAs will only accept the SFP modules listed as supported in this document. An SFP module check is run every time an SFP module is inserted into a SPA and only SFP modules that pass this check will be usable.

See the following for detailed information about the types of optics modules that have been qualified for use with a SPA:

- ATM SPA Optics Compatibility
- CWDM Optics Compatibility for Built-in Gigabit Ethernet Ports (4x1GE) and All Gigabit Ethernet SPAs Supported on the Cisco ASR 1000 Series Routers
- DWDM Optics Compatibility for Built-in Gigabit Ethernet Ports (4x1GE) and Gigabit Ethernet SPAs
- POS SPA SFP Optics Compatibility
- Serial SPA SFP Optics Compatibility
- CEoP SPA SFP Optics Compatibility
- Gigabit Ethernet SPA Optics Compatibility—See the [SIP and SPA Product Overview](#) chapter in [Cisco ASR 1000 Series Aggregation Services Routers SIP and SPA Hardware Installation Guide](#).

For more information about any of the supported transceivers for SPAs in these tables, refer to http://www.cisco.com/en/US/products/hw/modules/ps5455/prod_installation_guides_list.html

Table 11: ATM SPA Optics Compatibility

SPA	Qualified Optics Modules (Cisco Part Numbers)
1-Port Clear Channel OC-3 ATM SPA	<ul style="list-style-type: none"> • SFP-OC3-MM • SFP-OC3-SR • SFP-OC3-IR1 • SFP-OC3-LR1 • SFP-OC3-LR2
3-Port Clear Channel OC-3 ATM SPA	<ul style="list-style-type: none"> • SFP-OC3-MM • SFP-OC3-SR • SFP-OC3-IR1 • SFP-OC3-LR1 • SFP-OC3-LR2
1-Port Clear Channel OC-12 ATM SPA	<ul style="list-style-type: none"> • SFP-OC12-MM • SFP-OC12-SR • SFP-OC12-IR1 • SFP-OC12-LR1 • SFP-OC12-LR2

Table 12: CWDM Optics Compatibility for Built-in Gigabit Ethernet Ports (4x1GE) and All Gigabit Ethernet SPAs Supported on the Cisco ASR 1000 Series Routers

Qualified Optics Modules (Cisco Part Numbers)
CWDM-SFP-1470=
CWDM-SFP-1490=
CWDM-SFP-1510=
CWDM-SFP-1530=
CWDM-SFP-1550=
CWDM-SFP-1570=
CWDM-SFP-1590=
CWDM-SFP-1610=

Table 13: DWDM Optics Compatibility for Built-in Gigabit Ethernet Ports (4x1GE) and Gigabit Ethernet SPAs

SPA	Qualified Optics Modules (Cisco Part Numbers)
2-Port Gigabit Ethernet SPA	DWDM-SFP-3033=
5-Port Gigabit Ethernet SPA	DWDM-SFP-3112=
8-Port Gigabit Ethernet SPA	DWDM-SFP-3190=
10-Port Gigabit Ethernet SPA	DWDM-SFP-3268=
Built-in Gigabit Ethernet Ports (4x1GE)	DWDM-SFP-3425=
Cisco ASR 1001, Cisco ASR 1002 Fixed, and Cisco ASR 1002 Chassis	DWDM-SFP-3504=
	DWDM-SFP-3582=
	DWDM-SFP-3661=
	DWDM-SFP-3819=
	DWDM-SFP-3898=
	DWDM-SFP-3977=
	DWDM-SFP-4056=
	DWDM-SFP-4214=
	DWDM-SFP-4294=
	DWDM-SFP-4373=
	DWDM-SFP-4453=
	DWDM-SFP-4612=
	DWDM-SFP-4692=
	DWDM-SFP-4772=
	DWDM-SFP-4851=
	DWDM-SFP-5012=
	DWDM-SFP-5092=
	DWDM-SFP-5172=
	DWDM-SFP-5252=
	DWDM-SFP-5413=
DWDM-SFP-5494=	
DWDM-SFP-5575=	
DWDM-SFP-5655=	
DWDM-SFP-5817=	
DWDM-SFP-5898=	
DWDM-SFP-5979=	
DWDM-SFP-6061=	

Table 14: POS SPA SFP Optics Compatibility

SPA	Qualified Optics Modules (Cisco Part Numbers)
2-Port and 4-Port OC-3 POS SPA	<ul style="list-style-type: none"> • SFP-OC3-MM • SFP-OC3-SR • SFP-OC3-IR1 • SFP-OC3-LR1 • SFP-OC3-LR2
1-Port OC-48c/STM-16 POS SPA	<ul style="list-style-type: none"> • SFP-OC48-SR • SFP-OC48-IR1 • SFP-OC48-LR2
2-Port and 4-Port OC-48c/STM-16 POS SPA	<ul style="list-style-type: none"> • SFP-OC48-SR • SFP-OC48-IR1 • SFP-OC48-LR2
2-Port, 4-Port, and 8-Port OC-3c/STM-1 and OC-12c/STM-4 POS SPA	<ul style="list-style-type: none"> • SFP-OC3-MM • SFP-OC3-SR • SFP-OC3-IR1 • SFP-OC3-LR1 • SFP-OC3-LR2
2-Port, 4-Port, and 8-Port OC-12c/STM-4 POS SPA	<ul style="list-style-type: none"> • SFP-OC12-MM • SFP-OC12-SR • SFP-OC12-IR1 • SFP-OC12-LR1 • SFP-OC12-LR2
1-Port OC-12c/STM-4 POS SPA	<ul style="list-style-type: none"> • SFP-OC12-MM • SFP-OC12-SR • SFP-OC12-IR1 • SFP-OC12-LR1 • SFP-OC12-LR2
1-Port OC-192c/STM-64 POS/RPR XFP SPA	<ul style="list-style-type: none"> • XFP10GER-192IR-L • XFP10GLR-192SR-L • XFP-10GLR-OC192SR • XFP-10GER-OC192IR • XFP-10GZR-OC192LR

Table 15: Serial SPA SFP Optics Compatibility

SPA	Qualified Optics Modules (Cisco Part Numbers)
1-Port Channelized OC-3/STM-1 SPA	<ul style="list-style-type: none"> • SFP-OC3-MM • SFP-OC3-SR • SFP-OC3-IR1 • SFP-OC3-LR1 • SFP-OC3-LR2
1-Port Channelized OC-12/STM-4 SPA	<ul style="list-style-type: none"> • SFP-OC12-MM • SFP-OC12-SR • SFP-OC12-IR1 • SFP-OC12-LR1 • SFP-OC12-LR2

Table 16: CEoP SPA SFP Optics Compatibility

SPA	Qualified Optics Modules (Cisco Part Numbers)
1-Port Channelized OC-3 STM1 ATM CEoP SPA	<ul style="list-style-type: none"> • SFP-OC3-MM • SFP-OC3-SR • SFP-OC3-IR1 • SFP-OC3-LR1 • SFP-OC3-LR2
2-Port Channelized T3/E3 ATM CEoP SPA	<ul style="list-style-type: none"> • CAB-T3E3-RF-BNC-F • CAB-T3E3-RF-BNC-M • CAB-T3E3-RF-OPEN
24-Port Channelized T1/E1/J1 Circuit Emulation over Packet Port Adapter	<ul style="list-style-type: none"> • CABLE-24T1E1



CHAPTER 3

Overview of the SIP

This chapter provides an overview of the release history, and feature and Management Information Base (MIB) support for the Cisco ASR1000-SIP10 and Cisco ASR1000-SIP40.

This chapter includes the following sections:

- [Release History, on page 23](#)
- [Supported SIP Features, on page 24](#)
- [Supported MIBS, on page 25](#)
- [Command Reference Information, on page 25](#)

Release History



Note For release history information about the introduction of SPA support on the SIP, refer to the corresponding “Overview” chapters in the SPA technology sections of this document. In addition, features specific to certain SPA technologies are documented in the corresponding SPA sections of this document.

Release	Modification
Cisco IOS XE Release 3.7S	Added information about support for the Cisco ASR1000-SIP40 on all routers that support the Cisco ASR1000-SIP10.
Cisco IOS XE Release 3.1S	Added information about the new Cisco ASR1000-SIP40.
Cisco IOS XE Release 2.4S	Added information about the following SPAs: <ul style="list-style-type: none">• 2-Port, 4-Port, and 8-Port OC-12 POS SPA• 1-Port OC-48 POS SPA• 8-Port OC-3 POS SPA• 1-Port OC-192 POS SPA• WMA-K9 SPA
Cisco IOS XE Release 2.3S	Added information about the 1-Port and 3-Port OC-3 ATM SPA.

Release	Modification
Cisco IOS XE Release 2.2S	Added information about the following SPAs: <ul style="list-style-type: none"> • 2-Port and 4-Port OC-48c/STM-16 POS/RPR SPA • 1-Port Channelized STM-1/OC-3 SPA
Cisco IOS XE Release 2.1S	First release.

Supported SIP Features

The Cisco ASR1000-SIP10, is a high-performance, feature-rich SPA interface processor that functions as a carrier card for shared port adapters (SPAs) on the Cisco ASR 1000 Series Routers. The SIP is supported on the Cisco Aggregation Services Router 1000 Series, and is compatible with one or more platform-independent SPAs. For more information on SPA compatibility, see the *SIP and SPA Compatibility* section.

This section provides a list of some of the primary features supported by the SIP hardware and software. For feature compatibility information by SIP and SPA combination, and information about configuring these features, see the *Configuring the SIP* chapter.

Cisco ASR1000-SIP10 Features

The Cisco ASR1000-SIP10 supports the standard Field-Programmable Devices (FPD) upgrade methods for the Cisco Aggregation Services Router 1000 Series. For more information about FPD support, see the *Upgrading Field-Programmable Devices* chapter.

Cisco ASR1000-SIP40 Features

The Cisco ASR1000-SIP40 supports upto 40 Gbps total bandwidth for the four SPA bays and 46 Gbps sustained through carrier card when utilizing two four-link 6.25 GHz ESIs. Following are the features of the Cisco ASR1000-SIP40:

- It supports 40 Gbps of non oversubscribed throughput.
- Compatible with existing and future SPAs, ESPs, and RPs.
- It supports online-insertion-and-removal (OIR) of all SIP-10 SPAs and Cisco ASR1000-SIP40.
- Provides higher port density support of 48 point dual priority, and 96 point single priority.
- Enables enhanced QoS and timestamp support.
- Performs ingress packet prioritization based on Layer 2 or Layer 3 headers.
- Enables the flow-control the SPAs.
- Distributes line clocking reference from a single SPA to the RPs.
- It supports Onboard Failure Logging (OBFL).
- All the SPAs on Cisco ASR1000-SIP40 provide FPD support.
- From Release 3.7.0S onward, the Cisco ASR1000-SIP40 is supported on all the routers that support the Cisco ASR1000-SIP10.



Note The Cisco ASR1000-SIP40 supports four half-height SPAs, two full-height SPAs, and a combination of two half-height and one full-height SPAs. The Cisco ASR1000-SIP40 does not support double-wide SPAs, double-high SPAs having two connectors.

Cisco ASR1000-SIP10 High-Availability Features

- Online insertion and removal (OIR) of the SIP and SPAs
- Nonstop Forwarding (NSF)
- Stateful switchover (SSO)
- Frame Relay switching
- VC bundle Class of Service (CoS) precedence mapping

Supported MIBS

The following MIBs are supported in Cisco IOS XE Release 2.2 and later releases for the Cisco ASR1000-SIP10 on a Cisco ASR 1000 Series Router:

- ENTITY-MIB (RFC 4133)
- CISCO-ENTITY-FRU-CONTROL-MIB
- CISCO-ENTITY-ALARM-MIB
- ENTITY-SENSOR-MIB (RFC 3433)
- CISCO-ENTITY-SENSOR-MIB
- CISCO-EXTENDED-EXT-MIB

The following MIBs are supported in Cisco IOS XE Release 3.1S and later for the Cisco ASR1000-SIP40 on a Cisco ASR 1000 Series Router:

- ENTITY-MIB (RFC 4133)
- CISCO-ENTITY-FRU-CONTROL-MIB
- CISCO-ENTITY-ALARM-MIB
- ENTITY-SENSOR-MIB (RFC 3433)
- CISCO-ENTITY-SENSOR-MIB
- CISCO-EXTENDED-EXT-MIB

Command Reference Information

For command reference information, refer to the Cisco IOS command reference and master index publications.



CHAPTER 4

Configuring the SIP

This chapter provides information about configuring the SIP on the router.

- [Configuration Tasks, on page 27](#)
- [Resetting a SIP, on page 30](#)

Configuration Tasks

This section describes how to configure the SIP. For information about managing your system images and configuration files, refer to the following:

- [Cisco ASR 1000 Series Aggregation Services Routers Software Configuration Guide](#)
- [Cisco IOS Configuration Fundamentals Configuration Guide](#)
- [Cisco IOS Configuration Fundamentals Command Reference](#)

Some Cisco IOS XE software features supported on the router are also supported on the SIPs. Use this chapter along with the list of features supported on the SIPs as described in the *Overview of the SIP* chapter.



Note When referring to a router-specific documentation, ensure to note any SIP-specific configuration guidelines described in this document.

Identifying Slots and Subslots for the SIPs and SPAs

This section describes how to specify the physical locations of a SIP and SPA on the Cisco ASR 1000 Series Aggregation Services Routers within the command-line interface (CLI) to configure or monitor the devices.

Specifying the Slot Location for a SIP

The Cisco ASR 1000 Series Aggregation Services Routers support different chassis models, each of which supports a certain number of chassis slots.

- The Cisco ASR 1006 Router supports three chassis slots for SIPs.
- The Cisco ASR 1004 Router supports two chassis slots for SIPs.

- The Cisco ASR 1002 Router and Cisco ASR 1002-X Router support one chassis slot for a SIP that is integrated into the chassis, and the integrated Route Processor and Gigabit Ethernet ports reside in SPA subslot 0.
- The Cisco ASR 1013 Router supports six chassis slot for SIPs.



Note The built-in SPA on Cisco ASR 1002 Router is a 4-port Gigabit Ethernet Shared Port Adapter (4XGE-BUILT-IN). The slot and subslot numbering used to refer the inbuilt ports on Cisco ASR 1002 Router are always 0 and referred to as **interface GigabitEthernet 0/0/x**, where x is the port number and is 0-3. For example to refer Gigabit Ethernet SPA port 2 on Cisco ASR 1002 Router, the command syntax is **interface GigabitEthernet 0/0/2**. The built-in SPA on Cisco ASR 1002-X Router is a 6-port Gigabit Ethernet Shared Port Adapter (6XGE-BUILT-IN). This SPA has synchronous ethernet capability.

Some commands such as **show platform**, **show diag**, and **show diag subslot** allow you to display information about the SIP. However, you must specify the chassis slot location where the SIP about which you want information is installed.

Specifying the SIPSubslot Location for a SPA

SIP subslots begin their numbering with “0” and have a horizontal orientation.

The Cisco ASR 1000 Series SIP supports four subslots for the installation of SPAs. The subslot locations are oriented as follows:

- SIP subslot 0—Top-left subslot
- SIP subslot 1—Top-right subslot
- SIP subslot 2—Bottom-left subslot
- SIP subslot 3—Bottom-right subslot



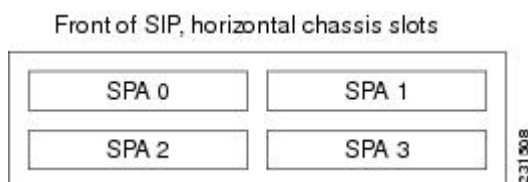
Note In the Cisco ASR 1002 Router and Cisco ASR 1002-X Router, SIP subslot 0 is not available for SPA insertion. It is the slot that is used for the integrated Route Processor and Gigabit Ethernet ports.



Danger The slots 4 and 5 on Cisco ASR 1013 Series Aggregation Services Routers has limitation to support ASR-SIP40 at 40G mode.

The following figure shows the SPA numbering sequence on a Cisco ASR 1000 Series Aggregation Services Routers SIP.

Figure 4: Cisco ASR 1000 Series SIP SPA Numbering



The SIP subslot numbering is indicated by a small numeric label beside the subslot on the faceplate.

Just as with the SIPs, some commands allow you to display information about the SPA itself, such as `show diag subslot`. These commands require you to specify both the physical location of the SIP and SPA in the format, `slot /subslot`, where:

- *slot*—Specifies the chassis slot number in the Cisco ASR 1000 Series Routers where the SIP is installed.
- *subslot*—Specifies the slot of the SIP where the SPA is installed.

To display the operational status for a SPA installed in the SIP, enter the **show platform** command.



Note The Cisco ASR1000-SIP40 supports four half-height SPAs, two full-height SPAs, and a combination of two half-height and one full-height SPAs. The Cisco ASR1000-SIP40 does not support double-wide SPAs and double-high SPAs having two connectors.

The Cisco ASR1000-SIP40 runs on the Cisco ASR1004 Router, Cisco ASR1006 Router, and Cisco ASR 1013 router. The Cisco ASR1000-SIP40 is also compatible with both Cisco ASR1000-RPs and the Cisco ASR 1000 ESP10, ASR1000-ESP20, Cisco ASR1000-ESP40, and Cisco ASR1000-ESP100 modules. The LEDs on the modules are the same for both the Cisco ASR1000-SIP10 and Cisco ASR1000-SIP40.

Hardware Module Scheduling Commands

The following hardware module scheduling command is supported on the router.

Command	Purpose
<pre>Router(config)# hw-module slot slot-number qos input [bandwidth value_in_Kbps strict priority weight weight]</pre>	<p>This is a global configuration command.</p> <ul style="list-style-type: none"> • <i>slot-number</i>—Specifies the number of the SIP slot. • <i>bandwidth value_in_Kbps</i>—Sets the minimum bandwidth in Kbps for QoS • strict priority—Sets the minimum bandwidth for a high priority QoS queue • weight weight—Indicates the excess QoS scheduling weight <p>By default, without using this command, each SIP slot has zero minimum bandwidth and its scheduled base has an excess sharing weight proportional to CC's aggregated bandwidth.</p> <p>The no form of this command sets scheduling parameters back to the default.</p>

Ingress Scheduling

Use the following command for ingress scheduling:

Command	Purpose
Router(config)# plim qos input map ip precedence-based	This command enables IP precedence-based classification. By default, without using this command, the Gigabit Ethernet SPA enables IP precedence-based classification for the Cisco ASR 1000 Series Router. The no form of this command disables precedence-based classification.

Resetting a SIP

To reset a SIP, use the following command in privileged EXEC configuration mode:

Command	Purpose
Router# hw-module module slot reload start stop	Resets the SIP in the specified slot, where: <ul style="list-style-type: none"> • slot—Specifies the chassis slot number where the SIP is installed. • reload—Stops the SIP, then automatically restarts the SIP. • start—Starts the SIP taking it out of reset mode. • stop—Stops the SIP holding it in reset mode.



CHAPTER 5

Troubleshooting the SIP

This chapter describes techniques that you can use to troubleshoot the operation of your SIPs.

It includes the following sections:

The first section provides information about basic interface troubleshooting.

To perform more advanced troubleshooting, see the other sections in this chapter.

- [General Troubleshooting Information, on page 31](#)
- [Using the Cisco IOS Event Tracer to Troubleshoot Problems, on page 32](#)
- [Preparing for Online Insertion and Removal of a SIP and SPAs, on page 32](#)

General Troubleshooting Information

This section describes general information for troubleshooting SIPs and SPAs.

Interpreting Console Error Messages

System error messages are organized according to the particular system facility that produces the messages. The SIP error messages use the following facility names:

- ASR1000_SIP
- ASR1000_SIP_SPA

Using debug Commands

Along with the other **debug** commands supported on the Cisco Aggregation Services Router 1000 Series, you can obtain specific debug information for the SIP on the Cisco ASR 1000 Series Routers using the **debug hw-module** command in privileged EXEC mode.

The **debug hw-module** command is intended for use by Cisco technical support personnel.

**Caution**

Because debugging output is assigned high priority in the CPU process, it can render the system unusable. For this reason, use **debug** commands only to troubleshoot specific problems or during troubleshooting sessions with Cisco technical support staff. Moreover, it is best to use **debug** commands during periods of lower network traffic and fewer users. Debugging during these periods decreases the likelihood that increased **debug** command processing overhead will affect system use.

For information about other **debug** commands supported on the Cisco Aggregation Services Router 1000 Series, refer to the following:

- [Cisco IOS Debug Command Reference - Commands A to D](#)
- [Cisco IOS Debug Command Reference - Commands E through H](#)
- [Cisco IOS Debug Command Reference - Commands I through L](#)
- [Cisco IOS Debug Command Reference - Commands M through R](#)
- [Cisco IOS Debug Command Reference - Commands S through Z](#)

Using show Commands

There are several **show** commands that you can use to monitor and troubleshoot the SIP and SPA on the Cisco ASR 1000 Series Routers. This chapter describes using the **show hw-module subslot** command to perform troubleshooting of your SPA.

Using the Cisco IOS Event Tracer to Troubleshoot Problems

This feature is intended for use as a software diagnostic tool and should be configured only under the direction of a Cisco Technical Assistance Center (TAC) representative.

The Event Tracer feature provides a binary trace facility for troubleshooting Cisco IOS software. This feature gives Cisco service representatives additional insight into the operation of the Cisco IOS software and can be useful in helping to diagnose problems in the unlikely event of an operating system malfunction or, in the case of redundant systems, Route Processor switchover.

Event tracing works by reading informational messages from specific Cisco IOS software subsystem components that have been preprogrammed to work with event tracing, and by logging messages from those components into system memory. Trace messages stored in memory can be displayed on the screen or saved to a file for later analysis.

The SPAs currently support the “spa” component to trace SPA OIR-related events. For more information about using the Event Tracer feature, refer to the following URL:
<http://www.cisco.com/c/en/us/td/docs/ios-xml/ios/bsm/configuration/15-mt/bsm-15-mt-book/bsm-event-tracer.html>

Preparing for Online Insertion and Removal of a SIP and SPAs

The Cisco Aggregation Services Router 1000 Series support online insertion and removal (OIR) of the SPA interface processor (SIP), in addition to each of the shared port adapters (SPAs). Therefore, you can remove

a SIP with its SPAs still intact, or you can remove a SPA independently from the SIP, leaving the SIP installed in the router.

This section includes the following topics on OIR support:

Preparing for Online Removal of a SIP

The Cisco Aggregation Services Router 1000 Series support OIR of a SIP. To do this, you can power down a SIP (which automatically deactivates any installed SPAs) and remove the SIP with the SPAs still intact.



Note If SIP-40 is installed with the bandwidth value greater than 11.2G and if SIP-40 is replaced with SIP-10 then the bandwidth of SIP-10 is reset to its default maximum bandwidth of 11.2G. An informational message indicating “Setting input bandwidth to ESI max bandwidth: 11199896” is displayed on the console. This message is displayed when SIP-40 is downgraded to SIP-10 from Cisco IOS XE Release 3.1.0S onwards.

Although graceful deactivation of a SIP is preferred using the `hw-module slot stop` command, the Cisco Aggregation Services Router 1000 Series do support removal of the SIP without deactivating it first. If you plan to remove a SIP, you can deactivate the SIP first, using the `hw-module slot stop` command in global configuration mode. When you deactivate a SIP using this command, it automatically deactivates each of the SPAs that are installed in that SIP. Therefore, it is not necessary to deactivate each of the SPAs prior to deactivating the SIP.



Note Either a blank filler plate or a functional SPA should reside in every subslot of a SIP during normal operation.

For more information about the recommended procedures for physical removal of the SIP, refer to the Cisco ASR 1000 Series Aggregation Services Routers SIP and SPA Hardware Installation Guide.

Deactivating a SIP

To deactivate a SIP and its installed SPAs prior to removal of the SIP, use the following command in global configuration mode:

Command	Purpose
Router(config)# hw-module slot <i>slot-number</i> stop	Shuts down installed interfaces and deactivates the SIP in the specified slot. <ul style="list-style-type: none"> • <i>slot-number</i>—Specifies the chassis slot number where the SIP is installed • stop—Deactivates the SIP and places it in reset mode

For more information about chassis slot numbering, see the “Identifying Slots and Subslots for the SIPs and SPAs” section in the *Configuring the SIP* chapter.

Reactivating a SIP

If you did deactivate the SIP using the `hw-module slot stop` command, then you do not need to reactivate the SPAs after an OIR of the SIP. The installed SPAs automatically reactivate upon reactivation of the SIP in the Cisco Aggregation Services Router 1000 Series.

For example, consider the case where you remove a SIP from the Cisco Aggregation Services Router 1000 Series to replace it with another SIP. You reinstall the same SPAs into the new SIP. When you enter the `hw-module slot start` command on the Cisco Aggregation Services Router 1000 Series, the SPAs automatically reactivate with the new SIP.

To activate a SIP and its installed SPAs after the SIP has been deactivated, use the following command in global configuration mode:

Command	Purpose
Router(config)# hw-module slot <i>slot-number</i> start	Activates the SIP in the specified slot and its installed SPAs. <ul style="list-style-type: none"> • <i>slot-number</i>—Specifies the chassis slot number where the SIP is installed • start—Activates the SIP and removes it from reset mode

For more information about chassis slot numbering, see the “Identifying Slots and Subslots for the SIPs and SPAs” section in the *Configuring the SIP* chapter.

Verifying the Deactivation and Activation of a SIP

To verify the deactivation of a SIP, enter the `show platform` command in privileged EXEC configuration mode. Observe the State field associated with the SIP that you want to verify.

The following example shows that the Cisco ASR1000-SIP10 located in slot 1 is deactivated.

```
Router# show platform
Chassis type: ASR1006
Slot      Type                State                Insert time (ago)
-----
0         ASR1000-SIP10       ok                   2d20h
0/0       SPA-1XOC12-POS      ok                   2d20h
0/1       SPA-1XOC12-POS      ok                   1d21h
0/2       SPA-5X1GE-V2        ok                   2d20h
0/3       SPA-4XOC3-POS-V2    ok                   2d20h
1         ASR1000-SIP10       disabled            1d23h
R0        ASR1000-RP1         ok, active          1w3d
F0        ASR1000-ESP10       ok, active          1w3d
P0        Unknown             ps, fail            never
P1        Unknown             ps, fail            never
Slot      CPLD Version         Firmware Version
-----
0         06120701             12.2 (20071009:051408) [gschnorr-mcp_...
1         07091401             12.2 (20070807:170946) [gschnorr-mcp_...
R0        07010515             12.2 (33r)XN2
F0        07021400             12.2 (20071030:180953) [gschnorr-mcp_...
```

To verify activation and proper operation of a SIP, enter the `show platform` command and observe “ok” in the State field as shown in the following example:

```
Router# show platform
Chassis type: ASR1006
Slot      Type                State                Insert time (ago)
-----
0         ASR1000-SIP10         ok                   03:19:46
  0/0     SPA-5X1GE-V2          ok                   03:18:28
  0/1     SPA-8X1FE-TX-V2      ok                   03:18:28
  0/2     SPA-2XCT3/DS0        ok                   03:18:19
1         ASR1000-SIP10         ok                   03:19:46
  1/0     SPA-2XOC3-POS        ok                   03:18:28
  1/1     SPA-8XCHT1/E1        ok                   03:18:28
  1/2     SPA-2XT3/E3          ok                   03:18:18
R0        ASR1000-RP1           ok, active           03:19:46
F0        ASR1000-ESP10         ok, active           03:19:46
P0        ASR1006-PWR-AC        ok                   03:19:14
P1        ASR1006-FAN           ok                   03:19:14
```

The following example shows the Cisco ASR 1000-SIP10 installed in slot 0 and Cisco ASR1000-SIP40 installed in slots 1,2,3, and 4 for the Cisco ASR 1013 Router:

```
Router# show platform
Chassis type: ASR1013
Slot      Type                State                Insert time (ago)
-----
0         ASR1000-SIP10         ok                   1w0d
1         ASR1000-SIP40         ok                   1w0d
  1/1     SPA-5X1GE-V2          ok                   1w0d
2         ASR1000-SIP40         ok                   1w0d
  2/1     SPA-1X10GE-L-V2      ok                   1w0d
  2/3     SPA-1X10GE-L-V2      ok                   1w0d
3         ASR1000-SIP40         ok                   1w0d
  3/3     SPA-4XT3/E3          ok                   1w0d
4         ASR1000-SIP40         ok                   1w0d
  4/2     SPA-5X1GE-V2          ok                   1w0d
  4/3     SPA-4XCT3/DS0        ok                   1w0d
5         ASR1000-SIP40         ok                   1w0d
R0        ASR1000-RP2           ok, active           1w0d
R1        ASR1000-RP2           ok, standby          1w0d
F0        ASR1000-ESP40         ok, active           1w0d
P0        ASR1013-PWR-AC        ok                   1w0d
P1        ASR1013-PWR-AC        ps, fail             1w0d
P2        ASR1013-PWR-AC        ok                   1w0d
P3        ASR1013-PWR-AC        ps, fail             1w0d
Slot      CPLD Version        Firmware Version
-----
0         00200800            15.0(1r)S
1         00200800            15.0(1r)S
2         00200800            15.0(1r)S
3         00200800            15.0(1r)S
4         00200800            15.0(1r)S
5         00200800            15.0(1r)S
R0        10021901            15.0(1r)S
R1        10021901            15.0(1r)S
F0        1001270D            15.0(1r)S
```

Preparing for Online Removal of a SPA

The Cisco Aggregation Services Router 1000 Series support OIR of a SPA independently of removing the SIP. This means that a SIP can remain installed in the Cisco ASR 1000 Series Aggregation Services Routers with one SPA remaining active, while you remove another SPA from one of the SIP subslots. If you are not

planning to immediately replace a SPA into the SIP, then be sure to install a blank filler plate in the subslot. The SIP should always be fully installed with either functional SPAs or blank filler plates.

If you are planning to remove a SIP along with its SPAs, then you do not need to follow the instructions in this section. To remove a SIP, see the [Preparing for Online Removal of a SIP, on page 33](#).

Deactivating a SPA

Although graceful deactivation of a SPA is preferred using the **hw-module subslot stop** command in EXEC mode, the Cisco Aggregation Services Router 1000 Series support removal of the SPA without deactivating it first. Before deactivating a SPA, ensure that the SIP is seated securely into the slot before pulling out the SPA itself.



Note If you are preparing for an OIR of a SPA, it is not necessary to independently shut down each of the interfaces prior to deactivation of the SPA. The **hw-module subslot stop** command in global configuration mode automatically stops traffic on the interfaces and deactivates them along with the SPA in preparation for OIR. In similar fashion, you do not need to independently restart any interfaces on a SPA after OIR of a SPA or SIP.

Choosing the Mode of the hw-module subslot Command

You can deactivate a SPA and all of its interfaces by using the **hw-module subslot** command in one of two modes:

- If you choose to use the **hw-module subslot shutdown** command in global configuration mode, you change the configuration so that no matter how many times the router is rebooted, the SPA will not boot. This command is useful when you need to shut down a SPA in a remote location and ensure that it does not come back up if the router is rebooted.
- If you choose to use the **hw-module subslot stop** command in global configuration mode, you cause the SPA to gracefully shut down. However, the SPA will come up again when executing the **hw-module subslot start** command.

To deactivate a SPA and all of its interfaces prior to removal of the SPA, use the following commands in global configuration mode:

Command	Purpose
Router(config)# hw-module subslot <i>slot-number/subslot-number</i> shutdown powered unpowered	Deactivates the SPA in the specified slot and subslot of the SIP, where: <ul style="list-style-type: none"> • <i>slot-number</i>—Specifies the chassis slot number where the SIP is installed. • <i>subslot-number</i> —Specifies the subslot number on a SIP where a SPA is installed. • powered—(Optional) Shuts down the SPA and all of its interfaces, and leaves them in an administratively down state with power enabled. This is the default state. • unpowered—(Optional) Shuts down the SPA and all of its interfaces, and leaves them in an administratively down state without power.

Command	Purpose
Router(config)# hw-module subslot <i>slot-number/subslot-number</i> { reload stop start }	Deactivates the SPA in the specified slot and subslot of the SIP, where: <ul style="list-style-type: none"> • <i>slot-number</i>—Specifies the chassis slot number where the SIP is installed. • <i>subslot-number</i>—Specifies the subslot number on a SIP where a SPA is installed. • reload—Stops and restarts the specified SPA. • stop—Stops the specified SPA. • start—Starts the specified SPA.

For more information about chassis slot and SIP subslot numbering, refer to the “Identifying Slots and Subslots for the SIPs and SPAs” section in the *Configuring the SIP* chapter.

Reactivating a SPA



Note You do not need to reactivate a SPA after an OIR of either the SIP or a SPA if you did not deactivate the SPA prior to removal when using the **hw-module subslot** command in global configuration mode. If the Cisco ASR 1000 Series Aggregation Services Routers is running, then the SPAs automatically start upon insertion into the SIP or with insertion of a SIP into the Cisco ASR 1000 Series Aggregation Services Routers.

If you deactivate a SPA using the **hw-module subslot stop** command, and need to reactivate it without performing an OIR, you must use the **hw-module subslot start** command to reactivate the SPA and its interfaces.

To activate a SPA and its interfaces after the SPA has been deactivated, use the following command in global configuration mode:

Command	Purpose
Router(config)# no hw-module subslot <i>slot-number/subslot-number shutdown</i>	Activates the SPA and its interfaces in the specified slot and subslot of the SIP, where: <ul style="list-style-type: none"> • <i>slot-number</i>— Specifies the chassis slot number where the SIP is installed. • <i>subslot-number</i>—Specifies subslot number on a SIP where a SPA is installed.

Verifying the Deactivation and Activation of a SPA

When you deactivate a SPA, the corresponding interfaces are also deactivated. This means that these interfaces will no longer appear in the output of the **show interface** command.

To verify the deactivation of a SPA, enter the **show hw-module subslot all oir** command in privileged EXEC mode. Observe the Operational Status field associated with the SPA that you want to verify.

In the following example, the SPA located in subslot 1 of the SIP in slot 2 of the Cisco ASR 1000 Series Aggregation Services Routers is administratively down from the **hw-module subslot shutdown** command:

```
Router# show hw-module subslot all oir
Module           Model                Operational Status
-----
subslot 2/0      SPA-1X10GE-L-V2      ok
subslot 2/1      SPA-8X1GE-V2          admin down
```

To verify activation and proper operation of a SPA, enter the **show hw-module subslot all oir** command and observe “ok” in the Operational Status field as shown in the following example:

```
Router# show hw-module subslot all oir
Module           Model                Operational Status
-----
subslot 2/0      SPA-1X10GE-L-V2      ok
subslot 2/1      SPA-8X1GE-V2          ok
```

Deactivation and Activation Configuration Examples

This section provides the following examples of deactivating and activating SIPs and SPAs:

Deactivation of a SIP Configuration

Deactivate a SIP when you want to perform OIR of the SIP. The following example deactivates the SIP that is installed in slot 1 of the Cisco ASR 1000 Series Aggregation Services Routers, its SPAs, and all of the interfaces:

```
Router(config)# hw-module slot 1 stop
```



Note Deactivation of SIP is not supported on Cisco ASR 1001, Cisco ASR 1002 and Cisco ASR 1002-X routers.

Activation of a SIP Configuration

Activate a SIP if you have previously deactivated it. If you did not deactivate the SPAs, the SPAs automatically reactivate with reactivation of the SIP.

The following example activates the SIP that is installed in slot 1 of the Cisco ASR 1000 Series Aggregation Services Routers, its SPAs, and all of the interfaces (as long as the **hw-module subslot shutdown** command was not issued to also deactivate the SPA):

```
Router(config)# hw-module slot 1 start
```

There are no corresponding console messages shown with activation using this command. If you re-enter the **hw-module slot start** command, a message is displayed indicating that the module is already enabled.

Deactivation of a SPA Configuration

Deactivate a SPA when you want to perform OIR of that SPA. The following example deactivates the SPA (and its interfaces) that is installed in subslot 0 of the SIP located in slot 1 of the Cisco ASR 1000 Series Aggregation Services Routers and removes power to the SPA:

```
Router(config)# hw-module subslot 1/0 shutdown unpowered
```

Activation of a SPA Configuration Example

Activate a SPA if you have previously deactivated it. If you have not deactivated a SPA and its interfaces during OIR of a SIP, then the SPA is automatically reactivated upon reactivation of the SIP.

The following example activates the SPA that is installed in subslot 0 of the SIP located in slot 1 of the Cisco ASR 1000 Series Aggregation Services Routers:

```
Router(config)# no hw-module subslot 1/0 shutdown
```




CHAPTER 6

Overview of the ATM SPAs

This chapter provides an overview of the release history, features, and MIB support for the ATM SPAs on the Cisco ASR 1000 Series Aggregation Services Routers. This chapter includes the following sections:

- [Release History, on page 41](#)
- [Supported Features, on page 42](#)
- [Restrictions, on page 45](#)
- [Supported MIBs, on page 46](#)
- [SPA Architecture, on page 47](#)
- [Displaying the SPA Hardware Type, on page 48](#)

Release History

Release	Modification
Cisco IOS XE Release 3.1.0S	The command output of the show interfaceslot/subslot/port command was enhanced to display the counter for dropped packets.

Release	Modification
Cisco IOS XE Release 2.5S	<p>The following SPA support was introduced on the Cisco ASR 1000 Series Aggregation Services Routers in Cisco IOS XE Release 2.5S:</p> <ul style="list-style-type: none"> • 1-Port Clear Channel OC-12 ATM SPA <p>The following new feature support was introduced for the ATM SPAs in Cisco IOS XE Release 2.5S:</p> <ul style="list-style-type: none"> • Access Node Control Protocol (ANCP) • ATM Multipoint Subinterfaces • ATM PVC Ranges • CISCO-PPPOE-MIB • Local Template-Based ATM PVC Provisioning • Point-to-Point Protocol Over Ethernet Over ATM (PPPoEoA) • PPPoE Connection Throttling <p>In addition to the <i>Configuring the ATM SPAs</i> chapter in this guide, see the following link for a list of new features in Cisco IOS XE Release 2.5:</p> <p>http://www.cisco.com/c/en/us/support/ios-nx-os-software/ios-xe-release-2/products-feature-guides-list.html.</p>
Cisco IOS XE Release 2.3S	Initial release for the 1-Port Clear Channel OC-3 ATM SPA and 3-Port Clear Channel OC-3 ATM SPA for Cisco Aggregation Services Router 1000 Series.

Supported Features

This section provides a list of some of the primary features supported by the ATM hardware and software:

Basic Features

- Bellcore GR-253-CORE SONET/SDH compliance (ITU-T G.707, G.783, G.957, G.958)
- Interface-compatible with other Cisco ATM adapters



Note The ATM SPA is functionally similar to other ATM port adapters on the Cisco ASR 1000 Series Routers, but because it is a different card type, the configuration for the slot is lost when you replace an existing ATM port adapter with an ATM SPA in a SIP.

- RFC 2684: *Multiprotocol Encapsulation over ATM Adaptation Layer 5* (formerly RFC 1483).
- Supports permanent virtual circuits (PVCs)
- IEEE 802.1QinQ
- ATM adaptation layer 5 (AAL5) for data traffic.

- Uses small form-factor pluggable (SFP) optical transceivers, allowing the same ATM SPA hardware to support multimode (MM), single-mode intermediate (SMI), or single-mode long (SML) reach, depending on the capabilities of the SPA.
- ATM section, line, and path alarm indication signal (AIS) cells, including support for F4 and F5 flows, loopback, and remote defect indication (RDI).
- Operation, Administration, and Maintenance (OAM) cells.
- Online insertion and removal (OIR) of individual ATM SPAs from the SIP, as well as OIR of the SIPs with ATM SPAs installed.

SONET/SDH Error, Alarm, and Performance Monitoring

- Fiber removed and reinserted
- Signal failure bit error rate (SF-BER)
- Signal degrade bit error rate (SD-BER)
- Signal label payload construction (C2)
- Path trace byte (J1)
- Section Diagnostics:
 - Loss of signal (SLOS)
 - Loss of frame (SLOF)
 - Error counts for B1
 - Threshold crossing alarms (TCA) for B1 (B1-TCA)
- Line Diagnostics:
 - Line alarm indication signal (LAIS)
 - Line remote defect indication (LRDI)
 - Line remote error indication (LREI)
 - Error counts for B2
 - Threshold crossing alarms for B2 (B2-TCA)
- Path Diagnostics:
 - Path alarm indication signal (PAIS)
 - Path remote defect indication (PRDI)
 - Path remote error indication (PREI)
 - Error counts for B3
 - Threshold crossing alarms for B3 (B3-TCA)
 - Loss of pointer (PLOP)
 - New pointer events (NEWPTR)
 - Positive stuffing event (PSE)
 - Negative stuffing event (NSE)
- The following loopback tests are supported:
 - Network (line) loopback
 - Internal (diagnostic) loopback
- Supported SONET/SDH synchronization:
 - Local (internal) timing (for inter-router connections over dark fiber or wavelength division multiplexing [WDM] equipment)

- Loop (line) timing (for connecting to SONET/SDH equipment)
- +/- 4.6 ppm clock accuracy over the full range of the operating temperature

Layer 2 Features

- Supports the following encapsulation types:
 - AAL5SNAP (LLC/SNAP)
 - AAL5MUX (VC multiplexing)
 - AAL5NLPID
- Supports the following ATM traffic classes and per-VC traffic shaping modes:
 - Constant bit rate (CBR) with peak rate
 - Unspecified bit rate (UBR) with peak cell rate (PCR)
 - Non-real-time variable bit rate (VBR-nrt)
 - Variable bit rate real-time (VBR-rt)



Note ATM shaping is supported, but class queue-based shaping is not.

- ATM multipoint connections (beginning in Cisco IOS XE Release 2.5)
- ATM point-to-point connections
- Explicit Forward Congestion Indication (EFCI) bit in the ATM cell header
- AToM VP and VC Mode Cell Relay support
- [RFC 2225](#), *Classical IP and ARP over ATM* (obsoletes RFC 1577)

Layer 3 Features

- ATM over MPLS (AToM) in AAL0 VC and VP mode
- No limitation on the maximum number of VCs per VPI, up to the maximum number of 4,096 total VCs per interface (so there is no need to configure this limit using the **atm vc-per-vp** command, which is required on other ATM SPAs)
- OAM flow connectivity using OAM ping for segment or end-to-end loopback
- PVC multicast (Protocol Independent Multicast [PIM] dense and sparse modes)
- PVC ranges (beginning in Cisco IOS XE Release 2.5)
- Supports oversubscription by default
- Routing protocols:
 - Border Gateway Protocol (BGP)
 - Enhanced Interior Gateway Routing Protocol (EIGRP)
 - Interior Gateway Routing Protocol (IGRP)
 - Integrated Intermediate System-to-Intermediate System (IS-IS)
 - Open Shortest Path First (OSPF)
 - Routing Information Protocol version 1 and version 2 (RIPv1 and RIPv2)

High-Availability Features

- Route Processor Redundancy (RPR)
- OSPF Nonstop Forwarding (NSF)
- Stateful Switchover (SSO)

Restrictions

- The ATM SPAs in the Cisco ASR 1000 Series Routers do not support APS reflector and reflector channel modes. (These modes require a facing path terminating element [PTE], which is typically a Cisco ATM switch.)
- The ATM SPAs in the Cisco ASR 1000 Series Aggregation Services Routers do not support a data path on the main interface. Data is only supported in subinterface configuration.
- Link Fragmentation and Interleaving (LFI) processing is not supported.
- Integrated Local Management Interface (ILMI) is not supported.
- Multipoint subinterfaces are not supported in releases prior to Cisco IOS XE Release 2.5.
- Routed Bridge Encapsulation Subinterface Grouping is not supported.
- For best performance, we recommend the following maximums:

Releases Prior to Cisco IOS XE Release 2.5

In releases before Cisco IOS XE Release 2.5, an absolute maximum of 1,000 (1K) configured VCs per ATM SPA (1,000 [1K] per interface) with the following recommended limitations:

- A recommended maximum number of 1,000 PVCs on all point-to-point subinterfaces for all ATM SPAs in a SIP.
- A recommended maximum number of 1,024 PVCs using service policies for all ATM SPAs in a SIP.

Cisco IOS XE Release 2.5 and Later

Beginning in Cisco IOS XE Release 2.5, the following recommended limits are supported:

- 4,000 VCs per interface
- 12,000 VCs per SPA
- 32,000 VCs per system (Cisco ASR 1000 Series Router)



Note These limits are flexible and depend on all factors that affect performance in the router, such as processor card, type of traffic, and so on.

- A maximum number of 4,000 PVCs configured with Modular QoS CLI (MQC) policy maps.
- In the default configuration of the transmit path trace buffer, the ATM SPA does not support automatic updates of remote host name and IP address (as displayed by the **show controllers atm** command). This information is updated only when the interface is shut down and reactivated (using the **shutdown** and **no shutdown** commands). Information for the received path trace buffer, however, is automatically updated.

- For ATM SPAs on the Cisco ASR1000 Series Aggregation Services Routers, ISSU from releases prior to Cisco IOS XE Release 2.5.0 to Cisco IOS XE Release 2.5.0, or from Cisco IOS XE Release 2.5.0 to a release prior to Cisco IOS XE Release 2.5.0, is not supported. If you want to perform ISSU in this environment, you must first remove the configuration from the ATM SPAs on the router, and then shut down the SPAs using the **shutdown** command prior to running the ISSU process.

Supported MIBs

The following MIBs are supported in Cisco IOS XE Release 2.3 and later releases for the ATM SPAs on the Cisco ASR 1000 Series Routers.

- ATM-MIB
- CISCO-AAL5-MIB
- CISCO-ATM-EXT-MIB
- CISCO-CLASS-BASED-QOS-MIB
- CISCO-ENTITY-ALARM-MIB
- CISCO-ENTITY-EXT-MIB
- CISCO-ENTITY-FRU-CONTROL-MIB
- CISCO-ENTITY-ASSET-MIB
- CISCO-ENTITY-SENSOR-MIB
- CISCO-IETF-PW-MIB
- CISCO-IETF-PW-MPLS-MIB
- CISCO-IF-EXTENSION-MIB
- CISCO-MQC-MIB
- CISCO-PPPOE-MIB (beginning in Cisco IOS XE Release 2.5)
- CISCO-SONET-MIB
- ENTITY-MIB
- ENTITY-SENSOR-MIB
- IF-MIB
- MIB-II
- MPLS-CEM-MIB
- OLD-CISCO-CHASSIS-MIB
- SONET-MIB

For more information about MIB support on a Cisco ASR 1000 Series Routers, refer to the *Cisco ASR 1000 Series Aggregation Services Routers MIB Specifications Guide*, at the following URL:

<http://www.cisco.com/en/US/docs/routers/asr1000/mib/guide/asr1kmib.html>

To locate and download MIBs for selected platforms, Cisco IOS releases, and feature sets, use Cisco MIB Locator found at the following URL:

<http://tools.cisco.com/ITDIT/MIBS/servlet/index>

If Cisco MIB Locator does not support the MIB information that you need, you can also obtain a list of supported MIBs and download MIBs from the Cisco MIBs page at the following URL:

<http://www.cisco.com/public/sw-center/netmgmt/cmtk/mibs.shtml>

To access Cisco MIB Locator, you must have an account on Cisco.com. If you have forgotten or lost your account information, send a blank e-mail to cco-locksmith@cisco.com. An automatic check will verify that

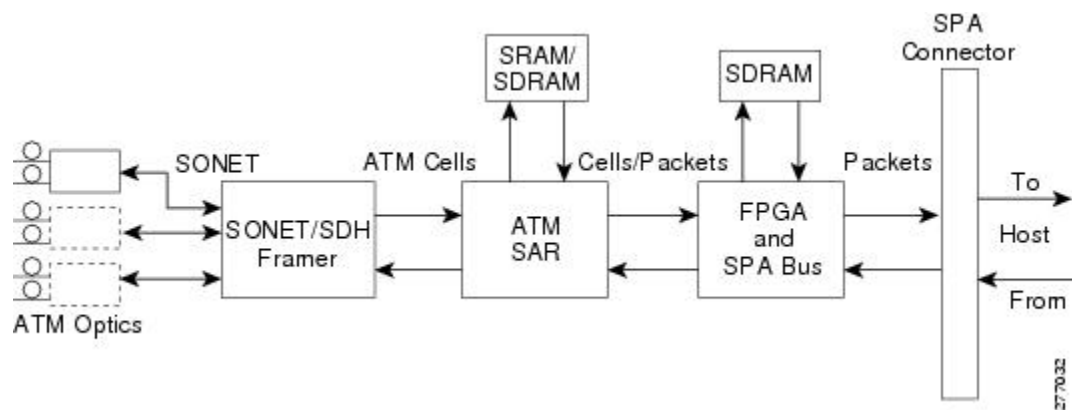
your e-mail address is registered with Cisco.com. If the check is successful, account details with a new random password will be e-mailed to you. Qualified users can establish an account on Cisco.com by following the directions found at this URL:

<https://tools.cisco.com/RPF/register/register.do>

SPA Architecture

This section provides an overview of the data path for the ATM SPAs, for use in troubleshooting and monitoring. The following figure shows the data path for ATM traffic as it travels between the ATM optical connectors on the front panel of the ATM SPA to the backplane connector that connects the SPA to the SIP.

Figure 5: ATM SPA Data Architecture



Note LFI processing is not supported on the Cisco ASR 1000 Series Aggregation Services Routers.

Path of Cells in the Ingress Direction

The following steps describe the path of an ingress cell as it is received from the ATM network and converted to a data packet before transmission through the SIP to the router's processors for switching, routing, or further processing:

1. The SONET/SDH framer device receives incoming cells on a per-port basis from the SPA's optical circuitry. The actual number of optical ports depends on the model of ATM SPA on the Cisco ASR 1000 Series Aggregation Services Routers.
2. The SONET/SDH framer removes the SONET overhead information, performs any necessary clock and data recovery, and processes any SONET/SDH alarms that might be present. The framer then extracts the 53-byte ATM cells from the data stream and forwards each cell to the ATM segmentation and reassembly (SAR) engine using one channel per physical port supported by the SPA.
3. The SAR engine receives the cells from the framer and reassembles the cells into the original packets, temporarily storing them in a per-port receive buffer until they can be forwarded (using one channel per physical port) to the field-programmable gate array (FPGA). The SAR engine discards any cells that have been corrupted in transit.



Note Although the SAR in SPA Hardware has two channels to send EBFC and WRED statistics packets to FPGA, the ASR does not enable WRED on SPA. Hence, WRED statistics packets are not sent by SAR to FPGA, but EBFC statistics packets are sent by SAR to FPGA.

1. The FPGA receives the packets from the SAR engine and forwards them to the host processor (using one channel per physical port) for further routing, switching, or additional processing. The FPGA also collects the traffic statistics for the packets that it passes.

Path of Packets in the Egress Direction

The following steps describe the path of an egress packet as the SPA receives it from the router through the SIP and converts it to ATM cells for transmission on the ATM network:

1. The FPGA receives the packets from the host processor (using one channel per physical port) and stores them in its packet buffers until the SAR engine is ready to receive them. The ATM shim header is replaced by the appropriate canonical header for the SAR and the whole packet is forwarded to the SAR.

The FPGA also collects the traffic statistics for the packets that it passes, and any errored packets are flagged and forwarded to the SAR. The FPGA uses two channels to forward traffic to the SAR: one for AAL5 traffic and one for cell unbundling traffic.

1. The SAR engine receives the packets from the FPGA. If any errored data is detected, it is dropped within the SAR. The SAR controls all of the traffic shaping and will drop traffic as necessary due to congestion. The ATM cells are transmitted to the SONET/SDH framer using one channel per physical port.



Note The SPA based L3 QoS features such as WRED and CBWFQ are not enabled for ATM SPAs on Cisco ASR 1000 Series Aggregation Services Routers. The WRED and CBWFQ features are done in the QFP (central processing engine in ESP) as the QFP is more capable of handling these features on Cisco ASR 1000 Series Aggregation Services Routers.

1. The SONET/SDH framer receives the cells from the SAR engine, optionally adds a header check sequence (HCS) and scrambles the cell, and then inserts each cell into the SONET payload, adding the necessary clocking, SONET overhead, and alarm information. The framer also inserts idle cells as needed to fill the payload. The framer then transmits the payload along with the SONET frame complete with all the appropriate section, line and path overhead.
2. The optical port conveys the optical data onto the physical layer of the ATM network.

Displaying the SPA Hardware Type

To verify the SPA hardware type that is installed in your Cisco ASR 1000 Series Routers, use the **show interfaces**, or **show controllers** commands. A number of other **show** commands also provide information about the SPA hardware.

Displaying Over-Subscription Counters

This section provides information about an enhancement for displaying per-port oversubscription counters to route processor. This change is specifically for displaying the dropped packets counters due to oversubscription in the **overrun** field which is displayed in the **show interface atm slot/subslot/port** command output.

Overview

Each port on an ATM SPA supports a specific per-port bandwidth limit to function properly. For example, the per-port bandwidth limit supported by, 1-Port Clear Channel OC-3 ATM SPA is 155.52 Mbps; 3-Port Clear Channel OC-3 ATM SPA is 155.52 Mbps; and 1-Port Clear Channel OC-12 ATM SPA is 622.08 Mbps respectively. If the port is oversubscribed beyond the specified limit, the packets are dropped.

Old Behavior

Before Cisco IOS XE Release 3.1.0S, even if a port was over-subscribed beyond the specified per-port maximum bandwidth limit, the counter for dropped packets due to oversubscription was not displayed in **overrun** field in the **show interface atm slot/subslot/port** command output.

The following example shows the command output which does not display the counter for dropped-packets in the **overrun** field:

```
Router# show interfaces atm 0/2/2

ATM0/2/2 is up, line protocol is up
  Hardware is SPA-3XOC3-ATM-V2, address is 001a.3044.7522 (bia 001a.3044.7522)
  MTU 4470 bytes, sub MTU 4470, BW 149760 Kbit, DLY 80 usec,
    reliability 255/255, txload 1/255, rxload 1/255
  Encapsulation ATM, loopback not set
  Keepalive not supported
  Encapsulation(s): AAL5 AAL0
  4095 maximum active VCs, 1 current VCCs
  VC Auto Creation Disabled.
  VC idle disconnect time: 300 seconds
  4 carrier transitions
  Last input never, output 00:04:11, output hang never
  Last clearing of "show interface" counters never
  Input queue: 0/375/0/0 (size/max/drops/flushes); Total output drops: 0
  Queueing strategy: fifo
  Output queue: 0/40 (size/max)
  5 minute input rate 0 bits/sec, 0 packets/sec
  5 minute output rate 0 bits/sec, 0 packets/sec
    5 packets input, 540 bytes, 0 no buffer
    Received 0 broadcasts (0 IP multicasts)
    0 runts, 0 giants, 0 throttles
    0 input errors, 0 CRC, 0 frame, 0 overrun, 0 ignored, 0 abort
    5 packets output, 540 bytes, 0 underruns
    0 output errors, 0 collisions, 1 interface resets
    0 output buffer failures, 0 output buffers swapped out
```

New Behavior

From Cisco IOS XE Release 3.1.0S onwards, if ingress-classification and oversubscription is enabled then the counter for dropped packets due to oversubscription are displayed in the **overrun** field in the **show interface atm slot/subslot/port** command output.

The following example shows the command output displaying the counter for dropped-packets in the **overrun** field:

```

Router# show interface atm 1/2/0
ATM1/2/0 is up, line protocol is up
  Hardware is SPA-1XOC12-ATM-V2, address is 001a.3046.9460 (bia 001a.3046.9460)
  Description: Connected to AX4000 Port 1
  MTU 4470 bytes, sub MTU 4470, BW 599040 Kbit/sec, DLY 80 usec,
    reliability 255/255, txload 1/255, rxload 1/255
  Encapsulation ATM, loopback not set
  Keepalive not supported
  Encapsulation(s): AAL5 AAL0
  8191 maximum active VCs, 1 current VCCs
  VC Auto Creation Disabled.
  VC idle disconnect time: 300 seconds
  0 carrier transitions
  Last input never, output 1d08h, output hang never
  Last clearing of "show interface" counters 15:08:22
  Input queue: 0/375/0/0 (size/max/drops/flushes); Total output drops: 0
  Queueing strategy: fifo
  Output queue: 0/40 (size/max)
  30 second input rate 105054000 bits/sec, 102593 packets/sec
  30 second output rate 104216000 bits/sec, 101773 packets/sec
  15735943 packets input, 2014200704 bytes, 0 no buffer
  Received 0 broadcasts (0 IP multicasts)
  0 runts, 0 giants, 0 throttles
  1628867 input errors, 0 CRC, 0 frame, 1628867 overrun, 0 ignored, 0 abort
  15735888 packets output, 2014193664 bytes, 0 underruns
  0 output errors, 0 collisions, 0 interface resets
  0 unknown protocol drops
  0 output buffer failures, 0 output buffers swapped out

```

Example of the show controllers Command

The following example shows an output of the **show controllers atm** command on a Cisco ASR 1000 Series Routers with an ATM SPA installed in the second subslot of a SIP that is installed in slot 0:

```

Router# show controllers atm 0/2/2

Interface ATM0/2/2 (SPA-3XOC3-ATM-V2[0/2]) is up
  Framing mode: SONET OC3 STS-3c
  SONET Subblock:
  SECTION
    LOF = 0          LOS   = 1          BIP(B1) = 0
  LINE
    AIS = 0          RDI   = 1          FEBE = 55          BIP(B2) = 0
  PATH
    AIS = 0          RDI   = 1          FEBE = 21          BIP(B3) = 0
    LOP = 1          NEWPTR = 0          PSE  = 0          NSE   = 0

Active Defects: None
Active Alarms:  None
Alarm reporting enabled for: SF SLOS SLOF B1-TCA B2-TCA PLOP B3-TCA

ATM framing errors:
  HCS (correctable):  0
  HCS (uncorrectable): 0

APS
not configured
  COAPS = 0          PSBF = 0
  State: PSBF_state = False
  Rx(K1/K2): 00/00  Tx(K1/K2): 00/00
  Rx Synchronization Status S1 = 00

```

```
S1S0 = 00, C2 = 13
PATH TRACE BUFFER : STABLE

BER thresholds: SF = 10e-3 SD = 10e-6
TCA thresholds: B1 = 10e-6 B2 = 10e-6 B3 = 10e-6

Clock source: line
```




CHAPTER 7

Configuring the ATM SPAs

This chapter provides information about configuring the ATM SPAs on the Cisco ASR 1000 Series Aggregation Services Routers.

- [Configuration Tasks, on page 53](#)
- [Verifying the Interface Configuration, on page 80](#)
- [Configuration Examples, on page 82](#)

Configuration Tasks

This section describes the most common configurations for the ATM SPAs on Cisco ASR 1000 Series Router. For information about managing your system images and configuration files, refer to the following:

- [Cisco ASR 1000 Series Aggregation Services Routers Software Configuration Guide](#)
- [Cisco IOS Configuration Fundamentals Configuration Guide](#)
- [Cisco IOS Configuration Fundamentals Command Reference](#)

Required Configuration Tasks

Some of the required configuration commands implement default values that might or might not be appropriate for your network. If the default value is correct for your network, then you do not need to configure the command.

To perform the basic configuration on a primary ATM interface, complete the following steps beginning in global configuration mode:



Note No data path is supported on the primary ATM interface for ATM SPAs on the Cisco ASR 1000 Series Aggregation Services Routers.

SUMMARY STEPS

1. Router(config)# **interface atm slot/subslot/port**
2. Router(config-if)# **atm clock internal**
3. Router(config-if)# **no atm ilmi-keepalive**

4. Router(config-if)# **description** *string*
5. Router(config-if)# **no shutdown**
6. Repeat Step 1 through Step 5 for each port on the ATM SPA to be configured.
7. Router(config-if)# **end**

DETAILED STEPS

	Command or Action	Purpose
Step 1	Router(config)# interface atm <i>slot/subslot/port</i>	Enters interface configuration mode for the indicated port on the specified ATM SPA.
Step 2	Router(config-if)# atm clock internal	<p>(Required in back-to-back router configuration) Configures the interface for internal clocking.</p> <p>The default clocking on all ATM interfaces is line clocking, or retrieval of the clock signal from the receive data stream. Therefore, you must configure an internal clock when the ATM link is in back-to-back configuration between two routers. In this case, one end of the link must be configured to use the internal clock.</p> <p>You do not need to configure clocking when the router is connected to a switch, which also uses line clocking by default.</p>
Step 3	Router(config-if)# no atm ilmi-keepalive	Integrated Local Management Interface (ILMI) is not supported on ATM SPAs on the Cisco ASR 1000 Series Aggregation Services Routers. This command is the default for all ATM SPAs on the Cisco ASR 1000 Series Aggregation Services Routers.
Step 4	Router(config-if)# description <i>string</i>	(Optional) Assigns an arbitrary string, up to 80 characters long, to the interface. This string can identify the purpose or owner of the interface, or any other information that might be useful for monitoring and troubleshooting.
Step 5	Router(config-if)# no shutdown	Enables the interface.
Step 6	Repeat Step 1 through Step 5 for each port on the ATM SPA to be configured.	
Step 7	Router(config-if)# end Example:	Exits interface configuration mode and returns to privileged EXEC mode.

Required Configuration Tasks

To perform the basic configuration on each subinterface, use the following procedure beginning in global configuration mode:

SUMMARY STEPS

1. Router(config)# **interface atm slot/subslot/port.sub-interface [point-to-point | multipoint]**
2. Router(config-subif)# **ip address address mask [secondary]**
3. Router(config-if)# **pvc [name] vpi /vci**
4. Router(config-subif)# **description string**
5. Router(config-subif)# **no shutdown**
6. Repeat Step 1 through Step 5 for each ATM SPA subinterface to be configured.
7. Router(config-subif)# **end**

DETAILED STEPS

	Command or Action	Purpose
Step 1	Router(config)# interface atm slot/subslot/port.sub-interface [point-to-point multipoint]	Enters subinterface configuration mode pertaining to the specified subinterface, where: <ul style="list-style-type: none"> • point-to-point—(Optional) Specifies a point-to-point subinterface for a single PVC configuration. • multipoint—(Optional) Specifies a multipoint subinterface to support PVCs for multiple routers.
Step 2	Router(config-subif)# ip address address mask [secondary]	Assigns the specified IP address and subnet mask to the interface. Repeat the command with the optional secondary keyword to assign additional, secondary IP addresses to the port.
Step 3	Router(config-if)# pvc [name] vpi /vci	Configures a new ATM PVC by assigning its VPI/VCI numbers and enters ATM VC configuration mode. The valid values for <i>vpi /vci</i> are: <ul style="list-style-type: none"> • <i>name</i> —(Optional) An arbitrary string that identifies this PVC. • <i>vpi</i> —Specifies the virtual path identifier (VPI) ID. The valid range is 0 to 255. • <i>vci</i> —Specifies the VCI ID. The valid range is 32 to 65535. Values 1 to 31 are reserved and should not be used, except for 5 for the QSAAL PVC and 16 for the ILMI PVC. ILMI is unsupported on the Cisco ASR 1000 Series Aggregation Services Routers. <p>Note When using the pvc command, remember that the <i>vpi /vci</i> combination forms a unique identifier for the interface and all of its subinterfaces. If you specify a <i>vpi /vci</i> combination that has been used on another subinterface, the Cisco IOS software assumes that you want to modify that PVC's configuration and automatically switches to its parent subinterface.</p>
Step 4	Router(config-subif)# description string	(Optional) Assigns an arbitrary string, up to 80 characters long, to the interface. This string can identify the purpose

	Command or Action	Purpose
		or owner of the interface, or any other information that might be useful for monitoring and troubleshooting.
Step 5	Router(config-subif)# no shutdown	Enables the interface.
Step 6	Repeat Step 1 through Step 5 for each ATM SPA subinterface to be configured.	
Step 7	Router(config-subif)# end Example:	Exits interface configuration mode and returns to privileged EXEC mode.

Specifying the Interface Address on a SPA

Up to four ATM SPAs can be installed in a SIP. SPA interface ports begin numbering with “0” from left to right. Single-port SPAs use only the port number 0. To configure or monitor SPA interfaces, you need to specify the physical location of the SIP, SPA, and interface in the CLI. The interface address format is *slot/subslot/port*, where:

- *slot*—Specifies the chassis slot number in the Cisco ASR 1000 Series Router where the SIP is installed.
- *subslot*—Specifies the secondary slot of the SIP where the SPA is installed.
- *port*—Specifies the number of the individual interface port on a SPA.

The following example shows how to specify the first interface (0) on a SPA installed in the first subslot of a SIP (0) installed in chassis slot 3:

```
Router(config)# interface serial 3/0/0
```

This command shows a serial SPA as a representative example, however the same *slot/subslot/port* format is similarly used for other SPAs (such as ATM and POS) and other non-channelized SPAs.

For more information about identifying slots and subslots, see the “Identifying Slots and Subslots for the SIPs and SPAs” section in the *Configuring the SIP* chapter.

Modifying the Interface MTU Size

The maximum transmission unit (MTU) values might need to be reconfigured from their defaults on the ATM SPAs to match the values used in your network.



Note In the Cisco ASR 1000 Series Route Processor 1 (RP1), 2RU and 2RU-Fixed chassis, the MTU size for the Management Ethernet interface (interface gigabitethernet 0) is limited to 2370 bytes.

Interface MTU Configuration Guidelines

When configuring the interface MTU size on an ATM SPA, consider the following guidelines.

The Cisco IOS software supports several types of configurable MTU options at different levels of the protocol stack. You should ensure that all MTU values are consistent to avoid unnecessary fragmentation of packets. These MTU values are the following:

- **Interface MTU**—Configured on a per-interface basis and defines the maximum packet size (in bytes) that is allowed for traffic received on the network. The ATM SPA checks traffic coming in from the network and drops packets that are larger than this maximum value. Because different types of Layer 2 interfaces support different MTU values, choose a value that supports the maximum possible packet size that is possible in your particular network topology.
- **IP MTU**—Configured on a per-interface or per-subinterface basis and determines the largest maximum IP packet size (in bytes) that is allowed on the IP network without being fragmented. If an IP packet is larger than the IP MTU value, the ATM SPA fragments it into smaller IP packets before forwarding it on to the next hop.
- **Multiprotocol Label Switching (MPLS) MTU**—Configured on a per-interface or per-subinterface basis and defines the MTU value for packets that are tagged with MPLS labels or tag headers. When an IP packet that contains MPLS labels is larger than the MPLS MTU value, the ATM SPA fragments it into smaller IP packets. When a non-IP packet that contains MPLS labels is larger than the MPLS MTU value, the ATM SPA drops it.

All devices on a particular physical medium must have the same MPLS MTU value to allow proper MPLS operation. Because MPLS labels are added on to the existing packet and increase the packet's size, choose appropriate MTU values so as to avoid unnecessarily fragmenting MPLS-labeled packets.

If the IP MTU or MPLS MTU values are currently the same size as the interface MTU, changing the interface MTU size also automatically sets the IP MTU or MPLS MTU values to the new value. Changing the interface MTU value does not affect the IP MTU or MPLS MTU values if they are not currently set to the same size as the interface MTU.

Different encapsulation methods and the number of MPLS MTU labels add additional overhead to a packet. For example, Subnetwork Access Protocol (SNAP) encapsulation adds an 8-byte header, and each MPLS label adds a 4-byte header. Consider the maximum possible encapsulations and labels that are to be used in your network when choosing the MTU values.

**Tip**

The MTU values on the local ATM SPA interfaces must match the values being used in the ATM network and remote ATM interface. Changing the MTU values on an ATM SPA does not reset the local interface, but be aware that other platforms and ATM SPAs do reset the link when the MTU value changes. This could cause a momentary interruption in service, so we recommend changing the MTU value only when the interface is not being used.

**Note**

The interface MTU value on the ATM SPA also determines which packets are recorded as “giants” in the **show interfaces atm** command. The interface considers a packet to be a giant packet when it is more than 24 bytes larger than the interface MTU size. For example, if using an MTU size of 1500 bytes, the interface increments the giants counter when it receives a packet larger than 1524 bytes.

Interface MTU Configuration Task

To change the MTU values on the ATM SPA interfaces, use the following procedure beginning in global configuration mode:

SUMMARY STEPS

1. Do one of the following:
 - Router(config)# **interface atm slot/subslot/port**
 -
 - Router(config)# **interface atm slot/subslot/port.subinterface**
2. Router(config-if)# **mtu bytes**
3. Router(config-if)# **ip mtu bytes**
4. Router(config-if)# **mpls mtu bytes**
5. Router(config-if)# **end**

DETAILED STEPS

	Command or Action	Purpose
Step 1	Do one of the following: <ul style="list-style-type: none"> • Router(config)# interface atm slot/subslot/port • • Router(config)# interface atm slot/subslot/port.subinterface 	Enters interface configuration mode for the indicated port on the specified ATM SPA, where: <ul style="list-style-type: none"> • <i>slot</i>—Specifies the chassis slot number in the Cisco ASR 1000 Series Router where the SIP is installed. • <i>subslot</i>—Specifies the secondary slot of the SIP where the SPA is installed. • <i>port</i>—Specifies the number of the individual interface port on a SPA. • <i>subinterface</i>—Specifies the number of the subinterface.
Step 2	Router(config-if)# mtu bytes	(Optional) Configures the maximum transmission unit (MTU) size for the interface. The valid range for <i>bytes</i> is from 64 to 9216 bytes, with a default of 4470 bytes. As a general rule, do not change the MTU value unless you have a specific application need to do so. <p>Note If the IP MTU or MPLS MTU values are currently the same size as the interface MTU, changing the interface MTU size also automatically sets the IP MTU or MPLS MTU values to the same value.</p>
Step 3	Router(config-if)# ip mtu bytes Example:	(Optional) Configures the MTU value, in bytes, for IP packets on this interface. The valid range for an ATM SPA is 64 to 9288, with a default value equal to the MTU value configured in Step 2.
Step 4	Router(config-if)# mpls mtu bytes Example:	(Optional) Configures the MTU value, in bytes, for MPLS-labeled packets on this interface. The valid range for an ATM SPA is 64 to 9216 bytes, with a default value equal to the MTU value configured in Step 2.
Step 5	Router(config-if)# end Example:	Exits interface configuration mode and returns to privileged EXEC mode.

	Command or Action	Purpose

Verifying the MTU Size

To verify the MTU sizes for an interface, use the **show interfaces**, **show ip interface**, and **show mpls interface** commands, as in the following examples:



Note The output of the **show interfaces atm** command can display configuration of AAL5 encapsulation, but only AAL0 is supported on the Cisco ASR 1000 Series Aggregation Services Routers.

```
Router# show interfaces atm 0/2/2

ATM0/2/2 is up, line protocol is up
  Hardware is SPA-3XOC3-ATM-V2, address is 001a.3044.7522 (bia 001a.3044.7522)
  MTU 4470 bytes, sub MTU 4470, BW 149760 Kbit, DLY 80 usec,
    reliability 255/255, txload 1/255, rxload 1/255
  Encapsulation ATM, loopback not set
  Keepalive not supported
  Encapsulation(s): AAL5 AAL0
  4095 maximum active VCs, 1 current VCCs
  VC Auto Creation Disabled.
  VC idle disconnect time: 300 seconds
  4 carrier transitions
  Last input never, output 00:04:11, output hang never
  Last clearing of "show interface" counters never
  Input queue: 0/375/0/0 (size/max/drops/flushes); Total output drops: 0
  Queueing strategy: fifo
  Output queue: 0/40 (size/max)
  5 minute input rate 0 bits/sec, 0 packets/sec
  5 minute output rate 0 bits/sec, 0 packets/sec
    5 packets input, 540 bytes, 0 no buffer
  Received 0 broadcasts (0 IP multicasts)
    0 runts, 0 giants, 0 throttles
    0 input errors, 0 CRC, 0 frame, 0 overrun, 0 ignored, 0 abort
    5 packets output, 540 bytes, 0 underruns
    0 output errors, 0 collisions, 1 interface resets
    0 output buffer failures, 0 output buffers swapped out
Router# show ip interface atm 0/2/2.1

ATM0/2/2.1 is up, line protocol is up
  Internet address is 10.4.0.2/24
  Broadcast address is 255.255.255.255
  Address determined by setup command
  MTU is 4470 bytes
  Helper address is not set
  Directed broadcast forwarding is disabled
  Outgoing access list is not set
  Inbound access list is not set
  Proxy ARP is enabled
  Local Proxy ARP is disabled
  Security level is default
  Split horizon is disabled
  ICMP redirects are always sent
  ICMP unreachable are always sent
  ICMP mask replies are never sent
  IP fast switching is enabled
```

```

IP Flow switching is disabled
IP CEF switching is enabled
IP Distributed switching is disabled
IP CEF switching turbo vector
IP Null turbo vector
Associated unicast routing topologies:
  Topology "base", operation state is UP
IP multicast fast switching is enabled
IP multicast distributed fast switching is disabled
IP route-cache flags are Fast, CEF
Router Discovery is disabled
IP output packet accounting is disabled
IP access violation accounting is disabled
TCP/IP header compression is disabled
RTP/IP header compression is disabled
Probe proxy name replies are disabled
Policy routing is disabled
Network address translation is disabled
BGP Policy Mapping is disabled
Input features: MCI Check
WCCP Redirect outbound is disabled
WCCP Redirect inbound is disabled
WCCP Redirect exclude is disabled
Router# show mpls interface atm 0/3/2.1
Interface          IP          Tunnel    BGP Static Operational
ATM0/3/2.1         Yes (ldp)   No        No  No    Yes
CE1#sh mpls int atm0/3/2.1 det
Interface ATM0/3/2.1:
  IP labeling enabled (ldp):
    Interface config
  LSP Tunnel labeling not enabled
  BGP labeling not enabled
  MPLS operational
  MTU = 4470

```

To view the maximum possible size for datagrams passing out the interface using the configured MTU value, use the **show atm interface atm** command:

```

Router# show atm interface atm 0/2/2

Interface ATM0/2/2:
AAL enabled: AAL0, Maximum VCs: 4095, Current VCCs: 1

Max. Datagram Size: 4528
PLIM Type: SONET - 155000Kbps, TX clocking: LINE
Cell-payload scrambling: ON
sts-stream scrambling: ON
5 input, 5 output, 0 IN fast, 0 OUT fast, 0 out drop
  Avail bw = 149760
Config. is ACTIVE

```

Creating a Permanent Virtual Circuit

To use a permanent virtual circuit (PVC), configure the PVC in both the router and the ATM switch. PVCs remain active until the circuit is removed from either configuration. To create a PVC on the ATM interface and enter interface ATM VC configuration mode, perform the following procedure beginning in global configuration mode:

SUMMARY STEPS

1. Router(config)# **interface atm** *slot/subslot/port.subinterface*
2. Router(config-if)# **ip address** *address mask*
3. Router(config-if)# **atm tx-latency** *milliseconds*
4. Router(config-if)# **pvc** [*name*] *vpi /vci*
5. Router(config-if-atm-vc)# **protocol** *protocol* {*protocol-address* | **inarp**} [[**no**] **broadcast**]
6. Router(config-if-atm-vc)# **inarp** *minutes*
7. Router(config-if-atm-vc)# **encapsulation** {**aal5mux** *protocol* | **aal5nlpid**| **aal5snap**}
8. Router(config-if-atm-vc)# **tx-limit** *buffers*
9. Router(config-if-atm-vc)# **end**

DETAILED STEPS

	Command or Action	Purpose
Step 1	Router(config)# interface atm <i>slot/subslot/port.subinterface</i>	Enters subinterface configuration mode pertaining to the specified port on the ATM SPA, where: <ul style="list-style-type: none"> • <i>slot</i> —Specifies the chassis slot number in the Cisco ASR 1000 Series Router where the SIP is installed. • <i>subslot</i> —Specifies the secondary slot of the SIP where the SPA is installed. • <i>port</i> —Specifies the number of the individual interface port on a SPA. • <i>subinterface</i> —Specifies the number of the subinterface.
Step 2	Router(config-if)# ip address <i>address mask</i>	Assigns the specified IP address and subnet mask to the interface or subinterface.
Step 3	Router(config-if)# atm tx-latency <i>milliseconds</i>	(Optional) Configures the default transmit latency for VCs on this ATM SPA interface. The valid range for <i>milliseconds</i> is from 1 to 200, with a default of 100 milliseconds.
Step 4	Router(config-if)# pvc [<i>name</i>] <i>vpi /vci</i>	Configures a new ATM PVC by assigning its VPI/VCI numbers and enters ATM VC configuration mode. The valid values for <i>vpi /vci</i> are: <ul style="list-style-type: none"> • <i>name</i> —(Optional) An arbitrary string that identifies this PVC. • <i>vpi</i> —Specifies the VPI ID. The valid range is 0 to 255. • <i>vci</i> —Specifies the VCI ID. The valid range is 32 to 65535. Values 1 to 31 are reserved and should not be used, except for 5 for the QSAAL PVC and 16 for the ILMI PVC. ILMI is unsupported on the Cisco ASR 1000 Series Aggregation Services Routers.

	Command or Action	Purpose
		<p>Note When using the pvc command, remember that the <i>vpi/vci</i> combination forms a unique identifier for the interface and all of its subinterfaces. If you specify a <i>vpi/vci</i> combination that has been used on another subinterface, the Cisco IOS software assumes that you want to modify that PVC's configuration and automatically switches to its parent subinterface.</p>
Step 5	Router(config-if-atm-vc)# protocol <i>protocol</i> { <i>protocol-address</i> inarp } [[no] broadcast]	<p>Configures the PVC for a particular protocol and maps it to a specific <i>protocol-address</i>.</p> <ul style="list-style-type: none"> • <i>protocol</i>—Typically set to ip or pppoe, but other values are possible. <p>Note PPP is not supported on the Cisco ASR 1000 Series Aggregation Services Routers, and PPPoE is supported beginning in Cisco IOS XE Release 2.5.</p> <ul style="list-style-type: none"> • <i>protocol-address</i>—Destination address or virtual interface template for this PVC (if appropriate for the <i>protocol</i>). • inarp—Specifies that the PVC uses Inverse ARP to determine its address. • [no] broadcast—(Optional) Specifies that this mapping should (or should not) be used for broadcast packets.
Step 6	Router(config-if-atm-vc)# inarp <i>minutes</i>	(Optional) If using Inverse ARP, configures how often the PVC transmits Inverse ARP requests to confirm its address mapping. The valid range is 1 to 60 minutes, with a default of 15 minutes.
Step 7	Router(config-if-atm-vc)# encapsulation { aal5mux <i>protocol</i> aal5nlpid aal5snap }	<p>(Optional) Configures the ATM adaptation layer (AAL) and encapsulation type, where:</p> <ul style="list-style-type: none"> • aal5mux <i>protocol</i>—AAL and encapsulation type for multiplex (MUX)-type VCs. A protocol must be specified when you use this encapsulation type. <p>Possible values for the <i>protocol</i> argument are as follows:</p> <ul style="list-style-type: none"> • aal5nlpid—AAL and encapsulation type that allows ATM interfaces to interoperate with High-Speed Serial Interfaces (HSSIs) that are using an ATM data service unit (ADSU) and running ATM-Data Exchange Interface (DXI). Supported on ATM PVCs only. • aal5snap—AAL and encapsulation type that supports Inverse Address Resolution Protocol (ARP). Logical link control/Subnetwork Access Protocol (LLC/SNAP) precedes the protocol datagram. This is the default.

	Command or Action	Purpose
Step 8	Router(config-if-atm-vc)# tx-limit <i>buffers</i>	(Optional) Specifies the number of transmit buffers for this VC. The valid range is from 1 to 57343, with a default value that is based on the current VC line rate and on the latency value that is configured with the atm tx-latency command.
Step 9	Router(config-if-atm-vc)# end	Exits ATM VC configuration mode and returns to privileged EXEC mode.

Verifying a PVC Configuration

To verify the configuration of a particular PVC, use the **show atm pvc** command:

```
Router# show atm pvc
          VCD /
Interface Name          VPI  VCI Type  Encaps  SC    Peak Av/Min Burst
0/2/2.1    1              2    32 PVC   SNAP    UBR  149760      Kbps Kbps Cells St
                                         UP
```



Tip To verify the configuration and current status of all PVCs on a particular interface, you can also use the **show atm vc interface atm** command.

Creating a PVC on a Point-to-Point Subinterface

Use point-to-point subinterfaces to provide each pair of routers with its own subnet. When you create a PVC on a point-to-point subinterface, the router assumes it is the only point-to-point PVC that is configured on the subinterface, and it forwards all IP packets with a destination IP address in the same subnet to this VC. To configure a point-to-point PVC, perform the following procedure beginning in global configuration mode:

SUMMARY STEPS

1. Router(config)# **interface atm** *slot/subslot/port.subinterface* **point-to-point**
2. Router(config-subif)# **ip address** *address mask*
3. Router(config-subif)# **pvc** [*name*] *vpi* /*vci*
4. Router(config-if-atm-vc)# **protocol** *protocol protocol-address* [[no] **broadcast**]
5. Router(config-if-atm-vc)# **encapsulation** {*aal5mux protocol* | *aal5nlpid* | *aal5snap*}
6. Router(config-if)# **end**

DETAILED STEPS

	Command or Action	Purpose
Step 1	Router(config)# interface atm <i>slot/subslot/port.subinterface</i> point-to-point	Creates the specified point-to-point subinterface on the given port on the specified ATM SPA, and enters subinterface configuration mode, where: <ul style="list-style-type: none"> • <i>slot</i> —Specifies the chassis slot number in the Cisco ASR 1000 Series Router where the SIP is installed.

	Command or Action	Purpose
		<ul style="list-style-type: none"> • <i>subslot</i> —Specifies the secondary slot of the SIP where the SPA is installed. • <i>port</i> —Specifies the number of the individual interface port on a SPA. • <i>subinterface</i> —Specifies the number of the subinterface.
Step 2	Router(config-subif)# ip address <i>address mask</i>	Assigns the specified IP address and subnet mask to this subinterface.
Step 3	Router(config-subif)# pvc [<i>name</i>] <i>vpi /vci</i>	<p>Configures a new ATM PVC by assigning its VPI/VCI numbers and enters ATM VC configuration mode. The valid values for <i>vpi /vci</i> are:</p> <ul style="list-style-type: none"> • <i>name</i> —(Optional) An arbitrary string that identifies this PVC. • <i>vpi</i> —Specifies the VPI ID. The valid range is 0 to 255. • <i>vci</i> —Specifies the VCI ID. The valid range is 32 to 65535. Values 1 to 31 are reserved and should not be used, except for 5 for the QSAAL PVC and 16 for the ILMI PVC. ILMI is unsupported on the Cisco ASR 1000 Series Aggregation Services Routers. <p>Note When using the pvc command, remember that the <i>vpi /vci</i> combination forms a unique identifier for the interface and all of its subinterfaces. If you specify a <i>vpi /vci</i> combination that has been used on another subinterface, the Cisco IOS XE software assumes that you want to modify that PVC's configuration and automatically switches to its parent subinterface.</p>
Step 4	Router(config-if-atm-vc)# protocol <i>protocol protocol-address</i> [[no] broadcast]	<p>Configures the PVC for a particular protocol and maps it to a specific <i>protocol-address</i>.</p> <ul style="list-style-type: none"> • <i>protocol</i> —Typically set to ip or pppoe for point-to-point subinterfaces, but other values are possible. <p>Note PPP is not supported on the Cisco ASR 1000 Series Aggregation Services Routers, and PPPoE is supported beginning in Cisco IOS XE Release 2.5.</p> <ul style="list-style-type: none"> • <i>protocol-address</i> —Destination address or virtual template interface for this PVC (as appropriate pertaining to the specified <i>protocol</i>). • [no] broadcast—(Optional) Specifies that this mapping should (or should not) be used for broadcast packets.

	Command or Action	Purpose
		The protocol command also has an inarp option, but this option is not meaningful on point-to-point PVCs that use a manually configured address.
Step 5	Router(config-if-atm-vc)# encapsulation { aal5mux protocol aal5nlpid aal5snap }	(Optional) Configures the ATM adaptation layer (AAL) and encapsulation type, where: <ul style="list-style-type: none"> • aal5mux protocol—AAL and encapsulation type for multiplex (MUX)-type VCs. A protocol must be specified when you use this encapsulation type. • aal5nlpid—(IP only) AAL and encapsulation type that allows ATM interfaces to interoperate with High-Speed Serial Interfaces (HSSIs) that are using an ATM data service unit (ADSU) and running ATM-Data Exchange Interface (DXI). Supported on ATM PVCs only. • aal5snap—AAL and encapsulation type that supports Inverse Address Resolution Protocol (ARP). Logical link control/Subnetwork Access Protocol (LLC/SNAP) precedes the protocol datagram. This is the default.
Step 6	Router(config-if)# end	Exits interface configuration mode and returns to privileged EXEC mode.

What to do next



Tip To verify the configuration and current status of all PVCs on a particular interface, you can also use the **show atm vc interface atm** command.

Configuring a PVC on a Multipoint Subinterface

Creating a multipoint subinterface allows you to create a point-to-multipoint PVC that can be used as a broadcast PVC for all multicast requests. To create a PVC on a multipoint subinterface, use the following procedure beginning in global configuration mode:

SUMMARY STEPS

1. Router(config)# **interface atm slot/subslot/port.subinterface multipoint**
2. Router(config-subif)# **ip address address mask**
3. Router(config-subif)# **no ip directed-broadcast**
4. Router(config-subif)# **pvc [name] vpi /vci**
5. Router(config-if-atm-vc)# **protocol protocol {protocol-address | inarp} broadcast**
6. Router(config-if-atm-vc)# **inarp minutes**
7. Router(config-if-atm-vc)# **encapsulation {aal5mux protocol | aal5nlpid | aal5snap}**
8. Router(config-if-atm-vc)# **end**

DETAILED STEPS

	Command or Action	Purpose
Step 1	Router(config)# interface atm <i>slot/subslot/port.subinterface multipoint</i>	Creates the specified point-to-multipoint subinterface on the given port on the specified ATM SPA, and enters subinterface configuration mode, where: <ul style="list-style-type: none"> • <i>slot</i> —Specifies the chassis slot number in the Cisco ASR 1000 Series Router where the SIP is installed. • <i>subslot</i> —Specifies the secondary slot of the SIP where the SPA is installed. • <i>port</i> —Specifies the number of the individual interface port on a SPA. • <i>subinterface</i> —Specifies the number of the subinterface.
Step 2	Router(config-subif)# ip address <i>address mask</i>	Assigns the specified IP address and subnet mask to this subinterface.
Step 3	Router(config-subif)# no ip directed-broadcast	(Optional) Disables the forwarding of IP directed broadcasts, which are sometimes used in denial of service (DOS) attacks.
Step 4	Router(config-subif)# pvc [<i>name</i>] <i>vpi /vci</i>	Configures a new ATM PVC by assigning its VPI/VCI numbers and enters ATM VC configuration mode. The valid values for <i>vpi /vci</i> are: <ul style="list-style-type: none"> • <i>name</i> —(Optional) An arbitrary string that identifies this PVC. • <i>vpi</i> —Specifies the VPI ID. The valid range is 0 to 255. • <i>vci</i> —Specifies the VCI ID. The valid range is 32 to 65535. Values 1 to 31 are reserved and should not be used, except for 5 for the QSAAL PVC and 16 for the ILMI PVC. ILMI is unsupported on the Cisco ASR 1000 Series Aggregation Services Routers. <p>Note When using the pvc command, remember that the <i>vpi /vci</i> combination forms a unique identifier for the interface and all of its subinterfaces. If you specify a <i>vpi /vci</i> combination that has been used on another subinterface, the Cisco IOS XE software assumes that you want to modify that PVC's configuration and automatically switches to its parent subinterface.</p>
Step 5	Router(config-if-atm-vc)# protocol <i>protocol {protocol-address inarp} broadcast</i>	Configures the PVC for a particular protocol and maps it to a specific <i>protocol-address</i> . <ul style="list-style-type: none"> • <i>protocol</i> —Typically set to ip or pppoe, but other values are possible.

	Command or Action	Purpose
		<p>Note PPP is not supported on the Cisco ASR 1000 Series Aggregation Services Routers, and PPPoE is supported beginning in Cisco IOS XE Release 2.5.</p> <ul style="list-style-type: none"> • <i>protocol-address</i>—Destination address or virtual template interface for this PVC (if appropriate for the <i>protocol</i>). • inarp—Specifies that the PVC uses Inverse ARP to determine its address. • broadcast— Specifies that this mapping should be used for multicast packets.
Step 6	Router(config-if-atm-vc)# inarp <i>minutes</i>	(Optional) If using Inverse ARP, configures how often the PVC transmits Inverse ARP requests to confirm its address mapping. The valid range is 1 to 60 minutes, with a default of 15 minutes.
Step 7	Router(config-if-atm-vc)# encapsulation { aal5mux <i>protocol</i> aal5nlpid aal5snap }	(Optional) Configures the ATM adaptation layer (AAL) and encapsulation type, where: <ul style="list-style-type: none"> • aal5mux protocol—AAL and encapsulation type for multiplex (MUX)-type VCs. A protocol must be specified when you use this encapsulation type. • aal5nlpid—(IP only) AAL and encapsulation type that allows ATM interfaces to interoperate with High-Speed Serial Interfaces (HSSIs) that are using an ATM data service unit (ADSU) and running ATM-Data Exchange Interface (DXI). Supported on ATM PVCs only. • aal5snap—AAL and encapsulation type that supports Inverse Address Resolution Protocol (ARP). Logical link control/Subnetwork Access Protocol (LLC/SNAP) precedes the protocol datagram. This is the default.
Step 8	Router(config-if-atm-vc)# end	Exits interface configuration mode and returns to privileged EXEC mode.

Verifying a Multipoint PVC Configuration

To verify the configuration of a particular PVC, use the **show atm pvc** command:

```
Router# show atm pvc 1/120

ATM3/1/0.120: VCD: 1, VPI: 1, VCI: 120
UBR, PeakRate: 149760
AAL5-LLC/SNAP, etype:0x0, Flags: 0xC20, VCmode: 0x0
OAM frequency: 0 second(s), OAM retry frequency: 1 second(s)
OAM up retry count: 3, OAM down retry count: 5
OAM Loopback status: OAM Disabled
OAM VC status: Not Managed
ILMI VC status: Not Managed
```

```

InARP frequency: 15 minutes(s)
Transmit priority 3
InPkts: 1394964, OutPkts: 1395069, InBytes: 1833119, OutBytes: 1838799
InProc: 1, OutProc: 1, Broadcasts: 0
InFast: 0, OutFast: 0, InAS: 94964, OutAS: 95062
InPktDrops: 0, OutPktDrops: 0
CrcErrors: 0, SarTimeOuts: 0, OverSizedSDUs: 0, LengthViolation: 0, CPIErrors: 0
Out CLP=1 Pkts: 0
OAM cells received: 0
F5 InEndloop: 0, F5 InSegloop: 0, F5 InAIS: 0, F5 InRDI: 0
F4 InEndloop: 0, F4 InSegloop: 0, F4 InAIS: 0, F4 InRDI: 0
OAM cells sent: 0
F5 OutEndloop: 0, F5 OutSegloop: 0, F5 OutRDI: 0
F4 OutEndloop: 0, F4 OutSegloop: 0, F4 OutRDI: 0
OAM cell drops: 0
Status: UP

```



Note To verify the configuration and current status of all PVCs on a particular interface, you can also use the **show atm vc interface atm** command.

Configuring a Range of PVCs on a Multipoint Subinterface

Beginning in Cisco IOS XE Release 2.5, you can configure a range of PVCs on an ATM multipoint subinterface.

To create a range of PVCs on a multipoint subinterface, use the following procedure beginning in global configuration mode:

SUMMARY STEPS

1. Router(config)# **interface atm slot/subslot/port.subinterface multipoint**
2. Router(config-subif)# **range [range-name] pvc [start-vpi]/start-vci [end-vpi]/end-vci**
3. Once you configure the PVC range, you can configure other commands, such as the **protocol** command, for all PVCs in the specified range, and you also can go on to define options for individual PVCs using the **pvc-in-range**
4. Router(config-if- atm-range-pvc)# **pvc-in-range [name] [vpi/vci]**
5. Once you specify a specific PVC in the range, you can continue to configure options that are specific to that PVC, such as the **class-vc** command.
6. Router(config-if-atm-vc-range-pvc)# **end**

DETAILED STEPS

	Command or Action	Purpose
Step 1	Router(config)# interface atm slot/subslot/port.subinterface multipoint	Creates the specified point-to-multipoint subinterface on the given port on the specified ATM SPA, and enters subinterface configuration mode, where: <ul style="list-style-type: none"> • <i>slot</i> —Specifies the chassis slot number in the Cisco ASR 1000 Series Router where the SIP is installed. • <i>subslot</i> —Specifies the secondary slot of the SIP where the SPA is installed.

	Command or Action	Purpose
		<ul style="list-style-type: none"> • <i>port</i>—Specifies the number of the individual interface port on a SPA. • <i>subinterface</i>—Specifies the number of the subinterface.
Step 2	Router(config-subif)# range [<i>range-name</i>] pvc [<i>start-vpi</i>] <i>start-vci</i> [<i>end-vpi</i>] <i>end-vci</i>	<p>Configures multiple PVCs in the specified range and enters ATM PVC range configuration mode, where:</p> <ul style="list-style-type: none"> • <i>range-name</i>—(Optional) Identifies this PVC range with a text string. • <i>start-vpi</i>—(Optional) Specifies the beginning VPI ID in the range from 0 to 255. The default is 0. • <i>start-vci</i>—Specifies the beginning VCI ID. The valid range is 32 to 65535. Values 1 to 31 are reserved and should not be used. • <i>end-vpi</i>—(Optional) Specifies the ending VPI ID in the range from 0 to 255. If you don't specify an <i>end-vpi</i> value, the <i>end-vpi</i> value defaults to the <i>start-vpi</i> value. • <i>end-vci</i>—Specifies the ending VCI ID. The valid range is 32 to 65535. Values 1 to 31 are reserved and should not be used.
Step 3	Once you configure the PVC range, you can configure other commands, such as the protocol command, for all PVCs in the specified range, and you also can go on to define options for individual PVCs using the pvc-in-range	
Step 4	Router(config-if-atm-range-pvc)# pvc-in-range [<i>name</i>] [<i>vpi/vci</i>]	<p>(Optional) Defines an individual PVC within a PVC range, where:</p> <ul style="list-style-type: none"> • <i>name</i>—(Optional) Identifies a name for the PVC. The PVC name can have a maximum of 15 characters. • <i>vpi/vci</i>—(Optional) VPI for this PVC, from 0 to 255. The default is 0. The VCI value can be in range from 32 to 65535.
Step 5	Once you specify a specific PVC in the range, you can continue to configure options that are specific to that PVC, such as the class-vc command.	
Step 6	Router(config-if-atm-vc-range-pvc)# end	Exits ATM PVC range configuration mode and returns to privileged EXEC mode.

Configuring Traffic Parameters for PVCs

After creating a PVC, you can also configure it for the type of traffic quality of service (QoS) class to be used over the circuit:

- Constant Bit Rate (CBR)—Configures the CBR service class and specifies the average cell rate for the PVC.

- Unspecified Bit Rate (UBR)—Configures the UBR service class and specifies the output peak rate (PCR) for the PVC. This is the default configuration.
- Variable Bit Rate–Non-real Time (VBR-nrt)—Configures the VBR-nrt service class and specifies the output PCR, output sustainable cell rate (SCR), and output maximum burst size (MBS) for the PVC.
- Variable Bit Rate–Real Time (VBR-rt)—Configures the VBR-rt service class and the peak rate and average rate burst for the PVC.

Each service class is assigned a different transmit priority, which the Cisco ASR 1000 Series Router uses to determine which queued cell is chosen to be transmitted out of an interface during any particular cell time slot. This ensures that real-time QoS classes have a higher likelihood of being transmitted during periods of congestion. The following table lists the ATM QoS classes and their default transmit priorities.

Service Category	Transmit Priority
CBR	0 (highest)
VBR-rt	1
VBR-nrt	2
UBR	3

You can configure a PVC for only one QoS service class. If you enter more than one type, only the most recently configured QoS class takes effect on the circuit.

To configure the traffic parameters for a PVC, perform the following procedure beginning in global configuration mode:

SUMMARY STEPS

1. Router(config)# **interface atm slot/subslot/port** or Router(config)# **interface atm slot/subslot/port.subinterface [multipoint | point-to-point]**
2. Router(config-if)# **pvc [name] vpi /vci**
3. Router(config-if-atm-vc)# **cbr rate**
- 4.
5. Router(config-if-atm-vc)# **ubr output-pcr**
6. Router(config-if-atm-vc)# **vbr-nrt output-pcr output-scr output-mbs**
- 7.
8. Router(config-if-atm-vc)# **vbr-rt pcr scr burst**
9. Repeat Step 2 through Step 3 for each PVC to be configured.
10. Router(config-if-atm-vc)# **end**

DETAILED STEPS

	Command or Action	Purpose
Step 1	Router(config)# interface atm slot/subslot/port or Router(config)# interface atm slot/subslot/port.subinterface [multipoint point-to-point]	Enters interface or subinterface configuration mode for the indicated port on the specified ATM SPA, where: <ul style="list-style-type: none"> • <i>slot</i> —Specifies the chassis slot number in the Cisco ASR 1000 Series Router where the SIP is installed. • <i>subslot</i> —Specifies the secondary slot of the SIP where the SPA is installed.

	Command or Action	Purpose
		<ul style="list-style-type: none"> • <i>port</i> —Specifies the number of the individual interface port on a SPA. • <i>subinterface</i> —Specifies the number of the subinterface.
Step 2	Router(config-if)# pvc [<i>name</i>] <i>vpi</i> / <i>vci</i>	<p>Specifies the PVC to be configured, and enters PVC configuration mode, where:</p> <ul style="list-style-type: none"> • <i>name</i> —(Optional) An arbitrary string that identifies this PVC. • <i>vpi</i> —Specifies the VPI ID. The valid range is 0 to 255. • <i>vci</i> —Specifies the VCI ID. The valid range is 32 to 65535. Values 1 to 31 are reserved and should not be used, except for 5 for the QSAAL PVC and 16 for the ILMI PVC. ILMI is unsupported on the Cisco ASR 1000 Series Aggregation Services Routers. <p>Note When using the pvc command, remember that the <i>vpi</i> /<i>vci</i> combination forms a unique identifier for the interface and all of its subinterfaces. If you specify a <i>vpi</i> /<i>vci</i> combination that has been used on another subinterface, the Cisco IOS XE software assumes that you want to modify that PVC's configuration and automatically switches to its parent subinterface.</p>
Step 3	Router(config-if-atm-vc)# cbr <i>rate</i>	<p>Configures constant bit rate (CBR) quality of service (QoS) and average cell rate for the PVC:</p> <ul style="list-style-type: none"> • <i>rate</i> —Average cell rate in kbps. The valid range is 48 to 149760 (OC-3) or 599040 (OC-12).
Step 4		
Step 5	Router(config-if-atm-vc)# ubr <i>output-pcr</i>	<p>Configures unspecified bit rate (UBR) quality of service (QoS) and peak cell rate (PCR) for the PVC:</p> <ul style="list-style-type: none"> • <i>output-pcr</i> —Output PCR in kbps. The valid range is 48 to 149760 (OC-3) or 599040 (OC-12).
Step 6	Router(config-if-atm-vc)# vbr-nrt <i>output-pcr</i> <i>output-scr</i> <i>output-mbs</i>	<p>Configures the variable bit rate–nonreal time (VBR-nrt) QoS, the peak cell rate (PCR), sustainable cell rate (SCR), and maximum burst cell size (MBS) for the PVC:</p> <ul style="list-style-type: none"> • <i>output-pcr</i> —Output PCR in kbps. The valid range is 48 to 149760 (OC-3) or 599040 (OC-12). • <i>output-scr</i> —Output SCR in kbps. The valid range is 48 to PCR, and typically is less than the PCR value. • <i>output-mbs</i> —Output MBS in number of cells. The valid range is 1 to 65535, depending on the PCR and

	Command or Action	Purpose
		SCR values. If the PCR and SCR are configured to the same value, the only valid value for MBS is 1.
Step 7		
Step 8	Router(config-if-atm-vc)# vbr-rt pcr scr burst	Configures the variable bit rate–real time (VBR-rt) QoS, and the PCR, average cell rate (ACR), and burst cell size (BCS) for the PVC: <ul style="list-style-type: none"> • <i>pcr</i> —PCR in kbps. The valid range is 48 to 149760 (OC-3) or 599040 (OC-12). • <i>scr</i> —SCR in kbps. The valid range is 48 to PCR, and typically is less than the PCR value. • <i>burst</i> —Burst size in number of cells. The valid range is 1 to 65535, depending on the PCR and SCR values. If the PCR and SCR are configured to the same value, the only valid value for <i>burst</i> is 1.
Step 9	Repeat Step 2 through Step 3 for each PVC to be configured.	
Step 10	Router(config-if-atm-vc)# end	Exits PVC configuration mode and returns to privileged EXEC mode.

Verifying the Traffic Parameter Configuration

Use the **show atm vc** command to verify the configuration of the traffic parameters for a PVC:

```
Router# show
  atm vc
Codes: DN - DOWN, IN - INACTIVE

          VCD /
Interface Name          VPI  VCI Type  Encaps  SC      Peak Av/Min Burst
0/2/2.1    1              2    32 PVC   SNAP    UBR    Kbps  Kbps Cells St
```

To verify the configuration of all PVCs on an interface, use the **show atm vc interface atm** command:

```
Router# show atm vc interface atm 0/2/2.1

VCD /
Interface Name          VPI  VCI Type  Encaps  SC      Peak Av/Min Burst
0/2/2.1    1              2    32 PVC   SNAP    UBR    Kbps  Kbps Cells St
```

Configuring Virtual Circuit Classes

When multiple PVCs use the same or similar configurations, you can simplify the Cisco ASR 1000 Series Router's configuration file by creating virtual circuit (VC) classes. Each VC class acts as a template, which you can apply to an ATM subinterface, or to individual PVCs.

When you apply a VC class to an ATM subinterface, all PVCs created on that subinterface inherit the VC class configuration. When you apply a VC class to an individual PVC, that particular PVC inherits the class configuration.

You can then customize individual PVCs with further configuration commands. Any commands that you apply to individual PVCs take precedence over those of the VC class that were applied to the interface or to the PVC.

To create and configure a VC class, and then apply it to a subinterface or individual PVC, use the following procedure beginning in global configuration mode:

SUMMARY STEPS

1. Router(config)# **vc-class atm** *vc-class-name*
2. Router(config-vc-class)# *configuration-commands*
3. Do one of the following:
 - Router(config-vc-class)# **interface atm** *slot/subslot/port*
 - Router(config-vc-class)# **interface atm** *slot/subslot/port.subinterface* [**multipoint** | **point-to-point**]
4. Do one of the following:
 - Router(config-if)# **class-int** *vc-class-name*
 - Router(config-subif)# **class-int** *vc-class-name*
5. Do one of the following:
 - Router(config-if)# **pvc** [*name*] *vpi* /*vci*
 - Router(config-subif)# **pvc** [*name*] *vpi* /*vci*
6. Router(config-if-atm-vc)# **class-vc** *vc-class-name*
7. Router(config-if-atm-vc)# *configuration-commands*
8. Router(config-if)# **end**

DETAILED STEPS

	Command or Action	Purpose
Step 1	Router(config)# vc-class atm <i>vc-class-name</i>	Creates an ATM virtual circuit (VC) class and enters VC-class configuration mode. <ul style="list-style-type: none"> • <i>vc-class-name</i> —Arbitrary name to identify this particular VC class.
Step 2	Router(config-vc-class)# <i>configuration-commands</i>	Enter any PVC configuration commands for this VC class.
Step 3	Do one of the following: <ul style="list-style-type: none"> • Router(config-vc-class)# interface atm <i>slot/subslot/port</i> • Router(config-vc-class)# interface atm <i>slot/subslot/port.subinterface</i> [multipoint point-to-point] 	Enters subinterface configuration mode pertaining to the specified ATM subinterface.
Step 4	Do one of the following: <ul style="list-style-type: none"> • Router(config-if)# class-int <i>vc-class-name</i> • Router(config-subif)# class-int <i>vc-class-name</i> 	(Optional) Applies a VC class on the ATM subinterface. This class then applies to all PVCs that are created on that interface. <ul style="list-style-type: none"> • <i>vc-class-name</i> —Name of the VC class that was created in Step 1.

	Command or Action	Purpose
Step 5	Do one of the following: <ul style="list-style-type: none"> • Router(config-if)# pvc [name] vpi /vci • Router(config-subif)# pvc [name] vpi /vci 	Specifies the PVC to be configured, and enters PVC configuration mode, where: <ul style="list-style-type: none"> • <i>name</i>—(Optional) An arbitrary string that identifies this PVC. • <i>vpi</i>—Specifies the VPI ID. The valid range is 0 to 255. • <i>vci</i>—Specifies the VCI ID. The valid range is 32 to 65535. Values 1 to 31 are reserved and should not be used, except for 5 for the QSAAL PVC and 16 for the ILMI PVC. ILMI is unsupported on the Cisco ASR 1000 Series Aggregation Services Routers. <p>Note When using the pvc command, remember that the <i>vpi/vci</i> combination forms a unique identifier for the interface and all of its subinterfaces. If you specify a <i>vpi/vci</i> combination that has been used on another subinterface, the Cisco IOS XE software assumes that you want to modify that PVC's configuration and automatically switches to its parent subinterface.</p>
Step 6	Router(config-if-atm-vc)# class-vc vc-class-name	Assigns the specified VC class to this PVC. <ul style="list-style-type: none"> • <i>vc-class-name</i> —Name of the VC class that was created in Step 1.
Step 7	Router(config-if-atm-vc)# <i>configuration-commands</i>	Any other VC configuration commands to be applied to this particular PVC. Commands that are applied to the individual PVC supersede any conflicting commands that were specified in the VC class.
Step 8	Router(config-if)# end	Exits interface configuration mode and returns to privileged EXEC mode.

Verifying the Virtual Circuit Class Configuration

To verify the virtual circuit class configuration, use the **show atm vc** command:

```
Router# show atm vc

Codes: DN - DOWN, IN - INACTIVE

          VCD /
Interface Name          VPI  VCI Type  Encaps  SC      Peak Av/Min Burst
0/2/2.1    1             2    32 PVC   SNAP    UBR    149760      Kbps Kbps Cells St
                                         UP
```

Configuring SONET and SDH Framing

The default framing on the ATM OC-3 SPAs is SONET, but the interfaces also support SDH framing.



Note In ATM environments, the key difference between SONET and SDH framing modes is the type of cell transmitted when no user or data cells are available. The ATM forum specifies the use of idle cells when unassigned cells are not being generated. More specifically, in Synchronous Transport Module-X (STM-X) mode, an ATM interface sends idle cells for cell-rate decoupling. In Synchronous Transport Signal-Xc (STS-Xc) mode, the ATM interface sends unassigned cells for cell-rate decoupling.

To change the framing type and configure optional parameters, perform the following procedure beginning in global configuration mode:

SUMMARY STEPS

1. Router(config)# **interface atm slot/subslot/port**
2. Router(config-if)# **atm clock internal**
3. Router(config-if)# **atm framing {sdh | sonet}**
4. Router(config-if)# [**no**] atm sonet report {all | b1-tca | b2-tca | b3-tca | default | lais | lrldi | pais | plop | pplm | prdi | ptim | puneq | sd-ber | sf-ber | slof | slos}
5. Router(config-if)# [**no**] atm sonet-threshold {b1-tca value | b2-tca value | b3-tca value | sd-ber value | sf-ber value}
6. Router(config-if)# **end**

DETAILED STEPS

	Command or Action	Purpose
Step 1	Router(config)# interface atm slot/subslot/port	Enters interface configuration mode for the indicated port on the specified ATM SPAs.
Step 2	Router(config-if)# atm clock internal	(Optional) Configures the interface to use its own internal (onboard) clock to clock transmitted data. The default (no atm clock internal) configures the interface to use the transmit clock signal that is recovered from the receive data stream, allowing the switch to provide the clocking source.
Step 3	Router(config-if)# atm framing {sdh sonet}	(Optional) Configures the interface for either SDH or SONET framing. The default is SONET.
Step 4	Router(config-if)# [no] atm sonet report {all b1-tca b2-tca b3-tca default lais lrldi pais plop pplm prdi ptim puneq sd-ber sf-ber slof slos}	(Optional) Enables ATM SONET alarm reporting on the interface. The default is for all reports to be disabled. You can enable an individual alarm, or you can enable all alarms with the all keyword. This command also supports a none [ignore] option, which cannot be used with any of the other options. See the Configuring AToM VP Cell Mode Relay Support, on page 76
Step 5	Router(config-if)# [no] atm sonet-threshold {b1-tca value b2-tca value b3-tca value sd-ber value sf-ber value} Example:	(Optional) Configures the BER threshold values on the interface. The value specifies a negative exponent to the power of 10 (10 to the power of minus <i>value</i>) for the threshold value. The default values are the following:

	Command or Action	Purpose
		<ul style="list-style-type: none"> • b1-tca = 6 (10e-6) • b2-tca = 6 (10e-6) • b3-tca = 6 (10e-6) • sd-ber = 6 (10e-6) • sf-ber = 3 (10e-3)
Step 6	Router(config-if)# end Example:	Exits interface configuration mode and returns to privileged EXEC mode.

Verifying the SONET and SDH Framing Configuration

To verify the framing configuration, use the **show controllers atm** command:

```

Router# show controllers atm 0/2/2
Interface ATM0/2/2 (SPA-3XOC3-ATM-V2[0/2]) is up
  Framing mode: SONET OC3 STS-3c
SONET Subblock:
SECTION
  LOF = 0          LOS   = 1          BIP (B1) = 0
LINE
  AIS = 0          RDI   = 1          FEBE = 55          BIP (B2) = 0
PATH
  AIS = 0          RDI   = 1          FEBE = 21          BIP (B3) = 0
  LOP = 1          NEWPTR = 0          PSE  = 0          NSE   = 0

Active Defects: None
Active Alarms:  None
Alarm reporting enabled for: SF SLOS SLOF B1-TCA B2-TCA PLOP B3-TCA

ATM framing errors:
  HCS (correctable):  0
  HCS (uncorrectable): 0

APS
not configured
COAPS = 0          PSBF = 0
State: PSBF_state = False
Rx(K1/K2): 00/00  Tx(K1/K2): 00/00
Rx Synchronization Status S1 = 00
S1S0 = 00, C2 = 13
PATH TRACE BUFFER : STABLE

BER thresholds:  SF = 10e-3  SD = 10e-6
TCA thresholds:  B1 = 10e-6  B2 = 10e-6  B3 = 10e-6

Clock source:  line

```

Configuring AToM VP Cell Mode Relay Support

To configure Any Transport over MPLS (AToM) Cell Mode Relay, perform the following procedure beginning in global configuration mode:

SUMMARY STEPS

1. Router(config)# **interface atm slot/subslot/port.subinterface multipoint**
2. Router(config-if)# **no ip address ip-address mask**
3. Router(config-if)# **atm pvp vpi l2transport**
4. Router(config-if)# **xconnect peer-ip-address vc-id {encapsulation mpls | pw-class pw-class-name }**
5. Router(config-if)# **end**

DETAILED STEPS

	Command or Action	Purpose
Step 1	Router(config)# interface atm slot/subslot/port.subinterface multipoint	Enters interface configuration mode for the indicated port on the specified ATM SPA
Step 2	Router(config-if)# no ip address ip-address mask	Removes the IP address that is assigned to this interface (if one has been configured).
Step 3	Router(config-if)# atm pvp vpi l2transport	Creates a permanent virtual path (PVP) used to multiplex (or bundle) one or more virtual circuits (VCs).
Step 4	Router(config-if)# xconnect peer-ip-address vc-id {encapsulation mpls pw-class pw-class-name }	Routes Layer 2 packets over a specified point-to-point VC by using ATM over multiprotocol label switching (AToM).
Step 5	Router(config-if)# end	Exits interface configuration mode and returns to privileged EXEC mode.

VP Mode Configuration Guidelines

When configuring ATM Cell Relay over MPLS in VP mode, use the following guidelines:

- You do not need to enter the **encapsulation aal0** command in VP mode, but only AAL0 encapsulation is supported with MPLS l2transport.
- One ATM interface can accommodate multiple types of ATM connections. VP cell relay and VC cell relay can coexist on one ATM interface.
- If a VPI is configured for VP cell relay, you cannot configure a PVC using the same VPI.
- VP trunking (mapping multiple VPs to one emulated VC label) is not supported in this release. Each VP is mapped to one emulated VC.
- Each VP is associated with one unique emulated VC ID. The AToM emulated VC type is ATM VP Cell Transport.
- The AToM control word is supported. However, if a peer PE does not support the control word, it is disabled. This negotiation is done by LDP label binding.
- VP mode (and VC mode) drop idle cells.

VP Mode Configuration Example

The following example transports single ATM cells over a virtual path:

```
Router(config)# pseudowire-class vp-cell-relay
Router(config-pw)# encapsulation mpls
Router(config-pw)# exit
Router(config)# interface atm 1/2/0.1 multipoint
```

```
Router(config-if)# atm pvp 1 l2transport
Router(config-if)# xconnect 10.0.0.1 123 pw-class vp-cell-relay
```

Verifying ATM Cell Relay VP Mode

The following **show atm vp** command shows that the interface is configured for VP mode cell relay:

```
Router# show atm vp 1
ATM5/0 VPI: 1, Cell Relay, PeakRate: 149760, CesRate: 0, DataVCs: 1, CesVCs: 0, Status:
ACTIVE
VCD   VCI   Type   InPkts  OutPkts  AAL/Encap   Status
6     3     PVC    0        0        F4 OAM      ACTIVE
7     4     PVC    0        0        F4 OAM      ACTIVE
TotalInPkts: 0, TotalOutPkts: 0, TotalInFast: 0, TotalOutFast: 0,
TotalBroadcasts: 0 TotalInPktDrops: 0, TotalOutPktDrops: 0
```

the ATM SPAs on the Cisco ASR 1000 Series Aggregation Services Routers support the following two areas of QoS:

- ATM SPA QoS—QoS on the ATM SPA is implemented in the segmentation and reassembly (SAR) function using the ATM traffic classes (CBR, VBR-nrt, VBR-rt, and UBR) configured with PCR and SCR values.
- Modular QoS CLI (MQC)—Supports per-VC policy maps with class-based weighted fair queueing (CBWFQ), weighted random early detection (WRED), priority, shaping, bandwidth remaining ratio, bandwidth remaining percent, and policing.

Configuring PPPoEoA on ATM SPAs

Beginning in Cisco IOS XE Release 2.5, you can configure PPP over Ethernet (PPPoE) on ATM (PPPoEoA) to connect a network of hosts over a simple bridging-access device to a remote access concentrator. For more information about this feature, refer to the “PPPoE on ATM” feature from the New Features in Cisco IOS XE Release 2.5 at:

http://www.cisco.com/en/US/products/ps9587/products_feature_guides_list.html

For a sample configuration, see the [PPPoEoA VC Class and PVC Range Configuration Example](#), on page 84.

Saving the Configuration

To save your running configuration to nonvolatile random-access memory (NVRAM), use the following command in privileged EXEC configuration mode:



Note To permanently save your configuration changes, you must write them to the nonvolatile RAM (NVRAM) by entering the **copy running-config startup-config** command in privileged EXEC mode.

Command	Purpose
Router# copy running-config startup-config	Writes the new configuration to NVRAM.

For more information about managing configuration files, refer to the Cisco IOS XE Configuration Fundamentals Configuration Guide, Release 2, and *Cisco IOS Configuration Fundamentals Command Reference* publications for your specific software.

Shutting Down and Restarting an Interface on a SPA

Shutting down an interface puts it into the administratively down mode and takes it offline, stopping all traffic that is passing through the interface. Shutting down an interface, though, does not change the interface configuration.

As a general rule, you do not need to shut down an interface if you are removing it and replacing it with the same exact model of SPA in an online insertion and removal (OIR) operation. However, we recommend shutting down an interface whenever you are performing one of the following tasks:

- When you do not need to use the interface in the network.
- Preparing for future testing or troubleshooting.
- Changing the interface configuration in a way that would affect the traffic flow, such as changing the encapsulation.
- Changing the interface cables.
- Removing a SPA that you do not expect to replace.
- Replacing an interface card with a different model of card.

Shutting down the interface in these situations prevents anomalies from occurring when you reinstall the new card or cables. It also reduces the number of error messages and system messages that might otherwise appear.



Note If you plan to replace an existing ATM port adapter with an ATM SPA in the Cisco ASR 1000 Series Router and want to use the same configuration, save the slot's configuration before physically replacing the hardware. This is because all slot configuration is lost when you replace one card type with another card type, even if the two cards are functionally equivalent. You can then re-enter the previous configuration after you have inserted the ATM SPA.

To shut down an interface, perform the following procedure beginning in global configuration mode:

SUMMARY STEPS

1. Router(config)# **interface atm slot/subslot/port**
2. Router(config-if)# **shutdown**
3. Router(config-if)# **end**

DETAILED STEPS

	Command or Action	Purpose
Step 1	Router(config)# interface atm slot/subslot/port	Enters interface configuration mode for the indicated port on the specified ATM SPA.
Step 2	Router(config-if)# shutdown	Shuts down the interface.
Step 3	Router(config-if)# end	Exits interface configuration mode and returns to privileged EXEC mode.

What to do next



Tip When you shut down an interface, the **show interface** command indicates that the interface is administratively down until the SPA is physically removed from the chassis or until the SPA is re-enabled.

The following shows a typical example of shutting down an ATM SPA interface:

```
Router> enable

Router# configure
terminal

Router(config)# interface atm 0/2/2
Router(config-if)# shutdown

Router(config-if)# end

Router# show interface atm 0/2/2
ATM0/2/2 is administratively down, line protocol is down

Hardware is SPA-3XOC3-ATM, address is 000d.2959.d5ca (bia 000d.2959.d5ca)
Internet address is 10.10.10.16/24
MTU 4470 bytes, sub MTU 4470, BW 599040 Kbit, DLY 80 usec,
    reliability 255/255, txload 42/255, rxload 1/255
Encapsulation ATM, loopback not set
Encapsulation(s): AAL0
4095 maximum active VCs, 1 current VCCs
VC idle disconnect time: 300 seconds
0 carrier transitions
Last input 01:01:16, output 01:01:16, output hang never
Last clearing of "show interface" counters 01:10:21
Input queue: 0/75/0/0 (size/max/drops/flushes); Total output drops: 0
Queueing strategy: fifo
Output queue: 0/0 (size/max)
30 second input rate 0 bits/sec, 0 packets/sec
30 second output rate 702176000 bits/sec, 1415679 packets/sec
 1000 packets input, 112000 bytes, 0 no buffer
  Received 0 broadcasts, 0 runts, 0 giants, 0 throttles
  0 input errors, 0 CRC, 0 frame, 0 overrun, 0 ignored, 0 abort
2948203354 packets output, 182788653886 bytes, 0 underruns
  0 output errors, 0 collisions, 0 interface resets
  0 output buffer failures, 0 output buffers swapped out
```

Verifying the Interface Configuration

See the following sections to obtain configuration and operational information about the ATM SPA and its interfaces. For additional information on using the commands to obtain information about the configuration and operation of the ATM SPAs and interfaces, see the *Troubleshooting the ATM SPAs* chapter.

Verifying Per-Port Interface Status

Use the **show interfaces atm** command to display detailed status information about an interface port in an ATM SPA that is installed in a Cisco ASR 1000 Series Router. The following example provides sample output

for interface port 1 (the second port) on the ATM SPA that is located in subslot 2, of the SIP that is installed in slot 0 of a Cisco ASR 1000 Series Router:



Note The output of the **show interfaces atm** command can display configuration of AAL5 encapsulation, but only AAL0 is supported on the Cisco ASR 1000 Series Aggregation Services Routers.

```
Router# show interfaces atm 0/2/2

ATM0/2/2 is up, line protocol is up
  Hardware is SPA-3XOC3-ATM-V2, address is 001a.3044.7522 (bia 001a.3044.7522)
  MTU 4470 bytes, sub MTU 4470, BW 149760 Kbit, DLY 80 usec,
    reliability 255/255, txload 1/255, rxload 1/255
  Encapsulation ATM, loopback not set
  Keepalive not supported
  Encapsulation(s): AAL5 AAL0
  4095 maximum active VCs, 1 current VCCs
  VC Auto Creation Disabled.
  VC idle disconnect time: 300 seconds
  4 carrier transitions
  Last input never, output 00:04:11, output hang never
  Last clearing of "show interface" counters never
  Input queue: 0/375/0/0 (size/max/drops/flushes); Total output drops: 0
  Queueing strategy: fifo
  Output queue: 0/40 (size/max)
  5 minute input rate 0 bits/sec, 0 packets/sec
  5 minute output rate 0 bits/sec, 0 packets/sec
    5 packets input, 540 bytes, 0 no buffer
  Received 0 broadcasts (0 IP multicasts)
    0 runts, 0 giants, 0 throttles
    0 input errors, 0 CRC, 0 frame, 0 overrun, 0 ignored, 0 abort
    5 packets output, 540 bytes, 0 underruns
    0 output errors, 0 collisions, 1 interface resets
    0 output buffer failures, 0 output buffers swapped out
```

Monitoring Per-Port Interface Statistics

Use the **show controllers atm** command to display detailed status and statistical information on a per-port basis for an ATM SPA. The following example provides sample output for interface port 2 on the ATM SPA that is located in subslot 2 of the SIP that is installed in slot 0 of a Cisco ASR 1000 Series Router:

```
Router# show controllers atm 0/2/2

Interface ATM0/2/2 (SPA-3XOC3-ATM-V2[0/2]) is up
  Framing mode: SONET OC3 STS-3c
  SONET Subblock:
  SECTION
    LOF = 0          LOS   = 1          BIP(B1) = 0
  LINE
    AIS = 0          RDI   = 1          FEBE = 55          BIP(B2) = 0
  PATH
    AIS = 0          RDI   = 1          FEBE = 21          BIP(B3) = 0
    LOP = 1          NEWPTR = 0          PSE  = 0          NSE   = 0

Active Defects: None
Active Alarms: None
Alarm reporting enabled for: SF SLOS SLOF B1-TCA B2-TCA PLOP B3-TCA
```

```

ATM framing errors:
  HCS (correctable): 0
  HCS (uncorrectable): 0

APS
not configured
COAPS = 0          PSBF = 0
State: PSBF_state = False
Rx(K1/K2): 00/00  Tx(K1/K2): 00/00
Rx Synchronization Status S1 = 00
S1S0 = 00, C2 = 13
PATH TRACE BUFFER : STABLE

BER thresholds:  SF = 10e-3  SD = 10e-6
TCA thresholds:  B1 = 10e-6  B2 = 10e-6  B3 = 10e-6

Clock source: line

```

Configuration Examples

This section includes the following configuration examples for the ATM SPAs:

Basic Interface Configuration Example

```

!
interface ATM5/1/0
  mtu 9216
  no ip address
  atm clock INTERNAL
!
interface ATM5/1/0.1 point-to-point
  mtu 9216
  ip address 10.1.1.1 255.255.0.0
  pvc 52/100
!
interface ATM5/1/1
  mtu 9216
  no ip address
  atm clock INTERNAL
!
interface ATM5/1/1.1 point-to-point
  mtu 9216
  ip address 10.2.1.1 255.255.0.0
  pvc 53/100
!
!
interface ATM5/1/2
  no ip address
  atm clock INTERNAL
!
interface ATM5/1/3
  no ip address
  atm clock INTERNAL
!

```

MTU Configuration Example

```

!
interface ATM5/0/0.9 point-to-point
mtu 4474
bandwidth 7000
ip address 192.168.100.13 255.255.255.0
ip mtu 4470

```

PVC on a Point-to-Point Subinterface Configuration Example

```

interface ATM5/0/0.9 point-to-point
mtu 4474
bandwidth 34000
ip vrf forwarding vrfexample
ip address 192.168.196.18 255.255.255.252
ip mtu 4470
pvc 11/105
ubr 38
oam-pvc manage
encapsulation aal5snap
!
interface ATM5/0/0.11 point-to-point
mtu 4474
bandwidth 7000
ip address 192.168.252.141 255.255.255.252
ip mtu 4470
pvc 100/50
cbr 7000
encapsulation aal5snap
service-policy input Leased_Line_Ingress
max-reserved-bandwidth 100

```

PVC Ranges on a Multipoint Subinterface for PPPoEoA Configuration Example



Note Multipoint subinterfaces, PVC ranges, and PPPoEoA support is introduced for the Cisco ASR 1000 Series Aggregation Services Routers in Cisco IOS XE Release 2.5.

```

interface atm0/0/0.65000 multipoint
range pvc 1/32 1/4031
protocol pppoe group bba_group1
pvc-in-range 1/32
class-vc pvcr_bba_vc_class
!
pvc-in-range 1/33
class-vc pvcr_bba_vc_class
!
pvc-in-range 1/34
class-vc pvcr_bba_vc_class
!
pvc-in-range 1/35
class-vc pvcr_bba_vc_class
!
pvc-in-range 1/36

```

```

    class-vc pvcr_bba_vc_class
  !

```

AToM VP Cell Mode Relay Configuration Example

```

pseudowire-class vp-cell-relay
  encapsulation mpls
  exit
interface atm 1/2/0.1 multipoint
  atm pvp 1 l2transport
  xconnect 10.0.0.1 123 pw-class vp-cell-relay

```

PPPoEoA VC Class and PVC Range Configuration Example

```

bba-group pppoe bba_group1
  virtual-template 1
  !
  vpdn enable
  no vpdn logging
  !
  no virtual-template snmp
  !
bba-group pppoe bba_group1
  virtual-template 1
  sessions per-mac limit 4000
  !
vc-class atm pvcr_bba_vc_class
  protocol pppoe group bba_group1
  create on-demand
  idle-timeout 30
  vbr-nrt 1000 1000 1
  !
interface atm0/0/0
  atm clock internal
  no shutdown
  !
interface atm0/0/0.65000 multipoint
  range pvc 1/32 1/4031
  protocol pppoe group bba_group1
  pvc-in-range 1/32
    class-vc pvcr_bba_vc_class
  !
  pvc-in-range 1/33
    class-vc pvcr_bba_vc_class
  !
  pvc-in-range 1/34
    class-vc pvcr_bba_vc_class
  !
  pvc-in-range 1/35
    class-vc pvcr_bba_vc_class
  !
  pvc-in-range 1/36
    class-vc pvcr_bba_vc_class
  !
interface virtual-template 1
  no snmp trap link-status
  keepalive 60
  ppp ipcp address required
  ip unnumbered loopback1

```



```
peer default ip address pool local_pool1
ppp mtu adaptive
ppp authentication pap
no logging event link-status
```

SONET and SDH Framing Configuration Example

```
!
interface ATM0/2/2
description Example of SONET framing-"atm framing sonet" is default and doesn't appear
ip address 10.16.2.2 255.255.255.0
logging event link-status
atm sonet report all
atm sonet threshold sd-ber 3
atm sonet threshold sf-ber 6
atm sonet overhead c2 0x00
!
```




CHAPTER 8

Troubleshooting the ATM SPAs

This chapter describes techniques that you can use to troubleshoot the operation of your ATM SPAs.

- [General Troubleshooting Information, on page 87](#)
- [Performing Basic Interface Troubleshooting, on page 89](#)
- [Displaying Additional ATM SPA Data, on page 91](#)
- [Using the Cisco IOS Event Tracer to Troubleshoot Problems, on page 95](#)
- [Change in Informational Alarm, on page 96](#)
- [Preparing for Online Insertion and Removal of a SPA, on page 96](#)

General Troubleshooting Information

This section provides the following general information for troubleshooting ATM SPA cards and their SPA interface processor (SIP) carrier cards:

Interpreting Console Error and System Messages

Refer to [Cisco IOS XE System Messages](#) document.

System error messages are organized in the documentation according to the particular system facility that produces the messages. The SIP and SPA error messages use the following facility names:

- Cisco ASR 1000 Series SIP:
 - ASR1000_SIP
 - ASR1000_SIP_SPA
- Cisco WebEx Node SPA:
 - SPA_SE1
 - SPA_WMA
- Cisco WebEx Node SPA Service Engine:
 - SPA_SRVCS_ENGINE
 - SPA_SRVCS_IF
- SPA Online Insertion and Removal—SPA_OIR

Using debug Commands

This section provides details regarding debug commands used for an ATM SPA.

General debug Commands

Along with the other debug commands supported on the Cisco ASR 1000 Series Routers, you can obtain specific debug information for SPAs on the Cisco ASR 1000 Series Routers using the **debug hw-module subslot** privileged exec command.

**Caution**

Because debugging output is assigned high priority in the CPU process, it can render the system unusable. For this reason, use **debug** commands only to troubleshoot specific problems or during troubleshooting sessions with Cisco technical support staff. Moreover, it is best to use **debug** commands during periods of lower network traffic and fewer users. Debugging during these periods decreases the likelihood that increased **debug** command processing overhead can affect system use.

The **debug hw-module subslot** command is intended for use by Cisco Systems technical support personnel. For more information about the debug hw-module subslot command and about other debug commands that can be used on a Cisco ASR 1000 Series Routers, refer to the [Cisco IOS Debug Command Reference](#) for your specific software.

ATM debug Commands

The following debug commands can be useful when troubleshooting specific ATM problems on an ATM interface or subinterface:

- **debug atm errors**—Displays errors that occur on an ATM interface, such as encapsulation and framing errors, as well as any errors that might occur during configuration of the ATM interfaces.
- **debug atm events**—Displays information about events that occur on the ATM interfaces, such as changes to the ATM SPA and ATM interface configuration, card and interface resets, and PVC creation.

**Note**

The output of **debug atm events** can be extremely verbose and can cause problems if large numbers of ATM VCs are configured. The command should only be used when a few VCs are configured.

- **debug atm oam**—Displays the contents of ATM operation and maintenance (OAM) cells as they arrive from the ATM network.

**Tip**

Use the **no debug all** command to turn off all debugging displays.

For more information about these commands, see the [Cisco IOS Debug Command Reference](#) for your specific software release.

Using show Commands

There are several **show** commands that you can use to monitor and troubleshoot the SIP and SPA cards on Cisco ASR 1000 Series Routers. For more information on these commands, see the *Performing Basic Interface*

Troubleshooting section and *Verifying the Interface Configuration* section in *Configuring the ATM SPAs* chapter.

Performing Basic Interface Troubleshooting

You can perform most of the basic interface troubleshooting using the **show interface atm**, **show atm interface atm**, and **show ip interface** commands and examining several areas of the output to determine how the interface is operating.

The following example shows an output of the **show atm interface atm** and **show ip interface** commands.

```
Router# show atm interface atm 0/2/2

Interface ATM0/2/2:
AAL enabled: AAL5, Maximum VCs: 4095, Current VCCs: 1

Max. Datagram Size: 4528
PLIM Type: SONET - 155000Kbps, TX clocking: LINE
Cell-payload scrambling: ON
sts-stream scrambling: ON
5 input, 5 output, 0 IN fast, 0 OUT fast, 0 out drop
  Avail bw = 149760
Config. is ACTIVE
Router# show ip interface atm 0/2/2.1
ATM0/2/2.1 is up, line protocol is up
  Internet address is 2.4.0.2/24
  Broadcast address is 255.255.255.255
  Address determined by setup command
  MTU is 4470 bytes
  Helper address is not set
  Directed broadcast forwarding is disabled
  Outgoing access list is not set
  Inbound access list is not set
  Proxy ARP is enabled
  Local Proxy ARP is disabled
  Security level is default
  Split horizon is disabled
  ICMP redirects are always sent
  ICMP unreachable are always sent
  ICMP mask replies are never sent
  IP fast switching is enabled
  IP Flow switching is disabled
  IP CEF switching is enabled
  IP Distributed switching is disabled
  IP CEF switching turbo vector
  IP Null turbo vector
  Associated unicast routing topologies:
    Topology "base", operation state is UP
  IP multicast fast switching is enabled
  IP multicast distributed fast switching is disabled
  IP route-cache flags are Fast, CEF
  Router Discovery is disabled
  IP output packet accounting is disabled
  IP access violation accounting is disabled
  TCP/IP header compression is disabled
  RTP/IP header compression is disabled
  Probe proxy name replies are disabled
  Policy routing is disabled
  Network address translation is disabled
  BGP Policy Mapping is disabled
```

```

Input features: MCI Check
WCCP Redirect outbound is disabled
WCCP Redirect inbound is disabled
WCCP Redirect exclude is disabled

```

To verify that your interface is operating properly, complete the following steps:

SUMMARY STEPS

1. From global configuration mode, enter the **show interface atm**, **show atm interface atm**, or **show ip interface** command.
2. Verify that the interface is up.
3. Test the ability of an interface to send and receive packets.

DETAILED STEPS

Step 1 From global configuration mode, enter the **show interface atm**, **show atm interface atm**, or **show ip interface** command.

Example:

```

Router# show interfaces atm 0/2/2
Router# show atm interface atm 0/2/2
Router# show ip interface
0/2/2

```

Step 2 Verify that the interface is up.

Example:

```

Router# show interfaces atm 0/2/2
ATM0/2/2 is up, line protocol is up
Router# show atm interface atm 0/2/2
Interface ATM0/2/2:
AAL enabled: AAL5, Maximum VCs: 1023, Current VCCs: 1
Router# show ip interface brief
0/2/2
ATM0/2/2 unassigned YES manual up up

```

Step 3 Test the ability of an interface to send and receive packets.

Example:

```

Router# ping

```

Using the ping Command to Verify Network Connectivity

The **ping** command is a convenient way to test the ability of an interface to send and receive packets over the network.

The **ping** command sends ICMP echo request packets to a specified destination address, which should send an equal number of ICMP echo reply packets in reply. By measuring the numbering of packets that are successfully returned, as well as how long each packet takes to be returned, you can quickly obtain a rough idea of the Layer 3 to Layer 3 connectivity between two interfaces.

The IP **ping** command has the following syntax: **ping**

or **ping ip-address [repeat count] [data hex] [size datagram-size]**

If you enter just **ping**, the command interactively prompts you for all other parameters. Otherwise, you must specify at least a specific IP address as the destination for the ping. You can also optionally specify the following parameters:

- **repeat count** —Number of ICMP echo request packets to send. The default is five packets.
- **data hex** —The data pattern, in hexadecimal, to be sent in the ICMP echo request packets.
- **size datagram-size** —Specifies the size, in bytes, of the ICMP echo request packets to be sent. The range is 40 to 18024 bytes, with a default of 100 bytes.

Displaying Additional ATM SPA Data

The following sections describe additional ATM SPA data that can be displayed:

Displaying ATM SPA Hardware Information

Use the following commands to display different types of hardware and system information:

- **show version**

Displays information about the router, its system hardware and software, and the number of each type of interface that is installed.

- **show hw-module subslot fpd**

Displays information about the hardware revision of the SPA, as well as the version of the field-programmable device (FPD) that is onboard the SPA. Cisco technical engineers might need this information to debug or troubleshoot problems with a SPA installation.

- **show idprom module**

Displays the serial number and board revisions for the ATM SPA.

- **show controllers atm**

Displays information about the controller hardware for an ATM interface, including framing and alarm configuration, as well as port, packet, and channel performance statistics. The syntax is **show controllers atm slot /subslot /port**.

- **show diag**

Displays information about the type of port adapters that are installed in the router. The syntax is **show diag slot**, where *slot* is the slot number that contains the port adapter.

Displaying Information About PVCs

Use the following commands to display information about PVCs, including mapping, traffic, and VLAN configuration information:

- **show atm vp**

Displays information about the virtual paths (VPs) that are configured on the router's ATM interfaces.

- **show atm vc**

If used without any options, displays information about all of the virtual channels that are currently configured on the ATM interfaces. To display detailed information about a specific virtual connection, specify its VC descriptor (VCD) along with the command.

You can also display information about the VCs on a specific ATM interface and its subinterfaces, for example:

```
Router# show atm vc interface atm 0/2/2
```

- **show atm pvc**

Displays information about all PVCs that are currently configured on the router's ATM interfaces and subinterfaces. To display detailed information about a particular PVC, specify its VPI/VCI values. To display all PVCs on a particular ATM interface or subinterface, use the **show atm pvc interface atm** command. For example:

```
Router# show atm pvc 1/100
```

- **show atm ilmi-status**

Displays information about Layer 2 and Layer 3 mapping.

- **show atm map**

Displays the mapping between virtual circuits and Layer 3 IP addresses.

- **show atm traffic**

Displays general information about the traffic over the ATM interfaces. To display information about traffic shaping on the ATM interfaces in a particular slot, use the **show atm traffic shaping slot** command. You can also use the **show atm vc traffic** command to display traffic information for a particular VC.

Using loopback Commands

The **loopback** commands place an interface in loopback mode, which enables you to use the **ping** command to send packets through the local interface and line, so as to test connectivity. These commands are especially useful when an interface is experiencing a high number of cyclic redundancy check (CRC) errors, so that you can pinpoint where the errors are occurring.

The following describes different loopback tests:

Using the loopback diagnostic Command to Create a Local Loopback

To perform a local loopback test, in which the transmit data is looped back to the receive data at the physical (PHY) layer, use the **loopback diagnostic** command on an ATM interface. This loopback tests connectivity on the local ATM interface, verifying that the interface's framing circuitry and segmentation and reassembly

(SAR) circuitry is operating correctly. This loopback, however, does not test the interface’s optics circuitry and ports.



Tip If an ATM interface is currently connected to another ATM interface and passing traffic, shut down the remote ATM interface before giving the **loopback diagnostic** command on the local ATM interface. Otherwise, the remote interface continues to send traffic to the local interface, and the remote network could also start reporting interface and network errors.

SUMMARY STEPS

1. Router# **configure terminal**
2. Router(config)# **interface atm slot /subslot/port**
3. Router(config-if)# **loopback diagnostic**
4. Router(config-if)# **atm clock internal**
5. Router(config-if)# **end**
6. Router# **show interface atm slot /subslot/port**
7. Router(config-if)# **ping ip-address [repeat count] [data hex] [size datagram-size]**
8. Router# **show interface atm slot /subslot/port**
9. Router(config)# **interface atm slot /subslot/port**
10. Router(config-if)# **no loopback diagnostic**

DETAILED STEPS

	Command or Action	Purpose
Step 1	Router# configure terminal	Enters global configuration mode.
Step 2	Router(config)# interface atm slot /subslot/port	Enters interface configuration mode for the indicated port on the specified ATM SPA card.
Step 3	Router(config-if)# loopback diagnostic	Puts the ATM interface into the local loopback mode, so that data that is transmitted out the interface is internally routed back into the receive data line.
Step 4	Router(config-if)# atm clock internal	Specifies that the AMT interface should derive its clocking from its local oscillator, which is required, because the loopback command isolates the interface from the network and from the clocking signals that are derived from the network line.
Step 5	Router(config-if)# end	Exits interface configuration mode and returns to privileged EXEC mode.
Step 6	Router# show interface atm slot /subslot/port	(Optional) Verifies that the interface has been configured for loopback mode. The output should show the words “loopback set” when the interface is operating in loopback mode.
Step 7	Router(config-if)# ping ip-address [repeat count] [data hex] [size datagram-size]	Sends an ICMP echo request packet to the specified IP address.

	Command or Action	Purpose
		<ul style="list-style-type: none"> • <i>ip-address</i> —Destination IP address for the ICMP echo request packet. Because the interface has been put into loopback mode, the exact IP address does not matter—any valid IP address can be specified. • repeat <i>count</i> —(Optional) Specifies the number of ICMP echo request packets to be sent. The default is 5. • <i>data hex</i>—(Optional) The data pattern, in hexadecimal, to be sent in the ICMP echo request packets. • size <i>datagram-size</i> —(Optional) Specifies the size, in bytes, of the ICMP echo request packets to be sent. The range is 40 to 18024 bytes, with a default of 100 bytes. <p>Note Because the interface is in loopback mode, the ping command will report that it failed. This is to be expected.</p>
Step 8	Router# show interface atm slot /subslot/port	<p>Displays interface statistics, including whether any CRC or other errors occurred during the ping test. For example:</p> <pre>Router# show interface atm 5/0/1 ... Received 0 broadcasts, 0 runts, 0 giants, 0 throttles 5 input errors, 5 CRC, 0 frame, 0 overrun, 0 ignored, 0 abort ... Router#</pre>
Step 9	Router(config)# interface atm slot /subslot/port	Enters interface configuration mode for the indicated port on the specified ATM SPA card.
Step 10	Router(config-if)# no loopback diagnostic	<p>Removes the local loopback and return the ATM interface to normal operations.</p> <p>Note Remember to restore the proper clocking on the local ATM interface and to reenble the remote ATM interface.</p>

Examples

The following sample output shows a local loopback being set with the loopback diagnostic command:

```

Router# configure terminal
Router(config)# interface atm 0/2/2
Router(config-if)# loopback diagnostic
Router(config-if)# atm clock internal
Router(config-if)# end
Router# show interface atm 0/2/2
ATM0/2/2 is up, line protocol is up
  Hardware is ATM SPA, address is 000a.f330.2a80 (bia 000a.f330.2a80)
  MTU 4470 bytes, sub MTU 4470, BW 149760 Kbit, DLY 80 usec,
    reliability 255/255, txload 1/255, rxload 1/255
  Encapsulation ATM, loopback set
  Encapsulation(s): AAL5
  4095 maximum active VCs, 21 current VCCs
  VC idle disconnect time: 300 seconds
  Signalling vc = 1, vpi = 0, vci = 5
    UNI Version = 4.0, Link Side = user
  6 carrier transitions
  Last input 01:47:05, output 00:00:01, output hang never
  Last clearing of "show interface" counters 01:03:35
  Input queue: 0/75/33439/80 (size/max/drops/flushes); Total output drops: 963306
  Queueing strategy: fifo
  Output queue: 0/40 (size/max)
  5 minute input rate 0 bits/sec, 0 packets/sec
  5 minute output rate 0 bits/sec, 0 packets/sec
    9502306 packets input, 6654982829 bytes, 0 no buffer
    Received 0 broadcasts (0 IP multicast)
    0 runts, 0 giants, 0 throttles
    0 input errors, 0 CRC, 0 frame, 0 overrun, 0 ignored, 0 abort
    27827569 packets output, 21072150159 bytes, 0 underruns
    0 output errors, 0 collisions, 3 interface resets
    0 output buffer failures, 0 output buffers swapped out

```

Using the loopback line Command

If an ATM interface can perform a local loopback successfully, without reporting errors, you can next try a line loopback (**loopback line** command) to determine if packet errors are being generated by the ATM network between the local and remote router. In a line loopback, the interface on the remote router is configured with the loopback line command, so that it reflects every packet that it receives back to the originating router. The local router then generates traffic with the ping command to determine whether the line through the network is generating the packet errors.

Using the Cisco IOS Event Tracer to Troubleshoot Problems



Note This feature is intended for use as a software diagnostic tool and should be configured only under the direction of a Cisco Technical Assistance Center (TAC) representative.

The Event Tracer feature provides a binary trace facility for troubleshooting Cisco IOS software. This feature gives Cisco service representatives additional insight into the operation of the Cisco IOS software and can be useful in helping to diagnose problems in the unlikely event of an operating system malfunction or, in the case of redundant systems, route processor switchover.

Event tracing works by reading informational messages from specific Cisco IOS software subsystem components that have been preprogrammed to work with event tracing, and by logging messages from those

components into system memory. Trace messages stored in memory can be displayed on the screen or saved to a file for later analysis.

The SPAs currently support the “spa” component to trace SPA OIR-related events.

For more information about using the Event Tracer feature, refer to the following URL:

http://www.cisco.com/en/US/docs/ios/12_0s/feature/guide/evnttrcr.html

Change in Informational Alarm

This section discusses the change in the informational alarm output, which is displayed when alarms are displayed for POS or an ATM interface. The change in Informational alarm is implemented in Cisco IOS Release 12.2(33)XNE. The prerequisite for viewing informational alarms is to enable the logging alarm informational command as below:

```
Router(config)# logging alarm informational
```

Old Behavior

Before implementing this change, the SONET informational logs on the ATM SPA were displayed with POS appended in the alarm string as below:

```
*May 7 05:37:37.838: %ASR1000_RP_SONET_ALARM-6-POS: ASSERT CRITICAL ATM1/3/0 Section Loss
of Signal Failure
*May 7 05:37:37.838: %ASR1000_RP_SONET_ALARM-6-POS: ASSERT CRITICAL ATM1/3/0 Threshold Cross
Alarm - B2
*May 7 05:37:37.838: %ASR1000_RP_SONET_ALARM-6-POS: ASSERT CRITICAL ATM1/3/0 Threshold Cross
Alarm - B3
```

New Behavior

After implementing this change, from Cisco IOS Release 12.2(33)XNE, for a POS or ATM SPA, when there are alarms for an interface, the informational message will appear with a generic string “SONET” instead of containing interface specific (POS) information as below.

```
*Jun 8 08:07:28.168: %ASR1000_RP_SONET_ALARM-6-SONET: ASSERT CRITICAL ATM0/3/0 Section Loss
of Signal Failure
*Jun 8 08:07:56.164: %ASR1000_RP_SONET_ALARM-6-SONET: ASSERT CRITICAL ATM0/3/0 Threshold
Cross Alarm - B1
*Jun 8 08:07:56.164: %ASR1000_RP_SONET_ALARM-6-SONET: ASSERT CRITICAL ATM0/3/0 Threshold
Cross Alarm - B2
*Jun 8 08:07:56.164: %ASR1000_RP_SONET_ALARM-6-SONET: ASSERT CRITICAL ATM0/3/0 Signal Degrade
Alarm
*Jun 8 08:07:56.164: %ASR1000_RP_SONET_ALARM-6-SONET: ASSERT CRITICAL ATM0/3/0 Threshold
Cross Alarm - B3
```

Preparing for Online Insertion and Removal of a SPA

The Cisco ASR 1000 Series Aggregation Services Routers support online insertion and removal (OIR) of the SIP, in addition to each of the SPAs. Therefore, you can remove a SIP with its SPAs still intact, or you can remove a SPA independently from the SIP, leaving the SIP installed in the router.

This means that a SIP can remain installed in the router with one SPA remaining active, while you remove another SPA from one of the SIP subslots. If you are not planning to immediately replace a SPA into the SIP, then be sure to install a blank filler plate in the subslot. The SIP should always be fully installed with either functional SPAs or blank filler plates.

For more information about activating and deactivating SPAs in preparation for OIR, see the *the Troubleshooting the SIP* chapter.



CHAPTER 9

Overview of the Ethernet SPAs

This chapter provides an overview of the release history, and feature and Management Information Base (MIB) support for the Fast Ethernet, Gigabit Ethernet, and Ten Gigabit Ethernet SPAs on the Cisco ASR 1000 Series Aggregation Services Routers.

This chapter includes the following sections:

- [Release History, on page 99](#)
- [Supported Features, on page 100](#)
- [Restrictions, on page 101](#)
- [Supported Ethernet SPAs, on page 105](#)
- [SPA Architecture, on page 106](#)
- [Displaying the SPA Hardware Type, on page 107](#)
- [Overview of LAN/WAN-PHY Controllers, on page 109](#)

Release History

Release	Modification
Cisco IOS XE Release 3.8.0S	Added support for the Minimal Disruptive Restart feature to the line cards that use the following Gigabit Ethernet SPAs: <ul style="list-style-type: none">• SPA-2X1GE-V2• SPA-5X1GE-V2• SPA-8X1GE-V2• SPA-10X1GE-V2• SPA-1X10GE-L-V2
Cisco IOS XE Release 3.3.0S	Added support for the 1-Port 10-Gigabit Ethernet LAN/WAN PHY SPA on the Cisco ASR 1000 Series Aggregation Services Routers.
Cisco IOS XE Release 3.2	Added support for the 2-Port Gigabit Synchronous Ethernet SPA on the Cisco ASR 1000 Series Aggregation Services Routers.
Cisco IOS XE Release 2.5	The maximum number of supported 802.1Q VLANs per Ethernet SPA was increased with the hw-module subslot ethernet vlan unlimited global configuration command.

Release	Modification
Cisco IOS XE Release 3.1.0S	Information pertaining to change in show running-config interface Fast Ethernet slot/subslot/port command output for 4-Port Fast Ethernet SPA was added.
Cisco IOS XE Release 2.1	<p>First release. Support for the following SPAs was introduced on the Cisco ASR1000-SIP10 on the Cisco ASR 1000 Series Routers:</p> <p>Fast Ethernet SPAs</p> <ul style="list-style-type: none"> • 4-Port FastEthernet SPA • 8-Port Fast Ethernet SPA <p>Gigabit Ethernet SPAs</p> <ul style="list-style-type: none"> • 10-Port Gigabit Ethernet SPA, Version 2 • 8-Port Gigabit Ethernet SPA, Version 2 • 5-Port Gigabit Ethernet SPA, Version 2 • 2-Port Gigabit Ethernet SPA, Version 2 • 1-Port 10-Gigabit Ethernet SPA, Version 2

Supported Features

The following is a list of some of the significant hardware and software features supported by Gigabit Ethernet SPAs and 1-Port 10-Gigabit Ethernet LAN/WAN PHY SPA on the Cisco ASR 1000 Series Routers:

- Autonegotiation. 1-Port 10 Gigabit Ethernet LAN/WAN PHY SPA does not support autonegotiation.
- Auto-MDI/MDIX detection. The SFP-GE-T module enables auto-MDI/MDIX detection on the 5-Port, 8-Port, and 10-Port Gigabit Ethernet SPAs and also on the Built-in Gigabit Ethernet Ports for the Cisco ASR 1000 Series Aggregation Services Routers.
- Full-duplex operation
- 802.1Q VLAN termination
- Jumbo frames support (9216 bytes)
- Support for command-line interface (CLI)-controlled OIR
- 802.3x flow control
- The following maximum number of VLANs per SPA:
 - Up to 8100 VLANs per SPA—For all Ethernet SPAs supported on the Cisco ASR 1000 Series Aggregation Services Routers in software releases prior to Cisco IOS XE Release 2.5.
 - Up to 4094 VLANs per port per SPA—For all Ethernet SPAs supported on the Cisco ASR 1000 Series Aggregation Services Routers beginning in Cisco IOS XE Release 2.5 using the **hw-module subslot ethernet vlan unlimited** command.
- Up to 5000 MAC Accounting Entries per SPA (Source MAC Accounting on the ingress and Destination MAC Accounting on the egress)
- Per-port byte and packet counters for policy drops, oversubscription drops, CRC error drops, packet sizes, unicast, multicast, and broadcast packets
- Per-VLAN byte and packet counters for policy drops, oversubscription drops, unicast, multicast, and broadcast packets
- Per-port byte counters for good bytes and dropped bytes

- Multiprotocol Label Switching (MPLS)
- Quality of Service (QoS)
- Hot Standby Router Protocol (HSRP)

Following are the additional features supported by the 2-Port Gigabit Synchronous Ethernet SPA on the Cisco ASR 1000 Series Routers:

- L1 clock frequency distribution—In this mode, the 2-Port Gigabit Synchronous Ethernet SPA recovers the received clock, synchronizes it to a traceable source, and uses it to transmit data to the next node.
- A Building Integrated Time Source (BITS) interface for an external Synchronization Supply Unit (SSU) or a BITS device can be used as a clock source, or to clean up the accumulated wander on either a system or a recovered clock.
- The GPS timing interface is used for external GPS devices, and can be selected as either an input or an output reference. The GPS timing interface supports connectivity to the GPS clock.
- In order to maintain a communication channel in synchronous network connections, Ethernet relies on a channel called Ethernet Synchronization Messaging Channel (ESMC) based on the IEEE 802.3 Organization-Specific Slow Protocol. ESMC relays the SSM code that represents the quality level of the Ethernet Equipment Clock (EEC) in a physical layer.
-

Restrictions

These restrictions apply to the 2-Port Gigabit Synchronous Ethernet SPA introduced in Cisco IOS XE Release 3.2:

- Synchronous SPA features are compatible only with the 2-Port Gigabit Synchronous Ethernet SPA.
- The maximum theoretical bandwidth of the 2-Port Gigabit Synchronous Ethernet SPA is 2 Gbps full duplex. The actual performance is limited by the capability of either the host or the jacket card.
- In a failover scenario, the SPA does not perform any auto switchover to a secondary clock source, even if the secondary reference is configured on the same SPA. If the primary clock goes down, the platform explicitly sets the secondary clock as source.
- The Cisco ASR 1002-X Router was introduced in Release 3.7.0S. This router does not support the 2-Port Gigabit Synchronous Ethernet SPA.

These restrictions apply to the 1-Port 10-Gigabit Ethernet LAN/WAN PHY SPA introduced in Cisco IOS XE Release 3.3.0S:

- If an Ethernet WAN interface is used as a path terminating equipment (PTE) at one end of a SONET network, only an Ethernet WAN interface can be used for the PTE at the other end of the SONET network. WAN-PHY SPA will neither interoperate nor terminate on either the packet-over-sonet (PoS) or the ethernet-over-sonet (EoS) port at the other end.
- In theory, a 10GBASE-W interface is not intended to interoperate directly with SONET or SDH equipment because WAN-PHY is not fully compliant with SONET or SDH optical and electrical specifications.
- For LAN-PHY, the maximum data rate is 10.3125 gigabit per second (Gbps).
- For WAN-PHY, the maximum data rate is 9.953 gigabit per second (Gbps) (as required by SONET or SDH).



Note The Ethernet hardware used for the Cisco Gigabit Ethernet SPA, including the fixed Gigabit Ethernet ports on the ASR 1000 Series Aggregation Services Routers, can guarantee traffic only at a minimum of 10 bytes Inter-Frame Gap (IFG). If the traffic received is less than 10 bytes IFG, small packet loss can occur. Under certain conditions, some optical transport gear may transmit packets with 8 bytes IFG. We recommend to set the link mode to transparent mode on the transport gear, as a work around for the problem. Another option is to place an intermediate device such as a L2 switch or media transceiver that can handle the smaller IFG, in between the ASR 1000 Gigabit Ethernet SPA interface and the transport gear.

Prerequisites for Configuring 1-Port 10-Gigabit Ethernet LAN/WAN PHY SPA

The prerequisites for configuring 1-Port 10-Gigabit Ethernet LAN/WAN PHY SPA are as follows:

- The minimum Cisco IOS XE Software release image required for 1-Port 10-Gigabit Ethernet LAN/WAN PHY SPA is Cisco IOS XE Release 3.3.0S or later.
- If the 1-Port 10-Gigabit Ethernet LAN/WAN PHY SPA is on LAN or WAN mode at one end, it must run on the same mode (LAN or WAN) at the remote end as well. However, SPA-1X10GE-WL-V2 (configured in LAN mode) is compatible with the SPA-1X10GE-L-V2 (LAN SPA).

Synchronous Ethernet

Synchronous Ethernet (SyncE) is a procedure in which a physical layer interface is used to pass timing from node to node in the same way that timing is passed in SONET or SDH. SyncE, defined by ITU-T standards, such as G.8261, G.8262, G.8264, and G.781, leverages the PHY layer of Ethernet to transmit frequency to remote sites. SyncE over Ethernet provides a cost-effective alternative to the networks. For SyncE to work, each network element must, along with the synchronization path, support SyncE.

The 2-Port Gigabit Synchronous Ethernet SPA has a dedicated external interface known as the BITS interface to recover the clock from a SSU. The Cisco ASR 1000 Series Routers use this clock for SyncE. The BITS interface supports E1 (European SSUs) and T1 (American BITS) framing. The following table lists the framing modes for the BITS interface on a 2-Port Gigabit Synchronous Ethernet SPA.

Table 17: Framing Modes for BITS Interface

BITS or SSU Interface Support Matrix	Framing Modes Supported	SSM or QL support	Tx Port	Rx Port
T1	T1 ESF	Yes	Yes	Yes
T1	T1 SF	No	Yes	Yes
E1	E1 CRC4	Yes	Yes	Yes
E1	E1 FAS	No	Yes	Yes
E1	E1 CAS	No	No	Yes
E1	E1 CAS CRC4	Yes	No	Yes
2048kHz	2048kHz	No	Yes	Yes

You can implement SyncE on the 2-Port Gigabit Synchronous Ethernet SPA, with four different configurations:

- Clock Recovery from SyncE: The system clock is recovered from the SyncE clocking source (Gigabit and Ten gigabit interfaces only). The router uses this clock as the Tx clock for other SyncE interfaces or ATM or CEoP interfaces.
- Clock Recovery from External Interface: The system clock is recovered from a BITS clocking source or a GPS interface.
- Line to External: The system clock received from an Ethernet is forwarded to an external Synchronization Supply Unit (SSU). During a synchronization chain, the received clock may have unacceptable wander and jitter. The router recovers the clock from the SyncE interface, converts it to the format required for the BITS interface, and sends it to an SSU through the BITS port. The SSU cleans the clock and sends it back to the BITS interface. This clock is used as the Tx clock for the SyncE ports.
- System to External: The system clock is used as the Tx clock for an external interface. By default, the system clock is not transmitted on an external interface.

Squelching

Squelching is a process in which, an alarm indication signal (AIS) is sent to the Tx interfaces whenever the clock source goes down. The squelching functionality is implemented in two scenarios:

- Line to external: If the line source goes down, an AIS is transmitted on the external interface to the SSU.
- System to external: If the router loses all the clock sources, an AIS is transmitted on the external interface to the SSU.

Squelching is performed only on an external device such as an SSU or a Primary Reference Clock (PRC).

SSM and ESMC

Network clocking uses these mechanisms to exchange the quality level of the clock between the network elements:

- Synchronization Status Message
- Ethernet Synchronization Messaging Channel

Synchronization Status Message

Network elements use Synchronization Status Messages (SSM) to inform the neighboring elements about the Quality Level (QL) of the clock. Non-Ethernet interfaces, such as optical interfaces and SONET/T1/E1 SPA framers, use SSM. The key benefits of the SSM are:

- Prevents timing loops.
- Provides quick recovery when a part of the network fails.
- Ensures that a node derives timing from the most reliable clock source.

Ethernet Synchronization Messaging Channel

In order to maintain a logical communication channel in synchronous network connections, Ethernet relies on a channel called Ethernet Synchronization Messaging Channel (ESMC) based on IEEE 802.3 Organization-Specific Slow Protocol standards. ESMC relays the SSM code that represents the quality level of the Ethernet Equipment Clock (EEC) in a physical layer.

The ESMC packets are received only for those ports configured as clock sources, and transmitted on all the SyncE interfaces in the system. These packets are then processed by the clock selection algorithm on RP. and

are used to select the best clock. The Tx frame is generated based on the QL value of the selected clock source, and sent to all the enabled SyncE ports.

Clock Selection Algorithm

The clock selection algorithm selects the best available synchronization source from the nominated sources. The algorithm has a non-revertive behavior among clock sources with the same QL value, and always selects the signal with the best QL value. For clock option 1, the default is revertive, and for clock option 2, the default is nonrevertive.

The clock selection process works in the QL-enabled and QL-disabled modes. When multiple selection processes are present in a network element, all processes work in the same mode.

QL-Enabled Mode

In QL-enabled mode, the following parameters contribute to the selection process:

- Quality level
- Signal fail via QL-FAILED
- Priority
- External commands



Note

If no external commands are active, the algorithm selects the reference (for clock selection) with the highest quality level that does not experience a signal fail condition. If multiple inputs have the same highest quality level, the input with the highest priority is selected. For multiple inputs having the same highest priority and quality level, the existing reference is maintained (if it belongs to this group), otherwise an arbitrary reference from this group is selected.

QL-Disabled Mode

In QL-Disabled mode, the following parameters contribute to the selection process:

- Signal failure
- Priority
- External commands

If no external commands are active, the algorithm selects the reference (for clock selection) with the highest priority that does not experience a signal fail condition. For multiple inputs having the same highest priority, the existing reference is maintained (if it belongs to this group). Otherwise an arbitrary reference from this group is selected.

Supported MIBs

The following MIBs are supported by the LAN/WAN Phy Gigabit Ethernet SPAs on the Cisco ASR 1000 Series Routers:

- ENTITY-MIB

- CISCO-ENTITY-SENSOR-MIB
- ENTITY-SENSOR-MIB
- CISCO-ENTITY-FRU-CONTROL-MIB
- CISCO-ENTITY-ALARM-MIB
- IF-MIB
- CISCO-IF-EXTENSION-MIB
- ETHERLIKE-MIB
- CISCO-ETHERLIKE-EXT-MIB
- ETHER-WIS MIB (RFC 3637)
- CISCO-ENTITY-PERFORMANCE-MIB
- CISCO-CLASS-BASED-QOS-MIB
- ENTITY-STATE-MIB
- CISCO-ENTITY-VENDORTYPE-OID-MIB

To locate and download MIBs for selected platforms, Cisco IOS releases, and feature sets, use Cisco MIB Locator found at the following URL:

<http://tools.cisco.com/ITDIT/MIBS/servlet/index>

If Cisco MIB Locator does not support the MIB information that you need, you can also obtain a list of supported MIBs and download MIBs from the Cisco MIBs page at the following URL:

<http://www.cisco.com/public/sw-center/netmgmt/cmtk/mibs.shtml>

To access Cisco MIB Locator, you must have an account on Cisco.com. If you have forgotten or lost your account information, send a blank e-mail to cco-locksmith@cisco.com. An automatic check will verify that your e-mail address is registered with Cisco.com. If the check is successful, account details with a new random password will be e-mailed to you. Qualified users can establish an account on Cisco.com by following the directions found at this URL:

<https://tools.cisco.com/RPF/register/register.do>

Supported Ethernet SPAs

This section lists and describes the Ethernet SPAs supported by the Cisco ASR 1000 Series Routers and the SIP line cards supporting these Ethernet SPAs.

2-Port Gigabit Synchronous Ethernet SPA

The 2-Port Gigabit Synchronous Ethernet SPA provides time and frequency distribution across Ethernet networks. Synchronization is not traditionally present in the all-packet networks. Synchronization is cost-effective, and especially important to service providers who have migrated late to packet networks, and use an external time-division multiplexing (TDM) circuit to provide timing to remote networks. These remote networks constantly require synchronization for crucial voice services.

SPA-2X1GE-SYNCE can also interface with either an external SSU or BITS interface or a GPS timing interface. The 2-Port Gigabit Synchronous Ethernet SPA comprises these clock interfaces:

- BITS In
- BITS Out
- GPS In
- GPS Out

The 2-Port Gigabit Synchronous Ethernet SPA (SPA-2X1GE-SYNCE) is compatible with the 2-Port GigE SPA-v2, and provides additional services, such as clock frequency and time-of-day synchronization, using the following technologies:

- Synchronous Ethernet (SyncE)
- ESMC

SyncE defined by ITU-T standards, such as G.8261, G.8262, G.8264, and G.781, and leverages the PHY layer of Ethernet to transmit frequency to remote sites. SyncE provides a cost-effective alternative to the SONET networks. For SyncE to work, each network element must along with the synchronization path, support SyncE.

SPA Architecture

This section provides an overview of the architecture of the Gigabit Ethernet SPAs and describes the path of a packet in the ingress and egress directions. Some of these areas of the architecture are referenced in the SPA software and can be helpful to understand when troubleshooting or interpreting some of the SPA CLI and **show** command output.

Every incoming and outgoing packet on the Gigabit Ethernet SPAs goes through the physical (PHY) SFP optics, the Media Access Controller (MAC), and a Layer 2 Filtering/Accounting ASIC.

Path of a Packet in the Ingress Direction

The following steps describe the path of an ingress packet through the Gigabit Ethernet SPAs:

1. For one-Gigabit Ethernet SPAs, the SFP optics receive incoming frames on a per-port basis from one of the optical fiber interface connectors.
2. For ten-Gigabit Ethernet SPAs, the XFP PHY device processes the frame and sends it over a serial interface to the MAC device.
3. The MAC device receives the frame, strips the CRCs, and sends the packet via the SPI 4.2 bus to the ASIC.
4. The ASIC takes the packet from the MAC devices and classifies the Ethernet information. CAM lookups based on Ethernet type, port, VLAN, and source and destination address information determine whether the packet is dropped or forwarded to the SPA interface.

Path of a Packet in the Egress Direction

The following steps describe the path of an egress packet from the SIP through the Gigabit Ethernet SPAs:

1. The packet is sent to the ASIC using the SPI 4.2 bus. The packets are received with Layer 2 and Layer 3 headers in addition to the packet data.
2. The ASIC uses port number, destination MAC address, destination address type, and VLAN ID to perform parallel CAM lookups. If the packet is forwarded, it is forwarded via the SPI 4.2 bus to the MAC device.

- For Gigabit Ethernet SPAs, the MAC device forwards the packets to the PHY laser-optic interface, which transmits the packet.

Displaying the SPA Hardware Type

To verify the SPA hardware type that is installed in your Cisco ASR 1000 Series Routers, you can use the **show platform** command.

The following table shows the hardware description that appears in the **show interfaces** command output for each Gigabit Ethernet SPA that is supported on the Cisco ASR 1000 Series Routers.

Table 18: SPA Hardware Descriptions in show Commands

SPA	Description in show interfaces Command
4-Port Fast Ethernet SPA	Hardware is SPA-4X1FE-TX-V2
8-Port Fast Ethernet SPA	Hardware is SPA-8X1FE-TX-V2
10-Port Gigabit Ethernet SPA	Hardware is SPA-10X1GE-V2
8-Port Gigabit Ethernet SPA	Hardware is SPA-8X1GE-v2
5-Port Gigabit Ethernet SPA	Hardware is SPA-5X1GE-V2
2-Port Gigabit Ethernet SPA	Hardware is SPA-2X1GE-V2
1-Port 10-Gigabit Ethernet SPA	Hardware is SPA-1X10GE-L-V2
1-Port 10-Gigabit Ethernet LAN/WAN PHY SPA	Hardware is SPA-1X10GE-WL-V2.



Note Effective from Cisco IOS XE Release 3.8.0S, support for the Minimal Disruptive Restart feature is added to the line cards that use the SPA-2X1GE-V2, SPA-5X1GE-V2, SPA-8X1GE-V2, SPA-10X1GE-V2, and SPA-1X10GE-L-V2 Gigabit Ethernet SPAs. For more information on the Minimal Disruptive Restart feature, see the chapter “Software Upgrade Process” of the [Cisco ASR 1000 Series Aggregation Services Routers Software Configuration Guide](#).

Example of the show interfaces Command

The following example shows an output of the **show interfaces tengigabitethernet** command on a Cisco ASR 1000 Series Routers with a 1-Port 10-Gigabit Ethernet SPA installed in slot 7:

```
Router# show interfaces tengigabitethernet7/0/0
TenGigabitEthernet0/0/0 is up, line protocol is up (connected)
Hardware is SPA-1X10GE-L-V2, address is 0000.0c00.0102 (bia 000f.342f.c340)
Internet address is 15.1.1.2/24
MTU 1500 bytes, BW 10000000 Kbit, DLY 10 usec,
    reliability 255/255, txload 1/255, rxload 1/255
Encapsulation ARPA, loopback not set
Keepalive not supported
```

```

Full-duplex, 10Gb/s
input flow-control is on, output flow-control is on
ARP type: ARPA, ARP Timeout 04:00:00
Last input never, output 00:00:10, output hang never
Last clearing of "show interface" counters 20:24:30
Input queue: 0/75/0/0 (size/max/drops/flushes); Total output drops: 0
Queueing strategy: fifo
Output queue: 0/40 (size/max)
5 minute input rate 0 bits/sec, 0 packets/sec
5 minute output rate 0 bits/sec, 0 packets/sec
L2 Switched: ucast: 0 pkt, 0 bytes - mcast: 0 pkt, 0 bytes
L3 in Switched: ucast: 0 pkt, 0 bytes - mcast: 0 pkt, 0 bytes mcast
L3 out Switched: ucast: 0 pkt, 0 bytes mcast: 0 pkt, 0 bytes
237450882 packets input, 15340005588 bytes, 0 no buffer
Received 25 broadcasts (0 IP multicasts)
0 runts, 0 giants, 0 throttles
0 input errors, 0 CRC, 0 frame, 0 overrun, 0 ignored
0 watchdog, 0 multicast, 0 pause input
0 input packets with dribble condition detected
1676 packets output, 198290 bytes, 0 underruns
0 output errors, 0 collisions, 4 interface resets
0 babbles, 0 late collision, 0 deferred
0 lost carrier, 0 no carrier, 0 PAUSE output
0 output buffer failures, 0 output buffers swapped out

```

The following example shows a sample output of the **show interfaces gigabitethernet** command on a Cisco ASR 1000 Series Aggregation Services Routers with a 2-Port Gigabit Synchronous Ethernet SPA installed in slot 2:

```

Router# show interfaces gigabitethernet 2/0/1
GigabitEthernet2/0/1 is down, line protocol is down
Hardware is GigEther SPA, address is 000a.f330.2e40 (bia 000a.f330.2e40)
Internet address is 2.2.2.1/24
MTU 1500 bytes, BW 1000000 Kbit, DLY 10 usec,
reliability 255/255, txload 1/255, rxload 1/255
Encapsulation ARPA, loopback not set
Full-duplex, 1000Mb/s, link type is force-up, media type is SX
output flow-control is on, input flow-control is on
ARP type: ARPA, ARP Timeout 04:00:00
Last input 03:19:34, output 03:19:29, output hang never
Last clearing of "show interface" counters never
Input queue: 0/75/0/0 (size/max/drops/flushes); Total output drops: 0
Queueing strategy: fifo
Output queue: 0/40 (size/max)
5 minute input rate 0 bits/sec, 0 packets/sec
5 minute output rate 0 bits/sec, 0 packets/sec
1703 packets input, 638959 bytes, 0 no buffer
Received 23 broadcasts (0 IP multicasts)
0 runts, 0 giants, 0 throttles
0 input errors, 0 CRC, 0 frame, 0 overrun, 0 ignored
0 watchdog, 1670 multicast, 0 pause input
1715 packets output, 656528 bytes, 0 underruns
0 output errors, 0 collisions, 4 interface resets
0 babbles, 0 late collision, 0 deferred
0 lost carrier, 0 no carrier, 0 PAUSE output
0 output buffer failures, 0 output buffers swapped out

```

The following example shows a sample output of the **show platform** command on a Cisco ASR 1000 Series Aggregation Services Routers with a 1-Port 10-Gigabit Ethernet LAN/WAN PHY SPA installed in subslots 1,2, and 3 of SIP-40 installed in slot 2:

```

Router# show platform

```



```

Chassis type: ASR1013
Slot      Type                State                Insert time (ago)
-----
2         ASR1000-SIP40           ok                   00:03:08
  2/1     SPA-1X10GE-WL-V2       ok                   00:02:07
  2/2     SPA-1X10GE-WL-V2       ok                   00:02:03
  2/3     SPA-1X10GE-WL-V2       ok                   00:01:59
4         ASR1000-SIP10           ok                   00:03:08
  4/2     SPA-1X10GE-L-V2        ok                   00:02:07
R0        ASR1000-RP2             ok, active           00:03:08
R1        ASR1000-RP2             ok, standby          00:03:08
F0        ASR1000-ESP40           ok, active           00:03:08
F1        ASR1000-ESP40           ok, standby          00:03:08
P0        ASR1013-PWR-AC          ok                   00:02:19
P1        ASR1013-PWR-AC          ok                   00:02:19
P2        ASR1013-PWR-AC          ok                   00:02:19
P3        ASR1013-PWR-AC          ok                   00:02:18
Slot      CPLD Version            Firmware Version
-----
2         00200800                12.2 (20090723:220530) [sxiao-cc40g-r...
4         09111601                12.2 (33r)XND
R0        10021901                12.2 (33r)XND
R1        10021901                12.2 (33r)XND
F0        1003190E                15.0 (1r)S
F1        1003190E                15.0 (1r)S

```

Overview of LAN/WAN-PHY Controllers

LAN/WAN-PHY support in Cisco IOS XE Software Release 3.3.0S and later is based on the IEEE 802.3ae standard. WAN-PHY controllers can only be used as Path Terminating Equipment (PTE). When deploying Ethernet WAN interfaces as endpoints or as PTE between routers, the other endpoint must be an Ethernet WAN interface. WAN-PHY does not interoperate nor terminate on a Packet over Sonet (PoS) or an Ethernet over Sonet (EoS) port.

The purpose of WAN-PHY is to render a 10-Gigabit Ethernet compatible with the SONET STS-192c format and data rate, as defined by ANSI, as well as the SDH VC-4-64c container specified by ITU. To achieve this compatibility, a WAN Interface Sublayer (WIS) is inserted between the 10-Gigabit Ethernet Physical Coding Sublayer (PCS) and the serial Physical Medium Attachment sublayer/Physical Medium Dependent sublayer (PMA/PMD). When the controller is in WAN-PHY mode, the WIS sublayer transports 10-Gigabit Ethernet frames in an OC-192c SONET payload that can interoperate with SONET section or line-level repeaters. This effectively bridges the asynchronous world of Ethernet data with synchronous SONET/SDH transport, allowing the 10-Gigabit Ethernet to be transparently carried over current DWDM networks without having to directly map the Ethernet frames into SONET/SDH.

Following is a list of the WIS characteristics and the functions it performs:

- The WIS allows WAN-PHY equipment to generate an Ethernet data stream to be mapped to an OC-192c or VC-4-64c concatenated payload at the PHY level without any MAC or higher layer processing.
- A 10GBASE-W interface cannot interoperate directly with SONET or SDH equipment because WAN-PHY is not fully compliant with SONET or SDH optical and electrical specifications. In practice, SONET or SDH and 10GBASE-W interfaces can interoperate.
- From a MAC perspective, WAN-PHY does not appear any different from LAN-PHY (no WIS) with the exception of the sustained data rate. In the case of LAN-PHY, the maximum data rate is 10.3125 Gbps, while at WAN-PHY, it is 9.95328 Gbps (as required by SONET or SDH).

- The WIS implements a subset of the SONET functions, including creating the section, line, path overhead headers, calculating the Bit Interleaved Parity (BIP) bytes for error monitoring and managing a variety of alarms and defect indications.

Difference Between POS and 10GBASE-W

- POS and 10GBASE-W cannot interoperate on the same link because the protocol architecture is completely different. POS is based on a serial protocol, such as PPP, whose frames are logically and physically different from the Ethernet MAC frames.
- From a service provider point of view, POS is an L3 point-to-point service, while WAN-PHY is an L2 Ethernet hand-off. It is appropriate to compare WAN-PHY with an Ethernet over SONET (EoS) encapsulation technology, such as ITU-T X.86 or GFP (ITU-T G.7041), where the Ethernet frame is encapsulated in an HDLC-like or GFP frame respectively.
- POS is optically and electrically compatible with SONET and SDH protocols, but WAN-PHY is not.
- POS supports linear Automatic Protection Switching (APS) to restore link failures in 50 ms, while WAN-PHY does not support APS.
- The synchronous nature of POS requires clocking to be configured as either internal or line (Internal clocking is used when the POS interface is connected to another POS back-to-back or through DWDM, while line clocking is required when the POS is connected to a SONET or SDH add/drop multiplexer). WAN-PHY does not support clocking functionality.



CHAPTER 10

Configuring the Ethernet SPAs

This chapter provides information about configuring the Fast Ethernet and Gigabit Ethernet SPAs on the Cisco ASR 1000 Series Routers.

- [Configuration Tasks, on page 111](#)
- [Verifying the Interface Configuration, on page 124](#)
- [Using show Commands to Check SFP Module and XFP Module Status, on page 125](#)
- [Configuring LAN/WAN-PHY Controllers, on page 139](#)
- [Configuration Examples, on page 159](#)

Configuration Tasks

This section describes how to configure the Gigabit Ethernet and Fast Ethernet SPAs and verify the configuration. For information about managing your system images and configuration files, refer to the following:

- [Cisco ASR 1000 Series Aggregation Services Routers Software Configuration Guide](#)
- [Cisco IOS Configuration Fundamentals Configuration Guide](#)
- [Cisco IOS Configuration Fundamentals Command Reference](#)

Required Configuration Tasks

This section lists the required configuration steps to configure the Gigabit Ethernet SPAs. Some of the required configuration commands implement default values that might be appropriate for your network. If the default value is correct for your network, then you do not need to configure the command. These commands are indicated by “(As Required)” in the Purpose column.

To configure the Fast Ethernet or Gigabit Ethernet SPAs, complete the following steps:

SUMMARY STEPS

1. Router# **configure terminal**
2. Do one of the following:
 - Router(config)# **interface gigabitethernet** *slot /subslot /port.subinterface-number*]
 -

- Router(config)# **interface tengigabitethernet** *slot /subslot /port.subinterface-number*]
- 3. Router(config-if)# **ip address** *ip-address mask* {**secondary**} | **dhcp** {**client-id** *interface-name*} {**hostname** *host-name*}
- 4. Router(config-if)# **mtu** *bytes*
- 5. Router(config-if)# **standby** [*group-number*] **ip** [*ip-address* [**secondary**]]
- 6. Router(config-if)# **no shutdown**

DETAILED STEPS

	Command or Action	Purpose
Step 1	Router# configure terminal	Enters global configuration mode.
Step 2	<p>Do one of the following:</p> <ul style="list-style-type: none"> • Router(config)# interface gigabitethernet <i>slot /subslot /port.subinterface-number</i>] • Router(config)# interface tengigabitethernet <i>slot /subslot /port.subinterface-number</i>] <p>Example: Example:</p> <pre>Router (config) # interface fastethernet <i>slot /subslot /port.subinterface-number</i>]</pre>	<p>Specifies the Gigabit Ethernet, Ten Gigabit Ethernet, or Fast Ethernet interface to configure, where:</p> <ul style="list-style-type: none"> • <i>slot /subslot /port</i> —Specifies the location of the interface. See the Specifying the Interface Address on a SPA, on page 113. • <i>.subinterface-number</i>—(Optional) Specifies a secondary interface (subinterface) number.
Step 3	Router(config-if)# ip address <i>ip-address mask</i> { secondary } dhcp { client-id <i>interface-name</i> } { hostname <i>host-name</i> }	<p>Sets a primary or secondary IP address for an interface that is using IPv4, where:</p> <ul style="list-style-type: none"> • <i>ip-address</i> —Specifies the IP address for the interface. • <i>mask</i>—Specifies the mask for the associated IP subnet. • secondary—(Optional) Specifies that the configured address is a secondary IP address. If this keyword is omitted, the configured address is the primary IP address. • dhcp—Specifies that IP addresses will be assigned dynamically using DHCP. • client-id <i>interface-name</i>—Specifies the client identifier. The <i>interface-name</i> sets the client identifier to the hexadecimal MAC address of the named interface. • hostname <i>host-name</i>—Specifies the hostname for the DHCP purposes. The <i>host-name</i> is the name of the host to be placed in the DHCP option 12 field.
Step 4	Router(config-if)# mtu <i>bytes</i>	(As Required) Specifies the maximum packet size for an interface, where:

	Command or Action	Purpose
		<ul style="list-style-type: none"> <i>bytes</i>— Specifies the maximum number of bytes for a packet. <p>The default is 1500 bytes; the range is 1500 to 9216.</p>
Step 5	Router(config-if)# standby [<i>group-number</i>] ip [<i>ip-address</i>] [secondary]	<p>(Required for HSRP Configuration Only) Creates (or enables) the HSRP group using its number and virtual IP address, where:</p> <ul style="list-style-type: none"> (Optional) <i>group-number</i>—Specifies the group number on the interface for which HSRP is being enabled. The range is 0 to 255; the default is 0. If there is only one HSRP group, you do not need to enter a group number. (Optional on all but one interface if configuring HSRP) <i>ip-address</i>—Specifies the virtual IP address of the hot standby router interface. You must enter the virtual IP address for at least one of the interfaces; it can be learned on the other interfaces. (Optional) secondary—Specifies the IP address is a secondary hot standby router interface. If neither router is designated as a secondary or standby router and no priorities are set, the primary IP addresses are compared and the higher IP address is the active router, with the next highest as the standby router. <p>This command enables HSRP but does not configure it further. For additional information on configuring HSRP, refer to the HSRP section of the Cisco IP Configuration Guide publication that corresponds to your Cisco IOS software release.</p>
Step 6	Router(config-if)# no shutdown	Enables the interface.

Specifying the Interface Address on a SPA

SPA interface ports begin numbering with “0” from left to right. Single-port SPAs use only the port number 0. To configure or monitor SPA interfaces, you need to specify the physical location of the SIP, SPA, and interface in the CLI. The interface address format is *slot/subslot/port*, where:

- slot*—Specifies the chassis slot number in the Cisco ASR 1000 Series Router where the SIP is installed.
- subslot*—Specifies the secondary slot of the SIP where the SPA is installed.
- port*—Specifies the number of the individual interface port on a SPA.

The following example shows how to specify the first interface (0) on a SPA installed in the first subslot of a SIP (0) installed in chassis slot 0:

```
Router(config)# interface GigabitEthernet 0/0/0
interface GigabitEthernet0/0/0
no ip address
shutdown
```

```
negotiation auto
no cdp enable
```

Modifying the MAC Address on an Interface

The Gigabit Ethernet SPAs use a default MAC address for each port that is derived from the base address that is stored in the electrically erasable programmable read-only memory (EEPROM) on the backplane of the Cisco ASR 1000 Series Routers.

To modify the default MAC address of an interface to some user-defined address, use the following command in interface configuration mode:

Command	Purpose
Router(config-if)# mac-address <i>ieee-address</i>	<p>Modifies the default MAC address of an interface to some user-defined address, where:</p> <ul style="list-style-type: none"> <i>ieee-address</i>— Specifies the 48-bit Institute of Electrical and Electronics Engineers (IEEE) MAC address written as a dotted triple of four-digit hexadecimal numbers (<i>xxxx.yyyy.zzzz</i>).

To return to the default MAC address on the interface, use the **no** form of the command.

Verifying a MAC Address

To verify the MAC address of an interface, use the **show interfaces gigabitethernet** privileged EXEC command and observe the value shown in the “address is” field.

The following example shows that the MAC address is 000a.f330.2e40 for interface 1 on the SPA installed in subslot 0 of the SIP installed in slot 2 of the Cisco ASR 1000 Series Routers:

```
Router# show interfaces gigabitethernet 2/0/1
GigabitEthernet2/0/1 is up, line protocol is up
  Hardware is SPA-1X10GE-L-V2, address is 000a.f330.2e40 (bia 000a.f330.2e40)
  Internet address is 2.2.2.1/24
  MTU 1500 bytes, BW 1000000 Kbit, DLY 10 usec,
    reliability 255/255, txload 1/255, rxload 1/255
  Encapsulation ARPA, loopback not set
  Keepalive not supported
  Full-duplex, 1000Mb/s, link type is force-up, media type is SX
  output flow-control is on, input flow-control is on
(Additional output removed for readability)
```

Gathering MAC Address Accounting Statistics

The **ip accounting mac-address [input | output]** command can be entered to enable MAC Address Accounting on an interface. After enabling MAC Address Accounting, MAC address statistics can be displayed by entering the **show interfaces mac-accounting** command.

Configuring the Hot Standby Router Protocol

The Hot Standby Router Protocol (HSRP) provides high network availability because it routes IP traffic from hosts without relying on the availability of any single router. HSRP is used in a group of routers for selecting an active router and a standby router. (An *active* router is the router of choice for routing packets; a *standby*

router is a router that takes over the routing duties when an active router fails, or when preset conditions are met).

HSRP is enabled on an interface by entering the **standby** *[group-number]* **ip** *[ip-address [secondary]]* command. The **standby** command is also used to configure various HSRP elements. This document does not discuss more complex HSRP configurations. For additional information on configuring HSRP, refer to the HSRP section of the Cisco IP Configuration Guide publication that corresponds to your Cisco IOS XE software release. In the following HSRP configuration, standby group 2 on Gigabit Ethernet port 2/1/0 is configured at a priority of 110 and is also configured to have a preemptive delay should a switchover to this port occur:

```
Router(config)#  
interface GigabitEthernet 2/1/0  
Router(config-if)#  
standby 2 ip 120.12.1.200  
Router(config-if)#  
standby 2 priority 110  
Router(config-if)#  
standby 2 preempt
```

Verifying HSRP

To verify the HSRP information, use the show standby command in EXEC mode:

```
Router# show standby  
Ethernet0 - Group 0  
Local state is Active, priority 100, may preempt  
Hellotime 3 holdtime 10  
Next hello sent in 0:00:00  
Hot standby IP address is 198.92.72.29 configured  
Active router is local  
Standby router is 198.92.72.21 expires in 0:00:07  
Standby virtual mac address is 0000.0c07.ac00  
Tracking interface states for 2 interfaces, 2 up:  
UpSerial0  
UpSerial1
```

Modifying the Interface MTU Size

The Cisco IOS software supports three different types of configurable maximum transmission unit (MTU) options at different levels of the protocol stack:

- Interface MTU—Checked by the SPA on traffic coming in from the network. Different interface types support different interface MTU sizes and defaults. The interface MTU defines the maximum packet size allowable (in bytes) for an interface before drops occur. If the frame is smaller than the interface MTU size, but is not smaller than the minimum frame size for the interface type (such as 64 bytes for Ethernet), then the frame continues to process.
- IP MTU—Can be configured on an interface or subinterface. If an IP packet exceeds the IP MTU size, then the packet is fragmented.
- Tag or Multiprotocol Label Switching (MPLS) MTU—Can be configured on an interface or subinterface and allows up to six different labels, or tag headers, to be attached to a packet. The maximum number of labels is dependent on your Cisco IOS software release.

Different encapsulation methods and the number of MPLS MTU labels add additional overhead to a packet. For example, Subnetwork Access Protocol (SNAP) encapsulation adds an 8-byte header, dot1q encapsulation adds a 2-byte header, and each MPLS label adds a 4-byte header (n labels \times 4 bytes).

For Gigabit Ethernet SPAs on the Cisco ASR 1000 Series Aggregation Services Routers, the default MTU size is 1500 bytes. The maximum configurable MTU is 9216 bytes. The SPA automatically adds an additional 22 bytes to the configured MTU size to accommodate some of the additional overhead.



Note In the Cisco ASR 1000 Series Route Processor 1 (RP1), 2RU and 2RU-Fixed chassis, the MTU size for the Management Ethernet interface (interface gigabitethernet 0) is limited to 2370 bytes.

Interface MTU Configuration Guidelines

When configuring the interface MTU size on a Gigabit Ethernet SPA on a Cisco ASR 1000 Series Routers, consider the following guidelines:

- The default interface MTU size accommodates a 1500-byte packet, plus 22 additional bytes to cover the following additional overhead:
 - Layer 2 header—14 bytes
 - Dot1q header—4 bytes
 - CRC—4 bytes
- If you are using MPLS, be sure that the **mpls mtu** command is configured for a value less than or equal to the interface MTU.
- If you are using MPLS labels, then you should increase the default interface MTU size to accommodate the number of MPLS labels. Each MPLS label adds 4 bytes of overhead to a packet.

Interface MTU Configuration Task

To modify the MTU size on an interface, use the following command in interface configuration mode:

Command	Purpose
Router(config-if)# mtu bytes	Configures the maximum packet size for an interface, where: <ul style="list-style-type: none"> • <i>bytes</i>— Specifies the maximum number of bytes for a packet. The default is 1500 bytes and the maximum configurable MTU is 9216 bytes.

To return to the default MTU size, use the **no** form of the command.

Verifying the MTU Size

To verify the MTU size for an interface, use the **show interfaces gigabitethernet** privileged EXEC command and observe the value shown in the “MTU” field.

The following example shows an MTU size of 1500 bytes for interface port 1 (the second port) on the Gigabit Ethernet SPA installed in the top subslot (0) of the SIP that is located in slot 2 of the Cisco ASR 1000 Series Routers:

```
Router# show interfaces gigabitethernet 2/0/1
GigabitEthernet2/0/1 is up, line protocol is up
  Hardware is SPA-1X10GE-L-V2, address is 000a.f330.2e40 (bia 000a.f330.2e40)
  Internet address is 2.2.2.1/24
  MTU 1500 bytes
, BW 1000000 Kbit, DLY 10 usec,
```



```

reliability 255/255, txload 1/255, rxload 1/255
Encapsulation ARPA, loopback not set
Keepalive not supported

```

QoS Classification

The physical level interface module (PLIM) is the hardware component in the data path between the media interface and the forwarding engine.

Use the following commands in interface configuration mode to configure QoS:

Command	Purpose
Router(config-if)# plim qos input map ip {precedence-based precedence <i>precedence-value</i> queue low-latency }	<p>Classifies incoming IP traffic according to the value of the IP precedence bits and places the traffic into the appropriate queue.</p> <ul style="list-style-type: none"> • <i>precedence-value</i>—Specifies the value of the IP precedence bits (0 to 7). You can specify a range of values separated by a dash or a list of values. By default, the Gigabit Ethernet SPA classifies IP precedence range 6-7 as high priority. • low-latency—Specifies the high priority queue. Enter 0 for low priority. <p>Use the no form of the command to remove the configured values.</p>
Router(config-if)# plim qos input map ipv6 all queue low-latency 0	<p>Classifies all IPv6 packets as high or low priority.</p> <ul style="list-style-type: none"> • low-latency—Specifies high priority traffic. Enter 0 for low priority. <p>The no form of this command disables all IPv6 classification. By default, without using this command, the command is disabled.</p>
Router(config-if)# plim qos input map ipv6 tc [<i>tc-value</i> <i>tc-range</i>] queue low-latency 0	<p>Classifies ingress IPv6 traffic based on the value of the traffic-class bits and places the traffic into the appropriate queue.</p> <ul style="list-style-type: none"> • <i>tc-value</i> <i>tc-range</i>—Specifies the value of the traffic class bits. You can specify a range of values separated by a dash or a list of values. • low-latency—Specifies the high priority queue. Enter 0 for the low priority queue. <p>The no form of this command sets the classification according to default DSCP EF.</p> <p>By default, IPv6 traffic with a traffic-class value equal to ef uses the high-priority queue and all other traffic uses the low-priority queue. Only the most significant six bits of the traffic-class octet is used for the classification.</p>
Router(config-if)# plim qos input map mpls all queue low-latency 0	<p>Classifies all MPLS packets as high or low priority.</p> <ul style="list-style-type: none"> • low-latency—Specifies high priority packets. Enter 0 for low priority packets. <p>The no form of this command disables MPLS classification. By default, without using this command, the command is disabled.</p>

Command	Purpose
Router(config-if)# plim qos input map mpls exp <i>exp-value</i> <i>exp-range</i> queue low-latency 0	<p>Classifies incoming MPLS traffic according to the value of the exp bits and places the traffic into the appropriate queue.</p> <ul style="list-style-type: none"> • <i>exp-value</i> <i>exp-range</i>—Specifies which MPLS exp value or range to use. • low-latency—Specifies high priority MPLS traffic. Enter 0 for low priority. <p>By default, without using this command, the Gigabit Ethernet SPA classifies MPLS EXP range 6-7 as high priority.</p> <p>The no form of this command sets the classification according to default exp range 6-7.</p>
Router(config-if)# plim qos input queue low-latency 0 pause [enable threshold <i>percent</i>]	<p>Enables Ethernet pause frame generation due to flow control status.</p> <ul style="list-style-type: none"> • low latency—Specifies high priority queue. Enter 0 for a low priority queue. • pause—Sets up the queue threshold to send a pause frame, which is a percentage of queue limit for packet drop. • The default threshold is 90 percent. <p>By default, without using the command, pause frame generation is enabled for low latency queue.</p> <p>The no form of this command disables pause generation for a queue.</p>
Router(config-if)# plim qos input [bandwidth <i>value_in_Kbps</i> [low-latency]] [weight <i>weight</i>]	<p>Specifies the whole port, regardless of priority, or specifies priority only (low-latency) to receive minimum bandwidth guarantee, what minimum bandwidth is demanded, and what weight value is assigned for the excess scheduling.</p> <p>The default mode (without using this command) is that minimum scheduling is <i>off</i> and only excess scheduling is in service, which uses default weight proportional to the interface bandwidth.</p> <p>The no form of this command sets the interface to the default minimum bandwidth and weight.</p>

Port-Level or Physical-Level QoS Classification

Use the following commands for port or physical level classification:

Command	Purpose
Router(config-if)# plim qos input map ip all queue low-latency 0	<p>Allows user to specify all IPv4 packets as high or low priority.</p> <ul style="list-style-type: none"> • low latency—Specifies high priority packets. Enter 0 for a low priority packets <p>The no form of this command disables all IPv4 classification. By default, without using this command, the command is disabled.</p>

Command	Purpose
Router(config-if)# plim qos input map ip dscp-based	Enables IP DSCP-based classification. By default, without using this command, the Gigabit Ethernet SPA enables IP precedence-based classification for the Cisco ASR 1000 Series Aggregation Services Routers.]The no form of this command totally disables the IP DSCP-based classification.
Router(config-if)# plim qos input map ip dscp <i>dscp-value</i> <i>dscp-range</i> queue low-latency 0	Allows the user to specify an IP DSCP value or range. • low-latency —Specifies high priority IP DSCP value. Enter 0 for low priority. By default, without this command, the Gigabit Ethernet SPA classifies DSCP cs6-cs7 as high priority. The no form of this command removes the IP DSCP value or range.

Configuring the Encapsulation Type

By default, the interfaces on the Gigabit Ethernet SPAs support Advanced Research Projects Agency (ARPA) encapsulation. They do not support configuration of service access point or SNAP encapsulation for transmission of frames; however, the interfaces will properly receive frames that use service access point and SNAP encapsulation.

The only other encapsulation supported by the SPA interfaces is IEEE 802.1Q encapsulation for virtual LANs (VLANs).

Configuring the Autonegotiation on an Interface

Fast Ethernet and Gigabit Ethernet interfaces use a connection-setup algorithm called *autonegotiation*. Autonegotiation allows the local and remote devices to configure compatible settings for communication over the link. Using autonegotiation, each device advertises its transmission capabilities and then agrees upon the settings to be used for the link.

For the Gigabit Ethernet interfaces on the Cisco ASR 1000 Series Aggregation Services Routers, flow control is autonegotiated when autonegotiation is enabled. Autonegotiation is enabled by default.

The following guidelines should be followed regarding autonegotiation:

- If autonegotiation is disabled on one end of a link, it must be disabled on the other end of the link. If one end of a link has autonegotiation disabled while the other end of the link does not, the link will not come up properly on both ends.
- Autonegotiation is not supported on the 10-Port Gigabit Ethernet SPA on the Cisco ASR1000-SIP10.
- Flow control is enabled by default.
- Flow control will be on if autonegotiation is disabled on both ends of the link.

Disabling Autonegotiation

Autonegotiation is automatically enabled and can be disabled on the Fast Ethernet and Gigabit Ethernet interfaces on the Cisco ASR1000-SIP10. During autonegotiation, advertisement for flow control, speed, and

duplex occurs, depending on the media (fiber or copper) in use. If the interface is connected to a link that has autonegotiation disabled, autonegotiation should either be re-enabled on the other end of the link or disabled on the Fast Ethernet or Gigabit Ethernet SPA, if possible. Both ends of the link will not come up properly if only one end of the link has disabled autonegotiation.

Speed and duplex configurations can be advertised using autonegotiation. However, the only values that are negotiated are:

- For Fast Ethernet SPAs—100 Mbps for speed and full-duplex mode.
- For Gigabit Ethernet SPAs using RJ-45 copper interfaces—1000 Mbps for speed and full-duplex mode. Link speed is not negotiated when using fiber interfaces.

From a user's perspective, these settings are not really negotiated, but rather are enabled using autonegotiation. The SFPs for Gigabit Ethernet SPAs support 1000Base-X, and the IEEE 1000Base-X standard for fiber does not support negotiation of link speed.

To disable autonegotiation, use the following command in interface configuration mode:

Command	Purpose
Router(config-if)# no negotiation auto	Disables autonegotiation on Fast Ethernet or Gigabit Ethernet SPA interfaces on the Cisco ASR1000-SIP10. No advertisement of flow control occurs.

Configuring Speed and Duplex

When autonegotiation is turned off on Fast Ethernet or the RJ-45 interface in the 2-Port Gigabit Ethernet SPA, you can manually specify the speed and duplex configuration.



Note When using the SFP-GE-T, you must configure both the speed and duplex modes.



Note On the Cisco ASR 1002-X Router, the copper SFP port's flow control is on, regardless of the duplex setting. In contrast, on the Cisco ASR 1002 Router, the copper SFP port's flow control is off when the duplex setting is Half.

To configure the speed for a Fast Ethernet or Gigabit Ethernet interface, use the **speed** command in interface configuration mode. To return to the default setting, use the **no** form of this command:

Command	Purpose
Router(config-if)# speed {10 100 1000}	Configures the interface to transmit at 10 Mbps, 100 Mbps, or 1000 Mbps. (The 1000 keyword is only valid for Gigabit Ethernet.)

To configure duplex operation on an interface, use the **duplex** command in interface configuration mode. Use the **no** form of this command to return to the default value.

Command	Purpose
Router(config-if)# duplex {full half}	Specifies full- or half-duplex operation.

Configuring the Media Type

The 2-Port Gigabit Ethernet SPA supports RJ-45 and fiber ports. Use the **media-type** configuration command to select either the RJ-45 or fiber media for a given port.

Command	Purpose
Router(config-if)# media-type {10baset 100baset rj45 gbic}	Specifies the physical connection on an interface.

Enabling Autonegotiation

To re-enable autonegotiation on a Fast Ethernet or Gigabit Ethernet interface, use the following command in interface configuration mode:

Command	Purpose
Router(config-if)# negotiation auto	Enables autonegotiation on a Fast Ethernet SPA interface on a Cisco ASR1000-SIP10 or a Gigabit Ethernet SPA interface on the Cisco ASR1000-SIP10. Advertisement of flow control occurs.

Configuring a Subinterface on a VLAN



Note You can configure no more than 8100 802.1Q VLAN subinterfaces per Ethernet SPA in software releases prior to Cisco IOS XE Release 2.5. Beginning in Cisco IOS XE Release 2.5, you can use the **hw-module subslot ethernet vlan unlimited** command to increase the system default and enable support for configuration of up to 4094 dot1q VLANs per port per SPA. The default is 8100 VLANs.

You can configure subinterfaces on the Fast Ethernet SPA interfaces and Gigabit Ethernet SPA interfaces on a VLAN using IEEE 802.1Q encapsulation. Cisco Discovery Protocol (CDP) is disabled by default on the 2-Port Gigabit Ethernet SPA interfaces and subinterfaces on the Cisco ASR1000-SIP10.

To configure a SPA subinterface on a VLAN, use the following commands beginning in global configuration mode:

SUMMARY STEPS

1. Router(config)# **hw-module subslot slot/subslot ethernet vlan unlimited**
2. Do one of the following:
 - Router(config)# **interface gigabitethernet slot /subslot /port.subinterface-number**
 - Router(config)# **interface tengigabitethernet slot /subslot /port.subinterface-number**
3. Router(config-subif)# **encapsulation dot1q vlan-id**
4. Router(config-if)# **ip address ip-address mask [secondary]**

DETAILED STEPS

	Command or Action	Purpose
Step 1	Router(config)# hw-module subslot slot/subslot ethernet vlan unlimited	(Optional) Enables configuration of up to 4094 dot1q VLANs per port per Ethernet SPA, where: <ul style="list-style-type: none"> • <i>slot</i>—Specifies the chassis slot number where the SIP is installed. • <i>subslot</i>—Specifies the slot of the SIP where the SPA is installed.
Step 2	Do one of the following: <ul style="list-style-type: none"> • Router(config)# interface gigabitethernet slot/subslot /port.subinterface-number • Router(config)# interface tengigabitethernet slot /subslot /port.subinterface-number 	Specifies the Gigabit Ethernet interface to configure, where: <ul style="list-style-type: none"> • <i>slot /subslot /port</i> —Specifies the location of the interface. See the Specifying the Interface Address on a SPA, on page 113. • <i>.subinterface-number</i>—Specifies a secondary interface (subinterface) number.
Step 3	Router(config-subif)# encapsulation dot1q vlan-id	Defines the encapsulation format as IEEE 802.1Q (“dot1q”), where <i>vlan-id</i> is the number of the VLAN (1–4094).
Step 4	Router(config-if)# ip address ip-address mask [secondary]	Sets a primary or secondary IP address for an interface, where: <ul style="list-style-type: none"> • <i>ip-address</i> —Specifies the IP address for the interface. • <i>mask</i>—Specifies the mask for the associated IP subnet. • secondary—(Optional) Specifies that the configured address is a secondary IP address. If this keyword is omitted, the configured address is the primary IP address.

VLAN Classification



Note When the **hw-module subslot ethernet vlan unlimited** command is configured, the default classification of CoS bits 6-7 as high priority is still supported. However, other user-defined CoS values for high and low priority classification using the **plim qos input map cos queue** command are not supported.

Addition of Warning Message when Enabling VLAN Scale Configuration

Effective from Cisco IOS XE Release 2.1.0S, a warning message is displayed when enabling VLAN Scale configuration.

Previous Behavior

When VLAN scale configuration is enabled using the **hw-module subslot slot/subslot ethernet vlan unlimited** command, the VLAN custom COS configurations are lost. However, an informational message was not displayed.

New Behavior

Effective from Cisco IOS XE Release 2.1.0S a warning message has been introduced when VLAN scale configuration is enabled using the **hw-module subslot slot/subslot ethernet vlan unlimited** command, suggesting that VLAN COS bits classification will be lost.

The following is a sample output of **hw-module subslot slot/subslot ethernet vlan unlimited** command displaying a warning message.

```
Router(config)# hw-module subslot 1/3 ethernet vlan unlimited
%VLAN input classification in subslot 1/3 will not be available.
```

To specify VLAN classification, use the following commands in subinterface configuration mode:

Command	Purpose
Router(config-subif)# plim qos input map cos enable	<p>Enables packet classification based on 802.1q VLAN COS bits.</p> <p>By default, this command is enabled on the Gigabit Ethernet SPA.</p> <p>The no form of this command totally disables the COS classification.</p> <p>The command is used in the dot1q subinterface configuration mode which can be either under the main physical interface or the Gigabit EtherChannel (GEC) link bundle.</p>
Router(config-subif)# plim qos input map cos <i>cos-value</i> <i>cos-range</i> queue low-latency 0	<p>Allows the user to specify which COS value or range for high priority (low-latency) or low priority (0).</p> <p>By default, without this command, COS value 6-7 is classified as high priority. Only the default behavior is supported when the hw-module subslot ethernet vlan unlimited command is configured.</p> <p>The no form of this command sets the classification according to the default value (COS priority value 6-7).</p> <p>This command is in the VLAN subinterface configuration mode under either the main physical interface or the GEC link bundle.</p>

Verifying Subinterface Configuration on a VLAN

To verify the configuration of a subinterface and its status on the VLAN, use the **show vlans** privileged EXEC command.

The following example shows the status of subinterface number 1 on port 0 on the SPA in VLAN number 200:

```
Router# show vlans
VLAN ID:200 (IEEE 802.1Q Encapsulation)
Protocols Configured:      Received:      Transmitted:
      IP                    0                2
VLAN trunk interfaces for VLAN ID 200:
GigabitEthernet4/1/0.1 (200)
  IP:12.200.21.21
  Total 0 packets, 0 bytes input
  Total 2 packets, 120 bytes output
```

Saving the Configuration

To save your running configuration to nonvolatile random-access memory (NVRAM), use the following command in privileged EXEC configuration mode:

Command	Purpose
Router# copy running-config startup-config	Writes the new configuration to NVRAM.

For information about managing your system image and configuration files, refer to the [Cisco IOS Configuration Fundamentals Configuration Guide](#) and [Cisco IOS Configuration Fundamentals Command Reference](#) publications that correspond to your Cisco IOS software release.

Shutting Down and Restarting an Interface on a SPA

You can shut down and restart any of the interface ports on a SPA independently of each other. Shutting down an interface stops traffic and enters the interface into an “administratively down” state.

There are no restrictions for online insertion and removal (OIR) on Gigabit Ethernet SPAs. Gigabit Ethernet SPAs can be removed from a SIP at any time. SIPs populated with any type of SPAs can be removed from the router at any time.

If you are preparing for an OIR of a SPA, it is not necessary to independently shut down each of the interfaces prior to deactivation of the SPA. The **hw-module subslot stop** command automatically stops traffic on the interfaces and deactivates them along with the SPA in preparation for OIR.

In similar fashion, you do not need to independently restart any interfaces on a SPA after OIR of a SPA or SIP.

To shut down an interface on a SPA, use the following command in interface configuration mode:

Command	Purpose
Router(config-if)# shutdown	Disables an interface.

To restart an interface on a SPA, use the following command in interface configuration mode:

Command	Purpose
Router(config-if)# no shutdown	Restarts a disabled interface.

Verifying the Interface Configuration

Besides using the **show running-configuration** command to display your Cisco ASR 1000 Series Routers configuration settings, you can use the **show interfaces serial** and the **show controllers serial** commands to get detailed information on a per-port basis for your 8-Port Channelized T1/E1 Serial SPA.

Verifying Per-Port Interface Status

To find detailed interface information on a per-port basis for the 8-Port Channelized T1/E1 Serial SPA, use the **show interfaces serial** command.


```

Router# show interfaces serial 3/0/1:0

Serial0/3/0:0 is up, line protocol is up
  Hardware is SPA-8XCHT1/E1
  Internet address is 79.1.1.2/16
  MTU 1500 bytes, BW 1984 Kbit, DLY 20000 usec,
    reliability 255/255, txload 240/255, rxload 224/255
  Encapsulation HDLC, crc 16, loopback not set
  Keepalive not set
  Last input 3d21h, output 3d21h, output hang never
  Last clearing of 'show interface' counters never
  Input queue: 0/375/0/0 (size/max/drops/flushes); Total output drops: 2998712
  Queueing strategy: fifo
  Output queue: 0/40 (size/max)
  5 minute input rate 1744000 bits/sec, 644 packets/sec
  5 minute output rate 1874000 bits/sec, 690 packets/sec
    180817311 packets input, 61438815508 bytes, 0 no buffer
    Received 0 broadcasts (0 IP multicasts)
    0 runs, 0 giants, 0 throttles
    2 input errors, 0 CRC, 0 frame, 0 overrun, 0 ignored, 2 abort
    180845200 packets output, 61438125092 bytes, 0 underruns
    0 output errors, 0 collisions, 2 interface resets
    0 output buffer failures, 0 output buffers swapped out
    1 carrier transitions no alarm present
  Timeslot(s) Used:1-31, subrate: 64Kb/s, transmit delay is 0 flags 2

```

Using show Commands to Check SFP Module and XFP Module Status

You can use various **show** commands to view information specific to SFP, XFP, CWDM, and DWDM optical transceiver modules.

To check or verify the status of an SFP Module or XFP Module, use the following **show** commands:

- show hw-module *slot/subslot* transceiver *port* **idprom detail**
- show hw-module *slot/subslot* transceiver *port* **idprom brief**
- show hw-module *slot/subslot* transceiver *port* **idprom dump**
- show hw-module *slot/subslot* transceiver *port* **idprom status**

Following are sample output of several **show** commands for SFP Modules and XFP Modules.

The following show hw-module subslot command sample output is for SFP-GE-S:

```

Router# show hw-module subslot 2/0 transceiver 0 idprom
IDPROM for transceiver GigabitEthernet2/0/0:Description = SFP optics (type 3)Transceiver
Type: = GE SX (19)Product Identifier (PID) = FTRJ8519P1BNL-C6Vendor Revision = ASerial
Number (SN) = FNS1037R8DHVendor Name = CISCO-FINISARVendor OUI (IEEE company ID) = 00.90.65
(36965)CLEI code = IPUIALJRAACisco part number = 10-2143-01Device State = Enabled.Date
code (yy/mm/dd) = 06/09/14Connector type = LC.Encoding = 8B10BNRZNominal bitrate = GE (1300
Mbits/s)Minimum bit rate as % of nominal bit rate = not specifiedMaximum bit rate as % of
nominal bit rate = not specified

```

The following show hw-module subslot command sample output is for CWDM 1490:

```

Router# show hw-module subslot 2/0 transceiver 2 idpromIDPROM for transceiver
GigabitEthernet2/0/2:Description = SFP optics (type 3)Transceiver Type: = GE CWDM 1490
(28)Product Identifier (PID) = FWDM-16217D49CSCVendor Revision = CSerial Number (SN) =

```

```
FNS10500HA9Vendor Name = CISCO-FINISARVendor OUI (IEEE company ID) = 00.90.65 (36965)CLEI
code = CNTRVX0FAACisco part number = 10-1884-01Device State = Enabled.Date code (yy/mm/dd)
= 06/12/12Connector type = LC.Encoding = 8B10BNRZNominal bitrate = (2700 Mbits/s)Minimum
bit rate as % of nominal bit rate = not specifiedMaximum bit rate as % of nominal bit rate
= not specified
```

The following show hw-module subslot command sample output is for an XFP module:

```
Router# show
hw-module subslot 2/2 transceiver 0 idprom briefIDPROM for transceiver
TenGigabitEthernet2/2/0:Description = XFP optics (type 6)Transceiver Type: = OC192 + 10GBASE-L
(97)Product Identifier (PID) = TRF5011AN-LF004Vendor Revision = 05Serial Number (SN) =
ONT11061053Vendor Name = CISCO-OPNEXTVendor OUI (IEEE company ID) = 00.0B.40 (2880)CLEI
code = WMOTBEVAABCisco part number = 10-1989-02Device State = Enabled.Date code (yy/mm/dd)
= 07/02/06Connector type = LC.Encoding = 64B/66BSONET ScrambledNRZMinimum bit rate = 9900
Mbits/sMaximum bit rate = 10500 Mbits/s
```

The following show hw-module subslot command sample output is for SFP-GE-SX:

```
Router# show hw-module subslot 2/0 transceiver 0 idprom dumpIDPROM for transceiver
GigabitEthernet2/0/0:Description = SFP optics (type 3)Transceiver Type: = GE SX (19)Product
Identifier (PID) = FTRJ8519P1BNL-C6Vendor Revision = ASerial Number (SN) = FNS1037R8DHVendor
Name = CISCO-FINISARVendor OUI (IEEE company ID) = 00.90.65 (36965)CLEI code =
IPUIALJRAACisco part number = 10-2143-01Device State = Enabled.
SFP IDPROM Page 0xA0:000: 03 04 07 00 00 00 01 00 00 00010: 00 01 0D 00 00 00 37 1B 00
00020: 43 49 53 43 4F 2D 46 49 4E 49030: 53 41 52 20 20 20 00 00 90 65040: 46 54 52 4A 38
35 31 39 50 31050: 42 4E 4C 2D 43 36 41 20 20 20060: 03 52 00 74 00 1A 00 00 46 4E070: 53
31 30 33 37 52 38 44 48 20080: 20 20 20 20 30 36 30 39 31 34090: 20 20 58 80 01
SFP IDPROM Page 0xA2:000: 6D 00 E3 00 67 00 F3 00 98 58010: 69 78 90 88 71 48 1D 4C 01
F4020: 17 70 03 E8 25 19 02 F5 25 19030: 04 A9 E3 EE 01 DF 8F C5 02 EC040: 00 00 00 00 00
00 00 00 00 00050: 00 00 00 00 00 00 00 00 00 00060: 00 00 00 00 00 00 00 00 3E 5D070: 01
79 C0 5B AC 86 01 00 00 00080: 00 AA FF FD 01 00 00 01 00090: 00 00 00 00 00 3A 1B 70
80 D8100: 00 62 00 28 00 22 00 00 00 00110: 82 F8 05 40 00 00 05 40 00 00120: 00 00 00 00
00 00 00 01 49 50130: 55 49 41 4C 4A 52 41 41 31 30140: 2D 32 31 34 33 2D 30 31 56 30150:
31 20 89 FB 55 00 00 00 00 78160: 00 00 00 00 00 00 00 00 00 00170: 00 00 00 00 00 00 00
00 00 00180: 00 00 00 00 00 00 00 00 00 00190: AA AA 53 46 50 2D 47 45 2D 53200: 20 20 20
20 20 20 20 20 20210: 20 20 00 00 00 00 00 00 00 00220: 00 00 00 A2 00 00 00 00 00 00230:
00 00 00 00 00 00 00 00 00 00240: 00 00 00 00 00 00 00 00 40250: 00 40 00 00 00 00Router#
```

Configuring the Network Clock for the 2-Port Gigabit Synchronous Ethernet SPA on a Cisco ASR 1000 Series Router

The 2-Port Gigabit Synchronous Ethernet SPA supports time, phase, and frequency awareness through Ethernet networks. The 2-Port Gigabit Synchronous Ethernet SPA on the Cisco SIP-40 enables clock selection and translation between the various clock frequencies. If the 2-Port Gigabit Synchronous Ethernet SPA interoperates with devices that do not support synchronization, synchronization features can be disabled or partially enabled to maintain backward compatibility.



Note For additional details to understand how SyncE feature is implemented on Cisco ASR 1000 Series Aggregation Services Routers using 4 different configuration, see the chapter ‘Synchronous Ethernet Support On Cisco ASR 1000 Series Aggregation Services Routers’ in the Cisco ASR 1000 Series Software Configuration Guide.

The network clock can be configured in global configuration mode and interface configuration mode:

Configuring the Network Clock in Global Configuration Mode

Use the following commands to configure the network clock in global configuration mode on the Cisco SIP-40:

Command	Purpose
<p>Router(config)# [no] network-clock synchronization automatic</p> <p>Example:</p> <pre>Router(config)# network-clock synchronization automatic</pre>	<p>Enables G.781 based automatic clock selection process. G.781 is the ITU-T Recommendation that specifies the synchronization layer functions.</p>
<p>Router(config)# [no] network-clock eec {1 2}</p> <p>Example:</p> <pre>Router(config)# network-clock eec 1</pre>	<p>Configures the clocking system hardware with the desired parameters. These are the options:</p> <ul style="list-style-type: none"> • For option 1, the default value is EEC-Option 1 (2048). • For option 2, the default value is EEC-Option 2 (1544).
<p>Router(config)# [no] network-clock synchronization ssm option {1 2 {GEN1 GEN2}}</p> <p>Example:</p> <pre>Router(config)# network-clock synchronization ssm option 2 GEN1</pre>	<p>Configures the router to work in a synchronized network mode, as described in G.781. The following are the options:</p> <ul style="list-style-type: none"> • Option 1: Refers to synchronization networks designed for Europe (SDH/ E1 framings are compatible with this option). • Option 2: Refers to synchronization networks designed for the US (SONET/T1 framings are compatible with this option). <p>The default option is 1. While choosing option 2, you must specify whether it is second-generation message (GEN2) or first-generation message (GEN1).</p> <p>Note Network clock configurations that are not common between options should be configured again.</p>
<p>Router(config)# [no] network-clock synchronization mode QL-enabled</p> <p>Example:</p> <pre>Router(config)# network-clock synchronization mode QL-enabled</pre>	<p>Configures the automatic selection process for quality-level QL-enabled mode.</p> <p>Note QL-enabled mode succeeds only if there are any synchronization interfaces that are capable of sending SSM.</p>
<p>Router(config)# [no] esmc process</p> <p>Example:</p> <pre>Router(config)# esmc process</pre>	<p>Enables or disables the ESMC process at the system level.</p> <p>Note This command fails if no SyncE-capable interface is installed on the platform.</p>

Command	Purpose
<p>Router(config)# network-clock hold-off {0 <50-10000>} global</p> <p>Example:</p> <pre>Router(config)# network-clock hold-off 75 global</pre>	<p>Configures general hold-off timer in milliseconds. The default value is 300 milliseconds.</p> <p>Note Displays a warning message for values below 300 ms and above 1800 ms.</p>
<p>Router(config)# network-clock external <slot/card/port> hold-off {0 <50-10000>}</p> <p>Example:</p> <pre>Router(config)# network-clock external 3/1/1 hold-off 300</pre>	<p>Overrides hold-off timer value for external interface.</p> <p>Note Displays a warning message for values above 1800 ms, as waiting longer causes the clock to go into the holdover mode.</p>
<p>Router(config)# network-clock wait-to-restore <0-86400> global</p> <p>Example:</p> <pre>Router(config)# network-clock external wait-to-restore 1000 global</pre>	<p>Sets the value for the wait-to-restore timer globally.</p> <p>The wait to restore time is configurable in the range of 0 to 86400 seconds. The default value is 300 seconds.</p> <p>Caution Ensure that you set the wait-to-restore values above 50 seconds to avoid a timing flap.</p>
<p>Router(config)# [no] network-clock input-source <priority> {interface <interface_name> <slot/card/port> top <slot/card/port/session> {external <slot/card/port> [t1 {sf efs d4} e1 [crc4] fas cas [crc4] 2m 10m}}}</p> <p>Example:</p> <pre>Router(config)# network-clock input-source 23 top 2/0/1/3</pre> <p>Example for GPS interface:</p> <pre>Router (config) # network-clock input-source 1 external 3/0/0 10m</pre>	<p>Configures a clock source line interface, an external timing input interface, GPS interface, or a packet-based timing recovered clock as the input clock for the system and defines its priority. Priority is a number between 1 and 250.</p> <p>This command also configures the type of signal for an external timing input interface. These signals are:</p> <ul style="list-style-type: none"> • T1 with Standard Frame format or Extended Standard Frame format. • E1 with or without CRC4 • 2 MHz signal • Default for Europe or Option I is e1 crc4 if the signal type is not specified. • Default for North America or Option II is t1 esf if signal type is not specified. <p>Note The no version of the command reverses the command configuration, implying that the priority has changed to undefined and the state machine is informed.</p>

Command	Purpose
<p>Router(config)# [no] network-clock revertive</p> <p>Example:</p> <p>Router(config)# network-clock revertive</p>	<p>Specifies whether or not the clock source is revertive. Clock sources with the same priority are always non-revertive. The default value is non-revertive.</p> <p>In non-revertive switching, a switch to an alternate reference is maintained even after the original reference recovers from the failure that caused the switch. In revertive switching, the clock switches back to the original reference after that reference recovers from the failure, independent of the condition of the alternate reference.</p>
<p>Router(config)# network-clock quality-level {tx rx} <value> {interface <interface name> <slot/card/port> external <slot/card/port> controller <slot/card/port>}</p> <p>Example:</p> <pre>Router(config)# network-clock quality-level rx QL-PRC external 4/0/0 e1 crc4</pre>	<p>Specifies the QL value for line or external timing input or output. The value is based on a global interworking Option.</p> <ul style="list-style-type: none"> • If Option 1 is configured, the available values are QL-PRC, QL-SSU-A, QL-SSU-B, QL-SEC, and QL-DNU. • If Option 2 is configured with GEN 2, the available values are QL-PRS, QL-STU, QL-ST2, QL-TNC, QL-ST3, QL-SMC, QL-ST4 and QL-DUS. • If option 2 is configured with GEN1, the available values are QL-PRS, QL-STU, QL-ST2, QL-SMC, QL-ST4 and QL-DUS <p>Note This command is not supported for synchronous ethernet interfaces.</p>
<p>Router(config)# network-clock output-source line <priority> {interface <interface_name> controller {t1 e1} <slot/card/port>} {external <slot/card/port> [t1 {sf efs d4} e1 [crc4] fas cas [crc4] 2m 10m] }</p> <p>Example:</p> <pre>Router(config)# network-clock output-source line 1 interface GigabitEthernet3/0/0</pre>	<p>Transmits the line clock sources to external timing output interfaces.</p> <p>Note A line can be configured to be the output source for only one external interface.</p> <p>This command provides the station clock output as per G.781. We recommend that you use the interface level command instead of global commands. Global command should preferably be used for interfaces that do not have an interface sub mode. For more information on configuring network clock in interface level mode, see Configuring the Network Clock in Interface Configuration Mode , on page 130.</p>
<p>Router(config)# network-clock output-source system <priority> {external <slot/card/port> [t1 {sf efs d4} e1 [crc4] fas cas [crc4] 2m 10m] }</p> <p>Example:</p> <pre>Router(config)# network-clock output-source system 55 external 3/0/1 t1 efs</pre>	<p>Allows transmitting the system clock to external timing output interfaces.</p> <p>This command provides station clock output as per G.781. We recommend that you use the interface level command instead of global commands. Global command should preferably be used for interfaces that do not have an interface sub mode. For more information on configuring network clock in interface level mode, see Configuring the Network Clock in Interface Configuration Mode , on page 130.</p>

Command	Purpose
Router(config)# [no] network-clock synchronization participate <slot number> Example: <pre>Router(config)# [no] network-clock synchronization participate 2</pre>	Enables or disables a slot from participating in network-clock algorithm. By default all slots are participating slots. Note A slot cannot be disabled from participation if it's primary source, secondary source, or system to external is valid.

Configuring the Network Clock in Interface Configuration Mode

Use the following commands in the interface configuration mode to configure the network clock and timers on the Cisco ASR 1000 Series Routers SIP-40.

Command	Purpose
Router(config-if)# synchronous mode Example: <pre>Router(config-if)# synchronous mode</pre>	Configures the ethernet interface to synchronous mode and this automatically enables the ESMC and Quality Level process on the interface. Note This command is applicable to Synchronous Ethernet capable interfaces. The default value is asynchronous mode.
Router(config-if)# esmc mode [tx rx
 <cr>] Example: <pre>Router(config-if)# esmc mode tx</pre>	Enables or disables ESMC process on the interface. Note If the interface is configured as line source but does not receive ESMC message from peer node on the interface, then the interface is removed from selectable clock source list. By default this is enabled for synchronous mode and disabled for asynchronous mode. Note This command is not supported for non-synchronous ethernet interfaces.
Router(config-if)# network-clock source quality-level <value> {tx rx} Example: <pre>Router(config-if)# network-clock source quality-level QL-PRC</pre>	The command forces QL value to local clock selection process and it is considered by the clock selection process as a value from network. The value is based on global interworking Option. <ul style="list-style-type: none"> • If Option 1 is configured, the available values are QL-PRC, QL-SSU-A, QL-SSU-B, QL-SEC, and QL-DNU. • If Option 2 is configured with GEN 2, the available values are QL-PRS, QL-STU, QL-ST2, QL-TNC, QL-ST3, QL-SMC, QL-ST4 and QL-DUS. • If option 2 is configured with GEN1, the available values are QL-PRS, QL-STU, QL-ST2, QL-SMC, QL-ST4 and QL-DUS Note This command is applicable to Synchronous Ethernet capable interfaces.

Command	Purpose
Router(config-if)# network-clock hold-off <0 50-10000> Example: Router(config-if) # network-clock hold-off 1000	Configures hold-off timer for interface. The default value is 300 milliseconds. Note Displays a warning for values below 300 ms and above 1800 ms.
Router(config-if)# [no] network-clock wait-to-restore <0-86400> Example: Router(config-if) # network-clock wait-to-restore 1000	Configures the wait-to-restore timer on the SyncE interface. Caution Ensure that you set the wait-to-restore values above 50 seconds to avoid timing flap.
Router(config-if)# [no] esmc mode ql-disabled Example: Router(config-if) # esmc mode ql-disabled	Disables the quality level mode. The default mode for synchronous ethernet is ql-enabled. Note This command is not supported for non-synchronous ethernet interfaces.

Managing Synchronization

You can manage the synchronization using the following management commands:

Command	Purpose
Router# network-clock set lockout {interface interface_name slot/card/port external slot/card/port} Example: Router# network-clock set lockout interface GigabitEthernet 0/0/0 Router# network-clock clear lockout interface GigabitEthernet 0/0/0	Locks out a clock source. A clock source flagged as lock-out is not selected for SyncE. To clear the lock-out on a source, use network-clock clear lockout {interface interface_name slot/card/port external slot/card/port} command. Note Lockout takes precedence over force switch and force switch overrides the manual switch.
Router# network-clock switch force {interface interface_name slot/card/port external slot/card/port internal T0} Example: Router# network-clock switch force interface GigabitEthernet 0/0/0 external 0/2/0	Forcefully selects a synchronization source irrespective of whether the source is available and is within the range.

Command	Purpose
Router# network-clock switch manual {interface interface_name slot/card/port external slot/card/port internal T0} Example: Router# network-clock switch manual interface GigabitEthernet 0/0/0 T0	Manually selects a synchronization source, provided the source is available and is within the range.
Router# network-clock clear switch {t0 external <slot/card/port> [10m 2m]} Example: Router# network-clock clear switch t0	Clears the forced switch and manual switch commands.

Sample Configuration

Configuration for QL-Enabled Mode Clock Selection

```

network-clock synchronization automatic
network-clock synchronization mode QL-enabled
network-clock input-source 1 interface GigabitEthernet0/2/0
network-clock input-source 1 interface ATM6/0/0
!
interface GigabitEthernet0/2/1
  no ip address
  clock source line
  synchronous mode
end
!
interface ATM6/0/0
  no ip address
  atm framing sdh
  no atm enable-ilmi-trap
end

```

Configuration for Line to External

```

network-clock synchronization automatic
network-clock synchronization mode QL-enabled
network-clock input-source 1 External 3/0/0
network-clock output-source line 1 interface GigabitEthernet3/0/0 External 3/0/0 e1 crc4
interface GigabitEthernet3/0/0
  no ip address
  no negotiation auto
  synchronous mode

```

GPS Configuration

```

10MHz signal
network-clock input-source 1 External 3/0/0 10m

```



```
2M signal
network-clock input-source 1 External 3/0/0 10m
```

Verifying Synchronous Ethernet Configuration

Use the show network-clocks synchronization command to display the sample output as shown here:

```
Router#show network-clocks synchronization
Router# show network-clocks synchronization
Symbols:      En - Enable, Dis - Disable, Adis - Admin Disable
              NA - Not Applicable
              * - Synchronization source selected
              # - Synchronization source force selected
              & - Synchronization source manually switched
Automatic selection process : Enable
Equipment Clock : 2048 (EEC-Option1)
Clock Mode : QL-Enable
ESMC : Enabled
SSM Option : 1
T0 : GigabitEthernet1/1/0
Hold-off (global) : 300 ms
Wait-to-restore (global) : 30 sec
Tsm Delay : 180 ms
Revertive : No
Nominated Interfaces
  Interface      SigType      Mode/QL      Prio  QL_IN  ESMC Tx  ESMC Rx
  Internal       NA           NA/Dis       251   QL-SEC NA       NA
*Gi1/1/0        NA           Sync/En      1     QL-PRC -        -
```

Use the show network-clocks synchronization detail command to display all the details of the network clock synchronization parameters at the global and interface levels, as shown here:

```
Router# show network-clocks synchronization detail
Symbols:      En - Enable, Dis - Disable, Adis - Admin Disable
              NA - Not Applicable
              * - Synchronization source selected
              # - Synchronization source force selected
              & - Synchronization source manually switched
Automatic selection process : Enable
Equipment Clock : 2048 (EEC-Option1)
Clock Mode : QL-Enable
ESMC : Enabled
SSM Option : 1
T0 : GigabitEthernet1/1/0
Hold-off (global) : 300 ms
Wait-to-restore (global) : 30 sec
Tsm Delay : 180 ms
Revertive : No
Force Switch: FALSE
Manual Switch: FALSE
Number of synchronization sources: 2
sm(netsync NETCLK_QL_ENABLE), running yes, state 1A
Last transition recorded: (ql_mode_enable)-> 1A (begin)-> 1A (sf_change)-> 1A (sf_change)->
  1A (ql_change)-> 1A (ql_change)-> 1A (ql_change)-> 1A (ql_change)-> 1A
Nominated Interfaces
  Interface      SigType      Mode/QL      Prio  QL_IN  ESMC Tx  ESMC Rx
  Internal       NA           NA/Dis       251   QL-SEC NA       NA
*Gi1/1/0        NA           Sync/En      1     QL-PRC -        -
  External 1/3/0  E1 CRC4     NA/En      2     QL-FAILED NA       NA
Interface:
-----
```

```

Local Interface: Internal
Signal Type: NA
Mode: NA(ql-enabled)
SSM Tx: DISABLED
SSM Rx: DISABLED
Priority: 251
QL Receive: QL-SEC
QL Receive Configured: -
QL Receive Overridden: -
QL Transmit: -
QL Transmit Configured: -
Hold-off: 0
Wait-to-restore: 30
Lock Out: FALSE
Signal Fail: FALSE
Alarms: FALSE
Slot Disabled: FALSE
Local Interface: Gil/1/0
Signal Type: NA
Mode: Synchronous(ql-enabled)
ESMC Tx: ENABLED
ESMC Rx: ENABLED
Priority: 1
QL Receive: QL-PRC
QL Receive Configured: -
QL Receive Overridden: -
QL Transmit: QL-DNU
QL Transmit Configured: -
Hold-off: 300
Wait-to-restore: 30
Lock Out: FALSE
Signal Fail: FALSE
Alarms: FALSE
Slot Disabled: FALSE

```

Use the show interface accounting command to display packets accounting statistics, as shown here:

```

Router#show interfaces GigabitEthernet 0/2/0 accounting
GigabitEthernet0/2/0

```

Protocol	Pkts In	Chars In	Pkts Out	Chars Out
DEC MOP	14	1134	14	1806
ARP	0	0	2	224
CDP	145	55970	145	63049
ESMC	3246	194760	7099	823484

Use the show esmc command to display the sample output, as shown here:

```

Router#show esmc
SYNCE-2RU#show esmc
Interface: GigabitEthernet0/2/0
Administrative configurations:
  Mode: Synchronous
  ESMC TX: Enable
  ESMC RX: Enable
  QL TX: -
  QL RX: -
Operational status:
  Port status: UP
  QL Receive: QL-DNU
  QL Transmit: QL-SEC
  QL rx overridden: QL-DNU
  ESMC Information rate: 1 packet/second
  ESMC Expiry: 5 second

```

```

Interface: GigabitEthernet0/2/1
  Administrative configurations:
    Mode: Synchronous
    ESMC TX: Enable
    ESMC RX: Enable
    QL TX: -
    QL RX: -
  Operational status:
    Port status: UP
    QL Receive: QL-DNU
    QL Transmit: QL-SEC
    QL rx overridden: QL-DNU
    ESMC Information rate: 1 packet/second
    ESMC Expiry: 5 second
Interface: GigabitEthernet0/3/0
  Administrative configurations:
    Mode: Synchronous
    ESMC TX: Enable
    ESMC RX: Enable
    QL TX: -
    QL RX: -
  Operational status:
    Port status: UP
    QL Receive: QL-DNU
    QL Transmit: QL-SEC
    QL rx overridden: QL-DNU
    ESMC Information rate: 1 packet/second
    ESMC Expiry: 5 second
Interface: GigabitEthernet0/3/1
  Administrative configurations:
    Mode: Synchronous
    ESMC TX: Enable
    ESMC RX: Enable
    QL TX: -
    QL RX: -
  Operational status:
    Port status: DOWN
    QL Receive: QL-DNU
    QL Transmit: -
    QL rx overridden: QL-DNU
    ESMC Information rate: 1 packet/second
    ESMC Expiry: 5 second

```

Use the `show esmc detail` command to display all the details of the ESMC parameters at the global and interface levels, as shown here:

```

Router#show esmc detail
Interface: GigabitEthernet0/2/0
  Administrative configurations:
    Mode: Synchronous
    ESMC TX: Enable
    ESMC RX: Enable
    QL TX: -
    QL RX: -
  Operational status:
    Port status: UP
    QL Receive: QL-DNU
    QL Transmit: QL-SEC
    QL rx overridden: QL-DNU
    ESMC Information rate: 1 packet/second
    ESMC Expiry: 5 second
    ESMC Tx Timer: Running
    ESMC Rx Timer: Running
    ESMC Tx interval count: 1

```

```

ESMC INFO pkts in: 0
ESMC INFO pkts out: 629451
ESMC EVENT pkts in: 0
ESMC EVENT pkts out: 0
Interface: GigabitEthernet0/2/1
Administrative configurations:
  Mode: Synchronous
  ESMTX: Enable
  ESMRX: Enable
  QL TX: -
  QL RX: -
Operational status:
  Port status: UP
  QL Receive: QL-DNU
  QL Transmit: QL-SEC
  QL rx overridden: QL-DNU
  ESMTX Information rate: 1 packet/second
  ESMTX Expiry: 5 second
  ESMTX Tx Timer: Running
  ESMRX Rx Timer: Running
  ESMTX Tx interval count: 1
  ESMTX INFO pkts in: 0
  ESMTX INFO pkts out: 629451
  ESMTX EVENT pkts in: 0
  ESMTX EVENT pkts out: 0
Interface: GigabitEthernet0/3/0
Administrative configurations:
  Mode: Synchronous
  ESMTX: Enable
  ESMRX: Enable
  QL TX: -
  QL RX: -
Operational status:
  Port status: UP
  QL Receive: QL-DNU
  QL Transmit: QL-SEC
  QL rx overridden: QL-DNU
  ESMTX Information rate: 1 packet/second
  ESMTX Expiry: 5 second
  ESMTX Tx Timer: Running
  ESMRX Rx Timer: Running
  ESMTX Tx interval count: 1
  ESMTX INFO pkts in: 0
  ESMTX INFO pkts out: 624901
  ESMTX EVENT pkts in: 0
  ESMTX EVENT pkts out: 0
Interface: GigabitEthernet0/3/1
Administrative configurations:
  Mode: Synchronous
  ESMTX: Enable
  ESMRX: Enable
  QL TX: -
  QL RX: -
Operational status:
  Port status: DOWN
  QL Receive: QL-DNU
  QL Transmit: -
  QL rx overridden: QL-DNU
  ESMTX Information rate: 1 packet/second
  ESMTX Expiry: 5 second
  ESMTX Tx Timer: Running
  ESMRX Rx Timer: Running
  ESMTX Tx interval count: 0
  ESMTX INFO pkts in: 0

```

```
ESMC INFO pkts out: 0
ESMC EVENT pkts in: 0
ESMC EVENT pkts out: 0
```

Troubleshooting the Synchronous Ethernet Configuration

The following debug commands are available for troubleshooting the synchronous Ethernet configuration on the Cisco ASR 1000 Series Router:

Table 19: Debug Commands for Troubleshooting

Debug Command	Purpose
<code>debug platform network-clock</code>	Debugs issues related to the network clock such as alarms, OOR, active-standby sources not selected correctly, and so on.
<code>debug esmc error</code> <code>debug esmc event</code> <code>debug esmc packet [interface <interface name>]</code> <code>debug esmc packet rx [interface <interface name>]</code> <code>debug esmc packet tx [interface <interface name>]</code>	Verifies whether the ESMC packets are transmitted and received with the correct quality-level values.

Troubleshooting Scenarios



Note Before you troubleshoot, ensure that all the network clock synchronization configurations are complete.

The following table provides information about troubleshooting scenarios encountered while configuring the synchronous ethernet.

Table 20: Troubleshooting scenarios

Problem	Solution
Clock is not selected	<ul style="list-style-type: none"> • Verify that there are no alarms on the interfaces. Use the <code>show network-clock synchronization detail</code> command to check this. • Ensure that the nonrevertive configurations are in place. • Reproduce the issue and collate the logs using the <code>debug network-clock errors</code>, <code>debug network-clock event</code>, and <code>debug network-clock sm</code> commands. Contact the Cisco technical support if the issue persists.

Problem	Solution
Incorrect QL values	<ul style="list-style-type: none"> • Ensure that there is no framing mismatch with the SSM option. • Reproduce the issue using the debug network-clock errors, debug network-clock event, and debug platform ssm commands. Also, enable the debug hw-module subslot command.
Alarms are not getting triggered	<ul style="list-style-type: none"> • Reproduce the issue using the debug platform network-clock command enabled in the route processor. Alternatively, enable the debug network-clock event and debug network-clock errors commands.

Change in show running-config command output for SPA-4X1FE-TX-V2 SPA

This behavioral change refers to the change in **show running-config interface Fast Ethernet slot/subslot/port** command output for a 4-Port Fast Ethernet SPA. The configuration details impacting the change is removal of the speed as 100 from being displayed in **show running-config** command output when negotiation is configured as auto.



Tip If negotiations is configured as auto then speed cannot be configured. Disable auto-negotiation using the **no negotiation auto** command from interface-configuration mode. The default value of speed is 100 Mbps. If speed is configured to a value other than default value then auto-negotiation cannot be configured. Execute the **no speed** command to return to default value of speed which allows auto negotiation to be configured.

Release Number for Behavioral Change

From Cisco IOS XE Release 3.1.0s onwards, the speed as 100 (which is the default speed) will not be displayed in **show running-config interface Fast Ethernet slot/subslot/port** command output for a 4-Port Fast Ethernet SPA.



Note For Gigabit Ethernet SPAs, the speed as 100 is not displayed in the **show running-config interface gigabit ethernet slot/subslot/port** command output. The behavior of SPA-4X1FE-TX-V2 SPA also needs to be in synchronization with Gigabit Ethernet SPAs.

Old-Behavior

Prior to Cisco IOS XE Release 3.1.0s, the **show running-config interface Fast Ethernet slot/subslot/port** command output, displayed both speed as 100 (which is the default speed) when negotiation is configured as auto for SPA-4X1FE-TX-V2 SPA. As speed 100 is the default configuration it should not be displayed in the command output for SPA-4X1FE-TX-V2 SPA.

The command output prior to Cisco IOS XE Release 3.1.0s displays the speed as 100 as indicated in the following example:

```
show running-config Fast Ethernet 0/3/0
Building configuration...
```

```

Current configuration : 81 bytes
!
interface FastEthernet0/3/0
  no ip address
  speed 10
  negotiation auto
end

```

New Behavior

From Cisco IOS XE Release 3.1.0s onwards, the speed 100 (which is the default speed) is not displayed in **show running-config interface Fast Ethernet slot/subslot/port command output**, if negotiation is configured as auto.

The new command output without the speed as 100 is displayed as follows:

```

show running-config Fast Ethernet 0/3/0
Building configuration...
Current configuration : 68 bytes
!
interface FastEthernet0/3/0
  no ip address
  negotiation auto
end

```

Configuring LAN/WAN-PHY Controllers

The LAN/WAN-PHY controllers are configured in the physical layer control element of the Cisco IOS XE software. By default, the 1-Port 10-Gigabit Ethernet LAN/WAN PHY SPA initializes in the WAN-PHY mode. Use the **hw-module subslot slot/subslot enable lan** command to configure the LAN-PHY mode.

Configuration of the LAN/WAN-PHY controllers is described in the following tasks.

Configuring 1-Port 10-Gigabit Ethernet LAN/WAN PHY SPA

This section lists the basic mandatory configuration steps that should be performed to configure the 1-Port 10-Gigabit Ethernet LAN/WAN PHY SPA which is essential for the traffic to pass through the SPA. The 1-Port 10-Gigabit Ethernet LAN/WAN PHY SPA operates in either the LAN mode or the WAN mode. By default, when the SPA is first inserted into the SIP, it operates in the WAN mode.



Note If the operation mode is changed from LAN to WAN or from WAN to LAN, an informational message “%SPA(SPA-1X10GE-WL-V2): SPA reloaded to configure operation (LAN or WAN) mode” is displayed. Depending on the mode to which it is changed, the respective operation mode (LAN or WAN) is displayed in the message.

Mandatory Initial Configuration Steps

To perform the initial configuration of the 1-Port 10-Gigabit Ethernet LAN/WAN PHY SPA and to allow the traffic to pass through the SPA, complete these steps:

SUMMARY STEPS

1. **Router# configure terminal**
2. **interface tengigabitethernet slot/subslot/port.subinterface-number**
3. **ip address ip-address mask [secondary]**
4. **mtu bytes**
5. **standby ip ip-address secondary**
6. no shutdown
7. exit
8. exit
9. **show running-config interface Tengigabitethernet slot/subslot/port**

DETAILED STEPS

	Command or Action	Purpose
Step 1	Router# configure terminal	Enters the global configuration mode.
Step 2	interface tengigabitethernet slot/subslot/port.subinterface-number Example: <pre>Router(config)# interface tengigabitethernet 0/1/0</pre>	Specific the 10-GB Ethernet interface to be configured, where: <ul style="list-style-type: none"> • <i>slot/subslot/port</i>—Indicates the location of the interface. • <i>subinterface-number</i>—(Optional) Indicates a secondary subinterface number. Enters the interface configuration (config-if) mode after executing the interface tengigabitethernet slot/subslot/port command.
Step 3	ip address ip-address mask [secondary] Example: <pre>Router(config-if)# ip address 1.1.1.1 255.0.0.0</pre>	For IPv4: Sets a primary or secondary IP address for an interface that is using IPv4, where: <ul style="list-style-type: none"> • <i>ip-address</i>—Indicates the IP address for the interface. • <i>mask</i>—Indicates the subnet mask for the associated IP subnet. • <i>secondary</i>—(Optional) Indicates the configured address is a secondary IP address. If this keyword is omitted, the configured address is the primary address.
Step 4	mtu bytes Example: <pre>Router(config-if)# mtu 9216</pre>	(Optional) Specifies the maximum packet size for an interface, where: <ul style="list-style-type: none"> • <i>bytes</i>—Indicates the maximum number of bytes for a packet. The default is 1500 bytes. The valid range is 1500 to 9216 bytes.
Step 5	standby ip ip-address secondary Example:	(Required only for HSRP configuration) Creates (or enables) the HSRP group using its virtual IP address, where:

	Command or Action	Purpose
	<pre>Router(config-if)# standby ip 1.1.1.2 standby</pre> <p>Example:</p>	<ul style="list-style-type: none"> • (Optional) <i>group-number</i>—Indicates the group number on the interface for which HSRP is being enabled. The range is 0 to 255, and the default is 0. If there is only one HSRP group, you do not have to enter a group number. • (Optional for all but one interface if configuring HSRP) <i>ip-address</i>—Indicates the virtual IP address of the hot standby router interface. Enter the virtual IP address for at least one of the interfaces. • (Optional) secondary—Specifies the IP address in the secondary hot standby router interface. If neither router is designated as a secondary or standby router and no priorities are set, the primary IP addresses are compared and the higher IP address is the active router, with the next highest as the standby router. <p>This command enables HSRP, but does not configure it further. For additional information on configuring HSRP, refer to the HSRP section of the Cisco IP Configuration Guide that corresponds to your Cisco IOS software release.</p>
Step 6	<pre>no shutdown</pre> <p>Example:</p> <p>Example:</p> <pre>Router(config-if)# no shutdown</pre>	Enables the interface.
Step 7	<pre>exit</pre> <p>Example:</p> <pre>Router(config-if)# exit</pre>	Exits interface-configuration (config-if) mode and enters configuration mode.
Step 8	<pre>exit</pre> <p>Example:</p> <pre>Router(config)# exit</pre>	Exits global-configuration (config) mode and enters privilege-exec mode.
Step 9	<pre>show running-config interface Tengigabitethernet slot/subslot/port</pre> <p>Example:</p> <pre>Router# show running-config interface TenGigabitethernet 0/1/0</pre> <p>Example:</p> <p>Example:</p>	Displays the interface configuration details for the WAN PHY SPA installed at 0/1/0.

	Command or Action	Purpose
	<pre>Building configuration... Example: Example: Current configuration : 115 bytes Example: ! Example: interface TenGigabitEthernet0/1/0 Example: mtu 9216 Example: ip address 10.1.1.1 255.0.0.0 Example: standby 0 ip 10.1.1.2 secondary Example: end</pre>	

Configuring the LAN-PHY Mode

This section describes how to configure the LAN-PHY mode on the 1-Port 10GE LAN/WAN-PHY Shared Port Adapter (SPA-1X10GE-WL-V2).

SUMMARY STEPS

1. **show controllers wanphy 0/1/0**
2. **configure terminal**
3. **hw-module subslot *slot/subslot* enable LAN**
4. **exit**
5. **show controllers wanphy 0/1/0**

DETAILED STEPS

	Command or Action	Purpose
Step 1	<pre>show controllers wanphy 0/1/0</pre> <p>Example:</p>	Displays the configuration mode of the LAN/WAN-PHY controller. By default, prior to configuration of the

Command or Action	Purpose
<pre>Router# show controllers wanphy 0/1/0</pre> <p>Example:</p> <pre>TenGigabitEthernet0/1/0</pre> <p>Example:</p> <pre>Mode of Operation: WAN Mode</pre> <p>Example:</p> <pre>SECTION</pre> <p>Example:</p> <pre> LOF = 0 LOS = 0 BIP(B1) = 0</pre> <p>Example:</p> <pre>LINE</pre> <p>Example:</p> <pre> AIS = 0 RDI = 0 FEBE = 0 BIP(B2) = 0</pre> <p>Example:</p> <pre>PATH</pre> <p>Example:</p> <pre> AIS = 0 RDI = 0 FEBE = 0 BIP(B3) = 0</pre> <p>Example:</p> <pre> LOP = 0 NEWPTR = 0 PSE = 0 NSE = 0</pre> <p>Example:</p> <pre>WIS ALARMS</pre> <p>Example:</p> <pre> SER = 0 FELCDP = 0 FEAISP = 0</pre> <p>Example:</p> <pre> WLOS = 0 PLCD = 0</pre> <p>Example:</p>	<p>LAN-PHY mode, the controller operates in the WAN-PHY mode.</p>

	Command or Action	Purpose
	<pre> LFEEBIP = 0 PBEC = 0 Example: Example: Active Alarms[All defects]: SWLOF LAIS PAIS SER Example: Active Alarms[Highest Alarms]: SWLOF Example: Alarm reporting enabled for: SF SWLOF B1-TCA B2-TCA PLOP WLOS Example: Example: Rx(K1/K2): 00/00 Tx(K1/K2): 00/00 Example: S1S0 = 00, C2 = 0x1A Example: PATH TRACE BUFFER: UNSTABLE Example: Remote J1 Byte : Example: Example: BER thresholds: SD = 10e-6 SF = 10e-3 Example: TCA thresholds: B1 = 10e-6 B2 = 10e-6 B3 = 10e-6 </pre>	
Step 2	<p>configure terminal</p> <p>Example:</p> <pre>Router# configure terminal</pre>	Enters the global configuration mode.
Step 3	<p>hw-module subslot <i>slot/subslot</i> enable LAN</p> <p>Example:</p>	Configures the LAN PHY mode for the 1-Port 10-Gigabit Ethernet LAN/WAN PHY SPA.

	Command or Action	Purpose
	<pre>Router(config)# hw-module subslot 0/1 enable LAN</pre> <p>Example:</p> <p>Example:</p>	<p>Note Whenever mode is changed from WAN mode to LAN mode</p>
Step 4	<pre>exit</pre> <p>Example:</p> <pre>Router(config)# exit</pre>	Exits global-configuration (config) mode and enters privilege-exec mode.
Step 5	<p>show controllers wanphy 0/1/0</p> <p>Example:</p> <pre>Router# show controllers wanphy 0/1/0</pre> <p>Example:</p> <pre>TenGigabitEthernet0/1/0</pre> <p>Example:</p> <pre>Mode of Operation: LAN Mode</pre>	Displays the configuration mode for the LAN/WAN-PHY controller. The example shows the mode of operation as LAN mode for the 1-Port 10-Gigabit Ethernet LAN/WAN PHY SPA.

Configuring the WAN-PHY Mode

This section describes how to configure the WAN-PHY mode on the 1-Port 10GE LAN/WAN-PHY Shared Port Adapter (SPA-1X10GE-WL-V2). By default, the 1-Port 10-Gigabit Ethernet LAN/WAN PHY SPA operates in the WAN-PHY mode.

SUMMARY STEPS

1. **show controllers wanphy 0/1/0**
2. **configure terminal**
3. **hw-module subslot *slot/subslot* enable WAN**
4. **exit**
5. **show controllers wanphy 0/1/0**

DETAILED STEPS

	Command or Action	Purpose
Step 1	<p>show controllers wanphy 0/1/0</p> <p>Example:</p> <pre>Router# show controllers wanphy 0/1/0</pre>	Displays the configuration mode of the LAN/WAN-PHY controller. The example indicates that the SPA is running in the LAN-PHY mode.

	Command or Action	Purpose
	<p>Example:</p> <pre>TenGigabitEthernet0/1/0</pre> <p>Example:</p> <pre>Mode of Operation: LAN Mode</pre>	
Step 2	<p>configure terminal</p> <p>Example:</p> <pre>Router# configure terminal</pre>	Enters the global configuration mode.
Step 3	<p>hw-module subslot <i>slot/subslot</i> enable WAN</p> <p>Example:</p> <pre>Router(config)# hw-module subslot 0/1 enable WAN</pre> <p>Example:</p> <pre>*Jan 7 03:49:25.778: %ASR1000_OIR-6-SYNCSIPA: SPA (SPA-1X10GE-WL-V2) reloading to come up in WAN mode</pre> <p>Example:</p> <pre>*Jan 7 03:49:25.978: %SONET-4-ALARM: TenGigabitEthernet0/1/0: SLOF cleared</pre> <p>Example:</p> <pre>*Jan 7 03:49:25.979: %ASR1000_OIR-6-SOFT_RELOADSPA: SPA(SPA-1X10GE-WL-V2) reloaded on subslot 0/1</pre> <p>Example:</p> <pre>*Jan 7 03:49:25.980: %SPA_OIR-6-OFFLINECARD: SPA (SPA-1X10GE-WL-V2) offline in subslot 0/1</pre> <p>Example:</p> <pre>*Jan 7 03:49:34.117: %SONET-4-ALARM: TenGigabitEthernet0/1/0: WLOS declared</pre> <p>Example:</p> <pre>*Jan 7 03:49:34.278: %SPA_OIR-6-ONLINECARD: SPA (SPA-1X10GE-WL-V2) online in subslot 0/1</pre> <p>Example:</p> <pre>*Jan 7 03:49:34.826: %SONET-4-ALARM: TenGigabitEthernet0/1/0: WLOS cleared</pre> <p>Example:</p>	<p>Configures WAN-PHY mode for the 1-Port 10-Gigabit Ethernet LAN/WAN PHY SPA.</p> <p>Tip When operation-mode is changed from LAN to WAN, alarm messages are displayed in the hw-module subslot <i>slot/subslot</i> enable WAN command output. But, if the operation mode is changed from WAN to LAN, a soft-reload of SPA occurs but alarms are not displayed.</p>

	Command or Action	Purpose
	<pre>*Jan 7 03:49:34.826: %SONET-4-ALARM: TenGigabitEthernet0/1/0: SLOF declared</pre> <p>Example:</p> <pre>*Jan 7 03:49:36.105: %LINK-3-UPDOWN: Interface TenGigabitEthernet0/1/0, changed state to down</pre> <p>Example:</p> <pre>*Jan 7 03:49:36.294: %LINK-3-UPDOWN: SIO0/1: Interface TenGigabitEthernet0/1/0, changed state to down</pre>	
Step 4	<pre>exit</pre> <p>Example:</p> <pre>Router(config)# exit</pre>	Exits global-configuration (config) mode and enters privilege-exec mode.
Step 5	<pre>show controllers wanphy 0/1/0</pre> <p>Example:</p> <pre>Router# show controllers wanphy 0/1/0</pre> <p>Example:</p> <pre>TenGigabitEthernet0/1/0</pre> <p>Example:</p> <pre>Mode of Operation: WAN Mode</pre> <p>Example:</p> <pre>SECTION</pre> <p>Example:</p> <pre> LOF = 0 LOS = 0 BIP(B1) = 0</pre> <p>Example:</p> <pre>LINE</pre> <p>Example:</p> <pre> AIS = 0 RDI = 0 FEBE = 0 BIP(B2) = 0</pre> <p>Example:</p> <pre>PATH</pre> <p>Example:</p>	Displays the configuration mode of the LAN-PHY or WAN-PHY controller. In this example, the mode of operation has changed to the WAN mode for the 1-Port 10-Gigabit Ethernet LAN/WAN PHY SPA.

Command or Action	Purpose
<pre>AIS = 0 RDI = 0 FEBE = 0 BIP(B3) = 0</pre>	
<p>Example:</p>	
<pre>LOP = 0 NEWPTR = 0 PSE = 0 NSE = 0</pre>	
<p>Example:</p>	
<pre>WIS ALARMS</pre>	
<p>Example:</p>	
<pre>SER = 0 FELCDP = 0 FEAI SP = 0</pre>	
<p>Example:</p>	
<pre>WLOS = 0 PLCD = 0</pre>	
<p>Example:</p>	
<pre>LFEBIP = 0 PBEC = 0</pre>	
<p>Example:</p>	
<p>Example:</p>	
<pre>Active Alarms[All defects]: SWLOF LAIS PAIS SER</pre>	
<p>Example:</p>	
<pre>Active Alarms[Highest Alarms]: SWLOF</pre>	
<p>Example:</p>	
<pre>Alarm reporting enabled for: SF SWLOF B1-TCA B2-TCA PLOP WLOS</pre>	
<p>Example:</p>	
<p>Example:</p>	
<pre>Rx(K1/K2): 00/00 Tx(K1/K2): 00/00</pre>	
<p>Example:</p>	
<pre>S1S0 = 00, C2 = 0x1A</pre>	
<p>Example:</p>	
<pre>PATH TRACE BUFFER: UNSTABLE</pre>	
<p>Example:</p>	

	Command or Action	Purpose
	Remote J1 Byte : Example: Example: BER thresholds: SD = 10e-6 SF = 10e-3 Example: TCA thresholds: B1 = 10e-6 B2 = 10e-6 B3 = 10e-6	

Configuring the Flag for Path Trace

The 1-Port 10GE LAN/WAN-PHY Shared Port Adapter can operate in either the WAN mode or the LAN mode. To check end-to-end connectivity, J1 flag byte values can be configured on the local SPA. The configured J1 byte values are displayed at the remote end in the **show controllers wanphy interface-path-id** command output.

SUMMARY STEPS

1. **configure terminal**
2. **controller wanphy interface-path-id**
3. **wanphy flag j1 transmit string**
4. **exit**
5. **exit**
6. **show controller wanphy <interface-path-id>**

DETAILED STEPS

	Command or Action	Purpose
Step 1	configure terminal Example: Router# configure terminal	Enters the global configuration mode.
Step 2	controller wanphy interface-path-id Example: Router(config)# controller wanphy 2/1/0	Enters the controller mode of the WAN-PHY SPA. In this example, it enters slot 1 of SIP 2.
Step 3	wanphy flag j1 transmit string Example: Router(config-controller)# wanphy flag j1 transmit passing_string_from_localend	Passes the string of J1 bytes specified to the remote end of WAN-PHY SPA. In this example, the string value <code>passing_string_from_localend</code> is transmitted to the remotely connected WAN-PHY SPA.

	Command or Action	Purpose
Step 4	exit Example: <pre>Router(config-controller)# exit</pre>	Exits Controller-configuration (config) mode and enters global configuration mode.
Step 5	exit Example: <pre>Router(config)# exit</pre>	Exits global-configuration (config) mode and enters privilege-exec mode.
Step 6	show controller wanphy <interface-path-id> Example: <pre>Router# show controller wanphy 2/2/0</pre> Example: <pre>TenGigabitEthernet0/2/0</pre> Example: <pre>Mode of Operation: WAN Mode</pre> Example: <pre>SECTION</pre> Example: <pre> LOF = 0 LOS = 0 BIP(B1) = 0</pre> Example: <pre>LINE</pre> Example: <pre> AIS = 0 RDI = 0 FEBE = 0 BIP(B2) = 0</pre> Example: <pre>PATH</pre> Example: <pre> AIS = 0 RDI = 0 FEBE = 0 BIP(B3) = 0</pre> Example: <pre> LOP = 0 NEWPTR = 0 PSE = 0 NSE = 0</pre> Example:	<p>This command must be executed on the remotely connected SPA. The command output displays the string of J1 byte values transmitted from the other end of the WAN-PHY SPA to check the path.</p> <p>In this example, the last line Remote J1 Byte, of the show controller wanphy 2/2/0 command output indicates that the string value <code>passing_string_from_localend</code> has been sent from the other end of the WAN-PHY SPA.</p>

Command or Action	Purpose
<p>WIS ALARMS</p> <p>Example:</p> <pre>SER = 0 FELCDP = 0 FEAISP = 0</pre> <p>Example:</p> <pre>WLOS = 0 PLCD = 0</pre> <p>Example:</p> <pre>LFEVIP = 0 PBEC = 0</pre> <p>Example:</p> <p>Active Alarms[All defects]: None</p> <p>Example:</p> <p>Active Alarms[Highest Alarms]: None</p> <p>Example:</p> <p>Alarm reporting enabled for: SF SWLOF B1-TCA B2-TCA PLOP WLOS</p> <p>Example:</p> <p>Example:</p> <pre>Rx(K1/K2): 00/00 Tx(K1/K2): 00/00</pre> <p>Example:</p> <pre>S1S0 = 00, C2 = 0x1A</pre> <p>Example:</p> <p>PATH TRACE BUFFER: STABLE</p> <p>Example:</p> <pre>Remote J1 Byte : passing_string_from_localend</pre> <p>Example:</p> <p>BER thresholds: SD = 10e-6 SF = 10e-3</p>	

	Command or Action	Purpose
	Example: TCA thresholds: B1 = 10e-6 B2 = 10e-6 B3 = 10e-6	

Configuring Alarm Reporting

The purpose of the WIS is to allow an Ethernet data streams that can be mapped directly to the STS-192c stream or VC-4-64c streams at the physical level without requiring MAC or higher-layer processing. The WIS adds path, line, and section overheads to generate the WIS frame. By default, line-level, section-level, and path-level alarms, which can be configured and used to selectively report and manage the alarms internally, are generated.

This section describes how to configure specific line-level, section-level, and path-level alarm reporting:

SUMMARY STEPS

1. **configure terminal**
2. **controller wanphy *interface-path-id***
3. **wanphy report-alarm default**
4. **wanphy report-alarm line**
5. **wanphy report-alarm path**
6. **wanphy report-alarm section**
7. **wanphy report-alarm wis**
8. **exit**
9. **exit**
10. **show controllers wanphy <*interface-path-id*>**

DETAILED STEPS

	Command or Action	Purpose
Step 1	configure terminal Example: Router# configure terminal	Enters the global configuration mode.
Step 2	controller wanphy <i>interface-path-id</i> Example: Router(config)# controller wanphy 2/2/0	Enters the controller mode of the WAN-PHY SPA installed in slot 2 of SIP 2.
Step 3	wanphy report-alarm default Example: Router(config-controller)# wanphy report-alarm default	Sets the default alarm reporting values to SF, SWLOF, B1-TCA, B2-TCA, PLOP, and WLOS.

	Command or Action	Purpose
Step 4	wanphy report-alarm line Example: <pre>Router(config-controller)# wanphy report-alarm line</pre>	Configures selective reports (LAIS, LRDI, SF, SD) for line-level alarms.
Step 5	wanphy report-alarm path Example: <pre>Router(config-controller)# wanphy report-alarm path</pre>	Configures selective reports for path-level (PAIS, PLOP, PPLM) alarms.
Step 6	wanphy report-alarm section Example: <pre>Router(config-controller)# wanphy report-alarm section</pre>	Configures selective reports for section-level (SLOF,SLOS, SER, SWLOF) alarms.
Step 7	wanphy report-alarm wis Example: <pre>Router(config-controller)# wanphy report-alarm wis</pre>	Configures selective reports for WIS-level (WSER) alarms.
Step 8	exit Example: <pre>Router(config-controller)# exit</pre>	Exits from the controller configuration mode and enters the global configuration mode.
Step 9	exit Example: <pre>Router(config)# exit</pre>	Exits from the global configuration mode and enters the Privileged EXEC mode.
Step 10	show controllers wanphy <interface-path-id> Example: <pre>Router# show controllers wanphy 2/2/0</pre> Example: <pre>TenGigabitEthernet2/1/0</pre> Example: <pre>Mode of Operation: WAN Mode</pre> Example: <pre>SECTION</pre>	<p>The command output displays the default alarms and the configured alarms.</p> <p>The alarms that can be configured specifically for line, section, path, and WIS are:</p> <ul style="list-style-type: none"> • Section-level alarms: SLOF • Line-level alarms: LAIS, LRDI • Physical-level alarms: PAIS, PLOP, PPLM • WIS-level alarms: WLOS, SER, PLCD, FEAI SP, FELCDP

Command or Action	Purpose
<p>Example:</p> <pre> LOF = 0 LOS = 0 BIP (B1) = 30 </pre> <p>Example:</p> <pre> LINE </pre> <p>Example:</p> <pre> AIS = 0 RDI = 0 FEBE = 0 BIP(B2) = 6215 </pre> <p>Example:</p> <pre> PATH </pre> <p>Example:</p> <pre> AIS = 0 RDI = 0 FEBE = 0 BIP(B3) = 8 </pre> <p>Example:</p> <pre> LOP = 0 NEWPTR = 0 PSE = 0 NSE = 0 </pre> <p>Example:</p> <pre> WIS ALARMS </pre> <p>Example:</p> <pre> SER = 0 FELCDP = 0 FEALSP = 0 </pre> <p>Example:</p> <pre> WLOS = 0 PLCD = 0 </pre> <p>Example:</p> <pre> LFEBIP = 1304 PBEC = 8 </pre> <p>Example:</p> <pre> Active Alarms[All defects]: None </pre> <p>Example:</p> <pre> Active Alarms[Highest Alarms]: None </pre> <p>Example:</p>	

	Command or Action	Purpose
	<p>Alarm reporting enabled for: SF SD SWLOF B1-TCA LAIS LRDI B2-TCA PAIS PLOP PPLM SER FELCDP FEAI SP WLOS PLCD</p> <p>Example:</p> <p>Example:</p> <pre>Rx(K1/K2): 00/00 Tx(K1/K2): 00/00</pre> <p>Example:</p> <pre>S1S0 = 00, C2 = 0x1A</pre> <p>Example:</p> <pre>PATH TRACE BUFFER: STABLE</pre> <p>Example:</p> <pre>Remote J1 Byte :</pre> <p>Example:</p> <pre>BER thresholds: SD = 10e-6 SF = 10e-3</pre> <p>Example:</p> <pre>TCA thresholds: B1 = 10e-6 B2 = 10e-6 B3 = 10e-6</pre>	

Configuring WAN-PHY Signal Failure and Signal Degrade Bit Error Rates

This section describes how to configure WAN-PHY Signal Failure (SF) and Signal Degrade (SD) Bit Error Rate (BER) reporting and thresholds.

A Signal Failure (SF) alarm is declared if the line bit error (B2) rate exceeds a user-provisioned threshold range (over the range of 10e-3 to 10e-9).

A Signal Degrade (SD) alarm is declared if the line bit error (B2) rate exceeds a user-provisioned threshold range (over the range of 10e-3 to 10e-9). If the B2 errors cross the SD threshold, a warning of link quality degradation is triggered. The WAN-PHY alarms are required for some users who are upgrading their Layer 2 core network from a SONET ring to a 10-Gigabit Ethernet ring.

Prerequisites

This section describes the prerequisites for configuring the BER threshold values on a 1-Port 10-Gigabit Ethernet LAN/WAN PHY SPA:

- The controller must be in the WAN-PHY mode prior to configuring the SF and SD BER reporting and thresholds.
- The WAN-PHY mode is supported only on the 1-Port 10-Gigabit Ethernet LAN/WAN PHY SPA (SPA-1X10GE-WL-V2).

Configuring the BER and TCA Threshold Values

This section describes how to configure the BER and Threshold Cross Alarms (TCA) threshold values.

SUMMARY STEPS

1. **configure terminal**
2. **controller wanphy** *interface-path-id*
3. **wanphy threshold b1-tca** *bit-error-rate*
4. **wanphy threshold b2-tca** *<bit-error-rate>*
5. **wanphy threshold sd-ber** *<bit-error-rate>*
6. **wanphy threshold sf-ber** *<bit-error-rate>*
7. **exit**
8. **exit**
9. **show controllers wan** *<interface-path-id>*

DETAILED STEPS

	Command or Action	Purpose
Step 1	configure terminal Example: <pre>Router# configure terminal</pre>	Enters the global configuration mode.
Step 2	controller wanphy <i>interface-path-id</i> Example: <pre>Router(config)# controller wanphy 2/2/0</pre>	Enters the controller mode of the WAN-PHY SPA installed in slot 2 of SIP 2 in this example.
Step 3	wanphy threshold b1-tca <i>bit-error-rate</i> Example: <pre>Router(config-controller)# wanphy threshold b1-tca 4</pre>	Sets the B1-tca threshold-crossing alarm value. The default threshold value for B1-tca is 10e-6. The valid range for the B1-tca threshold value is 4 to 9. In this example, the B1-tca threshold value is set to 4.
Step 4	wanphy threshold b2-tca <i><bit-error-rate></i> Example: <pre>Router(config-controller)# wanphy threshold b2-tca 5</pre>	Sets the B2-tca threshold-crossing alarm value. The default threshold value for B2-tca is 10e-6. The valid range for the B2-tca threshold value is 3 to 9 (10 to minus n). In this example, the B2-tca threshold value is set to 5.

	Command or Action	Purpose
Step 5	<p>wanphy threshold sd-ber <bit-error-rate></p> <p>Example:</p> <pre>Router(config-controller)# wanphy threshold sd-ber 8</pre>	<p>Sets the SD BER threshold-crossing alarm value. The default SD BER threshold value is 10e-6. The value range for SD BER threshold value is 3 to 9 (10 to minus n).</p> <p>In this example, the SD BER threshold value is set to 8.</p>
Step 6	<p>wanphy threshold sf-ber <bit-error-rate></p> <p>Example:</p> <pre>Router(config-controller)# wanphy threshold sf-ber 9</pre>	<p>Sets the SF BER threshold-crossing alarm value. The default SF BER threshold value is 10e-3. The value range for the SF BER threshold value is 3 to 9 (10 to minus n).</p> <p>In this example, the SF BER threshold value is set to 9.</p>
Step 7	<p>exit</p> <p>Example:</p> <pre>Router(config-controller)# exit</pre>	<p>Exits from the Controller mode and enters the Global configuration mode.</p>
Step 8	<p>exit</p> <p>Example:</p> <pre>Router(config)# exit</pre>	<p>Exits from the global configuration mode and enters the Privileged EXEC mode.</p>
Step 9	<p>show controllers wan <interface-path-id></p> <p>Example:</p> <pre>Router# show controller wan 2/2/0</pre> <p>Example:</p> <pre>TenGigabitEthernet2/2/0</pre> <p>Example:</p> <pre>Mode of Operation: WAN Mode</pre> <p>Example:</p> <pre>SECTION</pre> <p>Example:</p> <pre> LOF = 0 LOS = 0 BIP(B1) = 13</pre> <p>Example:</p> <pre>LINE</pre> <p>Example:</p>	<p>The command output displays the SF, SD, BER threshold values and B1-tca and B2-tca threshold values in the last line of the command output in the example.</p> <p>In this example, the command output shows that B1 value is 4, B2 value is 5, SD value is 8, and SF value is 9.</p>

Command or Action	Purpose
<pre> AIS = 0 RDI = 1 FEBE = 0 BIP(B2) = 3827 </pre>	
<p>Example:</p>	
<pre> PATH </pre>	
<p>Example:</p>	
<pre> AIS = 0 RDI = 0 FEBE = 28231 BIP(B3) = 5 </pre>	
<p>Example:</p>	
<pre> LOP = 0 NEWPTR = 0 PSE = 0 NSE = 0 </pre>	
<p>Example:</p>	
<pre> WIS ALARMS </pre>	
<p>Example:</p>	
<pre> SER = 0 FELCDP = 0 FEALSP = 1 </pre>	
<p>Example:</p>	
<pre> WLOS = 0 PLCD = 0 </pre>	
<p>Example:</p>	
<pre> LFEBIP = 7197878 PBEC = 5 </pre>	
<p>Example:</p>	
<p>Example:</p>	
<pre> Active Alarms[All defects]: None </pre>	
<p>Example:</p>	
<pre> Active Alarms[Highest Alarms]: None </pre>	
<p>Example:</p>	
<pre> Alarm reporting enabled for: SF SD SWLOF B1-TCA LAIS LRDI B2-TCA PAIS PLOP PPLM SER FELCDP FEALSP WLOS PLCD </pre>	
<p>Example:</p>	
<p>Example:</p>	
<pre> Rx(K1/K2): 00/00 Tx(K1/K2): 00/00 </pre>	

	Command or Action	Purpose
	<p>Example:</p> <pre>S1S0 = 00, C2 = 0x1A</pre> <p>Example:</p> <pre>PATH TRACE BUFFER: STABLE</pre> <p>Example:</p> <pre>Remote J1 Byte : an4ru-</pre> <p>Example:</p> <pre>BER thresholds: SD = 10e-8 SF = 10e-9</pre> <p>Example:</p> <pre>TCA thresholds: B1 = 10e-4 B2 = 10e-5 B3 = 10e-6</pre>	

Configuration Examples

This section includes the following configuration examples:

Basic Interface Configuration

The following example shows how to enter the global configuration mode to specify the interface that you want to configure, configure an IP address for the interface, and save the configuration. This example configures interface port 1 on the SPA that is located in subslot 0 of the SIP that is installed in slot 0 of the Cisco ASR 1000 Series Routers:

```
! Enter global configuration mode.

!

Router# configure terminal

! Enter configuration commands, one per line. End with CNTL/Z.

!

! Specify the interface address.

!
```

```
Router(config)# interface gigabitethernet 0/0/1

!

! Configure an IP address.

!

Router(config-if)# ip address 192.168.50.1 255.255.255.0

!

! Start the interface.

!

Router(config-if)# no shut

!

! Save the configuration to NVRAM.

!

Router(config-if)# exit

Router# copy running-config startup-config
```

MAC Address Configuration

The following example shows how to change the default MAC address on the interface to 1111.2222.3333:

```
! Enter global configuration mode.

!

Router# configure terminal

! Enter configuration commands, one per line. End with CNTL/Z.

!

! Specify the interface address

!

Router(config)# interface gigabitethernet 0/0/1
```

```

!

! Modify the MAC address.

!

Router(config-if)# mac-address 1111.2222.3333

```

MAC Address Accounting Configuration

The following example shows how to enable MAC Address Accounting:

```

! Enter global configuration mode.

!

Router# configure terminal

! Enter configuration commands, one per line. End with CNTL/Z.

!

! Enable MAC address accounting

Router(config)# ip accounting mac-address {input | output}

Router(config-if)# ip accounting ?

access-violations Account for IP packets violating access lists on this interface

mac-address Account for MAC addresses seen on this interface

output-packets Account for IP packets output on this interface

precedence Count packets by IP precedence on this interface

<cr>

Router(config-if)# ip accounting mac-address ?

input Source MAC address on received packets

output Destination MAC address on transmitted packets

Router(config-if)# ip accounting mac-address input ?

<cr>

```

```

! Specify MAC address accounting for traffic entering the interface.

!

Router(config-if)# ip accounting mac-address input

! Specify MAC address accounting for traffic leaving the interface.

!

Router(config-if)# ip accounting mac-address output

Router(config-if)# end

! Verify the MAC Address on the interface.

!

Router# show interfaces GigabitEthernet 4/0/2 mac-accounting

GigabitEthernet4/0/2

Input (511 free)

000f.f7b0.5200(26): 124174 packets, 7450440 bytes, last: 1884ms ago

Total: 124174 packets, 7450440 bytes

Output (511 free)

000f.f7b0.5200(26): 135157 packets, 8109420 bytes, last: 1884ms ago

Total: 135157 packets, 8109420 bytes

```

MTU Configuration

The following example shows how to set the MTU interface to 9216 bytes.



Note

The SPA automatically adds an additional 38 bytes to the configured MTU interface size.

```

! Enter global configuration mode.

!

Router# configure terminal

```

```
! Enter configuration commands, one per line. End with CNTL/Z.

!

! Specify the interface address

!

Router(config)# interface gigabitethernet 0/0/1

!

! Configure the interface MTU.

!

Router(config-if)# mtu 9216
```

VLAN Configuration

The following example shows how to create the subinterface number 268 on SPA interface port 2 (the third port), and configure the subinterface on the VLAN with the ID number 268, using IEEE 802.1Q encapsulation:

```
! Enter global configuration mode.

!

Router# configure terminal

! Enter configuration commands, one per line. End with CNTL/Z.

!

! Specify the interface address

!

Router(config)# interface gigabitethernet 2/0/1.268

!

! Configure dot1q encapsulation and specify the VLAN ID.

!

Router(config-subif)# encapsulation dot1q 268
```




CHAPTER 11

Troubleshooting the Gigabit Ethernet SPAs

This chapter describes techniques that you can use to troubleshoot the operation of your Gigabit Ethernet SPAs.

It includes the following sections:

- [Overview, on page 165](#)
- [General Troubleshooting Information, on page 165](#)
- [Performing Basic Interface Troubleshooting, on page 166](#)
- [Understanding SPA Automatic Recovery, on page 169](#)
- [Using the Cisco IOS Event Tracer to Troubleshoot Problems, on page 170](#)
- [Preparing for Online Insertion and Removal of a SPA, on page 171](#)

Overview

The first section provides information about basic interface troubleshooting. If you are having a problem with your SPA, use the steps in the *Performing Basic Interface Troubleshooting* section to begin your investigation of a possible interface configuration problem.

To perform more advanced troubleshooting, see the other sections in this chapter.

General Troubleshooting Information

This section describes general information for troubleshooting SIPs and SPAs. It includes the following sections:

Using debug Commands



Caution

Because debugging output is assigned high priority in the CPU process, it can render the system unusable. For this reason, use **debug** commands only to troubleshoot specific problems or during troubleshooting sessions with Cisco technical support staff. Moreover, it is best to use **debug** commands during periods of lower network traffic and fewer users. Debugging during these periods decreases the likelihood that increased **debug** command processing overhead will affect system use.

The **debug hw-module subslot** command is intended for use by Cisco technical support personnel.

For information about other **debug** commands supported on the Cisco ASR 1000 Series Routers, refer to the *Cisco IOS Debug Command Reference* and any related feature documents for the applicable Cisco IOS release.

Using show Commands

There are several **show** commands that you can use to monitor and troubleshoot the SIPs and SPAs on the Cisco ASR 1000 Series Routers. This chapter describes using the **show interfaces** command to perform troubleshooting of your SPA.

For more information about **show** commands to verify and monitor SIPs and SPAs, see *Troubleshooting the SIP*, *Configuring the Ethernet SPAs*, and the Cisco IOS technology area command reference books.

Performing Basic Interface Troubleshooting

You can perform most of the basic interface troubleshooting using the **show interfaces fastethernet**, **show interfaces gigabitethernet**, or **show interfaces tengigabitethernet** command and examining several areas of the output to determine how the interface is operating.

The following example shows an output of **show interfaces gigabitethernet** and **show interfaces tengigabitethernet** commands with some of the significant areas of the output in bold:

```
Router# show interfaces gigabitethernet 2/0/1
GigabitEthernet2/0/1 is down, line protocol is down
  Hardware is SPA-1X10GE-L-V2, address is 000a.f330.2e40 (bia 000a.f330.2e40)
  Internet address is 2.2.2.1/24
  MTU 1500 bytes, BW 1000000 Kbit, DLY 10 usec,
    reliability 255/255, txload 1/255, rxload 1/255
  Encapsulation ARPA, loopback not set
  Keepalive not supported
  Full-duplex, 1000Mb/s
, link type is force-up, media type is SX
  output flow-control is on, input flow-control is on
  ARP type: ARPA, ARP Timeout 04:00:00
  Last input 03:18:49, output 03:18:44, output hang never
  Last clearing of "show interface" counters never
  Input queue: 0/75/0/0 (size/max/drops/flushes); Total output drops: 0
  Queueing strategy: fifo
  Output queue: 0/40 (size/max)
  5 minute input rate 0 bits/sec, 0 packets/sec
  5 minute output rate 0 bits/sec, 0 packets/sec
    1703 packets input, 638959 bytes, 0 no buffer
    Received 23 broadcasts (0 IP multicasts)
    0 runts, 0 giants, 0 throttles
    0 input errors, 0 CRC
, 0 frame, 0 overrun, 0 ignored
    0 watchdog, 1670 multicast, 0 pause input
    1715 packets output, 656528 bytes, 0 underruns
    0 output errors, 0 collisions
, 4 interface resets
    0 babbles, 0 late collision
, 0 deferred
    0 lost carrier, 0 no carrier
, 0 pause output
    0 output buffer failures, 0 output buffers swapped out
Router# show interfaces tengigabitethernet 0/0/0
```

```

TenGigabitEthernet7/0/0 is up, line protocol is up (connected)
  Hardware is TenGigEther SPA, address is 0000.0c00.0102 (bia 000f.342f.c340)
  Internet address is 15.1.1.2/24
  MTU 1500 bytes, BW 10000000 Kbit, DLY 10 usec,
    reliability 255/255, txload 1/255, rxload 1/255
  Encapsulation ARPA, loopback not set
  Keepalive not supported
  Full-duplex, 10Gb/s
  input flow-control is on, output flow-control is on
  ARP type: ARPA, ARP Timeout 04:00:00
  Last input never, output 00:00:10, output hang never
  Last clearing of "show interface" counters 20:24:30
  Input queue: 0/75/0/0 (size/max/drops/flushes); Total output drops: 0
  Queueing strategy: fifo
  Output queue: 0/40 (size/max)
  5 minute input rate 0 bits/sec, 0 packets/sec
  5 minute output rate 0 bits/sec, 0 packets/sec
  L2 Switched: ucast: 0 pkt, 0 bytes - mcast: 0 pkt, 0 bytes
  L3 in Switched: ucast: 0 pkt, 0 bytes - mcast: 0 pkt, 0 bytes mcast
  L3 out Switched: ucast: 0 pkt, 0 bytes mcast: 0 pkt, 0 bytes
    237450882 packets input, 15340005588 bytes, 0 no buffer
    Received 25 broadcasts (0 IP multicasts)
    0 runs, 0 giants, 0 throttles
    0 input errors, 0 CRC
, 0 frame, 0 overrun, 0 ignored
    0 watchdog, 0 multicast, 0 pause input
    0 input packets with dribble condition detected
    1676 packets output, 198290 bytes, 0 underruns
    0 output errors, 0 collisions
, 4 interface resets
    0 babbles, 0 late collision
, 0 deferred
    0 lost carrier, 0 no carrier
, 0 PAUSE output
    0 output buffer failures, 0 output buffers swapped out
  
```

To verify that your interface is operating properly, complete the following steps:

SUMMARY STEPS

1. From global configuration mode, enter the **show interfaces gigabitethernet**, **show interfaces tengigabitethernet**, or **show interfaces fastethernet** command.
2. Verify that the interface is up.
3. Verify that the line protocol is up.
4. Observe the CRC counter.
5. Observe the carrier signal counters.

DETAILED STEPS

- Step 1** From global configuration mode, enter the **show interfaces gigabitethernet**, **show interfaces tengigabitethernet**, or **show interfaces fastethernet** command.

Example:

```

Router# show interfaces gigabitethernet 2/0/1
Router# show interfaces tengigabitethernet 7/0/0
Router# show interfaces fastethernet 3/0/0
  
```

- Step 2** Verify that the interface is up.

Example:

```
Router# show interfaces gigabitethernet 2/0/1
GigabitEthernet2/0/1 is up
, line protocol is up
Router# show interfaces tengigabitethernet 7/0/0
TenGigabitEthernet7/0/0 is up,
line protocol is up (connected)
Router# show interfaces fastethernet 3/0/0
FastEthernet3/0/0 is up,
line protocol is up
```

Step 3 Verify that the line protocol is up.

Example:

```
Router# show interfaces gigabitethernet 2/0/1
GigabitEthernet2/0/1 is up, line protocol is up

Router# show interfaces tengigabitethernet 7/0/0
TenGigabitEthernet7/0/0 is up, line protocol is up (connected)
Router# show interfaces fastethernet 3/0/0
FastEthernet3/0/0 is up,
line protocol is up
```

Step 4 Observe the CRC counter.

Example:

```
0 input errors, 0 CRC, 0 frame, 130043940 overrun, 0 ignored
```

Step 5 Observe the carrier signal counters.

Example:

```
0 lost carrier, 0 no carrier
, 0 pause output
0 output buffer failures, 0 output buffers swapped out
```

For more information about the verification steps and possible responses to correct detected problems, see the following sections:

Verifying the Interface Is Up

In the output of the **show interfaces gigabitethernet**, **show interfaces tengigabitethernet**, or **show interfaces fastethernet** command, verify that the interface is up. If the interface is down, perform the following corrective actions:

- If the interface is *administratively down*, use the **no shutdown** interface configuration command to enable the interface.
- Be sure that the cable is fully connected.
- Verify that the cable is not bent or damaged. If the cable is bent or damaged, the signal will be degraded.
- Verify that a hardware failure has not occurred. Observe the LEDs to confirm the failure. See the other troubleshooting sections of this chapter, and refer to the [Cisco ASR 1000 Series Aggregation Services Router Hardware Installation Guide](#). If the hardware has failed, replace the SPA as necessary.

- Check the autonegotiation status.

Verifying the Line Protocol Is Up

In the output of the **show interfaces gigabitethernet**, **show interfaces tengigabitethernet**, or **show interfaces fastethernet** command, verify that the line protocol is up. If the line protocol is down, the line protocol software processes have determined that the line is unusable.

Perform the following corrective actions:

- Replace the cable.
- Check the local and remote interface for misconfiguration.
- Verify that a hardware failure has not occurred. Observe the LEDs to confirm the failure. See the other troubleshooting sections of this chapter, and refer to the [Cisco ASR 1000 Series Aggregation Services Router Hardware Installation Guide](#). If the hardware has failed, replace the SPA as necessary.

Verifying the CRC Counter

In the output of the **show interfaces gigabitethernet**, **show interfaces tengigabitethernet**, or **show interfaces fastethernet** command, observe the value of the CRC counter. Excessive noise will cause high CRC errors accompanied by a low number of collisions.

Perform the following corrective actions if you encounter high CRC errors:

- Check the cables for damage.
- Verify that the correct cables are being used for the SPA interface.

Verifying the Carrier Signal

In the output of the **show interfaces gigabitethernet**, **show interfaces tengigabitethernet**, or **show interfaces fastethernet** command, observe the value of the carrier signal counters. The lost carrier counter shows the number of times that the carrier was lost during transmission. The no carrier counter shows the number of times that the carrier was not present during transmission.

Carrier signal resets can occur when an interface is in loopback mode or shut down.

Perform the following corrective actions if you observe the carrier signal counter incrementing outside of these conditions:

- Check the interface for a malfunction.
- Check for a cable problem.

Understanding SPA Automatic Recovery

When Gigabit Ethernet SPAs encounter thresholds for certain types of errors and identify a fatal error, the SPAs initiate an automatic recovery process.

You do not need to take any action unless the error counters reach a certain threshold, and multiple attempts for automatic recovery by the SPA fail.

The Gigabit Ethernet SPAs might perform automatic recovery for the following types of errors:

- SPI4 TX/RX out of frame
- SPI4 TX train valid
- SPI4 TX DIP4
- SPI4 RX DIP2

When Automatic Recovery Occurs

If the SPI4 errors occur more than 25 times within 10 milliseconds, the SPA automatically deactivates and reactivates itself. Error messages are logged on the console indicating the source of the error and the status of the recovery.

If Automatic Recovery Fails

If the SPA attempts automatic recovery more than five times in an hour, then the SPA deactivates itself and remains deactivated.

To troubleshoot automatic recovery failure for a SPA, perform the following steps:

SUMMARY STEPS

1. Use the **show hw-module subslot slot/subslot oir** command to verify the status of the SPA. The status is shown as “failed” if the SPA has been powered off due to five consecutive failures.
2. If you verify that automatic recovery has failed, perform OIR of the SPA. For information about performing OIR, see the *Preparing for Online Insertion and Removal of a SPA* section.
3. If reseating the SPA after OIR does not resolve the problem, replace the SPA hardware.

DETAILED STEPS

-
- Step 1** Use the **show hw-module subslot slot/subslot oir** command to verify the status of the SPA. The status is shown as “failed” if the SPA has been powered off due to five consecutive failures.
- Step 2** If you verify that automatic recovery has failed, perform OIR of the SPA. For information about performing OIR, see the *Preparing for Online Insertion and Removal of a SPA* section.
- Step 3** If reseating the SPA after OIR does not resolve the problem, replace the SPA hardware.
-

Using the Cisco IOS Event Tracer to Troubleshoot Problems

This feature is intended for use as a software diagnostic tool and should be configured only under the direction of a Cisco Technical Assistance Center (TAC) representative.

The Event Tracer feature provides a binary trace facility for troubleshooting Cisco IOS software. This feature gives Cisco service representatives additional insight into the operation of the Cisco IOS software and can be useful in helping to diagnose problems in the unlikely event of an operating system malfunction or, in the case of redundant systems, Route Processor switchover.

Event tracing works by reading informational messages from specific Cisco IOS software subsystem components that have been preprogrammed to work with event tracing, and by logging messages from those

components into system memory. Trace messages stored in memory can be displayed on the screen or saved to a file for later analysis.

The SPAs currently support the “spa” component to trace SPA OIR-related events.

For more information about using the Event Tracer feature, refer to the following URL:

http://www.cisco.com/en/US/docs/ios/12_0s/feature/guide/evnttrcr.html

Preparing for Online Insertion and Removal of a SPA

The Cisco ASR 1000 Series Routers support online insertion and removal (OIR) of the SIP, in addition to each of the SPAs. Therefore, you can remove a SIP with its SPAs still intact, or you can remove a SPA independently from the SIP, leaving the SIP installed in the router.

This means that a SIP can remain installed in the router with one SPA remaining active, while you remove another SPA from one of the SIP subslots. If you are not planning to immediately replace a SPA into the SIP, then be sure to install a blank filler plate in the subslot. The SIP should always be fully installed with either functional SPAs or blank filler plates.

For more information about activating and deactivating SPAs in preparation for OIR, see *Troubleshooting the SIP* section.



CHAPTER 12

Overview of the POS SPAs

This chapter provides information about release history, feature, and MIB support for the Packet over SONET (POS) SPAs on Cisco ASR 1000 Series Aggregation Services Routers. This chapter includes the following sections:

- [Release History, on page 173](#)
- [POS Technology Overview, on page 174](#)
- [Supported Features, on page 174](#)
- [Restrictions, on page 176](#)
- [Supported MIBs, on page 176](#)
- [SPA Architecture, on page 177](#)
- [Displaying the SPA Hardware Type, on page 181](#)

Release History

The following table lists the release history for the Packet over SONET (POS) SPAs on Cisco ASR 1000 Series Aggregation Services Routers:

Release	Modification
Cisco IOS XE Release 3.11	The restrictions for 1 port OC-48 POS/RPR SPA were updated.
Cisco IOS XE Release 3.10	Support for the 4-Port OC-3c/STM-1 POS SPA version 2 was introduced on the Cisco ASR 1000 Series Aggregation Services Routers.
Cisco IOS XE Release 2.4	Support for the following SPAs was introduced on the Cisco ASR 1000 Series Aggregation Services Routers: <ul style="list-style-type: none"> • 2-Port, 4-Port, and 8-Port OC-3c/STM-1 and OC-12c/STM-4 POS SPA • 1-Port OC-48c/STM-16 POS SPA • 8-Port OC-3c/STM-1 POS SPA • 1-Port OC-192c/STM-64 POS/RPR XFP SPA
Cisco IOS XE Release 2.2	Support for the following SPAs was introduced on the Cisco ASR 1000 Series Aggregation Services Routers: <ul style="list-style-type: none"> • 2-Port OC-48c/STM-16 POS/RPR SPA • 4-Port OC-48c/STM-16 POS/RPR SPA

Release	Modification
Cisco IOS XE Release 2.1	<p>Support for the following SPAs was introduced on the Cisco ASR 1000 Series Aggregation Services Routers:</p> <ul style="list-style-type: none"> • 2-Port OC-3c/STM-1 POS SPA • 4-Port OC-3c/STM-1 POS SPA • 1-Port OC-12c/STM-4 POS SPA

POS Technology Overview

Packet-over-SONET is a high-speed method of transporting IP traffic between two points. This technology combines the Point-to-Point Protocol (PPP), High-level Data Link Control (HDLC), or Frame Relay with Synchronous Optical Network (SONET) and Synchronous Digital Hierarchy (SDH) interfaces.

SONET is an octet-synchronous multiplex scheme defined by the American National Standards Institute (ANSI) standard (T1.1051988) for optical digital transmission at hierarchical rates from 51.840 Mbps to 9.95 Gbps (Synchronous Transport Signal, STS-1 to STS-48) and greater. SDH is an equivalent international standard for optical digital transmission at hierarchical rates from 155.520 Mbps (Synchronous Transfer Mode-1 [STM-1]) to 9.95 Gbps (STM-16) and greater.

SONET specifications have been defined for single-mode fiber and multimode fiber. The POS SPAs allow transmission over single-mode and multimode optical fiber at Optical Carrier 3, 12, 48, and 192 (OC-3, OC-12, OC-48, and OC-192) rates.

SONET/SDH transmission rates are integral multiples of 51.840 Mbps. The following transmission multiples are currently specified and used on the POS SPAs on the Cisco ASR 1000 Series Aggregation Services Routers:

- OC-3c/STM-1—155.520 Mbps
- OC-12c/STM-4—622.080 Mbps
- OC-48c/STM-16—2.488 Gbps
- OC-192/STM-64 XFP—9.95 Gbps

Supported Features

The following features are supported for Packet over SONET (POS) SPAs on Cisco ASR 1000 Series Aggregation Services Routers:

- Small form-factor pluggable (SFP) and XFP optics module OIR
- Field-programmable gate array (FPGA) upgrade support
- IPv4 and IPv6 addressing

SONET/SDH Compliance Features

The Compliance features supported for the Packet over SONET (POS) SPAs on Cisco ASR 1000 Series Aggregation Services Routers are as follows:

- American National Standards Institute (ANSI) T1.105
- ITU-T G.707, G.783, G.957, G.958
- Telcordia GR-253-CORE: SONET Transport Systems: Common Generic Criteria

- Telcordia GR-1244: Clocks for the Synchronized Network: Common Generic Criteria

SONET/SDH Error, Alarm, and Performance Monitoring Features

The performance monitoring features for the Packet over SONET (POS) SPAs on Cisco ASR 1000 Series Aggregation Services Routers are as follows:

- Signal failure bit error rate (SF-BER)
- Signal degrade bit error rate (SD-BER)
- Signal label payload construction (C2)
- Path trace byte (J1)
- Section Loss of signal (LOS)
- Section Loss of frame (LOF)
- Section Error counts for B1
- Section Threshold crossing alarms (TCA) for B1
- Line alarm indication signal (LAIS)
- Line remote defect indication (LRDI)
- Line remote error indication (LREI)
- Line Error counts for B2
- Line Threshold crossing alarms (TCA) for B2
- Path alarm indication signal (PAIS)
- Path remote defect indication (PRDI)
- Path remote error indication (PREI)
- Path Error counts for B3
- Path Threshold crossing alarms (TCA) for B3
- Path Loss of pointer (LOP)
- Path New pointer events (NEWPTR)
- Path Positive stuffing event (PSE)
- Path Negative stuffing event (NSE)

SONET/SDH Synchronization Features

The SONET/SDH synchronization features for the Packet over SONET (POS) SPAs on Cisco ASR 1000 Series Aggregation Services Routers:

- Local (internal) timing (for inter-router connections over dark fiber or Wavelength Division Multiplex [WDM] equipment)
- Loop (line) timing (for connecting to SONET/SDH equipment)
- Approximately 20 ppm clock accuracy over the full range of the operating temperature

WAN Protocol Features

- HDLC and Frame Relay IETF encapsulation
- Multiprotocol Label Switching (MPLS)
- RFC 1661, *The Point-to-Point Protocol (PPP)*
- RFC 1662, *PPP in HDLC framing*
- RFC 2615, *PPP over SONET/SDH* (with 1+x43 self-synchronous payload scrambling)

Network Management Features

- Simple Network Management Protocol (SNMP) Management Information Base (MIB) counters
- Local (diagnostic) loopback
- Network loopback
- NetFlow Data Export
- RFC 3592 performance statistics for timed intervals (current, 15-minute, multiple 15-minute, and 1-day intervals):
 - Section CV (code violations)
 - Section ES (errored seconds)
 - Section SES (severely errored seconds)
 - Near end & Far end Line CV
 - Near end & Far end Line ES
 - Near end & Far end Line SES
 - Near end & Far end Line UAS (unavailable seconds)
 - Near end & Far end Path CV
 - Near end & Far end Path ES
 - Near end & Far end Path SES
 - Near end & Far end Path UAS

Restrictions

The following table provides information about POS feature compatibility and restrictions by SIP and SPA combination. For SIP-specific features and restrictions see *Overview of SIP*.

Table 21: POS Feature Compatibility and Restrictions by SIP and SPA Combination

Feature	Cisco ASR1000-SIP10
Bridge Control Protocol (BCP)	Not supported on any POS SPAs.
Dynamic Packet Transport (DPT), which includes RPR/SRP	Not supported on any POS SPAs.
Frame Relay	Supported on all POS SPAs.

The followings are the restrictions for 1-port OC-48 POS/RPR SPA

- Line Remote Error Indication (LREI) and Path Remote Error Indication (PREI) alarms are not reported on the 1-port OC-48 POS/RPR SPA.

Supported MIBs

The following MIBs are supported for the POS SPAs on the Cisco ASR 1000 Series Routers:

- CISCO-ENTITY-ASSET-MIB
- CISCO-ENTITY-FRU-CONTROL-MIB
- CISCO-ENVMON-MIB (For NPEs, NSEs, line cards, and MSCs only)

- CISCO-EXTENDED-ENTITY-MIB
- CISCO-OPTICAL-MIB
- ENTITY-MIB
- OLD-CISCO-CHASSIS-MIB
- IF-MIB
- SONET-MIB (RFC 2558, *Definitions of Managed Objects for SONET/SDH Interface Type*)
- MIB II

To locate and download MIBs for selected platforms, Cisco IOS releases, and feature sets, use Cisco MIB Locator found at the following URL:

<http://tools.cisco.com/ITDIT/MIBS/servlet/index>

If Cisco MIB Locator does not support the MIB information that you need, you can also obtain a list of supported MIBs and download MIBs from the Cisco MIBs page at the following URL:

<http://www.cisco.com/public/sw-center/netmgmt/cmtk/mibs.shtml>

To access Cisco MIB Locator, you must have an account on Cisco.com. If you have forgotten or lost your account information, send a blank e-mail to cco-locksmith@cisco.com. An automatic check will verify that your e-mail address is registered with Cisco.com. If the check is successful, account details with a new random password will be e-mailed to you. Qualified users can establish an account on Cisco.com by following the directions found at this URL:

<https://tools.cisco.com/RPF/register/register.do>

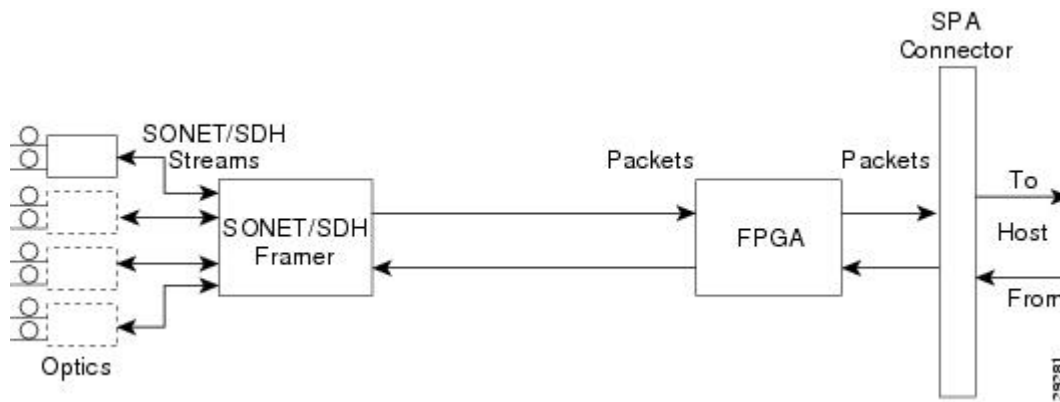
SPA Architecture

This section provides an overview of the architecture of the POS SPAs and describes the path of a packet in the ingress and egress directions. Some of these areas of the architecture are referenced in the SPA software and can be helpful to understand when troubleshooting or interpreting some of the SPA CLI and **show** command output.

4-Port OC-3c/STM-1 POS SPA Architecture

The following figure identifies some of the hardware devices that are part of the POS SPA architecture. The figure shows the four ports that are supported by the 4-Port OC-3c/STM-1 POS SPA only.

Figure 6: 4-Port OC-3c/STM-1 POS SPA Architecture



Every incoming and outgoing packet on the 4-Port OC-3c/STM-1 POS SPA goes through the SONET/SDH framer and field-programmable gate array (FPGA) devices.

Path of a Packet in the Ingress Direction

The following steps describe the path of an ingress packet through the 4-Port OC-3c/STM-1 POS SPA:

1. The framer receives SONET/SDH streams from the SFP optics, extracts clocking and data, and processes the section, line, and path overhead.
2. The framer extracts the POS frame payload and verifies the frame size and frame check sequence (FCS).
3. The framer passes valid frames to the field-programmable gate array (FPGA) on the SPA.
4. The FPGA on the SPA transfers frames to the host through the SPI4.2 bus for further processing and switching.

Path of a Packet in the Egress Direction

The following steps describe the path of an egress packet through the 4-Port OC-3c/STM-1 POS SPA:

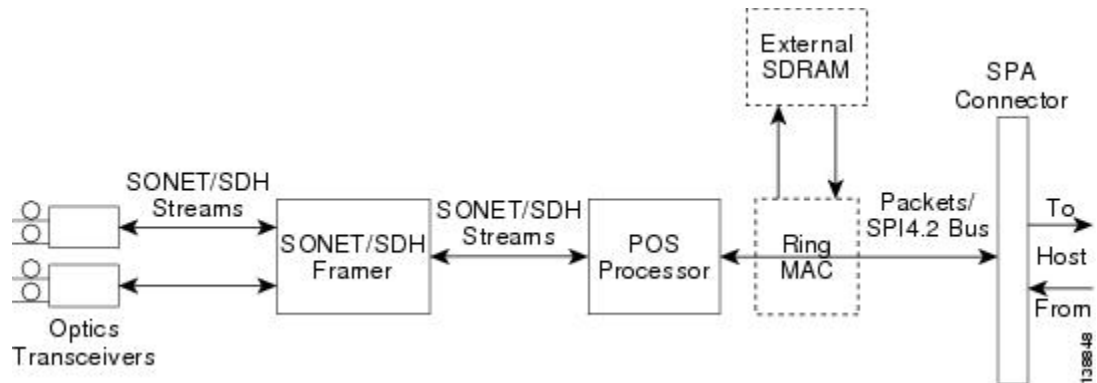
1. The host sends packets to the FPGA on the SPA using the SPI4.2 bus.
2. The FPGA on the SPA stores the data in the appropriate channel first-in first-out (FIFO) queue.
3. The FPGA on the SPA passes the packet to the framer.
4. The framer accepts the data and stores it in the appropriate channel queue.
5. The framer adds the FCS and SONET/SDH overhead.

The framer sends the data to the SFP optics for transmission onto the network.

2-Port OC-48c/STM-16 POS SPA Architecture

The following figure identifies the primary hardware devices that are part of the 2-Port OC-48c/STM-16 POS SPA architecture.

Figure 7: 2-Port OC-48c/STM-16 POS SPA Architecture



Path of a Packet in the Ingress Direction

The following steps describe the path of an ingress packet through the 2-Port OC-48c/STM-16 POS SPA:

1. The framer receives SONET/SDH streams from the SFP optics, extracts clocking and data, and processes the section, line, and path overhead.
2. The framer detects Loss of Signal (LOS), Loss of Frame (LOF), Severely Errored Frame (SEF), Line Alarm Indication Signal (AIS-L), Loss of Pointer (LOP), Line Remote Defect Indication Signal (Enhanced RDI-L), Path Alarm Indication Signal (AIS-P), Standard and Enhanced Path Remote Defect Indication Signal (RDI-P), Path Remote Error Indication (Enhanced REI-P). The framer extracts or inserts DCC bytes.
3. The framer processes the S1 synchronization status byte, the pointer action bytes (per Telcordia GR-253-CORE), and extracts or inserts DCC bytes.
4. The POS processor extracts the POS frame payload and verifies the frame size and frame check sequence (FCS).
5. The POS processor supports PPP, Frame Relay, or HDLC modes and optionally performs payload scrambling.
6. The POS processor passes valid frames to the System Packet Level Interface 4.2 (SPI4.2) interface on the SPA.
7. The SPI4.2 interface transfers frames to the host through the SPI4.2 bus for further processing and switching.

Path of a Packet in the Egress Direction

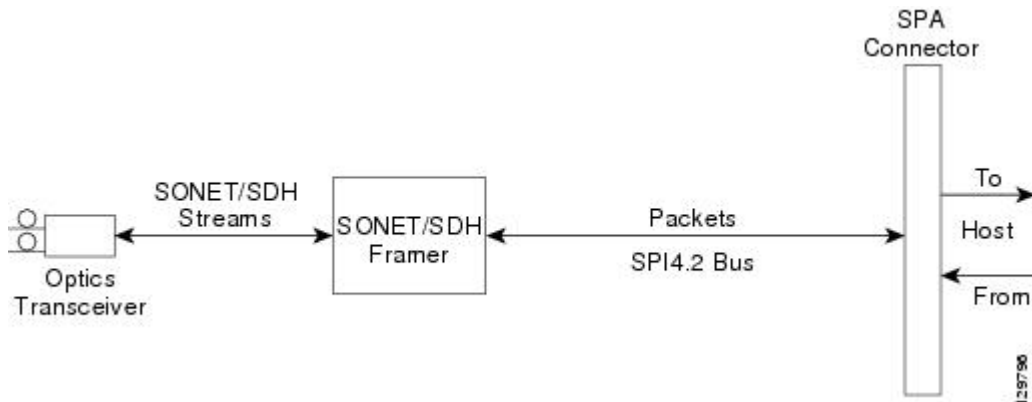
The following steps describe the path of an egress packet through the 2-Port OC-48c/STM-16 POS SPA:

1. The host sends packets to the SPA using the SPI4.2 bus.
2. The SPA stores the data in the appropriate SPI4 channel's first-in first-out (FIFO) queue.
3. The SPA passes the packet from the SPI4 interface to the POS processor where it is encapsulated in a POS frame and FCS is added.
4. The POS frame is sent to the SONET/SDH framer where it is placed into the SONET payload.
5. The framer adds the FCS and SONET/SDH overhead.
6. The framer sends the data to the SFP optics for transmission onto the network.

1-Port OC-192c/STM-64 POS/RPR XFP SPA Architecture

The following figure identifies the primary hardware devices that are part of the POS SPA architecture. The figure shows a single optics transceiver. The 1-Port OC-192c/STM-64 POS/RPR XFP SPA supports XFP optics.

Figure 8: 1-Port OC-192c/STM-64 POS/RPR XFP SPA Architecture



In POS mode, every incoming and outgoing packet on the OC-192 POS SPAs goes through the SONET/SDH framer and SPI4.2 interface.

Path of a Packet in the Ingress Direction

The following steps describe the path of an ingress packet through the 1-Port OC-192c/STM-64 POS/RPR XFP SPA:

1. The framer receives SONET/SDH streams from the XFP optics, extracts clocking and data, and processes the section, line, and path overhead.
2. The framer extracts the POS frame payload and verifies the frame size and frame check sequence (FCS).
3. The framer passes valid frames to the System Packet Level Interface 4.2 (SPI4.2) interface on the SPA.
4. The SPI4.2 interface transfers frames to the host through the SPI4.2 bus for further processing and switching.

Path of a Packet in the Egress Direction

The following steps describe the path of an egress packet through the 1-Port OC-192c/STM-64 POS/RPR XFP SPA:

1. The host sends packets to the SPA using the SPI4.2 bus.
2. The SPA stores the data in the appropriate channel's first-in first-out (FIFO) queue.
3. The SPA passes the packet to the framer.
4. The framer accepts the data and stores it in the appropriate channel queue.
5. The framer adds the FCS and SONET/SDH overhead.
6. The framer sends the data to the XFP optics for transmission onto the network.

Displaying the SPA Hardware Type

To verify information about the SPA hardware that is installed in your Cisco ASR 1000 Series Aggregation Services Routers, you can use the **show interfaces** command or the **show controllers** command. There are several other commands on the Cisco ASR 1000 Series Aggregation Services Routers that also provide SPA hardware information.

The following table shows the hardware description that appears in the **show** command output for each POS SPA that is supported on Cisco ASR 1000 Series Aggregation Services Routers.

Table 22: SPA Hardware Descriptions in show Commands

SPA	Description in show interfaces command
2-Port OC-3c/STM-1 POS SPA	Hardware is Packet over Sonet
4-Port OC-3c/STM-1 POS SPA	Hardware is Packet over Sonet
8-Port OC-3c/STM-1 POS SPA	Hardware is Packet over Sonet
1-Port OC-12c/STM-4 POS SPA	Hardware is Packet over Sonet
2-Port OC-12c/STM-4 POS SPA	Hardware is Packet over Sonet
4-Port OC-12c/STM-4 POS SPA	Hardware is Packet over Sonet
8-Port OC-12c/STM-4 POS SPA	Hardware is Packet over Sonet
1-Port OC-48c/STM-16 POS SPA	Hardware is Packet over Sonet
2-Port OC-48c/STM-16 POS/RPR SPA	Hardware is Packet over Sonet
4-Port OC-48c/STM-16 POS/RPR SPA	Hardware is Packet over Sonet
1-Port OC-192 POS-XFP SPA	SPA-OC192POS-XFP

Example of the show interfaces Command

The following example shows an output of the **show interfaces pos** command on Cisco ASR 1000 Series Aggregation Services Routers with a 1-Port OC-192c/STM-64 POS/RPR XFP SPA installed in slot 1:

```
Router# show interfaces POS1/0/0
POS1/0/0 is up, line protocol is up
  Hardware is SPA-OC192POS-XFP
  MTU 4470 bytes, BW 9952000 Kbit, DLY 100 usec,
    reliability 255/255, txload 1/255, rxload 1/255
  Encapsulation HDLC, crc 16, loopback not set
  Keepalive set (10 sec)
  Scramble disabled
  Last input 00:00:00, output 00:00:00, output hang never
  Last clearing of 'show interface' counters never
  Input queue: 0/375/0/0 (size/max/drops/flushes); Total output drops: 0
  Queueing strategy: fifo
  Output queue: 0/40 (size/max)
```

```

5 minute input rate 0 bits/sec, 0 packets/sec
5 minute output rate 0 bits/sec, 0 packets/sec
 138525 packets input, 3324600 bytes, 0 no buffer
  Received 0 broadcasts (0 IP multicasts)
   1 runts, 6 giants, 0 throttles
     0 parity
 3951 input errors, 3944 CRC, 0 frame, 0 overrun, 0 ignored, 0 abort
138522 packets output, 3324528 bytes, 0 underruns
 0 output errors, 0 applique, 1 interface resets
 0 output buffer failures, 0 output buffers swapped out
 1 carrier transitions

```

Example of the show controllers Command

The following example shows an output of the **show controllers pos** command on Cisco ASR 1000 Series Routers with a 4-Port OC-3c/STM-1 POS SPA installed in slot 1:

```

Router# show controllers pos 1/0/1
POS1/0/1
SECTION
  LOF = 0 LOS = 0 BIP(B1) = 0
LINE
  AIS = 0 RDI = 0 FEBE = 0 BIP(B2) = 0
PATH
  AIS = 0 RDI = 0 FEBE = 0 BIP(B3) = 0
  LOP = 0 NEWPTR = 0 PSE = 0 NSE = 0
Active Defects: None
Active Alarms: None
Alarm reporting enabled for: SF SLOS SLOF B1-TCA B2-TCA PLOP B3-TCA
BER thresholds: SF = 10e-3, SD = 10e-6
TCA thresholds: B1 = 10e-6, B2 = 10e-6, B3 = 10e-6
APS
  COAPS = 0 PSBF = 0
  State: PSBF_state = False
  Rx(K1/K2): 00/00 Tx(K1/K2): 00/00
  S1S0 = 00, C2 = CF
CLOCK RECOVERY
  RDOOL = 0
  State: RDOOL_state = False
PATH TRACE BUFFER: STABLE
  Remote hostname: c7600-1
  Remote interface: POS7/1/3
  Remote IP addr: 10.5.5.4
  Remote Rx(K1/K2): 00/00 Tx(K1/K2): 00/00
BER thresholds: SF = 10e-3 SD = 10e-6
TCA thresholds: B1 = 10e-6 B2 = 10e-6 B3 = 10e-6
Clock source: internal

```

The following example shows output from the **show controllers pos pm** command on Cisco ASR 1000 Series Aggregation Services Routers with a 2-Port OC-3c/STM-1 POS SPA installed in slot 0:

```

Router# show controllers pos pm
POS0/1/0
Medium is SONET
Line coding is RZ, Line type is LONG MM
Data in current interval (594 seconds elapsed)
SECTION (NO DEFECT)
  0 Errored Secs, 0 Severely Err Secs
  0 Coding Violations, 0 Sev Err Framing Secs
LINE ( NO DEFECT )
  0 Errored Secs, 0 Severely Err Secs

```

```
    0 Coding Violations, 0 Unavailabe Secs
FAR END LINE
    0 Errored Secs, 0 Severely Err Secs
    0 Coding Violations, 0 Unavailabe Secs
PATH ( NO DEFECT )
    0 Errored Secs, 0 Severely Err Secs
    0 Coding Violations, 0 Unavailabe Secs
FAR END PATH
    0 Errored Secs, 0 Severely Err Secs
    0 Coding Violations, 0 Unavailabe Secs
Total Data (0 valid intervals)
SECTION TOTAL
    0 Errored Secs, 0 Severely Err Secs
    0 Coding Violations, 0 Sev Err Framing Secs
LINE TOTAL
    0 Errored Secs, 0 Severely Err Secs
    0 Coding Violations, 0 Unavailabe Secs
FAR END LINE TOTAL
    0 Errored Secs, 0 Severely Err Secs
    0 Coding Violations, 0 Unavailabe Secs
PATH TOTAL
    0 Errored Secs, 0 Severely Err Secs
    0 Coding Violations, 0 Unavailabe Secs
FAR END PATH TOTAL
    0 Errored Secs, 0 Severely Err Secs
    0 Coding Violations, 0 Unavailabe Secs
```




CHAPTER 13

Configuring the POS SPAs

This chapter provides information about configuring the Packet over SONET (POS) shared port adapters (SPAs) on the Cisco ASR 1000 Series Aggregation Services Routers. This chapter includes the following sections:

For information about managing your system images and configuration files, refer to the [Cisco IOS XE Configuration Fundamentals Configuration Guide, Release 2](#) and [Cisco IOS Configuration Fundamentals Command Reference](#) publications that correspond to your Cisco IOS XE software release.

- [Configuration Tasks, on page 185](#)
- [Verifying the Interface Configuration, on page 193](#)
- [Configuration Examples, on page 194](#)

Configuration Tasks

This section describes how to configure POS SPAs and includes information about verifying the configuration. It includes the following topics:

Specifying the Interface Address on a SPA

SPA interface ports begin numbering with “0” from left to right. Single-port SPAs use only the port number 0. To configure or monitor SPA interfaces, you need to specify the physical location of the SIP, SPA, and interface in the CLI. The interface address format is *slot/subslot/port*, where:

- *slot*—Specifies the chassis slot number in the Cisco ASR 1000 Series Router where the SIP is installed.
- *subslot*—Specifies the secondary slot of the SIP where the SPA is installed.
- *port*—Specifies the number of the individual interface port on a SPA.

The following example shows how to specify the first interface (0) on a SPA installed in the first subslot of a SIP (0) installed in chassis slot 2:

```
Router(config)# interface serial 2/0/0
```

This command shows a serial SPA as a representative example, however the same *slot/subslot/port* format is similarly used for other SPAs (such as ATM and POS) and other non-channelized SPAs.

For more information about identifying slots and subslots, see the [Configuring the Encapsulation Type, on page 191](#).

Modifying the Interface MTU Size

The Cisco IOS software supports three different types of configurable maximum transmission unit (MTU) options at different levels of the protocol stack:

- **Interface MTU**—Checked by the SPA on traffic coming in from the network. Different interface types support different interface MTU sizes and defaults. The interface MTU defines the maximum packet size allowable (in bytes) for an interface before drops occur. If the frame is smaller than the interface MTU size, but is not smaller than three bytes of payload size, then the frame continues to process.
- **IP MTU**—Can be configured on a subinterface and is used by the Cisco IOS software to determine whether fragmentation of a packet takes place. If an IP packet exceeds the IP MTU size, then the packet is fragmented.
- **Tag or Multiprotocol Label Switching (MPLS) MTU**—Can be configured on a subinterface and allows up to six different labels, or tag headers, to be attached to a packet. The maximum number of labels is dependent on your Cisco IOS software release.

Different encapsulation methods and the number of MPLS MTU labels add additional overhead to a packet. For example, for an Ethernet packet, SNAP encapsulation adds an 8-byte header, dot1q encapsulation adds a 2-byte header, and each MPLS label adds a 4-byte header (n labels \times 4 bytes).



Note In the Cisco ASR 1000 Series Route Processor 1 (RP1), 2RU and 2RU-Fixed chassis, the MTU size for the Management Ethernet interface (interface gigabitethernet 0) is limited to 2370 bytes.

Interface MTU Configuration Guidelines

When configuring the interface MTU size on the POS SPAs, consider the following guidelines:

- If you are also using MPLS, be sure that the **mpls mtu** command is configured for a value less than or equal to the interface MTU.
- If you change the interface MTU size, the giant counter increments when the interface receives a packet that exceeds the MTU size that you configured, plus an additional 24 bytes for overhead, and an additional 2 or 4 bytes for the configured cyclic redundancy check (CRC).

For example, with a maximum MTU size of 9216 bytes, the giant counter increments:

- For a 16-bit CRC (or FCS), when receiving packets larger than 9242 bytes ($9216 + 24 + 2$).
- For a 32-bit CRC, when receiving packets larger than 9244 bytes ($9216 + 24 + 4$).
- The Frame Relay Local Management Interface (LMI) protocol requires that all permanent virtual circuit (PVC) status reports fit into a single packet. Using the default MTU of 4470 bytes, this limits the number of data-link connection identifiers (DLCIs) to 890. The following formula demonstrates how to determine the maximum DLCIs for a configured interface MTU:
 - Maximum DLCIs = $(\text{MTU bytes} - 20) / (5 \text{ bytes per DLCI})$
 - Maximum DLCIs for the default MTU = $(4470 - 20) / 5 = 890$ DLCIs per interface

Interface MTU Configuration Task

To modify the MTU size on an interface, use the following command in interface configuration mode:

Command	Purpose
Router(config-if)# mtu bytes	Configures the maximum packet size for an interface, where: <ul style="list-style-type: none"> <i>bytes</i>— Specifies the maximum number of bytes for a packet. The default is 4470 bytes.

To return to the default MTU size, use the **no** form of the command.

Verifying the MTU Size

To verify the MTU size for an interface, use the **show interfaces pos** privileged EXEC command and observe the value shown in the “MTU” field.

The following example shows an MTU size of 4470 bytes for interface port 0 (the first port) on the SPA installed in subslot 1 of the SIP that is located in slot 2 of the Cisco ASR 1000 Series Routers:

```
Router# show interfaces pos 2/1/0

POS2/1/0 is up, line protocol is up
  Hardware is Packet over Sonet
  Internet address is 10.1.1.1/24
  MTU 4470 bytes
  , BW 155000 Kbit, DLY 100 usec,
  reliability 255/255, txload 1/255, rxload 1/255.
```

Modifying the POS Framing

POS framing can be specified as SONET (Synchronous Optical Network) or SDH (Synchronous Digital Hierarchy). SONET and SDH are a set of related standards for synchronous data transmission over fiber-optic networks. SONET is the United States version of the standard published by the American National Standards Institute (ANSI). SDH is the international version of the standard published by the International Telecommunications Union (ITU).

To modify the POS framing, use the following command in interface configuration mode:

Command	Purpose
Router(config-if)# pos framing {sonet sdh}	Specifies the POS framing type, where: <ul style="list-style-type: none"> sonet—Enables Synchronous Optical Network framing for optical carrier (OC) rates. This is the default. sdh—Enables Synchronous Digital Hierarchy framing for synchronous transfer mode (STM) rates. <p>The POS framing type must be configured to be the same on both ends of the POS link.</p>

To return to the default, use the **no** form of the command.

Verifying the POS Framing

To verify the POS framing, use the **show controllers pos** privileged EXEC command and observe the value shown in the “Framing” field. The following example shows that POS framing mode is set to SONET for the first interface (0) on the POS SPA installed in subslot 2 of a SIP installed in chassis slot 3:

```
Router# show controllers pos 3/2/0
POS3/2/0
SECTION
LOF = 0 LOS = 0 BIP(B1) = 0
LINE
AIS = 0 RDI = 0 FEBE = 0 BIP(B2) = 0
PATH
AIS = 0 RDI = 0 FEBE = 0 BIP(B3) = 0
PLM = 0 UNEQ = 0 TIM = 0 TIU = 0
LOP = 0 NEWPTR = 0 PSE = 0 NSE = 0
Active Defects: None
Active Alarms: None
Alarm reporting enabled for: SF SLOS SLOF B1-TCA B2-TCA PLOP B3-TCA
Framing: SONET
APS
COAPS = 0 PSBF = 0
State: PSBF_state = False
Rx(K1/K2): 00/00 Tx(K1/K2): 00/00
Rx Synchronization Status S1 = 00
S1S0 = 00, C2 = CF
Remote aps status (none); Reflected local aps status (none)
CLOCK RECOVERY
RDOOL = 0
State: RDOOL_state = False
PATH TRACE BUFFER: STABLE
Remote hostname: sip-sw-7600-2
Remote interface: POS3/2/1
Remote IP addr: 0.0.0.0
Remote Rx(K1/K2): 00/00 Tx(K1/K2): 00/00
BER thresholds: SF = 10e-3 SD = 10e-6
TCA thresholds: B1 = 10e-6 B2 = 10e-6 B3 = 10e-6
Clock source: internal
```

Modifying the Keepalive Interval

When the keepalive feature is enabled, a keepalive packet is sent at the specified time interval to keep the interface active. The keepalive interval *must* be configured to be the same on both ends of the POS link.

To modify the keepalive interval, use the following command in interface configuration mode:

Command	Purpose
Router(config-if)# keepalive [period [retries]]	Specifies the frequency at which the Cisco IOS software sends messages to the other end of the link, to ensure that a network interface is alive, where: <ul style="list-style-type: none"> • <i>period</i>— Specifies the time interval in seconds for sending keepalive packets. The default is 10 seconds. • <i>retries</i>— Specifies the number of times that the device will continue to send keepalive packets without response before bringing the interface down. The default is 5 retries.

To disable keepalive packets, use the **no** form of this command.



Note If keepalives are enabled and you are trying to configure line loopback on a POS interface, the keepalive protocol will fail and periodically reset the interface based on the keepalive timeout and cause Layer 1 errors on the other end of the link that is trying to do the loopbacks. You can avoid this by using the `no keepalive` command on the POS interface that is configured for line loopback. The side that is not in line loopback detects that its keepalive is being looped back and functions properly. An interface configured for internal loopback also functions properly with keepalives enabled.

Verifying the Keepalive Interval

To verify the keepalive interval, use the `show interfaces pos` privileged EXEC command and observe the value shown in the “Keepalive” field.

The following example shows that keepalive is enabled for interface port 0 on the POS SPA installed in subslot 0 of the SIP that is located in chassis slot 2 of the Cisco ASR 1000 Series Router:

```
Router# show interfaces pos 2/0/0
    POS2/0/0 is up, line protocol is up
Hardware is Packet over SonetInternet address is 10.1.1.1.MTU 9216 bytes, BW 622000 Kbit,
    DLY 100 usec, reliability 255/255, txload 1/255, rxload 1/255
    Keepalive set (10 sec.)
```

Modifying the CRC Size

CRC is an error-checking technique that uses a calculated numeric value to detect errors in transmitted data. The CRC size indicates the length in bits of the FCS.

The CRC size *must* be configured to be the same on both ends of the POS link.

To modify the CRC size, use the following command in interface configuration mode:

Command	Purpose
Router(config-if)# <code>crc [16 32]</code>	<p>(As Required) Specifies the length of the cyclic redundancy check (CRC), where:</p> <ul style="list-style-type: none"> • 16— Specifies a 16-bit length CRC. This is the default. • 32— Specifies a 32-bit length CRC. <p>The CRC size must be configured to be the same on both ends of the POS link.</p>

To return to the default CRC size, use the `no` form of the command.

Verifying the CRC Size

To verify the CRC size, use the `show interfaces pos` privileged EXEC command and observe the value shown in the “CRC” field.

The following example shows that the CRC size is 16 for interface port 0 on the POS SPA installed in subslot 0 of the SIP that is located in chassis slot 2 of the Cisco ASR 1000 Series Router:

```
Router# show interfaces pos 2/0/0
```

```
Hardware is Packet over SonetInternet address is 10.1.1.2.MTU 9216 bytes, BW 622000 Kbit,
  DLY 100 usec reliability 255/255, txload 1/255, rxload 1/255
Encapsulation HDLC, crc 16
, loopback not set
```

Modifying the Clock Source

A clock source of **internal** specifies that the interface clocks its transmitted data from its internal clock. A clock source of **line** specifies that the interface clocks its transmitted data from a clock recovered from the line's receive data stream.

For information about the recommended clock source settings for POS router interfaces, refer to *Configuring Clock Settings on POS Router Interfaces* at the following URL:

http://www.cisco.com/en/US/tech/tk482/tk607/technologies_tech_note09186a0080094bb9.shtml

To modify the clock source, use the following command in interface configuration mode:

Command	Purpose
Router(config-if)# clock source { line internal }	Specifies the clock source for the POS link, where: <ul style="list-style-type: none"> line— The link uses the recovered clock from the line. This is the default. internal—The link uses the internal clock source.

To return to the default clock source, use the **no** form of this command.

Verifying the Clock Source

To verify the clock source, use the **show controllers pos** privileged EXEC command and observe the value shown in the "Clock source" field.

The following example shows that the clock source is internal for interface port 0 on the POS SPA installed in subslot 0 of the SIP that is located in slot 2 of the Cisco ASR 1000 Series Routers:

```
Router# show controllers pos 2/0/0
POS2/0/0SECTIONLOF = 0 LOS = 1 BIP(B1) = 7LINEAIS = 0 RDI = 1 FEBE = 20 BIP(B2) = 9PATHAIS
 = 0 RDI = 0 FEBE = 0 BIP(B3) = 5PLM = 0 UNEQ = 0 TIM = 0 TIU = 0LOP = 0 NEWPTR = 0 PSE =
 0 NSE = 0Active Defects: NoneActive Alarms: None
Alarm reporting enabled for: SF SLOS SLOF B1-TCA LAIS LRDI B2-TCA PAIS PLOP PRDI PUNEQ
B3-TCA RDOOL APSCOAPS = 2 PSBF = 0 State: PSBF_state = FalseRx(K1/K2): 00/00 Tx(K1/K2):
00/00Rx Synchronization Status S1 = 00S1S0 = 02, C2 = CFCLOCK RECOVERYRDOOL = 0 State:
RDOOL_state = FalsePATH TRACE BUFFER: STABLERemote hostname: RouterTester. Port 102/1 Remote
interface: Remote IP addr: Remote Rx(K1/K2): / Tx(K1/K2): / BER thresholds: SF = 10e-5 SD
 = 10e-6TCA thresholds: B1 = 10e-6 B2 = 10e-6 B3 = 10e-6Clock source: internal
```

Modifying SONET Payload Scrambling

SONET payload scrambling applies a self-synchronous scrambler (x43+1) to the Synchronous Payload Envelope (SPE) of the interface to ensure sufficient bit transition density.

The default configuration is SONET payload scrambling disabled.

SONET payload scrambling *must* be configured to be the same on both ends of the POS link.

To modify SONET payload scrambling, use the following command in interface configuration mode:

Command	Purpose
Router(config-if)# pos scramble-atm	Enables SONET payload scrambling.

To disable SONET payload scrambling, use the **no** form of this command.

Verifying SONET Payload Scrambling

To verify SONET payload scrambling, use the **show interfaces pos** privileged EXEC command and observe the value shown in the “Scramble” field.

The following example shows that SONET payload scrambling is disabled for interface port 0 on the POS SPA installed in subslot 0 of the SIP that is located in slot 2 of the Cisco ASR 1000 Series Routers:

```
Router# show interfaces pos 2/0/0
Hardware is Packet over Sonet Internet address is 10.0.0.1/24 MTU 9216 bytes, BW 622000
Kbit, DLY 100 usec, reliability 255/255, txload 1/255, rxload 1/255 Encapsulation HDLC,
crc 16, loopback not set Keepalive not set Scramble disabled
```

Configuring the Encapsulation Type

By default, the POS interfaces support High-Level Data Link Control (HDLC) encapsulation. The encapsulation method can be specified as HDLC, Point-to-Point Protocol (PPP), or Frame Relay. The encapsulation type *must* be configured to be the same on both ends of the POS link.

To modify the encapsulation method, use the following command in interface configuration mode:

Command	Purpose
Router(config-if)# encapsulation <i>encapsulation-type</i>	Specifies the encapsulation method used by the interface, where: <ul style="list-style-type: none"> <i>encapsulation-type</i>— Can be HDLC, PPP, or Frame Relay. The default is HDLC.

Verifying the Encapsulation Type

To verify the encapsulation type, use the **show interfaces pos** privileged EXEC command and observe the value shown in the “Encapsulation” field.

The following example shows the encapsulation type is HDLC for port 0 on the POS SPA installed in subslot 0 of the SIP that is located in slot 2 of the Cisco ASR 1000 Series Router:

```
Router# show interfaces pos 2/0/0
Hardware is Packet over Sonet Internet address is 10.0.0.1/24 MTU 9216 bytes, BW 622000
Kbit, DLY 100 usec, reliability 255/255, txload 1/255, rxload 1/255 Encapsulation HDLC
, crc 16, loopback not set Keepalive not set Scramble disabled
```

Configuring POS Alarm Trigger Delays

A trigger is an alarm that, when activated, causes the line protocol to go down. The POS alarm trigger delay helps to ensure uptime of a POS interface by preventing intermittent problems from disabling the line protocol. The POS alarm trigger delay feature delays the setting of the line protocol to down when trigger alarms are

received. If the trigger alarm was sent because of an intermittent problem, the POS alarm trigger delay can prevent the line protocol from going down when the line protocol is functional.

Path-Level Triggers

You can issue the **pos delay triggers path** command to configure various path alarms as triggers and to specify an activation delay between 0 and 10000 milliseconds. The default delay value is 100 milliseconds. The following path alarms are not triggers by default. You can configure these path alarms as triggers and also specify a delay:

- Path alarm indication signal (PAIS)
- Path remote defect indication (PRDI)
- Path loss of pointer (PLOP)

The **pos delay triggers path** command can also bring down the line protocol when the higher of the B2 and B3 error rates is compared with the signal failure (SF) threshold. If the SF threshold is crossed, the line protocol of the interface goes down.

To configure POS path-level triggers, use the following command in interface configuration mode:

Command	Purpose
Router(config-if)# pos delay triggers path ms	Specifies that path-level alarms should act as triggers and specifies a delay for setting the line protocol to down when a path-level trigger alarm is received, where: <ul style="list-style-type: none"> • <i>ms</i> —Specifies the delay in milliseconds. The default delay is 100 milliseconds.

To disable path-level triggers, use the **no** form of this command.

Verifying POS Alarm Trigger Delays

To verify POS alarm trigger delays, use the **show controllers pos** privileged EXEC command and observe the values shown in the “Line alarm trigger delay” and “Path alarm trigger delay” fields.

The following example shows the POS alarm trigger delays for interface port 0 on the POS SPA installed in the SIP that is located in slot 2 of the Cisco ASR 1000 Series Router:

```
Router# show controllers pos 2/0/0 details
 POS2/0/0SECTIONLOF = 0 LOS = 1 BIP(B1) = 5LINEAIS = 0 RDI = 1 FEBE = 5790 BIP(B2) =
945PATHAIS = 0 RDI = 0 FEBE = 0 BIP(B3) = 5PLM = 0 UNEQ = 0 TIM = 0 TIU = 0LOP = 1 NEWPTR
= 0 PSE = 0 NSE = 0Active Defects: NoneActive Alarms: NoneAlarm reporting enabled for: SF
SLOS SLOF B1-TCA B2-TCA PLOP B3-TCA Line alarm trigger delay = 100 msPath alarm trigger
delay = 100 ms
```

Saving the Configuration

To save your running configuration to nonvolatile random-access memory (NVRAM), use the following command in privileged EXEC configuration mode:

Command	Purpose
Router# copy running-config startup-config	Writes the new configuration to NVRAM.

For more information about managing your system image and configuration files, refer to the [Cisco IOS XE Configuration Fundamentals Configuration Guide](#) and [Cisco IOS Configuration Fundamentals Command Reference](#) publications that correspond to your Cisco IOS XE software release.

Shutting Down and Restarting an Interface on a SPA

You can shut down and restart any of the interface ports on a SPA independently of each other. Shutting down an interface stops traffic and then enters the interface into an “administratively down” state.

If you are preparing for an OIR of a SPA, it is not necessary to independently shut down each of the interfaces prior to deactivation of the SPA. You do not need to independently restart any interfaces on a SPA after OIR of a SPA or SIP. For more information about performing an OIR for a SPA, see the [Configuring the Encapsulation Type, on page 191](#).

To shut down an interface on a SPA, use the following command in interface configuration mode:

Command	Purpose
Router(config-if)# shutdown	Disables an interface.

To restart an interface on a SPA, use the following command in interface configuration mode:

Command	Purpose
Router(config-if)# no shutdown	Restarts a disabled interface.

Verifying the Interface Configuration

Besides using the **show running-configuration** command to display your Cisco ASR 1000 Series Routers configuration settings, you can use the **show interfaces pos** and **show controllers pos** commands to get detailed information on a per-port basis for your POS SPAs.

Verifying Per-Port Interface Status

To find detailed interface information on a per-port basis for the POS SPAs, use the **show interfaces pos** command. For an example of the command output for a POS SPA at location 0/3/0, see the following:

```
router# show interfaces POS 0/3/0
POS0/3/0 is administratively down, line protocol is down
  Hardware is Packet over Sonet
  MTU 4470 bytes, BW 155000 Kbit, DLY 100 usec,
    reliability 255/255, txload 1/255, rxload 1/255
  Encapsulation HDLC, crc 16, loopback not set
  Keepalive set (10 sec)
  Scramble disabled
  Last input never, output never, output hang never
  Last clearing of "show interface" counters never
  Input queue: 0/375/0/0 (size/max/drops/flushes); Total output drops: 0
  Queueing strategy: fifo
  Output queue: 0/40 (size/max)
  5 minute input rate 0 bits/sec, 0 packets/sec
  5 minute output rate 0 bits/sec, 0 packets/sec
    0 packets input, 0 bytes, 0 no buffer
```

```

Received 0 broadcasts (0 IP multicasts)
0 runts, 0 giants, 0 throttles
  0 parity
0 input errors, 0 CRC, 0 frame, 0 overrun, 0 ignored, 0 abort
0 packets output, 0 bytes, 0 underruns
0 output errors, 0 applique, 1 interface resets
0 output buffer failures, 0 output buffers swapped out
0 carrier transitions

```

Monitoring Per-Port Interface Statistics

To find detailed alarm and error information on a per-port basis for the POS SPAs, use the **show controllers pos** command. For an example of the command output for a POS SPA at location 0/3/0, see the following:

```

router# show controllers pos
POS0/3/0
SECTION
  LOF = 0          LOS   = 0          BIP (B1) = 0
LINE
  AIS = 0          RDI   = 0          FEBE = 0          BIP (B2) = 0
PATH
  AIS = 0          RDI   = 0          FEBE = 0          BIP (B3) = 0
  PLM = 0          UNEQ  = 0          TIM  = 0          TIU   = 0
  LOP = 0          NEWPTR = 0        PSE  = 0          NSE   = 0
Active Defects: None
Active Alarms: None
Alarm reporting enabled for: SF SLOS SLOF B1-TCA B2-TCA PLOP B3-TCA
Framing: SONET
APS
  COAPS = 0          PSBF = 0
  State: PSBF_state = False
  Rx(K1/K2): 00/00 Tx(K1/K2): 00/00
  Rx Synchronization Status S1 = 00
  S1S0 = 00, C2 = 00
  Remote aps status (none); Reflected local aps status (none)
--More--          CLOCK RECOVERY
  RDOOL = 0
  State: RDOOL_state = False
PATH TRACE BUFFER: UNSTABLE
  Remote hostname :
  Remote interface:
  Remote IP addr  :
  Remote Rx(K1/K2): / Tx(K1/K2): /
BER thresholds: SF = 10e-3 SD = 10e-6
TCA thresholds: B1 = 10e-6 B2 = 10e-6 B3 = 10e-6
  Clock source: line

```

Configuration Examples

This section includes the following examples for configuring a POS SPA installed in a Cisco ASR 1000 Series Router:

Basic Interface Configuration Example

The following example shows how to enter global configuration mode to specify the interface that you want to configure, configure an IP address for the interface, enable the interface, and save the configuration. This

example configures interface port 0 (the first port) of the SPA located in subslot 0 of the SIP that is installed in slot 2 of the Cisco ASR 1000 Series Router:

```
!Enter global configuration mode

!

Router# configure terminal

!

! Specify the interface address

!

Router(config)# interface pos 2/0/0

!

! Configure an IP address

!

Router(config-if)# ip address 192.168.50.1 192.255.255.0

!

! Enable the interface

!

Router(config-if)# no shutdown

!

! Save the configuration to NVRAM

!

Router(config-if)# exit

Router# copy running-config startup-config
```

MTU Configuration Example

The following example sets the MTU to 4470 bytes on interface port 1 (the second port) of the SPA located in the bottom subslot (1) of the SIP that is installed in slot 2 of the Cisco ASR 1000 Series Router:

```
!Enter global configuration mode
```

```
!  
  
Router# configure terminal  
  
!  
  
! Specify the interface address  
  
!  
  
Router(config)# interface pos 2/1/1  
  
!  
  
! Configure MTU  
  
!  
  
Router(config-if)# mtu 4470
```

POS Framing Configuration Example

The following example shows how to change from the default POS framing of SONET to SDH:

```
!Enter global configuration mode  
  
!  
  
Router# configure terminal  
  
!  
  
! Specify the interface address  
  
!  
  
Router(config)# interface pos 2/1/1  
  
! (The default pos framing is sonet)  
  
!  
  
!Modify the framing type  
  
!  
  
Router(config-if)# pos framing sdh
```


Keepalive Configuration Example

The following example shows how to change from the default keepalive period of 10 seconds to 20 seconds:

```
!Enter global configuration mode

!

Router# configure terminal

!

! Specify the interface address

!

Router(config)# interface pos 2/1/1

!

! Configure keepalive 20

!

Router(config-if)# keepalive 20
```

CRC Configuration Example

The following example shows how to change the CRC size from 32 bits to the default 16 bits for POS SPAs:

```
!Enter global configuration mode

!

Router# configure terminal

!

! Specify the interface address

!

Router(config)# interface pos 2/1/1

!

! Configure crc 16
```

```

!
Router(config-if)# crc 16

```

Clock Source Configuration Example

The following example shows how to change from the default clock source of internal to line:

```

!Enter global configuration mode

!

Router# configure terminal

!

! Specify the interface address

!

Router(config)# interface pos 2/1/1

!

! Configure the clock source

!

Router(config-if)# clock source line

```

SONET Payload Scrambling Configuration Example

The following example shows how to change from a default SONET payload scrambling of disabled to enabled:

```

!Enter global configuration mode

!

Router# configure terminal

!

! Specify the interface address

!

Router(config)# interface pos 2/1/1

```

```
!  
  
! Configure the SONET payload scrambling  
  
!  
  
Router(config-if)# pos scramble-atm
```

Encapsulation Configuration Example

The following example shows how to change from the default encapsulation method of HDLC to PPP:

```
!Enter global configuration mode  
  
!  
  
Router# configure terminal  
  
! Specify the interface address  
  
Router(config)# interface pos 2/1/1  
  
!  
  
! Configure ppp  
  
!  
  
Router(config-if)# encapsulation ppp
```

POS Alarm Trigger Delays Configuration Example

The following example shows how to change POS line-level and path-level alarm trigger delays from the default of 100 milliseconds to 200 milliseconds:

```
!Enter global configuration mode  
  
!  
  
Router# configure terminal  
  
!  
  
! Specify the interface address
```

```
!  
  
Router(config)# interface pos 2/1/1  
  
!  
  
Router(config-if)# pos delay triggers line 200  
  
Router(config-if)# pos delay triggers path 200
```



CHAPTER 14

Overview of the Serial SPAs

This chapter provides an overview of the release history, supported features, restrictions, and Management Information Base (MIB) support for the serial SPAs on the Cisco ASR 1000 Series Aggregation Services Routers.

This chapter includes the following sections:

- [Release History, on page 201](#)
- [Supported Features, on page 202](#)
- [Restrictions, on page 205](#)
- [Supported MIBs, on page 206](#)
- [Displaying the SPA Hardware Type, on page 207](#)

Release History

Release	Modification
Cisco IOS XE Release 3.12	<p>The following serial SPAs were supported on the SIP-400 linecard.</p> <ul style="list-style-type: none">• Channelized TE1 SPA (Maverick)• Channelized T3 SPA (Patriot)• Channelized OC3 STM SPA (Prowler)• Clear Channel T3E3 SPA (Javelin) <p>All serial SPAs supported SIP-200 on Cascades release will be supported on SIP-400</p>
Cisco IOS XE Release 3.10	Support for the 8-Port Channelized T1/E1 Serial SPA (SPA-8XCHT1/E1-V2) was introduced on the Cisco ASR 1000 Series SIPs.
Cisco IOS XE Release 3.8	Support for the 8-Port Clear-Channel T3/E3 Serial SPA (SPA-8XT3/E3) was introduced on the Cisco ASR 1000 Series SIPs.
Cisco IOS XE Release 2.6	Support for the 1-Port Channelized OC-12/STM-4 SPA was introduced on the Cisco ASR 1000 Series SIPs.
Cisco IOS XE Release 2.2	Support for the 1-Port Channelized OC-3/STM-1 SPA was introduced on the Cisco ASR 1000 Series SIPs.

Release	Modification
Cisco IOS XE Release 2.1	<p>Support for the following SPAs was introduced on the Cisco ASR 1000 Series SIPs:</p> <ul style="list-style-type: none"> • 2-Port T3/E3 Serial SPA (SPA-2XT3/E3) • 4-Port T3/E3 Serial SPA (SPA-4XT3/E3) • 8-Port Channelized T1/E1 Serial SPA (SPA-8XCHT1/E1) • 2-Port Channelized T3 SPA(SPA-2XCT3/DS0) • 4-Port Channelized T3 SPA (SPA-4XCT3/DS0) • 4-Port Serial SPA (SPA-4TX-Serial)

Supported Features



Note There are some variations in the support provided by SPA models and software releases. These differences are described in the [Restrictions, on page 205](#), and in the corresponding configuration chapter pertaining to that SPA.

The following is a list of some of the significant software features supported by the serial SPAs on the Cisco ASR 1000 Series Aggregation Services Routers:

- Software selectable between T1, E1, T3, or E3 framing on each card (all the ports can be simultaneously configured as T1, E1, T3, or E3). Applies to the 2-Port and 4-Port Clear-Channel T3/E3 SPAs and the 8-Port Channelized T1/E1 SPA.
- Layer 2 encapsulation support:
 - Point-to-Point Protocol (PPP)
 - High-level Data Link Control (HDLC)
 - Frame Relay
- Internal or network clock (selectable per port).
- Online insertion and removal (OIR).
- Hot Standby Router Protocol (HSRP).
- Alarm reporting: 24-hour history maintained, 15-minute intervals on all errors.
- 16-bit and 32-bit cyclic redundancy checks (CRC) supported (16-bit is the default).
- Local and remote loopback.
- Bit error rate testing (BERT) pattern generation and detection per port.
- Programmable BERT pattern enhancements.



Note The programmable BERT pattern enhancements are not supported on the 2-Port, 4-Port, and 8-Port Clear-Channel T3/E3 Serial SPAs and the 8-Port Channelized T1/E1 SPA.

- Dynamic provisioning—Allows for the addition of new customer circuits within a channelized interface without affecting other customers.
- Field-programmable device (FPD) upgrades.

- End-to-end FRF.12 fragmentation support (Quantum Flow Processor [QFP] based).
- QFP-based Multilink PPP (MLPPP) and Link Fragmentation and Interleaving (LFI).
- Support for MLPPP across all SPAs.
- Support for MLPPP using any combination of E1, T1, and NxDS0 member links.
- Compressed Real-Time Protocol (cRTP)—8-Port Channelized T1/E1 Serial SPA and 2-Port and 4-Port Channelized T3 SPAs only.
- Effective from Cisco IOS XE Release 3.9, the 8-Port Clear-Channel T3/E3 Serial SPA is supported on the Cisco ASR1000-SIP10, the Cisco ASR 1001 Router, the Cisco ASR 1002 Router, and the Cisco ASR 1002-F Router.
- T1 features
 - All ports can be fully channelized down to DS0.
 - Data rates in multiples of 56 Kbps or 64 Kbps per channel.
 - Maximum 1.536 Mbps for each T1 port.
 - D4 Superframe (SF) and Extended Superframe (ESF) support for each T1 port.
 - ANSI T1.403 and AT&T TR54016 CI FDL support.
 - Internal and receiver recovered clocking modes.
 - Short haul and long haul channel service unit (CSU) support.
 - Bipolar eight zero substitution (B8ZS) and alternate mark inversion (AMI) line encoding.



Note B8ZS and AMI line encoding are not configurable for TW on the 2-Port and 4-Port Channelized T3 SPA.

- E1 features



Note E1 is not supported on the 1-Port Channelized OC-12/STM-4 SPA in Cisco IOS XE Release 2.6.

- - Maximum 1.984 Mbps for each E1 port in framed mode and a 2.048 Mbps in unframed E1 mode.
 - All ports can be fully channelized down to DS0.
 - Compliant with ITU G7.03, G.704, ETSI and ETS300156.
 - Internal and receiver recovered clocking modes.
 - Hi-density bipolar with three zones (HDB3) and AMI line encoding.
- E3 features



Note E3 is not supported on the 1-Port Channelized OC-12/STM-4 SPA in Cisco IOS XE Release 2.6.

- - Full duplex connectivity at E3 rate (34.368 MHz).
 - Supports ITU-T G.751 or G.832 framing (software selectable).
 - HD3B line coding.
 - Compliant with E3 pulse mask.
 - Line build-out: configured for up to 450 feet (135 m) of type 728A or equivalent coaxial cable.
 - Loopback modes: data terminal equipment (DTE), local, dual, and network.
 - E3 alarm/event detection (once per second polling):

- Alarm indication signal (AIS)
- Loss of frame (LOF)
- Remote alarm indication (RAI)
 - Substrate and scrambling features for these data service unit (DSU) vendors:
- Digital Link
- ADC Kentrox
 - T3 features
 - Binary 3-zero substitution (B3ZS) line coding.
 - Compliant with DS3 pulse mask per ANSI T1.102-1993.
 - DS3 far-end alarm and control (FEAC) channel support.
 - Full duplex connectivity at DS3 rate (44.736 MHz).
 - 672 DS0s per T3.
 - Loopback modes: DTE, local, remote, dual, and network.
 - C-bit or M23 framing (software selectable).
 - Line build-out: configured for up to 450 feet (135 m) of type 734A or equivalent coaxial cable.
 - DS3 alarm/event detection (once per second polling):
- AIS
- Out of frame (OOF)
- Far-end receive failure (FERF)
 - Generation and termination of DS3 Maintenance Data Link (MDL) in C-bit framing.
 - Full FDL support and FDL performance monitoring.



Note FDL is not supported on the 2-Port, 4-Port, and 8-Port Clear-Channel T3/E3 SPAs. Whereas, FDL is supported on the 2-Port and 4-Port Channelized T3 SPAs, the 1-Port Channelized OC-3/STM-1 SPA, and the 1-Port Channelized OC-12/STM-4 SPA.

- Substrate and scrambling features for these DSU vendors:
- Cisco
- Digital Link
- ADC Kentrox
- Adtran
- Verilink
- Larscom



Note Mixed Port type (T3/E3) is supported on the 8-Port Clear-Channel T3/E3 SPA.

Restrictions

Consider the following restrictions when configuring the serial SPAs on the Cisco ASR 1000 Series Aggregation Services Routers:



Note For additional information, see also the configuration chapters for the corresponding SPA model. For other SIP-specific features and restrictions see also [Overview of the Serial SPAs, on page 201](#).

- FRF.16—Multilink Frame Relay (MLFR) is not supported.
- MLPPP is only supported on serial PPP interfaces. MLPPP is not supported over Frame Relay, ATM, or PPPoE interfaces.
- On a 2-Port and 4-Port Channelized T3 SPA, when one of the T3 ports is configured as a DS3 Clear-Channel interface and the other T3 ports are configured with a large number (greater than or equal to 400) of low bandwidth channels (NxDS0, N=1, 2, 3, or 4), the DS3 Clear-Channel interface is not able to run at 100 percent DS3 line rate when the low bandwidth channels are idle (when not transmitting or receiving packets). This issue does not occur if the low bandwidth channels are not idle.
- The maximum number of channels supported on the channelized SPAs are:
 - 1023 channels per SPA—On a 2-Port and 4-Port Channelized T3 SPA or 1-Port Channelized OC-3/STM-1 SPA.
 - 2000 NxDS0 per SPA—On a 1-Port Channelized OC-12/STM-4 SPA.
- On a 2-Port and 4-Port Channelized T3 SPA or 1-Port Channelized OC-3/STM-1 SPA, the maximum number of FIFO buffers is 4096. The FIFO buffers are shared among the interfaces; how they are shared is determined by speed. If all the FIFO buffers have been assigned to existing interfaces, a new interface cannot be created, and the “%Insufficient FIFOs to create channel group” error message is seen.

To find the number of available FIFO buffers, use the **show controller t3** command:

```
Router# show controller t3 1/0/0

T3 1/0/0 is up.
Hardware is SPA-4XCT3/DS0
IO FPGA version: 2.6, HDLC Framers version: 0
T3/T1 Framers(1) version: 2, T3/T1 Framers(2) version: 2
SUBRATE FPGA version: 1.4
HDLC controller available FIFO buffers 3112
```

The following table provides information about FIFO allocation.

Table 23: FIFO Allocation

Number of Time Slots	Number of FIFO Buffers
1–6 DS0	4
7–8 DS0	6
9 DS0	6

Number of Time Slots	Number of FIFO Buffers
10–12 DS0	8
13–23 DS0	12
1–6 E1 TS	4
7–9 E1 TS	6
11–16 E1 TS	8
17–31 E1 TS	16
T1	12
E1	16
DS3	336

Supported MIBs

The following MIBs are supported for the serial SPAs on the Cisco ASR 1000 Series Routers:

Serial SPAs

- CISCO-ENTITY-ALARM-MIB
- CISCO-CLASS-BASED-QOS-MIB
- CISCO-ENTITY-ASSET-MIB
- CISCO-ENTITY-FRU-CONTROL-MIB
- CISCO-ENTITY-SENSOR-MIB
- ENTITY-MIB
- IF-MIB
- RMON-MIB
- MPLS-LDP-STD-MIB
- MPLS-LSR-STD-MIB
- MPLS-TE-MIB
- MPLS-VPN-MIB

2-Port, 4-Port, and 8-Port Clear-Channel T3/E3 SPAs

- DS3-MIB

8-Port Channelized T1/E1 SPA

- DS1-MIB

2-Port and 4-Port Channelized T3 SPA

- DS1-MIB

- DS3-MIB
- CISCO-FRAME-RELAY-MIB
- IANAifType-MIB -- not in MIB doc
- RFC1381-MIB -- not in MIB doc

1-Port Channelized STM-1/OC-3 SPA

- DS1-MIB
- DS3-MIB
- SONET-MIB

1-Port Channelized OC-12/STM-4 SPA

- CISCO-ENTITY-ALARM-MIB
- CISCO-ENTITY-FRU-CONTROL-MIB
- CISCO-ENTITY-SENSOR-MIB
- CISCO-ENTITY-VENDORTYPE-OID-MIB
- CISCO-SONET-MIB
- DS1-MIB
- DS-3-MIB
- ENTITY-MIB
- ENTITY-SENSOR-MIB
- IF-MIB
- SONET-MIB

To locate and download MIBs for selected platforms, Cisco IOS XE releases, and feature sets, use Cisco MIB Locator found at the following URL:

<http://tools.cisco.com/ITDIT/MIBS/servlet/index>

If Cisco MIB Locator does not support the MIB information that you need, you can also obtain a list of supported MIBs and download MIBs from the Cisco MIBs page at the following URL:

<http://www.cisco.com/public/sw-center/netmgmt/cmtk/mibs.shtml>

To access Cisco MIB Locator, you must have an account on Cisco.com. If you have forgotten or lost your account information, send a blank e-mail to cco-locksmith@cisco.com. An automatic check will verify that your e-mail address is registered with Cisco.com. If the check is successful, account details with a new random password will be e-mailed to you. Qualified users can establish an account on Cisco.com by following the directions found at this URL:

<https://tools.cisco.com/RPF/register/register.do>

Displaying the SPA Hardware Type

To verify the SPA hardware type that is installed in your Cisco ASR 1000 Series Routers, you can use the **show platform** command or the **show interface** command (once the interface has been configured). There are several other commands on the Cisco ASR 1000 Series Routers that also provide SPA hardware information.

The following table shows the hardware description that appears in the **show** command output for each type of SPA that is supported on the Cisco ASR 1000 Series Routers.

Table 24: SPA Hardware Descriptions in show Commands

SPA	Description in show interfaces and show controllers Commands
2-Port Clear-Channel T3/E3 SPA	“Hardware is SPA-2XT3/E3”
4-Port Clear-Channel T3/E3 SPA	“Hardware is SPA-4XT3/E3”
8-Port Clear-Channel T3/E3 SPA	“Hardware is SPA-8XT3/E3”
8-Port Channelized T1/E1 SPA	“Hardware is SPA-8XCHT1/E1-V2”
4-Port Serial Interface SPA	“Hardware is SPA-4XT-SERIAL”
1-Port Channelized OC-3/STM-1 SPA	“Hardware is SPA-1XCHSTM1/OC3”
1-Port Channelized OC-12/STM-4 SPA	“Hardware is SPA-1XCHOC12/DS0”

Examples of the show interfaces Command

The following example shows an output of the **show interfaces serial** command on a Cisco ASR 1000 Series Router with a 4-Port Clear-Channel T3/E3 SPA installed in slot 2:

```
router#: show interfaces serial 2/0/0
Serial2/0/0 is up, line protocol is up
Hardware is SPA-4XT3/E3[3/0]
MTU 4470 bytes, BW 44210 Kbit, DLY 200 usec,
reliability 248/255, txload 1/255, rxload 1/255
Encapsulation HDLC, crc 16, loopback not set
Keepalive set (10 sec)
Last input 00:00:06, output 00:00:07, output hang never
Last clearing of 'show interface' counters 00:00:01
Input queue: 0/75/0/0 (size/max/drops/flushes); Total output drops: 0
Queueing strategy: fifo
Output queue: 0/40 (size/max)
5 minute input rate 0 bits/sec, 0 packets/sec
5 minute output rate 0 bits/sec, 0 packets/sec
0 packets input, 0 bytes, 0 no buffer
Received 0 broadcasts (0 IP multicast)
0 runts, 0 giants, 0 throttles
0 parity
0 input errors, 0 CRC, 0 frame, 0 overrun, 0 ignored, 0 abort
0 packets output, 0 bytes, 0 underruns
0 output errors, 0 applique, 0 interface resets
0 output buffer failures, 0 output buffers swapped out
0 carrier transitions
```

The following example shows an output of the **show interfaces serial** command on a Cisco ASR 1000 Series Router with a 8-Port Clear-Channel T3/E3 SPA installed in slot 1:

```
router# show interfaces serial 1/0/0 controller
Serial1/0/0 is up, line protocol is up
Hardware is SPA-8XT3/E3
MTU 4470 bytes, BW 44210 Kbit/sec, DLY 200 usec,
reliability 255/255, txload 1/255, rxload 1/255
Encapsulation HDLC, crc 16, loopback not set
Keepalive set (10 sec)
Last input 00:00:01, output 00:00:04, output hang never
```

```

Last clearing of "show interface" counters never
Input queue: 0/375/0/0 (size/max/drops/flushes); Total output drops: 0
Queueing strategy: fifo
Output queue: 0/40 (size/max)
5 minute input rate 0 bits/sec, 0 packets/sec
5 minute output rate 0 bits/sec, 0 packets/sec
  22 packets input, 528 bytes, 0 no buffer
  Received 0 broadcasts (0 IP multicasts)
  0 runts, 0 giants, 0 throttles
    0 parity
  0 input errors, 0 CRC, 0 frame, 0 overrun, 0 ignored, 0 abort
  22 packets output, 528 bytes, 0 underruns
  0 output errors, 0 applique, 4 interface resets
  0 unknown protocol drops
  0 output buffer failures, 0 output buffers swapped out
  3 carrier transitions

```

The following example shows an output of the **show interfaces serial** command on a Cisco ASR 1000 Series Router with an 8-Port Channelized T1/E1 SPA installed in slot 0:

```

router# show interfaces serial 0/3/0:0
Serial0/3/0:0 is up, line protocol is up
  Hardware is SPA-8XCHT1/E1
  Internet address is 79.1.1.2/16
  MTU 1500 bytes, BW 1984 Kbit, DLY 20000 usec,
    reliability 255/255, txload 240/255, rxload 224/255
  Encapsulation HDLC, crc 16, loopback not set
  Keepalive not set
  Last input 3d21h, output 3d21h, output hang never
  Last clearing of "show interface" counters never
  Input queue: 0/375/0/0 (size/max/drops/flushes); Total output drops: 2998712
  Queueing strategy: fifo
  Output queue: 0/40 (size/max)
  5 minute input rate 1744000 bits/sec, 644 packets/sec
  5 minute output rate 1874000 bits/sec, 690 packets/sec
    180817311 packets input, 61438815508 bytes, 0 no buffer
    Received 0 broadcasts (0 IP multicasts)
    0 runts, 0 giants, 0 throttles
    2 input errors, 0 CRC, 0 frame, 0 overrun, 0 ignored, 2 abort
    180845200 packets output, 61438125092 bytes, 0 underruns
    0 output errors, 0 collisions, 2 interface resets
    0 output buffer failures, 0 output buffers swapped out
    1 carrier transitions no alarm present
  Timeslot(s) Used:1-31, subrate: 64Kb/s, transmit delay is 0 flags 2

```

Examples of the show controllers Command

The following example shows an output of the **show controllers serial** command on a Cisco ASR 1000 Series Router with a 2-Port Clear-Channel T3/E3 SPA installed in slot 2:

```

Router# show controllers serial 2/2/0
Serial2/2/0 - (SPA-2XT3/E3) is up
  Current mode is T3
  Framing is c-bit, Clock Source is Line
  Bandwidth limit is 44210, DSU mode 0, Cable length is 10 feet
  rx FEBE since last clear counter 0, since reset 0
  Data in current interval (820 seconds elapsed):
    0 Line Code Violations, 0 P-bit Coding Violation
    0 C-bit Coding Violation
    0 P-bit Err Secs, 0 P-bit Sev Err Secs
    0 Sev Err Framing Secs, 0 Unavailable Secs

```

```

0 Line Errored Secs, 0 C-bit Errored Secs, 0 C-bit Sev Err Secs
0 Severely Errored Line Secs
0 Far-End Errored Secs, 0 Far-End Severely Errored Secs
0 CP-bit Far-end Unavailable Secs
0 Near-end path failures, 0 Far-end path failures
0 Far-end code violations, 0 FERF Defect Secs
0 AIS Defect Secs, 0 LOS Defect Secs
Data in Interval 1:
0 Line Code Violations, 0 P-bit Coding Violation
0 C-bit Coding Violation
0 P-bit Err Secs, 0 P-bit Sev Err Secs
0 Sev Err Framing Secs, 0 Unavailable Secs

```

The following example shows an output of the **show controllers serial** command on a Cisco ASR 1000 Series Router with a 2-Port Clear-Channel T3/E3 SPA installed in slot 2:

```

Router# show controllers serial 2/2/0
Serial1/0/1 - (SPA-8XT3/E3) is up
Current mode is T3
Framing is c-bit, Clock Source is Line
Bandwidth limit is 44210, DSU mode 0, Cable length is 10 feet
rx FEBE since last clear counter 0, since reset 0
Tabular MIB:
INTERVAL      LCV   PCV   CCV   PES   PSES  SEFS   UAS   LES   CES   CSES
01:30-01:36   0     0     0     0     0     0     0     0    14    14
01:15-01:30   1     0     0     0     0     0     1     1     0     0
Total         1     0     0     0     0     0     1     1     0     0
No alarms detected.
No FEAC code is being received
MDL transmission is disabled

```

The following example shows an output of the **show controllers** command on a Cisco ASR 1000 Series Router with an 8-Port Channelized T1/E1 SPA installed in slot 0:

```

Router# show controllers e1 0/3/0 brief
E1 0/3/0 is up.
  Applique type is SPA-8XCHT1/E1
  No alarms detected.
  alarm-trigger is not set
  Framing is crc4, Line Code is HDB3, Clock Source is Line.
  Data in current interval (571 seconds elapsed):
    0 Line Code Violations, 0 Path Code Violations
    0 Slip Secs, 0 Fr Loss Secs, 0 Line Err Secs, 0 Degraded Mins
    0 Errored Secs, 0 Bursty Err Secs, 0 Severely Err Secs, 0 Unavail Secs
  Total Data (last 24 hours)
    0 Line Code Violations, 0 Path Code Violations,
    0 Slip Secs, 0 Fr Loss Secs, 0 Line Err Secs, 0 Degraded Mins,
    0 Errored Secs, 0 Bursty Err Secs, 0 Severely Err Secs, 0 Unavail Secs

```

The following example shows an output of the **show controllers** command on a Cisco ASR 1000 Series Router with a 4-Port Channelized T3 SPA installed in slot 2:

```

Router# show controllers t3
T3 2/0/0 is up.
  Hardware is SPA-2XCT3/DS0
  IO FPGA version: 2.7, HDLC Framer version: 0
  T3/T1 Framer(1) version: 2
  SUBRATE FPGA version: 1.4
  HDLC controller available FIFO buffers 4084
  Applique type is Channelized T3/T1
  No alarms detected.
  MDL transmission is disabled

```

```

FEAC code received: No code is being received
Framing is C-BIT Parity, Line Code is B3ZS, Cablelength is 224
Clock Source is Internal
Equipment customer loopback
Data in current interval (204 seconds elapsed):
  2 Line Code Violations, 6 P-bit Coding Violation
  0 C-bit Coding Violation, 1 P-bit Err Secs
  1 P-bit Severely Err Secs, 1 Severely Err Framing Secs
  0 Unavailable Secs, 1 Line Errored Secs
  1 C-bit Errored Secs, 1 C-bit Severely Errored Secs
  0 Severely Errored Line Secs
  0 Far-End Errored Secs, 0 Far-End Severely Errored Secs
  11 CP-bit Far-end Unavailable Secs
  0 Near-end path failures, 1 Far-end path failures
  0 Far-end code violations, 10 FERF Defect Secs
  0 AIS Defect Secs, 0 LOS Defect Secs
T1 1 is down
timeslots: 1-24
FDL per AT&T 54016 spec.
Transmitter is sending LOF Indication.
Receiver is getting AIS.
Framing is ESF, Clock Source is Internal
Data in current interval (202 seconds elapsed):
  0 Line Code Violations, 0 Path Code Violations
  0 Slip Secs, 0 Fr Loss Secs, 0 Line Err Secs, 0 Degraded Mins
  0 Errored Secs, 0 Bursty Err Secs, 0 Severely Err Secs
  9 Unavail Secs, 0 Stuffed Secs
  5 Near-end path failures, 0 Far-end path failures, 0 SEF/AIS Secs
T1 2
  Not configured.
T1 3
  Not configured.

```

The following example shows an output of the **show controllers sonet** command on a Cisco ASR 1000 Series Aggregation Services Router with a 1-Port Channelized STM-1/OC-3 SPA installed in slot 1:

```

Router# show controllers sonet 1/0/0

SONET 1/0/0 is up.
Hardware is SPA-1XCHSTM1/OC3
IO FPGA version: 1.7, HDLC Framer version: 0
T3/T1 Framer(1) version: 1
Sonet/SDH Framer version: 0
SUBRATE FPGA version: 1.4
HDLC controller available FIFO buffers 3760
Applique type is Channelized Sonet/SDH

Clock Source is Line
Medium info:
  Type: Sonet, Line Coding: NRZ,
SECTION:
  LOS = 0          LOF = 0          BIP(B1) = 85

SONET/SDH Section Tables
  INTERVAL      CV      ES      SES      SEFS
  23:15-23:20   0       0       0       0
  23:00-23:15   0       0       0       0
  22:45-23:00   85      1       1       0
Total of Data in Current and Previous Intervals
  22:45-23:20   85      1       1       0
(remaining text not shown)

```




CHAPTER 15

Configuring the 8-Port Channelized T1/E1 Serial SPA

This chapter provides information about configuring the 8-Port Channelized T1/E1 Serial SPA on the Cisco ASR 1000 Series Routers.

- [Configuration Tasks, on page 213](#)
- [Verifying the Interface Configuration, on page 223](#)
- [Configuration Examples, on page 224](#)

Configuration Tasks

This section describes how to configure the 8-Port Channelized T1/E1 Serial SPA for the Cisco ASR 1000 Series Routers and verify the configuration. For information about managing your system images and configuration files, refer to the following:

- [Cisco ASR 1000 Series Aggregation Services Routers Software Configuration Guide](#)
- [Cisco IOS Configuration Fundamentals Configuration Guide](#)
- [Cisco IOS Configuration Fundamentals Command Reference](#)

Required Configuration Tasks

This section lists the required configuration steps to configure the 8-Port Channelized T1/E1 Serial SPA. Some of the required configuration commands implement default values that might be appropriate for your network. If the default value is correct for your network, then you do not need to configure the command.



Note To better understand the address format used to specify the physical location of the SIP, SPA, and interfaces, see the [Specifying the Interface Address on a SPA, on page 218](#).

Setting the Card Type

The SPA is not functional until the card type is set. Information about the SPA is not indicated in the output of any show commands until the card type has been set. There is no default card type.



Note Mixing of interface types is not supported. All ports on a SPA must be of the same type.

To set the card type for the 8-Port Channelized T1/E1 Serial SPA, complete these steps:

SUMMARY STEPS

1. Router# **configure terminal**
2. Router(config)# **card type {e1 | t1} slot subslot**
3. Router(config)# **exit**

DETAILED STEPS

	Command or Action	Purpose
Step 1	Router# configure terminal	Enters global configuration mode.
Step 2	Router(config)# card type {e1 t1} slot subslot	<p>Sets the serial mode for the SPA:</p> <ul style="list-style-type: none"> • t1—Specifies T1 connectivity of 1.536 Mbps. B8ZS is the default line code for T1. • e1—Specifies a wide-area digital transmission scheme used predominantly in Europe that carries data at a rate of 1.984 Mbps in framed mode and 2.048 Mbps in unframed E1 mode. • slot subslot —Specifies the location of the SPA. See the Specifying the Interface Address on a SPA, on page 218. <p>Note To change the current card type for a SPA-8XCHT1/E1, you must either:</p> <ul style="list-style-type: none"> • Remove the SPA-8XCHT1/E1 from current slot and reinsert the SPA to another slot. The slot in which the SPA-8XCHT1/E1 is being reinserted must not have previously been installed with a SPA-8XCHT1/E1. This is because the CLI configuration is stored for a slot or subslot and not for a SPA. OR • Reload the router without saving the configuration. <p>Note The SPA module must be reset after configurations are done to ensure that the SPA passes diagnostics.</p>
Step 3	Router(config)# exit	Exits configuration mode and returns to the EXEC command interpreter prompt.

Enabling the Interfaces on the Controller

To create the interfaces for the 8-Port Channelized T1/E1 Serial SPA, complete these steps:

SUMMARY STEPS

1. Router(config)# **controller** {t1 | e1} slot /subslot /port
2. Router(config-controller)# clock source {internal | line}
3. Router(config-controller)# linecode {ami | b8zs | hdb3}
4. **For T1 controllers**
5. Router(config-controller)# channel-group t1 t1-number {timeslots range | unframed} [speed {56 | 64}]
6. Router(config)# **exit**

DETAILED STEPS

	Command or Action	Purpose
Step 1	Router(config)# controller {t1 e1} slot /subslot /port	<p>Selects the controller to configure and enters controller configuration mode.</p> <ul style="list-style-type: none"> • t1—Specifies the T1 controller. • e1—Specifies the E1 controller. • slot/subslot/port—Specifies the location of the interface. See the Specifying the Interface Address on a SPA, on page 218.
Step 2	Router(config-controller)# clock source {internal line}	<p>Sets the clock source.</p> <p>Note The clock source is set to internal if the opposite end of the connection is set to line and the clock source is set to line if the opposite end of the connection is set to internal.</p> <ul style="list-style-type: none"> • internal—Specifies that the internal clock source is used. • line—Specifies that the network clock source is used. This is the default for T1 and E1.
Step 3	Router(config-controller)# linecode {ami b8zs hdb3}	<p>Selects the linecode type.</p> <ul style="list-style-type: none"> • ami—Specifies Alternate Mark Inversion (AMI) as the linecode type. Valid for T1 and E1 controllers. <p>Note After configuring the linecode as Alternate Mark Inversion (AMI), you need to configure invert-data by executing the invert-data command from interface configuration mode.</p> <ul style="list-style-type: none"> • b8zs—Specifies binary 8-zero substitution (B8ZS) as the linecode type. Valid for T1 controller only. This is the default for T1 lines. • hdb3—Specifies high-density binary 3 (HDB3) as the linecode type. Valid for E1 controller only. This is the default for E1 lines.

	Command or Action	Purpose
Step 4	<p>For T1 controllers</p> <p>Example:</p> <pre>Router(config-controller)# framing {sf esf}</pre> <p>Example:</p> <p>For E1 controllers</p> <p>Example:</p> <pre>Router(config-controller)# framing {crc4 no-crc4}</pre>	<p>Selects the framing type.</p> <ul style="list-style-type: none"> • sf—Specifies Super Frame as the T1 frame type. • esf—Specifies Extended Super Frame as the T1 frame type. This is the default for E1. • crc4—Specifies CRC4 as the E1 frame type. This is the default for E1. • no-crc4—Specifies no CRC4 as the E1 frame type.
Step 5	<pre>Router(config-controller)# channel-group t1 t1-number {timeslots range unframed} [speed {56 64}]</pre>	<p>Defines the time slots that belong to each T1 or E1 circuit.</p> <ul style="list-style-type: none"> • t1 t1-number— Channel-group number. When configuring a T1 data line, channel-group numbers can be values from 0 to 23. When configuring an E1 data line, channel-group numbers can be values from 0 to 30. • timeslots range— One or more time slots or ranges of time slots belonging to the channel group. The first time slot is numbered 1. For a T1 controller, the time slot range is from 1 to 24. For an E1 controller, the time slot range is from 1 to 31. • unframed—Unframed mode (G.703) uses all 32 time slots for data. None of the 32 time slots are used for framing signals. • speed—(Optional) Specifies the speed of the underlying DS0s in kilobits per second. Valid values are 56 and 64. <p>Note The default is 64. Speed is not mentioned in the configuration.</p> <p>Note Each channel group is presented to the system as a serial interface that can be configured individually.</p> <p>Note Once a channel group has been created with the channel-group command, the channel group cannot be changed without removing the channel group. To remove a channel group, see the Changing a Channel Group Configuration, on page 223.</p>
Step 6	<pre>Router(config)# exit</pre>	<p>Exits configuration mode and returns to the EXEC command interpreter prompt.</p>

Verifying Controller Configuration

Use the show controllers command to verify the controller configuration:

```

Router(config)# show controllers e1 0/3/0 brief
E1 0/3/0 is up.
  Applique type is SPA-8XCHT1/E1
  No alarms detected.
  alarm-trigger is not set
  Framing is crc4, Line Code is HDB3, Clock Source is Line.
  Data in current interval (571 seconds elapsed):
    0 Line Code Violations, 0 Path Code Violations
    0 Slip Secs, 0 Fr Loss Secs, 0 Line Err Secs, 0 Degraded Mins
    0 Errored Secs, 0 Bursty Err Secs, 0 Severely Err Secs, 0 Unavail Secs
  Total Data (last 24 hours)
    0 Line Code Violations, 0 Path Code Violations,
    0 Slip Secs, 0 Fr Loss Secs, 0 Line Err Secs, 0 Degraded Mins,
    0 Errored Secs, 0 Bursty Err Secs, 0 Severely Err Secs, 0 Unavail Secs

```

Setting the IP Address

To set the IP address for the 8-Port Channelized T1/E1 Serial SPA, complete these steps:

SUMMARY STEPS

1. Router(config)# **interface serial slot/subslot/port:channel-group**
2. Router(config-if)# **ip address address mask**
3. Router(config)# **exit**

DETAILED STEPS

	Command or Action	Purpose
Step 1	Router(config)# interface serial slot/subslot/port:channel-group	Selects the interface to configure and enters interface configuration mode.
Step 2	Router(config-if)# ip address address mask	Sets the IP address and subnet mask. <ul style="list-style-type: none"> • address—IP address. • mask—Subnet mask.
Step 3	Router(config)# exit	Exits interface configuration mode and returns to the EXEC command interpreter prompt.

Verifying Interface Configuration

Use the show interfaces command to verify the interface configuration:

```

Router(config)# show interfaces
Serial6/0/1:0 is up, line protocol is up
Hardware is SPA-8XCHT1/E1
  MTU 1500 bytes, BW 1536 Kbit, DLY 20000 usec,
    reliability 255/255, txload 1/255, rxload 1/255
  Encapsulation HDLC, crc 16, loopback not set
  Keepalive set (10 sec)
  LCP Open, multilink Open
  Last input 00:00:03, output 00:00:03, output hang never
  Last clearing of "show interface" counters 5d17h
  Input queue: 0/75/0/0 (size/max/drops/flushes); Total output drops: 3194905708
  Queueing strategy: fifo

```

```

Output queue: 0/40 (size/max)
30 second input rate 0 bits/sec, 0 packets/sec
30 second output rate 0 bits/sec, 0 packets/sec
 74223 packets input, 1187584 bytes, 0 no buffer
Received 0 broadcasts (0 IP multicast)
 0 runts, 0 giants, 0 throttles
 0 input errors, 0 CRC, 0 frame, 0 overrun, 0 ignored, 0 abort
74227 packets output, 1187751 bytes, 0 underruns
 0 output errors, 0 collisions, 2 interface resets
 0 output buffer failures, 0 output buffers swapped out
 4 carrier transitions no alarm present
Timeslot(s) Used:1-24, subrate: 64Kb/s, transmit delay is 0 flags

```

Specifying the Interface Address on a SPA

SPA interface ports begin numbering with “0” from left to right. Single-port SPAs use only the port number 0. To configure or monitor SPA interfaces, you need to specify the physical location of the SIP, SPA, and interface in the CLI. The interface address format is *slot/subslot/port*, where:

- *slot*—Specifies the chassis slot number in the Cisco ASR 1000 Series Routers where the SIP is installed.
- *subslot*—Specifies the slot of the SIP where the SPA is installed.
- *port*—Specifies the number of the individual interface port on a SPA.

The following example shows how to specify the first interface (0) on a SPA installed in the first subslot of a SIP (0) installed in chassis slot 3:

```
Router(config)# interface serial 3/0/0
```

This command shows a serial SPA as a representative example, however the same *slot/subslot/port* format is similarly used for other SPAs (such as ATM and POS) and other non-channelized SPAs.

For the 8-Port Channelized T1/E1 Serial SPA, the interface address format is *slot/subslot/port:channel-group*, where:

- *channel-group*—Specifies the logical channel group assigned to the time slots within the T1 link.

For more information about identifying slots and subslots, see the [Required Configuration Tasks, on page 213](#).

Optional Configurations

There are several standard, but optional, configurations that might be necessary to complete the configuration of your serial SPA.

Configuring Framing

Framing is used to synchronize data transmission on the line. Framing allows the hardware to determine when each packet starts and ends. To configure framing, use the following commands.

Command	Purpose
Router# configure terminal	Enters global configuration mode.

Command	Purpose
Router(config)# controller {t1 e1} slot/subslot/port	Selects the controller to configure. <ul style="list-style-type: none"> t1—Specifies the T1 controller. e1—Specifies the E1 controller. slot/subslot/port—Specifies the location of the controller. See the Specifying the Interface Address on a SPA, on page 218.
<p>For T1 controllers</p> Router(config-controller)# <i>framing</i> {sf esf}	Set the framing on the interface. <ul style="list-style-type: none"> sf—Specifies Super Frame as the T1 frame type. esf—Specifies Extended Super Frame as the T1 frame type. This is the default. for T1. crc4—Specifies CRC4 frame as the E1 frame type. This is the default for E1. no-crc4—Specifies no CRC4 as the E1 frame type.
<p>For E1 controllers</p> Router(config-controller)# <i>framing</i> {crc4 no-crc4}	

Verifying Framing Configuration

Use the show controllers command to verify the framing configuration:

```
Router(config)# show controllers e1 0/3/0 brief
E1 0/3/0 is up.
  Applique type is SPA-8XCHT1/E1
  No alarms detected.
  alarm-trigger is not set
  Framing is crc4, Line Code is HDB3, Clock Source is Line.
  Data in current interval (571 seconds elapsed):
    0 Line Code Violations, 0 Path Code Violations
    0 Slip Secs, 0 Fr Loss Secs, 0 Line Err Secs, 0 Degraded Mins
    0 Errored Secs, 0 Bursty Err Secs, 0 Severely Err Secs, 0 Unavail Secs
  Total Data (last 24 hours)
    0 Line Code Violations, 0 Path Code Violations,
    0 Slip Secs, 0 Fr Loss Secs, 0 Line Err Secs, 0 Degraded Mins,
    0 Errored Secs, 0 Bursty Err Secs, 0 Severely Err Secs, 0 Unavail Secs
```

Configuring Encapsulation

When traffic crosses a WAN link, the connection needs a Layer 2 protocol to encapsulate traffic. To set the encapsulation method, use the following commands:

Command	Purpose
Router# configure terminal	Enters global configuration mode.
Router(config)# interface serial slot/subslot/port:channel-group	Selects the interface to configure.

Command	Purpose
Router(config-if)# encapsulation <i>encapsulation-type {hdlc ppp frame-relay}</i>	Sets an encapsulation type on the interface: <ul style="list-style-type: none"> • hdlc—High-Level Data Link Control (HDLC) protocol for serial interface. This encapsulation method provides the synchronous framing and error detection functions of HDLC without windowing or retransmission. This is the default for synchronous serial interfaces. • ppp—PPP (for serial interface). • frame-relay—Frame Relay (for serial interface).

Verifying Encapsulation

Use the show interfaces serial command to verify encapsulation on the interface:

```
Router# show interfaces serial 2/0/0:0
Serial2/0/0:0 is down, line protocol is down
  Hardware is SPA-8XCHT1/E1
  MTU 1500 bytes, BW 1536 Kbit, DLY 20000 usec,
    reliability 255/255, txload 1/255, rxload 1/255
  Encapsulation PPP, crc 32, loopback not set
  Keepalive set (10 sec)
  LCP Closed, multilink Closed
  Last input lw0d, output lw0d, output hang never
  Last clearing of show interfaceusers 6d23h
  Input queue: 0/75/0/0 (size/max/drops/flushes); Total output drops: 0
  Queueing strategy: weighted fair
  Output queue: 0/1000/64/0 (size/max total/threshold/drops)
    Conversations 0/0/256 (active/max active/max total)
    Reserved Conversations 0/0 (allocated/max allocated)
    Available Bandwidth 1152 kilobits/sec
  30 second input rate 0 bits/sec, 0 packets/sec
  30 second output rate 0 bits/sec, 0 packets/sec
    0 packets input, 0 bytes, 0 no buffer
    Received 0 broadcasts (0 IP multicast)
    0 runts, 0 giants, 0 throttles
    0 input errors, 0 CRC, 0 frame, 0 overrun, 0 ignored, 0 abort
    0 packets output, 0 bytes, 0 underruns
    0 output errors, 0 collisions, 0 interface resets
    0 output buffer failures, 0 output buffers swapped out
    0 carrier transitions alarm present
  Timeslot(s) Used:1-24, subrate: 64Kb/s, transmit delay is 0 flags
```

Configuring the CRC Size for T1

All 8-Port Channelized T1/E1 Serial SPA interfaces use a 16-bit cyclic redundancy check (CRC) by default, but also support a 32-bit CRC. CRC is an error-checking technique that uses a calculated numeric value to detect errors in transmitted data. The designators 16 and 32 indicate the length (in bits) of the frame check sequence (FCS). A CRC of 32 bits provides more powerful error detection, but adds overhead. Both the sender and receiver must use the same setting.

CRC-16, the most widely used CRC throughout the United States and Europe, is used extensively with WANs. CRC-32 is specified by IEEE 802 and as an option by some point-to-point transmission standards. It is often used on Switched Multimegabit Data Service (SMDS) networks and LANs.

To set the length of the cyclic redundancy check (CRC) on a T1 interface, use the following:

Command	Purpose
Router# configure terminal	Enters global configuration mode.
Router(config)# interface serial slot/subslot/port:channel-group	Selects the interface to configure.
Router(config-if)# crc {16 32}	Selects the CRC size in bits. <ul style="list-style-type: none"> • 16—16-bit CRC. This is the default • 32—32-bit CRC.

Verifying the CRC Size

Use the show interfaces serial command to verify the CRC size set on the interface:

```
Router# show interfaces serial 6/0/0:0
Serial6/0/0:0 is up, line protocol is up
  Hardware is SPA-T1E1
  MTU 1500 bytes, BW 1536 Kbit, DLY 20000 usec,
    reliability 255/255, txload 1/255, rxload 1/255
  Encapsulation PPP, crc 32, loopback not set
  Keepalive set (10 sec)
  LCP Open, multilink Open
  Last input 00:00:38, output 00:00:00, output hang never
  Last clearing of "show interface" counters 01:46:16
  Input queue: 0/75/0/0 (size/max/drops/flushes); Total output drops: 0
  Queueing strategy: fifo
  Output queue: 0/40 (size/max)
  30 second input rate 0 bits/sec, 0 packets/sec
  30 second output rate 0 bits/sec, 0 packets/sec
  1272 packets input, 20396 bytes, 0 no buffer
  Received 0 broadcasts (0 IP multicast)
  0 runs, 0 giants, 0 throttles
  6 input errors, 3 CRC, 0 frame, 0 overrun, 0 ignored, 3 abort
  1276 packets output, 20460 bytes, 0 underruns
  0 output errors, 0 collisions, 0 interface resets
  0 output buffer failures, 0 output buffers swapped out
  0 carrier transitions no alarm present
  Timeslot(s) Used:1-24, subrate: 64Kb/s, transmit delay is 0 flags
```

Configuring FDL

Facility Data Link (FDL) is a 4-kbps channel provided by the Extended Super Frame (ESF) T1 framing format. The FDL performs outside the payload capacity and allows you to check error statistics on terminating equipment without intrusion.

Command	Purpose
Router# configure terminal	Enters global configuration mode.
Router(config)# controller t1 slot/subslot/port	Selects the controller to configure and enters controller configuration mode.

Command	Purpose
Router(config-controller)# <i>fdl ansi att both</i>	<p>If the framing format was configured for esf, configures the format used for Facility Data Link (FDL).</p> <ul style="list-style-type: none"> • ansi—Specifies the ANSI T1.403 standard. • att—Specifies the AT&T TR54016 standard. • both—Specifies support for both AT&T technical reference 54016 and ANSI T1.403 for ESF FDL exchange support.

Verifying FDL

Use the **show controllers t1** command to verify the FDL setting:

```
Router# show controllers t1 0/2/0

T1 0/2/0 is up.
  Applique type is SPA-8XCHT1/E1
  Cablelength is long gain36 0db
  No alarms detected.
  alarm-trigger is not set
  Soaking time: 3, Clearance time: 10
  AIS State:Clear  LOS State:Clear  LOF State:Clear
  Framing is ESF, Line Code is B8ZS, Clock Source is Line.
  Data in current interval (750 seconds elapsed):
    4000 Line Code Violations, 0 Path Code Violations
    0 Slip Secs, 0 Fr Loss Secs, 1 Line Err Secs, 0 Degraded Mins
    0 Errored Secs, 0 Bursty Err Secs, 0 Severely Err Secs, 0 Unavail Secs
    0 Near-end path failures, 0 Far-end path failures, 0 SEF/AIS Secs
```

Invert Data on the T1/E1 Interface

If the interface on the 8-Port Channelized T1/E1 Serial SPA is used to drive a dedicated T1 line that does not have B8ZS encoding, you must invert the data stream on the connecting CSU/DSU or on the interface. Be careful not to invert data on both the CSU/DSU and the interface, as two data inversions will cancel each other out. To invert data on a T1/E1 interface, use the following commands:

Command	Purpose
Router# configure terminal	Enters global configuration mode.
Router(config)# interface serial slot/subslot/port:channel-group	<p>Selects the serial interface and enters interface configuration mode.</p> <ul style="list-style-type: none"> • <i>channel-group</i> —The channel group number for channel-associated signaling or robbed-bit signaling.
Router(config-if)# invert data	Inverts the data stream.

Verifying Invert Data on the T1/E1 Interface

Use the **show running configuration** command to verify that invert data has been set:

```
Router# show running configuration
interface Serial6/0/0:0
  no ip address
```

```

encapsulation ppp
logging event link-status
load-interval 30
invert data
no cdp enable
ppp chap hostname group1
ppp multilink
multilink-group 1

```

Changing a Channel Group Configuration

To alter the configuration of an existing channel group, the channel group needs to be removed first. To remove an existing channel group, use the following commands:

Command	Purpose
Router# configure terminal	Enters global configuration mode.
Router(config)# controller {t1 e1} <i>slot/subslot/port</i>	Selects the controller to configure and enters controller configuration mode.
Router(config-controller)# no channel-group t1 t1-number	Selects the channel group you want to remove. <ul style="list-style-type: none"> t1 t1-number—Channel-group number.
Follow the steps in the Enabling the Interfaces on the Controller, on page 215 .	Creates a new channel group with the new configuration.

Configuring QoS Features on Serial SPAs

The SIPs and SPAs support many QoS features using modular QoS CLI (MQC) configuration. Since there are no serial SPA-specific QoS features, refer to your network processor documentation for QoS configuration information.

Saving the Configuration

To save your running configuration to nonvolatile random-access memory (NVRAM), use the following command in privileged EXEC configuration mode:

Command	Purpose
Router# copy running-config startup-config	Writes the new configuration to NVRAM.

For information about managing your system images and configuration files, refer to the [Cisco IOS Configuration Fundamentals Configuration Guide](#) and [Cisco IOS Configuration Fundamentals Command Reference](#) publications for your Cisco IOS software release.

Verifying the Interface Configuration

Besides using the **show running-configuration** command to display your Cisco ASR 1000 Series Routers configuration settings, you can use the **show interfaces serial** and the **show controllers serial** commands to get detailed information on a per-port basis for your 8-Port Channelized T1/E1 Serial SPA.

Verifying Per-Port Interface Status

To find detailed interface information on a per-port basis for the 8-Port Channelized T1/E1 Serial SPA, use the **show interfaces serial** command.

```
Router# show interfaces serial 3/0/1:0

Serial0/3/0:0 is up, line protocol is up
  Hardware is SPA-8XCHT1/E1
  Internet address is 79.1.1.2/16
  MTU 1500 bytes, BW 1984 Kbit, DLY 20000 usec,
     reliability 255/255, txload 240/255, rxload 224/255
  Encapsulation HDLC, crc 16, loopback not set
  Keepalive not set
  Last input 3d21h, output 3d21h, output hang never
  Last clearing of 'show interface' counters never
  Input queue: 0/375/0/0 (size/max/drops/flushes); Total output drops: 2998712
  Queueing strategy: fifo
  Output queue: 0/40 (size/max)
  5 minute input rate 1744000 bits/sec, 644 packets/sec
  5 minute output rate 1874000 bits/sec, 690 packets/sec
    180817311 packets input, 61438815508 bytes, 0 no buffer
    Received 0 broadcasts (0 IP multicasts)
    0 runts, 0 giants, 0 throttles
    2 input errors, 0 CRC, 0 frame, 0 overrun, 0 ignored, 2 abort
    180845200 packets output, 61438125092 bytes, 0 underruns
    0 output errors, 0 collisions, 2 interface resets
    0 output buffer failures, 0 output buffers swapped out
    1 carrier transitions no alarm present
  Timeslot(s) Used:1-31, subrate: 64Kb/s, transmit delay is 0 flags 2
```

Configuration Examples

This section includes the following configuration examples:

Framing and Encapsulation Configuration Example

The following example sets the framing and encapsulation for the controller and interface:

```
! Specify the controller and enter controller configuration mode
!
Router(config)# controller t1 2/0/0
!
! Specify the framing method
!
Router(config-controller)# framing esf
!
! Exit controller configuration mode and return to global configuration mode
!
Router(config-controller)# exit
!
! Specify the interface and enter interface configuration mode
!
Router(config)# interface serial 2/0/0:0
!
! Specify the encapsulation protocol
!
```

```

Router(config-if)# encapsulation ppp
!
! Exit interface configuration mode
!
Router(config-if)# exit
!
! Exit global configuration mode
!
Router(config)# exit

```

CRC Configuration Example

The following example sets the CRC size for the interface:

```

! Specify the interface and enter interface configuration mode
!
Router(config)# interface serial 2/0/0:0
!
! Specify the CRC size
!
Router(config-if)# crc 32
!
! Exit interface configuration mode and return to global configuration mode
!
Router(config-if)# exit
!
! Exit global configuration mode
!
Router(config)# exit

```

Facility Data Link Configuration Example

The following example configures Facility Data Link:

```

! Specify the controller and enter controller configuration mode
!
Router(config)# controller t1 2/0/0
!
! Specify the FDL specification
!
Router(config-controller)#
fdl ansi
!
! Exit controller configuration mode and return to global configuration mode
!
Router(config-controller)# exit
!
! Exit global configuration mode
!
Router(config)# exit

```

Invert Data on the T1/E1 Interface Example

The following example inverts the data on the serial interface:

```

! Enter global configuration mode
!

```

```
Router# configure terminal
!  
! Specify the serial interface and enter interface configuration mode
!  
Router(config)# interface serial 2/1/3:0
!  
! Configure invert data
!  
Router(config-if)# invert data
!  
! Exit interface configuration mode and return to global configuration mode
!  
Router(config-if)# exit
!  
! Exit global configuration mode
!  
Router(config)# exit
```



CHAPTER 16

Configuring the 2-Port and 4-Port Channelized T3 SPAs

This chapter provides information about configuring the 2-Port and 4-Port Channelized T3 SPAs on the Cisco ASR 1000 Series Routers.

- [Configuration Tasks, on page 227](#)
- [Verifying the Interface Configuration, on page 240](#)
- [Configuration Examples, on page 241](#)

Configuration Tasks

This section describes how to configure the 2-Port and 4-Port Channelized T3 SPA for the Cisco ASR 1000 Series Routers and verify the configuration. For information about managing your system images and configuration files, refer to the following:

- [Cisco ASR 1000 Series Aggregation Services Routers Software Configuration Guide](#)
- [Cisco IOS Configuration Fundamentals Configuration Guide](#)
- [Cisco IOS Configuration Fundamentals Command Reference](#)

Required Configuration Tasks

This section lists the required configuration steps to configure the 2-Port and 4-Port Channelized T3 SPA. Some of the required configuration commands implement default values that might be appropriate for your network.



Note To better understand the address format used to specify the physical location of the SIP, SPA, and interfaces, see the [Specifying the Interface Address on a SPA, on page 232](#).

Configuring the T3 Controller

To configure the T3 controller for the 2-Port and 4-Port Channelized T3 SPA, complete the following steps:

SUMMARY STEPS

1. Router# **configure terminal**
2. Router(config)# **controller t3 slot/subslot/port**
3. Router(config-controller)# [no] channelized
4. Router(config-controller)# framing {auto-detect | c-bit | m23}
5. Router(config-controller)# clock source {internal | line}
6. Router(config-controller)# cablelength {0 - 450}

DETAILED STEPS

	Command or Action	Purpose
Step 1	Router# configure terminal	Enters global configuration mode.
Step 2	Router(config)# controller t3 slot/subslot/port	Selects the controller to configure and enters controller configuration mode.
Step 3	Router(config-controller)# [no] channelized	(Optional) Specifies the channelization mode. <ul style="list-style-type: none"> • channelized—In channelized mode, the T3 link can be channelized into 28 T1s, and each T1 can be further channelized into 24 DS0s. This is the default. • no channelized—In the unchannelized mode, the T3 link provides a single high-speed data channel of 44210 kbps.
Step 4	Router(config-controller)# framing {auto-detect c-bit m23}	(Optional) Specifies the framing type in channelized mode. <ul style="list-style-type: none"> • auto-detect—Detects the framing type at the device at the end of the line and switches to that framing type. If both devices are set to auto-detect, c-bit framing is used. • c-bit—Specifies c-bit parity framing. This is the default. • m23—Specifies M23 framing. <p>Note To set the framing type for an unchannelized T3, see the Configuring T3 Framing, on page 237.</p>
Step 5	Router(config-controller)# clock source {internal line}	(Optional) Specifies the clock source. <ul style="list-style-type: none"> • internal—Specifies that the internal clock source is used. Default for channelized mode. • line—Specifies that the network clock source is used. Default for unchannelized mode.
Step 6	Router(config-controller)# cablelength {0 - 450}	(Optional) Specifies the cable length. <ul style="list-style-type: none"> • 0-450—Cable length in feet. The default is 224 ft.

Configuring the Logical T1 Interfaces

If channelized mode is configured for the T3 controller, use the following procedure to configure the logical T1 interfaces:

SUMMARY STEPS

1. Router# **configure terminal**
2. Router(config)# **controller t3 slot/subslot/port**
3. Router(config-controller)# **t1 t1-number channel-group channel-number timeslots range [speed {56 | 64}]**
4. Router(config-controller)# **t1 t1-number framing {esf | sf [hdlc-idle {0x7e | 0xff}] [mode {j1}]}**
5. Router(config-controller)# **t1 channel-number clock source {internal | line}**
6. Configure the serial interfaces.

DETAILED STEPS

	Command or Action	Purpose
Step 1	Router# configure terminal	Enters global configuration mode.
Step 2	Router(config)# controller t3 slot/subslot/port	Selects the controller to configure and enters controller configuration mode.
Step 3	Router(config-controller)# t1 t1-number channel-group channel-number timeslots range [speed {56 64}]	Specifies the T1 channel and time slots to be mapped to each channel. <ul style="list-style-type: none"> • t1-number—T1 number from 1 to 28. • channel-number—Specifies a channel-group mapping (0 to 23) under the designated T1. • range—List of time slots under the channel group. Time slots assigned to this T1 can be 1–24 or a combination of subranges within 1–24. You can indicate a range using a hyphen, commas, or a combination of both. One time slot equals one DS0. • speed— (Optional) Specifies the speed of a time slot in kilobits per second. Valid values are 56 and 64. The default speed of 64 kbps is not mentioned in the configuration.
Step 4	Router(config-controller)# t1 t1-number framing {esf sf [hdlc-idle {0x7e 0xff}] [mode {j1}]} Example:	(Optional) Specifies the T1 framing type using the framing command. <ul style="list-style-type: none"> • sf—Specifies Super Frame as the T1 frame type. <p>Note If you select sf framing, you should consider disabling yellow alarm detection because the yellow alarm can be incorrectly detected with sf framing.</p> <ul style="list-style-type: none"> • esf—Specifies Extended Super Frame as the T1 frame type. This is the default. • hdlc-idle—Allows you to set the idle pattern for the T1 interface to either 0x7e (the default) or 0xff.

	Command or Action	Purpose
		<ul style="list-style-type: none"> • mode j1—(Optional) Specifies the JT-G704 Japanese frame type.
Step 5	Router(config-controller)# t1 channel-number clock source {internal line}	(Optional) Specifies the T1 clock source. <ul style="list-style-type: none"> • internal—Specifies that the internal clock source is used. This is the default. • line—Specifies that the network clock source is used.
Step 6	Configure the serial interfaces.	After a T1 channel is configured, it appears to the Cisco IOS software as a serial interface; therefore, all the configuration commands for a serial interface are available. However, not all commands are applicable to the T1 interface. All encapsulation formats, such as PPP, HDLC, and Frame Relay are applicable to the configured T1. Encapsulation can be set via the serial interface configuration commands. For detailed interface configuration information, see the Cisco IOS Interface Configuration Guide for your Cisco IOS software release.

Verifying T3 Controller Configuration

Use the show controllers command to verify the controller configuration:

```
Router# show controller t3 2/0/0
T3 2/0/0 is up.
  Hardware is SPA-2XCT3/DS0
  IO FPGA version: 2.7, HDLC Framers version: 0
  T3/T1 Framers(1) version: 2
  SUBRATE FPGA version: 1.4
  HDLC controller available FIFO buffers 4084
  Applique type is Channelized T3/T1
  No alarms detected.
  MDL transmission is disabled
  FEAC code received: No code is being received
  Framing is C-BIT Parity, Line Code is B3ZS, Cablelength is 224
  Clock Source is Internal
  Equipment customer loopback
  Data in current interval (726 seconds elapsed):
    0 Line Code Violations, 0 P-bit Coding Violation
    0 C-bit Coding Violation, 0 P-bit Err Secs
    0 P-bit Severely Err Secs, 0 Severely Err Framing Secs
    0 Unavailable Secs, 0 Line Errored Secs
    0 C-bit Errored Secs, 0 C-bit Severely Errored Secs
    0 Severely Errored Line Secs
    0 Far-End Errored Secs, 0 Far-End Severely Errored Secs
    0 CP-bit Far-end Unavailable Secs
    0 Near-end path failures, 0 Far-end path failures
    0 Far-end code violations, 0 FERF Defect Secs
    0 AIS Defect Secs, 0 LOS Defect Secs
  Data in Interval 1:
    2 Line Code Violations, 6 P-bit Coding Violation
    0 C-bit Coding Violation, 1 P-bit Err Secs
    1 P-bit Severely Err Secs, 1 Severely Err Framing Secs
    0 Unavailable Secs, 1 Line Errored Secs
```

```

    1 C-bit Errored Secs, 1 C-bit Severely Errored Secs
    0 Severely Errored Line Secs
    0 Far-End Errored Secs, 0 Far-End Severely Errored Secs
    10 CP-bit Far-end Unavailable Secs
    0 Near-end path failures, 1 Far-end path failures
    0 Far-end code violations, 10 FERF Defect Secs
    0 AIS Defect Secs, 0 LOS Defect Secs
Total Data (last 1 15 minute intervals):
    2 Line Code Violations, 6 P-bit Coding Violation,
    0 C-bit Coding Violation, 1 P-bit Err Secs,
    1 P-bit Severely Err Secs, 1 Severely Err Framing Secs,
    0 Unavailable Secs, 1 Line Errored Secs,
    1 C-bit Errored Secs, 1 C-bit Severely Errored Secs
    0 Severely Errored Line Secs
    0 Far-End Errored Secs, 0 Far-End Severely Errored Secs
    10 CP-bit Far-end Unavailable Secs
    0 Near-end path failures, 1 Far-end path failures
    0 Far-end code violations, 10 FERF Defect Secs
    0 AIS Defect Secs, 0 LOS Defect Secs
T1 1 is down
timeslots: 1-24
FDL per AT&T 54016 spec.
Transmitter is sending LOF Indication.
Receiver is getting AIS.
Framing is ESF, Clock Source is Internal
Data in current interval (734 seconds elapsed):
    0 Line Code Violations, 0 Path Code Violations
    0 Slip Secs, 0 Fr Loss Secs, 0 Line Err Secs, 0 Degraded Mins
    0 Errored Secs, 0 Bursty Err Secs, 0 Severely Err Secs
    733 Unavail Secs, 0 Stuffed Secs
    367 Near-end path failures, 0 Far-end path failures, 0 SEF/AIS Secs
Data in Interval 1:
    0 Line Code Violations, 0 Path Code Violations
    0 Slip Secs, 0 Fr Loss Secs, 0 Line Err Secs, 0 Degraded Mins
    0 Errored Secs, 0 Bursty Err Secs, 0 Severely Err Secs
    706 Unavail Secs, 0 Stuffed Secs
    353 Near-end path failures, 0 Far-end path failures, 0 SEF/AIS Secs
Total Data (last 1 15 minute intervals):
    0 Line Code Violations, 0 Path Code Violations,
    0 Slip Secs, 0 Fr Loss Secs, 0 Line Err Secs, 0 Degraded Mins,
    0 Errored Secs, 0 Bursty Err Secs, 0 Severely Err Secs
    706 Unavail Secs, 0 Stuffed Secs
    353 Near-end path failures, 0 Far-end path failures, 0 SEF/AIS Secs
T1 2
    Not configured.

```

Verifying Interface Configuration

Use the show interface serial command to verify the interface configuration. The following example shows the output for the serial interface for an unchannelized T3:

```

Router# show interface serial3/0/0
Serial3/0/0 is down, line protocol is down
  Hardware is SPA-4XCT3/DS0
  MTU 4470 bytes, BW 44210 Kbit, DLY 200 usec,
    reliability 255/255, txload 1/255, rxload 1/255
  Encapsulation HDLC, crc 16, loopback not set
  Keepalive set (10 sec)
  Last input never, output never, output hang never
  Last clearing of "show interface" counters never
  Input queue: 0/75/0/0 (size/max/drops/flushes); Total output drops: 0
  Queueing strategy: fifo
  Output queue: 0/40 (size/max)

```

```

5 minute input rate 0 bits/sec, 0 packets/sec
5 minute output rate 0 bits/sec, 0 packets/sec
  0 packets input, 0 bytes, 0 no buffer
  Received 0 broadcasts (0 IP multicast)
  0 runts, 0 giants, 0 throttles
    0 parity
  0 input errors, 0 CRC, 0 frame, 0 overrun, 0 ignored, 0 abort
  0 packets output, 0 bytes, 0 underruns
  0 output errors, 0 applique, 2 interface resets
  0 output buffer failures, 0 output buffers swapped out
  1 carrier transitions alarm present
DSU mode 0, bandwidth 44210 Kbit, scramble 0, VC 0

```

The following example shows the output for a serial interface for the first T1 on a channelized T3:

```

Router# show interface serial2/0/1/1:0
serial2/0/1/1:0 is administratively down, line protocol is down
Hardware is SPA-4XCT3/DS0
MTU 1500 bytes, BW 832 Kbit, DLY 20000 usec,
  reliability 255/255, txload 1/255, rxload 1/255
Encapsulation HDLC, crc 16, loopback not set
Keepalive set (10 sec)
Last input never, output never, output hang never
Last clearing of "show interface" counters never
Input queue: 0/75/0/0 (size/max/drops/flushes); Total output drops: 0
Queueing strategy: fifo
Output queue: 0/40 (size/max)
5 minute input rate 0 bits/sec, 0 packets/sec
5 minute output rate 0 bits/sec, 0 packets/sec
  0 packets input, 0 bytes, 0 no buffer
  Received 0 broadcasts (0 IP multicast)
  0 runts, 0 giants, 0 throttles
  0 input errors, 0 CRC, 0 frame, 0 overrun, 0 ignored, 0 abort
  0 packets output, 0 bytes, 0 underruns
  0 output errors, 0 collisions, 1 interface resets
  0 output buffer failures, 0 output buffers swapped out
  0 carrier transitions alarm present
VC 1: timeslot(s): 2-14, Transmitter delay 0, non-inverted data

```

Specifying the Interface Address on a SPA

SPA interface ports begin numbering with “0” from left to right. Single-port SPAs use only the port number 0. To configure or monitor SPA interfaces, you need to specify the physical location of the SIP, SPA, and interface in the CLI. The interface address format is *slot/subslot/port*, where:

- *slot*—Specifies the chassis slot number in the Cisco ASR 1000 Series Router where the SIP is installed.
- *subslot*—Specifies the secondary slot of the SIP where the SPA is installed.
- *port*—Specifies the number of the individual interface port on a SPA.

The following example shows how to specify the first interface (0) on a SPA installed in the first subslot of a SIP (0) installed in chassis slot 2:

```
Router(config)# interface serial 2/0/0
```

This command shows a serial SPA as a representative example, however the same *slot/subslot/port* format is similarly used for other SPAs (such as ATM and POS) and other non-channelized SPAs.

For the 4-Port Channelized T3 SPA, the interface address format is *slot/subslot/port/t1-number:channel-group*, where:

- **t1-number**—Specifies the logical T1 number in channelized mode.
- **channel-group**—Specifies the logical channel group assigned to the time slots within the T1 link.

For more information about identifying slots and subslots, see the “Identifying Slots and Subslots for the SIPs and SPAs” section in the *Configuring the SIP* chapter.

Optional Configurations

There are several standard, but optional, configurations that might be necessary to complete the configuration of your serial SPA.

Configuring Data Service Unit Mode

Configure the SPA to connect with customer premises Data Service Units (DSUs) by setting the DSU mode. Subrating a T3 or E3 interface reduces the peak access rate by limiting the data transfer rate. To configure the DSU mode, use the following commands:

SUMMARY STEPS

1. Router# **configure terminal**
2. Router(config)# **interface serial** *slot/subslot/port*
3. Router(config-if)# **dsu mode** {0 | 1 | 2 | 3 | 4}
4. Router(config-if)# **dsu bandwidth** *kbps*

DETAILED STEPS

	Command or Action	Purpose
Step 1	Router# configure terminal	Enters global configuration mode.
Step 2	Router(config)# interface serial <i>slot/subslot/port</i>	Selects the interface to configure and enters interface configuration mode.
Step 3	Router(config-if)# dsu mode {0 1 2 3 4}	<p>Specifies the interoperability mode used by the T3 controller.</p> <ul style="list-style-type: none"> • 0—Connects a T3 controller to another T3 controller or to a Digital Link DSU. Bandwidth range is from 300 to 44210 kbps. This is the default. • 1—Connects a T3 controller to a Kentrox DSU. Bandwidth range is from 1500 to 35000, or 44210 kbps. <p>Note If the bandwidth is set between 35000 and 44210 kbps, an error message is displayed.</p> <ul style="list-style-type: none"> • 2—Connects a T3 controller to a Larscom DSU. Bandwidth range is from 3100 to 44210 kbps. • 3—Connects a T3 controller to an Adtran T3SU 300. Bandwidth range is from 75 to 44210 kbps.

	Command or Action	Purpose
		<ul style="list-style-type: none"> • 4—Connects a T3 controller to a Verilink HDM 2182. Bandwidth range is from 1500 to 44210 kbps.
Step 4	Router(config-if)# dsu bandwidth <i>kbps</i>	Specifies the maximum allowable bandwidth. <ul style="list-style-type: none"> • kbps—Bandwidth range is from 1 to 44210 kbps.

Verifying DSU Mode

Use the show controllers serial command to display the DSU mode of the controller:

```
Router# show controllers serial
Serial2/1/0 -
  Framing is c-bit, Clock Source is Internal
  Bandwidth limit is 44210, DSU mode 0, Cable length is 10
  rx FEBE since last clear counter 0, since reset 0
  Data in current interval (0 seconds elapsed):
    0 Line Code Violations, 0 P-bit Coding Violation
    0 C-bit Coding Violation
    0 P-bit Err Secs, 0 P-bit Sev Err Secs
    0 Sev Err Framing Secs, 0 Unavailable Secs
    0 Line Errored Secs, 0 C-bit Errored Secs, 0 C-bit Sev Err Secs
    0 Severely Errored Line Secs
    0 Far-End Errored Secs, 0 Far-End Severely Errored Secs
    0 CP-bit Far-end Unavailable Secs
    0 Near-end path failures, 0 Far-end path failures
    0 Far-end code violations, 0 FERF Defect Secs
    0 AIS Defect Secs, 0 LOS Defect Secs
  Transmitter is sending AIS.
```

Configuring Maintenance Data Link

MDL messages are used to communicate identification information between local and remote ports. The type of information included in MDL messages includes the equipment identification code (EIC), location identification code (LIC), frame identification code (FIC), unit, Path Facility Identification (PFI), port number, and Generator Identification numbers.

To configure Maintenance Data Link (MDL), use the following commands:

Command	Purpose
Router# configure terminal	Enters global configuration mode.
Router(config)# controller t3 <i>slot/subslot/port</i>	Selects the controller to configure and enters controller configuration mode.

Command	Purpose
<pre>Router(config-controller)# mdl [string {eic fic generator lic pfi port unit} string}] [transmit {idle-signal path test-signal};]</pre>	<p>Configures the MDL message.</p> <ul style="list-style-type: none"> • string eic—Specifies the Equipment Identification Code; can be up to 10 characters. • string fic—Specifies the Frame Identification Code; can be up to 10 characters. • string generator—Specifies the Generator number string sent in the MDL Test Signal message; can be up to 38 characters. • string lic— Specifies the Location Identification Code; can be up to 11 characters. • string pfi—Specifies the Path Facility Identification Code sent in the MDL Path message; can be up to 38 characters. • string port—Specifies the port number string sent in the MDL Idle Signal message; can be up to 38 characters. • string unit—Specifies the Unit Identification Code. • <i>string</i>—Specifies the length of the Unit Identification Code, up to 6 characters. • transmit idle-signal—Enables MDL Idle-Signal message transmission. • transmit path—Enables MDL Path message transmission. • transmit test-signal—Enables MDL Test-Signal message transmission.

Verifying MDL

Use the `show controllers t3` command to display the MDL settings:

```
Router# show controllers t3 3/0/0
T3 3/0/0 is down. Hardware is 2 ports CT3 SPA
  ATLAS FPGA version: 0, FREEDM336 version: 0
  TEMUX84(1) version: 0, TEMUX84(1) version: 0
  SUBRATE FPGA version: 0
  Applique type is Subrate T3
  Receiver has loss of signal.
  MDL transmission is enabled
    EIC: new, LIC: US, FIC: 23, UNIT: myunit
    Path FI: test pfi
    Idle Signal PORT_NO: New-port
    Test Signal GEN_NO: test-message
  FEAC code received: No code is being received
  Framing is C-BIT Parity, Line Code is B3ZS, Clock Source is Line
  Equipment customer loopback
  Data in current interval (869 seconds elapsed):
    0 Line Code Violations, 0 P-bit Coding Violation
    0 C-bit Coding Violation, 0 P-bit Err Secs
    0 P-bit Severely Err Secs, 0 Severely Err Framing Secs
    869 Unavailable Secs, 0 Line Errored Secs
    0 C-bit Errored Secs, 0 C-bit Severely Errored Secs
    0 Severely Errored Line Secs
    0 Far-End Errored Secs, 0 Far-End Severely Errored Secs
    869 CP-bit Far-end Unavailable Secs
    0 Near-end path failures, 0 Far-end path failures
    0 Far-end code violations, 0 FERF Defect Secs
    0 AIS Defect Secs, 870 LOS Defect Secs
```

Configuring Encapsulation

When traffic crosses a WAN link, the connection needs a Layer 2 protocol to encapsulate traffic. To set the encapsulation method, use the following commands:

Command	Purpose
Router# configure terminal	Enters global configuration mode.
Channelized Router(config)# interface serial <i>slot/subslot/port/t1-number:channel-group</i> Unchannelized Router(config)# interface serial <i>slot/subslot/port</i>	Selects the interface to configure and enters interface configuration mode. <ul style="list-style-type: none"> • Channelized: slot/subslot/port/t1-number:channel-group—Specifies the location of the interface. See also the Specifying the Interface Address on a SPA, on page 232. • Unchannelized: slot/subslot/port—Specifies the location of the interface. See also the Specifying the Interface Address on a SPA, on page 232.
Router(config-if)# <i>encapsulation encapsulation-type {hdlc ppp frame-relay}</i>	Sets the encapsulation type on the interface: <ul style="list-style-type: none"> • hdlc—High-Level Data Link Control (HDLC) protocol for serial interface. This encapsulation method provides the synchronous framing and error detection functions of HDLC without windowing or retransmission. This is the default for synchronous serial interfaces. • ppp—Point-to-Point Protocol (PPP) (for serial interface). • frame-relay—Frame Relay (for serial interface).

Verifying Encapsulation

Use the show interfaces serial command to display the encapsulation method:

```
Router# show interfaces serial2/0/0
Serial3/0/0 is down, line protocol is down
  Hardware is SPA-2XCT3/DS0
  MTU 4470 bytes, BW 44210 Kbit, DLY 200 usec,
    reliability 255/255, txload 1/255, rxload 1/255
  Encapsulation HDLC, crc 16, loopback not set
  Keepalive set (10 sec)
  Last input never, output never, output hang never
  Last clearing of "show interface" counters never
  Input queue: 0/75/0/0 (size/max/drops/flushes); Total output drops: 0
  Queueing strategy: fifo
  Output queue: 0/40 (size/max)
  5 minute input rate 0 bits/sec, 0 packets/sec
  5 minute output rate 0 bits/sec, 0 packets/sec
    0 packets input, 0 bytes, 0 no buffer
    Received 0 broadcasts (0 IP multicast)
    0 runts, 0 giants, 0 throttles 0 parity
    0 input errors, 0 CRC, 0 frame, 0 overrun, 0 ignored, 0 abort
    0 packets output, 0 bytes, 0 underruns
    0 output errors, 0 applique, 2 interface resets
    0 output buffer failures, 0 output buffers swapped out
```



```

1 carrier transitions alarm present
DSU mode 0, bandwidth 44210 Kbit, scramble 0, VC 0

```

Configuring T3 Framing

To set the T3 framing type, use the following commands:

Command	Purpose
Router# configure terminal	Enters global configuration mode.
Router(config)# interface serial <i>slot/subslot/port</i>	Selects the interface to configure and enters interface configuration mode.
Router(config-if)# framing {c-bit m13}	Specifies the framing type in unchannelized mode. <ul style="list-style-type: none"> • c-bit—Specifies C-bit parity framing. This is the default. • m13—Specifies DS3 Framing M13 (same as M23).

Verifying Framing

Use the show controller command to display the framing type:

```

Router# show controller t3 3/0/0
T3 3/0/0 is down. Hardware is 2 ports CT3 SPA
ATLAS FPGA version: 0, FREEDM336 version: 0
TEMUX84(1) version: 0, TEMUX84(1) version: 0
SUBRATE FPGA version: 0
Applique type is Subrate T3
Receiver has loss of signal.
Framing is M13, Line Code is B3ZS, Clock Source is Line
Equipment customer loopback
Data in current interval (656 seconds elapsed):
 0 Line Code Violations, 0 P-bit Coding Violation
 0 C-bit Coding Violation, 0 P-bit Err Secs
 0 P-bit Severely Err Secs, 0 Severely Err Framing Secs
666 Unavailable Secs, 0 Line Errored Secs
 0 C-bit Errored Secs, 0 C-bit Severely Errored Secs
 0 Severely Errored Line Secs
 0 Far-End Errored Secs, 0 Far-End Severely Errored Secs
 0 CP-bit Far-end Unavailable Secs
 0 Near-end path failures, 0 Far-end path failures
 0 Far-end code violations, 0 FERF Defect Secs
 0 AIS Defect Secs, 666 LOS Defect Secs

```

Configuring FDL

Facility Data Link (FDL) is a far-end performance reporting tool. In ANSI mode, you can enable one-second transmissions of performance reports on both ends of the T1 connection. To configure FDL, use the following commands:

Command	Purpose
Router# configure terminal	Enters global configuration mode.
Router(config)# controller t3 <i>slot/subslot/port</i>	Selects the controller to configure and enters interface configuration mode.

Command	Purpose
Router(config-controller)# t1 number fdl {ansi}	(Optional) Enables FDL. <ul style="list-style-type: none"> number—Specifies the T1 channel number. ansi—Specifies the FDL bit per the ANSI T1.403 specification.

Verifying FDL

Use the show controller command to display the FDL setting:

```
Router# show controller t3 3/0/1/1
T3 3/0/1 is down. Hardware is 2 ports CT3 SPA
ATLAS FPGA version: 0, FREEDM336 version: 0
TEMUX84(1) version: 0, TEMUX84(1) version: 0
SUBRATE FPGA version: 0
Applique type is Channelized T3
Receiver has loss of signal.
Framing is M23, Line Code is B3ZS, Clock Source is Internal
Equipment customer loopback
Data in current interval (456 seconds elapsed):
  0 Line Code Violations, 0 P-bit Coding Violation
  0 C-bit Coding Violation, 0 P-bit Err Secs
  0 P-bit Severely Err Secs, 0 Severely Err Framing Secs
  456 Unavailable Secs, 0 Line Errored Secs
  0 C-bit Errored Secs, 0 C-bit Severely Errored Secs
  0 Severely Errored Line Secs
  0 Far-End Errored Secs, 0 Far-End Severely Errored Secs
  0 CP-bit Far-end Unavailable Secs
  0 Near-end path failures, 0 Far-end path failures
  0 Far-end code violations, 0 FERF Defect Secs
  0 AIS Defect Secs, 456 LOS Defect Secs
T1 1 is down
timeslots: 2-14
FDL per ANSI T1.403 and AT&T 54016 spec.
Configured for FDL remotely line looped (bell)
Transmitter is sending LOF Indication.
Receiver is getting AIS.
Framing is ESF, Clock Source is Line
BERT running on timeslots 2,3,4,5,6,7,8,9,10,11,12,13,14,
BERT test result (running)
  Test Pattern : All 1's, Status : Not Sync, Sync Detected : 0
  Interval : 2 minute(s), Time Remain : 2 minute(s)
  Bit Errors (since BERT started): 0 bits,
  Bits Received (since BERT started): 0 Kbits
  Bit Errors (since last sync): 0 bits
  Bits Received (since last sync): 0 Kbits
Data in current interval (703 seconds elapsed):
  0 Line Code Violations, 0 Path Code Violations
  0 Slip Secs, 0 Fr Loss Secs, 0 Line Err Secs, 0 Degraded Mins
  0 Errored Secs, 0 Bursty Err Secs, 0 Severely Err Secs
  713 Unavail Secs, 0 Stuffed Secs
  357 Near-end path failures, 0 Far-end path failures, 0 SEF/AIS Secs
```

Configuring Scramble

T3 scrambling is used to assist clock recovery on the receiving end. Scrambling is designed to randomize the pattern of 1s and 0s carried in the physical layer frame. Randomizing the digital bits can prevent continuous,

nonvariable bit patterns—in other words, long strings of all 1s or all 0s. Several physical layer protocols rely on transitions between 1s and 0s to maintain clocking.

Scrambling can prevent some bit patterns from being mistakenly interpreted as alarms by switches placed between the Data Service Units (DSUs).

To configure scrambling, use the following commands:

Command	Purpose
Router# configure terminal	Enters global configuration mode.
Router(config)# interface serial slot/subslot/port	Selects the interface to configure and enters interface configuration mode.
Router(config-if)# scramble [0 1]	Enables scrambling. Scrambling is disabled by default. <ul style="list-style-type: none"> • 1—Enabled. • 0—Disabled.

Verifying Scramble Configuration

Use the show interface serial command to display the scramble setting:

```
Router# show interface serial3/0/0
Serial3/0/0 is down, line protocol is down
  Hardware is SPA-2XCT3/DS0
  MTU 4470 bytes, BW 44210 Kbit, DLY 200 usec,
    reliability 255/255, txload 1/255, rxload 1/255
  Encapsulation HDLC, crc 16, loopback not set
  Keepalive set (10 sec)
  Last input never, output never, output hang never
  Last clearing of "show interface" counters never
  Input queue: 0/75/0/0 (size/max/drops/flushes); Total output drops: 0
  Queueing strategy: fifo
  Output queue: 0/40 (size/max)
  5 minute input rate 0 bits/sec, 0 packets/sec
  5 minute output rate 0 bits/sec, 0 packets/sec
    0 packets input, 0 bytes, 0 no buffer
    Received 0 broadcasts (0 IP multicast)
    0 runts, 0 giants, 0 throttles
      0 parity
    0 input errors, 0 CRC, 0 frame, 0 overrun, 0 ignored, 0 abort
    0 packets output, 0 bytes, 0 underruns
    0 output errors, 0 applique, 4 interface resets
    0 output buffer failures, 0 output buffers swapped out
    1 carrier transitions alarm present
  DSU mode 0, bandwidth 44210 Kbit, scramble 1, VC 0
```

Saving the Configuration

To save your running configuration to nonvolatile random-access memory (NVRAM), use the following command in privileged EXEC configuration mode:

Command	Purpose
Router# copy running-config startup-config	Writes the new configuration to NVRAM.

For information about managing your system images and configuration files, refer to the [Cisco IOS Configuration Fundamentals Configuration Guide](#) and [Cisco IOS Configuration Fundamentals Command Reference](#) publications that corresponds to your Cisco IOS software release.

Verifying the Interface Configuration

Besides using the **show running-configuration** command to display your Cisco ASR 1000 Series Routers configuration settings, you can use the **show interfaces serial** and the **show controllers serial** commands to get detailed information on a per-port basis for your 2-Port and 4-Port Channelized T3 SPA.

Verifying Per-Port Interface Status

To find detailed interface information on a per-port basis for the 2-Port and 4-Port Channelized T3 SPA, use the **show interfaces serial** command.

The following example provides sample output for the serial interface on an unchannelized T3:

```
Router# show interfaces serial3/0/0
Serial3/0/0 is down, line protocol is down
Hardware is SPA-2XCT3/DS0
MTU 4470 bytes, BW 44210 Kbit, DLY 200 usec,
    reliability 255/255, txload 1/255, rxload 1/255
Encapsulation HDLC, crc 16, loopback not set
Keepalive set (10 sec)
Last input never, output hang never
Last clearing of "show interface" counters never
Input queue: 0/75/0/0 (size/max/drops/flushes); Total output drops: 0
Queueing strategy: fifo
Output queue: 0/40 (size/max)
5 minute input rate 0 bits/sec, 0 packets/sec
5 minute output rate 0 bits/sec, 0 packets/sec
    0 packets input, 0 bytes, 0 no buffer
    Received 0 broadcasts (0 IP multicast)
    0 runts, 0 giants, 0 throttles 0 parity
    0 input errors, 0 CRC, 0 frame, 0 overrun, 0 ignored, 0 abort
    0 packets output, 0 bytes, 0 underruns
    0 output errors, 0 applique, 4 interface resets
    0 output buffer failures, 0 output buffers swapped out
    1 carrier transitions alarm present
DSU mode 0, bandwidth 44210 Kbit, scramble 1, VC 0
```

The following example provides sample output for the serial interface on a channelized T3:

```
Router# show interfaces serial2/0/1/1:0
serial2/0/1/1:0 is down, line protocol is down
Hardware is SPA-2XCT3/DS0
MTU 1500 bytes, BW 832 Kbit, DLY 20000 usec,
    reliability 255/255, txload 1/255, rxload 1/255
Encapsulation HDLC, crc 16, loopback not set
Keepalive set (10 sec)
Last input never, output never, output hang never
Last clearing of "show interface" counters never
Input queue: 0/75/0/0 (size/max/drops/flushes); Total output drops: 0
Queueing strategy: fifo
Output queue: 0/40 (size/max)
5 minute input rate 0 bits/sec, 0 packets/sec
5 minute output rate 0 bits/sec, 0 packets/sec
```

```

0 packets input, 0 bytes, 0 no buffer
Received 0 broadcasts (0 IP multicast)
0 runts, 0 giants, 0 throttles
0 input errors, 0 CRC, 0 frame, 0 overrun, 0 ignored, 0 abort
0 packets output, 0 bytes, 0 underruns
0 output errors, 0 collisions, 2 interface resets
0 output buffer failures, 0 output buffers swapped out
0 carrier transitions alarm present
VC 1: timeslot(s): 2-14, Transmitter delay 0, non-inverted data

```

To find detailed status and statistical information on a per-port basis for the 2-Port and 4-Port Channelized T3 SPA, use the **show controllers serial** command:

```

Router# show controllers serial 0/2/0
Serial0/2/0 - (SPA-4XT3/E3) is up
  Current mode is T3
  Framing is c-bit, Clock Source is Line
  Bandwidth limit is 44210, DSU mode 0, Cable length is 10 feet
  rx FEBE since last clear counter 0, since reset 0
  Data in current interval (30 seconds elapsed):
    1 Line Code Violations, 0 P-bit Coding Violation
    0 C-bit Coding Violation
    0 P-bit Err Secs, 0 P-bit Sev Err Secs
    0 Sev Err Framing Secs, 1 Unavailable Secs
    1 Line Errorred Secs, 0 C-bit Errorred Secs, 0 C-bit Sev Err Secs
    0 Severely Errorred Line Secs
    0 Far-End Errorred Secs, 0 Far-End Severely Errorred Secs
    10 CP-bit Far-end Unavailable Secs
    0 Near-end path failures, 0 Far-end path failures
    0 Far-end code violations, 10 FERF Defect Secs
    0 AIS Defect Secs, 0 LOS Defect Secs
  No alarms detected.
  No FEAC code is being received
  MDL transmission is disabled

```

Configuration Examples

This section includes the following configuration examples:

DSU Configuration Example

The following example sets the DSU mode on interface port 0 on slot 4, subslot 1:

```

! Specify the interface and enter interface configuration mode.
!
Router(config-int)# interface t3 4/1/0
!
!Specifies the interoperability mode used by the T3 interface.
!
Router(config-int)# dsu mode 2
!
!Specifies the maximum allowable bandwidth.
Router(config-int)# dsu bandwidth 23000

```

MDL Configuration Example

The following example configures the MDL strings on controller port 0 on slot 4, subslot 1:

```
! Enter controller configuration mode.
!
Router(config)# controller t3 4/1/0
!
! Specify the mdl strings.
!
Router(config-controller)# mdl string eic beic
Router(config-controller)# mdl string lic beic
Router(config-controller)# mdl string fic bfix
Router(config-controller)# mdl string unit bunit
Router(config-controller)# mdl string pfi bpfi
Router(config-controller)# mdl string port bport
Router(config-controller)# mdl string generator bgen
Router(config-controller)# mdl transmit path
Router(config-controller)# mdl transmit idle-signal
Router(config-controller)# mdl transmit test-signal
```

Encapsulation Configuration Example

The following example configures encapsulation on a channelized T1 interface:

```
! Specify the interface to configure and enter interface configuration mode.
!
Router(config)# interface serial 4/1/1/1:0
!
! Specify the encapsulation method.
!
Router(config-if)# encapsulation ppp
```

The following example configures encapsulation and framing on a unchannelized T3 interface:

```
! Specify the interface to configure and enter interface configuration mode.
!
Router(config)# interface serial 4/1/1
!
! Specify the encapsulation method.
!
Router(config-if)# encapsulation ppp
```

Framing in Unchannelized Mode Configuration Example

The following example configures framing on an unchannelized T3 interface:

```
! Specify the interface to configure and enter interface configuration mode.
!
Router(config)# interface serial 4/1/1
!
! Specify the framing type.
!
Router(config-if)# framing m13
```

Facility Data Link Configuration Example

The following example configures FDL on a channelized T1 interface:

```
! Specify the controller to configure and enter controller configuration mode.
!
Router(config)# controller t3 3/1/0
!
! Specify the T1 controller and set the FDL bit.
!
Router(config-controller)# t1 1 fdl ansi
```

Scrambling Configuration Example

The following example configures scrambling on the T3 interface:

```
! Enter global configuration mode.
!
Router# configure terminal
!
! Specify the interface to configure and enter interface configuration mode.
!
Router(config)# interface serial 4/1/3
!
! Enable scrambling.
!
Router(config-if)# scramble
```

Creating a Multilink Bundle Configuration Example

The following example configures multilink bundle 1 on the T3 interface:

```
! ! Enter global configuration mode.
!
Router# configure terminal
!
! Create a multilink interface and enter interface configuration mode.
!
Router(config)# interface multilink 1
!
! Specify the IP address for the interface.
!
Router(config-if)# ip address 123.1.1.1 255.255.255.0
!
```

Assigning a T1 Interface to a Multilink Bundle Configuration Example

The following example assigns a T1 interface to multilink group 1:

```
! ! Enter global configuration mode.
!
Router# configure terminal
!
! Specify the T1 interface and enter interface configuration mode.
!
```

```
Router(config)# interface serial 1/0/1/1:0
!
! Specify PPP encapsulation.
!
Router(config-if)# encapsulation ppp
!
! Specify the multilink bundle the T1 will belong to.
!
Router(config-if)# ppp
    multilink group 1
!
```




CHAPTER 17

Configuring the 2-Port and 4-Port T3/E3 Serial SPA

This chapter provides information about configuring the 2-Port, 4-Port, and 8-Port Clear-Channel T3/E3 Serial SPAs on the Cisco ASR 1000 Series Routers.

- [Configuration Tasks, on page 245](#)
- [Verifying the Interface Configuration, on page 258](#)
- [Configuration Examples, on page 260](#)

Configuration Tasks

This section describes how to configure the 2-Port, 4-Port, and 8-Port Clear-Channel T3/E3 Serial SPAs for the Cisco ASR 1000 Series Routers and verify the configuration. For information about managing your system images and configuration files, refer to the following:

- [Cisco ASR 1000 Series Aggregation Services Routers Software Configuration Guide](#)
- [Cisco IOS Configuration Fundamentals Configuration Guide](#)
- [Cisco IOS Configuration Fundamentals Command Reference](#)

Required Configuration Tasks

This section lists the required configuration steps to configure the 2-Port and 4-Port T3/E3 Serial SPA. Some of the required configuration commands implement default values that might be appropriate for your network. If the default value is correct for your network, then you do not need to configure the command.



Note To better understand the address format used to specify the physical location of the SIP, SPA, and interfaces, see the [Specifying the Interface Address on a SPA, on page 249](#).

Setting the Card Type

The SPA is not functional until the card type is set. Information about the SPA is not indicated in the output of any **show** commands until the card type has been set. There is no default card type.



Note The card type command is not required to set the serial mode for the 8-Port Clear-Channel T3/E3 SPA. Therefore, this command is not supported in the 8-Port Clear-Channel T3/E3 SPA. This SPA supports both T3 and E3 configurations at the port level, which can be changed without reloading the SPA. The framing type that is configured determines whether a port is in the T3 mode or E3 mode. During first time initialization, by default, all the ports of the 8-Port Clear Channel T3/E3 SPA come up in the T3 mode and C-bit framing. For subsequent reloads, the ports come up in the modes they were configured and saved in. For more information on mixed interface types, see the [Configuring Framing, on page 218](#).

To set the card type for the 2-Port and 4-Port T3/E3 Clear-Channel Serial SPAs, complete these steps:

SUMMARY STEPS

1. Router# **configure terminal**
2. Router(config)# **card type {t3 | e3} slot subslot**
3. Router(config)# **exit**

DETAILED STEPS

	Command or Action	Purpose
Step 1	Router# configure terminal	Enters global configuration mode.
Step 2	Router(config)# card type {t3 e3} slot subslot	Sets the serial mode for the SPA: <ul style="list-style-type: none"> • t3—Specifies T3 connectivity of 44210 kbps through the network, using B3ZS coding. • e3—Specifies a wide-area digital transmission scheme used predominantly in Europe that carries data at a rate of 34010 kbps. • <i>slot subslot</i> —Specifies the location of the SPA. See the Specifying the Interface Address on a SPA, on page 249.
Step 3	Router(config)# exit	Exits configuration mode and returns to the EXEC command interpreter prompt.

Setting the IP Address

To set the IP address for the 2-Port and 4-Port T3/E3 Serial SPA, complete these steps:

SUMMARY STEPS

1. Router(config)# **interface serial slot/subslot/port**
2. Router(config-if)# **ip address address mask**
3. Router(config-if)# **clock source {internal | line}**
4. Router(config-if)# **no shut**
5. Router(config)# **exit**

DETAILED STEPS

	Command or Action	Purpose
Step 1	Router(config)# interface serial <i>slot/subslot/port</i>	Selects the interface to configure and enters interface configuration mode.
Step 2	Router(config-if)# ip address <i>address mask</i>	Sets the IP address and subnet mask. <ul style="list-style-type: none"> • address—IP address. • mask—Subnet mask.
Step 3	Router(config-if)# clock source {internal line}	Sets the clock source. <ul style="list-style-type: none"> • internal—Specifies that the internal clock source is used. • line—Specifies that the network clock source is used. This is the default.
Step 4	Router(config-if)# no shut	Enables the interface.
Step 5	Router(config)# exit	Exits interface configuration mode and returns to the EXEC command interpreter prompt.

Verifying Controller Configuration

Use the show controllers command to verify the controller configuration:

```
Router# show controllers serial 2/0/0
Serial2/0/0 -
  Framing is c-bit, Clock Source is Line
  Bandwidth limit is 44210, DSU mode 0, Cable length is 10
  rx FEBE since last clear counter 2, since reset 0
  Data in current interval (546 seconds elapsed):
    0 Line Code Violations, 0 P-bit Coding Violation
    0 C-bit Coding Violation
    0 P-bit Err Secs, 0 P-bit Sev Err Secs
    0 Sev Err Framing Secs, 0 Unavailable Secs
    0 Line Errored Secs, 0 C-bit Errored Secs, 0 C-bit Sev Err Secs
  Data in Interval 1:
    0 Line Code Violations, 0 P-bit Coding Violation
    0 C-bit Coding Violation
    0 P-bit Err Secs, 0 P-bit Sev Err Secs
    0 Sev Err Framing Secs, 0 Unavailable Secs
    0 Line Errored Secs, 0 C-bit Errored Secs, 0 C-bit Sev Err Secs
  Data in Interval 44:
    0 Line Code Violations, 0 P-bit Coding Violation
    0 C-bit Coding Violation
    0 P-bit Err Secs, 0 P-bit Sev Err Secs
    0 Sev Err Framing Secs, 0 Unavailable Secs
    560 Line Errored Secs, 0 C-bit Errored Secs, 0 C-bit Sev Err Secs
  Total Data (last 44 15 minute intervals):
    0 Line Code Violations, 0 P-bit Coding Violation,
    0 C-bit Coding Violation,
    0 P-bit Err Secs, 0 P-bit Sev Err Secs,
    0 Sev Err Framing Secs, 0 Unavailable Secs,
    24750 Line Errored Secs, 0 C-bit Errored Secs, 0 C-bit Sev Err Secs
  Transmitter is sending AIS.
  Receiver has loss of signal.
```

```

40434 Sev Err Line Secs, 0 Far-End Err Secs, 0 Far-End Sev Err Secs
0 P-bit Unavailable Secs, 0 CP-bit Unavailable Secs
0 CP-bit Far-end Unavailable Secs
0 Near-end path failures, 0 Far-end path failures
No FEAC code is being received
MDL transmission is disabled

```

Use the `show controllers brief` command to view a subset of the show controllers output:

```

Router# show controllers serial 2/0/2 brief
Serial2/0/2 -
  Framing is c-bit, Clock Source is Internal
  Bandwidth limit is 44210, DSU mode 0, Cable length is 10
  rx FEBE since last clear counter 0, since reset 22
  No alarms detected.
  No FEAC code is being received
  MDL transmission is disabled

```

Verifying the Interface Configuration

Use the `show interfaces` command to verify the interface configuration:

```

Router# show interfaces serial 2/0/0
Serial2/0/0 is up, line protocol is up
  Hardware is SPA-4T3E3
  MTU 4470 bytes, BW 44210 Kbit, DLY 200 usec,
    reliability 255/255, txload 12/255, rxload 56/255
  Encapsulation FRAME-RELAY, crc 16, loopback not set
  Keepalive set (10 sec)
  LMI enq sent 13477, LMI stat recvd 13424, LMI upd recvd 0, DTE LMI up
  LMI enq recvd 19, LMI stat sent 0, LMI upd sent 0
  LMI DLCI 1023 LMI type is CISCO frame relay DTE
  FR SVC disabled, LAPF state down
  Broadcast queue 0/256, broadcasts sent/dropped 0/0, interface broadcasts 0
  Last input 00:00:09, output 00:00:09, output hang never
  Last clearing of "show interface" counters 1d13h
  Input queue: 0/75/3/3891 (size/max/drops/flushes); Total output drops: 5140348
  Queueing strategy: fifo
  Output queue: 0/40 (size/max)
  5 minute input rate 9716000 bits/sec, 28149 packets/sec
  5 minute output rate 2121000 bits/sec, 4466 packets/sec
    14675957334 packets input, 645694448563 bytes, 0 no buffer
    Received 0 broadcasts (0 IP multicast)
    0 runts, 0 giants, 0 throttles
      0 parity
    0 input errors, 0 CRC, 0 frame, 0 overrun, 0 ignored, 0 abort
    14562482078 packets output, 640892196653 bytes, 0 underruns
    0 output errors, 0 applique, 4 interface resets
    0 output buffer failures, 0 output buffers swapped out
    0 carrier transitions
  rxLOS inactive, rxLOF inactive, rxAIS inactive
  txAIS inactive, txRAI inactive, txRAI inactive
Serial2/0/0.16 is up, line protocol is up
  Hardware is SPA-4T3E3
  Internet address is 110.1.1.2/24
  MTU 4470 bytes, BW 44210 Kbit, DLY 200 usec,
    reliability 255/255, txload 11/255, rxload 53/255
  Encapsulation FRAME-RELAY

```

Specifying the Interface Address on a SPA

SPA interface ports begin numbering with “0” from left to right. Single-port SPAs use only the port number 0. To configure or monitor SPA interfaces, you need to specify the physical location of the SIP, SPA, and interface in the CLI. The interface address format is *slot/subslot/port*, where:

- *slot*—Specifies the chassis slot number in the Cisco ASR 1000 Series Aggregation Services Routers where the SIP is installed.
- *subslot*—Specifies the slot of the SIP where the SPA is installed.
- *port*—Specifies the number of the individual interface port on a SPA.

The following example shows how to specify the first interface (0) on a SPA installed in the first subslot of a SIP (0) installed in chassis slot 2:

```
Router(config)# interface serial 2/0/0
```

This command shows a serial SPA as a representative example, however the same *slot/subslot/port* format is similarly used for other SPAs (such as ATM and POS) and other non-channelized SPAs.

For more information about identifying slots and subslots, see the [Required Configuration Tasks, on page 213](#).

Optional Configurations

There are several standard, but optional configurations, that might be necessary to complete the configuration of your serial SPA.

Configuring Data Service Unit Mode

Configure the SPA to connect with customer premises Data Service Units (DSUs) by setting the DSU mode. Subrating a T3 or E3 interface reduces the peak access rate by limiting the data transfer rate.

To configure the DSU mode and bandwidth, use the following commands:

Command	Purpose
Router# configure terminal	Enters global configuration mode.
Router(config)# interface serial <i>slot/subslot/port</i>	Selects the interface to configure and enters interface configuration mode.
T3 Router(config-if)# dsu mode {0 1 2 3 4} E3 Router(config-if)# dsu mode {0 1}	Specifies the interoperability mode used by a T3 controller. <ul style="list-style-type: none"> • 0—Connects a T3/E3 controller to another T3/E3 controller or to a Digital Link DSU (DL3100 in T3 mode and DL3100E in E3 mode). This is the default. • 1—Connects a T3/E3 controller to a Kentrox DataSMART T3/E3 IDSU. • 2—Connects a T3 controller to a Larscom Access-T45 DS3 DSU. • 3—Connects a T3 controller to an Adtran T3SU 300. • 4—Connects a T3 controller to a Verilink HDM 2182.

Command	Purpose
Router(config-if)# dsu bandwidth kbps	<p>Specifies the allowable bandwidth.</p> <ul style="list-style-type: none"> • kbps—The bandwidth range and increment values are based on the specific DSU. Default for T3 mode is 44010 kbps and 34010 kbps for E3 mode. <ul style="list-style-type: none"> • Digital Link DL3100 bandwidth range is 300 to 44210 kbps. • Digital Link DL3100E bandwidth range is 358 to 34010 kbps. • Kentrox DataSMART T3/E3 IDSU bandwidth range is 1000 to 34000 kbps for E3 mode and 1500 to 44210 kbps for T3 mode. • Larscom Access-T45 DS3 bandwidth range is 3100 to 44210 kbps. • Adtran T3SU 300 bandwidth range is 80 to 44210 kbps. • Verilink HDM 2182 bandwidth range is 1600 to 31600 kbps.
Router(config-if)# remote {accept fullrate}	<p>Specifies where the DSU bandwidth is set.</p> <ul style="list-style-type: none"> • accept—Accepts incoming remote requests to reset the DSU bandwidth. • fullrate—Sets far end DSU to its fullrate bandwidth.

Verifying DSU Mode

Use the show controllers serial command to display the DSU mode of the controller:

```
Router# show controllers serial 2/0/0
Serial2/0/0 -
  Framing is c-bit, Clock Source is Line
  Bandwidth limit is 44210, DSU mode 0, Cable length is 10
  rx FEBE since last clear counter 2, since reset 0
  Data in current interval (546 seconds elapsed):
    0 Line Code Violations, 0 P-bit Coding Violation
    0 C-bit Coding Violation
    0 P-bit Err Secs, 0 P-bit Sev Err Secs
    0 Sev Err Framing Secs, 0 Unavailable Secs
    0 Line Errored Secs, 0 C-bit Errored Secs, 0 C-bit Sev Err Secs
  Data in Interval 1:
    0 Line Code Violations, 0 P-bit Coding Violation
    0 C-bit Coding Violation
    0 P-bit Err Secs, 0 P-bit Sev Err Secs
    0 Sev Err Framing Secs, 0 Unavailable Secs
    0 Line Errored Secs, 0 C-bit Errored Secs, 0 C-bit Sev Err Secs
```

Configuring Maintenance Data Link

MDL messages are used to communicate identification information between local and remote ports. The type of information included in MDL messages includes the equipment identification code (EIC), location identification code (LIC), frame identification code (FIC), unit, Path Facility Identification (PFI), port number, and Generator Identification numbers.



Note C-bit framing must be enabled in order to transport MDL messages between source and destination T3 ports.

To configure Maintenance Data Link (MDL), use the following commands.

Command	Purpose
Router# configure terminal	Enters global configuration mode.
Router(config)# interface serial slot/subslot/port	Selects the interface to configure.
Router(config-if)# <i>mdl [string {eic fic generator lic pfi port unit} string}] [transmit {idle-signal path test-signal}]</i>	Configures the Maintenance Data Link (MDL) message. <ul style="list-style-type: none"> • eic string—Specifies the Equipment Identification Code (up to 10 characters), which is a value used to describe a specific piece of equipment according to ANSI T1.107-1995. • fic string—Specifies the Frame Identification Code (up to 10 characters), which is a value used to identify where the equipment is located within a building at a given location according to ANSI T1.107-1995. • generator string—Specifies the Generator number string sent in the MDL Test Signal message; can be up to 38 characters. • lic string—Specifies the Location Identification Code (up to 11 characters), which is a value used to describe a specific location according to ANSI T1.107-1995. • pfi string—Specifies the Path Facility Identification Code sent in the MDL Path message; can be up to 38 characters. • port string—Specifies the port number string sent in the MDL Idle Signal message; can be up to 38 characters. • unit string—Specifies the Unit Identification Code (up to 6 characters), which is a value that identifies the equipment location within a subslot according to ANSI T1.107-1995. • transmit idle-signal—Enables transmission of the MDL Idle-Signal message. An MDL Idle-Signal message, as defined by ANSI T1.107, is distinguished from path and test signal messages in that it contains a port number as its final data element. • transmit path—Enables transmission of the MDL Path message. An MDL Path message, as defined by ANSI T1.107, is distinguished from idle and test signal messages in that it contains a facility identification code as its final data element. • transmit test-signal—Enables transmission of the MDL Test-Signal message. An MDL Test-Signal message, as defined by ANSI T1.107, is distinguished from path and idle signal messages in that it contains a generator number as its final data element.

Verifying MDL

Use the show controllers serial command to display the MDL settings:

```
Router# show controllers serial 2/0/0
Serial2/0/0 -
  Framing is c-bit, Clock Source is Line
  Bandwidth limit is 44210, DSU mode 0, Cable length is 10
  rx FEBE since last clear counter 2, since reset 0
```

```

Data in current interval (546 seconds elapsed):
  0 Line Code Violations, 0 P-bit Coding Violation
  0 C-bit Coding Violation
  0 P-bit Err Secs, 0 P-bit Sev Err Secs
  0 Sev Err Framing Secs, 0 Unavailable Secs
  0 Line Errored Secs, 0 C-bit Errored Secs, 0 C-bit Sev Err Secs
Data in Interval 1:
  0 Line Code Violations, 0 P-bit Coding Violation
  0 C-bit Coding Violation
  0 P-bit Err Secs, 0 P-bit Sev Err Secs
  0 Sev Err Framing Secs, 0 Unavailable Secs
  0 Line Errored Secs, 0 C-bit Errored Secs, 0 C-bit Sev Err Secs
Data in Interval 96:
  0 Line Code Violations, 0 P-bit Coding Violation
  0 C-bit Coding Violation
  0 P-bit Err Secs, 0 P-bit Sev Err Secs
  0 Sev Err Framing Secs, 0 Unavailable Secs
  0 Line Errored Secs, 0 C-bit Errored Secs, 0 C-bit Sev Err Secs
Total Data (last 24 hours)
  0 Line Code Violations, 0 P-bit Coding Violation,
  0 C-bit Coding Violation,
  0 P-bit Err Secs, 0 P-bit Sev Err Secs,
  0 Sev Err Framing Secs, 0 Unavailable Secs,
  0 Line Errored Secs, 0 C-bit Errored Secs, 0 C-bit Sev Err Secs
No alarms detected.
  0 Sev Err Line Secs, 1 Far-End Err Secs, 0 Far-End Sev Err Secs
  0 P-bit Unavailable Secs, 0 CP-bit Unavailable Secs
  0 CP-bit Far-end Unavailable Secs
  0 Near-end path failures, 0 Far-end path failures
No FEAC code is being received
MDL transmission is enabled
  EIC: tst, LIC: 67,
  Test Signal GEN_NO: test
Far-End MDL Information Received
  EIC: tst, LIC: 67,
  Test Signal GEN_NO: test

```

Configuring Scramble

T3/E3 scrambling is used to assist clock recovery on the receiving end. Scrambling is designed to randomize the pattern of 1s and 0s carried in the physical layer frame. Randomizing the digital bits can prevent continuous, nonvariable bit patterns—in other words, long strings of all 1s or all 0s. Several physical layer protocols rely on transitions between 1s and 0s to maintain clocking.

Scrambling can prevent some bit patterns from being mistakenly interpreted as alarms by switches placed between the Data Service Units (DSUs).

To configure scrambling, use the following commands:

Command	Purpose
Router# configure terminal	Enters global configuration mode.
Router(config)# interface serial slot/subslot/port	Selects the interface to configure and enters interface configuration mode.

Command	Purpose
Router(config-if)# [no] scramble	<p>Enables scrambling. Scrambling is disabled by default.</p> <ul style="list-style-type: none"> • scramble—Enables scramble. • no scramble—Disables scramble. <p>Note When using framing bypass, no scrambling must be configured.</p>

Verifying Scramble Configuration

Use the show controllers serial command to display the scrambling setting:

```
Router# show controllers serial 2/0/0
Serial2/0/0 -
  Framing is c-bit, Clock Source is Line
  Bandwidth limit is 44210, DSU mode 0, Cable length is 10
  rx FEBE since last clear counter 2, since reset 0
  Scrambling is enabled
  Data in current interval (356 seconds elapsed):
    0 Line Code Violations, 0 P-bit Coding Violation
    0 C-bit Coding Violation
    0 P-bit Err Secs, 0 P-bit Sev Err Secs
    0 Sev Err Framing Secs, 0 Unavailable Secs
    0 Line Errored Secs, 0 C-bit Errored Secs, 0 C-bit Sev Err Secs
  Data in Interval 1:
    0 Line Code Violations, 0 P-bit Coding Violation
    0 C-bit Coding Violation
    0 P-bit Err Secs, 0 P-bit Sev Err Secs
    0 Sev Err Framing Secs, 0 Unavailable Secs
    0 Line Errored Secs, 0 C-bit Errored Secs, 0 C-bit Sev Err Secs
```

Configuring Framing

Framing is used to synchronize data transmission on the line. Framing allows the hardware to determine when each packet starts and ends. To configure framing, use the following commands:

Command	Purpose
Router# configure terminal	Enters global configuration mode.
Router(config)# interface serial <i>slot/subslot/port</i>	Selects the interface to configure and enters interface configuration mode.

Command	Purpose
T3 Router(config-if)# <i>framing</i> { <i>bypass</i> <i>c-bit</i> <i>m13</i> } E3 Router(config-if)# <i>framing</i> { <i>bypass</i> <i>g751</i> <i>g832</i> } 8-Port Clear-Channel T3/E3 SPA Router(config-if)# <i>framing</i> { <i>bypass-ds3</i> <i>bypass-e3</i> <i>c-bit</i> <i>m13</i> <i>g751</i> <i>g832</i> }	Sets the framing on the interface. <ul style="list-style-type: none"> • <i>bypass</i>—Configures framing bypass to use the full T3 or E3 bandwidth. • <i>bypass-ds3</i>—Configures framing bypass to use the full T3 bandwidth. • <i>bypass-e3</i>—Configures framing bypass to use the full E3 bandwidth. • <i>c-bit</i>—Specifies C-bit parity framing. This is the default for T3. • <i>m13</i>—Specifies M13 framing. • <i>g751</i>— Specifies G751 framing. This is the default for E3. • <i>g832</i>—Specifies G832 framing.

The following table determines the T3 or E3 mode of the interface based on the framing type configured:

Table 25: Framing Type and the Interface T3/E3 Mode

Framing Type	Interface T3/E3 Mode
bypass-ds3	T3
c-bit	T3
m13	T3
bypass-e3	E3
g751	E3
g832	E3

Verifying Framing Configuration

Use the show controllers serial command to display the framing method:

```
Router# show controllers serial 2/0/0
Serial2/0/0 -
  Framing is c-bit, Clock Source is Line
  Bandwidth limit is 44210, DSU mode 0, Cable length is 10
  rx FEBE since last clear counter 2, since reset 0
  Data in current interval (546 seconds elapsed):
    0 Line Code Violations, 0 P-bit Coding Violation
    0 C-bit Coding Violation
    0 P-bit Err Secs, 0 P-bit Sev Err Secs
    0 Sev Err Framing Secs, 0 Unavailable Secs
    0 Line Errored Secs, 0 C-bit Errored Secs, 0 C-bit Sev Err Secs
  Data in Interval 1:
    0 Line Code Violations, 0 P-bit Coding Violation
    0 C-bit Coding Violation
    0 P-bit Err Secs, 0 P-bit Sev Err Secs
```

```
0 Sev Err Framing Secs, 0 Unavailable Secs
0 Line Errored Secs, 0 C-bit Errored Secs, 0 C-bit Sev Err Secs
```

Configuring Encapsulation

When traffic crosses a WAN link, the connection needs a Layer 2 protocol to encapsulate traffic. To set the encapsulation method, use the following commands:

Command	Purpose
Router# configure terminal	Enters global configuration mode.
Router(config)# interface serial slot/subslot/port:channel-group	Selects the interface to configure.
Router(config-if)# encapsulation encapsulation-type {hdlc ppp frame-relay}	Sets an encapsulation type on the interface: <ul style="list-style-type: none"> • hdlc—High-Level Data Link Control (HDLC) protocol for serial interface. This encapsulation method provides the synchronous framing and error detection functions of HDLC without windowing or retransmission. This is the default for synchronous serial interfaces. • ppp—PPP (for serial interface). • frame-relay—Frame Relay (for serial interface).

Verifying Encapsulation

Use the show interfaces serial command to verify encapsulation on the interface:

```
Router# show interfaces serial 2/0/0:0
Serial2/0/0:0 is down, line protocol is down
Hardware is SPA-8XCHT1/E1
MTU 1500 bytes, BW 1536 Kbit, DLY 20000 usec,
  reliability 255/255, txload 1/255, rxload 1/255
Encapsulation PPP, crc 32, loopback not set
Keepalive set (10 sec)
LCP Closed, multilink Closed
Last input 1w0d, output 1w0d, output hang never
Last clearing of show interface counters 6d23h
Input queue: 0/75/0/0 (size/max/drops/flushes); Total output drops: 0
Queueing strategy: weighted fair
Output queue: 0/1000/64/0 (size/max total/threshold/drops)
  Conversations 0/0/256 (active/max active/max total)
  Reserved Conversations 0/0 (allocated/max allocated)
  Available Bandwidth 1152 kilobits/sec
30 second input rate 0 bits/sec, 0 packets/sec
30 second output rate 0 bits/sec, 0 packets/sec
  0 packets input, 0 bytes, 0 no buffer
  Received 0 broadcasts (0 IP multicast)
  0 runs, 0 giants, 0 throttles
  0 input errors, 0 CRC, 0 frame, 0 overrun, 0 ignored, 0 abort
  0 packets output, 0 bytes, 0 underruns
  0 output errors, 0 collisions, 0 interface resets
  0 output buffer failures, 0 output buffers swapped out
  0 carrier transitions alarm present
Timeslot(s) Used:1-24, subrate: 64Kb/s, transmit delay is 0 flags
```

Configuring Cable Length

The cablelength command compensates for the loss in decibels based on the distance from the device to the first repeater in the circuit. A longer distance from the device to the repeater requires that the signal strength on the circuit be boosted to compensate for loss over that distance. To configure cable length, use the following commands:

Command	Purpose
Router# configure terminal	Enters global configuration mode.
Router(config)# interface serial slot/subslot/port	Selects the interface to configure and enters interface configuration mode.
Router(config-if)# cablelength length	Sets the cable length. <ul style="list-style-type: none"> length—Range is 0 to 450 feet. The default is 10 feet.

Verifying Cable Length Setting

Use the show interfaces serial command to verify the cable length setting:

```
Router# show interfaces serial 2/0/0
Serial2/0/0 -
  Framing is c-bit, Clock Source is Internal
  Bandwidth limit is 44210, DSU mode 0, Cable length is 200
  rx FEBE since last clear counter 0, since reset 22
  Data in current interval (446 seconds elapsed):
    0 Line Code Violations, 0 P-bit Coding Violation
    0 C-bit Coding Violation
    0 P-bit Err Secs, 0 P-bit Sev Err Secs
    0 Sev Err Framing Secs, 0 Unavailable Secs
    0 Line Errored Secs, 0 C-bit Errored Secs, 0 C-bit Sev Err Secs
  Data in Interval 1:
    0 Line Code Violations, 0 P-bit Coding Violation
    0 C-bit Coding Violation
    0 P-bit Err Secs, 0 P-bit Sev Err Secs
    0 Sev Err Framing Secs, 0 Unavailable Secs
    0 Line Errored Secs, 0 C-bit Errored Secs, 0 C-bit Sev Err Secs
  Data in Interval 2:
    0 Line Code Violations, 0 P-bit Coding Violation
    0 C-bit Coding Violation
    0 P-bit Err Secs, 0 P-bit Sev Err Secs
    0 Sev Err Framing Secs, 0 Unavailable Secs
    0 Line Errored Secs, 0 C-bit Errored Secs, 0 C-bit Sev Err Secs
```

Configuring Invert Data

Delays between the terminal equipment (TE) clock and data transmission indicate that the transmit clock signal might not be appropriate for the interface rate and length of cable being used. Different ends of the wire may have variances that differ slightly. Invert the clock signal to compensate for these factors. To configure invert data, use the following commands:

Command	Purpose
Router# configure terminal	Enters global configuration mode.

Command	Purpose
Router(config)# interface serial <i>slot/subslot/port</i>	Selects the interface to configure and enters interface configuration mode.
Router(config-if)# invert data	Inverts the data stream.

Verifying Invert Data Setting

Use the show running configuration command to verify that invert data was set on the interface:

```
Router# show running configuration
interface Serial2/0/0
 ip address 51.1.1.1 255.255.255.0
 logging event link-status
 dsu bandwidth 44210
 framing c-bit
 cablelength 10
 clock source internal
 invert data
 mdl string eic tst
 mdl string lic 67
 mdl string generator test
 mdl transmit path
 mdl transmit test-signal
 no cdp enable
!
```

Configuring the Trace Trail Buffer

Configure Trace Trail Buffer (TTB) to send messages to the remote device. The TTB messages check for the continued presence of the transmitter. To configure TTB, use the following commands:

Command	Purpose
Router# configure terminal	Enters global configuration mode.
Router(config)# interface serial <i>slot/subslot/port</i>	Selects the interface to configure and enters interface configuration mode.
Router(config-if)# ttb {country rnode serial snode soperator x} string	Sends a Trace Trail Buffer message in E3 g.832 framing mode. <ul style="list-style-type: none"> • country—Two character country code. • rnode—Receive node code. • serial—M.1400 serial. • snode—Sending location/Node ID code. • soperator—Sending operator code (must be numeric). • x—X0. • string—TTB message.

Verifying TTB Settings

Use the show controllers serial command to display the TTB settings for the interface:

```
Router# show controllers serial 2/0/0
```

```

Serial2/0/0 -
  Framing is c-bit, Clock Source is Line
  Bandwidth limit is 44210, DSU mode 0, Cable length is 10
  rx FEBE since last clear counter 2, since reset 0
  Data in current interval (546 seconds elapsed):
    0 Line Code Violations, 0 P-bit Coding Violation
    0 C-bit Coding Violation
    0 P-bit Err Secs, 0 P-bit Sev Err Secs
    0 Sev Err Framing Secs, 0 Unavailable Secs
    0 Line Errored Secs, 0 C-bit Errored Secs, 0 C-bit Sev Err Secs
  Data in Interval 1:
    0 Line Code Violations, 0 P-bit Coding Violation
    0 C-bit Coding Violation
    0 P-bit Err Secs, 0 P-bit Sev Err Secs
    0 Sev Err Framing Secs, 0 Unavailable Secs
    0 Line Errored Secs, 0 C-bit Errored Secs, 0 C-bit Sev Err Secs
  No alarms detected.
  TTb transmission is disabled
  TTb Rx: country: us soperator: s snode: sn rnode: rn x: x serial: 1

```

Configuring QoS Features on Serial SPAs

The SIPs and SPAs support many QoS features using modular QoS CLI (MQC) configuration. Since there are no serial SPA-specific QoS features, refer to your network processor documentation for QoS configuration information.

Saving the Configuration

To save your running configuration to nonvolatile random-access memory (NVRAM), use the following command in privileged EXEC configuration mode:

Command	Purpose
Router# copy running-config startup-config	Writes the new configuration to NVRAM.

For information about managing your system images and configuration files, refer to the [Cisco IOS Configuration Fundamentals Configuration Guide](#) and [Cisco IOS Configuration Fundamentals Command Reference](#) publications for your Cisco IOS software release.

Verifying the Interface Configuration

Besides using the **show running-configuration** command to display the configuration settings of your Cisco ASR 1000 Series Routers, use the **show interfaces serial** command and the **show controllers serial** command to get detailed information on a per-port basis for your 2-Port and 4-Port T3/E3 Serial SPA.

Verifying the Per-Port Interface Status

To find detailed interface information on a per-port basis for the 2-Port and 4-Port T3/E3 Serial SPA, use the **show interfaces serial** command.

The following example provides sample output for interface port 1 on the SPA located in the first subslot of the SIP installed in slot 2 of a Cisco ASR 1000 Series Routers:

```

Router# show interface serial 2/0/1

Serial2/0/1 is up, line protocol is up
  Hardware is SPA-4T3E3
  Internet address is 120.1.1.1/24
  MTU 4470 bytes, BW 44210 Kbit, DLY 200 usec,
    reliability 255/255, txload 234/255, rxload 234/255
  Encapsulation HDLC, crc 16, loopback not set
  Keepalive set (10 sec)
  Last input 00:00:00, output 00:00:01, output hang never
  Last clearing of show interface counters never
  Input queue: 0/75/0/0 (size/max/drops/flushes); Total output drops: 0
  Queueing strategy: fifo
  Output queue: 0/40 (size/max)
  5 minute input rate 40685000 bits/sec, 115627 packets/sec
  5 minute output rate 40685000 bits/sec, 115624 packets/sec
    4652915554 packets input, 204728203496 bytes, 0 no buffer
    Received 4044 broadcasts (0 IP multicast)
    130 runts, 0 giants, 0 throttles
      0 parity
    1595 input errors, 543 CRC, 0 frame, 0 overrun, 0 ignored, 922 abort
    4653081242 packets output, 204735493748 bytes, 0 underruns
    0 output errors, 0 applique, 4 interface resets
    0 output buffer failures, 0 output buffers swapped out
    2 carrier transitions

```

Monitoring the Per-Port Interface Statistics

To find detailed status and statistical information on a per-port basis for the 2-Port and 4-Port T3/E3 Serial SPA, use the **show controllers serial** command.

The following example provides sample output for interface port 1 on the SPA located in the first subslot of the SIP that is installed in slot 2 of the Cisco ASR 1000 Series Routers:

```

Router# show controllers serial 2/0/2
Serial2/0/2 -
  Framing is c-bit, Clock Source is Line
  Bandwidth limit is 44210, DSU mode 0, Cable length is 10
  rx FEBE since last clear counter 0, since reset 0
  Data in current interval (807 seconds elapsed):
    0 Line Code Violations, 0 P-bit Coding Violation
    0 C-bit Coding Violation
    0 P-bit Err Secs, 0 P-bit Sev Err Secs
    0 Sev Err Framing Secs, 306 Unavailable Secs
    500 Line Errored Secs, 0 C-bit Errored Secs, 0 C-bit Sev Err Secs
  Data in Interval 1:
    0 Line Code Violations, 0 P-bit Coding Violation
    0 C-bit Coding Violation
    0 P-bit Err Secs, 0 P-bit Sev Err Secs
    0 Sev Err Framing Secs, 0 Unavailable Secs
    564 Line Errored Secs, 0 C-bit Errored Secs, 0 C-bit Sev Err Secs
  Data in Interval 2:
    0 Line Code Violations, 0 P-bit Coding Violation
    0 C-bit Coding Violation
    0 P-bit Err Secs, 0 P-bit Sev Err Secs
    0 Sev Err Framing Secs, 0 Unavailable Secs
    564 Line Errored Secs, 0 C-bit Errored Secs, 0 C-bit Sev Err Secs
  Data in Interval 3:
    0 Line Code Violations, 0 P-bit Coding Violation
    0 C-bit Coding Violation

```

```

    0 P-bit Err Secs, 0 P-bit Sev Err Secs
    0 Sev Err Framing Secs, 0 Unavailable Secs
    562 Line Errored Secs, 0 C-bit Errored Secs, 0 C-bit Sev Err Secs
Data in Interval 4:
    0 Line Code Violations, 0 P-bit Coding Violation
    0 C-bit Coding Violation
    0 P-bit Err Secs, 0 P-bit Sev Err Secs
    0 Sev Err Framing Secs, 0 Unavailable Secs
    560 Line Errored Secs, 0 C-bit Errored Secs, 0 C-bit Sev Err Secs
Total Data (last 44 15 minute intervals):
    0 Line Code Violations, 0 P-bit Coding Violation,
    0 C-bit Coding Violation,
    0 P-bit Err Secs, 0 P-bit Sev Err Secs,
    0 Sev Err Framing Secs, 0 Unavailable Secs,
    24750 Line Errored Secs, 0 C-bit Errored Secs, 0 C-bit Sev Err Secs
Transmitter is sending AIS.
Receiver has loss of signal.
    40434 Sev Err Line Secs, 0 Far-End Err Secs, 0 Far-End Sev Err Secs
    0 P-bit Unavailable Secs, 0 CP-bit Unavailable Secs
    0 CP-bit Far-end Unavailable Secs
    0 Near-end path failures, 0 Far-end path failures
No FEAC code is being received
MDL transmission is disabled

```

Configuration Examples

This section includes the following configuration examples:

DSU Configuration Example

The following example configures DSU on interface port 0 on slot 2, subslot:

```

! Specify the serial interface and enter interface configuration mode
!
Router(config)# interface serial 2/1/0
!
! Specify the DSU mode
!
Router(config-if)# dsu mode 0
!
! Specify the DSU bandwidth
!
Router(config-if)# dsu bandwidth 10000
!
! Set the DSU bandwidth to accept or reject the incoming remote requests
!
Router(config-if)# dsu remote accept

```

MDL Configuration Example

The following example configures the MDL strings on interface port 0 on slot 2, subslot 1:

```

! Specify the serial interface and enter interface configuration mode
!
Router(config)# interface serial 2/1/0
!
! Specify the MDL strings

```



```

!
Router(config-if)# mdl string eic beic
Router(config-if)# mdl string lic beic
Router(config-if)# mdl string fic bfix
Router(config-if)# mdl string unit bunit
Router(config-if)# mdl string pfi bpfi
Router(config-if)# mdl string port bport
Router(config-if)# mdl string generator bgen
Router(config-if)# mdl transmit path
Router(config-if)# mdl transmit idle-signal
Router(config-if)# mdl transmit test-signal

```

Scrambling Configuration Example

The following example shows how to configure scrambling on the T3/E3 interface:

```

! Enter global configuration mode
!
Router# configure terminal
!
! Specify the serial interface and enter interface configuration mode
!
Router(config)# interface serial 2/1/3
!
! Enable scrambling
!
Router(config-if)# scramble

```

Framing Configuration Example

The following example shows how to configure framing on interface port 1 on slot 2, subslot 1:

```

Specify the serial interface and enter interface configuration mode
!
Router(config)# interface serial 2/1/1
!
Specify the framing method
!
Router(config-if)# framing m13

```

The following example shows how to configure the Port 0 of the 8-Port Clear-Channel T3/E3 SPA to be a T3 port with m13 framing:

```

Router(config)# interface serial 2/1/0
Router(config-if)# framing m13

```

The following example shows how to configure the Port 1 of the 8-Port Clear-Channel T3/E3 SPA to be a E3 port with g832 framing:

```

Router(config)# interface serial 2/1/1
Router(config-if)# framing g832

```

Encapsulation Configuration Example

The following example shows how to configure encapsulation on interface port 1 on slot 2, subslot 1:

```

! Specify the serial interface and enter interface configuration mode
!
Router(config)# interface serial 2/1/1
!
! Specify the encapsulation method
!
Router(config-if)# encapsulation PPP

```

Cable Length Configuration Example

The following example shows how to set the cable length to 200 feet:

```

! Enter global configuration mode
!
Router# configure terminal
!
! Specify the serial interface and enter interface configuration mode
!
Router(config)# interface serial 2/1/3
!
! Specify the cable length
!
Router(config-if)# cablelength 200

```

Invert Data Configuration Example

The following example shows how to enable invert data:

```

! Enter global configuration mode
!
Router# configure terminal
!
! Specify the serial interface and enter interface configuration mode
!
Router(config)# interface serial 2/1/3
!
! Enable invert data
!
Router(config-if)# invert data

```

Trace Trail Buffer Configuration Example

The following example shows how to configure the TTB attributes:

```

! Enter global configuration mode
!
Router# configure terminal
!
! Specify the serial interface and enter interface configuration mode
!
Router(config)# interface serial 2/1/3
!
! Specify the TTB attributes
!
Router(config-if)# ttb country abRouter(config-if)# ttb soperator 56Router(config-if)# ttb

```

```
snode 34Router(config-if)# ttb rnode cdRouter(config-if)# ttb x 7Router(config-if)# ttb
serial 12
```

Trace Trail Buffer Configuration Example



CHAPTER 18

Configuring the 4-Port Serial Interface SPA

This chapter provides information about configuring the 4-Port Serial Interface SPA on Cisco ASR 1000 Series Routers.

- [Configuration Tasks, on page 265](#)
- [Verifying the Interface Configuration, on page 275](#)
- [Configuration Examples, on page 276](#)

Configuration Tasks

This section describes how to configure the 4-Port Serial Interface SPA for the Cisco ASR 1000 Series Routers and verify the configuration. For information about managing your system images and configuration files, refer to the following:

- [Cisco ASR 1000 Series Aggregation Services Routers Software Configuration Guide](#)
- [Cisco IOS Configuration Fundamentals Configuration Guide](#)
- [Cisco IOS Configuration Fundamentals Command Reference](#)

Configuring the 4-Port Serial Interface SPA

To configure the 4-Port Serial Interface SPA, complete these steps:

SUMMARY STEPS

1. Router# **configure terminal**
2. Router(config)# **interface serial slot/subslot/port**
3. Router(config-if)# **ip address address mask**
4. Router(config-if)# **clock rate bps**

DETAILED STEPS

	Command or Action	Purpose
Step 1	Router# configure terminal	Enters global configuration mode.

	Command or Action	Purpose
Step 2	Router(config)# interface serial slot/subslot/port	Selects the interface to configure and enters interface configuration mode.
Step 3	Router(config-if)# ip address address mask	Sets the IP address and subnet mask. <ul style="list-style-type: none"> • address—IP address. • mask—Subnet mask.
Step 4	Router(config-if)# clock rate bps	Configures the clock rate for the hardware to an acceptable bit rate per second (bps).

What to do next



Note Each port should first be connected with the appropriate cable before attempting full configuration. Some commands are enabled only based upon the cable type connected to the port.



Note The bandwidth of each interface is 2 MB by default; setting the clock rate does not change the interface bandwidth. We recommend that you configure the bandwidth value with the clock rate command at the DCE and DTE side.



Note A clock rate of 2016000 does not appear in the configuration because it is the default value.

Verifying the Configuration

After configuring the new interface, use the **show** commands to display the status of the new interface or all interfaces, and use the **ping** and **loopback** commands to check connectivity. This section includes the following subsections:

Using show Commands

The table below shows the **show** commands you can use to verify the operation of the 4-Port Serial Interface SPA. Sample displays of the output of selected **show** commands appear in the following section.



Note The outputs that appear in this document may not match the output you receive when running these commands. The outputs in this document are examples only.

Command	Purpose
Router# show version	Displays system hardware configuration, the number of each interface type installed, Cisco IOS software version, names and sources of configuration files, and boot images.
Router# show controllers	Displays all the current interface processors and their interfaces.
Router# show controllers serial	Displays serial line statistics.
Router# show interfaces type port-adapter-slot-number/interface-port-number	Displays status information about a specific type of interface (for example, serial).
Router# show platform	Displays types of hardware installed in your system and the firmware version.
Router# show running-config	Displays the running configuration file.
Router# show startup-config	Displays the configuration stored in NVRAM.

Verification Examples

The following is an example of the show version command with the 4-Port Serial Interface SPA:

```

Router# show version
Cisco IOS Software, IOS-XE Software (PPC_LINUX_IOSD-ADVIPSERVICESK9-M), Version 12.2(33)XN1,
  RELEASE SOFTWARE (fcl) Technical Support: http://www.cisco.com/techsupport Copyright (c)
  1986-2008 by Cisco Systems, Inc.
Compiled Thu 14-Feb-08 08:59 by
ROM: IOS-XE ROMMON
  mcp-2ru-2 uptime is 4 minutes
Uptime for this control processor is 6 minutes System returned to ROM by reload System image
  file is ''tftp://tftpboot/mcp-2ru-1/asr1000rp1-advipservicesk9.02.00.01.122-33.XN1.bin''
Last reload reason: Reload command
This product contains cryptographic features and is subject to United States and local
country laws governing import, export, transfer and use. Delivery of Cisco cryptographic
products does not imply third-party authority to import, export, distribute or use encryption.
Importers, exporters, distributors and users are responsible for compliance with U.S. and
local country laws. By using this product you agree to comply with applicable laws and
regulations. If you are unable to comply with U.S. and local laws, return this product
immediately.
A summary of U.S. laws governing Cisco cryptographic products may be found at:
http://www.cisco.com/wvl/export/crypto/tool/stqrg.html
If you require further assistance please contact us by sending email to export@cisco.com.
cisco ASR1002 (RP1) processor with 1647841K/6147K bytes of memory.
4 Gigabit Ethernet interfaces
6 Serial interfaces
2 Channelized T3 ports
32768K bytes of non-volatile configuration memory.
3728208K bytes of physical memory.
7798783K bytes of eUSB flash at bootflash:.
Configuration register is 0x0

```

The following is an example of the show controllers serial command with the 4-Port Serial Interface SPA:

```
Router# show controllers serial 2/1/1

Serial2/1/1 - (SPA-4XT-SERIAL) is up
Encapsulation: Frame Relay
Cable type: RS-232 DTE
mtu 1500, max_buffer_size 1524, max_pak_size 1608 enc 84
loopback: Off,  crc: 16, invert_data: Off
nrzi: Off, idle char: Flag
tx_invert_clk: Off, ignore_dcd: Off
rx_clockrate: 552216, rx_clock_threshold: 0
serial_restartdelay:60000,  serial_restartdelay_def:60000

      RTS up, CTS up, DTR up, DCD up, DSR up
```



Note The acronyms are defined as follows: RTS (Request to Send); CTS (Clear To Send); DTR (Data Transmit Ready); DCD (Data Carrier Detect); DSR (Data Set Ready).

The following is an example of the show interfaces serial command with the 4-Port Serial Interface SPA:

```
Router# show interfaces serial2/0/0
Serial 2/0/0 is up, line protocol is up
Hardware is SPA-4XT-SERIAL
  Internet address is 192.168.33.1/29
  MTU 4470 bytes, BW 8000 Kbit, DLY 100 usec, rely 255/255, load 1/255
  Encapsulation HDLC, loopback not set, keepalive not set
  Clock Source Internal.
  Last input 00:00:01, output 00:00:00, output hang never
  Last clearing of "show interface" counters 1h
  Output queue 0/40, 0 drops; input queue 0/75, 0 drops
  5 minute input rate 0 bits/sec, 0 packets/sec
  5 minute output rate 0 bits/sec, 0 packets/sec
    0 packets input, 0 bytes, 0 no buffer
      Received 0 broadcasts, 0 runts, 0 giants, 0 parity
        0 input errors, 0 CRC, 0 frame, 0 overrun, 0 ignored, 0 abort
          0 packets output, 0 bytes, 0 underruns
            0 output errors, 0 applique, 0 interface resets
              0 output buffer failures, 0 output buffers swapped out
                0 carrier transitions
```

The following is an example of the show platform command:

```
Router# show platform

Chassis type: ASR1002
Slot      Type                State                Insert time (ago)
-----
0         ASR1002-SIP10         ok                   5d04h
0/0      4XGE-BUILT-IN        ok                   5d04h
0/1      SPA-4XT-SERIAL        ok                   4d05h
0/2      SPA-4XT3/E3          ok                   4d04h
0/3      SPA-8XCHT1/E1        ok                   4d04h
R0       ASR1002-RP1          ok, active           5d04h
F0       ASR1000-ESP5         ok, active           5d04h
P0       ASR1002-PWR-AC       ok                   5d04h
P1       ASR1002-PWR-AC       ok                   5d04h
Slot     CPLD Version          Firmware Version
-----
-----
```



```

0          07092701          12.2 (33r)XN2
R0         07100216          12.2 (33r)XN2
F0         07091401          12.2 (33r)XN2

```

The following is an example of the show running-config command with the 4-Port Serial Interface SPA:

```

Router# show running-config serial
Building configuration...
Current configuration : 54 bytes
!
interface Serial2/0/0
  no ip address
  shutdown
end

```

The following is an example of the show running interface command with the 4-Port Serial Interface SPA:

```

Router# show running interface ser2/0/1
Building configuration...
Current configuration : 54 bytes
!
interface Serial2/0/1
  no ip address
  shutdown
end

```

The following is an example of the show startup-config command with the 4-Port Serial Interface SPA:

```

Router# show startup-config | b Serial2/0/0
interface Serial2/0/0
  no ip address
  shutdown
!
interface Serial2/0/1
  no ip address
  shutdown
!
interface Serial2/0/2
  no ip address
  shutdown
!
interface Serial2/0/3
  no ip address
  shutdown
!

```

Using the ping Command to Verify Network Connectivity

Use the **ping** command to verify if an interface port is functioning properly. This command sends echo request packets out to a remote device at an IP address that you specify. After sending an echo request, the system waits a specified time for the remote device to reply. Each echo reply is displayed as an exclamation point (!) on the console terminal; each request that is not returned before the specified timeout is displayed as a period (.). A series of exclamation points (!!!!!) indicates a good connection; a series of periods (.....) or the messages [timed out] or [failed] indicate a bad connection.

Following is an example of a successful **ping** command to a remote server with the address 10.0.0.10:

```

Router# ping 10.0.0.10
Type escape sequence to abort.
Sending 5, 100-byte ICMP Echoes to 10.0.0.10, timeout is 2 seconds:

```

```
!!!!
Success rate is 100 percent (5/5), round-trip min/avg/max = 1/15/64 ms
Router#
```

If the connection fails, verify that you have the correct IP address for the destination and that the device is active (powered on), and repeat the **ping** command.

Proceed to the next section to check the network connectivity.

Using loopback Commands

With the loopback test, you can detect and isolate equipment malfunctions by testing the connection between the 4-Port Serial Interface SPA and a remote device such as a modem or a channel service unit (CSU) or a data service unit (DSU). The **loopback** command places an interface in loopback mode, which enables test packets that are generated from the **ping** command to loop through a remote device or compact serial cable. If the packets complete the loop, the connection is good. If not, you can isolate a fault to the remote device or compact serial cable in the path of the loopback test.



Note You must configure a clock rate on the port *before* performing a loopback test. However, if no cable is attached to the port, the port is administratively up, and the port is in loopback mode; you do not have to configure a clock rate on the port *before* performing a loopback test.

Depending on the mode of the port, issuing the **loopback** command checks the following path:

- When no compact serial cable is attached to the 4-Port Serial Interface SPA port, or if a data communication equipment (DCE) cable is attached to a port that is configured as line protocol up, the **loopback** command tests the path between the network processing engine and the interface port only (without leaving the network processing engine and port adapter).
- When a data terminal equipment (DTE) cable is attached to the port, the **loopback** command tests the path between the network processing engine and the near (network processing engine) side of the DSU or modem to test the 4-Port Serial Interface SPA and compact serial cable. (The X.21 DTE interface cable does not support this loopback test.)



Note The X.21 interface definition does not include a loopback definition. On the 4-Port Serial Interface SPA, the X.21 DTE interface does not support the loopback function. Because of the internal clock signal present on the 4-Port Serial Interface SPAs, loopback will function on an X.21 DCE interface.

Specifying the Interface Address on a SPA

SPA interface ports begin numbering with “0” from left to right. Single-port SPAs use only the port number 0. To configure or monitor SPA interfaces, you need to specify the physical location of the SIP, SPA, and interface in the CLI. The interface address format is *slot/subslot/port*, where:

- *slot*—Specifies the chassis slot number in the Cisco ASR 1000 Series Router where the SIP is installed.
- *subslot*—Specifies the secondary slot of the SIP where the SPA is installed.
- *port*—Specifies the number of the individual interface port on a SPA.

The following example shows how to specify the first interface (0) on a SPA installed in the first subslot of a SIP (0) installed in chassis slot 2:

```
Router(config)# interface serial 2/0/0
```

For more information about identifying slots and subslots, see the “Identifying Slots and Subslots for the SIPs and SPAs” section in the *Configuring the SIP* chapter.

Optional Configurations

There are several standard, but optional, configurations that might be necessary to complete the configuration of your serial SPA.

Configuring Timing Signals

All interfaces support both DTE and DCE mode, depending on the mode of the compact serial cable attached to the port. To use a port as a DTE interface, you need only connect a DTE compact serial cable to the port. When the system detects the DTE mode cable, it automatically uses the external timing signal. To use a port in DCE mode, you must connect a DCE compact serial cable and set the clock speed with the clock rate configuration command. You must also set the clock rate to perform a loopback test. This section describes how to set the clock rate on a DCE port and, if necessary, how to invert the clock to correct a phase shift between the data and clock signals.

Use the following commands when configuring timing signals:

Command	Purpose
Router# configure terminal	Enters global configuration mode.
Router(config)# interface serial slot/subslot/port	Selects the interface to configure and enters interface configuration mode.
Router(config-if)# invert txclock	Inverts the transmit clock signal. When the EIA/TIA-232 interface is a DTE, the invert txclock command inverts the TxC signal the DTE receives from the remote DCE. When the EIA/TIA-232 interface is a DCE, the invert txclock command inverts the clock signal to the remote DTE port. The no form of this command changes the clock signal back to its original phase.
Router(config-if)# clock rate bps	Set standard clock rate, in bits per second: 1200, 2400, 4800, 9600, 19200, 38400, 56000, 64000, 72000, 125000, 148000, 250000, 500000, 800000, 1000000, 1300000, 2000000, 4000000, or 8000000. Any nonstandard clock rates that are entered are rounded off to the nearest hardware-supported clock rate. The actual clock rate is then displayed on the console. The no form of this command removes a clock rate that has been set.
Router(config-if)# invert data	Inverts the data signal. The no form of this command disables the inversion of the data signal.



Note Clock rates supported for EIA/TIA-232: 1.2K, 2.4K, 4.8K, 9.6K, 14.4K, 19.2K, 28.8K, 32K, 38.4K, 56K, 64K, 128K.



Note Clock rates supported for EIA-530, EIA-530A, EIA-449, V.35(bps): 1.2K, 2.4K, 4.8K, 9.6K, 14.4K, 19.2K, 28.8K, 32K, 38.4K, 56K, 64K, 72K, 115.2K, 2.048M, 2.341M, 2.731M, 3.277M, 4.09M, 5.461M, 8.064K.



Note Clock rates supported for X.21: 1.2K, 2.4K, 4.8K, 9.6K, 14.4K, 19.2K, 28.8K, 32K, 38.4K, 56K, 64K, 72K, 115.2K, 2.016M.

Inverting the Clock Signal

Systems that use long cables or cables that are not transmitting the TxC (clock) signal might experience high error rates when operating at higher transmission speeds. If a 4-Port Serial Interface SPA port is reporting a high number of error packets, a phase shift might be the problem; inverting the clock might correct this phase shift.

When the EIA/TIA-232 interface is a DTE, the `invert-txclock` command inverts the TxC signal the DTE receives from the remote DCE. When the EIA/TIA-232 interface is a DCE, the `invert-txclock` command inverts the clock signal to the remote DTE port. Use the `no invert-txclock` command to change the clock signal back to its original phase.

Use the following commands when inverting the clock signal:

Command	Purpose
Router# configure terminal	Enters global configuration mode.
Router(config)# interface serial slot/subslot/port	Selects the interface to configure and enters interface configuration mode.
Router(config-if)# invert txclock	Inverts the transmit clock signal. When the EIA/TIA-232 interface is a DTE, the <code>invert txclock</code> command inverts the TxC signal the DTE receives from the remote DCE. When the EIA/TIA-232 interface is a DCE, the <code>invert txclock</code> command inverts the clock signal to the remote DTE port. The <code>no</code> form of this command changes the clock signal back to its original phase.
Router(config-if)# invert data	Invert the data signal. The <code>no</code> form of this command disables the inversion of the data stream.

Configuring NRZI Format

All EIA/TIA-232 interfaces on the 4-Port Serial Interface SPA support non-return-to-zero (NRZ) and non-return-to-zero inverted (NRZI) formats. Both formats use two different voltage levels for transmission.

NRZ signals maintain constant voltage levels with no signal transitions—no return to a zero voltage level—during a bit interval and are decoded using absolute values: 0 and 1. NRZI uses the same constant signal levels but interprets the absence of data—a space—at the beginning of a bit interval as a signal transition and the presence of data—a mark—as no signal transition. NRZI uses relational encoding to interpret signals rather than determining absolute values.

Use the following commands when configuring NRZI format:

Command	Purpose
Router# configure terminal	Enters global configuration mode.
Router(config)# interface serial slot/subslot/port	Selects the interface to configure and enters interface configuration mode.
Router(config-if)# nrzi-encoding	Enables NRZI encoding.
Router(config-if)# no nrzi-encoding	Disables NRZI encoding.

Configuring Cyclic Redundancy Checks

Cyclic redundancy checking (CRC) is an error-checking technique that uses a calculated numeric value to detect errors in transmitted data. All interfaces use a 16-bit CRC (CRC-CITT) by default but also support a 32-bit CRC. The designators 16 and 32 indicate the length (in bits) of the frame check sequence (FCS). The sender of a data frame calculates the frame check sequence (FCS). Before it sends a frame, the sender appends the FCS value to the message. The receiver recalculates the FCS and compares its calculation to the FCS from the sender. If there is a difference between the two calculations, the receiver assumes that a transmission error occurred and sends a request to the sender to resend the frame.

To set the length of the cyclic redundancy checks (CRC), use the following commands:

Command	Purpose
Router# configure terminal	Enters global configuration mode.
Router(config)# interface serial slot/subslot/port	Selects the interface to configure and enters interface configuration mode.
Router(config-if)# crc {16 32}	Specifies the length of the CRC, where: <ul style="list-style-type: none"> • 16—Specifies a 16-bit length CRC. This is the default. • 32—Specifies a 32-bit length CRC. <p>To set the CRC length to the default value, use the no form of this command.</p>

Configuring Encapsulation

When traffic crosses a WAN link, the connection needs a Layer 2 protocol to encapsulate traffic. To set the encapsulation method, use the following commands:

Command	Purpose
Router# configure terminal	Enters global configuration mode.

Command	Purpose
Router(config)# interface serial slot /subslot /port	Selects the interface to configure and enters interface configuration mode.
Router(config-if)# encapsulation encapsulation-type {hdlc ppp frame-relay}	Sets the encapsulation type on the interface. <ul style="list-style-type: none"> • hdlc—High-Level Data Link Control (HDLC) protocol for serial interface. This is the default. • ppp—Point-to-Point Protocol (PPP) (for serial interface). • frame-relay—Frame Relay (for serial interface).

Verifying Encapsulation

Use the show interfaces serial command to display the encapsulation method:

```
Router# show interfaces serial3/1/1
Serial3/1/1 is up, line protocol is down
Hardware is SPA-4XT-SERIAL
MTU 1500 bytes, BW 2016 Kbit, DLY 20000 usec,
    reliability 255/255, txload 1/255, rxload 1/255
Encapsulation FRAME-RELAY, crc 16, loopback not set
Keepalive set (10 sec)
LMI enq sent 13698, LMI stat recvd 0, LMI upd recvd 0, DTE LMI down
LMI enq recvd 0, LMI stat sent 0, LMI upd sent 0
LMI DLCI 1023 LMI type is CISCO frame relay DTE
FR SVC disabled, LAPF state down
Broadcast queue 0/64, broadcasts sent/dropped 0/0, interface broadcasts 0
Last input never, output 00:00:05, output hang never
Last clearing of show interface counters 1d14h
Input queue: 0/75/0/0 (size/max/drops/flushes); Total output drops: 3
Queueing strategy: fifo
Output queue: 0/40 (size/max)
5 minute input rate 0 bits/sec, 0 packets/sec
5 minute output rate 0 bits/sec, 0 packets/sec
    0 packets input, 0 bytes, 0 no buffer
    Received 0 broadcasts (0 IP multicasts)
    0 runts, 0 giants, 0 throttles
    0 input errors, 0 CRC, 0 frame, 0 overrun, 0 ignored, 0 abort
    19344 packets output, 254168 bytes, 0 underruns
    0 output errors, 0 collisions, 2283 interface resets
    0 output buffer failures, 0 output buffers swapped out
    4566 carrier transitions
    RTS up, CTS up, DTR up, DCD up, DSR up
```

Saving the Configuration

To save your running configuration to nonvolatile random-access memory (NVRAM), use the following command in privileged EXEC configuration mode:

Command	Purpose
Router# copy running-config startup-config	Writes the new configuration to NVRAM.

For more information about managing your system image and configuration files, refer to the *Cisco IOS Configuration Fundamentals Configuration Guide* and the *Cisco IOS Configuration Fundamentals Command Reference* publications for your Cisco IOS software release.

Verifying the Interface Configuration

Besides using the **show running-configuration** command to display your Cisco ASR 1000 Series Routers configuration settings, you can use the **show interfaces serial** and the **show controllers serial** commands to get detailed information on a per-port basis for your 2-Port and 4-Port Channelized T3 SPA.

Verifying the Per-Port Interface Status

To find detailed interface information on a per-port basis for the 2-Port and 4-Port Channelized T3 SPA, use the **show interfaces serial** command.

The following example provides sample output for the serial interface:

```
Router# show interface serial4/0/0

Serial4/0/0 is down, line protocol is down
Hardware is SPA-4XT-SERIAL
  MTU 1500 bytes, BW 1544 Kbit, DLY 20000 usec,
    Reliability 255/255, txload 1/255, rxload 1/255
  Encapsulation HDLC, crc 16, loopback not set
  Keepalive set (10 sec)
  Restart-Delay is 0 secs
  Last input never, output never, output hang never
  Last clearing of show interface counters never
  Input queue: 0/75/0/0 (size/max/drops/flushes); Total output drops: 0
  Queueing strategy: fifo
  Output queue: 0/40 (size/max)
  5 minute input rate 0 bits/sec, 0 packets/sec
  5 minute output rate 0 bits/sec, 0 packets/sec
    0 packets input, 0 bytes, 0 no buffer
    Received 0 broadcasts (0 IP multicast)
    0 runs, 0 giants, 0 throttles
    0 input errors, 0 CRC, 0 frame, 0 overrun, 0 ignored, 0 abort
    0 packets output, 0 bytes, 0 underruns
    0 output errors, 0 collisions, 0 interface resets
    0 output buffer failures, 0 output buffers swapped out
    0 carrier transitions
    RTS down, CTS down, DTR down, DCD down, DSR down
```

To find detailed status and statistical information on a per-port basis for the 4-Port Serial Interface SPA, use the **show controllers serial** command:

```
Router# show controllers serial 2/0/0

Serial2/0/0 - (SPA-4XT-SERIAL) is down
Encapsulation : HDLC
Cable type: RS-232 DTE
mtu 1500, max_buffer_size 1524, max_pak_size 1656 enc 132
loopback: Off,  crc: 16, invert_data: Off
nrzi: Off, idle char: Flag
tx_invert_clk: Off, ignore_dcd: Off
rx_clockrate: 0, rx_clock_threshold: 0
serial_restartdelay:60000,  serial_restartdelay_def:60000

RTS up, CTS down, DTR up, DCD down, DSR down
```

Configuration Examples

This section includes the following configuration examples:

Inverting the Clock Signal Configuration Example

The following example configures the interface to invert the clock signal:

```
Router(config-if)# interface serial3/0/0
Router(config-if)# invert txclock ?
<cr>
Router(config-if)# invert txclock
Router(config-if)# invert ?
  data      Invert data stream
  txclock   Invert transmit clock
Router(config-if)# invert data
```

NRZI Format Configuration Example

The following example configures the interface for NRZI format:

```
Router(config-if)# nrzi-encoding ?
<cr>
```

Cyclic Redundancy Checks Configuration Example

The following example configures the interface for 32-bit CRC error-checking:

```
Router(config-if)# crc ?
  16  crc word-size
  32  crc word-size
Router(config-if)# crc 32
```

Encapsulation Configuration Example

The following example configures Point-to-Point Protocol encapsulation method on the Serial SPA:

```
Router(config-if)# encapsulation ppp
```

Distributed Multilink PPP Configuration Example

The following example configures multilink Point-to-Point Protocol encapsulation method for port 0 of the Serial SPA in subslot 2 of the SIP in slot 1 of the router and sets the IP address and subnet mask:

```
Router(config)# interface multilink1
Router(config-if)# ip addr 10.0.0.1 255.255.255.0
Router(config)# interface serial3/2/0
Router(config-if)# encapsulation ppp
```



```
Router(config-if)# ppp chap hostname X1
Router(config-if)# ppp multilink gr 1
```




CHAPTER 19

Configuring the 1-Port Channelized OC-3/STM-1 SPA and 1-Port Channelized OC-12/STM-4 SPA

This chapter provides information about configuring the 1-Port Channelized OC-3/STM-1 SPA and the 1-Port Channelized OC-12/STM-4 SPA on the Cisco ASR 1000 Series Aggregation Services Routers.

- [Restrictions for Configuring the 1-Port Channelized OC-12/STM-4 SPA, on page 279](#)
- [Configuration Tasks, on page 279](#)
- [Verifying Interface Configuration, on page 303](#)
- [Configuration Examples, on page 305](#)

Restrictions for Configuring the 1-Port Channelized OC-12/STM-4 SPA

This chapter contains information for configuring two models of the channelized SPAs on the Cisco ASR 1000 Series Aggregation Services Routers, but some features are not yet supported on both models.

Consider the following restrictions when configuring the 1-Port Channelized OC-12/STM-4 SPA on the Cisco ASR 1000 Series Aggregation Services Routers in Cisco IOS XE Release 2.6:

- Multilink Frame Relay (MLFR) is not supported.
- A maximum of 2000 NxDS0 channels are supported.



Note APS is not supported on Channelized OC-x SPA.

Configuration Tasks

This section describes how to configure the 1-Port Channelized OC-3/STM-1 SPA and 1-Port Channelized OC-12/STM-4 SPA on the Cisco ASR 1000 Series Router, including required and optional configurations. It includes information about configuring the SPAs in either synchronous optical network (SONET) or synchronous digital hierarchy (SDH) framing modes. For information about managing your system images and configuration files, refer to the following:

- [Cisco ASR 1000 Series Aggregation Services Routers Software Configuration Guide](#)

- [Cisco IOS Configuration Fundamentals Configuration Guide](#)
- [Cisco IOS Configuration Fundamentals Command Reference](#)

Specifying the Physical Address for Controller and Interface Configuration

This section describes how to specify the physical location of the SIP, SPAs, and interfaces on the 1-Port Channelized OC-3/STM-1 SPA and 1-Port Channelized OC-12/STM-4 SPA.

To specify the physical address for controller or interface configuration, use the **interface** and **controller sonet** commands, where:

- *slot*—Specifies the chassis slot number in the Cisco ASR 1000 Series Routers where the SIP is installed.
- *subslot*—Specifies the slot of the SIP where the SPA is installed.
- *port*—Specifies the SONET port number. There is only one port on a 1-Port Channelized OC-3/STM-1 SPA and 1-Port Channelized OC-12/STM-4 SPA, therefore the port number is always 0.

For example, if the 1-Port Channelized OC-3/STM-1 SPA or 1-Port Channelized OC-12/STM-4 SPA is installed in subslot 0 of a Cisco ASR 1000 SIP in slot 3 of the chassis, the controller configuration address is specified as **controller sonet 3/0/0**.

For channelized SPA configuration, the interface address format is: *slot/subslot/port:channel-group*, where:

- *channel-group*—Specifies the logical channel group assigned to the time slots within the T1 link.

For more information about identifying slots and subslots, see the [Required Configuration Tasks, on page 213](#).

Naming the Interface

Interface names are automatically generated, and the format will be dependent on the mode each particular linecard is operating on. The name formats of the serial interface created are listed below.

Channelized T3 mode

If framing is SONET or SDH with au-3:

```
interface serial [slot/subslot/port] [[ds3 | ds1 ]]:[channel-group ]
```

SONET Mode

- If framing is SONET and mode is vt-15:

```
interface serial [slot/subslot/port ],[sts1/vt/t1 ]:[channel-group ]
```

- If framing is SONET and mode is CT3

```
interface serial [slot/subslot/port ],[ds3/t1 ]:[channel-group ]
```

- If framing is SONET and mode is T3:

```
interface serial [slot/subslot/port ],[ds3 ]
```

SDH Mode

If the aug mapping is au-4, the au-4 value is always 1; if the aug mapping is au-3, then the only supported mode is c-11 (carrying a T1).

- If SDH-AUG mapping is au-4 and if the tug-3 is mode t3/e3:

```
interface serial [slot/subslot/port ],[au-4/tug-3/tug-2/e1 ]:[channel-group ]
```

- If SDH-AUG mapping is au-3:

```
interface serial [slot/subslot/port/au-3/tug-2/t1 ]:[channel-group ]
```

POS on the 1-Port Channelized OC-12/STM-4 SPA

If framing is SONET and *n* is from 1-12:

```
interface pos slot/subslot/port:nsts-1
```

Required Configuration Tasks

This section lists the required configuration steps to configure the 1-Port Channelized OC-3/STM-1 SPA. Some of the required configuration commands implement default values that might be appropriate for your network.

This section includes the following topics:

Configuring the Controller for the SONET Mode and the SDH Mode

Controller configuration is required for both SONET and SDH framing modes. To configure the controller on the 1-Port Channelized OC-3/STM-1 SPA or 1-Port Channelized OC-12/STM-4 SPA, complete the following step:

Command	Purpose
Router(config)# controller sonet <i>slot/subslot/port</i>	Selects the controller to configure and enters controller configuration mode, where: <ul style="list-style-type: none"> • <i>slot/subslot/port</i> —Specifies the location of the interface. <p>Note The port number is always zero on the 1-Port Channelized OC-3/STM-1 SPA and 1-Port Channelized OC-12/STM-4 SPA.</p>

Configuring the SONET Mode

To configure the SONET mode, complete the following steps:

SUMMARY STEPS

1. Router(config-controller)# framing sonet
2. Router(config-controller)# clock source {internal | line}
3. Router(config-controller)# loopback {local | network}
4. Router(config-controller)# sts-1 {1- 12 | 1 - 3 | 4 - 6 | 7 - 9 | 10 - 12} pos
5. Router(config-controller)# sts-1 sts1-#
6. Router(config-ctrlr-sts1)# mode {ct3 | ct3-e1 | t3 | vt-15}
7. Router(config-ctrlr-sts1)# vtg vtg#

DETAILED STEPS

	Command or Action	Purpose
Step 1	Router(config-controller)# framing sonet	Specifies SONET as the frame type. This is the default.
Step 2	Router(config-controller)# clock source {internal line}	Sets the clock source, where: <ul style="list-style-type: none"> • internal—Specifies that the internal clock source is used. • line—Specifies that the network clock source is used. This is the default for T1 and E1.
Step 3	Router(config-controller)# loopback {local network}	Enables or disables loopback mode on a SONET controller, where: <ul style="list-style-type: none"> • local loopback—Loops data from the transmit path to the receive path. • network loopback—Loops data received on the external port to the transmit path and back out the external port. <p>The default is disabled loopback.</p>
Step 4	Router(config-controller)# sts-1 {1- 12 1 - 3 4 - 6 7 - 9 10 - 12} pos	Configures the CHOC12 SONET controller for the OC12 POS mode and the OC3 POS mode by specifying that the STS-1s be bundled together for POS.
Step 5	Router(config-controller)# sts-1 sts1-#	Specifies the SONET Synchronous Transport Signal (STS) level and enters STS1 configuration mode, where: <ul style="list-style-type: none"> • sts-1 #—Number from 1 to 3 for the 1-Port Channelized OC-3/STM-1 SPA, and 1 to 12 for the 1-Port Channelized OC-12/STM-4 SPA.
Step 6	Router(config-ctrlr-sts1)# mode {ct3 ct3-e1 t3 vt-15}	Specifies the mode of operation of an STS-1 path, where: <ul style="list-style-type: none"> • ct3—A STS-1 carrying a DS3 signal is divided into 28 T1s (Plesiochronous Digital Hierarchy [PDH]). • ct3-e1—The channelized T3 is carrying E1 circuits. • t3—STS-1 carries an unchannelized (clear channel) T3. • vt-15—A STS-1 is divided into seven Virtual Tributary Groups (VTG). Each VTG is then divided into four VT1.5's, each carrying a T1.
Step 7	Router(config-ctrlr-sts1)# vtg vtg#	Configures the T1 on the VTG, where: <ul style="list-style-type: none"> • vtg#—Specifies the VTG number. For SONET framing, values are 1 to 7.

Configuring the SDH Mode



Note The SDH mode is supported on 1-Port Channelized OC-12/STM-4 SPA from Cisco IOS XE Release 3.1.1S onwards.

To configure the SDH mode, complete the following steps:

SUMMARY STEPS

1. Router(config-controller)# framing sdh
2. Router(config-controller)# aug mapping {au-3 | au-4}
3. Router(config-controller)# clock source {internal | line}
4. Do one of the following:
 - Router(config-controller)# **au-4** au-4# **tug-3** tug-3#
 -
 - Router(config-controller)# **au-3** au-3#
5. In SDH framing in AU-4 mode:

DETAILED STEPS

	Command or Action	Purpose
Step 1	Router(config-controller)# framing sdh	Specifies SDH as the frame type.
Step 2	Router(config-controller)# aug mapping {au-3 au-4}	Configures AUG mapping for SDH framing. If the AUG mapping is configured to be AU-4, then the following muxing, alignment, and mapping will be used: TUG-3 <--> VC-4 <--> AU-4 <--> AUG If the mapping is configured to be AU-3, then the following muxing, alignment, and mapping will be used: VC-3 <--> AU-3 <--> AUG Default is au-4 .
Step 3	Router(config-controller)# clock source {internal line}	Sets the clock source, where: <ul style="list-style-type: none"> • internal—Specifies that the internal clock source is used. • line—Specifies that the network clock source is used. This is the default for T1 and E1.
Step 4	Do one of the following: <ul style="list-style-type: none"> • Router(config-controller)# au-4 au-4# tug-3 tug-3# • • Router(config-controller)# au-3 au-3# 	Configures AU-3, AU-4, and tributary unit groups, type 3 (TUG-3) for AU-4 and enters specific configuration mode. Depending on the framing mode of SONET or SDH, each STS-1, AU-3, TUG-3, and AU-4 of a 1-Port Channelized OC-3/STM-1 SPA can be configured with one of these commands.

	Command or Action	Purpose
		<p>Depending on currently configured AUG mapping setting, this command further specifies TUG-3, AU-3, AU-4 or STS-1 muxing. The CLI command parser enters into config-ctrlr-tug3 (SDH mode), config-ctrlr-au3 (SDH mode), or config-ctrlr-sts1 parser mode (SONET mode), which makes only relevant commands visible.</p> <ul style="list-style-type: none"> • <i>au-4#</i>—Range is from 1 to 4. • <i>tug-3#</i>—Range is from 1 to 3. • <i>au-3#</i>—Range is from 1 to 12.
Step 5	<p>In SDH framing in AU-4 mode:</p> <p>Example:</p> <pre>Router(config-ctrlr-tug3)# mode {c-11 c-12 t3 e3}</pre> <p>Example:</p> <p>In SDH framing AU-3 mode:</p> <p>Example:</p> <pre>Router(config-ctrlr-au3)# mode {c-11 c-12 t3 e3 ct3 ct3-e1}</pre> <p>Example:</p>	<p>Configures mode of operation for AU-3 or AU-4 mode, where:</p> <p>C-11 and C-12 are container level-n (SDH) channelized T3s. They are types of T3 channels that are subdivided into 28 T1 channels.</p> <ul style="list-style-type: none"> • c-11—Specifies an AU-3/AU-4 TUG-3 divided into seven TUG-2s. Each TUG-2 is then divided into four TU11s, each carrying a C-11 T1. • c-12—Specifies an AU-3/AU-4 TUG-3 divided into seven TUG-2. Each TUG-2 is then divided into three TU12s, each carrying a C-12 E1. • t3—Specifies an AU-3/AU-4 TUG-3 carrying an unchannelized (clear channel) T3. • e3—Specifies an AU-3/AU-4 TUG-3 carrying an unchannelized (clear channel) E3. • ct3—Specifies an AU-3 carrying a DS3 signal divided into 28 T1s Plesiochronous Digital Hierarchy [PDH]). • ct3-e1—Specifies a channelized T3 carrying E1 circuits.

Configuring the Channelized DS3 Mode

To configure channelized DS3 mode, complete the following steps:

SUMMARY STEPS

1. Router(config)# **controller sonet** *slot/subslot/port*
2. Router(config-controller)# **sts-1** *sts1-#*
3. Router(config-ctrlr-sts1)# **t3 framing** {*c-bit* | **m23** | **auto-detect**}
4. Router(config-ctrlr-sts1)# **t3 clock source** {*internal* | *line*}
5. Router(config-ctrlr-sts1)# **t3 loopback** {*local* | **network** [*line* | **payload**] | **remote** [*line* | **payload**]}
6. Router(config-ctrlr-sts1)# **t3 mdl string** {*eic* | *fic* | **generator** | *lic* | *pfi* | **port** | **unit**} *string*
7. Router(config-ctrlr-sts1)# **t3 mdl transmit** {**path** | **idle-signal** | **test-signal**}
8. Router(config-ctrlr-sts1)# **t3 equipment** {**customer** | **network**} **loopback**
9. Router(config-ctrlr-sts1)# **t3 bert pattern** *pattern interval 1-14400*

DETAILED STEPS

	Command or Action	Purpose
Step 1	Router(config)# controller sonet slot/subslot/port Example:	Selects the controller to configure and enters controller configuration mode, where:
Step 2	Router(config-controller)# sts-1 sts1-#	Selects STS mode and enters sts1 configuration mode. <ul style="list-style-type: none"> • <i>sts-1#</i>—A value from 1 to y, y being the SONET STS level.
Step 3	Router(config-ctrlr-sts1)# t3 framing {c-bit m23 auto-detect} Example: Example:	Specifies the framing mode, where: <ul style="list-style-type: none"> • c-bit—Specifies C-bit parity framing. • m23—Specifies M23 framing. • auto-detect—Detects the framing type of the device at the end of the line and switches to that framing type. If both devices are set to auto-detect, c-bit framing is used. This is the default.
Step 4	Router(config-ctrlr-sts1)# t3 clock source {internal line} Example:	Sets the clock source, where: <ul style="list-style-type: none"> • internal—Specifies that the internal clock source is used. • line—Specifies that the network clock source is used. This is the default. <p>Note The clock source is set to internal if the opposite end of the connection is set to line and the clock source is set to line if the opposite end of the connection is set to internal.</p>
Step 5	Router(config-ctrlr-sts1)# t3 loopback {local network [line payload] remote [line payload]}	Enables or disables loopback mode on a SONET controller, where: <ul style="list-style-type: none"> • local loopback—Loops data from the transmit path to the receive path. • network loopback—Loops data received on the external port to the transmit path and back out the external port. • remote loopback—Applicable only to c-bit framing. <p>The default is no loopback.</p>
Step 6	Router(config-ctrlr-sts1)# t3 mdl string {eic fic generator lic pfi port unit} string Example: Example:	Configures maintenance data link (MDL) support parameters, where: <ul style="list-style-type: none"> • eic—Specifies equipment ID code. • fic—Specifies frame ID code. • generator—Specifies the generator number in MDL test signal. • lic—Specifies location ID code.

	Command or Action	Purpose
		<ul style="list-style-type: none"> • pfi—Specifies the Path Facility Identification code in MDL the path message. • port— Specifies the port number in the MDL idle string message. • unit—Specifies unit identification code. • <i>string</i>—Specifies user identifier for the chosen support parameter. <p>The default is no mdl string.</p>
Step 7	Router(config-ctrlr-sts1)# t3 mdl transmit { path idle-signal test-signal }	<p>Configures MDL transmit parameters, where:</p> <ul style="list-style-type: none"> • path—Enables MDL path message transmission. • idle-signal—Enables MDL idle signal message transmission. • test-signal—Enables MDL test-signal message transmission. <p>The default is no mdl transmit.</p>
Step 8	Router(config-ctrlr-sts1)# t3 equipment { customer network } loopback Example:	<p>Enables the port to honor remote loopback request. Equipment network loopback disables this functionality.</p> <p>Note Remote loopbacks are only available in c-bit framing mode.</p>
Step 9	Router(config-ctrlr-sts1)# t3 bert pattern <i>pattern</i> interval <i>1-14400</i>	<p>Enables Bit Error Rate Testing (BERT), where:</p> <ul style="list-style-type: none"> • <i>pattern</i>—Specifies the length of the repeating BERT test pattern. Allowed values are 0s, 1s, 2¹⁵, 2²⁰, 2²³, and alt-0-1. • interval—Specifies the duration of the BERT test, in minutes. The interval can be a value from 1 to 14400.

Configuring DS1 (Channelized T3 mode)

To configure DS1, complete the following steps:

SUMMARY STEPS

1. Router(config)# **controller sonet** *slot/subslot/port*
2. Router(config-controller)# **sts-1** *sts-1*#
3. Router(config-ctrlr-sts1)# **mode** {**ct3** | **vt-15**}
4. Router(config-ctrlr-sts1)# **t1** *t1*# **clock source** {**internal** | **line**}
5. Router(config-ctrlr-sts1)# **t1** *t1*# **fdl** *ansi*
6. Router(config-ctrlr-sts1)# **t1** *t1*# **framing** {**sf** | **esf**}
7. Router(config-ctrlr-sts1)# **t1** *t1*# **yellow** {**detection** | **generation**}
8. Router(config-ctrlr-sts1)# **t1** *t1*# **channel-group** *channel-group*# **timeslots** *list-of-timeslots* **speed** [56 | 64]
9. Router(config-ctrlr-sts1)# **t1** *t1*# **loopback** [**local** | **network** {**line** | **payload**} | **remote** {**line** {**fdl** {**ansi** | **bellcore**} | **inband**} | **payload** [**fdl**] [**ansi**]}

10. Router(config-ctrlr-sts1)# t1 t1# shutdown

DETAILED STEPS

	Command or Action	Purpose
Step 1	Router(config)# controller sonet slot/subslot/port Example:	Selects the controller to configure and enters controller configuration mode, where:
Step 2	Router(config-controller)# sts-1 sts-1#	Specifies the SONET Synchronous Transport Signal (STS) level and enters STS configuration mode, where: <ul style="list-style-type: none"> • <i>sts-1#</i>—STS values are 1 to 3.
Step 3	Router(config-ctrlr-sts1)# mode {ct3 vt-15}	Specifies the mode of operation of an STS-1 path, where: <ul style="list-style-type: none"> • ct3—A STS-1 carrying a DS31 signal is divided into 28 T1s (Plesiochronous Digital Hierarchy [PDH]) • vt-15—A STS-1 is divided into seven Virtual Tributary Groups (VTG). Each VTG is then divided into four VT1.5's, each carrying a T1.
Step 4	Router(config-ctrlr-sts1)# t1 t1# clock source {internal line} Example:	Configures the clocking source, where: <ul style="list-style-type: none"> • <i>t1#</i>—Number indicating the T1 channel. • internal—Specifies that the internal clock source is used. • line—Specifies that the network clock source is used. This is the default.
Step 5	Router(config-ctrlr-sts1)# t1 t1# fdl ansi	Enables the one-second transmission of the remote performance reports using Facility Data Link (FDL), where: <ul style="list-style-type: none"> • <i>t1#</i>—Number indicating the T1 channel. • fdl ansi—Specifies FDL and ANSI T1.403 standard. Without this command, FDL runs in ATT, the default mode. ATT is the AT&T TR54016 standard.
Step 6	Router(config-ctrlr-sts1)# t1 t1# framing {sf esf}	<i>Specifies the type of framing, where:</i> <ul style="list-style-type: none"> • <i>t1#</i>—Number indicating the T1 channel. • sf—Specifies that Super Frame (SF) is used as the T1 framing type. • esf—Specifies that Extended Super Frame (ESF) is used as the T1 framing type.
Step 7	Router(config-ctrlr-sts1)# t1 t1# yellow {detection generation}	Enables detection and generation of DS1 yellow alarms, where: <ul style="list-style-type: none"> • detection—Detects yellow alarms. • generation—Generates yellow alarms.

	Command or Action	Purpose
Step 8	Router(config-ctrlr-sts1)# t1 t1# channel-group channel-group# timeslots list-of-timeslots speed [56 64]	Configures a T1 or E1 interface, where: <ul style="list-style-type: none"> • <i>t1#</i>—Number indicating the T1 channel. • <i>channel-group#</i>—Specifies the channel-group number, from 0 to 23. • <i>list-of-timeslots</i>—Specifies one or more time slots. • speed [56 64]—(Optional) Specifies the line speed in kilobits per second. Valid values are 56 and 64.
Step 9	Router(config-ctrlr-sts1)# t1 t1# loopback [local network {line payload} remote {line {fdl {ansi bellcore} inband} payload [fdl] [ansi]}] Example: Example:	Enables specific t1 channels to loopback, where: <ul style="list-style-type: none"> • <i>t1#</i>—Number indicating the T1 channel. • local loopback—(Optional) Loops data from the transmit path to the receive path. • network loopback—(Optional) Loops data received on the external port to the transmit path and back out the external port. • remote line fdl {ansi bellcore} —(Optional) Sends a repeating, 16-bit Extended Superframe (ESF) data link code word to the remote end requesting that it enter into a network line loopback. Specify the ansi keyword to enable the remote line Facility Data Link (FDL) ANSI bit loopback on the T1 channel. Specify the bellcore keyword to enable the remote SmartJack loopback on the T1 channel. • remote line inband— (Optional) Sends a repeating, 5-bit inband pattern (00001) to the remote end requesting that it enter into a network line loopback. • remote payload [fdl] [ansi]—(Optional) Sends a repeating, 16-bit ESF data link code word to the remote end requesting that it enter into a network payload loopback. Enables the remote payload FDL ANSI bit loopback on the T1 channel.
Step 10	Router(config-ctrlr-sts1)# t1 t1# shutdown	Shuts down the specified T1 channel, where: <ul style="list-style-type: none"> • <i>t1#</i>—Number indicating the T1 channel.

Configuring E1 (Channelized T3/E3 mode)



Note From Cisco IOS XE Release 3.1.1S onwards, E1/E3 channelization modes are supported on the 1-Port Channelized OC-12/STM-4 SPA.

E1 configuration must be done in channelized DS3 mode. To configure E1, complete the following steps:

SUMMARY STEPS

1. Router(config-controller)# **e1** *e1*# **channel-group** *channel-group*# **timeslots** *list-of-timeslots* **speed** [56 | 64]
2. Router(config-controller)# **e1** *e1*# **unframed**
3. Router(config-controller)# **e1** *e1*# [**unframed** | **framing**] {**crc4** | **no-crc4**}
4. Router(config-controller)# **e1** *e1*# **clock source** {**internal** | **line**}
5. Router(config-controller)# **e1** *e1*# **national bits** *pattern*
6. Router(config-controller)# **e1** *e1*# **loopback** [**local** | **network**]
7. Router(config-controller)# **e1** *e1*# **shutdown**

DETAILED STEPS

	Command or Action	Purpose
Step 1	Router(config-controller)# e1 <i>e1</i> # channel-group <i>channel-group</i> # timeslots <i>list-of-timeslots</i> speed [56 64] Example:	Creates a logical channel group on an E1 line, where: <ul style="list-style-type: none"> • <i>e1</i>#—A number in the range of 1 to 3. • channel-group—Defines a logical channel group to be a channelized E1 line. • <i>channel-group</i>#—Specifies the channel group number. • <i>list-of-timeslots</i>—Specifies the number of timeslots that make up the E1 line. • speed [56 64]—Specifies the line speed in kilobits per second. Valid values are 56 and 64
Step 2	Router(config-controller)# e1 <i>e1</i> # unframed	Creates an E1 unframed (clear channel) logical channel group on an E1 line, where: <ul style="list-style-type: none"> • <i>e1</i>#—A number in the range of 1 to 3.
Step 3	Router(config-controller)# e1 <i>e1</i> # [unframed framing] { crc4 no-crc4 }	Sets the type of framing (including unframed) used by an E1 line, where: <ul style="list-style-type: none"> • <i>e1</i>#—A number in the range of 1 to 3. • crc4—Specifies 4-bit cyclic redundancy check (CRC) framing. • no-crc4—Specifies basic framing.
Step 4	Router(config-controller)# e1 <i>e1</i> # clock source { internal line }	Sets the clock source on an E1 line, where: <ul style="list-style-type: none"> • internal—Specifies that the internal clock source is used. • line—Specifies the E1 line as the clock source.
Step 5	Router(config-controller)# e1 <i>e1</i> # national bits <i>pattern</i>	Sets the national reserved bits on an E1 line, where: <ul style="list-style-type: none"> • <i>e1</i>#—A number in the range of 1 to 3. • <i>pattern</i>—A hexadecimal value in the range 0x0 to 0x1F (hexadecimal) or 0 to 31 (decimal).
Step 6	Router(config-controller)# e1 <i>e1</i> # loopback [local network]	Specifies a loopback on an E1 line, where: <ul style="list-style-type: none"> • <i>e1</i>#—A number in the range of 1 to 3.

	Command or Action	Purpose
	Example:	<ul style="list-style-type: none"> • local loopback—(Optional) Loops data from the transmit path to the receive path. • network loopback—(Optional) Loops data received on the external port to the transmit path and back out the external port.
Step 7	Router(config-controller)# e1 e1# shutdown Example:	Shuts down an individual E1 line, where: <ul style="list-style-type: none"> • <i>e1#</i>—A number in the range of 1 to 3.

Configuring the Unchannelized E3 Serial Interface



Note From Cisco IOS XE Release 3.1.1S onwards, E1/E3 channelization modes are supported on the 1-Port Channelized OC-12/STM-4 SPA.

To configure an unchannelized E3 serial interface, complete the following:

SUMMARY STEPS

1. Router(config-controller)# **dsu mode** {cisco | digital-link | kentrox}
2. Router(config-controller)# **dsu bandwidth** *number*
3. Router(config-controller)# **scramble**
4. Router(config-controller)# **national bit** {0 | 1}
5. Router(config-controller)# **framing** {bypass | g751 | g832}
6. Router(config-controller)# **crc** {16 | 32}
7. Router(config-controller)# **loopback** {network | local | remote}
8. Router(config-controller)# **shutdown**
9. Router(config-controller)# **bert pattern** *pattern interval 1-14400*

DETAILED STEPS

	Command or Action	Purpose
Step 1	Router(config-controller)# dsu mode {cisco digital-link kentrox}	Specifies the interoperability mode used by a T3 or E3 controller, where: <ul style="list-style-type: none"> • cisco—Specifies cisco as the data service unit (DSU) mode. • digital-link—Specifies Digital link as the DSU mode. Range is from 300-34010. • kentrox—Specifies kentrox as the DSU mode. Range is 1000-24500, or 34010. The default is cisco .
Step 2	Router(config-controller)# dsu bandwidth <i>number</i>	Specifies the maximum allowed bandwidth in kbps, where:

	Command or Action	Purpose
		<ul style="list-style-type: none"> <i>number</i>—Allowed values are 0 to 34368. The default is 34368.
Step 3	Router(config-controller)# scramble	Enables scrambling for the E3 physical layer interface. The default is no scramble.
Step 4	Router(config-controller)# national bit {0 1}	Sets the national reserved bits on an E3 line. The default is 0.
Step 5	Router(config-controller)# framing {bypass g751 g832}	Sets the framing on the interface, where: <ul style="list-style-type: none"> bypass—Configures framing bypass to use the full E3 bandwidth. g751—Specifies g751 framing. This is the default for E3. g832—Specifies g832 framing.
Step 6	Router(config-controller)# crc {16 32}	Selects the CRC size in bits, where: <ul style="list-style-type: none"> 16—16-bit CRC. This is the default 32—32-bit CRC.
Step 7	Router(config-controller)# loopback {network local remote}	Specifies loopback is enabled for the unchannelized E3 serial interface, where: <ul style="list-style-type: none"> local loopback—Loops data from the transmit path to the receive path. network loopback—Loops data received on the external port to the transmit path and back out the external port. remote loopback—Sends a far-end alarm control request to the remote end requesting that it enter into a network line loopback.
Step 8	Router(config-controller)# shutdown	Shuts down the E3 interface.
Step 9	Router(config-controller)# bert pattern <i>pattern</i> interval 1-14400	Sends a BERT pattern on an E3 line, where: <ul style="list-style-type: none"> <i>pattern</i>—Specifies the length of the repeating BERT test pattern. Allowed values are 2¹⁵, 2²⁰, 2²³, 0s, 1s, and alt-0-1. interval time—Specifies the duration of the BERT test, in minutes. The interval can be a value from 1 to 14400.

Verifying the Interface Configuration

Use the show interface serial command to verify the interface configuration:

```
Router# show interface serial 1/0/0.1/1:0

Serial1/0/0.1/1:0 is up, line protocol is up
```

```

Hardware is SPA-1XCHSTM1/OC3
Internet address is 10.1.1.1/16
MTU 1500 bytes, BW 64 Kbit, DLY 20000 usec,
    reliability 255/255, txload 1/255, rxload 1/255
Encapsulation HDLC, crc 16, loopback not set
Keepalive not set
Last input never, output never, output hang never
Last clearing of "show interface" counters never
Input queue: 0/375/0/0 (size/max/drops/flushes); Total output drops: 0
Queueing strategy: fifo
Output queue: 0/40 (size/max)
5 minute input rate 0 bits/sec, 0 packets/sec
5 minute output rate 0 bits/sec, 0 packets/sec
  0 packets input, 0 bytes, 0 no buffer
    Received 0 broadcasts (0 IP multicasts)
  0 runts, 0 giants, 0 throttles
  0 input errors, 0 CRC, 0 frame, 0 overrun, 0 ignored, 0 abort
  0 packets output, 0 bytes, 0 underruns
  0 output errors, 0 collisions, 2 interface resets
  0 output buffer failures, 0 output buffers swapped out
  1 carrier transitions no alarm present
VC 0: timeslot(s): 1, Transmitter delay 0, non-inverted data

```

Optional Configurations

There are several standard, but optional, configurations that might be necessary to complete the configuration of your serial SPA.

Configuring the Encapsulation Method

When traffic crosses a WAN link, the connection needs a Layer 2 protocol to encapsulate traffic. To set the encapsulation method, use the following commands:

SUMMARY STEPS

1. Router# **configure terminal**
2. Router(config)# **interface serial** *slot/subslot/port:channel-group*
3. Router(config-if)# **encapsulation** *encapsulation-type {hdlc | ppp | frame-relay}*
4. Router(config-if)# **crc** *{16 | 32}*

DETAILED STEPS

	Command or Action	Purpose
Step 1	Router# configure terminal	Enters global configuration mode.
Step 2	Router(config)# interface serial <i>slot/subslot/port:channel-group</i> Example:	Selects the interface to configure and enters interface configuration mode. <ul style="list-style-type: none"> • <i>slot/subslot/port:channel-group</i> —Specifies the location of the interface. For addressing information, refer to the Specifying the Physical Address for Controller and Interface Configuration, on page 280. and Naming the Interface, on page 280.

	Command or Action	Purpose
Step 3	Router(config-if)# <i>encapsulation encapsulation-type {hdlc ppp frame-relay}</i>	Sets the encapsulation method on the interface, where: <ul style="list-style-type: none"> • hdlc—Sets the High-Level Data Link Control (HDLC) protocol for serial interface. This encapsulation method provides the synchronous framing and error detection functions of HDLC without windowing or retransmission. This is the default for synchronous serial interfaces. • ppp—Sets point-to-point protocol (PPP) for serial interface. • frame-relay—Sets Frame Relay (for serial interface).
Step 4	Router(config-if)# <i>crc {16 32}</i>	Selects the CRC size in bits, where: <ul style="list-style-type: none"> • 16—16-bit CRC. This is the default • 32—32-bit CRC.

Configuring the CRC Size for T1

CRC is an error-checking technique that uses a calculated numeric value to detect errors in transmitted data. The 1-Port Channelized OC-3/STM-1 SPA and 1-Port Channelized OC-12/STM-4 SPA uses a 16-bit cyclic redundancy check (CRC) by default, but also supports a 32-bit CRC. The designators 16 and 32 indicate the length (in bits) of the frame check sequence (FCS). A CRC of 32 bits provides more powerful error detection, but adds overhead. Both the sender and receiver must use the same setting.

To set the length of the cyclic redundancy check (CRC) on a T1 interface, use these commands:

SUMMARY STEPS

1. Router# **configure terminal**
2. Router(config)# **interface serial** *slot/subslot/port:channel-group*
3. Router(config-if)# **crc {16 | 32}**

DETAILED STEPS

	Command or Action	Purpose
Step 1	Router# configure terminal	Enters global configuration mode.
Step 2	Router(config)# interface serial <i>slot/subslot/port:channel-group</i> Example:	Selects the interface to configure and enters interface configuration mode. <ul style="list-style-type: none"> • <i>slot/subslot/port:channel-group</i> —Specifies the location of the interface. <p>For addressing information, refer to the Specifying the Physical Address for Controller and Interface Configuration, on page 280 and Naming the Interface, on page 280.</p>
Step 3	Router(config-if)# crc {16 32}	Selects the CRC size in bits, where: <ul style="list-style-type: none"> • 16—16-bit CRC. This is the default. • 32—32-bit CRC.

Configuring FDL

Facility Data Link (FDL) is a 4-kbps channel provided by the Extended Super Frame (ESF) T1 framing format. The FDL performs outside the payload capacity and allows you to check error statistics on terminating equipment without intrusion. To configure FDL, use the following commands:

SUMMARY STEPS

1. Router# **configure terminal**
2. Router(config)# **controller sonet slot/subslot/port**
3. Router(config)# **sts-1 sts-#**
4. Router(config-ctrlr-sts1)# **mode {ct3 | ct3-e1 | t3 | vt-15}**
5. If **vt-15** mode was selected:
6. Router(config-ctrlr-sts1)# **t1 t1# framing {sf | esf}**
7. Router(config-ctrlr-sts1)# **t1 t1# fdl ansi**

DETAILED STEPS

	Command or Action	Purpose
Step 1	Router# configure terminal	Enters global configuration mode.
Step 2	Router(config)# controller sonet slot/subslot/port Example:	Selects the controller to configure and enters controller configuration mode. <ul style="list-style-type: none"> • <i>slot/subslot/port</i>—Specifies the location of the controller. For addressing information, refer to the Specifying the Physical Address for Controller and Interface Configuration , on page 280.
Step 3	Router(config)# sts-1 sts-#	Specifies the SONET Synchronous Transport Signal (STS) level and enters STS1 configuration mode, where: <i>sts-1#</i> —STS values are 1 to 3.
Step 4	Router(config-ctrlr-sts1)# mode {ct3 ct3-e1 t3 vt-15}	Specifies the mode of operation of an STS-1 path, where: <ul style="list-style-type: none"> • ct3—A STS-1 carrying a DS3 signal is divided into 28 T1s (Plesiochronous Digital Hierarchy [PDH]). • ct3-e1—The channelized T3 is carrying E1 circuits. • t3—STS-1 carries an unchannelized (clear channel) T3. • vt-15—A STS-1 is divided into seven Virtual Tributary Groups (VTG). Each VTG is then divided into four VT1.5's, each carrying a T1.
Step 5	If vt-15 mode was selected: Example: Router(config-ctrlr-sts1)# vtg vtg#	Configures the T1 on the VTG, where: <ul style="list-style-type: none"> • <i>vtg#</i>—Specifies the VTG number. Values are 1 to 7.

	Command or Action	Purpose
Step 6	Router(config-ctrlr-sts1)# t1 t1# framing {sf esf} Example:	<i>Specifies the type of framing, where:</i> <ul style="list-style-type: none"> • t1#—Number indicating the T1 channel. • sf— Specifies that Super Frame (SF) is used as the T1 framing type. • esf—Specifies that Extended Super Frame (ESF) is used as the T1 framing type. <i>Select esf to configure FDL.</i>
Step 7	Router(config-ctrlr-sts1)# t1 t1# fdl ansi Example: Example:	Configures the format used for Facility Data Link (FDL) if the framing format was configured for esf, where: <ul style="list-style-type: none"> • t1#—Number indicating the T1 channel. • fdl ansi—Selects ANSI for FDL to use the ANSI T1.403 standard.

Verifying FDL

Use the **show controllers t1** command to verify the FDL setting:

```
Router# show controllers t1

T1 6/0/1 is up.
  Applique type is Channelized T1
  Cablelength is long gain36 0db
  No alarms detected.
  alarm-trigger is not set
  Framing is ESF, FDL is ansi, Line Code is B8ZS, Clock Source is Line.
  Data in current interval (742 seconds elapsed):
    0 Line Code Violations, 0 Path Code Violations
    0 Slip Secs, 0 Fr Loss Secs, 0 Line Err Secs, 0 Degraded Mins
    0 Errored Secs, 0 Bursty Err Secs, 0 Severely Err Secs, 0 Unavail Secs
  Total Data (last 73 15 minute intervals):
    1278491 Line Code Violations, 3 Path Code Violations,
    0 Slip Secs, 1 Fr Loss Secs, 177 Line Err Secs, 0 Degraded Mins,
    3 Errored Secs, 0 Bursty Err Secs, 1 Severely Err Secs, 227 Unavail Secs
```

Configuring FRF.12

The 1-Port Channelized OC-3/STM-1 SPA and 1-Port Channelized OC-12/STM-4 SPA support FRF.12 end-to-end fragmentation for Frame Relay. For information about how to configure Frame Relay fragmentation support, see the “Frame Relay Queuing and Fragmentation at the Interface” chapter of the *Cisco IOS XE Wide-Area Networking Configuration Guide*, Release 2 at:

http://www.cisco.com/en/US/docs/ios/ios_xe/wan/configuration/guide/wan_frque_frag_if_xe.html

Configuring Multilink Point-to-Point Protocol (Hardware-Based on the QFP)

Multilink Point-to-Point Protocol (MLPPP) allows you to combine interfaces which correspond to an entire T1 or E1 multilink bundle. You can choose the number of bundles and the number of T1 or E1 lines in each bundle in any combination of E1, T1, and NxDS0 member links interfaces.

On the Cisco ASR 1000 Series Router, MLPPP functionality is implemented on the Quantum Flow Processor (QFP)—not the SPA. On other platforms that implement SPA-based MLPPP, the MLPPP member links must

reside on the same SPA—this is not a restriction on the Cisco ASR 1000 Series Aggregation Services Routers. QFP-based MLPPP supports member links in the MLPPP bundle across different SPAs and SIPs on the Cisco ASR 1000 Series Aggregation Services Routers.

For more information about configuring MLPPP in Cisco IOS XE software, see the “[Configuring Media-Independent PPP and Multilink PPP](#)” chapter of the [Cisco IOS XE Wide-Area Networking Configuration Guide, Release 2](#).

This section includes the following topics:

MLPPP Configuration Guidelines

When configuring MLPPP, consider the following guidelines:

- Only T1, E1, or NxDS0 links are supported in a bundle. The configuration will not prohibit higher bandwidth links from being added to the bundle, but they are not supported.
- Links of differing bandwidths are supported in the same bundle.
- PPP encapsulation must be enabled before configuring multilink-related commands.

Creating a Multilink Bundle

To create a multilink bundle, use the following commands:

SUMMARY STEPS

1. Router# **configure terminal**
2. Router(config)# **interface multilink** *group-number*
3. Router(config-if)# **ip address** *address mask*

DETAILED STEPS

	Command or Action	Purpose
Step 1	Router# configure terminal	Enters global configuration mode.
Step 2	Router(config)# interface multilink <i>group-number</i>	Creates a multilink interface and enters multilink interface mode, where: <ul style="list-style-type: none"> • <i>group-number</i>—The group number for the multilink bundle.
Step 3	Router(config-if)# ip address <i>address mask</i>	Sets the IP address for the multilink group, where: <ul style="list-style-type: none"> • <i>address</i>—The IP address. • <i>mask</i>—The IP netmask.

Assigning an Interface to a Multilink Bundle

To assign an interface to a multilink bundle, use the following commands:

SUMMARY STEPS

1. Router# **configure terminal**
2. Router(config)# **interface serial** *slot/subslot/port*
3. Router(config-if)# **encapsulation ppp**

4. Router(config-if)# **ppp multilink group** *group-number*
5. Router(config-if)# **ppp multilink**
6. Repeat these commands for each interface you want to assign to the multilink bundle.

DETAILED STEPS

	Command or Action	Purpose
Step 1	Router# configure terminal	Enters global configuration mode.
Step 2	Router(config)# interface serial <i>slot/subslot/port</i>	Selects the interface to configure and enters interface configuration mode, where: <ul style="list-style-type: none"> • <i>slot/subslot/port</i> —Specifies the location of the controller. For addressing information, refer to the Specifying the Physical Address for Controller and Interface Configuration, on page 280 .
Step 3	Router(config-if)# encapsulation ppp	Enables PPP encapsulation.
Step 4	Router(config-if)# ppp multilink group <i>group-number</i>	Assigns the interface to a multilink bundle, where: <ul style="list-style-type: none"> • <i>group-number</i>—The multilink group number for the T1 or E1 bundle.
Step 5	Router(config-if)# ppp multilink	Enables multilink PPP on the interface.
Step 6	Repeat these commands for each interface you want to assign to the multilink bundle.	

Configuring Fragmentation Size and Delay on an MLPPP Bundle

To configure the fragmentation size on a multilink PPP bundle, use the following commands:

SUMMARY STEPS

1. Router# **configure terminal**
2. Router(config)# **interface multilink** *group-number*
3. Router(config-if)# **multilink fragment size** *fragment-size*
4. Router(config-if)# **ppp multilink fragment-delay** *delay*

DETAILED STEPS

	Command or Action	Purpose
Step 1	Router# configure terminal	Enters global configuration mode.
Step 2	Router(config)# interface multilink <i>group-number</i>	Creates a multilink interface and enters multilink interface mode, where: <ul style="list-style-type: none"> • <i>group-number</i> —The group number for the multilink bundle. Range 1-2147483647

	Command or Action	Purpose
Step 3	Router(config-if)# multilink fragment size <i>fragment-size</i>	Sets the fragmentation size in bytes. Fragmentation is disabled by default.
Step 4	Router(config-if)# ppp multilink fragment-delay <i>delay</i>	Sets the configured delay on the multilink bundle that satisfies the fragmentation size, where: <ul style="list-style-type: none"> <i>delay</i> —Delay in milliseconds.

What to do next

The following example of the **show ppp multilink** command shows the MLPPP type and the fragmentation size:

```
Router#
show ppp multilink
Multilink1, bundle name is test2Bundle up for 00:00:13Bundle is Distributed0 lost fragments,
0 reordered, 0 unassigned0 discarded, 0 lost received, 206/255 load0x0 received sequence,
0x0 sent sequence Member links: 2 active, 0 inactive (max not set, min not set)Se4/2/0/1:0,
since 00:00:13, no frags rcvdSe4/2/0/2:0, since 00:00:10, no frags rcvdDistributed
fragmentation on. Fragment size 512. Multilink in Hardware.
.
```

Disabling Fragmentation on an MLPPP Bundle

By default, PPP multilink fragmentation is enabled. To disable fragmentation on a multilink bundle, use the following commands:

SUMMARY STEPS

1. Router# **configure terminal**
2. Router(config)# **interface multilink** *group-number*
3. Router(config-if)# **ppp multilink fragment disable**

DETAILED STEPS

	Command or Action	Purpose
Step 1	Router# configure terminal	Enters global configuration mode.
Step 2	Router(config)# interface multilink <i>group-number</i>	<i>Specifies the multilink interface and enters multilink interface mode, where:</i> <ul style="list-style-type: none"> <i>group-number</i>—The group number for the multilink bundle. Range 1-2147483647
Step 3	Router(config-if)# ppp multilink fragment disable	Disables PPP multilink fragmentation.

Configuring LFI

Link Fragmentation and Interleaving (LFI) is implemented on the QFP on the Cisco ASR 1000 Series Aggregation Services Routers. QFP-based LFI supports LFI on a bundle with any number of links—from one link, up to the maximum number supported by the router. When using LFI on MLPPP, the QFP load balances the priority packets across all links in the bundle to minimize the latency on the priority interleaved traffic.

LFI Configuration Guidelines

When you configure LFI, consider the following guidelines:

- Configure LFI using the **ppp multilink interleave** command. For MLPPP, this is on the multilink interface.
- Configure and apply an output QoS service-policy that classifies the priority and non-priority traffic. For MLPPP, you can apply the output policy on the multilink interface.



Note When you configure LFI, note the following restrictions:

- Virtual-template interfaces are not supported.
- Packet ordering is not guaranteed for priority traffic sent interleaved on an MLPPP bundle with multiple links.
- IP header compression (such as, cRTP, cUDP, or cTCP) is not supported on packets classified by QoS as priority packets when using LFI on an MLPPP bundle with multiple links. IP header compression requires packet ordering. LFI sends all priority packets using PPP encapsulation, which does not preserve packet order when there are multiple links in the bundle. If you must support IP header compression, then you should not configure LFI or you should not make the LFI traffic priority. MLP encapsulation on non-priority QoS classes does preserve packet ordering.

To configure LFI on a multilink interface, use the following commands:

SUMMARY STEPS

1. Router# **configure terminal**
2. Router(config)# **interface multilink** *group-number*
3. Router(config-if) **ppp multilink**
4. Router(config-if)# **ppp multilink interleave**

DETAILED STEPS

	Command or Action	Purpose
Step 1	Router# configure terminal	Enters global configuration mode.
Step 2	Router(config)# interface multilink <i>group-number</i>	<i>Creates or specifies a multilink interface and enters multilink interface mode, where:</i> <ul style="list-style-type: none"> • <i>group-number</i>—The group number for the multilink bundle. Range 1-2147483647
Step 3	Router(config-if) ppp multilink	Enables Multilink PPP.
Step 4	Router(config-if)# ppp multilink interleave	Enables interleaving of packets among the fragments of larger packets on an MLP bundle.

Inverting Data on the T1/E1 Interface

If the interface on the channelized SPA is used to drive a dedicated T1 line that does not have B8ZS encoding, you must invert the data stream on the connecting CSU/DSU or on the interface. Be careful not to invert data on both the CSU/DSU and the interface, as two data inversions will cancel each other out.

To invert data on a T1/E1 interface, use the following commands:

SUMMARY STEPS

1. Router# **configure terminal**
2. Router(config)# **interface serial** *slot/subslot/port*
3. Router(config-if)# *invert data*

DETAILED STEPS

	Command or Action	Purpose
Step 1	Router# configure terminal	Enters global configuration mode.
Step 2	Router(config)# interface serial <i>slot/subslot/port</i> Example:	Selects the serial interface and enters interface configuration mode, where: <ul style="list-style-type: none"> • <i>slot/subslot/port</i> —Specifies the location of the controller. For addressing information, refer to the Specifying the Physical Address for Controller and Interface Configuration , on page 280.
Step 3	Router(config-if)# <i>invert data</i>	Inverts the data stream.

What to do next

Use the **show running configuration** command to verify that invert data has been set:

```
router# show running configuration
interface Serial6/0/0:0
  no ip address
  encapsulation ppp
  logging event link-status
  load-interval 30
  invert data
  no cdp enable
  ppp chap hostname group1
  ppp multilink
  ppp multilink group 1
```

Changing a Channel Group Configuration

To alter the configuration of an existing channel group, the channel group needs to be removed first using the **no** form of the **channel-group** command. To remove an existing channel group, use the following commands:

SUMMARY STEPS

1. Router# **configure terminal**

2. Router(config)# **interface serial** *slot/subslot/port*
3. Router(config-controller)# **no channel-group t1** t1-number

DETAILED STEPS

	Command or Action	Purpose
Step 1	Router# configure terminal	Enters global configuration mode.
Step 2	Router(config)# interface serial <i>slot/subslot/port</i> Example:	Select the controller to configure and enters controller configuration mode, where: <ul style="list-style-type: none"> • <i>slot/subslot/port</i>—Specifies the location of the controller. For addressing information, refer to the Specifying the Physical Address for Controller and Interface Configuration, on page 280 .
Step 3	Router(config-controller)# no channel-group t1 t1-number	Selects the channel group you want to remove, where: <ul style="list-style-type: none"> • t1-number—Channel-group number.

Configuring BERT

BERT (Bit-Error Rate Testing) is used for analyzing quality and for problem resolution of digital transmission equipments. BERT tests the quality of an interface by directly comparing a pseudorandom or repetitive test pattern with an identical locally generated test pattern.

The BERT operation is data-intensive. Regular data cannot flow on the path while the test is in progress. The path is reported to be in alarm state when BERT is in progress and restored to a normal state after BERT has been terminated.

BERT Test Configuration Guidelines

When configuring BERT on the 1-Port Channelized OC-3/STM-1 SPA or 1-Port Channelized OC-12/STM-4 SPA, consider the following guidelines:

- Only DS1/T1 and DS3/T3 paths are supported on the 1-Port Channelized OC-12/STM-4 SPA.
- A maximum of 27 concurrent tests across all paths on the SPA is supported.

BERT Pattern Descriptions

The following tables describe the supported BERT patterns on the 1-Port Channelized OC-3/STM-1 SPA and 1-Port Channelized OC-12/STM-4 SPA.

Table 26: DS1/T1/E1 BERT Patterns

Pattern	Description
0s	All 0's in the test pattern (...000...).
1-in-8	8-bit test pattern where 1 out of 8 bits is set to 1.
1s	All 1's in the test pattern (...111...).

Pattern	Description
2^11	Pseudorandom 1 test pattern that is 2,048 bits in length.
2^15	Pseudorandom 1 O.151 test pattern that is 32,768 bits in length.
2^15-inverted	Pseudorandom 1 inverted O.151 test pattern that is 32,768 bits in length.
2^20-O153	Pseudorandom 1 O.153 test pattern that is 1,048,575 bits in length.
2^20-QRSS	Pseudorandom 1 quasi-random signal sequence (QRSS) 0.153 test pattern that is 1,048,575 bits in length.
2^23	Pseudorandom 1 O.151 test pattern that is 8,388,607 bits in length.
2^23-inverted	Pseudorandom 1 inverted O.151 test pattern that is 8,388,607 bits in length.
2^9	Pseudorandom 1 O.150 test pattern that is 511 bits in length.
3-in-24	24-bit test pattern where 3 out of 24 bits is set to 1.
alt-0-1	Repeating test pattern of alternating 0's and 1's (...01010...).

Table 27: DS3/T3/E3 BERT Patterns

Pattern	Description
0s	All 0's in the test pattern (...000...).
1s	All 1's in the test pattern (...111...).
2^15	Pseudorandom 1 O.151 test pattern that is 32,768 bits in length.
2^20	Pseudorandom 1 O.153 test pattern that is 1,048,575 bits in length.
2^23	Pseudorandom 1 O.151 test pattern that is 8,388,607 bits in length.
alt-0-1	Repeating test pattern of alternating 0's and 1's (...01010...).

To configure a BERT pattern for DS1/T1/E1, use one of the following commands:

Command	Purpose
<pre>Router(config-controller)# t1 channel-number bert pattern pattern interval time or Router(config-ctrlr-sts1)# e1 e1-number bert pattern pattern interval time</pre>	<p>Sends a BERT pattern on a line, where:</p> <ul style="list-style-type: none"> <i>channel-number</i>—Number identifying the specific T1 channel where you want to run BERT. <i>e1-number</i>—Number identifying the specific E1 channel where you want to run BERT. <i>pattern</i>—Specifies the type of repeating BERT test pattern. Supported values are 0s, 1s, 1-in-8, 2^11, 2^15, 2^15-inverted, 2^20- O.153, 2^20-QRSS, 2^23, 2^23-inverted, 2^9, 3-in-24, and alt-0-1. <i>interval time</i>—Specifies the duration of the BERT test, in minutes. The range is 1 to 14400.

To configure a BERT pattern for DS3/T3/E3, use the following command in controller configuration mode:

Command	Purpose
Router(config-controller)# bert pattern {0s 1s 2^15 2^20 2^23 alt-0-1} interval time or Router(config-ctrlr-sts1)# bert pattern {0s 1s 2^15 2^20 2^23 alt-0-1} interval time	Sends a BERT pattern on the DS3 channel, where: <ul style="list-style-type: none"> interval time—Specifies the duration of the BERT test, in minutes. The range is 1 to 14400.
	Note See the <i>DS3/T3/E3 BERT Patterns</i> table for pattern descriptions.

The SIPs and SPAs support many QoS features using modular QoS CLI (MQC) configuration. Since there are no serial SPA-specific QoS features, refer to your network processor documentation for QoS configuration information.

Saving the Configuration

To save your running configuration to nonvolatile random-access memory (NVRAM), use the following command in privileged EXEC configuration mode:

Command	Purpose
Router# copy running-config startup-config	Writes the new configuration to NVRAM.

For more information about managing configuration files, refer to the [Cisco IOS XE Configuration Fundamentals Configuration Guide, Release 2](#) and [Cisco IOS Configuration Fundamentals Command Reference](#) publications.

Verifying Interface Configuration

Besides using the **show running-configuration** command to display your Cisco ASR 1000 Series Router configuration settings, you can use the **show interface serial** and the **show controllers sonet** commands to get detailed information on a per-port basis for your channelized SPA.

Verifying Per-Port Interface Status

To find detailed interface information on a per-port basis for the channelized SPAs, use the **show interface serial** and **show controllers sonet** commands.

See the [Verifying the Interface Configuration, on page 291](#) for an example of the **show interface serial** command.

The following example provides sample output for interface port 0 on the SPA located in subslot 0 of the Cisco ASR 1000 SIP installed in slot 1 of a Cisco ASR 1000 Series Router:

```
Router# show controllers sonet 1/0/0

SONET 1/0/0 is up.
Hardware is SPA-1XCHSTM1/OC3
IO FPGA version: 1.7, HDLC Framer version: 0
T3/T1 Framer(1) version: 1
```

```

Sonet/SDH Framer version: 0
SUBRATE FPGA version: 1.4
HDLC controller available FIFO buffers 3760
Applique type is Channelized Sonet/SDH

Clock Source is Line
Medium info:
Type: Sonet, Line Coding: NRZ,
SECTION:
LOS = 0          LOF = 0          BIP(B1) = 85

SONET/SDH Section Tables
INTERVAL      CV      ES      SES      SEFS
23:15-23:20   0       0       0       0
23:00-23:15   0       0       0       0
22:45-23:00   85      1       1       0
Total of Data in Current and Previous Intervals
22:45-23:20   85      1       1       0

LINE:
AIS = 0          RDI = 1          REI = 65          BIP(B2) = 207
Active Defects: None
Active Alarms: None
Alarm reporting enabled for: SF SLOS SLOF B1-TCA B2-TCA
BER thresholds: SF = 10e-3 SD = 10e-6
TCA thresholds: B1 = 10e-6 B2 = 10e-6

SONET/SDH Line Tables
INTERVAL      CV      ES      SES      UAS
23:15-23:20   0       0       0       0
23:00-23:15   0       0       0       0
22:45-23:00   272     1       0       5
Total of Data in Current and Previous Intervals
22:45-23:20   272     1       0       5
.
.
.
SONET/SDH Path Tables
INTERVAL      CV      ES      SES      UAS
23:15-23:20   0       0       0       0
23:00-23:15   0       0       0       0
22:45-23:00  187382  2       0       0
Total of Data in Current and Previous Intervals
22:45-23:20  187382  2       0       0
.
.
.
T3 1/0/0 Path 1 is up.
Hardware is SPA-1XCHSTML/OC3
IO FPGA version: 1.7, HDLC Framer version: 0
T3/T1 Framer(1) version: 1
Sonet/SDH Framer version: 0
SUBRATE FPGA version: 1.4
HDLC controller available FIFO buffers 3760
Applique type is T3
No alarms detected.
MDL transmission is enabled

FEAC code received: No code is being received
Framing is C-BIT Parity, Cablelength is 224
Clock Source is Line
Equipment customer loopback
Data in current interval (346 seconds elapsed):
  0 Line Code Violations, 0 P-bit Coding Violation

```

```

0 C-bit Coding Violation, 0 P-bit Err Secs
0 P-bit Severely Err Secs, 0 Severely Err Framing Secs
0 Unavailable Secs, 0 Line Errored Secs
0 C-bit Errored Secs, 0 C-bit Severely Errored Secs
0 Severely Errored Line Secs
0 Far-End Errored Secs, 0 Far-End Severely Errored Secs
0 CP-bit Far-end Unavailable Secs
0 Near-end path failures, 0 Far-end path failures
0 Far-end code violations, 0 FERF Defect Secs
0 AIS Defect Secs, 0 LOS Defect Secs
.
.
.
CT3 1/0/0.2 is up.
Hardware is SPA-1XCHSTM1/OC3
IO FPGA version: 1.7, HDLC Framers version: 0
T3/T1 Framers(1) version: 1
Sonet/SDH Framers version: 0
SUBRATE FPGA version: 1.4
HDLC controller available FIFO buffers 3760
Applique type is Channelized T3 to T1
No alarms detected.
Framing is M23, Cablelength is 224
Clock Source is Internal
Equipment customer loopback
Data in current interval (356 seconds elapsed):
 0 Line Code Violations, 0 P-bit Coding Violation
 0 C-bit Coding Violation, 0 P-bit Err Secs
 0 P-bit Severely Err Secs, 0 Severely Err Framing Secs
 0 Unavailable Secs, 0 Line Errored Secs
 0 C-bit Errored Secs, 0 C-bit Severely Errored Secs
 0 Severely Errored Line Secs
 0 Far-End Errored Secs, 0 Far-End Severely Errored Secs
 0 CP-bit Far-end Unavailable Secs
 0 Near-end path failures, 0 Far-end path failures
 0 Far-end code violations, 0 FERF Defect Secs
 0 AIS Defect Secs, 0 LOS Defect Secs
(Remaining output omitted)

```

Configuration Examples

This section includes the following configuration examples:

Example of T3 Framing Configuration

The following example configures framing on a T3 interface:

```

! Specify the interface to configure and enter interface configuration mode.
!
Router(config)# controller sonet 3/0/0
!
! Select the STS mode.
!
Router(config-controller)# sts-1 2
!
!Select the framing mode.
!
Router(config-controller)# t3 framing m23

```

Example of Cyclic Redundancy Check Configuration

The following example configures CRC on a T1 interface:

```
! Specify the interface to configure and enter interface configuration mode.
!
Router(config)# interface serial 2/0/0.1
!
! Specify the CRC type.
!
Router(config-if)# crc 32
```

Example of Facility Data Link Configuration

The following example configures FDL on a T1 interface:

```
! Specify the interface to configure and enter interface configuration mode.
!
Router(config)# interface serial 1/0/0.2
!
! Specify the T1 number and select fdl.
!
Router(config-controller)#t1 2 fdl ansi
```

Example of Invert Data on T1/E1 Interface

The following example inverts the data on the serial interface:

```
! Specify the interface to configure and enter interface configuration mode.
!
Router(config)# interface serial 3/0/0.1/2/1:0
!
! Configure invert data.
!
Router(config-if)#
```



CHAPTER 20

Troubleshooting the Serial SPAs

This chapter describes techniques that you can use to troubleshoot the operation of your serial SPAs.

It includes the following sections:

The first section provides information about basic interface troubleshooting. If you are having a problem with your SPA, use the steps in the [General Troubleshooting Information, on page 307](#) to begin your investigation of a possible interface configuration problem.

To perform more advanced troubleshooting, see the other sections in this chapter.

For more information about troubleshooting serial lines, see the Internetwork Troubleshooting Handbook at <http://www.cisco.com/en/US/docs/internetworking/troubleshooting/guide/tr1901.html>.

- [General Troubleshooting Information, on page 307](#)
- [Performing Basic Interface Troubleshooting, on page 308](#)
- [Using Bit Error Rate Tests, on page 318](#)
- [Using loopback Commands, on page 321](#)
- [Using the Cisco IOS Event Tracer to Troubleshoot Problems, on page 323](#)
- [Preparing for Online Insertion and Removal of a SPA, on page 323](#)

General Troubleshooting Information

This section describes general information for troubleshooting SIPs and SPAs. It includes the following sections:

Interpreting Console Error Messages

To view the explanations and recommended actions for Cisco ASR 1000 Series Routers error messages, including messages related to Cisco ASR 1000 Series Routers SIPs and SPAs, refer to the [System Messages for Cisco IOS XE](#) document.

System error messages are organized in the documentation according to the particular system facility that produces the messages. The SIP and SPA error messages for serial SPAs use the following facility names:

- Cisco ASR 1000 Series SIP—ASR1000_SIP
- 2-Port and 4-Port Channelized T3 SPA—SPA_CHOC_DSX
- 2-Port and 4-Port Clear Channel T3/E3 Serial SPA—SPA_T3E3

Using debug Commands

**Caution**

Because debugging output is assigned high priority in the CPU process, it can render the system unusable. For this reason, use **debug** commands only to troubleshoot specific problems or during troubleshooting sessions with Cisco technical support staff. Moreover, it is best to use **debug** commands during periods of lower network traffic and fewer users. Debugging during these periods decreases the likelihood that increased **debug** command processing overhead will affect system use.

Along with the other **debug** commands supported on the Cisco ASR 1000 Series Routers, you can obtain specific debug information for SPAs on the Cisco ASR 1000 Series Routers using the **debug hw-module subslot** privileged EXEC command.

The **debug hw-module subslot** command is intended for use by Cisco technical support personnel. For information about other **debug** commands supported on the Cisco ASR 1000 Series Routers, refer to the *Cisco IOS Debug Command Reference* and any related feature documents for your Cisco IOS software release.

Using show Commands

There are several **show** commands that you can use to monitor and troubleshoot the SIPs and SPAs on the Cisco ASR 1000 Series Routers. This chapter describes using the **show interfaces** and **show controllers** commands to perform troubleshooting of your SPA.

Performing Basic Interface Troubleshooting

You can perform most of the basic interface troubleshooting using the **show interfaces serial** command and examining several areas of the output to determine how the interface is operating.

The output of the **show interfaces serial** EXEC command displays information specific to serial interfaces.

**Note**

The output of the **show interfaces serial** command will vary depending on the type of serial SPA.

This section describes how to use the **show interfaces serial** command to diagnose serial line connectivity problems in a wide-area network (WAN) environment. The following sections describe some of the important fields of the command output:

Serial Lines: show interfaces serial Status Line Conditions

You can identify five possible problem states in the interface status line of the **show interfaces serial** display:

- Serial x is down, line protocol is down
- Serial x is up, line protocol is down
- Serial x is up, line protocol is up (looped)
- Serial x is up, line protocol is down (disabled)

- Serial x is administratively down, line protocol is down

The following example shows the interface statistics on the first port of a 4-Port Clear Channel T3/E3 SPA installed in subslot 0 of the SIP located in chassis slot 5:

```
Router# show interfaces serial
Serial5/0/0 is up, line protocol is up
  Hardware is SPA-4T3E3
  Internet address is 110.1.1.2/24
  MTU 4470 bytes, BW 44210 Kbit, DLY 200 usec,
    reliability 255/255, txload 234/255, rxload 234/255
  Encapsulation HDLC, crc 16, loopback not set
  Keepalive set (10 sec)
  Last input 00:00:05, output 00:00:00, output hang never
  Last clearing of "show interface" counters never
  Input queue: 0/75/0/0 (size/max/drops/flushes); Total output drops: 0
  Queueing strategy: fifo
  Output queue: 0/40 (size/max)
  5 minute input rate 40685000 bits/sec, 115624 packets/sec
  5 minute output rate 40685000 bits/sec, 115627 packets/sec
  4653081241 packets input, 204735493724 bytes, 0 no buffer
  Received 4044 broadcasts (0 IP multicast)
  0 runts, 0 giants, 0 throttles
    0 parity
  0 input errors, 0 CRC, 0 frame, 0 overrun, 0 ignored, 0 abort
  4652915555 packets output, 204728203520 bytes, 0 underruns
  0 output errors, 0 applique, 4 interface resets
  0 output buffer failures, 0 output buffers swapped out
  2 carrier transitions
```

The following table shows the interface status conditions, possible problems associated with the conditions, and solutions to those problems.

Table 28: Serial Lines: show interfaces serial Status Line Conditions

Status Line Condition	Possible Problem	Solution
Serial x is up, line protocol is up	—	This is the proper status line condition. No action is required.
Serial x is down, line protocol is down	<p>The router is not sensing a carrier detect (CD) signal (that is, the CD is not active).</p> <p>The line is down or is not connected on the far end.</p> <p>Cabling is faulty or incorrect.</p> <p>Hardware failure has occurred in the channel service unit/data service unit (CSU/DSU).</p>	<ol style="list-style-type: none"> 1. Check the CD LEDs to see whether the CD is active, or insert a breakout box on the line to check for the CD signal. 2. Verify that you are using the proper cable (see your hardware installation documentation). 3. Insert a breakout box and check all control leads. 4. Contact your leased-line or other carrier service to see whether there is a problem. 5. Swap faulty parts. 6. If you suspect faulty router hardware, change the serial line to another port. If the connection comes up, the previously connected interface has a problem.

Status Line Condition	Possible Problem	Solution
Serial x is up, line protocol is down	<p>A local or remote router is misconfigured.</p> <p>Keepalives are not being sent by the remote router.</p> <p>A leased-line or other carrier service problem has occurred (noisy line or misconfigured or failed switch).</p> <p>A timing problem has occurred on the cable.</p> <p>A local or remote CSU/DSU has failed.</p> <p>Router hardware (local or remote) has failed.</p>	

Status Line Condition	Possible Problem	Solution
		<p>1. Put the line in local loopback mode and use the show interfaces serial command to determine whether the line protocol comes up.</p> <p>Note If the line protocol comes up, a failed remote device is the likely problem. This solution will only work with High-Level Data Link Control (HDLC) encapsulation. For Frame Relay (FR) and Point-to-Point Protocol (PPP) encapsulation, a looped interface will always have the line protocol down. In addition, you may need to change the encapsulation to HDLC to debug this issue.</p> <p>2. If the problem appears to be on the remote end, repeat Step 1 on the remote interface.</p> <p>3. Verify all cabling. Make certain that the cable is attached to the correct interface, the correct CSU/DSU, and the correct remote termination point.</p> <p>4. Enable the debug serial interface EXEC command.</p> <p>5. If the line protocol does not come up in local loopback mode, and if the output of the debug serial interface EXEC command shows that the keepalive counter is not incrementing, a router hardware problem is likely. Swap router interface hardware.</p> <p>6. If the line protocol comes up and the keepalive counter increments, the problem is not in the local router.</p> <p>7. If you suspect faulty router hardware, change the serial line to an unused port. If the connection comes up, the previously connected interface has a problem.</p> <p>Note First enable per-interface debugging using the command debug interface serial x, and depending on the encapsulation, enable the corresponding debug:</p> <p>For HDLC: debug serial interface For PPP: debug ppp negotiation For FR: debug frame-relay lmi</p> <p>Caution Because debugging output is assigned high priority in the CPU process, it can render the system unusable. For this reason, use debug commands only to troubleshoot specific problems or during troubleshooting sessions with Cisco technical support staff. Moreover, it is best to use debug</p>

Status Line Condition	Possible Problem	Solution
		<p>commands during periods of lower network traffic and fewer users. Debugging during these periods decreases the likelihood that increased debug command processing overhead will affect system use.</p>
<p>Serial x is up, line protocol is up (looped)</p>	<p>A loop exists in the circuit. The sequence number in the keepalive packet changes to a random number when a loop is initially detected. If the same random number is returned over the link, a loop exists.</p>	<ol style="list-style-type: none"> 1. Use the show running-config privileged EXEC command to look for any loopback interface configuration command entries. 2. If you find a loopback interface configuration command entry, use the no loopback interface configuration command to remove the loop. 3. If you do not find the loopback interface configuration command, examine the CSU/DSU to determine whether they are configured in manual loopback mode. If they are, disable manual loopback. 4. Reset the CSU or DSU, and inspect the line status. If the line protocol comes up, no other action is needed. 5. If the CSU or DSU is not configured in manual loopback mode, contact the leased-line or other carrier service for line troubleshooting assistance.
<p>Serial x is up, line protocol is down (disabled)</p>	<p>A high error rate has occurred due to a remote device problem.</p> <p>A CSU or DSU hardware problem has occurred.</p> <p>Router hardware (interface) is bad.</p>	<ol style="list-style-type: none"> 1. Troubleshoot the line with a serial analyzer and breakout box. Examine the output of show controller T1 or show controller T3 or show controller serial x depending on whether the SPA is an 8-Port Channelized T1/E1 Serial SPA, 4-Port Channelized T3 SPA, or 4-Port T3/E3 Serial SPA. 2. Loop CSU/DSU (DTE loop). If the problem continues, it is likely that there is a hardware problem. If the problem does not continue, it is likely that there is a telephone company problem. 3. Swap out bad hardware, as required (CSU, DSU, switch, local or remote router).

Status Line Condition	Possible Problem	Solution
Serial x is administratively down, line protocol is down	The router configuration includes the shutdown interface configuration command. A duplicate IP address exists.	<ol style="list-style-type: none"> 1. Check the router configuration for the shutdown command. 2. Use the no shutdown interface configuration command to remove the shutdown command. 3. Verify that there are no identical IP addresses using the show running-config privileged EXEC command or the show interfaces EXEC command. 4. If there are duplicate addresses, resolve the conflict by changing one of the IP addresses.

Serial Lines: Increasing Output Drops on Serial Link

Output drops appear in the output of the show interfaces serial command when the system is attempting to hand off a packet to a transmit buffer but no buffers are available.

Symptom: Increasing output drops on serial link

The possible problem that might cause this symptom could be that input rate to serial interface exceeds bandwidth available on serial link. The solution to this problem is as follows:

1. Minimize periodic broadcast traffic, such as routing and Service Advertising Protocol (SAP) updates, by using access lists or by other means. For example, to increase the delay between SAP updates, use the ipx sap-interval interface configuration command.
2. Increase the output hold queue size in small increments (for instance, 25 percent), using the hold-queue out interface configuration command.
3. Implement priority queuing on slower serial links by configuring priority lists. For information on configuring priority lists, see the Cisco IOS configuration guides and command references for your Cisco IOS software release.



Note Output drops are acceptable under certain conditions. For instance, if a link is known to be overused (with no way to remedy the situation), it is often considered more preferable to drop packets than to hold them. This is true for protocols that support flow control and can retransmit data (such as TCP/IP and Novell Internetwork Packet Exchange [IPX]). However, some protocols, such as DECnet and local-area transport, are sensitive to dropped packets and accommodate retransmission poorly, if at all.

Serial Lines: Increasing Input Drops on Serial Link

Input drops appear in the output of the show interfaces serial EXEC command when too many packets from that interface are still being processed in the system.

Symptom: Increasing number of input drops on serial link

The possible problem that might cause this symptom could be input rate exceeds the capacity of the router, or input queues exceed the size of output queues. The solution to this problem is as follows:

1. Increase the output queue size on common destination interfaces for the interface that is dropping packets. Use the hold-queue *number* out interface configuration command. Increase these queues by small increments (for instance, 25 percent) until you no longer see drops in the show interfaces command output. The default output hold queue limit is 40 packets.
2. Reduce the input queue size, using the hold-queue *number* in interface configuration command, to force input drops to become output drops. Output drops have less impact on the performance of the router than do input drops. The default input hold queue is 75 packets.

Serial Lines: Increasing Input Errors in Excess of 1 Per Cent of Total Interface Traffic

If input errors appear in the show interfaces serial command output, there are several possible sources of those errors. The most likely sources, along with possible solutions, are summarized in the following table.



Note Any input error value for cyclic redundancy check (CRC) errors, framing errors, or aborts above 1 percent of the total interface traffic suggests some kind of link problem that should be isolated and repaired.

Symptom: Increasing number of input errors in excess of 1 percent of total interface traffic

Table 29: Serial Lines: Increasing Input Errors in Excess of 1 Percent of Total Interface Traffic

Possible Problem	Solution
The following problems can result in this symptom: <ul style="list-style-type: none"> • Faulty telephone company equipment • Noisy serial line • Incorrect clocking configuration • Incorrect cable or cable that is too long • Bad cable or connection • Bad CSU or DSU • Bad router hardware • Data converter or other device being used between router and DSU 	<p>Note We strongly recommend against the use of data converters when you are connecting a router to a WAN or a serial network.</p> <ol style="list-style-type: none"> 1. Use a serial analyzer to isolate the source of the input errors. If you detect errors, there likely is a hardware problem or a clock mismatch in a device that is external to the router. 2. Use the loopback and ping tests to isolate the specific problem source. 3. Look for patterns. For example, if errors occur at a consistent interval, they could be related to a periodic function, such as the sending of routing updates.

Serial Lines: Troubleshooting Serial Line Input Errors

The following table describes the various types of input errors displayed by the show interfaces serial command, possible problems that might be causing the errors, and solutions to those problems.

Table 30: Serial Lines: Troubleshooting Serial Line Input Errors

Input Error Type(Field Name)	Possible Problem	Solution
CRC errors (CRC)	<p>CRC errors occur when the CRC calculation does not pass (indicating that data is corrupted) for one of the following reasons:</p> <ul style="list-style-type: none"> • The serial line is noisy. • The serial cable is too long, or the cable from the CSU/DSU to the router is not shielded. • Serial clock transmit external (SCTE) mode is not enabled on the DSU. • The CSU line clock is incorrectly configured. • A ones density problem has occurred on the T1 link (incorrect framing or coding specification). 	<ol style="list-style-type: none"> 1. Ensure that the line is clean enough for transmission requirements. Shield the cable, if necessary. 2. Make sure that the cable is within the recommended length (no more than 50 feet [15.24 meters], or 25 feet [7.62 meters] for a T1 link). 3. Ensure that all devices are properly configured for a common line clock. Set SCTE on the local and remote DSU. If your CSU/DSU does not support SCTE, see the to invert the transmit clock signal. 4. Make certain that the local and remote CSU/DSU are configured for the same framing and coding scheme as that used by the leased-line or other carrier service (for example, Extended Superframe Format/binary eight-zero substitution [ESF/B8ZS]). 5. Contact your leased-line or other carrier service, and have it perform integrity tests on the line.

Input Error Type(Field Name)	Possible Problem	Solution
Framing errors (frame)	<p>A framing error occurs when a packet does not end on an 8-bit byte boundary for one of the following reasons:</p> <ul style="list-style-type: none"> • The serial line is noisy. • The cable is improperly designed, the serial cable is too long, or the cable from the CSU or DSU to the router is not shielded. • SCTE mode is not enabled on the DSU, the CSU line clock is incorrectly configured, or one of the clocks is configured for local clocking. • A ones density problem has occurred on the T1 link (incorrect framing or coding specification). 	<ol style="list-style-type: none"> 1. Ensure that the line is clean enough for transmission requirements. Shield the cable, if necessary. Make certain that you are using the correct cable. 2. Make sure that the cable is within the recommended length (no more than 50 feet [15.24 meters], or 25 feet [7.62 meters] for a T1 link). 3. Ensure that all devices are properly configured to use a common line clock. Set SCTE on the local and remote DSU. 4. Make certain that the local and remote CSU/DSU are configured for the same framing and coding scheme as that used by the leased-line or other carrier service (for example, ESF/B8ZS). 5. Contact your leased-line or other carrier service, and have it perform integrity tests on the line.

Input Error Type(Field Name)	Possible Problem	Solution
Aborted transmission (abort)	<p>Aborts indicate an illegal sequence of 1 bit (more than seven in a row).</p> <p>The following are possible reasons for this to occur:</p> <ul style="list-style-type: none"> • SCTE mode is not enabled on the DSU. • The CSU line clock is incorrectly configured. • The serial cable is too long, or the cable from the CSU or DSU to the router is not shielded. • A ones density problem has occurred on the T1 link (incorrect framing or coding specification). • A packet was terminated in the middle of transmission (typical cause is an interface reset or a framing error or a buffer overrun). • A hardware problem has occurred (bad circuit, bad CSU/DSU, or bad sending interface on remote router). 	<ol style="list-style-type: none"> 1. Ensure that all devices are properly configured to use a common line clock. Set SCTE on the local and remote DSU. 2. Shield the cable, if necessary. Make certain that the cable is within the recommended length (no more than 50 feet [15.24 meters], or 25 feet [7.62 meters] for a T1 link). Ensure that all connections are good. 3. Check the hardware at both ends of the link. Swap faulty equipment, as necessary. 4. Lower data rates and determine whether aborts decrease. 5. Use local and remote loopback tests to determine where aborts are occurring. 6. Contact your leased-line or other carrier service, and have it perform integrity tests on the line.

Serial Lines: Increasing Interface Resets on Serial Link

Interface resets that appear in the output of the show interfaces serial EXEC command are the result of missed keepalive packets.

Symptom: Increasing interface resets on serial link

The following table outlines the possible problems that might cause this symptom and describes solutions to those problems.

Table 31: Serial Lines: Increasing Interface Resets on Serial Link

Possible Problem	Solution
<p>The following problems can result in this symptom:</p> <ul style="list-style-type: none"> • Congestion on link (typically associated with output drops) • Bad line causing CD transitions • Possible hardware problem at the CSU, DSU, or switch 	<p>When interface resets are occurring, examine other fields of the show interfaces serial command output to determine the source of the problem. Assuming that an increase in interface resets is being recorded, examine the following fields:</p> <ol style="list-style-type: none"> 1. Check the Carrier Transitions field in the show interfaces serial command display. If carrier transitions are high while interface resets are being registered, the problem is likely to be a bad link or a bad CSU or DSU. Contact your leased-line or carrier service, and swap faulty equipment, as necessary. 2. Examine the Input Errors field in the show interfaces serial command display. If input errors are high while interface resets are increasing, the problem is probably a bad link or a bad CSU/DSU. Contact your leased-line or other carrier service, and swap faulty equipment, as necessary. <p>If there is a high number of output drops in the show interfaces serial output, see the Serial Lines: Increasing Output Drops on Serial Link, on page 313.</p>

Serial Lines: Increasing Carrier Transitions Count on Serial Link

Carrier transitions appear in the output of the show interfaces serial EXEC command whenever there is an interruption in the carrier signal (such as an interface reset at the remote end of a link).

Symptom: Increasing carrier transitions count on serial link

The following table outlines the possible problems that might cause this symptom and describes solutions to those problems.

Table 32: Serial Lines: Increasing Carrier Transitions Count on Serial Link

Possible Problem	Solution
<p>The following problems can result in this symptom:</p> <ul style="list-style-type: none"> • Line interruptions due to an external source (such as physical separation of cabling, red or yellow T1 alarms, or lightning striking somewhere along the network) • Faulty switch, DSU, or router hardware 	<ol style="list-style-type: none"> 1. Check hardware at both ends of the link (attach a breakout box or a serial analyzer, and test to determine the source of problems). 2. If an analyzer or breakout box is incapable of identifying any external problems, check the router hardware. 3. Swap faulty equipment, as necessary.

Using Bit Error Rate Tests

BERT (Bit-Error Rate Testing) is used for analyzing quality and for problem resolution of digital transmission equipments. BERT tests the quality of an interface by directly comparing a pseudorandom or repetitive test pattern with an identical locally generated test pattern.

The BERT operation is data-intensive. Regular data cannot flow on the path while the test is in progress. The path is reported to be in alarm state when BERT is in progress and restored to a normal state after BERT has been terminated.

BERT is built into most of the serial SPAs. With BER tests, you can test cables and signal problems in the field.

- For the 2-Port and 4-Port Channelized T3 SPA, you can configure individual T1 lines to run BER tests, but only one BER test circuit exists for all 28 T1 lines. Hence, only one BER test can be run on a single T3 port at any given time.
- For the 8-port Channelized T1/E1 SPA, there are six framer-assisted BERT engines, and six BER tests may run concurrently.
- For the 1-Port Channelized OC-3/STM-1 SPA and 1-Port Channelized OC-12/STM-4 SPA, you can run a maximum of 27 concurrent tests across all paths on the SPA.



Note BERT operation is data-intensive. Regular data cannot flow on the path while the test is in progress. The path is reported to be in alarm state when BERT is in progress and restored to a normal state after BERT has been terminated.

There are two categories of test patterns that can be generated by the onboard BER test circuitry: pseudorandom and repetitive. Pseudorandom test patterns are exponential numbers and conform to the CCITT/ITU O.151 and O.153 specifications; repetitive test patterns are all zeros, all ones, or alternating zeros and ones.

A description of the test patterns follows:

- Pseudorandom test patterns:
 - 2¹⁵ (per CCITT/ITU O.151)
 - 2²⁰ (per CCITT/ITU O.153)
 - 2²³ (per CCITT/ITU O.151)
 - QRSS (quasi-random signal sequence) (per CCIT/ITU O.151)
- Repetitive test patterns:
 - All zeros (0s)
 - All ones (1s)
 - Alternating zeros (0s) and ones (1s)

The following table provides information about some additional BERT patterns supported by some of the channelized SPAs on the Cisco ASR 1000 Series Aggregation Services Routers:

Table 33: Additional BERT Pattern Support on the Channelized SPAs

Pattern	1-Port Channelized OC-3/STM-1 SPA	1-Port Channelized OC-12/STM-4 SPA	2-Port and 4-Port Channelized T3 SPA
1-in-8	Yes	Yes	Yes
3-in-24	Yes	Yes	Yes
2 ⁹	Yes	Yes	Yes
2 ¹¹	Yes	Yes	Yes

Pattern	1-Port Channelized OC-3/STM-1 SPA	1-Port Channelized OC-12/STM-4 SPA	2-Port and 4-Port Channelized T3 SPA
2 ¹⁵ -inverted	Yes	Yes	Yes
2 ²⁰ -QRSS	Yes	Yes	Yes
2 ²³ -inverted	Yes	Yes	Yes
55Octet	Yes	No	Yes
55Daly	Yes	No	Yes
DS0-1, DS0-2, DS0-3, and DS0-4	Yes	No	Yes
Single Bit Error Injection	No	Yes	No

Both the total number of error bits received and the total number of bits received are available for analysis. You can set the testing period from 1 minute to 14,400 minutes (240 hours), and you can also retrieve the error statistics anytime during the BER test.

When running a BER test, your system expects to receive the same pattern that it is transmitting. To help ensure this:

- Use a loopback at a location of your choice in the link or network. To see how to configure a loopback, go to the [Using loopback Commands, on page 321](#).
- Configure remote testing equipment to transmit the same BER test pattern at the same time.

Configuring a BER Test

To send a BER test pattern on an interface, use the **bert pattern** command. For more information, see the *Configuring the 1-Port Channelized OC-3/STM-1 SPA and 1-Port Channelized OC-12/STM-4 SPA* chapter.

Viewing a BER Test

You can view the results of a BER test with the `show controllers` command.

You can view the results of a BER test at the following times:

- After you terminate the test using the **no bert** command.
- After the test runs completely.
- Anytime during the test (in real time).

```
Router# show controllers serial T3 1/0/0
T3 1/0/0 is up.
C2T3 H/W Version: 3, C2T3 ROM Version: 0.79, C2T3 F/W Version: 0.29.0
T3 1/0/0 T1 1
No alarms detected.
Clock Source is internal.
BERT test result (running)
  Test Pattern: 2^15, Status: Sync, Sync Detected: 1
  Interval: 5 minute(s), Time Remain: 5 minute(s)
  Bit Errors (Since BERT Started): 6 bits,
  Bits Received (Since BERT start): 8113 Kbits
```

```
Bit Errors (Since last sync): 6 bits
Bits Received (Since last sync): 8113 Kbits
```

Interpreting BER Test Results

The following table explains the output of the **show controllers** command.

Table 34: Interpreting BER Test Results

Field	Description
BERT test result (running)	Indicates the current state of the test. In this case, “running” indicates that the BER test is still in progress. After a test is completed, “done” is displayed.
Test Pattern: 2^15, Status: Sync, Sync Detected: 1	Indicates the test pattern you selected for the test (2^15), the current synchronization state (Sync), and the number of times synchronization has been detected during this test (1).
Interval: 5 minute(s), Time Remain: 5 minute(s)	Indicates the time the test takes to run and the time remaining for the test to run. If you terminate a BER test, you receive a message similar to the following: Interval: 5 minute(s), Time Remain: 2 minute(s) (unable to complete) “Interval: 5 minutes” indicates the configured run time for the test. “Time Remain: 2 minutes” indicates the time remaining in the test prior to termination. “(unable to complete)” signifies that you interrupted the test.
Bit Errors (Since BERT Started): 6 bits Bits Received (Since BERT start): 8113 Kbits Bit Errors (Since last sync): 6 bits Bits Received (Since last sync): 8113 Kbits	These four lines show the bit errors that have been detected versus the total number of test bits that have been received since the test started and since the last synchronization was detected.

Using loopback Commands

Loopback support is useful for testing the interface without connectivity to the network, or for diagnosing equipment malfunctions between the interface and a device. The 2-Port and 4-Port T3/E3 Serial SPA supports both an internal and an external loopback mode. The external loopback mode requires the use of a loopback cable and implements a loopback through the transceiver on the SPA.

You can also configure an internal loopback without the use of a loopback cable that implements a loopback at the PHY device internally. By default, loopback is disabled.

To configure loopback, use the following commands:

Command	Purpose
Router# configure terminal	Enters global configuration mode.
T3/E3 Router(config)# interface serial <i>slot/subslot/port</i> T1/E1 Router(config)# controller <i>slot/subslot/port</i>	Selects the interface to configure and enters interface configuration mode. <ul style="list-style-type: none"> slot/subslot/port—Specifies the location of the T3/E3 interface. slot/subslot/port—Specifies the location of the T1/E1 controller.
T3/E3 Router(config-if)# loopback {local dte network line payload} remote} T1/E1 Router(config-controller)# loopback { local [line payload] diag }	Specifies the loopback mode. <ul style="list-style-type: none"> local—Loops back after going through the framer toward the terminal. dte—Loops back after the LIU towards the terminal. network—Loops back towards the network. remote—Sends FEAC to set remote in loopback. line—Loops back toward network before going through framer. payload—Loops back toward network after going through framer. diag—Loops back after going through the HDLC controller towards the terminal.

Verifying Loopback Mode

The following example shows that local loopback is set:

```
Router# show interfaces serial 2/0/0
Serial2/0/0 is up, line protocol is up (looped)
  Hardware is SPA-4T3E3
  MTU 4470 bytes, BW 44210 Kbit, DLY 200 usec,
    reliability 255/255, txload 225/255, rxload 221/255
  Encapsulation FRAME-RELAY, crc 16, loopback set (local)
  Keepalive set (10 sec)
  LMI enq sent 13281, LMI stat recvd 13280, LMI upd recvd 0, DTE LMI up
  LMI enq recvd 1, LMI stat sent 0, LMI upd sent 0
  LMI DLCI 1023 LMI type is CISCO frame relay DTE
  FR SVC disabled, LAPF state down
  Broadcast queue 0/256, broadcasts sent/dropped 0/0, interface broadcasts 0
  Last input 00:00:07, output 00:00:00, output hang never
  Last clearing of "show interface" counters 1d12h
  Input queue: 0/75/0/0 (size/max/drops/flushes); Total output drops: 612756
  Queueing strategy: fifo
  Output queue: 0/40 (size/max)
  5 minute input rate 38446000 bits/sec, 109217 packets/sec
  5 minute output rate 39023000 bits/sec, 110854 packets/sec
    14601577951 packets input, 642478074437 bytes, 0 no buffer
    Received 0 broadcasts (0 IP multicast)
    0 runts, 0 giants, 0 throttles
      0 parity
    0 input errors, 0 CRC, 0 frame, 0 overrun, 0 ignored, 0 abort
```

```
14545044296 packets output, 639982568049 bytes, 0 underruns
0 output errors, 0 applique, 1 interface resets
0 output buffer failures, 0 output buffers swapped out
0 carrier transitions
rxLOS inactive, rxLOF inactive, rxAIS inactive
txAIS inactive, rxRAI inactive, txRAI inactive
```

Using the Cisco IOS Event Tracer to Troubleshoot Problems

This feature is intended for use as a software diagnostic tool and should be configured only under the direction of a Cisco Technical Assistance Center (TAC) representative.

The Event Tracer feature provides a binary trace facility for troubleshooting Cisco IOS software. This feature gives Cisco service representatives additional insight into the operation of the Cisco IOS software and can be useful in helping to diagnose problems in the unlikely event of an operating system malfunction or, in the case of redundant systems, Route Processor switchover.

Event tracing works by reading informational messages from specific Cisco IOS software subsystem components that have been preprogrammed to work with event tracing, and by logging messages from those components into system memory. Trace messages stored in memory can be displayed on the screen or saved to a file for later analysis.

The SPAs currently support the “spa” component to trace SPA OIR-related events.

For more information about using the Event Tracer feature, refer to the following URL:

http://www.cisco.com/en/US/docs/ios/12_0s/feature/guide/evnttrcr.html

Preparing for Online Insertion and Removal of a SPA

The Cisco ASR 1000 Series Aggregation Services Routers support online insertion and removal (OIR) of the SIP, in addition to each of the SPAs. Therefore, you can remove a SIP with its SPAs still intact, or you can remove a SPA independently from the SIP, leaving the SIP installed in the router.

This means that a SIP can remain installed in the router with one SPA remaining active, while you remove another SPA from one of the SIP subslots. If you are not planning to immediately replace a SPA into the SIP, then be sure to install a blank filler plate in the subslot. The SIP should always be fully installed with either functional SPAs or blank filler plates.

For more information about activating and deactivating SPAs in preparation for OIR, see the *Troubleshooting the SIP* chapter.



CHAPTER 21

Overview of the Cisco WebEx Node for the Cisco ASR 1000 Series Routers

This chapter provides an overview of the release history, features, and MIB support for the Cisco WebEx Node on the Cisco ASR 1000 Series Aggregation Services Routers. The Cisco WebEx Node is a shared port adapter (SPA) that provides enhanced performance and reduced bandwidth consumption for WebEx web, VoIP, and video sessions in a large enterprise.

This chapter includes the following sections:

- [Release History, on page 325](#)
- [Overview of the Cisco WebEx Node SPA Environment, on page 326](#)
- [Supported Features, on page 328](#)
- [Restrictions, on page 329](#)
- [Supported MIBs, on page 329](#)
- [Displaying the SPA Hardware Type, on page 330](#)

Release History

Release	Modification
Cisco IOS XE Release 3.11.0	The steps to configure the Cisco WebEx Node have been added.
Cisco IOS XE Release 3.8.0	The WebEx Node SPA supports Version T28.4 of WebEx. This version supports Cisco TelePresence WebEx OneTouch 2.0.
Cisco IOS XE Release 3.6.0	The WebEx Node SPA supports Version WBS27SP32 of WebEx. This version supports both high-quality and high-definition video on the Audio and Video SPA.
Cisco IOS XE Release 2.4	Support for the Cisco WebEx Node was introduced on the Cisco ASR 1000 Series Aggregation Services Routers.

Overview of the Cisco WebEx Node SPA Environment

The Cisco WebEx Node is a SPA for the Cisco ASR 1000 Series Aggregation Services Routers that integrates transparently with the Cisco WebEx collaboration cloud. The SPA runs WebEx software that enables the Cisco WebEx Node module to act like a private extension of the WebEx service.

The Cisco WebEx Node for the Cisco ASR 1000 Series Aggregation Services Routers provides enhanced performance and reduced bandwidth consumption for WebEx web, VoIP, and video sessions in a large enterprise. This is achieved by extending the hosted Cisco WebEx collaboration cloud into a large enterprise by deploying primary software components of the WebEx platform to an embedded processor within the onsite router.

The Cisco WebEx Node SPA is a full-height SPA that is designed to run an application that is a part of the Cisco WebEx Data Center. The Cisco WebEx Node SPA improves the functionality of WebEx meeting services by adding the meeting servers into the SPA itself. This technology provides the following advantages:

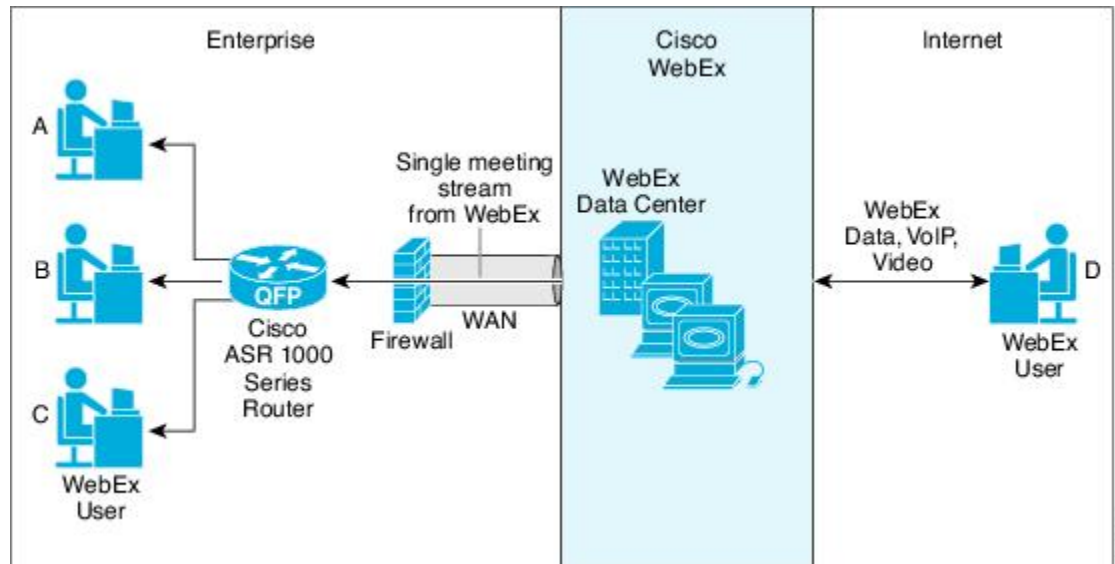
- Improves performance for users inside the company firewall.
- Reduces the bandwidth going out of the company firewall (to the WebEx Data Center).
- Provides better security by reducing traffic outside the company firewall.

Software that runs on the Cisco WebEx Node for the Cisco ASR 1000 Series Aggregation Services Routers includes Cisco WebEx collaboration cloud software components that are integral to meeting collaboration and voice and video conferencing. By moving these components and functions into the Cisco WebEx Node SPA, the Cisco WebEx clients in the enterprise network have to connect only to the Cisco WebEx Node SPA. This reduces the traffic between the enterprise network and the Cisco WebEx Data Center, greatly reducing the customer's internet bandwidth requirements.

By moving the switching components of the Cisco WebEx collaboration cloud into the Cisco WebEx Node for Cisco ASR 1000 Series Aggregation Services Routers, the Cisco WebEx clients in the enterprise network have to connect only to the Cisco WebEx Node SPA. This reduces the traffic between the enterprise network and the Cisco WebEx Data Center, greatly reducing the customer's internet bandwidth requirements, as shown in the following figure.

Instead of individual meeting streams from the Cisco WebEx Data Center to the enterprise, the use of the Cisco ASR 1000 Series Aggregation Services Routers to implement some of the Cisco WebEx conferencing functions allows for a single meeting stream from the Cisco WebEx Data Center to support enterprise conferencing traffic.

Figure 9: Cisco WebEx Network



Each Cisco WebEx Node SPA can be configured to perform either web conferencing or voice and video conferencing, but not both at the same time. Each Cisco WebEx Node SPA uses the same software package that includes both features; but the conferencing feature that actually runs on each SPA is determined by the Cisco WebEx Service Plan that the customer has purchased. The WebEx Data Center retains the Cisco WebEx Node SPA configuration files that the SPA retrieves each time the SPA boots. Multiple Cisco WebEx Node SPAs can be installed on the same Cisco ASR 1000 Series Aggregation Services Router to increase performance or to provide coverage for both media and video or VoIP sessions.

Cisco WebEx Node Management System

A web-based management tool located in the Cisco WebEx Data Center called the Cisco WebEx Node Management System (NMS) is available to perform the following tasks, and access the following information through a web browser:

- Administration Account Management
 - Add or delete users and change passwords
 - Login history
- System Information
 - Memory usage and memory history (previous 24 hours)
 - CPU usage and CPU usage history (previous 24 hours)
 - Basic OS information
- Server Process Information
 - Check server version number on the SPA. Show the server version number in the Cisco WebEx Data Center.
 - Check server status

- Number of server processes that are running and the uptime
- Memory and CPU usage of each server process
- Server restart history for the past 30 days
- Cisco WebEx Meeting Information
 - Number of meetings on the SPA
 - Number of attendees on the SPA
 - Number of connections to the Cisco WebEx Data Center
 - Number of audio sessions on each multimedia platform
 - Number of video sessions on each multimedia platform
 - Peak number of meetings and number of attendees in last 24 hours
- Server Management
 - Suspend, resume, or stop the server
 - Restart the server
- Troubleshooting and Support
 - Upload core and log files to the Cisco WebEx Data Center
 - Turn on details traces
 - Performance information such as round trip time (RTT) to the top Cisco WebEx Data Center, RTT to client average, and so forth
 - Test network connection to the Cisco WebEx Data Center
- Configuration
 - Configuration auto restart time

For more information about getting started with the Cisco WebEx Node Management System, see the *Configuring the Cisco WebEx Node for the ASR 1000 Series Aggregation Services Routers* chapter. For details about working with the Cisco WebEx Node Management System, see the [Cisco WebEx Node Management System Administrator's Guide](#).

Supported Features

The Cisco WebEx Node for the Cisco ASR 1000 Series Aggregation Services Routers includes basic features:

- 4-GB RAM
- 250-GB hard disk drive, with self-monitoring, analysis, and reporting technology (SMART) support for application data and system log storage
- Faceplate LEDs to indicate SPA status, hard disk drive activity, and system status
- A Shutdown button to stop hard drive access activity before removing the SPA to prevent data corruption

- Voltage and temperature monitoring
- Online insertion and removal (OIR)
- Downloadable configuration from the WebEx Data Center
- Support for web conferencing or voice and video conferencing, and up to 500 clients for media or 600 streams for mixed audio and multipoint video
- Effective from Cisco IOS XE Release 3.6.0S, the Audio and Video SPA:
 - Supports HD video.
 - Collects QoS data, such as latency and jitter, for monitoring purposes. Note that the WebEx performance monitoring tools use the QoS data present in the server trace logs for debugging purposes.
 - Tracks the quality of media controller servers. This is used to track the connections between the Audio and Video SPA and the audio and video servers in the data center.
- Effective from Cisco IOS XE Release 3.8.0S, the WebEx Node SPA supports Version T28.4 of WebEx. This version supports Cisco TelePresence WebEx OneTouch 2.0.
- Secure Sockets Layer (SSL) connection between the Cisco WebEx Node SPA and the WebEx Data Center, and secure connection between the Cisco WebEx Node SPA and Cisco WebEx clients.
- Monitoring the Cisco WebEx Node SPA from the Cisco WebEx Data Center.
- Automatic recovery for service failures on a Cisco WebEx Node SPA by another Cisco WebEx Node SPA, or by the Cisco WebEx collaboration cloud.

For detailed information about the hardware features and benefits of the Cisco WebEx Node for the Cisco ASR 1000 Series Aggregation Services Routers, refer to the product data sheet at:

http://www.cisco.com/en/US/prod/collateral/vpndevc/ps10128/ps10339/ps10353/data_sheet_c78-530577.html

Restrictions

- Performance can be affected if there is a slow connection to the WebEx Data Center because communication between different Cisco WebEx Node SPAs has to go through the WebEx Data Center.
- Before the Cisco WebEx Node SPA is removed, the software and the hard drive should be gracefully shut down, either using the Shutdown button or the **hw-module subslot stop** command.
- Either web conferencing or voice and video conferencing are supported, but both are not supported on the same Cisco WebEx Node SPA.
- The Cisco ASR 1002-X Router was introduced in Release 3.7.0S. This router does not support the Cisco WebEx Node SPA.

Supported MIBs

The following MIBs are supported in Cisco IOS XE Release 2.4 for the Cisco WebEx Node SPA on the Cisco ASR 1000 Series Routers:

Common MIBs

- ENTITY-MIB
- IF-MIB
- MIB-II

Cisco-Specific Common MIBs

- CISCO-ENTITY-EXT-MIB
- OLD-CISCO-CHASSIS-MIB
- CISCO-ENTITY-FRU-CONTROL-MIB
- CISCO-ENTITY-ASSET-MIB
- CISCO-ENTITY-SENSOR-MIB
- CISCO-ENTITY-VENDORTYPE-OID-MIB

For more information about MIB support on a Cisco ASR 1000 Series Routers, refer to the *Cisco ASR 1000 Series Aggregation Services Routers MIB Specifications Guide*, at:

<http://www.cisco.com/en/US/docs/routers/asr1000/mib/guide/asr1kmib.html>

To locate and download MIBs for the selected platforms, Cisco IOS releases, and feature sets, use the Cisco MIB Locator found at:

<http://tools.cisco.com/ITDIT/MIBS/servlet/index>

If the Cisco MIB Locator does not support the MIB information that you need, you can also obtain a list of supported MIBs and download the MIBs from the Cisco MIBs page at:

<http://www.cisco.com/public/sw-center/netmgmt/cmtk/mibs.shtml>

To access Cisco MIB Locator, you must have an account on Cisco.com. If you have forgotten or lost your account information, send a blank e-mail to cco-locksmith@cisco.com. An automatic check will verify that your e-mail address is registered with Cisco.com. If the check is successful, account details with a new random password will be e-mailed to you. Qualified users can establish an account on Cisco.com by following the directions found at:

<https://tools.cisco.com/RPF/register/register.do>

Displaying the SPA Hardware Type

To verify the SPA hardware type that is installed in your Cisco ASR 1000 Series Routers, use the **show interfaces service-engine** command or the **show hw-module subslot service-engine status** command.

The following table shows the hardware description that appears in the **show** command output for each Cisco WebEx Node SPA that is supported on the Cisco ASR 1000 Series Routers.

Table 35: Cisco WebEx Node SPA Hardware Descriptions in show Commands

SPA	Description in show interfaces Command	Description in show hw-module subslot Command
Cisco WebEx Node for ASR 1000 SPA	Hardware is SPA-WMA-K9	“Service Engine is Cisco SPA-WMA-K9”

Example of the show interfaces service-engine Command

The following example shows an output of the **show interfaces service-engine** command on a Cisco ASR 1000 Series Aggregation Services Router with a Cisco WebEx Node SPA installed in subslot 0 of a SIP that is installed in slot 0:

```
Router# show interfaces Service-Engine 0/0/0
Service-Engine0/0/0 is up, line protocol is up
Hardware is SPA-WMA-K9
```

Example of the show hw-module subslot service-engine status Command

The following example shows an output of the **show hw-module subslot service-engine status** command on a Cisco ASR 1000 Series Routers with a Cisco WebEx Node SPA installed in subslot 0 of a SIP that is installed in slot 0:

```
Router# show hw-module subslot 0/0 service-engine status
Service Engine is Cisco SPA-WMA-K9
```

Example of the show hw-module subslot service-engine status Command



CHAPTER 22

Configuring the Cisco WebEx Node for the ASR 1000 Series Aggregation Services Routers

This chapter provides information about configuring the Cisco WebEx Node for ASR 1000 Series on the Cisco ASR 1000 Series Aggregation Services Routers, also referred to in this document as the Cisco WebEx Node SPA.

- [Prerequisites, on page 333](#)
- [Configuration Tasks, on page 337](#)
- [Verifying the Service Engine Configuration, on page 342](#)
- [Configuration Examples, on page 358](#)

Prerequisites

Complete the following prerequisites to successfully activate your Cisco WebEx Node for ASR 1000 Series:

Registering with the WebEx Data Center and the Cisco WebEx Node Management System

To successfully activate a Cisco WebEx Node for ASR 1000 Series, certain registration and provisioning activities must be performed with the WebEx Data Center using the Cisco WebEx Node Management System. The Cisco WebEx Node Management System also provides monitoring and reporting for Cisco WebEx nodes.

Once the SPA is registered with the WebEx Data Center, certain node security information must be gathered and then configured on the Cisco WebEx Node for ASR 1000 Series.



Note Registering your Cisco WebEx Node SPA and establishing an account in the Cisco WebEx Node Management System are two separate activities. If you are responsible for the management of Cisco WebEx Node SPAs for your enterprise, then it is likely that you will also acquire an account in the Cisco WebEx Node Management System application. Otherwise, you will work with your enterprise WebEx administrator to exchange the appropriate information to properly provision your Cisco WebEx Node SPA with the WebEx Data Center and configure it locally at the Cisco ASR 1000 Series Router.



Note For details about working with the Cisco WebEx Node Management System, see the [Cisco WebEx Node Management System Administrator's Guide](#).

Obtaining an Account in the Cisco WebEx Node Management System

If you will be monitoring and maintaining Cisco WebEx Node SPAs for your enterprise, then you will need to obtain an account in the Cisco WebEx Node Management System.

Consider the following important information about Cisco WebEx Node Management System accounts:

- You must change your password within 90 days. If you do not change your password, your account will move to “Inactive” status.
- If you do not successfully log in to the Cisco WebEx Node Management System after three attempts, the account moves to “Locked” status.

To acquire an account in the Cisco WebEx Node Management System, perform the following steps:

SUMMARY STEPS

1. Contact your Cisco WebEx administrator with the following information to set up your initial account information:
2. Once your Cisco WebEx Node Management System account is created, you can log in to the application by going to the following URL:
3. On the login page for the Cisco WebEx Node Management System, enter your username and temporary password in the appropriate boxes.
4. From the Account List page, go to the Edit Account page to change your password by checking the box next to your user account and click the pencil icon to access your account information page.
5. On the Edit Account page, click the **Change Password** link to open the Change Password dialog box.
6. In the Change Password dialog box, enter your old password and new password in the corresponding fields and click **OK**.

DETAILED STEPS

Step 1 Contact your Cisco WebEx administrator with the following information to set up your initial account information:

Note The first account associated with a Cisco WebEx Node SPA will already have the organization name automatically created by the WebEx provisioning team.

- User name—This name should be unique per organization.
- Password—Must contain at least 8 characters, a minimum of one mixed-case letters, and a minimum of one number. Your Cisco WebEx administrator will assign an initial password that you can change after logging into your account.
- Email address

Step 2 Once your Cisco WebEx Node Management System account is created, you can log in to the application by going to the following URL:

<https://wma.webex.com>

Step 3 On the login page for the Cisco WebEx Node Management System, enter your username and temporary password in the appropriate boxes.

Note You can obtain login assistance by submitting your email address and your login information will be sent to you.

Step 4 From the Account List page, go to the Edit Account page to change your password by checking the box next to your user account and click the pencil icon to access your account information page.

Step 5 On the Edit Account page, click the **Change Password** link to open the Change Password dialog box.

Step 6 In the Change Password dialog box, enter your old password and new password in the corresponding fields and click **OK**.

Registering a Cisco WebEx Node SPA in the Cisco WebEx Node Management System

This section describes the information required to perform initial activation of your Cisco WebEx Node SPA in the Cisco WebEx Node Management System.



Note This task must be performed by a registered Cisco WebEx Node Management user. This could be someone in the role of a Cisco WebEx administrator for your enterprise, or multiple individuals responsible for Cisco WebEx Node management for your enterprise.

SUMMARY STEPS

1. To register and provision your Cisco WebEx Node for the ASR 1000 Series, contact your Cisco WebEx administrator with the following information to register your Cisco WebEx Node SPA with the WebEx Data Center:
2. After the Cisco WebEx Node SPA is registered in the Cisco WebEx Node Management System, obtain the following information from the Node Information page for the SPA in the Cisco WebEx Node Management System:

DETAILED STEPS

-
- Step 1** To register and provision your Cisco WebEx Node for the ASR 1000 Series, contact your Cisco WebEx administrator with the following information to register your Cisco WebEx Node SPA with the WebEx Data Center:
- Company name
 - Phone number (this number uniquely identifies a customer location, not a actual number for contacting)
 - Site name (for example, cisco.webex.com)
 - SPA serial number (use the **show diag [all | chassis | slot | subslot] eeprom** command to view the serial number of the WebEx SPA, for example, router# **show diag subslot 0/1 eeprom detail**)
 - Assigned hostname
 - Conferencing mode (either web conferencing or voice and video conferencing)
- Step 2** After the Cisco WebEx Node SPA is registered in the Cisco WebEx Node Management System, obtain the following information from the Node Information page for the SPA in the Cisco WebEx Node Management System:
- wma-passcode—Must match the value in the **service-engine wma-passcode** configuration command on the Cisco WebEx Node SPA.
 - wma-token—Must match the value in the **service-engine wma-token** configuration command on the Cisco WebEx Node SPA.

- `wma-url`—The URL string from the Cisco WebEx Node Management System must be configured on the Cisco WebEx Node SPA using the **service-engine wma-url** command.

Note This security information must be configured on the Cisco WebEx Node for ASR 1000 Series SPA using the CLI. For more information about configuring the CLI, see the [Configuring the Virtual Service Engine Interface, on page 337](#).

Completing the Cisco WebEx Node SPA Configuration Prerequisites

Prior to configuring the Cisco WebEx Node SPA, you must ensure that the following tasks are completed:

- A Cisco IOS XE software image is loaded on your Cisco ASR 1000 Series Router that is compatible with the Cisco WebEx Node SPA. The Cisco WebEx Node SPA provides K9 encryption, and you must also download and install the optional *sipspawmak9* subpackage. To complete the installation of the Cisco WebEx Node SPA, perform the steps mentioned in the following sections:
 - [Managing and Configuring a Router to Run Using Individual SubPackages From a Consolidated Package](#)
 - [Managing and Configuring a Router to Run Using Optional SubPackages](#)

For more information about Cisco IOS XE package compatibility and installation instructions, see the [Consolidated Packages and Sub-Package Management](http://www.cisco.com/en/us/docs/routers/asr1000/configuration/guide/chassis/asrswcfg.html) chapter of the <http://www.cisco.com/en/us/docs/routers/asr1000/configuration/guide/chassis/asrswcfg.html> Cisco ASR 1000 Series Aggregation Services Routers Software Configuration Guide .

- After the router is configured to run using individual subpackages, download and install the *webex sipspawmak9* subpackage. Use the **request platform software package install rp *rp-slot-number* file storage-device:sipspa-package-name** command in the privileged EXEC mode or the diagnostic mode to upgrade the SIPSPA subpackage. For example:

```
router# request platform software package install rp
0
file
bootflash:asr1000rp1-sipspawmak9.2011-11-23_09.34_cmaddine.pkg
.
```

- A DNS entry for the IP address is assigned to each Cisco WebEx Node SPA.
- An IP address is allocated for the Cisco IOS XE interface configuration on the Cisco ASR 1000 Series Aggregation Services Router side.
- An IP address is also allocated for the internal interface configuration on the Cisco WebEx Node SPA side.
- The IP address that is allocated for the Cisco IOS XE interface configuration on the Cisco ASR 1000 Series Router side and the IP address that is allocated for the internal interface configuration on the Cisco WebEx Node SPA side must be on the same subnet.
- Verify that certain WebEx Data Center servers (such as the Cisco WebEx Data Center SSL gateway and the Cisco WebEx Node Management server) are reachable and not blocked from access by the Cisco ASR 1000 Series Router. If access to these servers is blocked, then the Cisco WebEx Node SPA might not activate properly.

Configuration Tasks

This section describes how to configure the Cisco WebEx Node for ASR 1000 Series and verify the configuration. For information about managing your system images and configuration files, refer to the following:

- [Cisco ASR 1000 Series Aggregation Services Routers Software Configuration Guide](#)
- [Cisco IOS Configuration Fundamentals Configuration Guide](#)
- [Cisco IOS Configuration Fundamentals Command Reference](#)

Specifying the Service Engine Interface Address on the Cisco WebEx Node SPA

To configure or monitor SPA interfaces, you need to specify the physical location of the SIP, SPA, and interface in the CLI. The interface address format is *slot/subslot/port*, where:

- *slot*—Specifies the chassis slot number in the Cisco ASR 1000 Series Router where the SIP is installed.
- *subslot*—Specifies the secondary slot of the SIP where the SPA is installed.
- *port*—Specifies the number of the individual interface port on a SPA.

The following example shows how to specify the service engine interface on a Cisco WebEx Node SPA installed in the first subslot of a SIP (0) installed in chassis slot 2:

```
Router(config)# interface service-engine 2/0/0
```

For more information about identifying slots and subslots, see the “Identifying Slots and Subslots for the SIPs and SPAs” section in the *Configuring the SIP* chapter.

Configuring the Virtual Service Engine Interface

Configuration of the Cisco WebEx Node SPA begins with the setup of a virtual service engine interface. This Cisco IOS XE virtual interface is created to allow services running on the Cisco WebEx Node SPA to communicate through the Cisco ASR 1000 Series Router with the Internet. The interface simulates a 2.5-GB Ethernet interface and facilitates the connection between the Cisco WebEx Data Center and Cisco WebEx clients.

A service-engine interface on the Cisco WebEx Node SPA has two IP addresses:

- Router-side IP address—Configured with the **ip address** command. The IP address on the router side acts like a gateway to the WebEx services running on the SPA side.
- Internal SPA interface IP address—Configured with the **service-engine ip address** command.

Virtual Service-Engine Interface Configuration Guidelines

To successfully configure the virtual service-engine interface, complete the following guidelines:

- The Network Address Translation (NAT) must be configured to convert the private address of the service engine to the public address.

- The router-side IP address must be configured using the **ip address** command.
- The service-engine IP address must be on the same subnet as the router-side IP address for the service-engine interface (configured using the **ip address** command.)
- The **service-engine ip address** command must be configured before you configure the **service-engine default-gateway** command.
- The **service-engine default-gateway** IP address must match the router-side IP address.



Note Before you can configure the Cisco WebEx Node SPA, you must shut down the service-engine interface using the **shutdown** interface configuration command. To activate the service-engine interface, use the **no shutdown** command.

SUMMARY STEPS

1. Router(config)# **ip nat inside source static** *private-ip-address public-ip-address*
2. Router(config)# **interface service-engine** *slot/subslot/0*
3. Router(config-if)# **ip address** *router-side-ip-address*
4. Router(config-if)# **service-engine ip address** *module-side-ip-address subnet-mask*
5. Router(config-if)# **service-engine default-gateway** *gateway-ip-address*
6. Router(config-if)# **service-engine nameserver** *name-server1-ip-address name-server2-ip-address*
7. Router(config-if)# **service-engine hostname** *module-side-hostname module-side-domain-name*
8. Router(config-if)# **service-engine wma-url** *url-string*
9. Router(config-if)# **service-engine wma-token** *token-string*
10. Router(config-if)# **service-engine wma-passcode** *name-string key-string*
11. Router(config-if)# **no shutdown**

DETAILED STEPS

	Command or Action	Purpose
Step 1	Router(config)# ip nat inside source static <i>private-ip-address public-ip-address</i>	Enables the NAT of the inside source address, which converts the private address of the service engine to the public address. <ul style="list-style-type: none"> • <i>private-ip-address</i>—The IP address of the service engine. • <i>public ip-address</i>—The public IP address that has Domain Name System (DNS) to register the Cisco Webex Node SPA in the Cisco WebEx Node Management System. The DNS name of the public IP address is the hostname of the Cisco Webex Node SPA.
Step 2	Router(config)# interface service-engine <i>slot/subslot/0</i>	Specifies the service engine interface to configure, where:
Step 3	Router(config-if)# ip address <i>router-side-ip-address</i>	Specifies the IP address of the router-side interface.
Step 4	Router(config-if)# service-engine ip address <i>module-side-ip-address subnet-mask</i>	Configures the Cisco WebEx Node SPA service engine IP address, where:

	Command or Action	Purpose
		<ul style="list-style-type: none"> • <i>module-side-ip-address</i> —Specifies the IP address for the service engine interface. • <i>subnet mask</i> —Specifies the mask for the associated IP subnet. <p>Note The service-engine IP address must be on the same subnet as the router-side IP address for the service-engine interface.</p>
Step 5	Router(config-if)# service-engine default-gateway <i>gateway-ip-address</i>	Specifies the IP address for the service engine default gateway. Note This IP address must match the IP address configured in the ip address command for the router-side IP address.
Step 6	Router(config-if)# service-engine nameserver <i>name-server1-ip-address name-server2-ip-address</i>	Specifies the primary and secondary domain name server that will be used by the WebEx Node SPA, where: <ul style="list-style-type: none"> • <i>name-server1-ip-address</i>—Specifies the IP address of the primary domain name server. • <i>name-server2-ip-address</i>—Specifies the IP address of the secondary domain nameserver.
Step 7	Router(config-if)# service-engine hostname <i>module-side-hostname module-side-domain-name</i>	Specifies the host name and domain name given to the Cisco WebEx Node SPA, where: <ul style="list-style-type: none"> • <i>module-side-hostname</i>—Specifies the host name of the service engine interface. The default host name is “service-spa.” • <i>module-side-domain-name</i>—Specifies the domain name of the service engine interface. <p>Note The domain name must be assigned as a preliminary step. See the Registering with the WebEx Data Center and the Cisco WebEx Node Management System, on page 333.</p>
Step 8	Router(config-if)# service-engine wma-url <i>url-string</i>	Specifies the URL provided by registration and provisioning of the SPA in the Cisco WebEx Node Management System. For more information, see the Registering with the WebEx Data Center and the Cisco WebEx Node Management System, on page 333 .
Step 9	Router(config-if)# service-engine wma-token <i>token-string</i>	Specifies the encrypted token string provided by the Cisco WebEx Node Management System.

	Command or Action	Purpose
		<p>Note The <i>token-string</i> must match the code provisioned in the Cisco WebEx Node Management System for the named SPA. For more information, see the Registering with the WebEx Data Center and the Cisco WebEx Node Management System, on page 333.</p>
Step 10	Router(config-if)# service-engine wma-passcode name-string key-string	<p>Specifies the WebEx Node SPA name and key used for authentication, where:</p> <ul style="list-style-type: none"> • <i>name-string</i>—Specifies the name assigned to the SPA. • <i>key-string</i>—Specifies the password used for encrypted authentication. <p>Note The <i>key-string</i> must match the passcode provisioned in the Cisco WebEx Node Management System for the named SPA. For more information, see the Registering with the WebEx Data Center and the Cisco WebEx Node Management System, on page 333.</p>
Step 11	Router(config-if)# no shutdown	Activates the interface.

What to do next

The following is an example of the use of these configurations:

```
ip nat inside source static 10.200.72.18 192.0.2.1
interface Service-Engine1/0/0
ip address 10.200.72.17 255.255.255.252
ip nat inside
ip virtual-reassembly
service-engine ip address 10.200.72.18 255.255.255.252
service-engine default-gateway 10.200.72.17
service-engine nameserver 10.100.4.10 10.100.4.20
service-engine hostname spawma1 cisco.com
service-engine wma-url https://wmaabts.webex.com/wmams
service-engine wma-token 45484b3e-8ea5-41e5-b050-49409006d14e
service-engine wma-passcode SPAWMA1
0552055C271A4B5C4D5D424A5B5E007F73722B6B33264457125659500C0E555159
```



Note Because the passcode is encrypted, the output will not reveal the configured token or passcode.

What To Do Next

Verify the configuration in the [Verifying the Service Engine Configuration, on page 342](#).

Saving the Configuration

To save your running configuration to nonvolatile random-access memory (NVRAM), use the following command in privileged EXEC configuration mode:

Command	Purpose
Router# copy running-config startup-config	Writes the new configuration to NVRAM.

For more information about managing your system image and configuration files, refer to the [Cisco IOS XE Configuration Fundamentals Configuration Guide](#) and [Cisco IOS Configuration Fundamentals Command Reference](#) publications that correspond to your Cisco IOS XE software release.

Shutting Down and Removing the Cisco WebEx Node SPA

Because the Cisco WebEx Node SPA has a hard disk drive (HDD), it is necessary to shut down gracefully before physically removing the SPA from the Cisco ASR 1000 Series Router. This action allows the operating system to unmount the file system and put the HDD in standby mode to prevent data corruption or physical damage to the HDD.

The Cisco WebEx Node SPA can be shut down in one of two ways:

- You can use the **hw-module subslot stop** command to gracefully shut down the SPA before physically removing the hardware from the chassis. To shut down the Cisco WebEx Node SPA, use the following command in EXEC mode:

Command	Purpose
Router# hw-module subslot slot/subslot stop	Shuts down the Cisco WebEx Node SPA located in the slot and subslot locations indicated.

- You can use the Shutdown button located on the left side of the faceplate. Use the tip of a pen or other similar blunt object to press the button.

Once the shutdown operation is initiated by either method, the SYS LED starts to blink (green) to indicate the shutdown operation is in progress. Once the shutdown operation is completed, the SYS LED turns off to show that the SPA can now be removed.



Caution Make sure to wait until the SYS LED turns off before removing the SPA.

The following example shows the use of the **hw-module subslot stop** command:

```
Router# hw-module subslot 0/0 stop
ASR1004#
*Feb 18 12:37:32.260:%SPA_OIR-6-OFFLINECARD: SPA (SPA-WMA-K9) offline in subslot 0/0
*Feb 18 12:37:32.260:%ASR1000_OIR-6-SOFT_STOPSPA: SPA(SPA-WMA-K9) stopped in subslot 0/0,
interfaces disabled
ASR1004# show platform
Chassis type: ASR1004

Slot      Type              State              Insert time (ago)
-----
0         ASR1000-SIP10    ok                 16:20:50
```

```

0/0      SPA-WMA-K9      stopped      00:00:13
0/1      SPA-WMA-K9      ok           16:18:32
R0       ASR1000-RP1         ok, active   16:20:50
F0       ASR1000-ESP10  ok, active   16:20:50
P0       ASR1004-PWR-AC  ok           16:19:23
P1       ASR1004-PWR-AC  ok           16:19:23

```

```

Slot      CPLD Version      Firmware Version
-----
0         07091401         12.2(33r)XN2
R0        07062111         12.2(33r)XN2
F0        07051680         12.2(33r)XN2

```

Verifying the Service Engine Configuration

There are several commands that provide current information and status of the Cisco WebEx Node SPA, service engine, and other components.

Showing Cisco WebEx Node SPA Settings and Activity

You can use the **show interfaces service-engine** command to display Cisco WebEx Node SPA configuration settings and current activity. After configuration, make sure that the service-engine interface is “up” and the line protocol is “up” as shown in the following example:

```

Router# show interfaces service-engine
1/0/0
Service-Engine0/1/0 is up, line protocol is up
Hardware is SPA-WMA-K9, address is 001f.6c25.bd10 (bia 001f.6c25.bd10)
Internet address is 10.200.72.18/30
MTU 1500 bytes, BW 2500000 Kbit, DLY 1000 usec,
    reliability 255/255, txload 1/255, rxload 1/255
Encapsulation ARPA, loopback not set
Keepalive not supported
ARP type: ARPA, ARP Timeout 04:00:00
Last input 03:43:59, output 00:00:35, output hang never
Last clearing of "show interface" counters never
Input queue: 0/375/0/0 (size/max/drops/flushes); Total output drops: 2
Queueing strategy: fifo
Output queue: 0/40 (size/max)
5 minute input rate 0 bits/sec, 0 packets/sec
5 minute output rate 0 bits/sec, 0 packets/sec
    19 packets input, 1302 bytes, 0 no buffer
Received 0 broadcasts (0 IP multicasts)
    0 runts, 0 giants, 0 throttles
    0 input errors, 0 CRC, 0 frame, 0 overrun, 0 ignored
    0 input packets with dribble condition detected
1091 packets output, 371289 bytes, 0 underruns
    0 output errors, 0 collisions, 1 interface resets
    0 babbles, 0 late collision, 0 deferred
    0 lost carrier, 0 no carrier
    0 output buffer failures, 0 output buffers swapped out

```

Showing Service Engine Status

To show service engine status including a listing of the applications that are active, use the **show hw-module subslot service-engine status** command as shown in the following example:

```

Router# show hw-module subslot 1/0 service-engine status
Service Engine is Cisco SPA-WMA-K9
Service Engine state: Steady (0x300)
Service Engine OS Version: 1.0.0, Application Version: 1.0.0

Application: WebEx Node (Web Conferencing)
Application Status: Online
Configuration:
  Int ip address: 10.200.72.18 , mask: 255.255.255.252
  GW ip address: 10.200.72.17
  Nameserver 1: 10.100.4.10 , Nameserver 2: 10.100.4.20
  Hostname: spawmal, Domain name: cisco.com
  WMA URL - https://wmabts.webex.com/wmams
  WMA Token - 45484b3e-8ea5-41e5-b050-49409006d14e
  WMA Passcode Name - cisco_test, key:0552055C271A4B5C4D5D424A5B5E007F

```



Note Since the passcode and token are encrypted, the actual content is not displayed.

Verify that the service engine is reported in “Steady” state, and the Application Status is “Online.” If the Application Status is “Online,” then verify that the indicated operation mode (“Web Conferencing” or “Voice and Video Conferencing”) is correct. If not, contact Cisco WebEx Technical Support to correct the problem.

If the Application Status field is “Offline” then the operation mode (indicated in parenthesis in "Application" field) will show that it is not configured, as shown in the following sample output:

```

Router# show hw-module subslot 1/0 service-engine status
Service Engine is Cisco SPA-WMA-K9
Service Engine state: Steady (0x300)
Service Engine OS Version: 1.0.0, Application Version: 1.0.0

Application: WebEx Node (operation mode not configured)
Application Status: Offline

```

This occurs when the connection to the Cisco WebEx Data Center fails, and therefore provisioning information about the operation mode can not be retrieved. For more information about provisioning, see the [Registering with the WebEx Data Center and the Cisco WebEx Node Management System, on page 333](#). For additional troubleshooting information, refer to the *Troubleshooting the Cisco WebEx Node for the ASR 1000 Series Aggregation Services Routers* chapter.

Configuring the WebEx Node

The security patch for the WebEx Node has been integrated into Cisco IOS XE Release 3.8.2 and Cisco IOS XE Release 3.9.1S. To install the security patch, the Cisco ASR 1000 Series Aggregation Services Routers and the WebEx SPA modules need to be upgraded to either Cisco IOS XE Release 3.8.2 or Cisco IOS XE Release 3.9.1S.

You can only install the WebEx Node subpackage when the Cisco ASR 1000 Series Aggregation Services Router is rebooted in the subpackage mode.

If the router is already booted up in the subpackage mode with the required release (3.08.02 or 3.09.01), copy the optional subpackage (sipspawma) pertaining to the same release in the same directory in which the subpackages are stored, and then install the same optional subpackage (sipspawma). In this case, no router reload is necessary.

If the router is started with a consolidated image of any release, or is started in the subpackage mode with a release that is different from the required release, copy the required consolidated image (3.08.02 or 3.09.01) in an appropriate media, create and install the subpackages from the consolidated image to bootflash, copy the optional subpackage (sipspawma) in the same directory in bootflash, and reload the system in the subpackage mode. After the router is up and running, install the optional subpackage (sipspawma).

For more information, see the “Consolidated Packages and Sub-Package Management” and “Software Upgrade Process” chapters in the Cisco ASR 1000 Series Aggregation Services Routers Software Configuration Guide.

Configuring the WebEx Node Using a USB Memory Stick as a Backup

To use this method, we recommend that you to use a 4-GB USB memory stick as a backup device.



Note If you do not want to create a backup with a USB memory device, a backup can be created through a bootflash.

Perform the following steps to configure the WebEx Node using a USB memory stick as a backup in Cisco IOS XE Release 3.8.2:

SUMMARY STEPS

1. Download the Cisco ASR 1000 Series Aggregation Services Router software from:
<http://software.cisco.com/download/navigator.html?mdfid=281716314&flowid=1362>
2. Log in to a Cisco ASR 1000 Series Aggregation Services Router, and copy the consolidated package to the USB0 drive:
3. Copy the sipspawmak9 package to the USB0 drive:
4. Expand the consolidated package into the bootflash:
5. Copy the expanded packages and the packages.conf file from the USB drive to the bootflash:
6. Repeat step 1 to step 5 for the remaining packages.
7. If you are running a dual RP system (hardware redundant system), perform the following step, else skip to step 9.
8. Copy the expanded packages and the packages.conf file from the USB drive to the standby bootflash:
9. Enter the configuration mode:
10. Remove the old boot package from the bootflash:
11. Log in to the Cisco ASR 1000 Series Aggregation Services Router.
12. Verify if the new packages are running after the Cisco ASR 1000 Series Aggregation Services Router reboots:
13. Check whether the ROMMON version in the WebEx SPA is up-to-date by using the show platform command. If it is not, use the upgrade rommon all command to update the ROMMON.
14. Deploy the WebEx SPA package:
15. Verify that the SPA is active:
16. Go to <https://wma.webex.com> and log in.
17. Choose Administration > Node Management.
18. Select all the individual node names.
19. Copy the wma-passcode string to all the nodes:
20. Enter the configuration mode:
21. Enter the individual SPA interfaces, and re-enter the wma-passcodes:
22. Write the configuration to memory:

23. Verify that the running configuration is pointing to the correct node determined in Step 9.
24. Make sure that you are on the same network as the Cisco ASR 1000 Series Aggregation Services Router or VPN, and then start a WebEx meeting.
25. Verify that network traffic is traversing the WebEx SPA card on the Cisco ASR 1000 Series Aggregation Services Router by running the following commands:
26. Access the SIP console by using the request platform software console attach slot/subslot command.

DETAILED STEPS

-
- Step 1** Download the Cisco ASR 1000 Series Aggregation Services Router software from:
<http://software.cisco.com/download/navigator.html?mdfid=281716314&flowid=1362>
The consolidated package is asr1000rp1-adventerprisek9.03.08.02.S.153-1.S2.bin.
The WebEx Node package is asr1000rp2-sipspawmak9.03.08.02.S.153-2.S1.pkg
- Step 2** Log in to a Cisco ASR 1000 Series Aggregation Services Router, and copy the consolidated package to the USB0 drive:
Example:
- ```
copy tftp: usb0:
IP address | name of remote host {1.1.1.1}
Source filename [asr1000rp1-adventerprisek9.03.08.02.S.153-1.S2.bin]
Destination filename [asr1000rp1-adventerprisek9.03.08.02.S.153-1.S2.bin]
```
- Step 3** Copy the sipspawmak9 package to the USB0 drive:  
**Example:**
- ```
copy tftp: bootflash:  
Address or name of remote host {1.1.1.1}  
Source filename [asr1000rp2-sipspawmak9.03.08.02.S.153-1.S2.pkg]  
Destination filename [asr1000rp2-sipspawmak9.03.08.02.S.153-1.S2.pkg]
```
- Step 4** Expand the consolidated package into the bootflash:
Example:
- ```
request platform software package expand file
bootflash:asr1000rp1-adventerprisek9.03.08.02.S.153-1.S2.bin to bootflash:
```
- Step 5** Copy the expanded packages and the packages.conf file from the USB drive to the bootflash:  
**Example:**
- ```
copy usb0:asr1000rp2-sipspawmak9.03.08.02.S.153-1.S2.pkg bootflash:  
copy usb0:packages.conf bootflash:  
copy usb0:asr1000rp2-ipbase.03.08.02.S.153-1.S2.bin bootflash:
```
- Step 6** Repeat step 1 to step 5 for the remaining packages.
- Step 7** If you are running a dual RP system (hardware redundant system), perform the following step, else skip to step 9.
- Step 8** Copy the expanded packages and the packages.conf file from the USB drive to the standby bootflash:
Example:
- ```
copy usb0:asr1000rp2-sipspawmak9.03.08.02.S.153-1.S2.pkg stby-bootflash:
```

```
copy usb0:packages.conf stby-bootflash:
copy usb0:asr1000rp2-ipbase.03.08.02.S.153-1.S2.bin stby-bootflash:
```

Repeat this step for the remaining packages.

**Step 9** Enter the configuration mode:

**Example:**

```
configure terminal
```

**Step 10** Remove the old boot package from the bootflash:

**Example:**

```
Router(config)# no boot system
Router(config)# config-register 0x2102
Router(config)# boot system flash bootflash:packages.conf
Router(config)# exit
Router# write memory
Router# reload
```

**Step 11** Log in to the Cisco ASR 1000 Series Aggregation Services Router.

**Step 12** Verify if the new packages are running after the Cisco ASR 1000 Series Aggregation Services Router reboots:

**Example:**

```
show version running
```

**Step 13** Check whether the ROMMON version in the WebEx SPA is up-to-date by using the show platform command. If it is not, use the upgrade rommon all command to update the ROMMON.

**Step 14** Deploy the WebEx SPA package:

**Example:**

```
request platform software package install rp <rp-slot-number> file
bootflash:asr1000rp2-sipspawmak9.03.08.02.S.153-1.S2.pkg
```

Here, rp-slot-number is active-rp-slot-number

For a dual RP system, perform this additional step:

**Example:**

```
request platform software package install rp <stby-rp-slot-number> file
stby-bootflash:asr1000rp2-sipspawmak9.03.08.02.S.153-1.S2.pkg
```

**Step 15** Verify that the SPA is active:

**Example:**

```
show platform
```

**Step 16** Go to <https://wma.webex.com> and log in.

**Step 17** Choose Administration > Node Management.

**Step 18** Select all the individual node names.

**Step 19** Copy the wma-passcode string to all the nodes:

**Example:**

```
mtg_webex-web d2bc97983456676fbb7ea5cfcc2c3a57
```

**Step 20** Enter the configuration mode:

**Example:**

```
configure terminal
```

**Step 21** Enter the individual SPA interfaces, and re-enter the wma-passcodes:

**Example:**

```
interface service-Engine 0/0/0
ip address <ip addr> <subnet mask>
shutdown
service-engine ip address <ip addr> <subnet mask>
service-engine default-gateway <ip addr>
service-engine nameserver <primary DNS nameserver> <secondary DNS nameserver>
service-engine hostname <spa name> <domainname>
service-engine wma-url <webex url for wma spa config>
no shutdown
show hw-module subslot <subslot> service-engine status
```

Repeat Step 19 for all the interfaces.

**Step 22** Write the configuration to memory:

**Example:**

```
write memory
```

**Step 23** Verify that the running configuration is pointing to the correct node determined in Step 9.

**Example:**

```
show running-configuration
```

**Step 24** Make sure that you are on the same network as the Cisco ASR 1000 Series Aggregation Services Router or VPN, and then start a WebEx meeting.

**Step 25** Verify that network traffic is traversing the WebEx SPA card on the Cisco ASR 1000 Series Aggregation Services Router by running the following commands:

**Example:**

```
show platform hardware qfp act interface if-name service-engine0/0/0 statistics
show platform hardware qfp act interface if name service-engine0/1/0 statistics
```

**Step 26** Access the SIP console by using the request platform software console attach slot/subslot command.

## Configuring the WebEx Node Using a USB Memory Stick as a Backup

Perform the following steps to configure the WebEx Node using a USB memory stick as a backup in Cisco IOS XE Release 3.9.1S.




---

**Note** If you do not want to create a backup with a USB memory device, a backup can be created through bootflash.

---

## SUMMARY STEPS

1. Download the Cisco ASR 1000 Series Aggregation Services Router software from: <http://software.cisco.com/download/navigator.html?mdfid=281716314&flowid=1362>
2. Log in to a Cisco ASR 1000 Series Aggregation Services Router, and copy the consolidated package to the USB0 drive:
3. Copy the sipspawmak9 package to the USB0 drive:
4. Expand the consolidated package into the bootflash:
5. Copy the expanded packages and the packages.conf file from the USB drive to the bootflash:
6. Repeat step 1 to step 5 for the remaining packages.
7. If you are running a dual RP system (hardware redundant system), perform the following step, else skip to step 9.
8. Copy the expanded packages and the packages.conf file from the USB drive to the standby bootflash:
9. Enter the configuration mode:
10. Remove the old boot package from the bootflash:
11. Log in to the Cisco ASR 1000 Series Aggregation Services Router.
12. Verify if the new packages are running after the Cisco ASR 1000 Series Aggregation Services Router reboots:
13. Check whether the ROMMON version in the WebEx SPA is up-to-date by using the show platform command. If it is not, use the upgrade rommon all command to update the ROMMON.
14. Deploy the WebEx SPA package:
15. Verify that the SPA is active:
16. Go to <https://wma.webex.com> and log in.
17. Choose Administration > Node Management.
18. Select all the individual node names.
19. Copy the wma-passcode string to all the nodes, for example, mtg\_webex-webd2bc97983456676fbb7ea5cfcc2c3a57.
20. Enter the configuration mode:
21. Enter the individual SPA interfaces, and re-enter the wma-passcodes:
22. Write the configuration to memory:
23. Verify that the running configuration is pointing to the correct node determined in Step 9:
24. Make sure that you are on the same network as the Cisco ASR 1000 Series Aggregation Services Router or VPN, and then start a WebEx meeting.
25. Verify that network traffic is traversing the WebEx SPA card on the Cisco ASR 1000 Series Aggregation Services Router by running the following commands:
26. Access the SIP console by using the request platform software console attach slot/subslot command.

## DETAILED STEPS

- 
- Step 1** Download the Cisco ASR 1000 Series Aggregation Services Router software from: <http://software.cisco.com/download/navigator.html?mdfid=281716314&flowid=1362>



The consolidated package is asr1000rp1-adventerprisek9.03.09.01.S.153-2.S1.bin

The WebEx Node package is asr1000rp1-sipspawmak9.03.09.01.S.153-2.S1.pkg

**Step 2** Log in to a Cisco ASR 1000 Series Aggregation Services Router, and copy the consolidated package to the USB0 drive:

**Example:**

```
copy tftp: usb0:
Address or name of remote host {1.1.1.1}
Source filename [asr1000rp1-adventerprisek9.03.09.01.S.153-2.S1.bin]
Destination filename [asr1000rp1-adventerprisek9.03.09.01.S.153-2.S1.bin]
```

**Step 3** Copy the sipspawmak9 package to the USB0 drive:

**Example:**

```
copy tftp: bootflash:
Address or name of remote host {1.1.1.1}
Source filename [asr1000rp1-sipspawmak9.03.09.01.S.153-2.S1.pkg]
Destination filename [asr1000rp1-sipspawmak9.03.09.01.S.153-2.S1.pkg]
```

**Step 4** Expand the consolidated package into the bootflash:

**Example:**

```
Request platform software package expand file
bootflash:asr1000rp1-adventerprisek9.03.09.01.S.153-2.S1.bin to bootflash:
```

**Step 5** Copy the expanded packages and the packages.conf file from the USB drive to the bootflash:

**Example:**

```
copy usb0:asr1000rp1-sipspawmak9.03.09.01.S.153-2.S1.pkg bootflash:
copy usb0:packages.conf bootflash:
copy usb0:asr1000rp2-ipbase.03.08.02.S.153-1.S2.bin bootflash:
```

**Step 6** Repeat step 1 to step 5 for the remaining packages.

**Step 7** If you are running a dual RP system (hardware redundant system), perform the following step, else skip to step 9.

**Step 8** Copy the expanded packages and the packages.conf file from the USB drive to the standby bootflash:

**Example:**

```
copy usb0:asr1000rp1-sipspawmak9.03.09.01.S.153-2.S1.pkg stby-bootflash:
copy usb0:packages.conf stby-bootflash:
copy usb0:asr1000rp2-ipbase.03.08.02.S.153-1.S2.bin stby-bootflash:
```

Repeat this step for the remaining packages.

**Step 9** Enter the configuration mode:

**Example:**

```
configure terminal
```

**Step 10** Remove the old boot package from the bootflash:

**Example:**

```
Router(config)# no boot system
```

```
Router(config)# config-register 0x2102
Router(config)# boot system flash bootflash:packages.conf
Router(config)# exit
Router# write memory
Router# reload
```

**Step 11** Log in to the Cisco ASR 1000 Series Aggregation Services Router.

**Step 12** Verify if the new packages are running after the Cisco ASR 1000 Series Aggregation Services Router reboots:

**Example:**

```
show version running
```

**Step 13** Check whether the ROMMON version in the WebEx SPA is up-to-date by using the show platform command. If it is not, use the upgrade rommon all command to update the ROMMON.

**Step 14** Deploy the WebEx SPA package:

**Example:**

```
request platform software package install rp <rp-slot-number> file
bootflash:asr1000rp1-sipspawmak9.03.09.01.S.153-2.S1.pkg
```

Here, rp-slot-number is active-rp-slot-number.

For a dual RP system, perform this additional step:

**Example:**

```
request platform software package install rp <stby-rp-slot-number> file
stby-bootflash: asr1000rp1-sipspawmak9.03.09.01.S.153-2.S1.pkg
```

**Step 15** Verify that the SPA is active:

**Example:**

```
show platform
```

**Step 16** Go to <https://wma.webex.com> and log in.

**Step 17** Choose Administration > Node Management.

**Step 18** Select all the individual node names.

**Step 19** Copy the wma-passcode string to all the nodes, for example, mtg\_webex-web d2bc97983456676fbb7ea5cfc2c3a57.

**Step 20** Enter the configuration mode:

**Example:**

```
configure terminal
```

**Step 21** Enter the individual SPA interfaces, and re-enter the wma-passcodes:

**Example:**

```
interface service-Engine 0/0/0
ip address <ip addr> <subnet mask>
shutdown
service-engine ip address <ip addr> <subnet mask>
service-engine default-gateway <ip addr>
service-engine nameserver <primary DNS nameserver> <secondary DNS nameserver>
service-engine hostname <spa name> <domainname>
```

```
service-engine wma-url <webex url for wma spa config>
no shutdown
show hw-module subslot <subslot> service-engine status
```

Repeat Step 19 for all the interfaces.

**Step 22** Write the configuration to memory:

**Example:**

```
write memory
```

**Step 23** Verify that the running configuration is pointing to the correct node determined in Step 9:

**Example:**

```
show running-configuration
```

**Step 24** Make sure that you are on the same network as the Cisco ASR 1000 Series Aggregation Services Router or VPN, and then start a WebEx meeting.

**Step 25** Verify that network traffic is traversing the WebEx SPA card on the Cisco ASR 1000 Series Aggregation Services Router by running the following commands:

**Example:**

```
show platform hardware qfp act interface if-name service-engine0/0/0 statistics
show platform hardware qfp act interface if name service-engine0/1/0 statistics
```

**Step 26** Access the SIP console by using the request platform software console attach slot/subslot command.

## Configuring the WebEx Node from the Bootflash

Perform the following steps to configure the WebEx Node from the bootflash in Cisco IOS XE Release 3.8.2.

### SUMMARY STEPS

1. Download the Cisco ASR 1000 Series Aggregation Services Routers software from:  
<http://software.cisco.com/download/navigator.html?mdfid=281716314&flowid=1362>
2. Copy the consolidated package to the bootflash:
3. Copy the sipspawmak9 package to the bootflash:
4. Expand the consolidated package into the bootflash:
5. If you are running a dual RP system (hardware redundant system), perform the following step, else skip to step 7.
6. Copy the consolidated image to the standby bootflash:
7. Expand the consolidated package into the standby bootflash:
8. Enter the configuration mode:
9. Remove the old boot package from the bootflash:
10. Log in to the Cisco ASR 1000 Series Aggregation Services Router.
11. Verify that the new packages are running after the Cisco ASR 1000 Series Aggregation Services Router reboots:
12. Check whether the ROMMON version in WebEx SPA is up-to-date by using the show platform command. If it is not, use the upgrade rommon all command to update the ROMMON version.

13. Deploy the WebEx SPA package:
14. Verify that the SPA is active:
15. Go to <https://wma.webex.com> and log in.
16. Choose Administration > Node management
17. Select all the individual node names.
18. Copy the wma-passcode string to all the nodes, for example, mtg\_webex-webd2bc97983456676fbb7ea5cfcc2c3a57
19. Enter the configuration mode:
20. Enter the individual SPA interfaces, and re-enter the wma-passcodes:
21. Write configuration to memory:
22. Verify that the running configuration is pointing to the correct node determined in Step 8:
23. Make sure that you are on the same network as the Cisco ASR 1000 Series Aggregation Services Router or VPN, and start a WebEx meeting.
24. Verify that network traffic is traversing the WebEx SPA card on the Cisco ASR 1000 Series Aggregation Services Router by running the following commands:
25. Access the SIP console by using request platform software console attach slot/subslot command.

## DETAILED STEPS

**Step 1** Download the Cisco ASR 1000 Series Aggregation Services Routers software from:  
<http://software.cisco.com/download/navigator.html?mdfid=281716314&flowid=1362>

The consolidated package is asr1000rp1-adventerprisek9.03.08.02.S.153-1.S2.bin

The WebEx Node package is asr1000rp2-sipspawmak9.03.08.02.S.153-1.S2.pkg

**Step 2** Copy the consolidated package to the bootflash:

**Example:**

```
copy tftp: bootflash:
Address or name of remote host {1.1.1.1}
Source filename [asr1000rp1-adventerprisek9.03.08.02.S.153-1.S2.bin]
Destination filename [asr1000rp1-adventerprisek9.03.08.02.S.153-1.S2.bin]
```

**Step 3** Copy the sipspawmak9 package to the bootflash:

**Example:**

```
copy tftp: bootflash:
Address or name of remote host {1.1.1.1}
Source filename [asr1000rp2-sipspawmak9.03.08.02.S.153-1.S2.pkg]
Destination filename [asr1000rp2-sipspawmak9.03.08.02.S.153-1.S2.pkg]
```

**Step 4** Expand the consolidated package into the bootflash:

**Example:**

```
request platform software package expand file
bootflash:asr1000rp1-adventerprisek9.03.08.02.S.153-1.S2.bin
```

**Step 5** If you are running a dual RP system (hardware redundant system), perform the following step, else skip to step 7.

**Step 6** Copy the consolidated image to the standby bootflash:

**Example:**

```
copy bootflash:asr1000rp1-adventerprisek9.03.08.02.S.153-1.S2.bin stby-bootflash:
copy bootflash:asr1000rp2-sipspawmak9.03.08.02.S.153-1.S2.pkg stby-bootflash:
```

**Step 7** Expand the consolidated package into the standby bootflash:

**Example:**

```
Request platform software package expand file
stby-bootflash:asr1000rp1-adventerprisek9.03.08.02.S.153-1.S2.bin to stby-bootflash:
```

**Step 8** Enter the configuration mode:

**Example:**

```
configure terminal
```

**Step 9** Remove the old boot package from the bootflash:

**Example:**

```
Router(config)# no boot system
Router(config)# config-register 0x2102
Router(config)# boot system flash bootflash:packages.conf
Router(config)# exit
Router# write memory
Router# reload
```

**Step 10** Log in to the Cisco ASR 1000 Series Aggregation Services Router.

**Step 11** Verify that the new packages are running after the Cisco ASR 1000 Series Aggregation Services Router reboots:

**Example:**

```
show version running
```

**Step 12** Check whether the ROMMON version in WebEx SPA is up-to-date by using the show platform command. If it is not, use the upgrade rommon all command to update the ROMMON version.

**Step 13** Deploy the WebEx SPA package:

**Example:**

```
request platform software package install rp rp-slot-number file
bootflash:asr1000rp2-sipspawmak9.03.08.02.S.153-1.S2.pkg
```

Here, rp-slot-number is active-rp-slot-number.

For a dual RP system, perform this additional step:

**Example:**

```
request platform software package install rp stby-rp-slot-number file
stby-bootflash: asr1000rp2-sipspawmak9.03.08.02.S.153-1.S2.pkg
```

**Step 14** Verify that the SPA is active:

**Example:**

```
show platform
```

- Step 15** Go to <https://wma.webex.com> and log in.
- Step 16** Choose Administration > Node management
- Step 17** Select all the individual node names.
- Step 18** Copy the wma-passcode string to all the nodes, for example, mtg\_webex-web d2bc97983456676fbb7ea5cfcc2c3a57
- Step 19** Enter the configuration mode:

**Example:**

```
configure terminal
```

- Step 20** Enter the individual SPA interfaces, and re-enter the wma-passcodes:

**Example:**

```
interface service-Engine 0/0/0
ip address <ip addr> <subnet mask>
shutdown
service-engine ip address <ip addr> <subnet mask>
service-engine default-gateway <ip addr>
serviceengine wma-passcode <wma-token>
service-engine nameserver <primary DNS nameserver> <secondary DNS nameserver>
service-engine hostname <spa name> <domainname>
service-engine wma-url <webex url for wma spa config>
no shutdown
show hw-module subslot <subslot> service-engine status
```

Repeat Step 19 for all the interfaces.

- Step 21** Write configuration to memory:

**Example:**

```
write memory
```

- Step 22** Verify that the running configuration is pointing to the correct node determined in Step 8:

**Example:**

```
show running-configuration
```

- Step 23** Make sure that you are on the same network as the Cisco ASR 1000 Series Aggregation Services Router or VPN, and start a WebEx meeting.

- Step 24** Verify that network traffic is traversing the WebEx SPA card on the Cisco ASR 1000 Series Aggregation Services Router by running the following commands:

**Example:**

```
show platform hardware qfp act interface if-name service-engine0/0/0 statistics
show platform hardware qfp act interface if name service-engine0/1/0 statistics
```

- Step 25** Access the SIP console by using request platform software console attach slot/subslot command.

## Configuring the WebEx Node from the Bootflash

Perform the following steps to configure the WebEx Node from the bootflash in Cisco IOS XE Release 3.9.1.

## SUMMARY STEPS

1. Download the software of the Cisco ASR 1000 Series Aggregation Services Routers from:  
<http://software.cisco.com/download/navigator.html?mdfid=281716314&flowid=1362>
2. Copy the consolidated package to the bootflash:
3. Copy the sipspawmak9 package to the bootflash:
4. Expand the consolidated package into the bootflash:
5. If you are running a dual RP system (hardware redundant system), perform the following step, else skip to step 7.
6. Copy the consolidated image to the standby bootflash:
7. Expand the consolidated package into the standby bootflash:
8. Enter the configuration mode:
9. Remove the old boot package from the bootflash:
10. Log in to the Cisco ASR 1000 Series Aggregation Services Router.
11. Verify that the new packages are running after the Cisco ASR 1000 Series Aggregation Services Router reboots:
12. Check whether the ROMMON version in WebEx SPA is up-to-date by using the show platform command. If it is not, use the upgrade rommon all command to update the ROMMON version.
13. Deploy the WebEx SPA package:
14. Verify that the SPA is active:
15. Go to <https://wma.webex.com> and log in.
16. Choose Administration > Node management.
17. Select all the individual node names.
18. Copy the wma-passcode string to all the nodes, for example, mtg\_webex-webd2bc97983456676fbb7ea5fcc2c3a57
19. Enter the configuration mode:
20. Enter the individual SPA interfaces, and re-enter the wma-passcodes:
21. Write configuration to memory:
22. Verify that the running configuration is pointing to the correct node determined in Step 8:
23. Make sure that you are on the same network as the Cisco ASR 1000 Series Aggregation Services Router or VPN, and start a WebEx meeting.
24. Verify that network traffic is traversing the WebEx SPA card on the Cisco ASR 1000 Series Aggregation Services Router by running the following commands:
25. Access the SIP console by using the request platform software console attach slot/subslot command.

## DETAILED STEPS

**Step 1** Download the software of the Cisco ASR 1000 Series Aggregation Services Routers from:  
<http://software.cisco.com/download/navigator.html?mdfid=281716314&flowid=1362>

The consolidated package is asr1000rp1-adventerprisek9.03.09.01.S.153-2.S1.bin

The WebEx node package is asr1000rp1-sipspawmak9.03.09.01.S.153-2.S1.pkg

**Step 2** Copy the consolidated package to the bootflash:

**Example:**

```
copy tftp: bootflash:
```

```
Address or name of remote host {1.1.1.1}
Source filename [asr1000rp1-adventerprisek9.03.09.01.S.153-2.S1.bin]
Destination filename [asr1000rp1-adventerprisek9.03.09.01.S.153-2.S1.bin]
```

**Step 3** Copy the sipspawmak9 package to the bootflash:

**Example:**

```
copy tftp: bootflash:
Address or name of remote host {1.1.1.1}
Source filename [asr1000rp1-sipspawmak9.03.09.01.S.153-2.S1.pkg]
Destination filename [asr1000rp1-sipspawmak9.03.09.01.S.153-2.S1.pkg]
```

**Step 4** Expand the consolidated package into the bootflash:

**Example:**

```
request platform software package expand file
bootflash:asr1000rp1-adventerprisek9.03.09.01.S.153-2.S1.bin
```

**Step 5** If you are running a dual RP system (hardware redundant system), perform the following step, else skip to step 7.

**Step 6** Copy the consolidated image to the standby bootflash:

**Example:**

```
copy bootflash:asr1000rp1-adventerprisek9.03.09.01.S.153-2.S1.bin stby-bootflash:
copy bootflash:asr1000rp1-sipspawmak9.03.09.01.S.153-2.S1.pkg stby-bootflash:
```

**Step 7** Expand the consolidated package into the standby bootflash:

**Example:**

```
request platform software package expand file
stby-bootflash:asr1000rp1-adventerprisek9.03.09.01.S.153-2.S1.bin to stby-bootflash:
```

**Step 8** Enter the configuration mode:

**Example:**

```
configure terminal
```

**Step 9** Remove the old boot package from the bootflash:

**Example:**

```
Router(config)# no boot system
Router(config)# config-register 0x2102
Router(config)# boot system flash bootflash:packages.conf
Router(config)# exit
Router# write memory
Router# reload
```

**Step 10** Log in to the Cisco ASR 1000 Series Aggregation Services Router.

**Step 11** Verify that the new packages are running after the Cisco ASR 1000 Series Aggregation Services Router reboots:

**Example:**

```
show version running
```



**Step 12** Check whether the ROMMON version in WebEx SPA is up-to-date by using the show platform command. If it is not, use the upgrade rommon all command to update the ROMMON version.

**Step 13** Deploy the WebEx SPA package:

**Example:**

```
request platform software package install rp rp-slot-number file
bootflash:asr1000rp1-sipspawmak9.03.09.01.S.153-2.S1.pkg
```

Here, rp-slot-number is active-rp-slot-number.

For a dual RP system, perform this additional step:

**Example:**

```
request platform software package install rp stby-rp-slot-number file
stby-bootflash: asr1000rp1-sipspawmak9.03.09.01.S.153-2.S1.pkg
```

**Step 14** Verify that the SPA is active:

**Example:**

```
show platform
```

**Step 15** Go to <https://wma.webex.com> and log in.

**Step 16** Choose Administration > Node management.

**Step 17** Select all the individual node names.

**Step 18** Copy the wma-passcode string to all the nodes, for example, mtg\_webex-web d2bc97983456676fbb7ea5cfcc2c3a57

**Step 19** Enter the configuration mode:

**Example:**

```
configure terminal
```

**Step 20** Enter the individual SPA interfaces, and re-enter the wma-passcodes:

**Example:**

```
interface service-Engine 0/0/0
ip address <ip addr> <subnet mask>
shutdown
service-engine ip address <ip addr> <subnet mask>
service-engine default-gateway <ip addr>
service-engine wma-passcode <wma-token>
service-engine nameserver <primary DNS nameserver> <secondary DNS nameserver>
service-engine hostname <spa name> <domainname>
service-engine wma-url <webex url for wma spa config>
no shutdown
show hw-module subslot <subslot> service-engine status
```

Repeat Step 19 for all the interfaces.

**Step 21** Write configuration to memory:

**Example:**

```
write memory
```

**Step 22** Verify that the running configuration is pointing to the correct node determined in Step 8:

**Example:**

```
show running-configuration
```

**Step 23** Make sure that you are on the same network as the Cisco ASR 1000 Series Aggregation Services Router or VPN, and start a WebEx meeting.

**Step 24** Verify that network traffic is traversing the WebEx SPA card on the Cisco ASR 1000 Series Aggregation Services Router by running the following commands:

**Example:**

```
show platform hardware qfp act interface if-name service-engine0/0/0 statistics
show platform hardware qfp act interface if name service-engine0/1/0 statistics
```

**Step 25** Access the SIP console by using the request platform software console attach slot/subslot command.

## Configuration Examples

This section includes an example for configuring a Cisco WebEx Node SPA installed in a Cisco ASR 1000 Series Router:

```
Router# config t
Router(config)# ip nat inside source static 10.200.72.18 192.0.2.1
Router(config)# interface service-engine 1/0/0
Router(config-if)# ip address 10.200.72.17 255.255.255.252
Router(config-if)# service-engine ip address 10.200.72.18 255.255.255.252
Router(config-if)# service-engine default-gateway 10.200.72.17
Router(config-if)# service-engine nameserver 10.100.4.10 10.100.4.20
Router(config-if)# service-engine hostname spawma1 cisco.com
Router(config-if)# service-engine wma-url https://wmabts.webex.com/wmams
Router(config-if)# service-engine wma-passcode spawma1 2b51221d2c08f405913bbe1eb9f6ec6
Router(config-if)# service-engine wma-token 45484b3e-8ea5-41e5-b050-49409006d14e
Router(config-if)# no shutdown
```



## CHAPTER 23

# Troubleshooting the Cisco WebEx Node for the ASR 1000 Series Aggregation Services Routers

This chapter describes techniques that you can use to troubleshoot the operation of the Cisco WebEx Node for ASR 1000 Series on the Cisco ASR 1000 Series Aggregation Services Routers, also referred to in this document as the Cisco WebEx Node SPA.

For more information about troubleshooting your hardware installation, see also the [http://www.cisco.com/en/US/docs/interfaces\\_modules/shared\\_port\\_adapters/install\\_upgrade/ASR1000/asr\\_sip\\_spa\\_hw.html](http://www.cisco.com/en/US/docs/interfaces_modules/shared_port_adapters/install_upgrade/ASR1000/asr_sip_spa_hw.html) Cisco Aggregation Services Router 1000 Series SIP and SPA Hardware Installation Guide.

- [General Troubleshooting Information, on page 359](#)
- [Performing Basic Troubleshooting, on page 366](#)
- [Using the Cisco IOS Event Tracer to Troubleshoot Problems, on page 373](#)
- [Preparing for Online Insertion and Removal of a SPA, on page 373](#)

## General Troubleshooting Information

This section provides the following general information for troubleshooting the Cisco WebEx Node SPA:

## Interpreting Console Error and System Messages

Refer to [Cisco IOS XE System Messages](#) document.

System error messages are organized in the documentation according to the particular system facility that produces the messages. The SIP and SPA error messages use the following facility names:

- Cisco ASR 1000 Series SIP:
  - ASR1000\_SIP
  - ASR1000\_SIP\_SPA
- Cisco WebEx Node SPA:
  - SPA\_SE1
  - SPA\_WMA
- Cisco WebEx Node SPA Service Engine:
  - SPA\_SRVCS\_ENGINE

- SPA\_SRVCS\_IF
- SPA Online Insertion and Removal—SPA\_OIR

## Using show Commands

There are several **show** commands, used in privileged EXEC mode, that you can use to monitor and troubleshoot the Cisco WebEx Node SPA on Cisco ASR 1000 Series Routers. For more information on these commands, refer to the Cisco IOS command references and see also the [Performing Basic Troubleshooting, on page 366](#), and the “Verifying the Service Engine Configuration” section of the *Configuring the Cisco WebEx Node for the ASR 1000 Series Aggregation Services Routers* chapter in this guide.

### show Commands to Display Cisco WebEx Node SPA Status

- **show platform**—Displays the status of all modules installed in the Cisco ASR 1000 Series Router chassis. This command is not useful for out-of-service issues.
- **show hw-module subslot all oir**—Displays the OIR status of each Cisco WebEx Node SPA in the chassis. This command is useful for displaying out-of-service issues.
- **show hw-module subslot oir**—Displays the OIR status for a specified Cisco WebEx Node SPA.
- **show hw-module subslot service-engine status**—Displays the application and operational status and configuration of a specified Cisco WebEx Node SPA.

### show Commands to Display Cisco WebEx Node SPA IDPROM

- **show diag subslot eeprom**—Displays main fields of the Cisco WebEx Node SPA IDPROM.
- **show diag subslot detail**—Display all the fields of the Cisco WebEx Node SPA IDPROM.
- **show diag subslot dump**—Dumps the content of the Cisco WebEx Node SPA IDPROM in hexadecimal format.

### show Command to Display Cisco WebEx Node SPA Service Engine Status

The **show hw-module subslot service-engine status** command displays the operational status and configuration of the Cisco WebEx Node SPA. For successful configuration of the service-engine interface, the application status should be “Online.” You can also confirm the provisioned operation mode for the CiscoWebEx Node, which is “Web Conferencing” in the following example:

```
Router# show hw-module subslot 0/0 service-engine status
Service Engine is Cisco SPA-WMA-K9
Service Engine state: Steady (0x300)
Service Engine OS Version: 1.0.0, Application Version: 1.0.0

Application: WebEx Node (Web Conferencing)
Application Status: Online
Configuration:
 Int ip address: 10.200.72.18 , mask: 255.255.255.252
 GW ip address: 10.200.72.17
 Nameserver 1: 10.100.4.10 , Nameserver 2: 10.100.4.20
 Hostname: spawm1, Domain name: cisco.com
 WMA URL - https://wmabts.webex.com/wmams
 WMA Token - 45484b3e-8ea5-41e5-b050-49409006d14e
 WMA Passcode Name - cisco_test, key:0552055C271A4B5C4D5D424A5B5E007F
```

## show Command to Display Cisco WebEx Node SPA FPD version

The **show hw-module all fpd** command displays the FPD version of each Cisco WebEx Node SPA in the Cisco ASR 1000 Series Router. The following example shows some sample output:

```
Router# show hw-module all fpd
=====
Slot Card Type H/W Field Programmable Current Min. Required
Ver. Device: "ID-Name" Version Version
=====
 0/0 SPA-WMA-K9 0.169 4-ADM1066 0.5 0.5
 5-CPLD 1.2 1.2
 1-Appl I/O FPGA 1.2 1.2
 2-ROMMON 1.1 1.1

 0/1 SPA-5X1GE-V2 1.2 1-GE I/O FPGA 1.10 1.10

 0/3 SPA-2X1GE-V2 0.22 1-2xGE V2 I/O FPGA 1.1 1.1

 1/0 SPA-WMA-K9 0.133 4-ADM1066 0.5 0.5
 5-CPLD 1.2 1.2
 1-Appl I/O FPGA 1.2 1.2
 2-ROMMON 1.1 1.1

 1/1 SPA-WMA-K9 0.165 4-ADM1066 0.5 0.5
 5-CPLD 1.2 1.2
 1-Appl I/O FPGA 1.2 1.2
 2-ROMMON 1.1 1.1
```

## show Command to Display Cisco WebEx Node SPA Error Messages on the RP Console

The **show logging** command displays the logged messages that have appeared on the RP console. The following is an example of a software error message that might appear when you run the **show logging** command:

```
Router# show logging
*May 22 17:11:58.712: %SPA_SRVCS_ENGINE-3-APP_MSG_ERR: SIP0/0: SPA-WMA-K9[0/0]: Connect
CWNMS server failed, check network availability to CWNMS server.
```

## Accessing the SIP and SPA Consoles for Troubleshooting

Some troubleshooting for the Cisco WebEx Node SPA requires that you access the SIP or SPA consoles and run some commands to gather debug information or take other action. Under normal operation there is no need to access these consoles. However, sometimes it can be necessary to troubleshoot more complex problems and gather certain debug information.

### Accessing the SIP Console

Use the **request platform software console attach** command to access the SIP console through the Cisco ASR 1000 Series Router RP console. The SIP console is used to collect debug information about the Cisco IOS code that is running on the SIP.

The following example shows how to access the SIP console and enter enable mode:

```
Router# request platform software console attach 0/0
#
Connecting to the SPA console on 0/0.
Enter Control-C to exit the console connection.
```

```
#
Router>enable
Router#
```

To exit the SIP console, enter **Control-C**.

## Accessing the Cisco WebEx Node SPA Console

Use the **hw-module subslot service-engine session** command to access the Cisco WebEx Node SPA console through the Cisco ASR 1000 Series Router RP console. You will see a VEGAS Shell prompt and have access to the console commands.

### Prerequisites

Before you can open a console session on a Cisco WebEx Node SPA, the SPA must first be configured with a minimum of the following commands and be in the “up” state:

- **ip address**
- **service-engine ip address**
- **service-engine default-gateway**

The **service-engine ip address** command must be configured before the **service-engine default-gateway** command.

### Opening the Cisco WebEx Node SPA Console

The following example shows how to open the SPA console:



#### Note

The SPA console default prompt is “service-spa.” This prompt can be changed by configuring the **service-engine hostname** command.

```
Router# hw-module subslot 0/0 service-engine session
MontaVista(R) Linux(R) Carrier Grade Edition 5.0 (custom)
Linux/mips64 2.6.21_mvlcge500-octeon-mips64_octeon_v2_be
Vegas Shell -- CGE 5.0 Version
 Copyright (c) 1985-2008 by Cisco Systems, Inc.
 All rights reserved.
service-spa#
```

### Listing the Available Cisco WebEx SPA Console Commands

The Cisco WebEx SPA console supports a similar help function as the RP console. You can enter **?** at the console to obtain a list of the available commands as shown in the following example:

```
service-spa# ?
Exec commands:
clean Clean commands
copy Copy files from src to destination
delete Remove files
dir Directory listing for files
exit Exit from the EXEC
format Format a device with ext3/fat16/dummy file system
fsck Perform file system check operation
less Shows content of file
load Load plug-in image
mkdir Create new directory
```

```

move Move files
ping Send echo messages
rmdir Remove existing directory
show Show system information
terminal Set terminal line parameters
traceroute Trace route to destination
webex Webex Application Commands

```

Some of the most useful commands include:

- **show eventlog**—Dumps the content of the `/var/log/messages` file.
- **show disk partitions**—Displays the partitions available on the hard disk drive (HDD).
- **show disk smart**—Displays S.M.A.R.T. output of the HDD.
- **show tech-support**—Gathers information for troubleshooting.
- **ping**—Sends echo messages.
- **copy ftp: disk0:**—Copies files from a TFTP server to the HDD first partition.
- **load**—Loads a plug-in image.
- **exit**—Exits from the Cisco WebEx Node SPA console.

### Exiting the Cisco WebEx Node SPA Console

To exit the SPA console, use the **exit** command as shown in the following example:

```

service-spa# exit
Router#

```

## Handling TraceBack and Core Dump Files on the Cisco WebEx Node SPA

This section describes how to gather traceback and core dump file information for troubleshooting by Cisco technical support.

### Collecting Core Dump Files for the Cisco WebEx Node SPA

Linux utilities on the Cisco WebEx Node SPA and the WebEx application software can create core dump files when errors occur. When this happens an error message is logged on the RP console as shown in the following example:

```

*May 22 17:12:02.210:%SPA_SRVCS_ENGINE-2-APP_MSG_CRIT: SIP1/0: SPA-WMA-K9[1/0]: Core dump
generated for 'smartd' (corefile:smartd-626-11-1242970631.core.gz). If the problem persists,
contact your technical support representative for assistance.

```

The core file is saved on the hard disk on the Cisco WebEx Node SPA. Using commands from the Cisco WebEx Node SPA console, you can copy the file from the SPA to an external TFTP server. This file should be given to Cisco technical support as necessary for analysis of the problem.

To access the core dump file and copy it to a TFTP server, complete the following steps:

#### SUMMARY STEPS

1. From the RP console, access the Cisco WebEx Node SPA console as shown in the following example:
2. From the Cisco WebEx Node SPA console, run the **dir core:** command to display the smartd file as shown in the following example:
3. Copy the core dump file from the SPA to a TFTP server as shown in the following example:

## DETAILED STEPS

**Step 1** From the RP console, access the Cisco WebEx Node SPA console as shown in the following example:

**Example:**

```
Router# hw-module subslot 0/0 service-engine session
MontaVista(R) Linux(R) Carrier Grade Edition 5.0 (custom)
Linux/mips64 2.6.21_mvlcge500-octeon-mips64_octeon_v2_be
Vegas Shell -- CGE 5.0 Version
Copyright (c) 1985-2008 by Cisco Systems, Inc.
All rights reserved.
service-spa#
```

**Step 2** From the Cisco WebEx Node SPA console, run the **dir core:** command to display the smartd file as shown in the following example:

**Note** The core dump file is compressed in gzip format before it is saved to the SPA hard disk.

**Example:**

```
service-spa# dir core:
1489726 May 22 05:37:27 2009 smartd-626-11-1242970631.core.gz
Usage for core: filesystem
221794304 bytes total used
1925689343 bytes free
2147483647 bytes total
```

**Step 3** Copy the core dump file from the SPA to a TFTP server as shown in the following example:

**Note** Copying the core file to a storage device on the RP is not supported.

**Example:**

```
service-spa# copy core:smartd-626-11-1242970631.core.gz tftp://dirt/tftpboot/username/
Trying to connect to tftp server.....
!!
!!
!!
(some output has been removed to make this more readable)
!!!!!!!!!!!!!!!!!!!!!!!!!!!!
TFTP put operation was successful
1489726 bytes copied
service-spa# exit
Router#
```

## Collecting Traceback Information for the Cisco WebEx Node SPA

Traceback information is generated during booting of the Cisco WebEx Node SPA and can be used to troubleshoot problems. You can access the traceback information from the SIP console.

No error messages are logged on the RP to indicate that a traceback event has occurred. These events are usually associated with other failures whose errors are reported on the RP console such as SYSINIT\_FAILURE messages, as shown in the following example:

```
*May 1 07:46:32.650: %SPA_SE1-3-SYSINIT_FAILURE: SIP0/0: SPA-WMA-K9[0/0]: System init failure
```



was detected during bootup - application installation error. SPA will be disabled because of this failure.

To collect traceback information for the Cisco WebEx Node SPA, complete the following steps:

## SUMMARY STEPS

1. From the RP console, access the SIP console and enter enable mode as shown in the following example:
2. From the SIP console, enter the **show hw-module subslot bay bootlog cpu-prev** or **show hw-module subslot bay bootlog cpu-last** commands to access the traceback from either the previous SPA boot (**cpu-prev** option) or last SPA boot (**cpu-last** option), as shown in the following examples:

## DETAILED STEPS

**Step 1** From the RP console, access the SIP console and enter enable mode as shown in the following example:

**Example:**

```
Router# request platform software console attach 0/0
#
Connecting to the SPA console on 0/0.
Enter Control-C to exit the console connection.
#
Router> enable
Router#
```

**Step 2** From the SIP console, enter the **show hw-module subslot bay bootlog cpu-prev** or **show hw-module subslot bay bootlog cpu-last** commands to access the traceback from either the previous SPA boot (**cpu-prev** option) or last SPA boot (**cpu-last** option), as shown in the following examples:

**Example:**

```
Router# show hw-module subslot 0 bootlog cpu-last
% CPU boog log not available from last SPA-WMA-K9[0/0] bootup.
```

The following excerpt of a traceback shows a problem with the kernel that eventually causes the Cisco WebEx Node SPA to timeout. After 5 attempts to reload the Cisco WebEx Node SPA, the SPA enters an out-of-service state:

**Note** Some output has been removed to make the example more readable.

**Example:**

```
Router# show hw-module subslot 0 bootlog cpu-prev
----- CPU boot log from previous SPA-WMA-K9[0/0] bootup -----
Checking for the multiply/shift bug... no.
Checking for the daddi bug... no.
Checking for the daddiu bug... no.
CPU 0 Unable to handle kernel paging request at virtual address 0000000000000008,
epc == ffffffff8c029fb4, ra == ffffffff8c02a0bc
Oops[#1]:
Cpu 0
$ 0 : 0000000000000000 ffffffff8c4a3400 ffffffff8c4a5c00 ffffffff8c4a3400
$ 4 : 0000000000000028 0000000000000000 0000000000000000 0000000000000001
$ 8 : a800000414487e60 ffffffff8c00000000 0000000000000000 0000000000000000
$12 : 0000000000000000 0000000000000000 0000000000000000 0000000000000000
$16 : 0000000000000028 0000000000000000 0000000000000010 ffffffff8c4a5c70
$20 : 0000000000000001 0000000000000000 0000000000000000 0000000000000000
$24 : 0000000000000000 0000000000000000
```

```

$28 : a800000414484000 a800000414487e60 0000000000000000 ffffffff8c02a0bc
Hi : 0000000000000000
Lo : 0000000000000000
epc : ffffffff8c029fb4 octeon_unmask_ciu_irq+0x24/0x30 Not tainted
ra : ffffffff8c02a0bc octeon_irq_ciu_unmask+0x84/0xc8
Status: 10008ce2 KX SX UX KERNEL EXL
Cause : 00000008
BadVA : 0000000000000008
PrId : 000d030b
Modules linked in:
Process swapper (pid: 1, threadinfo=a800000414484000, task=a800000414481440)
Stack : 0000000000000001 0000000000000000 0000000000000028 a800000414469b80
 ffffffff8c4a5c00 ffffffff8c02a164 0000000000000001 ffffffff8c046a20
 ffffffff8c095c7c ffffffff8c095afc 0000000000000028 0000000000000080
 ffffffff8c0068d8 ffffffff8c0068d8 ffffffff8c40fa18 a800000414469b80
 ffffffff8c095dec ffffffff8c095dc0 0000000000000000 0000000000000000
 0000000000000000 0000000000000000 0000000000000000 0000000000000000
 ffffffff8c006be8 0000000000000000 ffffffff8c4c68b0 0000000000000000
 ffffffff8c4b1b24 0000000000000000 0000000000000000 0000000000000000
 a800000414484000 a800000414487fe0 0000000000000000 0000000000000000
 0000000000000000 0000000000000000 0000000000000000 0000000000000000

Call Trace:
[<fffffff8c029fb4>] octeon_unmask_ciu_irq+0x24/0x30
[<fffffff8c02a0bc>] octeon_irq_ciu_unmask+0x84/0xc8
[<fffffff8c02a164>] octeon_irq_ciu_startup+0x64/0x78
[<fffffff8c095c7c>] setup_irq+0x234/0x2b0
[<fffffff8c095dec>] request_irq+0xf4/0x118
[<fffffff8c006be8>] plat_prepare_cpus+0x98/0xe0
[<fffffff8c4c68b0>] smp_prepare_cpus+0xf8/0x140
[<fffffff8c4b1b24>] init+0x94/0x748
[<fffffff8c022808>] kernel_thread_helper+0x10/0x18
Code: 0061182d 0043102d dc460020 <dcd90008> 03200008 00000000 7082fa32 3c030000 3c018c4a
Kernel panic - not syncing: Attempted to kill init!
Call Trace:
[<fffffff8c026570>] dump_stack+0x8/0x48
[<fffffff8c052220>] panic+0xb0/0x350
[<fffffff8c058a94>] do_exit+0xc7c/0xc80
[<fffffff8c02647c>] die+0x1ac/0x1b0
[<fffffff8c038034>] do_page_fault+0x1d4/0x480
[<fffffff8c01ff84>] ret_from_exception+0x0/0x10
[<fffffff8c029fb4>] octeon_unmask_ciu_irq+0x24/0x30
[<fffffff8c02a0bc>] octeon_irq_ciu_unmask+0x84/0xc8
[<fffffff8c02a164>] octeon_irq_ciu_startup+0x64/0x78
[<fffffff8c095c7c>] setup_irq+0x234/0x2b0
[<fffffff8c095dec>] request_irq+0xf4/0x118
[<fffffff8c006be8>] plat_prepare_cpus+0x98/0xe0
[<fffffff8c4c68b0>] smp_prepare_cpus+0xf8/0x140
[<fffffff8c4b1b24>] init+0x94/0x748
[<fffffff8c022808>] kernel_thread_helper+0x10/0x18
----- End of CPU previous boot log -----

```

## Performing Basic Troubleshooting

This section includes the following topics:

## Troubleshooting Booting Failures

You can perform most of the troubleshooting for booting failures using the **show platform** and **show hw-module subslot all oir** commands and examining the output to determine the source of an operational problem. Check the output of the **show platform** command to verify that the SIP and SPA are operational.

The following sections provide information about troubleshooting booting failures on the Cisco WebEx Node SPA:

### Troubleshooting Longer Booting Times in the Cisco WebEx Node SPA

Sometimes the Cisco WebEx Node SPA can remain in a booting state for longer-than-usual periods of time. There can be normal reasons for this, or it can be an indication of a problem.

Use the **show hw-module subslot all oir** command to display the operational status of the Cisco WebEx Node SPA. The following example shows sample output of the **show hw-module subslot all oir** command that shows the Cisco WebEx Node SPA in subslot 1/1 in the booting state:

```
Router#sh hw-module subslot all oir
Module Model Operational Status

subslot 0/0 SPA-2X1GE-V2 ok
subslot 0/1 SPA-WMA-K9 ok
subslot 1/1 SPA-WMA-K9 booting
```

To troubleshoot a Cisco WebEx Node SPA that is remaining in the boot state, complete the following steps:

#### SUMMARY STEPS

1. Review some of the possible causes for longer booting times for the Cisco WebEx Node SPA that are described in the following table.
2. Use the **show logging** command to look for the SPA\_OIR-3-SPA\_POWERED\_OFF message as shown in the following example:
3. Reload the SIP as shown in the following example to try to correct the problem:

#### DETAILED STEPS

- 
- Step 1** Review some of the possible causes for longer booting times for the Cisco WebEx Node SPA that are described in the following table.
- If none of the reasons described in the following table are found, and the SPA remains in a booting state for more than 2 minutes, then the SPA will eventually timeout in 6 minutes. The OIR process will automatically try to recover from the problem. The OIR process will make 5 attempts to bring up the Cisco WebEx Node SPA before powering off the SPA.
- Step 2** Use the **show logging** command to look for the SPA\_OIR-3-SPA\_POWERED\_OFF message as shown in the following example:
- Example:**
- ```
*Mar 3 23:27:39.884: %SPA_OIR-3-SPA_POWERED_OFF: subslot 1/0: SPA WMA SERVICES SPA powered off after 5 failures within 1200 seconds
```
- Step 3** Reload the SIP as shown in the following example to try to correct the problem:

Example:

```
Router# hw-module subslot slot 1 reload
```

What to do next

The following table describes the possible reasons why the Cisco WebEx Node SPA might remain in a booting state for a longer length of time than usual.

Table 36: Possible Reasons for Longer Booting Times in the Cisco WebEx Node SPA

Possible Problem	Observations and Comments	Solutions
An FPD upgrade is in progress.	When the system detects an incompatible FPD version on the Cisco WebEx Node SPA, it will attempt to perform an automatic FPD upgrade. This operation can take up to 4 minutes to complete.	From EXEC mode, enter the show upgrade fpd progress command to check if a field-programmable devices (FPD) upgrade is in progress. Tip You can also check if the STATUS LED is blinking in amber color.
Automatic file system checking and recovery of the hard disk drive is being performed.	This process can take around 7 minutes to complete.	Confirm that the following message appears on the RP console: *Mar 3 23:29:29.763: %SPA_SE1-3-CHECKING_DISK: SIP1/0: SPA-WMA-K9[1/0]: Disk is being checked because of previous unclean shutdown of the SPA. Boot time might take longer because of this operation.

Troubleshooting the Cisco WebEx Node SPA in an Out-of-Service State

Both hardware and software problems can cause “out of service” states on the Cisco WebEx Node SPA.

To verify the out-of-service reason for the Cisco WebEx Node SPA, use the **show hw-module subslot all oir** command as shown in the following example:

```
Router# show hw-module subslot all oir
Module           Model           Operational Status
-----
subslot 0/0     SPA-2X1GE-V2    ok
subslot 0/1     SPA-WMA-K9      ok
subslot 1/1     SPA-WMA-K9      out of service (Incompatible FPD)
```

The following table describes the possible problems and solutions for software-based out-of-service states. For more information about other hardware-based out-of-service states, refer to the troubleshooting chapter for the Cisco WebEx Node SPA in the http://www.cisco.com/en/US/docs/interfaces_modules/shared_port_adapters/install_upgrade/ASR1000/asr_sip_spa_hw.html Cisco Aggregation Services Router 1000 Series SIP and SPA Hardware Installation Guide.

Table 37: Possible Reasons for Software-Based Out-of-Service States on the Cisco WebEx Node SPA

Possible Reasons	Observations and Comments	Solutions
<p>The FPD image was corrupted for some of the following possible reasons:</p> <ul style="list-style-type: none"> • SPA was removed during an FPD upgrade • A reload of the router occurred during an FPD upgrade. • A power failure occurred on the router during an FPD upgrade. 	<p>The show hw-module subslot all oir command displays a “failed too many time” reason code for the out of service operational status and the show logging command displays a HW-INIT-TIMEOUT failure.</p> <p>The following is an example of a HW-INIT-TIMEOUT message:</p> <pre>*Mar 3 23:27:05.903: %SPA_OIR-6-ONLINECARD: SPA (SPA-WMA-K9) online in subslot 1/1</pre> <pre>*Mar 3 23:27:16.488: %SPA_OIR-3-HW_INIT_TIMEOUT: subslot 1/0</pre> <pre>*Mar 3 23:27:21.488: %SPA_OIR-3-RECOVERY_RELOAD: subslot 1/0: Attempting recovery by reloading SPA</pre> <pre>*Mar 3 23:27:21.489: %SPA_OIR-6-OFFLINECARD: SPA (SPA-WMA-K9) offline in subslot 1/0</pre>	<ol style="list-style-type: none"> 1. Enter the upgrade hw-module subslot fpd bundled command to start recovery of the FPD upgrade. <p>If the problem was due to an FPD image corruption problem, then the SPA should boot normally after the upgrade is complete.</p> <ol style="list-style-type: none"> 1. If the FPD upgrade completes successfully but you still have an error, then the SPA probably has a hardware problem. 2. Refer to the troubleshooting steps in the http://www.cisco.com/en/US/docs/interfaces_modules/shared_port_adapters/install_upgrade/ASR1000/asr_sip_spa_hw.html Cisco Aggregation Services Router 1000 Series SIP and SPA Hardware Installation Guide.
<p>The FPD upgrade was unable to be performed.</p>	<p>The show hw-module subslot all oir command displays an “Incompatible FPD” reason code for the out of service operational status.</p>	<ol style="list-style-type: none"> 1. Enter the show hw-module all fpd command to verify the FPD versions. 2. Refer to the “Upgrading Field-Programmable Devices” chapter of this guide to get information about upgrading your FPD image.

Possible Reasons	Observations and Comments	Solutions
<p>The Cisco WebEx Node SPA software subpackage is not installed.</p>	<p>The show hw-module subslot all oir command displays a “not allowed online” reason code for the out of service operational status, and the show logging command displays the ASR1000_RP_SPA-3-MISSING_SPA_PKG_ERR as shown in the following example:</p> <pre>*Mar 24 22:39:49.832: %ASR1000_RP_SPA-3-MISSING_SPA_PKG_ERR: sipspawma package is not installed for slot = 0 and subslot = 0, SPA bootup failed.</pre>	<p>The Cisco WebEx Node SPA requires you to install an independent software subpackage called <i>sipspawmak9</i>. To successfully install this subpackage you must complete the following steps:</p> <ol style="list-style-type: none"> 1. Extract the individual system subpackages from the consolidated package for the router into a directory with the provisioning file (.conf file). <p>Note You cannot boot the router from a consolidated package when you are installing a Cisco WebEx Node SPA.</p> <ol style="list-style-type: none"> 1. Download the optional <i>sipspawmak9</i> subpackage to the same location as the individual subpackages and the provisioning file. 2. Configure the router to boot from a provisioning file. 3. Reload the router. <p>For more detailed information about installing the software for the Cisco WebEx Node SPA, refer to the Cisco ASR 1000 Series Aggregation Services Router Software Configuration Guide.</p>

Troubleshooting Hardware Failures

Depending on the severity of the error, the SPA may initiate a reload to recover from the failure. Any error message that is of SPA_CPU_ERR error type is an indication of a hardware problem on the SPA.

For more information about hardware-related failures, refer to the troubleshooting chapter of the http://www.cisco.com/en/US/docs/interfaces_modules/shared_port_adapters/install_upgrade/ASR1000/asr_sip_spa_hw.html Cisco Aggregation Services Router 1000 Series SIP and SPA Hardware Installation Guide.

Troubleshooting Service Engine Application Status Errors

After you configure the virtual service-engine interface, you should verify the configuration using the **show hw-module subslot service-engine status** command, and look for the Application Status field to be “Online” as shown in the following example:

```
Router# show hw-module subslot 1/0 service-engine status
Service Engine is Cisco SPA-WMA-K9
Service Engine state: Steady (0x300)
Service Engine OS Version: 1.0.0, Application Version: 1.0.0

Application: WebEx Node (Web Conferencing)
Application Status: Online
Configuration:
```

If the Application Status is “Offline,” refer to the following table, which describes the possible reasons and solutions for this state.

Table 38: Possible Reasons for Application Status Problems in the Cisco WebEx Node SPA

Possible Reasons	Observations and Comments	Solutions
Provisioning error at the Cisco WebEx Data Center	<p>The output of the show hw-module subslot service-engine status command shows "Online" in the Application Status field, and "Web Conferencing" as the mistaken operation mode, when the desired mode is "Voice and Video Conferencing" as shown in the following example:</p> <pre>Router# show hw-module subslot 1/0 service-engine status Service Engine is Cisco SPA-WMA-K9 Service Engine state: Steady (0x300) Service Engine OS Version: 1.0.0, Application Version: 1.0.0 Application: WebEx Node (Web Conferencing) Application Status: Online</pre>	<p>Contact Cisco WebEx Data Center support to verify that the Cisco WebEx Node for ASR 1000 Series has been provisioned for the expected "Web Conferencing" or "Voice and Video Conferencing" mode.</p> <p>For more information, see the "Registering with the WebEx Data Center and the Cisco WebEx Node Management System" topic in the <i>Configuring the Cisco WebEx Node for the ASR 1000 Series Aggregation Services Routers</i> chapter.</p>
Provisioning error at the Cisco WebEx Data Center	<ul style="list-style-type: none"> • The output of the show hw-module subslot service-engine status command shows "Offline" in the Application Status field. • Confirm that a message similar to the following example appears on the RP console: <pre>Nov 3 20:42:29.791: %SPA_SRVCS_ENGINE-3-APP_MSG_ERR: SIP0/1: SPA-WMA-K9[0/1]: Authentication failed with Cisco WebEx Data Center SSL server. Please contact with WebEx support for assistance</pre>	<p>Contact Cisco WebEx support as directed by the system error message.</p>

Possible Reasons	Observations and Comments	Solutions
<p>Network connectivity problem, such as the subnet assigned to the service-engine interface is not routable.</p>	<ul style="list-style-type: none"> The output of the show hw-module subslot service-engine status command shows “Offline” in the Application Status field. Confirm that a message similar to the following example appears on the RP console: <pre>Nov 3 13:45:51.943: %SPA_SRVCS_ENGINE-3-APP_MSG_ERR: SIP0/0: SPA-WMA-K9[0/1]: Connect CWNMS server failed, check network availability to CWNMS server.</pre>	<p>Check network connectivity to the Cisco WebEx Data Center, using the traceroute command from the Cisco WebEx SPA console as shown in the following example:</p> <pre>traceroute wma.webex.com traceroute to globalwatch.webex.com (10.114.169.228), 30 hops max, 38 byte packets 1 10.1.1.1 (12.1.1.1) 0.277 ms 0.254 ms 0.246 ms 2 10.1.99.65 (10.1.99.65) 0.577 ms 0.394 ms 0.387 ms</pre> <p>Check network connectivity from the clients that will be joining the meeting being hosted on the Cisco WebEx Node SPA. Use the ping command from the Cisco WebEx SPA console as shown in the following example, where 172.16.144.153 is address of the client:</p> <pre>ping 172.16.144.153 PING 172.16.144.153 (172.16.144.153) 100(128) bytes of data. 108 bytes from 172.16.144.153: icmp_seq=1 ttl=41 time=69.1 ms 108 bytes from 172.16.144.153: icmp_seq=2 ttl=41 time=68.9 ms 108 bytes from 172.16.144.153: icmp_seq=3 ttl=41 time=68.8 ms 108 bytes from 172.16.144.153: icmp_seq=4 ttl=41 time=68.9 ms 108 bytes from 172.16.144.153: icmp_seq=5 ttl=41 time=68.9 ms --- 172.16.144.153 ping statistics --- 5 packets transmitted, 5 received, 0% packet loss, time 4000ms rtt min/avg/max/mdev = 68.882/68.976/69.133/0.299 ms</pre> <p>For more information about accessing the Cisco WebEx SPA console, see the Accessing the Cisco WebEx Node SPA Console, on page 362.</p>

Using the ping Command from the Cisco ASR 1000 Series Aggregation Services Router to Verify Network Connectivity



Note The Cisco WebEx Node SPA might not activate properly if network access between the Cisco ASR Series 1000 Aggregation Services Router and certain Cisco WebEx servers is blocked, such as the Cisco WebEx Data Center SSL Gateway or Cisco WebEx Node Management server. Be sure to verify connectivity to these servers from the Cisco ASR 1000 Series Router.

The **ping** command is a convenient way to test the ability of an interface to send and receive packets over the network. The **ping** command sends ICMP echo request packets to a specified destination address, which should send an equal number of ICMP echo reply packets in reply. By measuring the numbering of packets that are successfully returned, as well as how long each packet takes to be returned, you can quickly obtain a rough idea of the Layer 3 to Layer 3 connectivity between two interfaces.

The IP **ping** command has the following syntax:

ping

or

ping *ip-address* [**repeat** *count*] [**data** *hex*] [**size** *datagram-size*]

If you enter just **ping**, the command interactively prompts you for all other parameters. Otherwise, you must specify at least a specific IP address as the destination for the ping. You can also optionally specify the following parameters:

- **repeat** *count* —Number of ICMP echo request packets to send. The default is five packets.
- **data** *hex* —The data pattern, in hexadecimal, to be sent in the ICMP echo request packets.
- **size** *datagram-size* —Specifies the size, in bytes, of the ICMP echo request packets to be sent. The range is 40 to 18024 bytes, with a default of 100 bytes.

Using the Cisco IOS Event Tracer to Troubleshoot Problems



Note This feature is intended for use as a software diagnostic tool and should be configured only under the direction of a Cisco Technical Assistance Center (TAC) representative.

The Event Tracer feature provides a binary trace facility for troubleshooting Cisco IOS software. This feature gives Cisco service representatives additional insight into the operation of the Cisco IOS software and can be useful in helping to diagnose problems in the unlikely event of an operating system malfunction or, in the case of redundant systems, route processor switchover.

Event tracing works by reading informational messages from specific Cisco IOS software subsystem components that have been preprogrammed to work with event tracing, and by logging messages from those components into system memory. Trace messages stored in memory can be displayed on the screen or saved to a file for later analysis.

The SPAs currently support the “spa” component to trace SPA OIR-related events.

For more information about using the Event Tracer feature, refer to the following URL:

http://www.cisco.com/en/US/docs/ios/12_0s/feature/guide/evnttrcr.html

Preparing for Online Insertion and Removal of a SPA

The Cisco ASR 1000 Series Aggregation Services Routers support online insertion and removal (OIR) of the SIP, in addition to each of the SPAs. Therefore, you can remove a SIP with its SPAs still intact, or you can remove a SPA independently from the SIP, leaving the SIP installed in the router.

This means that a SIP can remain installed in the router with one SPA remaining active, while you remove another SPA from one of the SIP subslots. If you are not planning to immediately replace a SPA into the SIP,

then be sure to install a blank filler plate in the subslot. The SIP should always be fully installed with either functional SPAs or blank filler plates.

For more information about activating and deactivating SPAs in preparation for OIR, see the *the Troubleshooting the SIP* chapter.



CHAPTER 24

Overview of the Cisco DSP SPA for the ASR 1000 Series Aggregation Services Routers

This chapter provides an overview of the release history, features, and MIB support for the Cisco Voice SPA for the ASR 1000 Series on the Cisco ASR 1000 Series Aggregation Services Routers. The Cisco Voice SPA is also referred to as the SPA-DSP in this document.

This chapter includes the following sections:

- [Release History, on page 375](#)
- [Prerequisites, on page 376](#)
- [Rules for Installing SPA-DSP, on page 376](#)
- [Overview of the Cisco DSP SPA, on page 376](#)
- [Supported Features, on page 378](#)
- [Restrictions, on page 380](#)
- [Introduction to RTCP, on page 380](#)
- [Supported MIBs, on page 382](#)

Release History

Release	Modification
Cisco IOS XE Release 3.8.0S	Support for the Adaptive Multi-Rate Wideband (AMR-WB) feature was provided on the SBC on the Cisco ASR 1000 Series Aggregation Services Routers.
Cisco IOS XE Release 3.4.0S	Support for the termination and generation of Real-Time Transport Control Protocol (RTCP) on the SPA-DSP was added on the Cisco ASR 1000 Series Router. To enable the RTCP, the rtcp-regenerate command was introduced on the Cisco ASR 1000 Series Aggregation Services Routers.
Cisco IOS XE Release 3.3.0S	The show voice dsp group all command output was modified for SPA-DSP on the Cisco ASR 1000 Series Aggregation Services Routers.
Cisco IOS XE Release 3.2.0S	Introduced a new DSP SPA, for the ASR 1000 Series to enable transcoding and transrating services for voice.

Prerequisites

The following table is the software and hardware compatibility requirement matrix for installing a SPA-DSP:

Table 39: SPA-DSP Hardware and Software Requirements

Type of DSP SPA (Product ID)	ASR1000 Router Chassis supported	Route Processor supported	SIPs supported	ESPs supported	Minimum Cisco IOS XE Software Release supported
SPA-DSP	ASR 1002, ASR 1002-X, ASR 1004, and ASR 1006	RP1 and RP2	SIP10 and SIP40	ESP10, ESP40, and ESP100	Cisco IOS XE Release 3.2s

Rules for Installing SPA-DSP

This section provides detailed information about the rules for installing SPA-DSP on Cisco ASR 1000 Series Aggregation Services Routers. For installing a SPA-DSP, you need to adhere to the following rules.

1. The Cisco ASR 1000 Series Aggregation Services Routers must be installed with Advanced Enterprise Services K9 (AESK9) only. The following table provides details regarding the feature set, Universal Software Image Part Number, and Technology Package License Part Number required for installation of SPA-DSP.
2. Requires Cisco IOS XE Release 3.3.0S or later for all Cisco ASR 1000 Series Aggregation Services Routers including the Cisco ASR 1001 Router.
3. Requires one CUBE feature license.

Table 40: Cisco ASR 1001 and ASR 1000 Series Chassis Software Images

For the equivalent feature set on ASR 1000 Series (ASR 1002-F/ASR 1002/ASR 1002-X/ASR 1004/ ASR 1006/ASR 1013)	To order Universal Software Image Part Number	In Combination	With Technology Package License Part Number
Advanced Enterprise Services K9 (AESK9)	SASR1001UK9	+	SLASR1-AES

Overview of the Cisco DSP SPA

The Cisco DSP SPA has been introduced on Cisco ASR 1000 Series Aggregation Services Routers to provide voice transcoding and transrating functionalities. The DSP SPA is a half-height SPA. The Product ID of DSP SPA is SPA-DSP. The SPA-DSP is a service SPA and does not have external physical interfaces on the front panel. The SPA-DSP has 21 Digital Signal Processors (DSPs) which perform the encoding and decoding of voice streams. The SPA-DSP works in conjunction with the SBC application to provide the voice transcoding and transrating functionalities. The CUBE (ENT) can also use the SPA-DSP for transcoding and transrating.

The SPA-DSP in the transcoder case, provides functionality to translate one type of media stream using a specific codec type to another type of media stream that uses a different type of codec technologies. This not only includes translation between differing codecs, but also functionality such as the translation between different packetization settings (transrating), and the ability to perform DTMF interworking.

The SBC on the Cisco ASR1000 Series Router, externally known as Cisco Unified Border Element, Service Provider - CUBE (SP) can be configured as a Unified SBC or as a Distributed SBC. When configured as a distributed SBC, the SPA-DSP can be used externally as a centralized resource for other SBCs.

High-Level System Details

Based on the type of operational management, the SPA-DSP functions can be divided into two modules: Data Plane and Control Plane.

The data plane module is responsible for processing and sending the data. The SPA-DSP does not have any interfaces towards the network. The DSPs on the SPA process the voice packets that they receive from the QFP side and send the transcoded voice packets back to the QFP.

After initial set up a boot image is uploaded to the SPA-DSP. The full SPA-DSP image is then uploaded and the SPA-DSP is controlled through the DSP control packets.



Note The SPA-DSP does not have a CPU or a hard disk.

Understanding Codecs and Maximum Channels Supported

Each SPA-DSP comprises of seven SP2603 DSP chips having a total of 21 DSP cores (3 DSP cores per SP2603). Based on the complexity of codec (low, medium, high), the density or maximum number of channels supported per DSP core and maximum channels supported per SPA-DSP are defined. The following table provides a matrix for maximum channels supported on DSP core and SPA-DSP and the complexity type:

Table 41: Codec-Density-Supported Matrix

Codec Complexity or Service	Maximum Supported Density per DSP Core	Maximum Supported Density per SPA-DSP
LC (Low complexity) Voice/xcode	43	903
MC (Medium complexity) Voice/xcode	28	588
HC (High Complexity) Voice/xcode	17	357
ISAC Voice/xcode	8	168
AMR-WB	8	168

Table 42: SPA-DSP-Supported Transcoding Codec List

Codec Name	Codec Description
g711alaw	G.711 A Law 64000 bps
g711ulaw	G.711 u Law 64000 bps
g722-64	G722r64
g723r53	G.723.1 5300 bps
g723r63	G.723.1 6300 bps
g726r16	G.726 16000 bps
g726r24	G.726 24000 bps
g726r32	G.726 32000 bps
g726r40	G.726 40000 bps
g728	G.728 codec
g729abr8	G.729ab 8000 bps
g729ar8	G.729a 8000 bps
g729br8	G.729b 8000 bps
g729r8	G.729 8000 bps
gsmamr-nb	GSMAMR codec
ilbc	ILBC codec
isac	ISAC codec
amr-wb	AMR-WB codec

Supported Features

The Cisco SPA-DSP for the ASR 1000 Series includes some of the following basic features:

- Enhances the Cisco ASR 1000 Series Aggregation Services Router capabilities by providing DSP based voice transcoding and transrating solutions.
- Translates one type of media stream (voice) to another type of media stream that uses different media encoding and decoding technologies.
- Enables translation between different packetization settings (transrating), and provides DTMF interworking.
- Provision to configure S/BC as a Unified SBC or Distributed SBC with on-board DSPs or as a centralized DSP providing transcoding for number of external SBCs.

- Faceplates LEDs to indicate SPA status.
- Voltage and temperature monitoring.
- Supports online insertion and removal (OIR).
- Provides a jitter buffer to be able to do packet loss concealment.
- Enables transcoding of voice packets for IPv4 (VoIPv4) as well as IPv6 (VoIPv6).

Inband DTMF Interworking

The Dual-Tone Multifrequency (DTMF) dialing consists of simultaneous voice-band tones generated when a button is pressed on a telephone. The use of DTMF signaling for this feature enables support for advanced telephony services. Currently there are a number of application servers and service creation platforms that do not support media connections. To provide value-added services to the network, these servers and platforms need to be aware of signaling events from a specific participant in the call. Once the server or platform is aware of the DTMF events that are being signaled, it can use third-party call control, or other signaling mechanisms, to provide enhanced services. Examples of the types of services and platforms that are supported by this feature are various voice web browser services, Centrex switches or business service platforms, calling card services, and unified message servers. All of these applications require a method for the user to communicate with the application outside of the media connection. The DTMF Events Through SIP Signaling feature provides this signaling capability.

This feature is related to the SIP INFO Method for DTMF Tone Generation feature, which adds support for out-of-band DTMF tone generation using the SIP INFO method. Together the two features provide a mechanism to both send and receive DTMF digits along the signaling path. The SPA-DSP supports the detection and reporting of inband DTMF tones and their conversion to RFC2833 based DTMF tones or out-of-band signalling (and vice versa).



Note The SPA-DSP supports the conversion from RFC2833 DTMF tones to inband tones.

Managing Jitters for Voice Packets

This section explains how jitter in voice packets are managed by SPA-DSP to provide smooth flow of voice streams. Jitter is defined as the variation in the delay of received packets. In a packet-voice environment, the sender is expected to reliably transmit voice packets at a regular interval (for example, send one frame every 20 ms). These voice packets can be delayed throughout the packet network and not arrive at that same regular interval at the receiving station (for example, they might not be received every 20 ms). The difference between when the packet is expected and when it is actually received is defined as a jitter.

To handle the jitters, the SPA-DSP maintains a jitter buffer to store a certain amount of voice frames in the buffer and wait for the voice frames that arrive late. The jitter buffer size is determined by counting the number of packets that arrive late and creating a ratio of packets that late arriving to the number of packets that are successfully processed. This ratio can be used to determine the jitter buffer size that is used to calculate a predetermined and allowable later-packet ratio. After the jitter buffer is full with the specific voice packets, it plays all the RTP audio stream for VoIP in a steady stream to the SPA-DSP to be able to convert them into a steady audio stream.

Comfort Noise and Voice Activity Detection (VAD)

This section discusses about how to deal with voice packets and silence periods during a voice call. It also provides information about how these voice quality issues can be rectified by using the voice activity detection (VAD) feature. The IP-based telephony systems need a voice activity detector to detect silence periods in the voice signal and temporarily discontinue transmission of the signal during the silence period. This saves bandwidth and allows the far-end to adjust its jitter-buffer. The downside is that during silence periods, the far-end phone has to generate its own signal to play to the listener. Usually, comfort noise is played out to the listener to mask the absence of an audio signal from the far-end. Comfort noise is usually modeled on the far-end noise so that there is not a stark contrast when you switch from the actual background noise to the comfort noise.

There are two possibilities to which comfort noise is injected in a voice call. The foremost is the use of VAD. Whenever VAD kicks-in, comfort noise packets are introduced in the audio stream. The second possibility (not a major contributor) is the kicking-in of echo-cancellation. Whenever echo-cancellation becomes active, comfort noise packets are introduced in the audio stream. The characteristics of these comfort packets is determined through an algorithm which includes monitoring on-going speech and receiving a signature of the background noise.

The SPA-DSP provides VAD and comfort noise functionalities by default. You can enable the local VAD settings by using the **vad on override** command from the config-dspfarm-profile mode. Using the vad on override command will override the external VAD settings. To disable the local VAD settings, use the **vad off override** command from the config-dspfarm-profile command mode.

Restrictions

- To enable voice transcoding and transrating functionalities, enable the SPA-DSP, create a dspfarm profile, and attach the profile to an SBC application. See the *Configuring the Cisco DSP SPA for the ASR 1000 Series Aggregation Services Routers* chapter for details about configuring the SPA-DSP.

Introduction to RTCP

From Cisco IOS XE Release 3.4.0S onwards, the SPA-DSP supports the termination and generation of RTCP data. The RTCP is a sister protocol of the Real-time Transport Protocol (RTP). RTCP's basic functionality and packet structure is defined in RTP specification RFC 3550,[1] superseding its original standardization in 1996 (RFC 1889).

The primary functions of the RTCP are:

- Provides out-of-band statistics and control information pertaining to the RTP flow.
- Works in conjunction with the RTP in the delivery and packaging of multimedia data although the RTCP does not transport any media streams itself.
- Sends the RTP on an even-numbered UDP, with the RTCP messages being sent, over the next highest odd-numbered port.
- Provides feedback on the quality of service (QoS) in media distribution by periodically sending statistics information to participants in a streaming multimedia session.
- Gathers statistics for media connection and information such as transmitted octet and packet counts, lost packet counts, jitter, and round-trip delay time. An application can use the statistical details to control the QoS parameters, perhaps by limiting the RTP flow or using a different codec.

Understanding the RTCP Packet Types

The RTCP recognizes several types of packets, including—sender report, receiver report, source description, and bye packets. In addition, the protocol is extensible and allows application-specific RTCP packets. A standards-based extension of the RTCP is the Extended Report packet type introduced by RFC 3611.[3]. The following provides description about the various RTCP Packet types:

- **Sender Report (SR):** The SR is sent periodically by the active senders in a conference to report the transmission and reception statistics pertaining to the RTP packets sent during the interval. The SR includes an absolute timestamp, which is the number of seconds that have elapsed since midnight on January 1, 1900. The absolute timestamp allows a receiver to synchronize the RTP messages. It is particularly important when both audio and video are transmitted simultaneously, because audio and video streams use independent relative timestamps.
- **Receiver Report (RR):** The RR is for passive participants, QoS those that do not send the RTP packets. The report informs the sender and other receiver about QoS.
- **Source Description (SDES):** The SDDES message is used to send the CNAME item to the participants of a session. The SDDES can also be used to provide additional information, such as the name, e-mail address, telephone number, and address of the owner or controller of the source.
- **End of participation (BYE):** A source sends a BYE message to shut down a stream. It allows an end point to announce that it is leaving the conference. Although, other sources can detect the absence of a source, this message is a direct announcement. It is also useful to a media mixer.
- **Application-Specific message (APP):** The application-specific message provides a mechanism by which to design application-specific extensions for the RTCP.

Restrictions

The restrictions for implementing the RTCP service on the SPA-DSP in Cisco IOS XE Release 3.4.0S are:

- The length of the CNAME in the RTCP packets sent by endpoints should not exceed 40 bytes.
- If one endpoint does not send the RTP packets, the SPA-DSP neither generates the RTCP packets nor sends the RTCP packets to the other side.

Terminating and Generating the RTCP by the SPA-DSP

The termination and generation of the RTCP is done by the SPA-DSP. From Cisco IOS XE Release 3.4.0S onwards, the SPA-DSP can terminate and generate the RTCP data. When the RTCP Termination and Generation feature is configured using the `rtcp-regenerate` command, and if a transcoding-based call is established, the appropriate control signals are sent to the SPA-DSP to generate and terminate the RTCP.

When the SPA-DSP receives the RTCP packet, it processes the packet and effectively terminates it. The SPA-DSP then generates new RTCP packet for transmission, and populates them with the appropriate RTCP content based on the associated stream till the current date. The RTCP packets that are generated include sender and receiver reports, and SDDES packets (only CNAME is supported currently). For information regarding the configuration procedure, refer to the “Configuring the RTCP on the SPA-DSP” section in the *Configuring the Cisco DSP SPA for the ASR 1000 Series Aggregation Services Routers* chapter.

Supported MIBs

The following MIBs are supported in Cisco IOS XE Release 3.2 for the DSP SPA on Cisco ASR 1000 Series Routers:

Common MIBs

- ENTITY-MIB
- ENTITY-SENSOR-MIB

Cisco-Specific Common MIBs

- CISCO-DSP-MGMT-MIB
- OLD-CISCO-CHASSIS-MIB
- CISCO-ENTITY-FRU-CONTROL-MIB
- CISCO-ENTITY-SENSOR-MIB
- CISCO-ENTITY-ALARM-MIB
- CISCO-ENTITY-VENDORTYPE-OID-MIB

For more information about MIB support on a Cisco ASR 1000 Series Routers, refer to the *Cisco ASR 1000 Series Aggregation Services Routers MIB Specifications Guide*, at the following URL:

<http://www.cisco.com/en/US/docs/routers/asr1000/mib/guide/asr1kmib.html>

To locate and download MIBs for selected platforms, Cisco IOS releases, and feature sets, use Cisco MIB Locator found at the following URL:

<http://tools.cisco.com/ITDIT/MIBS/servlet/index>

If Cisco MIB Locator does not support the MIB information that you need, you can also obtain a list of supported MIBs and download MIBs from the Cisco MIBs page at the following URL:

<http://www.cisco.com/public/sw-center/netmgmt/cmtk/mibs.shtml>

To access Cisco MIB Locator, you must have an account on Cisco.com. If you have forgotten or lost your account information, send a blank e-mail to cco-locksmith@cisco.com. An automatic check will verify that your e-mail address is registered with Cisco.com. If the check is successful, account details with a new random password will be e-mailed to you. Qualified users can establish an account on Cisco.com by following the directions found at this URL:

<https://tools.cisco.com/RPF/register/register.do>



CHAPTER 25

Configuring the Cisco DSP SPA for the ASR 1000 Series Aggregation Services Routers

This chapter provides information about configuring the DSP SPA for ASR 1000 Series on the Cisco ASR 1000 Series Aggregation Services Routers, also referred to in this document as the SPA-DSP.

- [Voice Transcoding Overview, on page 383](#)
- [Configuration Tasks, on page 384](#)
- [Change in Command Output During Call Recovery, on page 388](#)
- [Configuring the RTCP on the SPA-DSP, on page 388](#)
- [Configuration Examples for Universal Voice Transcoding, on page 390](#)
- [Additional References, on page 391](#)

Voice Transcoding Overview

This section provides a high-level overview of how the voice transcoding functionality is configured. After you insert the SPA-DSP in the SIP, the SPA-DSP is activated, and you can identify the status of the SPA-DSP, by executing the **show platform** command. If the SPA-DSP is operational and working fine, the **show platform** command output will display OK in the Status for SPA-DSP. Before you configure the voice transcoding functionality, you must enable the SPA-DSP. After you enable the voice card and set the SPA-DSP in DSP farm mode using the **dsp services dspfarm** command, you can create the DSP-farm service profiles.

DSP Farm Profiles

DSP-farm profiles are created to allocate DSP-farm resources. DSP-farm profiles can only be created after you set the DSP SPA in DSP farm mode. Under the profile, you select the service type (transcode), associate an application (SBC), and specify service-specific parameters such as codecs and maximum number of sessions. A DSP-farm profile allows you to group DSP resources based on the service type. Applications associated with the profile, such as SBC, can use the resources allocated under the profile. You can configure multiple profiles for the same service. The profile ID and service type uniquely identify a profile, allowing the profile to uniquely map to a SBC application. After creating the profile, you need to attach the profile to an application and enable the DSP farm profile.

The SPA-DSP and SBC application work in conjunction to provide voice transcoding and transrating functionalities. After the DSP-farm profiles are created, each profile is uniquely attached to a unique SBC identifier. The SBC configuration of Call-admission-control (CAC) and DTMF internetworking has been explained in the Cisco Unified Border Element (SP Edition) Configuration Guide: Unified Model .

Configuration Tasks

Perform this procedure to enable a SPA-DSP and define a DSP farm profile. Additionally, you can enable or disable local voice activity detection (vad) irrespective of external configuration. For information about SPA-DSP hardware details, managing your system images and configuration files, refer to the following:

- [Cisco ASR 1000 SIP and SPA Hardware Installation Guide](#)
- [Cisco ASR 1000 Series Aggregation Services Routers Software Configuration Guide](#)
- [Cisco IOS Configuration Fundamentals Configuration Guide](#)
- [Cisco IOS Configuration Fundamentals Command Reference](#)

Prerequisites

Complete the following prerequisites to successfully enable the SPA-DSP and to set DSP SPA in DSP Farm mode on Cisco ASR 1000 Series Router:

- Requires Cisco IOS XE Software Release 3.2 or a later release installed on Cisco ASR 1000 Series Router
- DSP SPA installed and in operational state.

Configuring a DSP Farm Profile

Execute the following steps to enable the SPA-DSP and set DSP SPA in DSP farm mode.

SUMMARY STEPS

1. **enable**
2. **configure terminal**
3. **voice-card** *slot/subslot*
4. **dsp services dspfarm**
5. **exit**
6. **dspfarm profile** *profile-identifier* {**transcode** [**universal**]}
7. **description** *text*
8. **codec** *codec-type*
9. **maximum sessions** *number*
10. **associate application sbc**
11. **no shutdown**
12. **exit**

DETAILED STEPS

	Command or Action	Purpose
Step 1	enable Example:	Enables privileged EXEC mode. <ul style="list-style-type: none"> • Enter your password if prompted.

	Command or Action	Purpose
	Router> enable	
Step 2	configure terminal Example: Router# configure terminal	Enters global configuration mode.
Step 3	voice-card slot/subslot Example: Router(config)# voice-card 1/1	Enters voice card configuration mode for the SPA-DSP on which you want to enable DSP-farm services.
Step 4	dsp services dspfarm Example: Router(config-voicecard)# dsp services dspfarm	Enables DSP-farm services for the SPA-DSP voice card.
Step 5	exit Example: Router(config-voicecard)# exit	Exits voice card configuration mode.
Step 6	dspfarm profile profile-identifier {transcode [universal]} Example: Router(config)# dspfarm profile 1 transcode universal	Enters DSP farm profile configuration mode to define a profile for DSP farm services. Note The <i>profile-identifier</i> and service type uniquely identify a profile. If the service type and <i>profile-identifier</i> pair are not unique, you are prompted to choose a different <i>profile-identifier</i> .
Step 7	description text Example: Router(config-dspfarm-profile)# description low2mediumcomp	(Optional) Includes a specific description about the Cisco DSP farm profile.
Step 8	codec codec-type Example: Router(config-dspfarm-profile)# codec g723r63 Example: Router(config-dspfarm-profile)# codec g723r53	Specifies the codecs supported by a DSP farm profile. Note By default, the codecs g711ulaw, g711alaw, g729ar8, and g729abr8 are created for each DSP farm profile.
Step 9	maximum sessions number Example:	Specifies the maximum number of sessions that are supported by the profile.

	Command or Action	Purpose
	<p>Example:</p> <pre>Router(config-dspfarm-profile)# maximum sessions 4</pre>	<ul style="list-style-type: none"> <i>number</i> —Range is determined by the available registered DSP resources. Default is 0. <p>Note By default, the maximum sessions are counted from the subslot where the SPA-DSP is available. If there are more than one SPA-DSPs and the maximum sessions exceed the session limit per SPA-DSP, the remaining sessions are managed by the second SPA-DSP.</p>
Step 10	<p>associate application sbc</p> <p>Example:</p> <pre>Router(config-dspfarm-profile)# associate application sbc</pre>	Associates the SBC application to the DSP farm profile.
Step 11	<p>no shutdown</p> <p>Example:</p> <pre>Router(config-dspfarm-profile)# no shutdown</pre>	Enables the profile, allocates DSP farm resources, and associates the application.
Step 12	<p>exit</p> <p>Example:</p> <pre>Router(config-dspfarm-profile)# exit</pre>	Exits DSP farm profile configuration mode.

What to Do Next

For more information related to associating an SBC to a DSP farm profile, see the “Cisco Unified Border Element (SP Edition) - SPA DSP Services” chapter in “Cisco Unified Border Element (SP Edition) Configuration Guide: Unified Model”:

http://www.cisco.com/en/US/docs/routers/asr1000/configuration/guide/sbcu/sbc_spadsp.html

For SBC configuration information (Call-admission-control [CAC] and DTMF internetworking) too, see the Cisco Unified Border Element (SP Edition) Configuration Guide: Unified Model .

Enabling or Disabling Voice Activity Detection (VAD)

Execute the following steps to enable or disable local VAD settings irrespective of external VAD settings.

SUMMARY STEPS

1. **enable**
2. **configure terminal**
3. **dspfarm profile *profile-identifier***
4. **vad on override**
5. **do show running-config**

DETAILED STEPS

	Command or Action	Purpose
Step 1	enable Example: <pre>Router> enable</pre>	Enables privileged EXEC mode. <ul style="list-style-type: none"> • Enter your password if prompted.
Step 2	configure terminal Example: <pre>Router# configure terminal</pre>	Enters global configuration mode.
Step 3	dspfarm profile <i>profile-identifier</i> Example: <pre>Router(config)# dspfarm profile 1</pre>	Enters DSP farm profile configuration mode to enable or disable voice activity detection settings (VAD).
Step 4	vad on override Example: <pre>Router(config-dspfarm-profile)# vad on override</pre>	Enables the voice activity detection (VAD) feature locally and overrides the external VAD settings.
Step 5	do show running-config Example: <pre>Router(config-dspfarm-profile)# do show running-config</pre> Example: <pre>!!!</pre> Example: <pre>dspfarm profile 1 transcode</pre> Example: <pre> codec g711ulaw</pre> Example: <pre> codec g711alaw</pre> Example: <pre> codec g729ar8</pre> Example:	Displays the local VAD settings which will override the external VAD settings for the current DSP farm profile.

	Command or Action	Purpose
	<pre> codec g729abr8 Example: maximum sessions 588 Example: associate application SBC Example: vad on override Example: !</pre>	

Change in Command Output During Call Recovery

In Cisco IOS XE Release 3.3.0s, the **show voice dsp group all** command output that is displayed when a SPA-DSP undergoes call recovery is enhanced. The command output is seen only during the call recovery process, which lasts for a few milliseconds. The additional information that is included in the command output pertains to: HA State : DSP_HA_STATE_PENDING1. The additional information is displayed when a SPA-DSP undergoes call recovery.

The following sample output shows how HA State: DSP_HA_STATE_PENDING1 is added. The additional command output is seen only in Cisco IOS XE Release 3.3.0S and later releases:

```

Router# show voice dsp group all
Show DSP group all

DSP groups on slot 0 bay 0:
dsp 1:
  State: UP
  HA State : DSP_HA_STATE_PENDING1
  Max signal/voice channel: 43/43
  Max credits: 645
  num_of_sig_chnls_allocated: 43
  Transcoding channels allocated: 43
  Group: FLEX_GROUP_XCODE, complexity: LOW
  Shared credits: 0, reserved credits: 645
  Transcoding channels allocated: 24
  Credits used (rounded-up): 360
```

Configuring the RTCP on the SPA-DSP

This section provides details of the procedure to enable the generation and termination of the RTCP on the SPA-DSP. From the Cisco IOS XE Release 3.4.0S onwards, the SPA-DSP can terminate and generate the RTCP data.

Configuring the RTCP on the SPA-DSP on the Cisco Unified Border Element for the Unified Model

To configure the RTCP on the SPA-DSP on the Cisco Unified Border Element: Unified Model, perform the following steps:

SUMMARY STEPS

1. **enable**
2. **configure terminal**
3. `sbc sbc-name`
4. `rtcp-regenerate`

DETAILED STEPS

	Command or Action	Purpose
Step 1	enable Example: <pre>Router> enable</pre>	Enables the privileged EXEC mode. Enter your password if prompted.
Step 2	configure terminal Example: <pre>Router# configure terminal</pre>	Enters the global configuration (config) mode.
Step 3	<code>sbc <i>sbc-name</i></code> Example: <pre>Router(config)# sbc mySBC</pre>	Creates an SBC service on the Cisco Unified Border Element and enters into the SBC configuration mode.
Step 4	rtcp-regenerate Example: <pre>Router(config-sbc)# rtcp-regenerate</pre>	Enables the generation and termination of the RTCP packets on the SPA-DSP for the Unified Model.

Configuring the RTCP on the SPA-DSP on the Cisco Unified Border Element for the Distributed Model

To configure the RTCP on the SPA-DSP on the Cisco Unified Border Element for the Distributed Model, perform the following steps:

SUMMARY STEPS

1. **enable**
2. **configure terminal**
3. `sbc sbc-name db`

4. rtcp-regenerate

DETAILED STEPS

	Command or Action	Purpose
Step 1	enable Example: Router> enable	Enables the privileged EXEC mode. Enter your password if prompted.
Step 2	configure terminal Example: Router# configure terminal	Enters the global configuration (config) mode.
Step 3	sbc sbc-name dbe Example: Router(config)# sbc mySBC dbe	Creates the Data Border Element (DBE) service on the SBC and enters the SBC-DBE configuration mode (config-sbc-dbe).
Step 4	rtcp-regenerate Example: Router(config-sbc-dbe)# rtcp-regenerate	Enables the generation and termination of the RTCP packets on the SPA-DSP for the Distributed Model.

Configuration Examples for Universal Voice Transcoding

The following example shows how to configure the RTCP on the SPA-DSP:

```
Router# config t
Router(config)# sbc mySBC
Router(config-sbc)# rtcp-regenerate
Router(config-sbc)# exit
Router(config)# exit
Router# show running-configuration
.....
rtcp-regenerate
  media-timeout 0
  associate dspfarm profile 1
  activate
!
```

The following example shows how to configure the Cisco SPA-DSP installed in a Cisco ASR 1000 Series Router:

```
Router# config t
Router(config)# voice-card 1/1
Router(config-voice-card)# dsp services dspfarm
Router(config-voice-card)# exit
Router(config)# dspfarm profile 2 transcode universal
Router(config-dspfarm-profile)# description low2mediumcomp
```

```

Router(config-dspfarm-profile)# codec g723r63
Router(config-dspfarm-profile)# codec g723r53
Router(config-dspfarm-profile)# maximum sessions 10
Router(config-dspfarm-profile)# associate application sbc
Router(config-dspfarm-profile)# no shutdown
Router(config-dspfarm-profile)# exit
Router(config)# exit
Router#show running-config
voice-card 1/1
 dsp services dspfarm
!
!
.....
dspfarm profile 2 transcode universal
description low2mediumcomp
 codec g711ulaw
 codec g711alaw
 codec g729ar8
 codec g729abr8
 codec g723r63
 codec g723r53
 associate application SBC
!

```

Additional References

The following sections provide additional references related to the SPA-DSP and voice transcoding support.

Related Documents

Related Topic	Document Title
SBC configuration	Cisco Unified Border Element (SP Edition) Configuration Guide: Unified Model
SPA-DSP hardware information	Cisco ASR 1000 SIP and SPA Hardware Installation Guide

Standards

Standard	Title
None	—

MIBs

MIB	MIBs Link
<p>Common MIBs</p> <ul style="list-style-type: none"> • ENTITY-MIB • ENTITY-SENSOR-MIB <p>Cisco-Specific Common MIBs</p> <ul style="list-style-type: none"> • CISCO-DSP-MGMT-MIB • OLD-CISCO-CHASSIS-MIB • CISCO-ENTITY-FRU-CONTROL-MIB • CISCO-ENTITY-SENSOR-MIB • CISCO-ENTITY-ALARM-MIB • CISCO-ENTITY-VENDORTYPE-OID-MIB 	<p>To locate and download MIBs for selected platforms, Cisco IOS releases, and feature sets, use the Cisco MIB Locator:</p> <p>http://www.cisco.com/go/mibs</p> <p>For more information about MIB support on a Cisco ASR 1000 Series Routers, refer to the <i>Cisco ASR 1000 Series Aggregation Services Routers MIB Specifications Guide</i> :</p> <p>http://www.cisco.com/en/US/docs/routers/asr1000/mib/guide/asr1kmib.htm</p>

RFCs

RFC	Title
None	—

Technical Assistance

Description	Link
<p>The Cisco Technical Support & Documentation website contains thousands of pages of searchable technical content, including links to products, technologies, solutions, technical tips, tools, and technical documentation. Registered Cisco.com users can log in from this page to access even more content.</p>	<p>http://www.cisco.com/cisco/web/support/index.html</p>



CHAPTER 26

Upgrading Field-Programmable Devices

In general terms, field-programmable devices (FPDs) are hardware devices implemented on router cards that support separate upgrades. The term “FPD” has been introduced to collectively and generically describe any type of programmable hardware device on SPAs. FPDs were introduced on the Cisco ASR 1000 Series Aggregation Services Routers to support the SPAs.

This chapter describes the information that you need to know to verify image versions and to perform SPA FPD upgrades.

This chapter includes the following sections:

- [Release History, on page 393](#)
- [FPD Upgrade, on page 393](#)
- [Optional FPD Procedures, on page 397](#)
- [FPD Image Upgrade Examples, on page 400](#)
- [Troubleshooting Problems with FPD Image Upgrades, on page 401](#)

Release History

The following table provides the release history for all FPD-related features on the Cisco ASR 1000 Series Routers.

Table 43: FPD Release History

Release	Modification
Cisco IOS XE Release 2.1	SIPs and SPAs were released on the Cisco ASR 1000 Series Routers for the first time. FPD images were introduced to support these SPAs.

FPD Upgrade

This section provides information if you want to upgrade FPDs for SPAs. These instructions are not always feasible for operating network environments. If these methods of upgrade are not suitable for your situation, see other sections of this document for other methods of upgrading FPDs.

This section contains the following topics:

Overview of FPD Images and Packages

With the Cisco ASR 1000 Series Routers, the Cisco IOS image comes bundled with the FPD image. An FPD incompatibility on a SPA disables all interfaces on that SPA until the incompatibility is addressed.

Upgrading Your Cisco IOS Release and FPD Image

To upgrade your Cisco IOS release and your FPD image, do the following steps:

SUMMARY STEPS

1. Download the SPA package for the Cisco IOS release that you are upgrading to. The package contains both the Cisco IOS image and the FPD image.
2. Boot the new version of Cisco IOS. When the new version of Cisco IOS boots, search for the bundled FPD image. The FPD images will be updated automatically as part of the Cisco IOS boot process.
3. When the router has booted, verify the upgrade was successful by entering the `show hw-module all fpd` command.

DETAILED STEPS

-
- | | |
|---------------|---|
| Step 1 | Download the SPA package for the Cisco IOS release that you are upgrading to. The package contains both the Cisco IOS image and the FPD image. |
| Step 2 | Boot the new version of Cisco IOS. When the new version of Cisco IOS boots, search for the bundled FPD image. The FPD images will be updated automatically as part of the Cisco IOS boot process. |
| Step 3 | When the router has booted, verify the upgrade was successful by entering the <code>show hw-module all fpd</code> command. |
-

What to do next

The time for updating the FPGA can be read in the log messages. The following is a sample for the log message:

```
Jan 21 01:36:36.434: %FPD_MGMT-3-MAJOR_VER_MISMATCH: Major image version mismatch detected
with I/O FPGA (FPD ID=1) for SPA-3XOC3-ATM-V2 card in subslot 1/1. Image will need to be
upgraded from version 1.3 to at least a minimum version of 2.2. Current HW version = 1.80Jan
21 01:36:36.435: %FPD_MGMT-5-UPGRADE_ATTEMPT: Attempting to automatically upgrade the FPD
image(s) for SPA-3XOC3-ATM-V2 card in subslot 1/1. Use 'show upgrade fpd progress' command
to view the upgrade progress ...Jan 21 01:36:36.671: %FPD_MGMT-6-BUNDLE_DOWNLOAD: Downloading
FPD image bundle for SPA-3XOC3-ATM-V2 card in subslot 1/1 ...Jan 21 01:36:36.738:
%FPD_MGMT-6-UPGRADE_TIME: Estimated total FPD image upgrade time for SPA-3XOC3-ATM-V2 card
in subslot 1/1 = 00:07:00.Jan 21 01:36:36.999: %FPD_MGMT-6-UPGRADE_START: I/O FPGA (FPD
ID=1) image upgrade in progress for SPA-3XOC3-ATM-V2 card in subslot 1/1. Updating to version
2.2. PLEASE DO NOT INTERRUPT DURING THE UPGRADE PROCESS (estimated upgrade completion time
= 00:07:00)FPD upgrade in progress on hardware, reload/configuration change on those
hardware is not recommended as it might cause HW programming failure and result in RMA of
the hardware.!-> UPGRADE PROCESS (estimated upgrade completion time = 00:07:00)
```

Upgrading Only Your Cisco IOS Release and Retaining Your Current FPD Image

You may choose to upgrade your Cisco IOS release with or without retaining your current FPD image. You may choose to upgrade your Cisco IOS image and retain your current FPD image, although this is not recommended.

SUMMARY STEPS

1. Use the `no upgrade fpd auto` command to disable the bundled FPD image.
2. Save the configuration before loading the new image.
3. Load the new image.

DETAILED STEPS

Step 1 Use the `no upgrade fpd auto` command to disable the bundled FPD image.

Note The automatic upgrade feature is disabled once you enter the `no upgrade fpd auto` command.

Step 2 Save the configuration before loading the new image.

Step 3 Load the new image.

Note If your current FPD image is not compatible with the new image, the SPAs do not come online.

Upgrading FPD Images in a Production System

Adding a SPA to a production system presents the possibility that the SPA may contain versions of FPD images that are incompatible with the Cisco IOS release currently running the router. In addition, the FPD upgrade operation can be a very CPU-intensive operation and therefore the upgrade operation may take more time when it is performed on a production system. The performance impact will vary depending on various factors, including network traffic load, the type of processing engine used, type of SPA, and the type of service configured.

For these reasons, we recommend that one of the following alternatives be used to perform the FPD upgrade on a production system if possible:

Using a Nonproduction System to Upgrade the Cisco ASR 1000 Series Aggregation Services Routers SPA FPD Image

Before beginning the upgrade, ensure:

- The spare system is running the same version of the Cisco IOS software release that the target production system is running.
- The automatic upgrade feature is enabled on the spare system. (The automatic upgrade feature is enabled by default. It can also be enabled using the `upgrade fpd auto` command).

Use the following procedure to perform an upgrade on a spare system:

SUMMARY STEPS

1. Insert the SPA into the spare system.

2. Verify the upgrade was successful by entering the **show hw-module all fpd** command.
3. Remove the SPA from the spare system after the upgrade.
4. Insert the SPA into the target production system.

DETAILED STEPS

Step 1 Insert the SPA into the spare system.

If an upgrade is required, the system will perform the necessary FPD image updates so that when this SPA is inserted to the target production system it will not trigger an FPD upgrade operation there.

Step 2 Verify the upgrade was successful by entering the **show hw-module all fpd** command.

Step 3 Remove the SPA from the spare system after the upgrade.

Step 4 Insert the SPA into the target production system.

Verifying System Compatibility First

If a spare system is not available to perform an upgrade, you can check for system compatibility by disabling the automatic upgrade feature before inserting the SPA. (The automatic upgrade feature is enabled by default. It can be disabled using the **no upgrade fpd auto** command.)

- If the FPD images on the SPA are compatible with the system, you will only need to re-enable the automatic upgrade feature (the automatic upgrade feature can be re-enabled using the **upgrade fpd auto** command).
- If the FPD images on the SPA are not compatible with the system, the SPA is disabled but will not impact system performance by attempting to perform an automatic upgrade.

Use the following procedure to check the FPD images on the SPA for system compatibility:

SUMMARY STEPS

1. Disable the automatic upgrade feature using the **no upgrade fpd auto** global configuration command.
2. Insert the SPA into the system.
3. Re-enable the automatic upgrade feature using the **upgrade fpd auto** global configuration command.

DETAILED STEPS

Step 1 Disable the automatic upgrade feature using the **no upgrade fpd auto** global configuration command.

Step 2 Insert the SPA into the system.

If the FPD images are compatible, the SPA will operate successfully after bootup.

If the FPD images are not compatible, the SPA is disabled. At this point we recommend that you wait for a scheduled maintenance when the system is offline to manually perform the FPD upgrade as described in the [Manually Upgrading SPA FPD Images, on page 397](#).

Step 3 Re-enable the automatic upgrade feature using the **upgrade fpd auto** global configuration command.

Optional FPD Procedures

This section provides information for optional FPD-related functions. None of the topics discussed in this section are necessary for completing FPD upgrades, but may be useful in some FPD-related scenarios. It covers the following topics:

Manually Upgrading SPA FPD Images

To manually upgrade the current FPD version on a SPA, use the following command:

```
Router# upgrade hw-module subslot  
[slot-number/subslot-number] fpd bundle [reload]
```

In this example, *slot-number* is the slot where the SIP is installed, *subslot-number* is the subslot number where the SPA is located, **fpd** indicates the type of upgrade required, **bundle** selects the bundled FPD package, and **reload** specifies that the SPA is automatically reloaded after the upgrade. Note that **subslot slot-number/subslot-number** is used to specify a SPA FPD upgrade. The SPA will automatically be reloaded to complete the FPD upgrade.

**Caution**

An image upgrade can require a long period of time to complete depending on the SPA.

Upgrading Multiple FPD Images

A single piece of hardware can contain multiple FPD images. The Cisco ASR 1000 Series Routers can upgrade up to three FPD images simultaneously. However, only one FPD upgrade per router slot can occur at a time, so all FPD images on all SPAs in a single slot will have to wait for another FPD upgrade to finish.

Users should note that some FPD images require the SPA to reload to complete. The FPD upgrade process will perform this step automatically, so users do not have to intervene. However, the other FPDs in the hardware of the specified slot will have to wait for this reload to complete before their upgrade process begins.

**Note**

With a manual upgrade, you must include the **reload** option to cause the SPA to reload automatically. See the [Manually Upgrading SPA FPD Images, on page 397](#).

During an automatic upgrade, the Cisco ASR 1000 Series Routers will upgrade as many FPDs as possible at a time. No user intervention is possible or necessary. The upgrade process will not stop until all FPD images have been updated.

During manual upgrades, it is important to note that users can only specify upgrades for a single piece of hardware each time the **upgrade hw-module subslot** [*slot-number/subslot-number*] command is entered. The maximum of three simultaneous upgrades applies to manual upgrades as well. If you individually specify multiple manual FPD upgrades, only three FPDs can be upgraded simultaneously and that can only occur when the hardware is in different router slots. The FPD upgrade process will stop when all FPDs for the specified hardware have been upgraded.

Displaying Current and Minimum Required FPD Image Versions

To display the current version of FPD images on the SPAs installed on your router, use the **show hw-module slot-number/subslot-number | all] fpd** command, where *slot-number* is the slot number where the SIP is installed, and *subslot-number* is the number of the SIP subslot where a target SPA is located. Entering the **all** keyword shows information for hardware in all router slots.

The following examples show the output when using this **show** command.

The output display in this example shows that FPD versions on the SPAs in the system meet the minimum requirements:

```
Router# show hw-module all fpd
=====
Slot Card Type                H/W  Field Programmable  Current  Min. Required
Ver.  Device: "ID-Name"   Version  Version
-----
0/0 SPA-5X1GE-V2              1.1  1-GE I/O FPGA      1.10    1.10
-----
0/1 SPA-8X1FE-TX-V2          1.1  1-FE I/O FPGA      1.1     1.1
-----
0/2 SPA-2XCT3/DS0            1.1  1-ROMMON           2.12    2.12
      2-I/O FPGA       2.7     2.7
      3-T3 SUBRATE FPGA 1.4     1.4
-----
1/0 SPA-2XOC3-POS            1.0  1-I/O FPGA         3.4     3.4
-----
1/1 SPA-8XCHT1/E1            1.1  1-ROMMON           2.12    2.12
      2-I/O FPGA       2.7     2.7
-----
1/2 SPA-2XT3/E3              1.0  1-ROMMON           2.12    2.12
      2-I/O FPGA       1.0     1.0
      3-E3 FPGA        1.4     1.4
      4-T3 FPGA        1.4     1.4
=====
```

This example shows the output when using the *slot-number/subslot-number* argument to identify a particular SPA:

```
Router# show hw-module subslot 1/0 fpd
=====
Slot Card Type                H/W  Field Programmable  Current  Min. Required
Ver.  Device: "ID-Name"   Version  Version
-----
1/0 SPA-2XOC3-POS            1.0  1-I/O FPGA         3.4     3.4
=====
```

The output display in this example shows that the SPA in subslot 0/1 is disabled because one of the programmable devices does not meet the minimum version requirements.

```
Router# show hw-module all fpd
=====
Slot Card Type                H/W  Field Programmable  Current  Min. Required
Ver.  Device: "ID-Name"   Version  Version
-----
0/0 SPA-4XOC3-POS            1.0  1-I/O FPGA         3.4     3.4
-----
0/1 SPA-2XT3/E3 <DISABLED>    1.0  1-ROMMON           2.12    2.12
      2-I/O FPGA       0.6     1.0    *
      3-E3 FPGA        1.0     1.4    *
```

```

-----
                                4-T3 FPGA                1.0          1.4          *
-----
0/2 SPA-1X10GE-L-V2            1.0  1-10GE I/O FPGA        1.9          1.9
-----
0/3 SPA-1X10GE-L-V2            1.0  1-10GE I/O FPGA        1.9          1.9
=====
NOTES:
- FPD images that are required to be upgraded are indicated with a '*'
  character in the "Minimal Required Version" field.
- The following FPD image package file is required for the upgrade:
  asr1000-fpd-bundle.pkg
=====

```

Displaying Information About the Default FPD Image Package

You can use the **show upgrade fpd package default** command to find out which SPAs are supported with your current Cisco IOS release and which FPD image package you need for an upgrade.

```

Router#
show upgrade fpd package default
*****
This Cisco IOS software image requires the following default FPD Image
Package for the automatic upgrade of FPD images (the package is available
from Cisco.com and is accessible from the Cisco Software Center page where
this IOS software image can be downloaded):
*****
Version: 12.2(XN)
Package Filename: asr1000-fpd-bundle.pkg
List of card type supported in this package:

          No. Card Type
-----
          1) 4xT SERIAL SPA                0.0
          2) 1xCHSTM1 SPA                  0.0
          3) 2xCT3 SPA                     0.100
          4) 2xCT3 SPA                     0.200
          5) 4xCT3 SPA                     0.100

```

<additional output removed for readability>

Verifying the FPD Image Upgrade Progress

You can use the **show upgrade fpd progress** command to view a “snapshot” of the upgrade progress while an FPD image upgrade is taking place. The following example shows the type of information this command displays:

```

Router# show upgrade fpd progress

FPD Image Upgrade Progress Table:

=====
Slot Card Type          Field Programmable   Approx.
                        Device : "ID-Name"   Time Needed         Elapsed
                        -----
                        -----
0/1 SPA-8XCHT1/E1       2-I/O FPGA          00:01:00           00:00:23   Updating...
-----
0/2 SPA-2XT3/E3         4-T3 FPGA           --:--:--           --:--:--   Waiting...
=====

```

FPD Image Upgrade Examples

This section provides examples of automatic and manual FPD image upgrades. It includes the following examples:

Automatic FPD Image Upgrade Example

The following example shows the output displayed when a SPA in slot 0 subslot 1 requires an FPD image upgrade and the `upgrade fpd auto` command is *enabled*. The required FPD image is automatically upgraded.

```
*Nov 28 13:14:22.782: %FPD_MGMT-3-INCOMP_IMG_VER: Incompatible I/O FPGA (FPD ID=2) image
version detected for SPA-2XT3/E3 card in subslot 0/1. Detected version = 0.6, minimum
required version = 1.0. Current HW version = 1.0.
*Nov 28 13:14:22.783: %FPD_MGMT-5-UPGRADE_ATTEMPT: Attempting to automatically upgrade the
FPD image(s) for SPA-2XT3/E3 card in subslot 0/1. Use 'show upgrade fpd progress' command
to view the upgrade progress ...
*Nov 28 13:14:22.841: %FPD_MGMT-6-BUNDLE_DOWNLOAD: Downloading FPD image bundle for
SPA-2XT3/E3 card in subslot 0/1 ...
*Nov 28 13:14:22.981: %FPD_MGMT-6-UPGRADE_TIME: Estimated total FPD image upgrade time for
SPA-2XT3/E3 card in subslot 0/1 = 00:01:00.
*Nov 28 13:14:22.983: %FPD_MGMT-6-UPGRADE_START: I/O FPGA (FPD ID=2) image upgrade in
progress for SPA-2XT3/E3 card in subslot 0/1. Updating to version 1.1. PLEASE DO NOT INTERRUPT
DURING THE UPGRADE PROCESS (estimated upgrade completion time = 00:01:00) ...
*Nov 28 13:14:43.267: %FPD_MGMT-6-UPGRADE_PASSED: I/O FPGA (FPD ID=2) image in the SPA-2XT3/E3
card in subslot 0/1 has been successfully updated from version 0.6 to version 1.0. Upgrading
time = 00:00:20.285
*Nov 28 13:14:43.267: %FPD_MGMT-6-OVERALL_UPGRADE: All the attempts to upgrade the required
FPD images have been completed for SPA-2XT3/E3 card in subslot 0/1. Number of
successful/failure upgrade(s): 1/0.
*Nov 28 13:14:43.268: %FPD_MGMT-5-CARD_POWER_CYCLE: SPA-2XT3/E3 card in subslot 0/1 is being
power cycled for the FPD image upgrade to take effect.
```

Manual FPD Image Upgrade Example

In the following example, FPD for the 2-port T3/E3 SPA in subslot 0/3 is upgraded manually from the bundled FPD image package file. The command excludes the `reload` option so the SPA does not automatically reload.

```
Router#upgrade hw-module subslot 0/3 fpd bundled
% The following FPD will be upgraded for SPA-2XT3/E3 (H/W ver = 1.1) in subslot 0/3:
=====
Field Programmable   Current   Upgrade   Estimated
Device: "ID-Name"   Version   Version   Upgrade Time
=====
2-I/O FPGA           1.0       1.1       00:01:00
=====
% NOTES:
- Use 'show upgrade fpd progress' command to view the progress of the FPD upgrade.
- You must reload the card after the upgrade. The FPD upgrade is not finalized until
the card is reloaded.
- The output of 'show hw-module <target> fpd' will not reflect the upgraded FPD version
until the card is reloaded to finalize the upgrade.
% Are you sure that you want to perform this operation? [no]: yes
% Initiating the upgrade operation on the target card ...
(Use "show upgrade fpd progress" command to see upgrade progress)
Router#
*Mar 4 16:13:17.230: %FPD_MGMT-6-UPGRADE_TIME: Estimated total FPD image upgrade time for
```

```

SPA-2XT3/E3 card in subslot 0/3 = 00:01:00.
*Mar  4 16:13:17.232: %FPD_MGMT-6-UPGRADE_START: I/O FPGA (FPD ID=2) image upgrade in
progress for SPA-2XT3/E3 card in subslot 0/3. Updating to version 1.1. PLEASE DO NOT INTERRUPT
DURING THE UPGRADE PROCESS (estimated upgrade completion time = 00:01:00) ...
*Mar  4 16:13:42.909: %FPD_MGMT-6-UPGRADE_PASSED: I/O FPGA (FPD ID=2) image in the SPA-2XT3/E3
card in subslot 0/3 has been successfully updated from version 1.0 to version 1.1. Upgrading
time = 00:00:25.676
*Mar  4 16:13:42.909: %FPD_MGMT-6-OVERALL_UPGRADE: All the attempts to upgrade the required
FPD images have been completed for SPA-2XT3/E3 card in subslot 0/3. Number of
successful/failure upgrade(s): 1/0.

```

In the following example, FPD for the 2-port T3/E3 SPA in subslot 0/3 is upgraded manually from the bundled FPD image package file. The command includes the **reload** option so the SPA automatically reloads so the new FPD image takes effect immediately.

```

Router#upgrade hw-module subslot 0/3 fpd bundled reload
% The following FPD will be upgraded for SPA-2XT3/E3 (H/W ver = 1.1) in subslot 0/3:
=====
Field Programmable      Current      Upgrade      Estimated
Device: "ID-Name"      Version      Version      Upgrade Time
=====
2-I/O FPGA              1.0          1.1          00:01:00
=====
% NOTES:
- Use 'show upgrade fpd progress' command to view the progress of the FPD
  upgrade.
- The target card will be automatically reloaded after the upgrade
  operation. This reload will interrupt normal operation of the card. If
  necessary, ensure that appropriate actions have been taken to redirect
  card traffic before starting the FPD upgrade.
% Are you sure that you want to perform this operation? [no]: yes
% Initiating the upgrade operation on the target card ...
  (Use "show upgrade fpd progress" command to see upgrade progress)
Router#
*Mar  4 16:15:22.862: %FPD_MGMT-6-UPGRADE_TIME: Estimated total FPD image upgrade time for
SPA-2XT3/E3 card in subslot 0/3 = 00:01:00.
*Mar  4 16:15:22.864: %FPD_MGMT-6-UPGRADE_START: I/O FPGA (FPD ID=2) image upgrade in
progress for SPA-2XT3/E3 card in subslot 0/3. Updating to version 1.1. PLEASE DO NOT INTERRUPT
DURING THE UPGRADE PROCESS (estimated upgrade completion time = 00:01:00) ...
*Mar  4 16:15:47.795: %FPD_MGMT-6-UPGRADE_PASSED: I/O FPGA (FPD ID=2) image in the SPA-2XT3/E3
card in subslot 0/3 has been successfully updated from version 1.0 to version 1.1. Upgrading
time = 00:00:24.931
*Mar  4 16:15:47.795: %FPD_MGMT-6-OVERALL_UPGRADE: All the attempts to upgrade the required
FPD images have been completed for SPA-2XT3/E3 card in subslot 0/3. Number of
successful/failure upgrade(s): 1/0.
*Mar  4 16:15:47.796: %FPD_MGMT-5-CARD_POWER_CYCLE: SPA-2XT3/E3 card in subslot 0/3 is being
power cycled for the FPD image upgrade to take effect.

```

Troubleshooting Problems with FPD Image Upgrades

This section contains information to help troubleshoot problems that can occur during the upgrade process.

It contains the following topics:

Power Failure or Removal of a SPA During an FPD Image Upgrade

These instructions should only be used if a previous upgrade attempt has failed due to an external factor such as a power failure or a SPA removal.

If the FPD upgrade operation is interrupted by a power failure or the removal of the SPA, it could corrupt the FPD image. This corruption of the FPD image file makes the SPA unusable by the router and the system will display the following messages when it tries to power up the SPA:



Note To find more information about FPD-related messages, check the system error messages guide for your Cisco IOS XE software release.

```
Nov.28 11:30:36:%SPA_OIR-3-RECOVERY_RELOAD:subslot 0/1:Attempting
recovery by reloading SPA
Nov.28 11:30:51:%SPA_OIR-3-HW_INIT_TIMEOUT:subslot 0/1
Nov.28 11:30:56:%SPA_OIR-3-RECOVERY_RELOAD:subslot 0/1:Attempting
recovery by reloading SPA
Nov.28 11:31:11:%SPA_OIR-3-HW_INIT_TIMEOUT:subslot 0/1
Nov.28 11:31:16:%SPA_OIR-3-RECOVERY_RELOAD:subslot 0/1:Attempting
recovery by reloading SPA
Nov.28 11:31:31:%SPA_OIR-3-HW_INIT_TIMEOUT:subslot 0/1
Nov.28 11:31:31:%SPA_OIR-3-SPA_POWERED_OFF:subslot 0/1:SPA 4xOC3 POS
SPA powered off after 5 failures within 600 seconds
```

The **show hw-module all fpd** command can be used to verify that the SPA is using a corrupted FPD image. In this example, the SPA in slot 0/1 is corrupted.

```
Router# show hw-module all fpd
=====
Slot Card Type                H/W   Field Programmable   Current   Min. Required
Ver.   Device: "ID-Name"     Version  Version
-----
0/0 SPA-4XOC3-POS           1.0   1-I/O FPGA           3.4      3.4
-----
0/1 SPA-4XOC3-PO<DISABLED> 1.0   ??????????????     ?.?     ?.?
-----
0/2 SPA-1X10GE-L-V2        1.0   1-10GE I/O FPGA     1.9      1.9
-----
0/3 SPA-1X10GE-L-V2        1.0   1-10GE I/O FPGA     1.9      1.9
=====
```

Performing an FPD Recovery Upgrade

The recovery upgrade procedure can only be performed on a SPA that has been powered off by the system after it has failed all of the retries attempted to initialize the SPA.

The following example displays the output of an attempt to perform a recovery upgrade before all the initialization retries have been attempted for the SPA in subslot 0/1.



Note Because a recovery upgrade is done at a more conservative speed, it may take more than the estimated upgrade time.



Note Other factors can cause the system to ask “Do you want to perform the recovery upgrade operation?” Only answer **y** to this question if you have attempted an FPD upgrade that has failed due to a power failure or a SPA removal. If you are prompted for this question without having previously had a failed upgrade attempt for one of the aforementioned reasons, contact Cisco Technical Support.

```
Nov.28 11:29:55:%SPA_OIR-3-RECOVERY_RELOAD:subslot 0/1:Attempting
recovery by reloading SPA
Nov.28 11:30:10:%SPA_OIR-3-HW_INIT_TIMEOUT:subslot 0/1
Nov.28 11:30:15:%SPA_OIR-3-RECOVERY_RELOAD:subslot 0/1:Attempting
recovery by reloading SPA
Nov.28 11:30:31:%SPA_OIR-3-HW_INIT_TIMEOUT:subslot 0/1
Router# upgrade hw-module subslot 0/1 fpg bundled
% Cannot get FPD version information for version checking. If a previous
upgrade attempt has failed for the target card, then a recovery upgrade
would be required to fix the failure.
% The following FPD(s) will be upgraded for SPA-4XOC3-POS (H/W ver =
1.0) in subslot 0/1:
=====
Field Programmable   Current   Upgrade   Estimated
Device:"ID-Name"    Version   Version   Upgrade Time
=====
1-I/O FPGA          ??       3.4      00:00:50
=====
% Do you want to perform the recovery upgrade operation? [no]:y
% Cannot perform recovery upgrade operation because the target card is
not in a failed state. Please try again later.
```

Once the following error message is displayed, you can perform the recovery upgrade:

```
Nov.28 11:31:31:%SPA_OIR-3-SPA_POWERED_OFF:subslot 0/1:SPA 4xOC3 POS SPA powered off after
5 failures within 600 seconds
```



Note You must wait to see this error message before you attempt the upgrade.

Perform the manual FPD image upgrade method using the **upgrade hw-module subslot** command to recover from a corrupted image after the SPA has been powered off by the system. In this command, *slot-number* is the slot where the SIP is installed, *subslot-number* is the subslot of the SIP where the SPA is located.

The following example displays the console output of a recovery upgrade operation:

```
Router# upgrade hw-module subslot 0/1 fpd bundled
% Cannot get FPD version information from SPA-4XOC3-POS in subslot 0/1.
If a previous upgrade attempt on the target card was interrupted, then the
corruption of FPD image might have prevented the card from coming online.
If this is the case, then a recovery upgrade would be required to fix the
failure.
(Hit ENTER to proceed with recovery upgrade operation) [confirm]
% The following FPD will be upgraded for SPA-4XOC3-POS (H/W ver = 1.0) in subslot 0/1:
=====
Field Programmable   Current   Upgrade   Estimated
Device: "ID-Name"    Version   Version   Upgrade Time
=====
1-I/O FPGA          ??       3.4      00:00:50
=====
```

```

% NOTES:
- Use 'show upgrade fpd progress' command to view the progress of the FPD
  upgrade.
- Since the target card is currently in disabled state, it will be
  automatically reloaded after the upgrade operation for the changes to
  take effect.
% Do you want to perform the recovery upgrade operation? [no]: y
% Starting recovery upgrade operation in the background ...
  (Use "show upgrade fpd progress" command to see upgrade progress)
Router#
*Nov 28 17:46:10.191:%FPD_MGMT-6-UPGRADE_TIME: Estimated total FPD image upgrade time for
SPA-4XOC3-POS card in subslot 0/1 = 00:00:50.
*Nov 28 17:46:10.233:%FPD_MGMT-6-UPGRADE_START: I/O FPGA (FPD ID=1) image upgrade in progress
  for SPA-4XOC3-POS card in subslot 0/1. Updating to version 3.4. PLEASE DO NOT INTERRUPT
  DURING THE UPGRADE PROCESS (estimated upgrade completion time = 00:00:50) ...
*Nov 28 17:46:55.948:%FPD_MGMT-6-UPGRADE_PASSED: I/O FPGA (FPD ID=1) image in the
SPA-4XOC3-POS card in subslot 0/1 has been successfully updated from version ?? to version
  3.4. Upgrading time = 00:00:45.715
*Nov 28 17:46:55.948:%FPD_MGMT-6-OVERALL_UPGRADE: All the attempts to upgrade the required
  FPD images have been completed for SPA-4XOC3-POS card in subslot 0/1. Number of
  successful/failure upgrade(s): 1/0.
*Nov 28 17:46:55.949:%FPD_MGMT-5-CARD_POWER_CYCLE: SPA-4XOC3-POS card in subslot 0/1 is
  being power cycled for the FPD image upgrade to take effect.

```

Verifying a Successful Upgrade

After the upgrade process is complete, you can use the **show hw-module all fpd** command to verify that the FPD image has been successfully upgraded:

```

Router# show hw-module all fpd
=====
Slot Card Type                H/W   Field Programmable   Current   Min. Required
Ver.   Device: "ID-Name"     Version  Version             Version
=====
0/0 SPA-4XOC3-POS            1.0   1-I/O FPGA           3.4      3.4
-----
0/1 SPA-4XOC3-POS            1.0   1-I/O FPGA           3.4      3.4
-----
0/2 SPA-1X10GE-L-V2         1.0   1-10GE I/O FPGA     1.9      1.9
-----
0/3 SPA-1X10GE-L-V2         1.0   1-10GE I/O FPGA     1.9      1.9
=====

```




CHAPTER 27

Classifying and Scheduling Packets for the ASR 1000 Series Aggregation Services Routers

This chapter provides an overview of the release history, prerequisites, restrictions, overview of classification and scheduling and configuring the classification and scheduling for ingress packets on the Cisco ASR 1000 Series Aggregation Services Routers.

This chapter includes the following sections:

- [Release History, on page 405](#)
- [Overview of Ingress Classification and Scheduling, on page 405](#)
- [Prerequisites for Ingress Classification and Scheduling, on page 406](#)
- [Classification and Scheduling Restrictions, on page 406](#)
- [Information About Ingress Classification, on page 407](#)
- [Information About Ingress Scheduling, on page 419](#)

Release History

Table 44: Ingress Classification and Scheduling Release History

Release	Modification
Cisco IOS XE Software, Release 3.1S	Classification and scheduling for ingress packets was introduced on the Cisco ASR 1000 Series Aggregation Services Routers to resolve the oversubscription of bandwidth on ingress side.

Overview of Ingress Classification and Scheduling

The ASR 1000 Series Aggregation Services Routers contain a variety of SIPs and SPAs with a combination of low and high speed interfaces ranging from DS1 to 10 Gbps. Due to a variety of SPAs inserted in the ASR 1000 Series Router, both the Carrier Card (CC) and the SPA get oversubscribed in the ingress or egress direction. Currently, all the existing components of the ASR 1000 Series Aggregation Services Routers such as CC and ESP, prioritize the traffic in the egress direction. To resolve the oversubscription issue on the ingress side, ingress classification and scheduling have been introduced in Cisco IOS XE Software, Release 3.1S.

This technology provides the following advantages:

- Classifies and schedules the packets marked as high priority.
- Reduces the latency and jitters for packets (example video and voice) classified as high priority.

Prerequisites for Ingress Classification and Scheduling

The following table shows the hardware and software compatibility prerequisites for the ingress classification and scheduling feature.

Table 45: Hardware and Software Compatibility for Ingress Classification Scheduling

Platform	Processor Engine	Forwarding Processors, Carrier Cards, and SPA Types Supported	New and Modified Commands
Cisco ASR 1000 Series Router	Cisco IOS XE Release 3.1S <ul style="list-style-type: none"> • Route Processor 1 (RP1) • Route Processor 2 (RP2) 	Forwarding Processors supported <ul style="list-style-type: none"> • ESP 5, ESP 10, ESP 20, ESP 40 SIPs supported <ul style="list-style-type: none"> • CC 10 • CC 40 SPAs supported <ul style="list-style-type: none"> • POS SPA: OC3, OC12, OC48, and OC192 flavors • Channelized SPA: ChT1/ E1, ChT3/ DS0, ChSTM1/ OC3, and ChOC12/ DS0 SPAs • Clear Channel SPA: T3/ E3 and 12-in-1 SPAs • Ethernet SPAs: FE, 1 GE, 10 GE SPAs. • ATM SPAs: OC-3 and OC-12 flavour SPAs. 	Following is the list of new and modified commands: <ul style="list-style-type: none"> • ingress-class-map • map ip all queue • map ip dscp-based • map ip dscp • map ip precedence-based • map ip precedence • map ipv6 all queue • map ipv6 tc • map mpls all queue • map mpls exp • plim qos input class-map • show ingress-class-map • plim qos input map cos {enable inner-based outer-based {inner outer} {cos-value cos-range} queue {strict-priority 0}} • hw-module subslot {slot/subslot} qos input {weight weight}



Note

The above listed new commands for ingress classification and scheduling are documented in the *Cisco IOS Quality of Service Solutions Command Reference guide* at the URL http://www.cisco.com/en/US/docs/ios/qos/command/reference/qos_book.html.

Classification and Scheduling Restrictions

Following are the restrictions pertaining to the classification feature:

- The maximum number of ingress class map templates configured per CC is 62 templates.
- Classification support is not enabled for logical interfaces such as multilink and tunnel interfaces.
- Packet classification CLI is disabled for multilink member links.
- Classification CLI cannot be enabled for frame relay subinterfaces.
- Classification is not supported for service SPAs such as WebEx.

Following are the restrictions pertaining to the scheduling feature:

- For clear-channel SPAs such as Ethernet, Serial, POS, and ATM SPAs, excess bandwidth settings are configured at the physical interface level. For channelized SPAs, the excess bandwidth settings can be set at the SPA level.
- Configurations built using high capacity CC or ESP, will be restored with best effort when a low-capacity CC or ESP replaces the high-capacity CC or ESP. Also, any per-CC minimum bandwidth configuration exceeding its ESI link capacity will be replaced with the corresponding ESI link's maximum capacity.
- When configuring the minimum CC bandwidth, the available range is 0 to the minimum carrier-card bandwidth and ESP bandwidth.

Information About Ingress Classification

The following sections provide details of the Ingress classification feature:

Ingress Classification Architecture

The Cisco ASR 1000 Series Aggregation Services Routers support ingress oversubscription. However, in case of oversubscription, it is important that the processing of the high-priority packets such as Internet control, L2 keepalives, signaling protocols, and high-priority data packets is done by the SIP or SPA over the low-priority packets. The following table illustrates the various SPA and ESP combinations that cause oversubscription with SIP-10 installed.

Table 46: SIP-10 Oversubscription Details

ASR 1000 Chassis Type	ESP Type	Oversubscription State
<ul style="list-style-type: none"> • ASR1000-SIP10G • Incoming rate from SPAs. Maximum 4 multiplied by 11.2 Gbps • Outgoing rate towards ESP 11.2 Gbps <p>Conclusion: SIP10G is always oversubscribed.</p>	ESP-2.5 G and ESP-5 G (Supported only on ASR-1002)	No ESP oversubscription. ESPs interconnect device handles the entire 10G incoming traffic.
	ESP-10G	ESP is oversubscribed. Example: Input rate from (example) 3 carrier cards is 3 multiplied by 11.2Gbps Output rate towards QFP=12.8Gbps
	ESP-20G	ESP is oversubscribed. Example: Input rate from (example) 3 carrier cards is 3 multiplied by 11.2Gbps Output rate towards QFP=25.6 Gbps
	ESP-40G	No ESP oversubscription. Example: Input rate from (example) 3 carrier cards is 3 multiplied by 11.2Gbps Output rate towards QFP=2*25.6 Gbps
	ESP-100G	No ESP oversubscription. Example: Input rate from (example) 3 carrier cards is 3 multiplied by 11.2Gbps Output rate towards Yoda=4*25.6 Gbps

The following table illustrates the SPA an ESP combinations that cause oversubscription with SIP-40 installed.

Table 47: SIP-40 Oversubscription Details

ASR 1000 Chassis Type	ESP Type	Oversubscription State
<ul style="list-style-type: none"> ASR1000-SIP40G Incoming rate from SPAs. Maximum 4 multiplied by 11.2 Gbps Outgoing rate towards ESP depends on the ESP type <p>Conclusion: SIP40G oversubscription depends on the ESP type.</p>	ESP-2.5 G and ESP-5 G (Supported only on ASR-1002)	Not supported.
	ESP-10G	ASR1000-SIP40G operates as ASR1000-SIP10G. Example: Input rate from (example) 3 carrier cards is 3 multiplied by 11.2 Gbps Output rate towards QFP=12.8 Gbps ESP is oversubscribed.
	ESP-20G	ASR1000-SIP40G operates as ASR1000-SIP10G. Example: Input rate from (example) 3 carrier cards is 3 multiplied by 11.2 Gbps Output rate towards QFP=25.6 Gbps ESP is oversubscribed.
	ESP-40G	ASR1000-SIP40G operates as ASR1000-SIP40G. Example: Input rate from (example) 3 carrier cards is 3 multiplied by 23 Gbps Output rate towards QFP=51.2 Gbps ESP is oversubscribed.
	ESP-100G	ASR1000-SIP40G operates as ASR1000-SIP40G. Example: Input rate from (example) 3 carrier cards is 3 multiplied by 23 Gbps Output rate towards Yoda=100 Gbps ESP is not oversubscribed.

Resolving Oversubscription

Following are the two high-level tasks which need to be performed to resolve the bandwidth oversubscription on the ingress side:

- Classifying the incoming traffic as high priority and low priority. Depending on the SPA type, the classification is done by either a SIP or a SPA.

- Scheduling the high-priority packets first and then processing the low-priority traffic. Depending on the scheduling configuration, weight can be assigned to low-priority packets.

Ingress Classification Overview

To solve the bandwidth oversubscription issue, packets must be classified as high-priority data traffic and control traffic, and guarantee their transmit to the QFP. Ingress Classification can be broadly divided into two:

- SPA-based classification—Some of the SPAs support the classification performed within the SPA hardware.
- SIP-based classification—SPAs rely on the classification performed inside the CC.

The SPAs supported on a Cisco ASR 1000 Series Aggregation Services Router can be broadly classified into the following categories:

- Ethernet SPAs—Fast Ethernet (FE), 1-Gigabit Ethernet (GE), 10-Gigabit Ethernet SPAs
- ATM SPAs—OC3 and OC12 flavours
- Channelized SPAs—ChT1/ E1, ChT3/ DS0, ChSTM1/ OC3, and ChOC12/ DS0 SPAs
- Clear Channel SPAs—T3/ E3 and 12-in-1 SPAs
- POS SPAs—OC3, OC12, OC48, and OC192 flavors



Note The Ethernet and ATM SPAs have classification capability at the SPA level, while the other types of SPAs rely on the SIP for ingress classification.

The following table shows the classification models followed by the various SPAs:

Table 48: SPA-Based Matrix for Ingress Classification at SIP/SPA Level

Classification at the SPA Level	Classification at the SIP Level
Ethernet SPAs <ul style="list-style-type: none"> • SPA-4X1FE-TX-V2 • SPA-8X1FE-TX-V2 • SPA-2X1GE-V2 • SPA-5X1GE-V2 • SPA-8X1GE-V2 • SPA-10X1GE-V2 • SPA-1X10GE-L-V2 	Serial and Channelized SPA <ul style="list-style-type: none"> • SPA-2XCT3/DS0 • SPA-4XCT3/DS0 • SPA-8XCHT1/E1 • SPA-8XCHT1/E1-V2 • SPA-1XCHSTM1/OC3 • SPA-1XCHOC12/DS0 • SPA-2xT3/E3 • SPA-4xT3/E3 • SPA-4xT-SERIAL

Classification at the SPA Level	Classification at the SIP Level
—	POS SPAs <ul style="list-style-type: none"> • SPA-2XOC3-POS • SPA-4XOC3-POS • SPA-4XOC3-POS-V2 • SPA-1XOC12-POS • SPA-2XOC12-POS • SPA-4XOC12-POS • SPA-8XOC12-POS • SPA-8XOC3-POS • SPA-1XOC48POS/RPR • SPA-2XOC48POS/RPR • SPA-4XOC48POS/RPR • SPA-OC192POS-XFP

SPA-Based Classification

Ethernet and ATM SPAs perform classification at the SPA level. In the SPA-based classification model, the SPA performs both L2 and L3 classification, and decides on the priority of the packet. After classifying the packets into high priority and low priority, the SPA has unique SPI4 channels per priority, and all the high-priority packets are sent on separate SPI4 channels other than the low-priority SPI4 channel. In such a scenario, the SPA queues the packets on high SPI4 channels to high-priority buffers and low-SPI4 channels to low-priority buffers. After the packets are classified into high priority and low priority, the packets are sent to the ESP for further processing.

SIP-Based Classification

POS SPAs, channelized, and clear-channel SPAs support packet classification at SIP level. In SIP-based classification, the SIP does the classification for SPAs and classifies the packet into high-priority and low-priority.

Commands have been introduced in Release 3.1S to configure SIP based classification. To classify high-priority packets such as IPv4, IPv6, or MPLS, in a SIP or SPA, the classification template is defined using the **ingress-class map index** command. The classification template-specific details are defined inside the template, and the template is attached to an interface using the **plim qos class-map index** command.

Default Classification

Commands are used to configure the L3 packet classification criteria. If no L3 classification rule has been configured, the SIP classifies the packet with the following L3 settings as high priority by default:

- IPv4 DSCP-based— If no values are specified as high priority for IPv4 DSCP values, the system considers packets with DSCP EF as high priority.
- IPv4 precedence-based— If no values are specified as high priority for IPv4 precedence values, the system considers packets with precedence 6-7 as high priority.
- IPv6 TC-based— If no values are specified as high-priority for IPv6 DSCP values, the system considers packets with DSCP EF as high priority.
- MPLS EXP bits— If no values are specified as high-priority for MPLS EXP values, the system considers packets with EXP values 6-7 as high priority.

High Availability and Online Insertion and Removal

- CLI configured under an interface are retained after SPA online-insertion-and-removal (OIR). When one type of SPA is replaced by another type of the SPA, the interface configuration is not retained. However, if the earlier SPA type is reinserted, the configuration added on that SPA type is restored.
- All the configurations are synced to the standby route processor (RP). Hence, the router configuration is retained even after the RP switchover.

Configuring the Ingress Classification

The following section provides configuration details for classifying IPv4, IPv6, and MPLS packets for POS, serial, channelized, and clear-channel SPAs.

Defining the L3 Classification Template

To classify high-priority packets such as IPv4, IPv6, or MPLS in either a SIP or SPA, the classification template is defined using the **ingress-class map** *index* command. The classification rules are defined inside the template, and the template is attached to an interface using the **plim qos input class-map** *index-id* command.

SUMMARY STEPS

1. **enable**
2. **configure terminal**
3. **ingress-class-map** *index-id*
4. **interface** {POS | Serial} *interface-path-id*
5. **plim qos input class-map** *index-id*

DETAILED STEPS

	Command or Action	Purpose
Step 1	enable Example: Router> enable	Enables privileged EXEC mode. Enter your password when prompted.
Step 2	configure terminal Example: Router# configure terminal	Enters the global configuration mode.
Step 3	ingress-class-map <i>index-id</i> Example: Router(config)# ingress-class-map 1	Creates a classification template for L3 classification for POS, channelized, and clear-channel SPAs.
Step 4	interface {POS Serial} <i>interface-path-id</i> Example: Router(config)# interface POS 0/2/0	Enters the interface configuration mode and specifies the POS or Serial interface name with the notation <i>slot/sub-slot/interface-id</i> . Possible interface types for this procedure are:

	Command or Action	Purpose
		<ul style="list-style-type: none"> • POS • Serial <p>Note The example indicates a 0 port in the POS SPA adapter at sub-slot 2 in the SIP at slot 0.</p>
Step 5	<p>plim qos input class-map index-id</p> <p>Example:</p> <pre>Router(config-if)# plim qos input class-map 1</pre>	Attaches the ingress classification class-map template with the specified index-id to the POS or Serial interface.

Classifying IPv4 Packets

To configure and verify IPv4 packets as either high or low based on either the DSCP value or precedence value, execute the following set of commands in the Configuration ingress class map mode:

SUMMARY STEPS

1. **enable**
2. **configure terminal**
3. **ingress-class-map index-id**
4. **map ip all queue strict-priority**
5. **map ip dscp-based**
6. **map ip dscp dscp-value queue 0**
7. **map ip precedence-based**
8. **map ip precedence precedence-value queue strict-priority**
9. **exit**
10. **interface {POS | Serial} interface-path-id**
11. **plim qos input class-map index-id**

DETAILED STEPS

	Command or Action	Purpose
Step 1	<p>enable</p> <p>Example:</p> <pre>Router> enable</pre>	Enables privileged EXEC mode. Enter your password when prompted.
Step 2	<p>configure terminal</p> <p>Example:</p> <pre>Router# configure terminal</pre>	Enters global configuration mode.

	Command or Action	Purpose
Step 3	ingress-class-map index-id Example: <pre>Router(config-ing-class-map)# ingress-class-map 1</pre>	Enters the ingress classification template settings for the specified template ID and enables the configuration of the classifications for IPv4, IPv6, or MPLS.
Step 4	map ip all queue strict-priority Example: <pre>Router(config-ing-class-map)# map ip all queue strict-priority</pre>	Sets the priority for all IPv4 packets as high.
Step 5	map ip dscp-based Example: <pre>Router(config-ing-class-map)# map ip dscp-based</pre>	Enables classification based on the DSCP value in IPv4.
Step 6	map ip dscp dscp-value queue 0 Example: <pre>Router(config-ing-class-map)# map ip dscp cs1 cs2 queue 0</pre>	Classifies IPv4 packets, with DSCP values cs1 and cs2 as low-priority packets.
Step 7	map ip precedence-based Example: <pre>Router(config-ing-class-map)# map ip precedence-based</pre>	Enables classification for IPv4 packets based on IP precedence.
Step 8	map ip precedence precedence-value queue strict-priority Example: <pre>Router(config-ing-class-map)# map ip precedence 5 7 queue strict-priority</pre>	Classifies the IPv4 packets, with precedence values 5 and 7 as strict priority.
Step 9	exit Example: <pre>Router(config-ing-class-map)# exit</pre>	Exits the ingress-class-map mode and goes back to the global configuration mode.
Step 10	interface {POS Serial} interface-path-id Example: <pre>Router(config)# interface POS 0/2/0</pre>	Enters the interface configuration mode and specifies the POS or Serial interface name with the notation <i>slot/sub-slot/interface-id</i> . Possible interface types for this procedure are: <ul style="list-style-type: none"> • POS • Serial

	Command or Action	Purpose
		Note The example indicates a 0 port in the POS SPA adapter at sub-slot 2 in the SIP at slot 0.
Step 11	plim qos input class-map index-id Example: <pre>Router(config-if)# plim qos input class-map 1</pre>	Attaches the ingress classification class-map template with the specified index-id to the POS or Serial interface.

Displaying a warning message for no form of commands

This section provides details regarding the behavioral change of displaying a warning message when no command is executed for classification commands.

Cisco IOS XE Release Number

From Cisco IOS XE Release 3.1.0s onwards, a warning message is displayed when **no** command is executed if you have not configured classification and you are trying to execute the no commands for **no plim qos input map ip precedence precedence-value queue {strict-priority | 0}** and **no plim qos input map ip dscp dscp-value queue {strict-priority | 0}**.

Old behavior

When the **no** form of command was executed for classification commands such as **no plim qos input map ip precedence precedence-value queue {strict-priority | 0}** and **no plim qos input map ip dscp dscp-value queue {strict-priority | 0}**, a warning message was not displayed when **no** form of command was executed on queues for which classification was not configured and the **no** form of command was accepted.

New Behavior

The **no** form of the classification commands returns an error message if you have not configured the classification and you are trying to execute the **no** command from Cisco IOS XE Release 3.1.0s onwards. For example, by executing the **plim qos input map ip precedence 4 5 queue strict-priority** command the ip precedence value is configured on queue with strict-priority. If you are executing the **no plim qos input map ip precedence 4 5 queue 0** for which the configuration has not been configured, it shows an error message "% Precedence 4 not configured for queue 0. Cannot use [no] option to remove it." However, if you are executing the **no** command for a queue for which configuration has been done, the **no** form of the command works fine. The error message is also displayed if **no** form of command is executed for other classification command such as **no plim qos input map ip dscp dscp-value queue {strict-priority | 0}**, if classification is not configured for the queue and you are executing the **no** form of command.

Classifying IPv6 Packets

To classify all the IPv6 packets as either high priority or low priority, or to classify the IPv6 packets with specific traffic class values such as high or low, execute the following set of commands in the Configuration ingress class map mode:

SUMMARY STEPS

1. **enable**
2. **configure terminal**
3. **ingress-class-map 1**

4. `map ipv6 all queue strict-priority`
5. `map ipv6 tc tc-value queue strict-priority`
6. `exit`
7. `interface {POS | Serial} interface-path-id`
8. `plim qos input class-map index-id`

DETAILED STEPS

	Command or Action	Purpose
Step 1	enable Example: <pre>Router> enable</pre>	Enables privileged EXEC mode. Enter your password when prompted.
Step 2	configure terminal Example: <pre>Router# configure terminal</pre>	Enters global configuration mode.
Step 3	ingress-class-map 1 Example: <pre>Router(config-ing-class-map)#</pre>	Enters the ingress classification template settings for the specified template ID and enables the configuration of the classifications for IPv4, IPv6, or MPLS.
Step 4	map ipv6 all queue strict-priority Example: <pre>Router(config-ing-class-map)# map ipv6 all queue strict-priority</pre>	Sets the priority for all IPv6 packets as high.
Step 5	map ipv6 tc tc-value queue strict-priority Example: <pre>Router(config-ing-class-map)# map ipv6 tc af43 queue strict-priority</pre>	Classifies IPv6 traffic class values with af43 as high priority.
Step 6	exit Example: <pre>Router(config-ing-class-map)# exit</pre>	Exits the ingress-class-map mode and goes back to the global configuration mode.
Step 7	interface {POS Serial} interface-path-id Example: <pre>Router(config)# interface POS 0/2/0</pre>	Enters the interface configuration mode and specifies the POS or Serial interface name with the notation <i>slot/sub-slot/interface-id</i> . Possible interface types for this procedure are: <ul style="list-style-type: none"> • POS • Serial

	Command or Action	Purpose
		Note The example indicates a 0 port in the POS SPA adapter at sub-slot 2 in the SIP at slot 0.
Step 8	plim qos input class-map index-id Example: <pre>Router(config-if)# plim qos input class-map 1</pre>	Attaches the ingress classification class-map template with the specified index-id to the POS or Serial interface.

Classifying MPLS Packets

To classify either all the MPLS packets or the MPLS packets based on EXP bits of the MPLS header as either high or low, execute the following set of commands in the Configuration ingress class map mode:

SUMMARY STEPS

1. enable
2. configure terminal
3. ingress-class-map 1
4. map mpls all queue strict-priority
5. map mpls exp exp-value queue strict-priority
6. exit
7. interface {POS | Serial} interface-path-id
8. plim qos input class-map index-id

DETAILED STEPS

	Command or Action	Purpose
Step 1	enable Example: <pre>Router> enable</pre>	Enables privileged EXEC mode. Enter your password when prompted.
Step 2	configure terminal Example: <pre>Router# configure terminal</pre>	Enters global configuration mode.
Step 3	ingress-class-map 1 Example: <pre>Router(config-ing-class-map)#</pre>	Enters the ingress classification template settings for the specified template ID and enables configuration of the classifications for IPv4, IPv6, or MPLS.
Step 4	map mpls all queue strict-priority Example: <pre>Router(config-ing-class-map)# map mpls all queue strict-priority</pre>	Sets the priority for all MPLS packets as high priority.

Classifying Inner or Outer VLAN COS Values

	Command or Action	Purpose
Step 5	map mpls exp exp-value queue strict-priority Example: <pre>Router(config-ing-class-map)# map mpls exp 1 queue strict-priority</pre>	Classifies MPLS packets with EXP value 1 as high.
Step 6	exit Example: <pre>Router(config-ing-class-map)# exit</pre>	Exits the ingress-class-map mode and goes back to the global configuration mode.
Step 7	interface {POS Serial} interface-path-id Example: <pre>Router(config)# interface POS 0/2/0</pre>	Enters the interface configuration mode and specifies the POS or Serial interface name with the notation <i>slot/sub-slot/interface-id</i> . Possible interface types for this procedure are: <ul style="list-style-type: none"> • POS • Serial Note The example indicates a 0 port in the POS SPA adapter at sub-slot 2 in the SIP at slot 0.
Step 8	plim qos input class-map index-id Example: <pre>Router(config-if)# plim qos input class-map 1</pre>	Attaches the ingress classification class-map template with the specified index-id to the POS or Serial interface.

Classifying Inner or Outer VLAN COS Values

To enable packet classification based on VLAN COS values for Inner or Outer VLAN of a 802.1Q subinterface or QinQ subinterface, execute the following set of commands from QinQ subinterface configuration mode:

SUMMARY STEPS

1. enable
2. configure terminal
3. interface gigabitEthernet 0/0/0.1
4. plim qos input map cos inner-based
5. plim qos input map cos inner 5 6 queue strict-priority
6. plim qos input map cos outer-based
7. plim qos input map cos outer 4 queue strict-priority

DETAILED STEPS

	Command or Action	Purpose
Step 1	enable Example:	Enables privileged EXEC mode. Enter your password when prompted.

	Command or Action	Purpose
	Router> enable	
Step 2	configure terminal Example: Router# configure terminal	Enters global configuration mode.
Step 3	interface gigabitEthernet 0/0/0.1 Example: Router(config)# interface gigabitEthernet 0/0/0.1	Enters the subinterface mode for Gigabit Ethernet 0/0/0.1.
Step 4	plim qos input map cos inner-based Example: Router(config-subif)# plim qos input map cos inner-based	Enables and allows configuration for inner VLAN COS values. Note The VLAN COS values can be enabled by default by executing the plim qos input map enable command.
Step 5	plim qos input map cos inner 5 6 queue strict-priority Example: Router(config-subif)# plim qos input map cos inner 5 6 queue strict-priority	Configures the COS values or the range of the inner VLAN of a qinq subinterface to high priority.
Step 6	plim qos input map cos outer-based Example: Router(config-subif)# plim qos input map cos outer-based	Enables configuration for outer VLAN COS values. Note The VLAN COS values can be enabled by default by executing the command plim qos input map enable .
Step 7	plim qos input map cos outer 4 queue strict-priority Example: Router(config-subif)# plim qos input map cos outer 4 queue strict-priority	Configures the COS values or range for outer-vlan of a qinq sub-interface to high-priority.

Information About Ingress Scheduling

The following sections provide details regarding the Ingress Scheduling feature:

Scheduling Overview

The ASR 1000 Series Aggregation Services Routers support ingress oversubscription. After the ingress packets are classified as high priority and low priority, the packets are scheduled according to the priority. The ingress classification and scheduling features have to work in conjunction to handle oversubscription. Bandwidth oversubscription occurs at two levels, the SIP level (intra carrier card scheduling) and at ESP (inter carrier

card scheduling) level. The decision to configure scheduling at the SIP level is based on the number of SPAs within a SIP and the scheduling decision to configure the scheduling at either SIP or ESP level is based on the number of SIPs in a router. The following section describes intra-CC scheduling and inter-CC scheduling.

Intra-CC Scheduling

Under intra-CC scheduling, the high-priority packets that are already classified by the SIP or the SPA are scheduled and processed first. By default, all high-priority packets are processed first, and then the excess bandwidth is shared among the low-priority packets, based on either the weight assigned to the interface or the entire SPA. Configuring weights provides an option in distributing the excess bandwidth among different interfaces to schedule low priority packets. Intra-CC scheduling is supported in all SPAs, SIP-10, and SIP-40.

To assign excess weight to a clear-channel SPA (POS, ATM, Ethernet, or Serial SPAs), execute the **plim qos input [weight weight]** command from Main interface configuration mode. This command was earlier supported on only Ethernet SPAs. From Cisco IOS XE Release 3.1S onwards, the command is supported on all clear-channel SPA on Cisco ASR 1000 Series Router.

To assign excess weight to low-priority packets on channelized SPAs, execute the **hw-module subslot {slot/subslot} qos [weight weight]** command in Global configuration mode.

Inter-CC Scheduling

Oversubscription occurs at both the SIP level and the ESP level. Inter-CC scheduling has been introduced to handle the oversubscription at the ESP level. In this scenario, the traffic sent from all the SIPs to the ESP. It is not mandatory to configure scheduling at the ESP level. It depends on the number of SIPs connected to the ESP. Inter-CC scheduling is needed whenever an oversubscription situation is encountered or there is a need to prioritize certain traffic or there is a need to give different bandwidth allocation to different types of traffic. To configure the minimum bandwidth service for the SIP and distribute the excess weight to the low priority packets on the per ESI link per CC, execute the **hw-module slot slot-number qos input link link-index {bandwidth value | weight weight}** command from the Global configuration mode.

Behavioral Changes in Scheduling

In Cisco IOS XE Release 6.0 and earlier images, by default, the SIP-10 scheduler and the ESP scheduler ran in port-fairness and ESP-fairness mode where each buffer is scheduled at a rate proportional to its interface bandwidth. As a result, even high-priority packets were treated based on a rate that was proportional to its interface bandwidth. In Cisco IOS XE Release 3.1S, the SIP-10 scheduler, SIP-40 scheduler, and ESP scheduler ran in strict-priority mode. In this mode, if the high-priority queues of either a participating SPA port or a participating SIP has data to send, these queues will be scheduled first. The remaining bandwidth, if any, will then be shared among the low-priority buffers at a weight that is proportional to the interface bandwidth or at a weight that is equal to the weight of all the SIPs.

The supported excess weight range from Cisco IOS XE Release 3.1S and onwards for intra-SIP scheduling is as follows:

- SIP-10— 40 to 10000
- SIP-40— 40 to 10000

The supported minimum bandwidth range from Cisco IOS XE Release 3.1S and onwards for Inter-SIP scheduling depends on the combination of SIP and ESP. The following is the range for minimum bandwidth configuration for various combination of SIP and ESP:

- SIP-10 with all ESP: 1 Mbps to 11.2 Gbps
- SIP-40 with ESP10/ESP20: 1 Mbps to 11.2 Gbps

- SIP-40 with ESP40: 1Mbps to 23 Gbps on each ESI link
- SIP-40 with ESP100: Up to 100 Gbps

The supported excess weight range for inter carrier card scheduling (ESP level) is as follows:

- All ESPs— 50 to 100

Configuring Intra-CC Scheduling

By default, ingress packets that are classified as high-priority by a SIP or SPA, are processed first, and then sent. After processing the high-priority packets, the available excess bandwidth can be shared by low-priority packets depending on the weight assigned to the interface or to the SPA. Execute the following commands to configure the weight on an interface or for the entire SPA:

SUMMARY STEPS

1. **enable**
2. **configure terminal**
3. **interface gigabitEthernet 0/0/0**
4. **plim qos input weight 100**
5. **exit**
6. **hw-module subslot 0/1 qos input weight 150**
7. **exit**
8. show platform hardware slot 0 plim qos input bandwidth

DETAILED STEPS

	Command or Action	Purpose
Step 1	enable Example: Router> enable	Enables privileged EXEC mode. Enter your password when prompted.
Step 2	configure terminal Example: Router# configure terminal	Enters global configuration mode.
Step 3	interface gigabitEthernet 0/0/0 Example: Router(config-if)# interface gigabitEthernet 0/0/0	Enters the interface configuration mode for Gigabit-Ethernet 0/0/0.
Step 4	plim qos input weight 100 Example: Router(config-if)# plim qos input weight 100	Assigns excess weight of 100 for bandwidth distribution to the Gigabit Ethernet 0/0/0. Note The plim qos input weight command is applicable for only clear-channel SPAs.

	Command or Action	Purpose
Step 5	exit Example: <pre>Router(config-if)# exit</pre>	Exits from the interface configuration mode, and goes back to the configuration mode.
Step 6	hw-module subslot 0/1 qos input weight 150 Example: <pre>Router(config)# hw-module subslot 0/1 qos input weight 150</pre>	Assigns excess weight of 150 for bandwidth distribution to the channelized SPA at slot 0/1. Note The hw-module subslot 0/1 qos input weight 150 command is applicable for all the channelized SPAs. The excess weight is assigned to all the channelized SPAs, while for clear-channel SPAs, weight is assigned to the SPA interface.
Step 7	exit Example: <pre>Router#</pre>	Exits from the configuration mode and goes back to the privilege execution mode.
Step 8	show platform hardware slot 0 plim qos input bandwidth Example: <pre>Router# show platform hardware slot 0 plim qos input bandwidth</pre> Example: <pre>Ingress QOS Scheduling Mode: Strict Priority</pre> Example: <pre>0/0, SPA-5X1GE-V2</pre> Example: <pre>Interface 0/0/0</pre> Example: <pre> BW: 1000000 Kbps, Min BW: N/A , Excessive Weight: 100000 Kbps, HP Polices</pre> Example: <pre>Interface 0/0/1</pre>	Displays the interface-level excess weight configured for all the interfaces of all the SPAs, present in Slot 0.

	Command or Action	Purpose
	<p>Example:</p> <pre> BW: 1000000 Kbps, Min BW: N/A , Excessive Weight: 1000000 Kbps, HP Polices </pre> <p>Example:</p> <pre> Interface 0/0/2 </pre> <p>Example:</p> <pre> BW: 1000000 Kbps, Min BW: N/A , Excessive Weight: 1000000 Kbps, HP Polices </pre> <p>Example:</p> <pre> Interface 0/0/3 </pre> <p>Example:</p> <pre> BW: 1000000 Kbps, Min BW: N/A , Excessive Weight: 1000000 Kbps, HP Polices </pre> <p>Example:</p> <pre> Interface 0/0/4 </pre> <p>Example:</p> <pre> BW: 1000000 Kbps, Min BW: N/A , Excessive Weight: 1000000 Kbps, HP Polices </pre> <p>Example:</p> <pre> 0/1, SPA-1XCHOC12/DS0 </pre> <p>Example:</p> <pre> BW: 619968 Kbps, Min BW: N/A , Excessive Weight: 150000 Kbps, HP Polices </pre> <p>Example:</p> <pre> 0/2, SPA-2XCT3/DS0 </pre> <p>Example:</p> <pre> BW: 88384 Kbps, Min BW: N/A , Excessive Weight: 88000 Kbps, HP Polices </pre>	

Configuring Inter-CC Scheduling

The ESP-level scheduling feature helps to assign minimum guaranteed bandwidth for the entire SIP, and to assign a specific weight to the SIP for distribution of the excess bandwidth. Execute the following commands to either assign the minimum guaranteed bandwidth or to configure the weight for the entire SIP for excess bandwidth distribution:

SUMMARY STEPS

1. **enable**
2. **configure terminal**
3. **hw-module slot 1 qos input link A bandwidth 512**
4. **hw-module slot 1 qos input link A weight 50**
5. **exit**
6. **show platform hardware slot f0 serdes qos**

DETAILED STEPS

	Command or Action	Purpose
Step 1	enable Example: Router> enable	Enables privileged EXEC mode. Enter your password when prompted.
Step 2	configure terminal Example: Router# configure terminal	Enters global configuration mode.
Step 3	hw-module slot 1 qos input link A bandwidth 512 Example: Router(config)# hw-module slot 1 qos input link A bandwidth 512	Assigns a guaranteed minimum bandwidth of 512 Kbps for ESI link A.
Step 4	hw-module slot 1 qos input link A weight 50 Example: Router(config)# hw-module slot 1 qos input link A weight 50	Assigns excess weight of 50 to the ESI link A of the SIP.
Step 5	exit Example: Router(config-if)# exit	Exits from the configuration mode and goes back to the privilege execution mode.
Step 6	show platform hardware slot f0 serdes qos Example:	Displays the minimum guaranteed bandwidth and weight configured for all the SIP slots.

	Command or Action	Purpose
	<p>Router# show platform hardware slot f0 serdes qos</p> <p>Example:</p> <p>Example:</p> <p>Qos Settings on FP:</p> <p>Example:</p> <pre>slot # Min BW (Kbps) Min BW Mode Slot Weight</pre> <p>Example:</p> <pre> RP0 99975 HILO 256</pre> <p>Example:</p> <pre> SIP0 11199981 HI 50</pre>	

What to do next



CHAPTER 28

Overview of the Circuit Emulation over Packet Shared Port Adapter

This chapter provides an overview of the release history, features, overview, and MIB support for the Circuit Emulation over Packet (CEoP) shared port adapters (SPAs) that are available for the Cisco ASR 1000 Series Routers. This chapter includes the following sections:

- [Release History, on page 427](#)
- [Overview, on page 428](#)
- [Supported Features, on page 432](#)
- [Unsupported Features, on page 435](#)
- [Restrictions, on page 436](#)
- [Scalability, on page 437](#)
- [Supported MIBs, on page 437](#)
- [Displaying the SPA Hardware Type, on page 439](#)

Release History

Release	Modification
Cisco IOS XE Release 3.3.0S	Support for the 1-Port Channelized OC3/STM-1 ATM and Circuit Emulation SPA was introduced on the Cisco ASR 1000 Series Aggregation Services Routers.
Cisco IOS XE Release 3.4.0S	Added information about the following SPAs: <ul style="list-style-type: none">• 2-Port Channelized T3/E3 ATM CEoP SPA (supporting clear T3 ATM)• 24-Port Channelized T1/E1 ATM CEoP SPA
Cisco IOS XE Release 3.5.0S	Added information about support for the ATM mode on clear-channel E3 for the SPA-2CHT3-CE-ATM.
Cisco IOS XE Release 3.6.0S	Added information about support for the circuit emulation (CEM) mode in the 2-Port Channelized T3/E3 ATM CEoP SPA.



Note For more information pertaining to the restrictions about Circuit Emulation SPAs, see the “SIP and SPA Product Overview” chapter in the *Cisco ASR 1000 Series Hardware Installation Guide*.

Overview

The SPA-1CHOC3-CE-ATM and SPA-24CHT1-CE-ATM are single-width, single-height, cross-platform Circuit Emulation over Packet (CEoP) SPAs for the Cisco ASR 1000 Series Routers. The SPA-2CHT3-CE-ATM is also a single-width, single-height but supports only the ATM.

CEoP SPAs are available in the following models:

- 2-Port Channelized T3/E3 ATM CEoP SPA (SPA-2CHT3-CE-ATM)
- 24-Port Channelized T1/E1 ATM CEoP SPA (SPA-24CHT1-CE-ATM)
- 1-Port Channelized OC-3 STM1 ATM CEoP SPA (SPA-1CHOC3-CE-ATM)

The following table describes the features supported on different types of circuit emulation (CEM) SPAs.

Table 49: Circuit Emulation SPA Types and Feature Compatibility Matrix

Circuit Emulation (CEM) SPA Type	Cisco IOS XE Release in which SPA Introduced	Feature Supported
SPA-1CHOC3-CE-ATM	3.3.0S	Supports only the CEM mode.
SPA-24CHT1-CE-ATM	3.4.0S	Supports only the CEM mode.
SPA-2CHT3-CE-ATM ⁸	3.4.0S	Supports only the T3 ATM mode.
SPA-2CHT3-CE-ATM	3.5.0S	Supports the E3 ATM mode.
SPA-2CHT3-CE-ATM	3.6.0S	Supports the CEM mode.

⁸ Mixed configuration of the T3 mode and the E3 mode simultaneously on the same SPA-2CHT3-CE-ATM is not supported. However, you can configure one SPA in the T3 mode and another SPA in the E3 mode. For more details regarding restrictions, see Restrictions, page 2-10.

Either the SPA-1CHOC3-CE-ATM or the SPA-24CHT1-CE-ATM must be installed in ASR-1000-SIP10 or ASR-1000-SIP40 before the SIPs can be used in the Cisco ASR 1000 Series Routers. A maximum of four SPA-1CHOC3-CE-ATM or SPA-24CHT1-CE-ATM can be installed in each SIP; these SPAs can be of different models. You can install a SPA in the SIP either before or after you insert the SIP into the router chassis. This enables you to perform online insertion and removal (OIR) operations either by removing the individual SPAs from the SIP or by removing the entire SIP (and the SPAs it contains) from the chassis.

Pseudowire Emulation over Packet (PWEoP) is one of the key components in the process of migrating customers to a packet-based multiservice network. CEoP, which is a subset of PWEoP, is a technology used to migrate from legacy TDM networks to all-packet networks, and transparently provide transport for legacy applications over a packet network. The SPA-1CHOC3-CE-ATM represents an actual physical connection.

Many service providers and enterprises operate both packet-switched networks and time-division multiplexing (TDM) networks. These service providers and enterprises have moved many of their data services from the TDM network to their packet network for scalability and efficiency. Cisco provides routing and switching

solutions that are capable of transporting Layer 2 and Layer 3 protocols, such as Ethernet, IP, and Frame Relay. While most applications and services have been migrated to the packet-based network, some, including voice and legacy applications, still rely on a circuit or a leased line for transport. The SPA-1CHOC3-CE-ATM and SPA-24CHT1-CE-ATM implement CEoP by transporting circuits over a packet-based network. The SPA-1CHOC3-CE-ATM and SPA-24CHT1-CE-ATM SPAs help service providers and enterprises migrate to one-packet networks that are capable of efficiently delivering both data and circuit services.

CEoP Frame Formats

The SPA-1CHOC3-CE-ATM, SPA-2CHT3-CE-ATM, and SPA-24CHT1-CE-ATM support the structured or Circuit Emulation Services over Packet Switched Networks (CESoPSN) and the Structure-Agnostic TDM over Packet (SAToP) encapsulations.

Circuit Emulation Services over Packet Switched Network Mode

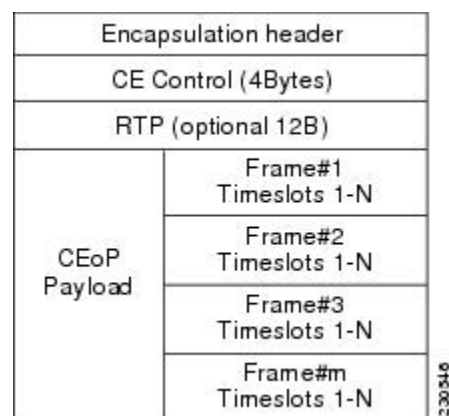
The CESoPSN mode encapsulates the T1/E1 structured (channelized) services over PSN. The structured mode (CESoPSN) identifies framing, and sends only the payload, which can either be channelized T1s within DS3 or DS0s within T1. DS0s can be bundled to the same packet. The CESoPSN mode is based on IETF RFC 5086.

SPAs can aggregate individual interfaces and flexibly bundle them together. They can be configured to support either structured or unstructured CES modes of operation per T1/E1/J1 interface and clear-channel DS3 interface. Effective from Cisco IOS XE Release 3.6.0S, DS3 supports both the CESoPSN and the SAToP. They are supported on the 1-Port Channelized OC-3 STM1 ATM CEoP SPA channelized to T1 or E1 and on the 24-Port Channelized T1/E1 ATM CEoP SPA.

Each supported interface can be configured individually to any supported mode. The supported services comply with IETF and ITU drafts and standards.

The following figure shows the frame format in CESoPSN mode.

Figure 10: Structured Mode Frame Format



The following table shows the payload and jitter for the DS0 lines in the CESoPSN mode.

Table 50: CESoPSN DS0 Lines: Payload and Jitter Limits

DS0	Maximum Payload	Maximum Jitter	Minimum Jitter	Minimum Payload	Maximum Jitter	Minimum Jitter
1	40	320	10	32	256	8
2	80	320	10	32	128	4
3	120	320	10	33	128	4
4	160	320	10	32	64	2
5	200	320	10	40	64	2
6	240	320	10	48	64	2
7	280	320	10	56	64	2
8	320	320	10	64	64	2
9	360	320	10	72	64	2
10	400	320	10	80	64	2
11	440	320	10	88	64	2
12	480	320	10	96	64	2
13	520	320	10	104	64	2
14	560	320	10	112	64	2
15	600	320	10	120	64	2
16	640	320	10	128	64	2
17	680	320	10	136	64	2
18	720	320	10	144	64	2
19	760	320	10	152	64	2
20	800	320	10	160	64	2
21	840	320	10	168	64	2
22	880	320	10	176	64	2
23	920	320	10	184	64	2
24	960	320	10	192	64	2
25	1000	320	10	200	64	2
26	1040	320	10	208	64	2

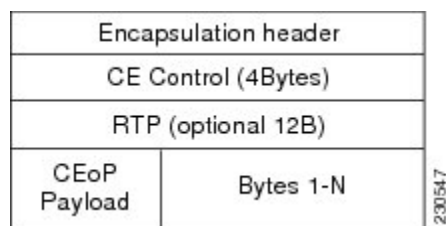
DS0	Maximum Payload	Maximum Jitter	Minimum Jitter	Minimum Payload	Maximum Jitter	Minimum Jitter
27	1080	320	10	216	64	2
28	1120	320	10	224	64	2
29	1160	320	10	232	64	2
30	1200	320	10	240	64	2
31	1240	320	10	248	64	2
32	1280	320	10	256	64	2

Overview of SAToP mode

The SAToP mode encapsulates the T1/E1 or T3/E3 unstructured (unchannelized) services over packet-switched networks. In unstructured (SAToP) mode, bytes are sent out as they arrive on the TDM line. Bytes do not have to be aligned with any framing.

In the SAToP mode, the interface is considered as a continuous framed bit stream. The packetization of the stream is done according to IETF RFC 4553. All signaling is carried out transparently as a part of a bit stream. The following figure shows the frame format in Unstructured SAToP mode.

Figure 11: Unstructured Mode Frame Format



The following table shows the payload and jitter limits for the T1 lines in the SAToP frame format.

Table 51: SAToP T1 Frame: Payload and Jitter Limits

Maximum Payload	Maximum Jitter	Minimum Jitter	Minimum Payload	Maximum Jitter	Minimum Jitter
960	320	10	192	64	2

The following table shows the payload and jitter limits for the E1 lines in the SAToP frame format.

Table 52: SAToP E1 Frame: Payload and Jitter Limits

Maximum Payload	Maximum Jitter	Minimum Jitter	Minimum Payload	Maximum Jitter	Minimum Jitter
1280	320	10	256	64	2

Supported Features

This section provides a list of the primary features supported by the CEoP SPA hardware and software:

Basic Features

The basic features supported by the SPA-1CHOC3-CE-ATM are:

- Compliant with IETF standards for CESoPSN and SAToP.
- The SPA-1CHOC3-CE-ATM supports VT1.5 SONET channelization, and VC-11 and VC-12 SDH channelizations.
- Facility Data Link (FDL) support (T1/E1).
- Adaptive clock recovery-compliant with G.823 and G.824 traffic interface ITU specification.
- Full channelization of DS3 to DS0 (CEM mode only).
- Bellcore GR-253-CORE SONET/SDH compliance (ITU-T G.707, G.783, G.957, G.958).
- The SPA-1CHOC3-CE-ATM uses small form-factor pluggable (SFP) optical transceivers, allowing the same SPA-1CHOC3-CE-ATM hardware to support multimode (MM), short-reach (SR) fiber, intermediate-reach (IR1) fiber, and long-reach (LR1 and LR2) fiber, depending on the capabilities of the SPA.
- OIR of the individual SPA-1CHOC3-CE-ATM from the SIP that is installed.
- CEM local switching and local switching redundancy.

The basic features supported by the 2-Port Channelized T3/E3 ATM CEoP SPA are:

- It can be deployed for ATM services that deliver high-performance interconnectivity, metro, and intra-POP applications between a service provider's points-of-presence (POP) for IP or Multiprotocol Label Switching (MPLS) transport.
- It can be deployed in the customer-premises equipment (CPE) to provide data components to the service provider networks.
- In Cisco IOS XE Release 3.4.0S, the 2-Port Channelized T3/E3 ATM CEoP SPA supports only the clear-channel T3 ATM mode.
- Effective from Cisco IOS XE Release 3.5.0S, the 2-Port Channelized T3/E3 ATM CEoP SPA supports the clear-channel E3 ATM mode and the clear-channel T3 ATM mode.
- Provision to set the clocking mode to either local timing or loop timing (default) for individual DS3/E3 paths.
- The DS3 and E3 alarms reported are:
 - LOS—Loss Of Signal
 - LOF—Loss Of Frame
 - AIS—Alarm Indication Signal
 - RAI—Remote Alarm Indication
- It supports the ATM AAL0—Cell mode.
- It supports the ATM AAL5—Packet mode.
- It supports the AToM feature, such as Cell Relay.
- It supports the ATM MIBs.
- It supports the Any Transport over MPLS over Generic Routing Encapsulation (ATMoGRE).
- It supports the Any Transport over MPLS Operation, Administration, and Maintenance (AToM OAM) (segment mode or emulation mode).

- It supports the Any Transport over MPLS Pseudowire (AToM PW) redundancy.
- It supports the ATM MPLS encapsulation and Internet Engineering Task Force (IETF) RFC and drafts.
- It is compliant with the IETF standards for CESoPSN and SAToP.
- It provisions full channelization of DS3 to DS0 (CEM mode only).

The basic features supported by the 24-Port Channelized T1/E1 ATM CEoP SPA are:

- It supports T1 or E1, both of which can be channelized from DS3 to DS0 for CEM mode.
- It supports T1 or E1 alarms—LOS, LOF, AIS, and RDI.
- It supports internal or line clocking.
- It supports adaptive, differential, and out-of-band (OOB) clocking.
- It supports the following loopbacks:
 - Local
 - Diagnostic
 - Remote ESF line
 - Remote ESF payload
 - Remote IBOC
- It supports BERT patterns on T1 and E1 interfaces.
- It is compliant with IETF standards for CESoPSN and SAToP.
- It supports VT1.5 SONET channelization, VC-11 and VC-12 SDH channelizations
- It supports Facility Data Link (FDL) (T1 and E1).
- It is adaptive clock recovery-compliant with G.823 and G.824 traffic interface ITU specifications.
- It provisions full channelization of DS3 to DS0 (CEM mode only).
- It enables bellcore GR-253-CORE SONET/SDH compliance (ITU-T G.707, G.783, G.957, G.958).
- It supports OIR of individual 24-Port Channelized T1/E1 ATM CEoP SPA in the SIP.

SONET/SDH Error, Alarm, and Performance Monitoring

The subfeatures that are related to SONET, SDH, alarm, and performance monitoring for a SPA-1CHOC3-CE-ATM are as follows:

- Fiber removed and reinserted
- Signal failure bit error rate (SF-BER)
- Signal degrade bit error rate (SD-BER)
- Signal label payload construction (C2)
- Path trace byte (J1)
- Section diagnostics:
 - Loss of signal (SLOS)
 - Loss of frame (SLOF)
 - Error counts for B1
 - Threshold-crossing alarms (TCA) for B1 (B1-TCA)
- Line diagnostics:
 - Line alarm indication signal (LAIS)
 - Line remote defect indication (LRDI)
 - Line remote error indication (LREI)
 - Error counts for B2

- Threshold-crossing alarms for B2 (B2-TCA)
- Path diagnostics:
 - Path alarm indication signal (PAIS)
 - Path remote defect indication (PRDI)
 - Path remote error indication (PREI)
 - Error counts for B3
 - Threshold-crossing alarms for B3 (B3-TCA)
 - Loss of pointer (PLOP)
 - New pointer events (NEWPTR)
 - Positive stuffing event (PSE)
 - Negative stuffing event (NSE)
- The following loopback tests are supported:
 - Network (line) loopback
 - Internal (diagnostic) loopback
 - SONET/SDH loopbacks
 - T1/E1 loopbacks
- The channelization that is supported:
 - Framed or unframed T1s or E1s, which can be further channelized to DS0s.
- Supported SONET/SDH synchronization:
 - Local (internal) timing, for inter-router connections over dark fiber or wave division multiplexing (WDM) equipment.
 - Loop (line) timing, for connecting to the SONET/SDH equipment.
 - +/- 4.6 ppm clock accuracy over the full range of the operating temperature.

T1/E1 Errors and Alarms

The 24-Port Channelized T1/E1 ATM CEoP SPA reports the following types of T1/E1 errors and alarms:

- Cyclic redundancy check (CRC) errors
- Far end block error (FEBE)
- Alarm indication signal (AIS)
- Remote alarm indication (RAI)
- Loss of signal (LOS)
- Out of frame (OOF)
- Failed seconds
- Bursty seconds
- Bipolar violations
- Error events
- Failed signal rate
- Line and Path diagnostics:
 - Errored Second-Line (ES-L)
 - Severely Errored Second-Line (SES-L)
 - Coding Violation-Line (CV-L)

- Failure Count–Path (FC-P)
- Errored Second–Path (ES-P)
- Severely Errored Second–Path (SES-P)
- Unavailable Seconds–Path (UAS-P)

T3/E3 Errors and Alarms

The 2-Port Channelized T3/E3 ATM CEoP SPA reports the following errors and alarms:

- Alarm Indication Signal (AIS)
- Far end block error (FEBE)
- Far end receive failure (FERF)
- Frame error
- Out of frame (OOF)
- Path parity error
- Parity bit (P-bit) disagreements
- Receive Alarm Indication Signal (RAIS)
- Yellow alarm bit (X-bits) disagreements

High-Availability Features

The components that provide high-availability features for the SPA-1CHOC3-CE-ATM are as follows:

- Route Processor Redundancy (RPR)
- In-Service Software Upgrade (ISSU)
- OSPF Nonstop Forwarding (NSF)

Unsupported Features

The features that are not supported by the SPA-1CHOC3-CE-ATM in Cisco IOS XE Release 3.3.0S are as follows:

- VT alarms
- APS for channelized SONET SPA
- SONET Data Communication Channel (SDCC)
- Circuit Emulation Services over Packet Switched Network (CESoPSN) over L2TPv3
- SAToP over L2TPv3
- CEM Access Circuit Redundancy
- BERT patterns on the SONET controller
- ATM and Inverse Multiplexing over ATM (IMA)
- Circuit Emulation Services over User Datagram Protocol (CESoUDP)

The features that are not supported by the 2-Port Channelized T3/E3 ATM CEoP SPA in Cisco IOS XE Release 3.4.0S are as follows:

- Inverse ARP
- Inter Local Management Interface (ILMI)
- ATM Signalling

- Auto VC
- Broadband features
- ILMI 1.0
- IETF RFC 2364 and RFC 2516 for Point-to-Point Protocol (PPP) over ATM
- IETF RFC 1577 support for classical IP and Address Resolution Protocol (ARP) over ATM
- ATM Forum UNI 3.0, 3.1, and 4.0

The features that are not supported by the 2-Port Channelized T3/E3 ATM CEoP SPA in Cisco IOS XE Release 3.6.0S are as follows:

- Network clocking
- Differential clock recovery
- Out-of-band clock recovery

Restrictions

The restrictions pertaining to CEM local switching in Cisco IOS XE Release 3.3.0S are as follows:

- Out-of-band signaling is not supported with local switching interfaces.
- Port mode local switching is not supported on the CEM interface.
- Same CEM circuit cannot be used for both local switching and Xconnect.

The restrictions pertaining to the SPA-2CHT3-CE-ATM in Cisco IOS XE Release 3.4.0S are as follows:

- SPA-2CHT3-CE-ATM does not support port channelization for ATM.
- NLPID encapsulation type is not supported.
- Maximum permanent virtual circuits (PVC) supported per SPA are 1,024.
- The SPA-2CHT3-CE-ATM does not support the CBIT Physical Layer Convergence Protocol (PLCP) framing.
- Only the clear T3 mode is supported in Cisco IOS XE Release 3.4.0S.
- The IMA mode is not supported on SPA-2CHT3-CE-ATM CEoP in Cisco IOS XE Release 3.4.0S.
- POS and HDLC capabilities are not supported.
- Inverse Multiplexing over ATM (IMA) is not supported.
- ATM Local Switching is supported only from Cisco IOS XE Release 3.5.0S.
- Layer 2 permanent virtual circuit (PVC) and Layer 2 permanent virtual path (PVP) traffic shaping is not supported. Switched virtual circuit (SVC) is not supported.
- The SPA-2CHT3-CE-ATM does not support the **network-clocking** commands for sourcing in Cisco IOS XE Release 3.4.0S because the T3 standard does not specify the clocking quality that can be sourced.

The restrictions pertaining to the SPA-2CHT3-CE-ATM in Cisco IOS XE Release 3.5.0S are:

- The SPA-2CHT3-CE-ATM does not support E3 channelization to E1.
- Mixed configuration of the T3 mode and the E3 mode simultaneously on the same SPA is not supported.
- MDL is supported only for DS3-C-bit framing.

The restrictions pertaining to the SPA-24CHT1-CE-ATM in Cisco IOS XE Release 3.4.0S are:

- The SPA-24CHT1-CE-ATM does not support ATM and IMA.
- CESoPSN over L2TPv3 is not supported.
- SAToP over L2TPv3 is not supported.
- CEM Access Circuit Redundancy is not supported.

The restrictions pertaining to the SPA-2CHT3-CE-ATM in Cisco IOS XE Release 3.6.0S are:

- CESoPSN over L2TPv3 is not supported.
- SAToP over L2TPv3 is not supported.
- Network clocking is not supported.
- Differential clock recovery is not supported.
- Out-of-band clock recovery is not supported.

Scalability

The scalability details pertaining to the permanent virtual circuits (PVCs) supported by the SPA-2CHT3-CE-ATM are as follows:

- A maximum of 1024 PVCs on a CEoP card.
- A maximum of 255 PVPs per port on a CEoP card.
- ATM interfaces on the 2-port T3 CEoP (in the clear-channel mode).

The scalability details of the SPA-24CHT1-CE-ATM are as follows:

- Maximum number of DS0s configurable on a 24-port T1/E1 SPA are as follows:
 - 24 T1 x 24 DS0s = 576
 - 24 E1 x 31 DS0s = 744
- T1 can support a maximum of 24 possible CEM groups.
- E1 can support a maximum of 31 possible CEM groups.
- Total number of CEM groups that can be configured per SPA-24CHT1-CE-ATM are 191.

The scalability details of the SPA-2CHT3-CE-ATM are as follows:

- Maximum number of DS0s configurable on a 2-port T3/E3 SPA are as follows:
 - 2 T3 x 28 T1 x 24 DS0 = 1344
 - 2 T3 x 21 E1 x 31 DS0 = 1302
- Total number of CEM groups that can be configured per SPA-2CHT3-CE-ATM are 576.

Supported MIBs

Effective from Cisco IOS XE Release 3.3.0S, the following MIBs are supported for the SPA-1CHOC3-CE-ATM on the Cisco ASR 1000 Series Routers:

- ENTITY-MIB
- CISCO-ENTITY-SENSOR-MIB
- ENTITY-SENSOR-MIB
- CISCO-ENTITY-FRU-CONTROL-MIB
- CISCO-ENTITY-ALARM-MIB
- IF-MIB
- CISCO-IF-EXTENSION-MIB
- CISCO-IETF-PW-MPLS-MIB
- SONET-MIB

- CISCO-SONET-MIB
- CISCO-ENTITY-PERFORMANCE-MIB
- CISCO-CLASS-BASED-QOS-MIB
- CISCO-IETF-PW-MIB
- CISCO-ENTITY-VENDORTYPE-OID-MIB
- ENTITY-STATE-MIB

Effective from Cisco IOS XE Release 3.4.0S, the following MIBs are supported for the SPA-2CHT3-CE-ATM on the Cisco ASR 1000 Series Routers:

- ENTITY-MIB
- DS3-MIB
- IF-MIB
- CISCO-CLASS-BASED-QOS-MIB
- MIB II
- CISCO-ENTITY-ASSET-MIB
- CISCO-EXTENDED-ENTITY-MIB
- CISCO-IETF-PW-MIB
- CISCO-IETF-PW-MPLS-MIB

Effective from Cisco IOS XE Release 3.4.0S, the following MIBs are supported for the SPA-24CHT1-CE-ATM on the Cisco ASR 1000 Series Routers:

- ENTITY-MIB
- ENTITY-SENSOR-MIB
- ENTITY-STATE-MIB
- CISCO-CLASS-BASED-QOS-MIB
- CISCO-ENTITY-SENSOR-MIB
- CISCO-ENTITY-FRU-CONTROL-MIB
- CISCO-ENTITY-VENDORTYPE-OID-MIB
- IF-MIB
- CISCO-IF-EXTENSION-MIB
- CISCO-IETF-PW-MIB
- CISCO-IETF-PW-MPLS-MIB
- CISCO-ENTITY-ALARM-MIB
- DS1-MIB

To locate and download MIBs for selected platforms, Cisco IOS releases, and feature sets, use the Cisco MIB Locator found at the following URL:

<http://tools.cisco.com/ITDIT/MIBS/servlet/index>

If the Cisco MIB Locator does not support the MIB information that you need, you can also obtain a list of the supported MIBs and download the MIBs from the Cisco MIBs page at:

<http://www.cisco.com/public/sw-center/netmgmt/cmtk/mibs.shtml>

To access the Cisco MIB Locator, you must have an account on Cisco.com. If you have forgotten or lost your account information, send a blank e-mail to cco-locksmith@cisco.com. An automatic check will verify if your e-mail address is registered with Cisco.com. If the check is successful, an e-mail containing your account details and a new random password will be sent to you. Qualified users can establish an account on Cisco.com by following the directions found at:

<https://tools.cisco.com/RPF/register/register.do>

Displaying the SPA Hardware Type

To verify the SPA hardware type that is installed in your Cisco ASR 1000 Series Routers, use either the **show interfaces** command or the **show diag** command. A number of other **show** commands also provide information about the SPA hardware.

The following table shows the hardware description that appears in the **show** command output for each type of Circuit Emulation SPA that is supported on the Cisco ASR 1000 Series Routers:

Table 53: Circuit Emulation SPA Hardware Descriptions in show Commands

SPA	Description in the show interfaces Command
SPA-1CHOC3-CE-ATM	“Hardware is SPA-1CHOC3-CE-ATM”
SPA-2CHT3-CE-ATM	“Hardware is SPA-2CHT3-CE-ATM”
SPA-24CHT1-CE-ATM	“Hardware is SPA-24CHT1-CE-ATM”

Examples of the show interfaces cem Command

The following example shows an output of the **show interfaces cem** command on a Cisco ASR 1000 Series Routers with the SPA-1CHOC3-CE-ATM installed in the first subslot of a SIP that is installed in slot 0:

```
Router# show interfaces cem 5/3/0
CEM5/3/0 is up, line protocol is up
  Hardware is Circuit Emulation Interface
  MTU 1500 bytes, BW 155520 Kbit/sec, DLY 0 usec,
    reliability 255/255, txload 1/255, rxload 1/255
  Encapsulation CEM, loopback not set
  Keepalive not supported
  Last input never, output never, output hang never
  Last clearing of "show interface" counters 1w6d
  Input queue: 0/375/0/0 (size/max/drops/flushes); Total output drops: 0
  Queueing strategy: fifo
  Output queue: 0/0 (size/max)
  5 minute input rate 192000 bits/sec, 500 packets/sec
  5 minute output rate 0 bits/sec, 0 packets/sec
    113110734268 packets input, 5429315244864 bytes, 0 no buffer
    Received 0 broadcasts (0 IP multicasts)
    0 runts, 0 giants, 0 throttles
    0 input errors, 0 CRC, 0 frame, 0 overrun, 0 ignored, 0 abort
    836046248 packets output, 40130219904 bytes, 0 underruns
    0 output errors, 0 collisions, 0 interface resets
    0 unknown protocol drops
    0 output buffer failures, 0 output buffers swapped out
```

The following example shows an output of the **show interfaces cem** command on a Cisco ASR 1000 Series Routers with the SPA-24CHT1-CE-ATM installed in the first subslot of a SIP that is installed in slot 2 for a T1 link:

```
Router# show interfaces cem 2/0/0
CEM2/0/0 is up, line protocol is up
```

```

Hardware is Circuit Emulation Interface
MTU 1500 bytes, BW 1544 Kbit/sec, DLY 0 usec,
    reliability 255/255, txload 1/255, rxload 253/255
Encapsulation CEM, loopback not set
Keepalive not supported
Last input never, output never, output hang never
Last clearing of "show interface" counters 5d18h
Input queue: 0/375/0/0 (size/max/drops/flushes); Total output drops: 0
Queueing strategy: fifo
Output queue: 0/0 (size/max)
5 minute input rate 1536000 bits/sec, 1000 packets/sec
5 minute output rate 0 bits/sec, 0 packets/sec
  498511041 packets input, 95714119872 bytes, 0 no buffer
    Received 0 broadcasts (0 IP multicasts)
      0 runts, 0 giants, 0 throttles
      0 input errors, 0 CRC, 0 frame, 0 overrun, 0 ignored, 0 abort
      0 packets output, 0 bytes, 0 underruns
      0 output errors, 0 collisions, 0 interface resets
      0 unknown protocol drops
      0 output buffer failures, 0 output buffers swapped out

```

The following example shows an output of the **show interfaces cem** command on a Cisco ASR 1000 Series Routers with the SPA-24CHT1-CE-ATM installed in the first subslot of a SIP that is installed in slot 1 for a E1 link:

```

Router# show interfaces cem 0/1/0
CEM0/1/0 is up, line protocol is up
  Hardware is Circuit Emulation Interface
  MTU 1500 bytes, BW 2048 Kbit/sec, DLY 0 usec,
    reliability 255/255, txload 1/255, rxload 4/255
  Encapsulation CEM, loopback not set
  Keepalive not supported
  Last input never, output never, output hang never
  Last clearing of "show interface" counters 01:13:27
  Input queue: 0/375/0/0 (size/max/drops/flushes); Total output drops: 0
  Queueing strategy: fifo
  Output queue: 0/0 (size/max)
  5 minute input rate 34000 bits/sec, 17 packets/sec
  5 minute output rate 0 bits/sec, 0 packets/sec
    8439 packets input, 2092872 bytes, 0 no buffer
      Received 0 broadcasts (0 IP multicasts)
        0 runts, 0 giants, 0 throttles
        0 input errors, 0 CRC, 0 frame, 0 overrun, 0 ignored, 0 abort
        0 packets output, 0 bytes, 0 underruns
        0 output errors, 0 collisions, 0 interface resets
        0 unknown protocol drops
        0 output buffer failures, 0 output buffers swapped out

```

The following example shows an output of the **show interfaces cem** command on a Cisco ASR 1000 Series Routers with the SPA-2CHT3-CE-ATM installed in the third subslot of a SIP that is installed in slot 0 for a DS3 link:

```

Router# show interfaces cem 0/3/0
CEM0/3/0 is up, line protocol is up
  Hardware is Circuit Emulation Interface
  MTU 1500 bytes, BW 45000 Kbit/sec, DLY 0 usec,
    reliability 255/255, txload 2/255, rxload 8/255
  Encapsulation CEM, loopback not set
  Keepalive not supported
  Last input never, output never, output hang never
  Last clearing of "show interface" counters never
  Input queue: 0/375/0/0 (size/max/drops/flushes); Total output drops: 0

```

```

Queueing strategy: fifo
Output queue: 0/0 (size/max)
5 minute input rate 1536000 bits/sec, 1000 packets/sec
5 minute output rate 425000 bits/sec, 278 packets/sec
  4708356 packets input, 904004352 bytes, 0 no buffer
  Received 0 broadcasts (0 IP multicasts)
  0 runts, 0 giants, 0 throttles
  0 input errors, 0 CRC, 0 frame, 0 overrun, 0 ignored, 0 abort
  100747 packets output, 19343424 bytes, 0 underruns
  0 output errors, 0 collisions, 0 interface resets
  0 unknown protocol drops
  0 output buffer failures, 0 output buffers swapped out

```

Example of the show interfaces atm Command

The following example shows an output of the **show interfaces atm** command on a Cisco ASR 1000 Series Routers with the SPA-2CHT3-CE-ATM configured as clear-channel ATM T3 and installed in the second subslot of a SIP that is installed in slot 0:

```

Router# show interfaces atm 0/2/0
ATM0/2/0 is up, line protocol is up
  Hardware is SPA-2CHT3-CE-ATM, address is 0024.975c.1f20 (bia 0024.975c.1f20)
  MTU 4470 bytes, sub MTU 4470, BW 44209 Kbit/sec, DLY 0 usec,
    reliability 255/255, txload 1/255, rxload 1/255
  Encapsulation ATM, loopback not set
  Keepalive not supported
  Encapsulation(s): AAL5 AAL0
  2047 maximum active VCs, 1 current VCCs
  VC Auto Creation Disabled.
  VC idle disconnect time: 300 seconds
  1 carrier transitions
  Last input never, output 02:42:10, output hang never
  Last clearing of "show interface" counters never
  Input queue: 0/375/0/0 (size/max/drops/flushes); Total output drops: 0
  Queueing strategy: fifo
  Output queue: 0/40 (size/max)
  5 minute input rate 0 bits/sec, 0 packets/sec
  5 minute output rate 0 bits/sec, 0 packets/sec
    30 packets input, 3240 bytes, 0 no buffer
    Received 0 broadcasts (0 IP multicasts)
    0 runts, 0 giants, 0 throttles
    0 input errors, 0 CRC, 0 frame, 0 overrun, 0 ignored, 0 abort
    29 packets output, 3132 bytes, 0 underruns
    0 output errors, 0 collisions, 1 interface resets
    0 unknown protocol drops
    0 output buffer failures, 0 output buffers swapped out

```

The following example shows an output for the SPA-2CHT3-CE-ATM, configured as clear-channel ATM E3 and installed in the first slot of a SIP that is installed in slot 0:

```

Router# show interface ATM 0/1/0
ATM0/1/0 is up, line protocol is up
  Hardware is SPA-2CHT3-CE-ATM, address is 000c.862c.4d40 (bia 000c.862c.4d40)
  MTU 4470 bytes, sub MTU 4470, BW 33791 Kbit/sec, DLY 0 usec,
    reliability 255/255, txload 1/255, rxload 1/255
  Encapsulation ATM, loopback not set
  Keepalive not supported
  Encapsulation(s): AAL5 AAL0
  2047 maximum active VCs, 0 current VCCs
  VC Auto Creation Disabled.
  VC idle disconnect time: 300 seconds

```

Example of the show interfaces atm Command

```
1 carrier transitions
Last input never, output never, output hang never
Last clearing of "show interface" counters never
Input queue: 0/75/0/0 (size/max/drops/flushes); Total output drops: 0
Queueing strategy: fifo
Output queue: 0/40 (size/max)
5 minute input rate 0 bits/sec, 0 packets/sec
5 minute output rate 0 bits/sec, 0 packets/sec
  0 packets input, 0 bytes, 0 no buffer
    Received 0 broadcasts (0 IP multicasts)
  0 runts, 0 giants, 0 throttles
  0 input errors, 0 CRC, 0 frame, 0 overrun, 0 ignored, 0 abort
  0 packets output, 0 bytes, 0 underruns
  0 output errors, 0 collisions, 1 interface resets
  0 unknown protocol drops
  0 output buffer failures, 0 output buffers swapped out
```



CHAPTER 29

Configuring the Circuit Emulation over Packet Shared Port Adapter

This chapter provides information about configuring the Circuit Emulation over Packet (CEoP) shared port adapters (SPAs) on the Cisco ASR 1000 Series Routers.

- [Release History](#), on page 443
- [Configuration Tasks](#), on page 444
- [Configuring the ATM Connection on a SPA](#), on page 454
- [Configuring Pseudowire Redundancy](#), on page 459
- [Configuring the 2-Port Channelized T3/E3 ATM CEoP SPA for the T3 Mode and the E3 Mode](#), on page 461
- [Configuring CEM](#), on page 465
- [Configuring Pseudowire Redundancy](#), on page 473
- [Configuring T1 on a 24-Port Channelized T1/E1 ATM CEoP SPA](#), on page 474
- [Configuring E1 on a 24-Port Channelized T1/E1 ATM CEoP SPA](#), on page 475
- [Configuring a 24-Port Channelized T1/E1 ATM CEoP SPA in the Clear-Channel ATM Mode](#), on page 476
- [Configuring SONET \(OC-3\)](#), on page 481
- [Configuring Clocking](#), on page 483
- [Configuring CEM Parameters](#), on page 498
- [Configuring Layer 3 QoS on CEoP SPAs](#), on page 500
- [Configuring AIS and RAI Alarm Forwarding in the CESoPSN Mode on the CEoP SPAs](#), on page 503
- [Verifying the Interface Configuration](#), on page 508

Release History

Release	Modification
Cisco IOS XE Release 3.10S	Added information about support for ATM on the SPA-24CHT1-CE-ATM.
Cisco IOS XE Release 3.6S	Added information about support for the Circuit Emulation (CEM) mode for the 2-Port Channelized T3/E3 ATM CEoP SPA.
Cisco IOS XE Release 3.5S	Added information about support for the SPA-2CHT3-CE-ATM in clear-channel E3 mode.

Release	Modification
Cisco IOS XE Release 3.4S	Information added for the following SPAs: <ul style="list-style-type: none"> • 2-Port Channelized T3/E3 ATM CEoP SPA • 24-Port Channelized T1/E1 ATM CEoP SPA
Cisco IOS XE Release 3.3S	Support for the 1-Port Channelized OC3/STM-1 ATM and Circuit Emulation SPA was introduced in the Cisco ASR 1000 Series Aggregation Services Routers.



Note For more information pertaining to the restrictions about the Circuit Emulation SPAs, see the “[SIP and SPA Product Overview](#)” chapter in the [Cisco ASR 1000 Series Hardware Installation Guide](#) .

Configuration Tasks

This section describes the most common configurations for the SPA-1CHOC3-CE-ATM on the Cisco ASR 1000 Series Routers. For information about managing your system images and configuration files, see the following documents:

- [Cisco ASR 1000 SIP and SPA Hardware Installation Guide](#)
- [Cisco ASR 1000 Series Aggregation Services Routers Software Configuration Guide](#)
- [Cisco IOS Configuration Fundamentals Configuration Guide](#)
- [Cisco IOS Configuration Fundamentals Command Reference](#)

Referring an Interface on a SPA

Four CEoP SPAs can be installed in a SPA interface processor (SIP). Ports are numbered from left to right, beginning with 0. Single-port SPAs use only the port number 0. To configure or monitor SPA interfaces, you must specify the physical location of the SIP, SPA, and interface in the command line interface (CLI). The interface address format is *slot/subslot/port* , where:

- *slot*—Specifies the chassis slot number in the Cisco ASR 1000 Series Router in which the SIP is installed
- *subslot*—Specifies the secondary slot of the SIP in which the SPA is installed
- *port*—Specifies the number of the individual interface port on a SPA

The following example shows how to specify the first interface (0) on a SPA that is installed in subslot 1 of the SIP in chassis slot 0:

```
Router(config)# interface cem 0/1/0
```

Configuring Port Usage: An Overview

The SPA-1CHOC3-CE-ATM can be configured to run only in the CEM mode. The 2-Port Channelized T3/E3 ATM CEoP SPA, introduced in Cisco IOS XE Release 3.4.0S, can be configured to run only in the ATM

mode. Effective from Cisco IOS XE Release 3.6.0S, the 2-Port Channelized T3/E3 ATM CEoP SPA supports the CEM mode, but does not support the IMA mode. Effective from Cisco IOS XE Release 3.10.0S, The 24-port channelized T1E1 SPA supported ATM mode on the SPA-24CHT1-CE-ATM.

The following sections show how to configure each of the SPAs for the CEM mode.

Configuring SPA-1CHOC3-CE-ATM for SONET VT1.5

To configure SPA-1CHOC3-CE-ATM for SONET VT 1.5, perform the following procedure:

SUMMARY STEPS

1. Router(config)# **controller sonet slot/subslot/interface-id**
2. Router(config-controller)# **framing sonet**
3. Router(config-controller)# **sts-1 2**
4. Router(config-ctrlr-sts1)# **mode vt-15**
5. Do one of the following:
 - Router(config-ctrlr-sts1)# **vtg 2 t1 1 cem-group 1** unframed
 -
 -
 -

DETAILED STEPS

	Command or Action	Purpose
Step 1	Router(config)# controller sonet slot/subslot/interface-id	Selects the controller to be configured.
Step 2	Router(config-controller)# framing sonet	Specifies SONET framing.
Step 3	Router(config-controller)# sts-1 2	Specifies the STS identifier.
Step 4	Router(config-ctrlr-sts1)# mode vt-15	Specifies VT-15 as the STS-1 mode of operation.
Step 5	Do one of the following: <ul style="list-style-type: none"> • Router(config-ctrlr-sts1)# vtg 2 t1 1 cem-group 1 unframed • • • Example: <pre>Router(config-ctrlr-sts1)# vtg 2 t1 4 cem-group 2 timeslots list-of-timeslots</pre>	Creates a single Structure-Agnostic TDM over Packet (SAToP) CEM group. or Creates a Circuit Emulation Services over Packet Switched Network (CESoPSN) CEM group.

Configuring SPA-1CHOC3-CE-ATM for SDH AU-4 C-12

To configure SPA-1CHOC3-CE-ATM for SDH AU-4 C-12, perform the following procedure:

SUMMARY STEPS

1. Router(config)# **controller sonet slot/subslot/interface-id**
2. Router(config-controller)# **framing sdh**
3. Router(config-controller)# **aug mapping au-4**
4. Router(config-controller)# **au-4 / tug-3 2**
5. Router(config-ctrlr-tug3)# **mode c-12**
6. Do one of the following:
 - Router(config-ctrlr-tug3)# **tug-2 / e1 / cem-group / unframed**
 - Router(config-ctrlr-tug3)# **tug-2 / e1 / cem-group / timeslots list-of-timeslots**

DETAILED STEPS

	Command or Action	Purpose
Step 1	Router(config)# controller sonet slot/subslot/interface-id	Selects the controller to be configured.
Step 2	Router(config-controller)# framing sdh	Specifies SDH as the framing mode.
Step 3	Router(config-controller)# aug mapping au-4	Specifies AUG mapping.
Step 4	Router(config-controller)# au-4 / tug-3 2	Selects the AU-4 and TUG-3 to be configured.
Step 5	Router(config-ctrlr-tug3)# mode c-12	Specifies the channelization mode for TUG-3.
Step 6	Do one of the following: <ul style="list-style-type: none"> • Router(config-ctrlr-tug3)# tug-2 / e1 / cem-group / unframed • Router(config-ctrlr-tug3)# tug-2 / e1 / cem-group / timeslots list-of-timeslots 	Creates an SAToP CEM group or a CESoPSN CEM group.

Configuring SPA-1CHOC3-CE-ATM for SDH AU-3 C-11

To configure SPA-1CHOC3-CE-ATM for SDH AU-3 C-11, perform the following procedure:

SUMMARY STEPS

1. Router(config)# **controller sonet slot/subslot/interface-id**
2. Router(config-controller)# **framing sdh**
3. Router(config-controller)# **aug mapping au-3**
4. Router(config-controller)# **au-3 3**
5. Router(config-ctrlr-au3)# **mode c-11**
6. Do one of the following:
 - Router(config-ctrlr-au3)# **tug-2 / t1 2 cem-group / unframed**
 - Router(config-ctrlr-au3)# **tug-2 / t1 2 cem-group 2015 timeslots list-of-timeslots**

DETAILED STEPS

	Command or Action	Purpose
Step 1	Router(config)# controller sonet slot/subslot/interface-id	Selects the controller to be configured.
Step 2	Router(config-controller)# framing sdh	Specifies the framing mode.
Step 3	Router(config-controller)# aug mapping au-3	Specifies AUG mapping.
Step 4	Router(config-controller)# au-3 3	Selects the AU-3 to be configured.
Step 5	Router(config-ctrlr-au3)# mode c-11	Specifies the channelization mode for the link.
Step 6	Do one of the following: <ul style="list-style-type: none"> Router(config-ctrlr-au3)# tug-2 1 t1 2 cem-group 1 unframed Router(config-ctrlr-au3)# tug-2 1 t1 2 cem-group 2015 timeslots list-of-timeslots 	Creates an SAToP CEM group or a CESoPSN CEM group.

Configuring the Card Type and CEM Group for the 24-Port Channelized T1/E1 ATM CEoP SPA

To configure the card type and CEM group for the 24-Port Channelized T1/E1 ATM CEoP SPA, perform the following steps:

SUMMARY STEPS

1. Router(config)# **card type {t1 | e1} slot subslot**
2. Router(config)# **controller {t1 | e1} slot/subslot/port**
3. Router(config-controller)# **cem-group group unframed**
4. Router(config-controller)# **cem-group group timeslots list-of-timeslots**
5. Router(config-controller)# **atm**
6. Router (config-controller)# **exit**

DETAILED STEPS

	Command or Action	Purpose
Step 1	Router(config)# card type {t1 e1} slot subslot	Selects the card type as T1 or E1.
Step 2	Router(config)# controller {t1 e1} slot/subslot/port	Selects the controller for the SPA port to be configured as T1 or E1.
Step 3	Router(config-controller)# cem-group group unframed	Creates a SAToP CEM group and configures the port for the clear-channel CEM mode.
Step 4	Router(config-controller)# cem-group group timeslots list-of-timeslots	Creates a CESoPSN CEM group and configures the port for the channelized CEM mode.
Step 5	Router(config-controller)# atm	Configures the port to run in the clear-channel ATM mode and creates an ATM interface to represent the port. or

	Command or Action	Purpose
		Removes the ATM interface.
Step 6	Router (config-controller)# exit	Exits the controller configuration mode.

Configuring the Card Type for the 2-Port Channelized T3/E3 ATM CEM SPA

SUMMARY STEPS

1. Router # enable
2. Router# configure terminal
3. Router(config)# **card type** {t3 | e3} slot subslot
4. Router(config)# **controller** {t3 | e3} slot/subslot/port
5. Router(config-controller)# **channelized mode** {t1 | e1}
6. Router(config-controller)# **cem-group** group unframed
7. Do one of the following:
 - Router(config-controller)# {t1} 1-28 **cem-group** group timeslots 1-24
 - Router(config-controller)# {e1} 1-21 **cem-group** group timeslots 1-31
8. Router(config-controller)# **atm**
9. Router (config-if)# exit

DETAILED STEPS

	Command or Action	Purpose
Step 1	Router # enable	Enables privileged EXEC mode.
Step 2	Router# configure terminal	Enters global configuration mode.
Step 3	Router(config)# card type {t3 e3} slot subslot	Selects a card type. or Use the no form of the command to remove the card type.
Step 4	Router(config)# controller {t3 e3} slot/subslot/port	Selects the controller to configure the SPA port. Note Effective from Cisco IOS XE Release 3.6.0S, T3 and E3 card types are supported.
Step 5	Router(config-controller)# channelized mode {t1 e1}	Swaps between the CT3-T1 and CT3-E1 modes. This is applicable only if the card type is T3.
Step 6	Router(config-controller)# cem-group group unframed	Creates a SAToP CEM group and configures the port for clear-channel CEM mode. or To delete the CEM circuit and release the time slots, use the no cem-group group-number command.

	Command or Action	Purpose
Step 7	Do one of the following: <ul style="list-style-type: none"> Router(config-controller)# {t1} 1-28 cem-group group timeslots 1-24 Router(config-controller)# {e1} 1-21 cem-group group timeslots 1-31 	Creates a CESoPSN CEM group and configures the port for channelized CEM mode. Group number range is from 0 to 671.
Step 8	Router(config-controller)# atm	Configures the port to run in clear-channel ATM mode and creates an ATM interface to represent the port. or Use the no form of the command to remove the link from the ATM.
Step 9	Router (config-if)# exit	Exits the interface configuration mode and returns to the privileged EXEC mode.

Restrictions and Usage Guidelines for Configuring the 2-Port Channelized T3/E3 CEoP SPA

Following are the restrictions and usage guidelines pertaining to the configuration of the 2-Port Channelized T3/E3 CEoP SPA:

- PVC configuration is not supported on the ATM main interface.
- SPA-2CHT3-CE-ATM does not support the Control-Bit PLCP (Physical Layer Convergence Protocol) framing.
- Bridging features, such as Bridging Routed Encapsulations (BRE), Multipoint Bridging (MPB), and multi-VLAN are not supported on CEoP.
- CEoP SPAs do not support Layer 3 Quality of Service (QoS).
- E3 Channelization to E1 is not supported.
- CEoP SPAs simultaneously support multiple interface types.
- Adaptive clock recovery is supported on the 2-Port Channelized T3/E3 CEoP SPA.
- Out-of-Band (OOB) clock recovery for CEM is not supported.
- Maintenance Digital Link (MDL) is supported only for Digital Signal Cross Connect (DSX3-C) framing.
- In Cisco IOS XE Release 3.4.0S, ATM on clear-channel E3 is not supported.
- Effective from Cisco IOS XE Release 3.5.0S, ATM on clear-channel E3 is supported.



Note Mixed configuration of the T3 mode and the E3 mode simultaneously on the SPA-2CHT3-CE-ATM is not supported in Cisco IOS XE Release 3.5.0S.

Sample Configurations of the 2-Port Channelized T3/E3 CEoP SPA in the Clear-Channel T3 Mode

Configure the SPA in the T3 mode as follows:

```
Router(config)# card type T3 5 0
<SPA Reloads itself after the card type is configured. Only after SPA is UP, configure the
controller as T3 or E3>
Router(config)# controller T3 5/0/0
```

Create a T3 ATM interface as follows:

```
Router(config-controller)# atm
```

Create a CEM group as follows:

```
Router(config-controller)# cem-group 0 unframed
```

Sample Configurations of the 2-Port Channelized T3/E3 CEoP SPA in the Clear-Channel E3 Mode

Configure the SPA in the E3 mode as follows:

```
Router(config)# card type E3 5 0
Router(config)# controller E3 5/0/0
```

Create an E3 ATM interface as follows:

```
Router(config-controller)# atm
```

Create a CEM group as follows:

```
Router(config-controller)# cem-group 0 unframed
```

Sample Configurations of the 2-Port Channelized T3/E3 CEoP SPA in the CT3-T1 Channelization Mode

Configure the SPA in the T3 mode as follows:

```
Router(config)# card type T3 5 0
Router(config)# controller T3 5/0/0
```

Create an NxDS0 T1 CEM group as follows:

```
Router(config-controller)# t1 2 cem-group 0 timeslots 1-12
```

Sample Configurations of the 2-Port Channelized T3/E3 CEoP SPA in the CT3-E1 Channelization Mode

Configure the SPA in the T3 mode as follows:

```
Router(config)# card type T3 5 0
Router(config)# controller T3 5/0/0
```

Change the channelization to the E1 mode as follows:

```
Router(config)# controller T3 5/0/0
router(config-controller)# channelized mode e1
```

Create an NxDS0 E1 CEM group as follows:

```
Router(config-controller)# e1 2 cem-group 0 timeslots 1-12
```

Verifying the 2-Port Channelized T3/E3 CEoP SPA Configuration

The following example shows how to verify the configuration for the 2-Port Channelized T3/E3 CEoP SPA:

```
Router# show controller t3 0/1/0
T3 0/1/0 is up.
Hardware is SPA-2CHT3-CE-ATM
```

```

Applique type is Clear-channel T3 ATM
No alarms detected.
Framing is M23, Line Code is B3ZS, Cablelength is 224
Clock Source is internal
Equipment customer loopback
Data in current interval (97 seconds elapsed):
  0 Line Code Violations, 0 P-bit Coding Violation
  0 C-bit Coding Violation, 0 P-bit Err Secs
  0 P-bit Severely Err Secs, 0 Severely Err Framing Secs
  0 Unavailable Secs, 0 Line Errored Secs
  0 C-bit Errored Secs, 0 C-bit Severely Errored Secs
  0 Severely Errored Line Secs
  0 Far-End Errored Secs, 0 Far-End Severely Errored Secs
  0 CP-bit Far-end Unavailable Secs
  0 Near-end path failures, 0 Far-end path failures
  0 Far-end code violations, 0 FERF Defect Secs
  0 AIS Defect Secs, 0 LOS Defect Secs
Router# show controller e3 0/1/0
E3 0/1/0 is up.
Hardware is SPA-2CHT3-CE-ATM
Applique type is Clear-channel E3 ATM
Receiver has loss of signal.
Framing is E3 G751, Line Code is HDB3
Clock Source is internal, National Bit 0
Equipment customer loopback
Data in current interval (363 seconds elapsed):
  0 Line Code Violations, 0 P-bit Coding Violation
  0 C-bit Coding Violation, 0 P-bit Err Secs
  0 P-bit Severely Err Secs, 0 Severely Err Framing Secs
  101 Unavailable Secs, 0 Line Errored Secs
  0 C-bit Errored Secs, 0 C-bit Severely Errored Secs
Router# show ip interface brief

```

Interface	IP-Address	OK?	Method	Status	Protocol
ATM0/1/0	Unassigned	YES	manual	up	up
ATM0/1/1	Unassigned	YES	manual	up	up

The following section displays the command outputs for the E3 mode:

```

Router# show interfaces ATM 0/1/0.1
ATM0/1/0.1 is up, line protocol is up
Hardware is SPA-2CHT3-CE-ATM, address is 0026.cb0c.f410 (bia 0026.cb0c.f410)
MTU 4470 bytes, BW 33791 Kbit/sec, DLY 0 usec,
  reliability 255/255, txload 1/255, rxload 1/255
Encapsulation ATM
Keepalive not supported
  0 packets input, 0 bytes
  0 packets output, 0 bytes
  0 OAM cells input, 0 OAM cells output
AAL5 CRC errors : 0
AAL5 SAR Timeouts : 0
AAL5 Oversized SDUs : 0
AAL5 length violation : 0
Last clearing of "show interface" counters never
Router# show interfaces atm 0/1/0
ATM0/1/0 is up, line protocol is up
Hardware is SPA-2CHT3-CE-ATM, address is 0026.cb0c.f410 (bia 0026.cb0c.f410)
MTU 4470 bytes, sub MTU 4470, BW 33791 Kbit/sec, DLY 0 usec,
  reliability 255/255, txload 1/255, rxload 1/255
Encapsulation ATM, loopback not set
Keepalive not supported
Encapsulation(s): AAL5 AAL0
2047 maximum active VCs, 1 current VCCs
VC Auto Creation Disabled.
VC idle disconnect time: 300 seconds

```

```

2 carrier transitions
Last input never, output never, output hang never
Last clearing of "show interface" counters never
Input queue: 0/375/0/0 (size/max/drops/flushes); Total output drops: 0
Queueing strategy: fifo
Output queue: 0/40 (size/max)
5 minute input rate 0 bits/sec, 0 packets/sec
5 minute output rate 0 bits/sec, 0 packets/sec
  0 packets input, 0 bytes, 0 no buffer
  Received 0 broadcasts (0 IP multicasts)
  0 runts, 0 giants, 0 throttles
  0 input errors, 0 CRC, 0 frame, 0 overrun, 0 ignored, 0 abort
  0 packets output, 0 bytes, 0 underruns
  0 output errors, 0 collisions, 1 interface resets
  0 unknown protocol drops
  0 output buffer failures, 0 output buffers swapped out
Router# show atm pvc interface atm 0/1/0.1
      VCD /
Interface Name          VPI  VCI Type  Encaps  SC      Peak Av/Min Burst
0/1/0.1      1      100   32 PVC   SNAP    UBR    33791  Kbps Kbps Cells St
Router# show atm interface atm 0/1/0
Interface ATM0/1/0:
AAL enabled:  AAL5, AAL0, Maximum VCs: 2047, Current VCCs: 1
Max. Datagram Size: 4528
PLIM Type: E3 - 34000Kbps, Framing is G.751 ADM, TX clocking: LINE
0 input, 0 output, 0 IN fast, 0 OUT fast
  Avail bw = 34368
Config. is ACTIVE
Router# show atm interface atm 0/1/0.1
Interface ATM0/1/0.1:
AAL enabled:  AAL5, AAL0, Maximum VCs: 2047, Current VCCs: 1
Max. Datagram Size: 4528
PLIM Type: E3 - 34000Kbps, Framing is G.751 ADM, TX clocking: LINE
0 input, 0 output, 0 IN fast, 0 OUT fast
  Avail bw = 34368
Config. is ACTIVE
Router# show atm pvc
      VCD /
Interface Name          VPI  VCI Type  Encaps  SC      Peak Av/Min Burst
0/1/0.1      1      100   32 PVC   SNAP    UBR    33791  Kbps Kbps Cells St

```

The following section displays the command outputs for the T3 mode:

```

Router# show atm interface atm 5/1/0
Interface ATM5/1/0:
AAL enabled:  AAL5, AAL0, Maximum VCs: 2047, Current VCCs: 0
Max. Datagram Size: 4528
PLIM Type: DS3 - 45000Kbps, Framing is C-bit ADM,
DS3 lbo: short, TX clocking: LINE
Cell-payload scrambling: OFF
0 input, 0 output, 0 IN fast, 0 OUT fast
  Avail bw = 44209
New Config. not yet ACTIVE
Router# show atm pvc interface atm 5/1/1.1
      VCD /
Interface Name          VPI  VCI Type  Encaps  SC      Peak Av/Min Burst
5/1/1.1      1      100   34 PVC   SNAP    UBR    44209  Kbps Kbps Cells St
Router# show atm interface atm 5/1/1.1
Interface ATM5/1/1.1:
AAL enabled:  AAL5, AAL0, Maximum VCs: 2047, Current VCCs: 1
Max. Datagram Size: 4528
PLIM Type: DS3 - 45000Kbps, Framing is C-bit ADM,
DS3 lbo: short, TX clocking: LINE
Cell-payload scrambling: OFF

```



```

0 input, 0 output, 0 IN fast, 0 OUT fast
Avail bw = 44209
Config. is ACTIVE
Router# show interfaces atm 5/1/1.1
ATM5/1/1.1 is up, line protocol is up
  Hardware is SPA-2CHT3-CE-ATM, address is e804.6227.3851 (bia e804.6227.3851)
  MTU 4470 bytes, BW 44209 Kbit/sec, DLY 0 usec,
    reliability 255/255, txload 1/255, rxload 1/255
  Encapsulation ATM
  Keepalive not supported
    0 packets input, 0 bytes
    0 packets output, 0 bytes
    0 OAM cells input, 0 OAM cells output
  AAL5 CRC errors : 0
  AAL5 SAR Timeouts : 0
  AAL5 Oversized SDUs : 0
  AAL5 length violation : 0
  Last clearing of "show interface" counters never
Router# show interfaces atm 5/1/1
ATM5/1/1 is up, line protocol is up
  Hardware is SPA-2CHT3-CE-ATM, address is e804.6227.3851 (bia e804.6227.3851)
  MTU 4470 bytes, sub MTU 4470, BW 44209 Kbit/sec, DLY 0 usec,
    reliability 255/255, txload 1/255, rxload 1/255
  Encapsulation ATM, loopback not set
  Keepalive not supported
  Encapsulation(s): AAL5 AAL0
  2047 maximum active VCs, 1 current VCCs
  VC Auto Creation Disabled.
  VC idle disconnect time: 300 seconds
  2 carrier transitions
  Last input never, output never, output hang never
  Last clearing of "show interface" counters never
  Input queue: 0/375/0/0 (size/max/drops/flushes); Total output drops: 0
  Queueing strategy: fifo
  Output queue: 0/40 (size/max)
  5 minute input rate 0 bits/sec, 0 packets/sec
  5 minute output rate 0 bits/sec, 0 packets/sec
    0 packets input, 0 bytes, 0 no buffer
  Received 0 broadcasts (0 IP multicasts)
    0 runts, 0 giants, 0 throttles
    0 input errors, 0 CRC, 0 frame, 0 overrun, 0 ignored, 0 abort
    0 packets output, 0 bytes, 0 underruns
    0 output errors, 0 collisions, 1 interface resets
    0 unknown protocol drops
    0 output buffer failures, 0 output buffers swapped out

```

The following section displays the command output for the CEM mode:

```

Router# show interfaces cem 0/3/0
CEM0/3/0 is up, line protocol is up
  Hardware is Circuit Emulation Interface
  MTU 1500 bytes, BW 45000 Kbit/sec, DLY 0 usec,
    reliability 255/255, txload 2/255, rxload 8/255
  Encapsulation CEM, loopback not set
  Keepalive not supported
  Last input never, output never, output hang never
  Last clearing of "show interface" counters never
  Input queue: 0/375/0/0 (size/max/drops/flushes); Total output drops: 0
  Queueing strategy: fifo
  Output queue: 0/0 (size/max)
  5 minute input rate 1536000 bits/sec, 1000 packets/sec
  5 minute output rate 425000 bits/sec, 278 packets/sec
    4708356 packets input, 904004352 bytes, 0 no buffer
  Received 0 broadcasts (0 IP multicasts)

```

```

0 runts, 0 giants, 0 throttles
0 input errors, 0 CRC, 0 frame, 0 overrun, 0 ignored, 0 abort
100747 packets output, 19343424 bytes, 0 underruns
0 output errors, 0 collisions, 0 interface resets
0 unknown protocol drops
0 output buffer failures, 0 output buffers swapped out

```

Configuring the ATM Connection on a SPA

The following ATM SPAs are supported on the Cisco ASR 1000 Series Aggregation Services Routers:

SPA-2CHT3-CE-ATM

From Cisco IOS XE Release 3.4S, ATM support for the SPA-2CHT3-CE-ATM is introduced. When configured to operate in the ATM mode, CEoP SPAs support the ATM features.

The SPA-2CHT3-CE-ATM CEoP supports ATM operation only in the clear-channel mode. In this mode, each SPA port provides a single high-speed ATM connection operating at the line rate of the port.

Guideline for Configuring ATM Connections on a SPA

Consider the following guideline before configuring the ATM connections on a SPA:

In the clear-channel mode, each port in the 2-Port Channelized T3/E3 ATM CEoP SPA provides a single ATM connection operating at the T3line rate.

Configuring a Port on a CEoP SPA for ATM Operations

To configure a port on a CEoP SPA for ATM operations, you must:

1. Set the port to the ATM mode.
2. Configure an ATM permanent virtual circuit (PVC) for the port.
3. Configure a pseudowire for the ATM interface.

Configuring an ATM Interface

The router creates an ATM interface for each T3port that is configured for the ATM. The interface is in the **atm slot /subslot /port** format, where *slot /subslot* identifies the SPA slot and subslot, and */port* identifies the port, for example, **atm 2/1/0**.

SPA-24CHT1-CE-ATM

In Cisco IOS XE Release 3.10S, ATM support for the SPA-24CHT1-CE-ATM is introduced. When configured to operate in the ATM mode, CEoP SPAs support the ATM feature.

The SPA-24CHT1-CE-ATM CEoP is supported only in the clear-channel mode. In the clear-channel mode, each SPA port provides a single high-speed ATM connection operating at the line rate of the port.

Guidelines for Configuring ATM Connections on a SPA

Consider the following guideline before configuring the ATM connections on a SPA:

In the clear-channel mode, each port in the 24-Port Channelized T1/E1 ATM CEoP SPA provides a single ATM connection operating at the T1/E1 line rate.

Configuring a Port on a CEoP SPA for ATM Operations

To configure a port on a CEoP SPA for the ATM operations, you must:

1. Set the port to the ATM mode.
2. Configure an ATM permanent virtual circuit (PVC) for the port.
3. Configure a pseudowire for the ATM interface.

Configuring an ATM Interface

A Cisco ASR 1000 Series Aggregation Services Router creates an ATM interface for each T1/E1 port that is configured for the ATM. The interface is in the **atm slot /subslot /port** format, where *slot /subslot* identifies the SPA slot and subslot, and */port* identifies the port, for example, **atm 2/1/0**.

The ATM configuration for SPA-24CHT1-CE-ATM is the same as the ATM configuration for SPA-2CHT3-CE-ATM. For more information about the ATM configuration for SPA-2CHT3-CE-ATM, see the [Configuring the Card Type for the 2-Port Channelized T3/E3 ATM CEoP SPA](#), on page 448.



Note The SPA-24CHT1-CE-ATM is supported both T1 and E1 modes.

VC QoS on VP-PWRestriction

The VC QoS on VP-PW feature works only with single-cell relay and does not work with the packet-cell relay function.

Configuring a Pseudowire for an ATM Connection

To configure a pseudowire for an ATM connection, perform the procedure described in the following sections. The pseudowire carries ATM data across the MPLS network.

Configuring the T3E3 ATM and T1E1 ATM SPAs in the Layer 2 Permanent Virtual Circuit (L2 PVC) Mode

Perform the following steps to configure the T3E3 ATM and T1E1 ATM SPAs with ATM Cell Relay over Multiprotocol Label Switching (ACRoMPLS) in the L2 PVC mode:

SUMMARY STEPS

1. Router(config)# **interface atm slot /subslot /port.subinterface** point-to-point
2. Router(config-subif)# **pvc vpi /vci** l2transport
3. Router(cfg-if-atm-l2trans-pvc)# **encapsulation {aal0 | aal5}**
4. Router(cfg-if-atm-l2trans-pvc)# **xconnect peer-router-id vcid {encapsulation mpls | pseudowire-class name }**
5. Router(config-if)# **exit**

DETAILED STEPS

	Command or Action	Purpose
Step 1	Router(config)# interface atm slot /subslot /port.subinterface point-to-point	Selects the ATM interface on which the pseudowire has to be configured, where <i>slot/subslot</i> is the SPA slot and subslot, and <i>/port</i> is the SPA port on which the interface exists.
Step 2	Router(config-subif)# pvc vpi /vci l2transport	Creates a permanent virtual circuit for the ATM interface and assigns the PVC with a VPI and VCI: <ul style="list-style-type: none"> • <i>vpi</i>—Specifies the virtual path identifier (0 to 255). • <i>vci</i>—Specifies the virtual channel identifier. Valid values are 32 to 1 less than the value specified using the atm vc-per-vp command. Note Do not specify 0 for both the VPI and VCI.
Step 3	Router(cfg-if-atm-l2trans-pvc)# encapsulation {aal0 aal5}	Specifies the ATM adaptation layer (AAL) for the PVC (only like-to-like Xconnects and LS): <ul style="list-style-type: none"> • aal0—Cell mode • aal5—Packet mode
Step 4	Router(cfg-if-atm-l2trans-pvc)# xconnect peer-router-id vcid {encapsulation mpls pseudowire-class name }	Configures a pseudowire to transport data from the ATM interface across the MPLS network. <ul style="list-style-type: none"> • <i>peer-router-id</i> is the IP address of the remote PE peer router. • <i>vcid</i> is a 32-bit identifier that is to be assigned to the pseudowire. The same <i>vcid</i> must be used at both the ends of the pseudowire. • encapsulation mpls sets MPLS in tunneling mode. • pseudowire-class name specifies a pseudowire class that includes the encapsulation mpls command. Note The <i>peer-router-id</i> and <i>vcid</i> combination must be unique on the router.
Step 5	Router(config-if)# exit	Exits the interface configuration mode.

Configuring the T3E3 ATM and T1E1 ATM SPAs in the Layer 2 Permanent Virtual Path (L2 PVP) Mode

Perform the following steps to configure the T3E3 ATM and T1E1 ATM SPAs with ATM Cell Relay over MPLS in the L2 PVP mode:

SUMMARY STEPS

1. Router(config)# **interface atm slot /subslot /port.subinterface** multi-point
2. Router(config-subif)# **atm pvp vpi** l2transport
3. Router(cfg-if-atm-l2trans-pvp)# **xconnect peer-router-id vcid {encapsulation mpls | pseudowire-class name }**

4. Router(cfg-if-atm-l2trans-pvp)# exit

DETAILED STEPS

	Command or Action	Purpose
Step 1	Router(config)# interface atm slot /subslot /port.subinterface multi-point	Selects the ATM interface on which the pseudowire has to be configured, where <i>slot/subslot</i> is the SPA slot and subslot, and <i>/port</i> is the SPA port on which the interface exists.
Step 2	Router(config-subif)# atm pvp vpi l2transport	Creates an ATM permanent virtual path for the ATM interface and assigns a VPI to the PVP: <ul style="list-style-type: none"> • <i>vpi</i> specifies the virtual path identifier (0 to 255).
Step 3	Router(cfg-if-atm-l2trans-pvp)# xconnect peer-router-id vcid {encapsulation mpls pseudowire-class name }	Configures a pseudowire to transport data from the ATM interface across the MPLS network. <ul style="list-style-type: none"> • <i>peer-router-id</i> is the IP address of the remote PE peer router. • <i>vcid</i> is a 32-bit identifier that is to be assigned to the pseudowire. The same <i>vcid</i> must be used at both ends of the pseudowire. • encapsulation mpls sets MPLS in the tunneling mode. • pseudowire-class name specifies a pseudowire class that includes the encapsulation mpls command. <p>Note The <i>peer-router-id</i> and <i>vcid</i> combination must be unique on the router.</p>
Step 4	Router(cfg-if-atm-l2trans-pvp)# exit	Exits the interface configuration mode.

Configuring the T3E3 ATM and T1E1 ATM SPAs in the Layer 3 Permanent Virtual Path (L3 PVP) Mode

Perform the following steps to configure the T3E3 ATM and T1E1 ATM SPAs in the ATM L3 PVP mode:

SUMMARY STEPS

1. Router(config)# **interface atm slot /subslot /port.subinterface** multi-point
2. Router(config-subif)# **ip address ip-address subnetmask**
3. Router(config-subif)# **atm pvp vpi-id**
4. Router(config-subif)# **pvc vpi-id/vci-id**
5. Router(config-if-atm-vc)# **protocol ip ip-address**

DETAILED STEPS

	Command or Action	Purpose
Step 1	Router(config)# interface atm slot /subslot /port.subinterface multi-point	Selects the ATM interface on which to configure an ATM Multipoint L3 PVP configuration, where <i>slot/subslot</i> is the

	Command or Action	Purpose
	Example: Example:	SPA slot and subslot, and <i>/port</i> is the SPA port on which the interface exists.
Step 2	Router(config-subif)# ip address ip-address subnetmask	Configures the IP address and subnetmask of the subinterface.
Step 3	Router(config-subif)# atm pvp vpi-id	Creates an ATM permanent virtual path for the ATM interface and assigns a VPI to the PVP: <i>vpi</i> id specifies the virtual path identifier (0 to 255).
Step 4	Router(config-subif)# pvc vpi-id/vci-id	Configures a permanent virtual circuit with the specified VPI ID and VCI ID.
Step 5	Router(config-if-atm-vc)# protocol ip ip-address	Maps the protocol type and IP address to the connection type.

Configuring the Layer 3 Permanent Virtual Circuit (L3 PVC) for the Point-to-Point (P2P) Connection

Perform the following steps to configure the T3E3 ATM and T1E1 ATM SPAs in the ATM L3 PVC for the P2P connection:

SUMMARY STEPS

1. Router(config)# **interface atm slot /subslot /port.subinterface** point-to-point
2. Router(config-subif)# **ip address ip-address subnetmask**
3. Router(config-subif)# **pvc vpi-id/vci-id**
4. Router(config-if-atm-vc)# **encapsulation {aal5mux | aal5snap}**

DETAILED STEPS

	Command or Action	Purpose
Step 1	Router(config)# interface atm slot /subslot /port.subinterface point-to-point	Selects the ATM interface on which to configure ATM Point-to-Point (P2P) L3 PVC, where <i>slot/subslot</i> is the SPA slot and subslot, and <i>/port</i> is the SPA port where the interface exists.
Step 2	Router(config-subif)# ip address ip-address subnetmask	Configures the IP address and subnetmask of the subinterface.
Step 3	Router(config-subif)# pvc vpi-id/vci-id	Configures a permanent virtual circuit with the specified VPI ID and VCI ID.
Step 4	Router(config-if-atm-vc)# encapsulation {aal5mux aal5snap}	Specifies the AAL for the PVC. <ul style="list-style-type: none"> • aal5mux—AAL5+MUX encapsulation • aal5snap—AAL5+LLC/SNAP encapsulation

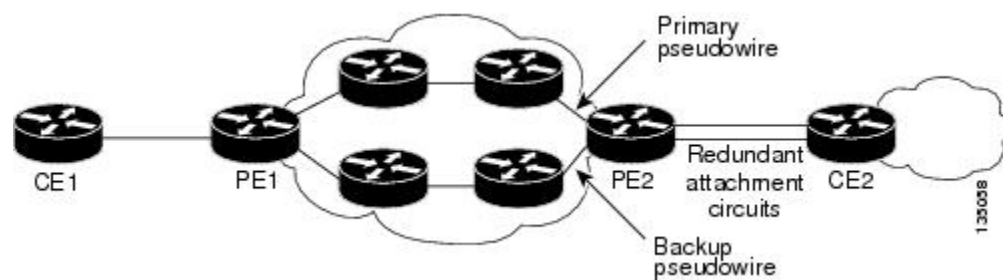
Configuring Pseudowire Redundancy

CEoP SPAs support the L2VPN Pseudowire Redundancy feature, which provides backup service for the ATM and CEM pseudowires. Configuring a Pseudowire Redundancy is an optional task. The L2VPN Pseudowire Redundancy feature enables the network to detect a failure and reroute the Layer 2 (L2) service to another endpoint that can continue to provide the service. This feature provides the ability to recover from a failure of either the remote PE router or the link between the PE and CE routers.

Configure pseudowire redundancy by configuring two pseudowires for an ATM interface, a primary pseudowire and a backup (standby) pseudowire. If the primary pseudowire fails, the router uses the backup pseudowire in its place. When the primary pseudowire becomes operational again, the backup pseudowire is stopped and the router resumes the use of the primary pseudowire.

The following figure shows an example of pseudowire redundancy.

Figure 12: Pseudowire Redundancy



The following is a summary of the steps to configure pseudowire redundancy on the SPA-2CHT3-CE-ATM.



Note You must configure the backup pseudowire such that it connects to a router that is different from the one the primary pseudowire connects to.

SUMMARY STEPS

1. Router# **enable**
2. Router# **configure terminal**
3. Router(config)# **interface atm slot/subslot/port.subinterface point-to-point**
4. Router(config-subif)# **pvc vpi /vci l2transport**
5. Router(cfg-if-atm-l2trans-pvc)# **encapsulation {aal0 | aal5}**
6. Router(cfg-if-atm-l2trans-pvc)# **xconnect peer-router-id vcid {encapsulation mpls | pseudowire-class name }**
7. Router(config-if-atm-l2trans-pvc-xconn)# **backup peer peer-router-id peer-vcid {priority peer-priority | pw-class name }**
8. Router(config-if-atm-l2trans-pvc-xconn)# **backup delay enable-delay {disable delay | never}**

DETAILED STEPS

	Command or Action	Purpose
Step 1	Router# enable	Enables the privilege exec mode.
Step 2	Router# configure terminal	Enters the global configuration mode.
Step 3	Router(config)# interface atm slot/subslot/port.subinterface point-to-point	Enters the subinterface configuration mode pertaining to the specified slot and port number to establish a P2P connection in which the SPA-2CHT3-CE-ATM is installed.
Step 4	Router(config-subif)# pvc vpi /vci l2transport	Creates a permanent virtual circuit for the ATM interface and assigns the PVC a VPI ID and VCI ID: <ul style="list-style-type: none"> • <i>vpi</i> specifies the virtual path identifier (0 to 255). • <i>vci</i> specifies the virtual channel identifier. Valid values are 32 to 1 less than the value specified using the atm vc-per-vp command. Note Do not specify 0 for both the VPI and VCI.
Step 5	Router(cfg-if-atm-l2trans-pvc)# encapsulation {aal0 aal5}	Specifies the ATM adaptation layer (AAL) for the PVC: <ul style="list-style-type: none"> • aal0—Cell mode • aal5—Packet mode
Step 6	Router(cfg-if-atm-l2trans-pvc)# xconnect peer-router-id vcid {encapsulation mpls pseudowire-class name }	Configures a pseudowire to transport data from the ATM interface across the MPLS network. <ul style="list-style-type: none"> • <i>peer-router-id</i> is the IP address of the remote PE peer router. • <i>vcid</i> is a 32-bit identifier that is to be assigned to the pseudowire. The same <i>vcid</i> must be used for both ends of the pseudowire. • encapsulation mpls sets MPLS for the tunneling mode. • pseudowire-class name specifies a pseudowire class that includes the encapsulation mpls command. Note The <i>peer-router-id</i> and <i>vcid</i> combination must be unique on the router.
Step 7	Router(config-if-atm-l2trans-pvc-xconn)# backup peer peer-router-id peer-vcid {priority peer-priority pw-class name }	Configures a backup peer router for providing ATM service if a failover occurs.
Step 8	Router(config-if-atm-l2trans-pvc-xconn)# backup delay enable-delay {disable delay never}	Configures the backup delay parameters. <ul style="list-style-type: none"> • <i>enable-delay</i> is the time after which the backup route starts to work as the primary route. The valid range for the enable-delay is 0 to 180 seconds. • <i>disable delay</i> is the time after which the backup route will be disabled. The valid range is 0 to 180 seconds. • never enables the delay and sets it to never expire.

Configuring the 2-Port Channelized T3/E3 ATM CEoP SPA for the T3 Mode and the E3 Mode

This section describes how to configure the 2-Port Channelized T3/E3 ATM CEoP SPA. This SPA can be configured to operate in the ATM mode and the CEM mode. The router creates a logical interface to represent the mode that the SPA port is configured to run in. An ATM interface or a CEM interface is created for each T3 port that is configured for the ATM mode or the CEM mode. The interface has the format **atm slot /subslot /port** or **cem slot /subslot /port**, where *slot /subslot* identifies the SPA slot and subslot, and *port* identifies the port. The same port can be configured either in the CEM mode or in the ATM mode.

The following sections provide instructions for configuring the 2-Port Channelized T3/E3 ATM CEoP SPA:



Note Up to 1000 PVCs and 255 PVPs are supported per SPA for the ATM mode. Up to 576 CEM groups are supported per SPA for the CEM mode.

Configuring a SPA Port for the T3 Mode

To configure a SPA port for the T3 mode, perform the following steps:

SUMMARY STEPS

1. Router(config)# **controller t3 slot/subslot/port**
2. Router(config-controller)# [**no**] framing {auto-detect | c-bit | m23}
3. Router(config-controller)# cablelength *feet*
4. Router(config-controller)# [**no**] loopback {**local** | **network** | **remote** {**line** | **payload**}}
5. Router(config-controller)# [**no**] bert pattern [2¹¹ | 2¹⁵ | 2²⁰ O.153 | 2²⁰ QRSS | 2²³ | 0s | 1s | alt-0-1] interval [1-1440]
6. Router(config-controller)# mdl {string {*eic* | *fic* | *generator* | *lic* | *pfi* | *port* | *unit*} string} | {transmit {*idle-signal* | *path* | *test-signal*}}
7. Router(config-controller)# **exit**

DETAILED STEPS

	Command or Action	Purpose
Step 1	Router(config)# controller t3 slot/subslot/port	Selects the T3 controller for the port you are configuring, where <i>slot /subslot</i> identifies the SPA slot and subslot, and <i>port</i> identifies the port.
Step 2	Router(config-controller)# [no] framing {auto-detect c-bit m23} Example:	For the clear channel ATM, configure framing as: <ul style="list-style-type: none"> • auto-detect—Detects the framing type at the device at the end of the line and switches to that framing type. If both devices are set to auto-detect, c-bit framing is used. • c-bit—Specifies C-bit parity framing.

	Command or Action	Purpose
		<ul style="list-style-type: none"> • m23—Specifies M23 framing.
Step 3	Router(config-controller)# cablelength <i>feet</i>	(Optional) Specifies the length of the cable attached to the port (in feet). Valid values are 0 to 450 ft. The default is 224 ft.
Step 4	Router(config-controller)# [no] loopback {local network remote {line payload}} Example:	<p>(Optional) Runs a loopback test, which is useful for troubleshooting problems. The no form of the command stops the test. The default is no loopback.</p> <ul style="list-style-type: none"> • local—Loops the signal from Tx to Rx path. Sends alarm indication signal (AIS) to network. • network—Loops the signal from Rx to Tx path. • remote {line payload}—(C-bit framing only) Sends a loopback request to the remote end. The line parameter loops back the unframed signal and the payload parameter loops back the framed signal.
Step 5	Router(config-controller)# [no] bert pattern [2^11 2^15 2^20 O.153 2^20 QRSS 2^23 0s 1s alt-0-1] interval [1-1440]	(Optional) Configures bit error rate (BER) testing.
Step 6	Router(config-controller)# mdl {string {eic fic generator lic pfi port unit} string} {transmit {idle-signal path test-signal}}	<p>(Optional) Configures maintenance data link (MDL) messages, that communicate information between the local and remote ports. MDL configuration is valid only with C-bit framing.</p> <ul style="list-style-type: none"> • mdl string specifies the type of identification information to be included in the MDL messages: <ul style="list-style-type: none"> • eic string specifies the Equipment Identification Code, up to 10 characters. • fic string specifies the Frame Identification Code, up to 10 characters. • generator string specifies the Generator Number for test-signal messages, up to 38 characters. • lic string is the Location Identification Code, up to 11 characters. • pfi string specifies the Path Facility Identification Code for path messages, up to 38 characters. • port string is the port number for idle-signal messages, up to 38 characters. • unit string specifies the Unit Identification Code, up to 6 characters. • mdl transmit specifies the type of MDL messages to transmit: <ul style="list-style-type: none"> • idle-signal—Enables idle-signal messages. • path—Enables path messages. • test-signal—Enables test-signal messages.

	Command or Action	Purpose
Step 7	Router(config-controller)# exit	Returns to the global configuration mode.

Configuring a SPA Port for the T3 Mode

To configure a SPA port for the E3 mode, perform the following steps:



Note The E3 mode is not supported in Cisco IOS XE Release 3.4.0S. Effective from Cisco IOS XE Release 3.5.0S, support for ATM on the clear-channel E3 mode has been introduced. Mixed configuration of both the T3 mode and the E3 mode simultaneously is not supported on the SPA-2CHT3-CE-ATM.

SUMMARY STEPS

1. Router(config)# **controller e3** *slot/subslot/port*
2. Router(config-controller)# **[no] framing g751**
3. Router(config-controller)# **cablelength** *feet*
4. Router(config-controller)# **[no] loopback** {**local** | **network** {**line** | **payload**}}
5. Router(config-controller)# **[no] bert pattern** [**2^15** | **2^20** | **2^23** | **0s** | **1s** | **alt-0-1**] **interval** [**1-1440**]
6. Router(config-controller)# **exit**

DETAILED STEPS

	Command or Action	Purpose
Step 1	Router(config)# controller e3 <i>slot/subslot/port</i>	Selects the E3 controller for the port you are configuring, where <i>slot/subslot</i> identifies the SPA slot and subslot, and <i>/port</i> identifies the port.
Step 2	Router(config-controller)# [no] framing g751 Example:	(Optional) For the clear-channel ATM, configure framing as g751, which is the only framing that is supported.
Step 3	Router(config-controller)# cablelength <i>feet</i>	(Optional) Specifies the length (in feet) of the cable attached to the port. The valid values are 0 to 450 feet. The default value is 224 feet.
Step 4	Router(config-controller)# [no] loopback { local network { line payload }} Example:	(Optional) Runs a loopback test that is useful for troubleshooting problems. The no form of the command stops the test. The default command is no loopback. <ul style="list-style-type: none"> • local—Loops the signal from the Tx path to the Rx path. Sends an Alarm Indication Signal (AIS) to the network. • network {line payload}—Loops the signal from the Rx path to the Tx path. The line parameter loops back the unframed signal and the payload parameter loops back the framed signal.

	Command or Action	Purpose
Step 5	Router(config-controller)# [no] bert pattern [2^15 2^20 2^23 0s 1s alt-0-1] interval [1-1440]	(Optional) Configures bit error rate (BER) testing.
Step 6	Router(config-controller)# exit	Returns to the global configuration mode.

Configuring the T3/E3 SPA Port for the Clear-Channel ATM Mode

To configure a T3/E3 SPA port for the clear-channel ATM mode, perform the following steps:

SUMMARY STEPS

1. Router(config)# **controller {t3} slot/subslot/port**
2. Router(config-controller)# **atm**
3. Router(config-controller)# **exit**
4. Router(config)# **interface atm 0/1/2.10 point-to-point**
5. Router(config-if)# **pvc vpi /vci**
6. Router(config-if)# **xconnect peer-router-id vcid {encapsulation mpls | pseudowire-class name }**
7. Router(config-if)# **end**

DETAILED STEPS

	Command or Action	Purpose
Step 1	Router(config)# controller {t3} slot/subslot/port	Selects the T3controller for the port you are configuring, where <i>slot /subslot</i> identifies the SPA location and <i>port</i> identifies the port.
Step 2	Router(config-controller)# atm	Configures the port (interface) for the clear-channel ATM. The router creates an ATM interface whose format is <i>atm /slot /subslot /port</i> , where <i>slot /subslot</i> identifies the SPA slot and subslot, and <i>port</i> identifies the SPA port.
Step 3	Router(config-controller)# exit	Returns to the global configuration mode.
Step 4	Router(config)# interface atm 0/1/2.10 point-to-point	Selects the ATM interface for the SPA port.
Step 5	Router(config-if)# pvc vpi /vci	Configures a PVC for the interface and assigns the PVC a VPI and VCI. Do not specify 0 for both the VPI and VCI. See the <i>Configuring a Pseudowire for an ATM Connection</i> section for details about this command.
Step 6	Router(config-if)# xconnect peer-router-id vcid {encapsulation mpls pseudowire-class name }	Configures a pseudowire to carry data from the clear-channel ATM interface over the MPLS network. See the <i>Configuring a Pseudowire for an ATM Connection</i> section for details about this command.
Step 7	Router(config-if)# end	Exits the interface configuration (config-if) mode.

Configuring the Scrambling Payload Feature on T3/E3 SPA Port

To configure the Scrambling Payload feature on a T3/E3 SPA port, perform the following steps:



Note The **scrambling** command is supported on SPA-2CHT3-CE-ATM from Cisco IOS XE Release 3.16.4S and Cisco IOS XE Everest 16.4.1 onwards.

SUMMARY STEPS

1. Router(config)# **controller t3 slot/subslot/port**
2. Router(config-controller)# **atm**
3. Router(config-controller)# **scrambling cell-payload**
4. Router(config-controller)# **exit**

DETAILED STEPS

	Command or Action	Purpose
Step 1	Router(config)# controller t3 slot/subslot/port	Selects the T3controller for the port you are configuring, where <i>slot/subslot</i> identifies the SPA location and <i>port</i> identifies the port.
Step 2	Router(config-controller)# atm	Configures the port (interface) for the clear-channel ATM. The router creates an ATM interface whose format is <i>atm /slot /subslot /port</i> , where <i>slot /subslot</i> identifies the SPA slot and subslot, and <i>port</i> identifies the SPA port.
Step 3	Router(config-controller)# scrambling cell-payload	Enables the Scrambling Payload feature on the SPA port.
Step 4	Router(config-controller)# exit	Returns to the global configuration mode.

Configuring CEM

This section provides information about how to configure CEM on the SPA-1CHOC3-CE-ATM, SPA-2CHT3-CE-ATM, and SPA-24CHT1-CE-ATM. The CEM provides a bridge between a time-division multiplexing (TDM) network and a packet network, such as Multiprotocol Label Switching (MPLS). The router encapsulates the TDM data in the MPLS packets and sends the data over a CEM pseudowire to the remote provider edge (PE) router. Thus, functions as a physical communication link across the packet network.

Prerequisites

Prior to configuring CEM on the SPA-1CHOC3-CE-ATM port, SPA-2CHT3-CE-ATM port, and SPA-24CHT1-CE-ATM port, perform the following steps:

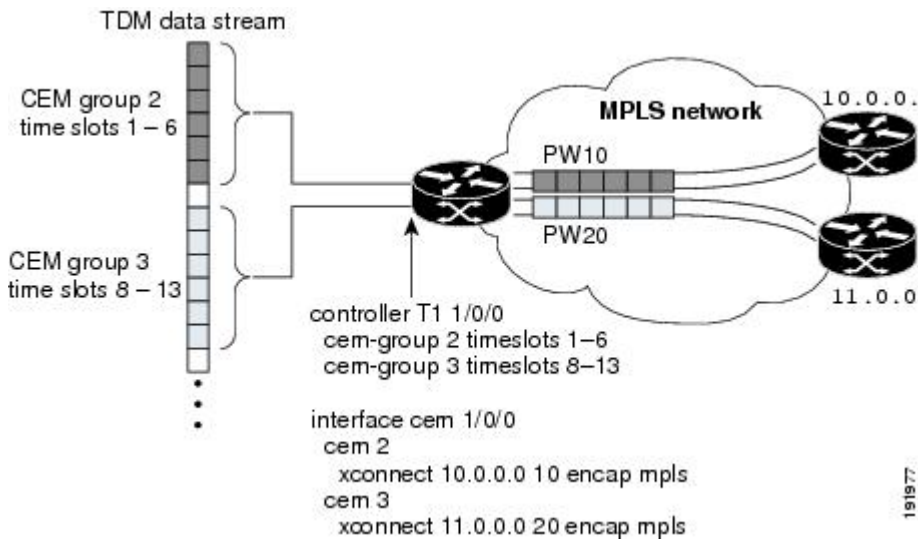
1. Configure one or more CEM groups on the port. Each CEM group represents a set of time slots from the TDM circuit attached to the port. When you configure a CEM group on the port, the router creates an interface that has the same slot/subslot/port number as the port (for example, **cem 0/1/0**).

- Configure a pseudowire for each CEM group. The router maps the data from the time slots in each group to its pseudowire and sends the data over the MPLS network to the remote PE router. Use the **xconnect** command with **encap mpls** to create a pseudowire for each CEM group.

The following figure shows the following sample configurations for the SPA-1CHOC3-CE-ATM, SPA-2CHT3-CE-ATM, and SPA-24CHT1-CE-ATM:

- A TDM circuit is connected to port 0 on a SPA installed in slot 1, subslot 0 (T1 controller 1/0/0).
- Two pseudowires (PW10 and PW20) are configured to carry TDM data across the MPLS network.
- Two CEM groups (2 and 3) are configured for the data in the TDM time slots:
 - Time slots 1 through 6 are sent over pseudowire 10 to the remote PE router at 10.0.0.0.
 - Time slots 8 through 13 are sent to the PE router 11.0.0.0 over pseudowire 20.

Figure 13: TDM Time Slots-to-Pseudowire Mappings



The following table lists the number of CEM groups you can configure for each CEM SPA.

Table 54: Number of CEM Groups Supported for Each Circuit Emulation SPA

CEoP SPA	Number of Supported CEM Groups
1-Port Channelized OC-3 STM1 ATM CEoP SPA	576
2-Port Channelized T3/E3 ATM CEoP SPA	576
24-Port Channelized T1/E1 ATM CEoP SPA	191

Configuration Guidelines and Restrictions

Not all combinations of payload size and dejitter buffer size are supported. Payload size, or dejitter configurations are rejected at the CLI level in the CEM circuit mode on the SPA, if they are not compatible.

Incompatible parameter modifications (if any), will be rejected, and the configuration will fall back to the old dejitter and payload parameters if the parameters are being applied through the CEM class template.

Configuring a CEM Group

To configure a CEM group to represent a CEM circuit on a SPA port, perform the following steps:



Note The first **cem-group** command under the controller creates a CEM interface that has the same *slot /subslot /port* information as the controller. The CEM interface is removed when all of the CEM groups under the interface is deleted.

- The CEM interface is always up, even if the controller state is down. This allows the CEM pseudowire to carry alarm information to the remote end.

SUMMARY STEPS

1. Router(config)# **controller** *type slot/subslot/port*
2. Router(config-controller)# [**no**] **cem-group** *group-number* {**unframed** | **timeslots** *timeslot*}
3. Router(config-controller)# **exit**

DETAILED STEPS

	Command or Action	Purpose
Step 1	Router(config)# controller <i>type slot/subslot/port</i> Example: <pre>Router(config)# controller t1 3/1/Router(config)# controller sonet 2/0/1</pre>	Selects the controller for the port that is being configured: <ul style="list-style-type: none"> • <i>type</i> identifies the port type. Depending on the card type, the valid values are t1, e1, t3, e3, or sonet. For additional information about the card types, see the Setting the Card Type, page 15-2 section. • <i>slot /subslot /port</i> identifies the SPA slot, subslot, and the port.
Step 2	Router(config-controller)# [no] cem-group <i>group-number</i> { unframed timeslots <i>timeslot</i> }	Creates a CEM circuit (group) from one or more time slots of the line connected to this port. To delete the CEM circuit and release the time slots, use the no cem-group group-number command. <ul style="list-style-type: none"> • <i>group-number</i> assigns a CEM circuit number: <ul style="list-style-type: none"> • For 24 T1/E1 Channelized ATM CEoP SPA, you can configure up to 191 CEM groups. • For 2-Port Channelized T3/E3 ATM CEoP SPA, you can configure up to 576 CEM groups. • For 1-Port Channelized OC-3 STM1 ATM CEoP SPA, you can configure up to 576 CEM groups. • unframed creates a single CEM circuit from all the time slots, and uses the framing on the line. Use this keyword for the SAToP mode.

	Command or Action	Purpose
	<pre>Router(config)# controller t3 3/2/1</pre> <p>Example:</p> <pre>Router(config-controller)# e1 1 cem-group 1 unframed</pre>	<ul style="list-style-type: none"> • timeslots <i>timeslots</i> specifies the time slots to be included in the CEM circuit. Use this keyword for the CESoPSN mode. The list of time slots can include commas and hyphens with no spaces between the numbers, commas, and hyphens. <p>Note Each time slot operates at 64 kbps.</p>
Step 3	Router(config-controller)# exit	Exits the controller configuration mode.

Configuring a CEM Class (Optional)

To assign CEM parameters to one or more CEM interfaces, create a CEM class (template) that defines the parameters, and then apply the class to the interfaces.

CEM class parameters can be configured directly on the CEM circuit. The inheritance is as follows:

- CEM circuit (highest level)
- Class attached to CEM circuit
- Class attached to the CEM interface

If the same parameter is configured on the CEM interface and the CEM circuit, the value on the CEM circuit takes precedence.

To configure a CEM class, perform the following steps:

SUMMARY STEPS

1. Router# configure terminal
2. Router(config)# class cem *name*
3. Router(config-cem-class)# command

DETAILED STEPS

	Command or Action	Purpose
Step 1	Router# configure terminal	Enters the global configuration mode.
Step 2	Router(config)# class cem <i>name</i>	Creates a CEM class to configure the parameters in a template and apply the parameters at the CEM interface level. <ul style="list-style-type: none"> • <i>The name</i> argument is a string of up to 80 characters that identifies the CEM class. Note that the name is truncated to the first 15 characters.
Step 3	Router(config-cem-class)# command	Configures the CEM parameters by issuing the appropriate commands. See the Configuring CEM Parameters, on page 498 for information about the commands.

What to do next

In the following example, a CEM class (TDM-Class-A) is configured to set the payload size and dejitter buffer parameters:

```
class cem TDM-Class-A
  payload-size 512
  dejitter-buffer 80
exit
```

In the following example, the CEM parameter settings from TDM-Class-A are applied to CEM interface 0/1/0. Any CEM circuits created under this interface inherit these parameter settings.

```
int cem 0/1/0
  class int TDM-Class-A
  cem 6
    xconnect 10.10.10.10 2 encaps mpls
exit
```

Configuring a CEM Pseudowire

To configure a pseudowire to transport a CEM circuit across the MPLS network, perform the following steps:

SUMMARY STEPS

1. Router(config)# **interface cem** *slot /subslot /port*
2. Router(config-if)# **cem** *group-number*
3. Router(config-if-cem)# *command*
4. Router(config-if)# **xconnect** *peer-router-id vcid* {**encapsulation mpls** | **pw-class name** }
5. Router(config-if)# **exit**

DETAILED STEPS

	Command or Action	Purpose
Step 1	Router(config)# interface cem <i>slot /subslot /port</i>	Selects the CEM interface in which the CEM circuit (group) is located, where <i>slot/subslot</i> is the SIP slot and SPA subslot, and <i>port</i> is the SPA port in which the interface exists.
Step 2	Router(config-if)# cem <i>group-number</i>	Selects the CEM circuit (group) to configure a pseudowire.
Step 3	Router(config-if-cem)# <i>command</i>	(Optional) Defines the operating characteristics for the CEM circuit. For command details, see the Configuring CEM Parameters, on page 498 .
Step 4	Router(config-if)# xconnect <i>peer-router-id vcid</i> { encapsulation mpls pw-class name }	Configures a pseudowire to transport TDM data from the CEM circuit across the MPLS network. <ul style="list-style-type: none"> • <i>peer-router-id</i> is the IP address of the remote PE peer router. • <i>vcid</i> is a 32-bit identifier, which is assigned to the pseudowire. The same <i>vcid</i> must be used for both ends of the pseudowire.

	Command or Action	Purpose
		<ul style="list-style-type: none"> • encapsulation mpls sets MPLS for the tunneling mode. • pseudowire-class name specifies a pseudowire class that includes the encapsulation mpls command. <p>Note The <i>peer-router-id</i> and <i>vcid</i> combination must be unique on the router.</p>
Step 5	Router(config-if)# exit	Exits interface configuration mode.

What to do next

Example

The following sample configuration shows a T1 port on which two CEM circuits (groups) are configured. Each CEM circuit carries data from the time slots of the TDM circuit attached to the port.

The two **xconnect** commands create pseudowires to carry the TDM data across the MPLS network. Pseudowire 2 carries the data from time slots 1, 2, 3, 4, 9, and 10 to the remote PE router at 10.10.10.10. Pseudowire 5 carries the data from time slots 5, 6, 7, 8, and 11 to the remote PE router at 10.10.10.11.

```

controller SONET 0/1/0
description This is SONET controller
framing sonet
clock source internal
loopback network
!
sts-1 1
mode vt-15
vtg 1 t1 1 description T1 line to 3rd floor PBX
vtg 1 t1 1 clock source Recovered 6
vtg 1 t1 1 cem-group 6 timeslots 1-4,9,10
vtg 1 t1 1 cem-group 7 timeslots 5-8,11
!
sts-1 2
mode vt-15
!
sts-1 3
mode vt-15
int cem0/1/0
cem 6
xconnect 10.10.10.10 2 encaps mpls
cem 7
xconnect 10.10.10.11 5 encaps mpls

```

Configuring TDM Local Switching

TDM Local Switching allows switching of Layer 2 data between two CEM interfaces on the same router. The two CEM groups can be on the same physical interface or different physical interfaces; they can be on the same SPA, the same line card, or different line cards.

Consider the following guidelines before configuring CEM Phase 2 TDM Local Switching:

- Autoprovisioning is not supported.
- Out-of-band signaling is not supported.

- Port mode local switching is not supported on the CEM interface.
- Interworking with other interface types is not supported.
- The same CEM circuit cannot be used for both local switching and Xconnect.
- You can use CEM local switching between two CEM circuits on the same CEM interface.
- CEM local switching can be across a 24-Port Channelized T1/E1 ATM CEoP SPA, a 2-Port Channelized T3/E3 ATM CEoP SPA, or a 1-Port Channelized OC-3 STM1 ATM CEoP SPA.

To configure the CEoPS Phase 2 TDM Local Switching, perform the following steps:

SUMMARY STEPS

1. Router# configure terminal
2. Router(config)# [no] connect name cem x/y/z circuit-id cem a/b/c circuit-id

DETAILED STEPS

	Command or Action	Purpose
Step 1	Router# configure terminal	Enters the global configuration mode.
Step 2	Router(config)# [no] connect name cem x/y/z circuit-id cem a/b/c circuit-id Example: <pre>Router(config)# connect cem cem 0/1/0 cemckt1 cem 0/2/0 cemckt2</pre> Example: <pre>Router(config)# no connect cem cem 0/1/0 cemckt1 cem 0/2/0 cemckt2</pre>	Configures a local switching connection between cemckt1 of CEM interface x/y/z and cemckt2 of CEM interface a/b/c. The no form of this command unconfigures a local switching connection between cemckt1 of the CEM interface x/y/z and cemckt2 of the CEM interface a/b/c.

Verifying Switching Connections

Use the show connection, show connection **all**, show connection id conn id, and show connection conn name commands to verify the current switching connections.

Local Switching Redundancy

Local Switching Redundancy provides a backup attachment circuit (AC) when the primary attachment circuit fails. All the ACs must be on the same Cisco ASR 1000 Series Aggregation Services Router.

The following combinations of CEM ACs are supported:

- CEM ACs on different SPAs on the same SIP
- CEM ACs on different SIPs on the same Cisco ASR 1000 Series Aggregation Services Router

Guidelines for Local Switching Redundancy

Local Switching Redundancy guidelines are as follows:

- Autoconfiguration of CEM interfaces is not supported.

- Only the tail-end AC can be backed up. If head end fails, there is no protection.
- The circuit type of the primary and backup AC must be identical (failover operation will not switch between different types of interfaces or different CEM circuit types).
- Backs up a local switching connection to cem-ckt3 of CEM interface cem3. Only one backup AC is allowed for each connection.
- Auto configuration of backup CEM circuits is not allowed.
- The CEM circuit that is used as a backup in a local switching connection cannot be used for Xconnect configurations.
- Dynamic modification of parameters in a local switching connection is not supported in a scenario where the tail-end segment is backed up to a segment using the backup command. If you want to modify the parameters in any of the three segments (head-end, tail-end, or backup), you must first unconfigure with the backup command, make the changes in the individual segments, and then reconfigure the backup with the backup command.

Configuring a Backup Switched Connection

To configure a backup switched connection, when the primary connection fails, perform the following procedure:

SUMMARY STEPS

1. Router# **configure terminal**
2. Router(config)# [no] connect name cem x/y/z circuit-id cem a/b/c circuit-id
3. Router(config-connection)# backup interface cemx/y/z circuit-id

DETAILED STEPS

	Command or Action	Purpose
Step 1	Router# configure terminal	Enters the global configuration mode.
Step 2	Router(config)# [no] connect name cem x/y/z circuit-id cem a/b/c circuit-id Example: Router(config)# connect cem cem 0/1/0 cemckt1 cem 0/2/0 cemckt2	Configures a local switching connection between cemckt1 of CEM interface x/y/z and cemckt2 of CEM interface a/b/c. The no form of this command unconfigures a local switching connection between cemckt1 of CEM interface x/y/z and cemckt2 of CEM interface a/b/c.
Step 3	Router(config-connection)# backup interface cemx/y/z circuit-id Example: Router(config-connection)# backup interface cem 0/3/0 3	Backs up a locally switched CEM connection.

Verifying Backup and Primary Circuits

Use the show xconnect all command to check the status of the backup and primary circuits.

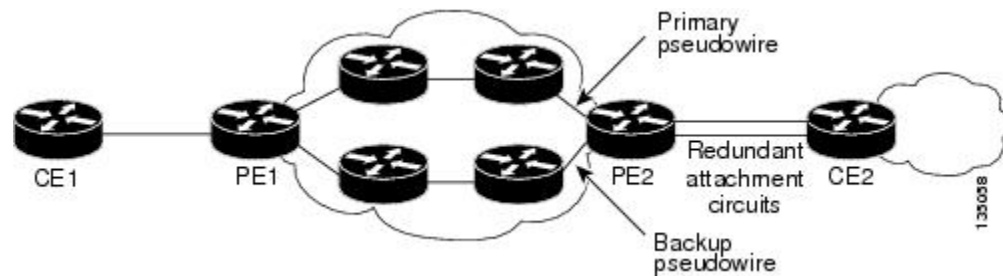
Configuring Pseudowire Redundancy

The SPA-1CHOC3-CE-ATM, SPA-2CHT3-CE-ATM, and SPA-24CHT1-CE-ATM support the L2VPN Pseudowire Redundancy feature that provides backup service for CEM pseudowires. Configuring a Pseudowire Redundancy is an optional task. The L2VPN Pseudowire Redundancy feature enables the network to detect a failure and reroute the Layer 2 (L2) service to another endpoint that can continue to provide service. This feature provides the ability to recover from a failure of either the remote PE router or the link between the PE router and the CE router.

Configure pseudowire redundancy by configuring two pseudowires for a CEM interface, a primary pseudowire and a backup (standby) pseudowire. If the primary pseudowire goes down, the router uses the backup pseudowire in its place. When the primary pseudowire becomes functional again, the backup pseudowire is brought down and the router resumes the use of the primary pseudowire.

The following figure shows an example of pseudowire redundancy.

Figure 14: Pseudowire Redundancy



To configure pseudowire redundancy on a SPA-1CHOC3-CE-ATM, SPA-2CHT3-CE-ATM, or SPA-24CHT1-CE-ATM perform the following steps.



Note You must configure the backup pseudowire to connect to a router that is different from the primary pseudowire.

SUMMARY STEPS

1. Router# **enable**
2. Router# **configure terminal**
3. Router(config)# **interface cem slot/subslot/port**
4. Router(config-if)# **cem group-number**
5. Router(config-if-cem)# **xconnect peer-router-id vcid {encapsulation mpls | pw-class pw-class-name}**
6. Router(config-if-cem-xconn)# **backup peer peer-router-ip-addr vcid [pw-class pw-class-name]**

DETAILED STEPS

	Command or Action	Purpose
Step 1	Router# enable	Enters the Privileged EXEC mode.
Step 2	Router# configure terminal	Enters the global configuration mode.

Example

	Command or Action	Purpose
Step 3	Router(config)# interface cem <i>slot/subslot/port</i>	Selects the CEM interface where the CEM circuit (group) is located (where <i>slot/subslot</i> is the SIP slot and SPA subslot and <i>port</i> is the SPA port where the interface exists).
Step 4	Router(config-if)# cem <i>group-number</i>	Selects the CEM circuit (group) to configure a pseudowire.
Step 5	Router(config-if-cem)# xconnect <i>peer-router-id vcid</i> { encapsulation mpls pw-class <i>pw-class-name</i> }	Configures a pseudowire to transport TDM data from the CEM circuit across the MPLS network. <ul style="list-style-type: none"> • <i>peer-router-id</i> is the IP address of the remote PE peer router. • <i>vcid</i> is a 32-bit identifier assigned to the pseudowire. The same <i>vcid</i> must be used for both ends of the pseudowire. • encapsulation mpls sets MPLS for tunneling mode. • pw-class name specifies a pseudowire class that includes the encapsulation mpls command. <p>Note The <i>peer-router-id</i> and <i>vcid</i> combination must be unique on the router.</p>
Step 6	Router(config-if-cem-xconn)# backup peer <i>peer-router-ip-addr vcid</i> [pw-class <i>pw-class-name</i>]	Configures a backup pseudowire link for failover mechanism if the link between PE router and CE router fails or the remote PE router fails.

Example

The following example shows pseudowire redundancy configured for a CEM circuit (group). In the following example, the **xconnect** command configures a primary pseudowire for CEM group 0. The **backup peer** command creates a redundant pseudowire for a CEM circuit (group).

```
int cem0/1/0
  no ip address
  cem 0
  xconnect 10.10.10.1 1 encap mpls
  backup peer 10.10.10.2 200
exit
```

Configuring T1 on a 24-Port Channelized T1/E1 ATM CEM SPA

When configuring T1 on a 24-Port Channelized T1/E1 ATM CEM SPA, follow these guidelines:

- There can be 0 to 23 channels under a T1 controller, one for each T1 time slot.
- Each channel can be configured as a CEM group.
- Maximum channels under a single CEM group are 24.
- Each CEM group number under a controller must be unique.
- A maximum of 191 CEM circuits can be configured.

To configure T1 on a 24-Port Channelized T1/E1 ATM CEoP SPA, perform the following steps:

SUMMARY STEPS

1. Router(config)# **controller t1** *slot/subslot/port*
2. Router(config-controller)# [**no**] **cem-group** *group-number* {**unframed** | **timeslots** *timeslot*}
3. Router(config-controller)# **framing** {**sf** | **esf**}
4. Router(config-controller)# **exit**
5. Router(config)# **interface cem** *slot/subslot/port*
6. Router(config-controller)# **cem** *group-number*
7. Router(config-controller)# **xconnect** *peer-ip-address* **encap mpls**
8. Router(config-controller)# **exit**

DETAILED STEPS

	Command or Action	Purpose
Step 1	Router(config)# controller t1 <i>slot/subslot/port</i>	Selects the T1 controller.
Step 2	Router(config-controller)# [no] cem-group <i>group-number</i> { unframed timeslots <i>timeslot</i> }	Creates a CEM interface and assigns it to a CEM group number.
Step 3	Router(config-controller)# framing { sf esf }	Selects the T1 framing type.
Step 4	Router(config-controller)# exit	Exits the controller configuration (config-controller) mode and returns to the global configuration (config) mode.
Step 5	Router(config)# interface cem <i>slot/subslot/port</i>	Selects the CEM interface.
Step 6	Router(config-controller)# cem <i>group-number</i>	Selects the specified CEM group.
Step 7	Router(config-controller)# xconnect <i>peer-ip-address</i> encap mpls	Configures a pseudowire for the T1 timeslot identified by the CEM group.
Step 8	Router(config-controller)# exit	Exits the controller configuration (config-controller) mode.

Configuring E1 on a 24-Port Channelized T1/E1 ATM CEoP SPA

To configure E1 on a 24-Port Channelized T1/E1 ATM CEoP SPA, perform the following steps:

SUMMARY STEPS

1. Router(config)# **controller e1** *slot/subslot/port*
2. Router(config-controller)# [**no**] **cem-group** *group-number* {**unframed** | **timeslots** *timeslot*}
3. Router(config-controller)# **framing** {**crc4** | **no-crc4**}
4. Router(config-controller)# **exit**
5. Router(config)# **interface cem** *slot/subslot/port*
6. Router(config-controller)# **cem** *group-number*
7. Router(config-controller)# **xconnect** *peer-ip-address* **encap mpls**
8. Router(config-controller)# **exit**

DETAILED STEPS

	Command or Action	Purpose
Step 1	Router(config)# controller e1 <i>slot/subslot/port</i>	Selects the controller for the E1 port being configured.
Step 2	Router(config-controller)# [no] cem-group <i>group-number</i> { unframed timeslots <i>timeslot</i> }	Creates a CEM interface and assigns a CEM group number.
Step 3	Router(config-controller)# framing { crc4 no-crc4 }	Selects the framing type.
Step 4	Router(config-controller)# exit	Exits the controller configuration mode and returns to the global configuration mode.
Step 5	Router(config)# interface cem <i>slot/subslot/port</i>	Selects the CEM interface.
Step 6	Router(config-controller)# cem <i>group-number</i>	Selects the specified CEM group.
Step 7	Router(config-controller)# xconnect <i>peer-ip-address</i> encap mpls	Configures a pseudowire for the E1 time slots identified by the CEM group.
Step 8	Router(config-controller)# exit	Exits the controller configuration mode.

Configuring a 24-Port Channelized T1/E1 ATM CEM SPA in the Clear-Channel ATM Mode

To configure a T1/E1 SPA port in the clear-channel ATM mode, perform the following steps:

SUMMARY STEPS

1. **enable**
2. configure terminal
3. **controller** { t1 | e1 } *slot/subslot/port*
4. **atm**
5. **exit**
6. **interface atm** *slot/subslot/port.subinterface number* **point-to-point**
7. **pvc** *vpi* | *vci*
8. **xconnect** *peer-router-id* *vcid* {**encapsulation** **mpls** | **pseudowire-class** *name*}
9. **end**

DETAILED STEPS

	Command or Action	Purpose
Step 1	enable Example: Router> enable	Enables the privileged EXEC mode. Enter your password, if prompted.

	Command or Action	Purpose
Step 2	configure terminal Example: Router# configure terminal	Enters the global configuration mode.
Step 3	controller{ t1 e1 } slot/subslot/port Example: Router(config)# controller t1 0/0/2	Selects the T1 or E1 controller for the slot, the subslot, or the port on the SPA.
Step 4	atm Example: Router(config-controller)# atm	Configures the port or the slot for the clear-channel ATM.
Step 5	exit Example: Router(config-controller)# exit	Returns to the global configuration mode.
Step 6	interface atm slot/subslot/port.subinterface number point-to-point Example: Router(config)# interface atm 0/1/2.10 point-to-point	Specifies the ATM interface for the SPA port mentioned in Step 1.
Step 7	pvc vpi vci Example: Router(config-if)# pvc 10/11	Configures a PVC for the interface and assigns the PVC a VPI or VCI. Do not specify 0 for the VPI or the VCI. See the " Configuring a Pseudowire for an ATM Connection, on page 455 " section for more details.
Step 8	xconnect peer-router-id vcid {encapsulation mpls pseudowire-class name} Example: Router(config-if)# xconnect 10.0.0.8 2 encapsulation mpls	Configures a pseudowire to carry data from the clear-channel ATM interface over the MPLS network. See the " Configuring a Pseudowire for an ATM Connection, on page 455 " section for more details.
Step 9	end Example: Router(config-if)# end	Exits the interface configuration mode.

Examples for Configuring a 24-Port Channelized T1/E1 ATM CEoP SPA in the Clear-Channel ATM Mode

The following example shows how to verify the configuration of the 24-Port channelized T1/E1 CEoP SPA:

```

Router# show controllers T1 1/1/14
T1 1/1/14 is up.
  Applique type is SPA-24CHT1-CE-ATM
  Cablelength is short 133
  No alarms detected.
  alarm-trigger is not set
  Soaking time: 3, Clearance time: 10
  AIS State:Clear  LOS State:Clear  LOF State:Clear
  Framing is ESF, Line Code is B8ZS, Clock Source is Line.
  Data in current interval (87 seconds elapsed):
    0 Line Code Violations, 0 Path Code Violations
    0 Slip Secs, 0 Fr Loss Secs, 0 Line Err Secs, 0 Degraded Mins
    0 Errored Secs, 0 Bursty Err Secs, 0 Severely Err Secs, 0 Unavail Secs
    0 Near-end path failures, 0 Far-end path failures, 0 SEF/AIS Secs
  Data in Interval 1:
    0 Line Code Violations, 0 Path Code Violations
    0 Slip Secs, 0 Fr Loss Secs, 0 Line Err Secs, 0 Degraded Mins
    0 Errored Secs, 0 Bursty Err Secs, 0 Severely Err Secs, 0 Unavail Secs
    0 Near-end path failures, 0 Far-end path failures, 0 SEF/AIS Secs
  Data in Interval 2:
    0 Line Code Violations, 0 Path Code Violations
    0 Slip Secs, 0 Fr Loss Secs, 0 Line Err Secs, 0 Degraded Mins
    0 Errored Secs, 0 Bursty Err Secs, 0 Severely Err Secs, 0 Unavail Secs
    0 Near-end path failures, 0 Far-end path failures, 0 SEF/AIS Secs
  Data in Interval 3:
    0 Line Code Violations, 3 Path Code Violations
    0 Slip Secs, 0 Fr Loss Secs, 0 Line Err Secs, 0 Degraded Mins
    1 Errored Secs, 0 Bursty Err Secs, 0 Severely Err Secs, 1 Unavail Secs
    0 Near-end path failures, 0 Far-end path failures, 0 SEF/AIS Secs
  Total Data (last 3 15 minute intervals):
    0 Line Code Violations, 3 Path Code Violations,
    0 Slip Secs, 0 Fr Loss Secs, 0 Line Err Secs, 0 Degraded Mins,
    1 Errored Secs, 0 Bursty Err Secs, 0 Severely Err Secs, 1 Unavail Secs
    0 Near-end path failures, 0 Far-end path failures, 0 SEF/AIS Secs
Router# show ip int brief | inc ATM1/1
ATM1/1/6          unassigned    YES unset    up
ATM1/1/14        unassigned    YES unset    up
ATM1/1/14.10     unassigned    YES unset    up
Router# show interfaces ATM1/1/14
ATM1/1/14 is up, line protocol is up
  Hardware is SPA-24CHT1-CE-ATM, address is 0000.0000.0000 (bia 0000.0000.0000)
  MTU 4470 bytes, sub MTU 4470, BW 1536 Kbit/sec, DLY 100 usec,
    reliability 255/255, txload 1/255, rxload 1/255
  Encapsulation ATM, loopback not set
  Keepalive not supported
  Encapsulation(s): AAL5 AAL0
  2047 maximum active VCs, 1 current VCCs
  VC Auto Creation Disabled.
  VC idle disconnect time: 300 seconds
  1 carrier transitions
  Last input never, output never, output hang never
  Last clearing of "show interface" counters never
  Input queue: 0/375/0/0 (size/max/drops/flushes); Total output drops: 0
  Queueing strategy: fifo
  Output queue: 0/40 (size/max)
  5 minute input rate 0 bits/sec, 0 packets/sec
  5 minute output rate 0 bits/sec, 0 packets/sec

```

```

    0 packets input, 0 bytes, 0 no buffer
    Received 0 broadcasts (0 IP multicasts)
    0 runts, 0 giants, 0 throttles
    0 input errors, 0 CRC, 0 frame, 0 overrun, 0 ignored, 0 abort
    0 packets output, 0 bytes, 0 underruns
    0 output errors, 0 collisions, 1 interface resets
    0 unknown protocol drops
    0 output buffer failures, 0 output buffers swapped out
Router# show interfaces ATM1/1/14.10
ATM1/1/14.10 is up, line protocol is up
  Hardware is SPA-24CHT1-CE-ATM, address is 0000.0000.0000 (bia 0000.0000.0000)
  MTU 4470 bytes, BW 1536 Kbit/sec, DLY 100 usec,
    reliability 255/255, txload 1/255, rxload 1/255
  Encapsulation ATM
  Keepalive not supported
    0 packets input, 0 bytes
    0 packets output, 0 bytes
    0 OAM cells input, 0 OAM cells output
  AAL5 CRC errors : 0
  AAL5 SAR Timeouts : 0
  AAL5 Oversized SDUs : 0
  AAL5 length violation : 0
  Last clearing of "show interface" counters never
Router#show interfaces ATM1/1/14.10
ATM1/1/14.10 is up, line protocol is up
  Hardware is SPA-24CHT1-CE-ATM, address is 0000.0000.0000 (bia 0000.0000.0000)
  MTU 4470 bytes, BW 1536 Kbit/sec, DLY 100 usec,
    reliability 255/255, txload 1/255, rxload 1/255
  Encapsulation ATM
  Keepalive not supported
    0 packets input, 0 bytes
    0 packets output, 0 bytes
    0 OAM cells input, 0 OAM cells output
  AAL5 CRC errors : 0
  AAL5 SAR Timeouts : 0
  AAL5 Oversized SDUs : 0
  AAL5 length violation : 0
  Last clearing of "show interface" counters never
Router# show atm interface ATM1/1/14
Interface ATM1/1/14:
AAL enabled:  AAL5, AAL0, Maximum VCs: 2047, Current VCCs: 1
Max. Datagram Size: 4528
PLIM Type: DS1, TX clocking: LINE
Cell-payload scrambling: OFF
0 input, 0 output, 0 IN fast, 0 OUT fast
  Avail bw = 1536
Config. is ACTIVE
Router#
Router#show atm interface ATM1/1/14.10
Interface ATM1/1/14.10:
AAL enabled:  AAL5, AAL0, Maximum VCs: 2047, Current VCCs: 1
Max. Datagram Size: 4528
PLIM Type: DS1, TX clocking: LINE
Cell-payload scrambling: OFF
0 input, 0 output, 0 IN fast, 0 OUT fast
  Avail bw = 1536
Config. is ACTIVE

```

The following example displays the output of the show commands in the E1 mode:

```

Router# show controllers e1 1/1/14
E1 1/1/14 is up.
  Applique type is SPA-24CHT1-CE-ATM
  Cablelength is Unknown

```

```

No alarms detected.
alarm-trigger is not set
Framing is crc4, Line Code is HDB3, Clock Source is Line.
International Bit: 1, National Bits: 11111
Data in current interval (599 seconds elapsed):
  0 Line Code Violations, 0 Path Code Violations
  0 Slip Secs, 0 Fr Loss Secs, 0 Line Err Secs, 0 Degraded Mins
  0 Errored Secs, 0 Bursty Err Secs, 0 Severely Err Secs, 0 Unavail Secs
  0 Near-end path failures, 0 Far-end path failures, 0 SEF/AIS Secs
Router# show interfaces ATM1/1/14
ATM1/1/14 is up, line protocol is up
Hardware is SPA-24CHT1-CE-ATM, address is 0000.0000.0000 (bia 0000.0000.0000)
MTU 4470 bytes, sub MTU 4470, BW 1920 Kbit/sec, DLY 100 usec,
  reliability 255/255, txload 1/255, rxload 1/255
Encapsulation ATM, loopback not set
Keepalive not supported
Encapsulation(s): AAL5 AAL0
2047 maximum active VCs, 0 current VCCs
VC Auto Creation Disabled.
VC idle disconnect time: 300 seconds
1 carrier transitions
Last input never, output never, output hang never
Last clearing of "show interface" counters never
Input queue: 0/375/0/0 (size/max/drops/flushes); Total output drops: 0
Queueing strategy: fifo
Output queue: 0/40 (size/max)
5 minute input rate 0 bits/sec, 0 packets/sec
5 minute output rate 0 bits/sec, 0 packets/sec
  0 packets input, 0 bytes, 0 no buffer
  Received 0 broadcasts (0 IP multicasts)
  0 runts, 0 giants, 0 throttles
  0 input errors, 0 CRC, 0 frame, 0 overrun, 0 ignored, 0 abort
  0 packets output, 0 bytes, 0 underruns
  0 output errors, 0 collisions, 1 interface resets
  0 unknown protocol drops
  0 output buffer failures, 0 output buffers swapped out
Router# show interfaces ATM1/1/14
*May 24 00:41:57.886: %SYS-5-CONFIG_I: Configured from console by console.10
ATM1/1/14.10 is up, line protocol is up
Hardware is SPA-24CHT1-CE-ATM, address is 0000.0000.0000 (bia 0000.0000.0000)
MTU 4470 bytes, BW 1920 Kbit/sec, DLY 100 usec,
  reliability 255/255, txload 1/255, rxload 1/255
Encapsulation ATM
Keepalive not supported
  0 packets input, 0 bytes
  0 packets output, 0 bytes
  0 OAM cells input, 0 OAM cells output
AAL5 CRC errors : 0
AAL5 SAR Timeouts : 0
AAL5 Oversized SDUs : 0
AAL5 length violation : 0
Last clearing of "show interface" counters never
Router# show atm interface ATM1/1/14
Interface ATM1/1/14:
AAL enabled:  AAL5, AAL0, Maximum VCs: 2047, Current VCCs: 1
Max. Datagram Size: 4528
PLIM Type: E1, TX clocking: LINE
Cell-payload scrambling: OFF
0 input, 0 output, 0 IN fast, 0 OUT fast
Avail bw = 1920
Config. is ACTIVE
Router#show atm interface ATM1/1/14.10
Interface ATM1/1/14.10:
AAL enabled:  AAL5, AAL0, Maximum VCs: 2047, Current VCCs: 1

```

```

Max. Datagram Size: 4528
PLIM Type: E1, TX clocking: LINE
Cell-payload scrambling: OFF
0 input, 0 output, 0 IN fast, 0 OUT fast
  Avail bw = 1920
Config. is ACTIVE
Router# show atm pvc
      VCD /
Interface Name          VPI  VCI Type  Encaps  SC      Peak Av/Min Burst
1/1/14.10  1             10    11 PVC   SNAP   UBR     1920      Kbps  Kbps  Cells  St
                                                UP

```

Configuring SONET (OC-3)

Use the following guidelines to configure SONET (OC-3) on the 1-Port Channelized OC-3 STM1 ATM CEoP SPA:

- Each T1 can be configured to operate in the CEM mode.
- CEM groups can be directly configured on a T1.
- CEM groups can be channelized to DS0s.
- A maximum of 2016 DS0s can be configured.
- A maximum of 575 CEM circuits can be configured.

Configuring the SONET Controller

To configure the SONET controller, perform the following steps:

SUMMARY STEPS

1. Router(config)# **controller sonet 0/1/0**
2. Router(config-controller)# **framing sonet**
3. Router(config-controller)# **sts-1 2**
4. Router(config-ctrlr-sts1)# **mode vt-15**
5. Router(config-controller-sts1)# **vtg 5 t1 1 cem-group 15 timeslots 1-5,20-23**
6. Router(config-controller-sts1)# **exit**

DETAILED STEPS

	Command or Action	Purpose
Step 1	Router(config)# controller sonet 0/1/0	Selects the controller to be configured.
Step 2	Router(config-controller)# framing sonet	Configures the controller framing for SONET framing (default).
Step 3	Router(config-controller)# sts-1 2	Specifies the STS identifier.
Step 4	Router(config-ctrlr-sts1)# mode vt-15	Specifies VT-15 as the STS-1 mode of operation.
Step 5	Router(config-controller-sts1)# vtg 5 t1 1 cem-group 15 timeslots 1-5,20-23	Creates a virtual tributary group carrying a T1.
Step 6	Router(config-controller-sts1)# exit	Exits the controller configuration mode.

Configuring SDH for AU-4 C-12

To enable an interface under SDH framing with AU-4 mapping after configuring the SONET controller, perform the following steps:

SUMMARY STEPS

1. Router(config)# **controller sonet 0/1/0**
2. Router(config-controller)# **framing sdh**
3. Router(config-controller)# **aug mapping au-4**
4. Router(config-controller)# **au-4 1 tug-3 2**
5. Router(config-ctrlr-tug3)# **mode c-12**
6. Router(config-ctrlr-tug3)# **tug-2 1 e1 1 cem-group 1 unframedor**

DETAILED STEPS

	Command or Action	Purpose
Step 1	Router(config)# controller sonet 0/1/0	Selects the controller to be configured.
Step 2	Router(config-controller)# framing sdh	Specifies SDH as the framing mode.
Step 3	Router(config-controller)# aug mapping au-4	Specifies AUG mapping.
Step 4	Router(config-controller)# au-4 1 tug-3 2	Selects the AU-4 and TUG-3 to be configured.
Step 5	Router(config-ctrlr-tug3)# mode c-12	Specifies the channelization mode for the TUG-3.
Step 6	Router(config-ctrlr-tug3)# tug-2 1 e1 1 cem-group 1 unframedor Example: Router(config-ctrlr-tug3) # tug-2 1 e1 1 cem-group 1 timeslots 1-31	Creates a SAToP CEM group. orCreates a CESoPSN CEM group.

Configuring SDH for AU-3 C-11

To enable an interface under SDH framing with AU-3 mapping after configuring the SONET controller, perform the following steps:

SUMMARY STEPS

1. Router(config)# **controller sonet 0/1/0**
2. Router(config-controller)# **framing sdh**
3. Router(config-controller)# **aug mapping au-3**
4. Router(config-controller)# **au-3 3**
5. Router(config-ctrlr-au3)# **mode c-11**
6. Router(config-ctrlr-au3)# **tug-2 1 t1 2 cem-group 1 unframedor**

DETAILED STEPS

	Command or Action	Purpose
Step 1	Router(config)# controller sonet 0/1/0	Selects the controller to be configured.
Step 2	Router(config-controller)# framing sdh	Specifies the framing mode.
Step 3	Router(config-controller)# aug mapping au-3	Specifies AUG mapping.
Step 4	Router(config-controller)# au-3 3	Selects the AU-3 to be configured.
Step 5	Router(config-ctrlr-au3)# mode c-11	Specifies the channelization mode for the link.
Step 6	Router(config-ctrlr-au3)# tug-2 1 t1 2 cem-group 1 unframedor Example: Router(config-ctrlr-au3)# tug-2 1 t1 2 cem-group 2015 timeslots 1-12	Creates a SAToP CEM group. or Creates a CESoPSN CEM group.

Configuring Clocking

This section provides information about how to configure clocking on the SPA-24CHT1-CE-ATM or the SPA-1CHOC3-CE-ATM, and contains the following topics:

BITS Clock Support Receive and Distribute CEM SPA

You can use the BITS Clock Support—Receive and Distribute—CEM SPA feature to select and configure a clock and distribute it across the chassis to be used as the Transmit reference on all SPA ports.

The line card operates in three different modes, depending on the configuration and the configured source state.

- Free-running—A line card that is not participating in network clocking or a line card that is actively sourcing the clock operates in the free-running mode. In this mode, the internal oscillator of the line card generates the reference clock to the backplane.
- Normal—In the normal mode, the module synchronizes with an externally supplied network timing reference sourced from one of the chassis BITS inputs or recovered from a network interface. In this mode, the accuracy and stability of the output signal is determined by the accuracy and stability of the input reference.
- Holdover—In the holdover mode, the network timing module generates a timing signal based on the stored timing reference used when operating in the normal mode. The holdover mode is automatically selected when the recovered reference is lost or has drifted excessively.



Note All the line cards operate in the free-running mode until the network clock is configured.

Guidelines for Configuring the Network Clock

To configure the network clock, consider the following guidelines:

- The Cisco ASR 1000 Series Aggregation Services Routers operate in the free-running mode until the network clock is configured.
- When the network clocking configuration is present in the startup configuration, the clocking configuration is not applied until five minutes after the configuration has been parsed. This prevents clocking instability on the backplane when the interfaces or controllers come up out of order.
- Network clocking is enabled by default for the Cisco ASR 1000 Series Aggregation Services Routers.
- If there is a source flap, an interval of 180 seconds exists before the source becomes valid and active.
- In the event of an Out-of-Range (OOR) switchover (revertive mode), the source switchover occurs when the clock offset crosses the -9.2 ppm or +9.2 ppm threshold. If OOR switchover occurs, you must reconfigure the source.

Configuring the Network Clock

To configure the network clock for a Cisco ASR 1000 Series Aggregation Services Router, perform the following procedure:



Note Network clocking is not supported on the SPA-2CHT3-CE-ATM.

SUMMARY STEPS

1. Router(config)# **[no] network-clock select priority** {interface | controller | slot | system type interface name [global][local]}
2. Router(config)# **[no] network-clock revertive**
3. Router(config)# **controller sonet slot/subslot/port**
4. Router(config-controller)# clock source {line | internal}
5. Router(config-controller)# exit
6. Router(config)# exit
7. Router# show network-clocks
8. Router# debug network-clock
9. Router# debug network-clock redundancy

DETAILED STEPS

	Command or Action	Purpose
Step 1	Router(config)# [no] network-clock select priority {interface controller slot system type interface name [global][local]}	<p>Selects an interface or controller and configures it as a network clock source with a particular priority.</p> <ul style="list-style-type: none"> • system—Required for platforms that have an internal clock generator. Not applicable to the Cisco ASR 1000 Series Aggregation Services Routers. • priority—Configures the priority of the network clock source. Values range from 1 to 6. • type—Interface type that needs to be configured like Gigabitethernet, POS, CEM and so on.

	Command or Action	Purpose
		<ul style="list-style-type: none"> • <i>interface name</i>—Configures the network clock source to the selected interface. • global—Configures the network clock such that it uses a global configuration. • local—Configures the network clock such that it uses a local configuration. <p>Note Only one source can be configured at a time.</p>
Step 2	Router(config)# [no] network-clock revertive	<p>Configures the revertive mode on the network clock.</p> <p>When the revertive mode is configured and a previously unavailable higher-priority source comes up, this source becomes the active clock and the previous active source becomes the standby clock. The revertive mode is the default mode and is applicable for all types of interface failures. The alternate source is selected only if there is an interface failure; the alternate source is not selected when a source is supplying a bad clock.</p> <p>The no form of this command configures the nonrevertive mode.</p>
Step 3	Router(config)# controller sonet slot/subslot/port	Enters the Controller configuration (config-controller) mode.
Step 4	Router(config-controller)# clock source {line internal}	<p>Enables network clocking and configures clocking on the interface.</p> <ul style="list-style-type: none"> • line—Specifies the clock that has been recovered from the line. • internal—Specifies the SPA internal clock or the clock from the host.
Step 5	Router(config-controller)# exit	Exits Controller configuration mode and enters the global configuration mode.
Step 6	Router(config)# exit	Exits global configuration mode and enters the Privileged EXEC mode.
Step 7	Router# show network-clocks	Displays details about the configured clocks and the current operational clocks, and provides status information.
Step 8	Router# debug network-clock	Helps in debugging the network clocking feature operation.
Step 9	Router# debug network-clock redundancy	Enables high availability-related debugging.

Verifying the Network Clock Configuration

Use the **show network-clocks** command to verify the output on the RP:

```
Router# show network-clocks
Active source = SONET 0/1/0
Active source backplane reference line = Primary Backplane Clock
```

```

All Network Clock Configuration
-----
Priority      Clock Source      State      Reason
1            SONET 0/1/0      Valid
Current operating mode is Revertive
Current OOR Switchover mode is Switchover
There are no slots disabled from participating in network clocking

```

Configuring Clock Recovery

When configuring clock recovery, consider the following guidelines:

Adaptive Clocking

- SPA-1CHOC3-CE-ATM, SPA-2CHT3-CE-ATM, or SPA-24CHT1-CE-ATM can be used as the clock source.
- The clock must be the same as that used by the router as the network clock. Any pseudowire can carry the clock.
- The minimum bundle size of the CEM pseudowires on the network that delivers robust clock recovery is 4 DS0s.
- The minimum packet size of the CEM pseudowires on the network that delivers robust clock recovery is 64 bytes.
- Effective from Cisco IOS XE Release 3.6.0S, the SPA-2CHT3-CE-ATM supports adaptive clocking for the CEM mode. The SPA-2CHT3-CE-ATM does not support Out-of-Band (OOB) clocking in the CEM mode due to lack of hardware support.

Differential Clock Recovery

- The SPA-2CHT3-CE-ATM does not support differential clock recovery.
- The maximum number of differential clocks sourced from a 24-Port Channelized T1/E1 ATM CEoP SPA are 24.
- The 24-Port Channelized T1/E1 ATM CEoP SPA can recover up to 24 T1 or E1 clocks.
- Several bundles are sent from the same port. The bundle that is used for carrying the clock of the port is the bundle that is created for the port. Only pseudowires that include the first DS0 of a port, can carry differential clocks.

To configure clock recovery on a 24-Port Channelized T1/E1 ATM CEoP SPA, a 2-Port Channelized T3/E3 ATM CEoP SPA, or a 1-Port Channelized OC-3 STM1 ATM CEoP SPA, perform the following procedure:

SUMMARY STEPS

1. Router(config)# **recovered-clock** *slot subslot*
2. Router(config-clock)# **clock recovered** *clock-id* {**adaptive** | **differential**} **cem** *port cem-group*
3. Router(config-clock)# **clock reference** {**enhanced** | **internal**}
4. Router(config-clock)# **clock master**
5. Router(config-clock)# **clock slave**

DETAILED STEPS

	Command or Action	Purpose
Step 1	Router(config)# recovered-clock <i>slot subslot</i>	Specifies the slot and subslot for the recovered clock.

	Command or Action	Purpose
Step 2	Router(config-clock)# clock recovered <i>clock-id</i> { adaptive differential } cem port <i>cem-group</i>	Specifies the recovered clock number and the clock recovery type.
Step 3	Router(config-clock)# clock reference { enhanced internal }	Specifies the clock reference.
Step 4	Router(config-clock)# clock master	Configures the clock master.
Step 5	Router(config-clock)# clock slave	Configures the clock slave.

Applying the Recovered Clock to the Controller

To apply the recovered clock to the controller, perform the following steps:

SUMMARY STEPS

1. Router(config)# **controller** {**e1** | **t1**} *slot/subslot/port*
2. Router(config-controller)# **vtg 2 t1 1 clock source recovered** *number*
3. Router(config-controller)# **vtg 2 t1 1 cem-group** *number timeslots number*
4. Router(config-controller)# **recovered-clock** *slot/subslot*

DETAILED STEPS

	Command or Action	Purpose
Step 1	Router(config)# controller { e1 t1 } <i>slot/subslot/port</i>	Selects the controller.
Step 2	Router(config-controller)# vtg 2 t1 1 clock source recovered <i>number</i>	Assigns a number to the recovered clock.
Step 3	Router(config-controller)# vtg 2 t1 1 cem-group <i>number timeslots number</i>	Creates a CEM channel from one or more time slots of a T1 or E1.
Step 4	Router(config-controller)# recovered-clock <i>slot/subslot</i>	Applies the recovered clock to the interface.

Example for Configuring Clock Recovery

The following example shows how to configure clock recovery:

Configuration on CE1

```
controller t3 1/0/1
cablelength 224
t1 1 channel-group 1 timeslots 1-24
clock source internal
```



Note The clock configuration is not shown as the internal clock by default.

Configuration on PE1

```
controller T3 0/3/0
  clock source line
  cablelength 224
```

configuration on CE2

```
controller T3 1/0/1
  clock source line
  cablelength 224
  t1 1 channel-group 1 timeslots 1-24
```

Configuration on PE2

recovered-clock configuration:

```
recovered-clock 0 3
  clock recovered 1 adaptive cem 0 1
```

configuration for applying recovered clock to controller:

```
controller T3 0/3/0
  cablelength 224
  t1 1 cem-group 1 timeslots 1-24
  t1 1 clock source Recovered 1
```

Verifying Clock Recovery

To verify clock recovery, use the **show recovered-clock** command.

```
Router# show recovered-clock
```

```
Recovered clock status for subslot 1/0
```

Clock	Mode	Port	CEM	Status	Frequency Offset (ppb)
1	ADAPTIVE	0	1	HOLDOVER	0

```
Router# show recovered-clock
```

```
Recovered clock status for subslot 1/0
```

Clock	Mode	Port	CEM	Status	Frequency Offset (ppb)
1	ADAPTIVE	0	1	ACQUIRING	-694

Configuring Out-of-Band Clocking

A TDM network requires a synchronized clock at each end of the connection (source and destination). This means that the source and destination clock signals must be synchronized with each other in order to maintain data integrity on the communication link.

On the other hand, a packet-switched network (PSN) does not use a clocking strategy, which means that the PSN does not provide frequency synchronization between the source and the destination routers. Therefore, to transmit TDM data across a PSN (such as an MPLS network), we need a way to deliver the clocking signal between the source and the destination routers.

Out-of-band clocking provides a way to deliver a clock signal between two SPAs. This allows TDM devices connected to the SPAs to communicate with each other. Dedicated pseudowires (called out-of-band clock channels) carry the timing signal between the sending and the receiving SPAs. When a TDM device sends data to a destination TDM device, the receiving SPA uses the out-of-band clock channel to recover the clock signal that was used to send the data.

By keeping the timing packets separate from data packets, out-of-band clocking delivers an extremely accurate timing signal. This timing accuracy is important for mobile wireless applications and other specialized applications that have very low tolerances for such things as packet delay variation (PDV), jitter, and latency in the network. In-band clocking (where timing information is derived from the data stream) does not provide a clock that is accurate enough for these applications.

To set up out-of-band clock channels, you must configure a master clock interface and a slave clock interface on the SPAs and configure pseudowires to connect the master and slave clocks. Instructions for performing these steps are provided later in this section.



Note The SPA-2CHT3-CE-ATM does not support Out-of-Band (OOB) clocking in the CEM mode due to lack of hardware support.

Benefits of Out-Of-Bank Clocking

Out-of-band clocking provides the following benefits:

- Enables mobile wireless providers to migrate from TDM networks to PSNs in order to save on costs and improve scalability.
- CEM SPA equipment can ignore the contents of the timing packets that are sent over the out-of-band clock channel because the packets do not contain data.
- Uses the CEM SPA for applications that use something other than constant bit rate (CBR) data. For example, out-of-band clocking uses the SPA for 3G (data) wireless applications, which use AAL2 in variable bit rate (VBR) mode. In addition, out-of-band clocking uses the SPA for 2G (voice) applications.
- Provides recovered clock accuracy that complies with ITU-T G.823 and G.824 specifications, which enables the CEM SPA to be used in mobile and wireless applications (including voice) that require extreme synchronization accuracy.
- Provides an alternative clock-recovery mechanism when adaptive clocking cannot be deployed.
- Enables the CEM SPA to be the master clock in a PSN.
- Makes it possible to have two master clocks. Previously, only one master clock was possible.

Guidelines for Configuring Out-Of-Band Clocking

The following guidelines apply to out-of-band clocking on CEM SPA:

- The default packet size for out-of-band clock channels (CEM circuits) is 910 bytes.
- Out-of-band clocking can co-exist with Stateful SwitchOver (SSO), but it is not SSO compliant. Therefore, if a switchover occurs, the out-of-band clocking functionality is not available for a brief period of time while the feature is brought back online.
- A CEM SPA cannot be configured as both a master and slave clock. To reconfigure a SPA's clock type, you must first remove the existing clock configuration (master or slave).
- Pseudowires for out-of-band clocking are configured under the virtual CEM interface that represents the recovered clock interface. This process differs from normal CEM pseudowires, which are configured under the port (controller interface). When no network clock is available, the virtual CEM interface goes

- down and the pseudowire is disabled. This process is reversed when a valid network clock becomes available again. Normal CEM interfaces never go down, even if the associated physical link is down.
- The master clock pseudowire and slave clock pseudowire should be on different CEM SPAs.

Router Sending Clock (Master Clock)

- You must select the common telecom 19.44MHz clock as the recovered clock to use for the master clock.
- A maximum of 64 out-of-band clock channels can be configured from the CEM SPAs that provides the master clock signal.
- The out-of-band clock channel (pseudowire) is configured under the virtual CEM interface that represents the SPA from which the master clock is recovered. The **xconnect** command used to create the clock channel must specify the destination for the clock signal.
- The out-of-band clock stream is sent in SAToP (unframed) format.

Router Recovering Clock (Slave Clock)

- The out-of-band clock signal is always recovered in adaptive mode. The clock signal can then be used to drive all of the ports on the CEM SPA.
- Two CEM circuits (a primary and a secondary out-of-band channel) can be configured under a slave clock interface, one for each of two master clock signals. This way, the SPA can receive a master clock signal from two separate sources (that is, two master clocks).
- Under the slave clock interface, the **xconnect** command (used to create the out-of-band clock channel) must specify the router from which the master clock is recovered.

Overview of Configuring Out-of-band Clocking Between Two CEM SPAs

The following section provides a high-level overview of the procedure for configuring out-of-band clocking between two CEM SPAs. Detailed steps are provided in the sections that follow.

Before you begin, determine which CEM SPAs have TDM devices connected to them. You must configure an out-of-band clock channel to deliver the clock signal from each SPA that sends TDM data to every destination SPA that receives the data.

1. Use the **recovered clock** command to identify the CEM SPA that is to send TDM data across the MPLS network. This SPA's clock is used as the master clock for out-of-band clocking.
2. Configure the master and slave clock interfaces to represent the source (clock master) and destination (clock slave) for the out-of-band clock signal. The master and slave clock interfaces (and pseudowires) should be configured on different SPAs.
 1. Configure the master clock interface. This interface represents the master clock, which is distributed to all the destination CEM SPAs that receive data from the source TDM device connected to this SPA. (See the [Creating the Master Clock Interface](#), on page 491 for instructions.)
 2. Configure a slave clock interface on each of the SPAs connected to the TDM devices that can receive data from the source TDM device. (See the [Configuring the Slave Clock Interface](#), on page 493 for detailed instructions.)



Note When you configure a master or slave clock interface, the router creates a virtual CEM interface to represent this out-of-band clock. The virtual CEM interface has the same slot and subslot information as the CEM SPA from which the master clock is recovered. The port number is always 24. For example, if the clock signal is recovered from the SPA in slot 0, subslot 1 (**recovered-clock 0 1**), the virtual CEM interface is `virtual-cem0/1/24`.

- Under both the master and slave clock interfaces, use the **cem** *circuit-id* command to configure CEM circuits to represent the out-of-band channels that will distribute the clock signal over the MPLS network. Each CEM circuit represents a separate out-of-band channel for delivering the clock signal from the source (master clock) to a destination TDM device (slave clock). The out-of-band clock channel is created when you issue the **xconnect** command in the next step.
 - Under the master clock interface, you can configure up to 64 CEM circuits, one for each of the destination TDM devices that will use this clock signal as its master clock.
 - Under the slave clock interface (on the destination TDM device), you can configure one or two CEM circuits. Two CEM circuits are allowed because the clock slave can receive a clock signal from two master clocks.



Note Each out-of-band clock channel requires two CEM circuits (one on the master clock interface and one on the slave clock interface). Each CEM circuit represents the CEM attachment circuit at one end of the out-of-band clock channel.

- Create the out-of-band channel for the clock signal by using the **xconnect** command to configure two pseudowires between the CEM circuit on the master clock interface and the CEM circuit on the slave clock interface. The master clock pseudowire and slave clock pseudowire should be on different SPAs; however, you should use the same VCID for both pseudowires.
 - Under the master clock interface, configure a pseudowire to the destination device (slave clock).
 - Under the slave clock interface (on the SPA that connects to the destination TDM device), configure a pseudowire to the router that contains the master clock interface.

Creating the Master Clock Interface

To create the master clock interface for out-of-band clocking, perform the following procedure.

SUMMARY STEPS

- Router(config)# **recovered-clock** *slot subslot*
- Router(config-clock)# **clock master**

DETAILED STEPS

	Command or Action	Purpose
Step 1	Router(config)# recovered-clock <i>slot subslot</i>	Specifies the slot and subslot of the CEoP SPA to recover the master clock signal from. This is the SPA from which

	Command or Action	Purpose
		the TDM data will be sent. Enters the Clock configuration mode. Note You must specify the 19.44MHz clock as the recovered clock to use as the clock master.
Step 2	Router(config-clock)# clock master	Specifies that the recovered clock is to be used as the master clock signal for out-of-band clocking. The router creates a virtual CEM interface for the master clock. Go to the following procedures to configure an out-of-band channel to use for the master clock.

Configuring an Out-Of-Band Channel

To configure an out-of-band channel to use the master clock signal, perform the following steps:

SUMMARY STEPS

1. Router(config)# **interface virtual-cem slot/subslot/port**
2. Router(config-if)# **cem circuit-id**
3. Router(config-if-cem)# **xconnect peer-router-id vcid encapsulation mpls**
4. Router(config-if-cem-xconn)# **end**

DETAILED STEPS

	Command or Action	Purpose
Step 1	Router(config)# interface virtual-cem slot/subslot/port	Selects the virtual CEM interface for the master clock and enters interface configuration mode. The interface has the same slot and subslot as the SPA from which the master clock was recovered (Step 1 in the preceding task), and the port number is always 24.
Step 2	Router(config-if)# cem circuit-id	Creates a CEM attachment circuit for the master clock signal. Valid values for <i>circuit-id</i> are 0 to 63. Note You can configure up to 64 CEM circuits under the master clock interface.
Step 3	Router(config-if-cem)# xconnect peer-router-id vcid encapsulation mpls	Configures an out-of-band channel (pseudowire) to carry the master clock signal. <ul style="list-style-type: none"> • <i>peer-router-id</i> is the IP address of the router that is connected to the destination TDM device. • <i>vcid</i> is a 32-bit identifier for the pseudowire. • encapsulation mpls sets MPLS for the tunneling mode. Note Use the same <i>vcid</i> for the master and slave clock pseudowires; otherwise, the clock channel does not come up.

	Command or Action	Purpose
Step 4	Router(config-if-cem-xconn)# end	Exits CEM interface configuration mode and returns you to privileged EXEC mode.

What to do next



Note A CEM SPA cannot be configured as both master and slave at the same time. To reconfigure a SPA's clock type, you must first remove the existing clock configuration.

Configuring the Slave Clock Interface

To configure the slave clock interface and out-of-band channel to use for out-of-band clocking, perform the following steps.



Note Configure a slave clock interface on every CEM SPA that receives TDM data from the SPA configured as the master clock in the preceding section.

SUMMARY STEPS

1. Router(config)# **recovered-clock** *slot/subslot*
2. Router(config-clock)# **clock slave**
3. Router(config)# **exit**
4. Router(config)# **int virtual-cem** *slot/subslot/port*
5. Router(config-if)# **cem** *circuit-id*
6. Router(config-if-cem)# **xconnect** *peer-router-id vcid encapsulation mpls*
7. Router(config-if-cem-xconn)# **end**

DETAILED STEPS

	Command or Action	Purpose
Step 1	Router(config)# recovered-clock <i>slot/subslot</i>	Specifies the slot and subslot of the CEM SPA from which the master clock is recovered.
Step 2	Router(config-clock)# clock slave	Creates a virtual CEM interface to represent the clock slave for out-of-band clocking.
Step 3	Router(config)# exit	Exits from the Clock configuration mode and enters the global configuration mode.
Step 4	Router(config)# int virtual-cem <i>slot/subslot/port</i>	Enters configuration mode for the virtual CEM interface that represents the clock slave. <ul style="list-style-type: none"> • <i>slot /subslot</i> is the slot and subslot of the SPA from which the master clock was recovered (Step 1 above). • <i>port</i> is always 24.

	Command or Action	Purpose
Step 5	Router(config-if)# cem <i>circuit-id</i>	Creates a CEM attachment circuit for the clock slave. The <i>circuit-id</i> value can be: <ul style="list-style-type: none"> • 0—The primary clock source. • 1—The secondary clock source. Note You can configure up to two CEM circuits, one for each of two master clock signals.
Step 6	Router(config-if-cem)# xconnect <i>peer-router-id</i> <i>vcid</i> encapsulation mpls	Configures an out-of-band channel (pseudowire) to carry the clock signal. <ul style="list-style-type: none"> • <i>peer-router-id</i> is the IP address of the router that is connected to the source TDM device. • <i>vcid</i> is a 32-bit identifier for the pseudowire. • encapsulation mpls sets MPLS for the tunneling mode. Note Use the same VCID for the master and slave clock pseudowires; otherwise, the clock channel does not come up.
Step 7	Router(config-if-cem-xconn)# end	Exits CEM interface configuration mode and returns you to privileged EXEC mode.

Verifying Out-of-Band Clocking

This section lists the **show** commands that you can use to verify the out-of-band clocking configuration.

- Use the **show ip interface brief** command to display the virtual CEM interfaces that the router created to represent master and slave clock interfaces. The output in the following example shows only the virtual CEM interface. Information for all other interfaces is omitted from the display.

```
Router# show ip int brief
. . .
Virtual-cem0/1/24 unassigned      YES unset  up           up
. . .
```

- Use the **show cem circuit** command to display a list of CEM circuits configured on the SPA. The command displays both normal and out-of-band clocking CEM circuits.

```
Router# show cem circuit

CEM Int.      ID  Line      Admin      Circuit      AC
-----
CEM0/1/0 1    DOWN     DOWN      Active      --/--
Virtual-cem0/1/24 DOWN     UP        Active      UP
```

- Use the **show cem interface virtual-cem slot/subslot/port** command to display information about a particular virtual CEM interface:

```
Router# show cem interface virtual-cem 0/1/24
```

```
(Virtual-cem0/1/24) State: CONFIG COMPLETE
Virtual CEM Slave Clock Interface
Slot 0, Slot Unit 88, VC -1
Total cem circuits:    1
Cem circuits up       : 1
Cem circuits down    : 0
```

- Use the **show run interface virtual-cem slot/subslot/port** command to display the current running configuration pertaining to the specified interface:

```
Router# show run int virtual-cem 0/1/24

Building configuration...
Current configuration : 117 bytes
!
interface Virtual-cem0/1/24
 no ip address
  cem 1
xconnect 20.0.0.1 300 encapsulation mpls
!
end
```

- Use the **show run | begin recovered** command to display the recovered clock used for out-of-band clocking:

```
Router# show run | begin recovered

recovered-clock 0 1
clock master
```

- On the clock slave, you can use the **show recovered-clock** command to display the status of the out-of-band clock:

```
Router# show recovered-clock

Recovered clock status for subslot 0/1
-----
Clock   Mode           Port CEM  Status      Frequency Offset (ppb)
ENHANCED PRIMARY      0    HOLDOVER    0
```

Removing the Out-of-Band Clocking Configuration

Use the following commands to delete the various components used for out-of-band clocking:

- To remove a CEM circuit, use the **no cem circuit-id** command (where *circuit-id* is the number assigned to the circuit). Issue the command under the virtual CEM interface where the circuit exists.

```
Router# conf t

Enter configuration commands, one per line.  End with CNTL/Z.
Router(config)# int virtual-cem 0/1/24

Router(config-if)# no cem 1

Router(config-if)# end
```

- To remove a virtual CEM interface, use the **no clock master** or **no clock slave** command in recovered-clock configuration mode, as shown in the following examples. Note that the virtual CEM interface is not deleted when you remove the last CEM circuit under the interface.

Example: Out-of-Band Clocking Configuration

```

Router# conf t

Enter configuration commands, one per line. End with CNTL/Z.
Router(config)# recovered-clock 0 1

Router(config-clock)# no clock master

Router(config-clock)# end

Router#

```

In the following example, the **no clock slave** command deletes the slave clock interface for the recovered clock (which is 0/1):

```

Router# config t

Enter configuration commands, one per line. End with CNTL/Z.
Router(config)# recovered-clock 0 1

Router(config-clock)# no clock slave

Router(config-clock)# end

Router#

```

Example: Out-of-Band Clocking Configuration

This section provides an example of how to configure out-of-band clocking between two CEM SPAs. It is divided into several different configuration sections.

Configuring the Master Clock Interface

The following example shows how to configure a CEM SPA as a master clock and verify the configuration:

```

Router# config t

Enter configuration commands, one per line. End with CNTL/Z.
Router (config)# recovered-clock ?

  <0-14> Slot number
Router (config)# recovered-clock 0 1

Router(config-clock)# clock ?

  master    Configure clock master on the card
  recovered Configure recovered clock on the card
  reference Configure reference clock on the card
  slave     Configure clock slave on the card
Router(config-clock)# clock master

Router(config-clock)# end

Router# show run | begin recovered

recovered-clock 0 1
  clock master

```

Configuring the Slave Clock Interface

The following example shows how to configure a CEM SPA as a slave clock and verify the configuration:

```
Router# config t

Enter configuration commands, one per line.  End with CNTL/Z.
Router(config)# recovered-clock 0 1

Router(config-clock)# clock slave

Router(config-clock)# end

Router#
Router# show run | begin recovered-clock

recovered-clock 0 1
  clock slave
```

Verifying the Virtual CEM Interface Configuration

The router creates a virtual CEM interface when you configure either the master or slave clock interface. You can view the interface using the **show ip interface brief** command:

```
Router# show ip int br

...
Virtual-cem0/1/24 unassigned      YES unset  up           up
...
Router# sh run int Virtual-cem 0/1/24
Building configuration...
Current configuration : 50 bytes
!
interface Virtual-cem0/1/24
  no ip address
end
```

Example: Configuring CEM Circuits for Out-of-Band Clocking

This section provides an example of how to configure CEM circuits and pseudowires for out-of-band clocking. The sample configuration shows the circuits and pseudowires configured on a CEM SPA in PE1, which sends TDM data to another CEM SPA in PE2.

You configure CEM circuits for the master and slave clocks under the virtual CEM interface that represents the recovered clock that is being used for out-of-band clocking. This differs from normal CEM circuits, which are configured under the SPA controller through the **cem-group** command.

Issuing the **xconnect** command under the master and slave CEM circuits, configures an out-of-band clock channel to send the clock signal from the sending SPA to the receiving SPA. Note that normal CEM pseudowires are configured under the SPA controller interface.

Out-of-Band Clocking (PE1)

```
PE1# config t

PE1(config)# int virtual-cem 0/1/24

PE1(config-if)# cem 1
```

```

PE1(config-if-cem)# xconnect 20.0.0.1 200 encaps mpls

PE1(cfg-if-cem-xconn)# end

PE1# show run int Virtual-CEM 0/1/24

Building configuration...
Current configuration : 117 bytes
!
interface Virtual-cem0/1/24
 no ip address
  cem 1
xconnect 20.0.0.1 200 encapsulation mpls
!
end

```

Out-of-Band Clocking (PE2)

```

PE2# conf t

PE2(config)# int virtual-cem 0/1/24

PE2(config-if)# cem 1

PE2(config-if-cem)# xconnect 10.0.0.1 200 encaps mpls

PE2(cfg-if-cem-xconn)# end

PE2# show run int Virtual-CEM 0/1/24

Building configuration...
Current configuration : 117 bytes
!
interface Virtual-cem0/1/24
 no ip address
  cem 1
xconnect 10.0.0.1 200 encapsulation mpls
!
end

```

Configuring CEM Parameters

The following sections describe the parameters you can configure for CEM circuits.



Note

The CEM parameters at the local and remote ends of a CEM circuit must match; otherwise, the pseudowire between the local and remote PE routers will not come up.

Configuring Payload Size (Optional)

To specify the number of bytes encapsulated into a single IP packet, use the **pay-load size** command. The *size* argument specifies the number of bytes in the payload of each packet. The range is from 32 to 1313 bytes.

Default payload sizes for an unstructured CEM channel are as follows:

- E1 = 248 bytes
- T1 = 192 bytes
- DS0 = 32 bytes
- T3/E3 = 1024 bytes

Default payload sizes for a structured CEM channel depend on the number of time slots that constitute the channel. Payload size (L in bytes), number of time slots (N), and packetization delay (D in milliseconds) have the following relationship: $L = 8 * N * D$. The default payload size is selected in such a way that the packetization delay is always 1 millisecond. For example, a structured CEM channel of 16xDS0 has a default payload size of 128 bytes.

The payload size must be an integer of the multiple of the number of time slots for structured CEM channels.

Setting the Dejitter Buffer Size

To specify the size of the dejitter buffer used to compensate for the network filter, use the **dejitter-buffer** *size* command. The configured dejitter buffer size is converted from milliseconds to packets and rounded up to the next integral number of packets. Use the *size* argument to specify the size of the buffer, in milliseconds. The range is from 1 to 500 ms; the default is 5 ms.

Setting the Idle Pattern (Optional)

To specify the idle pattern, use the **[no] idle-pattern** *pattern* command. The payload of each lost CESoPSN data packet must be replaced with the equivalent amount of the replacement data. The range for *pattern* is from 0x0 to 0xFF; the default idle pattern is 0xFF.

Enabling the Dummy Mode

The dummy mode enables a bit pattern for filling in for lost or corrupted frames. To enable dummy mode, use the **dummy-mode** [**last-frame** | **user-defined**] command. The default is **last-frame**. The following is an example:

```
Router(config-cem) # dummy-mode last-frame
```

Setting the Dummy Pattern

If dummy mode is set to user defined, you must use the **dummy-pattern** *pattern* command to configure the dummy pattern. The range for *pattern* is from 0x0 to 0xFF. The default dummy pattern is 0xFF. The following is an example:

```
Router(config-cem) # dummy-pattern 0x55
```

Shutting Down a CEM Channel

To shut down a CEM channel, use the **shutdown** command in CEM configuration mode. The **shutdown** command is supported only under CEM mode and not under the CEM class.

Configuring Layer 3 QoS on CCoP SPAs

Restrictions

The following restriction exists when configuring a Layer 3 QoS on the CCoP SPA:

- The VC QoS on VP-PW feature works only with the single-cell relay function and not with the packed-cell relay function.

Supported Interface

The following interfaces are supported for the :

- P2P and multipoint permanent virtual circuit (PVC) under the main interface.
- P2P and multipoint PVC under the subinterface.
- P2P and multipoint L2 PVC under the main interface—AAL5 and AAL0 (sustainable cell rate (SCR) and peak cell rate (PCR)).
- P2P and Multipoint L2PVC under the subinterface—AAL5 and AAL0 (SCR and PCR).

Configuring the QoS Features on the 2-Port Channelized T3/E3 ATM CCoP SPA

To configure the , perform the following steps:

SUMMARY STEPS

1. Router> enable
2. Router# configure terminal
3. Router(config)# **interface atm slot /subslot /port.subinterface point-to-point**
4. Router(config-if)# **ip address address mask [secondary]**
5. Router(config-if)# pvc vpi/vci
6. Router(config-if-atm-vc)# service-policy in *policy-map-name*
7. Router(config-if-atm-vc)# service-policy out *policy-map-name*
8. Router(config-if-atm-vc)# end

DETAILED STEPS

	Command or Action	Purpose
Step 1	Router> enable	Enables the privileged EXEC mode. Enter your password if prompted.
Step 2	Router# configure terminal	Enters the global configuration mode.
Step 3	Router(config)# interface atm slot /subslot /port.subinterface point-to-point	Specifies or creates a subinterface and enters the subinterface configuration mode. The parameters are as follows:

	Command or Action	Purpose
		<ul style="list-style-type: none"> • <i>slot</i>—Specifies the chassis slot number where the SIP is installed. • <i>subslot</i>—Specifies the secondary slot number on a SIP where a SPA is installed. • <i>port</i>—Specifies the number of the interface port on the SPA. • <i>subinterface</i>—Specifies the number of the subinterface on the interface port. • point-to-point—Specifies a point-to-point subinterface.
Step 4	Router(config-if)# ip address <i>address mask</i> [secondary]	(Optional) Assigns the specified IP address and subnet mask to the interface. Repeat the command with the optional secondary keyword to assign additional, secondary IP addresses to the port.
Step 5	Router(config-if)# pvc vpi/vci	Assigns a virtual path identifier (VPI) and a virtual circuit identifier (VCI).
Step 6	Router(config-if-atm-vc)# service-policy in <i>policy-map-name</i>	Attaches ingress QoS to the configuration.
Step 7	Router(config-if-atm-vc)# service-policy out <i>policy-map-name</i>	Attaches egress QoS to the configuration.
Step 8	Router(config-if-atm-vc)# end	Exits the ATM VC interface configuration mode and returns to the privileged EXEC mode.

Sample Configuration

The following example shows how to configure a Layer 3 QoS on the CEoP SPA:

```
Router# configure terminal
Router(config)# interface atm 3/0/0.1 point-to-point
Router(config-if)# ip address 24.0.0.1 255.255.255.0
Router(config-if)# pvc 1/40
Router(config-if-atm-vc)# service-policy in omni_flat_ingress10
Router(config-if-atm-vc)# service-policy out flat_brr10
Router(config-if-atm-vc)# end
```

Verifying the Configuration

The following example shows how to verify the configuration:

```
Router# show policy-map interface cem3/0/0.1/1/1
CEM3/0/0.1/1/1: VC 1/40 -
Service-policy input: omni_flat_ingress10
Counters last updated 00:00:03 ago
  Class-map: prec4 (match-all)
    0 packets, 0 bytes
    30 second offered rate 0000 bps, drop rate 0000 bps
```

```

Match: precedence 4 police:
cir 52500 bps, bc 4470 bytes
conformed 0 packets, 0 bytes; actions:
transmit
exceeded 0 packets, 0 bytes; actions:
drop
conformed 0000 bps, exceeded 0000 bps
Class-map: prec5 (match-all)
0 packets, 0 bytes
30 second offered rate 0000 bps, drop rate 0000 bps
Match: precedence 5
police:
cir 54000 bps, bc 4470 bytes
conformed 0 packets, 0 bytes; actions:
transmit
exceeded 0 packets, 0 bytes; actions:
drop
conformed 0000 bps, exceeded 0000 bps
Class-map: prec6 (match-all)
391 packets, 29584 bytes
30 second offered rate 0000 bps, drop rate 0000 bps
Match: precedence 6
police:
cir 56000 bps, bc 4470 bytes
conformed 391 packets, 29584 bytes; actions:
transmit
exceeded 0 packets, 0 bytes; actions:
drop
conformed 0000 bps, exceeded 0000 bps
Class-map: class-default (match-any)
255775 packets, 194214265 bytes
30 second offered rate 1325000 bps, drop rate 1275000 bps
Match: any
police:
cir 51000 bps, bc 4470 bytes
conformed 30423 packets, 7439395 bytes; actions:
transmit
exceeded 225352 packets, 186774870 bytes; actions:
drop
conformed 51000 bps, exceeded 1275000 bps
Service-policy output: omni_flat10
Counters last updated 00:00:03 ago
queue stats for all priority classes:
Queueing
priority level 1
queue limit 12 packets
(queue depth/total drops/no-buffer drops) 0/0/0
(pkts output/bytes output) 43602/7460616
queue stats for all priority classes:
Queueing
priority level 2
queue limit 14 packets
(queue depth/total drops/no-buffer drops) 0/0/0
(pkts output/bytes output) 0/0
Class-map: prec4 (match-all)
0 packets, 0 bytes
30 second offered rate 0000 bps, drop rate 0000 bps
Match: precedence 4
Queueing
queue limit 13 packets
(queue depth/total drops/no-buffer drops) 0/0/0
(pkts output/bytes output) 0/0
bandwidth 52 kbps

```

Configuring AIS and RAI Alarm Forwarding in the CESoPSN Mode on the CEoP SPAs

This feature allows grooming of traffic from several different cell-site fractional T1/E1s via CEM, through an MPLS cloud, on to a single aggregate T1/E1 going to the BSC.

This feature provides the following functionalities:

- By default, AIS and RAI alarms are not forwarded on T1/E1s having the CESoPSN mode configured on the SPA-1CHOC3-CE-ATM, SPA-2CHT3-CE-ATM, and SPA-24CHT1-CE-ATM even if one or all of the CESoPSN groups terminating on the T1/E1 receives AIS or RAI notification from the corresponding remote CESoPSN peers across the PSN.
- AIS forwarding can be enabled on a per-T1/E1 basis on the SPA-1CHOC3-CE-ATM, SPA-2CHT3-CE-ATM, and SPA-24CHT1-CE-ATM. This ensures that the PE transmits AIS on the T1/E1 whenever one or more CESoPSN groups configured on it receives AIS notification from the remote CESoPSN peers across the PSN.
- RAI forwarding can be enabled on a per-T1/E1 basis on the SPA-1CHOC3-CE-ATM, the SPA-2CHT3-CE-ATM, and the SPA-24CHT1-CE-ATM. This ensures that the PE transmits RAI on the T1/E1 whenever one or more CESoPSN groups configured on it receives RAI notification from the remote CESoPSN peers across the PSN.

Restrictions

The following restrictions are applicable while configuring AIS and RAI alarm forwarding:

- Alarms cannot be suppressed in the unframed CEM mode (SATO P). Alarms received from the remote SAToP peer across the PSN always pass over the attachment circuit.
- The forward-alarm -ais/rai- command is a hidden command and is not available in the option list. You must type the full command.

Configuring AIS and RAI Alarm Forwarding for T1 on the CEoP SPA

To enable AIS and RAI alarm forwarding on the SPA-24CHT1-CE-ATM and the SPA-2CHT3-CE-ATM for T1 mode, perform the following procedure:

SUMMARY STEPS

1. Router> enable
2. Router# configure terminal
3. Do one of the following:
 - Router(config)# controller t1 slot/subslot/port
 - Router(config)# controller t3 slot/subslot/port
4. Do one of the following:
 - Router(config-controller)# forward-alarm ais/rai

- Router(config-controller)# t1 1-28 forward-alarm ais/rai

DETAILED STEPS

	Command or Action	Purpose
Step 1	Router> enable	Enables the privileged EXEC mode. Enter your password if prompted.
Step 2	Router# configure terminal	Enters the global configuration (config) mode.
Step 3	Do one of the following: <ul style="list-style-type: none"> • Router(config)# controller t1 slot/subslot/port • • Router(config)# controller t3 slot/subslot/port 	Enters the controller configuration mode pertaining to the specified slot, subslot, and port. or Selects the controller for the SPA port that is to be configured.
Step 4	Do one of the following: <ul style="list-style-type: none"> • Router(config-controller)# forward-alarm ais/rai • • Router(config-controller)# t1 1-28 forward-alarm ais/rai 	Enables AIS or RAI alarm forwarding on the selected T1 controller interface for the 24-Port Channelized T1/E1 ATM CEoP SPA. or Enables AIS or RAI alarm forwarding on the selected T1 controller interface for the 2-Port Channelized T3/E3 ATM CEoP SPA.

Configuring AIS and RAI Alarm Forwarding for E1 on the CEoP SPA

To enable AIS and RAI forwarding on the SPA-24CHT1-CE-ATM and the SPA-2CHT3-CE-ATM for E1 mode, perform the following procedure:

SUMMARY STEPS

1. Router> enable
2. Router# configure terminal
3. Do one of the following:
 - Router(config)# controller e1 slot/subslot/port
 -
 - Router(config)# controller t3 slot/subslot/port
4. Do one of the following:
 - Router(config-controller)# forward-alarm ais/rai
 -
 - Router(config-controller)# e1 1-21 forward-alarm ais/rai

DETAILED STEPS

	Command or Action	Purpose
Step 1	Router> enable	Enables the privileged EXEC mode. Enter your password if prompted.
Step 2	Router# configure terminal	Enters the global configuration (config) mode.
Step 3	Do one of the following: <ul style="list-style-type: none"> Router(config)# controller e1 slot/subslot/port • Router(config)# controller t3 slot/subslot/port 	Enters the controller configuration mode pertaining to the specified slot, subslot, and port. or Selects the controller for the SPA port that is to be configured.
Step 4	Do one of the following: <ul style="list-style-type: none"> Router(config-controller)# forward-alarm ais/rai • Router(config-controller)# e1 1-21 forward-alarm ais/rai 	Enables AIS or RAI alarm forwarding on the selected E1 controller interface for the 24-Port Channelized T1/E1 ATM CCoP SPA. or Enables AIS or RAI alarm forwarding on the selected E1 controller interface for the 2-Port Channelized T3/E3 ATM CCoP SPA.

Configuring the SONET Mode

To enable AIS/RAI forwarding on the CCoP SPAs for SONET mode, perform the following steps:

SUMMARY STEPS

1. Router(config)# controller sonet slot/bay/port
2. Router(config-controller)# sts-1 id
3. Router(config-controller-sts)# vtg identifier t1 identifier forward-alarm {ais|rai}

DETAILED STEPS

	Command or Action	Purpose
Step 1	Router(config)# controller sonet slot/bay/port Example: orRouter(config)# controller sonet 0/1/0	Enters the Controller configuration mode. or Selects the controller to be configured.
Step 2	Router(config-controller)# sts-1 id Example: Example: Router(config-controller)# sts-1 1	Specifies the STS identifier.

	Command or Action	Purpose
Step 3	<pre>Router(config-controller-sts)# vtg identifier t1 identifier forward-alarm {ais rai} Example: Example: Router(config-ctrlr-sts1)# vtg 1 t1 1 forward-alarm ais</pre>	Enables AIS or RAI alarm forwarding on the selected interface for the SONET mode.

Configuring the SDH AU-4 Mode

To enable AIS or RAI forwarding on the CEoP SPAs for SDH AU-4 mode, perform the following steps:

SUMMARY STEPS

1. Router(config)# **controller sonet 0/1/0**
2. Router(config-controller)# **framing sdh**
3. Router(config-controller)# **aug mapping au-4**
4. Router(config-controller)# **au-4 id tug-3 id**
5. Router(config-ctrlr-tug3)# **mode c-12**
6. tug-2 id e1 id forward-alarm ais | rai

DETAILED STEPS

	Command or Action	Purpose
Step 1	Router(config)# controller sonet 0/1/0	Enters the controller configuration mode and selects the controller to be configured.
Step 2	Router(config-controller)# framing sdh	Specifies SDH as the framing mode.
Step 3	Router(config-controller)# aug mapping au-4	Specifies AUG mapping.
Step 4	Router(config-controller)# au-4 id tug-3 id	Selects the AU-4, TUG-3 to configure.
Step 5	Router(config-ctrlr-tug3)# mode c-12	Specifies the channelization mode for the TUG-3.
Step 6	<pre>tug-2 id e1 id forward-alarm ais rai Example: Example: Router(config-ctrlr-tug3)# tug-2 1 e1 1 forward-alarm rai</pre>	Enables AIS and RAI alarm forwarding on the selected SDH mode for the AU-4 mode.

Configuring the SDH AU-3 Mode

To enable AIS or RAI forwarding on the CEoP SPAs for SDH AU-3 mode, perform the following steps:

SUMMARY STEPS

1. Router(config)# **controller sonet 0/1/0**
2. Router(config-controller)# **framing sdh**
3. Router(config-controller)# **aug mapping au-3**
4. Router(config-controller)# **au-3 3**
5. Router(config-ctrlr-au3)# **mode c-11**
6. Router(config-ctrlr-au3)# **tug-2 tug-2 number t1 t1-line-number forward-alarm {ais | rai}**

DETAILED STEPS

	Command or Action	Purpose
Step 1	Router(config)# controller sonet 0/1/0	Enters the controller configuration mode and selects the controller to be configured.
Step 2	Router(config-controller)# framing sdh	Specifies the framing mode.
Step 3	Router(config-controller)# aug mapping au-3	Specifies AUG mapping.
Step 4	Router(config-controller)# au-3 3	Selects the AU-3 to configure.
Step 5	Router(config-ctrlr-au3)# mode c-11	Specifies the channelization mode for the link.
Step 6	Router(config-ctrlr-au3)# tug-2 tug-2 number t1 t1-line-number forward-alarm {ais rai} Example: Example: <pre>Router(config-ctrlr-au3)# tug-2 1 t1 2 forward-alarm ais</pre> Example: <pre>Router(config-ctrlr-au3)# tug-2 1 t1 1 forward-alarm rai</pre>	Enables AIS and RAI alarm forwarding on the selected SDH mode for the AU-3 mode.

Restrictions

The following restrictions apply while configuring AIS or RAI alarm forwarding:

- Alarms cannot be suppressed in unframed CEM mode (SAToP). Alarms received from the remote SAToP peer across the PSN will always be propagated over the attachment circuit.
- The **forward-alarm {ais/rai}** is a hidden command and is not available in the option list. You must type the full command.

Verifying the Interface Configuration

The **show cem circuit** command shows information about the circuit state, administrative state, the CEM ID of the circuit, and the interface on which it is configured. If **xconnect** is configured under the circuit, the command output also includes information about the attached circuit.

```
Router# show cem circuit
?

<0-504>    CEM ID
detail     Detailed information of cem ckt(s)
interface  CEM Interface
summary    Display summary of CEM ckts
|          Output modifiers
Router# show cem circuit
```

CEM Int.	ID	Line	Admin	Circuit	AC
CEM0/1/0	1	UP	UP	ACTIVE	--/--
CEM0/1/0	2	UP	UP	ACTIVE	--/--
CEM0/1/0	3	UP	UP	ACTIVE	--/--
CEM0/1/0	4	UP	UP	ACTIVE	--/--
CEM0/1/0	5	UP	UP	ACTIVE	--/--

The **show cem circuit 0-504** command displays the detailed information about that particular circuit.

```
Router# show cem circuit 1

CEM0/1/0, ID: 1, Line State: UP, Admin State: UP, Ckt State: ACTIVE
Idle Pattern: 0xFF, Idle cas: 0x8, Dummy Pattern: 0xFF
Dejitter: 5, Payload Size: 40
Framing: Framed, (DS0 channels: 1-5)
Channel speed: 56
CEM Defects Set
Excessive Pkt Loss RatePacket Loss
Signalling: No CAS
Ingress Pkts:    25929          Dropped:          0
Egress Pkts:     0             Dropped:          0
CEM Counter Details
Input Errors:    0              Output Errors:     0
Pkts Missing:   25927          Pkts Reordered:   0
Misorder Drops: 0              JitterBuf Underrun: 1
Error Sec:      26             Severly Errored Sec: 26
Unavailable Sec: 5              Failure Counts:    1
Pkts Malformed: 0
```

The **show cem circuit summary** command displays the number of circuits which are up or down per interface basis.

```
Router# show cem circuit summary

CEM Int.      Total Active  Inactive
-----
CEM0/1/0      5             5           0
```

The **show running configuration** command shows detail on each CEM group:

```
Router# show running configuration
```



```
Building configuration...
Current configuration : 1720 bytes
!
! Last configuration change at 17:22:39 UTC Wed Jan 5 2011
!
version 15.1
service timestamps debug datetime msec
service timestamps log datetime msec
no platform punt-keepalive disable-kernel-core
!
hostname Router
!
boot-start-marker
boot-end-marker
!
!
vrf definition Mgmt-intf
!
address-family ipv4
exit-address-family
!
address-family ipv6
exit-address-family
!
!
no aaa new-model
ip source-route
!
!
multilink bundle-name authenticated
!
redundancy
mode none
!
!
!
controller SONET 0/1/0
framing sonet
clock source line
!
sts-1 1
mode vt-15
vtg 1 t1 1 cem-group 1 timeslots 1
vtg 2 t1 1 cem-group 6 timeslots 1-24
vtg 3 t1 2 cem-group 7 timeslots 1-24
!
sts-1 2
mode vt-15
!
sts-1 3
mode vt-15
!
!
recovered-clock 0 1
clock master
!
!
ip tftp source-interface GigabitEthernet0
!
class cem cemqos
payload-size 256
dejitter-buffer 20
dummy-mode last-frame
!
```

```

!
interface GigabitEthernet0/0/0
  no ip address
  negotiation auto
!
interface GigabitEthernet0/0/1
  no ip address
  negotiation auto
!
interface GigabitEthernet0/0/2
  no ip address
  negotiation auto
!
interface GigabitEthernet0/0/3
  no ip address
  negotiation auto
!
interface GigabitEthernet0
  vrf forwarding Mgmt-intf
  no ip address
  negotiation auto
!
interface CEM0/1/0
  no ip address
  cem 1
  cem class cemqos
!
  cem 6
  xconnect 10.10.10.10 3 encapsulation mpls
!
  cem 7
  xconnect 10.10.10.11 2 encapsulation mpls
!
!
interface Virtual-cem0/1/24
  no ip address
!
ip forward-protocol nd
!
no ip http server
no ip http secure-server
!
logging esm config
!
!
!
control-plane
!
!
!
!
!
line con 0
  stopbits 1
line vty 0 4
  login
!
exception data-corruption buffer truncate
end
Router# show int cem 0/1/0

CEM0/1/0 is up, line protocol is up
  Hardware is Circuit Emulation Interface
  MTU 1500 bytes, BW 155520 Kbit/sec, DLY 0 usec,

```

```
    reliability 255/255, txload 1/255, rxload 1/255
Encapsulation CEM, loopback not set
Keepalive not supported
Last input never, output never, output hang never
Last clearing of "show interface" counters never
Input queue: 0/375/0/0 (size/max/drops/flushes); Total output drops: 0
Queueing strategy: fifo
Output queue: 0/0 (size/max)
5 minute input rate 64000 bits/sec, 250 packets/sec
5 minute output rate 0 bits/sec, 0 packets/sec
  1779066 packets input, 56930112 bytes, 0 no buffer
  Received 0 broadcasts (0 IP multicasts)
  0 runts, 0 giants, 0 throttles
  0 input errors, 0 CRC, 0 frame, 0 overrun, 0 ignored, 0 abort
  0 packets output, 0 bytes, 0 underruns
  0 output errors, 0 collisions, 0 interface resets
  0 unknown protocol drops
  0 output buffer failures, 0 output buffers swapped out
Router# show class cem cemqos

Class: cemqos          , Dummy mode: last-frame
Dejitter: 20, Payload Size: 256
Router# show class cem detail
Class: cemqos          , Dummy mode: last-frame
Dejitter: 20, Payload Size: 256
Circuits inheriting this Class:
CEM0/1/0: Circuit 1
Interfaces inheriting this Class:
None
```




INDEX

- ? command [8](#)
 - 1-Port 10GE LAN/WAN-PHY SPA [102, 109](#)
 - overview [109](#)
 - pre-requisites [102](#)
 - 1-Port Channelized STM-1/OC-3 SPA [279, 280, 281, 283, 284, 286, 288](#)
 - configuring [281, 283, 284, 286, 288](#)
 - channelized DS3 modechannelized DS3 mode,
configuring [284](#)
 - DS1, channelized T3 modeDS1, configuring [286](#)
 - E1, channelized T3/E3 mode [288](#)
 - SDH mode [283](#)
 - SONET mode [281](#)
 - creating the interface, SONET [281](#)
 - interface names [280](#)
 - SDH mode [280](#)
 - selecting the physical port [280](#)
 - SONET mode [280](#)
 - 2-Port and 4-Port Channelized T3 SPA [227, 232, 233, 234, 236, 237, 238, 240](#)
 - configuring [227](#)
 - configuring data service unit mode [233](#)
 - configuring encapsulation [236](#)
 - configuring FDL [237](#)
 - configuring maintenance data link [234](#)
 - configuring scramble [238](#)
 - specifying interface address [232](#)
 - T3 framing [237](#)
 - verifying the configuration [240](#)
 - 2-Port and 4-Port Clear Channel T3/E3 SPAs [219, 245, 249, 250, 252, 253, 255, 256](#)
 - configuring [245](#)
 - configuring cable length [256](#)
 - configuring data service unit mode [249](#)
 - configuring encapsulation [219, 255](#)
 - configuring framing [253](#)
 - configuring maintenance data link [250](#)
 - configuring scramble [252](#)
 - interface addresses [249](#)
 - 4-Port Serial Interface SPA [265, 266, 270, 275](#)
 - configuring [265](#)
 - show commands [266](#)
 - specifying interface address [270](#)
 - verifying configuration [266](#)
 - verifying the interface configuration [275](#)
 - 8-Port Channelized T1/E1 SPA [124, 213, 217, 218, 219, 220, 221, 223, 255](#)
 - configuring [213](#)
 - configuring CRC [220](#)
 - configuring FDL [221](#)
 - encapsulation [219, 255](#)
 - framing [218](#)
 - setting IP address [217](#)
 - verifying the configuration [124, 223](#)
- ### A
- activation [34, 37](#)
 - verifying for SIPs [34](#)
 - verifying for SPAs [37](#)
 - administratively down state [124](#)
 - associate application scpp command [384](#)
 - Asynchronous Transfer Mode. See ATM. [42](#)
 - automatic SPA FPD image upgrade [396, 400](#)
 - (example) [400](#)
 - disabling [396](#)
 - re-enabling [396](#)
 - autonegotiation [119, 121](#)
 - configuring [119](#)
 - disabling on fiber interfaces [119](#)
 - enabling on fiber interfaces [121](#)
- ### B
- blank filler plate [13, 14](#)
 - for empty subslots in a SIP [13](#)
 - single-height size [14](#)
- ### C
- carriage return [8](#)
 - cautions, usage in text [xxvii](#)
 - CEF [87](#)
 - CEF for PFC2 [41, 53, 359, 427, 443](#)
 - See CEFCEF [41, 53, 359, 427, 443](#)
 - channel group, changing configuration [223](#)
 - Cisco ASR 1000 Series Routers [24](#)
 - SIP description [24](#)
 - SIP features [24](#)

Cisco Discovery Protocol [121](#)
 Cisco IOS configuration changes, saving [11](#)
 Cisco MIB Locator [104, 437](#)
 CLI [1](#)
 clock signal, inverting [272](#)
 codec (DSP profile) command [384](#)
 command line processing keyboard shortcuts [6](#)
 command modes [7](#)
 command modes, understanding [7](#)
 command syntax [xxvii, 8](#)
 conventions [xxvii](#)
 displaying (example) [8](#)
 command-line interface. See CLI. [1](#)
 commands [8, 11, 29, 31, 32, 308](#)
 context-sensitive help for abbreviating [8](#)
 debug [31](#)
 default form, using [11](#)
 hardware module slot [29](#)
 no form, using [11](#)
 resetting a SIP [29](#)
 show [32](#)
 show interfaces serial [308](#)
 troubleshooting serial lines [308](#)
 conditions - status line, show interfaces serial command [308](#)
 configuration tasks, required [111, 265](#)
 4-Port Serial Interface SPA [265](#)
 for the Fast Ethernet SPA configuration tasks, required [111](#)
 for the Gigabit Ethernet SPA [111](#)
 configurations, saving [11](#)
 configure terminal command [111](#)
 configuring SPAs [111](#)
 Fast Ethernet [111](#)
 copy command [124](#)
 course wave division multiplexer (CWDM) [18](#)
 qualified optics modules [18](#)
 CRC size, configuring [293](#)
 CRC, configuring [220, 273](#)
 cyclic redundancy checking. See CRC. [273](#)

D

data service unit mode, configuring [233](#)
 deactivation [34, 37](#)
 verifying for SIPs [34](#)
 verifying for SPAs [37](#)
 debug atm errors command [88](#)
 debug atm events command [88](#)
 debug atm oam command [88](#)
 debug command [31, 165](#)
 debug hw-module subplot command [165](#)
 dense wave division multiplexer (DWDM) [18](#)
 qualified optics modules [18](#)
 description (DSP profile) command [384](#)
 dot1q encapsulation [119, 121, 163](#)
 configuration (example) [163](#)

dot1q encapsulation (*continued*)
 configuring [121](#)
 dsp services dspfarm command [384](#)
 dspfarm profile command [384, 386](#)

E

E1, channelized T3/E3, configuring [288](#)
 encapsulation [115, 119, 121, 163, 292](#)
 ARPA Advanced Research Projects Agency. See ARPA. [119](#)
 configuring [119, 292](#)
 dot1q [119, 121, 163](#)
 configuration (example) [163](#)
 configuring [121](#)
 SNAP [115, 119](#)
 encapsulation dot1q command [121](#)
 encapsulation, configuring [219, 236, 255, 273](#)
 error messages [31](#)
 event tracer feature [95, 373](#)

F

FDL, configuring [221, 237, 294](#)
 field-programmable devices (FPDs) [393, 397, 398](#)
 displaying image versions [398](#)
 manually upgrading SIP and SPA images [397](#)
 upgrades [393](#)
 field-programmable devices. See FPD. [393](#)
 filtering output, show and more commands [11](#)
 FPD image packages [394, 399](#)
 displaying default information [399](#)
 overview [394](#)
 FPD image upgrades [394, 400, 401](#)
 examples [400](#)
 troubleshooting [401](#)
 FPD images [395, 396, 397, 398, 399, 401, 402, 404](#)
 displaying minimum and current versions [398](#)
 manually upgrading [397](#)
 troubleshooting upgrades [401, 404](#)
 upgrade failure recovery (example) [402](#)
 upgrading in production [395, 396](#)
 verifying successful upgrade [404](#)
 verifying upgrade progress [399](#)
 FPDs [393](#)
 description [393](#)
 framing, configuring [218, 237, 253](#)

G

giant packets [56](#)
 Gigabit Ethernet SPAs [100, 111, 115, 117, 121, 125, 165, 169](#)
 configuring [111](#)
 features supported [100](#)
 modifying MTU [115](#)
 QoS [117](#)

Gigabit Ethernet SPAs (*continued*)

- SPA automatic recovery [169](#)
 - troubleshooting [165](#)
 - using show commands [125](#)
 - VLAN virtual LAN. See VLAN. [121](#)
- global configuration mode, summary of [7](#)

H

- hardware platforms [12](#)
 - See platforms, supported [12](#)
- help command [8](#)
- Hot Standby Router Protocol . See HSRP. [114](#)
- HSRP, verifying configuration [115](#)
- hw-module slot start command [34, 38](#)
- hw-module slot stop command [33](#)
- hw-module subslot start | stop | reload command [33](#)
- hw-module subslot command [124](#)
- hw-module subslot shutdown command [36, 37, 38](#)

I

- IEEE 802.1Q encapsulation [119, 121, 163](#)
 - configuration (example) [163](#)
 - configuring [121](#)
- images [395](#)
 - upgrading images [395](#)
 - FPD images [395](#)
 - upgrading multiple FPD [395](#)
- interface [111, 124, 159](#)
 - basic configuration (example) [159](#)
 - enabling [111](#)
 - restarting [124](#)
 - shutting down [124](#)
- interface address, specifying [113](#)
- interface configuration mode, summary of [7](#)
- interface gigabitethernet command [111, 121, 337](#)
- interface status line - states, show interfaces serial command [308](#)
- interface tengigabitethernet command [111, 121](#)
- invert the data stream [222](#)
- ip address command [111, 121](#)

L

- lines - interface status [308](#)
- lines - states, show interfaces serial command [308](#)
- loopback command [92](#)
- loopback commands, using [270](#)
- loopback diagnostic command [92, 94](#)
- loopback line command [95](#)

M

- MAC address [114, 160](#)
 - configuration (example) [160](#)

MAC address (*continued*)

- modifying [114](#)
 - modifying Gigabit Ethernet SPAs [114](#)
 - MAC address [114](#)
 - verifying [114](#)
- MAC address accounting, configuration example [161](#)
- maintenance data link, configuring [234](#)
- Management Information Base (MIB) [25, 104](#)
 - downloading [104](#)
 - supported on SIP [25](#)
 - supported on SPAs [104](#)
- maximum sessions command [384](#)
- MIB. See Management Information Base. [104](#)
- modes. See command modes [7](#)
- mpls mtu command [116, 186](#)
- MTU (maximum transmission unit) [115, 116, 162](#)
 - configuration (example) [162](#)
 - default size [115](#)
 - interface MTU [115, 116](#)
 - additional overhead [116](#)
 - configuration guidelines [116](#)
 - configuring [116](#)
 - description [115](#)
 - verifying [116](#)
 - IP MTU, description [115](#)
 - maximum size [115](#)
 - MPLS MTU, description [115](#)
 - tag MTU, description [115](#)
 - types [115](#)
- mtu command [111, 116](#)

N

- negotiation auto command [121](#)
- no hw-module subslot shutdown command [39](#)
- no negotiation auto command [119, 120, 121](#)
- no shut command [111](#)
- no upgrade fpd auto command [396](#)
- non-return-to-zero inverted. See NRZI. [272](#)
- nonvolatile random-access memory. See NVRAM. [124](#)
- notes, usage in text [xxvii](#)
- NRZI, configuring [272](#)
- NVRAM [124](#)

O

- OIR (online insertion and removal) [13, 14, 33, 35, 95, 124, 373](#)
 - and shutting down or restarting interfaces [124](#)
 - event tracing for SPAs [95, 373](#)
 - for SIPs [13, 33](#)
 - for SPAs [14, 35](#)
 - troubleshooting [95, 373](#)
- online insertion and removal. See OIR. [124](#)
- optics modules [18](#)
 - qualified for SPAs (table) [18](#)

P

packet flow, on Fast Ethernet or Gigabit Ethernet SPA **106**
 Packet over SONET (POS) SPAs **185, 187, 188, 189, 190, 191, 333, 383**
 alarm trigger delays **191**
 configuring **185, 333, 383**
 framing **187**
 interface address **185**
 keepalive **188**
 modifying CRC size **189**
 payload scrambling **190**
 ping command **90, 372**
 platforms, supported - release notes **12**
 privileged EXEC mode, summary of **7**
 prompts, system **7**

Q

question mark (?) command **8**

R

release history **23, 99**
 Fast Ethernet SPAs **99**
 Gigabit Ethernet SPAs **99**
 SIP **23**
 ROM monitor mode, summary of **7**
 router console **1, 2**
 connecting **2**
 running configuration, saving to NVRAM **124**

S

saving configuration changes **11**
 scramble, configuring **238, 252**
 SDH mode, configuring **283**
 serial lines **308**
 troubleshooting **308**
 show interfaces serial command **308**
 serial SPAs **201, 279**
 1-Port Channelized STM-1-OC-3 **279**
 Serial SPAs **201, 205, 213, 227, 245**
 2-Port and 4-Port Channelized T3 SPA **227**
 2-Port and 4-Port Clear Channel T3/E3 SPAs **245**
 8-Port Channelized T1/E1 SPA **213**
 release history **201**
 restrictions **205**
 SFP (small form-factor pluggable) optics **18**
 Cisco qualification check **18**
 qualified for SPAs (table) **18**
 SFP-GE-T **120**
 speed and duplex configuration **120**
 shared port adapter. See SPA. **13**
 show atm interface atm command **59**
 show atm pvc command **63**
 show atm pvc interface atm command **92**
 show atm traffic shaping slot command **92**
 show atm vc interface atm command **63**
 show command **166**
 show controllers atm command **45, 50**
 example **50**
 show controllers command **48**
 show diag command **439**
 show diag slot command **27**
 show diag sub-slot command **27**
 show history command **6**
 show hw-module subslot all oir command **37**
 show hw-module subslot command **398**
 show hw-module subslot fpd command **401**
 show hw-module subslot service-engine status **331**
 example **331**
 show hw-module subslot service-engine status command **330**
 show hw-module subslot tranceiver idprom command **125**
 show interface command **59**
 show interface serial command **291**
 show interface service-engine command **330**
 example **330**
 show interfaces atm command **56, 439, 441**
 example **439, 441**
 show interfaces command **48, 107, 166, 439**
 show interfaces fastethernetshow interfaces gigabitethernet
 command **166**
 show interfaces gigabitethernet command **114, 116**
 show interfaces serial command **308**
 show interfaces tengigabitethernet command **107, 166**
 show ip interface command **37, 59**
 show module command **34**
 show mpls interface command **59**
 show platform command **27**
 show standby command **115**
 show upgrade package default command **399**
 show upgrade progress command **399**
 show vlans command **123**
 shutdown command **124**
 SIP (SPA interface processor) **13, 15, 23, 24, 25, 27, 28, 31, 33, 34, 38**
 activation (example) **38**
 blank filler plates **13**
 configuring SIP (SPA interface processor) **27**
 identifying slots and subslots **27**
 deactivating **33**
 deactivation (example) **38**
 definition **13**
 features supported **24**
 general characteristics **13**
 hardware type, displaying **24, 25**
 reactivating **34**
 release history **23**
 SPA compatibility (table) **15**
 subslots **13, 28**
 description **13**
 numbering **28**

- SIP (SPA interface processor) *(continued)*
 - subslots *(continued)*
 - specifying location in CLI [28](#)
 - troubleshooting [31](#)
 - SNAP (Subnetwork Access Protocol) encapsulation [115, 119](#)
 - SONET mode, configuring [281](#)
 - SPA (shared port adapter) [14, 15, 18, 35, 36, 37, 38, 39, 99, 106, 169, 394](#)
 - activation (example) [39](#)
 - architecture, description [106](#)
 - automatic recovery [169](#)
 - deactivating [36](#)
 - deactivation (example) [38](#)
 - definition [14](#)
 - double-height description [14](#)
 - FPD image packages, overview [394](#)
 - Gigabit Ethernet [99](#)
 - interfaces [14](#)
 - online removal [35](#)
 - optics compatibility (table) [18](#)
 - reactivating [37](#)
 - single-height description [14](#)
 - SIP compatibility (table) [15](#)
 - SPA architecture [106, 179](#)
 - description [106](#)
 - POS SPA description [179](#)
 - SPA hardware type, displaying [107](#)
 - SPA interface processor. See SIP. [23](#)
 - SPA-1CHOC3-CE-ATM SPA [428, 432, 473, 483, 498, 503](#)
 - configuration [473, 483, 498, 503](#)
 - AIS and RAI Alarm Forwarding [503](#)
 - CEM parameters [498](#)
 - clocking [483](#)
 - pseudowire redundancy [473](#)
 - overview [428, 432](#)
 - features [432](#)
 - states - interface status line, show interfaces serial command [308](#)
 - subinterfaces, configuring [121](#)
 - Subnetwork Access Protocol. See SNAP. [119](#)
 - subslots [13, 28](#)
 - description [13](#)
 - numbering [28](#)
 - specifying location in CLI [28](#)
- ## T
- Tab key, command completion [8](#)
 - telnet [4](#)
 - timing signals, configuring [271](#)
 - tips, usage in text [xxvii](#)
 - troubleshooting [165](#)
 - Fast Ethernet SPAtroubleshooting [165](#)
 - Gigabit Ethernet SPA [165](#)
- ## U
- unchannelized E3 serial interface, configuring [290](#)
 - upgrade fpd auto command [396, 400](#)
 - upgrade hw-module subslot command [397](#)
 - user EXEC mode, summary of [7](#)
- ## V
- VLANs (virtual LANs) [121, 123, 163](#)
 - configuration (example) [163](#)
 - configuring on a subinterface [121](#)
 - verifying configuration [123](#)
 - voice-card command [384](#)

