



# Configuring ITU-T Y.1731 Fault Management Functions in IEEE CFM

---

This document describes the implementation of the ITU-Y.1731 fault management functions Ethernet Alarm Indication Signal (ETH-AIS) and Ethernet Remote Defect Indication (ETH-RDI) as part of the IEEE Ethernet Connectivity Fault Management (CFM) protocol.

- [Finding Feature Information, page 1](#)
- [Prerequisites for Configuring ITU-T Y.1731 Fault Management Functions, page 2](#)
- [Restrictions for Configuring ITU-T Y.1731 Fault Management Functions, page 2](#)
- [Information About Configuring ITU-T Y.1731 Fault Management Functions, page 3](#)
- [How to Configure ITU-T Y.1731 Fault Management Functions, page 7](#)
- [Configuration Examples for Configuring ITU-T Y.1731 Fault Management Functions, page 12](#)
- [Additional References, page 14](#)
- [Feature Information for Configuring ITU-T Y.1731 Fault Management Functions, page 15](#)

## Finding Feature Information

Your software release may not support all the features documented in this module. For the latest caveats and feature information, see [Bug Search Tool](#) and the release notes for your platform and software release. To find information about the features documented in this module, and to see a list of the releases in which each feature is supported, see the feature information table.

Use Cisco Feature Navigator to find information about platform support and Cisco software image support. To access Cisco Feature Navigator, go to [www.cisco.com/go/cfn](http://www.cisco.com/go/cfn). An account on Cisco.com is not required.

# Prerequisites for Configuring ITU-T Y.1731 Fault Management Functions

## Business Requirements

- Business and service policies have been established.
- Network topology and network administration have been evaluated.

## Technical Requirements

- CFM must be configured and enabled for Y.1731 fault management features to function.
- A server maintenance endpoint (SMEP) is needed to support the ETH-AIS function.
- Maintenance intermediate points (MIPs) must be configured to support AIS messages; they are generated only on an interface on which a MIP is configured.

# Restrictions for Configuring ITU-T Y.1731 Fault Management Functions

- Because of a port-ASIC hardware limitation, IEEE CFM cannot coexist with the Per VLAN Spanning Tree (PVST) protocol, and IEEE CFM cannot operate with the following line cards on the same system:
  - FI\_WS\_X6196\_RJ21
  - FI\_WS\_X6196\_RJ45
  - FI\_WS\_X6548\_RJ21
  - FI\_WS\_X6548\_RJ45
- CFM loopback messages are not confined within a maintenance domain according to their maintenance level. The impact of not having CFM loopback messages confined to their maintenance levels occurs at these levels:
  - Architecture--CFM layering is violated for loopback messages.
  - Deployment--A user may misconfigure a network and have loopback messages succeed.
  - Security--A malicious device that recognizes devices' MAC addresses and levels may explore a network topology that should be transparent.
- Routed interfaces are supported only in Cisco IOS Release 12.4(11)T.
- IEEE CFM is not fully supported on a Multiprotocol Label Switching (MPLS) provider edge (PE) device. There is no interaction between IEEE CFM and an Ethernet over MPLS (EoMPLS) pseudowire. A CFM packet can be transparently passed like regular data packets only via pseudowire, with the following restriction:

- For policy feature card (PFC)-based EoMPLS, which uses a Cisco Catalyst LAN card as the MPLS uplink port, a CFM packet can be transparently passed via an EoMPLS pseudowire the same way regular data packets are passed. The EoMPLS endpoint interface, however, cannot be a maintenance endpoint (MEP) or an MIP, although a CFM MEP or MIP can be supported on regular Layer 2 switchport interfaces.
- CFM configuration is not supported on an EtherChannel in FastEthernet Channel (FEC) mode.

# Information About Configuring ITU-T Y.1731 Fault Management Functions

## Continuity Check Messages

CFM continuity check messages (CCMs) are multicast heartbeat messages exchanged periodically among MEPs. CCMs allow MEPs to discover other MEPs within a domain and allow MIPs to discover MEPs. CCMs are confined to a domain.

For more information about CCMs, see the "Continuity Check Messages" section of the "Configuring IEEE Standard-Compliant Ethernet CFM in a Service Provider Network" configuration module.

## Server MEPs

Server MEPs (SMEPs) are virtual MEPs that perform two functions--server layer termination for CFM maintenance associations defined at a link or at the transport layer and server-Ethernet adaptation. When a SMEP detects a defect at the server layer, it issues frames containing ETH-AIS information.

## Defect Conditions Detected by a MEP

The defect conditions that a MEP detects and subsequently acts upon are the following:

- AIS condition--A MEP receives an AIS frame.
- Dying gasp--An unrecoverable and vendor-specific condition. Dying gasp is generated in the following conditions:
  - Administratively disabling 802.3ah
  - Link down caused by administration down
  - Power failure
  - Reload

**Note**

Administratively disabling 802.3ah does not disrupt traffic and should not generate an AIS. If a Reason field is empty, however, disabling always generates an AIS when Cisco routers and non-Cisco routers are interworking.

A notification about the defect condition may be sent immediately and continuously.

- Loss of continuity (LOC) condition--A MEP stops receiving CCMs from a peer MEP. An LOC condition is a MEP down error.

LOC results when a remote MEP lifetime timer expires and causes an AIS condition for the local MEP. The LOC condition is cleared when connectivity is restored.

- Mismatch condition--A CCM with a correct maintenance level but incorrect maintenance ID indicates that frames from a different service instance are merged with the service instance represented by the receiving MEP's maintenance ID. A mismatch condition is a cross-connect error.
- RDI condition--A MEP receives a CCM with the RDI field set.
- Signal fail condition--Declared by a MEP or the server layer termination function to notify the SMEP about a defect condition in the server layer. Signal fail conditions are as follows:
  - Configuration error
  - Cross-connect error
  - LOC
  - Loop error
  - MEP missing
  - MEP unknown (same as unexpected MEP)

Signal fail conditions cause AIS defect conditions for the MEP, resulting in the MEP receiving an AIS frame.

A MEP that detects a signal fail condition sends AIS frames to each of the client layer or sublayer maintenance associations.

- Unexpected MEP condition--A CCM with a correct maintenance level, correct maintenance ID, and an unexpected maintenance point ID (MPID) that is the same as the receiving MEP's MPID. An unexpected MEP condition is either a cross-check error or a configuration error.

Determination of an unexpected MPID is possible when a MEP maintains a list of its peer MPIDs. Peer MPIDs must be configured on each MEP during provisioning.

## ETH-AIS Function

The ETH-AIS function suppresses alarms when a defect condition is detected at either the server layer or the server sublayer (virtual MEP). Transmission of frames carrying ETH-AIS information can be either enabled or disabled on either a MEP or a SMEP and can be sent at the client maintenance level by either a MEP or SMEP when a defect condition is detected.

SMEPs monitor the entire physical link so that an AIS is generated for each VLAN or server on the network. MEPs monitor VLANs, Ethernet virtual circuits (EVCs), and SMEPs where link up or link down and 802.3ah

interworking are supported. A MEP that detects a connectivity fault at a specific level multicasts an AIS in the direction opposite the detected failure at the client maintenance association (MA) level.

An AIS causes a receiving MEP to suppress traps to prevent the network management system (NMS) from receiving an excessive number of redundant traps and also so that clients are asynchronously informed about faults.

In a point-to-point topology, a MEP has a single peer MEP and there is no ambiguity regarding the peer MEP for which it should suppress alarms when it receives ETH-AIS information.

In a multipoint Ethernet topology, a MEP that receives a frame with ETH-AIS information cannot determine which remote peer lost connectivity. The MEP also cannot determine the associated subset of peer MEPs for which it should suppress alarms because the ETH-AIS information does not include that MEP information. Because the MEP cannot determine the affected peer MEPs, it suppresses alarms for all peer MEPs whether or not there is connectivity.

Due to independent restoration capabilities within Spanning Tree Protocol (STP) environments, ETH-AIS is not expected to be applied in these environments; however, ETH-AIS transmission is configurable in STP environments by a network administrator.

## ETH-AIS Transmission Reception and Processing

Only a MEP or a SMEP can be configured to send frames with ETH-AIS information. When a MEP detects a defect condition, it immediately begins transmitting frames with ETH-AIS information at the configured client maintenance level, which is the level at which the MIP is configured on the interface. Frames are transmitted to peer MEPs in the direction opposite the fault. The first AIS frame must always be transmitted immediately following the detection of a defect condition, but thereafter frames are transmitted at a frequency based on the configured AIS transmission period. The transmitting MEP continues to transmit frames with ETH-AIS information until the defect condition is removed. The period flag in the frame's header indicates the transmission interval. The default is that a MEP clears a defect condition only if no AIS frames are received within a time period equal to 3.5 times the configured transmission interval.



### Note

---

An AIS transmission period of one second is recommended; however, an AIS transmission period of one minute is supported to enable ETH-AIS across all VLANs supported by IEEE CFM.

---

When a MEP receives a frame with ETH-AIS information, it examines the frame to ensure that the maintenance association level corresponds to its own maintenance association level. The MEP detects the AIS condition and suppresses loss-of-continuity alarms associated with all its peer MEPs. Peer MEPs can resume generating loss-of-continuity alarms only when the receiving MEP exits the AIS condition.

The client layer or client sublayer may consist of multiple maintenance associations that should also be notified to suppress alarms when either a server layer or server sublayer MEP detects a defect condition. The first AIS frame for all client layer or sublayer maintenance associations must be transmitted within one second after the defect condition is detected.

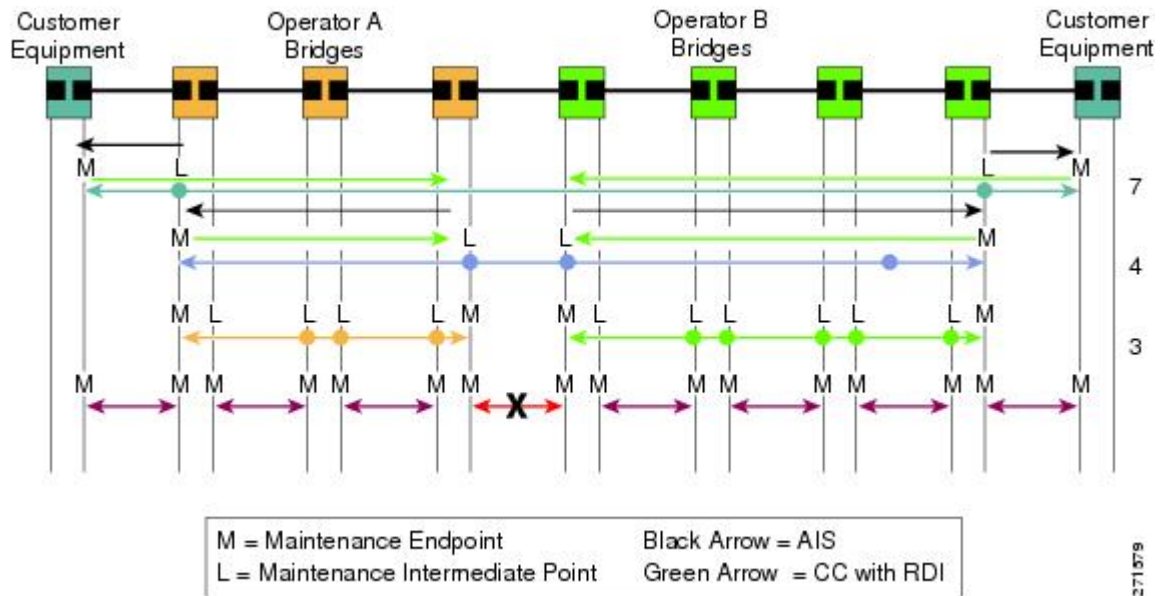
## AIS and 802.3ah Interworking

The following conditions impact SMEP AIS conditions:

- By default, link down events cause the SMEP to enter the AIS condition and generate AIS frames for all services at the immediate client maintenance association level.
- Link up events cause the SMEP to exit the AIS state and stop generating AIS frames.

- Local fault detection results from dying gasp, link fault, or critical 802.3ah Remote Fault Indication (RFI). When 802.3ah is reestablished, the SMEP exits the AIS state and stops generating AIS frames.
- Local fault detection due to crossing of a high threshold with a configurable action of error disabling the interface.
- RFI received from a dying gasp, link fault, or critical event.

If a detected fault is due to dying gasp, the link goes down in both directions, creating AIS and RDI frame flow as shown in the figure below.



## ETH-RDI Function

The ETH-RDI function is used by a MEP to communicate to its peer MEPs that a defect condition has been encountered. ETH-RDI is used only when ETH-CC transmission is enabled.

ETH-RDI has the following two applications:

- Single-ended fault management--A receiving MEP detects an RDI defect condition, which is correlated with other defect conditions in the MEP and may become the cause of a fault. If ETH-RDI information is not received by a single MEP, there are no defects in the entire MA.
- Contribution to far-end performance monitoring--A defect condition in the far end is used as an input to the performance monitoring process.

A MEP in a defect condition transmits CCMs with ETH-RDI information. A MEP that receives a CCM examines it to ensure that its maintenance association level corresponds to its configured maintenance association level and detects the RDI condition if the RDI field is set. The receiving MEP sets the RDI field in CCMs for the duration of a defect condition, and if the MEP is enabled for CCM transmission, transmits CCMs based on the configured transmission interval. When the defect condition clears, the MEP clears the RDI field in CCMs for subsequent transmissions.

In a point-to-point Ethernet connection, a MEP can clear an RDI condition when it receives the first CCM with the RDI field cleared from its peer MEP. In a multipoint Ethernet connection, a MEP cannot determine the peer MEP with the default condition and can clear an RDI condition only when it receives a CCM with the RDI field cleared from each of its peer MEPs.

The ETH-RDI function is part of continuity checking and is enabled by default. For more information about continuity checking, see the "Configuring IEEE Standard-Compliant Ethernet CFM in a Service Provider Network" configuration module.

## How to Configure ITU-T Y.1731 Fault Management Functions

ETH-AIS and ETH-RDI both are enabled by default when CFM is configured, but each can also be manually enabled by a separate command during CFM configuration. Perform these tasks to either disable or enable the functions.

### Disabling the ETH-AIS Function

Perform this task to disable the ETH-AIS function.

#### SUMMARY STEPS

1. **enable**
2. **configure terminal**
3. **ethernet cfm ais link-status global**
4. **disable**
5. **exit**
6. **ethernet cfm domain *domain-name* level *level-id* [direction outward]**
7. **service {*ma-name* | *ma-num* | **vlan-id** *vlan-id* | **vpn-id** *vpn-id*} [**port** | **vlan** *vlan-id* [direction down]]**
8. **no ais [expiry-threshold | level | period | suppress-alarms]**
9. **end**

#### DETAILED STEPS

|        | Command or Action  | Purpose  |
|--------|--|--|
| Step 1 | <b>enable</b><br><br><b>Example:</b><br>Device> enable                         | Enables privileged EXEC mode. <ul style="list-style-type: none"> <li>• Enter your password if prompted.</li> </ul> |
| Step 2 | <b>configure terminal</b><br><br><b>Example:</b><br>Device# configure terminal | Enters global configuration mode.  |

|               | Command or Action  | Purpose  |
|---------------|--|--|
| <b>Step 3</b> | <b>ethernet cfm ais link-status global</b><br><br><b>Example:</b><br>Device(config)# ethernet cfm ais link-status global   | Globally enables AIS generation and enters CFM SMEP AIS configuration mode.  |
| <b>Step 4</b> | <b>disable</b><br><br><b>Example:</b><br>Device(config-ais-link-cfm)# disable  | Disables AIS transmission.   |
| <b>Step 5</b> | <b>exit</b><br><br><b>Example:</b><br>Device(config-ais-link-cfm)# exit  | Returns the CLI to global configuration mode.  |
| <b>Step 6</b> | <b>ethernet cfm domain <i>domain-name</i> level <i>level-id</i> [direction outward]</b><br><br><b>Example:</b><br>Device(config)# ethernet cfm domain PROVIDERDOMAIN level 4   | Defines a CFM maintenance domain at a particular maintenance level and enters Ethernet CFM configuration mode.       |
| <b>Step 7</b> | <b>service {<i>ma-name</i>   <i>ma-num</i>   <b>vlan-id</b> <i>vlan-id</i>   <b>vpn-id</b> <i>vpn-id</i>} [<b>port</b>   <b>vlan</b> <i>vlan-id</i> [<b>direction down</b>]]</b><br><br><b>Example:</b><br>Device(config-ecfm)# service customer101provider evc customer101provider@101 vlan 101 | Configures a maintenance association within a maintenance domain and enters Ethernet CFM service configuration mode. |
| <b>Step 8</b> | <b>no ais [<b>expiry-threshold</b>   <b>level</b>   <b>period</b>   <b>suppress-alarms</b>]</b><br><br><b>Example:</b><br>Device(config-ecfm-srv)# no ais  | Disables the AIS function for a specific maintenance association.  |
| <b>Step 9</b> | <b>end</b><br><br><b>Example:</b><br>Device(config-ecfm-srv)# end  | Returns the CLI to privileged EXEC mode.   |



## Enabling ETH-AIS for a Single Interface SMEP and Disabling ETH-AIS for All Other Ports

Perform this task to manually enable the ETH-AIS function.

### SUMMARY STEPS

1. **enable**
2. **configure terminal**
3. **ethernet cfm domain** *domain-name* **level** *level-id* [**direction outward**]
4. **service** {*ma-name* | *ma-num* | **vlan-id** *vlan-id* | **vpn-id** *vpn-id*} [**port** | **vlan** *vlan-id* [**direction down**]]
5. **continuity-check** [**interval** *time* | **loss-threshold** *threshold* | **static rmep**]
6. **ais** [**expiry-threshold** *threshold* | **level** *level-id* | **period** *seconds*] **suppress-alarms**
7. **ais** [**expiry-threshold** *threshold* | **level** *level-id* | **period** *seconds*] **suppress-alarms**
8. **exit**
9. **service** {*ma-name* | *ma-num* | **vlan-id** *vlan-id* | **vpn-id** *vpn-id*} [**port** | **vlan** *vlan-id* [**direction down**]]
10. **continuity-check** [**interval** *time* | **loss-threshold** *threshold* | **static rmep**]
11. **ethernet cfm ais link-status global**
12. **disable**
13. **interface** *type number*
14. **ethernet oam remote-loopback** {**supported** | **timeout** *seconds*}
15. **ethernet cfm mip level** *level-id* [**vlan** {*vlan-id* | *vlan-id* - *vlan-id*}, *vlan-id* - *vlan-id*]
16. **ethernet cfm ais link-status** [**level** *level-id*] **period** *seconds*]
17. **end**

### DETAILED STEPS

|               | Command or Action  | Purpose   |
|---------------|--|---|
| <b>Step 1</b> | <b>enable</b><br><br><b>Example:</b><br>Device> enable                         | Enables privileged EXEC mode.<br><br><ul style="list-style-type: none"> <li>• Enter your password if prompted.</li> </ul> |
| <b>Step 2</b> | <b>configure terminal</b><br><br><b>Example:</b><br>Device# configure terminal | Enters global configuration mode.   |

|               | Command or Action   | Purpose  |
|---------------|---|--|
| <b>Step 3</b> | <p><b>ethernet cfm domain</b> <i>domain-name</i> <b>level</b> <i>level-id</i><br/>[<b>direction outward</b>]</p> <p><b>Example:</b></p> <pre>Device(config)# ethernet cfm domain PROVIDERDOMAIN level 4</pre>   | Defines a CFM maintenance domain at a particular maintenance level and enters Ethernet CFM configuration mode.       |
| <b>Step 4</b> | <p><b>service</b> {<i>ma-name</i>   <i>ma-num</i>   <b>vlan-id</b> <i>vlan-id</i>   <b>vpn-id</b> <i>vpn-id</i>}<br/>[<b>port</b>   <b>vlan</b> <i>vlan-id</i> [<b>direction down</b>]]</p> <p><b>Example:</b></p> <pre>Device(config-ecfm)# service customer101provider evc customer101provider@101 vlan 101</pre> | Configures a maintenance association within a maintenance domain and enters Ethernet CFM service configuration mode. |
| <b>Step 5</b> | <p><b>continuity-check</b> [<b>interval</b> <i>time</i>   <b>loss-threshold</b> <i>threshold</i>  <br/><b>static rmpc</b>]</p> <p><b>Example:</b></p> <pre>Device(config-ecfm-srv)# continuity-check</pre>  | Enables the transmission of CCMs.  |
| <b>Step 6</b> | <p><b>ais</b> [<b>expiry-threshold</b> <i>threshold</i>   <b>level</b> <i>level-id</i>   <b>period</b><br/><i>seconds</i>] <b>suppress-alarms</b>]</p> <p><b>Example:</b></p> <pre>Device(config-ecfm-srv)# ais period 1</pre>  | Enables the AIS function for a specific maintenance association.   |
| <b>Step 7</b> | <p><b>ais</b> [<b>expiry-threshold</b> <i>threshold</i>   <b>level</b> <i>level-id</i>   <b>period</b><br/><i>seconds</i>] <b>suppress-alarms</b>]</p> <p><b>Example:</b></p> <pre>Device(config-ecfm-srv)# ais level 7</pre>   | Enables the AIS function for a specific maintenance association.   |
| <b>Step 8</b> | <p><b>exit</b></p> <p><b>Example:</b></p> <pre>Device(config-ecfm-srv)# exit</pre>  | Returns the CLI to Ethernet CFM configuration mode.  |
| <b>Step 9</b> | <p><b>service</b> {<i>ma-name</i>   <i>ma-num</i>   <b>vlan-id</b> <i>vlan-id</i>   <b>vpn-id</b> <i>vpn-id</i>}<br/>[<b>port</b>   <b>vlan</b> <i>vlan-id</i> [<b>direction down</b>]]</p> <p><b>Example:</b></p> <pre>Device(config-ecfm)# service customer110provider evc customer110provider@110 vlan 110</pre> | Configures a maintenance association within a maintenance domain and enters Ethernet CFM service configuration mode. |

|                | Command or Action  | Purpose   |
|----------------|--|---|
| <b>Step 10</b> | <b>continuity-check</b> [ <i>interval time</i>   <b>loss-threshold</b> <i>threshold</i>   <b>static rmep</b> ]<br><br><b>Example:</b><br>Device(config-ecfm-srv)# continuity-check                                   | Enables the transmission of CCMs.   |
| <b>Step 11</b> | <b>ethernet cfm ais link-status global</b><br><br><b>Example:</b><br>Device(config-ecfm-srv)# ethernet cfm ais link-status global  | Globally enables AIS generation and places the CLI in CFM SMEP AIS configuration mode (config-ais-link-cfm) to configure AIS commands for a SMEP. |
| <b>Step 12</b> | <b>disable</b><br><br><b>Example:</b><br>Device(config-ais-link-cfm)# disable  | Disables the generation of AIS frames resulting from a link-status change.  |
| <b>Step 13</b> | <b>interface</b> <i>type number</i><br><br><b>Example:</b><br>Device(config-ais-link-cfm)# interface ethernet 0/1  | Configures an interface type and enters interface configuration mode.   |
| <b>Step 14</b> | <b>ethernet oam remote-loopback</b> { <b>supported</b>   <b>timeout</b> <i>seconds</i> }<br><br><b>Example:</b><br>Device(config-if)# ethernet oam remote-loopback supported   | Enables the support of Ethernet OAM remote loopback operations on an interface or sets a remote loopback timeout period.                          |
| <b>Step 15</b> | <b>ethernet cfm mip level</b> <i>level-id</i> [ <b>vlan</b> { <i>vlan-id</i>   <i>vlan-id - vlan-id</i> }, <i>vlan-id - vlan-id</i> ]<br><br><b>Example:</b><br>Device(config-if)# ethernet cfm mip level 4 vlan 101 | Provisions a MIP at a specified maintenance level on an interface.  |
| <b>Step 16</b> | <b>ethernet cfm ais link-status</b> [ <b>level</b> <i>level-id</i> ] <b>period</b> <i>seconds</i> ]<br><br><b>Example:</b><br>Device(config-if)# ethernet cfm ais link-status  | Enables AIS generation from a SMEP.   |
| <b>Step 17</b> | <b>end</b><br><br><b>Example:</b><br>Device(config-if)# end  | Returns the CLI to privileged EXEC mode.  |

# Configuration Examples for Configuring ITU-T Y.1731 Fault Management Functions

## Example: Enabling IEEE CFM on an Interface

The following example shows how to enable IEEE CFM on an interface:

```

!
ethernet cfm domain ServiceProvider level 4
mep archive-hold-time 60
service MetroCustomer1 vlan 100
!
ethernet cfm domain OperatorA level 1
mep archive-hold-time 65
service MetroCustomer1OpA vlan 100
!
ethernet cfm enable
ethernet cfm traceroute cache
ethernet cfm traceroute cache size 200
ethernet cfm traceroute cache hold-time 60
!
interface gigabitethernet3/0
ethernet cfm mip level 1
!
interface gigabitethernet4/0
ethernet cfm mip level 4
ethernet cfm mep level 1 mpid 102 vlan 100
!
ethernet cfm cc enable level 1 vlan 100
ethernet cfm cc level any vlan any interval 20 loss-threshold 3

```

## Example: Enabling AIS

The following example shows how to enable AIS:

```

!
ethernet cfm domain PROVIDER_DOMAIN level 4
service customer101provider evc customer101provider@101 vlan 101
continuity-check
ais period 1
ais level 7
service customer110provider evc customer110provider@110 vlan 110
continuity-check
!
ethernet cfm ais link-status global
disable
!
!
interface Ethernet 0/1
no ip address
ethernet oam remote-loopback supported
ethernet oam
ethernet cfm mip level 4 vlan 1,101,110
ethernet cfm ais link-status
!

```

## Example: Show Commands Output

The following sample output from the **show ethernet cfm maintenance-point local detail** command shows the settings for the local MEP:

```
Device# show ethernet cfm maintenance-points local detail

MEP Settings:
-----
MPID: 2101
DomainName: PROVIDERDOMAIN
Level: 4
Direction: I
Vlan: 101
Interface: Et0/1
CC-Status: Enabled
MAC: aabb.cc03.8410
Defect Condition: AIS
presentRDI: TRUE
AIS-Status: Enabled
AIS Period: 1000(ms)
AIS Expiry Threshold: 3.5
Level to transmit AIS: Default
Suppress Alarm configuration: Enabled
Suppressing Alarms: Yes
```

The following sample output from the **show ethernet cfm smep** command shows the settings for a SMEP:

```
Device# show ethernet cfm smep

SMEP Settings:
-----
Interface: Ethernet0/0
AIS-Status: Enabled
AIS Period: 60000 (ms)
Level to transmit AIS: 4
Defect Condition: No Defect
```

The following sample output from the **show ethernet cfm smep interface** command shows the settings for a specific interface on a SMEP:

```
Device# show ethernet cfm smep interface ethernet 0/1

SMEP Settings:
-----
Interface: Ethernet0/1
LCK-Status: Enabled
LCK Period: 60000 (ms)
Level to transmit LCK: Default
AIS-Status: Enabled
AIS Period: 60000 (ms)
Level to transmit AIS: Default
Defect Condition: No Defect
Router#
```

The following sample output from the **show ethernet cfm errors** command shows the Ethernet CFM errors on a device:

```
Device# show ethernet cfm errors
Level  Vlan  MPID  Remote MAC  Reason  Service ID
5      102   -     aabb.cc00.ca10  Receive AIS  service test
```

The following sample output from the **show ethernet cfm maintenance-points remote detail** command shows the detailed information about a specific remote MEP:

```
Device# show ethernet cfm maintenance-points remote detail mpid 66
MAC Address: aabb.cc00.ca10
Domain/Level: PROVIDERDOMAIN/4
EVC: test
```

```

MPID: 66 (Can ping/traceroute)
Incoming Port(s): Ethernet0/2
CC Lifetime(sec): 75
Age of Last CC Message(sec): 8
Receive RDI: TRUE
Frame Loss: 0%
CC Packet Statistics: 2/0 (Received/Error)
R1#MAC Address: aabb.cc00.ca10
Domain/Level: PROVIDERDOMAIN/4
EVC: test
MPID: 66 (Can ping/traceroute)
Incoming Port(s): Ethernet0/2
CC Lifetime(sec): 75
Age of Last CC Message(sec): 8
Receive RDI: TRUE
Frame Loss: 0%
CC Packet Statistics: 2/0 (Received/Error)

```

## Additional References

### Related Documents

| Related Topic   | Document Title   |
|---|--|
| IEEE CFM  | “Configuring IEEE Standard-Compliant Ethernet CFM in a Service Provider Network” |
| Using OAM   | “Using Ethernet Operations, Administration, and Maintenance”                     |
| IEEE CFM and Y.1731 commands: complete command syntax, command mode, command history, defaults, usage guidelines, and examples                    | <i>Cisco IOS Carrier Ethernet Command Reference</i>                              |
| Cisco IOS commands: master list of commands with complete command syntax, command mode, command history, defaults, usage guidelines, and examples | <a href="#">Cisco IOS Master Command List, All Releases</a>                      |

### Standards

| Standard     | Title  |
|--------------|--|
| IEEE 802.1ag | <i>802.1ag - Connectivity Fault Management</i>                 |
| IEEE 802.3ah | <i>Ethernet in the First Mile</i>                              |
| ITU-T        | <i>ITU-T Y.1731 OAM Mechanisms for Ethernet-Based Networks</i> |

**Technical Assistance**

| Description   | Link  |
|---|---|
| The Cisco Support and Documentation website provides online resources to download documentation, software, and tools. Use these resources to install and configure the software and to troubleshoot and resolve technical issues with Cisco products and technologies. Access to most tools on the Cisco Support and Documentation website requires a Cisco.com user ID and password. | <a href="http://www.cisco.com/cisco/web/support/index.html">http://www.cisco.com/cisco/web/support/index.html</a> |

## Feature Information for Configuring ITU-T Y.1731 Fault Management Functions

The following table provides release information about the feature or features described in this module. This table lists only the software release that introduced support for a given feature in a given software release train. Unless noted otherwise, subsequent releases of that software release train also support that feature.

Use Cisco Feature Navigator to find information about platform support and Cisco software image support. To access Cisco Feature Navigator, go to [http://www.cisco.com/go/featurenavigator](#). An account on Cisco.com is not required.

**Table 1: Feature Information for Configuring ITU-T Y.1731 Fault Management Functions**

| Feature Name  | Releases  | Feature Information  |
|---|---|--|
| Configuring ITU-T Y.1731 Fault Management Functions | 15.0(1)XA 12.2(33)SRE 15.1(1)T<br>Cisco IOS XE Release 3.8S | <p>The ITU-Y.1731 Fault Management Functions feature adds to IEEE CFM the ETH-AIS and ETH-RDI functions for fault detection, fault verification, and fault isolation in large MANs and WANs.</p> <p>The following commands were introduced or modified: <b>ais</b>, <b>clear ethernet cfm ais</b>, <b>disable(CFM-AIS-link)</b>, <b>ethernet cfm ais link-status</b>, <b>ethernet cfm ais link-status global</b>, <b>level(cfm-ais-link)</b>, <b>period(cfm-ais-link)</b>, <b>show ethernet cfm errors</b>, <b>show ethernet cfm maintenance-points local</b>, <b>show ethernet cfm maintenance-points remote detail</b>, <b>show ethernet cfm smep</b>.</p> |

