



## **IP Multicast: Multicast Configuration Guide, Cisco IOS XE Gibraltar 16 (Cisco ASR 900 Series)**

**First Published:** 2019-08-01

**Last Modified:** 2021-04-07

### **Americas Headquarters**

Cisco Systems, Inc.  
170 West Tasman Drive  
San Jose, CA 95134-1706  
USA  
<http://www.cisco.com>  
Tel: 408 526-4000  
800 553-NETS (6387)  
Fax: 408 527-0883

THE SPECIFICATIONS AND INFORMATION REGARDING THE PRODUCTS IN THIS MANUAL ARE SUBJECT TO CHANGE WITHOUT NOTICE. ALL STATEMENTS, INFORMATION, AND RECOMMENDATIONS IN THIS MANUAL ARE BELIEVED TO BE ACCURATE BUT ARE PRESENTED WITHOUT WARRANTY OF ANY KIND, EXPRESS OR IMPLIED. USERS MUST TAKE FULL RESPONSIBILITY FOR THEIR APPLICATION OF ANY PRODUCTS.

THE SOFTWARE LICENSE AND LIMITED WARRANTY FOR THE ACCOMPANYING PRODUCT ARE SET FORTH IN THE INFORMATION PACKET THAT SHIPPED WITH THE PRODUCT AND ARE INCORPORATED HEREIN BY THIS REFERENCE. IF YOU ARE UNABLE TO LOCATE THE SOFTWARE LICENSE OR LIMITED WARRANTY, CONTACT YOUR CISCO REPRESENTATIVE FOR A COPY.

The Cisco implementation of TCP header compression is an adaptation of a program developed by the University of California, Berkeley (UCB) as part of UCB's public domain version of the UNIX operating system. All rights reserved. Copyright © 1981, Regents of the University of California.

NOTWITHSTANDING ANY OTHER WARRANTY HEREIN, ALL DOCUMENT FILES AND SOFTWARE OF THESE SUPPLIERS ARE PROVIDED "AS IS" WITH ALL FAULTS. CISCO AND THE ABOVE-NAMED SUPPLIERS DISCLAIM ALL WARRANTIES, EXPRESSED OR IMPLIED, INCLUDING, WITHOUT LIMITATION, THOSE OF MERCHANTABILITY, FITNESS FOR A PARTICULAR PURPOSE AND NON-INFRINGEMENT OR ARISING FROM A COURSE OF DEALING, USAGE, OR TRADE PRACTICE.

IN NO EVENT SHALL CISCO OR ITS SUPPLIERS BE LIABLE FOR ANY INDIRECT, SPECIAL, CONSEQUENTIAL, OR INCIDENTAL DAMAGES, INCLUDING, WITHOUT LIMITATION, LOST PROFITS OR LOSS OR DAMAGE TO DATA ARISING OUT OF THE USE OR INABILITY TO USE THIS MANUAL, EVEN IF CISCO OR ITS SUPPLIERS HAVE BEEN ADVISED OF THE POSSIBILITY OF SUCH DAMAGES.

Any Internet Protocol (IP) addresses and phone numbers used in this document are not intended to be actual addresses and phone numbers. Any examples, command display output, network topology diagrams, and other figures included in the document are shown for illustrative purposes only. Any use of actual IP addresses or phone numbers in illustrative content is unintentional and coincidental.

All printed copies and duplicate soft copies of this document are considered uncontrolled. See the current online version for the latest version.

Cisco has more than 200 offices worldwide. Addresses and phone numbers are listed on the Cisco website at [www.cisco.com/go/offices](http://www.cisco.com/go/offices).

Cisco and the Cisco logo are trademarks or registered trademarks of Cisco and/or its affiliates in the U.S. and other countries. To view a list of Cisco trademarks, go to this URL: [www.cisco.com go trademarks](http://www.cisco.com/go/trademarks). Third-party trademarks mentioned are the property of their respective owners. The use of the word partner does not imply a partnership relationship between Cisco and any other company. (1721R)

© 2020–2021 Cisco Systems, Inc. All rights reserved.



## CONTENTS

---

### CHAPTER 1

#### **IP Multicast Technology Overview 1**

##### Information About IP Multicast Technology 1

##### Role of IP Multicast in Information Delivery 1

##### Multicast Group Transmission Scheme 1

##### IP Multicast Routing Protocols 3

##### IP Multicast Group Addressing 3

##### IP Class D Addresses 4

##### IP Multicast Address Scoping 4

##### Layer 2 Multicast Addresses 5

##### IP Multicast Delivery Modes 6

##### Any Source Multicast 6

##### Source Specific Multicast 6

##### Protocol Independent Multicast 6

##### PIM Dense Mode 7

##### PIM Sparse Mode 7

##### Sparse-Dense Mode 8

##### Multicast Group Modes 8

##### Sparse Mode 9

##### Dense Mode 9

##### Rendezvous Points 9

##### Auto-RP 9

##### Sparse-Dense Mode for Auto-RP 10

##### Multicast Forwarding 11

##### Multicast Distribution Source Tree 11

##### Multicast Distribution Shared Tree 12

##### Source Tree Advantage 13

Shared Tree Advantage	13
Reverse Path Forwarding	14
RPF Check	14
Guidelines for Choosing a PIM Mode	15

**CHAPTER 2****Configuring Basic IP Multicast 17**

Prerequisites for Configuring Basic IP Multicast	17
Restrictions for Configuring Basic IP Multicast	17
Information About Configuring Basic IP Multicast	18
Auto-RP Overview	18
The Role of Auto-RP in a PIM Network	18
IP Multicast Boundary	18
Benefits of Auto-RP in a PIM Network	19
Static RP Overview	19
SSM Overview	19
SSM Components	19
How SSM Differs from Internet Standard Multicast	20
SSM Operations	20
IGMPv3 Host Signaling	21
Benefits of Source Specific Multicast	21
How to Configure Basic IP Multicast	22
Configuring Sparse Mode with Auto-RP	22
What to Do Next	27
Configuring Sparse Mode with a Single Static RP	27
What to Do Next	30
Configuring Source Specific Multicast	30
What to Do Next	31
Configuration Examples for Basic IP Multicast	32
Example: Sparse Mode with Auto-RP	32
Example: Sparse Mode with a Single Static RP	32
SSM with IGMPv3 Example	32
SSM Filtering Example	33

**CHAPTER 3****Configuring Source Specific Multicast 35**

Restrictions for Source Specific Multicast	35
Information About Source Specific Multicast	36
SSM Overview	36
SSM Components	36
How SSM Differs from Internet Standard Multicast	37
SSM Operations	37
IGMPv3 Host Signaling	38
Benefits of Source Specific Multicast	38
IGMP v3lite Host Signalling	39
How to Configure Source Specific Multicast	40
Configuring SSM	40
Monitoring SSM	41
Configuration Examples of Source Specific Multicast	41
SSM with IGMPv3 Example	41
<hr/>	
<b>CHAPTER 4</b>	<b>SSM Mapping 43</b>
Finding Feature Information	43
Prerequisites for SSM Mapping	43
Restrictions for SSM Mapping	44
Information About SSM Mapping	44
SSM Components	44
Benefits of Source Specific Multicast	44
SSM Transition Solutions	45
SSM Mapping Overview	46
Static SSM Mapping	46
DNS-Based SSM Mapping	47
SSM Mapping Benefits	48
How to Configure SSM Mapping	48
Configuring Static SSM Mapping	48
Configuring DNS-Based SSM Mapping	50
Configuring Static Traffic Forwarding with SSM Mapping	51
Verifying SSM Mapping Configuration and Operation	52
Configuration Examples for SSM Mapping	55
SSM Mapping Example	55

DNS Server Configuration Example 57

---

**CHAPTER 5**

**Configuring Multicast Admission Control 59**

Finding Feature Information 59

Prerequisites for Configuring Multicast Admission Control 59

Information About Configuring Multicast Admission Control 59

Multicast Admission Control 59

Multicast Admission Control Features 60

Global and Per MVRF Mroute State Limit 60

Global and Per MVRF Mroute State Limit Feature Design 61

Mechanics of Global and Per MVRF Mroute State Limiters 61

IGMP State Limit 62

IGMP State Limit Feature Design 62

Mechanics of IGMP State Limiters 62

Per Interface Mroute State Limit 63

Per Interface Mroute State Limit Feature Design 64

Mechanics of Per Interface Mroute State Limiters 65

Tips for Configuring Per Interface Mroute State Limiters 65

How to Configure Multicast Admission Control 66

Configuring Global and Per MVRF Mroute State Limiters 66

Prerequisites 66

Configuring a Global Mroute State Limiter 66

What to Do Next 67

Configuring Per MVRF Mroute State Limiters 67

Configuring IGMP State Limiters 69

Prerequisites 69

Configuring Global IGMP State Limiters 69

What to Do Next 70

Configuring Per Interface IGMP State Limiters 70

Configuring Per Interface Mroute State Limiters 71

What to Do Next 72

Monitoring Per Interface Mroute State Limiters and Bandwidth-Based Multicast CAC Policies 72

Configuration Examples for Configuring Multicast Admission Control 74

Configuring Global and Per MVRF Mroute State Limiters Example 74

Example: Configuring IGMP State Limiters	75
Example Configuring Per Interface Mroute State Limiters	76

**CHAPTER 6****Configuring Multicast VPN 79**

Prerequisites for Configuring Multicast VPN	79
Restrictions for Configuring Multicast VPN	79
Information About Configuring Multicast VPN	81
Multicast VPN Operation	81
Benefits of Multicast VPN	82
Multicast VPN Routing and Forwarding and Multicast Domains	82
Multicast Distribution Trees	82
Multicast Tunnel Interface	84
MDT Address Family in BGP for Multicast VPN	84
BGP Advertisement Methods for Multicast VPN Support	84
Automigration to the MDT SAFI	85
Guidelines for Configuring the MDT SAFI	85
Guidelines for Upgrading a Network to Support the MDT SAFI	86
Supported Policy	86
How to Configure Multicast VPN	86
Configuring a Default MDT Group for a VRF	86
Configuring the MDT Address Family in BGP for Multicast VPN	88
Configuring the Data Multicast Group	90
Configuring Multicast Routes and Information	91
Verifying Information for the MDT Default Group	92
Troubleshoot	93
Verifying Information for the Data Multicast Group	93
Verifying Information for the Multicast Routes	94
Displaying Multicast Forwarding Counters	96
Configuration Examples for Multicast VPN	97
Example: Configuring MVPN and SSM	97
Example: Enabling a VPN for Multicast Routing	97
Example: Configuring the MDT Address Family in BGP for Multicast VPN	97
Example: Configuring the Multicast Group Address Range for Data MDT Groups	98
Example: Limiting the Number of Multicast Routes	99

Example: Configuring MVPN on VRF	99
Example: Configuring Access-Interface	99
Example: Configuring Core Interfaces	100
Example: Configuring BGP	100
Multicast VPN over Routed Pseudowire	101
Limitations of Multicast VPN over Routed Pseudowire	101
Configuring Multicast VPN over Routed Pseudowire	101
Verification of MVPN over Routed Pseudowire Configuration	102

**CHAPTER 7****Configuring Multicast VPN Extranet Support 105**

Finding Feature Information	105
Prerequisites for Configuring Multicast VPN Extranet Support	105
Restrictions for Configuring Multicast VPN Extranet Support	106
Information About Multicast VPN Extranet Support	106
Overview of MVPN Extranet Support	106
Benefits of MVPN Extranet Support	107
Components of an Extranet MVPN	107
Solution for MVPN Extranet Support	108
Configuration Guidelines for MVPN Extranet Support	108
MVPN Extranet Support Configuration Guidelines for Option 1	108
MVPN Extranet Support Configuration Guidelines for Option 2	109
RPF for MVPN Extranet Support Using Imported Routes	110
RPF for MVPN Extranet Support Using Static Mroutes	110
Multicast VPN Extranet VRF Select	111
How to Configure Multicast VPN Extranet Support	111
Configuring MVPN Support	111
Configuring the Receiver MVRF on the Source PE - Option 1 (SSC)	111
Configuring the Source MVRF on the Receiver PE - Option 2 (RSC)	114
Configuring RPF for MVPN Extranet Support Using Static Mroutes	116
Configuring Group-Based VRF Selection Policies with MVPN	117
Configuration Examples for Multicast VPN Extranet Support	119
Example Configuring the Receiver VRF on the Source PE Router - Option 1 (SSC)	119
Example Configuring the Source VRF on the Receiver PE - Option 2 (RSC)	127
Example: Displaying Statistics for MVPN Extranet Support	134



Example Configuring RPF for MVPN Extranet Support Using Static Mroutes	137
Example Configuring Group-Based VRF Selection Policies with MVPN Extranet Support	137

**CHAPTER 8****IPv6 Multicast PIM 139**

Prerequisites for IPv6 Multicast	139
Restrictions for IPv6 Multicast	139
Information About IPv6 Multicast	140
IPv6 Multicast Routing Implementation	140
Protocol Independent Multicast	141
PIM-Sparse Mode	141
PIM IPv6 Stub Routing	145
MRIB	146
MFIB	146
MFIB	147
IPv6 Multicast Process Switching and Fast Switching	147
Enabling IPv6 Multicast Routing	148
IPv6 Multicast: PIM Sparse Mode	148
IPv6 PIM Passive Mode	148
IPv6 Multicast: PIM Source-Specific Multicast	148
IPv6 Source Specific Multicast Mapping	148
How to Configure IPv6 Multicast	149
Enabling IPv6 Multicast Routing	149
Configuring PIM Options	149
Configuring PIM-SM and Displaying PIM-SM Information for a Group Range	151
Resetting the PIM Traffic Counters	153
Clearing the PIM Topology Table to Reset the MRIB Connection	153
Turning Off IPv6 PIM on a Specified Interface	155
Disabling Embedded RP Support in IPv6 PIM	156
Configuring IPv6 SSM	157
Configuring PIM Passive/MLD State Limit	158
Configuring a BSR	160
Configuring a BSR and Verifying BSR Information	160
Sending PIM RP Advertisements to the BSR	161
Using MFIB in IPv6 Multicast	161

Verifying MFIB Operation in IPv6 Multicast	161
Resetting MFIB Traffic Counters	162
Configuration Examples for IPv6 Multicast	163
Sample Output from the show ipv6 rpf Command	163
Example: Enabling IPv6 Multicast Routing	163
Example: Configuring PIM Options	163
Example: Configuring PIM	163
Example: Displaying PIM-SM Information for a Group Range	163
Example: Displaying IPv6 PIM Topology Information	164
Example: Displaying Information About PIM Traffic	165
Example: Disabling Embedded RP Support in IPv6 PIM	165
Example: IPv6 SSM Mapping	165

**CHAPTER 9****IPv6 Multicast Listener Discovery Protocol 167**

Finding Feature Information	167
Restrictions for IPv6 Multicast Listener Discovery Protocol	167
Information About IPv6 Multicast Listener Discovery Protocol	168
IPv6 Multicast Overview	168
IPv6 Multicast Routing Implementation	168
Multicast Listener Discovery Protocol for IPv6	169
MLD Access Group	170
How to Configure IPv6 Multicast Listener Discovery Protocol	170
Enabling IPv6 Multicast Routing	170
Customizing MLD on an Interface	171
Disabling MLD Device-Side Processing	174
Resetting the MLD Traffic Counters	175
Clearing the MLD Interface Counters	175
Clearing the MLD Groups	176
Verifying IPv6 Multicast Listener Discovery Protocol	177

**CHAPTER 10****Using MSDP to Interconnect Multiple PIM-SM Domains 181**

Finding Feature Information	181
182	
Information About Using MSDP to Interconnect Multiple PIM-SM Domains	182

Benefits of Using MSDP to Interconnect Multiple PIM-SM Domains	182
182	
MSDP Message Types	184
SA Messages	184
SA Request Messages	184
SA Response Messages	185
Keepalive Messages	185
SA Message Origination Receipt and Processing	185
SA Message Origination	185
SA Message Receipt	185
SA Message Processing	188
MSDP Peers	188
MSDP MD5 Password Authentication	188
How MSDP MD5 Password Authentication Works	188
Benefits of MSDP MD5 Password Authentication	188
SA Message Limits	189
MSDP Keepalive and Hold-Time Intervals	189
MSDP Connection-Retry Interval	189
Default MSDP Peers	190
MSDP Mesh Groups	191
Benefits of MSDP Mesh Groups	191
SA Origination Filters	191
Use of Outgoing Filter Lists in MSDP	192
Use of Incoming Filter Lists in MSDP	192
TTL Thresholds in MSDP	193
SA Request Messages	193
SA Request Filters	194
How to Use MSDP to Interconnect Multiple PIM-SM Domains	194
Configuring an MSDP Peer	194
Shutting Down an MSDP Peer	195
Configuring MSDP MD5 Password Authentication Between MSDP Peers	197
Troubleshooting Tips	198
Preventing DoS Attacks by Limiting the Number of SA Messages Allowed in the SA Cache from Specified MSDP Peers	198

Adjusting the MSDP Keepalive and Hold-Time Intervals	199
Adjusting the MSDP Connection-Retry Interval	200
Configuring a Default MSDP Peer	201
Configuring an MSDP Mesh Group	202
Controlling SA Messages Originated by an RP for Local Sources	203
Controlling the Forwarding of SA Messages to MSDP Peers Using Outgoing Filter Lists	204
Controlling the Receipt of SA Messages from MSDP Peers Using Incoming Filter Lists	205
Using TTL Thresholds to Limit the Multicast Data Sent in SA Messages	206
Requesting Source Information from MSDP Peers	207
Controlling the Response to Outgoing SA Request Messages from MSDP Peers Using SA Request Filters	208
Including a Bordering PIM Dense Mode Region in MSDP	209
Configuring an Originating Address Other Than the RP Address	210
Monitoring MSDP	211
Clearing MSDP Connections Statistics and SA Cache Entries	213
Enabling SNMP Monitoring of MSDP	214
Troubleshooting Tips	215
Configuration Examples for Using MSDP to Interconnect Multiple PIM-SM Domains	216
Example: Configuring an MSDP Peer	216
Example: Configuring MSDP MD5 Password Authentication	216
Example: Configuring a Default MSDP Peer	217
Example: Configuring MSDP Mesh Groups	218
Additional References	218
Feature Information for Multicast Source Discovery Protocol	219

**CHAPTER 11****MPLS Point-to-Multipoint Traffic Engineering 221**

Information About MPLS Point-to-Multipoint Traffic Engineering	221
MPLS Point-to-Multipoint Traffic Engineering Overview	221
How P2MP TE Sub-LSPs Are Signaled	223
How P2MP TE Traffic Is Forwarded	224
Computing the IGP Path Using Dynamic Paths or Explicit Paths	225
Remerge Events	226
Crossover Events	226
Benefits of MPLS Point-to-Multipoint Traffic Engineering	226

MPLS Point-to-Multipoint Traffic Engineering—Re-optimizing Traffic	226
P2P TE Tunnels Coexist with P2MP TE Tunnels	227
Using FRR to Protect P2MP TE Links	228
FRR Failure Detection Mechanisms	230
Bandwidth Preemption for P2MP TE	230
How to Configure MPLS Point-to-Multipoint Traffic Engineering	231
Configuring the Headend Routers	231
Configuring the Midpoint Routers	234
Configuring the Tailend Routers	234
Configuring FRR with P2MP TE Tunnels	236
Enabling MPLS Traffic Engineering System Logging of Events	236
Verifying the Configuration of MPLS Point-to-Multipoint Traffic Engineering	237
Verifying the Configuration of the Headend Router	237
Verifying the Configuration of the Midpoint Routers	239
Verifying the Configuration of the Tailend Routers	240
Configuration Examples for MPLS Point-to-Multipoint Traffic Engineering	241
Example Configuration of the Headend Router (PE5)	242
Example Configuration of the Midpoint Router (P1)	245
Example Configuration of the Tailend Router (PE1)	246

---

**CHAPTER 12**
**IGMP Snooping 249**

Finding Feature Information	249
Prerequisites for IGMP Snooping	249
Restrictions for IGMP Snooping	250
Information About IGMP Snooping	251
IGMP Snooping	251
How to Configure IGMP Snooping	251
Enabling IGMP Snooping	251
Configuring IGMP Snooping Globally	252
Configuring IGMP Snooping on a Bridge Domain	254
Disabling IGMP Snooping Globally	255
Disabling IGMP Snooping on a Bridge Domain	256
Verifying IGMP Snooping	257

---

<b>CHAPTER 13</b>	<b>MLDP-Based MVPN</b>	<b>261</b>
	Finding Feature Information	261
	Prerequisites for MLDP-Based MVPN	261
	Restrictions for MLDP-Based MVPN on the RSP2 Module	262
	Restrictions for MLDP-Based VPN on the RSP3 Module	262
	Information About MLDP-Based MVPN	263
	Overview of MLDP-Based MVPN	263
	Benefits of MLDP-Based MVPN	265
	P2MP and MP2MP Label Switched Paths	265
	Packet Flow in mLDP-based Multicast VPN	266
	Realizing a mLDP-based Multicast VPN	266
	Supported mLDP Profiles	267
	Initial Deployment of an MLDP-Based MVPN	268
	Default MDT Creation	268
	Data MDT Scenario	274
	Configuring MLDPv4-Based MVPN	275
	Configuring Initial MLDP Settings	275
	Configuring an MLDP-Based MVPN	276
	Verifying the Configuration of an MLDP-Based MVPN	278
	MLDPv6-Based MVPN	280
	P2MP and MP2MP Label Switched Paths	281
	Packet Flow in mLDP-based Multicast VPN	281
	Realizing a mLDP-based Multicast VPN	281
	Supported mLDP Profiles	282
	Configuration Rules for Profiles	283
	Configuration Examples for MLDP-Based MVPN	284
	Example Initial Deployment of an MLDP-Based MVPN	284
	Default MDT Configuration	284
	Data MDT Configuration	288

---

<b>CHAPTER 14</b>	<b>MVPN mLDP Partitioned MDT</b>	<b>293</b>
	Finding Feature Information	293
	Prerequisites for MVPN mLDP Partitioned MDT	293

Restrictions for MVPN mLDP Partitioned MDT	293
Information About MVPN mLDP Partitioned MDT	294
Overview of MVPN mLDP Partitioned MDT	294
How to Configure MVPN mLDP Partitioned MDT	295
Configuring MVPN mLDP Partitioned MDT	295
Configuration Examples for MVPN mLDP Partitioned MDT	297
Example: MVPN mLDP Partitioned MDT	297

---

**CHAPTER 15**

<b>MLDP In-Band Signaling/Transit Mode</b>	<b>301</b>
Finding Feature Information	301
Restrictions for MLDP In-Band Signaling	301
Information About MLDP In-Band Signaling/Transit Mode	301
MLDP In-Band Signaling/Transit Mode	301
How to Configure MLDP In-Band Signaling/Transit Mode	302
Enabling In-Band Signaling on a PE Device	302
Configuration Examples for MLDP In-Band Signaling/Transit Mode	303
Example: In-Band Signaling	303







# CHAPTER 1

## IP Multicast Technology Overview

---

IP multicast is a bandwidth-conserving technology that reduces traffic by delivering a single stream of information simultaneously to potentially thousands of businesses and homes. Applications that take advantage of multicast include video conferencing, corporate communications, distance learning, and distribution of software, stock quotes, and news.

This module contains a technical overview of IP multicast. IP multicast is an efficient way to use network resources, especially for bandwidth-intensive services such as audio and video. Before beginning to configure IP multicast, it is important that you understand the information presented in this module.

- [Information About IP Multicast Technology, on page 1](#)

## Information About IP Multicast Technology

### Role of IP Multicast in Information Delivery

IP multicast routing enables a host (source) to send packets to a group of hosts (receivers) anywhere within the IP network by using a special form of IP address called the IP multicast group address. The sending host inserts the multicast group address into the IP destination address field of the packet and IP multicast routers and multilayer switches forward incoming IP multicast packets out all interfaces that lead to the members of the multicast group. Any host, regardless of whether it is a member of a group, can send to a group. However, only the members of a group receive the message.

### Multicast Group Transmission Scheme

IP communication consists of hosts that act as senders and receivers of traffic as shown in the first figure. Senders are called sources. Traditional IP communication is accomplished by a single host source sending packets to another single host (unicast transmission) or to all hosts (broadcast transmission). IP multicast provides a third scheme, allowing a host to send packets to a subset of all hosts (multicast transmission). This subset of receiving hosts is called a multicast group. The hosts that belong to a multicast group are called group members.

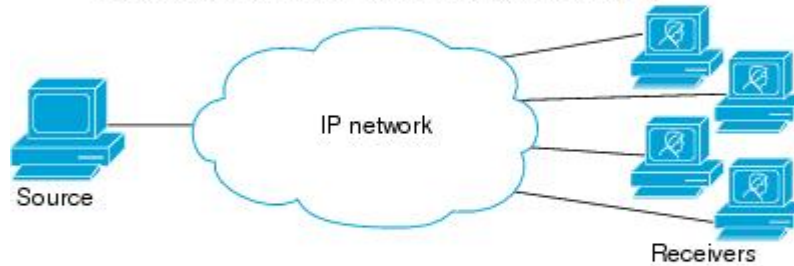
Multicast is based on this group concept. A multicast group is an arbitrary number of receivers that join a group in order to receive a particular data stream. This multicast group has no physical or geographical boundaries--the hosts can be located anywhere on the Internet or on any private internetwork. Hosts that are interested in receiving data from a source to a particular group must join that group. Joining a group is accomplished by a host receiver by way of the Internet Group Management Protocol (IGMP).

In a multicast environment, any host, regardless of whether it is a member of a group, can send to a group. However, only the members of a group can receive packets sent to that group. Multicast packets are delivered to a group using best-effort reliability, just like IP unicast packets.

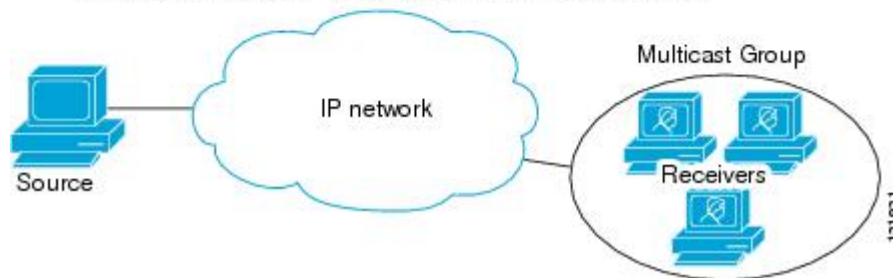
Unicast transmission—One host sends and the other receives.



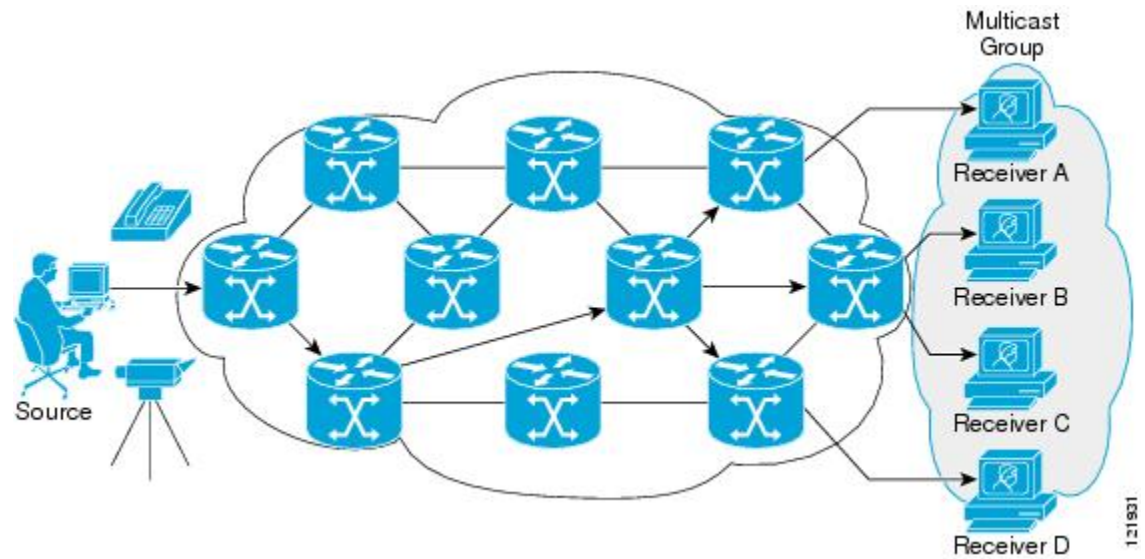
Broadcast transmission—One sender to all receivers.



Multicast transmission—One sender to a group of receivers.



In the next figure, the receivers (the designated multicast group) are interested in receiving the video data stream from the source. The receivers indicate their interest by sending an IGMP host report to the routers in the network. The routers are then responsible for delivering the data from the source to the receivers. The routers use Protocol Independent Multicast (PIM) to dynamically create a multicast distribution tree. The video data stream will then be delivered only to the network segments that are in the path between the source and the receivers.



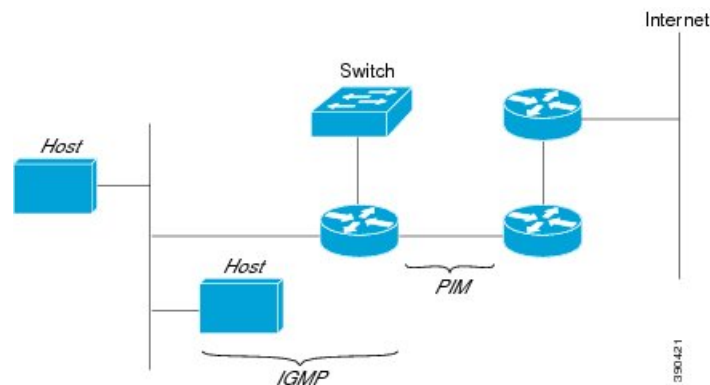
## IP Multicast Routing Protocols

The software supports the following protocols to implement IP multicast routing:

- IGMP is used between hosts on a LAN and the routers on that LAN to track the multicast groups of which hosts are members.
- Protocol Independent Multicast (PIM) is used between routers so that they can track which multicast packets to forward to each other and to their directly connected LANs.

The figure shows where these protocols operate within the IP multicast environment.

**Figure 1: IP Multicast Routing Protocols**



## IP Multicast Group Addressing

A multicast group is identified by its multicast group address. Multicast packets are delivered to that multicast group address. Unlike unicast addresses that uniquely identify a single host, multicast IP addresses do not identify a particular host. To receive the data sent to a multicast address, a host must join the group that address identifies. The data is sent to the multicast address and received by all the hosts that have joined the group.

indicating that they wish to receive traffic sent to that group. The multicast group address is assigned to a group at the source. Network administrators who assign multicast group addresses must make sure the addresses conform to the multicast address range assignments reserved by the Internet Assigned Numbers Authority (IANA).

## IP Class D Addresses

IP multicast addresses have been assigned to the IPv4 Class D address space by IANA. The high-order four bits of a Class D address are 1110. Therefore, host group addresses can be in the range 224.0.0.0 to 239.255.255.255. A multicast address is chosen at the source (sender) for the receivers in a multicast group.



**Note** The Class D address range is used only for the group address or destination address of IP multicast traffic. The source address for multicast datagrams is always the unicast source address.

## IP Multicast Address Scoping

The multicast address range is subdivided to provide predictable behavior for various address ranges and for address reuse within smaller domains. The table provides a summary of the multicast address ranges. A brief summary description of each range follows.

**Table 1: Multicast Address Range Assignments**

Name	Range	Description
Reserved Link-Local Addresses	224.0.0.0 to 224.0.0.255	Reserved for use by network protocols on a local network segment.
Globally Scoped Addresses	224.0.1.0 to 238.255.255.255	Reserved to send multicast data between organizations and across the Internet.
Source Specific Multicast	232.0.0.0 to 232.255.255.255	Reserved for use with the SSM datagram delivery model where data is forwarded only to receivers that have explicitly joined the group.
GLOP Addresses	233.0.0.0 to 233.255.255.255	Reserved for statically defined addresses by organizations that already have an assigned autonomous system (AS) domain number.
Limited Scope Address	239.0.0.0 to 239.255.255.255	Reserved as administratively or limited scope addresses for use in private multicast domains.

### Reserved Link-Local Addresses

The IANA has reserved the range 224.0.0.0 to 224.0.0.255 for use by network protocols on a local network segment. Packets with an address in this range are local in scope and are not forwarded by IP routers. Packets with link local destination addresses are typically sent with a time-to-live (TTL) value of 1 and are not forwarded by a router.

Within this range, reserved link-local addresses provide network protocol functions for which they are reserved. Network protocols use these addresses for automatic router discovery and to communicate important routing information. For example, Open Shortest Path First (OSPF) uses the IP addresses 224.0.0.5 and 224.0.0.6 to exchange link-state information.

IANA assigns single multicast address requests for network protocols or network applications out of the 224.0.1.xxx address range. Multicast routers forward these multicast addresses.



---

**Note** All the packets with reserved link-local addresses are punted to CPU by default in the ASR 903 RSP2 Module.

---

### Globally Scoped Addresses

Addresses in the range 224.0.1.0 to 238.255.255.255 are called globally scoped addresses. These addresses are used to send multicast data between organizations across the Internet. Some of these addresses have been reserved by IANA for use by multicast applications. For example, the IP address 224.0.1.1 is reserved for Network Time Protocol (NTP).

### Source Specific Multicast Addresses

Addresses in the range 232.0.0.0/8 are reserved for Source Specific Multicast (SSM) by IANA. In Cisco IOS software, you can use the **ip pim ssm** command to configure SSM for arbitrary IP multicast addresses also. SSM is an extension of Protocol Independent Multicast (PIM) that allows for an efficient data delivery mechanism in one-to-many communications. SSM is described in the [IP Multicast Delivery Modes, on page 6](#) section.

### GLOP Addresses

GLOP addressing (as proposed by RFC 2770, GLOP Addressing in 233/8) proposes that the 233.0.0.0/8 range be reserved for statically defined addresses by organizations that already have an AS number reserved. This practice is called GLOP addressing. The AS number of the domain is embedded into the second and third octets of the 233.0.0.0/8 address range. For example, AS 62010 is written in hexadecimal format as F23A. Separating the two octets F2 and 3A results in 242 and 58 in decimal format. These values result in a subnet of 233.242.58.0/24 that would be globally reserved for AS 62010 to use.

### Limited Scope Addresses

The range 239.0.0.0 to 239.255.255.255 is reserved as administratively or limited scoped addresses for use in private multicast domains. These addresses are constrained to a local group or organization. Companies, universities, and other organizations can use limited scope addresses to have local multicast applications that will not be forwarded outside their domain. Routers typically are configured with filters to prevent multicast traffic in this address range from flowing outside an autonomous system (AS) or any user-defined domain. Within an AS or domain, the limited scope address range can be further subdivided so that local multicast boundaries can be defined.



---

**Note** Network administrators may use multicast addresses in this range, inside a domain, without conflicting with others elsewhere in the Internet.

---

## Layer 2 Multicast Addresses

Historically, network interface cards (NICs) on a LAN segment could receive only packets destined for their burned-in MAC address or the broadcast MAC address. In IP multicast, several hosts need to be able to receive a single data stream with a common destination MAC address. Some means had to be devised so that multiple

hosts could receive the same packet and still be able to differentiate between several multicast groups. One method to accomplish this is to map IP multicast Class D addresses directly to a MAC address. Using this method, NICs can receive packets destined to many different MAC address.

## IP Multicast Delivery Modes

IP multicast delivery modes differ only for the receiver hosts, not for the source hosts. A source host sends IP multicast packets with its own IP address as the IP source address of the packet and a group address as the IP destination address of the packet.

### Any Source Multicast

For the Any Source Multicast (ASM) delivery mode, an IP multicast receiver host can use any version of IGMP to join a multicast group. This group is notated as G in the routing table state notation. By joining this group, the receiver host is indicating that it wants to receive IP multicast traffic sent by any source to group G. The network will deliver IP multicast packets from any source host with the destination address G to all receiver hosts in the network that have joined group G.

ASM requires group address allocation within the network. At any given time, an ASM group should only be used by a single application. When two applications use the same ASM group simultaneously, receiver hosts of both applications will receive traffic from both application sources. This may result in unexpected excess traffic in the network. This situation may cause congestion of network links and malfunction of the application receiver hosts.

### Source Specific Multicast

Source Specific Multicast (SSM) is a datagram delivery model that best supports one-to-many applications, also known as broadcast applications. SSM is a core network technology for the Cisco implementation of IP multicast targeted for audio and video broadcast application environments.

For the SSM delivery mode, an IP multicast receiver host must use IGMP Version 3 (IGMPv3) to subscribe to channel (S,G). By subscribing to this channel, the receiver host is indicating that it wants to receive IP multicast traffic sent by source host S to group G. The network will deliver IP multicast packets from source host S to group G to all hosts in the network that have subscribed to the channel (S, G).

SSM does not require group address allocation within the network, only within each source host. Different applications running on the same source host must use different SSM groups. Different applications running on different source hosts can arbitrarily reuse SSM group addresses without causing any excess traffic on the network.

## Protocol Independent Multicast

The Protocol Independent Multicast (PIM) protocol maintains the current IP multicast service mode of receiver-initiated membership. PIM is not dependent on a specific unicast routing protocol; it is IP routing protocol independent and can leverage whichever unicast routing protocols are used to populate the unicast routing table, including Enhanced Interior Gateway Routing Protocol (EIGRP), Open Shortest Path First (OSPF), Border Gateway Protocol (BGP), and static routes. PIM uses unicast routing information to perform the multicast forwarding function.

Although PIM is called a multicast routing protocol, it actually uses the unicast routing table to perform the reverse path forwarding (RPF) check function instead of building up a completely independent multicast routing table. Unlike other routing protocols, PIM does not send and receive routing updates between routers.

PIM can operate in dense mode or sparse mode. The router can also handle both sparse groups and dense groups at the same time. The mode determines how the router populates its multicast routing table and how the router forwards multicast packets it receives from its directly connected LANs.

For information about PIM forwarding (interface) modes, see the following sections:

## PIM Dense Mode

PIM dense mode (PIM-DM) uses a push model to flood multicast traffic to every corner of the network. This push model is a method for delivering data to the receivers without the receivers requesting the data. This method is efficient in certain deployments in which there are active receivers on every subnet in the network.

In dense mode, a router assumes that all other routers want to forward multicast packets for a group. If a router receives a multicast packet and has no directly connected members or PIM neighbors present, a prune message is sent back to the source. Subsequent multicast packets are not flooded to this router on this pruned branch. PIM builds source-based multicast distribution trees.

PIM-DM initially floods multicast traffic throughout the network. Routers that have no downstream neighbors prune back the unwanted traffic. This process repeats every 3 minutes.

Routers accumulate state information by receiving data streams through the flood and prune mechanism. These data streams contain the source and group information so that downstream routers can build up their multicast forwarding table. PIM-DM supports only source trees--that is, (S,G) entries--and cannot be used to build a shared distribution tree.



---

**Note** Dense mode is not often used and its use is not recommended. For this reason it is not specified in the configuration tasks in related modules.

---

## PIM Sparse Mode

PIM sparse mode (PIM-SM) uses a pull model to deliver multicast traffic. Only network segments with active receivers that have explicitly requested the data will receive the traffic.

Unlike dense mode interfaces, sparse mode interfaces are added to the multicast routing table only when periodic Join messages are received from downstream routers, or when a directly connected member is on the interface. When forwarding from a LAN, sparse mode operation occurs if an RP is known for the group. If so, the packets are encapsulated and sent toward the RP. When no RP is known, the packets are dropped. If the multicast traffic from a specific source is sufficient, the first hop router of the receiver may send Join messages toward the source to build a source-based distribution tree.

PIM-SM distributes information about active sources by forwarding data packets on the shared tree. Because PIM-SM uses shared trees (at least, initially), it requires the use of a rendezvous point (RP). The RP must be administratively configured in the network. See the [Rendezvous Points, on page 9](#) section for more information.

In sparse mode, a router assumes that other routers do not want to forward multicast packets for a group, unless there is an explicit request for the traffic. When hosts join a multicast group, the directly connected routers send PIM Join messages toward the RP. The RP keeps track of multicast groups. Hosts that send multicast packets are registered with the RP by the first hop router of that host. At this point, packets are forwarded on a shared distribution tree. If the multicast traffic from a specific source is sufficient, the first hop router of the host may send Join messages toward the source to build a source-based distribution tree.

Sources register with the RP and then data is forwarded down the shared tree to the receivers. The edge router sends PIM (S,G) Join messages toward that source. Each router along the reverse path compares the unicast routing metric of the RP address to the metric of the source address. If the metric for the source address is better, it will forward a PIM (S,G) Join message toward the source. If the metric for the RP is the same or better, then the PIM (S,G) Join message will be sent in the same direction as the RP. In this case, the shared tree and the source tree would be considered congruent.

If the shared tree is not an optimal path between the source and the receiver, the routers dynamically create a source tree and stop traffic from flowing down the shared tree. This behavior is the default behavior in software. Network administrators can force traffic to stay on the shared tree by using the **ip pim spt-threshold infinity** command. The default value of **ip pim spt-threshold infinity** command is 0.

PIM-SM scales well to a network of any size, including those with WAN links. The explicit join mechanism prevents unwanted traffic from flooding the WAN links.

## Sparse-Dense Mode

If you configure either sparse mode or dense mode on an interface, then sparseness or denseness is applied to the interface as a whole. However, some environments might require PIM to run in a single region in sparse mode for some groups and in dense mode for other groups.

An alternative to enabling only dense mode or only sparse mode is to enable sparse-dense mode. In this case, the interface is treated as dense mode if the group is in dense mode; the interface is treated in sparse mode if the group is in sparse mode. You must have an RP if the interface is in sparse-dense mode and you want to treat the group as a sparse group.

If you configure sparse-dense mode, the idea of sparseness or denseness is applied to the groups for which the router is a member.

Another benefit of sparse-dense mode is that Auto-RP information can be distributed in a dense mode; yet, multicast groups for user groups can be used in a sparse mode manner. Therefore there is no need to configure a default RP at the leaf routers.

When an interface is treated in dense mode, it is populated in the outgoing interface list of a multicast routing table when either of the following conditions is true:

- Members are on the interface.
- There are PIM neighbors and the group has not been pruned.

When an interface is treated in sparse mode, it is populated in the outgoing interface list of a multicast routing table when either of the following conditions is true:

- Members are on the interface.
- An explicit Join message has been received by a PIM neighbor on the interface.

## Multicast Group Modes

In PIM, packet traffic for a multicast group is routed according to the rules of the mode configured for that multicast group. The Cisco implementation of PIM supports three modes for a multicast group:

- PIM Sparse mode
- PIM Dense mode



- PIM Source Specific Multicast (SSM) mode

A router can simultaneously support all three modes or any combination of them for different multicast groups.

## Sparse Mode

Sparse mode operation centers around a single unidirectional shared tree whose root node is called the rendezvous point (RP). Sources must register with the RP to get their multicast traffic to flow down the shared tree by way of the RP. This registration process actually triggers a shortest path tree (SPT) Join by the RP toward the source when there are active receivers for the group in the network.

A sparse mode group uses the explicit join model of interaction. Receiver hosts join a group at a rendezvous point (RP). Different groups can have different RPs.

Multicast traffic packets flow down the shared tree to only those receivers that have explicitly asked to receive the traffic.

## Dense Mode

Dense mode operates using the broadcast (flood) and prune model.

In populating the multicast routing table, dense mode interfaces are always added to the table. Multicast traffic is forwarded out all interfaces in the outgoing interface list to all receivers. Interfaces are removed from the outgoing interface list in a process called pruning. In dense mode, interfaces are pruned for various reasons including that there are no directly connected receivers.

A pruned interface can be reestablished, that is, grafted back so that restarting the flow of multicast traffic can be accomplished with minimal delay.

## Rendezvous Points

A rendezvous point (RP) is a role that a device performs when operating in Protocol Independent Multicast (PIM) Sparse Mode (SM). An RP is required only in networks running PIM SM. In the PIM-SM model, only network segments with active receivers that have explicitly requested multicast data will be forwarded the traffic.

This method of delivering multicast data is in contrast to PIM Dense Mode (PIM DM). In PIM DM, multicast traffic is initially flooded to all segments of the network. Routers that have no downstream neighbors or directly connected receivers prune back the unwanted traffic.

An RP acts as the meeting place for sources and receivers of multicast data. In a PIM-SM network, sources must send their traffic to the RP. This traffic is then forwarded to receivers down a shared distribution tree. By default, when the first hop device of the receiver learns about the source, it will send a Join message directly to the source, creating a source-based distribution tree from the source to the receiver. This source tree does not include the RP unless the RP is located within the shortest path between the source and receiver.

In most cases, the placement of the RP in the network is not a complex decision. By default, the RP is needed only to start new sessions with sources and receivers. Consequently, the RP experiences little overhead from traffic flow or processing. In PIM version 2, the RP performs less processing than in PIM version 1 because sources must only periodically register with the RP to create state.

## Auto-RP

In the first version of PIM-SM, all leaf routers (routers directly connected to sources or receivers) were required to be manually configured with the IP address of the RP. This type of configuration is also known as static

RP configuration. Configuring static RPs is relatively easy in a small network, but it can be laborious in a large, complex network.

Following the introduction of PIM-SM version 1, Cisco implemented a version of PIM-SM with the Auto-RP feature. Auto-RP automates the distribution of group-to-RP mappings in a PIM network. Auto-RP has the following benefits:

- Configuring the use of multiple RPs within a network to serve different groups is easy.
- Auto-RP allows load splitting among different RPs and arrangement of RPs according to the location of group participants.
- Auto-RP avoids inconsistent, manual RP configurations that can cause connectivity problems.

Multiple RPs can be used to serve different group ranges or serve as backups to each other. For Auto-RP to work, a router must be designated as an RP-mapping agent, which receives the RP-announcement messages from the RPs and arbitrates conflicts. The RP-mapping agent then sends the consistent group-to-RP mappings to all other routers. Thus, all routers automatically discover which RP to use for the groups they support.




---

**Note** If you configure PIM in sparse mode or sparse-dense mode and do not configure Auto-RP, you must statically configure an RP.

---




---

**Note** If router interfaces are configured in sparse mode, Auto-RP can still be used if all routers are configured with a static RP address for the Auto-RP groups.

---

To make Auto-RP work, a router must be designated as an RP mapping agent, which receives the RP announcement messages from the RPs and arbitrates conflicts. The RP mapping agent then sends the consistent group-to-RP mappings to all other routers by dense mode flooding. Thus, all routers automatically discover which RP to use for the groups they support. The Internet Assigned Numbers Authority (IANA) has assigned two group addresses, 224.0.1.39 and 224.0.1.40, for Auto-RP. One advantage of Auto-RP is that any change to the RP designation must be configured only on the routers that are RPs and not on the leaf routers. Another advantage of Auto-RP is that it offers the ability to scope the RP address within a domain. Scoping can be achieved by defining the time-to-live (TTL) value allowed for the Auto-RP advertisements.

Each method for configuring an RP has its own strengths, weaknesses, and level of complexity. In conventional IP multicast network scenarios, we recommend using Auto-RP to configure RPs because it is easy to configure, well-tested, and stable. The alternative ways to configure an RP are static RP, Auto-RP, and bootstrap router.

## Sparse-Dense Mode for Auto-RP

A prerequisite of Auto-RP is that all interfaces must be configured in sparse-dense mode using the **ip pim sparse-dense-mode** interface configuration command. An interface configured in sparse-dense mode is treated in either sparse mode or dense mode of operation, depending on which mode the multicast group operates. If a multicast group has a known RP, the interface is treated in sparse mode. If a group has no known RP, by default the interface is treated in dense mode and data will be flooded over this interface. (You can prevent dense-mode fallback; see the module “Configuring Basic IP Multicast.”)

To successfully implement Auto-RP and prevent any groups other than 224.0.1.39 and 224.0.1.40 from operating in dense mode, we recommend configuring a “sink RP” (also known as “RP of last resort”). A sink RP is a statically configured RP that may or may not actually exist in the network. Configuring a sink RP

does not interfere with Auto-RP operation because, by default, Auto-RP messages supersede static RP configurations. We recommend configuring a sink RP for all possible multicast groups in your network, because it is possible for an unknown or unexpected source to become active. If no RP is configured to limit source registration, the group may revert to dense mode operation and be flooded with data.

## Multicast Forwarding

Forwarding of multicast traffic is accomplished by multicast-capable routers. These routers create distribution trees that control the path that IP multicast traffic takes through the network in order to deliver traffic to all receivers.

Multicast traffic flows from the source to the multicast group over a distribution tree that connects all of the sources to all of the receivers in the group. This tree may be shared by all sources (a shared tree) or a separate distribution tree can be built for each source (a source tree). The shared tree may be one-way or bidirectional.

Before describing the structure of source and shared trees, it is helpful to explain the notations that are used in multicast routing tables. These notations include the following:

- (S,G) = (unicast source for the multicast group G, multicast group G)
- (\*,G) = (any source for the multicast group G, multicast group G)

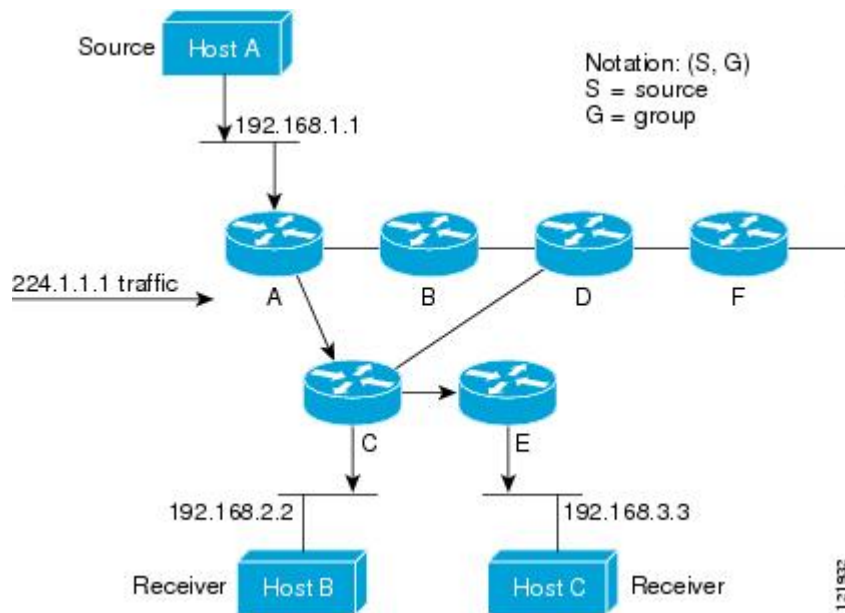
The notation of (S,G), pronounced “S comma G,” enumerates a shortest path tree where S is the IP address of the source and G is the multicast group address.

Shared trees are (\*,G) and the source trees are (S,G) and always routed at the sources.

## Multicast Distribution Source Tree

The simplest form of a multicast distribution tree is a source tree. A source tree has its root at the source host and has branches forming a spanning tree through the network to the receivers. Because this tree uses the shortest path through the network, it is also referred to as a shortest path tree (SPT).

The figure shows an example of an SPT for group 224.1.1.1 rooted at the source, Host A, and connecting two receivers, Hosts B and C.



Using standard notation, the SPT for the example shown in the figure would be (192.168.1.1, 224.1.1.1).

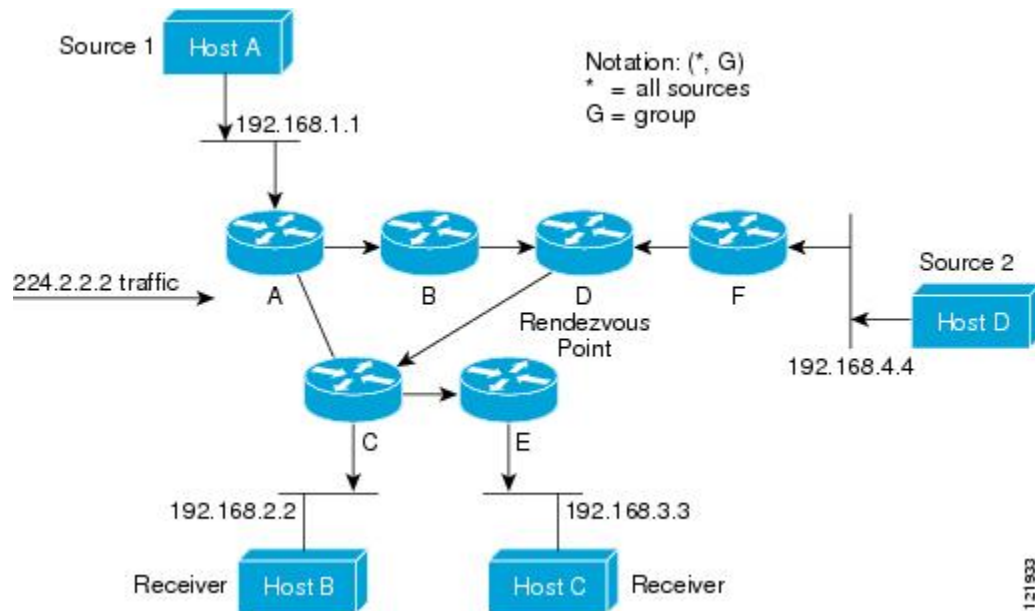
The (S,G) notation implies that a separate SPT exists for each individual source sending to each group--which is correct.

## Multicast Distribution Shared Tree

Unlike source trees that have their root at the source, shared trees use a single common root placed at some chosen point in the network. This shared root is called a rendezvous point (RP).

The following figure shows a shared tree for the group 224.2.2.2 with the root located at Router D. This shared tree is unidirectional. Source traffic is sent towards the RP on a source tree. The traffic is then forwarded down the shared tree from the RP to reach all of the receivers (unless the receiver is located between the source and the RP, in which case it will be serviced directly).

Figure 2: Shared Tree



In this example, multicast traffic from the sources, Hosts A and D, travels to the root (Router D) and then down the shared tree to the two receivers, Hosts B and C. Because all sources in the multicast group use a common shared tree, a wildcard notation written as (\*, G), pronounced "star comma G", represents the tree. In this case, \* means all sources, and G represents the multicast group. Therefore, the shared tree shown in the figure would be written as (\*, 224.2.2.2).

Both source trees and shared trees are loop-free. Messages are replicated only where the tree branches. Members of multicast groups can join or leave at any time; therefore the distribution trees must be dynamically updated. When all the active receivers on a particular branch stop requesting the traffic for a particular multicast group, the routers prune that branch from the distribution tree and stop forwarding traffic down that branch. If one receiver on that branch becomes active and requests the multicast traffic, the router will dynamically modify the distribution tree and start forwarding traffic again.

## Source Tree Advantage

Source trees have the advantage of creating the optimal path between the source and the receivers. This advantage guarantees the minimum amount of network latency for forwarding multicast traffic. However, this optimization comes at a cost. The routers must maintain path information for each source. In a network that has thousands of sources and thousands of groups, this overhead can quickly become a resource issue on the routers. Memory consumption from the size of the multicast routing table is a factor that network designers must take into consideration.

## Shared Tree Advantage

Shared trees have the advantage of requiring the minimum amount of state in each router. This advantage lowers the overall memory requirements for a network that only allows shared trees. The disadvantage of shared trees is that under certain circumstances the paths between the source and receivers might not be the optimal paths, which might introduce some latency in packet delivery. For example, in the figure above the shortest path between Host A (source 1) and Host B (a receiver) would be Router A and Router C. Because we are using Router D as the root for a shared tree, the traffic must traverse Routers A, B, D and then C.

Network designers must carefully consider the placement of the rendezvous point (RP) when implementing a shared tree-only environment.

In unicast routing, traffic is routed through the network along a single path from the source to the destination host. A unicast router does not consider the source address; it considers only the destination address and how to forward the traffic toward that destination. The router scans through its routing table for the destination address and then forwards a single copy of the unicast packet out the correct interface in the direction of the destination.

In multicast forwarding, the source is sending traffic to an arbitrary group of hosts that are represented by a multicast group address. The multicast router must determine which direction is the upstream direction (toward the source) and which one is the downstream direction (or directions) toward the receivers. If there are multiple downstream paths, the router replicates the packet and forwards it down the appropriate downstream paths (best unicast route metric)--which is not necessarily all paths. Forwarding multicast traffic away from the source, rather than to the receiver, is called Reverse Path Forwarding (RPF). RPF is described in the following section.

## Reverse Path Forwarding

In unicast routing, traffic is routed through the network along a single path from the source to the destination host. A unicast router does not consider the source address; it considers only the destination address and how to forward the traffic toward that destination. The router scans through its routing table for the destination network and then forwards a single copy of the unicast packet out the correct interface in the direction of the destination.

In multicast forwarding, the source is sending traffic to an arbitrary group of hosts that are represented by a multicast group address. The multicast router must determine which direction is the upstream direction (toward the source) and which one is the downstream direction (or directions) toward the receivers. If there are multiple downstream paths, the router replicates the packet and forwards it down the appropriate downstream paths (best unicast route metric)--which is not necessarily all paths. Forwarding multicast traffic away from the source, rather than to the receiver, is called Reverse Path Forwarding (RPF). RPF is an algorithm used for forwarding multicast datagrams.

Protocol Independent Multicast (PIM) uses the unicast routing information to create a distribution tree along the reverse path from the receivers towards the source. The multicast routers then forward packets along the distribution tree from the source to the receivers. RPF is a key concept in multicast forwarding. It enables routers to correctly forward multicast traffic down the distribution tree. RPF makes use of the existing unicast routing table to determine the upstream and downstream neighbors. A router will forward a multicast packet only if it is received on the upstream interface. This RPF check helps to guarantee that the distribution tree will be loop-free.

## RPF Check

When a multicast packet arrives at a router, the router performs an RPF check on the packet. If the RPF check succeeds, the packet is forwarded. Otherwise, it is dropped.

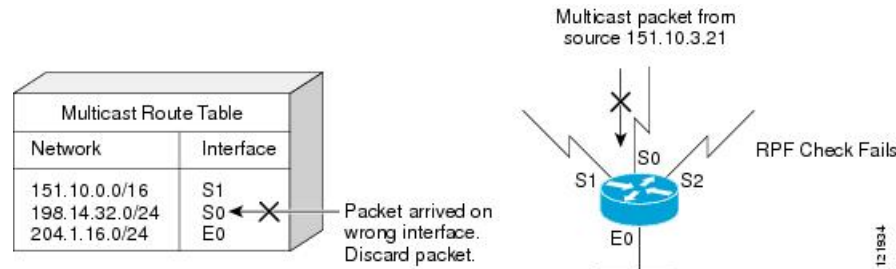
For traffic flowing down a source tree, the RPF check procedure works as follows:

1. The router looks up the source address in the unicast routing table to determine if the packet has arrived on the interface that is on the reverse path back to the source.
2. If the packet has arrived on the interface leading back to the source, the RPF check succeeds and the packet is forwarded out the interfaces present in the outgoing interface list of a multicast routing table entry.

3. If the RPF check in Step 2 fails, the packet is dropped.

The figure shows an example of an unsuccessful RPF check.

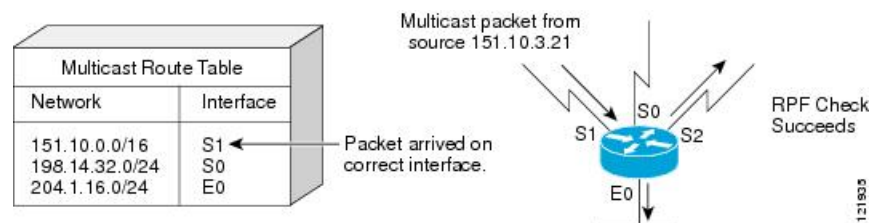
**Figure 3: RPF Check Fails**



As the figure illustrates, a multicast packet from source 151.10.3.21 is received on serial interface 0 (S0). A check of the unicast route table shows that S1 is the interface this router would use to forward unicast data to 151.10.3.21. Because the packet has arrived on interface S0, the packet is discarded.

The figure shows an example of a successful RPF check.

**Figure 4: RPF Check Succeeds**



In this example, the multicast packet has arrived on interface S1. The router refers to the unicast routing table and finds that S1 is the correct interface. The RPF check passes, and the packet is forwarded.

## Guidelines for Choosing a PIM Mode

Before beginning the configuration process, you must decide which PIM mode needs to be used. This determination is based on the applications you intend to support on your network.

Basic guidelines include the following:

- In general, if the application is one-to-many or many-to-many in nature, then PIM-SM can be used successfully.
- For optimal one-to-many application performance, SSM is appropriate but requires IGMP version 3 support.







## CHAPTER 2

# Configuring Basic IP Multicast

---

IP multicast is a bandwidth-conserving technology that reduces traffic by delivering a single stream of information simultaneously to potentially thousands of corporate businesses and homes. Applications that take advantage of multicast include video conferencing, corporate communications, distance learning, and distribution of software, stock quotes, and news. This module describes the tasks used to configure basic IP multicast.

- [Prerequisites for Configuring Basic IP Multicast, on page 17](#)
- [Restrictions for Configuring Basic IP Multicast, on page 17](#)
- [Information About Configuring Basic IP Multicast, on page 18](#)
- [How to Configure Basic IP Multicast, on page 22](#)
- [Configuration Examples for Basic IP Multicast, on page 32](#)

## Prerequisites for Configuring Basic IP Multicast

- To determine which of the tasks contained in this module you will have to perform, you must decide which Protocol Independent Multicast (PIM) mode will be used. This determination is based on the applications you intend to support on your network.
- All access lists to be used with the tasks in this module should be configured prior to beginning the configuration task. For information about how to configure an access list, see the “Creating an IP Access List and Applying It to an Interface” module of the *Security Configuration Guide: Access Control Lists* guide.

## Restrictions for Configuring Basic IP Multicast

HSRP/GLBP aware PIM is not supported.

# Information About Configuring Basic IP Multicast

## Auto-RP Overview

### The Role of Auto-RP in a PIM Network

Auto-RP automates the distribution of group-to-rendezvous point (RP) mappings in a PIM network. To make Auto-RP work, a device must be designated as an RP mapping agent, which receives the RP announcement messages from the RPs and arbitrates conflicts. The RP mapping agent then sends the consistent group-to-RP mappings to all other devices.

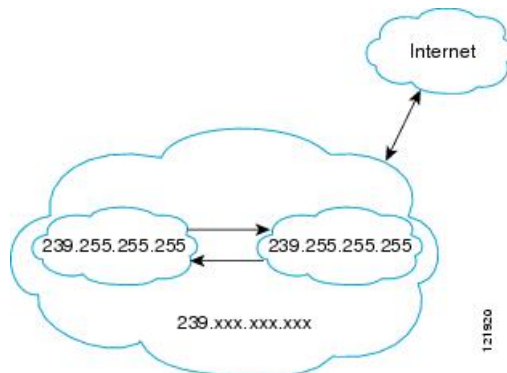
Thus, all routers automatically discover which RP to use for the groups they support. The Internet Assigned Numbers Authority (IANA) has assigned two group addresses, 224.0.1.39 and 224.0.1.40, for Auto-RP.

The mapping agent receives announcements of intention to become the RP from Candidate-RPs. The mapping agent then announces the winner of the RP election. This announcement is made independently of the decisions by the other mapping agents.

### IP Multicast Boundary

As shown in the figure, address scoping defines domain boundaries so that domains with RPs that have the same IP address do not leak into each other. Scoping is performed on the subnet boundaries within large domains and on the boundaries between the domain and the Internet.

**Figure 5: Address Scoping at Boundaries**



You can set up an administratively scoped boundary on an interface for multicast group addresses using the **ip multicast boundary** command with the *access-list* argument. A standard access list defines the range of addresses affected. When a boundary is set up, no multicast data packets are allowed to flow across the boundary from either direction. The boundary allows the same multicast group address to be reused in different administrative domains.

The Internet Assigned Numbers Authority (IANA) has designated the multicast address range 239.0.0.0 to 239.255.255.255 as the administratively scoped addresses. This range of addresses can be reused in domains administered by different organizations. They would be considered local, not globally unique.

You can configure the **filter-autorp** keyword to examine and filter Auto-RP discovery and announcement messages at the administratively scoped boundary. Any Auto-RP group range announcements from the Auto-RP packets that are denied by the boundary access control list (ACL) are removed. An Auto-RP group

range announcement is permitted and passed by the boundary only if all addresses in the Auto-RP group range are permitted by the boundary ACL. If any address is not permitted, the entire group range is filtered and removed from the Auto-RP message before the Auto-RP message is forwarded.

## Benefits of Auto-RP in a PIM Network

- Auto-RP allows any change to the RP designation to be configured only on the devices that are RPs, not on the leaf routers.
- Auto-RP offers the ability to scope the RP address within a domain.

## Static RP Overview

If you are configuring PIM sparse mode, you must configure a PIM RP for a multicast group. An RP can either be configured statically in each device, or learned through a dynamic mechanism. This task explains how to statically configure an RP, as opposed to the router learning the RP through a dynamic mechanism such as Auto-RP.

PIM designated routers (DRs) forward data from directly connected multicast sources to the RP for distribution down the shared tree. Data is forwarded to the RP in one of two ways. It is encapsulated in register packets and unicast directly to the RP, or, if the RP has itself joined the source tree, it is multicast forwarded per the RPF forwarding algorithm. Last hop routers directly connected to receivers may, at their discretion, join themselves to the source tree and prune themselves from the shared tree.

A single RP can be configured for multiple groups that are defined by an access list. If no RP is configured for a group, the router treats the group as dense using the PIM sparse-dense mode techniques. (You can prevent this occurrence by configuring the **no ip pim dm-fallback** command.)

If dynamic and static group-to-RP mappings are used together and there is an RP address conflict, the RP address configured for a static group-to-RP mapping (with the **ip pim rp-address override** command) will take precedence.



---

**Note** If the **override** keyword is not specified and there is RP address conflict, dynamic group-to-RP mappings will take precedence over static group-to-RP mappings.

---

## SSM Overview

Source Specific Multicast (SSM). SSM is an extension of IP multicast where datagram traffic is forwarded to receivers from only those multicast sources that the receivers have explicitly joined. For multicast groups configured for SSM, only source-specific multicast distribution trees (not shared trees) are created.

## SSM Components

Source Specific Multicast (SSM) is a datagram delivery model that best supports one-to-many applications, also known as broadcast applications. SSM is a core networking technology for the Cisco implementation of IP multicast solutions targeted for audio and video broadcast application environments and is described in RFC 3569. The following two components together support the implementation of SSM:

- Protocol Independent Multicast source-specific mode (PIM-SSM)

- Internet Group Management Protocol Version 3 (IGMPv3)

Protocol Independent Multicast (PIM) SSM, or PIM-SSM, is the routing protocol that supports the implementation of SSM and is derived from PIM sparse mode (PIM-SM). IGMP is the Internet Engineering Task Force (IETF) standards track protocol used for hosts to signal multicast group membership to routers. IGMP Version 3 supports source filtering, which is required for SSM. In order for SSM to run with IGMPv3, SSM must be supported in the device, the host where the application is running, and the application itself.

## How SSM Differs from Internet Standard Multicast

The standard IP multicast infrastructure in the Internet and many enterprise intranets is based on the PIM-SM protocol and Multicast Source Discovery Protocol (MSDP). These protocols have proved to be reliable, extensive, and efficient. However, they are bound to the complexity and functionality limitations of the Internet Standard Multicast (ISM) service model. For example, with ISM, the network must maintain knowledge about which hosts in the network are actively sending multicast traffic. With SSM, this information is provided by receivers through the source addresses relayed to the last-hop devices by IGMPv3. SSM is an incremental response to the issues associated with ISM and is intended to coexist in the network with the protocols developed for ISM. In general, SSM provides IP multicast service for applications that utilize SSM.

ISM service is described in RFC 1112. This service consists of the delivery of IP datagrams from any source to a group of receivers called the multicast host group. The datagram traffic for the multicast host group consists of datagrams with an arbitrary IP unicast source address *S* and the multicast group address *G* as the IP destination address. Systems will receive this traffic by becoming members of the host group. Membership in a host group simply requires signaling the host group through IGMP Version 1, 2, or 3.

In SSM, delivery of datagrams is based on (*S*, *G*) channels. Traffic for one (*S*, *G*) channel consists of datagrams with an IP unicast source address *S* and the multicast group address *G* as the IP destination address. Systems will receive this traffic by becoming members of the (*S*, *G*) channel. In both SSM and ISM, no signaling is required to become a source. However, in SSM, receivers must subscribe or unsubscribe to (*S*, *G*) channels to receive or not receive traffic from specific sources. In other words, receivers can receive traffic only from (*S*, *G*) channels to which they are subscribed, whereas in ISM, receivers need not know the IP addresses of sources from which they receive their traffic. The proposed standard approach for channel subscription signaling utilizes IGMP INCLUDE mode membership reports, which are supported only in IGMP Version 3.

SSM can coexist with the ISM service by applying the SSM delivery model to a configured subset of the IP multicast group address range. The Internet Assigned Numbers Authority (IANA) has reserved the address range from 232.0.0.0 through 232.255.255.255 for SSM applications and protocols. The software allows SSM configuration for an arbitrary subset of the IP multicast address range from 224.0.0.0 through 239.255.255.255. When an SSM range is defined, an existing IP multicast receiver application will not receive any traffic when it tries to use addresses in the SSM range unless the application is modified to use explicit (*S*, *G*) channel subscription or is SSM-enabled.

## SSM Operations

An established network in which IP multicast service is based on PIM-SM can support SSM services. SSM can also be deployed alone in a network without the full range of protocols that are required for interdomain PIM-SM. That is, SSM does not require an RP, so there is no need for an RP mechanism such as Auto-RP, MSDP, or bootstrap router (BSR).

If SSM is deployed in a network that is already configured for PIM-SM, then only the last-hop devices must be upgraded to a software image that supports SSM. Routers that are not directly connected to receivers do not have to upgrade to a software image that supports SSM. In general, these non-last-hop devices must only

run PIM-SM in the SSM range. They may need additional access control configuration to suppress MSDP signaling, registering, or PIM-SM shared-tree operations from occurring within the SSM range.

The SSM mode of operation is enabled by configuring the SSM range using the **ip pim ssm** global configuration command. This configuration has the following effects:

- For groups within the SSM range, (S, G) channel subscriptions are accepted through IGMPv3 INCLUDE mode membership reports.
- PIM operations within the SSM range of addresses change to PIM-SSM, a mode derived from PIM-SM. In this mode, only PIM (S, G) Join and Prune messages are generated by the device. Incoming messages related to rendezvous point tree (RPT) operations are ignored or rejected, and incoming PIM register messages are immediately answered with Register-Stop messages. PIM-SSM is backward-compatible with PIM-SM unless a device is a last-hop device. Therefore, devices that are not last-hop devices can run PIM-SM for SSM groups (for example, if they do not yet support SSM).
- For groups within the SSM range, no MSDP Source-Active (SA) messages within the SSM range will be accepted, generated, or forwarded.

## IGMPv3 Host Signaling

IGMPv3 is the third version of the IETF standards track protocol in which hosts signal membership to last-hop devices of multicast groups. IGMPv3 introduces the ability for hosts to signal group membership that allows filtering capabilities with respect to sources. A host can signal either that it wants to receive traffic from all sources sending to a group except for some specific sources (a mode called EXCLUDE) or that it wants to receive traffic only from some specific sources sending to the group (a mode called INCLUDE).

IGMPv3 can operate with both ISM and SSM. In ISM, both EXCLUDE and INCLUDE mode reports are accepted by the last-hop router. In SSM, only INCLUDE mode reports are accepted by the last-hop router.

## Benefits of Source Specific Multicast

### IP Multicast Address Management Not Required

In the ISM service, applications must acquire a unique IP multicast group address because traffic distribution is based only on the IP multicast group address used. If two applications with different sources and receivers use the same IP multicast group address, then receivers of both applications will receive traffic from the senders of both applications. Even though the receivers, if programmed appropriately, can filter out the unwanted traffic, this situation would cause generally unacceptable levels of unwanted traffic.

Allocating a unique IP multicast group address for an application is still a problem. Most short-lived applications use mechanisms like Session Description Protocol (SDP) and Session Announcement Protocol (SAP) to get a random address, a solution that does not work well with a rising number of applications in the Internet. The best current solution for long-lived applications is described in RFC 2770, but this solution suffers from the restriction that each autonomous system is limited to only 255 usable IP multicast addresses.

In SSM, traffic from each source is forwarded between devices in the network independent of traffic from other sources. Thus different sources can reuse multicast group addresses in the SSM range.

### Denial of Service Attacks from Unwanted Sources Inhibited

In SSM, multicast traffic from each individual source will be transported across the network only if it was requested (through IGMPv3 or IGMP v3lite memberships) from a receiver. In contrast, ISM forwards traffic from any active source sending to a multicast group to all receivers requesting that multicast group. In Internet

broadcast applications, this ISM behavior is highly undesirable because it allows unwanted sources to easily disturb the actual Internet broadcast source by simply sending traffic to the same multicast group. This situation depletes bandwidth at the receiver side with unwanted traffic and thus disrupts the undisturbed reception of the Internet broadcast. In SSM, this type of denial of service (DoS) attack cannot be made by simply sending traffic to a multicast group.

### Easy to Install and Manage

SSM is easy to install and provision in a network because it does not require the network to maintain which active sources are sending to multicast groups. This requirement exists in ISM (with IGMPv1, IGMPv2, or IGMPv3).

The current standard solutions for ISM service are PIM-SM and MSDP. Rendezvous point (RP) management in PIM-SM (including the necessity for Auto-RP or BSR) and MSDP is required only for the network to learn about active sources. This management is not necessary in SSM, which makes SSM easier than ISM to install and manage, and therefore easier than ISM to operationally scale in deployment. Another factor that contributes to the ease of installation of SSM is the fact that it can leverage preexisting PIM-SM networks and requires only the upgrade of last hop devices to support IGMPv3, or IGMP v3lite.

### Ideal for Internet Broadcast Applications

The three benefits previously described make SSM ideal for Internet broadcast-style applications for the following reasons:

- The ability to provide Internet broadcast services through SSM without the need for unique IP multicast addresses allows content providers to easily offer their service (IP multicast address allocation has been a serious problem for content providers in the past).
- The prevention against DoS attacks is an important factor for Internet broadcast services because, with their exposure to a large number of receivers, they are the most common targets for such attacks.
- The ease of installation and operation of SSM makes it ideal for network operators, especially in those cases where content needs to be forwarded between multiple independent PIM domains (because there is no need to manage MSDP for SSM between PIM domains).

## How to Configure Basic IP Multicast

The tasks described in this section configure the basic IP multicast modes. No single task in this section is required; however, at least one of the tasks must be performed to configure IP multicast in a network. More than one of the tasks may be needed.

## Configuring Sparse Mode with Auto-RP

### Before you begin

- An interface configured in sparse-dense mode is treated in either sparse mode or dense mode of operation, depending on the mode in which the multicast group operates. You must decide how to configure your interfaces.
- All access lists that are needed when Auto-RP is configured should be configured prior to beginning the configuration task.

**Note**

- If a group has no known RP and the interface is configured to be sparse-dense mode, the interface is treated as if it were in dense mode, and data is flooded over the interface. To avoid this data flooding, configure the Auto-RP listener and then configure the interface as sparse mode.
- When configuring Auto-RP, you must either configure the Auto-RP listener feature (Step 5) and specify sparse mode (Step 7) or specify sparse-dense mode (Step 8).
- When you configure sparse-dense mode, dense mode failover may result in a network dense-mode flood. To avoid this condition, use PIM sparse mode with the Auto-RP listener feature.

Follow this procedure to configure auto-rendezvous point (Auto-RP). Auto-RP can also be optionally used with anycast RP.

**SUMMARY STEPS**

1. **enable**
2. **configure terminal**
3. **ip multicast-routing distributed**
4. Either perform Steps 5 through 7 or perform Steps 6 and 8.
5. **ip pim autorp listener**
6. **interface** *type number*
7. **ip pim sparse-mode**
8. **ip pim sparse-dense-mode**
9. **exit**
10. Repeat Steps 1 through 9 on all PIM interfaces.
11. **ip pim send-rp-announce** *{interface-type interface-number | ip-address}* **scope** *ttl-value* [**group-list** *access-list*] [**interval** *seconds*] [**bidir**]
12. **ip pim send-rp-discovery** [*interface-type interface-number*] **scope** *ttl-value* [**interval** *seconds*]
13. **ip pim rp-announce-filter** **rp-list** *access-list* **group-list** *access-list*
14. **no ip pim dm-fallback**
15. **interface** *type number*
16. **ip multicast boundary** *access-list* [**filter-autorp**]
17. **end**
18. **show ip pim autorp**
19. **show ip pim rp** [**mapping**] [*rp-address*]
20. **show ip igmp groups** [*group-name | group-address | interface-type interface-number*] [**detail**]
21. **show ip mroute** [*group-address | group-name*] [*source-address | source-name*] [*interface-type interface-number*] [**summary**] [**count**] [**active** *kbps*]

**DETAILED STEPS**

	Command or Action	Purpose
Step 1	<b>enable</b> <b>Example:</b> Device> enable	Enables privileged EXEC mode. <ul style="list-style-type: none"> <li>• Enter your password if prompted.</li> </ul>

	Command or Action	Purpose
<b>Step 2</b>	<b>configure terminal</b> <b>Example:</b>  Device# configure terminal	Enters global configuration mode.
<b>Step 3</b>	<b>ip multicast-routing distributed</b> <b>Example:</b>  Device(config)# ip multicast-routing	Enables IP multicast routing.
<b>Step 4</b>	Either perform Steps 5 through 7 or perform Steps 6 and 8.	--
<b>Step 5</b>	<b>ip pim autorp listener</b> <b>Example:</b>  Device(config)# ip pim autorp listener	Causes IP multicast traffic for the two Auto-RP groups 224.0.1.39 and 224.0.1.40 to be PIM dense mode flooded across interfaces operating in PIM sparse mode. <ul style="list-style-type: none"> <li>• Skip this step if you are configuring sparse-dense mode in Step 8.</li> </ul>
<b>Step 6</b>	<b>interface type number</b> <b>Example:</b>  Device(config)# interface GigabitEthernet 1/0/0	Selects an interface that is connected to hosts on which PIM can be enabled.
<b>Step 7</b>	<b>ip pim sparse-mode</b> <b>Example:</b>  Device(config-if)# ip pim sparse-mode	Enables PIM sparse mode on an interface. When configuring Auto-RP in sparse mode, you must also configure the Auto-RP listener in the next step. <ul style="list-style-type: none"> <li>• Skip this step if you are configuring sparse-dense mode in Step 8.</li> </ul>
<b>Step 8</b>	<b>ip pim sparse-dense-mode</b> <b>Example:</b>  Device(config-if)# ip pim sparse-dense-mode	Enables PIM sparse-dense mode on an interface. <ul style="list-style-type: none"> <li>• Skip this step if you configured sparse mode in Step 7.</li> </ul>
<b>Step 9</b>	<b>exit</b> <b>Example:</b>  Device(config-if)# exit	Exits interface configuration mode and returns to global configuration mode.
<b>Step 10</b>	Repeat Steps 1 through 9 on all PIM interfaces.	--
<b>Step 11</b>	<b>ip pim send-rp-announce</b> <i>{interface-type interface-number   ip-address}</i> <b>scope ttl-value</b> [ <b>group-list access-list</b> ] [ <b>interval seconds</b> ] [ <b>bidir</b> ] <b>Example:</b>	Sends RP announcements out all PIM-enabled interfaces. <ul style="list-style-type: none"> <li>• Perform this step on the RP device only.</li> </ul>



	Command or Action	Purpose
	<pre>Device(config)# ip pim send-rp-announce loopback0 scope 31 group-list 5</pre>	<ul style="list-style-type: none"> <li>Use the <i>interface-type</i> and <i>interface-number</i> arguments to define which IP address is to be used as the RP address.</li> <li>Use the <i>ip-address</i> argument to specify a directly connected IP address as the RP address.</li> </ul> <p><b>Note</b> If the <i>ip-address</i> argument is configured for this command, the RP-announce message will be sourced by the interface to which this IP address is connected (that is, the source address in the IP header of the RP-announce message is the IP address of that interface).</p> <ul style="list-style-type: none"> <li>This example shows that the interface is enabled with a maximum of 31 hops. The IP address by which the device wants to be identified as RP is the IP address associated with loopback interface 0. Access list 5 describes the groups for which this device serves as RP.</li> </ul>
<p><b>Step 12</b></p>	<p><b>ip pim send-rp-discovery</b> [<i>interface-type interface-number</i>] <b>scope</b> <i>ttl-value</i> [<b>interval</b> <i>seconds</i>]</p> <p><b>Example:</b></p> <pre>Device(config)# ip pim send-rp-discovery loopback 1 scope 31</pre>	<p>Configures the device to be an RP mapping agent.</p> <ul style="list-style-type: none"> <li>Perform this step on RP mapping agent devices or on combined RP/RP mapping agent devices.</li> </ul> <p><b>Note</b> Auto-RP allows the RP function to run separately on one device and the RP mapping agent to run on one or multiple devices. It is possible to deploy the RP and the RP mapping agent on a combined RP/RP mapping agent device.</p> <ul style="list-style-type: none"> <li>Use the optional <i>interface-type</i> and <i>interface-number</i> arguments to define which IP address is to be used as the source address of the RP mapping agent.</li> <li>Use the <b>scope</b> keyword and <i>ttl-value</i> argument to specify the Time-to-Live (TTL) value in the IP header of Auto-RP discovery messages.</li> <li>Use the optional <b>interval</b> keyword and <i>seconds</i> argument to specify the interval at which Auto-RP discovery messages are sent.</li> </ul>

	Command or Action	Purpose
		<p><b>Note</b> Lowering the interval at which Auto-RP discovery messages are sent from the default value of 60 seconds results in more frequent floodings of the group-to-RP mappings. In some network environments, the disadvantages of lowering the interval (more control packet overhead) may outweigh the advantages (more frequent group-to-RP mapping updates).</p> <ul style="list-style-type: none"> <li>The example shows limiting the Auto-RP discovery messages to 31 hops on loopback interface 1.</li> </ul>
<b>Step 13</b>	<p><b>ip pim rp-announce-filter rp-list <i>access-list</i> group-list <i>access-list</i></b></p> <p><b>Example:</b></p> <pre>Device(config)# ip pim rp-announce-filter rp-list 1 group-list 2</pre>	<p>Filters incoming RP announcement messages sent from candidate RPs (C-RPs) to the RP mapping agent.</p> <ul style="list-style-type: none"> <li>Perform this step on the RP mapping agent only.</li> </ul>
<b>Step 14</b>	<p><b>no ip pim dm-fallback</b></p> <p><b>Example:</b></p> <pre>Device(config)# no ip pim dm-fallback</pre>	<p>(Optional) Prevents PIM dense mode fallback.</p> <ul style="list-style-type: none"> <li>Skip this step if all interfaces have been configured to operate in PIM sparse mode.</li> </ul> <p><b>Note</b> The <b>no ip pim dm-fallback</b> command behavior is enabled by default if all the interfaces are configured to operate in PIM sparse mode (using the <b>ip pim sparse-mode</b> command).</p>
<b>Step 15</b>	<p><b>interface <i>type number</i></b></p> <p><b>Example:</b></p> <pre>Device(config)# interface gigabitethernet 1/0/0</pre>	<p>Selects an interface that is connected to hosts on which PIM can be enabled.</p>
<b>Step 16</b>	<p><b>ip multicast boundary <i>access-list</i> [filter-autorp]</b></p> <p><b>Example:</b></p> <pre>Device(config-if)# ip multicast boundary 10 filter-autorp</pre>	<p>Configures an administratively scoped boundary.</p> <ul style="list-style-type: none"> <li>Perform this step on the interfaces that are boundaries to other devices.</li> <li>The access list is not shown in this task.</li> <li>An access list entry that uses the <b>deny</b> keyword creates a multicast boundary for packets that match that entry.</li> </ul>
<b>Step 17</b>	<p><b>end</b></p> <p><b>Example:</b></p> <pre>Device(config-if)# end</pre>	<p>Returns to global configuration mode.</p>

	Command or Action	Purpose
<b>Step 18</b>	<b>show ip pim autorp</b> <b>Example:</b> <pre>Device# show ip pim autorp</pre>	(Optional) Displays the Auto-RP information.
<b>Step 19</b>	<b>show ip pim rp [mapping] [rp-address]</b> <b>Example:</b> <pre>Device# show ip pim rp mapping</pre>	(Optional) Displays RPs known in the network and shows how the device learned about each RP.
<b>Step 20</b>	<b>show ip igmp groups [group-name   group-address   interface-type interface-number] [detail]</b> <b>Example:</b> <pre>Device# show ip igmp groups</pre>	(Optional) Displays the multicast groups having receivers that are directly connected to the device and that were learned through Internet Group Management Protocol (IGMP). <ul style="list-style-type: none"> <li>• A receiver must be active on the network at the time that this command is issued in order for receiver information to be present on the resulting display.</li> </ul>
<b>Step 21</b>	<b>show ip mroute [group-address   group-name] [source-address   source-name] [interface-type interface-number] [summary] [count] [active kbps]</b> <b>Example:</b> <pre>Device# show ip mroute cbone-audio</pre>	(Optional) Displays the contents of the IP multicast routing (mroute) table.

## What to Do Next

Proceed to the “ Verifying IP Multicast Operation ” module.

## Configuring Sparse Mode with a Single Static RP

A rendezvous point (RP) is required in networks running Protocol Independent Multicast sparse mode (PIM-SM). In PIM-SM, traffic will be forwarded only to network segments with active receivers that have explicitly requested multicast data.

This section describes how to configure sparse mode with a single static RP.

### Before you begin

All access lists that are needed when sparse mode is configured with a single static RP should be configured prior to beginning the configuration task.



**Note** The same RP address cannot be used for both bidirectional and sparse mode PIM groups.

## SUMMARY STEPS

1. **enable**
2. **configure terminal**
3. **ip multicast-routing distributed**
4. **interface** *type number*
5. **ip pim sparse-mode**
6. Repeat Steps 1 through 5 on every interface that uses IP multicast.
7. **exit**
8. **ip pim rp-address** *rp-address* [*access-list*] [**override**]
9. **end**
10. **show ip pim rp** [**mapping**] [*rp-address*]
11. **show ip igmp groups** [*group-name* | *group-address*] [*interface-type interface-number*] [**detail**]
12. **show ip mroute**

## DETAILED STEPS

	Command or Action	Purpose
<b>Step 1</b>	<b>enable</b> <b>Example:</b>  Router> enable	Enables privileged EXEC mode.  • Enter your password if prompted.
<b>Step 2</b>	<b>configure terminal</b> <b>Example:</b>  Router# configure terminal	Enters global configuration mode.
<b>Step 3</b>	<b>ip multicast-routing distributed</b> <b>Example:</b>  Router(config)# ip multicast-routing	Enables IP multicast routing.
<b>Step 4</b>	<b>interface</b> <i>type number</i> <b>Example:</b>  Router(config)# interface gigabitethernet 1/0/0	Selects an interface that is connected to hosts on which PIM can be enabled.
<b>Step 5</b>	<b>ip pim sparse-mode</b> <b>Example:</b>  Router(config-if)# ip pim sparse-mode	Enables PIM on an interface. You must use sparse mode.
<b>Step 6</b>	Repeat Steps 1 through 5 on every interface that uses IP multicast.	--
<b>Step 7</b>	<b>exit</b> <b>Example:</b>	Returns to global configuration mode.

	Command or Action	Purpose
	Router(config-if)# exit	
<b>Step 8</b>	<p><b>ip pim rp-address</b> <i>rp-address</i> [<i>access-list</i>] [<b>override</b>]</p> <p><b>Example:</b></p> <pre>Router(config)# ip pim rp-address 192.168.0.0</pre>	<p>Configures the address of a PIM RP for a particular group.</p> <ul style="list-style-type: none"> <li>The optional <i>access-list</i> argument is used to specify the number or name a standard access list that defines the multicast groups to be statically mapped to the RP.</li> </ul> <p><b>Note</b> If no access list is defined, the RP will map to all multicast groups, 224/4.</p> <ul style="list-style-type: none"> <li>The optional <b>override</b> keyword is used to specify that if dynamic and static group-to-RP mappings are used together and there is an RP address conflict, the RP address configured for a static group-to-RP mapping will take precedence.</li> </ul> <p><b>Note</b> If the <b>override</b> keyword is not specified and there is RP address conflict, dynamic group-to-RP mappings will take precedence over static group-to-RP mappings.</p>
<b>Step 9</b>	<p><b>end</b></p> <p><b>Example:</b></p> <pre>Router(config)# end</pre>	Ends the current configuration session and returns to EXEC mode.
<b>Step 10</b>	<p><b>show ip pim rp</b> [<b>mapping</b>] [<i>rp-address</i>]</p> <p><b>Example:</b></p> <pre>Router# show ip pim rp mapping</pre>	(Optional) Displays RPs known in the network and shows how the router learned about each RP.
<b>Step 11</b>	<p><b>show ip igmp groups</b> [<i>group-name</i>   <i>group-address</i>   <i>interface-type interface-number</i>] [<b>detail</b>]</p> <p><b>Example:</b></p> <pre>Router# show ip igmp groups</pre>	<p>(Optional) Displays the multicast groups having receivers that are directly connected to the router and that were learned through IGMP.</p> <ul style="list-style-type: none"> <li>A receiver must be active on the network at the time that this command is issued in order for receiver information to be present on the resulting display.</li> </ul>
<b>Step 12</b>	<p><b>show ip mroute</b></p> <p><b>Example:</b></p> <pre>Router# show ip mroute</pre>	(Optional) Displays the contents of the IP mroute table.

## What to Do Next

Proceed to the “ Verifying IP Multicast Operation ” module.

## Configuring Source Specific Multicast

This section describes how to configure Source Specific Multicast (SSM).

### Before you begin

If you want to use an access list to define the SSM range, configure the access list before you reference the access list in the **ip pim ssm** command.

### SUMMARY STEPS

1. **enable**
2. **configure terminal**
3. **ip multicast-routing distributed**
4. **ip pim ssm** {**default** | **range** *access-list*}
5. **interface** *type number*
6. **ip pim sparse-mode**
7. Repeat Steps 1 through 6 on every interface that uses IP multicast.
8. **ip igmp version 3**
9. Repeat Step 8 on all host-facing interfaces.
10. **end**
11. **show ip igmp groups** [*group-name* | *group-address*] *interface-type interface-number* [**detail**]
12. **show ip mroute**

### DETAILED STEPS

	Command or Action	Purpose
<b>Step 1</b>	<b>enable</b> <b>Example:</b>  Device> enable	Enables privileged EXEC mode.  • Enter your password if prompted.
<b>Step 2</b>	<b>configure terminal</b> <b>Example:</b>  Device# configure terminal	Enters global configuration mode.
<b>Step 3</b>	<b>ip multicast-routing distributed</b> <b>Example:</b>  Device(config)# ip multicast-routing	Enables IP multicast routing.
<b>Step 4</b>	<b>ip pim ssm</b> { <b>default</b>   <b>range</b> <i>access-list</i> }	Configures SSM service.

	Command or Action	Purpose
	Device(config)# ip pim ssm default	<ul style="list-style-type: none"> <li>The <b>default</b> keyword defines the SSM range access list as 232/8.</li> <li>The <b>range</b> keyword specifies the standard IP access list number or name that defines the SSM range.</li> </ul>
<b>Step 5</b>	<b>interface</b> <i>type number</i> <b>Example:</b> Device(config)# interface gigabitethernet 1/0/0	Selects an interface that is connected to hosts on which IGMPv3 can be enabled.
<b>Step 6</b>	<b>ip pim sparse-mode</b> <b>Example:</b> Device(config-if)# ip pim sparse-mode	Enables PIM on an interface. You must use sparse mode.
<b>Step 7</b>	Repeat Steps 1 through 6 on every interface that uses IP multicast.	--
<b>Step 8</b>	<b>ip igmp version 3</b> <b>Example:</b> Device(config-if)# ip igmp version 3	Enables IGMPv3 on this interface. The default version of IGMP is set to Version 2. Version 3 is required by SSM.
<b>Step 9</b>	Repeat Step 8 on all host-facing interfaces.	--
<b>Step 10</b>	<b>end</b> <b>Example:</b> Device(config-if)# end	Ends the current configuration session and returns to privileged EXEC mode.
<b>Step 11</b>	<b>show ip igmp groups</b> [ <i>group-name</i>   <i>group-address</i>   <i>interface-type interface-number</i> ] [ <b>detail</b> ] <b>Example:</b> Device# show ip igmp groups	(Optional) Displays the multicast groups having receivers that are directly connected to the device and that were learned through IGMP. <ul style="list-style-type: none"> <li>A receiver must be active on the network at the time that this command is issued in order for receiver information to be present on the resulting display.</li> </ul>
<b>Step 12</b>	<b>show ip mroute</b> <b>Example:</b> Device# show ip mroute	(Optional) Displays the contents of the IP mroute table. <ul style="list-style-type: none"> <li>This command displays whether a multicast group is configured for SSM service or a source-specific host report has been received.</li> </ul>

## What to Do Next

Proceed to the “ Verifying IP Multicast Operation ” module.

# Configuration Examples for Basic IP Multicast

## Example: Sparse Mode with Auto-RP

The following example configures sparse mode with Auto-RP:

```
ip multicast-routing
ip pim autorp listener
ip pim send-rp-announce Loopback0 scope 16 group-list 1
ip pim send-rp-discovery Loopback1 scope 16
no ip pim dm-fallback
access-list 1 permit 239.254.2.0 0.0.0.255
access-list 1 permit 239.254.3.0 0.0.0.255
.
.
.
access-list 10 permit 224.0.1.39
access-list 10 permit 224.0.1.40
access-list 10 permit 239.254.2.0 0.0.0.255
access-list 10 permit 239.254.3.0 0.0.0.255
```

## Example: Sparse Mode with a Single Static RP

The following example sets the PIM RP address to 192.168.1.1 for all multicast groups and defines all groups to operate in sparse mode:

```
ip multicast-routing
interface gigabitethernet 1/0/0
 ip pim sparse-mode
 ip pim rp-address 192.168.1.1
```




---

**Note** The same RP cannot be used for both bidirectional and sparse mode groups.

---

The following example sets the PIM RP address to 172.16.1.1 for the multicast group 225.2.2.2 only:

```
access list 1 225.2.2.2 0.0.0.0
 ip pim rp-address 172.17.1.1
```

## SSM with IGMPv3 Example

The following example shows how to configure a device (running IGMPv3) for SSM:

```
ip multicast-routing
!
interface GigabitEthernet3/1/0
 ip address 172.21.200.203 255.255.255.0
 description backbone interface
 ip pim sparse-mode
!
interface GigabitEthernet3/2/0
 ip address 131.108.1.2 255.255.255.0
 ip pim sparse-mode
```



```

description ethernet connected to hosts
ip igmp version 3
!
ip pim ssm default

```

## SSM Filtering Example

The following example shows how to configure filtering on legacy RP routers running software releases that do not support SSM routing. This filtering will suppress all unwanted PIM-SM and MSDP traffic in the SSM range. Without this filtering, SSM will still operate, but there may be additional RPT traffic if legacy first hop and last hop routers exist in the network.

```

ip access-list extended no-ssm-range
deny ip any 232.0.0.0 0.255.255.255 ! SSM range
permit ip any any
! Deny registering in SSM range
ip pim accept-register list no-ssm-range
ip access-list extended msdp-nono-list
deny ip any 232.0.0.0 0.255.255.255 ! SSM Range
! .
! .
! .
! See ftp://ftpeng.cisco.com/ipmulticast/config-notes/msdp-sa-filter.txt for other SA
! messages that typically need to be filtered.
permit ip any any
! Filter generated SA messages in SSM range. This configuration is only needed if there
! are directly connected sources to this router. The "ip pim accept-register" command
! filters remote sources.
ip msdp redistribute list msdp-nono-list
! Filter received SA messages in SSM range. "Filtered on receipt" means messages are
! neither processed or forwarded. Needs to be configured for each MSDP peer.
ip msdp sa-filter in msdp-peer1 list msdp-nono-list
! .
! .
! .
ip msdp sa-filter in msdp-peerN list msdp-nono-list

```





## CHAPTER 3

# Configuring Source Specific Multicast

This module describes how to configure Source Specific Multicast (SSM). The Source Specific Multicast feature is an extension of IP multicast where datagram traffic is forwarded to receivers from only those multicast sources to which the receivers have explicitly joined. For multicast groups configured for SSM, only source-specific multicast distribution trees (no shared trees) are created.

- [Restrictions for Source Specific Multicast, on page 35](#)
- [Information About Source Specific Multicast, on page 36](#)
- [How to Configure Source Specific Multicast, on page 40](#)
- [Configuration Examples of Source Specific Multicast, on page 41](#)

## Restrictions for Source Specific Multicast

### Legacy Applications Within the SSM Range Restrictions

Existing applications in a network predating SSM will not work within the SSM range unless they are modified to support (S, G) channel subscriptions. Therefore, enabling SSM in a network may cause problems for existing applications if they use addresses within the designated SSM range.

### IGMP v3lite Requires a Cisco Last Hop Router

SSM and IGMPv3 are solutions that are being standardized in the IETF. However, IGMP v3lite is a Cisco-developed solution. For IGMP v3lite to operate properly for a host, the last hop router toward that host must be a Cisco router with IGMP v3lite enabled.



**Note** This limitation does not apply to an application using the HSIL if the host has kernel support for IGMPv3, because then the HSIL will use the kernel IGMPv3 instead of IGMP v3lite.

### Address Management Restrictions

Address management is still necessary to some degree when SSM is used with Layer 2 switching mechanisms. If different receivers in a switched network request different (S, G) channels sharing the same group, then they will not benefit from these existing mechanisms. Instead, both receivers will receive all (S, G) channel traffic (and filter out the unwanted traffic on input). Because of the ability of SSM to reuse the group addresses in the SSM range for many independent applications, this situation can lead to less than expected traffic

filtering in a switched network. For this reason it is important to follow the recommendations set forth in the IETF drafts for SSM to use random IP addresses out of the SSM range for an application to minimize the chance for reuse of a single address within the SSM range between different applications. For example, an application service providing a set of television channels should, even with SSM, use a different group for each television (S, G) channel. This setup will guarantee that multiple receivers to different channels within the same application service will never experience traffic aliasing in networks that include Layer 2 switches.

### IGMP Snooping Limitations

IGMPv3 uses new membership report messages that may not be recognized correctly by older IGMP Snooping switches, in which case hosts will not properly receive traffic. This situation is not an issue if IGMP v3lite is used with hosts where the operating system is not upgraded for IGMPv3, because IGMP v3lite relies only on IGMPv1 or IGMPv2 membership reports.

### State Maintenance Limitations

In PIM-SSM, the last hop router will continue to periodically send (S, G) join messages if appropriate (S, G) subscriptions are on the interfaces. Therefore, as long as receivers send (S, G) subscriptions, the shortest path tree (SPT) state from the receivers to the source will be maintained, even if the source is not sending traffic for longer periods of time (or even never).

This case is opposite to PIM-SM, where (S, G) state is maintained only if the source is sending traffic and receivers are joining the group. If a source stops sending traffic for more than 3 minutes in PIM-SM, the (S, G) state will be deleted and only reestablished after packets from the source arrive again through the RPT. Because no mechanism in PIM-SSM notifies a receiver that a source is active, the network must maintain the (S, G) state in PIM-SSM as long as receivers are requesting receipt of that channel.

## Information About Source Specific Multicast

### SSM Overview

Source Specific Multicast (SSM). SSM is an extension of IP multicast where datagram traffic is forwarded to receivers from only those multicast sources that the receivers have explicitly joined. For multicast groups configured for SSM, only source-specific multicast distribution trees (not shared trees) are created.

### SSM Components

SSM is a datagram delivery model that best supports one-to-many applications, also known as broadcast applications.

SSM is a core networking technology for Cisco's implementation of IP multicast solutions targeted for audio and video broadcast application environments and is described in RFC 3569. The following components together support the implementation of SSM:

- Protocol Independent Multicast source-specific mode (PIM-SSM)
- Internet Group Management Protocol Version 3 (IGMPv3)

Protocol Independent Multicast (PIM) SSM, or PIM-SSM, is the routing protocol that supports the implementation of SSM and is derived from PIM sparse mode (PIM-SM). IGMP is the Internet Engineering Task Force (IETF) standards track protocol used for hosts to signal multicast group membership to routers.

IGMP Version 3 supports source filtering, which is required for SSM. For SSM to run with IGMPv3, SSM must be supported in the router, the host where the application is running, and the application itself.

## How SSM Differs from Internet Standard Multicast

The standard IP multicast infrastructure in the Internet and many enterprise intranets is based on the PIM-SM protocol and Multicast Source Discovery Protocol (MSDP). These protocols have proved to be reliable, extensive, and efficient. However, they are bound to the complexity and functionality limitations of the Internet Standard Multicast (ISM) service model. For example, with ISM, the network must maintain knowledge about which hosts in the network are actively sending multicast traffic. With SSM, this information is provided by receivers through the source addresses relayed to the last-hop devices by IGMPv3. SSM is an incremental response to the issues associated with ISM and is intended to coexist in the network with the protocols developed for ISM. In general, SSM provides IP multicast service for applications that utilize SSM.

ISM service is described in RFC 1112. This service consists of the delivery of IP datagrams from any source to a group of receivers called the multicast host group. The datagram traffic for the multicast host group consists of datagrams with an arbitrary IP unicast source address *S* and the multicast group address *G* as the IP destination address. Systems will receive this traffic by becoming members of the host group. Membership in a host group simply requires signaling the host group through IGMP Version 1, 2, or 3.

In SSM, delivery of datagrams is based on (*S, G*) channels. Traffic for one (*S, G*) channel consists of datagrams with an IP unicast source address *S* and the multicast group address *G* as the IP destination address. Systems will receive this traffic by becoming members of the (*S, G*) channel. In both SSM and ISM, no signaling is required to become a source. However, in SSM, receivers must subscribe or unsubscribe to (*S, G*) channels to receive or not receive traffic from specific sources. In other words, receivers can receive traffic only from (*S, G*) channels to which they are subscribed, whereas in ISM, receivers need not know the IP addresses of sources from which they receive their traffic. The proposed standard approach for channel subscription signaling utilizes IGMP INCLUDE mode membership reports, which are supported only in IGMP Version 3.

SSM can coexist with the ISM service by applying the SSM delivery model to a configured subset of the IP multicast group address range. The Internet Assigned Numbers Authority (IANA) has reserved the address range from 232.0.0.0 through 232.255.255.255 for SSM applications and protocols. The software allows SSM configuration for an arbitrary subset of the IP multicast address range from 224.0.0.0 through 239.255.255.255. When an SSM range is defined, an existing IP multicast receiver application will not receive any traffic when it tries to use addresses in the SSM range unless the application is modified to use explicit (*S, G*) channel subscription.

## SSM Operations

An established network in which IP multicast service is based on PIM-SM can support SSM services. SSM can also be deployed alone in a network without the full range of protocols that are required for interdomain PIM-SM. That is, SSM does not require an RP, so there is no need for an RP mechanism such as Auto-RP, MSDP, or bootstrap router (BSR).

If SSM is deployed in a network that is already configured for PIM-SM, then only the last-hop routers must be upgraded to a software image that supports SSM. Routers that are not directly connected to receivers do not have to upgrade to a software image that supports SSM. In general, these non-last-hop routers must only run PIM-SM in the SSM range. They may need additional access control configuration to suppress MSDP signaling, registering, or PIM-SM shared-tree operations from occurring within the SSM range.

The SSM mode of operation is enabled by configuring the SSM range using the **ip pim ssm** global configuration command. This configuration has the following effects:

- For groups within the SSM range, (S, G) channel subscriptions are accepted through IGMPv3 INCLUDE mode membership reports.
- PIM operations within the SSM range of addresses change to PIM-SSM, a mode derived from PIM-SM. In this mode, only PIM (S, G) Join and Prune messages are generated by the router. Incoming messages related to rendezvous point tree (RPT) operations are ignored or rejected, and incoming PIM register messages are immediately answered with Register-Stop messages. PIM-SSM is backward-compatible with PIM-SM unless a router is a last-hop router. Therefore, routers that are not last-hop routers can run PIM-SM for SSM groups (for example, if they do not yet support SSM).
- For groups within the SSM range, no MSDP Source-Active (SA) messages within the SSM range will be accepted, generated, or forwarded.

## IGMPv3 Host Signaling

IGMPv3 is the third version of the IETF standards track protocol in which hosts signal membership to last-hop routers of multicast groups. IGMPv3 introduces the ability for hosts to signal group membership that allows filtering capabilities with respect to sources. A host can signal either that it wants to receive traffic from all sources sending to a group except for some specific sources (a mode called EXCLUDE) or that it wants to receive traffic only from some specific sources sending to the group (a mode called INCLUDE).

IGMPv3 can operate with both ISM and SSM. In ISM, both EXCLUDE and INCLUDE mode reports are accepted by the last-hop router. In SSM, only INCLUDE mode reports are accepted by the last-hop router.

## Benefits of Source Specific Multicast

### IP Multicast Address Management Not Required

In the ISM service, applications must acquire a unique IP multicast group address because traffic distribution is based only on the IP multicast group address used. If two applications with different sources and receivers use the same IP multicast group address, then receivers of both applications will receive traffic from the senders of both applications. Even though the receivers, if programmed appropriately, can filter out the unwanted traffic, this situation would cause generally unacceptable levels of unwanted traffic.

Allocating a unique IP multicast group address for an application is still a problem. Most short-lived applications use mechanisms like Session Description Protocol (SDP) and Session Announcement Protocol (SAP) to get a random address, a solution that does not work well with a rising number of applications in the Internet. The best current solution for long-lived applications is described in RFC 2770, but this solution suffers from the restriction that each autonomous system is limited to only 255 usable IP multicast addresses.

In SSM, traffic from each source is forwarded between devices in the network independent of traffic from other sources. Thus different sources can reuse multicast group addresses in the SSM range.

### Denial of Service Attacks from Unwanted Sources Inhibited

In SSM, multicast traffic from each individual source will be transported across the network only if it was requested (through IGMPv3 or IGMP v3lite memberships) from a receiver. In contrast, ISM forwards traffic from any active source sending to a multicast group to all receivers requesting that multicast group. In Internet broadcast applications, this ISM behavior is highly undesirable because it allows unwanted sources to easily disturb the actual Internet broadcast source by simply sending traffic to the same multicast group. This situation depletes bandwidth at the receiver side with unwanted traffic and thus disrupts the undisturbed reception of the Internet broadcast. In SSM, this type of denial of service (DoS) attack cannot be made by simply sending traffic to a multicast group.

### Easy to Install and Manage

SSM is easy to install and provision in a network because it does not require the network to maintain which active sources are sending to multicast groups. This requirement exists in ISM (with IGMPv1, IGMPv2, or IGMPv3).

The current standard solutions for ISM service are PIM-SM and MSDP. Rendezvous point (RP) management in PIM-SM (including the necessity for Auto-RP or BSR) and MSDP is required only for the network to learn about active sources. This management is not necessary in SSM, which makes SSM easier than ISM to install and manage, and therefore easier than ISM to operationally scale in deployment. Another factor that contributes to the ease of installation of SSM is the fact that it can leverage preexisting PIM-SM networks and requires only the upgrade of last hop devices to support IGMPv3, or IGMP v3lite.

### Ideal for Internet Broadcast Applications

The three benefits previously described make SSM ideal for Internet broadcast-style applications for the following reasons:

- The ability to provide Internet broadcast services through SSM without the need for unique IP multicast addresses allows content providers to easily offer their service (IP multicast address allocation has been a serious problem for content providers in the past).
- The prevention against DoS attacks is an important factor for Internet broadcast services because, with their exposure to a large number of receivers, they are the most common targets for such attacks.
- The ease of installation and operation of SSM makes it ideal for network operators, especially in those cases where content needs to be forwarded between multiple independent PIM domains (because there is no need to manage MSDP for SSM between PIM domains).

## IGMP v3lite Host Signalling

IGMP v3lite is a Cisco-developed transitional solution for application developers to immediately start programming SSM applications. It allows you to write and run SSM applications on hosts that do not yet support IGMPv3 in their operating system kernel.

Applications must be compiled with the Host Side IGMP Library (HSIL) for IGMP v3lite. This software provides applications with a subset of the IGMPv3 applications programming interface (API) that is required to write SSM applications. HSIL was developed for Cisco by Talarian and is available from the following web page:

<http://www.talarianmulticast.com/cgi-bin/igmpdownload>

One part of the HSIL is a client library linked to the SSM application. It provides the SSM subset of the IGMPv3 API to the SSM application. If possible, the library checks whether the operating system kernel supports IGMPv3. If it does, then the API calls simply are passed through to the kernel. If the kernel does not support IGMPv3, then the library uses the IGMP v3lite mechanism.

When using the IGMP v3lite mechanism, the library tells the operating system kernel to join to the whole multicast group, because joining to the whole group is the only method for the application to receive traffic for that multicast group (if the operating system kernel only supports IGMPv1 or IGMPv2). In addition, the library signals the (S, G) channel subscriptions to an IGMP v3lite server process, which is also part of the HSIL. A server process is needed because multiple SSM applications may be on the same host. This server process will then send IGMP v3lite-specific (S, G) channel subscriptions to the last hop Cisco IOS router, which needs to be enabled for IGMP v3lite. This router will then “see” both the IGMPv1 or IGMPv2 group membership report from the operating system kernel and the (S, G) channel subscription from the HSIL

daemon. If the router sees both of these messages, it will interpret them as an SSM (S, G) channel subscription and join to the channel through PIM-SSM. We recommend referring to the documentation accompanying the HSIL software for further information on how to utilize IGMP v3lite with your application.

IGMP v3lite is supported by Cisco only through the API provided by the HSIL, not as a function of the router independent of the HSIL. By default, IGMP v3lite is disabled. When IGMP v3lite is configured through the **ip igmp v3lite** interface configuration command on an interface, it will be active only for IP multicast addresses in the SSM range.

# How to Configure Source Specific Multicast

## Configuring SSM

To configure SSM, use the following commands beginning in global configuration mode:

### SUMMARY STEPS

1. **ip pim ssm** [**default** | **rangeaccess-list** ]
2. **interface** *type number*
3. **ip pim** {**sparse-mode** | **sparse-dense-mode**}
4. Do one of the following:
  - **ip igmp version 3**
  - **ip igmp v3lite**

### DETAILED STEPS

	Command or Action	Purpose
<b>Step 1</b>	<b>ip pim ssm</b> [ <b>default</b>   <b>rangeaccess-list</b> ]  <b>Example:</b>  Router(config)# ip pim ssm default	Defines the SSM range of IP multicast addresses.
<b>Step 2</b>	<b>interface</b> <i>type number</i>  <b>Example:</b>  Router(config)# interface gigabitethernet 0/0/1	Selects an interface that is connected to hosts on which IGMPv3, IGMP v3lite, and URD can be enabled.
<b>Step 3</b>	<b>ip pim</b> { <b>sparse-mode</b>   <b>sparse-dense-mode</b> }  <b>Example:</b>  Router(config-if)# ip pim sparse-mode	Enables PIM on an interface. You must use either sparse mode or sparse-dense mode.
<b>Step 4</b>	Do one of the following:  <ul style="list-style-type: none"> <li>• <b>ip igmp version 3</b></li> <li>• <b>ip igmp v3lite</b></li> </ul>	Enables IGMPv3 on this interface. The default version of IGMP is set to Version 2.  or



Command or Action	Purpose
<b>Example:</b>  Router(config-if)# ip igmp version 3  or  Router(config-if)# ip igmp v3lite	Enables the acceptance and processing of IGMP v3lite membership reports on an interface.  or  Enables interception of TCP packets sent to the reserved URD port 465 on an interface and processing of URD channel subscription reports.

## Monitoring SSM

In Native Multicast, when IGMPv3 multicast groups with PIM-SSM and IGMP Snooping configurations (Layer2 multicast and Layer3 multicast) are enabled together, the maximum supported scale is 1938 groups. This is applicable on the RSP2 module.

Command	Purpose
Router# <b>show ip igmp groups detail</b>	Displays the (S, G) channel subscription through IGMPv3 or IGMP v3lite.
Router# <b>show ip mroute</b>	Displays whether a multicast group supports SSM service or whether a source-specific host report was received.

## Configuration Examples of Source Specific Multicast

tbd

### SSM with IGMPv3 Example

The following example shows how to configure a router (running IGMPv3) for SSM:

```
ip multicast-routing
!
interface GigabitEthernet3/1/0
 ip address 172.21.200.203 255.255.255.0
 description backbone interface
 ip pim sparse-mode
!
interface GigabitEthernet3/2/0
 ip address 131.108.1.2 255.255.255.0
 ip pim sparse-mode
 description ethernet connected to hosts
 ip igmp version 3
!
ip pim ssm default
```





## CHAPTER 4

# SSM Mapping

The Source Specific Multicast (SSM) Mapping feature extends the Cisco suite of SSM transition tools, which also includes URL Rendezvous Directory (URD) and Internet Group Management Protocol Version 3 Lite (IGMP v3lite). SSM mapping supports SSM transition in cases where neither URD nor IGMP v3lite is available, or when supporting SSM on the end system is impossible or unwanted due to administrative or technical reasons. SSM mapping enables you to leverage SSM for video delivery to legacy set-top boxes (STBs) that do not support IGMPv3 or for applications that do not take advantage of the IGMPv3 host stack.

- [Finding Feature Information, on page 43](#)
- [Prerequisites for SSM Mapping, on page 43](#)
- [Restrictions for SSM Mapping, on page 44](#)
- [Information About SSM Mapping, on page 44](#)
- [How to Configure SSM Mapping, on page 48](#)
- [Configuration Examples for SSM Mapping, on page 55](#)

## Finding Feature Information

Your software release may not support all the features documented in this module. For the latest caveats and feature information, see [Bug Search Tool](#) and the release notes for your platform and software release. To find information about the features documented in this module, and to see a list of the releases in which each feature is supported, see the feature information table.

Use Cisco Feature Navigator to find information about platform support and Cisco software image support. To access Cisco Feature Navigator, go to [www.cisco.com/go/cfn](http://www.cisco.com/go/cfn). An account on Cisco.com is not required.

## Prerequisites for SSM Mapping

One option available for using SSM mapping is to install it together with a Domain Name System (DNS) server to simplify administration of the SSM Mapping feature in larger deployments.

Before you can configure and use SSM mapping with DNS lookups, you need to add records to a running DNS server. If you do not already have a DNS server running, you need to install one.

## Restrictions for SSM Mapping

- The SSM Mapping feature does not share the benefit of full SSM. SSM mapping takes a group G join from a host and identifies this group with an application associated with one or more sources, therefore, it can only support one such application per group G. Nevertheless, full SSM applications may still share the same group also used in SSM mapping.
- Enable IGMPv3 with care on the last hop router when you rely solely on SSM mapping as a transition solution for full SSM.

## Information About SSM Mapping

### SSM Components

SSM is a datagram delivery model that best supports one-to-many applications, also known as broadcast applications. SSM is a core networking technology for the Cisco implementation of IP multicast solutions targeted for audio and video broadcast application environments and is described in RFC 3569. The following two components together support the implementation of SSM:

- Protocol Independent Multicast source-specific mode (PIM-SSM)
- Internet Group Management Protocol Version 3 (IGMPv3)

Protocol Independent Multicast (PIM) SSM, or PIM-SSM, is the routing protocol that supports the implementation of SSM and is derived from PIM sparse mode (PIM-SM). IGMP is the Internet Engineering Task Force (IETF) standards track protocol used for hosts to signal multicast group membership to routers. IGMP Version 3 supports source filtering, which is required for SSM. IGMP For SSM to run with IGMPv3, SSM must be supported in the router, the host where the application is running, and the application itself.

## Benefits of Source Specific Multicast

### IP Multicast Address Management Not Required

In the ISM service, applications must acquire a unique IP multicast group address because traffic distribution is based only on the IP multicast group address used. If two applications with different sources and receivers use the same IP multicast group address, then receivers of both applications will receive traffic from the senders of both applications. Even though the receivers, if programmed appropriately, can filter out the unwanted traffic, this situation would cause generally unacceptable levels of unwanted traffic.

Allocating a unique IP multicast group address for an application is still a problem. Most short-lived applications use mechanisms like Session Description Protocol (SDP) and Session Announcement Protocol (SAP) to get a random address, a solution that does not work well with a rising number of applications in the Internet. The best current solution for long-lived applications is described in RFC 2770, but this solution suffers from the restriction that each autonomous system is limited to only 255 usable IP multicast addresses.

In SSM, traffic from each source is forwarded between routers in the network independent of traffic from other sources. Thus different sources can reuse multicast group addresses in the SSM range.

### Denial of Service Attacks from Unwanted Sources Inhibited

In SSM, multicast traffic from each individual source will be transported across the network only if it was requested (through IGMPv3, IGMP v3lite, or URD memberships) from a receiver. In contrast, ISM forwards traffic from any active source sending to a multicast group to all receivers requesting that multicast group. In Internet broadcast applications, this ISM behavior is highly undesirable because it allows unwanted sources to easily disturb the actual Internet broadcast source by simply sending traffic to the same multicast group. This situation depletes bandwidth at the receiver side with unwanted traffic and thus disrupts the undisturbed reception of the Internet broadcast. In SSM, this type of denial of service (DoS) attack cannot be made by simply sending traffic to a multicast group.

### Easy to Install and Manage

SSM is easy to install and provision in a network because it does not require the network to maintain which active sources are sending to multicast groups. This requirement exists in ISM (with IGMPv1, IGMPv2, or IGMPv3).

The current standard solutions for ISM service are PIM-SM and MSDP. Rendezvous point (RP) management in PIM-SM (including the necessity for Auto-RP or BSR) and MSDP is required only for the network to learn about active sources. This management is not necessary in SSM, which makes SSM easier than ISM to install and manage, and therefore easier than ISM to operationally scale in deployment. Another factor that contributes to the ease of installation of SSM is the fact that it can leverage preexisting PIM-SM networks and requires only the upgrade of last hop routers to support IGMPv3, IGMP v3lite, or URD.

### Ideal for Internet Broadcast Applications

The three benefits previously described make SSM ideal for Internet broadcast-style applications for the following reasons:

- The ability to provide Internet broadcast services through SSM without the need for unique IP multicast addresses allows content providers to easily offer their service (IP multicast address allocation has been a serious problem for content providers in the past).
- The prevention against DoS attacks is an important factor for Internet broadcast services because, with their exposure to a large number of receivers, they are the most common targets for such attacks.
- The ease of installation and operation of SSM makes it ideal for network operators, especially in those cases where content needs to be forwarded between multiple independent PIM domains (because there is no need to manage MSDP for SSM between PIM domains).

## SSM Transition Solutions

The Cisco IOS suite of SSM transition solutions consists of the following transition solutions that enable the immediate development and deployment of SSM services, without the need to wait for the availability of full IGMPv3 support in host operating systems and SSM receiver applications:

- Internet Group Management Protocol Version 3 lite (IGMP v3lite)
- URL Rendezvous Directory (URD)
- SSM mapping

IGMP v3lite is a solution for application developers that allows immediate development of SSM receiver applications switching to IGMPv3 as soon as it becomes available.

For more information about IGMP v3lite, see the “ Configuring Source Specific Multicast ” module.

URD is an SSM transition solution for content providers and content aggregators that allows them to deploy receiver applications that are not yet SSM enabled (through support for IGMPv3) by enabling the receiving applications to be started and controlled through a web browser.

For more information about URD, see the see the “ Configuring Source Specific Multicast ” module.

SSM mapping supports SSM transition in cases where neither URD nor IGMP v3lite are available, or when supporting SSM on the end system is impossible or unwanted due to administrative or technical reasons.

## SSM Mapping Overview

SSM mapping supports SSM transition when supporting SSM on the end system is impossible or unwanted due to administrative or technical reasons. Using SSM to deliver live streaming video to legacy STBs that do not support IGMPv3 is a typical application of SSM mapping.

In a typical STB deployment, each TV channel uses one separate IP multicast group and has one active server host sending the TV channel. A single server may of course send multiple TV channels, but each to a different group. In this network environment, if a router receives an IGMPv1 or IGMPv2 membership report for a particular group G, the report implicitly addresses the well-known TV server for the TV channel associated with the multicast group.

SSM mapping introduces a means for the last hop router to discover sources sending to groups. When SSM mapping is configured, if a router receives an IGMPv1 or IGMPv2 membership report for a particular group G, the router translates this report into one or more (S, G) channel memberships for the well-known sources associated with this group.

When the router receives an IGMPv1 or IGMPv2 membership report for group G, the router uses SSM mapping to determine one or more source IP addresses for group G. SSM mapping then translates the membership report as an IGMPv3 report INCLUDE (G, [S1, G], [S2, G]...[Sn, G] and continues as if it had received an IGMPv3 report. The router then sends out PIM joins toward (S1, G) to (Sn, G) and continues to be joined to these groups as long as it continues to receive the IGMPv1 or IGMPv2 membership reports and as long as the SSM mapping for the group remains the same. SSM mapping, thus, enables you to leverage SSM for video delivery to legacy STBs that do not support IGMPv3 or for applications that do not take advantage of the IGMPv3 host stack.

SSM mapping enables the last hop router to determine the source addresses either by a statically configured table on the router or by consulting a DNS server. When the statically configured table is changed, or when the DNS mapping changes, the router will leave the current sources associated with the joined groups.

## Static SSM Mapping

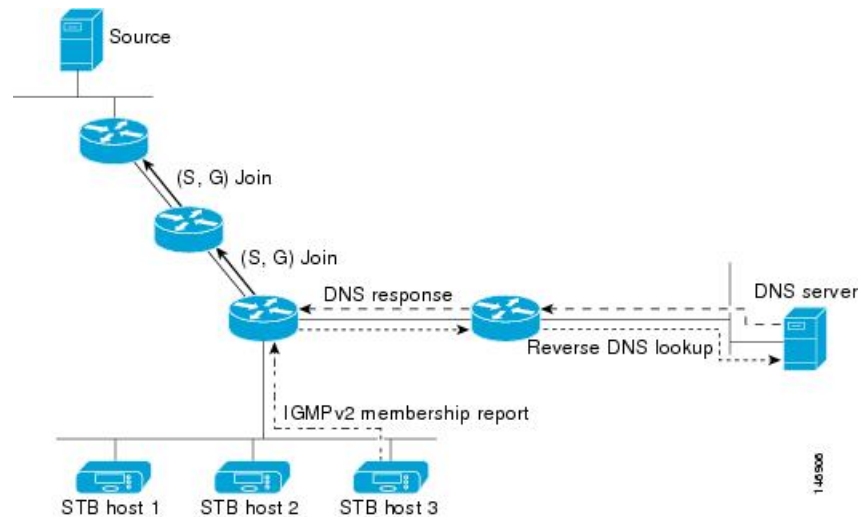
SSM static mapping enables you to configure the last hop router to use a static map to determine the sources sending to groups. Static SSM mapping requires that you configure access lists (ACLs) to define group ranges. The groups permitted by those ACLs then can be mapped to sources using the **ip igmp static ssm-map** global configuration command.

You can configure static SSM mapping in smaller networks when a DNS is not needed or to locally override DNS mappings that may be temporarily incorrect. When configured, static SSM mappings take precedence over DNS mappings.

## DNS-Based SSM Mapping

DNS-based SSM mapping enables you to configure the last hop router to perform a reverse DNS lookup to determine sources sending to groups (see the figure below). When DNS-based SSM mapping is configured, the router constructs a domain name that includes the group address G and performs a reverse lookup into the DNS. The router looks up IP address resource records (IP A RRs) to be returned for this constructed domain name and uses the returned IP addresses as the source addresses associated with this group. SSM mapping supports up to 20 sources for each group. The router joins all sources configured for a group.

**Figure 6: DNS-Based SSM-Mapping**



The SSM mapping mechanism that enables the last hop router to join multiple sources for a group can be used to provide source redundancy for a TV broadcast. In this context, the redundancy is provided by the last hop router using SSM mapping to join two video sources simultaneously for the same TV channel. However, to prevent the last hop router from duplicating the video traffic, it is necessary that the video sources utilize a server-side switchover mechanism where one video source is active while the other backup video source is passive. The passive source waits until an active source failure is detected before sending the video traffic for the TV channel. The server-side switchover mechanism, thus, ensures that only one of the servers is actively sending the video traffic for the TV channel.

To look up one or more source addresses for a group G that includes G1, G2, G3, and G4, the following DNS resource records (RRs) must be configured on the DNS server:

G4.G3.G2.G1 [ <i>multicast-domain</i> ] [ <i>timeout</i> ]	IN A <i>source-address-1</i>
	IN A <i>source-address-2</i>
	IN A <i>source-address-n</i>

The *multicast-domain* argument is a configurable DNS prefix. The default DNS prefix is `in-addr.arpa`. You should only use the default prefix when your installation is either separate from the internet or if the group names that you map are global scope group addresses (RFC 2770 type addresses that you configure for SSM) that you own.

The *timeout* argument configures the length of time for which the router performing SSM mapping will cache the DNS lookup. This argument is optional and defaults to the timeout of the zone in which this entry is configured. The timeout indicates how long the router will keep the current mapping before querying the DNS

server for this group. The timeout is derived from the cache time of the DNS RR entry and can be configured for each group/source entry on the DNS server. You can configure this time for larger values if you want to minimize the number of DNS queries generated by the router. Configure this time for a low value if you want to be able to quickly update all routers with new source addresses.



---

**Note** Refer to your DNS server documentation for more information about configuring DNS RRs.

---

To configure DNS-based SSM mapping in the software, you must configure a few global commands but no per-channel specific configuration is needed. There is no change to the configuration for SSM mapping if additional channels are added. When DNS-based SSM mapping is configured, the mappings are handled entirely by one or more DNS servers. All DNS techniques for configuration and redundancy management can be applied to the entries needed for DNS-based SSM mapping.

## SSM Mapping Benefits

- The SSM Mapping feature provides almost the same ease of network installation and management as a pure SSM solution based on IGMPv3. Some additional configuration is necessary to enable SSM mapping.
- The SSM benefit of inhibition of DoS attacks applies when SSM mapping is configured. When SSM mapping is configured the only segment of the network that may still be vulnerable to DoS attacks are receivers on the LAN connected to the last hop router. Since those receivers may still be using IGMPv1 and IGMPv2, they are vulnerable to attacks from unwanted sources on the same LAN. SSM mapping, however, does protect those receivers (and the network path leading towards them) from multicast traffic from unwanted sources anywhere else in the network.
- Address assignment within a network using SSM mapping needs to be coordinated, but it does not need assignment from outside authorities, even if the content from the network is to be transited into other networks.

## How to Configure SSM Mapping

### Configuring Static SSM Mapping

Perform this task to configure the last hop router in an SSM deployment to use static SSM mapping to determine the IP addresses of sources sending to groups.

#### Before you begin

- Enable IP multicast routing, enable PIM sparse mode, and configure SSM before performing this task.
- Before you configure static SSM mapping, you must configure ACLs that define the group ranges to be mapped to source addresses.

#### SUMMARY STEPS

1. **enable**



2. **configure terminal**
3. **ip igmp ssm-map enable**
4. **no ip igmp ssm-map query dns**
5. **ip igmp ssm-map static** *access-list source-address*
6. Repeat Step 5 to configure additional static SSM mappings, if required.
7. **end**

## DETAILED STEPS

	Command or Action	Purpose
Step 1	<b>enable</b> <b>Example:</b> <pre>Device&gt; enable</pre>	Enables privileged EXEC mode. Enter your password if prompted.
Step 2	<b>configure terminal</b> <b>Example:</b> <pre>Device# configure terminal</pre>	Enters global configuration mode.
Step 3	<b>ip igmp ssm-map enable</b> <b>Example:</b> <pre>Device(config)# ip igmp ssm-map enable</pre>	Enables SSM mapping for groups in the configured SSM range. <b>Note</b> By default, this command enables DNS-based SSM mapping.
Step 4	<b>no ip igmp ssm-map query dns</b> <b>Example:</b> <pre>Device(config)# no ip igmp ssm-map query dns</pre>	(Optional) Disables DNS-based SSM mapping. <b>Note</b> Disable DNS-based SSM mapping if you only want to rely on static SSM mapping. By default, the <b>ip igmp ssm-map</b> command enables DNS-based SSM mapping.
Step 5	<b>ip igmp ssm-map static</b> <i>access-list source-address</i> <b>Example:</b> <pre>Device(config)# ip igmp ssm-map static 11 172.16.8.11</pre>	Configures static SSM mapping. <ul style="list-style-type: none"> <li>• The ACL supplied for the <i>access-list</i> argument defines the groups to be mapped to the source IP address entered for the <i>source-address</i> argument.</li> </ul> <b>Note</b> You can configure additional static SSM mappings. If additional SSM mappings are configured and the router receives an IGMPv1 or IGMPv2 membership report for a group in the SSM range, the determines the source addresses associated with the group by walking each configured <b>ip igmp ssm-map static</b> command. The associates up to 20 sources per group.

	Command or Action	Purpose
<b>Step 6</b>	Repeat Step 5 to configure additional static SSM mappings, if required.	--
<b>Step 7</b>	<b>end</b> <b>Example:</b> Device(config)# end	Ends the current configuration session and returns to privileged EXEC mode.

## Configuring DNS-Based SSM Mapping

Perform this task to configure the last hop router to perform DNS lookups to learn the IP addresses of sources sending to a group.

### Before you begin

- Enable IP multicast routing, enable PIM sparse mode, and configure SSM before performing this task.
- Before you can configure and use SSM mapping with DNS lookups, you need to be able to add records to a running DNS server. If you do not already have a DNS server running, you need to install one.

### SUMMARY STEPS

1. **enable**
2. **configure terminal**
3. **ip igmp ssm-map enable**
4. **ip igmp ssm-map query dns**
5. **ip domain multicast** *domain-prefix*
6. **ip name-server** *server-address1* [*server-address2...server-address6*]
7. Repeat the Steps to configure additional DNS servers for redundancy, if required.
8. **end**

### DETAILED STEPS

	Command or Action	Purpose
<b>Step 1</b>	<b>enable</b> <b>Example:</b> Device> enable	Enables privileged EXEC mode. Enter your password if prompted.
<b>Step 2</b>	<b>configure terminal</b> <b>Example:</b> Device# configure terminal	Enters global configuration mode.
<b>Step 3</b>	<b>ip igmp ssm-map enable</b> <b>Example:</b>	Enables SSM mapping for groups in a configured SSM range.

	Command or Action	Purpose
	Device(config)# ip igmp ssm-map enable	
<b>Step 4</b>	<b>ip igmp ssm-map query dns</b> <b>Example:</b> Device(config)# ip igmp ssm-map query dns	(Optional) Enables DNS-based SSM mapping. <ul style="list-style-type: none"> <li>By default, the <b>ip igmp ssm-map</b> command enables DNS-based SSM mapping. Only the <b>no</b>form of this command is saved to the running configuration.</li> </ul> <b>Note</b> Use this command to reenable DNS-based SSM mapping if DNS-based SSM mapping is disabled.
<b>Step 5</b>	<b>ip domain multicast</b> <i>domain-prefix</i> <b>Example:</b> Device(config)# ip domain multicast ssm-map.cisco.com	(Optional) Changes the domain prefix used for DNS-based SSM mapping. <ul style="list-style-type: none"> <li>By default, the software uses the ip-addr.arpa domain prefix.</li> </ul>
<b>Step 6</b>	<b>ip name-server</b> <i>server-address1</i> [ <i>server-address2...server-address6</i> ] <b>Example:</b> Device(config)# ip name-server 10.48.81.21	Specifies the address of one or more name servers to use for name and address resolution.
<b>Step 7</b>	Repeat the Steps to configure additional DNS servers for redundancy, if required.	--
<b>Step 8</b>	<b>end</b> <b>Example:</b> Device(config-if)# end	Returns to privileged EXEC mode.

## Configuring Static Traffic Forwarding with SSM Mapping

Perform this task to configure static traffic forwarding with SSM mapping on the last hop router. Static traffic forwarding can be used in conjunction with SSM mapping to statically forward SSM traffic for certain groups. When static traffic forwarding with SSM mapping is configured, the last hop router uses DNS-based SSM mapping to determine the sources associated with a group. The resulting (S, G) channels are then statically forwarded.

### SUMMARY STEPS

1. **enable**
2. **configure terminal**
3. **interface** *type number*
4. **ip igmp static-group** *group-address* **source ssm-map**
5. **end**

## DETAILED STEPS

	Command or Action	Purpose
<b>Step 1</b>	<b>enable</b> <b>Example:</b> Device> enable	Enables privileged EXEC mode. <ul style="list-style-type: none"> <li>• Enter your password if prompted.</li> </ul>
<b>Step 2</b>	<b>configure terminal</b> <b>Example:</b> Device# configure terminal	Enters global configuration mode.
<b>Step 3</b>	<b>interface</b> <i>type number</i> <b>Example:</b> Device(config)# interface gigabitethernet 1/0/0	Selects an interface on which to statically forward traffic for a multicast group using SSM mapping and enters interface configuration mode.  <b>Note</b> Static forwarding of traffic with SSM mapping works with either DNS-based SSM mapping or statically-configured SSM mapping.
<b>Step 4</b>	<b>ip igmp static-group</b> <i>group-address</i> <b>source ssm-map</b> <b>Example:</b> Device(config-if)# ip igmp static-group 232.1.2.1 source ssm-map	Configures SSM mapping to be used to statically forward a (S, G) channel out of the interface. <ul style="list-style-type: none"> <li>• Use this command if you want to statically forward SSM traffic for certain groups. Use DNS-based SSM mapping to determine the source addresses of the channels.</li> </ul>
<b>Step 5</b>	<b>end</b> <b>Example:</b> Device(config-if)# end	Returns to privileged EXEC mode.

## Verifying SSM Mapping Configuration and Operation

Perform this optional task to verify SSM mapping configuration and operation.

## SUMMARY STEPS

1. enable
2. show ip igmp ssm-mapping
3. show ip igmp ssm-mapping *group-address*
4. show ip igmp groups [*group-name* | *group-address* | *interface-type interface-number*] [**detail**]
5. show host
6. debug ip igmp *group-address*

## DETAILED STEPS

---

### Step 1 **enable**

Enables privileged EXEC mode. Enter your password if prompted.

**Example:**

```
> enable
```

### Step 2 **show ip igmp ssm-mapping**

(Optional) Displays information about SSM mapping.

The following example shows how to display information about SSM mapping configuration. In this example, SSM static mapping and DNS-based SSM mapping are enabled.

**Example:**

```
# show ip igmp ssm-mapping
SSM Mapping : Enabled
DNS Lookup  : Enabled
Mcast domain : ssm-map.cisco.com
Name servers : 10.0.0.3
              10.0.0.4
```

### Step 3 **show ip igmp ssm-mapping group-address**

(Optional) Displays the sources that SSM mapping uses for a particular group.

The following example shows how to display information about the configured DNS-based SSM mapping. In this example, the router has used DNS-based mapping to map group 232.1.1.4 to sources 172.16.8.5 and 172.16.8.6. The timeout for this entry is 860000 milliseconds (860 seconds).

**Example:**

```
# show ip igmp ssm-mapping 232.1.1.4
Group address: 232.1.1.4
Database      : DNS
DNS name      : 4.1.1.232.ssm-map.cisco.com
Expire time   : 860000
Source list   : 172.16.8.5
              : 172.16.8.6
```

### Step 4 **show ip igmp groups [group-name | group-address | interface-type interface-number] [detail]**

(Optional) Displays the multicast groups with receivers that are directly connected to the router and that were learned through IGMP.

The following is sample output from the **show ip igmp groups** command with the *group-address* argument and **detail** keyword. In this example the “M” flag indicates that SSM mapping is configured.

**Example:**

```
# show ip igmp group 232.1.1.4 detail
Interface:      GigabitEthernet2/0/0
Group:          232.1.1.4 SSM
Uptime:         00:03:20
Group mode:     INCLUDE
```

```

Last reporter: 0.0.0.0
CSR Grp Exp: 00:02:59
Group source list: (C - Cisco Src Report, U - URD, R - Remote,
                   S - Static, M - SSM Mapping)
Source Address  Uptime    v3 Exp   CSR Exp  Fwd  Flags
172.16.8.3     00:03:20  stopped  00:02:59 Yes  CM
172.16.8.4     00:03:20  stopped  00:02:59 Yes  CM
172.16.8.5     00:03:20  stopped  00:02:59 Yes  CM
172.16.8.6     00:03:20  stopped  00:02:59 Yes  CM

```

**Step 5** `show host`

(Optional) Displays the default domain name, the style of name lookup service, a list of name server hosts, and the cached list of hostnames and addresses.

The following is sample output from the `show host` command. Use this command to display DNS entries as they are learned by the router.

**Example:**

```

# show host
Default domain is cisco.com
Name/address lookup uses domain service
Name servers are 10.48.81.21
Codes: UN - unknown, EX - expired, OK - OK, ?? - revalidate
       temp - temporary, perm - permanent
       NA - Not Applicable None - Not defined
Host      Port  Flags    Age  Type  Address(es)
10.0.0.0.ssm-map.cisco.c  None (temp, OK)  0   IP   172.16.8.5
                                           172.16.8.6
                                           172.16.8.3

```

172.16.8.4

**Step 6** `debug ip igmp group-address`

(Optional) Displays the IGMP packets received and sent and IGMP host-related events.

The following is sample output from the `debug ip igmp` command when SSM static mapping is enabled. The following output indicates that the router is converting an IGMPv2 join for group G into an IGMPv3 join:

**Example:**

```
IGMP(0): Convert IGMPv2 report (*,232.1.2.3) to IGMPv3 with 2 source(s) using STATIC.
```

The following is sample output from the `debug ip igmp` command when DNS-based SSM mapping is enabled. The following output indicates that a DNS lookup has succeeded:

**Example:**

```
IGMP(0): Convert IGMPv2 report (*,232.1.2.3) to IGMPv3 with 2 source(s) using DNS.
```

The following is sample output from the `debug ip igmp` command when DNS-based SSM mapping is enabled and a DNS lookup has failed:

```
IGMP(0): DNS source lookup failed for (*, 232.1.2.3), IGMPv2 report failed
```

# Configuration Examples for SSM Mapping

## SSM Mapping Example

The following configuration example shows a router configuration for SSM mapping. This example also displays a range of other IGMP and SSM configuration options to show compatibility between features. Do not use this configuration example as a model unless you understand all of the features used in the example.



**Note** Address assignment in the global SSM range 232.0.0.0/8 should be random. If you copy parts or all of this sample configuration, make sure to select a random address range but not 232.1.1.x as shown in this example. Using a random address range minimizes the possibility of address collision and may prevent conflicts when other SSM content is imported while SSM mapping is used.

```

!
no ip domain lookup
ip domain multicast ssm.map.cisco.com
ip name-server 10.48.81.21
!
!
ip multicast-routing distributed
ip igmp ssm-map enable
ip igmp ssm-map static 10 172.16.8.10
ip igmp ssm-map static 11 172.16.8.11
!
!
.
.
!
interface GigabitEthernet0/0/0
description Sample IGMP Interface Configuration for SSM-Mapping Example
ip address 10.20.1.2 255.0.0.0
ip pim sparse-mode
ip igmp last-member-query-interval 100
ip igmp static-group 232.1.2.1 source ssm-map
ip igmp version 3
ip igmp explicit-tracking
ip igmp limit 2
ip igmp v3lite
ip urd
!
.
.
!
ip pim ssm default
!
access-list 10 permit 232.1.2.10
access-list 11 permit 232.1.2.0 0.0.0.255
!

```

This table describes the significant commands shown in the SSM mapping configuration example.

Table 2: SSM Mapping Configuration Example Command Descriptions

Command	Description
<b>no ip domain lookup</b>	Disables IP DNS-based hostname-to-address translation.  <b>Note</b> The <b>no ip domain-list</b> command is shown in the configuration only to demonstrate that disabling IP DNS-based hostname-to-address translation does not conflict with configuring SSM mapping. If this command is enabled, the Cisco IOS XE software will try to resolve unknown strings as hostnames.
<b>ip domain multicast ssm-map.cisco.com</b>	Specifies ssm-map.cisco.com as the domain prefix for SSM mapping.
<b>ip name-server 10.48.81.21</b>	Specifies 10.48.81.21 as the IP address of the DNS server to be used by SSM mapping and any other service in the software that utilizes DNS.
<b>ip multicast-routing</b>	Enables IP multicast routing.
<b>ip igmp ssm-map enable</b>	Enables SSM mapping.
<b>ip igmp ssm-map static 10 172.16.8.10</b>	Configures the groups permitted by ACL 10 to use source address 172.16.8.10.  • In this example, ACL 10 permits all groups in the 232.1.2.0/25 range except 232.1.2.10.
<b>ip igmp ssm-map static 11 172.16.8.11</b>	Configures the groups permitted by ACL 11 to use source address 172.16.8.11.  • In this example, ACL 11 permits group 232.1.2.10.
<b>ip pim sparse-mode</b>	Enables PIM sparse mode.
<b>ip igmp last-member-query-interval 100</b>	Reduces the leave latency for IGMPv2 hosts.  <b>Note</b> This command is not required for configuring SSM mapping; however, configuring this command can be beneficial for IGMPv2 hosts relying on SSM mapping.
<b>ip igmp static-group 232.1.2.1 source ssm-map</b>	Configures SSM mapping to be used to determine the sources associated with group 232.1.2.1. The resulting (S, G) channels are statically forwarded.
<b>ip igmp version 3</b>	Enables IGMPv3 on this interface.  <b>Note</b> This command is shown in the configuration only to demonstrate that IGMPv3 can be configured simultaneously with SSM mapping; however, it is not required.



Command	Description
<b>ip igmp explicit-tracking</b>	Minimizes the leave latency for IGMPv3 host leaving a multicast channel. <b>Note</b> This command is not required for configuring SSM mapping.
<b>ip igmp limit 2</b>	Limits the number of IGMP states resulting from IGMP membership states on a per-interface basis. <b>Note</b> This command is not required for configuring SSM mapping.
<b>ip igmp v3lite</b>	Enables the acceptance and processing of IGMP v3lite membership reports on this interface. <b>Note</b> This command is shown in the configuration only to demonstrate that IGMP v3lite can be configured simultaneously with SSM mapping; however, it is not required.
<b>ip urd</b>	Enables interception of TCP packets sent to the reserved URD port 465 on an interface and processing of URD channel subscription reports. <b>Note</b> This command is shown in the configuration only to demonstrate that URD can be configured simultaneously with SSM mapping; however, it is not required.
<b>ip pim ssm default</b>	Configures SSM service. The <b>default</b> keyword defines the SSM range access list as 232/8.
<b>access-list 10 permit 232.1.2.10 access-list 11 permit 232.1.2.0 0.0.0.255</b>	Configures the ACLs to be used for static SSM mapping. <b>Note</b> These are the ACLs that are referenced by the <b>ip igmp ssm-map static</b> commands in this configuration example.

## DNS Server Configuration Example

To configure DNS-based SSM mapping, you need to create a DNS server zone or add records to an existing zone. If the routers that are using DNS-based SSM mapping are also using DNS for other purposes besides SSM mapping, you should use a normally-configured DNS server. If DNS-based SSM mapping is the only DNS implementation being used on the router, you can configure a fake DNS setup with an empty root zone, or a root zone that points back to itself.

The following example shows how to create a zone and import the zone data using Network Registrar:

```
Router> zone 1.1.232.ssm-map.cisco.com. create primary file=named.ssm-map
100 Ok
Router> dns reload
100 Ok
```

The following example shows how to import the zone files from a named.conf file for BIND 8:

```
Router> ::import named.conf /etc/named.conf
```

```
Router> dns reload  
100 Ok:
```



---

**Note** Network Registrar version 8.0 and later support import BIND 8 format definitions.

---



## CHAPTER 5

# Configuring Multicast Admission Control

This module describes how to implement multicast admission control in an IP multicast network. Multicast admission control features are configured on multicast-enabled routers to prevent control plane overload, ensure proper resource allocation, and provide multicast Call Admission Control (CAC) capabilities.

- [Finding Feature Information, on page 59](#)
- [Prerequisites for Configuring Multicast Admission Control, on page 59](#)
- [Information About Configuring Multicast Admission Control, on page 59](#)
- [How to Configure Multicast Admission Control, on page 66](#)
- [Configuration Examples for Configuring Multicast Admission Control, on page 74](#)

## Finding Feature Information

Your software release may not support all the features documented in this module. For the latest caveats and feature information, see [Bug Search Tool](#) and the release notes for your platform and software release. To find information about the features documented in this module, and to see a list of the releases in which each feature is supported, see the feature information table.

Use Cisco Feature Navigator to find information about platform support and Cisco software image support. To access Cisco Feature Navigator, go to [www.cisco.com/go/cfn](http://www.cisco.com/go/cfn). An account on Cisco.com is not required.

## Prerequisites for Configuring Multicast Admission Control

IP multicast is enabled and the Protocol Independent Multicast (PIM) interfaces are configured using the tasks described in the “Configuring Basic IP Multicast” module.

## Information About Configuring Multicast Admission Control

### Multicast Admission Control

As the popularity of network video applications grows among consumers, admission control functions--which govern transmission and reception of multicast traffic based on available network resources--are vital. Without admission control, some users may receive degraded multicast streams, rendering programs unwatchable, and

others may receive a “Network Busy” message or nothing at all as network resources are overtaxed. Network admission control is important in maintaining a high quality of experience for digital video consumers.

The goals of multicast admission control features, therefore, are as follows:

- Protect the router from control plane overload to ensure that memory and CPU resources on multicast-enabled routers are not overrun by multicast route (mroute) states or denial-of-service (DoS) attacks from multicast packets.
- Enable proper resource allocation (on a global, per MVRF, or per interface basis) to ensure that multicast services are delivered to subscribers per their IP Service Level Agreements (SLAs) and to minimize the effects of DoS attacks on subscribers.
- Provide multicast CAC capabilities to prevent bandwidth resources (interfaces, subnetworks) from being congested and to enable service providers to offer more flexible and refined content and subscriber-based policies.

## Multicast Admission Control Features

The Cisco IOS software supports the following multicast admission control features:

- Global and Per MVRF Mroute State Limit

The **ip multicast route-limit** command allows for the configuration of global and per MVRF state limiters, which impose limits on the number of multicast routes (mroutes) that can be added to the global table or to a particular Multicast Virtual Routing and Forwarding (MVRF) table.

- IGMP State Limit

This feature allows for the configuration of IGMP state limiters, which impose limits on mroute states resulting from Internet Group Management Protocol (IGMP) membership reports (IGMP joins).

- Per Interface Mroute State Limit

This feature allows for the configuration of per interface mroute state limiters, which impose mroute state limits for different access control list (ACL)-classified sets of multicast traffic on an interface.

- Bandwidth-Based CAC for IP Multicast

This feature allows for the configuration of bandwidth-based multicast CAC policies, which allow for bandwidth-based CAC on a per interface basis.

These admission control features may be invoked by service providers and enterprise network administrators based on different criteria, including the service package an end user has purchased or the privileges an enterprise user is entitled to.

## Global and Per MVRF Mroute State Limit

The **ip multicast route-limit** command allows for the configuration of global and per MVRF mroute state limiters, which impose limits on the number of mroutes that can be added to the global table or to a particular MVRF table, respectively.

Global mroute state limiters are used to limit the number of mroutes that can be added to the global table on a router. Configuring a global mroute state limiter can protect a router in the event of a multicast DoS attack (by preventing mroutes from overrunning the router).

Per VRF mroute state limiters are used to limit the number of mroutes that can be added to an MVRF table on a Multicast VPN (MVPN) provider edge (PE) router. Configuring per MVRF mroute state limits can be used to ensure the fair sharing of mroutes between different MVRFs on an MVPN PE router.

## Global and Per MVRF Mroute State Limit Feature Design

Global and per MVRF mroute state limiters are configured using the **ip multicast route-limit** command in global configuration mode. The syntax of the **ip multicast route-limit** command is as follows:

```
ip multicast [vrf vrf-name] route-limit limit [threshold]
```

Issuing the **ip multicast route-limit** command without the optional **vrf** keyword and *vrf-name* arguments configures a global mroute state limiter. The optional **vrf** keyword and *vrf-name* arguments are used with the **ip multicast limit** command to configure per MVRF mroute state limiters.




---

**Note** When configuring global and per VRF mroute state limiters, you can only configure one limit for the global table and one limit per MVRF table.

---

The value specified for the required *limit* argument defines the maximum number of mroutes that can be added to either the global table or a particular MVRF table, respectively.




---

**Note** Global and per MVRF mroute state limiters operate independently and can be used alone or together, depending upon the admission control requirements of your network.

---

In addition, for both global and per MVRF mroute state limiters, the optional *threshold* argument is available to set mroute threshold limits.

## Mechanics of Global and Per MVRF Mroute State Limiters

The mechanics of global and per MVRF mroute state limiters are as follows:

- Each time the state for an mroute is created on a router, the Cisco IOS software checks to see if the limit for the global mroute state limiter (if the mroute is associated with the global table) or the limit for the per MVRF mroute state limiter (if the mroute is associated with the MVRF table) has been reached.
- States for mroutes that exceed the configured limit for the global or the per MVRF mroute state limiter are not created on the router, and a warning message in the following format is generated:

```
% MROUTE-4-ROUTELIMIT : <current mroute count> exceeded multicast route-limit of
<mroute limit value>
```

- When an mroute threshold limit is also configured for the global or the per MVRF mroute state limiter, each time the state for an mroute is created on a router, the Cisco IOS software also checks to see if the mroute threshold limit has been reached. If the mroute threshold limit is exceeded, a warning message in the following format is generated:

```
% MROUTE-4-ROUTE LIMIT WARNING : multicast route-limit warning <current mroute count> threshold
<mroute threshold value>
```

Warning messages continue to be generated until the number of mroutes exceeds the configured limit or until the number of mroute states falls below the configured mroute threshold limit.

## IGMP State Limit

The IGMP State Limit feature allows for the configuration of IGMP state limiters, which impose limits on mroute states resulting from IGMP membership reports (IGMP joins) on a global or per interface basis. Membership reports exceeding the configured limits are not entered into the IGMP cache. This feature can be used to prevent DoS attacks or to provide a multicast CAC mechanism in network environments where all the multicast flows roughly utilize the same amount of bandwidth.




---

**Note** IGMP state limiters impose limits on the number of mroute states resulting from IGMP, IGMP v3lite, and URL Rendezvous Directory (URD) membership reports on a global or per interface basis.

---

### IGMP State Limit Feature Design

- Configuring IGMP state limiters in global configuration mode specifies a global limit on the number of IGMP membership reports that can be cached.
- Configuring IGMP state limiters in interface configuration mode specifies a limit on the number of IGMP membership reports on a per interface basis.
- Use ACLs to prevent groups or channels from being counted against the interface limit. A standard or an extended ACL can be specified. A standard ACL can be used to define the (\*, G) state to be excluded from the limit on an interface. An extended ACLs can be used to define the (S, G) state to be excluded from the limit on an interface. An extended ACL also can be used to define the (\*, G) state to be excluded from the limit on an interface, by specifying 0.0.0.0 for the source address and source wildcard--referred to as (0, G)--in the permit or deny statements that compose the extended access list.
- You can only configure one global limit per device and one limit per interface.

### Mechanics of IGMP State Limiters

The mechanics of IGMP state limiters are as follows:

- Each time a router receives an IGMP membership report for a particular group or channel, the Cisco IOS software checks to see if either the limit for the global IGMP state limiter or the limit for the per interface IGMP state limiter has been reached.
- If only a global IGMP state limiter has been configured and the limit has not been reached, IGMP membership reports are honored. When the configured limit has been reached, subsequent IGMP membership reports are then ignored (dropped) and a warning message in one of the following formats is generated:

```
%IGMP-6-IGMP_GROUP_LIMIT: IGMP limit exceeded for <group (*, group address)> on
<interface type number> by host <ip address>
```

- ```
%IGMP-6-IGMP_CHANNEL_LIMIT: IGMP limit exceeded for <channel (source address, group address)> on <interface type number> by host <ip address>
```
- If only per interface IGMP state limiters are configured, then each limit is only counted against the interface on which it was configured.
- If both a global IGMP state limiter and per interface IGMP state limiters are configured, the limits configured for the per interface IGMP state limiters are still enforced but are constrained by the global limit.

## Per Interface Mroute State Limit

The Per Interface Mroute State Limit feature provides the capability to limit the number of mroute states on an interface for different ACL-classified sets of multicast traffic. This feature can be used to prevent DoS attacks or to provide a multicast CAC mechanism when all the multicast flows roughly utilize the same amount of bandwidth.

The Per Interface Mroute State Limit feature essentially is a complete superset of the IGMP State Limit feature (with the exception that it does not support a global limit). The Per Interface Mroute State Limit feature, moreover, is more flexible and powerful (albeit more complex) than the IGMP State Limit feature but is not intended to be a replacement for it because there are applications that suit both features.

The main differences between the Per Interface Mroute State Limit feature and the IGMP State Limit feature are as follows:

- The Per Interface Mroute State Limit feature allows multiple limits to be configured on an interface, whereas the IGMP State Limit feature allows only one limit to be configured on an interface. The Per Interface Mroute State Limit feature, thus, is more flexible than the IGMP State Limit feature in that it allows multiple limits to be configured for different sets of multicast traffic on an interface.
- The Per Interface Mroute State Limit feature can be used to limit both IGMP and PIM joins, whereas the IGMP State Limit feature can only be used to limit IGMP joins. The IGMP State Limit feature, thus, is more limited in application in that it is best suited to be configured on an edge router to limit the number of groups that receivers can join on an outgoing interface. The Per Interface Mroute State Limit feature has a wider application in that it can be configured to limit IGMP joins on an outgoing interface, to limit PIM joins (for Any Source Multicast [ASM] groups or Source Specific Multicast [SSM] channels) on an outgoing interface connected to other routers, to limit sources behind an incoming interface from sending multicast traffic, or to limit sources directly connected to an incoming interface from sending multicast traffic.



### Note

Although the PIM Interface Mroute State Limit feature allows you to limit both IGMP and PIM joins, it does not provide the capability to limit PIM or IGMP joins separately because it does not take into account whether the state is created as a result of an IGMP or PIM join. As such, the IGMP State Limit feature is more specific in application because it specifically limits IGMP joins.

- The Per Interface Mroute State Limit feature allows you to specify limits according to the direction of traffic; that is, it allows you to specify limits for outgoing interfaces, incoming interfaces, and for incoming interfaces having directly connected multicast sources. The IGMP State Limit feature, however, only can be used to limit outgoing interfaces. The Per Interface State Mroute State Limit feature, thus, is wider

in scope in that it can be used to limit mroute states for both incoming and outgoing interfaces from both sources and receivers, whereas the IGMP State Limit feature is more narrow in scope in that it can only be used to limit mroute states for receivers on an LAN by limiting the number of IGMP joins on an outgoing interface.

Both the IGMP State Limit and Per Interface Mroute State Limit features provide a rudimentary multicast CAC mechanism that can be used to provision bandwidth utilization on an interface when all multicast flows roughly utilize the same amount of bandwidth. The Bandwidth-Based CAC for IP Multicast feature, however, offers a more flexible and powerful alternative for providing multicast CAC in network environments where IP multicast flows utilize different amounts of bandwidth.

## Per Interface Mroute State Limit Feature Design

The Per Interface Mroute State Limit feature is configured using the **ip multicast limit** command in interface configuration mode. An **ip multicast limit** command configured on an interface is called an per interface mroute state limiter. A per interface mroute state limiter is defined by direction, ACL, and maximum number of mroutes. Each per interface mroute state limiter maintains a counter to ensure that the maximum number of mroutes is not exceeded.

The following forms of the **ip multicast limit** command are available to configure per interface mroute state limiters:

- **ip multicast limit** *access-list max-entries*

This command limits mroute state creation for an ACL-classified set of traffic on an interface when the interface is an outgoing (egress) interface, and limits mroute outgoing interface list (olist) membership when the interface is an incoming (ingress) Reverse Path Forwarding (RPF) interface.

This type of per interface mroute state limiter limits mroute state creation--by accounting each time an mroute permitted by the ACL is created or deleted--and limits mroute olist membership--by accounting each time that an mroute olist member permitted by the ACL is added or removed.

Entering this form of the command (that is, with no optional keywords) is equivalent to specifying the **ip multicast limit rpf** and **ip multicast limit out** forms of the command.

- **ip multicast limit connected** *access-list max-entries*

This command limits mroute state creation for an ACL-classified set of multicast traffic on an incoming (RPF) interface that is directly connected to a multicast source by accounting each time that an mroute permitted by the ACL is created or deleted.

- **ip multicast limit out** *access-list max-entries*

This command limits mroute olist membership on an outgoing interface for an ACL-classified set of multicast traffic by accounting each time that an mroute olist member permitted by the ACL is added or removed.

- **ip multicast limit rpf** *access-list max-entries*

This command limits mroute state creation for an ACL-classified set of multicast traffic on an incoming (RPF) interface by accounting each time an mroute permitted by the ACL is created or deleted.

For the required *access-list* argument, specify the ACL that defines the IP multicast traffic to be limited on an interface. A standard or extended ACL can be specified. Standard ACLs can be used to define the (\*, G) state to be limited on an interface. Extended ACLs can be used to define the (S, G) state to be limited on an interface. Extended ACLs also can be used to define the (\*, G) state to be limited on an interface, by specifying



0.0.0.0 for the source address and source wildcard--referred to as (0, G)--in the permit or deny statements that compose the extended access list.

## Mechanics of Per Interface Mroute State Limiters

The mechanics of per interface mroute state limiters are as follows:

- Each time the state for an mroute is created or deleted and each time an olist member is added or removed, the software searches for a corresponding per interface mroute state limiter that matches the mroute.
- When an mroute is created or deleted, the software searches for a per interface mroute state limiter configured on the incoming (RPF) interface that matches the mroute to be created or deleted. When an olist member is added or removed, the software searches for a per interface mroute state limiter configured on the outgoing interface that matches the mroute to be added or removed.
- A top-down search is performed using the list of configured per interface mroute state limiters. Only per interface mroute state limiters that match the direction of traffic are considered. The first per interface mroute state limiter that matches is used for limiting (sometimes referred to as accounting). A match is found when the ACL permits the mroute state.
- When a match is found, the counter of the per interface mroute state limiter is updated (increased or decreased). If no per interface mroute state limiter is found that matches an mroute, no accounting is performed for the mroute (because there is no counter to update).
- The amount with which to update the counter is called the cost (sometimes referred to as the cost multiplier). The default cost is 1.



---

**Note** A per interface mroute state limiter always allows the deletion of an mroute or the removal of an interface from the olist. In those cases, the respective per interface mroute state limiter decreases the counter by the value of the cost multiplier. In addition, RPF changes to an existing mroute are always allowed (in order to not affect existing traffic). However, a per interface mroute state limiter only allows the creation of an mroute or the addition of an mroute olist member if adding the cost does not exceed the maximum number of mroutes permitted.

---

## Tips for Configuring Per Interface Mroute State Limiters

- To ensure that all mroutes are accounted, you can configure a per interface mroute state limiter whose ACL contains a permit-any statement and set the value of zero (0) for maximum entries. Configuring an mroute state limiter in this manner effectively denies all fall through states, which may be a way to prevent a multicast DoS attack in and out of the interface.
- When creating an ACL, remember that, by default, the end of the ACL contains an implicit deny-any statement for everything if it did not find a match before reaching the end.
- An explicit deny statement for a specific mroute in an ACL can be used to specify the state that will not match the ACL which will prevent the ACL from being accounted. If an mroute matches a deny statement, the search immediately continues to the next configured mroute state limiter. Configuring an explicit deny statement in an ACL can be more efficient than forcing the mroute to fall through an ACL by using an implicit deny-any statement at the end of the ACL.

# How to Configure Multicast Admission Control

## Configuring Global and Per MVRF Mroute State Limiters

Perform the following optional tasks to configure global and per MVRF mroute state limiters.

Global mroute state limiters are used to limit the number of mroutes that can be added to the global table on a router. Configuring a global mroute state limiter can protect a router in the event of a multicast DoS attack (by preventing mroutes from overrunning the router).

Per VRF mroute state limiters are used to limit the number of mroutes that can be added to an MVRF table on an MVPN PE router. Configuring per MVRF mroute state limits can be used to ensure the fair sharing of mroutes between different MVRFs on an MVPN PE router.




---

**Note** Global and per MVRF mroute state limiters operate independently and can be used alone or together, depending upon the admission control requirements of your network.

---




---

**Note** When configuring global and per VRF mroute state limiters, you can only configure one limit for the global table and one limit per MVRF table.

---

The following tasks explain how to configure global and per MVRF mroute state limiters:

### Prerequisites

- These tasks assume that IP multicast has been enabled and that the PIM interfaces have been configured using the tasks described in the “Configuring Basic IP Multicast” module.
- Before configuring per MVRF mroute state limiters, the MVRFs on the PE router must be configured using the tasks described in the “Configuring Multicast VPN” module.

### Configuring a Global Mroute State Limiter

Perform this task to limit the number of mroutes that can be added to the global table. States for mroutes that exceed the global mroute limit will not be created.

#### SUMMARY STEPS

1. **enable**
2. **configure terminal**
3. **ip multicast route-limit limit [threshold]**
4. **end**
5. **show ip mroute count**

## DETAILED STEPS

|        | Command or Action                                                                                                                     | Purpose                                                                                                                                                                                                                                                                                                                                                                                                                                                                                      |
|--------|---------------------------------------------------------------------------------------------------------------------------------------|----------------------------------------------------------------------------------------------------------------------------------------------------------------------------------------------------------------------------------------------------------------------------------------------------------------------------------------------------------------------------------------------------------------------------------------------------------------------------------------------|
| Step 1 | <b>enable</b><br><b>Example:</b><br><pre>Router&gt; enable</pre>                                                                      | Enables privileged EXEC mode. <ul style="list-style-type: none"> <li>• Enter your password if prompted.</li> </ul>                                                                                                                                                                                                                                                                                                                                                                           |
| Step 2 | <b>configure terminal</b><br><b>Example:</b><br><pre>Router# configure terminal</pre>                                                 | Enters global configuration mode.                                                                                                                                                                                                                                                                                                                                                                                                                                                            |
| Step 3 | <b>ip multicast route-limit limit [threshold]</b><br><b>Example:</b><br><pre>Router(config)# ip multicast route-limit 1500 1460</pre> | Limits the number of mroutes that can be added to the global table. <ul style="list-style-type: none"> <li>• For the required <i>limit</i> argument, specify the limit on the number of mroutes that can be added to the global table. The range is from 1 to 2147483647.</li> <li>• Use the optional <i>threshold</i> argument to set an mroute threshold limit. The range is from 1 to 2147483647.</li> <li>• Maximum number of mroute state limits supported globally is 1000.</li> </ul> |
| Step 4 | <b>end</b><br><b>Example:</b><br><pre>Router(config)# end</pre>                                                                       | Ends the current configuration session and returns to privileged EXEC mode.                                                                                                                                                                                                                                                                                                                                                                                                                  |
| Step 5 | <b>show ip mroute count</b><br><b>Example:</b><br><pre>Router# show ip mroute count</pre>                                             | (Optional) Displays mroute data and packet count statistics. <ul style="list-style-type: none"> <li>• Use this command to verify the number of mroutes in the global table.</li> </ul>                                                                                                                                                                                                                                                                                                       |

## What to Do Next

Proceed to the [Configuring Per MVRF Mroute State Limiters, on page 67](#) task to configure per MVRF mroute state limiters on a PE router.

## Configuring Per MVRF Mroute State Limiters

Perform this optional task to configure per MVRF mroute state limiters to limit the number of mroutes that can be added to a particular MVRF table. This feature can be configured on a PE router to ensure the fair sharing of mroutes between different MVRFs on the router. States for mroutes that exceed the per MVRF mroute limiter are not created.

## SUMMARY STEPS

1. **enable**

2. **configure terminal**
3. **ip multicast vrf** *vrf-name* **route-limit** *limit* [*threshold*]
4. Repeat Step 3 to configure additional per VRF mroute state limiters for other VRFs on an MVPN PE router.
5. **end**
6. **show ip mroute vrf** *vrf-name* **count**

## DETAILED STEPS

|               | Command or Action                                                                                                                                                                        | Purpose                                                                                                                                                                                                                                                                                                                                                                                                                                                                                                                                                                                                                                           |
|---------------|------------------------------------------------------------------------------------------------------------------------------------------------------------------------------------------|---------------------------------------------------------------------------------------------------------------------------------------------------------------------------------------------------------------------------------------------------------------------------------------------------------------------------------------------------------------------------------------------------------------------------------------------------------------------------------------------------------------------------------------------------------------------------------------------------------------------------------------------------|
| <b>Step 1</b> | <b>enable</b><br><b>Example:</b><br><pre>Router&gt; enable</pre>                                                                                                                         | Enables privileged EXEC mode. <ul style="list-style-type: none"> <li>• Enter your password if prompted.</li> </ul>                                                                                                                                                                                                                                                                                                                                                                                                                                                                                                                                |
| <b>Step 2</b> | <b>configure terminal</b><br><b>Example:</b><br><pre>Router# configure terminal</pre>                                                                                                    | Enters global configuration mode.                                                                                                                                                                                                                                                                                                                                                                                                                                                                                                                                                                                                                 |
| <b>Step 3</b> | <b>ip multicast vrf</b> <i>vrf-name</i> <b>route-limit</b> <i>limit</i> [ <i>threshold</i> ]<br><b>Example:</b><br><pre>Router(config)# ip multicast vrf red route-limit 1500 1460</pre> | Limits the number of mroutes that can be added to a particular MVRF table. <ul style="list-style-type: none"> <li>• For the <b>vrf</b> keyword and <i>vrf-name</i> argument, specify the MVRF for which to apply the limit.</li> <li>• For the required <i>limit</i> argument, specify the limit on the number of mroutes that can be added to the MVRF table (for the specified MVRF). The range is from 1 to 2147483647.</li> <li>• Use the optional <i>threshold</i> argument to set an mroute threshold limit. The range is from 1 to 2147483647</li> <li>• Maximum number of mroute state limits supported on MVRF level is 1000.</li> </ul> |
| <b>Step 4</b> | Repeat Step 3 to configure additional per VRF mroute state limiters for other VRFs on an MVPN PE router.                                                                                 | --                                                                                                                                                                                                                                                                                                                                                                                                                                                                                                                                                                                                                                                |
| <b>Step 5</b> | <b>end</b><br><b>Example:</b><br><pre>Router(config)# end</pre>                                                                                                                          | Ends the current configuration session and returns to privileged EXEC mode.                                                                                                                                                                                                                                                                                                                                                                                                                                                                                                                                                                       |
| <b>Step 6</b> | <b>show ip mroute vrf</b> <i>vrf-name</i> <b>count</b><br><b>Example:</b><br><pre>Router# show ip mroute vrf red count</pre>                                                             | (Optional) Displays mroute data and packet count statistics related to the specified MVRF. <ul style="list-style-type: none"> <li>• Use this command to verify the number of mroutes in a particular MVRF table.</li> </ul>                                                                                                                                                                                                                                                                                                                                                                                                                       |

## Configuring IGMP State Limiters



**Note** IGMP state limiters impose limits on the number of mroute states resulting from IGMP, IGMP v3lite, and URD membership reports on a global or per interface basis.

### Prerequisites

- These tasks assume that IP multicast has been enabled and that the PIM interfaces have been configured using the tasks described in the “ Configuring Basic IP Multicast ” module.
- All ACLs you intend to apply to per interface IGMP state limiters should be configured prior to beginning this configuration task; otherwise, IGMP membership reports for all groups and channels are counted against the configured limits. For information about how to configure ACLs, see the “ Creating an IP Access List and Applying It to an Interface ” module.

### Configuring Global IGMP State Limiters

Perform this optional task to configure one global IGMP state limiter per device.

#### SUMMARY STEPS

1. **enable**
2. **configure terminal**
3. **ip igmp limit** *number*
4. **end**
5. **show ip igmp groups**

#### DETAILED STEPS

|        | Command or Action                                                                          | Purpose                                                                                                            |
|--------|--------------------------------------------------------------------------------------------|--------------------------------------------------------------------------------------------------------------------|
| Step 1 | <b>enable</b><br><b>Example:</b><br>Device> enable                                         | Enables privileged EXEC mode. <ul style="list-style-type: none"> <li>• Enter your password if prompted.</li> </ul> |
| Step 2 | <b>configure terminal</b><br><b>Example:</b><br>Device# configure terminal                 | Enters global configuration mode.                                                                                  |
| Step 3 | <b>ip igmp limit</b> <i>number</i><br><b>Example:</b><br>Device(config)# ip igmp limit 150 | Configures a global limit on the number of mroute states resulting from IGMP membership reports (IGMP joins).      |

|               | Command or Action                                                                | Purpose                                                                                                                               |
|---------------|----------------------------------------------------------------------------------|---------------------------------------------------------------------------------------------------------------------------------------|
| <b>Step 4</b> | <b>end</b><br><b>Example:</b><br><br>Device(config-if)# end                      | Ends the current configuration session and returns to privileged EXEC mode.                                                           |
| <b>Step 5</b> | <b>show ip igmp groups</b><br><b>Example:</b><br><br>Device# show ip igmp groups | (Optional) Displays the multicast groups with receivers that are directly connected to the device and that were learned through IGMP. |

## What to Do Next

Proceed to the [Configuring Per Interface IGMP State Limiters, on page 70](#) task to configure per interface IGMP state limiters.

## Configuring Per Interface IGMP State Limiters

Perform this optional task to configure a per interface IGMP state limiter.

### SUMMARY STEPS

1. **enable**
2. **configure terminal**
3. **interface** *type number*
4. **ip igmp limit** *number* [**except** *access-list*]
5. Do one of the following:
  - **exit**
  - **end**
6. **show ip igmp interface** [*type number*]
7. **show ip igmp groups**

### DETAILED STEPS

|               | Command or Action                                                              | Purpose                                                                                                            |
|---------------|--------------------------------------------------------------------------------|--------------------------------------------------------------------------------------------------------------------|
| <b>Step 1</b> | <b>enable</b><br><b>Example:</b><br><br>Device> enable                         | Enables privileged EXEC mode. <ul style="list-style-type: none"> <li>• Enter your password if prompted.</li> </ul> |
| <b>Step 2</b> | <b>configure terminal</b><br><b>Example:</b><br><br>Device# configure terminal | Enters global configuration mode.                                                                                  |
| <b>Step 3</b> | <b>interface</b> <i>type number</i>                                            | Enters interface configuration mode.                                                                               |

|               | Command or Action                                                                                                                                                                       | Purpose                                                                                                                                                                                                                                                                                                            |
|---------------|-----------------------------------------------------------------------------------------------------------------------------------------------------------------------------------------|--------------------------------------------------------------------------------------------------------------------------------------------------------------------------------------------------------------------------------------------------------------------------------------------------------------------|
|               | <b>Example:</b><br><pre>Device(config)# interface GigabitEthernet0/0</pre>                                                                                                              | <ul style="list-style-type: none"> <li>Specify an interface that is connected to hosts.</li> </ul>                                                                                                                                                                                                                 |
| <b>Step 4</b> | <b>ip igmp limit</b> <i>number</i> [ <b>except</b> <i>access-list</i> ]<br><b>Example:</b><br><pre>Device(config-if)# ip igmp limit 100</pre>                                           | Configures a per interface limit on the number of mroutes states created as a result of IGMP membership reports (IGMP joins).                                                                                                                                                                                      |
| <b>Step 5</b> | Do one of the following: <ul style="list-style-type: none"> <li><b>exit</b></li> <li><b>end</b></li> </ul> <b>Example:</b><br><pre>Device(config-if)# exit Device(config-if)# end</pre> | <ul style="list-style-type: none"> <li>(Optional) Ends the current configuration session and returns to global configuration mode. Repeat steps 3 and 4 to configure a per interface limiter on another interface.</li> <li>Ends the current configuration session and returns to privileged EXEC mode.</li> </ul> |
| <b>Step 6</b> | <b>show ip igmp interface</b> [ <i>type number</i> ]<br><b>Example:</b><br><pre>Device# show ip igmp interface</pre>                                                                    | (Optional) Displays information about the status and configuration of IGMP and multicast routing on interfaces.                                                                                                                                                                                                    |
| <b>Step 7</b> | <b>show ip igmp groups</b><br><b>Example:</b><br><pre>Device# show ip igmp groups</pre>                                                                                                 | (Optional) Displays the multicast groups with receivers that are directly connected to the device and that were learned through IGMP.                                                                                                                                                                              |

## Configuring Per Interface Mroute State Limiters

Perform this task to prevent DoS attacks or to provide a multicast CAC mechanism for controlling bandwidth when all multicast flows utilize approximately the same amount of bandwidth.

### Before you begin

All ACLs to be applied to per interface mroute state limiters must be configured prior to beginning this configuration task; otherwise, the limiters are ignored. For information about how to configure ACLs, see the “Creating an IP Access List and Applying It to an Interface” module of the *Security Configuration Guide: Access Control Lists* guide.

### SUMMARY STEPS

- enable**
- configure terminal**
- interface** *type number*
- ip multicast limit** [**connected** | **out** | **rpf**] *access-list max-entries*
- Repeat Step 4 to configure additional per interface mroute state limiters on this interface.
- Repeat Steps 3 and Step 4 to configure per interface mroute state limiters on additional interfaces.

## 7. end

## DETAILED STEPS

|               | Command or Action                                                                                                                                | Purpose                                                                          |
|---------------|--------------------------------------------------------------------------------------------------------------------------------------------------|----------------------------------------------------------------------------------|
| <b>Step 1</b> | <b>enable</b><br><b>Example:</b><br><br>Device> enable                                                                                           | Enables privileged EXEC mode.<br><br>• Enter your password if prompted.          |
| <b>Step 2</b> | <b>configure terminal</b><br><b>Example:</b><br><br>Device# configure terminal                                                                   | Enters global configuration mode.                                                |
| <b>Step 3</b> | <b>interface type number</b><br><b>Example:</b><br><br>Device(config)# interface GigabitEthernet0/0                                              | Enters interface configuration mode for the specified interface type and number. |
| <b>Step 4</b> | <b>ip multicast limit [connected   out   rpf] access-list max-entries</b><br><b>Example:</b><br><br>Device(config-if)# ip multicast limit 15 100 | Configures per interface mroute state limiters.                                  |
| <b>Step 5</b> | Repeat Step 4 to configure additional per interface mroute state limiters on this interface.                                                     | --                                                                               |
| <b>Step 6</b> | Repeat Steps 3 and Step 4 to configure per interface mroute state limiters on additional interfaces.                                             | --                                                                               |
| <b>Step 7</b> | <b>end</b><br><b>Example:</b><br><br>Device(config-if)# end                                                                                      | Returns to privileged EXEC mode.                                                 |

## What to Do Next

Proceed to the Monitoring Per Interface Mroute State Limiters and Bandwidth-Based Multicast CAC Policies task to monitor per interface mroute state limiters.

## Monitoring Per Interface Mroute State Limiters and Bandwidth-Based Multicast CAC Policies

Perform this optional task to monitor per interface mroute state limiters and bandwidth-based multicast CAC policies.



## SUMMARY STEPS

1. **enable**
2. **debug ip mrouting limits** *[group-address]*
3. **show ip multicast limit** *type number*
4. **clear ip multicast limit** *[type number]*

## DETAILED STEPS

### Step 1 enable

#### Example:

```
Device> enable
```

Enables privileged EXEC mode.

- Enter your password if prompted.

### Step 2 debug ip mrouting limits *[group-address]*

Displays debugging information about configured per interface mroute state limiters and bandwidth-based multicast CAC policies.

The following output is from the **debug ip mrouting limits** command. The output displays the following events:

- An mroute state being created and the corresponding per interface mroute state limiter counter being increased by the default cost of 1 on incoming Ethernet interface 1/0.
- An mroute olist member being removed from the olist and the corresponding per interface mroute limiter being decreased by the default cost of 1 on outgoing Ethernet interface 1/0.
- An mroute being denied by the per interface mroute state limiter because the maximum number of mroute states has been reached.
- An mroute state being created and the corresponding per interface mroute state limiter counter being increased by the cost of 2 on incoming Ethernet interface 1/0.
- An mroute olist member being removed from the olist and the corresponding per interface mroute limiter being decreased by a cost of 2 on outgoing Ethernet interface 1/0.

#### Example:

```
device# debug ip mrouting limits
```

```
MRL(0): incr-ed acl 'rpf-list' to (13 < max 32), [n:0,p:0], (main) GigabitEthernet0/0, (10.41.0.41,
225.30.200.60)
MRL(0): decr-ed acl 'out-list' to (10 < max 32), [n:0,p:0], (main) GigabitEthernet0/0, (*,
225.40.202.60)
MRL(0): Add mroute (10.43.0.43, 225.30.200.60) denied for GigabitEthernet0/2, acl std-list, (16 =
max 16)
MRL(0): incr-ed limit-acl 'rpf-list' to (12 < max 32), cost-acl 'cost-list' cost 2, [n:0,p:0], (main)
GigabitEthernet0/0, (10.41.0.41, 225.30.200.60)
MRL(0): decr-ed limit-acl 'out-list' to (8 < max 32), cost-acl 'cost-list' cost 2, [n:0,p:0], (main)
GigabitEthernet0/0, (*, 225.40.202.60)
```

### Step 3 show ip multicast limit *type number*

Displays counters related to mroute state limiters configured on the interfaces on the router.

For each per interface mroute state limiter shown in the output, the following information is displayed:

- The direction of traffic that the per mroute state limiter is limiting.
- The ACL referenced by the per interface mroute state limiter that defines the IP multicast traffic being limited.
- Statistics, enclosed in parenthesis, which track the current number of mroutes being limited less the configured limit. Each time the state for an mroute is created or deleted and each time an outgoing interface list (olist) member is added or removed, the counters for matching per interface mroute state limiters are increased or decreased accordingly.
- The exceeded counter, which tracks the total number of times that the limit configured for the per interface mroute state limiter has been exceeded. Each time an mroute is denied due to the configured limit being reached, the exceeded counter is increased by a value of 1.

The following is sample output from the **show ip multicast limit** command with the *type number* arguments. In this example, information about mroute state limiters configured on Gigabit Ethernet interface 0/0 is displayed.

**Example:**

```
Device# show ip multicast limit GigabitEthernet 0/0

Interface GigabitEthernet 0/0
  Multicast Access Limits
  out acl out-list (1 < max 32) exceeded 0
  rpf acl rpf-list (6 < max 32) exceeded 0
  con acl conn-list (0 < max 32) exceeded 0
```

**Step 4** **clear ip multicast limit** [*type number*]

Resets the exceeded counter for per interface mroute state limiters.

The following example shows how to reset exceeded counters for per interface mroute state limiters configured on Gigabit Ethernet interface 0/0:

**Example:**

```
Device# clear ip multicast limit interface GigabitEthernet 0/0
```

## Configuration Examples for Configuring Multicast Admission Control

### Configuring Global and Per MVRF Mroute State Limiters Example

The following example shows how to configure a global mroute state limiter. In this example, a global mroute state limiter is configured with an mroute limit of 1500 and an mroute threshold limit of 1460.

```
ip multicast route-limit 1500 1460
```

The following is a sample mroute threshold warning message. The output shows that the configured mroute threshold limit of 1460 has been exceeded by one mroute.

```
%MROUTE-4-ROUTE LIMIT WARNING : multicast route-limit warning 1461 threshold 1460
```

The following is a sample mroute exceeded warning message. The output shows that the configured mroute limit of 1500 has been exceeded by one mroute. States for mroutes that exceed the configured limit for the global mroute state limiter are not created on the router.

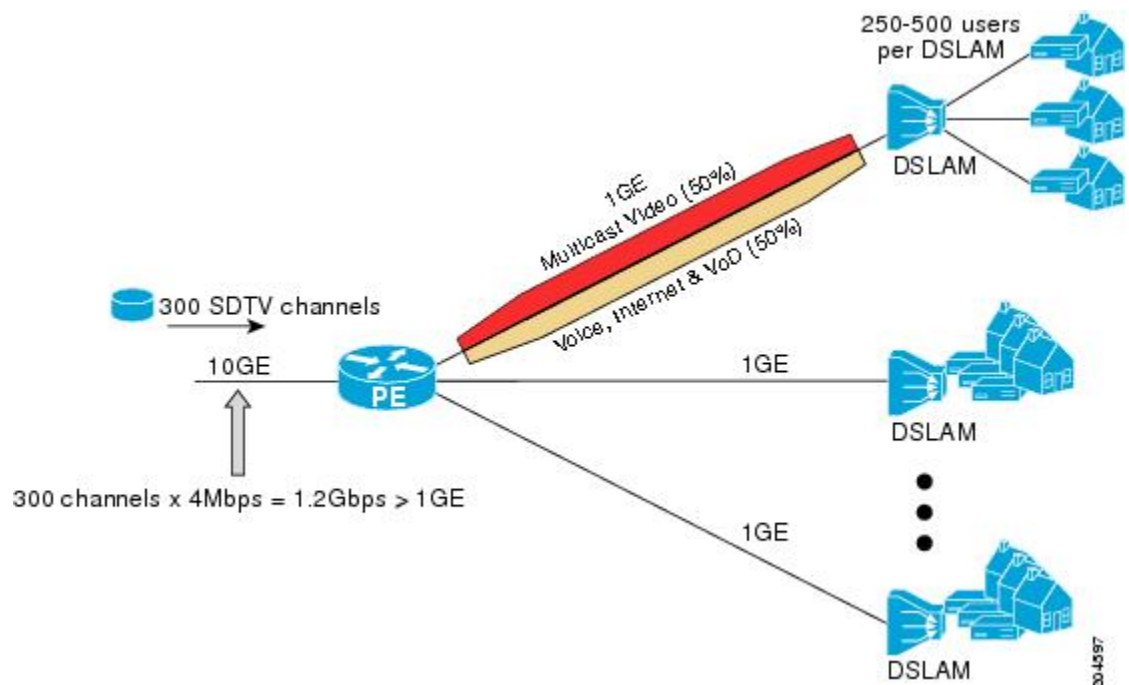
```
%MROUTE-4-ROUTE LIMIT : 1501 routes exceeded multicast route-limit of 1500
```

## Example: Configuring IGMP State Limiters

The following example shows how to configure IGMP state limiters to provide multicast CAC in a network environment where all the multicast flows roughly utilize the same amount of bandwidth.

This example uses the topology illustrated in the figure.

**Figure 7: IGMP State Limit Example Topology**



In this example, a service provider is offering 300 Standard Definition (SD) TV channels. Each SD channel utilizes approximately 4 Mbps.

The service provider must provision the Gigabit Ethernet interfaces on the PE device connected to the Digital Subscriber Line Access Multiplexers (DSLAMs) as follows: 50% of the link's bandwidth (500 Mbps) must be available to subscribers of the Internet, voice, and video on demand (VoD) service offerings while the remaining 50% (500 Mbps) of the link's bandwidth must be available to subscribers of the SD channel offerings.

Because each SD channel utilizes the same amount of bandwidth (4 Mbps), per interface IGMP state limiters can be used to provide the necessary CAC to provision the services being offered by the service provider. To determine the required CAC needed per interface, the total number of channels is divided by 4 (because each channel utilizes 4 Mbps of bandwidth). The required CAC needed per interface, therefore, is as follows:

$$500\text{Mbps} / 4\text{Mbps} = 125 \text{ mroutes}$$

Once the required CAC is determined, the service provider uses the results to configure the per IGMP state limiters required to provision the Gigabit Ethernet interfaces on the PE device. Based on the network's CAC requirements, the service provider must limit the SD channels that can be transmitted out a Gigabit Ethernet interface (at any given time) to 125. Configuring a per interface IGMP state limit of 125 for the SD channels provisions the interface for 500 Mbps of bandwidth, the 50% of the link's bandwidth that must always be available (but never exceeded) for the SD channel offerings.

The following configuration shows how the service provider uses a per interface mroute state limiter to provision interface Gigabit Ethernet 0/0 for the SD channels and Internet, Voice, and VoD services being offered to subscribers:

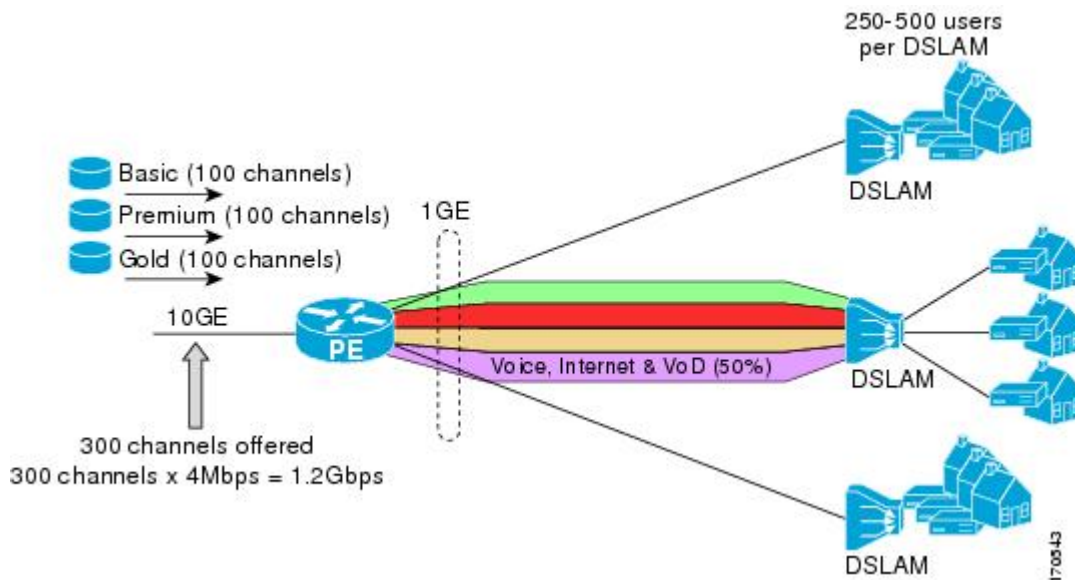
```
interface GigabitEthernet0/0
description --- Interface towards the DSLAM ---
.
.
.
ip igmp limit 125
```

## Example Configuring Per Interface Mroute State Limiters

The following example shows how to configure per interface mroute state limiters to provide multicast CAC in a network environment where all the multicast flows roughly utilize the same amount of bandwidth.

This example uses the topology illustrated in the figure.

**Figure 8: Per Interface Mroute State Limit Example Topology**



In this example, a service provider is offering 300 SD TV channels. The SD channels are being offered to customers in three service bundles (Basic, Premium, and Gold), which are available to customers on a subscription basis. Each bundle offers 100 channels to subscribers, and each channel utilizes approximately 4 Mbps of bandwidth.

The service provider must provision the Gigabit Ethernet interfaces on the PE device connected to DSLAMs as follows: 50% of the link's bandwidth (500 Mbps) must be available to subscribers of their Internet, voice, and VoD service offerings while the remaining 50% (500 Mbps) of the link's bandwidth must be available to subscribers of their SD channel bundle service offerings.

For the 500 Mbps of the link's bandwidth that must always be available to (but must never be exceeded by) the subscribers of the SD channel bundles, the interface must be further provisioned as follows:

- 60% of the bandwidth must be available to subscribers of the basic service (300 Mbps).
- 20% of the bandwidth must be available to subscribers of the premium service (100 Mbps).
- 20% of the bandwidth must be available to subscribers of the gold service (100 Mbps).

Because each SD channel utilizes the same amount of bandwidth (4 Mbps), per interface mroute state limiters can be used to provide the necessary CAC to provision the services being offered by the service provider. To determine the required CAC needed per interface, the number of channels for each bundle is divided by 4 (because each channel utilizes 4 Mbps of bandwidth). The required CAC needed per interface, therefore, is as follows:

- Basic Services:  $300 / 4 = 75$
- Premium Services:  $100 / 4 = 25$
- Gold Services:  $100 / 4 = 25$

Once the required CAC required per SD channel bundle is determined, the service provider uses the results to configure the mroute state limiters required to provision the Gigabit Ethernet interfaces on the PE device for the services being offered to subscribers behind the DSLAMs:

- For the Basic Services bundle, the service provider must limit the number of Basic Service SD channels that can be transmitted out a Gigabit Ethernet interface (at any given time) to 75. Configuring an mroute state limit of 75 for the SD channels offered in the Basic Service bundle provisions the interface for 300 Mbps of bandwidth (the 60% of the link's bandwidth that must always be available to [but never exceeded by] the subscribers of the Basic Services bundle).
- For the Premium Services bundle, the service provider must limit the number of Premium Service SD channels that can be transmitted out a Gigabit Ethernet interface (at any given time) to 25. Configuring an mroute state limit of 25 for the SD channels offered in the Premium Service bundle provisions the interface for 100 Mbps of bandwidth (the 20% of the link's bandwidth that must always be available to [but never exceeded by] the subscribers of the Premium Service bundle).
- For the Gold Services bundle, the service provider must limit the number of Gold Service SD channels that can be transmitted out a Gigabit Ethernet interface (at any given time) to 25. Configuring an mroute state limit of 25 for the SD channels offered in the Gold Service bundle provisions the interface for 100 Mbps of bandwidth (the 20% of the link's bandwidth that must always be available to [but never exceeded by] the subscribers of the Gold Service bundle).

The service provider then configures three ACLs to be applied to per interface mroute state limiters. Each ACL defines the SD channels for each SD channel bundle to be limited on an interface:

- `acl-basic`--The ACL that defines the SD channels offered in the basic service.
- `acl-premium`--The ACL that defines the SD channels offered in the premium service.
- `acl-gold`--The ACL that defines the SD channels offered in the gold service.

These ACLs are then applied to per interface mroute state limiters configured on the PE device's Gigabit Ethernet interfaces.

For this example, three per interface mroute state limiters are configured on Gigabit Ethernet interface 0/0 to provide the multicast CAC needed to provision the interface for the SD channel bundles being offered to subscribers:

- An mroute state limit of 75 for the SD channels that match acl-basic.
- An mroute state limit of 25 for the SD channels that match acl-premium.
- An mroute state limit of 25 for the SD channels that match acl-gold.

The following configuration shows how the service provider uses per interface mroute state limiters to provision Gigabit Ethernet interface 0/0 for the SD channel bundles and Internet, Voice, and VoD services being offered to subscribers:

```
interface GigabitEthernet0/0
description --- Interface towards the DSLAM ---
.
.
.
ip multicast limit out acl-basic 75
ip multicast limit out acl-premium 25
ip multicast limit out acl-gold 25
```



## CHAPTER 6

# Configuring Multicast VPN

The Multicast VPN (MVPN) feature provides the ability to support multicast over a Layer 3 VPN. As enterprises extend the reach of their multicast applications, service providers can accommodate these enterprises over their Multiprotocol Label Switching (MPLS) core network. IP multicast is used to stream video, voice, and data to an MPLS VPN network core.

Historically, point-to-point tunnels were the only way to connect through a service provider network. Although such tunneled networks tend to have scalability issues, they represented the only means of passing IP multicast traffic through a VPN.

Because Layer 3 VPNs support only unicast traffic connectivity, deploying MPLS in conjunction with a Layer 3 VPN allows service providers to offer both unicast and multicast connectivity to Layer 3 VPN customers.

- [Prerequisites for Configuring Multicast VPN, on page 79](#)
- [Restrictions for Configuring Multicast VPN, on page 79](#)
- [Information About Configuring Multicast VPN, on page 81](#)
- [How to Configure Multicast VPN, on page 86](#)
- [Configuration Examples for Multicast VPN, on page 97](#)
- [Multicast VPN over Routed Pseudowire, on page 101](#)

## Prerequisites for Configuring Multicast VPN

Enable IP multicast and configure the PIM interfaces using the tasks described in the “Configuring Basic IP Multicast” module.

## Restrictions for Configuring Multicast VPN

- Byte Count information is not displayed in the OIF stats when using **show platform hardware multicast ipv4/ipv6 <group> <source>** command on the Cisco ASR 903 RSP3 module.
- The update source interface for the Border Gateway Protocol (BGP) peerings must be the same for all BGP peerings configured on the router in order for the default multicast distribution tree (MDT) to be configured properly. If you use a loopback address for BGP peering, then PIM sparse mode must be enabled on the loopback address.
- MVPN does not support multiple BGP peering update sources.

- Multiple BGP update sources are not supported and configuring them can break MVPN reverse path forwarding (RPF) checking. The source IP address of the MVPN tunnels is determined by the highest IP address used for the BGP peering update source. If this IP address is not the IP address used as the BGP peering address with the remote provider edge (PE) router, MVPN will not function properly.
- PIM Dense mode is not supported on core network.
- Extra traffic is noticed when the router acts as MVPN PE without any receivers attached. It is recommended to create an ACL and attach it to VRF to drop extra forwarded packets.
- A maximum of 20 multicast VRFs are supported.
- A maximum of 255 OIFs are supported.
- Generic Routing Encapsulation (GRE) based Multicast VPN (MVPN) is supported on RSP2 for IPv4 from Cisco IOS XE Release 3.17.0S onwards. MVPN GRE is supported only in video template.

Effective Cisco IOS XE Everest 16.5.1, the following restrictions are applicable on the Cisco ASR 900 RSP2 Module :

- The transmission and receive (Tx and Rx) SPAN are not supported on provider edge (PE) routers configured with MVPN GRE.
- Only single encapsulation per core per WAN interface can be used.
- MVPN GRE with BDI interfaces in core is supported.
- In case of sparse mode (SM) in VRF, rendezvous point (RP) must be in ENCAP PE.
- IPv6 is not supported on MVPN GRE.
- MVPN GRE and mLDP cannot be configured on the same VRF.

Effective Cisco IOS XE Everest 16.6.1, the following restrictions are applicable on the Cisco ASR 900 RSP3 Module:

- MVPN bidirectional PIM is not supported.
- The following GREs are not supported:
  - Routing field
  - Sequence number
  - Script source number
  - Recursion Control Field
  - Checksum
- MVPN with core interface pseudowire is not supported.
- A maximum of 20 OIFs towards core are supported.
- IPv6 is not supported.
- Route leaking is not supported.
- Only one EFP per BDI per physical port is supported.



- MVPN GREs and mLDPs are not supported on the same VRF.
- NETCONF/YANG is not supported.
- In case of sparse mode (SM) in VRF, rendezvous point (RP) must be in ENCAP PE. This restriction is applicable on Cisco RSP3 module only.



**Note** This restriction is not applicable on Cisco IOS XE Amsterdam 17.3.1 and later releases.

The following table shows the scaling numbers for MVPN-GRE:

**Table 3: Scaling Numbers for MVPN-GRE**

| Scale Scenario                       | RSP1A              | RSP1B               | RSP2                | RSP3                                       |
|--------------------------------------|--------------------|---------------------|---------------------|--------------------------------------------|
| Number of supported data MDT per VRF | 255                | 255                 | 255                 | 255                                        |
| Number of supported data MDT overall | 1000               | 1000                | 1000                | Overall 4000. No restriction for data MDT. |
| Number of supported mroutes          | SM-500<br>SSM-1000 | SM-2000<br>SSM-4000 | SM-1000<br>SSM-2000 | 4000                                       |
| Number of VRF supported              | 20                 | 20                  | 20                  | 20                                         |

- NETCONF/YANG is not supported.

## Information About Configuring Multicast VPN

### Multicast VPN Operation

MVPN IP allows a service provider to configure and support multicast traffic in an MPLS VPN environment. This feature supports routing and forwarding of multicast packets for each individual VRF instance, and it also provides a mechanism to transport VPN multicast packets across the service provider backbone.

A VPN is network connectivity across a shared infrastructure, such as an ISP. Its function is to provide the same policies and performance as a private network, at a reduced cost of ownership, thus creating many opportunities for cost savings through operations and infrastructure.

An MVPN allows an enterprise to transparently interconnect its private network across the network backbone of a service provider. The use of an MVPN to interconnect an enterprise network in this way does not change the way that enterprise network is administered, nor does it change general enterprise connectivity.

## Benefits of Multicast VPN

- Provides a scalable method to dynamically send information to multiple locations.
- Provides high-speed information delivery.
- Provides connectivity through a shared infrastructure.

## Multicast VPN Routing and Forwarding and Multicast Domains

MVPN introduces multicast routing information to the VPN routing and forwarding table. When a provider edge (PE) device receives multicast data or control packets from a customer edge (CE) router, forwarding is performed according to the information in the Multicast VPN routing and forwarding instance (MVRF). MVPN does not use label switching.

A set of MVRFs that can send multicast traffic to each other constitutes a multicast domain. For example, the multicast domain for a customer that wanted to send certain types of multicast traffic to all global employees would consist of all CE routers associated with that enterprise.

## Multicast Distribution Trees

MVPN establishes a static default MDT for each multicast domain. The default MDT defines the path used by PE routers to send multicast data and control messages to every other PE router in the multicast domain.

If Source Specific Multicast (SSM) is used as the core multicast routing protocol, then the multicast IP addresses used for the default and data multicast distribution tree (MDT) must be configured within the SSM range on all PE routers.

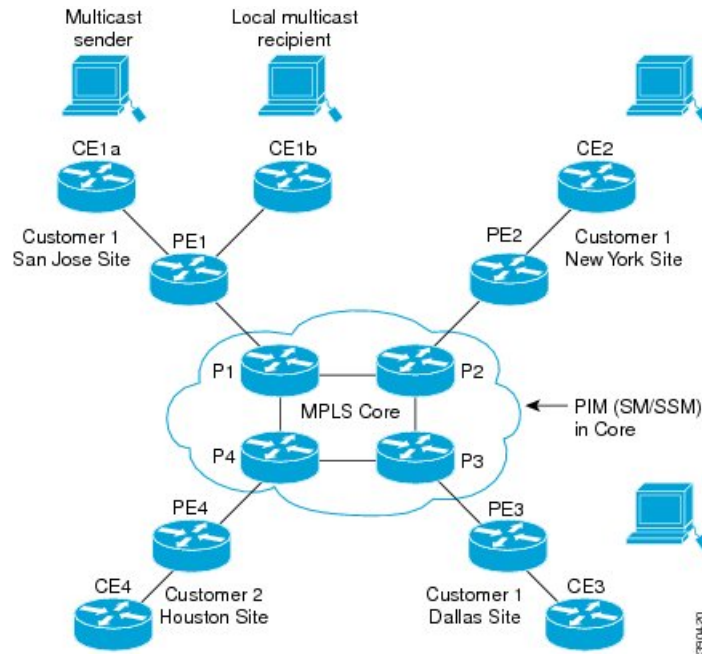
MVPN also supports the dynamic creation of MDTs for high-bandwidth transmission. Data MDTs are a feature unique to Cisco IOS software. Data MDTs are intended for high-bandwidth sources such as full-motion video inside the VPN to ensure optimal traffic forwarding in the MPLS VPN core. The threshold at which the data MDT is created can be configured on a per-router or a per-VRF basis. When the multicast transmission exceeds the defined threshold, the sending PE router creates the data MDT and sends a User Datagram Protocol (UDP) message, which contains information about the data MDT to all routers on the default MDT. The statistics to determine whether a multicast stream has exceeded the data MDT threshold are examined once every second. After a PE router sends the UDP message, it waits 3 more seconds before switching over; 13 seconds is the worst case switchover time and 3 seconds is the best case.

Data MDTs are created only for (S, G) multicast route entries within the VRF multicast routing table. They are not created for (\*, G) entries regardless of the value of the individual source data rate.

In the following example, a service provider has a multicast customer with offices in San Jose, New York, and Dallas. A one-way multicast presentation is occurring in San Jose. The service provider network supports all three sites associated with this customer, in addition to the Houston site of a different enterprise customer.

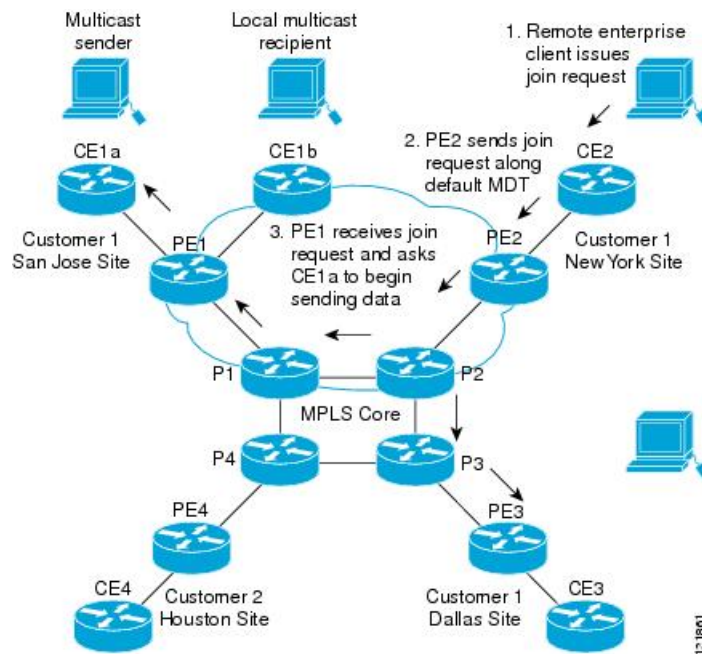
The default MDT for the enterprise customer consists of provider routers P1, P2, and P3 and their associated PE routers. PE4 is not part of the default MDT, because it is associated with a different customer. The figure shows that no data flows along the default MDT, because no one outside of San Jose has joined the multicast.

Figure 9: Default Multicast Distribution Tree Overview



An employee in New York joins the multicast session. The PE router associated with the New York site sends a join request that flows across the default MDT for the multicast domain of the customer. PE1, the PE router associated with the multicast session source, receives the request. The figure depicts that the PE router forwards the request to the CE router associated with the multicast source (CE1a).

Figure 10: Initializing the Data MDT



The CE router (CE1a) begins to send the multicast data to the associated PE router (PE1), which sends the multicast data along the default MDT. Through default MDT, traffic from CE1a is sent to all the PEs. Immediately sending the multicast data, PE1 recognizes that the multicast data exceeds the bandwidth threshold for which a data MDT should be created. Therefore, PE1 creates a data MDT, sends a message to all routers using the default MDT that contains information about the data MDT, and, three seconds later, begins sending the multicast data for that particular stream using the data MDT. Only PE2 has interested receivers for this source, so only PE2 will join the data MDT and receive traffic on it.

The other PE routers also receive traffic from the default MDT.

PE routers maintain a PIM relationship with other PE routers over the default MDT and a PIM relationship with its directly attached PE routers.

## Multicast Tunnel Interface

An MVRF, which is created per multicast domain, requires the device to create a tunnel interface from which all MVRF traffic is sourced. A multicast tunnel interface is an interface that the MVRF uses to access the multicast domain. It can be thought of as a conduit that connects an MVRF and the global MVRF. One tunnel interface is created per MVRF.

## MDT Address Family in BGP for Multicast VPN

The **mdt** keyword has been added to the **address-family ipv4** command to configure an MDT address-family session. MDT address-family sessions are used to pass the source PE address and MDT group address to PIM using Border Gateway Protocol (BGP) MDT Subaddress Family Identifier (SAFI) updates.

## BGP Advertisement Methods for Multicast VPN Support

In a single autonomous system, if the default MDT for an MVPN is using PIM sparse mode (PIM-SM) with a rendezvous point (RP), then PIM is able to establish adjacencies over the Multicast Tunnel Interface (MTI) because the source PE and receiver PE discover each other through the RP. In this scenario, the local PE (the source PE) sends register messages to the RP, which then builds a shortest-path tree (SPT) toward the source PE. The remote PE, which acts as a receiver for the MDT multicast group, then sends (\*, G) joins toward the RP and joins the distribution tree for that group.

However, if the default MDT group is configured in a PIM Source Specific Multicast (PIM-SSM) environment rather than a PIM-SM environment, the receiver PE needs information about the source PE and the default MDT group. This information is used to send (S, G) joins toward the source PE to build a distribution tree from the source PE (without the need for an RP). The source PE address and default MDT group address are sent using BGP.

## BGP Extended Community

When BGP extended communities are used, the PE loopback (source address) information is sent as a VPNv4 prefix using Route Distinguisher (RD) Type 2 (to distinguish it from unicast VPNv4 prefixes). The MDT group address is carried in a BGP extended community. Using a combination of the embedded source in the VPNv4 address and the group in the extended community, PE routers in the same MVRF instance can establish SSM trees to each other.



**Note** Prior to the introduction of MDT SAFI support, the BGP extended community attribute was used as an interim solution to advertise the IP address of the source PE and default MDT group before IETF standardization. A BGP extended community attribute in an MVPN environment, however, has certain limitations: it cannot be used in inter-AS scenarios (because the attribute is nontransitive), and it uses RD Type 2, which is not a supported standard and not supported effective with Cisco IOS Release 15.5(1)T and Cisco IOS Release 15.4(3)S.

## BGP MDT SAFI

Cisco software releases that support the MDT SAFI, the source PE address and the MDT group address are passed to PIM using BGP MDT SAFI updates. The RD type has changed to RD type 0, and BGP determines the best path for the MDT updates before passing the information to PIM.



**Note** To prevent backward-compatibility issues, BGP allows the communication of the older style updates with peers that are unable to understand the MDT SAFI address family.

Cisco software releases that support the MDT SAFI, the MDT SAFI address family needs to be explicitly configured for BGP neighbors using the **address-family ipv4 mdt** command. Neighbors that do not support the MDT SAFI still need to be enabled for the MDT SAFI in the local BGP configuration. Prior to the introduction of the MDT SAFI, additional BGP configuration from the VPNv4 unicast configuration was not needed to support MVPN.

Because the new MDT SAFI does not use BGP route-target extended communities, the regular extended community methods to filter these updates no longer apply. As a result, the **match mdt-group** route-map configuration command has been added to filter on the MDT group address using access control lists (ACLs). These route maps can be applied—inbound or outbound—to the IPv4 MDT address-family neighbor configuration.

## Automigration to the MDT SAFI

When migrating a Cisco IOS release to the MDT SAFI, existing VPNv4 neighbors will be automatically configured for the MDT SAFI upon bootup based on the presence of an existing default MDT configuration (that is, pre-MDT SAFI configurations will be automatically converted to an MDT SAFI configuration upon bootup). In addition, when a default MDT configuration exists and a VPNv4 neighbor in BGP is configured, a similar neighbor in the IPv4 MDT address family will be automatically configured.



**Note** Because there is no VRF configuration on route reflectors (RRs), automigration to the MDT SAFI will not be triggered on RRs. The MDT SAFI configuration, thus, will need to be manually configured on RRs. Having a uniform MDT transmission method will reduce processing time on the routers (because MDT SAFI conversion is not necessary).

## Guidelines for Configuring the MDT SAFI

- We recommend that you configure the MDT SAFI on all routers that participate in the MVPN. Even though the benefits of the MDT SAFI are for SSM tree building, the MDT SAFI must also be configured when using MVPN with the default MDT group for PIM-SM. From the multicast point of view, the

MDT SAFI is not required for MVPN to work within a PIM-SM core. However, in certain scenarios, the new address family must be configured in order to create the MTI. Without this notification, the MTI would not be created and MVPN would not function (even with PIM-SM).

- For backward compatible sessions, extended communities must be enabled on all MDT SAFI peers. In a pure MDT SAFI environment, there is no need to configure extended communities explicitly for MVPN. However, extended communities will be needed for VPNv4 interior BGP (iBGP) sessions to relay the route-target. In a hybrid (MDT SAFI and pre-MDT SAFI) environment, extended communities must be configured to send the embedded source in the VPNv4 address and the MDT group address to MDT SAFI neighbors.

## Guidelines for Upgrading a Network to Support the MDT SAFI

When moving from a pre-MDT SAFI to an MDT SAFI environment, the upmost care should be taken to minimize the impact to the MVPN service. The unicast service will not be affected, other than the outage due to the reload and recovery. To upgrade a network to support the MDT SAFI, we recommend that you perform the following steps:

1. Upgrade the PEs in the MVPN to a Cisco IOS release that supports the MDT SAFI. Upon bootup, the PE configurations will be automigrated to the MDT SAFI. For more information about the automigration to the MDT SAFI functionality, see [Automigration to the MDT SAFI](#), on page 85 section.
2. After the PEs have been upgraded, upgrade the RRs and enable the MDT SAFI for all peers providing MVPN service. Enabling or disabling the MDT SAFI will reset the BGP peer relationship for all address families; thus, a loss of routing information may occur.




---

**Note** A multihomed BGP RR scenario, one of the RRs must be upgraded and configured last. The upgraded PEs will use this RR to relay MDT advertisements while the other RRs are being upgraded.

---

## Supported Policy

The following policy configuration parameters are supported under the MDT SAFI:

- Mandatory attributes and well-known attributes, such as the AS-path, multiexit discriminator (MED), BGP local-pref, and next-hop attributes.
- Standard communities, community lists, and route maps.

# How to Configure Multicast VPN

## Configuring a Default MDT Group for a VRF

Perform this task to configure a default MDT group for a VRF.

The default MDT group must be the same group configured on all devices that belong to the same VPN. The source IP address will be the address used to source the BGP sessions.

## SUMMARY STEPS

1. **enable**
2. **configure terminal**
3. **ip multicast-routing distributed**
4. **ip multicast-routing vrf *vrf-name* distributed**
5. **ip vrf *vrf-name***
6. **mdt default *group-address***

## DETAILED STEPS

|        | Command or Action                                                                                                                           | Purpose                                                                                                                                                                                                                                                                                     |
|--------|---------------------------------------------------------------------------------------------------------------------------------------------|---------------------------------------------------------------------------------------------------------------------------------------------------------------------------------------------------------------------------------------------------------------------------------------------|
| Step 1 | <b>enable</b><br><b>Example:</b><br>Device> enable                                                                                          | Enables privileged EXEC mode. <ul style="list-style-type: none"> <li>• Enter your password if prompted.</li> </ul>                                                                                                                                                                          |
| Step 2 | <b>configure terminal</b><br><b>Example:</b><br>Device# configure terminal                                                                  | Enters global configuration mode.                                                                                                                                                                                                                                                           |
| Step 3 | <b>ip multicast-routing distributed</b><br><b>Example:</b><br>Device(config)# ip multicast-routing distributed                              | Enables multicast routing.                                                                                                                                                                                                                                                                  |
| Step 4 | <b>ip multicast-routing vrf <i>vrf-name</i> distributed</b><br><b>Example:</b><br>Device(config)# ip multicast-routing vrf vrf1 distributed | Supports the MVPN VRF instance.                                                                                                                                                                                                                                                             |
| Step 5 | <b>ip vrf <i>vrf-name</i></b><br><b>Example:</b><br>Device(config)# ip vrf vrf1                                                             | Enters VRF configuration mode and defines the VPN routing instance by assigning a VRF name.<br><br>See the <a href="#">Example: Configuring the MDT Address Family in BGP for Multicast VPN, on page 97</a> section for an alternate command.                                               |
| Step 6 | <b>mdt default <i>group-address</i></b><br><b>Example:</b><br>Device(config-vrf)# mdt default 232.0.0.1                                     | Configures the multicast group address for the default MDT for a VRF. <ul style="list-style-type: none"> <li>• A tunnel interface is created as a result of this command.</li> <li>• By default, the destination address of the tunnel header is the <i>group-address</i> value.</li> </ul> |

## Configuring the MDT Address Family in BGP for Multicast VPN

Perform this task to configure an MDT address family session on PE devices to establish MDT peering sessions for MVPN.

### Before you begin

Before MVPN peering can be established through an MDT address family, MPLS and Cisco Express Forwarding (CEF) must be configured in the BGP network and multiprotocol BGP on PE devices that provide VPN services to CE devices.



**Note** The following policy configuration parameters are not supported:

- Route-originator attribute
- Network Layer Reachability Information (NLRI) prefix filtering (prefix lists, distribute lists)
- Extended community attributes (route target and site of origin)

### SUMMARY STEPS

1. **enable**
2. **configure terminal**
3. **router bgp *as-number***
4. **address-family ipv4 mdt**
5. **neighbor *neighbor-address* activate**
6. **neighbor *neighbor-address* send-community [both | extended | standard]**
7. **exit**
8. **address-family vpv4**
9. **neighbor *neighbor-address* activate**
10. **neighbor *neighbor-address* send-community [both | extended | standard]**
11. **end**

### DETAILED STEPS

|        | Command or Action                                                          | Purpose                                                                                                               |
|--------|----------------------------------------------------------------------------|-----------------------------------------------------------------------------------------------------------------------|
| Step 1 | <b>enable</b><br><b>Example:</b><br>Device> enable                         | Enables privileged EXEC mode.<br><ul style="list-style-type: none"> <li>• Enter your password if prompted.</li> </ul> |
| Step 2 | <b>configure terminal</b><br><b>Example:</b><br>Router# configure terminal | Enters global configuration mode.                                                                                     |



|         | Command or Action                                                                                                                                                                           | Purpose                                                                              |
|---------|---------------------------------------------------------------------------------------------------------------------------------------------------------------------------------------------|--------------------------------------------------------------------------------------|
| Step 3  | <b>router bgp <i>as-number</i></b><br><b>Example:</b><br><pre>Device(config)# router bgp 65535</pre>                                                                                        | Enters router configuration mode and creates a BGP routing process.                  |
| Step 4  | <b>address-family ipv4 mdt</b><br><b>Example:</b><br><pre>Device(config-router)# address-family ipv4 mdt</pre>                                                                              | Enters address family configuration mode to create an IP MDT address family session. |
| Step 5  | <b>neighbor <i>neighbor-address</i> activate</b><br><b>Example:</b><br><pre>Device(config-router-af)# neighbor 192.168.1.1 activate</pre>                                                   | Enables the MDT address family for this neighbor.                                    |
| Step 6  | <b>neighbor <i>neighbor-address</i> send-community [both   extended   standard]</b><br><b>Example:</b><br><pre>Device(config-router-af)# neighbor 192.168.1.1 send-community extended</pre> | Enables community and (or) extended community exchange with the specified neighbor.  |
| Step 7  | <b>exit</b><br><b>Example:</b><br><pre>Device(config-router-af)# exit</pre>                                                                                                                 | Exits address family configuration mode and returns to router configuration mode.    |
| Step 8  | <b>address-family vpnv4</b><br><b>Example:</b><br><pre>Device(config-router)# address-family vpnv4</pre>                                                                                    | Enters address family configuration mode to create a VPNv4 address family session.   |
| Step 9  | <b>neighbor <i>neighbor-address</i> activate</b><br><b>Example:</b><br><pre>Device(config-router-af)# neighbor 192.168.1.1 activate</pre>                                                   | Enables the VPNv4 address family for this neighbor.                                  |
| Step 10 | <b>neighbor <i>neighbor-address</i> send-community [both   extended   standard]</b><br><b>Example:</b><br><pre>Device(config-router-af)# neighbor 192.168.1.1 send-community extended</pre> | Enables community and (or) extended community exchange with the specified neighbor.  |
| Step 11 | <b>end</b><br><b>Example:</b>                                                                                                                                                               | Exits address family configuration mode and enters privileged EXEC mode.             |

|  | Command or Action             | Purpose |
|--|-------------------------------|---------|
|  | Device(config-router-af)# end |         |

## Configuring the Data Multicast Group

A data MDT group can include a maximum of 256 multicast groups per VPN per VRF per PE device. Multicast groups used to create the data MDT group are dynamically chosen from a pool of configured IP addresses.

### Before you begin

- Before configuring a default MDT group, the VPN must be configured for multicast routing as described in the "Configuring a Default MDT Group for a VRF" section.
- All access lists needed when using the tasks in this module should be configured prior to beginning the configuration task. For information about how to configure an access list, see the "Creating an IP Access List and Applying It to an Interface" module.

### SUMMARY STEPS

1. **enable**
2. **configure terminal**
3. **ip vrf vrf-name**
4. **mdt data group-address-range wildcard-bits [threshold kbps] [list access-list]**
5. **mdt log-reuse**
6. **end**

### DETAILED STEPS

|               | Command or Action                                                                                        | Purpose                                                                                                                                                                                                    |
|---------------|----------------------------------------------------------------------------------------------------------|------------------------------------------------------------------------------------------------------------------------------------------------------------------------------------------------------------|
| <b>Step 1</b> | <b>enable</b><br><b>Example:</b><br>Device> enable                                                       | Enables privileged EXEC mode.<br><ul style="list-style-type: none"><li>• Enter your password if prompted.</li></ul>                                                                                        |
| <b>Step 2</b> | <b>configure terminal</b><br><b>Example:</b><br>Device# configure terminal                               | Enters global configuration mode.                                                                                                                                                                          |
| <b>Step 3</b> | <b>ip vrf vrf-name</b><br><b>Example:</b><br>Device(config)# ip vrf vrf1                                 | Enters VRF configuration mode and defines the VPN routing instance by assigning a VRF name.<br><br>See the <a href="#">Example: Configuring MVPN and SSM, on page 97</a> section for an alternate command. |
| <b>Step 4</b> | <b>mdt data group-address-range wildcard-bits [threshold kbps] [list access-list]</b><br><b>Example:</b> | Specifies a range of addresses to be used in the data MDT pool.                                                                                                                                            |

|               | Command or Action                                                                               | Purpose                                                                                                                                                                                                                                                                                                                                                                                                                                                                                                                                                                                                                                                                                                                                                                                                                                                                                                 |
|---------------|-------------------------------------------------------------------------------------------------|---------------------------------------------------------------------------------------------------------------------------------------------------------------------------------------------------------------------------------------------------------------------------------------------------------------------------------------------------------------------------------------------------------------------------------------------------------------------------------------------------------------------------------------------------------------------------------------------------------------------------------------------------------------------------------------------------------------------------------------------------------------------------------------------------------------------------------------------------------------------------------------------------------|
|               | <pre>Device(config-vrf)# mdt data 239.192.20.32 0.0.0.15 threshold 1</pre>                      | <ul style="list-style-type: none"> <li>• For the <i>group-address-range</i> and <i>wildcard-bits</i> arguments, specify a a multicast group address range. The range is from 224.0.0.1 to 239.255.255.255. Because the range of addresses used in the data MDT pool are multicast group addresses (Class D addresses), there is no concept of a subnet; therefore, you can use all addresses in the mask (wildcard) range that you specify for the <i>wildcard-bits</i> argument.</li> <li>• The threshold is in <i>kbps</i>. The range is from 1 through 4294967.</li> <li>• Use the optional <b>list</b> keyword and <i>access-list</i> argument to define the (S, G) MVPN entries to be used in a data MDT pool, which would further limit the creation of a data MDT pool to the particular (S, G) MVPN entries defined in the access list specified for the <i>access-list</i> argument</li> </ul> |
| <b>Step 5</b> | <p><b>mdt log-reuse</b></p> <p><b>Example:</b></p> <pre>Device(config-vrf)# mdt log-reuse</pre> | (Optional) Enables the recording of data MDT reuse and generates a syslog message when a data MDT has been reused.                                                                                                                                                                                                                                                                                                                                                                                                                                                                                                                                                                                                                                                                                                                                                                                      |
| <b>Step 6</b> | <p><b>end</b></p> <p><b>Example:</b></p> <pre>Device(config-vrf)# end</pre>                     | Returns to privileged EXEC mode.                                                                                                                                                                                                                                                                                                                                                                                                                                                                                                                                                                                                                                                                                                                                                                                                                                                                        |

## Configuring Multicast Routes and Information

Perform this task to limit the number of multicast routes that can be added in a device.

### Before you begin

- Before configuring a default MDT group, the VPN must be configured for multicast routing as described in the "Configuring a Default MDT Group for a VRF" section.
- All access lists needed when using the tasks in this module should be configured prior to beginning the configuration task. For information about how to configure an access list, see the “Creating an IP Access List and Applying It to an Interface” module.

### SUMMARY STEPS

1. **enable**
2. **configure terminal**
3. **ip multicast vrf** *vrf-name* **route-limit** *limit* [*threshold*]
4. **ip multicast mrinfo-filter** *access-list*

## DETAILED STEPS

|               | Command or Action                                                                                                                                                   | Purpose                                                                                                            |
|---------------|---------------------------------------------------------------------------------------------------------------------------------------------------------------------|--------------------------------------------------------------------------------------------------------------------|
| <b>Step 1</b> | <b>enable</b><br><b>Example:</b><br>Device> enable                                                                                                                  | Enables privileged EXEC mode. <ul style="list-style-type: none"> <li>• Enter your password if prompted.</li> </ul> |
| <b>Step 2</b> | <b>configure terminal</b><br><b>Example:</b><br>Device# configure terminal                                                                                          | Enters global configuration mode.                                                                                  |
| <b>Step 3</b> | <b>ip multicast vrf <i>vrf-name</i> route-limit <i>limit</i> [<i>threshold</i>]</b><br><b>Example:</b><br>Device(config)# ip multicast vrf cisco route-limit 500 50 | Sets the mroute limit and the threshold parameters.                                                                |
| <b>Step 4</b> | <b>ip multicast mroute-filter <i>access-list</i></b><br><b>Example:</b><br>Device(config)# ip multicast mroute-filter 4                                             | Filters the multicast device information request packets for all sources specified in the access list.             |

## Verifying Information for the MDT Default Group

## SUMMARY STEPS

1. enable
2. show ip pim mdt bgp
3. show ip pim vrf *vrf-name* mdt history interval *minutes*

## DETAILED STEPS

|               |                                                                                                                                                                                          |
|---------------|------------------------------------------------------------------------------------------------------------------------------------------------------------------------------------------|
| <b>Step 1</b> | <b>enable</b><br><b>Example:</b><br>Device> <b>enable</b><br>Enables privileged EXEC mode. <ul style="list-style-type: none"> <li>• Enter your password if prompted.</li> </ul>          |
| <b>Step 2</b> | <b>show ip pim mdt bgp</b><br><b>Example:</b><br>Device# <b>show ip pim mdt bgp</b><br><br>MDT (Route Distinguisher + IPv4)                      Router ID                      Next Hop |

```

MDT group 238.2.2.0
  2:200:50.0.0.4          0.0.0.0          0.0.0.0
MDT group 239.1.1.1
  2:200:50.0.0.4          50.0.0.4         50.0.0.4

```

Displays information about the BGP advertisement of the RD for the MDT default group.

### Step 3 **show ip pim vrf *vrf-name* mdt history interval *minutes***

#### Example:

```

Device# show ip pim vrf vrf1 mdt history interval 20

MDT-data send history for VRF - vrf1 for the past 20 minutes
MDT-data group      Number of reuse
  10.9.9.8           3
  10.9.9.9           2

```

Displays the data MDTs that have been reused during the past configured interval.

## Troubleshoot

The following are some troubleshooting tips for MVPN:

- Use the **show ip pim vrf neighbor** command to check that PE routers established a PIM neighbor relationship through the dynamic tunnel interface. If they did, then the Default MDT operates properly.
- If the Default MDT does not function, use the **show ip pim mdt bgp** command to check that loopbacks of remote PE routers participating in MVPN are known by the local router. If they are not, verify that PIM is enabled on interfaces used as a source of MP BGP sessions.

## Verifying Information for the Data Multicast Group

### SUMMARY STEPS

1. **show ip pim [vrf *vrf-name*] mdt send**
2. **show ip pim [vrf *vrf-name*] mdt receive**

### DETAILED STEPS

#### Step 1 **show ip pim [vrf *vrf-name*] mdt send**

#### Example:

```

Device# show ip pim vrf VPN_A mdt send

MDT-data send list for VRF: VPN_A
  (source, group)          MDT-data group/num  ref_count
  (80.0.0.10, 232.1.1.1)   238.2.2.0          1

```

Displays detailed information about the MDT data group including MDT advertisements that the specified device has made.

#### Step 2 **show ip pim [vrf *vrf-name*] mdt receive**

**Example:**

```
Device# show ip pim vrf VPN_A mdt receive
Joined MDT-data [group/mdt number : source] uptime/expires for VRF: VPN_A
[238.2.2.0 : 50.0.0.4] 00:51:27/00:02:32
```

Displays detailed information about the MDT data group joined.

## Verifying Information for the Multicast Routes

### SUMMARY STEPS

1. `show ip mroute`
2. `show ip mroute vrf vrf name`

### DETAILED STEPS

|        | Command or Action                                                                                                                                                                                                                                                                                                                                                                                                                                                                                                                                                                                                                                                                                                                                                                                                                                                                                                                                                                                                                                                                                                                                                                                                            | Purpose                                                                         |
|--------|------------------------------------------------------------------------------------------------------------------------------------------------------------------------------------------------------------------------------------------------------------------------------------------------------------------------------------------------------------------------------------------------------------------------------------------------------------------------------------------------------------------------------------------------------------------------------------------------------------------------------------------------------------------------------------------------------------------------------------------------------------------------------------------------------------------------------------------------------------------------------------------------------------------------------------------------------------------------------------------------------------------------------------------------------------------------------------------------------------------------------------------------------------------------------------------------------------------------------|---------------------------------------------------------------------------------|
| Step 1 | <p><b>show ip mroute</b></p> <p><b>Example:</b></p> <pre>Device# show ip mroute IP Multicast Routing Table Flags: D - Dense, S - Sparse, B - Bidir Group, s - SSM Group, C - Connected,       L - Local, P - Pruned, R - RP-bit set, F - Register flag,       T - SPT-bit set, J - Join SPT, M - MSDP created entry, E - Extranet,       X - Proxy Join Timer Running, A - Candidate for MSDP Advertisement,       U - URD, I - Received Source Specific Host Report,       Z - Multicast Tunnel, z - MDT-data group sender,       Y - Joined MDT-data group, y - Sending to MDT-data group,       G - Received BGP C-Mroute, g - Sent BGP C-Mroute,       N - Received BGP Shared-Tree Prune, n - BGP C-Mroute suppressed,       Q - Received BGP S-A Route, q - Sent BGP S-A Route,       V - RD &amp; Vector, v - Vector, p - PIM Joins on route,       x - VxLAN group Outgoing interface flags: H - Hardware switched, A - Assert winner, p - PIM Join Timers: Uptime/Expires Interface state: Interface, Next-Hop or VCD, State/Mode  (*, 239.1.1.1), 05:06:08/stopped, RP 0.0.0.0, flags: DCZ Incoming interface: Null, RPF nbr 0.0.0.0 Outgoing interface list: TenGigabitEthernet0/2/0, Forward/Sparse-Dense,</pre> | Displays the contents of the IP multicast routing table in the provider's core. |

|                      | Command or Action                                                                                                                                                                                                                                                                                                                                                                                                                                                                                                                                                                                                                                                                                                                                                                                                                                                                                                                                                                                                                    | Purpose                                                          |
|----------------------|--------------------------------------------------------------------------------------------------------------------------------------------------------------------------------------------------------------------------------------------------------------------------------------------------------------------------------------------------------------------------------------------------------------------------------------------------------------------------------------------------------------------------------------------------------------------------------------------------------------------------------------------------------------------------------------------------------------------------------------------------------------------------------------------------------------------------------------------------------------------------------------------------------------------------------------------------------------------------------------------------------------------------------------|------------------------------------------------------------------|
|                      | <pre> 01:08:04/stopped   MVRF VPN_A, Forward/Sparse-Dense, 05:06:08/stopped  (50.0.0.4, 239.1.1.1), 01:04:27/00:01:31, flags: TZ   Incoming interface: TenGigabitEthernet0/2/0, RPF   nbr 60.0.0.3   Outgoing interface list:     MVRF VPN_A, Forward/Sparse-Dense, 01:04:27/stopped  (50.0.0.2, 239.1.1.1), 05:06:07/00:02:42, flags: T   Incoming interface: Loopback50, RPF nbr 0.0.0.0   Outgoing interface list:     TenGigabitEthernet0/2/0, Forward/Sparse-Dense, 01:08:04/stopped  (*, 238.2.2.0), 00:52:26/stopped, RP 0.0.0.0, flags: DCZ   Incoming interface: Null, RPF nbr 0.0.0.0   Outgoing interface list:     TenGigabitEthernet0/2/0, Forward/Sparse-Dense, 00:52:26/stopped     MVRF VPN_A, Forward/Sparse-Dense, 00:52:26/stopped  (*, 224.0.1.40), 05:09:15/00:02:47, RP 0.0.0.0, flags: DCL   Incoming interface: Null, RPF nbr 0.0.0.0   Outgoing interface list:     TenGigabitEthernet0/2/0, Forward/Sparse-Dense, 01:08:04/stopped     Loopback50, Forward/Sparse-Dense, 05:09:15/stopped           </pre> |                                                                  |
| <p><b>Step 2</b></p> | <p><b>show ip mroute vrf <i>vrf name</i></b></p> <p><b>Example:</b></p> <pre> Device# show ip mroute vrf VPN_A IP Multicast Routing Table Flags: D - Dense, S - Sparse, B - Bidir Group, s - SSM Group, C - Connected,       L - Local, P - Pruned, R - RP-bit set, F -   Register flag,       T - SPT-bit set, J - Join SPT, M - MSDP created entry, E - Extranet,       X - Proxy Join Timer Running, A - Candidate for MSDP Advertisement,       U - URD, I - Received Source Specific Host Report,       Z - Multicast Tunnel, z - MDT-data group sender,       Y - Joined MDT-data group, y - Sending to MDT-data group,       G - Received BGP C-Mroute, g - Sent BGP C-Mroute,       N - Received BGP Shared-Tree Prune, n - BGP C-Mroute suppressed,       Q - Received BGP S-A Route, q - Sent BGP S-A Route,           </pre>                                                                                                                                                                                              | <p>Displays the multicast routing table in the client's VRF.</p> |

| Command or Action                                                                                                                                                                                                                                                                                                                                                                                                                                                                                                                                                                                                                                                                                     | Purpose |
|-------------------------------------------------------------------------------------------------------------------------------------------------------------------------------------------------------------------------------------------------------------------------------------------------------------------------------------------------------------------------------------------------------------------------------------------------------------------------------------------------------------------------------------------------------------------------------------------------------------------------------------------------------------------------------------------------------|---------|
| <p>V - RD &amp; Vector, v - Vector, p - PIM Joins on route,<br/> x - VxLAN group<br/> Outgoing interface flags: H - Hardware switched, A - Assert winner, p - PIM Join<br/> Timers: Uptime/Expires<br/> Interface state: Interface, Next-Hop or VCD, State/Mode</p> <p>(80.0.0.10, 232.1.1.1), 00:53:04/00:02:59, flags: sTIY<br/> Incoming interface: Tunnel0, RPF nbr 50.0.0.4, MDT:238.2.2.0/00:02:55<br/> Outgoing interface list:<br/> BDI1101, Forward/Sparse-Dense, 00:53:04/00:02:59</p> <p>(* , 224.0.1.40), 05:06:46/00:02:15, RP 0.0.0.0, flags: DCL<br/> Incoming interface: Null, RPF nbr 0.0.0.0<br/> Outgoing interface list:<br/> Tunnel0, Forward/Sparse-Dense, 05:06:46/stopped</p> |         |

## Displaying Multicast Forwarding Counters

```

router#show ip mfib vrf test
Entry Flags:      C - Directly Connected, S - Signal, IA - Inherit A flag,
                  ET - Data Rate Exceeds Threshold, K - Keepalive
                  DDE - Data Driven Event, HW - Hardware Installed
                  ME - MoFRR ECMP entry, MNE - MoFRR Non-ECMP entry, MP - MFIB
                  MoFRR Primary, RP - MRIB MoFRR Primary, P - MoFRR Primary
                  MS - MoFRR Entry in Sync, MC - MoFRR entry in MoFRR Client.
I/O Item Flags:  IC - Internal Copy, NP - Not platform switched,
                  NS - Negate Signalling, SP - Signal Present,
                  A - Accept, F - Forward, RA - MRIB Accept, RF - MRIB Forward,
                  MA - MFIB Accept, A2 - Accept backup,
                  RA2 - MRIB Accept backup, MA2 - MFIB Accept backup

Forwarding Counts: Pkt Count/Pkts per second/Avg Pkt Size/Kbits per second
Other counts:      Total/RPF failed/Other drops
I/O Item Counts:   FS Pkt Count/PS Pkt Count
VRF test
(*,224.0.0.0/4) Flags: HW
  SW Forwarding: 0/0/0/0, Other: 0/0/0
  HW Forwarding: 0/0/0/0, Other: 0/0/0
  BDI1101 Flags: NS
  Tunnel0, MDT/232.0.0.1 Flags: NS
(*,224.0.1.40) Flags: C HW
  SW Forwarding: 0/0/0/0, Other: 0/0/0
  HW Forwarding: 0/0/0/0, Other: 0/0/0
  Tunnel0, MDT/232.0.0.1 Flags: F IC NS
  Pkts: 0/0
(*,232.0.0.0/8) Flags: HW
  SW Forwarding: 0/0/0/0, Other: 0/0/0
  HW Forwarding: 0/0/0/0, Other: 0/0/0
(10.11.11.2,232.10.0.1) Flags: ET HW
  SW Forwarding: 0/0/0/0, Other: 0/0/0
  HW Forwarding: 571756659/1420644/68/754717, Other: 0/0/0
  BDI1101 Flags: A

```



```
Tunnel0, MDT/232.5.1.0 Flags: F NS
Pkts: 0/0
```

## Configuration Examples for Multicast VPN

### Example: Configuring MVPN and SSM

In the following example, PIM-SSM is configured in the backbone. Therefore, the default and data MDT groups are configured within the SSM range of IP addresses. Inside the VPN, PIM-SM is configured and only Auto-RP announcements are accepted.

```
ip vrf vrf1
 rd 1:1
  route-target export 1:1
  route-target import 1:1
  mdt default 232.0.0.1
  mdt data 232.0.1.0 0.0.0.255 threshold 500 list 101
!
ip pim ssm default
ip pim vrf vrf1 accept-rp auto-rp
```

In the following example, an alternate command is used to configure MVPN and SSM:

```
vrf definition vrf1
 rd 101:1
  route-target export 101:1
  route-target import 101:1
!
 address-family ipv4
  mdt default 232.1.1.1
  mdt data 232.5.1.1 0.0.0.255 threshold 500 list 101
 exit-address-family
!
ip pim ssm default
ip pim vrf vrf1 accept-rp auto-rp
```

### Example: Enabling a VPN for Multicast Routing

In the following example, multicast routing is enabled with a VPN routing instance named vrf1:

```
ip multicast-routing vrf vrf1 distributed
```

### Example: Configuring the MDT Address Family in BGP for Multicast VPN

In the following example, an MDT address family session is configured on a PE router to establish MDT peering sessions for MVPN.

```
!
ip vrf test
 rd 55:2222
  route-target export 55:2222
  route-target import 55:2222
  mdt default 232.0.0.1
!
```

**Example: Configuring the Multicast Group Address Range for Data MDT Groups**

```

ip multicast-routing distributed
ip multicast-routing vrf test distributed
!
router bgp 55
.
.
!
address-family vpnv4
neighbor 192.168.1.1 activate
neighbor 192.168.1.1 send-community both
!
address-family ipv4 mdt
neighbor 192.168.1.1 activate
neighbor 192.168.1.1 send-community both
!

```

In the following example, an alternate command is used to configure an MDT address family session on a PE router to establish MDT peering sessions for MVPN:

```

vrf definition vrf1
rd 101:1
route-target export 101:1
route-target import 101:1
!
address-family ipv4
mdt default 232.1.1.1
.
.
.

ip multicast-routing distributed
ip multicast-routing vrf test distributed
!
router bgp 55
.
.
.
!
address-family vpnv4
neighbor 192.168.1.1 activate
neighbor 192.168.1.1 send-community both
!
address-family ipv4 mdt
neighbor 192.168.1.1 activate
neighbor 192.168.1.1 send-community both

```

**Example: Configuring the Multicast Group Address Range for Data MDT Groups**

In the following example, the VPN routing instance is assigned a VRF named VPN\_A. The MDT default group for a VPN VRF is 239.1.1.1, and the multicast group address range for MDT groups is 239.2.2.0 with wildcard bits of 0.0.0.255:

```

ip vrf VPN_A
rd 2:200
route-target export 2:200
route-target import 2:200
mdt default 239.1.1.1
mdt data 239.2.2.0 0.0.0.255

```

The following is an alternate command to assign VRF to the VPN routing instance.

```
vrf definition VPN_A
rd 101:1
route-target export 101:1
route-target import 101:1
!
address-family ipv4
mdt default 232.1.1.1
mdt data 232.5.1.1 0.0.0.255 threshold 500 list 101
```

## Example: Limiting the Number of Multicast Routes

In the following example, the number of multicast routes that can be added to a multicast routing table is set to 500 and the threshold value of the number of mroutes that will cause a warning message to occur is set to 50:

```
ip multicast route-limit 500 50
ip multicast vrf VPN_A route-limit 500 50
no mpls traffic-eng auto-bw timers
!
```

## Example: Configuring MVPN on VRF

```
ip multicast-routing distributed
ip multicast-routing vrf VPN_A distributed
!

ip pim ssm default
ip pim vrf VPN_A ssm default
!

interface loopback50
ip address 50.0.0.2 255.255.255.255
ip pim sparse-dense-mode
ip ospf 1 area 0
exit
!
```

## Example: Configuring Access-Interface

```
interface GigabitEthernet0/1/0
no ip address
negotiation auto
service instance 1101 ethernet
encapsulation dot1q 1101
rewrite ingress tag pop 1 symmetric
bridge-domain 1101
!
interface BDI1101
ip vrf forwarding VPN_A
ip address 40.0.0.2 255.255.255.0
ip pim sparse-dense-mode
ip igmp version 3
ip ospf 2 area 0
end
```

The following is an alternate method to configure a physical interface or BDI under specified VRF:

```

interface GigabitEthernet0/1/0
no ip address
negotiation auto
service instance 1101 ethernet
encapsulation dot1q 1101
rewrite ingress tag pop 1 symmetric
bridge-domain 1101
!
interface BDI1101
vrf forwarding VPN_A
ip address 40.0.0.2 255.255.255.0
ip pim sparse-dense-mode
ip igmp version 3
ip ospf 2 area 0
end

```

## Example: Configuring Core Interfaces

```

interface ten 0/2/0
ip address 60.0.0.2 255.255.255.0
ip pim sparse-dense-mode
ip igmp version 3
ip ospf 1 area 0
end

```

## Example: Configuring BGP

```

bgp log-neighbor-changes
no bgp default ipv4-unicast
neighbor 50.0.0.4 remote-as 100
neighbor 50.0.0.4 update-source Loopback50
!
address-family ipv4
neighbor 50.0.0.4 activate
exit-address-family

address-family vpnv4
neighbor 50.0.0.4 activate
neighbor 50.0.0.4 send-community extended
exit-address-family

address-family ipv4 mdt
neighbor 50.0.0.4 activate
neighbor 50.0.0.4 send-community extended
exit-address-family

address-family ipv4 vrf VPN_A
redistribute connected
redistribute static
redistribute ospf 2
exit-address-family
!
!
router ospf 2 vrf VPN_A
redistribute connected subnets
redistribute static subnets
redistribute bgp 100 subnets
exit

```

•

# Multicast VPN over Routed Pseudowire

Routed Pseudowire and Virtual Private LAN Services (VPLS) configuration can route layer 3 traffic as well as layer 2 traffic for pseudowire connections between Provider Edge (PE) devices using VPLS multipoint PE. The ability to route frames to and from these interfaces supports termination of pseudowires into the layer 3 network (VPN or global) on the same switch, or to the tunnel layer 3 frames over a layer 2 tunnel (VPLS).

## Limitations of Multicast VPN over Routed Pseudowire

- MVPN-GRE over routed pseudowire feature is supported from Cisco IOS XE Fuji 16.9.1 onwards.
- The update source interface for the Border Gateway Protocol (BGP) peerings must be the same for all BGP peerings configured on the router in order to configure the default Multicast Distribution Tree (MDT) accurately.
- If you use a loopback address for BGP peering, the PIM sparse mode must be enabled on the loopback address.
- Multiple BGP update sources are *not* supported and configuring them can break MVPN Reverse Path Forwarding (RPF) checking.
- PIM Dense mode is *not* supported on core network.
- IGMP snooping should be disabled in PE nodes for multicast to work over routed pseudowire.
- Only PIM-SSM is supported with MVPN-GRE over routed pseudowire.
- Only one PW under a VFI is supported.
- A maximum of 15 routed pseudowires are supported for MVPN-GRE over routed pseudowire.

## Configuring Multicast VPN over Routed Pseudowire

To configure Multicast VPN over routed pseudowire:

```
enable
configure terminal
ip multicast-routing distributed
ip multicast-routing vrf vrf-name distributed
ip vrf cu1
mdt default 232.0.0.1
router bgp 100
address-family ipv4 mdt
neighbor 2.2.2.2 activate
exit
address-family vpnv4
neighbor 2.2.2.2 activate
ip vrf cu1
mdt data 232.0.0.5 0.0.0.0
mdt data threshold 1000
l2 vfi VPLS_A manual
vpn id 1000
bridge-domain 1000
neighbor 2.2.2.2 encapsulation mpls
interface bdi 1000
```

```
ip address 39.1.1.1 255.255.255.0
ip pim sparse-mode
ip ospf 1 area 0
```



**Note** MDT pools are multicast group addresses.

The range of threshold is from 1 to 4294967 kbps.

Use the optional list keyword and access-list argument to define the (S, G) MVPN entries to be used in a data MDT pool, which further limits the creation of a data MDT pool to the particular (S, G) MVPN entries defined in the access list specified for the access-list argument.

## Verification of MVPN over Routed Pseudowire Configuration

Use **show ip igmp snooping** command to check IGMP snooping is disabled.

```
Router#show ip igmp snooping
Global IGMP Snooping configuration:
-----
IGMP snooping Oper State       : Disabled
IGMPv3 snooping (minimal)     : Enabled
Report suppression             : Enabled
TCN solicit query              : Disabled
TCN flood query count          : 2
Robustness variable            : 2
Last member query count        : 2
Last member query interval     : 1000
Check TTL=1                    : No
Check Router-Alert-Option     : No

Vlan 401:
-----
IGMP snooping Admin State      : Enabled
IGMP snooping Oper State       : Disabled
IGMPv2 immediate leave        : Disabled
Report suppression             : Enabled
Robustness variable            : 2
Last member query count        : 2
Last member query interval     : 1000
Check TTL=1                    : Yes
Check Router-Alert-Option     : Yes
```

Use **show ip pim neighbor** command to check core PIM response.

```
Router#show ip pim neighbor
PIM Neighbor Table
Mode: B - Bidir Capable, DR - Designated Router, N - Default DR Priority,
      P - Proxy Capable, S - State Refresh Capable, G - GenID Capable,
      L - DR Load-balancing Capable
Neighbor      Interface      Uptime/Expires   Ver   DR
Address
40.1.1.2      BDI3000        05:55:07/00:01:23 v2    1 / DR S P G
39.1.1.2      BDI2000        05:47:37/00:01:32 v2    1 / DR S P G
```

Use **show ip pim vrf** command to check the PIM neighbors in the VRF configured.

```
Router#show ip pim vrf VRF_101 ne
PIM Neighbor Table
Mode: B - Bidir Capable, DR - Designated Router, N - Default DR Priority,
      P - Proxy Capable, S - State Refresh Capable, G - GenID Capable,
      L - DR Load-balancing Capable
```

| Neighbor Address | Interface | Uptime/Expires    | Ver | DR Prio/Mode |
|------------------|-----------|-------------------|-----|--------------|
| 44.44.44.3       | Tunnel0   | 05:51:40/00:01:34 | v2  | 1 / DR S P G |
| 22.22.22.3       | Tunnel0   | 05:59:32/00:01:31 | v2  | 1 / S P G    |

Use the **show ip mroute vrf** command to check the mroute entry in the VRF configured.

```
Router#show ip mroute vrf VRF_101
IP Multicast Routing Table
Flags: D - Dense, S - Sparse, B - Bidir Group, s - SSM Group, C - Connected,
       L - Local, P - Pruned, R - RP-bit set, F - Register flag,
       T - SPT-bit set, J - Join SPT, M - MSDP created entry, E - Extranet,
       X - Proxy Join Timer Running, A - Candidate for MSDP Advertisement,
       U - URD, I - Received Source Specific Host Report,
       Z - Multicast Tunnel, z - MDT-data group sender,
       Y - Joined MDT-data group, y - Sending to MDT-data group,
       G - Received BGP C-Mroute, g - Sent BGP C-Mroute,
       N - Received BGP Shared-Tree Prune, n - BGP C-Mroute suppressed,
       Q - Received BGP S-A Route, q - Sent BGP S-A Route,
       V - RD & Vector, v - Vector, p - PIM Joins on route,
       x - VxLAN group, c - PFP-SA cache created entry
Outgoing interface flags: H - Hardware switched, A - Assert winner, p - PIM Join
Timers: Uptime/Expires
Interface state: Interface, Next-Hop or VCD, State/Mode

(50.1.1.2, 232.1.1.16), 05:47:24/00:02:47, flags: sTy
Incoming interface: GigabitEthernet0/1/7, RPF nbr 21.1.1.2
Outgoing interface list:
Tunnel0, Forward/Sparse, 05:47:24/00:02:47
```

Use the **show ip mroute vrf** command to find the data MDT allocated for multicast group:

```
Router#show ip mroute vrf VRF_101 verbose

(50.1.1.2, 232.1.1.16), 05:49:25/00:03:29, flags: sTyp
Incoming interface: GigabitEthernet0/1/7, RPF nbr 21.1.1.2
Outgoing interface list:
Tunnel0, GRE MDT: 232.5.101.31 (data), Forward/Sparse, 05:49:25/00:03:29, p
```

Use the **show mpls l2 vc** command to check if Pseudowire is up:

```
Router#show mpls l2 vc

Local intf    Local circuit    Dest address    VC ID    Status
-----
VFI PE1-VPLS-A \
vfi          \                2.2.2.2        3000     UP
VFI PE1-VPLS-B \
vfi          \                4.4.4.4        2000     UP
```







## CHAPTER 7

# Configuring Multicast VPN Extranet Support

The Multicast VPN Extranet Support feature (sometimes referred to as the MVPN Extranet Support feature) enables service providers to distribute IP multicast content originated from one enterprise site to other enterprise sites. This feature enables service providers to offer the next generation of flexible extranet services, helping to enable business partnerships between different enterprise VPN customers.

This module describes the concepts and the tasks related to configuring Multicast VPN Extranet Support.

- [Finding Feature Information, on page 105](#)
- [Prerequisites for Configuring Multicast VPN Extranet Support, on page 105](#)
- [Restrictions for Configuring Multicast VPN Extranet Support, on page 106](#)
- [Information About Multicast VPN Extranet Support, on page 106](#)
- [How to Configure Multicast VPN Extranet Support, on page 111](#)
- [Configuration Examples for Multicast VPN Extranet Support, on page 119](#)

## Finding Feature Information

Your software release may not support all the features documented in this module. For the latest caveats and feature information, see [Bug Search Tool](#) and the release notes for your platform and software release. To find information about the features documented in this module, and to see a list of the releases in which each feature is supported, see the feature information table.

Use Cisco Feature Navigator to find information about platform support and Cisco software image support. To access Cisco Feature Navigator, go to [www.cisco.com/go/cfn](http://www.cisco.com/go/cfn). An account on Cisco.com is not required.

## Prerequisites for Configuring Multicast VPN Extranet Support

- You are familiar with IP multicast concepts and configuration tasks.
- You are familiar with Multicast VPN (MVPN) concepts and configuration tasks.
- You are familiar with Multiprotocol Label Switching (MPLS) Layer 3 Virtual Private Network (VPN) concepts and configuration tasks.

## Restrictions for Configuring Multicast VPN Extranet Support

- The Multicast VPN Extranet Support feature supports only Protocol Independent Multicast (PIM) sparse mode (PIM-SM) and Source Specific Multicast (SSM) traffic; PIM dense mode (PIM-DM) and bidirectional PIM (bidir-PIM) traffic are not supported.
- When configuring extranet MVPNs in a PIM-SM environment, the source and the rendezvous point (RP) must reside in the same site of the MVPN behind the same provider edge (PE) router.
- It is required to configure either all the Receiver MVRF(s) in Source PE or Source MVRF in all the Receiver PE(s) to deliver the Extranet content.
- IPV6 based MVPN Extranet is *not* supported.
- Only Routed interfaces and Routed interfaces on Port channels are supported towards the core. BDI towards core is *not* supported.
- The scale data for MVPN extranet is as follows:
  - Maximum number of mVRFs supported is 20
  - Maximum number of mroutes supported (Intranet + extranet) is 1000 in case of default template and 2000 in case of Video template.
- PIM-SM and PIM-SSM are supported.
- PIM-DM and bidir-PIM are *not* supported.
- RP must be configured behind the PE router and the source is in the same intranet-MVPN and behind the CE router.
- Static mroute with fallback-lookup option is supported for RPF lookup<sup>2</sup>.
- Configuring the Receiver mVRF on the Source PE only to implement MVPN Extranet support is *not* supported.

## Information About Multicast VPN Extranet Support

### Overview of MVPN Extranet Support

An extranet can be viewed as part of a company's intranet that is extended to users outside the company. It has also been described as a "state of mind" in which a VPN is used as a way to do business with other companies as well as to sell products and content to customers and companies. An extranet is a VPN connecting the corporate site or sites to external business partners or suppliers to securely share part of a business's information or operations among them.

MPLS VPNs inherently provide security, ensuring that users access only appropriate information. MPLS VPN extranet services offer extranet users unicast connectivity without compromising the integrity of their corporate data. The Multicast VPN Extranet Support feature extends this offer to include multicast connectivity to the extranet community of interest.

The Multicast VPN Extranet Support feature enables service providers to distribute IP multicast content originated from one enterprise site to other enterprise sites. This feature enables service providers to offer the next generation of flexible extranet services, helping to enable business partnerships between different enterprise VPN customers. Using this feature, service providers can offer multicast extranet contracts to meet various business partnership requirements, including short-term, annual, and rolling contracts.

## Benefits of MVPN Extranet Support

The Multicast VPN Extranet Support feature can be used to solve such business problems as:

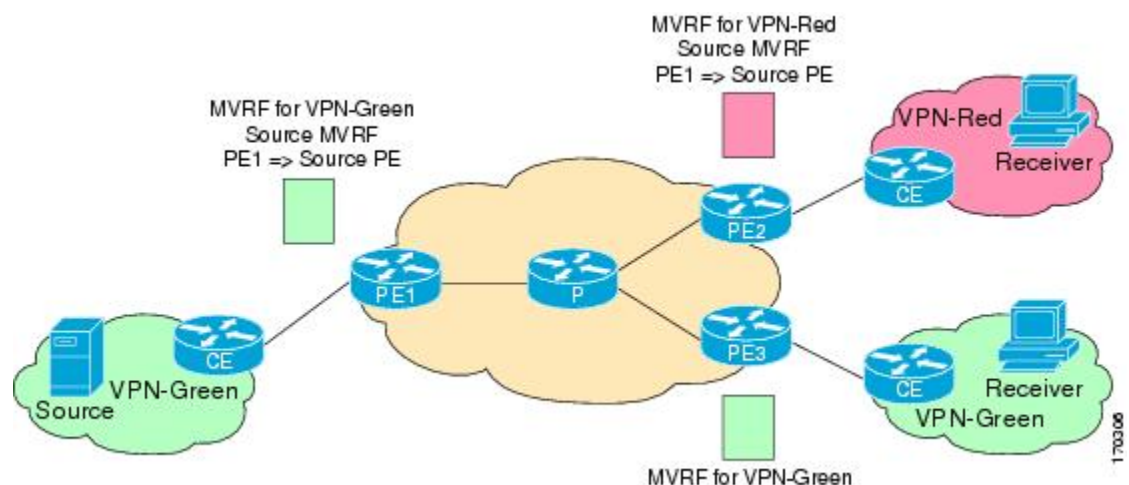
- Efficient content distribution between enterprises
- Efficient content distribution from service providers or content providers to their different enterprise VPN customers

## Components of an Extranet MVPN

The figure below illustrates the components that constitute an extranet MVPN.

- **MVRF** --Multicast VPN routing and forwarding (VRF) instance. An MVRF is a multicast-enabled VRF. A VRF consists of an IP routing table, a derived forwarding table, a set of interfaces that use the forwarding table, and a set of rules and routing protocols that determine what goes into the forwarding table. In general, a VRF includes the routing information that defines a customer VPN site that is attached to a provider edge (PE) router.
- **Source MVRF** --An MVRF that can reach the source through a directly connected customer edge (CE) router.
- **Receiver MVRF** --An MVRF to which receivers are connected through one or more CE devices.
- **Source PE** --A PE router that has a multicast source behind a directly connected CE router.
- **Receiver PE** --A PE router that has one or more interested receivers behind a directly connected CE router.

Figure 11: Components of an Extranet MVPN



## Solution for MVPN Extranet Support

For unicast, there is no difference between an intranet or extranet from a routing perspective; that is, when a VRF imports a prefix, that prefix is reachable through a label-switched path (LSP). If the enterprise owns the prefix, the prefix is considered a part of the corporate intranet; otherwise, the prefix is considered a part of an extranet. For multicast, however, the reachability of a prefix (especially through an LSP) is not sufficient to build a multicast distribution tree (MDT).

In order to provide support for extranet MVPN services, the same default MDT group must be configured in the source and receiver MVRF. Prior to the introduction of the Multicast VPN Extranet Support feature, there were challenges that prevented service providers from providing extranet MVPN services:

- The source MVRF may not have been configured with a default MDT group, or it may have been configured with a different MDT group as compared to the receiver MVRF. In the former case there was no way for the source MVRF to forward multicast streams to extranet sites, and in the latter case, there was no way for the separate MVRFs to be linked.
- It was not possible to maintain a forwarding table in cases where the RPF interface and outgoing interfaces belong to different VRFs.

The Multicast VPN Extranet Support feature solves these challenges as follows:

- The receiver and source MVRF multicast route (mroute) entries are linked.
- The Reverse Path Forwarding (RPF) check relies on unicast routing information to determine the interface through which the source is reachable. This interface is used as the RPF interface.

## Configuration Guidelines for MVPN Extranet Support

Two configuration options are available to provide extranet MVPN services:

- Option 1: Source Side Chaining (SSC)--Configure the receiver MVRF on the source PE router.
- Option 2: Receiver Side Chaining (RSC)--Configure the source MVRF on the receiver PE router.

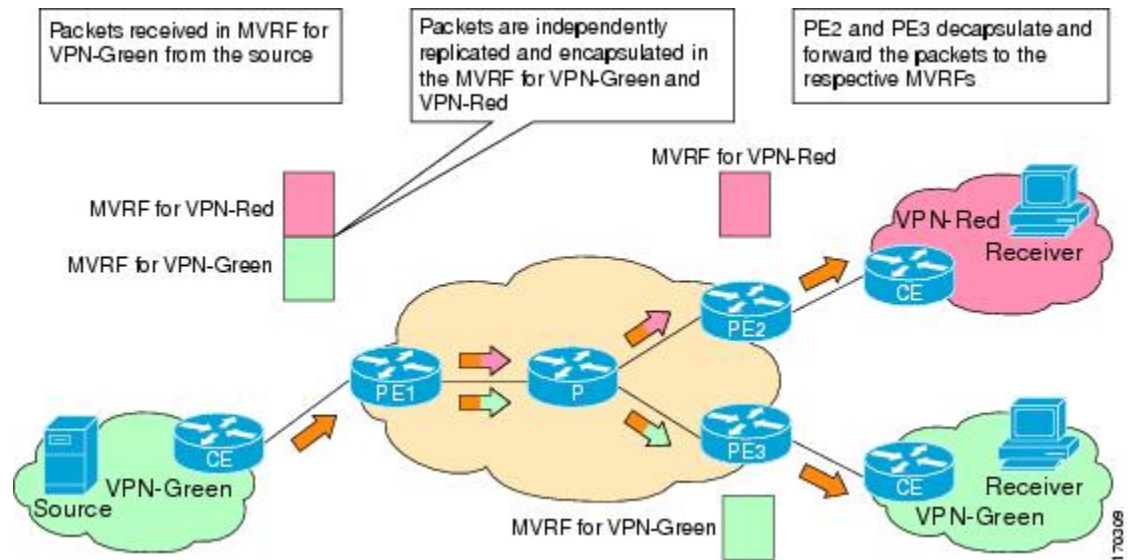
### MVPN Extranet Support Configuration Guidelines for Option 1

To provide extranet MVPN services to enterprise VPN customers by configuring the receiver MVRF on the source PE router (Option 1), you would complete the following procedure:

- For each extranet site, you would configure an additional MVRF on the source PE router, that has the same default MDT group as the receiver MVRF, if the MVRF is not configured on the source PE.
- In the receiver MVRF configuration, you would configure the same unicast routing policy on the source and receiver PE routers to import routes from the source MVRF to the receiver MVRF.

The figure illustrates the flow of multicast traffic in an extranet MVPN topology where a receiver MVRF is configured on the source PE router (Option 1). In the topology, an MVRF is configured for VPN-Green and VPN-Red on PE1, the source PE router. A multicast source behind PE1 is sending out a multicast stream to the MVRF for VPN-Green, and there are interested receivers behind PE2 and PE3, the receiver PE routers for VPN-Red and VPN-Green, respectively. After PE1 receives the packets from the source in the MVRF for VPN-Green, it independently replicates and encapsulates the packets in the MVRF for VPN-Green and VPN-Red and forwards the packets. After receiving the packets from this source, PE2 and PE3 decapsulate and forward the packets to the respective MVRFs.

Figure 12: Packet Flow for MVPN Extranet Support Configuration Option 1



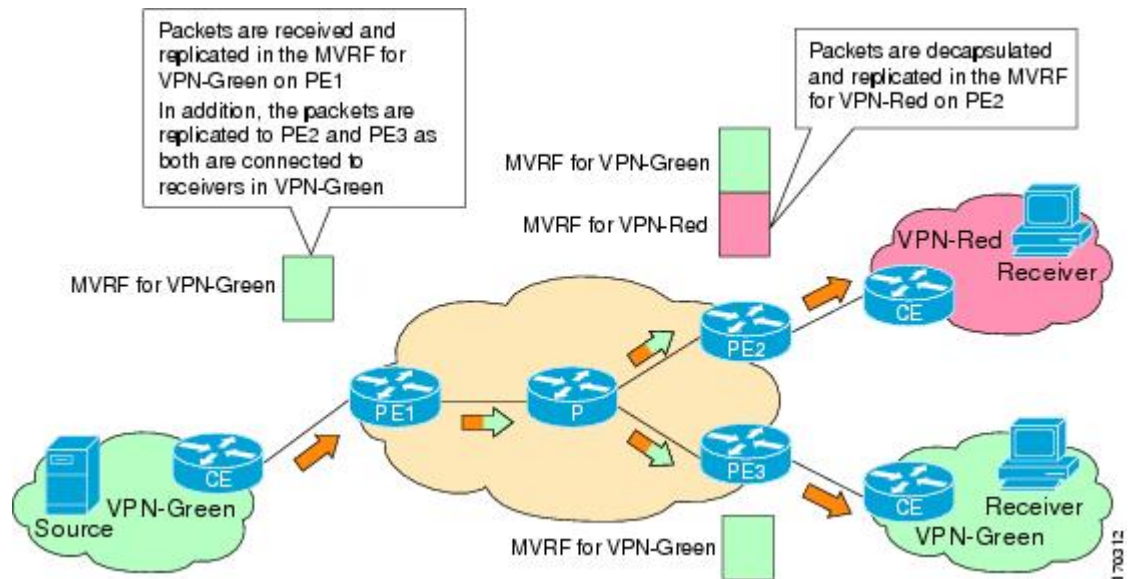
## MVPN Extranet Support Configuration Guidelines for Option 2

To provide extranet MVPN services to enterprise VPN customers by configuring a source MVRF on a receiver PE router (Option 2), you would complete the following procedure:

- On a receiver PE router that has one or more interested receivers in an extranet site behind a directly connected CE router, configure an additional MVRF that has the same default MDT group as the site connected to the multicast source, if the MVRF is not configured.
- On the receiver PE router, you would configure the same unicast routing policy to import routes from the source MVRF to the receiver MVRF.

The figure illustrates the flow of multicast traffic in an extranet MVPN topology where the source MVRF is configured on a receiver PE router (Option 2). In the topology, an MVRF is configured for VPN-Green and VPN-Red on PE2, a receiver PE router. A multicast source behind PE1, the source PE router, is sending out a multicast stream to the MVRF for VPN-Green, and there are interested receivers behind PE2, the receiver PE router for VPN-Red, and behind PE3, the receiver PE router for VPN-Green. After PE1 receives the packets from the source in the MVRF for VPN-Green, it replicates and forwards the packets to PE2 and PE3, because both routers are connected to receivers in VPN-Green. The packets that originated from VPN-Green are then replicated on PE2 and forwarded to the interested receivers in VPN-Red and are replicated on PE3 and forwarded to the interested receivers in VPN-Green.

Figure 13: Packet Flow for MVPN Extranet Support Configuration Option 2



## RPF for MVPN Extranet Support Using Imported Routes

You must configure either the receiver MVRF on the source PE router (Option 1) or the source MVRF on the receiver PE router (Option 2) for extranet links to be created. Once configured, RPF relies on unicast routing information to determine the interface through which the source is reachable. This interface is used as the RPF interface. No additional configuration is required for RPF resolution. The Multicast VPN Extranet Support feature supports RPF from one VRF to another VRF, from a VRF to the global routing table, and from the global routing table to a VRF.

## RPF for MVPN Extranet Support Using Static Mroutes



**Note** This capability is not supported for MVPNv6 extranet.

By default, an extranet MVPN relies on unicast routing policies to determine the RPF interface. When the RPF lookup originates in a receiver MVRF, and it finds that the RPF interface does not lie in the same MVRF, the router uses the information in the Border Gateway Protocol (BGP) imported route to determine the source MVRF. The RPF lookup then continues and resolves in the source MVRF. In cases where the multicast and unicast topologies are incongruent, you can override the default behavior by configuring a static mroute in the receiver MVRF to explicitly specify the source MVRF using the **ip mroute** command with the **fallback-lookup** keyword and **vrf vrf-name** keyword and argument.

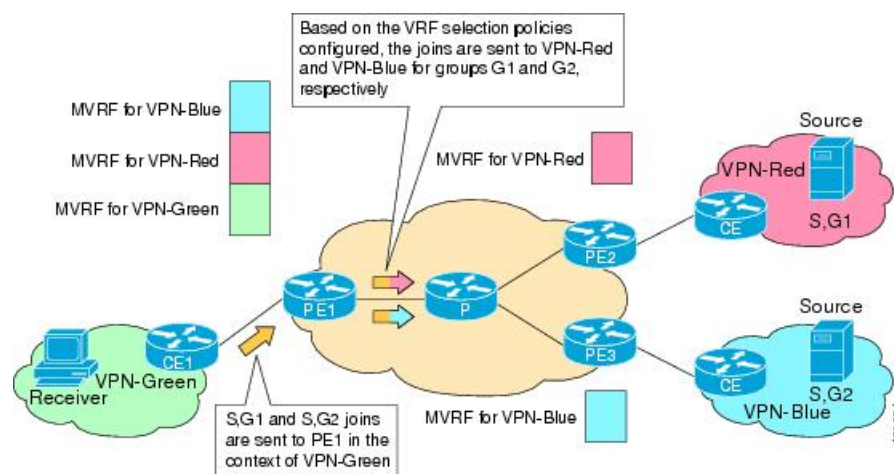
Static mroutes can also be configured to support RPF for extranet MVPN in the case where the source is present in an MVRF and the receiver is in the global table. In this case, because BGP does not allow VPNv4 routes to be imported into the IPv4 routing table, unicast cannot obtain the source MVRF information needed to resolve the RPF lookup. To enable the RPF lookup to be resolved in this case, a static mroute can be configured to explicitly specify the source MVRF using the **ip mroute** command with the **fallback-lookup** keyword and the **global** keyword.

## Multicast VPN Extranet VRF Select

The Multicast VPN VRF Select feature is configured by creating group-based VRF selection policies. Group-based VRF selection policies are configured using the `ip multicast rpf select` command. The `ip multicast rpf select` command is used to configure RPF lookups originating in a receiver MVRF or in the global routing table to be resolved in a source MVRF or in the global routing table based on group address. Access Control Lists (ACLs) are used to define the groups to be applied to group-based VRF selection policies.

The figure illustrates an extranet MVPN topology with the Multicast VPN VRF Select feature configured. In this topology, (S, G1) and (S, G2) PIM joins originating from VPN-Green, the receiver VRF, are forwarded to PE1, the receiver PE. Based on the group-based VRF selection policies configured, PE1 sends the PIM joins to VPN-Red and VPN-Blue for groups G1 and G2, respectively.

Figure 14: RPF Lookups Using Group-Based VRF Selection Policies



## How to Configure Multicast VPN Extranet Support

### Configuring MVPN Support

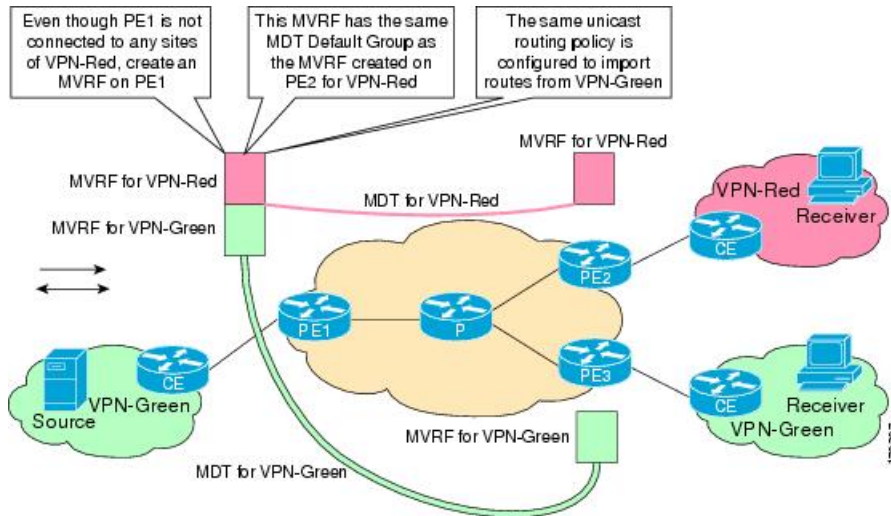
Perform one of the following tasks to provide extranet MVPN capabilities in an IPv4 core network:

#### Configuring the Receiver MVRF on the Source PE - Option 1 (SSC)

Perform this task to configure the receiver MVRF on the source PE router (Option 1) and provide support for extranet MVPN services.

In the following figure, the source PE router is PE1. To provide extranet MVPN services from one enterprise VPN site (VPN-Green) to another enterprise VPN site (VPN-Red) using Option 1, configure the receiver MVRF on the source PE router. In the receiver MVRF configuration, the default MDT group must be the same on both the source and receiver PE routers. In addition, you must configure the same unicast routing policy to import routes from the source MVRF (the MVRF for VPN-Green) to the receiver MVRF (the MVRF for VPN-Red).

Figure 15: Topology for MVPN Extranet Support Configuration Option 1

**Before you begin**

Intranet VPN in the source and receiver VPNs must be already configured.

**SUMMARY STEPS**

1. **enable**
2. **configure terminal**
3. **ip vrf *vrf-name***
4. **rd *route-distinguisher***
5. **vpn id *oui:vpn-index***
6. **route-target { export | import | both } *route-target-ext-community***
7. **mdt default mpls mldp *PE/P router\_loopback-ip***
8. **mdt data mpls mldp *number of data mdt***
9. **mdt data threshold *threshold value***
10. **end**
11. **show ip mroute [*vrf vrf-name*] *group-address***

**DETAILED STEPS**

|               | Command or Action                                                                     | Purpose                                                                                                            |
|---------------|---------------------------------------------------------------------------------------|--------------------------------------------------------------------------------------------------------------------|
| <b>Step 1</b> | <b>enable</b><br><b>Example:</b><br><pre>Router&gt; enable</pre>                      | Enables privileged EXEC mode. <ul style="list-style-type: none"> <li>• Enter your password if prompted.</li> </ul> |
| <b>Step 2</b> | <b>configure terminal</b><br><b>Example:</b><br><pre>Router# configure terminal</pre> | Enters global configuration mode.                                                                                  |



|        | Command or Action                                                                                                                                                                                     | Purpose                                                                                                                                                                                                                                                                                                                                                                                                                                                                        |
|--------|-------------------------------------------------------------------------------------------------------------------------------------------------------------------------------------------------------|--------------------------------------------------------------------------------------------------------------------------------------------------------------------------------------------------------------------------------------------------------------------------------------------------------------------------------------------------------------------------------------------------------------------------------------------------------------------------------|
| Step 3 | <p><b>ip vrf</b> <i>vrf-name</i></p> <p><b>Example:</b></p> <pre>Router(config)# ip vrf VPN-Red</pre>                                                                                                 | <p>Defines the VPN routing instance by assigning a VRF name and enters VRF configuration mode.</p> <ul style="list-style-type: none"> <li>The <i>vrf-name</i> argument is the name assigned to a VRF.</li> </ul>                                                                                                                                                                                                                                                               |
| Step 4 | <p><b>rd</b> <i>route-distinguisher</i></p> <p><b>Example:</b></p> <pre>Router(config-vrf)# rd 55:2222</pre>                                                                                          | <p>Creates routing and forwarding tables.</p> <ul style="list-style-type: none"> <li>Specify the <i>route-distinguisher</i> argument to add an 8-byte value to an IPv4 prefix to create a VPN IPv4 prefix. You can enter an RD in either of these formats: <ul style="list-style-type: none"> <li>16-bit autonomous system number: your 32-bit number, for example, 101:3</li> <li>32-bit IP address: your 16-bit number, for example, 192.168.122.15:1</li> </ul> </li> </ul> |
| Step 5 | <p><b>vpn id</b> <i>oui:vpn-index</i></p> <p><b>Example:</b></p> <pre>Router(config-vrf)# vpn id 1:2</pre>                                                                                            | <p>Assigns the VPN ID to the VRF <i>oui</i>. An organizationally unique identifier. The OUI is restricted to three octets.</p> <p>The <i>vpn-index</i>—This value identifies the VPN within the company. This VPN index is restricted to four octets.</p>                                                                                                                                                                                                                      |
| Step 6 | <p><b>route-target</b> { <b>export</b>   <b>import</b>   <b>both</b> }</p> <p><i>route-target-ext-community</i></p> <p><b>Example:</b></p> <pre>Router(config-vrf)# route-target import 55:1111</pre> | <p>Creates a list of import, export, or import and export route target communities for the specified VRF.</p> <p>Enter either an autonomous system number and an arbitrary number (xxx:y), or an IP address and an arbitrary number (A.B.C.D:y).</p> <p><b>Note</b> This command works only if BGP is running.</p>                                                                                                                                                             |
| Step 7 | <p><b>mdt default mpls mldp</b> <i>PE/P router_loopback-ip</i></p> <p><b>Example:</b></p> <pre>Router(config-vrf)# mdt default mpls mldp 20.100.0.4</pre>                                             | <p>The default MDT defines the path used by PE routers to send multicast data and control messages to every other PE router in the multicast domain. Loop-back address of any PE routers can be configured.</p>                                                                                                                                                                                                                                                                |
| Step 8 | <p><b>mdt data mpls mldp</b> <i>number of data mdt</i></p> <p><b>Example:</b></p> <pre>Router(config-vrf)# mdt default mpls mldp 10.1.1.10</pre>                                                      | <p>Creating data mdt by mentioning the number of data mdts to be created. The range is from 1 to 5000.</p>                                                                                                                                                                                                                                                                                                                                                                     |
| Step 9 | <p><b>mdt data threshold</b> <i>threshold value</i></p> <p><b>Example:</b></p> <pre>Router(config-vrf)# mdt default threshold 1</pre>                                                                 | <p>The threshold is in kbps. The range is from 1 through 4294967.</p>                                                                                                                                                                                                                                                                                                                                                                                                          |

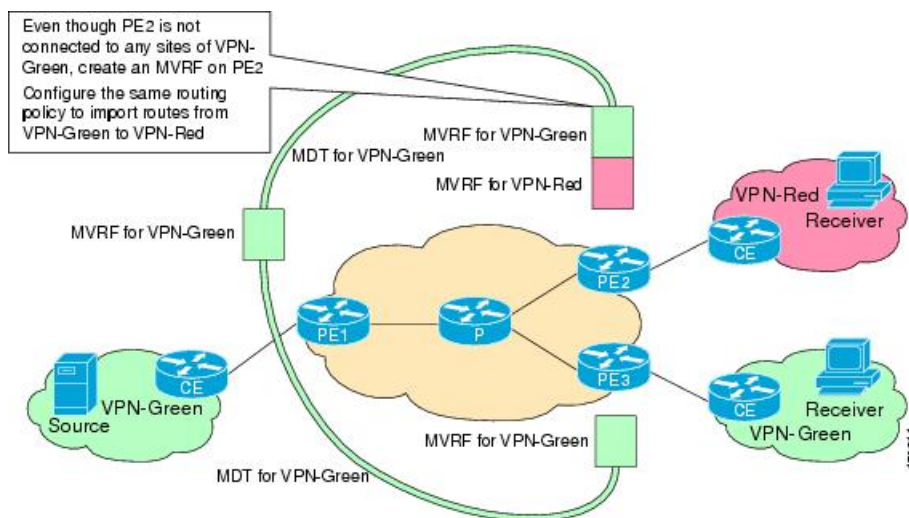
|                | Command or Action                                                                                                 | Purpose                                                                                         |
|----------------|-------------------------------------------------------------------------------------------------------------------|-------------------------------------------------------------------------------------------------|
| <b>Step 10</b> | <b>end</b><br><br><b>Example:</b><br><br>Router(config-vrf)# end                                                  | Exits VRF configuration mode and returns to privileged EXEC mode.                               |
| <b>Step 11</b> | <b>show ip mroute [vrf vrf-name] group-address</b><br><br><b>Example:</b><br><br>Router# show ip mroute 232.3.3.3 | (Optional) Displays the contents of the IP multicast mroute table for a specific group address. |

### Configuring the Source MVRF on the Receiver PE - Option 2 (RSC)

Perform this task to configure the source MVRF on the receiver PE router (Option 2) and provide support for extranet MVPN services.

In the following figure, the receiver PE router is PE2. To provide support for extranet MVPN services from one enterprise VPN site (VPN-Green) to another enterprise VPN site (VPN-Red) using Option 2, configure the source MVRF on the receiver PE router. The MDT group configuration of the source MVRF must be the same on both the source and receiver PE routers. In addition, you must configure the same unicast routing policy to import routes from the source MVRF (the MVRF for VPN-Green) to the receiver MVRF (the MVRF for VPN-Red).

Figure 16: Topology for MVPN Extranet Support Configuration Option 2



#### Before you begin

Intranet VPN in the source and receiver VPNs must be already configured.

#### SUMMARY STEPS

1. **enable**
2. **configure terminal**
3. **ip vrf vrf-name**

4. **rd** *route-distinguisher*
5. **vpn id** *oui:vpn-index*
6. **route-target** { **export** | **import** | **both** } *route-target-ext-community*
7. **mdt default mpls mldp** *PE/P router\_loopback-ip*
8. **mdt data mpls mldp** *number of data mdt*
9. **mdt data threshold** *threshold value*
10. **end**
11. **show ip mroute** [**vrf** *vrf-name*] [*group-address*] **verbose**
12. **show mls ip multicast group** *group-address*

## DETAILED STEPS

|               | Command or Action                                                                                                           | Purpose                                                                                                                                                                                                                                                                                                                                                                                                                                                                           |
|---------------|-----------------------------------------------------------------------------------------------------------------------------|-----------------------------------------------------------------------------------------------------------------------------------------------------------------------------------------------------------------------------------------------------------------------------------------------------------------------------------------------------------------------------------------------------------------------------------------------------------------------------------|
| <b>Step 1</b> | <b>enable</b><br><b>Example:</b><br><pre>Router&gt; enable</pre>                                                            | Enables privileged EXEC mode. <ul style="list-style-type: none"> <li>• Enter your password if prompted.</li> </ul>                                                                                                                                                                                                                                                                                                                                                                |
| <b>Step 2</b> | <b>configure terminal</b><br><b>Example:</b><br><pre>Router# configure terminal</pre>                                       | Enters global configuration mode.                                                                                                                                                                                                                                                                                                                                                                                                                                                 |
| <b>Step 3</b> | <b>ip vrf</b> <i>vrf-name</i><br><b>Example:</b><br><pre>Router(config)# ip vrf VPN-Red</pre>                               | Defines the VPN routing instance by assigning a VRF name and enters VRF configuration mode. <ul style="list-style-type: none"> <li>• The <i>vrf-name</i> argument is the name assigned to a VRF.</li> </ul>                                                                                                                                                                                                                                                                       |
| <b>Step 4</b> | <b>rd</b> <i>route-distinguisher</i><br><b>Example:</b><br><pre>Router(config-vrf)# rd 55:1111</pre>                        | Creates routing and forwarding tables. <ul style="list-style-type: none"> <li>• The <i>route-distinguisher</i> argument adds an 8-byte value to an IPv4 prefix to create a VPN IPv4 prefix. You can enter an RD in either of these formats:               <ul style="list-style-type: none"> <li>• 16-bit autonomous system number: your 32-bit number, for example, 101:3</li> <li>• 32-bit IP address: your 16-bit number, for example, 192.168.122.15:1</li> </ul> </li> </ul> |
| <b>Step 5</b> | <b>vpn id</b> <i>oui:vpn-index</i><br><b>Example:</b><br><pre>Router(config-vrf)# vpn id 1:2</pre>                          | Assigns the VPN ID to the VRF oui. An organizationally unique identifier. The OUI is restricted to three octets.<br><br>The <i>vpn-index</i> —This value identifies the VPN within the company. This VPN index is restricted to four octets.                                                                                                                                                                                                                                      |
| <b>Step 6</b> | <b>route-target</b> { <b>export</b>   <b>import</b>   <b>both</b> }<br><i>route-target-ext-community</i><br><b>Example:</b> | Creates a list of import, export, or import and export route target communities for the specified VRF.                                                                                                                                                                                                                                                                                                                                                                            |

|                | Command or Action                                                                                                                                          | Purpose                                                                                                                                                                                                  |
|----------------|------------------------------------------------------------------------------------------------------------------------------------------------------------|----------------------------------------------------------------------------------------------------------------------------------------------------------------------------------------------------------|
|                | Router(config-vrf)# route-target import 55:1111                                                                                                            | Enter either an autonomous system number and an arbitrary number (xxx:y), or an IP address and an arbitrary number (A.B.C.D:y).<br><br><b>Note</b> This command works only if BGP is running.            |
| <b>Step 7</b>  | <b>mdt default mpls mldp</b> <i>PE/P router_loopback-ip</i><br><b>Example:</b><br>Router(config-vrf)# mdt default mpls mldp 20.100.0.4                     | The default MDT defines the path used by PE routers to send multicast data and control messages to every other PE router in the multicast domain. Loop-back address of any PE routers can be configured. |
| <b>Step 8</b>  | <b>mdt data mpls mldp</b> <i>number of data mdt</i><br><b>Example:</b><br>Router(config-vrf)# mdt default mpls mldp 10.1.1.10                              | Creating data mdt by mentioning the number of data mdts to be created. The range is from 1 to 5000.                                                                                                      |
| <b>Step 9</b>  | <b>mdt data threshold</b> <i>threshold value</i><br><b>Example:</b><br>Router(config-vrf)# mdt default threshold 1                                         | The threshold is in kbps. The range is from 1 through 4294967.                                                                                                                                           |
| <b>Step 10</b> | <b>end</b><br><b>Example:</b><br>Router(config-vrf)# end                                                                                                   | Exits VRF configuration mode and returns to privileged EXEC mode.                                                                                                                                        |
| <b>Step 11</b> | <b>show ip mroute</b> [ <i>vrf vrf-name</i> ] [ <i>group-address</i> ]<br>verbose<br><b>Example:</b><br>Router# show ip mroute vrf vpn_a 224.1.1.1 verbose | To display the detailed contents of the multicast routing (mroute) table for the multicast-group address, use the show ip mroute command in user EXEC or privileged EXEC mode.                           |
| <b>Step 12</b> | <b>show mls ip multicast group</b> <i>group-address</i><br><b>Example:</b><br>Router# show mls ip multicast group 232.3.3.3                                | (Optional) Displays MLS information related to a specific multicast group.                                                                                                                               |

## Configuring RPF for MVPN Extranet Support Using Static Mroutes



**Note** This task is not supported for MVPNv6 extranet.

**Before you begin**

You must configure support for extranet MVPN services prior to performing this task.

**SUMMARY STEPS**

1. **enable**
2. **configure terminal**
3. **ip mroute vrf** *vrf-name* *source-address* *mask* **fallback-lookup** {**global** | **vrf** *vrf-name*} [*distance*]
4. **end**
5. **show ip mroute** [*vrf vrf-name*] *group-address*

**DETAILED STEPS**

|               | <b>Command or Action</b>                                                                                                                                                                                                                                                                          | <b>Purpose</b>                                                                                                                                                                                                                                                                                                                                                                                                                                            |
|---------------|---------------------------------------------------------------------------------------------------------------------------------------------------------------------------------------------------------------------------------------------------------------------------------------------------|-----------------------------------------------------------------------------------------------------------------------------------------------------------------------------------------------------------------------------------------------------------------------------------------------------------------------------------------------------------------------------------------------------------------------------------------------------------|
| <b>Step 1</b> | <b>enable</b><br><b>Example:</b><br><pre>Router&gt; enable</pre>                                                                                                                                                                                                                                  | Enables privileged EXEC mode. <ul style="list-style-type: none"> <li>• Enter your password if prompted.</li> </ul>                                                                                                                                                                                                                                                                                                                                        |
| <b>Step 2</b> | <b>configure terminal</b><br><b>Example:</b><br><pre>Router# configure terminal</pre>                                                                                                                                                                                                             | Enters global configuration mode.                                                                                                                                                                                                                                                                                                                                                                                                                         |
| <b>Step 3</b> | <b>ip mroute vrf</b> <i>vrf-name</i> <i>source-address</i> <i>mask</i> <b>fallback-lookup</b> { <b>global</b>   <b>vrf</b> <i>vrf-name</i> } [ <i>distance</i> ]<br><b>Example:</b><br><pre>Router(config)# ip mroute vrf VPN-Red 224.100.0.5 255.255.255.255 fallback-lookup vrf VPN-Green</pre> | (For IPv4 only) Configures the RPF lookup originating in a receiver MVRF to continue and be resolved in a source MVRF or in the global routing table using a static mroute. <ul style="list-style-type: none"> <li>• The <b>global</b> keyword is used to specify that the source MVRF is in the global routing table.</li> <li>• The <b>vrf</b> keyword and <i>vrf-name</i> argument are used to explicitly specify a VRF as the source MVRF.</li> </ul> |
| <b>Step 4</b> | <b>end</b><br><b>Example:</b><br><pre>Router(config)# end</pre>                                                                                                                                                                                                                                   | Exits global configuration mode and enters privileged EXEC mode.                                                                                                                                                                                                                                                                                                                                                                                          |
| <b>Step 5</b> | <b>show ip mroute</b> [ <i>vrf vrf-name</i> ] <i>group-address</i><br><b>Example:</b><br><pre>Router# show ip mroute 224.100.0.5</pre>                                                                                                                                                            | (Optional) Displays the contents of the IP multicast mroute table for a specific group address.                                                                                                                                                                                                                                                                                                                                                           |

**Configuring Group-Based VRF Selection Policies with MVPN**

Perform this task to configure group-based VRF selection policies with MVPN .

This task enables RPF lookups to be performed to the same source address in different VRFs using the group address as the VRF selector. This feature enhances extranet MVPNs by enabling service providers to distribute content streams coming in from different MVPNs and redistributing them from there.

### Before you begin

- You must configure support for extranet MVPN services prior to performing this task.
- ACLs are used to define the groups to be applied to group-based VRF selection policies. This task assumes that you have configured the ACLs to be applied to group-based VRF selection policies.

## SUMMARY STEPS

1. **enable**
2. **configure terminal**
3. Use the following commands:
  - **ip multicast [vrf receiver-vrf-name] rpf select {global | vrf source-vrf-name} group-list access-list**
4. Repeat step 3 to create additional group-based VRF selection policies.
5. **end**
6. Use the following commands:
  - **show ip} rpf [vrf vrf-name] select**
7. Use one of the following commands:
  - **show ip rpf [vrf vrf-name] source-address [group-address]**

## DETAILED STEPS

|               | Command or Action                                                                                                                                                                                                                                                                              | Purpose                                                                                                                                                                                                                                         |
|---------------|------------------------------------------------------------------------------------------------------------------------------------------------------------------------------------------------------------------------------------------------------------------------------------------------|-------------------------------------------------------------------------------------------------------------------------------------------------------------------------------------------------------------------------------------------------|
| <b>Step 1</b> | <b>enable</b><br><b>Example:</b><br>Router> enable                                                                                                                                                                                                                                             | Enables privileged EXEC mode. <ul style="list-style-type: none"> <li>• Enter your password if prompted.</li> </ul>                                                                                                                              |
| <b>Step 2</b> | <b>configure terminal</b><br><b>Example:</b><br>Router# configure terminal                                                                                                                                                                                                                     | Enters global configuration mode.                                                                                                                                                                                                               |
| <b>Step 3</b> | Use the following commands: <ul style="list-style-type: none"> <li>• <b>ip multicast [vrf receiver-vrf-name] rpf select {global   vrf source-vrf-name} group-list access-list</b></li> </ul> <b>Example:</b><br>Router(config)# ip multicast vrf VPN-Green rpf select vrf VPN-Red group-list 1 | <ul style="list-style-type: none"> <li>• (For IPv4 only) Configures RPF lookups originating in a receiver MVRF or in the global routing table to be resolved in a source MVRF or in the global routing table based on group address.</li> </ul> |
| <b>Step 4</b> | Repeat step 3 to create additional group-based VRF selection policies.                                                                                                                                                                                                                         | --                                                                                                                                                                                                                                              |

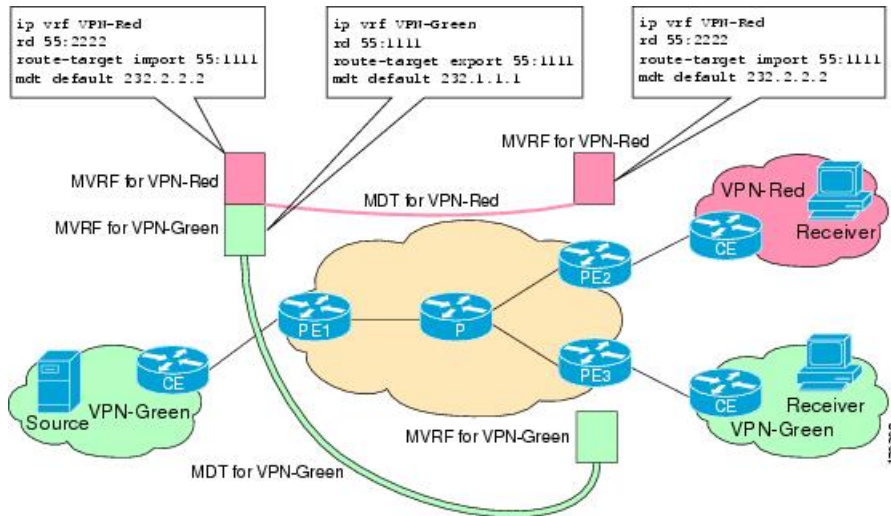
|               | Command or Action                                                                                                                                                                                                         | Purpose                                                                                                                                                                                                                                                                                                                                |
|---------------|---------------------------------------------------------------------------------------------------------------------------------------------------------------------------------------------------------------------------|----------------------------------------------------------------------------------------------------------------------------------------------------------------------------------------------------------------------------------------------------------------------------------------------------------------------------------------|
| <b>Step 5</b> | <b>end</b><br><b>Example:</b><br><pre>Router(config)# end</pre>                                                                                                                                                           | Exits global configuration mode and enters privileged EXEC mode.                                                                                                                                                                                                                                                                       |
| <b>Step 6</b> | Use the following commands:<br><ul style="list-style-type: none"> <li>• <b>show ip} rpf [vrf vrf-name] select</b></li> </ul> <b>Example:</b><br><pre>Router# show ip rpf select</pre>                                     | Displays group-to-VRF mapping information.                                                                                                                                                                                                                                                                                             |
| <b>Step 7</b> | Use one of the following commands:<br><ul style="list-style-type: none"> <li>• <b>show ip rpf [vrf vrf-name] source-address [group-address]</b></li> </ul> <b>Example:</b><br><pre>Router# show ip rpf 172.16.10.13</pre> | Displays information about how IP multicast routing does RPF.<br><ul style="list-style-type: none"> <li>• Use this command after configuring group-based VRF selection policies to confirm that RPF lookups are being performed based on the group address, and to display the VRF where the RPF lookup is being performed.</li> </ul> |

## Configuration Examples for Multicast VPN Extranet Support

### Example Configuring the Receiver VRF on the Source PE Router - Option 1 (SSC)

The following example shows the configurations for PE1, the source PE router, and PE2, the receiver PE router, in the figure. In this example, extranet MVPN services are supported between VPN-Green and VPN-Red by configuring the receiver MVRF for VPN-Red on PE1, the source PE router. The MVRF configuration for VPN-Red is configured to import routes from the MVRF for VPN-Green to the MVRF for VPN-Red.

Figure 17: Topology for MVPN Extranet Support Option 1 Configuration Example



### PE1 Configuration

```

ip cef
!ip vrf VPN-Green
rd 55:1111
route-target export 55:1111
route-target import 55:1111
mdt default mpls mldp 20.100.0.4
!
!
ip vrf VPN-Red
rd 55:2222
route-target export 55:2222
route-target import 55:2222
route-target import 55:1111
mdt default mpls mldp 20.100.0.4
!
!
ip multicast-routing
ip multicast-routing vrf VPN-Green
ip multicast-routing vrf VPN-Red
!
interface Loopback0
ip address 10.1.0.1 255.255.255.0
ip pim sparse-dense-mode
!
.
.
!
router bgp 55
no synchronization
bgp log-neighbor-changes
neighbor 10.2.0.2 remote-as 55
neighbor 10.2.0.2 update-source Loopback0

!
address-family ipv4 mdt
neighbor 10.2.0.2 activate
neighbor 10.2.0.2 send-community extended

```



```

!
address-family vpnv4
neighbor 10.2.0.2 activate
neighbor 10.2.0.2 send-community extended
!
address-family ipv4
neighbor 10.2.0.2 activate
neighbor 10.2.0.2 send-community both
exit-address-family
!
address-family ipv4 vrf VPN-Green
redistribute connected
redistribute static
neighbor 10.2.0.2 remote-as 100
neighbor 10.2.0.2 activate
exit-address-family
!
address-family ipv4 vrf VPN-Red
redistribute connected
redistribute static
neighbor 10.2.0.2 remote-as 100
neighbor 10.2.0.2 activate
exit-address-family
!

```

## PE2 Configuration

```

!
ip vrf VPN-Red
rd 55:2222
route-target export 55:2222
route-target import 55:2222
route-target import 55:1111
mdt default mpls mldp 20.100.0.4
!
ip multicast-routing
ip multicast-routing vrf VPN-Red
!
interface Loopback0
ip address 10.2.0.2 255.255.255.0
ip pim sparse-dense-mode
!
.
.
.
!
router bgp 55
no synchronization
bgp log-neighbor-changes
neighbor 10.1.0.1 remote-as 55
neighbor 10.1.0.1 update-source Loopback0
!
address-family ipv4 mdt
neighbor 10.1.0.1 activate
neighbor 10.1.0.1 send-community extended
!
address-family vpnv4
neighbor 10.1.0.1 activate
neighbor 10.1.0.1 send-community extended
!
!
address-family ipv4
neighbor 10.1.0.1 activate

```

## Example Configuring the Receiver VRF on the Source PE Router - Option 1 (SSC)

```

neighbor 10.1.0.1 send-community both
exit-address-family
!
address-family ipv4 vrf VPN-Red
redistribute connected
redistribute static
neighbor 10.1.0.1 remote-as 100
neighbor 10.1.0.1 activate
exit-address-family
!
ip pim vrf blue1 rp-address 55.55.55.55
ip pim vrf red1 rp-address 55.55.55.55
ip mroute vrf red1 40.0.0.0 255.255.255.0 fallback-lookup vrf blue1
ip mroute vrf red1 55.55.55.55 255.255.255.255 fallback-lookup vrf blue1

```

**States in the Global Table on PE1 and PE2 for the MDT Default Group 232.3.3.3**

The following are sample outputs from the **show ip mroute** command on PE1 and PE2. The sample outputs show the global table for the MDT default group 232.3.3.3 on PE1 and PE2.

```

PE1# show ip mroute 232.3.3.3
IP Multicast Routing Table
Flags: D - Dense, S - Sparse, B - Bidir Group, s - SSM Group, C - Connected,
       L - Local, P - Pruned, R - RP-bit set, F - Register flag,
       T - SPT-bit set, J - Join SPT, M - MSDP created entry,
       X - Proxy Join Timer Running, A - Candidate for MSDP Advertisement,
       U - URD, I - Received Source Specific Host Report,
       Z - Multicast Tunnel, z - MDT-data group sender,
       Y - Joined MDT-data group, y - Sending to MDT-data group
       V - RD & Vector, v - Vector
Outgoing interface flags: H - Hardware switched, A - Assert winner
Timers: Uptime/Expires
Interface state: Interface, Next-Hop or VCD, State/Mode
(10.1.0.1, 232.3.3.3), 00:46:27/00:03:27, flags: sT
Incoming interface: Loopback0, RPF nbr 0.0.0.0
Outgoing interface list:
  Ethernet0/0, Forward/Sparse-Dense, 00:45:17/00:02:44
(10.2.0.2, 232.3.3.3), 00:45:17/00:02:57, flags: sTIZ
Incoming interface: Ethernet0/0, RPF nbr 224.0.1.4
Outgoing interface list:
  MVRF VPN-Red, Forward/Sparse-Dense, 00:45:17/00:01:09
PE2# show ip mroute 232.3.3.3
IP Multicast Routing Table
Flags: D - Dense, S - Sparse, B - Bidir Group, s - SSM Group, C - Connected,
       L - Local, P - Pruned, R - RP-bit set, F - Register flag,
       T - SPT-bit set, J - Join SPT, M - MSDP created entry,
       X - Proxy Join Timer Running, A - Candidate for MSDP Advertisement,
       U - URD, I - Received Source Specific Host Report,
       Z - Multicast Tunnel, z - MDT-data group sender,
       Y - Joined MDT-data group, y - Sending to MDT-data group
       V - RD & Vector, v - Vector
Outgoing interface flags: H - Hardware switched, A - Assert winner
Timers: Uptime/Expires
Interface state: Interface, Next-Hop or VCD, State/Mode
(10.1.0.1, 232.3.3.3), 00:45:08/00:02:37, flags: sTIZ
Incoming interface: Ethernet1/0, RPF nbr 224.0.2.4
Outgoing interface list:
  MVRF VPN-Red, Forward/Sparse-Dense, 00:45:08/00:01:27
(10.2.0.2, 232.3.3.3), 00:46:19/00:03:07, flags: sT
Incoming interface: Loopback0, RPF nbr 0.0.0.0
Outgoing interface list:
  Ethernet1/0, Forward/Sparse-Dense, 00:45:08/00:02:49

```

### States in the Global Table on PE1 and PE2 for the MDT Default Group 232.3.3.3 When PE1 and PE2 are Configured for MVPN Extranet Support

The following are sample outputs from the **show ip mroute** on PE1 and PE2, when PE1 and PE2 are configured to support extranet MVPN services. The sample output from the **show ip mroute** command shows the global table for the MDT default group 232.3.3.3 on PE1 and PE2. In the output, the “RPF-MFD” flag indicates that a multicast flow is completely hardware switched and “H” flag indicates that the flow is being hardware switched on an outgoing interface.

```
PE1# show ip mroute 232.3.3.3
IP Multicast Routing Table
Flags: D - Dense, S - Sparse, B - Bidir Group, s - SSM Group, C - Connected,
       L - Local, P - Pruned, R - RP-bit set, F - Register flag,
       T - SPT-bit set, J - Join SPT, M - MSDP created entry,
       X - Proxy Join Timer Running, A - Candidate for MSDP Advertisement,
       U - URD, I - Received Source Specific Host Report,
       Z - Multicast Tunnel, z - MDT-data group sender,
       Y - Joined MDT-data group, y - Sending to MDT-data group
       V - RD & Vector, v - Vector
Outgoing interface flags: H - Hardware switched, A - Assert winner
Timers: Uptime/Expires
Interface state: Interface, Next-Hop or VCD, State/Mode
(10.1.0.1, 232.3.3.3), 00:46:27/00:03:27, flags: sT
  Incoming interface: Loopback0, RPF nbr 0.0.0.0, RPF-MFD
  Outgoing interface list:
    GigabitEthernet2/16, Forward/Sparse-Dense, 00:45:17/00:02:44, H
(10.2.0.2, 232.3.3.3), 00:45:17/00:02:57, flags: sTIZ
  Incoming interface: GigabitEthernet2/16, RPF nbr 224.0.1.4, RPF-MFD
  Outgoing interface list:
    MVRF VPN-Red, Forward/Sparse-Dense, 00:45:17/00:01:09, H

PE2# show ip mroute 232.3.3.3
IP Multicast Routing Table
Flags: D - Dense, S - Sparse, B - Bidir Group, s - SSM Group, C - Connected,
       L - Local, P - Pruned, R - RP-bit set, F - Register flag,
       T - SPT-bit set, J - Join SPT, M - MSDP created entry,
       X - Proxy Join Timer Running, A - Candidate for MSDP Advertisement,
       U - URD, I - Received Source Specific Host Report,
       Z - Multicast Tunnel, z - MDT-data group sender,
       Y - Joined MDT-data group, y - Sending to MDT-data group
       V - RD & Vector, v - Vector
Outgoing interface flags: H - Hardware switched, A - Assert winner
Timers: Uptime/Expires
Interface state: Interface, Next-Hop or VCD, State/Mode
(10.1.0.1, 232.3.3.3), 00:45:08/00:02:37, flags: sTIZ
  Incoming interface: GigabitEthernet4/1, RPF nbr 224.0.2.4, RPF-MFD
  Outgoing interface list:
    MVRF VPN-Red, Forward/Sparse-Dense, 00:45:08/00:01:27, H
(10.2.0.2, 232.3.3.3), 00:46:19/00:03:07, flags: sT
  Incoming interface: Loopback0, RPF nbr 0.0.0.0, RPF-MFD
  Outgoing interface list:
    GigabitEthernet4/1, Forward/Sparse-Dense, 00:45:08/00:02:49, H
PE2# show mls ip multicast group 232.3.3.3
Multicast hardware switched flows:
(10.1.0.1, 232.3.3.3) Incoming interface: Gi4/1, Packets switched: 808
Hardware switched outgoing interfaces:
  MVRF VPN-Red
RPF-MFD installed
(10.2.0.2, 232.3.3.3) Incoming interface: Lo0, Packets switched: 808
Hardware switched outgoing interfaces:
  Gi4/1
```

## Example Configuring the Receiver VRF on the Source PE Router - Option 1 (SSC)

```
RPF-MFD installed
Total hardware switched flows : 2
```

**States in the VRF Table for VPN-Green on PE1 After Receivers in VPN-Red Join Multicast Group 228.8.8.8**

The following is sample output from the **show ip mroute** command on PE1. The sample output shows the state of the VRF table for VPN-Green on PE1 when receivers join the multicast group 228.8.8.8. The output indicates that extranet receivers in VPN-Red are receiving content from a source in VPN-Green that is sending to multicast group 228.8.8.8. The “E” flag in the output indicates that a (\*, G) or (S, G) entry in the VRF routing table is a source VRF entry and has extranet receiver MVRF mroute entries linked to it.

```
PE1# show ip mroute vrf VPN-Green 228.8.8.8
IP Multicast Routing Table
Flags: D - Dense, S - Sparse, B - Bidir Group, s - SSM Group, C - Connected,
       L - Local, P - Pruned, R - RP-bit set, F - Register flag,
       T - SPT-bit set, J - Join SPT, M - MSDP created entry, E - Extranet,
       X - Proxy Join Timer Running, A - Candidate for MSDP Advertisement,
       U - URD, I - Received Source Specific Host Report,
       Z - Multicast Tunnel, z - MDT-data group sender,
       Y - Joined MDT-data group, y - Sending to MDT-data group,
       V - RD & Vector, v - Vector
Outgoing interface flags: H - Hardware switched, A - Assert winner
Timers: Uptime/Expires
Interface state: Interface, Next-Hop or VCD, State/Mode
(*, 228.8.8.8), 00:01:38/stopped, RP 10.100.0.5, flags: SE
  Incoming interface: Ethernet3/0, RPF nbr 10.1.1.5
  Outgoing interface list: Null
  Extranet receivers in vrf VPN-Red:
  (*, 228.8.8.8), 00:01:38/stopped, RP 10.100.0.5, OIF count: 1, flags: S
  (10.1.1.200, 228.8.8.8), 00:00:05/00:02:54, flags: TE
  Incoming interface: Ethernet3/0, RPF nbr 10.1.1.5
  Outgoing interface list: Null
  Extranet receivers in vrf VPN-Red:
  (10.1.1.200, 228.8.8.8), 00:00:05/stopped, OIF count: 1, flags:
```

**States in the VRF Table for VPN-Green on PE1 After Receivers in VPN-Red Join Multicast Group 228.8.8.8 When PE1 is configured for MVPN Extranet Support**

The following are sample outputs from the **show ip mroute** on PE1, when PE1 is configured to support extranet MVPN services. The sample output from the **show ip mroute** command shows the state of the VRF table for VPN-Green on PE1 when receivers join the multicast group 228.8.8.8. The sample output indicate that extranet receivers in VPN-Red are receiving content from a source in VPN-Green that is sending to multicast group 228.8.8.8.

```
PE1# show ip mroute vrf VPN-Green 228.8.8.8
IP Multicast Routing Table
Flags: D - Dense, S - Sparse, B - Bidir Group, s - SSM Group, C - Connected,
       L - Local, P - Pruned, R - RP-bit set, F - Register flag,
       T - SPT-bit set, J - Join SPT, M - MSDP created entry, E - Extranet,
       X - Proxy Join Timer Running, A - Candidate for MSDP Advertisement,
       U - URD, I - Received Source Specific Host Report,
       Z - Multicast Tunnel, z - MDT-data group sender,
       Y - Joined MDT-data group, y - Sending to MDT-data group,
       V - RD & Vector, v - Vector
Outgoing interface flags: H - Hardware switched, A - Assert winner
Timers: Uptime/Expires
Interface state: Interface, Next-Hop or VCD, State/Mode
(*, 228.8.8.8), 00:01:38/stopped, RP 10.100.0.5, flags: SE
  Incoming interface: GigabitEthernet3/1, RPF nbr 10.1.1.5, RPF-MFD
```

```

Outgoing interface list: Null
Extranet receivers in vrf VPN-Red:
(*, 228.8.8.8), 00:01:38/stopped, RP 10.100.0.5, OIF count: 1, flags: S
(10.1.1.200, 228.8.8.8), 00:00:05/00:02:54, flags: TE
Incoming interface: GigabitEthernet3/1, RPF nbr 10.1.1.5, RPF-MFD
Outgoing interface list: Null
Extranet receivers in vrf VPN-Red:
(10.1.1.200, 228.8.8.8), 00:00:05/stopped, OIF count: 1, flags:

```

### States in the VRF Table for VPN-Red on PE1 After Receivers in VPN-Red Join Multicast Group 228.8.8.8

The following is sample output from the **show ip mroute** command on PE1. The sample output shows the state of the VRF table for VPN-Red on PE1 when receivers join the multicast group 228.8.8.8. The “using vrf VPN-Green” field indicates that VPN-Red is using unicast routing information from VPN-Green to determine the RPF interface through which the source is reachable.

```

PE1# show ip mroute vrf VPN-Red 228.8.8.8
IP Multicast Routing Table
Flags: D - Dense, S - Sparse, B - Bidir Group, s - SSM Group, C - Connected,
       L - Local, P - Pruned, R - RP-bit set, F - Register flag,
       T - SPT-bit set, J - Join SPT, M - MSDP created entry, E - Extranet,
       X - Proxy Join Timer Running, A - Candidate for MSDP Advertisement,
       U - URD, I - Received Source Specific Host Report,
       Z - Multicast Tunnel, z - MDT-data group sender,
       Y - Joined MDT-data group, y - Sending to MDT-data group,
       V - RD & Vector, v - Vector
Outgoing interface flags: H - Hardware switched, A - Assert winner
Timers: Uptime/Expires
Interface state: Interface, Next-Hop or VCD, State/Mode
(*, 228.8.8.8), 00:01:45/stopped, RP 10.100.0.5, flags: S
Incoming interface: Ethernet3/0, RPF nbr 10.1.1.5, using vrf VPN-Green
Outgoing interface list:
Tunnel2, Forward/Sparse-Dense, 00:01:45/00:02:49
(10.1.1.200, 228.8.8.8), 00:00:12/00:03:27, flags:
Incoming interface: Ethernet3/0, RPF nbr 10.1.1.5, using vrf VPN-Green
Outgoing interface list:
Tunnel2, Forward/Sparse-Dense, 00:00:12/00:03:18

```

### States in the VRF Table for VPN-Red on PE1 After Receivers in VPN-Red Join Multicast Group 228.8.8.8 When PE1 is configured for MVPN Extranet Support

The following is a sample output from the **show ip mroute** command on PE1, when PE1 configured to support extranet MVPN services. The sample output from the **show ip mroute** command shows the state of the VRF table for VPN-Red on PE1 when receivers join the multicast group 228.8.8.8. The “using vrf VPN-Green” field indicates that VPN-Red is using unicast routing information from VPN-Green to determine the RPF interface through which the source is reachable.

```

PE1# show ip mroute vrf VPN-Red 228.8.8.8
IP Multicast Routing Table
Flags: D - Dense, S - Sparse, B - Bidir Group, s - SSM Group, C - Connected,
       L - Local, P - Pruned, R - RP-bit set, F - Register flag,
       T - SPT-bit set, J - Join SPT, M - MSDP created entry, E - Extranet,
       X - Proxy Join Timer Running, A - Candidate for MSDP Advertisement,
       U - URD, I - Received Source Specific Host Report,
       Z - Multicast Tunnel, z - MDT-data group sender,
       Y - Joined MDT-data group, y - Sending to MDT-data group,
       V - RD & Vector, v - Vector
Outgoing interface flags: H - Hardware switched, A - Assert winner
Timers: Uptime/Expires
Interface state: Interface, Next-Hop or VCD, State/Mode

```

## Example Configuring the Receiver VRF on the Source PE Router - Option 1 (SSC)

```
(* , 228.8.8.8), 00:01:45/stopped, RP 10.100.0.5, flags: S
  Incoming interface: GigabitEthernet3/1, RPF nbr 10.1.1.5, using vrf VPN-Green, RPF-MFD
  Outgoing interface list:
    Tunnel2, Forward/Sparse-Dense, 00:01:45/00:02:49, H
(10.1.1.200, 228.8.8.8), 00:00:12/00:03:27, flags:
  Incoming interface: GigabitEthernet3/1, RPF nbr 10.1.1.5, using vrf VPN-Green, RPF-MFD
  Outgoing interface list:
    Tunnel2, Forward/Sparse-Dense, 00:00:12/00:03:18, H
```

**States in the VRF Table for VPN-Red on PE2 After Receivers in VPN-Red Join Multicast Group 228.8.8.8**

The following is sample output from the **show ip mroute** command on PE2. The sample output shows the VRF table for VPN-Red on PE2 when receivers join the multicast group 228.8.8.8.

```
PE2# show ip mroute vrf VPN-Red 228.8.8.8
IP Multicast Routing Table
Flags: D - Dense, S - Sparse, B - Bidir Group, s - SSM Group, C - Connected,
       L - Local, P - Pruned, R - RP-bit set, F - Register flag,
       T - SPT-bit set, J - Join SPT, M - MSDP created entry, E - Extranet,
       X - Proxy Join Timer Running, A - Candidate for MSDP Advertisement,
       U - URD, I - Received Source Specific Host Report,
       Z - Multicast Tunnel, z - MDT-data group sender,
       Y - Joined MDT-data group, y - Sending to MDT-data group,
       V - RD & Vector, v - Vector
Outgoing interface flags: H - Hardware switched, A - Assert winner
Timers: Uptime/Expires
Interface state: Interface, Next-Hop or VCD, State/Mode
(* , 228.8.8.8), 00:00:28/stopped, RP 10.100.0.5, flags: S
  Incoming interface: Tunnell, RPF nbr 10.1.0.1
  Outgoing interface list:
    Ethernet9/0, Forward/Sparse-Dense, 00:00:28/00:03:02
(10.1.1.200, 228.8.8.8), 00:00:00/00:03:29, flags:
  Incoming interface: Tunnell, RPF nbr 10.1.0.1
  Outgoing interface list:
    Ethernet9/0, Forward/Sparse-Dense, 00:00:00/00:03:29
```

**States in the VRF Table for VPN-Red on PE2 After Receivers in VPN-Red Join Multicast Group 228.8.8.8 When PE2 is configured for MVPN Extranet Support**

The following are sample output from the **show ip mroute** command on PE2, when PE2 is configured to support extranet MVPN services. The sample output from the **show ip mroute** command shows the VRF table for VPN-Red on PE2 when receivers join the multicast group 228.8.8.8.

```
PE2# show ip mroute vrf VPN-Red 228.8.8.8
IP Multicast Routing Table
Flags: D - Dense, S - Sparse, B - Bidir Group, s - SSM Group, C - Connected,
       L - Local, P - Pruned, R - RP-bit set, F - Register flag,
       T - SPT-bit set, J - Join SPT, M - MSDP created entry, E - Extranet,
       X - Proxy Join Timer Running, A - Candidate for MSDP Advertisement,
       U - URD, I - Received Source Specific Host Report,
       Z - Multicast Tunnel, z - MDT-data group sender,
       Y - Joined MDT-data group, y - Sending to MDT-data group,
       V - RD & Vector, v - Vector
Outgoing interface flags: H - Hardware switched, A - Assert winner
Timers: Uptime/Expires
Interface state: Interface, Next-Hop or VCD, State/Mode
(* , 228.8.8.8), 00:00:28/stopped, RP 10.100.0.5, flags: S
  Incoming interface: Tunnell, RPF nbr 10.1.0.1, RPF-MFD
  Outgoing interface list:
    GigabitEthernet9/1, Forward/Sparse-Dense, 00:00:28/00:03:02, H
(10.1.1.200, 228.8.8.8), 00:00:00/00:03:29, flags:
```

```

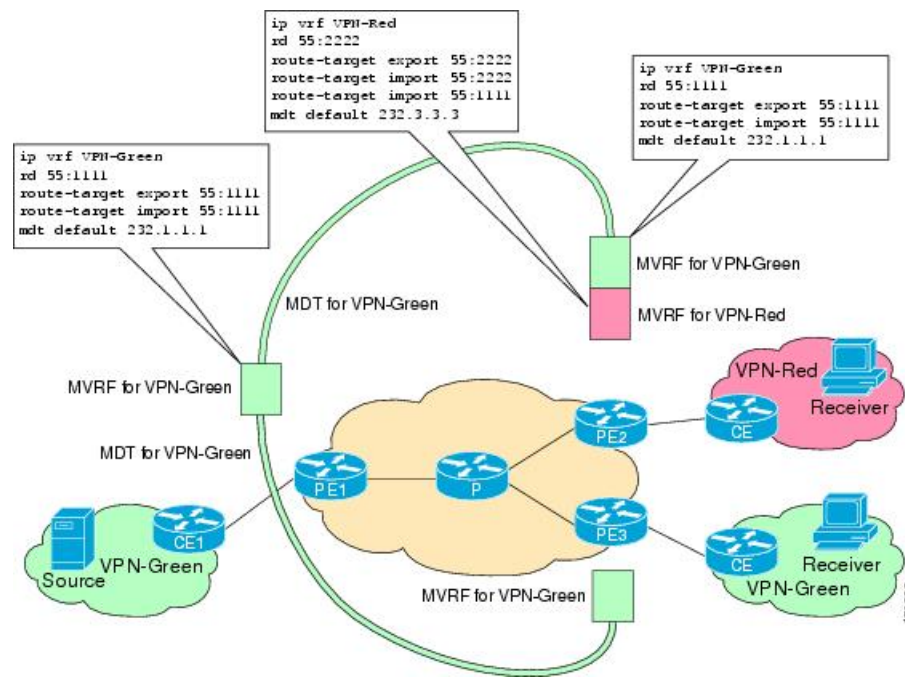
Incoming interface: Tunnel1, RPF nbr 10.1.0.1, RPF-MFD
Outgoing interface list:
  GigabitEthernet9/1, Forward/Sparse-Dense, 00:00:00/00:03:29, H

```

## Example Configuring the Source VRF on the Receiver PE - Option 2 (RSC)

The following configuration example is based on the extranet MVPN topology illustrated in the figure. This example shows the configurations for PE2, the receiver PE router, and PE1, the source PE router. In this example, extranet MVPN services are supported between VPN-Green and VPN-Red by configuring the source MVRF for VPN-Green on PE2. The same unicast routing policy is configured to import routes from VPN-Green to VPN-Red.

**Figure 18: Topology for MVPN Extranet Support Option 2 Configuration Example**



### PE2 Configuration

```

!
ip vrf VPN-Green
rd 55:1111
route-target export 55:1111
route-target import 55:1111
mdt default mpls mldp 20.100.0.4
!
ip vrf VPN-Red
rd 55:2222
route-target export 55:2222
route-target import 55:2222
route-target import 55:1111
mdt default mpls mldp 20.100.0.4
!
!
ip multicast-routing
ip multicast-routing vrf VPN-Green

```

## Example Configuring the Source VRF on the Receiver PE - Option 2 (RSC)

```

ip multicast-routing vrf VPN-Red
!
interface Loopback0
ip address 10.1.0.1 255.255.255.0
ip pim sparse-dense-mode
!
.
.
.
!
router bgp 55
no synchronization
bgp log-neighbor-changes
neighbor 10.2.0.2 remote-as 55
neighbor 10.2.0.2 update-source Loopback0

!
address-family ipv4 mdt
neighbor 10.2.0.2 activate
neighbor 10.2.0.2 send-community extended
!
address-family vpnv4
neighbor 10.2.0.2 activate
neighbor 10.2.0.2 send-community extended
!
address-family ipv4
neighbor 10.2.0.2 activate
neighbor 10.2.0.2 send-community both
exit-address-family
!
address-family ipv4 vrf VPN-Green
redistribute connected
redistribute static
neighbor 10.2.0.2 remote-as 100
neighbor 10.2.0.2 activate
exit-address-family
!
address-family ipv4 vrf VPN-Red
redistribute connected
redistribute static
neighbor 10.2.0.2 remote-as 100
neighbor 10.2.0.2 activate
exit-address-family
!
ip mroute vrf red1 40.0.0.0 255.255.255.0 fallback-lookup vrf VPN-Green
ip mroute vrf red1 55.55.55.55 255.255.255.255 fallback-lookup vrf VPN-Green

```

**PE1 Configuration**

```

!
ip vrf VPN-Red
rd 55:2222
route-target export 55:2222
route-target import 55:2222
route-target import 55:1111
mdt default mpls mldp 20.100.0.4
!
ip multicast-routing
ip multicast-routing vrf VPN-Red
!
interface Loopback0
ip address 10.2.0.2 255.255.255.0
ip pim sparse-dense-mode

```



```

!
.
.
.
!
router bgp 55
no synchronization
bgp log-neighbor-changes
neighbor 10.1.0.1 remote-as 55
neighbor 10.1.0.1 update-source Loopback0
!
address-family ipv4 mdt
neighbor 10.1.0.1 activate
neighbor 10.1.0.1 send-community extended
!
address-family vpnv4
neighbor 10.1.0.1 activate
neighbor 10.1.0.1 send-community extended
!
!
address-family ipv4
neighbor 10.1.0.1 activate
neighbor 10.1.0.1 send-community both
exit-address-family
!
address-family ipv4 vrf VPN-Red
redistribute connected
redistribute static
neighbor 10.1.0.1 remote-as 100
neighbor 10.1.0.1 activate
exit-address-family
!
ip pim vrf red1 rp-address 55.55.55.55

```

### States in the Global Table on PE1 and PE2 for the MDT Default Group 232.1.1.1

The following are sample outputs from the **show ip mroute** command on PE1 and PE2. The sample outputs show the global table for the MDT default group 232.1.1.1 on PE1 and PE2.

```

PE1# show ip mroute 232.1.1.1
IP Multicast Routing Table
Flags: D - Dense, S - Sparse, B - Bidir Group, s - SSM Group, C - Connected,
L - Local, P - Pruned, R - RP-bit set, F - Register flag,
T - SPT-bit set, J - Join SPT, M - MSDP created entry, E - Extranet,
X - Proxy Join Timer Running, A - Candidate for MSDP Advertisement,
U - URD, I - Received Source Specific Host Report,
Z - Multicast Tunnel, z - MDT-data group sender,
Y - Joined MDT-data group, y - Sending to MDT-data group,
V - RD & Vector, v - Vector
Outgoing interface flags: H - Hardware switched, A - Assert winner
Timers: Uptime/Expires
Interface state: Interface, Next-Hop or VCD, State/Mode
(10.2.0.2, 232.1.1.1), 00:01:19/00:02:42, flags: sTIZ
Incoming interface: Ethernet0/0, RPF nbr 10.0.1.4
Outgoing interface list:
MVRP VPN-Green, Forward/Sparse-Dense, 00:01:19/00:02:07
(10.1.0.1, 232.1.1.1), 00:02:19/00:03:11, flags: sT
Incoming interface: Loopback0, RPF nbr 0.0.0.0
Outgoing interface list:
Ethernet0/0, Forward/Sparse-Dense, 00:02:00/00:02:36
PE2# show ip mroute 232.1.1.1
IP Multicast Routing Table
Flags: D - Dense, S - Sparse, B - Bidir Group, s - SSM Group, C - Connected,

```

## Example Configuring the Source VRF on the Receiver PE - Option 2 (RSC)

```

L - Local, P - Pruned, R - RP-bit set, F - Register flag,
T - SPT-bit set, J - Join SPT, M - MSDP created entry, E - Extranet,
X - Proxy Join Timer Running, A - Candidate for MSDP Advertisement,
U - URD, I - Received Source Specific Host Report,
Z - Multicast Tunnel, z - MDT-data group sender,
Y - Joined MDT-data group, y - Sending to MDT-data group,
V - RD & Vector, v - Vector
Outgoing interface flags: H - Hardware switched, A - Assert winner
Timers: Uptime/Expires
Interface state: Interface, Next-Hop or VCD, State/Mode
(10.1.0.1, 232.1.1.1), 00:02:04/00:02:38, flags: sTIZ
Incoming interface: Ethernet1/0, RPF nbr 10.0.2.4
Outgoing interface list:
  MVRF VPN-Green, Forward/Sparse-Dense, 00:02:04/00:02:09
(10.2.0.2, 232.1.1.1), 00:02:04/00:03:09, flags: sT
Incoming interface: Loopback0, RPF nbr 0.0.0.0
Outgoing interface list:
  Ethernet1/0, Forward/Sparse-Dense, 00:01:22/00:03:09

```

### States in the Global Table on PE1 and PE2 for the MDT Default Group 232.1.1.1 When PE1 and PE2 for MVPN Extranet Support

The following are sample output from the **show ip mroute** command on PE1 and PE2, when PE1 and PE2 are configured to support extranet MVPN services. The sample output from the **show ip mroute** command shows the global table for the MDT default group 232.1.1.1 on PE1 and PE2. In the output, the “RPF-MFD” flag indicates that a multicast flow is completely hardware switched and “H” flag indicates that the flow is being hardware switched on an outgoing interface.

```

PE1# show ip mroute 232.1.1.1
IP Multicast Routing Table
Flags: D - Dense, S - Sparse, B - Bidir Group, s - SSM Group, C - Connected,
L - Local, P - Pruned, R - RP-bit set, F - Register flag,
T - SPT-bit set, J - Join SPT, M - MSDP created entry, E - Extranet,
X - Proxy Join Timer Running, A - Candidate for MSDP Advertisement,
U - URD, I - Received Source Specific Host Report,
Z - Multicast Tunnel, z - MDT-data group sender,
Y - Joined MDT-data group, y - Sending to MDT-data group,
V - RD & Vector, v - Vector
Outgoing interface flags: H - Hardware switched, A - Assert winner
Timers: Uptime/Expires
Interface state: Interface, Next-Hop or VCD, State/Mode
(10.2.0.2, 232.1.1.1), 00:01:19/00:02:42, flags: sTIZ
Incoming interface: GigabitEthernet2/16, RPF nbr 10.0.1.4, RPF-MFD
Outgoing interface list:
  MVRF VPN-Green, Forward/Sparse-Dense, 00:01:19/00:02:07, H
(10.1.0.1, 232.1.1.1), 00:02:19/00:03:11, flags: sT
Incoming interface: Loopback0, RPF nbr 0.0.0.0, RPF-MFD
Outgoing interface list:
  GigabitEthernet2/16, Forward/Sparse-Dense, 00:02:00/00:02:36, H
PE2# show ip mroute 232.1.1.1
IP Multicast Routing Table
Flags: D - Dense, S - Sparse, B - Bidir Group, s - SSM Group, C - Connected,
L - Local, P - Pruned, R - RP-bit set, F - Register flag,
T - SPT-bit set, J - Join SPT, M - MSDP created entry, E - Extranet,
X - Proxy Join Timer Running, A - Candidate for MSDP Advertisement,
U - URD, I - Received Source Specific Host Report,
Z - Multicast Tunnel, z - MDT-data group sender,
Y - Joined MDT-data group, y - Sending to MDT-data group,
V - RD & Vector, v - Vector
Outgoing interface flags: H - Hardware switched, A - Assert winner
Timers: Uptime/Expires
Interface state: Interface, Next-Hop or VCD, State/Mode

```

```
(10.1.0.1, 232.1.1.1), 00:02:04/00:02:38, flags: sTIZ
  Incoming interface: GigabitEthernet4/1, RPF nbr 10.0.2.4, RPF-MFD
  Outgoing interface list:
    MVRF VPN-Green, Forward/Sparse-Dense, 00:02:04/00:02:09, H
(10.2.0.2, 232.1.1.1), 00:02:04/00:03:09, flags: sT
  Incoming interface: Loopback0, RPF nbr 0.0.0.0, RPF-MFD
  Outgoing interface list:
    GigabitEthernet4/1, Forward/Sparse-Dense, 00:01:22/00:03:09, H
```

### States in the VRF Table for VPN-Green on PE1 After Receivers in VPN-Red Join Multicast Group 228.8.8.8

The following is sample output from the **show ip mroute** command on PE1. The sample output shows the state of the VRF table for VPN-Green on PE1 when receivers join the multicast group 228.8.8.8.

```
PE1# show ip mroute vrf VPN-Green 228.8.8.8
IP Multicast Routing Table
Flags: D - Dense, S - Sparse, B - Bidir Group, s - SSM Group, C - Connected,
       L - Local, P - Pruned, R - RP-bit set, F - Register flag,
       T - SPT-bit set, J - Join SPT, M - MSDP created entry, E - Extranet,
       X - Proxy Join Timer Running, A - Candidate for MSDP Advertisement,
       U - URD, I - Received Source Specific Host Report,
       Z - Multicast Tunnel, z - MDT-data group sender,
       Y - Joined MDT-data group, y - Sending to MDT-data group,
       V - RD & Vector, v - Vector
Outgoing interface flags: H - Hardware switched, A - Assert winner
Timers: Uptime/Expires
Interface state: Interface, Next-Hop or VCD, State/Mode
(*, 228.8.8.8), 00:01:43/00:02:52, RP 10.100.0.5, flags: S
  Incoming interface: Ethernet3/0, RPF nbr 10.1.1.5
  Outgoing interface list:
    Tunnel0, Forward/Sparse-Dense, 00:01:43/00:02:52
(10.1.1.200, 228.8.8.8), 00:01:15/00:03:26, flags: T
  Incoming interface: Ethernet3/0, RPF nbr 10.1.1.5
  Outgoing interface list:
    Tunnel0, Forward/Sparse-Dense, 00:01:15/00:03:19
```

### States in the VRF Table for VPN-Green on PE1 After Receivers in VPN-Red Join Multicast Group 228.8.8.8 When PE1 Configured for MVPN Extranet Support

The following are sample output from the **show ip mroute** commands on PE1, when PE1 is configured to support extranet MVPN services. The sample output from the **show ip mroute** command shows the state of the VRF table for VPN-Green on PE1 when receivers join the multicast group 228.8.8.8.

```
PE1# show ip mroute vrf VPN-Green 228.8.8.8
IP Multicast Routing Table
Flags: D - Dense, S - Sparse, B - Bidir Group, s - SSM Group, C - Connected,
       L - Local, P - Pruned, R - RP-bit set, F - Register flag,
       T - SPT-bit set, J - Join SPT, M - MSDP created entry, E - Extranet,
       X - Proxy Join Timer Running, A - Candidate for MSDP Advertisement,
       U - URD, I - Received Source Specific Host Report,
       Z - Multicast Tunnel, z - MDT-data group sender,
       Y - Joined MDT-data group, y - Sending to MDT-data group,
       V - RD & Vector, v - Vector
Outgoing interface flags: H - Hardware switched, A - Assert winner
Timers: Uptime/Expires
Interface state: Interface, Next-Hop or VCD, State/Mode
(*, 228.8.8.8), 00:01:43/00:02:52, RP 10.100.0.5, flags: S
  Incoming interface: GigabitEthernet3/1, RPF nbr 10.1.1.5, RPF-MFD
  Outgoing interface list:
    Tunnel0, Forward/Sparse-Dense, 00:01:43/00:02:52, H
(10.1.1.200, 228.8.8.8), 00:01:15/00:03:26, flags: T
```

## Example Configuring the Source VRF on the Receiver PE - Option 2 (RSC)

```
Incoming interface: GigabitEthernet3/1, RPF nbr 10.1.1.5, RPF-MFD
Outgoing interface list:
  Tunnel0, Forward/Sparse-Dense, 00:01:15/00:03:19, H
```

**States in the VRF Table for VPN-Green on PE2 After Receivers in VPN-Red Join Multicast Group 228.8.8.8**

The following is sample output from the **show ip mroute** command on PE2. The output shows the state of the VRF table for VPN-Green on PE1 when receivers join the multicast group 228.8.8.8. The output indicates that extranet receivers in VPN-Red are receiving content from the source in VPN-Green that is sending to multicast group 228.8.8.8. The “E” flag indicates that a (\*, G) or (S, G) entry in the VRF routing table is a source VRF entry and has extranet receiver MVRF mroute entries linked to it.

```
PE2# show ip mroute vrf VPN-Green 228.8.8.8
IP Multicast Routing Table
Flags: D - Dense, S - Sparse, B - Bidir Group, s - SSM Group, C - Connected,
       L - Local, P - Pruned, R - RP-bit set, F - Register flag,
       T - SPT-bit set, J - Join SPT, M - MSDP created entry, E - Extranet,
       X - Proxy Join Timer Running, A - Candidate for MSDP Advertisement,
       U - URD, I - Received Source Specific Host Report,
       Z - Multicast Tunnel, z - MDT-data group sender,
       Y - Joined MDT-data group, y - Sending to MDT-data group,
       V - RD & Vector, v - Vector
Outgoing interface flags: H - Hardware switched, A - Assert winner
Timers: Uptime/Expires
Interface state: Interface, Next-Hop or VCD, State/Mode
(*, 228.8.8.8), 00:01:59/stopped, RP 10.100.0.5, flags: SE
  Incoming interface: Tunnel0, RPF nbr 10.1.0.1
  Outgoing interface list: Null
  Extranet receivers in vrf VPN-Red:
(*, 228.8.8.8), 00:01:59/stopped, RP 10.100.0.5, OIF count: 1, flags: S
(10.1.1.200, 228.8.8.8), 00:01:31/00:02:59, flags: TE
  Incoming interface: Tunnel0, RPF nbr 10.1.0.1
  Outgoing interface list: Null
  Extranet receivers in vrf VPN-Red:
(10.1.1.200, 228.8.8.8), 00:01:31/00:03:29, OIF count: 1, flags:
```

**States in the VRF Table for VPN-Green on PE2 After Receivers in VPN-Red Join Multicast Group 228.8.8.8 When PE2 is Configured for MVPN Extranet Support**

The following are sample output from the **show ip mroute** command on PE2, when PE2 is configured to support extranet MVPN services. The sample output from the **show ip mroute** command shows the state of the VRF table for VPN-Green on PE1 when receivers join the multicast group 228.8.8.8. The sample output indicates that extranet receivers in VPN-Red are receiving content from the source in VPN-Green that is sending to multicast group 228.8.8.8. The “E” flag indicates that a (\*, G) or (S, G) entry in the VRF routing table is a source VRF entry and has extranet receiver MVRF mroute entries linked to it.

```
PE2# show ip mroute vrf VPN-Green 228.8.8.8
IP Multicast Routing Table
Flags: D - Dense, S - Sparse, B - Bidir Group, s - SSM Group, C - Connected,
       L - Local, P - Pruned, R - RP-bit set, F - Register flag,
       T - SPT-bit set, J - Join SPT, M - MSDP created entry, E - Extranet,
       X - Proxy Join Timer Running, A - Candidate for MSDP Advertisement,
       U - URD, I - Received Source Specific Host Report,
       Z - Multicast Tunnel, z - MDT-data group sender,
       Y - Joined MDT-data group, y - Sending to MDT-data group,
       V - RD & Vector, v - Vector
Outgoing interface flags: H - Hardware switched, A - Assert winner
Timers: Uptime/Expires
Interface state: Interface, Next-Hop or VCD, State/Mode
```

```
(* , 228.8.8.8), 00:01:59/stopped, RP 10.100.0.5, flags: SE
  Incoming interface: Tunnel0, RPF nbr 10.1.0.1, RPF-MFD
  Outgoing interface list: Null
  Extranet receivers in vrf VPN-Red:
(* , 228.8.8.8), 00:01:59/stopped, RP 10.100.0.5, OIF count: 1, flags: S
(10.1.1.200, 228.8.8.8), 00:01:31/00:02:59, flags: TE
  Incoming interface: Tunnel0, RPF nbr 10.1.0.1, RPF-MFD
  Outgoing interface list: Null
  Extranet receivers in vrf VPN-Red:
  (10.1.1.200, 228.8.8.8), 00:01:31/00:03:29, OIF count: 1, flags:
```

### States in the VRF Table for VPN-Red on PE2 After Receivers in VPN-Red Join Multicast Group 228.8.8.8

The following is sample output from the **show ip mroute** command on PE2. The sample output shows the state of the VRF table for VPN-Red on PE2 when receivers join the multicast group 228.8.8.8. The “using vrf VPN-Green” field indicates that VPN-Red is using unicast routing information from VPN-Green to determine the RPF interface through which the source is reachable.

```
PE2# show ip mroute vrf VPN-Red 228.8.8.8

IP Multicast Routing Table
Flags: D - Dense, S - Sparse, B - Bidir Group, s - SSM Group, C - Connected,
       L - Local, P - Pruned, R - RP-bit set, F - Register flag,
       T - SPT-bit set, J - Join SPT, M - MSDP created entry, E - Extranet,
       X - Proxy Join Timer Running, A - Candidate for MSDP Advertisement,
       U - URD, I - Received Source Specific Host Report,
       Z - Multicast Tunnel, z - MDT-data group sender,
       Y - Joined MDT-data group, y - Sending to MDT-data group,
       V - RD & Vector, v - Vector
Outgoing interface flags: H - Hardware switched, A - Assert winner
Timers: Uptime/Expires
Interface state: Interface, Next-Hop or VCD, State/Mode
(* , 228.8.8.8), 00:02:00/stopped, RP 10.100.0.5, flags: S
  Incoming interface: Tunnel0, RPF nbr 10.1.0.1, using vrf VPN-Green
  Outgoing interface list:
    Ethernet9/0, Forward/Sparse-Dense, 00:02:00/00:02:34
(10.1.1.200, 228.8.8.8), 00:01:32/00:03:28, flags:
  Incoming interface: Tunnel0, RPF nbr 10.1.0.1, using vrf VPN-Green
  Outgoing interface list:
    Ethernet9/0, Forward/Sparse-Dense, 00:01:32/00:03:01
```

### States in the VRF Table for VPN-Red on PE2 After Receivers in VPN-Red Join Multicast Group 228.8.8.8 When PE2 is configured for MVPN Extranet Support

The following are sample output from the **show ip mroute** command on PE2, when PE2 is configured to support extranet MVPN services. The sample output from the **show ip mroute** command shows the state of the VRF table for VPN-Red on PE2 when receivers join the multicast group 228.8.8.8. The “using vrf VPN-Green” field indicates that VPN-Red is using unicast routing information from VPN-Green to determine the RPF interface through which the source is reachable.

```
PE2# show ip mroute vrf VPN-Red 228.8.8.8

IP Multicast Routing Table
Flags: D - Dense, S - Sparse, B - Bidir Group, s - SSM Group, C - Connected,
       L - Local, P - Pruned, R - RP-bit set, F - Register flag,
       T - SPT-bit set, J - Join SPT, M - MSDP created entry, E - Extranet,
       X - Proxy Join Timer Running, A - Candidate for MSDP Advertisement,
       U - URD, I - Received Source Specific Host Report,
       Z - Multicast Tunnel, z - MDT-data group sender,
       Y - Joined MDT-data group, y - Sending to MDT-data group,
       V - RD & Vector, v - Vector
```

```

Outgoing interface flags: H - Hardware switched, A - Assert winner
Timers: Uptime/Expires
Interface state: Interface, Next-Hop or VCD, State/Mode
(*, 228.8.8.8), 00:02:00/stopped, RP 10.100.0.5, flags: S
  Incoming interface: Tunnel0, RPF nbr 10.1.0.1, using vrf VPN-Green, RPF-MFD
  Outgoing interface list:
    GigabitEthernet9/1, Forward/Sparse-Dense, 00:02:00/00:02:34, H
(10.1.1.200, 228.8.8.8), 00:01:32/00:03:28, flags:
  Incoming interface: Tunnel0, RPF nbr 10.1.0.1, using vrf VPN-Green, RPF-MFD
  Outgoing interface list:
    GigabitEthernet9/1, Forward/Sparse-Dense, 00:01:32/00:03:01, H

```

## Example: Displaying Statistics for MVPN Extranet Support

This example is a stand alone example and does not refer to any other technologies.

The MFIB-based implementation of IP multicast updates counters in source MVRF mroute entries for extranet MVPN. Counters in the source MVRF can be displayed using Cisco IOS commands. Counters in the receiver MVRF mroute entries will remain zero.

Use the **show ip mroute** command to determine the source and receiver MVRFs. The following sample output shows that VRF blue is the source MVRF and VRF red is the receiver MVRF:

```

PE1# show ip mroute vrf blue 228.1.1.1

IP Multicast Routing Table
Flags: D - Dense, S - Sparse, B - Bidir Group, s - SSM Group, C - Connected,
       L - Local, P - Pruned, R - RP-bit set, F - Register flag,
       T - SPT-bit set, J - Join SPT, M - MSDP created entry, E - Extranet,
       X - Proxy Join Timer Running, A - Candidate for MSDP Advertisement,
       U - URD, I - Received Source Specific Host Report,
       Z - Multicast Tunnel, z - MDT-data group sender,
       Y - Joined MDT-data group, y - Sending to MDT-data group,
       V - RD & Vector, v - Vector
Outgoing interface flags: H - Hardware switched, A - Assert winner
Timers: Uptime/Expires
Interface state: Interface, Next-Hop or VCD, State/Mode
(*, 228.1.1.1), 00:05:48/stopped, RP 202.100.0.5, flags: SE
  Incoming interface: Ethernet3/0, RPF nbr 200.1.1.5
  Outgoing interface list: Null
  Extranet receivers in vrf red:
(*, 228.1.1.1), 00:05:48/stopped, RP 202.100.0.5, OIF count: 1, flags: S
(220.1.1.200, 228.1.1.1), 00:02:42/00:02:09, flags: TE
  Incoming interface: Ethernet3/0, RPF nbr 200.1.1.5
  Outgoing interface list: Null
  Extranet receivers in vrf red:
(220.1.1.200, 228.1.1.1), 00:02:42/stopped, OIF count: 1, flags: T

```

```

PE1# show ip mroute vrf red 228.1.1.1

IP Multicast Routing Table
Flags: D - Dense, S - Sparse, B - Bidir Group, s - SSM Group, C - Connected,
       L - Local, P - Pruned, R - RP-bit set, F - Register flag,
       T - SPT-bit set, J - Join SPT, M - MSDP created entry, E - Extranet,
       X - Proxy Join Timer Running, A - Candidate for MSDP Advertisement,
       U - URD, I - Received Source Specific Host Report,
       Z - Multicast Tunnel, z - MDT-data group sender,
       Y - Joined MDT-data group, y - Sending to MDT-data group,
       V - RD & Vector, v - Vector
Outgoing interface flags: H - Hardware switched, A - Assert winner
Timers: Uptime/Expires

```

```

Interface state: Interface, Next-Hop or VCD, State/Mode
(*, 228.1.1.1), 00:05:55/stopped, RP 202.100.0.5, flags: S
  Incoming interface: Ethernet3/0, RPF nbr 200.1.1.5, using vrf blue
  Outgoing interface list:
    Tunnel16, Forward/Sparse-Dense, 00:05:55/00:03:26
(220.1.1.200, 228.1.1.1), 00:02:49/stopped, flags: T
  Incoming interface: Ethernet3/0, RPF nbr 200.1.1.5, using vrf blue
  Outgoing interface list:
    Tunnel16, Forward/Sparse-Dense, 00:02:49/00:03:26

```

Use the **show ip mfib vrf vrf-name** command, with the source MVRF for the *vrf-name* argument, to display statistics.

The following example shows statistics for the source MVRF blue. Inspect the output to ensure that the forwarding statistics in the source MVRF MFIB are correct and that the A and F flags are set in the source MVRF. Notice that there is no indication of extranet forwarding in the MFIB.

```

PE1# show ip mfib vrf blue 228.1.1.1

Entry Flags:      C - Directly Connected, S - Signal, IA - Inherit A
flag,
                  ET - Data Rate Exceeds Threshold, K - Keepalive
                  DDE - Data Driven Event, HW - Hardware Installed
I/O Item Flags:  IC - Internal Copy, NP - Not platform switched,
                  NS - Negate Signalling, SP - Signal Present,
                  A - Accept, F - Forward, RA - MRIB Accept, RF - MRIB
Forward,
                  MA - MFIB Accept
Forwarding Counts: Pkt Count/Pkts per second/Avg Pkt Size/Kbits per
second
Other counts:      Total/RPF failed/Other drops
I/O Item Counts:   FS Pkt Count/PS Pkt Count
VRF blue
(*,228.1.1.1) Flags: C
  SW Forwarding: 1/0/100/0, Other: 0/0/0
  Ethernet3/0 Flags: A
  Tunnel16, MDT/239.3.3.3 Flags: F
    Pkts: 1/0
(220.1.1.200,228.1.1.1) Flags:
  SW Forwarding: 37/0/100/0, Other: 0/0/0
  Ethernet3/0 Flags: A NS
  Tunnel16, MDT/239.3.3.3 Flags: F
    Pkts: 37/0

```

The following example shows the following information for the receiver MVRF red:

- There are no forwarding statistics in the receiver MVRF MFIB because these statistics are collected in the source MVRF.
- The A and F flags are not set because these flags are only set in the source MVRF for MVPN extranet.
- There is no indication of extranet forwarding in the MFIB.



**Note** The NS flag in the output is present for the purpose of receiving PIM control traffic in the receiver MVRF.

```

PE1# show ip mfib vrf red 228.1.1.1

Entry Flags:      C - Directly Connected, S - Signal, IA - Inherit A

```

## Example: Displaying Statistics for MVPN Extranet Support

```

flag,
      ET - Data Rate Exceeds Threshold, K - Keepalive
      DDE - Data Driven Event, HW - Hardware Installed
I/O Item Flags: IC - Internal Copy, NP - Not platform switched,
      NS - Negate Signalling, SP - Signal Present,
      A - Accept, F - Forward, RA - MRIB Accept, RF - MRIB
Forward,
      MA - MFIB Accept
Forwarding Counts: Pkt Count/Pkts per second/Avg Pkt Size/Kbits per
second
Other counts:      Total/RPF failed/Other drops
I/O Item Counts:  FS Pkt Count/PS Pkt Count
VRF red
(*,228.1.1.1) Flags: C
  SW Forwarding: 0/0/0/0, Other: 0/0/0
  Tunnel16, MDT/239.3.3.3 Flags: NS
(220.1.1.200,228.1.1.1) Flags:
  SW Forwarding: 0/0/0/0, Other: 0/0/0
  Tunnel16, MDT/239.3.3.3 Flags: NS

```

You can also use the **show ip mroute count** command to display the extranet MVPN statistics. However, we recommend that you use the **show ip mfib** command instead. If you use the **show ip mroute count** command to display statistics, inspect the output to ensure that the forwarding statistics in the source MVRF are correct and that there are no forwarding statistics in the receiver MVRF.

The following sample output from the **show ip mroute count** command shows statistics for the source MVRF blue:

```
PE1# show ip mroute vrf blue 228.1.1.1 count
```

Use "show ip mfib count" to get better response time for a large number of mroutes.

```

IP Multicast Statistics
3 routes using 1354 bytes of memory
2 groups, 0.50 average sources per group
Forwarding Counts: Pkt Count/Pkts per second/Avg Pkt Size/Kilobits per second
Other counts: Total/RPF failed/Other drops(OIF-null, rate-limit etc)
Group: 228.1.1.1, Source count: 1, Packets forwarded: 38, Packets received: 38
  RP-tree: Forwarding: 1/0/100/0, Other: 1/0/0
  Source: 220.1.1.200/32, Forwarding: 37/0/100/0, Other: 37/0/0

```

The following sample output from the **show ip mroute count** command is for the receiver MVRF red:

```
PE1# show ip mroute vrf red 228.1.1.1 count
```

Use "show ip mfib count" to get better response time for a large number of mroutes.

```

IP Multicast Statistics
3 routes using 1672 bytes of memory
2 groups, 0.50 average sources per group
Forwarding Counts: Pkt Count/Pkts per second/Avg Pkt Size/Kilobits per second
Other counts: Total/RPF failed/Other drops(OIF-null, rate-limit etc)
Group: 228.1.1.1, Source count: 1, Packets forwarded: 0, Packets received: 0
  RP-tree: Forwarding: 0/0/0/0, Other: 0/0/0
  Source: 220.1.1.200/32, Forwarding: 0/0/0/0, Other: 0/0/0

```



## Example Configuring RPF for MVPN Extranet Support Using Static Mroutes

The following example shows how to configure the RPF lookup originating in VPN-Red to be resolved in VPN-Green using the static mroute 192.168.1.1:

```
ip mroute vrf VPN-Red 192.168.1.1 255.255.255.255 fallback-lookup vrf VPN-Green
```

## Example Configuring Group-Based VRF Selection Policies with MVPN Extranet Support

The following example shows how to use group-based VRF selection policies to configure RPF lookups originating in VPN-Green to be performed in VPN-Red for group addresses that match ACL 1 and to be performed in VPN-Blue for group addresses that match ACL 2.

```
ip multicast vrf VPN-Green rpf select vrf VPN-Red group-list 1
ip multicast vrf VPN-Green rpf select vrf VPN-Blue group-list 2
!
.
.
.
!
access-list 1 permit 239.0.0.0 0.255.255.255
access-list 2 permit 238.0.0.0 0.255.255.255
!
```





## CHAPTER 8

# IPv6 Multicast PIM

---

This module describes how to configure IPv6 Multicast PIM features.

- [Prerequisites for IPv6 Multicast, on page 139](#)
- [Restrictions for IPv6 Multicast, on page 139](#)
- [Information About IPv6 Multicast, on page 140](#)
- [How to Configure IPv6 Multicast, on page 149](#)
- [Using MFIB in IPv6 Multicast, on page 161](#)
- [Configuration Examples for IPv6 Multicast, on page 163](#)

## Prerequisites for IPv6 Multicast

The following are the prerequisites for IPv6 PIM source-specific multicast (SSM):

- Multicast Listener Discovery (MLD) version 2 is required for source-specific multicast (SSM) to operate.
- Before configuring SSM with MLD, SSM must be supported by the Cisco IPv6 device, the host where the application is running, and the application itself.

## Restrictions for IPv6 Multicast

The supported IPV6 scale for the default templates for multicast routes are available in <http://www.cisco.com/c/en/us/products/routers/asr-903-series-aggregation-services-routers/models-comparison.html>.

The router does *not* support :

- IPv6 Multicast Listener Discovery (MLD) snooping
- Multiprotocol BGP Extensions for multicast
- Equal Cost Multipath (ECMP) for multicast
- Multicast Virtual Private Network (MVPN)
- Multicast QoS for IPv6
- Dynamic Domain Name System (DNS) PIM Source Specific Multicast (SSM) mapping for multicast
- Multicast Source Discovery Protocol (MSDP)

- Embedded RP is not supported on RSP3 module.



**Note** The Multicast control packets are *not* processed when the system memory utilization is more than 90%. The following message is displayed on the console.

```
*Sep 18 18:21:07.287: %SYS-2-NOMEMORY: No memory available for multicast control packets,
dropping multicast control packets.
Memory usage percentage: 91
```

The system memory utilization may increase when the number of multicast sources and MLD reports join rate is increased. When 90% of the system memory is used, the MLD reports are *not* processed and multicast may not function as expected. For the multicast reports to be processed again, decrease the join rate.

## Information About IPv6 Multicast

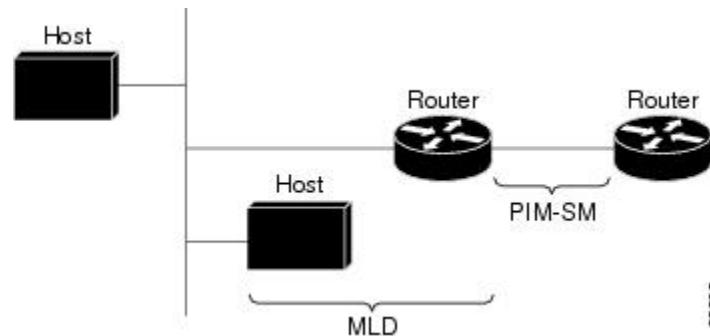
### IPv6 Multicast Routing Implementation

Cisco software supports the following protocols to implement IPv6 multicast routing:

- MLD is used by IPv6 devices to discover multicast listeners (nodes that want to receive multicast packets destined for specific multicast addresses) on directly attached links. There are two versions of MLD:
  - MLD version 1 is based on version 2 of the Internet Group Management Protocol (IGMP) for IPv4.
  - MLD version 2 is based on version 3 of the IGMP for IPv4.
- IPv6 multicast for Cisco software uses both MLD version 2 and MLD version 1. MLD version 2 is fully backward-compatible with MLD version 1 (described in RFC 2710). Hosts that support only MLD version 1 will interoperate with a device running MLD version 2. Mixed LANs with both MLD version 1 and MLD version 2 hosts are likewise supported.
- PIM-SM is used between devices so that they can track which multicast packets to forward to each other and to their directly connected LANs.
- PIM in Source Specific Multicast (PIM-SSM) is similar to PIM-SM with the additional ability to report interest in receiving packets from specific source addresses (or from all but the specific source addresses) to an IP multicast address.

The figure below shows where MLD and PIM-SM operate within the IPv6 multicast environment.

Figure 19: IPv6 Multicast Routing Protocols Supported for IPv6



## Protocol Independent Multicast

Protocol Independent Multicast (PIM) is used between devices so that they can track which multicast packets to forward to each other and to their directly connected LANs. PIM works independently of the unicast routing protocol to perform send or receive multicast route updates like other protocols. Regardless of which unicast routing protocols are being used in the LAN to populate the unicast routing table, Cisco IOS PIM uses the existing unicast table content to perform the Reverse Path Forwarding (RPF) check instead of building and maintaining its own separate routing table.

You can configure IPv6 multicast to use either a PIM- Sparse Mode (SM) or PIM-Source Specific Multicast (SSM) operation, or you can use both PIM-SM and PIM-SSM together in your network.

### PIM-Sparse Mode

IPv6 multicast provides support for intradomain multicast routing using PIM-SM. PIM-SM uses unicast routing to provide reverse-path information for multicast tree building, but it is not dependent on any particular unicast routing protocol.

PIM-SM is used in a multicast network when relatively few devices are involved in each multicast and these devices do not forward multicast packets for a group, unless there is an explicit request for the traffic. PIM-SM distributes information about active sources by forwarding data packets on the shared tree. PIM-SM initially uses shared trees, which requires the use of an RP.

Requests are accomplished via PIM joins, which are sent hop by hop toward the root node of the tree. The root node of a tree in PIM-SM is the RP in the case of a shared tree or the first-hop device that is directly connected to the multicast source in the case of a shortest path tree (SPT). The RP keeps track of multicast groups and the hosts that send multicast packets are registered with the RP by that host's first-hop device.

As a PIM join travels up the tree, devices along the path set up multicast forwarding state so that the requested multicast traffic will be forwarded back down the tree. When multicast traffic is no longer needed, a device sends a PIM prune up the tree toward the root node to prune (or remove) the unnecessary traffic. As this PIM prune travels hop by hop up the tree, each device updates its forwarding state appropriately. Ultimately, the forwarding state associated with a multicast group or source is removed.

A multicast data sender sends data destined for a multicast group. The designated router (DR) of the sender takes those data packets, unicast-encapsulates them, and sends them directly to the RP. The RP receives these encapsulated data packets, de-encapsulates them, and forwards them onto the shared tree. The packets then follow the (\*, G) multicast tree state in the devices on the RP tree, being replicated wherever the RP tree branches, and eventually reaching all the receivers for that multicast group. The process of encapsulating data packets to the RP is called registering, and the encapsulation packets are called PIM register packets.

## Designated Router

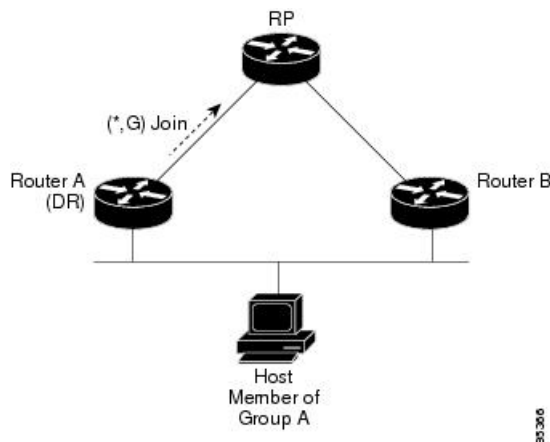
Cisco devices use PIM-SM to forward multicast traffic and follow an election process to select a designated device when there is more than one device on a LAN segment.

The designated router (DR) is responsible for sending PIM register and PIM join and prune messages toward the RP to inform it about active sources and host group membership.

If there are multiple PIM-SM devices on a LAN, a DR must be elected to avoid duplicating multicast traffic for connected hosts. The PIM device with the highest IPv6 address becomes the DR for the LAN unless you choose to force the DR election by use of the **ipv6 pim dr-priority** command. This command allows you to specify the DR priority of each device on the LAN segment (default priority = 1) so that the device with the highest priority will be elected as the DR. If all devices on the LAN segment have the same priority, then the highest IPv6 address is again used as the tiebreaker.

The figure below illustrates what happens on a multiaccess segment. Device A and Device B are connected to a common multiaccess Ethernet segment with Host A as an active receiver for Group A. Only Device A, operating as the DR, sends joins to the RP to construct the shared tree for Group A. If Device B was also permitted to send (\*, G) joins to the RP, parallel paths would be created and Host A would receive duplicate multicast traffic. Once Host A begins to source multicast traffic to the group, the DR's responsibility is to send register messages to the RP. If both devices were assigned the responsibility, the RP would receive duplicate multicast packets and result in wastage of bandwidth.

**Figure 20: Designated Router Election on a Multiaccess Segment**



If the DR should fail, the PIM-SM provides a way to detect the failure of Device A and elect a failover DR. If the DR (Device A) became inoperable, Device B would detect this situation when its neighbor adjacency with Device A timed out. Because Device B has been hearing MLD membership reports from Host A, it already has MLD state for Group A on this interface and would immediately send a join to the RP when it became the new DR. This step reestablishes traffic flow down a new branch of the shared tree via Device B. Additionally, if Host A were sourcing traffic, Device B would initiate a new register process immediately after receiving the next multicast packet from Host A. This action would trigger the RP to join the SPT to Host A via a new branch through Device B.



**Tip** Two PIM devices are neighbors if there is a direct connection between them. To display your PIM neighbors, use the **show ipv6 pim neighbor** command in privileged EXEC mode.



---

**Note** The DR election process is required only on multiaccess LANs.

---

## Rendezvous Point



---

**Note** Embedded RP is not supported on Cisco RSP3 Module.

---

IPv6 PIM provides embedded RP support. Embedded RP support allows the device to learn RP information using the multicast group destination address instead of the statically configured RP. For devices that are the RP, the device must be statically configured as the RP.

The device searches for embedded RP group addresses in MLD reports or PIM messages and data packets. On finding such an address, the device learns the RP for the group from the address itself. It then uses this learned RP for all protocol activity for the group. For devices that are the RP, the device is advertised as an embedded RP must be configured as the RP.

To select a static RP over an embedded RP, the specific embedded RP group range or mask must be configured in the access list of the static RP. When PIM is configured in sparse mode, you must also choose one or more devices to operate as an RP. An RP is a single common root placed at a chosen point of a shared distribution tree and is configured statically in each box.

PIM DRs forward data from directly connected multicast sources to the RP for distribution down the shared tree. Data is forwarded to the RP in one of two ways:

- Data is encapsulated in register packets and unicast directly to the RP by the first-hop device operating as the DR.
- If the RP has itself joined the source tree, it is multicast-forwarded per the RPF forwarding algorithm described in the PIM-Sparse Mode section.

The RP address is used by first-hop devices to send PIM register messages on behalf of a host sending a packet to the group. The RP address is also used by last-hop devices to send PIM join and prune messages to the RP to inform it about group membership. You must configure the RP address on all devices (including the RP device).

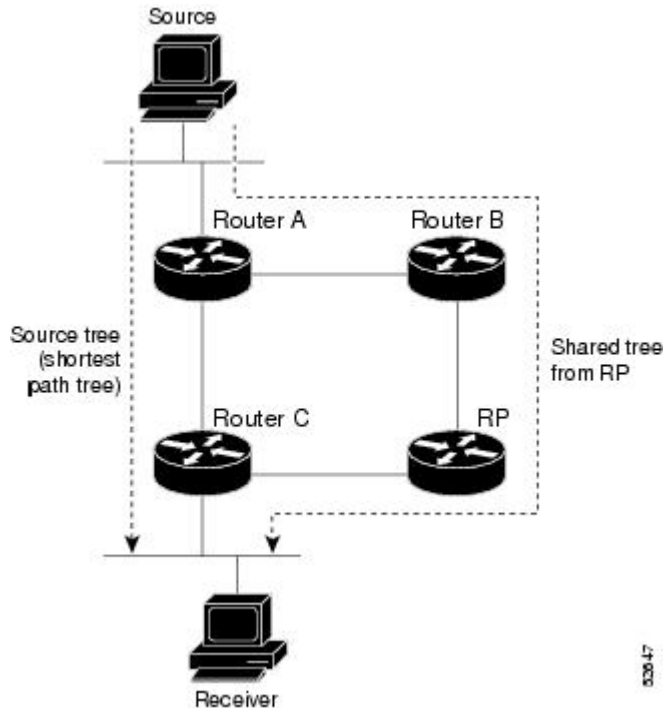
A PIM device can be an RP for more than one group. Only one RP address can be used at a time within a PIM domain for a certain group. The conditions specified by the access list determine for which groups the device is an RP.

IPv6 multicast supports the PIM accept register feature, which is the ability to perform PIM-SM register message filtering at the RP. The user can match an access list or compare the AS path for the registered source with the AS path specified in a route map.

## PIM Shared Tree and Source Tree (Shortest-Path Tree)

By default, members of a group receive data from senders to the group across a single data distribution tree rooted at the RP. This type of distribution tree is called shared tree or rendezvous point tree (RPT), as illustrated in the figure below. Data from senders is delivered to the RP for distribution to group members joined to the shared tree.

Figure 21: Shared Tree and Source Tree (Shortest Path Tree)



If the data threshold warrants, leaf devices on the shared tree may initiate a switch to the data distribution tree rooted at the source. This type of distribution tree is called a shortest path tree or source tree. By default, the software switches to a source tree upon receiving the first data packet from a source.

The following process details the move from shared tree to source tree:

1. Receiver joins a group; leaf Device C sends a join message toward the RP.
2. RP puts the link to Device C in its outgoing interface list.
3. Source sends the data; Device A encapsulates the data in the register and sends it to the RP.
4. RP forwards the data down the shared tree to Device C and sends a join message toward the source. At this point, data may arrive twice at Device C, once encapsulated and once natively.
5. When data arrives natively (unencapsulated) at the RP, the RP sends a register-stop message to Device A.
6. By default, receipt of the first data packet prompts Device C to send a join message toward the source.
7. When Device C receives data on (S, G), it sends a prune message for the source up the shared tree.
8. RP deletes the link to Device C from the outgoing interface of (S, G).
9. RP triggers a prune message toward the source.

Join and prune messages are sent for sources and RPs. They are sent hop-by-hop and are processed by each PIM device along the path to the source or RP. Register and register-stop messages are not sent hop-by-hop. They are sent by the designated router (DR) that is directly connected to a source and are received by the RP for the group.



## Reverse Path Forwarding

Reverse-path forwarding is used for forwarding multicast datagrams. It functions as follows:

- If a device receives a datagram on an interface it uses to send unicast packets to the source, the packet has arrived on the RPF interface.
- If the packet arrives on the RPF interface, a device forwards the packet out the interfaces present in the outgoing interface list of a multicast routing table entry.
- If the packet does not arrive on the RPF interface, the packet is silently discarded to prevent loops.

PIM uses both source trees and RP-rooted shared trees to forward datagrams; the RPF check is performed differently for each, as follows:

- If a PIM device has source-tree state (that is, an (S, G) entry is present in the multicast routing table), the device performs the RPF check against the IPv6 address of the source of the multicast packet.
- If a PIM device has shared-tree state (and no explicit source-tree state), it performs the RPF check on the RP's address (which is known when members join the group).

Sparse-mode PIM uses the RPF lookup function to determine where it needs to send joins and prunes. (S, G) joins (which are source-tree states) are sent toward the source. (\*, G) joins (which are shared-tree states) are sent toward the RP.



---

**Note** To do a RPF check, use the **show ipv6 rpf hostname** or **show ipv6 rpf vrf vrf\_name hostname** command.

---

## PIM IPv6 Stub Routing

The PIM stub routing feature reduces resource usage by moving routed traffic closer to the end user.

In a network using PIM stub routing, the only allowable route for IPv6 traffic to the user is through a switch that is configured with PIM stub routing. PIM passive interfaces are connected to Layer 2 access domains, such as VLANs, or to interfaces that are connected to other Layer 2 devices. Only directly connected multicast receivers and sources are allowed in the Layer 2 access domains. The PIM passive interfaces do not send or process any received PIM control packets.

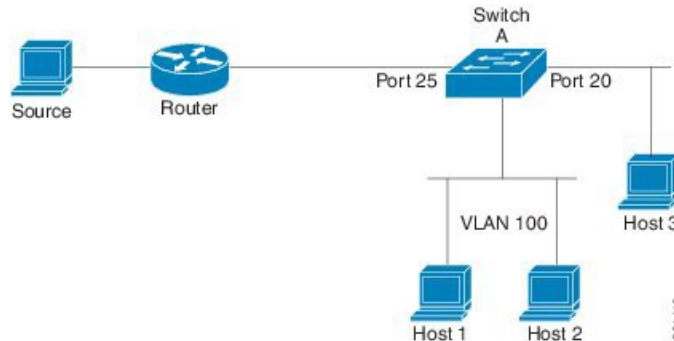
When using PIM stub routing, you should configure the distribution and remote routers to use IPv6 multicast routing and configure only the switch as a PIM stub router. The switch does not route transit traffic between distribution routers. You also need to configure a routed uplink port on the switch. The switch uplink port cannot be used with SVIs.

You must also configure EIGRP stub routing when configuring PIM stub routing on the switch.

The redundant PIM stub router topology is not supported. The redundant topology exists when there is more than one PIM router forwarding multicast traffic to a single access domain. PIM messages are blocked, and the PIM assert and designated router election mechanisms are not supported on the PIM passive interfaces. Only the non-redundant access router topology is supported by the PIM stub feature. By using a non-redundant topology, the PIM passive interface assumes that it is the only interface and designated router on that access domain.

In the figure shown below, Switch A routed uplink port 25 is connected to the router and PIM stub routing is enabled on the VLAN 100 interfaces and on Host 3. This configuration allows the directly connected hosts to receive traffic from multicast source.

**Figure 22: PIM Stub Router Configuration**



## MRIB

The Multicast Routing Information Base (MRIB) is a protocol-independent repository of multicast routing entries instantiated by multicast routing protocols (routing clients). Its main function is to provide independence between routing protocols and the Multicast Forwarding Information Base (MFIB). It also acts as a coordination and communication point among its clients.

Routing clients use the services provided by the MRIB to instantiate routing entries and retrieve changes made to routing entries by other clients. Besides routing clients, MRIB also has forwarding clients (MFIB instances) and special clients such as MLD. MFIB retrieves its forwarding entries from MRIB and notifies the MRIB of any events related to packet reception. These notifications can either be explicitly requested by routing clients or spontaneously generated by the MFIB.

Another important function of the MRIB is to allow for the coordination of multiple routing clients in establishing multicast connectivity within the same multicast session. MRIB also allows for the coordination between MLD and routing protocols.

## MFIB

The MFIB is a platform-independent and routing-protocol-independent library for IPv6 software. Its main purpose is to provide a Cisco IOS platform with an interface with which to read the IPv6 multicast forwarding table and notifications when the forwarding table changes. The information provided by the MFIB has clearly defined forwarding semantics and is designed to make it easy for the platform to translate to its specific hardware or software forwarding mechanisms.

When routing or topology changes occur in the network, the IPv6 routing table is updated, and those changes are reflected in the MFIB. The MFIB maintains next-hop address information based on the information in the IPv6 routing table. Because there is a one-to-one correlation between MFIB entries and routing table entries, the MFIB contains all known routes and eliminates the need for route cache maintenance that is associated with switching paths such as fast switching and optimum switching.

## MFIB



**Note** Distributed MFIB has its significance only in a stacked environment where the Master distributes the MFIB information to the other stack members. In the following section the line cards are nothing but the member switches in the stack.

MFIB (MFIB) is used to switch multicast IPv6 packets on distributed platforms. MFIB may also contain platform-specific information on replication across line cards. The basic MFIB routines that implement the core of the forwarding logic are common to all forwarding environments.

MFIB implements the following functions:

- Relays data-driven protocol events generated in the line cards to PIM.
- Provides an MFIB platform application program interface (API) to propagate MFIB changes to platform-specific code responsible for programming the hardware acceleration engine. This API also includes entry points to switch a packet in software (necessary if the packet is triggering a data-driven event) and to upload traffic statistics to the software.

The combination of MFIB and MRIB subsystems also allows the switch to have a "customized" copy of the MFIB database in each line card and to transport MFIB-related platform-specific information from the RP to the line cards.

## IPv6 Multicast Process Switching and Fast Switching

A unified MFIB is used to provide both fast switching and process switching support for PIM-SM and PIM-SSM in IPv6 multicast. In process switching, the switch must examine, rewrite, and forward each packet. The packet is first received and copied into the system memory. The switch then looks up the Layer 3 network address in the routing table. The Layer 2 frame is then rewritten with the next-hop destination address and sent to the outgoing interface. The switch also computes the cyclic redundancy check (CRC). This switching method is the least scalable method for switching IPv6 packets.

IPv6 multicast fast switching allows switches to provide better packet forwarding performance than process switching. Information conventionally stored in a route cache is stored in several data structures for IPv6 multicast switching. The data structures provide optimized lookup for efficient packet forwarding.

In IPv6 multicast forwarding, the first packet is fast-switched if the PIM protocol logic allows it. In IPv6 multicast fast switching, the MAC encapsulation header is precomputed. IPv6 multicast fast switching uses the MFIB to make IPv6 destination prefix-based switching decisions. In addition to the MFIB, IPv6 multicast fast switching uses adjacency tables to prepend Layer 2 addressing information. The adjacency table maintains Layer 2 next-hop addresses for all MFIB entries.

The adjacency table is populated as adjacencies are discovered. Each time an adjacency entry is created (such as through ARP), a link-layer header for that adjacent node is precomputed and stored in the adjacency table. Once a route is determined, it points to a next hop and corresponding adjacency entry. It is subsequently used for encapsulation during switching of packets.

A route might have several paths to a destination prefix, such as when a switch is configured for simultaneous load balancing and redundancy. For each resolved path, a pointer is added for the adjacency corresponding to the next-hop interface for that path. This mechanism is used for load balancing across several paths.

## Enabling IPv6 Multicast Routing

Beginning in privileged EXEC mode, follow these steps:

### Procedure

|        | Command or Action                                                                                 | Purpose                                                                                                                                            |
|--------|---------------------------------------------------------------------------------------------------|----------------------------------------------------------------------------------------------------------------------------------------------------|
| Step 1 | configure terminal                                                                                | Enter global configuration mode.                                                                                                                   |
| Step 2 | <b>ipv6 multicast-routing</b><br><b>Example:</b><br>(config)# <code>ipv6 multicast-routing</code> | Enables multicast routing on all IPv6-enabled interfaces and enables multicast forwarding for PIM and MLD on all enabled interfaces of the switch. |
| Step 3 | copy running-config startup-config                                                                | (Optional) Save your entries in the configuration file.                                                                                            |

## IPv6 Multicast: PIM Sparse Mode

IPv6 multicast provides support for intradomain multicast routing using PIM sparse mode (PIM-SM). PIM-SM uses unicast routing to provide reverse-path information for multicast tree building, but it is not dependent on any particular unicast routing protocol.

## IPv6 PIM Passive Mode

A device configured with PIM will always send out PIM hello messages to all interfaces enabled for IPv6 multicast routing, even if the device is configured not to accept PIM messages from any neighbor on the LAN.

## IPv6 Multicast: PIM Source-Specific Multicast

The PIM source-specific multicast (SSM) routing protocol supports SSM implementation and is derived from PIM-SM. However, unlike PIM-SM data from all multicast sources are sent when there is a PIM join, the SSM feature forwards datagram traffic to receivers from only those multicast sources that the receivers have explicitly joined, thus optimizing bandwidth utilization and denying unwanted Internet broadcast traffic.

## IPv6 Source Specific Multicast Mapping

SSM mapping for IPv6 supports both static and dynamic Domain Name System (DNS) mapping for MLD version 1 receivers. This feature allows deployment of IPv6 SSM with hosts that are incapable of providing MLD version 2 support in their TCP/IP host stack and their IP multicast receiving application. SSM mapping allows the device to look up the source of a multicast MLD version 1 report either in the running configuration of the device or from a DNS server. The device can then initiate an (S, G) join toward the source.

# How to Configure IPv6 Multicast

## Enabling IPv6 Multicast Routing

IPv6 multicast uses MLD version 2. This version of MLD is fully backward-compatible with MLD version 1 (described in *RFC 2710*). Hosts that support only MLD version 1 will interoperate with a device running MLD version 2. Mixed LANs with both MLD version 1 and MLD version 2 hosts are likewise supported.

### Before you begin

You must first enable IPv6 unicast routing on all interfaces of the device on which you want to enable IPv6 multicast routing .

### SUMMARY STEPS

1. `enable`
2. `configure terminal`
3. `ipv6 multicast-routing [vrf vrf-name]`

### DETAILED STEPS

|        | Command or Action                                                                                         | Purpose                                                                                                                                                                                                                                                                                                                                                                       |
|--------|-----------------------------------------------------------------------------------------------------------|-------------------------------------------------------------------------------------------------------------------------------------------------------------------------------------------------------------------------------------------------------------------------------------------------------------------------------------------------------------------------------|
| Step 1 | <b>enable</b><br><b>Example:</b><br>Device> enable                                                        | Enables privileged EXEC mode. <ul style="list-style-type: none"> <li>• Enter your password if prompted.</li> </ul>                                                                                                                                                                                                                                                            |
| Step 2 | <b>configure terminal</b><br><b>Example:</b><br>Device# configure terminal                                | Enters global configuration mode.                                                                                                                                                                                                                                                                                                                                             |
| Step 3 | <b>ipv6 multicast-routing [vrf vrf-name]</b><br><b>Example:</b><br>Device(config)# ipv6 multicast-routing | Enables multicast routing on all IPv6-enabled interfaces and enables multicast forwarding for PIM and MLD on all enabled interfaces of the device. <ul style="list-style-type: none"> <li>• IPv6 multicast routing is disabled by default when IPv6 unicast routing is enabled. IPv6 multicast-routing needs to be enabled for IPv6 multicast routing to function.</li> </ul> |

## Configuring PIM Options

### SUMMARY STEPS

1. `enable`

2. **configure terminal**
3. **ipv6 pim [vrf vrf-name] spt-threshold infinity [group-list access-list-name]**
4. **ipv6 pim [vrf vrf-name] accept-register {list access-list | route-map map-name}**
5. **interface type number**
6. **ipv6 pim dr-priority value**
7. **ipv6 pim hello-interval seconds**
8. **ipv6 pim join-prune-interval seconds**
9. **exit**
10. **show ipv6 pim [vrf vrf-name] join-prune statistic [interface-type]**

## DETAILED STEPS

|               | Command or Action                                                                                                                                                              | Purpose                                                                                                            |
|---------------|--------------------------------------------------------------------------------------------------------------------------------------------------------------------------------|--------------------------------------------------------------------------------------------------------------------|
| <b>Step 1</b> | <b>enable</b><br><b>Example:</b><br>Device> enable                                                                                                                             | Enables privileged EXEC mode. <ul style="list-style-type: none"> <li>• Enter your password if prompted.</li> </ul> |
| <b>Step 2</b> | <b>configure terminal</b><br><b>Example:</b><br>Device# configure terminal                                                                                                     | Enters global configuration mode.                                                                                  |
| <b>Step 3</b> | <b>ipv6 pim [vrf vrf-name] spt-threshold infinity [group-list access-list-name]</b><br><b>Example:</b><br>Device(config)# ipv6 pim spt-threshold infinity group-list acc-grp-1 | Configures when a PIM leaf device joins the SPT for the specified groups.                                          |
| <b>Step 4</b> | <b>ipv6 pim [vrf vrf-name] accept-register {list access-list   route-map map-name}</b><br><b>Example:</b><br>Device(config)# ipv6 pim accept-register route-map reg-filter     | Accepts or rejects registers at the RP.                                                                            |
| <b>Step 5</b> | <b>interface type number</b><br><b>Example:</b><br>Device(config)# interface gigabitethernet 0/1/0                                                                             | Specifies an interface type and number, and places the device in interface configuration mode.                     |
| <b>Step 6</b> | <b>ipv6 pim dr-priority value</b><br><b>Example:</b><br>Device(config-if)# ipv6 pim dr-priority 3                                                                              | Configures the DR priority on a PIM device.                                                                        |

|                | Command or Action                                                                                                                                    | Purpose                                                                                                  |
|----------------|------------------------------------------------------------------------------------------------------------------------------------------------------|----------------------------------------------------------------------------------------------------------|
| <b>Step 7</b>  | <b>ipv6 pim hello-interval</b> <i>seconds</i><br><b>Example:</b><br>Device(config-if)# ipv6 pim hello-interval 45                                    | Configures the frequency of PIM hello messages on an interface.                                          |
| <b>Step 8</b>  | <b>ipv6 pim join-prune-interval</b> <i>seconds</i><br><b>Example:</b><br>Device(config-if)# ipv6 pim join-prune-interval 75                          | Configures periodic join and prune announcement intervals for a specified interface.                     |
| <b>Step 9</b>  | <b>exit</b><br><b>Example:</b><br>Device(config-if)# exit                                                                                            | Enter this command twice to exit interface configuration mode and enter privileged EXEC mode.            |
| <b>Step 10</b> | <b>show ipv6 pim [vrf vrf-name] join-prune statistic</b><br><i>[interface-type]</i><br><b>Example:</b><br>Device# show ipv6 pim join-prune statistic | Displays the average join-prune aggregation for the most recently aggregated packets for each interface. |

## Configuring PIM-SM and Displaying PIM-SM Information for a Group Range

### SUMMARY STEPS

1. **enable**
2. **configure terminal**
3. **ipv6 pim [vrf vrf-name] rp-address ipv6-address [group-access-list] [bidir]**
4. **end**
5. **show ipv6 pim [vrf vrf-name] interface [state-on] [state-off] [type number]**
6. **show ipv6 pim [vrf vrf-name] group-map [group-name | group-address] | [group-range | group-mask] [info-source {bsr | default | embedded-rp | static}]**
7. **show ipv6 pim [vrf vrf-name] neighbor [detail] [interface-type interface-number | count]**
8. **show ipv6 pim [vrf vrf-name] range-list[config] [rp-address | rp-name]**
9. **show ipv6 pim [vrf vrf-name] tunnel [interface-type interface-number]**
10. **debug ipv6 pim [group-name | group-address | interface interface-type | bsr | group | mvpn | neighbor]**

### DETAILED STEPS

|               | Command or Action                                  | Purpose                                                                                                            |
|---------------|----------------------------------------------------|--------------------------------------------------------------------------------------------------------------------|
| <b>Step 1</b> | <b>enable</b><br><b>Example:</b><br>Device> enable | Enables privileged EXEC mode. <ul style="list-style-type: none"> <li>• Enter your password if prompted.</li> </ul> |

|               | Command or Action                                                                                                                                                                                                           | Purpose                                                                                                 |
|---------------|-----------------------------------------------------------------------------------------------------------------------------------------------------------------------------------------------------------------------------|---------------------------------------------------------------------------------------------------------|
| <b>Step 2</b> | <b>configure terminal</b><br><b>Example:</b><br><pre>Device# configure terminal</pre>                                                                                                                                       | Enters global configuration mode.                                                                       |
| <b>Step 3</b> | <b>ipv6 pim [vrf vrf-name] rp-address ipv6-address [group-access-list] [bidir]</b><br><b>Example:</b><br><pre>Device(config)# ipv6 pim rp-address 2001:DB8::01:800:200E:8C6C acc-grp-1</pre>                                | Configures the address of a PIM RP for a particular group range.                                        |
| <b>Step 4</b> | <b>end</b><br><b>Example:</b><br><pre>Device(config-if)# end</pre>                                                                                                                                                          | Returns to privileged EXEC mode.                                                                        |
| <b>Step 5</b> | <b>show ipv6 pim [vrf vrf-name] interface [state-on] [state-off] [type number]</b><br><b>Example:</b><br><pre>Device# show ipv6 pim interface</pre>                                                                         | Displays information about interfaces configured for PIM.                                               |
| <b>Step 6</b> | <b>show ipv6 pim [vrf vrf-name] group-map [group-name   group-address] [group-range   group-mask] [info-source {bsr   default   embedded-rp   static}]</b><br><b>Example:</b><br><pre>Device# show ipv6 pim group-map</pre> | Displays an IPv6 multicast group mapping table.                                                         |
| <b>Step 7</b> | <b>show ipv6 pim [vrf vrf-name] neighbor [detail] [interface-type interface-number   count]</b><br><b>Example:</b><br><pre>Device# show ipv6 pim neighbor</pre>                                                             | Displays the PIM neighbors discovered by the Cisco IOS software.                                        |
| <b>Step 8</b> | <b>show ipv6 pim [vrf vrf-name] range-list[config] [rp-address   rp-name]</b><br><b>Example:</b><br><pre>Device# show ipv6 pim range-list</pre>                                                                             | Displays information about IPv6 multicast range lists.                                                  |
| <b>Step 9</b> | <b>show ipv6 pim [vrf vrf-name] tunnel [interface-type interface-number]</b><br><b>Example:</b><br><pre>Device# show ipv6 pim tunnel</pre>                                                                                  | Displays information about the PIM register encapsulation and de-encapsulation tunnels on an interface. |



|         | Command or Action                                                                                                                                                                                                            | Purpose                                     |
|---------|------------------------------------------------------------------------------------------------------------------------------------------------------------------------------------------------------------------------------|---------------------------------------------|
| Step 10 | <b>debug ipv6 pim</b> [ <i>group-name</i>   <i>group-address</i>   <b>interface</b> <i>interface-type</i>   <b>bsr</b>   <b>group</b>   <b>mvpn</b>   <b>neighbor</b> ]<br><br><b>Example:</b><br><br>Device# debug ipv6 pim | Enables debugging on PIM protocol activity. |

## Resetting the PIM Traffic Counters

If PIM malfunctions, or in order to verify that the expected number of PIM packets are received and sent, clear PIM traffic counters. Once the traffic counters are cleared, you can verify that PIM is functioning correctly and that PIM packets are being received and sent correctly.

### SUMMARY STEPS

1. **enable**
2. **clear ipv6 pim** [*vrf vrf-name*] **traffic**
3. **show ipv6 pim** [*vrf vrf-name*] **traffic**

### DETAILED STEPS

|        | Command or Action                                                                                                         | Purpose                                                                                                            |
|--------|---------------------------------------------------------------------------------------------------------------------------|--------------------------------------------------------------------------------------------------------------------|
| Step 1 | <b>enable</b><br><br><b>Example:</b><br><br>Device> enable                                                                | Enables privileged EXEC mode. <ul style="list-style-type: none"> <li>• Enter your password if prompted.</li> </ul> |
| Step 2 | <b>clear ipv6 pim</b> [ <i>vrf vrf-name</i> ] <b>traffic</b><br><br><b>Example:</b><br><br>Device# clear ipv6 pim traffic | Resets the PIM traffic counters.                                                                                   |
| Step 3 | <b>show ipv6 pim</b> [ <i>vrf vrf-name</i> ] <b>traffic</b><br><br><b>Example:</b><br><br>Device# show ipv6 pim traffic   | Displays the PIM traffic counters.                                                                                 |

## Clearing the PIM Topology Table to Reset the MRIB Connection

No configuration is necessary to use the MRIB. However, users may in certain situations want to clear the PIM topology table in order to reset the MRIB connection and verify MRIB information.

### SUMMARY STEPS

1. **enable**
2. **clear ipv6 pim** [*vrf vrf-name*] **topology** [*group-name* | *group-address*]

3. **show ipv6 mrib** [vrf *vrf-name*] **client** [filter] [name {*client-name* | *client-name* : *client-id*}]
4. **show ipv6 mrib** [vrf *vrf-name*] **route** [link-local| **summary** | [*sourceaddress-or-name* | \*]  
[*groupname-or-address* [*prefix-length*]]]
5. **show ipv6 pim** [vrf *vrf-name*] **topology** [*groupname-or-address* [*sourcename-or-address*] | **link-local**  
| **route-count** [**detail**]]]
6. **debug ipv6 mrib** [vrf *vrf-name*] **client**
7. **debug ipv6 mrib** [vrf *vrf-name*] **io**
8. **debug ipv6 mrib proxy**
9. **debug ipv6 mrib** [vrf *vrf-name*] **route** [*group-name* | *group-address*]
10. **debug ipv6 mrib** [vrf *vrf-name*] **table**

## DETAILED STEPS

|               | Command or Action                                                                                                                                                                                                                            | Purpose                                                                                                            |
|---------------|----------------------------------------------------------------------------------------------------------------------------------------------------------------------------------------------------------------------------------------------|--------------------------------------------------------------------------------------------------------------------|
| <b>Step 1</b> | <b>enable</b><br><b>Example:</b><br>Device> enable                                                                                                                                                                                           | Enables privileged EXEC mode. <ul style="list-style-type: none"> <li>• Enter your password if prompted.</li> </ul> |
| <b>Step 2</b> | <b>clear ipv6 pim</b> [vrf <i>vrf-name</i> ] <b>topology</b> [ <i>group-name</i>   <i>group-address</i> ]<br><b>Example:</b><br>Device# clear ipv6 pim topology FF04::10                                                                     | Clears the PIM topology table.                                                                                     |
| <b>Step 3</b> | <b>show ipv6 mrib</b> [vrf <i>vrf-name</i> ] <b>client</b> [filter] [name { <i>client-name</i>   <i>client-name</i> : <i>client-id</i> }]<br><b>Example:</b><br>Device# show ipv6 mrib client                                                | Displays multicast-related information about an interface.                                                         |
| <b>Step 4</b> | <b>show ipv6 mrib</b> [vrf <i>vrf-name</i> ] <b>route</b> [link-local  <b>summary</b>   [ <i>sourceaddress-or-name</i>   *]<br>[ <i>groupname-or-address</i> [ <i>prefix-length</i> ]]]<br><b>Example:</b><br>Device# show ipv6 mrib route   | Displays the MRIB route information.                                                                               |
| <b>Step 5</b> | <b>show ipv6 pim</b> [vrf <i>vrf-name</i> ] <b>topology</b> [ <i>groupname-or-address</i> [ <i>sourcename-or-address</i> ]   <b>link-local</b>   <b>route-count</b> [ <b>detail</b> ]]]<br><b>Example:</b><br>Device# show ipv6 pim topology | Displays PIM topology table information for a specific group or all groups.                                        |
| <b>Step 6</b> | <b>debug ipv6 mrib</b> [vrf <i>vrf-name</i> ] <b>client</b><br><b>Example:</b>                                                                                                                                                               | Enables debugging on MRIB client management activity.                                                              |

|                | Command or Action                                                                                                            | Purpose                                                                                                              |
|----------------|------------------------------------------------------------------------------------------------------------------------------|----------------------------------------------------------------------------------------------------------------------|
|                | Device# debug ipv6 mrib client                                                                                               |                                                                                                                      |
| <b>Step 7</b>  | <b>debug ipv6 mrib [vrf vrf-name] io</b><br><b>Example:</b><br>Device# debug ipv6 mrib io                                    | Enables debugging on MRIB I/O events.                                                                                |
| <b>Step 8</b>  | <b>debug ipv6 mrib proxy</b><br><b>Example:</b><br>Device# debug ipv6 mrib proxy                                             | Enables debugging on MRIB proxy activity between the route processor and line cards on distributed router platforms. |
| <b>Step 9</b>  | <b>debug ipv6 mrib [vrf vrf-name] route [group-name   group-address]</b><br><b>Example:</b><br>Device# debug ipv6 mrib route | Displays information about MRIB routing entry-related activity.                                                      |
| <b>Step 10</b> | <b>debug ipv6 mrib [vrf vrf-name] table</b><br><b>Example:</b><br>Device# debug ipv6 mrib table                              | Enables debugging on MRIB table management activity.                                                                 |

## Turning Off IPv6 PIM on a Specified Interface

A user might want only specified interfaces to perform IPv6 multicast and will therefore want to turn off PIM on a specified interface.



**Note** Though IOS supports disabling PIM on an interface, this is not possible on RSP3 platform due to caveat. Ipv6 multicast packets will still get punted to CPU even if PIM is turned off on the interface.

### SUMMARY STEPS

1. enable
2. configure terminal
3. interface *type number*
4. no ipv6 pim

### DETAILED STEPS

|               | Command or Action                | Purpose                                                             |
|---------------|----------------------------------|---------------------------------------------------------------------|
| <b>Step 1</b> | <b>enable</b><br><b>Example:</b> | Enables privileged EXEC mode.<br>• Enter your password if prompted. |

|               | Command or Action                                                                                         | Purpose                                                                                        |
|---------------|-----------------------------------------------------------------------------------------------------------|------------------------------------------------------------------------------------------------|
|               | Device> enable                                                                                            |                                                                                                |
| <b>Step 2</b> | <b>configure terminal</b><br><b>Example:</b><br>Device# configure terminal                                | Enters global configuration mode.                                                              |
| <b>Step 3</b> | <b>interface</b> <i>type number</i><br><b>Example:</b><br>Device(config)# interface gigabitethernet 0/1/0 | Specifies an interface type and number, and places the device in interface configuration mode. |
| <b>Step 4</b> | <b>no ipv6 pim</b><br><b>Example:</b><br>Device(config-if)# no ipv6 pim                                   | Turns off IPv6 PIM on a specified interface.                                                   |

## Disabling Embedded RP Support in IPv6 PIM

A user might want to disable embedded RP support on an interface if all of the devices in the domain do not support embedded RP.



**Note** This task disables PIM completely, not just embedded RP support in IPv6 PIM.

### SUMMARY STEPS

1. enable
2. configure terminal
3. no ipv6 pim [*vrf vrf-name*] rp embedded
4. interface *type number*
5. no ipv6 pim

### DETAILED STEPS

|               | Command or Action                                  | Purpose                                                                                                            |
|---------------|----------------------------------------------------|--------------------------------------------------------------------------------------------------------------------|
| <b>Step 1</b> | <b>enable</b><br><b>Example:</b><br>Device> enable | Enables privileged EXEC mode. <ul style="list-style-type: none"> <li>• Enter your password if prompted.</li> </ul> |
| <b>Step 2</b> | <b>configure terminal</b><br><b>Example:</b>       | Enters global configuration mode.                                                                                  |

|               | Command or Action                                                                                           | Purpose                                                                                        |
|---------------|-------------------------------------------------------------------------------------------------------------|------------------------------------------------------------------------------------------------|
|               | Device# configure terminal                                                                                  |                                                                                                |
| <b>Step 3</b> | <b>no ipv6 pim [vrf vrf-name] rp embedded</b><br><b>Example:</b><br>Device(config)# no ipv6 pim rp embedded | Disables embedded RP support in IPv6 PIM.                                                      |
| <b>Step 4</b> | <b>interface type number</b><br><b>Example:</b><br>Device(config)# interface gigabitethernet 0/1/0          | Specifies an interface type and number, and places the device in interface configuration mode. |
| <b>Step 5</b> | <b>no ipv6 pim</b><br><b>Example:</b><br>Device(config-if)# no ipv6 pim                                     | Turns off IPv6 PIM on a specified interface.                                                   |

## Configuring IPv6 SSM

When the SSM mapping feature is enabled, DNS-based SSM mapping is automatically enabled, which means that the device will look up the source of a multicast MLD version 1 report from a DNS server.

You can configure either DNS-based or static SSM mapping, depending on your device configuration. If you choose to use static SSM mapping, you can configure multiple static SSM mappings. If multiple static SSM mappings are configured, the source addresses of all matching access lists will be used.

### Before you begin



**Note** To use DNS-based SSM mapping, the device needs to find at least one correctly configured DNS server to which the device can be directly attached.

### SUMMARY STEPS

1. **enable**
2. **configure terminal**
3. **ipv6 mld [vrf vrf-name] ssm-map enable**
4. **no ipv6 mld [vrf vrf-name] ssm-map query dns**
5. **ipv6 mld [vrf vrf-name] ssm-map static access-list source-address**
6. **end**
7. **show ipv6 mld [vrf vrf-name] ssm-map [source-address]**

## DETAILED STEPS

|               | Command or Action                                                                                                                                                         | Purpose                                                                 |
|---------------|---------------------------------------------------------------------------------------------------------------------------------------------------------------------------|-------------------------------------------------------------------------|
| <b>Step 1</b> | <b>enable</b><br><b>Example:</b><br><br>Device> enable                                                                                                                    | Enables privileged EXEC mode.<br><br>• Enter your password if prompted. |
| <b>Step 2</b> | <b>configure terminal</b><br><b>Example:</b><br><br>Device# configure terminal                                                                                            | Enters global configuration mode.                                       |
| <b>Step 3</b> | <b>ipv6 mld [vrf vrf-name] ssm-map enable</b><br><b>Example:</b><br><br>Device(config)# ipv6 mld ssm-map enable                                                           | Enables the SSM mapping feature for groups in the configured SSM range. |
| <b>Step 4</b> | <b>no ipv6 mld [vrf vrf-name] ssm-map query dns</b><br><b>Example:</b><br><br>Device(config)# no ipv6 mld ssm-map query dns                                               | Disables DNS-based SSM mapping.                                         |
| <b>Step 5</b> | <b>ipv6 mld [vrf vrf-name] ssm-map static access-list source-address</b><br><b>Example:</b><br><br>Device(config)# ipv6 mld ssm-map static<br>SSM_MAP_ACL_2 2001:DB8:1::1 | Configures static SSM mappings.                                         |
| <b>Step 6</b> | <b>end</b><br><b>Example:</b><br><br>Device(config-if)# end                                                                                                               | Returns to privileged EXEC mode.                                        |
| <b>Step 7</b> | <b>show ipv6 mld [vrf vrf-name] ssm-map [source-address]</b><br><b>Example:</b><br><br>Device# show ipv6 mld ssm-map                                                      | Displays SSM mapping information.                                       |

## Configuring PIM Passive/MLD State Limit

## SUMMARY STEPS

1. enable
2. configure terminal
3. ipv6 multicast pim-passive-enable
4. ipv6 mld state-limit *number*

5. **interface** *type number*
6. **ipv6 pim passive**
7. **ipv6 mld limit** *number*
8. **no ipv6 mld router**
9. **show ipv6 mld** *interface*

## DETAILED STEPS

|        | Command or Action                                                                                                | Purpose                                                                                                                                                                                                                             |
|--------|------------------------------------------------------------------------------------------------------------------|-------------------------------------------------------------------------------------------------------------------------------------------------------------------------------------------------------------------------------------|
| Step 1 | <b>enable</b><br><b>Example:</b><br>Device> enable                                                               | Enables privileged EXEC mode. <ul style="list-style-type: none"> <li>• Enter your password if prompted.</li> </ul>                                                                                                                  |
| Step 2 | <b>configure terminal</b><br><b>Example:</b><br>Device# configure terminal                                       | Enters global configuration mode.                                                                                                                                                                                                   |
| Step 3 | <b>ipv6 multicast pim-passive-enable</b><br><b>Example:</b><br>Device(config)# ipv6 multicast pim-passive-enable | Enables the PIM passive feature on an IPv6 device.                                                                                                                                                                                  |
| Step 4 | <b>ipv6 mld state-limit</b> <i>number</i><br><b>Example:</b><br>Device(config)# ipv6 mld state-limit 100         | (Optional) Specifies maximum number of dynamic MLD groups allowed on a router.                                                                                                                                                      |
| Step 5 | <b>interface</b> <i>type number</i><br><b>Example:</b><br>Device(config)# interface GigabitEthernet 1/0/0        | Specifies an interface type and number, and places the device in interface configuration mode.                                                                                                                                      |
| Step 6 | <b>ipv6 pim passive</b><br><b>Example:</b><br>Device(config-if)# ipv6 pim passive                                | Enables the PIM passive feature on a specific interface.                                                                                                                                                                            |
| Step 7 | <b>ipv6 mld limit</b> <i>number</i><br><b>Example:</b><br>Device(config-if)# ipv6 mld limit 300                  | (Optional) Configure the per-interface MLD state limit. You can use this command to limit the dynamic MLD groups joined.                                                                                                            |
| Step 8 | <b>no ipv6 mld router</b><br><b>Example:</b>                                                                     | (Optional) Prevents the interface from processing MLD v1/v2 joins sent through it or to prune from a group it has already joined. To enable the interface to start receiving MLD reports again, use <b>ipv6 mld router</b> command. |

|               | Command or Action                                                                                     | Purpose                                                                                                                           |
|---------------|-------------------------------------------------------------------------------------------------------|-----------------------------------------------------------------------------------------------------------------------------------|
|               | Device(config-if)# no ipv6 mld router                                                                 |                                                                                                                                   |
| <b>Step 9</b> | <b>show ipv6 mld interface</b><br><b>Example:</b><br>Device(config-if)# show ipv6 mld interface 1/0/0 | (Optional) Displays MLD information about the interface. You can use this command to determine which interface acts as a querier. |

## Configuring a BSR

The tasks included here are described below.

### Configuring a BSR and Verifying BSR Information

Beginning in privileged EXEC mode, follow these steps:

#### Procedure

|               | Command or Action                                                                                                                                                                                          | Purpose                                                                                        |
|---------------|------------------------------------------------------------------------------------------------------------------------------------------------------------------------------------------------------------|------------------------------------------------------------------------------------------------|
| <b>Step 1</b> | <b>configure terminal</b>                                                                                                                                                                                  | Enter global configuration mode.                                                               |
| <b>Step 2</b> | <b>ipv6 pim bsr candidate bsr</b><br><i>ipv6-address[hash-mask-length] [priority priority-value]</i><br><b>Example:</b><br>(config) # ipv6 pim bsr candidate bsr<br>2001:DB8:3000:3000::42 124 priority 10 | Configures a switch to be a candidate BSR.                                                     |
| <b>Step 3</b> | <b>interface type number</b><br><b>Example:</b><br>(config) # interface GigabitEthernet 1/0/1                                                                                                              | Specifies an interface type and number, and places the switch in interface configuration mode. |
| <b>Step 4</b> | <b>ipv6 pim bsr border</b><br><b>Example:</b><br>(config-if) # ipv6 pim bsr border                                                                                                                         | Specifies an interface type and number, and places the switch in interface configuration mode. |
| <b>Step 5</b> | <b>exit</b><br><b>Example:</b><br>(config-if) # exit                                                                                                                                                       | Enter this command twice to exit interface configuration mode and enter privileged EXEC mode.  |
| <b>Step 6</b> | <b>show ipv6 pim bsr {election   rp-cache   candidate-rp}</b><br><b>Example:</b><br>(config-if) # show ipv6 pim bsr election                                                                               | Displays information related to PIM BSR protocol processing.                                   |



|        | Command or Action                  | Purpose                                                 |
|--------|------------------------------------|---------------------------------------------------------|
| Step 7 | copy running-config startup-config | (Optional) Save your entries in the configuration file. |

## Sending PIM RP Advertisements to the BSR

Beginning in privileged EXEC mode, follow these steps:

### Procedure

|        | Command or Action                                                                                                                                                                                                                                                                               | Purpose                                                                                        |
|--------|-------------------------------------------------------------------------------------------------------------------------------------------------------------------------------------------------------------------------------------------------------------------------------------------------|------------------------------------------------------------------------------------------------|
| Step 1 | configure terminal                                                                                                                                                                                                                                                                              | Enter global configuration mode.                                                               |
| Step 2 | <b>ipv6 pim bsr candidate rp</b> <i>ipv6-address</i> [ <b>group-list</b> <i>access-list-name</i> ] [ <b>priority</b> <i>priority-value</i> ] [ <b>interval</b> <i>seconds</i> ]<br><br><b>Example:</b><br><br><pre>(config) # ipv6 pim bsr candidate rp 2001:DB8:3000:3000::42 priority 0</pre> | Sends PIM RP advertisements to the BSR.                                                        |
| Step 3 | <b>interface</b> <i>type number</i><br><br><b>Example:</b><br><br><pre>(config) # interface GigabitEthernet 1/0/1</pre>                                                                                                                                                                         | Specifies an interface type and number, and places the switch in interface configuration mode. |
| Step 4 | <b>ipv6 pim bsr border</b><br><br><b>Example:</b><br><br><pre>(config-if) # ipv6 pim bsr border</pre>                                                                                                                                                                                           | Configures a border for all BSMS of any scope on a specified interface.                        |
| Step 5 | copy running-config startup-config                                                                                                                                                                                                                                                              | (Optional) Save your entries in the configuration file.                                        |

## Using MFIB in IPv6 Multicast

Multicast forwarding is automatically enabled when IPv6 multicast routing is enabled.

## Verifying MFIB Operation in IPv6 Multicast

Beginning in privileged EXEC mode, follow these steps:

### Procedure

|        | Command or Action                                                                                                                                                                                           | Purpose                                                          |
|--------|-------------------------------------------------------------------------------------------------------------------------------------------------------------------------------------------------------------|------------------------------------------------------------------|
| Step 1 | <b>show ipv6 mfib</b> [   <b>verbose</b>   <i>group-address-name</i>   <i>ipv6-prefix / prefix-length</i>   <i>source-address-name</i>   <b>count</b>   <b>interface</b>   <b>status</b>   <b>summary</b> ] | Displays the forwarding entries and interfaces in the IPv6 MFIB. |

|               | Command or Action                                                                                                                                                                                                                | Purpose                                                                                   |
|---------------|----------------------------------------------------------------------------------------------------------------------------------------------------------------------------------------------------------------------------------|-------------------------------------------------------------------------------------------|
|               | <b>Example:</b><br><pre># show ipv6 mfib</pre>                                                                                                                                                                                   |                                                                                           |
| <b>Step 2</b> | <b>show ipv6 mfib</b> [all   linkscope   group-name   group-address [source-name   source-address]] <b>count</b><br><b>Example:</b><br><pre># show ipv6 mfib ff07::1</pre>                                                       | Displays the contents of the IPv6 multicast routing table.                                |
| <b>Step 3</b> | <b>show ipv6 mfib interface</b><br><b>Example:</b><br><pre># show ipv6 mfib interface</pre>                                                                                                                                      | Displays information about IPv6 multicast-enabled interfaces and their forwarding status. |
| <b>Step 4</b> | <b>show ipv6 mfib status</b><br><b>Example:</b><br><pre># show ipv6 mfib status</pre>                                                                                                                                            | Displays general MFIB configuration and operational status.                               |
| <b>Step 5</b> | <b>show ipv6 mfib summary</b><br><b>Example:</b><br><pre># show ipv6 mfib summary</pre>                                                                                                                                          | Displays summary information about the number of IPv6 MFIB entries and interfaces.        |
| <b>Step 6</b> | <b>debug ipv6 mfib</b> [group-name   group-address] [adjacency   db   fs   init   interface   mrrib [detail]   nat   pak   platform   ppr   ps   signal   table]<br><b>Example:</b><br><pre># debug ipv6 mfib FF04::10 pak</pre> | Enables debugging output on the IPv6 MFIB.                                                |

## Resetting MFIB Traffic Counters

Beginning in privileged EXEC mode, follow these steps:

### Procedure

|               | Command or Action                                                                                                                                                | Purpose                                  |
|---------------|------------------------------------------------------------------------------------------------------------------------------------------------------------------|------------------------------------------|
| <b>Step 1</b> | <b>clear ipv6 mfib counters</b> [group-name   group-address [source-address   source-name]]<br><b>Example:</b><br><pre># clear ipv6 mfib counters FF04::10</pre> | Resets all active MFIB traffic counters. |

# Configuration Examples for IPv6 Multicast

## Sample Output from the show ipv6 rpf Command

The following example displays RPF information for the unicast host with the IPv6 address of 2001:DB8:1:1:2:

```
Router# show ipv6 rpf 2001:DB8:1:1:2
RPF information for 2001:DB8:1:1:2
  RPF interface:GigabitEthernet3/2/0
  RPF neighbor:FE80::40:1:3
  RPF route/mask:20::/64
  RPF type:Unicast
  RPF recursion count:0
  Metric preference:110
  Metric:30
```

## Example: Enabling IPv6 Multicast Routing

The following example enables multicast routing on all interfaces and also enables multicast forwarding for PIM and MLD on all enabled interfaces of the device.

```
Device> enable
Device# configure terminal
Device(config)# ipv6 multicast-routing
```

## Example: Configuring PIM Options

The following example sets the DR priority, the PIM hello interval, and the periodic join on the interface.

```
Device(config)# interface gigabitethernet 1/0/0
Device(config)# ipv6 pim hello-interval 60
Device(config)# ipv6 pim dr-priority 3
```

## Example: Configuring PIM

The following example shows how to configure a device to use PIM-SM using 2001:DB8::1 as the RP. It sets the SPT threshold to infinity to prevent switchover to the source tree when a source starts sending traffic and sets a filter on all sources that do not have a local multicast BGP prefix.

```
Device(config)# ipv6 multicast-routing
Device(config)# ipv6 pim rp-address 2001:DB8::1
Device(config)# ipv6 pim spt-threshold infinity
Device(config)# ipv6 pim accept-register route-map reg-filter
```

## Example: Displaying PIM-SM Information for a Group Range

This example displays information about interfaces configured for PIM:

```
Device# show ipv6 pim interface state-on

Interface          PIM   Nbr   Hello  DR
```

```

                Count Intvl  Prior
Gi0/1/2         on    0    30    1
  Address: FE80::D2C2:82FF:FE17:F392
  DR       : this system
Gi0/1/5         on    1    30    1
  Address: FE80::D2C2:82FF:FE17:F395
  DR       : FE80::D2C2:82FF:FE17:FAA5
Loopback0       on    0    30    1
  Address: FE80::D2C2:82FF:FE17:F380
  DR       : this system

```

This example displays an IPv6 multicast group mapping table:

```

Device# show ipv6 pim group-map

FF33::/32*
  SSM
  Info source:Static
  Uptime:00:08:32, Groups:0
FF34::/32*
  SSM
  Info source:Static
  Uptime:00:09:42, Groups:0

```

This example displays information about IPv6 multicast range lists:

```

Device# show ipv6 pim range-list

config SSM Exp:never Learnt from ::
FF33::/32 Up:00:26:33
FF34::/32 Up:00:26:33
FF35::/32 Up:00:26:33
FF36::/32 Up:00:26:33
FF37::/32 Up:00:26:33
FF38::/32 Up:00:26:33
FF39::/32 Up:00:26:33
FF3A::/32 Up:00:26:33
FF3B::/32 Up:00:26:33
FF3C::/32 Up:00:26:33
FF3D::/32 Up:00:26:33
FF3E::/32 Up:00:26:33
FF3F::/32 Up:00:26:33
config SM RP:40::1:1:1 Exp:never Learnt from ::
FF13::/64 Up:00:03:50
config SM RP:40::1:1:3 Exp:never Learnt from ::
FF09::/64 Up:00:03:50

```

## Example: Displaying IPv6 PIM Topology Information

```

Device# show ipv6 pim topology

IP PIM Multicast Topology Table
Entry state: (*S,G)[RPT/SPT] Protocol Uptime Info Upstream Mode
Entry flags: KAT - Keep Alive Timer, AA - Assume Alive, PA - Probe Alive,
  RA - Really Alive, LH - Last Hop, DSS - Don't Signal Sources,
  RR - Register Received, SR - Sending Registers, E - MSDP External,
  DCC - Don't Check Connected, Y - Joined MDT-data group,
  y - Sending to MDT-data group
  BGS - BGP Signal Sent, !BGS - BGP signal suppressed
  SAS - BGP Src-Act Sent, SAR - BGP Src-Act Received

```

```
Interface state: Name, Uptime, Fwd, Info
Interface flags: LI - Local Interest, LD - Local Disinterest,
                 II - Internal Interest, ID - Internal Disinterest,
                 LH - Last Hop, AS - Assert, AB - Admin Boundary, BS - BGP Signal,
                 BP - BGP Shared-Tree Prune, BPT - BGP Prune Time
```

```
(* ,FF08::1)
SM UP: 00:04:36 JP: Join(00:00:28) Flags:
RP: 8001::1*
RPF: Tunnell1,8001::1*
   Gi0/1/5           00:04:36 fwd      Join(00:03:01)

(3001::5,FF08::1)
SM SPT UP: 00:04:57 JP: Join(never) Flags: KAT(00:02:12) RA
RPF: GigabitEthernet0/1/2,3001::5*
   Gi0/1/5           00:04:36 fwd      Join(00:03:01)
```

## Example: Displaying Information About PIM Traffic

```
Device# show ipv6 pim traffic

PIM Traffic Counters
Elapsed time since counters cleared:00:05:29

Valid PIM Packets          Received      Sent
Hello                      22            22
Join-Prune                 0             0
Register                   0             0
Register Stop              0             0
Assert                     0             0
Bidir DF Election          0             0

Errors:
Malformed Packets          0
Bad Checksums              0
Send Errors                0
Packet Sent on Loopback Errors 0
Packets Received on PIM-disabled Interface 0
Packets Received with Unknown PIM Version 0
```

## Example: Disabling Embedded RP Support in IPv6 PIM

The following example disables embedded RP support on IPv6 PIM:

```
Device(config)# ipv6 multicast-routing
Device(config)# no ipv6 pim rp embedded
```

## Example: IPv6 SSM Mapping

```
Device# show ipv6 mld ssm-map 2001:DB8::1

Group address   : 2001:DB8::1
Group mode ssm  : TRUE
Database        : STATIC
```

```
Source list      : 2001:DB8::2  
                  2001:DB8::3
```

```
Device# show ipv6 mld ssm-map 2001:DB8::2
```

```
Group address   : 2001:DB8::2  
Group mode ssm  : TRUE  
Database        : DNS  
Source list     : 2001:DB8::3  
                  2001:DB8::1
```



## CHAPTER 9

# IPv6 Multicast Listener Discovery Protocol

---

- [Finding Feature Information, on page 167](#)
- [Restrictions for IPv6 Multicast Listener Discovery Protocol, on page 167](#)
- [Information About IPv6 Multicast Listener Discovery Protocol, on page 168](#)
- [How to Configure IPv6 Multicast Listener Discovery Protocol, on page 170](#)
- [Verifying IPv6 Multicast Listener Discovery Protocol, on page 177](#)

## Finding Feature Information

Your software release may not support all the features documented in this module. For the latest caveats and feature information, see [Bug Search Tool](#) and the release notes for your platform and software release. To find information about the features documented in this module, and to see a list of the releases in which each feature is supported, see the feature information table at the end of this module.

Use Cisco Feature Navigator to find information about platform support and Cisco software image support. To access Cisco Feature Navigator, go to [www.cisco.com/go/cfn](http://www.cisco.com/go/cfn). An account on Cisco.com is not required.

## Restrictions for IPv6 Multicast Listener Discovery Protocol

- MLD snooping is not supported. IPv6 multicast traffic is flooded to all Ethernet Flow Points (EFPs) or Trunk EFPs (TEFPs) associated with a bridge domain.
- MLD proxy is not supported.
- For RSP1A, more than 1000 IPv6 multicast routes are not supported.
- For RSP1B, more than 2000 IPv6 multicast routes are not supported.
- IPv6 Multicast Listener Discovery protocol is *not* supported on the ASR 900 RSP3 module.

# Information About IPv6 Multicast Listener Discovery Protocol

## IPv6 Multicast Overview

An IPv6 multicast group is an arbitrary group of receivers that want to receive a particular data stream. This group has no physical or geographical boundaries; receivers can be located anywhere on the Internet or in any private network. Receivers that are interested in receiving data flowing to a particular group must join the group by signaling their local device. This signaling is achieved with the MLD protocol.

Devices use the MLD protocol to learn whether or not members of a group are present on their directly attached subnets. Hosts join multicast groups by sending MLD report messages. The network then delivers data to a potentially unlimited number of receivers, using only one copy of the multicast data on each subnet. IPv6 hosts that wish to receive the traffic are known as group members.

Packets delivered to group members are identified by a single multicast group address. Multicast packets are delivered to a group using best-effort reliability, just like IPv6 unicast packets.

The multicast environment consists of senders and receivers. Any host, regardless of whether it is a member of a group, can send to a group. However, only the members of a group receive the message.

A multicast address is chosen for the receivers in a multicast group. Senders use this address as the destination address of a datagram to reach all members of the group.

Membership in a multicast group is dynamic; hosts can join and leave at any time. There is no restriction on the location or number of members in a multicast group. A host can be a member of more than one multicast group at a time.

How active a multicast group is, its duration, and its membership can vary from group to group and from time to time. A group that has members may have no activity.

## IPv6 Multicast Routing Implementation

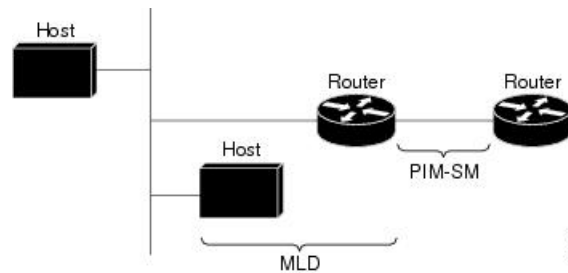
Cisco software supports the following protocols to implement IPv6 multicast routing:

- MLD is used by IPv6 devices to discover multicast listeners on directly attached links. There are two versions of MLD:
  - MLD version 1 is based on version 2 of the Internet Group Management Protocol (IGMP) for IPv4.
  - MLD version 2 is based on version 3 of the IGMP for IPv4.
- IPv6 multicast for Cisco software uses both MLD version 2 and MLD version 1. MLD version 2 is fully backward-compatible with MLD version 1 (described in RFC 2710). Hosts that support only MLD version 1 interoperate with a device running MLD version 2. Mixed LANs with both MLD version 1 and MLD version 2 hosts are likewise supported.
- PIM-SM is used between devices so that they can track which multicast packets to forward to each other and to their directly connected LANs.
- PIM in Source Specific Multicast (PIM-SSM) is similar to PIM-SM with the additional ability to report interest in receiving packets from specific source addresses (or from all but the specific source addresses) to an IP multicast address.

The figure below shows where MLD and PIM-SM operate within the IPv6 multicast environment.



Figure 23: IPv6 Multicast Routing Protocols Supported for IPv6



## Multicast Listener Discovery Protocol for IPv6

To start implementing multicasting in the campus network, users must first define who receives the multicast. The MLD protocol is used by IPv6 devices to discover the presence of multicast listeners (for example, nodes that want to receive multicast packets) on their directly attached links, and to discover specifically which multicast addresses are of interest to those neighboring nodes. It is used for discovering local group and source-specific group membership. The MLD protocol provides a means to automatically control and limit the flow of multicast traffic throughout your network with the use of special multicast queriers and hosts.

The difference between multicast queriers and hosts is as follows:

- A querier is a network device that sends query messages to discover which network devices are members of a given multicast group.
- A host is a receiver that sends report messages to inform the querier of a host membership.

A set of queriers and hosts that receive multicast data streams from the same source is called a multicast group. Queriers and hosts use MLD reports to join and leave multicast groups and to begin receiving group traffic.

MLD uses the Internet Control Message Protocol (ICMP) to carry its messages. All MLD messages are link-local with a hop limit of 1, and they all have the alert option set. The alert option implies an implementation of the hop-by-hop option header.

MLD has three types of messages:

- Query—General, group-specific, and multicast-address-specific. In a query message, the multicast address field is set to 0 when MLD sends a general query. The general query learns which multicast addresses have listeners on an attached link.




---

**Note** Group-specific and multicast-address-specific queries are the same. A group address is a multicast address.

---

- Report—In a report message, the multicast address field is that of the specific IPv6 multicast address to which the sender is listening.
- Done—In a done message, the multicast address field is that of the specific IPv6 multicast address to which the source of the MLD message is no longer listening.

An MLD report must be sent with a valid IPv6 link-local source address, or the unspecified address (::), if the sending interface has not yet acquired a valid link-local address. Sending reports with the unspecified address is allowed to support the use of IPv6 multicast in the Neighbor Discovery Protocol.

For stateless autoconfiguration, a node is required to join several IPv6 multicast groups in order to perform duplicate address detection (DAD). Prior to DAD, the only address the reporting node has for the sending interface is a tentative one, which cannot be used for communication. Therefore, the unspecified address must be used.

MLD states that result from MLD version 2 or MLD version 1 membership reports can be limited globally or by interface. The MLD group limits feature provides protection against denial of service (DoS) attacks caused by MLD packets. Membership reports in excess of the configured limits is not entered in the MLD cache, and traffic for those excess membership reports will not be forwarded.

MLD provides support for source filtering. Source filtering allows a node to report interest in listening to packets only from specific source addresses (as required to support SSM), or from all addresses except specific source addresses sent to a particular multicast address.

When a host using MLD version 1 sends a leave message, the device needs to send query messages to reconfirm that this host was the last MLD version 1 host joined to the group before it can stop forwarding traffic. This function takes about 2 seconds. This "leave latency" is also present in IGMP version 2 for IPv4 multicast.

## MLD Access Group

MLD access groups provide receiver access control in Cisco IPv6 multicast devices. This feature limits the list of groups a receiver can join, and it allows or denies sources used to join SSM channels.

# How to Configure IPv6 Multicast Listener Discovery Protocol

## Enabling IPv6 Multicast Routing

To enable IPv6 multicast routing, complete the following steps:

### Before you begin

You must first enable IPv6 unicast routing on all interfaces of the device on which you want to enable IPv6 multicast routing.

### SUMMARY STEPS

1. **enable**
2. **configure terminal**
3. **ipv6 multicast-routing [vrf vrf-name]**
4. **end**

### DETAILED STEPS

|        | Command or Action | Purpose                       |
|--------|-------------------|-------------------------------|
| Step 1 | enable            | Enables privileged EXEC mode. |

|               | Command or Action                                                                                                    | Purpose                                                                                                                                                                                                                                                                                                                                                                                                                                                                                                               |
|---------------|----------------------------------------------------------------------------------------------------------------------|-----------------------------------------------------------------------------------------------------------------------------------------------------------------------------------------------------------------------------------------------------------------------------------------------------------------------------------------------------------------------------------------------------------------------------------------------------------------------------------------------------------------------|
|               | <b>Example:</b><br><pre>Device&gt; enable</pre>                                                                      | <ul style="list-style-type: none"> <li>Enter your password if prompted.</li> </ul>                                                                                                                                                                                                                                                                                                                                                                                                                                    |
| <b>Step 2</b> | <b>configure terminal</b><br><b>Example:</b><br><pre>Device# configure terminal</pre>                                | Enters global configuration mode.                                                                                                                                                                                                                                                                                                                                                                                                                                                                                     |
| <b>Step 3</b> | <b>ipv6 multicast-routing [vrf vrf-name]</b><br><b>Example:</b><br><pre>Device(config)# ipv6 multicast-routing</pre> | <p>Enables multicast routing on all IPv6-enabled interfaces and enables multicast forwarding for PIM and MLD on all enabled interfaces of the device.</p> <p>IPv6 multicast routing is disabled by default when IPv6 unicast routing is enabled. On certain devices, the IPv6 multicast routing must also be enabled in order to use IPv6 unicast routing.</p> <ul style="list-style-type: none"> <li><code>vrf vrf-name</code>—(Optional) Specifies a virtual routing and forwarding (VRF) configuration.</li> </ul> |
| <b>Step 4</b> | <b>end</b><br><b>Example:</b><br><pre>Device(config)# end</pre>                                                      | Exits to privileged EXEC mode.                                                                                                                                                                                                                                                                                                                                                                                                                                                                                        |

## Customizing MLD on an Interface

To customize MLD on an interface, complete the following steps:

### SUMMARY STEPS

- enable**
- configure terminal**
- ipv6 mld state-limit** *number*
- ipv6 mld** [*vrf vrf-name*] **ssm-map enable**
- interface** *type number*
- ipv6 mld access-group** *access-list-name*
- ipv6 mld static-group** [*group-address*] [[**include**|**exclude**] {*source-address* | **source-list** [*acl*]}]
- ipv6 mld query-max-response-time** *seconds*
- ipv6 mld query-timeout** *seconds*
- ipv6 mld query-interval** *seconds*
- ipv6 mld limit** *number* [**except** *access-list*]
- end**

## DETAILED STEPS

|               | Command or Action                                                                                                                                                                                                    | Purpose                                                                                                                                                                                                                                                                                                                                                                                                                                 |
|---------------|----------------------------------------------------------------------------------------------------------------------------------------------------------------------------------------------------------------------|-----------------------------------------------------------------------------------------------------------------------------------------------------------------------------------------------------------------------------------------------------------------------------------------------------------------------------------------------------------------------------------------------------------------------------------------|
| <b>Step 1</b> | <b>enable</b><br><b>Example:</b><br>Device> enable                                                                                                                                                                   | Enables privileged EXEC mode. <ul style="list-style-type: none"> <li>• Enter your password if prompted.</li> </ul>                                                                                                                                                                                                                                                                                                                      |
| <b>Step 2</b> | <b>configure terminal</b><br><b>Example:</b><br>Device# configure terminal                                                                                                                                           | Enters global configuration mode.                                                                                                                                                                                                                                                                                                                                                                                                       |
| <b>Step 3</b> | <b>ipv6 mld state-limit <i>number</i></b><br><b>Example:</b><br>Device(config)# ipv6 mld state-limit 300                                                                                                             | Configures a limit on the number of MLD states resulting from MLD membership reports on a global basis. Membership reports sent after the configured limits have been exceeded are not entered in the MLD cache and traffic for the excess membership reports is not forwarded. <ul style="list-style-type: none"> <li>• <i>number</i>—Maximum number of MLD states allowed on a router. The valid range is from 1 to 64000.</li> </ul> |
| <b>Step 4</b> | <b>ipv6 mld [vrf <i>vrf-name</i>] ssm-map enable</b><br><b>Example:</b><br>Device(config)# ipv6 mld ssm-map enable                                                                                                   | Enables the Source Specific Multicast (SSM) mapping feature for groups in the configured SSM range. <ul style="list-style-type: none"> <li>• vrf <i>vrf-name</i>—(Optional) Specifies a virtual routing and forwarding (VRF) configuration.</li> </ul>                                                                                                                                                                                  |
| <b>Step 5</b> | <b>interface <i>type number</i></b><br><b>Example:</b><br>Device(config)# interface GigabitEthernet 1/0/0                                                                                                            | Specifies an interface type and number, and places the device in interface configuration mode.                                                                                                                                                                                                                                                                                                                                          |
| <b>Step 6</b> | <b>ipv6 mld access-group <i>access-list-name</i></b><br><b>Example:</b><br>Device(config-if)# ipv6 access-list acc-grp-1                                                                                             | Allows the user to perform IPv6 multicast receiver access control. <ul style="list-style-type: none"> <li>• <i>access-list-name</i>—A standard IPv6 named access list that defines the multicast groups and sources to allow or deny.</li> </ul>                                                                                                                                                                                        |
| <b>Step 7</b> | <b>ipv6 mld static-group [<i>group-address</i>] [[include exclude] {<i>source-address</i>   source-list [<i>acl</i>]}]</b><br><b>Example:</b><br>Device(config-if)# ipv6 mld static-group ff04::10<br>include 100::1 | Statically forwards traffic for the multicast group onto a specified interface and cause the interface to behave as if a MLD joiner were present on the interface. <ul style="list-style-type: none"> <li>• <i>group-address</i>—(Optional) IPv6 address of the multicast group.</li> <li>• include—(Optional) Enables include mode.</li> <li>• exclude—(Optional) Enables exclude mode.</li> </ul>                                     |

|                | Command or Action                                                                                                                                      | Purpose                                                                                                                                                                                                                                                                                                                                                                                                                                                                                                                                                                                                                                                                                                                                                                                                                                                                                                                                                       |
|----------------|--------------------------------------------------------------------------------------------------------------------------------------------------------|---------------------------------------------------------------------------------------------------------------------------------------------------------------------------------------------------------------------------------------------------------------------------------------------------------------------------------------------------------------------------------------------------------------------------------------------------------------------------------------------------------------------------------------------------------------------------------------------------------------------------------------------------------------------------------------------------------------------------------------------------------------------------------------------------------------------------------------------------------------------------------------------------------------------------------------------------------------|
|                |                                                                                                                                                        | <ul style="list-style-type: none"> <li>• <i>source-address</i>—Unicast source address to include or exclude.</li> <li>• <i>source-list</i>—Source list on which MLD reporting is to be configured.</li> <li>• <i>acl</i>—(Optional) Access list used to include or exclude multiple sources for the same group.</li> </ul>                                                                                                                                                                                                                                                                                                                                                                                                                                                                                                                                                                                                                                    |
| <b>Step 8</b>  | <p><b>ipv6 mld query-max-response-time</b> <i>seconds</i></p> <p><b>Example:</b></p> <pre>Device(config-if)# ipv6 mld query-max-response-time 20</pre> | <p>Configures the maximum response time advertised in MLD queries.</p> <ul style="list-style-type: none"> <li>• <i>seconds</i>—Maximum response time, in seconds, advertised in MLD queries. The default value is 10 seconds.</li> </ul>                                                                                                                                                                                                                                                                                                                                                                                                                                                                                                                                                                                                                                                                                                                      |
| <b>Step 9</b>  | <p><b>ipv6 mld query-timeout</b> <i>seconds</i></p> <p><b>Example:</b></p> <pre>Device(config-if)# ipv6 mld query-timeout 130</pre>                    | <p>Configures the timeout value before the device takes over as the querier for the interface.</p> <ul style="list-style-type: none"> <li>• <i>seconds</i>—Number of seconds that the router waits after the previous querier has stopped querying and before it takes over as the querier.</li> </ul>                                                                                                                                                                                                                                                                                                                                                                                                                                                                                                                                                                                                                                                        |
| <b>Step 10</b> | <p><b>ipv6 mld query-interval</b> <i>seconds</i></p> <p><b>Example:</b></p> <pre>Device(config-if)# ipv6 mld query-interval 60</pre>                   | <p>Configures the frequency at which the Cisco IOS XE software sends MLD host-query messages.</p> <ul style="list-style-type: none"> <li>• <i>seconds</i>—Frequency, in seconds, at which to send MLD host-query messages. It can be a number from 0 to 65535. The default is 125 seconds.</li> </ul> <p><b>Caution</b> Changing this value may severely impact multicast forwarding.</p>                                                                                                                                                                                                                                                                                                                                                                                                                                                                                                                                                                     |
| <b>Step 11</b> | <p><b>ipv6 mld limit</b> <i>number</i> [<b>except</b> <i>access-list</i>]</p> <p><b>Example:</b></p> <pre>Device(config-if)# ipv6 mld limit 100</pre>  | <p>Configures a limit on the number of MLD states resulting from MLD membership reports on a per-interface basis. Membership reports sent after the configured limits have been exceeded are not entered in the MLD cache, and traffic for the excess membership reports is not forwarded.</p> <p>Per-interface and per-system limits operate independently of each other and can enforce different configured limits. A membership state is ignored if it exceeds either the per-interface limit or global limit.</p> <p>If you do not configure the <b>except</b> <i>access-list</i> keyword and argument, all MLD states are counted toward the configured cache limit on an interface. Use the <b>except</b> <i>access-list</i> keyword and argument to exclude particular groups or channels from counting toward the MLD cache limit. An MLD membership report is counted against the per-interface limit if it is permitted by the extended access</p> |

|                | Command or Action                                           | Purpose                                                                                                                                                                                                                                                                                                                                                                                                                             |
|----------------|-------------------------------------------------------------|-------------------------------------------------------------------------------------------------------------------------------------------------------------------------------------------------------------------------------------------------------------------------------------------------------------------------------------------------------------------------------------------------------------------------------------|
|                |                                                             | list specified by the except <i>access-list</i> keyword and argument. <ul style="list-style-type: none"> <li>• <i>number</i>—Maximum number of MLD states allowed on a router. The valid range is from 1 to 64000.</li> <li>• <i>except</i>—(Optional) Excludes an access list from the configured MLD state limit.</li> <li>• <i>access-list</i>—(Optional) Access list to exclude from the configured MLD state limit.</li> </ul> |
| <b>Step 12</b> | <b>end</b><br><b>Example:</b><br><br>Device(config-if)# end | Exits to privileged EXEC mode.                                                                                                                                                                                                                                                                                                                                                                                                      |

## Disabling MLD Device-Side Processing

A user might only want specified interfaces to perform IPv6 multicast and therefore want to turn off MLD device-side processing on a specified interface. To disable MLD device-side processing, complete the following steps:

### SUMMARY STEPS

1. **enable**
2. **configure terminal**
3. **interface type number**
4. **no ipv6 mld router**

### DETAILED STEPS

|               | Command or Action                                                                                      | Purpose                                                                                                            |
|---------------|--------------------------------------------------------------------------------------------------------|--------------------------------------------------------------------------------------------------------------------|
| <b>Step 1</b> | <b>enable</b><br><b>Example:</b><br><br>Device> enable                                                 | Enables privileged EXEC mode. <ul style="list-style-type: none"> <li>• Enter your password if prompted.</li> </ul> |
| <b>Step 2</b> | <b>configure terminal</b><br><b>Example:</b><br><br>Device# configure terminal                         | Enters global configuration mode.                                                                                  |
| <b>Step 3</b> | <b>interface type number</b><br><b>Example:</b><br><br>Device(config)# interface GigabitEthernet 1/0/0 | Specifies an interface type and number, and places the device in interface configuration mode.                     |

|        | Command or Action                                                                     | Purpose                                                       |
|--------|---------------------------------------------------------------------------------------|---------------------------------------------------------------|
| Step 4 | <b>no ipv6 mld router</b><br><b>Example:</b><br>Device(config-if)# no ipv6 mld router | Disables MLD device-side processing on a specified interface. |

## Resetting the MLD Traffic Counters

To reset the MLD traffic counters, complete the following steps:

### SUMMARY STEPS

1. **enable**
2. **clear ipv6 mld [vrf vrf-name] traffic**

### DETAILED STEPS

|        | Command or Action                                                                                 | Purpose                                                                                                                                                                             |
|--------|---------------------------------------------------------------------------------------------------|-------------------------------------------------------------------------------------------------------------------------------------------------------------------------------------|
| Step 1 | <b>enable</b><br><b>Example:</b><br>Device> enable                                                | Enables privileged EXEC mode. <ul style="list-style-type: none"> <li>• Enter your password if prompted.</li> </ul>                                                                  |
| Step 2 | <b>clear ipv6 mld [vrf vrf-name] traffic</b><br><b>Example:</b><br>Device# clear ipv6 mld traffic | Resets all MLD traffic counters. <ul style="list-style-type: none"> <li>• <b>vrf vrf-name</b>—(Optional) Specifies a virtual routing and forwarding (VRF) configuration.</li> </ul> |

## Clearing the MLD Interface Counters

To clear the MLD interface counters, complete the following steps:

### SUMMARY STEPS

1. **enable**
2. **clear ipv6 mld [vrf vrf-name] counters interface-type**

### DETAILED STEPS

|        | Command or Action                                            | Purpose                                                                                                            |
|--------|--------------------------------------------------------------|--------------------------------------------------------------------------------------------------------------------|
| Step 1 | <b>enable</b><br><b>Example:</b><br>Device> enable           | Enables privileged EXEC mode. <ul style="list-style-type: none"> <li>• Enter your password if prompted.</li> </ul> |
| Step 2 | <b>clear ipv6 mld [vrf vrf-name] counters interface-type</b> | Clears the MLD interface counters.                                                                                 |

|  | Command or Action                                                                      | Purpose                                                                                                                                                                                                                                                                              |
|--|----------------------------------------------------------------------------------------|--------------------------------------------------------------------------------------------------------------------------------------------------------------------------------------------------------------------------------------------------------------------------------------|
|  | <p><b>Example:</b></p> <pre>Device# clear ipv6 mld counters GigabitEthernet1/0/0</pre> | <ul style="list-style-type: none"> <li>• <i>vrf vrf-name</i>—(Optional) Specifies a virtual routing and forwarding (VRF) configuration.</li> <li>• <i>interface-type</i>—(Optional) Interface type. For more information, use the question mark (?) online help function.</li> </ul> |

## Clearing the MLD Groups

To clear MLD related information in the IPv6 multicast routing table, complete the following steps:

### SUMMARY STEPS

1. **enable**
2. **configure terminal**
3. **clear ipv6 [icmp] mld groups** *{\* | group-prefix | group [source]}* [**vrf** *{vrf-name | all}*]
4. **end**

### DETAILED STEPS

|               | Command or Action                                                                                                                                                                                     | Purpose                                                                                                                                                                                                                                                                                                                                                                                                                                                                                                                                                         |
|---------------|-------------------------------------------------------------------------------------------------------------------------------------------------------------------------------------------------------|-----------------------------------------------------------------------------------------------------------------------------------------------------------------------------------------------------------------------------------------------------------------------------------------------------------------------------------------------------------------------------------------------------------------------------------------------------------------------------------------------------------------------------------------------------------------|
| <b>Step 1</b> | <p><b>enable</b></p> <p><b>Example:</b></p> <pre>Device&gt; enable</pre>                                                                                                                              | <p>Enables privileged EXEC mode.</p> <ul style="list-style-type: none"> <li>• Enter your password if prompted.</li> </ul>                                                                                                                                                                                                                                                                                                                                                                                                                                       |
| <b>Step 2</b> | <p><b>configure terminal</b></p> <p><b>Example:</b></p> <pre>Device# configure terminal</pre>                                                                                                         | <p>Enters global configuration mode.</p>                                                                                                                                                                                                                                                                                                                                                                                                                                                                                                                        |
| <b>Step 3</b> | <p><b>clear ipv6 [icmp] mld groups</b> <i>{*   group-prefix   group [source]}</i> [<b>vrf</b> <i>{vrf-name   all}</i>]</p> <p><b>Example:</b></p> <pre>Device (config)# clear ipv6 mld groups *</pre> | <p>Clears the MLD groups information.</p> <ul style="list-style-type: none"> <li>• <i>icmp</i>—(Optional) Clears ICMP information.</li> <li>• <i>*</i>— Specifies all routes.</li> <li>• <i>group-prefix</i>—Group prefix.</li> <li>• <i>group</i>—Group address.</li> <li>• <i>source</i>—(Optional) Source (S, G) route.</li> <li>• <i>vrf</i>—(Optional) Applies to a virtual routing and forwarding (VRF) instance.</li> <li>• <i>vrf-name</i>—(Optional) VRF name. The name can be alphanumeric, case sensitive, or a maximum of 32 characters.</li> </ul> |



|        | Command or Action                                            | Purpose                                                                   |
|--------|--------------------------------------------------------------|---------------------------------------------------------------------------|
|        |                                                              | <ul style="list-style-type: none"> <li>all—Specifies all VRFs.</li> </ul> |
| Step 4 | <b>end</b><br><br><b>Example:</b><br><br>Device(config)# end | Exits to privileged EXEC mode.                                            |

## Verifying IPv6 Multicast Listener Discovery Protocol

- Use the **show ipv6 mld groups** [**link-local**] [*group-name* | *group-address*] [*interface-type* | *interface-number*] [**detail** | **explicit**] command to display the multicast groups that are directly connected to the device and that were learned through MLD:

```
Router# show ipv6 mld groups
```

```
MLD Connected Group Membership
Group Address                Interface      Uptime      Expires
FF08::1                      Gi0/4/4       00:10:22    00:04:19
```

- Use the **show ipv6 mfib** [**vrf** *vrf-name*] [**all** | **linkscope** | **verbose** | *group-address-name* | *ipv6-prefix/prefix-length* | *source-address-name* | **interface** | **status** | **summary**] command to display the forwarding entries and interfaces in the IPv6 Multicast Forwarding Information Base (MFIB).

The following example shows forwarding entries and interfaces in the MFIB specified with a group address of FF08:1::1:

```
Router# show ipv6 mfib ff08::1
```

```
Entry Flags:      C - Directly Connected, S - Signal, IA - Inherit A flag,
                  ET - Data Rate Exceeds Threshold, K - Keepalive
                  DDE - Data Driven Event, HW - Hardware Installed
I/O Item Flags:  IC - Internal Copy, NP - Not platform switched,
                  NS - Negate Signalling, SP - Signal Present,
                  A - Accept, F - Forward, RA - MRIB Accept, RF - MRIB Forward,
                  MA - MFIB Accept
Forwarding Counts: Pkt Count/Pkts per second/Avg Pkt Size/Kbits per second
Other counts:      Total/RPF failed/Other drops
I/O Item Counts:   FS Pkt Count/PS Pkt Count
Default
(*,FF08::1) Flags: C HW
  SW Forwarding: 0/0/0/0, Other: 264/264/0
  HW Forwarding: 0/0/0/0, Other: 0/0/0
  Tunnell Flags: A NS
  GigabitEthernet0/4/4 Flags: F NS
  Pkts: 0/0
(2000::8,FF08::1) Flags: HW
  SW Forwarding: 1/0/132/0, Other: 0/0/0
  HW Forwarding: 75852/1047/150/1226, Other: 0/0/0
  GigabitEthernet0/4/2 Flags: A
  GigabitEthernet0/4/4 Flags: F NS
  Pkts: 0/1
```

- Use the **show ipv6 mld interface** [*type number*] command to display multicast-related information about an interface.

The following is sample output from the **show ipv6 mld interface** command for Gigabit Ethernet interface 0/4/4:

```
Router# show ipv6 mld interface gigabitethernet 0/4/4
```

```
GigabitEthernet0/4/4 is up, line protocol is up
  Internet address is FE80::D2C2:82FF:FE17:77C4/10
  MLD is enabled on interface
  Current MLD version is 2
  MLD query interval is 125 seconds
  MLD querier timeout is 255 seconds
  MLD max query response time is 10 seconds
  Last member query response interval is 1 seconds
  MLD activity: 7 joins, 0 leaves
  MLD querying router is FE80::D2C2:82FF:FE17:77C4 (this system)
```

- Use the **show ipv6 mld [vrf vrf-name] traffic** command to display the MLD traffic counters:

```
Router# show ipv6 mld traffic
```

```
MLD Traffic Counters
Elapsed time since counters cleared: 00:11:25

Valid MLD Packets          Received      Sent
Queries                    7             20
Reports                    665          65
Leaves                     0             0
Mtrace packets             0             0

Errors:
Malformed Packets          0
Martian source             2
Non link-local source      0
Hop limit is not equal to 1 0
```

- Use the **show ipv6 mroute [vrf vrf-name] [link-local | [group-name | group-address [source-address | source-name] ] ]** command to display the information in the PIM topology table:

```
Router# show ipv6 mroute ff08::1
```

```
Multicast Routing Table
Flags: D - Dense, S - Sparse, B - Bidir Group, s - SSM Group,
       C - Connected, L - Local, I - Received Source Specific Host Report,
       P - Pruned, R - RP-bit set, F - Register flag, T - SPT-bit set,
       J - Join SPT, Y - Joined MDT-data group,
       y - Sending to MDT-data group
       g - BGP signal originated, G - BGP Signal received,
       N - BGP Shared-Tree Prune received, n - BGP C-Mroute suppressed,
       q - BGP Src-Active originated, Q - BGP Src-Active received
       E - Extranet
Timers: Uptime/Expires
Interface state: Interface, State

(*, FF08::1), 00:11:18/never, RP 4000::1, flags: SCJ
  Incoming interface: Tunnell
  RPF nbr: 4000::1
  Immediate Outgoing interface list:
```

```
GigabitEthernet0/4/4, Forward, 00:11:18/never
(2000::8, FF08::1), 00:02:07/00:01:22, flags: SFJT
Incoming interface: GigabitEthernet0/4/2
RPF nbr: 2000::8
Inherited Outgoing interface list:
  GigabitEthernet0/4/4, Forward, 00:11:18/never
```





## CHAPTER 10

# Using MSDP to Interconnect Multiple PIM-SM Domains

---

This module describes the tasks associated with using Multicast Source Discovery Protocol (MSDP) to interconnect multiple Protocol Independent Multicast (PIM) Sparse Mode (SM) domains. The tasks explain how to configure MSDP peers, mesh groups, and default peers, how to use filters to control and scope MSDP activity, and how to monitor and maintain MSDP. Using MSDP with PIM-SM greatly reduces the complexity of connecting multiple PIM-SM domains.

- [Finding Feature Information, on page 181](#)
- [, on page 182](#)
- [Information About Using MSDP to Interconnect Multiple PIM-SM Domains, on page 182](#)
- [How to Use MSDP to Interconnect Multiple PIM-SM Domains, on page 194](#)
- [Configuration Examples for Using MSDP to Interconnect Multiple PIM-SM Domains, on page 216](#)
- [Additional References, on page 218](#)
- [Feature Information for Multicast Source Discovery Protocol, on page 219](#)

## Finding Feature Information

Your software release may not support all the features documented in this module. For the latest caveats and feature information, see [Bug Search Tool](#) and the release notes for your platform and software release. To find information about the features documented in this module, and to see a list of the releases in which each feature is supported, see the feature information table.

Use Cisco Feature Navigator to find information about platform support and Cisco software image support. To access Cisco Feature Navigator, go to [www.cisco.com/go/cfn](http://www.cisco.com/go/cfn). An account on Cisco.com is not required.

# Information About Using MSDP to Interconnect Multiple PIM-SM Domains

## Benefits of Using MSDP to Interconnect Multiple PIM-SM Domains

- Allows a rendezvous point (RP) to dynamically discover active sources outside of its domain.
- Introduces a more manageable approach for building multicast distribution trees between multiple domains.

MSDP is a mechanism to connect multiple PIM-SM domains. The purpose of MSDP is to discover multicast sources in other PIM domains. The main advantage of MSDP is that it reduces the complexity of interconnecting multiple PIM-SM domains by allowing PIM-SM domains to use an interdomain source tree (rather than a common shared tree). When MSDP is configured in a network, RPs exchange source information with RPs in other domains. An RP can join the interdomain source tree for sources that are sending to groups for which it has receivers. The RP can do that because it is the root of the shared tree within its domain, which has branches to all points in the domain where there are active receivers. When a last-hop device learns of a new source outside the PIM-SM domain (through the arrival of a multicast packet from the source down the shared tree), it then can send a join toward the source and join the interdomain source tree.




---

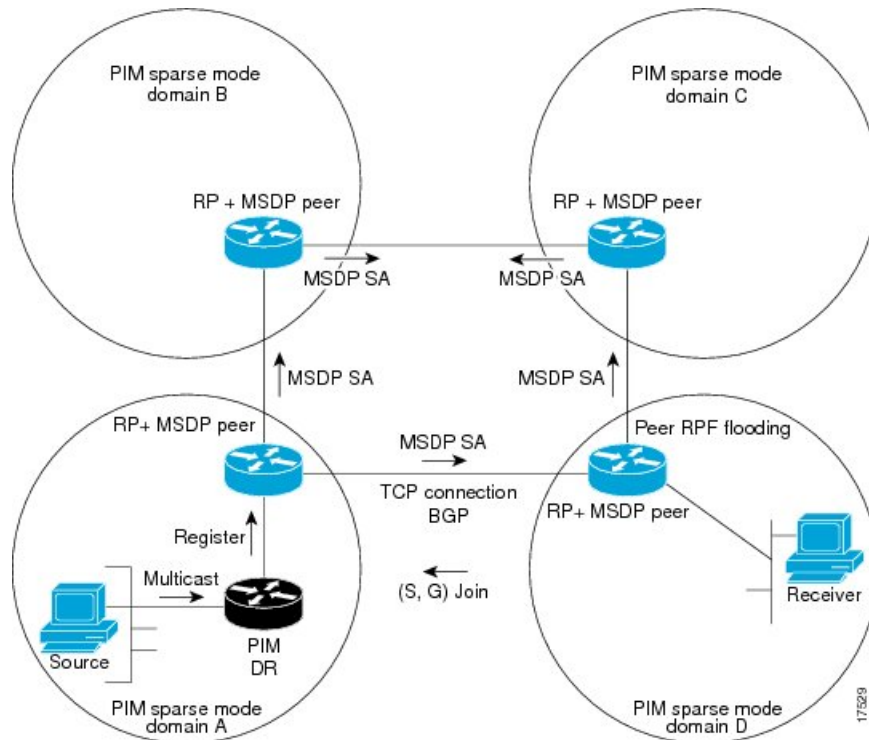
**Note** If the RP either has no shared tree for a particular group or a shared tree whose outgoing interface list is null, it does not send a join to the source in another domain.

---

When MSDP is enabled, an RP in a PIM-SM domain maintains MSDP peering relationships with MSDP-enabled devices in other domains. This peering relationship occurs over a TCP connection, where primarily a list of sources sending to multicast groups is exchanged. MSDP uses TCP (port 639) for its peering connections. As with BGP, using point-to-point TCP peering means that each peer must be explicitly configured. The TCP connections between RPs, moreover, are achieved by the underlying routing system. The receiving RP uses the source lists to establish a source path. If the multicast sources are of interest to a domain that has receivers, multicast data is delivered over the normal, source-tree building mechanism provided by PIM-SM. MSDP is also used to announce sources sending to a group. These announcements must originate at the RP of the domain.

The figure illustrates MSDP operating between two MSDP peers. PIM uses MSDP as the standard mechanism to register a source with the RP of a domain.

Figure 24: MSDP Running Between RP Peers



When MSDP is implemented, the following sequence of events occurs:

1. When a PIM designated device (DR) registers a source with its RP as illustrated in the figure, the RP sends a Source-Active (SA) message to all of its MSDP peers.



**Note** The DR sends the encapsulated data to the RP only once per source (when the source goes active). If the source times out, this process happens again when it goes active again. This situation is different from the periodic SA message that contains all sources that are registered to the originating RP. Those SA messages are MSDP control packets, and, thus, do not contain encapsulated data from active sources.

1. The SA message identifies the source address, the group that the source is sending to, and the address or the originator ID of the RP, if configured.
2. Each MSDP peer that receives the SA message floods the SA message to all of its peers downstream from the originator. In some cases (such as the case with the RPs in PIM-SM domains B and C in the figure), an RP may receive a copy of an SA message from more than one MSDP peer. To prevent looping, the RP consults the BGP next-hop database to determine the next hop toward the originator of the SA message. If both MBGP and unicast BGP are configured, MBGP is checked first, and then unicast BGP. That next-hop neighbor is the RPF-peer for the originator. SA messages that are received from the originator on any interface other than the interface to the RPF peer are dropped. The SA message flooding process, therefore, is referred to as peer-RPF flooding. Because of the peer-RPF flooding mechanism, BGP or MBGP must be running in conjunction with MSDP.

1. When an RP receives an SA message, it checks to see whether there are any members of the advertised groups in its domain by checking to see whether there are interfaces on the group's (\*, G) outgoing interface list. If there are no group members, the RP does nothing. If there are group members, the RP sends an (S, G) join toward the source. As a result, a branch of the interdomain source tree is constructed across autonomous system boundaries to the RP. As multicast packets arrive at the RP, they are then forwarded down its own shared tree to the group members in the RP's domain. The members' DRs then have the option of joining the rendezvous point tree (RPT) to the source using standard PIM-SM procedures.
2. The originating RP continues to send periodic SA messages for the (S, G) state every 60 seconds for as long as the source is sending packets to the group. When an RP receives an SA message, it caches the SA message. Suppose, for example, that an RP receives an SA message for (172.16.5.4, 228.1.2.3) from originating RP 10.5.4.3. The RP consults its mroute table and finds that there are no active members for group 228.1.2.3, so it passes the SA message to its peers downstream of 10.5.4.3. If a host in the domain then sends a join to the RP for group 228.1.2.3, the RP adds the interface toward the host to the outgoing interface list of its (\*, 228.1.2.3) entry. Because the RP caches SA messages, the device will have an entry for (172.16.5.4, 228.1.2.3) and can join the source tree as soon as a host requests a join.




---

**Note** In all current and supported software releases, caching of MSDP SA messages is mandatory and cannot be manually enabled or disabled. By default, when an MSDP peer is configured, the **ip multicast cache-sa-state** command will automatically be added to the running configuration.

---

## MSDP Message Types

There are four basic MSDP message types, each encoded in their own Type, Length, and Value (TLV) data format.

### SA Messages

SA messages are used to advertise active sources in a domain. In addition, these SA messages may contain the initial multicast data packet that was sent by the source.

SA messages contain the IP address of the originating RP and one or more (S, G) pairs being advertised. In addition, the SA message may contain an encapsulated data packet.




---

**Note** For more information about SA messages, see the [SA Message Origination Receipt and Processing, on page 185](#) section.

---

### SA Request Messages

SA request messages are used to request a list of active sources for a specific group. These messages are sent to an MSDP SA cache that maintains a list of active (S, G) pairs in its SA cache. Join latency can be reduced by using SA request messages to request the list of active sources for a group instead of having to wait up to 60 seconds for all active sources in the group to be readvertised by originating RPs.



## SA Response Messages

SA response messages are sent by the MSDP peer in response to an SA request message. SA response messages contain the IP address of the originating RP and one or more (S, G) pairs of the active sources in the originating RP's domain that are stored in the cache.

## Keepalive Messages

Keepalive messages are sent every 60 seconds in order to keep the MSDP session active. If no keepalive messages or SA messages are received for 75 seconds, the MSDP session is reset.

## SA Message Origination Receipt and Processing

The section describes SA message origination, receipt, and processing in detail.

### SA Message Origination

SA messages are triggered by an RP (assuming MSDP is configured) when any new source goes active within a local PIM-SM domain. A local source is a source that is directly connected to the RP or is the first-hop DR that has registered with it. An RP originates SA messages only for local sources in its PIM-SM domain; that is, for local sources that register with it.



**Note** A local source is denoted by the A flag being set in the (S, G) mroute entry on the RP (which can be viewed in the output of the **show ip mroute** command). This flag indicates that the source is a candidate for advertisement by the RP to other MSDP peers.

When a source is in the local PIM-SM domain, it causes the creation of (S, G) state in the RP. New sources are detected by the RP either by the receipt of a register message or the arrival of the first (S, G) packet from a directly connected source. The initial multicast packet sent by the source (either encapsulated in the register message or received from a directly connected source) is encapsulated in the initial SA message.

### SA Message Receipt

SA messages are only accepted from the MSDP RPF peer that is in the best path back toward the originator. The same SA message arriving from other MSDP peers must be ignored or SA loops can occur. Deterministically selecting the MSDP RPF peer for an arriving SA message requires knowledge of the MSDP topology. However, MSDP does not distribute topology information in the form of routing updates. MSDP infers this information by using (M)BGP routing data as the best approximation of the MSDP topology for the SA RPF check mechanism. An MSDP topology, therefore, must follow the same general topology as the BGP peer topology. Besides a few exceptions (such as default MSDP peers and MSDP peers in MSDP mesh groups), MSDP peers, in general should also be (M)BGP peers.

#### How RPF Check Rules Are Applied to SA Messages

The rules that apply to RPF checks for SA messages are dependent on the BGP peerings between the MSDP peers:

- Rule 1: Applied when the sending MSDP peer is also an interior (M)BGP peer.
- Rule 2: Applied when the sending MSDP peer is also an exterior (M)BGP peer.

- Rule 3: Applied when the sending MSDP peer is not an (M)BGP peer.

RPF checks are not performed in the following cases:

- If the sending MSDP peer is the only MSDP peer, which would be the case if only a single MSDP peer or a default MSDP peer is configured.
- If the sending MSDP peer is a member of a mesh group.
- If the sending MSDP peer address is the RP address contained in the SA message.

### How the Software Determines the Rule to Apply to RPF Checks

The software uses the following logic to determine which RPF rule to apply to RPF checks:

- Find the (M)BGP neighbor that has the same IP address as the sending MSDP peer.
  - If the matching (M)BGP neighbor is an internal BGP (iBGP) peer, apply Rule 1.
  - If the matching (M)BGP neighbor is an external BGP (eBGP) peer, apply Rule 2.
  - If no match is found, apply Rule 3.

The implication of the RPF check rule selection is as follows: The IP address used to configure an MSDP peer on a device must match the IP address used to configure the (M)BGP peer on the same device.

### Rule 1 of RPF Checking of SA Messages in MSDP

Rule 1 of RPF checking in MSDP is applied when the sending MSDP peer is also an i(M)BGP peer. When Rule 1 is applied, the RPF check proceeds as follows:

1. The peer searches the BGP Multicast Routing Information Base (MRIB) for the best path to the RP that originated the SA message. If a path is not found in the MRIB, the peer then searches the Unicast Routing Information Base (URIB). If a path is still not found, the RPF check fails.
2. If the previous search succeeds (that is, the best path is found), the peer then determines the address of the BGP neighbor for this best path, which will be the address of the BGP neighbor that sent the peer the path in BGP update messages.



#### Note

The BGP neighbor address is not the same as the next-hop address in the path. Because i(M)BGP peers do not update the next-hop attribute of a path, the next-hop address usually is not the same as the address of the BGP peer that sent us the path.



#### Note

The BGP neighbor address is not necessarily the same as the BGP ID of the peer that sent the peer the path.

1. If the IP address of the sending MSDP peer is the same as the BGP neighbor address (that is, the address of the BGP peer that sent the peer the path), then the RPF check succeeds; otherwise it fails.

### Implications of Rule 1 of RPF Checking on MSDP

The MSDP topology must mirror the (M)BGP topology. In general, wherever there is an i(M)BGP peer connection between two devices, an MSDP peer connection should be configured. More specifically, the IP

address of the far-end MSDP peer connection must be the same as the far-end i(M)BGP peer connection. The addresses must be the same because the BGP topology between i(M)BGP peers inside an autonomous system is not described by the AS path. If it were always the case that i(M)BGP peers updated the next-hop address in the path when sending an update to another i(M)BGP peer, then the peer could rely on the next-hop address to describe the i(M)BGP topology (and hence the MSDP topology). However, because the default behavior for i(M)BGP peers is to not update the next-hop address, the peer cannot rely on the next-hop address to describe the (M)BGP topology (MSDP topology). Instead, the i(M)BGP peer uses the address of the i(M)BGP peer that sent the path to describe the i(M)BGP topology (MSDP topology) inside the autonomous system.



---

**Tip** Care should be taken when configuring the MSDP peer addresses to make sure that the same address is used for both i(M)BGP and MSDP peer addresses.

---

### Rule 2 of RPF Checking of SA Messages in MSDP

Rule 2 of RPF checking in MSDP is applied when the sending MSDP peer is also an e(M)BGP peer. When Rule 2 is applied, the RPF check proceeds as follows:

1. The peer searches the BGP MRIB for the best path to the RP that originated the SA message. If a path is not found in the MRIB, the peer then searches the URIB. If a path is still not found, the RPF check fails.
2. If the previous search succeeds (that is, the best path is found), the peer then examines the path. If the first autonomous system in the best path to the RP is the same as the autonomous system of the e(M)BGP peer (which is also the sending MSDP peer), then the RPF check succeeds; otherwise it fails.

### Implications of Rule 2 of RPF Checking on MSDP

The MSDP topology must mirror the (M)BGP topology. In general, wherever there is an e(M)BGP peer connection between two devices, an MSDP peer connection should be configured. As opposed to Rule 1, the IP address of the far-end MSDP peer connection does not have to be the same as the far-end e(M)BGP peer connection. The reason that the addresses do not have to be identical is that BGP topology between two e(M)BGP peers is not described by the AS path.

### Rule 3 of RPF Checking of SA Messages in MSDP

Rule 3 of RPF checking is applied when the sending MSDP peer is not a (M)BGP peer at all. When Rule 3 is applied, the RPF check proceeds as follows:

1. The peer searches the BGP MRIB for the best path to the RP that originated the SA message. If a path is not found in the MRIB, the peer then searches the URIB. If a path is still not found, the RPF check fails.
2. If the previous search succeeds (that is, the best path to the RP that originated the SA message is found), the peer then searches the BGP MRIB for the best path to the MSDP peer that sent the SA message. If a path is not found in the MRIB, the peer then searches the URIB. If a path is still not found, the RPF check fails.



---

**Note** The autonomous system of the MSDP peer that sent the SA is the origin autonomous system, which is the last autonomous system in the AS path to the MSDP peer.

---

1. If the first autonomous system in the best path to the RP is the same as the autonomous system of the sending MSDP peer, then the RPF check succeeds; otherwise it fails.

## SA Message Processing

The following steps are taken by an MSDP peer whenever it processes an SA message:

1. Using the group address G of the (S, G) pair in the SA message, the peer locates the associated (\*, G) entry in the mroute table. If the (\*, G) entry is found and its outgoing interface list is not null, then there are active receivers in the PIM-SM domain for the source advertised in the SA message.
2. The MSDP peer then creates an (S, G) entry for the advertised source.
3. If the (S, G) entry did not already exist, the MSDP peer immediately triggers an (S, G) join toward the source in order to join the source tree.
4. The peer then floods the SA message to all other MSDP peers with the exception of:
  - The MSDP peer from which the SA message was received.
  - Any MSDP peers that are in the same MSDP mesh group as this device (if the peer is a member of a mesh group).




---

**Note** SA messages are stored locally in the device's SA cache.

---

## MSDP Peers

Like BGP, MSDP establishes neighbor relationships with other MSDP peers. MSDP peers connect using TCP port 639. The lower IP address peer takes the active role of opening the TCP connection. The higher IP address peer waits in LISTEN state for the other to make the connection. MSDP peers send keepalive messages every 60 seconds. The arrival of data performs the same function as the keepalive message and keeps the session from timing out. If no keepalive messages or data is received for 75 seconds, the TCP connection is reset.

## MSDP MD5 Password Authentication

The MSDP MD5 password authentication feature is an enhancement to support Message Digest 5 (MD5) signature protection on a TCP connection between two MSDP peers. This feature provides added security by protecting MSDP against the threat of spoofed TCP segments being introduced into the TCP connection stream.

### How MSDP MD5 Password Authentication Works

Developed in accordance with RFC 2385, the MSDP MD5 password authentication feature is used to verify each segment sent on the TCP connection between MSDP peers. The **ip msdp password peer** command is used to enable MD5 authentication for TCP connections between two MSDP peers. When MD5 authentication is enabled between two MSDP peers, each segment sent on the TCP connection between the peers is verified. MD5 authentication must be configured with the same password on both MSDP peers; otherwise, the connection between them will not be made. Configuring MD5 authentication causes the Cisco IOS software to generate and verify the MD5 digest of every segment sent on the TCP connection.

### Benefits of MSDP MD5 Password Authentication

- Protects MSDP against the threat of spoofed TCP segments being introduced into the TCP connection stream.

- Uses the industry-standard MD5 algorithm for improved reliability and security.

## SA Message Limits

The **ip msdp sa-limit** command is used to limit the overall number of SA messages that a device can accept from specified MSDP peers. When the **ip msdp sa-limit** command is configured, the device maintains a per-peer count of SA messages stored in the SA cache and will ignore new messages from a peer if the configured SA message limit for that peer has been reached.

The **ip msdp sa-limit** command was introduced as a means to protect an MSDP-enabled device from denial of service (DoS) attacks. We recommended that you configure SA message limits for all MSDP peerings on the device. An appropriately low SA limit should be configured on peerings with a stub MSDP region (for example, a peer that may have some further downstream peers but that will not act as a transit for SA messages across the rest of the Internet). A high SA limit should be configured for all MSDP peerings that act as transits for SA messages across the Internet.

## MSDP Keepalive and Hold-Time Intervals

The **ip msdp keepalive** command is used to adjust the interval at which an MSDP peer will send keepalive messages and the interval at which the MSDP peer will wait for keepalive messages from other peers before declaring them down.

Once an MSDP peering session is established, each side of the connection sends a keepalive message and sets a keepalive timer. If the keepalive timer expires, the local MSDP peer sends a keepalive message and restarts its keepalive timer; this interval is referred to as the keepalive interval. The *keepalive-interval* argument is used to adjust the interval for which keepalive messages will be sent. The keepalive timer is set to the value specified for the *keepalive-interval* argument when the peer comes up. The keepalive timer is reset to the value of the *keepalive-interval* argument whenever an MSDP keepalive message is sent to the peer and reset when the timer expires. The keepalive timer is deleted when an MSDP peering session is closed. By default, the keepalive timer is set to 60 seconds.



---

**Note** The value specified for the *keepalive-interval* argument must be less than the value specified for the *holdtime-interval* argument and must be at least one second.

---

The hold-time timer is initialized to the value of the *hold-time-interval* argument whenever an MSDP peering connection is established, and is reset to the value of the *hold-time-interval* argument whenever an MSDP keepalive message is received. The hold-time timer is deleted whenever an MSDP peering connection is closed. By default, the hold-time interval is set to 75 seconds.

Use the *hold-time-interval* argument to adjust the interval at which the MSDP peer will wait for keepalive messages from other peers before declaring them down.

## MSDP Connection-Retry Interval

You can adjust the interval at which all MSDP peers will wait after peering sessions are reset before attempting to reestablish the peering sessions. This interval is referred to as the connection-retry interval. By default, MSDP peers will wait 30 seconds after the session is reset before attempting to reestablish sessions with other peers. The modified configured connection-retry interval applies to all MSDP peering sessions on the device.

## Default MSDP Peers

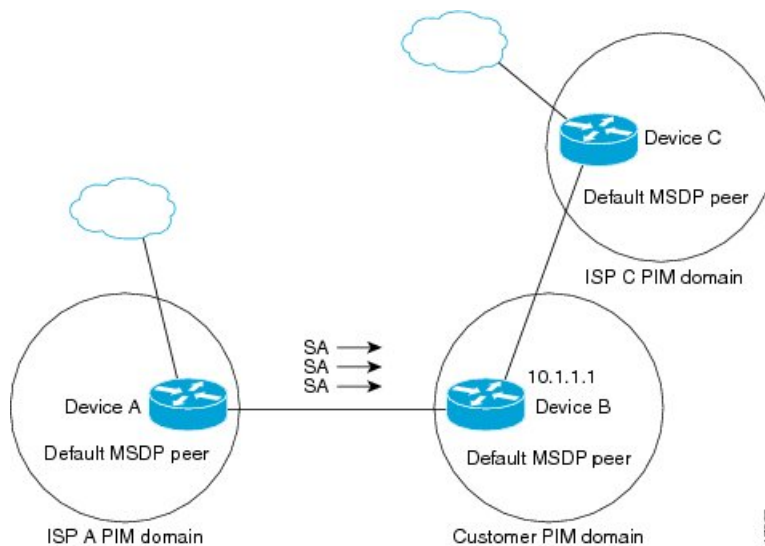
A stub autonomous system also might want to have MSDP peerings with more than one RP for the sake of redundancy. For example, SA messages cannot just be accepted from multiple default peers, because there is no RPF check mechanism. Instead, SA messages are accepted from only one peer. If that peer fails, SA messages are then accepted from the other peer. The underlying assumption here, of course, is that both default peers are sending the same SA messages.

The figure illustrates a scenario where default MSDP peers might be used. In the figure, a customer that owns Device B is connected to the Internet through two Internet service providers (ISPs), one that owns Device A and the other that owns Device C. They are not running BGP or MBGP between them. In order for the customer to learn about sources in the ISP domain or in other domains, Device B identifies Device A as its default MSDP peer. Device B advertises SA messages to both Device A and Device C, but accepts SA messages either from Device A only or Device C only. If Device A is the first default peer in the configuration, it will be used if it is up and running. Only if Device A is not running will Device B accept SA messages from Device C.

The ISP will also likely use a prefix list to define which prefixes it will accept from the customer device. The customer will define multiple default peers, each having one or more prefixes associated with it.

The customer has two ISPs to use. The customer defines both ISPs as default peers. As long as the first default peer identified in the configuration is up and running, it will be the default peer and the customer will accept all SA messages it receives from that peer.

**Figure 25: Default MSDP Peer Scenario**



Device B advertises SAs to Device A and Device C, but uses only Device A or Device C to accept SA messages. If Device A is first in the configuration, it will be used if it is up and running. Only when Device A is not running will Device B accept SAs from Device C. This is the behavior without a prefix list.

If you specify a prefix list, the peer will be a default peer only for the prefixes in the list. You can have multiple active default peers when you have a prefix list associated with each. When you do not have any prefix lists, you can configure multiple default peers, but only the first one is the active default peer as long as the device has connectivity to this peer and the peer is alive. If the first configured peer goes down or the connectivity to this peer goes down, the second configured peer becomes the active default, and so on.

## MSDP Mesh Groups

An MSDP mesh group is a group of MSDP speakers that have fully meshed MSDP connectivity between one another. In other words, each of the MSDP peers in the group must have an MSDP peering relationship (MSDP connection) to every other MSDP peer in the group. When an MSDP mesh group is configured between a group of MSDP peers, SA message flooding is reduced. Because when an MSDP peer in the group receives an SA message from another MSDP peer in the group, it assumes that this SA message was sent to all the other MSDP peers in the group. As a result, it is not necessary for the receiving MSDP peer to flood the SA message to the other MSDP peers in the group.

### Benefits of MSDP Mesh Groups

- Optimizes SA flooding--MSDP mesh groups are particularly useful for optimizing SA flooding when two or more peers are in a group.
- Reduces the amount of SA traffic across the Internet--When MSDP mesh groups are used, SA messages are not flooded to other mesh group peers.
- Eliminates RPF checks on arriving SA messages--When an MSDP mesh group is configured, SA messages are always accepted from mesh group peers.

## SA Origination Filters

By default, an RP that is configured to run MSDP will originate SA messages for all local sources for which it is the RP. Local sources that register with an RP, therefore, will be advertised in SA messages, which in some cases is not desirable. For example, if sources inside a PIM-SM domain are using private addresses (for example, network 10.0.0.0/8), you should configure an SA origination filter to restrict those addresses from being advertised to other MSDP peers across the Internet.

To control what sources are advertised in SA messages, you can configure SA origination filters on an RP. By creating SA origination filters, you can control the sources advertised in SA messages as follows:

- You can configure an RP to prevent the device from advertising local sources in SA messages. The device will still forward SA messages from other MSDP peers in the normal fashion; it will just not originate any SA messages for local sources.
- You can configure the device to only originate SA messages for local sources sending to specific groups that match (S, G) pairs defined in the extended access list. All other local sources will not be advertised in SA messages.
- You can configure the device to only originate SA messages for local sources sending to specific groups that the match AS paths defined in an AS-path access list. All other local sources will not be advertised in SA messages.
- You can configure the device to only originate SA messages for local sources that match the criteria defined in the route map. All other local sources will not be advertised in SA messages.
- You configure an SA origination filter that includes an extended access list, an AS-path access list, and route map, or a combination thereof. In this case, all conditions must be true before any local sources are advertised in SA messages.

## Use of Outgoing Filter Lists in MSDP

By default, an MSDP-enabled device forwards all SA messages it receives to all of its MSDP peers. However, you can prevent SA messages from being forwarded to MSDP peers by creating outgoing filter lists. Outgoing filter lists apply to all SA messages, whether locally originated or received from another MSDP peer, whereas SA origination filters apply only to locally originated SA messages. For more information about enabling a filter for MSDP SA messages originated by the local device, see the [Controlling SA Messages Originated by an RP for Local Sources](#) section.

By creating an outgoing filter list, you can control the SA messages that a device forwards to a peer as follows:

- You can filter all outgoing SA messages forwarded to a specified MSDP peer by configuring the device to stop forwarding its SA messages to the MSDP peer.
- You can filter a subset of outgoing SA messages forwarded to a specified MSDP peer based on (S, G) pairs defined in an extended access list by configuring the device to only forward SA messages to the MSDP peer that match the (S, G) pairs permitted in an extended access list. The forwarding of all other SA messages to the MSDP peer will be stopped.
- You can filter a subset of outgoing SA messages forwarded to a specified MSDP peer based on match criteria defined in a route map by configuring the device to only forward SA messages that match the criteria defined in the route map. The forwarding of all other SA messages to the MSDP peer will be stopped.
- You can filter a subset of outgoing SA messages from a specified peer based on the announcing RP address contained in the SA message by configuring the device to filter outgoing SA messages based on their origin, even after an SA message has been transmitted across one or more MSDP peers. The forwarding of all other SA messages to the MSDP peer will be stopped.
- You can configure an outgoing filter list that includes an extended access list, a route map, and either an RP access list or an RP route map. In this case, all conditions must be true for the MSDP peer to forward the outgoing SA message.



### Caution

Arbitrary filtering of SA messages can result in downstream MSDP peers being starved of SA messages for legitimate active sources. Care, therefore, should be taken when using these sorts of filters. Normally, outgoing filter lists are used only to reject undesirable sources, such as sources using private addresses.

## Use of Incoming Filter Lists in MSDP

By default, an MSDP-enabled device receives all SA messages sent to it from its MSDP peers. However, you can control the source information that a device receives from its MSDP peers by creating incoming filter lists.

By creating incoming filter lists, you can control the incoming SA messages that a device receives from its peers as follows:

- You can filter all incoming SA messages from a specified MSDP peer by configuring the device to ignore all SA messages sent to it from the specified MSDP peer.
- You can filter a subset of incoming SA messages from a specified peer based on (S, G) pairs defined in an extended access list by configuring the device to only receive SA messages from the MSDP peer that



match the (S, G) pairs defined in the extended access list. All other incoming SA messages from the MSDP peer will be ignored.

- You can filter a subset of incoming SA request messages from a specified peer based on match criteria defined in a route map by configuring the device to only receive SA messages that match the criteria defined in the route map. All other incoming SA messages from the MSDP peer will be ignored.
- You can filter a subset of incoming SA messages from a specified peer based on both (S, G) pairs defined in an extended access list and on match criteria defined in a route map by configuring the device to only receive incoming SA messages that both match the (S, G) pairs defined in the extended access list and match the criteria defined in the route map. All other incoming SA messages from the MSDP peer will be ignored.
- You can filter a subset of incoming SA messages from a specified peer based on the announcing RP address contained in the SA message by configuring the device to filter incoming SA messages based on their origin, even after the SA message may have already been transmitted across one or more MSDP peers.
- You can configure an incoming filter list that includes an extended access list, a route map, and either an RP access list or an RP route map. In this case, all conditions must be true for the MSDP peer to receive the incoming SA message.

**Caution**

Arbitrary filtering of SA messages can result in downstream MSDP peers being starved of SA messages for legitimate active sources. Care, therefore, should be taken when using these sorts of filters. Normally, incoming filter lists are used only to reject undesirable sources, such as sources using private addresses.

## TTL Thresholds in MSDP

The time-to-live (TTL) value provides a means to limit the number of hops a packet can take before being dropped. The **ip multicast ttl-threshold** command is used to specify a TTL for data-encapsulated SA messages sent to specified MSDP peers. By default, multicast data packets in SA messages are sent to an MSDP peer, provided the TTL value of the packet is greater than 0, which is standard TTL behavior.

In general, a TTL-threshold problem can be introduced by the encapsulation of a source's initial multicast packet in an SA message. Because the multicast packet is encapsulated inside of the unicast SA message (whose TTL is 255), its TTL is not decremented as the SA message travels to the MSDP peer. Furthermore, the total number of hops that the SA message traverses can be drastically different than a normal multicast packet because multicast and unicast traffic may follow completely different paths to the MSDP peer and hence the remote PIM-SM domain. As a result, encapsulated packets can end up violating TTL thresholds. The solution to this problem is to configure a TTL threshold that is associated with any multicast packet that is encapsulated in an SA message sent to a particular MSDP peer using the **ip multicast ttl-threshold** command. The **ip msdp ttl-threshold** command prevents any multicast packet whose TTL in the IP header is less than the TTL value specified for the *ttl-value* argument from being encapsulated in SA messages sent to that peer.

## SA Request Messages

You can configure a noncaching device to send SA request messages to one or more specified MSDP peers.

If a noncaching RP has an MSDP peer that is caching SAs, you can reduce the join latency for a noncaching peer by enabling the noncaching peer to send SA request messages. When a host requests a join to a particular

group, the noncaching RP sends an SA request message to its caching peers. If a peer has cached source information for the group in question, it sends the information to the requesting RP with an SA response message. The requesting RP uses the information in the SA response but does not forward the message to any other peers. If a noncaching RP receives an SA request, it sends an error message back to the requestor.




---

**Note** In all current and supported software releases, caching of MSDP SA messages is mandatory and cannot be manually enabled or disabled. By default, when an MSDP peer is configured, the configured commands are automatically added to the running configuration.

---

## SA Request Filters

By default, a device honors all outgoing SA request messages from its MSDP peers; that is, it sends cached source information to requesting MSDP peers in SA response messages. You can control the outgoing SA request messages that a device will honor from specified peers by creating an SA request filter. An SA request filter controls the outgoing SA requests that the device will honor from MSDP peers as follows:

- You can filter all SA request messages from a specified peer by configuring the device to ignore all SA requests from the specified MSDP peer.
- You can filter a subset of SA request messages from a specified peer based on groups defined in a standard access list by configuring the device to honor only SA request messages from the MSDP peer that match the groups defined in a standard access list. SA request messages from the specified peer for other groups will be ignored.

# How to Use MSDP to Interconnect Multiple PIM-SM Domains

The first task is required; all other tasks are optional.

## Configuring an MSDP Peer




---

**Note** By enabling an MSDP peer, you implicitly enable MSDP.

---

### Before you begin

- IP multicast routing must be enabled and PIM-SM must be configured.
- With the exception of a single MSDP peer, default MSDP peer, and MSDP mesh group scenarios, all MSDP peers must be configured to run BGP prior to being configured for MSDP.

### SUMMARY STEPS

1. **enable**
2. **configure terminal**
3. **ip msdp peer** {peer-name| peer-address} [connect-source type number] [**remote-as** as-number]

4. **ip msdp description** *{peer-name|peer-address} text*
5. **end**

## DETAILED STEPS

|               | Command or Action                                                                                                                                                                              | Purpose                                                                                                                                                                                                                                                                                                                                                                                                                                                                                                                                                                                                                                                                                                                                                                          |
|---------------|------------------------------------------------------------------------------------------------------------------------------------------------------------------------------------------------|----------------------------------------------------------------------------------------------------------------------------------------------------------------------------------------------------------------------------------------------------------------------------------------------------------------------------------------------------------------------------------------------------------------------------------------------------------------------------------------------------------------------------------------------------------------------------------------------------------------------------------------------------------------------------------------------------------------------------------------------------------------------------------|
| <b>Step 1</b> | <b>enable</b><br><b>Example:</b><br>Device> enable                                                                                                                                             | Enables privileged EXEC mode. <ul style="list-style-type: none"> <li>• Enter your password if prompted.</li> </ul>                                                                                                                                                                                                                                                                                                                                                                                                                                                                                                                                                                                                                                                               |
| <b>Step 2</b> | <b>configure terminal</b><br><b>Example:</b><br>Device# configure terminal                                                                                                                     | Enters global configuration mode.                                                                                                                                                                                                                                                                                                                                                                                                                                                                                                                                                                                                                                                                                                                                                |
| <b>Step 3</b> | <b>ip msdp peer</b> <i>{peer-name peer-address} [connect-source type number] [remote-as as-number]</i><br><b>Example:</b><br>Device(config)# ip msdp peer 192.168.1.2 connect-source loopback0 | Enables MSDP and configures an MSDP peer as specified by the DNS name or IP address. <p><b>Note</b> The device that is selected to be configured as an MSDP peer is also usually a BGP neighbor. If it is not, see the <a href="#">Configuring a Default MSDP Peer, on page 201</a> section or the <a href="#">Configuring an MSDP Mesh Group, on page 202</a> section.</p> <ul style="list-style-type: none"> <li>• If you specify the <b>connect-source</b> keyword, the primary address of the specified local interface <i>type</i> and <i>number</i> values are used as the source IP address for the TCP connection. The <b>connect-source</b> keyword is recommended, especially for MSDP peers on a border that peer with a device inside of a remote domain.</li> </ul> |
| <b>Step 4</b> | <b>ip msdp description</b> <i>{peer-name peer-address} text</i><br><b>Example:</b><br>Device(config)# ip msdp description 192.168.1.2 router at customer a                                     | (Optional) Configures a description for a specified peer to make it easier to identify in a configuration or in <b>show</b> command output.                                                                                                                                                                                                                                                                                                                                                                                                                                                                                                                                                                                                                                      |
| <b>Step 5</b> | <b>end</b><br><b>Example:</b><br>Device(config)# end                                                                                                                                           | Exits global configuration mode and returns to privileged EXEC mode.                                                                                                                                                                                                                                                                                                                                                                                                                                                                                                                                                                                                                                                                                                             |

## Shutting Down an MSDP Peer

Perform this optional task to shut down an MSDP peer.

If you are configuring several MSDP peers and you do not want any of the peers to go active until you have finished configuring all of them, you can shut down each peer, configure each peer, and later bring each peer up. You might also want to shut down an MSDP session without losing the configuration for that MSDP peer.



**Note** When an MSDP peer is shut down, the TCP connection is terminated and not restarted until the peer is brought back up using the **no ip msdp shutdown** command (for the specified peer).

### Before you begin

MSDP is running and the MSDP peers must be configured.

## SUMMARY STEPS

1. **enable**
2. **configure terminal**
3. **ip msdp shutdown** {peer-name | peer-address}
4. Repeat Step 3 to shut down additional MSDP peers.
5. **end**

## DETAILED STEPS

|               | Command or Action                                                                                                   | Purpose                                                                 |
|---------------|---------------------------------------------------------------------------------------------------------------------|-------------------------------------------------------------------------|
| <b>Step 1</b> | <b>enable</b><br><b>Example:</b><br><br>> enable                                                                    | Enables privileged EXEC mode.<br><br>• Enter your password if prompted. |
| <b>Step 2</b> | <b>configure terminal</b><br><b>Example:</b><br><br># configure terminal                                            | Enters global configuration mode.                                       |
| <b>Step 3</b> | <b>ip msdp shutdown</b> {peer-name   peer-address}<br><b>Example:</b><br><br>(config)# ip msdp shutdown 192.168.1.3 | Administratively shuts down the specified MSDP peer.                    |
| <b>Step 4</b> | Repeat Step 3 to shut down additional MSDP peers.                                                                   | --                                                                      |
| <b>Step 5</b> | <b>end</b><br><b>Example:</b><br><br>(config)# end                                                                  | Exits global configuration mode and returns to privileged EXEC mode.    |

## Configuring MSDP MD5 Password Authentication Between MSDP Peers

Perform this optional task to configure MSDP MD5 password authentication between MSDP peers.

### SUMMARY STEPS

1. **enable**
2. **configure terminal**
3. **ip msdp password peer** {peer-name | peer-address} [encryption-type] string
4. **exit**
5. **show ip msdp peer** [peer-address | peer-name]

### DETAILED STEPS

|               | Command or Action                                                                                                                                                | Purpose                                                                                                                                                                                                                                                                                                                                                                                                                                                                                                                                                                                  |
|---------------|------------------------------------------------------------------------------------------------------------------------------------------------------------------|------------------------------------------------------------------------------------------------------------------------------------------------------------------------------------------------------------------------------------------------------------------------------------------------------------------------------------------------------------------------------------------------------------------------------------------------------------------------------------------------------------------------------------------------------------------------------------------|
| <b>Step 1</b> | <b>enable</b><br><b>Example:</b><br>Device> enable                                                                                                               | Enables privileged EXEC mode. <ul style="list-style-type: none"> <li>• Enter your password if prompted.</li> </ul>                                                                                                                                                                                                                                                                                                                                                                                                                                                                       |
| <b>Step 2</b> | <b>configure terminal</b><br><b>Example:</b><br>Device# configure terminal                                                                                       | Enters global configuration mode.                                                                                                                                                                                                                                                                                                                                                                                                                                                                                                                                                        |
| <b>Step 3</b> | <b>ip msdp password peer</b> {peer-name   peer-address} [encryption-type] string<br><b>Example:</b><br>Device(config)# ip msdp password peer 10.32.43.144 0 test | Enables MD5 password encryption for a TCP connection between two MSDP peers. <p><b>Note</b> MD5 authentication must be configured with the same password on both MSDP peers; otherwise, the connection between them will not be made.</p> <ul style="list-style-type: none"> <li>• If you configure or change the password or key, which is used for MD5 authentication between two MSDP peers, the local device does not disconnect the existing session after you configure the password. You must manually disconnect the session to activate the new or changed password.</li> </ul> |
| <b>Step 4</b> | <b>exit</b><br><b>Example:</b><br>Device(config)# exit                                                                                                           | Exits global configuration mode and returns to privileged EXEC mode.                                                                                                                                                                                                                                                                                                                                                                                                                                                                                                                     |
| <b>Step 5</b> | <b>show ip msdp peer</b> [peer-address   peer-name]<br><b>Example:</b><br>Device# show ip msdp peer                                                              | (Optional) Displays detailed information about MSDP peers. <p><b>Note</b> Use this command to verify whether MD5 password authentication is enabled on an MSDP peer.</p>                                                                                                                                                                                                                                                                                                                                                                                                                 |

## Troubleshooting Tips

If a device has a password configured for an MSDP peer but the MSDP peer does not, a message such as the following will appear on the console while the devices attempt to establish an MSDP session between them:

```
%TCP-6-BADAUTH: No MD5 digest from [peer's IP address]:11003 to [local router's IP address]:179
```

Similarly, if the two devices have different passwords configured, a message such as the following will appear on the console:

```
%TCP-6-BADAUTH: Invalid MD5 digest from [peer's IP address]:11004 to [local router's IP address]:179
```

The **debug ip tcp transactions** command is used to display information on significant TCP transactions such as state changes, retransmissions, and duplicate packets. In the context of monitoring or troubleshooting MSDP MD5 password authentication, use the **debug ip tcp transactions** command to verify that the MD5 password is enabled and that the keepalive message is received by the MSDP peer.

## Preventing DoS Attacks by Limiting the Number of SA Messages Allowed in the SA Cache from Specified MSDP Peers

Perform this optional (but highly recommended) task to limit the overall number of SA messages that the device can accept from specified MSDP peers. Performing this task protects an MSDP-enabled device from distributed denial-of-service (DoS) attacks.



**Note** We recommend that you perform this task for all MSDP peerings on the device.

### SUMMARY STEPS

1. **enable**
2. **configure terminal**
3. **ip msdp sa-limit** *{peer-address | peer-name} sa-limit*
4. Repeat Step 3 to configure SA limits for additional MSDP peers.
5. **exit**
6. **show ip msdp count** *[as-number]*
7. **show ip msdp peer** *[peer-address | peer-name]*
8. **show ip msdp summary**

### DETAILED STEPS

|        | Command or Action                                  | Purpose                                                                                                            |
|--------|----------------------------------------------------|--------------------------------------------------------------------------------------------------------------------|
| Step 1 | <b>enable</b><br><b>Example:</b><br>Device> enable | Enables privileged EXEC mode. <ul style="list-style-type: none"> <li>• Enter your password if prompted.</li> </ul> |

|               | Command or Action                                                                                                                                              | Purpose                                                                                                                                                                                        |
|---------------|----------------------------------------------------------------------------------------------------------------------------------------------------------------|------------------------------------------------------------------------------------------------------------------------------------------------------------------------------------------------|
| <b>Step 2</b> | <b>configure terminal</b><br><b>Example:</b><br><br>Device# configure terminal                                                                                 | Enters global configuration mode.                                                                                                                                                              |
| <b>Step 3</b> | <b>ip msdp sa-limit</b> { <i>peer-address</i>   <i>peer-name</i> } <i>sa-limit</i><br><b>Example:</b><br><br>Device(config)# ip msdp sa-limit 192.168.10.1 100 | Limits the number of SA messages allowed in the SA cache from the specified MSDP.                                                                                                              |
| <b>Step 4</b> | Repeat Step 3 to configure SA limits for additional MSDP peers.                                                                                                | --                                                                                                                                                                                             |
| <b>Step 5</b> | <b>exit</b><br><b>Example:</b><br><br>Device(config)# exit                                                                                                     | Exits global configuration mode and returns to privileged EXEC mode.                                                                                                                           |
| <b>Step 6</b> | <b>show ip msdp count</b> [ <i>as-number</i> ]<br><b>Example:</b><br><br>Device# show ip msdp count                                                            | (Optional) Displays the number of sources and groups originated in MSDP SA messages and the number of SA messages from an MSDP peer in the SA cache.                                           |
| <b>Step 7</b> | <b>show ip msdp peer</b> [ <i>peer-address</i>   <i>peer-name</i> ]<br><b>Example:</b><br><br>Device# show ip msdp peer                                        | (Optional) Displays detailed information about MSDP peers.<br><b>Note</b> The output of this command displays the number of SA messages received from MSDP peers that are stored in the cache. |
| <b>Step 8</b> | <b>show ip msdp summary</b><br><b>Example:</b><br><br>Device# show ip msdp summary                                                                             | (Optional) Displays MSDP peer status.<br><b>Note</b> The output of this command displays a per-peer “SA Count” field that displays the number of SAs stored in the cache.                      |

## Adjusting the MSDP Keepalive and Hold-Time Intervals

Perform this optional task to adjust the interval at which an MSDP peer will send keepalive messages and the interval at which the MSDP peer will wait for keepalive messages from other peers before declaring them down. By default, it may take as long as 75 seconds for an MSDP peer to detect that a peering session with another MSDP peer has gone down. In network environments with redundant MSDP peers, decreasing the hold-time interval can expedite the reconvergence time of MSDP peers in the event that an MSDP peer fails.



**Note** We recommend that you do not change the command defaults for the **ip msdp keepalive** command, because the command defaults are in accordance with RFC 3618, *Multicast Source Discovery Protocol*. If your network environment requires that you modify the defaults, you must configure the same time values for the *keepalive-interval* and *hold-time-interval* arguments on both ends of the MSDP peering session.

## SUMMARY STEPS

1. **enable**
2. **configure terminal**
3. **ip msdp keepalive** {*peer-address* | *peer-name*} *keepalive-interval* *hold-time-interval*
4. Repeat Step 3 to adjust the keepalive message interval for additional MSDP peers.
5. **exit**

## DETAILED STEPS

|               | Command or Action                                                                                                                                                                                     | Purpose                                                                                                                                                                                          |
|---------------|-------------------------------------------------------------------------------------------------------------------------------------------------------------------------------------------------------|--------------------------------------------------------------------------------------------------------------------------------------------------------------------------------------------------|
| <b>Step 1</b> | <b>enable</b><br><b>Example:</b><br><br>Device> enable                                                                                                                                                | Enables privileged EXEC mode.<br><br>• Enter your password if prompted.                                                                                                                          |
| <b>Step 2</b> | <b>configure terminal</b><br><b>Example:</b><br><br>Device# configure terminal                                                                                                                        | Enters global configuration mode.                                                                                                                                                                |
| <b>Step 3</b> | <b>ip msdp keepalive</b> { <i>peer-address</i>   <i>peer-name</i> }<br><i>keepalive-interval</i> <i>hold-time-interval</i><br><b>Example:</b><br><br>Device(config)# ip msdp keepalive 10.1.1.3 40 55 | Configures the interval at which an MSDP peer will send keepalive messages and the interval at which the MSDP peer will wait for keepalive messages from other peers before declaring them down. |
| <b>Step 4</b> | Repeat Step 3 to adjust the keepalive message interval for additional MSDP peers.                                                                                                                     | --                                                                                                                                                                                               |
| <b>Step 5</b> | <b>exit</b><br><b>Example:</b><br><br>Device(config)# exit                                                                                                                                            | Exits global configuration mode and returns to privileged EXEC mode.                                                                                                                             |

## Adjusting the MSDP Connection-Retry Interval

Perform this optional task to adjust the interval at which MSDP peers will wait after peering sessions are reset before attempting to reestablish the peering sessions. In network environments where fast recovery of SA messages is required, such as in trading floor network environments, you may want to decrease the connection-retry interval to a time value less than the default value of 30 seconds.



**SUMMARY STEPS**

1. **enable**
2. **configure terminal**
3. **ip msdp timer** *connection-retry-interval*
4. **exit**

**DETAILED STEPS**

|               | <b>Command or Action</b>                                                                             | <b>Purpose</b>                                                                                                                                |
|---------------|------------------------------------------------------------------------------------------------------|-----------------------------------------------------------------------------------------------------------------------------------------------|
| <b>Step 1</b> | <b>enable</b><br><b>Example:</b><br>Device> enable                                                   | Enables privileged EXEC mode. <ul style="list-style-type: none"> <li>• Enter your password if prompted.</li> </ul>                            |
| <b>Step 2</b> | <b>configure terminal</b><br><b>Example:</b><br>Device# configure terminal                           | Enters global configuration mode.                                                                                                             |
| <b>Step 3</b> | <b>ip msdp timer</b> <i>connection-retry-interval</i><br><b>Example:</b><br>Device# ip msdp timer 45 | Configures the interval at which MSDP peers will wait after peering sessions are reset before attempting to reestablish the peering sessions. |
| <b>Step 4</b> | <b>exit</b><br><b>Example:</b><br>Device(config)# exit                                               | Exits global configuration mode and returns to privileged EXEC mode.                                                                          |

**Configuring a Default MSDP Peer**

Perform this optional task to configure a default MSDP peer.

**Before you begin**

An MSDP default peer must be a previously configured MSDP peer. Before configuring a default MSDP peer, you must first configure an MSDP peer.

**SUMMARY STEPS**

1. **enable**
2. **configure terminal**
3. **ip msdp default-peer** {*peer-address* | *peer-name*} [**prefix-list** *list*]
4. **exit**

## DETAILED STEPS

|               | Command or Action                                                                                                                                                       | Purpose                                                                                                             |
|---------------|-------------------------------------------------------------------------------------------------------------------------------------------------------------------------|---------------------------------------------------------------------------------------------------------------------|
| <b>Step 1</b> | <b>enable</b><br><b>Example:</b><br><br>Device> enable                                                                                                                  | Enables privileged EXEC mode.<br><ul style="list-style-type: none"><li>• Enter your password if prompted.</li></ul> |
| <b>Step 2</b> | <b>configure terminal</b><br><b>Example:</b><br><br>Device# configure terminal                                                                                          | Enters global configuration mode.                                                                                   |
| <b>Step 3</b> | <b>ip msdp default-peer</b> <i>{peer-address   peer-name}</i><br>[ <i>prefix-list list</i> ]<br><b>Example:</b><br><br>Device(config)# ip msdp default-peer 192.168.1.3 | Configures a default peer from which to accept all MSDP SA messages                                                 |
| <b>Step 4</b> | <b>exit</b><br><b>Example:</b><br><br>Device(config)# exit                                                                                                              | Exits global configuration mode and returns to privileged EXEC mode.                                                |

## Configuring an MSDP Mesh Group

Perform this optional task to configure an MSDP mesh group.



**Note** You can configure multiple mesh groups per device.

## SUMMARY STEPS

1. **enable**
2. **configure terminal**
3. **ip msdp mesh-group** *mesh-name* *{peer-address | peer-name}*
4. Repeat Step 3 to add MSDP peers as members of the mesh group.
5. **exit**

## DETAILED STEPS

|               | Command or Action                                | Purpose                                                                                                             |
|---------------|--------------------------------------------------|---------------------------------------------------------------------------------------------------------------------|
| <b>Step 1</b> | <b>enable</b><br><b>Example:</b><br><br>> enable | Enables privileged EXEC mode.<br><ul style="list-style-type: none"><li>• Enter your password if prompted.</li></ul> |

|        | Command or Action                                                                                                                                            | Purpose                                                                                                                                                                                                                                                                                                                                                                                                                    |
|--------|--------------------------------------------------------------------------------------------------------------------------------------------------------------|----------------------------------------------------------------------------------------------------------------------------------------------------------------------------------------------------------------------------------------------------------------------------------------------------------------------------------------------------------------------------------------------------------------------------|
| Step 2 | <b>configure terminal</b><br><b>Example:</b><br><pre># configure terminal</pre>                                                                              | Enters global configuration mode.                                                                                                                                                                                                                                                                                                                                                                                          |
| Step 3 | <b>ip msdp mesh-group</b> <i>mesh-name</i> { <i>peer-address</i>   <i>peer-name</i> }<br><b>Example:</b><br><pre>(config)# ip msdp mesh-group peermesh</pre> | Configures an MSDP mesh group and indicates that an MSDP peer belongs to that mesh group.<br><br><b>Note</b> All MSDP peers on a device that participate in a mesh group must be fully meshed with all other MSDP peers in the group. Each MSDP peer on each device must be configured as a peer using the <b>ip msdp peer</b> command and also as a member of the mesh group using the <b>ip msdp mesh-group</b> command. |
| Step 4 | Repeat Step 3 to add MSDP peers as members of the mesh group.                                                                                                | --                                                                                                                                                                                                                                                                                                                                                                                                                         |
| Step 5 | <b>exit</b><br><b>Example:</b><br><pre>(config)# exit</pre>                                                                                                  | Exits global configuration mode and returns to privileged EXEC mode.                                                                                                                                                                                                                                                                                                                                                       |

## Controlling SA Messages Originated by an RP for Local Sources

Perform this task to control SA messages originated by an RP by enabling a filter to restrict which registered sources are advertised in SA messages.



**Note** For best practice information related to configuring MSDP SA message filters, see the [Multicast Source Discovery Protocol SA Filter Recommendations](#) tech note.

### SUMMARY STEPS

1. **enable**
2. **configure terminal**
3. **ip msdp redistribute** [*list access-list*] [*asn as-access-list*] [*route-map map-name*]
4. **exit**

### DETAILED STEPS

|        | Command or Action                | Purpose                                                                                                            |
|--------|----------------------------------|--------------------------------------------------------------------------------------------------------------------|
| Step 1 | <b>enable</b><br><b>Example:</b> | Enables privileged EXEC mode. <ul style="list-style-type: none"> <li>• Enter your password if prompted.</li> </ul> |

|               | Command or Action                                                                                                                                                                                               | Purpose                                                                                                                                                                                                                                                                                                                                         |
|---------------|-----------------------------------------------------------------------------------------------------------------------------------------------------------------------------------------------------------------|-------------------------------------------------------------------------------------------------------------------------------------------------------------------------------------------------------------------------------------------------------------------------------------------------------------------------------------------------|
|               | Device> enable                                                                                                                                                                                                  |                                                                                                                                                                                                                                                                                                                                                 |
| <b>Step 2</b> | <b>configure terminal</b><br><b>Example:</b><br>Device# configure terminal                                                                                                                                      | Enters global configuration mode.                                                                                                                                                                                                                                                                                                               |
| <b>Step 3</b> | <b>ip msdp redistribute</b> [ <i>list access-list</i> ] [ <i>asn as-access-list</i> ]<br>[ <i>route-map map-name</i> ]<br><b>Example:</b><br>Device(config)# ip msdp redistribute route-map<br>customer-sources | Enables a filter for MSDP SA messages originated by the local device.<br><br><b>Note</b> The <b>ip msdp redistribute</b> command can also be used to advertise sources that are known to the RP but not registered. However, it is strongly recommended that you not originate advertisements for sources that have not registered with the RP. |
| <b>Step 4</b> | <b>exit</b><br><b>Example:</b><br>Device(config)# exit                                                                                                                                                          | Exits global configuration mode and returns to privileged EXEC mode.                                                                                                                                                                                                                                                                            |

## Controlling the Forwarding of SA Messages to MSDP Peers Using Outgoing Filter Lists

Perform this optional task to control the forwarding of SA messages to MSDP peers by configuring outgoing filter lists.



**Note** For best practice information related to configuring MSDP SA message filters, see the [Multicast Source Discovery Protocol SA Filter Recommendations](#) tech note.

### SUMMARY STEPS

1. **enable**
2. **configure terminal**
3. **ip msdp sa-filter out** {*peer-address* | *peer-name*} [*list access-list*] [**route-map** *map-name*] [**rp-list** *access-list* | **rp-route-map** *map-name*]
4. Repeat Step 3 to configure outgoing filter lists for additional MSDP peers.
5. **exit**

### DETAILED STEPS

|               | Command or Action | Purpose                       |
|---------------|-------------------|-------------------------------|
| <b>Step 1</b> | <b>enable</b>     | Enables privileged EXEC mode. |

|               | Command or Action                                                                                                                                                                                                                                                                                              | Purpose                                                                            |
|---------------|----------------------------------------------------------------------------------------------------------------------------------------------------------------------------------------------------------------------------------------------------------------------------------------------------------------|------------------------------------------------------------------------------------|
|               | <b>Example:</b><br>Device> enable                                                                                                                                                                                                                                                                              | <ul style="list-style-type: none"> <li>Enter your password if prompted.</li> </ul> |
| <b>Step 2</b> | <b>configure terminal</b><br><b>Example:</b><br>Device# configure terminal                                                                                                                                                                                                                                     | Enters global configuration mode.                                                  |
| <b>Step 3</b> | <b>ip msdp sa-filter out</b> { <i>peer-address</i>   <i>peer-name</i> } [ <b>list</b> <i>access-list</i> ] [ <b>route-map</b> <i>map-name</i> ] [ <b>rp-list</b> <i>access-list</i>   <b>rp-route-map</b> <i>map-name</i> ]<br><b>Example:</b><br>Device(config)# ip msdp sa-filter out 192.168.1.5<br>peerone | Enables a filter for outgoing MSDP messages.                                       |
| <b>Step 4</b> | Repeat Step 3 to configure outgoing filter lists for additional MSDP peers.                                                                                                                                                                                                                                    | --                                                                                 |
| <b>Step 5</b> | <b>exit</b><br><b>Example:</b><br>Device(config)# exit                                                                                                                                                                                                                                                         | Exits global configuration mode and returns to privileged EXEC mode.               |

## Controlling the Receipt of SA Messages from MSDP Peers Using Incoming Filter Lists

Perform this optional task to control the receipt of incoming SA messages from MSDP peers.



**Note** For best practice information related to configuring MSDP SA message filters, see the [Multicast Source Discovery Protocol SA Filter Recommendations](#) tech note.

### SUMMARY STEPS

- enable
- configure terminal
- ip msdp sa-filter in {*peer-address* | *peer-name*} [**list** *access-list*] [**route-map** *map-name*] [**rp-list** *access-list* | **rp-route-map** *map-name*]
- Repeat Step 3 to configure incoming filter lists for additional MSDP peers.
- exit

## DETAILED STEPS

|               | Command or Action                                                                                                                                                                                                                                         | Purpose                                                                 |
|---------------|-----------------------------------------------------------------------------------------------------------------------------------------------------------------------------------------------------------------------------------------------------------|-------------------------------------------------------------------------|
| <b>Step 1</b> | <b>enable</b><br><b>Example:</b><br><br>Device> enable                                                                                                                                                                                                    | Enables privileged EXEC mode.<br><br>• Enter your password if prompted. |
| <b>Step 2</b> | <b>configure terminal</b><br><b>Example:</b><br><br>Device# configure terminal                                                                                                                                                                            | Enters global configuration mode.                                       |
| <b>Step 3</b> | <b>ip msdp sa-filter in</b> <i>{peer-address   peer-name}</i> [ <b>list access-list</b> ] [ <b>route-map map-name</b> ] [ <b>rp-list access-list   rp-route-map map-name</b> ]<br><b>Example:</b><br><br>Device(config)# ip msdp sa-filter in 192.168.1.3 | Enables a filter for incoming MSDP SA messages.                         |
| <b>Step 4</b> | Repeat Step 3 to configure incoming filter lists for additional MSDP peers.                                                                                                                                                                               | --                                                                      |
| <b>Step 5</b> | <b>exit</b><br><b>Example:</b><br><br>Device(config)# exit                                                                                                                                                                                                | Exits global configuration mode and returns to privileged EXEC mode.    |

## Using TTL Thresholds to Limit the Multicast Data Sent in SA Messages

Perform this optional task to establish a time to live (TTL) threshold to limit the multicast data sent in SA messages.

## SUMMARY STEPS

1. **enable**
2. **configure terminal**
3. **ip msdp ttl-threshold** *{peer-address | peer-name}* *ttl-value*
4. **exit**

## DETAILED STEPS

|               | Command or Action                                      | Purpose                                                                 |
|---------------|--------------------------------------------------------|-------------------------------------------------------------------------|
| <b>Step 1</b> | <b>enable</b><br><b>Example:</b><br><br>Device> enable | Enables privileged EXEC mode.<br><br>• Enter your password if prompted. |

|        | Command or Action                                                                                                                                             | Purpose                                                                                                                                                                                                                                                                                    |
|--------|---------------------------------------------------------------------------------------------------------------------------------------------------------------|--------------------------------------------------------------------------------------------------------------------------------------------------------------------------------------------------------------------------------------------------------------------------------------------|
| Step 2 | <b>configure terminal</b><br><b>Example:</b><br>Device# configure terminal                                                                                    | Enters global configuration mode.                                                                                                                                                                                                                                                          |
| Step 3 | <b>ip msdp ttl-threshold</b> {peer-address   peer-name} ttl-value<br><b>Example:</b><br><b>Example:</b><br>Device(config)# ip msdp ttl-threshold 192.168.1.58 | Sets a TTL value for MSDP messages originated by the local device. <ul style="list-style-type: none"> <li>• By default, multicast data packets in SA messages are sent to an MSDP peer, provided the TTL value of the packet is greater than 0, which is standard TTL behavior.</li> </ul> |
| Step 4 | <b>exit</b><br><b>Example:</b><br>Device(config)# exit                                                                                                        | Exits global configuration mode and returns to privileged EXEC mode.                                                                                                                                                                                                                       |

## Requesting Source Information from MSDP Peers

Perform this optional task to enable a device to request source information from MSDP peers.



**Note** Because SA caching is enabled by default and cannot be explicitly enabled or disabled in earlier Cisco software releases, performing this task is seldom needed.

### SUMMARY STEPS

1. **enable**
2. **configure terminal**
3. **ip msdp sa-request** {peer-address | peer-name}
4. Repeat Step 3 to specify that the device send SA request messages to additional MSDP caching peers.
5. **exit**

### DETAILED STEPS

|        | Command or Action                                  | Purpose                                                                                                            |
|--------|----------------------------------------------------|--------------------------------------------------------------------------------------------------------------------|
| Step 1 | <b>enable</b><br><b>Example:</b><br>Device> enable | Enables privileged EXEC mode. <ul style="list-style-type: none"> <li>• Enter your password if prompted.</li> </ul> |
| Step 2 | <b>configure terminal</b><br><b>Example:</b>       | Enters global configuration mode.                                                                                  |

|               | Command or Action                                                                                                              | Purpose                                                                        |
|---------------|--------------------------------------------------------------------------------------------------------------------------------|--------------------------------------------------------------------------------|
|               | Device# configure terminal                                                                                                     |                                                                                |
| <b>Step 3</b> | <b>ip msdp sa-request</b> {peer-address   peer-name}<br><b>Example:</b><br><br>Device(config)# ip msdp sa-request 192.168.10.1 | Specifies that the device send SA request messages to the specified MSDP peer. |
| <b>Step 4</b> | Repeat Step 3 to specify that the device send SA request messages to additional MSDP caching peers.                            | --                                                                             |
| <b>Step 5</b> | <b>exit</b><br><b>Example:</b><br><br>Device(config)# exit                                                                     | Exits global configuration mode and returns to privileged EXEC mode.           |

## Controlling the Response to Outgoing SA Request Messages from MSDP Peers Using SA Request Filters

Perform this optional task to control the outgoing SA request messages that the device will honor from MSDP peers.

### SUMMARY STEPS

1. **enable**
2. **configure terminal**
3. **ip msdp filter-sa-request** {peer-address | peer-name} [**list** access-list]
4. Repeat Step 3 to configure SA request filters for additional MSDP peers.
5. **exit**

### DETAILED STEPS

|               | Command or Action                                                                                         | Purpose                                                                                                                       |
|---------------|-----------------------------------------------------------------------------------------------------------|-------------------------------------------------------------------------------------------------------------------------------|
| <b>Step 1</b> | <b>enable</b><br><b>Example:</b><br><br>Device> enable                                                    | Enables privileged EXEC mode. <ul style="list-style-type: none"> <li>• Enter your password if prompted.</li> </ul>            |
| <b>Step 2</b> | <b>configure terminal</b><br><b>Example:</b><br><br>Device# configure terminal                            | Enters global configuration mode.                                                                                             |
| <b>Step 3</b> | <b>ip msdp filter-sa-request</b> {peer-address   peer-name} [ <b>list</b> access-list]<br><b>Example:</b> | Enables a filter for outgoing SA request messages.<br><b>Note</b> Only one SA request filter can be configured per MSDP peer. |



|               | Command or Action                                                        | Purpose                                                              |
|---------------|--------------------------------------------------------------------------|----------------------------------------------------------------------|
|               | Device(config)# ip msdp filter sa-request<br>172.31.2.2 list 1           |                                                                      |
| <b>Step 4</b> | Repeat Step 3 to configure SA request filters for additional MSDP peers. | --                                                                   |
| <b>Step 5</b> | <b>exit</b><br><b>Example:</b><br><br>Device(config)# exit               | Exits global configuration mode and returns to privileged EXEC mode. |

## Including a Bordering PIM Dense Mode Region in MSDP

Perform this optional task to configure a border device to send SA messages for sources active in a PIM dense mode (PIM-DM) region.

You can have a device that borders a PIM-SM region and a PIM-DM region. By default, sources in the PIM-DM domain are not included in MSDP. You can configure this border device to send SA messages for sources active in the PIM-DM domain. If you do so, it is very important to also configure the **ip msdp redistribute** command to control what local sources from the PIM-DM domain are advertised. Not configuring this command can result in the (S, G) state remaining long after a source in the PIM-DM domain has stopped sending. For configuration information, see the [Controlling SA Messages Originated by an RP for Local Sources, on page 203](#) section.

### SUMMARY STEPS

1. **enable**
2. **configure terminal**
3. **ip msdp border sa-address** *type number*
4. **exit**

### DETAILED STEPS

|               | Command or Action                                                              | Purpose                                                                                                            |
|---------------|--------------------------------------------------------------------------------|--------------------------------------------------------------------------------------------------------------------|
| <b>Step 1</b> | <b>enable</b><br><b>Example:</b><br><br>Device> enable                         | Enables privileged EXEC mode. <ul style="list-style-type: none"> <li>• Enter your password if prompted.</li> </ul> |
| <b>Step 2</b> | <b>configure terminal</b><br><b>Example:</b><br><br>Device# configure terminal | Enters global configuration mode.                                                                                  |

|               | Command or Action                                                                                                                                   | Purpose                                                                                                                                                                                                                                                                                             |
|---------------|-----------------------------------------------------------------------------------------------------------------------------------------------------|-----------------------------------------------------------------------------------------------------------------------------------------------------------------------------------------------------------------------------------------------------------------------------------------------------|
| <b>Step 3</b> | <b>ip msdp border sa-address</b> <i>type number</i><br><b>Example:</b><br><pre>Device(config)# ip msdp border sa-address gigabitethernet0/0/0</pre> | Configures the device on the border between a PIM-SM and PIM-DM domain to originate SA messages for active sources in the PIM-DM domain. <ul style="list-style-type: none"> <li>• The IP address of the interface is used as the originator ID, which is the RP field in the SA message.</li> </ul> |
| <b>Step 4</b> | <b>exit</b><br><b>Example:</b><br><pre>Device(config)# exit</pre>                                                                                   | Exits global configuration mode and returns to privileged EXEC mode.                                                                                                                                                                                                                                |

## Configuring an Originating Address Other Than the RP Address

Perform this optional task to allow an MSDP speaker that originates an SA message to use the IP address of its interface as the RP address in the SA message.

You can also change the originator ID for any one of the following reasons:

- If you configure multiple devices in an MSDP mesh group for Anycast RP.
- If you have a device that borders a PIM-SM domain and a PIM-DM domain. If a device borders a PIM-SM domain and a PIM-DM domain and you want to advertise active sources within the PIM-DM domain, configure the RP address in SA messages to be the address of the originating device's interface.

### Before you begin

MSDP is enabled and the MSDP peers are configured. For more information about configuring MSDP peers, see the [Configuring an MSDP Peer, on page 194](#) section.

### SUMMARY STEPS

1. **enable**
2. **configure terminal**
3. **ip msdp originator-id** *type number*
4. **exit**

### DETAILED STEPS

|               | Command or Action                                                | Purpose                                                                                                            |
|---------------|------------------------------------------------------------------|--------------------------------------------------------------------------------------------------------------------|
| <b>Step 1</b> | <b>enable</b><br><b>Example:</b><br><pre>Device&gt; enable</pre> | Enables privileged EXEC mode. <ul style="list-style-type: none"> <li>• Enter your password if prompted.</li> </ul> |
| <b>Step 2</b> | <b>configure terminal</b><br><b>Example:</b>                     | Enters global configuration mode.                                                                                  |

|               | Command or Action                                                                                                      | Purpose                                                                                           |
|---------------|------------------------------------------------------------------------------------------------------------------------|---------------------------------------------------------------------------------------------------|
|               | Device# configure terminal                                                                                             |                                                                                                   |
| <b>Step 3</b> | <b>ip msdp originator-id</b> <i>type number</i><br><b>Example:</b><br>Device(config)# ip msdp originator-id ethernet 1 | Configures the RP address in SA messages to be the address of the originating device's interface. |
| <b>Step 4</b> | <b>exit</b><br><b>Example:</b><br>Device(config)# exit                                                                 | Exits global configuration mode and returns to privileged EXEC mode.                              |

## Monitoring MSDP

Perform this optional task to monitor MSDP SA messages, peers, state, and peer status.

### SUMMARY STEPS

1. **enable**
2. **debug ip msdp** [*peer-address* | *peer-name*] [**detail**] [**routes**]
3. **debug ip msdp resets**
4. **show ip msdp count** [*as-number*]
5. **show ip msdp peer** [*peer-address* | *peer-name*]
6. **show ip msdp sa-cache** [*group-address* | *source-address* | *group-name* | *source-name*] [*as-number*]
7. **show ip msdp summary**

### DETAILED STEPS

#### Step 1 enable

##### Example:

```
Device# enable
```

Enables privileged EXEC mode.

- Enter your password if prompted.

#### Step 2 debug ip msdp [*peer-address* | *peer-name*] [**detail**] [**routes**]

Use this command to debug MSDP activity.

Use the optional *peer-address* or *peer-name* argument to specify for which peer debug events are logged.

The following is sample output from the **debug ip msdp** command:

##### Example:

```
Device# debug ip msdp
```

```

MSDP debugging is on
Device#
MSDP: 224.150.44.254: Received 1388-byte message from peer
MSDP: 224.150.44.254: SA TLV, len: 1388, ec: 115, RP: 172.31.3.92
MSDP: 224.150.44.254: Peer RPF check passed for 172.31.3.92, used EMBGP peer
MSDP: 224.150.44.250: Forward 1388-byte SA to peer
MSDP: 224.150.44.254: Received 1028-byte message from peer
MSDP: 224.150.44.254: SA TLV, len: 1028, ec: 85, RP: 172.31.3.92
MSDP: 224.150.44.254: Peer RPF check passed for 172.31.3.92, used EMBGP peer
MSDP: 224.150.44.250: Forward 1028-byte SA to peer
MSDP: 224.150.44.254: Received 1388-byte message from peer
MSDP: 224.150.44.254: SA TLV, len: 1388, ec: 115, RP: 172.31.3.111
MSDP: 224.150.44.254: Peer RPF check passed for 172.31.3.111, used EMBGP peer
MSDP: 224.150.44.250: Forward 1388-byte SA to peer
MSDP: 224.150.44.250: Received 56-byte message from peer
MSDP: 224.150.44.250: SA TLV, len: 56, ec: 4, RP: 192.168.76.241
MSDP: 224.150.44.250: Peer RPF check passed for 192.168.76.241, used EMBGP peer
MSDP: 224.150.44.254: Forward 56-byte SA to peer
MSDP: 224.150.44.254: Received 116-byte message from peer
MSDP: 224.150.44.254: SA TLV, len: 116, ec: 9, RP: 172.31.3.111
MSDP: 224.150.44.254: Peer RPF check passed for 172.31.3.111, used EMBGP peer
MSDP: 224.150.44.250: Forward 116-byte SA to peer
MSDP: 224.150.44.254: Received 32-byte message from peer
MSDP: 224.150.44.254: SA TLV, len: 32, ec: 2, RP: 172.31.3.78
MSDP: 224.150.44.254: Peer RPF check passed for 172.31.3.78, used EMBGP peer
MSDP: 224.150.44.250: Forward 32-byte SA to peer

```

### Step 3 **debug ip msdp resets**

Use this command to debug MSDP peer reset reasons.

#### Example:

```
Device# debug ip msdp resets
```

### Step 4 **show ip msdp count [as-number]**

Use this command to display the number of sources and groups originated in MSDP SA messages and the number of SA messages from an MSDP peer in the SA cache. The **ip msdp cache-sa-state** command must be configured for this command to produce any output.

The following is sample output from the **show ip msdp count** command:

#### Example:

```

Device# show ip msdp count
SA State per Peer Counters, <Peer>: <# SA learned>
 192.168.4.4: 8
SA State per ASN Counters, <asn>: <# sources>/<# groups>
  Total entries: 8
  ?: 8/8

```

### Step 5 **show ip msdp peer [peer-address | peer-name]**

Use this command to display detailed information about MSDP peers.

Use the optional *peer-address* or *peer-name* argument to display information about a particular peer.

The following is sample output from the **show ip msdp peer** command:

#### Example:

```
Device# show ip msdp peer 192.168.4.4
```

```

MSDP Peer 192.168.4.4 (?), AS 64512 (configured AS)
Connection status:
  State: Up, Resets: 0, Connection source: Loopback0 (2.2.2.2)
  Uptime(Downtime): 00:07:55, Messages sent/received: 8/18
  Output messages discarded: 0
  Connection and counters cleared 00:08:55 ago
SA Filtering:
  Input (S,G) filter: none, route-map: none
  Input RP filter: none, route-map: none
  Output (S,G) filter: none, route-map: none
  Output RP filter: none, route-map: none
SA-Requests:
  Input filter: none
Peer ttl threshold: 0
SAs learned from this peer: 8
Input queue size: 0, Output queue size: 0
MD5 signature protection on MSDP TCP connection: not enabled

```

**Step 6** `show ip msdp sa-cache [group-address | source-address | group-name | source-name] [as-number]`

Use this command to display the (S, G) state learned from MSDP peers.

The following is sample output from the `show ip msdp sa-cache` command:

**Example:**

```

Device# show ip msdp sa-cache
MSDP Source-Active Cache - 8 entries
(10.44.44.5, 239.232.1.0), RP 192.168.4.4, BGP/AS 64512, 00:01:20/00:05:32, Peer 192.168.4.4
(10.44.44.5, 239.232.1.1), RP 192.168.4.4, BGP/AS 64512, 00:01:20/00:05:32, Peer 192.168.4.4
(10.44.44.5, 239.232.1.2), RP 192.168.4.4, BGP/AS 64512, 00:01:19/00:05:32, Peer 192.168.4.4
(10.44.44.5, 239.232.1.3), RP 192.168.4.4, BGP/AS 64512, 00:01:19/00:05:32, Peer 192.168.4.4
(10.44.44.5, 239.232.1.4), RP 192.168.4.4, BGP/AS 64512, 00:01:19/00:05:32, Peer 192.168.4.4
(10.44.44.5, 239.232.1.5), RP 192.168.4.4, BGP/AS 64512, 00:01:19/00:05:32, Peer 192.168.4.4
(10.44.44.5, 239.232.1.6), RP 192.168.4.4, BGP/AS 64512, 00:01:19/00:05:32, Peer 192.168.4.4
(10.44.44.5, 239.232.1.7), RP 192.168.4.4, BGP/AS 64512, 00:01:19/00:05:32, Peer 192.168.4.4

```

**Step 7** `show ip msdp summary`

Use this command to display MSDP peer status.

The following is sample output from the `show ip msdp summary` command:

**Example:**

```

Device# show ip msdp summary
MSDP Peer Status Summary
Peer Address      AS      State   Uptime/  Reset SA   Peer Name
                  Downtime Count Count
192.168.4.4      4       Up      00:08:05 0       8       ?

```

## Clearing MSDP Connections Statistics and SA Cache Entries

Perform this optional task to clear MSDP connections, statistics, and SA cache entries.

### SUMMARY STEPS

1. `enable`

2. **clear ip msdp peer** [*peer-address* | *peer-name*]
3. **clear ip msdp statistics** [*peer-address* | *peer-name*]
4. **clear ip msdp sa-cache** [*group-address*]

## DETAILED STEPS

|               | Command or Action                                                                                                                 | Purpose                                                                                                                                                                                                                                                                                                                                                                       |
|---------------|-----------------------------------------------------------------------------------------------------------------------------------|-------------------------------------------------------------------------------------------------------------------------------------------------------------------------------------------------------------------------------------------------------------------------------------------------------------------------------------------------------------------------------|
| <b>Step 1</b> | <b>enable</b><br><b>Example:</b><br>Device> enable                                                                                | Enables privileged EXEC mode. <ul style="list-style-type: none"> <li>• Enter your password if prompted.</li> </ul>                                                                                                                                                                                                                                                            |
| <b>Step 2</b> | <b>clear ip msdp peer</b> [ <i>peer-address</i>   <i>peer-name</i> ]<br><b>Example:</b><br>Device# <b>clear ip msdp peer</b>      | Clears the TCP connection to the specified MSDP peer and resets all MSDP message counters.                                                                                                                                                                                                                                                                                    |
| <b>Step 3</b> | <b>clear ip msdp statistics</b> [ <i>peer-address</i>   <i>peer-name</i> ]<br><b>Example:</b><br>Device# clear ip msdp statistics | Clears the statistics counters for the specified MSDP peer and resets all MSDP message counters.                                                                                                                                                                                                                                                                              |
| <b>Step 4</b> | <b>clear ip msdp sa-cache</b> [ <i>group-address</i> ]<br><b>Example:</b><br>Device# clear ip msdp sa-cache                       | Clears SA cache entries. <ul style="list-style-type: none"> <li>• If the <b>clear ip msdp sa-cache</b> is specified with the optional <i>group-address</i> argument or <i>source-address</i> argument, all SA cache entries are cleared.</li> <li>• Use the optional <i>group-address</i> argument to clear all SA cache entries associated with a specific group.</li> </ul> |

## Enabling SNMP Monitoring of MSDP

Perform this optional task to enable Simple Network Management Protocol (SNMP) monitoring of MSDP.

### Before you begin

- SNMP and MSDP is configured on your devices.
- In each PIM-SM domain there should be a device that is configured as the MSDP speaker. This device must have SNMP and the MSDP MIB enabled.



### Note

- All MSDP-MIB objects are implemented as read-only.
- The Requests table is not supported in Cisco's implementation of the MSDP MIB.
- The msdpEstablished notification is not supported in Cisco's implementation of the MSDP MIB.

## SUMMARY STEPS

1. `enable`
2. `snmp-server enable traps msdp`
3. `snmp-server host host [traps | informs] [version {1 | 2c | 3 [auth|priv | noauth]}] community-string [udp-port port-number] msdp`
4. `exit`

## DETAILED STEPS

|        | Command or Action                                                                                                                                                                                                  | Purpose                                                                                                                                                            |
|--------|--------------------------------------------------------------------------------------------------------------------------------------------------------------------------------------------------------------------|--------------------------------------------------------------------------------------------------------------------------------------------------------------------|
| Step 1 | <b>enable</b><br><b>Example:</b><br><pre>Device&gt; enable</pre>                                                                                                                                                   | Enables privileged EXEC mode. <ul style="list-style-type: none"> <li>• Enter your password if prompted.</li> </ul>                                                 |
| Step 2 | <b>snmp-server enable traps msdp</b><br><b>Example:</b><br><pre>Device# snmp-server enable traps msdp</pre>                                                                                                        | Enables the sending of MSDP notifications for use with SNMP.<br><b>Note</b> The <code>snmp-server enable traps msdp</code> command enables both traps and informs. |
| Step 3 | <b>snmp-server host host [traps   informs] [version {1   2c   3 [auth priv   noauth]}] community-string [udp-port port-number] msdp</b><br><b>Example:</b><br><pre>Device# snmp-server host examplehost msdp</pre> | Specifies the recipient (host) for MSDP traps or informs.                                                                                                          |
| Step 4 | <b>exit</b><br><b>Example:</b><br><pre>Device(config)# exit</pre>                                                                                                                                                  | Exits global configuration mode and returns to privileged EXEC mode.                                                                                               |

## Troubleshooting Tips

You can compare the results of MSDP MIB notifications to the output from the software by using the `show ip msdp summary` and `show ip msdp peer` commands on the appropriate device. You can also compare the results of these commands to the results from SNMP Get operations. You can verify SA cache table entries using the `show ip msdp sa-cache` command. Additional troubleshooting information, such as the local address of the connection, the local port, and the remote port, can be obtained using the output from the `debug ip msdp` command.

# Configuration Examples for Using MSDP to Interconnect Multiple PIM-SM Domains

## Example: Configuring an MSDP Peer

The following example shows how to establish MSDP peering connections between three MSDP peers:

### Device A

```
!
interface Loopback 0
 ip address 10.220.8.1 255.255.255.255
!
ip msdp peer 10.220.16.1 connect-source Loopback0
ip msdp peer 10.220.32.1 connect-source Loopback0
!
```

### Device B

```
!
interface Loopback 0
 ip address 10.220.16.1 255.255.255.255
!
ip msdp peer 10.220.8.1 connect connect-source Loopback0
ip msdp peer 10.220.32.1 connect connect-source Loopback0
!
```

### Device C

```
!
interface Loopback 0
 ip address 10.220.32.1 255.255.255.255
!
ip msdp peer 10.220.8.1 connect 10.220.8.1 connect-source Loopback0
ip msdp peer 10.220.16.1 connect 10.220.16.1 connect-source Loopback0
!
```

## Example: Configuring MSDP MD5 Password Authentication

The following example shows how to enable MD5 password authentication for TCP connections between two MSDP peers:

### Device A

```
!
ip msdp peer 10.3.32.154
ip msdp password peer 10.3.32.154 0 test
!
```



**Device B**

```

!
ip msdp peer 10.3.32.153
ip msdp password peer 10.3.32.153 0 test
!

```

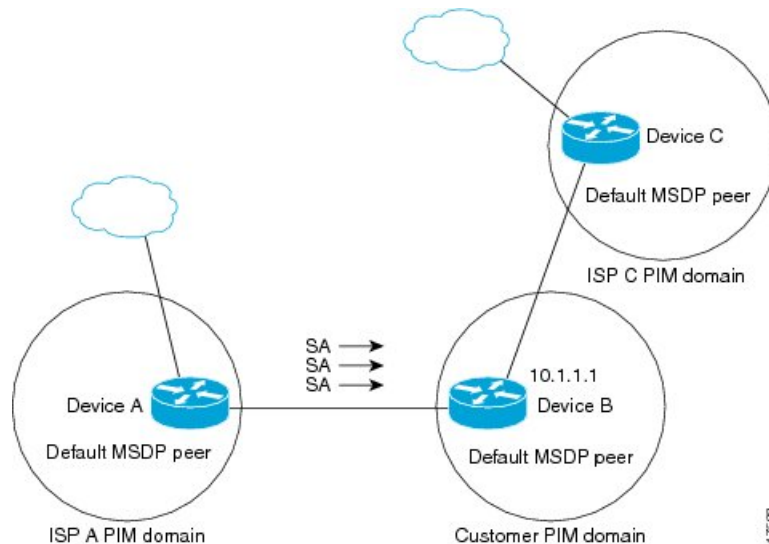
**Example: Configuring a Default MSDP Peer**

The figure illustrates a scenario where default MSDP peers might be used. In the figure, a customer that owns Device B is connected to the internet through two ISPs, one that owns Device A and the other that owns Device C. They are not running (M)BGP between them. In order for the customer to learn about sources in the ISP domain or in other domains, Device B identifies Device A as its default MSDP peer. Device B advertises SA messages to both Device A and Device C, but accepts SA messages either from Device A only or Device C only. If Device A is the first default peer in the configuration, it will be used if it is up and running. Only if Device A is not running will Device B accept SA messages from Device C.

The ISP will also likely use a prefix list to define which prefixes it will accept from the customer device. The customer will define multiple default peers, each having one or more prefixes associated with it.

The customer has two ISPs to use. The customer defines both ISPs as default peers. As long as the first default peer identified in the configuration is up and running, it will be the default peer and the customer will accept all SA messages it receives from that peer.

**Figure 26: Default MSDP Peer Scenario**



Device B advertises SAs to Device A and Device C, but uses only Device A or Device C to accept SA messages. If Device A is first in the configuration file, it will be used if it is up and running. Only when Device A is not running will Device B accept SAs from Device C. This is the behavior without a prefix list.

If you specify a prefix list, the peer will be a default peer only for the prefixes in the list. You can have multiple active default peers when you have a prefix list associated with each. When you do not have any prefix lists, you can configure multiple default peers, but only the first one is the active default peer as long as the device has connectivity to this peer and the peer is alive. If the first configured peer goes down or the connectivity to this peer goes down, the second configured peer becomes the active default, and so on.

The following example shows a partial configuration of Device A and Device C in the figure. Each of these ISPs may have more than one customer using default peering, like the customer in the figure. In that case, they may have similar configurations. That is, they will only accept SAs from a default peer if the SA is permitted by the corresponding prefix list.

#### Device A Configuration

```
ip msdp default-peer 10.1.1.1
ip msdp default-peer 10.1.1.1 prefix-list site-b ge 32
ip prefix-list site-b permit 10.0.0.0/8
```

#### Device C Configuration

```
ip msdp default-peer 10.1.1.1 prefix-list site-b ge 32
ip prefix-list site-b permit 10.0.0.0/8
```

## Example: Configuring MSDP Mesh Groups

The following example shows how to configure three devices to be fully meshed members of an MSDP mesh group:

#### Device A Configuration

```
ip msdp peer 10.2.2.2
ip msdp peer 10.3.3.3
ip msdp mesh-group test-mesh-group 10.2.2.2
ip msdp mesh-group test-mesh-group 10.3.3.3
```

#### Device B Configuration

```
ip msdp peer 10.1.1.1
ip msdp peer 10.3.3.3
ip msdp mesh-group test-mesh-group 10.1.1.1
ip msdp mesh-group test-mesh-group 10.3.3.3
```

#### Device C Configuration

```
ip msdp peer 10.1.1.1
ip msdp peer 10.2.2.2
ip msdp mesh-group test-mesh-group 10.1.1.1
ip msdp mesh-group test-mesh-group 10.2.2.2
```

## Additional References

#### Related Documents

| Related Topic                    | Document Title                  |
|----------------------------------|---------------------------------|
| IPv6 addressing and connectivity | <i>IPv6 Configuration Guide</i> |

| Related Topic           | Document Title                                               |
|-------------------------|--------------------------------------------------------------|
| Cisco IOS commands      | <a href="#">Cisco IOS Master Commands List, All Releases</a> |
| IP multicast commands   | <a href="#">Cisco IOS IP Multicast Command Reference</a>     |
| IPv6 commands           | <a href="#">Cisco IOS IPv6 Command Reference</a>             |
| Cisco IOS IPv6 features | <a href="#">Cisco IOS IPv6 Feature Mapping</a>               |

### Standards and RFCs

| Standard/RFC  | Title            |
|---------------|------------------|
| RFCs for IPv6 | <i>IPv6 RFCs</i> |

### MIBs

| MIB | MIBs Link                                                                                                                                                                                                              |
|-----|------------------------------------------------------------------------------------------------------------------------------------------------------------------------------------------------------------------------|
|     | To locate and download MIBs for selected platforms, Cisco IOS releases, and feature sets, use Cisco MIB Locator found at the following URL:<br><a href="http://www.cisco.com/go/mibs">http://www.cisco.com/go/mibs</a> |

### Technical Assistance

| Description                                                                                                                                                                                                                                                                                                                                                                           | Link                                                                                                              |
|---------------------------------------------------------------------------------------------------------------------------------------------------------------------------------------------------------------------------------------------------------------------------------------------------------------------------------------------------------------------------------------|-------------------------------------------------------------------------------------------------------------------|
| The Cisco Support and Documentation website provides online resources to download documentation, software, and tools. Use these resources to install and configure the software and to troubleshoot and resolve technical issues with Cisco products and technologies. Access to most tools on the Cisco Support and Documentation website requires a Cisco.com user ID and password. | <a href="http://www.cisco.com/cisco/web/support/index.html">http://www.cisco.com/cisco/web/support/index.html</a> |

## Feature Information for Multicast Source Discovery Protocol

The following table provides release information about the feature or features described in this module. This table lists only the software release that introduced support for a given feature in a given software release train. Unless noted otherwise, subsequent releases of that software release train also support that feature.

Use Cisco Feature Navigator to find information about platform support and Cisco software image support. To access Cisco Feature Navigator, go to [www.cisco.com/go/cfn](http://www.cisco.com/go/cfn). An account on Cisco.com is not required.

Table 4: Feature Information for Multicast Source Discovery Process

| Feature Name                     | Releases                                                                                      | Feature Information                                                                                                                                                                                                                                                                                                                                                                                                          |
|----------------------------------|-----------------------------------------------------------------------------------------------|------------------------------------------------------------------------------------------------------------------------------------------------------------------------------------------------------------------------------------------------------------------------------------------------------------------------------------------------------------------------------------------------------------------------------|
| MSDP MD5 Password Authentication | 12.4(2)T<br>12.2(33)SXH<br>12.2(33)SRE<br>15.0(1)S<br>15.1(1)SG<br>Cisco IOS XE Release 3.3SG | <p>The MSDP MD5 password authentication feature is an enhancement to support MD5 signature protection on a TCP connection between two MSDP peers. This feature provides added security by protecting MSDP against the threat of spoofed TCP segments being introduced into the TCP connection stream.</p> <p>The following commands were introduced or modified: <b>ip msdp password peer</b>, <b>show ip msdp peer</b>.</p> |



## CHAPTER 11

# MPLS Point-to-Multipoint Traffic Engineering



**Note** This technology is not applicable for the Cisco ASR 900 RSP3 Module.

The MPLS Point-to-Multipoint Traffic Engineering feature enables you to forward Multiprotocol Label Switching (MPLS) traffic from one source to multiple destinations. Cisco nonstop forwarding (NSF) and stateful switchover (SSO) (NSF/SSO) provides for minimal disruption of Point-to-Multipoint (P2MP) Traffic Engineering (TE) tunnel traffic if a Route Processor has a catastrophic failure. Traffic loss varies by platform.

For more information on configuring NSF/SSO with this feature, see NSF/SSO—MPLS TE and RSVP Graceful Restart.

- [Information About MPLS Point-to-Multipoint Traffic Engineering, on page 221](#)
- [How to Configure MPLS Point-to-Multipoint Traffic Engineering, on page 231](#)
- [Configuration Examples for MPLS Point-to-Multipoint Traffic Engineering, on page 241](#)

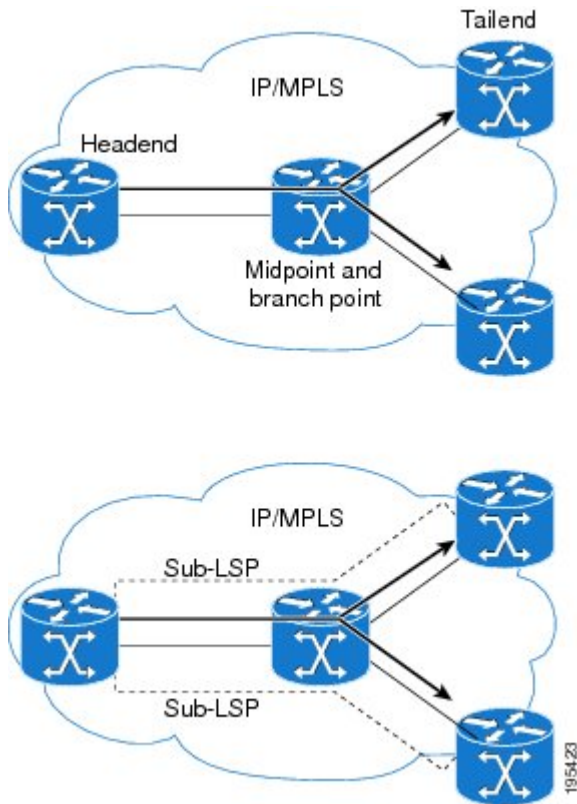
## Information About MPLS Point-to-Multipoint Traffic Engineering

### MPLS Point-to-Multipoint Traffic Engineering Overview

A P2MP TE network contains the following elements, which are shown in the figure below:

- The headend router, also called the source or ingress router, is where the label switched path (LSP) is initiated. The headend router can also be a branch point, which means the router performs packet replication and the sub-LSPs split into different directions.
- The midpoint router is where the sub-LSP signaling is processed. The midpoint router can be a branch point.
- The tailend router, also called the destination, egress, or leaf-node router, is where sub-LSP signaling ends.
- A bud router is a midpoint and tailend router at the same time.
- A P2MP tunnel consists of one or more sub-LSPs. All sub-LSPs belonging to the same P2MP tunnel employ the same constraints, protection policies, and so on, which are configured at the headend router.

Figure 27: Basic P2MP TE Tunnels



P2MP TE tunnels build on the features that exist in basic point-to-point TE tunnels. The P2MP TE tunnels have the following characteristics:

- There is one source (headend) but more than one destination (tailend).
- They are unidirectional.
- They are explicitly routed.
- Multiple sub-LSPs connect the headend router to various tailend routers.

The figure below shows a P2MP TE tunnel that has three destinations.

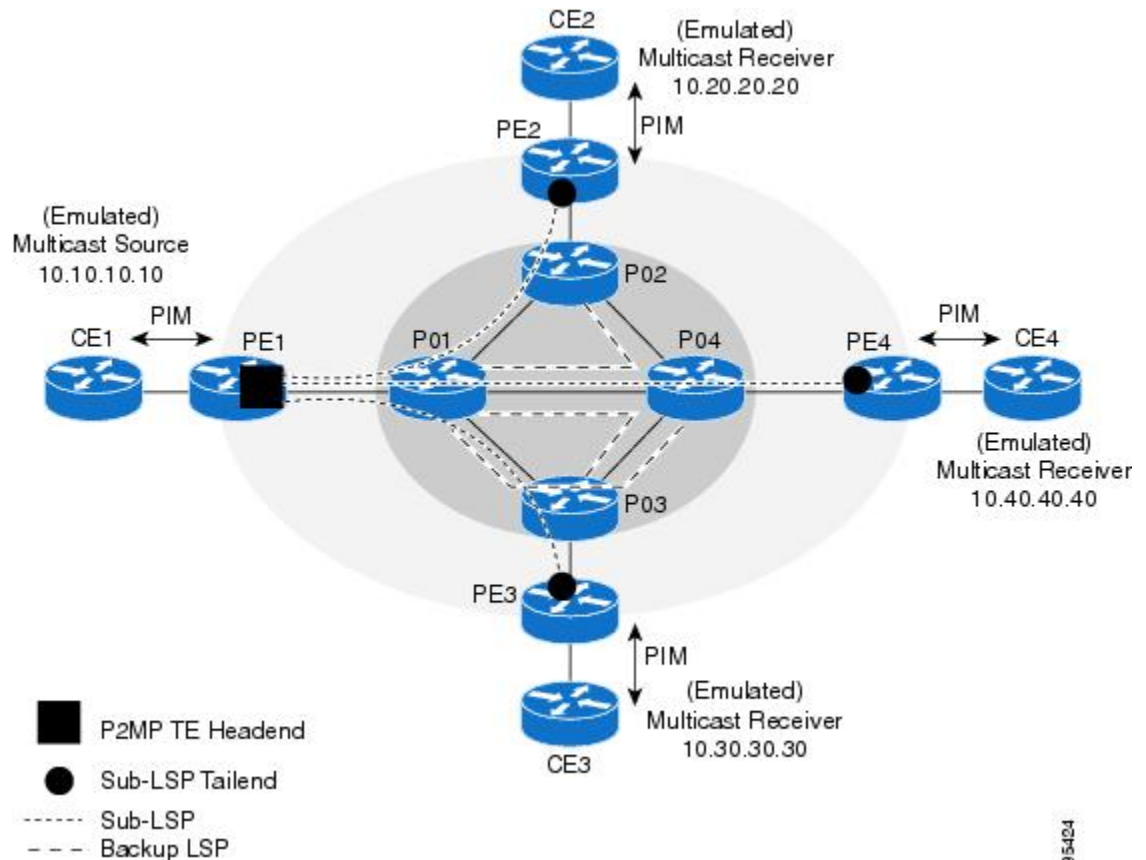
- PE1 is the headend router.
- P01 is a branch point router, where packet replication occurs.
- PE2, PE3, and PE4 are tailend routers, where the sub-LSP ends.

Between the PE and CE routers, PIM is enabled to exchange multicast routing information with the directly connected customer edge (CE) routers. PIM is not enabled across the P2MP TE tunnel.

### Database of Sub-LSP Failure Errors

If any sub-LSP, whether P2MP or P2P, fails to recover after an SSO switchover, the failure is noted in an error database for troubleshooting. You can use the `show ip rsvp high database lsp` command to display the error database entries.

Figure 28: Network Topology with P2MP TE Tunnel



## How P2MP TE Sub-LSPs Are Signaled

RSVP TE extensions defined in RFC 4875 allow multiple sub-LSPs to be signaled from the headend router. A P2MP TE tunnel consists of multiple sub-LSPs that connect the headend router to various tailend routers.

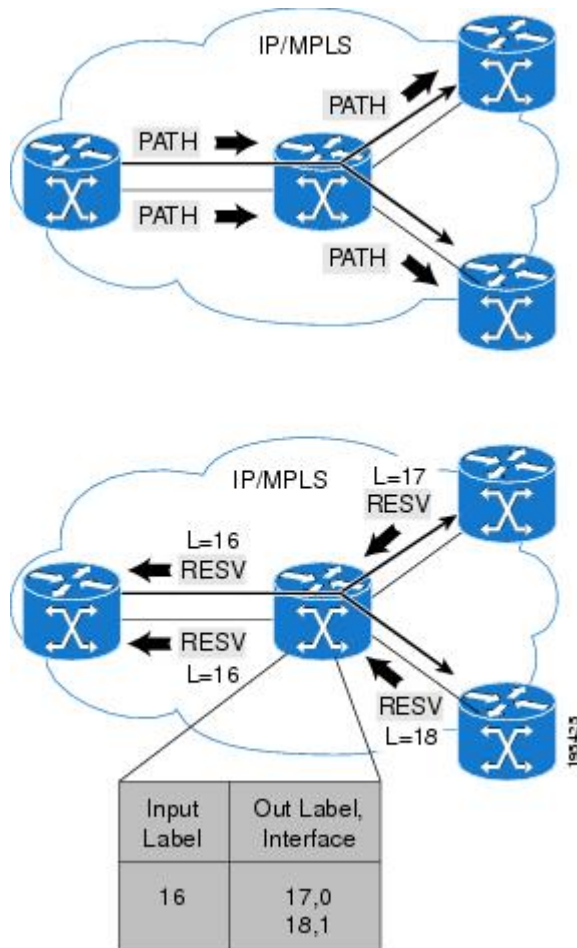
The headend router sends one RSVP path message to each destination. The tailend router replies with a RESV message. The Label Forwarding Information Base (LFIB) is populated using the RSVP labels allocated by the RESV messages.

The P2MP TE feature does not support signaling of multiple sub-LSPs in the same Path/Resv message. If multiple sub-LSPs occur in the same message, the router sends a PathErr Unknown Objects message, and the Path/Resv message with multiple sub-LSPs is not forwarded.

The tailend routers allocate unreserved labels, which are greater than 15 and do not include implicit or explicit null labels. Using unreserved labels allows IP multicast to perform a Reverse Path Forwarding (RPF) check on the tailend router. Because a sub-LSP tailend router cannot be represented as a regular interface, a special LSP virtual interface (VIF) is automatically created. The LSP VIF represents the originating interface for all IP multicast traffic originating from the P2MP TE tailend router.

The figure below shows the LSP signaling process.

Figure 29: How LSPs Are Signaled



## How P2MP TE Traffic Is Forwarded

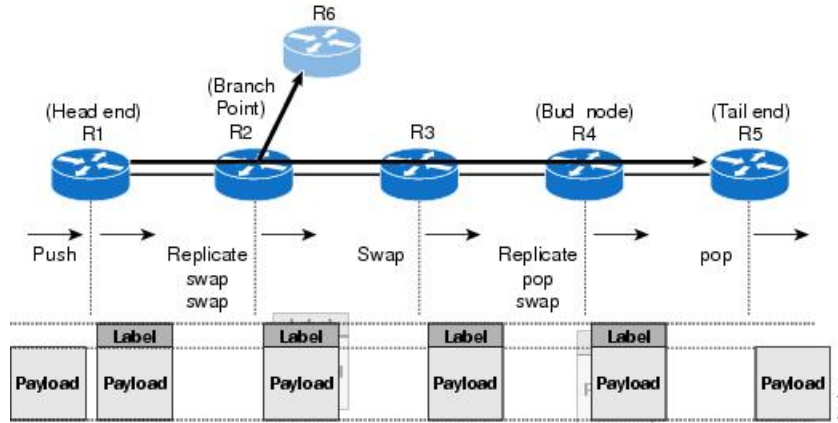
At the headend of the traffic engineering tunnel, through a static Internet Group Management Protocol (IGMP) group-to-tunnel mapping, IP multicast traffic is encapsulated with a unique MPLS label, which is associated with the P2MP TE tunnel. The multicast traffic is label switched in the P2MP tree and replicated at branch and bud nodes along the P2MP tree. When the labeled packet reaches the tailend (a PE router), the MPLS label is removed and forwarded to the IP multicast tree towards the end point. This process is shown in the figure below.



**Note** The P2MP TE feature does not support penultimate-hop popping. Therefore, the egress router must allocate an explicit null or non-null label.

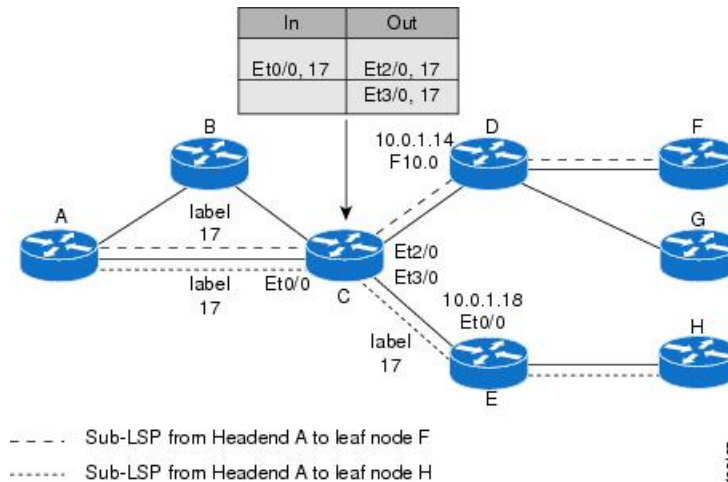


Figure 30: How Packets Traverse the P2MP Tree



When sub-LSPs share a common router (branch point) and use the same ingress interface of the router, the same MPLS label is used for forwarding. The multicast state is built by reusing the MPLS labels at the branch points, as shown in the figure below, where MPLS label 17 is shared by two sub-LSPs that both use router C.

Figure 31: Reusing MPLS Labels in Branch Points



## Computing the IGP Path Using Dynamic Paths or Explicit Paths

You can either specify explicit paths or allow paths to be created dynamically. You can also specify bandwidth parameters, which are flooded throughout the MPLS network through existing RSVP-TE extensions to Open Shortest Path First (OSPF) and Integrated Intermediate System-to-Intermediate System (IS-IS).

The MPLS core network uses RSVP to enable end-to-end IP multicast connectivity. The tailend router and the end point router use PIM to exchange multicast routing information with directly connected CE routers. PIM is not configured in the MPLS core.

P2MP TE tunnels can co-exist with regular P2P TE tunnels. Existing path calculation and bandwidth preemption rules apply in this case.

You create IGP paths by enabling dynamic path computation, configuring explicit paths through CLI commands, or using both methods in your P2MP TE network.

- Dynamic paths are created using Constrained Shortest Path First (CSPF) to determine the best path to a destination. CSPF uses path constraints, such as bandwidth, affinities, priorities, and so on, as part of the computation.
- Explicit paths allows you to manually specify the path a sub-LSP uses from the headend router to the tailend router. You configure static paths on the headend router.

## Reroute Events

When explicit paths are configured with a limited number of equal cost links or paths, two sub-LSPs might connect at a midpoint router through different ingress interfaces, but use the same egress interface. This is called a reroute event, which can cause duplicate MPLS packets. If a router detects a reroute event, it sends a PathErr Routing Problem: Reroute Detected message toward the headend router and the sub-LSPs are not established. With dynamic paths, the router signals a path that avoids a reroute situation.

## Crossover Events

With a P2MP tunnel, two sibling sub-LSPs (sub-LSPs that share the same link and label) are said to “cross over” when they have different incoming interfaces and different outgoing interfaces on the same intersecting node. The sibling sub-LSPs neither share input label nor output bandwidth. Avoid configuring crossover LSPs, because they waste bandwidth. However, the duplication of sub-LSPs does not result in an error.

## Benefits of MPLS Point-to-Multipoint Traffic Engineering

The P2MP TE feature provides the following benefits:

- You can configure signaling attributes, such as affinities, administrative metrics, FRR protection, and bandwidth constraints, when you set up P2MP TE sub-LSPs.
- P2MP TE provides a single point of traffic control. You specify all the signaling and path parameters at the headend router.
- You can configure explicit paths to optimize traffic distribution.
- You can enable FRR link protection for P2MP TE sub-LSPs.
- Protocol Independent Multicast (PIM) is not needed in the MPLS core. Only the non-MPLS interfaces on the tailend routers need to be configured with PIM.

## MPLS Point-to-Multipoint Traffic Engineering—Re-optimizing Traffic

A P2MP TE tunnel is operational (up) when the first sub-LSP has been successfully signaled. The P2MP TE tunnel is not operational (down) when all sub-LSPs are down. Certain events can trigger a tunnel re-optimization:

- One of the sub-LSPs is fast-rerouted to a backup tunnel (for dynamic LSPs).
- A link is operational. (if the command **mpls traffic-eng reoptimize events link-up** is configured).
- A periodic schedule optimization occurs through the **mpls traffic-eng reoptimize timers frequency** command.

- The network administrator forces a tunnel optimization through the **mpls traffic-eng reoptimize** command.
- A FRR protected interface becomes operational.
- A non-FRR LSP detects a remerge situation.

When a P2MP tunnel is reoptimized, a new LSP is signaled and traffic is moved to the new LSP.

To determine if a tunnel should be reoptimized, the router considers the following criteria:

- The router compares the number of reachable destinations between the new tree and current tree. If the new tree contains more reachable destinations than the current tree, the router performs a reoptimization. If the new tree contains fewer reachable destinations than the current tree, then the router keeps the current tree.
- The router verifies that the same set of reachable destinations in the current tree are also in the new tree. If the new tree does not contain the same destinations, the router keeps the current tree.
- The router compares the number of destinations in the new tree with the number of destinations in the old tree. If the number of destinations in the new tree is greater than the number of destinations in the current tree, the router switches to the new tree. This guarantees that the new tree will contain all of the existing destinations and more.
- The router compares the metric between the current and new tree to ensure the new tree and current tree contain the same set of reachable destinations.
- The router compares the administrative weights of the old tree and the new tree. The router switches to the new tree if the cumulative administrative weight is lower. This step applies as a tie breaker if all the other conditions are the same.

P2MP TE uses make-before-break reoptimization, which uses the following reoptimization process:

- The new LSP is signaled.
- The headend router initiates a timer to ensure sufficient time elapses before traffic moves from the current LSP to the new LSP.
- Traffic is redirected from the current LSP to the new LSP.
- The timer is started for the purpose of tearing down the old sub-LSPs.

## P2P TE Tunnels Coexist with P2MP TE Tunnels

Both P2P and P2MP TE tunnels share the following characteristics:

- Tunnel bandwidth is configured the same way in both P2P and P2MP tunnels. In P2MP TE tunnels, any bandwidth parameters you configure are applied to all the destination routers. That is, the bandwidth parameters apply to all sub-LSPs. Both P2P and P2MP TE tunnels use the same IGP extension to flood link bandwidth information throughout the network.
- Tunnel setup and hold priorities, attributes flags, affinity and mask, and administrative weight parameters are configured the same way for P2P and P2MP TE tunnels. P2MP TE tunnel parameters apply to all sub-LSPs.
- FRR-enabled P2MP sub-LSPs coexist with FRR-enabled P2P LSPs in a network. For P2P TE, node, link, and bandwidth protection is supported. For P2MP TE, only link protection is supported.

- The method of computing the path dynamically through CSPF is the same for P2P and P2MP TE.
- Auto-tunnel backup behaves slightly different with P2P and P2MP tunnels. With P2P tunnels, auto-tunnel backup creates two backup tunnels: one for the node protection and one for the link protection. The node protection backup is preferred for P2P LSP protection. With P2MP tunnels, auto-tunnel backup creates one backup tunnel, which is the link protection. Only the link protection backup can be used for P2MP sub-LSPs. The P2P and P2MP tunnels can coexist and be protected.




---

**Note** If P2MP sub-LSPs are signaled from R1->R2->R3 and a P2P tunnel is signaled from R3->R2->R1, then issue the **mpls traffic-eng multicast-intact** command on R3 in IGP configuration mode under router OSPF or IS-IS to ensure to accommodate multicast traffic for R3's sub-LSPs.

---

## Using FRR to Protect P2MP TE Links

FRR applies to P2P LSPs and P2MP sub-LSPs in the same manner. No new protocol extensions are needed to support P2MP.




---

**Note** For P2MP TE FRR protection, issue the **ip routing protocol purge interface** command on every penultimate hop router. Otherwise, the router can lose up to 6 seconds worth of traffic during a FRR cutover event.

---

FRR minimizes interruptions in traffic delivery as a result of link failure. FRR temporarily fast switches LSP traffic to a backup path around a network failure until the headend router signals a new end-to-end LSP.

FRR-enabled P2MP sub-LSPs coexist with FRR-enabled P2P LSPs in a network. For P2MP TE, only link protection is supported. For P2P TE, node, link, and bandwidth protection are supported.

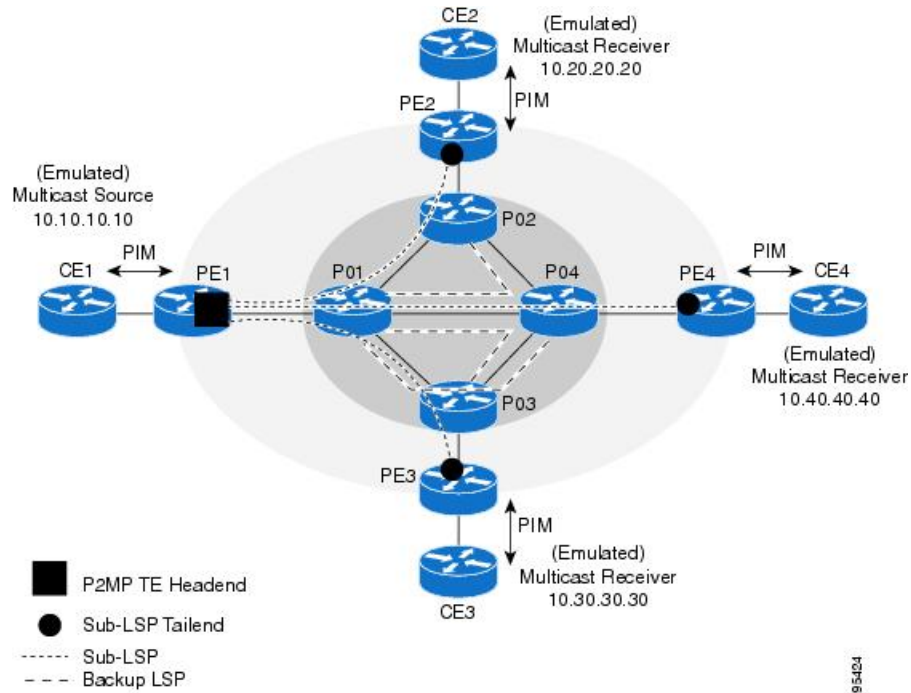
You can configure P2P explicit backup tunnels on point of local repair (PLR) nodes for link protection of P2MP sub-LSPs, similar to LSPs for P2P TE tunnels. You can also enable automatic creation of backup tunnels using the Auto-tunnel Backup feature for P2P TE tunnels. All sibling sub-LSPs that share the same outgoing link are protected by the same backup tunnel. All cousin sub-LSPs that share the same outgoing link can be protected by multiple P2P backup tunnels.

Link protection for a P2MP TE tunnel is illustrated in the figure below, which shows PE1 as the tunnel headend router and PE2, PE3, and PE4 as tunnel tailend routers. The following sub-LSPs are signaled from PE1 in the network:

- From PE1 to PE2, the sub-LSP travels the following path: PE1 -> P01 -> P02 -> PE2
- From PE1 to PE3, the sub-LSP travels the following path: PE1 -> P01 -> P03 -> PE3
- From PE1 to PE4, the sub-LSP travels the following path: PE1 -> P01 -> P04 -> PE4

Node P01 is a branch node that does packet replication in the MPLS forwarding plane; ingress traffic originating from PE1 will be replicated towards routers P02, P03, and P04.

Figure 32: P2MP TE Link Protection Example



To protect the three sub-LSPs, separate point-to-point backup tunnels are signaled. .



**Note** Backup tunnels can be created only for links that have an alternative network path.

In this example, router P01 is the Point of Local Repair (PLR) and routers P02, P03, and P04 are Merge Points (MPs).

If a link failure occurs between routers P01 and P04, the following events are triggered:

1. Router P01 switches traffic destined to PE4 to the backup tunnel associated with P04.
2. Router P01 sends RSVP path error messages upstream to the P2MP TE headend router PE1. At the same time, P01 and P04 send IGP updates (link state advertisements (LSAs)) to all adjacent IGP neighbors, indicating that the interfaces associated with links P01 through P04 are down.
3. Upon receiving RSVP path error messages and IGP LSA updates, the headend router triggers a P2MP TE tunnel reoptimization and signals a new sub-LSP. (This occurs if you have specified dynamic path creation.)



**Note** If only one sub-LSP becomes active, it remains down until all the sub-LSPs become active.

## FRR Failure Detection Mechanisms

To detect link failures in a P2MP TE network, you can use native link and interface failure detection mechanisms, such as bidirectional forwarding detection (BFD), and RSVP hellos.

### Bidirectional Forwarding Detection

The MPLS Traffic Engineering: BFD-triggered FRR feature allows you to obtain link by using the Bidirectional Forwarding Detection (BFD) protocol to provide fast forwarding path failure detection times for all media types, encapsulations, topologies, and routing protocols. In addition to fast forwarding path failure detection, BFD provides a consistent failure detection method for network administrators. For more information, see *MPLS Traffic Engineering: BFD-triggered Fast Reroute (FRR)*.

### RSVP Hellos

You can configure RSVP hellos on interfaces that do not provide FRR cutover notification during a link failure. The behavior for RSVP hellos is similar for both P2MP TE and P2P TE. For every sub-LSP that has a backup tunnel and has RSVP hellos enabled on its output interface, an RSVP hello instance is created to the neighbor, and the sub-LSP is added to the neighbor's FRR tree in the hello database.

Hello instances between an output interface and neighbor address are shared by fast reroutable P2MP sub-LSPs and P2P LSPs. When a hello session to a neighbor is declared down, all P2P LSPs and P2MP sub-LSPs that are protected by a backup LSP or sub-LSP are switched to their respective backups in the control and data planes.

RSVP hello sessions can also be used to inform the P2MP headend router of failures along a sub-LSP's path before the RSVP state for the sub-LSP times out, which leads to faster reoptimization. If a sub-LSP cannot select a backup tunnel but has RSVP hellos enabled on its output interface, it looks for a hello instance to its neighbor. If none exists, a hello state time (HST) hello instance is created. If the neighbor goes down, that sub-LSP is torn down. For more information, see *MPLS Traffic Engineering (TE) - Fast Reroute (FRR) Link and Node Protection*.

## Bandwidth Preemption for P2MP TE

Bandwidth Admission Control and preemption mechanisms for P2MP TE sub-LSPs are the same as for LSPs associated with P2P TE tunnels. Any link affinities or constraints defined for the P2MP TE tunnel will be taken into account. The bandwidth signaled for the sub-LSP is removed from the appropriate pool at the appropriate priority, and if needed, lower priority sub-LSPs are preempted with a higher priority sub-LSP.

A P2MP tunnel can be configured to use sub-pool or global-pool bandwidth. When bandwidth is configured, all sub-LSPs of the P2MP tunnel are signaled with the same bandwidth amount and type. If the bandwidth amount or type of a P2MP tunnel is changed, the P2MP tunnel ingress always signals a new set of sub-LSPs (a new P2MP LSP) with the new bandwidth amount and type.

Preemption procedures do not take into account the tunnel type. The same priority rules apply to P2P LSPs and P2MP sub-LSPs. A sub-LSP with a higher setup priority preempts a (sub-)LSP with a lower hold priority, regardless of tunnel type. Thus, a P2MP sub-LSP may preempt a P2P LSP, and vice versa. The determination of which LSPs get preempted is based on hold priority.

You can configure a P2MP TE tunnel to use subpool or global-pool bandwidth. All sub-LSPs associated with the P2MP TE tunnel are signaled with the same bandwidth amount and type. If the bandwidth amount or type is changed, the P2MP tunnel headend router signals a new set of sub-LSPs with the new bandwidth parameters.

Bandwidth sharing is similar for P2MP TE sub-LSPs and P2P TE LSPs. When adding a new sub-LSP, the P2MP-TE headend router determines whether it should share bandwidth with the other sub-LSPs. Two sub-LSPs can share bandwidth as long as they are a “Transit Pair,” meaning the sub-LSPs share the output interface, next-hop and output label.

LSPs and sub-LSPs cannot share bandwidth if they use different bandwidth pools. A change in bandwidth requires reoptimizing P2P or P2MP TE tunnels, which may result in double-counting bandwidth on common links.

Using FRR with Bandwidth Protection has the following requirements:

- A backup tunnel is required to maintain the service level agreement while the new sub-LSP is created.
- The PLR router selects the backup tunnel only if the tunnel has enough bandwidth capacity.
- The backup tunnel might not signal bandwidth.
- The PLR router decides the best backup path to protect the primary path, based on backup bandwidth and class type.

# How to Configure MPLS Point-to-Multipoint Traffic Engineering

## Configuring the Headend Routers

The following steps explain how to configure the headend routers for multicast and MPLS point-to-multipoint traffic engineering. As part of the configuration, you specify the tailend routers. You can also specify explicit paths that the tunnel should use or request that the paths be dynamically created or have a combination of dynamic and explicit paths.

Because the configuration of the P2MP TE tunnels is done at the headend router, this feature works best in situations where the destinations do not change often. The P2MP feature does not support dynamic grafting and pruning of sub-LSPs.

### SUMMARY STEPS

1. **enable**
2. **configure terminal**
3. **mpls traffic-eng tunnels**
4. **ip multicast-routing** [*vrfvrf-name*] [**distributed**]
5. **interface tunnel** *number*
6. **tunnel mode mpls traffic-eng point-to-multipoint**
7. **tunnel destination list mpls traffic-eng** {*identifierdest-list-id*|*namedest-list-name*}
8. **ip igmp static-group** {*\** | *group-address* [*source*{*source-address*|*ssm-map*}]} | *class-mapclass-map-name*}
9. **ip pim** {**dense-mode** [*proxy-register* {*listaccess-list* | *route-mapmap-name*}]} | **passive** | **sparse-mode** | **sparse-dense-mode**}
10. **exit**
11. **mpls traffic-eng destination list** {*namedest-list-name* | *identifierdest-list-id*}
12. **ip ip-address path-option** *id* {**dynamic** | **explicit** {*namename* | *identifierid*}
13. **exit**

14. **ip explicit-path** {*nameword*| *identifier**number*} [**enable** | **disable**]
15. **next-address** [**loose** | **strict**] *ip-address*
16. **end**

## DETAILED STEPS

|               | Command or Action                                                                                                                                                                                 | Purpose                                                                                                                                                         |
|---------------|---------------------------------------------------------------------------------------------------------------------------------------------------------------------------------------------------|-----------------------------------------------------------------------------------------------------------------------------------------------------------------|
| <b>Step 1</b> | <b>enable</b><br><b>Example:</b><br><br>Router> enable                                                                                                                                            | Enables privileged EXEC mode.<br><br>• Enter your password if prompted.                                                                                         |
| <b>Step 2</b> | <b>configure terminal</b><br><b>Example:</b><br><br>Router# configure terminal                                                                                                                    | Enters global configuration mode.                                                                                                                               |
| <b>Step 3</b> | <b>mpls traffic-eng tunnels</b><br><b>Example:</b><br><br>Router(config)# mpls traffic-eng tunnels                                                                                                | Globally enables MPLS Traffic Engineering.<br><br>• Also issue this command on each network interface that supports a traffic engineering tunnel.               |
| <b>Step 4</b> | <b>ip multicast-routing [vrfvrf-name] [distributed]</b><br><b>Example:</b><br><br>Router(config)# ip multicast-routing distributed                                                                | Globally enables IP multicast routing.                                                                                                                          |
| <b>Step 5</b> | <b>interface tunnel number</b><br><b>Example:</b><br><br>Router(config)# interface tunnel 100                                                                                                     | Configures a tunnel and enters interface configuration mode.                                                                                                    |
| <b>Step 6</b> | <b>tunnel mode mpls traffic-eng point-to-multipoint</b><br><b>Example:</b><br><br>Router(config-if)# tunnel mode mpls traffic-eng point-to-multipoint                                             | Enables MPLS point-to-multipoint traffic engineering on the tunnel.                                                                                             |
| <b>Step 7</b> | <b>tunnel destination list mpls traffic-eng {identifierdest-list-id namedest-list-name}</b><br><b>Example:</b><br><br>Router(config-if)# tunnel destination list mpls traffic-eng name in-list-01 | Specifies a destination list to specify the IP addresses of point-to-multipoint destinations.                                                                   |
| <b>Step 8</b> | <b>ip igmp static-group {*   group-address [source {source-address  ssm-map}]   class-mapclass-map-name}</b><br><b>Example:</b>                                                                   | Configures static group membership entries on an interface.<br><br>• Configure this on the TE tunnel interface if the source address (S, G) cannot be resolved. |



|                | Command or Action                                                                                                                                                                                                                   | Purpose                                                                                                                                                                                                                                                                                                                       |
|----------------|-------------------------------------------------------------------------------------------------------------------------------------------------------------------------------------------------------------------------------------|-------------------------------------------------------------------------------------------------------------------------------------------------------------------------------------------------------------------------------------------------------------------------------------------------------------------------------|
|                | <pre>Router(config-if)# ip igmp static-group 239.100.100.101 source 10.11.11.11</pre>                                                                                                                                               |                                                                                                                                                                                                                                                                                                                               |
| <b>Step 9</b>  | <p><b>ip pim</b> {dense-mode [proxy-register {listaccess-list   route-mapmap-name}]   passive   sparse-mode   sparse-dense-mode}</p> <p><b>Example:</b></p> <pre>Router(config-if)# ip pim passive</pre>                            | <p>Enables Protocol Independent Multicast (PIM) on an interface.</p> <ul style="list-style-type: none"> <li>An interface configured with passive mode does not pass or forward PIM control plane traffic; it passes or forwards only IGMP traffic.</li> </ul>                                                                 |
| <b>Step 10</b> | <p><b>exit</b></p> <p><b>Example:</b></p> <pre>Router(config-if)# exit</pre>                                                                                                                                                        | Exits interface configuration mode.                                                                                                                                                                                                                                                                                           |
| <b>Step 11</b> | <p><b>mpls traffic-eng destination list</b> {namedest-list-name   identifierdest-list-id}</p> <p><b>Example:</b></p> <pre>Router(config)# mpls traffic-eng destination list name in-list-01</pre>                                   | Creates a destination list and enters traffic engineering destination list configuration mode.                                                                                                                                                                                                                                |
| <b>Step 12</b> | <p><b>ip ip-address path-option id</b> {dynamic   explicit {namename   identifierid}}</p> <p><b>Example:</b></p> <p>[verbatim]</p> <p><b>Example:</b></p> <pre>Router(cfg-te-dest-list)# ip 10.10.10.10 path-option 1 dynamic</pre> | <p>Specifies the IP addresses of MPLS point-to-multipoint traffic engineering tunnel destinations.</p> <ul style="list-style-type: none"> <li>If you use the <b>explicit</b> keyword, you must configure explicit paths, using the <b>ipexplicit-path</b> command.</li> <li>Repeat this step for each destination.</li> </ul> |
| <b>Step 13</b> | <p><b>exit</b></p> <p><b>Example:</b></p> <pre>Router(cfg-te-dest-list)# exit</pre>                                                                                                                                                 | Exits traffic engineering destination list configuration mode.                                                                                                                                                                                                                                                                |
| <b>Step 14</b> | <p><b>ip explicit-path</b> {nameword   identifiernumber} [enable   disable]</p> <p><b>Example:</b></p> <pre>Router(config)# ip explicit-path name path1 enable</pre>                                                                | Specifies the name of an IP explicit path and enters IP explicit path configuration mode.                                                                                                                                                                                                                                     |
| <b>Step 15</b> | <p><b>next-address</b> [loose   strict] ip-address</p> <p><b>Example:</b></p> <pre>Router(cfg-ip-expl-path)# next-address 10.0.0.2</pre>                                                                                            | Specifies an explicit path that includes only the addresses specified or loose explicit paths.                                                                                                                                                                                                                                |

|         | Command or Action                                                         | Purpose                                                                   |
|---------|---------------------------------------------------------------------------|---------------------------------------------------------------------------|
| Step 16 | <b>end</b><br><b>Example:</b><br><pre>Router(cfg-ip-expl-path)# end</pre> | Exits the current configuration mode and returns to privileged EXEC mode. |

## Configuring the Midpoint Routers

No special configuration is needed to support the P2MP TE feature on the midpoint routers. The midpoint routers must have Cisco IOS Release 15.5(02)S or later release installed. They must be able to support and implement the P2MP signaling extensions. The MPLS TE configuration of the midpoint routers supports both P2P and P2MP TE. All multicast traffic is label switched. The midpoint routers do not require IPv4 multicast routing or PIM.

All the core interfaces on the mid-point routers, should have this configuration: **ip rsvp bandwidth ,mpls traffic-eng tunnels**

The IGP, should have this configuration :

**router ospf 1 mpls traffic-eng router-id Loopback0 , mpls traffic-eng area 0**

For information on configuring MPLS TE, see MPLS Traffic Engineering and Enhancements.

## Configuring the Tailend Routers

The tailend routers remove the MPLS labels from the IP multicast packets and send the packets to the MFIB for regular multicast forwarding processing. You must issue the **ip mroute** command to configure a static route back to the headend router, thus enabling RPF checks.

The following task explains how to configure PIM on the egress interface of the PE router. PIM is needed when the egress PE router is connected to a CE router, which is connected to a LAN where one or more multicast receivers are connected.

If the egress PE router is directly connected to a decoder device/system (e.g., DCM), you must configure Internet Group Management Protocol (IGMP) on the egress interface of the PE router. For more information on configuring IGMP, see Customizing IGMP .

### SUMMARY STEPS

1. **enable**
2. **configure terminal**
3. **ip multicast-routing [vrfvrf-name] [distributed]**
4. **ip multicast mpls traffic-eng [rangeaccess-list-number | access-list-name]**
5. **interface type slot / port**
6. **ip pim {dense-mode [proxy-register {listaccess-list | route-mapmap-name}] | passive | sparse-mode | sparse-dense-mode}**
7. **exit**
8. **ip mroute [vrfvrf-name] source-addressmask {fallback-lookup {global | vrfvrf-name} | rpf-address | interface-typeinterface-number} [distance]**
9. **end**

## DETAILED STEPS

|        | Command or Action                                                                                                                                                                                                                                                                                          | Purpose                                                                                                                                                                                                                                                                                                                                                                                                                                                                                                                                                                                                                                                      |
|--------|------------------------------------------------------------------------------------------------------------------------------------------------------------------------------------------------------------------------------------------------------------------------------------------------------------|--------------------------------------------------------------------------------------------------------------------------------------------------------------------------------------------------------------------------------------------------------------------------------------------------------------------------------------------------------------------------------------------------------------------------------------------------------------------------------------------------------------------------------------------------------------------------------------------------------------------------------------------------------------|
| Step 1 | <b>enable</b><br><b>Example:</b><br><pre>Router&gt; enable</pre>                                                                                                                                                                                                                                           | Enables privileged EXEC mode. <ul style="list-style-type: none"> <li>• Enter your password if prompted.</li> </ul>                                                                                                                                                                                                                                                                                                                                                                                                                                                                                                                                           |
| Step 2 | <b>configure terminal</b><br><b>Example:</b><br><pre>Router# configure terminal</pre>                                                                                                                                                                                                                      | Enters global configuration mode.                                                                                                                                                                                                                                                                                                                                                                                                                                                                                                                                                                                                                            |
| Step 3 | <b>ip multicast-routing [vrfvrf-name] [distributed]</b><br><b>Example:</b><br><pre>Router(config)# ip multicast-routing</pre>                                                                                                                                                                              | Enables IP multicast routing globally.                                                                                                                                                                                                                                                                                                                                                                                                                                                                                                                                                                                                                       |
| Step 4 | <b>ip multicast mpls traffic-eng [rangeaccess-list-number   access-list-name]</b><br><b>Example:</b><br><pre>Router(config)# ip multicast mpls traffic-eng</pre>                                                                                                                                           | Enables IP multicast routing for MPLS traffic engineering point-to-multipoint tunnels.                                                                                                                                                                                                                                                                                                                                                                                                                                                                                                                                                                       |
| Step 5 | <b>interface type slot / port</b><br><b>Example:</b><br>or<br><b>Example:</b><br><pre>interface type slot/port-adapter/port</pre> <b>Example:</b><br><pre>Router(config)# interface ethernet 1/1</pre> <b>Example:</b><br>or<br><b>Example:</b><br><pre>Router(config)# interface fastethernet 1/0/0</pre> | Configures an interface type and enters interface configuration mode. <ul style="list-style-type: none"> <li>• The <i>type</i> argument specifies the type of interface to be configured.</li> <li>• The <i>slot</i> argument specifies the slot number. Refer to the appropriate hardware manual for slot and port information.</li> <li>• The <i>port</i> argument specifies the port number. Refer to the appropriate hardware manual for slot and port information.</li> <li>• The <i>port-adapter</i> argument specifies the port adapter number. Refer to the appropriate hardware manual for information about port adapter compatibility.</li> </ul> |
| Step 6 | <b>ip pim {dense-mode [proxy-register {listaccess-list   route-mapmap-name}]   passive   sparse-mode   sparse-dense-mode}</b><br><b>Example:</b>                                                                                                                                                           | Enables Protocol Independent Multicast (PIM) on an interface.                                                                                                                                                                                                                                                                                                                                                                                                                                                                                                                                                                                                |

|               | Command or Action                                                                                                                                                                                                                                                                                                                       | Purpose                                                                                       |
|---------------|-----------------------------------------------------------------------------------------------------------------------------------------------------------------------------------------------------------------------------------------------------------------------------------------------------------------------------------------|-----------------------------------------------------------------------------------------------|
|               | <code>Router(config-if)# ip pim sparse-dense-mode</code>                                                                                                                                                                                                                                                                                |                                                                                               |
| <b>Step 7</b> | <b>exit</b><br><b>Example:</b><br><code>Router(config-if)# exit</code>                                                                                                                                                                                                                                                                  | Exits interface configuration mode.                                                           |
| <b>Step 8</b> | <b>ip mroute</b> [ <i>vrfvrf-name</i> ]<br><i>source-addressmask</i> { <b>fallback-lookup</b> { <b>global</b>  <br><i>vrfvrf-name</i> }   <i>rpf-address</i>   <i>interface-typeinterface-number</i> }<br>[ <i>distance</i> ]<br><b>Example:</b><br><code>Router(config)# ip mroute 10.10.10.10<br/> 255.255.255.255 10.11.11.11</code> | Configures a static multicast route (mroute) to the headend router, thus enabling RPF checks. |
| <b>Step 9</b> | <b>end</b><br><b>Example:</b><br><code>Router(config)# end</code>                                                                                                                                                                                                                                                                       | (Required) Exits the current configuration mode and returns to privileged EXEC mode.          |

## Configuring FRR with P2MP TE Tunnels

To enable link protection for sub-LSPs associated with a P2MP TE tunnel, perform the following configuration tasks:

- Enable FRR on the headend router for each P2MP TE tunnel.
- Configure P2P backup tunnels for network interfaces that require protection.

See MPLS Traffic Engineering—Fast Reroute Link and Node Protection for information and configuration instructions.

## Enabling MPLS Traffic Engineering System Logging of Events

MPLS Traffic Engineering system logging allows you to view the following events:

- Setting up and tearing down of LSPs
- RSVP Path and RESV requests
- Sub-LSP status (through path-change messages)

Commands to enable system logging include:

- **mpls traffic-eng logging lsp path-errors**
- **mpls traffic-eng logging lsp preemption**
- **mpls traffic-eng logging lsp reservation-errors**

- `mpls traffic-eng logging lsp setups`
- `mpls traffic-eng logging lsp teardowns`
- `mpls traffic-eng logging tunnel path change`

## Verifying the Configuration of MPLS Point-to-Multipoint Traffic Engineering

This section includes the following tasks:

### Verifying the Configuration of the Headend Router

At the headend router, use the following steps to verify that:

- All sub-LSPs are enabled.
- IP multicast traffic is being forwarded onto the P2MP TE tunnel.

The following commands may also be helpful in the verification of the headend router:

- `show cef path set` and `show cef path set detail` (when the headend router is also a branch point)
- `show ip mfib` and `show ipmfib verbose`
- `show ip rsvp fast-reroute`
- `show mpls traffic-eng destination list`
- `show mpls traffic-eng fast-reroute database`
- `show mpls traffic-eng tunnels with the dest-mode p2mp, detail, andsummary` keywords

### SUMMARY STEPS

1. `enable`
2. `show mpls traffic-eng tunnels brief`
3. `show mpls traffic-eng forwarding path-set brief`
4. `show mpls traffic-eng forwarding path-set detail`
5. `show ip mroute`

### DETAILED STEPS

---

#### Step 1 `enable`

Issue the `enable` command to enter privileged EXEC mode.

#### Step 2 `show mpls traffic-eng tunnels brief`

Use the `show mpls traffic-eng tunnels brief` command to display the P2MP TE tunnels originating from the headend router. For example:

#### Example:

```
Router# show mpls traffic-eng tunnels brief
```

```

signaling Summary:
  LSP Tunnels Process:          running
  Passive LSP Listener:        running
  RSVP Process:                 running
  Forwarding:                   enabled
  Periodic reoptimization:     every 60 seconds, next in 5 seconds
  Periodic FRR Promotion:      Not Running
  Periodic auto-bw collection:  disabled

P2P TUNNELS:
TUNNEL NAME          DESTINATION    UP IF    DOWN IF    STATE/PROT
p2p-LSP             10.2.0.1      -        Se2/0     up/up
Displayed 2 (of 2) heads, 0 (of 0) midpoints, 0 (of 0) tails
P2MP TUNNELS:
                DEST    CURRENT
INTERFACE  STATE/PROT UP/CFG TUNID LSPID
Tunnel2    up/up      3/10   2     1
Tunnel5    up/down   1/10   5     2
Displayed 2 (of 2) P2MP heads
P2MP SUB-LSPS:
SOURCE      TUNID LSPID  DESTINATION  SUBID  ST UP IF  DOWN IF
10.1.0.1    2     1     10.2.0.1    1     up head  Se2/0
10.1.0.1    2     1     10.3.0.199  2     up head  Et2/0
10.1.0.1    2     1     19.4.0.1    2     up head  s2/0
10.1.0.1    2     2     1 9.4.0.1   2     up head  s2/0
10.1.0.1    5     2     10.5.0.1    7     up head  e2/0
100.100.100.100 1     3     200.200.200.200 1     up ge2/0 s2/0
100.100.100.100 1     3     10.1.0.1    1     up e2/0  tail
Displayed 7 P2MP sub-LSPs:
                5 (of 5) heads, 1 (of 1) midpoints, 1 (of 1) tails

```

### Step 3 show mpls traffic-eng forwarding path-set brief

Use the **show mpls traffic-eng forwarding path-set brief** command to show the sub-LSPs that originate from the headend router. The following example shows three sub-LSPs originating at the headend router and going to different destinations. All the sub-LSPs belong to the same path set, which is a collection of paths. The path set is given a unique ID, which is shown in the PSID column of the example:

#### Example:

```

Router# s
how mpls traffic-eng forwarding path-set brief
Sub-LSP Identifier
src_lspid[subid]->dst_tunid          InLabel Next Hop      I/F      PSID
-----
10.0.0.1_19[16]->10.0.0.8_1         none    10.0.1.2          Et0/0    C5000002
10.0.0.1_19[27]->10.0.0.6_1         none    10.0.1.2          Et0/0    C5000002
10.0.0.1_19[31]->10.0.0.7_1         none    10.0.1.2          Et0/0    C5000002

```

### Step 4 show mpls traffic-eng forwarding path-set detail

Use the **show mpls traffic-eng forwarding path-set detail** command to show more information about the sub-LSPs that originate from the headend router. For example:

#### Example:

```

Router# s
how mpls traffic-eng forwarding path-set detail
LSP: Source: 10.1.0.1, TunID: 100, LSPID: 7
  Destination: 10.2.0.1, P2MP Subgroup ID: 1
  Path Set ID: 0x30000001
  OutLabel : Serial2/0, 16
  Next Hop : 10.1.3.2

```

```

FRR OutLabel : Tunnel666, 16
LSP: Source: 10.1.0.1, TunID: 100, LSPID: 7
Destination: 10.3.0.1, P2MP Subgroup ID: 2
Path Set ID: 0x30000001
OutLabel : Serial2/0, 16
Next Hop : 10.1.3.2
FRR OutLabel : Tunnel666, 16

```

### Step 5 show ip mroute

Use the **show ip mroute** command to verify that IP multicast traffic is being forwarded to the P2MP TE tunnel. In the following example, the output shown in bold shows that Tunnel 1 is part of the outgoing interface list for multicast group 232.0.1.4 with a source address of 10.10.10.10:

#### Example:

```

Router# show ip mroute
IP Multicast Routing Table
Flags: D - Dense, S - Sparse, B - Bidir Group, s - SSM Group, C - Connected,
L - Local, P - Pruned, R - RP-bit set, F - Register flag,
T - SPT-bit set, J - Join SPT, M - MSDP created entry, E - Extranet,
X - Proxy Join Timer Running, A - Candidate for MSDP Advertisement,
U - URD, I - Received Source Specific Host Report,
Z - Multicast Tunnel, z - MDT-data group sender,
Y - Joined MDT-data group, y - Sending to MDT-data group,
V - RD & Vector, v - Vector
Outgoing interface flags: H - Hardware switched, A - Assert winner
Timers: Uptime/Expires
Interface state: Interface, Next-Hop or VCD, State/Mode
(10.10.10.10, 232.0.1.4), 1d00h/stopped, flags: sTI
  Incoming interface: Ethernet2/0, RPF nbr 10.10.1.1
  Outgoing interface list:
    Tunnel1, Forward/Sparse-Dense, 1d00h/00:01:17
    (*, 224.0.1.40), 1d00h/00:02:48, RP 0.0.0.0, flags: DCL
    Incoming interface: Null, RPF nbr 0.0.0.0
    Outgoing interface list:
      Ethernet2/0, Forward/Sparse, 1d00h/00:02:48

```

## Verifying the Configuration of the Midpoint Routers

At the midpoint router, use the following commands to verify that MPLS forwarding occurs. If the midpoint router is branch router, you can also use **show mpls forwarding-table labels** command to display show specific labels.

### SUMMARY STEPS

1. enable
2. show mpls forwarding-table

### DETAILED STEPS

#### Step 1 enable

Issue the **enable** command to enter privileged EXEC mode.

#### Step 2 show mpls forwarding-table

Use the **show mpls forwarding-table** command to show that MPLS packets are switched at the midpoint routers. For example:

**Example:**

```
Router# show mpls forwarding-table

Local      Outgoing  Prefix          Bytes Label  Outgoing  Next Hop
Label      Label     or Tunnel Id   Switched     interface
16         16        10.0.0.1 1 [19] 0           Et1/0      10.0.1.30

Router# show mpls forwarding-table detail

Local      Outgoing  Prefix          Bytes Label  Outgoing  Next Hop
Label      Label     or Tunnel Id   Switched     interface
16         16        10.0.0.1 1 [19] 0           Et1/0      10.0.1.30
MAC/Encaps=14/18, MRU=1500, Label Stack{16}
AABBCC032800AABBCC0325018847 00010000
No output feature configured
Broadcast
```

## Verifying the Configuration of the Tailend Routers

At the tailend router, use the following steps to verify that:

- MPLS forwarding occurs.
- IP multicast forwarding occurs.

You can also use the **show ip mfib**, **showmpls traffic-eng destination list**, and **show mpls traffic-eng tunnels dest-mode p2mp** commands for verification.

### SUMMARY STEPS

1. **enable**
2. **show mpls forwarding-table**
3. **show ip mroute**

### DETAILED STEPS

#### Step 1 **enable**

Issue the **enable** command to enter privileged EXEC mode.

#### Step 2 **show mpls forwarding-table**

Use the **show mpls forwarding-table** command to show that MPLS labeled packets are forwarded from the tailend router without any label.

**Example:**

```
Router# show mpls forwarding-table

Local      Outgoing  Prefix          Bytes Label  Outgoing  Next Hop
Label      Label     or Tunnel Id   Switched     interface
17         [T] No Label    10.0.0.1 1 [19] 342        aggregate
```



```
[T] Forwarding through a LSP tunnel.
Router# show mpls forwarding-table detail
Local      Outgoing  Prefix          Bytes Label  Outgoing  Next Hop
Label      Label    or Tunnel Id    Switched     interface
17         No Label  10.0.0.1 1 [19]  342         aggregate
          MAC/Encaps=0/0, MRU=0, Label Stack{}, via Ls0
```

### Step 3 show ip mroute

Use the **show ip mroute** command to display IP multicast traffic. In the following example, the output in bold shows the incoming interface is Lspvif0 and the outgoing interface is Ethernet1/0 is for multicast group 232.0.1.4 with source address 10.10.10.10:

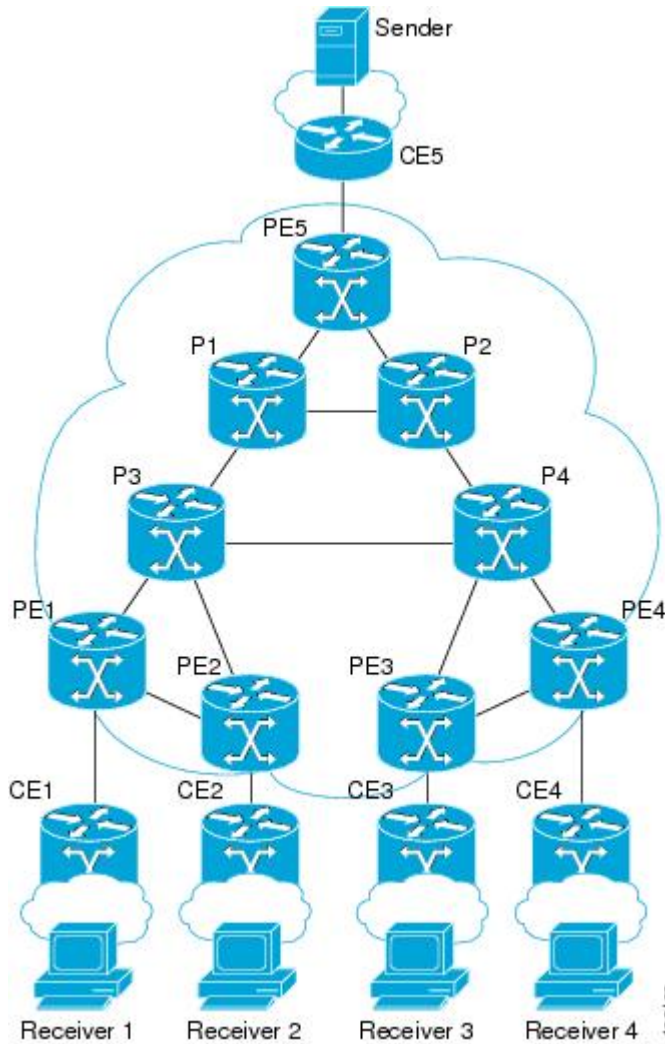
#### Example:

```
Router# show ip mroute
IP Multicast Routing Table
...
(*, 232.0.1.4), 1d02h/stopped, RP 0.0.0.0, flags: SP
  Incoming interface: Null, RPF nbr 0.0.0.0
  Outgoing interface list: Null
(10.10.10.10, 232.0.1.4), 00:01:51/00:01:38, flags:
  Incoming interface: Lspvif0, RPF nbr 10.0.0.1, Mroute
  Outgoing interface list:
    Ethernet1/0, Forward/Sparse, 00:01:51/00:02:37
(*, 224.0.1.40), 1d02h/00:02:57, RP 0.0.0.0, flags: DCL
  Incoming interface: Null, RPF nbr 0.0.0.0
  Outgoing interface list:
    Ethernet1/0, Forward/Sparse, 1d02h/00:02:57
```

## Configuration Examples for MPLS Point-to-Multipoint Traffic Engineering

The following examples show point-to-multipoint traffic engineering configurations on the headend router (PE5), a midpoint router (P1), and a tailend router (PE1):

Figure 33: Sample MPLS TE P2MP TE Topology



## Example Configuration of the Headend Router (PE5)

In the following example configuration of the headend router, note the following:

- IPv4 multicast routing is enabled with the **ipmulticast-routing** command.
- Two destination lists are specified, one for dynamic paths and one for explicit paths. The destination list specifies one path-option per destination.
- The **tunnelmodemplstraffic-engpoint-to-multipoint** command enables the P2MP tunnel.
- On the tunnel interfaces, the **ippimpassive** command is used.
- On the non-MPLS interfaces, the **ippimsparse-mode** command is used.
- The **ipigmpstatic-group** commands map the multicast groups to the P2MP tunnel.

- FRR is enabled on the router, with tunnel 3 as the backup path. An explicit path called PE5->P1-BKUP provides the alternative path.

```

hostname [PE5]
!
boot-start-marker
boot-end-marker
!
!
no aaa new-model
clock timezone PST -8
ip subnet-zero
ip source-route
ip cef
no ip domain lookup
!
ip multicast-routing
!
no ipv6 cef
mpls traffic-eng tunnels
!
mpls traffic-eng destination list name P2MP-DYN-DST-LIST
    ip 172.16.255.1 path-option 10 dynamic
    ip 172.16.255.2 path-option 10 dynamic
    ip 172.16.255.3 path-option 10 dynamic
    ip 172.16.255.4 path-option 10 dynamic
!
mpls traffic-eng destination list name P2MP-EXCIT-DST-LIST
    ip 172.16.255.1 path-option 10 explicit identifier 101
    ip 172.16.255.2 path-option 10 explicit identifier 102
    ip 172.16.255.3 path-option 10 explicit identifier 103
    ip 172.16.255.4 path-option 10 explicit identifier 104
!
multilink bundle-name authenticated
!
interface Tunnel1
    description PE5->PE1,PE2,PE3,PE4-DYN
    ip unnumbered Loopback0
    ip pim passive
    ip igmp static-group 232.0.1.4 source 192.168.5.255
    ip igmp static-group 232.0.1.3 source 192.168.5.255
    ip igmp static-group 232.0.1.2 source 192.168.5.255
    ip igmp static-group 232.0.1.1 source 192.168.5.255
    tunnel mode mpls traffic-eng point-to-multipoint
    tunnel destination list mpls traffic-eng name P2MP-DYN-DST-LIST
    tunnel mpls traffic-eng priority 7 7
    tunnel mpls traffic-eng bandwidth 10000
!
interface Tunnel2
    description PE5->PE1,PE2,PE3,PE4-EXCIT
    ip unnumbered Loopback0
    ip pim passive
    ip igmp static-group 232.0.1.8 source 192.168.5.255
    ip igmp static-group 232.0.1.7 source 192.168.5.255
    ip igmp static-group 232.0.1.6 source 192.168.5.255
    ip igmp static-group 232.0.1.5 source 192.168.5.255
    tunnel mode mpls traffic-eng point-to-multipoint
    tunnel destination list mpls traffic-eng name P2MP-EXCIT-DST-LIST
    tunnel mpls traffic-eng priority 7 7
    tunnel mpls traffic-eng bandwidth 20000
    tunnel mpls traffic-eng fast-reroute
!
interface Tunnel3

```

## Example Configuration of the Headend Router (PE5)

```

description PE5->P1
ip unnumbered Loopback0
tunnel mode mpls traffic-eng
tunnel destination 172.16.255.201
tunnel mpls traffic-eng path-option 10 explicit name PE5->P1-BKUP
!
interface Loopback0
ip address 172.16.255.5 255.255.255.255
!
interface Ethernet0/0
description CONNECTS to CE5
ip address 192.168.5.1 255.255.255.252
ip pim sparse-mode
!
interface Ethernet1/0
description CONNECTS TO P1
bandwidth 1000000
ip address 172.16.0.13 255.255.255.254
ip router isis
mpls traffic-eng tunnels
mpls traffic-eng backup-path Tunnel3
isis network point-to-point
ip rsvp bandwidth percent 100
!
interface Ethernet2/0
description CONNECTS TO P2
bandwidth 1000000
ip address 172.16.0.14 255.255.255.254
ip router isis
mpls traffic-eng tunnels
isis network point-to-point
ip rsvp bandwidth percent 100
!
router isis
net 49.0001.1720.1625.5005.00
is-type level-2-only
metric-style wide
passive-interface Loopback0
mpls traffic-eng router-id Loopback0
mpls traffic-eng level-2
!
!
ip classless
!
no ip http server
!
ip pim ssm default
!
ip explicit-path identifier 101 enable
next-address 172.16.0.12
next-address 172.16.192.0
next-address 172.16.0.0
!
ip explicit-path identifier 102 enable
next-address 172.16.0.12
next-address 172.16.192.0
next-address 172.16.0.3
!
ip explicit-path identifier 103 enable
next-address 172.16.0.12
next-address 172.16.192.0
next-address 172.16.192.6
next-address 172.16.0.6
!

```

```

ip explicit-path identifier 104 enable
  next-address 172.16.0.12
  next-address 172.16.192.0
  next-address 172.16.192.6
  next-address 172.16.0.9
!
ip explicit-path name PE5->P1-BKUP enable
  next-address 172.16.0.15
  next-address 172.16.192.2

```

## Example Configuration of the Midpoint Router (P1)

In the following example configuration of the midpoint router, note the following:

- MPLS Traffic Engineering is enabled both globally and on the interface connecting to other core routers.
- MPLS TE extensions are enabled through the **mplstraffic-engrouter-id** and **mplstraffic-englevel** commands.

```

hostname [P1]
!
no aaa new-model
clock timezone PST -8
ip subnet-zero
ip source-route
ip cef
no ip domain lookup
!
no ipv6 cef
mpls traffic-eng tunnels
multilink bundle-name authenticated
!
interface Loopback0
  ip address 172.16.255.201 255.255.255.255
!
interface Ethernet0/0
  description CONNECTS TO P2
  bandwidth 1000000
  ip address 172.16.192.2 255.255.255.254
  ip router isis
  mpls traffic-eng tunnels
  isis network point-to-point
  ip rsvp bandwidth percent 100
!
interface Ethernet0/1
  no ip address
  shutdown
!
interface Ethernet0/2
  no ip address
  shutdown
!
interface Ethernet0/3
  no ip address
  shutdown
!
interface Ethernet1/0
  description CONNECTS TO P3
  bandwidth 1000000
  ip address 172.16.192.1 255.255.255.254
  ip router isis

```

```

mpls traffic-eng tunnels
isis network point-to-point
ip rsvp bandwidth percent 100
!
interface Ethernet2/0
description CONNECTS TO PE5
bandwidth 1000000
ip address 172.16.0.12 255.255.255.254
ip router isis
mpls traffic-eng tunnels
isis network point-to-point
ip rsvp bandwidth percent 100
!
router isis
net 49.0001.1720.1625.5201.00
is-type level-2-only
metric-style wide
passive-interface Loopback0
mpls traffic-eng router-id Loopback0
mpls traffic-eng level-2
!
ip classless
!
no ip http server

```

## Example Configuration of the Tailend Router (PE1)

In the following example configuration of the tailend router, note the following:

- IPv4 multicast routing is enabled with the **ipmulticast-routing** command.
- On the non-MPLS interfaces, the **ippimsparse-mode** command is used.
- The **ipmulticastmpls** commands enable multicast routing of traffic.

```

hostname [PE1]
!
no aaa new-model
clock timezone PST -8
ip subnet-zero
ip source-route
ip cef
no ip domain lookup
!
ip multicast-routing
!
no ipv6 cef
mpls traffic-eng tunnels
multilink bundle-name authenticated
!
interface Loopback0
ip address 172.16.255.1 255.255.255.255
!
interface Ethernet0/0
description CONNECTS TO CE1
ip address 192.168.1.1 255.255.255.252
ip pim sparse-mode
!
interface Ethernet0/3
description CONNECTS TO P3
bandwidth 155000

```

```
no ip address
shutdown
mpls traffic-eng tunnels
ip rsvp bandwidth 155000
!
interface Ethernet1/0
description CONNECTS TO PE2
bandwidth 1000000
ip address 172.16.0.5 255.255.255.254
ip router isis
mpls traffic-eng tunnels
isis network point-to-point
ip rsvp bandwidth percent 100
!
interface Ethernet2/0
description CONNECTS TO P3
bandwidth 1000000
ip address 172.16.0.0 255.255.255.254
ip router isis
mpls traffic-eng tunnels
isis network point-to-point
ip rsvp bandwidth percent 100
!
router isis
net 49.0001.1720.1625.5001.00
is-type level-2-only
metric-style wide
passive-interface Loopback0
mpls traffic-eng router-id Loopback0
mpls traffic-eng level-2
!
!
ip classless
!
no ip http server
!
ip multicast mpls traffic-eng
ip pim ssm default
ip mroute 192.168.5.0 255.255.255.0 172.16.255.5
```







## CHAPTER 12

# IGMP Snooping

This module describes how to enable and configure the Ethernet Virtual Connection (EVC)-based IP Multicast Internet Group Management Protocol (IGMP) Snooping feature both globally and on bridge domains.

- [Finding Feature Information, on page 249](#)
- [Prerequisites for IGMP Snooping, on page 249](#)
- [Restrictions for IGMP Snooping, on page 250](#)
- [Information About IGMP Snooping, on page 251](#)
- [How to Configure IGMP Snooping, on page 251](#)
- [Verifying IGMP Snooping, on page 257](#)

## Finding Feature Information

Your software release may not support all the features documented in this module. For the latest caveats and feature information, see [Bug Search Tool](#) and the release notes for your platform and software release. To find information about the features documented in this module, and to see a list of the releases in which each feature is supported, see the feature information table.

Use Cisco Feature Navigator to find information about platform support and Cisco software image support. To access Cisco Feature Navigator, go to [www.cisco.com/go/cfn](http://www.cisco.com/go/cfn). An account on Cisco.com is not required.

## Prerequisites for IGMP Snooping

- Basic IGMP v3 snooping support (BISS) is supported.
- POP operation for all vlan tags should be configured on EFP.
- Bridge domain (BD) interfaces from 1 to 4094 support IGMP snooping.
- Maximum number of EFPs supported on a single BD with IGMP snooping enabled:
  - RSP1 is 48
  - RSP2 is 128
- EFPs are supported only on different ports of a single BD, but not on the same ports on the RSP3 module.
- Maximum number of multicast routes for Layer 2 is 1000.

- Maximum number of multicast routes for Layer 3 (including control entries) for RSP1A, RSP1B, and RSP2 modules is 1000.
- Maximum number of multicast routes for Layer 2 and Layer 3 for the RSP3 module is 1000.



---

**Note** We recommend a delay of at least 2 minutes while performing the below actions:

- Removal and addition of EFP configuration operation.
  - Removal and addition of bridge-domain interface (BDI) configuration operation.
  - Changing the interface configuration to default and reconfiguring the EFP again.
  - Removing and adding IGMP snooping to a bridge-domain.
- 

## Restrictions for IGMP Snooping

- IGMP snooping should be disabled for bi-directional traffic sent to the same group in the SSM.
- Layer2 multicast is not supported with IGMP snooping when static joins are configured in EFP or TEFP. However, Layer2 multicast with IGMP snooping is supported for dynamic joins configured on the EFP or TEFP.
- IGMP snooping is *not* supported with bridge domain interfaces greater than 4094.
- IGMP snooping must be turned off on the bridge domain when VPLS is configured, for IGMP reports to be sent over the VPLS pseudowire.
- Stateful switchover (SSO) is *not* supported for IGMP snooping.
- Static mrouter configuration is *not* supported.
- IGMP snooping for Trunk EFPs, port channels interfaces and pseudowires is *not* supported on the RSP1 module.
- IGMP snooping for EFPs and Trunk EPFs is supported on the RSP3 module.
- Starting with Cisco IOS Release 3.13, for Protocol Independent Multicast (PIM) Source Specific Multicast (SSM), with Bridge Domain Interface (BDI) as Incoming Interface (IIF), IGMP Snooping is *not* supported on the corresponding Bridge Domain (BD).
- Starting with Cisco IOS Release 3.13, for Protocol Independent Multicast Sparse Mode (PIM-SM), with Bridge Domain Interface BDI as Incoming Interface (IIF), IGMP Snooping is *not* supported on the corresponding Bridge Domain (BD) in non-Designated Router (DR) node.

Starting with Cisco IOS Release 3.14, IGMP snooping is supported on the TEFPs on the RSP2 modules. IGMP snooping on RSP2 is *not* supported for port channels and pseudowires.

# Information About IGMP Snooping

## IGMP Snooping

IP Multicast Internet Group Management Protocol (IGMP), which runs at Layer 3 on a multicast device, generates Layer 3 IGMP queries in subnets where the multicast traffic must be routed. IGMP (on a device) sends out periodic general IGMP queries.

IGMP Snooping is an Ethernet Virtual Circuit (EVC)-based feature set. EVC decouples the concept of VLAN and broadcast domain. An EVC is an end-to-end representation of a single instance of a Layer 2 service being offered by a provider. In the Cisco EVC framework, bridge domains are made up of one or more Layer 2 interfaces known as service instances. A service instance is the instantiation of an EVC on a given port on a given device. A service instance is associated with a bridge domain based on the configuration.

When you enable EVC-based IGMP snooping on a bridge domain, the bridge domain interface responds at Layer 2 to the IGMP queries with only one IGMP join request per Layer 2 multicast group. Each bridge domain represents a Layer 2 broadcast domain. The bridge domain interface creates one entry per subnet in the Layer 2 forwarding table for each Layer 2 multicast group from which it receives an IGMP join request. All hosts interested in this multicast traffic send IGMP join requests and are added to the forwarding table entry. During a Layer 2 lookup on a bridge domain to which the bridge domain interface belongs, the bridge domain forwards the packets to the correct EFP. When the bridge domain interface hears the IGMP Leave group message from a host, it removes the table entry of the host.

IGMP snooping is supported on Metro IP and Metro Aggregate licenses on the router. IGMP snooping is supported with REP and G.8032.



---

**Note** IGMP snooping is *not* supported with REP and G.8032 on the RSP3 module.

---

## How to Configure IGMP Snooping

### Enabling IGMP Snooping

#### SUMMARY STEPS

1. **enable**
2. **configure terminal**
3. **ip igmp snooping**
4. **bridge-domain** *bridge-id*
5. **ip igmp snooping**
6. **end**

## DETAILED STEPS

|        | Command or Action                                                                             | Purpose                                                                                                                                                                                                                                    |
|--------|-----------------------------------------------------------------------------------------------|--------------------------------------------------------------------------------------------------------------------------------------------------------------------------------------------------------------------------------------------|
| Step 1 | <b>enable</b><br><b>Example:</b><br>Device> enable                                            | Enables privileged EXEC mode.<br><ul style="list-style-type: none"> <li>• Enter your password if prompted.</li> </ul>                                                                                                                      |
| Step 2 | <b>configure terminal</b><br><b>Example:</b><br>Device# configure terminal                    | Enters global configuration mode.                                                                                                                                                                                                          |
| Step 3 | <b>ip igmp snooping</b><br><b>Example:</b><br>Device(config)# ip igmp snooping                | Globally enables IGMP snooping after it has been disabled.                                                                                                                                                                                 |
| Step 4 | <b>bridge-domain <i>bridge-id</i></b><br><b>Example:</b><br>Device(config)# bridge-domain 100 | (Optional) Enters bridge domain configuration mode.                                                                                                                                                                                        |
| Step 5 | <b>ip igmp snooping</b><br><b>Example:</b><br>Device(config-bdomain)# ip igmp snooping        | (Optional) Enables IGMP snooping on the bridge domain interface being configured.<br><ul style="list-style-type: none"> <li>• Required only if IGMP snooping was previously explicitly disabled on the specified bridge domain.</li> </ul> |
| Step 6 | <b>end</b><br><b>Example:</b><br>Device(config-bdomain)# end                                  | Returns to privileged EXEC mode.                                                                                                                                                                                                           |

## Configuring IGMP Snooping Globally

## SUMMARY STEPS

1. enable
2. configure terminal
3. ip igmp snooping robustness-variable *variable*
4. ip igmp snooping report-suppression
5. ip igmp snooping last-member-query-count *count*
6. ip igmp snooping last-member-query-interval *interval*
7. ip igmp snooping check ttl
8. exit

## DETAILED STEPS

|        | Command or Action                                                                                                                                               | Purpose                                                                                                                             |
|--------|-----------------------------------------------------------------------------------------------------------------------------------------------------------------|-------------------------------------------------------------------------------------------------------------------------------------|
| Step 1 | <b>enable</b><br><b>Example:</b><br>Device> <b>enable</b>                                                                                                       | Enables privileged EXEC mode. <ul style="list-style-type: none"> <li>• Enter your password if prompted.</li> </ul>                  |
| Step 2 | <b>configure terminal</b><br><b>Example:</b><br>Device# <b>configure terminal</b>                                                                               | Enters global configuration mode.                                                                                                   |
| Step 3 | <b>ip igmp snooping robustness-variable</b> <i>variable</i><br><b>Example:</b><br>Device(config)# <b>ip igmp snooping robustness-variable 3</b>                 | Configures the IGMP defined robustness variable .                                                                                   |
| Step 4 | <b>ip igmp snooping report-suppression</b><br><b>Example:</b><br>Device(config) # <b>ip igmp snooping report-suppression</b>                                    | Enables report suppression for IGMP snooping.                                                                                       |
| Step 5 | <b>ip igmp snooping last-member-query-count</b> <i>count</i><br><b>Example:</b><br>Device(config)# <b>ip igmp snooping last-member-query-count 5</b>            | Configures how often IGMP snooping sends query messages in response to receiving an IGMP leave message. The default is 2.           |
| Step 6 | <b>ip igmp snooping last-member-query-interval</b> <i>interval</i><br><b>Example:</b><br>Device(config)# <b>ip igmp snooping last-member-query-interval 200</b> | Configures the length of time after which the group record is deleted if no reports are received. The default is 1000 milliseconds. |
| Step 7 | <b>ip igmp snooping check ttl</b><br><b>Example:</b><br>Device(config)# <b>ip igmp snooping check ttl</b>                                                       | Enforces IGMP snooping check.                                                                                                       |
| Step 8 | <b>exit</b><br><b>Example:</b><br>Device(config)# <b>exit</b>                                                                                                   | Exits global configuration mode and returns to privileged EXEC mode.                                                                |

# Configuring IGMP Snooping on a Bridge Domain

## Before you begin

- The bridge domain must be created.

## SUMMARY STEPS

- enable
- configure terminal
- bridge-domain *bridge-id*
- ip igmp snooping immediate-leave
- ip igmp snooping last-member-query-count *count*
- ip igmp snooping last-member-query-interval *interval*
- ip igmp snooping robustness-variable *variable*
- ip igmp snooping report-suppression
- ip igmp snooping check ttl
- end

## DETAILED STEPS

|        | Command or Action                                                                                                                                     | Purpose                                                                                                                                                                 |
|--------|-------------------------------------------------------------------------------------------------------------------------------------------------------|-------------------------------------------------------------------------------------------------------------------------------------------------------------------------|
| Step 1 | <b>enable</b><br><b>Example:</b><br>Device> enable                                                                                                    | Enables privileged EXEC mode. <ul style="list-style-type: none"> <li>Enter your password if prompted.</li> </ul>                                                        |
| Step 2 | <b>configure terminal</b><br><b>Example:</b><br>Device# configure terminal                                                                            | Enters global configuration mode.                                                                                                                                       |
| Step 3 | <b>bridge-domain <i>bridge-id</i></b><br><b>Example:</b><br>Device(config)# bridge-domain 100                                                         | Enters bridge domain configuration mode.                                                                                                                                |
| Step 4 | <b>ip igmp snooping immediate-leave</b><br><b>Example:</b><br>Device(config-bdomain)# ip igmp snooping immediate-leave                                | Enables IGMPv2 immediate-leave processing. <b>Note</b> When both immediate-leave processing and the query count are configured, fast-leave processing takes precedence. |
| Step 5 | <b>ip igmp snooping last-member-query-count <i>count</i></b><br><b>Example:</b><br>Device(config-bdomain)# ip igmp snooping last-member-query-count 5 | Sets the count for last member query messages sent in response to receiving an IGMP leave message. The valid range is 1 to 7. The default is 2 milliseconds.            |

|                | Command or Action                                                                                                                                                        | Purpose                                                                                                                           |
|----------------|--------------------------------------------------------------------------------------------------------------------------------------------------------------------------|-----------------------------------------------------------------------------------------------------------------------------------|
|                |                                                                                                                                                                          | <b>Note</b> When both immediate-leave processing and the query count are configured, fast-leave processing takes precedence.      |
| <b>Step 6</b>  | <b>ip igmp snooping last-member-query-interval</b> <i>interval</i><br><b>Example:</b><br>Device(config-bdomain)# <b>ip igmp snooping last-member-query-interval 2000</b> | Sets the last member query interval of the bridge domain. The valid range is from 100 to 32767. The default is 1000 milliseconds. |
| <b>Step 7</b>  | <b>ip igmp snooping robustness-variable</b> <i>variable</i><br><b>Example:</b><br>Device(config-bdomain)# <b>ip igmp snooping robustness-variable 3</b>                  | Configures the IGMP snooping robustness variable. The default is 2.                                                               |
| <b>Step 8</b>  | <b>ip igmp snooping report-suppression</b><br><b>Example:</b><br>Device(config-bdomain)# <b>ip igmp snooping report-suppression</b>                                      | Enables report suppression for all hosts on the bridge domain.                                                                    |
| <b>Step 9</b>  | <b>ip igmp snooping check ttl</b><br><b>Example:</b><br>Device(config-bdomain)# <b>ip igmp snooping check ttl</b>                                                        | Enforces IGMP snooping check.                                                                                                     |
| <b>Step 10</b> | <b>end</b><br><b>Example:</b><br>Device(config-bdomain)# <b>end</b>                                                                                                      | Returns to privileged EXEC mode.                                                                                                  |

## Disabling IGMP Snooping Globally

### SUMMARY STEPS

1. enable
2. configure terminal
3. no ip igmp snooping
4. exit

### DETAILED STEPS

|               | Command or Action                | Purpose                                                                                                               |
|---------------|----------------------------------|-----------------------------------------------------------------------------------------------------------------------|
| <b>Step 1</b> | <b>enable</b><br><b>Example:</b> | Enables privileged EXEC mode.<br><ul style="list-style-type: none"> <li>• Enter your password if prompted.</li> </ul> |

|               | Command or Action                                                                           | Purpose                                                              |
|---------------|---------------------------------------------------------------------------------------------|----------------------------------------------------------------------|
|               | Device> <b>enable</b>                                                                       |                                                                      |
| <b>Step 2</b> | <b>configure terminal</b><br><b>Example:</b><br>Device# <b>configure terminal</b>           | Enters global configuration mode.                                    |
| <b>Step 3</b> | <b>no ip igmp snooping</b><br><b>Example:</b><br>Device(config)# <b>no ip igmp snooping</b> | Disables IGMP snooping on the router.                                |
| <b>Step 4</b> | <b>exit</b><br><b>Example:</b><br>Device(config)# <b>exit</b>                               | Exits global configuration mode and returns to privileged EXEC mode. |

## Disabling IGMP Snooping on a Bridge Domain

### SUMMARY STEPS

1. **enable**
2. **configure terminal**
3. **bridge-domain** *bridge-id*
4. **no ip igmp snooping**
5. **end**

### DETAILED STEPS

|               | Command or Action                                                                                     | Purpose                                                                                                            |
|---------------|-------------------------------------------------------------------------------------------------------|--------------------------------------------------------------------------------------------------------------------|
| <b>Step 1</b> | <b>enable</b><br><b>Example:</b><br>Device> <b>enable</b>                                             | Enables privileged EXEC mode. <ul style="list-style-type: none"> <li>• Enter your password if prompted.</li> </ul> |
| <b>Step 2</b> | <b>configure terminal</b><br><b>Example:</b><br>Device# <b>configure terminal</b>                     | Enters global configuration mode.                                                                                  |
| <b>Step 3</b> | <b>bridge-domain</b> <i>bridge-id</i><br><b>Example:</b><br>Device(config)# <b>bridge-domain</b> 4000 | Enters bridge domain configuration mode.                                                                           |
| <b>Step 4</b> | <b>no ip igmp snooping</b><br><b>Example:</b><br>Device(config-bdomain)# <b>no ip igmp snooping</b>   | Disables IGMP snooping on the bridge domain.                                                                       |



|        | Command or Action                                                        | Purpose                          |
|--------|--------------------------------------------------------------------------|----------------------------------|
| Step 5 | <b>end</b><br><br><b>Example:</b><br>Device(config-bdomain) # <b>end</b> | Returns to privileged EXEC mode. |

## Verifying IGMP Snooping

Use these commands to verify IGMP Snooping on the router.

- **show ip igmp snooping**

This command displays the IGMP snooping configuration globally on the router. The following is a sample output from the command:

```
Router# show ip igmp snooping

Global IGMP Snooping configuration:
-----
IGMP snooping Oper State      : Enabled
IGMPv3 snooping (minimal)    : Enabled
Report suppression           : Enabled
TCN solicit query            : Enabled
Robustness variable          : 3
Last member query count      : 2
Last member query interval   : 200
Check TTL=1                  : Yes
Check Router-Alert-Option    : No

Vlan 1:
-----
IGMP snooping Admin State    : Enabled
IGMP snooping Oper State    : Enabled
IGMPv2 immediate leave      : Disabled
Report suppression           : Enabled
Robustness variable          : 3
Last member query count      : 2
Last member query interval   : 200
Check TTL=1                  : Yes
Check Router-Alert-Option    : Yes
.
.
.
```

- **show ip igmp snooping [bd *bd-id*]**

This command displays configuration for IGMP snooping by bridge domain. The following is a sample output from the command:

```
Router# show ip igmp snooping bd 100

Global IGMP Snooping configuration:
-----
IGMP snooping Oper State      : Enabled
IGMPv3 snooping (minimal)    : Enabled
Report suppression           : Enabled
TCN solicit query            : Enabled
Robustness variable          : 3
Last member query count      : 2
```

```

Last member query interval : 200
Check TTL=1                : Yes
Check Router-Alert-Option  : No

```

```
Vlan 100:
```

```

-----
IGMP snooping Admin State      : Enabled
IGMP snooping Oper State      : Enabled
IGMPv2 immediate leave        : Disabled
Report suppression             : Enabled
Robustness variable            : 3
Last member query count        : 2
Last member query interval     : 200
Check TTL=1                    : Yes
Check Router-Alert-Option      : Yes
Query Interval                 : 0
Max Response Time              : 10000

```

#### • show ip igmp snooping groups bd *bd-id* count

This command displays snooping information for groups by bridge domain. This is a sample output from the command:

```
Router# show ip igmp snooping group bd 4000 count
```

```

Total number of groups in Vlan 4000:  2
Total number of (S,G) in Vlan 4000:  0

```

#### • show ip igmp snooping groups count

This command displays snooping information for groups. This is a sample output from the command:

```
Router# show ip igmp snooping groups count
```

```

Total number of groups:  4
Total number of (S,G):  0

```

#### • show ip igmp snooping counters [bd *bd-id*]

This command displays IGMP snooping counters, globally or by bridge domain. This is the sample output from this command where Ovr and Und represent oversize and undersize respectively:

```
Router# show ip igmp snooping counters
```

```

Counters of group "IGMP snooping counters" overall there
are 15 counters

```

| Type                                        | Value | Ovr | Und |
|---------------------------------------------|-------|-----|-----|
| RX processed Query Count                    | 0     |     |     |
| RX processed Group Specific Query           | 0     |     |     |
| RX processed Join                           | 0     |     |     |
| RX processed Leave                          | 0     |     |     |
| RX processed Total Valid Packets            | 0     |     |     |
| RX processed Other Packets                  | 0     |     |     |
| RX Packets dropped for sanity errors        | 0     |     |     |
| RX Packets dropped for checksum errors      | 0     |     |     |
| RX Packets dropped for header length errors | 0     |     |     |
| RX Packets dropped for other errors         | 0     |     |     |
| RX processed Topology change notification   | 0     |     |     |
| TX processed Query Count                    | 0     |     |     |
| TX processed Group Specific Query           | 0     |     |     |
| TX processed Join                           | 0     |     |     |

```

TX processed Leave | 0 | |
Counters of group "IGMP snooping V3 counters" overall there
are 18 counters
RX processed V3 ALLOW NEW | 0 | |
RX processed V3 BLOCK OLD | 0 | |

Type | Value | Ovr | Und
-----+-----+----+----
RX processed V3 MODE IS INCLUDE | 0 | | |
RX processed V3 MODE IS EXCLUDE | 0 | | |
RX processed V3 CHANGE TO INCLUDE | 0 | | |
RX processed V3 CHANGE TO EXCLUDE | 0 | | |
RX processed V3 Query | 0 | | |
RX processed V3 Group Specific Query | 0 | | |
RX processed V3 GSS Query | 0 | | |
TX processed V3 ALLOW NEW | 0 | | |
TX processed V3 BLOCK OLD | 0 | | |
TX processed V3 MODE IS INCLUDE | 0 | | |
TX processed V3 MODE IS EXCLUDE | 0 | | |
TX processed V3 CHANGE TO INCLUDE | 0 | | |
TX processed V3 CHANGE TO EXCLUDE | 0 | | |
TX processed V3 Query | 0 | | |
TX processed V3 Group Specific Query | 0 | | |
TX processed V3 GSS Query | 0 | | |

```

- **show ip igmp snooping mrouter**

**[bd bd-id]**

This command displays multicast ports, globally or by bridge domain.. This is a sample output from the command:

```

Router# show ip igmp snooping mrouter

Vlan    ports
----    -
100     Gi0/3/4-efp1 (dynamic)
   10    Gi0/4/5-tefp1 (dynamic)
100     Po64-efp100 (dynamic)

```

- **show ip igmp snooping querier**

**[bd bd-id]**

This command displays the IGMP querier information globally or by a bridge domain. This is a sample output from the command:

```

Router# show ip igmp snooping querier

Vlan    IP Address          IGMP Version  Port
-----+-----+-----+-----
100     10.0.0.2            v2            Gi0/3/4-efp1
10      10.0.0.2            v2            Gi0/4/5-tefp1
100     30.1.1.12           v2            Po64-efp100

```

- **show ip igmp snooping group**

This command displays the IGMP snooping information about multicast groups by VLAN. This is a sample output from the command:

```

Router# show ip igmp snooping group

Flags: I -- IGMP snooping, S -- Static, P -- PIM snooping, A -- ASM mode
Vlan    Group/source          Type          Version      Port List

```

```

-----
100      226.0.1.1      I          v2          Gi0/1/1-efp100
10       225.1.1.1      I          v2          Gi0/4/2-tefp1
100     235.1.1.3      I          v2          Po64-efp1

```

- **show ip igmp snooping group bd**

This command displays the BD level IGMP snooping information. This is a sample output from the command:

```
Router# show ip igmp snooping group bd 100 226.0.1.1
```

```

Flags: I -- IGMP snooping, S -- Static, P -- PIM snooping, A -- ASM mode
Vlan   Group/source      Type      Version      Port List
-----
100    226.0.1.1        I         v2           Gi0/1/1-efp100
100    235.1.1.3        I         v2           Po64-efp1

```

For Scale scenarios: Check the Snooping groups count per BD level.

```
Router# show ip igmp snooping group bd 100 count
```

```

Total number of groups in Vlan 100:  1
Total number of (S,G) in Vlan 100:  0

```



# CHAPTER 13

## MLDP-Based MVPN

The MLDP-based MVPN feature provides extensions to Label Distribution Protocol (LDP) for the setup of point-to-multipoint (P2MP) and multipoint-to-multipoint (MP2MP) label switched paths (LSPs) for transport in the Multicast Virtual Private Network (MVPN) core network.

- [Finding Feature Information](#), on page 261
- [Prerequisites for MLDP-Based MVPN](#), on page 261
- [Restrictions for MLDP-Based MVPN on the RSP2 Module](#), on page 262
- [Restrictions for MLDP-Based VPN on the RSP3 Module](#), on page 262
- [Information About MLDP-Based MVPN](#), on page 263
- [Configuring MLDPv4-Based MVPN](#), on page 275
- [MLDPv6-Based MVPN](#), on page 280
- [Configuration Examples for MLDP-Based MVPN](#), on page 284

### Finding Feature Information

Your software release may not support all the features documented in this module. For the latest caveats and feature information, see [Bug Search Tool](#) and the release notes for your platform and software release. To find information about the features documented in this module, and to see a list of the releases in which each feature is supported, see the feature information table.

Use Cisco Feature Navigator to find information about platform support and Cisco software image support. To access Cisco Feature Navigator, go to [www.cisco.com/go/cfn](http://www.cisco.com/go/cfn). An account on Cisco.com is not required.

### Prerequisites for MLDP-Based MVPN

- You must be familiar with IPv4 multicast routing configuration tasks and concepts.
- Cisco Express Forwarding (CEF) must be enabled on the router for label switching.
- Unicast routing must be operational.
- To enable MLDP based multicast VPN, you must configure a VPN routing and forwarding (VRF) instance. For more information about configuring a VRF, see *MPLS Layer 3 VPN Configuration Guide* for your router.

## Restrictions for MLDP-Based MVPN on the RSP2 Module

The following restrictions apply to the MLDP-Based MVPN feature on the RSP2 module:

- mLDPv4 extranet is supported from Cisco IOS XE Release 3.17.0S onwards on RSP2 module.
- Route leaking (Leaking the mroutes/traffic from Virtual Routing and Forwarding (VRF) to global table or to between VRFs) for mLDPv4 is supported from Cisco IOS XE Release 3.17.0S onwards.
- MLDP FRR is partially supported (only link level).
- Spanning of mLDP packets in the bud node is *not* supported.
- Bridge domain interfaces (BDI) in the core is *not* supported for mLDPv4 in Cisco IOS XE Release 3.17; Only routed port in the core is supported. Starting with Cisco IOS Release 3.18 and later, MLDPv4 and MLDPv6 with BDI interfaces in core is supported.
- MLDP and Point-to-Multipoint Traffic Engineering (P2MP TE) coexistence is not supported.
- MLDP and MVPN GRE cannot co-exist in the same VRF.
- More than 20 Multicast VRFs (MVRFs) for MLDP is not supported.
- Following multicast groups are not supported:
  - IPv4 on the RSP2 module - more than 2000
  - IPv6 on the RSP2 module - more than 1000
- The **no mpls mldp forwarding recursive** command is required when multiple paths exist .
- Recursive Forwarding Equivalence Class (FEC) is not supported on Rosen MLDP.
- When ip multicast-routing is disabled on bud node, traffic for the downstream tail ends is not be forwarded.
- Routed port-channel, EFP and trunk EFP-based port-channel is not supported as core facing interface on the RSP2 module.

## Restrictions for MLDP-Based VPN on the RSP3 Module

In addition to the restrictions on the router, the following are applicable on the RSP3 module:

- MLDP Profile 7 is not supported on the RSP3 module.
- MLDP extranet is *not* supported on the RSP3 module.
- P2MP TE is not supported on the RSP3 module.
- EFP and trunk EFP-based port channel is not supported as core facing interface on the RSP3 in Cisco IOS XE Everest 16.5.1.
- Route leaking of mroutes or traffic from the VRF to the global or between VRFs is *not* supported.
- MLDP Fast-reroute (FRR) is *not* supported.

- Maximum number of VRFs supported is 20.
- Maximum number of IPv4 max routes supported is 4000.
- Maximum number of mroutes for IPv6 supported is 1000.
- The **no mpls mldp forwarding recursive** command is required when multiple paths exist .
- Recursive Forwarding Equivalence Class (FEC) is not supported on Rosen MLDP.
- The multicast groups are not supported:
  - IPv4 on the RSP3 module - more than 4000
  - IPv6 on the RSP3 module - more than 1000

## Information About MLDP-Based MVPN

### Overview of MLDP-Based MVPN

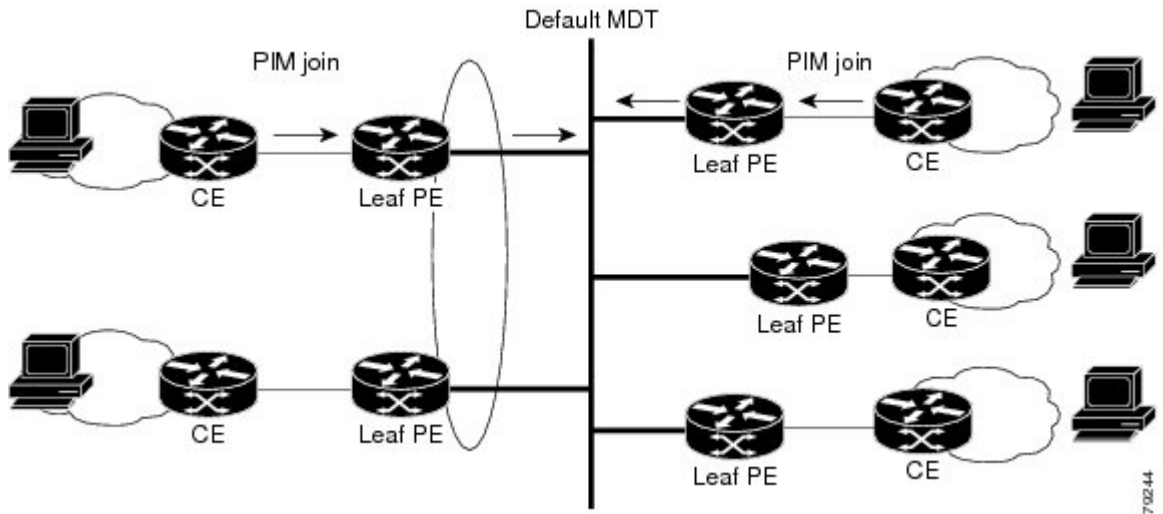
MVPN allows a service provider to configure and support multicast traffic in an MPLS VPN environment. This feature supports routing and forwarding of multicast packets for each individual VPN routing and forwarding (VRF) instance, and it also provides a mechanism to transport VPN multicast packets across the service provider backbone.

A VPN is network connectivity across a shared infrastructure, such as an Internet service provider (ISP). Its function is to provide the same policies and performance as a private network, at a reduced cost of ownership, thus creating many opportunities for cost savings through operations and infrastructure.

An MVPN allows an enterprise to transparently interconnect its private network across the network backbone of a service provider. The use of an MVPN to interconnect an enterprise network in this way does not change the way that the enterprise network is administered, nor does it change general enterprise connectivity.

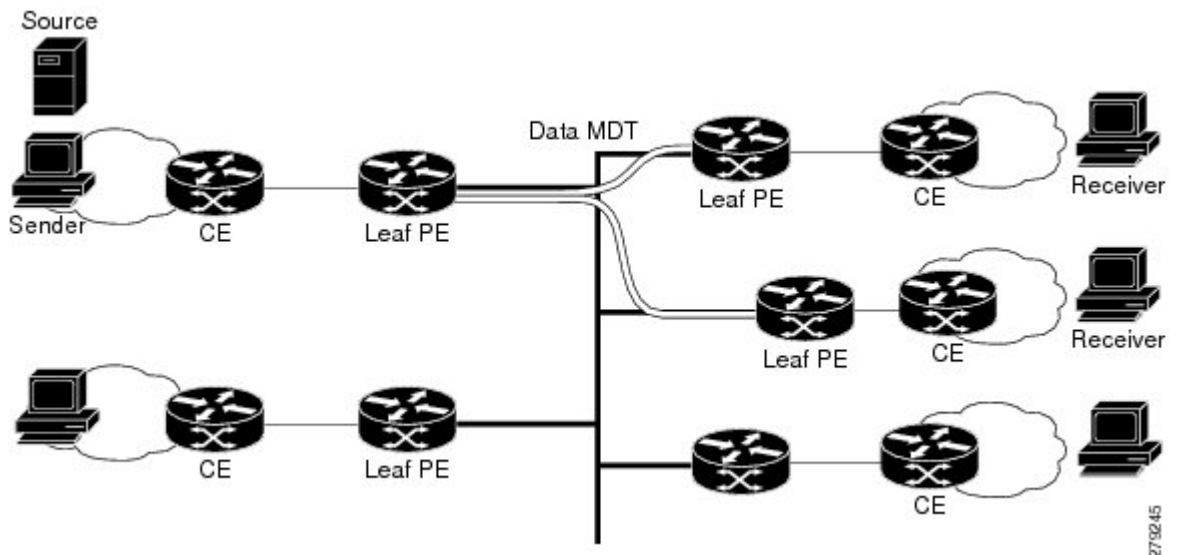
As shown in the figure, in an MLDP-based MVPN, a static default multicast distribution tree (MDT) is established for each multicast domain. The default MDT defines the path used by provider edge (PE) devices to send multicast data and control messages to every other PE device in the multicast domain. A default MDT is created in the core network using a single MP2MP LSP. The default MDT behaves like a virtual LAN.

Figure 34: MLDP with the Default MDT Scenario



As shown in the figure, an MLDP-based MVPN also supports the dynamic creation of data MDTs for high-bandwidth transmission. For high-rate data sources, a data MDT is created using P2MP LSPs to off-load traffic from the default MDT to avoid unnecessary waste of bandwidth to PEs that did not join the stream. The creation of the data MDT is signaled dynamically using MDT Join TLV messages. Data MDTs are a feature unique to Cisco IOS software. Data MDTs are intended for high-bandwidth sources such as full-motion video inside the VPN to ensure optimal traffic forwarding in the MPLS VPN core. The threshold at which the data MDT is created can be configured on a per-device or a per-VRF basis. When the multicast transmission exceeds the defined threshold, the sending PE device creates the data MDT and sends a User Datagram Protocol (UDP) message, which contains information about the data MDT to all devices on the default MDT.

Figure 35: MLDP with the Data MDT Scenario



Data MDTs are created only for (S, G) multicast route entries within the VRF multicast routing table. They are not created for (\*, G) entries regardless of the value of the individual source data rate.



The only transport mechanism previously available was Protocol Independent Multicast (PIM) with Multipoint Generic Routing Encapsulation (mGRE) over an IP core network. The introduction of Multicast Label Distribution Protocol (MLDP) provides transport by using MLDP with label encapsulation over an MPLS core network.

MLDP creates the MDTs as follows:

- The default MDT uses MP2MP LSPs.
  - Supports low bandwidth and control traffic between VRFs.
- The data MDT uses P2MP LSPs.
  - Supports a single high-bandwidth source stream from a VRF.

All other operations of MVPN remain the same regardless of the tunneling mechanism:

- PIM neighbors in a VRF are seen across a Label Switched Path virtual interface (LSP-VIF).
- The VPN multicast state is signaled by PIM.

The only other difference when using MLDP is that the MDT group address used in the mGRE solution is replaced with a VPN ID.

## Benefits of MLDP-Based MVPN

- Enables the use of a single MPLS forwarding plane for both unicast and multicast traffic.
- Enables existing MPLS protection (for example, MPLS Traffic Engineering/Resource Reservation Protocol (TE/RSVP link protection) and MPLS Operations Administration and Maintenance (OAM) mechanisms to be used for multicast traffic.
- Reduces operational complexity due to the elimination of the need for PIM in the MPLS core network.

## P2MP and MP2MP Label Switched Paths

MLDP is an application that sets up Multipoint Label Switched Paths (MP LSPs) in MPLS networks without requiring multicast routing protocols in the MPLS core. mLDP constructs the P2MP or MP2MP LSPs without interacting with or relying upon any other multicast tree construction protocol. Using LDP extensions for MP LSPs and Unicast IP routing, mLDP can setup MP LSPs. The two types of MP LSPs that can be setup are Point-to-Multipoint (P2MP) and Multipoint-to-Multipoint (MP2MP) type LSPs.

A P2MP LSP allows traffic from a single root (ingress node) to be delivered to a number of leaves (egress nodes), where each P2MP tree is uniquely identified with a 2-tuple (root node address, P2MP LSP identifier). A P2MP LSP consists of a single root node, zero or more transit nodes, and one or more leaf nodes, where typically root and leaf nodes are PEs and transit nodes are P routers. A P2MP LSP setup is receiver-driven and is signaled using mLDP P2MP FEC, where LSP identifier is represented by the MP Opaque Value element. MP Opaque Value carries information that is known to ingress LSRs and Leaf LSRs, but need not be interpreted by transit LSRs. There can be several MP LSPs rooted at a given ingress node, each with its own identifier.

A MP2MP LSP allows traffic from multiple ingress nodes to be delivered to multiple egress nodes, where a MP2MP tree is uniquely identified with a 2-tuple (root node address, MP2MP LSP identifier). For a MP2MP LSP, all egress nodes, except the sending node, receive a packet sent from an ingress node.

A MP2MP LSP is similar to a P2MP LSP, but each leaf node acts as both an ingress and egress node. To build an MP2MP LSP, you can setup a downstream path and an upstream path so that:

- Downstream path is setup just like a normal P2MP LSP
- Upstream path is setup like a P2P LSP towards the upstream router, but inherits the downstream labels from the downstream P2MP LSP.



**Note** We recommend that you configure one P2MP MDT tree per prefix. For example, if 500 multicast routes are needed, then you should configure at least 500 P2MP MDT trees.

```
ip vrf vrf-name1
.....!
.....
mdt data mpls mldp 500
```

## Packet Flow in mLDP-based Multicast VPN

For each packet coming in, MPLS creates multiple out-labels. Packets from the source network are replicated along the path to the receiver network. The CE1 router sends out the native IP multicast traffic. The PE1 router imposes a label on the incoming multicast packet and replicates the labeled packet towards the MPLS core network. When the packet reaches the core router (P), the packet is replicated with the appropriate labels for the MP2MP default MDT or the P2MP data MDT and transported to all the egress PEs. Once the packet reaches the egress PE, the label is removed and the IP multicast packet is replicated onto the VRF interface.

## Realizing a mLDP-based Multicast VPN

There are different ways a Label Switched Path (LSP) built by mLDP can be used depending on the requirement and nature of application such as:

- P2MP LSPs for global table transit Multicast using in-band signaling.
- P2MP/MP2MP LSPs for MVPN based on MI-PMSI or Multidirectional Inclusive Provider Multicast Service Instance (Rosen Draft).
- P2MP/MP2MP LSPs for MVPN based on MS-PMSI or Multidirectional Selective Provider Multicast Service Instance (Partitioned E-LAN).

The router performs the following important functions for the implementation of mLDP:

1. Encapsulating VRF multicast IP packet with GRE/Label and replicating to core interfaces (imposition node).
2. Replicating multicast label packets to different interfaces with different labels (Mid node).
3. Decapsulate and replicate label packets into VRF interfaces (Disposition node).

## Supported mLDP Profiles

| Profile Name                                                                  | Supported on mLDPv4 | Supported on mLDPv6 |
|-------------------------------------------------------------------------------|---------------------|---------------------|
| Profile 1 Default MDT - MLDP<br>MP2MP - PIM C-mcast Signaling                 | Yes                 | Yes                 |
| Profile 2 Partitioned MDT - MLDP<br>MP2MP - PIM C-mcast Signaling             | No                  | No                  |
| Profile 4 Partitioned MDT - MLDP<br>MP2MP - BGP-AD - PIM C-mcast<br>Signaling | No                  | No                  |
| Profile 5 Partitioned MDT - MLDP<br>P2MP - BGP-AD - PIM C-mcast<br>Signaling  | No                  | No                  |
| Profile 6 VRF MLDP - In-band<br>Signaling                                     | Yes                 | Yes                 |
| Profile 7 Global MLDP In-band<br>Signaling                                    | Yes                 | Yes                 |
| Profile 9 Default MDT - MLDP -<br>MP2MP - BGP-AD - PIM C-mcast<br>Signaling   | Yes                 | Yes                 |
| Profile 12 Default MDT - MLDP -<br>P2MP - BGP-AD - BGP C-mcast<br>Signaling   | Yes                 | Yes                 |
| Profile 13 Default MDT - MLDP -<br>MP2MP - BGP-AD - BGP C-mcast<br>Signaling  | Yes                 | Yes                 |
| Profile 14 Partitioned MDT -<br>MLDP P2MP - BGP-AD - BGP<br>C-mast Signaling  | Yes                 | Yes                 |
| Profile 15 Partitioned MDT -<br>MLDP MP2MP - BGP-AD - BGP<br>C-mast Signaling | No                  | No                  |
| Profile 17 Default MDT - MLDP -<br>P2MP - BGP-AD - PIM C-mcast<br>Signaling   | Yes                 | Yes                 |

For more information on mLDP profiles, see, <http://www.cisco.com/c/en/us/support/docs/ip/multicast/118985-configure-mcast-00.html#anc0>

## Initial Deployment of an MLDP-Based MVPN

Initial deployment of an MLDP-based MVPN involves the configuration of a default MDT and one or more data MDTs.

A static default MDT is established for each multicast domain. The default MDT defines the path used by PE devices to send multicast data and control messages to every other PE device in the multicast domain. A default MDT is created in the core network using a single MP2MP LSP.

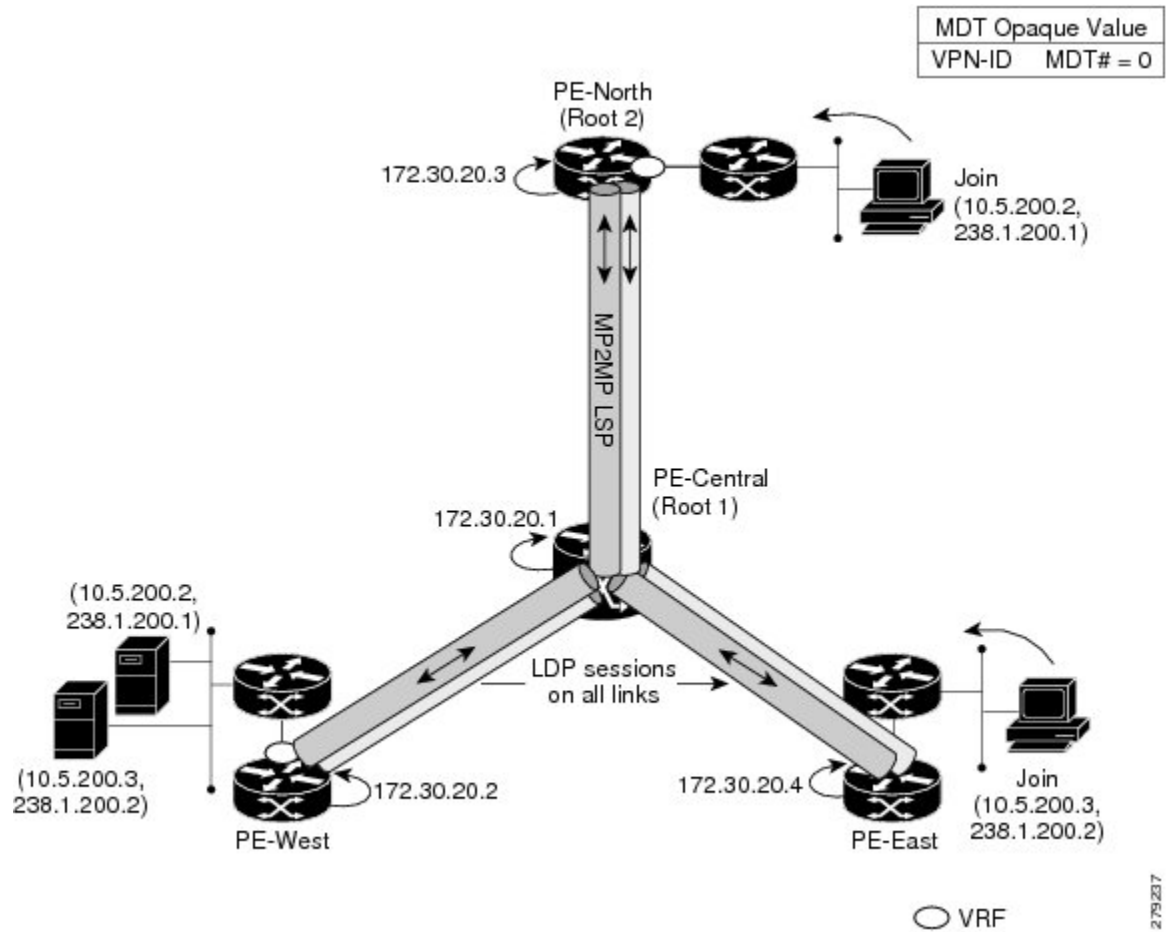
An MLDP-based MVPN also supports the dynamic creation of data MDTs for high-bandwidth transmission.

### Default MDT Creation

The figure shows the default MDT scenario. The Opaque value used to signal a default MDT consists of two parameters: the VPN ID and the MDT number for the VPN in the format (vpn-id, 0) where vpn-id is a manually configured 7-byte number that uniquely identifies this VPN. The default MDT is set to zero.

In this scenario, each of the three PE devices belong to the VRF called VRF and they have the same VPN ID. Each PE device with the same VPN ID will join the same MP2MP tree. The PE devices have created a primary MP2MP tree rooted at P-Central (Root 1) and a backup MP2MP tree rooted at PE-North (Root 2). There are two sources at PE-West and interested receivers at both PE-North and PE-East. PE-West will choose one of the MP2MP trees to transmit the customer VPN traffic, but all PE devices can receive traffic on either of the MP2MP trees.

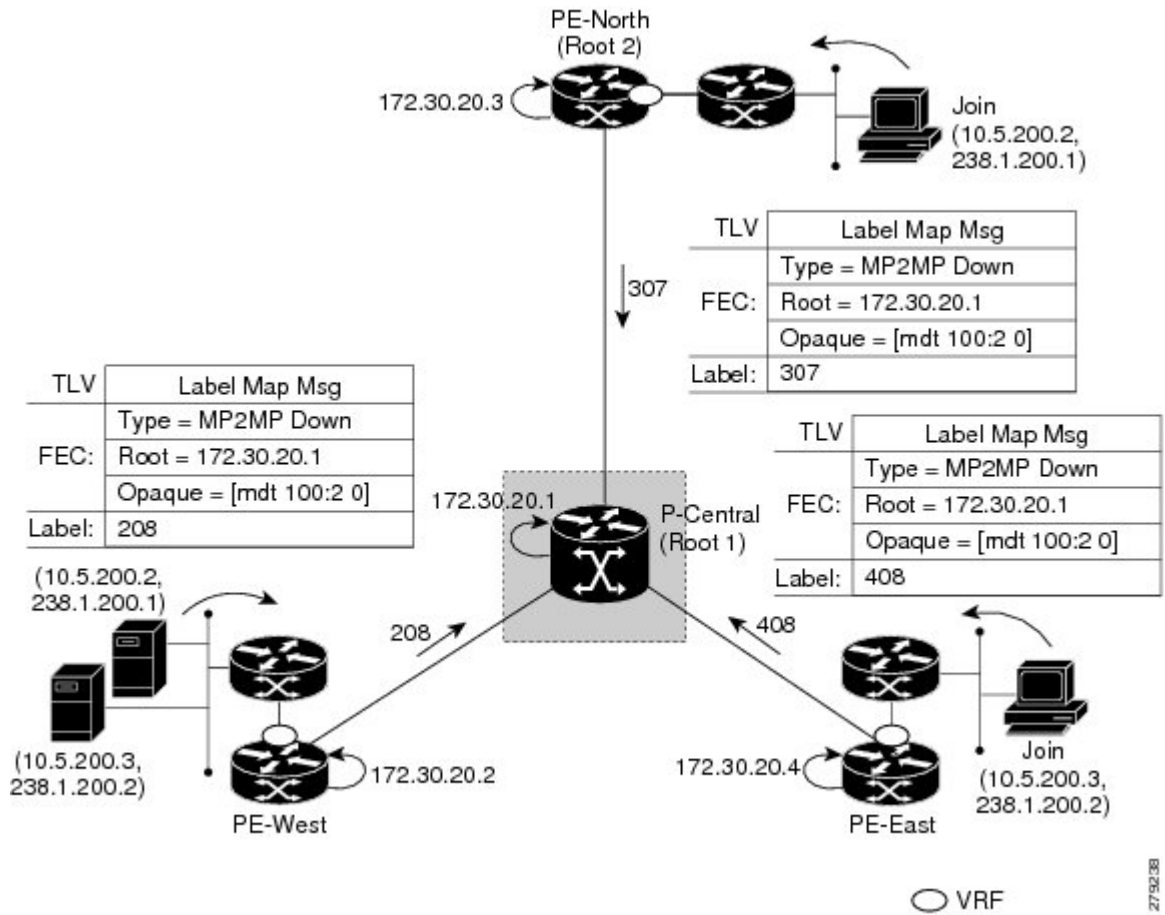
Figure 36: Default MDT Scenario



### LSP Downstream Default MDT Creation

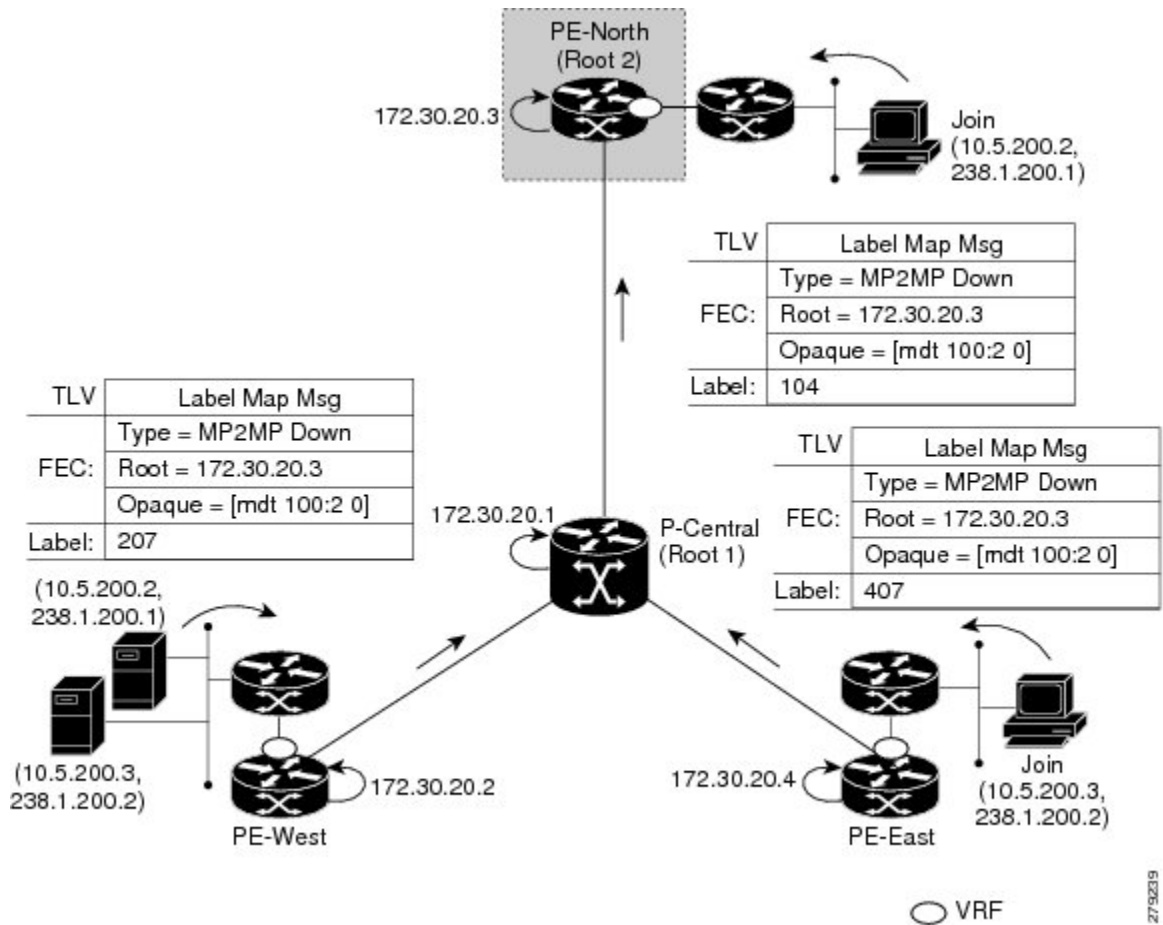
The figures show the downstream tree creation for each of the roots. Each PE device configured with VPN ID 100:2 creates the same Forwarding Equivalence Class (FEC) Type Length Value (TLV), but with a different root and downstream labels per MP2MP tree. The FEC type will be MP2MP Down, which prompts the receiving Label Switched Route (LSR) to respond with an upstream label mapping message to create the upstream path.

Figure 37: Default MDT Downstream--Root 1



2730236

Figure 38: Default MDT Downstream--Root 2

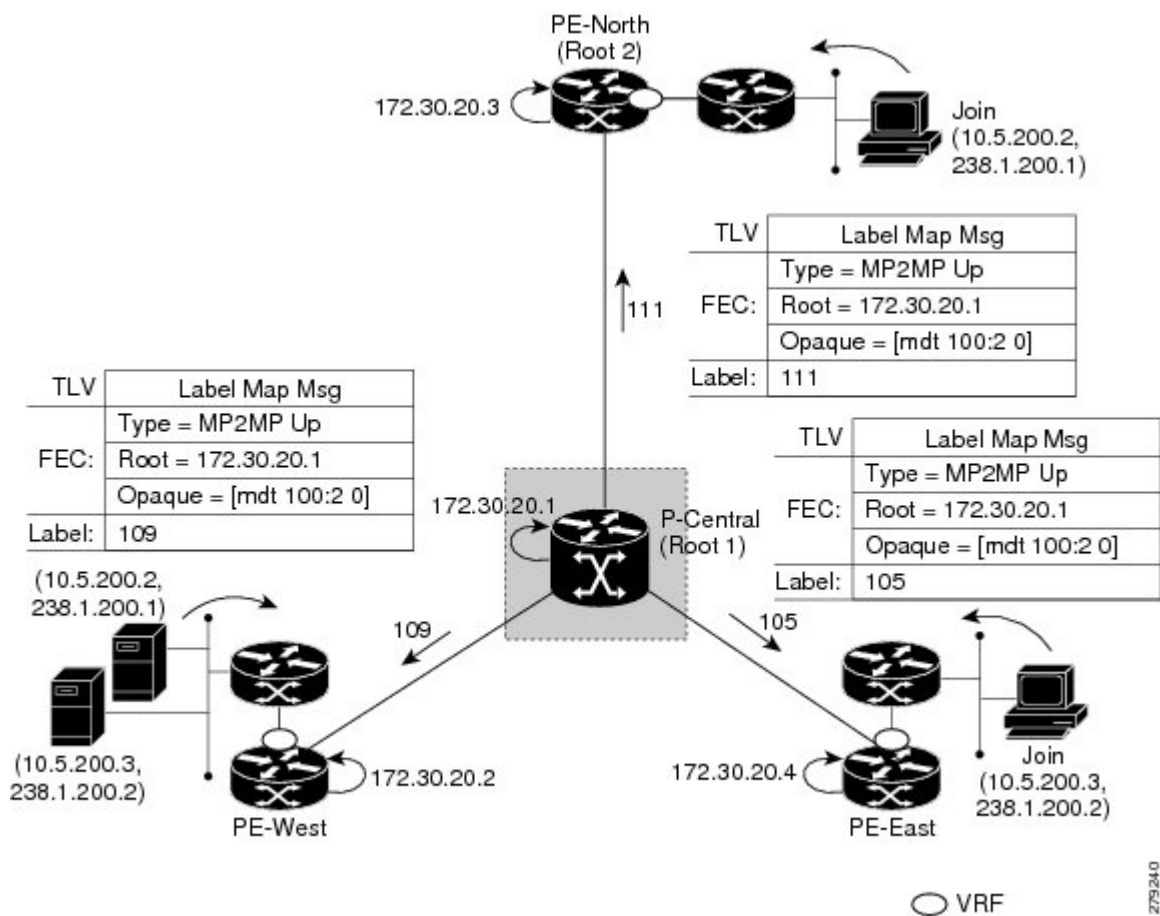


279239

## LSP Upstream Default MDT Creation

The figures show the upstream LSP creation for the default MDTs. For each downstream label received, a corresponding upstream label is sent. In the first figure, P-Central sends out three upstream labels (111, 109, and 105) to each downstream directly connected neighbor (downstream is away from the root). The process for PE-North is the same except that it only sends a single upstream label (313) as there is only one directly connected downstream neighbor, as shown in the second figure.

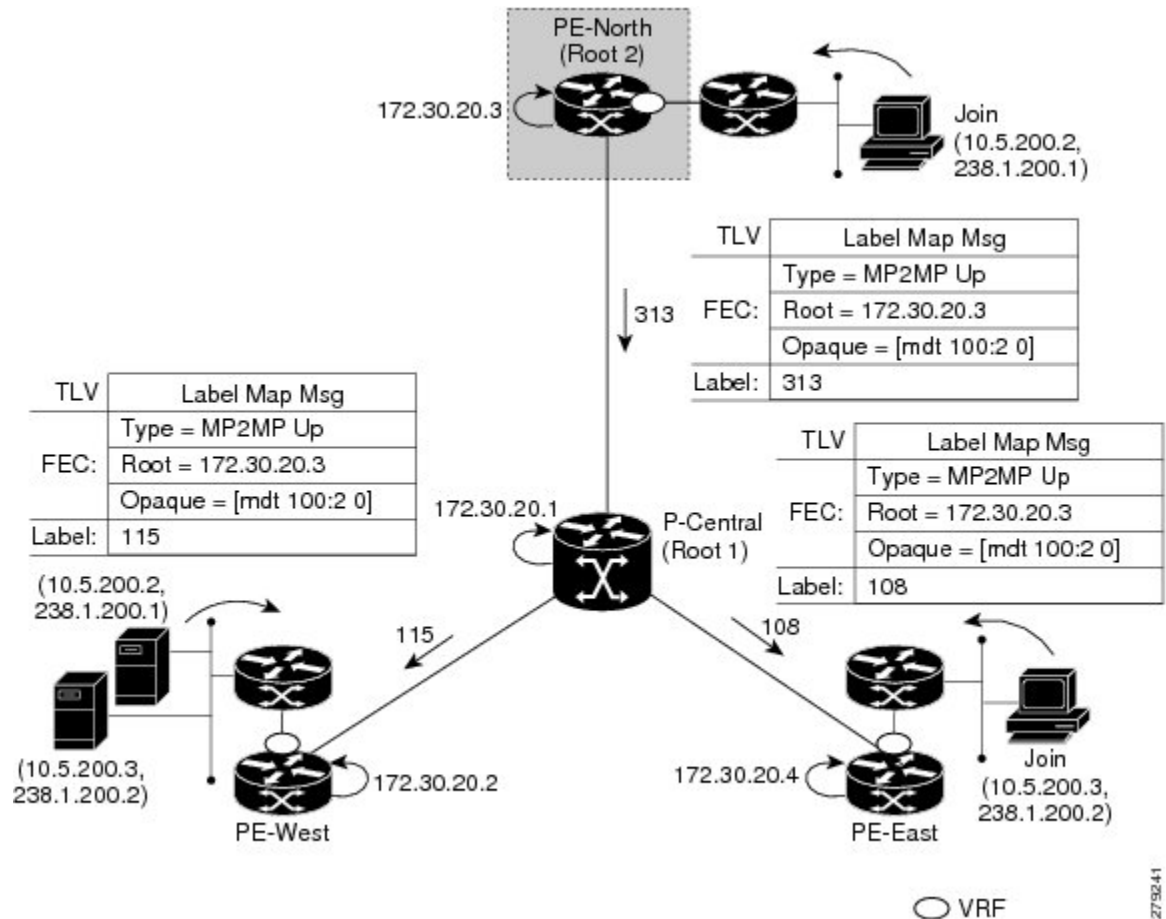
Figure 39: Default MDT Upstream--Root 1



275240



Figure 40: Default MDT Upstream--Root 2

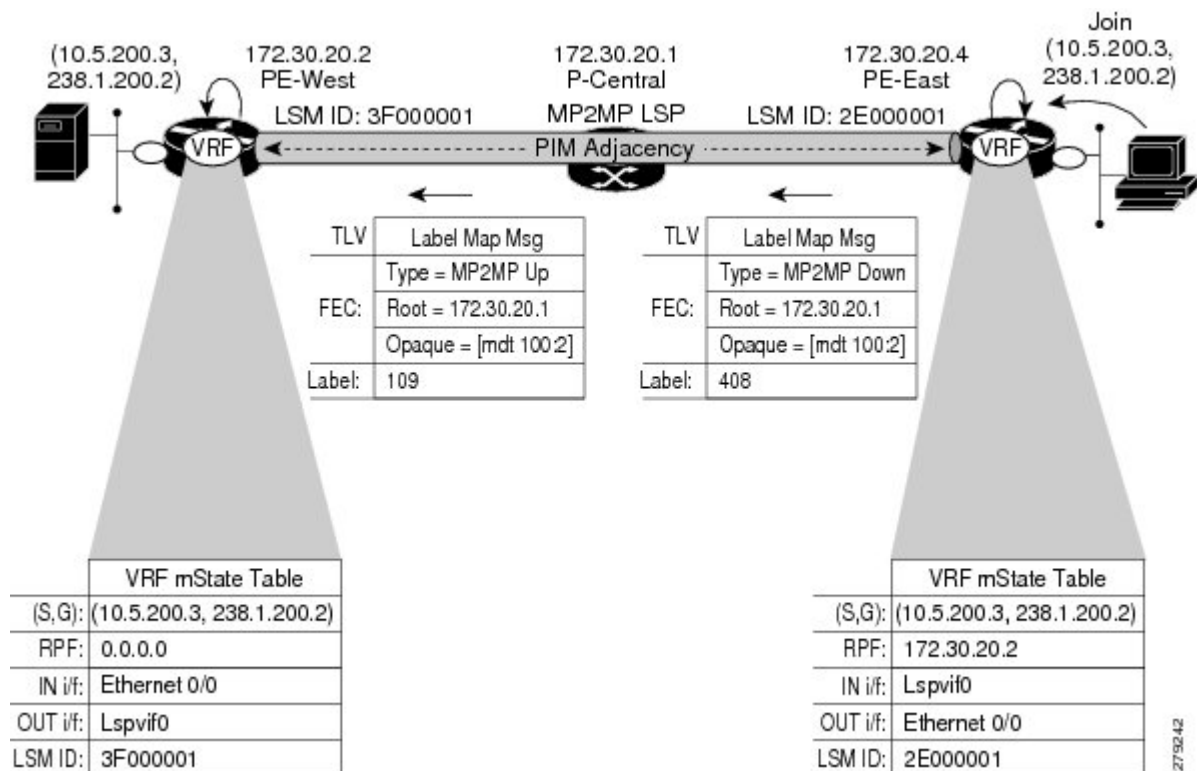


279241

## PIM Overlay Signaling of VPN Multicast State

The signaling of the multicast state within a VPN is via PIM. It is called overlay signaling because the PIM session runs over the multipoint LSP and maps the VPN multicast flow to the LSP. In an MVPN, the operation of PIM is independent of the underlying tunnel technology. In the MVPN solution, a PIM adjacency is created between PE devices, and the multicast states within a VRF are populated over the PIM sessions. When using MLDP, the PIM session runs over an LSP-VIF interface. The figure shows PIM signaling running over the default MDT MP2MP LSP. Access to the MP2MP LSP is via the LSP-VIF, which can see all the leaf PE devices at the end of branches, much like a LAN interface. In the figure, PE-East sends a downstream label mapping message to the root, P-Central, which in turn sends an upstream label mapping message to PE-West. These messages result in the creation of the LSP between the two leaf PE devices. A PIM session can then be activated over the top of the LSP allowing the (S, G) states and control messages to be signaled between PE-West and PE-East. In this case, PE-East receives a Join TLV message for (10.5.200.3, 238.1.200.2) within VRF, which it inserts into the mroute table. The Join TLV message is then sent via the PIM session to PE-West (BGP next-hop of 10.5.200.3), which populates its VRF mroute table. This procedure is identical to the procedure using an mGRE tunnel.

Figure 41: PIM Signaling over LSP



275242

## Data MDT Scenario

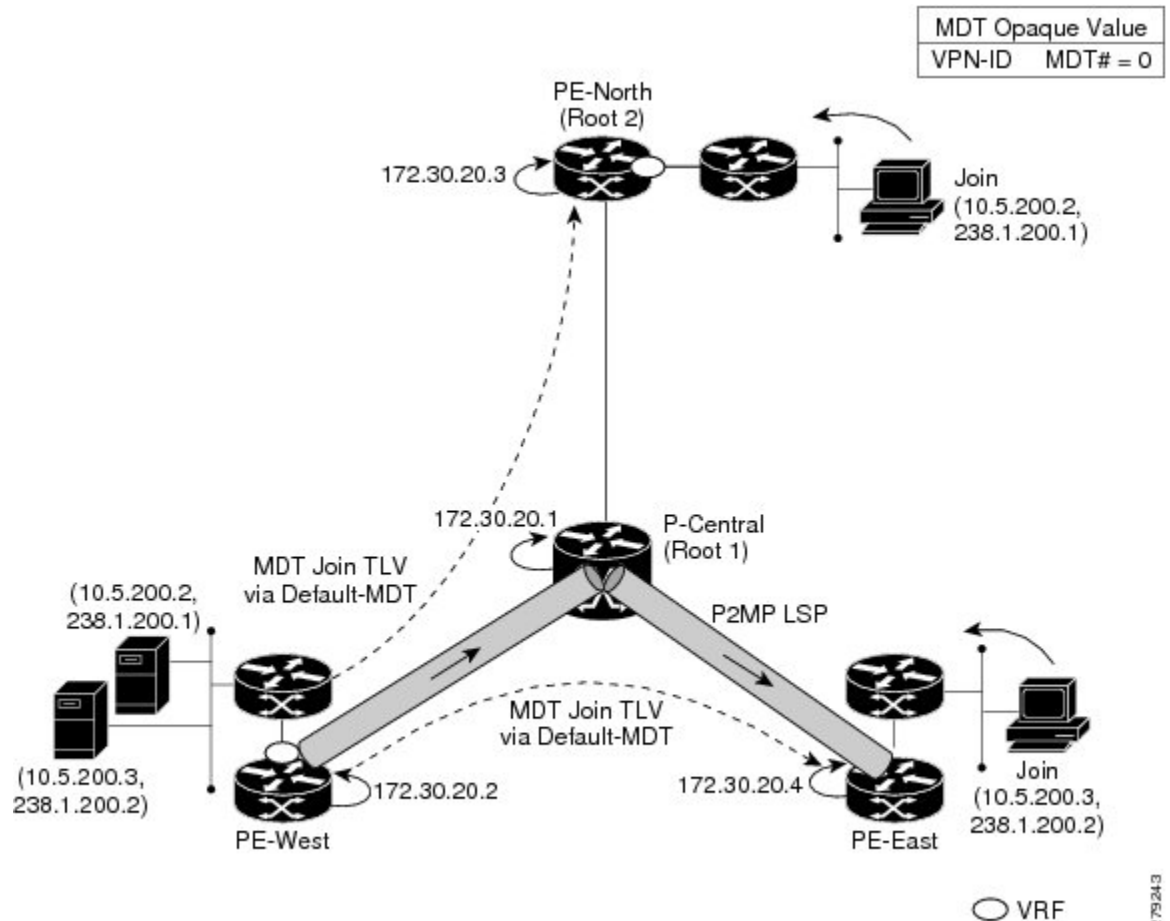
In an MVPN, traffic that exceeds a certain threshold can move off the default MDT onto a data MDT.

The figure shows the data MDT scenario. The Opaque value used to signal a data MDT consists of two parameters: the VPN ID and the MDT number in the format (vpn-id, MDT# > 0) where vpn-id is a manually configured 7-byte number that uniquely identifies this VPN. The second parameter is the unique data MDT number for this VPN, which is a number greater than zero.

In the scenario, two receivers at PE-North and PE-East are interested in two sources at PE-West. If the source 10.5.200.3 exceeds the threshold on the default MDT, PE-West will issue an MDT Join TLV message over the default MDT MP2MP LSP advising all PE devices that a new data MDT is being created.

Because PE-East has an interested receiver in VRF, it will build a multipoint LSP using P2MP back to PE-West, which will be the root of the tree. PE-North does not have a receiver for 10.5.200.3, therefore it will just cache the Join TLV message.

Figure 42: Data MDT Scenario



275243

## Configuring MLDPv4-Based MVPN

### Configuring Initial MLDP Settings

Perform this task to configure the initial MLDP settings.

#### SUMMARY STEPS

1. **enable**
2. **configure terminal**
3. **mpls mldp logging notifications**
4. **mpls mldp forwarding recursive**
5. **end**

## DETAILED STEPS

|               | Command or Action                                                                                                | Purpose                                                                     |
|---------------|------------------------------------------------------------------------------------------------------------------|-----------------------------------------------------------------------------|
| <b>Step 1</b> | <b>enable</b><br><b>Example:</b><br><br>Device> enable                                                           | Enables privileged EXEC mode.<br><br>• Enter your password if prompted.     |
| <b>Step 2</b> | <b>configure terminal</b><br><b>Example:</b><br><br>Device# configure terminal                                   | Enters global configuration mode.                                           |
| <b>Step 3</b> | <b>mpls mldp logging notifications</b><br><b>Example:</b><br><br>Device(config)# mpls mldp logging notifications | Enables MLDP logging notifications.                                         |
| <b>Step 4</b> | <b>mpls mldp forwarding recursive</b><br><b>Example:</b><br><br>Device(config)# mpls mldp forwarding recursive   | Enables MLDP recursive forwarding over a P2MP LSP.                          |
| <b>Step 5</b> | <b>end</b><br><b>Example:</b><br><br>Device(config)# end                                                         | Ends the current configuration session and returns to privileged EXEC mode. |

## Configuring an MLDP-Based MVPN

Perform this task to configure an MLDP-based MVPN.

## SUMMARY STEPS

1. **enable**
2. **configure terminal**
3. **ip multicast-routing**
4. **ip multicast-routing vrf** *vrf-name*
5. **ip vrf** *vrf-name*
6. **rd** *route-distinguisher*
7. **vpn id** *oui* : *vpn-index*
8. **route target export** *route-target-ext-community*
9. **route target import** *route-target-ext-community*
10. **mdt preference** { **mldp** | **pim** }
11. **mdt default mpls mldp** *group-address*
12. **mdt data mpls mldp** *number-of-data-mdt*
13. **mdt data threshold** *kb/s* **list** *access-list*

## 14. end

## DETAILED STEPS

|        | Command or Action                                                                                                           | Purpose                                                                                                                                                                                               |
|--------|-----------------------------------------------------------------------------------------------------------------------------|-------------------------------------------------------------------------------------------------------------------------------------------------------------------------------------------------------|
| Step 1 | <b>enable</b><br><b>Example:</b><br>Device> enable                                                                          | Enables privileged EXEC mode. <ul style="list-style-type: none"> <li>• Enter your password if prompted.</li> </ul>                                                                                    |
| Step 2 | <b>configure terminal</b><br><b>Example:</b><br>Device# configure terminal                                                  | Enters global configuration mode.                                                                                                                                                                     |
| Step 3 | <b>ip multicast-routing</b><br><b>Example:</b><br>Device(config)# ip multicast-routing                                      | Enables IP multicast routing.                                                                                                                                                                         |
| Step 4 | <b>ip multicast-routing vrf vrf-name</b><br><b>Example:</b><br>Device(config)# ip multicast-routing vrf VRF                 | Enables IP multicast routing for the MVPN VRF specified for the <i>vrf-name</i> argument.                                                                                                             |
| Step 5 | <b>ip vrf vrf-name</b><br><b>Example:</b><br>Device(config-vrf)# ip vrf VRF                                                 | Defines a VRF instance and enters VRF configuration mode.                                                                                                                                             |
| Step 6 | <b>rd route-distinguisher</b><br><b>Example:</b><br>Device(config-vrf)# rd 50:11                                            | Creates a route distinguisher (RD) (in order to make the VRF functional). Creates the routing and forwarding tables, associates the RD with the VRF instance, and specifies the default RD for a VPN. |
| Step 7 | <b>vpn id oui : vpn-index</b><br><b>Example:</b><br>Device(config-vrf)# vpn id 50:10                                        | Sets or updates the VPN ID on a VRF instance.                                                                                                                                                         |
| Step 8 | <b>route target export route-target-ext-community</b><br><b>Example:</b><br>Device(config-vrf)# route target export 100:100 | Creates an export route target extended community for the specified VRF.                                                                                                                              |
| Step 9 | <b>route target import route-target-ext-community</b><br><b>Example:</b>                                                    | Creates an import route target extended community for the specified VRF.                                                                                                                              |

|                | Command or Action                                                                                                                   | Purpose                                                                     |
|----------------|-------------------------------------------------------------------------------------------------------------------------------------|-----------------------------------------------------------------------------|
|                | <code>Device(config-vrf)# route target import 100:100</code>                                                                        |                                                                             |
| <b>Step 10</b> | <b>mdt preference { mldp / pim }</b><br><b>Example:</b><br><code>Device(config-vrf)# mdt preference mldp</code>                     | Specifies a preference for a particular MDT type (MLDP or PIM).             |
| <b>Step 11</b> | <b>mdt default mpls mldp group-address</b><br><b>Example:</b><br><code>Device(config-vrf)# mdt default mpls mldp 172.30.20.1</code> | Configures a default MDT group for a VPN VRF instance.                      |
| <b>Step 12</b> | <b>mdt data mpls mldp number-of-data-mdt</b><br><b>Example:</b><br><code>Device(config-vrf)# mdt data mpls mldp 255</code>          | Specifies a range of addresses to be used in the data MDT pool.             |
| <b>Step 13</b> | <b>mdt data threshold kb/s list access-list</b><br><b>Example:</b><br><code>Device(config-vrf)# mdt data threshold 40 list 1</code> | Defines the bandwidth threshold value in kilobits per second.               |
| <b>Step 14</b> | <b>end</b><br><b>Example:</b><br><code>Device(config)# end</code>                                                                   | Ends the current configuration session and returns to privileged EXEC mode. |

## Verifying the Configuration of an MLDP-Based MVPN

Perform this task in privileged EXEC mode to verify the configuration of an MLDP-based MVPN.

### SUMMARY STEPS

1. `show mpls mldp database`
2. `show ip pim neighbor [vrf vrf-name] neighbor [interface-type interface-number]`
3. `show ip mroute [vrf vrf-name] [[active [kpbs] [interface type number] | bidirectional | count [terse] | dense | interface type number | proxy | pruned | sparse | ssm | static | summary] | [group-address [source-address]] [count [terse] | interface type number | proxy | pruned | summary] | [source-address group-address] [count [terse] | interface type number | proxy | pruned | summary] | [group-address] active [kpbs] [interface type number | verbose]]`
4. `show mpls forwarding-table [network {mask | length} | labels label [- label] | interface interface | next-hop address | lsp-tunnel [tunnel-id]] [vrf vrf-name] [detail]`
5. `show adjacency [ip-address] [interface-type interface-number | null number | port-channel number | sysclock number | vlan number | fcpa number | serial number] [connectionid number] [link {ipv4 | mpls}] [detail | encapsulation]`

## DETAILED STEPS

### Step 1 show mpls mldp database

Enter the **show mpls mldp database** command to display information in the MLDP database. It shows the FEC, the Opaque value of the FEC decoded, and the replication clients associated with it:

#### Example:

```
Device# show mpls mldp database
* Indicates MLDP recursive forwarding is enabled
LSM ID : D3000001 (RNR LSM ID: 8A000002)   Type: MP2MP   Uptime : 00:04:54
FEC Root      : 172.30.20.1
Opaque decoded : [mdt 100:2 0]
Opaque length  : 11 bytes
Opaque value   : 07 000B 0000010000000100000000
RNR active LSP : (this entry)
Upstream client(s) :
  172.30.20.1:0   [Active]
    Expires      : Never           Path Set ID   : 99000001
    Out Label (U) : 32             Interface     : Ethernet1/0*
    Local Label (D) : 30           Next Hop      : 10.0.1.7
Replication client(s):
  MDT (VRF VRF)
    Uptime       : 00:04:54       Path Set ID   : 5000002
    Interface    : Lspvif0
```

### Step 2 show ip pim neighbor [vrf vrf-name] neighbor [interface-type interface-number]

Enter the **show ip pim neighbor** command to display PIM adjacencies information:

#### Example:

```
Device# show ip pim vrf VRF neighbor
192.168.10.18   Serial6/0           04:53:19/00:01:18 v2 1 / G
172.30.20.3     Lspvif0            04:52:32/00:01:28 v2 1 / B S P G
172.30.20.2     Lspvif0            04:52:32/00:01:17 v2 1 / B S P G
```

### Step 3 show ip mroute [vrf vrf-name] [[active [kpbs] [interface type number] | bidirectional | count [terse] | dense | interface type number | proxy | pruned | sparse | ssm | static | summary] | [group-address [source-address]] [count [terse] | interface type number | proxy | pruned | summary] | [source-address group-address] [count [terse] | interface type number | proxy | pruned | summary] | [group-address] active [kpbs] [interface type number | verbose]]

Enter the **show ip mroute** command to display the contents of the multicast routing (mroute) table:

#### Example:

```
Device# show ip mroute vrf VRF 238.1.200.2 10.5.200.3
(10.5.200.3, 238.1.200.2), 04:54:18/00:02:40, flags: sT
Incoming interface: Lspvif0, RPF nbr 172.30.20.2
Outgoing interface list:
Serial6/0, Forward/Sparse-Dense, 04:54:18/00:02:40
```

### Step 4 show mpls forwarding-table [network {mask | length} | labels label [- label] | interface interface | next-hop address | lsp-tunnel [tunnel-id]] [vrf vrf-name] [detail]

Enter the **show mpls forwarding-table** command to display the contents of the MPLS Label Forwarding Information Base (LFIB):

#### Example:

```

Device# show mpls forwarding-table | inc 1F000001
105 307      mLDP:1F000001    38468      Se5/0      point2point
     208      mLDP:1F000001    38468      Se4/0      point2point
109 307      mLDP:1F000001    34738      Se5/0      point2point
     408      mLDP:1F000001    34738      Se6/0      point2point
111 408      mLDP:1F000001     282      Se6/0      point2point
     208      mLDP:1F000001     282      Se4/0      point2point

```

**Step 5** `show adjacency [ip-address] [interface-type interface-number | null number | port-channel number | sysclock number | vlan number | fcpa number | serial number] [connectionid number] [link {ipv4 | mpls}] [detail | encapsulation]`

Enter the `show adjacency` command to display adjacency information for the specified LSP-VIF interface:

**Example:**

```

Device# show adjacency lspvif0
105 307      mLDP:1F000001    38468      Se5/0      point2point
     208      mLDP:1F000001    38468      Se4/0      point2point
109 307      mLDP:1F000001    34738      Se5/0      point2point
     408      mLDP:1F000001    34738      Se6/0      point2point
111 408      mLDP:1F000001     282      Se6/0      point2point
     208      mLDP:1F000001     282      Se4/0      point2point

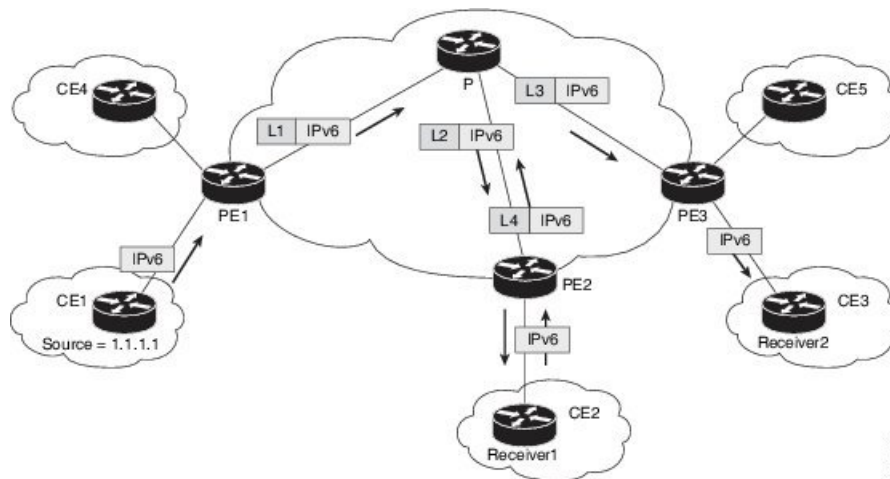
```

## MLDPv6-Based MVPN

The MLDPv6 based MVPN configuration enables IPv6 multicast packet delivery using MPLS. This configuration uses MPLS labels to construct default P2MP and MP2MP LSPs. The MPLS replication is used as a forwarding mechanism in the core network.

For MLDP MVPN configuration to work, ensure that the global MPLS MLDP configuration is enabled. These LSPs can be used for transporting IPv6 multicast packets, either in the global table or VPN context.

**Figure 43: mLDPv6 topology**





## P2MP and MP2MP Label Switched Paths

mLDP is an application that sets up Multipoint Label Switched Paths (MP LSPs) in MPLS networks without requiring multicast routing protocols in the MPLS core. mLDP constructs the P2MP or MP2MP LSPs without interacting with or relying upon any other multicast tree construction protocol. Using LDP extensions for MP LSPs and Unicast IP routing, mLDP can setup MP LSPs. The two types of MP LSPs that can be setup are Point-to-Multipoint (P2MP) and Multipoint-to-Multipoint (MP2MP) type LSPs.

A P2MP LSP allows traffic from a single root (ingress node) to be delivered to a number of leaves (egress nodes), where each P2MP tree is uniquely identified with a 2-tuple (root node address, P2MP LSP identifier). A P2MP LSP consists of a single root node, zero or more transit nodes, and one or more leaf nodes, where typically root and leaf nodes are PEs and transit nodes are P routers. A P2MP LSP setup is receiver-driven and is signaled using mLDP P2MP FEC, where LSP identifier is represented by the MP Opaque Value element. MP Opaque Value carries information that is known to ingress LSRs and Leaf LSRs, but need not be interpreted by transit LSRs. There can be several MP LSPs rooted at a given ingress node, each with its own identifier.

A MP2MP LSP allows traffic from multiple ingress nodes to be delivered to multiple egress nodes, where a MP2MP tree is uniquely identified with a 2-tuple (root node address, MP2MP LSP identifier). For a MP2MP LSP, all egress nodes, except the sending node, receive a packet sent from an ingress node.

A MP2MP LSP is similar to a P2MP LSP, but each leaf node acts as both an ingress and egress node. To build an MP2MP LSP, you can setup a downstream path and an upstream path so that:

- Downstream path is setup just like a normal P2MP LSP
- Upstream path is setup like a P2P LSP towards the upstream router, but inherits the downstream labels from the downstream P2MP LSP.



**Note** We recommend that you configure one P2MP MDT tree per prefix. For example, if 500 multicast routes are needed, then you should configure at least 500 P2MP MDT trees.

```
ip vrf vrf-name1
.....!
.....
mdt data mpls mldp 500
```

## Packet Flow in mLDP-based Multicast VPN

For each packet coming in, MPLS creates multiple out-labels. Packets from the source network are replicated along the path to the receiver network. The CE1 router sends out the native IP multicast traffic. The PE1 router imposes a label on the incoming multicast packet and replicates the labeled packet towards the MPLS core network. When the packet reaches the core router (P), the packet is replicated with the appropriate labels for the MP2MP default MDT or the P2MP data MDT and transported to all the egress PEs. Once the packet reaches the egress PE, the label is removed and the IP multicast packet is replicated onto the VRF interface.

## Realizing a mLDP-based Multicast VPN

There are different ways a Label Switched Path (LSP) built by mLDP can be used depending on the requirement and nature of application such as:

- P2MP LSPs for global table transit Multicast using in-band signaling.

- P2MP/MP2MP LSPs for MVPN based on MI-PMSI or Multidirectional Inclusive Provider Multicast Service Instance (Rosen Draft).
- P2MP/MP2MP LSPs for MVPN based on MS-PMSI or Multidirectional Selective Provider Multicast Service Instance (Partitioned E-LAN).

The router performs the following important functions for the implementation of MLDP:

1. Encapsulating VRF multicast IP packet with GRE/Label and replicating to core interfaces (imposition node).
2. Replicating multicast label packets to different interfaces with different labels (Mid node).
3. Decapsulate and replicate label packets into VRF interfaces (Disposition node).

## Supported mLDP Profiles

| Profile Name                                                            | Supported on mLDPv4 | Supported on mLDPv6 |
|-------------------------------------------------------------------------|---------------------|---------------------|
| Profile 1 Default MDT - MLDP MP2MP - PIM C-mcast Signaling              | Yes                 | Yes                 |
| Profile 2 Partitioned MDT - MLDP MP2MP - PIM C-mcast Signaling          | No                  | No                  |
| Profile 4 Partitioned MDT - MLDP MP2MP - BGP-AD - PIM C-mcast Signaling | No                  | No                  |
| Profile 5 Partitioned MDT - MLDP P2MP - BGP-AD - PIM C-mcast Signaling  | No                  | No                  |
| Profile 6 VRF MLDP - In-band Signaling                                  | Yes                 | Yes                 |
| Profile 7 Global MLDP In-band Signaling                                 | Yes                 | Yes                 |
| Profile 9 Default MDT - MLDP - MP2MP - BGP-AD - PIM C-mcast Signaling   | Yes                 | Yes                 |
| Profile 12 Default MDT - MLDP - P2MP - BGP-AD - BGP C-mcast Signaling   | Yes                 | Yes                 |
| Profile 13 Default MDT - MLDP - MP2MP - BGP-AD - BGP C-mcast Signaling  | Yes                 | Yes                 |
| Profile 14 Partitioned MDT - MLDP P2MP - BGP-AD - BGP C-mast Signaling  | Yes                 | Yes                 |

| Profile Name                                                                  | Supported on mLDPv4 | Supported on mLDPv6 |
|-------------------------------------------------------------------------------|---------------------|---------------------|
| Profile 15 Partitioned MDT -<br>MLDP MP2MP - BGP-AD - BGP<br>C-mast Signaling | No                  | No                  |
| Profile 17 Default MDT - MLDP -<br>P2MP - BGP-AD - PIM C-mcast<br>Signaling   | Yes                 | Yes                 |

For more information on mLDP profiles, see, <http://www.cisco.com/c/en/us/support/docs/ip/multicast/118985-configure-mcast-00.html#anc0>

## Configuration Rules for Profiles

### Rules for Rosen-mGRE profiles (profiles- 0, 3, 11)

- All profiles require VPNv4 or v6 unicast reachability.
- By default, encap 1400-byte size c-multicast IP packet is supported. To support decap or encap larger packet size, **mdt mtu** command.
- Loopback configuration is required. Use the **mdt source loopback0** command. Other loopbacks can be used for different VRFs, but this is not recommended.

### Rules for Rosen-mLDP profiles (profiles- 1, 9, 12, 13, 17)

- mLDP must be globally enabled.
- VPN-id is mandatory for Rosen-mLDP MP2MP profiles.
- Root node must be specified manually. Multiple root nodes can be configured for Root Node Redundancy.
- If only profile 1 is configured, MVPN must be enabled under bgp.
- For BGP-AD profiles, the remote PE address is required.

### Rules for mLDP profiles (profiles- 2, 4, 5, 14, 15)

#### Rules for mLDP profiles (profile- 4)

- MVPN must be enabled under bgp, if only profile 2 is configured.
- Support only for static RP for customer RP.

#### Rules for inband mLDP profiles (profiles- 6, 7)

- MVPN must be enabled under bgp for vrf-inband profiles.
- Data MDT is not supported.
- Backbone facing interface (BFI) must be enabled on tail PE.
- Source route of SSM must be advertise to tail PE by iBGP.

# Configuration Examples for MLDP-Based MVPN

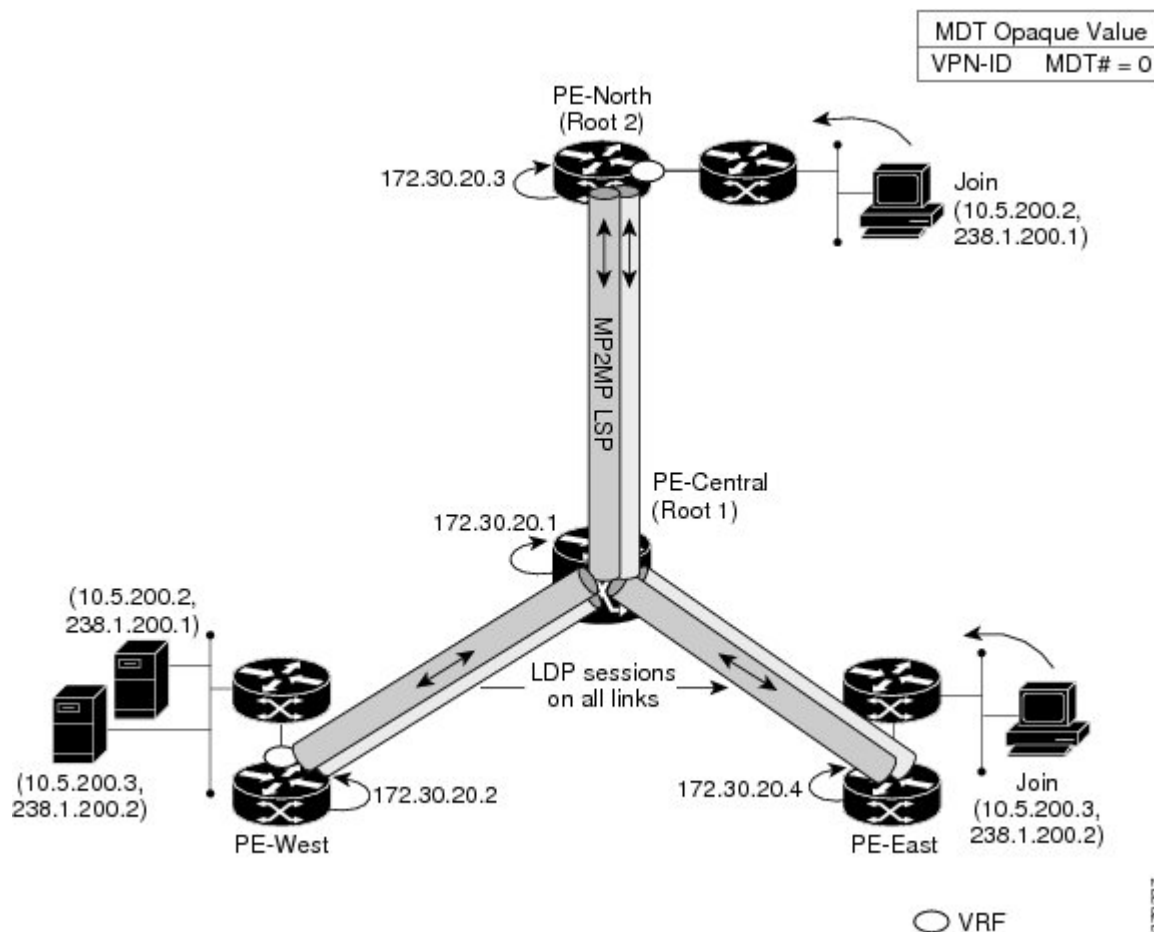
## Example Initial Deployment of an MLDP-Based MVPN

Initial deployment of an MLDP-based MVPN involves the configuration of a default MDT and one or more data MDTs.

### Default MDT Configuration

The following example shows how to configure the default MDT for an MLDP-based MVPN. This configuration is based on the sample topology illustrated in the figure.

Figure 44: Default MDT Example



This configuration is consistent for every PE device participating in the same VPN ID. The `vpn id 100:2` command replaces the MDT group address used with the mGRE transport method. To provide redundancy, two default MDT trees are statically configured, rooted at P-Central and PE-North. The selection as to which MP2MP tree the default MDT will use at a particular PE device is determined by Interior Gateway Protocol (IGP) metrics. An MP2MP LSP is implicit for the default MDT.

```

ip pim mpls source Loopback0
ip multicast-routing
ip multicast-routing vrf VRF
!
ip vrf VRF
 rd 100:2
  vpn id 100:2
  route-target export 200:2
  route-target import 200:2
  mdt default mpls mldp 172.30.20.1 (P-Central)
  mdt default mpls mldp 172.30.20.3 (PE-North)

```

## PIM Adjacencies

PIM operates over the LSP-VIF as if it were a regular tunnel interface. That means PIM hellos are exchanged over the LSP-VIF to establish PIM adjacencies over the default MDT. The sample output in this section displays the three PIM adjacencies in VRF of PE-East. The first is the adjacency to the receiver network over serial interface 6/0, and the next two are the adjacencies to PE-West and PE-North over the MP2MP LSP via LSP-VIF interface 0.

```

PE-East# show ip pim vrf VRF neighbor
192.168.10.18   Serial6/0           04:53:19/00:01:18 v2 1 / G
172.30.20.3    Lspvif0            04:52:32/00:01:28 v2 1 / B S P G
172.30.20.2    Lspvif0            04:52:32/00:01:17 v2 1 / B S P G

```

The output from the **show ip mroute** command also shows the (S, G) entry for VRF. The stream 238.1.200.2 has the Reverse Path Forwarding (RPF) interface of LSP-VIF interface 0 and the neighbor 172.30.20.2, which is PE-West.

```

PE-East# show ip mroute vrf VRF 238.1.200.2 10.5.200.3
(10.5.200.3, 238.1.200.2), 04:54:18/00:02:40, flags: sT
Incoming interface: Lspvif0, RPF nbr 172.30.20.2
Outgoing interface list:
Serial6/0, Forward/Sparse-Dense, 04:54:18/00:02:40

```

## MLDP Database Entry--PE-East

The sample output in this section displays the database entries for the MP2MP trees supporting the default MDT at PE-East. The database is searched by Opaque value MDT 100:2, which results in information for two MP2MP trees (one for each root) being returned. Both trees have different system IDs (2E000001, F2000005) and use the same Opaque value ([mdt 100:2 0]), but with different roots. The last 0 in the Opaque value indicates this tree is a default MDT. Entry 79000004 shows it is the primary MP2MP tree, therefore PE-East will transmit all source multicast traffic on this LSP, and B2000006 will be the backup root. Note that interface LSP-VIF interface 0 represents both MP2MP LSPs. The Local Label (D) is the downstream label allocated by PE-East for this tree. In other words, traffic from the root will be received with either label 408 (Primary Tree) or 407 (Backup Tree). The Out Label (U) is the label that PE-East will use to send traffic into the tree; upstream towards the root, either 105 for the Primary Tree or 108 for the Backup Tree. Both these labels were received from P-Central.

```

PE-East# show mpls mldp database opaque_type mdt 100:2
* Indicates MLDP recursive forwarding is enabled
LSM ID : 79000004 (RNR LSM ID: 8A000002)   Type: MP2MP   Uptime : 00:04:54
  FEC Root      : 172.30.20.1
  Opaque decoded : [mdt 100:2 0]
  Opaque length  : 11 bytes
  Opaque value   : 07 000B 0000010000000100000000
  RNR active LSP : (this entry)

```

## Label Forwarding Entry--P-Central (Root 1)

```

Upstream client(s) :
  172.30.20.1:0    [Active]
    Expires       : Never           Path Set ID   : 99000001
    Out Label (U) : 32              Interface     : Ethernet1/0*
    Local Label (D): 30            Next Hop      : 10.0.1.7
Replication client(s):
  MDT (VRF VRF)
    Uptime        : 00:04:54       Path Set ID   : 5000002
    Interface     : Lspvif0
LSM ID : 79000005 (RNR LSM ID: 8A000003)   Type: MP2MP   Uptime : 00:04:54
FEC Root      : 172.30.20.3
Opaque decoded : [mdt 100:2 0]
Opaque length  : 11 bytes
Opaque value   : 07 000B 000001000000001000000001
RNR active LSP : (this entry)
Upstream client(s) :
  172.30.20.1:0    [Active]
    Expires       : Never           Path Set ID   : 99000002
    Out Label (U) : 32              Interface     : Ethernet1/0*
    Local Label (D): 30            Next Hop      : 10.0.1.7
Replication client(s):
  MDT (VRF VRF)
    Uptime        : 00:04:54       Path Set ID   : 5000003
    Interface     : Lspvif0

```

## Label Forwarding Entry--P-Central (Root 1)

The sample output shown in this section displays the VRF (MDT 100:2) MLDP database entry 1F000001 for the primary MP2MP LSP, which is P-Central. Because the local device P-Central is the root, there is no upstream peer ID, therefore no labels are allocated locally. However there are three replication clients, representing each of the three PE devices: PE-North, PE-West, and PE-East. These replication clients are the downstream nodes of the MP2MP LSP. These clients receive multipoint replicated traffic.

In the replication entry looking from the perspective of the root, there are two types of labels:

- Out label (D)--These are labels received from remote peers that are downstream to the root (remember traffic flows downstream away from the root).
- Local label (U)--These are labels provided by P-Central to its neighbors to be used as upstream labels (sending traffic to the root). It is easy to identify these labels as they all start in the 100 range, which we have configured for P-Central to use. P-Central sends these labels out when it receives a FEC with the type as MP2MP Down.

From the labels received and sent in the replication entries, the Label Forwarding Information Base (LFIB) is created. The LFIB has one entry per upstream path and one entry per downstream path. In this case because P-Central is the root, there are only upstream entries in the LFIB that have been merged with the corresponding downstream labels. For example, label 105 is the label P-Central sent to PE-East to send source traffic upstream. Traffic received from PE-East will then be replicated using the downstream labels 307 to PE-West and 208 to PE-North.

```

P-Central# show mpls mldp database opaque_type mdt 100:2
LSM ID : 79000006 (RNR LSM ID: 1F000001)   Type: MP2MP   Uptime : 00:04:54
FEC Root      : 172.30.20.1
Opaque decoded : [mdt 100:2 0]
Opaque length  : 11 bytes
Opaque value   : 07 000B 000001000000001000000000
RNR active LSP : (this entry)
Upstream client(s) : None
Replication client(s):
  172.3.20.2:0

```

```

Uptime      : 01:46:43      Path Set ID : AC000008
Out label (D) : 208          Interface   : Serial4/0
Local label (U): 109         Next Hop    : 172.30.10.2
172.3.20.3:0
Uptime      : 01:42:43      Path Set ID : E000000C
Out label (D) : 307          Interface   : Serial5/0
Local label (U): 111         Next Hop    : 172.30.10.6
172.3.20.4:0
Uptime      : 01:40:43      Path Set ID : 3D000010
Out label (D) : 408          Interface   : Serial6/0
Local label (U): 105         Next Hop    : 172.30.10.10
P-Central# show mpls forwarding-table | inc 1F000001
105  307      mLDP:1F000001  38468      Se5/0      point2point
      208      mLDP:1F000001  38468      Se4/0      point2point
109  307      mLDP:1F000001  34738      Se5/0      point2point
      408      mLDP:1F000001  34738      Se6/0      point2point
111  408      mLDP:1F000001  282        Se6/0      point2point
      208      mLDP:1F000001  282        Se4/0      point2point

```

The sample output shown in this section displays the entry on P-Central for the MP2MP LSP rooted at PE-North (backup root). In this tree P-Central is a branch of the tree, not a root, therefore there are some minor differences to note:

- The upstream peer ID is PE-North, therefore P-Central has allocated label 104 in the downstream direction towards PE-North and subsequently PE-North has responded with an upstream label of 313.
- Two replication entries representing PE-East and PE-West are displayed.
- The merged LFIB shows three entries:
  - One downstream entry label 104 receiving traffic from Root 2 (PE-North), which is then directed further downstream using labels 207 PE-West and 407 PE-East.
  - Two upstream entries 108 and 115 receiving traffic from the leaves and directing it either downstream 207, 407 or upstream using label 313.

```

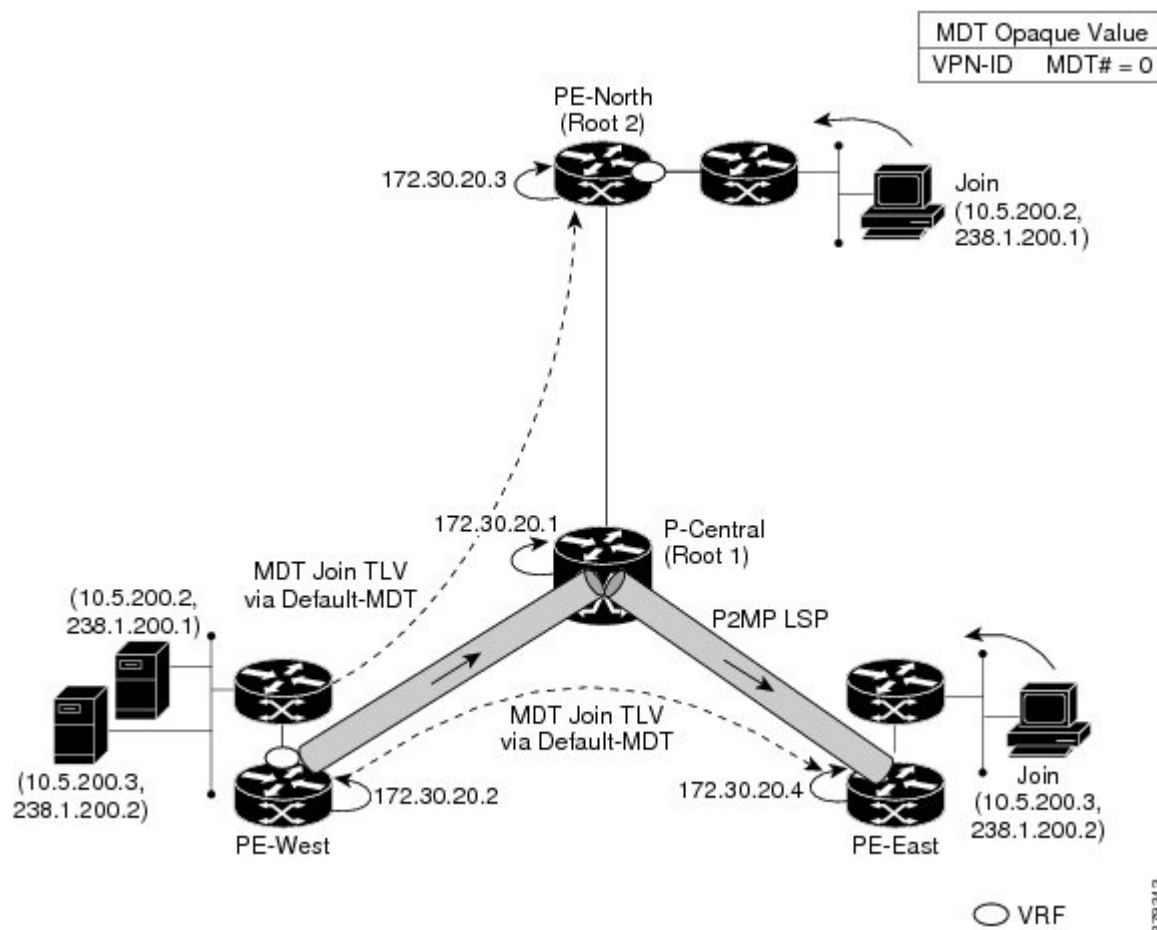
Central_P# show mpls mldp database opaque_type mdt 100:2
LSM ID      : E6000004
Uptime      : 00:42:03
Tree type    : MP2MP
FEC Root    : 172.30.20.3
Opaque length : 14 bytes
Opaque value  : 07000B00 01000000 00020000 00009C
Opaque decoded : [mdt 100:2 0]
Upstream peer ID : 172.30.20.3:0, Label local (D): 104 remote (U): 313 active
Path Set ID   : 48000003
Replication client(s):
172.30.20.2:0 uptime: 00:42:03 Path Set ID: CF000004
                remote label (D): 207 local label (U): 115
                nhop: 172.30.10.2 intrf: Serial4/0
172.30.20.4:0 uptime: 00:41:44 Path Set ID: 5800000E
                remote label (D): 407 local label (U): 108
                nhop: 172.30.10.10 intrf: Serial6/0
Central_P# show mpls forwarding-table | inc E6000004
104  207      mLDP:E6000004  251228     Se4/0      point2point
      407      mLDP:E6000004  251334     Se6/0      point2point
108  207      mLDP:E6000004  0          Se4/0      point2point
      313      mLDP:E6000004  0          Se5/0      point2point
115  313      mLDP:E6000004  0          Se5/0      point2point
      407      mLDP:E6000004  0          Se6/0      point2point

```

## Data MDT Configuration

The following example shows how to configure the data MDT for an MLDP-based MVPN. This configuration is based on the sample topology illustrated in the figure.

Figure 45: Data MDT Example



The sample output in this section displays the data MDT configuration for all the PE devices. The **mdt data** commands are the only additional commands necessary. The first **mdt data** command allows a maximum of 60 data MDTs to be created, and the second **mdt data** command sets the threshold. If the number of data MDTs exceeds 60, then the data MDTs will be reused in the same way as they are for the mGRE tunnel method (the one with the lowest reference count).

```
ip pim vrf VRF mpls source Loopback0
!
ip vrf VRF
 rd 100:2
  vpn id 100:2
  route-target export 200:2
  route-target import 200:2
  mdt default mpls mldp 172.30.20.1 (P-Central)
  mdt default mpls mldp 172.30.20.3 (PE-North)
  mdt data mpls mldp 60
  mdt data threshold 1
```



## VRF mroute Table--PE-West

The sample output in this section displays the VRF mroute table on PE-West before the high-bandwidth source exceeds the threshold. At this point there are two streams, representing each of the two VPN sources at PE-West, on a single MP2MP LSP (System ID D8000000). The LSP represents the default MDT accessed via LSP-VIF interface 0.

```
PE-West# show ip mroute vrf VRF verbose
.
.
.
(10.5.200.2, 238.1.200.1), 00:00:25/00:03:29, flags: sT
  Incoming interface: Serial6/0, RPF nbr 192.168.10.6
  Outgoing interface list:
    Lspvif0, LSM MDT: D8000000 (default),Forward/Sparse-Dense,
.
.
.
(10.5.200.3, 238.1.200.2), 00:11:14/00:02:48, flags: sT
  Incoming interface: Serial6/0, RPF nbr 192.168.10.6
  Outgoing interface list:
    Lspvif0, LSM MDT: D8000000 (default),Forward/Sparse-Dense,
.
.
.
```

The sample output in this section displays the output after the source transmission exceeds the threshold. PE-West sends an MDT Join TLV message to signal the creation of a data MDT. In this case, the data MDT number is 1, therefore PE-East will send a label mapping message back to PE-West with a FEC TLV containing root=PE-West, Opaque value=(mdt vpn-id 1). The System ID is now changed to 4E000003 signaling a different LSP; however, the LSP-VIF is still LSP-VIF interface 0. The (S, G) entry also has the “y” flag set indicating this stream has switched to a data MDT.

```
PE-West# show ip mroute vrf VRF 10.5.200.3 238.1.200.2 verbose
.
.
.
(10.5.200.3, 238.1.200.2), 00:00:08/00:03:27, flags: sTy
  Incoming interface: Serial6/0, RPF nbr 192.168.10.6
  MDT TX nr: 1 LSM-ID 4E000003
  Outgoing interface list:
    Lspvif0, LSM MDT: 4E000003 (data) Forward/Sparse-Dense,
```

## LSP-VIF Adjacencies--PE-West

For the interface LSP-VIF, each virtual circuit represents a unique multipoint LSP forwarding instance. The correct adjacency is selected when sending the multicast packet. The sample output in this section displays the application of that concept on PE-West. There is a single LSP-VIF interface 0 interface, but it has three adjacencies as follows:

- 4E000003 is the single data MDT created for (10.5.200.3, 238.1.200.2)
- 58000000 is the default MDT (backup root)
- D8000000 is the default MDT (primary root)

```
PE-West# show adjacency lspvif 0

Protocol Interface Address
```

```

IP      Lspvif0          4E000003 (5)
IP      Lspvif0          58000000 (4)
IP      Lspvif0          D8000000 (3)

```

## MLDP Database Entries

The sample output in this section displays the MLDP entry for the data MDT (4E000003) on the ingress device PE-West. The following points about this entry should be noted:

- The tree type is P2MP with PE-West (172.30.20.2) as the root.
- The Opaque value is [mdt 100:2 1] denoting the first data MDT.
- There are no labels allocated as it is the root.
- There are two replication client entries on this tree.
- Label 112 will be used to send the traffic downstream towards PE-East (via P-Central).
- The MDT entry is an internal construct.

```
PE-West# show mpls mldp database id 4E000003
```

```

LSM ID : 4E000003 (RNR LSM ID: 8A000002)   Type: P2MP   Uptime : 00:04:54
FEC Root      : 172.30.20.2
Opaque decoded : [mdt 100:2 1]
Opaque length  : 11 bytes
Opaque value   : 07 000B 000001000000001000000000
RNR active LSP : (this entry)
Upstream client(s) : None
Replication client(s):
  MDT (VRF VRF)
    Uptime      : 00:04:54      Path Set ID   : 5000002
    Interface   : Lspvif0
172.30.20.1:0
    Uptime      : 01:41:43      Path Set ID   : D9000007
    Out label (D) : 27          Interface     : Serial4/0
    Local label (U) : 112       Next Hop      : 172.30.10.1

```

The sample output in this section displays the database entry for the data MDT on PE-East, the egress device. Also shown is the MDT Join TLV message that was sent from PE-West over the default MDT. The MDT Join TLV message contains all the necessary information to allow PE-East to create a label mapping message P2MP LSP back to the root of PE-West. Label 414 will be used by P-Central to send traffic to PE-East.

```
*Feb 19 04:43:24.039: PIM(1): MDT join TLV received for (10.5.200.3,238.1.200.2)
```

```
*Feb 19 04:43:24.039: MLDP: LDP root 172.30.20.2 added
```

```
*Feb 19 04:43:24.039: MLDP: [mdt 100:2 1] label mapping msg sent to 172.30.20.1:0
```

```
PE-East# show mpls mldp database opaque_type mdt 100:2 1
```

```

LSM ID : 4E000003 (RNR LSM ID: 8A000002)   Type: P2MP   Uptime : 00:04:54
FEC Root      : 172.30.20.2
Opaque decoded : [mdt 100:2 1]
Opaque length  : 11 bytes
Opaque value   : 07 000B 000001000000001000000000
RNR active LSP : (this entry)
Upstream client(s) : None
Replication client(s):
  MDT (VRF VRF)

```

```

Uptime          : 00:04:54      Path Set ID   : 5000002
Interface       : Lspvif0

```

### LFIB Entry for the Data MDT

The sample output in this section displays the LFIB entry for the data MDT as it passes through P-Central and PE-East. The Tunnel ID used for the LSP is the Opaque value [mdt 100:2 1].

```

P-Central# show mpls for label 112
Local      Outgoing  Prefix          Bytes Label  Outgoing  Next Hop
Label      Label      or Tunnel Id    Switched     interface
111        414        [mdt 100:2 1]  2993584     Se6/0     point2point
PE-East# show mpls for label 400

Local      Outgoing  Prefix          Bytes Label  Outgoing  Next Hop
Label      Label      or Tunnel Id    Switched     interface
414 [T]    No Label      [mdt 100:2 1][V] 3297312     aggregate/green

```





## CHAPTER 14

# MVPN mLDP Partitioned MDT

The MVPN mLDP partitioned MDT feature uses Upstream Multicast Hop-Provider Multicast Service Interface (UMS-PMSI), a subset of provider edge routers (PEs) to transmit data to other PEs; similar to the usage of multiple selective-PMSI (S-PMSI) by data multicast distribution tree (MDT). In the partitioned MDT approach, egress PE routers that have interested receivers for traffic from a particular ingress PE joins a point-to-point (P2P) connection rooted at that ingress PE. This makes the number of ingress PE routers in a network to be low resulting in a limited number of trees in the core.

- [Finding Feature Information, on page 293](#)
- [Prerequisites for MVPN mLDP Partitioned MDT , on page 293](#)
- [Restrictions for MVPN mLDP Partitioned MDT, on page 293](#)
- [Information About MVPN mLDP Partitioned MDT, on page 294](#)
- [How to Configure MVPN mLDP Partitioned MDT, on page 295](#)
- [Configuration Examples for MVPN mLDP Partitioned MDT, on page 297](#)

## Finding Feature Information

Your software release may not support all the features documented in this module. For the latest caveats and feature information, see [Bug Search Tool](#) and the release notes for your platform and software release. To find information about the features documented in this module, and to see a list of the releases in which each feature is supported, see the feature information table.

Use Cisco Feature Navigator to find information about platform support and Cisco software image support. To access Cisco Feature Navigator, go to [www.cisco.com/go/cfn](http://www.cisco.com/go/cfn). An account on Cisco.com is not required.

## Prerequisites for MVPN mLDP Partitioned MDT

MVPN BGP auto discovery should be configured.

## Restrictions for MVPN mLDP Partitioned MDT

- PIM Dense mode (except for Auto-RP) and PIM-Bidir in the VRF are not supported.
- BGP multicast signaling is supported and PIM signaling is not supported.

- Only point-to-multi point (P2MP) mLDP label switch path is supported.
- Same VRF (for which mLDP in-band signaling is configured) needs to be configured on IPv4 and IPv6 address families.
- mLDP Partitioned multicast distribution tree (MDT) supports PIM-Source Specific Multicast (SSM) traffic only.
- Rosen mLDP recursive FEC is not supported. Partitioned MDT is applicable to inter-AS VPN (Inter AS option B and option C are not supported).
- mLDP filtering is not supported.
- Only interface-based strict RPF is supported with partitioned MDT.
- The **strict-rpf interface** command is *not* supported.

## Information About MVPN mLDP Partitioned MDT

### Overview of MVPN mLDP Partitioned MDT

MVPN allows a service provider to configure and support multicast traffic in an MPLS VPN environment. This type supports routing and forwarding of multicast packets for each individual VPN routing and forwarding (VRF) instance, and it also provides a mechanism to transport VPN multicast packets across the service provider backbone. In the mLDP case, the regular label switch path forwarding is used, so core does not need to run PIM protocol. In this scenario, the c-packets are encapsulated in the MPLS labels and forwarding is based on the MPLS Label Switched Paths (LSPs).

The MVPN mLDP service allows you to build a Protocol Independent Multicast (PIM) domain that has sources and receivers located in different sites.

To provide Layer 3 multicast services to customers with multiple distributed sites, service providers look for a secure and scalable mechanism to transmit customer multicast traffic across the provider network. Multicast VPN (MVPN) provides such services over a shared service provider backbone, using native multicast technology similar to BGP/MPLS VPN.

MVPN emulates MPLS VPN technology in its adoption of the multicast domain (MD) concept, in which provider edge (PE) routers establish virtual PIM neighbor connections with other PE routers that are connected to the same customer VPN. These PE routers thereby form a secure, virtual multicast domain over the provider network. Multicast traffic is then transmitted across the core network from one site to another, as if the traffic were going through a dedicated provider network.

Separate multicast routing and forwarding tables are maintained for each VPN routing and forwarding (VRF) instance, with traffic being sent through VPN tunnels across the service provider backbone.

In the Rosen MVPN mLDP solution, a multipoint-to-multipoint (MP2MP) default MDT is setup to carry control plane and data traffic. A disadvantage with this solution is that all PE routers that are part of the MVPN need to join this default MDT tree. Setting up a MP2MP tree between all PE routers of a MVPN is equivalent to creating N P2MP trees rooted at each PE (Where N is the number of PE routers). In an Inter-AS (Option A) solution this problem is exacerbated since all PE routers across all AS'es need to join the default MDT. Another disadvantage of this solution is that any packet sent through a default MDT reaches all the PE routers even if there is no requirement.

In the partitioned MDT approach, only those egress PE routers that receive traffic requests from a particular ingress PE join the PMSI configured at that ingress PE. This makes the number of ingress PE routers in a network to be low resulting in a limited number of trees in the core.

# How to Configure MVPN mLDP Partitioned MDT

## Configuring MVPN mLDP Partitioned MDT

### SUMMARY STEPS

1. **enable**
2. **configure terminal**
3. **ip multicast-routing vrf *vrf-name***
4. **ip vrf *vrf-name***
5. **rd *route-distinguisher***
6. **route target export *route-target-ext-community***
7. **route target import *route-target-ext-community***
8. **mdt strict-rpf interface**
9. **mdt partitioned mldp p2mp**
10. **mdt auto-discovery mldp [inter-as]**
11. **exit**
12. **show ip pim mdt**
13. **show ip pim vrf mdt [send | receive]**
14. **show ip multicast mpls vif**

### DETAILED STEPS

|        | Command or Action                                                                                                  | Purpose                                                                                                            |
|--------|--------------------------------------------------------------------------------------------------------------------|--------------------------------------------------------------------------------------------------------------------|
| Step 1 | <b>enable</b><br><b>Example:</b><br>Device> enable                                                                 | Enables privileged EXEC mode. <ul style="list-style-type: none"> <li>• Enter your password if prompted.</li> </ul> |
| Step 2 | <b>configure terminal</b><br><b>Example:</b><br>Device# configure terminal                                         | Enters global configuration mode.                                                                                  |
| Step 3 | <b>ip multicast-routing vrf <i>vrf-name</i></b><br><b>Example:</b><br>Device(config)# ip multicast-routing vrf VRF | Enables IP multicast routing for the MVPN VRF specified for the <i>vrf-name</i> argument.                          |
| Step 4 | <b>ip vrf <i>vrf-name</i></b><br><b>Example:</b>                                                                   | Defines a VRF instance and enters VRF configuration mode.                                                          |

|                | Command or Action                                                                                                           | Purpose                                                                                                                                                                                                                                                 |
|----------------|-----------------------------------------------------------------------------------------------------------------------------|---------------------------------------------------------------------------------------------------------------------------------------------------------------------------------------------------------------------------------------------------------|
|                | Device(config-vrf)# ip vrf VRF                                                                                              |                                                                                                                                                                                                                                                         |
| <b>Step 5</b>  | <b>rd route-distinguisher</b><br><b>Example:</b><br>Device(config-vrf)# rd 50:11                                            | Creates a route distinguisher (RD) (in order to make the VRF functional). <ul style="list-style-type: none"> <li>Creates the routing and forwarding tables, associates the RD with the VRF instance, and specifies the default RD for a VPN.</li> </ul> |
| <b>Step 6</b>  | <b>route target export route-target-ext-community</b><br><b>Example:</b><br>Device(config-vrf)# route target export 100:100 | Creates an export route target extended community for the specified VRF.                                                                                                                                                                                |
| <b>Step 7</b>  | <b>route target import route-target-ext-community</b><br><b>Example:</b><br>Device(config-vrf)# route target import 100:100 | Creates an import route target extended community for the specified VRF.                                                                                                                                                                                |
| <b>Step 8</b>  | <b>mdt strict-rpf interface</b><br><b>Example:</b><br>Device(config-vrf)# mdt strict-rpf interface                          | Creates per-PE LSPVIF interface to implement strict-RPF check.                                                                                                                                                                                          |
| <b>Step 9</b>  | <b>mdt partitioned mldp p2mp</b><br><b>Example:</b><br>Device(config-vrf)# mdt partitioned mldp p2mp                        | Configures partitioned MDT. <ul style="list-style-type: none"> <li>If both IPv4 and IPv6 address-families need to be configured for partitioned MDT, configure this command under both the VRF address-family sub-modes.</li> </ul>                     |
| <b>Step 10</b> | <b>mdt auto-discovery mldp [inter-as]</b><br><b>Example:</b><br>Device(config-vrf)# mdt auto-discovery mldp inter-as        | Enables inter-AS operation with BGP A-D.                                                                                                                                                                                                                |
| <b>Step 11</b> | <b>exit</b><br><b>Example:</b><br>Device(config-vrf)# exit                                                                  | Exits the VRF configuration mode and returns to privileged EXEC mode.                                                                                                                                                                                   |
| <b>Step 12</b> | <b>show ip pim mdt</b><br><b>Example:</b><br>Device# show ip pim mdt                                                        | Displays information on wildcard S-PMSI A-D route.                                                                                                                                                                                                      |



|         | Command or Action                                                                                  | Purpose                                                                                                                                                     |
|---------|----------------------------------------------------------------------------------------------------|-------------------------------------------------------------------------------------------------------------------------------------------------------------|
| Step 13 | <b>show ip pim vrf mdt [send   receive]</b><br><b>Example:</b><br>Device# show ip pim vrf mdt send | Displays information on wildcard S-PMSI A-D route along with MDT group mappings received from other PE routers or the MDT groups that are currently in use. |
| Step 14 | <b>show ip multicast mpls vif</b><br><b>Example:</b><br>Device# end                                | Displays the LSPVIFs created for all the PEs.                                                                                                               |

## Configuration Examples for MVPN mLDP Partitioned MDT

### Example: MVPN mLDP Partitioned MDT

```

!
vrf definition cul
 rd 1:1
  vpn id 1:1
  !
  address-family ipv4
   mdt auto-discovery mldp
   mdt strict-rpf interface
   mdt partitioned mldp p2mp
   mdt data mpls mldp 1
   mdt overlay use-bgp
   route-target export 1:1
   route-target import 1:1
  exit-address-family
!
ip multicast-routing distributed
ip multicast-routing vrf cul distributed
!
mpls label protocol ldp
mpls ldp session protection
mpls ldp igp sync holddown 10000
mpls ldp discovery targeted-hello accept
no mpls mldp forwarding recursive
mpls mldp path traffic-eng
mpls traffic-eng tunnels
mpls traffic-eng auto-tunnel backup nhop-only
mpls traffic-eng auto-tunnel primary onehop

!
redundancy
 mode sso
bridge-domain 1
!
!
!
interface Loopback0
 ip address 10.10.10.1 255.255.255.255
 ip ospf 100 area 0

```

```

load-interval 30
!
interface Loopback1
vrf forwarding cul
ip address 11.11.11.1 255.255.255.0
ip pim sparse-mode
load-interval 30
!
!
interface GigabitEthernet0/3/0
ip address 13.0.0.1 255.255.255.0
ip ospf 100 area 0
negotiation auto
mpls ip
mpls label protocol ldp
mpls traffic-eng tunnels
cdp enable
ip rsvp bandwidth
!
interface GigabitEthernet0/3/4
no ip address
negotiation auto
service instance 1 ethernet
encapsulation dot1q 1
rewrite ingress tag pop 1 symmetric
bridge-domain 1
!
interface GigabitEthernet0/4/1
ip address 12.0.0.1 255.255.255.0
ip ospf 100 area 0
load-interval 30
negotiation auto
mpls ip
mpls label protocol ldp
mpls traffic-eng tunnels
cdp enable
ip rsvp bandwidth
!
interface BDI1
vrf forwarding cul
ip address 11.0.1.1 255.255.255.0
ip pim sparse-mode
load-interval 30
!
router ospf 100
router-id 10.10.10.1
fast-reroute per-prefix enable prefix-priority low
timers throttle spf 50 200 5000
timers throttle lsa 50 200 5000
timers lsa arrival 100
network 1.1.1.1 0.0.0.0 area 0
mpls traffic-eng router-id Loopback0
mpls traffic-eng area 0
mpls traffic-eng multicast-intact
!
router bgp 100
bgp log-neighbor-changes
neighbor 10.10.10.2 remote-as 100
neighbor 10.10.10.2 update-source Loopback0
neighbor 10.10.10.3 remote-as 100
neighbor 10.10.10.3 update-source Loopback0
!
address-family ipv4
redistribute connected

```

```
neighbor 10.10.10.2 activate
neighbor 10.10.10.2 send-community extended
neighbor 10.10.10.3 activate
neighbor 10.10.10.3 send-community extended
exit-address-family
!
address-family ipv4 mvpn
neighbor 10.10.10.2 activate
neighbor 10.10.10.2 send-community extended
neighbor 10.10.10.3 activate
neighbor 10.10.10.3 send-community extended
exit-address-family
!
address-family vpv4
neighbor 10.10.10.2 activate
neighbor 10.10.10.2 send-community extended
neighbor 10.10.10.3 activate
neighbor 10.10.10.3 send-community extended
exit-address-family
!
address-family ipv4 vrf cul
redistribute connected
exit-address-family
!
!
ip forward-protocol nd
!
no ip http server
no ip http secure-server
ip pim vrf cul rp-address 11.11.11.1
!
```





## CHAPTER 15

# MLDP In-Band Signaling/Transit Mode

This module contains information for configuring Multicast Label Distribution Protocol (MLDP) in-band signaling to enable the MLDP core to create (S,G) or (\*,G) state without using out-of-band signaling such as Border Gateway protocol (BGP) or Protocol Independent Multicast (PIM).

- [Finding Feature Information, on page 301](#)
- [Restrictions for MLDP In-Band Signaling, on page 301](#)
- [Information About MLDP In-Band Signaling/Transit Mode, on page 301](#)
- [How to Configure MLDP In-Band Signaling/Transit Mode, on page 302](#)
- [Configuration Examples for MLDP In-Band Signaling/Transit Mode, on page 303](#)

## Finding Feature Information

Your software release may not support all the features documented in this module. For the latest caveats and feature information, see [Bug Search Tool](#) and the release notes for your platform and software release. To find information about the features documented in this module, and to see a list of the releases in which each feature is supported, see the feature information table.

Use Cisco Feature Navigator to find information about platform support and Cisco software image support. To access Cisco Feature Navigator, go to [www.cisco.com/go/cfn](http://www.cisco.com/go/cfn). An account on Cisco.com is not required.

## Restrictions for MLDP In-Band Signaling

- MLDP in-band signaling supports SOURCE-SPECIFIC MULTICAST (SSM) multicast traffic only.
- MLDP in-band signaling is not supported in the same VRF for which Rosen Model MLDP-based MVPN or GRE-based MVPN is configured.

## Information About MLDP In-Band Signaling/Transit Mode

### MLDP In-Band Signaling/Transit Mode

Multicast Label Distribution Protocol (MLDP)-supported multicast VPN (MVPN) allows VPN multicast streams to be aggregated over a VPN-specific tree. No customer state is created in the MLDP core; there is

only state for default and data multicast distribution trees (MDTs). In certain scenarios, the state created for VPN streams is limited and does not appear to be a risk or limiting factor. In these scenarios, MLDP can build in-band MDTs that are transit Label Switched Paths (LSPs).

Trees used in a VPN space are MDTs. Trees used in the global table are transit point-to-multipoint (P2MP) or multipoint-to-multipoint (MP2MP) LSPs. In both cases, a single multicast stream (VPN or not) is associated with a single LSP in the MPLS core. The stream information is encoded in the Forwarding Equivalence Class (FEC) of the LSP. This is in-band signaling.

MLDP in-band signaling uses access control lists (ACLs) with the range of the multicast (S, G) to be transported by the MLDP LSP. Each multicast channel (S, G) maps, one-to-one, to each tree in the in-band tree. The (S,G) join is registered in the Multicast Routing Information Base (MRIB), which is a client of MLDP. Each MLDP LSP is identified by the FEC of [(S,G) + RD], where RD is the Route Distinguisher (RD) obtained from BGP. This differs from MLDP-based MVPN, where the identity is in a FEC of [MDT #, VPN ID, Tree #].

The ingress Provider Edge (PE) device uses the FEC to decode the stream information and associate the multicast stream with the LSP (in the FEC). This service model is only applicable for transporting Protocol Independent Multicast (PIM) source-specific multicast (SSM) traffic. There is no need to run PIM over the LSP because the stream signaling is done in-band.

The MLDP In-Band Signaling/Transit Mode feature is supported on IPv4 and IPv6 networks. MLDP in-band signaling and MLDP-based MVPN cannot be supported in the same VRF.

## How to Configure MLDP In-Band Signaling/Transit Mode

### Enabling In-Band Signaling on a PE Device

#### Before you begin

- VRF instances for in-band signaling must be configured.
- Access control lists (ACLs) for controlling streams must be configured.

#### SUMMARY STEPS

1. **enable**
2. **configure terminal**
3. **ip multicast [vrf vrf] mpls mldp [range acl]**

#### DETAILED STEPS

|        | Command or Action                                  | Purpose                                                                                                            |
|--------|----------------------------------------------------|--------------------------------------------------------------------------------------------------------------------|
| Step 1 | <b>enable</b><br><b>Example:</b><br>Device> enable | Enables privileged EXEC mode. <ul style="list-style-type: none"> <li>• Enter your password if prompted.</li> </ul> |
| Step 2 | <b>configure terminal</b><br><b>Example:</b>       | Enters global configuration mode.                                                                                  |

|               | Command or Action                                                                                                          | Purpose                                                                                                                                                                                                                                                                                                                                                          |
|---------------|----------------------------------------------------------------------------------------------------------------------------|------------------------------------------------------------------------------------------------------------------------------------------------------------------------------------------------------------------------------------------------------------------------------------------------------------------------------------------------------------------|
|               | Device# configure terminal                                                                                                 |                                                                                                                                                                                                                                                                                                                                                                  |
| <b>Step 3</b> | <b>ip multicast [vrf vrf] mpls mldp [range acl]</b><br><b>Example:</b><br>Device (config)# ip multicast vrf vrf1 mpls mldp | Brings up the MLDP MRIB process and registers MLDP with the MRIB. <ul style="list-style-type: none"> <li>• To enable in-band signaling globally, use this command without the <b>vrf vrf</b> keyword and argument combination.</li> <li>• To identify streams for in-band signaling, use this command with the <b>range</b> keyword on the egress PE.</li> </ul> |

## Configuration Examples for MLDP In-Band Signaling/Transit Mode

### Example: In-Band Signaling

```

vrf definition cul
 rd 1:1
  vpn id 1:1
  !
  address-family ipv4
   route-target export 1:1
   route-target import 1:1
  exit-address-family
 !
 ip multicast-routing distributed
 ip multicast-routing vrf cul distributed
 !
 ip multicast mpls mldp
 ip multicast vrf cul mpls mldp
 !
 !
 mpls label protocol ldp
 mpls ldp session protection
 mpls ldp igp sync holddown 10000
 mpls ldp discovery targeted-hello accept
 no mpls mldp forwarding recursive
 !
 redundancy
 mode sso
 interface Loopback0
 ip address 10.10.10.3 255.255.255.255
 ip ospf 100 area 0
 load-interval 30
 !
 interface Loopback1
 vrf forwarding cul
 ip address 33.33.33.1 255.255.255.0
 ip pim sparse-mode
 load-interval 30

```

## Example: In-Band Signaling

```

!
interface GigabitEthernet0/2/0
ip address 13.0.0.2 255.255.255.0
ip ospf 100 area 0
negotiation auto
mpls ip
mpls label protocol ldp
cdp enable
ip rsvp bandwidth
!
interface GigabitEthernet0/2/1
no ip address
negotiation auto
service instance 1 ethernet
encapsulation dot1q 1
rewrite ingress tag pop 1 symmetric
bridge-domain 1
!
interface BDI1
vrf forwarding cul
ip address 31.0.1.1 255.255.0.0
ip pim sparse-mode
ip igmp version 3
load-interval 30
!
!
router ospf 100
router-id 10.10.10.3
timers throttle spf 50 200 5000
timers throttle lsa 50 200 5000
timers lsa arrival 100
network 1.1.1.1 0.0.0.0 area 0
!
router bgp 100
bgp log-neighbor-changes
neighbor 10.10.10.1 remote-as 100
neighbor 10.10.10.1 update-source Loopback0
neighbor 10.10.10.2 remote-as 100
neighbor 10.10.10.2 update-source Loopback0
!
address-family ipv4
redistribute connected
neighbor 10.10.10.1 activate
neighbor 10.10.10.1 send-community extended
neighbor 10.10.10.2 activate
neighbor 10.10.10.2 send-community extended
exit-address-family
!
address-family ipv4 mvpn
neighbor 10.10.10.1 activate
neighbor 10.10.10.1 send-community extended
neighbor 10.10.10.2 activate
neighbor 10.10.10.2 send-community extended
exit-address-family
!
address-family vpv4
neighbor 10.10.10.1 activate
neighbor 10.10.10.1 send-community extended
neighbor 10.10.10.2 activate
neighbor 10.10.10.2 send-community extended
exit-address-family
!
address-family ipv4 vrf cul
redistribute connected

```



```
exit-address-family
!
address-family ipv4 vrf cu10
  redistribute connected
!
ip pim ssm range SSM-range
ip pim mpls source Loopback0
!
ip pim vrf cu1 ssm range SSM-range
!
!
ip access-list standard SSM-range
  permit 226.0.0.0 0.255.255.255
```

