



IP Multicast: Multicast Resiliency Configuration Guide

Americas Headquarters

Cisco Systems, Inc.
170 West Tasman Drive
San Jose, CA 95134-1706
USA
<http://www.cisco.com>
Tel: 408 526-4000
800 553-NETS (6387)
Fax: 408 527-0883

THE SPECIFICATIONS AND INFORMATION REGARDING THE PRODUCTS IN THIS MANUAL ARE SUBJECT TO CHANGE WITHOUT NOTICE. ALL STATEMENTS, INFORMATION, AND RECOMMENDATIONS IN THIS MANUAL ARE BELIEVED TO BE ACCURATE BUT ARE PRESENTED WITHOUT WARRANTY OF ANY KIND, EXPRESS OR IMPLIED. USERS MUST TAKE FULL RESPONSIBILITY FOR THEIR APPLICATION OF ANY PRODUCTS.

THE SOFTWARE LICENSE AND LIMITED WARRANTY FOR THE ACCOMPANYING PRODUCT ARE SET FORTH IN THE INFORMATION PACKET THAT SHIPPED WITH THE PRODUCT AND ARE INCORPORATED HEREIN BY THIS REFERENCE. IF YOU ARE UNABLE TO LOCATE THE SOFTWARE LICENSE OR LIMITED WARRANTY, CONTACT YOUR CISCO REPRESENTATIVE FOR A COPY.

The Cisco implementation of TCP header compression is an adaptation of a program developed by the University of California, Berkeley (UCB) as part of UCB's public domain version of the UNIX operating system. All rights reserved. Copyright © 1981, Regents of the University of California.

NOTWITHSTANDING ANY OTHER WARRANTY HEREIN, ALL DOCUMENT FILES AND SOFTWARE OF THESE SUPPLIERS ARE PROVIDED "AS IS" WITH ALL FAULTS. CISCO AND THE ABOVE-NAMED SUPPLIERS DISCLAIM ALL WARRANTIES, EXPRESSED OR IMPLIED, INCLUDING, WITHOUT LIMITATION, THOSE OF MERCHANTABILITY, FITNESS FOR A PARTICULAR PURPOSE AND NON-INFRINGEMENT OR ARISING FROM A COURSE OF DEALING, USAGE, OR TRADE PRACTICE.

IN NO EVENT SHALL CISCO OR ITS SUPPLIERS BE LIABLE FOR ANY INDIRECT, SPECIAL, CONSEQUENTIAL, OR INCIDENTAL DAMAGES, INCLUDING, WITHOUT LIMITATION, LOST PROFITS OR LOSS OR DAMAGE TO DATA ARISING OUT OF THE USE OR INABILITY TO USE THIS MANUAL, EVEN IF CISCO OR ITS SUPPLIERS HAVE BEEN ADVISED OF THE POSSIBILITY OF SUCH DAMAGES.

Any Internet Protocol (IP) addresses and phone numbers used in this document are not intended to be actual addresses and phone numbers. Any examples, command display output, network topology diagrams, and other figures included in the document are shown for illustrative purposes only. Any use of actual IP addresses or phone numbers in illustrative content is unintentional and coincidental.

Cisco and the Cisco logo are trademarks or registered trademarks of Cisco and/or its affiliates in the U.S. and other countries. To view a list of Cisco trademarks, go to this URL: <http://www.cisco.com/go/trademarks>. Third-party trademarks mentioned are the property of their respective owners. The use of the word partner does not imply a partnership relationship between Cisco and any other company. (1110R)

© 2016 Cisco Systems, Inc. All rights reserved.



CONTENTS

CHAPTER 1

Read Me First 1

CHAPTER 2

Monitoring and Maintaining Multicast HA Operations 3

Finding Feature Information 3

Prerequisites for Monitoring and Maintaining HA Operations 4

Restrictions for Monitoring and Maintaining HA Operations 4

Information About Monitoring and Maintaining Multicast HA Operations 4

 Multicast HA Support Differences from Other Routing Protocols 4

 Multicast Graceful Restart Overview 4

 Multicast NSF 5

 Multicast SSO 5

 Multicast Checkpointing for HA Operations 5

 Multicast HA Operations 5

 Dynamic Multicast SSO Synchronization Events That Occur During Normal
 Operation 5

 MFIB Interactions on the Active and Standby RPs Before an RP Switchover 6

 Unicast and Multicast NSF and SSO Hold-Off Period 6

 MFIB Interactions During an RP Switchover 8

 Unicast and Multicast NSF and SSO Events That Occur Following an RP Switchover 8

 PIM and MFIB Interactions Following an RP Switchover to Replay DDEs 10

 Operation After the RP Switchover 11

 ISSU Support for IP Multicast 11

How to Monitor and Maintain Multicast HA Operations 12

 Monitoring Multicast HA Events 12

 Modifying the Stale Mroute Flush Timeout Period for Multicast HA Operations 14

Configuration Examples for Monitoring and Maintaining Multicast HA Operations 16

 Example Monitoring Multicast NSF and SSO Events During an RP Switchover 16

 Initial Switchover Detection 16

Unicast Convergence Detection and Multicast Route Control Plane Convergence	16
IGMP Queries DDE Replay Termination of the NSF Hold-Off Period and Flushing of Stale Forwarding Information	17
Standby RP Bringup	18
Example Monitoring the Transition from Standby RP to Active RP Following a Switchover	21
Initial State on Standby RP Before Switchover	22
Standby RP Transition to Active RP After an RP Switchover	22
Standby RP Resynchronization	25
Additional References	25
Feature Information for Monitoring and Maintaining Multicast HA Operations	26

CHAPTER 3**PIM Triggered Joins 29**

Finding Feature Information	29
Restrictions for PIM Triggered Joins	29
Information About PIM Triggered Joins	30
Functional Overview of PIM Triggered Joins	30
Generation IDs	31
PIM Triggered Joins and Multicast Traffic Flow	31
Additional References	32
Feature Information for PIM Triggered Joins	33

CHAPTER 4**Multicast Live-Live 35**

Finding Feature Information	35
Prerequisites for Multicast Live-Live	35
Restrictions for Multicast Live-Live	36
Information About Multicast Live-Live	36
Overview of Multicast Live-Live	36
How to Configure Multicast Live-Live	37
Configuring a Multicast Topology	37
Enabling a Multicast Topology Under IGP	39
Verifying the Configuration of Multicast Live-Live	42
Configuration Examples for Multicast Live-Live	43
Example Configuring Multicast Live-Live	43
Additional References	44

Feature Information for Multicast Live-Live 45



Read Me First

Important Information about Cisco IOS XE 16

Effective Cisco IOS XE Release 3.7.0E (for Catalyst Switching) and Cisco IOS XE Release 3.17S (for Access and Edge Routing) the two releases evolve (merge) into a single version of converged release—the Cisco IOS XE 16—providing one release covering the extensive range of access and edge products in the Switching and Routing portfolio.



Note

The Feature Information table in the technology configuration guide mentions when a feature was introduced. It might or might not mention when other platforms were supported for that feature. To determine if a particular feature is supported on your platform, look at the technology configuration guides posted on your product landing page. When a technology configuration guide is displayed on your product landing page, it indicates that the feature is supported on that platform.



Monitoring and Maintaining Multicast HA Operations

This module describes IPv4 and IPv6 multicast high availability (HA) support and the concepts and tasks necessary to monitor and maintain multicast HA operations.

Multicast HA capabilities enable Cisco nonstop forwarding (NSF) with stateful switchover (SSO) support for IPv4 and IPv6 multicast, which—following a Route Processor (RP) switchover—reduces the reconvergence time of the multicast control plane to a level that is transparent to most multicast-based applications and In Service Software Upgrade (ISSU) support for Protocol Independent Multicast (PIM).

- [Finding Feature Information, page 3](#)
- [Prerequisites for Monitoring and Maintaining HA Operations, page 4](#)
- [Restrictions for Monitoring and Maintaining HA Operations, page 4](#)
- [Information About Monitoring and Maintaining Multicast HA Operations, page 4](#)
- [How to Monitor and Maintain Multicast HA Operations, page 12](#)
- [Configuration Examples for Monitoring and Maintaining Multicast HA Operations, page 16](#)
- [Additional References, page 25](#)
- [Feature Information for Monitoring and Maintaining Multicast HA Operations, page 26](#)

Finding Feature Information

Your software release may not support all the features documented in this module. For the latest caveats and feature information, see [Bug Search Tool](#) and the release notes for your platform and software release. To find information about the features documented in this module, and to see a list of the releases in which each feature is supported, see the feature information table at the end of this module.

Use Cisco Feature Navigator to find information about platform support and Cisco software image support. To access Cisco Feature Navigator, go to www.cisco.com/go/cfn. An account on Cisco.com is not required.

Prerequisites for Monitoring and Maintaining HA Operations

- This module assumes that your device is configured for IP multicast and is participating in an IP multicast network. For more information about configuring IP multicast using PIM sparse mode (PIM-SM), Source Specific Multicast (PIM-SSM), or bidirectional PIM (bidir-PIM), see the “ Configuring a Basic IP Multicast Network ” module.
- SSO must be configured and working properly. If you do not have SSO enabled, see the “ Stateful Switchover ” module.
- This module assumes that you are familiar with NSF concepts. For more information about NSF, see the “ Cisco Nonstop Forwarding ” module.
- This module assumes that you are familiar with the ISSU process.

Restrictions for Monitoring and Maintaining HA Operations

- Multicast IPv6 multicast SSO is supported only for PIM-SSM mode and PIM sparse mode using static RP configuration. SSO for bidir-PIM is not supported for IPv6 multicast.

Information About Monitoring and Maintaining Multicast HA Operations

Multicast HA Support Differences from Other Routing Protocols

Multicast HA support is different than HA support for other routing protocols because multicast routing (mroute) state is dynamic; that is, mroute state depends on the presence of sources and receivers. At the beginning of SSO, multicast state information known by downstream PIM neighbors is refreshed by the control plane. In addition, mroute state creation can be triggered by data driven events (DDEs) in the following cases:

- Mroute state creation triggered on the first hop designated router (DR) as a result of active source traffic.
- Shortest path tree (SPT) switchovers on the last hop DR; this occurs when traffic on the shared tree is detected on the last hop router.

Mroute states created in these data driven event cases are not learned from PIM join and prune messages from PIM neighbors.

Multicast Graceful Restart Overview

Multicast Graceful Restart (GR) is achieved with a combination of the NSF/SSO--IPv4 Multicast feature, the NSF/SSO--IPv6 feature, and the PIM Triggered Joins feature.

Multicast NSF

Multicast NSF ensures uninterrupted flow of multicast traffic during an RP failure.

Multicast SSO

Multicast SSO ensures that necessary information such as RP information, DDEs, and other multicast information is checkpointed to ensure the seamless takeover of the standby RP after an RP failover.

Multicast Checkpointing for HA Operations

The following multicast information is synchronized between the active and standby RPs:

- Dynamically learned group-to-RP mappings learned from either Auto-RP or bootstrap router (BSR) (IPv4 only).
- Bidir-PIM designated forwarder (DF) information and bidir-PIM RP route information (IPv4 only).
- Multicast Call Admission Control (MCAC) reservation synchronization information (IPv6 only).
- Multicast VPN (MVPN) tunnel information (IPv4 only).
- Multicast Distribution Tree (MDT) data group state information (IPv4 only).
- PIM register tunnel information (IPv4/IPv6).
- Multicast forwarding state created by DDEs (IPv4/IPv6).

Multicast HA Operations

The following sections describe the multicast NSF/SSO operations that occur before, during, and following an RP switchover:

Dynamic Multicast SSO Synchronization Events That Occur During Normal Operation

During normal operation (steady state), the software dynamically synchronizes information corresponding to events that modify the multicast forwarding state on the standby RP. Instead of performing periodic bulk synchronization updates, the software sends updates only for modified entities within internal databases. These updates are triggered by events that cause internal database changes related to the multicast forwarding state.

**Note**

This functionality applies only to the dynamic synchronization on the standby RP for updates to the multicast forwarding state that occur during steady state operation. Bulk synchronization updates, however, are required whenever a standby RP is inserted, reloaded, or reset.

In steady state, the following internal multicast forwarding databases are dynamically synchronized on the standby RP:

- RP Mapping--Internal database that stores group-to-RP mapping information (IPv4 only).

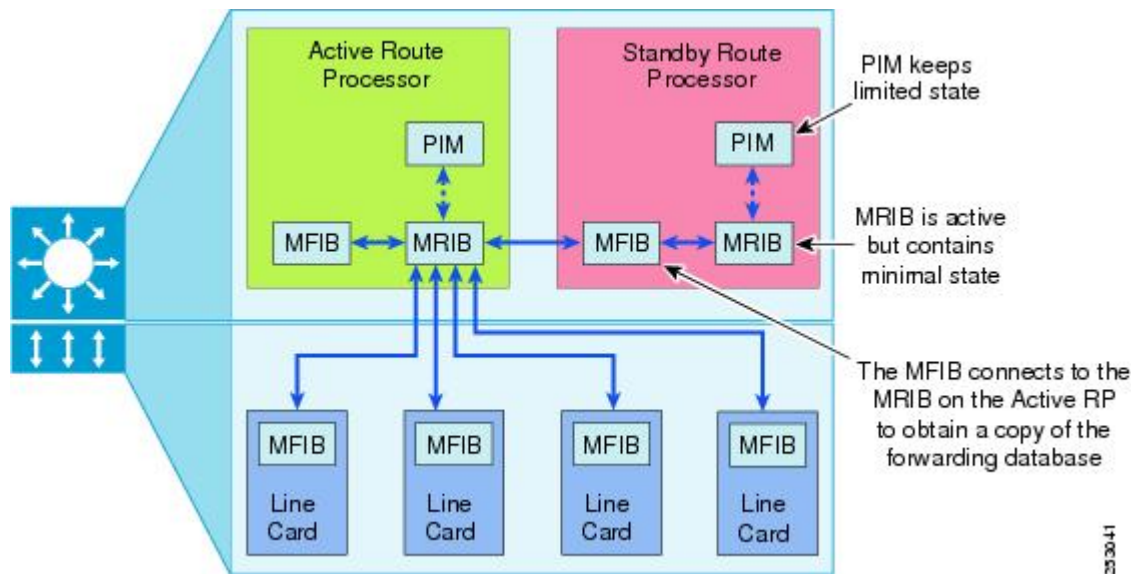
- Bidirectional Route Information--Internal database that stores bidir-PIM RP route information (IPv4 only).
- Bootstrap Cache--Internal database that stores BSR candidate information (IPv4 only).
- AutoRP Discovery IDB--Internal database that stores Auto-RP discovery message information (IPv4 only).
- RPDF--Internal database that stores the set of interfaces enabled for the reception of bidir-PIM packets for a given bidir-PIM RP (IPv4 only).
- MDT Tunnel--Internal database that stores MVPN MDT tunnel information (IPv4 only).
- PIM Register Tunnel--Internal database that stores PIM register tunnel information (IPv4/IPv6).
- MCAC Reservation--Internal database that stores the identity of IPv6 (S, G) multicast routes for which a MCAC cost is currently accrued for each interface on the active RP (IPv6 only).

MFIB Interactions on the Active and Standby RPs Before an RP Switchover

Before an RP switchover, each Multicast Forwarding Information Base (MFIB) instance keeps a permanent record of DDEs it generated that are passed through the Multicast Routing Information Base (MRIB) on the active RP to the MFIB on the standby RP.

The figure illustrates the multicast NSF/SSO interactions between the MFIB components on the active and standby RPs before a switchover.

Figure 1: MFIB Interactions on the Active and Standby RPs Before an RP Switchover



Unicast and Multicast NSF and SSO Hold-Off Period

Following an RP failure, data plane forwarding information is retained despite the fact that the new primary RP does not have a complete set of control plane information. The retention of this information enables forwarding to continue during unicast and multicast routing protocol reconvergence. While unicast and

multicast routing protocol reconvergence is in progress, a hold-off period is observed during which no multicast forwarding updates are sent from the multicast routing protocol layer to the data plane layer. The hold-off period ends after unicast and multicast protocol convergence has completed.

Unicast routing protocol convergence begins before multicast protocol convergence. Multicast routing protocol (PIM) convergence does not begin until the multicast protocol layer receives explicit signaling that unicast routing protocol convergence has completed. Unicast protocols that are not SSO-aware are not covered by this signal and are not taken into account when waiting for convergence.

**Note**

Some SSO-aware routing protocols (for example, Border Gateway Protocol (BGP)) may generate logging messages indicating that the initial convergence has completed (based on an internal timer) before full convergence has occurred. PIM, however, does not provide any explicit indication of reconvergence.

The hold-off period may terminate before full convergence of unicast routing protocols, which will result in null RPF interfaces for any affected IP addresses. As additional unicast routing updates are received, the affected multicast routes are updated as needed. This is expected and acceptable behavior for SSO-aware routing protocols that are slower in converging.

**Note**

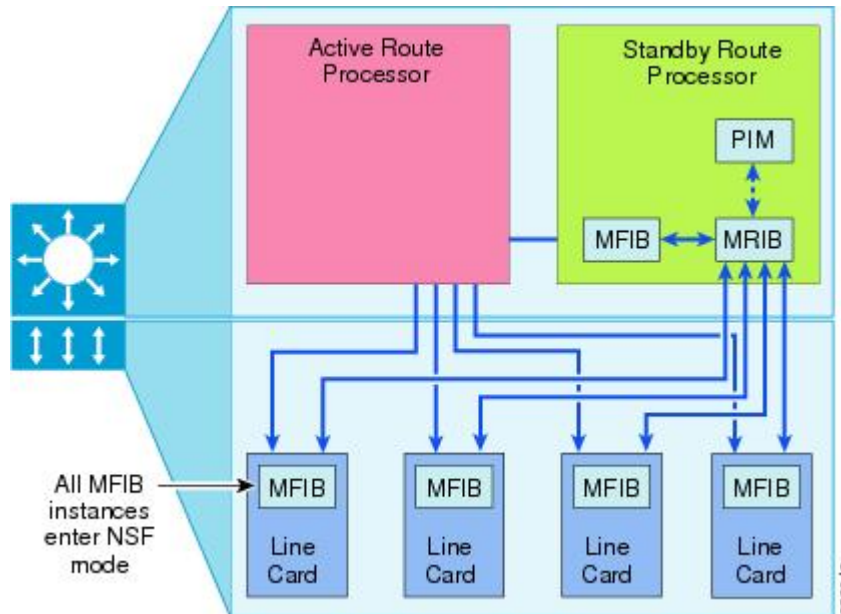
An RP switchover occurring on a system operating with unicast protocols that are not SSO-aware will cause undesirably long convergence times--but no routing loops--for multicast routes.

At the end of the hold-off period, the multicast data plane layer marks any existing data plane information as stale. That information is subsequently flushed if it is not refreshed through the downloading of the current reconverged control plane information.

MFIB Interactions During an RP Switchover

During an RP switchover, while the routing protocols are reconverging, no changes to the multicast tables will occur. All MFIB instances will enter NSF mode, as illustrated in the figure.

Figure 2: MFIB Interactions During an RP Switchover



Unicast and Multicast NSF and SSO Events That Occur Following an RP Switchover

In the event of an RP switchover, even with the continuous synchronization of unicast and multicast routing information from the primary to the standby RP, it is not possible to guarantee that the information most recently updated on the primary RP can be synchronized to the standby RP before a failure occurs on the primary RP. For this reason, following an RP switchover, both unicast and multicast routing protocols trigger the retransmission of routing information from neighboring routers to ensure that the unicast and multicast routing information is current.

For multicast protocol retransmission, the software triggers a refresh of all multicast routing information available from PIM neighbors using the PIM GenID capability described in RFC 4601. GenID support enables fast mroute reconvergence after a switchover. A GenID is a randomly generated 32-bit value regenerated each time PIM forwarding is started or restarted on an interface. In the event of a switchover, the GenID value is used as a mechanism to trigger adjacent PIM neighbors on an interface to send PIM join messages for all (*, G) and (S, G) mroutes that use that interface as an RPF interface, immediately reestablishing those states on the new primary RP. Internet Group Management Protocol (IGMP) for IPv4 multicast and Multicast Listener Discovery (MLD) group membership information for IPv6 multicast is restored by executing IGMP/MLD queries on all IGMP/MLD interfaces.

The following multicast NSF/SSO events occur in parallel following an RP switchover:

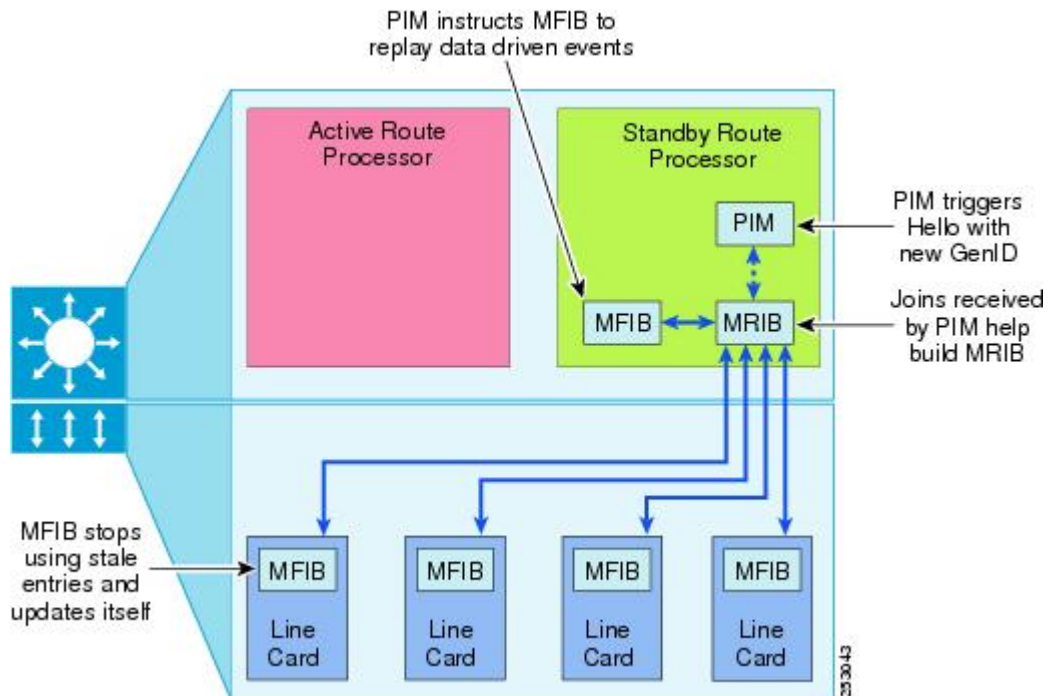
- The software empties the queue containing unprocessed synchronization messages for multicast sent by the previous primary RP and starts a *unicast IGP convergence fail-safe timer* to handle the possibility that unicast Interior Gateway Protocol (IGP) convergence never completes.

- As interfaces come up on the new primary RP, unicast routing protocol reconvergence processing proceeds.
- As each PIM-enabled interface comes up, PIM hello messages are sent out using a new GenID value for the interface. The modified GenID value triggers PIM join and prune messages from all adjacent PIM neighbors on the network to which the interface is attached. As these messages are received, information about mroute states that were missing on the new primary RP are restored except for last hop SPT (S, G) routes and mroutes associated with directly connected hosts with no other intermediate routers. Because this routing information begins to arrive before unicast IGP convergence has occurred, mroutes may initially have NULL RPF ingress interfaces. As this state information is learned, the multicast protocol layer sends the corresponding update messages to the MRIB.
- IGMP/MLD group membership information is restored by the execution of IGMP/MLD queries on all IGMP/MLD interfaces.
- Following IGMP/MLD reporting, the control plane then sends out requests for the MFIB replay of DDEs to retrigger multicast route information that cannot be obtained from PIM neighbors or directly connected hosts.
- After DDE replay, the hold-off period ends. At the end of the hold-off period, the multicast data plane layer marks any existing data plane information as stale and that information is subsequently flushed if it is not refreshed via the downloading of the current reconverged control plane information.

PIM and MFIB Interactions Following an RP Switchover to Replay DDEs

The underlying components that make up the MFIB infrastructure coordinate to ensure successful multicast NSF/SSO operations. In particular, the internal exchange of instructions between PIM and the MFIB, as illustrated in the figure, ensure error-free operation and the successful replay of DDEs.

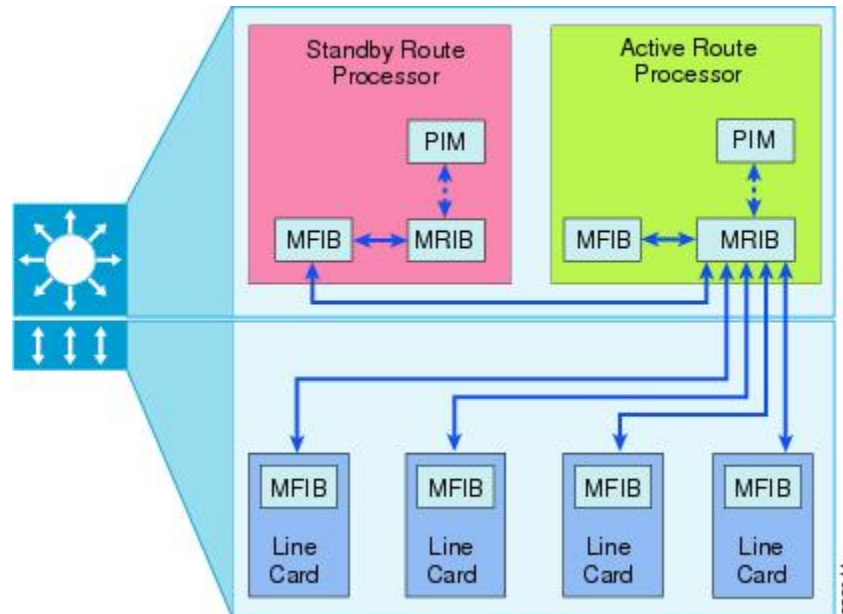
Figure 3: PIM and MFIB Interactions Following an RP Switchover



Operation After the RP Switchover

The new RP (the previous active RP that went down) will work as the standby RP after the repair, reboot, or reinstallation, as shown in the figure.

Figure 4: PIM and MFIB Interactions Following an RP Switchover



ISSU Support for IP Multicast

The ISSU process allows software to be updated or otherwise modified while packet forwarding continues. In most networks, planned software upgrades are a significant cause of downtime. ISSU allows software to be modified while packet forwarding continues, which increases network availability and reduces downtime caused by planned software upgrades.

To provide the required ISSU and SSO support necessary for IP multicast, a PIM ISSU client is introduced. The PIM ISSU client resides on both the primary and the standby RPs and enables PIM synchronization message transmission between two RPs using different versions of software. The PIM ISSU client performs transformation of PIM dynamic state synchronization messages sent from or received by the RP having the most recent software version. If synchronization messages are sent to a RP not using the most recent software version, the messages are translated to the older format used by this RP. If messages are received from this RP, the messages are translated to the newer format used by the receiving RP before being passed to the PIM HA software for processing.

How to Monitor and Maintain Multicast HA Operations

Monitoring Multicast HA Events

Perform this optional task to monitor multicast HA NSF/SSO and ISSU events.

SUMMARY STEPS

1. **enable**
2. **debug ip multicast redundancy [verbose]**
3. **show ip pim neighbor**
4. **show ip multicast redundancy state [verbose]**
5. **show ip multicast redundancy statistics**
6. **clear ip multicast redundancy statistics**

DETAILED STEPS

Step 1 **enable**
Enables privileged EXEC mode. Enter your password if prompted.

Example:

```
Router> enable
```

Step 2 **debug ip multicast redundancy [verbose]**
Use this command to display IP multicast redundancy events.

This command logs events that are important in verifying the operation of NSF/SSO operation for IP multicast. The classes of events logged by **debug ip multicast redundancy** command include SSO events during an RP switchover and dynamic synchronization events that occur during steady state operation.

Use the optional **verbose** keyword to log events that may occur frequently during normal operation, but that may be useful for tracking in short intervals.

The following is output from the **debug ip multicast redundancy** command. The output displays the logging message that is displayed when the standby RP is recovered after a standby RP transition:

Example:

```
*Aug 7 02:36:07.843: MCAST-HA-RF: Status event: status=RF_STATUS_OPER_REDUNDANCY_MODE_CHANGE Op=7
RFState=ACTIVE
```

Step 3 **show ip pim neighbor**
Use this command to display the PIM neighbors discovered by PIMv1 router query messages or PIMv2 hello messages that support the GenID capability.

The output of the **show ip pim neighbor** command displays the “G” flag to indicate GenID support status for each PIM neighbor. The “G” flag is displayed only if the neighbor supports the GenID capabilities provided by PIM.

GenID support enables fast mroute reconvergence after a switchover. A GenID is a randomly generated 32-bit value regenerated each time PIM forwarding is started or restarted on an interface. In the event of a switchover, the GenID value is used as a mechanism to trigger adjacent PIM neighbors on an interface to send PIM join messages for all (*, G) and (S, G) mroutes that use that interface as an RPF interface, immediately reestablishing those states on the newly active RP.

Example:

```
Router# show ip pim neighbor
PIM Neighbor Table
Mode: B - Bidir Capable, DR - Designated Router, N - Default DR Priority,
      P - Proxy Capable, S - State Refresh Capable, G - GenID Capable
Neighbor      Interface      Uptime/Expires    Ver  DR
Address
192.168.10.5   GigabitEthernet0/1    00:01:35/00:01:37 v2   1 / DR B S P G
```

Step 4 **show ip multicast redundancy state [verbose]**

Use this command to display the current redundancy state for IP multicast.

The output displays information about the current multicast redundancy state of the RPs and the current synchronization state of the standby RP.

Example:

```
Router# show ip multicast redundancy state
Multicast IPv4 Redundancy Mode: SSO
Multicast IPv6 Redundancy Mode: Not enabled
Multicast IPv4 HA state machine status: Idle
Multicast IPv6 HA state machine status: Idle
Sync message epoch: 0
Sync message sequence number: 24
Stale NSF state flush timeout: 30000 ms
Current sync state: Synced
Multicast ISSU Client Status:
  PIM MIC client      ISSU compatible
  MRIB MIC client     ISSU compatible
  MFIB IPv4 MIC client ISSU compatible
  MFIB IPv6 MIC client No ISSU result reported
  PLATFORM IPv4 MIC client Unregistered - ignored
  PLATFORM IPv6 MIC client Unregistered - ignored
IPv4 SSO supported for: PIM, MRIB, MFIBV4
IPv6 SSO blocked by: MFIBV6
```

Step 5 **show ip multicast redundancy statistics**

Use this command to display IP multicast redundancy statistics.

The output displays the following information:

- A summary statistic showing the current number of synchronization messages awaiting transmission from the active RP to the standby RP. (This count is summed across all synchronization database types.)
- A summary statistic showing the current number of synchronization messages that have been sent from the active RP to the standby RP, but for which the active RP has not yet received acknowledgment from the standby for successful reception. (This count is summed across all synchronization database types.)
- The last two statistics, displaying the count of messages awaiting transmission or acknowledgment, provide a way to measure the load on the internal synchronization message-sending mechanism.

Example:

```
Router# show ip multicast redundancy statistics
Multicast Redundancy Statistics
Sync Type           Updates      Syncs      Sync failures
RP mapping           0            0          0
Bidir. RP route info 0            0          0
Bootstrap cache     4            4          0
Autorp discovery IDB 4            4          0
RPDF                 0            0          0
MDT tunnel           0            0          0
PIM register tunnel 13           13         0
MCAC Reservation     0            0          0
Requests Awaiting Sync Msg Transmission: 0
Requests Awaiting Sync Msg Acknowledgement: 0
Average Sync Wait Time = 1 ms
Average Sync Ack Time = 7 ms
```

Step 6 **clear ip multicast redundancy statistics**

Use this command to reset IP multicast redundancy statistics.

Example:

```
Router# clear ip multicast redundancy statistics
```

Modifying the Stale Mroute Flush Timeout Period for Multicast HA Operations

Perform this optional task to configure an additional timeout period before stale forwarding plane mroute information is flushed. This timeout period is added on to the default NSF route flush time as a delay between the downloading of refreshed multicast control plane route information to the forwarding plane and the flushing of “stale” NSF forwarding plane information retained from SSO before the RP switchover.

**Caution**

It is not recommended that you configure this additional delay unless it is specifically required for your topology because it could increase the risk of routing loops during NSF.

**Note**

You would need to perform this task only if you have a routing protocol that requires additional time to populate routing information after the signaling of unicast routing convergence (for example, BGP in a configuration with a large number of VPN routing and forwarding (VRF) instances). The need to configure this timeout period may be determined during predeployment SSO stress testing.

SUMMARY STEPS

1. **enable**
2. **configure terminal**
3. **ip multicast redundancy routeflush maxtime** *seconds*
4. **end**
5. show ip multicast redundancy state

DETAILED STEPS

	Command or Action	Purpose
Step 1	enable Example: Router> enable	Enables privileged EXEC mode. <ul style="list-style-type: none"> • Enter your password if prompted.
Step 2	configure terminal Example: Router# configure terminal	Enters global configuration mode.
Step 3	ip multicast redundancy routeflush maxtime <i>seconds</i> Example: Router(config)# ip multicast redundancy routeflush maxtime 900	Configures an additional timeout period before stale forwarding plane mroute information is flushed following an RP switchover. <ul style="list-style-type: none"> • The range is from 0 to 3600 seconds. The default is 30 seconds.
Step 4	end Example: Router(config)# end	Ends the current configuration session and returns to privileged EXEC mode.
Step 5	show ip multicast redundancy state Example: Router# show ip multicast redundancy state	Displays the current redundancy state for IP multicast. <ul style="list-style-type: none"> • Use this command to confirm the stale NSF state flush timeout period being used. The “Stale NSF state flush timeout” output field will display the timeout period setting.

Configuration Examples for Monitoring and Maintaining Multicast HA Operations

Example Monitoring Multicast NSF and SSO Events During an RP Switchover

The following example shows how to monitor IP multicast NSF/SSO events during an RP switchover using the **debug ip multicast redundancy** command. The example shows IP multicast events occurring as a standby RP assumes the role of active RP during an SSO switchover. The events labeled “MCAST-HA” are logged by the IP multicast SSO debug facility.

Initial Switchover Detection

The following output is from the **debug ip multicast redundancy** command. The output shows the initial logging messages that display when the system detects an RP switchover.

```
00:10:33: %REDUNDANCY-3-SWITCHOVER: RP switchover (PEER_DOWN_INTERRUPT)
00:10:33: %REDUNDANCY-5-PEER_MONITOR_EVENT: Standby received a switchover
(raw-event=PEER_DOWN_INTERRUPT(11))
*Aug  7 02:31:28.051: MCAST-HA: Received cf status CHKPT_STATUS_PEER_NOT_READY
*Aug  7 02:31:28.063: MCAST-HA: Received cf status CHKPT_STATUS_PEER_NOT_READY
*Aug  7 02:31:28.063: MCAST-HA-RF: Status event: status=RF_STATUS_PEER_COMM Op=0
RFState=STANDBY HOT
*Aug  7 02:31:28.063: MCAST-HA-RF: Status event: status=RF_STATUS_OPER_REDUNDANCY_MODE_CHANGE
Op=0 RFState=STANDBY HOT
*Aug  7 02:31:28.063: MCAST-HA-RF: Status event: status=RF_STATUS_REDUNDANCY_MODE_CHANGE
Op=0 RFState=STANDBY HOT
*Aug  7 02:31:28.063: MCAST-HA-RF: Status event: status=RF_STATUS_PEER_PRESENCE Op=0
RFState=STANDBY HOT
*Aug  7 02:31:28.063: MCAST-HA-RF: Status event: status=RF_STATUS_MAINTENANCE_ENABLE Op=0
RFState=ACTIVE-FAST
*Aug  7 02:31:28.063: MCAST-HA-RF: Progression event: RF_Event=RF_PROG_ACTIVE_FAST
RFState=ACTIVE-FAST
*Aug  7 02:31:28.091: MCAST-HA-RF: Progression event: RF_Event=RF_PROG_ACTIVE_DRAIN
RFState=ACTIVE-DRAIN
*Aug  7 02:31:28.091: MCAST-HA-RF: Progression event: RF_Event=RF_PROG_ACTIVE_PRECONFIG
RFState=ACTIVE_PRECONFIG
*Aug  7 02:31:28.091: MCAST-HA-RF: Progression event: RF_Event=RF_PROG_ACTIVE_POSTCONFIG
RFState=ACTIVE_POSTCONFIG
*Aug  7 02:31:28.103: MCAST-HA: Received cf status CHKPT_STATUS_IPC_FLOW_ON
*Aug  7 02:31:28.103: MCAST-HA-RF: Progression event: RF_Event=RF_PROG_ACTIVE RFState=ACTIVE
```

Unicast Convergence Detection and Multicast Route Control Plane Convergence

The following output is from the **debug ip multicast redundancy** command. As interfaces come up on the new active RP, unicast convergence occurs in parallel with multicast route refresh from PIM neighbors. Unicast convergence is followed by RPF adjustments to the refreshed mroute information.

```
*Aug  7 02:31:28.107: MCAST-HA: Triggering unicast convergence notification process handling
for MVRF IPv4 default
*Aug  7 02:31:28.107: MCAST-HA: Triggering unicast convergence notification process handling
for MVRF mvrfl
*Aug  7 02:31:28.107: MCAST-HA: Triggering unicast convergence notification process handling
for MVRF mvrfl2
*Aug  7 02:31:28.107: MCAST-HA: Triggering unicast convergence notification process handling
for MVRF mvrfl3
```

```

*Aug 7 02:31:28.107: MCAST-HA: Triggering unicast convergence notification process handling
for all MVRFs
*Aug 7 02:31:28.111: MCAST-HA: Beginning unicast convergence notification process handling.
*Aug 7 02:31:28.111: MCAST-HA: Unicast convergence completed for MVRF IPv4 default:
Triggering RPF updates
*Aug 7 02:31:28.111: MCAST-HA: Beginning unicast convergence notification process handling.
*Aug 7 02:31:28.111: MCAST-HA: Unicast convergence completed for MVRF mvrfl1: Triggering
RPF updates
*Aug 7 02:31:28.111: MCAST-HA: Beginning unicast convergence notification process handling.
*Aug 7 02:31:28.111: MCAST-HA: Unicast convergence completed for MVRF mvrfl2: Triggering
RPF updates
*Aug 7 02:31:28.111: MCAST-HA: Beginning unicast convergence notification process handling.
*Aug 7 02:31:28.111: MCAST-HA: Unicast convergence completed for MVRF mvrfl3: Triggering
RPF updates
*Aug 7 02:31:28.111: MCAST-HA: Unicast convergence notification has been received for the
only unconverged VRF.
Stopping the unicast routing convergence failsafe timer.
*Aug 7 02:31:28.111: MCAST-HA: Beginning unicast convergence notification process handling.
*Aug 7 02:31:28.111: MCAST-HA: Unicast convergence notification received for the wildcard
tableid (all VRFs).
Triggering RPF updates for all MVRFs and stopping the unicast IGP convergence failsafe
timer.
00:10:34: %PIM-5-DRCHG: DR change from neighbor 0.0.0.0 to 172.16.1.1 on interface Loopback0
00:10:34: %PIM-5-DRCHG: DR change from neighbor 0.0.0.0 to 172.31.10.1 on interface Loopback1
00:10:35: %PIM-5-DRCHG: VRF mvrfl2: DR change from neighbor 0.0.0.0 to 172.16.1.1 on interface
Tunnel1
00:10:35: %PIM-5-DRCHG: VRF red: DR change from neighbor 0.0.0.0 to 172.16.1.1 on interface
Tunnel2
00:10:35: %LINK-3-UPDOWN: Interface Null0, changed state to up
00:10:35: %LINK-3-UPDOWN: Interface Loopback0, changed state to up
00:10:35: %LINK-3-UPDOWN: Interface Loopback1, changed state to up
00:10:35: %LINK-3-UPDOWN: Interface Tunnel0, changed state to up
00:10:35: %LINK-3-UPDOWN: Interface Tunnel1, changed state to up
00:10:35: %LINK-3-UPDOWN: Interface Tunnel2, changed state to up
00:10:35: %LINK-5-CHANGED: Interface GigabitEthernet0/0, changed state to administratively
down
00:10:35: %LINK-5-CHANGED: Interface GigabitEthernet0/1, changed state to administratively
down
00:10:35: %LINK-5-CHANGED: Interface GigabitEthernet0/2, changed state to administratively
down
00:10:35: %LINK-5-CHANGED: Interface GigabitEthernet0/3, changed state to administratively
down
00:10:35: %LINK-5-CHANGED: Interface GigabitEthernet1/0, changed state to administratively
down
00:10:35: %LINK-5-CHANGED: Interface GigabitEthernet1/1, changed state to administratively
down
00:10:35: %LINK-5-CHANGED: Interface GigabitEthernet1/2, changed state to administratively
down
00:10:35: %LINK-5-CHANGED: Interface GigabitEthernet1/3, changed state to administratively
down
00:10:36: %LINEPROTO-5-UPDOWN: Line protocol on Interface Null0, changed state to up
00:10:36: %LINEPROTO-5-UPDOWN: Line protocol on Interface Loopback0, changed state to up
00:10:36: %LINEPROTO-5-UPDOWN: Line protocol on Interface Loopback1, changed state to up
00:10:36: %LINEPROTO-5-UPDOWN: Line protocol on Interface Tunnel0, changed state to up
00:10:36: %LINEPROTO-5-UPDOWN: Line protocol on Interface Tunnel1, changed state to up
00:10:36: %LINEPROTO-5-UPDOWN: Line protocol on Interface Tunnel2, changed state to up
00:10:38: %PIM-5-DRCHG: VRF mvrfl1: DR change from neighbor 0.0.0.0 to 172.16.1.1 on interface
Tunnel0

```

IGMP Queries DDE Replay Termination of the NSF Hold-Off Period and Flushing of Stale Forwarding Information

The following output is from the **debug ip multicast redundancy** command. After the processing of unicast and multicast route convergence, time is allowed for IGMP reporting. Following IGMP reporting, the control plane then sends out requests for the MFIB replay of DDEs to retrigger multicast route information that cannot be obtained from PIM neighbors or directly connected hosts. After this processing completes, the control plane waits for the NSF hold-off time period to terminate. The refreshed multicast control plane information

is then downloaded to the forwarding plane and when this is completed, the stale multicast forwarding plane information is subsequently flushed.

```
*Aug 7 02:31:43.651: MCAST-HA: IGMP response timer expired. Ready for DDE replay for MVRF
mvr3
*Aug 7 02:31:43.651: MCAST-HA: Sending DDE replay request for MVRF mvr3.
*Aug 7 02:31:43.651: MCAST-HA: MFIB DDE replay completed for mvr3 mvr3
*Aug 7 02:31:43.651: MCAST-HA: No NSF Holdoff extension requested for mvr3 mvr3 at
completion of DDE replay.
*Aug 7 02:31:43.651: MCAST-HA: Terminating multicast NSF holdoff for MVRF mvr3
*Aug 7 02:31:43.651: MCAST-HA: Still awaiting MFIB DDE replay for mvr3 mvr3
DDE replay: NOT COMPLETED, MRIB update: NOT PENDING
*Aug 7 02:31:43.651: MCAST-HA: IGMP response timer expired. Ready for DDE replay for MVRF
mvr2
*Aug 7 02:31:43.651: MCAST-HA: Sending DDE replay request for MVRF mvr2.
*Aug 7 02:31:43.651: MCAST-HA: MFIB DDE replay completed for mvr2 mvr2
*Aug 7 02:31:43.651: MCAST-HA: No NSF Holdoff extension requested for mvr2 mvr2 at
completion of DDE replay.
*Aug 7 02:31:43.651: MCAST-HA: Terminating multicast NSF holdoff for MVRF mvr2
*Aug 7 02:31:43.651: MCAST-HA: Still awaiting MFIB DDE replay for mvr2 mvr2
DDE replay: NOT COMPLETED, MRIB update: NOT PENDING
*Aug 7 02:31:43.651: MCAST-HA: IGMP response timer expired. Ready for DDE replay for MVRF
mvr1
*Aug 7 02:31:43.651: MCAST-HA: Sending DDE replay request for MVRF mvr1.
*Aug 7 02:31:43.651: MCAST-HA: MFIB DDE replay completed for mvr1 mvr1
*Aug 7 02:31:43.651: MCAST-HA: No NSF Holdoff extension requested for mvr1 mvr1 at
completion of DDE replay.
*Aug 7 02:31:43.651: MCAST-HA: Terminating multicast NSF holdoff for MVRF mvr1
*Aug 7 02:31:43.651: MCAST-HA: Still awaiting MFIB DDE replay for mvr1 IPv4 default
DDE replay: NOT COMPLETED, MRIB update: NOT PENDING
*Aug 7 02:31:43.651: MCAST-HA: IGMP response timer expired. Ready for DDE replay for MVRF
IPv4 default
*Aug 7 02:31:43.651: MCAST-HA: Sending DDE replay request for MVRF IPv4 default.
*Aug 7 02:31:43.651: MCAST-HA: MFIB DDE replay completed for mvr1 IPv4 default
*Aug 7 02:31:43.651: MCAST-HA: No NSF Holdoff extension requested for mvr1 IPv4 default
at completion of DDE replay.
*Aug 7 02:31:43.651: MCAST-HA: Terminating multicast NSF holdoff for MVRF IPv4 default
*Aug 7 02:31:43.651: MCAST-HA: MFIB DDE replay completed for all MVRFs.
*Aug 7 02:31:43.651: MCAST-HA: Stopping the MFIB DDE replay failsafe timer.
*Aug 7 02:32:13.651: MCAST-HA: Flush timer expired. Starting final RPF check for MVRF IPv4
default
*Aug 7 02:32:13.651: MCAST-HA: Flush timer expired. Starting final RPF check for MVRF mvr1
*Aug 7 02:32:13.651: MCAST-HA: Flush timer expired. Starting final RPF check for MVRF mvr2
*Aug 7 02:32:13.651: MCAST-HA: Flush timer expired. Starting final RPF check for MVRF mvr3
*Aug 7 02:32:14.151: MCAST-HA: Flushing stale mcast state. RP failover processing complete
for MVRF IPv4 default.
*Aug 7 02:32:14.151: MCAST-HA: Flushing stale mcast state. RP failover processing complete
for MVRF mvr1.
*Aug 7 02:32:14.151: MCAST-HA: Flushing stale mcast state. RP failover processing complete
for MVRF mvr2.
*Aug 7 02:32:14.151: MCAST-HA: Flushing stale mcast state. RP failover processing complete
for MVRF mvr3.
*Aug 7 02:32:14.151: MCAST-HA: RP failover processing complete for all MVRFs.
```

Standby RP Bringup

The following is sample output from the **debug ip multicast redundancy** command. This output shows events related to the reloading of the standby RP; in particular, events related to ISSU negotiation between the active and standby RP and events related to the synchronization of dynamic multicast forwarding information from the active RP to the standby RP. Synchronization events are also logged in steady state for events that occur that affect dynamic group-to-RP mapping information or dynamic tunnel state.

```
00:11:50: %HA-6-MODE: Operating RP redundancy mode is SSO
*Aug 7 02:32:45.435: MCAST-HA-RF: Status event: status=RF_STATUS_OPER_REDUNDANCY_MODE_CHANGE
Op=7 RFState=ACTIVE
*Aug 7 02:32:45.435: MCAST-HA-RF: Status event: status=RF_STATUS_REDUNDANCY_MODE_CHANGE
Op=7 RFState=ACTIVE
```


Example Monitoring Multicast NSF and SSO Events During an RP Switchover

```

search for mvrfl mvrfl3 result is 0 mvrfl at 0x5135FE0
*Aug 7 02:33:00.003: MCAST HA Executing AutoRP discovery IDB bulk sync.
*Aug 7 02:33:00.003: MCAST-HA AutoRP discovery IDB sync request received for
mvrfl IPv4 default
*Aug 7 02:33:00.003: MCAST-HA: Creating Autorp discovery IDB sync request chunk size=112
max=585 align=8
*Aug 7 02:33:00.003: MCAST-HA: Allocating Autorp discovery IDB sync request sync request
*Aug 7 02:33:00.003: MCAST-HA Formatting AutoRP discovery IDB sync message:
search for mvrfl IPv4 default result is 0 mvrfl at 0x4A21680
*Aug 7 02:33:00.011: MCAST-HA AutoRP discovery IDB sync request received for
mvrfl mvrfl1
*Aug 7 02:33:00.011: MCAST-HA: Allocating Autorp discovery IDB sync request sync request
*Aug 7 02:33:00.011: MCAST-HA Formatting AutoRP discovery IDB sync message:
search for mvrfl mvrfl1 result is 0 mvrfl at 0x50EE660
*Aug 7 02:33:00.023: MCAST-HA AutoRP discovery IDB sync request received for
mvrfl mvrfl2
*Aug 7 02:33:00.023: MCAST-HA: Allocating Autorp discovery IDB sync request sync request
*Aug 7 02:33:00.023: MCAST-HA Formatting AutoRP discovery IDB sync message:
search for mvrfl mvrfl2 result is 0 mvrfl at 0x5103300
*Aug 7 02:33:00.031: MCAST-HA AutoRP discovery IDB sync request received for
mvrfl mvrfl3
*Aug 7 02:33:00.031: MCAST-HA: Allocating Autorp discovery IDB sync request sync request
*Aug 7 02:33:00.031: MCAST-HA Formatting AutoRP discovery IDB sync message:
search for mvrfl mvrfl3 result is 0 mvrfl at 0x5135FE0
*Aug 7 02:33:00.043: MCAST HA Executing dummy bulk sync function.
*Aug 7 02:33:00.043: MCAST HA Executing dummy bulk sync function.
*Aug 7 02:33:00.043: MCAST HA Executing dummy bulk sync function.
*Aug 7 02:33:00.043: MCAST HA Executing MDT tunnel bulk sync.
*Aug 7 02:33:00.043: MCAST-HA MDT tunnel sync request received for mvrfl mvrfl1
*Aug 7 02:33:00.043: MCAST-HA: Creating MDT tunnel sync request chunk size=112 max=585
align=8
*Aug 7 02:33:00.043: MCAST-HA: Allocating MDT tunnel sync request sync request
*Aug 7 02:33:00.043: MCAST-HA Formatting MDT tunnel sync message:
search for mvrfl mvrfl1 result is 0 mvrfl at 0x50EE660
*Aug 7 02:33:00.051: MCAST-HA MDT tunnel sync request received for mvrfl mvrfl2
*Aug 7 02:33:00.051: MCAST-HA: Allocating MDT tunnel sync request sync request
*Aug 7 02:33:00.051: MCAST-HA Formatting MDT tunnel sync message:
search for mvrfl mvrfl2 result is 0 mvrfl at 0x5103300
*Aug 7 02:33:00.063: MCAST-HA MDT tunnel sync request received for mvrfl mvrfl3
*Aug 7 02:33:00.063: MCAST-HA: Allocating MDT tunnel sync request sync request
*Aug 7 02:33:00.063: MCAST-HA Formatting MDT tunnel sync message:
search for mvrfl mvrfl3 result is 0 mvrfl at 0x5135FE0
*Aug 7 02:33:00.071: MCAST HA Executing Bidir RP DF bulk sync.
*Aug 7 02:33:00.071: MCAST HA Executing register tunnel bulk sync.
*Aug 7 02:33:00.071: MCAST-HA: Completed enqueueing of bulk sync messages.
*Aug 7 02:33:00.071: MCAST-HA: Bulk sync message queue has drained.
*Aug 7 02:33:00.071: MCAST-HA: Received acknowledgement from standby for all bulk sync
messages.
*Aug 7 02:33:00.071: MCAST-HA Creating bulk sync completion message for peer.
*Aug 7 02:33:00.071: MCAST-HA: Primary has notified standby of bulk sync completion. Waiting
for final bulk sync ACK from stby.
*Aug 7 02:33:00.075: MCAST-HA: Received cf status CHKPT_STATUS_SEND_OK
*Aug 7 02:33:00.075: MCAST-HA: Sent message type is 2
*Aug 7 02:33:00.075: MCAST-HA Searching for sync request corresponding to the successfully
received message.
*Aug 7 02:33:00.075: MCAST-HA Transmission from primary and reception by standby confirmed
for sync type 2. Cleanup is complete.
*Aug 7 02:33:00.075: MCAST-HA: Received cf status CHKPT_STATUS_SEND_OK
*Aug 7 02:33:00.075: MCAST-HA: Sent message type is 2
*Aug 7 02:33:00.075: MCAST-HA Searching for sync request corresponding to the successfully
received message.
*Aug 7 02:33:00.075: MCAST-HA Transmission from primary and reception by standby confirmed
for sync type 2. Cleanup is complete.
*Aug 7 02:33:00.075: MCAST-HA: Received cf status CHKPT_STATUS_SEND_OK
*Aug 7 02:33:00.075: MCAST-HA: Sent message type is 2
*Aug 7 02:33:00.075: MCAST-HA Searching for sync request corresponding to the successfully
received message.
*Aug 7 02:33:00.075: MCAST-HA Transmission from primary and reception by standby confirmed
for sync type 2. Cleanup is complete.
*Aug 7 02:33:00.087: MCAST-HA: Received cf status CHKPT_STATUS_SEND_OK
*Aug 7 02:33:00.087: MCAST-HA: Sent message type is 2
*Aug 7 02:33:00.087: MCAST-HA Searching for sync request corresponding to the successfully
received message.

```

```

*Aug 7 02:33:00.087: MCAST-HA Transmission from primary and reception by standby confirmed
for sync type 2. Cleanup is complete.
*Aug 7 02:33:00.087: MCAST-HA: Received cf status CHKPT_STATUS_SEND_OK
*Aug 7 02:33:00.087: MCAST-HA: Sent message type is 3
*Aug 7 02:33:00.087: MCAST-HA Searching for sync request corresponding to the successfully
received message.
*Aug 7 02:33:00.087: MCAST-HA Transmission from primary and reception by standby confirmed
for sync type 3. Cleanup is complete.
*Aug 7 02:33:00.087: MCAST-HA: Received cf status CHKPT_STATUS_SEND_OK
*Aug 7 02:33:00.087: MCAST-HA: Sent message type is 3
*Aug 7 02:33:00.087: MCAST-HA Searching for sync request corresponding to the successfully
received message.
*Aug 7 02:33:00.087: MCAST-HA Transmission from primary and reception by standby confirmed
for sync type 3. Cleanup is complete.
*Aug 7 02:33:00.087: MCAST-HA: Received cf status CHKPT_STATUS_SEND_OK
*Aug 7 02:33:00.087: MCAST-HA: Sent message type is 3
*Aug 7 02:33:00.087: MCAST-HA Searching for sync request corresponding to the successfully
received message.
*Aug 7 02:33:00.087: MCAST-HA Transmission from primary and reception by standby confirmed
for sync type 3. Cleanup is complete.
*Aug 7 02:33:00.087: MCAST-HA: Received cf status CHKPT_STATUS_SEND_OK
*Aug 7 02:33:00.087: MCAST-HA: Sent message type is 3
*Aug 7 02:33:00.087: MCAST-HA Searching for sync request corresponding to the successfully
received message.
*Aug 7 02:33:00.087: MCAST-HA Transmission from primary and reception by standby confirmed
for sync type 3. Cleanup is complete.
*Aug 7 02:33:00.087: MCAST-HA: Received cf status CHKPT_STATUS_SEND_OK
*Aug 7 02:33:00.087: MCAST-HA: Sent message type is 8
*Aug 7 02:33:00.087: MCAST-HA Searching for sync request corresponding to the successfully
received message.
*Aug 7 02:33:00.087: MCAST-HA Transmission from primary and reception by standby confirmed
for sync type 8. Cleanup is complete.
*Aug 7 02:33:00.087: MCAST-HA: Received cf status CHKPT_STATUS_SEND_OK
*Aug 7 02:33:00.087: MCAST-HA: Sent message type is 8
*Aug 7 02:33:00.087: MCAST-HA Searching for sync request corresponding to the successfully
received message.
*Aug 7 02:33:00.087: MCAST-HA Transmission from primary and reception by standby confirmed
for sync type 8. Cleanup is complete.
*Aug 7 02:33:00.087: MCAST-HA: Received cf status CHKPT_STATUS_SEND_OK
*Aug 7 02:33:00.087: MCAST-HA: Sent message type is 8
*Aug 7 02:33:00.087: MCAST-HA Searching for sync request corresponding to the successfully
received message.
*Aug 7 02:33:00.087: MCAST-HA Transmission from primary and reception by standby confirmed
for sync type 8. Cleanup is complete.
*Aug 7 02:33:00.087: MCAST-HA: Received cf status CHKPT_STATUS_SEND_OK
*Aug 7 02:33:00.087: MCAST-HA: Sent message type is 11
*Aug 7 02:33:00.087: MCAST-HA Process: Primary RP received standby ACK for reception of
bulk sync completion message.
*Aug 7 02:33:00.087: MCAST-HA Notifying RF to continue progression.
*Aug 7 02:33:00.087: MCAST-HA: Wakeup received for bulk sync completion.
major = 4, minor = 2.
*Aug 7 02:33:00.091: MCAST-HA Process: Primary RP received bulk sync completion confirmation
from standby.
*Aug 7 02:33:00.091: MCAST-HA RF notification previously sent.
*Aug 7 02:33:00.455: MCAST-HA-RF: Progression event: RF_Event=RF_PROG_STANDBY_HOT
RFState=ACTIVE
00:12:05: %HA_CONFIG_SYNC-6-BULK_CFGSYNC_SUCCEED: Bulk Sync succeeded
00:12:05: %HA-6-STANDBY_READY: Standby RP in slot 7 is operational in SSO mode
00:12:05: %RF-5-RF_TERMINAL_STATE: Terminal state reached for (SSO)

```

Example Monitoring the Transition from Standby RP to Active RP Following a Switchover

The following example shows how to monitor the transition from standby RP to active RP and confirm the IP multicast redundancy state and the status on the standby RP after it has resynchronized with the new active RP.

**Note**

In this example scenario, a router is configured for IPv4 multicast routing operation, but not for IPv6 multicast. As a result, some of the output fields that are specific to IPv6 multicast will indicate status such as “Not enabled” or “Idle” in the example outputs.

Initial State on Standby RP Before Switchover

The following output is from the **show ip multicast redundancy state** command on a standby RP before an active RP goes down. In the sample output, notice that the “Current sync state” field displays “Not synching,” indicating that the standby RP is not synchronizing data to the active RP. The standby RP serves only as a passive recipient of synchronization updates and does not initiate synchronization updates to the active RP.

```
Router_Standby# show ip multicast redundancy state
Multicast IPv4 Redundancy Mode: Not enabled
Multicast IPv6 Redundancy Mode: Not enabled
Sync message epoch: 0
Sync message sequence number: 24
Stale NSF state flush timeout: 30000 ms
Current sync state: Not synching
Multicast ISSU Client Status:
  PIM MIC client          No ISSU result reported
  MRIB MIC client         Unregistered - ignored
  MFIB IPv4 MIC client    Unregistered - ignored
  MFIB IPv6 MIC client    Unregistered - ignored
  PLATFORM IPv4 MIC client Unregistered - ignored
  PLATFORM IPv6 MIC client Unregistered - ignored
IPv4 SSO blocked by: PIM
IPv6 SSO blocked by: PIM
```

The following output is unconditionally logged by the Redundancy Facility (RF) software when the standby RP detects that it has become the active RP due to a failure of the original active RP. The output shows the message used to indicate that an RP switchover has occurred:

```
00:00:49: %REDUNDANCY-3-SWITCHOVER: RP switchover (PEER_DOWN_INTERRUPT)
```

Standby RP Transition to Active RP After an RP Switchover

The following output is from the **show ip multicast redundancy state** command on the standby RP during its transition from standby RP to active RP. Notice that the “Multicast IPv4 HA state machine status” field displays “Unicast converging,” indicating that unicast convergence on the new active RP has begun. At this point in the RP switchover, the standby RP is waiting for unicast convergence.

```
Router-Standby# show ip multicast redundancy state
Multicast IPv4 Redundancy Mode: Not enabled
Multicast IPv6 Redundancy Mode: Not enabled
Multicast IPv4 HA state machine status: Unicast converging
Multicast IPv6 HA state machine status: Idle
Sync message epoch: 0
Sync message sequence number: 24
Stale NSF state flush timeout: 30000 ms
Current sync state: Not synching
Multicast ISSU Client Status:
  PIM MIC client          No ISSU result reported
  MRIB MIC client         No ISSU result reported
  MFIB IPv4 MIC client    No ISSU result reported
  MFIB IPv6 MIC client    No ISSU result reported
  PLATFORM IPv4 MIC client Unregistered - ignored
  PLATFORM IPv6 MIC client Unregistered - ignored
```

```
IPv4 SSO blocked by:    PIM, MRIB, MFIBV4
IPv6 SSO blocked by:    PIM, MRIB, MFIBV6
```

The following output from the **debug ip multicast redundancy state** command shows messages indicating that the interfaces on the new active RP are coming up. As interfaces come up on the new active RP, unicast convergence occurs in parallel with multicast route refresh from PIM neighbors. Unicast convergence is followed by RPF adjustments to the refreshed mroute information.

```
00:00:51: %LINK-3-UPDOWN: Interface Null0, changed state to up
00:00:51: %LINK-3-UPDOWN: Interface Loopback0, changed state to up
00:00:51: %LINK-3-UPDOWN: Interface Loopback1, changed state to up
00:00:51: %LINK-3-UPDOWN: Interface Tunnel0, changed state to up
00:00:51: %LINK-3-UPDOWN: Interface Tunnel1, changed state to up
00:00:51: %LINK-3-UPDOWN: Interface Tunnel2, changed state to up
00:00:51: %LINK-3-UPDOWN: Interface Tunnel3, changed state to up
00:00:51: %LINK-3-UPDOWN: Interface Tunnel4, changed state to up
00:00:51: %LINK-3-UPDOWN: Interface Tunnel5, changed state to up
00:00:51: %LINK-3-UPDOWN: Interface Tunnel6, changed state to up
00:00:51: %LINK-3-UPDOWN: Interface Tunnel7, changed state to up
00:00:51: %LINK-3-UPDOWN: Interface Tunnel8, changed state to up
00:00:51: %LINK-3-UPDOWN: Interface Tunnel9, changed state to up
00:00:51: %LINK-3-UPDOWN: Interface Tunnel10, changed state to up
00:00:51: %LINK-3-UPDOWN: Interface Tunnel11, changed state to up
00:00:51: %LINK-3-UPDOWN: Interface Tunnel12, changed state to up
00:00:51: %LINK-3-UPDOWN: Interface Tunnel13, changed state to up
00:00:51: %LINK-3-UPDOWN: Interface Tunnel14, changed state to up
00:00:51: %LINK-3-UPDOWN: Interface Tunnel15, changed state to up
00:00:51: %LINK-5-CHANGED: Interface GigabitEthernet0/0, changed state to administratively
down
00:00:51: %LINK-5-CHANGED: Interface GigabitEthernet0/1, changed state to administratively
down
00:00:51: %LINK-5-CHANGED: Interface GigabitEthernet0/2, changed state to administratively
down
00:00:51: %LINK-5-CHANGED: Interface GigabitEthernet0/3, changed state to administratively
down
00:00:51: %LINK-5-CHANGED: Interface GigabitEthernet1/0, changed state to administratively
down
00:00:51: %LINK-5-CHANGED: Interface GigabitEthernet1/1, changed state to administratively
down
00:00:51: %LINK-5-CHANGED: Interface GigabitEthernet1/2, changed state to administratively
down
00:00:51: %LINK-5-CHANGED: Interface GigabitEthernet1/3, changed state to administratively
down
00:00:51: %LINK-5-CHANGED: Interface Serial2/0, changed state to administratively down
00:00:51: %LINK-5-CHANGED: Interface Serial2/1, changed state to administratively down
```

The following is output from the **show ip multicast redundancy state** command during the transition from the standby RP to the new active RP. Notice that the “Multicast IPv4 HA state machine status” displays “DDE replaying,” indicating that the MFIB is replaying DDEs. After the processing of unicast and multicast route convergence, time is allowed for IGMP reporting. Following IGMP reporting, the control plane then sends out requests for the MFIB replay of DDEs to retrigger multicast route information that cannot be obtained from PIM neighbors or directly connected hosts.

```
Router# show ip multicast redundancy state
Multicast IPv4 Redundancy Mode:    Not enabled
Multicast IPv6 Redundancy Mode:    Not enabled
Multicast IPv4 HA state machine status: DDE replaying
Multicast IPv6 HA state machine status: Idle
Sync message epoch:                0
Sync message sequence number:      24
Stale NSF state flush timeout:      30000 ms
Current sync state: Not syncing
Multicast ISSU Client Status:
  PIM MIC client                    No ISSU result reported
  MRIB MIC client                    No ISSU result reported
  MFIB IPv4 MIC client               No ISSU result reported
  MFIB IPv6 MIC client               No ISSU result reported
  PLATFORM IPv4 MIC client           Unregistered - ignored
  PLATFORM IPv6 MIC client           Unregistered - ignored
```

```
IPv4 SSO blocked by:    PIM, MRIB, MFIBV4
IPv6 SSO blocked by:    PIM, MRIB, MFIBV6
```

After this processing completes, the control plane terminates the NSF hold-off or, if the platform multicast driver software requests an extension to the hold-off period, allows additional time for the platform multicast driver software to release the NSF hold-off extension.

The refreshed multicast control plane information is then downloaded to the forwarding plane. Although reconvergence is considered complete at this point, additional “refresh” updates may occur after this point in time. An additional time interval is provided for any remaining updates before stale multicast forwarding plane information is subsequently flushed.

The following is output from the **show ip multicast redundancy state** command. Notice that the “Multicast IPv4 HA state machine status” field displays, “Flush pending,” indicating that stale NSF data plane state is still being temporarily retained to allow for any additional refreshed multicast control plane information to be downloaded to the forwarding plane.

```
Router# show ip multicast redundancy state
Multicast IPv4 Redundancy Mode:    Not enabled
Multicast IPv6 Redundancy Mode:    Not enabled
Multicast IPv4 HA state machine status: Flush pending
Multicast IPv6 HA state machine status: Idle
Sync message epoch:                0
Sync message sequence number:      24
Stale NSF state flush timeout:      30000 ms
Current sync state: Not synching
Multicast ISSU Client Status:
  PIM MIC client                    No ISSU result reported
  MRIB MIC client                   No ISSU result reported
  MFIB IPv4 MIC client              No ISSU result reported
  MFIB IPv6 MIC client              No ISSU result reported
  PLATFORM IPv4 MIC client          Unregistered - ignored
  PLATFORM IPv6 MIC client          Unregistered - ignored
  IPv4 SSO blocked by:              PIM, MRIB, MFIBV4
  IPv6 SSO blocked by:              PIM, MRIB, MFIBV6
```

The following is output from the **show ip multicast redundancy state** command after the refreshed multicast control plane information has been downloaded to the forwarding plane and the stale multicast forwarding plane information has been flushed. Notice that at this stage in the RP switchover the “Multicast IPv4 HA state machine status” field displays “Idle” because multicast IPv4 HA state machine operations have completed.

```
Router# show ip multicast redundancy state
Multicast IPv4 Redundancy Mode:    Not enabled
Multicast IPv6 Redundancy Mode:    Not enabled
Multicast IPv4 HA state machine status: Idle
Multicast IPv6 HA state machine status: Idle
Sync message epoch:                0
Sync message sequence number:      24
Stale NSF state flush timeout:      30000 ms
Current sync state: Not synching
Multicast ISSU Client Status:
  PIM MIC client                    No ISSU result reported
  MRIB MIC client                   No ISSU result reported
  MFIB IPv4 MIC client              No ISSU result reported
  MFIB IPv6 MIC client              No ISSU result reported
  PLATFORM IPv4 MIC client          Unregistered - ignored
  PLATFORM IPv6 MIC client          Unregistered - ignored
  IPv4 SSO blocked by:              PIM, MRIB, MFIBV4
  IPv6 SSO blocked by:              PIM, MRIB, MFIBV6
```

Standby RP Resynchronization

The following is sample output from the **debug ip multicast redundancy** command. The output shows the messages used to indicate that a standby RP has been resynchronized.

```
00:25:42: %HA-6-MODE: Operating RP redundancy mode is SSO
00:26:04: %HA_CONFIG_SYNC-6-BULK_CFGSYNC_SUCCEED: Bulk Sync succeeded
00:26:04: %HA-6-STANDBY_READY: Standby RP in slot 7 is operational in SSO mode
00:26:04: %RF-5-RF_TERMINAL_STATE: Terminal state reached for (SSO).
```

```
00:15:28: %RF-5-RF_TERMINAL_STATE: Terminal state reached for (SSO)
```

The following is output from the **show ip multicast redundancy state** command after the standby RP has completed resynchronization with the new active RP. Notice that the “Multicast IPv4 Redundancy Mode” field displays “SSO,” indicating that all information between the standby RP and active RP has been synchronized. Also, notice that the “Current sync state” field displays “Synched,” indicating that the standby has resynchronized with the new active RP.

```
Router# show ip multicast redundancy state
Multicast IPv4 Redundancy Mode:   SSO
Multicast IPv6 Redundancy Mode:   Not enabled
Multicast IPv4 HA state machine status: Idle
Multicast IPv6 HA state machine status: Idle
Sync message epoch:                0
Sync message sequence number:      24
Stale NSF state flush timeout:      30000 ms
Current sync state: Synched
Multicast ISSU Client Status:
  PIM MIC client                    ISSU compatible
  MRIB MIC client                    ISSU compatible
  MFIB IPv4 MIC client                ISSU compatible
  MFIB IPv6 MIC client                No ISSU result reported
  PLATFORM IPv4 MIC client            Unregistered - ignored
  PLATFORM IPv6 MIC client            Unregistered - ignored
IPv4 SSO supported for:              PIM, MRIB, MFIBV4
IPv6 SSO blocked by:                 MFIBV6
```

Additional References

Related Documents

Related Topic	Document Title
Cisco IOS commands	Cisco IOS Master Commands List, All Releases
IP multicast commands	Cisco IOS IP Multicast Command Reference

Standards and RFCs

Standard/RFC	Title
RFC 4601	Protocol Independent Multicast - Sparse Mode (PIM-SM): Protocol Specification (Revised)

MIBs

MIB	MIBs Link
No new or modified MIBs are supported by this feature, and support for existing MIBs has not been modified by this feature.	To locate and download MIBs for selected platforms, Cisco IOS releases, and feature sets, use Cisco MIB Locator found at the following URL: http://www.cisco.com/go/mibs

Technical Assistance

Description	Link
The Cisco Support and Documentation website provides online resources to download documentation, software, and tools. Use these resources to install and configure the software and to troubleshoot and resolve technical issues with Cisco products and technologies. Access to most tools on the Cisco Support and Documentation website requires a Cisco.com user ID and password.	http://www.cisco.com/cisco/web/support/index.html

Feature Information for Monitoring and Maintaining Multicast HA Operations

The following table provides release information about the feature or features described in this module. This table lists only the software release that introduced support for a given feature in a given software release train. Unless noted otherwise, subsequent releases of that software release train also support that feature.

Use Cisco Feature Navigator to find information about platform support and Cisco software image support. To access Cisco Feature Navigator, go to www.cisco.com/go/cfn. An account on Cisco.com is not required.

Table 1: Monitoring and Maintaining Multicast HA Operations

Feature Name	Releases	Feature Information
ISSU - IPv6 Multicast	15.1(1)SY	The ISSU - IPv6 Multicast feature enhances IPv6 multicast HA by providing support for ISSU.
ISSU - MFIB IPv4 Multicast	Cisco IOS XE Release 2.1 12.2(50)SY	The ISSU - IPv4 Multicast feature enhances IPv4 multicast HA by providing support for ISSU.

Feature Name	Releases	Feature Information
NSF/SSO - IPv4 Multicast	Cisco IOS Xe Release 2.1 12.2(50)SY	<p>This feature extends NSF/SSO functionality to IPv4 Multicast protocols. Multicast NSF ensures uninterrupted flow of multicast traffic during an RP failure. Multicast SSO ensures that necessary information such as RP information, data driven events, and other multicast information is checkpointed to ensure the seamless takeover of the standby RP after an RP failover.</p> <p>The following commands were introduced or modified: clear ip multicast redundancy statistics, debug ip multicast redundancy, ip multicast redundancy routeflush maxtime, show ip multicast redundancy state, show ip multicast redundancy statistics, show ip pim neighbor.</p>
NSF/SSO - IPv6 Multicast	Cisco IOS XE Release 2.6 15.1(1)SY	This feature extends NSF/SSO functionality to IPv6 Multicast protocols.



PIM Triggered Joins

The PIM Triggered Joins feature is a high availability (HA) multicast enhancement that improves the reconvergence of multicast routes (mroutes) after an RP switchover.

- [Finding Feature Information, page 29](#)
- [Restrictions for PIM Triggered Joins, page 29](#)
- [Information About PIM Triggered Joins, page 30](#)
- [PIM Triggered Joins and Multicast Traffic Flow, page 31](#)
- [Additional References, page 32](#)
- [Feature Information for PIM Triggered Joins, page 33](#)

Finding Feature Information

Your software release may not support all the features documented in this module. For the latest caveats and feature information, see [Bug Search Tool](#) and the release notes for your platform and software release. To find information about the features documented in this module, and to see a list of the releases in which each feature is supported, see the feature information table at the end of this module.

Use Cisco Feature Navigator to find information about platform support and Cisco software image support. To access Cisco Feature Navigator, go to www.cisco.com/go/cfn. An account on Cisco.com is not required.

Restrictions for PIM Triggered Joins

All PIM neighbors must be compliant with RFC 4601 and be able to process GenID differences in PIM hello messages.

Information About PIM Triggered Joins

Functional Overview of PIM Triggered Joins

The PIM Triggered Joins feature is an HA multicast enhancement that improves the reconvergence of mroutes after an RP switchover. In the event of an RP switchover, this feature utilizes the Protocol Independent Multicast sparse mode (PIM-SM) GenID value as a mechanism to trigger adjacent PIM neighbors on an interface to send PIM join messages for all (*, G) and (S, G) mroutes that use that interface as an RPF interface, immediately reestablishing those states on the newly active RP. A GenID is a randomly generated 32-bit value regenerated each time PIM forwarding is started or restarted on an interface.



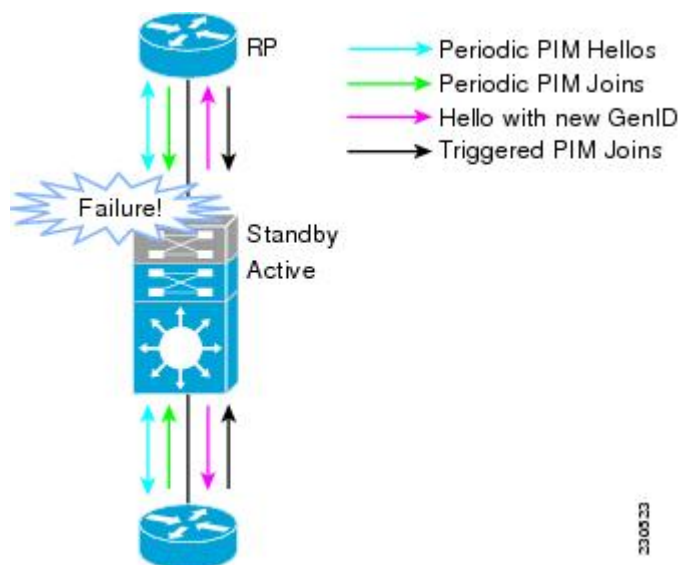
Note

In order to process the GenID value in PIM hello messages, PIM neighbors must be running Cisco IOS software with an implementation of PIM that is compliant with RFC 4601. For more information about RFC 4601, see the [Additional References](#), on page 25 section.

After an RP switchover, all instances of PIM running on the newly active RP will modify the value of the GenID that is included in PIM hello messages sent to adjacent PIM neighbors. When an adjacent PIM neighbor receives a PIM hello message on an interface with a new GenID, the PIM neighbor will process the modified GenID as an indication that the PIM neighbor has gone down. A modified GenID, thus, is a mechanism to alert all adjacent PIM neighbors that PIM forwarding on that interface has been lost, which then triggers adjacent PIM neighbors to send PIM joins for all (*, G) and (S, G) mroute states that use that interface as an RPF interface.

The figure illustrates the operations that occur in association with the PIM Triggered Joins feature during an RP switchover.

Figure 5: Operation of PIM Triggered Joins During a Switchover



The mechanics of the PIM Triggered Joins feature are as follows:

- In steady state, PIM neighbors exchange periodic PIM hello messages.
- An active RP receives PIM joins to periodically refresh mroute states.
- When an active RP fails, the standby RP takes over to become the new active RP.
- The new active RP then modifies the GenID value and sends the new GenID in PIM hello messages to adjacent PIM neighbors.
- Adjacent PIM neighbors that receive PIM hello messages on an interface with a new GenID then send PIM triggered joins for all (*, G) and (S, G) mroutes that use that interfaces as an RPF interface.
- Those mroute states are then immediately reestablished on the newly active RP.

Prior to the introduction of the PIM Triggered Joins feature, in the event of an RP switchover, all hardware entries would have been suspended until the control plane was reestablished. States for mroutes on the new active RP, thus, would not have been rebuilt until the periodic joins sent by adjacent PIM neighbors were received by PIM neighbors on the new active RP. The PIM Triggered Joins feature, thus, improves the recovergence time of mroutes after an RP switchover, enabling mroute states to be rebuilt promptly after an RP switchover.

**Note**

If a PIM neighbor is unable to process the GenID value, the PIM neighbor will ignore the GenID value and behave in the manner that it would prior to the introduction of the PIM Triggered Joins feature.

Generation IDs

A Generation ID (GenID) is a randomly generated 32-bit value that is regenerated each time PIM forwarding is started or restarted on an interface. In order to process the GenID value in PIM hello messages, PIM neighbors must be running software with an implementation of PIM that is compliant with RFC 4601.

**Note**

PIM neighbors that are not compliant with RFC 4601 and are unable to process GenID differences in PIM hello messages will ignore the GenIDs.

PIM Triggered Joins and Multicast Traffic Flow

Multicast traffic flow on the neighbors is not affected if it detects a PIM triggered join or PIM hello message from a node with the failing RP within the default PIM hello hold-time interval. Multicast traffic flow on a failing RP is not affected if it is NSF capable.

**Caution**

The default PIM hello hold-time interval is 3.5 x the PIM hello period. Multicast HA operations may not behave properly if the PIM hello interval is configured with a value lower than the default value of 30 seconds.

Additional References

Related Documents

Related Topic	Document Title
Cisco IOS commands	Cisco IOS Master Commands List, All Releases
IP multicast commands	Cisco IOS IP Multicast Command Reference

Standards and RFCs

Standard/RFC	Title
RFC 4601	Protocol Independent Multicast - Sparse Mode (PIM-SM): Protocol Specification (Revised)

MIBs

MIB	MIBs Link
No new or modified MIBs are supported by this feature, and support for existing MIBs has not been modified by this feature.	To locate and download MIBs for selected platforms, Cisco IOS releases, and feature sets, use Cisco MIB Locator found at the following URL: http://www.cisco.com/go/mibs

Technical Assistance

Description	Link
The Cisco Support and Documentation website provides online resources to download documentation, software, and tools. Use these resources to install and configure the software and to troubleshoot and resolve technical issues with Cisco products and technologies. Access to most tools on the Cisco Support and Documentation website requires a Cisco.com user ID and password.	http://www.cisco.com/cisco/web/support/index.html

Feature Information for PIM Triggered Joins

The following table provides release information about the feature or features described in this module. This table lists only the software release that introduced support for a given feature in a given software release train. Unless noted otherwise, subsequent releases of that software release train also support that feature.

Use Cisco Feature Navigator to find information about platform support and Cisco software image support. To access Cisco Feature Navigator, go to www.cisco.com/go/cfn. An account on Cisco.com is not required.

Table 2: Feature Information for PIM Triggered Joins

Feature Name	Releases	Feature Information
PIM Triggered Joins	12.2(33)SXH Cisco IOS XE Release 2.6 15.0(1)M 12.2(33)SRE 15.1(1)SG Cisco IOS XE Release 3.3SG	The PIM Triggered Joins feature is an HA multicast enhancement that improves the reconvergence of mroutes after an RP switchover. In the event of an RP switchover, this feature utilizes the PIM-SM GenID value as a mechanism to trigger adjacent PIM neighbors on an interface to send PIM join messages for all (*, G) and (S, G) mroutes that use that interface as an RPF interface, immediately reestablishing those states on the newly active RP.



Multicast Live-Live

The Multicast Live-Live feature delivers two multicast streams with the same content over diverse paths in the network. This functionality reduces packet loss due to network failures on any one of the paths.

- [Finding Feature Information, page 35](#)
- [Prerequisites for Multicast Live-Live, page 35](#)
- [Restrictions for Multicast Live-Live, page 36](#)
- [Information About Multicast Live-Live, page 36](#)
- [How to Configure Multicast Live-Live, page 37](#)
- [Configuration Examples for Multicast Live-Live, page 43](#)
- [Additional References, page 44](#)
- [Feature Information for Multicast Live-Live, page 45](#)

Finding Feature Information

Your software release may not support all the features documented in this module. For the latest caveats and feature information, see [Bug Search Tool](#) and the release notes for your platform and software release. To find information about the features documented in this module, and to see a list of the releases in which each feature is supported, see the feature information table at the end of this module.

Use Cisco Feature Navigator to find information about platform support and Cisco software image support. To access Cisco Feature Navigator, go to www.cisco.com/go/cfn. An account on Cisco.com is not required.

Prerequisites for Multicast Live-Live

- The Multicast Live-Live feature requires multitopology Interior Gateway Protocol (IGP) support.

Restrictions for Multicast Live-Live

- Multicast traffic splitting and merging is the responsibility of the application. Applications that use multicast technology include video conferencing, corporate communications, distance learning, and distribution of software, stock quotes, and news.
- Multicast Live-Live is supported for the IPv4 multicast address family.
- Multicast Live-Live is supported for global Virtual Routing and Forwarding (VRF).
- Multicast Live-Live is supported for Protocol Independent Multicast Source-Specific Multicast (PIM-SSM) mode and PIM Sparse Mode (PIM-SM).
- Multicast Live-Live is supported for the Intermediate System-to-Intermediate System (IS-IS) IGP.

Information About Multicast Live-Live

Overview of Multicast Live-Live

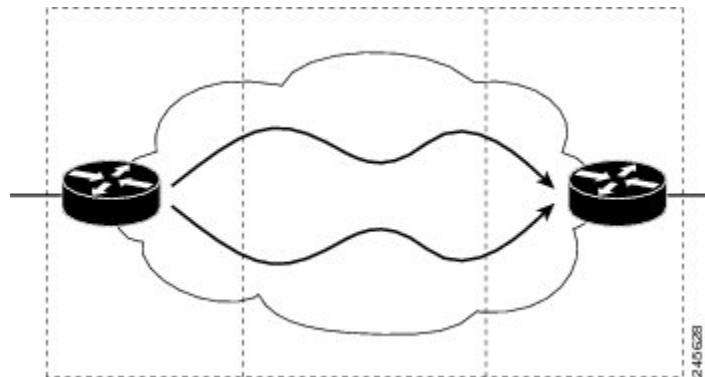
This feature delivers two multicast streams with the same content over diverse paths in the network. This functionality reduces packet loss due to network failures on any one of the paths. The feature uses multitopology IGP technology in order to deliver the two streams over diverse paths.

The Multicast Live-Live feature can be divided into three distinct processes as shown in the figure. The processes are visually separated by vertical lines in the figure.

- The first process consists of splitting the multicast stream into dual streams. The splitting is performed by the application.
- The second process consists of transmitting the dual streams over the network. Topology selection for transmitting these dual streams can be done in two different ways:
 - Multicast topology selection by group range: This action allows multicast Reverse Path Forwarding (RPF) lookups to perform the RPF check against more than one RPF topology.
 - Multicast topology selection by source prefix: This action allows the replication of routes from more than one (unicast) topology into multicast topology.

- The third process consists of merging the streams that have been split. The merging is performed by the application.

Figure 6: Overview of Multicast Live-Live



How to Configure Multicast Live-Live

Configuring a Multicast Topology

Perform this task to configure a multicast topology.

SUMMARY STEPS

1. **enable**
2. **configure terminal**
3. **ip multicast-routing**
4. **ip multicast rpf multitopology**
5. **global-address-family ipv4 multicast**
6. **topology { base | topology-name }**
7. Repeat Step 6 to configure another global topology instance.
8. **exit**
9. **interface type number**
10. **ip address ip-address mask [secondary [vrf vrf-name]]**
11. **ip pim sparse-dense-mode**
12. **ip router isis**
13. **topology ipv4 [multicast | unicast] { topology-name [disable] | base }**
14. **exit**
15. Repeat Steps 9 through 14 for each interface to be configured.
16. **end**

DETAILED STEPS

	Command or Action	Purpose
Step 1	enable Example: Device> enable	Enables privileged EXEC mode. <ul style="list-style-type: none"> • Enter your password if prompted.
Step 2	configure terminal Example: Device# configure terminal	Enters global configuration mode.
Step 3	ip multicast-routing Example: Device(config)# ip multicast-routing	Enables IP multicast routing.
Step 4	ip multicast rpf mult topology Example: Device(config)# ip multicast rpf mult topology	Enables multicast RPF lookup in multiple topologies.
Step 5	global-address-family ipv4 multicast Example: Device(config)# global-address-family ipv4 multicast	Enters global address family configuration mode to configure a topology.
Step 6	topology { base topology-name } Example: Device(config-af)# topology live-A	Configures a global topology instance.
Step 7	Repeat Step 6 to configure another global topology instance.	--
Step 8	exit Example: Device(config-af)# exit	Exits global address family configuration mode and returns to global configuration mode.
Step 9	interface type number Example: Device(config)# interface GigabitEthernet 1/0	Enters interface configuration mode for the specified interface type and number.

	Command or Action	Purpose
Step 10	ip address <i>ip-address</i> <i>mask</i> [secondary [<i>vrf vrf-name</i>]] Example: Device(config-if)# ip address 10.1.1.1 255.255.255.0	Sets a primary or secondary IP address for an interface.
Step 11	ip pim sparse-dense-mode Example: Device(config-if)# ip pim sparse-dense-mode	Enables PIM sparse dense mode on the interface.
Step 12	ip router isis Example: Device(config-if)# ip router isis	Configures an Intermediate System-to-Intermediate System (IS-IS) routing process for IP on the interface.
Step 13	topology ipv4 [multicast unicast] { <i>topology-name</i> [disable] base } Example: Device(config-if)# topology ipv4 multicast live-A	Configures a topology instance on an interface.
Step 14	exit Example: Device(config-if)# exit	Exits interface configuration mode and returns to global configuration mode.
Step 15	Repeat Steps 9 through 14 for each interface to be configured.	--
Step 16	end Example: Device(config)# end	Ends the current configuration session and returns to privileged EXEC mode.

Enabling a Multicast Topology Under IGP

Perform this task to enable a multicast topology under IGP.

SUMMARY STEPS

1. **enable**
2. **configure terminal**
3. **router isis**
4. **net *netl***
5. **metric-style wide [transition] [level-1 | level-2 | level-1-2]**
6. **address-family ipv4 multicast**
7. **topology *topology-name* tid *number***
8. **end**
9. **configure terminal**
10. **ip multicast topology {multicast | unicast} *topology-name* tid *topology-number***
11. Repeat Step 10 to assign an additional multicast identifier to a topology.
12. **ip multicast rpf select topology {multicast | unicast} *topology-name* *access-list-number***
13. Repeat Step 12 to specify an additional topology for an RPF lookup.
14. **ip access-list {standard | extended} {access-list-name | *access-list-number* }**
15. **permit *protocol* {{ *source-addr* *source-wildcard* } | object-group *object-group-name* | any | host { *address* | *name* }} {destination-addr *destination-wildcard* } | object-group *object-group-name* | any | host {*address* | *name* }}**
16. Repeat Steps 14 and 15 to enumerate an additional (S,G) mroute entry if required.
17. **end**

DETAILED STEPS

	Command or Action	Purpose
Step 1	enable Example: Device> enable	Enables privileged EXEC mode. <ul style="list-style-type: none"> • Enter your password if prompted.
Step 2	configure terminal Example: Device# configure terminal	Enters global configuration mode.
Step 3	router isis Example: Device(config)# router isis	Enables the IS-IS routing protocol and specifies an IS-IS process.

	Command or Action	Purpose
Step 4	net <i>net1</i> Example: Device(config-router)# net 49.1234.1234.1234.00	Configures an IS-IS network entity (NET) for the routing process.
Step 5	metric-style wide [transition] [level-1 level-2 level-1-2] Example: Device(config-router)# metric-style wide	Configures a device running IS-IS so that it generates and accepts only new-style type, length, value objects (TLVs).
Step 6	address-family ipv4 multicast Example: Device(config-router)# address-family ipv4 multicast	Enters router address family configuration mode under IS-IS router configuration mode.
Step 7	topology <i>topology-name</i> tid <i>number</i> Example: Device(config-router-af)# topology live-A tid 10	Enables a multicast topology under IGP.
Step 8	end Example: Device(config-router-af-topology)# exit	Returns to privileged EXEC mode.
Step 9	configure terminal Example: Device# configure terminal	Enters global configuration mode.
Step 10	ip multicast topology { multicast unicast } <i>topology-name</i> tid <i>topology-number</i> Example: Device(config)# ip multicast topology multicast live-A tid 100	Assigns a multicast topology identifier to a topology.
Step 11	Repeat Step 10 to assign an additional multicast identifier to a topology.	--
Step 12	ip multicast rpf select topology { multicast unicast } <i>topology-name</i> <i>access-list-number</i>	Associates a multicast topology with a multicast group that has a specific (S,G) mroute entry. The notation of (S,G), pronounced "S comma G,"

	Command or Action	Purpose
	<p>Example:</p> <pre>Device(config)# ip multicast rpf select topology multicast live-A 111</pre>	enumerates a shortest path tree where S is the IP address of the source and G is the multicast group address.
Step 13	Repeat Step 12 to specify an additional topology for an RPF lookup.	--
Step 14	<p>ip access-list {standard extended} {access-list-name access-list-number }</p> <p>Example:</p> <pre>Device(config)# ip access-list extended 111</pre>	Specifies a (S,G) mroute entry using IP access list.
Step 15	<p>permit protocol {{ source-addr source-wildcard } object-group object-group-name any host { address name }} {destination-addr destination-wildcard } object-group object-group-name any host {address name }}</p> <p>Example:</p> <pre>Device(config-ext-nacl)# permit ip any 225.1.1.1 0.0.0.0</pre>	Set conditions in the named IP access list that will permit (S,G) mroute entry multicast packets.
Step 16	Repeat Steps 14 and 15 to enumerate an additional (S,G) mroute entry if required.	--
Step 17	<p>end</p> <p>Example:</p> <pre>Device(config-ext-nacl)# end</pre>	Returns to privileged EXEC mode.

Verifying the Configuration of Multicast Live-Live

Perform this task to verify the configuration of the Multicast Live-Live feature.

SUMMARY STEPS

1. **enable**
2. **show ip multicast topology [{multicast | unicast} topology-name]**

DETAILED STEPS

Step 1 **enable**
Enables privileged EXEC mode.

- Enter your password if prompted.

Device> **enable**

Step 2 **show ip multicast topology** [{**multicast** | **unicast**} *topology-name*]
Enter the **show ip multicast topology** command to display multicast topology information:

Example:

```
Device# show ip multicast topology multicast live-A
Topology: ipv4 multicast live-A
TID: 1
  Extended IP ACL: 101
Associated VPN VRF is IPv4 default
```

Configuration Examples for Multicast Live-Live

Example Configuring Multicast Live-Live

The following example shows how to configure the Multicast Live-Live feature. In the example, two multicast topologies are enabled under IGP, the multicast topologies are assigned a topology identifier, and each multicast topology identifier is associated with a multicast group that has a specific (S,G) mroute entry.

```
ip multicast-routing
! Enable multi-topology mode
ip multicast rpf multitopology
! Create 2 IPv4 multicast topologies
global-address-family ipv4 multicast
  topology live-A
  topology live-B
interface GigabitEthernet 1/0
 ip address 10.1.1.1 255.255.255.0
 ip pim sparse-dense-mode
 ip router isis
 topology ipv4 multicast live-A
interface GigabitEthernet 2/0
 ip address 2.2.2.2 255.255.255.0
 ip pim sparse-dense-mode
 ip router isis
 topology ipv4 multicast live-B
router isis
 net 49.1234.1234.1234.00
 metric-style wide
 address-family ipv4 multicast
 ! CLIs to enable 2 multicast topologies under IGP
 topology live-A tid 10
 topology live-B tid 20
! CLIs to assign multicast tid to topology
ip multicast topology multicast live-A tid 100
ip multicast topology multicast live-B tid 200
```

```

! CLIs to specify topology for RPF lookup
ip multicast rpf select topology multicast live-A 111
ip multicast rpf select topology multicast live-B 122
! Use IP access-list extended to specify (S, G)
ip access-list extended 111
 permit ip any 225.1.1.1 0.0.0.0
ip access-list extended 122
 permit ip any 239.1.1.1 0.0.0.0

```

Additional References

Related Documents

Related Topic	Document Title
Cisco IOS commands	Cisco IOS Master Commands List, All Releases
Overview of the IP multicast technology area	“IP Multicast Technology Overview”
Concepts, tasks, and examples for configuring an IP multicast network using PIM	“Configuring a Basic IP Multicast Network”
IP multicast commands: complete command syntax, command mode, defaults, command history, usage guidelines, and examples	Cisco IOS IP Multicast Command Reference

Standards

Standard	Title
No new or modified standards are supported by this feature, and support for existing standards has not been modified by this feature.	--

MIBs

MIB	MIBs Link
No new or modified MIBs are supported.	To locate and download MIBs for selected platforms, Cisco software releases, and feature sets, use Cisco MIB Locator found at the following URL: http://www.cisco.com/go/mibs

RFCs

RFC	Title
No new or modified RFCs are supported, and support for existing standards has not been modified.	--

Technical Assistance

Description	Link
The Cisco Support and Documentation website provides online resources to download documentation, software, and tools. Use these resources to install and configure the software and to troubleshoot and resolve technical issues with Cisco products and technologies. Access to most tools on the Cisco Support and Documentation website requires a Cisco.com user ID and password.	http://www.cisco.com/cisco/web/support/index.html

Feature Information for Multicast Live-Live

The following table provides release information about the feature or features described in this module. This table lists only the software release that introduced support for a given feature in a given software release train. Unless noted otherwise, subsequent releases of that software release train also support that feature.

Use Cisco Feature Navigator to find information about platform support and Cisco software image support. To access Cisco Feature Navigator, go to www.cisco.com/go/cfn. An account on Cisco.com is not required.

Table 3: Feature Information for Multicast Live-Live

Feature Name	Releases	Feature Information
Multicast Live-Live	Cisco IOS XE Release 3.2S 15.2(3)T	The Multicast Live-Live feature delivers two multicast streams with the same content over diverse paths in the network. This functionality reduces packet loss due to network failures on any one of the paths. The following commands were introduced or modified: debug ip multicast topology , ip multicast rpf select topology , ip multicast topology , show ip multicast topology .

