



MPLS Embedded Management and MIBs Configuration Guide, Cisco IOS Release 15S

First Published: November 05, 2012

Americas Headquarters

Cisco Systems, Inc.
170 West Tasman Drive
San Jose, CA 95134-1706
USA
<http://www.cisco.com>
Tel: 408 526-4000
800 553-NETS (6387)
Fax: 408 527-0883

THE SPECIFICATIONS AND INFORMATION REGARDING THE PRODUCTS IN THIS MANUAL ARE SUBJECT TO CHANGE WITHOUT NOTICE. ALL STATEMENTS, INFORMATION, AND RECOMMENDATIONS IN THIS MANUAL ARE BELIEVED TO BE ACCURATE BUT ARE PRESENTED WITHOUT WARRANTY OF ANY KIND, EXPRESS OR IMPLIED. USERS MUST TAKE FULL RESPONSIBILITY FOR THEIR APPLICATION OF ANY PRODUCTS.

THE SOFTWARE LICENSE AND LIMITED WARRANTY FOR THE ACCOMPANYING PRODUCT ARE SET FORTH IN THE INFORMATION PACKET THAT SHIPPED WITH THE PRODUCT AND ARE INCORPORATED HEREIN BY THIS REFERENCE. IF YOU ARE UNABLE TO LOCATE THE SOFTWARE LICENSE OR LIMITED WARRANTY, CONTACT YOUR CISCO REPRESENTATIVE FOR A COPY.

The Cisco implementation of TCP header compression is an adaptation of a program developed by the University of California, Berkeley (UCB) as part of UCB's public domain version of the UNIX operating system. All rights reserved. Copyright © 1981, Regents of the University of California.

NOTWITHSTANDING ANY OTHER WARRANTY HEREIN, ALL DOCUMENT FILES AND SOFTWARE OF THESE SUPPLIERS ARE PROVIDED "AS IS" WITH ALL FAULTS. CISCO AND THE ABOVE-NAMED SUPPLIERS DISCLAIM ALL WARRANTIES, EXPRESSED OR IMPLIED, INCLUDING, WITHOUT LIMITATION, THOSE OF MERCHANTABILITY, FITNESS FOR A PARTICULAR PURPOSE AND NON-INFRINGEMENT OR ARISING FROM A COURSE OF DEALING, USAGE, OR TRADE PRACTICE.

IN NO EVENT SHALL CISCO OR ITS SUPPLIERS BE LIABLE FOR ANY INDIRECT, SPECIAL, CONSEQUENTIAL, OR INCIDENTAL DAMAGES, INCLUDING, WITHOUT LIMITATION, LOST PROFITS OR LOSS OR DAMAGE TO DATA ARISING OUT OF THE USE OR INABILITY TO USE THIS MANUAL, EVEN IF CISCO OR ITS SUPPLIERS HAVE BEEN ADVISED OF THE POSSIBILITY OF SUCH DAMAGES.

Any Internet Protocol (IP) addresses and phone numbers used in this document are not intended to be actual addresses and phone numbers. Any examples, command display output, network topology diagrams, and other figures included in the document are shown for illustrative purposes only. Any use of actual IP addresses or phone numbers in illustrative content is unintentional and coincidental.

Cisco and the Cisco logo are trademarks or registered trademarks of Cisco and/or its affiliates in the U.S. and other countries. To view a list of Cisco trademarks, go to this URL: <http://www.cisco.com/go/trademarks>. Third-party trademarks mentioned are the property of their respective owners. The use of the word partner does not imply a partnership relationship between Cisco and any other company. (1110R)

© 2013 Cisco Systems, Inc. All rights reserved.



CONTENTS

CHAPTER 1

MPLS Enhancements to Interfaces MIB 1

- Finding Feature Information 1
- Prerequisites for MPLS Enhancements to Interfaces MIB 1
- Restrictions for MPLS Enhancements to Interfaces MIB 2
- Information About MPLS Enhancements to Interfaces MIB 3
 - Feature Design of the MPLS Enhancements to Interfaces MIB 3
 - ifStackTable Objects 3
 - ifRcvAddressTable Objects 4
 - Interfaces MIB Scalar Objects 5
 - Stacking Relationships for MPLS Layer Interfaces 5
 - Stacking Relationships for Traffic Engineering Tunnels 7
 - MPLS Label Switching Router MIB Enhancements 8
 - Benefits of the MPLS Enhancements to Interfaces MIB 8
- How to Configure MPLS Enhancements to Interfaces MIB 9
 - Enabling the SNMP Agent 9
- Configuration Examples for the MPLS Enhancements to Interfaces MIB 10
 - MPLS Enhancements to Interfaces MIB: Examples 10
- Additional References 11
- Feature Information for MPLS Enhancements to Interfaces MIB 12
- Glossary 13

CHAPTER 2

MPLS Label Switching Router MIB 15

- Finding Feature Information 15
- Information About MPLS Label Switching Router MIB 16
 - MPLS-LSR-MIB Elements 17
 - MPLS-LSR-MIB Tables 17
 - Information from Scalar Objects 21
 - Linking Table Elements 21

Interface Configuration Table and Interface MIB Links	23
Using the MPLS-LSR-MIB	25
MPLS-LSR-MIB Structure	25
CLI Commands and the MPLS-LSR-MIB	26
CLI Command Output	27
MPLS-LSR-MIB Output	27
Benefits	27
How to Configure the MPLS LSR MIB	28
Prerequisites	28
Enabling the SNMP Agent	28
Verifying That the SNMP Agent Has Been Enabled	29
Configuration Examples for the MPLS LSR MIB	30
Additional References	31
Feature Information for MPLS Label Switching Router MIB	32
Glossary	34

CHAPTER 3**MPLS LSP Ping Traceroute for LDP TE and LSP Ping for VCCV 37**

Finding Feature Information	37
Prerequisites for MPLS LSP Ping Traceroute for LDP TE and LSP Ping for VCCV	38
Restrictions for MPLS LSP Ping Traceroute for LDP TE and LSP Ping for VCCV	38
Information About MPLS LSP Ping Traceroute for LDP TE and LSP Ping for VCCV	39
MPLS LSP Ping Traceroute for LDP TE and LSP Ping for VCCV Functionality	39
MPLS LSP Ping Operation	40
MPLS LSP Traceroute Operation	41
MPLS Network Management with MPLS LSP Ping and MPLS LSP Traceroute	44
Any Transport over MPLS Virtual Circuit Connection	44
AToM VCCV Signaling	45
Selection of AToM VCCV Switching Types	45
Information Provided by the Router Processing LSP Ping or LSP Traceroute	46
IP Does Not Forward MPLS Echo Request Packets	47
Compatibility Between the MPLS LSP and Ping or Traceroute Implementations	48
CiscoVendorExtensions	48
DSCP Option to Request a Specific Class of Service in an Echo Reply	49
Reply Modes for an MPLS LSP Ping and LSP Traceroute Echo Request Response	49
IPv4 Reply Mode	49

Router-Alert Reply Mode	50
LSP Breaks	50
How to Configure MPLS LSP Ping Traceroute for LDP TE and LSP Ping for VCCV	51
Enabling Compatibility Between the MPLS LSP and Ping or Traceroute Implementation	51
Validating an LDP IPv4 FEC by Using MPLS LSP Ping and MPLS LSP Traceroute	52
Validating a Layer 2 FEC by Using MPLS LSP Ping and MPLS LSP Traceroute	53
Using DSCP to Request a Specific Class of Service in an Echo Reply	54
Controlling How a Responding Router Replies to an MPLS Echo Request	55
Using MPLS LSP Ping to Discover Possible Loops	56
Using MPLS LSP Traceroute to Discover Possible Loops	57
Tracking Packets Tagged as Implicit Null	58
Tracking Untagged Packets	59
Determining Why a Packet Could Not Be Sent	60
Detecting LSP Breaks when Load Balancing Is Enabled for IPv4 LDP LSPs	61
Specifying the Interface Through Which Echo Packets Leave a Router	62
Pacing the Transmission of Packets	63
Interrogating the Transit Router for Its Downstream Information by Using Echo Request request-dsmap	64
Interrogating a Router for Its DSMAP	65
Requesting that a Transit Router Validate the Target FEC Stack	66
Enabling LSP Ping to Detect LSP Breakages Caused by Untagged Interfaces	68
Viewing the AToM VCCV Capabilities Advertised to and Received from the Peer	69
Configuration Examples for MPLS LSP Ping Traceroute for LDP TE and LSP Ping for VCCV	70
Enabling Compatibility Between the MPLS LSP and Ping or Traceroute Implementation Example	70
Validating an LDP IPv4 FEC by Using MPLS LSP Ping and MPLS LSP Traceroute Example	70
Validating a Layer 2 FEC by Using MPLS LSP Ping Example	71
Using DSCP to Request a Specific Class of Service in an Echo Reply Example	71
Controlling How a Responding Router Replies to an MPLS Echo Request Example	71
Preventing Possible Loops with MPLS LSP Ping Example	72
Preventing Possible Loops with MPLS LSP Traceroute Example	73
Troubleshooting with LSP Ping or Traceroute Example	75
Configuration for Sample Topology	75

Verification That the LSP Is Configured Correctly	81
Discovery of LSP Breaks	81
MTU Discovery in an LSP Example	83
Tracking Packets Tagged as Implicit Null Example	85
Tracking Untagged Packets Example	85
Determining Why a Packet Could Not Be Sent Example	86
Detecting LSP Breaks when Load Balancing Is Enabled for IPv4 LSPs Example	86
Specifying the Interface Through Which Echo Packets Leave a Router Example	88
Pacing the Transmission of Packets Example	89
Interrogating the Transit Router for Its Downstream Information Example	89
Interrogating a Router for Its DSMAP Example	91
Requesting that a Transit Router Validate the Target FEC Stack Example	91
Enabling LSP Ping to Detect LSP Breakages Caused by Untagged Interfaces Example	92
Viewing the AToM VCCV Capabilities Advertised to and Received from the Peer Example	93
Additional References	93
Feature Information for MPLS LSP Ping Traceroute for LDP TE and LSP Ping for VCCV	94
Glossary	97

CHAPTER 4**MPLS EM—MPLS LSP Multipath Tree Trace 99**

Finding Feature Information	100
Prerequisites for MPLS EM - MPLS LSP Multipath Tree Trace	100
Restrictions for MPLS EM-MPLS LSP Multipath Tree Trace	100
Information About MPLS EM-MPLS LSP Multipath Tree Trace	101
Overview of MPLS LSP Multipath Tree Trace	101
Discovery of IPv4 Load Balancing Paths by MPLS SLP Multipath Tree Trace	101
Echo Reply Return Codes Sent by the Router Processing Multipath LSP Tree Trace	102
How to Configure MPLS EM - MPLS LSP Multipath Tree Trace	103
Customizing the Default Behavior of MPLS Echo Packets	103
Configuring MPLS LSP Multipath Tree Trace	104
Discovering IPv4 Load Balancing Paths Using MPLS LSP Multipath Tree Trace	106
Monitoring LSP Paths Discovered by MPLS LSP Multipath Tree Trace Using MPLS LSP Traceroute	108
Using DSCP to Request a Specific Class of Service in an Echo Reply	111
Controlling How a Responding Router Replies to an MPLS Echo Request	112

Reply Modes for an Echo Request Response	112
Specifying the Output Interface for Echo Packets Leaving a Router	114
Setting the Pace of MPLS Echo Request Packet Transmission for MPLS LSP Multipath Tree Trace	115
Enabling to Detect LSP Breakages Caused by an Interface That Lacks an MPLS Configuration	116
Requesting That a Transit Router Validate the Target FEC Stack for MPLS LSP Multipath Tree Trace	118
Setting the Number of Timeout Attempts for MPLS LSP Multipath Tree Trace	119
Configuration Examples for MPLS EM - MPLS LSP Multipath Tree Trace	120
Customizing the Default Behavior of MPLS Echo Packets Example	120
Configuring MPLS LSP Multipath Tree Trace: Example	120
Discovering IPv4 Load Balancing Paths Using MPLS LSP Multipath Tree Trace Example	121
Using DSCP to Request a Specific Class of Service in an Echo Reply Example	122
Controlling How a Responding Router Replies to an MPLS Echo Request Example	123
Specifying the Output Interface for Echo Packets Leaving a Router for MPLS LSP Multipath Tree Trace Example	123
Setting the Pace of MPLS Echo Request Packet Transmission for MPLS LSP Multipath Tree Trace: Example	124
Enabling to Detect LSP Breakages Caused by an Interface That Lacks an MPLS Configuration Example	124
Requesting That a Transit Router Validate the Target FEC Stack for MPLS LSP Multipath Tree Trace Example	126
Setting the Number of Timeout Attempts for MPLS LSP Multipath Tree Trace Example	127
Additional References for MPLS LSP Multipath Tree Trace	128
Related Documents	128
Standards	128
MIBs	128
RFCs	128
Technical Assistance	129
Feature Information for MPLS EM-MPLS LSP Multipath Tree Trace	129
Glossary	131

Prerequisites for MPLS Embedded Management—LSP Ping Support for MLDP	134
Information About MPLS Embedded Management—LSP Ping Support for MLDP	134
MPLS Network Management with MLDP LSP Ping	134
MLDP Overview	134
Point-to-Multipoint Ping	135
Multipoint-to-Multipoint Ping	135
Jitter	136
How to Verify MPLS Embedded Management—LSP Ping Support for MLDP	136
Configuring Echo Jitter	136
Configuration Examples for Verifying MPLS Embedded Management—LSP Ping Support for MLDP	137
Example: Configuring Echo Jitter	137
Example: Verifying MLDP LSP Ping	137
Additional References for MPLS Embedded Management—LSP Ping Support for MLDP	139
Feature Information for MPLS Embedded Management—LSP Ping Support for MLDP	140

CHAPTER 6**MPLS Label Distribution Protocol MIB Version 8 Upgrade 141**

Finding Feature Information	141
Prerequisites for MPLS LDP MIB Version 8 Upgrade	141
Restrictions for MPLS LDP MIB Version 8 Upgrade	142
Information About MPLS LDP MIB Version 8 Upgrade	142
Feature Design of MPLS LDP MIB Version 8 Upgrade	142
Enhancements in Version 8 of the MPLS LDP MIB	144
Benefits of MPLS LDP MIB Version 8 Upgrade	144
Description of MPLS LDP MIB Elements for MPLS LDP MIB Version 8 Upgrade	145
LDP Entities	145
LDP Sessions and Peers	147
LDP Hello Adjacencies	148
Events Generating MPLS LDP MIB Notifications in MPLS LDP MIB Version 8 Upgrade	149
MIB Tables in MPLS LDP MIB Version 8 Upgrade	150
mplsLdpEntityTable	151
mplsLdpEntityConfGenLRTable	154
mplsLdpEntityAtmParmsTable	154
mplsLdpEntityConfAtmLRTable	155

mplsLdpEntityStatsTable	156
mplsLdpPeerTable	157
mplsLdpHelloAdjacencyTable	158
mplsLdpSessionTable	159
mplsLdpAtmSesTable	160
mplsLdpSesStatsTable	160
VPN Contexts in MPLS LDP MIB Version 8 Upgrade	161
SNMP Context	161
VPN Aware LDP MIB Sessions	161
VPN Aware LDP MIB Notifications	163
How to Configure MPLS LDP MIB Version 8 Upgrade	165
Enabling the SNMP Agent	165
Enabling Distributed Cisco Express Forwarding	167
Enabling MPLS Globally	167
Enabling LDP Globally	168
Enabling MPLS on an Interface	169
Enabling LDP on an Interface	170
Configuring a VPN Aware LDP MIB	171
Configuring SNMP Support for a VPN	171
Configuring an SNMP Context for a VPN	173
SNMP Context	173
VPN Route Distinguishers	173
Associating an SNMP VPN Context with SNMPv1 or SNMPv2	174
Verifying MPLS LDP MIB Version 8 Upgrade	177
Configuration Examples for MPLS LDP MIB Version 8 Upgrade	177
MPLS LDP MIB Version 8 Upgrade Examples	177
Configuring a VPN Aware SNMP Context for SNMPv1 or SNMPv2 Example	178
Additional References	178
Feature Information for MPLS LDP MIB Version 8 Upgrade	180
Glossary	183
CHAPTER 7	MPLS EM—MPLS LDP MIB—RFC 3815
	187
Finding Feature Information	187
Prerequisites for MPLS EM—MPLS LDP MIB - RFC 3815	188
Restrictions for MPLS EM—MPLS LDP MIB - RFC 3815	188

Information About MPLS EM—MPLS LDP MIB - RFC 3815	188
Label Distribution Protocol Overview	188
MPLS EM—MPLS LDP MIB - RFC 3815 Feature Design and Use	189
Benefits of Using the MPLS EM—MPLS LDP MIB - RFC 3815 Feature	190
MPLS LDP MIB (RFC 3815) Elements	191
LDP Entities	192
LDP Sessions and Peers	193
LDP Hello Adjacencies	195
Events Generating MPLS LDP MIB Notifications	196
Scalar Objects in the MPLS LDP MIB Modules (RFC 3815)	197
MIB Tables in the MPLS-LDP-STD-MIB Module (RFC 3815)	198
MPLS LDP Entity Table (mplsLdpEntityTable) Objects and Descriptions	198
MPLS LDP Entity Statistics Table (mplsLdpEntityStatsTable) Objects and Descriptions	201
MPLS LDP Peer Table (mplsLdpPeerTable) Objects and Descriptions	202
MPLS LDP Session Table (mplsLdpSessionTable) Objects and Descriptions	203
MPLS LDP Session Statistics Table (mplsLdpSessionStatsTable) Objects and Descriptions	205
MPLS LDP Hello Adjacency Table (mplsLdpHelloAdjacencyTable) Objects and Descriptions	205
MIB Tables in the MPLS-LDP-ATM-STD-MIB Module (RFC 3815)	206
MPLS LDP Entity ATM Table (mplsLdpEntityAtmTable) Objects and Descriptions	206
MPLS LDP Entity ATM Label Range Table (mplsLdpEntityAtmLRTable) Objects and Descriptions	207
MPLS LDP ATM Session Table (mplsLdpAtmSessionTable) Objects and Descriptions	208
MIB Table in the MPLS-LDP-GENERIC-STD-MIB Module (RFC 3815)	209
MPLS LDP Entity Generic Label Range Table (mplsLdpEntityGenericLRTable) Objects and Descriptions	209
VPN Contexts in the MPLS LDP MIB	210
SNMP Contexts	210
VPN Aware LDP MIB Sessions	211
VPN Aware LDP MIB Notifications	211
Differences Between the MPLS-LDP-STD-MIB and the MPLS-LDP-MIB	213

MPLS-LDP-MIB and MPLS-LDP-STD-MIB Scalar Object Differences	213
MPLS-LDP-MIB and MPLS-LDP-STD-MIB Table Object Differences	214
MPLS LDP Entity Table (mplsLdpEntityTable) Differences	214
MPLS LDP Entity Statistics Table (mplsLdpEntityStatsTable) Differences	215
MPLS LDP Peer Table (mplsLdpPeerTable) Differences	216
MPLS LDP Session Table (mplsLdpSessionTable) Differences	217
MPLS LDP Hello Adjacency Table (mplsLdpHelloAdjacencyTable) Differences	217
MPLS-LDP-MIB and MPLS-LDP-STD-MIB Notification Changes	218
Differences Between the MPLS-LDP-MIB and the MPLS-LDP-ATM-STD-MIB (RFC 3815)	218
Differences Between the MPLS-LDP-MIB and the MPLS-LDP-GENERIC-STD-MIB (RFC 3815)	219
How to Configure SNMP for MPLS EM—MPLS LDP MIB - RFC 3815	220
Configuring Access to an SNMP Agent on a Host NMS Workstation	220
Examples	222
Configuring the Router to Send SNMP Notifications to a Host for Monitoring LDP	222
Configuring a VPN-Aware LDP MIB	225
Configuring SNMP Support for a VPN	225
What to Do Next	226
Configuring an SNMP Context for a VPN	226
SNMP Context	227
VPN Route Distinguishers	227
What to Do Next	229
Configuring a VPN-Aware SNMP Context for SNMPv1 or SNMPv2	229
SNMPv1 or SNMPv2 Security	229
Configuration Examples for MPLS EM—MPLS LDP MIB - RFC 3815	233
Configuring Access to an SNMP Agent on a Host NMS Workstation Example	233
Configuring the Router to Send SNMP Notifications to a Host for Monitoring LDP Example	234
Configuring a VPN-Aware LDP MIB Example	234
Configuring SNMP Support for a VPN Example	234
Configuring an SNMP Context for a VPN Example	234
Configuring a VPN-Aware SNMP Context for SNMPv1 or SNMPv2 Example	235
Additional References	235
Feature Information for MPLS EM—MPLS LDP MIB - RFC 3815	237

Glossary 240

CHAPTER 8

MPLS EM—MPLS LSR MIB - RFC 3813 243

Finding Feature Information 243

Prerequisites for MPLS EM—MPLS LSR MIB - RFC 3813 244

Restrictions for MPLS EM—MPLS LSR MIB - RFC 3813 244

Information About MPLS EM—MPLS LSR MIB - RFC 3813 244

MPLS-LSR-STD-MIB Benefits 244

Label Switching Information Managed by the MPLS-LSR-STD-MIB 245

MPLS-LSR-STD-MIB Elements 246

Brief Description of MPLS-LSR-STD-MIB Tables 247

MPLS LSR Information Available Through the MPLS-LSR-STD-MIB 247

MPLS Interface Table (mplsInterfaceTable) 247

MPLS Interface Performance Table (mplsInterfacePerfTable) 248

MPLS In-Segment Table (mplsInSegmentTable) 249

MPLS In-Segment Performance Table (mplsInSegmentPerfTable) 249

MPLS Out-Segment Table (mplsOutSegmentTable) 250

MPLS Out-Segment Performance Table (mplsOutSegmentPerfTable) 251

MPLS Cross-Connect Table (mplsXCTable) 251

MPLS Label Stack Table (mplsLabelStackTable) 252

MPLS In-Segment Map Table (mplsInSegmentMapTable) 253

Information from MPLS-LSR-STD-MIB Scalar Objects 253

MPLS-LSR-STD-MIB Indexing—Linking Table Elements 254

Interface Configuration Table and Interface MIB Links 255

MPLS-LSR-STD-MIB Structure 256

CLI Commands and the MPLS-LSR-MIB 257

VPN Aware LSR MIB 259

SNMP Contexts 259

Major Differences Between the MPLS-LSR-STD-MIB and the MPLS-LSR-MIB 260

MPLS-LSR-MIB and the MPLS-LSR-STD-MIB Scalar Object Differences 260

MPLS-LSR-MIB and the MPLS-LSR-STD-MIB Table Object Differences 260

MPLS-LSR-MIB and MPLS-LSR-STD-MIB Notification Differences 265

MPLS-LSR-MIB and MPLS-LSR-STD-MIB Indexing Differences 266

How to Configure SNMP for the MPLS EM—MPLS LSR MIB - RFC 3813 267

Prerequisites 267

Enabling the SNMP Agent	267
Verifying That the SNMP Agent Is Enabled	269
Configuring a VPN-Aware LSR MIB	270
Configuring SNMP Support for a VPN	270
What to Do Next	271
Configuring an SNMP Context for a VPN	271
SNMP Context	271
VPN Route Distinguishers	271
What to Do Next	273
Configuring a VPN-Aware SNMP Context for SNMPv1 or SNMPv2	273
SNMPv1 or SNMPv2 Security	273
Configuration Examples for the MPLS EM—MPLS LSR MIB - RFC 3813	277
Enabling the SNMP Agent Examples	277
Configuring a VPN-Aware LSR MIB Example	277
Configuring SNMP Support for a VPN Example	277
Configuring an SNMP Context for a VPN Example	278
Configuring a VPN-Aware SNMP Context for SNMPv1 or SNMPv2 Example	278
Additional References	279
Feature Information for MPLS EM—MPLS LSR MIB - RFC 3813	280
Glossary	283

CHAPTER 9**MPLS VPN--MIB Support 285**

Finding Feature Information	285
Prerequisites for MPLS VPN--MIB Support	286
Restrictions for MPLS VPN--MIB Support	286
Information About MPLS VPN--MIB Support	286
MPLS VPN Overview	286
MPLS VPN MIB Overview	286
MPLS VPN MIB and the IETF	287
Capabilities Supported by PPVPN-MPLS-VPN MIB	287
Functional Structure of the PPVPN-MPLS-VPN MIB	288
Supported Objects in PPVPN-MPLS-VPN MIB	288
Scalar Objects	289
MIB Tables	290
mplsVpnVrfTable	290

mplsVpnInterfaceConfTable	292
mplsVpnVrfRouteTargetTable	293
mplsVpnVrfBgpNbrAddrTable	295
mplsVpnVrfSecTable	296
mplsVpnVrfPerfTable	297
mplsVpnVrfRouteTable	297
PPVPN-MPLS-VPN MIB Notifications	300
PPVPN-MPLS-VPN MIB Notification Events	300
CISCO-IETF-PPVPN-MPLS-VPN MIB Notification Events	301
Notification Specification	302
Monitoring the PPVPN-MPLS-VPN MIB Notifications	302
Unsupported Objects in PPVPN-MPLS-VPN MIB	302
How to Configure MPLS VPN--MIB Support	303
Configuring the SNMP Community	303
Configuring the Router to Send SNMP Traps	305
Configuring Threshold Values for MPLS VPN--SNMP Notifications	307
Configuration Examples for MPLS VPN--MIB Support	309
Example Configuring the SNMP Community	309
Example Configuring the Router to Send SNMP Traps	309
Example Configuring Threshold Values for MPLS VPN--SNMP Notifications	309
Additional References	310
Feature Information for MPLS VPN--MIB Support	311
Glossary	313

CHAPTER 10

MPLS EM—MPLS VPN MIB RFC 4382 Upgrade	317
Finding Feature Information	317
Prerequisites for MPLS EM—MPLS VPN MIB RFC 4382 Upgrade	318
Restrictions for MPLS EM—MPLS VPN MIB RFC 4382 Upgrade	318
Information About MPLS EM—MPLS VPN MIB RFC 4382 Upgrade	318
MPLS Layer 3 VPN Overview	318
MPLS-L3VPN-STD-MIB Benefits	318
Capabilities Supported by the MPLS-L3VPN-STD-MIB	319
Supported Objects in the MPLS-L3VPN-STD-MIB	319
MPLS-L3VPN-STD-MIB Scalar Objects	320
MPLS-L3VPN-STD-MIB MIB Tables	322

VRFConfigurationTable(mplsL3VpnVrfTable)	322
VPN Interface Configuration Table (mplsL3VpnIfConfTable)	326
VRF Route Target Table (mplsL3VpnVrfRTTable)	328
VRFSecurityTable(mplsL3VpnVrfSecTable)	330
VRFPerformanceTable(mplsL3VpnVrfPerfTable)	331
VRF Routing Table (mplsL3VpnVrfRteTable)	332
MPLS-L3VPN-STD-MIB Notification Events	337
SNMP Notification Specification for the MPLS-L3VPN-STD-MIB	339
MPLS-L3VPN-STD-MIB Notifications Display on Network Management Station	340
MPLS-L3VPN-STD-MIB Support for IPv6 VPNs over MPLS	340
MPLS-L3VPN-STD-MIB Tables and Objects Support for IPv6 VPNs over MPLS	340
MPLS-L3VPN-STD-MIB Notifications Support for IPv6 VPNs over MPLS	342
Information About Setting Maximum Routes for IPv6 Address-Family VRF Route Limits	343
MPLS-L3VPN-STD-MIB Data Security	343
Major Differences Between the MPLS-VPN-MIB and the MPLS-L3VPN-STD-MIB	345
Global Name Changes for the MPLS-L3VPN-STD-MIB Objects	345
MPLS-VPN-MIB and MPLS-L3VPN-STD-MIB Scalar Object Differences	345
MPLS-VPN-MIB and MPLS-L3VPN-STD-MIB Table Object Differences	345
VRF Configuration Table (mplsL3VpnVrfTable)	346
VPN Interface Configuration Table (mplsL3VpnIfConfTable)	346
VRF Route Target Table (mplsL3VpnVrfRTTable)	347
VRF Security Table (mplsL3VpnVrfSecTable)	347
VRF Performance Table (mplsL3VpnVrfPerfTable)	347
VRF Routing Table (mplsL3VpnVrfRteTable)	348
Tables Not Supported in the MPLS-L3VPN-STD-MIB	349
MPLS-VPN-MIB and MPLS-L3VPN-STD-MIB Notification Differences	349
How to Configure MPLS EM—MPLS VPN MIB RFC 4382 Upgrade	350
Configuring the SNMP Community	350
Configuring the Router to Send MPLS Layer 3 VPN SNMP Notifications to a Host	352
Configuring Threshold Values for MPLS Layer 3 VPN SNMP Notifications	354
Configuring SNMP Controls for MPLS VPN Notification Thresholds	356
Configuration Examples for MPLS EM—MPLS VPN MIB RFC 4382 Upgrade	358
Example Configuring the SNMP Community	358
Example Configuring the Router to Send MPLS Layer 3 VPN SNMP Traps	358

Example Configuring Threshold Values for MPLS Layer 3 VPN SNMP Notifications	359
Example Configuring SNMP Controls for MPLS Layer 3 VPN Notification Thresholds	359
Additional References	360
Feature Information for MPLS EM—MPLS VPN MIB RFC 4382 Upgrade	361
Glossary	363

CHAPTER 11**Pseudowire Emulation Edge-to-Edge MIBs 367**

Finding Feature Information	367
Prerequisites for Pseudowire Emulation Edge-to-Edge MIBs	368
Restrictions for Pseudowire Emulation Edge-to-Edge MIBs	368
Information About Pseudowire Emulation Edge-to-Edge MIBs	369
The Function of a Pseudowire in the PWE3 MIBs	369
PWE3 MIBs Architecture	369
Components and Functions of the PWE3 MIBs	370
Tables in the PW-MIB	371
cpwVcTable	372
cpwVcPerfTotalTable	377
cpwVcIdMappingTable	378
cpwVcPeerMappingTable	378
Tables in the PW-MPLS-MIB	379
cpwVcMplsTable	379
cpwVcMplsOutboundTable	380
cpwVcMplsInboundTable	381
cpwVcMplsNonTeMappingTable	382
cpwVcMplsTeMappingTable	383
Tables in the PW-ENET-MIB	383
cpwVcEnetTable	384
Tables in the PW-FR-MIB	385
cpwVcFrTable	385
Tables in the PW-ATM-MIB	386
cpwVcAtmTable	386
cpwVcAtmPerfTable	387
Objects in the PWE3 MIBs	388
Scalar Objects in the PWE3 MIBs	388
Notifications in the PWE3 MIBs	388

Benefits of the PWE3 MIBs	389
How to Configure Pseudowire Emulation Edge-to-Edge MIBs	389
Enabling the SNMP Agent for the PWE3 MIBs	389
Configuring the Pseudowire Class	391
What to Do Next	392
Configuration Examples for the Pseudowire Emulation Edge-to-Edge MIBs	392
PWE3 MIBs Example	392
Additional References	393
Feature Information for Pseudowire Emulation Edge-to-Edge MIBs for Ethernet Frame Relay and ATM Services	395
Glossary	398

CHAPTER 12

MPLS Traffic Engineering--Fast Reroute MIB	401
Finding Feature Information	402
Prerequisites for the MPLS Traffic Engineering--Fast Reroute MIB	402
Restrictions for the MPLS Traffic Engineering--Fast Reroute MIB	402
Information About the MPLS Traffic Engineering--Fast Reroute MIB	403
Feature Design of the MPLS Traffic Engineering--Fast Reroute MIB	403
Functional Structure of the MPLS Traffic Engineering--Fast Reroute MIB	403
System Flow of SNMP Protocol Requests and Response Messages	404
FRR MIB Scalar Objects	404
FRR MIB Notification Generation Events	405
FRR MIB Notification Specification	405
FRR MIB Notification Monitoring	406
MIB Tables in the MPLS Traffic Engineering--Fast Reroute MIB	406
cmplsFrrConstTable	406
cmplsFrrLogTable	407
cmplsFrrFacRouteDBTable	408
How to Configure the MPLS Traffic Engineering--Fast Reroute MIB	409
Enabling the SNMP Agent for FRR MIB Notifications	409
Enabling Cisco Express Forwarding	411
Enabling TE Tunnels	412
Enabling MPLS FRR on Each TE Tunnel	413
Enabling a Backup Tunnel on an Interface	414
Configuration Examples for the MPLS Traffic Engineering--Fast Reroute MIB	415

Enabling an SNMP Agent on a Host NMS Example	415
Enabling Cisco Express Forwarding Example	415
Enabling TE Tunnels Example	415
Enabling MPLS FRR on Each TE Tunnel Example	416
Enabling a Backup Tunnel on an Interface Example	416
Additional References	416
Feature Information for MPLS Traffic Engineering--Fast Reroute MIB	417
Glossary	418

CHAPTER 13

MPLS Traffic Engineering MIB	421
Finding Feature Information	421
Restrictions for the MPLS Traffic Engineering MIB	421
Information About the MPLS Traffic Engineering MIB	422
MPLS Traffic Engineering MIB Cisco Implementation	422
MPLS Traffic Engineering Overview	422
Capabilities Supported by the MPLS Traffic Engineering MIB	422
Notification Generation Events	423
Notification Implementation	423
Benefits of the MPLS Traffic Engineering MIB	424
MPLS Traffic Engineering MIB Layer Structure	424
Features and Technologies Related to MPLS Traffic Engineering MIB	424
Supported Objects in the MPLS Traffic Engineering MIB	425
CLI Access to MPLS Traffic Engineering MIB Information	430
Retrieving Information from the MPLS Traffic Engineering MIB	430
How to Configure the MPLS Traffic Engineering MIB	431
Enabling the SNMP Agent to Help Manage Various MPLS TE Tunnel Characteristics of Tunnels on the Local Router	431
Verifying the Status of the SNMP Agent	432
Examples	433
Configuration Examples for the MPLS Traffic Engineering MIB	433
Example Enabling the SNMP Agent to Help Manage MPLS TE Characteristics of Tunnels on the Local Router	433
Additional References	434
Feature Information for the MPLS Traffic Engineering MIB	435
Glossary	436

CHAPTER 14

MPLS EM - TE MIB RFC 3812	439
Finding Feature Information	439
Restrictions for the MPLS EM - TE MIB RFC 3812	440
Information About the MPLS EM - TE MIB RFC 3812	440
MPLS Traffic Engineering MIB Cisco Implementation	440
MPLS Traffic Engineering Overview	440
Capabilities Supported by the MPLS EM TE MIB RFC 3812	440
Notification Generation Events	441
Notification Implementation	441
Benefits of MPLS EM - TE MIB RFC 3812	442
MPLS Traffic Engineering MIB Layer Structure	442
Features and Technologies Related to MPLS EM - TE MIB RFC 3812	442
Supported Objects in the MPLS EM - TE MIB RFC 3812	443
CLI Access to MPLS EM - TE MIB RFC 3812 Information	448
Retrieving Information from the MPLS EM - TE MIB RFC 3812	448
How to Configure the MPLS EM - TE MIB RFC 3812	449
Enabling the SNMP Agent to Manage Various MPLS TE Tunnel Chars on the Local Router	449
Verifying the Status of the SNMP Agent	450
Examples	451
Configuration Examples for the MPLS EM - TE MIB RFC 3812	451
Enabling the SNMP Agent to Manage Various MPLS TE Tunnel Chars on the Local Router	
Example	451
Additional References	452
Feature Information for the MPLS EM - TE MIB RFC 3812	453
Glossary	454

CHAPTER 15

Point-to-Multipoint MPLS-TE MIB	457
Finding Feature Information	457
Restrictions for Point-to-Multipoint MPLS-TE MIB	458
Information About the Point-to-Multipoint MPLS-TE MIB	458
Point-to-Multipoint MPLS-TE MIB Cisco Implementation	458
Functionality Supported by the Point-to-Multipoint MPLS-TE MIB	458
Notification Generation Events for the Point-to-Multipoint MPLS-TE MIB	459

Supported Objects in the Point-to-Multipoint MPLS-TE MIB	459
How to Configure the Point-to-Multipoint MPLS-TE MIB	464
Configuring the Router to Send SNMP Notifications to a Host for Monitoring Point-to-Multipoint MPLS-TE	464
Additional References	466
Feature Information for Point-to-Multipoint MPLS-TE MIB	467

CHAPTER 16

MPLS-TP MIB	469
Finding Feature Information	469
Prerequisites for MPLS-TP MIB	470
Restrictions for MPLS-TP MIB	470
Information about MPLS-TP MIB	470
Overview of MPLS-TP MIB	470
CISCO-MPLS-TC-EXT-STD-MIB	470
CISCO-MPLS-ID-EXT-STD-MIB	471
MPLS LSR STD MIB	471
CISCO-MPLS-LSR-EXT-STD-MIB	475
MPLS-TE-STD-MIB and MPLS Draft TE MIB	476
CISCO-MPLS-TE-EXT-STD-MIB	479
How to Configure MPLS-TP MIB	481
Configuring MPLS-TP MIB	481
Enabling the SNMP Agent	481
Verifying the Status of the SNMP Agent	483
Configuration Examples for MPLS-TP MIB	483
Example Enabling the SNMP Agent	483
Example Verifying the Status of the SNMP Agent	484
Additional References	484
Feature Information for MPLS-TP MIB	485



CHAPTER

1

MPLS Enhancements to Interfaces MIB

This document describes the Multiprotocol Label Switching (MPLS) enhancements to the existing Interfaces MIB (RFC 2233) to support an MPLS layer. This layer provides counters and statistics specifically for MPLS.

- [Finding Feature Information, page 1](#)
- [Prerequisites for MPLS Enhancements to Interfaces MIB, page 1](#)
- [Restrictions for MPLS Enhancements to Interfaces MIB, page 2](#)
- [Information About MPLS Enhancements to Interfaces MIB, page 3](#)
- [How to Configure MPLS Enhancements to Interfaces MIB, page 9](#)
- [Configuration Examples for the MPLS Enhancements to Interfaces MIB, page 10](#)
- [Additional References, page 11](#)
- [Feature Information for MPLS Enhancements to Interfaces MIB, page 12](#)
- [Glossary, page 13](#)

Finding Feature Information

Your software release may not support all the features documented in this module. For the latest caveats and feature information, see [Bug Search Tool](#) and the release notes for your platform and software release. To find information about the features documented in this module, and to see a list of the releases in which each feature is supported, see the feature information table at the end of this module.

Use Cisco Feature Navigator to find information about platform support and Cisco software image support. To access Cisco Feature Navigator, go to www.cisco.com/go/cfn. An account on Cisco.com is not required.

Prerequisites for MPLS Enhancements to Interfaces MIB

- Simple Network Management Protocol (SNMP) must be installed and enabled on the label switching routers (LSRs)
- MPLS must be enabled on the LSRs

- MPLS IP must be enabled on an interface or an MPLS traffic engineering (TE) tunnel enabled on an interface

Restrictions for MPLS Enhancements to Interfaces MIB

- Link up and link down traps for the MPLS layer are not supported in this release.
- Write capability using the SNMP SET command is not supported for the MPLS layer in this release.
- Some counters, including discard and multicast, increment on the underlying physical layer; therefore, they equal 0 because they never reach the MPLS layer.
- The high-capacity counters for the MPLS layer interfaces of the Interfaces MIB contain 64 bits of counter data. In previous versions, the high capacity counters displayed 32 bits of counter data.

The following MIB objects are affected:

- ifHCInOctets
- ifHCOctets
- ifHCInUcastPkts
- ifHCOctets

When the 64-bit values are less than the value of 232, the 32-bit and 64-bit values are identical.

After the counter increases to more than 232, the counters are different; the 64-bit value is computed by the following formula:

$$X * (232) + Y$$

where:

- X is the number of times the 32-bit counter has rolled.
- Y is the residual value of the counter after the roll occurred. The Y value equals the 32-bit value.

When the high-capacity counter values are compared to their 32-bit values, there is a period of time that the counter values are not equal. The 64-bit values lag the 32-bit values when the counters poll the 32-bit hardware counters and computing the correct counter value. During the polling and computation interval, the following high-capacity counter values counters might be inconsistent:

- ifInOctets
- ifOutOctets
- ifInUcastPkts
- ifOutUcastPkts

The inconsistent values can occur if traffic is constantly flowing over an interface and a MIB walk is performed. The 32-bit value is correct at that moment. The 64-bit value lags slightly, because of the polling computations needed to generate it. Once traffic stops flowing over the interface, and a polling period has passed, the two counters are identical and correct.

The lag time depends on the following factors:

- The polling interval used by the Interfaces MIB. The less time the polling interval takes, the more accurate the value is.
- The size of the Interfaces MIB. A large MIB takes a long time to walk and might affect the values found at that instant.
- The number of computations needed to generate the 64-bit value. The number of MPLS-enabled interfaces increases the number of 64-bit counter values that need to be computed.

Information About MPLS Enhancements to Interfaces MIB

Feature Design of the MPLS Enhancements to Interfaces MIB

The Interfaces MIB (IF MIB) provides an SNMP-based method for managing interfaces. Each entry in the IF MIB establishes indexing, statistics, and stacking relationships among underlying physical interfaces, subinterfaces, and Layer 2 protocols that exist within Cisco software.

The enhancements add an MPLS layer to the IF MIB as a Layer 2 protocol to provide statistics for traffic encapsulated as MPLS on an interface. In this structure, MPLS-specific data such as MPLS-encapsulated traffic counters and the MPLS maximum transmission unit (MTU) resides on top of the underlying physical or virtual interface to allow separation from non-MPLS data.

The enhancements also allow you to display indexing, statistics, and stacking relationships using the `ifStackTable`. MPLS layer interfaces are stacked above the underlying physical or virtual interface that is actually forwarding the MPLS traffic. MPLS traffic engineering tunnels are then stacked above those MPLS layers.

The IF MIB supports several types of interfaces. A virtual interface that provides protocol statistics for MPLS-encapsulated traffic has been added. This interface is stacked above real Cisco interfaces or subinterfaces, such as Fast Ethernet (`fe0/1/0`) or ATM (`at1/1.1`).

Cisco software creates a corresponding MPLS layer above each interface capable of supporting MPLS when the MPLS encapsulation is enabled by issuing the `mpls ip` command in interface configuration mode.

You can also create the interface layer if you enable MPLS TE by using the `mpls traffic-eng tunnels` command in interface configuration mode.

**Note**

You must also issue these commands in global configuration mode for MPLS IP or MPLS TE to be enabled.

An IF MIB entry is created when you enable either MPLS IP or MPLS TE tunnels on an interface; the entry is removed when you disable both MPLS IP and MPLS TE.

ifStackTable Objects

The table below defines the `ifStackTable` objects.

Table 1: ifStackTable Objects and Definitions

Object	Definition
ifStackHigherLayer	The value of ifIndex corresponding to the higher sublayer of the relationship; that is, the sublayer that runs on top of the sublayer identified by the corresponding instance of the ifStackLowerLayer. Note Index objects are not accessible in a MIB walk. This value is part of the object identifier (OID) for every object in the ifStackTable.
ifStackLowerLayer	The value of ifIndex corresponding to the lower sublayer of the relationship; that is, the sublayer that runs below the sublayer identified by the corresponding instance of the ifStackHigherLayer. Note Index objects are not accessible in a MIB walk. This value is part of the OID for every object in the ifStackTable.
ifStackStatus	Used to create and delete rows in the ifStackTable; status is always active(1) for MPLS.

ifRcvAddressTable Objects

The table below defines the ifRcvAddressTable objects.


Note

Entries for the MPLS layer do not appear in the ifRcvAddressTable.

Table 2: ifRcvAddressTable Objects and Descriptions

Object	Definition
ifRcvAddressAddress	An address for which the system accepts packets and frames on this entry's interface. Note Index objects are not accessible in a MIB walk. This value is part of the OID for every object in the ifRcvAddressTable.
ifRcvAddressStatus	Used to create and delete rows in the ifRcvAddressTable.
ifRcvAddressType	Type of storage used for each entry in the ifRcvAddressTable.

Interfaces MIB Scalar Objects

The IF MIB supports the following scalar objects:

- **ifStackLastChange**--The value of sysUpTime at the time of the last change of the entire interface stack. A change of the interface stack is defined to be any creation, deletion, or change in value of any instance of ifStackStatus. If the interface stack has been unchanged since the last reinitialization of the local network management subsystem, then this object contains a zero value.
- **ifTableLastChange**--The value of sysUpTime at the time of the last creation or deletion of an entry in the ifTable. If the number of entries has been unchanged since the last reinitialization of the local network management subsystem, then this object contains a zero value.

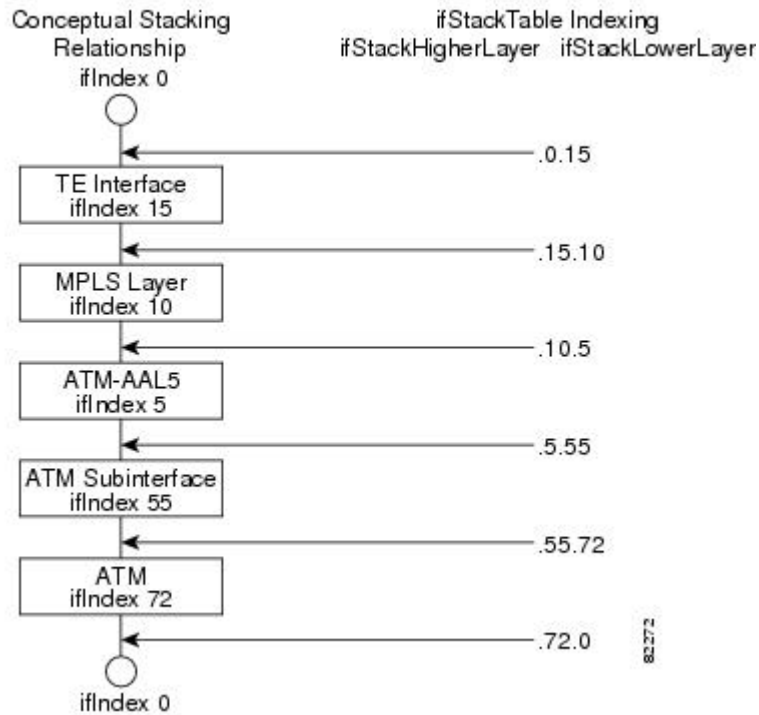
Stacking Relationships for MPLS Layer Interfaces

The ifStackTable within the IF MIB provides a conceptual stacking relationship between the interfaces and subinterfaces represented as entries in the ifTable.

The ifStackTable is indexed like a linked list. Each entry shows a relationship between two interfaces providing the ifIndexes of the upper and the lower interface. The entries chain together to show the entire stacking relationship. Each entry links with one another until the stack terminates with an ifIndex of 0 at the highest and lowest ends of the stack. For example, in the figure below, the indexes .10.5 show that ifIndex 10 is

stacked upon ifIndex 5. There are 0 entries at the highest and lowest ends of the stack; in the figure, the indexes .0.15 and .72.0 are the highest and lowest ends of the stack, respectively.

Figure 1: Sample ATM Stacking Relationship in the ifStackTable



The table below describes the indexing of the ifStackTable for the layer relationships shown in the figure above.



Note

The order of the entries in the table may not be the same as that seen in the MIB walk, which has to follow SNMP ordering rules.

Table 3: Layer Relationships

Layer Relationship (in Descending Order)	ifStackHigherLayer/ifStackLowerLayer
TE interface as top layer	.0.15
TE interface stacked upon MPLS layer	.15.10
MPLS layer stacked upon ATM-AAL5	.10.5
ATM-AAL5 layer stacked upon ATM subinterface	.5.55
ATM subinterface stacked upon ATM	.55.72

Layer Relationship (in Descending Order)	ifStackHigherLayer/ifStackLowerLayer
ATM as bottom layer	.72.0

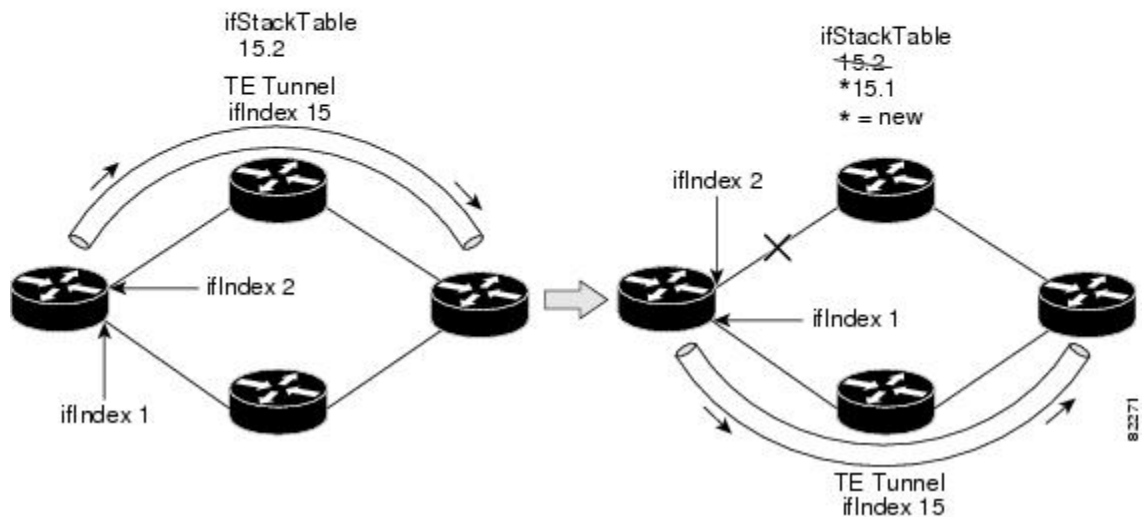
Stacking Relationships for Traffic Engineering Tunnels

MPLS TE tunnels are represented in Cisco software and the IF MIB as virtual interfaces. When properly signaled, TE tunnels pass traffic through MPLS over a physical interface. This process dictates that a TE tunnel is to be stacked on an MPLS layer that is stacked on an underlying interface.

TE tunnels can also change paths in response to different error or network conditions. These changes are instigated by using the RSVP-TE signaling protocol. When a change occurs, a tunnel can switch to a different MPLS interface. If no signaling path exists, no paths will be chosen and thus no MPLS interface will be used.

Because a TE tunnel is represented as an IF MIB ifTable entry, the ifStackTable also contains an entry corresponding to the TE tunnel. If the TE tunnel is successfully signaled, the ifStackTable also contains a link between the tunnel interface and one MPLS interface. Note that because it is possible for a TE tunnel to not have a corresponding signaled path, it is thus possible for a TE tunnel's ifStackTable entry to not have a corresponding lower layer. In this case, the lower layer variable contains the value of 0.

The figure below shows a TE tunnel before (left) and after (right) being rerouted and the effect on the ifStackTable. When ifIndex 2 fails, the TE tunnel is rerouted through ifIndex 1, the 15.2 entry is removed from the ifStackTable, and the 15.1 entry is added.



MPLS Label Switching Router MIB Enhancements

All of the ifIndex references in the MPLS-LSR-MIB tables have changed from the ifIndex of the underlying physical or virtual interface to the ifIndex of the MPLS layer.

The table below shows the specific changes.

Table 4: MPLS-LSR-MIB ifIndex Objects Enhanced

Table	ifIndex
MPLS interface configuration table (mplsInterfaceConfTable)	mplsInterfaceConfIndex
MPLS in-segment table (mplsInSegmentTable)	mplsInSegmentIfIndex
MPLS cross-connect table (mplsXCTable)	mplsInSegmentIfIndex
MPLS out-segment table (mplsOutSegmentTable)	mplsOutSegmentIfIndex

The following objects from the mplsInterfaceConfTable are affected:

- mplsInterfaceOutPackets--Count only MPLS-encapsulated out packets
- mplsInterfaceInPackets--Count only MPLS-encapsulated in packets

Benefits of the MPLS Enhancements to Interfaces MIB

Improved Accounting Capability

By viewing the MPLS layer, you get MPLS-encapsulated traffic counters that do not include non-MPLS encapsulated traffic (for example, IP packets). Therefore, the counters are more useful for MPLS-related statistics.

TE Tunnel Interfaces

For TE tunnel interfaces, the stacking relationship reflects the current underlying MPLS interface that is in use and dynamically changes as TE tunnels reoptimize and reroute.

MPLS-Specific Information

The MPLS layer shows MPLS-specific information including the following:

- If MPLS is enabled
- MPLS counters
- MPLS MTU
- MPLS operational status

How to Configure MPLS Enhancements to Interfaces MIB

Enabling the SNMP Agent

SUMMARY STEPS

1. **enable**
2. **show running-config**
3. **configure terminal**
4. **snmp-server community *string* [view *view-name*] [ro *number*]**
5. **end**
6. **write memory**
7. **show running-config**

DETAILED STEPS

	Command or Action	Purpose
Step 1	enable Example: Router> enable	Enables privileged EXEC mode. <ul style="list-style-type: none"> • Enter your password if prompted.
Step 2	show running-config Example: Router# show running-config	Displays the running configuration of the router so that you can determine if an SNMP agent is already running on the device. If no SNMP information is displayed, continue with the next step. If any SNMP information is displayed, you can modify the information or change it as desired.
Step 3	configure terminal Example: Router# configure terminal	Enters global configuration mode.
Step 4	snmp-server community <i>string</i> [view <i>view-name</i>] [ro <i>number</i>] Example: Router(config)# snmp-server community public ro	Configures read-only (ro) community strings for the MPLS Label Distribution Protocol (LDP) MIB. <ul style="list-style-type: none"> • The <i>string</i> argument functions like a password, permitting access to SNMP functionality on label switch routers (LSRs) in an MPLS network. • The optional ro keyword configures read-only (ro) access to the objects in the MPLS LDP MIB.

	Command or Action	Purpose
Step 5	end Example: Router(config)# end	Exits to privileged EXEC mode.
Step 6	write memory Example: Router# write memory	Writes the modified SNMP configuration into NVRAM of the router, permanently saving the SNMP settings.
Step 7	show running-config Example: Router# show running-config	Displays the running configuration of the router so that you can determine if an SNMP agent is already running on the device. If you see any snmp-server statements, SNMP has been enabled on the router. If any SNMP information is displayed, you can modify the information or change it as desired.

Configuration Examples for the MPLS Enhancements to Interfaces MIB

MPLS Enhancements to Interfaces MIB: Examples

The following example shows how to enable an SNMP agent:

```
Router# configure terminal
Router(config)# snmp-server community
```

In the following example, SNMPv1 and SNMPv2C are enabled. The configuration permits any SNMP manager to access all objects with read-only permissions using the community string *public*.

```
Router(config)# snmp-server community public
```

In the following example, read-only access is allowed for all objects to members of access list 4 that specify the comaccess community string. No other SNMP managers have access to any objects.

```
Router(config)# snmp-server community comaccess ro 4
```

Additional References

Related Documents

Related Topic	Document Title
SNMP commands	<i>Cisco IOS Network Management Command Reference</i>
SNMP configuration	“Configuring SNMP Support” in the <i>Network Management Configuration Guide</i> .
A description of SNMP agent support for the MPLS Traffic Engineering MIB (MPLS TE MIB)	MPLS Traffic Engineering (TE) MIB

Standards

Standards	Title
No new or modified standards are supported by this feature, and support for existing standards has not been modified by this feature.	--

MIBs

MIBs	MIBs Link
<i>Interfaces Group MIB (IF MIB)</i>	To locate and download MIBs for selected platforms, Cisco software releases, and feature sets, use Cisco MIB Locator found at the following URL: http://www.cisco.com/go/mibs

RFCs

RFCs	Title
RFC 1156	<i>Management Information Base for Network Management of TCP/IP-based internets</i>
RFC 1157	<i>A Simple Network Management Protocol (SNMP)</i>
RFC 1213	<i>Management Information Base for Network Management of TCP/IP-based internets: MIB-II</i>
RFC 1229	<i>Extensions to the Generic-Interface MIB</i>

RFCs	Title
RFC 2233	<i>Interfaces MIB</i>

Technical Assistance

Description	Link
<p>The Cisco Support website provides extensive online resources, including documentation and tools for troubleshooting and resolving technical issues with Cisco products and technologies.</p> <p>To receive security and technical information about your products, you can subscribe to various services, such as the Product Alert Tool (accessed from Field Notices), the Cisco Technical Services Newsletter, and Really Simple Syndication (RSS) Feeds.</p> <p>Access to most tools on the Cisco Support website requires a Cisco.com user ID and password.</p>	http://www.cisco.com/techsupport

Feature Information for MPLS Enhancements to Interfaces MIB

The following table provides release information about the feature or features described in this module. This table lists only the software release that introduced support for a given feature in a given software release train. Unless noted otherwise, subsequent releases of that software release train also support that feature.

Use Cisco Feature Navigator to find information about platform support and Cisco software image support. To access Cisco Feature Navigator, go to www.cisco.com/go/cfn. An account on Cisco.com is not required.

Table 5: Feature Information for MPLS Enhancements to Interfaces MIB

Feature Name	Releases	Feature Information
MPLS Enhancements to Interfaces MIB	12.0(23)S 12.3(8)T 12.2(33)SRA 12.2(33)SXH 12.2(33)SB Cisco IOS XE Release 2.1	<p>This document describes the Multiprotocol Label Switching (MPLS) enhancements to the existing Interfaces MIB (RFC 2233) to support an MPLS layer. This layer provides counters and statistics specifically for MPLS.</p> <p>In Cisco IOS Release 12.0(23)S, this feature was introduced.</p> <p>This feature was integrated into Cisco IOS Release 12.3(8)T.</p> <p>This feature was integrated into Cisco IOS Release 12.2(33)SRA.</p> <p>This feature was integrated into Cisco IOS Release 12.2(33)SXH.</p> <p>This feature was integrated into Cisco IOS Release 12.2(33)SB.</p> <p>In Cisco IOS XE Release 2.1, this feature was implemented on the Cisco ASR 1000 Series Aggregation Services Routers.</p> <p>The following command was introduced or modified: snmp-server community.</p>

Glossary

ATM -- Asynchronous Transfer Mode. The international standard for cell relay in which multiple service types (such as voice, video, or data) are conveyed in fixed-length (53-byte) cells. Fixed-length cells allow cell processing to occur in hardware, thereby reducing transit delays. ATM is designed to take advantage of high-speed transmission media, such as E3, SONET, and T3.

ATM-AAL5 --ATM adaptation layer 5. One of four AALs recommended by the ITU-T. AAL5 supports connection-oriented variable bit rate (VBR) services and is used predominantly for the transfer of classical IP over ATM and LAN emulation (LANE) traffic. AAL5 uses simple and efficient AAL (SEAL) and is the least complex of the current AAL recommendations. It offers low bandwidth overhead and simpler processing requirements in exchange for reduced bandwidth capacity and error-recovery capability.

encapsulation -- Wrapping of data in a particular protocol header. For example, Ethernet data is wrapped in a specific Ethernet header before network transit. Also, when bridging dissimilar networks, the entire frame from one network is simply placed in the header used by the data link layer protocol of the other network.

IETF --Internet Engineering Task Force. A task force (consisting of more than 80 working groups) that is developing standards for the Internet and the IP suite of protocols.

interface --The boundary between adjacent layers of the ISO model.

label --A short, fixed-length identifier that is used to determine the forwarding of a packet.

label switching--A term used to describe the forwarding of IP (or other network layer) packets using a label swapping algorithm based on network layer routing algorithms. The forwarding of these packets uses the exact match algorithm and rewrites the label.

LSR --label switching router. A device that forwards Multiprotocol Label Switching (MPLS) packets based on the value of a fixed-length label encapsulated in each packet.

MIB --Management Information Base. A database of network management information that is used and maintained by a network management protocol such as Simple Network Management Protocol (SNMP). The value of a MIB object can be changed or retrieved by means of SNMP commands, usually through a network management system. MIB objects are organized in a tree structure that includes public (standard) and private (proprietary) branches.

MPLS --Multiprotocol Label Switching. A method for forwarding packets (frames) through a network. It enables routers at the edge of a network to apply labels to packets (frames). ATM switches or existing routers in the network core can switch packets according to the labels with minimal lookup overhead.

MPLS interface--An interface on which Multiprotocol Label Switching (MPLS) traffic is enabled.

MTU --maximum transmission unit. Maximum packet size, in bytes, that a particular interface can handle.

NMS --network management system. System responsible for managing at least part of a network. An NMS is generally a reasonably powerful and well-equipped computer, such as an engineering workstation. NMSs communicate with agents to help keep track of network statistics and resources.

OID --object identifier. Values are defined in specific MIB modules. The Event MIB allows you or an NMS to watch over specified objects and to set event triggers based on existence, threshold, and Boolean tests. An event occurs when a trigger is fired; this means that a specified test on an object returns a value of true. To create a trigger, you or a network management system (NMS) configures a trigger entry in the `mteTriggerTable` of the Event MIB. This trigger entry specifies the OID of the object to be watched. For each trigger entry type, corresponding tables (existence, threshold, and Boolean tables) are populated with the information required for carrying out the test. The MIB can be configured so that when triggers are activated (fired) either a Simple Network Management Protocol (SNMP) Set is performed, a notification is sent out to the interested host, or both.

SNMP --Simple Network Management Protocol. A management protocol used almost exclusively in TCP/IP networks. SNMP provides a means for monitoring and controlling network devices, and for managing configurations, statistics collection, performance, and security.

traffic engineering tunnel--A label-switched tunnel that is used for traffic engineering. Such a tunnel is set up through means other than normal Layer 3 routing; it is used to direct traffic over a path different from the one that Layer 3 routing could cause the tunnel to take.

trap --A message sent by a Simple Network Management Protocol (SNMP) agent to a network management station, console, or terminal, indicating that a significant event occurred. Traps are less reliable than notification requests, because the receiver does not send an acknowledgment when it receives a trap. The sender cannot determine if the trap was received.

tunnel --A secure communication path between two peers, such as routers.



CHAPTER 2

MPLS Label Switching Router MIB

The MPLS Label Switching Router MIB (MPLS-LSR-MIB) allows you to use the Simple Network Management Protocol (SNMP) to remotely monitor a label switch router (LSR) that is using the Multiprotocol Label Switching (MPLS) technology.

Scalability enhancements provided in the Cisco IOS 12.0(28)S release reduce the size of any MIB walk and improve the usability of the MPLS-LSR-MIB.



Note

In Cisco IOS Release 12.2(33)SRB and Cisco IOS Release 12.2(33)SB, this MIB has been deprecated and replaced by MPLS-LSR-STD-MIB (RFC 3813). In those two releases and in later images, the entire MIB can be referenced by the name `mplsLsrMIB` for purposes of the SNMP server `excluded/included` command. If other MIB object names need to be referenced on the router, they must be referenced by `MPLS-LSR-MIB::<table_entry_name>`.

- [Finding Feature Information, page 15](#)
- [Information About MPLS Label Switching Router MIB, page 16](#)
- [How to Configure the MPLS LSR MIB, page 28](#)
- [Configuration Examples for the MPLS LSR MIB, page 30](#)
- [Additional References, page 31](#)
- [Feature Information for MPLS Label Switching Router MIB, page 32](#)
- [Glossary, page 34](#)

Finding Feature Information

Your software release may not support all the features documented in this module. For the latest caveats and feature information, see [Bug Search Tool](#) and the release notes for your platform and software release. To find information about the features documented in this module, and to see a list of the releases in which each feature is supported, see the feature information table at the end of this module.

Use Cisco Feature Navigator to find information about platform support and Cisco software image support. To access Cisco Feature Navigator, go to www.cisco.com/go/cfn. An account on Cisco.com is not required.

Information About MPLS Label Switching Router MIB

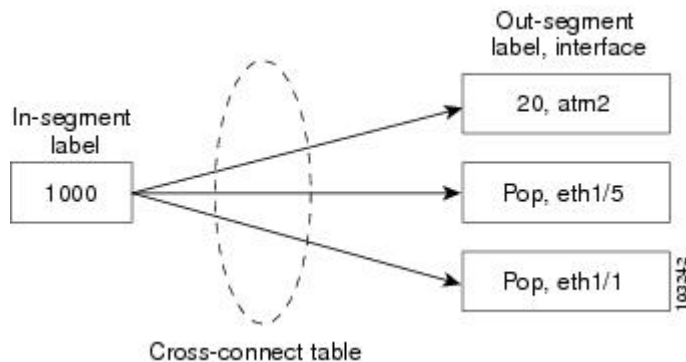
The MPLS-LSR-MIB contains managed objects that support the retrieval of label switching information from a router. The MIB is based on Revision 05 of the IETF MPLS-LSR-MIB. The MPLS-LSR-MIB mirrors a portion of the Cisco MPLS subsystem; specifically, it mirrors the Label Forwarding Information Base (LFIB). This implementation enables a network administrator to get information on the status, character, and performance of the following:

- MPLS-capable interfaces on the LSR
- Incoming MPLS segments (labels) at an LSR and their associated parameters
- Outgoing segments (labels) at an LSR and their associated parameters

In addition, the network administrator can retrieve the status of cross-connect table entries that associate MPLS segments with each other.

The figure below shows the association of the cross-connect table with incoming and outgoing segments (labels).

Figure 2: Label Forwarding with the Cross-Connect Table



Note

The out-segment table does not display “no label” entries. Labels that are displayed as “POP” are the special MPLS label 3.

The notation used in the MPLS-LSR-MIB follows the conventions defined in Abstract Syntax Notation One (ASN.1). ASN.1 defines an Open System Interconnection (OSI) language used to describe data types apart from particular computer structures and presentation techniques. Each object in the MIB incorporates a DESCRIPTION field that includes an explanation of the object’s meaning and usage, which, together with the other characteristics of the object (SYNTAX, MAX-ACCESS, and INDEX) provides sufficient information for management application development, as well as for documentation and testing.

The MPLS-LSR-MIB represents an ASN.1 notation reflecting an idealized MPLS LSR.

A network administrator can access the entries (objects) in the MPLS-LSR-MIB by means of any SNMP-based network management system (NMS). The network administrator can retrieve information in the MPLS-LSR-MIB using standard SNMP **get** and **getnext** operations.

Typically, SNMP runs as a low-priority process. The response time for the MPLS-LSR-MIB is expected to be similar to that for other MIBs. The size and structure of the MIB and other MIBs in the system influence response time when you retrieve information from the management database. Traffic through the LSR also affects SNMP performance. The busier the switch is with forwarding activities, the greater the possibility of lower SNMP performance.

MPLS-LSR-MIB Elements

The top-level components of the MPLS-LSR-MIB consist of

- Tables and scalars (mplsLsrObjects)
- Traps (mplsLsrNotifications and mplsLsrNotifyPrefix)
- Conformance (mplsLsrConformance)

This Cisco implementation does not support the notifications defined in the MIB, nor does it support the labelStackTable or the trafficParamTable.

MPLS-LSR-MIB Tables

The Cisco implementation of the MPLS-LSR-MIB supports four main tables:

- Interface configuration
- In-segment
- Out-segment
- Cross-connect

The MIB contains three supplementary tables to supply performance information. This implementation does not support the label stack and traffic parameter tables.

The following sections list the MPLS-LSR-MIB tables (main and supplementary), their functions, table objects that are supported, and table objects that are *not* supported.

MPLS interface configuration table (mplsInterfaceConfTable)

Provides information for each MPLS-capable interface on an LSR.

Supports:

- A unique interface index or zero
- Minimum and maximum values for an MPLS label received on the interface
- Minimum and maximum values for an MPLS label sent from the interface
- A value for an MPLS label sent from the interface
- Per platform (0) or per interface (1) setting
- The storage type

Does not support:

- The total usable bandwidth on the interface
- The difference between the total usable bandwidth and the bandwidth in use

MPLS interface performance table (mplsInterfacePerfTable)

Augments the MPLS interface configuration table.

Supports:

- The number of labels in the incoming direction in use
- The number of top-most labels in outgoing label stacks in use

Does not support:

- The number of top-most labels in outgoing label stacks in use
- The number of labeled packets discarded because no cross-connect entries exist
- The number of outgoing MPLS packets requiring fragmentation for transmission

MPLS in-segment table (mplsInSegmentTable)

Contains a description of incoming segments (labels) at an LSR and their associated parameters.

Administrative and operational status objects for this table control packet transmission. If administrative and operational status objects are down, the LSR does not forward packets. If these status objects are up, the LSR forwards packets.

Supports:

- A unique index identifier
- The incoming label
- The number of labels to pop from the incoming segment
- An address family number from the Internet Assigned Number Authority (IANA)
- A segment cross-connect entry association
- The segment owner
- The storage type
- The administrative status
- The operational status



Note

The administrative status and operational status are always up for inSegments in the Cisco implementation. Otherwise, these entries do not appear in the table.

Does not support:

- A pointer to a traffic parameter table entry (set to the default 0.0)

MPLS in-segment performance table (mplsInSegmentPerfTable)

Augments the MPLS in-segment table, providing performance information and counters for incoming segments on an LSR.

Supports:

- The number of 32-bit octets received
- The number of 64-bit octets received
- The time of the last system failure that corresponded to one or more incoming segment discontinuities

**Note**

The lastFailure parameter is set to zero because it has no meaning in the Cisco implementation.

Does not support:

- The total number of packets received
- The number of packets with errors
- The number of labeled packets discarded with no errors

MPLS out-segment table (mplsOutSegmentTable)

Contains a description of outgoing segments from an LSR and their associated parameters.

Administrative and operational status objects for this table control packet transmission. If administrative and operational status objects are down, the LSR does not forward packets. If these values are up, the LSR forwards packets.

Supports:

- A unique index identifier
- An interface index of the outgoing interface
- An indication of whether or not a top label is pushed onto the outgoing packet's label stack
- The label to push onto the outgoing packet's label stack (if the previous value is true)
- The next hop address type
- The IPv4 address of the next hop
- The segment cross-connect entry association
- The segment owner
- The storage type
- The administrative status
- The operational status

**Note**

The administrative and operational status entries are always up in the Cisco implementation. Otherwise, the administrative and operational status entries do not appear in the table.

Does not support:

- An IPv6 address of the next hop
- A pointer to a traffic parameter table entry (set to the default 0.0)

MPLS out-segment performance table (mplsOutSegmentPerfTable)

Augments the MPLS out-segment table, providing performance information and counters for outgoing segments on an LSR.

Supports:

- The number of 32-bit octets sent
- The number of 64-bit octets sent
- The time of the last system failure that corresponded to one or more outgoing segment discontinuities

Does not support:

- The number of packets sent
- The number of packets that could not be sent because of errors
- The number of packets discarded with no errors

MPLS cross-connect table (mplsXCTable)

Associates inSegments (labels) with outSegments (labels) to show the manager how the LSR is currently swapping these labels.

A row in this table consists of one cross-connect entry that is indexed by the cross-connect index, the interface index of the incoming segment, the incoming label, and the out-segment index.

The administrative and operational objects for this table control packet forwarding to and from a cross-connect entry (XCEntry). The administrative status and operational status are always up in the Cisco implementation. Otherwise, the LSR would not forward packets.

Supports:

- A unique index identifier for a group of cross-connect segments
- A label switched path (LSP) to which the cross-connect entry belongs
- An index to the MPLS label stack table that identifies the stack of labels to be pushed under the top label
- An indication whether or not to restore the cross-connect entry after a failure (the default value is false)
- The cross-connect owner
- The storage type
- The administrative status (if up)
- The operational status (if up)

**Note**

The administrative status and operational status are always up in the Cisco implementation. Otherwise, these status entries do not appear in the table.

Does not support:

- Tunnel IDs as label switched path (LSP) ID objects

Information from Scalar Objects

The MPLS-LSR-MIB supports several scalar objects. In the Cisco implementation of the MIB, the following scalar objects are hard-coded to the value indicated and are read-only objects:

- `mplsOutSegmentIndexNext (0)`--The value for the out-segment index when an LSR creates a new entry in the MPLS out-segment table. The 0 indicates that this is not implemented because modifications to this table are not allowed.
- `mplsXCTIndexNext (0)`--The value for the cross-connect index when an LSR creates an entry in the MPLS cross-connect table. The 0 indicates that no unassigned values are available.
- `mplsMaxLabelDepth(2)`--The value for the maximum stack depth.
- `mplsLabelStackIndexNext (0)`--The value for the label stack index when an LSR creates entries in the MPLS label stack table. The 0 indicates that no unassigned values are available.
- `mplsTrafficParamIndexNext (0)`--The value for the traffic parameter index when an LSR creates entries in the MPLS traffic parameter table. The 0 indicates that no unassigned values are available.

The following scalar objects do not contain information for the MPLS-LSR-MIB and are coded as false:

- `mplsInSegmentTrapEnable (false)`--In-segment traps are not sent when this value is false.
- `mplsOutSegmentTrapEnable (false)`--Out-segment traps are not sent when this value is false.
- `mplsXCTrapEnable (false)`--Cross-connect traps are not sent when this value is false.

No trap information exists to support the MIB. Therefore, the following traps are not supported:

- `mplsInSegmentUp`
- `mplsInSegmentDown`
- `mplsOutSegmentUp`
- `mplsOutSegmentDown`
- `mplsXCUp`
- `mplsXCDown`

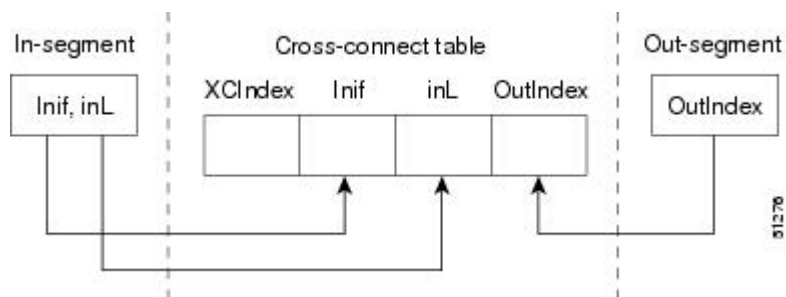
Linking Table Elements

In the cross-connect table, cross-connect entries associate incoming segments and interfaces with outgoing segments and interfaces. The following objects index the cross-connect entry:

- Cross-connect index--A unique identifier for a group of cross-connect entries in the cross-connect table. In the Cisco implementation, this value is always the same as that for the outSegmentIndex, unless there is no label or if the label has been popped.
- Interface index of the in-segment--A unique index for an entry in the in-segment table that represents an incoming MPLS interface. The value 0 means platform wide, for any entries that apply to all interfaces.
- Incoming label--An entry in the in-segment table that represents the label on the incoming packet.
- Out-segment index--A unique identifier for an entry in the out-segment table that contains a top label for the outgoing packet's label stack and an interface index of the outgoing interface.

The figure below shows the links between the in-segment and the out-segment in the cross-connect table.

Figure 3: Cross-Connect Table Links



The table below shows the cross-connect table links you might see in the output from SNMP **get** operations on the MPLS-LSR-MIB objects that index a cross-connect entry. These objects include

- In-Segment Values--mplsInSegmentIfIndex and mplsInSegmentLabel
- Cross-Connect Entry--mplsXCIndex
- Out-Segment Values--mplsOutSegmentIndex

Table 6: MPLS LSR Output Showing Cross-Connect Table Links

In-Segment Values	Cross-Connect Entry	Out-Segment Values
0 ¹ , 1000	500 ² , 0, 1000, 0	--
	501, 0, 1000, 501	501 = Pop (topLabel), Eth 1/5
	502, 0, 1000, 502	502 = Pop (topLabel), Eth, 1/1

¹ All MPLS-enabled interfaces can receive incoming labels.

² For this implementation of the MPLS-LSR-MIB, the cross-connect index and the out-segment index are the same. If there is no outsegment, the value will be zero.

**Note**

The OutSegmentIndex object is not the label. The label can be retrieved from the mplsOutSegmentTopLabel object.

Interface Configuration Table and Interface MIB Links

The MPLS interface configuration table lists interfaces that support MPLS technology. An LSR creates an entry dynamically in this table for each MPLS-capable interface. An interface becomes MPLS-capable when MPLS is enabled on that interface. A non-zero index for an entry in this table points to the ifIndex for the corresponding interface entry in the MPLS-layer in the ifTable of the Interfaces Group MIB.

The ifTable contains information on each interface in the network. Its definition of an interface includes any sublayers of the internetwork layer of the interface. MPLS interfaces fit into this definition of an interface. Therefore, each MPLS-enabled interface is represented by an entry in the ifTable.

The interrelation of entries in the ifTable is defined by the interfaces stack group of the Interfaces Group MIB. The figure below shows how the stack table might appear for MPLS interfaces. The underlying layer refers to any interface that is defined for MPLS internetworking, for example, ATM, Frame Relay, or Ethernet.

Figure 4: Interface Group MIB Stack Table for MPLS Interfaces

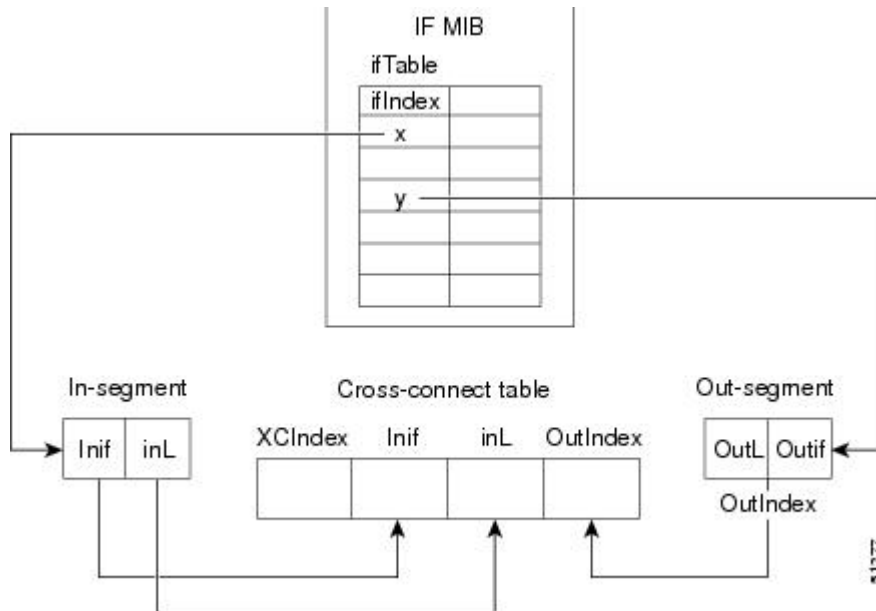
MPLS-interface ifType = mpls(166)	51273
Underlying Layer . . .	

**Note**

Tunnel interfaces are included in the MPLS list for the current implementation.

The incoming and outgoing packets include a reference to the interface index for the ifTable of the Interfaces Group MIB. The figure below shows the links between MPLS-LSR-MIB objects and the Interfaces Group MIB.

Figure 5: MPLS-LSR-MIB and Interfaces Group MIB Links



- For the Interfaces Group MIB (IF MIB):
 - ifTable represents the MPLS interface table.
 - ifIndex represents the index to an entry in the MPLS interface table.
- For the In-segment:
 - Inif represents the interface on the incoming segment (references an index entry in the ifTable).
 - inL represents the label on the incoming segment.
- For the Out-segment:
 - OutL represents the label on the outgoing segment.
 - Outif represents the interface on the outgoing segment (references an index entry in the ifTable).
- For the Cross-connect table:
 - XCIndex represents the index to an entry in the MPLS cross-connect table.
 - Inif represents the interface on the incoming segment.
 - inL represents the MPLS label on the incoming segment.
 - OutIndex represents an index to an entry in the MPLS out-segment table.

Using the MPLS-LSR-MIB

The MPLS-LSR-MIB enables you to display the contents of the MPLS Label Forwarding Information Base (LFIB). It gives you the same information that you can obtain using the CLI command **show mpls forwarding-table**.

However, the MPLS-LSR-MIB approach offers these advantages over the CLI command approach:

- A more efficient use of network bandwidth
- Greater interoperability among vendors
- Greater security (SNMP Version 3)

The following paragraphs describe the MPLS-LSR-MIB structure and show, through the use of an example, how the two approaches to the information display compare.

MPLS-LSR-MIB Structure

MIB structure is represented by a tree hierarchy. Branches along the tree have short text strings and integers to identify them. Text strings describe object names, and integers allow computer software to encode compact representations of the names.

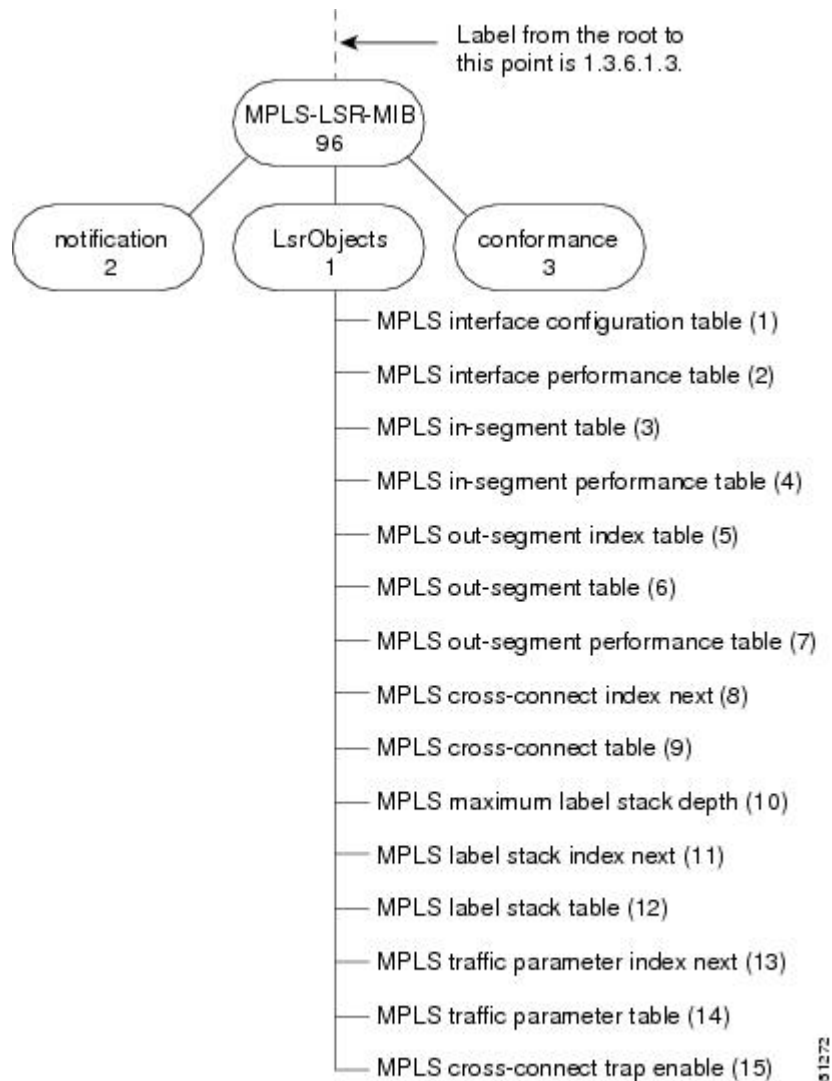
The MPLS-LSR-MIB falls on the experimental branch of the Internet MIB hierarchy. The experimental branch of the Internet MIB hierarchy is represented by the object identifier 1.3.6.1.3. This branch can also be represented by its object name *iso.org.dod.internet.experimental*. The MPLS-LSR-MIB is identified by the object name *mplsLsrMIB*, which is denoted by the number 96. Therefore, objects in the MPLS-LSR-MIB can be identified in either of the following ways:

- The object identifier--1.3.6.1.3.96.[MIB-variable]
- The object name--*iso.org.dod.internet.experimental.mplsLsrMIB*. [MIB-variable]

To display a *MIB-variable*, you enter an SNMP **get** command with an object identifier. Object identifiers are defined by the MPLS-LSR-MIB.

The figure below shows the position of the MPLS-LSR-MIB in the Internet MIB hierarchy.

Figure 6: MPLS-LSR-MIB in the Internet MIB Hierarchy



CLI Commands and the MPLS-LSR-MIB

The MPLS LFIB is the component of the Cisco MPLS subsystem that contains management information for LSRs. You can access this management information by means of either of the following:

- Using the **show mpls forwarding-table** CLI command
- Entering SNMP **get** commands on a network manager

The following examples show how you can gather LSR management information using both methods.

CLI Command Output

A **show mpls forwarding-table** CLI command allows you to look at label forwarding information for a packet on a specific MPLS LSR.

```
Router# show mpls forwarding-table
Local  Outgoing  Prefix          Bytes Tag      Outgoing  Next Hop
Tag    Tag or VC  or Tunnel Id    Switched       interface
19     Pop Tag    10.3.4.0/24     0              Et1/4      10.22.23.23
22     23        14.14.14.14/32 0              AT2/0.1    point2point
      1/36      14.14.14.14/32 0              AT2/0.2    point2point
```

MPLS-LSR-MIB Output

SNMP commands on MIB objects also allow you to look at the label forwarding information for a specific MPLS LSR.

You can do a walk-through of the MIB by running a command such as **getmany -v2c public mplsLsrMIB** on a network manager where **getmany** does repeated SNMP **getnext** operations to retrieve the contents of the MPLS-LSR-MIB.

```
mplsXCOperStatus.9729.0.19.9729 = up(1)
mplsXCOperStatus.11265.0.22.11265 = up(1)
mplsXCOperStatus.11266.0.22.11266 = up(1)
```

You can continue to scan the output of the **getmany** command for the following (from the MPLS out-segment table):

- Out-segment's top label objects (mplsOutSegmentTopLabel)

```
mplsOutSegmentTopLabel.9729 = 3
mplsOutSegmentTopLabel.11265 = 23
mplsOutSegmentTopLabel.11266 = 65572
```



Note

65572 is 1/36 in label form (1 is the high-order 16 bits, 36 is the low-order 16 bits.)

- Out-segment's interface index (mplsOutSegmentIfIndex)

```
mplsOutSegmentIfIndex.9729 = 7
mplsOutSegmentIfIndex.11265 = 28
mplsOutSegmentIfIndex.11266 = 31
```

Benefits

The benefits described in the following paragraphs are available to you with the MPLS-LSR-MIB.

Troubleshooting LSR Problems

By monitoring the cross-connect entries and the associated incoming and outgoing segments, you can see which labels are installed and how they are being swapped. Use the MPLS-LSR-MIB in place of the **show mpls forwarding** CLI command.

Monitoring of LSR Traffic Loads

By monitoring interface and packet operations on an MPLS LSR, you can identify high- and low-traffic patterns, as well as traffic distributions.

Improvement of Network Performance

By identifying potentially high-traffic areas, you can set up load sharing to improve network performance.

Verification of LSR Configuration

By comparing results from SNMP **get** commands and the **show mpls forwarding** CLI command, you can verify your LSR configuration.

Displaying of Active Label Switched Paths

By monitoring the cross-connect entries and the associated incoming segments and outgoing segments, you can determine the active LSPs.

How to Configure the MPLS LSR MIB

Prerequisites

The MPLS-LSR-MIB requires the following:

- SNMP installed and enabled on the LSR
- MPLS enabled on the LSR
- 60K of memory

**Note**

Additional capacity is not required for runtime dynamic random-access memory (DRAM).

Enabling the SNMP Agent

The SNMP agent for the MPLS-LSR-MIB is disabled by default. To enable the SNMP agent, perform the following steps:

SUMMARY STEPS

1. **enable**
2. **show running-config**
3. **configure terminal**
4. **snmp-server community** *string* [**view** *view-name*] [**ro**] [*number*]
5. **end**
6. **copy running-config startup-config**

DETAILED STEPS

	Command or Action	Purpose
Step 1	enable Example: Router> enable	Enables privileged EXEC mode. <ul style="list-style-type: none"> • Enter your password if prompted.
Step 2	show running-config Example: Router# show running-config	Displays the running configuration of the router to determine if an SNMP agent is already running on the device. If no SNMP information is displayed, continue with the next step. If any SNMP information is displayed, you can modify the information or change it as desired.
Step 3	configure terminal Example: Router# configure terminal	Enters global configuration mode.
Step 4	snmp-server community <i>string</i> [view <i>view-name</i>] [ro] [<i>number</i>] Example: Router(config)# snmp-server community public ro	Configures read-only (ro) SNMP community strings. This command enables the SNMP agent and permits any SNMP manager to access all objects with read-only permission using the community string public.
Step 5	end Example: Router(config)# end	Exits to privileged EXEC mode.
Step 6	copy running-config startup-config Example: Router# copy running-config startup-config	Copies the modified SNMP configuration into router NVRAM, permanently saving the SNMP settings. When you are working with Cisco IOS Release 10.3 or earlier, use the write memory command.

Verifying That the SNMP Agent Has Been Enabled

To verify that the SNMP agent has been enabled, perform the following steps:

SUMMARY STEPS

1. Access the router through a Telnet session:
2. Enter privileged mode:
3. Display the running configuration and look for SNMP information:

DETAILED STEPS

Step 1 Access the router through a Telnet session:

Example:

```
Prompt# telnet xxx.xxx.xxx.xxx
```

where `xxx.xxx.xxx.xxx` represents the IP address of the target device.

Step 2 Enter privileged mode:

Example:

```
Router# enable
```

Step 3 Display the running configuration and look for SNMP information:

Example:

```
Router# show running-configuration
...
...
snmp-server community public RO
```

If you see any “snmp-server” statements, SNMP has been enabled on the router.

Configuration Examples for the MPLS LSR MIB

The following example shows how to enable an SNMP agent.

```
configure terminal
snmp-server community
```

In the following example, SNMPv1 and SNMPv2C are enabled. The configuration permits any SNMP manager to access all objects with read-only permissions using the community string *public* .

```
configure terminal
snmp-server community public
```

In the following example, read-only access is allowed for all objects to members of access list 4 that specify the *comaccess* community string. No other SNMP managers have access to any objects.

```
configure terminal
snmp-server community comaccess ro 4
```

Additional References

Related Documents

Related Topic	Document Title
Configuring SNMP using Cisco IOS software	<ul style="list-style-type: none"> • <i>Network Management Configuration Guide . Configuring SNMP Support</i> • Network Management Command Reference, SNMP Commands

Standards

Standard	Title
draft-ietf-mpls-lsr-mib-05.txt	MPLS Label Switch Router Management Information Base Using SMIV2
draft-ietf-mpls-arch-07.txt	Multiprocol Label Switching Architecture

MIBs

MIBs	MIBs Link
<ul style="list-style-type: none"> • MPLS Label Switching Router MIB (MPLS-LSR-MIB) 	<p>To locate and download MIBs for selected platforms, Cisco software releases, and feature sets, use Cisco MIB Locator found at the following URL:</p> <p>http://www.cisco.com/go/mibs</p>

RFCs

RFCs	Title
The LSR implementation supporting the MPLS-LSR-MIB is in full compliance with all provisions of Section 10 of RFC 2026.	<i>The Internet Standards Process</i>

Technical Assistance

Description	Link
<p>The Cisco Technical Support website contains thousands of pages of searchable technical content, including links to products, technologies, solutions, technical tips, and tools. Registered Cisco.com users can log in from this page to access even more content.</p> <p>The Cisco Support website provides extensive online resources, including documentation and tools for troubleshooting and resolving technical issues with Cisco products and technologies.</p> <p>To receive security and technical information about your products, you can subscribe to various services, such as the Product Alert Tool (accessed from Field Notices), the Cisco Technical Services Newsletter, and Really Simple Syndication (RSS) Feeds.</p> <p>Access to most tools on the Cisco Support website requires a Cisco.com user ID and password.</p>	<p>http://www.cisco.com/techsupport</p>

Feature Information for MPLS Label Switching Router MIB

The following table provides release information about the feature or features described in this module. This table lists only the software release that introduced support for a given feature in a given software release train. Unless noted otherwise, subsequent releases of that software release train also support that feature.

Use Cisco Feature Navigator to find information about platform support and Cisco software image support. To access Cisco Feature Navigator, go to www.cisco.com/go/cfn. An account on Cisco.com is not required.

Table 7: Feature Information for MPLS Label Switching Router MIB

Feature Name	Releases	Feature Information
MPLS Label Switching Router MIB	12.0(14)ST 12.2(2)T 12.0(22)S 12.2(14)S 12.2(25)S 12.0(28)S 12.2(33)SRB 12.2(33)SB	<p>The MPLS Label Switching Router MIB (MPLS-LSR-MIB) allows you to use the Simple Network Management Protocol (SNMP) to remotely monitor a label switch router (LSR) that is using the Multiprotocol Label Switching (MPLS) technology.</p> <p>This feature was introduced on Cisco IOS Release 12.0(14)ST.</p> <p>This feature was integrated into Cisco IOS Release 12.2(2)T.</p> <p>This feature was implemented on the Cisco 12000 series routers and integrated into Cisco IOS Release 12.0(22)S.</p> <p>This feature was integrated into Cisco IOS Release 12.2(14)S and implemented on Cisco 7200 and Cisco 7500 series routers.</p> <p>This feature was updated to include scalability enhancements in Cisco IOS Release 12.0(28)S.</p> <p>In Cisco IOS Release 12.2(25)S, this feature was updated to work in the MPLS High Availability environment with the Cisco 7500 series routers.</p> <p>In Cisco IOS Release 12.2(33)SRB, this MIB has been deprecated and replaced by MPLS-LSR-STD-MIB (RFC 3813).</p> <p>In Cisco IOS Release 12.2(33)SB, this MIB has been deprecated and replaced by MPLS-LSR-STD-MIB (RFC 3813).</p> <p>No commands were introduced or modified.</p>

Glossary

cross-connect (XC) --An association of in-segments and incoming Multiprotocol Label Switching (MPLS) interfaces to out-segments and outgoing MPLS interfaces.

IETF --Internet Engineering Task Force. A task force (consisting of more than 80 working groups) that is developing standards for the Internet and the IP suite of protocols.

inSegment --A label on an incoming packet that is used to determine the forwarding of the packet.

Internet Engineering Task Force --See IETF.

label --A short, fixed length identifier that is used to determine the forwarding of a packet.

Label Distribution Protocol --See LDP.

label switched path --See LSP.

label switching --Describes the forwarding of IP (or other network layer) packets by a label swapping algorithm based on network layer routing algorithms. The forwarding of these packets uses the exact match algorithm and rewrites the label.

label switch router --See LSR.

LDP --Label Distribution Protocol. A standard protocol that operates between Multiprotocol Label Switching (MPLS)-enabled routers to negotiate the labels (addresses) used to forward packets. The Cisco proprietary version of this protocol is the Tag Distribution Protocol (TDP).

LSP --label switched path. A sequence of hops in which a packet travels from one router to another router by means of label switching mechanisms. A label switched path can be established dynamically, based on normal routing mechanisms, or through configuration.

LSR --label switch router. A device that forwards Multiprotocol Label Switching (MPLS) packets based on the value of a fixed-length label encapsulated in each packet.

Management Information Base --See MIB.

MIB --Management Information Base. A database of network management information that is used and maintained by a network management protocol such as Simple Network Management Protocol (SNMP). The value of a MIB object can be changed or retrieved by means of SNMP commands, usually through a network management system. MIB objects are organized in a tree structure that includes public (standard) and private (proprietary) branches.

MPLS --Multiprotocol Label Switching. A switching method that forwards IP traffic through use of a label. This label instructs the routers and the switches in the network where to forward the packets. The forwarding of MPLS packets is based on preestablished IP routing information.

MPLS interface --An interface on which Multiprotocol Label Switching (MPLS) traffic is enabled.

Multiprotocol Label Switching --See MPLS.

notification request --A message sent by a Simple Network Management Protocol (SNMP) agent to a network management station, console, or terminal, indicating that a significant event occurred. SNMP notification requests are more reliable than traps, because a notification request from an SNMP agent requires that the SNMP manager acknowledge receipt of the notification request. The manager replies with an SNMP response protocol data unit (PDU). If the manager does not receive a notification message from an SNMP agent, it does not send a response. If the sender (SNMP agent) never receives a response, the notification request can be sent again.

outSegment --A label on an outgoing packet.

Simple Network Management Protocol --See SNMP.

SNMP --Simple Network Management Protocol. A management protocol used almost exclusively in TCP/IP networks. SNMP provides a means for monitoring and controlling network devices, and for managing configurations, statistics collection, performance, and security.

trap --A message sent by a Simple Network Management Protocol (SNMP) agent to a network management station, console, or terminal, indicating that a significant event occurred. Traps are less reliable than notification requests, because the receiver does not send an acknowledgment when it receives a trap. The sender cannot determine if the trap was received.



Note

Refer to the Cisco [Dictionary of Internetworking Terms and Acronyms](#) for terms not included in this glossary.



MPLS LSP Ping Traceroute for LDP TE and LSP Ping for VCCV

The MPLS LSP Ping/Traceroute for LDP/TE, and LSP Ping for VCCV feature helps service providers monitor label switched paths (LSPs) and quickly isolate Multiprotocol Label Switching (MPLS) forwarding problems.

The feature provides the following capabilities:

- MPLS LSP ping to test LSP connectivity for IPv4 Label Distribution Protocol (LDP) prefixes, Resource Reservation Protocol (RSVP) traffic engineering (TE), and Any Transport over MPLS (AToM) forwarding equivalence classes (FECs).
- MPLS LSP traceroute to trace the LSPs for IPv4 LDP prefixes and RSVP TE prefixes.
- [Finding Feature Information, page 37](#)
- [Prerequisites for MPLS LSP Ping Traceroute for LDP TE and LSP Ping for VCCV, page 38](#)
- [Restrictions for MPLS LSP Ping Traceroute for LDP TE and LSP Ping for VCCV, page 38](#)
- [Information About MPLS LSP Ping Traceroute for LDP TE and LSP Ping for VCCV, page 39](#)
- [How to Configure MPLS LSP Ping Traceroute for LDP TE and LSP Ping for VCCV, page 51](#)
- [Configuration Examples for MPLS LSP Ping Traceroute for LDP TE and LSP Ping for VCCV, page 70](#)
- [Additional References, page 93](#)
- [Feature Information for MPLS LSP Ping Traceroute for LDP TE and LSP Ping for VCCV, page 94](#)
- [Glossary, page 97](#)

Finding Feature Information

Your software release may not support all the features documented in this module. For the latest caveats and feature information, see [Bug Search Tool](#) and the release notes for your platform and software release. To find information about the features documented in this module, and to see a list of the releases in which each feature is supported, see the feature information table at the end of this module.

Use Cisco Feature Navigator to find information about platform support and Cisco software image support. To access Cisco Feature Navigator, go to www.cisco.com/go/cfn. An account on Cisco.com is not required.

Prerequisites for MPLS LSP Ping Traceroute for LDP TE and LSP Ping for VCCV

Before you use the MPLS LSP Ping/Traceroute for LDP/TE, and LSP Ping for VCCV feature, you should:

- Determine the baseline behavior of your MPLS network. For example:
 - Expected MPLS experimental (EXP) treatment.
 - Expected maximum size packet or maximum transmission unit (MTU) of the LSP.
 - The topology, expected label switched path, and number of links in the LSP. Trace the paths of the label switched packets including the paths for load balancing.
- Understand how to use MPLS and MPLS applications. You need to:
 - Know how LDP is configured.
 - Understand AToM concepts.
- Understand label switching, forwarding, and load balancing.

Before using the **ping mpls** or **trace mpls** command, you must ensure that the router is configured to encode and decode MPLS echo packets in a format that all receiving routers in the network can understand.

Restrictions for MPLS LSP Ping Traceroute for LDP TE and LSP Ping for VCCV

- You cannot use MPLS LSP traceroute to trace the path taken by AToM packets. MPLS LSP traceroute is not supported for AToM. (MPLS LSP ping is supported for AToM.) However, you can use MPLS LSP traceroute to troubleshoot the Interior Gateway Protocol (IGP) LSP that is used by AToM.
- You cannot use MPLS LSP ping to validate or trace MPLS Virtual Private Networks (VPNs).
- You cannot use MPLS LSP traceroute to troubleshoot LSPs that employ time-to-live (TTL) hiding.
- MPLS supports per-destination and per-packet (round robin) load balancing. If per-packet load balancing is in effect, you should not use MPLS LSP traceroute because LSP traceroute at a transit router consistency checks the information supplied in the previous echo response from the directly connected upstream router. When round robin is employed, the path that an echo request packet takes cannot be controlled in a way that allows a packet to be directed to TTL expire at a given router. Without that ability, the consistency checking may fail during an LSP traceroute. A consistency check failure return code may be returned.
- A platform must support LSP ping and traceroute in order to respond to an MPLS echo request packet.
- Unless the MPLS LSP Ping/Traceroute for LDP/TE, and LSP Ping for VCCV feature is enabled along the entire path, you cannot get a reply if the request fails along the path at any node.

- There are certain limitations when a mixture of draft versions are implemented within a network. The version of the draft must be compatible with Cisco's implementation. Due to the way the LSP Ping draft was written, earlier versions may not be compatible with later versions because of changes to type, length, values (TLVs) formats without sufficient versioning information. Cisco attempts to compensate for this in its implementations by allowing the sending and responding routers to be configured to encode and decode echo packets assuming a certain version.
- If you want to use MPLS LSP traceroute, the network should not use TTL hiding.

Information About MPLS LSP Ping Traceroute for LDP TE and LSP Ping for VCCV

MPLS LSP Ping Traceroute for LDP TE and LSP Ping for VCCV Functionality

Internet Control Message Protocol (ICMP) ping and traceroute are often used to help diagnose the root cause when a forwarding failure occurs. However, they are not well suited for identifying LSP failures because an ICMP packet can be forwarded via IP to the destination when an LSP breakage occurs.

The MPLS LSP Ping/Traceroute for LDP/TE, and LSP Ping for VCCV feature is well suited for identifying LSP breakages for the following reasons:

- An MPLS echo request packet cannot be forwarded via IP because IP TTL is set to 1 and the IP destination address field is set to a 127/8 address.
- The FEC being checked is not stored in the IP destination address field (as is the case of ICMP).

MPLS echo request and reply packets test LSPs. There are two methods by which a downstream router can receive packets:

- The Cisco implementation of MPLS echo request and echo reply that was previously based on the Internet Engineering Task Force (IETF) Internet Draft Detecting MPLS Data Plane Failures (draft-ietf-mpls-lsp-ping-03.txt).
- Features described in this document that are based on the IETF RFC 4379 [Detecting Multi-Protocol Label Switched \(MPLS\) Data Plane Failures](#) :
 - Echo request output interface control
 - Echo request traffic pacing
 - Echo request end-of-stack explicit-null label shimming
 - Echo request request-dsmap capability
 - Request-fec checking
 - Depth limit reporting

MPLS LSP Ping Operation

MPLS LSP ping uses MPLS echo request and reply packets to validate an LSP. You can use MPLS LSP ping to validate IPv4 LDP, AToM, and IPv4 RSVP FECs by using appropriate keywords and arguments with the `ping mpls` command.

The MPLS echo request packet is sent to a target router through the use of the appropriate label stack associated with the LSP to be validated. Use of the label stack causes the packet to be forwarded over the LSP itself.

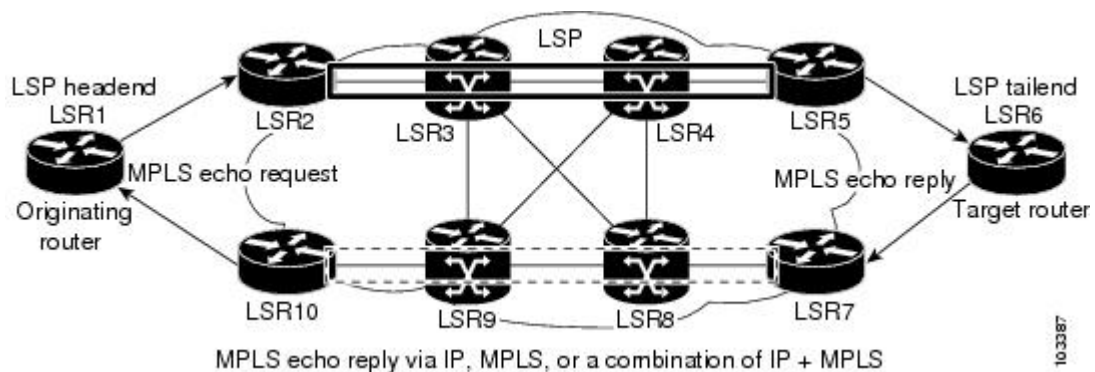
The destination IP address of the MPLS echo request packet is different from the address used to select the label stack. The destination IP address is defined as a `127.x.y.z/8` address. The `127.x.y.z/8` address prevents the IP packet from being IP switched to its destination if the LSP is broken.

An MPLS echo reply is sent in response to an MPLS echo request. The reply is sent as an IP packet and it is forwarded using IP, MPLS, or a combination of both types of switching. The source address of the MPLS echo reply packet is an address obtained from the router generating the echo reply. The destination address is the source address of the router that originated the MPLS echo request packet.

The MPLS echo reply destination port is set to the echo request source port.

The figure below shows MPLS LSP ping echo request and echo reply paths.

Figure 7: MPLS LSP Ping Echo Request and Echo Reply Paths



If you initiate an MPLS LSP ping request at LSR1 to a FEC at LSR6, you get the results shown in the table below.

Table 8: MPLS LSP Ping Example

Step	Router	Action
1.	LSR1	Initiates an MPLS LSP ping request for an FEC at the target router LSR6 and sends an MPLS echo request to LSR2.
2.	LSR2	Receives the MPLS echo request packet and forwards it through transit routers LSR3 and LSR4 to the penultimate router LSR5.

Step	Router	Action
3.	LSR5	Receives the MPLS echo request, pops the MPLS label, and forwards the packet to LSR6 as an IP packet.
4.	LSR6	Receives the IP packet, processes the MPLS echo request, and sends an MPLS echo reply to LSR1 through an alternate route.
5.	LSR7 to LSR10	Receives the MPLS echo reply and forwards it back toward LSR1, the originating router.
6.	LSR1	Receives the MPLS echo reply in response to its MPLS echo request.

MPLS LSP Traceroute Operation

MPLS LSP traceroute uses MPLS echo request and reply packets to validate an LSP. You can use MPLS LSP traceroute to validate IPv4 LDP and IPv4 RSVP FECs by using appropriate keywords and arguments with the **trace mpls** command.

The MPLS LSP Traceroute feature uses TTL settings to force expiration of the TTL along an LSP. MPLS LSP Traceroute incrementally increases the TTL value in its MPLS echo requests (TTL = 1, 2, 3, 4) to discover the downstream mapping of each successive hop. The success of the LSP traceroute depends on the transit router processing the MPLS echo request when it receives a labeled packet with a TTL = 1. On Cisco routers, when the TTL expires, the packet is sent to the Route Processor (RP) for processing. The transit router returns an MPLS echo reply containing information about the transit hop in response to the TTL-expired MPLS packet.

The MPLS echo reply destination port is set to the echo request source port.

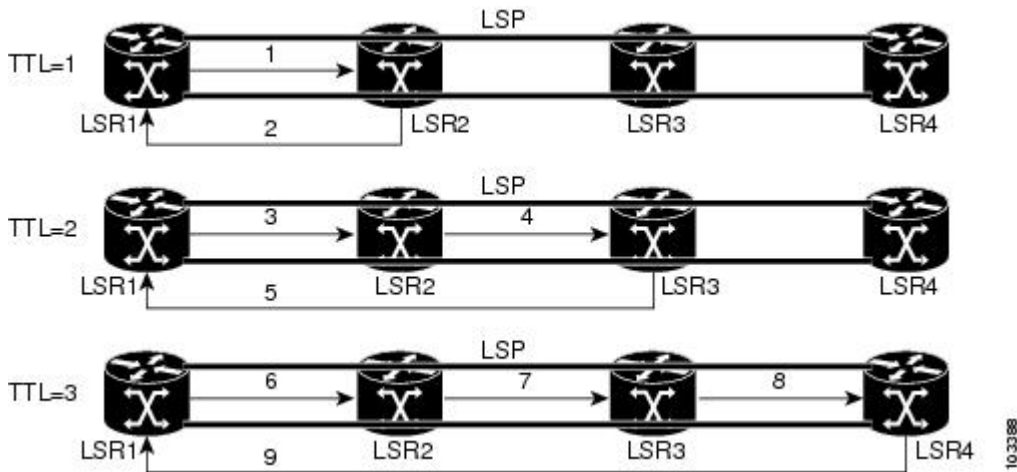


Note

When a router traces an IPV4 FEC that goes over a traffic engineering tunnel, intermediate routers may return U (unreachable) if LDP is not running in those intermediate routers.

The figure below shows an MPLS LSP traceroute example with an LSP from LSR1 to LSR4.

Figure 8: MPLS LSP Traceroute Example



If you enter an LSP traceroute to an FEC at LSR4 from LSR1, you get the results shown in the table below.

Table 9: MPLS LSP Traceroute Example

Step	Router	MPLS Packet Type and Description	Router Action (Receive or Send)
1.	LSR1	MPLS echo request--With a target FEC pointing to LSR4 and to a downstream mapping	<ul style="list-style-type: none"> • Sets the TTL of the label stack to 1 • Sends the request to LSR2
2.	LSR2	MPLS echo reply	<ul style="list-style-type: none"> • Receives the packet with a TTL = 1 • Processes the User Datagram Protocol (UDP) packet as an MPLS echo request • Finds a downstream mapping and replies to LSR1 with its own downstream mapping, based on the incoming label
3.	LSR1	MPLS echo request--With the same target FEC and the downstream mapping received in the echo reply from LSR2	<ul style="list-style-type: none"> • Sets the TTL of the label stack to 2 • Sends the request to LSR2

Step	Router	MPLS Packet Type and Description	Router Action (Receive or Send)
4.	LSR2	MPLS echo request	<ul style="list-style-type: none"> • Receives the packet with a TTL = 2 • Decrements the TTL • Forwards the echo request to LSR3
5.	LSR3	MPLS reply packet	<ul style="list-style-type: none"> • Receives the packet with a TTL = 1 • Processes the UDP packet as an MPLS echo request • Finds a downstream mapping and replies to LSR1 with its own downstream mapping based on the incoming label
6.	LSR1	MPLS echo request--With the same target FEC and the downstream mapping received in the echo reply from LSR3	<ul style="list-style-type: none"> • Sets the TTL of the packet to 3 • Sends the request to LSR2
7.	LSR2	MPLS echo request	<ul style="list-style-type: none"> • Receives the packet with a TTL = 3 • Decrements the TTL • Forwards the echo request to LSR3
8.	LSR3	MPLS echo request	<ul style="list-style-type: none"> • Receives the packet with a TTL = 2 • Decrements the TTL • Forwards the echo request to LSR4

Step	Router	MPLS Packet Type and Description	Router Action (Receive or Send)
9.	LSR4	MPLS echo reply	<ul style="list-style-type: none"> • Receives the packet with a TTL = 1 • Processes the UDP packet as an MPLS echo request • Finds a downstream mapping and also finds that the router is the egress router for the target FEC • Replies to LSR1

MPLS Network Management with MPLS LSP Ping and MPLS LSP Traceroute

To manage an MPLS network, you must have the ability to monitor LSPs and quickly isolate MPLS forwarding problems. You need ways to characterize the liveness of an LSP and reliably detect when an LSP fails to deliver user traffic.

You can use MPLS LSP ping to verify the LSP that is used to transport packets destined for IPv4 LDP prefixes, and AToM PW FECs. You can use MPLS LSP traceroute to trace LSPs that are used to carry packets destined for IPv4 LDP prefixes.

An MPLS echo request is sent through an LSP to validate it. A TTL expiration or LSP breakage causes the transit router to process the echo request before it gets to the intended destination. The router returns an MPLS echo reply that contains an explanatory reply code to the originator of the echo request.

The successful echo request is processed at the egress of the LSP. The echo reply is sent via an IP path, an MPLS path, or a combination of both back to the originator of the echo request.

Any Transport over MPLS Virtual Circuit Connection

AToM Virtual Circuit Connection Verification (VCCV) allows you to send control packets inband of an AToM PW from the originating provider edge (PE) router. The transmission is intercepted at the destination PE router, instead of being forwarded to the customer edge (CE) router. This capability allows you to use MPLS LSP ping to test the PW section of AToM virtual circuits (VCs).

LSP ping allows verification of AToM VC setup by FEC 128 or FEC 129. FEC 128-based AToM VCs can be set up by using LDP for signaling or by using a static pseudowire configuration without using any signaling component on the two endpoints. Cisco software does not distinguish between FEC 128 and FEC 129 static pseudowires while issuing MPLS ping; the same commands are used.

AToM VCCV consists of the following:

- A signaled component in which the AToM VCCV capabilities are advertised during VC label signaling
- A switching component that causes the AToM VC payload to be treated as a control packet

AToM VCCV Signaling

One of the steps involved in AToM VC setup is the signaling or communication of VC labels and AToM VCCV capabilities between AToM VC endpoints. To communicate the AToM VCCV disposition capabilities of each endpoint, the router uses an optional parameter, defined in the IETF Internet Draft *Pseudo Wire (PW) Virtual Circuit Connection Verification (VCCV)* (draft-ietf-pwe3-vccv-01).

The AToM VCCV disposition capabilities are categorized as follows:

- Applications--MPLS LSP ping and ICMP ping are applications that AToM VCCV supports to send packets inband of an AToM PW for control purposes.
- Switching modes--Type 1 and Type 2 are switching modes that AToM VCCV uses for differentiating between control and data traffic.

The table below describes AToM VCCV Type 1 and Type 2 switching modes.

Table 10: Type 1 and Type 2 AToM VCCV Switching Modes

Switching Mode	Description
Type 1	Uses a Protocol ID (PID) field in the AToM control word to identify an AToM VCCV packet
Type 2	Uses an MPLS Router Alert Label above the VC label to identify an AToM VCCV packet

Selection of AToM VCCV Switching Types

Cisco routers always use Type 1 switching, if available, when they send MPLS LSP ping packets over an AToM VC control channel. Type 2 switching accommodates those VC types and implementations that do not support or interpret the AToM control word.

The table below shows the AToM VCCV switching mode advertised and the switching mode selected by the AToM VC.

Table 11: AToM VCCV Switching Mode Advertised and Selected by AToM VC

Type Advertised	Type Selected
AToM VCCV not supported	--
Type 1 AToM VCCV switching	Type 1 AToM VCCV switching
Type 2 AToM VCCV switching	Type 2 AToM VCCV switching
Type 1 and Type 2 AToM VCCV switching	Type 1 AToM VCCV switching

An AToM VC advertises its AToM VCCV disposition capabilities in both directions: that is, from the originating router (PE1) to the destination router (PE2), and from PE2 to PE1.

In some instances, AToM VCs might use different switching types if the two endpoints have different AToM VCCV capabilities. If PE1 supports Type 1 and Type 2 AToM VCCV switching and PE2 supports only Type 2 AToM VCCV switching, there are two consequences:

- LSP ping packets sent from PE1 to PE2 are encapsulated with Type 2 switching.
- LSP ping packets sent from PE2 to PE1 use Type 1 switching.

You can determine the AToM VCCV capabilities advertised to and received from the peer by entering the **show mpls l2transport binding** command at the PE router.

Information Provided by the Router Processing LSP Ping or LSP Traceroute

The table below describes the characters that the router processing an LSP ping or LSP traceroute packet returns to the sender about the failure or success of the request.

You can also display the return code for an MPLS LSP Ping operation if you enter the **ping mpls verbose** command.

Table 12: Echo Reply Return Codes

Output Code	Echo Return Code	Meaning
x	0	No return code.
M	1	Malformed echo request.
m	2	Unsupported TLVs.
!	3	Success.
F	4	No FEC mapping.
D	5	DS Map mismatch.
I	6	Unknown Upstream Interface index.
U	7	Reserved.
L	8	Labeled output interface.
B	9	Unlabeled output interface.
f	10	FEC mismatch.
N	11	No label entry.
P	12	No receive interface label protocol.
p	13	Premature termination of the LSP.

Output Code	Echo Return Code	Meaning
X	unknown	Undefined return code.

**Note**

Echo return codes 6 and 7 are accepted only for Version 3 (draft-ietf-mpls-ping-03).

IP Does Not Forward MPLS Echo Request Packets

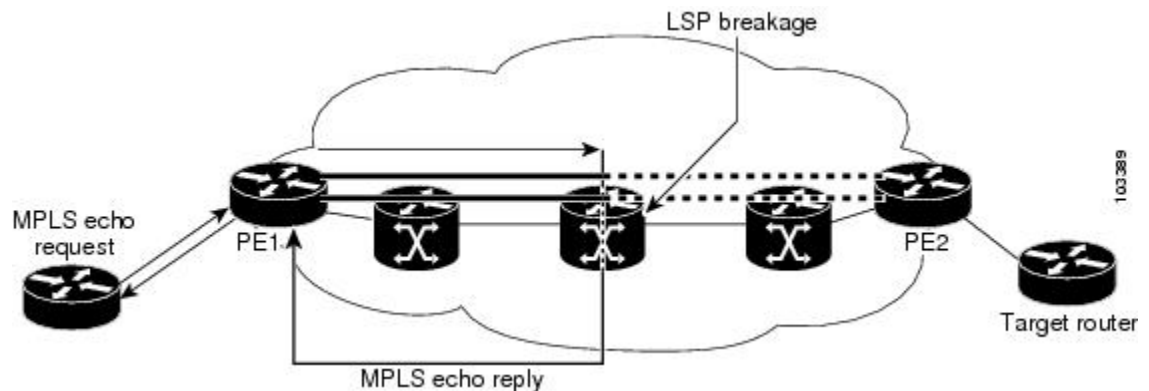
MPLS echo request packets sent during an LSP ping are never forwarded by IP. The IP header destination address field in an MPLS echo request packet is a $127.x.y.z/8$ address. Routers should not forward packets using a $127.x.y.z/8$ address. The $127.x.y.z/8$ address corresponds to an address for the local host.

Use of a $127.x.y.z$ address as the destination address of the UDP packet is significant because the MPLS echo request packet fails to make it to the target router if a transit router does not label switch the LSP. The use of the $127.x.y.z$ address allows for the detection of LSP breakages. The following occurs at the transit router:

- If an LSP breakage occurs at a transit router, the MPLS echo packet is not forwarded; it is consumed by the router.
- If the LSP is intact, the MPLS echo packet reaches the target router and is processed by the terminal point of the LSP.

The figure below shows the path of the MPLS echo request and reply when a transit router fails to label switch a packet in an LSP.

Figure 9: Path when Transit Router Fails to Label Switch a Packet



**Note**

An AToM payload does not contain usable forwarding information at a transit router because the payload may not be an IP packet. An MPLS VPN packet, although an IP packet, does not contain usable forwarding information at a transit router because the destination IP address is significant only to the virtual routing and forwarding (VRF) instances at the endpoints of the MPLS network.

Compatibility Between the MPLS LSP and Ping or Traceroute Implementations

LSP ping drafts after Version 3 (draft-ietf-mpls-ping-03) have undergone numerous TLV format changes, but the versions of the draft do not always interoperate.

To allow later Cisco implementations to interoperate with draft Version 3 Cisco and non-Cisco implementations, use a global configuration mode to decode echo packets in formats understood by draft Version 3 implementations.

Unless configured otherwise, a Cisco implementation encodes and decodes echo requests assuming the version on which the IETF implementations is based.

To prevent failures reported by the replying router due to TLV version issues, you should configure all routers in the core. Encode and decode MPLS echo packets in the same draft version. For example, if the network is running RFC 4379 (Cisco Version 4) implementations but one router is capable of only Version 3 (Cisco Revision 3), configure all routers in the network to operate in Revision 3 mode.

The Cisco implementation of MPLS echo request and echo reply is based on the IETF RFC 4379. IETF drafts subsequent to this RFC (drafts 3, 4, 5, 6, and 7) introduced TLV format differences. These differences could not be identified because the echo packet had no way to differentiate between one TLV format and another TLV format. This introduced limited compatibility between the MPLS LSP Ping Traceroute implementations in the Cisco IOS 12.0(27)S1 and 12.0(27)S2 releases and the MPLS ping or traceroute implementation in later Cisco IOS releases. To allow interoperability between these releases, a **revision** keyword was added for the **ping mpls** and **trace mpls** commands. The **revision** keyword enables Cisco IOS releases to support the existing draft changes and any changes from future versions of the IETF LSP Ping draft.

**Note**

We recommend that you use the **mpls oam** global configuration command instead of the revision option.

**Note**

No images are available on cisco.com to support Revision 2. It is recommended that you use only images supporting Version 3 and later when configuring TLV encode and decode modes. MPLS Multipath LSP traceroute requires Cisco Revision 4 or later.

CiscoVendorExtensions

In Cisco's Version 3 (draft-ietf-mpls-ping-03.txt) implementations, Cisco defined a vendor extension TLV in the ignore-if-not-understood TLV space. It is used for the following purposes:

- Provide an ability to track TLV versions.
- Provide an experimental Reply TOS capability.

The first capability was defined before the existence of the global configuration command for setting the echo packet encode and decode behavior. TLV version information in an echo packet overrides the configured decoding behavior. Using this TLV for TLV versions is no longer required since the introduction of the global configuration capability.

The second capability controls the reply DSCP. Draft Version 8 defines a Reply TOS TLV, so the use of the reply DSCP is no longer required.

You enable compatibility between the MPLS LSP and ping or traceroute implementation by customizing the default behavior of echo packets.

DSCP Option to Request a Specific Class of Service in an Echo Reply

Cisco software includes a reply differentiated services code point (DSCP) option that lets you request a specific class of service (CoS) in an echo reply.

The reply DSCP option is supported in the experimental mode for IETF draft-ietf-mpls-lsp-ping-03.txt. Cisco implemented a vendor-specific extension for the reply DSCP option rather than using a Reply TOS TLV. A Reply TOS TLV serves the same purpose as the **reply dscp** command in RFC 4379. This draft provides a standardized method of controlling the reply DSCP.



Note

Before draft Version 8, Cisco implemented the Reply DSCP option as an experimental capability using a Cisco vendor extension TLV. If a router is configured to encode MPLS echo packets for draft Version 3 implementations, a Cisco vendor extension TLV is used instead of the Reply TOS TLV that was defined in draft Version 8.

Reply Modes for an MPLS LSP Ping and LSP Traceroute Echo Request Response

The reply mode controls how a responding router replies to an MPLS echo request sent by a **ping mpls** or **trace mpls** command. There are two reply modes for an echo request packet:

- **ipv4**--Reply with an IPv4 UDP packet (default)
- **router-alert**--Reply with an IPv4 UDP packet with router alert



Note

It is useful to use **ipv4** and **router-alert** reply modes in conjunction with each other to prevent false negatives. If you do not receive a reply via the **ipv4** mode, it is useful to send a test with the **router-alert** reply mode. If both fail, something is wrong in the return path. The problem may be only that the Reply TOS is not set correctly.

IPv4 Reply Mode

IPv4 packet is the most common reply mode used with a **ping mpls** or **trace mpls** command when you want to periodically poll the integrity of an LSP. With this option, you do not have explicit control over whether the packet traverses IP or MPLS hops to reach the originator of the MPLS echo request. If the originating

(headend) router fails to receive a reply to an MPLS echo request when you use the **reply mode ipv4** keywords, use the **reply mode router-alert** keywords.

Router-Alert Reply Mode

The router-alert reply mode adds the router alert option to the IP header. When an IP packet that contains an IP router alert option in its IP header or an MPLS packet with a router alert label as its outermost label arrives at a router, the router punts (redirects) the packet to the Route Processor (RP) level for handling. This forces the Cisco router to handle the packet at each intermediate hop as it moves back to the destination. Hardware and line-card forwarding inconsistencies are bypassed. Router-alert reply mode is more expensive than IPv4 mode because the reply goes hop-by-hop. It also is slower, so the sender receives a reply in a relatively longer period of time.

The table below describes how IP and MPLS packets with an IP router alert option are handled by the router switching path processes.

Table 13: Path Process Handling of IP and MPLS Router Alert Packets

Incoming Packet	Normal Switching Action	Process Switching Action	Outgoing Packet
IP packet--Router alert option in IP header	Router alert option in IP header causes the packet to be punted to the process switching path.	Forwards the packet as is	IP packet--Router alert option in IP header
		Forwards the packet as is	MPLS packet
MPLS packet-- Outermost label contains a router alert	If the router alert label is the outermost label, it causes the packet to be punted to the process switching path.	Removes the outermost router alert label and forwards the packet as an IP packet	IP packet--Router alert option in IP header
		Preserves the outermost router alert label and forwards the MPLS packet	MPLS packet-- Outermost label contains a router alert.

LSP Breaks

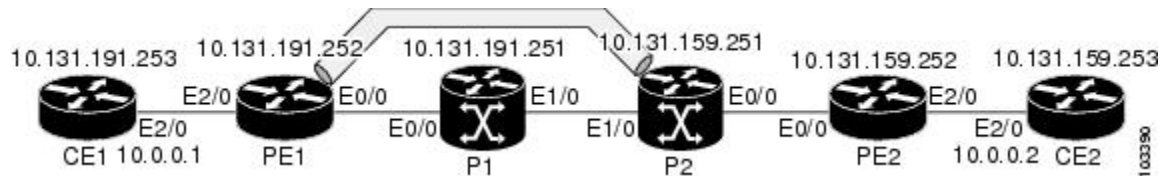
If there is a problem forwarding MPLS packets in your network, you can determine where there are LSP breaks. This section describes MTU discovery in an LSP.

Untagged output interfaces at a penultimate hop do not impact the forwarding of IP packets through an LSP because the forwarding decision is made at the penultimate hop through use of the incoming label. However, untagged output interfaces cause AToM and MPLS VPN traffic to be dropped at the penultimate hop.

During an MPLS LSP ping, MPLS echo request packets are sent with the IP packet attribute set to “do not fragment.” That is, the Don’t Fragment (DF) bit is set in the IP header of the packet. This allows you to use the MPLS echo request to test for the MTU that can be supported for the packet through the LSP without fragmentation.

The figure below shows a sample network with a single LSP from PE1 to PE2 formed with labels advertised by the LDP.

Figure 10: Sample Network with LSP--Labels Advertised by LDP



You can determine the maximum receive unit (MRU) at each hop by using the MPLS Traceroute feature to trace the LSP. The MRU is the maximum size of a labeled packet that can be forwarded through an LSP.

How to Configure MPLS LSP Ping Traceroute for LDP TE and LSP Ping for VCCV

Enabling Compatibility Between the MPLS LSP and Ping or Traceroute Implementation

SUMMARY STEPS

1. enable
2. configure terminal
3. mplsoam
4. echo revision {3 | 4}
5. echo vendor-extension
6. exit

DETAILED STEPS

	Command or Action	Purpose
Step 1	enable Example: Router> enable	Enables privileged EXEC mode. • Enter your password if prompted.
Step 2	configure terminal Example: Router# configure terminal	Enters global configuration mode.

	Command or Action	Purpose
Step 3	mplsoam Example: Router(config)# mpls oam	Enters MPLS OAM configuration mode for customizing the default behavior of echo packets.
Step 4	echo revision {3 4} Example: Router(config-mpls)# echo revision 4	Specifies the revision number of the echo packet's default values. <ul style="list-style-type: none"> • 3--draft-ietf-mpls-ping-03 (Revision 2). • 4--RFC 4379 compliant (default).
Step 5	echo vendor-extension Example: Router(config-mpls)# echo vendor-extension	Sends the Cisco-specific extension of TLVs with echo packets.
Step 6	exit Example: Router(config-mpls)# exit	Returns to global configuration mode.

Validating an LDP IPv4 FEC by Using MPLS LSP Ping and MPLS LSP Traceroute

SUMMARY STEPS

1. **enable**
2. Do one of the following:
 - **ping mpls ipv4** *destination-address /destination-mask-length* [**repeat count**] [**exp exp-bits**] [**verbose**]
 - **trace mpls ipv4** *destination-address /destination-mask-length*
3. **exit**

DETAILED STEPS

	Command or Action	Purpose
Step 1	enable	Enables privileged EXEC mode.

	Command or Action	Purpose
	Example: Router> enable	<ul style="list-style-type: none"> Enter your password if prompted.
Step 2	Do one of the following: <ul style="list-style-type: none"> ping mpls ipv4 <i>destination-address /destination-mask-length</i> [<i>repeat count</i>] [<i>exp exp-bits</i>] [<i>verbose</i>] trace mpls ipv4 <i>destination-address /destination-mask-length</i> Example: Router# ping mpls ipv4 10.131.191.252/32 exp 5 repeat 5 verbose Example: Router# trace mpls ipv4 10.131.191.252/32	Selects an LDP IPv4 prefix FEC for validation.
Step 3	exit Example: Router# exit	Returns to user EXEC mode.

Validating a Layer 2 FEC by Using MPLS LSP Ping and MPLS LSP Traceroute

SUMMARY STEPS

- enable
- ping mpls pseudowire *ipv4-address vc-id vc-id*
- exit

DETAILED STEPS

	Command or Action	Purpose
Step 1	enable Example: Router> enable	Enables privileged EXEC mode. <ul style="list-style-type: none"> Enter your password if prompted.

	Command or Action	Purpose
Step 2	<p>ping mpls pseudowire <i>ipv4-address vc-id vc-id</i></p> <p>Example:</p> <pre>Router# ping mpls pseudowire 10.131.191.252 vc-id 333</pre>	Selects a Layer 2 FEC for validation.
Step 3	<p>exit</p> <p>Example:</p> <pre>Router# exit</pre>	Returns to user EXEC mode.

Using DSCP to Request a Specific Class of Service in an Echo Reply

SUMMARY STEPS

1. **enable**
2. Do one of the following:
 - **ping mpls** {**ipv4** *destination-address/destination-mask-length* | **pseudowire** *ipv4-address vc-id vc-id*} [**reply dscp** *dscp-value*]
 - **trace mpls ipv4** *destination-address/destination-mask-length* [**reply dscp** *dscp-value*]
3. **exit**

DETAILED STEPS

	Command or Action	Purpose
Step 1	<p>enable</p> <p>Example:</p> <pre>Router> enable</pre>	<p>Enables privileged EXEC mode.</p> <ul style="list-style-type: none"> • Enter your password if prompted.
Step 2	<p>Do one of the following:</p> <ul style="list-style-type: none"> • ping mpls {ipv4 <i>destination-address/destination-mask-length</i> pseudowire <i>ipv4-address vc-id vc-id</i>} [reply dscp <i>dscp-value</i>] • trace mpls ipv4 <i>destination-address/destination-mask-length</i> [reply dscp <i>dscp-value</i>] 	Controls the DSCP value of an echo reply.

	Command or Action	Purpose
	<p>Example:</p> <pre>Router# ping mpls ipv4 10.131.191.252/32 reply dscp 50</pre> <p>Example:</p> <pre>Router# trace mpls ipv4 10.131.191.252/32 reply dscp 50</pre>	
Step 3	<p>exit</p> <p>Example:</p> <pre>Router# exit</pre>	Returns to user EXEC mode.

Controlling How a Responding Router Replies to an MPLS Echo Request

SUMMARY STEPS

1. **enable**
2. Do one of the following:
 - **ping mpls** {*ipv4destination-address/destination-mask-length* | *pseudowire ipv4-address vc-id vc-id*} **reply mode** {*ipv4* | *router-alert*}
 - **trace mpls ipv4** *destination-address/destination-mask* **reply mode** {*ipv4* | *router-alert*}
3. **exit**

DETAILED STEPS

	Command or Action	Purpose
Step 1	<p>enable</p> <p>Example:</p> <pre>Router> enable</pre>	<p>Enables privileged EXEC mode.</p> <ul style="list-style-type: none"> • Enter your password if prompted.
Step 2	<p>Do one of the following:</p> <ul style="list-style-type: none"> • ping mpls {<i>ipv4destination-address/destination-mask-length</i> <i>pseudowire ipv4-address vc-id vc-id</i>} reply mode {<i>ipv4</i> <i>router-alert</i>} 	<p>Checks MPLS LSP connectivity.</p> <p>or</p> <p>Discovers MPLS LSP routes that packets actually take when traveling to their destinations.</p>

	Command or Action	Purpose
	<ul style="list-style-type: none"> • trace mpls ipv4 <i>destination-address/destination-mask</i> reply mode {ipv4 router-alert} <p>Example:</p> <pre>Router# ping mpls ipv4 10.131.191.252/32 reply mode ipv4</pre> <p>Example:</p> <pre>Router# trace mpls ipv4 10.131.191.252/32 reply mode router-alert</pre>	<p>Note To specify the reply mode, you must enter the reply mode keyword with the ipv4 or the router-alert keyword.</p>
Step 3	<p>exit</p> <p>Example:</p> <pre>Router# exit</pre>	Returns to user EXEC mode.

Using MPLS LSP Ping to Discover Possible Loops

With the MPLS LSP Ping feature, loops can occur if you use the UDP destination address range, repeat option, or sweep option.

To use MPLS LSP ping to discover possible loops, perform the following steps.

SUMMARY STEPS

1. **enable**
2. **ping mpls** {**ipv4** *destination-address/destination-mask* [**destination** *address-start address-end increment* | [**pseudowire** *ipv4-address vc-id vc-id address-end increment*]} [**repeat** *count*] [**sweep** *minimum maximum size-increment*]
3. **exit**

DETAILED STEPS

	Command or Action	Purpose
Step 1	<p>enable</p> <p>Example:</p> <pre>Router> enable</pre>	<p>Enables privileged EXEC mode.</p> <ul style="list-style-type: none"> • Enter your password if prompted.

	Command or Action	Purpose
Step 2	<p>ping mpls {ipv4 destination-address/destination-mask [destination address-start address-end increment [pseudowire ipv4-address vc-id vc-id address-end increment]} [repeat count] [sweep minimum maximum size-increment]</p> <p>Example:</p> <pre>Router# ping mpls ipv4 10.131.159.251/32 destination 127.0.0.1 127.0.0.2 1 repeat 2 sweep 1450 1475 25</pre>	Checks MPLS LSP connectivity.
Step 3	<p>exit</p> <p>Example:</p> <pre>Router# exit</pre>	Returns to user EXEC mode.

Using MPLS LSP Traceroute to Discover Possible Loops

With the MPLS LSP Traceroute feature, loops can occur if you use the UDP destination address range option and the time-to-live option.

By default, the maximum TTL is set to 30. Therefore, the traceroute output may contain 30 lines if the target of the traceroute is not reached, which can happen when an LSP problem exists. If an LSP problem occurs, there may be duplicate entries. The router address of the last point that the trace reaches is repeated until the output is 30 lines. You can ignore the duplicate entries.

SUMMARY STEPS

1. **enable**
2. **trace mpls ipv4 destination-address /destination-mask** [**destination address-start address-end address increment**] [**ttl maximum-time-to-live**]
3. **exit**

DETAILED STEPS

	Command or Action	Purpose
Step 1	<p>enable</p> <p>Example:</p> <pre>Router> enable</pre>	<p>Enables privileged EXEC mode.</p> <ul style="list-style-type: none"> • Enter your password if prompted.

	Command or Action	Purpose
Step 2	<p>trace mpls ipv4 <i>destination-address /destination-mask</i> [destination <i>address-start address-end address increment</i>] [tth <i>maximum-time-to-live</i>]</p> <p>Example:</p> <pre>Router# trace mpls ipv4 10.131.159.251/32 destination 127.0.0.1 127.0.0.3 1 ttl 5</pre>	Discovers MPLS LSP routes that packets take when traveling to their destinations. The example shows how a loop can occur.
Step 3	<p>exit</p> <p>Example:</p> <pre>Router# exit</pre>	Returns to user EXEC mode.

What to Do Next

Tracking Packets Tagged as Implicit Null

SUMMARY STEPS

1. **enable**
2. **trace mpls ipv4** *destination-address/destination-mask*
3. **exit**

DETAILED STEPS

	Command or Action	Purpose
Step 1	<p>enable</p> <p>Example:</p> <pre>Router> enable</pre>	<p>Enables privileged EXEC mode.</p> <ul style="list-style-type: none"> • Enter your password if prompted.
Step 2	<p>trace mpls ipv4 <i>destination-address/destination-mask</i></p> <p>Example:</p> <pre>Router# trace mpls ipv4 10.131.159.252/32</pre>	Discovers MPLS LSP routes that packets actually take when traveling to their destinations.

	Command or Action	Purpose
Step 3	exit Example: Router# exit	Returns to user EXEC mode.

Tracking Untagged Packets

SUMMARY STEPS

1. enable
2. show mpls forwarding-table *destination-address/destination-mask*
3. show mpls ldp discovery
4. exit

DETAILED STEPS

	Command or Action	Purpose
Step 1	enable Example: Router> enable	Enables privileged EXEC mode. <ul style="list-style-type: none"> • Enter your password if prompted.
Step 2	show mpls forwarding-table <i>destination-address/destination-mask</i> Example: Router# show mpls forwarding-table 10.131.159.252/32	Displays the content of the MPLS Label Forwarding Information Base (LFIB) and displays whether the LDP is properly configured.
Step 3	show mpls ldp discovery Example: Router# show mpls ldp discovery	Displays the status of the LDP discovery process and displays whether the LDP is properly configured.
Step 4	exit Example: Router# exit	Returns to user EXEC mode.

Determining Why a Packet Could Not Be Sent

The Q return code means that the packet could not be sent. The problem can be caused by insufficient processing memory, but it probably results because an LSP could not be found that matches the FEC information that was entered on the command line.

You need to determine the reason why the packet was not forwarded so that you can fix the problem in the path of the LSP. To do so, look at the Routing Information Base (RIB), the Forwarding Information Base (FIB), the Label Information Base (LIB), and the MPLS LFIB. If there is no entry for the FEC in any of these routing or forwarding bases, there is a Q return code.

To determine why a packet could not be transmitted, perform the following steps.

SUMMARY STEPS

1. **enable**
2. **show ip route** [*ip-address* [**mask**]]
3. **show mpls forwarding-table** [*network {mask | length}*] | **labels** *label[-label]* | **interface** *interface* | **next-hop** *address* | **lsp-tunnel** [*tunnel-id*]]
4. **exit**

DETAILED STEPS

	Command or Action	Purpose
Step 1	enable Example: Router> enable	Enables privileged EXEC mode. <ul style="list-style-type: none"> • Enter your password if prompted.
Step 2	show ip route [<i>ip-address</i> [mask]] Example: Router# show ip route 10.0.0.1	Displays the current state of the routing table. When the MPLS echo reply returns a Q, troubleshooting occurs on the routing information database.
Step 3	show mpls forwarding-table [<i>network {mask length}</i>] labels <i>label[-label]</i> interface <i>interface</i> next-hop <i>address</i> lsp-tunnel [<i>tunnel-id</i>]] Example: Router# show mpls forwarding-table 10.0.0.1/32	Displays the content of the MPLS LFIB. When the MPLS echo reply returns a Q, troubleshooting occurs on a label information database and an MPLS forwarding information database.

	Command or Action	Purpose
Step 4	exit Example: Router# exit	Returns to user EXEC mode.

Detecting LSP Breaks when Load Balancing Is Enabled for IPv4 LDP LSPs

An ICMP ping or trace follows one path from the originating router to the target router. Round robin load balancing of IP packets from a source router discovers the various output paths to the target IP address.

For MPLS ping and traceroute, Cisco routers use the source and destination addresses in the IP header for load balancing when multiple paths exist through the network to a target router. The Cisco implementation of MPLS may check the destination address of an IP payload to accomplish load balancing (the type of checking depends on the platform).

To detect LSP breaks when load balancing is enabled for IPv4 LDP LSPs, perform the following steps.

SUMMARY STEPS

1. **enable**
2. **ping mpls ipv4** *destination-address/destination-mask-length* [**destination** *address-start address-end increment*]
3. **exit**

DETAILED STEPS

	Command or Action	Purpose
Step 1	enable Example: Router> enable	Enables privileged EXEC mode. <ul style="list-style-type: none"> • Enter your password if prompted.
Step 2	ping mpls ipv4 <i>destination-address/destination-mask-length</i> [destination <i>address-start address-end increment</i>] Example: Router# ping mpls ipv4 10.131.159.251/32 destination 127.0.0.1/8	Checks for load balancing paths. Enter the 127.z.y.x /8 destination address.

	Command or Action	Purpose
Step 3	exit Example: Router# exit	Returns to user EXEC mode.

Specifying the Interface Through Which Echo Packets Leave a Router

You can control the interface through which packets leave a router. Path output information is used as input to LSP ping and traceroute.

The echo request output interface control feature allows you to force echo packets through the paths that perform detailed debugging or characterizing of the LSP. This feature is useful if a PE router connects to an MPLS cloud and there are broken links. You can direct traffic through a certain link. The feature also is helpful for troubleshooting network problems.

To specify the output interface for echo requests, perform the following steps.

SUMMARY STEPS

- enable**
- Enter one of the following commands:
 - **ping mpls** {*ipv4 destination-address/destination-mask* | **pseudowire** *ipv4-address vc-id vc-id*} [**output interface** *tx-interface*]
 - **trace mpls ipv4** *destination-address/destination-mask*
- exit**

DETAILED STEPS

	Command or Action	Purpose
Step 1	enable Example: Router> enable	Enables privileged EXEC mode. <ul style="list-style-type: none"> • Enter your password if prompted.
Step 2	Enter one of the following commands: <ul style="list-style-type: none"> • ping mpls {<i>ipv4 destination-address/destination-mask</i> pseudowire <i>ipv4-address vc-id vc-id</i>} [output interface <i>tx-interface</i>] 	Checks MPLS LSP connectivity. or Discovers MPLS LSP routes that packets actually take when traveling to their destinations.

	Command or Action	Purpose
	<ul style="list-style-type: none"> • trace mpls ipv4 <i>destination-address/destination-mask</i> <p>Example:</p> <pre>Router# ping mpls ipv4 10.131.159.251/32 output interface fastethernet0/0/0</pre> <p>Example:</p> <pre>Router# trace mpls ipv4 10.131.159.251/32 output interface fastethernet0/0/0</pre>	<p>Note For this task, you must specify the output interface keyword.</p>
Step 3	<p>exit</p> <p>Example:</p> <pre>Router# exit</pre>	Returns to user EXEC mode.

Pacing the Transmission of Packets

Echo request traffic pacing allows you to pace the transmission of packets so that the receiving router does not drop packets. To perform echo request traffic pacing, perform the following steps.

SUMMARY STEPS

1. **enable**
2. Do one of the following:
 - **ping mpls** {**ipv4** *destination-address/destination-mask* | **pseudowire** *ipv4-address vc-id vc-id*} [**interval** *ms*]
 - **trace mpls ipv4** *destination-address/destination-mask*
3. **exit**

DETAILED STEPS

	Command or Action	Purpose
Step 1	<p>enable</p> <p>Example:</p> <pre>Router> enable</pre>	<p>Enables privileged EXEC mode.</p> <ul style="list-style-type: none"> • Enter your password if prompted.

	Command or Action	Purpose
Step 2	<p>Do one of the following:</p> <ul style="list-style-type: none"> • ping mpls {<i>ipv4 destination-address/destination-mask</i> <i>pseudowire ipv4-address vc-id vc-id</i>} [<i>interval ms</i>] • trace mpls ipv4 <i>destination-address/destination-mask</i> <p>Example:</p> <pre>Router# ping mpls ipv4 10.131.159.251/32 interval 2</pre> <p>Example:</p> <pre>Router# trace mpls ipv4 10.131.159.251/32</pre>	<p>Checks MPLS LSP connectivity.</p> <p>or</p> <p>Discovers MPLS LSP routes that packets take when traveling to their destinations.</p> <p>Note In this task, if you use the ping mpls command you must specify the interval keyword.</p>
Step 3	<p>exit</p> <p>Example:</p> <pre>Router# exit</pre>	<p>Returns to user EXEC mode.</p>

Interrogating the Transit Router for Its Downstream Information by Using Echo Request request-dsmap

The echo request request-dsmap capability troubleshooting feature, used in conjunction with the TTL flag, allows you to selectively interrogate a transit router. If there is a failure, you do not have to enter an **isp traceroute** command for each previous failure; you can focus just on the failed hop.

A request-dsmap flag in the downstream mapping flags field, and procedures that specify how to trace noncompliant routers allow you to arbitrarily time-to-live (TTL) expire MPLS echo request packets with a wildcard downstream map (DSMAP).

Echo request DSMAPs received without labels indicate that the sender did not have any DSMAPs to validate. If the downstream router ID field of the DSMAP TLV in an echo request is set to the ALLROUTERS address (224.0.0.2) and there are no labels, the source router can arbitrarily query a transit router for its DSMAP information.

The **ping mpls** command allows an MPLS echo request to be TTL-expired at a transit router with a wildcard DSMAP for the explicit purpose of troubleshooting and querying the downstream router for its DSMAPs. The default is that the DSMAP has an IPv4 bitmap hashkey. You also can select hashkey 0 (none). The purpose of the **ping mpls** command is to allow the source router to selectively TTL expire an echo request at a transit router to interrogate the transit router for its downstream information. The ability to also select a multipath (hashkey) type allows the transmitting router to interrogate a transit router for load-balancing information as is done with multipath LSP traceroute, but without having to interrogate all subsequent nodes traversed between the source router and the router on which each echo request TTL expires. Use an echo request in conjunction

with the TTL setting because if an echo request arrives at the egress of the LSP with an echo request, the responding routers never return DSMAPs.

To interrogate the transit router for its downstream information so that you can focus just on the failed hop if there is a failure, perform the following steps.

SUMMARY STEPS

1. **enable**
2. **ping mpls** {**ipv4 destination-address/destination-mask** | **pseudowire ipv4-address vc-id vc-id**} [**dsmap** [**hashkey** {**none** | **ipv4 bitmap bitmap-size**}]]
3. **exit**

DETAILED STEPS

	Command or Action	Purpose
Step 1	enable Example: Router> enable	Enables privileged EXEC mode. <ul style="list-style-type: none"> • Enter your password if prompted.
Step 2	ping mpls { ipv4 destination-address/destination-mask pseudowire ipv4-address vc-id vc-id } [dsmap [hashkey { none ipv4 bitmap bitmap-size }]] Example: Router# ping mpls ipv4 10.161.251/32 dsmap hashkey ipv4 bitmap 16	Checks MPLS LSP connectivity. Note In this task, you must specify the dsmap and hashkey keywords.
Step 3	exit Example: Router# exit	Returns to user EXEC mode.

Interrogating a Router for Its DSMAP

The router can interrogate the software or hardware forwarding layer for the depth limit that needs to be returned in the DSMAP TLV. If forwarding does not provide a value, the default is 255.

To determine the depth limit, specify the **dsmap** and **tll** keywords in the **ping mpls** command. The transit router will be interrogated for its DSMAP. The depth limit is returned with the echo reply DSMAP. A value of 0 means that the IP header is used for load balancing. Another value indicates that the IP header load balances up to the specified number of labels.

To interrogate a router for its DSMAP, perform the following steps.

SUMMARY STEPS

1. **enable**
2. **ping mpls** {*ipv4 destination-address/destination-mask* | **pseudowire** *ipv4-address vc-id vc-id*} **ttl** *time-to-live* **dsmap**
3. **exit**

DETAILED STEPS

	Command or Action	Purpose
Step 1	enable Example: <pre>Router> enable</pre>	Enables privileged EXEC mode. <ul style="list-style-type: none"> • Enter your password if prompted.
Step 2	ping mpls { <i>ipv4 destination-address/destination-mask</i> pseudowire <i>ipv4-address vc-id vc-id</i> } ttl <i>time-to-live</i> dsmap Example: <pre>Router# ping mpls ipv4 10.131.159.252/32 ttl 1 dsmap</pre>	Checks MPLS LSP connectivity. Note You must specify the ttl and dsmap keywords.
Step 3	exit Example: <pre>Router# exit</pre>	Returns to user EXEC mode.

Requesting that a Transit Router Validate the Target FEC Stack

An MPLS echo request tests a particular LSP. The LSP to be tested is identified by the FEC stack.

To request that a transit router validate the target FEC stack, set the V flag from the source router by entering the **flags fec** keyword in the **ping mpls** and **trace mpls** commands. The default is that echo request packets are sent with the V flag set to 0.

To request that a transit router validate the target FEC stack, perform the following steps.

SUMMARY STEPS

1. **enable**
2. Do one of the following:
 - **ping mpls** {**ipv4** *destination-address/destination-mask* | **pseudowire** *ipv4-address vc-id vc-id*} **flags fec**
 - **trace mpls ipv4** *destination-address/destination-mask* **flags fec**
3. **exit**

DETAILED STEPS

	Command or Action	Purpose
Step 1	enable Example: Router> enable	Enables privileged EXEC mode. <ul style="list-style-type: none"> • Enter your password if prompted.
Step 2	Do one of the following: <ul style="list-style-type: none"> • ping mpls {ipv4 <i>destination-address/destination-mask</i> pseudowire <i>ipv4-address vc-id vc-id</i>} flags fec • trace mpls ipv4 <i>destination-address/destination-mask</i> flags fec Example: Router# ping mpls ipv4 10.131.159.252/32 flags fec Example: Router# trace mpls ipv4 10.131.159.252/32 flags fec	Checks MPLS LSP connectivity. or Discovers MPLS LSP routes that packets actually take when traveling to their destinations. Note You must enter the flags fec keyword.
Step 3	exit Example: Router# exit	Returns to user EXEC mode.

Enabling LSP Ping to Detect LSP Breakages Caused by Untagged Interfaces

For MPLS LSP ping and traceroute of LSPs carrying IPv4 FECs, you can force an explicit null label to be added to the MPLS label stack even though the label was unsolicited. This allows LSP ping to detect LSP breakages caused by untagged interfaces. LSP ping does not report that an LSP is operational when it is unable to send MPLS traffic.

An explicit null label is added to an MPLS label stack if MPLS echo request packets are forwarded from untagged interfaces that are directly connected to the destination of the LSP ping or if the IP TTL value for the MPLS echo request packets is set to 1.

When you enter an **lsp ping** command, you are testing the LSP's ability to carry IP traffic. Failure at untagged output interfaces at the penultimate hop are not detected. Explicit-null shimming allows you to test an LSP's ability to carry MPLS traffic.

To enable LSP ping to detect LSP breakages caused by untagged interfaces, specify the **force-explicit-null** keyword in the **ping mpls** or **trace mpls** commands as shown in the following steps.

SUMMARY STEPS

1. **enable**
2. Do one of the following:
 - **ping mpls {ipv4 destination-address/destination-mask | pseudowire ipv4-address vc-id vc-id} force-explicit-null**
 - **trace mpls ipv4 destination-address/destination-mask force-explicit-null**
3. **exit**

DETAILED STEPS

	Command or Action	Purpose
Step 1	enable Example: Router> enable	Enables privileged EXEC mode. <ul style="list-style-type: none"> • Enter your password if prompted.
Step 2	Do one of the following: <ul style="list-style-type: none"> • ping mpls {ipv4 destination-address/destination-mask pseudowire ipv4-address vc-id vc-id} force-explicit-null • trace mpls ipv4 destination-address/destination-mask force-explicit-null Example: Router# ping mpls ipv4 10.131.191.252/32 force-explicit null	Checks MPLS LSP connectivity. or Discovers MPLS LSP routes that packets actually take when traveling to their destinations. Note You must enter the force-explicit-null keyword.

	Command or Action	Purpose
	Example: <pre>Router# trace mpls ipv4 10.131.191.252/32 force-explicit-null</pre>	
Step 3	exit Example: <pre>Router# exit</pre>	Returns to user EXEC mode.

Viewing the AToM VCCV Capabilities Advertised to and Received from the Peer

To view the AToM VCCV capabilities advertised to and received from the peer, perform the following steps.

SUMMARY STEPS

1. enable
2. show mpls l2transport binding
3. exit

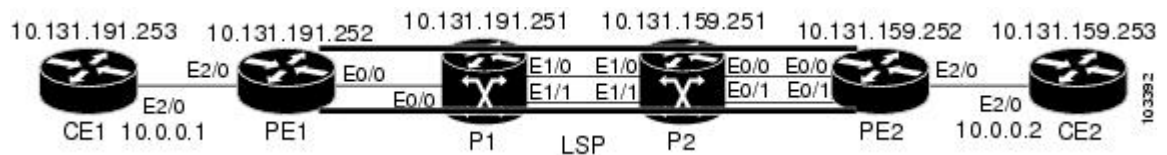
DETAILED STEPS

	Command or Action	Purpose
Step 1	enable Example: <pre>Router> enable</pre>	Enables privileged EXEC mode. <ul style="list-style-type: none"> • Enter your password if prompted.
Step 2	show mpls l2transport binding Example: <pre>Router# show mpls l2transport binding</pre>	Displays VC label binding information.
Step 3	exit Example: <pre>Router# exit</pre>	Returns to user EXEC mode.

Configuration Examples for MPLS LSP Ping Traceroute for LDP TE and LSP Ping for VCCV

Examples for the MPLS LSP Ping/Traceroute for LDP/TE, and LSP Ping for VCCV feature are based on the sample topology shown in the figure below.

Figure 11: Sample Topology for Configuration Examples



Enabling Compatibility Between the MPLS LSP and Ping or Traceroute Implementation Example

The following example shows how to configure MPLS multipath LSP traceroute to interoperate with a vendor implementation that does not interpret RFC 4379 as Cisco does:

```
configure terminal
!
mpls oam
echo revision 4
no echo vendor-extension
exit
```

The default echo revision number is 4, which corresponds to the IEFT draft 11.

Validating an LDP IPv4 FEC by Using MPLS LSP Ping and MPLS LSP Traceroute Example

The following example shows how to use the **ping mpls** command to test connectivity of an IPv4 LDP LSP:

```
Router# ping mpls ipv4 10.131.191.252/32 repeat 5 exp 5 verbose
Sending 5, 100-byte MPLS Echos to 10.131.191.252, timeout is 2 seconds:
Codes:
  '!' - success, 'Q' - request not sent, '.' - timeout,
  'L' - labeled output interface, 'B' - unlabeled output interface,
  'D' - DS Map mismatch, 'F' - no FEC mapping, 'f' - FEC mismatch,
  'M' - malformed request, 'm' - unsupported tlvs, 'N' - no rx label,
  'P' - no rx intf label prot, 'p' - premature termination of LSP,
  'R' - transit router, 'X' - unknown return code, 'x' - return code 0
Type escape sequence to abort.
!    10.131.191.230, return code 3
!    10.131.191.230, return code 3
!    10.131.191.230, return code 3
!    10.131.191.230, return code 3
```

```
! 10.131.191.230, return code 3
Success rate is 100 percent (5/5), round-trip min/avg/max = 100/10
```

Validating a Layer 2 FEC by Using MPLS LSP Ping Example

The following example validates a Layer 2 FEC:

```
Router# ping mpls pseudowire 10.10.10.15 108 vc-id 333

Sending 5, 100-byte MPLS Echos to 10.10.10.15,
      timeout is 2 seconds, send interval is 0 msec:
Codes: '!' - success, 'Q' - request not sent, '.' - timeout,
'L' - labeled output interface, 'B' - unlabeled output interface,
'D' - DS Map mismatch, 'F' - no FEC mapping, 'f' - FEC mismatch,
'M' - malformed request, 'm' - unsupported tlvs, 'N' - no label entry,
'P' - no rx intf label prot, 'p' - premature termination of LSP,
'R' - transit router, 'I' - unknown upstream index,
'X' - unknown return code, 'x' - return code 0
Type escape sequence to abort.
!!!!
Success rate is 100 percent (5/5), round-trip min/avg/max = 28/32/40 ms PE-802#
```

Using DSCP to Request a Specific Class of Service in an Echo Reply Example

The following example shows how to use DSCP to request a specific CoS in an echo reply:

```
Router# ping mpls ipv4 10.131.159.252/32 reply dscp 50
<0-63> Differentiated services codepoint value
af11 Match packets with AF11 dscp (001010)
af12 Match packets with AF12 dscp (001100)
af13 Match packets with AF13 dscp (001110)
af21 Match packets with AF21 dscp (010010)
af22 Match packets with AF22 dscp (010100)
af23 Match packets with AF23 dscp (010110)
af31 Match packets with AF31 dscp (011010)
af32 Match packets with AF32 dscp (011100)
af33 Match packets with AF33 dscp (011110)
af41 Match packets with AF41 dscp (100010)
af42 Match packets with AF42 dscp (100100)
af43 Match packets with AF43 dscp (100110)
cs1 Match packets with CS1 (precedence 1) dscp (001000)
cs2 Match packets with CS2 (precedence 2) dscp (010000)
cs3 Match packets with CS3 (precedence 3) dscp (011000)
cs4 Match packets with CS4 (precedence 4) dscp (100000)
cs5 Match packets with CS5 (precedence 5) dscp (101000)
cs6 Match packets with CS6 (precedence 6) dscp (110000)
cs7 Match packets with CS7 (precedence 7) dscp (111000)
default Match packets with default dscp (000000)
ef Match packets with EF dscp (101110)
```

Controlling How a Responding Router Replies to an MPLS Echo Request Example

The following example checks MPLS LSP connectivity by using ipv4 reply mode:

```
Router# ping mpls ipv4 10.131.191.252/32 reply mode ipv4
```

Preventing Possible Loops with MPLS LSP Ping Example

The following example shows how a loop operates if you use the following **ping mpls** command:

```
Router# ping mpls
  ipv4
  10.131.159.251/32 destination 127.0.0.1 127.0.0.2 1 repeat 2
  sweep 1450 1475 25
Sending 2, [1450..1500]-byte MPLS Echos to 10.131.159.251/32,
  timeout is 2 seconds, send interval is 0 msec:
Codes:
  '!' - success, 'Q' - request not sent, '.' - timeout,
  'L' - labeled output interface, 'B' - unlabeled output interface,
  'D' - DS Map mismatch, 'F' - no FEC mapping, 'f' - FEC mismatch,
  'M' - malformed request, 'm' - unsupported tlvs, 'N' - no rx label,
  'P' - no rx intf label prot, 'p' - premature termination of LSP,
  'R' - transit router, 'X' - unknown return code, 'x' - return code 0
Type escape sequence to abort.
Destination address 127.0.0.1
!
!
Destination address 127.0.0.2
!
!
Destination address 127.0.0.1
!
!
Destination address 127.0.0.2
!
!
```

A **ping mpls** command is sent for each packet size range for each destination address until the end address is reached. For this example, the loop continues in the same manner until the destination address, 127.0.0.5, is reached. The sequence continues until the number is reached that you specified with the **repeat count** keyword and argument. For this example, the repeat count is 2. The MPLS LSP ping loop sequence is as follows:

```
repeat = 1
  destination address 1 (address-start
)
  for (size from sweep minimum
to maximum
, counting by size-increment
)
  send an lsp ping
  destination address 2 (address-start
+
address-
increment
)
  for (size from sweep minimum
to maximum
, counting by size-increment
)
  send an lsp ping
  destination address 3 (address-start
+
address-
increment
+
address-
increment
)
  for (size from sweep minimum
to maximum
, counting by size-increment
)
```

```

        send an lsp ping
    .
    .
    .
    until destination address = address-end
    .
    .
    .
    until repeat = count 2

```

Preventing Possible Loops with MPLS LSP Traceroute Example

The following example shows how a loop occurs if you use the following `trace mpls` command:

```

Router# trace mpls ipv4 10.131.159.251/32 destination 127.0.0.1 127.0.0.3 1 ttl 5
Tracing MPLS Label Switched Path to 10.131.159.251/32, timeout is 2 seconds
Codes:
  '!' - success, 'Q' - request not sent, '.' - timeout,
  'L' - labeled output interface, 'B' - unlabeled output interface,
  'D' - DS Map mismatch, 'F' - no FEC mapping, 'f' - FEC mismatch,
  'M' - malformed request, 'm' - unsupported tlvs, 'N' - no rx label,
  'P' - no rx intf label prot, 'p' - premature termination of LSP,
  'R' - transit router, 'X' - unknown return code, 'x' - return code 0
Type escape sequence to abort.
Destination address 127.0.0.1
  0 10.131.191.230 MRU 1500 [Labels: 19 Exp: 0]
R 1 10.131.159.226 MRU 1504 [implicit-null] 40 ms
! 2 10.131.159.225 40 ms
Destination address 127.0.0.2
  0 10.131.191.230 MRU 1500 [Labels: 19 Exp: 0]
R 1 10.131.159.226 MRU 1504 [implicit-null] 40 ms
! 2 10.131.159.225 40 ms
Destination address 127.0.0.3
  0 10.131.191.230 MRU 1500 [Labels: 19 Exp: 0]
R 1 10.131.159.226 MRU 1504 [implicit-null] 40 ms
! 2 10.131.159.225 48 ms

```

An `mpls trace` command is sent for each TTL from 1 to the maximum TTL (`ttl maximum-time-to-live` keyword and argument) for each destination address until the address specified with the destination `end-address` argument is reached. In this example, the maximum TTL is 5 and the end destination address is 127.0.0.3.

The MPLS LSP traceroute loop sequence is as follows:

```

destination address 1 (address-start
)
  for (ttl from 1 to maximum-time-to-live
)
  send an lsp trace
destination address 2 (address-start
+ address-increment
)
  for (ttl from 1 to 5
)
  send an lsp trace
destination address 3 (address-start
+ address-increment
+ address-increment
)
  for (ttl from 1 to
maximum-time-to-live)
    send an lsp trace
.
.
.
until destination address = 4

```

The following example shows that the trace encountered an LSP problem at the router that has an IP address of 10.6.1.6:

```
Router# traceroute mpls ipv4 10.6.7.4/32
Tracing MPLS Label Switched Path to 10.6.7.4/32, timeout is 2 seconds
Codes:
  '!' - success, 'Q' - request not sent, '.' - timeout,
  'L' - labeled output interface, 'B' - unlabeled output interface,
  'D' - DS Map mismatch, 'F' - no FEC mapping, 'f' - FEC mismatch,
  'M' - malformed request, 'm' - unsupported tlvs, 'N' - no rx label,
  'P' - no rx intf label prot, 'p' - premature termination of LSP,
  'R' - transit router, 'X' - unknown return code, 'x' - return code 0
Type escape sequence to abort.
 0 10.6.1.14 MRU 4470 [Labels: 22 Exp: 0]
R 1 10.6.1.5 MRU 4470 [Labels: 21 Exp: 0] 2 ms
R 2 10.6.1.6 4 ms                               <----- Router address repeated for 2nd to 30th TTL.
R 3 10.6.1.6 1 ms
R 4 10.6.1.6 1 ms
R 5 10.6.1.6 3 ms
R 6 10.6.1.6 4 ms
R 7 10.6.1.6 1 ms
R 8 10.6.1.6 2 ms
R 9 10.6.1.6 3 ms
R 10 10.6.1.6 4 ms
R 11 10.6.1.6 1 ms
R 12 10.6.1.6 2 ms
R 13 10.6.1.6 4 ms
R 14 10.6.1.6 5 ms
R 15 10.6.1.6 2 ms
R 16 10.6.1.6 3 ms
R 17 10.6.1.6 4 ms
R 18 10.6.1.6 2 ms
R 19 10.6.1.6 3 ms
R 20 10.6.1.6 4 ms
R 21 10.6.1.6 1 ms
R 22 10.6.1.6 2 ms
R 23 10.6.1.6 3 ms
R 24 10.6.1.6 4 ms
R 25 10.6.1.6 1 ms
R 26 10.6.1.6 3 ms
R 27 10.6.1.6 4 ms
R 28 10.6.1.6 1 ms
R 29 10.6.1.6 2 ms
R 30 10.6.1.6 3 ms                               <----- TTL 30.
```

If you know the maximum number of hops in your network, you can set the TTL to a lower value with the **trace mpls ttl maximum-time-to-live** command. The following example shows the same **traceroute** command as the previous example, except that this time the TTL is set to 5:

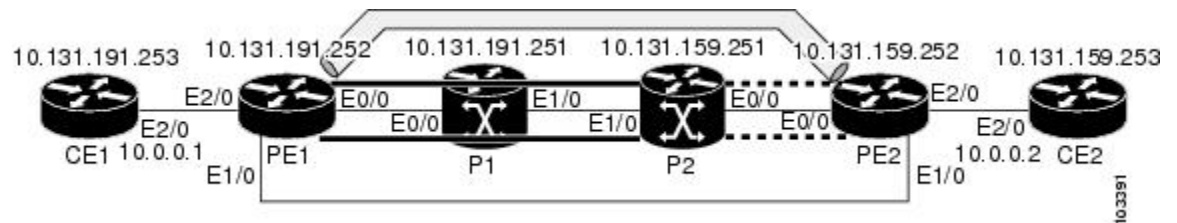
```
Router# traceroute mpls ipv4 10.6.7.4/32 ttl 5
Tracing MPLS Label Switched Path to 10.6.7.4/32, timeout is 2 seconds
Codes:
  '!' - success, 'Q' - request not sent, '.' - timeout,
  'L' - labeled output interface, 'B' - unlabeled output interface,
  'D' - DS Map mismatch, 'F' - no FEC mapping, 'f' - FEC mismatch,
  'M' - malformed request, 'm' - unsupported tlvs, 'N' - no rx label,
  'P' - no rx intf label prot, 'p' - premature termination of LSP,
  'R' - transit router, 'X' - unknown return code, 'x' - return code 0
Type escape sequence to abort.
 0 10.6.1.14 MRU 4470 [Labels: 22 Exp: 0]
R 1 10.6.1.5 MRU 4474 [No Label] 3 ms
R 2 10.6.1.6 4 ms                               <----- Router address repeated for 2nd to 5th TTL.
R 3 10.6.1.6 1 ms
R 4 10.6.1.6 3 ms
R 5 10.6.1.6 4 ms
```

Troubleshooting with LSP Ping or Traceroute Example

ICMP **ping** and **trace** commands are often used to help diagnose the root cause of a failure. When an LSP is broken, the packet may reach the target router by IP forwarding, thus making the ICMP ping and traceroute features unreliable for detecting MPLS forwarding problems. The MPLS LSP ping or traceroute and AToM VCCV features extend this diagnostic and troubleshooting ability to the MPLS network and handle inconsistencies (if any) between the IP and MPLS forwarding tables, inconsistencies in the MPLS control and data plane, and problems with the reply path.

The figure below shows a sample topology with an LDP LSP.

Figure 12: Sample Topology with LDP LSP



This section contains the following subsections:

Configuration for Sample Topology

These are sample topology configurations for the troubleshooting examples in the following sections (see the figure above). There are the six sample router configurations.

Router CE1 Configuration

Following is the configuration for the CE1 router:

```
!
version 12.4
service timestamps debug datetime msec
service timestamps log datetime msec
no service password-encryption
!
hostname CE1
!
boot-start-marker
boot-end-marker
!
enable password lab
!
clock timezone EST -5
ip subnet-zero
!
!
!
interface Loopback0
 ip address 10.131.191.253 255.255.255.255
 no ip directed-broadcast
 no clns route-cache
!
!
interface Ethernet2/0
 no ip address
```

```

no ip directed-broadcast
no keepalive
no cdp enable
no clns route-cache
!
interface Ethernet2/0.1
 encapsulation dot1Q 1000
 ip address 10.0.0.1 255.255.255.0
 no ip directed-broadcast
!
!
line con 0
 exec-timeout 0 0
line aux 0
line vty 0 4
 exec-timeout 0 0
 password lab
 login
!
end

```

Router PE1 Configuration

Following is the configuration for the PE1 router:

```

!
version 12.4
service timestamps debug datetime msec
service timestamps log datetime msec
no service password-encryption
!
hostname PE1
!
boot-start-marker
boot-end-marker
!
logging snmp-authfail
enable password lab
!
clock timezone EST -5
ip subnet-zero
ip cef
no ip domain-lookup
!
mpls ldp discovery targeted-hello accept
mpls ldp router-id Loopback0 force
mpls label protocol ldp
!
!
!
interface Loopback0
 ip address 10.131.191.252 255.255.255.255
 no clns route-cache
!
interface Ethernet0/0
 ip address 10.131.191.230 255.255.255.252
 ip rsvp bandwidth 1500 1500
 ip rsvp signalling dscp 0
!
interface Ethernet1/0
 ip address 10.131.159.246 255.255.255.252
 shutdown
 no clns route-cache
 ip rsvp bandwidth 1500 1500
 ip rsvp signalling dscp 0
!
interface Ethernet2/0
 no ip address
 no cdp enable
 no clns route-cache
!

```



```

interface Ethernet2/0.1
  encapsulation dot1Q 1000
  xconnect 10.131.159.252 333 encapsulation mpls
!
!
router ospf 1
  log-adjacency-changes
  passive-interface Loopback0
  network 10.131.159.244 0.0.0.3 area 0
  network 10.131.191.228 0.0.0.3 area 0
  network 10.131.191.232 0.0.0.3 area 0
  network 10.131.191.252 0.0.0.0 area 0
!
!
!
line con 0
  exec-timeout 0 0
line aux 0
line vty 0 4
  exec-timeout 0 0
  password lab
  login
!
!
end

```

Router P1 Configuration

Following is the configuration for the P1 router:

```

version 12.4
service timestamps debug datetime msec
service timestamps log datetime msec
no service password-encryption
!
hostname P1
!
boot-start-marker
boot-end-marker
!
logging snmp-authfail
enable password lab
!
clock timezone EST -5
ip subnet-zero
ip cef
no ip domain-lookup
!
!
mpls ldp discovery targeted-hello accept
mpls ldp router-id Loopback0 force
mpls label protocol ldp
!
!
!
  no clns route-cache
!
interface Loopback0
  ip address 10.131.191.251 255.255.255.255
  no clns route-cache
!
interface Ethernet0/0
  ip address 10.131.191.229 255.255.255.252
  no clns route-cache
ip rsvp bandwidth 1500 1500
ip rsvp signalling dscp 0
!
interface Ethernet1/0
  ip address 10.131.159.226 255.255.255.252
  no clns route-cache
ip rsvp bandwidth 1500 1500

```

```

ip rsvp signalling dscp 0
!
interface Ethernet1/1
 ip address 10.131.159.222 255.255.255.252
 no clns route-cache
ip rsvp bandwidth 1500 1500
ip rsvp signalling dscp 0
!
!
router ospf 1
 log-adjacency-changes
 passive-interface Loopback0
 network 10.131.159.220 0.0.0.3 area 0
 network 10.131.159.224 0.0.0.3 area 0
 network 10.131.191.228 0.0.0.3 area 0
 network 10.131.191.251 0.0.0.0 area 0
 mpls traffic-eng router-id Loopback0
 mpls traffic-eng area 0
!
!
line con 0
 exec-timeout 0 0
line aux 0
line vty 0 4
 exec-timeout 0 0
 password lab
 login
!
end

```

Router P2 Configuration

Following is the configuration for the P2 router:

```

!
version 12.4
service timestamps debug datetime msec
service timestamps log datetime msec
no service password-encryption
!
hostname P2
!
boot-start-marker
boot-end-marker
!
enable password lab
!
clock timezone EST -5
ip subnet-zero
ip cef
no ip domain-lookup
!
mpls ldp discovery targeted-hello accept
mpls ldp router-id Loopback0 force
mpls label protocol ldp
!
!
!
interface Loopback0
 ip address 10.131.159.251 255.255.255.255
 no ip directed-broadcast
!
interface Ethernet0/0
 ip address 10.131.159.229 255.255.255.252
 no ip directed-broadcast
 ip rsvp bandwidth 1500 1500
 ip rsvp signalling dscp 0
!
interface Ethernet0/1
 ip address 10.131.159.233 255.255.255.252
 no ip directed-broadcast

```

```

ip rsvp signalling dscp 0
!
interface Ethernet1/0
 ip address 10.131.159.225 255.255.255.252
 no ip directed-broadcast
 ip rsvp bandwidth 1500 1500
 ip rsvp signalling dscp 0
!
interface Ethernet1/1
 ip address 10.131.159.221 255.255.255.252
 no ip directed-broadcast
 ip rsvp signalling dscp 0
!
!
router ospf 1
 log-adjacency-changes
 passive-interface Loopback0
 network 10.131.159.220 0.0.0.3 area 0
 network 10.131.159.224 0.0.0.3 area 0
 network 10.131.159.228 0.0.0.3 area 0
 network 10.131.159.232 0.0.0.3 area 0
 network 10.131.159.251 0.0.0.0 area 0
!
!
!
line con 0
 exec-timeout 0 0
line aux 0
line vty 0 4
 exec-timeout 0 0
 password lab
 login
!
end

```

Router PE2 Configuration

Following is the configuration for the PE2 router:

```

!
version 12.4
service timestamps debug datetime msec
service timestamps log datetime msec
no service password-encryption
!
hostname PE2
!
boot-start-marker
boot-end-marker
!
logging snmp-authfail
enable password lab
!
clock timezone EST -5
ip subnet-zero
ip cef
no ip domain-lookup
!
mpls ldp discovery targeted-hello accept
mpls ldp router-id Loopback0 force
mpls label protocol ldp
!
!
!
interface Loopback0
 ip address 10.131.159.252 255.255.255.255
 no cls route-cache
!
interface Ethernet0/0
 ip address 10.131.159.230 255.255.255.252
 no cls route-cache

```

```

ip rsvp bandwidth 1500 1500
ip rsvp signalling dscp 0
!
interface Ethernet0/1
ip address 10.131.159.234 255.255.255.252
no clns route-cache
ip rsvp bandwidth 1500 1500
ip rsvp signalling dscp 0
!
interface Ethernet1/0
ip address 10.131.159.245 255.255.255.252
mpls ip
no clns route-cache
!
interface Ethernet3/0
no ip address
no cdp enable
no clns route-cache
!
interface Ethernet3/0.1
encapsulation dot1Q 1000
no snmp trap link-status
no cdp enable
xconnect 10.131.191.252 333 encapsulation mpls
!
!
router ospf 1
log-adjacency-changes
passive-interface Loopback0
network 10.131.122.0 0.0.0.3 area 0
network 10.131.159.228 0.0.0.3 area 0
network 10.131.159.232 0.0.0.3 area 0
network 10.131.159.236 0.0.0.3 area 0
network 10.131.159.244 0.0.0.3 area 0
network 10.131.159.252 0.0.0.0 area 0
!
!
line con 0
exec-timeout 0 0
line aux 0
line vty 0 4
exec-timeout 0 0
password lab
login
!
!
end

```

Router CE2 Configuration

Following is the configuration for the CE2 router:

```

!
version 12.4
service timestamps debug datetime msec
service timestamps log datetime msec
no service password-encryption
!
hostname CE2
!
boot-start-marker
boot-end-marker
!
enable password lab
!
clock timezone EST -5
ip subnet-zero
ip cef
no ip domain-lookup
!
!

```

```

interface Loopback0
 ip address 10.131.159.253 255.255.255.255
 no ip directed-broadcast
 no clns route-cache
 !
interface Ethernet3/0
 no ip address
 no ip directed-broadcast
 no keepalive
 no cdp enable
 no clns route-cache
 !
interface Ethernet3/0.1
 encapsulation dot1Q 1000
 ip address 10.0.0.2 255.255.255.0
 no ip directed-broadcast
 !
 !
line con 0
 exec-timeout 0 0
line aux 0
line vty 0 4
 exec-timeout 0 0
 password lab
 login
 !
end

```

Verification That the LSP Is Configured Correctly

Use the output from the **show** commands in this section to verify that the LSP is configured correctly.

A **show mpls forwarding-table** command shows that tunnel 1 is in the MPLS forwarding table.

```

PE1# show mpls forwarding-table 10.131.159.252
Local  Outgoing  Prefix          Bytes tag  Outgoing   Next Hop
tag   tag or VC   or Tunnel Id    switched  interface
22    18
[T] 10.131.159.252/32 0          Tu1         point2point
[T] Forwarding through a TSP tunnel.
View additional tagging info with the 'detail' option

```

A **trace mpls** command issued at PE1 verifies that packets with 16 as the outermost label and 18 as the end-of-stack label are forwarded from PE1 to PE2.

```

PE1# trace mpls ipv4 10.131.159.252/32
Tracing MPLS Label Switched Path to 10.131.159.252/32, timeout is 2 seconds
Codes:
  '!' - success, 'Q' - request not sent, '.' - timeout,
  'L' - labeled output interface, 'B' - unlabeled output interface,
  'D' - DS Map mismatch, 'F' - no FEC mapping, 'f' - FEC mismatch,
  'M' - malformed request, 'm' - unsupported tlvs, 'N' - no rx label,
  'P' - no rx intf label prot, 'p' - premature termination of LSP,
  'R' - transit router, 'X' - unknown return code, 'x' - return code 0
Type escape sequence to abort.
0 10.131.191.252 MRU 1496 [Labels: 16/18 Exp: 0/0] L 1 10.131.191.229
MRU 1508 [Labels: 18 Exp: 0] 0 ms L 2 10.131.159.225
MRU 1504 [Labels: implicit-null Exp: 0] 0 ms ! 3 10.131.159.234 20 ms
PE1#

```

The MPLS LSP Traceroute to PE2 is successful, as indicated by the exclamation point (!).

Discovery of LSP Breaks

Use the output of the commands in this section to discover LSP breaks.

An LDP target session is established between routers PE1 and P2, as shown in the output of the following **show mpls ldp discovery** command:

```
PE1# show mpls ldp discovery
Local LDP Identifier:
 10.131.191.252:0
Discovery Sources:
Interfaces:
  Ethernet0/0 (ldp): xmit/recv
    LDP Id: 10.131.191.251:0
  Tunnell (ldp): Targeted -> 10.131.159.251
Targeted Hellos:
 10.131.191.252 -> 10.131.159.252 (ldp): active/passive, xmit/recv
    LDP Id: 10.131.159.252:0
 10.131.191.252 -> 10.131.159.251 (ldp): active, xmit/recv
LDP Id: 10.131.159.251:0
```

Enter the following command on the P2 router in global configuration mode:

```
P2(config)# no mpls ldp discovery targeted-hello accept
```

The LDP configuration change causes the targeted LDP session between the headend and tailend of the TE tunnel to go down. Labels for IPv4 prefixes learned by P2 are not advertised to PE1. Thus, all IP prefixes reachable by P2 are reachable by PE1 only through IP (not MPLS). In other words, packets destined for those prefixes through Tunnel 1 at PE1 will be IP switched at P2 (which is undesirable).

The following **show mpls ldp discovery** command shows that the LDP targeted session is down:

```
PE1# show mpls ldp discovery
Local LDP Identifier:
 10.131.191.252:0
Discovery Sources:
Interfaces:
  Ethernet0/0 (ldp): xmit/recv
    LDP Id: 10.131.191.251:0
  Tunnell (ldp): Targeted -> 10.131.159.251
Targeted Hellos:
 10.131.191.252 -> 10.131.159.252 (ldp): active/passive, xmit/recv
    LDP Id: 10.131.159.252:0
 10.131.191.252 -> 10.131.159.251 (ldp): active, xmit
```

Enter the **show mpls forwarding-table** command at the PE1 router. The display shows that the outgoing packets are untagged as a result of the LDP configuration changes.

```
PE1# show mpls forwarding-table 10.131.159.252
Local  Outgoing   Prefix          Bytes tag  Outgoing   Next Hop
tag    tag or VC   or Tunnel Id   switched  interface
22     Untagged[T] 10.131.159.252/32 0          Tul        point2point
[T]    Forwarding through a TSP tunnel.
View additional tagging info with the 'detail' option
```

A **ping mpls** command entered at the PE1 router displays the following:

```
PE1# ping mpls ipv4 10.131.159.252/32 repeat 1
Sending 1, 100-byte MPLS Echos to 10.131.159.252/32,
  timeout is 2 seconds, send interval is 0 msec:
Codes:
  '!' - success, 'Q' - request not sent, '.' - timeout,
  'L' - labeled output interface, 'B' - unlabeled output interface,
  'D' - DS Map mismatch, 'F' - no FEC mapping, 'f' - FEC mismatch,
  'M' - malformed request, 'm' - unsupported tlvs, 'N' - no rx label,
  'P' - no rx intf label prot, 'p' - premature termination of LSP,
  'R' - transit router, 'X' - unknown return code, 'x' - return code 0
Type escape sequence to abort.
R
Success rate is 0 percent (0/1)
```

The **ping mpls** command fails. The R indicates that the sender of the MPLS echo reply had a routing entry but no MPLS FEC. Entering the **verbose** keyword with the **ping mpls** command displays the MPLS LSP

echo reply sender address and the return code. You should be able to determine where the breakage occurred by telnetting to the replying router and inspecting its forwarding and label tables. You might need to look at the neighboring upstream router as well, because the breakage might be on the upstream router.

```
PE1# ping mpls ipv4 10.131.159.252/32 repeat 1 verbose
Sending 1, 100-byte MPLS Echos to 10.131.159.252/32,
      timeout is 2 seconds, send interval is 0 msec:
Codes:
  '!' - success, 'Q' - request not sent, '.' - timeout,
  'L' - labeled output interface, 'B' - unlabeled output interface,
  'D' - DS Map mismatch, 'F' - no FEC mapping, 'f' - FEC mismatch,
  'M' - malformed request, 'm' - unsupported tlvs, 'N' - no rx label,
  'P' - no rx intf label prot, 'p' - premature termination of LSP,
  'R' - transit router, 'X' - unknown return code, 'x' - return code 0
Type escape sequence to abort.
R 10.131.159.225, return code 6
Success rate is 0 percent (0/1)
```

Alternatively, use the **LSP traceroute** command to figure out which router caused the breakage. In the following example, for subsequent values of TTL greater than 2, the same router keeps responding (10.131.159.225). This suggests that the MPLS echo request keeps getting processed by the router regardless of the TTL. Inspection of the label stack shows that P1 pops the last label and forwards the packet to P2 as an IP packet. This explains why the packet keeps getting processed by P2. MPLS echo request packets cannot be forwarded by use of the destination address in the IP header because the address is set to a 127/8 address.

```
PE1# trace mpls ipv4 10.131.159.252/32 ttl 5
Tracing MPLS Label Switched Path to 10.131.159.252/32, timeout is 2 seconds
Codes:
  '!' - success, 'Q' - request not sent, '.' - timeout,
  'L' - labeled output interface, 'B' - unlabeled output interface,
  'D' - DS Map mismatch, 'F' - no FEC mapping, 'f' - FEC mismatch,
  'M' - malformed request, 'm' - unsupported tlvs, 'N' - no rx label,
  'P' - no rx intf label prot, 'p' - premature termination of LSP,
  'R' - transit router, 'X' - unknown return code, 'x' - return code 0
Type escape sequence to abort.
 0 10.131.191.230 MRU 1496 [Labels: 22/19 Exp: 0/0]
R 1 10.131.159.226 MRU 1500 [Labels: 19 Exp: 0] 40 ms
R 2 10.131.159.229 MRU 1504 [implicit-null] 28 ms
! 3 10.131.159.230 40 ms
pe1#
```

MTU Discovery in an LSP Example

The following example shows the results of a **trace mpls** command when the LSP is formed with labels created by LDP:

```
PE1# trace mpls ipv4 10.131.159.252/32
Tracing MPLS Label Switched Path to 10.131.159.252/32, timeout is 2 seconds
Codes:
  '!' - success, 'Q' - request not sent, '.' - timeout,
  'L' - labeled output interface, 'B' - unlabeled output interface,
  'D' - DS Map mismatch, 'F' - no FEC mapping, 'f' - FEC mismatch,
  'M' - malformed request, 'm' - unsupported tlvs, 'N' - no rx label,
  'P' - no rx intf label prot, 'p' - premature termination of LSP,
  'R' - transit router, 'X' - unknown return code, 'x' - return code 0
Type escape sequence to abort.
 0 10.131.191.230 MRU 1496 [Labels: 22/19 Exp: 0/0]
R 1 10.131.159.226 MRU 1500 [Labels: 19 Exp: 0] 40 ms
R 2 10.131.159.229 MRU 1504 [implicit-null] 28 ms
! 3 10.131.159.230 40 ms
pe1#
```

You can determine the MRU for the LSP at each hop through the use of the **show mpls forwarding detail** command:

```
PE1# show mpls forwarding 10.131.159.252 detail
Local  Outgoing  Prefix          Bytes tag  Outgoing  Next Hop
tag    tag or VC   or Tunnel Id   switched  interface
22     19         10.131.159.252/32 0          Tu1       point2point
      MAC/Encaps=14/22, MRU=1496, Tag Stack(22 19), via Et0/0
      AABECC009700AABECC0098008847 0001600000013000
      No output feature configured
```

To determine how large an echo request will fit on the LSP, first calculate the size of the IP MTU by using the **show interface interface-name** command:

```
PE1# show interface e0/0
Ethernet0/0 is up, line protocol is up
  Hardware is Lance, address is aabb.cc00.9800 (bia aabb.cc00.9800)
  Internet address is 10.131.191.230/30
  MTU 1500 bytes, BW 10000 Kbit, DLY 1000 usec, rely 255/255, load 1/255
  Encapsulation ARPA, loopback not set
  Keepalive set (10 sec)
  ARP type: ARPA, ARP Timeout 04:00:00
  Last input 00:00:01, output 00:00:01, output hang never
  Last clearing of "show interface" counters never
  Input queue: 0/75/0/0 (size/max/drops/flushes); Total output drops: 0
  Queueing strategy: fifo
  Output queue: 0/40 (size/max)
  5 minute input rate 0 bits/sec, 0 packets/sec
  5 minute output rate 0 bits/sec, 0 packets/sec
    377795 packets input, 33969220 bytes, 0 no buffer
    Received 231137 broadcasts, 0 runts, 0 giants, 0 throttles
    0 input errors, 0 CRC, 0 frame, 0 overrun, 0 ignored
    0 input packets with dribble condition detected
    441772 packets output, 40401350 bytes, 0 underruns
    0 output errors, 0 collisions, 10 interface resets
    0 babbles, 0 late collision, 0 deferred
    0 lost carrier, 0 no carrier
    0 output buffer failures, 0 output buffers swapped out
```

The IP MTU in the **show interface interface-name** example is 1500 bytes. Subtract the number of bytes corresponding to the label stack from the MTU number. The output of the **show mpls forwarding** command indicates that the Tag stack consists of one label (21). Therefore, the largest MPLS echo request packet that can be sent in the LSP is $1500 - (2 \times 4) = 1492$.

You can validate this by using the following **mpls ping** command:

```
PE1# ping mpls ipv4 10.131.159.252/32 sweep 1492 1500 1 repeat 1
Sending 1, [1492..1500]-byte MPLS Echos to 10.131.159.252/32,
  timeout is 2 seconds, send interval is 0 msec:
Codes:
  '!' - success, 'Q' - request not sent, '.' - timeout,
  'L' - labeled output interface, 'B' - unlabeled output interface,
  'D' - DS Map mismatch, 'F' - no FEC mapping, 'f' - FEC mismatch,
  'M' - malformed request, 'm' - unsupported tlvs, 'N' - no rx label,
  'P' - no rx intf label prot, 'p' - premature termination of LSP,
  'R' - transit router, 'X' - unknown return code, 'x' - return code 0
Type escape sequence to abort.
!QQQQQQQQ
Success rate is 11 percent (1/9), round-trip min/avg/max = 40/40/40 ms
```

In this command, echo packets that have a range in size from 1492 to 1500 bytes are sent to the destination address. Only packets of 1492 bytes are sent successfully, as indicated by the exclamation point (!). Packets of byte sizes 1493 to 1500 are source-quenched, as indicated by the Qs.

You can pad an MPLS echo request so that a payload of a given size can be tested. The pad TLV is useful when you use the MPLS echo request to discover the MTU that is supportable by an LSP. MTU discovery is extremely important for applications like AToM that contain non-IP payloads that cannot be fragmented.

Tracking Packets Tagged as Implicit Null Example

In the following example, Tunnel 1 is shut down, and only an LSP formed with LDP labels is established. An implicit null is advertised between the P2 and PE2 routers. Entering an MPLS LSP traceroute command at the PE1 router results in the following output that shows that packets are forwarded from P2 to PE2 with an implicit-null label. Address 10.131.159.229 is configured for the P2 Ethernet 0/0 out interface for the PE2 router.

```
PE1# trace mpls ipv4 10.131.159.252/32
Tracing MPLS Label Switched Path to 10.131.159.252/32, timeout is 2 seconds
Codes:
  '!' - success, 'Q' - request not sent, '.' - timeout,
  'L' - labeled output interface, 'B' - unlabeled output interface,
  'D' - DS Map mismatch, 'F' - no FEC mapping, 'f' - FEC mismatch,
  'M' - malformed request, 'm' - unsupported tlvs, 'N' - no rx label,
  'P' - no rx intf label prot, 'p' - premature termination of LSP,
  'R' - transit router, 'X' - unknown return code, 'x' - return code 0
Type escape sequence to abort.
 0 10.131.191.230 MRU 1496 [Labels: 22/19 Exp: 0/0]
R 1 10.131.159.226 MRU 1500 [Labels: 19 Exp: 0] 40 ms
R 2 10.131.159.229 MRU 1504 [implicit-null] 28 ms
! 3 10.131.159.230 40 ms
pe1#
```

Tracking Untagged Packets Example

Untagged cases are valid configurations for IGP LSPs that could cause problems for MPLS VPNs.

A **show mpls forwarding-table** command and a **show mpls ldp discovery** command issued at the P2 router show that LDP is properly configured:

```
P2# show mpls forwarding-table 10.131.159.252
Local  Outgoing  Prefix          Bytes tag  Outgoing   Next Hop
tag    tag or VC    or Tunnel Id    switched  interface  interface
19     Pop tag     10.131.159.252/32  0         Et0/0      10.131.159.230
P2# show mpls ldp discovery
Local LDP Identifier:
 10.131.159.251:0
Discovery Sources:
Interfaces:
  Ethernet0/0 (ldp): xmit/recv
    LDP Id: 10.131.159.252:0
  Ethernet1/0 (ldp): xmit/recv
    LDP Id: 10.131.191.251:0
```

The **show mpls ldp discovery** command output shows that Ethernet interface 0/0, which connects PE2 to P2, is sending and receiving packets.

If a **no mpls ip** command is entered on Ethernet interface 0/0, this could prevent an LDP session between the P2 and PE2 routers from being established. A **show mpls ldp discovery** command entered on the PE router shows that the MPLS LDP session with the PE2 router is down.

```
P2# show mpls ldp discovery
Local LDP Identifier:
 10.131.159.251:0
Discovery Sources:
Interfaces:
  Ethernet0/0 (ldp): xmit
  Ethernet1/0 (ldp): xmit/recv
    LDP Id: 10.131.191.251:0
```

If the MPLS LDP session to PE2 goes down, the LSP to 10.131.159.252 becomes untagged, as shown by the **show mpls forwarding-table** command:

```
P2# show mpls forwarding-table 10.131.159.252/32
Local  Outgoing  Prefix          Bytes tag  Outgoing   Next Hop
tag   tag or VC  or Tunnel Id   switched  interface
19    Untagged  10.131.159.252/32  864      Et0/0      10.131.159.230
```

Untagged cases would provide an MPLS LSP traceroute reply with packets tagged with No Label, as shown in the following display. You may need to reestablish an MPLS LSP session from interface P2 to PE2 by entering an **mpls ip** command on the output interface from P2 to PE2, which is Ethernet 0/0 in this example:

```
PE1# trace mpls ipv4 10.131.159.252/32
Tracing MPLS Label Switched Path to 10.131.159.252/32, timeout is 2 seconds
Codes:
  '!' - success, 'Q' - request not sent, '.' - timeout,
  'L' - labeled output interface, 'B' - unlabeled output interface,
  'D' - DS Map mismatch, 'F' - no FEC mapping, 'f' - FEC mismatch,
  'M' - malformed request, 'm' - unsupported tlvs, 'N' - no rx label,
  'P' - no rx intf label prot, 'p' - premature termination of LSP,
  'R' - transit router, 'X' - unknown return code, 'x' - return code 0
Type escape sequence to abort.
 0 10.131.191.230 MRU 1500 [Labels: 20 Exp: 0]
R 1 10.131.159.226 MRU 1500 [Labels: 19 Exp: 0] 80 ms
R 2 10.131.159.229 MRU 1504 [No Label] 28 ms      <----No MPLS session from P2 to PE2.
! 3 10.131.159.230 40 ms
```

Determining Why a Packet Could Not Be Sent Example

The following example shows a **ping mpls** command when an MPLS echo request is not sent. The transmission failure is shown by the returned Qs.

```
PE1# ping mpls ipv4 10.0.0.1/32
Sending 5, 100-byte MPLS Echos to 10.0.0.1/32,
timeout is 2 seconds, send interval is 0 msec:
Codes:
  '!' - success, 'Q' - request not sent, '.' - timeout,
  'L' - labeled output interface, 'B' - unlabeled output interface,
  'D' - DS Map mismatch, 'F' - no FEC mapping, 'f' - FEC mismatch,
  'M' - malformed request, 'm' - unsupported tlvs, 'N' - no rx label,
  'P' - no rx intf label prot, 'p' - premature termination of LSP,
  'R' - transit router, 'X' - unknown return code, 'x' - return code 0
Type escape sequence to abort.
QQQQQ
Success rate is 0 percent (0/5)
```

The following **show mpls forwarding-table** command and **show ip route** command demonstrate that the IPv4 address (10.0.0.1) address is not in the LFIB or RIB routing table. Therefore, the MPLS echo request is not sent.

```
PE1# show mpls forwarding-table 10.0.0.1
Local  Outgoing  Prefix          Bytes tag  Outgoing   Next Hop
tag   tag or VC  or Tunnel Id   switched  interface
PE1# show ip route 10.0.0.1
% Subnet not in table
```

Detecting LSP Breaks when Load Balancing Is Enabled for IPv4 LSPs Example

In the following examples, different paths are followed to the same destination. The output from these examples demonstrates that load balancing occurs between the originating router and the target router.

To ensure that Ethernet interface 1/0 on the PE1 router is operational, enter the following commands on the PE1 router:

```
PE1# configure terminal
Enter configuration commands, one per line. End with CNTL/Z.
PE1(config)# interface ethernet 1/0
PE1(config-if)# no shutdown
PE1(config-if)# end
*Dec 31 19:14:10.034: %LINK-3-UPDOWN: Interface Ethernet1/0, changed state to up
*Dec 31 19:14:11.054: %LINEPROTO-5-UPDOWN: Line protocol on Interface Ethernet1/0,
changed state to upend
PE1#
*Dec 31 19:14:12.574: %SYS-5-CONFIG_I: Configured from console by console
*Dec 31 19:14:19.334: %OSPF-5-ADJCHG: Process 1, Nbr 10.131.159.252 on Ethernet1/0
from LOADING to FULL, Loading Done
PE1#
```

The following **show mpls forwarding-table** command displays the possible outgoing interfaces and next hops for the prefix 10.131.159.251/32:

```
PE1# show mpls forwarding-table 10.131.159.251/32
Local   Outgoing   Prefix           Bytes tag   Outgoing   Next Hop
tag     tag or VC  or Tunnel Id    switched   interface
21      19         10.131.159.251/32 0          Et0/0      10.131.191.229
        20         10.131.159.251/32 0          Et1/0      10.131.159.245
```

The following **ping mpls** command to 10.131.159.251/32 with a destination UDP address of 127.0.0.1 shows that the selected path has a path index of 0:

```
Router# ping mpls ipv4
 10.131.159.251/32 destination
 127.0.0.1/32
Sending 1, 100-byte MPLS Echos to 10.131.159.251/32,
  timeout is 2 seconds, send interval is 0 msec:
Codes:
  '!' - success, 'Q' - request not sent, '.' - timeout,
  'L' - labeled output interface, 'B' - unlabeled output interface,
  'D' - DS Map mismatch, 'F' - no FEC mapping, 'f' - FEC mismatch,
  'M' - malformed request, 'm' - unsupported tlvs, 'N' - no rx label,
  'P' - no rx intf label prot, 'p' - premature termination of LSP,
  'R' - transit router, 'X' - unknown return code, 'x' - return code 0
Type escape sequence to abort.
!
Success rate is 100 percent (1/1), round-trip min/avg/max = 40/40/40 ms
PE1#
*Dec 29 20:42:40.638: LSPV: Echo Request sent on IPV4 LSP, load_index 2,
pathindex 0, size 100
*Dec 29 20:42:40.638: 46 00 00 64 00 00 40 00 FF 11 9D 03 0A 83 BF FC
*Dec 29 20:42:40.638: 7F 00 00 01 94 04 00 00 0D AF 0D AF 00 4C 14 70
*Dec 29 20:42:40.638: 00 01 00 00 01 02 00 00 1A 00 00 1C 00 00 00 01
*Dec 29 20:42:40.638: C3 9B 10 40 A3 6C 08 D4 00 00 00 00 00 00 00 00
*Dec 29 20:42:40.638: 00 01 00 09 00 01 00 05 0A 83 9F FB 20 00 03 00
*Dec 29 20:42:40.638: 13 01 AB CD AB CD AB CD AB CD AB CD AB CD AB CD
*Dec 29 20:42:40.638: AB CD AB CD
*Dec 29 20:42:40.678: LSPV: Echo packet received: src 10.131.159.225,
dst 10.131.191.252, size 74
*Dec 29 20:42:40.678: AA BB CC 00 98 01 AA BB CC 00 FC 01 08 00 45 C0
*Dec 29 20:42:40.678: 00 3C 32 D6 00 00 FD 11 15 37 0A 83 9F E1 0A 83
*Dec 29 20:42:40.678: BF FC 0D AF 0D AF 00 28 D1 85 00 01 00 00 02 02
*Dec 29 20:42:40.678: 03 00 1A 00 00 1C 00 00 01 C3 9B 10 40 A3 6C
*Dec 29 20:42:40.678: 08 D4 C3 9B 10 40 66 F5 C3 C8
```

The following **ping mpls** command to 10.131.159.251/32 with a destination UDP address of 127.0.0.3 shows that the selected path has a path index of 1:

```
PE1# ping mpls ipv4 10.131.159.251/32 destination 127.0.0.3/32
Sending 1, 100-byte MPLS Echos to 10.131.159.251/32,
  timeout is 2 seconds, send interval is 0 msec:
Codes:
  '!' - success, 'Q' - request not sent, '.' - timeout,
```

```

'L' - labeled output interface, 'B' - unlabeled output interface,
'D' - DS Map mismatch, 'F' - no FEC mapping, 'f' - FEC mismatch,
'M' - malformed request, 'm' - unsupported tlvs, 'N' - no rx label,
'P' - no rx intf label prot, 'p' - premature termination of LSP,
'R' - transit router, 'X' - unknown return code, 'x' - return code 0
Type escape sequence to abort.
!
Success rate is 100 percent (1/1), round-trip min/avg/max = 40/40/40 ms
PE1#
*Dec 29 20:43:09.518: LSPV: Echo Request sent on IPV4 LSP, load_index 13,
pathindex 1, size 100
*Dec 29 20:43:09.518: 46 00 00 64 00 00 40 00 FF 11 9D 01 0A 83 BF FC
*Dec 29 20:43:09.518: 7F 00 00 03 94 04 00 00 0D AF 0D AF 00 4C 88 58
*Dec 29 20:43:09.518: 00 01 00 00 01 02 00 00 38 00 00 1D 00 00 00 01
*Dec 29 20:43:09.518: C3 9B 10 5D 84 B3 95 84 00 00 00 00 00 00 00 00
*Dec 29 20:43:09.518: 00 01 00 09 00 01 00 05 0A 83 9F FB 20 00 03 00
*Dec 29 20:43:09.518: 13 01 AB CD AB CD AB CD AB CD AB CD AB CD AB CD
*Dec 29 20:43:09.518: AB CD AB CD
*Dec 29 20:43:09.558: LSPV: Echo packet received: src 10.131.159.229,
dst 10.131.191.252, size 74
*Dec 29 20:43:09.558: AA BB CC 00 98 01 AA BB CC 00 FC 01 08 00 45 C0
*Dec 29 20:43:09.558: 00 3C 32 E9 00 00 FD 11 15 20 0A 83 9F E5 0A 83
*Dec 29 20:43:09.558: BF FC 0D AF 0D AF 00 28 D7 57 00 01 00 00 02 02
*Dec 29 20:43:09.558: 03 00 38 00 00 1D 00 00 00 01 C3 9B 10 5D 84 B3
*Dec 29 20:43:09.558: 95 84 C3 9B 10 5D 48 3D 50 78

```

To see the actual path chosen, enter the **debug mpls lspv** command with the **packet** and **data** keywords.



Note

The load balancing algorithm attempts to uniformly distribute packets across the available output paths by hashing based on the IP header source and destination addresses. The selection of the *address-start*, *address-end*, and *address-increment* arguments for the **destination** keyword may not provide the expected results.

Specifying the Interface Through Which Echo Packets Leave a Router Example

The following example tests load balancing from the upstream router:

```

Router# ping mpls ipv4 10.131.161.251/32 ttl 1 repeat 1 dsmap hashkey ipv4 bitmap 8

Sending 1, 100-byte MPLS Echos to 10.131.161.251/32,
  timeout is 2 seconds, send interval is 0 msec:
Codes: '!' - success, 'Q' - request not sent, '.' - timeout,
'L' - labeled output interface, 'B' - unlabeled output interface,
'D' - DS Map mismatch, 'F' - no FEC mapping, 'f' - FEC mismatch,
'M' - malformed request, 'm' - unsupported tlvs, 'N' - no rx label,
'P' - no rx intf label prot, 'p' - premature termination of LSP,
'R' - transit router, 'X' - unknown return code, 'x' - return code 0
Type escape sequence to abort.
L
Echo Reply received from 10.131.131.2
  DSMAP 0, DS Router Addr 10.131.141.130, DS Intf Addr 10.131.141.130
  Depth Limit 0, MRU 1500 [Labels: 54 Exp: 0]
  Multipath Addresses:
    127.0.0.3      127.0.0.5      127.0.0.7      127.0.0.8

  DSMAP 1, DS Router Addr 10.131.141.2, DS Intf Addr 10.131.141.2
  Depth Limit 0, MRU 1500 [Labels: 40 Exp: 0]
  Multipath Addresses:
    127.0.0.1      127.0.0.2      127.0.0.4      127.0.0.6

```

The following example validates that the transit router reported the proper results by determining the Echo Reply sender address two hops away and checking the rx label advertised upstream:

```

Success rate is 0 percent (0/1)

```

```

Router# trace mpls ipv4 10.131.161.251/32 destination 127.0.0.6 ttl 2
Tracing MPLS Label Switched Path to 10.131.161.251/32, timeout is 2 seconds
Codes: '!' - success, 'Q' - request not sent, '.' - timeout,
'L' - labeled output interface, 'B' - unlabeled output interface,
'D' - DS Map mismatch, 'F' - no FEC mapping, 'f' - FEC mismatch,
'M' - malformed request, 'm' - unsupported tlvs, 'N' - no rx label,
'P' - no rx intf label prot, 'p' - premature termination of LSP,
'R' - transit router, 'X' - unknown return code, 'x' - return code 0
Type escape sequence to abort.
 0 10.131.131.1 10.131.131.2 MRU 1500 [Labels: 37 Exp: 0]
L 1 10.131.131.2 10.131.141.2 MRU 1500 [Labels: 40 Exp: 0] 0 ms, ret code 8
L 2 10.131.141.2 10.131.150.2 MRU 1504 [Labels: implicit-null Exp: 0] 0 ms, ret code 8
Router#
Router# telnet 10.131.141.2
Trying 10.131.141.2 ... Open
User Access Verification
Password:
Router> en
The following example shows how the output interface
keyword forces an LSP traceroute out Ethernet interface 0/0:
Router# show mpls forwarding-table 10.131.159.251
Local   Outgoing   Prefix           Bytes Label   Outgoing   Next Hop
Label   Label or VC or Tunnel Id     Switched     interface
20      19         10.131.159.251/32 0             Et1/0      10.131.159.245
        18         10.131.159.251/32 0             Et0/0      10.131.191.229
Router# trace mpls ipv4 10.131.159.251/32

Tracing MPLS Label Switched Path to 10.131.159.251/32, timeout is 2 seconds
Type escape sequence to abort.
 0 10.131.159.246 MRU 1500 [Labels: 19 Exp: 0]
L 1 10.131.159.245 MRU 1504 [Labels: implicit-null Exp: 0] 4 ms
! 2 10.131.159.229 20 ms
Router# trace mpls ipv4 10.131.159.251/32 output-interface ethernet0/0
Tracing MPLS Label Switched Path to 10.131.159.251/32, timeout is 2 seconds
Type escape sequence to abort.
 0 10.131.191.230 MRU 1500 [Labels: 18 Exp: 0]
L 1 10.131.191.229 MRU 1504 [Labels: implicit-null Exp: 0] 0 ms
! 2 10.131.159.225 1 ms

```

Pacing the Transmission of Packets Example

The following example shows the pace of the transmission of packets:

```

Router# ping mpls ipv4 10.5.5.5/32 interval 100

Sending 5, 100-byte MPLS Echos to 10.5.5.5/32,
timeout is 2 seconds, send interval is 100 msec:
Codes: '!' - success, 'Q' - request not sent, '.' - timeout,
'L' - labeled output interface, 'B' - unlabeled output interface,
'D' - DS Map mismatch, 'F' - no FEC mapping, 'f' - FEC mismatch,
'M' - malformed request, 'm' - unsupported tlvs, 'N' - no label entry,
'P' - no rx intf label prot, 'p' - premature termination of LSP,
'R' - transit router, 'I' - unknown upstream index,
'X' - unknown return code, 'x' - return code 0
Type escape sequence to abort.
!!!!
Success rate is 100 percent (5/5), round-trip min/avg/max = 28/29/36 ms PE-802

```

Interrogating the Transit Router for Its Downstream Information Example

The following example shows sample output when a router with two output paths is interrogated:

```

Router# ping mpls ipv4 10.161.251/32 ttl 4 repeat 1 dsmap hashkey ipv4 bitmap 16

Sending 1, 100-byte MPLS Echos to 10.131.161.251/32,

```

```

        timeout is 2 seconds, send interval is 0 msec:
Codes: '.' - success, 'Q' - request not sent, '.' - timeout,
'L' - labeled output interface, 'B' - unlabeled output interface,
'D' - DS Map mismatch, 'F' - no FEC mapping, 'f' - FEC mismatch,
'M' - malformed request, 'm' - unsupported tlvs, 'N' - no rx label,
'P' - no rx intf label prot, 'p' - premature termination of LSP,
'R' - transit router, 'X' - unknown return code, 'x' - return code 0
Type escape sequence to abort.
L
Echo Reply received from 10.131.131.2
  DSMAP 0, DS Router Addr 10.131.141.130, DS Intf Addr 10.131.141.130
  Depth Limit 0, MRU 1500 [Labels: 54 Exp: 0]
  Multipath Addresses:
    127.0.0.3      127.0.0.6      127.0.0.9      127.0.0.10
    127.0.0.12    127.0.0.13    127.0.0.14    127.0.0.15
    127.0.0.16
  DSMAP 1, DS Router Addr 10.131.141.2, DS Intf Addr 10.131.141.2
  Depth Limit 0, MRU 1500 [Labels: 40 Exp: 0]
  Multipath Addresses:
    127.0.0.1      127.0.0.2      127.0.0.4      127.0.0.5
    127.0.0.7      127.0.0.8      127.0.0.11
Success rate is 0 percent (0/1)

```

The multipath addresses cause a packet to transit to the router with the output label stack. The **ping mpls** command is useful for determining the number of output paths, but when the router is more than one hop away a router cannot always use those addresses to get the packet to transit through the router being interrogated. This situation exists because the change in the IP header destination address may cause the packet to be load-balanced differently by routers between the source router and the responding router. Load balancing is affected by the source address in the IP header. The following example tests load-balancing reporting from the upstream router:

```

Router# ping mpls ipv4 10.131.161.251/32 ttl 1 repeat 1 dsmap hashkey ipv4 bitmap 8

Sending 1, 100-byte MPLS Echos to 10.131.161.251/32,
        timeout is 2 seconds, send interval is 0 msec:
Codes: '.' - success, 'Q' - request not sent, '.' - timeout,
'L' - labeled output interface, 'B' - unlabeled output interface,
'D' - DS Map mismatch, 'F' - no FEC mapping, 'f' - FEC mismatch,
'M' - malformed request, 'm' - unsupported tlvs, 'N' - no rx label,
'P' - no rx intf label prot, 'p' - premature termination of LSP,
'R' - transit router, 'X' - unknown return code, 'x' - return code 0
Type escape sequence to abort.
L
Echo Reply received from 10.131.131.2
  DSMAP 0, DS Router Addr 10.131.141.130, DS Intf Addr 10.131.141.130
  Depth Limit 0, MRU 1500 [Labels: 54 Exp: 0]
  Multipath Addresses:
    127.0.0.3      127.0.0.5      127.0.0.7      127.0.0.8

  DSMAP 1, DS Router Addr 10.131.141.2, DS Intf Addr 10.131.141.2
  Depth Limit 0, MRU 1500 [Labels: 40 Exp: 0]
  Multipath Addresses:
    127.0.0.1      127.0.0.2      127.0.0.4      127.0.0.6

```

To validate that the transit router reported the proper results, determine the Echo Reply sender address that is two hops away and consistently check the rx label that is advertised upstream. The following is sample output:

```

Success rate is 0 percent (0/1)
Router# trace mpls ipv4 10.131.161.251/32 destination 127.0.0.6 ttl 2
Tracing MPLS Label Switched Path to 10.131.161.251/32, timeout is 2 seconds
Codes: '.' - success, 'Q' - request not sent, '.' - timeout,
'L' - labeled output interface, 'B' - unlabeled output interface,
'D' - DS Map mismatch, 'F' - no FEC mapping, 'f' - FEC mismatch,
'M' - malformed request, 'm' - unsupported tlvs, 'N' - no rx label,
'P' - no rx intf label prot, 'p' - premature termination of LSP,
'R' - transit router, 'X' - unknown return code, 'x' - return code 0
Type escape sequence to abort.
  0 10.131.131.1 10.131.131.2 MRU 1500 [Labels: 37 Exp: 0]

```

```

L 1 10.131.131.2 10.131.141.2 MRU 1500 [Labels: 40 Exp: 0] 0 ms, ret code 8
L 2 10.131.141.2 10.131.150.2 MRU 1504 [Labels: implicit-null Exp: 0] 0 ms, ret code 8
Router#
Router# telnet 10.131.141.2

Trying 10.131.141.2 ... Open
User Access Verification
Password:
Router> en
Router# show mpls forwarding-table 10.131.161.251

Local  Outgoing  Prefix          Bytes tag  Outgoing  Next Hop
tag    tag or VC    or Tunnel Id    switched   interface
40     Pop tag     10.131.161.251/32 268        Et1/0     10.131.150.2
Router#

```

Interrogating a Router for Its DSMAP Example

The following example interrogates the software and hardware forwarding layer for their depth limit that needs to be returned in the DSMAP TLV.

```

Router# ping mpls ipv4 10.131.159.252/32 ttl 1 dsmap
Sending 1, 100-byte MPLS Echos to 10.131.159.252/32,
  timeout is 2 seconds, send interval is 0 msec:
Codes:
  '!' - success, 'Q' - request not sent, '.' - timeout,
  'L' - labeled output interface, 'B' - unlabeled output interface,
  'D' - DS Map mismatch, 'F' - no FEC mapping, 'f' - FEC mismatch,
  'M' - malformed request, 'm' - unsupported tlvs, 'N' - no rx label,
  'P' - no rx intf label prot, 'p' - premature termination of LSP,
  'R' - transit router, 'X' - unknown return code, 'x' - return code 0
Type escape sequence to abort.
L
Echo Reply received from 10.131.191.229
  DSMAP 0, DS Router Addr 10.131.159.225, DS Intf Addr 10.131.159.225
  Depth Limit 0, MRU 1508 [Labels: 18 Exp: 0]
  Multipath Addresses:
    127.0.0.1      127.0.0.2      127.0.0.3      127.0.0.4
    127.0.0.5      127.0.0.6      127.0.0.7      127.0.0.8
    127.0.0.9      127.0.0.10     127.0.0.11     127.0.0.12
    127.0.0.13     127.0.0.14     127.0.0.15     127.0.0.16
    127.0.0.17     127.0.0.18     127.0.0.19     127.0.0.20
    127.0.0.21     127.0.0.22     127.0.0.23     127.0.0.24
    127.0.0.25     127.0.0.26     127.0.0.27     127.0.0.28
    127.0.0.29     127.0.0.30     127.0.0.31     127.0.0.32
Success rate is 0 percent (0/1)

```

Requesting that a Transit Router Validate the Target FEC Stack Example

The following example causes a transit router to validate the target FEC stack by which an LSP to be tested is identified:

```

Router# trace mpls ipv4 10.5.5.5/32 flags fec

Tracing MPLS Label Switched Path to 10.5.5.5/32, timeout is 2 seconds
Codes: '!' - success, 'Q' - request not sent, '.' - timeout,
  'L' - labeled output interface, 'B' - unlabeled output interface,
  'D' - DS Map mismatch, 'F' - no FEC mapping, 'f' - FEC mismatch,
  'M' - malformed request, 'm' - unsupported tlvs, 'N' - no label entry,
  'P' - no rx intf label prot, 'p' - premature termination of LSP,
  'R' - transit router, 'I' - unknown upstream index,
  'X' - unknown return code, 'x' - return code 0
Type escape sequence to abort.
  0 10.2.3.2 10.2.3.3 MRU 1500 [Labels: 19 Exp: 0] L 1 10.2.3.3 10.3.4.4 MRU 1500 [Labels:

```

```

19 Exp: 0] 40 ms, ret code 8 L 2 10.3.4.4 10.4.5.5 MRU 1504 [Labels: implicit-null Exp:
0] 32 ms, ret code 8 ! 3 10.4.5.5 40 ms, ret code 3
Router# ping mpls ipv4 10.5.5.5/32

Sending 5, 100-byte MPLS Echos to 10.5.5.5/32
    timeout is 2 seconds, send interval is 0 msec:
Codes: '.' - success, 'Q' - request not sent, '.' - timeout,
'L' - labeled output interface, 'B' - unlabeled output interface,
'D' - DS Map mismatch, 'F' - no FEC mapping, 'f' - FEC mismatch,
'M' - malformed request, 'm' - unsupported tlvs, 'N' - no label entry,
'P' - no rx intf label prot, 'p' - premature termination of LSP,
'R' - transit router, 'I' - unknown upstream index,
'X' - unknown return code, 'x' - return code 0
Type escape sequence to abort.
! size 100, reply addr 10.4.5.5, return code 3
! size 100, reply addr 10.4.5.5, return code 3
! size 100, reply addr 10.4.5.5, return code 3
! size 100, reply addr 10.4.5.5, return code 3
! size 100, reply addr 10.4.5.5, return code 3
Success rate is 100 percent (5/5), round-trip min/avg/max = 28/31/32 ms

```

Enabling LSP Ping to Detect LSP Breakages Caused by Untagged Interfaces Example

The following example shows the extra label that is added to the end of the label stack when there is explicit-null label shimming:

```

Switch# trace mpls ipv4 10.131.159.252/32 force-explicit-null

Tracing MPLS Label Switched Path to 10.131.159.252/32, timeout is 2 seconds
Codes:
'.' - success, 'Q' - request not sent, '.' - timeout,
'L' - labeled output interface, 'B' - unlabeled output interface,
'D' - DS Map mismatch, 'F' - no FEC mapping, 'f' - FEC mismatch,
'M' - malformed request, 'm' - unsupported tlvs, 'N' - no rx label,
'P' - no rx intf label prot, 'p' - premature termination of LSP,
'R' - transit router, 'X' - unknown return code, 'x' - return code 0
Type escape sequence to abort.
0 10.131.191.252 MRU 1492 [Labels: 16/18/explicit-null Exp: 0/0/0]
L 1 10.131.191.229 MRU 1508 [Labels: 18/explicit-null Exp: 0/0] 0 ms
L 2 10.131.159.225 MRU 1508 [Labels: explicit-null Exp: 0] 0 ms
! 3 10.131.159.234 4 ms

```

The following example shows the command output when there is not explicit-null label shimming:

```

Switch# trace mpls ipv4 10.131.159.252/32

Tracing MPLS Label Switched Path to 10.131.159.252/32, timeout is 2 seconds
Codes: '.' - success, 'Q' - request not sent, '.' - timeout,
'L' - labeled output interface, 'B' - unlabeled output interface,
'D' - DS Map mismatch, 'F' - no FEC mapping, 'f' - FEC mismatch,
'M' - malformed request, 'm' - unsupported tlvs, 'N' - no rx label,
'P' - no rx intf label prot, 'p' - premature termination of LSP,
'R' - transit router, 'X' - unknown return code, 'x' - return code 0
Type escape sequence to abort.
0 10.131.191.252 MRU 1496 [Labels: 16/18 Exp: 0/0]
L 1 10.131.191.229 MRU 1508 [Labels: 18 Exp: 0] 4 ms
L 2 10.131.159.225 MRU 1504 [Labels: implicit-null Exp: 0] 4 ms
! 3 10.131.159.234 4 ms

```


Viewing the AToM VCCV Capabilities Advertised to and Received from the Peer Example

The following example shows that router PE1 advertises both AToM VCCV Type 1 and Type 2 switching capabilities and that the remote router PE2 advertises only a Type 2 switching capability.

```
Router# show mpls l2transport binding

Destination Address: 10.131.191.252, VC ID: 333
Local Label: 16
  Cbit: 1, VC Type: Ethernet, GroupID: 0
  MTU: 1500, Interface Desc: n/a
  VCCV Capabilities: Type 1, Type 2 <----- Locally advertised VCCV capabilities
Remote Label: 19
  Cbit: 1, VC Type: Ethernet, GroupID: 0
  MTU: 1500, Interface Desc: n/a
  VCCV Capabilities: Type 2 <-----Remotely advertised VCCV capabilities
```

Additional References

Related Documents

Related Topic	Document Title
Usage examples for the IP ping and IP traceroute commands	Understanding the Ping and Traceroute Commands
Configuration and verification tasks for MPLS LDP	MPLS Label Distribution Protocol (LDP) Overview
Configuration and verification tasks for AToM	Any Transport over MPLS
Switching services commands	<i>Multiprotocol Label Switching Command Reference</i>
Automatic detection of which PE routers are added to or removed from the Virtual Private LAN Service (VPLS) domain	Information About VPLS Autodiscovery: BGP Based

Standards

Standard	Title
No new or modified standards are supported by this feature, and support for existing standards has not been modified by this feature.	--

MIBs

MIB	MIBs Link
No new or modified MIBs are supported by this feature, and support for existing MIBs has not been modified by this feature.	To locate and download MIBs for selected platforms, Cisco software releases, and feature sets, use the Cisco MIB Locator, found at the following URL: http://www.cisco.com/go/mibs

RFCs

RFC	Title
draft-ietf-pwe3-vccv-01.txt	Pseudo-Wire (PW) Virtual Circuit Connection Verification (VCCV)
RFC 2113	IP Router Alert Option
RFC 4379	Detecting Multi-Protocol Label Switched (MPLS) Data Plane Failures

Technical Assistance

Description	Link
<p>The Cisco Support website provides extensive online resources, including documentation and tools for troubleshooting and resolving technical issues with Cisco products and technologies.</p> <p>To receive security and technical information about your products, you can subscribe to various services, such as the Product Alert Tool (accessed from Field Notices), the Cisco Technical Services Newsletter, and Really Simple Syndication (RSS) Feeds.</p> <p>Access to most tools on the Cisco Support website requires a Cisco.com user ID and password.</p>	http://www.cisco.com/techsupport

Feature Information for MPLS LSP Ping Traceroute for LDP TE and LSP Ping for VCCV

The following table provides release information about the feature or features described in this module. This table lists only the software release that introduced support for a given feature in a given software release train. Unless noted otherwise, subsequent releases of that software release train also support that feature.

Use Cisco Feature Navigator to find information about platform support and Cisco software image support. To access Cisco Feature Navigator, go to www.cisco.com/go/cfn. An account on Cisco.com is not required.

Table 14: Feature Information for MPLS LSP Ping/Traceroute for LDP/TE, and LSP Ping for VCCV

Feature Name	Releases	Feature Information
MPLS LSP Ping/Traceroute for LDP/TE, and LSP Ping for VCCV	12.0(27)S 12.2(18)SXE 12.4(6)T 12.2(28)SB 12.0(32)SY 12.4(11)T 12.2(31)SB2 12.2(33)SRB 12.2(33)SXH 12.3(33)SXI	<p>The MPLS LSP Ping/Traceroute for LDP/TE, and LSP Ping for VCCV feature helps service providers monitor label switched paths and quickly isolate MPLS forwarding problems.</p> <p>In Cisco IOS Release 12.0(27)S, this feature was introduced. The following commands were introduced: ping mpls and trace mpls.</p> <p>The feature was incorporated into Cisco IOS Release 12.2(18)SXE. The following commands were modified: ping mpls and trace mpls.</p> <p>In Cisco IOS Release 12.4(6)T, the mpls oam command was introduced and the trace mpls command was modified.</p> <p>This feature was integrated into Cisco IOS Release 12.2(28)SB.</p> <p>The feature was incorporated into Cisco IOS Release 12.0(32)SY. The show mpls oam echo statistics command was added.</p> <p>The feature was incorporated into Cisco IOS Release 12.4(11)T. AToM Virtual Circuit Connection Verification (VCCV) is supported. The following commands were modified: mpls oam, ping mpls, and trace mpls.</p> <p>The feature was incorporated into Cisco IOS Release 12.2(31)SB2.</p> <p>In Cisco IOS Release 12.2(33)SRB, support for FEC 129 was added.</p> <p>This feature was integrated into Cisco IOS Release 12.2(33)SXH.</p> <p>This feature was integrated into Cisco IOS Release 12.2(33)SXI.</p>

Glossary

FEC --forwarding equivalence class. A set of packets that can be handled equivalently for forwarding purposes and are thus suitable for binding to a single label. Examples include the set of packets destined for one address prefix and the packets in any flow.

flow --A set of packets traveling between a pair of hosts, or between a pair of transport protocol ports on a pair of hosts. For example, packets with the same source address, source port, destination address, and destination port might be considered a flow.

A flow is also a stream of data traveling between two endpoints across a network (for example, from one LAN station to another). Multiple flows can be transmitted on a single circuit.

fragmentation --The process of breaking a packet into smaller units when they are to be transmitted over a network medium that cannot support the original size of the packet.

ICMP -- Internet Control Message Protocol. A network layer Internet protocol that reports errors and provides other information relevant to IP packet processing. It is documented in RFC 792.

LFIB --Label Forwarding Information Base. A data structure and way of managing forwarding in which destinations and incoming labels are associated with outgoing interfaces and labels.

localhost --A name that represents the host router (device). The localhost uses the reserved loopback IP address 127.0.0.1.

LSP --label switched path. A connection between two routers in which MPLS forwards the packets.

LSPV --Label Switched Path Verification. An LSP Ping subprocess. It encodes and decodes MPLS echo requests and replies, and it interfaces with IP, MPLS, and AToM switching for sending and receiving MPLS echo requests and replies. At the MPLS echo request originator router, LSPV maintains a database of outstanding echo requests for which echo responses have not been received.

MPLS router alert label--An MPLS label of 1. An MPLS packet with a router alert label is redirected by the router to the Route Processor (RP) processing level for handling. This allows these packets to bypass any forwarding failures in hardware routing tables.

MRU --maximum receive unit. Maximum size, in bytes, of a labeled packet that can be forwarded through an LSP.

MTU --maximum transmission unit. Maximum packet size, in bytes, that a particular interface can send or receive.

punt --Redirect packets with a router alert from the line card or interface to Route Processor (RP) level processing for handling.

PW --pseudowire. A form of tunnel that carries the essential elements of an emulated circuit from one provider edge (PE) router to another PE router over a packet-switched network.

RP --Route Processor. The processor module in a Cisco 7000 series router that contains the CPU, system software, and most of the memory components that are used in the router. It is sometimes called a supervisory processor.

RSVP --Resource Reservation Protocol. A protocol that supports the reservation of resources across an IP network. Applications running on IP end systems can use RSVP to indicate to other nodes the nature (bandwidth, jitter, maximum burst, and so on) of the packet streams they want to receive. RSVP depends on IPv6. Is also known as Resource Reservation Setup Protocol.

TLV --type, length, values. A block of information included in a Cisco Discovery Protocol address.

TTL hiding--Time-to-live is a parameter you can set that indicates the maximum number of hops a packet should take to reach its destination.

UDP --User Datagram Protocol. Connectionless transport layer protocol in the TCP/IP protocol stack. UDP is a simple protocol that exchanges datagrams without acknowledgments or guaranteed delivery, so error processing and retransmission must be handled by other protocols. UDP is defined in RFC 768.



MPLS EM—MPLS LSP Multipath Tree Trace

The MPLS EM--MPLS LSP Multipath Tree Trace feature provides the means to discover all possible equal-cost multipath (ECMP) routing paths of a label switched path (LSP) between an egress and ingress router. Once discovered, these paths can be retested on a periodic basis using Multiprotocol Label Switching (MPLS) LSP ping or traceroute. This feature is an extension to the MPLS LSP traceroute functionality for the tracing of IPv4 LSPs.

You can use the MPLS EM--MPLS LSP Multipath Tree Trace feature to discover all paths for an IPv4 LSP.

This implementation of the MPLS EM--MPLS LSP Multipath Tree Trace feature is based on RFC 4379, [Detecting Multi-Protocol Label Switched \(MPLS\) Data Plane Failures](#).

For information on the use of MPLS LSP ping and traceroute, see the MPLS LSP Ping/Traceroute for LDP/TE, and LSP Ping for VCCV feature module.

Cisco MPLS Embedded Management (EM) is a set of standards and value-added services that facilitate the deployment, operation, administration, and management of MPLS-based networks according to the fault, configuration, accounting, performance, and security (FCAPS) model.

- [Finding Feature Information, page 100](#)
- [Prerequisites for MPLS EM - MPLS LSP Multipath Tree Trace, page 100](#)
- [Restrictions for MPLS EM-MPLS LSP Multipath Tree Trace, page 100](#)
- [Information About MPLS EM-MPLS LSP Multipath Tree Trace, page 101](#)
- [How to Configure MPLS EM - MPLS LSP Multipath Tree Trace, page 103](#)
- [Configuration Examples for MPLS EM - MPLS LSP Multipath Tree Trace, page 120](#)
- [Additional References for MPLS LSP Multipath Tree Trace, page 128](#)
- [Related Documents, page 128](#)
- [Feature Information for MPLS EM-MPLS LSP Multipath Tree Trace, page 129](#)
- [Glossary, page 131](#)

Finding Feature Information

Your software release may not support all the features documented in this module. For the latest caveats and feature information, see [Bug Search Tool](#) and the release notes for your platform and software release. To find information about the features documented in this module, and to see a list of the releases in which each feature is supported, see the feature information table at the end of this module.

Use Cisco Feature Navigator to find information about platform support and Cisco software image support. To access Cisco Feature Navigator, go to www.cisco.com/go/cfn. An account on Cisco.com is not required.

Prerequisites for MPLS EM - MPLS LSP Multipath Tree Trace

- You must understand the concepts and know how to use MPLS LSP ping or traceroute as described in the *MPLS LSP Ping/Traceroute for LDP/TE, and LSP Ping for VCCV* document.
- The routers in your network must be using an implementation based on RFC 4379, *Detecting Multi-Protocol Label Switched (MPLS) Data Plane Failures*.
- You should know the following about your MPLS network:
 - The topology
 - The number of links in your network
 - The expected number of LSPs, and how many LSPs
- Understand label switching, forwarding, and load balancing.

Restrictions for MPLS EM-MPLS LSP Multipath Tree Trace

- All restrictions that apply to the MPLS LSP Ping and LSP Traceroute features also apply to the MPLS EM-MPLS LSP Multipath Tree Trace feature:
 - You cannot use this feature to trace the path taken by AToM packets. This feature is not supported for AToM. (is supported for AToM.) However, you can use the feature to troubleshoot the Interior Gateway Protocol (IGP) LSP that is used by AToM.
 - You cannot use this feature to validate or trace MPLS Virtual Private Networks (VPNs). Multiple LSP paths are not discovered unless all routers in the MPLS core support an RFC 4379 implementation of *Detecting Multi-Protocol Label Switched (MPLS) Data Plane Failures*.
- This feature is not expected to operate in networks that support time-to-live (TTL) hiding.

Information About MPLS EM-MPLS LSP Multipath Tree Trace

Overview of MPLS LSP Multipath Tree Trace

As the number of MPLS deployments increases, the number of traffic types the MPLS networks carry could increase. In addition, load balancing on label switch routers (LSRs) in the MPLS network provides alternate paths for carrying MPLS traffic to a target router. The ability of service providers to monitor LSPs and quickly isolate MPLS forwarding problems is critical to their ability to offer services.

Prior to the release of the MPLS EM--MPLS LSP Multipath Tree Trace feature no automated way existed to discover all paths between provider edge (PE) routers. Troubleshooting forwarding problems between PEs was cumbersome.

The release of the MPLS EM--MPLS LSP Multipath Tree Trace feature provides an automated way to discover all paths from the ingress PE router to the egress PE router in multivendor networks that use IPv4 load balancing at the transit routers. Once the PE-to-PE paths are discovered, use MPLS LSP ping and MPLS LSP traceroute to periodically test them.

The MPLS EM--MPLS LSP Multipath Tree Trace feature requires the Cisco RFC-compliant implementation that is based on RFC 4379. If you do not have a Cisco software release that supports RFC 379, MPLS LSP multipath tree trace does not operate to discover all PE-to-PE paths.

Discovery of IPv4 Load Balancing Paths by MPLS SLP Multipath Tree Trace

IPv4 load balancing at a transit router is based on the incoming label stack and the source and destination addresses in the IP header. The outgoing label stack and IP header source address remain constant for each branch being traced.

When you execute MPLS SLP Multipath Tree Trace on the source LSR, the router needs to find the set of IP header destination addresses to use all possible output paths. The source LSR starts path discovery by sending a transit router a bitmap in an MPLS echo request. The transit router returns information in an MPLS echo request that contains subsets of the bitmap in a downstream map (DS Map) in an echo reply. The source router can then use the information in the echo reply to interrogate the next router. The source router interrogates each successive router until it finds one bitmap setting that is common to all routers along the path. The router uses TTL expiry to interrogate the routers to find the common bits.

For example, you could start path discovery by entering the following command at the source router:

```
Router# trace mpls multipath ipv4 10.131.101.129/32 hashkey ipv4 bitmap 16
```

This command sets the IP address of the target router as 10.131.101.192 255.255.255.255 and configures:

- The default hash key type to 8, which requests that an IPv4 address prefix and bit mask address set be returned in the DS Map in the echo reply.
- The bitmap size to 16. This means that MPLS SLP Multipath Tree Trace uses 16 addresses (starting with 127.0.0.1) in the discovery of all paths of an LSP between the source router and the target router.

If you enter the `trace mpls multipath ipv4 10.131.101.129/32` command, MPLS SLP Multipath Tree Trace uses the default hash type of 8 or IPv4 and a default bitmap size of 32. Your choice of a bitmap size depends on the number of routes in your network. If you have a large number of routes, you might need to use a larger bitmap size.

Echo Reply Return Codes Sent by the Router Processing Multipath LSP Tree Trace

The table below describes the characters that the router processing a multipath LSP tree trace packet returns to the sender about the failure or success of the request.

Table 15: Echo Reply Return Codes

Output Code	Echo Return Code	Meaning
Period “.”	--	A timeout occurred before the target router could reply.
x	0	No return code.
M	1	Malformed request.
m	2	Unsupported type, length, values (TLVs).
!	3	Success.
F	4	No Forwarding Equivalence Class (FEC) mapping.
D	5	DS Map mismatch.
R	6	Downstream router but not target.
U	7	Reserved.
L	8	Labeled output interface.
B	9	Unlabeled output interface.
f	10	FEC mismatch.
N	11	No label entry.
P	12	No receive interface label protocol.
p	13	Premature termination of the LSP.
X	unknown	Undefined return code.

How to Configure MPLS EM - MPLS LSP Multipath Tree Trace

Customizing the Default Behavior of MPLS Echo Packets

Perform the following task to customize the default behavior of MPLS echo packets. You might need to customize the default echo packet encoding and decoding behavior to allow later implementations of the [Detecting MPLS Data Plane Failures](#) (RFC 4379) to be deployed in networks running earlier versions of the draft.

Before You Begin

MPLS LSP Multipath Tree Trace requires RFC 4379 (Revision 4).

SUMMARY STEPS

1. **enable**
2. **configure terminal**
3. **mpls oam**
4. **echo revision {3 | 4}**
5. **[no] echo vendor-extension**
6. **end**

DETAILED STEPS

	Command or Action	Purpose
Step 1	enable Example: Router> enable	Enables privileged EXEC mode. • Enter your password if prompted.
Step 2	configure terminal Example: Router# configure terminal	Enters global configuration mode.
Step 3	mpls oam Example: Router(config)# mpls oam	Enters MPLS OAM configuration mode and customizes the default behavior of echo packets.
Step 4	echo revision {3 4}	Customizes the default behavior of echo packets.

	Command or Action	Purpose
	<p>Example:</p> <pre>Router(config-mpls)# echo revision 4</pre>	<ul style="list-style-type: none"> The revision keyword set echo packet attributes to one of the following: <ul style="list-style-type: none"> 3 = draft-ietf-mpls-ping-03 (Revision 2) 4 = RFC 4379 compliant (default) <p>Note The MPLS LSP Multipath Tree Trace feature requires Revision 4.</p>
Step 5	<p>[no] echo vendor-extension</p> <p>Example:</p> <pre>Router(config-mpls)# echo vendor-extension</pre>	<p>Customizes the default behavior of echo packets.</p> <ul style="list-style-type: none"> The vendor-extension keyword sends the Cisco-specific extension of TLVs with the echo packets. The no form of the command allows you to disable a Cisco vendor's extension TLVs that another vendor's noncompliant implementations may not support. <p>The router default is echo vendor-extension.</p>
Step 6	<p>end</p> <p>Example:</p> <pre>Router(config-mpls)# end</pre>	<p>Exits to privileged EXEC mode.</p>

Configuring MPLS LSP Multipath Tree Trace

Perform the following task to configure MPLS multipath LSP traceroute. This task helps discover all LSPs from an egress router to an ingress router.

Before You Begin

Cisco LSP ping or traceroute implementations based on draft-ietf-mpls-lsp-ping-11 are capable in some cases of detecting the formatting of the sender of an MPLS echo request. However, certain cases exist in which an echo request or echo reply might not contain the Cisco extension TLV. To avoid complications due to certain cases where the echo packets are decoded assuming the wrong TLV formats, configure all routers in the network to operate in the same mode.

For an MPLS LSP multipath tree trace to be successful, the implementation in your routers must support RFC 4379 on all core routers.

If all routers in the network support RFC-4379 and another vendor's implementation exists that is not capable of properly handling Cisco's vendor TLV, the routers supporting the RFC-compliant or later configuration must include commands to disable the Cisco vendor TLV extensions.

SUMMARY STEPS

1. **enable**
2. **configure terminal**
3. **mpls oam**
4. **echo revision 4**
5. **[no] echo vendor-extension**
6. **end**
7. **trace mpls multipath ipv4 *destination-ip-address/destination mask-length***
8. **debug mpls lspv multipath**

DETAILED STEPS

	Command or Action	Purpose
Step 1	enable Example: <pre>Router> enable</pre>	Enables privileged EXEC mode. <ul style="list-style-type: none"> • Enter your password if prompted.
Step 2	configure terminal Example: <pre>Router# configure terminal</pre>	Enters global configuration mode.
Step 3	mpls oam Example: <pre>Router(config)# mpls oam</pre>	Enters MPLS OAM configuration mode.
Step 4	echo revision 4 Example: <pre>Router(config-mpls)# echo revision 4</pre>	Customizes the default behavior of echo packets. <ul style="list-style-type: none"> • The revision 4 keywords set echo packet attributes to the default Revision 4 (RFC 4379 compliant). Note The MPLS LSP Multipath Tree Trace feature requires Revision 4.
Step 5	[no] echo vendor-extension Example: <pre>Router(config-mpls) echo vendor-extension</pre>	(Optional) Customizes the default behavior of echo packets. <ul style="list-style-type: none"> • The vendor-extension keyword sends the Cisco-specific extension of TLVs with the echo packets. • The no form of the command allows you to disable a Cisco vendor's extension TLVs that another vendor's noncompliant implementations may not support. The router default is echo vendor-extension .

	Command or Action	Purpose
Step 6	end Example: Router(config-mpls)# end	Exits to privileged EXEC mode.
Step 7	trace mpls multipath ipv4 destination-ip-address/destination mask-length Example: Router# trace mpls multipath ipv4 10.131.161.251/32	Discovers all LSPs from an egress router to an ingress router. <ul style="list-style-type: none"> • The ipv4 keyword specifies the destination type as an LDP IPv4 address. • The <i>destination-ip-address</i> argument is the address prefix of the target to be tested. • The <i>destination-mask-length</i> argument is the number of bits in the network mask of the target address. The / keyword before this argument is required.
Step 8	debug mpls lspv multipath Example: Router# debug mpls lspv multipath	Displays multipath information related to the MPLS LSP Multipath Tree Trace feature.

Discovering IPv4 Load Balancing Paths Using MPLS LSP Multipath Tree Trace

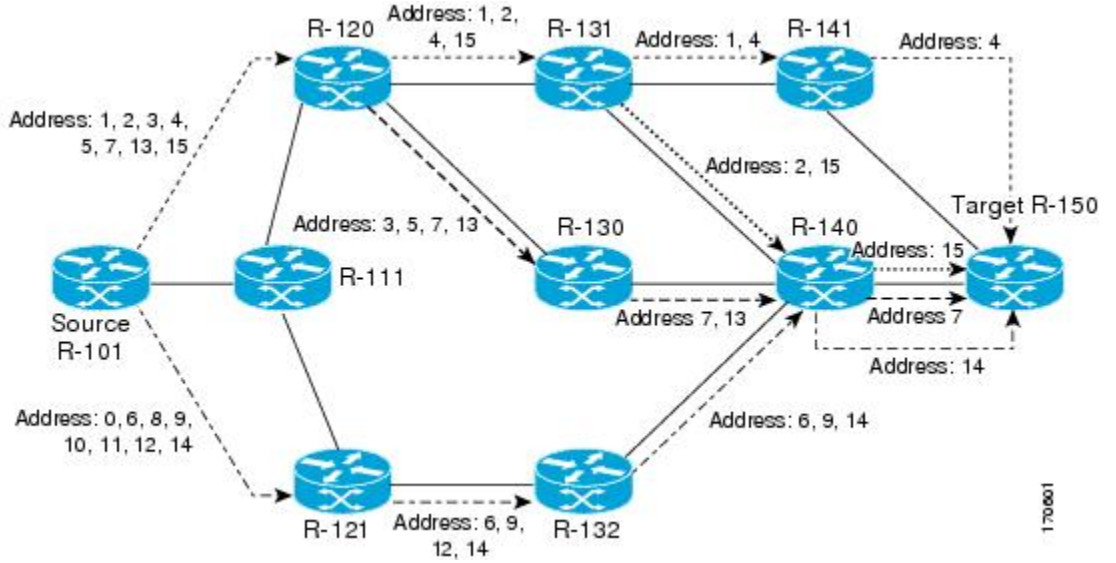
Perform the following task to discover IPv4 load balancing paths using MPLS LSP multipath tree trace.

A Cisco router load balances MPLS packets based on the incoming label stack and the source and destination addresses in the IP header. The outgoing label stack and IP header source address remain constant for each path being traced. The router needs to find the set of IP header destination addresses to use all possible output paths. This might require exhaustive searching of the 127.x.y.z/8 address space. Once you discover all paths from the source LSR to the target or destination LSR with MPLS LSP multipath tree trace, you can use MPLS LSP traceroute to monitor these paths.

The figure below shows how MPLS LSP multipath tree trace discovers LSP paths in a sample network. In the figure, the bitmap size is 16 and the numbers 0 to 15 represent the bitmapped addresses that MPLS LSP

multipath tree trace uses to discover all the paths from the source LSR R-101 to the target LSR R-150. The figure illustrates how the `trace mpls multipath` command discovers all LSP paths in the sample network.

Figure 13: MPLS LSP Multipath Tree Trace Path Discovery in a Sample Network



SUMMARY STEPS

1. enable
2. configure terminal
3. mpls oam
4. echo revision 4
5. end
6. trace mpls multipath ipv4 destination-address/destination-mask-length hashkey ipv4 bitmap bitmap-size

DETAILED STEPS

	Command or Action	Purpose
Step 1	enable Example: Router> enable	Enables privileged EXEC mode. • Enter your password if prompted.
Step 2	configure terminal Example: Router# configure terminal	Enters global configuration mode.

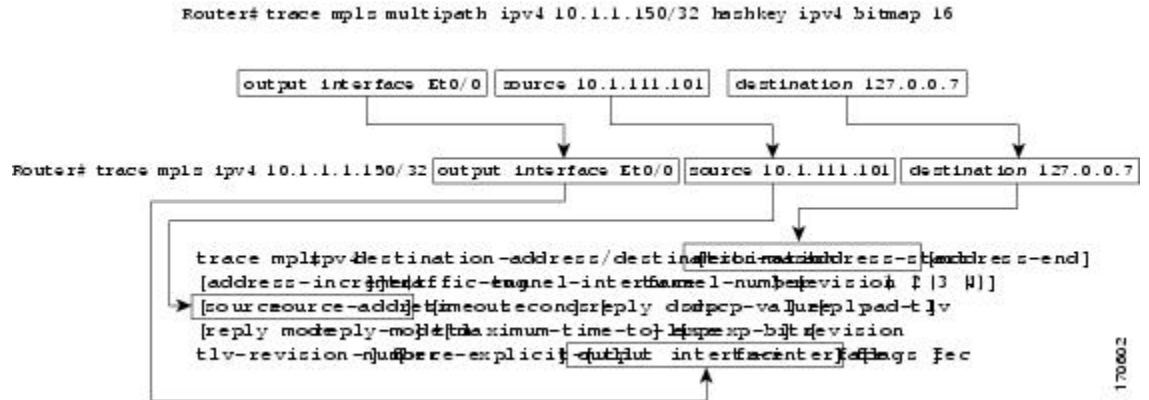
	Command or Action	Purpose
Step 3	mpls oam Example: <pre>Router(config)# mpls oam</pre>	Enters MPLS OAM configuration mode and sets the echo packet attribute to Revision 4 (RFC 4379 compliant).
Step 4	echo revision 4 Example: <pre>Router(config-mpls)# echo revision 4</pre>	Customizes the default behavior of echo packets. <ul style="list-style-type: none"> • The revision 4 keywords set echo packet attributes to the default Revision 4 (RFC 4379 compliant). Note The MPLS LSP Multipath Tree Trace feature requires Revision 4.
Step 5	end Example: <pre>Router(config-mpls)# end</pre>	Exits to privileged EXEC mode.
Step 6	trace mpls multipath ipv4 <i>destination-address/destination-mask-length</i> hashkey ipv4 bitmap <i>bitmap-size</i> Example: <pre>Router# trace mpls multipath ipv4 10.131.161.251/32 hashkey ipv4 bitmap 16</pre>	Discovers all MPLS LSPs from an egress router to an ingress router. <ul style="list-style-type: none"> • The ipv4 keyword specifies the destination type as an LDP IPv4 address. • The <i>destination-address</i> argument is the address prefix of the target to be tested. • The <i>destination-mask-length</i> argument is the number of bits in the network mask of the target address. The / keyword before this argument is required. • The hashkey ipv4 keywords set the hashkey type to IPv4 addresses. • The bitmap <i>bitmap-size</i> keyword and arguments set the bitmap size for multipath discovery.

Monitoring LSP Paths Discovered by MPLS LSP Multipath Tree Trace Using MPLS LSP Traceroute

Perform the following task to monitor LSP paths discovered by MPLS LSP multipath tree trace using MPLS LSP traceroute. You can take output directly from the **trace mpls multipath** command and add it to a **trace mpls** command periodically to verify that the path is still operating.

The figure below shows the mapping of the output of a **trace mpls multipath** command to a **trace mpls** command.

Figure 14: Mapping of trace mpls multipath Command Output to a trace mpls Command



Each path you discover with MPLS LSP Multipath Tree Trace can be tested in this manner periodically to monitor the LSP paths in your network.

SUMMARY STEPS

1. **enable**
2. **trace mpls multipath ipv4 destination-address/destination-mask-length hashkey ipv4 bitmap bitmap-size**
3. **trace mpls ipv4 destination-address/destination-mask-length [output interface tx-interface] [source source-address] [destination address-start]**
4. **exit**

DETAILED STEPS

Step 1

enable

Use this command to enable privileged EXEC mode. Enter your password if prompted. For example:

Example:

```
Router> enable
Router#
```

Step 2

trace mpls multipath ipv4 destination-address/destination-mask-length hashkey ipv4 bitmap bitmap-size

Use this command to discover all MPLS LSPs from an egress router to an ingress router. For example:

Example:

```
Router# trace mpls multipath ipv4 10.1.1.150/32 hashkey ipv4 bitmap 16
```

```
Starting LSP Multipath Traceroute for 10.1.1.150/32
Codes: '!' - success, 'Q' - request not sent, '.' - timeout,
'L' - labeled output interface, 'B' - unlabeled output interface,
'D' - DS Map mismatch, 'F' - no FEC mapping, 'f' - FEC mismatch,
```

```

'M' - malformed request, 'm' - unsupported tlvs, 'N' - no label entry,
'P' - no rx intf label prot, 'p' - premature termination of LSP,
'R' - transit router, 'I' - unknown upstream index,
'X' - unknown return code, 'x' - return code 0
Type escape sequence to abort.
LLLL!
Path 0 found,
  output interface Fe0/0/0 source 10.1.111.101 destination 127.0.0.0
LLLL!
Path 1 found,
  output interface Fe0/0/0 source 10.1.111.101 destination 127.0.0.1
L!
Path 2 found,
  output interface Fe0/0/0 source 10.1.111.101 destination 127.0.0.5
LL!
Path 3 found,
  output interface Fe0/0/0 source 10.1.111.101 destination 127.0.0.7
Paths (found/broken/unexplored) (4/0/0)
Echo Request (sent/fail) (14/0)
Echo Reply (received/timeout) (14/0)
Total Time Elapsed 468 ms

```

The output of the **trace mpls multipath ipv4** command in the example shows the result of path discovery with MPLS LSP multipath tree trace. In this example, the command sets the bitmap size to 16. Path discovery starts by MPLS LSP multipath tree trace using 16 bitmapped addresses as it locates LSP paths from the source router to the target router with prefix and mask 10.1.1.150/32. MPLS LSP multipath tree trace starts using the 127.x.y.z/8 address space with 127.0.0.1.

Step 3 **trace mpls ipv4 destination-address/destination-mask-length [output interface tx-interface] [source source-address] [destination address-start**

Use this command to verify that the paths discovered when you entered a **trace mpls multipath ipv4** command are still operating. For example, the output for Path 0 in the previous **trace mpls multipath ipv4** command in Step 2 is:

Example:

```
output interface Fe0/0/0 source 10.1.111.101 destination 127.0.0.0
```

If you put the output for path 0 in the **trace mpls** command, you see the following results:

Example:

```
Router# trace mpls ipv4 10.1.1.150/32 output interface Fe0/0/0 source 10.1.111.101 destination 127.0.0.0
```

```

Tracing MPLS Label Switched Path to 10.1.1.150/32, timeout is 2 seconds
Codes: '!' - success, 'Q' - request not sent, '.' - timeout,
'L' - labeled output interface, 'B' - unlabeled output interface,
'D' - DS Map mismatch, 'F' - no FEC mapping, 'f' - FEC mismatch,
'M' - malformed request, 'm' - unsupported tlvs, 'N' - no label entry,
'P' - no rx intf label prot, 'p' - premature termination of LSP,
'R' - transit router, 'I' - unknown upstream index,
'X' - unknown return code, 'x' - return code 0
Type escape sequence to abort.
 0 10.1.111.101 MRU 1500 [Labels: 33 Exp: 0]
L 1 10.1.111.111 MRU 1500 [Labels: 34 Exp: 0] 40 ms
L 2 10.2.121.121 MRU 1500 [Labels: 34 Exp: 0] 32 ms
L 3 10.3.132.132 MRU 1500 [Labels: 32 Exp: 0] 16 ms
L 4 10.4.140.240 MRU 1504 [Labels: implicit-null Exp: 0] 20 ms
! 5 10.5.150.50 20 ms

```

You can take output directly from the **trace mpls multipath** command and add it to a **trace mpls** command periodically to verify that the path is still operating (see the figure above).

Step 4 **exit**

Use this command to exit to user EXEC mode. for example:

Example:

```
Router# exit
Router>
```

Using DSCP to Request a Specific Class of Service in an Echo Reply

A reply differentiated services code point (DSCP) option lets you request a specific class of service (CoS) in an echo reply.

The reply DSCP option is supported in the experimental mode for IETF draft-ietf-mpls-lsp-ping-03.txt. Cisco implemented a vendor-specific extension for the reply DSCP option rather than using a Reply TOS TLV. A Reply TOS TLV serves the same purpose as the **reply dscp** command in IETF draft-ietf-mpls-lsp-ping-11.txt. This draft provides a standardized method of controlling the reply DSCP.



Note

Before RFC 4379, Cisco implemented the Reply DSCP option as an experimental capability using a Cisco vendor extension TLV. If a router is configured to encode MPLS echo packets for draft Version 3 implementations, a Cisco vendor extension TLV is used instead of the = Reply TOS TLV that was defined in draft Version 8.

To use DSCP to request a specific CoS in an echo reply, perform the following steps.

SUMMARY STEPS

1. **enable**
2. **trace mpls multipath ipv4** *destination-address/destination-mask-length* [**reply dscp** *dscp-value*]
3. **exit**

DETAILED STEPS

	Command or Action	Purpose
Step 1	enable Example: Router> enable	Enables privileged EXEC mode. <ul style="list-style-type: none"> • Enter your password if prompted.
Step 2	trace mpls multipath ipv4 <i>destination-address/destination-mask-length</i> [reply dscp <i>dscp-value</i>]	Discovers all MPLS LSPs from an ingress router to an egress router and controls the DSCP value of an echo reply. <ul style="list-style-type: none"> • The ipv4 keyword specifies the destination type as an LDP IPv4 address.

	Command or Action	Purpose
	<p>Example:</p> <pre>Router# trace mpls multipath ipv4 10.131.191.252/32 reply dscp 50</pre>	<ul style="list-style-type: none"> • The <i>destination-address</i> argument is the address prefix of the target to be tested. • The <i>destination-mask-length</i> argument is the number of bits in the network mask of the target address. The / keyword before this argument is required. • The reply dscp <i>dscp-value</i> keywords and argument are the DSCP value of an echo reply. A Reply TOS TLV serves the same purpose as the reply dscp command in IETF draft-ietf-mpls-lsp-ping-11.txt. <p>Note To specify a DSCP value, you must enter the reply dscp <i>dscp-value</i> keywords and argument.</p>
Step 3	<p>exit</p> <p>Example:</p> <pre>Router# exit</pre>	Returns to user EXEC mode.

Controlling How a Responding Router Replies to an MPLS Echo Request

To control how a responding router replies to an MPLS echo request, see the "Reply Modes for an MPLS LSP Ping and LSP Traceroute Echo Request Response" section.

Reply Modes for an Echo Request Response

The reply mode controls how a responding router replies to an MPLS echo request sent by a **trace mpls multipath** command. There are two reply modes for an echo request packet:

- **ipv4**--Reply with an IPv4 User Datagram Protocol (UDP) packet (default)
- **router-alert**--Reply with an IPv4 UDP packet with router alert



Note

Use the **ipv4** and **router-alert** reply modes with each other to prevent false negatives. If you do not receive a reply via the **ipv4** mode, send a test with the **router-alert** reply mode. If both fail, something is wrong in the return path. The problem might be due to an incorrect ToS setting.

IPv4 UDP Reply Mode: The IPv4 UDP reply mode is the most common reply mode used with a **trace mpls multipath** command when you want to periodically poll the integrity of an LSP. With this option, you do not have explicit control over whether the packet traverses IP or MPLS hops to reach the originator of the MPLS echo request. If the originating (headend) router fails to receive a reply to an MPLS echo request when you use the **reply mode ipv4** keywords, use the **reply mode router-alert** keywords.

Router-alert Reply Mode: The router-alert reply mode adds the router alert option to the IP header. When an IP packet that contains an IP router alert option in its IP header or an MPLS packet with a router alert label

as its outermost label arrives at a router, the router punts (redirects) the packet to the Route Processor (RP) process level for handling. This forces the RP of each intermediate router to specifically handle the packet at each intermediate hop as it moves back to the destination. Hardware and line-card forwarding inconsistencies are thus bypassed. Router-alert reply mode is slower than IPv4 mode because the reply requires process-level RP handling at each hop.

The table below describes how an incoming IP packet with an IP router alert is handled by the router switching path processes when the outgoing packet is an IP packet or an MPLS packet. It also describes how an MPLS packet with a router alert option is handled by the router switching path processes when the outgoing packet is an IP packet or an MPLS packet.

Table 16: Path Process Handling of IP and MPLS Router Alert Packets

Incoming Packet	Outgoing Packet	Normal Switching Action	Process Switching Action
IP packet--Router alert option in IP header	IP packet--Router alert option in IP header	Router alert option in IP header causes the packet to be punted to the process switching path.	Forwards the packet as is
	MPLS packet		Forwards the packet as is
MPLS packet-- Outermost label contains a router alert	IP packet--Router alert option in IP header	If the router alert label is the outermost label, it causes the packet to be punted to the process switching path.	Removes the outermost router alert label and forwards the packet as an IP packet
	MPLS packet-- Outermost label contains a router alert		Preserves the outermost router alert label and forwards the MPLS packet

SUMMARY STEPS

1. **enable**
2. **trace mpls multipath ipv4 destination-address/destination-mask-length reply mode {ipv4 | router-alert}**
3. **exit**

DETAILED STEPS

	Command or Action	Purpose
Step 1	enable Example: Router> enable	Enables privileged EXEC mode. • Enter your password if prompted.
Step 2	trace mpls multipath ipv4 destination-address/destination-mask-length reply mode {ipv4 router-alert}	Discovers all MPLS LSPs from an ingress router to an egress router and specifies the reply mode.

	Command or Action	Purpose
	<p>Example:</p> <pre>Router# trace mpls multipath ipv4 10.131.191.252/32 reply mode router-alert</pre>	<ul style="list-style-type: none"> • The ipv4 keyword specifies the destination type as an LDP IPv4 address. • The <i>destination-address</i> argument is the address prefix of the target to be tested. • The <i>destination-mask-length</i> argument is the number of bits in the network mask of the target address. The / keyword before this argument is required. • The reply mode keyword requires that you enter one of the following keywords to specify the reply mode: <ul style="list-style-type: none"> • The ipv4 keyword--Reply with an IPv4 UDP packet (default). • The router-alert keyword--Reply with an IPv4 UDP packet with router alert. <p>Note To specify the reply mode, you must enter the reply mode keyword with the ipv4 or router-alert keyword.</p>
Step 3	<p>exit</p> <p>Example:</p> <pre>Router# exit</pre>	Returns to user EXEC mode.

Specifying the Output Interface for Echo Packets Leaving a Router

Perform the following task to specify the output interface for echo packets leaving a router for the MPLS LSP Multipath Tree Trace feature. You can use this task to test the LSPs reachable through a given interface.

Echo Request Output Interface Control: You can control the interface through which packets leave a router. Path output information is used as input to LSP ping and traceroute.

The echo request output interface control feature allows you to force echo packets through the paths that perform detailed debugging or characterizing of the LSP. This feature is useful if a PE router connects to an MPLS cloud and there are broken links. You can direct traffic through a certain link. The feature also is helpful for troubleshooting network problems.

SUMMARY STEPS

1. **enable**
2. **trace mpls multipath ipv4** *destination-address/destination-mask-length* [**output interface** *tx-interface*]
3. **exit**

DETAILED STEPS

	Command or Action	Purpose
Step 1	<p>enable</p> <p>Example:</p> <pre>Router> enable</pre>	<p>Enables privileged EXEC mode.</p> <ul style="list-style-type: none"> Enter your password if prompted.
Step 2	<p>trace mpls multipath ipv4 <i>destination-address/destination-mask-length</i> [output interface tx-interface]</p> <p>Example:</p> <pre>Router# trace mpls multipath ipv4 10.131.159.251/32 output interface fastethernet0/0/0</pre>	<p>Discovers all MPLS LSPs from an ingress router to an egress router and specifies the interface through which echo packets leave a router.</p> <ul style="list-style-type: none"> The ipv4 keyword specifies the destination type as an LDP IPv4 address. The <i>destination-address</i> argument is the address prefix of the target to be tested. The <i>destination-mask-length</i> argument is the number of bits in the network mask of the target address. The / keyword before this argument is required. The output interface tx-interface keywords and argument specify the output interface for the MPLS echo request. <p>Note You must specify the output interface keywords.</p>
Step 3	<p>exit</p> <p>Example:</p> <pre>Router# exit</pre>	<p>Returns to user EXEC mode.</p>

Setting the Pace of MPLS Echo Request Packet Transmission for MPLS LSP Multipath Tree Trace

Perform the following task to set the pace of MPLS echo request packet transmission for the MPLS LSP Multipath Tree Trace feature. Echo request traffic pacing allows you to set the pace of the transmission of packets so that the receiving router does not drop packets. If you have a large amount of traffic on your network you might increase the size of the interval to help ensure that the receiving router does not drop packets.

SUMMARY STEPS

- enable**
- trace mpls multipath ipv4** *destination-address/destination-mask-length* [**interval milliseconds**]
- exit**

DETAILED STEPS

	Command or Action	Purpose
Step 1	<p>enable</p> <p>Example:</p> <pre>Router> enable</pre>	<p>Enables privileged EXEC mode.</p> <ul style="list-style-type: none"> • Enter your password if prompted.
Step 2	<p>trace mpls multipath ipv4 <i>destination-address/destination-mask-length</i> <i>[interval milliseconds]</i></p> <p>Example:</p> <pre>Router# trace mpls multipath ipv4 10.131.159.251/32 interval 100</pre>	<p>Discovers all MPLS LSPs from an egress router to an ingress router and sets the time in milliseconds between successive MPLS echo requests.</p> <ul style="list-style-type: none"> • The ipv4 keyword specifies the destination type as an LDP IPv4 address. • The <i>destination-address</i> argument is the address prefix of the target to be tested. • The <i>destination-mask</i> argument is the number of bits in the network mask of the target address. The / keyword before this argument is required. • The interval milliseconds keyword and argument set the time between successive MPLS echo requests in milliseconds. The default is 0 milliseconds. <p>Note To pace the transmission of packets, you must specify the interval keyword.</p>
Step 3	<p>exit</p> <p>Example:</p> <pre>Router# exit</pre>	<p>Returns to user EXEC mode.</p>

Enabling to Detect LSP Breakages Caused by an Interface That Lacks an MPLS Configuration

Perform the following task to enable MPLS LSP multipath tree trace to detect LSP breakages caused by an interface that lacks an MPLS configuration. If an interface is not configured for MPLS, then it cannot forward MPLS packets.

Explicit Null Label Shimming Tests LSP Ability to Carry MPLS Traffic: For an MPLS LSP multipath tree trace of LSPs carrying IPv4 FECs, you can force an explicit null label to be added to the MPLS label stack even though the label was unsolicited. This allows MPLS LSP multipath tree trace to detect LSP breakages caused by an interface that is not configured for MPLS. MPLS LSP multipath tree trace does not report that an LSP is functioning when it is unable to send MPLS traffic.

An explicit null label is added to an MPLS label stack if MPLS echo request packets are forwarded from an interface not configured for MPLS that is directly connected to the destination of the MPLS LSP multipath tree trace or if the IP TTL value for the MPLS echo request packets is set to 1.

When you enter a **trace mpls multipath** command, you are looking for all MPLS LSP paths from an egress router to an ingress router. Failure at output interfaces that are not configured for MPLS at the penultimate hop are not detected. Explicit-null shimming allows you to test an LSP's ability to carry MPLS traffic.

SUMMARY STEPS

1. **enable**
2. **trace mpls multipath ipv4** *destination-address/destination-mask-length* **force-explicit-null**
3. **exit**

DETAILED STEPS

	Command or Action	Purpose
Step 1	enable Example: Router> enable	Enables privileged EXEC mode. <ul style="list-style-type: none"> • Enter your password if prompted.
Step 2	trace mpls multipath ipv4 <i>destination-address/destination-mask-length</i> force-explicit-null Example: Router# trace mpls multipath ipv4 10.131.191.252/32 force-explicit-null	Discovers all MPLS LSPs from an egress router to an ingress router and forces an explicit null label to be added to the MPLS label stack. <ul style="list-style-type: none"> • The ipv4 keyword specifies the destination type as an LDP IPv4 address. • The <i>destination-address</i> argument is the address prefix of the target to be tested. • The <i>destination-mask-length</i> argument is the number of bits in the network mask of the target address. The / keyword before this argument is required. • The force-explicit-null keyword forces an explicit null label to be added to the MPLS label stack even though the label was unsolicited. <p>Note You must enter the force-explicit-null keyword to enable MPLS LSP multipath tree trace to detect LSP breakages caused by an interface that is not configured for MPLS.</p>
Step 3	exit Example: Router# exit	Returns to user EXEC mode.

Requesting That a Transit Router Validate the Target FEC Stack for MPLS LSP Multipath Tree Trace

Perform the following task to request that a transit router validate the target FEC stack for the MPLS LSP Multipath Tree Trace feature.

An MPLS echo request tests a particular LSP. The LSP to be tested is identified by the FEC stack.

During an MPLS LSP Multipath Tree Trace, the echo packet validation rules do not require that a transit router validate the target FEC stack TLV. A downstream map TLV containing the correct received labels must be present in the echo request for target FEC stack checking to be performed.

To request that a transit router validate the target FEC stack, set the V flag from the source router by entering the **flags fec** keywords in the **trace mpls multipath** command. The default is that echo request packets are sent with the V flag set to 0.

SUMMARY STEPS

1. **enable**
2. **trace mpls multipath ipv4** *destination-address/destination-mask-length* [**flags fec**] [**ttl** *maximum-time-to-live*]
3. **exit**

DETAILED STEPS

	Command or Action	Purpose
Step 1	enable Example: Router> enable	Enables privileged EXEC mode. <ul style="list-style-type: none"> • Enter your password if prompted.
Step 2	trace mpls multipath ipv4 <i>destination-address/destination-mask-length</i> [flags fec] [ttl <i>maximum-time-to-live</i>] Example: Router# trace mpls multipath ipv4 10.131.159.252/32 flags fec ttl 5	Discovers all MPLS LSPs from an egress router to an ingress router and requests validation of the target FEC stack by a transit router. <ul style="list-style-type: none"> • The ipv4 keyword specifies the destination type as an LDP IPv4 address. • The <i>destination-address</i> argument is the address prefix of the target to be tested. • The <i>destination-mask-length</i> argument is the number of bits in the network mask of the target address. The / keyword before this argument is required. • The flags fec keywords requests that target FEC stack validation be done at a transit router. • The ttl ttl <i>maximum-time-to-live</i> keyword and argument pair specify a maximum hop count.

	Command or Action	Purpose
		Note For a transit router to validate the target FEC stack, you must enter the flags fec and tfl keywords.
Step 3	exit Example: Router# exit	Returns to user EXEC mode.

Setting the Number of Timeout Attempts for MPLS LSP Multipath Tree Trace

Perform the following task to set the number of timeout attempts for the MPLS LSP Multipath Tree Trace feature.

A retry is attempted if an outstanding echo request times out waiting for the corresponding echo reply.

SUMMARY STEPS

1. **enable**
2. **trace mpls multipath ipv4** *destination-address/destination-mask-length* [**retry-count** *retry-count-value*]
3. **exit**

DETAILED STEPS

	Command or Action	Purpose
Step 1	enable Example: Router> enable	Enables privileged EXEC mode. <ul style="list-style-type: none"> • Enter your password if prompted.
Step 2	trace mpls multipath ipv4 <i>destination-address/destination-mask-length</i> [retry-count <i>retry-count-value</i>] Example: Router# trace mpls multipath ipv4 10.131.159.252/32 retry-count 4	Sets the number of retry attempts during an MPLS LSP multipath tree trace. <ul style="list-style-type: none"> • The ipv4 keyword specifies the destination type as an LDP IPv4 address. • The <i>destination-address</i> argument is the address prefix of the target to be tested. • The <i>destination-mask-length</i> argument is the number of bits in the network mask of the target address. The / keyword before this argument is required. • The retry-count <i>retry-count-value</i> keyword and argument sets the number of retry attempts after a timeout occurs.

	Command or Action	Purpose
		<p>A retry-count value of “0” means infinite retries. A retry-count value from 0 to 10 is suggested. You might want to increase the retry value to greater than 10, if 10 is too small a value. The default retry-count value is 3.</p> <p>Note To set the number of retries after a timeout, you must enter the retry-count keyword.</p>
Step 3	<p>exit</p> <p>Example:</p> <pre>Router# exit</pre>	Returns to user EXEC mode.

Configuration Examples for MPLS EM - MPLS LSP Multipath Tree Trace

Customizing the Default Behavior of MPLS Echo Packets Example

The following example shows how to customize the behavior of MPLS echo packets so that the MPLS LSP Multipath Tree Trace feature interoperates with a vendor implementation that does not interpret RFC 4379 as Cisco does:

```
configure terminal
!
mpls oam
 echo revision 4
 no echo vendor-extension
end
```

The **echo revision** command is included in this example for completeness. The default echo revision number is 4, which corresponds to RFC 4379.

Configuring MPLS LSP Multipath Tree Trace: Example

The following example shows how to configure the MPLS LSP Multipath Tree Trace feature to interoperate with a vendor implementation that does not interpret RFC 4379 as Cisco does:

```
configure terminal
!
mpls oam
 echo revision 4
 no echo vendor-extension
end
!
trace mpls multipath ipv4 10.131.161.151/32
```

The **echo revision** command is included in this example for completeness. The default echo revision number is 4, which corresponds to the RFC 4379.

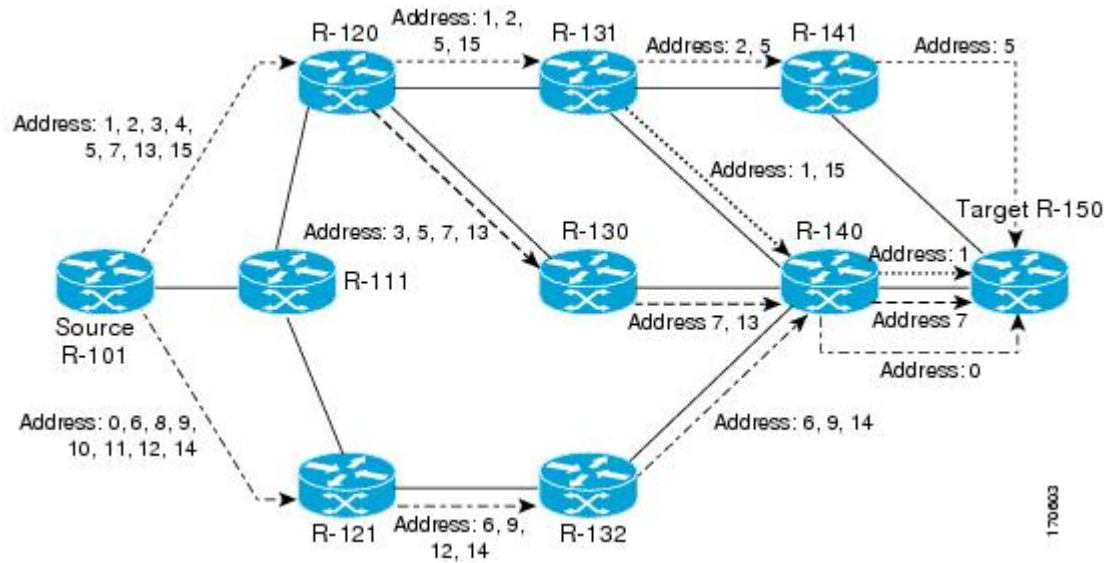
Discovering IPv4 Load Balancing Paths Using MPLS LSP Multipath Tree Trace Example

The following example shows how to use the MPLS LSP Multipath Tree Trace feature to discover IPv4 load balancing paths. The example is based on the sample network shown in the figure below. In this example, the bitmap size is set to 16. Therefore, path discovery starts by the MPLS LSP Multipath Tree Trace feature using 16 bitmapped addresses as it locates LSP paths from the source router R-101 to the target router R-150 with prefix and mask 10.1.1.150/32. The MPLS LSP Multipath Tree Trace feature starts using the 127.x.y.z/8 address space with 127.0.0.0.

```
Router# trace mpls multipath
ipv4 10.1.1.150/32 hashkey ipv4 bitmap 16
Starting LSP Multipath Traceroute for 10.1.1.150/32
Codes: '!' - success, 'Q' - request not sent, '.' - timeout,
'L' - labeled output interface, 'B' - unlabeled output interface,
'D' - DS Map mismatch, 'F' - no FEC mapping, 'f' - FEC mismatch,
'M' - malformed request, 'm' - unsupported tlvs, 'N' - no label entry,
'P' - no rx intf label prot, 'p' - premature termination of LSP,
'R' - transit router, 'I' - unknown upstream index,
'X' - unknown return code, 'x' - return code 0
Type escape sequence to abort.
LLLL!
Path 0 found,
  output interface Fe0/0/0 source 10.1.111.101 destination 127.0.0.0
LLL!
Path 1 found,
  output interface Fe0/0/0 source 10.1.111.101 destination 127.0.0.1
L!
Path 2 found,
  output interface Fe0/0/0 source 10.1.111.101 destination 127.0.0.5
LL!
Path 3 found,
  output interface Fe0/0/0 source 10.1.111.101 destination 127.0.0.7
Paths (found/broken/unexplored) (4/0/0)
Echo Request (sent/fail) (14/0)
Echo Reply (received/timeout) (14/0)
Total Time Elapsed 468 ms
```

The output of the **trace mpls multipath** command in the example shows the result of path discovery with the MPLS LSP Multipath Tree Trace feature as shown in the figure below.

Figure 15: MPLS LSP Multipath Tree Trace Path Discovery in a Sample Network



Using DSCP to Request a Specific Class of Service in an Echo Reply Example

The following example shows how to use DSCP to request a specific CoS in an echo reply:

```
Router# trace mpls multipath ipv4 10.1.1.150/32 reply dscp 50
Starting LSP Multipath Traceroute for 10.1.1.150/32
Codes: '!' - success, 'Q' - request not sent, '.' - timeout,
'L' - labeled output interface, 'B' - unlabeled output interface,
'D' - DS Map mismatch, 'F' - no FEC mapping, 'f' - FEC mismatch,
'M' - malformed request, 'm' - unsupported tlvs, 'N' - no label entry,
'P' - no rx intf label prot, 'p' - premature termination of LSP,
'R' - transit router, 'I' - unknown upstream index,
'X' - unknown return code, 'x' - return code 0
Type escape sequence to abort.
LLLL!
Path 0 found,
  output interface Fe0/0/0 source 10.1.111.101 destination 127.0.0.0
LLL!
Path 1 found,
  output interface Fe0/0/0 source 10.1.111.101 destination 127.0.0.1
L!
Path 2 found,
  output interface Fe0/0/0 source 10.1.111.101 destination 127.0.0.5
LL!
Path 3 found,
  output interface Fe0/0/0 source 10.1.111.101 destination 127.0.0.7
Paths (found/broken/unexplored) (4/0/0)
Echo Request (sent/fail) (14/0)
Echo Reply (received/timeout) (14/0)
Total Time Elapsed 448 ms
```

Controlling How a Responding Router Replies to an MPLS Echo Request Example

The following example shows how to control how a responding router replies to an MPLS echo request:

```
Router# trace mpls multipath ipv4 10.1.1.150/32 reply mode router-alert
Starting LSP Multipath Traceroute for 10.1.1.150/32
Codes: '!' - success, 'Q' - request not sent, '.' - timeout,
       'L' - labeled output interface, 'B' - unlabeled output interface,
       'D' - DS Map mismatch, 'F' - no FEC mapping, 'f' - FEC mismatch,
       'M' - malformed request, 'm' - unsupported tlvs, 'N' - no label entry,
       'P' - no rx intf label prot, 'p' - premature termination of LSP,
       'R' - transit router, 'I' - unknown upstream index,
       'X' - unknown return code, 'x' - return code 0
Type escape sequence to abort.
LLLL!
Path 0 found,
  output interface Fe0/0/0 source 10.1.111.101 destination 127.0.0.0
LLL!
Path 1 found,
  output interface Fe0/0/0 source 10.1.111.101 destination 127.0.0.1
L!
Path 2 found,
  output interface Fe0/0/0 source 10.1.111.101 destination 127.0.0.5
LL!
Path 3 found,
  output interface Fe0/0/0 source 10.1.111.101 destination 127.0.0.7
Paths (found/broken/unexplored) (4/0/0)
Echo Request (sent/fail) (14/0)
Echo Reply (received/timeout) (14/0)
Total Time Elapsed 708 ms
```

Specifying the Output Interface for Echo Packets Leaving a Router for MPLS LSP Multipath Tree Trace Example

The following example shows how to specify the output interface for echo packets leaving a router for the MPLS LSP Multipath Tree Trace feature:

```
Router# trace mpls multipath ipv4 10.1.1.150/32 output interface fastethernet0/0/0

Tracing MPLS Label Switched Path to 10.1.1.150/32, timeout is 2 seconds
Codes: '!' - success, 'Q' - request not sent, '.' - timeout,
       'L' - labeled output interface, 'B' - unlabeled output interface,
       'D' - DS Map mismatch, 'F' - no FEC mapping, 'f' - FEC mismatch,
       'M' - malformed request, 'm' - unsupported tlvs, 'N' - no label entry,
       'P' - no rx intf label prot, 'p' - premature termination of LSP,
       'R' - transit router, 'I' - unknown upstream index,
       'X' - unknown return code, 'x' - return code 0
Type escape sequence to abort.
 0 10.1.111.101 MRU 1500 [Labels: 33 Exp: 0]
L
 1 10.1.111.111 MRU 1500 [Labels: 33 Exp: 0] 40 ms
L
 2 10.2.120.120 MRU 1500 [Labels: 33 Exp: 0] 20 ms
L
 3 10.3.131.131 MRU 1500 [Labels: 34 Exp: 0] 20 ms
L
 4 10.4.141.141 MRU 1504 [Labels: implicit-null Exp: 0] 20 ms !
 5 10.5.150.150 16 ms
```

Setting the Pace of MPLS Echo Request Packet Transmission for MPLS LSP Multipath Tree Trace: Example

The following examples show how set the pace of MPLS echo request packet transmission for the MPLS LSP Multipath Tree Trace feature. The time between successive MPLS echo requests is set to 300 milliseconds in the first example and 400 milliseconds in the second example:

```
Router# trace mpls multipath ipv4 10.131.159.252/32 interval 300
Starting LSP Multipath Traceroute for 10.131.159.252/32
Codes: '!' - success, 'Q' - request not sent, '.' - timeout,
       'L' - labeled output interface, 'B' - unlabeled output interface,
       'D' - DS Map mismatch, 'F' - no FEC mapping, 'f' - FEC mismatch,
       'M' - malformed request, 'm' - unsupported tlvs, 'N' - no label entry,
       'P' - no rx intf label prot, 'p' - premature termination of LSP,
       'R' - transit router, 'I' - unknown upstream index,
       'X' - unknown return code, 'x' - return code 0
Type escape sequence to abort.
LL!
Path 0 found,
  output interface Et1/0 source 10.2.3.2 destination 127.0.0.0
Paths (found/broken/unexplored) (1/0/0)
Echo Request (sent/fail) (3/0)
Echo Reply (received/timeout) (3/0)
Total Time Elapsed 1604 ms
Router# trace mpls multipath ipv4 10.131.159.252/32 interval 400
Starting LSP Multipath Traceroute for 10.131.159.252/32
Codes: '!' - success, 'Q' - request not sent, '.' - timeout,
       'L' - labeled output interface, 'B' - unlabeled output interface,
       'D' - DS Map mismatch, 'F' - no FEC mapping, 'f' - FEC mismatch,
       'M' - malformed request, 'm' - unsupported tlvs, 'N' - no label entry,
       'P' - no rx intf label prot, 'p' - premature termination of LSP,
       'R' - transit router, 'I' - unknown upstream index,
       'X' - unknown return code, 'x' - return code 0
Type escape sequence to abort.
LL!
Path 0 found,
  output interface Et1/0 source 10.2.3.2 destination 127.0.0.0
Paths (found/broken/unexplored) (1/0/0)
Echo Request (sent/fail) (3/0)
Echo Reply (received/timeout) (3/0)
Total Time Elapsed 1856 ms
Notice that the elapsed time increases as you increase the interval size.
```

Enabling to Detect LSP Breakages Caused by an Interface That Lacks an MPLS Configuration Example

The following examples shows how to enable the MPLS LSP Multipath Tree Trace feature to detect LSP breakages caused by an interface that lacks an MPLS configuration:

```
Router# trace mpls multipath ipv4 10.1.1.150/32 force-explicit-null

Starting LSP Multipath Traceroute for 10.1.1.150/32
Codes: '!' - success, 'Q' - request not sent, '.' - timeout,
       'L' - labeled output interface, 'B' - unlabeled output interface,
       'D' - DS Map mismatch, 'F' - no FEC mapping, 'f' - FEC mismatch,
       'M' - malformed request, 'm' - unsupported tlvs, 'N' - no label entry,
       'P' - no rx intf label prot, 'p' - premature termination of LSP,
       'R' - transit router, 'I' - unknown upstream index,
       'X' - unknown return code, 'x' - return code 0
Type escape sequence to abort.
LLLL!
```



```

Path 0 found,
  output interface Fe0/0/0 source 10.1.111.101 destination 127.0.0.0
LLL!
Path 1 found,
  output interface Fe0/0/0 source 10.1.111.101 destination 127.0.0.1
L!
Path 2 found,
  output interface Fe0/0/0 source 10.1.111.101 destination 127.0.0.5
LL!
Path 3 found,
  output interface Fe0/0/0 source 10.1.111.101 destination 127.0.0.7
Paths (found/broken/unexplored) (4/0/0)
Echo Request (sent/fail) (14/0)
Echo Reply (received/timeout) (14/0)
Total Time Elapsed 460 ms

```

This example shows the additional information provided when you add the **verbose** keyword to the command:

```

Router# trace mpls multipath ipv4 10.1.1.150/32 force-explicit-null verbose
Starting LSP Multipath Traceroute for 10.1.1.150/32
Codes: '!' - success, 'Q' - request not sent, '.' - timeout,
'L' - labeled output interface, 'B' - unlabeled output interface,
'D' - DS Map mismatch, 'F' - no FEC mapping, 'f' - FEC mismatch,
'M' - malformed request, 'm' - unsupported tlvs, 'N' - no label entry,
'P' - no rx intf label prot, 'p' - premature termination of LSP,
'R' - transit router, 'I' - unknown upstream index,
'X' - unknown return code, 'x' - return code 0
Type escape sequence to abort.
LLLL!
Path 0 found,
  output interface Fe0/0/0 source 10.1.111.101 destination 127.0.0.0
    0 10.1.111.101 10.1.111.111 MRU 1500 [Labels: 33/explicit-null Exp: 0/0] multipaths 0
  L
    1 10.1.111.111 10.2.121.121 MRU 1500 [Labels: 34/explicit-null Exp: 0/0] ret code 8
  multipaths 2
  L
    2 10.2.121.121 10.3.132.132 MRU 1500 [Labels: 34/explicit-null Exp: 0/0] ret code 8
  multipaths 1
  L
    3 10.3.132.132 10.4.140.240 MRU 1500 [Labels: 32/explicit-null Exp: 0/0] ret code 8
  multipaths 1
  L
    4 10.4.140.240 10.5.150.50 MRU 1504 [Labels: explicit-null Exp: 0] ret code 8 multipaths
  1 !
    5 10.5.150.50, ret code 3 multipaths 0
  LLL!
Path 1 found,
  output interface Fe0/0/0 source 10.1.111.101 destination 127.0.0.1
    0 10.1.111.101 10.1.111.111 MRU 1500 [Labels: 33/explicit-null Exp: 0/0] multipaths 0
  L
    1 10.1.111.111 10.2.120.120 MRU 1500 [Labels: 33/explicit-null Exp: 0/0] ret code 8
  multipaths 2
  L
    2 10.2.120.120 10.3.131.131 MRU 1500 [Labels: 33/explicit-null Exp: 0/0] ret code 8
  multipaths 2
  L
    3 10.3.131.131 10.4.141.141 MRU 1500 [Labels: 34/explicit-null Exp: 0/0] ret code 8
  multipaths 2
  L
    4 10.4.141.141 10.5.150.150 MRU 1504 [Labels: explicit-null Exp: 0] ret code 8 multipaths
  1
  !
  5 10.5.150.150, ret code 3 multipaths 0
  L!
Path 2 found,
  output interface Fe0/0/0 source 10.1.111.101 destination 127.0.0.5
    0 10.1.111.101 10.1.111.111 MRU 1500 [Labels: 33/explicit-null Exp: 0/0] multipaths 0
  L
    1 10.1.111.111 10.2.120.120 MRU 1500 [Labels: 33/explicit-null Exp: 0/0] ret code 8
  multipaths 2
  L
    2 10.2.120.120 10.3.131.131 MRU 1500 [Labels: 33/explicit-null Exp: 0/0] ret code 8
  multipaths 2

```

```

L
 3 10.3.131.131 10.4.140.140 MRU 1500 [Labels: 32/explicit-null Exp: 0/0] ret code 8
multipaths 2
L
 4 10.4.140.140 10.5.150.50 MRU 1504 [Labels: explicit-null Exp: 0] ret code 8 multipaths
1 ! 5 10.5.150.50, ret code 3 multipaths 0
LL!
Path 3 found,
  output interface Fe0/0/0 source 10.1.111.101 destination 127.0.0.7
  0 10.1.111.101 10.1.111.111 MRU 1500 [Labels: 33/explicit-null Exp: 0/0] multipaths 0
L
 1 10.1.111.111 10.2.120.120 MRU 1500 [Labels: 33/explicit-null Exp: 0/0] ret code 8
multipaths 2
L
 2 10.2.120.120 10.3.130.130 MRU 1500 [Labels: 34/explicit-null Exp: 0/0] ret code 8
multipaths 2
L
 3 10.3.130.130 10.4.140.40 MRU 1500 [Labels: 32/explicit-null Exp: 0/0] ret code 8
multipaths 1
L
 4 10.4.140.40 10.5.150.50 MRU 1504 [Labels: explicit-null Exp: 0] ret code 8 multipaths
1
!
 5 10.5.150.50, ret code 3 multipaths 0
Paths (found/broken/unexplored) (4/0/0)
Echo Request (sent/fail) (14/0)
Echo Reply (received/timeout) (14/0)
Total Time Elapsed 492 ms

```

Requesting That a Transit Router Validate the Target FEC Stack for MPLS LSP Multipath Tree Trace Example

The following example shows how to request that a transit router validate the target FEC stack for the MPLS LSP Multipath Tree Trace feature:

```
Router# trace mpls multipath ipv4 10.1.1.150/32 flags fec ttl 5
```

```

Starting LSP Multipath Traceroute for 10.1.1.150/32
Codes: '!' - success, 'Q' - request not sent, '.' - timeout,
'L' - labeled output interface, 'B' - unlabeled output interface,
'D' - DS Map mismatch, 'F' - no FEC mapping, 'f' - FEC mismatch,
'M' - malformed request, 'm' - unsupported tlvs, 'N' - no label entry,
'P' - no rx intf label prot, 'p' - premature termination of LSP,
'R' - transit router, 'I' - unknown upstream index,
'X' - unknown return code, 'x' - return code 0
Type escape sequence to abort.
LLLL!
Path 0 found,
  output interface Fe0/0/0 source 10.1.111.101 destination 127.0.0.0
LLL!
Path 1 found,
  output interface Fe0/0/0 source 10.1.111.101 destination 127.0.0.1
L!
Path 2 found,
  output interface Fe0/0/0 source 10.1.111.101 destination 127.0.0.5
LL!
Path 3 found,
  output interface Fe0/0/0 source 10.1.111.101 destination 127.0.0.7
Paths (found/broken/unexplored) (4/0/0)
Echo Request (sent/fail) (14/0)
Echo Reply (received/timeout) (14/0)
Total Time Elapsed 464 ms

```

Target FEC stack validation is always done at the egress router when the **flags fec** keywords are specified in the **trace mpls multipath** command.

Setting the Number of Timeout Attempts for MPLS LSP Multipath Tree Trace Example

The following example sets the number of timeout attempts for the MPLS LSP Multipath Tree Trace feature to four:

```
Router# trace mpls multipath ipv4 10.1.1.150/32 retry-count 4
```

```
Starting LSP Multipath Traceroute for 10.1.1.150/32
Codes: '!' - success, 'Q' - request not sent, '.' - timeout,
       'L' - labeled output interface, 'B' - unlabeled output interface,
       'D' - DS Map mismatch, 'F' - no FEC mapping, 'f' - FEC mismatch,
       'M' - malformed request, 'm' - unsupported tlvs, 'N' - no label entry,
       'P' - no rx intf label prot, 'p' - premature termination of LSP,
       'R' - transit router, 'I' - unknown upstream index,
       'X' - unknown return code, 'x' - return code 0
Type escape sequence to abort.
LLLL!
Path 0 found,
  output interface Fe0/0/0 source 10.1.111.101 destination 127.0.0.0
LLL!
Path 1 found,
  output interface Fe0/0/0 source 10.1.111.101 destination 127.0.0.1
L!
Path 2 found,
  output interface Fe0/0/0 source 10.1.111.101 destination 127.0.0.5
LL!
Path 3 found,
  output interface Fe0/0/0 source 10.1.111.101 destination 127.0.0.7
Paths (found/broken/unexplored) (4/0/0)
Echo Request (sent/fail) (14/0)
Echo Reply (received/timeout) (14/0)
Total Time Elapsed 460 ms
```

The following output shows a **trace mpls multipath** command that found one unexplored path, one successful path, and one broken path:

```
Router# trace mpls multipath ipv4 10.1.1.150/32 retry-count 4
```

```
Starting LSP Multipath Traceroute for 10.1.1.150/32
Codes: '!' - success, 'Q' - request not sent, '.' - timeout,
       'L' - labeled output interface, 'B' - unlabeled output interface,
       'D' - DS Map mismatch, 'F' - no FEC mapping, 'f' - FEC mismatch,
       'M' - malformed request, 'm' - unsupported tlvs, 'N' - no label entry,
       'P' - no rx intf label prot, 'p' - premature termination of LSP,
       'R' - transit router, 'I' - unknown upstream index,
       'X' - unknown return code, 'x' - return code 0
Type escape sequence to abort.
LLL....
Path 0 Unexplorable,
  output interface Fe0/0/0 source 10.1.111.101 destination 127.0.0.0
LLL!
Path 1 found,
  output interface Fe0/0/0 source 10.1.111.101 destination 127.0.0.1 B
Path 2 Broken,
  output interface Fe0/0/0 source 10.1.111.101 destination 127.0.0.7
Paths (found/broken/unexplored) (1/1/1)
Echo Request (sent/fail) (12/0)
Echo Reply (received/timeout) (8/4)
Total Time Elapsed 7868 ms
```

Additional References for MPLS LSP Multipath Tree Trace

Related Documents

Related Topic	Document Title
Concepts and configuration tasks for MPLS LSP ping or traceroute	MPLS LSP Ping/Traceroute for LDP/TE, and LSP Ping for VCCV
MPLS commands	<i>Cisco IOS Multiprotocol Label Switching Command Reference</i>

Standards

Standard	Title
No new or modified standards are supported by this feature, and support for existing standards has not been modified by this feature.	--

MIBs

MIB	MIBs Link
No new or modified MIBs are supported by this feature, and support for existing MIBs has not been modified by this feature.	To locate and download MIBs for selected platforms, Cisco software releases, and feature sets, use Cisco MIB Locator found at the following URL: http://www.cisco.com/go/mibs

RFCs

RFC	Title
RFC 2113	<i>IP Router Alert Option</i>
RFC 3443	<i>Time To Live (TTL) Processing in Multi-Protocol Label Switching (MPLS) Networks</i>

RFC	Title
RFC 4377	<i>Operations and Management (OAM) Requirements for Multi-Protocol Label Switched (MPLS) Networks</i>
RFC 4378	<i>A Framework for Multi-Protocol Label Switching (MPLS) Operations and Management (OAM)</i>
RFC 4379	<i>Detecting Multi-Protocol Label Switched (MPLS) Data Plane Failures</i>

Technical Assistance

Description	Link
<p>The Cisco Support website provides extensive online resources, including documentation and tools for troubleshooting and resolving technical issues with Cisco products and technologies.</p> <p>To receive security and technical information about your products, you can subscribe to various services, such as the Product Alert Tool (accessed from Field Notices), the Cisco Technical Services Newsletter, and Really Simple Syndication (RSS) Feeds.</p> <p>Access to most tools on the Cisco Support website requires a Cisco.com user ID and password.</p>	http://www.cisco.com/techsupport

Feature Information for MPLS EM-MPLS LSP Multipath Tree Trace

The following table provides release information about the feature or features described in this module. This table lists only the software release that introduced support for a given feature in a given software release train. Unless noted otherwise, subsequent releases of that software release train also support that feature.

Use Cisco Feature Navigator to find information about platform support and Cisco software image support. To access Cisco Feature Navigator, go to www.cisco.com/go/cfn. An account on Cisco.com is not required.

Table 17: Feature Information for MPLS EM-MPLS LSP Multipath Tree Trace

Feature Name	Releases	Feature Information
MPLS EM-MPLS LSP Multipath Tree Trace	12.2(31)SB2 12.2(33)SRB 12.4(20)T 12.2(33)SXI	<p>The MPLS EM-MPLS LSP Multipath Tree Trace feature provides the means to discover all the possible paths of a label switched path (LSP) between an egress and ingress router. Once discovered, these paths can be retested on a periodic basis using Multiprotocol Label Switching (MPLS) LSP ping or traceroute. This feature is an extension to the MPLS LSP traceroute functionality for the tracing of IPv4 LSPs.</p> <p>Cisco IOS MPLS Embedded Management (EM) is a set of standards and value-added services that facilitate the deployment, operation, administration, and management of MPLS-based networks in line with the fault, configuration, accounting, performance, and security (FCAPS) model.</p> <p>In Cisco IOS Release 12.2(31)SB2, this feature was introduced.</p> <p>In Cisco IOS Release 12.2(33)SRB, support was added for a Cisco IOS 12.2SR release.</p> <p>In Cisco IOS Release 12.(20)T, support was added for a Cisco IOS 12.4T release.</p> <p>In Cisco IOS Release 12.2(33)SXI, support was added for a Cisco IOS 12.2SX release.</p>
		<p>The following commands were introduced or modified: debug mpls lsvp, echo, mpls oam, trace mpls, trace mpls multipath.</p>

Glossary

ECMP --equal-cost multipath. Multiple routing paths of equal cost that may be used for packet forwarding.

FEC --Forwarding Equivalence Class. A set of packets that can be handled equivalently for forwarding purposes and are thus suitable for binding to a single label. Examples include the set of packets destined for one address prefix and the packets in any flow.

flow --A set of packets traveling between a pair of hosts, or between a pair of transport protocol ports on a pair of hosts. For example, packets with the same source address, source port, destination address, and destination port might be considered a flow.

A flow is also a stream of data traveling between two endpoints across a network (for example, from one LAN station to another). Multiple flows can be transmitted on a single circuit.

localhost --A name that represents the host router (device). The localhost uses the reserved loopback IP address 127.0.0.1.

LSP --label switched path. A connection between two routers in which Multiprotocol Label Switching (MPLS) forwards the packets.

LSPV --Label Switched Path Verification. An LSP ping subprocess. It encodes and decodes Multiprotocol Label Switching (MPLS) echo requests and replies, and it interfaces with IP, MPLS, and AToM switching for sending and receiving MPLS echo requests and replies. At the MPLS echo request originator router, LSPV maintains a database of outstanding echo requests for which echo responses have not been received.

MPLS router alert label --An Multiprotocol Label Switching (MPLS) label of 1. An MPLS packet with a router alert label is redirected by the router to the Route Processor (RP) processing level for handling. This allows these packets to bypass any forwarding failures in hardware routing tables.

OAM --Operation, Administration, and Management.

punt --Redirect packets with a router alert from the line card or interface to Route Processor (RP) level processing for handling.

RP --Route Processor. The processor module contains the CPU, system software, and most of the memory components that are used in the router.

TTL --time-to-live. A parameter you can set that indicates the maximum number of hops a packet should take to reach its destination.

TLV --type, length, values. A block of information included in a Cisco Discovery Protocol address.

UDP --User Datagram Protocol. Connectionless transport layer protocol in the TCP/IP protocol stack. UDP is a simple protocol that exchanges datagrams without acknowledgments or guaranteed delivery, so error processing and retransmission must be handled by other protocols. UDP is defined in RFC 768.

XDR --eXternal Data Representation. Standard for machine-independent data structures developed by Sun Microsystems. Used to transport messages between the Route Processor (RP) and the line card.



MPLS Embedded Management—LSP Ping Support for MLDP

The MPLS Embedded Management—LSP Ping Support for MLDP feature allows you to check connectivity and isolate failure points to provide a Multiprotocol Label Switching (MPLS) Operation, Administration, and Maintenance (OAM) solution. MPLS OAM helps service providers monitor label-switched paths (LSPs) and quickly isolate MPLS forwarding problems to assist with fault detection and troubleshooting in an MPLS network.

- [Finding Feature Information, page 133](#)
- [Prerequisites for MPLS Embedded Management—LSP Ping Support for MLDP, page 134](#)
- [Information About MPLS Embedded Management—LSP Ping Support for MLDP, page 134](#)
- [How to Verify MPLS Embedded Management—LSP Ping Support for MLDP, page 136](#)
- [Configuration Examples for Verifying MPLS Embedded Management—LSP Ping Support for MLDP, page 137](#)
- [Additional References for MPLS Embedded Management—LSP Ping Support for MLDP, page 139](#)
- [Feature Information for MPLS Embedded Management—LSP Ping Support for MLDP, page 140](#)

Finding Feature Information

Your software release may not support all the features documented in this module. For the latest caveats and feature information, see [Bug Search Tool](#) and the release notes for your platform and software release. To find information about the features documented in this module, and to see a list of the releases in which each feature is supported, see the feature information table at the end of this module.

Use Cisco Feature Navigator to find information about platform support and Cisco software image support. To access Cisco Feature Navigator, go to www.cisco.com/go/cfn. An account on Cisco.com is not required.

Prerequisites for MPLS Embedded Management—LSP Ping Support for MLDP

Enable MPLS OAM using the `mpls oam` command on all devices in the MPLS network.

Information About MPLS Embedded Management—LSP Ping Support for MLDP

MPLS Network Management with MLDP LSP Ping

Label Switched Multicast (LSM) can be summarized as Multiprotocol Label Switching (MPLS) technology extensions to support new point-to-multipoint and multipoint-to-multipoint connectivity requirements in a MPLS-enabled network infrastructure. In short, LSM provides scalable and reliable multicast tree building services in an MPLS network, which includes signaling and setup of label-switched multicast distribution trees (MDTs). A focus of LSM is the mapping of ingress multicast traffic onto MDTs and tree optimization mechanisms to minimize LSM traffic loss and reroute capabilities around network failures.

To manage an MPLS network, you must have the ability to monitor label-switched paths (LSPs) and quickly isolate MPLS forwarding problems. You need ways to reliably detect when an LSP fails to deliver user traffic. You can use MPLS LSP ping to verify the LSP that is used to transport packets.

An MPLS echo request is sent through an LSP to validate it. A Time to Live (TTL) expiration or LSP breakage causes the transit device to process the echo request before it gets to the intended destination. The device returns an MPLS echo reply that contains an explanatory reply code to the originator of the echo request.

The successful echo request is processed at the egress of the LSP. The echo reply is sent through an IP path, an MPLS path, or a combination of both back to the originator of the echo request.

The MPLS Embedded Management—LSP Ping Support for MLDP feature extends this diagnostic and troubleshooting ability to the MPLS network and aids in the identification of inconsistencies between the IP and MPLS forwarding tables, inconsistencies in the MPLS control and data plane, and problems with the reply path.

MLDP Overview

For Multicast Label Distribution Protocol (MLDP), a forwarding equivalence class (FEC) is defined by a root node address, a tree type, and an opaque type or value. The root node is a single point of failure for a Multiprotocol Label Switching (MPLS) label-switched path (LSP), whether the MPLS LSP is point-to-multipoint or multipoint-to-multipoint. The definition of an opaque type or value allows MLDP to remain separate from the applications that define the FECs, hence allowing the MLDP FEC protocol element to be reused to build point-to-multipoint and multipoint-to-multipoint trees for many applications. The application type is identified by the opaque type field.

In order to use MLDP, it is recommended to provide some Operation, Administration, and Maintenance (OAM) functionality. The `ping mpls mldp` command is one of the basic OAM functions for MLDP to detect failures and isolate a failure point.

MLDP supports injecting LSP ping packets starting from MLDP point-to-multipoint and multipoint-to-multipoint root, midpoint, bud, or leaf nodes. The midpoint device where the sub-LSP signaling is processed and this can be a branch point also. The bud node is a midpoint and tail-end device at the same time. A label switch router (LSR) that is an egress LSR, has one or more directly connected downstream LSRs. In a scenario where the ping is sent from a bud node, the sending device will not receive a copy of the echo request and act as a responder. When an LSP ping is sent from a midpoint in a multipoint-to-multipoint case, there is no existing forwarding entry that replicates to all MPLS neighbors. MLDP builds a forwarding state for a multipoint-to-multipoint tree containing number of neighbors (n) as n point-to-multipoint forwarding entries each with n-1 neighbors. Since there is no equivalent forward entry to reach all leaves, LSP needs to craft and send an MPLS echo request packet to any active upstream neighbors and all downstream neighbors.

Point-to-Multipoint Ping

The point-to-multipoint ping feature is used to check the connectivity between an ingress label switch router (LSR) and egress LSR along a point-to-multipoint label-switched path (LSP). The ingress LSR sends the point-to-multipoint echo request message along the specified point-to-multipoint LSP. All egress LSRs that receive the point-to-multipoint echo request message from the ingress LSR must send a point-to-multipoint echo reply message to the ingress LSR, according to the reply mode specified in the point-to-multipoint echo request message.

The point-to-multipoint Label Distribution Protocol (LDP) uses LDP to establish multicast LSPs. These LSPs distribute data from a single source (ingress) to one or more destinations (egress) across the network according to the next hops indicated by the routing protocols. Each LSP is identified by a Multiprotocol Label Switching (MPLS) multicast forwarding equivalence class (FEC).

An MPLS echo request packet is sent to a target device through the use of an appropriate label stack associated with the LSP to be validated. Use of the label stack causes the packet to be forwarded over the LSP itself.

An MPLS echo reply is sent in response to an MPLS echo request. The reply is sent as an IP packet and it is forwarded using IP, MPLS, or a combination of both types of switching. The source address of the MPLS echo reply packet is an address obtained from the device generating an echo reply. The destination address is the source address of the device that originated the MPLS echo request packet. The MPLS echo reply destination port is set to the echo request source port.

Multipoint-to-Multipoint Ping

A multipoint-to-multipoint label-switched path (LSP) allows traffic from multiple leaf (ingress) nodes to be delivered to multiple egress nodes. Only a single copy of the packet will be sent on any link traversed by the multipoint LSP.

A multipoint-to-multipoint LSP is much like a point-to-multipoint LSP in that it consists of a single root node, zero or more transit nodes, and one or more leaf label switch routers (LSRs) acting equally as an ingress or egress LSR. A leaf node participates in the setup of a multipoint-to-multipoint LSP by establishing both a downstream LSP, which is like a point-to-multipoint LSP from the root, and an upstream LSP, which is used to send traffic towards the root and other leaf nodes. Transit nodes support the setup by propagating the upstream and downstream LSP setup towards the root node and installing the necessary Multiprotocol Label Switching (MPLS) forwarding state. The transmission of packets from the root node of a multipoint-to-multipoint LSP to the receivers is identical to that for a point-to-multipoint LSP. Traffic from a leaf node follows the upstream LSP towards the root node and branches downward along the downstream LSP as required to reach other leaf nodes. Mapping traffic to the multipoint-to-multipoint LSP happens at any leaf node.

Jitter

Jitter is used to reduce the load on the label switch router (LSR) where the ping is performed. By adding a jitter, the replying devices will space their reply time based on a random number between one and the jitter value. Jitter value must be smaller than jitter type, length, value (TLV) received in an echo request or locally configured jitter value.

The jitter field specifies an upper limit for the jitter period that must be applied by a responding node to determine how long to wait before sending an echo reply. You can configure the jitter value to allow the echo replies to be spread out uniformly over the jitter duration. An echo request originator is needed to extend the timeout by the jitter value to account for jittered replies. The responder needs to either limit the maximum number of outstanding jitter waits that can be present or set an upper limit on the maximum jitter time. The jitter value is specified in milliseconds. The range is from 1 to 2147483647, and the default is 200.

The configured jitter value is also used by the responder node. If the configured jitter value is smaller than the received jitter TLV, then a reply is generated after a random time between a configured jitter value. If the configured jitter value is larger than the received jitter TLV, then the reply is generated after a random time between one and the received jitter TLV.



Note

An echo jitter TLV is only applicable on an echo request message. If it is present on an echo reply message, it is ignored.

How to Verify MPLS Embedded Management—LSP Ping Support for MLDP

Configuring Echo Jitter

SUMMARY STEPS

1. `enable`
2. `configure terminal`
3. `mpls oam`
4. `echo jitter jitter-value`
5. `end`

DETAILED STEPS

	Command or Action	Purpose
Step 1	<code>enable</code> Example: Device> <code>enable</code>	Enables privileged EXEC mode.

	Command or Action	Purpose
Step 2	configure terminal Example: Device# configure terminal	Enters global configuration mode.
Step 3	mpls oam Example: Device(config)# mpls oam	Enters MPLS OAM configuration mode for customizing the default behavior of echo packets.
Step 4	echo jitter jitter-value Example: Device(config-mpls)# echo jitter 100	Configures the jitter value, in milliseconds, that is used in the jitter type, length, values (TLVs) and sent as part of the echo request packets. <ul style="list-style-type: none"> • The range is from 1 to 2147483647. The default is 200.
Step 5	end Example: Device(config-mpls)# end	Exits MPLS OAM configuration mode and enters privileged EXEC mode.

Configuration Examples for Verifying MPLS Embedded Management—LSP Ping Support for MLDP

Example: Configuring Echo Jitter

```
Device(config)# mpls oam
Device(config-mpls)# echo jitter 100
Device(config-mpls)# end
Device#
```

Example: Verifying MLDP LSP Ping

The following example shows the sample output for the `ping mpls mldp p2mp` command:

```
Device# ping mpls mldp p2mp 10.0.0.5 vpnv4 100:100 38.0.0.8 232.1.1.2
verbose size 200 interval 100 exp 4 timeout 2 repeat 3 jitter 140 ddmmap ttl 1

p2mp Root node addr 10.0.0.5
Opaque type VPNv4, source 38.0.0.8, group 232.1.1.2
Sending 3, 200-byte MPLS Echos to Target FEC Stack TLV descriptor,
    timeout is 2.1 seconds, send interval is 100 msec, jitter value is 140 msec:

Codes: '!' - success, 'Q' - request not sent, '.' - timeout,
       'L' - labeled output interface, 'B' - unlabeled output interface,
       'D' - DS Map mismatch, 'F' - no FEC mapping, 'f' - FEC mismatch,
       'M' - malformed request, 'm' - unsupported tlvs, 'N' - no label entry,
       'P' - no rx intf label prot, 'p' - premature termination of LSP,
       'R' - transit router, 'I' - unknown upstream index,
```

Example: Verifying MLDP LSP Ping

```

'l' - Label switched with FEC change, 'd' - see DDMAP for return code,
'X' - unknown return code, 'x' - return code 0

Type escape sequence to abort.

Request #1
L   size 200, reply addr 30.0.0.2, return code 8
Echo Reply received from 30.0.0.2
  DDMAP 0, DS Router Addr 33.0.0.3, DS Intf Addr 33.0.0.3
    RC L, RSC 0, MRU 1500 [Labels: 26 Exp: 4]

  DDMAP 1, DS Router Addr 34.0.0.6, DS Intf Addr 34.0.0.6
    RC L, RSC 0, MRU 1500 [Labels: 26 Exp: 4]

Received 0 replies

Request #2
L   size 200, reply addr 30.0.0.2, return code 8
Echo Reply received from 30.0.0.2
  DDMAP 0, DS Router Addr 33.0.0.3, DS Intf Addr 33.0.0.3
    RC L, RSC 0, MRU 1500 [Labels: 26 Exp: 4]

  DDMAP 1, DS Router Addr 34.0.0.6, DS Intf Addr 34.0.0.6
    RC L, RSC 0, MRU 1500 [Labels: 26 Exp: 4]

Received 0 replies

Request #3
L   size 200, reply addr 30.0.0.2, return code 8
Echo Reply received from 30.0.0.2
  DDMAP 0, DS Router Addr 33.0.0.3, DS Intf Addr 33.0.0.3
    RC L, RSC 0, MRU 1500 [Labels: 26 Exp: 4]

  DDMAP 1, DS Router Addr 34.0.0.6, DS Intf Addr 34.0.0.6
    RC L, RSC 0, MRU 1500 [Labels: 26 Exp: 4]

Received 0 replies

Total Time Elapsed 6120 ms

```

The following example shows the sample output for the **ping mpls mldp mp2mp** command:

```

Device# ping mpls mldp mp2mp 10.0.0.1 mdt 100:100 0
verbose size 200 interval 100 exp 4 timeout 2 repeat 3 jitter 230

mp2mp Root node addr 10.0.0.1
Opaque type MDT, oui:index 0x100:0100, mdtnum 0
Sending 3, 200-byte MPLS Echos to Target FEC Stack TLV descriptor,
  timeout is 2.2 seconds, send interval is 100 msec, jitter value is 230 msec:

Codes: '!' - success, 'Q' - request not sent, '.' - timeout,
'L' - labeled output interface, 'B' - unlabeled output interface,
'D' - DS Map mismatch, 'F' - no FEC mapping, 'f' - FEC mismatch,
'M' - malformed request, 'm' - unsupported tlvs, 'N' - no label entry,
'P' - no rx intf label prot, 'p' - premature termination of LSP,
'R' - transit router, 'I' - unknown upstream index,
'l' - Label switched with FEC change, 'd' - see DDMAP for return code,
'X' - unknown return code, 'x' - return code 0

Type escape sequence to abort.

Request #1
!   size 200, reply addr 35.0.0.4, return code 3
!   size 200, reply addr 34.0.0.6, return code 3
!   size 200, reply addr 36.0.0.7, return code 3

Round-trip min/avg/max = 52/92/118 ms
Received 3 replies

Request #2
!   size 200, reply addr 34.0.0.6, return code 3
!   size 200, reply addr 36.0.0.7, return code 3
!   size 200, reply addr 35.0.0.4, return code 3

```

```

Round-trip min/avg/max = 118/158/196 ms
Received 3 replies

Request #3
!   size 200, reply addr 36.0.0.7, return code 3
!   size 200, reply addr 34.0.0.6, return code 3
!   size 200, reply addr 35.0.0.4, return code 3

Round-trip min/avg/max = 80/116/155 ms
Received 3 replies

Total Time Elapsed 6409 ms

```

Additional References for MPLS Embedded Management—LSP Ping Support for MLDP

Related Documents

Related Topic	Document Title
ping and traceroute commands	<i>Understanding the Ping and Traceroute Commands</i>
Cisco IOS commands	Cisco IOS Master Command List, All Releases
Switching services commands	Cisco IOS Multiprotocol Label Switching Command Reference

RFCs

RFC	Title
RFC 4379	<i>Detecting Multi-Protocol Label Switched (MPLS) Data Plane Failures</i>
RFC 6388	<i>Label Distribution Protocol Extensions for Point-to-Multipoint and Multipoint-to-Multipoint Label Switched Paths</i>
RFC 6424	<i>Mechanism for Performing Label Switched Path Ping (LSP Ping) over MPLS Tunnels</i>
RFC 6425	<i>Detecting Data-Plane Failures in Point-to-Multipoint MPLS - Extensions to LSP Ping</i>

Technical Assistance

Description	Link
The Cisco Technical Support website contains thousands of pages of searchable technical content, including links to products, technologies, solutions, technical tips, and tools. Registered Cisco.com users can log in from this page to access even more content.	http://www.cisco.com/techsupport

Feature Information for MPLS Embedded Management—LSP Ping Support for MLDP

The following table provides release information about the feature or features described in this module. This table lists only the software release that introduced support for a given feature in a given software release train. Unless noted otherwise, subsequent releases of that software release train also support that feature.

Use Cisco Feature Navigator to find information about platform support and Cisco software image support. To access Cisco Feature Navigator, go to www.cisco.com/go/cfn. An account on Cisco.com is not required.

Table 18: Feature Information for MPLS Embedded Management—LSP Ping Support for MLDP

Feature Name	Releases	Feature Information
MPLS Embedded Management—LSP Ping Support for MLDP	15.3(3)S	<p>The MPLS Embedded Management—LSP Ping Support for MLDP feature allows you to check connectivity and isolate failure points to provide a Multiprotocol Label Switching (MPLS) Operation, Administration, and Maintenance (OAM) solution.</p> <p>The following command was introduced or modified: echo.</p>



MPLS Label Distribution Protocol MIB Version 8 Upgrade

The MPLS Label Distribution Protocol (LDP) MIB Version 8 Upgrade feature enhances the LDP MIB to support the Internet Engineering Task Force (IETF) draft Version 8.

- [Finding Feature Information](#), page 141
- [Prerequisites for MPLS LDP MIB Version 8 Upgrade](#), page 141
- [Restrictions for MPLS LDP MIB Version 8 Upgrade](#), page 142
- [Information About MPLS LDP MIB Version 8 Upgrade](#), page 142
- [How to Configure MPLS LDP MIB Version 8 Upgrade](#), page 165
- [Configuration Examples for MPLS LDP MIB Version 8 Upgrade](#), page 177
- [Additional References](#), page 178
- [Feature Information for MPLS LDP MIB Version 8 Upgrade](#), page 180
- [Glossary](#), page 183

Finding Feature Information

Your software release may not support all the features documented in this module. For the latest caveats and feature information, see [Bug Search Tool](#) and the release notes for your platform and software release. To find information about the features documented in this module, and to see a list of the releases in which each feature is supported, see the feature information table at the end of this module.

Use Cisco Feature Navigator to find information about platform support and Cisco software image support. To access Cisco Feature Navigator, go to www.cisco.com/go/cfn. An account on Cisco.com is not required.

Prerequisites for MPLS LDP MIB Version 8 Upgrade

- Simple Network Management Protocol (SNMP) must be installed and enabled on the label switch routers (LSRs).

- Multiprotocol Label Switching (MPLS) must be enabled on the LSRs.
- LDP must be enabled on the LSRs.

Restrictions for MPLS LDP MIB Version 8 Upgrade

This implementation of the MPLS LDP MIB is limited to read-only (RO) permission for MIB objects, except for MIB object *mplsLdpSessionUpDownTrapEnable*, which has been extended to be writable by the SNMP agent.

Setting this object to a value of true enables both the *mplsLdpSessionUp* and *mplsLdpSessionDown* notifications on the LSR; conversely, setting this object to a value of false disables both of these notifications.

For a description of notification events, see the Events Generating MPLS LDP MIB Notifications in MPLS LDP MIB Version 8 Upgrade section.

Most MPLS LDP MIB objects are set up automatically during the LDP peer discovery (hello) process and the subsequent negotiation of parameters and establishment of LDP sessions between the LDP peers.

The following tables are not implemented in this feature:

- *mplsLdpEntityFrParmsTable*
- *mplsLdpEntityConfFrLRTable*
- *mplsLdpFrameRelaySesTable*
- *mplsFecTable*
- *mplsLdpSesInLabelMapTable*
- *mplsXCsfecsTable*
- *mplsLdpSesPeerAddrTable*

Information About MPLS LDP MIB Version 8 Upgrade

Feature Design of MPLS LDP MIB Version 8 Upgrade

MPLS is a packet forwarding technology that uses a short, fixed-length value called a label in packets to specify the next hop for packet transport through an MPLS network by means of label switch routers (LSRs).

A fundamental MPLS principle is that LSRs in an MPLS network must agree on the definition of the labels being used for packet forwarding operations. Label agreement is achieved in an MPLS network by means of procedures defined in the LDP.

LDP operations begin with a discovery (hello) process, during which an LDP entity (a local LSR) finds a cooperating LDP peer in the network, and the two negotiate basic operating procedures. The recognition and identification of a peer by means of this discovery process results in a hello adjacency, which represents the context within which label binding information is exchanged between the local LSR and its LDP peer. LDP then creates an active LDP session between the two LSRs to effect the exchange of label binding information. When this process is carried to completion with respect to all of the LSRs in an MPLS network, the result is

a label-switched path (LSP), which constitutes an end-to-end packet transmission pathway between the communicating network devices.

By means of LDP, LSRs can collect, distribute, and release label binding information to other LSRs in an MPLS network, thereby enabling the hop-by-hop forwarding of packets in the network along normally routed paths.

The MPLS LDP MIB has been implemented to enable standard, SNMP-based network management of the label switching features in Cisco software. Providing this capability requires SNMP agent code to execute on a designated network management station (NMS) in the network. The NMS serves as the medium for user interaction with the network management objects in the MPLS LDP MIB.

The SNMP agent code has a layered structure that is compatible with Cisco software and presents a network administrative and management interface to the objects in the MPLS LDP MIB and, thence, to the rich set of label switching capabilities supported by Cisco software.

By means of an SNMP agent, you can access MPLS LDP MIB objects using standard SNMP GET operations, and you can use those objects to accomplish a variety of network management tasks. All the objects in the MPLS LDP MIB follow the conventions defined in the IETF draft MIB entitled *draft-ietf-mpls-ldp-mib-08.txt*, which defines network management objects in a structured and standardized manner. This draft MIB is evolving and is soon expected to be a standard. Accordingly, the MPLS LDP MIB will be implemented in such a way that it tracks the evolution of this IETF document.

However, slight differences exist between the IETF draft MIB and the implementation of equivalent Cisco functions. As a result, some minor translations between the MPLS LDP MIB objects and the internal Cisco data structures are needed. Such translations are accomplished by the SNMP agent, which runs in the background on the NMS workstation as a low-priority process.

The extensive Cisco label switching capabilities provide an integrated approach to managing the large volumes of traffic carried by WANs. These capabilities are integrated into the Layer 3 network services, thus optimizing the routing of high-volume traffic through Internet service provider backbones while, at the same time, ensuring the resistance of the network to link or node failures.

The MPLS Label Distribution Protocol MIB Version 8 Upgrade supports the following functions:

- Tag Distribution Protocol (TDP) (This protocol might not be supported in all software releases.)
- Generation and sending of event notification messages that signal changes in the status of LDP sessions
- Enabling and disabling of event notification messages by means of extensions to existing SNMP CLI commands
- Specification of the name or the IP address of an NMS workstation in the operating environment to which Cisco event notification messages are to be sent to serve network administrative and management purposes
- Storage of the configuration pertaining to an event notification message in NVRAM of the NMS

The structure of the MPLS LDP MIB conforms to Abstract Syntax Notation One (ASN.1), so the MIB forms a highly structured and idealized database of network management objects.

Using any standard SNMP application, you can retrieve and display information from the MPLS LDP MIB by means of standard SNMP GET and GETNEXT operations.

**Note**

Because the MPLS LDP MIB was not given an Internet Assigned Numbers Authority (IANA) experimental object identifier (OID) at the time of its implementation, Cisco chose to implement the MIB under the ciscoExperimental OID number, as follows: ciscoExperimental 1.3.6.1.4.1.9.10 mplsLdpMIB 1.3.6.1.4.1.9.10.65 If the MPLS LDP MIB is assigned an IANA Experimental OID number, Cisco will replace all objects in the MIB under the ciscoExperimental OID and reposition the objects under the IANA Experimental OID.

Enhancements in Version 8 of the MPLS LDP MIB

Version 8 of the MPLS LDP MIB contains the following enhancements:

- TDP support (This protocol might not be supported in all software releases.)
- Upgraded objects
- New indexing that is no longer based on the number of sessions
- Multiple SNMP context support for Virtual Private Networks (VPNs)

Benefits of MPLS LDP MIB Version 8 Upgrade

- Supports TDP and LDP (TDP might not be supported in all software releases.)
- Establishes LDP sessions between peer devices in an MPLS network
- Retrieves MIB parameters relating to the operation of LDP entities, such as:
 - Well-known LDP discovery port
 - Maximum transmission unit (MTU)
 - Proposed keepalive timer interval
 - Loop detection
 - Session establishment thresholds
 - Range of virtual path identifier/virtual channel identifier (VPI/VCI) pairs to be used in forming labels
- Gathers statistics related to LDP operations, such as error counters.
- Monitors the time remaining for hello adjacencies
- Monitors the characteristics and status of LDP peers, such as:
 - Internetwork layer address of LDP peers
 - Loop detection of the LDP peers
 - Default MTU of the LDP peer
 - Number of seconds the LDP peer proposes as the value of the keepalive interval

- Monitors the characteristics and status of LDP sessions, such as:
 - Displaying the error counters.
 - Determining the LDP version being used by the LDP session
 - Determining the keepalive hold time remaining for an LDP session
 - Determining the state of an LDP session (whether the session is active or not)
 - Displaying the label ranges for platform-wide and interface-specific sessions
 - Displaying the ATM parameters.

Description of MPLS LDP MIB Elements for MPLS LDP MIB Version 8 Upgrade

LDP operations related to an MPLS LDP MIB involve the following functional elements:

- LDP entity--Relates to an instance of LDP for purposes of exchanging label spaces; describes a potential session.
- LDP peer--Refers to a remote LDP entity (that is, a nonlocal LSR).
- LDP session--Refers to an active LDP process between a local LSR and a remote LDP peer.
- Hello adjacency--Refers to the result of an LDP discovery process that affirms the state of two LSRs in an MPLS network as being adjacent to each other (that is, as being LDP peers). When the neighbor is discovered, the neighbor becomes a hello adjacency. An LDP session can be established with the hello adjacency. After the session is established, label bindings can be exchanged between the LSRs.

These MPLS LDP MIB elements are briefly described under separate headings below.

In effect, the MPLS LDP MIB provides a network management database that supports real-time access to the various MIB objects in the database. This database reflects the current state of MPLS LDP operations in the network. You can access this network management information database by means of standard SNMP commands issued from an NMS in the MPLS LDP operating environment.

The MPLS LDP MIB supports the following network management and administrative activities:

- Retrieving MPLS LDP MIB parameters pertaining to LDP operations
- Monitoring the characteristics and the status of LDP peers
- Monitoring the status of LDP sessions between LDP peers
- Monitoring hello adjacencies in the network
- Gathering statistics regarding LDP sessions

LDP Entities

An LDP entity is uniquely identified by an LDP identifier that consists of the `mplsLdpEntityLdpId` and the `mplsLdpEntityIndex` (see the figure below).

- The `mplsLdpEntityLdpId` consists of the local LSR ID (four octets) and the label space ID (two octets). The label space ID identifies a specific label space available within the LSR.

- The mplsLdpEntityIndex consists of the IP address of the peer active hello adjacency, which is the 32-bit representation of the IP address assigned to the peer LSR.

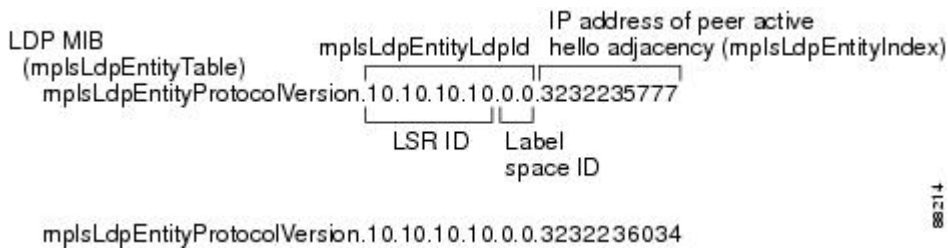
The mplsLdpEntityProtocolVersion is a sample object from the mplsLdpEntityTable.

The figure shows the following indexing:

- mplsLdpEntityLdpId = 10.10.10.10.0.0
- LSR ID = 10.10.10.10
- Label space ID = 0.0

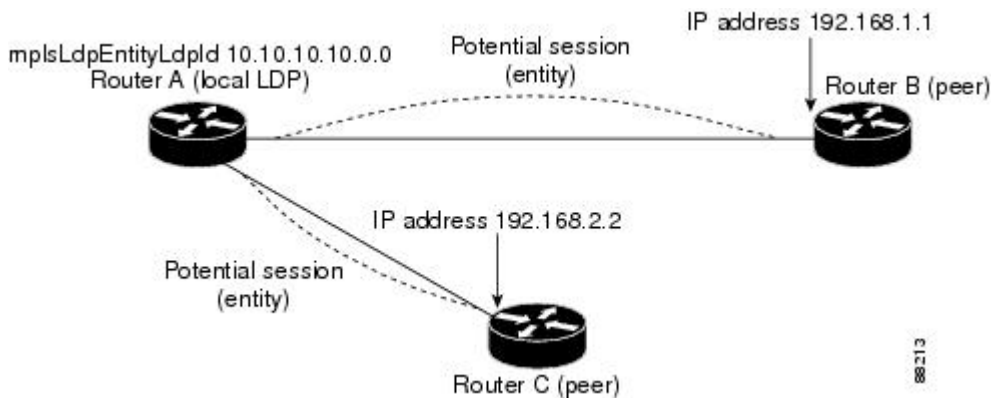
The mplsLdpEntityLdpId or the LDP ID consists of the LSR ID and the label space ID.

- The IP address of peer active hello adjacency or the mplsLdpEntityIndex = 3232235777, which is the 32-bit representation of the IP address assigned to the peer's active hello adjacency.



An LDP entity represents a label space that has the potential for a session with an LDP peer. An LDP entity is set up when a hello adjacency receives a hello message from an LDP peer.

In the figure below, Router A has potential sessions with two remote peers, Routers B and C. The mplsLdpEntityLdpId is 10.10.10.10.0.0, and the IP address of the peer active hello adjacency (mplsLdpEntityIndex) is 3232235777, which is the 32-bit representation of the IP address 192.168.1.1 for Router B.



LDP Sessions and Peers

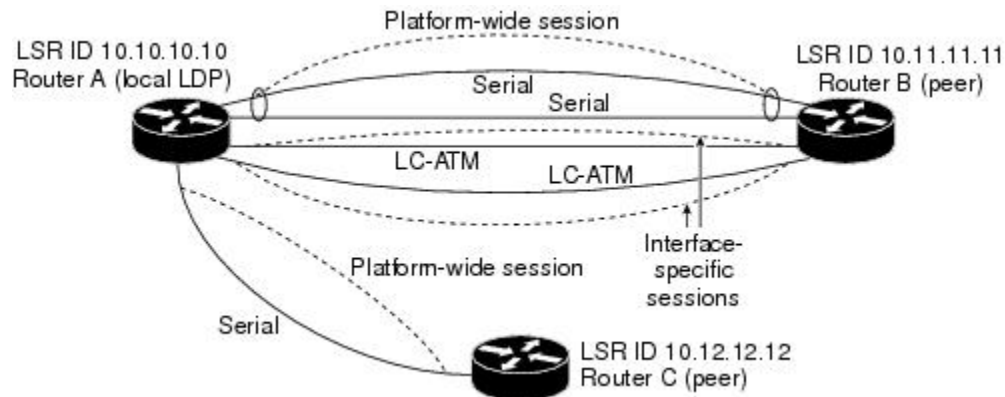
LDP sessions exist between local entities and remote peers for the purpose of distributing label spaces. There is always a one-to-one correspondence between an LDP peer and an LDP session. A single LDP session is an LDP instance that communicates across one or more network links with a single LDP peer.

LDP supports the following types of sessions:

- **Interface-specific**--An interface-specific session uses interface resources for label space distributions. For example, each label-controlled ATM (LC-ATM) interface uses its own VPIs/VCIs for label space distributions. Depending on its configuration, an LDP platform can support zero, one, or more interface-specific sessions. Each LC-ATM interface has its own interface-specific label space and a nonzero label space ID.
- **Platform-wide**--An LDP platform supports a single platform-wide session for use by all interfaces that can share the same global label space. For Cisco platforms, all interface types except LC-ATM use the platform-wide session and have a label space ID of zero.

When a session is established between two peers, entries are created in the `mplsLdpPeerTable` and the `mplsLdpSessionTable` because they have the same indexing.

In the figure below, Router A has two remote peers, Routers B and C. Router A has a single platform-wide session that consists of two serial interfaces with Router B and another platform-wide session with Router C. Router A also has two interface-specific sessions with Router B.



The figure below shows entries that correspond to the `mplsLdpPeerTable` and the `mplsLdpSessionTable` in the figure above.

In the figure below, `mplsLdpSesState` is a sample object from the `mplsLdpSessionTable` on Router A. There are four `mplsLdpSesState` sample objects shown (top to bottom). The first object represents a platform-wide session associated with two serial interfaces. The next two objects represent interface-specific sessions for the LC-ATM interfaces on Routers A and B. These interface-specific sessions have nonzero peer label space IDs. The last object represents a platform-wide session for the next peer, Router C.

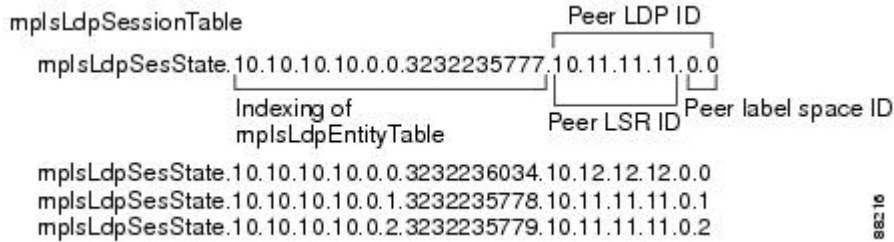
The indexing is based on the entries in the `mplsLdpEntityTable`. It begins with the indexes of the `mplsLdpEntityTable` and adds the following:

- Peer LDP ID = 10.11.11.11.0.0

The peer LDP ID consists of the peer LSR ID (four octets) and the peer label space ID (two octets).

- Peer LSR ID = 10.11.11.11
- Peer label space ID = 0.0

The peer label space ID identifies a specific peer label space available within the LSR.



LDP Hello Adjacencies

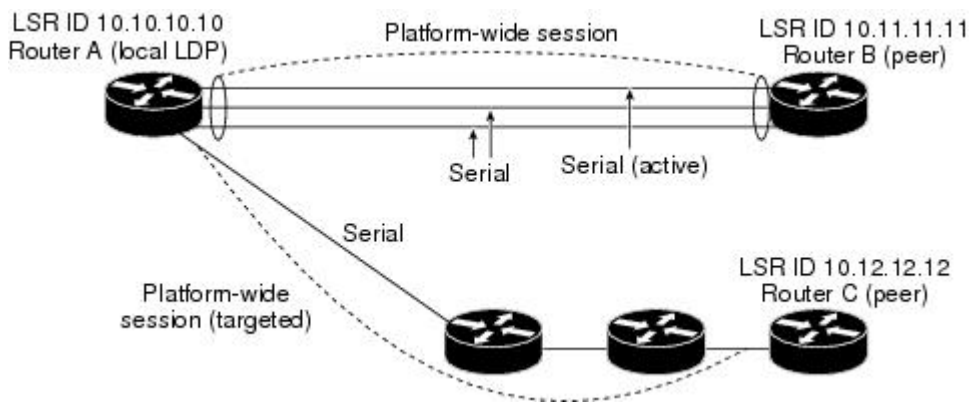
An LDP hello adjacency is a network link between a router and its peers. An LDP hello adjacency enables two adjacent peers to exchange label binding information.

An LDP hello adjacency exists for each link on which LDP runs. Multiple LDP hello adjacencies exist whenever there is more than one link in a session between a router and its peer, such as in a platform-wide session.

A hello adjacency is considered active if it is currently engaged in a session, or nonactive if it is not currently engaged in a session.

A targeted hello adjacency is not directly connected to its peer and has an unlimited number of hops between itself and its peer. A linked hello adjacency is directly connected between two routers.

In the figure below, Router A has two remote peers, Routers B and C. Router A has a platform-wide session with Router B that consists of three serial interfaces, one of which is active and another platform-wide (targeted) session with Router C.



The figure below shows entries in the mplsLdpHelloAdjacencyTable. There are four mplsLdpHelloAdjHoldTime sample objects (top to bottom). They represent the two platform-wide sessions and the four serial links shown in the figure above.

The indexing is based on the `mplsLdpSessionTable`. When the `mplsLdpHelloAdjIndex` enumerates the different links within a single session, the active link is `mplsLdpHelloAdjIndex = 1`.

```

mplsLdpHelloAdjacencyTable
  mplsLdpHelloAdjHoldTimeRem.10.10.10.10.0.0.3232235777.10.11.11.11.0.0.1
                                     |
                                     | Indexing of mplsLdpSessionTable
                                     |
  mplsLdpHelloAdjHoldTimeRem.10.10.10.10.0.0.3232235777.10.11.11.11.0.0.2
  mplsLdpHelloAdjHoldTimeRem.10.10.10.10.0.0.3232235777.10.11.11.11.0.0.3
  mplsLdpHelloAdjHoldTimeRem.10.10.10.10.0.0.3232236034.10.12.12.12.0.0.1
                                     |
                                     | mplsLdpHelloAdjIndex
                                     |
                                     | 81
                                     | 82

```

Events Generating MPLS LDP MIB Notifications in MPLS LDP MIB Version 8 Upgrade

When you enable MPLS LDP MIB notification functionality by issuing the `snmp-server enable traps mpls ldp` command, notification messages are generated and sent to a designated NMS in the network to signal the occurrence of specific events within the network.

The MPLS LDP MIB objects involved in LDP status transitions and event notifications include the following:

- `mplsLdpSessionUp`--This message is generated when an LDP entity (a local LSR) establishes an LDP session with another LDP entity (an adjacent LDP peer in the network).
- `mplsLdpSessionDown`--This message is generated when an LDP session between a local LSR and its adjacent LDP peer is terminated.
- `mplsLdpPathVectorLimitMismatch`--This message is generated when a local LSR establishes an LDP session with its adjacent peer LSR, but the two LSRs have dissimilar path vector limits.

The value of the path vector limit can range from 0 through 255; a value of 0 indicates that loop detection is off; any value other than zero up to 255 indicates that loop detection is on and, in addition, specifies the maximum number of hops through which an LDP message can pass before a loop condition in the network is sensed.

We recommend that all LDP-enabled routers in the network be configured with the same path vector limit. Accordingly, the `mplsLdpPathVectorLimitMismatch` object exists in the MPLS LDP MIB to provide a warning message to the NMS when two routers engaged in LDP operations have different path vector limits.



Note

This notification is generated only if the distribution method is downstream-on-demand.

- `mplsLdpFailedInitSessionThresholdExceeded`--This message is generated when a local LSR and an adjacent LDP peer attempt to set up an LDP session between them, but fail to do so after a specified number of attempts. The default number of attempts is 8. This default value is implemented and cannot be changed.

Eight failed attempts to establish an LDP session between a local LSR and an LDP peer, due to any type of incompatibility between the devices, causes this notification message to be generated. Cisco routers support the same features across multiple platforms.

Therefore, the most likely incompatibility to occur between Cisco LSRs is a mismatch of their respective ATM VPI/VCI label ranges.

For example, if you specify a range of valid labels for an LSR that does not overlap the range of its adjacent LDP peer, the routers try eight times to create an LDP session between themselves before the `mplsLdpFailedInitSessionThresholdExceeded` notification is generated and sent to the NMS as an informational message.

The LSRs whose label ranges do not overlap continue their attempt to create an LDP session between themselves after the eight-retry threshold is exceeded.

In such cases, the LDP threshold exceeded notification alerts the network administrator about a condition in the network that might warrant attention.

RFC 3036, *LDP Specification*, details the incompatibilities that can exist between Cisco routers and/or other vendor LSRs in an MPLS network.

Among such incompatibilities, for example, are the following:

- • Nonoverlapping ATM VPI/VCI ranges (as noted above) or nonoverlapping Frame-Relay DLCI ranges between LSRs attempting to set up an LDP session
- Unsupported label distribution method
- Dissimilar protocol data unit (PDU) sizes
- Dissimilar types of LDP feature support

MIB Tables in MPLS LDP MIB Version 8 Upgrade

Version 8 of the MPLS LDP MIB consists of the following tables:

- `mplsLdpEntityTable` --Contains entries for every active LDP hello adjacency. Nonactive hello adjacencies appear in the `mplsLdpHelloAdjacencyTable`, rather than this table. This table is indexed by the local LDP identifier for the interface and the IP address of the peer active hello adjacency.

The advantage of showing the active hello adjacency instead of sessions in this table is that the active hello adjacency can exist even if an LDP session is not active (cannot be established). Previous implementations of the IETF MPLS-LDP MIB used sessions as the entries in this table. This approach was inadequate because as sessions went down, the entries in the entity table would disappear completely because the agent code could no longer access them. This resulted in the MIB failing to provide information about failed LDP sessions.

Directed adjacencies are also shown in this table. These entries, however, are always up administratively (`adminStatus`) and operationally (`operStatus`), because the adjacencies disappear if the directed session fails. Nondirected adjacencies might disappear from the MIB on some occasions, because adjacencies are deleted if the underlying interface becomes operationally down, for example.

- `mplsLdpEntityConfGenLRTable` --Contains entries for every LDP-enabled interface that is in the global label space. (For Cisco, this applies to all interfaces except LC-ATM. LC-ATM entities are shown in the `mplsLdpEntityConfAtmLRTable` instead.) Indexing is the same as it is for the `mplsLdpEntityTable`, except two indexes have been added, `mplsLdpEntityConfGenLRMin` and `mplsLdpEntityConfGenLRMax`. These additional indexes allow more than one label range to be defined. However, in the current Cisco implementation, only one global label range is allowed.
- `mplsLdpEntityAtmParmsTable` --Contains entries for every LDP-enabled LC-ATM interface. This table is indexed the same as the `mplsLdpEntityTable` although only LC-ATM interfaces are shown.
- `mplsLdpEntityConfAtmLRTable` --Contains entries for every LDP-enabled LC-ATM interface. Indexing is the same as it is for the `mplsLdpEntityTable`, except two indexes have been added,

mplsLdpEntityConfAtmLRMinVpi and mplsLdpEntityConfAtmLRMinVci. These additional indexes allow more than one label range to be defined. However, in the current Cisco implementation, only one label range per LC-ATM interface is allowed.

- mplsLdpEntityStatsTable --Augments the mplsLdpEntityTable and shares the exact same indexing for performing GET and GETNEXT operations. This table shows additional statistics for entities.
- mplsLdpPeerTable --Contains entries for all peer sessions. This table is indexed by the local LDP identifier of the session, the IP address of the peer active hello adjacency, and the peer's LDP identifier.
- mplsLdpHelloAdjacencyTable --Contains entries for all hello adjacencies. This table is indexed by the local LDP identifier of the associated session, the IP address of the peer active hello adjacency, the LDP identifier for the peer, and an arbitrary index that is set to the list position of the adjacency.
- mplsLdpSessionTable --Augments the mplsLdpPeerTable and shares the same indexing for performing GET and GETNEXT operations. This table shows all sessions.
- mplsLdpAtmSesTable --Contains entries for LC-ATM sessions. Indexing is the same as it is for the mplsLdpPeerTable, except two indexes have been added, mplsLdpSesAtmLRLowerBoundVpi and mplsLdpSesAtmLRLowerBoundVci. These additional indexes allow more than one label range to be defined. However, in the current Cisco implementation, only one label range per LC-ATM interface is allowed.
- mplsLdpSesStatsTable --Augments the mplsLdpPeerTable and shares the exact same indexing for performing GET and GETNEXT operations. This table shows additional statistics for sessions.

mplsLdpEntityTable

The table below lists the mplsLdpEntityTable objects and their descriptions.

Table 19: mplsLdpEntityTable Objects and Descriptions

Object	Description
mplsLdpEntityEntry	Represents an LDP entity, which is a potential session between two peers.
mplsLdpEntityLdpId	The LDP identifier (not accessible) consists of the local LSR ID (four octets) and the label space ID (two octets).
mplsLdpEntityIndex	A secondary index that identifies this row uniquely. It consists of the IP address of the peer active hello adjacency, which is the 32-bit representation of the IP address assigned to the LSR (not accessible).
mplsLdpEntityProtocolVersion	The version number of the LDP protocol to be used in the session initialization message.
mplsLdpEntityAdminStatus	The administrative status of this LDP entity is always up. If the hello adjacency fails, this entity disappears from the mplsLdpEntityTable.

Object	Description
mplsLdpEntityOperStatus	The operational status of this LDP entity. Values are unknown(0), enabled(1), and disabled(2).
mplsLdpEntityTcpDscPort	The TCP discovery port for LDP or TDP. The default value is 646 (LDP).
mplsLdpEntityUdpDscPort	The UDP discovery port for LDP or TDP. The default value is 646 (LDP).
mplsLdpEntityMaxPduLength	The maximum PDU length that is sent in the common session parameters of an initialization message.
mplsLdpEntityKeepAliveHoldTimer	The two-octet value that is the proposed keepalive hold time for this LDP entity.
mplsLdpEntityHelloHoldTimer	The two-octet value that is the proposed hello hold time for this LDP entity.
mplsLdpEntityInitSesThreshold	The threshold for notification when this entity and its peer are engaged in an endless sequence of initialization messages. The default value is 8 and cannot be changed by SNMP or CLI.
mplsLdpEntityLabelDistMethod	The specified method of label distribution for any given LDP session. Values are downstreamOnDemand(1) and downstreamUnsolicited(2).
mplsLdpEntityLabelRetentionMode	Can be configured to use either conservative(1) for LC-ATM or liberal(2) for all other interfaces.
mplsLdpEntityPVLmisTrapEnable	Indicates whether the mplsLdpPVLMismatch trap should be generated. If the value is enabled(1), the trap is generated. If the value is disabled(2), the trap is not generated. The default is disabled(2). Note The mplsLdpPVLMismatch trap is generated only if mplsLdpEntityLabelDistMethod is downstreamOnDemand(1).
mplsLdpEntityPVL	If the value of this object is 0, loop detection for path vectors is disabled. Otherwise, if this object has a value greater than zero, loop detection for path vectors is enabled, and the path vector limit is this value. Note The mplsLdpEntityPVL object is non-zero only if mplsLdpEntityLabelDistMethod is downstreamOnDemand(1).

Object	Description
mplsLdpEntityHopCountLimit	<p>If the value of this object is 0, loop detection using hop counters is disabled.</p> <p>If the value of this object is greater than 0, loop detection using hop counters is enabled, and this object specifies this entity's maximum allowable value for the hop count.</p> <p>Note The mplsLdpEntityHopCountLimit object is non-zero only if mplsLdpEntityLabelDistMethod is downstreamOnDemand(1).</p>
mplsLdpEntityTargPeer	<p>If this LDP entity uses a targeted adjacency, this object is set to true(1). The default value is false(2).</p>
mplsLdpEntityTargPeerAddrType	<p>The type of the internetwork layer address used for the extended discovery. This object indicates how the value of mplsLdpEntityTargPeerAddr is to be interpreted.</p>
mplsLdpEntityTargPeerAddr	<p>The value of the internetwork layer address used for the targeted adjacency.</p>
mplsLdpEntityOptionalParameters	<p>Specifies the optional parameters for the LDP initialization message. If the value is generic(1), no optional parameters are sent in the LDP initialization message associated with this entity.</p> <p>LC-ATM uses atmParameters(2) to specify that a row in the mplsLdpEntityAtmParmsTable corresponds to this entry.</p> <p>Note Frame Relay parameters are not supported.</p>
mplsLdpEntityDiscontinuityTime	<p>The value of sysUpTime on the most recent occasion when one or more of this entity's counters suffered a discontinuity. The relevant counters are the specific instances of any Counter32 or Counter64 object contained in the mplsLdpEntityStatsTable that are associated with this entity. If no such discontinuities have occurred since the last reinitialization of the local management subsystem, this object contains a 0 value.</p>
mplsLdpEntityStorType	<p>The storage type for this entry is a read-only implementation that is always volatile.</p>
mplsLdpEntityRowStatus	<p>This object is a read-only implementation that is always active.</p>

mplsLdpEntityConfGenLRTable

The table below lists the mplsLdpEntityConfGenLRTable objects and their descriptions.

Table 20: mplsLdpEntityConfGenLRTable Objects and Descriptions

Object	Description
mplsLdpEntityConfGenLREntry	A row in the LDP Entity Configurable Generic Label Range table. One entry in this table contains information on a single range of labels; the range is defined by an upper boundary (VPI/VCI pair) and a lower boundary (VPI/VCI pair). The current implementation supports one label range per entity.
mplsLdpEntityConfGenLRMin	The minimum label configured for this range (not accessible).
mplsLdpEntityConfGenLRMax	The maximum label configured for this range (not accessible).
mplsLdpEntityConfGenIfIndxOrZero	This value represents the SNMP IF-MIB index for the platform-wide entity. If the active hello adjacency is targeted, the value is 0.
mplsLdpEntityConfGenLRStorType	The storage type for this entry is a read-only implementation that is always volatile.
mplsLdpEntityConfGenLRRowStatus	This object is a read-only implementation that is always active.

mplsLdpEntityAtmParamsTable

The table below lists the mplsLdpEntityAtmParamsTable objects and their descriptions.

Table 21: mplsLdpEntityAtmParamsTable Objects and Descriptions

Object	Description
mplsLdpEntityAtmParamsEntry	Represents the ATM parameters and ATM information for this LDP entity.
mplsLdpEntityAtmIfIndxOrZero	This value represents the SNMP IF-MIB index for the interface-specific LC-ATM entity.
mplsLdpEntityAtmMergeCap	Denotes the merge capability of this entity.

Object	Description
mplsLdpEntityAtmLRComponents	Number of label range components in the initialization message. This also represents the number of entries in the mplsLdpEntityConfAtmLRTable that correspond to this entry.
mplsLdpEntityAtmVcDirectionality	If the value of this object is bidirectional(0), a given VCI within a given VPI is used as a label for both directions independently of one another. If the value of this object is unidirectional(1), a given VCI within a VPI designates one direction.
mplsLdpEntityAtmLsrConnectivity	The peer LSR can be connected indirectly by means of an ATM VP, so that the VPI values can be different on the endpoints. For that reason, the label must be encoded entirely within the VCI field. Values are direct(1), the default, and indirect(2).
mplsLdpEntityDefaultControlVpi	The default VPI value for the non-MPLS connection.
mplsLdpEntityDefaultControlVci	The default VCI value for the non-MPLS connection.
mplsLdpEntityUnlabTrafVpi	VPI value of the VCC supporting unlabeled traffic. This non-MPLS connection is used to carry unlabeled (IP) packets.
mplsLdpEntityUnlabTrafVci	VCI value of the VCC supporting unlabeled traffic. This non-MPLS connection is used to carry unlabeled (IP) packets.
mplsLdpEntityAtmStorType	The storage type for this entry is a read-only implementation that is always volatile.
mplsLdpEntityAtmRowStatus	This object is a read-only implementation that is always active.

mplsLdpEntityConfAtmLRTable

The table below lists the mplsLdpEntityConfAtmLRTable objects and their descriptions.

Table 22: mplsLdpEntityConfAtmLRTable Objects and Descriptions

Object	Description
mplsLdpEntityConfAtmLREntry	A row in the LDP Entity Configurable ATM Label Range Table. One entry in this table contains information on a single range of labels; the range is defined by an upper boundary (VPI/VCI pair) and a lower boundary (VPI/VCI pair). This is the same data used in the initialization message. This label range should overlap the label range of the peer.
mplsLdpEntityConfAtmLRMinVpi	The minimum VPI number configured for this range (not accessible).
mplsLdpEntityConfAtmLRMinVci	The minimum VCI number configured for this range (not accessible).
mplsLdpEntityConfAtmLRMaxVpi	The maximum VPI number configured for this range (not accessible).
mplsLdpEntityConfAtmLRMaxVci	The maximum VCI number configured for this range (not accessible).
mplsLdpEntityConfAtmLRStorType	The storage type for this entry is a read-only implementation that is always volatile.
mplsLdpEntityConfAtmLRRowStatus	This object is a read-only implementation that is always active.

mplsLdpEntityStatsTable

The table below lists the mplsLdpEntityStatsTable objects and their descriptions.

Table 23: mplsLdpEntityStatsTable Objects and Descriptions

Object	Description
mplsLdpEntityStatsEntry	These entries augment the mplsLdpEntityTable by providing additional information for each entry.
mplsLdpAttemptedSessions	Not supported in this feature.
mplsLdpSesRejectedNoHelloErrors	A count of the session rejected/no hello error notification messages sent or received by this LDP entity.

Object	Description
mplsLdpSesRejectedAdErrors	A count of the session rejected/parameters advertisement mode error notification messages sent or received by this LDP entity.
mplsLdpSesRejectedMaxPduErrors	A count of the session rejected/parameters max PDU length error notification messages sent or received by this LDP entity.
mplsLdpSesRejectedLRErrors	A count of the session rejected/parameters label range notification messages sent or received by this LDP entity.
mplsLdpBadLdpIdentifierErrors	A count of the number of bad LDP identifier fatal errors detected by the session associated with this LDP entity.
mplsLdpBadPduLengthErrors	A count of the number of bad PDU length fatal errors detected by the session associated with this LDP entity.
mplsLdpBadMessageLengthErrors	A count of the number of bad message length fatal errors detected by the session associated with this LDP entity.
mplsLdpBadTlvLengthErrors	A count of the number of bad Type-Length-Value (TLV) length fatal errors detected by the session associated with this LDP entity.
mplsLdpMalformedTlvValueErrors	A count of the number of malformed TLV value fatal errors detected by the session associated with this LDP entity.
mplsLdpKeepAliveTimerExpErrors	A count of the number of session keepalive timer expired errors detected by the session associated with this LDP entity.
mplsLdpShutdownNotifReceived	A count of the number of shutdown notifications received related to the session associated with this LDP entity.
mplsLdpShutdownNotifSent	A count of the number of shutdown notifications sent related to the session associated with this LDP entity.

mplsLdpPeerTable

The table below lists the mplsLdpPeerTable objects and their descriptions.

Table 24: mplsLdpPeerTable Objects and Descriptions

Object	Description
mplsLdpPeerEntry	Information about a single peer that is related to a session (not accessible). Note This table is augmented by the mplsLdpSessionTable.
mplsLdpPeerLdpId	The LDP identifier of this LDP peer (not accessible) consists of the peer LSR ID (four octets) and the peer label space ID (two octets).
mplsLdpPeerLabelDistMethod	For any given LDP session, the method of label distribution. Values are downstreamOnDemand(1) and downstreamUnsolicited(2).
mplsLdpPeerLoopDetectionForPV	An indication of whether loop detection based on path vectors is disabled or enabled for this peer. For downstream unsolicited distribution (mplsLdpPeerLabelDistMethod is downstreamUnsolicited(2)), this object always has a value of disabled(0) and loop detection is disabled. For downstream-on-demand distribution (mplsLdpPeerLabelDistMethod is downstreamOnDemand(1)), this object has a value of enabled(1), provided that loop detection based on path vectors is enabled.
mplsLdpPeerPVL	If the value of mplsLdpPeerLoopDetectionForPV for this entry is enabled(1), this object represents that path vector limit for this peer. If the value of mplsLdpPeerLoopDetectionForPV for this entry is disabled(0), this value should be 0.

mplsLdpHelloAdjacencyTable

The table below lists the mplsLdpHelloAdjacencyTable objects and their descriptions.

Table 25: mplsLdpHelloAdjacencyTable Objects and Descriptions

Object	Description
mplsLdpHelloAdjacencyEntry	Each row represents a single LDP hello adjacency. An LDP session can have one or more hello adjacencies (not accessible).

Object	Description
mplsLdpHelloAdjIndex	An identifier for this specific adjacency (not accessible). The active hello adjacency has mplsLdpHelloAdjIndex equal to 1.
mplsLdpHelloAdjHoldTimeRem	The time remaining for this hello adjacency. This interval changes when the next hello message, which corresponds to this hello adjacency, is received.
mplsLdpHelloAdjType	This adjacency is the result of a link hello if the value of this object is link(1). Otherwise, this adjacency is a result of a targeted hello and its value is targeted(2).

mplsLdpSessionTable

The table below lists the mplsLdpSessionTable objects and their descriptions.

Table 26: mplsLdpSessionTable Objects and Descriptions

Object	Description
mplsLdpSessionEntry	An entry in this table represents information on a single session between an LDP entity and an LDP peer. The information contained in a row is read-only. This table augments the mplsLdpPeerTable.
mplsLdpSesState	The current state of the session. All of the states are based on the LDP or TDP state machine for session negotiation behavior. The states are as follows: <ul style="list-style-type: none"> • nonexistent(1) • initialized(2) • openrec(3) • opensent(4) • operational(5)
mplsLdpSesProtocolVersion	The version of the LDP protocol which this session is using. This is the version of the LDP protocol that has been negotiated during session initialization.
mplsLdpSesKeepAliveHoldTimeRem	The keepalive hold time remaining for this session.

Object	Description
mplsLdpSesMaxPduLen	The value of maximum allowable length for LDP PDUs for this session. This value could have been negotiated during the session initialization.
mplsLdpSesDiscontinuityTime	The value of sysUpTime on the most recent occasion when one or more of this session's counters suffered a discontinuity. The relevant counters are the specific instances of any Counter32 or Counter64 object contained in the mplsLdpSesStatsTable associated with this session. The initial value of this object is the value of sysUpTime when the entry was created in this table.

mplsLdpAtmSesTable

The table below lists the mplsLdpAtmSesTable objects and their descriptions.

Table 27: mplsLdpAtmSesTable Objects and Descriptions

Objects	Description
mplsLdpAtmSesEntry	An entry in this table represents information on a single label range intersection between an LDP entity and an LDP peer (not accessible).
mplsLdpAtmSesLRLowerBoundVpi	The minimum VPI number for this range (not accessible).
mplsLdpAtmSesLRLowerBoundVci	The minimum VCI number for this range (not accessible).
mplsLdpAtmSesLRUpperBoundVpi	The maximum VPI number for this range (read-only).
mplsLdpAtmSesLRUpperBoundVci	The maximum VCI number for this range (read-only).

mplsLdpSesStatsTable

The table below lists the mplsLdpSesStatsTable objects and their descriptions.

Table 28: mplsLdpSesStatsTable Objects and Descriptions

Object	Description
mplsLdpSesStatsEntry	An entry in this table represents statistical information on a single session between an LDP entity and an LDP peer. This table augments the mplsLdpPeerTable.
mplsLdpSesStatsUnkMesTypeErrors	This object is the count of the number of unknown message type errors detected during this session.
mplsLdpSesStatsUnkTlvErrors	This object is the count of the number of unknown TLV errors detected during this session.

VPN Contexts in MPLS LDP MIB Version 8 Upgrade

Within an MPLS Border Gateway Protocol (BGP) 4 Virtual Private Network (VPN) environment, separate LDP processes can be created for each VPN. These processes and their associated data are called LDP contexts. Each context is independent from all others and contains data specific only to that context.

This feature adds support for different contexts for different MPLS VPNs. Users of the MIB can view MPLS LDP processes for a given MPLS VPN. The VPN Aware LDP MIB feature does not change the syntax of the IETF MPLS-LDP MIB. It changes the number and types of entries within the tables.

The IETF MPLS-LDP MIB can show information about only one context at a time. You can specify a context, either a global context or an MPLS VPN context, using an SNMP security name.

The following sections describe topics related to the VPN Aware LDP MIB feature:

SNMP Context

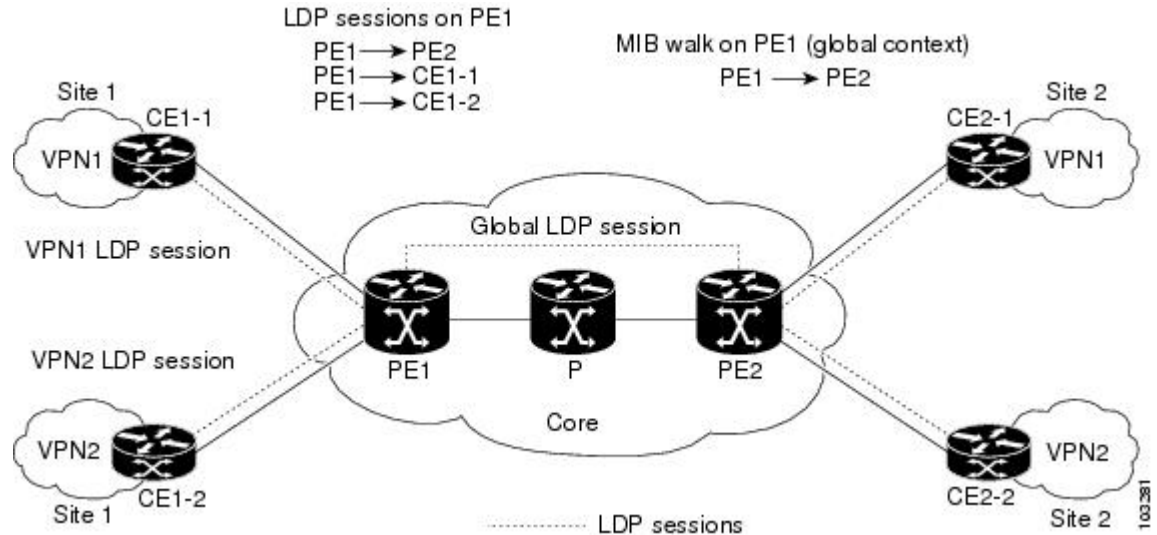
SNMP contexts provide VPN users with a secure way of accessing MIB data. When a VPN is associated with a context, that VPN's specific MIB data exists in that context. Associating a VPN with a context enables service providers to manage networks with multiple VPNs. Creating and associating a context with a VPN enables a provider to prevent the users of one VPN from accessing information about users of other VPNs on the same networking device.

VPN Aware LDP MIB Sessions

Before the VPN Aware LDP MIB features, an SNMP query to the MPLS LDP MIB returned information about global sessions only. A query did not return information about LDP sessions in a VPN context. The IETF MPLS LDP MIB retrieved information from global routing tables, but did not retrieve information from VPN routing and forwarding instances (VRFs) that store per-VPN routing data. The MPLS LDP MIB looked only at LDP processes in the global context and ignored all other sessions. A query on a VRF returned no information. You can view LDP processes in a VPN context.

The figure below shows a sample MPLS VPN network with the MPLS LDP sessions prior to the implementation of the VPN Aware LDP MIB feature.

Figure 16: MPLS LDP Sessions Setup Before VPN Aware LDP MIB Feature



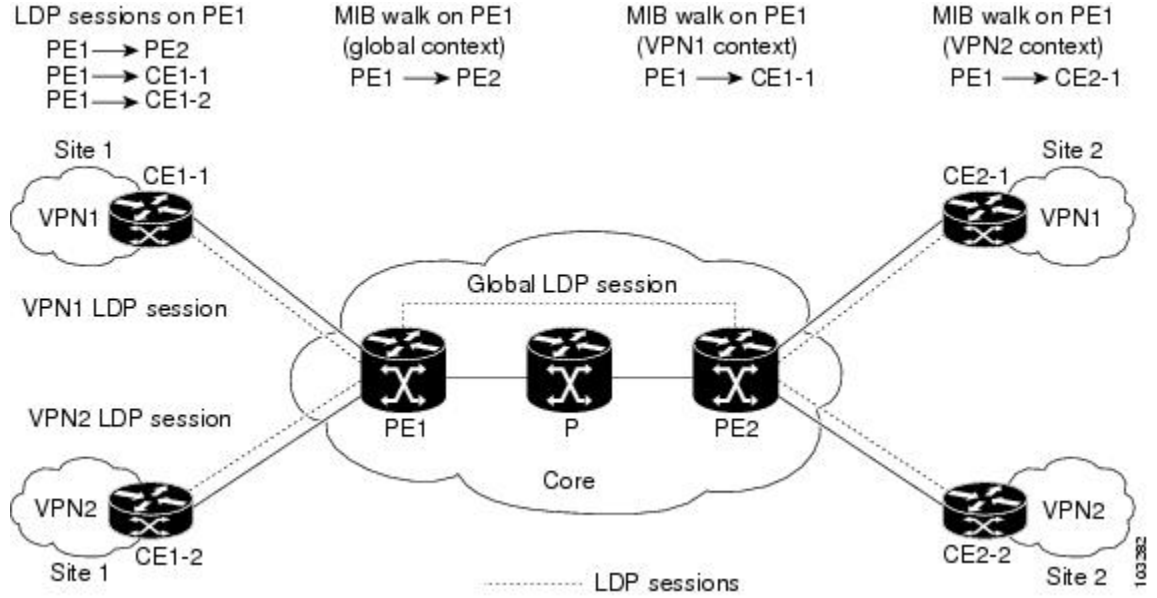
A MIB walk prior to this software release displayed only global session information.

With the VPN Aware LDP MIB enhancement, an SNMP query to the IETF MPLS-LDP-MIB supports both global and VPN contexts. This feature allows you to enter LDP queries on any VRF and on the core (global context). A query can differentiate between LDP sessions from different VPNs. LDP session information for a VPN stays in the context of that VPN. Therefore, the information from one VPN is not available to a user of a different VPN. The VPN Aware update to the LDP MIB also allows you to view LDP processes operating in a Carrier Supporting Carrier (CSC) network.

In an MPLS VPN, a service provider edge router (PE) might contain VRFs for several VPNs as well as a global routing table. To set up separate LDP processes for different VPNs on the same device, you need to configure each VPN with a unique securityName, contextName, and View-based Access Control Model (VACM) view. The VPN securityName must be configured for the IETF MPLS LDP MIB.

The figure below shows LDP sessions for a sample MPLS VPN network with the VPN Aware LDP MIB feature.

Figure 17: MPLS LDP Sessions with the VPN Aware LDP MIB Feature



With the VPN Aware LDP MIB feature, you can do MIB queries or MIB walks for an MPLS VPN LDP session or a global LDP session.



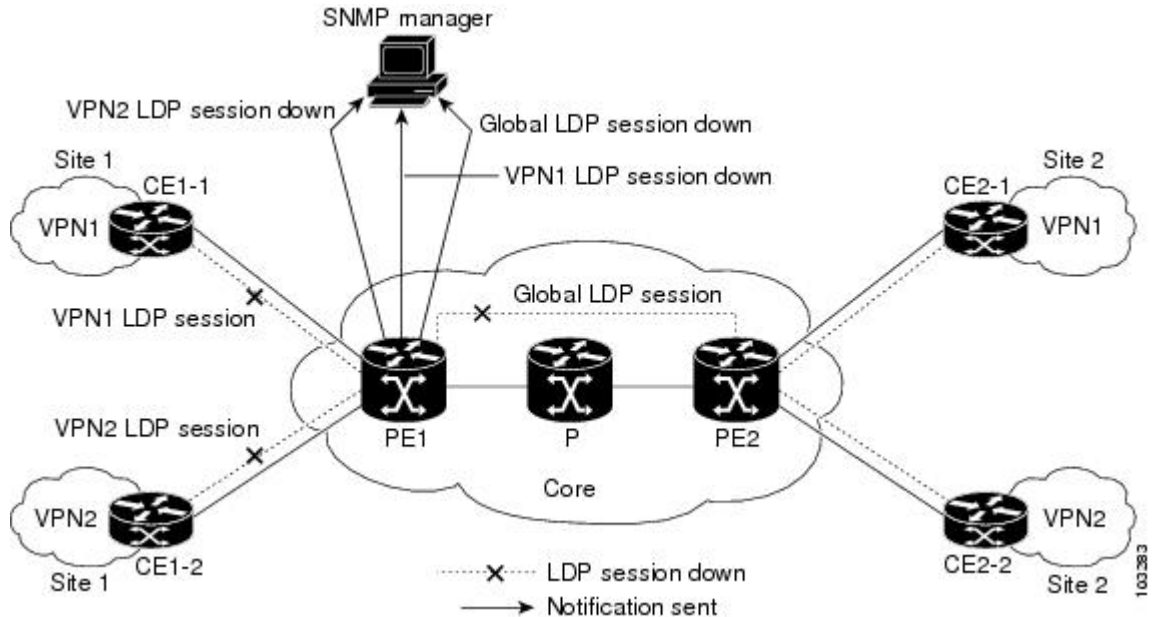
Note To verify LDP session information for a specific VPN, use the **show mpls ldp neighbor vrf vpn-name detail** command.

VPN Aware LDP MIB Notifications

Before the VPN Aware LDP MIB feature, all notification messages for MPLS LDP sessions were sent to the same designated network management station (NMS) in the network. The notifications were enabled with the **snmp-server enable traps mpls ldp** command.

The figure below shows LDP notifications that were sent before the implementation of the VPN Aware LDP MIB feature.

Figure 18: LDP Notifications Sent Before the VPN Aware LDP MIB Feature



The VPN Aware LDP MIB feature supports LDP notifications for multiple LDP contexts for VPNs. LDP notifications can be generated for the core (global context) and for different VPNs. You can cause notifications be sent to different NMS hosts for different LDP contexts. LDP notifications associated with a specific VRF are sent to the NMS designated for that VRF. LDP global notifications are sent to the NMS configured to receive global traps.

To enable LDP context notifications for the VPN Aware LDP MIB feature, use either the SNMP object `mplsLdpSessionsUpDownEnable` (in the global LDP context only) or the following extended global configuration commands.

To enable LDP notifications for the global context, use the following commands on a PE router:

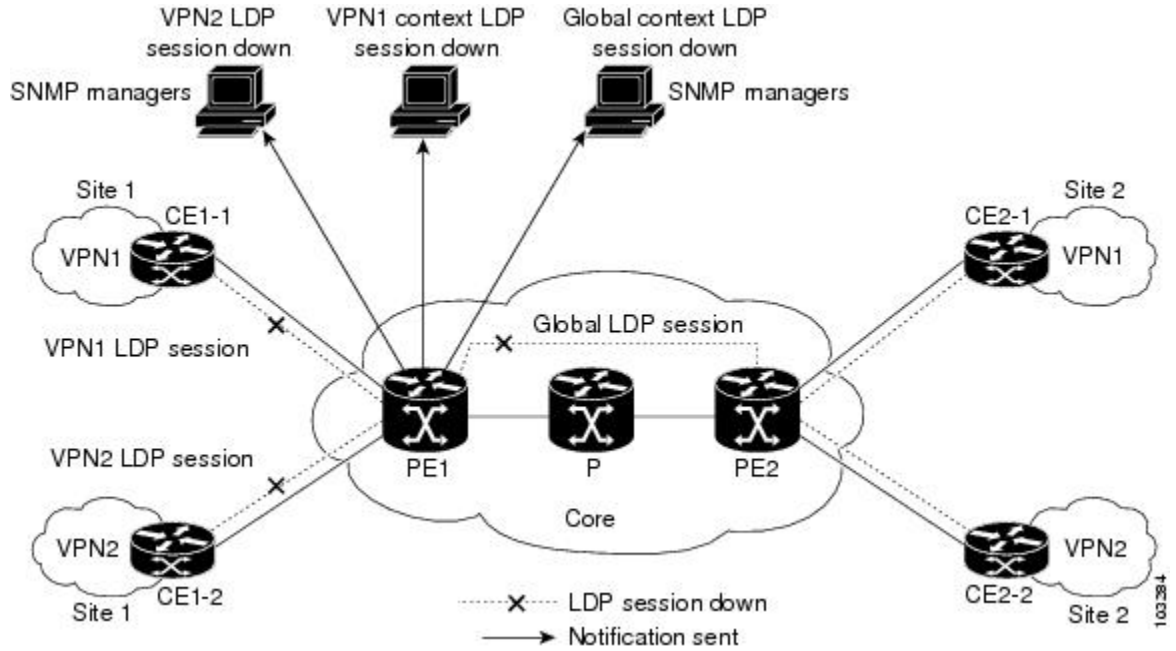
```
Router(config)# snmp-server host host-address traps community mpls-ldp
Router(config)# snmp-server enable traps mpls ldp
```

To enable LDP notifications for a VPN context, use the following commands on a PE router:

```
Router(config)# snmp-server host host-address vrf vrf-name version {v1|v2c|v3}
community community-string udp-port upd-port mpls-ldp
Router(config)# snmp-server enable traps mpls ldp
```


The figure below shows LDP notifications with the VPN Aware LDP MIB feature.

Figure 19: LDP Notifications With the VPN Aware LDP MIB Feature



How to Configure MPLS LDP MIB Version 8 Upgrade

Enabling the SNMP Agent

SUMMARY STEPS

1. enable
2. show running-config
3. configure terminal
4. snmp-server community string [view view-name] [ro number]
5. end
6. write memory
7. show running-config

DETAILED STEPS

	Command or Action	Purpose
Step 1	enable	Enables privileged EXEC mode.

	Command or Action	Purpose
	<p>Example:</p> <pre>Router> enable</pre>	<ul style="list-style-type: none"> • Enter your password if prompted.
Step 2	<p>show running-config</p> <p>Example:</p> <pre>Router# show running-config</pre>	<p>Displays the running configuration of the router so that you can determine if an SNMP agent is already running on the device.</p> <p>If no SNMP information is displayed, continue with the next step.</p> <p>If any SNMP information is displayed, you can modify the information or change it as desired.</p>
Step 3	<p>configure terminal</p> <p>Example:</p> <pre>Router# configure terminal</pre>	<p>Enters global configuration mode.</p>
Step 4	<p>snmp-server community <i>string</i> [view <i>view-name</i>] [ro <i>number</i>]</p> <p>Example:</p> <pre>Router(config)# snmp-server community public ro</pre>	<p>Configures read-only (ro) community strings for the MPLS Label Distribution Protocol (LDP) MIB.</p> <ul style="list-style-type: none"> • The <i>string</i> argument functions like a password, permitting access to SNMP functionality on label switch routers (LSRs) in an MPLS network. • The optional ro keyword configures read-only (ro) access to the objects in the MPLS LDP MIB.
Step 5	<p>end</p> <p>Example:</p> <pre>Router(config)# end</pre>	<p>Exits to privileged EXEC mode.</p>
Step 6	<p>write memory</p> <p>Example:</p> <pre>Router# write memory</pre>	<p>Writes the modified SNMP configuration into NVRAM of the router, permanently saving the SNMP settings.</p>
Step 7	<p>show running-config</p> <p>Example:</p> <pre>Router# show running-config</pre>	<p>Displays the running configuration of the router so that you can determine if an SNMP agent is already running on the device.</p> <p>If you see any snmp-server statements, SNMP has been enabled on the router.</p> <p>If any SNMP information is displayed, you can modify the information or change it as desired.</p>

Enabling Distributed Cisco Express Forwarding

Perform this task to enable Cisco Express Forwarding or distributed Cisco Express Forwarding.

SUMMARY STEPS

1. **enable**
2. **configure terminal**
3. **ip cef distributed**
4. **end**

DETAILED STEPS

	Command or Action	Purpose
Step 1	enable Example: Router> enable	Enables privileged EXEC mode. <ul style="list-style-type: none"> • Enter your password if prompted.
Step 2	configure terminal Example: Router# configure terminal	Enters global configuration mode.
Step 3	ip cef distributed Example: Router(config)# ip cef distributed	Enables distributed Cisco Express Forwarding.
Step 4	end Example: Router(config)# end	Exits to privileged EXEC mode.

Enabling MPLS Globally

Perform this task to enable MPLS globally.

SUMMARY STEPS

1. **enable**
2. **configure terminal**
3. **mpls ip**
4. **end**

DETAILED STEPS

	Command or Action	Purpose
Step 1	enable Example: Router> enable	Enables privileged EXEC mode. <ul style="list-style-type: none"> • Enter your password if prompted.
Step 2	configure terminal Example: Router# configure terminal	Enters global configuration mode.
Step 3	mpls ip Example: Router(config)# mpls ip	Enables MPLS forwarding of IPv4 packets along normally routed paths for the platform.
Step 4	end Example: Router(config)# end	Exits to privileged EXEC mode.

Enabling LDP Globally**SUMMARY STEPS**

1. **enable**
2. **configure terminal**
3. **mpls label protocol {ldp | tdp}**
4. **end**

DETAILED STEPS

	Command or Action	Purpose
Step 1	enable Example: Router> enable	Enables privileged EXEC mode. <ul style="list-style-type: none"> • Enter your password if prompted.
Step 2	configure terminal Example: Router# configure terminal	Enters global configuration mode.
Step 3	mpls label protocol {ldp tdp} Example: Router(config)# mpls label protocol ldp	Specifies the platform default label distribution protocol. TDP might not be supported in all software releases.
Step 4	end Example: Router(config)# end	Exits to privileged EXEC mode.

Enabling MPLS on an Interface

Perform this task to enable MPLS on an interface.

SUMMARY STEPS

1. **enable**
2. **configure terminal**
3. **interface** *type slot/subslot/port* [*,subinterface-number*]
4. **mpls ip**
5. **end**

DETAILED STEPS

	Command or Action	Purpose
Step 1	enable	Enables privileged EXEC mode.

	Command or Action	Purpose
	Example: Router> enable	<ul style="list-style-type: none"> • Enter your password if prompted.
Step 2	configure terminal Example: Router# configure terminal	Enters global configuration mode.
Step 3	interface <i>type slot/subslot/port</i> [<i>.subinterface-number</i>] Example: Router(config)# interface FastEthernet 1/0/0	Configures an interface type and enters interface configuration mode.
Step 4	mpls ip Example: Router(config-if)# mpls ip	Enables MPLS forwarding of IPv4 packets along normally routed paths for a particular interface.
Step 5	end Example: Router(config-if)# end	Exits to privileged EXEC mode.

Enabling LDP on an Interface

Perform this task to enable LDP on an interface.

SUMMARY STEPS

1. **enable**
2. **configure terminal**
3. **interface** *type slot / subslot / port* [*.subinterface-number*]
4. **mpls label protocol ldp**
5. **end**

DETAILED STEPS

	Command or Action	Purpose
Step 1	enable Example: Router> enable	Enables privileged EXEC mode. <ul style="list-style-type: none"> • Enter your password if prompted.
Step 2	configure terminal Example: Router# configure terminal	Enters global configuration mode.
Step 3	interface <i>type slot / subslot / port</i> [, <i>subinterface-number</i>] Example: Router(config)# interface FastEthernet 1/0/0	Configures an interface type and enters interface configuration mode.
Step 4	mpls label protocol ldp Example: Router(config-if)# mpls label protocol ldp	Specifies the label distribution protocol to be used on a given interface.
Step 5	end Example: Router(config-if)# end	Exits to privileged EXEC mode.

Configuring a VPN Aware LDP MIB

Configuring SNMP Support for a VPN

Perform this task to configure SNMP support for a Virtual Private Network (VPN) or a remote VPN.

SUMMARY STEPS

1. **enable**
2. **configure terminal**
3. **snmp-server host** *host-address* [**traps** | **informs**] [**version** {**1** | **2c** | **3** [**auth** | **noauth** | **priv**]}] *community-string* [**udp-port** *port*] [*notification-type*] [**vrf** *vrf-name*]
4. **snmp-server engineID remote** *ip-address* [**udp-port** *udp-port-number*] [**vrf** *vrf-name*] *engineid-string*
5. **end**

DETAILED STEPS

	Command or Action	Purpose
Step 1	enable Example: Router> enable	Enables privileged EXEC mode. <ul style="list-style-type: none"> • Enter your password if prompted.
Step 2	configure terminal Example: Router# configure terminal	Enters global configuration mode.
Step 3	snmp-server host <i>host-address</i> [traps informs] [version { 1 2c 3 [auth noauth priv]}] <i>community-string</i> [udp-port <i>port</i>] [<i>notification-type</i>] [vrf <i>vrf-name</i>] Example: Router(config)# snmp-server host example.com vrf trap-vrf	Specifies the recipient of an SNMP notification operation and specifies the Virtual Private Network (VPN) routing and forwarding (VRF) instance table to be used for the sending of SNMP notifications.
Step 4	snmp-server engineID remote <i>ip-address</i> [udp-port <i>udp-port-number</i>] [vrf <i>vrf-name</i>] <i>engineid-string</i> Example: Router(config)# snmp-server engineID remote 172.16.20.3 vrf traps-vrf 80000009030000B064EFE100	Configures a name for the remote SNMP engine on a router.
Step 5	end Example: Router(config)# end	Exits to privileged EXEC mode.

Configuring an SNMP Context for a VPN

Perform this task to configure an SNMP context for a VPN. This sets up a unique SNMP context for a VPN, which allows you to access the VPN's LDP session information.

SNMP Context

SNMP contexts provide VPN users with a secure way of accessing MIB data. When a VPN is associated with a context, that VPN's specific MIB data exists in that context. Associating a VPN with a context enables service providers to manage networks with multiple VPNs. Creating and associating a context with a VPN enables a provider to prevent the users of one VPN from accessing information about users of other VPNs on the same networking device.

VPN Route Distinguishers

A route distinguisher (RD) creates routing and forwarding tables for a VPN. Cisco software adds the RD to the beginning of the customer's IPv4 prefixes to change them into globally unique VPN-IPv4 prefixes.

Either the RD is an autonomous system number (ASN)-relative RD, in which case it is composed of an autonomous system number and an arbitrary number, or it is an IP-address-relative RD, in which case it is composed of an IP address and an arbitrary number. You can enter an RD in either of these formats:

- 16-bit ASN: your 32-bit number, for example, 101:3.
- 32-bit IP address: your 16-bit number, for example, 192.168.122.15:1.

SUMMARY STEPS

1. **enable**
2. **configure terminal**
3. **snmp-server context** *context-name*
4. **ip vrf** *vrf-name*
5. **rd** *route-distinguisher*
6. **context** *context-name*
7. **route-target** [**import** | **export** | **both**] *route-target-ext-community*
8. **end**

DETAILED STEPS

	Command or Action	Purpose
Step 1	enable Example: Router> enable	Enables privileged EXEC mode. <ul style="list-style-type: none"> • Enter your password if prompted.

	Command or Action	Purpose
Step 2	configure terminal Example: Router# configure terminal	Enters global configuration mode.
Step 3	snmp-server context <i>context-name</i> Example: Router(config)# snmp-server context context1	Creates and names an SNMP context.
Step 4	ip vrf <i>vrf-name</i> Example: Router(config)# ip vrf vrf1	Configures a Virtual Private Network (VPN) routing and forwarding instance (VRF) table and enters VRF configuration mode.
Step 5	rd <i>route-distinguisher</i> Example: Router(config-vrf)# rd 100:120	Creates a VPN route distinguisher.
Step 6	context <i>context-name</i> Example: Router(config-vrf)# context context1	Associates an SNMP context with a particular VRF.
Step 7	route-target [<i>import</i> <i>export</i> <i>both</i>] <i>route-target-ext-community</i> Example: Router(config-vrf)# route-target export 100:1000	(Optional) Creates a route-target extended community for a VRF.
Step 8	end Example: Router(config)# end	Exits to privileged EXEC mode.

Associating an SNMP VPN Context with SNMPv1 or SNMPv2

Perform this task to associate an SNMP VPN context with SNMPv1 or SNMPv2. This allows you to access LDP session information for a VPN using SNMPv1 or SNMPv2.

SNMPv1 or SNMPv2 Security: SNMPv1 and SNMPv2 are not as secure as SNMPv3. SNMP Versions 1 and 2 use plain text communities and do not perform the authentication or security checks that SNMP Version 3 performs.

To configure the VPN Aware LDP MIB feature when using SNMP Version 1 or SNMP Version 2, you need to associate a community name with a VPN. This association causes SNMP to process requests coming in for a particular community string only if they come in from the configured VRF. If the community string contained in the incoming packet does not have an associated VRF, the packet is processed only if it came in through a non-VRF interface. This process prevents users outside the VPN from using a clear text community string to query the VPN data. However, this is not as secure as using SNMPv3.

SUMMARY STEPS

1. **enable**
2. **configure terminal**
3. **snmp-server user** *username group-name* [**remote host** [**udp-port port**]] {**v1** | **v2c** | **v3** [**encrypted**]} [**auth** {**md5** | **sha**} *auth-password*]} [**access access-list**]
4. **snmp-server group** *group-name* {**v1** | **v2c** | **v3**{**auth** | **noauth** | **priv**}}] [**context context-name**] [**read readview**] [**write writeview**] [**notify notifyview**] [**access access-list**]
5. **snmp-server view** *view-name oid-tree* {**included** | **excluded**}
6. **snmp-server enable traps** [*notification-type*]
7. **snmp-server host** *host-address* [**traps** | **informs**] [**version** {**1** | **2c** | **3** [**auth** | **noauth** | **priv**]}] [*community-string*] [**udp-port port**] [**notification-type**] [**vrf vrf-name**]
8. **snmp mib community-map** *community-name* [**context context-name**] [**engineid engine-id**] [**security-name security-name**] **target-list** *vpn-list-name*
9. **snmp mib target list** *vpn-list-name* {**vrf vrf-name** | **host ip-address**}
10. **no snmp-server trap authentication vrf**
11. **exit**

DETAILED STEPS

	Command or Action	Purpose
Step 1	enable Example: Router> enable	Enables privileged EXEC mode. <ul style="list-style-type: none"> • Enter your password if prompted.
Step 2	configure terminal Example: Router# configure terminal	Enters global configuration mode.
Step 3	snmp-server user <i>username group-name</i> [remote host [udp-port port]] { v1 v2c v3 [encrypted]} [auth { md5 sha } <i>auth-password</i>]} [access access-list]	Configures a new user to an SNMP group.

	Command or Action	Purpose
	<p>Example:</p> <pre>Router(config)# snmp-server user customer1 group1 v1</pre>	
Step 4	<p>snmp-server group <i>group-name</i> {v1 v2c v3 {auth noauth priv}} [context <i>context-name</i>] [read <i>readview</i>] [write <i>writeview</i>] [notify <i>notifyview</i>] [access <i>access-list</i>]</p> <p>Example:</p> <pre>Router(config)# snmp-server group group1 v1 context context1 read view1 write view1 notify view1</pre>	<p>Configures a new SNMP group or a table that maps SNMP users to SNMP views.</p> <ul style="list-style-type: none"> Use the context <i>context-name</i> keyword and argument to associate the specified SNMP group with a configured SNMP context.
Step 5	<p>snmp-server view <i>view-name</i> <i>oid-tree</i> {included excluded}</p> <p>Example:</p> <pre>Router(config)# snmp-server view view1 ipForward included</pre>	Creates or updates a view entry.
Step 6	<p>snmp-server enable traps [<i>notification-type</i>]</p> <p>Example:</p> <pre>Router(config)# snmp-server enable traps</pre>	Enables all SNMP notifications (traps or informs) available on your system.
Step 7	<p>snmp-server host <i>host-address</i> [traps informs] [version {1 2c 3 [auth noauth priv]}] <i>community-string</i> [udp-port <i>port</i>] [notification-type] [vrf <i>vrf-name</i>]</p> <p>Example:</p> <pre>Router(config)# snmp-server host 10.0.0.1 vrf customer1 public udp-port 7002</pre>	Specifies the recipient of an SNMP notification operation.
Step 8	<p>snmp mib community-map <i>community-name</i> [context <i>context-name</i>] [engineid <i>engine-id</i>] [security-name <i>security-name</i>] target-list <i>vpn-list-name</i></p> <p>Example:</p> <pre>Router(config)# snmp mib community-maps community1 context context1 target-list commAVpn</pre>	Associates an SNMP community with an SNMP context, Engine ID, or security name.
Step 9	<p>snmp mib target list <i>vpn-list-name</i> {vrf <i>vrf-name</i> host <i>ip-address</i>}</p> <p>Example:</p> <pre>Router(config)# snmp mib target list commAVpn vrf vrf1</pre>	Creates a list of target VRFs and hosts to associate with an SNMP community.

	Command or Action	Purpose
Step 10	<p>no snmp-server trap authentication vrf</p> <p>Example:</p> <pre>Router(config)# no snmp-server trap authentication vrf</pre>	<p>(Optional) Disables all SNMP authentication notifications (traps and informs) generated for packets received on VRF interfaces.</p> <ul style="list-style-type: none"> • Use this command to disable authentication traps only for those packets on VRF interfaces with incorrect community associations.
Step 11	<p>exit</p> <p>Example:</p> <pre>Router(config) exit</pre>	Exits to privileged EXEC mode.

Verifying MPLS LDP MIB Version 8 Upgrade

Perform a MIB walk using your SNMP management tool to verify that the MPLS LDP MIB Version 8 Upgrade feature is functioning.

Configuration Examples for MPLS LDP MIB Version 8 Upgrade

MPLS LDP MIB Version 8 Upgrade Examples

The following example shows how to enable an SNMP agent on the host NMS:

```
Router# configure terminal
Enter configuration commands, one per line. End with CNTL/Z.
Router(config)# snmp-server community
```

The following example shows how to enable SNMPv1 and SNMPv2C on the host NMS. The configuration permits any SNMP agent to access all MPLS LDP MIB objects that have read-only permission using the community string public.

```
Router(config)# snmp-server community public
```

The following example shows how to allow read-only access to all MPLS LDP MIB objects relating to members of access list 4 that specify the comaccess community string. No other SNMP agents will have access to any of the MPLS LDP MIB objects.

```
Router(config)# snmp-server community comaccess ro 4
```

The following example shows how to enable LDP globally and then on an interface:

```
Router# configure terminal
Enter configuration commands, one per line. End with CNTL/Z.
Router(config)# mpls label protocol ldp
```

```
Router(config)# interface FastEthernet1/0/0
Router(config-if)# mpls label protocol ldp
Router(config-if)# end
```

Configuring a VPN Aware SNMP Context for SNMPv1 or SNMPv2 Example

The following configuration example shows how to configure a VPN Aware SNMP context for the MPLS LDP MIB Version 8 with SNMPv1 or SNMPv2:

```
snmp-server context A
snmp-server context B
ip vrf CustomerA
  rd 100:110
  context A
  route-target export 100:1000
  route-target import 100:1000
!
ip vrf CustomerB
  rd 100:120
  context B
  route-target export 100:2000
  route-target import 100:2000
!
interface FastEthernet0/3/1
  description Belongs to VPN A
  ip vrf forwarding CustomerA
  ip address 10.0.0.0 255.255.0.0

interface FastEthernet0/3/2
  description Belongs to VPN B
  ip vrf forwarding CustomerB
  ip address 10.0.0.1 255.255.0.0
snmp-server user commA grp1A v1
snmp-server user commA grp2A v2c
snmp-server user commB grp1B v1
snmp-server user commB grp2B v2c
snmp-server group grp1A v1 context A read viewA write viewA notify viewA
snmp-server group grp1B v1 context B read viewB write viewB notify viewB
snmp-server view viewA ipForward included
snmp-server view viewA ciscoPingMIB included
snmp-server view viewB ipForward included
snmp-server view viewB ciscoPingMIB included
snmp-server enable traps
snmp-server host 10.0.0.3 vrf CustomerA commA udp-port 7002
snmp-server host 10.0.0.4 vrf CustomerB commB udp-port 7002
snmp mib community-map commA context A target-list commAvpn
! Configures source address validation
snmp mib community-map commB context B target-list commBvpn
! Configures source address validation
snmp mib target list commAvpn vrf CustomerA
! Configures a list of VRFs or from which community commA is valid
snmp mib target list commBvpn vrf CustomerB
! Configures a list of VRFs or from which community commB is valid
```

Additional References

Related Documents

Related Topic	Document Title
MPLS LDP configuration tasks	MPLS Label Distribution Protocol (LDP)

Related Topic	Document Title
A description of SNMP agent support for the MPLS Traffic Engineering MIB (MPLS TE MIB)	MPLS Traffic Engineering (TE) MIB
A description of MPLS differentiated types of service across an MPLS network	MPLS Quality of Service
SNMP commands	<i>Network Management Command Reference</i>
SNMP configuration SNMP Support for VPNs	Configuring SNMP Support

Standards

Standards	Title
No new or modified standards are supported by this feature, and support for existing standards has not been modified by this feature.	--

MIBs

MIBs	MIBs Link
<ul style="list-style-type: none"> • MPLS Label Distribution Protocol MIB (draft-ietf-mpls-ldp-mib-08.txt) • SNMP-VACM-MIB The View-based Access Control Model (ACM) MIB for SNMP 	<p>To locate and download MIBs for selected platforms, Cisco software releases, and feature sets, use Cisco MIB Locator found at the following URL:</p> <p>http://www.cisco.com/go/mibs</p>

RFCs

RFCs	Title
<p>RFC 2233</p> <p>The LDP implementation supporting the MPLS LDP MIB fully complies with the provisions of Section 10 of RFC 2026, which, in effect, states that the implementation of LDP is recommended for network devices that perform MPLS forwarding along normally routed paths, as determined by destination-based routing protocols.</p>	<i>Interfaces MIB</i>

Technical Assistance

Description	Link
<p>The Cisco Support website provides extensive online resources, including documentation and tools for troubleshooting and resolving technical issues with Cisco products and technologies.</p> <p>To receive security and technical information about your products, you can subscribe to various services, such as the Product Alert Tool (accessed from Field Notices), the Cisco Technical Services Newsletter, and Really Simple Syndication (RSS) Feeds.</p> <p>Access to most tools on the Cisco Support website requires a Cisco.com user ID and password.</p>	<p>http://www.cisco.com/techsupport</p>

Feature Information for MPLS LDP MIB Version 8 Upgrade

The following table provides release information about the feature or features described in this module. This table lists only the software release that introduced support for a given feature in a given software release train. Unless noted otherwise, subsequent releases of that software release train also support that feature.

Use Cisco Feature Navigator to find information about platform support and Cisco software image support. To access Cisco Feature Navigator, go to www.cisco.com/go/cfn. An account on Cisco.com is not required.

Table 29: Feature Information for MPLS LDP MIB Version 8 Upgrade

Feature Name	Releases	Feature Information
MPLS LDP MIB Version 08 Upgrade	12.0(11)ST 12.2(2)T 12.0(21)ST 12.0(22)S 12.0(24)S 12.2(18)S 12.2(33)SRB 12.2(33)SB Cisco IOS XE Release 2.1	

Feature Name	Releases	Feature Information
		<p>The MPLS Label Distribution Protocol (LDP) MIB Version 8 Upgrade feature enhances the LDP MIB to support the Internet Engineering Task Force (IETF) draft Version 8.</p> <p>In Cisco IOS Release 12.0(11)ST, this feature was introduced to provide SNMP agent support for the MPLS LDP MIB on the Cisco 7200, Cisco 7500, and Cisco 12000 series routers.</p> <p>In Cisco IOS Release 12.2(2)T, this feature was added to this release to provide SNMP agent support for the MPLS LDP MIB on Cisco 7200 and Cisco 7500 series routers.</p> <p>In Cisco IOS Release 12.0(21)ST, this feature was added to this release to provide SNMP agent and LDP notification support for the MPLS LDP MIB on Cisco 7200, Cisco 7500, and Cisco 12000 series Internet routers.</p> <p>In Cisco IOS Release 12.0(22)S, Version 1 was integrated into Cisco IOS Release 12.0(22)S.</p> <p>In Cisco IOS Release 12.0(24)S, this feature was upgraded to Version 8 in Cisco IOS Release 12.0(24)S.</p> <p>This feature was integrated into Cisco IOS Release 12.2(18)S.</p> <p>In Cisco IOS Release 12.2(33)SRB, this MIB was deprecated and replaced by MPLS-LDP-STD-MIB (RVC 3815).</p> <p>In Cisco IOS Release 12.2(33)SB, this MIB was deprecated and replaced by MPLS-LDP-STD-MIB (RVC 3815).</p> <p>This feature was integrated into Cisco IOS XE Release 2.1 and implemented on Cisco ASR 1000</p>

Feature Name	Releases	Feature Information
		Series Aggregation Services Routers.
		The following commands were introduced or modified: context , show mpls ldp neighbor , snmp mib community-map , snmp mib target list , snmp-server community , snmp-server context , snmp-server enable traps (MPLS) , snmp-server group , snmp-server host , snmp-server trap authentication vrf .
MPLS VPN-VPN Aware LDP MIB	12.0(27)S 12.2(28)SB 12.2(33)SRA 12.2(33)SXH 12.4(20)T	<p>The MPLS VPN-VPN Aware LDP MIB allows you to enter LDP queries on any VRF and on the core (global context).</p> <p>In Cisco IOS Release 12.0(27)S, support for the MPLS VPN-VPN Aware LDP MIB feature was added.</p> <p>In Cisco IOS Release 12.2(28)SB, this feature was integrated.</p> <p>In Cisco IOS Release 12.2(33)SRA, this feature was integrated.</p> <p>In Cisco IOS Release 12.2(33)SXH, this feature was integrated.</p> <p>In Cisco IOS Release 12.4(20)T, this feature was integrated.</p>

Glossary

ATM -- Asynchronous Transfer Mode. The international standard for cell relay in which multiple service types (such as voice, video, or data) are conveyed in fixed-length (53-byte) cells. Fixed-length cells allow cell processing to occur in hardware, thereby reducing transit delays. ATM is designed to take advantage of high-speed transmission media, such as E3, SONET, and T3 .

downstream-on-demand distribution--A label distribution method in which a downstream label switch router (LSR) sends a binding upstream only if the upstream LSR requests it.

downstream unsolicited distribution--A label distribution method in which labels are dispersed if a downstream label switch router (LSR) needs to establish a new binding with its neighboring upstream LSR.

For example, an edge LSR might enable a new interface with another subnet. The LSR then announces to the upstream router a binding to reach this network.

informs --A type of notification message that is more reliable than a conventional trap notification message, because the informs message notification requires acknowledgment, but a trap notification does not.

label --A short, fixed-length data identifier that tells switching nodes how to forward data (packets or cells).

label distribution--The techniques and processes that are used by label switch routers (LSRs) to exchange label binding information for supporting hop-by-hop forwarding along normally routed paths.

LDP --Label Distribution Protocol. The protocol that supports Multiprotocol Label Switching (MPLS) hop-by-hop forwarding and the distribution of bindings between labels and network prefixes.

LSP --label switched path. A configured connection between two label switch routers (LSRs) in which label-switching techniques are used for packet forwarding; also a specific path through an Multiprotocol Label Switching (MPLS) network.

LSR --label switch router. A Multiprotocol Label Switching (MPLS) node that can forward native Layer 3 packets. The LSR forwards a packet based on the value of a label attached to the packet.

MIB --Management Information Base. A database of network management information that is used and maintained by a network management protocol such as Simple Network Management Protocol (SNMP). The value of a MIB object can be changed or retrieved by the use of SNMP commands, usually through a network management system. MIB objects are organized in a tree structure that includes public (standard) and private (proprietary) branches.

MPLS --Multiprotocol Label Switching. A switching method for the forwarding of IP traffic through the use of a label. This label instructs the routers and the switches in the network where to forward the packets based on preestablished IP routing information.

MPLS label distribution--A constraint-based routing algorithm for routing label-switched path (LSP) tunnels.

NMS --network management station. A powerful, well-equipped computer (typically an engineering workstation) that is used by a network administrator to communicate with other devices in the network. An NMS is typically used to manage network resources, gather statistics, and perform a variety of network administration and configuration tasks. In the context of Simple Network Management Protocol (SNMP), an NMS is a device that performs SNMP queries to the SNMP agent of a managed device to retrieve or modify information.

notification --A message sent by a Simple Network Management Protocol (SNMP) agent to a network management station, console, or terminal to indicate that a significant network event has occurred. See also trap.

RSVP --Resource Reservation Protocol. A protocol that supports the reservation of resources across an IP network. Applications running on IP end systems can use RSVP to indicate to other nodes the nature of the packet streams they want to receive by specifying such items as bandwidth, jitter, and maximum burst.

RTR --Response Time Reporter. A tool that allows you to monitor network performance, network resources, and applications by measuring response times and availability.

SNMP --Simple Network Management Protocol. A network management protocol used almost exclusively in TCP/IP networks. SNMP enables a user to monitor and control network devices, manage configurations, collect statistics, monitor performance, and ensure network security.

SNMP communities--Authentication scheme that enables an intelligent network device to validate SNMP requests.

SNMPv2c --Version 2c of the Simple Network Management Protocol. SNMPv2c supports centralized as well as distributed network management strategies and includes improvements in the Structure of Management Information (SMI), protocol operations, management architecture, and security.

SNMPv3 --Version 3 of the Simple Network Management Protocol. Interoperable standards-based protocol for network management. SNMPv3 provides secure access to devices by a combination of authenticating and encrypting packets over the network.

TLV --Type-Length-Value. A mechanism used by several routing protocols to carry a variety of attributes. Cisco Discovery Protocol (CDP), Label Discovery Protocol (LDP), and Border Gateway Protocol (BGP) are examples of protocols that use TLVs. BGP uses TLVs to carry attributes such as Network Layer Reachability Information (NLRI), Multiple Exit Discriminator (MED), and local preference.

trap --A message sent by a Simple Network Management Protocol (SNMP) agent to a network management station, console, or terminal to indicate that a significant network event has occurred. Traps (notifications) are less reliable than inform requests, because the receiver of the trap does not send an acknowledgment of receipt; furthermore, the sender of the trap cannot determine if the trap was received. See also notification.

VCC --virtual channel connection. A logical circuit, made up of virtual channel links (VCLs), that carries data between two endpoints in an ATM network. Sometimes called a virtual circuit connection.

VCI --virtual channel identifier. A 16-bit field in the header of an ATM cell. The VCI, together with the virtual path identifier (VPI), is used to identify the next network virtual channel link (VCL) as the cell passes through a series of ATM switches on its way to its final destination.

VCL --virtual channel link. The logical connection that exists between two adjacent switches in an ATM network.

VPI --virtual path identifier. An 8-bit field in the header of an ATM cell. The VPI, together with the virtual channel identifier (VCI), is used to identify the next network virtual channel link (VCL) as the cell passes through a series of ATM switches on its way to its final destination.

VPN --Virtual Private Network. A network that enables IP traffic to use tunneling to travel securely over a public TCP/IP network.

VRF --VPN routing and forwarding instance. A VRF consists of an IP routing table, a derived forwarding table, a set of interfaces that use the forwarding table, and a set of rules and routing protocols that determine what goes into the forwarding table. In general, a VRF includes the routing information that defines a customer VPN site that is attached to a PE router.



CHAPTER

7

MPLS EM—MPLS LDP MIB—RFC 3815

The MPLS EM—MPLS LDP MIB - RFC 3815 feature document describes the MIBs that support the Multiprotocol Label Switching (MPLS) Label Distribution Protocol (LDP) based on RFC 3815, *Definitions of Managed Objects for the Multiprotocol Label Switching (MPLS), Label Distribution Protocol (LDP)*, and describes the differences between RFC 3815 and the MPLS-LDP-MIB based on the Internet Engineering Task Force (IETF) draft Version 8 (draft-ietf-mpls-ldp-08.txt). RFC 3815 and IETF draft Version 8 provide an interface for managing LDP through the use of the Simple Network Management Protocol (SNMP).

In RFC 3815, the content of the MPLS-LDP-MIB is divided into four MIB modules: the MPLS-LDP-STD-MIB, the MPLS-LDP-ATM-STD-MIB, the MPLS-LDP-FRAME-RELAY-STD-MIB, and the MPLS-LDP-GENERIC-STD-MIB.

Cisco IOS MPLS Embedded Management (EM) is a set of standards and value-added services that facilitate the deployment, operation, administration, and management of MPLS-based networks in line with the fault, configuration, accounting, performance, and security (FCAPS) model.

- [Finding Feature Information, page 187](#)
- [Prerequisites for MPLS EM—MPLS LDP MIB - RFC 3815, page 188](#)
- [Restrictions for MPLS EM—MPLS LDP MIB - RFC 3815, page 188](#)
- [Information About MPLS EM—MPLS LDP MIB - RFC 3815, page 188](#)
- [How to Configure SNMP for MPLS EM—MPLS LDP MIB - RFC 3815, page 220](#)
- [Configuration Examples for MPLS EM—MPLS LDP MIB - RFC 3815, page 233](#)
- [Additional References, page 235](#)
- [Feature Information for MPLS EM—MPLS LDP MIB - RFC 3815, page 237](#)
- [Glossary, page 240](#)

Finding Feature Information

Your software release may not support all the features documented in this module. For the latest caveats and feature information, see [Bug Search Tool](#) and the release notes for your platform and software release. To find information about the features documented in this module, and to see a list of the releases in which each feature is supported, see the feature information table at the end of this module.

Use Cisco Feature Navigator to find information about platform support and Cisco software image support. To access Cisco Feature Navigator, go to www.cisco.com/go/cfn. An account on Cisco.com is not required.

Prerequisites for MPLS EM—MPLS LDP MIB - RFC 3815

- SNMP must be installed and enabled on the label switch routers (LSRs) or label edge routers (LERs).
- MPLS must be enabled on the LSRs or LERs.
- LDP must be enabled on the LSRs or LERs.
- Cisco Express Forwarding must be enabled on the LSRs or LERs.

For where to find configuration information for MPLS and LDP, see the [Prerequisites for MPLS EM—MPLS LDP MIB - RFC 3815](#), on page 188.

Restrictions for MPLS EM—MPLS LDP MIB - RFC 3815

The implementation of the MPLS LDP MIB (RFC 3815) for Cisco IOS Release 12.2(33)SRB is limited to read-only (RO) permission for MIB objects.

The following MPLS-LDP-STD-MIB tables are not implemented for Cisco IOS Release 12.2(33)SRB:

- `mplsInSegmentLdpLspTable`
- `mplsOutSegmentLdpLspTable`
- `mplsFecTable`
- `mplsLdpLspFecTable`
- `mplsLdpSessionPeerAddrTable`

The following MPLS-LDP-FRAME-RELAY-STD-MIB tables are not implemented for Cisco IOS Release 12.2(33)SRB:

- `mplsLdpEntityFrameRelayTable`
- `mplsLdpEntityFrameRelayLRTable`
- `mplsLdpFrameRelaySessionTable`

Information About MPLS EM—MPLS LDP MIB - RFC 3815

Label Distribution Protocol Overview

MPLS is a packet forwarding technology that uses a short, fixed-length value called a label in packets to determine the next hop for packet transport through an MPLS network by means of LSRs.

A fundamental MPLS principle is that LSRs in an MPLS network must agree on the definition of the labels being used for packet forwarding operations. Label agreement is achieved in an MPLS network by means of procedures defined in the Label Distribution Protocol (LDP).

LDP operations begin with a discovery (hello) process, during which an LDP entity (a local LSR) finds a cooperating LDP peer in the network and negotiates basic operating procedures between them. The recognition and identification of a peer by means of this discovery process results in a hello adjacency, which represents the context within which label binding information is exchanged between the local LSR and its LDP peer. An LDP function then creates an active LDP session between the two LSRs to effect the exchange of label binding information. The result of this process, when carried to completion with respect to all the LSRs in an MPLS network, is a label switched path (LSP), which constitutes an end-to-end packet transmission pathway between the communicating network devices.

LSRs use LDP to collect, distribute, and label binding information to other LSRs in an MPLS network, thereby enabling the hop-by-hop forwarding of packets in the network along normally routed paths.

MPLS EM—MPLS LDP MIB - RFC 3815 Feature Design and Use

RFC 3815 defines four MIB modules to support the configuration and monitoring of LDP. The MPLS-LDP-STD-MIB module defines objects that are common to all LDP implementations. To monitor LDP on an LSR or an LER, you need to use this MIB and one of the following Layer 2 MIB modules:

- **MPLS-LDP-GENERIC-STD-MIB**—Use this module and the MPLS-LDP-STD-MIB if the LSR or LER supports LDP that uses the global label space; for example, for Layer 2 Ethernet. This module defines Layer 2 per platform label space objects.
- **MPLS-LDP-ATM-STD-MIB**—Use this module and the MPLS-LDP-STD-MIB if the LSR or LER supports LDP that uses Layer 2 ATM. This module defines Layer 2 ATM objects.
- **MPLS-LDP-FRAME-RELAY-STD-MIB**—Use this module and the MPLS-LDP-STD-MIB if the LSR or LER supports LDP that uses Layer 2 Frame Relay. This module defines Layer 2 Frame Relay objects.



Note

The MPLS-LDP-FRAME-RELAY-STD-MIB is not implemented for Cisco IOS Release 12.2(33)SRA.

If the LSR or LER uses LDP that supports Ethernet, ATM, and Frame Relay, then all four MIB modules need to be used by an SNMP agent on the LSR or LER.

The RFC 3815 upgrade to the MPLS-LDP-MIB is implemented to enable standard, SNMP-based network management of the label switching features in Cisco IOS software. Providing this capability requires SNMP agent code to execute on a designated network management station (NMS) in the network. The NMS serves as the medium for user interaction with the network management objects in the MIB.

The SNMP agent is a layered structure that is compatible with Cisco IOS software and presents a network administrative and management interface to the objects in the MPLS LDP MIB and, adds to the rich set of label switching capabilities supported by the Cisco IOS software.

You can use an SNMP agent to access MIB module objects using standard SNMP **get** and **getnext** commands to accomplish a variety of network management tasks. All the objects in the MPLS LDP MIB modules follow the conventions defined in RFC 3815, which defines network management objects in a structured and standardized manner.

Slight differences that exist between the RFC 3815 and the implementation of equivalent functions in the Cisco IOS software require some minor translations between the MPLS LDP MIB objects and the internal

data structures of Cisco IOS software. Such translations are accomplished by the SNMP agent, which runs in the background on the NMS workstation as a low priority process.

Cisco IOS Release 12(33)SRB supports the following MPLS LDP MIB-related functions:

- Generating and sending of event notification messages that signal changes in the status of LDP sessions
- Enabling and disabling of event notification messages by means of extensions to existing SNMP command-line interface (CLI) commands
- Specification of the name or the IP address of an NMS workstation in the operating environment to which Cisco IOS event notification messages are to be sent to serve network administrative and management purposes
- Storage of the configuration pertaining to an event notification message in NVRAM of the NMS

The structure of the MPLS LDP MIBs conforms to Abstract Syntax Notation One (ASN.1), thereby forming a highly structured and idealized database of network management objects.

MIB structure is represented by a tree hierarchy. Branches along the tree have short text strings and integers to identify them. Text strings describe object names, and integers allow computer software to encode compact representations of the names.

The MPLS LDP MIB is located on the branch of the Internet MIB hierarchy represented by the object identifier 1.3.6.1.2.1.10.166. This branch can also be represented by its object name `iso.org.dod.internet.mgmt.mib-2.transmission.mplsStdMIB`. The MPLS-LSR-STD-MIB is identified by the object name `mplsLsrStdMIB`, which is denoted by the number 4. Therefore, objects in the MPLS-LDP-STD-MIB can be identified in either of the following ways:

- The object identifier—1.3.6.1.2.1.10.166.4.[MIB-variable]
- The object name—`iso.org.dod.internet.mgmt.mib-2.transmission.mplsStdMIB.mplsLdpStdMIB.[MIB-variable]`

You can use any standard SNMP application to retrieve and display information from the MPLS LDP MIBs by means of standard SNMP GET operations. Similarly, you can traverse and display information in the MIB by means of SNMP GETNEXT operations.

Benefits of Using the MPLS EM—MPLS LDP MIB - RFC 3815 Feature

The MPLS LDP MIBs (RFC 3815) provide the following benefits:

- Retrieves MIB parameters relating to the operation of LDP entities, such as:
 - Well-known LDP discovery port
 - Maximum transmission unit (MTU)
 - Proposed keepalive timer interval
 - Loop detection
 - Session establishment thresholds
 - Range of Virtual Path Identifier (VPI)-Virtual Channel Identifier (VCI) pairs to be used in forming labels
- Gathers statistics relating to LDP operations, such as:

- Count of the total established sessions for an LDP entity
- Count of the total attempted sessions for an LDP entity
- Monitors the time remaining for hello adjacencies
- Monitors the characteristics and status of LDP peers, such as:
 - Internetwork layer address of LDP peers
 - Loop detection of LDP peers
 - Default MTU of the LDP peer
 - Number of seconds the LDP peer proposes as the value of the keepalive interval
- Monitors the characteristics and status of LDP sessions, such as:
 - Displaying the error counters
 - Determining the LDP version being used by the LDP session
 - Determining the keepalive hold time remaining for an LDP session
 - Determining the state of an LDP session (whether the session is active)
 - Determining the label ranges for platform-wide and interface-specific sessions
 - Determining the ATM parameters

MPLS LDP MIB (RFC 3815) Elements

The following functional elements of the MPLS LDP MIBs (RFC 3815) are used to perform LDP operations:

- LDP entity—Refers to an instance of LDP for purposes of exchanging label spaces; describes a potential session.
- LDP peer—Refers to a remote LDP entity (that is, a nonlocal LSR).
- LDP session—Refers to an active LDP process between a local LSR and a remote LDP peer.
- Hello adjacency—Refers to the result of an LDP discovery process that affirms the state of two LSRs in an MPLS network as being adjacent to each other (that is, as being LDP peers). When the neighbor is discovered, the neighbor becomes a hello adjacency. An LDP session can be established with the hello adjacency. After the session is established, label bindings can be exchanged between the LSRs.

These MPLS LDP MIB elements are briefly described in the following sections:

In effect, the MPLS LDP MIBs provide a network management database that supports real-time access to the various MIB objects within, describing the current state of MPLS LDP operations in the network. This network management information database is accessible by means of standard SNMP commands issued from an NMS in the MPLS LDP operating environment.

The MPLS LDP MIBs support the following network management and administrative activities:

- Retrieving MPLS LDP MIB parameters pertaining to LDP operations
- Monitoring the characteristics and the status of LDP peers

- Monitoring the status of LDP sessions between LDP peers
- Monitoring hello adjacencies in the network
- Gathering statistics regarding LDP sessions

LDP Entities

An LDP entity is uniquely identified by an LDP identifier that consists of the `mplsLdpEntityLdpId` and the `mplsLdpEntityIndex` (see the figure below) objects:

- The `mplsLdpEntityLdpId` consists of the local LSR ID (four octets) and the label space ID (two octets). The label space ID identifies a specific label space available within the LSR.
- The `mplsLdpEntityIndex` consists of the IP address of the peer active hello adjacency, which is the 32-bit representation of the IP address assigned to the peer LSR.

The `mplsLdpEntityProtocolVersion` is a sample object from the `mplsLdpEntityTable`.

The figure below shows the following indexing:

- `mplsLdpEntityLdpId` = 10.10.10.10.0.0
- LSR ID = 10.10.10.10
- Label space ID = 0.0

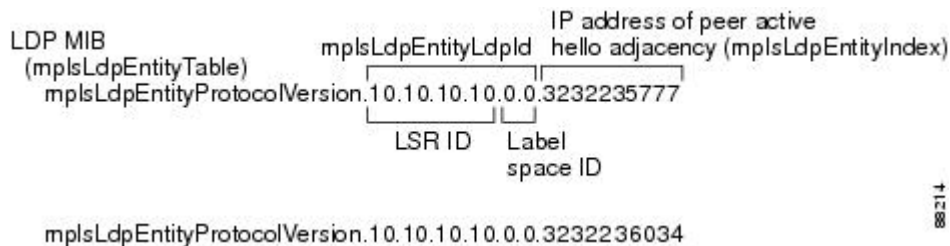


Note

The `mplsLdpEntityLdpId` or the LDP ID consists of the LSR ID and the label space ID.

- The IP address of peer active hello adjacency or the `mplsLdpEntityIndex` = 3232235777, which is the 32-bit representation of the IP address assigned to the peer's active hello adjacency.

Figure 20: Sample Indexing for an LDP Entity

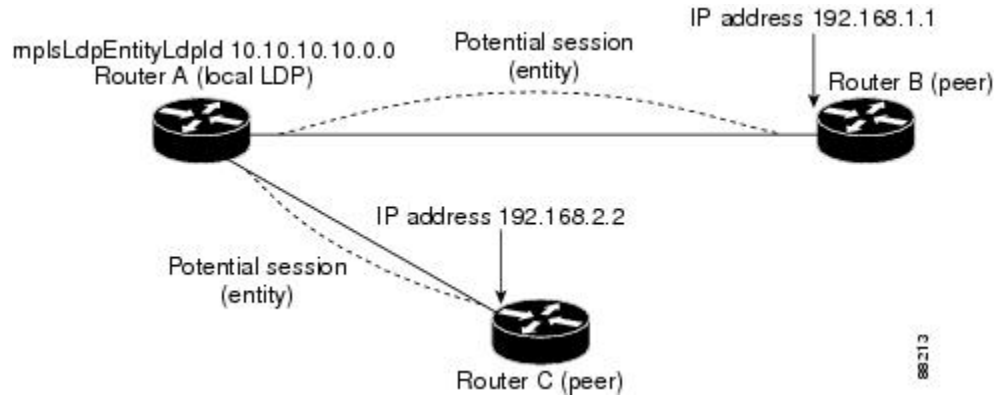


An LDP entity represents a label space that has the potential for a session with an LDP peer. An LDP entity is configured when a hello adjacency receives a hello message from an LDP peer.

In the figure below, Router A has potential sessions with two remote peers, Routers B and C. The `mplsLdpEntityLdpId` is 10.10.10.10.0.0, and the IP address of the peer active hello adjacency

(mplsLdpEntityIndex) is 3232235777, which is the 32-bit representation of the IP address 192.168.1.1 for Router B.

Figure 21: LDP Entity



LDP Sessions and Peers

LDP sessions exist between local entities and remote peers for the purpose of distributing label bindings. There is always a one-to-one correspondence between an LDP peer and an LDP session. A single LDP session is an LDP instance that communicates across one or more network links with a single LDP peer.

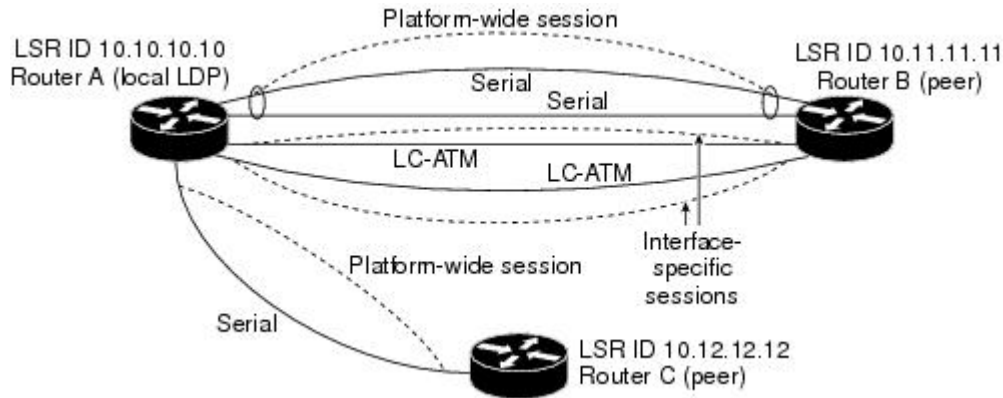
LDP supports the following types of sessions:

- **Interface-specific**—An interface-specific session uses interface resources for label space distributions. For example, each label-controlled ATM (LC-ATM) interface uses its own VPIs and VCIs for label space distributions. Depending on its configuration, an LDP platform can support zero, one, or more interface-specific sessions. Each LC-ATM interface has its own interface-specific label space and a nonzero label space ID.
- **Platform-wide**—An LDP platform supports a single platform-wide session for use by all interfaces that can share the same global label space. For Cisco platforms, all interface types except LC-ATM use the platform-wide session and have a label space ID of zero.

When a session is established between two peers, entries are created in the mplsLdpPeerTable and the mplsLdpSessionTable because they have the same indexing.

In the figure below, Router A has two remote peers, Routers B and C. Router A has a single platform-wide session that consists of two serial interfaces with Router B and another platform-wide session with Router C. Router A also has two interface-specific sessions with Router B.

Figure 22: LDP Sessions



The figure below shows entries that correspond to the mplsLdpPeerTable and the mplsLdpSessionTable in the figure above.

In the figure below, mplsLdpSesState is a sample object from the mplsLdpSessionTable on Router A. Four mplsLdpSesState sample objects are shown (top to bottom). The first object represents a platform-wide session associated with two serial interfaces. The next two objects represent interface-specific sessions for the LC-ATM interfaces on Routers A and B. These interface-specific sessions have nonzero peer label space IDs. The last object represents a platform-wide session for the next peer, Router C.

The indexing is based on the entries in the mplsLdpEntityTable. It begins with the indexes of the mplsLdpEntityTable and adds the following:

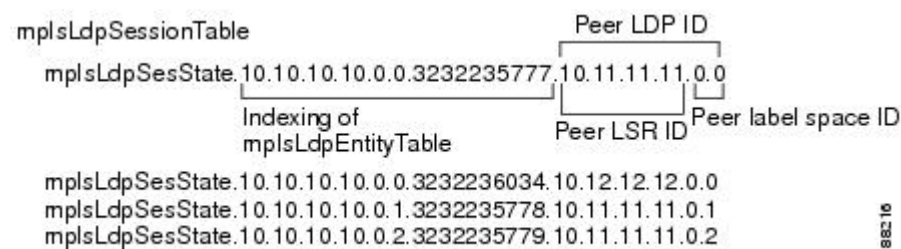
- Peer LDP ID = 10.11.11.11.0.0

The peer LDP ID consists of the peer LSR ID (four octets) and the peer label space ID (two octets).

- Peer LSR ID = 10.11.11.11
- Peer label space ID = 0.0

The peer label space ID identifies a specific peer label space available within the LSR.

Figure 23: Sample Indexing for an LDP Session



LDP Hello Adjacencies

An LDP hello adjacency is an association between a remotely discovered LDP process and a specific network path to reach the remote LDP process. An LDP hello adjacency enables two adjacent peers to exchange label binding information.

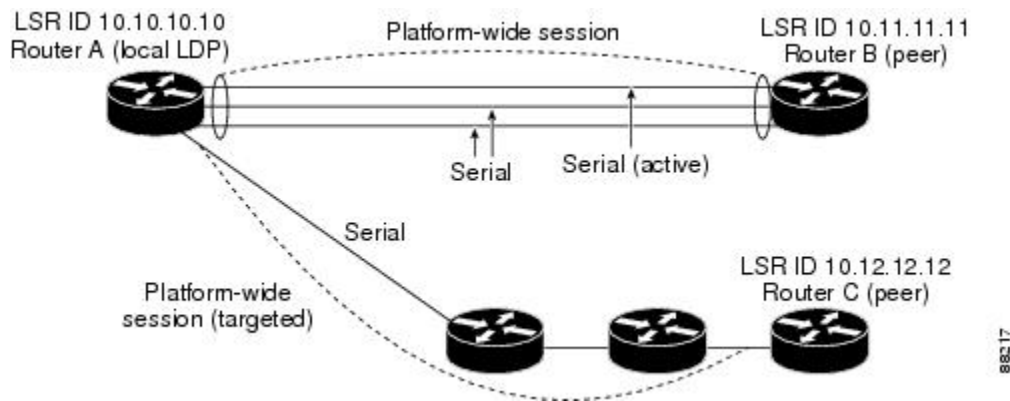
An LDP hello adjacency exists for each link on which LDP runs. Multiple LDP hello adjacencies exist whenever there is more than one link in a session between a router and its peer, such as in a platform-wide session.

A hello adjacency is considered active if it is currently engaged in a session, or nonactive if it is not currently engaged in a session.

A targeted hello adjacency is not directly connected to its peer and has an unlimited number of hops between itself and its peer. A linked hello adjacency is directly connected between two routers.

In the figure below, Router A has two remote peers, Routers B and C. Router A has a platform-wide session with Router B that consists of three serial interfaces, one of which is active and another platform-wide (targeted) session with Router C.

Figure 24: Hello Adjacency



The figure below shows entries in the `mplsLdpHelloAdjacencyTable`. There are four `mplsLdpHelloAdjHoldTimeRem` sample objects (top to bottom). They represent the two platform-wide sessions and the four serial links shown in the figure above.

The indexing is based on the `mplsLdpSessionTable`. When the `mplsLdpHelloAdjIndex` enumerates the different links within a single session, the active link is `mplsLdpHelloAdjIndex = 1`.

Figure 25: Sample Indexing for an LDP Hello Adjacency

```

mplsLdpHelloAdjacencyTable
  mplsLdpHelloAdjHoldTimeRem.10.10.10.10.0.0.3232235777.10.11.11.11.0.0.1
                                     Indexing of mplsLdpSessionTable      mplsLdpHelloAdjIndex
  mplsLdpHelloAdjHoldTimeRem.10.10.10.10.0.0.3232235777.10.11.11.11.0.0.2
  mplsLdpHelloAdjHoldTimeRem.10.10.10.10.0.0.3232235777.10.11.11.11.0.0.3
  mplsLdpHelloAdjHoldTimeRem.10.10.10.10.0.0.3232236034.10.12.12.12.0.0.1
    
```

Events Generating MPLS LDP MIB Notifications

When you enable MPLS LDP MIB notification functionality by issuing the **snmp-server enable traps mpls rfc ldp** command, notification messages are generated and sent to a designated NMS in the network to signal the occurrence of specific events within Cisco IOS software.

The MPLS LDP MIB objects that announce LDP status transitions and event notifications are the following:

- **mplsLdpSessionUp**—This message is generated when an LDP entity (a local LSR) establishes an LDP session with another LDP entity (an adjacent LDP peer in the network). Enable this notification with the **session-up** keyword.
- **mplsLdpSessionDown**—This message is generated when an LDP session between a local LSR and its adjacent LDP peer is terminated. Enable this notification with the **session-down** keyword.

The up and down notifications indicate the last active interface in the LDP session.

- **mplsLdpPathVectorLimitMismatch**—This message is generated when a local LSR establishes an LDP session with its adjacent peer LSR, but the two LSRs have dissimilar path vector limits. Enable this notification with the **pv-limit** keyword.

The value of the path vector limit can range from 0 to 255; a value of 0 indicates that loop detection is off; any value other than 0 up to 255 indicates that loop detection is on and, in addition, specifies the maximum number of hops through which an LDP message can pass before a loop condition in the network is sensed.

We recommend that all LDP-enabled routers in the network be configured with the same path vector limit. Accordingly, the **mplsLdpPathVectorLimitMismatch** object exists in the MPLS LDP MIB to provide a warning message to the NMS when two routers engaged in LDP operations have a dissimilar path vector limits.



Note

This notification is generated only if the distribution method is downstream-on-demand.

- **mplsLdpFailedInitSessionThresholdExceeded**—This message is generated when a local LSR and an adjacent LDP peer attempt to configure an LDP session between them, but fail to do so after a specified number of attempts. The default number of attempts is eight. This default value is implemented in Cisco IOS software and cannot be changed by either the CLI or an SNMP agent. Enable this notification with the **threshold** keyword.

Eight failed attempts to establish an LDP session between a local LSR and an LDP peer, due to any type of incompatibility between the devices, causes this notification message to be generated.

In general, Cisco routers support the same features across multiple platforms. Therefore, the most likely incompatibility to occur between Cisco LSRs is a mismatch of their respective ATM VPI and VCI label ranges.

For example, if you specify a range of valid labels for an LSR that does not overlap the range of its adjacent LDP peer, the routers try eight times to create an LDP session between themselves before the **mplsLdpFailedInitSessionThresholdExceeded** notification is generated and sent to the NMS as an informational message.

Occasionally, the LSRs whose label ranges do not overlap continue their attempt to create an LDP session between themselves after the eight retry limit is exceeded. In such cases, the LDP threshold exceeded

notification alerts the network administrator to the existence of a condition in the network that may warrant attention.



Note An `mplsLdpEntityFailedInitSessionThreshold` trap is supported only on an LC-ATM.

RFC 3036, *LDP Specification*, details the incompatibilities that can exist between Cisco routers or between Cisco routers and other vendor LSRs in an MPLS network. Among such incompatibilities, for example, are the following:

- Nonoverlapping ATM VPI and VCI ranges (as previously noted) or nonoverlapping Frame Relay data-link connection identifiers (DLCI) ranges between LSRs attempting to configure an LDP session
- Unsupported label distribution method
- Dissimilar protocol data unit (PDU) sizes
- Dissimilar LDP feature support

Scalar Objects in the MPLS LDP MIB Modules (RFC 3815)

The MPLS LDP MIB modules define several scalar objects. The table below describes the scalar objects that are implemented for Cisco IOS Release 12.2(33)SRB.

Table 30: MPLS LDP MIB Scalar Objects and Descriptions

Object	Description
<code>mplsLdpLsrId</code>	The LSR's identifier. This is a globally unique value, such as the 32-bit router ID assigned to the LSR.
<code>mplsLdpLsrLoopDetectionCapable</code>	Loop detection capability of the LSR. Loop detection values are: none(1), other(2), hopCount(3), pathVector(4), and hopCountAndPathVector(5). The other(2) value indicates that the LSR supports loop detection, but does not support the three methods associated with values (3), (4), and (5).
<code>mplsLdpEntityLastChange</code>	The value of <code>sysUpTime</code> at the time of the most recent addition or deletion of an entry to or from the <code>mplsLdpEntityTable</code> or <code>mplsLdpEntityStatsTable</code> , or the most recent change in the value of any object in the <code>mplsLdpEntityTable</code> .
<code>mplsLdpEntityIndexNext</code>	Value to use for the <code>mplsLdpEntityIndex</code> when the router creates entries in the <code>mplsLdpEntityTable</code> . The value 0 indicates that no unassigned entries are available.

Object	Description
mplsLdpPeerLastChange	The value of sysUpTime at the time of the most recent addition or deletion to or from the mplsLdpPeerTable or mplsLdpSessionTable.

MIB Tables in the MPLS-LDP-STD-MIB Module (RFC 3815)

The MPLS-LDP-STD-MIB consists of the following tables. These tables define objects that are common to all LDP implementations.

- mplsLdpEntityTable (see the first table below)—Contains entries for every active LDP hello adjacency. Active and nonactive hello adjacencies appear in the mplsLdpHelloAdjacencyTable, rather than this table. This table is indexed by the local LDP identifier for the interface and the IP address of the peer active hello adjacency. (See the first figure above.)

The advantage of showing the active hello adjacency instead of sessions in this table is that the active hello adjacency can exist even if an LDP session is not active (cannot be established).

Directed adjacencies are also shown in this table. Associated adjacencies disappear when the targeted LDP session fails. Nondirected adjacencies might disappear from the mplsLdpEntityTable on some occasions, because adjacencies are deleted if the underlying interface becomes operationally down, for example.

- mplsLdpEntityStatsTable (see the second table below)—Augments the mplsLdpEntityTable and shares the same indexing for performing SNMP GET and GETNEXT operations. This table shows additional statistics for entities.
- mplsLdpPeerTable (see the third table below)—Contains entries for all peer sessions. This table is indexed by the local LDP identifier of the session, the IP address of the peer active hello adjacency, and the peer's LDP identifier. (See the fourth figure above.)
- mplsLdpSessionTable (see the fourth table below)—Augments the mplsLdpPeerTable and shares the same indexing for performing GET and GETNEXT operations. This table shows all sessions.
- mplsLdpSessionStatsTable (see the fifth table below)—Augments the mplsLdpPeerTable and shares the exact same indexing for performing GET and GETNEXT operations. This table shows additional statistics for sessions.
- mplsLdpHelloAdjacencyTable (see the sixth table below)—Contains entries for active and nonactive hello adjacencies. This table is indexed by the local LDP identifier of the associated session, the IP address of the peer active hello adjacency, the LDP identifier for the peer, and an arbitrary index that is set to the list position of the adjacency. (See the sixth figure above.)

MPLS LDP Entity Table (mplsLdpEntityTable) Objects and Descriptions

The table below describes the mplsLdpEntityTable objects.

Table 31: mplsLdpEntityTable Objects and Descriptions

Object	Description
mplsLdpEntityEntry	An LDP entity is a potential session between two peers.
mplsLdpEntityLdpId	The LDP identifier (not accessible) consists of the local LSR ID (four octets) and the label space ID (two octets).
mplsLdpEntityIndex	A secondary index that identifies this row uniquely. It consists of the IP address of the peer active hello adjacency, which is the 32-bit representation of the IP address assigned to the LSR (not accessible).
mplsLdpEntityProtocolVersion	The version number of the LDP protocol to be used in the session initialization message.
mplsLdpEntityAdminStatus	This is the administrative status of this LDP entity, which is always up. If the hello adjacency fails, this entity disappears from the mplsLdpEntityTable.
mplsLdpEntityOperStatus	This is the operational status of this LDP entity. Values are unknown(1), enabled(2), and disabled(3).
mplsLdpEntityTcpPort	This is the TCP discovery port for LDP or Tag Distribution Protocol (TDP). The default value is 646 (LDP).
mplsLdpEntityUdpDscPort	This is the User Datagram Protocol (UDP) discovery port for LDP or TDP. The default value is 646 (LDP).
mplsLdpEntityMaxPduLength	This is the maximum PDU length that is sent in the common session parameters of an initialization message.
mplsLdpEntityKeepAliveHoldTimer	The two-octet value that is the proposed keepalive hold time for this LDP entity.
mplsLdpEntityHelloHoldTimer	The two-octet value that is the proposed hello hold time for this LDP entity.
mplsLdpEntityInitSessionThreshold	The threshold for notification when this entity and its peer are engaged in an endless sequence of initialization messages. <ul style="list-style-type: none"> • The default value is 8 and cannot be changed by SNMP or the CLI.

Object	Description
mplsLdpEntityLabelDistMethod	The specified method of label distribution for any given LDP session. Values are downstreamOnDemand(1) and downstreamUnsolicited(2).
mplsLdpEntityLabelRetentionMode	Can be configured to use either conservative(1) for an LC-ATM or liberal(2) for all other interfaces.
mplsLdpEntityPathVectorLimit	<p>If the value of this object is 0, loop detection for path vectors is disabled. Otherwise, if this object has a value greater than zero, loop detection for path vectors is enabled, and the path vector limit is this value.</p> <p>Note The mplsLdpEntityPathVectorLimit object is nonzero only if the mplsLdpEntityLabelDistMethod is downstreamOnDemand(1).</p>
mplsLdpEntityHopCountLimit	<p>If the value of this object is 0, loop detection using hop counters is disabled.</p> <ul style="list-style-type: none"> If the value of this object is greater than 0, loop detection using hop counters is enabled, and this object specifies this entity's maximum allowable value for the hop count. <p>Note The mplsLdpEntityHopCountLimit object is nonzero only if the mplsLdpEntityLabelDistMethod is downstreamOnDemand(1).</p>
mplsLdpEntityTransportAddrKind	<p>If this value is interface(1), the IP address of the interface from the hello message is used as the transport address in the hello message.</p> <p>If this value is loopback(2), the IP address of the loopback interface is used as the address in the hello message.</p>
mplsLdpEntityTargetPeer	If this LDP entity uses a targeted adjacency, this object is set to true(1). The default value is false(2).
mplsLdpEntityTargetPeerAddrType	The type of the internetwork layer address used for the extended discovery. This object indicates how the value of mplsLdpEntityTargPeerAddr is to be interpreted, as either IPv4 or IPv6.
mplsLdpEntityTargetPeerAddr	The value of the internetwork layer address used for the targeted adjacency.

Object	Description
mplsLdpEntityLabelType	<p>Specifies the optional parameters for the LDP initialization message. If the value is generic(1), no optional parameters are sent in the LDP initialization message associated with this entity.</p> <ul style="list-style-type: none"> An LC-ATM uses atmParameters(2) to specify that a row in the mplsLdpEntityAtmParmsTable corresponds to this entry. <p>Note Frame Relay parameters are not supported in Cisco IOS Release 12.2(33)SRB.</p>
mplsLdpEntityDiscontinuityTime	<p>The value of sysUpTime on the most recent occasion when one or more of this entity's counters suffered a discontinuity. The relevant counters are the specific instances of any Counter32 or Counter64 object contained in the mplsLdpEntityStatsTable that are associated with this entity. If no such discontinuities have occurred since the last reinitialization of the local management subsystem, this object contains a 0 value.</p>
mplsLdpEntityStorageType	<p>The storage type for this entry is a read-only implementation that is always volatile.</p>
mplsLdpEntityRowStatus	<p>This object is a read-only implementation that is always active.</p>

MPLS LDP Entity Statistics Table (mplsLdpEntityStatsTable) Objects and Descriptions

The table below describes the mplsLdpEntityStatsTable objects.

Table 32: mplsLdpEntityStatsTable Objects and Descriptions

Object	Description
mplsLdpEntityStatsEntry	<p>These entries augment the mplsLdpEntityTable by providing additional information for each entry.</p>
mplsLdpEntityStatsSessionsAttempts	<p>Not supported in Cisco IOS Release 12.2(33)SRB.</p>
mplsLdpEntityStatsSessionRejectedNoHelloErrors	<p>A count of the session rejected no hello error notification messages sent or received by this LDP entity.</p>
mplsLdpEntityStatsSessionRejectedAdErrors	<p>A count of the session rejected parameters advertisement mode error notification messages sent or received by this LDP entity.</p>

Object	Description
mplsLdpEntityStatsSessionRejectedMaxPduErrors	A count of the session rejected parameters max PDU length error notification messages sent or received by this LDP entity.
mplsLdpEntityStatsSessionRejectedLRErrors	A count of the session rejected parameters label range notification messages sent or received by this LDP entity.
mplsLdpEntityStatsBadLdpIdentifierErrors	A count of the number of bad LDP identifier fatal errors detected by the session associated with this LDP entity.
mplsLdpEntityStatsBadPduLengthErrors	A count of the number of bad PDU length fatal errors detected by the session associated with this LDP entity.
mplsLdpEntityStatsBadMessageLengthErrors	A count of the number of bad message length fatal errors detected by the session associated with this LDP entity.
mplsLdpEntityStatsBadTlvLengthErrors	A count of the number of bad type, length, values (TLVs) length fatal errors detected by the session associated with this LDP entity.
mplsLdpEntityStatsMalformedTlvValueErrors	A count of the number of malformed TLV value fatal errors detected by the session associated with this LDP entity.
mplsLdpEntityStatsKeepAliveTimerExpErrors	A count of the number of session keepalive timer expired errors detected by the session associated with this LDP entity.
mplsLdpEntityStatsShutdownReceivedNotifications	A count of the number of shutdown notifications received related to the session associated with this LDP entity.
mplsLdpEntityStatsShutdownSentNotifications	A count of the number of shutdown notifications sent related to the session associated with this LDP entity.

MPLS LDP Peer Table (mplsLdpPeerTable) Objects and Descriptions

The table below describes the mplsLdpPeerTable objects.

Table 33: mplsLdpPeerTable Objects and Descriptions

Object	Description
mplsLdpPeerEntry	Information about a single peer that is related to a session (not accessible). Note This table is augmented by the mplsLdpSessionTable.
mplsLdpPeerLdpId	The LDP identifier of this LDP peer (not accessible) consists of the peer LSR ID (four octets) and the peer label space ID (two octets).
mplsLdpPeerLabelDistMethod	For any given LDP session, the method of label distribution. Values are downstreamOnDemand(1) and downstreamUnsolicited(2).
mplsLdpPeerPathVectorLimit	If the value of mplsLdpPeerLabelDistMethod is downstreamOnDemand (1), this object represents the path vector limit for this peer. If the value of the mplsLdpPeerLabelDistMethod object is downstreamUnsolicited (2), this value should be 0.
mplsLdpPeerTransportAddrType	Type of Internet address for the mplsLdpPeerTransportAddr object—either the IPv4 transport address or IPv6 transport address used in the opening TCP session or the IPv4 or IPv6 source address for the UDP carrying the hello messages.
mplsLdpPeerTransportAddr	Internet address advertised by the peer in the hello message or the hello source address specified by the mplsLdpPeerTransportAddrType object.

MPLS LDP Session Table (mplsLdpSessionTable) Objects and Descriptions

The table below describes the mplsLdpSessionTable objects.

Table 34: mplsLdpSessionTable Objects and Descriptions

Object	Description
mplsLdpSessionEntry	An entry in this table represents information on a single session between an LDP entity and an LDP peer. The information contained in a row is read-only. This table augments the mplsLdpPeerTable.

Object	Description
mplsLdpSessionStateLastChange	The value of sysUpTime at the time the session entered its state denoted by the mplsLdpSessionState object.
mplsLdpSessionState	<p>The current state of the session. All of the states are based on the LDP or TDP state machine for session negotiation behavior.</p> <p>The states are as follows:</p> <ul style="list-style-type: none"> • nonexistent(1) • initialized(2) • openrec(3) • opensent(4) • operational(5)
mplsLdpSessionRole	<p>The value of this object indicates whether the LSR or LER takes an active(2) or passive(3) role when a session is established.</p> <p>If the role of the LSR or LER cannot be determined, the value of the object is unknown(1).</p>
mplsLdpSessionProtocolVersion	The version of the LDP protocol that this session is using. This is the version of the LDP protocol that has been negotiated during session initialization.
mplsLdpSessionKeepAliveHoldTimeRem	The keepalive hold time remaining for this session.
mplsLdpSessionKeepAliveTime	The time in seconds between keepalive messages negotiated between a configured value and the peer's proposed keepalive hold timer value. The value is the lower of the two.
mplsLdpSessionMaxPduLen	The value of maximum allowable length for LDP PDUs for this session. This value could have been negotiated during the session initialization.
mplsLdpSessionDiscontinuityTime	<p>The value of sysUpTime on the most recent occasion when one or more of this session's counters suffered a discontinuity. The relevant counters are the specific instances of any Counter32 or Counter64 object contained in the mplsLdpSesStatsTable associated with this session.</p> <p>The initial value of this object is the value of sysUpTime when the entry was created in this table.</p>

MPLS LDP Session Statistics Table (mplsLdpSessionStatsTable) Objects and Descriptions

The table below describes the mplsLdpSessionStatsTable objects.

Table 35: mplsLdpSessionStatsTable Objects and Descriptions

Object	Description
mplsLdpSessionStatsEntry	An entry in this table represents statistical information on a single session between an LDP entity and an LDP peer. This table augments the mplsLdpPeerTable.
mplsLdpSessionStatsUnknownMesTypeErrors	This object is the count of the number of unknown message type errors detected during this session.
mplsLdpSessionStatsUnknownTlvErrors	This object is the count of the number of unknown TLV errors detected during this session.

MPLS LDP Hello Adjacency Table (mplsLdpHelloAdjacencyTable) Objects and Descriptions

The table below describes the mplsLdpHelloAdjacencyTable objects.

Table 36: mplsLdpHelloAdjacencyTable Objects and Descriptions

Object	Description
mplsLdpHelloAdjacencyEntry	Each row represents a single LDP hello adjacency. An LDP session can have one or more hello adjacencies (not accessible).
mplsLdpHelloAdjacencyIndex	An identifier for this specific adjacency (not accessible). The active hello adjacency has the mplsLdpHelloAdjIndex object equal to 1.
mplsLdpHelloAdjacencyHoldTimeRem	The time remaining for this hello adjacency. This interval changes when the next hello message, which corresponds to this hello adjacency, is received.
mplsLdpHelloAdjacencyHoldTime	The hello time negotiated between the LSR or LER and its peer. If this value is 0, the defaults are used, 15 seconds for link hellos and 45 seconds for targeted hellos. If this value is 65535, the hold time is infinite.
mplsLdpHelloAdjacencyType	This adjacency is the result of a link hello if the value of this object is link(1). Otherwise, this adjacency is a result of a targeted hello and its value is targeted(2).

MIB Tables in the MPLS-LDP-ATM-STD-MIB Module (RFC 3815)

The MPLS-LDP-ATM-STD-MIB consists of the following tables. These tables define Layer 2 ATM-related objects for use with the MPLS-LDP-STD-MIB.

- `mplsLdpEntityAtmTable` (see the first table below)—Contains entries for every LDP-enabled LC-ATM interface. This table is indexed in the same way as the `mplsLdpEntityTable` although only LC-ATM interfaces are shown.
- `mplsLdpEntityAtmLRTable` (see the second table below)—Contains entries for every LDP-enabled LC-ATM interface. Indexing is the same as it is for the `mplsLdpEntityTable`, except two indexes have been added, `mplsLdpEntityAtmLRMinVpi` and `mplsLdpEntityAtmLRMinVci`. These additional indexes allow more than one label range to be defined. However, in the Cisco IOS Release 12.2(33)SRB implementation, only one label range per LC-ATM interface is allowed.
- `mplsLdpAtmSessionTable` (see the third table below)—Contains entries for LDP-enabled LC-ATM sessions. Indexing is the same as it is for the `mplsLdpPeerTable`, except two indexes have been added, `mplsLdpAtmSessionLRLowerBoundVpi` and `mplsLdpAtmSessionLRLowerBoundVci`. These additional indexes allow more than one label range to be defined. However, in the Cisco IOS Release 12.2(33)SRB implementation, only one label range per LC-ATM interface is allowed.

MPLS LDP Entity ATM Table (`mplsLdpEntityAtmTable`) Objects and Descriptions

The table below describes the `mplsLdpEntityAtmTable` objects.

Table 37: `mplsLdpEntityAtmTable` Objects and Descriptions

Object	Description
<code>mplsLdpEntityAtmEntry</code>	Represents the ATM parameters and ATM information for this LDP entity.
<code>mplsLdpEntityAtmIfIdxOrZero</code>	This value represents the SNMP IF-MIB index for the interface-specific LC-ATM entity.
<code>mplsLdpEntityAtmMergeCap</code>	Denotes the merge capability of this entity.
<code>mplsLdpEntityAtmLRComponents</code>	Number of label range components in the initialization message. This also represents the number of entries in the <code>mplsLdpEntityConfAtmLRTable</code> that correspond to this entry. Note Cisco IOS software supports only one component.

Object	Description
mplsLdpEntityAtmVcDirectionality	If the value of this object is <code>bidirectional(0)</code> , a given VCI within a given VPI is used as a label for both directions independently of one another. If the value of this object is <code>unidirectional(1)</code> , a given VCI within a VPI designates one direction.
mplsLdpEntityAtmLsrConnectivity	The peer LSR can be connected indirectly by means of an ATM VPI, so that the VPI values can be different on the endpoints. For that reason, the label must be encoded entirely within the VCI field. Values are <code>direct(1)</code> and <code>indirect(2)</code> . The default is <code>direct(1)</code> .
mplsLdpEntityAtmDefaultControlVpi	The default VPI value for the non-MPLS connection.
mplsLdpEntityAtmDefaultControlVci	The default VCI value for the non-MPLS connection.
mplsLdpEntityAtmUnlabTrafVpi	VPI value of the virtual channel connector (VCC) supporting unlabeled traffic. This non-MPLS connection is used to carry unlabeled (IP) packets.
mplsLdpEntityAtmUnlabTrafVci	VCI value of the VCC supporting unlabeled traffic. This non-MPLS connection is used to carry unlabeled (IP) packets.
mplsLdpEntityAtmStorageType	The storage type for this entry is a read-only implementation that is always volatile.
mplsLdpEntityAtmRowStatus	This object is a read-only implementation that is always active.

MPLS LDP Entity ATM Label Range Table (mplsLdpEntityAtmLRTable) Objects and Descriptions

The table below describes the `mplsLdpEntityAtmLRTable` objects.

Table 38: mplsLdpEntityAtmLRTable Objects and Descriptions

Object	Description
mplsLdpEntityAtmLREntry	A row in the LDP Entity Configurable ATM Label Range Table. One entry in this table contains information on a single range of labels; the range is defined by an upper boundary (VPI/VCI pair) and a lower boundary (VPI/VCI pair). This is the same data used in the initialization message. This label range should overlap the label range of the peer.

Object	Description
mplsLdpEntityAtmLRMinVpi	The minimum VPI number configured for this range (not accessible).
mplsLdpEntityAtmLRMinVci	The minimum VCI number configured for this range (not accessible).
mplsLdpEntityAtmLRMaxVpi	The maximum VPI number configured for this range (not accessible).
mplsLdpEntityAtmLRMaxVci	The maximum VCI number configured for this range (not accessible).
mplsLdpEntityAtmLRStorageType	The storage type for this entry is a read-only implementation that is always volatile.
mplsLdpEntityAtmLRRowStatus	This object is a read-only implementation that is always active.

MPLS LDP ATM Session Table (mplsLdpAtmSessionTable) Objects and Descriptions

The table below describes the mplsLdpAtmSessionTable objects.

Table 39: mplsLdpAtmSessionTable Objects and Descriptions

Objects	Description
mplsLdpAtmSessionEntry	An entry in this table represents information on a single label range intersection between an LDP entity and an LDP peer (not accessible).
mplsLdpAtmSessionLRLowerBoundVpi	The minimum VPI number configured for this range (not accessible).
mplsLdpAtmSessionLRLowerBoundVci	The minimum VCI number configured for this range (not accessible).
mplsLdpAtmSessionLRUpperBoundVpi	The maximum VPI number configured for this range (read-only).
mplsLdpAtmSessionLRUpperBoundVci	The maximum VCI number configured for this range (read-only).

MIB Table in the MPLS-LDP-GENERIC-STD-MIB Module (RFC 3815)

The MPLS-LDP-GENERIC-STD-MIB contains the following table. This table defines Layer 2 per-platform objects for use with the MPLS-LDP-STD-MIB.

- `mplsLdpEntityGenericLRTable` (see the table below)—Contains entries for every LDP-enabled interface that is in the global label space. (For Cisco, this applies to all interfaces except LC-ATM. LC-ATM entities are shown in the `mplsLdpEntityAtmLRTable` instead.) Indexing is the same as it is for the `mplsLdpEntityTable`, except two indexes have been added, `mplsLdpEntityGenericLRMin` and `mplsLdpEntityGenericLRMax`. These additional indexes allow more than one label range to be defined. However, in the Cisco IOS Release 12.2(33)SRB implementation, only one global label range is allowed.

MPLS LDP Entity Generic Label Range Table (`mplsLdpEntityGenericLRTable`) Objects and Descriptions

The table below describes the `mplsLdpEntityGenericLRTable` objects.

Table 40: `mplsLdpEntityGenericLRTable` Objects and Descriptions

Object	Description
<code>mplsLdpEntityGenericLREntry</code>	A row in the LDP Entity Configurable Generic Label Range table. One entry in this table contains information on a single range of labels; the range is defined by an upper boundary and a lower boundary. <ul style="list-style-type: none"> • The current implementation supports one label range per entity.
<code>mplsLdpEntityGenericLRMin</code>	The minimum label configured for this range (not accessible).
<code>mplsLdpEntityGenericLRMax</code>	The maximum label configured for this range (not accessible).
<code>mplsLdpEntityGenericLabelSpace</code>	This value indicates whether the label space type is <code>perPlatform</code> (1) or <code>perInterface</code> (2).
<code>mplsLdpEntityGenericIfIndxOrZero</code>	This value represents the SNMP IF-MIB index for the platform-wide entity. If the active hello adjacency is targeted, the value is 0.
<code>mplsLdpEntityGenericLRStorageType</code>	The storage type for this entry is a read-only implementation that is always volatile.
<code>mplsLdpEntityGenericLRRowStatus</code>	This object is a read-only implementation that is always active.

VPN Contexts in the MPLS LDP MIB

Within an MPLS Border Gateway Protocol (BGP) 4 Virtual Private Network (VPN) environment, separate LDP processes can be created for each VPN. These processes and their associated data are called LDP contexts. Each context is independent from all others and contains data specific only to that context.

The VPN Aware LDP MIB feature enables the LDP MIB to get VPN context information. The feature adds support for different contexts for different MPLS VPNs. Users of the MIB can display MPLS LDP processes for a given MPLS VPN. The VPN Aware LDP MIB feature does not change the syntax of the MPLS LDP MIB. It changes the number and types of entries within the tables.

The MPLS LDP MIB can show information about only one context at a time. With Cisco IOS Release 12.2(33)SRB, you can specify a context—either a global context or an MPLS VPN context—using an SNMP security name.

The following sections describe topics related to the VPN Aware LDP MIB feature:

SNMP Contexts

SNMP contexts provide VPN users with a secure way of accessing MIB data. When a VPN is associated with a context, that VPN's specific MIB data exists in that context. Associating a VPN with a context enables service providers to manage networks with multiple VPNs. Creating and associating a context with a VPN enables a provider to prevent the users of one VPN from accessing information about users of other VPNs on the same networking device.

VPN-aware SNMP requires that SNMP manager and agent entities operating in a VPN environment agree on mapping between the SNMP security name and the VPN name. This mapping is created by you using different contexts for the SNMP data of different VPNs, which is accomplished through the configuration of the SNMP View-based Access Control Model MIB (SNMP-VACM-MIB). The SNMP-VACM-MIB is configured with views so that a user on a VPN with a security name is allowed access to the restricted object space within the context of only that VPN.

SNMP request messages undergo three phases of security and access control before a response message is sent back with the object values within a VPN context:

- The first security phase is authentication of the username. During this phase, the user is authorized for SNMP access.
- The second phase is access control. During this phase, the user is authorized for SNMP access to the group objects in the requested SNMP context.
- In the third phase, the user can access a particular instance of a table entry. With this third phase, complete retrieval can be based on the SNMP context name.

IP access lists can be configured and associated with SNMP community strings. This feature enables you to configure an association between VPN routing and forwarding (VRF) instances and SNMP community strings. When a VRF instance is associated with an SNMP community string, SNMP processes requests coming in for a particular community string only if they are received from the configured VRF. If the community string contained in the incoming packet does not have a VRF associated with it, it is processed only if it came in through a non-VRF interface.

You can also enable or disable authentication traps for SNMP packets dropped due to VRF mismatches. By default, if SNMP authentication traps are enabled, VRF authentication traps are also enabled.

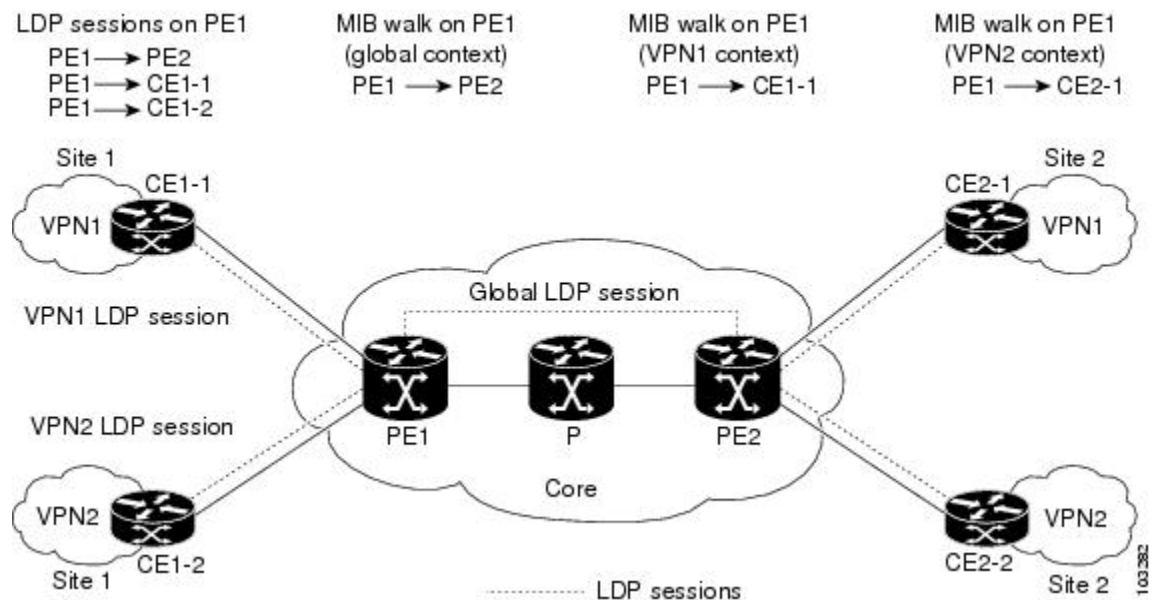
VPN Aware LDP MIB Sessions

The VPN Aware LDP MIB feature supports an SNMP query to the MPLS LDP MIB for both global and VPN contexts. This feature allows you to enter LDP queries on any VRF and on the core (global context). A query can differentiate between LDP sessions from different VPNs. LDP session information for a VPN stays in the context of that VPN. Therefore, the information from one VPN is not available to a user of a different VPN. The VPN Aware LDP MIB also allows you to display LDP processes operating in a Carrier Supporting Carrier (CSC) network.

In an MPLS VPN, a service provider edge router (PE) might contain VRFs for several VPNs and a global routing table. To set up separate LDP processes for different VPNs on the same device, you need to configure each VPN with a unique securityName, contextName, and View-based Access Control Model (VACM) view. The VPN securityName must be configured for the MPLS LDP MIB.

The figure below shows LDP sessions for a sample MPLS VPN with the VPN Aware LDP MIB feature.

Figure 26: MPLS LDP Sessions with the VPN Aware LDP MIB Feature



With the VPN Aware LDP MIB feature, you can do MIB queries or MIB walks for an MPLS VPN LDP session or a global LDP session.



Note

To verify LDP session information for a specific VPN, use the `show mpls ldp neighbor vrf vpn-name detail` command.

VPN Aware LDP MIB Notifications

The VPN Aware LDP MIB feature supports LDP notifications for multiple LDP contexts for VPNs. LDP notifications can be generated for the core (global context) and for different VPNs. You can cause notifications be sent to different NMS hosts for different LDP contexts. LDP notifications associated with a specific VRF

are sent to the NMS designated for that VRF. LDP global notifications are sent to the NMS configured to receive global traps.

To enable LDP context notifications for the VPN Aware LDP MIB feature, use either the SNMP `mplsLdpSessionsUpDownEnable` object (in the global LDP context only) or the following extended global configuration commands.

To enable LDP notifications for the global context, use the following commands on a provider edge (PE) router:

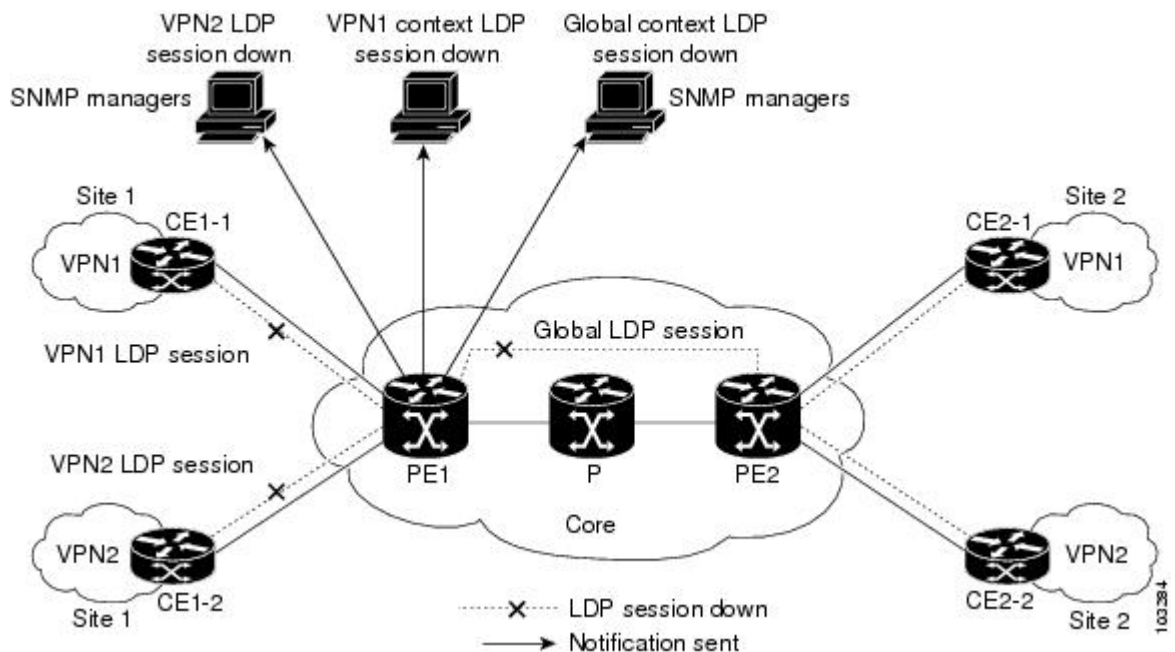
```
Router(config)# snmp-server host host-address traps community
mpls-ldp
Router(config)# snmp-server enable traps mpls rfc ldp
```

To enable LDP notifications for a VPN context, use the following commands:

```
Router(config)# snmp-server host host-address vrf
vrf-name version
{v1
|v2c
|v3
community
community-string
udp-port
udp-port
mpls-ldp
Router(config)# snmp-server enable traps mpls rfc ldp
```

The figure below shows LDP notifications with the VPN Aware LDP MIB feature.

Figure 27: LDP Notifications with the VPN Aware LDP MIB Feature



Differences Between the MPLS-LDP-STD-MIB and the MPLS-LDP-MIB

The MPLS-LDP-STD-MIB based on RFC 3815 provides the same basic functionality as the MPLS-LDP-MIB based on the IETF Version 8 draft (draft-ietf-mpls-ldp-08.txt). The module identity was changed from mplsLdpMIB to mplsLdpStdMIB. Both MIBs provide an interface for managing LDP through the use of SNMP.

After the implementation of the MPLS-LDP-STD-MIB (RFC 3815) in Cisco IOS Release 12.2(33)SRB the MPLS-LDP-MIB will exist for a period of time before support is completely removed. This gives you the chance to migrate to the MPLS-LDP-STD-MIB. Both MIBs can coexist in the same image because the MPLS-LDP-STD-MIB and the MPLS-LDP-MIB have different root object identifiers (OIDs).

The following sections contain information about the major differences between the MPLS-LDP-STD-MIB and the MPLS-LDP-MIB:

MPLS-LDP-MIB and MPLS-LDP-STD-MIB Scalar Object Differences

The table below shows the difference between the scalar objects in the MPLS-LDP-MIB and the MPLS-LDP-STD-MIB.

Table 41: Scalar Objects: MPLS-LDP-MIB and MPLS-LDP-STD-MIB Object Differences

MPLS-LDP-MIB Object	MPLS-LDP-STD-MIB Object	Difference
—	mplsLdpPeerLastChange	New Object—Indicates the value of the sysUpTime at the time of the most recent addition or deletion to or from the mplsLdpPeerTable or the mplsLdpSessionTable.
mplsLdpSesUpDownTrapEnable	—	Object deleted.
—	mplsFecLastChange Note Not supported in Cisco IOS Releases 12.2(33)SRB and 12.2(33)SB.	New object—Contains the sysUpTime at the time of the most recent change to the mplsLdpFecTable.
—	mplsLdpLspFecLastChange Note Not supported in Cisco IOS Releases 12.2(33)SRB and 12.2(33)SB.	New object—Stores the last change time for the mplsLdpLspFecTable.
—	mplsLdpEntityLastChange	New object—Indicates the last change time for the mplsLdpEntityTable or mplsLdpEntityStatsTable.

MPLS-LDP-MIB and MPLS-LDP-STD-MIB Table Object Differences

The following tables show the major differences between the MPLS-LDP-MIB and the MPLS-LDP-STD-MIB objects for each table.

MPLS LDP Entity Table (mplsLdpEntityTable) Differences

The table below shows the major differences between MPLS-LDP-MIB and MPLS-LDP-STD-MIB objects for the MPLS LDP entity table.

Table 42: MPLS LDP Entity Table: MPLS-LDP-MIB and MPLS-LDP-STD-MIB Object Differences

MPLS-LDP-MIB Object	MPLS-LDP-STD-MIB Object	Difference
mplsLdpEntityIndexNext	mplsLdpEntityIndexNext	Syntax changed—Unsigned32 to IndexIntegerNextFree.
mplsLdpEntityIndex	mplsLdpEntityIndex	Syntax changed—Unsigned32 to IndexInteger.
mplsLdpEntityProtocolVersion	mplsLdpEntityProtocolVersion	Syntax changed—Unsigned32 to Integer32.
mplsLdpEntityAdminStatus	mplsLdpEntityAdminStatus	Description changed—Modified to suggest that an NMS clean up any related entry in the mplsLdpPeerTable in case this object is changed from enable to disable.
mplsLdpEntityOperStatus	mplsLdpEntityOperStatus	Description changed—Modified to include the value of unknown(1) for a transient condition before the LSR changes the value to enabled(2) or disabled(3).
mplsLdpEntityTcpDscPort	mplsLdpEntityTcpPort	Object name changed.
mplsLdpEntityMaxPduLength	mplsLdpEntityMaxPduLength	Syntax changed—Lower-limit value for this object increased from 0 to 256. Description changed—Indicates that the receiving LSR should calculate the maximum PDU length for the session by using the smaller of its and its peer's proposal for the Max PDU length.
mplsLdpEntityInitSessionThreshold	mplsLdpEntityInitSessionThreshold	Syntax changed—Maximum value changed from MAXINT to 100.
mplsLdpEntityLabelDistMethod	mplsLdpEntityLabelDistMethod	Syntax changed—INTEGER to MplsLabelDistributionMethod TC.

MPLS-LDP-MIB Object	MPLS-LDP-STD-MIB Object	Difference
mplsLdpEntityLabelRetentionMode	mplsLdpEntityLabelRetentionMode	Syntax changed—INTEGER to MplsRetentionMode TC.
mplsLdpEntityPVMisTrapEnable	—	Notification control object removed.
mplsLdpEntityPVL	mplsLdpEntityPathVectorLimit	Object name changed.
mplsLdpEntityHopCountLimit	mplsLdpEntityHopCountLimit	DEFVAL clause added for a default value = 0.
—	mplsLdpEntityTransportAddrKind	New object—Indicates the address to be used for hello messages (interface and loopback).
mplsLdpEntityTargPeerAddrType	mplsLdpEntityTargPeerAddrType	Syntax changed—To InetAddressType.
mplsLdpEntityTargPeerAddr	mplsLdpEntityTargPeerAddr	Syntax changed—To InetAddress.
mplsLdpEntityOptionalParameters	mplsLdpEntityLabelType	Object name changed.
mplsLdpEntityStorType	mplsLdpEntityStorageType	Object name changed.
mplsLdpEntityRowStatus	mplsLdpEntityRowStatus	Description change—Added recommendation to set the mplsLdpEntityAdminStatus to down, change the objects in this entry, and then set the Admin status to enable.

MPLS LDP Entity Statistics Table (mplsLdpEntityStatsTable) Differences



Note A general paragraph regarding discontinuities is added to all the counter objects in MPLS LDP entity statistics table: “Discontinuities in the value of this counter can occur at re-initialization of the management system, and at other times as indicated by the value of mplsLdpEntityDiscontinuityTime.”

The table below shows the difference between MPLS-LDP-MIB and MPLS-LDP-STD-MIB objects for the MPLS LDP entity statistics table.

Table 43: MPLS LDP Entity Statistics Table: MPLS-LDP-MIB and MPLS-LDP-STD-MIB Object Differences

MPLS-LDP-MIB Object	MPLS-LDP-STD-MIB Object	Difference
mplsLdpAttemptedSessions	mplsLdpEntityStatsSessionAttempts	Object name changed.
mplsLdpSesRejectedNoHelloErrors	mplsLdpEntityStatsSessionRejectedNoHelloErrors	Object name changed.

MPLS-LDP-MIB Object	MPLS-LDP-STD-MIB Object	Difference
mplsLdpSesRejectedAdErrors	mplsLdpEntityStatsSessionRejectedAdErrors	Object name changed.
mplsLdpSesRejectedMaxPduErrors	mplsLdpEntityStatsSessionRejectedMaxPduErrors	Object name changed.
mplsLdpSesRejectedLRErrors	mplsLdpEntityStatsSessionRejectedLRErrors	Object name changed.
mplsLdpBadLdpIdentifierErrors	mplsLdpEntityStatsBadLdpIdentifierErrors	Object name changed.
mplsLdpBadPduLengthErrors	mplsLdpEntityStatsBadPduLengthErrors	Object name changed.
mplsLdpBadMessageLengthErrors	mplsLdpEntityStatsBadMessageLengthErrors	Object name changed.
mplsLdpBadTlvLengthErrors	mplsLdpEntityStatsBadTlvLengthErrors	Object name changed.
mplsLdpMalformedTlvValueErrors	mplsLdpEntityStatsMalformedTlvValueErrors	Object name changed.
mplsLdpKeepAliveTimerExpErrors	mplsLdpEntityStatsKeepAliveTimerExpErrors	Object name changed.
mplsLdpShutdownNotifReceived	mplsLdpEntityStatsShutdownReceivedNotifications	Object name changed.
mplsLdpShutdownNotifSent	mplsLdpEntityStatsShutdownSentNotifications	Object name changed.

MPLS LDP Peer Table (mplsLdpPeerTable) Differences

The table below shows the difference between MPLS-LDP-MIB and MPLS-LDP-STD-MIB objects for the MPLS LDP peer table.

Table 44: MPLS LDP Peer Table: MPLS-LDP-MIB and MPLS-LDP-STD-MIB Object Differences

MPLS-LDP-MIB Object	MPLS-LDP-STD-MIB Object	Difference
mplsLdpPeerLabelDistMethod	mplsLdpPeerLabelDistMethod	Syntax change—From INTEGER to MplsLabelDistributionMethod
mplsLdpPeerLoopDectionForPV	—	Object deleted.
mplsLdpPeerPVL	mplsLdpPeerPathVectorLimit	Object name changed.
—	mplsLdpPeerTransportAddrType	New object—Internet address type (IPv4 or IPv6) advertised by the peer in the hello message or hello source message.
—	mplsLdpPeerTransportAddr	New object—Internet address (IPv4 or IPv6) advertised by the peer in the hello message or hello source message.

MPLS LDP Session Table (mplsLdpSessionTable) Differences

The table below shows the difference between MPLS-LDP-MIB and MPLS-LDP-STD-MIB objects for the MPLS LDP session table.

Table 45: MPLS LDP Session Table: MPLS-LDP-MIB and MPLS-LDP-STD-MIB Object Differences

MPLS-LDP-MIB Object	MPLS-LDP-STD-MIB Object	Difference
mplsLdpSesState	mplsLdpSessionState	Object name changed.
mplsLdpSesProtocolVersion	mplsLdpSessionProtocolVersion	Object name changed.
—	mplsLdpSessionStateLastChange	New Object—Indicates the last change time for this table.
—	mplsLdpSessionRole	New object—Indicates the LSR state: active, passive, or unknown.
mplsLdpSesKeepAliveHoldTimeRem	mplsLdpSessionKeepAliveHoldTimeRem	Object name changed.
—	mplsLdpSessionKeepAliveTime	New object—Indicates the actual keepalive time negotiated between peers.
mplsLdpSesMaxPduLen	mplsLdpSessionMaxPduLen	Object name changed.
mplsLdpSesDiscontinuityTime	mplsLdpSessionDiscontinuityTime	Object name changed.

MPLS LDP Hello Adjacency Table (mplsLdpHelloAdjacencyTable) Differences

The table below shows the difference between MPLS-LDP-MIB and MPLS-LDP-STD-MIB objects for the MPLS LDP hello adjacency table.

Table 46: MPLS LDP Hello Adjacency Table: MPLS-LDP-MIB and MPLS-LDP-STD-MIB Object Differences

MPLS-LDP-MIB Object	MPLS-LDP-STD-MIB Object	Difference
mplsLdpHelloAdjIndex	mplsLdpHelloAdjacencyIndex	Object name changed.
mplsLdpHelloAdjHoldTimeRem	mplsLdpHelloAdjacencyHoldTimeRem	Object name changed.
—	mplsLdpHelloAdjacencyHoldTime	New object—Indicates the actual negotiated adjacency hold time.
mplsLdpHelloAdjType	mplsLdpHelloAdjacencyType	Object name changed.

MPLS-LDP-MIB and MPLS-LDP-STD-MIB Notification Changes

All notifications from the MPLS-LDP-MIB are retained in the MPLS-LDP-STD-MIB. The following changes are implemented for the notifications in MPLS-LDP-STD-MIB:

- The `mplsLdpPVLMismatch` notification is renamed to `mplsLdpPathVectorLimitMismatch`.
- The `mplsLdpEntityPVLMisTrapEnable`, notification control object, was removed for the MPLS-LDP-STD-MIB.
- The Cisco IOS command for enabling notifications for the MPLS-LDP-MIB is different from the command for enabling notifications for the MPLS-LSR-STD-MIB.

For the MPLS-LDP-MIB, the command is `snmp-server enable traps mpls ldp`. For the MPLS-LSR-STD-MIB, the command is `snmp-server enable traps mpls rfc ldp`.

Differences Between the MPLS-LDP-MIB and the MPLS-LDP-ATM-STD-MIB (RFC 3815)

Layer 2 ATM-related objects are removed from the MPLS-LDP-MIB and placed in a new MIB module in RFC 3815. The new MIB module is the MPLS-LDP-ATM-STD-MIB. This action provides modularity and reduces the size of the MPLS LDP MIB.

The table below lists the differences between ATM-related objects in the MPLS-LDP-MIB and objects in the MPLS-LDP-ATM-STD-MIB.

Table 47: Differences Between MPLS-LDP-MIB and MPLS-LDP-ATM-STD-MIB Objects

MPLS-LDP-MIB Object	MPLS-LDP-ATM-STD-MIB Object	Difference
<code>mplsLdpEntityAtmParmsTable</code>	<code>mplsLdpEntityAtmTable</code>	Object name changed.
<code>mplsLdpEntityAtmMergeCap</code>	<code>mplsLdpEntityAtmMergeCap</code>	Syntax changed—Added enumerations <code>vpMerge</code> and <code>vpAndVcMerge</code> .
<code>mplsLdpEntityDefaultControlVpi</code>	<code>mplsLdpEntityAtmDefaultControlVpi</code>	Object name changed.
<code>mplsLdpEntityDefaultControlVci</code>	<code>mplsLdpEntityAtmDefaultControlVci</code>	Object name changed.
<code>mplsLdpEntityUnlabTrafVpi</code>	<code>mplsLdpEntityAtmUnlabTrafVpi</code>	Object name changed.
<code>mplsLdpEntityUnlabTrafVci</code>	<code>mplsLdpEntityAtmUnlabTrafVci</code>	Object name changed.
<code>mplsLdpEntityAtmStorType</code>	<code>mplsLdpEntityAtmStorageType</code>	Object name changed.
<code>mplsLdpEntityAtmRowStatus</code>	<code>mplsLdpEntityAtmRowStatus</code>	Description changed—Clarified different row status operations. Added a recommendation that the <code>mplsLdpEntityAdminStatus</code> object be set to down before the LSR changes the objects in this table.

MPLS-LDP-MIB Object	MPLS-LDP-ATM-STD-MIB Object	Difference
mplsLdpEntityConfAtmLRTable	mplsLdpEntityAtmLRTable	Object name changed.
mplsLdpEntityConfAtmLREntry	mplsLdpEntityAtmLREntry	Object name changed.
mplsLdpEntityConfAtmLRMinVpi	mplsLdpEntityAtmLRMinVpi	Object name changed. Description changed—0 added as a valid value.
mplsLdpEntityConfAtmLRMinVci	mplsLdpEntityAtmLRMinVci	Object name changed.
mplsLdpEntityConfAtmLRMaxVpi	mplsLdpEntityAtmLRMaxVpi	Object name changed.
mplsLdpEntityConfAtmLRMaxVci	mplsLdpEntityAtmLRMaxVci	Object name changed.
mplsLdpEntityConfAtmLRStorType	mplsLdpEntityAtmLRStorageType	Object name changed.
mplsLdpEntityConfAtmLRRowStatus	mplsLdpEntityAtmLRRowStatus	Object name changed.
mplsLdpAtmSesTable	mplsLdpAtmSessionTable	Object name changed.
mplsLdpSesAtmLRLowerBoundVpi	mplsLdpSessionAtmLRLowerBoundVpi	Object name changed.
mplsLdpSesAtmLRLowerBoundVci	mplsLdpSessionAtmLRLowerBoundVci	Object name changed.
mplsLdpSesAtmLRUpperBoundVpi	mplsLdpSessionAtmLRUpperBoundVpi	Object name changed.
mplsLdpSesAtmLRUpperBoundVci	mplsLdpSessionAtmLRUpperBoundVci	Object name changed.

Differences Between the MPLS-LDP-MIB and the MPLS-LDP-GENERIC-STD-MIB (RFC 3815)

Layer 2 objects for per-platform label spaces are removed from the MPLS-LDP-MIB and placed in a new MIB module in RFC 3815. The new MIB module is the MPLS-LDP-GENERIC-STD-MIB. This action provides modularity and reduces the size of the MPLS LDP MIB.

The table below shows the difference between generic label space objects in the MPLS-LDP-MIB and objects in the MPLS-GENERIC-STD-MIB.

Table 48: MPLS LDP LSP DEC Table: MPLS-LDP-MIB and MPLS-LDP-GENERIC-STD-MIB Object Differences

MPLS-LDP-MIB Object	MPLS-LDP-GENERIC-STD-MIB Object	Difference
mplsLdpEntityConfGenLRTable	mplsLdpEntityGenericLRTable	Object name changed.
mplsLdpEntityConfGenLRMinn	mplsLdpEntityGenericLRMin	Object name changed.
mplsLdpEntityConfGenLRMax	mplsLdpEntityGenericLRMax	Object name changed.

MPLS-LDP-MIB Object	MPLS-LDP-GENERIC-STD-MIB Object	Difference
mplsLdpEntityConfGenIfIndexOrZero	mplsLdpEntityGenericIfIndexOrZero	Object name changed.
mplsLdpEntityConfGenLRStorType	mplsLdpEntityGenericLRStorageType	Object name changed.
mplsLdpEntityConfGenLRRowStatus	mplsLdpEntityGenericRowStatus	Object name changed.
—	mplsLdpEntityGenericLabelSpace	New object—A value of perPlatform(1) indicates the label space type is per platform; a value of perInterface(2) indicates the label space type is per interface.

How to Configure SNMP for MPLS EM—MPLS LDP MIB - RFC 3815

Configuring Access to an SNMP Agent on a Host NMS Workstation

To configure access to the SNMP agent on a host NMS workstation, perform the following task.

Through the use of an SNMP agent, the MPLS LDP MIBs described in RFC 3815 provide an interface for monitoring and managing LDP.

To use SNMP to manage LDP, you need to configure access to an SNMP agent on a NMS workstation. By default, the SNMP agent for the MPLS LDP MIB is disabled. Step 2 shows you how to determine if an SNMP agent is already configured, and if you need to modify the SNMP information to monitor and manage LDP.

SUMMARY STEPS

1. **enable**
2. **show running-config**
3. **configure terminal**
4. **snmp-server community *string* [view *view-name*] [ro | rw] [*acl-number*]**
5. **do copy running-config startup-config**
6. **exit**
7. **show running-config**

DETAILED STEPS

	Command or Action	Purpose
Step 1	enable	Enables privileged EXEC mode.

	Command or Action	Purpose
	<p>Example:</p> <pre>Router> enable</pre>	<ul style="list-style-type: none"> • Enter your password if prompted.
Step 2	<p>show running-config</p> <p>Example:</p> <pre>Router# show running-config</pre>	<p>Displays the running configuration to determine if an SNMP agent is already running.</p> <ul style="list-style-type: none"> • If no SNMP information is displayed, continue with the next step. If any SNMP information is displayed, you can modify the information or change it as needed.
Step 3	<p>configure terminal</p> <p>Example:</p> <pre>Router# configure terminal</pre>	<p>Enters global configuration mode.</p>
Step 4	<p>snmp-server community <i>string</i> [view <i>view-name</i>] [ro rw] [acl-number]</p> <p>Example:</p> <pre>Router(config)# snmp-server community comaccess ro</pre>	<p>Configures the community access string to permit access to the SNMP protocol.</p> <ul style="list-style-type: none"> • The <i>string</i> argument acts like a password and permits access to the SNMP protocol. • The view <i>view-name</i> keyword argument pair specifies the name of a previously defined view. The view defines the objects available to the community. • The ro keyword specifies read-only access. Authorized management stations are able to only retrieve MIB objects. • The rw keyword specifies read/write access. Authorized management stations are able to both retrieve and modify MIB objects. • The <i>acl-number</i> argument is an integer from 1 to 99 that specifies an access list of IP addresses that are allowed to use the community string to gain access to the SNMP agent.
Step 5	<p>do copy running-config startup-config</p> <p>Example:</p> <pre>Router(config)# do copy running-config startup-config</pre>	<p>(Optional) Saves the modified configuration to nonvolatile memory (NVRAM) as the startup configuration file.</p> <ul style="list-style-type: none"> • Use this command if you made changes to the MIB information. • The do command allows you to perform EXEC-level commands in configuration modes.
Step 6	<p>exit</p> <p>Example:</p> <pre>Router(config)# exit</pre>	<p>Returns to privileged EXEC mode.</p>

	Command or Action	Purpose
Step 7	show running-config Example: <pre>Router# show running-config include snmp-server</pre>	(Optional) Displays the configuration information currently on the router. <ul style="list-style-type: none"> • Use the show running-config command to check that the snmp-server command statements appear in the output.

Examples

Use the **show running-config** command to display the running configuration on the host NMS workstation and examine the output for SNMP information. For example:

```
Router# show running-config | include snmp-server
snmp-server community public RO
snmp-server community private RW
```

The presence of any **snmp-server** command statement in the output that takes the form shown in this example verifies that access to the SNMP agent is configured on the host NMS workstation.

Configuring the Router to Send SNMP Notifications to a Host for Monitoring LDP

To configure the router to send SNMP notifications to a host to monitor LDP, perform the following task. The ability to display SNMP notifications helps in managing LDP sessions. You can determine if an LDP session between peers is up or down, if the path vector limits are the same for both LDP peers, and if the path vector limit threshold between the peers has been exceeded.

The **snmp-server host** command specifies which hosts receive notifications or traps. The **snmp-server enable traps** command globally enables the trap production mechanism for the specified traps.

For a host to receive a trap, an **snmp-server host** command must be configured for that host, and, generally, the trap must be enabled globally through the **snmp-server enable traps** command.

Before You Begin

Although you can set the *community-string* argument using the **snmp-server host** command by itself, we recommend that you define this string using the **snmp-server community** command prior to using the **snmp-server host** command.

SUMMARY STEPS

1. **enable**
2. **configure terminal**
3. **snmp-server host** *host-address* [**traps** | **informs**] [**version** {**1** | **2c** | **3** [**auth** | **noauth** | **priv**]}] *community-string* [**udp-port** *port*] [*notification-type*] [**vrf** *vrf-name*]
4. **snmp-server enable traps mpls ldp** [**pv-limit**] [**session-down**] [**session-up**] [**threshold**]
5. **end**

DETAILED STEPS

	Command or Action	Purpose
Step 1	<p>enable</p> <p>Example:</p> <pre>Router> enable</pre>	<p>Enables privileged EXEC mode.</p> <ul style="list-style-type: none"> • Enter your password if prompted.
Step 2	<p>configure terminal</p> <p>Example:</p> <pre>Router# configure terminal</pre>	<p>Enters global configuration mode.</p>
Step 3	<p>snmp-server host <i>host-address</i> [traps informs] [version {1 2c 3 [auth noauth priv]}] <i>community-string</i> [udp-port <i>port</i>] [<i>notification-type</i>] [vrf <i>vrf-name</i>]</p> <p>Example:</p> <pre>Router(config)# snmp-server host 172.20.2.160 traps comaccess mpls-ldp</pre>	<p>Specifies the recipient of an SNMP notification operation.</p> <ul style="list-style-type: none"> • The <i>host-address</i> argument specifies the name or Internet address of the host (the targeted recipient). • The traps keyword sends SNMP traps to this host. This is the default. • The informs keyword sends SNMP informs to this host. • The version keyword specifies the version of the SNMP used to send the traps. Version 3 is the most secure model, because it allows packet encryption with the priv keyword. If you use the version keyword, you must specify one of the following: <ul style="list-style-type: none"> • 1—SNMPv1. This option is not available with informs. • 2c—SNMPv2C. • 3—SNMPv3. The following three optional keywords can follow the version 3 keyword: auth, noauth, priv. • The <i>community-string</i> argument is a password-like community string sent with the notification operation. • The udp-port <i>port</i> keyword argument pair names the UDP port of the host to use. The default is 162. • The <i>notification-type</i> argument specifies the type of notification to be sent to the host. If no type is specified, all notifications are sent.

	Command or Action	Purpose
		<ul style="list-style-type: none"> The vrf <i>vrf-name</i> keyword argument pair specifies the VRF table that should be used to send SNMP notifications.
Step 4	<p>snmp-server enable traps mpls ldp [pv-limit] [session-down] [session-up] [threshold]</p> <p>Example:</p> <pre>Router(config)# snmp-server enable traps mpls rfc ldp session-down</pre>	<p>Enables the router to send MPLS LDP-specific SNMP notifications (traps and informs) defined in RFC 3815.</p> <ul style="list-style-type: none"> The pv-limit keyword controls (enables or disables) path-vector (PV) limit notifications (mplsLdpPathVectorLimitMismatch). This notification is generated when the router establishes an LDP session with its adjacent peer LSR, but the two LSRs have dissimilar path-vector limits. The session-down keyword controls (enables or disables) LDP session down notifications (mplsLdpSessionDown). This message is generated when an LDP session between the router and its adjacent LDP peer is terminated. The session-up keyword controls (enables or disables) LDP session up notifications (mplsLdpSessionUp). This notification is generated when the router establishes an LDP session with another LDP entity (an adjacent LDP peer in the network). The threshold keyword controls (enables or disables) PV limit notifications (mplsLdpFailedInitSessionThresholdExceeded). This notification is generated after eight failed attempts to establish an LDP session between the router and an LDP peer. The failure can be the result of any type of incompatibility between the devices.
Step 5	<p>end</p> <p>Example:</p> <pre>Router(config)# end</pre>	(Optional) Exits to privileged EXEC mode.

Configuring a VPN-Aware LDP MIB

Configuring SNMP Support for a VPN

SUMMARY STEPS

1. **enable**
2. **configure terminal**
3. **snmp-server host** *host-address* [**vrf** *vrf-name*] [**traps** | **informs**] [**version** {**1** | **2c** | **3** [**auth** | **noauth** | **priv**]}] *community-string* [**udp-port** *port*] [*notification-type*]
4. **snmp-server engineID remote** *ip-address* [**udp-port** *udp-port-number*] [**vrf** *vrf-name*] *engineid-string*
5. **end**

DETAILED STEPS

	Command or Action	Purpose
Step 1	enable Example: Router> enable	Enables privileged EXEC mode. <ul style="list-style-type: none"> • Enter your password if prompted.
Step 2	configure terminal Example: Router# configure terminal	Enters global configuration mode.
Step 3	snmp-server host <i>host-address</i> [vrf <i>vrf-name</i>] [traps informs] [version { 1 2c 3 [auth noauth priv]}] <i>community-string</i> [udp-port <i>port</i>] [<i>notification-type</i>] Example: Router(config)# snmp-server host example.com vrf trap-vrf	Specifies the recipient of an SNMP notification operation and specifies the VRF instance table to be used for the sending of SNMP notifications. <ul style="list-style-type: none"> • The <i>host-address</i> argument specifies the name or Internet address of the host (the targeted recipient). • The vrf <i>vrf-name</i> keyword argument pair specifies the VRF table that should be used to send SNMP notifications. • The <i>vrf-name</i>traps keyword sends SNMP traps to this host. This is the default. • The informs keyword sends SNMP informs to this host. • The version keyword specifies the version of the SNMP used to send the traps. Version 3 is the most secure model, because it allows packet encryption with the priv keyword. If you use the version keyword, you must specify one of the following: <ul style="list-style-type: none"> • 1 —SNMPv1. This option is not available with informs.

	Command or Action	Purpose
		<ul style="list-style-type: none"> ◦ 2c —SNMPv2C. ◦ 3 —SNMPv3. The following three optional keywords can follow the version 3 keyword: auth, noauth, priv. <ul style="list-style-type: none"> • The <i>community-string</i> argument is a password-like community string sent with the notification operation. • The udp-port <i>port</i> keyword argument pair names the UDP port of the host to use. The default is 162. • The <i>notification-type</i> argument specifies the type of notification to be sent to the host. If no type is specified, all notifications are sent.
Step 4	<p>snmp-server engineID remote <i>ip-address</i> [udp-port <i>udp-port-number</i>] [vrf <i>vrf-name</i>] <i>engineid-string</i></p> <p>Example:</p> <pre>Router(config)# snmp-server engineID remote 172.16.20.3 vrf traps-vrf 80000009030000B064EFE100</pre>	<p>Specifies the SNMP engine ID of a remote SNMP device.</p> <ul style="list-style-type: none"> • The <i>ipv4-address</i> argument is the IPv4 address of the device that contains the remote copy of SNMP. • The <i>ipv6-address</i> argument is the IPv6 address of the device that contains the remote copy of SNMP. • The udp-port keyword specifies a User Datagram Protocol (UDP) port of the host to use. • The <i>udp-port-number</i> argument is the socket number on the remote device that contains the remote copy of SNMP. The default is 161. • The vrf keyword specifies an instance of a routing table. • The <i>vrf-name</i> argument is the name of the VRF table to use for storing data. • The <i>engineid-string</i> is a string of a maximum of 24 characters that identifies the engine ID.
Step 5	<p>end</p> <p>Example:</p> <pre>Router(config)# end</pre>	<p>Exits to privileged EXEC mode.</p>

What to Do Next

Proceed to the [Configuring an SNMP Context for a VPN](#), on page 226.

Configuring an SNMP Context for a VPN

To configure an SNMP context for a VPN, perform the following task. This sets up a unique SNMP context for a VPN, which allows you to access the VPN's LDP session information.

SNMP Context

SNMP contexts provide VPN users with a secure way of accessing MIB data. When a VPN is associated with a context, that VPN's specific MIB data exists in that context. Associating a VPN with a context enables service providers to manage networks with multiple VPNs. Creating and associating a context with a VPN enables a provider to prevent the users of one VPN from accessing information about users of other VPNs on the same networking device.

VPN Route Distinguishers

A route distinguisher (RD) creates routing and forwarding tables for a VPN. Cisco IOS software adds the RD to the beginning of the customer's IPv4 prefixes to change them into globally unique VPN-IPv4 prefixes.

Either the RD is an autonomous system number (ASN)-relative RD, in which case it is composed of an autonomous system number and an arbitrary number, or it is an IP-address-relative RD, in which case it is composed of an IP address and an arbitrary number. You can enter an RD in either of these formats:

- 16-bit ASN: your 32-bit number, for example, 101:3.
- 32-bit IP address: your 16-bit number, for example, 192.168.122.15:1.

SUMMARY STEPS

1. **enable**
2. **configure terminal**
3. **snmp-server context** *context-name*
4. **ip vrf** *vrf-name*
5. **rd** *route-distinguisher*
6. **context** *context-name*
7. **route-target** {**import** | **export** | **both**} *route-target-ext-community*
8. **end**

DETAILED STEPS

	Command or Action	Purpose
Step 1	enable Example: Router> enable	Enables privileged EXEC mode. • Enter your password if prompted.
Step 2	configure terminal Example: Router# configure terminal	Enters global configuration mode.
Step 3	snmp-server context <i>context-name</i>	Creates and names an SNMP context.

	Command or Action	Purpose
	<p>Example:</p> <pre>Router(config)# snmp-server context context1</pre>	<ul style="list-style-type: none"> The <i>context-name</i> argument is the name of the SNMP context being created.
Step 4	<p>ip vrf vrf-name</p> <p>Example:</p> <pre>Router(config)# ip vrf vrf1</pre>	<p>Configures a VRF table and enters VRF configuration mode.</p> <ul style="list-style-type: none"> The <i>vrf-name</i> argument is the name assigned to a VRF.
Step 5	<p>rd route-distinguisher</p> <p>Example:</p> <pre>Router(config-vrf)# rd 100:120</pre>	<p>Creates a VPN route distinguisher.</p> <ul style="list-style-type: none"> The <i>route-distinguisher</i> argument specifies to add an 8-byte value to an IPv4 prefix to create a VPN IPv4 prefix. You can enter a route distinguisher in either of these formats: <ul style="list-style-type: none"> 16-bit autonomous system number: your 32-bit number For example, 101:3. 32-bit IP address: your 16-bit number For example, 192.168.122.15:1.
Step 6	<p>context context-name</p> <p>Example:</p> <pre>Router(config-vrf)# context context1</pre>	<p>Associates an SNMP context with a particular VRF.</p> <ul style="list-style-type: none"> The <i>context-name</i> argument is the name of the SNMP VPN context, up to 32 characters.
Step 7	<p>route-target {import export both} route-target-ext-community</p> <p>Example:</p> <pre>Router(config-vrf)# route-target export 100:1000</pre>	<p>(Optional) Creates a route-target extended community for a VRF.</p> <ul style="list-style-type: none"> The import keyword specifies to import routing information from the target VPN extended community. The export keyword specifies to export routing information to the target VPN extended community. The both keyword specifies to import both import and export routing information to the target VPN extended community. The <i>route-target-ext-community</i> argument adds the route-target extended community attributes to the VRF's list of import, export, or both (import and export) route-target extended communities.
Step 8	<p>end</p> <p>Example:</p> <pre>Router(config-vrf)# end</pre>	<p>Exits to privileged EXEC mode.</p>

What to Do Next

Proceed to the [Configuring a VPN-Aware SNMP Context for SNMPv1 or SNMPv2](#), on page 229.

Configuring a VPN-Aware SNMP Context for SNMPv1 or SNMPv2

To configure a VPN-aware SNMP context for SNMPv1 or SNMPv2, perform the following task.

This allows you to access LDP session information for a VPN using SNMPv1 or SNMPv2.

SNMPv1 or SNMPv2 Security

SNMPv1 and SNMPv2 are not as secure as SNMPv3. SNMP Versions 1 and 2 use plain text communities and do not perform the authentication or security checks that SNMP Version 3 performs.

To configure the VPN Aware LDP MIB feature when using SNMP Version 1 or SNMP Version 2, you need to associate a community name with a VPN. This association causes SNMP to process requests coming in for a particular community string only if they come in from the configured VRF. If the community string contained in the incoming packet does not have an associated VRF, the packet is processed only if it came in through a non-VRF interface. This process prevents users outside the VPN from using a clear text community string to query the VPN data. However, this is not as secure as using SNMPv3.

SUMMARY STEPS

1. **enable**
2. **configure terminal**
3. **snmp-server user** *username group-name* [**remote** *host* [**udp-port** *port*]] {**v1** | **v2c** | **v3** [**encrypted**] [**auth** {**md5** | **sha**} *auth-password*]} [**access** *access-list*]
4. **snmp-server group** *group-name* {**v1** | **v2c** | **v3** {**auth** | **noauth** | **priv**}} [**context** *context-name*] [**read** *readview*] [**write** *writeview*] [**notify** *notifyview*] [**access** *access-list*]
5. **snmp-server view** *view-name oid-tree* {**included** | **excluded**}
6. **snmp-server enable traps** [*notification-type*]
7. **snmp-server host** *host-address* [**vrf** *vrf-name*] [**traps** | **informs**] [**version** {**1** | **2c** | **3** [**auth** | **noauth** | **priv**]}] *community-string* [**udp-port** *port*] [**notification-type**]
8. **snmp mib community-map** *community-name* [**context** *context-name*] [**engineid** *engine-id*] [**security-name** *security-name*] **target-list** *vpn-list-name*
9. **snmp mib target-list** *vpn-list-name* {**vrf** *vrf-name* | **host** *ip-address*}
10. **no snmp-server trap authentication vrf**
11. **end**

DETAILED STEPS

	Command or Action	Purpose
Step 1	enable	Enables privileged EXEC mode.

	Command or Action	Purpose
	<p>Example:</p> <pre>Router> enable</pre>	<ul style="list-style-type: none"> • Enter your password if prompted.
Step 2	<p>configure terminal</p> <p>Example:</p> <pre>Router# configure terminal</pre>	Enters global configuration mode.
Step 3	<p>snmp-server user <i>username</i> <i>group-name</i> [remote <i>host</i> [udp-port <i>port</i>]] {v1 v2c v3 [encrypted] [auth {md5 sha} <i>auth-password</i>]} [access <i>access-list</i>]</p> <p>Example:</p> <pre>Router(config)# snmp-server user customer1 group1 v1</pre>	<p>Configures a new user to an SNMP group.</p> <ul style="list-style-type: none"> • The <i>username</i> argument is the name of the user on the host that connects to the agent. • The <i>group-name</i> argument is the name of the group to which the user belongs. • The remote <i>host</i> keyword and argument specify a remote SNMP entity to which the user belongs, and the hostname or IPv6 address or IPv4 IP address of that entity. If both an IPv6 address and IPv4 IP address are being specified, the IPv6 host must be listed first. • The udp-port <i>port</i> keyword and argument specify the UDP port number of the remote host. The default is UDP port 162. • The v1 keyword specifies that SNMPv1 should be used. • The v2c keyword specifies that SNMPv2c should be used. • The v3 keyword specifies that the SNMPv3 security model should be used. Allows the use of the encrypted and or auth keywords. • The encrypted keyword specifies whether the password appears in encrypted format (a series of digits, masking the true characters of the string). • The auth keyword specifies which authentication level should be used. • The md5 keyword is the HMAC-MD5-96 authentication level. • The sha keyword is the HMAC-SHA-96 authentication level. • The <i>auth-password</i> argument is a string (not to exceed 64 characters) that enables the agent to receive packets from the host. The minimum length for a password is one character. The recommended length of a password is at least eight characters, and should include both letters and numbers. • The access <i>access-list</i> keyword and argument specify an access list to be associated with this SNMP user.
Step 4	<p>snmp-server group <i>group-name</i> {v1 v2c v3 {auth noauth priv}} [context <i>context-name</i>] [read <i>readview</i>] [write <i>writeview</i>] [notify <i>notifyview</i>] [access <i>access-list</i>]</p>	<p>Configures a new SNMP group or a table that maps SNMP users to SNMP views.</p> <ul style="list-style-type: none"> • The <i>group-name</i> argument is the name of the group. • The v1 keyword specifies that SNMPv1 should be used for the group.

	Command or Action	Purpose
	<p>Example:</p> <pre>Router(config)# snmp-server group group1 v1 context context1 read view1 write view1 notify view1</pre>	<ul style="list-style-type: none"> • The v2c keyword specifies that SNMPv2c should be used for the group. The SNMPv2c security model allows for the transmission of informs, and supports 64-character strings (instead of 32-character strings). • The v3 keyword specifies that the SNMPv3 should be used for the group. SMNPv3 is the most secure of the supported security models, because it allows you to explicitly configure the authentication characteristics. • The auth keyword specifies authentication of a packet without encrypting it. • The noauth keyword specifies no authentication of a packet. • The priv keyword specifies authentication of a packet with encryption. • The context <i>context-name</i> keyword and argument associate the specified SNMP group with a configured SNMP context. • The read <i>readview</i> keyword and argument specify a read view for the SNMP group. The <i>readview</i> argument represents a string (not to exceed 64 characters) that is the name of the view that enables you to display only the contents of the agent. • The write <i>writeview</i> keyword and argument specify a write view for the SNMP group. The <i>writeview</i> argument represents a string (not to exceed 64 characters) that is the name of the view that enables you to enter data and configure the contents of the agent. • The notify and <i>notifyview</i> keyword argument specify a notify view for the SNMP group. The <i>writeview</i> argument represents a string (not to exceed 64 characters) that is the name of the view that enables you to specify a notify, inform, or trap. • The access <i>access-list</i> keyword and argument specify a standard access list (a standard ACL) to associate with the group.
<p>Step 5</p>	<p>snmp-server view <i>view-name oid-tree</i> {included excluded}</p> <p>Example:</p> <pre>Router(config)# snmp-server view view1 ipForward included</pre>	<p>Creates or updates a view entry.</p> <ul style="list-style-type: none"> • The <i>view-name</i> argument is the label for the view record that you are updating or creating. The name is used to reference the record. • The <i>oid-tree</i> argument is the object identifier of the ASN.1 subtree to be included or excluded from the view. To identify the subtree, specify a text string consisting of numbers, such as 1.3.6.2.4, or a word, such as system. Replace a single subidentifier with the asterisk (*) wildcard to specify a subtree family; for example 1.3.*.4. • The included keyword configures the OID (and subtree OIDs) specified in the <i>oid-tree</i> argument to be included in the SNMP view. • The excluded keyword configures the OID (and subtree OIDs) specified in the <i>oid-tree</i> argument to be explicitly excluded from the SNMP view.

	Command or Action	Purpose
Step 6	<p>snmp-server enable traps [<i>notification-type</i>]</p> <p>Example:</p> <pre>Router(config)# snmp-server enable traps</pre>	<p>Enables all SNMP notifications (traps or informs) available on your system.</p> <ul style="list-style-type: none"> The <i>notification-type</i> argument specifies the particular type of SNMP notification(s) to be enabled on the LSR. If a notification type is not specified, all SNMP notifications applicable to the LSR are enabled and sent to the SNMP host.
Step 7	<p>snmp-server host <i>host-address</i> [vrf <i>vrf-name</i>] [traps informs] [version {1 2c 3 [auth noauth priv]}] [<i>community-string</i>] [udp-port <i>port</i>] [notification-type]</p> <p>Example:</p> <pre>Router(config)# snmp-server host 10.0.0.1 vrf customer1 public udp-port 7002</pre>	<p>Specifies the recipient of an SNMP notification operation.</p> <ul style="list-style-type: none"> The <i>host-address</i> argument specifies the name or Internet address of the host (the targeted recipient). The vrf <i>vrf-name</i> keyword argument pair specifies the VRF table that should be used to send SNMP notifications. The traps keyword sends SNMP traps to this host. This is the default. The informs keyword sends SNMP informs to this host. The version keyword specifies the version of the SNMP used to send the traps. Version 3 is the most secure model, because it allows packet encryption with the priv keyword. If you use the version keyword, you must specify one of the following: <ul style="list-style-type: none"> 1—SNMPv1. This option is not available with informs. 2c—SNMPv2C. 3—SNMPv3. The following three optional keywords can follow the version 3 keyword: auth, noauth, priv. The <i>community-string</i> argument is a password-like community string sent with the notification operation. The udp-port <i>port</i> keyword argument pair names the UDP port of the host to use. The default is 162. The <i>notification-type</i> argument specifies the type of notification to be sent to the host. If no type is specified, all notifications are sent.
Step 8	<p>snmp mib community-map <i>community-name</i> [context <i>context-name</i>] [engineid <i>engine-id</i>] [security-name <i>security-name</i>] [target-list <i>vpn-list-name</i>]</p> <p>Example:</p> <pre>Router(config)# snmp mib community-map community1 context context1 target-list commAVpn</pre>	<p>Associates an SNMP community with an SNMP context, engine ID, or security name.</p> <ul style="list-style-type: none"> The <i>community-name</i> argument is an SNMP community string. The context <i>context-name</i> keyword and argument specify an SNMP context name to be mapped to the SNMP community. The engineid <i>engine-id</i> keyword and argument specify an SNMP engine ID to be mapped to the SNMP community. The security-name <i>security-name</i> keyword and argument specify the security name to be mapped to the SNMP community.

	Command or Action	Purpose
		<ul style="list-style-type: none"> The target-list <i>vpn-list-name</i> keyword and argument specify the VRF list to be mapped to the SNMP community. The list name should correspond to a list name used in the snmp mib target-list command.
Step 9	snmp mib target-list <i>vpn-list-name</i> { <i>vrf vrf-name</i> <i>host ip-address</i> } Example: <pre>Router(config)# snmp mib target list commAVpn vrf vrf1</pre>	Creates a list of target VRFs and hosts to associate with an SNMP community. <ul style="list-style-type: none"> The <i>vpn-list-name</i> argument is the name of the target list. The vrf keyword adds a specified VRF to the target list. The <i>vrf-name</i> argument is the name of a VRF to include in the list. The host keyword adds a specified host to the target list. The <i>ip-address</i> argument is the IP address of the host.
Step 10	no snmp-server trap authentication vrf Example: <pre>Router(config)# no snmp-server trap authentication vrf</pre>	(Optional) Disables all SNMP authentication notifications (traps and informs) generated for packets received on VRF interfaces. <ul style="list-style-type: none"> Use this command to disable authentication traps only for those packets on VRF interfaces with incorrect community associations.
Step 11	end Example: <pre>Router(config) end</pre>	Exits to privileged EXEC mode.

Configuration Examples for MPLS EM—MPLS LDP MIB - RFC 3815

Configuring Access to an SNMP Agent on a Host NMS Workstation Example

The following example shows how to configure access to an SNMP agent on a host NMS workstation:

```
configure terminal
!
snmp-server community
end
```

The following example shows how to configure access to SNMPv1 and SNMPv2C on the host NMS workstation. The configuration permits any SNMP agent to access all MPLS LDP MIB objects with read-only permission using the community string public.

```
configure terminal
```

```
!
snmp-server community public
end
```

The following example shows how to allow read-only access to all MPLS LDP MIB objects relating to members of access list 4 that specify the comaccess community string. No other SNMP agents will have access to any of the MPLS LDP MIB objects.

```
configure terminal
!
snmp-server community comaccess ro 4
end
```

Configuring the Router to Send SNMP Notifications to a Host for Monitoring LDP Example

The following example shows how to configure the router to send SNMP notifications to a host for monitoring LDP:

```
config terminal
!
snmp-server host 172.20.2.160 traps comaccess mpls-ldp
snmp-server enable traps mpls rfc ldp session-up
!
snmp-server enable traps mpls rfc ldp session-down
end
```

The session up and session down LDP notifications are configured.

Configuring a VPN-Aware LDP MIB Example

Configuring SNMP Support for a VPN Example

The following example shows how to configure SNMP support for a VPN:

```
configure terminal
!
snmp-server host 10.10.10.1 vrf traps-vrf
snmp-server engineID remote 172.16.20.3 vrf traps-vrf 80000009030000B064EFE100
end
```

Configuring an SNMP Context for a VPN Example

The following example shows how to configure an SNMP context for a VPN. In this example, the VPN vrf1 is associated with the SNMP context context1.

```
configure terminal
!
snmp-server context context1
ip vrf vrf1
rd 100:120
context context1
route-target export 100:1000
end
```

Configuring a VPN-Aware SNMP Context for SNMPv1 or SNMPv2 Example

The following configuration example shows how to configure a VPN-aware SNMP context for the MPLS LDP MIB with SNMPv1 or SNMPv2:

```

snmp-server context A
snmp-server context B
ip vrf CustomerA
  rd 100:110
  context A
  route-target export 100:1000
  route-target import 100:1000
!
ip vrf CustomerB
  rd 100:120
  context B
  route-target export 100:2000
  route-target import 100:2000
!
interface Ethernet3/1
  description Belongs to VPN A
  ip vrf forwarding CustomerA
  ip address 10.0.0.0 255.255.0.0

interface Ethernet3/2
  description Belongs to VPN B
  ip vrf forwarding CustomerB
  ip address 10.0.0.1 255.255.0.0
snmp-server user commA grp1A v1
snmp-server user commA grp2A v2c
snmp-server user commB grp1B v1
snmp-server user commB grp2B v2c
snmp-server group grp1A v1 context A read viewA write viewA notify viewA
snmp-server group grp1B v1 context B read viewB write viewB notify viewB
snmp-server view viewA ipForward included
snmp-server view viewA ciscoPingMIB included
snmp-server view viewB ipForward included
snmp-server view viewB ciscoPingMIB included
snmp-server enable traps
snmp-server host 10.0.0.3 vrf CustomerA commA udp-port 7002
snmp-server host 10.0.0.4 vrf CustomerB commB udp-port 7002
snmp mib community-map commA context A target-list commAvpn
! Configures source address validation
snmp mib community-map commB context B target-list commBvpn
! Configures source address validation
snmp mib target list commAvpn vrf CustomerA
! Configures a list of VRFs or from which community commA is valid
snmp mib target list commBvpn vrf CustomerB
! Configures a list of VRFs or from which community commB is valid

```

Additional References

Related Documents

Related Topic	Document Title
MPLS LDP concepts and configuration tasks	MPLS LDP Configuration Guide
A description of SNMP agent support in the Cisco IOS software for the MPLS Label Switching Router MIB (MPLS-LSR-STD-MIB)	MPLS EM—MPLS LSR MIB - RFC 3813

Related Topic	Document Title
SNMP commands	Network Management Command Reference
SNMP configuration	“Configuring SNMP Support” chapter in the Network Management Configuration Guide
SNMP support for VPNs	SNMP Notification Support for VPNs
SNMP context support for VPNs configuration tasks	SNMP Support over VPNs—Context Based Access Control
MPLS concepts and configuration tasks	Basic MPLS Configuration Guide
CEF concepts and configuration tasks	“Configuring Cisco Express Forwarding” section in the IP Switching Configuration Guide
Information about MPLS EM	Cisco IOS MPLS Embedded Management Application Note Cisco IOS MPLS Embedded Management Q&A

Standards

Standard	Title
No new or modified standards are supported by this feature, and support for existing standards has not been modified by this feature.	—

MIBs

MIB	MIBs Link
<ul style="list-style-type: none"> • MPLS-LDP-STD-MIB • MPLS-LDP-ATM-STD-MIB • MPLS-LDP-FRAME-RELAY-STD-MIB • MPLS-LDP-GENERIC-STD-MIB 	To locate and download MIBs for selected platforms, Cisco software releases, and feature sets, use Cisco MIB Locator found at the following URL: http://www.cisco.com/go/mibs

RFCs

RFC	Title
RFC 3036	LDP Specification

RFC	Title
RFC 3037	LDP Applicability
RFC 3815	<i>Definitions of Managed Objects for the Multiprotocol Label Switching (MPLS), Label Distribution Protocol (LDP)</i>

Technical Assistance

Description	Link
<p>The Cisco Support website provides extensive online resources, including documentation and tools for troubleshooting and resolving technical issues with Cisco products and technologies.</p> <p>To receive security and technical information about your products, you can subscribe to various services, such as the Product Alert Tool (accessed from Field Notices), the Cisco Technical Services Newsletter, and Really Simple Syndication (RSS) Feeds.</p> <p>Access to most tools on the Cisco Support website requires a Cisco.com user ID and password.</p>	http://www.cisco.com/techsupport

Feature Information for MPLS EM—MPLS LDP MIB - RFC 3815

The following table provides release information about the feature or features described in this module. This table lists only the software release that introduced support for a given feature in a given software release train. Unless noted otherwise, subsequent releases of that software release train also support that feature.

Use Cisco Feature Navigator to find information about platform support and Cisco software image support. To access Cisco Feature Navigator, go to www.cisco.com/go/cfn. An account on Cisco.com is not required.

Table 49: Feature Information for MPLS EM—MPLS LDP MIB - RFC 3815

Feature Name	Releases	Feature Information
MPLS EM—MPLS LDP MIB - RFC 3815	12.2(33)SRB 12.2(33)SB	

Feature Name	Releases	Feature Information
		<p>The MPLS EM—MPLS LDP MIB - RFC 3815 feature document describes the MIBs that support the Multiprotocol Label Switching (MPLS) Label Distribution Protocol (LDP) based on RFC 3815, <i>Definitions of Managed Objects for the Multiprotocol Label Switching (MPLS), Label Distribution Protocol (LDP)</i> , and describes the differences between RFC 3815 and the MPLS-LDP-MIB based on the Internet Engineering Task Force (IETF) draft Version 8 (draft-ietf-mpls-ldp-08.txt). RFC 3815 and IETF draft Version 8 provide an interface for managing LDP through the use of the Simple Network Management Protocol (SNMP).</p> <p>In RFC 3815, the content of the MPLS-LDP-MIB is divided into four MIB modules: the MPLS-LDP-STD-MIB, the MPLS-LDP-GENERIC-STD-MIB, the MPLS-LDP-ATM-STD-MIB, and the MPLS-LDP-FRAME-RELAY-STD-MIB.</p> <p>Cisco IOS MPLS Embedded Management (EM) is a set of standards and value-added services that facilitate the deployment, operation, administration, and management of MPLS-based networks in line with the fault, configuration, accounting, performance, and security (FCAPS) model.</p> <p>In 12.2(33)SRB, this feature was introduced.</p> <p>In 12.2(33)SB, the feature was integrated into Cisco IOS Release 12.2SB .</p> <p>The following command was introduced in this feature: snmp-server enable traps mpls</p>

Feature Name	Releases	Feature Information
		rfc ldp.

Glossary

FPI —forwarding path identifier. An identifier required to locate Multiprotocol Label Switching (MPLS) forwarding information for a forwarding equivalence class (FEC). Examples of types of FPIs supported by the MPLS Forwarding Infrastructure (MFI) are IPv4, IPv6, LABEL, SSS, and TE.

LDP —Label Distribution Protocol. A standard protocol between MPLS-enabled routers that is used for the negotiation of the labels (addresses) used to forward packets.

LFIB —Label Forwarding Information Base. A data structure and way of managing forwarding in which destinations and incoming labels are associated with outgoing interfaces and labels.

LSP —label switched path. A sequence of hops in which a packet travels from one router to another router by means of label switching mechanisms. A label switched path can be established dynamically, based on normal routing mechanisms, or through configuration.

LSR —label switch router. A device that forwards MPLS packets based on the value of a fixed-length label encapsulated in each packet.

MFI —MPLS Forwarding Infrastructure. In the Cisco MPLS subsystem, the data structure for storing information about incoming and outgoing labels and associated equivalent packets suitable for labeling.

MIB —Management Information Base. Database of network management information that is used and maintained by a network management protocol such as SNMP. The value of a MIB object can be changed or retrieved by means of SNMP commands, usually through a network management system. MIB objects are organized in a tree structure that includes public (standard) and private (proprietary) branches.

MOI —MPLS output information. The MOI includes the next hop, outgoing interface, and outgoing label.

MPLS —Multiprotocol Label Switching. MPLS is a method for forwarding packets (frames) through a network. It enables routers at the edge of a network to apply labels to packets (frames). ATM switches or existing routers in the network core can switch packets according to the labels with minimal lookup overhead.

NMS —network management station. A device (usually a workstation) that performs Simple Network Management Protocol (SNMP) queries to the SNMP agent of a managed device to retrieve or modify information.

notification request —Message sent by an SNMP agent to a network management station, console, or terminal, indicating that a significant event occurred. SNMP notification requests are more reliable than traps, because a notification request from an SNMP agent requires that the SNMP manager acknowledge receipt of the notification request. The manager replies with an SNMP response protocol data unit (PDU). If the manager does not receive a notification message from an SNMP agent, it does not send a response. If the sender (SNMP agent) never receives a response, the notification request can be sent again. Thus, a notification request is more likely than a trap to reach its intended destination.

SNMP —Simple Network Management Protocol. Management protocol used almost exclusively in TCP/IP networks. SNMP provides a means for monitoring and controlling network devices, and for managing configurations, statistics collection, performance, and security.

trap —Message sent by an SNMP agent to a network management station, console, or terminal, indicating that a significant event occurred. Traps are less reliable than notification requests, because the receiver does not send an acknowledgment when it receives a trap. The sender cannot determine if the trap was received.



MPLS EM—MPLS LSR MIB - RFC 3813

The MPLS LSR MIB- RFC 3813 (MPLS-LSR-STD-MIB) allows you to use the Simple Network Management Protocol (SNMP) to remotely monitor a label switch router (LSR) that is using the Multiprotocol Label Switching (MPLS) technology.

This document describes the MPLS-LSR-STD-MIB. The document also describes the major differences between the MPLS-LSR-STD-MIB and draft Version 5 of the MPLS-LSR-MIB.

The MPLS EM—MPLS LSR MIB - RFC 3813 feature introduces the MPLS-LSR-STD-MIB, which is an upgrade from draft Version 5 of the MPLS-LSR-MIB to an implementation of the *Multiprotocol Label Switching (MPLS) Label Switching Router (LSR) Management Information Base (MIB)*, RFC 3813. This feature also introduces the VPN Aware LSR MIB feature that enables the MPLS-LSR-STD-MIB to get VPN context information.

Cisco IOS MPLS Embedded Management (EM) is a set of standards and value-added services that facilitate the deployment, operation, administration, and management of MPLS-based networks in line with the fault, configuration, accounting, performance, and security (FCAPS) model.

- [Finding Feature Information](#), page 243
- [Prerequisites for MPLS EM—MPLS LSR MIB - RFC 3813](#), page 244
- [Restrictions for MPLS EM—MPLS LSR MIB - RFC 3813](#), page 244
- [Information About MPLS EM—MPLS LSR MIB - RFC 3813](#), page 244
- [How to Configure SNMP for the MPLS EM—MPLS LSR MIB - RFC 3813](#), page 267
- [Configuration Examples for the MPLS EM—MPLS LSR MIB - RFC 3813](#), page 277
- [Additional References](#), page 279
- [Feature Information for MPLS EM—MPLS LSR MIB - RFC 3813](#), page 280
- [Glossary](#), page 283

Finding Feature Information

Your software release may not support all the features documented in this module. For the latest caveats and feature information, see [Bug Search Tool](#) and the release notes for your platform and software release. To

find information about the features documented in this module, and to see a list of the releases in which each feature is supported, see the feature information table at the end of this module.

Use Cisco Feature Navigator to find information about platform support and Cisco software image support. To access Cisco Feature Navigator, go to www.cisco.com/go/cfn. An account on Cisco.com is not required.

Prerequisites for MPLS EM—MPLS LSR MIB - RFC 3813

The MPLS-LSR-STD-MIB requires the following:

- SNMP installed and enabled on the LSR
- MPLS enabled on the LSR
- MPLS Forwarding Infrastructure (MFI)

Restrictions for MPLS EM—MPLS LSR MIB - RFC 3813

- The implementation of the MPLS-LSR-STD-MIB (RFC 3815) for Cisco IOS Releases 12.2(33)SRB and 12.2(33)SB is limited to read-only (RO) permission for MIB objects.
- The following MIB objects are not supported in Cisco IOS Releases 12.2(33)SRB and 12.2(33)SB:
 - mplsInterfaceTotalBandwidth (MPLS interface table)
 - mplsInterfaceAvailableBandwidth (MPLS interface table)
 - mplsInterfacePerfInLabelLookupFailures (MPLS interface performance table)
 - mplsInterfacePerfOutFragmentedPkts (MPLS interface performance table)
 - mplsInSegmentTrafficParamPtr (MPLS in-segment table)
 - mplsInSegmentPerfDiscards (MPLS in-segment performance table)
- The following notifications are not supported:
 - mplsXCUp
 - mplsXCDown

Information About MPLS EM—MPLS LSR MIB - RFC 3813

MPLS-LSR-STD-MIB Benefits

The benefits described in the following paragraphs are available to you with the MPLS-LSR-STD-MIB.

LSR Problem Troubleshooting

By monitoring the cross-connect entries and the associated incoming and outgoing segments, you can see which labels are installed and how they are being swapped. Use the MPLS-LSR-STD-MIB in place of the **show mpls forwarding** command-line interface (CLI) command.

LSR Traffic Load Monitoring

By monitoring interface and packet operations on an MPLS LSR, you can identify high- and low-traffic patterns, and traffic distributions.

Improvement of Network Performance

By identifying potentially high-traffic areas, you can set up load sharing to improve network performance.

Verification of LSR Configuration

By comparing results from SNMP **get** commands and the **show mpls forwarding** CLI command, you can verify your LSR configuration.

Active Label Switched Paths Monitoring

By monitoring the cross-connect entries and the associated incoming segments and outgoing segments, you can determine the active LSPs.

Label Switching Information Managed by the MPLS-LSR-STD-MIB

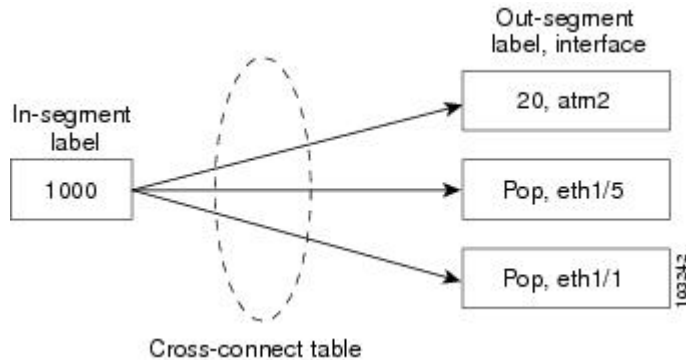
The MPLS-LSR-STD-MIB contains managed objects that support the retrieval of label switching information from a router. The MIB is based on RFC 3813. This implementation enables a network administrator to get information on the status, character, and performance of the following:

- MPLS-capable interfaces on the LSR
- Incoming MPLS segments (labels) at an LSR and their associated parameters
- Outgoing segments (labels) at an LSR and their associated parameters

In addition, the network administrator can retrieve the status of cross-connect table entries that associate MPLS segments with each other.

The figure below shows the association of the cross-connect table with incoming and outgoing segments (labels).

Figure 28: Label Forwarding with the Cross-Connect Table



Note The out-segment table does not display “no label” entries. Labels that are displayed as “POP” are the special MPLS label 3.

The notation used in the MPLS-LSR-STD-MIB follows the conventions defined in Abstract System Notation One (ASN.1). ASN.1 defines an Open Systems Interconnection (OSI) language used to describe data types independently from particular computer structures and presentation techniques. Each object in the MIB incorporates a DESCRIPTION field that includes an explanation of the object’s meaning and usage, which, together with the other characteristics of the object (SYNTAX, MAX-ACCESS, and INDEX) provides sufficient information for management application development, as well as for documentation and testing.

The MPLS-LSR-STD-MIB represents an ASN.1 notation that represents an idealized MPLS LSR.

A network administrator can access the entries (objects) in the MPLS-LSR-STD-MIB by means of any SNMP-based network management system (NMS). The network administrator can retrieve information in the MPLS-LSR-STD-MIB using standard SNMP **get** and **getnext** commands.

Typically, SNMP runs as a low-priority process. The response time for the MPLS-LSR-STD-MIB is expected to be similar to that for other MIBs. The size and structure of the MIB and other MIBs in the system influence response time when you retrieve information from the management database. Traffic through the LSR also affects SNMP performance. The busier the switch is with forwarding activities, the greater the possibility of lower SNMP performance.

MPLS-LSR-STD-MIB Elements

The top-level components of the MPLS-LSR-STD-MIB are:

- Tables and scalars (mplsLsrObjects)
- Notifications (mplsLsrNotifications)
- Conformance (mplsLsrConformance)

Brief Description of MPLS-LSR-STD-MIB Tables

This section lists and briefly describes of the main and supplementary tables in the MPLS-LSR-STD-MIB.

The Cisco implementation of the MPLS-LSR-STD-MIB supports four main tables:

- MPLS interface table (mplsInterfaceTable)—Contains entries for all MPLS-capable interfaces on the LSR.
- MPLS in-segment table (mplsInSegmentTable)—Contains a description of incoming labels on the LSR.
- Mpls out-segment table (mplsOutSegmentTable)—Contains a description of outgoing labels on the LSR.
- MPLS cross-connect table (mplsXCTable)—Contains the connections between the in-segments and out-segments on the LSR. A single cross-connect entry is equivalent to a single entry in the Label Forwarding Information Base (LFIB), showing an in-label being switched to an out-label. A cross-connect entry can exist where no corresponding in-segment exists. For example, only the outgoing label exists at the head end of a traffic engineering (TE) tunnel.

Three tables manage labels, the MPLS in-segment table, the MPLS out-segment table, and the MPLS cross-connect tables.

The MIB contains three supplementary tables to supply performance information:

- MPLS interface performance table (mplsInterfacePerfTable)—Augments the MPLS interface table. Provides objects to measure performance for MPLS-capable interfaces on the LSR.
- MPLS in-segment performance table (mplsInSegmentPerfTable)—Augments the MPLS in-segment table. Provides performance information and counters for incoming segments on the LSR.
- MPLS out-segment performance table (mplsOutSegmentPerfTable)—Augments the MPLS out-segment table. Provides performance information and counters for outgoing segments on the LSR.

MPLS LSR Information Available Through the MPLS-LSR-STD-MIB

You can use SNMP **get** and **getNext** commands to gather label switching information for an MPLS LSR available through the MPLS-LSR-STD-MIB tables. This section describes the MPLS LSR information available from each table:

MPLS Interface Table (mplsInterfaceTable)

The table below lists the MPLS LSR information and associated MIB objects provided by the MPLS interface table (mplsInterfaceTable).

Table 50: MPLS Interface Table—MPLS LSR Information and Associated MIB Object

MPLS LSR Information	MIB Object
Minimum value for an MPLS label that can be received on the interface	mplsInterfaceLabelMinIn

MPLS LSR Information	MIB Object
Maximum value for an MPLS label that can be received on the interface	mplsInterfaceLabelMaxIn
A unique MPLS-enabled interface index or 0	mplsInterfaceIndex
Minimum value for an MPLS label that the LSR can send from the interface	mplsInterfaceLabelMinOut
Maximum value for an MPLS label that the LSR can send from the interface	mplsInterfaceLabelMaxOut
Per platform (0) or per interface (1) setting	mplsInterfaceLabelParticipationType

The following MIB objects and associated MPLS LSR information from the MPLS interface table are not supported:

- mplsInterfaceTotalBandwidth—The total usable bandwidth on the interface.
- mplsInterfaceAvailableBandwidth—The difference between the total usable bandwidth and the bandwidth in use.

MPLS Interface Performance Table (mplsInterfacePerfTable)

The table below lists the MPLS LSR information and associated MIB objects provided by the MPLS interface performance table (mplsInterfacePerfTable).

Table 51: MPLS Interface Performance Table—MPLS LSR Information and Associated MIB Object

MPLS LSR Information	MIB Object
Number of labels in the incoming direction in use	mplsInterfacePerfInLabelsInUse
Number of top-most labels in outgoing label stacks in use	mplsInterfacePerfOutLabelsInUse

The following MIB objects and associated MPLS LSR information from the MPLS interface performance table are not supported:

- mplsInterfacePerfInLabelLookupFailures—The number of labeled packets discarded because no cross-connect entries exist.
- mplsInterfacePerfOutFragmentedPkts—The number of outgoing MPLS packets requiring fragmentation for transmission.

MPLS In-Segment Table (mplsInSegmentTable)

The table below lists the MPLS LSR information and associated MIB objects provided by the MPLS in-segment table (mplsInSegmentTable).

Table 52: MPLS In-Segment Table—MPLS LSR Information and Associated MIB Object

MPLS LSR Information	MIB Object
Unique index identifier	mplsInSegmentIndex
Interface index for the incoming MPLS interface	mplsInSegmentInterface
Incoming label	mplsInSegmentLabel
Pointer to an external table containing the label, if not represented fully in the mplsInSegmentLabel object	mplsInSegmentLabelPtr
Number of labels to pop (remove) from the incoming segment	mplsInSegmentNPop
An address family number from the Internet Assigned Number Authority (IANA)	mplsInSegmentAddrFamily
Segment cross-connect entry association	mplsInSegmentXCIndex
Segment owner	mplsInSegmentOwner
Status of the table row	mplsInSegmentRowStatus
Storage type	mplsInSegmentStorageType

The following MIB object and associated MPLS LSR information from the MPLS in-segment table is not supported:

- mplsInSegmentTrafficParamPtr—A pointer to a traffic parameter table entry (set to the default 0.0).

MPLS In-Segment Performance Table (mplsInSegmentPerfTable)

The table below lists the MPLS LSR information and associated MIB objects provided by the MPLS in-segment performance table (mplsInSegmentPerfTable).

Table 53: MPLS In-Segment Performance Table—MPLS LSR Information and Associated MIB Object

MPLS LSR Information	MIB Object
Number of 32-bit octets received	mplsInSegmentPerfOctets

MPLS LSR Information	MIB Object
Number of 64-bit octets received	mplsInSegmentPerfHOctets
Total number of packets received	mplsInSegmentPerfPackets
Number of packets with errors	mplsInSdegmentPerfErrors
Time of the last system failure that corresponded to one or more incoming segment discontinuities	mplsInSegmentPerfDiscontinuityTime

The following MIB object and associated MPLS LSR information from the MPLS in-segment performance table is not supported:

- mplsInSegmentPerfDiscards—The number of labeled packets discarded with no errors.

MPLS Out-Segment Table (mplsOutSegmentTable)

The table below lists the MPLS LSR information and associated MIB objects provided by the MPLS out-segment table (mplsOutSegmentTable).

Table 54: MPLS Out-Segment Table—MPLS LSR Information and Associated MIBObject

MPLS LSR Information	MIB Object
Unique index identifier	mplsOutSegmentIndex
Interface index of the outgoing interface	mplsOutSegmentInterface
Indication of whether a top label is pushed onto the outgoing packet's label stack	mplsOutSegmentPushToptLabel
Label to push onto the outgoing packet's label stack (if the mplsOutSegmentPushToptLabel is true)	mplsOutSegmentToptLabel
Pointer to an external table containing the label, if not represented fully in the mplsOutSegmentTopLabel object (set to the default 0.0)	mplsOutSegmentTopLabelPtr
Next-hop Internet address type (unknown [0], ipv4 [1], ipv6 [2])	mplsOutSegmentNextHopAddrType
Internet address of the next hop	mplsOutSegmentNextHopAddr
Segment cross-connect entry association	mplsOutSegmentXCIndex
Segment owner	mplsOutSegmentOwner
Status of the table row	mplsOutSegmentRowStatus

MPLS LSR Information	MIB Object
Storage type	mplsOutSegmentStorageType

The following MIB object and associated MPLS LSR information from the8—A pointer to a traffic parameter table entry (set to the default 0.0).

MPLS Out-Segment Performance Table (mplsOutSegmentPerfTable)

The table below lists the MPLS LSR information and associated MIB objects provided by the MPLS out-segment performance table (mplsOutSegmentPerfTable).

Table 55: MPLS Out-Segment Performance Table—MPLS LSR Information and Associated MIB Object

MPLS LSR Information	MIB Object
Number of 32-bit octets sent	mplsOutSegmentPerfOctets
Total number of packets sent	mplsOutSegmentPerfPackets
Number of packets that could not be sent because of errors	mplsOutSegmentPerfErrors
Number of 64-bit octets sent	mplsOutSegmentPerfHOctets
The time of the last system failure that corresponded to one or more outgoing segment discontinuities	mplsOutSegmentPerfDiscontinuityTime

The following MIB object and associated MPLS LSR information from the MPLS out-segment performance table is not supported:

- mplsOutSegmentPerfDiscards—The number of packets discarded with no errors.

MPLS Cross-Connect Table (mplsXCTable)

The table below lists the MPLS LSR information and associated MIB objects provided by the MPLS cross-connect table (mplsXCTable).

Table 56: MPLS Cross-Connect Table—MPLS LSR Information and Associated MIB Object

MPLS LSR Information	MIB Object
Unique index identifier for a group of cross-connect segments.	mplsXCIndex
In-segment label index.	mplsXCInSegmentIndex

MPLS LSR Information	MIB Object
Out-segment index.	mplsXCOutSegmentIndex
Label switched path (LSP) to which the cross-connect entry belongs. When using mplsXCLspId to poll a device that has MPLS-TE enabled, all zeros will be returned for the prefix.	mplsXCLspId
Index to the MPLS label stack table that identifies the stack of labels to be pushed under the top label.	mplsXCLabelStackIndex
Cross-connect owner.	mplsXCOwner
Status of table row.	mplsXCRowStatus
Storage type.	mplsXCStorageType
Administrative status (if up).	mplsXCAdminStatus
Operational status (if up).	mplsXCOperStatus

**Note**

The administrative status and operational status are always up in the Cisco implementation. Otherwise, these status entries do not appear in the table.

MPLS Label Stack Table (mplsLabelStackTable)

The table below lists the MPLS LSR information and associated MIB objects provided by the MPLS label stack table (mplsLabelStackTable).

Table 57: MPLS Label Stack Table—MPLS LSR Information and Associated MIB Object

MPLS LSR Information	MIB Object
Primary index for a stack of labels to be pushed on an outgoing packet	mplsLabelStackIndex
Secondary index identifying one label of the stack	mplsLabelStackLabelIndex
Label to be pushed	mplsLabelStackLabel
Pointer to an external table containing the label, if not represented fully in the mplsLabelStackLabel object	mplsLabelStackLabelPtr
Status of the table row	mplsLabelStackRowStatus

MPLS LSR Information	MIB Object
Storage type	mplsLabelStackStorageType

MPLS In-Segment Map Table (mplsInSegmentMapTable)

The table below lists the MPLS LSR information and associated MIB objects provided by the MPLS in-segment map table.

Table 58: MPLS In-Segment Map Table—MPLS LSR Information and Associated MIB Object

MPLS LSR Information	MIB Object
Index containing the same value as the mplsInSegmentInterface in the MPLS in-segment table	mplsInSegmentMapInterface
Index containing the same value as the mplsInSegmentLabel in the MPLS in-segment table	mplsInSegmentMapLabel
Pointer to an external table containing the label, if the label for the in-segment cannot be represented fully in the mplsInSegmentLabel object	mplsInSegmentMapLabelPtrIndex
The mplsInSegmentIndex that corresponds to the mplsInSegmentInterface and mplsInSegmentLabel objects or the mplsInSegmentInterface and mplsInSegmentLabelPtr objects	mplsInSegmentMapIndex

Information from MPLS-LSR-STD-MIB Scalar Objects

The MPLS-LSR-STD-MIB supports several scalar objects. In the Cisco implementation of the MIB for Cisco IOS Releases 12.2(33)SRB and 12.2(33)SB, the following scalar objects are hard-coded to the value indicated and are read-only objects. This symbol (“ ”) indicates an empty string.

- mplsInSegmentIndexNext (“ ”)—The value for the in-segment index when the LSR creates an entry in the MPLS in-segment table. The “ ” indicates that this is not implemented because modifications to this table are not allowed.
- mplsOutSegmentIndexNext (“ ”)—The value for the out-segment index when an LSR creates a new entry in the MPLS out-segment table. The “ ” indicates that this is not implemented because modifications to this table are not allowed.
- mplsXCTIndexNext (“ ”)—The value for the cross-connect index when an LSR creates an entry in the MPLS cross-connect table. The “ ” indicates that no unassigned values are available.
- mplsMaxLabelStackDepth (6)—The value for the maximum stack depth.

- `mplsLabelStackIndexNext` (“ ”)—The value for the label stack index when an LSR creates entries in the MPLS label stack table. The “ ” indicates that no unassigned values are available.
- `mplsXCNotificationEnable` (false)—Cross-connect notifications are not sent when this value is false.

The following notifications are not supported:

- `mplsXCUp`
- `mplsXCDown`

MPLS-LSR-STD-MIB Indexing—Linking Table Elements

In the MPLS cross-connect table, cross-connect entries associate incoming segments with outgoing segments. The following objects index the cross-connect entry:

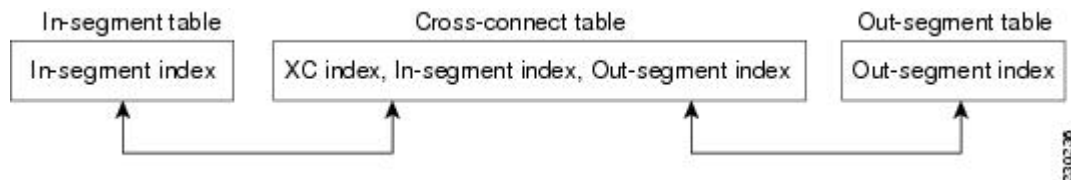
- Cross-connect index (`mplsXCIndex`)—A unique identifier for a group of cross-connect entries in the cross-connect table.
- In-segment index (`mplsXCInSegmentIndex`)—The value of this object is the same value as for the `mplsInSegmentIndex` in the in-segment table.

The in-segment table (`mplsInSegmentTable`) is indexed by the incoming label. The `mplsInSegmentIndex` is a 4-byte octet string containing the local label.

- Out-segment index (`mplsXCOutSegmentIndex`)—The value of this object is the same value as for the `mplsOutSegmentIndex` in the out-segment table.

The following figure shows the relationship among the indexes of the `mplsInSegmentTable`, the `mplsXCTable`, and the `mplsOutSegmentTable`.

Figure 29: MPLS-LSR-STD-MIB Indexing



The `mplsInSegmentIndex`, `mplsXCIndex`, and `mplsOutSegmentIndex` values are defined as an `MplsIndexType`, which is a variable-length octet string that can be used to specify an interface index, a physical card or device, or an application ID.

MPLS In-Segment Table Index

The `mplsInSegmentIndex` is a 4-byte octet string containing the local label.

MPLS Cross-Connect Table Index

The `mplsXCIndex` is a variable-length octet string, the size of which depends on the application type that is represented and the amount of information needed to represent the label for that application type. The application type is based on a forwarding path identifier (FPI) type that is supported by the MFI. The Cisco implementation

of the MPLS-LSR-STD-MIB for Cisco IOS Release xx.x(x)X supports the following FPI types: LABEL, TE, and IPV4.

The figure below shows how the MPLS-LSR-STD-MIB represents the application types for the cross-connect `mplsXCIndex` object.

Figure 30: MPLS-LSR-STD-MIB Application Type Representation for `mplsXCIndex` Object

Legend:

▬ = 1 Byte

FPI - refers to the forwarding path identifier type

LABEL (Length = 5 Bytes) (FPI = 0):

<-FPI-><-----Label----->



TE (Length = 5 Bytes) (FPI = 1):

<-FPI-><-----TE id ----->



IPv4 (Length = 6 Bytes) (FPI = 2):

<-FPI-><-----Prefix-----><mask->



330337

MPLS Out-Segment Table Index

The `mplsOutSegmentIndex` is a variable-length octet string. The description of this index is identical to that of the `mplsXCIndex` except the `mplsOutSegmentIndex` is two bytes longer in length. The last two bytes in the out-segment index contains the MPLS output information (MOI) list index.

Interface Configuration Table and Interface MIB Links

The MPLS interface configuration table lists interfaces that support MPLS technology. An LSR creates an entry dynamically in this table for each MPLS-capable interface. An interface becomes MPLS-capable when MPLS is enabled on that interface. A nonzero index for an entry in this table points to the `ifIndex` for the corresponding interface entry in the MPLS-layer in the `ifTable` of the Interfaces Group MIB.

The `ifTable` contains information on each interface in the network. Its definition of an interface includes any sublayers of the internetwork layer of the interface. MPLS interfaces fit into this definition of an interface. Therefore, each MPLS-enabled interface is represented by an entry in the `ifTable`.

The interrelation of entries in the ifTable is defined by the interfaces stack group of the Interfaces Group MIB. The figure below shows how the stack table might appear for MPLS interfaces. The underlying layer refers to any interface that is defined for MPLS internetworking, for example, ATM, Frame Relay, or Ethernet.

Figure 31: Interface Group MIB Stack Table for MPLS Interfaces

MPLS-interface ifType = mpls(166)	6123
Underlying Layer . . .	



Note

Tunnel interfaces are included in the MPLS list for the current implementation.

MPLS-LSR-STD-MIB Structure

MIB structure is represented by a tree hierarchy. Branches along the tree have short text strings and integers to identify them. Text strings describe object names, and integers allow computer software to encode compact representations of the names.

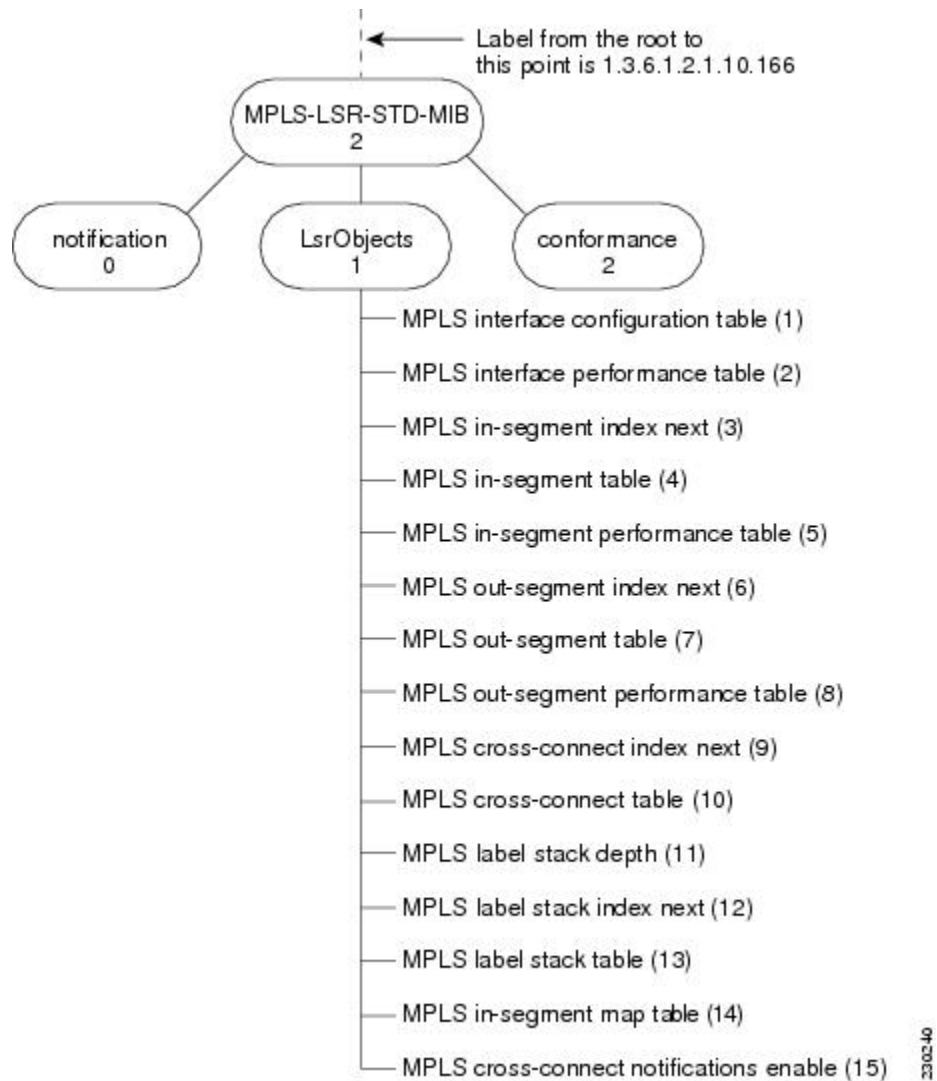
The MPLS-LSR-STD-MIB falls on the branch of the Internet MIB hierarchy represented by the object identifier 1.3.6.1.2.1.10.166. This branch can also be represented by its object name iso.org.dod.internet.mgmt.mib-2.transmission.mplsStdMIB. The MPLS-LSR-STD-MIB is identified by the object name mplsLsrStdMIB, which is denoted by the number 2. Therefore, objects in the MPLS-LSR-MIB can be identified in either of the following ways:

- The object identifier—1.3.6.1.2.1.10.166.2.[MIB-variable]
- The object name—
iso.org.dod.internet.mgmt.mib-2.transmission.mplsStdMIB.mplsLsrStdMIB.[MIB-variable]

To display a MIB-variable, you enter an SNMP **get** command with an object identifier. Object identifiers are defined by the MPLS-LSR-STD-MIB.

The figure below shows the position of the MPLS-LSR-STD-MIB in the Internet MIB hierarchy.

Figure 32: MPLS-LSR-STD-MIB in the Internet MIB Hierarchy



CLI Commands and the MPLS-LSR-MIB

The MPLS LFIB is the component of the Cisco MPLS subsystem that contains management information for LSRs. You can access this management information by means of either of the following:

- Using the **show mpls forwarding-table** CLI command
- Entering SNMP **get** commands on a network manager

The following examples show how you can gather LSR management information using both methods.


```

mplsOutSegmentTopLabel.8.2.10.0.0.1.32.0.1 = 17
mplsOutSegmentTopLabel.8.2.10.0.0.3.32.0.1 = 3
mplsOutSegmentTopLabel.8.2.10.30.0.16.0.1 = 3

```

- Out-segment's interface (mplsOutSegmentInterface)

```

mplsOutSegmentInterface.7.0.0.0.0.0.0.1 = 0
mplsOutSegmentInterface.7.0.0.0.0.2.0.1 = 0
mplsOutSegmentInterface.7.0.0.0.0.16.0.1 = 0
mplsOutSegmentInterface.7.0.0.0.0.17.0.1 = 55
mplsOutSegmentInterface.7.0.0.0.0.18.0.1 = 55
mplsOutSegmentInterface.7.0.0.0.0.19.0.1 = 55
mplsOutSegmentInterface.8.2.10.0.0.1.32.0.1 = 55
mplsOutSegmentInterface.8.2.10.0.0.3.32.0.1 = 55
mplsOutSegmentInterface.8.2.10.30.0.16.0.1 = 55

```

For more information on how to read the indexing for MPLS-LSR-STD-MIB objects, see the [MPLS-LSR-STD-MIB Indexing—Linking Table Elements](#), on page 254.

VPN Aware LSR MIB

Cisco IOS Releases 12.2(33)SRB and 12.2(33)SB include the VPN Aware LSR MIB feature that enables the MPLS-LSR-STD-MIB to get VPN context information. This feature adds support for different contexts for different MPLS VPNs. Users of the MIB can display per-VPN entries in the MPLS-LSR-STD-MIB tables. The VPN Aware LSR MIB feature does not change the syntax of the MPLS-LSR-STD-MIB. It changes the number and types of entries within the tables.

The MPLS-LSR-STD-MIB can show information about only one context at a time. You can specify either a global context or an MPLS VPN context using an SNMP security name. The security name must match the SNMP community name when an SNMP request is performed on a MIB entry.

SNMP Contexts

SNMP contexts provide VPN users with a secure way of accessing MIB data. When a VPN is associated with a context, that VPN's specific MIB data exists in that context. Associating a VPN with a context enables service providers to manage networks with multiple VPNs. Creating and associating a context with a VPN enables a provider to prevent the users of one VPN from accessing information about users of other VPNs on the same networking device.

VPN-aware SNMP requires that SNMP manager and agent entities operating in a VPN environment agree on mapping between the SNMP security name and the VPN name. This mapping is created by you using different contexts for the SNMP data of different VPNs, which is accomplished through the configuration of the SNMP View-based Access Control Model MIB (SNMP-VACM-MIB). The SNMP-VACM-MIB is configured with views so that a user on a VPN with a security name is allowed access to the restricted object space within the context of only that VPN.

SNMP request messages undergo three phases of security and access control before a response message is sent back with the object values within a VPN context:

- The first security phase is authentication of the username. During this phase, the user is authorized for SNMP access.
- The second phase is access control. During this phase, the user is authorized for SNMP access to the group objects in the requested SNMP context.
- In the third phase, the user can access a particular instance of a table entry. With this third phase, complete retrieval can be based on the SNMP context name.

IP access lists can be configured and associated with SNMP community strings. This feature enables you to configure an association between VRF instances and SNMP community strings. When a VRF instance is associated with an SNMP community string, SNMP processes requests coming in for a particular community string only if they are received from the configured VRF. If the community string contained in the incoming packet has no VRF associated with it, it is processed only if it came in through a non-VRF interface.

Major Differences Between the MPLS-LSR-STD-MIB and the MPLS-LSR-MIB

The MPLS-LSR-STD-MIB based on RFC 3813 provides the same basic functionality as the MPLS-LSR-MIB based on Version 05 of the IETF MPLS-LSR-MIB. They both provides an interface for managing label switching through the use of SNMP.

After the implementation of the MPLS-LSR-STD-MIB (RFC 3813) in Cisco IOS Releases 12.2(33)SRB and 12.2(33)SRB, the MPLS-LSR-MIB will exist for a period of time before support is completely removed. This gives you the chance to migrate to the MPLS-LSR-STD-MIB. Both MIBs can coexist in the same image because the MPLS-LSR-STD-MIB and the MPLS-LSR-MIB have different root object identifiers (OIDs).

The following sections contain information about the major differences between the MPLS-LSR-STD-MIB and the MPLS-LSR-MIB:

MPLS-LSR-MIB and the MPLS-LSR-STD-MIB Scalar Object Differences

The table below shows the major difference between the MPLS-LSR-MIB objects and the MPLS-LSR-STD-MIB objects for each scalar object.

Table 59: Scalar Objects: MPLS-LSR-MIB and MPLS-LSR-STD-MIB Object Differences

MPLS-LSR-MIB Object	MPLS-LSR-STD-MIB Object	Difference
mplsTrafficParamIndexNext	—	Object deleted.
mplsInSegmentTrapEnable	—	Object deleted.
mplsOutSegmentTrapEnable	—	Object deleted.
—	mplsInSegmentIndexNext	New object.
mplsOutSegmentIndexNext	mplsOutSegmentIndexNext	Syntax change. Formerly integer 32, now is MplsIndexType, which is an octet string.
mplsXCIndexNext	mplsXCIndexNext	Syntax change. Formerly integer 32, now is MplsIndexType, which is an octet string.

MPLS-LSR-MIB and the MPLS-LSR-STD-MIB Table Object Differences

The following tables show the major differences between the MPLS-LSR-MIB and the MPLS-LSR-STD-MIB for each table.

MPLS Interface Table (mplsInterfaceTable) Differences

The table below shows the difference between MPLS-LSR-MIB and MPLS-LSR-STD-MIB objects for the MPLS interface table (mplsInterfaceTable), formerly called the MPLS interface configuration table (mplsInterfaceConfTable).

Table 60: MPLS Interface Table: MPLS-LSR-MIB and MPLS-LSR-STD-MIB Object Differences

MPLS-LSR-MIB Object	MPLS-LSR-STD-MIB Object	Difference
mplsInterfaceTotalBuffer	—	Object deleted.
mplsInterfaceAvailableBuffer	—	Object deleted.
mplsInterfaceConfStorageType	—	Object deleted.
mplsInterfaceConfIndex	mplsInterfaceIndex	Object name changed.

MPLS Interface Performance Table (mplsInterfacePerfTable) Differences

The table below shows the major difference between MPLS-LSR-MIB and MPLS-LSR-STD-MIB objects for the MPLS interface performance table (mplsInterfacePerfTable).

Table 61: MPLS Interface Performance Table: MPLS-LSR-MIB and MPLS-LSR-STD-MIB Object Differences

MPLS-LSR-MIB Object	MPLS-LSR-STD-MIB Object	Difference
mplsInterfaceInPackets	—	Object deleted.
mplsInterfaceInDiscards	—	Object deleted.
mplsInterfaceInLabelsUsed	mplsInterfacePerfInLabelsInUse	Object name changed.
mplsInterfaceFailedLabelLookup	mplsInterfacePerfInLabelLookupFailures	Object name changed.
mplsInterfaceOutPackets	—	Object deleted.
mplsInterfaceOutDiscard	—	Object deleted.
mplsInterfaceOutLabelsUsed	mplsInterfacePerfOutLabelsInUse	Object name changed.
mplsInterfaceOutFragments	mplsInterfacePerfOutFragmentedPkts	Object name changed.

MPLS In-Segment Table (mplsInSegmentTable) Differences

The table below shows the major difference between MPLS-LSR-MIB and MPLS-LSR-STD-MIB objects for the MPLS in-segment table (mplsInSegmentTable).

Table 62: MPLS In-Segment Table: MPLS-LSR-MIB and MPLS-LSR-STD-MIB Object Differences

MPLS-LSR-MIB Object	MPLS-LSR-STD-MIB Object	Difference
mplsInSegmentAdminStatus	—	Object deleted.
mplsInSegmentOperStatus	—	Object deleted.
mplsInSegmentIfIndex	mplsInSegmentInterface	Object name changed. Formerly not accessible (was used as index into the table). Now it is an object in the table.
—	mplsInSegmentIndex	New object. Used as an index into the table.
—	mplsInSegmentLabelPtr	New object.
mplsInSegmentLabel	mplsInSegmentLabel	Formerly not accessible (was used as index into the table). Now it is an object in the table.
mplsInSegmentXCIndex	mplsInSegmentXCIndex	Syntax change. Formerly Integer32, now MplsIndextype, which is an Octet String.

MPLS In-Segment Performance Table (mplsInSegmentPerfTable) Differences

The table below shows the major difference between MPLS-LSR-MIB and MPLS-LSR-STD-MIB objects for the MPLS in-segment performance table (mplsInSegmentPerfTable).

Table 63: MPLS In-Segment Performance Table: MPLS-LSR-MIB and MPLS-LSR-STD-MIB Object Differences

MPLS-LSR-MIB Object	MPLS-LSR-STD-MIB Object	Difference
mplsInSegmentOctets	mplsInSegmentPerfOctets	Object name changed.
mplsInSegmentPackets	mplsInSegmentPerfPackets	Object name changed.
mplsInSegmentErrors	mplsInSegmentPerfErrors	Object name changed.
mplsInSegmentDiscards	mplsInSegmentPerfDiscards	Object name changed.
mplsInSegmentHCOctets	mplsInSegmentPerfHCOctets	Object name changed.

MPLS Out-Segment Table (mplsOutSegmentTable) Differences

The table below shows the major difference between MPLS-LSR-MIB and MPLS-LSR-STD-MIB objects for the MPLS out-segment table (mplsOutSegmentTable).

Table 64: MPLS Out-Segment Table: MPLS-LSR-MIB and MPLS-LSR-STD-MIB Object Differences

MPLS-LSR-MIB Object	MPLS-LSR-STD-MIB Object	Difference
mplsOutSegmentAdminStatus	—	Object deleted.
mplsOutSegmentOperStatus	—	Object deleted.
mplsOutSegmentIndex	mplsOutSegmentIndex	Syntax changed. Formerly Integer32, now MplsIndexType, which is an octet string.
mplsOutSegmentIfIndex	mplsOutSegmentInterface	Object name changed.
—	mplsOutSgementTopLabelPtr	New object.
mplsOutSegmentNextHopIpAddrType	mplsOutSegmentNextHopAddrType	Object name changed.
mplsOutSegmentNextHopIpv4Addr mplsOutSegmentNextHopIpv6Addr	mplsOutSegmentNextHopAddr	Formerly two objects, now one object with the syntax of InetAddress.
mplsOutSegmentXCIndex	mplsOutSegmentXCIndex	Syntax changed. Formerly Integer32, now MplsIndexType, which is an octet string.

MPLS Out-Segment Performance Table (mplsOutSegmentPerfTable) Differences

The table below shows the major difference between MPLS-LSR-MIB and MPLS-LSR-STD-MIB objects for the MPLS out-segment performance table (mplsOutSegmentPerfTable).

Table 65: MPLS Out-Segment Performance Table: MPLS-LSR-MIB and MPLS-LSR-STD-MIB Object Differences

MPLS-LSR-MIB Object	MPLS-LSR-STD-MIB Object	Difference
mplsOutSegmentOctets	mplsOutSegmentPerfOctets	Object name changed.
mplsOutSegmentPackets	mplsOutSegmentPerfPackets	Object name changed.
mplsOutSegmentErrors	mplsOutSegmentPerfErrors	Object name changed.
mplsOutSegmentDiscards	mplsOutSegmentPerfDiscards	Object name changed.
mplsOutSegmentHCOctets	mplsOutSegmentPerfHCOctets	Object name changed.

MPLS Cross-Connect Table (mplsXCTable) Differences

The table below shows the major difference between MPLS-LSR-MIB and MPLS-LSR-STD-MIB objects for the MPLS cross-connect table (mplsXCTable).

Table 66: MPLS Cross-Connect Table: MPLS-LSR-MIB and MPLS-LSR-STD-MIB Object Differences

MPLS-LSR-MIB Object	MPLS-LSR-STD-MIB Object	Difference
mplsXCIsPersistent	—	Object deleted.
mplsXCIndex	mplsXCIndex	Syntax changed. Formerly Integer32, now MplsIndexType, which is an octet string.
—	mplsXCInSegmentIndex	New object, an index into the mplsXCTable.
—	mplsXCOutSegmentIndex	New object, an index into the mplsXCTable.
mplsXCLabelStackIndex	mplsXCLabelStackIndex	Syntax changed. Formerly Integer32, now MplsIndexType, which is an octet string.

MPLS Label Stack Table (mplsLabelStackTable) Differences

The table below shows the major difference between MPLS-LSR-MIB and MPLS-LSR-STD-MIB objects for the MPLS label stack table (mplsLabelStackTable).

Table 67: MPLS Label Stack Table: MPLS-LSR-MIB and MPLS-LSR-STD-MIB Object Differences

MPLS-LSR-MIB Object	MPLS-LSR-STD-MIB Object	Difference
mplsLabelStackIndex	mplsLabelStackIndex	Syntax changed. Formerly Integer32, now MplsIndexType, which is an octet string.
—	mplsLabelStackLabelPtr	New object.

MPLS In-Segment Map Table (mplsInSegmentMapTable) Differences

The table below shows the major difference between MPLS-LSR-MIB and MPLS-LSR-STD-MIB objects for the MPLS in-segment map table (mplsInSegmentMapTable). The MPLS in-segment map table is a new table introduced with the MPLS-LSR-STD-MIB.

Table 68: MPLS In-Segment Map Table: MPLS-LSR-MIB and MPLS-LSR-STD-MIB Object Differences

MPLS-LSR-MIB Object	MPLS-LSR-STD-MIB Object	Difference
—	mplsInSegmentMapInterface	New object.
—	mplsInSegmentMapLabel	New object.

MPLS-LSR-MIB Object	MPLS-LSR-STD-MIB Object	Difference
—	mplsInSegmentMapLabelPtrIndex	New object.
—	mplsInSegmentMapIndex	New object.

MPLS Traffic Parameters Table (mplsTrafficParamTable) Differences

The MPLS traffic parameters table was not supported in Cisco IOS implementation of MPLS-LSR-MIB. It has been removed from the MPLS-LSR-STD-MIB.

MPLS-LSR-MIB and MPLS-LSR-STD-MIB Notification Differences

The table below shows the difference between MPLS-LSR-MIB and MPLS-LSR-STD-MIB notifications.

Table 69: MPLS-LSR-MIB and MPLS-LSR-STD-MIB Notification Differences

MPLS-LSR-MIB Notification	MPLS-LSR-STD-MIB Notification	Difference
mplsInSegmentUp	—	Object deleted.
mplsInSegmentDown	—	Object deleted.
mplsOutSegmentUp	—	Object deleted.
mplsOutSegmentDown	—	Object deleted.
mplsXCUp	mplsXCUp	Returned objects changed.
mplsXCDown	mplsXCDown	Returned objects changed.

The following notifications were not supported for MPLS-LSR-MIB and are not supported for the MPLS-LSR-STD-MIB in Cisco IOS Releases 12.2(33)SRB and 12.3(33)SB):

- mplsXCUp
- mplsXCDown



Note

For scalability reasons, none of the notifications were implemented in the Cisco IOS software from the MPLS-LSR-MIB. For the same reason, the notifications from the MPLS-LSR-STD-MIB are not implemented in Cisco IOS Releases 12.2(33)SRB and 12.2(33)SB.

MPLS-LSR-MIB and MPLS-LSR-STD-MIB Indexing Differences

One of the major differences between the MPLS-LSR-MIB and the MPLS-LSR-STD-MIB is the indexing used for the three main tables that manage labels for the MPLS LSR in the MPLS-LSR-MIB and the MPLS-LSR-STD-MIB: the MPLS in-segment table (mplsInSegmentTable), the MPLS cross-connect table (mplsXCTable), and the MPLS out-segment table (mplsOutSegmentTable).

All entries in each table are uniquely identified by one or more indexes. The indexes determine the order in which entries are displayed in a MIB walk.

The table below compares indexing characteristics of the draft Version 05 MPLS-LSR-MIB implementation with indexing characteristics of the MPLS-LSR-STD-MIB (RFC 3813) implementation.

Table 70: Comparison of Indexing Characteristics of the MPLS-LSR-MIB and the MPLS-LSR-STD-MIB

Object Compared	MPLS-LSR-MIB Draft Version 05 Implementation	MPLS-LSR-STD-MIB RFC 3813 Implementation
Index type definition	A 32-bit integer type is used to define the indexing into the tables that manage label switching in the MPLS LSR.	An octet string is used to define the indexing into the tables that manage label switching in the MPLS LSR.
MPLS in-segment table index	The MPLS in-segment table is indexed by the SNMP interface index (ifIndex) and the incoming label (mplsInSegmentLabel).	The MPLS in-segment table is indexed by the mplsInSegmentIndex. The mplsInSegmentIndex is a 4-byte octet string representing the local label (mplsInSegmentLabel).
MPLS cross-connect table index	The MPLS cross-connect table indexing has four indexes: mplsXCIndex, ifIndex, mplsInSegmentLabel, and mplsOutSegmentIndex. The SNMP interface index and incoming label are identical to the in-segment table. The mplsXCIndex and mplsOutSegmentIndex values are defined as arbitrary unsigned 32-bit quantities.	The MPLS cross-connect table indexing has three indexes: mplsXCIndex, mplsXCInSegmentIndex, and mplsXCOutSegmentIndex. The mplsXCInSegmentIndex is the same as the mplsInSegmentIndex in the in-segment table. The mplsXCOutSegmentIndex is the same as the mplsOutSegmentIndex in the out-segment table.
MPLS out-segment table index	The MPLS out-segment table is indexed by the mplsOutSegmentIndex, which corresponds to the mplsOutSegmentIndex used in the MPLS cross-connect table.	The MPLS out-segment table is indexed by the mplsOutSegmentIndex, which corresponds to the mplsXCIndex with the addition of two bytes that contain an MOI list index.

For more information about the relationship between the indexes for the MPLS-LSR-STD-MIB implementation, see the [MPLS-LSR-STD-MIB Indexing—Linking Table Elements](#), on page 254.

How to Configure SNMP for the MPLS EM—MPLS LSR MIB - RFC 3813

This section contains tasks to configure the MPLS EM—MPLS LSR MIB (RFC 3813) feature.

The SNMP agent for the MPLS-LSR-STD-MIB is disabled by default and must be enabled for you to use SNMP to monitor and manage the MPLS LSRs on your network. Perform these task to enable the SNMP Agent and verify that it is enabled:

Perform the following task to configure a VPN context for the MPLS-LSR-STD-MIB:

Prerequisites

The MPLS-LSR-STD-MIB requires the following:

- SNMP installed and enabled on the LSR
- MPLS enabled on the LSR
- MFI

Enabling the SNMP Agent

To enable the SNMP agent, perform the following task.

The SNMP agent for the MPLS-LSR-STD-MIB is disabled by default.

SUMMARY STEPS

1. **enable**
2. **show running-config**
3. **configure terminal**
4. **snmp-server community *string* [view *view-name*] [ro | rw] [ipv6 nacl] [*access-list-number*]**
5. **end**
6. **save running-config startup-config**

DETAILED STEPS

	Command or Action	Purpose
Step 1	enable Example: Router> enable	Enables privileged EXEC mode. <ul style="list-style-type: none"> • Enter your password if prompted.

	Command or Action	Purpose
Step 2	<p>show running-config</p> <p>Example:</p> <pre>Router# show running-config</pre>	<p>Displays the running configuration of the router to determine if an SNMP agent is already running on the device.</p> <p>If no SNMP information is displayed, continue with the next step.</p> <p>If any SNMP information is displayed, you can modify the information or change it as desired.</p>
Step 3	<p>configure terminal</p> <p>Example:</p> <pre>Router# configure terminal</pre>	<p>Enters global configuration mode.</p>
Step 4	<p>snmp-server community <i>string</i> [view <i>view-name</i>] [ro rw] [ipv6 nacl] [access-list-number]</p> <p>Example:</p> <pre>Router(config)# snmp-server community public ro</pre>	<p>Sets up the community access string to permit access to SNMP.</p> <ul style="list-style-type: none"> • The <i>string</i> argument is a community string that consists of from 1 to 32 alphanumeric characters and functions much like a password, permitting access to the SNMP protocol. Blank spaces are not permitted in the community string. • The view <i>view-name</i> keyword-argument pair is the name of a previously defined view. The view defines the objects available to the SNMP community. • The ro keyword specifies read-only access. Authorized management stations can retrieve only MIB objects. • The rw keyword specifies read-write access. Authorized management stations can retrieve and modify MIB objects. • The ipv6 nacl keywords specify the IPv6 named access list. • The <i>access-list-number</i> argument is an integer from 1 to 99. It specifies a standard access list of IP addresses or a string (not to exceed 64 characters) that is the name of a standard access list of IP addresses allowed access to the SNMP agent. <p>Alternatively, an integer from 1300 to 1999 that specifies a list of IP addresses in the expanded range of standard access list numbers. Devices at these addresses are allowed to use the community string to gain access to the SNMP agent.</p>
Step 5	<p>end</p> <p>Example:</p> <pre>Router(config)# end</pre>	<p>Exits to privileged EXEC mode.</p>
Step 6	<p>save running-config startup-config</p> <p>Example:</p> <pre>Router# save running-config startup-config</pre>	<p>Saves the modified SNMP configuration into NVRAM of the router, permanently saving the SNMP settings.</p>

Verifying That the SNMP Agent Is Enabled

To verify that the SNMP agent is enabled, perform the following task.

SUMMARY STEPS

1. **telnet** *device-ip-address*
2. **enable**
3. **show running-config**
4. **exit**

DETAILED STEPS

Step 1 **telnet** *device-ip-address*

Use this command to access the router through a Telnet session. For example:

Example:

```
Prompt> telnet 10.15.230.20
```

where 10.15.20.20 represents the IP address of the target device.

Step 2 **enable**

Use this command to enable privileged EXEC mode. Enter your password, if prompted. For example:

Example:

```
Router> enable  
Router#
```

Step 3 **show running-config**

Use this command to display the running configuration. Look for SNMP information. For example:

Example:

```
Router# show running-config  
.  
.  
.  
snmp-server community public RO
```

If you see any “snmp-server” statements, SNMP has been enabled on the router.

Step 4 **exit**

Use this command to exit privileged EXEC mode. For example:

Example:

```
Router# exit
Router>
```

Configuring a VPN-Aware LSR MIB

Configuring SNMP Support for a VPN

To configure SNMP support for a VPN (or a remote VPN), perform the following task. SNMP support for VPNs allows users of the MPLS-LSR-STD-MIB to display per-VPN entries in the MPLS-LSR-STD-MIB tables.

SUMMARY STEPS

1. **enable**
2. **configure terminal**
3. **snmp-server engineID remote** {*ipv4-address* | *ipv6-address*} [**udp-port** *udp-port-number*] [**vrf** *vrf-name*] *engineid-string*
4. **end**

DETAILED STEPS

	Command or Action	Purpose
Step 1	enable Example: Router> enable	Enables privileged EXEC mode. <ul style="list-style-type: none"> • Enter your password if prompted.
Step 2	configure terminal Example: Router# configure terminal	Enters global configuration mode.
Step 3	snmp-server engineID remote { <i>ipv4-address</i> <i>ipv6-address</i> } [udp-port <i>udp-port-number</i>] [vrf <i>vrf-name</i>] <i>engineid-string</i> Example: Router(config)# snmp-server engineID	Specifies the SNMP engine ID of a remote SNMP device. <ul style="list-style-type: none"> • The <i>ipv4-address</i> argument is the IPv4 address of the device that contains the remote copy of SNMP. • The <i>ipv6-address</i> argument is the IPv6 address of the device that contains the remote copy of SNMP.

	Command or Action	Purpose
	<pre>remote 172.16.20.3 vrf customer1 80000009030000B064EFE100</pre>	<ul style="list-style-type: none"> • The udp-port keyword specifies a User Datagram Protocol (UDP) port of the host to use. • The <i>udp-port-number</i> argument is the socket number on the remote device that contains the remote copy of SNMP. The default is 161. • The vrf keyword specifies an instance of a routing table. • The <i>vrf-name</i> argument is the name of the VRF table to use for storing data. • The <i>engineid-string</i> is a string of a maximum of 24 characters that identifies the engine ID.
Step 4	<p>end</p> <p>Example:</p> <pre>Router(config)# end</pre>	Exits to privileged EXEC mode.

What to Do Next

Proceed to the “ [Configuring an SNMP Context for a VPN](#), on page 271.

Configuring an SNMP Context for a VPN

To configure an SNMP context for a VPN, perform the following task. This sets up a unique SNMP context for a VPN that allows you to access the per-VPN entries in the VRF table.

SNMP Context

SNMP contexts provide VPN users with a secure way of accessing MIB data. When a VPN is associated with a context, that VPN’s specific MIB data exists in that context. Associating a VPN with a context enables service providers to manage networks with multiple VPNs. Creating and associating a context with a VPN enables a provider to prevent the users of one VPN from accessing information about users of other VPNs on the same networking device.

VPN Route Distinguishers

A route distinguisher (RD) creates routing and forwarding tables for a VPN. Cisco IOS software adds the RD to the beginning of the customer’s IPv4 prefixes to change them into globally unique VPN-IPv4 prefixes.

Either the RD is an autonomous system number (ASN)-relative RD, in which case it is composed of an autonomous system number and an arbitrary number, or it is an IP-address-relative RD, in which case it is composed of an IP address and an arbitrary number. You can enter an RD in either of these formats:

- 16-bit ASN: your 32-bit number, for example, 101:3.

- 32-bit IP address: your 16-bit number, for example, 192.168.122.15:1.

SUMMARY STEPS

1. **enable**
2. **configure terminal**
3. **snmp-server context** *context-name*
4. **ip vrf** *vrf-name*
5. **rd** *route-distinguisher*
6. **context** *context-name*
7. **route-target** {**import** | **export** | **both**} *route-target-ext-community*
8. **end**

DETAILED STEPS

	Command or Action	Purpose
Step 1	enable Example: Router> enable	Enables privileged EXEC mode. <ul style="list-style-type: none"> • Enter your password if prompted.
Step 2	configure terminal Example: Router# configure terminal	Enters global configuration mode.
Step 3	snmp-server context <i>context-name</i> Example: Router(config)# snmp-server context context-vpn1	Creates an SNMP context. <ul style="list-style-type: none"> • The <i>context-name</i> argument is the name of the SNMP context being created.
Step 4	ip vrf <i>vrf-name</i> Example: Router(config)# ip vrf customer1	Configures a VRF table and enters VRF configuration mode. <ul style="list-style-type: none"> • The <i>vrf-name</i> argument is the name assigned to a VRF.
Step 5	rd <i>route-distinguisher</i> Example: Router(config-vrf)# rd 100:1	Creates routing and forwarding tables for a VRF. <ul style="list-style-type: none"> • The <i>route-distinguisher</i> argument specifies to add an 8-byte value to an IPv4 prefix to create a VPN IPv4 prefix.
Step 6	context <i>context-name</i>	Associates an SNMP context with a particular VRF.

	Command or Action	Purpose
	<p>Example:</p> <pre>Router(config-vrf)# context context-vpn1</pre>	<ul style="list-style-type: none"> The <i>context-name</i> argument is the name of the SNMP VPN context, up to 32 characters.
Step 7	<p>route-target {import export both} <i>route-target-ext-community</i></p> <p>Example:</p> <pre>Router(config-vrf)# route-target export 100:1</pre>	<p>(Optional) Creates a route-target extended community for a VRF.</p> <ul style="list-style-type: none"> The import keyword specifies to import routing information from the target VPN extended community. The export keyword specifies to export routing information to the target VPN extended community. The both keyword specifies to import both import and export routing information to the target VPN extended community. The <i>route-target-ext-community</i> argument adds the route-target extended community attributes to the VRF's list of import, export, or both (import and export) route-target extended communities.
Step 8	<p>end</p> <p>Example:</p> <pre>Router(config-vrf)# end</pre>	Exits to privileged EXEC mode.

What to Do Next

Proceed to the [Configuring a VPN-Aware SNMP Context for SNMPv1 or SNMPv2](#), on page 273.

Configuring a VPN-Aware SNMP Context for SNMPv1 or SNMPv2

To configure a VPN-aware SNMP context for SNMPv1 or SNMPv2, perform the following task. This allows you to access per-VPN entries in the MPLS-LSR-STD-MIB tables using SNMPv1 or SNMPv2.

SNMPv1 or SNMPv2 Security

SNMPv1 and SNMPv2 are not as secure as SNMPv3. SNMP Versions 1 and 2 use plain text communities and do not perform the authentication or security checks that SNMP Version 3 performs.

To configure the VPN Aware LSR MIB feature when using SNMP Version 1 or SNMP Version 2, you need to associate a community name with a VPN. This association causes SNMP to process requests coming in for a particular community string only if they come in from the configured VRF. If the community string contained in the incoming packet does not have an associated VRF, the packet is processed only if it came in through a non-VRF interface. This process prevents users outside the VPN from using a clear text community string to query the VPN data. However, this is not as secure as using SNMPv3.

SUMMARY STEPS

1. **enable**
2. **configure terminal**
3. **snmp-server user** *username group-name* [**remote host** [**udp-port port**]] {**v1** | **v2c** | **v3** [**encrypted**] [**auth** {**md5** | **sha**} *auth-password*]} [**access access-list**]
4. **snmp-server group** *group-name* {**v1** | **v2c** | **v3**{**auth** | **noauth** | **priv**}} [**context context-name**] [**read readview**] [**write writeview**] [**notify notifyview**] [**access access-list**]
5. **snmp-server view** *view-name oid-tree* {**included** | **excluded**}
6. **snmp mib community-map** *community-name* [**context context-name**] [**engineid engine-id**] [**security-name security-name**] **target-list** *vpn-list-name*
7. **snmp mib target list** *vpn-list-name* {**vrf vrf-name** | **host ip-address**}
8. **end**

DETAILED STEPS

	Command or Action	Purpose
Step 1	enable Example: Router> enable	Enables privileged EXEC mode. <ul style="list-style-type: none"> • Enter your password if prompted.
Step 2	configure terminal Example: Router# configure terminal	Enters global configuration mode.
Step 3	snmp-server user <i>username group-name</i> [remote host [udp-port port]] { v1 v2c v3 [encrypted] [auth { md5 sha } <i>auth-password</i>]} [access access-list] Example: Router(config)# snmp-server user vrfcomm-vpn1 group-vpn1 v2c	Configures a new user to an SNMP group. <ul style="list-style-type: none"> • The <i>username</i> argument is the name of the user on the host that connects to the agent. • The <i>group-name</i> argument is the name of the group to which the user belongs. • The remote host keyword and argument specify a remote SNMP entity to which the user belongs, and the hostname or IPv6 address or IPv4 IP address of that entity. If both an IPv6 address and IPv4 IP address are being specified, the IPv6 host must be listed first. • The udp-port port keyword and argument specify the UDP port number of the remote host. The default is UDP port 162. • The vi keyword specifies that SNMPv1 should be used. • The v2c keyword specifies that SNMPv2c should be used. • The v3 keyword specifies that the SNMPv3 security model should be used. Allows the use of the encrypted and or auth keywords.

	Command or Action	Purpose
		<ul style="list-style-type: none"> • The encrypted keyword specifies whether the password appears in encrypted format (a series of digits, masking the true characters of the string). • The auth keyword specifies which authentication level should be used. • The md5 keyword is the HMAC-MD5-96 authentication level. • The sha keyword is the HMAC-SHA-96 authentication level. • The <i>auth-password</i> argument is a string (not to exceed 64 characters) that enables the agent to receive packets from the host. The minimum length for a password is one character. The recommended length of a password is at least eight characters, and should include both letters and numbers. • The access <i>access-list</i> keyword and argument specify an access list to be associated with this SNMP user.
Step 4	<p>snmp-server group <i>group-name</i> {v1 v2c v3{auth noauth priv}}</p> <p>[context <i>context-name</i>] [read <i>readview</i>] [write <i>writeview</i>] [notify <i>notifyview</i>] [access <i>access-list</i>]</p> <p>Example:</p> <pre>Router(config)# snmp-server group group-vpn1 v2c context context-vpn1 read view-vpn1 write view-vpn1 notify *tv.00000000.00040000.00000000.0 access context-vpn1</pre>	<p>Configures a new SNMP group or a table that maps SNMP users to SNMP views.</p> <ul style="list-style-type: none"> • The <i>group-name</i> argument is the name of the group. • The vi keyword specifies that SNMPv1 should be used for the group. • The v2c keyword specifies that SNMPv2c should be used for the group. The SNMPv2c security model allows for the transmission of informs, and supports 64-character strings (instead of 32-character strings). • The v3 keyword specifies that the SNMPv3 should be used for the group. SMNPv3 is the most secure of the supported security models, because it allows you to explicitly configure the authentication characteristics. • The auth keyword specifies authentication of a packet without encrypting it. • The noauth keyword specifies no authentication of a packet. • The priv keyword specifies authentication of a packet with encryption. • The context <i>context-name</i> keyword and argument associate the specified SNMP group with a configured SNMP context. • The read <i>readview</i> keyword and argument specify a read view for the SNMP group. The <i>readview</i> argument represents a string (not to exceed 64 characters) that is the name of the view that enables you to display only the contents of the agent. • The write <i>writeview</i> keyword and argument specify a write view for the SNMP group. The <i>writeview</i> argument represents a string (not to exceed 64 characters) that is the name of the view that enables you to enter data and configure the contents of the agent. • The notify <i>notifyview</i> keyword and argument specify a notify view for the SNMP group. The <i>writeview</i> argument represents a string (not to exceed 64 characters) that is the name of the view that enables you to specify a notify, inform, or trap.

	Command or Action	Purpose
		<ul style="list-style-type: none"> The access <i>access-list</i> keyword and argument specify a standard access list (a standard ACL) to associate with the group.
Step 5	snmp-server view <i>view-name oid-tree</i> {included excluded} Example: <pre>Router(config)# snmp-server view view-vpn1 iso included</pre>	<p>Creates or updates a view entry.</p> <ul style="list-style-type: none"> The <i>view-name</i> argument is the label for the view record that you are updating or creating. The name is used to reference the record. The <i>oid-tree</i> argument is the object identifier of the ASN.1 subtree to be included or excluded from the view. To identify the subtree, specify a text string consisting of numbers, such as 1.3.6.2.4, or a word, such as system. Replace a single subidentifier with the asterisk (*) wildcard to specify a subtree family; for example 1.3.*.4. The included keyword configures the OID (and subtree OIDs) specified in the <i>oid-tree</i> argument to be included in the SNMP view. The excluded keyword configures the OID (and subtree OIDs) specified in the <i>oid-tree</i> argument to be explicitly excluded from the SNMP view.
Step 6	snmp mib community-map <i>community-name</i> [context <i>context-name</i>] [engineid <i>engine-id</i>] [security-name <i>security-name</i>] target-list <i>vpn-list-name</i> Example: <pre>Router(config)# snmp mib community-map vrfcomm-vpn1 context context-vpn1 target-list targ-vpn1</pre>	<p>Associates an SNMP community with an SNMP context, Engine ID, or security name.</p> <ul style="list-style-type: none"> The <i>community-name</i> argument is an SNMP community string. The context <i>context-name</i> keyword and argument specify an SNMP context name to be mapped to the SNMP community. The engineid <i>engine-id</i> keyword and argument specify an SNMP engine ID to be mapped to the SNMP community. The security-name <i>security-name</i> keyword and argument specify the security name to be mapped to the SNMP community. The target-list <i>vpn-list-name</i> keyword and argument specify the VRF list to be mapped to the SNMP community. The list name should correspond to a list name used in the snmp mib target list command.
Step 7	snmp mib target list <i>vpn-list-name</i> {vrf vrf-name host ip-address} Example: <pre>Router(config)# snmp mib target list targ-vpn1 vrf customer1</pre>	<p>Creates a list of target VRFs and hosts to associate with an SNMP community.</p> <ul style="list-style-type: none"> The <i>vpn-list-name</i> argument is the name of the target list. The vrf keyword adds a specified VRF to the target list. The <i>vrf-name</i> argument is the name of a VRF to include in the list. The host keyword adds a specified host to the target list. The <i>ip-address</i> argument is the IP address of the host.

	Command or Action	Purpose
Step 8	end Example: Router(config) end	Exits to privileged EXEC mode.

Configuration Examples for the MPLS EM—MPLS LSR MIB - RFC 3813

Enabling the SNMP Agent Examples

The following example shows how to enable an SNMP agent.

```
Router# configure terminal
Router(config)# snmp-server community
```

In the following example, SNMPv1 and SNMPv2C are enabled. The configuration permits any SNMP manager to access all objects with read-only permissions using the community string *public*.

```
Router(config)# snmp-server community public
```

In the following example, read-only access is allowed for all objects to members of access list 4 that specify the *comaccess* community string. No other SNMP managers have access to any objects.

```
Router(config)# snmp-server community comaccess ro 4
```

Configuring a VPN-Aware LSR MIB Example

Configuring SNMP Support for a VPN Example

The following example shows how to configure SNMP support for a VPN:

```
configure terminal
!
snmp-server engineID remote 172.16.20.3 vrf vrf customer1 80000009030000B064EFE100
end
```

Configuring an SNMP Context for a VPN Example

The following example shows how to configure an SNMP context for a VPN. In this example, the VPN vrf1 is associated with the SNMP context context1.

```
configure terminal
!
snmp-server context context-vpn1
ip vrf customer1
rd 100:1
context context-vpn1
route-target export 100:1
end
```

Configuring a VPN-Aware SNMP Context for SNMPv1 or SNMPv2 Example

The following configuration example shows how to configure a VPN-aware SNMP context for the MPLS LSR MIB with SNMPv1 or SNMPv2:

```
snmp-server context context-vpn1
ip vrf customer1
rd 100:1
context context-vpn1
route-target export 100:1
route-target import 100:1
!
!
interface Ethernet1/0
ip vrf forwarding customer1
ip address 10.99.99.100 255.0.0.0
mpls label protocol ldp
mpls ip
!
!
interface Serial3/0
ip vrf forwarding customer1
ip address 10.60.1.1 255.0.0.0
mpls label protocol ldp
mpls ip
serial restart-delay 0
!
ip access-list standard context-vpn1
!
snmp-server group group-vpn1 v2c context context-vpn1 read view-vpn1 notify
*tv.00000000.00040000.00000000.0 access context-vpn1
!
snmp-server view view-vpn1 iso included
!
snmp-server community public RW
snmp-server community vrfcomm-vpn1 RW1
!
snmp-server user vrfcomm-vpn1 vrfcomm-vpn1 v1
snmp-server user vrfcomm-vpn1 group-vpn1 v2c
!
snmp mib community-map vrfcomm-vpn1 context context-vpn1 target-list targ-vpn1
!
snmp mib target list targ-vpn1 host 0.0.0.0
snmp mib target list targ-vpn1 vrf customer1
!
```

Additional References

Related Documents

Related Topic	Document Title
Configuring SNMP	“Configuring SNMP Support” chapter in the Network Management Configuration Guide
SNMP command descriptions	Network Management Command Reference
SNMP support for VPNs	SNMP Notification Support for VPNs
SNMP context support for VPNs configuration tasks	SNMP Support over VPNs—Context Based Access Control
MPLS concepts and configuration tasks	MPLS Basic MPLS Configuration Guide

Standards

Standard	Title
No new or modified standards are supported by this feature, and support for existing standards has not been modified by this feature.	—

MIBs

MIB	MIBs Link
<ul style="list-style-type: none"> • MPLS-LSR-MIB • MPLS-LSR-STD-MIB 	To locate and download MIBs for selected platforms, Cisco software releases, and feature sets, use Cisco MIB Locator found at the following URL: http://www.cisco.com/go/mibs

RFCs

RFC	Title
RFC 3291	<i>Textual Conventions for Internet Network Addresses</i>
RFC 3413	<i>Simple Network Management Protocol (SNMP) Applications</i>

RFC	Title
RFC 3812	<i>Multiprotocol Label Switching (MPLS) Traffic Engineering (TE) Management Information Base (MIB)</i>
RFC 3813	<i>Multiprotocol Label Switching (MPLS) Label Switching Router (LSR) Management Information Base (MIB)</i>

Technical Assistance

Description	Link
<p>The Cisco Support website provides extensive online resources, including documentation and tools for troubleshooting and resolving technical issues with Cisco products and technologies.</p> <p>To receive security and technical information about your products, you can subscribe to various services, such as the Product Alert Tool (accessed from Field Notices), the Cisco Technical Services Newsletter, and Really Simple Syndication (RSS) Feeds.</p> <p>Access to most tools on the Cisco Support website requires a Cisco.com user ID and password.</p>	<p>http://www.cisco.com/techsupport</p>

Feature Information for MPLS EM—MPLS LSR MIB - RFC 3813

The following table provides release information about the feature or features described in this module. This table lists only the software release that introduced support for a given feature in a given software release train. Unless noted otherwise, subsequent releases of that software release train also support that feature.

Use Cisco Feature Navigator to find information about platform support and Cisco software image support. To access Cisco Feature Navigator, go to www.cisco.com/go/cfn. An account on Cisco.com is not required.

Table 71: Feature Information for MPLS EM—MPLS LSR MIB - RFC 3813

Feature Name	Releases	Feature Information
MPLS EM—MPLS LSR MIB - RFC 3813	12.2(33)SRB 12.2(33)SB	<p>The MPLS LSR MIB- RFC 3813 (MPLS-LSR-STD-MIB) allows you to use the Simple Network Management Protocol (SNMP) to remotely monitor a label switch router (LSR) that is using the Multiprotocol Label Switching (MPLS) technology.</p> <p>This document describes the MPLS-LSR-STD-MIB. The document also describes the major differences between the MPLS-LSR-STD-MIB and draft Version 5 of the MPLS-LSR-MIB.</p> <p>The MPLS EM—MPLS LSR MIB - RFC 3813 feature introduces the MPLS-LSR-STD-MIB, which is an upgrade from draft Version 5 of the MPLS-LSR-MIB to an implementation of the <i>Multiprotocol Label Switching (MPLS) Label Switching Router (LSR) Management Information Base (MIB)</i>, RFC 3813. This feature also introduces the VPN Aware LSR MIB feature that enables the MPLS-LSR-STD-MIB to get VPN context information.</p> <p>Cisco IOS MPLS Embedded Management (EM) is a set of standards and value-added services that facilitate the deployment, operation, administration, and management of MPLS-based networks in line with the fault, configuration, accounting, performance, and security (FCAPS) model.</p> <p>In 12.2(33)SRB, this feature was introduced.</p> <p>In 12.2(33)SB, this feature was integrated into a Cisco IOS 12.2SB release.</p>

Feature Name	Releases	Feature Information
		<p>The following sections provide information about this feature:</p> <ul style="list-style-type: none"> • MPLS-LSR-STD-MIB Benefits, on page 244 • Label Switching Information Managed by the MPLS-LSR-STD-MIB, on page 245 • MPLS-LSR-STD-MIB Elements, on page 246 • Brief Description of MPLS-LSR-STD-MIB Tables, on page 247 • MPLS LSR Information Available Through the MPLS-LSR-STD-MIB, on page 247 • Information from MPLS-LSR-STD-MIB Scalar Objects, on page 253 • MPLS-LSR-STD-MIB Indexing—Linking Table Elements, on page 254 • Interface Configuration Table and Interface MIB Links, on page 255 • MPLS-LSR-STD-MIB Structure, on page 256 • Major Differences Between the MPLS-LSR-STD-MIB and the MPLS-LSR-MIB, on page 260 • Enabling the SNMP Agent, on page 267 • Verifying That the SNMP Agent Is Enabled, on page 269 <p>No commands were introduced or modified for this feature.</p>

Glossary

cross-connect (XC) —An association of in-segments and incoming MPLS interfaces to out-segments and outgoing MPLS interfaces.

FPI —forwarding path identifier. An identifier required to locate MPLS forwarding information for a FEC. Examples of types of FPIs supported by the MPLS Forwarding Infrastructure (MFI) are IPv4, IPv6, LABEL, SSS, and TE.

IETF —Internet Engineering Task Force. A task force (consisting of more than 80 working groups) that is developing standards for the Internet and the IP suite of protocols.

inSegment —A label on an incoming packet that is used to determine the forwarding of the packet.

label —A short, fixed-length identifier that is used to determine the forwarding of a packet.

label switching —A term used to describe the forwarding of IP (or other network layer) packets using a label swapping algorithm based on network layer routing algorithms. The forwarding of these packets uses the exact match algorithm and rewrites the label.

LDP —Label Distribution Protocol. A standard protocol between MPLS-enabled routers that is used for the negotiation of the labels (addresses) used to forward packets.

LFIB —Label Forwarding Information Base. A data structure and way of managing forwarding in which destinations and incoming labels are associated with outgoing interfaces and labels.

LSP —label switched path. A sequence of hops in which a packet travels from one router to another router by means of label switching mechanisms. A label-switched path can be established dynamically, based on normal routing mechanisms, or through configuration.

LSR —label switching router. A device that forwards MPLS packets based on the value of a fixed-length label encapsulated in each packet.

MFI —MPLS Forwarding Infrastructure. In the Cisco MPLS subsystem, the data structure for storing information about incoming and outgoing labels and associated equivalent packets suitable for labeling.

MIB —Management Information Base. Database of network management information that is used and maintained by a network management protocol such as SNMP. The value of a MIB object can be changed or retrieved by means of SNMP commands, usually through a network management system. MIB objects are organized in a tree structure that includes public (standard) and private (proprietary) branches.

MOI —MPLS output information. The MOI includes the next hop, outgoing interface, and outgoing label.

MPLS —Multiprotocol Label Switching. MPLS is a method for forwarding packets (frames) through a network. It enables routers at the edge of a network to apply labels to packets (frames). ATM switches or existing routers in the network core can switch packets according to the labels with minimal lookup overhead.

MPLS interface —An interface on which MPLS traffic is enabled.

NMS —Network Management Station. A device (usually a workstation) that performs SNMP queries to the SNMP agent of a managed device in order to retrieve or modify information.

notification request —Message sent by an SNMP agent to a network management station, console, or terminal, indicating that a significant event occurred. SNMP notification requests are more reliable than traps, because a notification request from an SNMP agent requires that the SNMP manager acknowledge receipt of the notification request. The manager replies with an SNMP response protocol data unit (PDU). If the manager does not receive a notification message from an SNMP agent, it does not send a response. If the sender (SNMP agent) never receives a response, the notification request can be sent again. Thus, a notification request is more likely than a trap to reach its intended destination.

outSegment —A label on an outgoing packet.

SNMP —Simple Network Management Protocol. Management protocol used almost exclusively in TCP/IP networks. SNMP provides a means for monitoring and controlling network devices, and for managing configurations, statistics collection, performance, and security.

trap —Message sent by an SNMP agent to a network management station, console, or terminal, indicating that a significant event occurred. Traps are less reliable than notification requests, because the receiver does not send an acknowledgment when it receives a trap. The sender cannot determine if the trap was received.



MPLS VPN--MIB Support

This document describes the Simple Network Management Protocol (SNMP) agent support in Cisco software for Multiprotocol Label Switching (MPLS) Virtual Private Network (VPN) management, as implemented in the draft *MPLS/BGP Virtual Private Network Management Information Base Using SMIPv2 (draft-ietf-ppvpn-mpls-vpn-mib-05.txt)*. This document also describes the `cMplsNumVrfRouteMaxThreshCleared` notification, which is implemented as part of the proprietary MIB `CISCO-IETF-PPVNP-MPLS-VPN-MIB`.

- [Finding Feature Information, page 285](#)
- [Prerequisites for MPLS VPN--MIB Support, page 286](#)
- [Restrictions for MPLS VPN--MIB Support, page 286](#)
- [Information About MPLS VPN--MIB Support, page 286](#)
- [How to Configure MPLS VPN--MIB Support, page 303](#)
- [Configuration Examples for MPLS VPN--MIB Support, page 309](#)
- [Additional References, page 310](#)
- [Feature Information for MPLS VPN--MIB Support, page 311](#)
- [Glossary, page 313](#)

Finding Feature Information

Your software release may not support all the features documented in this module. For the latest caveats and feature information, see [Bug Search Tool](#) and the release notes for your platform and software release. To find information about the features documented in this module, and to see a list of the releases in which each feature is supported, see the feature information table at the end of this module.

Use Cisco Feature Navigator to find information about platform support and Cisco software image support. To access Cisco Feature Navigator, go to www.cisco.com/go/cfn. An account on Cisco.com is not required.

Prerequisites for MPLS VPN--MIB Support

- SNMP is installed and enabled on the label switching routers.
- MPLS is enabled on the label switching routers.
- Multiprotocol Border Gateway Protocol (BGP) is enabled on the label switching routers.
- Cisco Express Forwarding is enabled on the label switching routers.

Restrictions for MPLS VPN--MIB Support

- Configuration of the MIB using the **snmp set** command is not supported, except for trap-related objects, such as `mplsVpnNotificationEnable` and `mplsVpnVrfSecIllegalLabelRevThresh`.
- The `mplsVpnVrfBgpNbrPrefixTable` is not supported.

Information About MPLS VPN--MIB Support

MPLS VPN Overview

The MPLS VPN technology allows service providers to offer intranet and extranet VPN services that directly connect their customers' remote offices to a public network with the same security and service levels that a private network offers. Each VPN is associated with one or more VPN routing and forwarding (VRF) instances. A VRF is created for each VPN defined on a router and contains most of the information needed to manage and monitor MPLS VPNs: an IP routing table, a derived Cisco Express Forwarding table, a set of interfaces that use this forwarding table, and a set of rules and routing protocol parameters that control the information that is included in the routing table.

MPLS VPN MIB Overview

The Provider-Provisioned VPN (PPVPN)-MPLS-VPN MIB provides access to MPLS VRF information, and interfaces included in the VRF, and other configuration and monitoring information.

The PPVPN-MPLS-VPN MIB provides the following benefits:

- A standards-based SNMP interface for retrieving information about critical MPLS VPN events.
- VRF information to assist in the management and monitoring of MPLS VPNs.
- Information, in conjunction with the Interfaces MIB, about interfaces assigned to VRFs.
- Performance statistics for all VRFs on a router.
- The generation and queuing of notifications that call attention to major changes in the operational status of MPLS VPN enabled interfaces; the forwarding of notification messages to a designated network management system (NMS) for evaluation and action by network administrators.

- Advanced warning when VPN routing tables are approaching or exceed their capacity.
- Warnings about the reception of illegal labels on a VRF-enabled interface. Such receptions may indicate misconfiguration or an attempt to violate security.

This document also describes the CISCO-IETF-PPVPN-MPLS-VPN-MIB, which contains the `cMplsNumVrfRouteMaxThreshCleared` notification.

MPLS VPN MIB and the IETF

SNMP agent code operating with the PPVPN-MPLS-VPN MIB enables a standardized, SNMP-based approach to managing MPLS VPNs in Cisco software.

The PPVPN-MPLS-VPN MIB is based on the Internet Engineering Task Force draft MIB specification *draft-ietf-ppvpn-mpls-vpn-mib-05.txt*, which includes objects describing features that support MPLS VPN events. This IETF draft MIB, which undergoes revisions from time to time, is becoming a standard. Accordingly, the Cisco implementation of the PPVPN-MPLS-VPN MIB is expected to track the evolution of the IETF draft MIB, and may change accordingly.

Some slight differences between the IETF draft MIB and the actual implementation of MPLS VPNs within Cisco software require some minor translations between the PPVPN-MPLS-VPN MIB and the internal data structures of Cisco software. These translations are accomplished by means of the SNMP agent code. Also, while running as a low priority process, the SNMP agent provides a management interface to Cisco software. SNMP adds little overhead on the normal functions of the device.

The SNMP objects defined in the PPVPN-MPLS-VPN MIB can be viewed by any standard SNMP utility. The network administrator can retrieve information in the PPVPN-MPLS-VPN MIB using standard SNMP `get` and `getnext` operations for SNMP v1, v2, and v3.

All PPVPN-MPLS-VPN MIB objects are based on the IETF draft MIB; thus, no Cisco-specific SNMP application is required to support the functions and operations pertaining to the PPVPN-MPLS-VPN MIB features.

Capabilities Supported by PPVPN-MPLS-VPN MIB

The PPVPN-MPLS-VPN MIB provides you with the ability to do the following:

- Gather routing and forwarding information for MPLS VPNs on a router.
- Expose information in the VRF routing table.
- Gather information on BGP configuration related to VPNs and VRF interfaces and statistics.
- Emit notification messages that signal changes when critical MPLS VPN events occur.
- Enable, disable, and configure notification messages for MPLS VPN events by using extensions to existing SNMP command-line interface (CLI) commands.
- Specify the IP address of NMS in the operating environment to which notification messages are sent.
- Write notification configurations into nonvolatile memory.

Functional Structure of the PPVPN-MPLS-VPN MIB

The SNMP agent code supporting the PPVPN-MPLS-VPN MIB follows the existing model for such code in Cisco software and is, in part, generated by the Cisco software tool set, based on the MIB source code.

The SNMP agent code, which has a layered structure that is common to MIB support code in Cisco software, consists of four layers:

- Platform-independent layer--This layer is generated primarily by the MIB development Cisco software tool set and incorporates platform- and implementation-independent functions. The Cisco MIB development tool set creates a standard set of files associated with a MIB.
- Application interface layer--The functions, names, and template code for MIB objects in this layer are also generated by the MIB development Cisco software tool set.
- Application-specific layer--This layer provides an interface between the application interface layer and the API and data structures layer below and performs tasks needed to retrieve required information from Cisco software, such as searching through data structures.
- API and data structures layer--This layer contains the data structures or APIs within Cisco software that are retrieved or called in order to set or retrieve SNMP management information.

Supported Objects in PPVPN-MPLS-VPN MIB

The PPVPN-MPLS-VPN MIB contains numerous tables and object definitions that provide read-only SNMP management support for the MPLS VPN feature in Cisco IOS software. The PPVPN-MPLS-VPN MIB conforms to Abstract Syntax Notation One (ASN.1), thus reflecting an idealized MPLS VPN database.

Using any standard SNMP network management application, you can retrieve and display information from the PPVPN-MPLS-VPN MIB using GET operations; similarly, you can traverse information in the MIB database for display using GETNEXT operations.

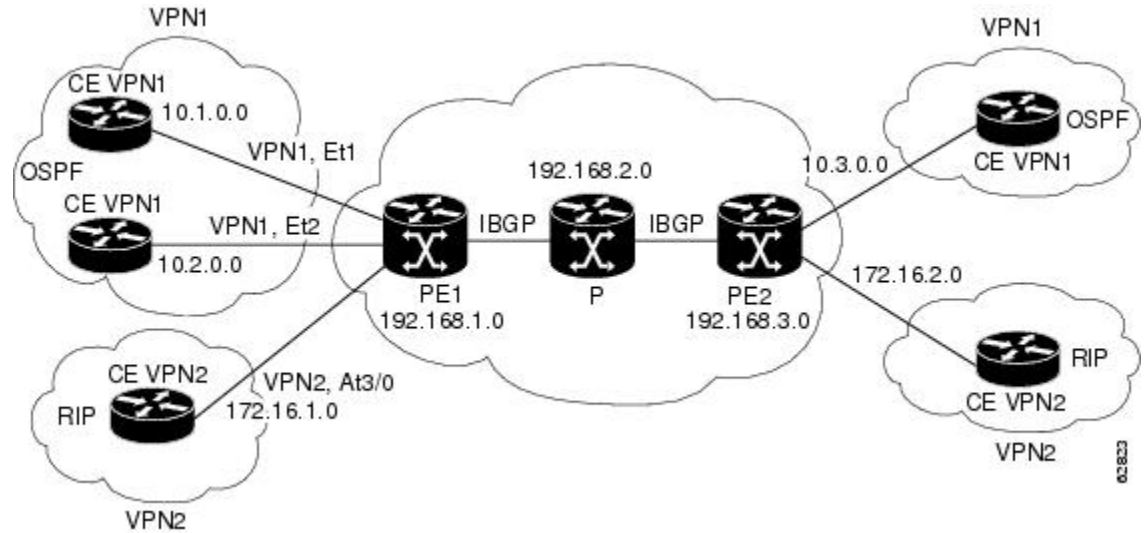
The PPVPN-MPLS-VPN MIB tables and objects are described briefly in the following sections:

The figure below shows a simple MPLS VPN configuration. This configuration includes two customer MPLS VPNs, labeled VPN1 and VPN2, and a simple provider network that consists of two provider edge (PE) routers, labeled PE1 and PE2, and a provider core router labeled P. The figure below shows the following sample configuration:

- VRF names--VPN1 and VPN2
- Interfaces associated with VRFs--Et1, Et2, and At3/0
- Routing protocols--Open Shortest Path First. Link-state (OSPF), Routing Information Protocol (RIP), and internal Border Gateway Protocol (IBGP)
- Routes associated with VPN1--10.1.0.0, 10.2.0.0, and 10.3.0.0
- Routes associated with VPN2--172.16.1.0 and 172.16.2.0
- Routes associated with the provider network--192.168.1.0, 192.168.2.0, and 192.168.3.0

This configuration is used in this document to explain MPLS VPN events that are monitored and managed by the PPVPN-MPLS-VPN MIB.

Figure 34: Sample MPLS VPN Configuration



Scalar Objects

The table below shows the supported PPVPN-MPLS-VPN MIB scalar objects.

Table 72: PPVPN-MPLS-VPN MIB Scalar Objects

MIB Object	Function
mplsVpnConfiguredVrfs	The number of VRFs configured on the router, including VRFs recently deleted.
mplsVpnActiveVrfs	The number of VRFs that are active on the router. An active VRF is assigned to at least one interface that is in the operationally up state.
mplsVpnConnectedInterfaces	The total number of interfaces assigned to any VRF.
mplsVpnNotificationEnable	A value that indicates whether all the PPVPN-MPLS-VPN MIB notifications are enabled: <ul style="list-style-type: none"> Setting this object to true enables all notifications defined in the PPVPN-MPLS-VPN MIB. Setting this object to false disables all notifications defined in the MIB. <p>This is one of the few objects that is writable.</p>

MIB Object	Function
mplsVpnVrfConfMaxPossibleRoutes	A number that indicates the amount of routes that this router is capable of storing. This value cannot be determined because it is based on the amount of available memory in the system. Therefore, this object is set to zero (0).

MIB Tables

The PPVPN-MPLS-VPN MIB implementation supports the following tables described in this section:

mplsVpnVrfTable

Each VRF is referenced by its VRF name (mplsVpnVrfName). The table below lists the MIB objects and their functions for this table.

Table 73: PPVPN-MPLS-VPN MIB Objects for the mplsVpnVrfTable

MIB Object	Function
mplsVpnVrfName	The name associated with this VRF. When this object is used as an index to a table, the first octet is the string length, and subsequent octets are the ASCII codes of each character. For example, "vpn1" is represented as 4.118.112.110.49.
mplsVpnVrfDescription	The description of the VRF. This is specified with the following configuration command: <pre>Router (config) # ip vrf vrf-name Router (config-vrf) # description vrf-description</pre>
mplsVpnVrfRouteDistinguisher	The route distinguisher for this VRF. This is specified with the following configuration command: <pre>Router (config) # ip vrf vrf-name Router (config-vrf) # rd route-distinguisher</pre>
mplsVpnVrfCreationTime	The value of the sysUpTime when this VRF entry was created.
mplsVpnVrfOperStatus	The operational status of this VRF. A VRF is up (1) when at least one interface associated with the VRF is up. A VRF is down (2) when: <ul style="list-style-type: none"> • No interfaces exist whose ifOperStatus = up (1). • No interfaces are associated with this VRF.

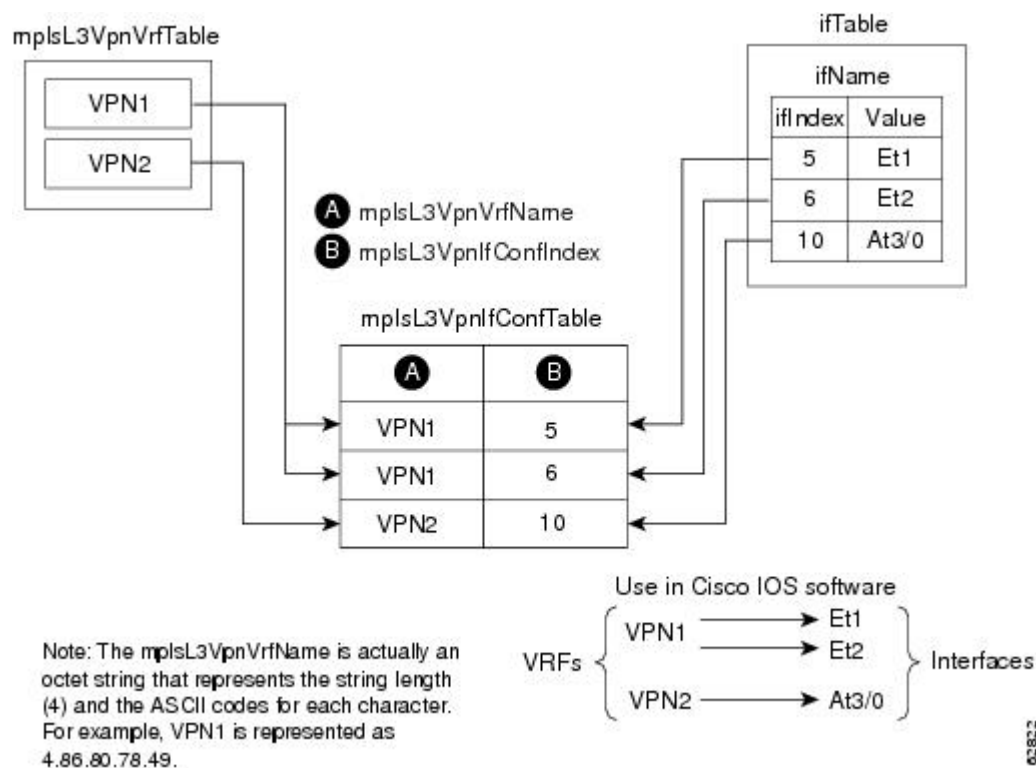
MIB Object	Function
mplsVpnVrfActiveInterfaces	The number of interfaces assigned to this VRF that are operationally up.
mplsVpnVrfAssociatedInterfaces	The number of interfaces assigned to this VRF, independent of the operational status.
mplsVpnVrfConfMidRouteThreshold	<p>The middle route threshold. If the amount of routes in the VRF crosses this threshold, an <code>mplsNumVrfRouteMidThreshExceeded</code> notification is sent (if notifications are enabled and configured). You can set this value in configuration mode as a percentage of the maximum with the maximum routes <i>limit</i> <code>{warn-threshold warn-only}</code> command, as follows:</p> <pre>Router(config)# ip vrf vpn1 Router(config-vrf)# maximum routes 1000 50</pre> <p>The middle or warn threshold is set for VRF vpn1 as 50 percent of the maximum route threshold.</p> <p>The following command sets a middle threshold of 1000 routes. An <code>mplsNumVrfRouteMidThreshExceeded</code> notification is sent when this threshold is exceeded. However, additional routes are still allowed because a maximum route threshold is not set with this command.</p> <pre>Router(config-vrf)# maximum routes 1000 warn-only</pre>
mplsVpnVrfConfHighRouteThreshold	<p>The maximum route threshold. If the number of routes in the VRF crosses this threshold, an <code>mplsNumVrfRouteMaxThreshExceeded</code> notification is sent (if notifications are enabled and configured). You can set this value in configuration mode with the maximum routes <i>limit</i> <code>{warn-threshold warn-only}</code> command as follows:</p> <pre>Router(config)# ip vrf vpn2 Router(config-vrf)# maximum routes 1000 75</pre> <p>The maximum route threshold is set for 1000 routes for VRF vpn2 with a middle or warn threshold of 75 percent of this threshold.</p>
mplsVpnVrfConfMaxRoutes	This value is the same as the <code>mplsVpnVrfConfHighRouteThreshold</code> .
mplsVpnVrfConfLastChanged	<p>The value of <code>sysUpTime</code> when the configuration of the VRF changes or interfaces are assigned or unassigned from the VRF.</p> <p>Note This object is updated only when values in this table change.</p>
mplsVpnVrfConfRowStatus	Read-only implementation. This object normally reads “active (1),” but may read “notInService (2),” if a VRF was recently deleted.

MIB Object	Function
mplsVpnVrfConfStorageType	Read-only implementation. This object always reads "volatile (2)."

mplsVpnInterfaceConfTable

A VRF is associated with one MPLS VPN. Zero or more interfaces can be associated with a VRF. A VRF uses an interface that is defined in the ifTable of the Interfaces Group of MIB II (IFMIB). The IFMIB defines objects for managing interfaces. The ifTable of this MIB contains information on each interface in the network. The mplsVpnInterfaceConfTable associates a VRF from the mplsVpnVrfTable with a forwarding interface from the ifTable. The figure below shows the relationship between VRFs and interfaces defined in the ifTable and the mplsVpnInterfaceConfTable.

Figure 35: VRFs, the Interfaces MIB, and the mplsVpnInterfaceConfTable



Entries in the VPN interface configuration table (mplsVpnInterfaceConfTable) represent the interfaces that are assigned to each VRF. The information available in this table is also displayed with the **show ip vrf** command.

The mplsVpnInterfaceConfTable shows how interfaces are assigned to VRFs. A label switch router (LSR) creates an entry in this table for every interface capable of supporting MPLS VPNs.

The mplsVpnInterfaceConfTable is indexed by the following:

- mplsVpnVrfName--The VRF name

- `mplsVpnInterfaceConfIndex`--An identifier that is the same as the `ifIndex` from the Interface MIB of the interface assigned to the VRF

The table below lists the MIB objects and their functions for this table.

Table 74: PPVPN-MPLS-VPN MIB Object for the `mplsVpnInterfaceConfTable`

MIB Object	Function
<code>mplsVpnInterfaceConfIndex</code>	Provides the interface MIB <code>ifIndex</code> of this interface that is assigned to a VRF.
<code>mplsVpnInterfaceLabelEdgeType</code>	Indicates whether the interface is a provider edge interface (1) or a customer edge interface (2). This value is always <code>providerEdge</code> (1) because in Cisco software, <code>customerEdge</code> interfaces are not assigned to VRFs and do not appear in this table.
<code>mplsVpnInterfaceVpnClassification</code>	Specifies what type of VPN this interface is providing: carrier supporting carrier (CSC) (1), enterprise (2), or InterProvider (3). This value is set to <code>enterprise</code> (2) if MPLS is not enabled and to <code>carrier supporting carrier</code> (1) if MPLS is enabled on this interface.
<code>mplsVpnInterfaceVpnRouteDistProtocol</code>	Indicates the route distribution protocols that are being used to redistribute routes with BGP on this interface: BGP (2), OSPF (3), or RIP (4). In Cisco software, router processes are defined and redistributed on a per-VRF basis, not per-interface. Therefore, all interfaces assigned to the same VRF have the same value for this object.
<code>mplsVpnInterfaceConfStorageType</code>	Read-only implementation. This object always reads "volatile (2)."
<code>mplsVpnInterfaceConfRowStatus</code>	Read-only implementation. This object normally reads "active (1)," but may read "notInService (2)," if a VRF was recently deleted.

`mplsVpnVrfRouteTargetTable`

The route target table (`mplsVpnVrfRouteTargetTable`) describes the route target communities that are defined for a particular VRF. An LSR creates an entry in this table for each target configured for a VRF supporting an MPLS VPN instance.

The distribution of VPN routing information is controlled through the use of VPN route target communities, implemented by BGP extended communities. Distribution of VPN routing information works as follows:

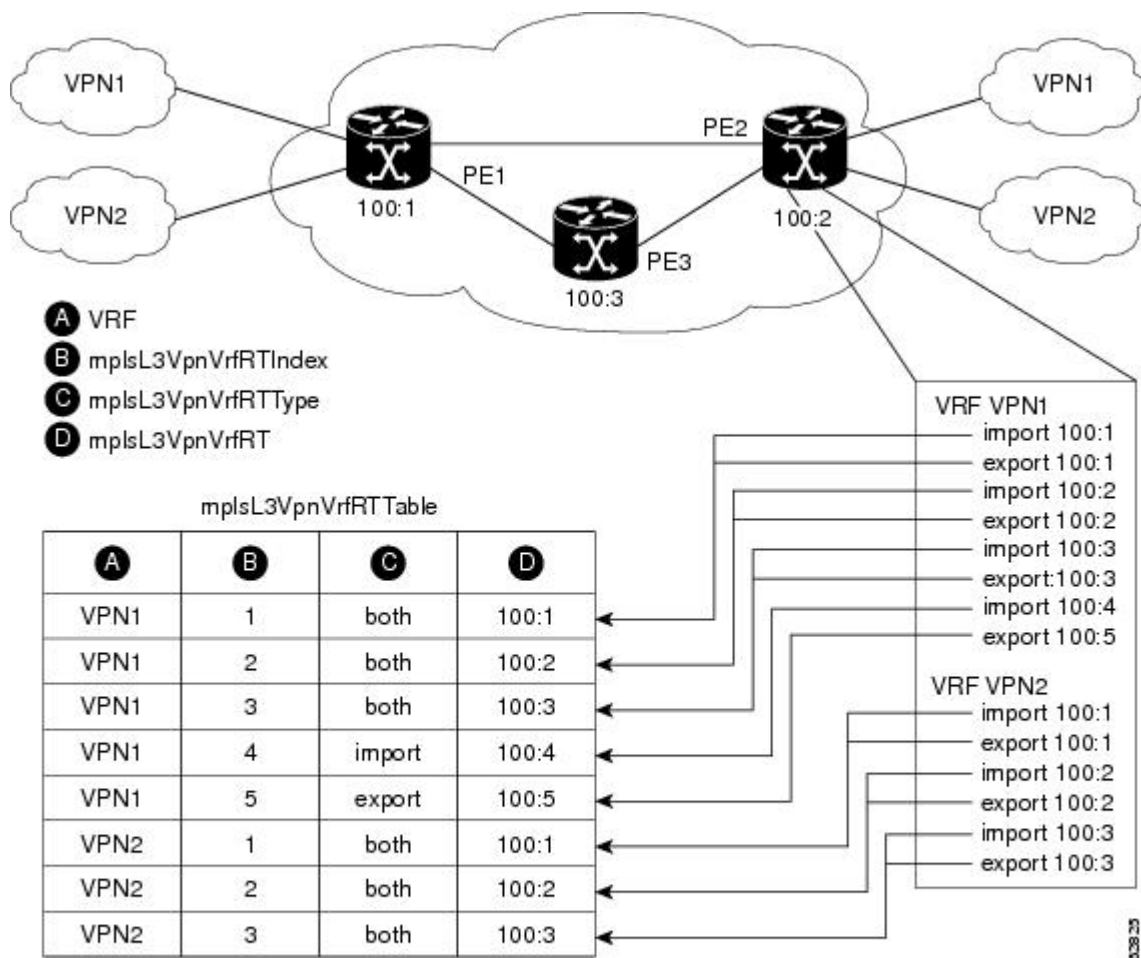
- When a VPN route learned from a customer edge (CE) router is injected into BGP, a list of VPN route target extended community attributes is associated with it. Typically the list of route target community

values is set from an export list of route targets associated with the VRF from which the route was learned.

- An import list of route target extended communities is associated with each VRF. The import list defines route target extended community attributes a route must have for the route to be imported into the VRF. For example, if the import list for a particular VRF includes route target communities A, B, and C, then any VPN route that carries any of those route target extended communities--A, B, or C--is imported into the VRF.

The figure below shows a sample configuration and its relationship to an `mplsVpnVrfRouteTargetTable`. A route target table exists on each PE router. Routers with route distinguishers (RDs) 100:1, 100:2, and 100:3 are shown in the sample configuration. Routers with RDs 100:4 and 100:5 are not shown in the figure, but are included in the route targets for PE2 and in the `mplsVpnVrfRouteTargetTable`.

Figure 36: Sample Configuration and the `mplsVpnVrfRouteTargetTable`



Note: The `mplsL3VpnVrfName` is actually an octet string that represents the string length (4) and the ASCII codes for each character. For example, VPN1 is represented as 4.86.80.78.49.

The `mplsVpnVrfRouteTargetTable` shows the import and export route targets for each VRF. The table is indexed by the following:

- `mplsVpnVrfName`--The VRF name
- `mplsVpnVrfRouteTargetIndex`--The route target entry identifier
- `mplsVpnVrfRouteTargetType`--A value specifying whether the entry is an import route target, export route target, or is defined as both

The table below lists the MIB objects and their functions for this table.

Table 75: PPVPN-MPLS-VPN MIB Objects for the `mplsVpnVrfRouteTargetTable`

MIB Object	Function
<code>mplsVpnVrfRouteTargetIndex</code>	A value that defines each route target's position in the table.
<code>mplsVpnVrfRouteTargetType</code>	Determines which type of route target the entry represents: import (1), export (2), or both (3).
<code>mplsVpnVrfRouteTarget</code>	Determines the route distinguisher for this target.
<code>mplsVpnVrfRouteTargetDescr</code>	Description of the route target. This object is not supported. Therefore, the object is the same as <code>mplsVpnVrfRouteTarget</code> .
<code>mplsVpnVrfRouteTargetRowStatus</code>	Read-only implementation. This object normally reads "active (1)," but may read "notInService (2)," if a VRF was recently deleted.

`mplsVpnVrfBgpNbrAddrTable`

The BGP neighbor address table (`mplsVpnVrfBgpNbrAddrTable`) represents the MPLS external Border Gateway Protocol (eBGP) neighbors that are defined for a particular VRF. An LSR creates an entry for every BGP neighbor that is defined in the VRF's address-family.

The `mplsVpnVrfBgpNbrAddrTable` is indexed by the following:

- `mplsVpnVrfName`--The VRF name
- `mplsVpnInterfaceConfIndex`--An identifier that is the same as the `ifIndex` from the Interface MIB of the interface assigned to the VRF
- `mplsVpnVrfBgpNbrIndex`--The IP address of the neighbor

The table below lists the MIB objects and their functions for this table.

Table 76: PPVPN-MPLS-VPN MIB Objects for the `mplsVpnVrfBgpNbrAddrTable`

MIB Object	Function
<code>mplsVpnVrfBgpNbrIndex</code>	The IPv4 address of the eBGP neighbor.

MIB Object	Function
mplsVpnVrfBgpNbrRole	The role of this eBGP neighbor: customer edge (1) or provider edge (2). If the object mplsVpnInterfaceVpnClassification is CSC, then this value is provider edge (2); otherwise, this value is customer edge (1).
mplsVpnVrfBgpNbrType	Address type of this eBGP neighbor. The MIB supports only IPv4 (1). Therefore, this object returns "ipv4 (1)."
mplsVpnVrfBgpNbrAddr	IP address of the eBGP neighbor.
mplsVpnVrfBgpNbrRowStatus	Read-only implementation. This object normally reads "active (1)," but may read "notInService (2)" if a VRF was recently deleted.
mplsVpnVrfBgpNbrStorageType	Read-only implementation. This object always reads "volatile (2)."

mplsVpnVrfSecTable

The VRF security table (mplsVpnVrfSecTable) provides information about security for each VRF. An LSR creates an entry in this table for every VRF capable of supporting MPLS VPN.

The mplsVpnVrfSecTable *augments* the mplsVpnVrfTable and has the same indexing.

The table below lists the MIB objects and their functions for this table.

Table 77: PPVPN-MPLS-VPN MIB Objects for the mplsVpnVrfSecTable

MIB Object	Function
mplsVpnVrfSecIllegalLabelViolations	The number of illegally received labels on a VRF interface. Only illegal labels are counted by this object, therefore the object only applies to a VRF interface that is MPLS enabled (CSC situation). This counter is incremented whenever a label is received that is above or below the valid label range, not in the global label forwarding table, or is received on the wrong VRF (that is, table IDs for the receiving interface and appropriate VRF label forwarding table do not match).
mplsVpnVrfSecIllegalLabelRcvThresh	Notification threshold for illegal labels received on this VRF. When the number of illegal labels received on this interface crosses this threshold, an mplsNumVrfSecIllegalLabelThreshExceeded notification is sent (if the notification is enabled and configured). This object is one of the few in this MIB agent that supports the SNMP SET operation, which allows you to change this value.

mplsVpnVrfPerfTable

The VRF performance table (mplsVpnVrfPerfTable) provides statistical performance information for each VRF. An LSR creates an entry in this table for every VRF capable of supporting MPLS VPN.

The mplsVpnVrfPerfTable *augments* the mplsVpnVrfTable and has the same indexing.

The table below lists the MIB objects and their functions for this table.

Table 78: PPVPN-MPLS-VPN MIB Objects for the mplsVpnVrfPerfTable

MIB Objects	Functions
mplsVpnVrfPerfRoutesAdded	The number of routes added to this VRF over the course of its lifetime.
mplsVpnVrfPerfRoutesDeleted	The number of routes removed from this VRF.
mplsVpnVrfPerfCurrNumRoutes	The number of routes currently defined within this VRF.

mplsVpnVrfRouteTable

The VRF routing table (mplsVpnVrfRouteTable) provides the IP routing table information for each VRF. The information available in this table can also be accessed with the **show ip route vrf vrf-name** command.

For example, for PE1 in the figure above:

- With the **show ip route vrf vpn1** command, you would see results like the following:

```
Router# show ip route vrf vpn1
Codes: C - connected, S - static, I - IGRP, R - RIP, M - mobile, B - BGP
D - EIGRP, EX - EIGRP external, O - OSPF, IA - OSPF inter area
N1 - OSPF NSSA external type 1, N2 - OSPF NSSA external type 2
E1 - OSPF external type 1, E2 - OSPF external type 2, E - EGP
i - IS-IS, L1 - IS-IS level-1, L2 - IS-IS level-2, ia - IS-IS inter area
* - candidate default, U - per-user static route, o - ODR
P - periodic downloaded static route
!
Gateway of last resort is not set
!
  10.0.0.0/32 is subnetted, 3 subnets
B    10.3.0.0 [200/0] via 192.168.2.1, 04:36:33
C    10.1.0.0/16 is directly connected, FastEthernet1
C    10.2.0.0/16 [200/0] directly connected FastEthernet2, 04:36:33
```

- With the **show ip route vrf vpn2** command, you would see results like the following:

```
Router# show ip route vrf vpn2
Codes: C - connected, S - static, I - IGRP, R - RIP, M - mobile, B - BGP
D - EIGRP, EX - EIGRP external, O - OSPF, IA - OSPF inter area
N1 - OSPF NSSA external type 1, N2 - OSPF NSSA external type 2
E1 - OSPF external type 1, E2 - OSPF external type 2, E - EGP
i - IS-IS, L1 - IS-IS level-1, L2 - IS-IS level-2, ia - IS-IS inter area
* - candidate default, U - per-user static route, o - ODR
P - periodic downloaded static route
!
Gateway of last resort is not set
!
  172.16.0.0/32 is subnetted, 2 subnets
```

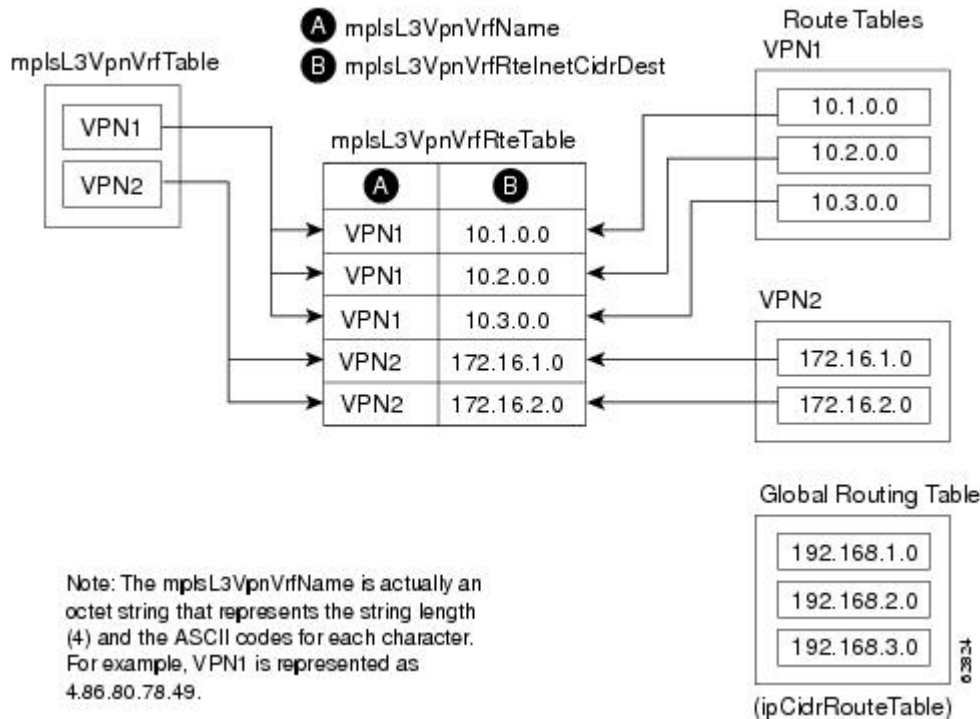
```

B      172.16.2.0 [200/0] via 192.168.2.1, 04:36:33
C      172.16.1.0 is directly connected, ATM 3/0

```

The figure below shows the relationship of the routing tables, the VRFs, and the `mplsVpnVrfRouteTable`. You can display information about the VPN1 and VPN2 route tables using the `show ip route vrf vrf-name` command. The global route table is the same as `ipCidrRouteTable` in the IP-FORWARD-MIB. You can display information about the global route table with the `show ip route` command.

Figure 37: Route Table, VRFs, and the `mplsVpnVrfRouteTable`



An LSR creates an entry in this table for every route that is configured, either dynamically or statically, within the context of a specific VRF capable of supporting MPLS VPN.

The `mplsVpnVrfRouteTable` is indexed by the following:

- `mplsVpnVrfName`--The VRF name, which provides the VRF routing context
- `mplsVpnVrfRouteDest`--The IP destination address
- `mplsVpnVrfRouteMask`--The IP destination mask
- `mplsVpnVrfRouteTos`--The IP header ToS bits
- `mplsVpnVrfRouteNextHop`--The IP address of the next hop for each route entry



Note The ToS bits are not supported and, therefore, are always 0.

The table below lists the MIB objects and their functions for the `mplsVpnVrfRouteTable`. This table represents VRF-specific routes. The global routing table is the `ipCidrRouteTable` in the IP-FORWARD-MIB.

Table 79: PPVPN-MPLS-VPN MIB Objects for the mplsVpnVrfRouteTable

MIB Object	Function
mplsVpnVrfRouteDest	The destination IP address defined for this route.
mplsVpnVrfRouteDestAddrType	The address type of the IP destination address (mplsVpnVrfRouteDest). This MIB implementation supports only IPv4 (1). Therefore, this object has a value of "ipv4 (1)."
mplsVpnVrfRouteMask	The destination IP address mask defined for this route.
mplsVpnVrfRouteMaskAddrType	The address type of the destination IP address mask. This MIB implementation supports only IPv4 (1). Therefore, this object has a value of "ipv4 (1)."
mplsVpnVrfRouteTos	The ToS bits from the IP header for this route. Cisco software supports only ToS bits of zero. Therefore, the object is always 0.
mplsVpnVrfRouteNextHop	The next hop IP address defined for this route.
mplsVpnVrfRouteNextHopAddrType	The address type of the next hop IP address. This MIB implementation only supports only IPv4 (1). Therefore, this object has a value of "ipv4 (1)."
mplsVpnVrfRouteIfIndex	The interface MIB ifIndex for the interface through which this route is forwarded. The object is 0 if no interface is defined for the route.
mplsVpnVrfRouteType	Defines if this route is a local or remotely defined route.
mplsVpnVrfRouteProto	The routing protocol that was responsible for adding this route to the VRF.
mplsVpnVrfRouteAge	The number of seconds since this route was last updated.
mplsVpnVrfRouteInfo	A pointer to more information from other MIBs. This object is not supported and always returns "nullOID (0.0)."
mplsVpnVrfRouteNextHopAS	The autonomous system number of the next hop for this route. This object is not supported and is always 0.
mplsVpnVrfRouteMetric1	The primary routing metric used for this route.
mplsVpnVrfRouteMetric2 mplsVpnVrfRouteMetric3 mplsVpnVrfRouteMetric4 mplsVpnVrfRouteMetric5	Alternate routing metrics used for this route. These objects are supported only for Cisco Interior Gateway Routing Protocol (IGRP) and Cisco Enhanced Interior Gateway Routing Protocol (EIGRP). These objects display the bandwidth metrics used for the route. Otherwise, these values are set to -1.

MIB Object	Function
mplsVpnVrfRouteRowStatus	Read-only implementation. This object normally reads “active (1),” but may read “notInService (2),” if a VRF was recently deleted.
mplsVpnVrfRouteStorageType	Read-only implementation. This object always reads “volatile (2).”

PPVPN-MPLS-VPN MIB Notifications

This section provides the following information about supported PPVPN-MPLS-VPN MIB notifications:

PPVPN-MPLS-VPN MIB Notification Events

The following notifications of the PPVPN-MPLS-VPN MIB are supported:

- `mplsVrfIfUp`--Sent to an NMS when an interface comes up and is assigned a VRF instance.
- `mplsVrfIfDown`--Generated and sent to the NMS when a VRF is removed from an interface or the interface transitions from an operationally “up” state to a “down” state.
- `mplsNumVrfRouteMidThreshExceeded`--Generated and sent when the middle (warning) threshold is crossed. You can configure this threshold in the CLI by using the following commands:

```
Router(config)# ip vrf vrf-name
Router(config-vrf)# maximum routes limit warn-threshold (% of max)
```

The *warn-threshold* argument is a percentage of the maximum routes specified by the *limit* argument. You can also configure a middle threshold with the following command, in which the *limit* argument represents the warning threshold:

```
Router(config-vrf)# maximum routes limit warn-threshold (% of max)
```

This notification is sent to the NMS only at the time the threshold is exceeded. (See the figure below for a comparison of the warning and maximum thresholds.) Whenever the number of routes falls below this threshold and exceeds the threshold again, a notification is sent to the NMS.

- `MplsNumVrfRouteMaxThreshExceeded`--Generated and sent when you attempt to create a route on a VRF that already contains the maximum number of routes as defined by the *limit* argument of the **maximum routes** commands:

```
Router(config)# ip vrf vrf-name
Router(config-vrf)# maximum routes limit warn-threshold (% of max)
```

A trap notification is sent to the NMS when you attempt to exceed the maximum threshold. Another `MplsNumVrfRouteMaxThreshExceeded` notification is not sent until the number of routes falls below the maximum threshold and reaches the maximum threshold again. (See the figure below for an example of how this notification works and for a comparison of the maximum and warning thresholds.)

**Note**

The **maximum routes** command sets the number of routes for a VRF. You *cannot* exceed the number of routes in the VRF that you set with the **maximum routes limit warn-threshold** command. Prior to implementation of the PPVPN-MPLS-VPN MIB, you were not notified when this threshold (or the warning threshold) was reached.

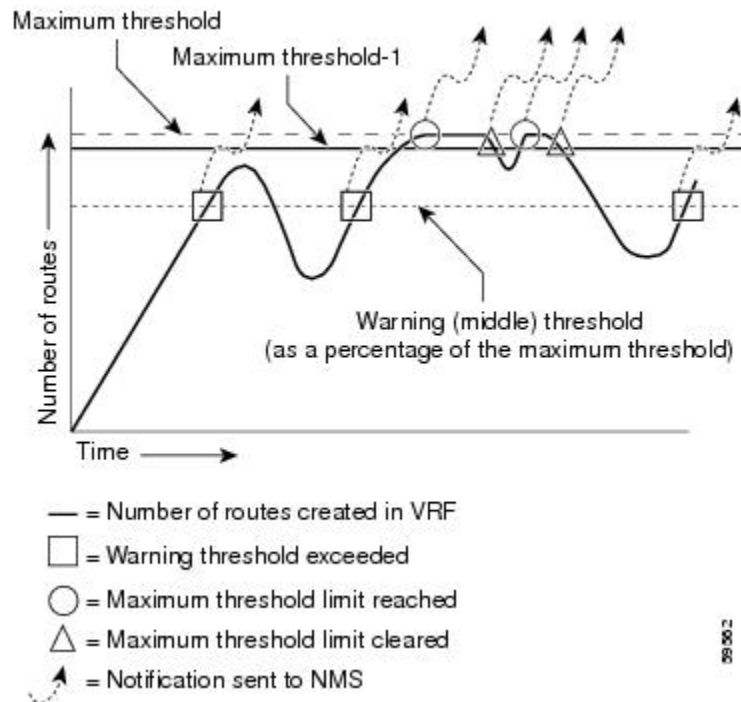
- `mplsNumVrfSecIllegalLabelThreshExceeded`--Generated and sent when the number of illegal labels received on a VRF interface exceeds the threshold `mplsVpnVrfSecIllegalLabelRcvThresh`. This threshold is defined with a value of 0. Therefore, a notification is sent when the first illegal label is received on a VRF. Labels are considered illegal if they are outside of the valid label range, do not have a Label Forwarding Information Base (LFIB) entry, or the table ID of the message does not match the table ID for the label in the LFIB.

CISCO-IETF-PPVPN-MPLS-VPN MIB Notification Events

The following notification of the CISCO-IETF-PPVPN-MPLS-VPN MIB is supported in Cisco software:

- `cMplsNumVrfRouteMaxThreshCleared`--Generated and sent when the number of routes on a VRF attempts to exceed the maximum number of routes and then drops below the maximum number of routes. If you attempt to create a route on a VRF that already contains the maximum number of routes, the `mplsNumVrfRouteMaxThreshExceeded` notification is sent (if enabled). When you remove routes from the VRF so that the number of routes falls below the set limit, the `cMplsNumVrfRouteMaxThreshCleared` notification is sent. You can clear all routes from the VRF by using the **clear ip route vrf** command. (See the figure below to see when the `cMplsNumVrfRouteMaxThreshCleared` notification is sent.)

Figure 38: Comparison of Warning and Maximum Thresholds



Notification Specification

In an SNMPv1 notification, each VPN notification has a generic type identifier and an enterprise-specific type identifier for identifying the notification type.

- The generic type for all VPN notifications is “enterpriseSpecific” because this is not one of the generic notification types defined for SNMP.
- The enterprise-specific type is identified as follows:
 - 1 for *mplsVrfIfUp*
 - 2 for *mplsVrfIfDown*
 - 3 for *mplsNumVrfRouteMidThreshExceeded*
 - 4 for *mplsNumVrfRouteMaxThreshExceeded*
 - 5 for *mplsNumVrfSecIllegalLabelThreshExceeded*
 - 6 for *cMplsNumVrfRouteMaxThreshCleared*

In SNMPv2, the notification type is identified by an *SnmTrapOID* varbind (variable binding consisting of an object identifier [OID] type and value) included within the notification message.

Each notification also contains two additional objects from the PPVPN-MPLS-VPN MIB. These objects provide additional information about the event, as follows:

- The VRF interface up/down notifications provide additional variables--*mplsVpnInterfaceConfIndex* and *mplsVpnVrfName*-- in the notification. These variables describe the SNMP interface index and the VRF name, respectively.
- The mid and max threshold notifications include the *mplsVpnVrfName* variable (VRF name) and the *mplsVpnVrfPerfCurrNumRoutes* variable that indicates the current number of routes within the VRF.
- The illegal label notification includes the *mplsVpnVrfName* variable (VRF name) and the *mplsVpnVrfSecIllegalLabelViolations* variable that maintains the current count of illegal labels on a VPN.

Monitoring the PPVPN-MPLS-VPN MIB Notifications

When PPVPN-MPLS-VPN MIB notifications are enabled (see the **snmp-server enable traps mpls vpn** command in the Cisco IOS Multiprotocol Label Switching Command Reference), notification messages relating to specific MPLS VPN events within Cisco software are generated and sent to a specified NMS in the network. Any utility that supports SNMPv1 or SNMPv2 notifications can receive notification messages.

To monitor PPVPN-MPLS-VPN MIB notification messages, log in to an NMS that supports a utility that displays SNMP notifications, and start the display utility.

Unsupported Objects in PPVPN-MPLS-VPN MIB

The following objects from the *mplsVpnVrfBgpPathAttrTable* are not supported with SNMP management for MPLS VPN features in Cisco software:

- *mplsVpnVrfBgpPathAttrPeer*

- mplsVpnVrfBgpPathAttrIpAddrPrefixLen
- mplsVpnVrfBgpPathAttrIpAddrPrefix
- mplsVpnVrfBgpPathAttrOrigin
- mplsVpnVrfBgpPathAttrASPathSegment
- mplsVpnVrfBgpPathAttrNextHop
- mplsVpnVrfBgpPathAttrMultiExitDisc
- mplsVpnVrfBgpPathAttrLocalPref
- mplsVpnVrfBgpPathAttrAtomicAggregate
- mplsVpnVrfBgpPathAttrAggregatorAS
- mplsVpnVrfBgpPathAttrAggregatorAddr
- mplsVpnVrfBgpPathAttrCalcLocalPref
- mplsVpnVrfBgpPathAttrBest
- mplsVpnVrfBgpPathAttrUnknown

How to Configure MPLS VPN--MIB Support

Configuring the SNMP Community

An SNMP community string defines the relationship between the SNMP manager and the agent. The community string acts like a password to regulate access to the agent on the router.

Perform this task to configure an SNMP community.

SUMMARY STEPS

1. **enable**
2. **show running-config** [*options*]
3. **configure terminal**
4. **snmp-server community** *string* [*view view-name*] [*ro* | *rw*] [*acl-number*]
5. **do copy running-config startup-config**
6. **exit**
7. **show running-config** [*options*]

DETAILED STEPS

	Command or Action	Purpose
Step 1	enable	Enables privileged EXEC mode.

	Command or Action	Purpose
	<p>Example:</p> <pre>Router> enable</pre>	<ul style="list-style-type: none"> • Enter your password if prompted.
Step 2	<p>show running-config [<i>options</i>]</p> <p>Example:</p> <pre>Router# show running-config</pre>	<p>Displays the running configuration to determine if an SNMP agent is already running.</p> <ul style="list-style-type: none"> • If no SNMP information is displayed, continue with the next step. If any SNMP information is displayed, you can modify the information or change it as needed.
Step 3	<p>configure terminal</p> <p>Example:</p> <pre>Router# configure terminal</pre>	<p>Enters global configuration mode.</p>
Step 4	<p>snmp-server community <i>string</i> [view <i>view-name</i>] [ro rw] [<i>acl-number</i>]</p> <p>Example:</p> <pre>Router(config)# snmp-server community comaccess ro</pre>	<p>Sets up the community access string to permit access to the SNMP protocol.</p> <ul style="list-style-type: none"> • The <i>string</i> argument acts like a password and permits access to the SNMP protocol. • The view <i>view-name</i><i>view-name</i> keyword argument pair specifies the name of a previously defined view. The view defines the objects available to the community. • The ro keyword specifies read-only access. Authorized management stations are only able to retrieve MIB objects. • The rw keyword specifies read/write access. Authorized management stations are able to both retrieve and modify MIB objects. • The <i>acl-number</i> argument is an integer from 1 to 99 that specifies an access list of IP addresses that are allowed to use the community string to gain access to the SNMP agent.
Step 5	<p>do copy running-config startup-config</p> <p>Example:</p> <pre>Router(config)# do copy running-config startup-config</pre>	<p>Saves the modified configuration to NVRAM as the startup configuration file.</p> <ul style="list-style-type: none"> • The do command allows you to perform EXEC level commands in configuration mode.
Step 6	<p>exit</p> <p>Example:</p> <pre>Router(config)# exit</pre>	<p>Returns to privileged EXEC mode.</p>

	Command or Action	Purpose
Step 7	show running-config [<i>options</i>] Example: Router# show-running config include snmp-server	(Optional) Displays the configuration information currently on the router, the configuration for a specific interface, or map-class information. <ul style="list-style-type: none"> • Use the show running-config command to check that the snmp-server statements appear in the output.

Configuring the Router to Send SNMP Traps

Perform this task to configure the router to sendm SNMP traps to a host.

The **snmp-server host** command specifies which hosts receive traps. The **snmp-server enable traps** command globally enables the trap production mechanism for the specified traps.

For a host to receive a trap, an **snmp-server host** command must be configured for that host, and, generally, the trap must be enabled globally through the **snmp-server enable traps** command.



Note

Although you can set the *community-string* argument using the **snmp-server host** command by itself, we recommend you define this string using the **snmp-server community** command before using the **snmp-server host** command.

SUMMARY STEPS

1. **enable**
2. **configure terminal**
3. **snmp-server host** *host-addr* [**traps** | **informs**] [**version** {1 | 2c | 3 [**auth** | **noauth** | **priv**]}] *community-string* [**udp-port** *port*] [*notification-type*] [**vrf** *vrf-name*]
4. **snmp-server enable traps mpls vpn** [**illegal-label**] [**max-thresh-cleared**] [**max-threshold**] [**mid-threshold**] [**vrf-down**] [**vrf-up**]
5. **end**

DETAILED STEPS

	Command or Action	Purpose
Step 1	enable Example: Router> enable	Enables privileged EXEC mode. <ul style="list-style-type: none"> • Enter your password if prompted.

	Command or Action	Purpose
Step 2	<p>configure terminal</p> <p>Example:</p> <pre>Router# configure terminal</pre>	Enters global configuration mode.
Step 3	<p>snmp-server host <i>host-addr</i> [traps informs] [version {1 2c 3} [auth noauth priv]] <i>community-string</i> [udp-port <i>port</i>] [notification-type] [vrf <i>vrf-name</i>]</p> <p>Example:</p> <pre>Router(config)# snmp-server host 172.20.2.160 traps comaccess mpls-vpn</pre>	<p>Specifies the recipient of an SNMP notification operation.</p> <ul style="list-style-type: none"> • The <i>host-addr</i> argument specifies the name or Internet address of the host (the targeted recipient). • The traps keyword sends SNMP traps to this host. This is the default. • The informs keyword sends SNMP informs to this host. • The version keyword specifies the version of the SNMP used to send the traps. Version 3 is the most secure model, because it allows packet encryption with the priv keyword. If you use the version keyword, you must specify one of the following: <ul style="list-style-type: none"> • 1--SNMPv1. This option is not available with informs. • 2c --SNMPv2C. • 3--SNMPv3. The following three optional keywords can follow the version 3 keyword (auth, noauth, priv). • The <i>community-string</i> argument is a password-like community string sent with the notification operation. • The udp-port <i>port</i> keyword and argument pair names the User Datagram Protocol (UDP) port of the host to use. The default is 162. • The <i>notification-type</i> argument specifies the type of notification to be sent to the host. If no type is specified, all notifications are sent. • The vrf <i>vrf-name</i> keyword and argument pair specifies the VRF table that should be used to send SNMP notifications.
Step 4	<p>snmp-server enable traps mpls vpn [illegal-label] [max-thresh-cleared] [max-threshold] [mid-threshold] [vrf-down] [vrf-up]</p> <p>Example:</p> <pre>Router(config)# snmp-server enable traps mpls vpn vrf-down vrf-up</pre>	<p>Enables the router to send MPLS VPN-specific SNMP notifications (traps and informs).</p> <ul style="list-style-type: none"> • The illegal-label keyword enables a notification for any illegal labels received on a VRF interface. Labels are illegal if they are outside the legal range, do not have an LFIB entry, or do not match table IDs for the label. • The max-thresh-cleared keyword enables a notification when the number of routes falls below the limit after the maximum route limit was attempted. • The max-threshold keyword enables a notification that a route creation attempt was unsuccessful because the maximum route limit was reached. Another MplsNumVrfRouteMaxThreshExceeded notification is not sent until the number of routes falls below the maximum threshold and reaches the maximum threshold

	Command or Action	Purpose
		<p>again. The max-threshold value is determined by the maximum routes command in VRF configuration mode.</p> <ul style="list-style-type: none"> • The mid-threshold keyword enables a notification of a warning that the number of routes created has crossed the warning threshold. This warning is sent only at the time the warning threshold is exceeded. • The vrf-down keyword enables a notification for the removal of a VRF from an interface or the transition of an interface to the down state. • The vrf-up keyword enables a notification for the assignment VRF to an interface that is operational or for the transition of a VRF interface to the operationally up state.
Step 5	<p>end</p> <p>Example:</p> <pre>Router(config)# end</pre>	(Optional) Exits to privileged EXEC mode.

Configuring Threshold Values for MPLS VPN--SNMP Notifications

Perform this task to configure the following threshold values for MPLS VPN--SNMP notifications:

- The `mplsNumVrfRouteMidThreshExceeded` notification event is generated and sent when the middle (warning) threshold is crossed. You can configure this threshold in the CLI by using the **maximum routes** command in VRF configuration mode. This notification is sent to the NMS only at the time the threshold is exceeded. Whenever the number of routes falls below this threshold and exceeds the threshold again, a notification is sent to the NMS.
- The `mplsNumVrfRouteMaxThreshExceeded` notification event is generated and sent when you attempt to create a route on a VRF that already contains the maximum number of routes as defined by the **maximum routes** command in VRF configuration mode. A trap notification is sent to the NMS when you attempt to exceed the maximum threshold. Another `MplsNumVrfRouteMaxThreshExceeded` notification is not sent until the number of routes falls below the maximum threshold and reaches the maximum threshold again.

See the figure above for an example of how this notification works and for a comparison of the maximum and warning thresholds.



Note

The **maximum routes** command sets the number of routes for a VRF. You *cannot* exceed the number of routes in the VRF that you set with the **maximum routes limit warn-threshold** command. Prior to the implementation of the PPVPN-MPLS-VPN MIB, you were not notified when this threshold (or the warning threshold) was reached.

SUMMARY STEPS

1. **enable**
2. **configure terminal**
3. **ip vrf *vrf-name***
4. **maximum routes *limit* {*warn-threshold* | **warn-only**}**
5. **end**

DETAILED STEPS

	Command or Action	Purpose
Step 1	enable Example: Router> enable	Enables privileged EXEC mode. <ul style="list-style-type: none"> • Enter your password if prompted.
Step 2	configure terminal Example: Router# configure terminal	Enters global configuration mode.
Step 3	ip vrf <i>vrf-name</i> Example: Router(config)# ip vrf vpn1	Configures a VRF routing table and enters VRF configuration mode. <ul style="list-style-type: none"> • The <i>vrf-name</i> argument specifies the name assigned to a VRF.
Step 4	maximum routes <i>limit</i> {<i>warn-threshold</i> warn-only} Example: Router(config-vrf)# maximum routes 10000 80	Limits the maximum number of routes in a VRF to prevent a PE router from importing too many routes. <ul style="list-style-type: none"> • The <i>limit</i> argument specifies the maximum number of routes allowed in a VRF. The range is from 1 to 4,294,967,295. • The <i>warn-threshold</i> argument generates a warning when the number of routes set by the <i>warn-threshold</i> argument is reached and rejects routes that exceed the maximum number set in the <i>limit</i> argument. The warning threshold is a percentage from 1 to 100 of the maximum number of routes specified in the <i>limit</i> argument. • The warn-only keyword specifies that a system logging error message is issued when the maximum number of routes allowed for a VRF exceeds the limit threshold. However, additional routes are still allowed.
Step 5	end Example: Router(config-vrf)# end	(Optional) Exits to privileged EXEC mode.

Configuration Examples for MPLS VPN--MIB Support

Example Configuring the SNMP Community

The following example shows enabling a simple SNMP community group. This configuration permits any SNMP client to access all PPVPN-MPLS-VPN MIB objects with read-only access using the community string comaccess.

```
Router# configure terminal
Router(config)# snmp-server community comaccess ro
Verify that the SNMP master agent is enabled for the MPLS VPN--MIB Support feature:

Router# show running-config | include snmp-server
Building configuration...
.
snmp-server community comaccess RO
```



Note If you do not see any “snmp-server” statements, SNMP is not enabled on the router.

Example Configuring the Router to Send SNMP Traps

The following example shows you how to enable the router to send MPLS VPN notifications to host 172.20.2.160 using the comaccess community string if a VRF transitions from an up or down state:

```
Router# configure terminal
Router(config)# snmp-server host 172.20.2.160 traps comaccess mpls-vpn
Router(config)# snmp-server enable traps mpls vpn vrf-down vrf-up
```

Example Configuring Threshold Values for MPLS VPN--SNMP Notifications

The following example shows how to set a maximum threshold of 10,000 routes and a warning threshold that is 80 percent of the maximum threshold for a VRF named vpn1 on a router:

```
Router(config)# ip vrf vpn1
Router(config-vrf)# maximum routes 10000 80
```

The following example shows how to set a warning threshold of 10,000 routes for a VRF named vpn2 on a router. An error message is generated; however, additional routes are still allowed because a maximum route threshold is not set with this command.

```
Router(config)# ip vrf vpn2
Router(config-vrf)# maximum routes 10000 warn-only
```

Additional References

Related Documents

Related Topic	Document Title
Cisco IOS commands	Cisco IOS Master Commands List, All Releases
Description of commands associated with MPLS and MPLS applications	<i>Cisco IOS Multiprotocol Label Switching Command Reference</i>
MPLS VPN configuration tasks	Configuring MPLS Layer 3 VPNs
A description of SNMP agent support in Cisco software for the MPLS Traffic Engineering MIB (MPLS TE MIB)	MPLS Traffic Engineering (TE) MIB
Overview and configuration tasks for the MPLS distribution protocol	MPLS Label Distribution Protocol

Standards

Standard	Title
draft-ietf-ppvpn-mpls-vpn-mib-05	<i>MPLS/BGP Virtual Private Network Management Information Base Using SMIPv2</i>

MIBs

MIB	MIBs Link
<ul style="list-style-type: none"> • MPLS-VPN-MIB • CISCO-IETF-PPVPN-MPLS-VPN-MIB 	To locate and download MIBs for selected platforms, Cisco software releases, and feature sets, use Cisco MIB Locator found at the following URL: http://www.cisco.com/go/mibs

RFCs

RFC	Title
RFC 2233	<i>The Interfaces Group MIB using SMIPv2</i>
RFC 2547	<i>BGP/MPLS VPNs</i>

Technical Assistance

Description	Link
The Cisco Support and Documentation website provides online resources to download documentation, software, and tools. Use these resources to install and configure the software and to troubleshoot and resolve technical issues with Cisco products and technologies. Access to most tools on the Cisco Support and Documentation website requires a Cisco.com user ID and password.	http://www.cisco.com/cisco/web/support/index.html

Feature Information for MPLS VPN--MIB Support

The following table provides release information about the feature or features described in this module. This table lists only the software release that introduced support for a given feature in a given software release train. Unless noted otherwise, subsequent releases of that software release train also support that feature.

Use Cisco Feature Navigator to find information about platform support and Cisco software image support. To access Cisco Feature Navigator, go to www.cisco.com/go/cfn. An account on Cisco.com is not required.

Table 80: Feature Information for MPLS VPN--MIB Support

Feature Name	Releases	Feature Information
MPLS VPN--MIB Support	12.0(21)ST 12.0(22)S 12.2(13)S 12.2(15)T 12.0(24)S1 12.0(25)S 12.0(30)S 12.2(28)SB 12.2(33)SRA 12.2(31)SB2 12.2(33)SXH 12.4(20)T	<p>This feature was introduced into Cisco IOS Release 12.0(21)ST.</p> <p>This feature was integrated into Cisco IOS Release 12.0(22)S.</p> <p>This feature was integrated into Cisco IOS Release 12.2(13)S.</p> <p>The PPVPN-MPLS-VPN MIB notifications were supported in Cisco IOS Release 12.2(13)T. The PPVPN-MPLS-VPN MIB tables were integrated into Cisco IOS Release 12.2(15)T.</p> <p>The feature was implemented for ATM and Frame Relay subinterfaces and integrated into Cisco IOS Release 12.0(24)S1.</p> <p>This feature was integrated into Cisco IOS Release 12.0(25)S.</p> <p>This feature was updated with the MPLS VPN Trap Enhancement feature, which introduced the <code>cMplsNumVrfRouteMaxThreshCleared</code> notification. The max-thresh-cleared keyword was added to the snmp-server enable traps mpls vpn command.</p> <p>This feature was integrated into Cisco IOS Release 12.2(28)SB.</p> <p>This feature was integrated into Cisco IOS Release 12.2(33)SRA.</p> <p>This feature was implemented into Cisco IOS Release 12.2(31)SB2.</p> <p>This feature was implemented into Cisco IOS Release 12.2(33)SXH.</p> <p>This feature was integrated into Cisco IOS Release 12.4(20)T.</p>

Glossary

autonomous system --A collection of networks that share the same routing protocol and that are under the same system administration.

ASN.1 --Abstract Syntax Notation One. The data types independent of particular computer structures and representation techniques. Described by ISO International Standard 8824.

BGP --Border Gateway Protocol. The exterior Border Gateway Protocol used to exchange routing information between routers in separate autonomous systems. BGP uses TCP. Because TCP is a reliable protocol, BGP does not experience problems with dropped or fragmented data packets.

BGP prefixes--A route announcement using the BGP. A prefix is composed of a path of autonomous system numbers, indicating which networks the packet must pass through, and the IP block that is being routed. A BGP prefix would look something like: 701 1239 42 206.24.14.0/24. (The /24 part is referred to as a CIDR mask.) The /24 indicates that there are 24 ones in the netmask for this block starting from the left side. A /24 corresponds to the natural mask 255.255.255.0.

Cisco Express Forwarding --An advanced Layer 3 IP switching technology. Cisco Express Forwarding optimizes network performance and scalability for networks with large and dynamic traffic patterns.

CE router--customer edge router. A router on the border between a VPN provider and a VPN customer that belongs to the customer.

CIDR --classless interdomain routing. A technique supported by BGP4 and based on route aggregation. CIDR allows routers to group routes to reduce the quantity of routing information carried by the core routers. With CIDR, several IP networks appear to networks outside the group as a single, larger entity. With CIDR, IP addresses and their subnet masks are written as four octets, separated by periods, followed by a forward slash and a two-digit number that represents the subnet mask.

community --In SNMP, a logical group of managed devices and NMSs in the same administrative domain.

community name --See community string.

community string --A text string that acts as a password and is used to authenticate messages sent between a managed station and a router containing an SNMP agent. The community string is sent in every packet between the manager and the client. Also called a community name.

IETF --Internet Engineering Task Force. A task force consisting of over 80 working groups responsible for developing Internet standards. The IETF operates under the auspices of ISOC. *See also* ISOC.

informs --A type of notification message that is more reliable than a conventional trap notification message, because the informs message notification requires acknowledgment, and a trap notification does not.

ISOC --Internet Society. An international nonprofit organization, founded in 1992, that coordinates the evolution and use of the Internet. In addition, ISOC delegates authority to other groups related to the Internet, such as the IAB. ISOC is headquartered in Reston, Virginia (United States).

label --A short, fixed-length data construct that tells switching nodes how to forward data (packets or cells).

LDP --Label Distribution Protocol. A standard protocol between MPLS-enabled routers that is used for the negotiation of the labels (addresses) used to forward packets.

LFIB --Label Forwarding Information Base. In the Cisco Label Switching system, the data structure for storing information about incoming and outgoing tags (labels) and associated equivalent packets suitable for labeling.

LSR --label switch router. A device that forwards MPLS packets based on the value of a fixed-length label encapsulated in each packet.

MIB --Management Information Base. A database of network management information that is used and maintained by a network management protocol such as SNMP or CMIP. The value of a MIB object can be changed or retrieved using SNMP or CMIP commands, usually through a GUI network management system. MIB objects are organized in a tree structure that includes public (standard) and private (proprietary) branches.

MPLS --Multiprotocol Label Switching. A method for forwarding packets (frames) through a network. It enables routers at the edge of a network to apply labels to packets (frames). ATM switches or existing routers in the network core can switch packets according to the labels with minimal lookup overhead.

MPLS interface --An interface on which MPLS traffic is enabled.

MPLS VPN --Multiprotocol Label Switching Virtual Private Network. An IP network infrastructure delivering private network services over a public infrastructure using a Layer 3 backbone. Using MPLS VPNs in a Cisco network provides the capability to deploy and administer scalable Layer 3 VPN backbone services including applications, data hosting network commerce, and telephony services to business customers.

For an MPLS VPN solution, an MPLS VPN is a set of provider edge routers that are connected by means of a common "backbone" network to supply private IP interconnectivity between two or more customer sites for a given customer. Each VPN has a set of provisioning templates and policies and can span multiple provider administrative domains (PADs).

NMS --network management system. A powerful, well-equipped computer (typically an engineering workstation) that is used by a network administrator to communicate with other devices in the network. An NMS is typically used to manage network resources, gather statistics, and perform a variety of network administration and configuration tasks.

notification --A message sent by an SNMP agent to a network management station, console, or terminal to indicate that a significant event within Cisco software has occurred. *See also* trap.

PE router --provider edge router. A router on the border between a VPN provider and a VPN customer that belongs to the provider.

PPVPN --Provider-Provisioned VPN. The name of the IETF working group that is developing the PPVPN-MPLS-VPN MIB.

QoS --quality of service. A measure of performance for a transmission system that reflects its transmission quality and service availability.

RSVP --Resource Reservation Protocol. A protocol for reserving network resources to provide quality of service guarantees to application flows.

RT --route target. An extended community attribute that identifies a group of routers and, in each router of that group, a subset of forwarding tables maintained by the router that can be populated with a BGP route carrying that extended community attribute. The RT is a 64-bit value by which Cisco discriminates routes for route updates in VRFs.

SNMP --Simple Network Management Protocol. The network management protocol used almost exclusively in TCP/IP networks. SNMP provides a means to monitor and control network devices, and to manage configurations, statistics collection, performance, and security. *See also* SNMP2.

SNMP2 --SNMP Version 2. Version 2 of the popular network management protocol. SNMP2 supports centralized and distributed network management strategies, and includes improvements in the Structure of Management Information (SMI), protocol operations, management architecture, and security. *See also* SNMP.

traffic engineering --The techniques and processes used to cause routed traffic to travel through the network on a path other than the one that would have been chosen if standard routing methods had been used.

trap --A message sent by an SNMP agent to a network management station, console, or terminal, indicating that a significant event occurred. Traps (notifications) are less reliable than inform requests, because the

receiver does not send an acknowledgment when it receives a trap. The sender cannot determine if the trap was received. See also notification.

VPN --Virtual Private Network. A group of sites that, as the result of a set of administrative policies, are able to communicate with each other over a shared backbone network. A VPN is a secure IP-based network that shares resources on one or more physical networks. A VPN contains geographically dispersed sites that can communicate securely over a shared backbone. See alsoMPLS VPN.

VPN ID --A mechanism that identifies a VPN based on RFC 2685. A VPN ID consists of an Organizational Unique Identifier (OUI), a three-octet hex number assigned by the IEEE Registration Authority, and a VPN index, a four-octet hex number, which identifies the VPN within the company.

VRF --VPN routing and forwarding instance. A VRF consists of an IP routing table, a derived forwarding table, a set of interfaces that use the forwarding table, and a set of rules and routing protocols that determine what goes into the forwarding table. In general, a VRF includes the routing information that defines a customer VPN site that is attached to a PE router.



CHAPTER 10

MPLS EM—MPLS VPN MIB RFC 4382 Upgrade

The MPLS EM—MPLS VPN MIB RFC 4382 Upgrade feature document describes the MPLS-L3VPN-STD-MIB that supports Multiprotocol Label Switching (MPLS) Layer 3 Virtual Private Networks (VPNs) based on RFC 4382, *MPLS/BGP Layer 3 Virtual Private Network (VPN) Management Information Base*, and describes the major differences between RFC 4382 and MPLS-VPN-MIB, which is based on the Internet Engineering Task Force (IETF) draft Version 3 (draft-ietf-ppvpn-mpls-vpn-mib-03.txt). This document also describes the changes needed to implement MPLS-L3VPN-STD-MIB (RFC 4382). The MPLS-VPN-MIB and MPLS-L3VPN-STD-MIB provide an interface for managing the MPLS VPN feature in Cisco IOS software through the use of the Simple Network Management Protocol (SNMP).

Cisco IOS MPLS Embedded Management (EM) is a set of standards and value-added services that facilitate the deployment, operation, administration, and management of MPLS-based networks according to the fault, configuration, accounting, performance, and security (FCAPS) model.

- [Finding Feature Information, page 317](#)
- [Prerequisites for MPLS EM—MPLS VPN MIB RFC 4382 Upgrade, page 318](#)
- [Restrictions for MPLS EM—MPLS VPN MIB RFC 4382 Upgrade, page 318](#)
- [Information About MPLS EM—MPLS VPN MIB RFC 4382 Upgrade, page 318](#)
- [How to Configure MPLS EM—MPLS VPN MIB RFC 4382 Upgrade, page 350](#)
- [Configuration Examples for MPLS EM—MPLS VPN MIB RFC 4382 Upgrade, page 358](#)
- [Additional References, page 360](#)
- [Feature Information for MPLS EM—MPLS VPN MIB RFC 4382 Upgrade, page 361](#)
- [Glossary, page 363](#)

Finding Feature Information

Your software release may not support all the features documented in this module. For the latest caveats and feature information, see [Bug Search Tool](#) and the release notes for your platform and software release. To find information about the features documented in this module, and to see a list of the releases in which each feature is supported, see the feature information table at the end of this module.

Use Cisco Feature Navigator to find information about platform support and Cisco software image support. To access Cisco Feature Navigator, go to www.cisco.com/go/cfn. An account on Cisco.com is not required.

Prerequisites for MPLS EM—MPLS VPN MIB RFC 4382 Upgrade

The MPLS-L3VPN-STD-MIB agent requires the following:

- SNMP is installed and enabled on the label switching routers (LSRs).
- MPLS is enabled on the LSRs.
- Multiprotocol Border Gateway Protocol (BGP) is enabled on the LSRs.
- Cisco Express Forwarding is enabled on the LSRs.
- Label Distribution Protocol (LDP) paths or traffic-engineered tunnels (RFC 3812) are configured between provider edge (PE) routers and customer edge (CE) routers.

Restrictions for MPLS EM—MPLS VPN MIB RFC 4382 Upgrade

The following is not supported for Cisco IOS Releases 12.2(33)SRC and 12.2(33)SB:

- Configuration of the MIB using the SNMP SET command is not supported, except for the trap-related object, `mplsL3VpnNotificationEnable`.

Information About MPLS EM—MPLS VPN MIB RFC 4382 Upgrade

MPLS Layer 3 VPN Overview

The MPLS Layer 3 VPN technology allows service providers to offer intranet and extranet VPN services that directly connect their customers' remote offices to a public network with the same security and service levels that a private network offers. Each VPN is associated with one or more VPN routing and forwarding (VRF) instances. A VRF is created for each VPN defined on a router and contains most of the information needed to manage and monitor MPLS Layer 3 VPNs: an IP routing table, a derived Cisco Express Forwarding table, a set of interfaces that use this forwarding table, and a set of rules and routing protocol parameters that control the information that is included in the routing table.

MPLS-L3VPN-STD-MIB Benefits

The MPLS-L3VPN-STD-MIB provides access to VRF information, and to interfaces included in the VRF, and other configuration and monitoring information.

The MPLS-L3VPN-STD-MIB provides the following benefits:

- A standards-based SNMP interface for retrieving information about critical MPLS VPN events.
- VRF information to assist in the management and monitoring of MPLS VPNs.

- Information, in conjunction with the Interfaces MIB, about interfaces assigned to VRFs.
- Performance statistics for all VRFs on a router.
- The generation and queueing of notifications that call attention to major changes in the operational status of MPLS VPN enabled interfaces and the forwarding of notification messages to a designated network management system (NMS) for evaluation and action by network administrators.
- Warning when VPN routing tables are approaching or exceed their capacity.
- Warnings about the reception of illegal labels on a VRF-enabled interface. Such receptions may indicate misconfiguration or an attempt to violate security.

Capabilities Supported by the MPLS-L3VPN-STD-MIB

SNMP agent code operating with the MPLS-L3VPN-STD-MIB enables a standardized, SNMP-based approach to managing MPLS VPNs in Cisco IOS software.

The MPLS-L3VPN-STD-MIB is based on RFC 4382, *MPLS/BGP Layer 3 Virtual Private Network (VPN) Management Information Base*, which includes objects describing features that support MPLS VPN events.

The MPLS-L3VPN-STD-MIB provides you with the ability to do the following:

- Gather routing and forwarding information for MPLS VPNs on a router.
- Display information in the VRF routing table.
- Send notification messages that signal changes when critical MPLS VPN events occur.
- Enable, disable, and configure notification messages for MPLS VPN events by using extensions to existing SNMP command-line interface (CLI) commands.
- Specify the IP address of an NMS in the operating environment to which notification messages are sent.
- Write notification configurations into nonvolatile memory.

Some slight differences between RFC 4382 and the actual implementation of MPLS VPNs within Cisco IOS software require some minor translations between the MPLS-L3VPN-STD-MIB and the internal data structures of Cisco IOS software. These translations are accomplished by means of the SNMP agent code. Also, while running as a low priority process, the SNMP agent provides a management interface to Cisco IOS software. SNMP adds minimal overhead on the normal functions of the device.

All MPLS-L3VPN-STD-MIB objects are based on RFC 4382; thus, no Cisco-specific SNMP application is required to support the functions and operations pertaining to the MPLS-L3VPN-STD-MIB features.

Supported Objects in the MPLS-L3VPN-STD-MIB

The MPLS-L3VPN-STD-MIB contains numerous tables and object definitions that provide read-only SNMP management support for the MPLS VPN feature in Cisco IOS software. The MPLS-L3VPN-STD-MIB conforms to Abstract Syntax Notation One (ASN.1), thus providing an idealized MPLS VPN database.

Using any standard SNMP network management application, you can retrieve and display information from the MPLS-L3VPN-STD-MIB using GET operations; similarly, you can traverse information in the MIB database for display using GETNEXT operations.

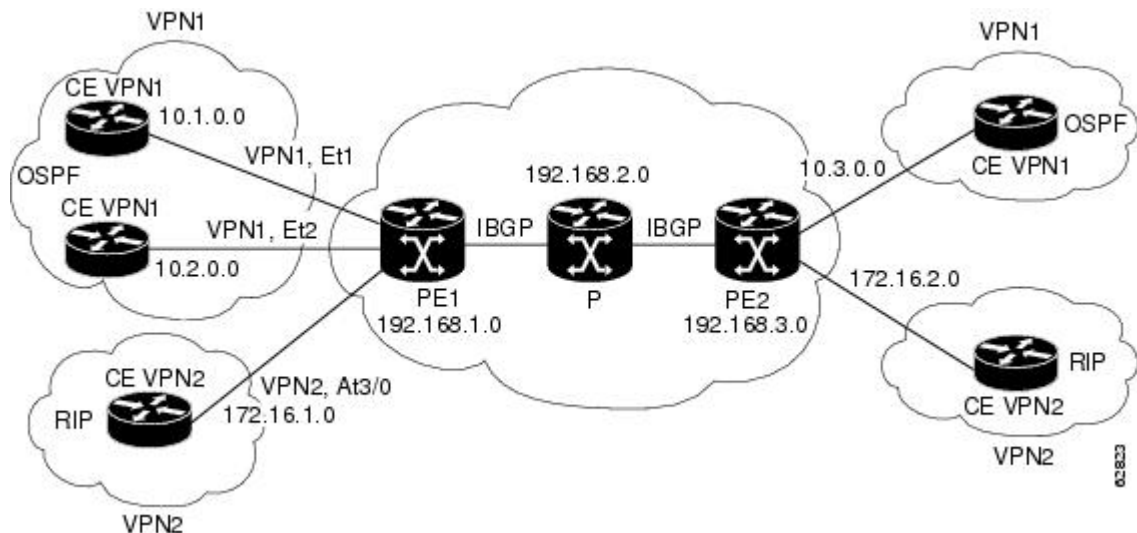
The MPLS-L3VPN-STD-MIB tables and objects are described briefly in the following sections:

The figure below shows a simple MPLS VPN configuration. This configuration includes two customer MPLS VPNs (labeled VPN1 and VPN2) and a simple provider network that consists of two PE routers (labeled PE1 and PE2) and a provider core router labeled P. The figure below shows the following sample configuration:

- VRF names—VPN1 and VPN2
- Interfaces associated with VRFs—Et1, Et2, and At3/0
- Routing protocols—Open Shortest Path First (OSPF), Routing Information Protocol (RIP), and Interior Border Gateway Protocol (IBGP)
- Routes associated with VPN1—10.1.0.0, 10.2.0.0, and 10.3.0.0
- Routes associated with VPN2—172.16.1.0 and 172.16.2.0
- Routes associated with the provider network—192.168.1.0, 192.168.2.0, and 192.168.3.0

This configuration is used to explain MPLS VPN events that are monitored and managed by the MPLS-L3VPN-STD-MIB.

Figure 39: Sample MPLS Layer 3 VPN Configuration



For information on IPv6 VPN over MPLS (6VPE) configuration, see the “Implementing IPv6 VPN over MPLS (6VPE)” chapter in the *Cisco IOS IPv6 Configuration Guide*.

MPLS-L3VPN-STD-MIB Scalar Objects

MPLS-L3VPN-STD-MIB defines several scalar objects. The table below describes the scalar objects that are implemented for Cisco IOS Release 12.2(33)SRC and Release 12.2(33)SB.

Table 81: MPLS-L3VPN-STD-MIB Scalar Objects

MIB Object	Description
mplsL3VpnConfiguredVrfs	The number of VRFs configured on the router, including VRFs recently deleted.
mplsL3VpnActiveVrfs	The number of VRFs that are active on the router. An active VRF is assigned to at least one interface that is in the operationally up state.
mplsL3VpnConnectedInterfaces	The total number of interfaces assigned to a VRF.
mplsL3VpnNotificationEnable	<p>An object to enable or disable MPLS-L3VPN-STD-MIB notifications:</p> <ul style="list-style-type: none"> • Setting this object to true enables all notifications defined in the MPLS-L3VPN-STD-MIB. • Setting this object to false disables all notifications defined in the MIB. This is the default. <p>This is one of the few objects that is writable.</p>
mplsL3VpnVrfConfMaxPossRts	The number of routes that this router is capable of storing. This value cannot be determined because it is based on the amount of available memory in the system. Therefore, this object is set to zero (0).
mplsL3VpnVrfConfRteMxThrshTime	<p>An interval in seconds in which repeat mplsL3VpnVrfNumVrfRouteMaxThreshExceeded notifications can be sent if there is an attempt to continuously add routes after the maximum route limit is reached.</p> <p>The default value is 0. When the value is 0, the MIB agent does not send the notification again unless the number of routes drops below the threshold and attempts to exceed the threshold again.</p> <p>You can set the number of seconds after which the maximum threshold notification is sent with the following configuration command:</p> <pre>Router(config)# snmp mib mpls vpn max-threshold seconds</pre>
mplsL3VpnIllLblRcvThrsh	<p>A number above which the receipt of an illegal label generates an mplsNumVrfSecIllglLblThrshExcd notification. The default value is 0.</p> <p>You can set the number of illegal labels that generate a notification with the following configuration command:</p> <pre>Router(config)# snmp mib mpls vpn illegal-label number</pre>

MPLS-L3VPN-STD-MIB MIB Tables

VRFConfigurationTable(mplsL3VpnVrfTable)

Entries in the VRF configuration table (mplsL3VpnVrfTable) represent the VRF instances that are configured on the router. These include recently deleted VRFs. The information in this table is also displayed in the output of the **show vrf detail** command.

Each VRF is referenced by its VRF name (mplsL3VpnVrfName).

The table below lists MPLS Layer 3 VPN information and the associated MIB objects supported by the VRF configuration table (mplsL3VpnVrfTable).

Table 82: VRF Configuration Table—MPLS Layer 3 VPN Information and Associated MIB Objects

MIB Object	MPLS Layer 3 VPN Information
mplsL3VpnVrfName	<p>The name associated with this VRF. When this object is used as an index to a table, the first octet is the string length, and subsequent octets are the ASCII codes of each character. For example, "vpn1" is represented as 4.118.112.110.49.</p> <p>The VRF name can be equivalent to the VPN ID. If the VRF name is equivalent to the VPN ID, the VRF name must be equivalent to the value for the mplsL3VpnVrfVpnId MIB object. We recommend that all sites that support VRFs that are part of the same VPN use the same naming convention for VRFs and use the same VPN ID.</p>
mplsL3VpnVrfVpnId	<p>The VPN identification number based on RFC 2685. If you do not specify a VPN ID, the value is an empty string.</p>
mplsL3VpnVrfDescription	<p>The description of the VRF. This is specified with the description command in VRF configuration mode:</p> <pre data-bbox="800 1352 1198 1444">Router(config)# vrf definition vrf-name Router(config-vrf)# description vrf-description</pre> <p>Note You can use the vrf definition vrf-name command to configure both IPv6 and IPv4 address-family VRFs. When you use the ip vrf vrf-name command, you can configure only an IPv4 address-family VRF.</p>

MIB Object	MPLS Layer 3 VPN Information
mplsL3VpnVrfRD	<p>The route distinguisher for this VRF. This is specified with the rd command in VRF configuration mode:</p> <pre>Router (config) # vrf definition vrf-name Router (config-vrf) # rd route-distinguisher</pre> <p>Note You can use the vrf definition vrf-name command to configure both IPv6 and IPv4 address-family VRFs. When you use the ip vrf vrf-name command, you can configure only an IPv4 address-family VRF.</p>
mplsL3VpnVrfCreationTime	The value of the sysUpTime when this VRF entry was created.
mplsL3VpnVrfOperStatus	<p>The operational status of this VRF. A VRF is up (1) when at least one interface associated with the VRF is up. A VRF is down (2) when:</p> <ul style="list-style-type: none"> • No interfaces exist whose ifOperStatus = up (1). • No interfaces are associated with this VRF.
mplsL3VpnVrfActiveInterfaces	The number of interfaces assigned to this VRF that are operationally up.
mplsL3VpnVrfAssociatedInterfaces	The number of interfaces assigned to this VRF, independent of the operational status.

MIB Object	MPLS Layer 3 VPN Information
mplsL3VpnVrfConfMidRteThresh	<p>The middle threshold. If the number of routes in the VRF crosses this threshold, an mplsL3VpnVrfRouteMidThreshExceeded notification is sent (if notifications are enabled and configured). You can set this value in VRF address family configuration mode as a percentage of the maximum with the maximum routes limit <i>{warn-threshold warn-only}</i> command.</p> <p>For example, the following maximum routes command sets the warning threshold for an IPv4 address family in VRF vpn1 as 50 percent of the maximum route threshold:</p> <pre>Router(config)# vrf definition vpn1 Router(config-vrf)# address-family ipv4 Router(config-vrf-af)# maximum routes 1000 50</pre> <p>If vpn1 also has an IPv6 address family configured, the following maximum routes command sets the warning threshold for the IPv6 address family as 50 percent of its maximum route threshold:</p> <pre>Router(config)# vrf definition vpn1 Router(config-vrf)# address-family ipv6 Router(config-vrf-af)# maximum routes 2000 50</pre> <p>Note The vrf definition vrf-name command can configure both IPv6 and IPv4 address-family VRFs. When you use the ip vrf vrf-name command, you can configure only an IPv4 address-family VRF.</p> <p>If both IPv4 and IPv6 address-family configurations are present in the VRF, the threshold is an aggregate of the warning threshold values. In this example, the aggregate warning threshold is 1500 routes [(ipv4 = 500) + (ipv6 = 1000)]. An mplsL3VpnVrfRouteMidThreshExceeded notification is not sent until both address families reach their warning threshold. If only a single address family exists for the VRF, the mplsL3VpnVrfRouteMidThreshExceeded notification is sent when the warning threshold is reached for the single address family.</p> <p>The following command sets a middle threshold of 1000 routes. An mplsL3VrfRouteMidThreshExceeded notification is sent when this threshold is exceeded. However, additional routes are still allowed because a maximum route threshold is not set with this command.</p> <pre>Router(config-vrf-if)# maximum routes 1000 warn-only</pre> <p>See the MPLS-L3VPN-STD-MIB Notification Events, on page 337 for more information on the mplsL3VpnVrfRouteMidThreshExceeded notification.</p>

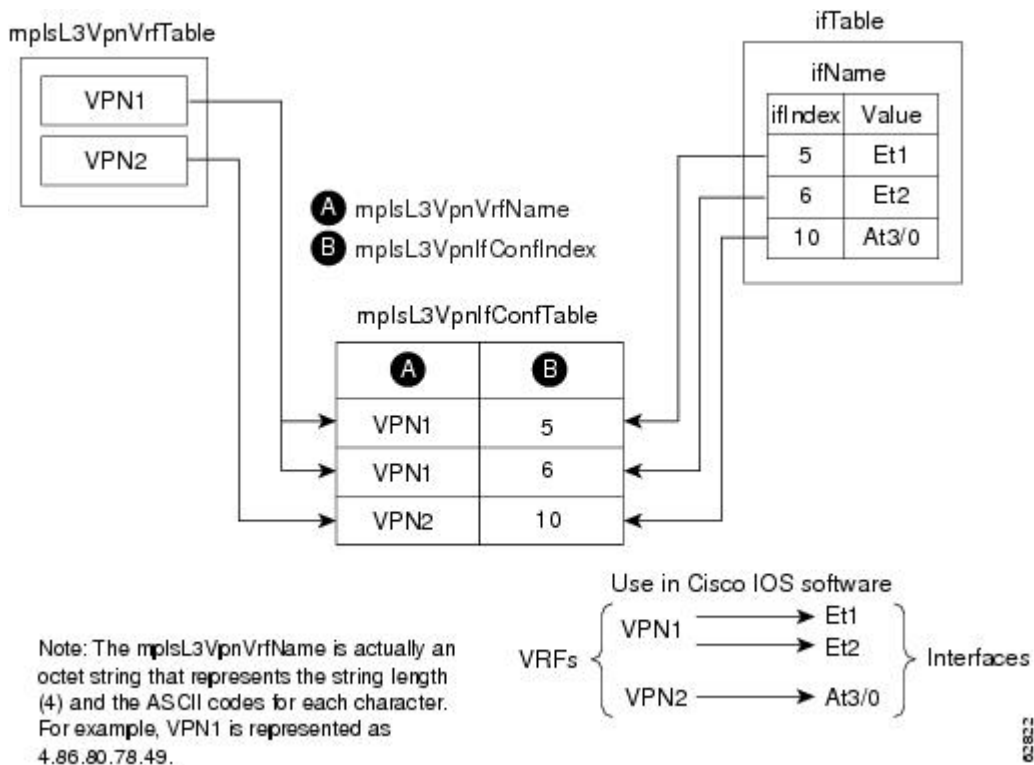
MIB Object	MPLS Layer 3 VPN Information
mplsL3VpnVrfConfHighRteThresh	<p>The maximum route threshold. If the number of routes in the VRF crosses this threshold, an mplsL3VpnVrfNumVrfRouteMaxThreshExceeded notification is sent (if notifications are enabled and configured). You can set this value in VRF address family configuration mode with the maximum routes <i>limit</i> {<i>warn-threshold</i> warn-only} command as follows:</p> <pre>Router (config) # vrf definition vpn2 Router (config-vrf) # address-family ipv4 Router (config-vrf-af) # maximum routes 1000 75 Router (config) # vrf definition vpn2 Router (config-vrf) # address-family ipv6 Router (config-vrf-af) # maximum routes 2000 75</pre> <p>Note The vrf definition <i>vrf-name</i> command can configure both IPv6 and IPv4 address-family VRFs. When you use the ip vrf <i>vrf-name</i> command, you can configure only an IPv4 address-family VRF.</p> <p>If both IPv4 and IPv6 address-family configurations are present in the VRF, the threshold is an aggregate of the maximum threshold values. In this example, the aggregate maximum route threshold is 3000 [(ipv4 = 1000)+ (ipv6 = 2000)]. An mplsL3VpnVrfNumVrfRouteMaxThreshExceeded notification is not sent until both address families reaches their maximum route threshold. If only a single address family exists for the VRF, the mplsL3VpnVrfRouteMaxThreshExceeded notification is sent when the maximum route threshold is reached for the single address family. Routes are not added to the address-family that has already reached its maximum route threshold.</p> <p>See the MPLS-L3VPN-STD-MIB Notification Events, on page 337 for more information on the mplsL3VpnVrfNumVrfRouteMaxThreshExceeded notification.</p>
mplsL3VpnVrfConfMaxRoutes	This value is the same as that for mplsL3VpnVrfConfHighRteThresh.
mplsL3VpnVrfConfLastChanged	<p>The value of sysUpTime when the configuration of the VRF changes or interfaces are assigned or unassigned from the VRF.</p> <p>Note This object is updated only when values in this table change.</p>
mplsL3VpnVrfConfRowStatus	The status of a row in the table. This object normally reads “active (1),” but may read “notInService (2)” if a VRF was recently deleted.

MIB Object	MPLS Layer 3 VPN Information
mplsL3VpnVrfConfAdminStatus	The operation status of the VRF. The possible values are: <ul style="list-style-type: none"> • up (1)—At least one interface is administratively up and the VRF is ready to pass packets. • down (2)—All interfaces are administratively down and the VRF cannot pass packets.
mplsL3VpnVrfConfStorageType	The storage type for the VRF entry. This object always returns a value of “volatile (2).”

VPN Interface Configuration Table (mplsL3VpnIfConfTable)

In Cisco IOS software, a VRF is associated with one MPLS Layer 3 VPN. Zero or more interfaces can be associated with a VRF. A VRF uses an interface that is defined in the ifTable of the Interfaces Group of MIB II (IFMIB). The IFMIB defines objects for managing interfaces. The ifTable of this MIB contains information on each interface in the network. The mplsL3VpnIfConfTable associates a VRF from the mplsL3VpnVrfTable with a forwarding interface from the ifTable. The figure below shows the relationship between VRFs and interfaces defined in the ifTable and the mplsL3VpnIfConfTable.

Figure 40: VRFs, the Interfaces MIB, and the mplsL3VpnIfConfTable



Entries in the VPN interface configuration table (mplsL3VpnIfConfTable) represent the interfaces that are assigned to each VRF. The information available in this table is also displayed in the output of the **show vrf** command.

The mplsL3VpnIfConfTable shows how interfaces are assigned to VRFs. An LSR creates an entry in this table for every interface capable of supporting MPLS Layer 3 VPNs.

The mplsL3VpnIfConfTable is indexed by the following:

- mplsL3VpnVrfName—The VRF name
- mplsL3VpnIfConfIndex—An identifier that is the same as the ifIndex from the Interface MIB of the interface assigned to the VRF

The table below lists MPLS Layer 3 VPN information and the associated MIB objects supported by the VPN interface configuration table (mplsL3VpnIfConfTable).

Table 83: VPN Interface Configuration Table—MPLS Layer 3 VPN Information and Associated MIB Objects

MIB Object	MPLS Layer 3 VPN Information
mplsL3VpnIfConfIndex	Provides the interface MIB ifIndex of this interface that is assigned to a VRF.
mplsL3VpnIfVpnClassification	Specifies what type of VPN this interface is providing: carrier supporting carrier (CsC) (1), enterprise (2), or InterProvider (3). This value is set to enterprise (2) if MPLS is not enabled and to carrier supporting carrier (1) if MPLS is enabled on this interface.
mplsL3VpnIfVpnRouteDistProtocol	Indicates the route distribution protocols that are being used to redistribute routes across the PE-to-CE link on this interface: none (0), BGP (1), OSPF (2), RIP (3), Intermediate System-Intermediate System (IS-IS) (4), static (5), or other (6). More than one protocol can be enabled at the same time. In Cisco IOS software, router processes are defined and redistributed on a per-VRF basis, not per-interface. Therefore, all interfaces assigned to the same VRF have the same value for this object.
mplsL3VpnIfConfStorageType	Indicates the storage type for the VPN interface entry. The default value for this object is “volatile (2).”
mplsL3VpnIfConfRowStatus	Provides the status of the row in the table that associates the specified interface with the VRF. This object normally reads “active (1),” but may read “notInService (2),” if a VRF was recently deleted.

VRF Route Target Table (mplsL3VpnVrfRTTable)

The VRF route target table (mplsL3VpnVrfRTTable) describes the route target communities that are defined for a particular VRF. An LSR creates an entry in this table for each target configured for a VRF supporting an MPLS Layer 3 VPN instance.

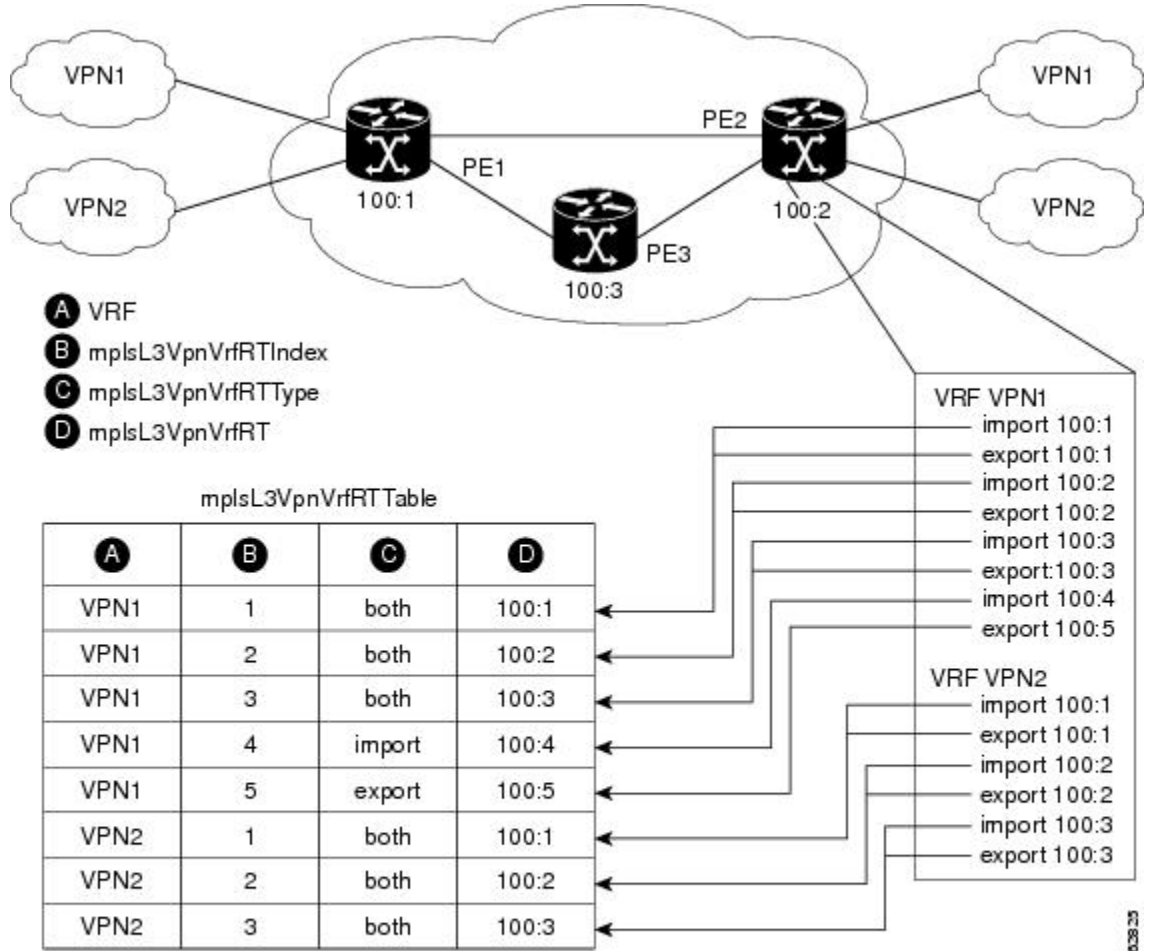
The distribution of VPN routing information is controlled through the use of VPN route target communities, implemented by BGP extended communities. Distribution of VPN routing information works as follows:

- When a VPN route learned from a CE router is injected into BGP, a list of VPN route target extended community attributes is associated with it. Typically the list of route target community values is set from an export list of route targets associated with the VRF from which the route was learned.
- An import list of route target extended communities is associated with each VRF. The import list defines route target extended community attributes a route must have for the route to be imported into the VRF. For example, if the import list for a particular VRF includes route target communities A, B, and C, then any VPN route that carries any of those route target extended communities—A, B, or C—is imported into the VRF.

The figure below shows a sample configuration and its relationship to an mplsL3VpnVrfRTTable. A route target table exists on each PE router. Routers with route distinguishers (RDs) 100:1, 100:2, and 100:3 are

shown in the sample configuration. Routers with RDs 100:4 and 100:5 are not shown in the figure below, but are included in the route targets for PE2 and in the mplsL3VpnVrfRTTable.

Figure 41: Sample Configuration and the mplsL3VpnVrfRTTable



Note: The mplsL3VpnVrfName is actually an octet string that represents the string length (4) and the ASCII codes for each character. For example, VPN1 is represented as 4.86.80.78.49.

The mplsL3VpnVrfRTTable shows the import and export route targets for each VRF. The table is indexed by the following:

- mplsL3VpnVrfName—The VRF name
- mplsL3VpnVrfRTIndex—The route target entry identifier
- mplsL3VpnVrfRTType—A value specifying whether the entry is an import route target, is an export route target, or is defined as both

The table below lists MPLS Layer 3 VPN information and the associated MIB objects supported by the VRF route target table (mplsL3VpnVrfRTTable).

Table 84: VRF Route Target Table—MPLS Layer 3 VPN Information and Associated MIB Objects

MIB Object	MPLS Layer 3 VPN Information
mplsL3VpnVrfRTIndex	A value that defines each route target's position in the table.
mplsL3VpnVrfRTType	The route target distribution type: import (1), export (2), or both (3).
mplsL3VpnVrfRT	The route target distribution policy. Determines the route distinguisher for this target.
mplsL3VpnVrfRTDescr	This object contains a string that indicates the address family in which the route target was declared. If the route target was declared in an IPv4 address family, the value of this object is AF_IPv4. If the route target was declared in an IPv6 address family, the value of this object is AF_IPv6.
mplsL3VpnVrfRTRowStatus	The status of the row in the table. This object normally reads "active (1)," but may read "notInService (2)" if a VRF was recently deleted.
mplsL3VpnVrfRTStorageType	The storage type for the VPN route target entry. The default value for this object is "volatile (2)."

VRFSecurityTable(mplsL3VpnVrfSecTable)

The VRF security table (mplsL3VpnVrfSecTable) provides information about security for each VRF. An LSR creates an entry in this table for every VRF capable of supporting MPLS Layer 3 VPNs.

The mplsL3VpnVrfSecTable augments the mplsL3VpnVrfTable and has the same indexing.

The table below lists MPLS Layer 3 VPN information and the associated MIB objects supported by the VRF security table (mplsL3VpnVrfSecTable).

Table 85: VRF Security Table—MPLS Layer 3 VPN Information and Associated MIB Objects

MIB Object	MPLS Layer 3 Information
mplsL3VpnVrfSecIllegalLblVltns	<p>The number of illegally received labels on a VRF interface. Only illegal labels are counted by this object, therefore the object applies only to a VRF interface that is MPLS-enabled (carrier supporting carrier [CsC] situation).</p> <p>This counter is incremented whenever a label is received that is above or below the valid label range, is not in the global label forwarding table, or is received on the wrong VRF (that is, table IDs for the receiving interface and appropriate VRF label forwarding table do not match).</p> <p>Note Discontinuities can occur at reinitialization of the management system and at other times are indicated by the value of the mplsL3VpnVrfSecDiscontinuityTime object.</p>
mplsL3VpnVrfSecDiscontinuityTime	<p>The value of sysUpTime when any one or more of this entry's counters last had a discontinuity. A switchover would cause a discontinuity. If no discontinuities occurred since the last reinitialization of the local management system, this object contains a value of 0.</p>

VRFPPerformanceTable(mplsL3VpnVrfPerfTable)

The VRF performance table (mplsL3VpnVrfPerfTable) provides statistical performance information for each VRF. An LSR creates an entry in this table for every VRF capable of supporting MPLS Layer 3 VPNs.

The mplsL3VpnVrfPerfTable augments the mplsL3VpnVrfTable and has the same indexing.

The table below lists the MPLS Layer 3 VPN information and the associated MIB objects supported by the VRF performance table (mplsL3VpnVrfPerfTable).

Table 86: VRF Performance Table—MPLS Layer 3 VPN Information and Associated MIB Objects

MIB Object	MPLS Layer 3 VPN Information
mplsL3VpnVrfPerfRoutesAdded	<p>The value of this counter is the number of routes added to this VRF since the last discontinuity. Discontinuities can occur at reinitialization of the management system (such as on a switchover) and at other times are indicated by the value of the mplsL3VpnVrfPerfDiscTime object.</p> <p>If both IPv4 and IPv6 address-family configurations are present in the VRF, the value of this counter is the sum of the number of routes from the IPv4 and IPv6 routing tables that are added to the VRF.</p>

MIB Object	MPLS Layer 3 VPN Information
mplsL3VpnVrfPerfRoutesDeleted	<p>The value of this counter is the number of routes removed from this VRF.</p> <p>Note Discontinuities can occur at reinitialization of the management system and at other times are indicated by the value of the mplsL3VpnVrfPerfDiscTime object.</p> <p>If both IPv4 and IPv6 address-family configurations are present in the VRF, the value of this counter is the sum of the number of routes from the IPv4 and IPv6 routing tables that have been deleted from the VRF.</p>
mplsL3VpnVrfPerfCurrNumRoutes	<p>The number of routes currently defined within this VRF.</p> <p>If both IPv4 and IPv6 address-family configurations are present in the VRF, the number of routes is the sum of the number of routes defined for the IPv4 and IPv6 address families in the VRF.</p>
mplsL3VpnVrfPerfRoutesDropped	<p>This object is not supported. The counter always returns a value of 0.</p>
mplsL3VpnVrfPerfDiscTime	<p>The value of sysUpTime when any one or more of this entry's counters had a discontinuity. A switchover would cause a discontinuity. If no discontinuities occurred since the last reinitialization of the local management subsystem, this object contains a value of 0.</p>

VRF Routing Table (mplsL3VpnVrfRteTable)

The VRF routing table (mplsL3VpnVrfRteTable) provides per-interface routing table information for each MPLS Layer 3 VPN VRF.

The information available in this table can also be displayed with the **show ip route vrf vrf-name** command for IPv4 routes or the **show ipv6 route vrf vrf-name** command for IPv6 routes.

- For example, for PE1 in the first figure above, with the **show ip route vrf vpn1** command, you would see results like the following:

```

Router# show ip route vrf vpn1
Codes: C - connected, S - static, I - IGRP, R - RIP, M - mobile, B - BGP
D - EIGRP, EX - EIGRP external, O - OSPF, IA - OSPF inter area
N1 - OSPF NSSA external type 1, N2 - OSPF NSSA external type 2
E1 - OSPF external type 1, E2 - OSPF external type 2, E - EGP
i - IS-IS, L1 - IS-IS level-1, L2 - IS-IS level-2, ia - IS-IS inter area
* - candidate default, U - per-user static route, o - ODR
P - periodic downloaded static route
!
Gateway of last resort is not set
!
  10.0.0.0/32 is subnetted, 3 subnets
B       10.3.0.0 [200/0] via 192.168.2.1, 04:36:33
C       10.1.0.0/16 is directly connected, Ethernet1
C       10.2.0.0/16 [200/0] directly connected Ethernet2, 04:36:33

```


- With the **show ip route vrf vpn2** command, you would see results like the following:

```
Router# show ip route vrf vpn2
Codes: C - connected, S - static, I - IGRP, R - RIP, M - mobile, B - BGP
D - EIGRP, EX - EIGRP external, O - OSPF, IA - OSPF inter area
N1 - OSPF NSSA external type 1, N2 - OSPF NSSA external type 2
E1 - OSPF external type 1, E2 - OSPF external type 2, E - EGP
i - IS-IS, L1 - IS-IS level-1, L2 - IS-IS level-2, ia - IS-IS inter area
* - candidate default, U - per-user static route, o - ODR
P - periodic downloaded static route
!
Gateway of last resort is not set
!
      172.16.0.0/32 is subnetted, 2 subnets
B       172.16.2.0 [200/0] via 192.168.2.1, 04:36:33
C       172.16.1.0 is directly connected, ATM 3/0
```

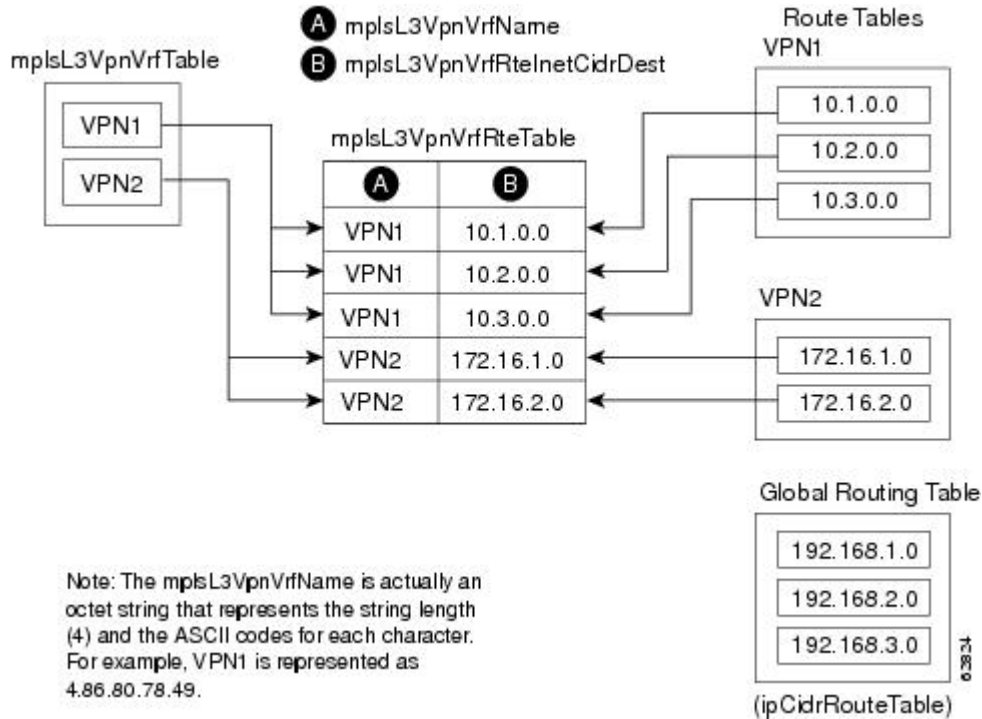
- The following is sample IPv6 output associated with a VRF named vrf3 that you would see with the **show ipv6 route vrf** command:

```
Router# show ipv6 route vrf vrf3
IPv6 Routing Table vrf3 - 6 entries
Codes: C - Connected, L - Local, S - Static, R - RIP, B - BGP
       U - Per-user Static route
       I1 - ISIS L1, I2 - ISIS L2, IA - ISIS interarea
       O - OSPF intra, OI - OSPF inter, OE1 - OSPF ext 1, OE2 - OSPF ext 2
C  2001:8::/64 [0/0]
   via ::, FastEthernet0/0
L  2001:8::3/128 [0/0]
   via ::, FastEthernet0/0
B  2002:8::/64 [200/0]
   via ::FFFF:192.168.1.4,
B  2010::/64 [20/1]
   via 2001:8::1,
C  2012::/64 [0/0]
   via ::, Loopback1
L  2012::1/128 [0/0]
   via ::, Loopback1
```

The figure below shows the relationship of the routing tables, the VRFs, and the `mplsL3VpnVrfRteTable`. You can display information about the VPN1 and VPN2 route tables using the **show ip route vrf vrf-name**

command. The global route table for IPv4 routes is the same as `ipCidrRouteTable` in the IP-FORWARD-MIB. You can display information about the global route table with the **show ip route** command.

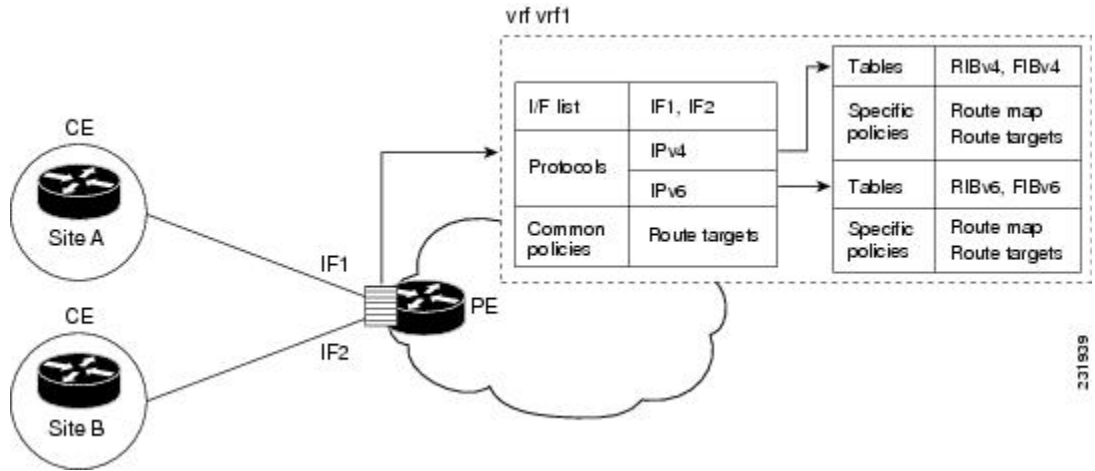
Figure 42: IPv4 Route Table, VRFs, and the `mplsL3VpnVrfRteTable`



You can display information about IPv6 route tables using the **show ipv6 route vrf** `{vrf-name | vrf-number}` command. The global route table for IPv6 routes is the same as `inetCidrRouteTable` in the IP-FORWARD-MIB. You can display information about the global route table with the **show ipv6 route** command.

The figure below illustrates a multiprotocol VRF, in which the VRF named vrf1 is enabled for both IPv4 and IPv6 routes and is associated with two interfaces (IF1, IF2), two sets of tables (IPv4 RIB and FIB and IPv6 RIB and FIB), and a set of common or distinct policies.

Figure 43: Multiprotocol VRF



An LSR creates an entry in the mplsL3VpnVrfRteTable for every route that is configured, either dynamically or statically, within the context of a specific VRF capable of supporting MPLS Layer 3 VPNs.

The mplsL3VpnVrfRteTable is indexed by the following:

- mplsL3VpnVrfName—The VRF name, which provides the VRF routing context
- mplsL3VpnVrfRteInetCidrDestType—The destination address type (IPv4 or IPv6)
- mplsL3VpnVrfRteInetCidrDest—The destination IPv4 or IPv6 address
- mplsL3VpnVrfRteInetCidrPfxLen—The length of the prefix for the IP destination address
- mplsL3VpnVrfRteInetCidrPolicy—An index that distinguishes between multiple paths to the same destination
- mplsL3VpnVrfRteInetCidrNHopType—The address type of the next hop IP address (IPv4 or IPv6)
- mplsL3VpnVrfRteInetCidrNextHop—The IP address of the next hop for each route entry

The table below lists MPLS Layer 3 VPN information for the MIB objects supported by the VRF routing table (mplsL3VpnVrfRteTable). This table represents VRF-specific routes. The global routing table is the ipCidrRouteTable (IPv4 routes) or inetCidrRouteTable (IPv6 routes) in the IP-FORWARD-MIB.

Table 87: VRF Routing Table—MPLS Layer 3 VPN Information and Associated MIB Objects

MIB Object	MPLS LAYER 3 VPN Information
mplsL3VpnVrfRteInetCidrDestType	The address type of the IP destination address. This object has a value of ipv4 (1) or ipv6 (2).

MIB Object	MPLS LAYER 3 VPN Information
mplsL3VpnVrfRteInetCidrDest	<p>The destination IP address defined for this route. The type of this address is determined by the value of the mplsL3VpnVrfRteInetCidrDestType object.</p> <p>The values for the index objects mplsL3VpnVrfRteInetCidrDest and mplsL3VpnVrfRteInetCidrPfxLen must be consistent.</p>
mplsL3VpnVrfRteInetCidrPfxLen	<p>The length of the prefix for the destination address (mplsL3VpnVrfRteInetCidrDest).</p> <p>The values for the index objects mplsL3VpnVrfRteInetCidrDest and mplsL3VpnVrfRteInetCidrPfxLen must be consistent.</p>
mplsL3VpnVrfRteInetCidrPolicy	<p>An index used to distinguish between multiple paths to the same destination. The default value is (0 0).</p>
mplsL3VpnVrfRteInetCidrNHopType	<p>The address type of the next hop IP address. This object has the following values: unknown (0), ipv4 (1), ipv6 (2), or ipv6z (4). The value should be set to unknown (0) for routes that are not remote.</p>
mplsL3VpnVrfRteInetCidrNextHop	<p>The next hop IP address defined for this route. The type of this address is determined by the mplsL3VpnVrfRteInetCidrNHopType object.</p>
mplsL3VpnVrfRteInetCidrIfIndex	<p>The interface MIB ifIndex for the interface through which this route is forwarded. The object is 0 if no interface is defined for the route.</p>
mplsL3VpnVrfRteInetCidrType	<p>The type of route. The value local (3) indicates a route for which the next hop is the final destination. The value remote (4) is for a route for which the next hop is not the final destination.</p>
mplsL3VpnVrfRteInetCidrProto	<p>The routing protocol that was responsible for adding this route to the VRF.</p>
mplsL3VpnVrfRteInetCidrAge	<p>The number of seconds since this route was last updated.</p>
mplsL3VpnVrfRteInetCidrNextHopAS	<p>The autonomous system number of the next hop for this route. This object is not supported and is always 0.</p>
mplsL3VpnVrfRteInetCidrMetric1	<p>The primary routing metric used for this route.</p>
mplsL3VpnVrfRteInetCidrMetric2 mplsL3VpnVrfRteInetCidrMetric3 mplsL3VpnVrfRteInetCidrMetric4 mplsL3VpnVrfRteInetCidrMetric5	<p>Alternate routing metrics used for this route. These objects are supported only for Cisco Interior Gateway Routing Protocol (IGRP) and Cisco Enhanced Interior Gateway Routing Protocol (EIGRP) protocols. These objects display the bandwidth metrics used for the route. Otherwise, these values are set to -1.</p>

MIB Object	MPLS LAYER 3 VPN Information
mplsL3VpnVrfRteXCPointet	This object is not supported. It returns an empty string. The cross-connect index for the entry associated with the VRF route table entry is in the MPLS Cross-Connect table (mplsXCTable) in the MPLS-LSR-STD-MIB.
mplsL3VpnVrfRteInetCidrStatus	Status of the row. This object normally reads active (1), but may read notInService (2) if a VRF was recently deleted. A row entry cannot be modified when the row status is active (1).

MPLS-L3VPN-STD-MIB Notification Events

The following notifications of the MPLS-L3VPN-STD-MIB are supported:

- **mplsL3VpnVrfUp**—This notification indicates that the VRF is up. It is generated and sent to an NMS when one interface associated with the VRF is brought up, after previously all interfaces were in the down state.
- **mplsL3VpnVrfDown**—This notification indicates that the VRF is down. It is generated and sent to the NMS when the last interface associated with the VRF is brought down, after all other interfaces associated with the VRF are already in the down state.
- **mplsL3VpnVrfRouteMidThreshExceeded**—This notification is generated and sent when the middle or warning threshold, **mplsL3VpnVrfMidRouteThreshold**, is crossed. You can configure this threshold in the CLI by using the following commands:

```
Router(config)# vrf definition vrf-name
Router(config-vrf)# address-family
{ipv4 | ipv6}
Router(config-vrf-af)# maximum routes limit warn-threshold
[% of max]
```

The *warn-threshold* argument is a percentage of the maximum routes specified by the *limit* argument. You can also configure a middle threshold with the following command, in which the *limit* argument represents the warning threshold:

```
Router(config-vrf-af)# maximum routes limit warn-only
```

This notification is sent to the NMS only at the time the threshold is exceeded. (See the figure below for a comparison of the warning and maximum thresholds.) Whenever the number of routes falls below this threshold and exceeds the threshold again, a notification is sent to the NMS.

If both IPv4 and IPv6 address-family configurations are present in the VRF, the threshold is an aggregate of the warning threshold values. An **mplsL3VpnVrfRouteMidThreshExceeded** notification is not sent until the second address family reaches its warning threshold.

- **mplsL3VpnVrfNumVrfRouteMaxThreshExceeded**—This notification is generated and sent when you attempt to create a route on a VRF that already contains the maximum number of routes indicated by the **mplsL3VpnVrfMaxRouteThreshold** object. The maximum number of routes is defined by the *limit* argument of the **maximum routes** commands:

```
Router(config)# vrf definition vrf-name
```

```
Router(config-vrf)# address-family
{ipv4 | ipv6
}
Router(config-vrf-af)# maximum routes limit warn-threshold
[% of max]
```

A trap notification is sent to the NMS when you attempt to exceed the maximum threshold. Another `mplsL3VpnVrfNumVrfRouteMaxThreshExceeded` notification is not sent until the number of routes falls below the maximum threshold and reaches the maximum threshold again or if the time interval is reached when the `mplsL3VpnVrfConfRteMxThrshTime` value is nonzero. (See the figure below for an example of how this notification works and for a comparison of the maximum and warning thresholds.)

If an attempt is made to add routes beyond the route limit, SNMP sends a single notification. No other notification is sent until the route count drops below the route limit and another attempt is made to add routes beyond the limit.

However, if you configure the `snmp mib mpls vpn max-threshold time` command with a value other than 0 (0 is the default), SNMP repeats sending of the notification after the time interval passes if an attempt is made to add another route.

If both IPv4 and IPv6 address-family configurations are present in the VRF, the threshold is an aggregate of the maximum threshold values. An `mplsL3VpnVrfNumVrfRouteMaxThreshExceeded` notification is not sent until the second address family reaches its maximum route threshold. Routes are not added to the address family that has already reached its maximum route threshold.

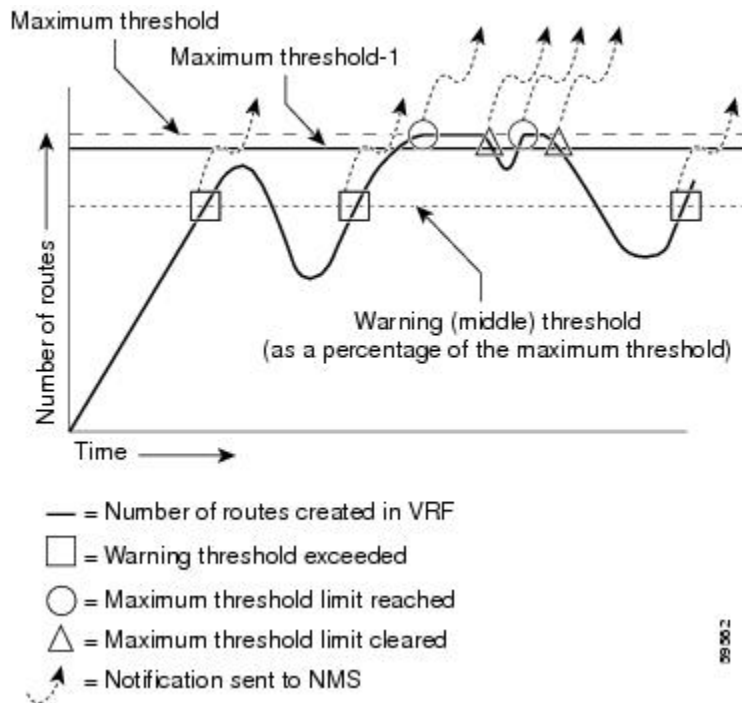
**Note**

If both IPv4 and IPv6 address-family configurations are present in the VRF and one address family does not have a maximum threshold configured, no maximum threshold notification is sent.

- `mplsL3VpnNumVrfSecIllglLblThrshExcd`—This notification is generated and sent when the number of illegal labels received on a VRF interface as indicated by the `mplsL3VpnVrfSecIllegalLblVltns` value has exceeded the `mplsL3VpnIllglRcvThrsh` value. This threshold is defined with a value of 0. Therefore, a notification is sent when the first illegal label is received on a VRF. Labels are considered illegal if they are outside of the valid label range, do not have a Label Forwarding Information Base (LFIB) entry, or the table ID of the message does not match the table ID for the label in the LFIB.
- `MplsL3VpnNumVrfRouteMaxThreshCleared`—Generated and sent when the number of routes on a VRF attempts to exceed the maximum number of routes and then drops below the maximum number of routes. If you attempt to create a route on a VRF that already contains the maximum number of routes, the `mplsL3VpnVrfNumVrfRouteMaxThreshExceeded` notification is sent (if enabled). When you remove routes from the VRF so that the number of routes falls below the set limit, the `MplsL3VpnNumVrfRouteMaxThreshCleared` notification is sent. You can clear all routes from the VRF by using the `clear ip route vrf` command for IPv4 routes and the `clear ipv6 route vrf` command for

IPv6 routes. (See the figure below to see when the MplsL3VpnNumVrfRouteMaxThreshCleared notification is sent.)

Figure 44: Comparison of Warning and Maximum Thresholds



For information on the Cisco IOS CLI commands for configuring MPLS-L3VPN-STD-MIB notifications that are sent to an NMS, see the [How to Configure MPLS EM—MPLS VPN MIB RFC 4382 Upgrade](#), on page 350.

SNMP Notification Specification for the MPLS-L3VPN-STD-MIB

In an SNMPv1 notification, each MPLS Layer 3 VPN notification has a generic type identifier and an enterprise-specific type identifier for identifying the notification type:

- The generic type for all VPN notifications is “enterpriseSpecific” because this is not one of the generic notification types defined for SNMP.
- The enterprise-specific type is identified as follows:
 - 1 for mplsL3VpnVrfUp
 - 2 for mplsL3VpnVrfDown
 - 3 for mplsL3VpnVrfRouteMidThreshExceeded
 - 4 for mplsL3VpnVrfNumVrfRouteMaxThreshExceeded
 - 5 for mplsL3VpnNumVrfSecIlgILblThrshExcd
 - 6 for mplsL3VpnNumVrfRouteMaxThreshCleared

In SNMPv2, the notification type is identified by an `SnmpTrapOID` varbind (variable binding consisting of an object identifier [OID] type and value) included within the notification message:

- The VRF up and down notifications provide additional variables—`mplsL3VpnIfConfRowStatus` and `mplsL3VpnVrfOperStatus`—in the notification. These variables describe the SNMP row status and operational status, respectively.
- The mid threshold notification includes the `mplsL3VpnVrfVConfMidRteThresh` variable and the `mplsL3VpnVrfPerfCurrNumRoutes` variable that indicates the current number of routes within the VRF.
- The max threshold notification includes the `mplsL3VpnVrfVConfHighRteThresh` variable and the `mplsL3VpnVrfPerfCurrNumRoutes` variable that indicates the current number of routes within the VRF.
- The illegal label notification includes the `mplsL3VpnVrfSecIllegalLblVltns` variable that maintains the current count of illegal labels on a VPN.
- The max threshold cleared notification includes the `mplsL3VpnVrfConfHighRteThresh` variable and the `mplsL3VpnVrfPerfCurrNumRoutes` variable that indicates the current number of routes within the VRF.

MPLS-L3VPN-STD-MIB Notifications Display on Network Management Station

When MPLS-L3VPN-STD-MIB notifications are enabled (see the `snmp-server enable traps mpls rfc vpn` command), notification messages relating to specific MPLS VPN events within Cisco IOS software are generated and sent to a specified NMS in the network. Any utility that supports SNMPv1 or SNMPv2 notifications can receive notification messages.

To monitor MPLS-L3VPN-STD-MIB notification messages, log in to an NMS that supports a utility that displays SNMP notifications, and start the display utility.

MPLS-L3VPN-STD-MIB Support for IPv6 VPNs over MPLS

MPLS-L3VPN-STD-MIB Tables and Objects Support for IPv6 VPNs over MPLS

The MPLS-L3VPN-STD-MIB gets some of the information to populate the MIB objects from the RIB routing table. For the MPLS-L3VPN-STD-MIB to support IPv6 routes over MPLS, the MIB needs to access the RIB routing tables for both IPv6 and IPv4 for the VRF.

The table below describes how the MPLS-L3VPN-STD-MIB supports the MIB tables and objects that are specified by address families or that require routing table information.

Table 88: MPLS-L3VPN-STD-MIB Support of Address Families in MIB Table and Objects

MIB Tables and Objects	MPLS-L3VPN-STD-MIB Support
VRF route target table (mplsL3VpnVrfRTTable)	<p>This table lists the route targets specified for the VRF. For IPv6 VPNs over MPLS, route targets can be specified for each address family.</p> <p>The MPLS-L3VPN-STD-MIB retrieves all route targets for IPv4, then retrieves all route targets specified for IPv6.</p> <p>The mplsL3VpnVrfRTDescr object indicates whether a particular route target was defined in an IPv4 or IPv6 address family.</p>
VRF configuration table (mplsL3VpnVrfTable), mplsL3VpnVrfConfMidRteThresh, mplsL3VpnVrfConfHighRteThresh, mplsL3VpnVrfConfMaxRoutes	<p>The Cisco IOS CLI allows the setting of maximum and middle threshold values on a per-address-family basis.</p> <p>When both IPv4 and IPv6 address-family configurations exist, the MPLS-L3VPN-STD-MIB displays the aggregate value of these settings (not to exceed the max int32 value). If the maximum route limit is configured for one address family and not for the other address family, the aggregate value is max int32 (4,294,967,295).</p> <p>When only a single address-family configuration exists for the VRF, the MPLS-L3VPN-STD-MIB displays the value as configured for the single address family. For more information on how the MPLS-L3VPN-STD-MIB supports notifications, see the MPLS-L3VPN-STD-MIB Notifications Display on Network Management Station, on page 340 and the MPLS-L3VPN-STD-MIB Notifications Support for IPv6 VPNs over MPLS, on page 342 .</p>
VRF performance table (mplsL3VpnVrfPerfTable), mplsL3VpnVrfPerfRoutesAdded, mplsL3VpnVrfPerfRoutesDeleted, mplsL3VpnVrfPerfCurrNumRoutes, mplsL3VpnVrfPerfRoutesDropped	The MPLS-L3VPN-STD-MIB gets the routing table information from IPv4 and routing table information from IPv6, adds the values, and give a cumulative count for each of the VRF performance table objects.
VRF routing table (mplsL3VpnVrfRteTable)	<p>This table lists the routes associated with this VRF.</p> <p>The MPLS-L3VPN-STD-MIB needs to get all routes from both the IPv4 route table and IPv6 route table for the VRF.</p>
VPN interface configuration table (mplsL3VpnIfConfTable), mplsL3VpnIfVpnRouteDistProtocol	<p>This is a bit mask that indicates the protocol for the interface on which the VRF is defined. The MPLS-L3VPN-STD-MIB needs to get route table information from both the IPv4 address family and the IPv6 address family to look up the protocol and bits to set.</p> <p>This MPLS-L3VPN-STD-MIB information is a union of the IPv4 and IPv6 configurations in the VRF.</p>

MPLS-L3VPN-STD-MIB Notifications Support for IPv6 VPNs over MPLS

This section explains how the MPLS-L3VPN-STD-MIB handles the `mplsL3VpnVrfRouteMidThreshExceeded`, `mplsL3VpnVrfNumVrfRouteMaxThreshExceeded`, and `mplsL3VpnNumVrfRouteMaxThreshCleared` notifications.

Notifications for exceeding the route limit for the middle (`mplsL3VpnVrfRouteMidThreshExceeded`) and maximum (`mplsL3VpnVrfNumVrfRouteMaxThreshExceeded`) thresholds are triggered by the route table when there is an attempt to add a new route after the number of routes has reached the threshold. With MIB support for both IPv6 and IPv4, two separate route tables could exist for the VRF. When the maximum or middle threshold is exceeded, MPLS-L3VPN-STD-MIB sends notifications to an NMS if you configured these thresholds.

MPLS-L3VPN-STD-MIB manages the maximum and middle thresholds based on an address-family configuration. For Cisco IOS Releases 12.2(33)SRC and 12.2(33)SB, the MPLS-L3VPN-STD-MIB triggers a notification (or trap) based on the aggregate of the IPv4 and IPv6 maximum and middle threshold values.



Note

A **maximum** command is introduced in Cisco IOS Release 12.2(33)SRC for the IPv6 address family.

The MPLS-L3VPN-STD-MIB manages the aggregate threshold values as described in the following scenarios:

- Scenario 1: One address family is configured (IPv4 or IPv6); the address family contains maximum and middle threshold configurations:
 - The aggregate max-threshold value is equal to the address family-specific max-route value.
 - The aggregate mid-threshold value is equal to the address family-specific mid-route value.
 - Address family routes stop adding to the routing table when the number of routes reaches the maximum threshold set for the address family. A notification or trap is sent with the next attempt to add a route.
- Scenario 2: Both IPv4 and IPv6 address families are configured; both contain maximum and middle threshold configurations:
 - The aggregate max-threshold value is equal to the sum of the IPv4 and IPv6 max-threshold values (with the upper limit set to a maximum value of 4,294,967,295).
 - The aggregate mid-threshold value is equal to the sum of the IPv4 and IPv6 mid-threshold values. Only when both address families have reached the mid-threshold limit is the notification sent.
 - Address family routes stop adding to the routing table when the number of routes reaches the maximum threshold per address family. A notification or trap is not sent until both IPv4 and IPv6 routes reach the maximum threshold.
- Scenario 3: Both IPv4 and IPv6 address families are configured; only one contains a maximum and middle route threshold configuration:
 - The aggregate max-threshold value is equal to the maximum threshold value (4,294,967,295).
 - The aggregate mid-threshold value is equal to the maximum threshold value (4,294,967,295).
 - Address family routes stop adding to the routing table for the address family that contains the maximum threshold configuration when the number of routes reaches the maximum threshold for the address family. However, no notification or trap is sent.

**Note**

If you configure a single address-family VRF with a maximum and middle threshold (Scenario 1), and later add the other address-family configuration to your VRF without configuring a maximum threshold (Scenario 3), you no longer receive a maximum threshold notification for the original address family when the threshold is reached, but routes would no longer be added to the routing table for this address family.

Information About Setting Maximum Routes for IPv6 Address-Family VRF Route Limits

You should understand the following before you set maximum routes for the IPv6 address family:

- The **maximum routes** command is entered in address-family configuration mode (the **address-family ipv6** or **address-family ipv4** command) for the specified VRF.
- If you attempt to set the maximum route limit below the current number of routes in the IPv6 routing table for the VRF, the CLI command is rejected. You cannot downsize the IPv6 routing table.

If you configure a warning-only threshold, the command is accepted, but the route limit is not enforced. This statement also applies to IPv4.

- If the routing table has exceeded its route limit, the output from **show ipv6 route vrf** command displays an error message that indicates that the RIB has overflowed.
- If the routing table does not automatically recover from the overflow condition when the number of routes drops below the enforced limit, you would need to enter the **clear ipv6 route vrf** command. This forces the routing table to purge and repopulate.

If the repopulate is successful, then the error condition is cleared. If the automatic or manual purging and repopulate are unsuccessful, the error message in the **show ipv6 route vrf** command output remains.

- For Cisco IOS Releases 12.2(1st)SRC and 12.2(33)SB, the notifications generated in the MPLS-L3VPN-STD-MIB for the route maximum, middle, 3 or warnings, and for threshold-cleared objects are an aggregate of the IPv4 and IPv6 route limits and route counts when both routing tables are configured for the VRF.

MPLS-L3VPN-STD-MIB Data Security

Requirements of the network-facing operator and customers to ensure MPLS-L3VPN-STD-MIB data security are as follows:

- Network-facing operators need to poll all the data in the VRF-aware MPLS-L3VPN-STD-MIB without compromising security. Operators managing the network need to poll all available data in a single SNMP walk.
- Customers managing VRFs from an NMS need to be able to poll data only on VRFs for which they are responsible. Customer VRF information should be visible only to that particular customer. In the configuration example that follows, the customer associated with VRF vrf1 should see only VRF vrf1 information and the customer associated with VRF vrf2 should see only VRF vrf2 information.

Network operators can enter an **snmp-server community** command that contains an access control list (ACL) to make sure that all data is accessible in a single SNMP walk and that customer routers cannot access the

data. For example, the operator can enter the following global configuration command: **snmp-server community any-community-name rw access-list acl-number**. The *acl-number* argument can be configured to allow requests from the PE network. This ensures that customer-facing routers cannot access any data using the specified community string.

To ensure that a customer's VRF information is secure, you can configure an SNMP context that is peculiar to the customer's VRF. For example, the following sample configuration ensures that the customer associated with VRF vrf1 and the customer associated with VRF vrf2 both connected to the same PE can access information pertaining only to their own VRF and nothing else:

```
!
vrf definition vrf1
  rd 100:110
  !
  address-family ipv4
  route-target export 100:1000
  route-target import 100:1000
  exit-address-family
!
vrf definition vrf2
  rd 100:120
  !
  address-family ipv4
  route-target export 100:2000
  route-target import 100:2000
  exit-address-family
!
interface Ethernet3/1
  description Belongs to VPN vrf1
  vrf forwarding vrf1
  ip address 10.20.1.20 255.255.0.0
!
interface Ethernet3/2
  description Belongs to vrf2
  vrf forwarding vrf2
  ip address 10.30.1.10 255.255.0.0
!
access-list 10 permit 10.20.1.21
access-list 10 deny any
access-list 20 permit 10.30.1.11
access-list 20 deny any
!
snmp-server view vrf1View mplsL3VpnMIB.*.*.*.*.3.114.101.100 included
snmp-server view vrf2View mplsL3VpnMIB.*.*.*.*.5.103.114.101.101.110 included
!
snmp-server community vrf1Comm view vrf1View rw 10
snmp-server community vrf2Comm view vrf2View rw 20
!
```

The **snmp-server view** commands include **mplsL3VpnMIB** with OIDs in this format: **mplsL3VpnMIB.*.*.*.*.length-of-vrf-name.vrf-name-converted-to-octet-character-representation-of-the-name**. For example:

- VRF vrf1 would be represented as 3.114.101.100.
- VRF vrf2 would be represented as 5.103.114.101.101.110.



Caution

You should not enter the **snmp-server community community-name rw** command unless a firewall protects SNMP requests entered at the PE router. The community string is unprotected and can be used to poll any data from any network.

Major Differences Between the MPLS-VPN-MIB and the MPLS-L3VPN-STD-MIB

The MPLS-L3VPN-STD-MIB based on RFC 4382 provides the same basic functionality as the MPLS-VPN-MIB, draft Version 3 (draft-ietf-ppvpn-mpls-vpn-mib-03.txt). They both provide an interface for MPLS Layer 3 VPNs through the use of SNMP.

After the implementation of the MPLS-L3VPN-STD-MIB (RFC 4382) in Cisco IOS Release 12.2(33)SRC, the MPLS-VPN-MIB will exist for a period of time before support is completely removed. This gives you the chance to migrate to the MPLS-L3VPN-STD-MIB. Both MIBs can coexist in the same image because the MPLS-L3VPN-STD-MIB and the MPLS-VPN-MIB have different root OIDs.

The following sections provide information about the major differences between the MPLS-VPN-MIB and the MPLS-L3VPN-STD-MIB:

Global Name Changes for the MPLS-L3VPN-STD-MIB Objects

For the MPLS-L3VPN-STD-MIB, the names of all objects were changed from `mplsVpnname` (MPLS-VPN-MIB object name) to `mplsL3Vpnname`. For example, the VRF configuration table name was changed from `mplsVpnVrfTable` to `mplsL3VpnVrfTable`.

The following sections describe major differences between the MPLS-VPN-MIB and the MPLS-L3VPN-STD-MIB objects where the name change is more significant than the global name change.

MPLS-VPN-MIB and MPLS-L3VPN-STD-MIB Scalar Object Differences

The table below shows the major difference between the MPLS-VPN-MIB objects and the MPLS-L3VPN-STD-MIB objects for each scalar object.

Table 89: MPLS-VPN-MIB and MPLS-L3VPN-STD-MIB Scalar Objects

MPLS-VPN-MIB Object	MPLS-L3VPN-STD-MIB Object	Difference
<code>mplsVpnVrfConfMaxPossibleRoutes</code>	<code>mplsL3VpnVrfConfMaxPossRts</code>	Object name changed.
—	<code>mplsL3VpnVrfConfRteMxThrshTime</code>	New object.
—	<code>mplsL3VpI11LblRcvThrsh</code>	New object.

MPLS-VPN-MIB and MPLS-L3VPN-STD-MIB Table Object Differences

The following tables show the major differences between the MPLS-VPN-MIB and MPLS-L3VPN-STD-MIB objects for each table.

VRF Configuration Table (mplsL3VpnVrfTable)

The table below shows the major differences between the MPLS-VPN-MIB objects and the MPLS-L3VPN-STD-MIB objects for the VRF configuration table (mplsL3VpnVrfTable, formerly mplsVpnVrfTable).

Table 90: VRF Configuration Table: MPLS-VPN-MIB and MPLS-L3VPN-STD-MIB Object Differences

MPLS-VPN-MIB Object	MPLS-L3VPN-STD-MIB Object	Difference
—	mplsL3VpnVrfVpnId	New object.
mplsVpnVrfRouteDistinguisher	mplsL3VpnVrfRD	Object name changed.
mplsVpnVrfConfMidRouteThreshold	mplsL3VpnVrfConfMidRteThresh	Object name changed.
mplsVpnVrfConfHighRouteThreshold	mplsL3VpnVrfConfHighRteThresh	Object name changed.
—	mplsL3VpnVrfConfAdminStatus	New object.

VPN Interface Configuration Table (mplsL3VpnIfConfTable)

The table below shows the major differences between the MPLS-VPN-MIB objects and the MPLS-L3VPN-STD-MIB objects for the VPN interface configuration table (mplsL3VpnIfConfTable, formerly mplsVpnInterfaceConfTable).

Table 91: VPN Interface Configuration Table: MPLS-VPN-MIB and MPLS-L3VPN-STD-MIB Object Differences

MPLS-VPN-MIB Object	MPLS-L3VPN-STD-MIB Object	Difference
mplsVpnInterfaceConfTable	mplsL3VpnIfConfTable	Table name changed.
mplsVpnInterfaceConfIndex	mplsL3VpnIfConfIndex	Object name changed.
mplsVpnInterfaceLabelEdgeType	—	Object deleted.
mplsVpnInterfaceVpnClassification	mplsL3VpnIfVpnClassification	Object name changed.
mplsVpnInterfaceVPNRouteDistProtocol	mplsL3VpnIfVpnRouteDist Protocol	Object name changed.
mplsVpnInterfaceConfStorageType	mplsL3VpnIfConfStorageType	Object name changed.
mplsVpnInterfaceConfRowStatus	mplsL3VpnIfConfRowStatus	Object name changed.

VRF Route Target Table (mplsL3VpnVrfRTTable)

The table below shows the major differences between the MPLS-VPN-MIB objects and the MPLS-L3VPN-STD-MIB objects for the VRF route target table (mplsL3VpnVrfRTTable, formerly mplsVpnVrfRouteTargetTable).

Table 92: VRF Route Target Table: MPLS-VPN-MIB and MPLS-L3VPN-STD-MIB Object Differences

MPLS-VPN-MIB Object	MPLS-L3VPN-STD-MIB Object	Difference
mplsVpnVrfRouteTargetTable	mplsL3VpnVrfRTTable	Table named changed.
mplsVpnVrfRouteTargetIndex	mplsL3VpnVrfRTIndex	Object name changed.
mplsVpnVrfRouteTargetType	mplsL3VpnVrfRTType	Object name changed.
mplsVpnVrfRouteTarget	mplsL3VpnVrfRT	Object name changed.
mplsVpnVrfRouteTargetDescr	mplsL3VpnVrfRTDescr	Object name changed.
mplsVpnVrfRouteTargetRowStatus	mplsL3VpnVrfRTRowStatus	Object name changed.
—	mplsL3VpnVrfRTStorageType	New object.

VRF Security Table (mplsL3VpnVrfSecTable)

The table below shows the major differences between the MPLS-VPN-MIB objects and the MPLS-L3VPN-STD-MIB objects for the VRF security table (mplsL3VpnVrfSecTable, formerly mplsVpnVrfSecTable).

Table 93: VRF Security Table: MPLS-VPN-MIB and MPLS-L3VPN-STD-MIB Object Differences

MPLS-VPN-MIB Object	MPLS-L3VPN-STD-MIB Object	Difference
mplsVpnVrfSecIllegalLabelViolations	mplsL3VpnVrfSecIllegalLblVtns	Object name changed.
mplsVpnVrfSecIllegalLabelRcvThresh	—	Object deleted.
—	mplsL3VpnVrfSecDiscontinuityTime	New object.

VRF Performance Table (mplsL3VpnVrfPerfTable)

The table below shows the major differences between the MPLS-VPN-MIB objects and the MPLS-L3VPN-STD-MIB objects for the VRF performance table (mplsL3VpnVrfPerfTable, formerly mplsVpnVrfPerfTable).

Table 94: VRF Performance Table: MPLS-VPN-MIB and MPLS-L3VPN-STD-MIB Object Differences

MPLS-VPN-MIB Object	MPLS-L3VPN-STD-MIB Object	Difference
—	mplsL3VpnVrfPerfRoutesDropped	New object.
—	mplsL3VpnVrfPerfDiscTime	New object.

VRF Routing Table (mplsL3VpnVrfRteTable)

The table below shows the major differences between the MPLS-VPN-MIB objects and the MPLS-L3VPN-STD-MIB objects for the VRF routing table (mplsL3VpnVrfRteTable, formerly mplsVpnVrfRouteTable).

The indexing for the VRF routing table has also changed:

- MPLS-VPN-MIB indexing—mplsVpnVrfName, mplsVpnVrfRouteDest, mplsVpnVrfRouteMask, mplsVpnVrfRouteTos, mplsVpnVrfRouteNextHop
- MPLS-L3VPN-STD-MIB indexing—mplsL3VpnVrfName, mplsL3VpnVrfRteInetCidrDestType, mplsL3VpnVrfRteInetCidrDest, mplsL3VpnVrfRteInetCidrPfxLen, mplsL3VpnVrfRteInetCidrPolicy, mplsL3VpnVrfRteInetCidrNHopType, mplsL3VpnVrfRteInetCidrNextHop

Table 95: VRF Routing Table: MPLS-VPN-MIB and MPLS-L3VPN-STD-MIB Object Differences

MPLS-VPN-MIB Object	MPLS-L3VPN-STD-MIB Object	Difference
mplsVpnVrfRouteTable	mplsL3VpnVrfRteTable	Table name changed.
mplsVpnVrfRouteDest	mplsL3VpnVrfRteInetCidrDest	Object name changed.
mplsVpnVrfRouteDestAddrType	mplsL3VpnVrfRteInetCidrDestType	Object name changed.
mplsVpnVrfRouteMask	—	Object deleted.
mplsVpnVrfRouteMaskAddrType	—	Object deleted.
—	mplsL3VpnVrfRteInetCidrPfxLen	New object.
mplsVpnVrfRouteTos	—	Object deleted.
—	mplsL3VpnVrfRteInetCidrPolicy	New object.
mplsVpnVrfRouteNextHop	mplsL3VpnVrfRteInetCidrNextHop	Object name changed.
mplsVpnVrfRouteNextHopAddrType	mplsL3VpnVrfRteInetCidrNHopType	Object name changed.
mplsVpnVrfRouteIfIndex	mplsL3VpnVrfRteInetCidrIfIndex	Object name changed.
mplsVpnVrfRouteType	mplsL3VpnVrfRteInetCidrType	Object name changed.

MPLS-VPN-MIB Object	MPLS-L3VPN-STD-MIB Object	Difference
mplsVpnVrfRouteProto	mplsL3VpnVrfRteInetCidrProto	Object name changed.
mplsVpnVrfRouteAge	mplsL3VpnVrfRteInetCidrAge	Object name changed.
mplsVpnVrfRouteInfo	—	Object deleted.
mplsVpnVrfRouteNextHopAS	mplsL3VpnVrfRteInetCidrNextHopAS	Object name changed.
mplsVpnVrfRouteMetric1	mplsL3VpnVrfRteInetCidrMetric1	Object name changed.
mplsVpnVrfRouteMetric2	mplsL3VpnVrfRteInetCidrMetric2	Object name changed.
mplsVpnVrfRouteMetric3	mplsL3VpnVrfRteInetCidrMetric3	Object name changed.
mplsVpnVrfRouteMetric4	mplsL3VpnVrfRteInetCidrMetric4	Object name changed.
mplsVpnVrfRouteMetric5	mplsL3VpnVrfRteInetCidrMetric5	Object name changed.
—	mplsL3VpnVrfRteXCPointer	New object.
mplsVpnVrfRouteStatus	mplsL3VpnVrfRteInetCidrStatus	Object name changed.
mplsVpnVrfRouteStorageType	—	Object deleted.

Tables Not Supported in the MPLS-L3VPN-STD-MIB

The following tables from the MPLS-VPN-MIB are deleted in the MPLS-L3VPN-STD-MIB (RFC 4382):

- BGP neighbor address table (mplsVpnVrfBgpNbrAddrTable)
- BGP neighbor prefix table (mplsVpnVrfBgpNeighborPrefixTable)

The mplsVpnVrfBgpNeighborPrefixTable was not supported in the Cisco IOS implementation of the MPLS-VPN-MIB.

The Cisco-BGP4-MIB based on *Definitions of Managed Objects for BGP-4* (RFC 4273) provides the information related to BGP.

MPLS-VPN-MIB and MPLS-L3VPN-STD-MIB Notification Differences

The table below shows the major differences between MPLS-VPN-MIB and the MPLS-L3VPN-STD-MIB notifications.

Table 96: MPLS-VPN-MIB and MPLS-L3VPN-STD-MIB Notification Differences

MPLS-VPN-MIB Notification	MPLS-L3VPN-STD-MIB Notification	Difference
mplsVpnVrfIfUp	—	Notification deleted.

MPLS-VPN-MIB Notification	MPLS-L3VPN-STD-MIB Notification	Difference
mplsVpnVrfIfDown	—	Notification deleted.
—	mplsL3VpnVrfUp	New notification.
—	mplsL3VpnVrfDown	New notification.
mplsNumVrfRouteMidThreshExceeded	mplsL3VpnVrfRouteMidThreshExceeded	Returned objects changed. Notification name change.
mplsNumVrfRouteMaxThreshExceeded	mplsL3VpnVRFNumVrfRouteMaxThreshExceeded	Returned objects changed. Notification name change.
mplsNumVrfSecIllegalLabelThreshExceeded	mplsL3VpnNumVrfSecIlglLblThrshExcd	Returned objects changed. Notification name change.
cMplsNumVrfRouteMaxThreshCleared (from the CISCO-IETF-PPVPN-MPLS-VPN-MIB)	mplsL3VpnNumVrfRouteMaxThreshCleared	Notification name changed.

How to Configure MPLS EM—MPLS VPN MIB RFC 4382 Upgrade

This section contains tasks to configure the MPLS EM—MPLS VPN MIB RFC 4382 Upgrade feature. The MPLS EM—MPLS VPN MIB RFC 4382 Upgrade feature introduces the MPLS-L3VPN-STD-MIB.

Perform the following tasks to configure your router to use SNMP to monitor and manage MPLS Layer 3 VPNs:

Configuring the SNMP Community

The SNMP agent for the MPLS-L3VPN-STD-MIB is disabled by default and must be enabled for you to use SNMP for monitoring and managing MPLS Layer 3 VPNs on your network.

An SNMP community string defines the relationship between the SNMP manager and the agent. The community string acts like a password to regulate access to the agent on the router. The SNMP agent for the MPLS-L3VPN-STD-MIB is enabled when you configure an SNMP community.

Perform this task to configure an SNMP community.

SUMMARY STEPS

1. **enable**
2. **show running-config**
3. **configure terminal**
4. **snmp-server community** *string* [**view** *view-name*] [**ro** | **rw**] [*acl-number*]
5. **do copy running-config startup-config**
6. **exit**
7. **show running-config | include** [*option*]

DETAILED STEPS

	Command or Action	Purpose
Step 1	enable Example: <pre>Router> enable</pre>	Enables privileged EXEC mode. <ul style="list-style-type: none"> • Enter your password if prompted.
Step 2	show running-config Example: <pre>Router# show running-config</pre>	Displays the running configuration to determine if an SNMP agent is already running. If no SNMP information is displayed, continue with the next step. If any SNMP information is displayed, you can modify the information or change it as needed.
Step 3	configure terminal Example: <pre>Router# configure terminal</pre>	Enters global configuration mode.
Step 4	snmp-server community <i>string</i> [view <i>view-name</i>] [ro rw] [<i>acl-number</i>] Example: <pre>Router(config)# snmp-server community comaccess ro</pre>	Configures the community access string to permit access to the SNMP protocol. <ul style="list-style-type: none"> • The <i>string</i> argument acts like a password and permits access to the SNMP protocol. • The view <i>view-name</i> keyword and argument pair specifies the name of a previously defined view. The view defines the objects available to the community. • The ro keyword specifies read-only access. Authorized management stations are able to retrieve only MIB objects. • The rw keyword specifies read/write access. Authorized management stations are able to both retrieve and modify MIB objects. • The <i>acl-number</i> argument is an integer from 1 to 99 that specifies an access list of IP addresses that are allowed to use the community string to gain access to the SNMP agent.

	Command or Action	Purpose
Step 5	do copy running-config startup-config Example: <pre>Router(config)# do copy running-config startup-config</pre>	Saves the modified configuration to NVRAM as the startup configuration file. <ul style="list-style-type: none"> The do command allows you to perform EXEC-level commands in configuration mode.
Step 6	exit Example: <pre>Router(config)# exit</pre>	Returns to privileged EXEC mode.
Step 7	show running-config include [option] Example: <pre>Router# show-running config include snmp-server</pre>	(Optional) Displays the configuration information currently on the router, the configuration for a specific interface, or map-class information. <ul style="list-style-type: none"> Use the show running-config command to confirm that the snmp-server statements appear in the output.

Configuring the Router to Send MPLS Layer 3 VPN SNMP Notifications to a Host

Perform this task to configure the router to send MPLS Layer 3 VPN SNMP notifications or traps to a host.

The **snmp-server host** command specifies which hosts receive the notifications. The **snmp-server enable traps** command globally enables the trap production mechanism for the specified notifications.

For a host to receive a notification, an **snmp-server host** command must be configured for that host, and, generally, the notification must be enabled globally through the **snmp-server enable traps** command.



Note Although you can set the *community-string* argument using the **snmp-server host** command by itself, we recommend you define this string using the **snmp-server community** command before using the **snmp-server host** command.

SUMMARY STEPS

1. **enable**
2. **configure terminal**
3. **snmp-server host** *host-addr* [**traps** | **informs**] [**version** {1 | 2c | 3 [**auth** | **noauth** | **priv**]}] *community-string* [**udp-port** *port*] [*notification-type*] [**vrf** *vrf-name*]
4. **snmp-server enable traps mpls rfc vpn** [**illegal-label**] [**max-thresh-cleared**] [**max-threshold**] [**mid-threshold**] [**vrf-down**] [**vrf-up**]
5. **end**

DETAILED STEPS

	Command or Action	Purpose
Step 1	<p>enable</p> <p>Example:</p> <pre>Router> enable</pre>	<p>Enables privileged EXEC mode.</p> <ul style="list-style-type: none"> Enter your password if prompted.
Step 2	<p>configure terminal</p> <p>Example:</p> <pre>Router# configure terminal</pre>	<p>Enters global configuration mode.</p>
Step 3	<p>snmp-server host <i>host-addr</i> [traps informs] [version {1 2c 3 [auth noauth priv]}] <i>community-string</i> [udp-port <i>port</i>] [<i>notification-type</i>] [vrf <i>vrf-name</i>]</p> <p>Example:</p> <pre>Router(config)# snmp-server host 172.20.2.160 traps comaccess mpls-vpn</pre>	<p>Specifies the recipient of an SNMP notification operation.</p> <ul style="list-style-type: none"> The <i>host-addr</i> argument specifies the name or Internet address of the host (the targeted recipient). The traps keyword sends SNMP traps to this host. This is the default. The informs keyword sends SNMP informs to this host. The version keyword specifies the version of the SNMP used to send the traps. Version 3 is the most secure model, because it allows packet encryption with the priv keyword. If you use the version keyword, you must specify one of the following: <ul style="list-style-type: none"> 1—SNMPv1. This option is not available with informs. 2c—SNMPv2C. 3—SNMPv3. The following three optional keywords can follow the version 3 keyword: auth, noauth, priv. The <i>community-string</i> argument is a password-like community string sent with the notification operation. The udp-port <i>port</i> keyword and argument pair names the User Datagram Protocol (UDP) port of the host to use. The default is 162. The <i>notification-type</i> argument specifies the type of notification to be sent to the host. If no type is specified, all notifications are sent. The vrf <i>vrf-name</i> keyword and argument pair specifies the VRF table that should be used to send SNMP notifications.
Step 4	<p>snmp-server enable traps mpls rfc vpn [illegal-label] [max-thresh-cleared] [max-threshold] [mid-threshold] [vrf-down] [vrf-up]</p>	<p>Enables the router to send MPLS Layer 3 VPN-specific SNMP notifications (traps and informs).</p> <ul style="list-style-type: none"> The illegal-label keyword enables a notification for any illegal labels received on a VRF interface. Labels are illegal if they are outside the legal range, do not have an LFIB entry, or do not match table IDs for the label.

	Command or Action	Purpose
	<p>Example:</p> <pre>Router(config)# snmp-server enable traps mpls rfc vpn vrf-down vrf-up</pre>	<ul style="list-style-type: none"> The max-thresh-cleared keyword enables a notification when the number of routes falls below the limit after the maximum route limit was attempted. <p>Note For information on notifications if a VRF has both IPv4 and IPv6 address-family configurations, see the MPLS-L3VPN-STD-MIB Notifications Support for IPv6 VPNs over MPLS, on page 342.</p> <ul style="list-style-type: none"> The max-threshold keyword enables a notification that a route creation attempt was unsuccessful because the maximum route limit was reached. Another <code>mplsL3VpnVrfNumVrfRouteMaxThreshExceeded</code> notification is not sent until the number of routes falls below the maximum threshold and reaches the maximum threshold again. The <code>max-threshold</code> value is determined by the maximum routes command in VRF configuration mode. <p>Note For more information on the maximum threshold notification if both IPv4 and IPv6 address family configurations are present in the VRF, see the MPLS-L3VPN-STD-MIB Notifications Support for IPv6 VPNs over MPLS, on page 342.</p> <ul style="list-style-type: none"> The mid-threshold keyword enables a notification of a warning that the number of routes created has crossed the warning threshold. This warning is sent only at the time the warning threshold is exceeded. <p>Note For more information on the maximum threshold notification if both IPv4 and IPv6 address family configurations are present in the VRF, see the MPLS-L3VPN-STD-MIB Notifications Support for IPv6 VPNs over MPLS, on page 342.</p> <ul style="list-style-type: none"> The vrf-down keyword enables a notification when the last interface in a VRF goes from the up state to the down state. The vrf-up keyword enables a notification when all interfaces in a VRF are previously in a down state and one VRF interface goes to the up state.
Step 5	<p>end</p> <p>Example:</p> <pre>Router(config)# end</pre>	(Optional) Exits to privileged EXEC mode.

Configuring Threshold Values for MPLS Layer 3 VPN SNMP Notifications

Perform this task to configure the following threshold values for MPLS Layer 3 VPN SNMP notifications:

- The `mplsL3VpnVrfRouteMidThreshExceeded` notification event is generated and sent when the middle threshold (warning) is crossed. You can configure this threshold in the CLI by using the **maximum routes** command in VRF configuration mode. This notification is sent to the NMS only at the time the

threshold is exceeded. Whenever the number of routes falls below this threshold and exceeds the threshold again, a notification is sent to the NMS.

If both IPv4 and IPv6 address-family configurations are present in the VRF, the threshold is an aggregate of the warning threshold values. An `mplsL3VpnVrfRouteMidThreshExceeded` notification is not sent until the second address family reaches its warning threshold.

- The `mplsL3VpnVrfNumVrfRouteMaxThreshExceeded` notification event is generated and sent when you attempt to create a route on a VRF that already contains the maximum number of routes as defined by the **maximum routes** command in VRF configuration mode. A trap notification is sent to the NMS when you attempt to exceed the maximum threshold. Another `mplsL3VpnVrfNumVrfRouteMaxThreshExceeded` notification is not sent until the number of routes falls below the maximum threshold and reaches the maximum threshold again.

If both IPv4 and IPv6 address-family configurations are present in the VRF, the threshold is an aggregate of the maximum threshold values. An `mplsL3VpnVrfNumVrfRouteMaxThreshExceeded` notification is not sent until the second address family reaches its maximum route threshold. Routes are not added to the address family that has already reached its maximum route threshold.

See the figure above for an example of how this notification works and for a comparison of the maximum and warning thresholds.

SUMMARY STEPS

1. **enable**
2. **configure terminal**
3. **vrf definition** *vrf-name*
4. **address-family** {*ipv4* | *ipv6*}
5. **maximum routes** *limit warn-threshold*
6. **exit-address-family**
7. **end**

DETAILED STEPS

	Command or Action	Purpose
Step 1	enable Example: Router> enable	Enables privileged EXEC mode. • Enter your password if prompted.
Step 2	configure terminal Example: Router# configure terminal	Enters global configuration mode.
Step 3	vrf definition <i>vrf-name</i>	Configures a VRF routing table and enters VRF configuration mode.

	Command or Action	Purpose
	<p>Example:</p> <pre>Router(config)# vrf definition vpn1</pre>	<ul style="list-style-type: none"> The <i>vrf-name</i> argument specifies the name assigned to a VRF.
Step 4	<p>address-family {ipv4 ipv6}</p> <p>Example:</p> <pre>Router(config-vrf) address-family ipv4</pre>	<p>Enters VRF address family configuration mode.</p> <ul style="list-style-type: none"> The ipv4 keyword specifies an address family for an IPv4 VPN. The ipv6 keyword specifies an address family for an IPv6 VPN.
Step 5	<p>maximum routes <i>limit warn-threshold</i></p> <p>Example:</p> <pre>Router(config-vrf-af)# maximum routes 10000 80</pre> <p>Example:</p> <pre>Router(config-vrf-af)# maximum routes 10000 warn-only</pre>	<p>Limits the maximum number of routes in a VRF to prevent a PE router from importing too many routes.</p> <ul style="list-style-type: none"> The <i>limit</i> argument specifies the maximum number of routes allowed in a VRF. The range is from 1 to 4,294,967,295. The <i>warn-threshold</i> argument generates a warning when the number of routes set by the <i>warn-threshold</i> argument is reached and rejects routes that exceed the maximum number set in the <i>limit</i> argument. The warning threshold is a percentage from 1 to 100 of the maximum number of routes specified in the <i>limit</i> argument. The warn-only keyword specifies that a system message logging (syslog) error message is issued when the maximum number of routes allowed for a VRF exceeds the limit threshold. However, additional routes are still allowed.
Step 6	<p>exit-address-family</p> <p>Example:</p> <pre>Router(config-vrf-af)# exit-address-family</pre>	<p>Exits from VRF address family configuration mode.</p>
Step 7	<p>end</p> <p>Example:</p> <pre>Router(config-vrf)# end</pre>	<p>(Optional) Exits to privileged EXEC mode.</p>

Configuring SNMP Controls for MPLS VPN Notification Thresholds

Perform this task to configure the following SNMP controls for MPLS VPN notification thresholds:

- The `mplsL3VpnVrfConfRteMxThrshTime` is the interval at which the maximum route exceeded notification (`mplsL3VpnVrfNumVrfRouteMaxThreshExceeded`) is reissued after the maximum value is exceeded (or reached) and after the initial notification was sent. You can configure this interval in the

CLI by using the **snmp mib mpls vpn max-threshold** *seconds* command in global configuration mode. Configure this command if you want to receive more than the initial notification that the maximum route value is exceeded.

- The `mplsL3VpnNumVrfSecIllglLblThrshExcd` notification is generated and sent when the number of illegal label violations on a VRF has exceeded the number indicated by the `mplsL3VpnIllLblRcvThrsh` scalar. You can configure the number of illegal labels that generate the `mplsL3VpnNumVrfSecIllglLblThrshExcd` notification in the CLI by using the **snmp mib mpls vpn illegal-label** *number* command in global configuration mode. Configure this command if you want to allow a certain number of illegal label violations before you receive the `mplsL3VpnNumVrfSecIllglLblThrshExcd` notification.

SUMMARY STEPS

1. **enable**
2. **configure terminal**
3. **snmp mib mpls vpn max-threshold** *seconds*
4. **snmp mib mpls vpn illegal-label** *number*
5. **end**

DETAILED STEPS

	Command or Action	Purpose
Step 1	enable Example: <pre>Router> enable</pre>	Enables privileged EXEC mode. <ul style="list-style-type: none"> • Enter your password if prompted.
Step 2	configure terminal Example: <pre>Router# configure terminal</pre>	Enters global configuration mode.
Step 3	snmp mib mpls vpn max-threshold <i>seconds</i> Example: <pre>Router(config)# snmp mib mpls vpn max-threshold 3600</pre>	Configures SNMP controls for MPLS VPN notification thresholds. <ul style="list-style-type: none"> • The max-threshold keyword controls MPLS VPN maximum threshold exceeded notifications. • The <i>seconds</i> argument is the time in seconds before SNMP resends maximum threshold notifications. The valid range is from 0 to 4,294,967,295. The default is 0.
Step 4	snmp mib mpls vpn illegal-label <i>number</i> Example: <pre>Router(config)# snmp mib mpls vpn illegal-label 10</pre>	Configures simple SNMP controls for MPLS VPN notification thresholds. <ul style="list-style-type: none"> • The illegal-label keyword controls MPLS VPN illegal label threshold exceeded notifications.

	Command or Action	Purpose
		<ul style="list-style-type: none"> The <i>number</i> argument is the number of illegal labels allowed before SNMP sends an illegal label threshold notification. The valid range is from 1 to 4,294,967,295. The default is 0.
Step 5	end Example: Router(config)# end	Exits to privileged EXEC mode.

Configuration Examples for MPLS EM—MPLS VPN MIB RFC 4382 Upgrade

Example Configuring the SNMP Community

The following example shows enabling a simple SNMP community group. This configuration permits any SNMP client to access all MPLS-L3VPN-STD-MIB objects with read-only access using the community string comaccess.

```
configure terminal
```

```
!
```

```
snmp-server community comaccess ro
```

Use the following command to verify that the SNMP master agent is enabled for the MPLS EM—MPLS VPN MIB RFC 4382 Upgrade feature:

```
Router# show running-config | include snmp-server
```

```
Building configuration...
```

```
....
```

```
snmp-server community comaccess RO
```

```
....
```



Note If you do not see any “snmp-server” statements, SNMP is not enabled on the router.

Example Configuring the Router to Send MPLS Layer 3 VPN SNMP Traps

The following example shows you how to enable the router to send MPLS Layer 3 VPN notifications to host 172.20.2.160 using the comaccess community string if a VRF transitions from an up or down state:

```
configure terminal
```

```
!
```

```
snmp-server host 172.20.2.160 traps comaccess mpls-vpn
```

```
snmp-server enable traps mpls rfc vpn vrf-down vrf-up
```

Example Configuring Threshold Values for MPLS Layer 3 VPN SNMP Notifications

The following example shows how to set a maximum threshold of 10,000 routes and a warning threshold that is 80 percent of the maximum threshold for a VRF named vpn1 on a router:

```
configure terminal
!
vrf definition vpn1
 address-family ipv4
  maximum routes 10000 80
 exit address-family
end
```

The following example shows how to set a warning threshold of 10,000 routes for a VRF named vpn2 on a router. An error message is generated; however, additional routes are still allowed because a maximum route threshold is not set with this command.

```
configure terminal
!
vrf definition vpn2
 address-family ipv4
  maximum routes 10000 warn-only
 exit address-family
end
```

Example Configuring SNMP Controls for MPLS Layer 3 VPN Notification Thresholds

The following examples show how to configure SNMP controls for MPLS Layer 3 VPN notification thresholds.

In this example, an interval of 2 hours (7200 seconds) is configured for the resending of maximum threshold exceeded notifications after the first notification was sent and the attempt to add routes continues:

```
configure terminal
!
snmp mib mpls vpn max-threshold 7200
end
```

If you do not configure an interval to resend maximum route exceeded notifications, SNMP sends a single maximum threshold notification at the time that the maximum threshold is exceeded.

In the following example, the number of illegal labels allowed for a VRF is configured as 5 before SNMP sends an illegal label threshold exceeded notification:

```
configure terminal
!
snmp mib mpls vpn illegal-label 5
end
```

If you do not configure an illegal label threshold, then SNMP sends an illegal label notification on the first occurrence of an illegal label.

Additional References

Related Documents

Related Topic	Document Title
Configuration tasks and information about MPLS Layer 3 VPNs	MPLS Layer 3 VPNs Configuration Guide
Configuration tasks and information about IPv6 VPNs over MPLS	“Implementing IPv6 VPN over MPLS (6VPE)” chapter in the IPv6 Configuration Library
Description of commands related to Cisco IPv6	<i>IPv6 Command Reference</i>
Description of commands related to MPLS Layer 3 VPNs	<i>Multiprotocol Label Switching Command Reference</i>

Standards

Standard	Title
http://www.rfc-editor.org/rfc/rfc2578.txt	<i>Structure of Management Information Version 2 (SMIPv2)</i>

MIBs

MIB	MIBs Link
MPLS-L3VPN-STD-MIB	To locate and download MIBs for selected platforms, Cisco software releases, and feature sets, use Cisco MIB Locator found at the following URL: http://www.cisco.com/go/mibs

RFCs

RFC	Title
RFC 2578	<i>Structure of Management Information Version 2 (SMIPv2)</i>
RFC 2685	<i>Virtual Private Networks Identifier</i>
RFC 2863	<i>The Interfaces Group MIB</i>
RFC 3031	<i>Multiprotocol Label Switching Architecture</i>

RFC	Title
RFC 3410	<i>Introduction and Applicability Statements for the Internet-Standard Management Framework</i>
RFC 3413	<i>Simple Network Management Protocol (SNMP) Applications</i>
RFC 3813	<i>Multiprotocol Label Switching (MPLS) Label Switching Router (LSR) Management Information Base (MIB)</i>
RFC 4001	<i>Textual Conventions for Internet Network Addresses</i>
RFC 4273	<i>Definitions of Managed Objects for BGP-4</i>
RFC 4364	<i>BGP/MPLS IP Virtual Private Networks (VPNs)</i>
RFC 4382	<i>MPLS/BGP Layer 3 Virtual Private Network (VPN) Management Information Base</i>

Technical Assistance

Description	Link
The Cisco Support and Documentation website provides online resources to download documentation, software, and tools. Use these resources to install and configure the software and to troubleshoot and resolve technical issues with Cisco products and technologies. Access to most tools on the Cisco Support and Documentation website requires a Cisco.com user ID and password.	http://www.cisco.com/cisco/web/support/index.html

Feature Information for MPLS EM—MPLS VPN MIB RFC 4382 Upgrade

The following table provides release information about the feature or features described in this module. This table lists only the software release that introduced support for a given feature in a given software release train. Unless noted otherwise, subsequent releases of that software release train also support that feature.

Use Cisco Feature Navigator to find information about platform support and Cisco software image support. To access Cisco Feature Navigator, go to www.cisco.com/go/cfn. An account on Cisco.com is not required.

Table 97: Feature Information for MPLS EM—MPLS VPN MIB RFC 4382 Upgrade

Feature Name	Releases	Feature Information
MPLS EM—MPLS VPN MIB RFC 4382 Upgrade	12.2(33)SRC 12.2(33)SB	<p>The MPLS EM—MPLS VPN MIB RFC 4382 Upgrade feature document describes the MIB that supports Multiprotocol Label Switching (MPLS) Virtual Private Networks (VPNs) based on RFC 4382, <i>MPLS/BGP Virtual Private Network (VPN) Management Information Base</i>. This document also describes the differences between RFC 4382 and the MPLS-VPN-MIB based on the Internet Engineering Task Force (IETF) draft Version 3 (draft-ietf-ppvpn-mpls-vpn-mib-03.txt) and describes the changes needed to implement MPLS-L3VPN-STD-MIB (RFC 4382). The MPLS-VPN-MIB and MPLS-L3VPN-STD-MIB provide an interface for managing the MPLS VPN feature in Cisco IOS software through the use of the Simple Network Management Protocol (SNMP).</p> <p>Cisco IOS MPLS Embedded Management (EM) is a set of standards and value-added services that facilitate the deployment, operation, administration, and management of MPLS-based networks according to the fault, configuration, accounting, performance, and security (FCAPS) model.</p> <p>In 12.2(33)SRC, this feature was introduced on the Cisco 7600 series router.</p> <p>In 12.2(33)SB, the feature was implemented for the Cisco 10000 series router on the Cisco 10000 Performance Routing Engine 2 (PRE-2) and PRE-3.</p> <p>The following sections provide information about this feature:</p>

Feature Name	Releases	Feature Information
		The following commands were introduced or modified: maximum routes , snmp mib mpls vpn , snmp-server enable traps mpls rfc vpn .

Glossary

6VPE router—Provider edge router that provides BGP-MPLS IPv6 VPN service over an IPv4-based MPLS core. It is a IPv6 VPN PE, dual-stack router that implements 6PE concepts on the core-facing interfaces.

autonomous system—A collection of networks that share the same routing protocol and that are under the same system administration.

ASN.1 —Abstract Syntax Notation One. The data types independent of particular computer structures and representation techniques. Described by ISO International Standard 8824.

BGP —Border Gateway Protocol. The exterior Border Gateway Protocol used to exchange routing information between routers in separate autonomous systems. BGP uses TCP. Because TCP is a reliable protocol, BGP does not experience problems with dropped or fragmented data packets.

BGP prefixes—A route announcement using the BGP. A prefix is composed of a path of autonomous system numbers, indicating which networks the packet must pass through, and the IP block that is being routed. A BGP prefix would look something like: 701 1239 42 206.24.14.0/24. (The /24 part is referred to as a CIDR mask.) The /24 indicates that there are 24 ones in the netmask for this block starting from the left side. A /24 corresponds to the natural mask 255.255.255.0.

CE router—customer edge router. A router on the border between a VPN provider and a VPN customer that belongs to the customer.

CIDR —classless interdomain routing. A technique supported by BGP4 and based on route aggregation. CIDR allows routers to group routes to reduce the quantity of routing information carried by the core routers. With CIDR, several IP networks appear to networks outside the group as a single, larger entity. With CIDR, IP addresses and their subnet masks are written as four octets, separated by periods, followed by a forward slash and a two-digit number that represents the subnet mask.

Cisco Express Forwarding—An advanced Layer 3 IP switching technology. Cisco Express Forwarding optimizes network performance and scalability for networks with large and dynamic traffic patterns.

community —In SNMP, a logical group of managed devices and NMSs in the same administrative domain.

community name—*See* community string.

community string—A text string that acts as a password and is used to authenticate messages sent between a managed station and a router containing an SNMP agent. The community string is sent in every packet between the manager and the client. Also called a community name.

IETF —Internet Engineering Task Force. A task force consisting of over 80 working groups responsible for developing Internet standards. The IETF operates under the auspices of ISOC. *See also* ISOC.

informs —A type of notification message that is more reliable than a conventional trap notification message, because the informs message notification requires acknowledgment, and a trap notification does not.

ISOC —Internet Society. An international nonprofit organization, founded in 1992, that coordinates the evolution and use of the Internet. In addition, ISOC delegates authority to other groups related to the Internet, such as the IAB. ISOC is headquartered in Reston, Virginia (United States).

label —A short, fixed-length data construct that tells switching nodes how to forward data (packets or cells).

LDP —Label Distribution Protocol. A standard protocol between MPLS-enabled routers that is used for the negotiation of the labels (addresses) used to forward packets.

LFIB —Label Forwarding Information Base. In the Cisco Label Switching system, the data structure for storing information about incoming and outgoing tags (labels) and associated equivalent packets suitable for labeling.

LSR —label switch router. A device that forwards MPLS packets based on the value of a fixed-length label encapsulated in each packet.

MIB —Management Information Base. A database of network management information that is used and maintained by a network management protocol such as SNMP or CMIP. The value of a MIB object can be changed or retrieved using SNMP or CMIP commands, usually through a GUI network management system. MIB objects are organized in a tree structure that includes public (standard) and private (proprietary) branches.

MPLS —Multiprotocol Label Switching. A method for forwarding packets (frames) through a network. It enables routers at the edge of a network to apply labels to packets (frames). ATM switches or existing routers in the network core can switch packets according to the labels with minimal lookup overhead.

MPLS interface—An interface on which MPLS traffic is enabled.

MPLS VPN—Multiprotocol Label Switching Virtual Private Network. An IP network infrastructure delivering private network services over a public infrastructure using a Layer 3 backbone. Using MPLS VPNs in a Cisco IOS network provides the capability to deploy and administer scalable Layer 3 VPN backbone services including applications, data hosting network commerce, and telephony services to business customers.

For an MPLS VPN solution, an MPLS VPN is a set of provider edge routers that are connected by means of a common “backbone” network to supply private IP interconnectivity between two or more customer sites for a given customer. Each VPN has a set of provisioning templates and policies and can span multiple provider administrative domains (PADs).

NMS —network management system. A powerful, well-equipped computer (typically an engineering workstation) that is used by a network administrator to communicate with other devices in the network. An NMS is typically used to manage network resources, gather statistics, and perform a variety of network administration and configuration tasks.

notification —A message sent by an SNMP agent to a network management station, console, or terminal to indicate that a significant event within Cisco IOS software has occurred. *See also* trap.

PE router—provider edge router. A router on the border between a VPN provider and a VPN customer that belongs to the provider.

QoS —quality of service. A measure of performance for a transmission system that reflects its transmission quality and service availability.

RIB —Routing Information Base. Also called the routing table.

RT —route target. An extended community attribute that identifies a group of routers and, in each router of that group, a subset of forwarding tables maintained by the router that can be populated with a BGP route carrying that extended community attribute. The RT is a 64-bit value by which Cisco IOS software discriminates routes for route updates in VRFs.

SNMP—Simple Network Management Protocol. The network management protocol used almost exclusively in TCP/IP networks. SNMP provides a means to monitor and control network devices, and to manage configurations, statistics collection, performance, and security. *See also* SNMP2.

SNMP2—SNMP Version 2. Version 2 of the popular network management protocol. SNMP2 supports centralized and distributed network management strategies, and includes improvements in the Structure of Management Information (SMI), protocol operations, management architecture, and security. *See also* SNMP.

trap—A message sent by an SNMP agent to a network management station, console, or terminal, indicating that a significant event occurred. Traps (notifications) are less reliable than inform requests, because the receiver does not send an acknowledgment when it receives a trap. The sender cannot determine if the trap was received. *See also* notification.

VPN—Virtual Private Network. A group of sites that, as the result of a set of administrative policies, are able to communicate with each other over a shared backbone network. A VPN is a secure IP-based network that shares resources on one or more physical networks. A VPN contains geographically dispersed sites that can communicate securely over a shared backbone. *See also* MPLS VPN.

VPN ID—A mechanism that identifies a VPN based on RFC 2685. A VPN ID consists of an Organizational Unique Identifier (OUI), a three-octet hex number assigned by the IEEE Registration Authority, and a VPN index, a four-octet hex number, which identifies the VPN within the company.

VRF—VPN routing and forwarding instance. A VRF consists of an IP routing table, a derived forwarding table, a set of interfaces that use the forwarding table, and a set of rules and routing protocols that determine what goes into the forwarding table. In general, a VRF includes the routing information that defines a customer VPN site that is attached to a PE router.



Pseudowire Emulation Edge-to-Edge MIBs

The Pseudowire Emulation Edge-to-Edge MIBs for Ethernet, Frame Relay, and ATM Services feature provides Simple Network Management Protocol (SNMP) support within an Any Transport over Multiprotocol Label Switching (AToM) infrastructure emulating Ethernet, Frame Relay, and ATM services over packet switched networks (PSNs). The Pseudowire Emulation Edge-to-Edge (PWE3) MIBs are the following:

- CISCO-IETF-PW-MIB (PW-MIB)
- CISCO-IETF-PW-MPLS-MIB (PW-MPLS-MIB)
- CISCO-IETF-PW-ENET-MIB (PW-ENET-MIB)
- CISCO-IETF-PW-FR-MIB (PW-FR-MIB)
- CISCO-IETF-PW-ATM-MIB (PW-ATM-MIB)

- [Finding Feature Information, page 367](#)
- [Prerequisites for Pseudowire Emulation Edge-to-Edge MIBs, page 368](#)
- [Restrictions for Pseudowire Emulation Edge-to-Edge MIBs, page 368](#)
- [Information About Pseudowire Emulation Edge-to-Edge MIBs, page 369](#)
- [How to Configure Pseudowire Emulation Edge-to-Edge MIBs, page 389](#)
- [Configuration Examples for the Pseudowire Emulation Edge-to-Edge MIBs, page 392](#)
- [Additional References, page 393](#)
- [Feature Information for Pseudowire Emulation Edge-to-Edge MIBs for Ethernet Frame Relay and ATM Services, page 395](#)
- [Glossary, page 398](#)

Finding Feature Information

Your software release may not support all the features documented in this module. For the latest caveats and feature information, see [Bug Search Tool](#) and the release notes for your platform and software release. To find information about the features documented in this module, and to see a list of the releases in which each feature is supported, see the feature information table at the end of this module.

Use Cisco Feature Navigator to find information about platform support and Cisco software image support. To access Cisco Feature Navigator, go to www.cisco.com/go/cfn. An account on Cisco.com is not required.

Prerequisites for Pseudowire Emulation Edge-to-Edge MIBs

- SNMP must be enabled on the label switch routers (LSRs).
- MPLS must be enabled on the LSRs.
- Pseudowires must be configured with Ethernet, Frame Relay, or ATM access circuits. (For more detailed information, see the “Any Transport over MPLS” module.)

Restrictions for Pseudowire Emulation Edge-to-Edge MIBs

The PWE3 MIBs are limited to read-only (RO) permission for MIB objects except for the `cpwVcUp` and `cpwVcDown` notification enable object, `cpwVcUpDownNotifEnable`, which has been extended to be writable by the SNMP agent.

- The following tables in the PW-MIB are not supported:
 - `cpwVcPerfCurrentTable`
 - `cpwVcPerfIntervalTable`
- The following objects in the PW-MPLS-MIB are not supported:
 - `cpwVcMplsOutboundIndexNext`
 - `cpwVcMplsInboundIndexNext`
- The following tables in the PW-ENET-MIB are not supported:
 - `cpwVcEnetMplsPriMappingTable`
 - `cpwVcEnetStatsTable`
- The following table in the PW-FR-MIB is not supported:
 - `cpwVcFrPMTTable`
- The PW-ATM-MIB does not support a high-capacity cell counter per virtual path (VP) or cells per port.
- The PW-ATM-MIB virtual path identifier (VPI)/virtual channel identifier (VCI) value for port mode cell relay is 0.
- The PW-ATM-MIB VP cell relay VCI value is 0.
- The PW-ATM-MIB VP does not support ATM adaptation layer 5 (AAL5); therefore, all packet counters are invalid.

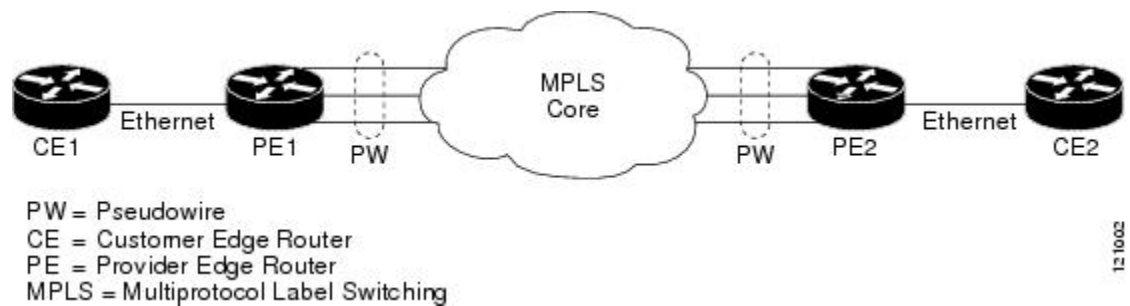
**Note**

This feature is not supported over Ethernet, Frame Relay, and ATM in all releases. For more detailed information, see the "Feature Information for Pseudowire Emulation Edge-to-Edge MIBs for Ethernet Frame Relay and ATM Services" section.

Information About Pseudowire Emulation Edge-to-Edge MIBs

The Function of a Pseudowire in the PWE3 MIBs

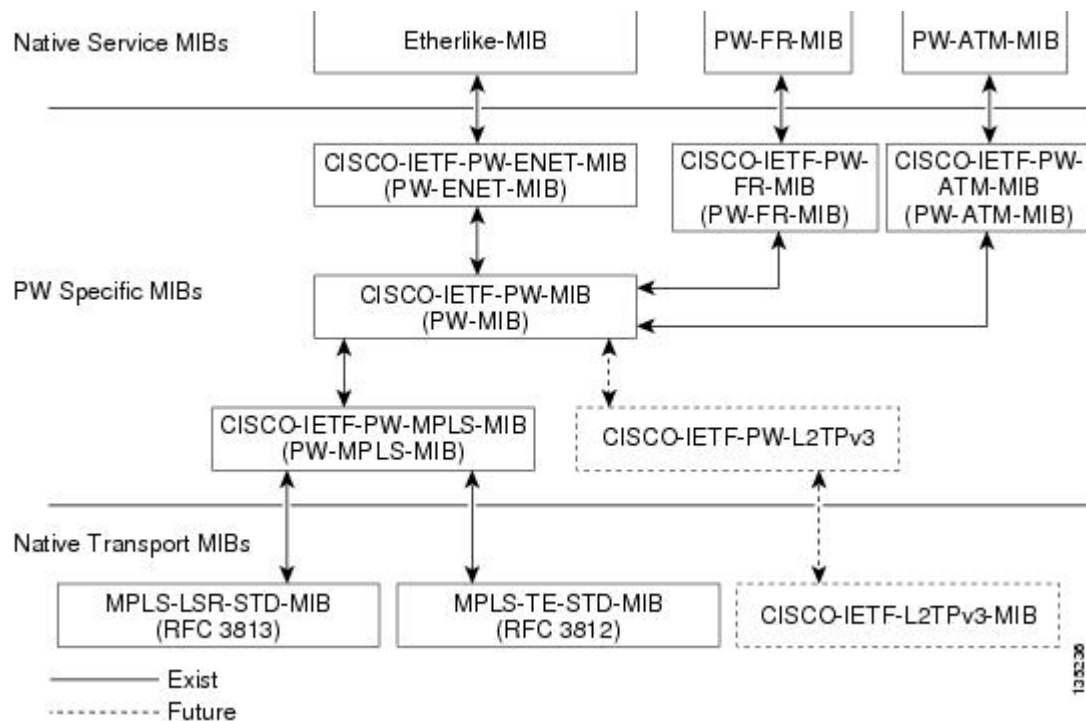
A pseudowire is a point-to-point connection between pairs of provider edge (PE) routers (as shown in the figure below). Its primary function is to emulate services like Ethernet over an underlying core MPLS network through encapsulation into a common MPLS format. By encapsulating services into a common MPLS format, a pseudowire allows carriers to converge their services to an MPLS network.



12 1002

PWE3 MIBs Architecture

The PWE3 MIBs architecture shown in the figure below categorizes three groups of MIBs that, when used together, provide the complete emulated service; the native transport, which carries the service across the core network; and the relationship between the two.



The architecture is modular in that once deployed, new emulated service MIB modules or additional transport MIB modules “plug in” to or extend the existing infrastructure rather than require a new and unique one. This allows you to build management applications without the concern of a new service requiring the deployment of a completely different management strategy. Because the architecture is a generalized association mechanism between existing service and transport MIB modules, native MIB modules work in the absence of the associated PWE3-specific MIBs. The advantage is that if a PWE3-specific MIB has not yet been deployed in Cisco software, which associates a service or transport with pseudowires, these MIB modules can still be queried. However, the only drawback is that the associations with the pseudowires are absent.

Components and Functions of the PWE3 MIBs

The PWE3 MIBs have the following components and functions:

- PW-MIB (the pseudowire MIB)

This MIB binds the PW-MPLS-MIB and the PW-ENET-MIB together, and provides status of the pseudowire emulation and statistics and configuration information. The PW-MIB also defines the notifications for pseudowire fault and event monitoring.

- PW-MPLS-MIB (the pseudowire MPLS-MIB)

This MIB contains managed objects that can be used by a network manager to monitor pseudowire emulation MPLS services, such as MPLS-traffic engineering (TE)-PSN and MPLS-non-TE-PSN.

This MIB shows the following:

- Cross-connect (XC) indexes for virtual circuits (VCs) that are Label Distribution Protocol (LDP)-signaled and have a preferred path that is not set to an MPLS TE tunnel.

- Tunnel indexes for VCs with a preferred path set to a TE tunnel and an output interface that is a TE tunnel.

- PW-ENET-MIB (the pseudowire Ethernet services MIB)

This MIB contains managed objects that can be used by a network manager to monitor pseudowire emulation Ethernet services.

- PW-FR-MIB (the pseudowire Frame Relay services MIB)

This MIB contains managed objects that can be used by a network manager to monitor pseudowire emulation Frame Relay services.

This MIB uses a Frame Relay over pseudowire (FRoPW) connection that consists of two segments: the Frame Relay segment and the pseudowire segment. The PW-FR-MIB provides hooks to those segments. The PW MIB contains information about the pseudowire segment, and the PW-FR-MIB contains information about the Frame Relay segment.

The PW-FR-MIB is defined at the Pseudowire Service Emulation Layer and resides on top of the generic PW-MIB as shown in the figure above. Therefore, the PW-FR-MIB is highly dependent on the existence and the service provided by the PW-MIB. In addition, an existing PW-FR connection entry must associate with an existing VC entry in the PW-MIB.

The PW-FR-MIB and the generic PW-MIB are logically tied by the PW VC Index, which is an internal index defined to support the PW-MIB. Each PW VC index uniquely maps into an existing VC entry in the PW-MIB and the PW-FR-MIB.

- PW-ATM-MIB (the pseudowire ATM services MIB)

This MIB contains managed objects that can be used by a network manager to monitor pseudowire emulation ATM services.

This MIB uses an ATM over pseudowire (ATMoPW) connection that consists of two segments: the ATM segment and the pseudowire segment. The PW-ATM-MIB provides hooks to those segments. The PW MIB contains information about the pseudowire segment, and the PW-ATM-MIB contains information about the ATM segment called the attachment circuit.

The PW-ATM-MIB is defined at the Pseudowire Service Emulation Layer and resides on top of the generic PW-MIB as shown in the figure above. Therefore, the PW-ATM-MIB is highly dependent on the existence and the service provided by the PW-MIB. In addition, an existing PW-ATM connection entry must associate with an existing VC entry in the PW-MIB.

The PW-ATM-MIB and the generic PW-MIB are logically tied by the PW VC Index, which is an internal index defined to support the PW-MIB. Each PW VC index uniquely maps into an existing VC entry in the PW-MIB and the PW-ATM-MIB.

Tables in the PW-MIB

The PW-MIB consists of the following tables:

- cpwVcTable -- Contains high-level generic parameters related to VC creation. This table is implemented as read only and is indexed by the cpwVcIndex, which uniquely identifies a singular connection. A row in this table represents an emulated virtual connection. This table is used for all VC types.

- `cpwVcPerfTotalTable` -- Provides per-VC performance information from the VC start time. This table is indexed by the `cpwVcIndex`.
- `cpwVcIdMappingTable` -- Provides reverse mapping of the existing VCs based on VC type and VC ID ordering. This table is typically useful for element manager software (EMS) ordered query of existing VCs. This table is indexed by `cpwVcIdMappingVcType`, `cpwVcIdMappingVcID`, `cpwVcIdMappingPeerAddrType`, and `cpwVcIdMappingPeerAddr`. This table is implemented as read only.
- `cpwVcPeerMappingTable` -- Provides reverse mapping of the existing VCs based on VC type and VC ID ordering. This table is typically useful for EMS ordered query of existing VCs. This table is indexed by `cpwVcPeerMappingPeerAddrType`, `cpwVcPeerMappingPeerAddr`, `cpwVcPeerMappingVcType`, and `cpwVcPeerMappingVcID`. This table is implemented as read only.

cpwVcTable

The table below lists the `cpwVcTable` objects and their descriptions.

Table 98: `cpwVcTable` Objects and Descriptions

Objects	Description
<code>cpwVcType</code>	Indicates the service to be carried over this VC. This is circuit type information.
<code>cpwVcOwner</code>	Set by the operator to indicate the protocol responsible for establishing this VC. Values are the following: <ul style="list-style-type: none"> • <code>manual(1)</code>--Used when no maintenance protocol (PW signaling) is needed to set up the VC, such as configuration of entries in the VC tables including VC labels, and so forth. • <code>maintenanceProtocol(2)</code>--Used for standard signaling of the VC for the specific PSN; for example, LDP for MPLS PSN as specified in draft-martini-l2circuit-trans-mpls or the Layer 2 Tunneling Protocol (L2TP). • <code>other(3)</code>--Used for all other types of signaling.
<code>cpwVcPsnType</code>	Set by the operator to indicate the PSN type on which this VC is carried. Based on this object, the relevant PSN table entries are created in the PSN-specific MIB modules. For example, if <code>mpls(1)</code> is defined, the agent creates an entry in the <code>cpwVcMplsTable</code> , which further defines the MPLS PSN configuration.

Objects	Description
cpwVcSetUpPriority	Defines the relative setup priority of the VC in a lowest-to-highest manner, where 0 is the highest priority. This value is significant if there are competing resources between VCs and the implementation supports this feature. Because this is not implemented in AToM, the value of 0 is used.
cpwVcHoldingPriority	Defines the relative holding priority of the VC in a lowest-to-highest manner, where 0 is the highest priority. This value is significant if there are competing resources between VCs and the implementation supports this feature. Because this is not implemented in AToM, the value of 0 is used.
cpwVcInboundMode	<p>Enables greater security for implementations that use per-platform VC label space. Modes are the following:</p> <ul style="list-style-type: none"> • strict(1) • loose(2) <p>In strict mode, packets coming from the PSN are accepted only from tunnels that are associated to the same VC via the inbound tunnel table in the case of MPLS, or as identified by the source IP address in the case of L2TP or IP PSN. The entries in the inbound tunnel table are either explicitly configured or implicitly known by the maintenance protocol used for VC setup.</p> <p>If such association is not known, not configured, or not desired, loose mode should be configured, and the node should accept the packet based on the VC label only, regardless of the outer tunnel used to carry the VC.</p>
cpwVcPeerAddrType	Denotes the address type of the peer node maintenance protocol (signaling) address if the PW maintenance protocol is used for the VC creation. It should be set to unknown if the PW maintenance protocol is not used; for example, cpwVcOwner is set to manual.
cpwVcPeerAddr	Contains the value of the peer node address of the PW maintenance protocol entity. This object should contain a value of 0 if not relevant (manual configuration of the VC).

Objects	Description
cpwVcID	Use in the outgoing VC ID field within the VC forward equivalence class (FEC) element with LDP signaling or the PW ID attribute-value (AV) pair for the L2TP.
cpwVcLocalGroupID	Use in the Group ID field sent to the peer PW within the maintenance protocol for VC setup; 0 if not used.
cpwVcControlWord	Defines if the control word is sent with each packet by the local node.
cpwVcLocalIfMtu	If not = 0, the optional IfMtu object in the maintenance protocol is sent with this value, representing the locally supported maximum transmission unit (MTU) size over the interface (or the virtual interface) associated with the VC.
cpwVcLocalIfString	Each VC is associated to an interface (or a virtual interface) in the ifTable of the node as part of the service configuration. This object defines if the maintenance protocol sends the interface's name as it appears in the ifTable in the name object as part of the maintenance protocol. If this object is set to false, the optional element is not sent.
cpwVcRemoteGroupID	Obtained from the Group ID field as received via the maintenance protocol used for VC setup; 0 if not used. The value of 0xFFFF is used if the object is not defined by the VC maintenance protocol.
cpwVcRemoteControlWord	If the maintenance protocol is used for VC establishment, this parameter indicates the received status of the control word usage; that is, if packets are received with the control word or not. The value of notYetKnown is used while the maintenance protocol has not yet received the indication from the remote node. In a manual configuration of the VC, this parameter indicates to the local node the expected encapsulation for the received packets.
cpwVcRemoteIfMtu	The remote interface MTU as received from the remote node via the maintenance protocol. This object should be 0 if this parameter is not available or not used.
cpwVcRemoteIfString	Indicates the interface description string as received by the maintenance protocol; it must be a NULL string if not applicable or not known yet.

Objects	Description
cpwVcOutboundVcLabel	The VC label used in the outbound direction toward the PSN. This object may be set up manually if the owner is manual; otherwise, it is automatic. Examples; for MPLS PSN, the label represents the 20 bits of the VC tag; for L2TP, it represents the 32 bits of the session ID. If the label is not yet known (signaling in process), the object should return a value of 0xFFFF.
cpwVcInboundVcLabel	The VC label used in the inbound direction for packets received from the PSN. This object may be set up manually if the owner is manual; otherwise, it is automatic. Examples; for MPLS PSN, the label represents the 20 bits of VC tag; for L2TP, the label represents the 32 bits of the session ID. If the label is not yet known (signaling in process), the object should return a value of 0xFFFF.
cpwVcName	The canonical name assigned to the VC.
cpwVcDescr	A textual string containing information about the VC. If there is no description, this object contains a 0 length string.
cpwVcCreateTime	System time when this VC was created.
cpwVcUpTime	Number of consecutive ticks that this VC has been up in both directions together. (Up is observed in cpwVcOperStatus.)
cpwVcAdminStatus	The desired operational status of this VC.
cpwVcOperStatus	Indicates the actual combined operational status of this VC. This object is up if both cpwVcInboundOperStatus and cpwVcOutboundOperStatus are in the up state. For all other values, if the VCs in both directions are of the same value, this object reflects that value; otherwise, it is set to the more severe status of the two. The order of severity from most severe to less severe is as follows: unknown, notPresent, down, lowerLayerDown, dormant, testing, and up. The operator can consult the direction of OperStatus for fault isolation.

Objects	Description
cpwVcInboundOperStatus	<p>Indicates the actual operational status of this VC in the inbound direction. Values are the following:</p> <ul style="list-style-type: none"> • up--The VC is established and ready to pass packets. • down--PW signaling has not yet finished or indications available at the service level show that the VC is not passing packets. • testing--AdminStatus at the VC level is set to test. • dormant--The VC is not available because the required resources are occupied by higher priority VCs. • notPresent--Some component needed for the setup of the VC is missing. • lowerLayerDown--The underlying PSN is not in OperStatus up.
cpwVcOutboundOperStatus	<p>Indicates the actual operational status of this VC in the outbound direction. Values are the following:</p> <ul style="list-style-type: none"> • up--The VC is established and ready to pass packets. • down--PW signaling has not yet finished or indications available at the service level show that the VC is not passing packets. • testing--AdminStatus at the VC level is set to test. • dormant--The VC is not available because the required resources are occupied by higher priority VCs. • notPresent--Some component needed for the setup of the VC is missing. • lowerLayerDown--The underlying PSN is not in OperStatus up.

Objects	Description
cpwVcTimeElapsed	The number of seconds, including partial seconds, that have elapsed since the beginning of the current measurement period. If, for some reason, such as an adjustment in the system's time-of-day clock, and the current interval exceeds the maximum value, the agent returns the maximum value. Because cpwVcPerfIntervalTable is not implemented, this is 0.
cpwVcValidIntervals	The number of previous 15-minute intervals for which data was collected. An agent with PW capability must be capable of supporting at least <i>x</i> intervals. The minimum value of <i>x</i> is 4; the default of <i>x</i> is 32, and the maximum value of <i>x</i> is 96. The value is <i>x</i> unless the measurement was (re)started within the last <i>x</i> *15 minutes, in which case the value will be the number of complete 15-minute intervals; for example, in the case where the agent is a proxy, some intervals may be unavailable. In this case, this interval is the maximum interval number for which data is available. This interval is set to 0.
cpwVcRowStatus	A read-only implementation that is always active(1). It is used for creating, modifying, and deleting.
cpwVcStorageType	The storage type for this object is a read-only implementation that is always volatile(2).

cpwVcPerfTotalTable

The table below lists the cpwVcPerfTotalTable objects and their descriptions.

Table 99: cpwVcPerfTotalTable Objects and Descriptions

Objects	Description
cpwVcPerfTotalInHCPackets	High-capacity counter for the number of packets received by the VC from the PSN.
cpwVcPerfTotalInHCBytes	High-capacity counter for the number of bytes received by the VC from the PSN.
cpwVcPerfTotalOutHCPackets	High-capacity counter for the number of packets forwarded by the VC to the PSN.
cpwVcPerfTotalOutHCBytes	High-capacity counter for the number of bytes forwarded by the VC (to the PSN).

Objects	Description
cpwVcPerfTotalDiscontinuityTime	The value of sysUpTime on the most recent occasion when one or more of this object's counters suffered a discontinuity. The relevant counters are the specific instances of any Counter32 or Counter64. If no such discontinuities have occurred since the last reinitialization of the local management subsystem, this object contains a 0 value.

cpwVcIdMappingTable

The table below lists the cpwVcIdMappingTable objects and their descriptions.

Table 100: cpwVcIdMappingTable Objects and Descriptions

Objects	Description
cpwVcIdMappingVcType	The VC type (indicates the service) of this VC.
cpwVcIdMappingVcID	The VC ID of this VC; 0 if the VC is configured manually.
cpwVcIdMappingPeerAddrType	IP address type of the peer node.
cpwVcIdMappingPeerAddr	IP address of the peer node.
cpwVcIdMappingVcIndex	The value that represents the VC in the cpwVcTable.

cpwVcPeerMappingTable

The table below lists the cpwVcPeerMappingTable objects and their descriptions.

Table 101: cpwVcPeerMappingTable Objects and Descriptions

Objects	Description
cpwVcPeerMappingPeerAddrType	IP address type of the peer node.
cpwVcPeerMappingPeerAddr	IP address of the peer node.
cpwVcPeerMappingVcType	The VC type (indicates the service) of this VC.
cpwVcPeerMappingVcID	The VC ID of this VC; 0 if the VC is configured manually.
cpwVcPeerMappingVcIndex	The value that represents the VC in the cpwVcTable.

Tables in the PW-MPLS-MIB

The PW-MPLS-MIB consists of the following tables:

- `cpwVcMplsTable` -- Specifies information for the VC to be carried over an MPLS PSN. This table is indexed on `cpwVcIndex`.
- `cpwVcMplsOutboundTable` -- Associates VCs using an MPLS PSN with the outbound MPLS tunnels toward the PSN or the physical interface in the case of the VC only. A row in this table represents a link between PW VCs that require MPLS tunnels and an MPLS tunnel toward the PSN. This table is indexed by the `cpwVcIndex` and an additional index that is not supported; consequently, its value is 1. The operator creates at least one entry in this table for each PW VC that requires an MPLS PSN. The VC-only case and the `cpwVcMplsOutboundIndex` is not supported.
- `cpwVcMplsInboundTable` -- Associates VCs using an MPLS PSN with the inbound MPLS tunnels for packets coming from the PSN, if such association is desired mainly for security reasons. A row in this table represents a link between PW VCs that require MPLS tunnels and an MPLS tunnel for packets arriving from the PSN. This table is indexed by the set of indexes used to identify the VC, `cpwVcIndex`, and an additional index that is not supported; consequently, its value is 1. An entry is created in this table either automatically by the local agent or manually by the operator when strict mode is required. This table points to the appropriate MPLS MIB. For MPLS-TE, the four variables relevant to the indexing of an MPLS TE tunnel are set. The VC-only case and the `cpwVcMplsInboundIndex` are not supported.
- `cpwVcMplsNonTeMappingTable` -- Maps an inbound or outbound tunnel to a VC in non-TE applications. A row in this table represents the association between a PW VC and its non-TE MPLS outer tunnel. An application can use this table to retrieve the PW carried over a specific non-TE MPLS outer tunnel quickly. This table is indexed by the `xconnect` index for the MPLS non-TE tunnel and the direction of the VC in the specific entry. The same table is used in both inbound and outbound directions, but in a different row for each direction. If the inbound association is not known, no rows should exist for it. Rows are created by the local agent when all the association data is available for display.
- `cpwVcMplsTeMappingTable` -- Maps an inbound or outbound tunnel to a VC in MPLS-TE applications. A row in this table represents the association between a PW VC and its MPLS-TE outer tunnel. An application can use this table to retrieve the PW carried over a specific TE MPLS outer tunnel quickly. This table is indexed by the four indexes of a TE tunnel, the direction of the VC specific entry, and the `VcIndex`. The same table is used in both inbound and outbound directions, but a different row for each direction. If the inbound association is not known, no rows should exist for it. Rows are created by the local agent when all the association data is available for display. This table shows mappings between pseudowires and the `xconnect` index for non-TE outer tunnel or index.

`cpwVcMplsTable`

The table below lists the `cpwVcMplsTable` objects and their descriptions.

Table 102: cpwVcMplsTable Objects and Descriptions

Objects	Description
cpwVcMplsMplsType	Set by the operator to indicate the outer tunnel types, if they exist. Values are the following: <ul style="list-style-type: none"> mplsTe(0)--Used when the outer tunnel is set up by MPLS-TE. mplsNonTe(1)--Used when the outer tunnel is set up by LDP or manually.
cpwVcMplsExpBitsMode	Set by the operator to indicate the way the VC shim label EXP bits are to be determined. The value is the following: <ul style="list-style-type: none"> outerTunnel(1)--Used when there is an outer tunnel and cpwVcMplsMplsType is mplsTe or mplsNonTe.
cpwVcMplsExpBits	Set by the operator to indicate the MPLS EXP bits to be used on the VC shim label if cpwVcMplsExpBitsMode is specified; value = 0.
cpwVcMplsTtl	Set by the operator to indicate the VC time-to-live (TTL) bits to be used on the VC shim label; value = 0.
cpwVcMplsLocalLdpID	The local LDP identifier of the LDP entity creating this VC in the local node. Because the VC labels are always set from the per-platform label space, the last two octets in the LDP ID must be 0s.
cpwVcMplsLocalLdpEntityID	The local LDP entity index of the LDP entity to be used for this VC on the local node; this should be set to all 0s when this object is not used.
cpwVcMplsPeerLdpID	The peer LDP identifier as identified by the LDP session; this should be zero if not relevant or not known yet.
cpwVcMplsStorageType	The storage type for this object is a read-only implementation that is always volatile(2).

cpwVcMplsOutboundTable

The table below lists the cpwVcMplsOutboundTable objects and their descriptions.

Table 103: cpwVcMplsOutboundTable Objects and Descriptions

Objects	Description
cpwVcMplsOutboundIndex	An arbitrary index for enabling multiple rows per VC in this table. The next available free index can be retrieved using cpwVcMplsOutboundIndexNext. The value = 1, because this object is not supported.
cpwVcMplsOutboundLsrXcIndex	Set by the operator. If the outer label is defined in the MPL-LSR-MIB, that is, set by LDP or manually, this object points to the xconnect index of the outer tunnel. Otherwise, this object is set to 0.
cpwVcMplsOutboundTunnelIndex	Part of the set of indexes for an outbound tunnel, specifically an MPLS-TE outer tunnel; otherwise, this object is set to 0.
cpwVcMplsOutboundTunnelInstance	Part of the set of indexes for an outbound tunnel, specifically an MPLS-TE outer tunnel; otherwise, this object is set to 0.
cpwVcMplsOutboundTunnelLclLSR	Part of the set of indexes for an outbound tunnel, specifically an MPLS-TE outer tunnel; otherwise, this object is set to NULL.
cpwVcMplsOutboundTunnelPeerLSR	Part of the set of indexes for an outbound tunnel, specifically an MPLS-TE outer tunnel; otherwise, this object is set to NULL.
cpwVcMplsOutboundIfIndex	For a VC only with no outer tunnel, this object holds the ifIndex of the outbound port. The value = 0.
cpwVcMplsOutboundRowStatus	A read-only implementation that is always active(1). It is used for creating, modifying, and deleting.
cpwVcMplsOutboundStorageType	The storage type for this object is a read-only implementation that is always volatile(2).

cpwVcMplsInboundTable

The table below lists the cpwVcMplsInboundTable objects and their descriptions.

Table 104: cpwVcMplsInboundTable Objects and Descriptions

Objects	Description
cpwVcMplsInboundIndex	An arbitrary index for enabling multiple rows per VC in this table. The next available free index can be retrieved using cpwVcMplsInboundIndexNext. the value = 1, because this object is not supported.
cpwVcMplsInboundLsrXcIndex	If the outer label is defined in the MPL-LSR-MIB; that is, set by LDP or manually, this object points to the xconnect index of the outer tunnel. The xconnect index represents the pseudowire in the inbound direction retrieving 0 if information for this object is not known.
cpwVcMplsInboundTunnelIndex	Part of the set of indexes for an inbound tunnel, specifically an MPLS-TE outer tunnel; value = 0. This object does not support TE tunnels at the ingress router.
cpwVcMplsInboundTunnelInstance	Part of the set of indexes for an inbound tunnel, specifically an MPLS-TE outer tunnel; value = 0. This object does not support TE tunnels at the ingress router.
cpwVcMplsInboundTunnelLcILSR	Part of the set of indexes for an inbound tunnel, specifically an MPLS-TE outer tunnel; otherwise, set to NULL. This object does not support TE tunnels at the ingress router.
cpwVcMplsInboundTunnelPeerLSR	Part of the set of indexes for an inbound tunnel, specifically an MPLS-TE outer tunnel; otherwise, this object is set to NULL. This object does not support TE tunnels at the ingress router.
cpwVcMplsInboundIfIndex	In the case of a VC only (no outer tunnel), this object holds the ifIndex of the inbound port. The value = 0.
cpwVcMplsInboundRowStatus	A read-only implementation that is always active(1). It is used for creating, modifying, and deleting.
cpwVcMplsInboundStorageType	The storage type for this object is a read-only implementation that is always volatile(2).

cpwVcMplsNonTeMappingTable

The table below lists the cpwVcMplsNonTeMappingTable objects and their descriptions.

Table 105: cpwVcMplsNonTeMappingTable Objects and Descriptions

Objects	Description
cpwVcMplsNonTeMappingTunnelDirection	Identifies if the row represents an outbound or inbound mapping.
cpwVcMplsNonTeMappingXcTunnelIndex	XC index in the MPLS-LSR-MIB of the pseudowire LDP-generated XC entry.
cpwVcMplsNonTeMappingIfIndex	Identifies the port on which the VC is carried for VC only; the value = 0.
cpwVcMplsNonTeMappingVcIndex	Represents the VC in the cpwVcTable.

cpwVcMplsTeMappingTable

The table below lists the cpwVcMplsTeMappingTable objects and their descriptions.

Table 106: cpwVcMplsTeMappingTable Objects and Descriptions

Objects	Description
cpwVcMplsTeMappingTunnelDirection	Identifies if the row represents an outbound mapping.
cpwVcMplsTeMappingTunnelIndex	Index for the conceptual row identifying an MPLS-TE tunnel.
cpwVcMplsTeMappingTunnelInstance	Identifies an instance of an MPLS-TE tunnel.
cpwVcMplsTeMappingTunnelPeerLsrID	Identifies a peer LSR when the outer tunnel is MPLS-TE based.
cpwVcMplsTeMappingTunnelLocalLsrID	Identifies the local LSR.
cpwVcMplsTeMappingVcIndex	Represents the VC in the cpwVcTable.

Tables in the PW-ENET-MIB

The PW-ENET-MIB consists of the following table:

- cpwVcEnetTable -- Provides Ethernet port mapping and VLAN configuration for each Ethernet emulated virtual connection. This table is indexed on cpwVcIndex, which uniquely identifies a singular connection. The second level index for this table is cpwVcEnetPwVlan, which indicates VLANs on this VC. This table is used only for Ethernet VC types--ethernetVLAN, ethernet, or ethernet virtual private LAN service (VPLS), and is implemented as read-only.

cpwVcEnetTable

The table below lists the cpwVcEnetTable objects and their descriptions.

Table 107: cpwVcEnetTable Objects and Descriptions

Objects	Description
cpwVcEnetPwVlan	The VLAN value for frames on a VC. This is one of the indexes to the table so multiple VLAN values can be configured for a PW VC. This value is 4096 to indicate untagged frames; that is, if the cpwVcEnetVlanMode value is removeVlan. This value is the VLAN value of the access circuit if the cpwVcEnetVlanMode value is noChange. The value of 4097 is used if the object is not applicable; for example, when mapping all packets from an Ethernet port to the VC.
cpwVcEnetVlanMode	Indicates the way the VLAN field is handled between the access circuit and the PW VC. The possible values for this field are as follows: <ul style="list-style-type: none"> noChange--Indicates that the VC contains the original user VLAN, as specified in cpwVcEnetPortVlan. changeVlan--Indicates that the VLAN field on the VC may be different from the VLAN field on the user's port. removeVlan--Indicates that the encapsulation on the VC does not include the original VLAN field.
cpwVcEnetPortVlan	Defines the VLAN value on the physical port (or VPLS virtual port) if a change is required to the VLAN value between the VC and the physical or virtual port. It is equal to cpwVcEnetPwVlan if the cpwVcEnetVlanMode value is noChange. A value of 4096 indicates that no VLAN is associated with the VC; that is, assigning Default VLAN to untagged frames. If all traffic from the VC is being forwarded to the port, then this value is 4097 indicating it is not relevant.
cpwVcEnetPortIfIndex	The ifIndex value of the Ethernet port associated with this PW VC for point-to-point Ethernet service. For VPLS, this value is an ifIndex value for a virtual interface for the VPLS instance.

Objects	Description
cpwVcEnetVcIfIndex	Models the VC as a virtual interface in the ifTable. This value is always 0 to indicate no virtual interface is created.
cpwVcEnetRowStatus	A read-only implementation that is always active(1). It is used for creating, modifying, and deleting.
cpwVcEnetStorageType	The storage type for this object is a read-only implementation that is always volatile(2).

Tables in the PW-FR-MIB

The PW-FR-MIB consists of the following table:

- cpwVcFrTable -- Contains entries that represent an FRoPW connection operating in one-to-one mapping mode in which there is a one-to-one correspondence between a Frame Relay VC and a pair of unidirectional pseudowires.

cpwVcFrTable

The table below lists the cpwVcFrTable objects and their descriptions.

Table 108: cpwVcFrTable Objects and Descriptions

Objects	Description
cpwVcFrIfIndex	Returns the interface ifIndex of the Frame Relay (FR) segment of the FRoPW connection.
cpwVcFrDlci	Returns the data-link connection identifier (DLCI) of the Frame Relay segment of an FRoPW connection.
cpwVcFrAdminStatus	Returns the administrative status of an FRoPW connection.
cpwVcFrOperStatus	Returns the combined operational status of an FRoPW connection.
cpwVcFrPw2FrOperStatus	Returns the operational status of the PW-to-FR direction in an FRoPW connection.
cpwVcFrRowStatus	A read-only implementation that is always active(1). It is used for creating, modifying, and deleting.
cpwVcFrStorageType	The storage type for this object is a read-only implementation that is always volatile(2).

Tables in the PW-ATM-MIB

The PW-ATM-MIB consists of the following tables:

- cpwVcAtmTable -- Specifies information for an ATM VC to be carried over the PSN.
- cpwVcAtmPerfTable -- Specifies performance-related attributes for an ATM VC.

cpwVcAtmTable

The table below lists the cpwVcAtmTable objects and their descriptions.

Table 109: cpwVcAtmTable Objects and Descriptions

Objects	Description
cpwAtmIf	Specifies the ATM interface that sends and receives cells from the ATM network.
cpwAtmVpi	Specifies the VPI value of the ATM VC.
cpwAtmVci	Specifies the VCI value of the ATM VC.
cpwAtmClpQosMapping	Indicates the presence of cell loss priority (CLP) bits determining the value in quality of service (QoS) fields of the encapsulating protocol. The value could be used only for outbound traffic, which means traffic going out to the PSN.
cpwAtmRowStatus	A read-only implementation that is always active(1). It is used for creating, modifying, and deleting.
cpwAtmOamCellSupported	Indicates whether operation, administration, and maintenance (OAM) cells are transported on this VC.
cpwAtmQosScalingFactor	Represents the scaling factor to be applied to ATM QoS rates when calculating QoS rates for the PSN domain.
cpwAtmCellPacking	Identifies if the VC is configured to do cell packing.
cpwAtmMncp	Identifies the number of cells that need to be packed.
cpwAtmEncap	Provides information on whether MPLS or Layer 2 Tunneling Protocol Version 3 (L2TPv3) is used as the transport.

Objects	Description
cpwAtmPeerMncp	Represents the maximum number of cells that can be packed in one packet for a peer interface.
cpwAtmMcptTimeout	Represents the maximum cell packing timeout (MCPT) value used.

cpwVcAtmPerfTable

The table below lists the cpwVcAtmPerfTable objects and their descriptions.

Table 110: cpwVcAtmPerfTable Objects and Descriptions

Objects	Description
cpwAtmCellsReceived	Obtains information on the number of cells that were received and sent to the PSN.
cpwAtmCellsSent	Provides information on the number of cells sent to the ATM network.
cpwAtmCellsRejected	Indicates the number of cells that were rejected by this VC because of policing.
cpwAtmCellsTagged	Indicates the number of cells that were tagged.
cpwAtmHCCellsReceived	Provides the high-capacity counter for the number of cells received by this VC.
cpwAtmHCCellsRejected	Provides the high-capacity counter for the number of cells rejected by this VC.
cpwAtmHCCellsTagged	Provides the high-capacity counter for number of cells that were tagged.
cpwAtmAvgCellsPacked	Provides the average number of cells that were packed.
cpwAtmPktsReceived	Indicates the number of ATM AAL5 packets that are actually sent into the ATM network as packets when the VC is configured to do AAL5 over PW.
cpwAtmPktsSent	Gets the number of packets that are reconstructed from the cells, assigns a VC label, and sends the packets into the PSN.
cpwAtmPktsRejected	Indicates the number of packets that were rejected because of policing.

Objects in the PWE3 MIBs

The PWE3 MIBs represent an ASN.1 notation reflecting specific components of the pseudowire services. The MIBs enable a network management application using SNMP to get this information for display. The MIBs support the standard GETNEXT and GETBULK functionality, but do not support configuration capabilities (via SET) in the current implementation.

Scalar Objects in the PWE3 MIBs

The PWE3 MIBs contain the following supported scalar object:

- **cpwVcUpDownNotifEnable**--This object reflects the configuration of the cpwVcUp and cpwVcDown notifications. If either of the notifications is configured via the command-line interface (CLI), then this object has a value of true(1). If this object is set via SNMP to true(1), then it enables the emission of both the cpwVcUp and cpwVcDown notifications; if the object is set via SNMP to false(2), these notifications are not emitted.



Note

cpwVcUpDownNotifEnable can be set only if RW is configured for the **snmp-server community string [view view-name] [ro | rw] [ipv6 nacl] [access-list-number]** command.

The PWE3 MIBs contain the following unsupported scalar objects:

- **cpwVcIndexNext**--Indicates the next cpwVcIndex value to use when you add rows to the cpwVcTable.
- **cpwVcNotifRate**--Indicates the rate at which cpwVcUp/Down notifications can be issued from the device.
- **cpwVcMplsOutboundIndexNext**--Contains an appropriate value to be used for cpwVcMplsOutboundIndex when you create entries in the cpwVcMplsOutboundTable. The value 0 indicates that no unassigned entries are available. To obtain the cpwVcMplsOutboundIndex value for a new entry, the manager issues a management protocol retrieval operation to obtain the current value of this object. After each retrieval, the software agent should modify the value to the next unassigned index; however, the software agent *must not* assume such retrieval will be done for each row created.
- **cpwVcMplsInboundIndexNext**--Contains an appropriate value to be used for cpwVcMplsInboundIndex when you create entries in the cpwVcMplsInboundTable. The value 0 indicates that no unassigned entries are available. To obtain the cpwVcMplsInboundIndex value for a new entry, the manager issues a management protocol retrieval operation to obtain the current value of this object. After each retrieval, the software agent should modify the value to the next unassigned index; however, the agent *must not* assume such retrieval will be done for each row created.

Notifications in the PWE3 MIBs

The cpwVcUp and cpwVcDown notifications in the PW-MIB indicate when the operStatus values for a range of PW VCs have changed state.

The definition of these objects in the PW-MIB indicates that events of the same type, either up or down, must be able to be correlated into ranges. The implementation of these notifications does not do any of this correlation. A notification is generated for each individual VC that has an operational state change if that notification is enabled. A notification does not signal an operational state change for a group of VCs as described in the MIB.

Benefits of the PWE3 MIBs

The PWE3 MIBs provide the ability to manage pseudowire emulation edge-to-edge by providing MPLS-related information about the service and a mechanism to monitor the Ethernet, Frame Relay, or ATM access circuits.

How to Configure Pseudowire Emulation Edge-to-Edge MIBs

Enabling the SNMP Agent for the PWE3 MIBs

SUMMARY STEPS

1. **enable**
2. **show running-config** [interface | map-class]
3. **configure terminal**
4. **snmp-server community** *string* [view *view-name*] [ro | rw] [ipv6 *nacl*] [*access-list-number*]
5. **end**
6. **write memory**

DETAILED STEPS

	Command or Action	Purpose
Step 1	enable Example: Router> enable	Enables privileged EXEC mode. <ul style="list-style-type: none"> • Enter your password if prompted.
Step 2	show running-config [interface map-class] Example: Router# show running-config	Displays the running configuration of the router so that you can determine if an SNMP agent is already running on the device. If no SNMP information is displayed, continue with the next step. If any SNMP information is displayed, you can modify the information or change it as desired. <ul style="list-style-type: none"> • The optional interface keyword displays interface-specific configuration information. • The optional map-class keyword displays dialer or Frame Relay map-class information.

	Command or Action	Purpose
Step 3	configure terminal Example: <pre>Router# configure terminal</pre>	Enters global configuration mode.
Step 4	snmp-server community <i>string</i> [<i>view view-name</i>] [<i>ro</i> <i>rw</i>] [<i>ipv6 nacl</i>] [<i>access-list-number</i>] Example: <pre>Router(config)# snmp-server community public ro</pre>	Sets up the community access string to permit access to SNMP for the MIBs. <ul style="list-style-type: none"> • The <i>string</i> argument consists of 1 to 32 alphanumeric characters and functions much like a password, permitting access to SNMP. Blank spaces are not permitted in the community string. • The optional view <i>view-name</i> keyword argument combination specifies a previously defined view. The view defines the objects available to the SNMP community. • The optional ro keyword configures read-only (ro) access to the objects in the MIBs. • The optional rw keyword specifies read-write access. Authorized management stations can both retrieve and modify MIB objects. • The optional ipv6 nacl keyword argument combination specifies an IPv6 named access list. • The optional <i>access-list-number</i> argument is an integer from 1 to 99 that specifies a standard access list of IP addresses or a string (not to exceed 64 characters) that is the name of a standard access list of IP addresses allowed access to the SNMP agent. Alternatively, it is an integer from 1300 to 1999 that specifies a list of IP addresses in the expanded range of standard access list numbers that are allowed to use the community string to gain access to the SNMP agent.
Step 5	end Example: <pre>Router(config)# end</pre>	Exits to privileged EXEC mode.
Step 6	write memory Example: <pre>Router# write memory</pre>	Writes the modified SNMP configuration into NVRAM of the router, permanently saving the SNMP settings.

Configuring the Pseudowire Class

The successful transmission of the Layer 2 frames between PE routers is due to the configuration of the PE routers. You configure the connection, called a pseudowire, between the routers.



Note

In simple configurations, this task is optional. You do not need to specify a pseudowire class if you specify the tunneling method as part of the **xconnect** command.

The pseudowire-class configuration group specifies the following characteristics of the tunneling mechanism:

- Encapsulation type
- Control protocol
- Payload-specific options

You must specify the **encapsulation mpls** command as part of the pseudowire class or as part of the **xconnect** command for the AToM VCs to work properly. If you omit the **encapsulation mpls** command as part of the **xconnect** command, you receive the following error:

```
% Incomplete command.
```

Once you specify the **encapsulation mpls** command, you cannot remove it using the **no encapsulation mpls** command. Nor can you change the command's setting using the **encapsulation l2tpv3** command. Those methods result in the following error message:

```
Encapsulation changes are not allowed on an existing pw-class.
```

To remove the command, you must delete the pseudowire with the **no pseudowire-class** command. To change the type of encapsulation, remove the pseudowire with the **no pseudowire-class** command and reestablish the pseudowire and specify the new encapsulation type.



Note

There are many options that you can configure. For detailed information, see the “Any Transport over MPLS” module.

SUMMARY STEPS

1. **enable**
2. **configure terminal**
3. **pseudowire-class *name***
4. **encapsulation mpls**

DETAILED STEPS

	Command or Action	Purpose
Step 1	enable	Enables privileged EXEC mode.

	Command or Action	Purpose
	Example: <pre>Router> enable</pre>	<ul style="list-style-type: none"> Enter your password if prompted.
Step 2	configure terminal Example: <pre>Router# configure terminal</pre>	Enters global configuration mode.
Step 3	pseudowire-class name Example: <pre>Router(config)# pseudowire-class atom</pre>	Establishes a pseudowire class with a name that you specify and enters pseudowire class configuration mode.
Step 4	encapsulation mpls Example: <pre>Router(config-pw)# encapsulation mpls</pre>	Specifies the tunneling encapsulation. For AToM, the encapsulation type is mpls.

What to Do Next

Perform a MIB walk using your SNMP management tool on cpwVcMIB, cpwVcMplsMIB, cpwVcEnetMIB, cpwVcFrMIB, and cpwVcAtmMIB to verify that the PW-MIB, the PW-MPLS-MIB, the PW-ENET-MIB, the PW-FR-MIB, and the PW-ATM-MIB objects, respectively, are populated correctly.



Note SNMPv1 and SNMPv2c are supported.

Configuration Examples for the Pseudowire Emulation Edge-to-Edge MIBs

PWE3 MIBs Example

In the following example, the configuration permits any SNMP manager to access all objects with read-only permissions using the community string *public*.

```
Router# configure terminal
```

Enter configuration commands, one per line. End with CNTL/Z.
 Router(config)# **snmp-server community public ro**

**Note**

There is no explicit way to configure the PWE3 MIBs. However, for information on AToM configuration tasks and examples, see the "Any Transport over MPLS" module.

There are notifications specific to the PWE3 MIBs. For detailed information on the commands used to configure them, see the "Additional References" section.

Additional References

Related Documents

Related Topic	Document Title
Description of commands associated with MPLS and MPLS applications	<i>Multiprotocol Label Switching Command Reference</i>
AToM and MPLS	"Any Transport over MPLS" module
Pseudowire-related Internet drafts	<ul style="list-style-type: none"> • <i>An Architecture for Multi-Segment Pseudo Wire Emulation Edge-to-Edge</i>, Internet draft, December 2007 [draft-ietf-pwe3-ms-arch-03.txt] • Definitions for Textual Conventions and OBJECT-IDENTITIES for Pseudo-Wires Management, Internet draft, August 10, 2007 [draft-ietf-pwe3-pw-tc-mib-09.txt] • Ethernet Pseudo Wire (PW) Management Information Base, Internet draft, August 30, 2007 [draft-pwe3-enet-mib-10.txt] • <i>Managed Objects for ATM over Packet Switched Network (PSN)</i>, Internet draft, August 8, 2007 [draft-ietf-pwe3-pw-atm-mib-02.txt] • Pseudo Wire (PW) Management Information Base, Internet draft, May 31, 2007 [draft-ietf-pwe3-pw-mib-11.txt] • Pseudo Wire (PW) over MPLS PSN Management Information Base, Internet draft, August 11, 2007 [draft-ietf-pwe3-pw-mpls-mib-11.txt] <p>Note For information on using SNMP MIB features, see the appropriate documentation for your network management system.</p>

Standards

Standard	Title
No new or modified standards are supported by this feature, and support for existing standards has not been modified by this feature.	--

MIBs

MIB	MIBs Link
SNMP-VACM-MIB	To locate and download MIBs for selected platforms, Cisco software releases, and feature sets, use Cisco MIB Locator found at the following URL: http://www.cisco.com/go/mibs

RFCs

RFC	Title
RFC 1156	<i>Management Information Base for Network Management of TCP/IP-based Internets</i>
RFC 1157	<i>A Simple Network Management Protocol (SNMP)</i>
RFC 1213	<i>Management Information Base for Network Management of TCP/IP-based Internets: MIB-II</i>
RFC 1315	<i>Management Information Base for Frame Relay DTEs</i>
RFC 3815	<i>Definitions of Managed Objects for the Multiprotocol Label Switching (MPLS), Label Distribution Protocol (LDP)</i>
RFC 3916	<i>Requirements for Pseudo-Wire Emulation Edge-to-Edge (PWE3)</i>
RFC 4619	<i>Encapsulation Methods for Transport of Frame Relay over Multiprotocol Label Switching (MPLS) Networks</i>

Technical Assistance

Description	Link
<p>The Cisco Support website provides extensive online resources, including documentation and tools for troubleshooting and resolving technical issues with Cisco products and technologies.</p> <p>To receive security and technical information about your products, you can subscribe to various services, such as the Product Alert Tool (accessed from Field Notices), the Cisco Technical Services Newsletter, and Really Simple Syndication (RSS) Feeds.</p> <p>Access to most tools on the Cisco Support website requires a Cisco.com user ID and password.</p>	<p>http://www.cisco.com/techsupport</p>

Feature Information for Pseudowire Emulation Edge-to-Edge MIBs for Ethernet Frame Relay and ATM Services

The following table provides release information about the feature or features described in this module. This table lists only the software release that introduced support for a given feature in a given software release train. Unless noted otherwise, subsequent releases of that software release train also support that feature.

Use Cisco Feature Navigator to find information about platform support and Cisco software image support. To access Cisco Feature Navigator, go to www.cisco.com/go/cfn. An account on Cisco.com is not required.

Table 111: Feature Information for Pseudowire Emulation Edge-to-Edge MIBs for Ethernet, Frame Relay, and ATM Services

Feature Name	Releases	Feature Information
Pseudowire Emulation Edge-to-Edge MIBs for Ethernet, Frame Relay, and ATM Services	12.0(29)S 12.0(30)S 12.0(31)S 12.2(28)SB 12.2(33)SRA 12.4(11)T 12.2(33)SXH	

Feature Name	Releases	Feature Information
		<p>The Pseudowire Emulation Edge-to-Edge MIBs for Ethernet, Frame Relay, and ATM Services feature provides Simple Network Management Protocol (SNMP) support within an Any Transport over Multiprotocol Label Switching (AToM) infrastructure emulating Ethernet, Frame Relay, and ATM services over packet switched networks (PSNs).</p> <p>In Cisco IOS Release 12.0(29)S, this feature was introduced as Pseudowire Emulation Edge-to-Edge MIBs for Ethernet Services.</p> <p>In Cisco IOS Release 12.0(30)S, the title changed to Pseudowire Emulation Edge-to-Edge MIBs for Ethernet and Frame Relay Services because Frame Relay was added as a transport. Support was added for the Cisco 12000 series routers and for the CISCO-IETF-PW-FR-MIB (PW-FR-MIB).</p> <p>In Cisco IOS Release 12.0(31)S, the CISCO-IETF-PW-MPLS-MIB (PW-MPLS-MIB) was modified regarding how cross-connect (XC) and tunnel indexes appear for virtual circuits (VCs).</p> <p>In Cisco IOS Release 12.2(28)SB, the title changed to Pseudowire Emulation Edge-to-Edge MIBs for Ethernet, Frame Relay, and ATM Services because ATM was added as a transport. Support was added for the CISCO-IETF-PW-ATM-MIB (PW-ATM-MIB).</p> <p>In Cisco IOS Releases 12.2(33)SRA, 12.4(11)T, and 12.2(33)SXH, this feature was integrated into the releases as the Pseudowire Emulation Edge-to-Edge MIBs for Ethernet and Frame Relay Services feature</p>

Feature Name	Releases	Feature Information
		because ATM is not supported as a transport.

Glossary

AAL —ATM adaptation layer. AAL defines the conversion of user information into cells. AAL1 and AAL2 handle isochronous traffic, such as voice and video; AAL3/4 and AAL5 pertain to data communications through the segmentation and reassembly of packets.

ATM —asynchronous transfer mode. A cell-based data transfer technique in which channel demand determines packet allocation. This is an international standard for cell relay in which multiple service types (such as voice, video, or data) are conveyed in fixed-length (53-byte) cells. Fixed-length cells allow cell processing to occur in hardware, thereby reducing transit delays. ATM is designed to take advantage of high-speed transmission media such as E3, SONET, and T3.

CE router—customer edge router. A router that is part of a customer network and that interfaces to a provider edge (PE) router.

DLCI —data-link connection identifier. A unique number assigned to a PVC endpoint in a Frame Relay network. Identifies a particular PVC endpoint within an access channel in a Frame Relay network and has local significance only to that channel.

encapsulation —Wrapping of data in a particular protocol header. For example, Ethernet data is wrapped in a specific Ethernet header before network transit. Also, when bridging occurs in dissimilar networks, the entire frame from one network is simply placed in the header used by the data link layer protocol of the other network.

EoMPLS —Ethernet over multiprotocol label switching (MPLS). A tunneling mechanism that allows a service provider to tunnel customer Layer 2 traffic through a Layer 3 MPLS network. EoMPLS is a point-to-point solution only. EoMPLS is also known as Layer 2 tunneling.

Frame Relay—The industry standard, switched data link layer protocol that handles multiple virtual circuits using High-Level Data Link Control (HDLC) encapsulation between connected devices. Frame Relay is more efficient than X.25, the protocol for which it is generally considered a replacement.

IETF —internet engineering task force. A task force (consisting of more than 80 working groups) that is developing standards for the Internet and the IP suite of protocols.

LDP —label distribution protocol. The protocol that supports MPLS hop-by-hop forwarding and the distribution of bindings between labels and network prefixes. The Cisco proprietary version of this protocol is the Tag Distribution Protocol (TDP).

LSP —label switched path. A configured connection between two label switch routers (LSRs) in which label-switching techniques are used for packet forwarding; also a specific path through an MPLS network.

LSR —label switch router. A Multiprotocol Label Switching (MPLS) node that can forward native Layer 3 packets. The LSR forwards a packet based on the value of a label attached to the packet.

MIB—management information base. A database of network management information that is used and maintained by a network management protocol such as simple network management protocol (SNMP). The value of a MIB object can be changed or retrieved by using SNMP commands, usually through a network

management system. MIB objects are organized in a tree structure that includes public (standard) and private (proprietary) branches.

MPLS—multiprotocol label switching. A switching method for the forwarding of IP traffic through the use of a label. This label instructs the routers and the switches in the network where to forward the packets based on preestablished IP routing information.

MTU —maximum transmission unit. Maximum packet size, in bytes, that a particular interface can handle.

NMS—network management system. System responsible for managing at least part of a network. An NMS is generally a reasonably powerful and well-equipped computer, such as an engineering workstation. An NMS communicates with agents to help keep track of network statistics and resources.

notification —A message sent by a Simple Network Management Protocol (SNMP) agent to a network management station, console, or terminal to indicate that a significant network event has occurred. See also trap.

OSPF —Open Shortest Path First. A link-state hierarchical Interior Gateway Protocol routing algorithm, derived from the IS-IS protocol. OSPF features include least-cost routing, multipath routing, and load balancing.

PE router—provider edge router. A router that is part of a service provider's network and is connected to a customer edge (CE) router.

primary tunnel—A tunnel whose label-switched path (LSP) may be fast rerouted if there is a failure. Backup tunnels cannot be primary tunnels.

pseudowire —PW. A mechanism that carries the elements of an emulated service from one provider edge (PE) to one or more PEs over a packet switched network (PSN).

SNMP—simple network management protocol. A management protocol used almost exclusively in TCP/IP networks. SNMP provides a means for monitoring and controlling network devices, and for managing configurations, statistics collection, performance, and security.

trap—A message sent by an SNMP agent to a network management station, console, or terminal, indicating that a significant event occurred. Traps are less reliable than notification requests because the receiver does not send an acknowledgment when it receives a trap. The sender cannot determine if the trap was received.

tunnel —A secure communication path between two peers, such as routers.

VC —virtual circuit. A logical circuit created to ensure reliable communication between two network devices. A virtual circuit can be either permanent (PVC) or switched (SVC).



MPLS Traffic Engineering--Fast Reroute MIB

The MPLS Traffic Engineering--Fast Reroute MIB provides Simple Network Management Protocol (SNMP)-based network management of the Multiprotocol Label Switching (MPLS) Fast Reroute (FRR) feature in Cisco software.

The Fast Reroute MIB has the following features:

- Notifications can be created and queued.
- Command-line interface (CLI) commands enable notifications, and specify the IP address to where the notifications will be sent.
- The configuration of the notifications can be written into nonvolatile memory.

The MIB includes objects describing features within MPLS FRR, and it includes the following tables:

- `cmplsFrrConstTable`
- `cmplsFrrLogTable`
- `cmplsFrrFacRouteDBTable`

The MIB also includes scalar objects (that is, objects that are not in a table). For more information, see the [FRR MIB Scalar Objects](#), on page 404.

- [Finding Feature Information](#), page 402
- [Prerequisites for the MPLS Traffic Engineering--Fast Reroute MIB](#), page 402
- [Restrictions for the MPLS Traffic Engineering--Fast Reroute MIB](#), page 402
- [Information About the MPLS Traffic Engineering--Fast Reroute MIB](#), page 403
- [How to Configure the MPLS Traffic Engineering--Fast Reroute MIB](#), page 409
- [Configuration Examples for the MPLS Traffic Engineering--Fast Reroute MIB](#), page 415
- [Additional References](#), page 416
- [Feature Information for MPLS Traffic Engineering--Fast Reroute MIB](#), page 417
- [Glossary](#), page 418

Finding Feature Information

Your software release may not support all the features documented in this module. For the latest caveats and feature information, see [Bug Search Tool](#) and the release notes for your platform and software release. To find information about the features documented in this module, and to see a list of the releases in which each feature is supported, see the feature information table at the end of this module.

Use Cisco Feature Navigator to find information about platform support and Cisco software image support. To access Cisco Feature Navigator, go to www.cisco.com/go/cfn. An account on Cisco.com is not required.

Prerequisites for the MPLS Traffic Engineering--Fast Reroute MIB

- The network must support the Intermediate System-to-Intermediate System (IS-IS) or Open Shortest Path First (OSPF) protocol.
- The SNMP is installed and enabled on the label switch routers (LSRs).
- MPLS is enabled globally on each LSR.
- Cisco Express Forwarding is enabled on the LSRs.
- Traffic engineering (TE) tunnels are enabled.
- MPLS FRR is enabled on one of the TE tunnels.
- The Resource Reservation Protocol (RSVP) is enabled.

Restrictions for the MPLS Traffic Engineering--Fast Reroute MIB

- The implementation of the FRR MIB is limited to read-only (RO) permission for MIB objects.
- Configuration of the FRR MIB using the SNMP SET command is not supported in Cisco IOS Release 12.2(33)SRA or in prior releases.
- The following tables are not implemented in the specified releases:
 - mplsFrrOne2OnePlrTable--Not implemented in Cisco IOS software.
 - mplsFrrDetourTable--Not implemented in Cisco IOS software.
 - mplsFrrLogTable--Implemented only in Cisco IOS 12.0S-based releases.

Information About the MPLS Traffic Engineering--Fast Reroute MIB

Feature Design of the MPLS Traffic Engineering--Fast Reroute MIB

The FRR MIB enables standard, SNMP-based network management of FRR in Cisco software. This capability requires that SNMP agent code executes on a designated network management station (NMS) in the network. The NMS serves as the medium for user interaction with the network management objects in the MIB.

The FRR MIB is based on the Internet Engineering Task Force (IETF) draft MIB specification *draft-ietf-mpls-fastreroute-mib-02.txt*. The IETF draft MIB, which undergoes revisions periodically, is evolving toward becoming a standard. The Cisco implementation of the FRR MIB is expected to track the evolution of the IETF draft MIB, and may change accordingly.

Slight differences between the IETF draft MIB and the implementation of FRR within Cisco software require some minor translations between the FRR MIB objects and the internal data structures of Cisco software. These translations are accomplished by the SNMP agent, which runs in the background on the NMS workstation as a low priority process and provides a management interface to Cisco software.

You can use an SNMP agent to access FRR MIB objects using standard SNMP GET operations. All the objects in the FRR MIB follow the conventions defined in the IETF draft MIB.

Functional Structure of the MPLS Traffic Engineering--Fast Reroute MIB

The SNMP agent code supporting the FRR MIB follows the existing model for such code in Cisco software and is, in part, generated by the Cisco tool set, based on the MIB source code. The basis for the generated code is the Cisco version of the FRR MIB CISCO-ietf-frr-mib.

The SNMP agent code, which has a layered structure that is common to MIB support code in Cisco software, consists of the following layers:

- Platform-independent layer--This layer is generated primarily by the MIB development Cisco tool set and incorporates platform- and implementation-independent functions. These functions handle SNMP standard functionality in the context of the specific MIB. This layer handles indexes and range or enumeration value checks for GET, GET-NEXT, and SET SNMP operations. A function is generated for each SNMP table or group of objects. This layer calls into the next layer.
- Application interface layer--The Cisco tool set generates the function names and template code for MIB objects.
- Application-specific layer--This layer provides the mechanism for retrieving relevant data from the managed application layer. It includes an entry point function for each table. This function calls two other functions; one that searches the TE tunnel database that RSVP maintains for the relevant data according to the indexes, and another function that fills the data into the structure.
- Managed application layer--This layer includes all the structures and mechanisms, and is managed by the MIB.

System Flow of SNMP Protocol Requests and Response Messages

All SNMP protocol requests and response messages are ultimately handled by the SNMP master agent. When such a message is received on a router, the master agent parses the requests and identifies the MIB to which the request refers. The master agent then queries the subagent responsible for the MIB with a GET, GET-NEXT, or SET request. The FRR MIB subagent retrieves the appropriate data, and returns it to the master agent. The master agent is then responsible for returning an SNMP response to the NMS. All queries occur within the IP SNMP Cisco software process, which runs as a low priority task.

FRR MIB Scalar Objects

Scalar objects are objects that are not in tables. A scalar object has one instance (that is, one occurrence).

The table below describes the FRR MIB scalar objects.

Table 112: Scalar Objects

MIB Object	Function
cmplsFrrDetourIncoming	Number of detour link-state packets (LSPs) entering the device. This object returns 0 because cmplsFrrConstProtectionMethod is set to facilityBackup(1).
cmplsFrrDetourOutgoing	Number of detour LSPs leaving the device. This object returns 0 because cmplsFrrConstProtectionMethod is set to facilityBackup(1).
cmplsFrrDetourOriginating	Number of detour LSPs originating from the device. This object returns 0 because cmplsFrrConstProtectionMethod is set to facilityBackup(1).
cmplsFrrSwitchover	Number of tunnels that are being backed up because cmplsFrrConstProtectionMethod is set to facilityBackup(1).
cmplsFrrNumOfConflfs	Number of MPLS interfaces FRR configured for protection; 0 indicates that LSPs traversing any interface can be protected.
cmplsFrrActProtectedIfs	Number of interfaces FRR is protecting because cmplsFrrConstProtectionMethod is set to facilityBackup(1).
cmplsFrrConfProtectingTuns	Number of backup Fast Reroute-protected tunnels configured because cmplsFrrConstProtectionMethod is set to facilityBackup(1).
cmplsFrrActProtectedTuns	Number of tunnels protected by the Fast Reroute feature. This object returns 0 because cmplsFrrConstProtectionMethod is set to facilityBackup(1).

MIB Object	Function
cmplsFrrActProtectedLSPs	Number of LSPs that FRR is protecting. If cmplsFrrConstProtectionMethod is set to facilityBackup(1), this object returns 0.
cmplsFrrConstProtectionMethod	This object always returns facilityBackup(1) because Cisco software supports only the facility backup protection method.
cmplsFrrNotifsEnabled	A value that indicates whether FRR notifications defined in this MIB are enabled or disabled. This object returns True(1) for enabled, or False(2) for disabled. The default is that notifications are disabled.
cmplsFrrLogTableMaxEntries	Maximum number of entries allowed in the FRR log table.
cmplsFrrLogTableCurrEntries	Current number of entries in the FRR log table. This object always returns 0.
cmplsFrrNotifMaxRate	Maximum interval rate between FRR MIB notifications. This object always returns 0.

FRR MIB Notification Generation Events

Notifications are issued after particular FRR events occur.

When you enable FRR MIB notification functionality by issuing the **snmp-server enable traps mpls fast-reroute** command, FRR events generate notification messages that are sent to a designated NMS in the network to signal the occurrence of specific events in Cisco software.

The FRR MIB objects involved in FRR status transitions and event notifications include cmplsFrrProtected. This message is sent to an NMS if there is a major TE tunnel change (that is, fast rerouting of TE tunnels).

FRR MIB Notification Specification

Notifications are issued after particular FRR events occur.

Each FRR notification has a generic type identifier and an enterprise-specific type identifier for identifying the notification type. The generic type for all FRR notifications is “enterprise Specific” because this is not one of the generic notification types defined for SNMP. The enterprise-specific type is 1 for cmplsFrrProtected.

Each notification contains the following objects from the FRR MIB so that the FRR tunnel can be easily identified:

- cmplsFrrConstNumProtectingTunOnIf
- cmplsFrrConstNumProtectedTunOnIf
- cmplsFrrConstBandwidth

Upon being invoked, the appropriate FRR interface indexes have already been retrieved by existing FRR code. The FRR interfaces are then used to fill in data for the three objects included in the notification.

FRR MIB Notification Monitoring

Notifications are issued after particular FRR events occur.

When FRR MIB notifications are enabled (see the **snmp-server enable traps** command), notification messages relating to specific FRR events within Cisco software are generated and sent to a specified NMS in the network. Any utility that supports SNMPv1 or SNMPv2 notifications can receive notification messages.

To monitor FRR MIB notifications, log in to an NMS that supports a utility that displays SNMP notifications, and start the display utility.

MIB Tables in the MPLS Traffic Engineering--Fast Reroute MIB

The FRR MIB consists of the following tables:

The tables access various data structures to obtain information regarding detours, the FRR database, and logging.

cmplsFrrConstTable

cmplsFrrConstTable displays the configuration of an FRR-enabled tunnel and the characteristics of its accompanying backup tunnels. For each protected tunnel, there can be multiple backup tunnels.

The table is indexed by the following:

- cmplsFrrConstIfIndex
- cmplsFrrConstTunnelIndex
- cmplsFrrConstTunnelInstance

The table below describes the MIB objects for cmplsFrrConstTable.

Table 113: cmplsFrrConstTable Objects

MIB Object	Function
cmplsFrrConstIfIndex	Uniquely identifies an interface on which FRR is configured. If an index has a value of 0, the configuration applies to all interfaces on the device on which the FRR feature can operate.
cmplsFrrConstTunnelIndex	Tunnel for which FRR is requested.
cmplsFrrConstTunnelInstance	Tunnel for which FRR is requested. The value always is 0 because only tunnel heads are represented, and tunnel heads have an instance value of 0.
cmplsFrrConstSetupPrio	Setup priority of the backup tunnel.

MIB Object	Function
cmplsFrrConstHoldingPrio	Holding priority of the backup tunnel.
cmplsFrrConstInclAnyAffinity	Attribute bits that must be set for the tunnel to traverse a link.
cmplsFrrConstInclAllAffinity	Attribute bits that must not be set for the tunnel to traverse a link.
cmplsFrrConstExclAllAffinity	A link satisfies the exclude-all constraint only if the link contains none of the administrative groups specified in the constraint.
cmplsFrrConstHopLimit	The maximum number of hops that the backup tunnel can traverse.
cmplsFrrConstBandwidth	The bandwidth of the backup tunnels for this tunnel, in thousands of bits per second (kbps).
cmplsFrrConstRowStatus	Creates, modifies, and deletes a row in this table.

cmplsFrrLogTable



Note cmplsFrrLogTable and the **show mpls traffic-eng fast-reroute log reroutes** command are supported only in Cisco IOS 12.0S-based releases.

cmplsFrrLogTable is indexed by the object cmplsFrrLogIndex. The index corresponds to a log entry in the FRR feature's **show mpls traffic-eng fast-reroute log reroutes** command. That **show** command stores up to 32 entries at a time. If entries are added, the oldest entry is overwritten with new log information.

cmplsFrrLogTable can store up to 32 entries at a time, overwriting older entries as newer ones are added. The index cmplsFrrLogIndex is incremented to give each log table entry of the MIB a unique index value. Therefore, it is possible to have indexes greater than 32 even though only 32 entries are displaying.

The table below describes the MIB objects for cmplsFrrLogTable.

Table 114: cmplsFrrLogTable Objects

MIB Object	Function
cmplsFrrLogIndex	Number of the FRR event.
cmplsFrrLogEventTime	Number of milliseconds that elapsed from bootstrap time to the time that the event occurred.
cmplsFrrLogInterface	Identifies the interface that was affected by this FRR event. The value can be set to 0 if mplsFrrConstProtectionMethod is set to oneToOneBackup(0).
cmplsFrrLogEventType	The type of FRR event that occurred. The object returns Protected or Other.

MIB Object	Function
cmplsFrrLogEventDuration	Duration of the event, in milliseconds.
cmplsFrrLogEventReasonString	Implementation-specific explanation of the event. The object returns interface down event or interface other event.

cmplsFrrFacRouteDBTable

The following indexes specify which interface and tunnel are being protected by the FRR feature:

- cmplsFrrFacRouteProtectedIfIndex
- cmplsFrrFacRouteProtectedTunIndex

The following indexes specify the backup tunnel that provides protection to the protected tunnel:

- cmplsFrrFacRouteProtectedIfIndex
- cmplsFrrFacRouteProtectingTunIndex
- cmplsFrrFacRouteProtectedTunIndex
- cmplsFrrFacRouteProtectedTunInstance
- cmplsFrrFacRouteProtectedTunIngressLSRId
- cmplsFrrFacRouteProtectedTunEgressLSRId

This version of the MIB will attempt to leverage the work already done for the MPLS TE MIB because it contains similar lookup functions for TE tunnels.

The table below describes the MIB objects for cmplsFrrFacRouteDBTable.

Table 115: cmplsFrrFacRouteDBTable Objects

MIB Object	Function
cmplsFrrFacRouteProtectedIfIndex	Interface configured for FRR protection.
cmplsFrrFacRouteProtectingTunIndex	The tunnel number of the protecting (backup) tunnel.
cmplsFrrFacRouteProtectedTunIndex	The mplsTunnelEntry primary index for the tunnel head interface designated to protect the interface specified in mplsFrrFacRouteIfProtIdx (and all the tunnels using this interface).
cmplsFrrFacRouteProtectedTunInstance	An mplsTunnelEntry that is being protected by FRR. An instance uniquely identifies a tunnel.
cmplsFrrFacRouteProtectedTunIngressLSRId	Inbound label for the backup LSR.
cmplsFrrFacRouteProtectedTunEgressLSRId	Outbound label for the backup LSR.

MIB Object	Function
cmplsFrrFacRouteProtectedTunStatus	State of the protected tunnel. Valid values are: <ul style="list-style-type: none"> • active--Tunnel label has been placed in the Label Forwarding Information Base (LFIB) and is ready to be applied to incoming packets. • ready--Tunnel's label entry has been created, but is not in the LFIB. • partial--Tunnel's label entry has not been fully created.
cmplsFrrFacRouteProtectingTunResvBw	Amount of bandwidth, in megabytes per second, that is reserved by the backup tunnel.
cmplsFrrFacRouteProtectingTunProtectionType	Type of protection: 0 designates link protection; 1 designates node protection.

How to Configure the MPLS Traffic Engineering--Fast Reroute MIB

Enabling the SNMP Agent for FRR MIB Notifications

SUMMARY STEPS

1. **enable**
2. **show running-config**
3. **configure terminal**
4. **snmp-server community *string* [view *view-name*] [ro] [*access-list-number*]**
5. **snmp-server enable traps mpls fast-reroute protected**
6. **end**
7. **write memory**

DETAILED STEPS

	Command or Action	Purpose
Step 1	enable Example: Router> enable	Enables privileged EXEC mode. <ul style="list-style-type: none"> • Enter your password if prompted.

	Command or Action	Purpose
Step 2	show running-config Example: <pre>Router# show running-config</pre>	Displays the running configuration of the router to determine if an SNMP agent is already running on the device. If no SNMP information is displayed, continue with the next step. If any SNMP information is displayed, you can modify or change the information.
Step 3	configure terminal Example: <pre>Router# configure terminal</pre>	Enters global configuration mode.
Step 4	snmp-server community <i>string</i> [view <i>view-name</i>] [ro] [access-list-number] Example: <pre>Router(config)# snmp-server community public ro</pre>	Configures read-only (ro) SNMP community strings for the FRR MIB.
Step 5	snmp-server enable traps mpls fast-reroute protected Example: <pre>Router(config)# snmp-server enable traps mpls fast-reroute protected</pre>	Enables Fast Reroute traps.
Step 6	end Example: <pre>Router(config)# end</pre>	Exits to privileged EXEC mode.
Step 7	write memory Example: <pre>Router# write memory</pre>	Writes the modified SNMP configuration into NVRAM of the router, permanently saving the SNMP settings.

Enabling Cisco Express Forwarding

SUMMARY STEPS

1. enable
2. configure teminal
3. ip cef distributed
4. end

DETAILED STEPS

	Command or Action	Purpose
Step 1	enable Example: Router> enable	Enables privileged EXEC mode. <ul style="list-style-type: none"> • Enter your password if prompted.
Step 2	configure teminal Example: Router# configure terminal	Enters global configuration mode.
Step 3	ip cef distributed Example: Router(config)# ip cef distributed	Enables distributed Cisco Express Forwarding.
Step 4	end Example: Router(config)# end	Exits to privileged EXEC mode.

Enabling TE Tunnels

SUMMARY STEPS

1. **enable**
2. **configure terminal**
3. **ip cef**
4. **mpls traffic-eng tunnels**
5. **interface *typeslot/port***
6. **mpls traffic-eng tunnels**
7. **end**

DETAILED STEPS

	Command or Action	Purpose
Step 1	enable Example: Router> enable	Enables privileged EXEC mode. <ul style="list-style-type: none"> • Enter your password if prompted.
Step 2	configure terminal Example: Router# configure terminal	Enters global configuration mode.
Step 3	ip cef Example: Router(config)# ip cef	Enables standard Cisco Express Forwarding operations.
Step 4	mpls traffic-eng tunnels Example: Router(config)# mpls traffic-eng tunnels	Enables the MPLS TE tunnel feature on a device.
Step 5	interface <i>typeslot/port</i> Example: Router(config)# interface POS1/0	Specifies the interface and enters interface configuration mode.

	Command or Action	Purpose
Step 6	mpls traffic-eng tunnels Example: Router(config-if)# mpls traffic-eng tunnels	Enables the MPLS TE tunnel feature on an interface.
Step 7	end Example: Router(config-if)# end	Returns to privileged EXEC mode.

Enabling MPLS FRR on Each TE Tunnel

SUMMARY STEPS

1. **enable**
2. **configure terminal**
3. **interface** *typeslot/port*
4. **tunnel mode mpls traffic-eng**
5. **tunnel mpls traffic-eng fast-reroute**
6. **end**

DETAILED STEPS

	Command or Action	Purpose
Step 1	enable Example: Router> enable	Enables privileged EXEC mode. <ul style="list-style-type: none"> • Enter your password if prompted.
Step 2	configure terminal Example: Router# configure terminal	Enters global configuration mode.
Step 3	interface <i>typeslot/port</i> Example: Router(config)# interface POS1/0	Specifies the interface and enters interface configuration mode.

	Command or Action	Purpose
Step 4	tunnel mode mpls traffic-eng Example: Router(config-if)# tunnel mode mpls traffic-eng	Sets the mode of a tunnel to MPLS for traffic engineering.
Step 5	tunnel mpls traffic-eng fast-reroute Example: Router(config-if)# tunnel mpls traffic-eng fast-reroute	Enables Fast Reroute on the TE tunnel being protected.
Step 6	end Example: Router(config-if)# end	Exits to privileged EXEC mode.

Enabling a Backup Tunnel on an Interface

SUMMARY STEPS

1. **enable**
2. **configure terminal**
3. **interface typeslot/port**

DETAILED STEPS

	Command or Action	Purpose
Step 1	enable Example: Router> enable	Enables privileged EXEC mode. <ul style="list-style-type: none"> • Enter your password if prompted.
Step 2	configure terminal Example: Router# configure terminal	Enters global configuration mode.

	Command or Action	Purpose
Step 3	interface <i>typeslot/port</i> Example: Router(config)# interface POS1/0	Specifies the interface and enters interface configuration mode.

Configuration Examples for the MPLS Traffic Engineering--Fast Reroute MIB

Enabling an SNMP Agent on a Host NMS Example

The following example shows how to enable an SNMP agent on the host NMS:

```
enable
show running-config
configure terminal
snmp-server community public ro
snmp-server enable traps mpls fast-reroute protected
end
write memory
```

Enabling Cisco Express Forwarding Example

The following example shows how to enable Cisco Express Forwarding:

```
enable
configure terminal
ip cef distributed
end
```

Enabling TE Tunnels Example

The following example shows how to enable traffic engineering tunnels:

```
enable
configure terminal
ip cef
mpls traffic-eng tunnels
interface Ethernet1/0
mpls traffic-eng tunnels
end
```

Enabling MPLS FRR on Each TE Tunnel Example

The following example shows how to enable MPLS Fast Reroute on each TE tunnel:

```
enable
configure terminal
interface POS1/0
 tunnel mode mpls traffic-eng
 tunnel mpls traffic-eng fast-reroute
end
```

Enabling a Backup Tunnel on an Interface Example

The following example shows how to enable a backup tunnel on an interface:

```
enable
configure terminal
interface POS1/0
 mpls traffic-eng backup-path tunnel1
end
```

Additional References

Related Documents

Related Topic	Document Title
Cisco IOS commands	Cisco IOS Master Commands List, All Releases
Description of commands associated with MPLS and MPLS applications	<i>Multiprotocol Label Switching Command Reference</i>
SNMP agent support for the MPLS Traffic Engineering MIB	MPLS Traffic Engineering MIB
Fast Reroute	MPLS Traffic Engineering: Fast Reroute Link and Node Protection

Standards

Standard	Title
<i>MPLS-FRR-MIB</i>	<i>draft-ietf-mpls-fastreroute-mib-02.txt</i>

MIBs

MIB	MIBs Link
MPLS Traffic Engineering (TE) MIB	To locate and download MIBs for selected platforms, Cisco software releases, and feature sets, use Cisco MIB Locator found at the following URL: http://www.cisco.com/go/mibs

RFCs

RFC	Title
No new or modified RFCs are supported by this feature, and support for existing RFCs has not been modified by this feature.	--

Technical Assistance

Description	Link
The Cisco Support and Documentation website provides online resources to download documentation, software, and tools. Use these resources to install and configure the software and to troubleshoot and resolve technical issues with Cisco products and technologies. Access to most tools on the Cisco Support and Documentation website requires a Cisco.com user ID and password.	http://www.cisco.com/cisco/web/support/index.html

Feature Information for MPLS Traffic Engineering--Fast Reroute MIB

The following table provides release information about the feature or features described in this module. This table lists only the software release that introduced support for a given feature in a given software release train. Unless noted otherwise, subsequent releases of that software release train also support that feature.

Use Cisco Feature Navigator to find information about platform support and Cisco software image support. To access Cisco Feature Navigator, go to www.cisco.com/go/cfn. An account on Cisco.com is not required.

Table 116: Feature Information for MPLS Traffic Engineering--Fast Reroute MIB

Feature Name	Releases	Feature Information
MPLS Traffic Engineering--Fast Reroute MIB	12.0(10)ST 12.0(16)ST 12.0(22)S 12.0(26)S 12.2(33)SRA 12.2(33)SXH 12.4(20)T 15.3(2)S	<p>The MPLS Traffic Engineering--Fast Reroute MIB provides SNMP-based network management of the Multiprotocol Label Switching (MPLS) Fast Reroute (FRR) feature in Cisco IOS software.</p> <p>In 12.0(10)ST, the Fast Reroute link protection feature was introduced.</p> <p>In 12.0(16)ST, link protection for Cisco series 7200 and 7500 platforms was added.</p> <p>In 12.0(22)S, Fast Reroute enhancements, including node protection, were added.</p> <p>In 12.0(26)S, support for the IETF MIB <i>draft-ietf-mpls-fastreroute-mib-02.txt</i>, which provides network management for the FRR feature, was added.</p> <p>In 12.2(33)SRA, support for <code>cmplsFrrLogTableCurrEntries</code> and <code>cmplsFrrNotifMaxRate</code> was added. The <code>cmplsFrrLogTable</code> is not supported.</p> <p>In 12.2(33)SXH, support was added.</p> <p>In 12.4(20)T, support was added.</p> <p>In 15.3(2)S, this feature was integrated.</p>

Glossary

Cisco Express Forwarding --An advanced Layer 3 IP switching technology. Cisco Express Forwarding optimizes network performance and scalability for networks with large and dynamic traffic patterns.

index --A method of uniquely identifying a tunnel.

instance --An occurrence. An object can have one or more instances.

IS-IS --Intermediate System-to-Intermediate System. IS-IS is an OSI link-state hierarchical routing protocol based on DECnet Phase V routing where intermediate system (IS) routers exchange routing information based on a single metric to determine network topology.

label --A short, fixed-length data construct that tells switching nodes how to forward data (packets or cells).

LFIB --Label Forwarding Information Base. The data structure for storing information about incoming and outgoing tags (labels) and associated equivalent packets suitable for labeling.

LSR --label switching router. A device that forwards MPLS packets based on the value of a fixed-length label encapsulated in each packet.

MIB --Management Information Base. A database of network management information that is used and maintained by a network management protocol such as Simple Network Management Protocol (SNMP). The value of a MIB object can be changed or retrieved by using SNMP commands, usually through a network management system. MIB objects are organized in a tree structure that includes public (standard) and private (proprietary) branches.

NMS --network management station. A powerful, well-equipped computer (typically an engineering workstation) that is used by a network administrator to communicate with other devices in the network. An NMS is typically used to manage network resources, gather statistics, and perform a variety of network administration and configuration tasks.

notification --A message sent by a Simple Network Management Protocol (SNMP) agent to a network management station, console, or terminal to indicate that a significant event within Cisco software has occurred.

object --A variable that has a specific instance associated with it.

OSPF --Open Shortest Path First. Link-state, hierarchical Interior Gateway Protocol (IGP) routing algorithm proposed as a successor to Routing Information Protocol (RIP) in the Internet community. OSPF features include least-cost routing, multipath routing, and load balancing.

RSVP --Resource Reservation Protocol. Protocol for reserving network resources to provide quality of service (QoS) guarantees to application flows.

scalar object--Objects that are not instances. A scalar object has one instance.

SNMP --Simple Network Management Protocol. A network management protocol used almost exclusively in TCP/IP networks. SNMP provides a means to monitor and control network devices, manage configurations, collect statistics, monitor performance, and ensure network security.

SNMP agent--A managed node or device. The router that has the MIB implementation on it.



MPLS Traffic Engineering MIB

The MPLS Traffic Engineering MIB enables Simple Network Management Protocol (SNMP) agent support in Cisco software for Multiprotocol Label Switching (MPLS) traffic engineering (TE) management, as implemented in the MPLS Traffic Engineering MIB (MPLS TE MIB). The SNMP agent code operating with the MPLS TE MIB enables a standardized, SNMP-based approach to be used in managing the MPLS TE features in Cisco software.

- [Finding Feature Information](#), page 421
- [Restrictions for the MPLS Traffic Engineering MIB](#), page 421
- [Information About the MPLS Traffic Engineering MIB](#), page 422
- [How to Configure the MPLS Traffic Engineering MIB](#), page 431
- [Configuration Examples for the MPLS Traffic Engineering MIB](#), page 433
- [Additional References](#), page 434
- [Feature Information for the MPLS Traffic Engineering MIB](#), page 435
- [Glossary](#), page 436

Finding Feature Information

Your software release may not support all the features documented in this module. For the latest caveats and feature information, see [Bug Search Tool](#) and the release notes for your platform and software release. To find information about the features documented in this module, and to see a list of the releases in which each feature is supported, see the feature information table at the end of this module.

Use Cisco Feature Navigator to find information about platform support and Cisco software image support. To access Cisco Feature Navigator, go to www.cisco.com/go/cfn. An account on Cisco.com is not required.

Restrictions for the MPLS Traffic Engineering MIB

- Supports read-only (RO) permission for MIB objects.

- Contains no configuration support by means of SET functions, except for the `mplsTunnelTrapEnable` object (which has been made writable). Accordingly, the MPLS TE MIB contains indexing support for the Interfaces MIB.
- Supports only SNMP GET, GETNEXT, and GETBULK retrieval functions, except in the case of the `mplsTunnelTrapEnable` object (which has been made writable by means of SET functions).
- Contains no support for Guaranteed Bandwidth Traffic Engineering (GBTE) or Auto Bandwidth features.

Information About the MPLS Traffic Engineering MIB

MPLS Traffic Engineering MIB Cisco Implementation

The MPLS TE MIB is based on the Internet Engineering Task Force (IETF) draft MIB entitled *draft-ietf-mpls-te-mib-05.txt* which includes objects describing features that support MPLS TE.

Slight differences between the IETF draft MIB and the implementation of the TE capabilities within Cisco software require some minor translations between the MPLS TE MIB and the internal data structures of Cisco software. These translations are made by the SNMP agent code that is installed and operating on various hosts within the network. This SNMP agent code, running in the background as a low priority process, provides a management interface to Cisco software.

The SNMP objects defined in the MPLS TE MIB can be displayed by any standard SNMP utility. All MPLS TE MIB objects are based on the IETF draft MIB; thus, no specific Cisco SNMP application is required to support the functions and operations pertaining to the MPLS TE MIB.

MPLS Traffic Engineering Overview

MPLS TE capabilities in Cisco software enable an MPLS backbone to replicate and expand upon the TE capabilities of Layer 2 ATM and Frame Relay networks.

TE capabilities are essential to effective management of service provider and Internet service provider (ISP) backbones. Such backbones must support high transmission capacities, and the networks incorporating backbones must be extremely resilient to link or node failures.

The MPLS TE facilities built into Cisco software provide a feature-rich, integrated approach to managing the large volumes of traffic that typically flow through WANs. The MPLS TE facilities are integrated into Layer 3 network services, thereby optimizing the routing of IP traffic in the face of constraints imposed by existing backbone transmission capacities and network topologies.

Capabilities Supported by the MPLS Traffic Engineering MIB

- The ability to generate and queue notification messages that signal changes in the operational status of MPLS TE tunnels.
- Extensions to existing SNMP commands that provide the ability to enable, disable, and configure notification messages for MPLS TE tunnels.
- The ability to specify the name or the IP address of a network management station (NMS) in the operating environment to which notification messages are to be sent.

- The ability to write notification configurations into nonvolatile memory.

Notification Generation Events

When MPLS TE notifications are enabled (see the **snmp-server enable traps mpls** command), notification messages relating to specific events within Cisco software are generated and sent to a specified NMS in the network.

For example, an `mplsTunnelUp` notification is sent to an NMS when an MPLS TE tunnel is configured and the tunnel transitions from an operationally “down” state to an “up” state.

Conversely, an `mplsTunnelDown` notification is generated and sent to an NMS when an MPLS TE tunnel transitions from an operationally “up” state to a “down” state.

An `mplsTunnelRerouted` notification is sent to the NMS under the following conditions:

- The signaling path of an existing MPLS TE tunnel fails for some reason and a new path option is signaled and placed into effect (that is, the tunnel is rerouted).
- The signaling path of an existing MPLS TE tunnel is fully operational, but a better path option can be signaled and placed into effect (that is, the tunnel can be reoptimized). This reoptimization can be triggered by:
 - A timer
 - The issuance of an **mpls traffic-eng reoptimize** command
 - A configuration change that requires the resignaling of a tunnel

The `mplsTunnelReoptimized` notification is not generated when an MPLS traffic engineering tunnel is reoptimized. However, an `mplsTunnelReroute` notification is generated. Thus, at the NMS, you cannot distinguish between a tunnel reoptimization event and tunnel reroute event.

Path options are configurable parameters that you can use to specify the order of priority for establishing a new tunnel path. For example, you can create a tunnel head configuration and define any one of many path options numbered 1 through n, with “1” being the highest priority option and “n” being an unlimited number of lower priority path options. Thus, there is no limit to the number of path options that you can specify in this manner.

Notification Implementation

When an MPLS TE tunnel interface (or any other device interface, such as an FastEthernet or Packet over SONET (POS) interface) transitions between an up and down state, an Interfaces MIB (`ifMIB`) link notification is generated. When such a notification occurs in an MPLS TE MIB environment, the interface is checked by software to determine if the notification is associated with an MPLS TE tunnel. If so, the interfaces MIB link notification is interlinked with the appropriate `mplsTunnelUp` or `mplsTunnelDown` notification to provide notification to the NMS regarding the operational event occurring on the tunnel interface. Hence, the generation of an Interfaces MIB link notification pertaining to an MPLS traffic engineering tunnel interface begets an appropriate `mplsTunnelUp` or `mplsTunnelDown` notification that is transmitted to the specified NMS.

An `mplsTunnelRerouted` notification is generated whenever the signaling path for an MPLS TE tunnel changes. However, software intelligence in the MPLS TE MIB prevents the reroute notification from being sent to the NMS when a TE tunnel transitions between an up or down state during an administrative or operational status

check of the tunnel. Either an up or down notification or a reroute notification can be sent in this instance, but not both. This action prevents unnecessary traffic on the network.

Benefits of the MPLS Traffic Engineering MIB

- Provides a standards-based SNMP interface for retrieving information about MPLS TE.
- Provides information about the traffic flows on MPLS TE tunnels.
- Presents MPLS TE tunnel routes, including the configured route, the Interior Gateway Protocol (IGP) calculated route, and the actual route traversed.
- Provides information, in conjunction with the Interfaces MIB, about how a tunnel was rerouted in the event of a link failure.
- Provides information about the configured resources used for an MPLS TE tunnel.
- Supports the generation and queuing of notifications that call attention to major changes in the operational status of MPLS TE tunnels;
- Forwards notification messages to a designated NMS for evaluation or action by network administrators.

MPLS Traffic Engineering MIB Layer Structure

The SNMP agent code supporting the MPLS TE MIB follows the existing model for such code in Cisco software and is, in part, generated by the Cisco tool set, based on the MIB source code.

The SNMP agent code, which has a layered structure similar to that of the MIB support code in Cisco software, consists of four layers:

- Platform independent layer--This layer is generated primarily by the Cisco MIB development tool set and incorporates platform and implementation independent functions. The Cisco MIB development tool set creates a standard set of files associated with a MIB.
- Application interface layer--The functions, names, and template code for MIB objects in this layer are also generated by the Cisco MIB development tool set.
- Application specific layer--This layer provides an interface between the application interface layer and the application program interface (API) and data structures layer and performs tasks needed to retrieve required information from Cisco software, such as searching through data structures.
- API and data structures layer--This layer contains the data structures or APIs within Cisco software that are retrieved or called in order to set or retrieve SNMP management information.

Features and Technologies Related to MPLS Traffic Engineering MIB

The MPLS TE MIB feature is used with the following features and technologies:

- Standards-based SNMP network management application
- MPLS
- MPLS TE

- MPLS label switching router MIB (MPLS-LSR-MIB)

Supported Objects in the MPLS Traffic Engineering MIB

The MPLS TE MIB contains numerous tables and object definitions that provide read-only SNMP management support for the MPLS TE features in Cisco software. The MPLS TE MIB conforms to Abstract Syntax Notation One (ASN.1), thus reflecting an idealized MPLS TE database.

Using any standard SNMP network management application, you can retrieve and display information from the MPLS TE MIB by using GET operations; similarly, you can traverse information in the MIB database for display by using GETNEXT operations.

The MPLS TE MIB tables and objects supported in Cisco software follow. Important MIB tables (those highlighted in bold type) are described briefly in accompanying text.

- **mplsTunnelConfigured**--Total number of tunnel configurations that are defined on this node.
- **mplsTunnelActive**--Total number of label switched paths (LSPs) that are defined on this node.
- **mplsTunnelTEDistProto**--The IGP distribution protocol in use.
- **mplsTunnelMaxHops**--The maximum number of hops any given tunnel can utilize.
- **mplsTunnelIndexNext**--Unsupported; set to 0.
- **mplsTunnelTable**--Entries in this table with an instance of 0 and a source address of 0 represent tunnel head configurations. All other entries in this table represent instances of LSPs, both signaled and standby. If a tunnel instance is signaled, its operating status (operStatus) is set to "up" (1) and its instance corresponds to an active LSP.

Tunnel configurations exist only on the tunnel head where the tunnel interface is defined. LSPs traverse the network and involve tunnel heads, tunnel midpoints, and tunnel tails.

Pointers in the tunnel table refer to corresponding entries in other MIB tables. By using these pointers, you can find an entry in the **mplsTunnelTable** and follow a pointer to other tables for additional information. The pointers are the following: **mplsTunnelResourcePointer**, **mplsTunnelHopTableIndex**, **mplsTunnelARHopTableIndex**, and **mplsTunnelCHopTableIndex**.

The tunnel table is indexed by tunnel ID, tunnel instance, tunnel source address, and tunnel destination address. The description of each entry has an alphabetic suffix (a) for tunnel head configurations only, (b) for LSPs only, or (c) for both tunnel head configurations and LSPs, if appropriate, to indicate the applicability of the entry.

Following is a list and description of each entry.

- **mplsTunnelIndex**--Same as tunnel ID (c).
- **mplsTunnelInstance**--Tunnel instance of the LSP; 0 for head configurations (b).
- **mplsTunnelIngressLSRId**--Source IP address of the LSP; 0 for head configurations (b).
- **mplsTunnelEgressLSRId**--Destination IP address of the tunnel (c).
- **mplsTunnelName**--Command name for the tunnel interfaces (a).
- **mplsTunnelDescr**--Descriptive name for tunnel configurations and LSPs (c).
- **mplsTunnelIsIf**--Indicator of whether the entry represents an interface (c).

- `mplsTunnelIfIndex`--Index of the tunnel interface within the `ifMIB` (a).
- `mplsTunnelXCPointer`--(For midpoints only - no tails) Pointer for the LSP within the `mplsXCTable` of the MPLS LSR MIB (b).
- `mplsTunnelSignallingProto`--Signaling protocol used by tunnels (c).
- `mplsTunnelSetupPrio`--Setup priority of the tunnel (c).
- `mplsTunnelHoldingPrio`--Holding priority of the tunnel (c).
- `mplsTunnelSessionAttributes`--Session attributes (c).
- `mplsTunnelOwner`--Tunnel owner (c).
- `mplsTunnelLocalProtectInUse`--Not implemented (c).
- `mplsTunnelResourcePointer`--Pointer into the Resource Table (b).
- `mplsTunnelInstancePriority`--Not implemented (b).
- `mplsTunnelHopTableIndex`--Index into the Hop Table (a).
- `mplsTunnelARHopTableIndex`--Index into the AR Hop Table (b).
- `mplsTunnelCHopTableIndex`--Index into the C Hop Table (b).
- `mplsTunnelPrimaryTimeUp`--Amount of time, in seconds, that the current path has been up (a).
- `mplsTunnelPathChanges`--Number of times a tunnel has been ressignalled (a).
- `mplsTunnelLastPathChange`--Amount of time, in seconds, since the last path ressignaling occurred (a).
- `mplsTunnelCreationTime`--Time stamp when the tunnel was created (a).
- `mplsTunnelStateTransitions`--Number of times the tunnel has changed state (a).
- `mplsTunnelIncludeAnyAffinity`--Not implemented (a).
- `mplsTunnelIncludeAllAffinity`--Attribute bits that must be set for the tunnel to traverse a link (a).
- `mplsTunnelExcludeAllAffinity`--Attribute bits that must *not* be set for the tunnel to traverse a link (a).
- `mplsTunnelPathInUse`--Path option number being used for the tunnel's path. If no path option is active, this object will be 0 (a).
- `mplsTunnelRole`--Role of the tunnel on the router; that is, head, midpoint, or tail (c).
- `mplsTunnelTotalUptime`--Amount of time, in seconds, that the tunnel has been operationally up (a).
- `mplsTunnelInstanceUptime`--Not implemented (b).
- `mplsTunnelAdminStatus`--Administrative status of a tunnel (c).
- `mplsTunnelOperStatus`--Actual operating status of a tunnel (c).
- `mplsTunnelRowStatus`--This object is used in conjunction with configuring a new tunnel. This object will always be seen as "active" (a).
- `mplsTunnelStorageType`--Storage type of a tunnel entry (c).

- `mplsTunnelHopListIndexNext`--Next valid index to use as an index in the `mplsTunnelHopTable`.
- **`mplsTunnelHopTable`** --Entries in this table exist only for tunnel configurations and correspond to the path options defined for the tunnel. Two types of path options exist: *explicit* and *dynamic* . This table shows all hops listed in the explicit path options, while showing only the destination hop for dynamic path options. The tunnel hop table is indexed by tunnel ID, path option, and hop number.

Following is a list and description of each table entry.

- `mplsTunnelHopListIndex`--Primary index into the table.
 - `mplsTunnelHopIndex`--Secondary index into the table.
 - `mplsTunnelHopAddrType`--Indicates if the address of this hop is the type IPv4 or IPv6.
 - `mplsTunnelHopIpv4Addr`--The IPv4 address of this hop.
 - `mplsTunnelHopIpv4PrefixLen`--The prefix length of the IPv4 address.
 - `mplsTunnelHopIpv6Addr`--The IPv6 address of this hop.
 - `mplsTunnelHopIpv6PrefixLen`--The prefix length of the IPv6 address.
 - `mplsTunnelHopAsNumber`--This object will contain 0 or the autonomous system number of the hop, depending on the value of `mplsTunnelHopAddrType`.
 - `mplsTunnelHopLspId`--This object will contain 0 or the LSPID of the tunnel, depending on the value of `mplsTunnelHopAddrType`.
 - `mplsTunnelHopType`--Denotes whether this tunnel hop is routed in a strict or loose fashion.
 - `mplsTunnelHopRowStatus`--This object is used in conjunction with the configuring of a new row in the table.
 - `mplsTunnelHopStorageType`--The storage type of this MIB object.
- `mplsTunnelResourceIndexNext`--This object contains the next appropriate value to be used for `mplsTunnelResourceIndex` when creating entries in the `mplsTunnelResourceTable`
 - **`mplsTunnelResourceTable`** --Entries in this table correspond to the “Tspec” information displayed when you execute the **`show mpls traffic-eng tunnels`** command. These entries exist only for LSPs.

The tunnel resource table is indexed by address and hop number. Following the `mplsTunnelResourcePointer` pointer from the tunnel table is the best way to retrieve information from this table.

Following is a list and description of each table entry.

- `mplsTunnelResourceIndex`--The primary index into this table.
- `mplsTunnelResourceMaxRate`--The maximum rate, in bits per second, supported by this tunnel.
- `mplsTunnelResourceMeanRate`--The mean rate, in bits per second, supported by this tunnel.
- `mplsTunnelResourceMaxBurstSize`--The maximum burst size, in bytes, allowed by this tunnel.
- `mplsTunnelResourceRowStatus`--This object is used in conjunction with the configuration of a new row in the table.
- `mplsTunnelResourceStorageType`--The storage type of this MIB object.

- **mplsTunnelARHopTable** --Entries in this table correspond to the actual route taken by the tunnel, and whose route was successfully signaled by the network. The hops present in this table correspond to those present in the record route object (RRO) in Resource Reservation Protocol (RSVP). You can also display the information in this table by executing the **show mpls traffic-eng tunnels** command.

The actual route hop table is indexed by address and hop number. Following the mplsTunnelARHopTableIndex pointer from the tunnel table is the best way to retrieve information from this table.

Following is a list and description of each table entry:

- mplsTunnelARHopListIndex--The primary index into this table.
 - mplsTunnelARHopIndex--The secondary index into this table.
 - mplsTunnelARHopIpv4Addr--The IPv4 address of this hop.
 - mplsTunnelARHopIpv4PrefixLen--The prefix length of the IPv4 address.
 - mplsTunnelARHopIpv6Addr--The IPv6 address of this hop.
 - mplsTunnelARHopIpv6PrefixLen--The prefix length of the IPv6 address.
 - mplsTunnelARHopAsNumber--This object will contain 0 or the AS number of the hop, depending on the value of mplsTunnelARHopAddrType.
 - mplsTunnelARHopAddrType--The type of address for this MIB entry, either IPv4 or IPv6.
 - mplsTunnelARHopType--Denotes whether this tunnel hop is routed in a strict or loose manner.
- **mplsTunnelCHopTable** --Entries in this table correspond to the explicit route object (ERO) in RSVP, which is used to signal the LSP. The list of hops in this table will contain those hops that are computed by the constraint-based shortest path first (SPF) algorithm. In those cases where “loose” hops are specified for the tunnel, this table will contain the hops that are “filled-in” between the loose hops to complete the path. If you specify a complete explicit path, the computed hop table matches your specified path.

The computed hop table is indexed by address and hop number. Following the mplsTunnelCHopTableIndex pointer from the tunnel table is the best way to retrieve information from this table.

Following is a list and description of each table entry:

- mplsTunnelCHopListIndex--The primary index into this table.
- mplsTunnelCHopIndex--The secondary index into this table.
- mplsTunnelCHopAddrType--Indicates if the address of this hop is the type IPv4 or IPv6.
- mplsTunnelCHopIpv4Addr--The IPv4 address of this hop.
- mplsTunnelCHopIpv4PrefixLen--The prefix length of the IPv4 address.
- mplsTunnelCHopIpv6Addr--The IPv6 address of this hop.
- mplsTunnelCHopIpv6PrefixLen--The prefix length of the IPv6 address.
- mplsTunnelCHopAsNumber--This object will contain 0 or the autonomous system number of the hop, depending on the value of mplsTunnelHopAddrType.
- mplsTunnelCHopType--Denotes whether this tunnel hop is routed in a strict or loose way.

- **mplsTunnelPerfTable** --The tunnel performance table, which augments the **mplsTunnelTable**, provides packet and byte counters for each tunnel. This table contains the following packet and byte counters:
 - mplsTunnelPerfPackets--This packet counter works only for tunnel heads.
 - mplsTunnelPerfHCPackets--This packet counter works only for tunnel heads.
 - mplsTunnelPerfErrors--This packet counter works only for tunnel heads.
 - mplsTunnelPerfBytes--This byte counter works for tunnel heads and tunnel midpoints, but not for tunnel tails.
 - mplsTunnelPerfHCBytes--This byte counter works for tunnel heads and tunnel midpoints, but not for tunnel tails.

- **mplsTunnelTrapEnable**--The object type *mplsTunnelTrapEnable* is enhanced to be writable. Accordingly, if this object type is set to "TRUE," the following notifications are enabled, thus giving you the ability to monitor changes in the operational status of MPLS TE tunnels:
 - mplsTunnelUp
 - mplsTunnelDown
 - mplsTunnelRerouted

If the *mplsTunnelTrapEnable* object is set to "FALSE," such operational status notifications are not generated. These notification functions are based on the definitions (mplsTeNotifications) contained in the IETF draft document entitled *draft-ietf-mpls-te-mib-05.txt* .

CLI Access to MPLS Traffic Engineering MIB Information

The figure below shows commands that you can use to retrieve information from specific tables in the MPLS TE MIB. As noted in this figure, some information in the MPLS TE MIB is not retrievable by commands.

Figure 45: Commands for Retrieving MPLS TE MIB Information

	show mpls traffic-eng tunnels	show mpls traffic-eng tunnels summary	show ip explicit-paths	show interfaces	Not available in command
mplsTunnelTable	x				x
mplsTunnelHopTable	x	x			
mplsTunnelResourceTable	x				
mplsTunnelARHopTable	x				
mplsTunnelCHopTable	x				
mplsTunnelPerfTable	x		x		
Scalars	x	x			x

Retrieving Information from the MPLS Traffic Engineering MIB

This section describes how to efficiently retrieve information about TE tunnels. Such information can be useful in large networks that contain many TE tunnels.

Traverse across a single column of the mplsTunnelTable, such as mplsTunnelName. This action provides the indexes of every tunnel configuration, and any LSPs involving the host router. Using these indexes, you can perform a GET operation to retrieve information from any column and row of the mplsTunnelTable.

The mplsTunnelTable provides pointers to other tables for each tunnel. The column mplsTunnelResourcePointer, for example, provides an object ID (OID) that you can use to access resource allocation information in the mplsTunnelResourceTable. The columns mplsTunnelHopTableIndex, mplsTunnelARHopTableIndex, and mplsTunnelCHopTableIndex provide the primary index into the mplsTunnelHopTable, mplsTunnelARHopTable, and mplsTunnelCHopTable, respectively. By traversing the MPLS TE MIB in this manner using a hop table column and primary index, you can retrieve information pertaining to the hops of that tunnel configuration.

Because tunnels are treated as interfaces, the tunnel table column (mplsTunnelIfIndex) provides an index into the Interfaces MIB that you can use to retrieve interface-specific information about a tunnel.

How to Configure the MPLS Traffic Engineering MIB

Enabling the SNMP Agent to Help Manage Various MPLS TE Tunnel Characteristics of Tunnels on the Local Router

The SNMP agent for the MPLS TE MIB is disabled by default. To enable the SNMP agent for the MPLS TE MIB, perform the following task.

SUMMARY STEPS

1. `telnet host`
2. `enable`
3. `show running-config`
4. `configure terminal`
5. `snmp-server community string [view view-name] [ro | rw] [ipv6 nacl] [access-list-number]`
6. `snmp-server enable traps [identification-type] [notification-option]`
7. `exit`
8. `write memory`

DETAILED STEPS

	Command or Action	Purpose
Step 1	<p><code>telnet host</code></p> <p>Example:</p> <pre>Router> telnet 192.172.172.172</pre>	Telnet to the router identified by the specified IP address (represented as xxx.xxx.xxx.xxx).
Step 2	<p><code>enable</code></p> <p>Example:</p> <pre>Router# enable</pre>	<p>Enables privileged EXEC mode.</p> <ul style="list-style-type: none"> • Enter your password if prompted.
Step 3	<p><code>show running-config</code></p> <p>Example:</p> <pre>Router# show running-config</pre>	<p>Displays the running configuration to determine if an SNMP agent is already running.</p> <ul style="list-style-type: none"> • If no SNMP information is displayed, go to Step 4. If any SNMP information is displayed, you can modify the information or change it as needed.

	Command or Action	Purpose
Step 4	configure terminal Example: Router# configure terminal	Enters global configuration mode.
Step 5	snmp-server community string [view view-name] [ro rw] [ipv6 nacl] [access-list-number] Example: Router(config)# snmp-server community comaccess ro 4	Enables the read-only (RO) community string.
Step 6	snmp-server enable traps [identification-type] [notification-option] Example: Router(config)# snmp-server enable traps	Enables an LSR to send SNMP notifications or informs to an SNMP host. Note This command is optional. After SNMP is enabled, all MIBs (not just the TE MIB) are available for the user to query.
Step 7	exit Example: Router(config)# exit	Exits global configuration mode and returns to privileged EXEC mode.
Step 8	write memory Example: Router# write memory	Writes the modified configuration to NVRAM, permanently saving the settings.

Verifying the Status of the SNMP Agent

To verify that the SNMP agent has been enabled on a host network device, perform the following steps.

SUMMARY STEPS

1. telnet *host*
2. enable
3. show running-config

DETAILED STEPS

	Command or Action	Purpose
Step 1	telnet <i>host</i> Example: Router# telnet 192.172.172.172	Telnet to the target device identified by the specified IP address (represented as xxx.xxx.xxx.xxx).
Step 2	enable Example: Router# enable	Enables SNMP on the target device.
Step 3	show running-config Example: Router# show running-config	Displays the running configuration on the target device and is used to examine the output for displayed SNMP information.

Examples

The following example displays the running configuration on the target device and its SNMP information.

```
Router# show running-config
.
.
.
snmp-server community public ro
snmp-server community private ro
```

Any **snmp-server** statement that appears in the output and takes the form shown here verifies that SNMP has been enabled on that device.

Configuration Examples for the MPLS Traffic Engineering MIB

Example Enabling the SNMP Agent to Help Manage MPLS TE Characteristics of Tunnels on the Local Router

The following example shows how to enable an SNMP agent on a host network device:

```
Router# configure terminal
Router(config)# snmp-server community private
```

The following example shows how to enable SNMPv1 and SNMPv2C. The configuration permits any SNMP agent to access all MPLS TE MIB objects with read-only permissions using the community string public.

```
Router(config)# snmp-server community public
```

The following example shows how to allow read-only access to all MPLS TE MIB objects relating to members of access list 4 that specify the comaccess community string. No other SNMP agents will have access to any MPLS TE MIB objects.

```
Router(config)# snmp-server community comaccess ro 4
```

Additional References

Related Documents

Related Topic	Document Title
Cisco IOS commands	Cisco IOS Master Commands List, All Releases
Information about MPLS TE and enhancements	MPLS Traffic Engineering and Enhancements
MPLS TE commands	<i>Multiprotocol Label Switching Command Reference</i>
SNMP commands	<i>Network Management Command Reference</i>
SNMP configuration	“Configuring SNMP Support” in the <i>Network Management Configuration Guide</i>

Standards

Standard	Title
draft-ietf-mpls-te-mib-05	<i>MPLS Traffic Engineering Management Information Base Using SMIPv2</i>

MIBs

MIB	MIBs Link
<ul style="list-style-type: none"> • MPLS TE MIB • Interfaces MIB 	To locate and download MIBs for selected platforms, Cisco software releases, and feature sets, use Cisco MIB Locator found at the following URL: http://www.cisco.com/go/mibs

RFCs

RFC	Title
RFC 2026	<i>The Internet Standards Process</i>

Technical Assistance

Description	Link
The Cisco Support and Documentation website provides online resources to download documentation, software, and tools. Use these resources to install and configure the software and to troubleshoot and resolve technical issues with Cisco products and technologies. Access to most tools on the Cisco Support and Documentation website requires a Cisco.com user ID and password.	http://www.cisco.com/cisco/web/support/index.html

Feature Information for the MPLS Traffic Engineering MIB

The following table provides release information about the feature or features described in this module. This table lists only the software release that introduced support for a given feature in a given software release train. Unless noted otherwise, subsequent releases of that software release train also support that feature.

Use Cisco Feature Navigator to find information about platform support and Cisco software image support. To access Cisco Feature Navigator, go to www.cisco.com/go/cfn. An account on Cisco.com is not required.

Table 117: Feature Information for the MPLS Traffic Engineering MIB

Feature Name	Releases	Feature Information
MPLS Traffic Engineering MIB	12.0(17)S 12.0(17)ST 12.2(8)T 12.2(14)S 12.2(28)SB 12.2(31)SB2	<p>The MPLS Traffic Engineering MIB feature enables the SNMP agent support in Cisco IOS software for MPLS TE management, as implemented in the MPLS TE MIB.</p> <p>In 12.0(17)S, this feature provided the ability to generate and queue SNMP notification messages that signal changes in the operational status of MPLS TE tunnels when you are using the MPLS TE MIB on Cisco 7500 series routers and Cisco 12000 series Internet routers.</p> <p>In 12.0(17)ST, support for SNMP traffic engineering notifications was extended to include Cisco 7500 series routers and Cisco 12000 series Internet routers.</p> <p>In 12.2(8)T, support for SNMP TE notifications was extended to include Cisco 7500 series routers. The snmp-server host command was modified.</p> <p>In 12.2(14)S, this feature was integrated.</p> <p>In 12.2(28)SB, this feature was integrated.</p> <p>In 12.2(31)SB2, this feature was integrated.</p> <p>The following commands were introduced or modified: snmp-server community, snmp-server enable traps mpls traffic-eng, snmp-server host.</p>

Glossary

affinity bits --A Multiprotocol Label Switching (MPLS) traffic engineering (TE) tunnel's requirements on the attributes of the links it will cross. The tunnel's affinity bits and affinity mask must match with the attributes of the various links carrying the tunnel.

call admission precedence --An Multiprotocol Label Switching (MPLS) traffic engineering tunnel with a higher priority will, if necessary, preempt an MPLS traffic engineering tunnel with a lower priority. An expected use is that tunnels that are more difficult to route will have a higher priority, and can preempt tunnels that are less difficult to route, on the assumption that those lower priority tunnels can find another path.

constraint-based routing--Procedures and protocols used to determine a route across a backbone taking into account resource requirements and resource availability, instead of simply using the shortest path.

flow --A traffic load entering the backbone at one point--point of presence (POP)--and leaving it from another that must be traffic engineered across the backbone. The traffic load will be carried across one or more LSP tunnels running from the entry POP to the exit POP.

headend --The label switch router (LSR) at which the tunnel originates. The tunnel's "head" or tunnel interface will reside at this LSR as well.

informs --A type of notification message that is more reliable than a conventional trap notification message because an informs message requires acknowledgment.

label --A short, fixed-length data construct that tells switching nodes how to forward data (packets or cells).

label switched path (LSP) tunnel--A configured connection between two routers, using label switching to carry the packets.

LSP --label switched path. A path that is followed by a labeled packet over several hops, starting at an ingress label switch router (LSR) and ending at an egress LSR.

LSR --label switch router. A Layer 3 router that forwards a packet based on the value of a label encapsulated in the packet.

MIB --Management Information Base. A database of network management information (consisting of MIB objects) that is used and maintained by a network management protocol such as Simple Network Management Protocol (SNMP). The value of a MIB object can be changed or retrieved using SNMP commands, usually by a GUI-based network management system. MIB objects are organized in a tree structure that includes public (standard) and private (proprietary) branches.

MPLS --Multiprotocol Label Switching. Switching method that forwards IP traffic using a label. This label instructs the routers and the switches in the network where to forward the packets based on preestablished IP routing information.

NMS --network management station. An NMS is a powerful, well-equipped computer (typically an engineering workstation) that is used by a network administrator to communicate with other devices in the network. An NMS is typically used to manage network resources, gather statistics, and perform a variety of network administration and configuration tasks.

notification --A message sent by a Simple Network Management Protocol (SNMP) agent to a network management station, console, or terminal to indicate that a significant event within Cisco software has occurred (see traps).

OSPF --Open Shortest Path First. A link-state routing protocol used for routing IP.

RSVP --Resource Reservation Protocol. Protocol for reserving network resources to provide quality of service (QoS) guarantees to application flows.

SNMP --Simple Network Management Protocol. A network management protocol used almost exclusively in TCP/IP networks. SNMP provides a means to monitor and control network devices, manage configurations, collect statistics, monitor performance, and ensure network security.

tailend --The downstream, receive end of a tunnel.

traffic engineering --Techniques and processes that cause routed traffic to travel through the network on a path other than the one that would have been chosen if standard routing methods were used.

trap --A message sent by a Simple Network Management Protocol (SNMP) agent to a network management station, console, or terminal to indicate that a significant event within Cisco software has occurred. Traps (notifications) are less reliable than inform requests, because the receiver of the trap does not send an acknowledgment of receipt; furthermore, the sender of the trap cannot determine if the trap was received (see notification).

VCC --virtual channel connection. A VCC is a logical circuit consisting of VCLs that carries data between two endpoints in an ATM network. Sometimes called a virtual circuit connection.

VCI --virtual channel identifier. A 16-bit field in the header of an ATM cell. The VCI, together with the VPI, is used to identify the next network VCL as the cell passes through a series of ATM switches on its way to its final destination.

VCL --virtual channel link. A VCL is the logical connection that exists between two adjacent switches in an ATM network.

VPI --virtual path identifier. An 8-bit field in the header of an ATM cell. The VPI, together with the VCI, is used to identify the next network VCL as the cell passes through a series of ATM switches on its way to its final destination.



MPLS EM - TE MIB RFC 3812

The MPLS EM - TE MIB RFC 3812 enables Simple Network Management Protocol (SNMP) agent support in Cisco IOS software for Multiprotocol Label Switching (MPLS) traffic engineering (TE) management, as implemented in the MPLS Traffic Engineering Standard MIB (MPLS TE STD MIB). The SNMP agent code operating in conjunction with the MPLS TE STD MIB enables a standardized, SNMP-based approach to be used in managing the MPLS TE features in Cisco IOS software.

The MPLS EM - TE MIB RFC 3812 feature introduces the MPLS-TE-STD-MIB, which is an upgrade from draft Version 6 of the MPLS-TE-MIB to an implementation of the *Multiprotocol Label Switching (MPLS) Traffic Engineering (TE) Management Information Base (MIB)*, RFC 3812.

- [Finding Feature Information, page 439](#)
- [Restrictions for the MPLS EM - TE MIB RFC 3812, page 440](#)
- [Information About the MPLS EM - TE MIB RFC 3812, page 440](#)
- [How to Configure the MPLS EM - TE MIB RFC 3812, page 449](#)
- [Configuration Examples for the MPLS EM - TE MIB RFC 3812, page 451](#)
- [Additional References, page 452](#)
- [Feature Information for the MPLS EM - TE MIB RFC 3812, page 453](#)
- [Glossary, page 454](#)

Finding Feature Information

Your software release may not support all the features documented in this module. For the latest caveats and feature information, see [Bug Search Tool](#) and the release notes for your platform and software release. To find information about the features documented in this module, and to see a list of the releases in which each feature is supported, see the feature information table at the end of this module.

Use Cisco Feature Navigator to find information about platform support and Cisco software image support. To access Cisco Feature Navigator, go to www.cisco.com/go/cfn. An account on Cisco.com is not required.

Restrictions for the MPLS EM - TE MIB RFC 3812

- Supports read-only (RO) permission for MIB objects.
- Contains no configuration support by means of SET functions, except for the `mplsTunnelTrapEnable` object (which has been made writable). Accordingly, the MPLS TE STD MIB contains indexing support for the Interfaces MIB.
- Supports only SNMP GET, GETNEXT, and GETBULK retrieval functions, except in the case of the `mplsTunnelTrapEnable` object (which has been made writable by means of SET functions).
- Contains no support for Guaranteed Bandwidth Traffic Engineering (GBTE) or Auto Bandwidth features.

Information About the MPLS EM - TE MIB RFC 3812

MPLS Traffic Engineering MIB Cisco Implementation

The MPLS TE MIB is based on the Internet Engineering Task Force (IETF) draft MIB entitled *draft-ietf-mpls-te-mib-05.txt* which includes objects describing features that support MPLS TE.

Slight differences between the IETF draft MIB and the implementation of the TE capabilities within Cisco IOS software require some minor translations between the MPLS TE STD MIB and the internal data structures of Cisco IOS software. These translations are made by the SNMP agent code that is installed and operating on various hosts within the network. This SNMP agent code, running in the background as a low priority process, provides a management interface to Cisco IOS software.

The SNMP objects defined in the MPLS TE STD MIB can be displayed by any standard SNMP utility. All MPLS TE STD MIB objects are based on the IETF draft MIB; thus, no specific Cisco SNMP application is required to support the functions and operations pertaining to the MPLS TE STD MIB.

MPLS Traffic Engineering Overview

MPLS TE capabilities in Cisco IOS software enable an MPLS backbone to replicate and expand upon the TE capabilities of Layer 2 ATM and Frame Relay networks.

TE capabilities are essential to effective management of service provider and Internet service provider (ISP) backbones. Such backbones must support high transmission capacities, and the networks incorporating backbones must be extremely resilient to link or node failures.

The MPLS TE facilities built into Cisco IOS software provide a feature-rich, integrated approach to managing the large volumes of traffic that typically flow through WANs. The MPLS TE facilities are integrated into Layer 3 network services, thereby optimizing the routing of IP traffic in the face of constraints imposed by existing backbone transmission capacities and network topologies.

Capabilities Supported by the MPLS EM TE MIB RFC 3812

The following functionality is supported in the MPLS EM TE MIB RFC 3812:

- The ability to generate and queue notification messages that signal changes in the operational status of MPLS TE tunnels.
- Extensions to existing SNMP commands that provide the ability to enable, disable, and configure notification messages for MPLS TE tunnels.
- The ability to specify the name or the IP address of a network management station (NMS) in the operating environment to which notification messages are to be sent.
- The ability to write notification configurations into nonvolatile memory.

Notification Generation Events

When MPLS TE notifications are enabled (see the **snmp-server enable traps mpls traffic-eng** command), notification messages relating to specific events within Cisco IOS software are generated and sent to a specified NMS in the network.

For example, an `mplsTunnelUp` notification is sent to an NMS when an MPLS TE tunnel is configured and the tunnel transitions from an operationally “down” state to an “up” state.

Conversely, an `mplsTunnelDown` notification is generated and sent to an NMS when an MPLS TE tunnel transitions from an operationally “up” state to a “down” state.

An `mplsTunnelRerouted` notification is sent to the NMS when the signaling path of an existing MPLS TE tunnel fails for some reason and a new path option is signaled and placed into effect (that is, the tunnel is rerouted).

An `mplsTunnelReoptimized` notification is sent when the signaling path of an existing MPLS TE tunnel is fully operational, but a better path option can be signaled and placed into effect (that is, the tunnel can be reoptimized). This reoptimization can be triggered by:

- A timer
- The issuance of an **mpls traffic-eng reoptimize** command
- A configuration change that requires the resignaling of a tunnel

Path options are configurable parameters that you can use to specify the order of priority for establishing a new tunnel path. For example, you can create a tunnel head configuration and define any one of many path options numbered 1 through n, with “1” being the highest priority option and “n” being an unlimited number of lower priority path options. Thus, there is no limit to the number of path options that you can specify in this manner.

Notification Implementation

When an MPLS TE tunnel interface (or any other device interface, such as an Ethernet or Packet over SONET (POS) interface) transitions between an up and down state, an Interfaces MIB (ifMIB) link notification is generated. When such a notification occurs in an MPLS TE STD MIB environment, the interface is checked by software to determine if the notification is associated with an MPLS TE tunnel. If so, the interfaces MIB link notification is interlinked with the appropriate `mplsTunnelUp` or `mplsTunnelDown` notification to provide notification to the NMS regarding the operational event occurring on the tunnel interface. Hence, the generation of an Interfaces MIB link notification pertaining to an MPLS traffic engineering tunnel interface begets an appropriate `mplsTunnelUp` or `mplsTunnelDown` notification that is transmitted to the specified NMS.

An `mplsTunnelRerouted` notification is generated whenever the signaling path for an MPLS TE tunnel changes. However, software intelligence in the MPLS TE STD MIB prevents the reroute notification from being sent to the NMS when a TE tunnel transitions between an up or down state during an administrative or operational status check of the tunnel. Either an up or down notification or a reroute notification can be sent in this instance, but not both. This action prevents unnecessary traffic on the network.

Benefits of MPLS EM - TE MIB RFC 3812

The MPLS Traffic Engineering MIB provides the following benefits:

- Provides a standards-based SNMP interface for retrieving information about MPLS TE.
- Provides information about the traffic flows on MPLS TE tunnels.
- Presents MPLS TE tunnel routes, including the configured route, the Interior Gateway Protocol (IGP) calculated route, and the actual route traversed.
- Provides information, in conjunction with the Interfaces MIB, about how a tunnel was rerouted in the event of a link failure.
- Provides information about the configured resources used for an MPLS TE tunnel.
- Supports the generation and queueing of notifications that call attention to major changes in the operational status of MPLS TE tunnels;
- Forwards notification messages to a designated NMS for evaluation or action by network administrators.

MPLS Traffic Engineering MIB Layer Structure

The SNMP agent code supporting the MPLS TE STD MIB follows the existing model for such code in Cisco IOS software and is, in part, generated by the Cisco IOS tool set, based on the MIB source code.

The SNMP agent code, which has a layered structure similar to that of the MIB support code in Cisco IOS software, consists of four layers:

- Platform independent layer—This layer is generated primarily by the Cisco IOS MIB development tool set and incorporates platform and implementation independent functions. The Cisco IOS MIB development tool set creates a standard set of files associated with a MIB.
- Application interface layer—The functions, names, and template code for MIB objects in this layer are also generated by the Cisco IOS MIB development tool set.
- Application specific layer—This layer provides an interface between the application interface layer and the application program interface (API) and data structures layer and performs tasks needed to retrieve required information from Cisco IOS software, such as searching through data structures.
- API and data structures layer—This layer contains the data structures or APIs within Cisco IOS software that are retrieved or called in order to set or retrieve SNMP management information.

Features and Technologies Related to MPLS EM - TE MIB RFC 3812

The MPLS TE STD MIB feature is used in conjunction with the following features and technologies:

- Standards-based SNMP network management application
- MPLS
- MPLS TE
- MPLS label switching router MIB (MPLS-LSR-MIB)

Supported Objects in the MPLS EM - TE MIB RFC 3812

The MPLS TE STD MIB contains numerous tables and object definitions that provide read-only SNMP management support for the MPLS TE features in Cisco IOS software. The MPLS TE STD MIB conforms to Abstract Syntax Notation One (ASN.1), thus reflecting an idealized MPLS TE database.

Using any standard SNMP network management application, you can retrieve and display information from the MPLS TE STD MIB by using GET operations; similarly, you can traverse information in the MIB database for display by using GETNEXT operations.

The MPLS TE STD MIB tables and objects supported in Cisco IOS releases follow. Important MIB tables (those highlighted in bold type) are described briefly in accompanying text.

- **mplsTunnelConfigured**—Total number of tunnel configurations that are defined on this node.
- **mplsTunnelActive**—Total number of label switched paths (LSPs) that are defined on this node.
- **mplsTunnelTEDistProto**—The IGP distribution protocol in use.
- **mplsTunnelMaxHops**—The maximum number of hops any given tunnel can utilize.
- **mplsTunnelIndexNext**—Unsupported; set to 0.
- **mplsTunnelTable**—Entries in this table with an instance of 0 and a source address of 0 represent tunnel head configurations. All other entries in this table represent instances of LSPs, both signaled and standby. If a tunnel instance is signaled, its operating status (*operStatus*) is set to “up” (1) and its instance corresponds to an active LSP.

Tunnel configurations exist only on the tunnel head where the tunnel interface is defined. LSPs traverse the network and involve tunnel heads, tunnel midpoints, and tunnel tails.

Pointers in the tunnel table refer to corresponding entries in other MIB tables. By using these pointers, you can find an entry in the **mplsTunnelTable** and follow a pointer to other tables for additional information. The pointers are the following: **mplsTunnelResourcePointer**, **mplsTunnelHopTableIndex**, **mplsTunnelARHopTableIndex**, and **mplsTunnelCHopTableIndex**.

The tunnel table is indexed by tunnel ID, tunnel instance, tunnel source address, and tunnel destination address. The description of each entry has an alphabetic suffix (a), (b), or (c), if appropriate, to indicate the applicability of the entry:

- 1 For tunnel head configurations only
- 2 For LSPs only
- 3 For both tunnel head configurations and LSPs

Following is a list and description of each entry.

- **mplsTunnelIndex**—Same as tunnel ID (c).

- mplsTunnelInstance—Tunnel instance of the LSP; 0 for head configurations (b).
- mplsTunnelIngressLSRId—Source IP address of the LSP; 0 for head configurations (b).
- mplsTunnelEgressLSRId—Destination IP address of the tunnel (c).
- mplsTunnelName—Command name for the tunnel interfaces (a).
- mplsTunnelDescr—Descriptive name for tunnel configurations and LSPs (c).
- mplsTunnelIsIf—Indicator of whether the entry represents an interface (c).
- mplsTunnelIfIndex—Index of the tunnel interface within the ifMIB (a).
- mplsTunnelXCPointer—(For midpoints only – no tails) Pointer for the LSP within the mplsXCTable of the MPLS LSR STD MIB (b).
- mplsTunnelSignallingProto—Signaling protocol used by tunnels (c).
- mplsTunnelSetupPrio—Setup priority of the tunnel (c).
- mplsTunnelHoldingPrio—Holding priority of the tunnel (c).
- mplsTunnelSessionAttributes—Session attributes (c).
- mplsTunnelOwner—Tunnel owner (c).
- mplsTunnelLocalProtectInUse—Not implemented (c).
- mplsTunnelResourcePointer—Pointer into the Resource Table (b).
- mplsTunnelInstancePriority—Not implemented (b).
- mplsTunnelHopTableIndex—Index into the Hop Table (a).
- mplsTunnelARHopTableIndex—Index into the AR Hop Table (b).
- mplsTunnelCHopTableIndex—Index into the C Hop Table (b).
- mplsTunnelPrimaryUpTime—Amount of time, in seconds, that the current path has been up (a).
- mplsTunnelPathChanges—Number of times a tunnel has been resigalled (a).
- mplsTunnelLastPathChange—Amount of time, in seconds, since the last path resigalling occurred (a).
- mplsTunnelCreationTime—Time stamp when the tunnel was created (a).
- mplsTunnelStateTransitions—Number of times the tunnel has changed state (a).
- mplsTunnelIncludeAnyAffinity—Not implemented (a).
- mplsTunnelIncludeAllAffinity—Attribute bits that must be set for the tunnel to traverse a link (a).
- mplsTunnelExcludeAnyAffinity—Attribute bits that must *not* be set for the tunnel to traverse a link (a).
- mplsTunnelPathInUse—Path option number being used for the tunnel's path. If no path option is active, this object will be 0 (a).
- mplsTunnelRole—Role of the tunnel on the router; that is, head, midpoint, or tail (c).
- mplsTunnelTotalUpTime—Amount of time, in seconds, that the tunnel has been operationally up (a).

- `mplsTunnelInstanceUpTime`—Not implemented (b).
 - `mplsTunnelAdminStatus`—Administrative status of a tunnel (c).
 - `mplsTunnelOperStatus`—Actual operating status of a tunnel (c).
 - `mplsTunnelRowStatus`—This object is used in conjunction with configuring a new tunnel. This object will always be seen as “active” (a).
 - `mplsTunnelStorageType`—Storage type of a tunnel entry (c).
- `mplsTunnelHopListIndexNext`—Next valid index to use as an index in the `mplsTunnelHopTable`.
 - **mplsTunnelHopTable** —Entries in this table exist only for tunnel configurations and correspond to the path options defined for the tunnel. Two types of path options exist: *explicit* and *dynamic*. This table shows all hops listed in the explicit path options, while showing only the destination hop for dynamic path options. The tunnel hop table is indexed by tunnel ID, path option, and hop number.

Following is a list and description of each table entry.

- `mplsTunnelHopListIndex`—Primary index into the table.
 - `mplsTunnelHopIndex`—Secondary index into the table.
 - `mplsTunnelHopAddrType`—Indicates if the address of this hop is the type IPv4 or IPv6.
 - `mplsTunnelHopIpAddr`—The IP address of this hop.
 - `mplsTunnelHopIpPrefixLen`—The prefix length of the IP address.
 - `mplsTunnelHopAsNumber`—This object will contain 0 or the autonomous system number of the hop, depending on the value of `mplsTunnelHopAddrType`.
 - `mplsTunnelHopLspId`—This object will contain 0 or the LSPID of the tunnel, depending on the value of `mplsTunnelHopAddrType`.
 - `mplsTunnelHopType`—Denotes whether this tunnel hop is routed in a strict or loose fashion.
 - `mplsTunnelHopInclude`—Indicates whether this hop must be included in the tunnel.
 - `mplsTunnelHopPathOptionName`—Describes a series of hops as they relate to a specified path option.
 - `mplsTunnelHopEntryPathComp`—Indicates whether the complete tunnel path should be specified.
 - `mplsTunnelHopRowStatus`—This object is used in conjunction with the configuring of a new row in the table.
 - `mplsTunnelHopStorageType`—The storage type of this MIB object.
- `mplsTunnelResourceIndexNext`—This object contains the next appropriate value to be used for `mplsTunnelResourceIndex` when creating entries in the `mplsTunnelResourceTable`
 - **mplsTunnelResourceTable** —Entries in this table correspond to the “Tspec” information displayed when you execute the `show mpls traffic-eng tunnels` command. These entries exist only for LSPs.

The tunnel resource table is indexed by address and hop number. Following the `mplsTunnelResourcePointer` pointer from the tunnel table is the best way to retrieve information from this table.

Following is a list and description of each table entry.

- **mplsTunnelResourceIndex**—The primary index into this table.
- **mplsTunnelResourceMaxRate**—The maximum rate, in bits per second, supported by this tunnel.
- **mplsTunnelResourceMeanRate**—The mean rate, in bits per second, supported by this tunnel.
- **mplsTunnelResourceMaxBurstSize**—The maximum burst size, in bytes, allowed by this tunnel.
- **mplsTunnelResourceRowStatus**—This object is used in conjunction with the configuration of a new row in the table.
- **mplsTunnelResourceStorageType**—The storage type of this MIB object.
- **mplsTunnelARHopTable** —Entries in this table correspond to the actual route taken by the tunnel, and whose route was successfully signaled by the network. The hops present in this table correspond to those present in the record route object (RRO) in Resource Reservation Protocol (RSVP). You can also display the information in this table by executing the **show mpls traffic-eng tunnels** command.

The actual route hop table is indexed by address and hop number. Following the `mplsTunnelARHopTableIndex` pointer from the tunnel table is the best way to retrieve information from this table.

Following is a list and description of each table entry:

- **mplsTunnelARHopListIndex**—The primary index into this table.
- **mplsTunnelARHopIndex**—The secondary index into this table.
- **mplsTunnelARHopIpAddr**—The IP address of this hop.
- **mplsTunnelARHopIpPrefixLen**—The prefix length of the IP address.
- **mplsTunnelARHopAsNumber**—This object will contain 0 or the AS number of the hop, depending on the value of `mplsTunnelARHopAddrType`.
- **mplsTunnelARHopAddrType**—The type of address for this MIB entry, either IPv4 or IPv6.
- **mplsTunnelARHopType**—Denotes whether this tunnel hop is routed in a strict or loose manner.
- **mplsTunnelCHopTable** —Entries in this table correspond to the explicit route object (ERO) in RSVP, which is used to signal the LSP. The list of hops in this table will contain those hops that are computed by the constraint-based shortest path first (SPF) algorithm. In those cases where “loose” hops are specified for the tunnel, this table will contain the hops that are “filled-in” between the loose hops to complete the path. If you specify a complete explicit path, the computed hop table matches your specified path.

The computed hop table is indexed by address and hop number. Following the `mplsTunnelCHopTableIndex` pointer from the tunnel table is the best way to retrieve information from this table.

Following is a list and description of each table entry:

- **mplsTunnelCHopListIndex**—The primary index into this table.
- **mplsTunnelCHopIndex**—The secondary index into this table.
- **mplsTunnelCHopAddrType**—Indicates if the address of this hop is the type IPv4 or IPv6.
- **mplsTunnelCHopIpAddr**—The IP address of this hop.
- **mplsTunnelCHopIpPrefixLen**—The prefix length of the IP address.

- `mplsTunnelCHopAsNumber`—This object will contain 0 or the autonomous system number of the hop, depending on the value of `mplsTunnelHopAddrType`.
- `mplsTunnelCHopType`—Denotes whether this tunnel hop is routed in a strict or loose way.
- **`mplsTunnelPerfTable`**—The tunnel performance table, which augments the **`mplsTunnelTable`**, provides packet and byte counters for each tunnel. This table contains the following packet and byte counters:
 - `mplsTunnelPerfPackets`—This packet counter works only for tunnel heads.
 - `mplsTunnelPerfHCPackets`—This packet counter works only for tunnel heads.
 - `mplsTunnelPerfErrors`—This packet counter works only for tunnel heads.
 - `mplsTunnelPerfBytes`—This byte counter works for tunnel heads and tunnel midpoints, but not for tunnel tails.
 - `mplsTunnelPerfHCBytes`—This byte counter works for tunnel heads and tunnel midpoints, but not for tunnel tails.
- `mplsTunnelTrapEnable`—The object type *mplsTunnelTrapEnable* is enhanced to be writable. Accordingly, if this object type is set to “TRUE,” the following notifications are enabled, thus giving you the ability to monitor changes in the operational status of MPLS TE tunnels:
 - `mplsTunnelUp`
 - `mplsTunnelDown`
 - `mplsTunnelRerouted`
 - `mplsTunnelReoptimized`

If the *mplsTunnelTrapEnable* object is set to “FALSE,” such operational status notifications are not generated. These notification functions are based on the definitions (`mplsTeNotifications`) contained in the IETF draft document entitled *draft-ietf-mpls-te-mib-05.txt*.

CLI Access to MPLS EM - TE MIB RFC 3812 Information

The figure below shows commands that you can use to retrieve information from specific tables in the MPLS TE MIB. As noted in this figure, some information in the MPLS TE STD MIB is not retrievable by commands.

Figure 46: Commands for Retrieving MPLS TE STD MIB Information

	show mpls traffic-eng tunnels	show mpls traffic-eng tunnels summary	show ip explicit-paths	show interfaces	Not available in command
mplsTunnelTable	x				x
mplsTunnelHopTable	x	x			
mplsTunnelResourceTable	x				
mplsTunnelARHopTable	x				
mplsTunnelCHopTable	x				
mplsTunnelPerfTable	x		x		
Scalars	x	x			x

03310

Retrieving Information from the MPLS EM - TE MIB RFC 3812

This section describes how to efficiently retrieve information about TE tunnels. Such information can be useful in large networks that contain many TE tunnels.

Traverse across a single column of the mplsTunnelTable, such as mplsTunnelName. This action provides the indexes of every tunnel configuration, and any LSPs involving the host router. Using these indexes, you can perform a GET operation to retrieve information from any column and row of the mplsTunnelTable.

The mplsTunnelTable provides pointers to other tables for each tunnel. The column mplsTunnelResourcePointer, for example, provides an object ID (OID) that you can use to access resource allocation information in the mplsTunnelResourceTable. The columns mplsTunnelHopTableIndex, mplsTunnelARHopTableIndex, and mplsTunnelCHopTableIndex provide the primary index into the mplsTunnelHopTable, mplsTunnelARHopTable, and mplsTunnelCHopTable, respectively. By traversing the MPLS TE STD MIB in this manner using a hop table column and primary index, you can retrieve information pertaining to the hops of that tunnel configuration.

Because tunnels are treated as interfaces, the tunnel table column (mplsTunnelIfIndex) provides an index into the Interfaces MIB that you can use to retrieve interface-specific information about a tunnel.

How to Configure the MPLS EM - TE MIB RFC 3812

Enabling the SNMP Agent to Manage Various MPLS TE Tunnel Chars on the Local Router

The SNMP agent for the MPLS TE STD MIB is disabled by default. To enable the SNMP agent for the MPLS TE STD MIB, perform the following steps.

SUMMARY STEPS

1. `telnet host`
2. `enable`
3. `show running-config`
4. `configure terminal`
5. `snmp-server community string [view view-name] [ro | rw] [ipv6 nacl] [access-list-number]`
6. `snmp-server enable traps [identification-type] [notification-option]`
7. `exit`
8. `write memory`

DETAILED STEPS

	Command or Action	Purpose
Step 1	<p><code>telnet host</code></p> <p>Example:</p> <pre>Router> telnet 192.172.172.172</pre>	Telnet to the router identified by the specified IP address (represented as xxx.xxx.xxx.xxx).
Step 2	<p><code>enable</code></p> <p>Example:</p> <pre>Router# enable</pre>	<p>Enables privileged EXEC mode.</p> <ul style="list-style-type: none"> • Enter your password if prompted.
Step 3	<p><code>show running-config</code></p> <p>Example:</p> <pre>Router# show running-config</pre>	<p>Displays the running configuration to determine if an SNMP agent is already running.</p> <ul style="list-style-type: none"> • If no SNMP information is displayed, go to Step 4. If any SNMP information is displayed, you can modify the information or change it as needed.

	Command or Action	Purpose
Step 4	configure terminal Example: Router# configure terminal	Enters global configuration mode.
Step 5	snmp-server community string [view view-name] [ro rw] [ipv6 nacl] [access-list-number] Example: Router(config)# snmp-server community comaccess ro 4	Enables the read-only (RO) community string.
Step 6	snmp-server enable traps [identification-type] [notification-option] Example: Router(config)# snmp-server enable traps	Enables an LSR to send SNMP notifications or informs to an SNMP host. Note This command is optional. After SNMP is enabled, all MIBs (not just the TE MIB) are available for the user to query.
Step 7	exit Example: Router(config)# exit	Exits global configuration mode and returns to privileged EXEC mode.
Step 8	write memory Example: Router# write memory	Writes the modified configuration to NVRAM, permanently saving the settings.

Verifying the Status of the SNMP Agent

SUMMARY STEPS

1. telnet *host*
2. enable
3. show running-config

DETAILED STEPS

	Command or Action	Purpose
Step 1	telnet host Example: Router# telnet 192.172.172.172	Telnet to the target device identified by the specified IP address (represented as xxx.xxx.xxx.xxx).
Step 2	enable Example: Router# enable	Enables SNMP on the target device.
Step 3	show running-config Example: Router# show running-configs	Displays the running configuration on the target device and is used to examine the output for displayed SNMP information.

Examples

The following example displays the running configuration on the target device and its SNMP information.

```
Router# show running-config
.
.
.
snmp-server community public ro
snmp-server community private ro
```

Any **snmp-server** statement that appears in the output and takes the form shown here verifies that SNMP has been enabled on that device.

Configuration Examples for the MPLS EM - TE MIB RFC 3812

Enabling the SNMP Agent to Manage Various MPLS TE Tunnel Chars on the Local Router Example

The following example shows how to enable an SNMP agent on a host network device:

```
Router# configure terminal
Router(config)# snmp-server community
private
```

The following example shows how to enable SNMPv1 and SNMPv2C. The configuration permits any SNMP agent to access all MPLS TE STD MIB objects with read-only permissions using the community string public.

```
Router(config)# snmp-server community public
```

The following example shows how to allow read-only access to all MPLS TE STD MIB objects relating to members of access list 4 that specify the comaccess community string. No other SNMP agents will have access to any MPLS TE STD MIB objects.

```
Router(config)# snmp-server community comaccess ro 4
```

Additional References

Related Documents

Related Topic	Document Title
MPLS-based functionalities	<ul style="list-style-type: none"> • <i>MPLS Label Distribution Protocol (LDP)</i> • <i>MPLS Label Switching Router MIB</i> • <i>MPLS Scalability Enhancements for the LSC LSR</i> • <i>MPLS Scalability Enhancements for the ATM LSR</i> • <i>MPLS Traffic Engineering (TE)—Automatic Bandwidth Adjustment for MPLS TE Tunnels</i> • <i>MPLS Traffic Engineering (TE)—Scalability Enhancements</i> • <i>MPLS Class of Service Enhancements</i> • <i>RFC 2233 Interfaces MIB</i>

Standards

Standard	Title
draft-ietf-mpls-te-mib-05	MPLS Traffic Engineering Management Information Base Using SMIV2

MIBs

MIB	MIBs Link
MPLS TE MIB Interfaces MIB MPLS TE STD MIB	To locate and download MIBs for selected platforms, Cisco software releases, and feature sets, use Cisco MIB Locator found at the following URL: http://www.cisco.com/go/mibs

RFCs

RFC	Title
RFC 2026	<i>The Internet Standards Process</i>
RFC 3812	Multiprotocol Label Switching (MPLS) Traffic Engineering (TE) Management Information Base (MIB)

Technical Assistance

Description	Link
<p>The Cisco Support website provides extensive online resources, including documentation and tools for troubleshooting and resolving technical issues with Cisco products and technologies.</p> <p>To receive security and technical information about your products, you can subscribe to various services, such as the Product Alert Tool (accessed from Field Notices), the Cisco Technical Services Newsletter, and Really Simple Syndication (RSS) Feeds.</p> <p>Access to most tools on the Cisco Support website requires a Cisco.com user ID and password.</p>	http://www.cisco.com/techsupport

Feature Information for the MPLS EM - TE MIB RFC 3812

The following table provides release information about the feature or features described in this module. This table lists only the software release that introduced support for a given feature in a given software release train. Unless noted otherwise, subsequent releases of that software release train also support that feature.

Use Cisco Feature Navigator to find information about platform support and Cisco software image support. To access Cisco Feature Navigator, go to www.cisco.com/go/cfn. An account on Cisco.com is not required.

Table 118: Feature Information for the MPLS EM - TE MIB RFC 3812

Feature Name	Releases	Feature Information
MPLS-EN TE MIB RFC 3812	12.2(33)SRE	<p>The MPLS EM - TE MIB RFC 3812 feature enables the SNMP agent support in Cisco IOS software for MPLS TE management, as implemented in the MPLS TE STD MIB.</p> <p>The following commands were introduced or modified: snmp-server community, snmp-server enable traps mpls rfc, snmp-server enable traps mpls traffic-eng, snmp-server host.</p>

Glossary

affinity bits—An MPLS traffic engineering tunnel’s requirements on the attributes of the links it will cross. The tunnel’s affinity bits and affinity mask must match with the attributes of the various links carrying the tunnel.

call admission precedence—An MPLS traffic engineering tunnel with a higher priority will, if necessary, preempt an MPLS traffic engineering tunnel with a lower priority. An expected use is that tunnels that are more difficult to route will have a higher priority, and can preempt tunnels that are less difficult to route, on the assumption that those lower priority tunnels can find another path.

constraint-based routing—Procedures and protocols used to determine a route across a backbone taking into account resource requirements and resource availability, instead of simply using the shortest path.

flow —A traffic load entering the backbone at one point—point of presence (POP)—and leaving it from another that must be traffic engineered across the backbone. The traffic load will be carried across one or more LSP tunnels running from the entry POP to the exit POP.

headend —The LSR at which the tunnel originates. The tunnel’s “head” or tunnel interface will reside at this LSR as well.

informs —A type of notification message that is more reliable than a conventional trap notification message because an informs message requires acknowledgment.

label —A short, fixed-length data construct that tells switching nodes how to forward data (packets or cells).

label switched path (LSP) tunnel—A configured connection between two routers, using label switching to carry the packets.

LSP —label switched path. A path that is followed by a labeled packet over several hops, starting at an ingress LSR and ending at an egress LSR.

LSR —label switch router. A Layer 3 router that forwards a packet based on the value of a label encapsulated in the packet.

MIB—Management Information Base. A database of network management information (consisting of MIB objects) that is used and maintained by a network management protocol such as SNMP. The value of a MIB object can be changed or retrieved using SNMP commands, usually by a GUI-based network management system. MIB objects are organized in a tree structure that includes public (standard) and private (proprietary) branches.

MPLS—Multiprotocol Label Switching. Switching method that forwards IP traffic using a label. This label instructs the routers and the switches in the network where to forward the packets based on preestablished IP routing information.

NMS—network management station. An NMS is a powerful, well-equipped computer (typically an engineering workstation) that is used by a network administrator to communicate with other devices in the network. An NMS is typically used to manage network resources, gather statistics, and perform a variety of network administration and configuration tasks.

notification—A message sent by an SNMP agent to a network management station, console, or terminal to indicate that a significant event within Cisco IOS software has occurred (see traps).

OSPF—Open Shortest Path First. A link-state routing protocol used for routing IP.

RSVP—Resource Reservation Protocol. Protocol for reserving network resources to provide quality of service (QoS) guarantees to application flows.

SNMP—Simple Network Management Protocol. A network management protocol used almost exclusively in TCP/IP networks. SNMP provides a means to monitor and control network devices, manage configurations, collect statistics, monitor performance, and ensure network security.

tailend—The downstream, receive end of a tunnel.

traffic engineering—Techniques and processes that cause routed traffic to travel through the network on a path other than the one that would have been chosen if standard routing methods were used.

trap—A message sent by an SNMP agent to a network management station, console, or terminal to indicate that a significant event within Cisco IOS software has occurred. Traps (notifications) are less reliable than inform requests, because the receiver of the trap does not send an acknowledgment of receipt; furthermore, the sender of the trap cannot determine if the trap was received (see notification).

VCC—virtual channel connection. A VCC is a logical circuit consisting of VCLs that carries data between two endpoints in an ATM network. Sometimes called a virtual circuit connection.

VCI—virtual channel identifier. A 16-bit field in the header of an ATM cell. The VCI, together with the VPI, is used to identify the next network VCL as the cell passes through a series of ATM switches on its way to its final destination.

VCL—virtual channel link. A VCL is the logical connection that exists between two adjacent switches in an ATM network.

VPI—virtual path identifier. An 8-bit field in the header of an ATM cell. The VPI, together with the VCI, is used to identify the next network VCL as the cell passes through a series of ATM switches on its way to its final destination.



CHAPTER 15

Point-to-Multipoint MPLS-TE MIB

The point-to-multipoint (P2MP) Multiprotocol Label Switching (MPLS)-traffic engineering (TE) MIB describes the Label Switched Path (LSP) in an IP MPLS network. An administrator can use the P2MP MPLS-TE MIB to determine optimal branch points in the network so that optimal links are used.

The P2MP MPLS-TE MIB has the following benefits:

- Provides a standards-based Simple Network Management Protocol (SNMP) interface for retrieving information about P2MP MPLS-TE tunnels.
 - Shows traffic flow information for P2MP MPLS-TE tunnels.
 - Shows P2MP MPLS-TE tunnel routes, including the configured route, the Interior Gateway Protocol (IGP) calculated route, and the actual route traversed.
 - Shows tunnel reroute information in the event of a link failure in accordance with the Interfaces MIB.
 - Shows information about the configured resources used for an P2MP MPLS-TE tunnel.
 - Supports the generation of notifications. These notifications call attention to major changes in the operational status of P2MP MPLS-TE tunnels.
 - Forwards notification messages to a designated network management server (NMS) for evaluation or action by administrators.
-
- [Finding Feature Information, page 457](#)
 - [Restrictions for Point-to-Multipoint MPLS-TE MIB, page 458](#)
 - [Information About the Point-to-Multipoint MPLS-TE MIB, page 458](#)
 - [How to Configure the Point-to-Multipoint MPLS-TE MIB, page 464](#)
 - [Additional References, page 466](#)
 - [Feature Information for Point-to-Multipoint MPLS-TE MIB, page 467](#)

Finding Feature Information

Your software release may not support all the features documented in this module. For the latest caveats and feature information, see [Bug Search Tool](#) and the release notes for your platform and software release. To

find information about the features documented in this module, and to see a list of the releases in which each feature is supported, see the feature information table at the end of this module.

Use Cisco Feature Navigator to find information about platform support and Cisco software image support. To access Cisco Feature Navigator, go to www.cisco.com/go/cfn. An account on Cisco.com is not required.

Restrictions for Point-to-Multipoint MPLS-TE MIB

The P2MP MPLS-TE MIB supports read-only access to the objects.

Information About the Point-to-Multipoint MPLS-TE MIB

Point-to-Multipoint MPLS-TE MIB Cisco Implementation

The P2MP MPLS-TE MIB is based on the Internet Engineering Task Force (IETF) draft MIB entitled *draft-ietf-mpls-p2mp-te-mib-09*, which includes objects describing features that support P2MP MPLS-TE.

The SNMP objects defined in the P2MP MPLS-TE MIB can be displayed by any standard SNMP utility. All supported P2MP MPLS-TE MIB objects are based on the IETF draft MIB; thus, no specific Cisco SNMP application is required to support the functions and operations pertaining to the P2MP MPLS-TE MIB.

The P2MP MPLS-TE LSP determines optimal branch points in the IP and MPLS network and must be managed using SNMP.

MPLS was defined in RFC 3031, and a signaling protocol for P2MP MPLS-TE, that is, TE extensions to the Resource Reservation Protocol (RSVP-TE) was defined in RFC 3209. RSVP-TE is extended for use in a P2MP MPLS-TE environment by RFC 4875 following the requirements set out in RFC 4461.

RFC 3812 provides a MIB module for modeling and controlling P2MP MPLS-TE in conjunction with Textual Conventions defined in RFC 3811. In addition, RFC 3813 defines a MIB module for modeling and controlling an MPLS Label Switching Router (LSR) that may support MPLS-TE. An overview of MPLS MIB modules can be found in RFC 4221.

In addition, there is a description for how to use the LSR MIB module RFC 3813 to model and control an LSR that supports P2MP MPLS-TE.

Functionality Supported by the Point-to-Multipoint MPLS-TE MIB

- The ability to generate and queue notification messages that signal changes in the operational status of P2MP MPLS-TE tunnels.
- The ability to enable, disable, and configure notification messages for P2MP MPLS-TE tunnels through extensions to existing SNMP commands.
- The ability to specify the name or the IP address of a network management station (NMS) in the operating environment to which notification messages are to be sent.
- The ability to write notification configurations into nonvolatile memory.

Notification Generation Events for the Point-to-Multipoint MPLS-TE MIB

When P2MP MPLS-TE notifications are enabled (see the `snmp-server enable traps mpls p2mp-traffic-eng` command), notification messages relating to specific events within Cisco software are generated and sent to a specified NMS in the network. For example, an `mplsTeP2mpTunnelDestUp` notification is sent to an NMS when an P2MP MPLS-TE tunnel is configured and the tunnel transitions from an operationally “down” state to an “up” state. Conversely, an `mplsTeP2mpTunnelDestDown` notification is generated and sent to an NMS when an MPLS-TE tunnel transitions from an operationally “up” state to a “down” state.

An up or down trap is generated per sub-LSP when a sub-LSP up or down event is triggered. The traps have two Varbinds:

- `cmplsTeP2mpTunnelDestAdminStatus`
- `cmplsTeP2mpTunnelDestOperStatus`

Each trap object is indexed by 12 indices:

- `mplsTunnelIndex`
- `mplsTunnelInstance`
- `mplsTunnelIngressLsrId`
- `mplsTunnelEgressLsrId`
- `mplsTeP2mpTunnelDestSrcSubGroupOriginType`
- `mplsTeP2mpTunnelDestSrcSubGroupOrigin`
- `mplsTeP2mpTunnelDestSrcSubGroupID`
- `mplsTeP2mpTunnelDestSubGroupOriginType`
- `mplsTeP2mpTunnelDestSubGroupOrigin`
- `mplsTeP2mpTunnelDestSubGroupID`
- `mplsTeP2mpTunnelDestDestinationType`
- `mplsTeP2mpTunnelDestDestination`

Supported Objects in the Point-to-Multipoint MPLS-TE MIB

Using any standard SNMP network management application, you can retrieve and display information from the P2MP MPLS-TE MIB (CISCO-IETF-MPLS-TE-P2MP-MIB) by using GET operations; similarly, you can traverse information in the MIB database for display by using GETNEXT operations.



Note

The **show mpls traffic-eng tunnels** command can be used to see the value of various objects discussed in this section through the CLI.

The point-to-multipoint MIB tables and objects supported in Cisco IOS releases follow. Important MIB tables (those highlighted in bold type) are described briefly in accompanying text.

Following is a list and description of each entry for the supported P2MP MPLS-TE MIB Scalar objects:

- `mplsTeP2mpTunnelConfigured`—Total number of P2MP MPLS-TE tunnels configured on this device. A tunnel is considered configured if the `mplsTunnelRowStatus` in MPLS-TE-STD-MIB is active.
- `mplsTeP2mpTunnelActive`—Total number of P2MP MPLS-TE tunnels active on this device.

mplsTeP2mpTunnelTable

The `mplsTeP2mpTunnelTable` allows new P2MP MPLS-TE tunnels to be created between an LSR and one or more remote endpoints, and existing P2MP MPLS-TE tunnels to be reconfigured or removed. This table augments the `mplsTunnelTable` in the MPLS-TE-STD-MIB so that the entries in that table can be flagged as point-to-multipoint, and can be configured and monitored appropriately. The `mplsTeP2mpTunnelTable` is indexed by four indices similar to the `mplsTunnelTable`:

- `mplsTunnelIndex`
- `mplsTunnelInstance`
- `mplsTunnelIngressLSRId`
- `mplsTunnelEgressLSRId`

The `mplsTunnelEgressLSRId` maps to the P2MP MPLS-TE subgroup-id of the sub-lsp. The subgroup-id is zero for the P2MP MPLS-TE LSP virtual interface (VIF). Therefore, the `mplsTunnelEgressLSRId` has a zero value for the P2MP MPLS-TE LSP VIF. The mapping of the remainder of the indices is similar to those found in the MPLS-TE MIB.

The following is a list and description of each supported `mplsTeP2mpTunnelTable` object:

- `mplsTeP2mpTunnelBranchRole`—Supplements the value in the object `mplsTunnelRole` in MPLS-TE-STD-MIB that indicates the role of this LSR in the tunnel represented by this entry in `mplsTeP2mpTunnelTable`. This object supports the head, transit, and tail in order to describe the role of LSR for the tunnel. The following objects describe the `mplsTunnelRole`:
 - `RRR_MGMT_TUN_ROLE_HEAD`—Contains the value `D_cmplsTeP2mpTunnelBranchRole_notBranch`.
 - `RRR_MGMT_TUN_ROLE_MID`—Contains the value `D_cmplsTeP2mpTunnelBranchRole_branch`.
 - `RRR_MGMT_TUN_ROLE_TAIL`—Contains the value `D_cmplsTeP2mpTunnelBranchRole_notBranch`.
- `mplsTeP2mpTunnelP2mpXcIndex`—Contains the value of `mplsXCIndex`, the primary index of the `mplsXCTable` for all cross-connect entries for this P2MP MPLS-TE LSP.
- `mplsTeP2mpTunnelRowStatus`—Contains the variable used to create, modify, and delete a row in this table. The row in this table is in the active state only and no objects in that row can be modified by the agent except for the `mplsTeP2mpTunnelRowStatus` and `mplsTeP2mpTunnelStorageType`.
- `mplsTeP2mpTunnelStorageType`—Contains the storage type for this tunnel entry that may or may not be marked “volatile” because this value may or may not be persisted.

mplsTeP2mpTunnelDestTable

An entry in this table represents a destination of a P2MP MPLS-TE tunnel. Entries in this table share some index fields with the `mplsTeP2mpTunnelTable` and the `mplsTunnelTable` in MPLS-TE-STD-MIB. Entries in this table have no meaning unless there is a corresponding entry in `mplsTeP2mpTunnelTable` (which, itself, depends on a corresponding entry in `mplsTunnelTable`). This table shows information about sub-LSPs (one entry per destination of the tunnel). An entry to a destination is considered as sub-lsp.

The first three `mplsTeP2mpTunnelDestTable` indices are the same as the MPLS-TE MIB:

- `mplsTunnelIndex`
- `mplsTunnelInstance`
- `mplsTunnelIngressLSRId`

The fourth index entry, `mplsTunnelEgressLSRId` maps to the P2MP MPLS-TE ID. The remainder of the indices are as follows:

- `mplsTeP2mpTunnelDestSrcSubGroupOriginType`
- `mplsTeP2mpTunnelDestSrcSubGroupOrigin`
- `mplsTeP2mpTunnelDestSrcSubGroupID`
- `mplsTeP2mpTunnelDestSubGroupOriginType`
- `mplsTeP2mpTunnelDestSubGroupOrigin`
- `mplsTeP2mpTunnelDestSubGroupID`
- `mplsTeP2mpTunnelDestDestinationType`
- `mplsTeP2mpTunnelDestDestination`

The following is a list and description of each supported `mplsTeP2mpTunnelDestTable` object:

- `mplsTeP2mpTunnelDestSrcSubGroupOriginType`—Identifies the IPv4 address carried in `mplsTeP2mpTunnelDestSrcSubGroupOrigin` object at a transit or egress LSR and has a value unknown (0) for an ingress LSR.
- `mplsTeP2mpTunnelDestSrcSubGroupOrigin`—Contains the TE Router ID (reachable and stable IP address) of the originator of the P2MP MPLS-TE subgroup as received on a Path message by a transit or egress LSR. This object maps to the ingress LSR ID for a egress and transit LSR and unknown (0) for ingress LSR.
- `mplsTeP2mpTunnelDestSrcSubGroupID`—Contains the unique identifier assigned by the subgroup originator for this subgroup of this P2MP MPLS-TE tunnel as received on a Path message by a transit or egress LSR. This object maps to the subgroup ID for the sub-LSP to this destination for an egress and transit LSR ID and 0 for Ingress. The `rrr_get_lsp_id_p2mp_subgroup_id(lsp_id)` is used to fetch the value at egress or transit.
- `mplsTeP2mpTunnelDestSubGroupOriginType`—Identifies the IPv4 address carried in the `mplsTeP2mpTunnelDestSubGroupOrigin` object.
- `mplsTeP2mpTunnelDestSubGroupOrigin`—Contains the TE Router ID (reachable and stable IP address) of the originator of the P2MP MPLS-TE subgroup. In many cases, this is the ingress LSR of the P2MP MPLS-TE tunnel and is the received signaled value as available in `mplsTeP2mpTunnelDestSrcSubGroupOrigin` object. This object maps to Ingress LSR ID.



Note The `show mpls traffic-eng tunnels` command can be used to list the source address for tunnel that maps to this object's value.

- **mplsTeP2mpTunnelDestSubGroupOrigin**—Contains the unique identifier assigned by the subgroup originator for this subgroup of this P2MP MPLS-TE tunnel. This object has the value of subgroup ID of the sub-LSP. At egress, this contains the value of **mplsTeP2mpTunnelDestSrcSubGroupID**.
- **mplsTeP2mpTunnelDestDestinationType**—Identifies the IPv4 address carried in the **mplsTeP2mpTunnelDestDestination** object.
- **mplsTeP2mpTunnelDestDestination**—Identifies the single destination of this P2MP MPLS-TE tunnel that is the TE address of a leaf that can be routed. This is often the TE Router ID of the leaf, but can be any interface address. When a signaling protocol is used, this object corresponds to the S2L sub-LSP destination address field in the S2L_SUB_LSP object. This object maps to the destination address of the sub-LSP.
- **mplsTeP2mpTunnelDestBranchOutSegment**—Identifies the outgoing branch from this LSR towards the destination represented by this table entry. It must be a unique identifier within the scope of this tunnel. This object contains an index into **mplsOutSegmentTable** object. This value maps to **mplsOutSegmentIndex** of the MPLS-LSR-STD-MIB. The LSR MIB shows the outgoing branches at a bud node. This **outsegmentindex** value (for each outsegment) is mapped to each sub-LSP.
- **mplsTeP2mpTunnelDestHopTableIndex**—Provides the index into the **mplsTunnelHopListIndex** of **mplsTunnelHopTable** of RFC TE MIB entry that specifies the explicit route hops for this destination of the P2MP MPLS-TE tunnel. This index is only valid for head entries. For nonhead entries the value is zero.
- **mplsTeP2mpTunnelDestPathInUse**—Contains the value that denotes the configured path that was chosen as the explicit path to this destination of this P2MP MPLS-TE tunnel. This value reflects the secondary index into **mplsTunnelHopTable** where the primary index comes from **mplsTeP2mpTunnelDestHopTableIndex**. This object maps to **mplsTunnelPathOptionIndex** of RFC TE MIB. TE only supports one path-option to be configured per sub-LSP, so the **mplsTeP2mpTunnelDestPathInUse** object is always 1.
- **mplsTeP2mpTunnelDestCHopTableIndex**—Provides the index into the **mplsTunnelCHopTable** that identifies the explicit path for this destination of the P2MP MPLS-TE tunnel. This object maps to **mplsTunnelCHopListIndex** of RFC TE MIB.
- **mplsTeP2mpTunnelDestARHopTableIndex**—Provides the index into the **mplsTunnelARHopTable** that identifies the actual hops traversed to this destination of the P2MP MPLS-TE tunnel. This is automatically updated by the agent when the actual hops become available. This object maps to **mplsTunnelARHopTableIndex** of RFC TE MIB.
- **mplsTeP2mpTunnelDestAdminStatus**—Indicates the desired operational status of this destination of this P2MP MPLS-TE tunnel. Status can be up or down.
- **mplsTeP2mpTunnelDestOperStatus**—Indicates the actual operational status of this destination of this P2MP MPLS-TE tunnel.
- **mplsTeP2mpTunnelDestRowStatus**—Creates, modifies, and/or deletes a row in this table. When a row in this table is in the active (1) state, no objects in that row can be modified by SET operations except **mplsTeP2mpTunnelDestAdminStatus** and **mplsTeP2mpTunnelDestStorageType**.
- **mplsTeP2mpTunnelDestStorageType**—Indicates the storage type for this table entry which is permanent. Conceptual rows having the value “permanent” do not allow write-access to any columnar objects in the row.

mplsTeP2mpTunnelBranchPerfBranch

An entry in this table provides information about P2MP MPLS-TE Tunnel. The mapping of the first four indices is similar to `mplsTeP2mpTunnelTable`. The table shows the outsegment information for head and transit entries. For tail entries, the entries are shown to display that tails are configured but values for objects are not provided.

This table has five indices:

- `mplsTunnelIndex`
- `mplsTunnelInstance`
- `mplsTunnelIngressLSRId`
- `mplsTunnelEgressLSRId`
- `mplsTunnelBranchPerfBranch`

The following is a list and description of each supported `mplsTeP2mpTunnelBranchPerfBranch` object:

- `mplsTeP2mpTunnelBranchPerfBranch`—Identifies an outgoing branch from this LSR for this tunnel. Its value is unique within the context of the tunnel. If `MPLS-LSR-STD-MIB` is implemented, this object should contain an index into `mplsOutSegmentTable`. Under all circumstances, this object should contain the same value as `mplsTeP2mpTunnelDestBranchOutSegment` for destinations reached on this branch. This value maps to `mplsOutSegmentIndex` of `MPLS-LSR-STD-MIB`.
- `mplsTeP2mpTunnelBranchPerfPackets`—Displays the number of packets forwarded by the tunnel onto this branch. This object should represent the 32-bit value of the least significant part of the 64-bit value if both `mplsTeP2mpTunnelBranchPerfHCPackets` is returned. This object should be read in conjunction with `mplsTeP2mpTunnelBranchDiscontinuityTime` object.



Note The **show interface tunnel** command can be used to see the value of packets.

- `mplsTeP2mpTunnelBranchPerfHCPackets`—Displays the High Capacity counter for number of packets forwarded by the tunnel onto this branch.
- `mplsTeP2mpTunnelBranchPerfErrors`—Displays the number of packets dropped because of errors or for other reasons, that were supposed to be forwarded onto this branch for this tunnel. This object should be read in conjunction with `mplsTeP2mpTunnelBranchDiscontinuityTime` object.
- `mplsTeP2mpTunnelBranchPerfBytes`—Displays the number of bytes forwarded by the tunnel onto this branch. This object should represent the 32-bit value of the least significant part of the 64-bit value if both `mplsTeP2mpTunnelBranchPerfHCBytes` is returned. This object should be read in conjunction with `mplsTeP2mpTunnelBranchDiscontinuityTime` object.



Note The **show mpls forwarding-table** command can be used to verify the values.

- `mplsTeP2mpTunnelBranchLocalLabel`—Displays the local MPLS label for this branch.



Note Use the **show mpls traffic-eng forwarding path-set** and **show cef path set detail** commands can also be used to view label information.

- `cmplsTeP2mpTunnelBranchOutIfIndex`—Displays the index of outgoing TE link physical interface for the P2MP MPLS-TE egress tunnel branch. It is nonzero when the P2MP MPLS-TE tunnel's outgoing branch has been signaled.
- `cmplsTeP2mpTunnelBranchOutLabel`—Displays the outgoing MPLS label for this branch.



Note Use the **show mpls traffic-eng forwarding path-set** and **show cef path set detail** commands can also be used to view label information.

- `cmplsTeP2mpTunnelBranchInIfIndex`—Displays the index of incoming TE link physical interface for the P2MP MPLS-TE ingress tunnel branch. It is nonzero when the P2MP MPLS-TE tunnel's incoming branch has been signaled and it is applicable only on midpoint routers for tunnels having out-segment up and running.

How to Configure the Point-to-Multipoint MPLS-TE MIB

Configuring the Router to Send SNMP Notifications to a Host for Monitoring Point-to-Multipoint MPLS-TE

Although you can set the *community-string* argument using the **snmp-server host** command by itself, we recommend that you define this string using the **snmp-server community** command prior to using the **snmp-server host** command.

Perform this task to configure the router to send SNMP notifications to a host to monitor P2MP MPLS-TE. The ability to display SNMP notifications helps in managing P2MP MPLS-TE sessions by determining if any P2MP MPLS-TE sessions between peers are up or down.

The **snmp-server host** command specifies which hosts receive notifications or traps. The **snmp-server enable traps** command globally enables the trap production mechanism for the specified traps.

For a host to receive a trap, an **snmp-server host** command must be configured for that host, and, generally, the trap must be enabled globally through the **snmp-server enable traps** command.

SUMMARY STEPS

1. **enable**
2. **configure terminal**
3. **snmp-server host *host-address* *community-string* *udp-port* *port* **p2mp-traffic-eng****
4. **snmp-server enable traps mpls p2mp-traffic-eng [*down* | *up*]**
5. **end**

DETAILED STEPS

	Command or Action	Purpose
Step 1	enable	Enables privileged EXEC mode.

	Command or Action	Purpose
	<p>Example:</p> <pre>Router> enable</pre>	<ul style="list-style-type: none"> Enter your password if prompted.
Step 2	<p>configure terminal</p> <p>Example:</p> <pre>Router# configure terminal</pre>	Enters global configuration mode.
Step 3	<p>snmp-server host <i>host-address</i> <i>community-string</i> udp-port <i>port</i> p2mp-traffic-eng</p> <p>Example:</p> <pre>Router(config)# snmp-server host 172.20.2.160 comp2mppublic udp-port 162 p2mp-traffic-eng</pre>	<p>Specifies the recipient of an SNMP notification operation.</p> <ul style="list-style-type: none"> The <i>host-address</i> argument specifies the name or Internet address of the host (the targeted recipient). The <i>community-string</i> argument is a password-like community string sent with the notification operation. The udp-port <i>port</i> keyword-argument pair names the UDP port of the host to use. The default is 162. The p2mp-traffic-eng keyword specifies that P2MP MPLS-TE SNMP traps are allowed to be sent to the host.
Step 4	<p>snmp-server enable traps mpls p2mp-traffic-eng [down up]</p> <p>Example:</p> <pre>Router(config)# snmp-server enable traps mpls p2mp-traffic-eng</pre>	<p>Enables the router to send P2MP MPLS-TE SNMP traps.</p> <ul style="list-style-type: none"> (Optional) The down keyword enables or disables P2MP MPLS-TE tunnel down trap notifications (mplsTeP2mpTunnelDestDown). This message is generated when a P2MP MPLS-TE tunnel between the router and its destination is terminated. (Optional) The up keyword enables or disables P2MP MPLS-TE tunnel up trap notifications (mplsTeP2mpTunnelDestUp). This notification is generated when the router establishes a P2MP MPLS-TE tunnel between the router and its destination is established.
Step 5	<p>end</p> <p>Example:</p> <pre>Router(config)# end</pre>	(Optional) Exits to privileged EXEC mode.

Additional References

Related Documents

Related Topic	Document Title
Cisco IOS commands	Cisco IOS Master Commands List, All Releases
MPLS commands	Cisco IOS Multiprotocol Label Switching Command Reference
MPLS: Embedded Management and MIBs	<i>MPLS: Embedded Management and MIBs Configuration Guide</i>

Standards and RFCs

Standard/RFC	Title
draft-ietf-mpls-p2mp-te-mib-09	<i>Point-to-Multipoint Multiprotocol Label Switching (MPLS) Traffic Engineering (TE) Management Information Base (MIB) module</i>
RFC 3031	<i>Multiprotocol Label Switching Architecture</i>
RFC 3209	<i>RSVP-TE: Extensions to RSVP for LSP Tunnels</i>
RFC 3811	<i>Definitions of Textual Conventions (TCs) for Multiprotocol Label Switching (MPLS) Management</i>
RFC 3812	<i>Multiprotocol Label Switching (MPLS) Traffic Engineering (TE) Management Information Base (MIB)</i>
RFC 3813	<i>Multiprotocol Label Switching (MPLS) Label Switching Router (LSR) Management Information Base (MIB)</i>
RFC 4221	<i>Multiprotocol Label Switching (MPLS) Management Overview</i>

Standard/RFC	Title
RFC 4875	<i>Extensions to Resource Reservation Protocol - Traffic Engineering (RSVP-TE) for Point-to-Multipoint TE Label Switched Paths (LSPs)</i>
RFC4461	<i>Signaling Requirements for Point-to-Multipoint Traffic-Engineered MPLS Label Switched Paths (LSPs)</i>

MIBs

MIB	MIBs Link
CISCO-IETF-MPLS-TE-P2MP-MIB (draft-ietf-mpls-p2mp-te-mib-09) MPLS-TE-MIB Interfaces MIB MPLS-TE-STD-MIB	To locate and download MIBs for selected platforms, Cisco software releases, and feature sets, use Cisco MIB Locator found at the following URL: http://www.cisco.com/go/mibs

Technical Assistance

Description	Link
The Cisco Support and Documentation website provides online resources to download documentation, software, and tools. Use these resources to install and configure the software and to troubleshoot and resolve technical issues with Cisco products and technologies. Access to most tools on the Cisco Support and Documentation website requires a Cisco.com user ID and password.	http://www.cisco.com/cisco/web/support/index.html

Feature Information for Point-to-Multipoint MPLS-TE MIB

The following table provides release information about the feature or features described in this module. This table lists only the software release that introduced support for a given feature in a given software release train. Unless noted otherwise, subsequent releases of that software release train also support that feature.

Use Cisco Feature Navigator to find information about platform support and Cisco software image support. To access Cisco Feature Navigator, go to www.cisco.com/go/cfn. An account on Cisco.com is not required.

Table 119: Feature Information for Point-to-Multipoint MPLS-TE MIB

Feature Name	Releases	Feature Information
Point-to-Multipoint MPLS-TE MIB	15.2(1)S	<p>The point-to-multipoint (P2MP) Multiprotocol Label Switching (MPLS)-traffic engineering (TE) MIB describes the Label Switched Path (LSP) in the IP and MPLS network. An administrator can use the P2MP MPLS-TE MIB to determine optimal branch points in the network so that optimal links are used.</p> <p>This feature was introduced in Cisco IOS Release 15.2(1)S.</p> <p>The following commands were introduced or modified:</p> <p>snmp-server enable traps mpls p2mp-traffic-eng, snmp-server host udp-port p2mp-traffic-eng</p>



MPLS-TP MIB

The Multiprotocol Label Switching Transport Profile (MPLS-TP) allows you to meet your transport requirements as those requirements evolve from Synchronous Optical Networking (SONET) and Synchronous Digital Hierarchy (SDH) time-division multiplexing (TDM) technologies to MPLS and Ethernet technologies. Currently, a strong momentum for MPLS-TP in terms of both rapid standards development and increasing market demand exists. MPLS-TP technologies have been recently requested by multiple service providers for packet transport primarily in the aggregation networks and access networks while the core network remains MPLS (MPLS-TP is being considered for core transport as well by one or two providers). Service providers aim at using MPLS-TP to support the following deployment scenarios: Ethernet services, mobile backhaul, Asynchronous Transfer Mode (ATM) aggregation replacement, video transport, and long haul transport.

MPLS TP MIB allows you to poll MPLS-TP configured nodes via Simple Network Management Protocol (SNMP) and monitor and manage the MPLS-TP network.

- [Finding Feature Information, page 469](#)
- [Prerequisites for MPLS-TP MIB, page 470](#)
- [Restrictions for MPLS-TP MIB, page 470](#)
- [Information about MPLS-TP MIB, page 470](#)
- [How to Configure MPLS-TP MIB, page 481](#)
- [Configuration Examples for MPLS-TP MIB, page 483](#)
- [Additional References, page 484](#)
- [Feature Information for MPLS-TP MIB, page 485](#)

Finding Feature Information

Your software release may not support all the features documented in this module. For the latest caveats and feature information, see [Bug Search Tool](#) and the release notes for your platform and software release. To find information about the features documented in this module, and to see a list of the releases in which each feature is supported, see the feature information table at the end of this module.

Use Cisco Feature Navigator to find information about platform support and Cisco software image support. To access Cisco Feature Navigator, go to www.cisco.com/go/cfn. An account on Cisco.com is not required.

Prerequisites for MPLS-TP MIB

- General knowledge of SNMP
- Software used to query Cisco devices via SNMP

Restrictions for MPLS-TP MIB

- MPLS-TP MIB doesn't specify any traps for TP and thus no trap support is provided.
- The MPLS-TP MIB module supports point-to-point, co-routed bi-directional tunnels.

Information about MPLS-TP MIB

Overview of MPLS-TP MIB

MPLS-TP MIB is part of the SNMP process. The MIB interacts with MPLS-TP functions to get the data required for objects and indices.

The following MIBs are implemented:

- CISCO-MPLS-TC-EXT-STD-MIB
- CISCO-MPLS-ID-STD-MIB
- CISCO-MPLS-LSR-EXT-STD-MIB
- CISCO-MPLS-TE-EXT-STD-MIB

CISCO-MPLS-TC-EXT-STD-MIB

This MIB module contains textual conventions for MPLS-based transport networks.

Textual Convention	Description (from IETF draft)
MplsGlobalId	This object contains the textual convention of the operator unique identifier (Global_ID). The Global_ID can contain the 2-octet or 4-octet value of the operator's Autonomous System Number (ASN). When the Global_ID is derived from a 2-octet AS number, the two high-order octets of this 4-octet identifier MUST be set to zero. ASN 0 is reserved. A Global_ID of zero means that no Global_ID is present.

MplsNodeId	The Node_ID is assigned within the scope of the Global_ID. The value 0 (or 0.0.0.0 in dotted decimal notation) is reserved and MUST NOT be used. When IPv4 addresses are in use, the value of this object can be derived from the LSR's /32 IPv4 loop back address.
MplsLocalId	<p>This textual convention is used in accommodating the bigger size Global_Node_ID and/or ICC with lower size LSR identifier in order to index mplsTunnelTable. The Local Identifier is configured between 1 and 16777215, as the valid IP address range starts from 16777216 (01.00.00.00). This range is chosen to identify the mplsTunnelTable's Ingress/Egress.</p> <p>LSR-id is the IP address or local identifier. If the configured range is not an IP address, the administrator is expected to retrieve the complete information (Global_Node_ID) from mplsNodeConfigTable. This way, the existing mplsTunnelTable is reused for bidirectional tunnel extensions for MPLS-based transport networks.</p>

CISCO-MPLS-ID-EXT-STD-MIB

This MIB module contains generic object definitions for MPLS Traffic Engineering in transport networks.

Object	Description (from IETF draft)
mplsGlobalId	This object allows the administrator to assign a unique operator identifier also called MPLS-TP Global_ID.
mplsNodeId	This object allows the operator or service provider to assign a unique MPLS-TP Node_ID. The Node_ID is assigned within the scope of the Global_ID.

MPLS LSR STD MIB

Existing Label Switch Router (LSR) MIB functions are used to fetch values for the tables below. For TP, an FPI type of FPI_IF4 is used for IPv4. Only IPv4 is supported in this release.

- **At the endpoints.** For each tunnel, there is one entry for mplsOutSegmentTable [RFC 3813] showing the outsegment label and one entry for mplsInSegmentTable [RFC 3813] for the working LSP. Similarly, an entry is shown to the protected LSP. The assumption is that both working and protected LSPs are configured. If only one working LSP and one protected LSP is configured, the entries are displayed

accordingly. There are 2 entries per tunnel for mplsXCTable [RFC 3813] for a working LSP and similarly to a protected LSP.

- **At the midpoints.** For a co-routed bidirectional tunnel, a midpoint has forward and reverse LSPs configured. Thus, there are a pair of mplsInSegmentTable and mplsOutSegmentTable entries for the forward LSP and a pair of mplsInSegmentTable and mplsOutSegmentTable entries for the reverse LSP. If the working and protected LSPs are configured then the above listed entries are shown for both protected and working LSPs. For mplsXCTable, there are two entries—one for the forward LSP and one for the reverse LSP. If the config has working and protected LSPs configured, then the above listed mplsXCTable entries are shown for both protected and working LSPs.
- **Indexing for mplsOutSegmentTable, mplsInSegmentTable and mplsXCTable.** mplsXCTable is indexed by mplsXCIndex [RFC3813], mplsXCInSegmentIndex [RFC3813], and mplsXCOutSegmentIndex [RFC3813]. The mplsXCInSegmentIndex, which is the same as mplsInSegmentIndex, is a 4-byte octet string containing the local label. The mplsXCIndex for TP is represented in the octet string format. The FPI value of FPI_IF4 is taken from file lsd_common_issu_sensitive.enum. The FPI value of 3 is used for TP.

- At the endpoint, mplsXCIndex is represented as an octet string that contains fpi_type, tunnel index, and the LSP identifier. The LSP identifier specifies if the LSP is working or protected. The LSP identifier can be of either two types: CFC_MPLS_CP_LSP_TYPE_WORKING - working LSP (integer value 2) or CFC_MPLS_CP_LSP_TYPE_PROTECT - protected LSP (integer value 3).

```

|----|      |----| |----| |----| |----|      |----|
FPI = 3      Tunnel-id                                LSP_ident

```



Note Internally, Tunnel-id is used to get if_number (outgoing interface) and if_number is used to poll MFI where
|----|
equals 1 byte.

- At the midpoint, mplsXCIndex is represented by an octet string that contains fpi_type and in-label. The Fpi_type value is 0 for label.

```

|----|      |----| |----| |----| |----|
FPI = 0      Label

```

mplsXCOutSegmentIndex is the same as mplsOutSegmentIndex, which is the same as mplsXCIndex plus moi_index. The last two bytes in mplsOutSegmentIndex contain the MOI list index.

A new cfc_mpls_cp_lsr_mib_rfc_get_tp_label_id MIB function will be created for the MIB team to fetch TP-related data.

Object	Value and function used to get the value
mplsOutSegmentTable	
mplsOutSegmentIndex	This object contains the outsegment index as explained above. The cfc_mpls_cp_lsr_mib_rfc_get_outseg_entry function is used to get this value.

mplsOutSegmentInterface	This object contains the outsegment interface that comes from the IDB. The <code>cfc_mpls_cp_lsrmb_rfc_get_outseg_entry</code> function is used to get this value.
mplsOutSegmentPushTopLabel	This object is set to <code>D_mplsOutSegmentPushTopLabel_true</code> .
mplsOutSegmentTopLabel	The <code>lsrmib_get_top_label</code> function is used to get this value.
mplsOutSegmentTopLabelPtr	Set to 0.0.
mplsOutSegmentNextHopAddrType	The value of <code>mfi_out_info.nh.type</code> provides the value of this object.
mplsOutSegmentNextHopAddr	The value of <code>mfi_out_info.nh.ip_addr</code> provides the value of this object.
mplsOutSegmentXCIndex	This object contains <code>mplsXCIndex</code> from <code>mplsXCTable</code> . The <code>cfc_mpls_cp_lsrmb_rfc_get_xc_search_indices</code> function is used to get this value.
mplsOutSegmentOwner	Will add a new a macro: <code>LSRMIB_MPLS_FPI_IF4</code> and this will map to <code>D_mplsOutSegmentOwner_tp</code> .
mplsOutSegmentTrafficParamPtr	Always set to 0.0.
mplsOutSegmentRowStatus	<code>D_mplsOutSegmentRowStatus_active</code>
mplsOutSegmentStorageType	<code>D_mplsInSegmentStorageType_volatile</code>
mplsOutSegmentPerfTable	
mplsOutSegmentPerfOctets	<code>mfi_out_info.bytes</code>
mplsOutSegmentPerfPackets	<code>mfi_out_info.packets</code>
mplsOutSegmentPerfErrors	<code>mfi_out_info.errors</code>
mplsOutSegmentPerfDiscards	<code>mfi_out_info.discards</code>
mplsOutSegmentPerfHCOctets	Get from MFI.
mplsOutSegmentPerfDiscontinuityTime	<code>lsrmib_get_discontinuity_time()</code>
mplsInSegmentTable	

mplsInSegmentIndex	This object contains the insegment index as explained above. The lsmib_get_in_label_id function is used to get the value.
mplsInSegmentInterface	This is set to 0.
mplsInSegmentLabel	lsmib_get_in_label_id function is used.
mplsInSegmentLabelPtr	Always set to 0.0.
mplsInSegmentNPop	Set to default value 1.
mplsInSegmentAddrFamily	Set to D_mplsInSegmentAddrFamily_ipV4.
mplsInSegmentXCIndex	This object contains mplsXCIndex. The cfc_mpls_cp_lsmib_rfc_mfi_info_to_xc function is used to get this value.
mplsInSegmentOwner	D_mplsInSegmentOwner_other
mplsInSegmentTrafficParamPtr	0.0
mplsInSegmentRowStatus	D_mplsInSegmentRowStatus_active
mplsInSegmentStorageType	D_mplsInSegmentStorageType_volatile
mplsInSegmentPerfTable	
mplsInSegmentPerfOctets	mfi_out_info.bytes
mplsInSegmentPerfPackets	mfi_out_info.packets
mplsInSegmentPerfErrors	mfi_out_info.errors
mplsInSegmentPerfDiscards	mfi_out_info.discards
mplsInSegmentPerfHCOctets	Get from MFI.
mplsInSegmentPerfDiscontinuityTime	lsmib_get_discontinuity_time()
mplsXCTable	
mplsXCIndex	cfc_mpls_cp_lsmib_rfc_get_xc_search_indices function is used to get this value.
mplsXCInSegmentIndex	cfc_mpls_cp_lsmib_rfc_get_xc_search_indices function is used to get this value.
mplsXCOutSegmentIndex	cfc_mpls_cp_lsmib_rfc_get_xc_search_indices function is used to get this value.

mplsXCLSPId	cfc_mpls_cp_lsrmib_rfc_get_xc_search_indices is used to get this value.
mplsXCLabelStackIndex	This object contains the octet string 0.0. which indicates that no labels are to be stacked beneath the top label.
mplsXCOwner	RFC LSR MIB doesn't provide a specific value for TP. Thus, D_mplsXCOwner_other is used to fetch this value.
mplsXCRowStatus	Set to D_mplsXCRowStatus_active.
mplsXCStorageType	Set to D_mplsXCStorageType_volatile.
mplsXCAdminStatus	Set to D_mplsXCAdminStatus_up.
mplsXCOperStatus	Set to D_mplsXCOperStatus_up.

CISCO-MPLS-LSR-EXT-STD-MIB

mplsXCExtEntry: An entry in this table extends the cross connect information represented by an entry in the mplsXCTable through a sparse augmentation. The indices for this table are mplsXCIndex, mplsXCInSegmentIndex, and mplsXCOutSegmentIndex.

- **Midpoint.** At the midpoint there are 2 entries, one for the forward LSP and one for the reverse LSP. If both working and protected LSPs are configured, then there will be 2 entries for each of the LSPs.
- **Endpoint.** At the endpoint there are two entries in mplsXCExtTunnelPointer. If both working and protected LSPs are configured, then there will be 2 entries for each LSP.

Object	Description	Value and function used to get the value
--------	-------------	--

mplsXCExtTunnelPointer	This object indicates the back pointer to the tunnel entry segment. This object cannot be modified if mplsXCRowStatus for the corresponding entry in the mplsXCTable is active(1).	Both the entries (per tunnel) point to the same tunnel entry. A new function to fetch this information from TP will be created. At the endpoint, the MIB code provides the tunnel number and the LSP identifier (working/protected) and expects in return from the TP the other two tunnel indices—the local ID for the source and the local ID for the destination of this tunnel. At midpoint, the MIB code provides the incoming label and expects the TP to return the unique tunnel entry that provides the tunnel index, LSP instance, source-local-id, and destination-local-id.
mplsXCOppositeDirXCPtr	This object indicates the pointer to the opposite direction XC entry. This object cannot be modified if mplsXCRowStatus for the corresponding entry in the mplsXCTable is active(1).	For the endpoint, there are two entries for this object. At the endpoint, the entry that represents the outgoing segment contains the mplsXCLspId entry that corresponds to the reverse direction in-label. The entry that corresponds to the in-label contains the mplsXCLspId representing the outgoing segment (so, in essence, contains the indices with FPI type 3 for the TP tunnel). For the midpoint, there are two entries for this object. Each entry contains the mplsXCLspId representing the reverse direction in-label.

MPLS-TE-STD-MIB and MPLS Draft TE MIB

mplsTunnelTable from MPLS-TE-STD-MIB shows TP tunnel entries. For details on object description, refer to RFC 3812. Protected LSP is assumed to be configured for every working LSP.

TP configuration allows partial configuration. If an LSP is partially configured where destination node-id/global ID is not specified, then the local-id is set to 0.

- **Endpoint.** mplsTunnelTable has one entry per LSP.

- **Midpoint.** For the working LSP, mplsTunnelTable has one entry for the forward LSP and one entry for the reverse LSP. Similarly, if the protected LSP is configured, entries for the protected LSP are shown.

Object	Value and function used to get the value
mplsTunnelIndex	<p>At an endpoint, mplsTunnelIndex contains the source tunnel number.</p> <p>At a midpoint, the mplsTunnelIndex contains the source tunnel number for the forward LSP and the destination tunnel number for the reverse LSP.</p>
mplsTunnelInstance	This contains the LSP number. The tp_get_tunnel_detail function is used to get this value.
mplsTunnelIngressLSRId	<p>At an endpoint, this contains the value of mplsNodeConfigLocalId for the source of the tunnel.</p> <p>At a midpoint, it stores the mplsNodeConfigLocalId for the source of the tunnel for the forward LSP and mplsNodeConfigLocalId for the destination of the reverse LSP.</p> <p>This value ranges between 1 and 16777215. The tp_get_tunnel_detail function is used to get this value.</p>
mplsTunnelEgressLSRId	<p>At an endpoint, this contains the value of mplsNodeConfigLocalId for the destination node of the tunnel.</p> <p>At a midpoint, it stores the mplsNodeConfigLocalId for the destination of the tunnel for the forward LSP and mplsNodeConfigLocalId for the source of the tunnel for the reverse LSP.</p> <p>This value ranges between 1 and 16777215. The tp_get_tunnel_detail function is used to get this value.</p>
mplsTunnelName	This contains the tunnel name, applicable at both endpoint and midpoint. The tp_get_tunnel_detail function is used to get this value.
mplsTunnelDescr	This contains the tunnel description. The tp_get_tunnel_detail function is used to get this value.
mplsTunnelIsIf	This is always true because the TP tunnel is always an interface.
mplsTunnelIfIndex	This contains the tunnel ifindex. The tp_get_tunnel_detail function provides the IF number. The interface number can be used to get the interface index.

mplsTunnelOwner	This is set to D_mplsTunnelOwner_other.
mplsTunnelRole	The tp_get_tunnel_detail function is used to get this value.
mplsTunnelXCPointer	The cfc_mpls_cp_lsrmib_rfc_make_XC_pointer function is used.
mplsTunnelSignallingProto	None(1). The MPLS TP implementation on Cisco IOS does not have a control plane and there is no signaling protocol.
mplsTunnelSetupPrio	0. By default, MPLS TP LSPs have 0 priority.
mplsTunnelHoldingPrio	0. By default, MPLS TP LSPs have 0 priority.
mplsTunnelSessionAttributes	N/A. 0.
mplsTunnelLocalProtectInUse	This object indicates whether a protected LSP is being used. The tp_get_tunnel_detail function is used to get this value.
mplsTunnelResourcePointer	0.0. Not supported.
mplsTunnelPrimaryInstance	This is used to indicate the LSP number of the working LSP. If the working LSP is not configured, then this shows a default value of 0.
mplsTunnelInstancePriority	N/A. 0.
mplsTunnelHopTableIndex	N/A. 0.
mplsTunnelPathInUse	N/A. 0.
mplsTunnelARHopTableIndex	N/A. 0.
mplsTunnelCHopTableIndex	N/A. 0.
mplsTunnelIncludeAnyAffinity	N/A. 0.
mplsTunnelIncludeAllAffinity	N/A. 0.
mplsTunnelTotalUpTime	The tp_get_tunnel_detail function is used to get this value.
mplsTunnelInstanceUpTime	The tp_get_tunnel_detail function is used to get this value.
mplsTunnelPrimaryUpTime	The tp_get_tunnel_detail function is used to get this value.

mplsTunnelPathChanges	N/A. 0.
mplsTunnelLastPathChange	N/A.
mplsTunnelCreationTime	The tp_get_tunnel_detail function is used to get this value.
mplsTunnelStateTransitions	N/A. 0.
mplsTunnelAdminStatus	At endpoint, the tp_get_tunnel_detail function is used to get this value. At midpoint, this is set to "testing(3)" as the TP does not maintain admin status at the midpoint.
mplsTunnelOperStatus	At endpoint, the tp_get_tunnel_detail function is used to get this value. At midpoint, this is set to "testing(3)" as the TP does not maintain oper status at the midpoint.
mplsTunnelRowStatus	D_mplsTunnelRowStatus_active
mplsTunnelStorageType	D_mplsTunnelStorageType_readOnly
mplsTunnelPerfTable: This counter is not supported.	

CISCO-MPLS-TE-EXT-STD-MIB

This MIB module contains generic object definitions for MPLS Traffic Engineering in transport networks.

Object	Description (as IETF draft defines it)	Value and function used to get the value
mplsNodeConfigTable		
mplsNodeConfigLocalId	This object allows the administrator to assign a unique local identifier to map Global_Node_ID.	This table is used to represent a node in a TP network. This object provides a unique local value for the node. The value of this object lies between 1 and 16777215. The TP provides a new tp_get_node_detail function. This is used to get this object's value.

mplsNodeConfigGlobalId	This object indicates the Global Operator Identifier.	This maps to the mpls_tp_global_id_t global_id field of the TP data structure. tp_get_node_detail is used to get this object's value.
mplsNodeConfigNodeId	This object indicates the Node_ID within the operator. This object value should be zero when mplsNodeConfigIccId is configured with non-null value.	This object maps to mpls_tp_node_id_t node_id field of TP data structure. The tp_get_node_detail function is used to get this object's value.
mplsNodeConfigIccId	This object allows the operator or service provider to configure a unique MPLS-TP ITU-T Carrier Code (ICC) either for Ingress ID or Egress ID. This object value should be zero when mplsNodeConfigGlobalId and mplsNodeConfigNodeId are assigned with a non-zero value.	This object is set to 0. Cisco IOS implementation only supports IP-compatible implementation.
mplsNodeConfigRowStatus	This object allows the administrator to create, modify, and/or delete a row in this table.	This is set to 'active'.
mplsNodeConfigStorageType	This variable indicates the storage type for this object. Conceptual rows having the value 'permanent' need not allow write-access to any columnar objects in the row.	This is set to 'readonly' because write access to any object is not allowed.
mplsNodeIpMapTable: This table is indexed by mplsNodeIpMapNodeId and mplsNodeIpMapLocalId		
mplsNodeIpMapGlobalId	This object indicates the Global_ID.	The tp_get_node_detail function is used to get this object's value.
mplsNodeIpMapNodeId	This object indicates the Node_ID within the operator.	The tp_get_node_detail function is used to get this object's value.
mplsNodeIpMapLocalId	This object contains an IP compatible local identifier that is defined in mplsNodeConfigTable.	The tp_get_node_detail function is used to get this object's value.
mplsTunnelExtTable : The indices of this table are the same as mplsTunnelTable (RFC 3812)		

mplsTunnelOppositeDirPtr	<p>This object is applicable only for the bidirectional tunnel that has the forward and reverse LSPs in the same tunnel or in different tunnels. This object holds the opposite direction tunnel entry if the bidirectional tunnel is set up by configuring two tunnel entries in mplsTunnelTable.</p> <p>The value of zeroDotZero indicates single tunnel entry is used for bidirectional tunnel setup.</p>	<p>Because only one entry per tunnel per LSP for mplsTunnelTable is shown, this object will contain the value 0.0.</p>
<p>mplsTunnelReversePerfTable: This counter is not supported.</p>		
<p>mplsNodeIccMapTable: Because only IP-compatible implementation of the TP is supported, this table is not supported.</p>		

How to Configure MPLS-TP MIB

Configuring MPLS-TP MIB

A generic SNMP configuration automatically enables MPLS-TP MIB. However, the MPLS TP feature must be configured. See the [MPLS Transport Profile](#) document for more information.

You should perform the following generic SNMP configuration tasks:

- Enabling the SNMP agent (required)
- Verifying the status of the SNMP agent (optional)

Enabling the SNMP Agent

SUMMARY STEPS

1. **enable**
2. **show running-config**
3. **configure terminal**
4. **snmp-server community** *string* [**view** *view-name*] [**ro** | **rw**][*number*]
5. **end**
6. **write memory**
7. **show running-config**

DETAILED STEPS

	Command or Action	Purpose
Step 1	enable Example: <pre>Router> enable</pre>	Enables privileged EXEC mode. <ul style="list-style-type: none"> • Enter your password if prompted.
Step 2	show running-config Example: <pre>Router# show running-config</pre>	Displays the running configuration of the router so that you can determine if an SNMP agent is already running on the device. If no SNMP information is displayed, continue with the next step. If any SNMP information is displayed, you can modify the information or change it as desired.
Step 3	configure terminal Example: <pre>Router# configure terminal</pre>	Enters global configuration mode.
Step 4	snmp-server community <i>string</i> [view <i>view-name</i>] [ro rw][<i>number</i>] Example: <pre>Router(config)# snmp-server community public ro</pre>	Configures read-only (ro) community strings for the MPLS-TP MIB. <ul style="list-style-type: none"> • The <i>string</i> argument functions like a password, permitting access to SNMP functionality on label switch routers (LSRs) in an MPLS network. • The optional ro keyword configures read-only (ro) access to the objects in the MPLS-TP MIB.
Step 5	end Example: <pre>Router(config)# end</pre>	Exits to privileged EXEC mode.
Step 6	write memory Example: <pre>Router# write memory</pre>	Writes the modified SNMP configuration into NVRAM of the router, permanently saving the SNMP settings.
Step 7	show running-config Example: <pre>Router# show running-config</pre>	Displays the running configuration of the router so that you can determine if an SNMP agent is already running on the device. If you see any snmp-server statements, SNMP has been enabled on the router. If any SNMP information is displayed, you can modify the information or change it as desired.

Verifying the Status of the SNMP Agent

To verify that the SNMP agent has been enabled on a host network device, perform the steps shown in the following table:

SUMMARY STEPS

1. `enable`
2. `show running-config`

DETAILED STEPS

	Command or Action	Purpose
Step 1	enable Example: Device> <code>enable</code>	Enables privileged EXEC mode. <ul style="list-style-type: none"> • Enter your password if prompted.
Step 2	show running-config Example: Device# <code>show running-config</code>	Displays the running configuration on the target device.

Configuration Examples for MPLS-TP MIB

Example Enabling the SNMP Agent

The following example shows how to enable an SNMP agent on a host network device.

```
Device# config terminal
Device(config)# snmp-server community
```

The following example shows how to enable SNMPv1 and SNMPv2C. The configuration permits any SNMP agent to access all MPLS TP MIB objects with read-only permissions using the community string *public*.

```
Device(config)# snmp-server community public
```

The following example shows how to allow read-only access to all MPLS TP MIB objects relating to members of access list 4 that specify the *comaccess* community string. No other SNMP agents will have access to any MPLS TP MIB objects.

```
Device(config)# snmp-server community comaccess ro 4
```

Example Verifying the Status of the SNMP Agent

The following example shows how to verify the status of the SNMP agent.

```
Device# show running-config
...
...
snmp-server community public RO
snmp-server community private RO
```

Any snmp-server statement that appears in the output and which takes the form shown above verifies that SNMP has been enabled on that device.

Additional References

Related Documents

Related Topic	Document Title
Cisco IOS commands	Cisco IOS Master Commands List, All Releases
MPLS commands	Cisco IOS Multiprotocol Label Switching Command Reference
MPLS Transport Profile configuration document	MPLS Transport Profile

Standards and RFCs

Standard/RFC	Title
draft-ietf-mpls-tp-te-mib-02.txt	MPLS-TP Traffic Engineering (TE) Management Information Base (MIB)

Technical Assistance

Description	Link
The Cisco Support and Documentation website provides online resources to download documentation, software, and tools. Use these resources to install and configure the software and to troubleshoot and resolve technical issues with Cisco products and technologies. Access to most tools on the Cisco Support and Documentation website requires a Cisco.com user ID and password.	http://www.cisco.com/cisco/web/support/index.html

Feature Information for MPLS-TP MIB

The following table provides release information about the feature or features described in this module. This table lists only the software release that introduced support for a given feature in a given software release train. Unless noted otherwise, subsequent releases of that software release train also support that feature.

Use Cisco Feature Navigator to find information about platform support and Cisco software image support. To access Cisco Feature Navigator, go to www.cisco.com/go/cfn. An account on Cisco.com is not required.

Table 120: Feature Information for MPLS-TP MIB

Feature Name	Releases	Feature Information
MPLS-TP MIB	15.3(1)S XE 3S	Allows you to meet your transport requirements as those requirements evolve from Synchronous Optical Networking (SONET) and Synchronous Digital Hierarchy (SDH) time-division multiplexing (TDM) technologies to MPLS and Ethernet technologies.



INDEX

A

agent, see SNMP agent [28, 431, 449](#)

H

head end [436, 454](#)

I

IF MIB [3](#)

enhancements [3](#)

ifRcvAddressTable [4](#)

objects in [4](#)

ifStackLastChange [5](#)

ifStackTable [3](#)

objects in [3](#)

ifTableLastChange [5](#)

Incomplete command error [391](#)

M

mpls ip [3](#)

MPLS LSR MIB [16, 21, 28](#)

features [16](#)

memory requirements [28](#)

MPLS LSR MIB (*continued*)

prerequisites [28](#)

supported scalar objects [21](#)

mpls traffic-eng tunnels [3](#)

P

pseudowire-class [391](#)

configuring [391](#)

S

scalar objects [5](#)

SNMP agent [28, 29, 431, 449](#)

enabling [28, 431, 449](#)

verifying [29](#)

T

TSP tunnel [436, 454](#)

X

xconnect command [391](#)

