



MPLS VPN Route Target Rewrite

The MPLS VPN Route Target Rewrite feature allows the replacement of route targets on incoming and outgoing Border Gateway Protocol (BGP) updates. Typically, Autonomous System Border Routers (ASBRs) perform the replacement of route targets at autonomous system boundaries. Route Reflectors (RRs) and provider edge (PE) devices can also perform route target replacement.

The main advantage of the MPLS VPN Route Target Rewrite feature is that it keeps the administration of routing policy local to the autonomous system.

- [Finding Feature Information, page 1](#)
- [Prerequisites for MPLS VPN Route Target Rewrite, page 2](#)
- [Restrictions for MPLS VPN Route Target Rewrite, page 2](#)
- [Information About MPLS VPN Route Target Rewrite, page 2](#)
- [How to Configure MPLS VPN Route Target Rewrite, page 4](#)
- [Configuration Examples for MPLS VPN Route Target Rewrite, page 15](#)
- [Additional References, page 17](#)
- [Feature Information for MPLS VPN Route Target Rewrite, page 17](#)
- [Glossary, page 18](#)

Finding Feature Information

Your software release may not support all the features documented in this module. For the latest caveats and feature information, see [Bug Search Tool](#) and the release notes for your platform and software release. To find information about the features documented in this module, and to see a list of the releases in which each feature is supported, see the feature information table at the end of this module.

Use Cisco Feature Navigator to find information about platform support and Cisco software image support. To access Cisco Feature Navigator, go to www.cisco.com/go/cfn. An account on Cisco.com is not required.

Prerequisites for MPLS VPN Route Target Rewrite

- You should know how to configure Multiprotocol Label Switching (MPLS) Virtual Private Networks (VPNs).
- You need to configure your network to support interautonomous systems with different route target (RT) values in each autonomous system.
- You need to identify the RT replacement policy and target device for each autonomous system.

Restrictions for MPLS VPN Route Target Rewrite

You can apply multiple replacement rules using the route-map continue clause. The MPLS VPN Route Target Rewrite feature does not support the continue clause on outbound route maps.

Information About MPLS VPN Route Target Rewrite

Route Target Replacement Policy

Routing policies for a peer include all configurations that may impact inbound or outbound routing table updates. The MPLS VPN Route Target Rewrite feature can influence routing table updates by allowing the replacement of route targets on inbound and outbound Border Gateway Protocol (BGP) updates. Route targets are carried as extended community attributes in BGP Virtual Private Network IP Version 4 (VPNv4) updates. Route target extended community attributes are used to identify a set of sites and VPN routing and forwarding (VRF) instances that can receive routes with a configured route target.

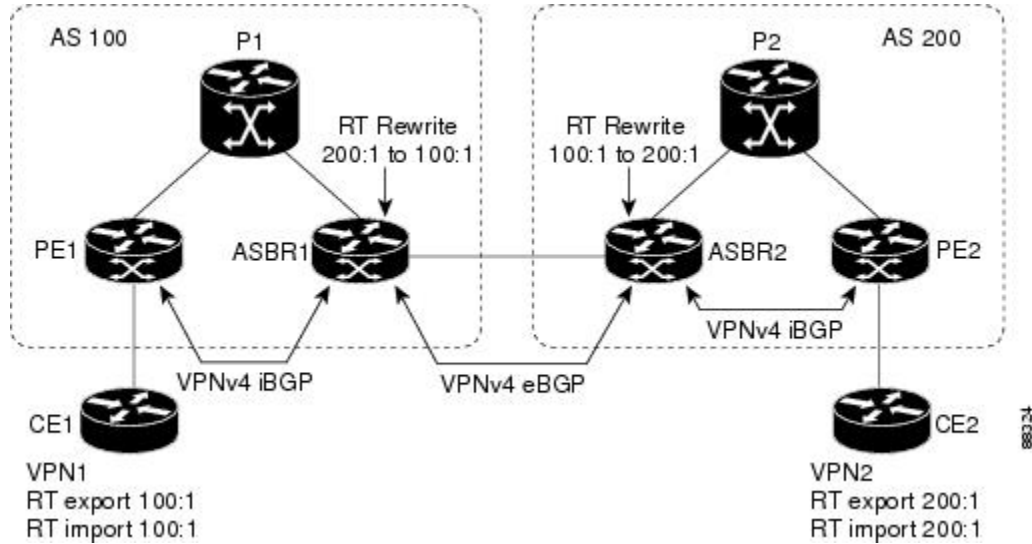
In general, autonomous system border routers (ASBRs) perform route target replacement at autonomous system borders when the ASBRs exchange VPNv4 prefixes. You can also configure the MPLS VPN Route Target Rewrite feature on provider edge (PE) devices and Route Reflector (RR) devices.

The figure below shows an example of route target replacement on ASBRs in an Multiprotocol Label Switching (MPLS) VPN interautonomous system topology. This example includes the following configurations:

- PE1 is configured to import and export RT 100:1 for VRF VPN1.
- PE2 is configured to import and export RT 200:1 for VRF VPN2.
- ASBR1 is configured to rewrite all inbound VPNv4 prefixes with RT 200:1 to RT 100:1.

- ASBR2 is configured to rewrite all inbound VPNv4 prefixes with RT 100:1 to RT 200:1.

Figure 1: Route Target Replacement on ASBRs in an MPLS VPN Interautonomous System Topology

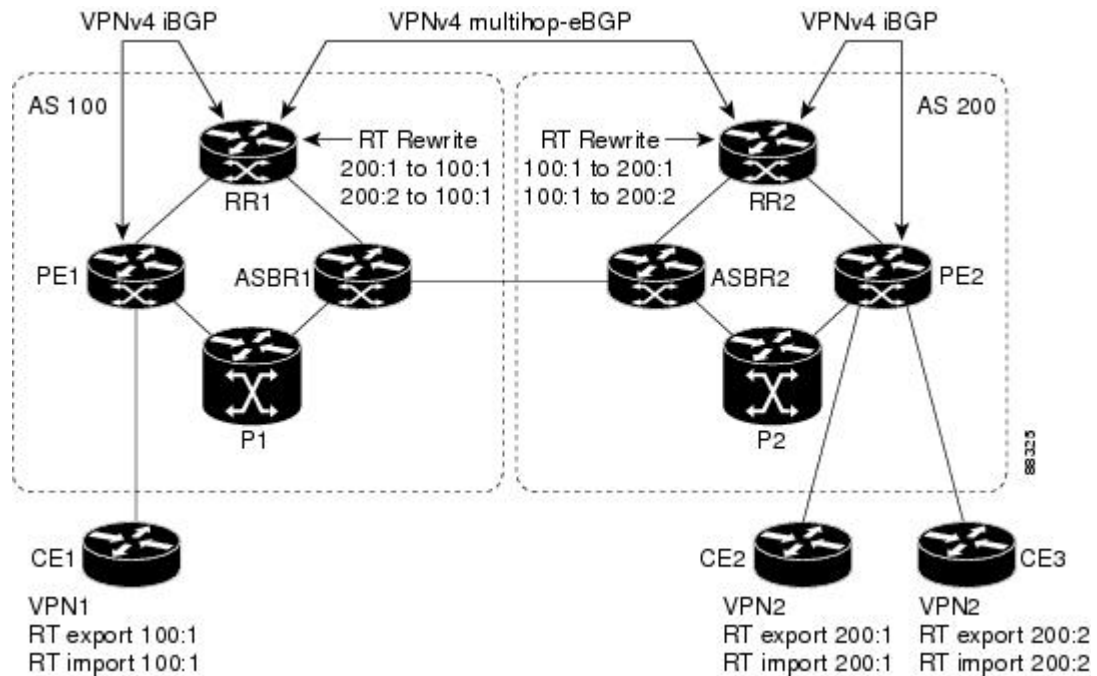


The figure below shows an example of route target replacement on route reflectors in an MPLS VPN interautonomous system topology. This example includes the following configurations:

- External BGP (EBGP) is configured on the route reflectors.
- EBGP and internal BGP (IBGP) IPv4 label exchange is configured between all BGP devices.
- Peer groups are configured on the route reflectors.
- PE2 is configured to import and export RT 200:1 for VRF VPN2.
- PE2 is configured to import and export RT 200:2 for VRF VPN3.
- PE1 is configured to import and export RT 100:1 for VRF VPN1.
- RR1 is configured to rewrite all inbound VPNv4 prefixes with RT 200:1 or RT 200:2 to RT 100:1.

- RR2 is configured to rewrite all inbound prefixes with RT 100:1 to RT 200:1 and RT 200:2.

Figure 2: Route Target Rewrite on Route Reflectors in an MPLS VPN Interautonomous System Topology



Route Maps and Route Target Replacement

The MPLS VPN Route Target Rewrite feature extends the Border Gateway Protocol (BGP) inbound/outbound route map functionality to enable route target replacement. The `set extcomm-list delete` command entered in route-map configuration mode allows the deletion of a route target extended community attribute based on an extended community list.

How to Configure MPLS VPN Route Target Rewrite

Configuring a Route Target Replacement Policy

Perform this task to configure a route target (RT) replacement policy for your internetwork.

If you configure a provider edge (PE) device to rewrite RT x to RT y and the PE has a virtual routing and forwarding (VRF) instance that imports RT x , you need to configure the VRF to import RT y in addition to RT x .

SUMMARY STEPS

1. **enable**
2. **configure terminal**
3. **ip extcommunity-list** {*standard-list-number* | *expanded-list-number*} {**permit** | **deny**} [*regular-expression*] [**rt** | **soo** *extended-community-value*]
4. **route-map** *map-name* [**permit** | **deny**] [*sequence-number*]
5. **match extcommunity** {*standard-list-number* | *expanded-list-number*}
6. **set extcomm-list** *extended-community-list-number* **delete**
7. **set extcommunity** {**rt** *extended-community-value* [**additive**] | **soo** *extended-community-value*}
8. **end**
9. **show route-map** *map-name*

DETAILED STEPS

	Command or Action	Purpose
Step 1	enable Example: Device> enable	Enables privileged EXEC mode. <ul style="list-style-type: none"> • Enter your password if prompted.
Step 2	configure terminal Example: Device# configure terminal	Enters global configuration mode.
Step 3	ip extcommunity-list { <i>standard-list-number</i> <i>expanded-list-number</i> } { permit deny } [<i>regular-expression</i>] [rt soo <i>extended-community-value</i>] Example: Device(config)# ip extcommunity-list 1 permit rt 100:3	Creates an extended community access list and controls access to it. <ul style="list-style-type: none"> • The <i>standard-list-number</i> argument is an integer from 1 to 99 that identifies one or more permit or deny groups of extended communities. • The <i>expanded-list-number</i> argument is an integer from 100 to 500 that identifies one or more permit or deny groups of extended communities. Regular expressions can be configured with expanded lists but not standard lists. • The permit keyword permits access for a matching condition. • The deny keyword denies access for a matching condition. • The <i>regular-expression</i> argument specifies an input string pattern to match against. When you use an expanded extended community list to match route targets, include the pattern RT: in the regular expression. • The rt keyword specifies the route target extended community attribute. The rt keyword can be configured only with standard extended community lists and not expanded community lists.

	Command or Action	Purpose
		<ul style="list-style-type: none"> The soo keyword specifies the site of origin (SOO) extended community attribute. The soo keyword can be configured only with standard extended community lists and not expanded community lists. The <i>extended-community-value</i> argument specifies the route target or site of origin. The value can be one of the following combinations: <ul style="list-style-type: none"> autonomous-system-number:network-number ip-address:network-number <p>The colon is used to separate the autonomous system number and network number or IP address and network number.</p>
Step 4	<p>route-map <i>map-name</i> [permit deny] [<i>sequence-number</i>]</p> <p>Example:</p> <pre>Device(config)# route-map extmap permit 10</pre>	<p>Defines the conditions for redistributing routes from one routing protocol into another or enables policy routing and enables route-map configuration mode.</p> <ul style="list-style-type: none"> The <i>map-name</i> argument defines a meaningful name for the route map. The redistribute router configuration command uses this name to reference this route map. Multiple route maps can share the same map name. If the match criteria are met for this route map, and the permit keyword is specified, the route is redistributed as controlled by the set actions. In the case of policy routing, the packet is policy routed. <p>If the match criteria are not met, and the permit keyword is specified, the next route map with the same map tag is tested. If a route passes none of the match criteria for the set of route maps sharing the same name, it is not redistributed by that set.</p> <p>The permit keyword is the default.</p> <ul style="list-style-type: none"> If the match criteria are met for the route map and the deny keyword is specified, the route is not redistributed. In the case of policy routing, the packet is not policy routed, and no further route maps sharing the same map tag name will be examined. If the packet is not policy routed, the normal forwarding algorithm is used. The <i>sequence-number</i> argument is a number that indicates the position a new route map will have in the list of route maps already configured with the same name. If given with the no form of this command, the position of the route map should be deleted.
Step 5	<p>match extcommunity {<i>standard-list-number</i> <i>expanded-list-number</i>}</p> <p>Example:</p> <pre>Device(config-route-map)# match extcommunity 1</pre>	<p>Matches the Border Gateway Protocol (BGP) extended community list attributes.</p> <ul style="list-style-type: none"> The <i>standard-list-number</i> argument is a number from 1 to 99 that identifies one or more permit or deny groups of extended community attributes. The <i>expanded-list-number</i> argument is a number from 100 to 500 that identifies one or more permit or deny groups of extended community attributes.

	Command or Action	Purpose
	<p>Example:</p> <pre>Device(config-route-map)# match extcommunity 101</pre>	
Step 6	<p>set extcomm-list <i>extended-community-list-number</i> delete</p> <p>Example:</p> <pre>Device(config-route-map)# set extcomm-list 1 delete</pre>	<p>Removes a route target from an extended community attribute of an inbound or outbound BGP Virtual Private Network Version 4 (VPNv4) update.</p> <ul style="list-style-type: none"> The <i>extended-community-list-number</i> argument specifies the extended community list number.
Step 7	<p>set extcommunity {rt <i>extended-community-value</i> [additive] soo <i>extended-community-value</i>}</p> <p>Example:</p> <pre>Device(config-route-map)# set extcommunity rt 100:4 additive</pre>	<p>Sets BGP extended community attributes.</p> <ul style="list-style-type: none"> The rt keyword specifies the route target extended community attribute. The soo keyword specifies the site of origin extended community attribute. The <i>extended-community-value</i> argument specifies the value to be set. The value can be one of the following combinations: <ul style="list-style-type: none"> autonomous-system-number : network-number ip-address : network-number <p>The colon is used to separate the autonomous system number and network number or IP address and network number.</p> <ul style="list-style-type: none"> The additive keyword adds a route target to the existing route target list without replacing any existing route targets.
Step 8	<p>end</p> <p>Example:</p> <pre>Device(config-route-map)# end</pre>	<p>(Optional) Returns to privileged EXEC mode.</p>
Step 9	<p>show route-map <i>map-name</i></p> <p>Example:</p> <pre>Device# show route-map extmap</pre>	<p>(Optional) Verifies that the match and set entries are correct.</p> <ul style="list-style-type: none"> The <i>map-name</i> argument is the name of a specific route map.

Applying the Route Target Replacement Policy

Perform the following tasks to apply the route target replacement policy to your internetwork:

Associating Route Maps with Specific BGP Neighbors

SUMMARY STEPS

1. **enable**
2. **configure terminal**
3. **router bgp** *as-number*
4. **neighbor** {*ip-address* | *peer-group-name*} **remote-as** *as-number*
5. **address-family vpnv4** [**unicast**]
6. **neighbor** {*ip-address* | *peer-group-name*} **activate**
7. **neighbor** {*ip-address* | *peer-group-name*} **send-community** [**both** | **extended** | **standard**]
8. **neighbor** {*ip-address* | *peer-group-name*} **route-map** *map-name* {**in** | **out**}
9. **end**

DETAILED STEPS

	Command or Action	Purpose
Step 1	enable Example: Device> enable	Enables privileged EXEC mode. <ul style="list-style-type: none"> • Enter your password if prompted.
Step 2	configure terminal Example: Device# configure terminal	Enters global configuration mode.
Step 3	router bgp <i>as-number</i> Example: Device(config)# router bgp 100	Configures a Border Gateway Protocol (BGP) routing process and places the device in router configuration mode. <ul style="list-style-type: none"> • The <i>as-number</i> argument indicates the number of an autonomous system that identifies the device to other BGP devices and tags the routing information passed along. The range is 0 to 65535. Private autonomous system numbers that can be used in internal networks range from 64512 to 65535.
Step 4	neighbor { <i>ip-address</i> <i>peer-group-name</i> } remote-as <i>as-number</i> Example: Device(config-router)# neighbor 172.10.0.2 remote-as 200	Adds an entry to the BGP or multiprotocol BGP neighbor table. <ul style="list-style-type: none"> • The <i>ip-address</i> argument specifies the IP address of the neighbor. • The <i>peer-group-name</i> argument specifies the name of a BGP peer group. • The <i>as-number</i> argument specifies the autonomous system to which the neighbor belongs.

	Command or Action	Purpose
Step 5	address-family vpnv4 [unicast] Example: <pre>Device(config-router)# address-family vpnv4</pre>	Enters address family configuration mode for configuring routing sessions, such as BGP, that use standard Virtual Private Network Version 4 (VPNv4) address prefixes. <ul style="list-style-type: none"> The optional unicast keyword specifies VPNv4 unicast address prefixes.
Step 6	neighbor {ip-address peer-group-name} activate Example: <pre>Device(config-router-af)# neighbor 172.16.0.2 activate</pre>	Enables the exchange of information with a neighboring BGP device. <ul style="list-style-type: none"> The <i>ip-address</i> argument specifies the IP address of the neighbor. The <i>peer-group-name</i> argument specifies the name of a BGP peer group.
Step 7	neighbor {ip-address peer-group-name} send-community [both extended standard] Example: <pre>Device(config-router-af)# neighbor 172.16.0.2 send-community extended</pre>	Specifies that a communities attribute should be sent to a BGP neighbor. <ul style="list-style-type: none"> The <i>ip-address</i> argument specifies the IP address of the BGP-speaking neighbor. The <i>peer-group-name</i> argument specifies the name of a BGP peer group. The both keyword sends standard and extended community attributes. The extended keyword sends an extended community attribute. The standard keyword sends a standard community attribute.
Step 8	neighbor {ip-address peer-group-name} route-map map-name {in out} Example: <pre>Device(config-router-af)# neighbor 172.16.0.2 route-map extmap in</pre>	Apply a route map to incoming or outgoing routes <ul style="list-style-type: none"> The <i>ip-address</i> argument specifies the IP address of the neighbor. The <i>peer-group-name</i> argument specifies the name of a BGP or multiprotocol peer group. The <i>map-name</i> argument specifies the name of a route map. The in keyword applies route map to incoming routes. The out keyword applies route map to outgoing routes.
Step 9	end Example: <pre>Device(config-router-af)# end</pre>	(Optional) Returns to privileged EXEC mode.

Refreshing BGP Session to Apply Route Target Replacement Policy

After you have defined two devices to be Border Gateway Protocol (BGP) neighbors, the devices form a BGP connection and exchange routing information. If you subsequently change a routing policy, you must reset BGP connections for the configuration change to take effect. After configuring the route target (RT) replacement policy and applying it to the target devices in your system, you must refresh the BGP session to put the policy into operation.

SUMMARY STEPS

1. **enable**
2. **clear ip bgp** *{* | neighbor-address | peer-group-name [soft [in | out]] [ipv4 {multicast | unicast} | vpnv4 unicast {soft | {in | out}}}*
3. **disable**

DETAILED STEPS

	Command or Action	Purpose
Step 1	<p>enable</p> <p>Example:</p> <pre>Device> enable</pre>	<p>Enables privileged EXEC mode.</p> <ul style="list-style-type: none"> • Enter your password if prompted.
Step 2	<p>clear ip bgp <i>{* neighbor-address peer-group-name [soft [in out]] [ipv4 {multicast unicast} vpnv4 unicast {soft {in out}}}</i></p> <p>Example:</p> <pre>Device# clear ip bgp vpnv4 unicast 172.16.0.2 in</pre>	<p>Resets a BGP connection using BGP soft reconfiguration.</p> <ul style="list-style-type: none"> • The * keyword resets all current BGP sessions. • The <i>neighbor-address</i> argument resets only the identified BGP neighbor. • The <i>peer-group-name</i> argument resets the specified BGP peer group. • The ipv4 keyword resets the specified IPv4 address family neighbor or peer group. The multicast or unicast keyword must be specified. • The vpnv4 keyword resets the specified Virtual Private Network Version 4 (VPNv4) address family neighbor or peer group. The unicast keyword must be specified. • The soft keyword indicates a soft reset. Does not reset the session. The in or out keywords do not follow the soft keyword when a connection is cleared under the VPNv4 or IPv4 address family because the soft keyword specifies both. • The in and out keywords trigger inbound or outbound soft reconfiguration, respectively. If the in or out keyword is not specified, both inbound and outbound soft reset are triggered.

	Command or Action	Purpose
Step 3	disable Example: Device# <code>disable</code>	(Optional) Returns to user EXEC mode.

Troubleshooting Tips

To determine whether a BGP device supports the route refresh capability, use the **show ip bgp neighbors** command. If a device supports the route refresh capability, the following message is displayed:

```
Received route refresh capability from peer.
```

You can issue the **debug ip bgp updates** command on the device where you entered the **clear ip bgp** command to verify that the updates are occurring.



Note

Issuing the **debug ip bgp updates** command could impair performance if the device sends or receives a large number of Border Gateway Protocol (BGP) updates.

Verifying the Route Target Replacement Policy

SUMMARY STEPS

1. **enable**
2. **show ip bgp vpnv4 all** *network-address*
3. **exit**

DETAILED STEPS

Step 1

enable

Enables privileged EXEC mode. Enter your password if prompted.

Example:

```
Device> enable  
Device#
```

Step 2

show ip bgp vpnv4 all *network-address*

Verifies that all Virtual Private Network Version 4 (VPNv4) prefixes with a specified route target (RT) extended community attribute are replaced with the proper RT extended community attribute at the autonomous system border routers (ASBRs) or route reflectors and to verify that the provider edge (PE) devices receive the rewritten RT extended

community attributes from the ASBRs or route reflectors. The following examples verify route target replacement on ABSR1 and ABSR2.

Verify route target replacement on ABSR1:

Example:

```
Device# show ip bgp vpnv4 all 172.16.17.17
BGP routing table entry for 100:1:172.16.17.17/32, version 6
Paths: (1 available, best #1, no table)
  Advertised to update-groups:
    1
  300
    172.16.11.11 (metric 589) from 172.16.11.11 (172.16.11.11)
      Origin incomplete, metric 0, localpref 100, valid, internal, best
      Extended Community: RT:200:1
```

Verify route target replacement on ABSR2:

Example:

```
Device# show ip bgp vpnv4 all 172.16.17.17
BGP routing table entry for 100:1:172.16.17.17/32, version 6
Paths: (1 available, best #1, no table)
  Advertised to update-groups:
    1
  100 300
    192.168.1.1 from 192.168.1.1 (172.16.13.13)
      Origin incomplete, localpref 100, valid, external, best
      Extended Community: RT:100:1
```

The following examples verify route target replacement on PE1 and PE2.

Verify route target on PE1:

Example:

```
Device# show ip bgp vpnv4 all 172.16.17.17
BGP routing table entry for 100:1:172.16.17.17/32, version 13
Paths: (1 available, best #1, table vpn1)
  Advertised to update-groups:
    1
  300
    192.168.2.1 (via vpn1) from 192.168.2.1 (172.16.19.19)
      Origin incomplete, metric 0, localpref 100, valid, external, best
      Extended Community: RT:200:1
```

Verify route target on PE2:

Example:

```
Device# show ip bgp vpnv4 all 172.16.17.17
BGP routing table entry for 100:1:172.16.17.17/32, version 13
Paths: (1 available, best #1, table vpn1)
  Advertised to update-groups:
    3
  100 300
    192.168.1.1 (metric 20) from 172.16.16.16 (172.16.16.16)
      Origin incomplete, localpref 100, valid, internal, best
      Extended Community: RT:100:1
```

Step 3 **exit**

Returns to user EXEC mode:

Example:

```
Device# exit
Device>
```

Troubleshooting Your Route Target Replacement Policy

SUMMARY STEPS

1. **enable**
2. **debug ip bgp updates**
3. **show ip bgp vpv4 all** *network-address*
4. **exit**

DETAILED STEPS

Step 1**enable**

Enables privileged EXEC mode. Enter your password if prompted.

Example:

```
Device> enable
Device#
```

Step 2**debug ip bgp updates**

Verifies that the Border Gateway Protocol (BGP) updates are occurring on the autonomous system border router (ASBR). The ASBR in this example has the IP address 172.16.16.16.

Example:

```
Device# debug ip bgp updates
BGP(2): no valid path for 100:1:172.16.20.20/32
BGP(2): no valid path for 100:1:10.0.0.0/8
%BGP-5-ADJCHANGE: neighbor 172.16.16.16 Down User reset
BGP(2): nettable_walker 100:1:172.16.20.20/32 no RIB
BGP(2): nettable_walker 100:1:192.168.3.0/8 no RIB
BGP(2): 172.16.11.11 computing updates, afi 2, neighbor version 13,
table version 15, starting at 0.0.0.0
BGP(2): 172.16.11.11 send unreachable 100:1:172.16.20.20/32
BGP(2): 172.16.11.11 send UPDATE 100:1:172.16.20.20/32 -- unreachable
BGP(2): 172.16.11.11 send UPDATE 100:1:192.168.3.0/8 -- unreachable
BGP(2): 1 updates (average = 58, maximum = 58)
BGP(2): 172.16.11.11 updates replicated for neighbors: 172.16.11.11
BGP(2): 172.16.11.11 update run completed, afi 2, ran for 0ms,
neighbor version 15, start version 15, throttled to 15
BGP: Import walker start version 13, end version 15
BGP: ... start import cfg version = 30
%BGP-5-ADJCHANGE: neighbor 172.16.16.16 Up
```

```

BGP(2): 172.16.16.16 computing updates, afi 2, neighbor version 0,
table version 15, starting at 0.0.0.0
BGP(2): 172.16.16.16 send UPDATE (format) 100:1:172.16.0.0/16,
next 172.16.11.11, metric 0, path 300, extended community RT:2:2
RT:7777:22222222 RT:20000:111 RT:65535:999999999
BGP(2): 172.16.16.16 send UPDATE (prepend, chgflags: 0x0)
100:1:172.16.19.19/32, next 172.16.11.11, metric 0, path 300,
extended community RT:2:2 RT:7777:22222222 RT:20000:111
RT:65535:999999999
BGP(2): 172.16.16.16 send UPDATE (format) 100:1:192.168.2.0/8,
next 172.16.11.11, metric 0, path , extended community
RT:2:2 RT:7777:22222222 RT:20000:111 RT:65535:999999999
BGP(2): 2 updates (average = 111, maximum = 121)
BGP(2): 172.16.16.16 updates replicated for neighbors: 172.16.16.16
BGP(2): 172.16.16.16 update run completed, afi 2, ran for 0ms,
neighbor version 15, start version 15, throttled to 15
BGP(2): 172.16.16.16 rcvd UPDATE w/ attr: nexthop 172.16.15.15,
origin ?, path 200, extended community RT:100:1
BGP(2): 172.16.16.16 rcvd 100:1:192.168.3.0/8
BGP(2): 172.16.16.16 rcvd UPDATE w/ attr: nexthop 172.16.15.15,
origin ?, path 200 400, extended community RT:100:1
BGP(2): 172.16.16.16 rcvd 100:1:172.16.0.0/16
BGP(2): 172.16.16.16 rcvd 100:1:172.16.20.20/32
BGP(2): nettable_walker 100:1:172.16.20.20/32 no RIB
BGP(2): nettable_walker 100:1:192.168.3.0/8 no RIB
BGP: Import walker start version 15, end version 17
BGP: ... start import cfg version = 30
BGP(2): 172.16.11.11 computing updates, afi 2,
neighbor version 15, table version 17,
starting at 0.0.0.0
BGP(2): 172.16.11.11 NEXT_HOP part 1 net 100:1:172.16.20.20/32,
next 172.16.15.15
BGP(2): 172.16.11.11 send UPDATE (format) 100:1:172.16.20.20/32,
next 172.16.15.15, metric 0, path 200 400, extended community
RT:1:1 RT:10000:111 RT:33333:888888888
RT:65535:999999999
BGP(2): 172.16.11.11 NEXT_HOP part 1 net 100:1:10.0.0.0/8,
next 172.16.15.15
BGP(2): 172.16.11.11 send UPDATE (format) 100:1:192.168.3.0/8,
next 172.16.15.15, metric 0, path 200, extended community
RT:1:1 RT:10000:111 RT:33333:888888888 RT:65535:999999999
BGP(2): 2 updates (average = 118, maximum = 121)
BGP(2): 172.16.11.11 updates replicated for neighbors: 172.16.11.11
BGP(2): 172.16.11.11 update run completed, afi 2, ran for 0ms,
neighbor version 17, start version 17, throttled to 17

```

You can also reset the BGP connection by using the **clear ip bgp *** command and enter the **debug ip bgp updates** command again to verify that BGP updates are occurring as shown in the output after the **clear ip bgp** command is entered.

Step 3 **show ip bgp vpnv4 all network-address**

Verifies that route target (RT) extended community attributes are replaced correctly.

Example:

```

Device# show ip bgp vpnv4 all 172.16.17.17
BGP routing table entry for 100:1:172.16.17.17/32, version 6
Paths: (1 available, best #1, no table)
  Advertised to update-groups:
    1
  100 300
    192.168.1.1 from 192.168.1.1 (172.16.13.13)
      Origin incomplete, localpref 100, valid, external, best
      Extended Community: RT:100:1

```

This example shows Virtual Private Network (VPN) address information from the BGP table and verifies that RT extended community attributes are replaced correctly.

Step 4**exit**

Returns to user EXEC mode:

Example:

```
Device# exit
Device>
```

Configuration Examples for MPLS VPN Route Target Rewrite

Examples: Configuring Route Target Replacement Policies

This example shows the route target (RT) replacement configuration of an autonomous system border router (ASBR1) that exchanges Virtual Private Network Version 4 (VPNv4) prefixes with another ASBR (ASBR2). The route map extmap is configured to replace RTs on inbound updates. Any incoming update with RT 100:3 is replaced with RT 200:3. Any other prefixes with an RT whose autonomous system number is 100 is rewritten to RT 200:4.

```
!
ip extcommunity-list 1 permit rt 100:3
ip extcommunity-list 101 permit RT:100:*
!
route-map extmap permit 10
match extcommunity 1
set extcomm-list 1 delete
set extcommunity rt 200:3 additive
!
route-map regexp permit 10
match extcommunity 101
set extcomm-list 101 delete
set extcommunity rt 200:4 additive
!
route-map regexp permit 20
```

This example shows the use of the route-map configuration **continue** command when you need to apply more than one replacement rule on an update. In this example, an incoming update with RT 100:3 is replaced with RT 200:3. Without the **continue 20** command, route-map evaluation would stop when a match on sequence 10 is made. With the **continue 20** command, route-map evaluation continues into sequence 20 even if a match occurs in sequence 10. If the incoming update has an RT 100:4, the device replaces it with RT 200:4.

```
!
ip extcommunity-list 1 permit rt 100:3
ip extcommunity-list 2 permit rt 100:4
!
route-map extmap permit 10
match extcommunity 1
set extcomm-list 1 delete
set extcommunity rt 200:3 additive
continue 20
!
route-map extmap permit 20
match extcommunity 2
set extcomm-list 2 delete
set extcommunity rt 200:4 additive
```

```
!
route-map extmap permit 30
```

**Note**

The route-map configuration **continue** command is not supported on outbound route maps.

Examples: Applying Route Target Replacement Policies

This section contains the following examples:

Examples: Associating Route Maps with Specific BGP Neighbor

This example shows the association of route map extmap with a Border Gateway Protocol (BGP) neighbor. The BGP inbound route map is configured to replace route targets (RTs) on incoming updates.

```
router bgp 100
.
.
neighbor 172.16.0.2 remote-as 100
.
.
!
address family vpnv4
neighbor 172.16.0.2 activate
neighbor 172.16.0.2 send-community extended
neighbor 172.16.0.2 route-map extmap in
```

This example shows the association of the same route map with the outbound BGP neighbor. The route map is configured to replace RTs on outgoing updates.

```
router bgp 100
.
.
neighbor 172.16.0.2 remote-as 100
.
.
!
address family vpnv4
neighbor 172.16.0.2 activate
neighbor 172.16.0.2 send-community extended
neighbor 172.16.0.2 route-map extmap out
```

Example: Refreshing the BGP Session to Apply the Route Target Replacement Policy

The following example shows the **clear ip bgp** command used to initiate a dynamic reconfiguration in the Border Gateway Protocol (BGP) peer 172.16.0.2. This command requires that the peer supports the route refresh capability.

```
Device# clear ip bgp 172.16.0.2 vpnv4 unicast in
```


Additional References

Related Documents

Related Topic	Document Title
Cisco IOS commands	Cisco Master Command List, All Releases
MPLS and MPLS applications commands	Cisco IOS Multiprotocol Label Switching Command Reference
MPLS, MPLS VPN, and MPLS VPN interautonomous systems configuration tasks	<i>MPLS Layer 3 Inter-AS and CSC Configuration Guide</i>
BGP configuration tasks	<i>IP Routing: BGP Configuration Guide</i>
Commands to configure and monitor BGP	Cisco IOS IP Routing: BGP Command Reference

Technical Assistance

Description	Link
The Cisco Support and Documentation website provides online resources to download documentation, software, and tools. Use these resources to install and configure the software and to troubleshoot and resolve technical issues with Cisco products and technologies. Access to most tools on the Cisco Support and Documentation website requires a Cisco.com user ID and password.	http://www.cisco.com/cisco/web/support/index.html

Feature Information for MPLS VPN Route Target Rewrite

The following table provides release information about the feature or features described in this module. This table lists only the software release that introduced support for a given feature in a given software release train. Unless noted otherwise, subsequent releases of that software release train also support that feature.

Use Cisco Feature Navigator to find information about platform support and Cisco software image support. To access Cisco Feature Navigator, go to www.cisco.com/go/cfn. An account on Cisco.com is not required.

Table 1: Feature Information for MPLS VPN Route Target Rewrite

Feature Name	Releases	Feature Information
MPLS VPN Route Target Rewrite	12.0(26)S 12.2(25)S 12.2(33)SRA 12.2(33)SXH 12.4(20)T	<p>The MPLS VPN Route Target Rewrite feature allows the replacement of route targets on incoming and outgoing Border Gateway Protocol (BGP) updates. Typically, Autonomous System Border Routers (ASBRs) perform the replacement of route targets at autonomous system boundaries. Route Reflectors (RRs) and provider edge (PE) devices can also perform route target replacement.</p> <p>The main advantage of the MPLS VPN Route Target Rewrite feature is that it keeps the administration of routing policy local to the autonomous system.</p> <p>In Cisco IOS Release 12.0(26)S, this feature was introduced for the Cisco 7200, 7500, and 12000 series routers.</p> <p>In Cisco IOS Release 12.2(25)S, this feature was integrated to support Cisco 7500 series routers.</p> <p>In Cisco IOS Release 12.2(33)SRA, this feature was integrated.</p> <p>In Cisco IOS Release 12.2(33)SXH, this feature was integrated to support the Catalyst 6500 series routers.</p> <p>In Cisco IOS Release 12.4(20)T, this feature was integrated.</p> <p>The following command was modified: set extcomm-list delete.</p>

Glossary

autonomous system—A collection of networks that share the same routing protocol and that are under the same system administration.

ASBR—autonomous system border router. A device that connects and exchanges information between two or more autonomous systems.

BGP—Border Gateway Protocol. The exterior border gateway protocol used to exchange routing information between devices in separate autonomous systems. BGP uses Transmission Control Protocol (TCP). Because TCP is a reliable protocol, BGP does not experience problems with dropped or fragmented data packets.

CE device—customer edge device. The customer device that connects to the provider edge (PE) device.

EBGP—External Border Gateway Protocol. A BGP session between devices in different autonomous systems. When a pair of devices in different autonomous systems are more than one IP hop away from each other, an EBGP session between those two devices is called multihop EBGP.

IBGP—Internal Border Gateway Protocol. A BGP session between devices within the same autonomous system.

IGP—Interior Gateway Protocol. Internet protocol used to exchange routing information within an autonomous system. Examples of common Internet IGPs include Internal Gateway Routing Protocol (IGRP), Open Shortest Path First (OSPF), and Routing Information Protocol (RIP).

LDP—Label Distribution Protocol. A standard protocol between MPLS-enabled devices to negotiate the labels (addresses) used to forward packets. The Cisco proprietary version of this protocol is the Tag Distribution Protocol (TDP).

LER—label edge router. The edge device that performs label imposition and disposition.

LSR—label switch router. The role of an LSR is to forward packets in an MPLS network by looking only at the fixed-length label.

MPLS—Multiprotocol Label Switching. A switching method that forwards IP traffic using a label. This label instructs the devices and the switches in the network where to forward the packets based on preestablished IP routing information.

NLRI—Network Layer Reachability Information. BGP sends routing update messages containing NLRI, which describes the route. In this context, an NLRI is a prefix. A BGP update message carries one or more NLRI prefixes and the attributes of a route for the NLRI prefixes. The route attributes include a BGP next-hop gateway address, community values, and other information.

P device—provider device. The core device in the service provider network that connects to provider edge (PE) devices. In a packet-switched star topology, a device that is part of the backbone and that serves as the single pipe through which all traffic from peripheral networks must pass on its way to other peripheral networks.

PE device—provider edge device. The label edge router (LER) in the service provider network that connects to the customer edge (CE) device.

RD—route distinguisher. An 8-byte value that is concatenated with an IPv4 prefix to create a unique VPN IPv4 (VPNv4) prefix.

RR—route reflector. A device that advertises, or reflects, IBGP learned routes to other IBGP peers without requiring a full network mesh.

RT—route target. Extended community attribute used to identify the VRF routing table into which a prefix is to be imported.

VPN—Virtual Private Network. A group of sites that, as a result of a set of administrative policies, can communicate with each other over a shared backbone.

VPNv4 prefix—IPv4 prefix preceded by an 8-byte route distinguisher. The VPN addresses are made unique by adding a route distinguisher to the front of the address.

VRF—VPN routing and forwarding instance. A VRF consists of an IP routing table, a derived forwarding table, a set of interfaces that use the forwarding table, and a set of rules and routing protocols that determine what goes into the forwarding table. In general, a VRF includes the routing information that defines a customer VPN site that is attached to a provider edge (PE) device.