



System Security Configuration Guide for Cisco NCS 5500 Series Routers, IOS XR Release 7.7.x

First Published: 2022-07-01

Americas Headquarters

Cisco Systems, Inc.
170 West Tasman Drive
San Jose, CA 95134-1706
USA
<http://www.cisco.com>
Tel: 408 526-4000
800 553-NETS (6387)
Fax: 408 527-0883

THE SPECIFICATIONS AND INFORMATION REGARDING THE PRODUCTS IN THIS MANUAL ARE SUBJECT TO CHANGE WITHOUT NOTICE. ALL STATEMENTS, INFORMATION, AND RECOMMENDATIONS IN THIS MANUAL ARE BELIEVED TO BE ACCURATE BUT ARE PRESENTED WITHOUT WARRANTY OF ANY KIND, EXPRESS OR IMPLIED. USERS MUST TAKE FULL RESPONSIBILITY FOR THEIR APPLICATION OF ANY PRODUCTS.

THE SOFTWARE LICENSE AND LIMITED WARRANTY FOR THE ACCOMPANYING PRODUCT ARE SET FORTH IN THE INFORMATION PACKET THAT SHIPPED WITH THE PRODUCT AND ARE INCORPORATED HEREIN BY THIS REFERENCE. IF YOU ARE UNABLE TO LOCATE THE SOFTWARE LICENSE OR LIMITED WARRANTY, CONTACT YOUR CISCO REPRESENTATIVE FOR A COPY.

The Cisco implementation of TCP header compression is an adaptation of a program developed by the University of California, Berkeley (UCB) as part of UCB's public domain version of the UNIX operating system. All rights reserved. Copyright © 1981, Regents of the University of California.

NOTWITHSTANDING ANY OTHER WARRANTY HEREIN, ALL DOCUMENT FILES AND SOFTWARE OF THESE SUPPLIERS ARE PROVIDED "AS IS" WITH ALL FAULTS. CISCO AND THE ABOVE-NAMED SUPPLIERS DISCLAIM ALL WARRANTIES, EXPRESSED OR IMPLIED, INCLUDING, WITHOUT LIMITATION, THOSE OF MERCHANTABILITY, FITNESS FOR A PARTICULAR PURPOSE AND NON-INFRINGEMENT OR ARISING FROM A COURSE OF DEALING, USAGE, OR TRADE PRACTICE.

IN NO EVENT SHALL CISCO OR ITS SUPPLIERS BE LIABLE FOR ANY INDIRECT, SPECIAL, CONSEQUENTIAL, OR INCIDENTAL DAMAGES, INCLUDING, WITHOUT LIMITATION, LOST PROFITS OR LOSS OR DAMAGE TO DATA ARISING OUT OF THE USE OR INABILITY TO USE THIS MANUAL, EVEN IF CISCO OR ITS SUPPLIERS HAVE BEEN ADVISED OF THE POSSIBILITY OF SUCH DAMAGES.

Any Internet Protocol (IP) addresses and phone numbers used in this document are not intended to be actual addresses and phone numbers. Any examples, command display output, network topology diagrams, and other figures included in the document are shown for illustrative purposes only. Any use of actual IP addresses or phone numbers in illustrative content is unintentional and coincidental.

All printed copies and duplicate soft copies of this document are considered uncontrolled. See the current online version for the latest version.

Cisco has more than 200 offices worldwide. Addresses and phone numbers are listed on the Cisco website at www.cisco.com/go/offices.

Cisco and the Cisco logo are trademarks or registered trademarks of Cisco and/or its affiliates in the U.S. and other countries. To view a list of Cisco trademarks, go to this URL: <https://www.cisco.com/c/en/us/about/legal/trademarks.html>. Third-party trademarks mentioned are the property of their respective owners. The use of the word partner does not imply a partnership relationship between Cisco and any other company. (1721R)

© 2022 Cisco Systems, Inc. All rights reserved.



CONTENTS

PREFACE

Preface xiii

Changes to This Document **xiii**

Communications, Services, and Additional Information **xiii**

CHAPTER 1

New and Changed Feature Information 1

System Security Features Added or Modified in IOS XR Release 7.7.x **1**

CHAPTER 2

Configuring AAA Services 3

Overview on AAA Services **3**

User, User Groups, and Task Groups **4**

User Categories **4**

User Groups **5**

Task Groups **6**

Command Access in XR and Admin Modes **6**

Admin Access for NETCONF and gRPC Sessions **8**

User Profile Mapping from XR VM to System Admin VM **9**

How to Allow Read Access to Administration Data for NETCONF and gRPC Clients **10**

Administrative Model **11**

Administrative Access **11**

AAA Database **12**

Remote AAA Configuration **12**

AAA Configuration **13**

Authentication **14**

Password Types **15**

Type 8 and Type 9 Passwords **15**

Type 10 Password **15**

AAA Password Security for FIPS Compliance	16
AAA Password Security Policies	16
Minimum Password Length for First User Creation	19
Password Policy for User Secret	19
Task-based Authorization	19
Task IDs	20
General Usage Guidelines for Task IDs	20
Task IDs for TACACS+ and RADIUS Authenticated Users	21
Privilege Level Mapping	21
XML Schema for AAA Services	21
Netconf and Restconf for AAA Services	22
About RADIUS	22
Network Security Situations in Which RADIUS is Unsuited	23
RADIUS Operation	23
Hold-Down Timer for TACACS+	24
How to Configure AAA Services	27
Prerequisites for Configuring AAA Services	27
Restrictions for Configuring AAA Services	27
Configure Task group	27
Configure User Groups	29
Configure First User on Cisco Routers	31
Configure Users	32
Password Masking For Type 7 Password Authentication	34
Configure Type 8 and Type 9 Passwords	34
Configure Type 10 Password	36
Backward Compatibility for Password Types	37
Configure AAA Password Policy	38
Configure Password Policy for User Secret and Password	40
Password Policy to Restrict Consecutive Characters	43
How to Restrict Consecutive Characters for User Passwords and Secrets	44
Configure Router to RADIUS Server Communication	47
Configure RADIUS Dead-Server Detection	50
Configure TACACS+ Server	52
Configure RADIUS Server Groups	55

Configure TACACS+ Server Groups	57
Configure Per VRF TACACS+ Server Groups	59
Create Series of Authentication Methods	61
Create Series of Authorization Methods	62
Create Series of Accounting Methods	65
Generate Interim Accounting Records	67
Apply Method List	68
Enable Accounting Services	69
Configure Login Parameters	70
Task Maps	71
Format of the Task String	71
How to Configure Hold-Down Timer for TACACS+	73
Model-based AAA	76
Prerequisites for Model Based AAA	77
Initial Operation	77
NACM Configuration Management and Persistence	78
Overview of Configuring NACM	78
Disabling NACM	84
Dynamic Retrieval of NETCONF Access Control Model Policies	85
Command Authorization Using Local User Account	91
Configure Command Authorization Using Local User Account	93
Feature Behavior and Use Case Scenarios	94

CHAPTER 3
Configuring FIPS Mode 99

Prerequisites for Configuring FIPS	100
How to Configure FIPS	100
Enable FIPS mode	100
Configure FIPS-compliant Keys	101
Configure FIPS-compliant Key Chain	103
Configure FIPS-compliant Certificates	104
Configure FIPS-compliant OSPFv3	105
Configure FIPS-compliant SNMPv3 Server	106
Configure FIPS-compliant SSH Client and Server	107

CHAPTER 4	Implementing Certification Authority Interoperability	109
	Information About Implementing Certification Authority	110
	Supported Standards for Certification Authority Interoperability	110
	Certification Authorities	110
	Purpose of CAs	110
	CA Registration Authorities	111
	Prerequisites for Implementing Certification Authority	111
	Restrictions for Implementing Certification Authority	111
	Configure Router Hostname and IP Domain Name	112
	Generate RSA Key Pair	113
	Import Public Key to the Router	114
	Declare Certification Authority and Configure Trusted Point	115
	Authenticate CA	117
	Request Your Own Certificates	118
	Configure Certificate Enrollment Using Cut-and-Paste	118
	Certificate Authority Trust Pool Management	122
	CA Certificate Bundling in the Trust Pool	122
	Prerequisites for CA Trust Pool Management	122
	Restrictions for CA trust pool management	122
	Updating the CA Trustpool	123
	Manually Update Certificates in Trust Pool	123
	Retrieve CRL through the HTTP Proxy Server	124
	Configuring Optional Trustpool Policy Parameters	126
	Handling of CA Certificates appearing both in Trust Pool and Trust Point	127
	Expiry Notification for PKI Certificate	127
	Learn About the PKI Alert Notification	127
	Enable PKI Traps	128
	Regenerate the Certificate	129
	Integrating Cisco IOS XR and Crosswork Trust Insights	130
	How to Integrate Cisco IOS XR and Crosswork Trust Insights	130
	Generate Key Pair	133
	Generate System Trust Point for the Leaf and Root Certificate	134
	Generate Root and Leaf Certificates	135

System Certificates Expiry	137
Collect Data Dossier	137
Procedure to Test Key Generation and Data-signing with Different Key Algorithm	140
Verify Authenticity of RPM Packages Using Fingerprint	141
Support for Ed25519 Public-Key Signature System	143
Generate Crypto Key for Ed25519 Signature Algorithm	144
Integrate Cisco IOS XR with Cisco Crosswork Trust Insights using Ed25519	144
Public Key-Pair Generation in XR Config Mode	146

CHAPTER 5**Implementing Keychain Management 149**

Implementing Keychain Management	149
Restrictions for Implementing Keychain Management	149
Configure Keychain	149
Configure Tolerance Specification to Accept Keys	151
Configure Key Identifier for Keychain	152
Configure Text for Key String	152
Determine Valid Keys	154
Configure Keys to Generate Authentication Digest for Outbound Application Traffic	155
Configure Cryptographic Algorithm	156
Lifetime of Key	158

CHAPTER 6**Configure MACSec 159**

Understanding MACSec Encryption	159
MKA Authentication Process	160
MACsec Frame Format	161
Advantages of Using MACsec Encryption	161
Hardware Support Matrix for MacSec	161
MACsec PSK	166
Fallback PSK	166
Configuring and Verifying MACsec Encryption	167
Creating a MACsec Keychain	167
Securing the MACsec Pre-shared Key (PSK) Using Type 6 Password Encryption	171
Configuring a Primary Key and Enabling the Type 6 Password Encryption Feature	171
Configuring MACSec Pre-shared Key (PSK)	172

- Creating a User-Defined MACsec Policy 174
- Applying MACsec Configuration on an Interface 177
- MACsec Policy Exceptions 179
 - How to Create MACsec Policy Exception 180
- Verifying MACsec Encryption on IOS XR 181
- Verifying MACsec Encryption on NCS 5500 193
- MACsec SecY Statistics 196
 - Querying SNMP Statistics Using CLI 196
 - MACsec SNMP MIB (IEEE8021-SECY-MIB) 198
 - secyIfTable 198
 - secyTxSCTable 199
 - secyTxSatable 199
 - secyRxSCTable 200
 - secyRxSatable 200
 - secyCipherSuiteTable 201
 - secyTxSAStatsTable 201
 - secyTxSCStatsTable 202
 - secyRxSAStatsTable 202
 - secyRxSCStatsTable 202
 - secyStatsTable 203
- Obtaining the MACsec Controlled Port Interface Index 203
- SNMP Query Examples 204
- Related Commands for MACsec 204

CHAPTER 7

- Implementing Type 6 Password Encryption 205**
 - How to Implement Type 6 Password Encryption 205
 - Enabling Type6 Feature and Creating a Primary Key (Type 6 Server) 205
 - Implementing Key Chain for BGP Sessions (Type 6 Client) 208
 - Creating a BGP Session (Type 6 Password Encryption Use Case) 209

CHAPTER 8

- 802.1X Port-Based Authentication 211**
 - Restrictions for IEEE 802.1X Port-Based Authentication 211
 - IEEE 802.1X Device Roles 212
 - Understanding 802.1X Port-Based Authentication 212

802.1X host-modes	213
Configure 802.1X host-modes	214
Prerequisites for 802.1X Port-Based Authentication	214
802.1X with Remote RADIUS Authentication	214
Configure RADIUS Server	214
Configure 802.1X Authentication Method	215
Configure 802.1X Authenticator Profile	215
Configure 802.1X Profile on Interface	216
802.1X with Local EAP Authentication	216
Generate RSA Key Pair	216
Configure Trustpoint	217
Configure Domain Name	217
Certificate Configurations	217
Configure EAP Profile	218
Configure 802.1X Authenticator Profile	219
Configure 802.1X Profile on Interface	219
Router as 802.1X Supplicant	220
Configure 802.1X Supplicant Profile	220
Configure 802.1X Profile on Interface	220
Verify 802.1X Port-Based Authentication	220
Show Command Outputs	221
Syslog Messages	222
<hr/>	
CHAPTER 9	MACsec Using EAP-TLS Authentication 225
	MACSec Using EAP-TLS Authentication 225
	Configure MACSec Encryption Using EAP-TLS Authentication 225
	Configure MACSec EAP on an Interface 226
	Verify MACSec EAP Configuration on an Interface 226
<hr/>	
CHAPTER 10	Implementing URPF 229
	Understanding URPF 229
	Configuring URPF Loose Mode 230
	Configuring URPF Strict Mode 231

CHAPTER 11	Implementing Management Plane Protection 233
	Implementing Management Plane Protection 233
	Benefits of Management Plane Protection 234
	Restrictions for Implementing Management Plane Protection 234
	Configure Device for Management Plane Protection for Inband Interface 234
	Configure Device for Management Plane Protection for Out-of-band Interface 237
	MPP Parity for Management Ethernet Interface 242
	How to Enable Inband MPP Behavior for Management Ethernet Interface 243
	Information About Implementing Management Plane Protection 249
	Peer-Filtering on Interfaces 249
	Control Plane Protection 249
	Management Plane 250

CHAPTER 12	Traffic Protection for Third-Party Applications 251
	gRPC Protocol 251
	Limitations for Traffic Protection for Third-Party Applications 252
	Prerequisites for Traffic Protection for Third-Party Applications Over GRPC 252
	Configuring Traffic Protection for Third-Party Applications 252
	Troubleshooting Traffic Protection for Third-Party Applications 253

CHAPTER 13	Implementing Secure Shell 255
	Information About Implementing Secure Shell 256
	SSH Server 256
	SSH Client 256
	SFTP Feature Overview 257
	RSA Based Host Authentication 259
	RSA Based User Authentication 259
	SSHv2 Client Keyboard-Interactive Authentication 260
	Prerequisites for Implementing Secure Shell 260
	SSH and SFTP in Baseline Cisco IOS XR Software Image 260
	Restrictions for Implementing Secure Shell 261
	Configure SSH 261
	Automatic Generation of SSH Host-Key Pairs 264

Configure the Allowed SSH Host-Key Pair Algorithms	265
Ed25519 Public-Key Signature Algorithm Support for SSH	267
How to Generate Ed25519 Public Key for SSH	268
Configure SSH Client	268
Configuring CBC Mode Ciphers	270
Multi-channeling in SSH	271
Configure Client for Multiplexing	272
User Configurable Maximum Authentication Attempts for SSH	273
Configure Maximum Authentication Attempts for SSH	274
X.509v3 Certificate-based Authentication for SSH	275
Configure X.509v3 Certificate-based Authentication for SSH	278
Selective Authentication Methods for SSH Server	283
Disable SSH Server Authentication Methods	283
SSH Port Forwarding	284
How to Enable SSH Port Forwarding	286
Non-Default SSH Port	288
How to Configure Non-Default SSH Port	289

CHAPTER 14

Implementing Lawful Intercept	293
Information About Lawful Intercept Implementation	294
Prerequisites for Implementing Lawful Intercept	294
Restrictions for Implementing Lawful Intercept	295
Lawful Intercept Topology	296
Benefits of Lawful Intercept	296
Installing Lawful Intercept (LI) Package	297
Installing and Activating the LI Package	297
Deactivating the LI RPM	297
Lawful Intercept Enablement with Consent-Token	298
How to Configure SNMPv3 Access for Lawful Intercept	301
Disabling SNMP-based Lawful Intercept	301
Configuring the Inband Management Plane Protection Feature	301
Enabling the Lawful Intercept SNMP Server Configuration	302
Additional Information on Lawful Intercept	303
Interception Mode	303

- Data Interception 303
- Scale or Performance Values 303
- Intercepting IPv4 and IPv6 Packets 304
 - Lawful Intercept Filters 304
 - Encapsulation Type Supported for Intercepted Packets 304
- High Availability for Lawful Intercept 305
 - Preserving TAP and MD Tables during RP Fail Over 305
 - Replay Timer 305

CHAPTER 15

SSD Encryption 307

- SSD Encryption 307
 - DM-Crypt 308
 - AES-NI Support 308
 - CryptSetup 309
- Encrypted Logical Volume 309
- SSD Binding 310
- Data Zeroization 310

CHAPTER 16

Implementing Secure Logging 311

- System Logging over Transport Layer Security (TLS) 311
- Restrictions for Syslogs over TLS 313
- Configuring Syslogs over TLS 313

CHAPTER 17

Password Recovery Procedure 317

- Password Recovery Procedure 317



Preface

This guide describes the configuration and examples for system security. For system security command descriptions, usage guidelines, task IDs, and examples, refer to the *System Security Command Reference for Cisco NCS 5500 Series Routers and Cisco NCS 540 and NCS 560 Series Routers*.

The preface contains the following sections:

- [Changes to This Document, on page xiii](#)
- [Communications, Services, and Additional Information, on page xiii](#)

Changes to This Document

This table lists the technical changes made to this document since it was first released.

Table 1: Changes to This Document

Date	Summary
July 2022	Initial release of this document

Communications, Services, and Additional Information

- To receive timely, relevant information from Cisco, sign up at [Cisco Profile Manager](#).
- To get the business impact you're looking for with the technologies that matter, visit [Cisco Services](#).
- To submit a service request, visit [Cisco Support](#).
- To discover and browse secure, validated enterprise-class apps, products, solutions and services, visit [Cisco Marketplace](#).
- To obtain general networking, training, and certification titles, visit [Cisco Press](#).
- To find warranty information for a specific product or product family, access [Cisco Warranty Finder](#).

Cisco Bug Search Tool

[Cisco Bug Search Tool](#) (BST) is a web-based tool that acts as a gateway to the Cisco bug tracking system that maintains a comprehensive list of defects and vulnerabilities in Cisco products and software. BST provides you with detailed defect information about your products and software.



CHAPTER 1

New and Changed Feature Information

This table summarizes the new and changed feature information for the *System Security Configuration Guide for Cisco NCS 5500 Series Routers*, and tells you where they are documented.

- [System Security Features Added or Modified in IOS XR Release 7.7.x, on page 1](#)

System Security Features Added or Modified in IOS XR Release 7.7.x

Feature	Description	Changed in Release	Where Documented
MACSec Encryption on NC55-32T16Q4H-A	This feature was introduced.	Release 7.7.1	Hardware Support Matrix for MacSec, on page 161
Non-Default SSH Port	This feature was introduced.	Release 7.7.1	Non-Default SSH Port, on page 288
Password Policy to Restrict Consecutive Characters	This feature was introduced.	Release 7.7.1	Password Policy to Restrict Consecutive Characters, on page 43



CHAPTER 2

Configuring AAA Services

This module describes the implementation of the administrative model of *task-based authorization* used to control user access in the software system. The major tasks required to implement task-based authorization involve configuring user groups and task groups.

User groups and task groups are configured through the software command set used for authentication, authorization and accounting (AAA) services. Authentication commands are used to verify the identity of a user or principal. Authorization commands are used to verify that an authenticated user (or principal) is granted permission to perform a specific task. Accounting commands are used for logging of sessions and to create an audit trail by recording certain user- or system-generated actions.

AAA is part of the software base package and is available by default.

Feature History for Configuring AAA Services

Release	Modification
Release 6.0	This feature was introduced.
Release 7.0.1	Added the support for Type 8, Type 9 and Type 10 passwords.
Release 7.2.1	Added the new feature, Password Policy for User Secret.
Release 7.4.1	Added CLI commands to configure NACM rule-lists, rules and groups in addition to existing support for YANG data models.

- [Overview on AAA Services, on page 3](#)
- [How to Configure AAA Services, on page 27](#)

Overview on AAA Services

This section lists all the conceptual information that a software user must understand before configuring user groups and task groups through AAA or configuring Remote Authentication Dial-in User Service (RADIUS) or TACACS+ servers. Conceptual information also describes what AAA is and why it is important.

User, User Groups, and Task Groups

User attributes form the basis of the Cisco software administrative model. Each router user is associated with the following attributes:

- User ID (ASCII string) that identifies the user uniquely across an administrative domain
- Length limitation of 253 characters for passwords and one-way encrypted secrets
- List of user groups (at least one) of which the user is a member (thereby enabling attributes such as task IDs).

User Categories

Router users are classified into the following categories:

- Root Secure Domain Router (SDR) user (specific SDR administrative authority)
- SDR user (specific SDR user access)

Root System Users

The root system user is the entity authorized to “own” the entire router chassis. The root system user functions with the highest privileges over all router components and can monitor all secure domain routers in the system. At least one root system user account must be created during router setup. Multiple root system users can exist.

The root system user can perform any configuration or monitoring task, including the following:

- Configure secure domain routers.
- Create, delete, and modify root SDR users (after logging in to the secure domain router as the root system user).
- Create, delete, and modify secure domain router users and set user task permissions (after logging in to the secure domain router as the root system user).
- Access fabric racks or any router resource not allocated to a secure domain router, allowing the root system user to authenticate to any router node regardless of the secure domain router configurations.

Root SDR Users

A root SDR user controls the configuration and monitoring of a particular SDR. The root SDR user can create users and configure their privileges within the SDR. Multiple root SDR users can work independently. A single SDR may have more than one root SDR user.

A root SDR user can perform the following administrative tasks for a particular SDR:

- Create, delete, and modify secure domain router users and their privileges for the SDR.
- Create, delete, and modify user groups to allow access to the SDR.
- Manage nearly all aspects of the SDR.

A root SDR user cannot deny access to a root system user.

Secure Domain Router (SDR) Users

A SDR user has restricted access to an SDR as determined by the root SDR user. The SDR user performs the day-to-day system and network management activities. The tasks that the secure domain router user is allowed to perform are determined by the task IDs associated with the user groups to which the SDR user belongs. Multiple SDRs in a chassis are not supported.

User Groups

A *user group* defines a collection of users that share a set of attributes, such as access privileges. Cisco software allows the system administrator to configure groups of users and the job characteristics that are common in groups of users. Users are not assigned to groups by default hence the assignment needs to be done explicitly. A user can be assigned to more than one group.

Each user may be associated with one or more user groups. User groups have the following attributes:

- A user group consists of the list of task groups that define the authorization for the users. All tasks, except `cisco-support`, are permitted by default for root system users.
- Each user task can be assigned read, write, execute, or debug permission.

Predefined User Groups

The Cisco software provides a collection of user groups whose attributes are already defined. The predefined groups are as follows:

- **cisco-support:** This group is used by the Cisco support team.
- **maintenance:** Has the ability to display, configure and execute commands for network, files and user-related entities.
- **netadmin:** Has the ability to control and monitor all system and network parameters.
- **operator:** A demonstration group with basic privileges.
- **provisioning:** Has the ability to display and configure network, files and user-related entities.
- **read-only-tg:** Has the ability to perform any show command, but no configuration ability.
- **retrieve:** Has the ability to display network, files and user-related information.
- **root-lr:** Has the ability to control and monitor the specific secure domain router.
- **serviceadmin:** Service administration tasks, for example, Session Border Controller (SBC).
- **sysadmin:** Has the ability to control and monitor all system parameters but cannot configure network protocols.

To verify the individual permissions of a user group, assign the group to a user and execute the **show user tasks** command.

User-Defined User Groups

Administrators can configure their own user groups to meet particular needs.

User Group Inheritance

A user group can derive attributes from another user group. (Similarly, a task group can derive attributes from another task group). For example, when user group A inherits attributes from user group B, the new set of task attributes of the user group A is a union of A and B. The inheritance relationship among user groups is dynamic in the sense that if group A inherits attributes from group B, a change in group B affects group A, even if the group is not reinherited explicitly.

Task Groups

Task groups are defined by lists of permitted task IDs for each type of action (such as read, write, and so on). The task IDs are basically defined in the router system. Task ID definitions may have to be supported before task groups in external software can be configured.

Task IDs can also be configured in external TACACS+ or RADIUS servers.

Predefined Task Groups

The following predefined task groups are available for administrators to use, typically for initial configuration:

- **cisco-support:** Cisco support personnel tasks
- **netadmin:** Network administrator tasks
- **operator:** Operator day-to-day tasks (for demonstration purposes)
- **root-lr:** Secure domain router administrator tasks
- **sysadmin:** System administrator tasks
- **serviceadmin:** Service administration tasks, for example, SBC

User-Defined Task Groups

Users can configure their own task groups to meet particular needs.

Group Inheritance

Task groups support inheritance from other task groups. (Similarly, a user group can derive attributes from another user group. For example, when task group A inherits task group B, the new set of attributes of task group A is the union of A and B.

Command Access in XR and Admin Modes

The XR user group and task is mapped to the System Admin VM group when the System Admin mode is accessed from XR mode using **admin** command. The corresponding access permission on System Admin VM is available to the user. Currently, only **aaa**, **admin** task and **root-lr** groups are mapped to System Admin VM group or task. The other tasks like protocols are not mapped as these services are not supported in System Admin VM. The disaster-recovery user of System Admin VM is synced with the Host VM.

XR Task or Group	Sysadmin VM Group	Access	Example
root-lr	Root-system group	Full access to the system configuration.	<pre>RP/0/RP0/CPU0:ios#show user group Mon Nov 3 13:48:54.536 UTC root-lr, cisco-support RP/0/RP0/CPU0:ios#show user tasks inc root-lr Mon Nov 3 13:49:06.495 UTC Task: root-lr : READ WRITE EXECUTE DEBUG (reserved) RP/0/RP0/CPU0:ios#admin sysadmin-vm:0_RP0# show aaa user-group Mon Nov 3 13:48:00.790 UTC User group : root-system</pre>
Admin-r/w/x/d	Admin-r	Read only commands on Sysadmin VM	<pre>taskgroup tg-admin-write task write admin task execute admin ! usergroup ug-admin-write taskgroup tg-admin-write ! username admin-write group ug-admin-write password admin-write ! RP/0/RP0/CPU0:ios#show user group Mon Nov 3 14:09:29.676 UTC ug-admin-write RP/0/RP0/CPU0:ios#show user tasks Mon Nov 3 14:09:35.244 UTC Task: admin : READ WRITE EXECUTE RP/0/RP0/CPU0:ios#admin Mon Nov 3 14:09:40.401 UTC admin-write connected from 127.0.0.1 using console on xr-vm_node0_RP0_CPU0 sysadmin-vm:0_RP0# show aaa user-group Mon Nov 3 13:53:00.790 UTC User group : admin-r</pre>

XR Task or Group	Sysadmin VM Group	Access	Example
Netadmin or sysadmin group Admin-r/ wx /d, aaa -r/w/x/d	Aaa -r and admin -r	Read only commands on Sysadmin VM	<pre>RP/0/RP0/CPU0:ios#show user group Mon Nov 3 13:44:39.176 UTC netadmin RP/0/RP0/CPU0:ios#show user tasks inc aaa Mon Nov 3 13:45:00.999 UTC Task: aaa : READ RP/0/RP0/CPU0:ios#show user tasks inc admin Mon Nov 3 13:45:09.567 UTC Task: admin : READ RP/0/RP0/CPU0:ios#admin Mon Nov 3 13:46:21.183 UTC netadmin connected from 127.0.0.1 using console on xr-vm_node0_RP0_CPU0 sysadmin-vm:0_RP0# show aaa user-group Mon Nov 3 13:44:23.939 UTC User group : admin-r,aaa-r sysadmin-vm:0_RP0#</pre>

Admin Access for NETCONF and gRPC Sessions

Table 2: Feature History Table

Feature Name	Release Information	Feature Description
Admin Access for NETCONF and gRPC Sessions	Release 7.4.1	<p>This feature allows all authorized users on XR VM to access administration data on the router through NETCONF or gRPC interface, similar to accessing the CLI. This functionality works by internally mapping the task group of the user on XR VM to a predefined group on System Admin VM. Therefore, the NETCONF and gRPC users can access the admin-related information on the router even if their user profiles do not exist on System Admin VM.</p> <p>Prior to this release, only those users who were authorized on XR VM could access System Admin VM through CLI, by using the admin command. Users that were not configured on System Admin VM were denied access through the NETCONF or gRPC interfaces.</p>

NETCONF is an XML-based protocol used over Secure Shell (SSH) transport to configure a network. Similarly, gRPC is an open-source remote procedure call framework. The client applications can use these protocols to request information from the router and make configuration changes to the router. Prior to Cisco IOS XR Software Release 7.4.1, users who use NETCONF, gRPC or any other configuration interface, other than CLI, to access the admin-related information on the router, had to belong to user groups that are configured on System Admin VM. Otherwise, the router would issue an UNAUTHORIZED access error message and deny access through that client interface.

By default, XR VM synchronizes only the first-configured user to System Admin VM. If you delete the first-user in XR VM, the system synchronizes the next user in the **root-lr** group (which is the highest privilege group in XR VM for Cisco IOS XR 64-bit platforms) to System Admin VM only if there are no other users configured in System Admin VM. The system does not automatically synchronize the subsequent users to System Admin VM. Therefore, in earlier releases, users whose profiles did not exist in System Admin VM were not able to perform any NETCONF or gRPC operations on System Admin VM.

From Cisco IOS XR Software Release 7.4.1 and later, the system internally maps the users who are authorized on XR VM to System Admin VM of the router, based on the task table of the user on XR VM. With this feature, the NETCONF and gRPC users can access admin-related information on the router even if their user profiles do not exist on System Admin VM. By default, this feature is enabled.

To know more about NETCONF and gRPC operations, see the *Use NETCONF Protocol to Define Network Operations with Data Models* chapter and *Use gRPC Protocol to Define Network Operations with Data Models* chapter in the *Programmability Configuration Guide for Cisco NCS 5500 Series Routers*.

User Profile Mapping from XR VM to System Admin VM

User privileges to execute commands and access data elements on the router are usually specified using certain command rules and data rules that are created and applied on the user groups.

For details on user groups, command rules and data rules, see the *Create User Profiles and Assign Privilege* chapter in the *System Setup and Software Installation Guide for Cisco NCS 5500 Series Routers*.

When the internal process for AAA starts or when you create the first user, the system creates the following set of predefined groups, command rules and data rules in System Admin VM. These configurations are prepopulated to allow users of different groups (such as **root-system**, **admin-r** and **aaa-r**) in System Admin VM.

You can use the **show running-configuration aaa** command to view the AAA configurations.

```
aaa authentication groups group aaa-r gid 100 users %%_system_user_%%
!
aaa authentication groups group admin-r gid 100 users %%_system_user_%%
!
aaa authentication groups group root-system gid 100 users "%%_system_user_%% "
!
aaa authorization cmdrules cmdrule 1 context * command * group root-system ops rx action
accept
!
aaa authorization cmdrules cmdrule 2 context * command "show running-config aaa" group aaa-r
ops rx action accept
!
aaa authorization cmdrules cmdrule 3 context * command "show tech-support aaa" group aaa-r
ops rx action accept
!
aaa authorization cmdrules cmdrule 4 context * command "show aaa" group aaa-r ops rx
action accept
!
aaa authorization cmdrules cmdrule 5 context * command show group admin-r ops rx action
```

```

accept
!
aaa authorization datarules datarule 1 namespace * context * keypath * group root-system
ops rwx action accept
!
aaa authorization datarules datarule 2 namespace * context * keypath /aaa group aaa-r ops
r action accept
!
aaa authorization datarules datarule 3 namespace * context * keypath /aaa group admin-r ops
rwx action reject
!
aaa authorization datarules datarule 4 namespace * context * keypath / group admin-r ops r
action accept
!

```

The admin CLI for the user works based on the above configurations. The **root-system** is the group with the highest privilege in System Admin VM. The **admin-r** group has only read and execute access to all data. The **aaa-r** group has access only to AAA data. With the introduction of the admin access feature for all users, the NETCONF and gRPC applications can also access the admin data based on the above rules and groups.

User Profile Mapping Based on Task-ID

This table shows the internal mapping of XR VM users to System Admin VM. The users in XR VM belong to various user groups such as **aaa**, **admin**, **root-lr** and **root-system**.

XR VM User Group:Task-ID	System Admin VM User Group
aaa:rwxd	aaa-r
aaa:rw	aaa-r
aaa:rx	aaa-r
aaa:r	aaa-r
aaa:w	aaa-x
aaa:x	aaa-x
root-system:rwxd	root-system
root-lr:rwxd	root-system
admin:rwxd	admin-r
admin:rw	admin-r
admin:r	admin-r

How to Allow Read Access to Administration Data for NETCONF and gRPC Clients

NETCONF and gRPC users access the administration data on the router through GET operations as defined by the respective protocols. To allow this read access to administration data for users belonging to **admin-r** group, you must configure a new command rule specifically for the NETCONF or gRPC client.

Configuration Example

```
Router#admin
sysadmin-vm:0_RP0#configure
sysadmin-vm:0_RP0(config)#aaa authorization cmdrules cmdrule 6
sysadmin-vm:0_RP0(config-cmdrule-6)#context netconf
sysadmin-vm:0_RP0(config-cmdrule-6)#command get
sysadmin-vm:0_RP0(config-cmdrule-6)#group admin-r
sysadmin-vm:0_RP0(config-cmdrule-6)#ops rx
sysadmin-vm:0_RP0(config-cmdrule-6)#action accept
sysadmin-vm:0_RP0(config)#commit
```

Running Configuration

```
aaa authorization cmdrules cmdrule 6
context netconf
command get
group admin-r
ops rx
action accept
!
```

Associated Command

- **aaa authorization (System Admin-VM)**

Administrative Model

The router operates in two planes: the administration (admin) plane and secure domain router (SDR) plane. The admin (shared) plane consists of resources shared across all SDRs, while the SDR plane consists of those resources specific to the particular SDR.

Each SDR has its own AAA configuration including, local users, groups, and TACACS+ and RADIUS configurations. Users created in one SDR cannot access other SDRs unless those same users are configured in the other SDRs.

Administrative Access

Administrative access to the system can be lost if the following operations are not well understood and carefully planned.

- Configuring authentication that uses remote AAA servers that are not available, particularly authentication for the console.



Note The **none** option without any other method list is not supported.

- Configuring command authorization or XR EXEC mode authorization on the console should be done with extreme care, because TACACS+ servers may not be available or may deny every command, which locks the user out. This lockout can occur particularly if the authentication was done with a user not known to the TACACS+ server, or if the TACACS+ user has most or all the commands denied for one reason or another.

To avoid a lockout, we recommend these:

- Before turning on TACACS+ command authorization or XR EXEC mode authorization on the console, make sure that the user who is configuring the authorization is logged in using the appropriate user permissions in the TACACS+ profile.
- If the security policy of the site permits it, use the **none** option for command authorization or XR EXEC mode authorization so that if the TACACS+ servers are not reachable, AAA rolls over to the **none** method, which permits the user to run the command.
- Make sure to allow local fallback when configuring AAA. See, [Create Series of Authorization Methods, on page 62](#).
- If you prefer to commit the configuration on a trial basis for a specified time, you may do so by using the **commit confirmed** command, instead of direct **commit**.

AAA Database

The AAA database stores the users, groups, and task information that controls access to the system. The AAA database can be either local or remote. The database that is used for a specific situation depends on the AAA configuration.

Local Database

AAA data, such as users, user groups, and task groups, can be stored locally within a secure domain router. The data is stored in the in-memory database and persists in the configuration file. The stored passwords are encrypted.



Note The database is local to the specific secure domain router (SDR) in which it is stored, and the defined users or groups are not visible to other SDRs in the same system.

You can delete the last remaining user from the local database. If all users are deleted when the next user logs in, the setup dialog appears and prompts you for a new username and password.



Note The setup dialog appears only when the user logs into the console.

Remote Database

AAA data can be stored in an external security server, such as CiscoSecure ACS. Security data stored in the server can be used by any client (such as a network access server [NAS]) provided that the client knows the server IP address and shared secret.

Remote AAA Configuration

Products such as CiscoSecure ACS can be used to administer the shared or external AAA database. The router communicates with the remote AAA server using a standard IP-based security protocol (such as TACACS+ or RADIUS).

Client Configuration

The security server should be configured with the secret key shared with the router and the IP addresses of the clients.

User Groups

User groups that are created in an external server are not related to the user group concept that is used in the context of local AAA database configuration on the router. The management of external TACACS+ server or RADIUS server user groups is independent, and the router does not recognize the user group structure. The remote user or group profiles may contain attributes that specify the groups (defined on the router) to which a user or users belong, as well as individual task IDs.

Configuration of user groups in external servers comes under the design of individual server products. See the appropriate server product documentation.

Task Groups

Task groups are defined by lists of permitted task IDs for each type of action (such as read, write, and so on). The task IDs are basically defined in the router system. Task ID definitions may have to be supported before task groups in external software can be configured.

Task IDs can also be configured in external TACACS+ or RADIUS servers.

AAA Configuration

This section provides information about AAA configuration.

Method Lists

AAA data may be stored in a variety of data sources. AAA configuration uses *method lists* to define an order of preference for the source of AAA data. AAA may define more than one method list and applications (such as login) can choose one of them. For example, console ports may use one method list and the vty ports may use another. If a method list is not specified, the application tries to use a default method list. If a default method list does not exist, AAA uses the local database as the source.

Rollover Mechanism

AAA can be configured to use a prioritized list of database options. If the system is unable to use a database, it automatically rolls over to the next database on the list. If the authentication, authorization, or accounting request is rejected by any database, the rollover does not occur and the request is rejected.

The following methods are available:

- Local: Use the locally configured database (not applicable for accounting and certain types of authorization)
- TACACS+: Use a TACACS+ server (such as CiscoSecure ACS)
- RADIUS: Use a RADIUS server
- Line: Use a line password and user group (applicable only for authentication)
- None: Allow the request (not applicable for authentication)



Note If the system rejects the authorization request and the user gets locked out, you can try to rollback the previous configuration or remove the problematic AAA configuration through auxiliary port. To log in to the auxiliary port, use the local username and password; not the tacacs+ server credentials. The **config_rollback -n 0x1** command can be used to rollback the previous configuration. If you are not able to access the auxiliary port, a router reload might be required in such scenarios.

Server Grouping

Instead of maintaining a single global list of servers, the user can form server groups for different AAA protocols (such as RADIUS and TACACS+) and associate them with AAA applications (such as PPP and XR EXEC mode).

Authentication

Authentication is the most important security process by which a principal (a user or an application) obtains access to the system. The principal is identified by a username (or user ID) that is unique across an administrative domain. The applications serving the user (such as or Management Agent) procure the username and the credentials from the user. AAA performs the authentication based on the username and credentials passed to it by the applications. The role of an authenticated user is determined by the group (or groups) to which the user belongs. (A user can be a member of one or more user groups.)

Authentication of Non-Owner Secure Domain Router User

When logging in from a non-owner secure domain router, the root system user must add the “@admin” suffix to the username. Using the “@admin” suffix sends the authentication request to the owner secure domain router for verification. The owner secure domain router uses the methods in the list-name **remote** for choosing the authentication method. The **remote** method list is configured using the **aaa authentication login remote method1 method2...** command.

Authentication of Owner Secure Domain Router User

An owner secure domain router user can log in only to the nodes belonging to the specific secure domain router associated with that owner secure domain router user. If the user is member of a root-sdr group, the user is authenticated as an owner secure domain router user.

Authentication of Secure Domain Router User

Secure domain router user authentication is similar to owner secure domain router user authentication. If the user is not found to be a member of the designated owner secure domain router user group, the user is authenticated as a secure domain router user.

Authentication Flow of Control

AAA performs authentication according to the following process:

1. A user requests authentication by providing a username and password (or secret).
2. AAA verifies the user’s password and rejects the user if the password does not match what is in the database.
3. AAA determines the role of the user (root SDR user, or SDR user).

- If the user has been configured as a member of an owner secure domain router user group, then AAA authenticates the user as an owner secure domain router user.
- If the user has not been configured as a member of an owner secure domain router user group, AAA authenticates the user as a secure domain router user.

Clients can obtain a user's permitted task IDs during authentication. This information is obtained by forming a union of all task group definitions specified in the user groups to which the user belongs. Clients using such information typically create a session for the user (such as an API session) in which the task ID set remains static. Both the XR EXEC mode and external API clients can use this feature to optimize their operations. XR EXEC mode can avoid displaying the commands that are not applicable and an EMS application can, for example, disable graphical user interface (GUI) menus that are not applicable.

If the attributes of a user, such as user group membership and, consequently, task permissions, are modified, those modified attributes are not reflected in the user's current active session; they take effect in the user's next session.

Password Types

In configuring a user and that user's group membership, you can specify two types of passwords: encrypted or clear text.

The router supports both two-way and one-way (secret) encrypted user passwords. Secret passwords are ideal for user login accounts because the original unencrypted password string cannot be deduced on the basis of the encrypted secret. Some applications (PPP, for example) require only two-way passwords because they must decrypt the stored password for their own function, such as sending the password in a packet. For a login user, both types of passwords may be configured, but a warning message is displayed if one type of password is configured while the other is already present.

If both secret and password are configured for a user, the secret takes precedence for all operations that do not require a password that can be decrypted, such as login. For applications such as PPP, the two-way encrypted password is used even if a secret is present.

Type 8 and Type 9 Passwords

This feature provides the options for Type 8 and Type 9 passwords in AAA security services. The Type 8 and Type 9 passwords provide more secure and robust support for saving passwords w.r.t each username. Thus, in scenarios where a lot of confidential data need to be maintained, these encryption methods ensure that the admin and other user passwords are strongly protected.

The implementation of Type 8 password uses SHA256 hashing algorithm, and the Type 9 password uses scrypt hashing algorithm.



Note The Type 8 and Type 9 passwords are supported on the IOS XR 64-bit operating system starting from Cisco IOS XR Software Release 7.0.1.

Type 10 Password

The Cisco IOS XR 64-bit software introduces the support for Type 10 password that uses **SHA512** encryption algorithm. The **SHA512** encryption algorithm provides improved security to the user passwords compared to the older algorithms such as **MD5** and **SHA256**. With this feature, **SHA512** becomes the default encryption

algorithm for the passwords in user name configuration, even for the first user creation scenario. Prior to the introduction of Type 10 password, **MD5** was used as the default algorithm.

To configure Type 10 password, see [Configure Type 10 Password](#).

Restrictions for Type 10 Password Usage

These restrictions apply to the usage of Type 10 password:

- Backward compatibility issues such as configuration loss, authentication failure, and so on, are expected when you downgrade to lower versions that still use **MD5** or **SHA256** encryption algorithms. Convert the passwords to Type 10 before such downgrades to minimize the impact of such issues. For details, see [Backward Compatibility for Password Types, on page 37](#).
- In a first user configuration scenario or when you reconfigure a user, the system syncs only the Type 5 and Type 10 passwords from XR VM to System Admin VM and Host VM. It doesn't sync the Type 8 and Type 9 passwords in such scenarios.

AAA Password Security for FIPS Compliance

Cisco IOS XR Software introduces advanced AAA password strengthening policy and security mechanism to store, retrieve and provide rules or policy to specify user passwords. This password policy is applicable only for local users, and not for remote users whose profile information are stored in a third party AAA server. This policy is not applicable to secrets of the user. If both secret and password are configured for a user, then secret takes precedence, and password security policy does not have any effect on authentication or change of password for such users. This AAA password security policy works as such for Cisco IOS XR platforms. Whereas, this feature is supported only on XR VM, for Cisco IOS XR 64 bit platforms and Cisco NCS 5500 Series Routers.

High Availability for AAA Password Security Policy

The AAA password policy configurations and username configurations remain intact across RP failovers or process restarts in the system. The operational data such as, lifetime of the password and lockout time of the user are not stored on system database or disk. Hence, those are not restored across RP failovers or process restarts. Users start afresh on the active RP or on the new process. Hence, users who were locked out before RP failover or process restart are able to login immediately after the failover or restart.

To configure AAA password policy, see [Configure AAA Password Policy, on page 38](#).

AAA Password Security Policies

AAA password security for FIPS compliance consists of these policies:

Password Composition Policy

Passwords can be composed by any combination of upper and lower case alphabets, numbers and special characters that include: "!", "@", "#", "\$", "%", "^", "&", "*", "(", and ")". Security administrator can also set the types and number of required characters that comprise the password, thereby providing more flexibility for password composition rules. The minimum number of character change required between passwords is 4, by default. There is no restriction on the upper limit of the number of uppercase, lowercase, numeric and special characters.

Password Length Policy

The administrator can set the minimum and maximum length of the password. The minimum configurable length in password policy is 2, and the maximum length is 253.

Password Lifetime Policy

The administrator can configure a maximum lifetime for the password, the value of which can be specified in years, months, days, hours, minutes and seconds. The configured password never expires if this parameter is not configured. The configuration remains intact even after a system reload. But, the password creation time is updated to the new time whenever the system reboots. For example, if a password is configured with a life time of one month, and if the system reboots on 29th day, then the password is valid for one more month after the system reboot. Once the configured lifetime expires, further action is taken based on the password expiry policy (see the section on Password Expiry Policy).

Password Expiry Policy

If the password credential of a user who is trying to login is already expired, then the following actions occur:

- User is prompted to set the new password after successfully entering the expired password.
- The new password is validated against the password security policy.
- If the new password matches the password security policy, then the AAA data base is updated and authentication is done with the new password.
- If the new password is not compliant with the password security policy, then the attempt is considered as an authentication failure and the user is prompted again to enter a new password. The max limit for such attempts is in the control of login clients and AAA does not have any restrictions for that.

As part of password expiry policy, if the life time is not yet configured for a user who has already logged in, and if the security administrator configures the life time for the same user, then the life time is set in the database. The system checks for password expiry on the subsequent authentication of the same user.

Password expiry is checked only during the authentication phase. If the password expires after the user is authenticated and logged in to the system, then no action is taken. The user is prompted to change the password only during the next authentication of the same user.

Debug logs and syslog are printed for the user password expiry only when the user attempts to login. This is a sample syslog in the case of password expiry:

```
RP/0/RSP1/CPU0:Jun 21 09:13:34.241 : locald_DSC[308]: %SECURITY-LOCALD-5-USER_PASSWD_EXPIRED
:
Password for user 'user12' has expired.
```

Password Change Policy

Users cannot change passwords at will. A password change is triggered in these scenarios:

- When the security administrator needs to change the password
- When the user is trying to get authenticated using a profile and the password for the profile is expired
- When the security administrator modifies the password policy which is associated to the user, and does not immediately change the password according to the policy

You can use the **show configuration failed** command to display the error messages when the password entered does not comply with the password policy configurations.

When the security administrator changes the password security policy, and if the existing profile does not meet the password security policy rules, no action is taken if the user has already logged in to the system. In this scenario, the user is prompted to change the password when he tries to get authenticated using the profile which does not meet the password security rules.

When the user is changing the password, the lifetime of the new password remains same as that of the lifetime that was set by the security administrator for the old profile.

When password expires for non-interactive clients (such as dot1x), an appropriate error message is sent to the clients. Clients must contact the security administrator to renew the password in such scenarios.

Service Provision after Authentication

The basic AAA local authentication feature ensures that no service is performed before a user is authenticated.

User Re-authentication Policy

A user is re-authenticated when he changes the password. When a user changes his password on expiry, he is authenticated with the new password. In this case, the actual authentication happens based on the previous credential, and the new password is updated in the database.

User Authentication Lockout Policy

AAA provides a configuration option, **authen-max-attempts**, to restrict users who try to authenticate using invalid login credentials. This option sets the maximum number of permissible authentication failure attempts for a user. The user gets locked out when he exceeds this maximum limit, until the lockout timer (**lockout-time**) is expired. If the user attempts to login in spite of being locked out, the lockout expiry time keep advancing forward from the time login was last attempted.

This is a sample syslog when user is locked out:

```
RP/0/RSP1/CPU0:Jun 21 09:21:28.226 : locald_DSC[308]: %SECURITY-LOCALD-5-USER_PASSWD_LOCKED
:
User 'user12' is temporarily locked out for exceeding maximum unsuccessful logins.
```

This is a sample syslog when user is unlocked for authentication:

```
RP/0/RSP1/CPU0:Jun 21 09:14:24.633 : locald_DSC[308]: %SECURITY-LOCALD-5-USER_PASSWD_UNLOCKED
:
User 'user12' is unlocked for authentications.
```

Password Policy Creation, Modification and Deletion

Security administrators having write permission for AAA tasks are allowed to create password policy. Modification is allowed at any point of time, even when the policy is associated to a user. Deletion of password policy is not allowed until the policy is un-configured from the user.

After the modification of password policy associated with a user, security administrator can decide if he wants to change passwords of associated users complying to the password policy. Based on this, there are two scenarios:

- If the administrator configures the password, then the user is not prompted to change the password on next login.
- If the administrator does not configure the password, then the user is prompted to change the password on next login.

In either of the above cases, at every password expiry interval, the user is prompted to change the password on next login.

Debug messages are printed when password policies are created, modified and deleted.

Minimum Password Length for First User Creation

To authenticate the user for the first time, Cisco router prompts you to create a username and password, in any of the following situations:

- When the Cisco Router is booted for the very first time.
- When the router is reloaded with no username configuration.
- When the already existing username configurations are deleted.

By default, the minimum length for passwords in a Cisco router is limited to two characters. Due to noise on the console, there is a possibility of the router being blocked out. Therefore, the minimum length for password has been increased to six characters for a first user created on the box, in each of the situations described above. This reduces the probability of the router being blocked out. It avoids the security risks that are caused due to very small password length. For all other users created after the first one, the default minimum length for password is still two characters.

For more information about how to configure a first user, see [Configure First User on Cisco Routers, on page 31](#).

Password Policy for User Secret

The Cisco IOS XR Software extends the existing password policy support for the user authentication to all types of user secret. The types of secret include Type 5 (**MD5**), 8 (**SHA256**), 9 (**sCrypt**) and 10 (**SHA512**). Prior to this release, the support for password policy was only for the Type 7 passwords. The new policy is common to both password and secret of the user. Using irreversible hashed-secrets has the benefit that the other modules in the device cannot retrieve the clear-text form of these secrets. Thus, the enhancement provides more secure secrets for the user names. This policy for user secrets is applicable for local and remote users.

The classic Cisco IOS XR platforms support the password policy for secrets on the XR and the Admin plane. Whereas, the 64-bit Cisco IOS XR platforms support this feature only on XR VM; not on System Admin VM.

To configure password policy for user secret, see [Configure Password Policy for User Secret and Password, on page 40](#).

Task-based Authorization

AAA employs “task permissions” for any control, configure, or monitor operation through CLI or API. The Cisco IOS software concept of privilege levels has been replaced in software by a task-based authorization system.

Task IDs

The operational tasks that enable users to control, configure, and monitor Cisco software are represented by task IDs. A task ID defines the permission to run an operation for a command. Users are associated with sets of task IDs that define the breadth of their authorized access to the router.

Task IDs are assigned to users through the following means:

Each user is associated with one or more user groups. Every user group is associated with one or more *task groups*; in turn, every task group is defined by a set of task IDs. Consequently, a user's association with a particular user group links that user to a particular set of task IDs. A user that is associated with a task ID can execute any operation associated with that task ID.

General Usage Guidelines for Task IDs

Most router control, configuration, or monitoring operation (CLI, Netconf, Restconf, XML API) is associated with a particular set of task IDs. Typically, a given CLI command or API invocation is associated with at least one or more task IDs. Neither the **config** nor the **commit** commands require any specific task id permissions. The configuration and commit operations do not require specific task ID permissions. Aliases also don't require any task ID permissions. You cannot perform a configuration replace unless root-lr permissions are assigned. If you want to deny getting into configuration mode you can use the TACACS+ command authorization to deny the config command. These associations are hard-coded within the router and may not be modified. Task IDs grant permission to perform certain tasks; task IDs do not deny permission to perform tasks. Task ID operations can be one, all, or a combination of classes that are listed in this table.



Note Restconf will be supported in a future release.

Table 3: Task ID Classes

Operation	Description
Read	Specifies a designation that permits only a read operation.
Write	Specifies a designation that permits a change operation and implicitly allows a read operation.
Execute	Specifies a designation that permits an access operation; for example ping and Telnet.
Debug	Specifies a designation that permits a debug operation.

The system verifies that each CLI command and API invocation conforms with the task ID permission list for the user. If you are experiencing problems using a CLI command, contact your system administrator.

Multiple task ID operations separated by a slash (for example read/write) mean that both operations are applied to the specified task ID.

Multiple task ID operations separated by a comma (for example read/write, execute) mean that both operations are applied to the respective task IDs. For example, the **copy ipv4 access-list** command can have the read and write operations applied to the acl task ID, and the execute operation applied to the *filesystem* task ID.

If the task ID and operations columns have no value specified, the command is used without any previous association to a task ID and operation. In addition, users do not have to be associated to task IDs to use ROM monitor commands.

Users may need to be associated to additional task IDs to use a command if the command is used in a specific configuration submode. For example, to execute the **show redundancy** command, a user needs to be associated to the system (read) task ID and operations as shown in the following example:

```
RP/0/RP0/CPU0:router# show redundancy
```

Task IDs for TACACS+ and RADIUS Authenticated Users

Cisco software AAA provides the following means of assigning task permissions for users authenticated with the TACACS+ and RADIUS methods:

- Specify the text version of the task map directly in the configuration file of the external TACACS+ and RADIUS servers.
- Specify the privilege level in the configuration file of the external TACACS+ and RADIUS servers.
- Create a local user with the same username as the user authenticating with the TACACS+ and RADIUS methods.
- Specify, by configuration, a default task group whose permissions are applied to any user authenticating with the TACACS+ and RADIUS methods.

Privilege Level Mapping

For compatibility with TACACS+ daemons that do not support the concept of task IDs, AAA supports a mapping between privilege levels defined for the user in the external TACACS+ server configuration file and local user groups. Following TACACS+ authentication, the task map of the user group that has been mapped from the privilege level returned from the external TACACS+ server is assigned to the user. For example, if a privilege level of 5 is returned from the external TACACS server, AAA attempts to get the task map of the local user group `priv5`. This mapping process is similar for other privilege levels from 1 to 13. For privilege level 14 maps to the user group `owner-sdr`.

For example, with the Cisco freeware tac plus server, the configuration file has to specify `priv_lvl` in its configuration file, as shown in the following example:

```
user = sampleuser1{
  member = bar
  service = exec-ext {
    priv_lvl = 5
  }
}
```

The number 5 in this example can be replaced with any privilege level that has to be assigned to the user `sampleuser`.

XML Schema for AAA Services

The extensible markup language (XML) interface uses requests and responses in XML document format to configure and monitor AAA. The AAA components publish the XML schema corresponding to the content and structure of the data used for configuration and monitoring. The XML tools and applications use the schema to communicate to the XML agent for performing the configuration.

The following schema are published by AAA:

- Authentication, Authorization and Accounting configuration
- User, user group, and task group configuration
- TACACS+ server and server group configuration
- RADIUS server and server group configuration

Netconf and Restconf for AAA Services

Just as in XML schemas, in Netconf and Restconf, username and password is controlled by either local or triple A (AAA) services.



Note Restconf will be supported in a future release.

About RADIUS

RADIUS is a distributed client/server system that secures networks against unauthorized access. In the Cisco implementation, RADIUS clients run on Cisco routers and send authentication and accounting requests to a central RADIUS server that contains all user authentication and network service access information.

RADIUS is a fully open protocol, distributed in source code format, that can be modified to work with any security system currently available on the market.

Cisco supports RADIUS under its AAA security paradigm. RADIUS can be used with other AAA security protocols, such as TACACS+, Kerberos, and local username lookup.



Note RADIUS is supported on all Cisco platforms, but some RADIUS-supported features run only on specified platforms.

RADIUS has been implemented in a variety of network environments that require high levels of security while maintaining network access for remote users.

Use RADIUS in the following network environments that require access security:

- Networks with multiple-vendor access servers, each supporting RADIUS. For example, access servers from several vendors use a single RADIUS server-based security database. In an IP-based network with multiple vendors' access servers, dial-in users are authenticated through a RADIUS server that has been customized to work with the Kerberos security system.
- Turnkey network security environments in which applications support the RADIUS protocol, such as in an access environment that uses a "smart card" access control system. In one case, RADIUS has been used with Enigma security cards to validate users and grant access to network resources.
- Networks already using RADIUS. You can add a Cisco router with RADIUS to the network. This might be the first step when you make a transition to a Terminal Access Controller Access Control System Plus (TACACS+) server.
- Networks in which a user must access only a single service. Using RADIUS, you can control user access to a single host, utility such as Telnet, or protocol such as Point-to-Point Protocol (PPP). For example,

when a user logs in, RADIUS identifies this user as having authorization to run PPP using IP address 10.2.3.4 and the defined access list is started.

- Networks that require resource accounting. You can use RADIUS accounting independent of RADIUS authentication or authorization. The RADIUS accounting functions allow data to be sent at the start and end of services, indicating the amount of resources (such as time, packets, bytes, and so on) used during the session. An Internet service provider (ISP) might use a freeware-based version of RADIUS access control and accounting software to meet special security and billing needs.
- Networks that support preauthentication. Using the RADIUS server in your network, you can configure AAA preauthentication and set up the preauthentication profiles. Preauthentication enables service providers to better manage ports using their existing RADIUS solutions and to efficiently manage the use of shared resources to offer differing service-level agreements.

Network Security Situations in Which RADIUS is Unsuitable

RADIUS is not suitable in the following network security situations:

- Multiprotocol access environments. RADIUS does not support the following protocols:
 - NetBIOS Frame Control Protocol (NBFCP)
 - NetWare Asynchronous Services Interface (NASI)
 - X.25 PAD connections
- Router-to-router situations. RADIUS does not provide two-way authentication. RADIUS can be used to authenticate from one router to a router other than a Cisco router if that router requires RADIUS authentication.
- Networks using a variety of services. RADIUS generally binds a user to one service model.

RADIUS Operation

When a user attempts to log in and authenticate to an access server using RADIUS, the following steps occur:

1. The user is prompted for and enters a username and password.
2. The username and encrypted password are sent over the network to the RADIUS server.
3. The user receives one of the following responses from the RADIUS server:
 - a. ACCEPT—The user is authenticated.
 - a. REJECT—The user is not authenticated and is prompted to reenter the username and password, or access is denied.
 - a. CHALLENGE—A challenge is issued by the RADIUS server. The challenge collects additional data from the user.
 - a. CHANGE PASSWORD—A request is issued by the RADIUS server, asking the user to select a new password.

The ACCEPT or REJECT response is bundled with additional data used for XR EXEC mode or network authorization. You must first complete RADIUS authentication before using RADIUS authorization. The additional data included with the ACCEPT or REJECT packets consists of the following:

- Services that the user can access, including Telnet, rlogin, or local-area transport (LAT) connections, and PPP, Serial Line Internet Protocol (SLIP), or XR EXEC mode services.
- Connection parameters, including the host or client IP address, access list, and user timeouts.

Hold-Down Timer for TACACS+

Table 4: Feature History Table

Feature Name	Release Information	Feature Description
Hold-Down Timer for TACACS+	Release 7.4.1	<p>TACACS+ servers provide AAA services to the user. When a TACACS+ server becomes unreachable, the router sends the client request to another server, leading to considerable delay in addressing requests. To prevent this delay, you can set a hold-down timer on the router. The timer gets triggered after the router marks the TACACS+ server as down. During this period, the router does not select the server that is down for processing any client requests. When the timer expires, the router starts using that TACACS+ server for client transactions. This feature improves latency in providing AAA services to the user by limiting the client requests from being sent to unresponsive servers.</p> <p>This feature introduces the holddown-time command.</p>

The TACACS+ server is a AAA server with which the router communicates to provide authentication, authorization, and accounting services for users. When a TACACS+ server goes down, the router is not made aware. After sending a AAA request, the client waits for a response from the server for a configured timeout. If the router does not receive a response within that time frame, it sends the request to the next available server or discards the request if no other servers are available. A new request also needs to follow the same procedure in the same order of servers. The overall process results in sending multiple requests to servers that are down and therefore delays the client request from reaching an active server.

With the TACACS+ hold-down timer feature, you can mark an unresponsive TACACS+ server as down, and also set a duration for which the router does not use that server for further client transaction. After the timer expires, the router starts using that server again for processing client requests. This feature in turn allows you

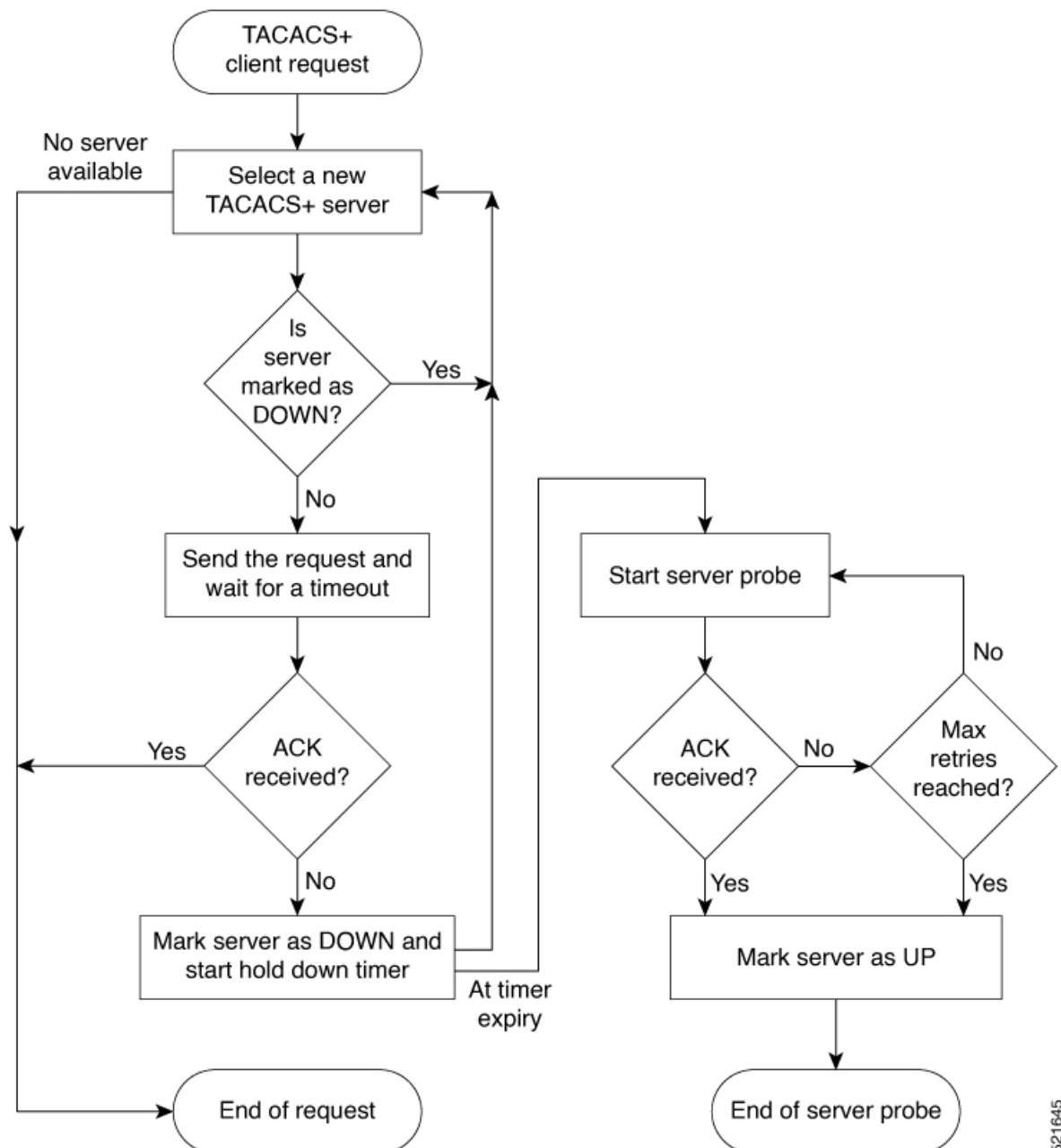
to control the participation of a TACACS+ server in AAA functions, without removing the TACACS+ server configuration from the router.

The hold-down timer value, in seconds, ranges from 0 to 1200. To enable hold-down timer, use the **holddown-time** command under the various configuration modes listed in the [How to Configure Hold-Down Timer for TACACS+, on page 73](#) section.

How Does the Hold-Down Timer for TACACS+ Function?

The following image depicts the functionality of TACACS+ hold-down timer.

Figure 1: Work Flow of TACACS+ Hold-Down Timer



When a TACACS+ client request comes, the router selects a TACACS+ server and checks whether that server is marked as down. If the server is marked as down, the router selects another server until it finds an available server. If the server is not marked as down, the router sends the client request to that server. If the router does not receive an acknowledgment message from the server, it marks that server as down and initiates the hold-down timer. After the timer expires, an internal server probe begins, which checks the connectivity of the down server. The probe tries to connect to the server every 20 seconds, for a maximum of three times (these values are non-configurable). If connection is successful in any of these attempts, then the router marks that server as up, and ends the server probe. Even if the connection fails on all retries of the server probe, the

router still marks the server as up before exiting the server probe. After exiting the server probe, the router considers that server as available again to accept client requests.

If an unresponsive server is still not reachable after the hold-down timer expiry, then the system continues to regard that server as being down, and does not use it for client transactions for some more time (that is, approximately, one minute). The router starts using that server again for further client transactions only after this short delay.

In case the TACACS+ server comes up while the hold-down timer continues, the router continues to consider that server as down until the timer expires.

How to Configure AAA Services

Prerequisites for Configuring AAA Services

The following are the prerequisites to configure AAA services:

- You must be in a user group associated with a task group that includes the proper task IDs. The command reference guides include the task IDs required for each command. If you suspect user group assignment is preventing you from using a command, contact your AAA administrator for assistance.
- Establish a root system user using the initial setup dialog. The administrator may configure a few local users without any specific AAA configuration. The external security server becomes necessary when user accounts are shared among many routers within an administrative domain. A typical configuration would include the use of an external AAA security server and database with the local database option as a backup in case the external server becomes unreachable.

Restrictions for Configuring AAA Services

This section lists the restrictions for configuring AAA services.

Compatibility

Compatibility is verified with the Cisco freeware TACACS+ server and FreeRADIUS only.

Interoperability

Router administrators can use the same AAA server software and database (for example, CiscoSecure ACS) for the router and any other Cisco equipment that does not currently run the Cisco software. To support interoperability between the router and external TACACS+ servers that do not support task IDs, see the “[Task IDs for TACACS+ and RADIUS Authenticated Users, on page 21](#)” section.

Configure Task group

Task-based authorization employs the concept of a *task ID* as its basic element. A task ID defines the permission to execute an operation for a given user. Each user is associated with a set of permitted router operation tasks identified by task IDs. Users are granted authority by being assigned to user groups that are in turn associated with task groups. Each task group is associated with one or more task IDs. The first configuration task in

setting up an authorization scheme to configure the task groups, followed by user groups, followed by individual users.

Specific task IDs can be removed from a task group by specifying the **no** prefix for the **task** command.

The task group itself can be removed. Deleting a task group that is still referred to elsewhere results in an error.

Before you begin

Before creating task groups and associating them with task IDs, you should have some familiarity with the router list of task IDs and the purpose of each task ID. Use the **show aaa task supported** command to display a complete list of task IDs.



Note Only users with write permissions for the AAA task ID can configure task groups.

SUMMARY STEPS

1. **configure**
2. **taskgroup** *taskgroup-name*
3. **description** *string*
4. **task** {**read** | **write** | **execute** | **debug**} *taskid-name*
5. Repeat for each task ID to be associated with the task group named in Step 2.
6. Use the **commit** or **end** command.

DETAILED STEPS

Step 1 **configure**

Example:

```
RP/0/RP0/CPU0:router# configure
```

Enters global configuration mode.

Step 2 **taskgroup** *taskgroup-name*

Example:

```
RP/0/RP0/CPU0:router(config)# taskgroup beta
```

Creates a name for a particular task group and enters task group configuration submenu.

- Specific task groups can be removed from the system by specifying the **no** form of the **taskgroup** command.

Step 3 **description** *string*

Example:

```
RP/0/RP0/CPU0:router(config-tg)# description this is a sample task group description
```

(Optional) Creates a description of the task group named in Step 2.

Step 4 `task {read | write | execute | debug} taskid-name`

Example:

```
RP/0/RP0/CPU0:router(config-tg)# task read bgp
```

Specifies a task ID to be associated with the task group named in Step 2.

- Assigns **read** permission for any CLI or API invocations associated with that task ID and performed by a member of the task group.
- Specific task IDs can be removed from a task group by specifying the **no** prefix for the **task** command.

Step 5 Repeat for each task ID to be associated with the task group named in Step 2.

—

Step 6 Use the **commit** or **end** command.

commit —Saves the configuration changes and remains within the configuration session.

end —Prompts user to take one of these actions:

- **Yes** — Saves configuration changes and exits the configuration session.
- **No** —Exits the configuration session without committing the configuration changes.
- **Cancel** —Remains in the configuration session, without committing the configuration changes.

What to do next

After completing configuration of a full set of task groups, configure a full set of user groups as described in the Configuring User Groups section.

Configure User Groups

User groups are configured with the command parameters for a set of users, such as task groups. Entering the **usergroup** command accesses the user group configuration submode. Users can remove specific user groups by using the **no** form of the **usergroup** command. Deleting a usergroup that is still referenced in the system results in a warning.

Before you begin



Note Only users associated with the WRITE:AAA task ID can configure user groups. User groups cannot inherit properties from predefined groups, such as owner-sdr.

SUMMARY STEPS

1. **configure**
2. **usergroup** *usergroup-name*
3. **description** *string*

4. **inherit usergroup** *usergroup-name*
5. **taskgroup** *taskgroup-name*
6. Repeat Step for each task group to be associated with the user group named in Step 2.
7. Use the **commit** or **end** command.

DETAILED STEPS

Step 1 **configure**

Example:

```
RP/0/RP0/CPU0:router# configure
```

Enters global configuration mode.

Step 2 **usergroup** *usergroup-name*

Example:

```
RP/0/RP0/CPU0:router(config)# usergroup beta
```

Creates a name for a particular user group and enters user group configuration submode.

- Specific user groups can be removed from the system by specifying the **no** form of the **usergroup** command.

Step 3 **description** *string*

Example:

```
RP/0/RP0/CPU0:router(config-ug)#  
description this is a sample user group description
```

(Optional) Creates a description of the user group named in Step 2.

Step 4 **inherit usergroup** *usergroup-name*

Example:

```
RP/0/RP0/CPU0:router(config-ug)#  
inherit usergroup sales
```

- Explicitly defines permissions for the user group.

Step 5 **taskgroup** *taskgroup-name*

Example:

```
RP/0/RP0/CPU0:router(config-ug)# taskgroup beta
```

Associates the user group named in Step 2 with the task group named in this step.

- The user group takes on the configuration attributes (task ID list and permissions) already defined for the entered task group.

Step 6 Repeat Step for each task group to be associated with the user group named in Step 2.

—

Step 7 Use the **commit** or **end** command.

commit —Saves the configuration changes and remains within the configuration session.

end —Prompts user to take one of these actions:

- **Yes** — Saves configuration changes and exits the configuration session.
- **No** —Exits the configuration session without committing the configuration changes.
- **Cancel** —Remains in the configuration session, without committing the configuration changes.

Configure First User on Cisco Routers

When a Cisco Router is booted for the very first time, and a user logs in for the first time, a root-system username and password must be created. Configure the root-system username and password, as described in the following procedure:

Step 1. Establish a connection to the Console port.

This initiates communication with the router. When you have successfully connected to the router through the Console port, the router displays the prompt:

```
Enter root-system username
```

Step 2. Type the username for the root-system login and press **Enter**.

Sets the root-system username, which is used to log in to the router.

Step 3. Type the password for the root-system login and press **Enter**.

Creates an encrypted password for the root-system username. This password must be at least six characters in length. The router displays the prompt:

```
Enter secret
```

Step 4. Retype the password for the root-system login and press **Enter**.

Allows the router to verify that you have entered the same password both times. The router displays the prompt:

```
Enter secret again
```



Note If the passwords do not match, the router prompts you to repeat the process.

Step 5. Log in to the router.

Establishes your access rights for the router management session.



Note In case of Router reload, when there is no stored username and password, you must create a new username and password.

For more information on minimum password length, see [Minimum Password Length for First User Creation](#), on page 19.

Example

The following example shows the root-system username and password configuration for a new router, and it shows the initial login:

```
/* Administrative User Dialog */
Enter root-system username: cisco
Enter secret:
Enter secret again:

RP/0/0/CPU0:Jan 10 12:50:53.105 : exec[65652]: %MGBL-CONFIG-6-DB_COMMIT : 'Administration
configuration committed by system'.
Use 'show configuration commit changes 2000000009' to view the changes. Use the 'admin'
mode 'configure' command to modify this configuration.

/* User Access Verification */
Username: cisco
Password:
RP/0/0/CPU0:ios#
```

The secret line in the configuration command script shows that the password is encrypted. When you type the password during configuration and login, the password is hidden.

Configure Users

Perform this task to configure a user.

Each user is identified by a username that is unique across the administrative domain. Each user should be made a member of at least one user group. Deleting a user group may orphan the users associated with that group. The AAA server authenticates orphaned users but most commands are not authorized.

SUMMARY STEPS

1. **configure**
2. **username** *user-name*
3. Do one of the following:
 - **password** {0 | 7} *password*
 - **secret** {0 | 5} *secret*
4. **group** *group-name*
5. Repeat step 4 for each user group to be associated with the user specified in step 2.
6. Use the **commit** or **end** command.

DETAILED STEPS

Step 1 **configure**

Example:

```
RP/0/RP0/CPU0:router# configure
```

Enters global configuration mode.

Step 2 **username** *user-name*

Example:

```
RP/0/RP0/CPU0:router(config)# username user1
```

Creates a name for a new user (or identifies a current user) and enters username configuration submode.

- The *user-name* argument can be only one word. Spaces and quotation marks are not allowed.

Step 3 Do one of the following:

- **password** {0 | 7} *password*
- **secret** {0 | 5} *secret*

Example:

```
RP/0/RP0/CPU0:router(config-un)# password 0 pwd1
```

or

```
RP/0/RP0/CPU0:router(config-un)# secret 0 sec1
```

Specifies a password for the user named in step 2.

- Use the **secret** command to create a secure login password for the user names specified in step 2.
- Entering **0** following the **password** command specifies that an unencrypted (clear-text) password follows. Entering **7, 8, 9, 10** following the **password** command specifies that an encrypted password follows.
- Entering **0** following the **secret** command specifies that a secure unencrypted (clear-text) password follows. Entering **5** following the **secret** command specifies that a secure encrypted password follows.
- Type **0** is the default for the **password** and **secret** commands.

Step 4 **group** *group-name*

Example:

```
RP/0/RP0/CPU0:router(config-un)# group sysadmin
```

Assigns the user named in step 2 to a user group that has already been defined through the **usergroup** command.

- The user takes on all attributes of the user group, as defined by that user group's association to various task groups.
- Each user must be assigned to at least one user group. A user may belong to multiple user groups.

Step 5 Repeat step 4 for each user group to be associated with the user specified in step 2.

—

Step 6 Use the **commit** or **end** command.

commit —Saves the configuration changes and remains within the configuration session.

end —Prompts user to take one of these actions:

- **Yes** — Saves configuration changes and exits the configuration session.
- **No** —Exits the configuration session without committing the configuration changes.
- **Cancel** —Remains in the configuration session, without committing the configuration changes.

Password Masking For Type 7 Password Authentication

Table 5: Feature History Table

Feature Name	Release Information	Feature Description
Password Masking	Release 7.3.1	<p>With this feature, when you key in a password or secret, it is not displayed on the screen. This enhances security.</p> <p>The feature is enabled by default. The following options are added to the username command:</p> <ul style="list-style-type: none"> • masked-password • masked-secret

When you key in a password, to ensure that it is not displayed on the screen, use the **masked-password** option. Details:

Use the **username** command as shown below, and enter the password.

The following command contains the username us3, and 0 to specify a cleartext password.

```
Router(config)# username us3 masked-password 0
```

```
Enter password:
Re-enter password:
```

```
Router(config)#commit
```

View the encrypted password:

```
Router# show run aaa
..
```

```
username us3
password 7 105A1D0D
```

Enable Type 7 password authentication and enter the encrypted password 105A1D0D. You can also use a password encrypted earlier.

```
Router(config)# username us3 masked-password 7
```

```
Enter password:
Re-enter password:
```

```
Router(config)#commit
```

If there is a password mismatch between the two entries, an error message is displayed.

Configure Type 8 and Type 9 Passwords

When configuring a password, user has the following two options:

- User can provide an already encrypted value, which is stored directly in the system without any further encryption.
- User can provide a cleartext password that is internally encrypted and stored in the system.

The Type 5, Type 8, and Type 9 encryption methods provide the above mentioned options for users to configure their passwords.

For more information about configuring users with Type 8 and Type 9 encryption methods, see [Configure Users, on page 32](#) section.

Configuration Example

Directly configuring a Type 8 encrypted password:

```
Router(config)# username demo8
Router(config-un)#secret 8 $8$dsYGNam3K1SIJO$7nv/35M/qr6t.dVc7UY9zrJDWRVqncHub1PE9U1MQFs
```

Configuring a clear-text password that is encrypted using Type 8 encryption method:

```
Router(config)# username demo8
Router(config-un)#secret 0 enc-type 8 PASSWORD
```

Directly configuring a Type 9 encrypted password:

```
Router(config)# username demo9
Router(config-un)# secret 9 $9$nhEmQVczB7dqsO$X.HsgL6x1l10RxxkOSSvyQYwucySct7qFm4v7pqCxxkKM
```

Configuring a clear-text password that is encrypted using Type 9 encryption method:

```
Router(config)# username demo9
Router(config-un)#secret 0 enc-type 9 PASSWORD
```

Password Masking For Type 5, Type 8, Type 9 And Type 10 Password Authentication

When you key in a password, to ensure that it is not displayed on the screen, use the **masked-secret** option. Steps:

Use the **username** command as shown below, and enter the password.

The following command contains the username us6, 0 to specify a cleartext password, and the encryption type (5, 8, 9, or 10).

```
Router(config)# username us6 masked-secret 0 enc-type 8
```

```
Enter secret:
Re-enter secret:
```

```
Router(config)# commit
```

View the encrypted secret:

```
Router# show running-config aaa
..
username us6
  secret 8 $8$mIcSk/Ae5Qu/5k$RJdI3SQ8B4iP7rdxxQvVlJVeRHSubZzcgaLYxjg36s
```

Enter the username, 8 to specify Type 8 secret authentication, and enter the Type 8 secret. You can also use a secret encrypted earlier.

```
Router(config)# username us6 masked-secret 8
```

```
Enter secret:
Re-enter secret:
```

```
Router(config)# commit
```

If there is a password mismatch between the two entries, an error message is displayed.

Related Topics

- [Type 8 and Type 9 Passwords, on page 15](#)
- [Type 10 Password, on page 15](#)

Associated Commands

- secret
- username

Configure Type 10 Password

You can use these options to configure Type 10 password (that uses **SHA512** hashing algorithm) for the user:

Configuration Example

From Release 7.0.1 and later, Type 10 is applied by default for the passwords when you create a user with a clear-text password.

```
Router#configure
Router(config)#username user10 secret testpassword
Router(config-un)#commit
```

Also, a new parameter '10' is available for the **secret** option under the **username** command to configure explicitly the Type 10 passwords.

```
Router#configure
Router(config)#username root secret 10
$6$9UvJidvsTEqkAPU$3CL1Ei/F.E4v/Hi.UaqLwX8UsSEr9ApG6c5pzhMjnztoW4jObAQ7meAwyhu5VM/aRFJqe/jxZGL7h6xPrvJWf1
Router(config-un)#commit
```

In scenarios where you have to enter the clear-text password, you can specify the encryption algorithm to be used by using the **enc-type** keyword and the clear-text password as follows:

```
Router#configure
Router(config)#username user10 secret 0 enc-type 10 testpassword
Router(config-un)#commit
```

The preceding configuration configures the user with the Type10 password.

In System Admin VM, you can specify the Type 10 encrypted password as follows:

```
Router#admin
sysadmin-vm:0_RP0# configure
sysadmin-vm:0_RP0(config)# aaa authentication users user user10 password testpassword
sysadmin-vm:0_RP0(config)# commit
Commit complete.
sysadmin-vm:0_RP0(config)# end
sysadmin-vm:0_RP0# exit
Router#
```

Running Configuration

```
Router#show running-configuration username user10
!
username user10
secret 10
$6$9UvJidvsTEgkAPU$3CL1Ei/F.E4v/Hi.UaqLwX8UsSEr9ApG6c5pzhMJmZtgW4jObAQ7meAwyhu5VM/aRFJqe/jxZG17h6xPrvJWf1
!
```

In System Admin VM:

```
sysadmin-vm:0_RP0#show running-configuration aaa authentication users user user10
Tue Jan 14 07:32:44.363 UTC+00:00
aaa authentication users user user10
password
$6$MMvhlj1CzSd2nJfB$Bbzvxzriwx4iLFg75w4zj15YK3yeoq5UoRyc1evtSX0c4EuaMlqK.v7E3zbY1yKkXkN6rXpQuhMJOUyRHItDc1
!
sysadmin-vm:0_RP0#
```

Similarly, you can use the **admin show running-configuration aaa authentication users user user10** command in XR VM, to see the details of the password configured for the user.

Related Topics

- [Type 10 Password, on page 15](#)
- [Backward Compatibility for Password Types, on page 37](#)

Associated Commands

- [secret](#)
- [username](#)

Backward Compatibility for Password Types

When you downgrade from Cisco IOS XR Software Release 7.0.1 to lower versions, you might experience issues such as configuration loss, authentication failure, termination of downgrade process or XR VM being down. These issues occur because Type 5 (MD5) is the default encryption for older releases.

It is recommended to follow these steps to avoid such backward compatibility issues during downgrade:

- Perform all install operations for the downgrade except the **install activate** step.
- Before performing the **install activate** step, take the backup of user configurations on both the VMs. You can use the **show running-configuration username | file harddisk:/filename** command for the same.
- Delete all users on both the VMs and initiate the **install activate** step.
- When the router boots up with the lower version, it prompts for the first root-system user creation.
- After your login with the credentials of the first user, apply the previously saved configuration to both the VMs.

For example, consider an authentication failure scenario after a downgrade. The downgrade process does not affect any existing user name configuration with Type 5 secret. Such users can log in without any issue using the clear-text password. But, the users with Type 10 configuration might experience authentication failure, and may not be able to log in. In such cases, the system treats the whole string “10<space><sha512-hashed-text>” as a clear-text password and encrypts it to Type 5 (MD5) password. Use that “10<space><sha512-hashed-text>” string as the password for that Type 10 user to log in. After you log in with the preceding step, you must explicitly configure the clear-text password in XR VM and System Admin VM as described in the Configuration Example section.

Configure AAA Password Policy

To configure the AAA password policy, use the **aaa password-policy** command in the global configuration mode.

Configuration Example

This example shows how to configure a AAA password security policy, *test-policy*. This *test-policy* is applied to a user by using the **username** command along with **password-policy** option.

```
RP/0/RP0/CPU0:router (config) #aaa password-policy test-policy
RP/0/RP0/CPU0:router (config-aaa) #min-length 8
RP/0/RP0/CPU0:router (config-aaa) #max-length 15
RP/0/RP0/CPU0:router (config-aaa) #lifetime months 3
RP/0/RP0/CPU0:router (config-aaa) #min-char-change 5
RP/0/RP0/CPU0:router (config-aaa) #authen-max-attempts 3
RP/0/RP0/CPU0:router (config-aaa) #lockout-time days 1
RP/0/RP0/CPU0:router (config-aaa) #commit

RP/0/RP0/CPU0:router (config) #username user1 password-policy test-policy password 0 pwd1
```

Running Configuration

```
aaa password-policy test-policy
  min-length 8
  max-length 15
  lifetime months 3
  min-char-change 5
  authen-max-attempts 3
  lockout-time days 1
  !
```

Verification

Use this command to get details of the AAA password policy configured in the router:

```
RP/0/RP0/CPU0:router#show aaa password-policy

Fri Feb  3 16:50:58.086 EDT
Password Policy Name : test-policy
  Number of Users : 1
  Minimum Length : 8
  Maximum Length : 15
  Special Character Len : 0
  Uppercase Character Len : 0
```

```

Lowercase Character Len : 1
Numeric Character Len : 0
Policy Life Time :
  seconds : 0
  minutes : 0
  hours : 0
  days : 0
  months : 3
  years : 0
Lockout Time :
  seconds : 0
  minutes : 0
  hours : 0
  days : 1
  months : 0
  years : 0
Character Change Len : 5
Maximum Failure Attempts : 3

```

Password Masking For AAA Password Policies

When you key in a password, to ensure that it is not displayed on the screen, use the **masked-password** option.

Steps:

Create a AAA password security policy and enter the cleartext password.

In this example, a policy called *security* is created, and 0 is specified for a cleartext password.

```

Router(config)# aaa password-policy security
Router(config)# username us6 password-policy security masked-password 0

```

```

Enter password:
Re-enter password:

```

```

Router(config)#commit

```

View the encrypted password:

```

Router# show run aaa
..
aaa password-policy security
..
username us6
  password-policy security password 7 0835585A

```

Enter the username, 7 to specify Type 7 password authentication, and enter the password 0835585A. You can also use a password encrypted earlier.

```

Router(config)# username us6 password-policy test-policy masked-password 7

```

```

Enter password:
Re-enter password:

```

```

Router(config)#commit

```

If there is a password mismatch between the two entries, an error message is displayed.

Related Topic

- [AAA Password Security for FIPS Compliance, on page 16](#)

Associated Commands

- **aaa password-policy**
- **show aaa password-policy**
- **username**

Configure Password Policy for User Secret and Password

A new option, **policy** is added to the existing **username** command to apply the password policy to the user. This policy is common to the password and the secret. After applying the policy to the user, the system validates any change to the secret or password against that particular policy.

On Cisco IOS XR 64 bit platforms, the first user is synced from XR VM to System Admin VM. If the user is configured for a secret policy, then the password compliance is checked during the configuration. The password is then synced to System Admin VM. When system administrators need to explicitly configure the user, then the username configurations on System Admin VM are not checked for the password compliance. This is because, the password policy configuration is not applicable on System Admin VM.



Note The configuration model for the AAA component on System Admin VM is the YANG file. A change in the YANG model can cause configuration inconsistencies during an upgrade or downgrade scenario.

Guidelines to Configure Password Policy for User Secret

You must follow these guidelines while configuring policy for user password or secret:

- If there is no policy already configured while configuring the user secret, then the system does not have any policy validation to do for that secret. So, you must ensure that the policy is configured first and then applied to the username configuration, before configuring the secret. Especially when you copy and paste the username configurations.
- If you change the user secret at the time of log in, the system applies the same hashing type as it was applied in the username configuration. For example, if the secret was applied as Type 5 in the username configuration, then the system applies Type 5 itself if the secret is modified at the time of log in.
- Password and secret are different entities. Hence, if **restrict-old-count** is configured in the policy while changing the password, the system checks for compliance only with the history of old passwords; not with the history of old secrets.
- Similarly, the system does not check for old password history while changing the secret and conversely. So, if the same secret (in clear text) was used before as password for the user, then the system allows that secret configuration. And, conversely, for the password configuration.
- The **restrict-old-count** applies to both secret and password. So, the configured secret or password overwrites the old secret or password in the FIFO order.
- When you try to assign a different policy to a username which already has a password or secret associated to a policy, then the system rejects that configuration. The error message indicates to remove the existing password or secret in order to apply the new policy to the user.
- The system does not allow any configuration that requires the secret to be validated against the previous composition of the cleartext secret. This is because, you cannot retrieve the clear text format of the secret

that was once hashed, for comparison. Hence, the following configurations do not have any effect on the secret configuration of the user:

- **max-char-repetition**
 - **min-char-change**
 - **restrict-password-reverse**
 - **restrict-password-advanced**
- As the new **policy** configuration for the user is common to password and secret, the existing **password-policy** configuration becomes redundant. So, these configurations must be mutually exclusive. When any one of these configurations is already present, and if you try to configure the other policy, then the system rejects it. The error message says that **password-policy** and **policy** are not allowed together.

Configuration Example

This example shows how to configure a password policy for the user, that applies to both the password and the secret of the user.

```
Router#configure
Router(config)#username user1
Router(config-un)#policy test-policy1
Router(config-un)#secret 10
$6$dmwuW0Ajicf98W0.$y/vzynWF1/OcGxwBwHs79VAy5ZZLhoHd7TicR4mOo8IIVriYCGAKW0A.wlJvTPO7IbZry.DxHrE3SN2BBzBJe0
Router(config-un)#commit
```

Running Configuration

```
username user1
policy test-policy1
secret 10
$6$dmwuW0Ajicf98W0.$y/vzynWF1/OcGxwBwHs79VAy5ZZLhoHd7TicR4mOo8IIVriYCGAKW0A.wlJvTPO7IbZry.DxHrE3SN2BBzBJe0
!
```

The below examples show different possible combinations to check for password or secret compliance against the policy:

```
username user2
policy test-policy1
password 7 09604F0B
!
username user3
policy test-policy1
secret 10
$6$U3GZl1VINwJ4Dl1.$8X6av2kQ.AWvMKGEz5TLvZ07OXj6DgeOqLoQKI f7XJxKayViFJNateZ0no6gO6DbbXn4bBo/Dlqitro3j1sS40
password 7 080D4D4C
!
username user4
secret 10
$6$mA465X/m/UQ5....$rSKRw9B/SBYC/N.f7A9NCntPkrHXL6F4V26/NTjWxnRsnna03FxW3bcyfdAyveOexJz7/oak0XB6tjLF5CO981
password-policy test-policy1 password 7 0723204E
!
username user5
password-policy test-policy1 password 7 09604F0B
```

!

The compliance check for password or secret in the above examples works as described below:

- When you change the secret for user1, the system checks the secret compliance against the policy, test-policy1.
- When you change the password for user2, the system checks the password compliance against the policy, test-policy1.
- When you change the password or secret for user3, the system checks the password or secret compliance against the policy, test-policy1.
- When you change the secret for user4, the system does not check for compliance against any policy. Whereas, when you change the password for user4, the system checks the password compliance against the policy, test-policy1.
- When you change the password for user5, the system checks the password compliance against the policy, test-policy1.

The below example shows the order of configurations when performed in a single commit (say, by copy and paste). In such scenarios, if there is any username entry with a secret and policy configured, the system checks for secret compliance against that policy. In this example, the system does not check for any password compliance during the commit. So, the following configurations can be put in any order in a single commit.

```
(1)aaa password-policy poll
lifetime minutes 1
upper-case 1
restrict-old-count 2
!

username lab2
group root-lr
(2) policy poll
(3) secret 10
$6$gphqA0RfBXOn6A0.$wRwWG110TIpHPdVQ66fUi IM5P46ggoGMGgFuaZd0LD2DLFYD1DPaRyXQLi8Izjb49tC7H7tKTLrc1.GELFpiK.

password 7 1533292F200F2D
!
```

Related Topics

- [Password Policy for User Secret, on page 19](#)

Associated Commands

- **aaa password-policy**
- **policy**
- **username**

Password Policy to Restrict Consecutive Characters

Table 6: Feature History Table

Feature Name	Release Information	Feature Description
Password Policy to Restrict Consecutive Characters	Release 7.7.1	<p>We have enhanced the router security by enforcing a strong password policy for all users configured on the router. You can now specify a new password policy for the user that restricts the usage of a specific number of consecutive characters for the login passwords. These characters include English alphabets, the sequence of QWERTY keyboard layout, and numbers, such as, 'abcd', 'qwer', '1234', and so on. Apart from <i>passwords</i>, the feature is also applicable for <i>secrets</i>—the one-way encrypted secure login passwords that are not easy to decrypt to retrieve the original unencrypted password text.</p> <p>The password policy is applicable only for the users configured on the local AAA server on the router; not those configured on the remote AAA server.</p> <p>The feature introduces the restrict-consecutive-characters command.</p>

Most often you create passwords and secrets which are easy to remember, such as the ones that use consecutive characters from English alphabets, or numbers. Such passwords and secrets are easy to compromise, thereby making the router vulnerable to security attacks. From Cisco IOS XR Software Release 7.7.1 and later, you can enhance the security of your user passwords and secrets by defining a password policy that restricts the usage of consecutive characters from English alphabets, QWERTY layout keyboard English alphabets, and numbers (such as, 'abcd', 'qwer', 'zyxw', '1234', and so on). You can also restrict a cyclic wrapping of the alphabet and the number (such as, 'yzab', 'opqw', '9012', and so on). The feature also gives you the flexibility to specify the number of consecutive alphabets or numbers to be restricted.

Certain key aspects of this feature are:

- The feature is disabled, by default.
- The security administrator must have *write* permission for AAA tasks to create the password policies.
- All password policies are applicable only to locally-configured users; not to users who are configured on remote AAA servers.

This table depicts the examples of valid and invalid passwords and secrets when the password policy to restrict consecutive characters (say, 4 in this example) is in place.

Use Case	Examples of Invalid Password and Secret	Examples of Valid Password and Secret
Restrict 4 consecutive English alphabets	AbcD, ABCD, TestPQRS, DcbA, TestZYxW123, DCBA, ihgf	AbcPqR, Xyzdef, Yzab, zabC
Restrict 4 consecutive English alphabets and decimal numbers from QWERTY keyboard layout	Qwer, QWER, Mnbv, aQwerm, Test1234, TestT7890, 5678, fghj	Opas, xzLk, sapo, saqw3210, Test9012
Restrict 4 consecutive English alphabets along with cyclic wrapping	Yzab, TestYZAB, zabc	1234, Qwer, QWER, Mnbv, aQwerm, Test1234, TestT0987
Restrict 4 consecutive English alphabets and numbers from QWERTY keyboard layout along with cyclic wrapping	9012, 8901, Test3210, TestT0987, Opqw, klas, dsal, Cxzm, nmzx	AbcD, ABCD, Yzab, TestYZAB, zabc

How to Restrict Consecutive Characters for User Passwords and Secrets

To enable the feature to restrict consecutive characters for user passwords and secrets, use the **restrict-consecutive-characters** command in *aaa password policy* configuration mode. To disable the feature, use the **no** form of the command.

You can use the optional keyword, **cyclic-wrap**, to restrict the cyclic wrapping of characters and numbers.

After creating the password policies, you must explicitly apply those policies to the user profiles so that the password policies take effect in the password and secret configuration.

Configuration Example

Enabling the feature using CLI:

```
Router(config)#aaa password-policy test-policy
Router(config-pp)#restrict-consecutive-characters english-alphabet 4
Router(config-pp)#restrict-consecutive-characters qwerty-keyboard 5
```

The keyword, **cyclic-wrap**, to restrict cyclic wrapping is an optional parameter. If configured, then the feature also restricts the cyclic wrapping of characters and numbers.

```
Router(config-pp)#restrict-consecutive-characters english-alphabet 4 cyclic-wrap
Router(config-pp)#restrict-consecutive-characters qwerty-keyboard 5 cyclic-wrap
```

Applying the password policy to the user profile:

```
Router(config)#username user1
Router(config-un)#policy test-policy
Router(config-un)#commit
```

Running Configuration

This is a sample running configuration that shows that you have configured a AAA password policy that restricts six consecutive characters from the QWERTY keyboard, and cyclic wrapping of four consecutive English alphabets.

```
Router(config-pp)#show running-config aaa password-policy
Tue May 17 10:53:16.532 UTC

!
aaa password-policy test-policy
  restrict-consecutive-characters qwerty-keyboard 6
  restrict-consecutive-characters english-alphabet 4 cyclic-wrap
!
```

Verification

You can use the **show aaa password-policy** command to know if the feature to restrict consecutive characters for user passwords and secrets is applied on the password policy.

```
Router#show aaa password-policy test-policy
Tue May 17 10:54:24.064 UTC
Password Policy Name : test-policy
  Number of Users : 0
  Minimum Length : 2
  Maximum Length : 253
  Special Character Len : 0
  Uppercase Character Len : 0
  Lowercase Character Len : 0
  Numeric Character Len : 0
  Policy Life Time :
    seconds : 0
    minutes : 0
    hours : 0
    days : 0
    months : 0
    years : 0
  Warning Interval :
    seconds : 0
    minutes : 0
    hours : 0
    days : 0
    months : 0
    years : 0
  Lockout Time :
    seconds : 0
    minutes : 0
    hours : 0
    days : 0
    months : 0
    years : 0
  Restrict Old Time :
    days : 0
    months : 0
    years : 0
  Character Change Len : 2
  Maximum Failure Attempts : 0
  Reference Count : 0
  Error Count : 0
  Lockout Count Attempts : 0
  Maximum char repetition : 0
```

```

Restrict Old count : 0
Restrict Username : 0
Restrict Username Reverse : 0
Restrict Password Reverse : 0
Restrict Password Advanced : 0
Restrict Consecutive Character :
  English Alphabet characters: 4
  English Alphabet Cyclic Wrap: True
  Qwerty Keyboard characters: 6
  Qwerty Keyboard Cyclic Wrap: False
Router#

```

Password or Secret Configuration Failure Scenarios:

You notice these logs or error messages on the router console when password or secret configuration fails because of the policy violation to restrict consecutive characters or numbers:

```

Router(config)#username user1
Router(config-un)#policy test-policy
Router(config-un)#password DEFg
Router(config-un)#commit
Tue Dec 7 10:17:56.843 UTC

% Failed to commit and rollback one or more configuration items. Please issue 'show
configuration failed [inheritance]' from this session to view the errors
Router(config-un)#show configuration failed
username user1
password 7 03205E0D01
!!% 'LOCALD' detected the 'fatal' condition 'Password contains consecutive characters from
qwerty keyboard or English alphabet'
!
End

Router(config)#username user1
RP/0/RP0/CPU0:ios(config-un)#masked-secret
Fri Dec 3 12:33:44.354 UTC

Enter secret:
Re-enter secret:

secret is not compliant with policy to restrict consecutive letters or numbers
RP/0/RP0/CPU0:ios(config-un)#

Router(config)#username user1
Router(config-un)#policy test-policy
Router(config-un)#secret qwerty
^

% Invalid input detected at '^' marker.
Router(config-un)#

```

YANG Data Model to Restrict Consecutive Characters for User Passwords and Secrets

You can use the **Cisco-IOS-XR-aaa-locald-cfg** native YANG data model to restrict consecutive characters for user passwords and secrets. **Cisco-IOS-XR-um-aaa-locald-cfg** is the corresponding unified model (UM). You can access the data models from the [Github](#) repository.

The following is a sample format to enable the feature using the native YANG data model.

```

<rpc message-id="101" xmlns="urn:ietf:params:xml:ns:netconf:base:1.0">
  <edit-config>

```

```

<target>
<candidate/>
</target>
<config xmlns:xc="urn:ietf:params:xml:ns:netconf:base:1.0">
<aaa xmlns="http://cisco.com/ns/yang/Cisco-IOS-XR-aaa-lib-cfg">
<password-policies xmlns="http://cisco.com/ns/yang/Cisco-IOS-XR-aaa-locald-cfg">
<password-policy>
  <name>test-policy</name>
  <restrict-consecutive-characters>
    <qwerty-keyboard>
      <characters>4</characters>
    </qwerty-keyboard>
    <cyclic-wrap></cyclic-wrap>
    <english-alphabet>
      <characters>4</characters>
    </english-alphabet>
  </restrict-consecutive-characters>
</password-policy>
</password-policies>
</aaa>
</config>
</edit-config>
</rpc>
##

```

To learn more about the data models and to put them to use, see the *Programmability Configuration Guide for Cisco NCS 5500 Series Routers*.

Configure Router to RADIUS Server Communication

This task configures router to RADIUS server communication. The RADIUS host is normally a multiuser system running RADIUS server software from Cisco (CiscoSecure ACS), Livingston, Merit, Microsoft, or another software provider. Configuring router to RADIUS server communication can have several components:

- Hostname or IP address
- Authentication destination port
- Accounting destination port
- Retransmission value
- Timeout period
- Key string

RADIUS security servers are identified on the basis of their hostname or IP address, hostname and specific User Datagram Protocol (UDP) port numbers, or IP address and specific UDP port numbers. The combination of the IP address and UDP port numbers creates a unique identifier, allowing different ports to be individually defined as RADIUS hosts providing a specific AAA service. In other words, this unique identifier enables RADIUS requests to be sent to multiple UDP ports on a server at the same IP address. If two different host entries on the same RADIUS server are configured for the same service—for example, accounting—the second host entry configured acts as an automatic switchover backup to the first one. Using this example, if the first host entry fails to provide accounting services, the network access server tries the second host entry configured on the same device for accounting services. (The RADIUS host entries are tried in the order they are configured.)

A RADIUS server and a Cisco router use a shared secret text string to encrypt passwords and exchange responses. To configure RADIUS to use the AAA security commands, you must specify the host running the RADIUS server daemon and a secret text (key) string that it shares with the router.

The timeout, retransmission, and encryption key values are configurable globally for all RADIUS servers, on a per-server basis, or in some combination of global and per-server settings. To apply these settings globally to all RADIUS servers communicating with the router, use the three unique global commands: **radius-server timeout**, **radius-server retransmit**, and **radius-server key**. To apply these values on a specific RADIUS server, use the **radius-server host** command.

You can configure a maximum of 30 global RADIUS servers.



Note You can configure both global and per-server timeout, retransmission, and key value commands simultaneously on the same Cisco network access server. If both global and per-server functions are configured on a router, the per-server timer, retransmission, and key value commands override global timer, retransmission, and key value commands.

SUMMARY STEPS

1. **configure**
2. **radius-server host** {*hostname* | *ip-address*} [**auth-port** *port-number*] [**acct-port** *port-number*] [**timeout** *seconds*] [**retransmit** *retries*] [**key** *string*]
3. **radius-server retransmit** *retries*
4. **radius-server timeout** *seconds*
5. **radius-server key** {**0** *clear-text-key* | **7** *encrypted-key* | *clear-text-key*}
6. **radius source-interface** *type instance* [**vrf** *vrf-id*]
7. Repeat step 2 through step 6 for each external server to be configured.
8. Use the **commit** or **end** command.
9. **show radius**

DETAILED STEPS

Step 1 **configure**

Example:

```
RP/0/RP0/CPU0:router# configure
```

Enters global configuration mode.

Step 2 **radius-server host** {*hostname* | *ip-address*} [**auth-port** *port-number*] [**acct-port** *port-number*] [**timeout** *seconds*] [**retransmit** *retries*] [**key** *string*]

Example:

```
RP/0//CPU0:router(config)# radius-server host host1
```

Specifies the hostname or IP address of the remote RADIUS server host.

- Use the **auth-port** *port-number* option to configure a specific UDP port on this RADIUS server to be used solely for authentication.

- Use the **acct-port** *port-number* option to configure a specific UDP port on this RADIUS server to be used solely for accounting.
- To configure the network access server to recognize more than one host entry associated with a single IP address, simply repeat this command as many times as necessary, making sure that each UDP port number is different. Set the timeout, retransmit, and encryption key values to use with the specific RADIUS host.
- If no timeout is set, the global value is used; otherwise, enter a value in the range 1 to 1000. If no retransmit value is set, the global value is used; otherwise enter a value in the range 1 to 100. If no key string is specified, the global value is used.

Note The key is a text string that must match the encryption key used on the RADIUS server. Always configure the key as the last item in the **radius-server host** command syntax because the leading spaces are ignored, but spaces within and at the end of the key are used. If you use spaces in your key, do not enclose the key in quotation marks unless the quotation marks themselves are part of the key.

Step 3 **radius-server retransmit** *retries*

Example:

```
RP/0/RP0/CPU0:router(config)# radius-server retransmit 5
```

Specifies the number of times the software searches the list of RADIUS server hosts before giving up.

- In the example, the number of retransmission attempts is set to 5.

Step 4 **radius-server timeout** *seconds*

Example:

```
RP/0/RP0/CPU0:router(config)# radius-server timeout 10
```

Sets the number of seconds a router waits for a server host to reply before timing out.

- In the example, the interval timer is set to 10 seconds.

Step 5 **radius-server key** {0 *clear-text-key* | 7 *encrypted-key* | *clear-text-key*}

Example:

```
RP/0/RP0/CPU0:router(config)# radius-server key 0 samplekey
```

Sets the authentication and encryption key for all RADIUS communications between the router and the RADIUS daemon.

Step 6 **radius source-interface** *type instance* [**vrf** *vrf-id*]

Example:

```
RP/0/RP0/CPU0:router(config)# radius source-interface 0/3/0/1
```

(Optional) Forces RADIUS to use the IP address of a specified interface or subinterface for all outgoing RADIUS packets.

- The specified interface or subinterface must have an IP address associated with it. If the specified interface or subinterface does not have an IP address or is in the down state, then RADIUS reverts to the default. To avoid this, add an IP address to the interface or subinterface or bring the interface to the up state.

The **vrf** keyword enables the specification on a per-VRF basis.

Step 7 Repeat step 2 through step 6 for each external server to be configured.

—

Step 8 Use the **commit** or **end** command.

commit —Saves the configuration changes and remains within the configuration session.

end —Prompts user to take one of these actions:

- **Yes** — Saves configuration changes and exits the configuration session.
- **No** —Exits the configuration session without committing the configuration changes.
- **Cancel** —Remains in the configuration session, without committing the configuration changes.

Step 9 show radius

Example:

```
RP/0/RP0/CPU0:router# show radius
```

(Optional) Displays information about the RADIUS servers that are configured in the system.

Radius Summary Example

```
radius source-interface Mgm0/rp0/cpu0/0 vrf default
radius-server timeout 10
radius-server retransmit 2
!
! OOB RADIUS
radius-server host 123.100.100.186 auth-port 1812 acct-port 1813
key cisco123
timeout 10
retransmit 2
!
radius-server host 123.100.100.187 auth-port 1812 acct-port 1813
key cisco123
timeout 10
retransmit 2
!
aaa group server radius radgrp
server 123.100.100.186 auth-port 1812 acct-port 1813
server 123.100.100.187 auth-port 1812 acct-port 1813
!
aaa authorization exec radauthen group radgrp local
aaa authentication login radlogin group radgrp local
!
line template vty
authorization exec radauthen
login authentication radlogin
timestamp disable
exec-timeout 0 0
!
vty-pool default 0 99 line-template vty
```

Configure RADIUS Dead-Server Detection

The RADIUS Dead-Server Detection feature lets you configure and determine the criteria that is used to mark a RADIUS server as dead. If no criteria is explicitly configured, the criteria is computed dynamically on the

basis of the number of outstanding transactions. The RADIUS dead-server detection configuration results in the prompt detection of RADIUS servers that have stopped responding. The prompt detection of nonresponding RADIUS servers and the avoidance of swamped and dead-to-live-to-dead-again servers result in less downtime and quicker packet processing.

You can configure the minimum amount of time, in seconds, that must elapse from the time that the router last received a valid packet from the RADIUS server to the time the server is marked as dead. If a packet has not been received since the router booted, and there is a timeout, the time criterion is treated as though it was met.

In addition, you can configure the number of consecutive timeouts that must occur on the router before the RADIUS server is marked as dead. If the server performs both authentication and accounting, both types of packets are included in the number. Improperly constructed packets are counted as though they are timeouts. Only retransmissions are counted, not the initial transmission. For example, each timeout causes one retransmission to be sent.



Note Both the time criterion and the tries criterion must be met for the server to be marked as dead.

The **radius-server deadtime** command specifies the time, in minutes, for which a server is marked as dead, remains dead, and, after this period, is marked alive even when no responses were received from it. When the dead criteria are configured, the servers are not monitored unless the **radius-server deadtime** command is configured

SUMMARY STEPS

1. **configure**
2. **radius-server deadtime** *minutes*
3. **radius-server dead-criteria time** *seconds*
4. **radius-server dead-criteria tries** *tries*
5. Use the **commit** or **end** command.
6. **show radius dead-criteria host** *ip-addr* [**auth-port** *auth-port*] [**acct-port** *acct-port*]

DETAILED STEPS

Step 1 **configure**

Example:

```
RP/0/RP0/CPU0:router# configure
```

Enters global configuration mode.

Step 2 **radius-server deadtime** *minutes*

Example:

```
RP/0/RP0/CPU0:router(config)# radius-server deadtime 5
```

Improves RADIUS response times when some servers might be unavailable and causes the unavailable servers to be skipped immediately.

Step 3 **radius-server dead-criteria time** *seconds***Example:**

```
RP/0/RP0/CPU0:router(config)# radius-server dead-criteria time 5
```

Establishes the time for the dead-criteria conditions for a RADIUS server to be marked as dead.

Step 4 **radius-server dead-criteria tries** *tries***Example:**

```
RP/0/RP0/CPU0:router(config)# radius-server dead-criteria tries 4
```

Establishes the number of tries for the dead-criteria conditions for a RADIUS server to be marked as dead.

Step 5 Use the **commit** or **end** command.

commit —Saves the configuration changes and remains within the configuration session.

end —Prompts user to take one of these actions:

- **Yes** — Saves configuration changes and exits the configuration session.
- **No** —Exits the configuration session without committing the configuration changes.
- **Cancel** —Remains in the configuration session, without committing the configuration changes.

Step 6 **show radius dead-criteria host** *ip-addr* [**auth-port** *auth-port*] [**acct-port** *acct-port*]**Example:**

```
RP/0/RP0/CPU0:router# show radius dead-criteria host 172.19.192.80
```

(Optional) Displays dead-server-detection information that has been requested for a RADIUS server at the specified IP address.

Configure TACACS+ Server

This task configures a TACACS+ server.

The port, if not specified, defaults to the standard port number, 49. The **timeout** and **key** parameters can be specified globally for all TACACS+ servers. The **timeout** parameter specifies how long the AAA server waits to receive a response from the TACACS+ server. The **key** parameter specifies an authentication and encryption key shared between the AAA server and the TACACS+ server.

The **single-connection** parameter specifies to multiplex all TACACS+ requests to the TACACS+ server over a single TCP connection. The **single-connection-idle-timeout** parameter specifies the timeout value for this single connection.

You can configure a maximum of 30 global TACACS+ servers.

SUMMARY STEPS

1. **configure**
2. **tacacs-server host** *host-name* **port** *port-number*

3. **tacacs-server host** *host-name* **timeout** *seconds*
4. **tacacs-server host** *host-name* **key** [**0** | **7**] *auth-key*
5. **tacacs-server host** *host-name* **single-connection**
6. **tacacs-server host** *host-name* **single-connection-idle-timeout** *timeout-in-seconds*
7. **tacacs source-interface** *type instance*
8. Repeat step 2 through step 6 for each external server to be configured.
9. Use the **commit** or **end** command.
10. **show tacacs**

DETAILED STEPS

Step 1 **configure**

Example:

```
RP/0/RP0/CPU0:router# configure
```

Enters global configuration mode.

Step 2 **tacacs-server host** *host-name* **port** *port-number*

Example:

```
RP/0/RP0/CPU0:router(config)# tacacs-server host 209.165.200.226 port 51
RP/0/RP0/CPU0:router(config-tacacs-host)#
```

Specifies a TACACS+ host server and optionally specifies a server port number.

- This option overrides the default, port 49. Valid port numbers range from 1 to 65535.

Step 3 **tacacs-server host** *host-name* **timeout** *seconds*

Example:

```
RP/0/RP0/CPU0:router(config-tacacs-host)# tacacs-server host 209.165.200.226 timeout 30
RP/0/RP0/CPU0:router(config)#
```

Specifies a TACACS+ host server and optionally specifies a timeout value that sets the length of time the AAA server waits to receive a response from the TACACS+ server.

- This option overrides the global timeout value set with the **tacacs-server timeout** command for only this server. The timeout value is expressed as an integer in terms of timeout interval seconds. The range is from 1 to 1000.

Step 4 **tacacs-server host** *host-name* **key** [**0** | **7**] *auth-key*

Example:

```
RP/0/RP0/CPU0:router(config)# tacacs-server host 209.165.200.226 key 0 a_secret
```

Specifies a TACACS+ host server and optionally specifies an authentication and encryption key shared between the AAA server and the TACACS+ server.

- The TACACS+ packets are encrypted using this key. This key must match the key used by TACACS+ daemon. Specifying this key overrides the global key set by the **tacacs-server key** command for only this server.
- (Optional) Entering **0** indicates that an unencrypted (clear-text) key follows.

- (Optional) Entering **7** indicates that an encrypted key follows.
- The *auth-key* argument specifies the encrypted or unencrypted key to be shared between the AAA server and the TACACS+ server.

Step 5 **tacacs-server host** *host-name* **single-connection**

Example:

```
RP/0/RP0/CPU0:router(config)# tacacs-server host 209.165.200.226 single-connection
```

Prompts the router to multiplex all TACACS+ requests to this server over a single TCP connection. By default, a separate connection is used for each session.

Step 6 **tacacs-server host** *host-name* **single-connection-idle-timeout** *timeout-in-seconds*

Example:

```
RP/0/0RP0RSP0/CPU0:router:hostname(config)#tacacs-server host 209.165.200.226
single-connection-idle-timeout 60
```

Sets the timeout value, in seconds, for the single TCP connection (that is created by configuring the **single-connection** command) to the TACACS+ server.

The range is:

- 500 to 7200 (prior to Cisco IOS XR Software Release 7.4.1/Release 7.3.2)
- 5 to 7200 (from Cisco IOS XR Software Release 7.4.1/Release 7.3.2, and later)

Step 7 **tacacs source-interface** *type instance*

Example:

```
RP/0/RP0/CPU0:router(config)# tacacs source-interface 0/4/0/0
```

(Optional) Specifies the source IP address of a selected interface for all outgoing TACACS+ packets.

- The specified interface or subinterface must have an IP address associated with it. If the specified interface or subinterface does not have an IP address or is in the down state, then TACACS+ reverts to the default interface. To avoid this, add an IP address to the interface or subinterface or bring the interface to the up state.
- The **vrf** option specifies the Virtual Private Network (VPN) routing and forwarding (VRF) reference of an AAA TACACS+ server group.

Step 8 Repeat step 2 through step 6 for each external server to be configured.

—

Step 9 Use the **commit** or **end** command.

commit —Saves the configuration changes and remains within the configuration session.

end —Prompts user to take one of these actions:

- **Yes** — Saves configuration changes and exits the configuration session.
- **No** —Exits the configuration session without committing the configuration changes.
- **Cancel** —Remains in the configuration session, without committing the configuration changes.

Step 10 **show tacacs**

Example:

```
RP/0/RP0/CPU0:router# show tacacs
```

(Optional) Displays information about the TACACS+ servers that are configured in the system.

Tacacs Summary Example:

```
! OOB TAC
tacacs-server host 123.100.100.186 port 49
key lm51
!
tacacs-server host 123.100.100.187 port 49
key lm51
!
aaa group server tacacs+ tacgrp
server 123.100.100.186
server 123.100.100.187
!
aaa group server tacacs+ eem
server 123.100.100.186
server 123.100.100.187
!
aaa authorization exec tacauthen group tacgrp local
aaa authentication login taclogin group tacgrp local
!
line console
authorization exec tacauthen
login authentication taclogin
timeout login response 30
timestamp
exec-timeout 0 0
session-timeout 15
!
vty-pool default 0 99 line-template console
```

Configure RADIUS Server Groups

This task configures RADIUS server groups.

The user can enter one or more **server** commands. The **server** command specifies the hostname or IP address of an external RADIUS server along with port numbers. When configured, this server group can be referenced from the AAA method lists (used while configuring authentication, authorization, or accounting).

You can configure a maximum of:

- 30 servers per RADIUS server group
- 30 private servers per RADIUS server group

Before you begin

For configuration to succeed, the external server should be accessible at the time of configuration.

SUMMARY STEPS

1. **configure**
2. **aaa group server radius** *group-name*
3. **server** {*hostname* | *ip-address*} [**auth-port** *port-number*] [**acct-port** *port-number*]
4. Repeat step 4 for every external server to be added to the server group named in step 3.
5. **deadtime** *minutes*
6. Use the **commit** or **end** command.
7. **show radius server-groups** [*group-name* [**detail**]]

DETAILED STEPS

Step 1 **configure****Example:**

```
RP/0/RP0/CPU0:router# configure
```

Enters global configuration mode.

Step 2 **aaa group server radius** *group-name***Example:**

```
RP/0/RP0/CPU0:router(config)# aaa group server radius radgroup1
```

Groups different server hosts into distinct lists and enters the server group configuration mode.

Step 3 **server** {*hostname* | *ip-address*} [**auth-port** *port-number*] [**acct-port** *port-number*]**Example:**

```
RP/0/RP0/CPU0:router(config-sg-radius)# server 192.168.20.0
```

Specifies the hostname or IP address of an external RADIUS server.

- After the server group is configured, it can be referenced from the AAA method lists (used while configuring authentication, authorization, or accounting).

Step 4 Repeat step 4 for every external server to be added to the server group named in step 3.**Step 5** **deadtime** *minutes***Example:**

```
RP/0/RP0/CPU0:router(config-sg-radius)# deadtime 1
```

Configures the deadtime value at the RADIUS server group level.

- The *minutes* argument specifies the length of time, in minutes, for which a RADIUS server is skipped over by transaction requests, up to a maximum of 1440 (24 hours). The range is from 1 to 1440.

The example specifies a one-minute deadtime for RADIUS server group radgroup1 when it has failed to respond to authentication requests for the **deadtime** command

Note You can configure the group-level deadtime after the group is created.

Step 6 Use the **commit** or **end** command.

commit —Saves the configuration changes and remains within the configuration session.

end —Prompts user to take one of these actions:

- **Yes** — Saves configuration changes and exits the configuration session.
- **No** —Exits the configuration session without committing the configuration changes.
- **Cancel** —Remains in the configuration session, without committing the configuration changes.

Step 7 **show radius server-groups** [*group-name* [**detail**]]

Example:

```
RP/0/RP0/CPU0:router# show radius server-groups
```

(Optional) Displays information about each RADIUS server group that is configured in the system.

What to do next

After configuring RADIUS server groups, define method lists by configuring authentication, authorization, and accounting.

Configure TACACS+ Server Groups

This task configures TACACS+ server groups.

You can enter one or more **server** commands. The **server** command specifies the hostname or IP address of an external TACACS+ server. Once configured, this server group can be referenced from the AAA method lists (used while configuring authentication, authorization, or accounting).

Before you begin

For successful configuration, the external server should be accessible at the time of configuration. When configuring the same IP address for global and vrf configuration, server-private parameters are required (see *Configure Per VRF TACACS+ Server Groups* section).

SUMMARY STEPS

1. **configure**
2. **aaa group server tacacs+** *group-name*
3. **server** {*hostname* | *ip-address*}
4. Repeat step 3 for every external server to be added to the server group named in step 2.
5. **server-private** {*hostname* | *ip-address in IPv4 or IPv6 format*} [**port** *port-number*] [**timeout** *seconds*] [**key** *string*]
6. (Optional) **vrf** *vrf-id*
7. Use the **commit** or **end** command.
8. **show tacacs server-groups**

DETAILED STEPS

Step 1 **configure**

Example:

```
RP/0/RP0/CPU0:router# configure
```

Enters global configuration mode.

Step 2 **aaa group server tacacs+ group-name**

Example:

```
RP/0/RP0/CPU0:router(config)# aaa group server tacacs+ tacgroup1
```

Groups different server hosts into distinct lists and enters the server group configuration mode.

Step 3 **server {hostname | ip-address}**

Example:

```
RP/0/RP0/CPU0:router(config-sg-tacacs)# server 192.168.100.0
```

Specifies the hostname or IP address of an external TACACS+ server.

- When configured, this group can be referenced from the AAA method lists (used while configuring authentication, authorization, or accounting).

Step 4 Repeat step 3 for every external server to be added to the server group named in step 2.

Step 5 **server-private {hostname | ip-address in IPv4 or IPv6 format} [port port-number] [timeout seconds] [key string]**

Example:

```
Router(config-sg-tacacs)# server-private 10.1.1.1 key a_secret
```

Configures the IP address of the private TACACS+ server for the group server.

- Note**
- You can configure a maximum of 10 TACACS+ servers per server group.
 - You can configure a maximum of 10 private TACACS+ servers.
 - If private server parameters are not specified, global configurations are used. If global configurations are not specified, default values are used.

Step 6 (Optional) **vrf vrf-id**

Example:

```
Router(config-sg-tacacs)# vrf test-vrf
```

The vrf option specifies the Virtual Private Network (VPN) routing and forwarding (VRF) reference of an AAA TACACS+ server group.

Step 7 Use the **commit** or **end** command.

commit —Saves the configuration changes and remains within the configuration session.

end —Prompts user to take one of these actions:

- **Yes** — Saves configuration changes and exits the configuration session.
- **No** — Exits the configuration session without committing the configuration changes.
- **Cancel** — Remains in the configuration session, without committing the configuration changes.

Step 8 `show tacacs server-groups`**Example:**

```
RP/0/RP0/CPU0:router# show tacacs server-groups
```

(Optional) Displays information about each TACACS+ server group that is configured in the system.

Configure Per VRF TACACS+ Server Groups

The Cisco IOS XR software supports per VRF AAA to be configured on TACACS+ server groups. You must use the **server-private** and **vrf** commands as listed below to configure this feature.

The global server definitions can be referred from multiple server groups, but all references use the same server instance and connect to the same server. In case of VRF, you do not need the global configuration because the server status, server statistics and the key could be different for different VRFs. Therefore, you must use the server-private configuration if you want to configure per VRF TACACS+ server groups. If you have the same server used in different groups with different VRFs, ensure that it is reachable through all those VRFs.

If you are migrating the servers to a VRF, then it is safe to remove the global server configuration with respect to that server.

Prerequisites

You must ensure these before configuring per VRF on TACACS+ server groups:

- Be familiar with configuring TACACS+, AAA, per VRF AAA, and group servers.
- Ensure that you have access to the TACACS+ server.
- Configure the VRF instance before configuring the specific VRF for a TACACS+ server and ensure that the VRF is reachable.

Configuration Example

```
Router#configure
```

```
/* Groups different server hosts into distinct lists and enters the server group configuration mode.
```

```
You can enter one or more server commands. The server command specifies the hostname or IP address of an external TACACS+ server.
```

```
Once configured, this server group can be referenced from the AAA method lists (used while configuring authentication, authorization, or accounting). */
```

```
Router(config)# aaa group server tacacs+ tacgroup1
```

```
/* Configures the IP address and the secret key of the private TACACS+ server that is reachable through specific VRF.
```

```

You can have multiple such server configurations which are reachable through the same VRF.*/

Router(config-sg-tacacs+)# server-private 10.1.1.1 port 49 key a_secret

/* The vrf option specifies the VRF reference of a AAA TACACS+ server group */
Router(config-sg-tacacs+)# vrf test-vrf
Router(config-sg-tacacs+)# commit

```

Running Configuration

```

aaa group server tacacs+ tacgroup1
  vrf test-vrf
  server-private 10.1.1.1 port 49
    key 7 0822455D0A16
  !
  server-private 10.1.1.2 port 49
    key 7 05080F1C2243
  !
  server-private 2001:db8:1::1 port 49
    key 7 045802150C2E
  !
  server-private 2001:db8:1::2 port 49
    key 7 13061E010803
  !
!

```

Verify Per VRF TACACS+ Server Groups

```

Router#show tacacs
Fri Sep 27 11:14:34.991 UTC

Server: 10.1.1.1/49 vrf=test-vrf [private]
  opens=0 closes=0 aborts=0 errors=0
  packets in=0 packets out=0
  status=up single-connect=false family=IPv4

Server: 10.1.1.2/49 vrf=test-vrf [private]
  opens=0 closes=0 aborts=0 errors=0
  packets in=0 packets out=0
  status=up single-connect=false family=IPv4

Server: 2001:db8:1::1/49 vrf=test-vrf [private]
  opens=0 closes=0 aborts=0 errors=0
  packets in=0 packets out=0
  status=up single-connect=false family=IPv6

Server: 2001:db8:1::2/49 vrf=test-vrf [private]
  opens=0 closes=0 aborts=0 errors=0
  packets in=0 packets out=0
  status=up single-connect=false family=IPv6

```

Associated Commands

- **server-private**
- **vrf**

Create Series of Authentication Methods

Authentication is the process by which a user (or a principal) is verified. Authentication configuration uses *method lists* to define an order of preference for the source of AAA data, which may be stored in a variety of data sources. You can configure authentication to define more than one method list and applications (such as login) can choose one of them. For example, console ports may use one method list and the vty ports may use another. If a method list is not specified, the application tries to use a default method list.



Note Applications should explicitly refer to defined method lists for the method lists to be effective.

The authentication can be applied to tty lines through use of the **login authentication** line configuration submode command. If the method is RADIUS or TACACS+ servers, rather than server group, the RADIUS or TACACS+ server is chosen from the global pool of configured RADIUS and TACACS+ servers, in the order of configuration. Servers from this global pool are the servers that can be selectively added to a server group.

The subsequent methods of authentication are used only if the initial method returns an error, not if the request is rejected.

Before you begin



Note The default method list is applied for all the interfaces for authentication, except when a non-default named method list is explicitly configured, in which case the named method list is applied.

The **group radius**, **group tacacs+**, and **group group-name** forms of the **aaa authentication** command refer to a set of previously defined RADIUS or TACACS+ servers. Use the **radius server-host** or **tacacs-server host** command to configure the host servers. Use the **aaa group server radius** or **aaa group server tacacs+** command to create a named group of servers.

SUMMARY STEPS

1. **configure**
2. **aaa authentication {login} {default | list-name} method-list**
3. Use the **commit** or **end** command.
4. Repeat Step 1 through Step 3 for every authentication method list to be configured.

DETAILED STEPS

Step 1 **configure**

Example:

```
RP/0/RP0/CPU0:router# configure
```

Enters global configuration mode.

Step 2 **aaa authentication {login} {default | list-name} method-list**

Example:

```
RP/0//CPU0:router(config)# aaa authentication login default group tacacs+
```

Creates a series of authentication methods, or a method list.

- Using the **login** keyword sets authentication for login. Using the **ppp** keyword sets authentication for Point-to-Point Protocol.
- Entering the **default** keyword causes the listed authentication methods that follow this keyword to be the default list of methods for authentication.
- Entering a *list-name* character string identifies the authentication method list.
- Entering a *method-list* argument following the method list type. Method list types are entered in the preferred sequence. The listed method types are any one of the following options:
 - **group tacacs+**—Use a server group or TACACS+ servers for authentication
 - **group radius**—Use a server group or RADIUS servers for authentication
 - **group named-group**—Use a named subset of TACACS+ or RADIUS servers for authentication
 - **local**—Use a local username or password database for authentication
 - **line**—Use line password or user group for authentication
- The example specifies the **default** method list to be used for authentication.

Step 3 Use the **commit** or **end** command.

commit —Saves the configuration changes and remains within the configuration session.

end —Prompts user to take one of these actions:

- **Yes** — Saves configuration changes and exits the configuration session.
- **No** —Exits the configuration session without committing the configuration changes.
- **Cancel** —Remains in the configuration session, without committing the configuration changes.

Step 4 Repeat Step 1 through Step 3 for every authentication method list to be configured.

Create Series of Authorization Methods

Method lists for authorization define the ways authorization will be performed and the sequence in which these methods will be performed. A method list is a named list describing the authorization methods to be used (such as TACACS+), in sequence. Method lists enable you to designate one or more security protocols to be used for authorization, thus ensuring a backup system if the initial method fails. The software uses the first method listed to authorize users for specific network services; if that method fails to respond, the software selects the next method listed in the method list. This process continues until there is successful communication with a listed authorization method, or until all methods defined have been exhausted.



Note The software attempts authorization with the next listed method only when there is no response or an error response (not a failure) from the previous method. If authorization fails at any point in this cycle—meaning that the security server or local username database responds by denying the user services—the authorization process stops and no other authorization methods are attempted.

When you create a named method list, you are defining a particular list of authorization methods for the indicated authorization type. When defined, method lists must be applied to specific lines or interfaces before any of the defined methods are performed. Do not use the names of methods, such as TACACS+, when creating a new method list.

“Command” authorization, as a result of adding a command authorization method list to a line template, is separate from, and is in addition to, “task-based” authorization, which is performed automatically on the router. The default behavior for command authorization is none. Even if a default method list is configured, that method list has to be added to a line template for it to be used.

The **aaa authorization commands** command causes a request packet containing a series of attribute value (AV) pairs to be sent to the TACACS+ daemon as part of the authorization process. The daemon can do one of the following:

- Accept the request as is.
- Refuse authorization.



Note To avoid lockouts in user authorization, make sure to allow local fallback (by configuring the **local** option for **aaa authorization** command) when configuring AAA. For example, **aaa authorization commands default tacacs+ local**.

Use the **aaa authorization** command to set parameters for authorization and to create named method lists defining specific authorization methods that can be used for each line or interface.



Note If you have configured AAA authorization to be subjected to TACACS+ authorization, then you must ensure that the server group is configured (use the **aaa group server tacacs+** command for this) for that TACACS+ server. Else, authorization fails.

For example,

```
aaa authorization exec default group test_tacacs+ local
aaa authorization commands default group test_tacacs+
aaa group server tacacs+ test_tacacs+ <===
```

SUMMARY STEPS

1. **configure**
2. **aaa authorization {commands | eventmanager | exec | network} {default | list-name} {none | local | group {tacacs+ | radius | group-name}}**
3. Use the **commit** or **end** command.

DETAILED STEPS

Step 1 **configure**

Example:

```
RP/0/RP0/CPU0:router# configure
```

Enters global configuration mode.

Step 2 **aaa authorization {commands | eventmanager | exec | network} {default | list-name} {none | local | group {tacacs+ | radius | group-name}}**

Example:

```
RP/0//CPU0:router(config)# aaa authorization commands listname1 group tacacs+
```

Creates a series of authorization methods, or a method list.

- The **commands** keyword configures authorization for all XR EXEC mode shell commands. Command authorization applies to the EXEC mode commands issued by a user. Command authorization attempts authorization for all XR EXEC mode commands.
- The **eventmanager** keyword applies an authorization method for authorizing an event manager (fault manager).
- The **exec** keyword configures authorization for an interactive (XR EXEC mode) session.
- The **network** keyword configures authorization for network services like PPP or IKE.
- The **default** keyword causes the listed authorization methods that follow this keyword to be the default list of methods for authorization.
- A *list-name* character string identifies the authorization method list. The method list itself follows the method list name. Method list types are entered in the preferred sequence. The listed method list types can be any one of the following:
 - **none**—The network access server (NAS) does not request authorization information. Authorization always succeeds. No subsequent authorization methods will be attempted. However, the task ID authorization is always required and cannot be disabled.
 - **local**—Uses local database for authorization.
 - **group tacacs+**—Uses the list of all configured TACACS+ servers for authorization. The NAS exchanges authorization information with the TACACS+ security daemon. TACACS+ authorization defines specific rights for users by associating AV pairs, which are stored in a database on the TACACS+ security server, with the appropriate user.
 - **group radius**—Uses the list of all configured RADIUS servers for authorization.
 - **group group-name**—Uses a named server group, a subset of TACACS+ or RADIUS servers for authorization as defined by the **aaa group server tacacs+** or **aaa group server radius** command.

Step 3 Use the **commit** or **end** command.

commit —Saves the configuration changes and remains within the configuration session.

end —Prompts user to take one of these actions:

- **Yes** — Saves configuration changes and exits the configuration session.

- **No** —Exits the configuration session without committing the configuration changes.
- **Cancel** —Remains in the configuration session, without committing the configuration changes.

Create Series of Accounting Methods

Use the **aaa accounting** command to create default or named method lists defining specific accounting methods that can be used for each line or interface.

Currently, the software supports both the TACACS+ and RADIUS methods for accounting. The router reports user activity to the TACACS+ or RADIUS security server in the form of accounting records. Each accounting record contains accounting AV pairs and is stored on the security server.

Method lists for accounting define the way accounting is performed, enabling you to designate a particular security protocol to be used on specific lines or interfaces for particular types of accounting services. When naming a method list, do not use the names of methods, such as TACACS+.

For minimal accounting, include the **stop-only** keyword to send a “stop accounting” notice at the end of the requested user process. For more accounting, you can include the **start-stop** keyword, so that the external AAA server sends a “start accounting” notice at the beginning of the requested process and a “stop accounting” notice at the end of the process. In addition, you can use the **aaa accounting update** command to periodically send update records with accumulated information. Accounting records are stored only on the TACACS+ or RADIUS server.

When AAA accounting is activated, the router reports these attributes as accounting records, which are then stored in an accounting log on the security server.

SUMMARY STEPS

1. **configure**
2. Do one of the following:
 - **aaa accounting** {**commands** | **exec** | **network**} {**default** | *list-name*} {**start-stop** | **stop-only**}
 - {**none** | *method*}
3. Use the **commit** or **end** command.

DETAILED STEPS

Step 1 **configure**

Example:

```
RP/0/RP0/CPU0:router# configure
```

Enters global configuration mode.

Step 2 Do one of the following:

- **aaa accounting** {**commands** | **exec** | **network**} {**default** | *list-name*} {**start-stop** | **stop-only**}
- {**none** | *method*}

Example:

```
RP/0//CPU0:router(config)# aaa accounting commands default stop-only group tacacs+
```

Note Command accounting is not supported on RADIUS, but supported on TACACS.

Note To enable logging of command accounting logs on a user-specified file on the router, refer the topic *Local Command Accounting* in the chapter *Implementing System Logging* in the *System Monitoring Configuration Guide for Cisco NCS 5500 Series Routers*.

Creates a series of accounting methods, or a method list.

- The **commands** keyword enables accounting for XR EXEC mode shell commands.
- The **exec** keyword enables accounting for an interactive (XR EXEC mode) session.
- The **network** keyword enables accounting for all network-related service requests, such as Point-to-Point Protocol (PPP).
- The **default** keyword causes the listed accounting methods that follow this keyword to be the default list of methods for accounting.
- A *list-name* character string identifies the accounting method list.
- The **start-stop** keyword sends a “start accounting” notice at the beginning of a process and a “stop accounting” notice at the end of a process. The requested user process begins regardless of whether the “start accounting” notice was received by the accounting server.
- The **stop-only** keyword sends a “stop accounting” notice at the end of the requested user process.
- The **none** keyword states that no accounting is performed.
- The method list itself follows the **start-stop** keyword. Method list types are entered in the preferred sequence. The method argument lists the following types:
 - **group tacacs+**—Use the list of all configured TACACS+ servers for accounting.
 - **group radius**—Use the list of all configured RADIUS servers for accounting.
 - **group group-name**—Use a named server group, a subset of TACACS+ or RADIUS servers for accounting as defined by the **aaa group server tacacs+** or **aaa group server radius** command.
- The example defines a **default** command accounting method list, in which accounting services are provided by a TACACS+ security server, with a stop-only restriction.

Step 3 Use the **commit** or **end** command.

commit —Saves the configuration changes and remains within the configuration session.

end —Prompts user to take one of these actions:

- **Yes** — Saves configuration changes and exits the configuration session.
- **No** —Exits the configuration session without committing the configuration changes.
- **Cancel** —Remains in the configuration session, without committing the configuration changes.

Generate Interim Accounting Records

This task enables periodic interim accounting records to be sent to the accounting server. When the **aaa accounting update** command is activated, software issues interim accounting records for all users on the system.



Note Interim accounting records are generated only for network sessions, such as Internet Key Exchange (IKE) accounting, which is controlled by the **aaa accounting** command with the **network** keyword. System, command, or EXEC accounting sessions cannot have interim records generated.

SUMMARY STEPS

1. **configure**
2. **aaa accounting update** {**newinfo** | **periodic** *minutes*}
3. Use the **commit** or **end** command.

DETAILED STEPS

Step 1 **configure**

Example:

```
RP/0/RP0/CPU0:router# configure
```

Enters global configuration mode.

Step 2 **aaa accounting update** {**newinfo** | **periodic** *minutes*}

Example:

```
RP/0//CPU0:router(config)# aaa accounting update periodic 30
```

Enables periodic interim accounting records to be sent to the accounting server.

- If the **newinfo** keyword is used, interim accounting records are sent to the accounting server every time there is new accounting information to report. An example of this report would be when IPCP completes IP address negotiation with the remote peer. The interim accounting record includes the negotiated IP address used by the remote peer.
- When used with the **periodic** keyword, interim accounting records are sent periodically as defined by the argument number. The interim accounting record contains all the accounting information recorded for that user up to the time the interim accounting record is sent.

Caution The **periodic** keyword causes heavy congestion when many users are logged in to the network.

Step 3 Use the **commit** or **end** command.

commit —Saves the configuration changes and remains within the configuration session.

end —Prompts user to take one of these actions:

- **Yes** — Saves configuration changes and exits the configuration session.

- **No** —Exits the configuration session without committing the configuration changes.
- **Cancel** —Remains in the configuration session, without committing the configuration changes.

Apply Method List

After you use the **aaa authorization** command to define a named authorization method list (or use the default method list) for a particular type of authorization, you must apply the defined lists to the appropriate lines in order for authorization to take place. Use the **authorization** command to apply the specified method lists (or, if none is specified, the default method list) to the selected line or group of lines.

SUMMARY STEPS

1. **configure**
2. **line** { **console** | **default** | **template** *template-name*}
3. **authorization** {**commands** | **exec**} {**default** | *list-name*}
4. Use the **commit** or **end** command.

DETAILED STEPS

Step 1 **configure**

Example:

```
RP/0/RP0/CPU0:router# configure
```

Enters global configuration mode.

Step 2 **line** { **console** | **default** | **template** *template-name*}

Example:

```
RP/0//CPU0:router(config)# line console
```

Enters line template configuration mode.

Step 3 **authorization** {**commands** | **exec**} {**default** | *list-name*}

Example:

```
RP/0//CPU0:router(config-line)# authorization commands listname5
```

Enables AAA authorization for a specific line or group of lines.

- The **commands** keyword enables authorization on the selected lines for all commands.
- The **exec** keyword enables authorization for an interactive (XR EXEC mode) session.
- Enter the **default** keyword to apply the name of the default method list, as defined with the **aaa authorization** command.

- Enter the name of a list of authorization methods to use. If no list name is specified, the system uses the default. The list is created with the **aaa authorization** command.
- The example enables command authorization using the method list named listname5.

Step 4 Use the **commit** or **end** command.

commit —Saves the configuration changes and remains within the configuration session.

end —Prompts user to take one of these actions:

- **Yes** — Saves configuration changes and exits the configuration session.
- **No** —Exits the configuration session without committing the configuration changes.
- **Cancel** —Remains in the configuration session, without committing the configuration changes.

What to do next

After applying authorization method lists by enabling AAA authorization, apply accounting method lists by enabling AAA accounting.

Enable Accounting Services

This task enables accounting services for a specific line or group of lines.

SUMMARY STEPS

1. **configure**
2. **line { console | default | template template-name }**
3. **accounting { commands | exec } { default | list-name }**
4. Use the **commit** or **end** command.

DETAILED STEPS

Step 1 **configure**

Example:

```
RP/0/RP0/CPU0:router# configure
```

Enters global configuration mode.

Step 2 **line { console | default | template template-name }**

Example:

```
RP/0//CPU0:router(config)# line console
```

Enters line template configuration mode.

Step 3 **accounting { commands | exec } { default | list-name }**

Example:

```
RP/0//CPU0:router(config-line)# accounting commands listname7
```

Enables AAA accounting for a specific line or group of lines.

- The **commands** keyword enables accounting on the selected lines for all XR EXEC mode shell commands.
- The **exec** keyword enables accounting for an interactive (XR EXEC mode) session.
- Enter the **default** keyword to apply the name of the default method list, as defined with the **aaa accounting** command.
- Enter the name of a list of accounting methods to use. If no list name is specified, the system uses the default. The list is created with the **aaa accounting** command.
- The example enables command accounting using the method list named listname7.

Step 4 Use the **commit** or **end** command.

commit —Saves the configuration changes and remains within the configuration session.

end —Prompts user to take one of these actions:

- **Yes** — Saves configuration changes and exits the configuration session.
- **No** —Exits the configuration session without committing the configuration changes.
- **Cancel** —Remains in the configuration session, without committing the configuration changes.

What to do next

After applying accounting method lists by enabling AAA accounting services, configure login parameters.

Configure Login Parameters

This task sets the interval that the server waits for reply to a login.

SUMMARY STEPS

1. **configure**
2. **line template** *template-name*
3. **timeout login response** *seconds*
4. Use the **commit** or **end** command.

DETAILED STEPS

Step 1 **configure**

Example:

```
RP/0/RP0/CPU0:router# configure
```

Enters global configuration mode.

Step 2 `line template` *template-name***Example:**

```
RP/0//CPU0:router(config)# line template alpha
```

Specifies a line to configure and enters line template configuration mode.

Step 3 `timeout login response` *seconds***Example:**

```
RP/0//CPU0:router(config-line)# timeout login response 20
```

Sets the interval that the server waits for reply to a login.

- The *seconds* argument specifies the timeout interval (in seconds) from 0 to 300. The default is 30 seconds.
- The example shows how to change the interval timer to 20 seconds.

Step 4 Use the **commit** or **end** command.

commit —Saves the configuration changes and remains within the configuration session.

end —Prompts user to take one of these actions:

- **Yes** — Saves configuration changes and exits the configuration session.
- **No** —Exits the configuration session without committing the configuration changes.
- **Cancel** —Remains in the configuration session, without committing the configuration changes.

Task Maps

For users who are authenticated using an external TACACS+ server and RADIUS server, Cisco IOS XR software AAA supports a method to define task IDs remotely.

Format of the Task String

The task string in the configuration file of the TACACS+ server consists of tokens delimited by a comma (.). Each token contains either a task ID name and its permissions or the user group to include for this particular user, as shown in the following example:

```
task = "permissions : taskid name , # usergroup name , ..."
```



Note Cisco IOS XR software allows you to specify task IDs as an attribute in the external RADIUS or TACACS+ server. If the server is also shared by non-Cisco IOS XR software systems, these attributes are marked as optional as indicated by the server documentation. For example, CiscoSecure ACS and the freeware TACACS+ server from Cisco require an asterisk (*) instead of an equal sign (=) before the attribute value for optional attributes. If you want to configure attributes as optional, refer to the TACACS+ server documentation.

For example, to give a user named user1 BGP read, write, and execute permissions and include user1 in a user group named operator, the username entry in the external server's TACACS+ configuration file would look similar to the following:

```
user = user1{
member = some-tac-server-group
opap = cleartext "lab"
service = exec {
task = "rwx:bgp,#operator"
}
}
```

The r,w,x, and d correspond to read, write, execute and debug, respectively, and the pound sign (#) indicates that a user group follows.



Note The optional keyword must be added in front of “task” to enable interoperability with systems based on Cisco IOS software.

If CiscoSecure ACS is used, perform the following procedure to specify the task ID and user groups:

SUMMARY STEPS

1. Enter your username and password.
2. Click the **Group Setup** button to display the **Group Setup** window.
3. From the Group drop-down list, select the group that you want to update.
4. Click the **Edit Settings** button.
5. Use the scroll arrow to locate the Shell (exec) check box.
6. Check the **Shell (exec)** check box to enable the custom attributes configuration.
7. Check the **Custom attributes** check box.
8. Enter the following task string without any blank spaces or quotation marks in the field:
9. Click the **Submit + Restart** button to restart the server.

DETAILED STEPS

-
- Step 1** Enter your username and password.
 - Step 2** Click the **Group Setup** button to display the **Group Setup** window.
 - Step 3** From the Group drop-down list, select the group that you want to update.
 - Step 4** Click the **Edit Settings** button.
 - Step 5** Use the scroll arrow to locate the Shell (exec) check box.
 - Step 6** Check the **Shell (exec)** check box to enable the custom attributes configuration.
 - Step 7** Check the **Custom attributes** check box.
 - Step 8** Enter the following task string without any blank spaces or quotation marks in the field:

Example:

```
task=rwx:bgp,#netadmin
```

- Step 9** Click the **Submit + Restart** button to restart the server.

The following RADIUS Vendor-Specific Attribute (VSA) example shows that the user is part of the sysadmin predefined task group, can configure BGP, and can view the configuration for OSPF:

Example:

```
user Auth-Type := Local, User-Password == lab
  Service-Type = NAS-Prompt-User,
  Reply-Message = "Hello, %u",
  Login-Service = Telnet,
  Cisco-AVPair = "shell:tasks=#sysadmin,rwx:bgp,r:ospf"
```

After user1 successfully connects and logs in to the external TACACS+ server with username user1 and appropriate password, the **show user tasks** command can be used in XR EXEC mode to display all the tasks user1 can perform. For example:

Example:

```
Username:user1
Password:
RP/0/RP0/CPU0:router# show user tasks

Task:      basic-services  :READ   WRITE   EXECUTEDEBUG
Task:      bgp             :READ   WRITE   EXECUTE
Task:      cdp             :READ
Task:      diag            :READ
Task:      ext-access      :READ           EXECUTE
Task:      logging         :READ
```

Alternatively, if a user named user2, who does not have a task string, logs in to the external server, the following information is displayed:

Example:

```
Username:user2
Password:
RP/0/RP0/CPU0:router# show user tasks
No task ids available
```

How to Configure Hold-Down Timer for TACACS+

By default, the hold-down timer for TACACS+ is disabled. To enable the hold-down timer, use the **holddown-time** command under respective configuration modes as per the following hierarchy levels:

- **Global Level:** Applicable to all TACACS+ servers that are configured on the router.
- **Server Group Level:** Applicable only to TACACS+ servers that are configured in a particular server group. This configuration overrides the global hold-down timer configuration.
- **Server Level:** Applicable only to a particular TACACS+ server (that also includes the private server). This configuration overrides the timer value at all other levels.
- **Private Server Level:** Applicable only to a particular private TACACS+ server.

While selecting the timer at various configuration levels, the router gives preference to the one which is more specific to the server. That is, the server-level timer has the highest precedence, followed by server group-level and finally, the global-level timer.

Guidelines for Configuring Hold-Down Timer for TACACS+

- You must configure the TACACS+ servers for this feature to take effect.
- A timer value of zero indicates that the feature is disabled.
- The timer value is decided by the configuration that is closest to the server regardless of its value. That is, if the server-level timer is configured as 0, the system disables the feature for that particular server, even if a positive value exists at other levels. So, if you need to disable the feature for some servers or server-groups, and not for others, you can configure a zero value for those specific servers or server-groups, and configure a positive value at the global level.
- The system assigns priority to the servers based on the order in which they are configured in the router. The server that is configured first is used first. If the first server becomes unavailable or unreachable, the second server is used, and so on.
- Avoid configuring a large timer value, as it marks the server as being down for a longer period. Also, the router does not use that server for further client requests during the hold-down time, even if the server becomes available in between. As a result, we recommend that you configure an optimal timer value of say, one or two minutes.
- If there is a process restart or router reload while the timer is running, the timer immediately expires, and the router considers the unresponsive server as being up.

Syslog for Hold-Down Timer

The TACACS+ hold-down timer feature introduces a new syslog to notify that the server is marked as being down, and that the hold-down timer has started. This syslog replaces the old syslog which was invoked during earlier scenarios when server was down. If the feature is not enabled, the router continues to display the old syslog.

The syslog without enabling hold-down timer:

```
RP/0/RP0/CPU0:Aug 21 17:42:49.664 UTC: tacacsd[1226]: %SECURITY-TACACSD-6-SERVER_DOWN :
TACACS+ server 10.10.10.2/2020 is DOWN [vrf: 0x60000000, server-private: No]- Socket 116:
No route to host
```

The syslog with hold-down timer enabled:

```
RP/0/RP0/CPU0:ios#RP/0/RP0/CPU0:Aug 21 16:00:25.200 UTC: tacacsd[1227]:
%SECURITY-TACACSD-6-HOLDDOWN_TIME_START :
TACACS+ server 10.105.236.103/2020 is DOWN [vrf: 0x60000000, server-private: Yes]. Server
will be marked as DOWN for 20 seconds: Success
```

Configuration Example

• Global Level:

```
Router#configure
Router(config)#tacacs-server holddown-time 30
```

• Server Level:

```
Router(config)#tacacs-server host 10.105.236.102 port 2020
Router(config-tacacs-host)#holddown-time 35
```


- **Server-Group Level:**

```
Router#configure
Router(config)#aaa group server tacacs+ test-group
Router(config-sg-tacacs)#holddown-time 40
```

- **Private Server Level:**

```
Router(config)#aaa group server tacacs+ test-group
Router(config-sg-tacacs)#server-private 10.105.236.109 port 2020
Router(config-sg-tacacs-private)#holddown-time 55
```

Running Configuration

```
Router#show running-config
!
tacacs-server holddown-time 30
!
tacacs-server host 10.105.236.102 port 2020
  holddown-time 35
!
aaa group server tacacs+ test-group
  holddown-time 40
  server-private 10.105.236.109 port 2020
    holddown-time 55
!
```

How to Disable Hold-Down Timer for TACACS+

You can disable the hold-down timer for TACACS+ at respective levels either by using the **no** form of the **holddown-time** command, or by configuring a timer value of zero.

For example,

```
Router(config)#no tacacs-server holddown-time 30
OR
Router(config)#tacacs-server holddown-time 0
```

Verification

A new field, **on-hold**, is introduced in the output field of the **show tacacs** command to indicate whether a server is on hold due to the hold-down timer or the server probe is in progress. A value of **true** indicates that the server is marked as being down. The router does not use that server for addressing any client request.

```
Router#show tacacs
Wed Oct 21 06:45:38.341 UTC
Server: 10.105.236.102/2020 opens=1 closes=1 aborts=1 errors=0
  packets in=0 packets out=0
  status=down single-connect=false family=IPv4
  idle-timeout=0 on-hold=true

Server: 10.105.236.103/2020 vrf=default [private]
  opens=0 closes=0 aborts=0 errors=0
  packets in=0 packets out=0
  status=up single-connect=false family=IPv4
  on-hold=true
```

The following is a sample output with **on-hold** value as *false*, which indicates that the server is not marked as being down. The router considers that server as being available for addressing client requests.

```
Router#show tacacs
Fri Aug 21 15:57:02.139 UTC

Server: 10.105.236.102/2020 opens=0 closes=0 aborts=0 errors=0
       packets in=0 packets out=0
       status=up single-connect=false family=IPv4
       idle-timeout=0 on-hold=false

Server: 10.105.236.103/2020 vrf=default [private]
       opens=0 closes=0 aborts=0 errors=0
       packets in=0 packets out=0
       status=up single-connect=false family=IPv4
       on-hold=false
```

Related Topics

- [Hold-Down Timer for TACACS+, on page 24](#)

Associated Commands

- `holddown-time`

Model-based AAA

Table 7: Feature History Table

Feature Name	Release Information	Description
NETCONF Access Control Model (NACM) for Protocol Operations and Authorization	Release 7.4.1	<p>NACM is defined in AAA subsystem to manage access control for NETCONF Remote Procedure Calls (RPCs). NACM addresses the need to authenticate the user or user groups, authorize whether the user has the required permission to perform the operation. With this feature, you can configure the authorization rules, groups and rule lists containing multiple groups and rules using CLI commands in addition to existing support for YANG data models.</p> <p>This feature also introduces <code>Cisco-IOS-XR-um-aaa-nacm-cfg.yang</code> unified data model to configure user access and privileges. You can access this data model from the Github repository.</p>

The Network Configuration Protocol (NETCONF) protocol does not provide any standard mechanisms to restrict the protocol operations and content that each user is authorized to access. The NETCONF Access Control Model (NACM) is defined in AAA subsystem to manage access-control for NETCONF/YANG RPC requests.

The NACM module provides the ability to control the manageability activities of NETCONF users on the router. You can manage access privileges, the kind of operations that users can perform, and a history of the operations that were performed on the router. The NACM functionality accounts for all the operations that are performed on the box over the NETCONF interface. This functionality authenticates the user or user groups and authorizes permissions for users to perform the operation.

Prerequisites for Model Based AAA

Working with the model based AAA feature requires prior understanding of the following :

- NETCONF-YANG
- RFC 6536: Network Configuration Protocol (NETCONF) Access Control Model

Initial Operation

These are the NACM default values. By default a user is denied write permission, hence you'll not be able to edit the NACM configurations after enabling NACM authorization using AAA command.

```
<enable-nacm>>false</enable-nacm>
<read-default>permit</read-default>
<write-default>deny</write-default>
<exec-default>permit</exec-default>
<enable-external-groups>>true</enable-external-groups>
```

Therefore we recommend to enable NACM after configuring the required NACM configurations, or after changing the default NACM configurations. Here are few sample configurations:



Note If `access-denied` message is returned while writing NACM configurations, then NACM authorization can be disabled to edit the NACM configurations.

```
<aaa xmlns="http://cisco.com/ns/yang/Cisco-IOS-XR-aaa-lib-cfg">
<usernames xmlns="http://cisco.com/ns/yang/Cisco-IOS-XR-aaa-locald-cfg">
<username>
<ordering-index>3</ordering-index>
<name>username</name>
<password>password</password>
  <usergroup-under-usernames>
    <usergroup-under-username>
      <name>root-lr</name>
    </usergroup-under-username>
    <usergroup-under-username>
      <name>cisco-support</name>
    </usergroup-under-username>
  </usergroup-under-usernames>
</username>
</usernames>
</aaa>

<nacm xmlns="http://cisco.com/ns/yang/Cisco-IOS-XR-aaa-nacm-cfg">
<read-default>permit</read-default>
<write-default>permit</write-default>
```

```

<exec-default>permit</exec-default>
<enable-external-groups>>true</enable-external-groups>
<groups>
  <group>
    <name>nacm_group</name>
    <user-name>lab</user-name>
  </group>
</groups>
<rule-list>
<name>Rule-list-1</name>
<group>Group_nacm_0_test</group>
<rule>
  <name>Rule-1</name>
  <access-operations>read</access-operations>
  <action>permit</action>
  <module-name>ietf-netconf-acm</module-name>
  <rpc-name>edit-config</rpc-name>
    <access-operations>*</access-operations>
    <path>/</path>
    <action>permit</action>
  </rule>
</rule-list>
</nacm>

```

The NACM configuration allows to choose the precedence of external groups over the local groups.

NACM Configuration Management and Persistence

The NACM configuration can be modified using NETCONF or RESTCONF. In order for a user to be able to access the NACM configuration, they must have explicit permission to do so, that is, through a NACM rule. Configuration under the /nacm subtree persists when the **copy running-config startup-config** EXEC command is issued, or the **cisco-ia:save-config** RPC is issued.

```

<rpc message-id="101" xmlns="urn:ietf:params:xml:ns:netconf:base:1.0">
<save-config xmlns="http://cisco.com/yang/cisco-ia"/>
</rpc>

```

Overview of Configuring NACM

Here are the steps involved in configuring NACM:

1. Configure all NACM rules
2. Enable NACM
3. Disconnect all active NETCONF sessions
4. Launch new NETCONF session



Note Enabling or disabling NACM does not affect any existing NETCONF sessions.

NACM Rules

As per the RFC 6536, NACM defines two categories of rules:

- Global Rules—It includes the following:
 - Enable/Disable NACM

- Read-Default
- Write-Default
- Exec-Default
- Enable External Groups
- Access Control Rules—It includes the following:
 - Module (used along with protocol rule / data node rule)
 - Protocol
 - Data Node

The following table lists the rules and access operations:

Operation	Description
all	Rule is applied to all types of protocol operations
create	Rule is applied to all protocol operations, which create a new data node such as edit-config operation
read	Rule is applied to all protocol operations, which reads the data node such as get, get-config or notification
update	Rule is applied to all protocol operations, which alters a data node such as edit-config operation
exec	Rule is applied to all exec protocol access operations such as action RPC
delete	Rule is applied to all protocol operations that removes a data node



Note Before enabling NACM using NETCONF RPC, any user with access to the system can create NACM groups and rules. However, after NACM is enabled, only authorised users can change the NACM configurations.



Note Only users who belong to `root-lr` group or with write access in `aaa task` group can enable or disable NACM using CLI commands.

Example: Configure Global Rules

YANG Data Model: You must configure NACM groups and NACM rulelist before configuring NACM rules. The following sample configuration shows a NACM group configuration:

```
<rpc message-id="101" xmlns="urn:ietf:params:xml:ns:netconf:base:1.0" >
<edit-config>
  <target><candidate/></target>
```

```

<config xmlns:xc="urn:ietf:params:xml:ns:netconf:base:1.0">
  <nacm xmlns="urn:ietf:params:xml:ns:yang:ietf-netconf-acm">
    <groups>
      <group>
        <name>group1</name>
        <user-name>user1</user-name>
        <user-name>user2</user-name>
        <user-name>user3</user-name>
      </group>
    </groups>
  </nacm>
</config>
</edit-config>
</rpc>

```

The following sample configuration shows a NACM rule list configuration:

```

<rpc
xmlns="urn:ietf:params:xml:ns:netconf:base:1.0"message-id="101">
<edit-config>
  <target>
    <candidate/>
  </target>
<config>
  <nacm xmlns="http://cisco.com/ns/yang/Cisco-IOS-XR-aaa-nacm-cfg">
    <rulelist-classes>
      <rulelist-class>
        <ordering-index>1</ordering-index>
        <rulelist-name>GlobalRule</rulelist-name>
        <group-names>
          <group-name>root-system</group-name>
          <group-name>AdminUser</group-name>
        </group-names>
      </rulelist-class>
    </rulelist-classes>
  </nacm>
</config>
</edit-config>
</rpc>

```

You can configure the NACM rule list using CLI commands in addition to configuring using YANG data models. The following commands are supported:

```

Router(config)#nacm rule-list 1 GlobalRule
Router(config-rlst)#groupnames root-system AdminUser

```

Example: Configure NACM Global Rules

YANG Data Model:

```

<rpc message-id="101" xmlns="urn:ietf:params:xml:ns:netconf:base:1.0" >
<edit-config>
  <target><candidate/></target>
<config xmlns:xc="urn:ietf:params:xml:ns:netconf:base:1.0">
  <nacm xmlns="urn:ietf:params:xml:ns:yang:ietf-netconf-acm">
    <read-default>permit</read-default>
    <write-default>permit</write-default>
    <exec-default>permit</exec-default>
    <enable-external-groups>>false</enable-external-groups>
  </nacm>
</config>
</edit-config>
</rpc>

```

CLI Command: You can configure the NACM global rules using CLI commands in addition to configuring using YANG data models. The following commands are supported:

```
Router(config)#nacm read-default [ permit | deny ]
Router(config)#nacm write-default [ permit | deny ]
Router(config)#nacm exec-default [ permit | deny ]
Router(config)#nacm enable-external-groups [ true | false ]
```



Note You must have NACM task permissions to make changes.

Example: Configure Access Control Rules

YANG Data Model:

```
<rpc message-id="101"
xmlns="urn:ietf:params:xml:ns:netconf:base:1.0" >
<edit-config>
<target><candidate/></target>
<config xmlns:xc="urn:ietf:params:xml:ns:netconf:base:1.0">
  <nacm xmlns="urn:ietf:params:xml:ns:yang:ietf-netconf-acm">
    <rule-list>
      <name>GlobalRule</name>
      <rule>
        <name>rule1</name>
        <module-name>ietf-netconf-acm</module-name>
        <rpc-name>edit-config</rpc-name>
        <access-operations>*</access-operations>
        <action>permit</action>
      </rule>
      <rule>
        <name>rule2</name>
        <module-name>ietf-netconf-acm</module-name>
        <rpc-name>get-config</rpc-name>
        <access-operations>create read update exec</accessoperations>
        <action>permit</action>
      </rule>
    </rule-list>
  </nacm>
</config>
</edit-config>
</rpc>
```



Note '*' refers to all operations.

CLI Command: You can onfigure the NACM protocol rules using CLI commands in addition to configuring using YANG data models:

```
Router(config)#nacm rule-list 1 GlobalRule
Router(nacm-rlst)#groupnames AdminUser
Router(nacm-rlst)#rule 1 rule1
Router(nacm-rule)#action permit
Router(nacm-rule)#module-name ietf-netconf-acm
Router(nacm-rule)#rule-type rpc edit-config
Router(nacm-rule)#access-operations create read update exec
Router(nacm-rlst)#rule 2 rule2
```

```
Router(nacm-rule)#action deny
Router(nacm-rule)#module-name ietf-netconf-acm
Router(nacm-rule)#rule-type rpc get-config
Router(nacm-rule)#access-operations create read update exec
```

Example: Configure NACM Data Node Rules

```
<rpc message-id="101"xmlns="urn:ietf:params:xml:ns:netconf:base:1.0" >
<edit-config>
<target><candidate/></target>
  <config xmlns:xc="urn:ietf:params:xml:ns:netconf:base:1.0">
    <nacm xmlns="urn:ietf:params:xml:ns:yang:ietf-netconf-acm">
      <rule-list>
        <name>GlobalRule</name>
        <rule>
          <name>rule4</name>
          <module-name>*</module-name>
          <path>/nacm/groups/group</path>
          <access-operations>*</access-operations>
          <action>permit</action>
        </rule>
        <rule>
          <name>rule5</name>
          <module-name>ietf-netconf-acm</module-name>
          <path>/nacm/rule-list</path>
          <access-operations>read</access-operations>
          <action>deny</action>
        </rule>
      </rule-list>
    </nacm>
  </config>
</edit-config>
</rpc>
```



Note '*' refers to all modules, and all operations.

CLI Command: You can configure the NACM data rules using CLI commands in addition to configuring using YANG data models. The following commands are supported:

```
nacm rule-list 1 GlobalRule
groupnames AdminUser
rule 4 rule4
  action permit
  module-name *
  rule-type data-node /nacm/groups/group
  access-operations all
rule 5 rule5
  action deny
  module-name ietf-netconf-acm
  rule-type data-node /nacm/rule-list
  access-operations all
```

Enabling NACM

NACM is disabled on the router by default. Users with root-lr or 'aaa' write task privilege users can enable/disable the NACM via CLI.

To enable NACM, use the following command in the Global configuration mode:

```
Router(config)#aaa authorization nacm default local
```

Cisco IOS XR Software Release 7.4.1 introduces support for external group names.

The external group names are added to the list of local group names to determine the access control rules. External group names are preferred from the list:

```
Router(config)#aaa authorization nacm default prefer-external group tacacs+ local
```

The `local` keyword refers to the `locald` (AAA local database) and not the NACM database.

Only external group names will be used to determine the access control rules:

```
Router(config)#aaa authorization nacm default only-external local
```

Verification

Use the `show nacm summary` command to verify the default values after enabling NACM:

```
Router# show nacm summary
Mon Jan 15 16:47:43.549 UTC
NACM SUMMARY
-----
Enable Nacm : True
Enable External Groups : True
Number of Groups : 0
Number of Users : 0
Number of Rules : 0
Number of Rulelist : 0
Default Read : permit
Default Write : deny
Default Exec : permit
Denied Operations : 0
Denied Data Writes : 0
Denied Notifications : 0
```

Associated Commands

- Router#`show nacm summary`
- Router#`show nacm users [user-name]`
- Router#`show nacm rule-list [rule-list-name] [rule [rule-name]]`
- Router#`show nacm groups [group-name]secret`

Verify the NACM Configurations

Use the `show nacm summary` command to verify the NACM configurations:

```
Router# show nacm summary
Mon Jan 15 17:02:46.696 UTC
NACM SUMMARY
-----
Enable Nacm : True
Enable External Groups : True
Number of Groups : 3
Number of Users : 3
Number of Rules : 4
Number of Rulelist : 2
```

```

Default Read : permit
Default Write : permit
Default Exec : permit
Denied Operations : 1
Denied Data Writes : 0
Denied Notifications : 0
-----

```

Associated Commands

- Router#**show nacm summary**
- Router#**show nacm users [user-name]**
- Router#**show nacm rule-list [rule-list-name] [rule [rule-name]]**
- Router#**show nacm groups [group-name]secret**

Disabling NACM

There are two ways you can disable NACM. Use one of the following commands:

Configuring NACM authorization as none:

```
Router(config)# aaa authorization nacm default none
```

or

Using no form of AAA authorization command:

```
Router(config)# no aaa authorization nacm default
```

Verification

Use the **show nacm summary** command to verify the default values after disabling NACM:

```

Router# show nacm summary

Mon Jan 15 17:02:46.696 UTC
NACM SUMMARY
-----
Enable Nacm : False
Enable External Groups : True
Number of Groups : 0
Number of Users : 0
Number of Rules : 0
Number of Rulelist : 0
Default Read : permit
Default Write : deny
Default Exec : permit
Denied Operations : 0
Denied Data Writes : 0
Denied Notifications : 0

```

Dynamic Retrieval of NETCONF Access Control Model Policies

Table 8: Feature History Table

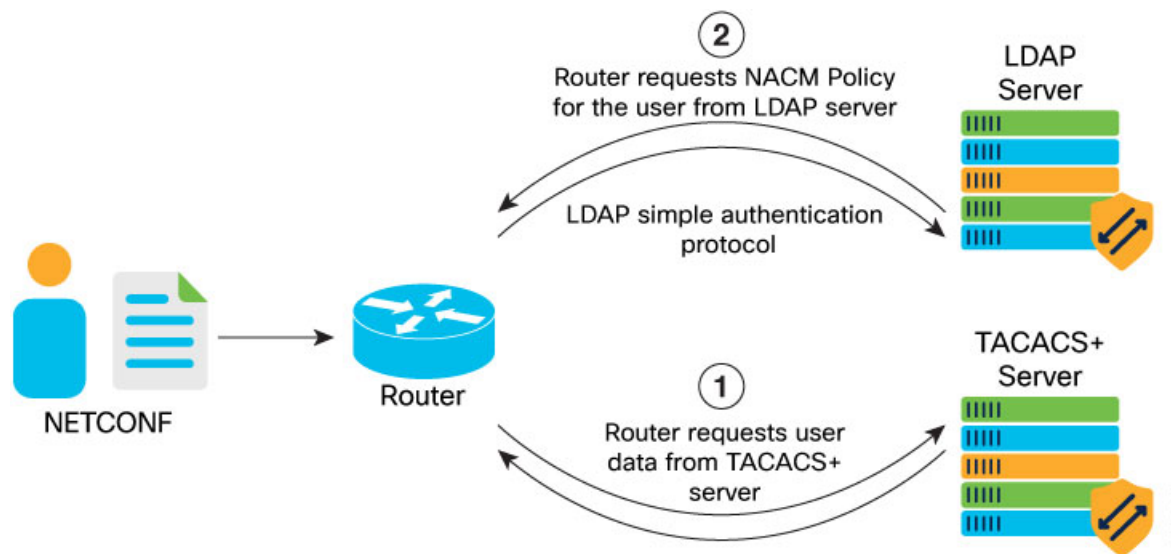
Feature Name	Release Information	Description
Dynamic Retrieval of NETCONF Access Control Model Policies	Release 7.8.1	<p>Your router now retrieves the NETCONF Access Control Model (NACM) policies or rules on-demand for an authorized user from a remote Lightweight Directory Access Protocol (LDAP) server to validate each NETCONF operation. As the policies are stored in an external server and retrieved dynamically, this feature eliminates the need to manually update policies on a per-router basis.</p> <p>Before this release, your router supported static NACM, where the NACM policies or rules were stored locally, requiring manual policy updates on each router.</p> <p>This feature introduces the nacm enable-external-policies command.</p>

When you log in to the router using a NETCONF interface, the router authenticates the user credentials, and the authorization check is done for exec service and NETCONF service. After a successful NETCONF service authorization, the user is authorized to perform NETCONF operations or access data nodes within a given RPC based on the rules obtained from the external LDAP server. Unlike in static NACM, where the authorization policies are stored locally, in dynamic NACM, the router retrieves and stores these authorization policies for the authenticated user from the external server dynamically in a secure transfer manner. These policies are used to authorize the NETCONF operations.

LDAP server stores NACM policies. You must configure the LDAP server with the policies (NACM rule-list and rules) for the user or the user group.

The TACACS+ servers contain the netconf service configuration that contains group-mapping, and information to query LDAP server for retrieving the NACM policies.

Figure 2: Workflow of Dynamic NACM



522836

The work flow of the Dynamic NACM is as follows:

1. Router requests the following information from the TACACS+ server:

- User and user groups
- LDAP server contact
- Home directory, and so on

For a successful authorization, the TACACS+ server responds with `nacm-groups`, `basedn`, `filter`, `map`, and `timestamp` as attribute-value pairs.

If TACACS+ server becomes unreachable, authorizations of the NETCONF operations use locally defined NACM policies.

2. Router requests the following information from the LDAP server:

- User's NACM policy

LDAP server responds with user NACM policies.

The authorization policies obtained for a given authenticated user are internally committed to running configuration on the router. If the retrieved policies not required, such policies have to be deleted from the running configuration.

When the router receives a NETCONF service authorization response having a new timestamp attribute-value pair as compared to the timestamp of the policy that is existing on the router, a dynamic policy is downloaded from the LDAP server. The dynamic policies are stored (cached) in the static NACM database.

Configure Dynamic NACM

Configuring dynamic NACM involves the following tasks.

- Router Configuration
 - [Configure Router-to-LDAP Server Communication, on page 87](#)
 - [Configure TACACS+ Server Profile, on page 87](#)
 - [Configure LDAP Server Profile, on page 87](#)
 - [Enable Dynamic NACM, on page 88](#)
- TACACS+ Server Configuration
- LDAP Server Configuration

Router Configuration

This section provides router configuration for dynamic NACM.

Configuring a router for dynamic NACM involves the following tasks:

- Configure Router-to-LDAP Server Communication
- Configure TACACS+ Server Profile
- Configure LDAP Server Profile

- Enable Dynamic NACM

Configure Router-to-LDAP Server Communication

LDAP communication is established between LDAP client running on router and LDAP server, using simple authentication protocol. Use LDAP server host configuration on router to communicate with LDAP server.

For configuration procedure, see [Configure LDAP Server Profile, on page 87](#).

You can use `Cisco-IOS-XR-aaa-ldapd-cfg.yang` file to configure LDAP parameters such as `connect-timeout`, `bind-distinguished-name`, and `bind-password` values for the LDAP and router connectivity.

Configure TACACS+ Server Profile

The TACACS+ client sends the NETCONF authorization request to LDAP server to retrieve `nacm_group` and LDAP url attributes.

Configuration Example

```
Router# configure
Router(config)# tacacs-server host 10.105.236.101 port 7010
Routers(config-tacacs-host)# key 7 00071A150754
Routers(config-tacacs-host)# commit
```

Running Configuration

```
Router# show run
tacacs-server host 10.105.236.101 port 7010
key 7 00071A150754
!
```

Configure LDAP Server Profile

LDAP communication is established between LDAP client running on router and LDAP server located externally using a simple authentication protocol. Use `ldap-server host` command to configure the LDAP server host (`ldap-server`) to communicate with LDAP server through CLI.



Note You can configure only one LDAP server host.

Table 9: LDAP Server Host Configuration Parameters

Attribute	Description
ip-address	LDAP server IP address. This is mandatory.
port-number	The port number to connect to the LDAP server. The default value is 389 (LDAP) or 636 (LDAPS). The port value ranges between 1- 65,535.
bind-dn	The Distinguished Name (DN) to bind to the LDAP server. This is mandatory for Authentication.
bind-password	The password to use to bind to the LDAP server. This is mandatory for authentication.

Attribute	Description
Connect-timeout	<p>Connection establishment time-out between LDAP client and LDAP server. The value ranges between 1–1000 seconds.</p> <p>Default time is five seconds.</p> <p>You can perform three attempts upon bind timeout. If the bind does not respond within three attempts, the server is marked as Dead and router connects to the next available server which is marked as UP.</p>

Configuration Example

```
Router# configure
Router(config)# ldap-server host 10.105.236.10
Router(config-ldap-host)# bind-dn cn=admin,dc=cisco,dc=com
Router(config-ldap-host)# bind-password lablab
Router(config-ldap-host)# connect-timeout 10
Router(config-ldap-host)# commit
```

Running Configuration

```
Router# sh run ldap-server host
ldap-server host 10.105.236.10 port 389
bind-dn cn=admin,dc=cisco,dc=com
bind-password 7 04570A0403204E
connect-timeout 10
!
```

Enable Dynamic NACM

You can configure NACM either through NETCONF client or CLI.



Note The dynamic policies once configured are not removed. To remove these policies, unconfigure those policies from the running configuration

Configuration Example

To enable dynamic NACM, use the following command in the global configuration mode:

```
Router(config)# nacm enable-external-policies
```

TACACS+ Server Configuration

This section provides TACACS+ server configuration for dynamic NACM, with a set of newly introduced attribute-value pairs.

Cisco IOS XR software Release 7.8.1 introduces **BaseDN**, **filter**, **map**, and **timestamp** attribute-value pairs with which TACACS+ server is configured in the user profile.

Table 10: Attribute-value pair of TACACS+ Server

Attribute-value pair	Description
BaseDN	LDAP client (aaa_ldapd) uses base distinguished name (baseDN) to search for the NACM policy in the LDAP server.
filter	The LDAP filter in the search operation to determine the existence of a specific attribute or an object.
map	Customized name for nacmRuleList.
timestamp	The time at which the NACM policy for the group has changed at the LDAP server.

Configuration Example

The following configuration shows the TACACS+ configuration with LDAP attributes.

```

user = netconf_user1 {
  default service = permit
  global = cleartext lab
  opap = cleartext "lab"
  member = aaa-india

  service = exec {
    task = "#root-lr,#cisco-support"
    idletime = 2
  }
  service = netconf {
    nacm-group = "FULL-ACCESSGROUP"
    basedn = "nacmRuleList=FULL-ACCESS,gtacdomain=IPNSG,dc=domain,dc=gtac,dc=cisco,dc=net"
    filter = "(|(objectclass=nacmRuleList)(objectclass=nacmRule))"
    map nacmRuleList profile
    timestamp = 1638169449
  }
}

```

LDAP Server Configuration

This section provides the schema and rule-lists configuration on the LDAP server for dynamic NACM.

LDAP schema rules and rule-lists must be defined in similar way as defined in the NACM RFC 8341 YANG model.

Schema

A sample LDAP schema for dynamic NACM is as followed:

```

olcAttributeTypes: {0}( 1.3.6.1.4.1.1234.101 NAME 'nacmRuleName' DESC ' Name of the rule'
EQUALITY caseIgnoreMatch SYNTAX 1.3.6.1.4.1.1466.115.121.1.15{32} SINGLE-VALUE )
olcAttributeTypes: {1}( 1.3.6.1.4.1.1234.102 NAME 'nacmRuleIndex' DESC 'Order of the rule'
SYNTAX 1.3.6.1.4.1.1466.115.121.1.27 SINGLE-VALUE )
olcAttributeTypes: {2}( 1.3.6.1.4.1.1234.105 NAME 'nacmModuleName' DESC 'Name of the YANG
module associated with this rule' EQUALITY caseIgnoreMatch SYNTAX
1.3.6.1.4.1.1466.115.121.1.15{32} SINGLE-VALUE )
olcAttributeTypes: {3}( 1.3.6.1.4.1.1234.106 NAME 'nacmRuleType' DESC 'Choice between 1=
rpc, 2=data-node or 3=notification' SYNTAX 1.3.6.1.4.1.1466.115.121.1.27 SINGLE-VALUE )
olcAttributeTypes: {4}( 1.3.6.1.4.1.1234.107 NAME 'nacmRuleData' DESC 'XPath
instance-identifier associated with the data node controlled by this rule or rpc-name or

```

```

notification-name' EQUALITY caseIgnoreMatch SYNTAX 1.3.6.1.4.1.1466.115.121.1.15{32}
SINGLE-VALUE )
olcAttributeTypes: {5}( 1.3.6.1.4.1.1234.109 NAME 'nacmAccessOperations' DESC 'Access
operations associated with this rule. CRUDX bits (Create-Read-Update-Delete-eXecute-ALL)
value' SYNTAX 1.3.6.1.4.1.1466.115.121.1.6 SINGLE-VALUE )
olcAttributeTypes: {6}( 1.3.6.1.4.1.1234.110 NAME 'nacmAction' DESC 'Action taken by the
server when a particular rule matches' SYNTAX 1.3.6.1.4.1.1466.115.121.1.7 SINGLE-VALUE )
olcAttributeTypes: {7}( 1.3.6.1.4.1.1234.113 NAME 'nacmRule' DESC 'NACM Rule' EQUALITY
caseIgnoreMatch SYNTAX 1.3.6.1.4.1.1466.115.121.1.15 SINGLE-VALUE )
olcAttributeTypes: {8}( 1.3.6.1.4.1.1234.103 NAME 'nacmRuleListName' DESC 'Name of the
ruleList' EQUALITY caseIgnoreMatch SYNTAX 1.3.6.1.4.1.1466.115.121.1.15{32} SINGLE-VALUE
)
olcAttributeTypes: {9}( 1.3.6.1.4.1.1234.104 NAME 'nacmRuleListIndex' DESC 'Order of the
ruleList' SYNTAX 1.3.6.1.4.1.1466.115.121.1.27 SINGLE-VALUE )
olcAttributeTypes: {10}( 1.3.6.1.4.1.1234.135 NAME 'nacmRuleListGroup' DESC 'NACM Group
that will be assigned the associated access defined by the nacmRuleList' EQUALITY
caseIgnoreMatch SYNTAX 1.3.6.1.4.1.1466.115.121.1.15{32} SINGLE-VALUE )
olcAttributeTypes: {11}( 1.3.6.1.4.1.1234.111 NAME 'nacmLastModifiedTime' DESC 'date/time
the ruleList was last modified' EQUALITY caseIgnoreMatch SYNTAX 1.3.6.1.4.1.1466.115.121.1.15
SINGLE-VALUE )
olcAttributeTypes: {12}( 1.3.6.1.4.1.1234.112 NAME 'nacmRuleList' DESC 'NACM set of Rules'
EQUALITY caseIgnoreMatch SYNTAX 1.3.6.1.4.1.1466.115.121.1.15 SINGLE-VALUE )
olcAttributeTypes: {13}( 1.3.6.1.4.1.1234.114 NAME 'nacmNACMGlobal' DESC 'Global NACM
settings' EQUALITY caseIgnoreMatch SYNTAX 1.3.6.1.4.1.1466.115.121.1.15 SINGLE-VALUE )
olcAttributeTypes: {14}( 1.3.6.1.4.1.1234.120 NAME 'nacmEnableNACM' DESC 'Boolean enable
or disable NACM on device' SYNTAX 1.3.6.1.4.1.1466.115.121.1.7 SINGLE-VALUE )
olcAttributeTypes: {15}( 1.3.6.1.4.1.1234.121 NAME 'nacmReadDefault' DESC 'Read Access
default' SYNTAX 1.3.6.1.4.1.1466.115.121.1.7 SINGLE-VALUE )
olcAttributeTypes: {16}( 1.3.6.1.4.1.1234.122 NAME 'nacmWriteDefault' DESC 'Write Access
default' SYNTAX 1.3.6.1.4.1.1466.115.121.1.7 SINGLE-VALUE )
olcAttributeTypes: {17}( 1.3.6.1.4.1.1234.123 NAME 'nacmExecDefault' DESC 'Exec Access
default' SYNTAX 1.3.6.1.4.1.1466.115.121.1.7 SINGLE-VALUE )
olcAttributeTypes: {18}( 1.3.6.1.4.1.1234.124 NAME 'nacmEnableExternalGroups' DESC 'Use
external groups' SYNTAX 1.3.6.1.4.1.1466.115.121.1.7 SINGLE-VALUE )
olcAttributeTypes: {19}( 1.3.6.1.4.1.1234.115 NAME 'nacmNACMGroup' DESC 'NACM Group' EQUALITY
caseIgnoreMatch SYNTAX 1.3.6.1.4.1.1466.115.121.1.15 SINGLE-VALUE )
olcAttributeTypes: {20}( 1.3.6.1.4.1.1234.130 NAME 'nacmGroupName' DESC 'NACM Group Name'
EQUALITY caseIgnoreMatch SYNTAX 1.3.6.1.4.1.1466.115.121.1.15{32} )
olcAttributeTypes: {21}( 1.3.6.1.4.1.1234.131 NAME 'nacmUsersNACM' DESC 'List of users'
EQUALITY caseIgnoreMatch SYNTAX 1.3.6.1.4.1.1466.115.121.1.15{32} )
olcObjectClasses: {0}( 1.3.6.1.4.1.1235.100 NAME 'nacmRuleList' DESC 'NACM set of Rules OC'
SUP top STRUCTURAL MUST ( nacmRuleList $ nacmRuleListName $ nacmRuleListGroup ) MAY (
nacmRuleListIndex $ nacmLastModifiedTime $ description ) )
olcObjectClasses: {1}( 1.3.6.1.4.1.1235.110 NAME 'nacmRule' DESC 'NACM Rule OC' SUP top
STRUCTURAL MUST ( nacmRule $ nacmRuleName $ nacmModuleName $ nacmAccessOperations $ nacmAction
$ nacmRuleList ) MAY ( nacmRuleIndex $ description $ nacmRuleType $ nacmRuleData ) )
olcObjectClasses: {2}( 1.3.6.1.4.1.1235.120 NAME 'nacmNACMGlobal' DESC 'Global NACM settings
OC' SUP top STRUCTURAL MAY ( nacmNACMGlobal $ nacmEnableNACM $ nacmReadDefault $
nacmWriteDefault $ nacmExecDefault $ nacmEnableExternalGroups $ nacmLastModifiedTime ) )
olcObjectClasses: {3}( 1.3.6.1.4.1.1235.130 NAME 'nacmNACMGroup' DESC 'NACM Group OC' SUP
top STRUCTURAL MUST ( nacmGroupName $ nacmUsersNACM ) MAY nacmNACMGroup )

```



Note You can use `olcAttributeTypes` and `olcObjectClasses` as per your setup and requirement.

Rule-lists

The LDAP database must be updated with the user NACM policies.

Configuration

Use `show running-config` command to view the LDAP server configuration on the router.

```
Router# show running-config
nacm rule-list 202 Netconf-READONLY
  rule 1 rule1
    action permit
    module-name *
    access-operations read
  !
  groupnames READONLYGROUP
  !
nacm rule-list 201 Netconf-FULL-ACCESS
  rule 1 rule1
    action permit
    module-name *
    access-operations all
  !
  groupnames FULL-ACCESSGROUP
  !
```



Note Dynamically downloaded rule-lists are indexed from 201.

Command Authorization Using Local User Account

Table 11: Feature History Table

Feature Name	Release Information	Feature Description
Command Authorization Using Local User Account	Release 7.5.1	<p>This feature allows locally authenticated users—authenticated by the AAA server internal to the router—to run all XR VM commands even if a remote TACACS+ AAA server is not reachable for authorization. It prevents a complete router lockdown. The feature also prevents remotely authenticated users—authenticated using a remote AAA server (say, TACACS+ server)—from running any non-permitted commands on the router, and thus prevents misuse of user privileges.</p> <p>This feature modifies the aaa authorization commands default command to include the local option for XR VM command authorization.</p>

Currently, when a user tries to execute a command on XR VM, the router checks to see whether the user has required permissions to execute it. The router does this authorization process in two steps. First, the system compares the task-IDs of the user with the required task-IDs for the command. If the user has all required task-IDs, and if AAA authorization is configured, then the system sends an authorization request to the local or remote AAA server, based on that configuration. Based on the response from the AAA server, the system allows or rejects the command execution. If authorization is not configured or if it configured with option *none*, then the system bypasses authorization check and allows user to execute the command.

Similarly, the existing remote authorization process using TACACS+ server has two options—remote authorization using *tacacs+* and *none*. The authorization process using *TACACS+* option uses an external TACACS+ server for authorization. The authorization using *none* option allows the user to execute the command without any authorization check. TACACS+ authorization has the advantage of fine-tuning authorization rules and providing more control on system access that cannot be otherwise done locally. However, if the remote server is not reachable, a user who leverages TACACS+ authorization might get into an unpredictable state of router, as mentioned in these scenarios:

- Remote authorization using *TACACS+* with failover option as *none* (that is, with the **aaa authorization commands default group tacacs+ none** configuration)

If TACACS+ server is not reachable, then the system bypasses the authorization check and allows user to execute the command. A user who does not have permission to execute certain commands due to additional authorization rules on the TACACS+ server, then gets permission to execute those commands in this scenario. This action introduces a privilege escalation.

- Remote authorization using *TACACS+* without any failover option (that is, with the **aaa authorization commands default group tacacs+** configuration)

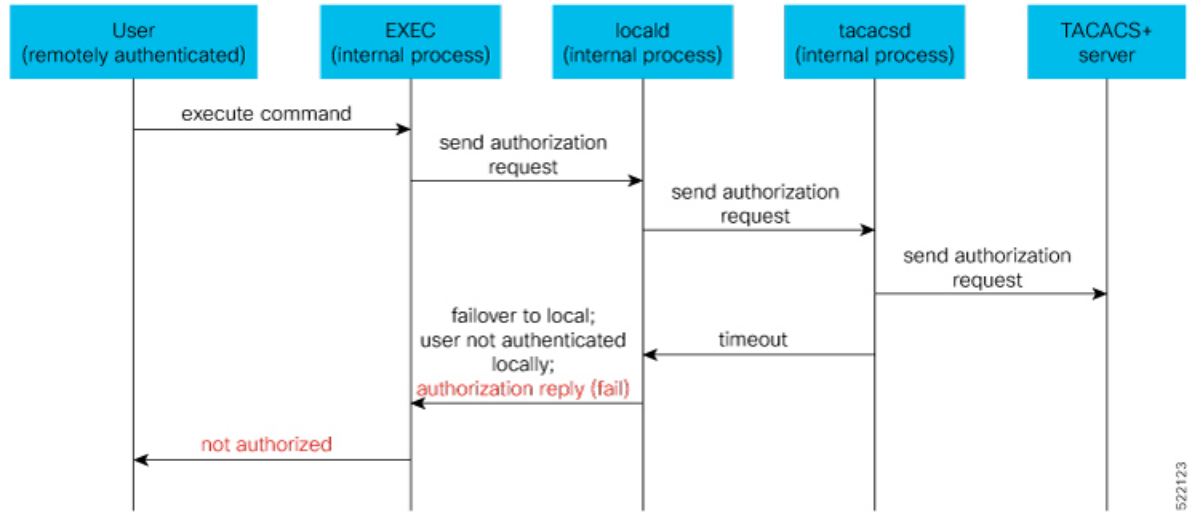
If TACACS+ server is not reachable, then the system does not authorize the command at all. Because the user then cannot execute any command, the router gets locked out.

With the introduction of command authorization using local user account feature in Cisco IOS XR Software Release 7.5.1, locally authenticated users can execute commands even if a TACACS+ server is not reachable. This behavior is similar to the behavior with the failover option *none*, with the only difference that only locally authenticated users can execute commands in this case. This functionality thereby prevents a complete lockdown of the router as mentioned in one of the previously existing scenarios mentioned earlier. At the same time, the feature also prevents users who are authenticated remotely (that is, TACACS+ authenticated users) from executing any non-permitted command on the router. This behavior in turn helps to prevent any sort of misuse of user privileges on the router.

Call Flow of Command Authorization

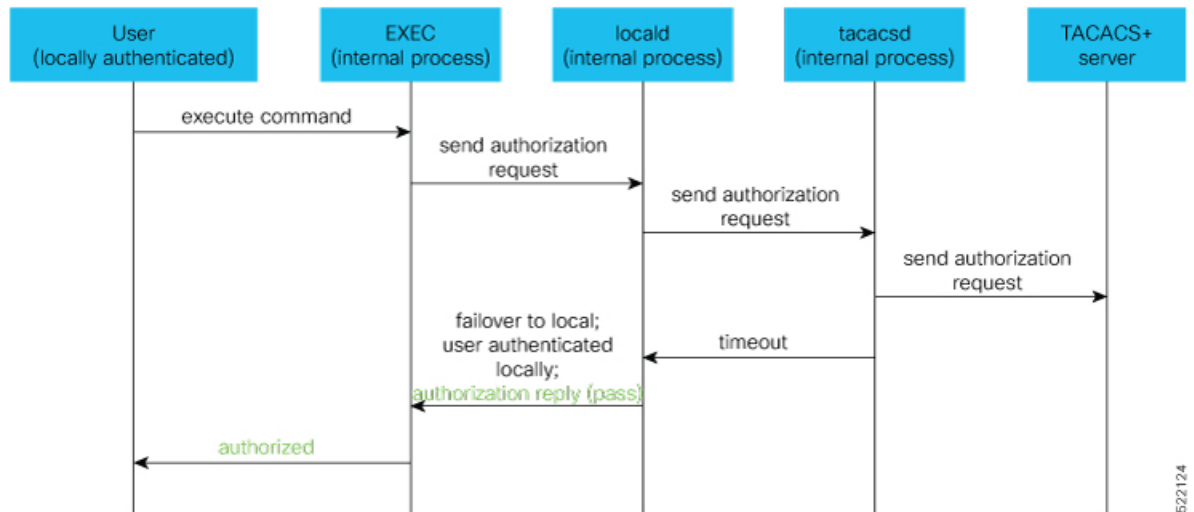
Consider a scenario where the user is remotely authenticated. In the event of timeout from the TACACS+ server, the command authorization fails. The user cannot execute any command until the TACACS+ server is reachable again, thereby preventing misuse of user privileges on the router.

Figure 3: Call Flow of Command Authorization for Remotely Authenticated Users



Consider a scenario where the user is locally authenticated. The command authorization still succeeds even if the authorization request to the TACACS+ server times out. There is no additional check done by the local AAA component in the router. As a result, the user can execute the command irrespective of the fact that the TACACS+ server is not reachable. This functionality prevents a complete lockdown of the router.

Figure 4: Call Flow of Command Authorization for Locally Authenticated Users



Configure Command Authorization Using Local User Account

Guidelines

Although there is no restriction in configuring local command authorization, you must be cautious to prevent any potential lockout due to misconfiguration. For instance, if *local* is the only method of authorization specified for the commands, a remotely authenticated user configuring command authorization using local user account feature cannot execute further commands.

Configuration Example

To configure command authorization using local user account, use the **local** option in the **aaa authorization** command in any of these formats:

```
Router#configure
Router(config)#aaa authorization commands default group tacacs+ local
```

Or

```
Router(config)#aaa authorization commands default local
```

Running Configuration

```
Router#show run aaa
!
aaa authorization commands default group tacacs+ local
!
```

```
Router#show run aaa
!
aaa authorization commands default local
!
```

Verification

```
Router#show user authentication method
local
```

Feature Behavior and Use Case Scenarios

Feature Behavior With Various Local Command Authorization Options

This table lists the feature behavior scenarios with various local command authorization options.

Table 12: Feature Behavior with Various Local Command Authorization Options

AAA Configuration	Expected Behavior
aaa authorization commands default group tacacs+ local	If TACACS+ server is not reachable, system allows locally authenticated users to execute the command. If TACACS+ server is reachable and if it returns an authorization failure, then the system does not perform any failover to local authentication with this configuration.
aaa authorization commands default local	This configuration allows only locally authenticated users to execute commands. System completely blocks remote users from executing any command.

AAA Configuration	Expected Behavior
aaa authorization commands default local group tacacs+	In this scenario, system chooses local authorization first and grants access if the user is locally authenticated. If not, the request fails over to TACACS+ server. This combination of command options is useful when both local and remote authenticated users want to execute commands when TACACS+ server is reachable.
aaa authorization commands default local none	Although configurable, this combination of command options does not provide any additional security with respect to user access. It is equivalent to having no authorization.

Use Case Scenarios of Command Authorization

In the following scenarios, local user refers to user whose is authenticated locally and whose profile is available locally, but not available on the remote server (TACACS+ server). Similarly, remote user refers to user whose is authenticated remotely and whose profile is available on the remote server, but not available locally. And, both local user and remote user are considered to have *root-lr* permission to execute the commands, in these scenarios.

Table 13: Use Case Scenarios of Command Authorization

Type of User (local or remote)	AAA Configuration Summary	Use Case Scenario	Expected Behavior
Local and remote user	No command authorization configured	Execute a command	Command authorization succeeds if the required task-IDs are available
Local user	Only <i>tacacs+ command authorization</i> configured.	Execute a command when TACACS+ server is reachable	Command authorization fails
		Execute a command when TACACS+ server is not reachable	Command authorization fails
Remote user	Only <i>tacacs+ command authorization</i> configured	Execute a command when TACACS+ server is reachable	Command authorization succeeds Router# show run aaa authorization aaa authorization commands default group tacacs+
		Execute a command when TACACS+ server is not reachable	Command authorization fails

Type of User (local or remote)	AAA Configuration Summary	Use Case Scenario	Expected Behavior
Local user	Only <i>tacacs+ command authorization</i> configured with failover option as <i>none</i> .	Execute a command when TACACS+ server is reachable	Command authorization fails
		Execute a command when TACACS+ server is not reachable	Command authorization succeeds Router# show user authentication method local
Remote user	Only <i>tacacs+ command authorization</i> configured with failover option as <i>none</i> .	Execute a command that is restricted only to that user when TACACS+ server is reachable	Command authorization fails
		Execute a command that is restricted only to that user when TACACS+ server is not reachable	Command authorization succeeds
Local user	Only <i>local command authorization</i> configured.	Execute a command	Command authorization succeeds Router# show run aaa authentication aaa authentication login default group tacacs+ local
Remote user	Only <i>local command authorization</i> configured.	Execute a command	Command authorization fails
Local user	Only <i>tacacs+ command authorization</i> configured with failover option as <i>local</i> .	Execute a command when TACACS+ server is reachable	Command authorization fails
		Execute a command when TACACS+ server is not reachable	Command authorization succeeds Router# show run aaa authentication aaa authorization commands default group tacacs+ local

Type of User (local or remote)	AAA Configuration Summary	Use Case Scenario	Expected Behavior
Remote user	Only <i>tacacs+ command authorization</i> configured with failover option as <i>local</i> .	Execute a command when TACACS+ server is reachable	Command authorization succeeds Router# show run aaa authorization aaa authorization commands default group tacacs+ local
		Execute a command when TACACS+ server is not reachable	Command authorization fails



CHAPTER 3

Configuring FIPS Mode

The Federal Information Processing Standard (FIPS) 140-2 is an U.S. and Canadian government certification standard that defines requirements that the cryptographic modules must follow. The FIPS specifies best practices for implementing cryptographic algorithms, handling key material and data buffers, and working with the operating system.

In Cisco IOS XR software, these applications are verified for FIPS compliance:

- Secure Shell (SSH)
- Secure Socket Layer (SSL)
- Transport Layer Security (TLS)
- Internet Protocol Security (IPSec) for Open Shortest Path First version 3 (OSPFv3)
- Simple Network Management Protocol version 3 (SNMPv3)
- AAA Password Security



Note Any process that uses any of the following cryptographic algorithms is considered non-FIPS compliant:

- Rivest Cipher 4 (RC4)
- Message Digest (MD5)
- Keyed-Hash Message Authentication Code (HMAC) MD5
- Data Encryption Standard (DES)

The Cisco Common Cryptographic Module (C3M) provides cryptographic services to a wide range of the networking and collaboration products of Cisco. This module provides FIPS-validated cryptographic algorithms for services such as RTP, SSH, TLS, 802.1x, and so on. The C3M provides cryptographic primitives and functions for the users to develop any protocol.

By integrating with C3M, the Cisco IOS-XR software is compliant with the FIPS 140-2 standards and can operate in FIPS mode, level 1 compliance.

- [Prerequisites for Configuring FIPS, on page 100](#)
- [How to Configure FIPS, on page 100](#)

Prerequisites for Configuring FIPS

You must be in a user group associated with a task group that includes the proper task IDs. The command reference guides include the task IDs required for each command.

If you suspect user group assignment is preventing you from using a command, contact your AAA administrator for assistance.

How to Configure FIPS

Perform these tasks to configure FIPS.

Enable FIPS mode

Step 1 `configure`**Example:**

```
RP/0/RP0/CPU0:router# configure
```

Enters global configuration mode.

Step 2 `crypto fips-mode`**Example:**

```
Router(config)#crypto fips-mode
```

Enters FIPS configuration mode.

Note Stop new incoming SSH sessions while configuring or unconfiguring `crypto fips-mode`. Restart the router upon configuration.

Step 3 Use the `commit` or `end` command.

commit —Saves the configuration changes and remains within the configuration session.

end —Prompts user to take one of these actions:

- **Yes** — Saves configuration changes and exits the configuration session.
- **No** —Exits the configuration session without committing the configuration changes.
- **Cancel** —Remains in the configuration session, without committing the configuration changes.

Step 4 `show logging`**Example:**

```
Router#show logging
Syslog logging: enabled (0 messages dropped, 0 flushes, 0 overruns)
  Console logging: level debugging, 60 messages logged
```

```

Monitor logging: level debugging, 0 messages logged
Trap logging: level informational, 0 messages logged
Buffer logging: level debugging, 3 messages logged

Log Buffer (9000000 bytes):
<output omitted>

Log Buffer (307200 bytes):

RP/0/RSP0/CPU0:Apr 16 12:48:17.736 : cepki[433]: The configuration setting for FIPS mode has been
modified. The system must be reloaded to finalize this configuration change. Please refer to the IOS
XR System Security Configuration Guide, Federal Information Process Standard(FIPS) Overview section
when modifying the FIPS mode setting.
RP/0/RSP0/CPU0:Apr 16 12:48:17.951 : config[65757]: %MGBL-CONFIG-6-DB_COMMIT :
Configuration committed by user 'lab'. Use 'show configuration commit changes 1000000002' to view
the changes.
RP/0/RSP0/CPU0:Apr 16 12:48:23.988 : config[65757]: %MGBL-SYS-5-CONFIG_I : Configured from console
by lab

....
....
....

```

Displays the contents of logging buffers.

Note Use the **show logging | i fips** command to filter FIPS specific logging messages.

Step 5 reload location all

Example:

```
Router#reload location all
```

Reloads a node or all nodes on a single chassis or multishelf system.

Configure FIPS-compliant Keys

Perform these steps to configure the FIPS-compliant keys:



Note The crypto keys are auto-generated at the time of router boot up. You need to perform these steps to generate the keys only if the keys are missing under some scenarios.

Before you begin

Refer the configuration steps in the [Enable FIPS mode, on page 100](#) section for enabling the FIPS mode.

Step 1 crypto key generate rsa [usage-keys | general-keys] key label

Example:

```
Router#crypto key generate rsa general-keys rsakeypair
```

Generate a RSA key pair. Ensure that all the key pairs meet the FIPS requirements. The RSA key sizes allowed under FIPS mode are 2048, 3072 and 4096.

The option **usage-keys** generates separate RSA key pairs for signing and encryption. The option **general-keys** generates a general-purpose RSA key pair for signing and encryption.

To delete the RSA key pair, use the **crypto key zeroize rsa** *keypair-label* command.

Step 2 crypto key generate dsa

Example:

```
Router#crypto key generate dsa
```

Generate a DSA key pair if required. Ensure that all the key pairs meet the FIPS requirements. The DSA key size allowed under FIPS mode is 2048.

To delete the DSA key pair, use the **crypto key zeroize dsa** *keypair-label* command.

Step 3 crypto key generate ecdsa

Example:

```
Router#crypto key generate ecdsa
```

Generate an ECDSA key pair if required. Ensure that all the key pairs meet the FIPS requirements. The ECDSA key sizes allowed under FIPS mode are **nistp256**, **nistp384** and **nistp512**.

To delete the DSA key pair, use the **crypto key zeroize ecdsa** *keypair-label* command.

Step 4 show crypto key mypubkey rsa

Example:

```
Router# show crypto key mypubkey rsa
Fri Mar 27 14:00:20.954 IST
Key label: system-root-key
Type : RSA General purpose
Size : 2048
Created : 01:13:10 IST Thu Feb 06 2020
Data :
 30820122 300D0609 2A864886 F70D0101 01050003 82010F00 3082010A 02820101
 00A93DE0 1E485EE3 0E7F0964 C48361D1 B6014BE7 A303D8D6 F7790E92 88E69C4B
 B97B7A9C D1B277E3 1569093C 82BD3258 7F67FB49 94860ECD 34498F1F 59B45757
 F32C8E8F 7CEE23EC C36A43D1 9F85C0D9 B96A14DD DD3BBD4C A1FB0888 EED210A7
 39D9A403 7ACE0F6E 39107226 CA621AD8 6E8102CA 9761B86F D33F2871 9DD16559
 AFCB4729 EFCEDBAF 83DF76E4 9A439844 EE3B1180 4022F575 99E11A2C E25BB23D
 9DD74C81 4E5C1345 D9E3CC79 1B98B1AA 6C06F004 22B901EC 36C099FE 10DE2622
 EB7CE618 9A555769 12D94C90 D9BEE5EA A664E7F6 4DF8D8D4 FE7EAB07 1EF4FEAB
 22D9E55F 62BA66A0 72153CEC 81F2639F B5F2B5C5 25E10364 19387C6B E8DB8990
 11020301 0001
Key label: system-enroll-key
Type : RSA General purpose
Size : 2048
Created : 01:13:16 IST Thu Feb 06 2020
Data :
 30820122 300D0609 2A864886 F70D0101 01050003 82010F00 3082010A 02820101
 009DBC14 C83604E4 EB3D3CF8 5BA7FDDB 80F7E85B 427332D8 BBF80148 F0A9C281
 49F87D5C 0CEBA532 EBE797C5 7F174C69 0735D13A 493670CB 63B04A12 4BCA7134
 EE0031E9 047CAA1E 802030C5 6071E8C2 F8ECE002 CC3B54E7 5FD24E5C 61B7B7B0
 68FA2EFA 0B83799F 77AE4621 435D9DFF 1D713108 37B614D3 255020F9 09CD32E8
 82B07CD7 01A53896 6DD92B5D 5119597C 98D394E9 DBD1ABAF 6DE949FE 4A8BF1E7
 851EB3F4 60B1114A 1456723E 063E50C4 2D410906 BDB7590B F1D58480 F3FA911A
 6C9CD02A 58E68D04 E94C098F 0F0E81DB 76B40C55 64603499 2AC0547A D652412A
```

```
BCBBF69F 76B351EE 9B2DF79D E490C0F6 92D1BB97 B905F33B FAB53C20 DDE2BB22
C7020301 0001
```

Displays the existing RSA key pairs.

Step 5 **show crypto key mypubkey dsa**

Example:

```
Router#show crypto key mypubkey dsa
```

Displays the existing DSA key pairs.

Configure FIPS-compliant Key Chain

Perform these steps to configure the FIPS-compliant key chain:

Before you begin

Refer the configuration steps in the [Enable FIPS mode, on page 100](#) section for enabling the FIPS mode.

Step 1 **configure**

Example:

```
Router#configure
```

Enters the global configuration mode.

Step 2 **key chain** *key-chain-name*

Example:

```
Router(config)#key chain mykeychain
```

Creates a key chain.

Step 3 **key** *key-id*

Example:

```
Router(config-mykeychain)#key 1
```

Creates a key in the key chain.

Step 4 **cryptographic-algorithm** {**HMAC-SHA1-20** | **SHA-1**}

Example:

```
Router(config-mykeychain-1)#cryptographic-algorithm HMAC-SHA1-20
```

Configures the cryptographic algorithm for the key chain. Ensure that the key chain configuration always uses SHA-1 as the hash or keyed hash message authentication code (hmac) algorithm.

Step 5 Use the **commit** or **end** command.

commit —Saves the configuration changes and remains within the configuration session.

end —Prompts user to take one of these actions:

- **Yes** — Saves configuration changes and exits the configuration session.

- **No** —Exits the configuration session without committing the configuration changes.
- **Cancel** —Remains in the configuration session, without committing the configuration changes.

Configure FIPS-compliant Certificates

Perform these steps to configure the FIPS-compliant certificates:

Before you begin

Refer the configuration steps in the [Enable FIPS mode, on page 100](#) section for enabling the FIPS mode.

Step 1 **configure**

Example:

```
RP/0/RP0/CPU0:router# configure
```

Enters global configuration mode.

Step 2 **crypto ca trustpoint *ca-name* *key label***

Example:

```
Router(config)#crypto ca trustpoint msiox rsakeypair
```

Configures the trustpoint by utilizing the desired RSA keys.

Ensure that the certificates meet the FIPS requirements for key length and signature hash or encryption type.

Note The minimum key length for RSA or DSA key is 1024 bits. The required hash algorithm is SHA-1-20.

Step 3 Use the **commit** or **end** command.

commit —Saves the configuration changes and remains within the configuration session.

end —Prompts user to take one of these actions:

- **Yes** — Saves configuration changes and exits the configuration session.
- **No** —Exits the configuration session without committing the configuration changes.
- **Cancel** —Remains in the configuration session, without committing the configuration changes.

Step 4 **show crypto ca certificates**

Example:

```
Router#show crypto ca certificates
```

Displays the information about the certificate

What to do next

For more information about certification authority and requesting router certificates, see the *Implementing Certification Authority* chapter in this guide.

Configure FIPS-compliant OSPFv3

Perform these steps to configure the FIPS-compliant OSPFv3:

Before you begin

Refer the configuration steps in the [Enable FIPS mode, on page 100](#) section for enabling the FIPS mode.

Step 1 **configure****Example:**

```
RP/0/RP0/CPU0:router# configure
```

Enters global configuration mode.

Step 2 **router ospfv3** *process name***Example:**

```
Router(config)#router ospfv3 ospfname
```

Configures the OSPFv3 process.

Step 3 **area** *id***Example:**

```
Router(config-ospfv3)#area 1
```

Configures the OSPFv3 area ID. The ID can either be a decimal value or an IP address.

Step 4 **authentication**{**disable** | **ipsec spi** *spi-value* **sha1** [**clear** | **password**] *password*}**Example:**

```
Router(config-ospfv3-ar)#authentication ipsec spi 256 sha1 password pal
```

Enables authentication for OSPFv3. Note that the OSPFv3 configuration supports only SHA-1 for authentication.

Note IPsec is supported only for Open Shortest Path First version 3 (OSPFv3).

Step 5 **exit****Example:**

```
Router(config-ospfv3-ar)#exit
```

Exits OSPFv3 area configuration and enters the OSPFv3 configuration mode.

Step 6 **encryption**{**disable** | {**ipsec spi** *spi-value* **esp** {**3des** | **aes** [**192** | **256**] [**clear** | **password**] *encrypt-password*} [**authentication** **sha1** [**clear** | **password**] *auth-password*] } }**Example:**

```
Router(config-ospfv3)#encryption ipsec spi 256 esp 3des password pwd
```

Encrypts and authenticates the OSPFv3 packets. Ensure that the OSPFv3 configuration uses the following for encryption in the configuration.

- 3DES: Specifies the triple DES algorithm.
- AES: Specifies the Advanced Encryption Standard (AES) algorithm.

Ensure that SHA1 is chosen if the authentication option is specified.

Step 7 Use the **commit** or **end** command.

commit —Saves the configuration changes and remains within the configuration session.

end —Prompts user to take one of these actions:

- **Yes** — Saves configuration changes and exits the configuration session.
- **No** —Exits the configuration session without committing the configuration changes.
- **Cancel** —Remains in the configuration session, without committing the configuration changes.

Configure FIPS-compliant SNMPv3 Server

Perform these steps to configure the FIPS-compliant SNMPv3 server:

Before you begin

Refer the configuration steps in the [Enable FIPS mode, on page 100](#) section for enabling the FIPS mode.

Step 1 **configure**

Example:

```
Router#configure
```

Enters the global configuration mode.

Step 2 **snmp-server user** *username groupname {v3 [auth sha {clear | encrypted} auth-password [priv {3des | aes { 128 | 192 | 256} } {clear | encrypted} priv-password]] } [SDROwner | SystemOwner] access-list-name*

Example:

```
Router(config)#snmp-server user user1 g v3 auth sha clear pass priv aes 128 clear privp
```

Configures the SNMPv3 server.

Step 3 Use the **commit** or **end** command.

commit —Saves the configuration changes and remains within the configuration session.

end —Prompts user to take one of these actions:

- **Yes** — Saves configuration changes and exits the configuration session.
- **No** —Exits the configuration session without committing the configuration changes.

- **Cancel**—Remains in the configuration session, without committing the configuration changes.

Configure FIPS-compliant SSH Client and Server

Perform these steps to configure the FIPS-compliant SSH Client and the Server:

Before you begin

Refer the configuration steps in the [Enable FIPS mode, on page 100](#) section for enabling the FIPS mode.

Step 1 `ssh {ipv4-address | ipv6-address} cipher aes {128-CTR | 192-CTR | 256-CTR} username username`

Example:

```
Router#ssh 192.0.2.1 cipher aes 128-CTR username user1
```

Starts an SSH session to the server using the FIPS-approved ciphers. Ensure that the SSH client is configured only with the FIPS-approved ciphers. AES(Advanced Encryption Standard)-CTR (Counter mode) is the FIPS-compliant cipher algorithm with key lengths of 128, 192 and 256 bits.

Step 2 `configure`

Example:

```
RP/0/RP0/CPU0:router# configure
```

Enters global configuration mode.

Step 3 `ssh server v2`

Example:

```
Router(config)#ssh server v2
```

Configures the SSH server.

The supported key exchange algorithms are:

- diffie-hellman-group14-sha1
- ecdh-sha2-nistp256
- ecdh-sha2-nistp384
- ecdh-sha2-nistp521

The supported cipher algorithms are:

- aes128-ctr
- aes192-ctr
- aes256-ctr
- aes128-gcm
- aes256-gcm

The supported HMAC algorithms are:

- hmac-sha2-512
- hmac-sha2-256
- hmac-sha1

Step 4 Use the **commit** or **end** command.

commit —Saves the configuration changes and remains within the configuration session.

end —Prompts user to take one of these actions:

- **Yes** — Saves configuration changes and exits the configuration session.
 - **No** —Exits the configuration session without committing the configuration changes.
 - **Cancel** —Remains in the configuration session, without committing the configuration changes.
-



CHAPTER 4

Implementing Certification Authority Interoperability

CA interoperability permits devices and CAs to communicate so that your device can obtain and use digital certificates from the CA. Although IPsec can be implemented in your network without the use of a CA, using a CA provides manageability and scalability for IPsec.



Note IPsec will be supported in a future release.

Feature History for Implementing Certification Authority Interoperability

Release	Modification
Release 6.0	This feature was introduced.
Release 7.3.1	Added support for Ed25519 Public-Key Signature System.
Release 7.3.1	Added support for verifying authenticity of RPM packages using runtime and install time fingerprint.
Release 7.3.1	Added support to collect filesystem inventory.
Release 7.3.1	Added support for optimizations via IMA.

- [Information About Implementing Certification Authority, on page 110](#)
- [Prerequisites for Implementing Certification Authority, on page 111](#)
- [Restrictions for Implementing Certification Authority, on page 111](#)
- [Configure Router Hostname and IP Domain Name, on page 112](#)
- [Generate RSA Key Pair, on page 113](#)
- [Import Public Key to the Router, on page 114](#)
- [Declare Certification Authority and Configure Trusted Point, on page 115](#)
- [Authenticate CA, on page 117](#)
- [Request Your Own Certificates, on page 118](#)

- [Configure Certificate Enrollment Using Cut-and-Paste, on page 118](#)
- [Certificate Authority Trust Pool Management, on page 122](#)
- [Expiry Notification for PKI Certificate, on page 127](#)
- [Integrating Cisco IOS XR and Crosswork Trust Insights, on page 130](#)
- [Support for Ed25519 Public-Key Signature System, on page 143](#)
- [Public Key-Pair Generation in XR Config Mode, on page 146](#)

Information About Implementing Certification Authority

Supported Standards for Certification Authority Interoperability

Cisco supports the following standards:

- **IKE**—A hybrid protocol that implements Oakley and Skeme key exchanges inside the Internet Security Association Key Management Protocol (ISAKMP) framework. Although IKE can be used with other protocols, its initial implementation is with the IPsec protocol. IKE provides authentication of the IPsec peers, negotiates IPsec keys, and negotiates IPsec security associations (SAs).
- **Public-Key Cryptography Standard #7 (PKCS #7)**—A standard from RSA Data Security Inc. used to encrypt and sign certificate enrollment messages.
- **Public-Key Cryptography Standard #10 (PKCS #10)**—A standard syntax from RSA Data Security Inc. for certificate requests.
- **RSA keys**—RSA is the public key cryptographic system developed by Ron Rivest, Adi Shamir, and Leonard Adelman. RSA keys come in pairs: one public key and one private key.
- **SSL**—Secure Socket Layer protocol.
- **X.509v3 certificates**—Certificate support that allows the IPsec-protected network to scale by providing the equivalent of a digital ID card to each device. When two devices want to communicate, they exchange digital certificates to prove their identity (thus removing the need to manually exchange public keys with each peer or specify a shared key at each peer). These certificates are obtained from a CA. X.509 as part of the X.500 standard of the ITU.

Certification Authorities

Purpose of CAs

CAs are responsible for managing certificate requests and issuing certificates to participating IPsec network devices. These services provide centralized key management for the participating devices.

CAs simplify the administration of IPsec network devices. You can use a CA with a network containing multiple IPsec-compliant devices, such as routers.

Digital signatures, enabled by public key cryptography, provide a means of digitally authenticating devices and individual users. In public key cryptography, such as the RSA encryption system, each user has a key pair containing both a public and a private key. The keys act as complements, and anything encrypted with one of the keys can be decrypted with the other. In simple terms, a signature is formed when data is encrypted with a user's private key. The receiver verifies the signature by decrypting the message with the sender's

public key. The fact that the message could be decrypted using the sender's public key indicates that the holder of the private key, the sender, must have created the message. This process relies on the receiver's having a copy of the sender's public key and knowing with a high degree of certainty that it does belong to the sender and not to someone pretending to be the sender.

Digital certificates provide the link. A digital certificate contains information to identify a user or device, such as the name, serial number, company, department, or IP address. It also contains a copy of the entity's public key. The certificate is itself signed by a CA, a third party that is explicitly trusted by the receiver to validate identities and to create digital certificates.

To validate the signature of the CA, the receiver must first know the CA's public key. Normally, this process is handled out-of-band or through an operation done at installation. For instance, most web browsers are configured with the public keys of several CAs by default. IKE, an essential component of IPSec, can use digital signatures to authenticate peer devices for scalability before setting up SAs.

Without digital signatures, a user must manually exchange either public keys or secrets between each pair of devices that use IPSec to protect communication between them. Without certificates, every new device added to the network requires a configuration change on every other device with which it communicates securely. With digital certificates, each device is enrolled with a CA. When two devices want to communicate, they exchange certificates and digitally sign data to authenticate each other. When a new device is added to the network, a user simply enrolls that device with a CA, and none of the other devices needs modification. When the new device attempts an IPSec connection, certificates are automatically exchanged and the device can be authenticated.

CA Registration Authorities

Some CAs have a registration authority (RA) as part of their implementation. An RA is essentially a server that acts as a proxy for the CA so that CA functions can continue when the CA is offline.

Prerequisites for Implementing Certification Authority

The following prerequisites are required to implement CA interoperability:

- You must be in a user group associated with a task group that includes the proper task IDs. The command reference guides include the task IDs required for each command. If you suspect user group assignment is preventing you from using a command, contact your AAA administrator for assistance.
- You must install and activate the Package Installation Envelope (PIE) for the security software.

For detailed information about optional PIE installation, refer to the *System Management Guide*.

From Cisco IOS XR Software Release 7.0.1 and later, you need not install the PIE, because the functionality is available in the base image itself.

- You need to have a CA available to your network before you configure this interoperability feature. The CA must support Cisco Systems PKI protocol, the simple certificate enrollment protocol (SCEP) (formerly called certificate enrollment protocol [CEP]).

Restrictions for Implementing Certification Authority

- The software does not support CA server public keys greater than 2048 bits.

- Starting Cisco IOS XR Software Release 7.4.1, we mandate the below X509 certificate Subject Alternate Name (SAN) fields and domain name server configuration to validate SAN. TLS connection cannot be established if there is no domain name-server is configured.

Here are some key-points regarding SAN field:

- SAN must be a fully-qualified domain name. For example, DNS:smartreceiver.cisco.com
- SAN must be a critical extension in the absence of Common Name (CN).
- If the SAN cannot be represented as a FQDN, then it must be configured with GeneralName field as IP Address but not as DNS. For example, **IP address: 192.0.2.1**

To configure domain name-server use the **domain name-server** *ip-address*.

To configure domain name-server with VRF, use the following commands:

- **domain vrf name-server***ip-address*
- Use the **crypto ca trustpoint-name vrf vrf-name** command when you are using VRF.
- Use the **crypto ca trustpoint Trustpool vrf vrf-name** command for smart-licensing.

For Static Domain Name Configuration, use the **domain ipv4 host** *host-name ip-address* command. and for configuring static domain name using VRF, use the **domain ipv4 vrf vrf-name host-name ip-address** command.

- Starting Cisco IOS XR Software Release 7.4.2, you can bypass FQDN and IP address check in SAN by configuring **crypto ca fqdn-check ip-address allow**.

Configure Router Hostname and IP Domain Name

This task configures a router hostname and IP domain name.

You must configure the hostname and IP domain name of the router if they have not already been configured. The hostname and IP domain name are required because the router assigns a fully qualified domain name (FQDN) to the keys and certificates used by IPsec, and the FQDN is based on the hostname and IP domain name you assign to the router. For example, a certificate named router20.example.com is based on a router hostname of router20 and a router IP domain name of example.com.

SUMMARY STEPS

1. **configure**
2. **hostname** *name*
3. **domain name** *domain-name*
4. Use the **commit** or **end** command.

DETAILED STEPS

Step 1 **configure**

Example:

```
RP/0/RP0/CPU0:router# configure
```

Enters global configuration mode.

Step 2 **hostname** *name*

Example:

```
RP/0/RP0/CPU0:router(config)# hostname myhost
```

Configures the hostname of the router.

Step 3 **domain name** **domain-name**

Example:

```
RP/0/RP0/CPU0:router(config)# domain name mydomain.com
```

Configures the IP domain name of the router.

Step 4 Use the **commit** or **end** command.

commit —Saves the configuration changes and remains within the configuration session.

end —Prompts user to take one of these actions:

- **Yes** — Saves configuration changes and exits the configuration session.
- **No** —Exits the configuration session without committing the configuration changes.
- **Cancel** —Remains in the configuration session, without committing the configuration changes.

Generate RSA Key Pair

This task generates an RSA key pair.

From Cisco IOS XR Software Release 7.0.1 and later, the crypto keys are auto-generated at the time of router boot up. Hence, step 1 is required to be configured only if the RSA host-key pair is not present in the router under some scenarios.

RSA key pairs are used to sign and encrypt IKE key management messages and are required before you can obtain a certificate for your router.

SUMMARY STEPS

1. **crypto key generate rsa** [**usage keys** | **general-keys**] [**keypair-label**]
2. **crypto key zeroize rsa** [**keypair-label**]
3. **show crypto key mypubkey rsa**

DETAILED STEPS

Step 1 **crypto key generate rsa** [**usage keys** | **general-keys**] [**keypair-label**]

Example:

```
RP/0/RP0/CPU0:router# crypto key generate rsa general-keys
```

Generates RSA key pairs.

- Use the **usage keys** keyword to specify special usage keys; use the **general-keys** keyword to specify general-purpose RSA keys.
- The *keypair-label* argument is the RSA key pair label that names the RSA key pairs.
- From Cisco IOS XR Release 7.3.2 onwards, you can configure this command from XR Config mode. For more details, see [Public Key-Pair Generation in XR Config Mode, on page 146](#).

Step 2 `crypto key zeroize rsa [keypair-label]`**Example:**

```
RP/0/RP0/CPU0:router# crypto key zeroize rsa key1
```

(Optional) Deletes all RSAs from the router.

- Under certain circumstances, you may want to delete all RSA keys from your router. For example, if you believe the RSA keys were compromised in some way and should no longer be used, you should delete the keys.
- To remove a specific RSA key pair, use the *keypair-label* argument.
- From Cisco IOS XR Release 7.3.2 onwards, you can delete key-pairs with the **no** form of the command in [Step 1, on page 113](#) from XR Config mode. For more details, see [Public Key-Pair Generation in XR Config Mode, on page 146](#).

Step 3 `show crypto key mypubkey rsa`**Example:**

```
RP/0/RP0/CPU0:router# show crypto key mypubkey rsa
```

(Optional) Displays the RSA public keys for your router.

Import Public Key to the Router

This task imports a public key to the router.

A public key is imported to the router to authenticate the user.

SUMMARY STEPS

1. `crypto key import authentication rsa [usage keys | general-keys] [keypair-label]`
2. `show crypto key mypubkey rsa`

DETAILED STEPS

Step 1 `crypto key import authentication rsa [usage keys | general-keys] [keypair-label]`

Example:

```
RP/0/RP0/CPU0:router# crypto key import authentication rsa general-keys
```

Generates RSA key pairs.

- Use the **usage keys** keyword to specify special usage keys; use the **general-keys** keyword to specify general- purpose RSA keys.
- The *keypair-label* argument is the RSA key pair label that names the RSA key pairs.

Step 2 `show crypto key mypubkey rsa`

Example:

```
RP/0/RP0/CPU0:router# show crypto key mypubkey rsa
```

(Optional) Displays the RSA public keys for your router.

Declare Certification Authority and Configure Trusted Point

This task declares a CA and configures a trusted point.

SUMMARY STEPS

1. `configure`
2. `crypto ca trustpoint ca-name`
3. `enrollment url CA-URL`
4. `query url LDAP-URL`
5. `enrollment retry period minutes`
6. `enrollment retry count number`
7. `rsa-keypair keypair-label`
8. Use the `commit` or `end` command.

DETAILED STEPS

Step 1 `configure`

Example:

```
RP/0/RP0/CPU0:router# configure
```

Enters global configuration mode.

Step 2 `crypto ca trustpoint ca-name`

Example:

```
Router(config)# crypto ca trustpoint myca
```

Declares a CA.

- Configures a trusted point with a selected name so that your router can verify certificates issued to peers.
- Enters trustpoint configuration mode.

Note If you want to do certificate enrolment when the server or destination is in a VRF, use the following command after step 2 to configure the VRF:

```
Router(config-trustp)# vrf vrf-name
```

Step 3 enrollment url CA-URL**Example:**

```
Router(config-trustp)# enrollment url http://ca.domain.com/certsrv/mscep/mscep.dll
```

Specifies the URL of the CA.

- The URL should include any nonstandard cgi-bin script location.

Note If you want to do certificate enrolment when the destination URL is in a VRF, use the following command instead:

```
Router(config-trustp)# enrollment url tftp-address;vrf-name/ca-name
```

Step 4 query url LDAP-URL**Example:**

```
Router(config-trustp)# query url ldap://my-ldap.domain.com
```

(Optional) Specifies the location of the LDAP server if your CA system supports the LDAP protocol.

Step 5 enrollment retry period minutes**Example:**

```
Router(config-trustp)# enrollment retry period 2
```

(Optional) Specifies a retry period.

- After requesting a certificate, the router waits to receive a certificate from the CA. If the router does not receive a certificate within a period of time (the retry period) the router will send another certificate request.
- Range is from 1 to 60 minutes. Default is 1 minute.

Step 6 enrollment retry count number**Example:**

```
Router(config-trustp)# enrollment retry count 10
```

(Optional) Specifies how many times the router continues to send unsuccessful certificate requests before giving up.

- The range is from 1 to 100.

Step 7 `rsa keypair keypair-label`**Example:**

```
Router(config-trustp)# rsa keypair mykey
```

(Optional) Specifies a named RSA key pair generated using the **crypto key generate rsa** command for this trustpoint.

- Not setting this key pair means that the trustpoint uses the default RSA key in the current configuration.

Step 8 Use the **commit** or **end** command.

commit —Saves the configuration changes and remains within the configuration session.

end —Prompts user to take one of these actions:

- **Yes** — Saves configuration changes and exits the configuration session.
- **No** —Exits the configuration session without committing the configuration changes.
- **Cancel** —Remains in the configuration session, without committing the configuration changes.

Authenticate CA

This task authenticates the CA to your router.

The router must authenticate the CA by obtaining the self-signed certificate of the CA, which contains the public key of the CA. Because the certificate of the CA is self-signed (the CA signs its own certificate), manually authenticate the public key of the CA by contacting the CA administrator to compare the fingerprint of the CA certificate.

SUMMARY STEPS

1. **crypto ca authenticate ca-name**
2. **show crypto ca certificates**

DETAILED STEPS

Step 1 `crypto ca authenticate ca-name`**Example:**

```
RP/0/RP0/CPU0:router# crypto ca authenticate myca
```

Authenticates the CA to your router by obtaining a CA certificate, which contains the public key for the CA.

Step 2 `show crypto ca certificates`**Example:**

```
RP/0/RP0/CPU0:router# show crypto ca certificates
```

(Optional) Displays information about the CA certificate.

Request Your Own Certificates

This task requests certificates from the CA.

You must obtain a signed certificate from the CA for each of your router's RSA key pairs. If you generated general-purpose RSA keys, your router has only one RSA key pair and needs only one certificate. If you previously generated special usage RSA keys, your router has two RSA key pairs and needs two certificates.

SUMMARY STEPS

1. **crypto ca enroll ca-name**
2. **show crypto ca certificates**

DETAILED STEPS

Step 1 **crypto ca enroll ca-name**

Example:

```
RP/0/RP0/CPU0:router# crypto ca enroll myca
```

Requests certificates for all of your RSA key pairs.

- This command causes your router to request as many certificates as there are RSA key pairs, so you need only perform this command once, even if you have special usage RSA key pairs.
- This command requires you to create a challenge password that is not saved with the configuration. This password is required if your certificate needs to be revoked, so you must remember this password.
- A certificate may be issued immediately or the router sends a certificate request every minute until the enrollment retry period is reached and a timeout occurs. If a timeout occurs, contact your system administrator to get your request approved, and then enter this command again.

Step 2 **show crypto ca certificates**

Example:

```
RP/0/RP0/CPU0:router# show crypto ca certificates
```

(Optional) Displays information about the CA certificate.

Configure Certificate Enrollment Using Cut-and-Paste

This task declares the trustpoint certification authority (CA) that your router should use and configures that trustpoint CA for manual enrollment by using cut-and-paste.

SUMMARY STEPS

1. **configure**
2. **crypto ca trustpoint** *ca-name*
3. enrollment terminal
4. Use the **commit** or **end** command.
5. **crypto ca authenticate** *ca-name*
6. **crypto ca enroll** *ca-name*
7. **crypto ca import** *ca-name* **certificate**
8. show crypto ca certificates

DETAILED STEPS

Step 1 **configure**

Example:

```
RP/0/RP0/CPU0:router# configure
```

Enters global configuration mode.

Step 2 **crypto ca trustpoint** *ca-name*

Example:

```
RP/0/RP0/CPU0:router(config)# crypto ca trustpoint myca RP/0//CPU0:router(config-trustp)#
```

Declares the CA that your router should use and enters trustpoint configuration mode.

- Use the *ca-name* argument to specify the name of the CA.

Step 3 enrollment terminal

Example:

```
RP/0/RP0/CPU0:router(config-trustp)# enrollment terminal
```

Specifies manual cut-and-paste certificate enrollment.

Step 4 Use the **commit** or **end** command.

commit —Saves the configuration changes and remains within the configuration session.

end —Prompts user to take one of these actions:

- **Yes** — Saves configuration changes and exits the configuration session.
- **No** —Exits the configuration session without committing the configuration changes.
- **Cancel** —Remains in the configuration session, without committing the configuration changes.

Step 5 **crypto ca authenticate** *ca-name*

Example:

```
RP/0/RP0/CPU0:router# crypto ca authenticate myca
```

Authenticates the CA by obtaining the certificate of the CA.

- Use the *ca-name* argument to specify the name of the CA. Use the same name that you entered in step 2.

Step 6 `crypto ca enroll ca-name`

Example:

```
RP/0/RP0/CPU0:router# crypto ca enroll myca
```

Obtains the certificates for your router from the CA.

- Use the *ca-name* argument to specify the name of the CA. Use the same name that you entered in Step 2.

Step 7 `crypto ca import ca-name certificate`

Example:

```
RP/0/RP0/CPU0:router# crypto ca import myca certificate
```

Imports a certificate manually at the terminal.

- Use the *ca-name* argument to specify the name of the CA. Use the same name that you entered in Step 2.

Note You must enter the **crypto ca import** command twice if usage keys (signature and encryption keys) are used. The first time the command is entered, one of the certificates is pasted into the router; the second time the command is entered, the other certificate is pasted into the router. (It does not matter which certificate is pasted first.)

Step 8 `show crypto ca certificates`

Example:

```
RP/0/RP0/CPU0:router# show crypto ca certificates
```

Displays information about your certificate and the CA certificate.

The following example shows how to configure CA interoperability.

Comments are included within the configuration to explain various commands.

```
configure
hostname myrouter
domain name mydomain.com
end
```

```
Uncommitted changes found, commit them? [yes]:yes
```

```
crypto key generate rsa mykey
```

```
The name for the keys will be:mykey
Choose the size of the key modulus in the range of 360 to 2048 for your General Purpose
Keypair
Choosing a key modulus greater than 512 may take a few minutes.
How many bits in the modulus [1024]:
Generating RSA keys ...
Done w/ crypto generate keypair
[OK]
```

```
show crypto key mypubkey rsa
```

```
Key label:mykey
```

```
Type      :RSA General purpose
Size      :1024
Created   :17:33:23 UTC Thu Sep 18 2003
Data     :
 30819F30 0D06092A 864886F7 0D010101 05000381 8D003081 89028181 00CB8D86
 BF6707AA FD7E4F08 A1F70080 B9E6016B 8128004C B477817B BCF35106 BC60B06E
 07A417FD 7979D262 B35465A6 1D3B70D1 36ACAFBD 7F91D5A0 CFB0EE91 B9D52C69
 7CAF89ED F66A6A58 89EEF776 A03916CB 3663FB17 B7DBEBF8 1C54AF7F 293F3004
 C15B08A8 C6965F1E 289DD724 BD40AF59 E90E44D5 7D590000 5C4BEA9D B5020301
 0001
```

! The following commands declare a CA and configure a trusted point.

```
configure
crypto ca trustpoint myca
enrollment url http://xyz-ultra5
enrollment retry count 25
enrollment retry period 2
rsa keypair mykey
end
```

Uncommitted changes found, commit them? [yes]:yes

! The following command authenticates the CA to your router.

```
crypto ca authenticate myca
```

```
Serial Number :01
Subject Name  :
cn=Root coax-u10 Certificate Manager,ou=HFR,o=Cisco Systems,l=San Jose,st=CA,c=US
Issued By    :
cn=Root coax-u10 Certificate Manager,ou=HFR,o=Cisco Systems,l=San Jose,st=CA,c=US
Validity Start :07:00:00 UTC Tue Aug 19 2003
Validity End   :07:00:00 UTC Wed Aug 19 2020
Fingerprint:58 71 FB 94 55 65 D4 64 38 91 2B 00 61 E9 F8 05
Do you accept this certificate?? [yes/no]:yes
```

! The following command requests certificates for all of your RSA key pairs.

```
crypto ca enroll myca
```

```
% Start certificate enrollment ...
% Create a challenge password. You will need to verbally provide this
password to the CA Administrator in order to revoke your certificate.
% For security reasons your password will not be saved in the configuration.
% Please make a note of it.
```

Password:

Re-enter Password:

```
Fingerprint: 17D8B38D ED2BDF2E DF8ADBF7 A7DBE35A
```

! The following command displays information about your certificate and the CA certificate.

```
show crypto ca certificates
```

```
Trustpoint      :myca
=====
CA certificate
Serial Number   :01
Subject Name    :
                cn=Root coax-u10 Certificate Manager,ou=HFR,o=Cisco Systems,l=San Jose,st=CA,c=US
Issued By      :
                cn=Root coax-u10 Certificate Manager,ou=HFR,o=Cisco Systems,l=San Jose,st=CA,c=US
Validity Start  :07:00:00 UTC Tue Aug 19 2003
```

```

Validity End      :07:00:00 UTC Wed Aug 19 2020
Router certificate
Key usage        :General Purpose
Status           :Available
Serial Number    :6E
Subject Name     :
                  unstructuredName=myrouter.mydomain.com,o=Cisco Systems
Issued By        :
                  cn=Root coax-u10 Certificate Manager,ou=HFR,o=Cisco Systems,l=San Jose,st=CA,c=US
Validity Start   :21:43:14 UTC Mon Sep 22 2003
Validity End     :21:43:14 UTC Mon Sep 29 2003
CRL Distribution Point
                  ldap://coax-u10.cisco.com/CN=Root coax-u10 Certificate Manager,O=Cisco Systems

```

Certificate Authority Trust Pool Management

The trust pool feature is used to authenticate sessions, such as HTTPS, that occur between devices by using commonly recognized trusted agents called certificate authorities (CAs). This feature is enabled by default in the software to create a scheme to provision, store, and manage a pool of certificates from known CAs in a way similar to the services a browser provides for securing sessions. A special trusted point called a trust pool is designated, containing multiple known CA certificates from Cisco and possibly from other vendors. The trust pool consists of both built-in and downloaded CA certificates.

Implementing Certification Authority Interoperability provides details on Certificate Authority and trusted point.

CA Certificate Bundling in the Trust Pool

The router uses a built-in CA certificate bundle that is packaged into the asr9k-k9sec PIE. The bundle is contained in a special certificate store called a CA trust pool, which is updated automatically by Cisco. This trust pool is known by Cisco and other vendors. A CA certificate bundle can be in the following formats:

- Privilege Management Infrastructure (PMI) certificates in Distinguished Encoding Rules (DER) binary format enveloped within a public-key cryptographic message syntax standard 7 (pkcs7).
- A file containing concatenated X.509 certificates in Privacy Enhanced Mail (PEM) format with PEM headers.

Prerequisites for CA Trust Pool Management

Restrictions for CA trust pool management

- Device certificates that use CA certificates cannot be enrolled in a CA trust pool.
- Starting with Cisco IOS XR software version 7.3.4, the server certificates (leaf certificates) in the router must have a Fully Qualified Domain Name (FQDN) in the Common Name (CN) field.
- To add an IP address in the Subject Alternate Name (SAN) field of server certificates, add the extension type as IP address in the certificate. If the IP address extension type configuration isn't available, use the [crypto ca fqdn-check ip-address allow](#) command for the router to validate the IP address in the SAN field successfully.

Updating the CA Trustpool

The CA trustpool must be updated when the following conditions occur:

- A certificate in the trustpool is due to expire or has been reissued.
- The published CA certificate bundle contains additional trusted certificates that are needed by a given application.
- The configuration has been corrupted.

The CA trustpool is considered as a single entity. As such, any update you perform will replace the entire trustpool.



Note A built-in certificate in the trustpool cannot be physically replaced. However, a built-in certificate is rendered inactive after an update if its X.509 subject-name attribute matches the certificate in the CA certificate bundle.

Following are the methods available for updating the certificates in the trustpool:

- **Automatic update:** A timer is established for the trustpool that matches the CA certificate with the earliest expiration time. If the timer is running and a bundle location is not configured and not explicitly disabled, syslog warnings should be issued at reasonable intervals to alert the admin that this trustpool policy option is not set. Automatic trustpool updates use the configured URL. When the CA trustpool expires, the policy is read, the bundle is loaded, and the PKI trustpool is replaced. If the automatic CA trustpool update encounters problems when initiating, then the following schedule is used to initiate the update until the download is successful: 20 days, 15 days, 10 days, 5 days, 4 days, 3 days, 2 days, 1 day, and then once every hour.
- **Manual update:** [Manually Update Certificates in Trust Pool, on page 123](#) provides details.

Manually Update Certificates in Trust Pool

The CA trust pool feature is enabled by default and uses the built-in CA certificate bundle in the trust pool, which receives automatic updates from Cisco. Perform this task to manually update certificates in the trust pool if they are not current, are corrupt, or if certain certificates need to be updated.

SUMMARY STEPS

1. `crypto ca trustpool import url clean`
2. `crypto ca trustpool import url url`
3. `show crypto ca trustpool policy`

DETAILED STEPS

	Command or Action	Purpose
Step 1	crypto ca trustpool import url clean Example: RP/0/RSP0/CPU0:IMC0#crypto ca trustpool import url clean	(Optional) Manually removes all downloaded CA certificates. This command is run in the EXEC mode.

	Command or Action	Purpose
Step 2	crypto ca trustpool import url url Example: RP/0/RSP0/CPU0:IMC0#crypto ca trustpool import url http://www.cisco.com/security/pki/trs/ios.p7b	Specify the URL from which the CA trust pool certificate bundle must be downloaded. This manually imports (downloads) the CA certificate bundle into the CA trust pool to update or replace the existing CA certificate bundle.
Step 3	show crypto ca trustpool policy Example: RP/0/RSP0/CPU0:IMC0#show crypto ca trustpool Trustpool: Built-In ===== CA certificate Serial Number : 5F:F8:7B:28:2B:54:DC:8D:42:A3:15:B5:68:C9:AD:FF Subject: CN=Cisco Root CA 2048,O=Cisco Systems Issued By : CN=Cisco Root CA 2048,O=Cisco Systems Validity Start : 20:17:12 UTC Fri May 14 2004 Validity End : 20:25:42 UTC Mon May 14 2029 SHA1 Fingerprint: DE990CED99E0431F60EDC3937E7CD5BF0ED9E5FA Trustpool: Built-In ===== CA certificate Serial Number : 2E:D2:0E:73:47:D3:33:83:4B:4F:DD:0D:D7:B6:96:7E Subject: CN=Cisco Root CA M1,O=Cisco Issued By : CN=Cisco Root CA M1,O=Cisco Validity Start : 20:50:24 UTC Tue Nov 18 2008 Validity End : 21:59:46 UTC Fri Nov 18 2033 SHA1 Fingerprint: 45AD6BB499011BB4E84E84316A81C27D89EE5CE7	Displays the CA trust pool certificates of the router in a verbose format.

Retrieve CRL through the HTTP Proxy Server

CRL contains the serial numbers of the third-party certificates that are invalidated by the issuing Certificate Authority. In the event that the CRL Distribution point (CDP) is not directly reachable, you can fetch the CRL through the http proxy server using the newly introduced **crypto ca http-proxy** command.

The router receives a certificate from a peer and downloads a CRL from the CA as part of certificate validation. The router then checks the CRL to make sure the certificate of the peer has not been revoked. If the certificate appears on the CRL, the router will not accept the certificate and will not authenticate the peer.

A CRL can be reused with the same certificate multiple times until the CRL expires.

If the router receives the certificate of a peer after the applicable CRL has expired, the router downloads the new CRL.

If the CRL Distribution point (CDP) is not directly reachable, you can obtain the CRL through the http proxy server using this feature.

Configuration Example

This example shows how to retrieve CRL through the http proxy server using the **crypto ca http-proxy** command for smart licensing:

<!---Enabling the Router to use HTTP Proxy Server to Retrieve CRL----!>

```
Router# config
Router(config)# crypto ca http-proxy 10.10.10.1 port 1
Router(config)# commit
```

<!---Registering the Router with a Token on the Smart Licensing Server----!>

```
Router# license smart register idtoken NWRkMTJjZjYtMzJhNi00YzYxLWI3M$
Router# commit
```

Verification

Smart licensing registration is validated by fetching the CRL from the CDP, through the http proxy server. If the validation is successful, then the **show crypto ca crls** command displays the CRLs. If the validation has failed, then the **show crypto ca crls** command displays no output.

This example shows how to verify the retrieved CRL and the license status:

<!---Verifying the Retrieved CRLs----!>

```
Router#show crypto ca crls
Thu Jun  6 13:43:00.763 UTC
CRL Entry
=====
  Issuer : CN=xyz-w2k Root CA 2,O=xyz Limited,C=BM
  Last Update : Dec 17 18:18:14 2018 GMT
  Next Update : Jun 15 18:18:14 2019 GMT
  CRL Distribution Point :
    http://xyz-w2k.cisco.com/CertEnroll/xyz-w2k-root.crl
CRL Entry
=====
  Issuer : CN=zxy-w2k SSL ICA G2,O=zxy,C=US
  Last Update : Jun  6 12:57:04 2019 GMT
  Next Update : Jun  9 12:57:04 2019 GMT
  CRL Distribution Point :
    http://zxy-w2k.cisco.com/CertEnroll/zxy-w2k-root.crl
RP/0/RP0/CPU0:ios#
```

<!---Verifying the License Status----!>

```
Router#show license status
Smart Licensing is ENABLED
Utility:
  Status: DISABLED
Data Privacy:
  Sending Hostname: yes
    Callhome hostname privacy: DISABLED
    Smart Licensing hostname privacy: DISABLED
  Version privacy: DISABLED
Transport:
  Type: Callhome
Registration:
  Status: REGISTERED
  Smart Account: BU Production Test 1
  Virtual Account:
  Export-Controlled Functionality: ALLOWED
  Initial Registration: SUCCEEDED on Jun 06 2019 13:42:46 UTC
```

```

Last Renewal Attempt: None
Next Renewal Attempt: Dec 03 2019 13:42:46 UTC
Registration Expires: Jun 05 2020 13:37:45 UTC
License Authorization:
Status: AUTHORIZED on Jun 06 2019 13:42:55 UTC
Last Communication Attempt: SUCCEEDED on Jun 06 2019 13:42:55 UTC
Next Communication Attempt: Jul 06 2019 13:42:54 UTC
Communication Deadline: Sep 04 2019 13:37:55 UTC

Export Authorization Key:
Features Authorized:
<none>

```



Note If you want to fetch the latest CRL from a specific CDP, use the **crypto ca crl request** *<cdp-url>* [**http-proxy** *<ip-address>* **port** *<port-number>*] command.

Configuring Optional Trustpool Policy Parameters

SUMMARY STEPS

1. **configure**
2. **crypto ca trustpool policy**
3. **cabundle url URL**
4. **crl optional**
5. **description LINE**

DETAILED STEPS

| | Command or Action | Purpose |
|---------------|----------------------------------------------------------------------------------------------------------------------------------------------------------|--------------------------------------------------------------------------------------------------------------------------------------------------------------------------------------------------------------|
| Step 1 | configure
Example:

RP/0/RP0/CPU0:router# configure | Enters global configuration mode. |
| Step 2 | crypto ca trustpool policy
Example:
RP/0/RSP0/CPU0:IMC0(config)#crypto ca trustpool policy
RP/0/RSP0/CPU0:IMC0(config-trustpool)# | Enters ca-trustpool configuration mode where commands can be accessed to configure CA trustpool policy parameters. |
| Step 3 | cabundle url URL
Example:
RP/0/RSP0/CPU0:IMC0(config-trustpool)#cabundle url http://www.cisco.com/security/pki/crl/crca2048.crl | Specifies the URL from which the CA trustpool certificate bundle is downloaded. |
| Step 4 | crl optional
Example:
RP/0/RSP0/CPU0:IMC0(config-trustpool)#crl optional | Disables revocation checking when the trustpool policy is being used. By default, the router enforces a check of the revocation status of the certificate by querying the certificate revocation list (CRL). |

| | Command or Action | Purpose |
|--------|--------------------------------------------------------------------------------------------------------------------------------|---------|
| Step 5 | description LINE
Example:
<pre>RP/0/RSP0/CPU0:IMC0(config-trustpool)#description Trustpool for Test.</pre> | |

Handling of CA Certificates appearing both in Trust Pool and Trust Point

There may be cases where a CA resides in both the trust pool and a trust point; for example, a trust point is using a CA and a CA bundle is downloaded later with this same CA inside. In this scenario, the CA in the trust point and its policy is considered, before the CA in the trust pool or trust pool policy to ensure that any current behavior is not altered when the trust pool feature is implemented on the router.

The policy indicates how the security appliance obtains the CA certificate and the authentication policies for user certificates issued by the CA.

Expiry Notification for PKI Certificate

The section provides information about the notification mechanism using SNMP trap and syslog messages when a public key infrastructure (PKI) certificate is approaching its expiry date.

Learn About the PKI Alert Notification

Security is critical and availability of certificates for applications is vital for authenticating the router. If the certificate expires, they become invalid and impacts services like Crosswork Trust Insights, Internet Key Exchange version 2, dot1x, and so on.

What if there is a mechanism to alert the user about the expiry date of the certificate?

From Release 7.1.1, IOS -XR provides a mechanism by which a CA client sends a notification to a syslog server when certificates are on the verge of expiry. Alert notifications are sent either through the syslog server or Simple Network Management Protocol (SNMP) traps.

PKI traps retrieves the certificate information of the devices in the network. The device sends SNMP traps at regular intervals to the network management system (NMS) based on the threshold configured in the device.

An SNMP trap (certificate expiry notification) is sent to the SNMP server at regular intervals starting from 60 days to one week before the certificate end date. The notifications are sent at the following intervals:

The notifications are sent at the following intervals:

| Intervals | Description | Notification Mode |
|--------------------|------------------------------------------------------------------------|-----------------------------------------|
| First notification | The notification is sent 60 days before the expiry of the certificate. | The notification are in a warning mode. |

| Intervals | Description | Notification Mode |
|------------------------|-----------------------------------------------------------------------------------------------------------------------------------------------------------------------------------------------------|------------------------------------------------------------------------------------------------|
| Repeated notifications | The repeated notification is sent every week, until a week before the expiry of the certificate.

The notifications are in a warning mode when the certificate is valid for more than a week. | The notifications are in a warning mode when the certificate is valid for more than a week. |
| Last notification | The notifications are sent every day until the certificate expiry date. | The notifications are in an alert mode when the validity of a certificate is less than a week. |

The notifications include the following information:

- Certificate serial number
- Certificate issuer name
- Trustpoint name
- Certificate type
- Number of days remaining for the certificate to expire
- Certificate subject name

The following is a syslog message that is displayed on the device:

```
%SECURITY-CEPKI-1-CERT_EXPIRING_ALERT : Certificate expiring WITHIN A WEEK.
Trustpoint Name= check, Certificate Type= ID, Serial Number= 02:EC,
Issuer Name= CN=cacert,OU=SPBU,O=CSCO,L=BGL,ST=KA,C=IN, Subject name= CN=cisco.com,
Time Left= 1 days, 23 hours, 59 minutes, 41 seconds
```

Restrictions for PKI Credentials Expiry Alerts

Alerts are not sent for the following certificates:

- Secure Unique Device Identifier (SUDI) certificates
- Certificates that belong to a trustpool. Trustpools have their own expiry alerts mechanism
- Trustpoint clones
- CA certificates that do not have a router certificate associated with it.
- Certificates with key usage keys

Enable PKI Traps

This feature cannot be disabled and requires no additional configuration tasks.

To enable PKI traps, use the **snmp-server traps pki** command. If SNMP is configured, the SNMP trap is configured in the same PKI expiry timer.

```
Router(config)# snmp-server traps pki
Router(config)# commit
```

Verification

This example shows sample output from the show running-config command.

```
Router# show runn snmp-server traps
snmp-server traps pki
```

What's Next: See [Regenerate the Certificate](#).

Regenerate the Certificate

The certificate becomes invalid once expired. When you see the certificate expiry notification, we recommend you to regenerate the certificate, as soon as possible.

Perform the following steps, to regenerate the certificates:

1. Clear the existing certificate using the following command:

```
Router# clear crypto ca certificates [trustpoint-name]
```

For example,

```
Router# clear crypto ca certificates myca
```

2. We recommend you to regenerate a new keypair for the label configured under the trustpoint-name. The new keypair overwrites the old key pair.

```
Router# crypto key generate rsa [keypair-label]
```

For example,

```
Router# crypto key generate rsa mykey
```

```
The name for the keys will be: mykey
```

```
% You already have keys defined for mykey
```

```
Do you really want to replace them? [yes/no]: yes
```

```
Choose the size of the key modulus in the range of 512 to 4096 for your General Purpose Keypair. Choosing a key modulus greater than 512 may take a few minutes.
```

```
How many bits in the modulus [2048]:
```

```
Generating RSA keys ...
```

```
Done w/ crypto generate keypair
```

```
[OK]The name for the keys will be: mykey
```

```
% You already have keys defined for mykey
```

```
Do you really want to replace them? [yes/no]: yes
```

```
Choose the size of the key modulus in the range of 512 to 4096 for your General Purpose Keypair. Choosing a key modulus greater than 512 may take a few minutes.
```

```
How many bits in the modulus [2048]:
```

```
Generating RSA keys ...
```

```
Done w/ crypto generate keypair
```

```
[OK]
```

3. Reenroll the certificate using the following command. For more information, see [Request Your Own Certificates, on page 118](#).

```
Router# crypto ca authenticate [trustpoint-name]
```

```
Router# crypto ca enroll [trustpoint-name]
```

For example,

```
Router# crypto ca authenticate myca
```

```
Router# crypto ca enroll myca
```

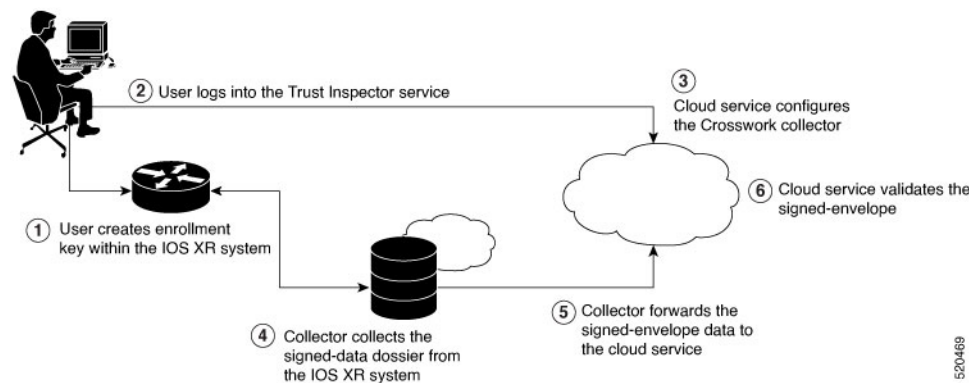
Integrating Cisco IOS XR and Crosswork Trust Insights

The Cisco IOS XR Software provides you the infrastructure to enroll and share the signed-data with Cisco Crosswork cloud infrastructure and applications. The [Cisco Crosswork Trust Insights](#) is a cloud-based Software as a service (SaaS) that provides signed and encrypted system integrity information to track the trust posture of network hardware and software components. For details, see [Cisco Crosswork Trust Insights Data Sheet](#).

Integrating IOS XR and Crosswork Trust Insights include these main processes:

- System enrollment – Enrolling a Cisco IOS XR platform into Crosswork cloud infrastructure.
- Signed-data sharing – Sharing the data for infrastructure trust analysis between the systems that run IOS XR and Crosswork. This involves collecting the signed-data dossier, that is, signed-data that is needed for infrastructure trust inspection service.

Workflow



The following steps depict the workflow of Cisco IOS XR and Crosswork Trust Insights integration:

1. As part of the enrollment process, the user generates new key pair and trust root within the IOS XR system by using the IOS XR commands.
2. The user logs into the Trust Inspector service, and enters the enrollment workflow in the enrollment dialog to create a new device ID. The user must provide the management IP address, login credentials and certificate root to the Trust Inspector service.
3. The Trust Inspector service configures the Crosswork collector to log in to the router, and to pull the data that is pushed down from the cloud to the collector.
4. The Crosswork collector begins a periodic polling cycle and executes a command to generate a signed-information dossier from each IOS XR instance that is being polled.
5. The collector forwards the signed-envelope data to the cloud service for validation.
6. The cloud service validates signed-envelope against the enrolled certificate or trust chain.

How to Integrate Cisco IOS XR and Crosswork Trust Insights

Integrating Cisco IOS XR and Crosswork Trust Insights involve these main tasks for system enrollment and data-signing:

- [Generate Key Pair, on page 133](#)
- [Generate System Trust Point for the Leaf and Root Certificate, on page 134](#)

- [Generate Root and Leaf Certificates, on page 135](#)
- [System Certificates Expiry, on page 137](#)
- [Collect Data Dossier, on page 137](#)

Prerequisites

Before you begin, you must check [here](#) for any available IOS XR Software Maintenance Updates (SMUs) specific to Crosswork Trust Insights. For information related to SMUs, see [Cisco IOS XR Release Notes](#).

You must ensure that the below configurations are present on the IOS XR device, before starting IOS XR and Crossworks Trust Insights integration.

- User authorization required to collect the signed-data dossier
- SSH server configuration
- Netconf server configuration
- Domain name configuration, which is required for certification enrollment

The sections given below lists the configuration example for the prerequisites.

Configuration Example for User Authorization

You must have the required user access privileges in order to collect the data dossier from the system. This is defined in terms of IOS XR Task IDs for each command.

For the respective Task ID applicable for each data dossier option and for the signed-envelope, see the Task ID section in the Command Reference page of **show platform security integrity dossier** command and **utility sign** command.



Note We recommend that you use the **task execute dossier** to configure a CTI (customer-define) user, who collects dossier from the system.

Listed below are the configurations to set up a user with sufficient authorization to collect all the signed-data dossier. You can configure customized task groups, then associate those task groups with user groups, and finally associate the user groups with the user.

```
Router#configure
Router(config)#taskgroup alltasks-dossier
Router(config-tg)#task read sysmgr
Router(config-tg)#task read system
Router(config-tg)#task read pkg-mgmt
Router(config-tg)#task read basic-services
Router(config-tg)#task read config-services
Router(config-tg)#task execute dossier
Router(config-tg)#task execute basic-services
Router(config-tg)#commit
```

```
Router#configure
Router(config)#usergroup dossier-group
Router(config-ug)#taskgroup alltasks-dossier
Router(config-ug)#commit
```

```
Router#configure
Router(config)#username dossier-user
Router(config-un)#group dossier-group
Router(config-un)#commit
```

Configuration Example for for SSH and Netconf

```
Router#configure
Router(config)#ssh server v2
Router(config)#ssh server vrf default
Router(config)#ssh server netconf vrf default
Router(config)#netconf-yang agent
Router(config-ncy-agent)#ssh
Router(config-ncy-agent)#exit
Router(config)#domain name example.com
Router(config)#commit
```

Running Configuration

```
ssh server v2
ssh server vrf default
ssh server netconf vrf default
!
netconf-yang agent
  ssh
!
domain name example.com
```

While the dossier is collected from a device through SSH, the SSH session might timeout. Also, multiple ssh sessions to a device can result in the denial of some SSH sessions. To avoid such occurrence, the following configuration is recommended on the device:

```
Router#configure
Router(config)#ssh server rate-limit 600
Router(config)#line default
Router(config-line)#exec-timeout 0 0
Router(config-line)#session-timeout 0
Router(config-line)#commit
```

Running Configuration

```
ssh server rate-limit 600
!
line default
  exec-timeout 0 0
  session-timeout 0
!
```

Generate Key Pair

To enroll a system running Cisco IOS XR Software, you must generate the key and the certificate for both the leaf and the root node. The system supports a two tier self-signed certificate chain for the enrollment key to support re-keying without re-enrollment of the certificate with the Crossworks service.

You can use the **system-root-key** and **system-enroll-key** options in the **crypto key generate** command to generate the root key and the enrollment key respectively, for all the hashing algorithms. You can do this for hashing algorithms such as RSA, DSA or ECDSA (including ECDSA nistp384 and ECDSA nistp521).

Example of Generating Key Pair

Key pair generation for root:

```
Router#crypto key generate rsa system-root-key

Sun Oct 20 13:05:26.657 UTC
The name for the keys will be: system-root-key
Choose the size of the key modulus in the range of 512 to 4096 for your General Purpose
Keypair. Choosing a key modulus greater than 512 may take a few minutes.
How many bits in the modulus [2048]:
Generating RSA keys ...
Done w/ crypto generate keypair
[OK]
```

Key pair generation for leaf:

```
Router#crypto key generate rsa system-enroll-key

Sun Oct 20 13:05:40.370 UTC
The name for the keys will be: system-enroll-key
Choose the size of the key modulus in the range of 512 to 4096 for your General Purpose
Keypair. Choosing a key modulus greater than 512 may take a few minutes.
How many bits in the modulus [2048]:
Generating RSA keys ...
Done w/ crypto generate keypair
[OK]
```

Verification

You can use the **show crypto key mypubkey rsa** command to verify the above key pair generation.

```
Router#show crypto key mypubkey rsa | begin system-
Fri Mar 27 14:00:20.954 IST
Key label: system-root-key
Type      : RSA General purpose
Size      : 2048
Created   : 01:13:10 IST Thu Feb 06 2020
Data      :
30820122 300D0609 2A864886 F70D0101 01050003 82010F00 3082010A 02820101
00A93DE0 1E485EE3 0E7F0964 C48361D1 B6014BE7 A303D8D6 F7790E92 88E69C4B
B97B7A9C D1B277E3 1569093C 82BD3258 7F67FB49 94860ECD 34498F1F 59B45757
F32C8E8F 7CEE23EC C36A43D1 9F85C0D9 B96A14DD DD3BBD4C A1FB0888 EED210A7
39D9A403 7ACE0F6E 39107226 CA621AD8 6E8102CA 9761B86F D33F2871 9DD16559
AFCB4729 EFCEDBAF 83DF76E4 9A439844 EE3B1180 4022F575 99E11A2C E25BB23D
9DD74C81 4E5C1345 D9E3CC79 1B98B1AA 6C06F004 22B901EC 36C099FE 10DE2622
EB7CE618 9A555769 12D94C90 D9BEE5EA A664E7F6 4DF8D8D4 FE7EAB07 1EF4FEAB
```

```
22D9E55F 62BA66A0 72153CEC 81F2639F B5F2B5C5 25E10364 19387C6B E8DB8990
11020301 0001
```

```
Key label: system-enroll-key
Type      : RSA General purpose
Size      : 2048
Created   : 01:13:16 IST Thu Feb 06 2020
Data      :
30820122 300D0609 2A864886 F70D0101 01050003 82010F00 3082010A 02820101
009DBC14 C83604E4 EB3D3CF8 5BA7FDDB 80F7E85B 427332D8 BBF80148 FOA9C281
49F87D5C 0CEBA532 EBE797C5 7F174C69 0735D13A 493670CB 63B04A12 4BCA7134
EE0031E9 047CAA1E 802030C5 6071E8C2 F8ECE002 CC3B54E7 5FD24E5C 61B7B7B0
68FA2EFA 0B83799F 77AE4621 435D9DFD 1D713108 37B614D3 255020F9 09CD32E8
82B07CD7 01A53896 6DD92B5D 5119597C 98D394E9 DBD1ABAF 6DE949FE 4A8BF1E7
851EB3F4 60B1114A 1456723E 063E50C4 2D410906 BDB7590B F1D58480 F3FA911A
6C9CD02A 58E68D04 E94C098F 0F0E81DB 76B40C55 64603499 2AC0547A D652412A
BCBBF69F 76B351EE 9B2DF79D E490C0F6 92D1BB97 B905F33B FAB53C20 DDE2BB22
C7020301 0001
```

Associated Commands

- crypto key generate dsa
- crypto key generate ecdsa
- crypto key generate rsa
- show crypto key mypubkey dsa
- show crypto key mypubkey ecdsa
- show crypto key mypubkey rsa

Generate System Trust Point for the Leaf and Root Certificate

You must configure these steps to generate the system trust point for the root and the leaf certificate:

Configuration Example

```
Router#config
Router(config)#domain name domain1
Router(config)#crypto ca trustpoint system-trustpoint
Router(config)#keypair rsa system-enroll-key
Router(config)#ca-keypair rsa system-root-key
Router(config)#subject-name CN=lab1-ads,C=US,ST=CA,L=San Jose,O=cisco systems,OU=ASR
Router(config)#subject-name ca-certificate CN=lab1-ca,C=US,ST=CA,L=San Jose,O=cisco
systems,OU=ASR
Router(config)#enrollment url self
Router(config)#key-usage certificate digitalsignature keyagreement dataencipherment
Router(config)#lifetime certificate 300
Router(config)#message-digest sha256
Router(config)#key-usage ca-certificate digitalsignature keycertsign crlsign
Router(config)#lifetime ca-certificate 367
Router(config)#commit
```

Running Configuration

```
config
domain name domain1
```

```

crypto ca trustpoint system-trustpoint
keypair rsa system-enroll-key
ca-keypair rsa system-root-key
subject-name CN=lab1-ads,C=US,ST=CA,L=San Jose,O=cisco systems,OU=ASR
subject-name ca-certificate CN=lab1-ca,C=US,ST=CA,L=San Jose,O=cisco systems,OU=ASR
enrollment url self
key-usage certificate digitalsignature keyagreement dataencipherment
lifetime certificate 300
message-digest sha256
key-usage ca-certificate digitalsignature keycertsign crlsign
lifetime ca-certificate 367
!
```

Associated Commands

- ca-keypair
- crypto ca trustpoint
- domain
- enrollment
- key-usage
- key-pair
- lifetime
- message-digest
- subject-name

Generate Root and Leaf Certificates

You must perform these steps to generate the root and the leaf certificates.

The root certificate is self-signed. The root certificate signs the leaf certificate.

Example of Generating Root Certificate

```

Router#crypto ca authenticate system-trustpoint

Sun Oct 20 13:07:24.136 UTC
% The subject name in the certificate will include: CN=lab1
ca,C=US,ST=CA,L=San Jose,O=cisco systems,OU=ASR
% The subject name in the certificate will include: ios.cisco.com
Serial Number   : 0B:62
Subject:
serialNumber=c44a11fc,unstructuredName=ios.cisco.com,OU=ASR,O=cisco systems,L=San
Jose,ST=CA,C=US,CN=lab1-ca
Issued By      :
                serialNumber=c44a11fc,unstructuredName=ios.cisco.com,OU=ASR,O=cisco systems,L=San
Jose,ST=CA,C=US,CN=lab1-ca
Validity Start : 13:07:26 UTC Sun Oct 20 2019
Validity End   : 13:07:26 UTC Wed Oct 21 2020
SHA1 Fingerprint:
                9DD50A6B24FEBC1DDEE40CD2B4D99A829F260967
```

Example of Generating Leaf Certificate

```

Router#crypto ca enroll system-trustpoint
```

```

Sun Oct 20 13:07:45.593 UTC
% The subject name in the certificate will include: CN=lab1-ads,C=US,ST=CA,L=San Jose,O=cisco
systems,OU=ASR
% The subject name in the certificate will include: ios.cisco.com
% Include the router serial number in the subject name? [yes/no]: yes
% The serial number in the certificate will be: c44a11fc
% Include an IP address in the subject name? [yes/no]: no
Certificate keypair configured Type: 1, Label: system-enroll-key.Leaf cert key usage string:
critical,digitalSignature,keyEncipherment,keyAgreement. Serial Number : 0B:63
Subject:
    serialNumber=c44a11fc,unstructuredName=ios.cisco.com,OU=ASR,O=cisco systems,L=San
Jose,ST=CA,C=US,CN=lab1-ads
    Issued By :
        serialNumber=c44a11fc,unstructuredName=ios.cisco.com,OU=ASR,O=cisco systems,L=San
Jose,ST=CA,C=US,CN=lab1-ca
    Validity Start : 13:07:47 UTC Sun Oct 20 2019
    Validity End : 13:07:47 UTC Sat Aug 15 2020
    SHA1 Fingerprint:
        19D4C40F9EFF8FF25B59DE0161BA6C0706DC9E3A

```

Verification

You can use the **show crypto ca certificates system-trustpoint [detail]** command to see the details of generated root and leaf certificates:

```

Router#show crypto ca certificates system-trustpoint
Fri Mar 27 14:00:51.037 IST

Trustpoint      : system-trustpoint
=====
CA certificate
Serial Number  : 10:B5
Subject:
    serialNumber=7b20faa4,unstructuredName=test-secl.cisco.com
Issued By :
    serialNumber=7b20faa4,unstructuredName=test-secl.cisco.com
Validity Start : 12:30:17 UTC Fri Feb 21 2020
Validity End   : 12:30:17 UTC Sat Feb 20 2021
SHA1 Fingerprint:
    9400A30816805219FAAA5B9C86C214E6F34CEF7B
Router certificate
Key usage      : General Purpose
Status        : Available
Serial Number  : 10:B6
Subject:
    serialNumber=7b20faa4,unstructuredAddress=10.1.1.1,unstructuredName=test-secl.cisco.com,CN=Anetwork,OU=IT,O=Spark
Network,L=Rotterdam,ST=Zuid Holland,C=NL
Issued By :
    serialNumber=7b20faa4,unstructuredName=test-secl.cisco.com
Validity Start : 12:30:31 UTC Fri Feb 21 2020
Validity End   : 12:30:31 UTC Sat Feb 20 2021
SHA1 Fingerprint:
    21ACDD5EB6E6F4103E02C1BAB107AD86DDCDD1F3
Associated Trustpoint: system-trustpoint

```

Associated Commands

- **crypto ca authenticate**

- `crypto ca enroll`
- `show crypto ca certificates system-trustpoint`

System Certificates Expiry

You need to regenerate the certificate, before it expires. From Release 7.1.1, IOS -XR provides a mechanism by which a CA client sends a notification to a syslog server when certificates are on the verge of expiry. For more information see [Learn About the PKI Alert Notification, on page 127](#).

When you see the certificate expiry notification, we recommend you to regenerate the certificate, see [Regenerate the Certificate, on page 129](#).

The following example shows how to regenerate the certificate.

```
Router# clear crypto ca certificates system-trustpoint
Router# crypto ca authenticate system-trustpoint
Router# crypto ca enroll system-trustpoint
```

Collect Data Dossier

Table 14: Feature History Table

| Feature Name | Release Information | Description |
|------------------------------|---------------------|-----------------------------------------------------------------------------------------------------------------------------------------------------------------------------------------------------------------------------------------------------------------------------------------------------------------------------------------------------------------|
| Collect Filesystem Inventory | Release 7.3.1 | <p>With this feature, a snapshot of the filesystem metadata such as when the file was created, modified, or accessed is collected at each configured interval.</p> <p>In addition to displaying the changes that the file underwent as compared to the previous snapshot, the inventory helps in maintaining data integrity of all the files in the system.</p> |

| Feature Name | Release Information | Description |
|------------------------------------|---------------------|------------------------------------------------------------------------------------------------------------------------------------------------------------------------------------------------------------------------------------------------------------------------------------------------------------------------------------------------------------------------------------------------------------------------------------------------------------------------------------------------------------------------------------------------------------------------------------------------------------------------------------------------------|
| IMA Optimization | Release 7.3.1 | <p>Integrity Measurement Architecture (IMA) is a Linux-based utility that attests and appraises the integrity of a system security, at runtime. In this release, IMA introduces the following IMA optimization aspects:</p> <ul style="list-style-type: none"> • Incremental IMA that collects IMA events selectively and progressively instead of collecting all the IMA events at the same time. You can define the start of an IMA sequence, which consists of start event, start sequence number, and start time. • SUDI Signature - provides the hardware root of trust to the dossier that is collected by the system. |
| Support for Display Compact Option | Release 7.4.1 | <p>This release introduces:</p> <ul style="list-style-type: none"> • Display compact option in the dossier CLI, thereby allowing you to obtain IMA event logs in the protobuf format, which can be decoded at a client site. This provides flexibility to use any decoding mechanism <p>Use the <code>display compact</code> keyword with the existing <code>show platform security integrity dossier include system-integrity-snapshot</code> command.</p> |

The Cisco IOS XR Software provides a data dossier command, **show platform security integrity dossier**, that helps in collecting the data from various IOS XR components. The output is presented in JSON format.

You can choose various selectors for this command as given below :

```
Router#show platform security integrity dossier include packages reboot-history
rollback-history system-integrity-snapshot system-inventory nonce 1580 | utility sign nonce
1580 include-certificate
```


Create Signed-Envelope

To verify the data integrity and authenticity of the data dossier output, a signature is added to the output data. To enable this feature, you can use the **utility sign** command along with the **show platform security integrity dossier** command. The output is presented in JSON format.

This **utility sign** can also be used with any of the IOS XR commands.



Note The Secure Unique Device Identifier or SUDI signature provides the hardware root of trust to the dossier that is collected by the system.

Verification Example

```
Router#show platform security integrity dossier include reboot-history nonce 1580 |
utility sign nonce 1580 include-certificate
NCS5500
```

Collect Filesystem Inventory

The metadata of the filesystem can be collected using data dossier. The metadata of the file includes information about time the file was created, last accessed, last modified and so on. A snapshot is captured at each configured interval. The initial snapshot shows a complete snapshot of all files in the filesystem. The files are scanned periodically and new inventory data is collected and stored as incremental snapshots.



Note Data about System admin, Host, and LC-specific files are not monitored.

To enable this feature, use the **filesystem-inventory** command.

```
Router(config)#filesystem-inventory
Router(config-filesystem-inventory)#snapshot-interval 2
Router(config-filesystem-inventory)#commit
```

The **snapshot-interval** is the time interval in 15-minute blocks. The interval ranges 1–96. For example, value of 2 indicates that a snapshot interval is collected every 30 minutes. The snapshots are stored in `./misc/scratch/filesysinv`. The logs are stored in `/var/log/iosxr/filesysinv/*`.

To retrieve the filesystem inventory, use the following dossier command. Output is presented in JSON format.

```
show platform security integrity dossier include filesystem-inventory | file
<platform>-parent.json

{"collection-start-time":1610168028.380901,
"model-name":"http://cisco.com/ns/yang/Cisco-IOS-XR-ama",
"model-revision":"2019-08-05","license-udi":{"result-code": "Success", "license-udi":
"UDI: PID:NCS-55A1-24H,SN:FOC2104R15R\n"},"version":{"result-code": "Success",
"version": "Cisco IOS XR Software, Version 7.3.1
\nCopyright (c) 2013-2020 by Cisco Systems, Inc.\n\nBuild Information:\n
Built By      : <user>\n Built On       : Thu Jan  7 17:16:02 PST 2021\n
Built Host    : <host>\n Workspace    : <ws>
Version      : 7.3.1\n Location      : /opt/cisco/XR/packages/\n Label        : 7.3.1\n\ncisco

() processor\nSystem uptime is 8 hours 7 minutes\n\n"},"platform":{"result-code":
"Success", "platform":
```

```

"Node                Type                State                Config state
-----
0/RP0/CPU0           <node-type>(Active)  IOS XR RUN          NSHUT\n
0/RP0/NPU0           Slice                UP                  \n
0/RP0/NPU1           Slice                UP                  \n
0/FT0                <platform>-A1-FAN-RV  OPERATIONAL         NSHUT
0/FT1                <platform>-A1-FAN-RV  OPERATIONAL         NSHUT
0/FT2                <platform>-A1-FAN-RV  OPERATIONAL         NSHUT
PM1                  <platform>-1100W-ACRV  OPERATIONAL         NSHUT
"},
-----Output is snipped for brevity
-----

```

To limit the number of snapshots, use the following command:

```
show platform security integrity dossier include filesystem-inventory
filesystem-inventory-options '{"0/RP0/CPU0": {"block_start": 0, "count": 1}}'
```

To start from a new block, use the following command:

```
show platform security integrity dossier include filesystem-inventory
filesystem-inventory-options '{"0/RP0/CPU0": {"block_start": 5}}'
```

To collect data from a remote node, use the following command:

```
show platform security integrity dossier include filesystem-inventory
filesystem-inventory-options '{"0/RP1/CPU0": {"block_start": 0}}' | file
harddisk:PE1_remote.json
```

Following is the sample of the display compact container:

```
{"node-data": [{"node-location": "node0_RP0_CPU0", "up-time": 150311, "start-time": "Tue Jul 27
13:55:12 2021", "ima-event-log-compact":
["I1YIABoMCO+ggIqGEMxwZYBIkQIABAKGhTU2yPVDA5Rx+64ecp41qZQrLEWSCACKhSX1+34007Ta
xz5JUeBYFHIr05F7jIOYm9vdF9hZ2dyZWdhGVAQAQ=="]}]}

```

Incremental Integrity Measurement Architecture

With incremental Integrity Measurement Architecture (IMA), you can define the starting IMA sequence that you want to include in a response. The system then starts to report the subsequent events.

```
show platform security integrity dossier incremental-ima
{"ima_start": [{"0/RP0/CPU0": {"start_event": 1000, "start_time": "Tue Feb 16 09:15:17
2021"}}]}
```

Associated Command

- `show platform security integrity dossier`
- `utility sign`

Procedure to Test Key Generation and Data-signing with Different Key Algorithm

You can follow these steps to test key generation and data-signing with a different key algorithm:

- Unconfigure the trustpoint (using the `no crypto ca trustpoint system-trustpoint` command)
- Clear the certificates that were generated earlier (using the `clear crypto ca certificates system-trustpoint` command)
- Generate new keys.
- Configure the system trustpoint again.

- Authenticate and enroll the system trustpoint to generate the certificates.

See [How to Integrate Cisco IOS XR and Crosswork Trust Insights, on page 130](#) section for configuration steps of each task.

Verify Authenticity of RPM Packages Using Fingerprint

Table 15: Feature History Table

| Feature Name | Release Information | Description |
|-------------------------------------------------------|---------------------|-----------------------------------------------------------------------------------------------------------------------------------------------------------------------------------------------------------------------------------------------------------------------------------------------------------------------------------------------------------------------------------------------------------------------------------------------------------------------------------------------------------------------------------------------------------------------------------------------|
| Verify Authenticity of RPM Packages Using Fingerprint | Release 7.3.1 | <p>This feature helps in verifying the authenticity of an installable package using fingerprint values. The fingerprint value of the package is compared with a point of reference called Known Good Value (KGV). The KGV for an image or package is generated after it is built by Cisco.</p> <p>After installing the package, the associated install time and build time fingerprint values are compared using Yang RPC to determine whether the package is genuine. A match in the fingerprints indicates that the package published on CCO and that installed on router are the same.</p> |

Is there a simple way to determine the authenticity of a package that is installed on a router? Is there a mechanism to identify whether a package signature is checked at install time, or detect changes to the files after the package is installed at run time?

Cisco IOS XR, Release 7.3.1 introduces a fingerprint mechanism to verify the authenticity of a package that Cisco releases. This mechanism helps determine whether the installed package is genuine, where the installed and running software matches the software that is published by Cisco.

There are significant security measures for installing software using GPG and IMA signing. However, there is need to report more data for Cisco Crosswork application to monitor and flag potential issues for further investigation. Cisco Crosswork monitors the installed software over a period to help accomplish the following tasks:

- To determine whether there are any differences between the software that is published on Cisco.com and that downloaded to the router.
- To determine whether any files in a package have been altered, either accidentally or maliciously, from the time the package was installed.

A Known Good Value (KGV) is calculated and published for each package. This value is considered the right value for the package.

Two fingerprint (hex) values for each active or committed packages are monitored to ensure authenticity of the package:

- **Install time fingerprint:** Hex value that represents the software in the package at install time. An RPM is genuine if it is not modified before install, and it matches the KGV. Whereas a manipulated RPM shows a mismatch in the fingerprint that is published in the KGV.
- **Run time fingerprint:** Hex value that represents the running software of an installed package. The value matches the corresponding install time fingerprint if the RPM has not been modified since the install time. If there are changes to the files, the run time and install time fingerprints show a mismatch. Every time the files that are installed by an RPM are changed, the run time fingerprint also changes. A value of 0 (zero) is displayed if no run time fingerprint is available for a package. This is used to monitor changes to the running software over time.



Note These two values are displayed only in the Yang model output. No CLI commands are provided to view these values.

```
Received message from host
<?xml version="1.0" ?>
<rpc-reply message-id="urn:uuid:97f5bc36-0eb0-4d2f-9c6f-3d34fea14be0"
xmlns="urn:iETF:params:xml:ns:netconf:base:1.0"
xmlns:nc="urn:iETF:params:xml:ns:netconf:base:1.0">
<data>
  <install xmlns="http://cisco.com/ns/yang/Cisco-IOS-XR-spirit-install-instmgr-oper">
    <packages>
      <active>
        <summary>
          <rpm-fingerprint-status>generation-up-to-date</rpm-fingerprint-status>
          <rpm-fingerprint-timestamp>Mon Jun 15 15:58:22 2020</rpm-fingerprint-timestamp>

          <package>
            <name>asr9k-xr</name>
            <version>7.3.1</version>
            <release>r731</release>
            <gpg-key-id>ddcead3dcb38048d</gpg-key-id>
            <rpm-fingerprint>

            <rpm-fingerprint-install-time>2871bf68d3cd764938775afc9e5a69c130f9fbde</rpm-fingerprint-install-time>

            <rpm-fingerprint-run-time>2871bf68d3cd764938775afc9e5a69c130f9fbde</rpm-fingerprint-run-time>

          </rpm-fingerprint>
        </package>

        <package>
          <name>asr9k-mcast-x64</name>
          <version>2.0.0.0</version>
          <release>r731</release>
          <gpg-key-id>ddcead3dcb38048d</gpg-key-id>
          <rpm-fingerprint>

          <rpm-fingerprint-install-time>3ddca55bc00a0ce2c2e52277919d398621616b28</rpm-fingerprint-install-time>

          <rpm-fingerprint-run-time>3ddca55bc00a0ce2c2e52277919d398621616b28</rpm-fingerprint-run-time>

        </rpm-fingerprint>
      </active>
    </packages>
  </install>
</data>
</rpc-reply>
```

```
</package>
```

----- Truncated for brevity -----

In the example, both the install time and run time fingerprints are the same.

The fingerprint generation status is used to indicate how up-to-date the run time fingerprints are. This may indicate that generation is currently in progress and will complete shortly, or generation is awaiting the end of an atomic change.

Support for Ed25519 Public-Key Signature System

Table 16: Feature History Table

| Feature Name | Release Information | Feature Description |
|-------------------------------------------------|---------------------|-----------------------------------------------------------------------------------------------------------------------------------------------------------------------------------------------------------------------------------------------------------------------------------------------------------------------------------------------------------------------------------------------------------------------------------------------------------------------------------------------------------------------------------------------------------------------------------------------------------------------------------------------------------------------------------------------------------------------------------|
| Support for Ed25519 Public-Key Signature System | Release 7.3.1 | <p>This feature allows you to generate and securely store crypto key pair for the Ed25519 public-key signature algorithm on Cisco IOS XR 64-bit platforms. This signature system provides fast signing, fast key generation, fool proof session keys, collision resilience, and small signatures. The feature also facilitates integration of Cisco IOS XR with Cisco Crosswork Trust Insights.</p> <p>Commands introduced for this feature are:</p> <p>crypto key generate ed25519</p> <p>crypto key zeroize ed25519</p> <p>show crypto key mypubkey ed25519</p> <p>Commands modified for this feature are:</p> <p>ca-keypair</p> <p>keypair</p> |

The Cisco IOS XR Software Release 7.3.1 introduces the support for Ed25519 public-key signature algorithm on 64-bit platforms. Prior to this release, only DSA, ECDSA, and RSA signature algorithms were supported. The Ed25519 signature algorithm uses the elliptic curve cryptography that offers a better security with faster performance when compared to other signature algorithms.

You can generate the Ed25519 crypto keys either with an empty label or with two predefined labels: **system-root-key** and **system-enroll-key**. In the case of an empty label, the system generates the key pair against the default label. You can use the key pairs with the predefined labels to integrate Cisco IOS XR with Cisco Crosswork Trust Insights.

Generate Crypto Key for Ed25519 Signature Algorithm

Configuration Example

To generate the Ed25519 crypto key, use the **crypto key generate ed25519** command in XR EXEC mode.

```
Router#crypto key generate ed25519
```

To delete the Ed25519 crypto key with default label or any predefined label, use the **crypto key zeroize ed25519** command in XR EXEC mode.



Note From Cisco IOS XR Release 7.3.2 onwards, you can generate and delete key-pairs from XR Config mode, as well. For more details, see [Public Key-Pair Generation in XR Config Mode, on page 146](#).

Verification

Use the **show crypto key mypubkey ed25519** command to view all Ed25519 crypto keys generated on the system.

```
Router# show crypto key mypubkey ed25519

Mon Nov 30 07:05:06.532 UTC
Key label: the_default
Type : ED25519
Size : 256
Created : 07:03:17 UTC Mon Nov 30 2020
Data :
FF0ED4E7 71531B3D 9ED72C48 3F79EC59 9EFECCC3 46A129B2 FAAA12DD EE9D0351
```

Related Topics

- [Support for Ed25519 Public-Key Signature System, on page 143](#)
- [Integrate Cisco IOS XR with Cisco Crosswork Trust Insights using Ed25519, on page 144](#)

Associated Commands

- **crypto key generate ed25519**
- **crypto key zeroize ed25519**
- **show crypto key mypubkey ed25519**

Integrate Cisco IOS XR with Cisco Crosswork Trust Insights using Ed25519

Configuration Example

This section shows how to generate the system trustpoint, and the root and leaf certificates using the Ed25519 signature algorithm, as part of integrating Cisco IOS XR with Cisco Crosswork Trust Insights.

```
Router#configure
Router(config)#domain name domain1
Router(config)#crypto ca trustpoint system-trustpoint
Router(config-trustp)#keypair ed25519 system-enroll-key
Router(config-trustp)#ca-keypair ed25519 system-root-key
Router(config-trustp)#commit

/* Generate root and leaf certificates */
Router#crypto ca authenticate system-trustpoint
Router#crypto ca enroll system-trustpoint
```

Running Configuration

```
config
domain name domain1
crypto ca trustpoint system-trustpoint
  keypair ed25519 system-enroll-key
  ca-keypair ed25519 system-root-key
!
```

For the complete integration procedure, see, [Integrating Cisco IOS XR and Crosswork Trust Insights](#), on page 130.

Public Key-Pair Generation in XR Config Mode

Table 17: Feature History Table

| Feature Name | Release Information | Feature Description |
|----------------------------------------------|---------------------|------------------------------------------------------------------------------------------------------------------------------------------------------------------------------------------------------------------------------------------------------------------------------------------------------------------------------------------------------------------------------------------------------------------------------------------------------------------------------------------------------------------------------------------------------------------------------------------------------------------------------------------------------------------------------------------------------------------------------------------------------------------------------------------------------------------------------------|
| Public Key-Pair Generation in XR Config Mode | Release 7.3.2 | <p>This feature allows you to generate public-key pairs in the XR Config mode, which in turn lets you save configurations. You can then load these saved configurations across different routers to quickly deploy the key-pair configurations.</p> <p>You could generate public-key pairs in earlier releases only in the XR EXEC mode, which does not save configurations. So manually executing the key-pair generation commands on every router was time-consuming.</p> <p>The following commands are available in XR Config mode, in addition to XR EXEC mode:</p> <ul style="list-style-type: none"> • crypto key generate rsa • crypto key generate dsa • crypto key generate ecdsa • crypto key generate ed25519 |

Public Key-Pair Generation in XR Config mode supports the following key-types and key sizes in FIPS (Federal Information Processing Standard) and non-FIPS modes.

Table 18: Supported Key-Types for non-FIPS and FIPS mode

| Key-types | Non-FIPS mode | FIPS mode |
|-----------|-----------------------------------------------------|-----------------------------------------------------|
| RSA | Supported for all key sizes from 512 - 4096 | Supported for key sizes 2048, 3072, 4096 |
| DSA | Supported for key sizes 512, 768, 1024 | Supported for key size 2048 |
| ECDSA | Supported for key sizes nistp256, nistp384,nistp512 | Supported for key sizes nistp256, nistp384,nistp512 |
| ED25519 | Supported | Not Supported |

Guidelines and Restrictions:

The following guidelines and restrictions apply for generating crypto keys-pairs in XR Config mode:

- This feature doesn't support generation of generation of **system-root-key** and **system-enroll-key**.
- The key-pairs generated in XR Config mode overwrites any previously generated key-pairs in XR EXEC mode.
- The router doesn't support overwriting key-pairs generated in XR Config mode from XR EXEC mode.
- When you execute **no** form of the **crypto key generate** commands in XR Config Mode, it deletes only those keys generated in XR Config mode.
- The router doesn't support deleting key-pairs generated in XR Config mode from XR EXEC mode.
- When you execute the **crypto key generate** commands in XR EXEC mode, it doesn't overwrite or delete keys generated in XR Config mode.
- The show command **show crypto key mypubkey** displays the keys generated in XR EXEC mode first, followed by the keys generated in XR Config mode.

Configuration Examples:

The following examples show the creation of key-pairs in XR Config mode:

```
Router# conf t
Router(config)#crypto key generate dsa 512
Router(config)#crypto key generate rsa user1 general-keys 2048
Router(config)#crypto key generate rsa user2 usage-keys 2048
Router(config)#crypto key generate rsa 2048
Router(config)#crypto key generate ecdsa nistp256
Router(config)#crypto key generate ecdsa nistp384
Router(config)#crypto key generate ecdsa nistp521
Router(config)#crypto key generate ed25519
Router(config)#commit
```

Use **no** form of the command in XR Config mode to delete any of the key-pairs.

System Logs and Error Messages:

The router generates these system logs on successful creation of key-pairs:

```
cepki[287]: %SECURITY-CEPKI-6-KEY_INFO : crypto key DSA generated, label:the_default,
modBits:1024
cepki[287]: %SECURITY-CEPKI-6-KEY_INFO : crypto key ECDSA_NISTP256 generated,
label:the_default, modBits:256
```

The router generates these system logs on deletion of key-pairs:

```
cepki[287]: %SECURITY-CEPKI-6-KEY_INFO : crypto key RSA zeroized, label:user1
cepki[287]: %SECURITY-CEPKI-6-KEY_INFO : crypto key DSA zeroized, label:the_default
```

The router generates these error messages if you try to overwrite the key-pairs generated in XR Config Mode from XR EXEC mode:

```
Router#conf t
Router(config)#crypto key generate ed25519
Router(config)#commit
Router#crypto key generate ed25519
```

```

Cannot execute the command : Operation not permitted
ce_cmd[68727]: %SECURITY-CEPKI-6-ERR_2 : Cannot      execute the command :   Operation not
permitted
ce_cmd[68736]: %SECURITY-CEPKI-6-ERR : Key is added as part of config mode, key deletion
is not allowed , delete key from config mode

```

The router generates these error messages if you try to delete key-pairs generated in XR Config Mode from XR EXEC mode:

```

Router#conf t
Router(config)#crypto key generate ed25519
Router(config)#commit
Router#crypto key zeroize ed25519
Cannot execute the command : Operation not permitted
ce_cmd[68736]: %SECURITY-CEPKI-6-ERR_2 : Cannot execute the command :   Operation not
permitted

```

To View the Generated Key-Pairs:

You can view the key-pairs generated in XR Config mode, listed under **Public keys from config sysdb** in the following command output:

```

Router#show crypto key mypubkey ecdsa
Key label: the_default
Type      : ECDSA General Curve Nistp256
Degree   : 256
Created  : 11:49:22 IST Wed Apr 21 2021
Data     :
04D6D132 2253ABD0 81449E3F 9D5CEA3A 1107950A 829E9090 8960FBD5 ABA039B7
24A4E217 7EA47475 91C60AC7 013DBC2E EA8434D9 0BD5B0FC 694913AE 0098A4F5
77

Key label: the_default
Type      : ECDSA General Curve Nistp521
Degree   : 521
Created  : 22:44:22 IST Thu Mar 18 2021
Data     :
04017798 4369F493 8D0E57D1 1975FC46 CDC03A78 03A9F90E B38CA504 17DB9A64
D1DEA6A6 D23E7E20 4D8D4D31 C7878BDB BF5EEE40 1978A889 70C5D703 BB033B77
0FFD9201 366A9AC8 35E69BB3 97FF4E91 6B498510 39425971 C5E43858 83286088
A6A7BF92 0EA2B416 BD4E81CE DCEB65F1 15CC75B5 91204E89 3339A168 2382CAB6
40170131 8F

-----
Public keys from config sysdb:
-----
Key label: the_default
Type      : ECDSA General Curve Nistp384
Degree   : 384
Created  : 11:51:52 IST Wed Apr 21 2021
Data     :
045F7C14 1A88C27E 9CED3FF1 7FEDFA03 B49575FA 7AD88370 BC9C7D7F F99C8917
33620916 758BDEFC 7187E33A 2D3CCD33 14FF3267 9855A5E9 E3BD166C CE838462
40742231 6198EE12 3E189F42 22A8149A 8E7B186D 88E728D4 7F47D565 53441061
79

```



CHAPTER 5

Implementing Keychain Management

This module describes how to implement keychain management on. Keychain management is a common method of authentication to configure shared secrets on all entities that exchange secrets such as keys, before establishing trust with each other. Routing protocols and network management applications on Cisco IOS XR software often use authentication to enhance security while communicating with peers.

- [Implementing Keychain Management, on page 149](#)

Implementing Keychain Management

This module describes how to implement keychain management on. Keychain management is a common method of authentication to configure shared secrets on all entities that exchange secrets such as keys, before establishing trust with each other. Routing protocols and network management applications on Cisco IOS XR software often use authentication to enhance security while communicating with peers.

Restrictions for Implementing Keychain Management

You must be aware that changing the system clock impacts the validity of the keys in the existing configuration.

Configure Keychain

This task configures a name for the keychain.

You can create or modify the name of the keychain.

SUMMARY STEPS

1. **configure**
2. **key chain** *key-chain-name*
3. **commit**
4. **show key chain** *key-chain-name*
5. **show run**

DETAILED STEPS

Step 1 **configure****Example:**

```
RP/0/RP0/CPU0:router# configure
```

Enters global configuration mode.

Step 2 **key chain** *key-chain-name***Example:**

```
RP/0/RP0/CPU0:router(config)# key chain isis-keys
RP/0/RP0/CPU0:router(config-isis-keys)#
```

Creates a name for the keychain.

Note Configuring only the keychain name without any key identifiers is considered a nonoperation. When you exit the configuration, the router does not prompt you to commit changes until you have configured the key identifier and at least one of the mode attributes or keychain-key configuration mode attributes (for example, lifetime or key string).

Step 3 **commit**

Commits the configuration changes and remains within the configuration session.

Step 4 **show key chain** *key-chain-name***Example:**

```
RP/0/RP0/CPU0:router# show key chain isis-keys

Key-chain: isis-keys/ -

accept-tolerance -- infinite
Key 8 -- text "1104000E120B520005282820"
  cryptographic-algorithm -- MD5
  Send lifetime: 01:00:00, 29 Jun 2006 - Always valid [Valid now]
  Accept lifetime: 01:00:00, 29 Jun 2006 - Always valid [Valid now]
```

(Optional) Displays the name of the keychain.

Note The *key-chain-name* argument is optional. If you do not specify a name for the *key-chain-name* argument, all the keychains are displayed.

Step 5 **show run****Example:**

```
key chain isis-keys
  accept-tolerance infinite
  key 8
    key-string mykey91abcd
    cryptographic-algorithm MD5
    send-lifetime 1:00:00 june 29 2006 infinite
    accept-lifetime 1:00:00 june 29 2006 infinite
  !
```

```
!  
!
```

Configure Tolerance Specification to Accept Keys

This task configures the tolerance specification to accept keys for a keychain to facilitate a hitless key rollover for applications, such as routing and management protocols.

SUMMARY STEPS

1. **configure**
2. **key chain** *key-chain-name*
3. **accept-tolerance** *value* [**infinite**]
4. **commit**

DETAILED STEPS

Step 1 **configure**

Example:

```
RP/0/RP0/CPU0:router# configure  
Enters global configuration mode.
```

Step 2 **key chain** *key-chain-name*

Example:

```
RP/0//CPU0:router(config)# key chain isis-keys  
Creates a name for the keychain.
```

Step 3 **accept-tolerance** *value* [**infinite**]

Example:

```
RP/0//CPU0:router(config-isis-keys)# accept-tolerance infinite
```

Configures an accept tolerance limit—duration for which an expired or soon-to-be activated keys can be used for validating received packets—for a key that is used by a peer.

- Use the *value* argument to set the tolerance range in seconds. The range is from 1 to 8640000.
- Use the **infinite** keyword to specify that an accept key is always acceptable and validated when used by a peer.

Step 4 **commit**

Commits the configuration changes and remains within the configuration session.

Configure Key Identifier for Keychain

This task configures a key identifier for the keychain.

You can create or modify the key for the keychain.

SUMMARY STEPS

1. **configure**
2. **key chain** *key-chain-name*
3. **key** *key-id*
4. **commit**

DETAILED STEPS

Step 1 **configure**

Example:

```
RP/0/RP0/CPU0:router# configure
```

Enters global configuration mode.

Step 2 **key chain** *key-chain-name*

Example:

```
RP/0//CPU0:router(config)# key chain isis-keys
```

Creates a name for the keychain.

Step 3 **key** *key-id*

Example:

```
RP/0//CPU0:router(config-isis-keys)# key 8
```

Creates a key for the keychain. The key ID has to be unique within the specific keychain.

- Use the *key-id* argument as a 48-bit integer.

Step 4 **commit**

Commits the configuration changes and remains within the configuration session.

Configure Text for Key String

This task configures the text for the key string.

SUMMARY STEPS

1. **configure**

2. **key chain** *key-chain-name*
3. **key** *key-id*
4. **key-string** [**clear** | **password**] *key-string-text*
5. Use the **commit** or **end** command.

DETAILED STEPS

Step 1 **configure**

Example:

```
RP/0/RP0/CPU0:router# configure
```

Enters global configuration mode.

Step 2 **key chain** *key-chain-name*

Example:

```
RP/0//CPU0:router(config)# key chain isis-keys
```

Creates a name for the keychain.

Step 3 **key** *key-id*

Example:

```
RP/0//CPU0:router(config-isis-keys)# key 8
```

```
RP/0//CPU0:router(config-isis-keys-0x8)#
```

Creates a key for the keychain.

Step 4 **key-string** [**clear** | **password**] *key-string-text*

Example:

```
RP/0//CPU0:router(config-isis-keys-0x8)# key-string password 8
```

Specifies the text string for the key.

- Use the **clear** keyword to specify the key string in clear text form; use the **password** keyword to specify the key in encrypted form.

Step 5 Use the **commit** or **end** command.

commit —Saves the configuration changes and remains within the configuration session.

end —Prompts user to take one of these actions:

- **Yes** — Saves configuration changes and exits the configuration session.
 - **No** —Exits the configuration session without committing the configuration changes.
 - **Cancel** —Remains in the configuration session, without committing the configuration changes.
-

Determine Valid Keys

This task determines the valid keys for local applications to authenticate the remote peers.

SUMMARY STEPS

1. **configure**
2. **key chain** *key-chain-name*
3. **key** *key-id*
4. **accept-lifetime** *start-time* [**duration** *duration-value* | **infinite** | *end-time*]
5. Use the **commit** or **end** command.

DETAILED STEPS

Step 1 **configure**

Example:

```
RP/0/RP0/CPU0:router# configure
Enters global configuration mode.
```

Step 2 **key chain** *key-chain-name*

Example:

```
RP/0/RP0/CPU0:router(config)# key chain isis-keys
Creates a a name for the keychain.
```

Step 3 **key** *key-id*

Example:

```
RP/0/RP0/CPU0:router(config-isis-keys)# key 8
RP/0/RP0/CPU0:router(config-isis-keys-0x8)#
Creates a key for the keychain.
```

Step 4 **accept-lifetime** *start-time* [**duration** *duration-value* | **infinite** | *end-time*]

Example:

```
RP/0/RP0/CPU0:router(config-isis-keys)# key 8
RP/0/RP0/CPU0:router(config-isis-keys-0x8)# accept-lifetime 1:00:00 october 24 2005 infinite
```

(Optional) Specifies the validity of the key lifetime in terms of clock time. You can specify the *start-time* and *end-time* in *hh:mm:ss month DD YYYY* format or *hh:mm:ss DD month YYYY* format.

Step 5 Use the **commit** or **end** command.

commit —Saves the configuration changes and remains within the configuration session.

end —Prompts user to take one of these actions:

- **Yes** — Saves configuration changes and exits the configuration session.

- **No** —Exits the configuration session without committing the configuration changes.
- **Cancel** —Remains in the configuration session, without committing the configuration changes.

Configure Keys to Generate Authentication Digest for Outbound Application Traffic

This task configures the keys to generate authentication digest for the outbound application traffic.

SUMMARY STEPS

1. **configure**
2. **key chain** *key-chain-name*
3. **key** *key-id*
4. **send-lifetime** *start-time* [**duration** *duration-value* | **infinite** | *end-time*]
5. Use the **commit** or **end** command.

DETAILED STEPS

Step 1 **configure**

Example:

```
RP/0/RP0/CPU0:router# configure
```

Enters global configuration mode.

Step 2 **key chain** *key-chain-name*

Example:

```
RP/0/RP0/CPU0:router(config)# key chain isis-keys
```

Creates a name for the keychain.

Step 3 **key** *key-id*

Example:

```
RP/0/RP0/CPU0:router(config-isis-keys)# key 8
```

```
RP/0/RP0/CPU0:router(config-isis-keys-0x8)#
```

Creates a key for the keychain.

Step 4 **send-lifetime** *start-time* [**duration** *duration-value* | **infinite** | *end-time*]

Example:

```
RP/0/RP0/CPU0:router(config-isis-keys)#key 8
```

```
RP/0/RP0/CPU0:router(config-isis-keys-0x8)# send-lifetime 1:00:00 october 24 2005 infinite
```

(Optional) Specifies the set time period during which an authentication key on a keychain is valid to be sent. You can specify the validity of the key lifetime in terms of clock time.

In addition, you can specify a start-time value and one of the following values:

- **duration** keyword (seconds)
- **infinite** keyword
- *end-time* argument

If you intend to set lifetimes on keys, Network Time Protocol (NTP) or some other time synchronization method is recommended.

Step 5 Use the **commit** or **end** command.

commit —Saves the configuration changes and remains within the configuration session.

end —Prompts user to take one of these actions:

- **Yes** — Saves configuration changes and exits the configuration session.
- **No** —Exits the configuration session without committing the configuration changes.
- **Cancel** —Remains in the configuration session, without committing the configuration changes.

Configure Cryptographic Algorithm

This task allows the keychain configuration to accept the choice of the cryptographic algorithm.

From Cisco IOS XR Software Release 7.2.1 and later, you must follow the below guidelines while configuring the key chain. These are applicable only for FIPS mode (that is, when **crypto fips-mode** is configured).

- You must configure the session with a FIPS-approved cryptographic algorithm. A session configured with non-approved cryptographic algorithm for FIPS (such as, **MD5** and **HMAC-MD5**) does not work. This is applicable for OSPF, BGP, RSVP, ISIS, or any application using key chain with non-approved cryptographic algorithm.
- If you are using any **HMAC-SHA** algorithm for a session, then you must ensure that the configured *key-string* has a minimum length of 14 characters. Otherwise, the session goes down.

SUMMARY STEPS

1. **configure**
2. **key chain** *key-chain-name*
3. **key** *key-id*
4. **cryptographic-algorithm** [**HMAC-MD5** | **HMAC-SHA1-12** | **HMAC-SHA1-20** | **MD5** | **SHA-1** | **AES-128-CMAC-96** | **HMAC-SHA-256** | **HMAC-SHA1-96**]
5. Use the **commit** or **end** command.

DETAILED STEPS

Step 1 **configure****Example:**

```
RP/0/RP0/CPU0:router# configure
```

Enters global configuration mode.

Step 2 **key chain** *key-chain-name***Example:**

```
RP/0/RP0/CPU0:router(config)# key chain isis-keys  
RP/0/RP0/CPU0:router(config-isis-keys)#
```

Creates a name for the keychain.

Step 3 **key** *key-id***Example:**

```
RP/0/RP0/CPU0:router(config-isis-keys)# key 8  
RP/0/RP0/CPU0:router(config-isis-keys-0x8)#
```

Creates a key for the keychain.

Step 4 **cryptographic-algorithm** [**HMAC-MD5** | **HMAC-SHA1-12** | **HMAC-SHA1-20** | **MD5** | **SHA-1** | **AES-128-CMAC-96** | **HMAC-SHA-256** | **HMAC-SHA1-96**]**Example:**

```
RP/0/RP0/CPU0:router(config-isis-keys-0x8)# cryptographic-algorithm MD5
```

Specifies the choice of the cryptographic algorithm. You can choose from the following list of algorithms:

- HMAC-MD5
- HMAC-SHA1-12
- HMAC-SHA1-20
- MD5
- SHA-1
- HMAC-SHA-256
- HMAC-SHA1-96
- AES-128-CMAC-96

The routing protocols each support a different set of cryptographic algorithms:

- Border Gateway Protocol (BGP) supports HMAC-MD5, HMAC-SHA1-12, HMAC-SHA1-96 and AES-128-CMAC-96.
- Intermediate System-to-Intermediate System (IS-IS) supports HMAC-MD5, SHA-1, MD5, AES-128-CMAC-96, HMAC-SHA-256, HMAC-SHA1-12, HMAC-SHA1-20, and HMAC-SHA1-96.

- Open Shortest Path First (OSPF) supports MD5, HMAC-MD5, HMAC-SHA-256, HMAC-SHA1-12, HMAC-SHA1-20, and HMAC-SHA1-96.

Step 5 Use the **commit** or **end** command.

commit —Saves the configuration changes and remains within the configuration session.

end —Prompts user to take one of these actions:

- **Yes** — Saves configuration changes and exits the configuration session.
- **No** —Exits the configuration session without committing the configuration changes.
- **Cancel** —Remains in the configuration session, without committing the configuration changes.

Lifetime of Key

If you are using keys as the security method, you must specify the lifetime for the keys and change the keys on a regular basis when they expire. To maintain stability, each party must be able to store and use more than one key for an application at the same time. A keychain is a sequence of keys that are collectively managed for authenticating the same peer, peer group, or both.

Keychain management groups a sequence of keys together under a keychain and associates each key in the keychain with a lifetime.



Note Any key that is configured without a lifetime is considered invalid; therefore, the key is rejected during configuration.

The lifetime of a key is defined by the following options:

- **Start-time**—Specifies the absolute time.
- **End-time**—Specifies the absolute time that is relative to the start-time or infinite time.

Each key definition within the keychain must specify a time interval for which that key is activated; for example, lifetime. Then, during a given key's lifetime, routing update packets are sent with this activated key. Keys cannot be used during time periods for which they are not activated. Therefore, we recommend that for a given keychain, key activation times overlap to avoid any period of time for which no key is activated. If a time period occurs during which no key is activated, neighbor authentication cannot occur; therefore, routing updates can fail.

Multiple keychains can be specified.



CHAPTER 6

Configure MACSec

This module describes how to configure Media Access Control Security (MACSec) encryption on the NCS 5500 Network Convergence System Routers. MACSec is a Layer 2 IEEE 802.1AE standard for encrypting packets between two MACSec-capable routers.

- [Understanding MACSec Encryption, on page 159](#)
- [MKA Authentication Process, on page 160](#)
- [MACsec Frame Format, on page 161](#)
- [Advantages of Using MACsec Encryption, on page 161](#)
- [Hardware Support Matrix for MacSec, on page 161](#)
- [MACsec PSK, on page 166](#)
- [Fallback PSK, on page 166](#)
- [Configuring and Verifying MACsec Encryption , on page 167](#)
- [Creating a MACsec Keychain, on page 167](#)
- [Creating a User-Defined MACsec Policy, on page 174](#)
- [Applying MACsec Configuration on an Interface, on page 177](#)
- [MACsec Policy Exceptions, on page 179](#)
- [Verifying MACsec Encryption on IOS XR, on page 181](#)
- [Verifying MACsec Encryption on NCS 5500, on page 193](#)
- [MACsec SecY Statistics, on page 196](#)

Understanding MACSec Encryption

Security breaches can occur at any layer of the OSI model. At Layer 2, some of the common breaches are MAC address spoofing, ARP spoofing, Denial of Service (DoS) attacks against a DHCP server, and VLAN hopping.

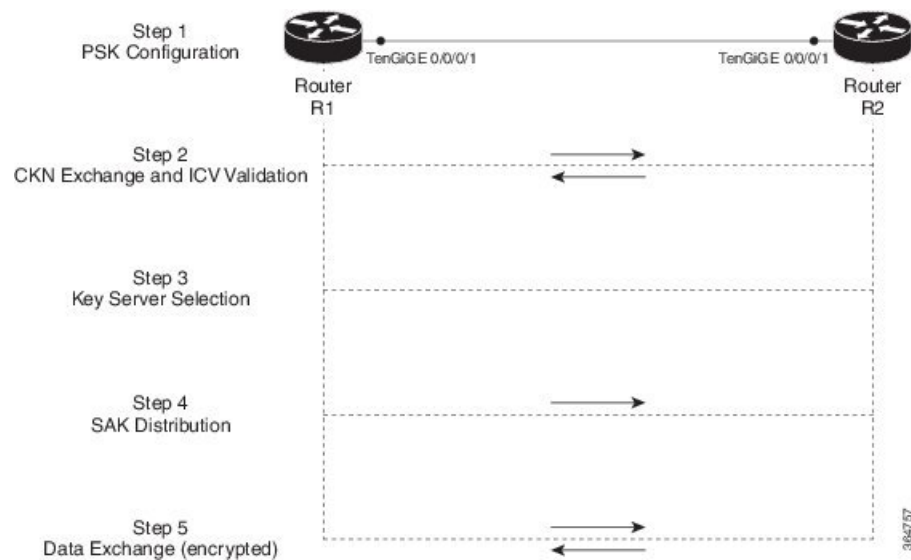
MACSec secures data on physical media, making it impossible for data to be compromised at higher layers. As a result, MACSec encryption takes priority over any other encryption method such as IPsec and SSL at higher layers. MACSec is configured on the Customer Edge (CE) router interfaces that connect to Provider Edge (PE) routers and on all the provider router interfaces.

MKA Authentication Process

MACsec provides the secure MAC Service on a frame-by-frame basis, using GCM-AES algorithm. MACsec uses the MACsec Key Agreement protocol (MKA) to exchange session keys, and manage encryption keys.

The MACsec encryption process is illustrated in the following figure and description.

Figure 5: MKA Encryption Process



Step 1: When a link is first established between two routers, they become peers. Mutual peer authentication takes place by configuring a Pre-shared Key (PSK).

Step 2: On successful peer authentication, a connectivity association is formed between the peers, and a secure Connectivity Association Key Name (CKN) is exchanged. After the exchange, the MKA ICV is validated with a Connectivity Association Key (CAK), which is effectively a secret key.

Step 3: A key server is selected between the routers, based on the configured key server priority. Lower the priority value, higher the preference for the router to become the key server. If no value is configured, the default value of 16 is taken to be the key server priority value for the router. Lowest priority value configures that router as the key server, while the other router functions as a key client. The following rules apply to key server selection:

- Numerically lower values of key server priority and SCI are accorded the highest preference.
- Each router selects a peer advertising the highest preference as its key server provided that peer has not selected another router as its key server or is not willing to function as the key server.
- In the event of a tie for highest preferred key server, the router with the highest priority SCI is chosen as key server (KS).

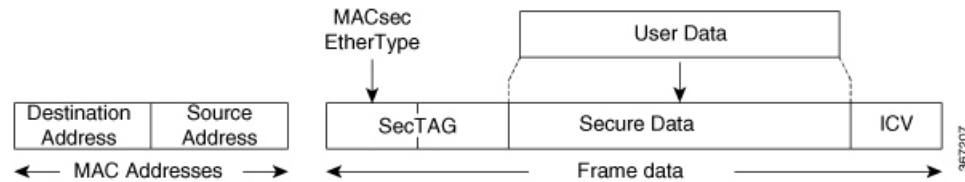
Step 4: A security association is formed between the peers. The key server generates and distributes the Secure Association Key (SAK) to the key client (peer). Each secure channel is supported by an overlapped sequence of Security Associations (SA). Each SA uses a new Secure Association Key (SAK).

Step 5: Encrypted data is exchanged between the peers.

MACsec Frame Format

The MACsec header in a frame consists of three components as illustrated in the following figure.

Figure 6: MACsec Frame Format



- **SecTAG:** The security tag is 8-16 bytes in length and identifies the SAK to be used for the frame. With Secure Channel Identifier (SCI) encoding, the security tag is 16 bytes in length, and without the encoding, 8 bytes in length (SCI encoding is optional). The security tag also provides replay protection when frames are received out of sequence.
- **Secure Data:** This is the data in the frame that is encrypted using MACsec and can be 2 or more octets in length.
- **ICV:** The ICV provides the integrity check for the frame and is usually 8-16 bytes in length, depending on the cipher suite. Frames that do not match the expected ICV are dropped at the port.

Advantages of Using MACsec Encryption

- **Data Integrity Check:** Integrity check value (ICV) is used to perform integrity check. The ICV is sent with the protected data unit and is recalculated and compared by the receiver to detect data modification.
- **Data Encryption:** Enables a port to encrypt outbound frames and decrypt MACsec-encrypted inbound frames.
- **Replay Protection:** When frames are transmitted through the network, there is a strong possibility of frames getting out of the ordered sequence. MACsec provides a configurable window that accepts a specified number of out-of-sequence frames.
- **Support for Clear Traffic:** If configured accordingly, data that is not encrypted is allowed to transit through the port.

Hardware Support Matrix for MacSec

The MACSec support on Cisco NCS 5500 Series Routers and NCS 5700 Series Routers is compatible with the following platform models, line cards (LCs), modular port adapters (MPAs), and small form-factor pluggables (SFPs).

Platform Models

The following platform models support MACSec:

Table 19: Cisco NCS 5500 Series Routers: Supported Modular Chassis for MACSec

| Platform Model | Introduced Release for MACSec Support |
|----------------|---------------------------------------|
| NCS 5504 | Release 6.3.1 |
| NCS 5516 | Release 6.1.3 |
| NCS 5508 | Release 6.0 |

Table 20: Cisco NCS 5500 Series Routers: Supported Fixed Chassis for MACSec

| Platform Model | Introduced Release for MACSec Support |
|-------------------|---------------------------------------|
| NCS-55A1-24Q6H-SS | Release 7.2.1 |
| NCS-55A1-24Q6H-S | Release 6.6.2 |
| NCS-55A1-48Q6H | Release 6.6.2 |
| NC55A2-MOD-SE-H-S | Release 6.6.1 |
| NCS-55A2-MOD-SE-S | Release 6.6.1 |
| NCS-55A2-MOD-S | Release 6.6.1 |
| NCS-55A2-MOD-HD-S | Release 6.6.1 |
| NCS-55A2-MOD-HX-S | Release 6.6.1 |
| NCS-55A1-36H-SE-S | Release 6.3.2 |
| NCS-55A1-36H-S | Release 6.2.2 |

Table 21: Cisco NCS 5700 Series Routers: Supported Fixed Chassis for MACSec

| Platform Model | Introduced Release for MACSec Support |
|-------------------|---------------------------------------|
| NCS-57B1-5DSE-SYS | Release 7.6.1 |
| NCS-57B1-6D24-SYS | Release 7.6.1 |
| NCS-57C1-48Q6-SYS | Release 7.5.2 |
| NCS-57C3-MOD-SYS | Release 7.4.1 |
| NCS-57C3-MODS-SYS | Release 7.4.1 |

Line Cards

The following line cards support MACSec:

Table 22: Cisco NCS 5500 Series Routers: Supported Line Cards for MACSec

| Line Card | Introduced Release for MACSec Support |
|----------------------|----------------------------------------------|
| NC55-32T16Q4H-A | Release 7.7.1 |
| NC55-MOD-A-SE-S Base | Release 6.6.1
(only for base) |
| NC55-MOD-A-S Base | Release 6.6.1
(only for base) |
| NC55-6x200-DWDM-S | Release 6.2.2
(MACSec on all ports) |
| NC55-36x100G-S | Release 6.1.3
(MACSec on all ports) |

Table 23: Cisco NCS 5700 Series Routers: Supported Line Cards for MACSec

| Line Card | Introduced Release for MACSec Support |
|------------------|----------------------------------------------|
| NC57-48Q2D-SE-S | Release 7.10.1 |
| NC57-48Q2D-S | Release 7.10.1 |
| NC57-36H6D-S | Release 7.3.2
Release 7.4.1 |
| NC57-MOD-S Base | Release 7.6.1
(only for base) |

MPAs

The following MPAs support MACSec:

Table 24: Cisco NCS 5500 Series and 5700 Series Routers: Supported MPAs for MACSec

| MPA | Hardware in Which Support is Introduced | Introduced Release for MACSec Support |
|----------------|----------------------------------------------------------------------------------------------------|---------------------------------------|
| NC55-MPA-12T-S | NCS-57C3-MODS-S
NCS-57C3-MODS-SE-S | Release 7.4.1 |
| | NC57-MOD-S | Release 7.6.1 |
| | NCS-55A2-MOD-S
NCS-55A2-MOD-SE-S
NCS-55A2-MOD-HD-S
NCS-55A2-MOD-HX-S
NC55A2-MOD-SE-H-S | Release 6.6.1 |
| | NC55-MOD-A-S
NC55-MOD-A-SE-S | Release 6.6.1 |
| | NCS-57C3-MODS-S
NCS-57C3-MODS-SE-S | Release 7.4.1 |
| NC55-MPA-2TH-S | NC57-MOD-S | Release 7.6.1 |
| | NCS-55A2-MOD-S
NCS-55A2-MOD-SE-S
NCS-55A2-MOD-HD-S
NCS-55A2-MOD-HX-S
NC55A2-MOD-SE-H-S | Release 6.6.1 |
| | NC55-MOD-A-S
NC55-MOD-A-SE-S | Release 6.6.1 |
| | NCS-57C3-MODS-S
NCS-57C3-MODS-SE-S | Release 7.4.1 |
| | NC57-MOD-S | Release 7.6.1 |

| MPA | Hardware in Which Support is Introduced | Introduced Release for MACSec Support |
|------------------|----------------------------------------------------------------------------------------------------|----------------------------------------------|
| NC55-MPA-1TH2H-S | NCS-57C3-MODS-S
NCS-57C3-MODS-SE-S | Release 7.4.1 |
| | NC57-MOD-S | Release 7.6.1 |
| | NCS-55A2-MOD-S
NCS-55A2-MOD-SE-S
NCS-55A2-MOD-HD-S
NCS-55A2-MOD-HX-S
NC55A2-MOD-SE-H-S | Release 6.6.1 |
| | NC55-MOD-A-S
NC55-MOD-A-SE-S | Release 6.6.1 |
| | | |
| NC55-MPA-4H-S | NCS-57C3-MODS-S
NCS-57C3-MODS-SE-S | Release 7.4.1 |
| | NC57-MOD-S | Release 7.6.1 |
| | NCS-55A2-MOD-S
NCS-55A2-MOD-SE-S
NCS-55A2-MOD-HD-S
NCS-55A2-MOD-HX-S
NC55A2-MOD-SE-H-S | Release 6.6.1 |
| | NC55-MOD-A-S
NC55-MOD-A-SE-S | Release 6.6.1 |
| | | |
| NC57-MPA-2D4H-S | NCS-55A2-MOD-S
NCS-55A2-MOD-SE-S
NCS-55A2-MOD-HD-S
NCS-55A2-MOD-HX-S
NC55A2-MOD-SE-H-S | Release 7.5.1 |
| | NCS-57C3-MOD-S
NCS-57C3-MOD-SE-S | Release 7.5.1 |
| | NC57-MOD-S | Release 7.6.1 |
| | | |
| | | |

| MPA | Hardware in Which Support is Introduced | Introduced Release for MACSec Support |
|----------------|-----------------------------------------|---------------------------------------|
| NC57-MPA-12L-S | NCS-57C3-MOD-S | Release 7.6.1 |
| | NCS-57C3-MOD-SE-S | |
| | NC57-MOD-S | Release 7.6.1 |

MACsec PSK

A pre-shared key includes a connectivity association key name (CKN) and a connectivity association key (CAK). A pre-shared key is exchanged between two devices at each end of a point-to-point link to enable MACsec using static CAK security mode. The MACsec Key Agreement (MKA) protocol is enabled after the pre-shared keys are successfully verified and exchanged. The pre-shared keys, the CKN and CAK, must match on both ends of a link.

For more information on MACsec PSK configuration, see [Step 3, on page 178](#) of the [Applying MACsec Configuration on an Interface, on page 177](#) section.

Fallback PSK

Fallback is a session recovery mechanism when primary PSK fails to bring up secured MKA session. It ensures that a PSK is always available to perform MACsec encryption and decryption.

- In CAK rollover of primary keys, if latest active keys are mismatched, system performs a hitless rollover from current active key to fallback key, provided the fallback keys match.
- If a session is up with fallback, and primary latest active key configuration mismatches are rectified between peers, system performs a hitless rollover from fallback to primary latest active key.



Note A valid Fallback PSK (CKN and CAK) must be configured with infinite lifetime. If the fallback PSK is configured with CAK mismatch, the only recovery mechanism is to push a new set of PSK configurations (both on fallback PSK keychain and primary PSK chain in that order) on all the association members.

The following is a sample syslog for session secured with fallback PSK:

```
%L2-MKA-5-SESSION_SECURED_WITH_FALLBACK_PSK : (Hu0/1/0/0) MKA session secured, CKN:ABCD
```

For more information on MACsec fallback PSK configuration, see [Step 3, on page 178](#) of the [Applying MACsec Configuration on an Interface, on page 177](#) section.

Active Fallback

The Cisco IOS XR Software Release 7.1.2 introduces the support for active fallback feature that initiates a fallback MKA session on having fallback configuration under the interface.

The key benefits of active fallback feature are:

- Faster session convergence on fallback, in the event of primary key deletion, expiry or mismatch.

- Faster traffic recovery under should-secure security policy when both primary and fallback mismatch happens.

With the introduction of active fallback functionality, the output of various MACsec show commands include the fallback PSK entry as well. If the session is secured with primary key, the fallback session will be in ACTIVE state. See, [Verifying MACsec Encryption on IOS XR, on page 181](#) for details and sample outputs.



Note If the peer device is running on an older release that does not support active fallback feature, you must configure the **enable-legacy-fallback** command under the macsec-policy to ensure backward compatibility.

Configuring and Verifying MACsec Encryption

MACsec can be configured on physical ethernet interfaces or member links of the interface bundles, as explained in this section.

The following section describes procedures for configuring and verifying MACsec configuration in the described deployment modes.

Prior to configuring MACsec on a router interface the MACsec keychain must be defined. If you apply the MACsec keychain on the router without specifying a MACsec policy, the default policy is applied. A default MACsec policy is pre-configured with default values. If you need to change any of the pre-configured values, create a different MACsec policy.

Configuring MACsec involves the following steps:

1. Creating a MACsec keychain
2. Creating a user-defined MACsec policy
3. Applying MACsec configuration on physical interfaces

Creating a MACsec Keychain

A MACsec keychain is a collection of keys used to authenticate peers needing to exchange encrypted information. While creating a keychain, we define the key(s), key string with password, the cryptographic algorithm, and the key lifetime.

| MACsec Keychain Keyword | Description |
|-------------------------|------------------------------------------------------------------------------------------------------------------------------------------------------------------------------------------------|
| Key | The MACsec key or the CKN can be up to 64 characters in length. The key must be of an even number of characters. Entering an odd number of characters will exit the MACsec configuration mode. |
| Key-string | The MACsec key-string or the CAK can be either 32 characters or 64 characters in length (32 for AES-128, 64 for AES-256). |

| MACsec Keychain Keyword | Description |
|-------------------------|-------------------------------------------------------------------------------------------------------------------------------------------------------------------------|
| Lifetime | This field specifies the validity period of a key. It includes a start time, and an expiry time. We recommend you to set the value for expiry time as <i>infinite</i> . |

Guidelines for Configuring MACsec Keychain

MACsec keychain management has the following configuration guidelines:

- To establish MKA session, ensure that the MACsec key (CKN) and key-string (CAK) match at both ends.
- MKA protocol uses the latest active key available in the Keychain. This key has the latest Start Time from the existing set of currently active keys. You can verify the values using the **show key chain keychain-name** command.
- Deletion or expiry of current active key brings down the MKA session resulting in traffic hit. We recommend you to configure the keys with infinite lifetime. If fallback is configured, traffic is safeguarded using fallback on expiry or deletion of primary-keychain active key.
- To achieve successful key rollover (CAK-rollover), the new key should be configured such that it is the latest active key, and kicks-in before the current key expires.
- We recommend an overlap of at least one minute for hitless CAK rollover from current key to new key.
- Start time and Expiry time can be configured with future time stamps, which allows bulk configuration for daily CAK rotation without any intervention of management agent.
- From Cisco IOS XR Software Release 7.1.2 Release 7.2.1 and later, the MACsec key IDs (configured through CLI using the **macsec key** command under the key chain configuration mode) are considered to be case insensitive. These key IDs are stored as uppercase letters. For example, a key ID of value 'FF' and of value 'ff' are considered to be the same, and both these key IDs are now stored in uppercase as 'FF'. Whereas, prior to Release 7.1.2, both these values were treated as case sensitive, and hence considered as two separate key IDs. Hence it is recommended to have unique strings as key IDs for a MACsec key chain to avoid flapping of MACsec sessions. However, the support for this case insensitive IDs is applicable only for the configurations done through CLI, and not for configurations done through Netconf protocol.

Also, it is recommended to do a prior check of the MACsec key IDs before upgrading to Release 7.1.2 Release 7.2.1 or later.

Consider a scenario where two MACsec key IDs with the same set of characters (say, ff and FF) are configured under the same key chain.

```
key chain 1
  macsec
    key ff
      lifetime 02:01:01 may 18 2020 infinite
    !
    key FF
      lifetime 01:01:01 may 18 2020 infinite
```

When you upgrade to Release 7.1.2 Release 7.2.1 or later, only one of these key IDs is retained. That is 'FF', the one that was applied second in this example.

- With NC55-MPA-12T-S MPA, you might experience a traffic drop in these scenarios:
 - A commit replace scenario where multiple MACsec configurations are applied across ports.
 - A process restart (say, in a SMU installation scenario) which results in MACsec rekeying on all the ports.
 - If there are multiple MACsec ports with the same rekey timeout.

SUMMARY STEPS

1. Enter the global configuration mode and provide a name for the MACsec keychain; for example, mac_chain.
2. Enter the MACsec mode.
3. Provide a name for the MACsec key.
4. Enter the key string and the cryptographic algorithm to be used for the key.
5. Enter the validity period for the MACsec key (CKN) also known as the lifetime period.
6. Commit your configuration.

DETAILED STEPS

Step 1 Enter the global configuration mode and provide a name for the MACsec keychain; for example, mac_chain.

Example:

```
RP/0/RP0/CPU0:router(config)# key chain mac_chain
```

Step 2 Enter the MACsec mode.

Example:

```
RP/0/RP0/CPU0:router(config-mac_chain)#macsec
```

Step 3 Provide a name for the MACsec key.

The key can be up to 64 characters in length. The key must be of an even number of characters. Entering an odd number of characters will exit the MACsec configuration mode.

Example:

```
RP/0/RP0/CPU0:router(config-mac_chain-MacSec)#key 1234abcd5678
```

You can also configure a fall-back pre-shared key(PSK) to ensure that a PSK is always available to perform MACsec encryption and decryption. The fallback PSK along with the primary PSK ensures that the session remains active even if the primary PSK is mismatched or there is no active key for the primary PSK.

The configured key is the CKN that is exchanged between the peers.

See the guidelines section to know more about the need for a unique key ID for a MACsec key chain.

Note If you are configuring MACsec to interoperate with a MACsec server that is running software prior to Cisco IOS XR Release 6.1.3, then ensure that the MACsec key length is of 64 characters. You can add extra zero characters to the MACsec key so that the length of 64-characters is achieved. If the key length is lesser than 64 characters, authentication will fail.

Step 4 Enter the key string and the cryptographic algorithm to be used for the key.

Example:

The key string is the CAK that is used for ICV validation by the MKA protocol.

! For AES 128-bit encryption

```
RP/0/RP0/CPU0:router(config-mac_chain-MacSec-1234abcd5678)#  
key-string 12345678123456781234567812345678 cryptographic-algorithm AES-128-CMAC
```

! For AES 256-bit encryption

```
RP/0/RP0/CPU0:router(config-mac_chain-MacSec-1234abcd5678)#  
key-string 1234567812345678123456781234567812345678123456781234567812345678 cryptographic  
-algorithm AES-256-CMAC
```

Note In this example, we have used the AES 256-bit encryption algorithm, and therefore, the key string is 64 hexadecimal characters in length. A 256-bit encryption algorithm uses a larger key that requires more rounds of hacking to be cracked. 256-bit algorithms provide better security against large mass security attacks, and include the security provided by 128-bit algorithms.

Step 5 Enter the validity period for the MACsec key (CKN) also known as the lifetime period.

The lifetime period can be configured, with a duration in seconds, as a validity period between two dates (for example, Jan 01 2014 to Dec 31 2014), or with infinite validity.

The key is valid from the time you configure (in HH:MM:SS format). Duration is configured in seconds.

Example:

```
RP/0/RP0/CPU0:router(config- mac_chain-MacSec-1234abcd5678)#lifetime 05:00:00 01  
January 2015 duration 1800
```

An example of configuring the lifetime for a defined period:

```
RP/0/RP0/CPU0:router(config-mac_chain-MacSec-1234abcd5678)#lifetime 05:00:00 20  
february 2015 12:00:00 30 september 2015
```

An example of configuring the lifetime as infinite:

```
RP/0/RP0/CPU0:router(config-mac_chain-MacSec-1234abcd5678)#lifetime  
05:00:00 01 January 2015 infinite
```

Note When a key has expired, the MACsec session is torn down and running the **show macsec mka session** command does not display any information. If you run the **show macsec mka interface detail** command, the output displays ***** No Active Keys Present ***** in the PSK information.

Step 6 Commit your configuration.

Example:

```
RP/0/RP0/CPU0:router (config-mac_chain-MacSec-1234abcd5678)#commit
```

This completes the configuration of the MACsec keychain.

Securing the MACsec Pre-shared Key (PSK) Using Type 6 Password Encryption

Using the Type 6 password encryption feature, you can securely store MACsec plain text key string (CAK) in Type 6 encrypted format.

The primary key is the password or key used to encrypt all plain text MACsec key strings (CAK) in the router configuration with the use of an Advance Encryption Standard (AES) symmetric cipher. The primary key is not stored in the router configuration and cannot be seen or obtained in any way while connected to the router.

The Type 6 password encryption is effective only if a primary key is configured. The Type 6 Password Encryption is currently available on NCS-55A1-36H-SE-S Router.

Configuring a Primary Key and Enabling the Type 6 Password Encryption Feature

You can configure a primary key for Type 6 encryption and enable the Advanced Encryption Standard (AES) password encryption feature for securing the MACsec keys (key string/CAK).

SUMMARY STEPS

1. **key config-key password-encryption [delete]**
2. **configure terminal**
3. **[no] password6 encryption aes**
4. **commit**

DETAILED STEPS

| | Command or Action | Purpose |
|--------|-------------------------------------------------------------------------------------------------------------------------------------------------------------------------------------------------------------------------------------------------------------------------------------------------------------------------------------------------------------------------------------------------------------------------------------------------------------------------------|---------------------------------------------------------------------------------------------------------------------------------------------------------------------------------------------------------------------------------------------------------------------------------------------------------------------------------------------------------------------------------------------------------------------------------------------------------------------------------------------------------------------------------------------------------------------------------------------------------------------------|
| Step 1 | <p>key config-key password-encryption [delete]</p> <p>Example:</p> <p>Configuring a Primary Key</p> <pre>Router# key config-key password-encryption New password Requirements: Min-length 6, Max-length 64 Characters restricted to [A-Z][a-z][0-9] Enter new key : Enter confirm key :</pre> <p>Example:</p> <p>Modifying the Primary Key</p> <pre>Router# key config-key password-encryption New password Requirements: Min-length 6, Max-length</pre> | <p>Configuring a Primary Key</p> <p>Configures a primary key to be used with the Type 6 password encryption feature. The primary key can contain between 6 and 64 alphanumeric characters.</p> <p>Modifying the Primary Key</p> <p>If a primary key is already configured, you are prompted to enter the current primary key before entering a new primary key.</p> <p>Modifying a primary key would re-encrypt all the existing Type 6 format key strings with the new primary key. If Type 6 key strings are present, ensure that the password6 configuration aes command is present to enable</p> |

| | Command or Action | Purpose |
|---------------|------------------------------------------------------------------------------------------------------------------------------------------------------------------------------------------------------------------|-----------------------------------------------------------------------------------------------------------------------------------------------------------------------------------------------------------------------------------------------------------------------------------------------------------------------------------------------------------------------------------------------------------------------------------------------------------------------------------------------------------------------------------------------------------------------------------------------------------------------------------------------------------------------------------------------------------------------------------------------------------------------------------------------------------------------------------------------|
| | <pre> 64 Characters restricted to [A-Z][a-z][0-9] Enter old key : Enter new key : Enter confirm key : Example: Deleting the Primary Key Router# key config-key password-encryption delete </pre> | <p>re-encryption with the new primary key. Otherwise, the primary key update operation fails.</p> <p>Deleting the Primary Key</p> <p>You can use the delete form of this command to delete the primary key at any time.</p> <p>Note Before deleting the primary key, password6 encryption aes command needs to be disabled using the no password6 encryption aes command followed by configuring the commit command.</p> <p>Caution Primary key deletion would bring down MACSec traffic if MKA sessions were up with Type 6 keys. To avoid traffic disruptions, configure a new set of PSK key pairs [key (CKN) and key string (CAK)] with latest timestamps with the lifetime of infinite validity on both the peers and ensure the successful CAK rekey to the newly configured CKN and CAK.</p> |
| Step 2 | <p>configure terminal</p> <p>Example:</p> <pre> Router# configure terminal Router(config)# </pre> | Enters global configuration mode. |
| Step 3 | <p>[no] password6 encryption aes</p> <p>Example:</p> <pre> Router(config)# password6 encryption aes </pre> | <p>Enables or disables the Type 6 password encryption feature.</p> <p>If you enable the Type 6/AES password encryption feature before configuring a primary key, password encryption will not take place.</p> |
| Step 4 | <p>commit</p> <p>Example:</p> <pre> Router(config)# commit </pre> | Use the commit command to save the configuration changes to the running configuration file and remain within the configuration session. |

Example

Configuring MACSec Pre-shared Key (PSK)

Before you begin

Ensure that you have configured a primary key using the **key config-key password-encryption** command and enabled the Type 6 encryption feature using the **password6 encryption aes** command.

SUMMARY STEPS

1. **configure terminal**
2. **key chain** *key chain name* **macsec**
3. **key** *hex string of even length and max 64 bytes*
4. **key-string** *hex string of length 32 bytes or 64 bytes* **cryptographic-algorithm** {**aes-128-cmac** | **aes-256-cmac**}
5. **lifetime** {*hh:mm:ss*} {*1-31*} **month year** **infinite**
6. **commit**
7. **show running-config key chain** *keychain name*

DETAILED STEPS

| | Command or Action | Purpose |
|--------|------------------------------------------------------------------------------------------------------------------------------------------------------------------------------------------------------------------------------------------------------------------------------------------------------------------------------------------------------------------------------------------------------------------------------------------------------------------------------------------------------------------------------------------------|-------------------------------------------------------------------------------------------------------------------------------------------------------------------------------------------------------------------------------------|
| Step 1 | configure terminal
Example:
<pre>Router# configure terminal Router(config)#</pre> | Enters global configuration mode. |
| Step 2 | key chain <i>key chain name</i> macsec
Example:
<pre>Router(config)# key chain kcl macsec Router(config-kcl-MacSec)#</pre> | Configures a key chain with the MACsec submode. |
| Step 3 | key <i>hex string of even length and max 64 bytes</i>
Example:
<pre>Router(config-kcl-MacSec)# key 1111 Router(config-kcl-MacSec-1111)#</pre> | Configures MACsec CKN as hex string of even length upto 64 bytes.
Caution Configuring a hex string of odd number length exits from the MACsec submode. In that case, repeat from Step2 to enter the MACsec submode again. |
| Step 4 | key-string <i>hex string of length 32 bytes or 64 bytes</i> cryptographic-algorithm { aes-128-cmac aes-256-cmac }
Example:
Configuring 32 byte hex CAK
<pre>Router(config-kcl-MacSec-1111)# key-string 12345678901234567890123456789022 cryptographic-algorithm aes-128-cmac</pre> Example:
Configuring 64 byte hex CAK
<pre>Router(config-kcl-MacSec-1111)# key-string 1234567890123456789012345678902212345678901234567890123456789022 cryptographic-algorithm aes-256-cmac</pre> | Configures a plain text CAK of 32 byte hex string or 64 byte hex string with corresponding MKA (control plane) cryptographic algorithm (aes-128-cmac/ aes-256-cmac). |
| Step 5 | lifetime { <i>hh:mm:ss</i> } { <i>1-31</i> } month year infinite
Example: | Configures a valid lifetime for MACsec PSK.
Note Without configuring a valid lifetime, MACsec PSK will be an inactive key. |

| | Command or Action | Purpose |
|---------------|---------------------------------------------------------------------------------------------------------------------------------------------------------------------------------------------------------------------------------------------------------------------------------------------------------------------------------------------------------------------------------------------------------------------------------------------------------------------|------------------------------------------------------------------------------------------------------------------------------------------------|
| | Router(config-kc1-MacSec-1111)#
lifetime 00:00:00 1 january 2017 infinite | |
| Step 6 | commit

Example:
Router(config)# commit | Use the commit command to save the configuration changes to the running configuration file and remain within the configuration session. |
| Step 7 | show running-config key chain <i>keychain name</i>

Example:
Router# show running-config key chain kc1
key chain kc1
macsec
key 1111
key-string password6

5d63525a58594657565e6845446842465965554862424c5

95d696554694a424c59655f504a575e6648484c484b4646
535d49675e535a60644e6045654a655f666858414142
cryptographic-algorithm aes-128-cmac
lifetime 00:00:00 january 01 2017 infinite

!
!
! | [Optional] Displays the Type 6 encrypted key string. |

Example

Creating a User-Defined MACsec Policy

SUMMARY STEPS

1. Enter the global configuration mode, and enter a name (`mac_policy`) for the MACsec policy.
2. Configure the cipher suite to be used for MACsec encryption.
3. Configure the confidentiality offset for MACsec encryption.
4. Enter the key server priority.
5. Configure the security policy parameters, either Must-Secure or Should-Secure.
6. Configure data delay protection under MACsec policy.
7. Configure the replay protection window size.
8. Configure the ICV for the frame arriving on the port.
9. Commit your configuration and exit the global configuration mode.
10. Confirm the MACsec policy configuration.

DETAILED STEPS

Step 1 Enter the global configuration mode, and enter a name (`mac_policy`) for the MACsec policy.

Example:

```
RP/0/RP0/CPU0:router# configure
RP/0/RP0/CPU0:router(config)# macsec-policy mac_policy
```

Step 2 Configure the cipher suite to be used for MACsec encryption.

Example:

```
RP/0/RP0/CPU0:router(config-mac_policy)# cipher-suite GCM-AES-XPN-256
RP/0/RP0/CPU0:router(config-mac_policy)#GCM-AES-128
GCM-AES-256
GCM-AES-XPN-128
GCM-AES-XPN-256
```

Note In this example, we have used the GCM-AES-XPN-256 encryption algorithm. A 256-bit encryption algorithm uses a larger key that requires more rounds of hacking to be cracked. 256-bit algorithms provide better security against large mass security attacks, and include the security provided by 128-bit algorithms. Extended Packet Numbering (XPN) is used to reduce the number of key rollovers while data is sent over high speed links. It is therefore highly recommended to use GCM-AES-XPN-256 encryption algorithm for higher data ports.

Step 3 Configure the confidentiality offset for MACsec encryption.

Example:

```
RP/0/RP0/CPU0:router(config-mac_policy)# conf-offset CONF-OFFSET-30
```

Note We recommend to change the offset value of the **conf-offset** *<offset_value>* command (MACsec encryption command) in Cisco NCS 5500 fixed port routers only when the port is in **admin down** state (that is, when the interface is shut down). Changing the offset value otherwise may result in traffic loss.

Step 4 Enter the key server priority.

You can enter a value between 0-255. Lower the value, higher the preference to be selected as the key server.

In this example, a value of 0 configures the router as the key server, while the other router functions as a key client. The key server generates and maintains the SAK between the two routers. The default key server priority value is 16.

Example:

```
RP/0/RP0/CPU0:router(config-mac_policy)# key-server-priority 0
```

Step 5 Configure the security policy parameters, either Must-Secure or Should-Secure.

Must-Secure: Must-Secure imposes only MACsec encrypted traffic to flow. Hence, until MKA session is not secured, traffic will be dropped.

Example:

```
RP/0/RP0/CPU0:router(config-mac_policy)# security-policy must-secure
```

Should-Secure: Should-Secure allows unencrypted traffic to flow until MKA session is secured. After the MKA session is secured, Should-Secure policy imposes only encrypted traffic to flow.

Example:

```
RP/0/RP0/CPU0:router(config-mac_policy)# security-policy should-secure
```

Table 25: MACsec Security Policies

| MKA | | Secured MKA Session | Unsecured MKA Session |
|-----------------|---------------|---------------------|-----------------------------------|
| Security Policy | Must-secure | Encrypted traffic | Traffic drop (no Tx and no Rx) |
| | Should-secure | Encrypted traffic | Plain text or unencrypted traffic |

Step 6 Configure data delay protection under MACsec policy.

Data delay protection allows MKA participants to ensure that the data frames protected by MACsec are not delayed by more than 2 seconds. Each SecY uses MKA to communicate the lowest PN used for transmission with the SAK within two seconds. Traffic delayed longer than 2 seconds are rejected by the interfaces enabled with delay protection.

By default, the data delay protection feature is disabled. Configuring the **delay-protection** command under MACsec-policy attached to MACsec interface will enable the data delay protection feature on that interface.

Note Data delay protection is not supported on Cisco NCS 5700 series fixed port routers and the Cisco NCS 5500 series routers that have the Cisco NC57 line cards installed and operating in the native and compatible modes.

It is also not supported on ports 0 to 31 of NC55-32T16Q4H-A.

Example:

```
RP/0/RP0/CPU0:router# configure terminal
RP/0/RP0/CPU0:router(config)# macsec-policy mp1
RP/0/RP0/CPU0:router(config-macsec-policy)# delay-protection
RP/0/RP0/CPU0:router(config-macsec-policy)# commit
```

Verification:

The following show command output verifies that the data delay protection feature is enabled.

Example:

```
RP/0/RP0/CPU0:router# show macsec mka session interface GigabitEthernet 0/1/0/1 detail
MKA Policy Name      : mp1
Key Server Priority   : 16
Delay Protection     : TRUE
Replay Window Size   : 64
Confidentiality Offset : 0
Algorithm Agility    : 80C201
SAK Cipher Suite     : (NONE)
MACsec Capability    : 3 (MACsec Integrity, Confidentiality, & Offset)
MACsec Desired       : YES
```

Step 7 Configure the replay protection window size.

Example:

```
RP/0/RP0/CPU0:router(config-mac_policy)# window-size 64
```

This dictates the maximum out-of-sequence frames that are accepted. You can configure a value between 0 and 1024.

Step 8 Configure the ICV for the frame arriving on the port.

Example:

```
RP/0/RP0/CPU0:router(config-mac_policy)# include-icv-indicator
```

This parameter configures inclusion of the optional ICV Indicator as part of the transmitted MACsec Key Agreement PDU (MKPDU). This configuration is necessary for MACsec to interoperate with routers that run software prior to IOS XR version 6.1.3. This configuration is also important in a service provider WAN setup where MACsec interoperates with other vendor MACsec implementations that expect ICV indicator to be present in the MKPDU.

Step 9 Commit your configuration and exit the global configuration mode.

Example:

```
RP/0/RP0/CPU0:router(config-mac_policy)# exit
RP/0/RP0/CPU0:router(config)# commit
RP/0/RP0/CPU0:router(config)# exit
```

Step 10 Confirm the MACsec policy configuration.

Example:

```
RP/0/RP0/CPU0:router# show running-config macsec-policy

macsec-policy mac_policy
conf-offset CONF-OFFSET-30
security-policy must-secure
window-size 64
cipher-suite GCM-AES-XPN-256
key-server-priority 0
include-icv-indicator
```

This completes the configuration of the MACsec policy.



Note

- Small packets might be dropped when Data Delay Protection (DDP) is enabled on many MACsec enabled interfaces of a scaled setup. To avoid this, enable DDP only on the interfaces which are absolutely necessary.
 - For Cisco NCS 5500 Series Routers to interoperate with Cisco ASR9000 Series Routers that are older than Release 6.2.3, configure a user defined MACsec policy with the `policy-exception lacp-in-clear` command to bring up the MKA sessions over bundle interfaces running in LACP modes.
-

Applying MACsec Configuration on an Interface

The MACsec service configuration is applied to the host-facing interface of a CE router.

Guidelines for MACsec Interface Configuration

Following are the guidelines for configuring MACsec interface:

- Configure different keychains for primary and fallback PSKs.
- We do not recommend to update both primary and fallback PSKs simultaneously, because fallback PSK is intended to recover MACsec session on primary key mismatch.

- Although the MACsec **capol destination-address broadcast-address** command under the interface configuration mode is present and configurable on Cisco NCS 5500 Series Routers, the functionality is not yet supported.
- When using MACsec, we recommend you adjust the maximum transmission unit (MTU) of an interface to accommodate the MACsec overhead. Configuring MTU value on an interface allows protocols to do MTU negotiation including MACsec overhead. For instance, if the default MTU is 1514 bytes, configure the MTU to 1546 bytes (1514 + 32).
- The minimum MTU for IS-IS protocol on the MACsec interface is 1546 bytes.
- For enabling MACsec on bundle members :
 - We recommend configuring the maximum possible MTU on the bundle interface.
 - The MTU configurations must account for the maximum packet size of the protocols running on the bundle interface and 32 bytes of MACsec overhead.
 - For IS-IS protocol running on the bundle interface, hello-padding must be disabled.

Before you begin

The requirements for enabling IS-IS on a MACsec-configured interface are:

- The minimum MTU for IS-IS to work with MACsec is 1546.
- On IS-IS instances that are running on bundle interface with MACsec enabled members, ensure that `hello-padding disable` is configured under the IS-IS configuration.

SUMMARY STEPS

1. Enter the global configuration mode.
2. Enter the interface configuration mode.
3. Apply the MACsec configuration on an interface.
4. Commit your configuration.

DETAILED STEPS

Step 1 Enter the global configuration mode.

Example:

```
RP/0/RP0/CPU0:router# configure
```

Step 2 Enter the interface configuration mode.

Example:

```
RP/0/RP0/CPU0:router(config)# interface Te0/3/0/1/4
```

Step 3 Apply the MACsec configuration on an interface.

MACsec PSK Configuration

To apply MACsec PSK configuration on an interface, use the following command.

Example:


```
RP/0/RP0/CPU0:router(config-if)# macsec psk-keychain mac_chain policy mac_policy
RP/0/RP0/CPU0:router(config-if)# exit
```

To apply MACsec configuration on a physical interface without the MACsec policy, use the following command.

Example:

```
RP/0/RP0/CPU0:router(config-if)# macsec psk-keychain script_key_chain2
RP/0/RP0/CPU0:router(config-if)# exit
```

MACsec Fallback PSK Configuration

To apply MACsec configuration on a physical interface with a fallback PSK, use the following command.

Example:

```
RP/0/RP0/CPU0:router(config-if)# macsec psk-keychain mac_chain fallback-psk-keychain fallback_mac_chain
policy mac_policy
RP/0/RP0/CPU0:router(config-if)# exit
```

It is optional to configure a fallback PSK. If a fallback PSK is configured, the fallback PSK along with the primary PSK ensures that the session remains active even if the primary PSK is mismatched, or there is no active key for the primary PSK.

Step 4 Commit your configuration.

Example:

```
RP/0/RP0/CPU0:router(config)# commit
```

MACsec Policy Exceptions

By default, the MACsec security policy uses **must-secure** option, that mandates data encryption. Hence, the packets cannot be sent in clear-text format. To optionally bypass the MACsec encryption or decryption for Link Aggregation Control Protocol (LACP) packets, and to send the packets in clear-text format, use the **policy-exception lACP-in-clear** command in macsec-policy configuration mode. This functionality is beneficial in scenarios such as, in a network topology with three nodes, where bundles are terminated at the middle node, whereas MACsec is terminated at the end nodes.

This MACsec policy exception is also beneficial in interoperability scenarios where the node at the other end expects the data packets to be in clear text.

From Cisco IOS XR Software Release 7.3.1 and later, an alternative option, **allow**, is introduced under the macsec-policy configuration mode, that allows packets to be sent in clear-text format. You can use the **allow lACP-in-clear** command for LACP packets.

How to Create MACsec Policy Exception



Note The **policy-exception lacp-in-clear** command under macsec-policy configuration mode is deprecated. Hence, it is recommended to use the **allow lacp-in-clear** command instead, to allow LACP packets in clear-text format.

Configuration Example

Using the **policy-exception** command:

```
Router#configure
Router(config)#macsec-policy test-macsec-policy
Router(config-macsec-policy)#policy-exception lacp-in-clear
Router(config-macsec-policy)#commit
```

Using the **allow** command:

```
Router#configure
Router(config)#macsec-policy test-macsec-policy
Router(config-macsec-policy)#allow lacp-in-clear
Router(config-macsec-policy)#commit
```

Running Configuration

With the **policy-exception** command:

```
Router#show run macsec-policy test-macsec-policy
macsec-policy test-macsec-policy
  policy-exception lacp-in-clear
  security-policy should-secure
  include-icv-indicator
  sak-rekey-interval seconds 120
!
```

With the **allow** command:

```
Router#show run macsec-policy test-macsec-policy
macsec-policy test-macsec-policy
  allow lacp-in-clear
  security-policy should-secure
  include-icv-indicator
  sak-rekey-interval seconds 120
!
```

Associated Commands

- **policy-exception lacp-in-clear**
- **allow lacp-in-clear**

Verifying MACsec Encryption on IOS XR

MACsec encryption on IOS XR can be verified by running relevant commands in the Privileged Executive Mode. The verification steps are the same for MACsec encryption on L2VPN or L3VPN network.



Note With the introduction of active fallback functionality in Cisco IOS XR Software Release 7.1.2, the output of various MACsec show commands include the fallback PSK entry as well.

To verify if MACsec encryption has been correctly configured, follow these steps.

SUMMARY STEPS

1. Verify the MACsec policy configuration.
2. Verify the MACsec configuration on the respective interface.
3. Verify whether the interface of the router is peering with its neighbor after MACsec configuration. The MACsec PSK validation detects inconsistency or mismatch of primary and fallback keys (CAK) being used by MKA, allowing operators to rectify the mismatch.
4. Verify whether the MKA session is secured with MACsec on the respective interface.
5. Verify the MACsec session counter statistics.

DETAILED STEPS

Step 1 Verify the MACsec policy configuration.

Example:

```
RP/0/RP0/CPU0:router#show macsec policy mac_policy
```

```
=====
Policy      Cipher      Key-Svr      Window  Conf
name       Suite       Priority     Size   Offset
=====
```

```
mac_policy GCM-AES-XPB-256 0          64      30
```

If the values you see are different from the ones you configured, then check your configuration by running the **show run macsec-policy** command.

Step 2 Verify the MACsec configuration on the respective interface.

You can verify the MACsec encryption on the configured interface bundle (MPLS network).

Example:

Before the introduction of active fallback functionality:

```
RP/0/RP0/CPU0:router#show macsec mka summary

NODE: node0_0_CPU0

=====
Interface      Status      Cipher Suite      KeyChain
=====
Fo0/0/0/1/0   Secured    GCM-AES-XPN-256   mac_chain

Total MACSec Sessions : 1
    Secured Sessions : 1
    Pending Sessions : 0

RP/0/RP0/CPU0:router# show macsec mka session interface Fo0/0/0/1/0
```

```
=====
Interface      Local-TxSCI      # Peers      Status      Key-Server
=====
Fo0/0/0/1/0    d46d.5023.3709/0001    1      Secured      YES
```

With the introduction of active fallback functionality:

The following is a sample output that displays active fallback PSK entry as well:

```
RP/0/RP0/CPU0:router#show macsec mka summary

NODE: node0_0_CPU0

=====
Interface-Name  Status      Cipher-Suite      KeyChain      PSK/EAP      CKN
=====
Fo0/0/0/1/0    Secured    GCM-AES-XPN-128   test2          PRIMARY       5555
Fo0/0/0/1/0    Active     GCM-AES-XPN-128   test2f         FALLBACK      5556

Total MACSec Sessions : 2
    Secured Sessions : 1
    Pending Sessions : 0
    Active Sessions : 1
```

```
RP/0/RP0/CPU0:router#show macsec mka session interface Fo0/0/0/1/0

=====
Interface-Name  Local-TxSCI      #Peers  Status  Key-Server  PSK/EAP  CKN
=====
Fo0/0/0/1/0    d46d.5023.3709/0001    1      Secured  YES        PRIMARY   5555
Fo0/0/0/1/0    d46d.5023.3709/0001    1      Active   YES        FALLBACK  5556
```

The **Status** field in the output confirms that the respective interface is **Secured**. If MACsec encryption is not successfully configured, you will see a status such as **Pending** or **Init**.

Run the **show run macsec-policy** command in the privileged executive mode to troubleshoot the configuration entered.

Step 3

Verify whether the interface of the router is peering with its neighbor after MACsec configuration. The MACsec PSK validation detects inconsistency or mismatch of primary and fallback keys (CAK) being used by MKA, allowing operators to rectify the mismatch.

Example:

The **show macsec mka session interface interface detail** command carries the Peer Validation status in the **Peer CAK** field. The values of this field can be either *Match* or *Mismatch*.

Before the introduction of active fallback functionality:

The following show command output verifies that the primary and fallback keys (CAK) are matched on both peer ends.

```

• RP/0/RP0/CPU0:router#show macsec mka session detail
Peers Status:
  Last Tx MKPDU      : 2017 Sep 02 11:24:52.369
  Peer Count        : 1
  RxSCI             : 008A960060900001
  MI                : C2213E81C953A202C08DB999
  Peer CAK          : Match
  Latest Rx MKPDU   : 2017 Sep 02 11:24:53.360
Fallback Data:
  CKN               : ABCD
  MI                : 84E724B4BA07CE414FEA84EF
  MN               : 8
Peers Status:
  Last Tx MKPDU      : 2017 Sep 02 11:24:52.369
  Peer Count        : 1
  RxSCI             : 008A960060900001
  MI                : D2B902453F90389BD3385F84
  Peer CAK          : Match
  Latest Rx MKPDU   : 2017 Sep 02 11:24:53.360

```

• Syslog

```

%L2-MKA-6-MKPDU_ICV_SUCCESS: (Hu0/5/0/1), ICV verification success for RxSCI(008a.9600.6090/0001),
CKN(1000)
%L2-MKA-6-FALLBACK_PSK_MKPDU_ICV_SUCCESS: (Hu0/5/0/1), ICV verification success for
RxSCI(008a.9600.6090/0001), CKN(FFFF)

```

The following show command output verifies that the primary and fallback keys (CAK) are mismatched on both peer ends.

```

• RP/0/RP0/CPU0:router#show macsec mka session detail
Peers Status:
  Last Tx MKPDU      : 2017 Sep 02 11:24:52.369
  Peer Count        : 1
  RxSCI             : 008A960060900001
  MI                : C2213E81C953A202C08DB999
  Peer CAK          : Mismatch
  Latest Rx MKPDU   : 2017 Sep 02 11:24:53.360
Fallback Data:
  CKN               : ABCD
  MI                : 84E724B4BA07CE414FEA84EF
  MN               : 8
Peers Status:
  Last Tx MKPDU      : 2017 Sep 02 11:24:52.369
  Peer Count        : 1
  RxSCI             : 008A960060900001
  MI                : D2B902453F90389BD3385F84
  Peer CAK          : Mismatch
  Latest Rx MKPDU   : 2017 Sep 02 11:24:53.360

```

• Syslog

```

%L2-MKA-3-MKPDU_ICV_FAILURE: (Hu0/5/0/1), ICV verification failed for RxSCI(008a.9600.6090/0001),
CKN(1111)
%L2-MKA-3-FALLBACK_PSK_MKPDU_ICV_FAILURE: (Hu0/5/0/1), ICV verification failed for
RxSCI(008a.9600.6090/0001), CKN(9999)

```

The **#Peers** field in the following output confirms the presence of the peer you have configured on the physical interface, **Fo0/0/0/1/0**. If the number of peers is not reflected accurately in this output, run the **show run** command and verify the peer configuration on the interface.

```
RP/0/RP0/CPU0:router#show macsec mka session
```

```
NODE: node0_0_CPU0
```

```
=====
Interface      Local-TxSCI          # Peers  Status  Key-Server
=====
Fo0/0/0/1/0   001d.e5e9.aa39/0005  1        Secured YES
=====
```

Note If the MKA session status is shown as **Secured** with **0 (Zero)** peer count, this means that the link is locally secured (Tx). This is because of MKA peer loss caused by **No Rx Packets (MKA Packet)** from that peer.

With the introduction of active fallback functionality:

The following show command output verifies that the primary and fallback keys (CAK) are matched on both peer ends.

```
• RP/0/RP0/CPU0:router#show macsec mka session detail
Tue May 18 13:21:54.608 UTC
NODE: node0_2_CPU0

MKA Detailed Status for MKA Session
=====
Status: Secured - Secured MKA Session with MACsec

Local Tx-SCI           : 008a.96d6.194c/0001
Local Tx-SSCI         : 2
Interface MAC Address  : 008a.96d6.194c
MKA Port Identifier    : 1
Interface Name         : Hu0/2/0/11
CAK Name (CKN)        : 2111
CA Authentication Mode : PRIMARY-PSK
Keychain              : test1
Member Identifier (MI) : 69B39E87B3CBA673401E9891
Message Number (MN)   : 162
Authenticator         : NO
Key Server            : YES
MKA Cipher Suite      : AES-128-CMAC
Configured MACSec Cipher Suite : GCM-AES-XPN-128
Key Distribution Mode  : SAK

Latest SAK Status     : Rx & Tx
Latest SAK AN         : 0
Latest SAK KI (KN)   : 69B39E87B3CBA673401E989100000001 (1)
Old SAK Status        : FIRST-SAK
Old SAK AN            : 0
Old SAK KI (KN)      : FIRST-SAK (0)

SAK Transmit Wait Time : 0s (Not waiting for any peers to respond)
SAK Retire Time        : 0s (No Old SAK to retire)
Time to SAK Rekey     : 551s
Time to exit suspension : NA

MKA Policy Name       : P12
Key Server Priority    : 20
Delay Protection       : TRUE
Replay Window Size    : 100
Include ICV Indicator  : TRUE
Confidentiality Offset : 0
Algorithm Agility     : 80C201
SAK Cipher Suite      : 0080C20001000003 (GCM-AES-XPN-128)
MACsec Capability     : 3 (MACsec Integrity, Confidentiality, & Offset)
MACsec Desired        : YES

# of MACsec Capable Live Peers      : 1
```

of MACsec Capable Live Peers Responded : 1

of MACSec Suspended Peers : 0

Live Peer List:

```
-----
          MI              MN              Rx-SCI              SSCI  KS-Priority
-----
42A78BD6243539E917B8C6B2      101      7061.7bea.1df4/0001      1      20
-----
```

Potential Peer List:

```
-----
          MI              MN              Rx-SCI              SSCI  KS-Priority
-----
```

Suspended Peer List:

```
-----
          Rx-SCI              SSCI
-----
```

Peers Status:

Last Tx MKPDU : 2021 May 18 13:21:54.347
Peer Count : 1

RxSCI : 70617BEA1DF40001
MI : 42A78BD6243539E917B8C6B2
Peer CAK : **Match**
Latest Rx MKPDU : 2021 May 18 13:21:54.574

MKA Detailed Status for MKA Session

=====

Status: Active - Marked Peer as Live (Waiting for SAK generation/distribution)

```
Local Tx-SCI : 008a.96d6.194c/0001
Local Tx-SSCI : 2
Interface MAC Address : 008a.96d6.194c
MKA Port Identifier : 1
Interface Name : Hu0/2/0/11
CAK Name (CKN) : 2000
CA Authentication Mode : FALLBACK-PSK
Keychain : test1f
Member Identifier (MI) : 8F59AD6021FA3E2D5F9E6231
Message Number (MN) : 160
Authenticator : NO
Key Server : YES
MKA Cipher Suite : AES-128-CMAC
Configured MACSec Cipher Suite : GCM-AES-XPn-128
Key Distribution Mode : SAK

Latest SAK Status : Rx & Tx
Latest SAK AN : 0
Latest SAK KI (KN) : 69B39E87B3CBA673401E989100000001 (1)
Old SAK Status : FIRST-SAK
Old SAK AN : 0
Old SAK KI (KN) : FIRST-SAK (0)

SAK Transmit Wait Time : 0s (Not waiting for any peers to respond)
SAK Retire Time : 0s (No Old SAK to retire)
Time to SAK Rekey : 551s
Time to exit suspension : NA

MKA Policy Name : P12
Key Server Priority : 20
Delay Protection : TRUE
```

```

Replay Window Size           : 100
Include ICV Indicator        : TRUE
Confidentiality Offset       : 0
Algorithm Agility            : 80C201
SAK Cipher Suite             : 0080C20001000003 (GCM-AES-XPB-128)
MACsec Capability            : 3 (MACsec Integrity, Confidentiality, & Offset)
MACsec Desired               : YES

# of MACsec Capable Live Peers      : 1
# of MACsec Capable Live Peers Responded : 0

# of MACSec Suspended Peers        : 0

Live Peer List:
-----
          MI              MN              Rx-SCI              SSCI  KS-Priority
-----
1BB9428C721F6EE3E538C942      99      7061.7bea.1df4/0001      1      20

Potential Peer List:
-----
          MI              MN              Rx-SCI              SSCI  KS-Priority
-----

Suspended Peer List:
-----
          Rx-SCI              SSCI
-----

Peers Status:
Last Tx MKPDU           : 2021 May 18 13:21:54.346
Peer Count              : 1

RxSCI                   : 70617BEA1DF40001
  MI                    : 1BB9428C721F6EE3E538C942
  Peer CAK              : Match
  Latest Rx MKPDU      : 2021 May 18 13:21:54.574
RP/0/RP0/CPU0:router#

```

The following show command output verifies that the primary and fallback keys (CAK) are mismatched on both peer ends.

```

• RP/0/RP0/CPU0:router#show macsec mka session detail
Tue May 18 13:37:21.473 UTC
NODE: node0_2_CPU0

MKA Detailed Status for MKA Session
=====
Status: Init - Searching for Peer (Waiting to receive first Peer MKPDU)

Local Tx-SCI            : 008a.96d6.194c/0001
Local Tx-SSCI          : 0
Interface MAC Address   : 008a.96d6.194c
MKA Port Identifier     : 1
Interface Name          : Hu0/2/0/11
CAK Name (CKN)         : 5555
CA Authentication Mode  : PRIMARY-PSK
Keychain                : test2
Member Identifier (MI)  : F124CAACB5D80F8976E03B9D
Message Number (MN)    : 158
Authenticator          : NO
Key Server              : YES
MKA Cipher Suite       : AES-128-CMAC

```



```

Configured MACSec Cipher Suite : GCM-AES-XPN-128
Key Distribution Mode          : NONE

Latest SAK Status             : No Rx, No Tx
Latest SAK AN                  : 0
Latest SAK KI (KN)            : FIRST-SAK-INITIALIZING (0)
Old SAK Status                 : FIRST-SAK
Old SAK AN                     : 0
Old SAK KI (KN)               : FIRST-SAK (0)

SAK Transmit Wait Time        : 0s (Not waiting for any peers to respond)
SAK Retire Time                : 0s (No Old SAK to retire)
Time to SAK Rekey              : NA
Time to exit suspension        : NA

MKA Policy Name                : P12
Key Server Priority            : 20
Delay Protection                : TRUE
Replay Window Size             : 100
Include ICV Indicator           : TRUE
Confidentiality Offset         : 0
Algorithm Agility              : 80C201
SAK Cipher Suite               : (NONE)
MACsec Capability              : 3 (MACsec Integrity, Confidentiality, & Offset)
MACsec Desired                 : YES

# of MACsec Capable Live Peers : 0
# of MACsec Capable Live Peers Responded : 0

# of MACSec Suspended Peers    : 0

Live Peer List:
-----
          MI                MN                Rx-SCI                SSCI  KS-Priority
-----

Potential Peer List:
-----
          MI                MN                Rx-SCI                SSCI  KS-Priority
-----

Suspended Peer List:
-----
          Rx-SCI                SSCI
-----

Peers Status:
Last Tx MKPDU          : 2021 May 18 13:37:21.061
Peer Count              : 1

RxSCI                  : 70617BEA1DF40001
MI                     : C816E45386574DF62D7D6A20
Peer CAK                : Mismatch
Latest Rx MKPDU        : 2021 May 18 13:37:21.189

MKA Detailed Status for MKA Session
=====
Status: Init - Searching for Peer (Waiting to receive first Peer MKPDU)

Local Tx-SCI           : 008a.96d6.194c/0001
Local Tx-SSCI          : 0
Interface MAC Address   : 008a.96d6.194c
MKA Port Identifier     : 1
Interface Name          : Hu0/2/0/11

```

```

CAK Name (CKN) : 5556
CA Authentication Mode : FALLBACK-PSK
Keychain : test2f
Member Identifier (MI) : 2D4A9EF08A211A9525C653E4
Message Number (MN) : 158
Authenticator : NO
Key Server : YES
MKA Cipher Suite : AES-128-CMAC
Configured MACSec Cipher Suite : GCM-AES-XPB-128
Key Distribution Mode : NONE

Latest SAK Status : No Rx, No Tx
Latest SAK AN : 0
Latest SAK KI (KN) : FIRST-SAK-INITIALIZING (0)
Old SAK Status : FIRST-SAK
Old SAK AN : 0
Old SAK KI (KN) : FIRST-SAK (0)

SAK Transmit Wait Time : 0s (Not waiting for any peers to respond)
SAK Retire Time : 0s (No Old SAK to retire)
Time to SAK Rekey : NA
Time to exit suspension : NA

MKA Policy Name : P12
Key Server Priority : 20
Delay Protection : TRUE
Replay Window Size : 100
Include ICV Indicator : TRUE
Confidentiality Offset : 0
Algorithm Agility : 80C201
SAK Cipher Suite : (NONE)
MACsec Capability : 3 (MACsec Integrity, Confidentiality, & Offset)
MACsec Desired : YES

# of MACsec Capable Live Peers : 0
# of MACsec Capable Live Peers Responded : 0

# of MACSec Suspended Peers : 0

Live Peer List:
-----
MI MN Rx-SCI SSCI KS-Priority
-----

Potential Peer List:
-----
MI MN Rx-SCI SSCI KS-Priority
-----

Suspended Peer List:
-----
Rx-SCI SSCI
-----

Peers Status:
Last Tx MKPDU : 2021 May 18 13:37:21.062
Peer Count : 1

RxSCI : 70617BEA1DF40001
MI : D413F4391CD32E9ED01C076F
Peer CAK : Mismatch
Latest Rx MKPDU : 2021 May 18 13:37:21.189

RP/0/RP0/CPU0:router#

```



```
RP/0/RP0/CPU0:router#show macsec mka session interface Fo0/0/0/1/0 detail Tue May 18 13:23:29.935
UTC
Tue May 18 13:23:29.935 UTC
```

```
MKA Detailed Status for MKA Session
```

```
=====  
Status: Secured - Secured MKA Session with MACsec
```

```
Local Tx-SCI           : 008a.96d6.194c/0001
Local Tx-SSCI          : 2
Interface MAC Address   : 008a.96d6.194c
MKA Port Identifier     : 1
Interface Name          : Hu0/2/0/11
CAK Name (CKN)         : 2111
CA Authentication Mode  : PRIMARY-PSK
Keychain                : test1
Member Identifier (MI)  : 69B39E87B3CBA673401E9891
Message Number (MN)    : 352
Authenticator           : NO
Key Server              : YES
MKA Cipher Suite        : AES-128-CMAC
Configured MACSec Cipher Suite : GCM-AES-XPN-128
Key Distribution Mode   : SAK

Latest SAK Status      : Rx & Tx
Latest SAK AN          : 0
Latest SAK KI (KN)    : 69B39E87B3CBA673401E989100000001 (1)
Old SAK Status         : FIRST-SAK
Old SAK AN             : 0
Old SAK KI (KN)       : FIRST-SAK (0)

SAK Transmit Wait Time : 0s (Not waiting for any peers to respond)
SAK Retire Time         : 0s (No Old SAK to retire)
Time to SAK Rekey      : 456s
Time to exit suspension : NA

MKA Policy Name        : P12
Key Server Priority     : 20
Delay Protection       : TRUE
Replay Window Size     : 100
Include ICV Indicator  : TRUE
Confidentiality Offset : 0
Algorithm Agility      : 80C201
SAK Cipher Suite        : 0080C20001000003 (GCM-AES-XPN-128)
MACsec Capability      : 3 (MACsec Integrity, Confidentiality, & Offset)
MACsec Desired         : YES
```

```
# of MACsec Capable Live Peers      : 1
```

```
# of MACsec Capable Live Peers Responded : 1
```

```
# of MACSec Suspended Peers         : 0
```

```
Live Peer List:
```

```
-----  
MI           MN           Rx-SCI           SSCI  KS-Priority  
-----  
42A78BD6243539E917B8C6B2    290    7061.7bea.1df4/0001    1      20
```

```
Potential Peer List:
```

```
-----  
MI           MN           Rx-SCI           SSCI  KS-Priority  
-----
```

```
Suspended Peer List:
```

```

-----
Rx-SCI          SSCI
-----

Peers Status:
Last Tx MKPDU   : 2021 May 18 13:23:29.588
Peer Count      : 1

RxSCI           : 70617BEA1DF40001
MI              : 42A78BD6243539E917B8C6B2
Peer CAK        : Match
Latest Rx MKPDU : 2021 May 18 13:23:29.847

MKA Detailed Status for MKA Session
=====
Status: Active - Marked Peer as Live (Waiting for SAK generation/distribution)

Local Tx-SCI           : 008a.96d6.194c/0001
Local Tx-SSCI          : 2
Interface MAC Address  : 008a.96d6.194c
MKA Port Identifier    : 1
Interface Name         : Hu0/2/0/11
CAK Name (CKN)        : 2000
CA Authentication Mode : FALLBACK-PSK
Keychain               : test1f
Member Identifier (MI) : 8F59AD6021FA3E2D5F9E6231
Message Number (MN)   : 350
Authenticator         : NO
Key Server             : YES
MKA Cipher Suite      : AES-128-CMAC
Configured MACSec Cipher Suite : GCM-AES-XPB-128
Key Distribution Mode  : SAK

Latest SAK Status     : Rx & Tx
Latest SAK AN         : 0
Latest SAK KI (KN)   : 69B39E87B3CBA673401E989100000001 (1)
Old SAK Status        : FIRST-SAK
Old SAK AN            : 0
Old SAK KI (KN)      : FIRST-SAK (0)

SAK Transmit Wait Time : 0s (Not waiting for any peers to respond)
SAK Retire Time        : 0s (No Old SAK to retire)
Time to SAK Rekey     : 456s
Time to exit suspension : NA

MKA Policy Name       : P12
Key Server Priority    : 20
Delay Protection       : TRUE
Replay Window Size    : 100
Include ICV Indicator : TRUE
Confidentiality Offset : 0
Algorithm Agility     : 80C201
SAK Cipher Suite      : 0080C20001000003 (GCM-AES-XPB-128)
MACsec Capability     : 3 (MACsec Integrity, Confidentiality, & Offset)
MACsec Desired        : YES

# of MACsec Capable Live Peers      : 1
# of MACsec Capable Live Peers Responded : 0

# of MACSec Suspended Peers         : 0

Live Peer List:
-----
MI              MN              Rx-SCI          SSCI  KS-Priority

```

```

-----
1BB9428C721F6EE3E538C942      288      7061.7bea.1df4/0001      1      20

Potential Peer List:
-----
                MI                MN                Rx-SCI                SSCI  KS-Priority
-----
Suspended Peer List:
-----
                Rx-SCI                SSCI
-----

Peers Status:
Last Tx MKPDU      : 2021 May 18 13:23:29.587
Peer Count         : 1

RxSCI              : 70617BEA1DF40001
  MI               : 1BB9428C721F6EE3E538C942
  Peer CAK         : Match
  Latest Rx MKPDU : 2021 May 18 13:23:29.847

```

```
RP/0/RP0/CPU0:router#
```

The **Status** field in the output verifies if the MKA session is secured with MACsec encryption. The output also displays information about the interface and other MACsec parameters.

Step 5 Verify the MACsec session counter statistics.

Example:

```
RP/0/RP0/CPU0:router# show macsec mka statistics interface Fo0/0/0/1/0
```

```

MKA Statistics for Session on interface (Fo0/0/0/1/0)
=====
Reauthentication Attempts.. 0

CA Statistics
Pairwise CAKs Derived... 0
Pairwise CAK Rekeys..... 0
Group CAKs Generated.... 0
Group CAKs Received..... 0

SA Statistics
SAKs Generated..... 3
SAKs Rekeyed..... 2
SAKs Received..... 0
SAK Responses Received.. 3

MKPDU Statistics
MKPDUs Transmitted..... 5425
"Distributed SAK".. 8
"Distributed CAK".. 0
MKPDUs Validated & Rx... 4932
"Distributed SAK".. 0
"Distributed CAK".. 0

MKA IDB Statistics
MKPDUs Tx Success..... 5425
MKPDUs Tx Fail..... 0
MKPDUS Tx Pkt build fail... 0
MKPDUs Rx CA Not found.... 0

```

```

MKPDUs Rx Error..... 0
MKPDUs Rx Success..... 4932

MKPDU Failures
  MKPDU Rx Validation (ICV)..... 0
  MKPDU Rx Bad Peer MN..... 0
  MKPDU Rx Non-recent Peerlist MN..... 0
  MKPDU Rx Drop SAKUSE, KN mismatch..... 0
  MKPDU Rx Drop SAKUSE, Rx Not Set..... 0
  MKPDU Rx Drop SAKUSE, Key MI mismatch.. 0
  MKPDU Rx Drop SAKUSE, AN Not in Use.... 0
  MKPDU Rx Drop SAKUSE, KS Rx/Tx Not Set. 0

SAK Failures
  SAK Generation..... 0
  Hash Key Generation..... 0
  SAK Encryption/Wrap..... 0
  SAK Decryption/Unwrap..... 0

```

The counters display the MACsec PDUs transmitted, validated, and received. The output also displays transmission errors, if any.

This completes the verification of MACsec encryption on the IOS-XR.

Verifying MACsec Encryption on NCS 5500

MACsec encryption on the router hardware can be verified by running relevant commands in the Privileged Executive Mode.

To verify if MACsec encryption has been correctly configured, follow these steps.

SUMMARY STEPS

1. Verify the MACsec encryption and hardware interface descriptor block (IDB) information on the interface.
2. Use the IDB handle retrieved from Step 1 to verify the platform hardware information.
3. Use the Transmitter SA retrieved from Step 2 to verify the MACsec SA information programmed in the hardware.
4. Verify the MACsec Secure Channel (SC) information programmed in the hardware.

DETAILED STEPS

Step 1 Verify the MACsec encryption and hardware interface descriptor block (IDB) information on the interface.

Example:

```

RP/0/RP0/CPU0:router# show macsec ea idb interface Fo0/0/0/1/0

IDB Details:
if_sname : Fo0/0/0/1/0
if_handle : 0x3480
Replay window size : 64
Local MAC : 00:1d:e5:e9:aa:39
Rx SC Option(s) : Validate-Frames Replay-Protect

```

```

Tx SC Option(s) : Protect-Frames Always-Include-SCI
Security Policy : MUST SECURE
Sectag offset : 8
Rx SC 1
Rx SCI : 001de5e9b1bf0019
Peer MAC : 00:1d:e5:e9:b1:bf
Stale : NO
SAK Data
SAK[0] : ***
SAK Len : 32
HashKey[0] : ***
HashKey Len : 16
Conf offset : 30
Cipher Suite : GCM-AES-XPB-256
CtxSalt[0] : 83 c3 7b ad 7b 6f 63 16 09 8f f3 d2
Rx SA Program Req[0]: 2015 Oct 09 15:20:53.082
Rx SA Program Rsp[0]: 2015 Oct 09 15:20:53.092

```

```

Tx SC
Tx SCI : 001de5e9aa39001a
Active AN : 0
Old AN : 255
Next PN : 1, 0, 0, 0
SAK Data
SAK[0] : ***
SAK Len : 32
HashKey[0] : ***
HashKey Len : 16
Conf offset : 30
Cipher Suite : GCM-AES-XPB-256
CtxSalt[0] : 83 c3 7b ae 7b 6f 63 16 09 8f f3 d2
Tx SA Program Req[0]: 2015 Oct 09 15:20:55.053
Tx SA Program Rsp[0]: 2015 Oct 09 15:20:55.064

```

The **if_handle** field provides the IDB instance location.

The **Replay window size** field displays the configured window size.

The **Security Policy** field displays the configured security policy.

The **Local Mac** field displays the MAC address of the router.

The **Peer Mac** field displays the MAC address of the peer. This confirms that a peer relationship has been formed between the two routers.

Step 2 Use the IDB handle retrieved from Step 1 to verify the platform hardware information.

Example:

```

RP/0/RP0/CPU0:router# show macsec platform hardware
idb location 0/0/CPU0 | b 3480

if_handle : 0x00003480
NPPort : 099 [0x063]
LdaPort : 016 [0x010] SerdesPort : 000 [0x000]
NetSoftPort : 061 [0x03d] SysSoftPort : 062 [0x03e]
Active AN : 0x00000000 Idle AN : 0x000000ff
Match-All Tx SA : 0x80010001 Match-All Rx SA : 0x00010001
Match-All Tx Flow : 0x80000003 Match-All Rx Flow : 0x00000003
Bypass Tx SA : 0x80000000 Bypass Rx SA : 0x00000000
Tx SA[0] : 0x80020002 Tx Flow[0] : 0x8000000c
Tx SA[1] : 0xffffffff Tx Flow[1] : 0xffffffff
Tx SA[2] : 0xffffffff Tx Flow[2] : 0xffffffff

```



```
Tx SA[3] : 0xffffffff Tx Flow[3] : 0xffffffff
Rx SA[0] : 0x00020002 Rx Flow[0] : 0x0000000c
Rx SA[1] : 0xffffffff Rx Flow[1] : 0xffffffff
Rx SA[2] : 0xffffffff Rx Flow[2] : 0xffffffff
Rx SA[3] : 0xffffffff Rx Flow[3] : 0xffffffff
```

Step 3 Use the Transmitter SA retrieved from Step 2 to verify the MACsec SA information programmed in the hardware.

Example:

```
RP/0/RP0/CPU0:router# show macsec platform hardware sa
0x80020002 interface Fo0/0/0/1/0 location 0/0/CPU0
```

```
MACsec HW SA Details:
Action Type : 0x00000003
Direction : Egress
Dest Port : 0x00000000
Conf Offset : 00000030
Drop Type : 0x00000002
Drop NonResvd : 0x00000000
SA In Use : YES
ConfProtect : YES
IncludeSCI : YES
ProtectFrame : YES
UseEs : NO
UseSCB : NO
SCI : 00 1d e5 e9 aa 39 00 05
Replay Window : 64 MacsecCryptoAlgo : 7
Direction : Egress AN : 0
AES Key Len : 256 X-Packet Number : 0x0000000000000000
CtxSalt : f8d88dc3e1c5e6a94ca2299
```

The output displays the details of the encryption, such as the AES key, the Auth key, and other parameters.

Step 4 Verify the MACsec Secure Channel (SC) information programmed in the hardware.

Example:

```
RP/0/RP0/CPU0:router# show macsec platform hardware msc
interface Fo0/0/0/1/0 location 0/0/CPU0
```

```
MACsec HW Cfg Details:
Mode : 0x5
Counter Clear on Read : 0x0
SA Fail Mask : 0xffff
Global SecFail Mask : 0xffffffff
Latency : 0xff
StaticBypass : 0x0
Should secure : 0x0
Global Frame Validation : 0x2
Ctrl Pkt CC Bypass : 0x1
NonCtrl Pkt CC Bypass : 0x1
Sequence Number Threshold : 0xbfffffb8
Sequence Number Threshold 64bit : 0x000002fffffffffd
Non Matching Non Control Pkts Programming
  Untagged : Bypass: 0x0 DestPort : 0x2, DropType : 0x2
  Tagged : Bypass: 0x0 DestPort : 0x2, DropType : 0x2
  BadTagged : Bypass: 0x0 DestPort : 0x2, DropType : 0x2
```

```

KayTagged : Bypass: 0x0 DestPort : 0x2, DropType : 0x2
Non Matching Control Pkts Programming
Untagged : Bypass: 0x1 DestPort : 0x2, DropType : 0xffffffff
Tagged : Bypass: 0x0 DestPort : 0x2, DropType : 0x2
BadTagged : Bypass: 0x0 DestPort : 0x2, DropType : 0x2
KayTagged : Bypass: 0x0 DestPort : 0x2, DropType : 0x2

```

This completes the verification of MACsec encryption on the router hardware.

This completes the configuration and verification of MACsec encryption.

MACsec SecY Statistics

The following methods are used to query MACsec SecY statistics such as, encryption, decryption, and the hardware statistics.

- CLI
- SNMP MIB

Querying SNMP Statistics Using CLI

The following example shows how to query SNMP statistics using a CLI. Use the **show macsec secy statistics interface *interface name*** command to display the MACsec SecY statistics details.

```

Router# show macsec secy statistics interface GigabitEthernet 0/1/0/0 SC
Interface Statistics
  InPktsUntagged      : 0
  InPktsNoTag         : 1
  InPktsBadTag        : 2
  InPktsUnknownSCI   : 3
  InPktsNoSCI         : 4
  InPktsOverrun       : 5
  InOctetsValidated   : 6
  InOctetsDecrypted   : 7
  OutPktsUntagged     : 8
  OutPktsTooLong      : 9
  OutOctetsProtected  : 10
  OutOctetsEncrypted  : 11
SC Statistics
TxSC Statistics
  OutPktsProtected    : 12
  OutPktsEncrypted    : 13
  OutOctetsProtected  : 14
  OutOctetsEncrypted  : 15
  OutPktsTooLong      : 16
TxSA Statistics
TxSA 0:
  OutPktsProtected    : 17
  OutPktsEncrypted    : 18
  NextPN              : 19
TxSA 1:
  OutPktsProtected    : 20
  OutPktsEncrypted    : 21
  NextPN              : 22
TxSA 2:
  OutPktsProtected    : 23

```

```

    OutPktsEncrypted : 24
    NextPN           : 25
TxSA 3:
    OutPktsProtected : 26
    OutPktsEncrypted : 27
    NextPN           : 28
RxSC Statistics
RxSC 1: 0
    InPktsUnchecked : 29
    InPktsDelayed   : 30
    InPktsLate      : 31
    InPktsOK        : 32
    InPktsInvalid   : 33
    InPktsNotValid  : 34
    InPktsNotUsingSA : 35
    InPktsUnusedSA  : 36
    InPktsUntaggedHit : 37
    InOctetsValidated : 38
    InOctetsDecrypted : 39
RxSA Statistics
RxSA 0:
    InPktsUnusedSA : 44
    InPktsNotUsingSA : 43
    InPktsNotValid : 42
    InPktsInvalid : 41
    InPktsOK : 40
    NextPN : 45
RxSA 1:
    InPktsUnusedSA : 50
    InPktsNotUsingSA : 49
    InPktsNotValid : 48
    InPktsInvalid : 47
    InPktsOK : 46
    NextPN : 51
RxSA 2:
    InPktsUnusedSA : 56
    InPktsNotUsingSA : 55
    InPktsNotValid : 54
    InPktsInvalid : 53
    InPktsOK : 52
    NextPN : 57
RxSA 3:
    InPktsUnusedSA : 62
    InPktsNotUsingSA : 61
    InPktsNotValid : 60
    InPktsInvalid : 59
    InPktsOK : 58
    NextPN : 63

```



Note Ideally, while displaying the MACsec SecY statistics, the hardware does not account the MKPDUs (MACsec control plane packets) in the *InPktsNoTag* counter. Whereas, for NC55-MPA-12T-S MPA, the MKPDU packets are considered as untagged packets, and are accounted in the *InPktsNoTag* counter. Hence, unlike for other PIDs, the *InPktsNoTag* counter increments for incoming MKPDUs in addition to untagged packets, for both Should-Secure and Must-Secure policy modes.

MACsec SNMP MIB (IEEE8021-SECY-MIB)

The IEEE8021-SECY-MIB provides Simple Network Management Protocol (SNMP) access to the MAC security entity (SecY) MIB running with IOS XR MACsec-enabled line cards. The IEEE8021-SECY-MIB is used to query on the SecY data, encryption, decryption, and the hardware statistics. The SecY MIB data is queried only on the Controlled Port.

The object ID of the IEEE8021-SECY-MIB is 1.0.8802.1.1.3. The IEEE8021-SECY-MIB contains the following tables that specifies the detailed attributes of the MACsec Controlled Port interface index.

Table 26: IEEE8021-SECY-MIB Table

| Tables | OID |
|----------------------|----------------------|
| secyIfTable | 1.0.8802.1.1.3.1.1.1 |
| secyTxSCTable | 1.0.8802.1.1.3.1.1.2 |
| secyTxSatable | 1.0.8802.1.1.3.1.1.3 |
| secyRxSCTable | 1.0.8802.1.1.3.1.1.4 |
| secyRxSatable | 1.0.8802.1.1.3.1.1.5 |
| secyCipherSuiteTable | 1.0.8802.1.1.3.1.1.6 |
| secyTxSAStatsTable | 1.0.8802.1.1.3.1.2.1 |
| secyTxSCStatsTable | 1.0.8802.1.1.3.1.2.2 |
| secyRxSAStatsTable | 1.0.8802.1.1.3.1.2.3 |
| secyRxSCStatsTable | 1.0.8802.1.1.3.1.2.4 |
| secyStatsTable | 1.0.8802.1.1.3.1.2.5 |

For more information, see the SecY IEEE MIB at the following URL:

<http://www.ieee802.org/1/files/public/MIBs/IEEE8021-SECY-MIB-200601100000Z.mib>

secyIfTable

The following table represents the system level information for each interface supported by the MAC security entity. The index tuple for this table is secyIfInterfaceIndex.

Table 27: secyIfTable

| Object | Object identifier |
|----------------------|------------------------|
| secyIfInterfaceIndex | 1.0.8802.1.1.3.1.1.1.1 |
| secyIfMaxPeerSCs | 1.0.8802.1.1.3.1.1.1.2 |
| secyIfRxMaxKeys | 1.0.8802.1.1.3.1.1.1.3 |
| secyIfTxMaxKeys | 1.0.8802.1.1.3.1.1.1.4 |

| Object | Object identifier |
|---------------------------|---------------------------|
| secyIfProtectFramesEnable | 1.0.8802.1.1.3.1.1.1.1.5 |
| secyIfValidateFrames | 1.0.8802.1.1.3.1.1.1.1.6 |
| secyIfReplayProtectEnable | 1.0.8802.1.1.3.1.1.1.1.7 |
| secyIfReplayProtectWindow | 1.0.8802.1.1.3.1.1.1.1.8 |
| secyIfCurrentCipherSuite | 1.0.8802.1.1.3.1.1.1.1.9 |
| secyIfAdminPt2PtMAC | 1.0.8802.1.1.3.1.1.1.1.10 |
| secyIfOperPt2PtMAC | 1.0.8802.1.1.3.1.1.1.1.11 |
| secyIfIncludeSCIEnable | 1.0.8802.1.1.3.1.1.1.1.12 |
| secyIfUseESEnable | 1.0.8802.1.1.3.1.1.1.1.13 |
| secyIfUseSCBEnable | 1.0.8802.1.1.3.1.1.1.1.14 |

secyTxSCTable

The following table provides information about the status of each transmitting SC supported by the MAC security entity. The index tuple for this table is secyIfInterfaceIndex.

Table 28: secyTxSCTable

| Object | Object identifier |
|-----------------------|--------------------------|
| secyTxSCI | 1.0.8802.1.1.3.1.1.2.1.1 |
| secyTxSCState | 1.0.8802.1.1.3.1.1.2.1.2 |
| secyTxSCEncodingSA | 1.0.8802.1.1.3.1.1.2.1.3 |
| secyTxSCEncipheringSA | 1.0.8802.1.1.3.1.1.2.1.4 |
| secyTxSCCreatedTime | 1.0.8802.1.1.3.1.1.2.1.5 |
| secyTxSCStartedTime | 1.0.8802.1.1.3.1.1.2.1.6 |
| secyTxSCStoppedTime | 1.0.8802.1.1.3.1.1.2.1.7 |

secyTxSatable

The following table provides information about the status of each transmitting SA supported by the MAC security entity. The index tuple for this table is: {secyIfInterfaceIndex, secyTxSA}.

Table 29: secyTxSATable

| Object | Object identifier |
|-------------------------|--------------------------|
| secyTxSA | 1.0.8802.1.1.3.1.1.3.1.1 |
| secyTxSAState | 1.0.8802.1.1.3.1.1.3.1.2 |
| secyTxSANextPN | 1.0.8802.1.1.3.1.1.3.1.3 |
| secyTxSAConfidentiality | 1.0.8802.1.1.3.1.1.3.1.4 |
| secyTxSASAKUnchanged | 1.0.8802.1.1.3.1.1.3.1.5 |
| secyTxSACreatedTime | 1.0.8802.1.1.3.1.1.3.1.6 |
| secyTxSAStartedTime | 1.0.8802.1.1.3.1.1.3.1.7 |
| secyTxSAStoppedTime | 1.0.8802.1.1.3.1.1.3.1.8 |

secyRxSCTable

The following table provides information about the status of each receiving SC supported by the MAC security entity. The index tuple for this table is: {secyIfInterfaceIndex, secyRxSCI}.

Table 30: secyRxSCTable

| Object | Object identifier |
|---------------------|--------------------------|
| secyRxSCI | 1.0.8802.1.1.3.1.1.4.1.1 |
| secyRxSCState | 1.0.8802.1.1.3.1.1.4.1.2 |
| secyRxSCCurrentSA | 1.0.8802.1.1.3.1.1.4.1.3 |
| secyRxSCCreatedTime | 1.0.8802.1.1.3.1.1.4.1.4 |
| secyRxSCStartedTime | 1.0.8802.1.1.3.1.1.4.1.5 |
| secyRxSCStoppedTime | 1.0.8802.1.1.3.1.1.4.1.6 |

secyRxSATable

The following table provides information about the status of each receiving SA supported by the MAC security entity. The index tuple for this table is: {secyIfInterfaceIndex, secyRxSCI, secyRxSA}.

Table 31: secyRxSATable

| Object | Object identifier |
|----------------|--------------------------|
| secyRxSA | 1.0.8802.1.1.3.1.1.5.1.1 |
| secyRxSAState | 1.0.8802.1.1.3.1.1.5.1.2 |
| secyRxSANextPN | 1.0.8802.1.1.3.1.1.5.1.3 |

| Object | Object identifier |
|-----------------------|--------------------------|
| secyRxSASAKUUnchanged | 1.0.8802.1.1.3.1.1.5.1.4 |
| secyRxSACreatedTime | 1.0.8802.1.1.3.1.1.5.1.5 |
| secyRxSASStartedTime | 1.0.8802.1.1.3.1.1.5.1.6 |
| secyRxSASStoppedTime | 1.0.8802.1.1.3.1.1.5.1.7 |

secyCipherSuiteTable

The following table is a list of selectable cipher suites for the MAC security entity. The index tuple for this table is: {secyCipherSuiteIndex}.

Table 32: secyCipherSuiteTable

| Object | Object identifier |
|---------------------------------|--------------------------|
| secyCipherSuiteIndex | 1.0.8802.1.1.3.1.1.6.1.1 |
| secyCipherSuiteId | 1.0.8802.1.1.3.1.1.6.1.2 |
| secyCipherSuiteName | 1.0.8802.1.1.3.1.1.6.1.3 |
| secyCipherSuiteCapability | 1.0.8802.1.1.3.1.1.6.1.4 |
| secyCipherSuiteProtection | 1.0.8802.1.1.3.1.1.6.1.5 |
| secyCipherSuiteProtectionOffset | 1.0.8802.1.1.3.1.1.6.1.6 |
| secyCipherSuiteDataLengthChange | 1.0.8802.1.1.3.1.1.6.1.7 |
| secyCipherSuiteICVLength | 1.0.8802.1.1.3.1.1.6.1.8 |
| secyCipherSuiteRowStatus | 1.0.8802.1.1.3.1.1.6.1.9 |

secyTxSASStatsTable

The following table that contains the statistics objects for each transmitting SA in the MAC security entity.

Table 33: secyTxSASStatsTable

| Object | Object identifier |
|------------------------------|---------------------------|
| secyTxSASStatsProtectedPkts | 1.0.8802.1.1.3.1.2.1.1.1 |
| secyTxSASStatsEncryptedPkts | 1.0.8802.1.1.3.1.2.1.1.2 |
| secyTxSCStatsProtectedPkts | 1.0.8802.1.1.3.1.2.2.1.1 |
| secyTxSCStatsEncryptedPkts | 1.0.8802.1.1.3.1.2.2.1.4 |
| secyTxSCStatsOctetsProtected | 1.0.8802.1.1.3.1.2.2.1.10 |

| Object | Object identifier |
|------------------------------|---------------------------|
| secyTxSCStatsOctetsEncrypted | 1.0.8802.1.1.3.1.2.2.1.11 |

secyTxSCStatsTable

The following table that contains the statistics objects for each transmitting SC in the MAC security entity.

Table 34: secyTxSCStatsTable

| Object | Object identifier |
|------------------------------|---------------------------|
| secyTxSCStatsProtectedPkts | 1.0.8802.1.1.3.1.2.2.1.1 |
| secyTxSCStatsEncryptedPkts | 1.0.8802.1.1.3.1.2.2.1.4 |
| secyTxSCStatsOctetsProtected | 1.0.8802.1.1.3.1.2.2.1.10 |
| secyTxSCStatsOctetsEncrypted | 1.0.8802.1.1.3.1.2.2.1.11 |

secyRxSAStatsTable

The following table that contains the statistics objects for each receiving SA in the MAC security entity.

Table 35: secyRxSAStatsTable

| Object | Object identifier |
|----------------------------|---------------------------|
| secyRxSAStatsUnusedSAPkts | 1.0.8802.1.1.3.1.2.3.1.1 |
| secyRxSAStatsNoUsingSAPkts | 1.0.8802.1.1.3.1.2.3.1.4 |
| secyRxSAStatsNotValidPkts | 1.0.8802.1.1.3.1.2.3.1.13 |
| secyRxSAStatsInvalidPkts | 1.0.8802.1.1.3.1.2.3.1.16 |
| secyRxSAStatsOKPkts | 1.0.8802.1.1.3.1.2.3.1.25 |

secyRxSCStatsTable

The following table that contains the statistics objects for each receiving SC in the MAC security entity.

Table 36: secyRxSCStatsTable

| Object | Object identifier |
|----------------------------|--------------------------|
| secyRxSCStatsUnusedSAPkts | 1.0.8802.1.1.3.1.2.4.1.1 |
| secyRxSCStatsNoUsingSAPkts | 1.0.8802.1.1.3.1.2.4.1.2 |
| secyRxSCStatsLatePkts | 1.0.8802.1.1.3.1.2.4.1.3 |
| secyRxSCStatsNotValidPkts | 1.0.8802.1.1.3.1.2.4.1.4 |

| Object | Object identifier |
|------------------------------|---------------------------|
| secyRxSCStatsInvalidPkts | 1.0.8802.1.1.3.1.2.4.1.5 |
| secyRxSCStatsDelayedPkts | 1.0.8802.1.1.3.1.2.4.1.6 |
| secyRxSCStatsUncheckedPkts | 1.0.8802.1.1.3.1.2.4.1.7 |
| secyRxSCStatsOKPkts | 1.0.8802.1.1.3.1.2.4.1.8 |
| secyRxSCStatsOctetsValidated | 1.0.8802.1.1.3.1.2.4.1.9 |
| secyRxSCStatsOctetsDecrypted | 1.0.8802.1.1.3.1.2.4.1.10 |

secyStatsTable

The following table lists the objects for the statistics information of each Secy supported by the MAC security entity.

Table 37: secyStatsTable

| Object | Object identifier |
|---------------------------|--------------------------|
| secyStatsTxUntaggedPkts | 1.0.8802.1.1.3.1.2.5.1.1 |
| secyStatsTxTooLongPkts | 1.0.8802.1.1.3.1.2.5.1.2 |
| secyStatsRxUntaggedPkts | 1.0.8802.1.1.3.1.2.5.1.3 |
| secyStatsRxNoTagPkts | 1.0.8802.1.1.3.1.2.5.1.4 |
| secyStatsRxBadTagPkts | 1.0.8802.1.1.3.1.2.5.1.5 |
| secyStatsRxUnknownSCIPkts | 1.0.8802.1.1.3.1.2.5.1.6 |
| secyStatsRxNoSCIPkts | 1.0.8802.1.1.3.1.2.5.1.7 |
| secyStatsRxOverrunPkts | 1.0.8802.1.1.3.1.2.5.1.8 |

Obtaining the MACsec Controlled Port Interface Index

The ifindex of the controlled port can be obtained using the following commands:

- **snmpwalk** command on IfMib[OID: 1.3.6.1.2.1.31.1.1.1]

```
rtr1.0/1/CPU0/ $ snmpwalk -v2c -c public 10.0.0.1 1.3.6.1.2.1.31.1.1.1
SNMPv2-SMI::mib-2.31.1.1.1.1.3 = STRING: "GigabitEthernet0/1/0/0"
SNMPv2-SMI::mib-2.31.1.1.1.1.18 = STRING: "MACSecControlled0/1/0/0"
SNMPv2-SMI::mib-2.31.1.1.1.1.19 = STRING: "MACSecUncontrolled0/1/0/0"
```

- **show snmp interface** command

```
Router#show snmp interface
ifName : GigabitEthernet0/1/0/0 ifIndex : 3
ifName : MACSecControlled0/1/0/0 ifIndex : 18
ifName : MACSecUncontrolled0/1/0/0 ifIndex : 19
```

SNMP Query Examples

In the following examples, it is assumed that the configured SNMP community is public, and the management IP of the box is 10.0.0.1.

To perform SNMP walk on the entire SECY MIB for the router, use the following command:

```
snmpwalk -v2c -c public 10.0.0.1 1.0.8802.1.1.3
```

To query on the secyTxSCTable to get the TxSCI for interface Gi0/1/0/0, using the ifindex of MACsecControlled0/1/0/0 that is 18, use the following command:

```
snmpget -v2c -c public 10.0.0.1 iso.0.8802.1.1.3.1.1.2.1.1.18
```

Related Commands for MACsec

The following commands are available to verify the SNMP results.

| Command | Description |
|-----------------------------------------|------------------------------------------------------------------------------------------------------------|
| show macsec mka session detail | Displays the details of all MACsec Key Agreement (MKA) sessions on the device. |
| show macsec mka interface detail | Verifies the MACsec MKA status on the interface. |
| show macsec ea idb interface | Verifies the MACsec encryption and hardware interface descriptor block (IDB) information on the interface. |



CHAPTER 7

Implementing Type 6 Password Encryption

Type 6 password encryption uses a reversible 128-bit AES encryption algorithm for storing passwords. Type 6 password encryption allows secure, and encrypted storage of plain-text passwords on the device. The device can decrypt the encrypted passwords into their original plain-text format.

You can use Type 6 password encryption to securely store plain text key strings for authenticating BGP, IP SLA, IS-IS, MACsec, OSPF, and RSVP sessions.

Feature History for Implementing Type 6 Password Encryption

| Release | Modification |
|---------------|------------------------------|
| Release 7.0.1 | This feature was introduced. |

- [How to Implement Type 6 Password Encryption](#) , on page 205

How to Implement Type 6 Password Encryption

Scenario - The following 3-step process explains the Type 6 password encryption process for authenticating BGP sessions between two routers, R1 and R2.

Follow the first two steps for all Type 6 password encryption scenarios. The third step, *Creating BGP Sessions*, is specific to BGP. Similarly, you can enable Type 6 password encryption for OSPF, IS-IS, or other protocol sessions. For details on creating these protocol sessions, see the content in *Configure>Routing* listed [here](#). For MACsec authentication, refer the **Configure MACsec** chapter.

Enabling Type6 Feature and Creating a Primary Key (Type 6 Server)

The Type6 encryption key, hereafter referred to as primary key in this chapter, is the password or key that encrypts all plain text key strings in the router configuration. An Advance Encryption Standard (AES) symmetric cipher does the encryption. The router configuration does not store the primary key. You cannot see or access the primary key when you connect to the router.

Creating the Primary Key

Use the **key config-key password-encryption** command to create the primary key.

Configuration Example

```
R1 & R2 # key config-key password-encryption

Fri Jul 19 12:22:45.519 UTC
New password Requirements: Min-length 6, Max-length 64
Characters restricted to [A-Z][a-z][0-9]
Enter new key :
Enter confirm key :
Master key operation is started in background
```

Once the command is executed, the **Master key operation**—creating, updating, or deleting the primary key—happens in the background. You can use the **show type6 server** command to view the status of the primary key operation.

When the key is created, it is stored internally; not as part of the router configuration. The router does not display the primary key as part of the running configuration. So, you cannot see or access the primary key when you connect to the router.

Enabling Type 6 Password Encryption

```
/* Enable Type 6 password encryption */
R1 & R2 (config)# password6 encryption aes
R1 & R2 (config)# commit
Fri Jul 19 12:22:45.519 UTC
```

Modifying the Primary Key



Note The Type 6 primary key update results in configuration change of the key chain and the other clients using Type 6. As the failure of router being configured can disrupt the product network, it is recommended to perform the primary key update operation during a maintenance window. Else, routing protocol sessions might fail.

The primary key is not saved to the running configuration, but the changes are persistent across reloads. The primary key update cannot be rolled back. That is, once the primary key is modified, you cannot revert to the older key using the **rollback configuration** command.

Enter the **key config-key password-encryption** command, and the old key and new key information.

```
R1 & R2# key config-key password-encryption

New password Requirements: Min-length 6, Max-length 64
Characters restricted to [A-Z][a-z][0-9]
Enter old key :
Enter new key :
Enter confirm key :
Master key operation is started in background
```

Deleting the Primary Key

```
R1 & R2# configure
R1 & R2 (config)# no password6 encryption aes
R1 & R2 (config)# commit
R1 & R2 (config)# exit
R1 & R2# key config-key password-encryption delete

WARNING: All type 6 encrypted keys will become unusable
Continue with master key deletion ? [yes/no]:yes
Master key operation is started in background
```

Verification

Verify that the primary key configuration and Type 6 feature configuration state are in the *Enabled* state. The **Master key Inprogress** field displays **No** to indicate that the primary key activity is complete (created, modified, or deleted). When you disable a primary key, **Disabled** is displayed for all the three states.

```
R1 & R2#show type6 server

Fri Jul 19 12:23:49.154 UTC
Server detail information:
=====
AES config State      :      Enabled
Masterkey config State :      Enabled
Type6 feature State   :      Enabled
Master key Inprogress :      No
```

Verify Type 6 trace server details.

```
R1 & R2#show type6 trace server all

Fri Jul 19 12:26:05.111 UTC
Client file lib/type6/type6_server_wr
25 wrapping entries (18496 possible, 64 allocated, 0 filtered, 25 total)
Jul 19 09:59:27.168 lib/type6/type6_server_wr 0/RP0/CPU0 t7145 ***** Type6 server process
started Respawn count (1) ****
...
...
Jul 19 12:22:59.908 lib/type6/type6_server_wr 0/RP0/CPU0 t7145 User has started Master key
operation (CREATE)
Jul 19 12:22:59.908 lib/type6/type6_server_wr 0/RP0/CPU0 t7145 Created Master key in TAM
successfully
Jul 19 12:23:00.265 lib/type6/type6_server_wr 0/RP0/CPU0 t7145 Master key Available set to
(AVAILABLE)
Jul 19 12:23:00.272 lib/type6/type6_server_wr 0/RP0/CPU0 t7145 Master key inprogress set
to (NOT INPROGRESS)
```

From Cisco IOS XR Software Release 7.0.2 and later, you can use the **show type6 masterkey update status** command to display the update status of the primary key. Prior to this release, you could use the **show type6 clients** command for the same purpose.

```
Router#show type6 masterkey update status
Thu Sep 17 06:48:56.595 UTC
Type6 masterkey operation is NOT inprogress
```

```
Router#show type6 masterkey update status
Thu Sep 17 06:50:07.980 UTC
Type6 masterkey operation is inprogress
```

```
Masterkey update status information:
Client Name          Status
=====
keychain              INPROGRESS
```

Clear Type 6 Client State

You can use the **clear type6 client** command in XR EXEC mode to clear the Type 6 client state.

If the primary key update operation is stuck at any stage, then you can use this **clear** command to clear that state. You can track the primary key update operation using the **show type6 server** command output. If the

Master key Inprogress field in that output displays as *YES*, then you can use **show type6 masterkey update status** command (or, **show type6 clients** command, prior to Release 7.0.2) to check which client has not completed the operation. Accordingly, you can clear that particular client using the **clear** command.

Associated Commands

- **clear type6 client**
- **key config-key password-encryption**
- **password6 encryption aes**
- **show type6**

Implementing Key Chain for BGP Sessions (Type 6 Client)

For detailed information about key chains, refer the *Implementing Keychain Management* chapter.

If you enable Type 6 password encryption, plain-text keys are encrypted using Type 6 encryption. Enter plain-text key-string input in alphanumeric form. If you enable MACsec with Type 6 password encryption, the key-string input is in hexadecimal format.

Configuration

```
/* Enter the key chain details */
R1 & R2# configure
R1 & R2 (config)# key chain my-test-keychain
R1 & R2 (config-type6_password)# key 1
```

Enter the Type 6 encrypted format using the **key-string password6** command.



Note Using the **key-string** command, you can enter the password in clear text format or Type 6 encrypted (already encrypted password) format, as used in this scenario.



Note Enable the same key string for all the routers.

```
R1 & R2 (config-type6_password-1)# key-string password6 606745575e6565$
R1 & R2 (config-type6_password-1)# cryptographic-algorithm MD5
R1 & R2 (config-type6_password-1)# accept-lifetime 1:00:00 october 24 2005 infinite
R1 & R2 (config-type6_password-1)# send-lifetime 1:00:00 october 24 2005 infinite
R1 & R2 (config-type6_password-1)# commit
```

Verification

Verify key chain trace server information.

```
R1 & R2# show key chain trace server both

Sat Jul 20 16:44:08.768 UTC
Client file lib/kc/kc_srvr_wr
4 wrapping entries (18496 possible, 64 allocated, 0 filtered, 4 total)
Jul 20 16:43:26.342 lib/kc/kc_srvr_wr 0/RP0/CPU0 t312 *****kc_srvr process
started*****
Jul 20 16:43:26.342 lib/kc/kc_srvr_wr 0/RP0/CPU0 t312 (kc_srvr) Cerrno DLL registration
```

```

successful
Jul 20 16:43:26.349 lib/kc/kc_srvr_wr 0/RP0/CPU0 t312 (kc_srvr) Initialised sysdb connection
Jul 20 16:43:26.612 lib/kc/kc_srvr_wr 0/RP0/CPU0 t317 (kc_srvr_type6_thread) Successfully
registered as a type6 client

```

Verify configuration details for the key chain.

```

R1 & R2# show key chain type6_password

Sat Jul 20 17:05:12.803 UTC

Key-chain: my-test-keychain -
  Key 1 -- text "606745575e656546435a4c4a47694647434253554f49414a4f59655a486950566"
    Cryptographic-Algorithm -- MD5
    Send lifetime -- 01:00:00, 24 Oct 2005 - Always valid [Valid now]
    Accept lifetime -- 01:00:00, 24 Oct 2005 - Always valid [Valid now]
Verify Type 6 client information.

```

Associated Commands

- **key chain**
- **key-string password6**
- **show key chain trace server both**

Creating a BGP Session (Type 6 Password Encryption Use Case)

This example provides iBGP session creation configuration. To know how to configure the complete iBGP network, refer the *BGP Configuration Guide* for the platform.

Configuration Example

```

/* Create BGP session on Router1 */
R1# configure
R1(config)# router bgp 65537

```

Ensure that you use the same key chain name for the BGP session and the Type 6 encryption (for example, *my-test-keychain* in this scenario).

```

R1 (config-bgp)# neighbor 10.1.1.11 remote-as 65537
R1 (config-bgp)# keychain my-test-keychain
R1 (config-bgp)# address-family ipv4 unicast
R1 (config-bgp)# commit

```

Repeat the above steps on Router 2 as well.

Ensure that you use the same session and keychain for all the routers (R1 and R2 in this case).

```

/* Create BGP session on Router2 */
R2 (config)# router bgp 65537
R2 (config-bgp)# neighbor 10.1.1.1 remote-as 65537
R2 (config-bgp)# keychain my-test-keychain
R2 (config-bgp)# address-family ipv4 unicast
R2 (config-bgp)# commit

```

Verification

On the routers R1 and R2, verify that the BGP NBR state is in the *Established* state.

```
R1# show bgp sessions
Neighbor      VRF      Spk      AS      InQ      OutQ      NBRState      NSRState
10.1.1.11     default  0        65537   0        0        Established   None
```

```
R2# show bgp sessions
Neighbor      VRF      Spk      AS      InQ      OutQ      NBRState      NSRState
10.1.1.1     default  0        65537   0        0        Established   None
```

Associated Commands

- `session-group`
- `show BGP sessions`



CHAPTER 8

802.1X Port-Based Authentication

The IEEE 802.1X port-based authentication protects the network from unauthorized clients. It blocks all traffic to and from devices at the interface, until the Authentication server authenticates the client. After successful authentication, the port is open for traffic.

This chapter describes how to configure IEEE 802.1X port-based authentication in Cisco NCS 5500 Series Routers to prevent unauthorized devices (clients) from gaining access to the network.

Table 38: Feature History Table

Table 39: Feature History

| Release | Modification |
|---------------|---------------------------------------------------------------------------------------------------------------------------------|
| Release 7.2.1 | Support for multi-auth and multi-host modes by 802.1X to allow multiple hosts or MAC addresses on a single port was introduced. |
| Release 6.6.3 | This feature was introduced. |

- [Restrictions for IEEE 802.1X Port-Based Authentication, on page 211](#)
- [IEEE 802.1X Device Roles, on page 212](#)
- [Understanding 802.1X Port-Based Authentication, on page 212](#)
- [802.1X host-modes, on page 213](#)
- [Prerequisites for 802.1X Port-Based Authentication, on page 214](#)
- [802.1X with Remote RADIUS Authentication, on page 214](#)
- [802.1X with Local EAP Authentication, on page 216](#)
- [Router as 802.1X Supplicant, on page 220](#)
- [Verify 802.1X Port-Based Authentication, on page 220](#)

Restrictions for IEEE 802.1X Port-Based Authentication

The following restrictions are applicable for IEEE 802.1X port-based authentication:

- 802.1X VLAN assignment is not supported.
- Only single tag dot1q VLAN sub-interfaces are supported.
- Walled-garden VLAN and policies on authentication failures are not supported.

- Subinterfaces and VLAN-tagged traffic are not supported on the ports on which 802.1X port-based authentication is configured. However, this restriction is not applicable from Cisco IOS XR Software Release 7.2.1.
- 802.1X authentication is supported only on physical interfaces.

**Note**

- Communication with the RADIUS server that is initiated by the 802.1x authenticator (RADIUS client) must happen through the built-in management interface on the route processor (RP). Currently, the scenario in which the 802.1x authenticator (RADIUS client) uses a line card port to communicate with the RADIUS server is not supported.

The note is not applicable from Cisco IOS XR Software Release 7.2.1.

IEEE 802.1X Device Roles

The devices in the network have the following specific roles with IEEE 802.1X authentication:

- **Authenticator** - An entity that facilitates authentication of other entities attached to the same LAN.
- **Supplicant** - An entity at one end of a point-to-point LAN segment that seeks to be authenticated by an Authenticator attached to the other end of that link.
- **Authentication Server** - An entity that provides an authentication service to an Authenticator. Based on the credentials provided by the Supplicant, the server determines whether the Supplicant is authorized to access the services provided by the system in which the Authenticator resides.

Understanding 802.1X Port-Based Authentication

IEEE 802.1X port-based authentication is configured on Cisco NCS 5500 Series Router to prevent unauthorized routers (supplicants) from gaining access to the network. An authentication server validates the supplicant that is connected to an authenticator port, before the services offered by the client or the network is made available to the supplicant.

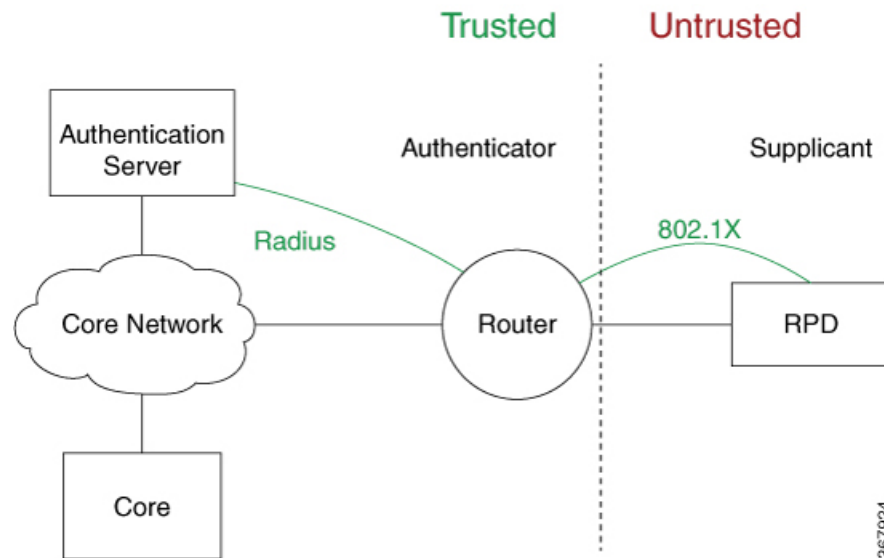
Until the supplicant is authenticated, the port is in *Unauthorized* state, and 802.1X access control allows only Extensible Authentication Protocol over LAN (EAPoL) packets through the port. EAPoL frames can have either default EtherType of 0x888E or Cisco-defined EtherType of 0x876F. After successful authentication of the supplicant, the port transitions to *Authorized* state, and normal traffic passes through the port for the authenticated client.

Periodic reauthentication can be enabled to use either the port-configured value or from authentication server. The authentication server communicates the reauthentication-timer value in Session-Timeout attribute, with the final RADIUS Access-Accept message. On 802.1X reauthentication failure, the port is blocked and moved back to the *Unauthorized* state.

If the link state of a port changes from up to down, or if an EAPoL-logoff frame is received, the port returns to the *Unauthorized* state.

The following figure shows the topology for IEEE 802.1X port-based authentication:

Figure 7: Topology for IEEE 802.1X Port-Based Authentication



Starting with Cisco IOS XR Software Release 7.2.1, 802.1X supports multi-auth and multi-host modes to allow multiple hosts or MAC addresses on a single port. By default, the dot1x configured port is in multi-auth mode. However, this behaviour can be altered by changing the host mode under dot1x profile. For more information, see [Configure 802.1X host-modes, on page 214](#). 802.1X port-control is also supported on pre-configured VLAN sub-interfaces along with multi-auth and multi-host modes. For [VLAN sub-interfaces](#) with VLAN IDs to be pre-configured, VLAN tagged traffic is allowed only after successful 802.1X authentication of the port. There is no default VLAN assignment for untagged traffic.



Note Port-control is enforced only on the ingress traffic.

802.1X host-modes

The following table describes the three host modes supported by 802.1X:

Table 40: 802.1X host modes

| Host modes | Description |
|-------------|---------------------------------------------------------------------------------------------------------------------------------------------------------------------------------------------------------|
| Single-host | While in this mode, the port allows a single host to be authenticated and allows only ingress traffic from the authenticated peer. A security violation is detected if more than one client is present. |
| Multi-auth | This is the default host mode. While in this mode, multiple hosts can independently authenticate through the same port and ingress traffic is allowed from all authenticated peers. |

| Host modes | Description |
|------------|--------------------------------------------------------------------------------------------------------------------------------------------------------------------------------------------------------------------------------------------------------|
| Multi-host | While in this mode, the first device to authenticate will open the port access so that all other hosts can use the port. These hosts need not be authenticated independently. If the authenticated host becomes unauthorized, the port will be closed. |

Configure 802.1X host-modes

Use the following steps to configure 802.1X host-modes. Here, `host-mode` is introduced under the authenticator mode in `dot1x` profile. The default is `multi-auth` mode.

```
Router# configure terminal
Router(config)# dot1x profile {name}
Router(config-dot1x-auth)# pae {authenticator}
Router(config-dot1x-auth-auth)# host-mode
    multi-auth    multiple authentication mode
    multi-host    multiple host mode
    single-host   single host mode
```

Prerequisites for 802.1X Port-Based Authentication

Prerequisites for 802.1X port-based authentication are:

- K9sec RPM is required to enable this feature.
- Ensure that both RADIUS/EAP-server and supplicant are configured with supported EAP methods when remote authentication is used.
- If the device is used as a local EAP server, only EAP-TLS method is supported.
 - Ensure that a Certificate Authority (CA) server is configured for the network with a valid certificate.
 - Ensure that the supplicant, authenticator, and CA server are synchronized using Network Time Protocol (NTP). If time is not synchronized on all these devices, certificates may not be validated.

802.1X with Remote RADIUS Authentication

Configure RADIUS Server

To configure RADIUS server pre-shared keys, obtain the pre-shared key values for the remote RADIUS server and perform this task.

Configuration Example

```
Router# configure terminal
Router(config)# radius-server host 209.165.200.225 auth-port 1646 key secret007
```

```
Router(config)# radius-server vsa attribute ignore unknown
Router(config)# commit
```

Running Configuration

```
Router# show run radius
radius-server host 209.165.200.225 auth-port 1646
  key 7 00171605165E1F565F76
radius-server vsa attribute ignore unknown
!
```

For more information, see [Configure Router to RADIUS Server Communication, on page 47](#) and [Configure RADIUS Server Groups, on page 55](#) in chapter *Configuring AAA Services*.

Configure 802.1X Authentication Method

You can configure 802.1X authentication method using RADIUS as the protocol. Only default AAA method is supported for 802.1X authentication.

Configuration Example

```
Router# configure terminal
Router(config)# aaa authentication dot1x default group radius
Router(config)# commit
```

Running Configuration

```
Router# show run aaa
aaa authentication dot1x default group radius
```

Configure 802.1X Authenticator Profile

Configure 802.1X profile on an authenticator.

```
RP/0/RP0/CPU0:router(config)# dot1x profile <auth>
RP/0/RP0/CPU0:router(config-dot1x-auth)# pae authenticator
RP/0/RP0/CPU0:router(config-dot1x-auth)# authenticator
RP/0/RP0/CPU0:router(config-dot1x-auth-auth)# timer reauth-time 3600
RP/0/RP0/CPU0:router(config-dot1x-auth-auth)# host-mode { multi-auth | multi-host |
single-host }
RP/0/RP0/CPU0:router(config-dot1x-auth-auth)# commit
```

Running Configuration

The following is a sample output of `show run dot1x` command.

```
RP/0/RSP0/CPU0:router# show run dot1x profile auth
dot1x profile auth
pae authenticator
authenticator
  timer reauth-time 3600
  host-mode multi-auth
!
```

Configure 802.1X Profile on Interface

You can attach one of the 802.1X profiles on an interface.

```
RP/0/RSP0/CPU0:router# configure
RP/0/RSP0/CPU0:router(config)# interface <interface-name>
RP/0/RSP0/CPU0:router(config-if)# dot1x profile <profile-name>
RP/0/RSP0/CPU0:router(config-if)# commit
```

Example Configuration

This example provides the dot1x profile configuration.

```
RP/0/RSP0/CPU0:router# configure
RP/0/RSP0/CPU0:router(config)# interface HundredGigE 0/3/0/0
RP/0/RSP0/CPU0:router(config-if)# dot1x profile auth
RP/0/RSP0/CPU0:router(config-if)# commit
```

This example verifies the dot1x profile configuration.

```
RP/0/RSP0/CPU0:router# show run interface HundredGigE 0/3/0/0
interface HundredGigE 0/3/0/0
    dot1x profile auth
```

This example provides the configuration to allow tagged traffic with VLAN IDs 1 & 2:

```
RP/0/RSP0/CPU0:router# configure
RP/0/RSP0/CPU0:router(config)# interface HundredGigE0/3/0/0.1
RP/0/RSP0/CPU0:router(config-subif)# ipv4 address 20.10.1.2 255.255.255.0
RP/0/RSP0/CPU0:router(config-subif)# encapsulation dot1q 1
!
RP/0/RSP0/CPU0:router(config)# interface HundredGigE0/3/0/0.2
RP/0/RSP0/CPU0:router(config-subif)# ipv4 address 20.10.2.2 255.255.255.0
RP/0/RSP0/CPU0:router(config-subif)# encapsulation dot1q 2
!
```

802.1X with Local EAP Authentication

In local EAP authentication, the EAP-server is co-located with the authenticator locally on the router. This feature enables the router to authenticate 802.1X clients with EAP-TLS method using TLS Version 1.2. It provides EAP-TLS based mutual authentication, where a Master Session Key (MSK) is generated on successful authentication.

Generate RSA Key Pair

RSA key pairs are used to sign and encrypt key management messages. This is required before you can obtain a certificate for the node.

```
RP/0/RSP0/CPU0:router#crypto key generate rsa < keypair-label >
```

Running Configuration

The following is a sample output of **show crypto key mypubkey rsa** command.

```
RP/0/RSP0/CPU0:router# show crypto key mypubkey rsa
Key label:  rsa_tp
Type :  RSA General purpose
Size :  2048
Data :
30820122 300D0609 2A864886 F70D0101 01050003 82010F00 3082010A 02820101
```

```

00BAA4F5 19C1C41A 4A195B31 6722B853 5271EECA B884CC19 CE75FB23 19DC0346
2F90F9B2 CBCB9BA3 4E4DDD46 2C21F555 4C642E3A 98FE0A2F 587D79F5 1D5B898F
893CEC38 B7C8CB03 48D0AEA1 D554DF2B BA751489 3099A890 1A910D25 7DA78F99
E29526FE 6F84C147 4F872715 D3BDE515 FACB28E8 6375BB38 1F3AFDA8 853C6E57
8BDA1800 7DDADFE3 32ABAB4C 3D078342 36E79F05 CAFCE764 26274F41 25F7BC70
04ABEDFE 96A183EE 23A3D099 2D5741C5 F81747FB 1ED5F672 5449B7AE 8D2E9224
CF12E1CA 9E2373C4 41BF29FA A9DDD930 5A3A2FDE FD1DADE1 2548DEDB 05FC2176
7D5DB337 B1563CA3 A94DF081 5B294D1A A9B70A56 CA5CF7B2 A779F27A 3EE4F568
F1020301 0001

```

For more information, see [Generate RSA Key Pair, on page 113](#) in chapter *Implementing Certification Authority Interoperability*.

Configure Trustpoint

Trustpoints let you manage and track CAs and certificates. A trustpoint includes the identity of the CA, CA-specific configuration parameters, and an association with one, enrolled identity certificate. After you have defined a trustpoint, you can reference it by name in commands requiring that you specify a CA.

```

RP/0/RSP0/CPU0:router# configure terminal
RP/0/RSP0/CPU0:router(config)# crypto ca trustpoint <tp_name>
RP/0/RSP0/CPU0:router(config-trustp)# enrollment url <ca-url>
RP/0/RSP0/CPU0:router(config-trustp)# subject-name <x.500-name>
RP/0/RSP0/CPU0:router(config-trustp)# rsakeypair <keypair-label>
RP/0/RSP0/CPU0:router(config-trustp)# crl optional
RP/0/RSP0/CPU0:router(config-trustp)# commit

```

Running Configuration

The following is a sample output of `show run crypto ca trustpoint tp_name` command.

```

crypto ca trustpoint tp
  crl optional
  subject-name CN=asr9k,OU=BU,O=Govt,L=Newyork,ST=NY,C=US
  enrollment url http://20.30.40.50
  rsakeypair rsa_tp
  !

```

For more information, see [Declare Certification Authority and Configure Trusted Point, on page 115](#) in chapter *Implementing Certification Authority Interoperability*.

Configure Domain Name

You can configure a domain name, which is required for certificate enrolment.

```
RP/0/RSP0/CPU0:router# domain name ca.cisco.com
```

Running Configuration

The following is a sample output of `show run domain name` command.

```

RP/0/1/CPU0:router# show run domain name
Thu Mar 29 16:10:42.533 IST
domain name cisco.com

```

Certificate Configurations

Certificate enrolment involves the following two steps:

1. Obtain CA certificate for the given trust point, using the **crypto ca authenticate** *tp_name* command.
2. Enroll the device certificate with CA, using the **crypto ca enroll** *tp_name* command.

```
RP/0/RSP0/CPU0:router# crypto ca authenticate <tp_name>
RP/0/RSP0/CPU0:router# crypto ca enroll <tp_name>
```

Running Configuration

The following is a sample output of the **show crypto ca certificates** command.

```
RP/0/RSP0/CPU0:router# show crypto ca certificates
Trustpoint : tp
=====
CA certificate
Serial Number      : E0:18:F3:E4:53:17:3E:28
Subject            : subject-name CN=asr9k,OU=BU,O=Govt,L=Newyork,ST=NY,C=US
Issued By          : subject-name CN=asr9k,OU=BU,O=Govt,L=Newyork,ST=NY,C=US
Validity Start     : 08:17:32 UTC Fri Jun 24 2016
Validity End       : 08:17:32 UTC Mon Jun 22 2026
SHA1 Fingerprint   : 894ABBF3A3B08E5B7D9E470ECFBBC04576B569F2
Router certificate
Key usage          : General Purpose
Status             : Available
Serial Number      : 03:18
Subject            :
serialNumber=cf302761,unstructuredAddress=20.30.40.50,unstructuredName=asr9k,
C=US,ST=NY,L=Newyork,O=Govt,OU=BU,CN=asr9k
Issued By          : CN=asr9k,OU=BU,O=Govt,L=Newyork,ST=NY,C=US
Validity Start     : 13:04:52 UTC Fri Feb 23 2018
Validity End       : 13:04:52 UTC Sat Feb 23 2019
SHA1 Fingerprint   : 33B50A59C76CCD87D3D0F0271CD5C81F4A1EE9E1
Associated Trustpoint: tp
```

For more information, see [Declare Certification Authority and Configure Trusted Point, on page 115](#) in chapter *Implementing Certification Authority Interoperability*.

Configure EAP Profile

You can configure multiple EAP profiles.

```
RP/0/RSP0/CPU0:router# configure terminal
RP/0/RSP0/CPU0:router(config)# eap profile <name>
RP/0/RSP0/CPU0:router(config-eap)# identity <user-name>
RP/0/RSP0/CPU0:router(config-eap)# method tls pki-trustpoint <trustpoint-name>
RP/0/RSP0/CPU0:router(config-eap)# commit
```



Note To allow EAP-TLS authentication with peer devices or EAP-server running on TLS 1.0, configure `allow-eap-tls-v1.0` under EAP profile.

Running Configuration

The following is sample output of **show run eap** command.

```
RP/0/RSP0/CPU0:router# show run eap profile <local eap>
eap profile local_eap
method tls
  pki-trustpoint tp
```



```
!
identity CE1
```

Configure 802.1X Authenticator Profile

You can configure 802.1X profile on an authenticator.

```
RP/0/RP0/CPU0:router(config)# dot1x profile local_auth
RP/0/RP0/CPU0:router(config-dot1x-auth)# pae authenticator
RP/0/RP0/CPU0:router(config-dot1x-auth)# authenticator
RP/0/RP0/CPU0:router(config-dot1x-auth-auth)# eap profile <local_eap>
RP/0/RP0/CPU0:router(config-dot1x-auth-auth)# host-mode {multi-auth | multi-host |
single-host}
RP/0/RP0/CPU0:router(config-dot1x-auth-auth)# timer reauth-time 3600
RP/0/RP0/CPU0:router(config-dot1x-auth-auth)# commit
```

Running Configuration

The following is a sample output of `show run dot1x` command.

```
RP/0/RSP0/CPU0:router# show run dot1x profile local_auth

dot1x profile local_auth
pae authenticator
  authenticator
    eap profile local_eap
    host-mode multi-host
    timer reauth-time 3600
```

Configure 802.1X Profile on Interface

You can attach one of the 802.1X profiles on an interface.

```
RP/0/RSP0/CPU0:router# configure
RP/0/RSP0/CPU0:router(config)# interface <interface-name>
RP/0/RSP0/CPU0:router(config-if)# dot1x profile <profile-name>
RP/0/RSP0/CPU0:router(config-if)# commit
```

Example Configuration

This example provides the dot1x profile configuration.

```
RP/0/RSP0/CPU0:router# configure
RP/0/RSP0/CPU0:router(config)# interface HundredGigE 0/3/0/0
RP/0/RSP0/CPU0:router(config-if)# dot1x profile auth
RP/0/RSP0/CPU0:router(config-if)# commit
```

This example verifies the dot1x profile configuration.

```
RP/0/RSP0/CPU0:router# show run interface HundredGigE 0/3/0/0
interface HundredGigE 0/3/0/0
  dot1x profile auth
```

This example provides the configuration to allow tagged traffic with VLAN IDs 1 & 2:

```
RP/0/RSP0/CPU0:router# configure
RP/0/RSP0/CPU0:router(config)# interface HundredGigE0/3/0/0.1
RP/0/RSP0/CPU0:router(config-subif)# ipv4 address 20.10.1.2 255.255.255.0
RP/0/RSP0/CPU0:router(config-subif)# encapsulation dot1q 1
!
RP/0/RSP0/CPU0:router(config)# interface HundredGigE0/3/0/0.2
RP/0/RSP0/CPU0:router(config-subif)# ipv4 address 20.10.2.2 255.255.255.0
```

```
RP/0/RSP0/CPU0:router(config-subif)#encapsulation dot1q 2
!
```

Router as 802.1X Supplicant

To configure the router as 802.1X supplicant, make sure that the following configurations are enabled:

- RSA Key Pair: [Generate RSA Key Pair, on page 216](#)
- Trust point: [Configure Trustpoint, on page 217](#)
- Domain name: [Configure Domain Name, on page 217](#)
- Certificates: [Certificate Configurations, on page 217](#)
- EAP profile: [Configure EAP Profile, on page 218](#)

Configure 802.1X Supplicant Profile

You can configure 802.1X profile on a supplicant.

```
RP/0/RP0/CPU0:router(config)# dot1x profile supp
RP/0/RP0/CPU0:router(config-dot1x-supp)# pae supplicant
RP/0/RP0/CPU0:router(config-dot1x-supp)# supplicant
RP/0/RP0/CPU0:router(config-dot1x-supp-supp)# eap profile eap_supp
RP/0/RP0/CPU0:router(config-dot1x-supp-supp)# commit
```

Running Configuration

The following is a sample output of `show run dot1x` command.

```
RP/0/RSP0/CPU0:router# show run dot1x profile supp
dot1x profile supp
pae supplicant
supplicant
eap profile eap_supp
!
```

Configure 802.1X Profile on Interface

You can attach one of the 802.1X profiles on an interface.

```
RP/0/RSP0/CPU0:router# configure
RP/0/RSP0/CPU0:router(config)# interface <interface-name>
RP/0/RSP0/CPU0:router(config-if)# dot1x profile <profile-name>
RP/0/RSP0/CPU0:router(config-if)# commit
```

Example Configuration

```
Router# show run interface HundredGigE 0/3/0/0
interface HundredGigE 0/3/0/0
    dot1x profile supp
```

Verify 802.1X Port-Based Authentication

The 802.1X authentication can be verified using the following:

- Show command outputs
- Syslog messages

Show Command Outputs

The **show dot1x interface** command verifies whether the 802.1X port-based authentication is successful or not. If the authentication is successful, the traffic is allowed on the configured interface.

```
Router# show dot1x interface HundredGigE 0/0/1/0 detail

Dot1x info for HundredGigE 0/0/1/0
-----
Interface short name      : Hu 0/0/1/0
Interface handle         : 0x4080
Interface MAC            : 021a.9eeb.6a59
Ethertype                : 888E
PAE                      : Authenticator
Dot1x Port Status       : AUTHORIZED
Dot1x Profile            : test_prof
L2 Transport             : FALSE
Authenticator:
  Port Control           : Enabled
  Config Dependency     : Resolved
  Eap profile            : None
  ReAuth                 : Disabled
Client List:
  Supplicant             : 027e.15f2.cae7
Programming Status    : Add Success
Auth SM State         : Authenticated
  Auth Bend SM State    : Idle
  Last authen time      : 2018 Dec 11 17:00:30.912
  Last authen server    : 10.77.132.66
  Time to next reauth   : 0 day(s), 00:51:39
MKA Interface:
  Dot1x Tie Break Role  : NA (Only applicable for PAE role both)
  EAP Based Macsec      : Disabled
  MKA Start time        : NA
  MKA Stop time         : NA
  MKA Response time     : NA
```

```
Router#show dot1x
Mon Jun 15 18:30:49.327 IST
```

```
NODE: node0_RP0_CPU0
```

```
Dot1x info for TenGigE0/11/0/1
-----
PAE                      : Authenticator
Dot1x Port Status       : AUTHORIZED (2/2)
Dot1x Profile            : auth
Authenticator:
  Host Mode             : Multi-Auth
  Port Control           : Enabled
  Config Dependency     : Resolved
  Eap profile            : Not Configured
  ReAuth                 : Enabled, 1 day(s), 00:00:00
Client List:
  Supplicant             : 008a.96a4.b028
  Port Status            : Authorized
```

```

Programming Status : Add Success
Auth SM State      : Authenticated
Auth Bend SM State : Idle
Last authen time   : 2020 Jun 15 18:30:42.659
Last authen server : 10.105.236.94
Time to next reauth : 0 day(s), 23:59:52

Supplicant         : 008a.96a4.c830
Port Status        : Authorized
Programming Status : Add Success
Auth SM State      : Authenticated
Auth Bend SM State : Idle
Last authen time   : 2020 Jun 15 18:30:42.654
Last authen server : 10.105.236.94
Time to next reauth : 0 day(s), 23:59:52

```

Syslog Messages

Syslogs on Authenticator

When 802.1x configuration is applied on an interface, the port becomes 802.1X controlled, and the following syslog message is displayed:

```

%L2-DOT1X-5-PORT_CONTROL_ENABLE_SUCCESS : Hu0/0/1/0 : Port Control Enabled
%L2-DOT1X-5-PORT_CONTROL_ENABLE_SUCCESS : Hu0/0/1/0 : Port Control Enabled with Single-Host
mode
%L2-DOT1X-5-PORT_CONTROL_ENABLE_SUCCESS : Hu0/0/1/0 : Port Control Enabled with Multi-Host
mode

```

When there is a host-mode violation, the following syslog messages are displayed:

```

%L2-DOT1X-3-HOST_MODE_VIOLATION: Hu0/0/1/0 : multiple clients detected in Single-Host mode,
dropping supplicant (008a.9686.0058) request
%L2-DOT1X-3-HOST_MODE_VIOLATION: Hu0/0/1/0 : multiple clients detected in Multi-Host mode,
dropping supplicant (008a.9686.0058) request

```

After successful authentication of supplicant, the following syslog messages are displayed:

```

%L2-DOT1X-5-AUTH_SUCCESS : Hu0/0/1/0 : Authentication successful for client 027E.15F2.CAE7

%L2-DOT1X-5-PORT_CONTROL_ADD_CLIENT_SUCCESS : Hu0/0/1/0 : Port Access Enabled For Client
027E.15F2.CAE7

```

When 802.1X port-based configuration is removed from an interface, the following syslog message is displayed:

```

%L2-DOT1X-5-PORT_CONTROL_DISABLE_SUCCESS : Hu0/0/1/0 : Port Control Disabled

```

When authentication fails, the following syslog messages are displayed:

```

%L2-DOT1X-5-AUTH_FAIL : Hu0/0/1/0 : Authentication fail for client 027E.15F2.CAE7
%L2-DOT1X-5-PORT_CONTROL_REMOVE_CLIENT_SUCCESS : Hu0/0/1/0 : Port Access Disabled For Client
027E.15F2.CAE7

```

When authentication server is unreachable, the following syslog message is displayed:

```

%L2-DOT1X-5-AAA_UNREACHABLE : Hu0/0/1/0 : AAA server unreachable for client 027E.15F2.CAE7
, Retrying Authentication

```

When authentication method is not configured, the following syslog message is displayed:

```

%L2-DOT1X-4-NO_AUTHENTICATION_METHOD : Hu0/0/1/0 : No authentication method configured

```

Syslogs on Supplicant

```
%L2-DOT1X-5-SUPP_SUCCESS : Hu0/0/1/0 : Authentication successful with authenticator  
008a.96a4.b050
```

```
%L2-DOT1X-5-SUPP_FAIL : Hu0/0/1/0 : Authentication successful with authenticator  
0000.0000.0000.0000
```

```
%L2-DOT1X-5-SUPP_FAIL : Hu0/0/1/0 : Authentication successful with authenticator  
008a.96a4.b028
```




CHAPTER 9

MACsec Using EAP-TLS Authentication

This chapter describes how to achieve MACSec encryption between two Routers using the 802.1X port-based authentication with Extensible Authentication Protocol-Transport Layer Security (EAP-TLS).

For more information on 802.1X port-based authentication, see the *802.1X Port-Based Authentication* chapter.

Table 41: Feature History

| Release | Modification |
|---------------|------------------------------|
| Release 6.6.3 | This feature was introduced. |

- [MACSec Using EAP-TLS Authentication, on page 225](#)
- [Configure MACSec Encryption Using EAP-TLS Authentication, on page 225](#)

MACSec Using EAP-TLS Authentication

This chapter describes how to achieve MACSec encryption between two Routers using the 802.1X port-based authentication with Extensible Authentication Protocol-Transport Layer Security (EAP-TLS). EAP-TLS allows mutual authentication using certificates, between the authentication server and the client, and generates the Master Session Key (MSK). This MSK is used to derive the Connectivity Association Key (CAK), and the corresponding Connectivity Association Key Name (CKN) is derived from the EAP session ID.

Configure MACSec Encryption Using EAP-TLS Authentication

The system supports certificate-based MACsec encryption using both local and remote EAP-TLS authentications.

Restrictions for MACSec Using EAP-TLS Authentication

- The system does not support certificate-based (EAP-TLS) MACsec encryption on sub-interfaces.
- The system does not support MACSec using EAP-TLS authentication in **multi-auth** host mode.

You must also follow the guidelines and restrictions applicable to EAP-TLS session. For details, see the [Restrictions for IEEE 802.1X Port-Based Authentication, on page 211](#) section in the *802.1X Port-Based Authentication* chapter.

Prerequisites

For MACSec using EAP-TLS authentication, you must first configure a EAP-TLS session. For more information on configuring EAP-TLS session, see the following topics in the *802.1X Port-Based Authentication* chapter:

- [802.1X with Remote RADIUS Authentication, on page 214](#)
- [802.1X with Local EAP Authentication, on page 216](#)
- [Router as 802.1X Supplicant, on page 220](#)

The MKA participant with 802.1X PAE role as **authenticator** acts as the key server and the **supplicant** acts as the non-key server.

When the 802.1X PAE role for the interface is configured as **authenticator** or **both**, then you must configure the dot1x **host-mode** under the authenticator sub mode as **single-host** or **multi-host** in order to bring up the MACsec EAP session. For details, see [802.1X host-modes, on page 213](#).

Configure MACSec EAP on an Interface

The following section describes the steps to configure MACSec EAP on an interface.

Configuration Example

```
Router#configure
Router(config)#interface HundredGigE 0/1/1/2
Router(config-if)#macsec eap
Router(config-if)#commit
```

Running Configuration

```
Router#show run interface HundredGigE 0/1/1/2
interface HundredGigE 0/1/1/2
    macsec eap
!
```

You can also configure MACSec EAP on an interface by specifying the configured MACSec policy name.

Configuration Example

```
Router(config-if)#macsec eap policy test-macsec-policy
```

Running Configuration

```
Router#show run interface HundredGigE 0/1/1/2
interface HundredGigE 0/1/1/2
    macsec eap policy test-macsec-policy
!
```

Verify MACSec EAP Configuration on an Interface

You can use these commands to verify the MACSec EAP configuration:

- `show macsec mka session interface`

Sample output:

```
Router# show macsec mka session interface HundredGigE 0/1/1/2
=====
Interface-Name   Local-TxSCI      #Peers Status  Key-Server PSK/EAP CKN
=====
Hu0/1/12        0201.9ab0.85af/0001  1   Secured YES      EAP      A94399 ...
```

• **show macsec mka session interface detail**

Sample output:

```
Router# show macsec mka session interface HundredGigE 0/1/1/2 detail

MKA Detailed Status for MKA Session
=====
Status : SECURED - Secured MKA Session with MACsec

Local Tx-SCI : 0201.9ab0.85af/0001
Local Tx-SSCI : 2
Interface MAC Address : 0201.9ab0.85af
MKA Port Identifier : 1
Interface Name : Hu0/1/1/2
CAK Name (CKN) : A94399EE68B2A455F85527A4309485DA
CA Authentication Mode : EAP
Keychain : NA (EAP mode)
Member Identifier (MI) : 3222A4A7678A6BDA553FDB54
Message Number (MN) : 114
Authenticator : YES
Key Server : YES
MKA Cipher Suite : AES-128-CMAC
Configured MACSec Cipher Suite : GCM-AES-XPB-256
Latest SAK Status : Rx & Tx
Latest SAK AN : 1
Latest SAK KI (KN) : 3222A4A7678A6BDA553FDB540000001 (1)
Old SAK Status : No Rx, No Tx
Old SAK AN : 0
Old SAK KI (KN) : RETIRED (0)
SAK Transmit Wait Time : 0s (Not waiting for any peers to respond)
SAK Retire Time : 0s (No Old SAK to retire)
Time to SAK Rekey : NA
MKA Policy Name : *DEFAULT POLICY*
Key Server Priority : 16
Delay Protection : FALSE
Replay Window Size : 64
Include ICV Indicator : FALSE
Confidentiality Offset : 0
Algorithm Agility : 80C201
SAK Cipher Suite : 0080C20001000004 (GCM-AES-XPB-256)
MACsec Capability Offset) : 3 (MACsec Integrity, Confidentiality, &
MACsec Desired : YES

# of MACsec Capable Live Peers : 1
# of MACsec Capable Live Peers Responded : 1
```

Live Peer List:

```
MI              MN      Rx-SCI (Peer)      SSCI      KS-Priority
-----
86B47DE76B42D9D7AB6805F7  113  0257.3fae.5cda/0001  1          16
```

Potential Peer List:

```
MI      MN      Rx-SCI (Peer)      SSCI      KS-Priority
```

Peers Status:

```

Last Tx MKPDU   : 2018 Mar 01 13:36:56.450
Peer Count     : 1
RxSCI          : 02573FAE5CDA0001
MI             : 86B47DE76B42D9D7AB6805F7
Peer CAK       : Match
Latest Rx MKPDU : 2018 Mar 01 13:36:56.450

```

• **show macsec mka summary**

Sample output:

Router#**show macsec mka summary**

```

=====
Interface-Name Status   Cipher-Suite   KeyChain       PSK/EAP   CKN
=====
Hu0/1/12       Secured  GCM-AES-XPN-256 NA (EAP mode)  EAP       A94399 ...

```

```

Total MACSec Sessions : 1
Secured Sessions      : 1
Pending Sessions      : 0

```



CHAPTER 10

Implementing URPF

This section describes the implementation of URPF.

- [Understanding URPF, on page 229](#)
- [Configuring URPF Loose Mode, on page 230](#)
- [Configuring URPF Strict Mode, on page 231](#)

Understanding URPF

It has become a commonplace practice for hackers planning a DoS attack to use forged IP addresses (the practice is known as IP address spoofing) and constantly change the source IP address to avoid detection by service providers.

Unicast Reverse Path Forwarding (URPF) is a mechanism for validating the source IP address of packets received on a router. A router configured with URPF performs a reverse path lookup in the FIB table to validate the presence of the source IP address. If the source IP address is listed in the table, then it indicates that the source is reachable and valid. If source IP address cannot be located in the FIB table, the packet is treated as malicious by the router and discarded.

The router supports the use of URPF in both strict and loose modes. URPF loose mode is enabled when the router is configured to validate only the prefix of the source IP address in the FIB and not the interface used by the packet to reach the router. By configuring loose mode, legitimate traffic that uses an alternate interface to reach the router is not mistaken to be malicious. URPF loose mode is very useful in multi-homed provider edge networks.

When URPF strict mode is enabled, the source address of the packet is checked in the FIB. If the packet is received on the same interface that would be used to forward the traffic to the source of the packet, the packet passes the check and is further processed; otherwise, it is dropped. Strict uRPF should only be applied where there is natural or configured symmetry. Because internal interfaces are likely to have routing asymmetry, that is, multiple routes to the source of a packet, URPF strict mode should not be implemented on interfaces that are internal to the network.



Note The behavior of URPF strict mode varies slightly by platform, number of recursion levels, and number of paths in Equal-Cost Multipath (ECMP) scenarios. A platform may switch to loose RPF check for some or all prefixes, even though strict RPF is configured.



Note The URPF strict mode is supported in Cisco NC57 line cards only.

The URPF loose and strict modes support two options: **allow self-ping** and **allow default**. The **self-ping** option allows the source of the packet to ping itself. The **allow default** option allows the lookup result to match a default routing entry. When the **allow default** option is enabled with the URPF strict mode, the packet is processed further only if it arrived through the default interface.

Configuring URPF Loose Mode

This section explains how you can configure URPF loose mode on the router for both IPv4 and IPv6 networks.

Before You Begin

Before you can configure URPF loose mode on a router, you must disable the default scale on the line card, as described in this section.



Note The **hw-module fib ipv4 scale internet-optimized** command and **hw-module fib ipv6 scale internet-optimized** command are deprecated from Cisco IOS XR Software Release 7.3.1 and Release 7.4.1, respectively. Hence, if you are upgrading a router (where these configurations are already existing) to Release 7.3.1 or Release 7.4.1 or later, you might see a corresponding warning message stating so.



Note Line cards must be reloaded after disabling the default scale. This is done to ensure that the **hw-module** command configuration takes immediate effect.



Note On NCS55Ax systems with external TCAM (eTCAM), the dual capacity mode need not be disabled to enable uRPF.

For all types of line cards with TCAM:

```
RP/0/RP0/CPU0:router(config)# hw-module tcam fib ipv4 scaledisable

RP/0/RP0/CPU0:router(config)# commit
RP/0/RP0/CPU0:router(config)# end
RP/0/RP0/CPU0:router# reload location all
Proceed with reload? [confirm]
```

For all types of line cards without TCAM:

```
RP/0/RP0/CPU0:router(config)# hw-module fib ipv4 scale host-optimized-disable

RP/0/RP0/CPU0:router(config)# commit
RP/0/RP0/CPU0:router(config)# end
```

```
RP/0/RP0/CPU0:router# reload location all
Proceed with reload? [confirm]
```

Configuration

Use the following configuration to configure URPF loose mode on the router.



Note You must configure both IPv4 and IPv6 commands (as described in this section) for URPF to work.

```
RP/0/RP0/CPU0:router(config)# interface Bundle-Ether1
RP/0/RP0/CPU0:router(config-if)# ipv4 address 10.0.0.1 255.255.255.0
RP/0/RP0/CPU0:router(config-if)# ipv4 verify unicast source reachable-via any
RP/0/RP0/CPU0:router(config-if)# ipv6 address 2001::1/64
RP/0/RP0/CPU0:router(config-if)# ipv6 verify unicast source reachable-via any
RP/0/RP0/CPU0:router(config-if)# commit
```

Running Configuration

Confirm your configuration as shown:

```
RP/0/RP0/CPU0:router(config-if)# show running-config
Thu Jul 27 14:40:38.167 IST
...
!
interface Bundle-Ether1
  ipv4 address 10.0.0.1 255.255.255.0
  ipv4 verify unicast source reachable-via any
  ipv6 address 2001::1/64
  ipv6 verify unicast source reachable-via any
!
```

You have successfully configured URPF loose mode on the router.

Configuring URPF Strict Mode

This section explains how you can configure URPF strict mode on the router for both IPv4 and IPv6 networks.

Configuration

Use the following configuration to configure URPF strict mode on the router.



Note You must configure both IPv4 and IPv6 commands (as described in this section) for URPF to work.

```
RP/0/RP0/CPU0:router(config)# interface GigabitEthernet 0/1/0/0
RP/0/RP0/CPU0:router(config-if)# ipv4 address 10.0.0.1 255.255.255.0
RP/0/RP0/CPU0:router(config-if)# ipv4 verify unicast source reachable-via rx
RP/0/RP0/CPU0:router(config-if)# ipv6 address 2001::1/64
RP/0/RP0/CPU0:router(config-if)# ipv6 verify unicast source reachable-via rx
RP/0/RP0/CPU0:router(config-if)# commit
```

Running Configuration

Confirm your configuration as shown:

```
RP/0/RP0/CPU0:router(config-if)# show running-config
Thu Jul 27 14:40:38.167 IST
...
!
interface GigabitEthernet 0/1/0/0
  ipv4 address 10.0.0.1 255.255.255.0
  ipv4 verify unicast source reachable-via rx
  ipv6 address 2001::1/64
  ipv6 verify unicast source reachable-via rx
!
```

You have successfully configured URPF strict mode on the router.



CHAPTER 11

Implementing Management Plane Protection

The Management Plane Protection (MPP) feature provides the capability to restrict the interfaces on which network management packets are allowed to enter a device. The MPP feature allows a network operator to designate one or more router interfaces as management interfaces.

The MPP protection feature, as well as all the management protocols under MPP, are disabled by default. When you configure an interface as either out-of-band or inband, it automatically enables MPP. Consequently, this enablement extends to all the protocols under MPP. If MPP is disabled and a protocol is activated, all interfaces can pass traffic.

When MPP is enabled with an activated protocol, the only default management interfaces allowing management traffic are the route processor (RP) and standby route processor (SRP) Ethernet interfaces. You must manually configure any other interface for which you want to enable MPP as a management interface.

Afterwards, only the default management interfaces and those you have previously configured as MPP interfaces accept network management packets destined for the device. All other interfaces drop such packets. Logical interfaces (or any other interfaces not present on the data plane) filter packets based on the ingress physical interface.

- [Implementing Management Plane Protection, on page 233](#)

Implementing Management Plane Protection

The Management Plane Protection (MPP) feature provides the capability to restrict the interfaces on which network management packets are allowed to enter a device. The MPP feature allows a network operator to designate one or more router interfaces as management interfaces.

The MPP protection feature, as well as all the management protocols under MPP, are disabled by default. When you configure an interface as either out-of-band or inband, it automatically enables MPP. Consequently, this enablement extends to all the protocols under MPP. If MPP is disabled and a protocol is activated, all interfaces can pass traffic.

When MPP is enabled with an activated protocol, the only default management interfaces allowing management traffic are the route processor (RP) and standby route processor (SRP) Ethernet interfaces. You must manually configure any other interface for which you want to enable MPP as a management interface.

Afterwards, only the default management interfaces and those you have previously configured as MPP interfaces accept network management packets destined for the device. All other interfaces drop such packets. Logical interfaces (or any other interfaces not present on the data plane) filter packets based on the ingress physical interface.

Benefits of Management Plane Protection

Implementing the MPP feature provides the following benefits:

- Greater access control for managing a device than allowing management protocols on all interfaces.
- Improved performance for data packets on non-management interfaces.
- Support for network scalability.
- Simplifies the task of using per-interface access control lists (ACLs) to restrict management access to the device.
- Fewer ACLs are needed to restrict access to the device.
- Prevention of packet floods on switching and routing interfaces from reaching the CPU.

Restrictions for Implementing Management Plane Protection

The following restrictions are listed for implementing Management Plane Protection (MPP):

- Currently, MPP does not keep track of the denied or dropped protocol requests.
- MPP configuration does not enable the protocol services. MPP is responsible only for making the services available on different interfaces. The protocols are enabled explicitly.
- Management requests that are received on inband interfaces are not necessarily acknowledged there.
- Both Route Processor (RP) and distributed route processor (DRP) Ethernet interfaces are by default out-of-band interfaces and can be configured under MPP.
- The changes made for the MPP configuration do not affect the active sessions that are established before the changes.
- Currently, MPP controls only the incoming management requests for protocols, such as TFTP, Telnet, Simple Network Management Protocol (SNMP), Secure Shell (SSH), XML, HTTP and Netconf.
- MPP does not support MIB.

Configure Device for Management Plane Protection for Inband Interface

An *inband management interface* is a physical or logical interface that processes management packets, as well as data-forwarding packets. An inband management interface is also called a *shared management interface*. Perform this task to configure a device that you have just added to your network or a device already operating in your network. This task shows how to configure MPP as an inband interface in which Telnet is allowed to access the router only through a specific interface.

Perform the following additional tasks to configure an inband MPP interface in non-default VRF.

- Configure the interface under the non-default inband VRF.
- Configure the global inband VRF.
- In the case of Telnet, configure the Telnet VRF server for the inband VRF.

SUMMARY STEPS

1. **configure**
2. **control-plane**
3. **management-plane**
4. **inband**
5. **interface** {*type instance* | **all**}
6. **allow** {*protocol* | **all**} [**peer**]
7. **address ipv4** {*peer-ip-address* | *peer ip-address/length*}
8. Use the **commit** or **end** command.
9. **show mgmt-plane** [**inband** | **out-of-band**] [**interface** {*type instance*}]

DETAILED STEPS

Step 1 **configure**

Example:

```
RP/0/RP0/CPU0:router# configure
```

Enters global configuration mode.

Step 2 **control-plane**

Example:

```
RP/0/RP0/CPU0:router(config)# control-plane  
RP/0/RP0/CPU0:router(config-ctrl)#
```

Enters control plane configuration mode.

Step 3 **management-plane**

Example:

```
RP/0/RP0/CPU0:router(config-ctrl)# management-plane  
RP/0/RP0/CPU0:router(config-mpp)#
```

Configures management plane protection to allow and disallow protocols and enters management plane protection configuration mode.

Step 4 **inband**

Example:

```
RP/0/RP0/CPU0:router(config-mpp)# inband  
RP/0/RP0/CPU0:router(config-mpp-inband)#
```

Configures an inband interface and enters management plane protection inband configuration mode.

Step 5 `interface {type instance | all}`**Example:**

```
RP/0/RP0/CPU0:router(config-mpp-inband)# interface HundredGigE 0/6/0/1
RP/0/RP0/CPU0:router(config-mpp-inband-Gi0_6_0_1)#
```

Configures a specific inband interface, or all inband interfaces. Use the **interface** command to enter management plane protection inband interface configuration mode.

- Use the **all** keyword to configure all interfaces.

Step 6 `allow {protocol | all} [peer]`**Example:**

```
RP/0/RP0/CPU0:router(config-mpp-inband-Gi0_6_0_1)# allow Telnet peer
RP/0/RP0/CPU0:router(config-telnet-peer)#
```

Configures an interface as an inband interface for a specified protocol or all protocols.

- Use the *protocol* argument to allow management protocols on the designated management interface.
 - HTTP or HTTPS
 - SNMP (also versions)
 - Secure Shell (v1 and v2)
 - TFTP
 - Telnet
 - Netconf
 - XML
- Use the **all** keyword to configure the interface to allow all the management traffic that is specified in the list of protocols.
- (Optional) Use the **peer** keyword to configure the peer address on the interface.

Step 7 `address ipv4 {peer-ip-address | peer ip-address/length}`**Example:**

```
RP/0/RP0/CPU0:router(config-telnet-peer)# address ipv4 10.1.0.0/16
```

Configures the peer IPv4 address in which management traffic is allowed on the interface.

- Use the *peer-ip-address* argument to configure the peer IPv4 address in which management traffic is allowed on the interface.
- Use the *peer ip-address/length* argument to configure the prefix of the peer IPv4 address.

Step 8 Use the **commit** or **end** command.

commit —Saves the configuration changes and remains within the configuration session.

end —Prompts user to take one of these actions:

- **Yes** — Saves configuration changes and exits the configuration session.
- **No** —Exits the configuration session without committing the configuration changes.
- **Cancel** —Remains in the configuration session, without committing the configuration changes.

Step 9 **show mgmt-plane** [**inband** | **out-of-band**] [**interface** {*type instance*}]

Example:

```
RP/0/RP0/CPU0:router# show mgmt-plane inband interface HundredGigE 0/6/0/1
```

Displays information about the management plane, such as type of interface and protocols enabled on the interface.

- (Optional) Use the **inband** keyword to display the inband management interface configurations that are the interfaces that process management packets as well as data-forwarding packets.
- (Optional) Use the **out-of-band** keyword to display the out-of-band interface configurations.
- (Optional) Use the **interface** keyword to display the details for a specific interface.

Configure Device for Management Plane Protection for Out-of-band Interface

Out-of-band refers to an interface that allows only management protocol traffic to be forwarded or processed. An *out-of-band management interface* is defined by the network operator to specifically receive network management traffic. The advantage is that forwarding (or customer) traffic cannot interfere with the management of the router, which significantly reduces the possibility of denial-of-service attacks.

Out-of-band interfaces forward traffic only between out-of-band interfaces or terminate management packets that are destined to the router. In addition, the out-of-band interfaces can participate in dynamic routing protocols. The service provider connects to the router's out-of-band interfaces and builds an independent overlay management network, with all the routing and policy tools that the router can provide.

Perform the following tasks to configure an out-of-band MPP interface.

- Configure the interface under the out-of-band VRF.
- Configure the global out-of-band VRF.
- In the case of Telnet, configure the Telnet VRF server for the out-of-band VRF.

SUMMARY STEPS

1. **configure**
2. control-plane
3. management-plane
4. out-of-band
5. **vrf** *vrf-name*

6. **interface** *{type instance | all}*
7. **allow** *{protocol | all}* [**peer**]
8. **address ipv6** *{peer-ip-address | peer ip-address/length}*
9. Use the **commit** or **end** command.
10. **show mgmt-plane** [**inband** | **out-of-band**] [**interface** *{type instance}* | **vrf**]

DETAILED STEPS

Step 1 **configure**

Example:

```
RP/0/RP0/CPU0:router# configure
```

Enters global configuration mode.

Step 2 **control-plane**

Example:

```
RP/0/RP0/CPU0:router(config)# control-plane
RP/0/RP0/CPU0:router(config-ctrl)#
```

Enters control plane configuration mode.

Step 3 **management-plane**

Example:

```
RP/0/RP0/CPU0:router(config-ctrl)# management-plane
RP/0/RP0/CPU0:router(config-mpp)#
```

Configures management plane protection to allow and disallow protocols and enters management plane protection configuration mode.

Step 4 **out-of-band**

Example:

```
RP/0/RP0/CPU0:router(config-mpp)# out-of-band
RP/0/RP0/CPU0:router(config-mpp-outband)#
```

Configures out-of-band interfaces or protocols and enters management plane protection out-of-band configuration mode.

Step 5 **vrf vrf-name**

Example:

```
RP/0/RP0/CPU0:router(config-mpp-outband)# vrf target
```

Configures a Virtual Private Network (VPN) routing and forwarding (VRF) reference of an out-of-band interface.

- Use the *vrf-name* argument to assign a name to a VRF.

Step 6 **interface** {*type instance* | **all**}

Example:

```
RP/0/RP0/CPU0:router(config-mpp-outband)# interface HundredGigE 0/6/0/2
RP/0/RP0/CPU0:router(config-mpp-outband-if)#
```

Configures a specific out-of-band interface, or all out-of-band interfaces, as an out-of-band interface. Use the **interface** command to enter management plane protection out-of-band configuration mode.

- Use the **all** keyword to configure all interfaces.

Step 7 **allow** {*protocol* | **all**} [**peer**]

Example:

```
RP/0/RP0/CPU0:router(config-mpp-outband-if)# allow TFTP peer
RP/0/RP0/CPU0:router(config-tftp-peer)#
```

Configures an interface as an out-of-band interface for a specified protocol or all protocols.

- Use the *protocol* argument to allow management protocols on the designated management interface.
 - HTTP or HTTPS
 - SNMP (also versions)
 - Secure Shell (v1 and v2)
 - TFTP
 - Telnet
 - Netconf
- Use the **all** keyword to configure the interface to allow all the management traffic that is specified in the list of protocols.
- (Optional) Use the **peer** keyword to configure the peer address on the interface.

Step 8 **address ipv6** {*peer-ip-address* | *peer ip-address/length*}

Example:

```
RP/0/RP0/CPU0:router(config-tftp-peer)# address ipv6 33::33
```

Configures the peer IPv6 address in which management traffic is allowed on the interface.

- Use the *peer-ip-address* argument to configure the peer IPv6 address in which management traffic is allowed on the interface.
- Use the *peer ip-address/length* argument to configure the prefix of the peer IPv6 address.

Step 9 Use the **commit** or **end** command.

commit —Saves the configuration changes and remains within the configuration session.

end —Prompts user to take one of these actions:

- **Yes** — Saves configuration changes and exits the configuration session.
- **No** —Exits the configuration session without committing the configuration changes.
- **Cancel** —Remains in the configuration session, without committing the configuration changes.

Step 10 **show mgmt-plane [inband | out-of-band] [interface {type instance} | vrf]**

Example:

```
RP/0/RP0/CPU0:router# show mgmt-plane out-of-band interface HundredGigE 0/6/0/2
```

Displays information about the management plane, such as type of interface and protocols enabled on the interface.

- (Optional) Use the **inband** keyword to display the inband management interface configurations that are the interfaces that process management packets as well as data-forwarding packets.
- (Optional) Use the **out-of-band** keyword to display the out-of-band interface configurations.
- (Optional) Use the **interface** keyword to display the details for a specific interface.
- (Optional) Use the **vrf** keyword to display the Virtual Private Network (VPN) routing and forwarding reference of an out-of-band interface.

Example

The following example shows how to configure inband and out-of-band interfaces for a specific IP address under MPP:

```
configure
control-plane
management-plane
inband
interface all
allow SSH
!
interface HundredGigE 0/6/0/0
allow all
allow SSH
allow Telnet peer
address ipv4 10.1.0.0/16
!
```

```
!
interface HundredGigE 0/6/0/1
  allow Telnet peer
  address ipv4 10.1.0.0/16
!
!
!
out-of-band
vrf my_out_of_band
interface HundredGigE 0/6/0/2
  allow TFTP peer
  address ipv6 33::33
!
!
!
!

show mgmt-plane

Management Plane Protection

inband interfaces
-----

interface - HundredGigE0_6_0_0
  ssh configured -
    All peers allowed
  telnet configured -
    peer v4 allowed - 10.1.0.0/16
  all configured -
    All peers allowed
interface - HundredGigE0_6_0_1
  telnet configured -
    peer v4 allowed - 10.1.0.0/16

interface - all
  all configured -
    All peers allowed

outband interfaces
-----

interface - HundredGigE0_6_0_2
  tftp configured -
    peer v6 allowed - 33::33

show mgmt-plane out-of-band vrf

Management Plane Protection -
  out-of-band VRF - my_out_of_band
```

MPP Parity for Management Ethernet Interface

Table 42: Feature History Table

| Feature Name | Release Information | Feature Description |
|----------------------------------------------|---------------------|---------------------------------------------------------------------------------------------------------------------------------------------------------------------------------------------------------------------------------------------------------------------------------------------------------------------------------------------------------------------------------------------------------------------------------------------------------------------------------------------------------------------------------------------------------------------------------------------------------------------------------------------------------------------------------------------------------------------------------------------------------------------------------------------------------------|
| MPP Parity for Management Ethernet Interface | Release 7.5.1 | <p>This release brings in parity between inband interfaces and management Ethernet interfaces with respect to the default behavior for network management traffic permissions. The feature provides a default configuration option to block the management traffic on management Ethernet interfaces when MPP is enabled. This feature thus enhances router-level security and provides more granularity in controlling management access to the router.</p> <p>In earlier releases, all management traffic was allowed, by default, on the management Ethernet interfaces, even with MPP enabled.</p> <p>This feature is supported on routers that have the Cisco NC57 line cards installed and operating in the native mode.</p> <p>This feature introduces the enable-inband-behaviour command.</p> |

The MPP feature on Cisco IOS XR Software allows you to select a set of line card data interfaces (also known as inband interfaces) or specific source hosts or networks that are reachable over inband interfaces, or management Ethernet interfaces, for the network management traffic. MPP configuration on the inband interfaces allows you to selectively permit management traffic through them. When MPP is enabled, by default, the management traffic is blocked on all inband interfaces. However, by default, the management traffic is not blocked on management Ethernet interfaces. Thus, until Cisco IOS XR Software Release 7.5.1, there was a difference in the default behavior between the inband interfaces and management Ethernet interfaces with respect to allowing or blocking the management traffic.

To enhance security over management Ethernet interfaces, Cisco IOS XR Software enhances the existing MPP functionality by providing the same level of management plane protection for management Ethernet interfaces as the already-available level for inband interfaces. By enabling this MPP parity or inband MPP behavior, by default, the router blocks the management traffic on all management Ethernet interfaces, when MPP feature is enabled. This blocking is unlike in earlier cases where the management traffic was allowed on all management Ethernet interfaces irrespective of the fact that MPP was enabled. Thus, the new functionality brings in parity, between the inband interfaces and management Ethernet interfaces, in the default behavior for permitting the network management traffic.

MPP Scenarios for Inband and Management Ethernet Interface

This table compares the pattern of traffic restriction on inband and management Ethernet interfaces when MPP parity for management Ethernet interface is enabled with various MPP configurations.

Table 43: MPP Scenarios for Inband and Management Ethernet Interfaces

| MPP Configuration | Permission for Network Management Traffic
(on inband interface) | Permission for Network Management Traffic
(on management Ethernet interface) |
|-------------------------------------------------------------------------------------------------------------------------------------------------------------------------------------------------------------------------------------------------------------------------------------------------------------------------------------|------------------------------------------------------------------------------------------------------------------------------------------------------|----------------------------------------------------------------------------------------------------------------------------------------------------------------------------------------|
| Not configured | Allows all network management traffic | Allows all network management traffic |
| MPP is configured to enable a given management protocol on an inband interface.

(For details, see Configure Device for Management Plane Protection for Inband Interface , on page 234.) | Allows the traffic of the specified management protocol only on that interface; blocks it on other inband interfaces, unless configured otherwise. | Blocks the traffic of the specified management protocol, and the traffic of other management protocols on all management Ethernet interfaces, unless configured otherwise. |
| MPP is configured to enable a given management protocol on management Ethernet interface.

(For details, see Configure Device for Management Plane Protection for Out-of-band Interface , on page 237 and How to Enable Inband MPP Behavior for Management Ethernet Interface , on page 243.) | Blocks the traffic of the specified management protocol as well as other management protocols on all inband interfaces, unless configured otherwise. | Allows only the traffic of the specified management protocol on that management Ethernet interface; blocks the traffic of all other management protocols, unless configured otherwise. |

How to Enable Inband MPP Behavior for Management Ethernet Interface

By default, MPP parity or inband MPP behavior for management Ethernet interface is disabled. To enable the feature, use the **enable-inband-behaviour** command in out-of-band configuration mode (under control-plane->management-plane configuration mode).

Prerequisites and Guidelines to Enable or Disable Inband MPP Behavior for Management Ethernet Interface

- Inband MPP behavior for management Ethernet interface takes effect only with MPP configuration in place.

For details on configuring MPP, see [Configure Device for Management Plane Protection for Inband Interface, on page 234](#) and [Configure Device for Management Plane Protection for Out-of-band Interface, on page 237](#).

- If MPP configuration is already present, the router rejects the configuration to enable or disable inband MPP behavior for management Ethernet interface. As a result, we recommend that you enable this feature before configuring MPP. Similarly, disable the feature only after removing the existing MPP configuration.

The recommended order of tasks to enable inband MPP behavior for management Ethernet interface is:

1. Enable inband MPP behavior for management Ethernet interface.
2. Enable the management protocols.
3. Configure the MPP feature.

The recommended order of tasks to disable inband MPP behavior for management Ethernet interface is:

1. Remove all MPP configurations.
2. Disable inband MPP behavior for management Ethernet interface.
3. Reconfigure MPP configurations, if required.

Configuration Example for Enabling Inband MPP Behavior for Management Ethernet Interface

```
Router#configure
Router(config)#control-plane
Router(config-ctrl)#management-plane
Router(config-mpp)#out-of-band
Router(config-mpp-outband)#enable-inband-behaviour
Router(config-mpp-outband)#commit
```

Running Configuration

```
Router#show run control-plane
control-plane
management-plane
  out-of-band
  enable-inband-behavior
!
```

MPP Feature Behavior for Management Ethernet Interface

This table provides a comparison of various scenarios where inband MPP behavior for management Ethernet interface feature is enabled and disabled.

See the *Verification* section for sample configurations and feature behavior in these scenarios.

Table 44: MPP Feature Behavior for Management Ethernet Interface

| Scenarios | Behavior with Inband MPP Behavior for Management Ethernet Interface Disabled | Behavior with Inband MPP Behavior for Management Ethernet Interface Enabled |
|-----------------------------------------------------------------------------------------------------------------------------------------------|------------------------------------------------------------------------------------------------------------------------------------------------------------------------------------------------------------------------------------------------------------------------------------------------------------------------------------------------------------------------------------------------------------------------------------|------------------------------------------------------------------------------------------------------------------------------------------------------------------------------------------------------------------------------------------------------------------------------------------------------------------------------------------------------------------------------------|
| At router boot up
(without MPP configuration) | Allows all management protocols (that are enabled) on both inband and management Ethernet interfaces. | Allows all management protocols (that are enabled) on both inband and management Ethernet interfaces. |
| With MPP for inband configured
(for a given management protocol) | <ul style="list-style-type: none"> Allows the traffic of the specified management protocol only on that inband interface, and on all management Ethernet interfaces; blocks it on all other inband interfaces, unless configured otherwise. Blocks the traffic of all other management protocols on all inband interfaces, unless configured otherwise, whereas, allows them on all management interfaces. | <ul style="list-style-type: none"> Allows the traffic of the specified management protocol only on that inband interface; blocks it on all other inband interfaces, and on management Ethernet interfaces. Blocks the traffic of all other management protocols on all inband interfaces, unless configured otherwise. |
| With MPP for out-of-band configured
(for a given management protocol on the default VRF, and on management interfaces on that default VRF) | <ul style="list-style-type: none"> Allows the traffic of that specified protocol on all management Ethernet interfaces; blocks it on all inband interfaces, unless configured otherwise. Allows the traffic of all other management protocols also on all management Ethernet interfaces. | <ul style="list-style-type: none"> Allows the traffic of the specified management protocol only on management Ethernet interfaces; blocks it on all inband interfaces, unless configured otherwise. Blocks the traffic of all other management protocols on all management Ethernet interfaces, and on all inband interfaces, unless configured otherwise. |

Verification

- **Scenario 1: Router boot up**

- **Without enabling inband MPP behavior for management Ethernet interface:**

When router boots up, it allows all enabled management protocols on both inband and management Ethernet interfaces. Consider an example where the management protocols SSH, telnet, and SNMP are enabled.

The **show** commands include port numbers 22, 23 and 161, which are assigned for SSH, telnet and SNMP respectively.

The LPTS entries for SSH are as follows:

```
Router#show lpts bindings brief | inc any,22
Tue May 11 12:02:44.914 IST
0/RP0/CPU0 TPA_ LR IPV4 TCP default any any,22 any
0/RP0/CPU0 TPA_ LR IPV6 TCP default any any,22 any
0/RP0/CPU0 TPA_ LR IPV4 TCP vrf1 any any,22 any
0/RP0/CPU0 TPA_ LR IPV6 TCP vrf1 any any,22 any
```

The LPTS entries for telnet are as follows:

```
Router#show lpts bindings brief | inc any,23
Tue May 11 12:02:55.802 IST
0/RP0/CPU0 TCP LR IPV4 TCP default any any,23 any
0/RP0/CPU0 TCP LR IPV4 TCP port_fwd any any,23 any
```

The LPTS entries for SNMP are as follows:

```
Router#show lpts bindings brief | inc any,161
Tue May 11 12:02:59.575 IST
0/RP0/CPU0 UDP LR IPV4 UDP default any any,161 any
0/RP0/CPU0 UDP LR IPV6 UDP default any any,161 any
0/RP0/CPU0 UDP LR IPV6 UDP test any any,161 any
0/RP0/CPU0 UDP LR IPV4 UDP test any any,161 any
0/RP0/CPU0 UDP LR IPV4 UDP vrf1 any any,161 any
0/RP0/CPU0 UDP LR IPV6 UDP vrf1 any any,161 any
0/RP0/CPU0 UDP LR IPV6 UDP port_fwd any any,161 any
0/RP0/CPU0 UDP LR IPV4 UDP port_fwd any any,161 any
0/RP0/CPU0 UDP LR IPV6 UDP 8W7TFFUHSBDQ9NIRCA7083S27NC6XVZ0 any any,161 any
0/RP0/CPU0 UDP LR IPV4 UDP 8W7TFFUHSBDQ9NIRCA7083S27NC6XVZ0 any any,161 any
```

The **show** command outputs show that the router allows all enabled management protocols on all management Ethernet interfaces.

- **With inband MPP behavior for management Ethernet interface enabled:**

In this scenario, there is no change to the LPTS entry programming because the feature is not yet enabled and MPP is not configured. As a result, the behavior remains the same: router allows all enabled management protocols on both inband and management Ethernet interfaces.

- **Scenario 2: With MPP for inband configured**

- **Without enabling inband MPP behavior for management Ethernet interface:**

Consider an example where you have configured MPP to enable one of the management protocols, say SSH, on an inband interface.

```
Router#show run control-plane
Tue May 11 12:06:44.378 IST
control-plane
management-plane
inband
interface HundredGigE0/1/0/28
allow SSH peer
address ipv4 192.0.2.0
!
!
```

The router allows SSH only on that inband interface and the management interface on both RPs.

The LPTS entries for SSH are as follows:

```
Router#show lpts bindings brief | inc any,22
Tue May 11 12:03:30.967 IST
0/RP0/CPU0 TPA_ LR IPV4 TCP default Mg0/RP0/CPU0/0 any,22 any
0/RP0/CPU0 TPA_ LR IPV4 TCP default Mg0/RP1/CPU0/0 any,22 any
0/RP0/CPU0 TPA_ LR IPV4 TCP default Hu0/1/0/28 any,22 192.0.2.0
0/RP0/CPU0 TPA_ LR IPV6 TCP default Mg0/RP0/CPU0/0 any,22 any
0/RP0/CPU0 TPA_ LR IPV6 TCP default Mg0/RP1/CPU0/0 any,22 any
```

The router blocks the other management protocols (such as telnet, SNMP, and so on) on all inband interfaces (unless configured otherwise). However, it allows them on management interface on both RPs, as shown in the following outputs.

The LPTS entries for telnet are as follows:

```
Router#show lpts bindings brief | inc any,23
Tue May 11 12:03:51.483 IST
0/RP0/CPU0 TCP LR IPV4 TCP default Mg0/RP0/CPU0/0 any,23 any
0/RP0/CPU0 TCP LR IPV4 TCP default Mg0/RP1/CPU0/0 any,23 any
```

The LPTS entries for SNMP are as follows:

```
Router#show lpts bindings brief | inc any,161
0/RP0/CPU0 UDP LR IPV4 UDP default Mg0/RP0/CPU0/0 any,161 any
0/RP0/CPU0 UDP LR IPV4 UDP default Mg0/RP1/CPU0/0 any,161 any
0/RP0/CPU0 UDP LR IPV6 UDP default Mg0/RP0/CPU0/0 any,161 any
0/RP0/CPU0 UDP LR IPV6 UDP default Mg0/RP1/CPU0/0 any,161 any
```

- **With inband MPP behavior for management Ethernet interface enabled:**

Here, the feature is enabled before MPP configuration.

```
Router#show run control-plane
Wed Jul 14 12:27:50.054 UTC
control-plane
management-plane
inband
  interface HundredGigE0/1/0/28
    allow SSH peer
    address ipv4 192.0.2.0
  !
!
out-of-band
  enable-inband-behavior
!
!
!
```

When you configure MPP to allow SSH on an inband interface (say, Hu0/1/0/28), the router allows SSH on only that inband interface. It blocks other management protocols (such as telnet, SNMP, and so on) on all inband interfaces (unless configured otherwise) and on management Ethernet interfaces, as shown in the following output.

The LPTS entries for SSH are:

```
Router#show lpts bindings brief | inc any,22
Wed Jul 14 12:30:35.881 UTC
0/RP0/CPU0 TCP LR IPV4 TCP default Hu0/1/0/28 any,22 192.0.2.0
```

The LPTS entries for telnet are:

```
Router#show lpts bindings brief | inc any,23
Wed Jul 14 12:30:38.464 UTC
```

The LPTS entries for SNMP are:

```
Router#show lpts bindings brief | inc any,161
Wed Jul 14 12:30:43.697 UTC
```

• Scenario 3: With MPP for out-of-band configured

• Without enabling inband MPP behavior for management Ethernet interface:

Consider an example where you have configured MPP for out-of-band for a given management protocol, say SSH, on the default VRF and on management interfaces on that default VRF.

```
Router#show run control-plane
Wed Jul 14 12:13:18.459 UTC
control-plane
management-plane
out-of-band
interface MgmtEth0/RP0/CPU0/0
allow SSH
!
!
!
!
```

The router allows SSH on all management interfaces on both RPs.

The LPTS entries for SSH are:

```
Router#show lpts bindings brief | inc any,22
Wed Jul 14 12:13:22.062 UTC
0/RP0/CPU0 TCP LR IPV6 TCP default Mg0/RP0/CPU0/0 any,22 any
0/RP0/CPU0 TCP LR IPV4 TCP default Mg0/RP0/CPU0/0 any,22 any
0/RP0/CPU0 TCP LR IPV6 TCP default Mg0/RP1/CPU0/0 any,22 any
0/RP0/CPU0 TCP LR IPV4 TCP default Mg0/RP1/CPU0/0 any,22 any
```

The router also allows the other management protocols (such as telnet, SNMP, and so on) on all management interfaces on both RPs, as shown in the following outputs.

The LPTS entries for telnet are:

```
Router#show lpts bindings brief | inc any,23
Wed Jul 14 12:13:25.152 UTC
0/RP0/CPU0 TCP LR IPV4 TCP default Mg0/RP0/CPU0/0 any,23 any
0/RP0/CPU0 TCP LR IPV4 TCP default Mg0/RP1/CPU0/0 any,23 any
```

The LPTS entries for SNMP are:

```
Router#show lpts bindings brief | inc any,161
Wed Jul 14 12:13:28.284 UTC
```

```

0/RP0/CPU0 UDP LR IPV4 UDP default Mg0/RP0/CPU0/0 any,162 any
0/RP0/CPU0 UDP LR IPV4 UDP default Mg0/RP1/CPU0/0 any,162 any
0/RP0/CPU0 UDP LR IPV6 UDP default Mg0/RP0/CPU0/0 any,161 any
0/RP0/CPU0 UDP LR IPV6 UDP default Mg0/RP1/CPU0/0 any,161 any
0/RP0/CPU0 UDP LR IPV4 UDP default Mg0/RP0/CPU0/0 any,161 any
0/RP0/CPU0 UDP LR IPV4 UDP default Mg0/RP1/CPU0/0 any,161 any
0/RP0/CPU0 UDP LR IPV6 UDP default Mg0/RP0/CPU0/0 any,162 any
0/RP0/CPU0 UDP LR IPV6 UDP default Mg0/RP1/CPU0/0 any,162 any

```

- **With inband MPP behavior for management Ethernet interface enabled:**

Here, the feature is enabled before MPP configuration.

When you configure MPP to allow SSH on only out-of-band interface (say, on management Ethernet interface), the router allows SSH only on management Ethernet interfaces. It blocks other management protocols (such as telnet, SNMP, and so on) on all inband interfaces (unless configured otherwise) and on management Ethernet interfaces, as shown in the following outputs.

The LPTS entries for SSH are:

```

Router#show lpts bindings brief | inc any,22
Tue July 13 12:13:00.180 IST
0/RP0/CPU0 TCP LR IPV6 TCP default Mg0/RP0/CPU0/0 any,22 any
0/RP0/CPU0 TCP LR IPV4 TCP default Mg0/RP0/CPU0/0 any,22 any

```

The LPTS entries for telnet are:

```

Router#show lpts bindings brief | inc any,23
Tue July 13 12:14:00.130 IST

```

The LPTS entries for SNMP are:

```

Router#show lpts bindings brief | inc any,161
Tue July 13 12:14:10.360 IST

```

Associated Command

- `enable-inband-behaviour`

Information About Implementing Management Plane Protection

Before you enable the Management Plane Protection feature, you should understand the following concepts:

Peer-Filtering on Interfaces

The peer-filtering option allows management traffic from specific peers, or a range of peers, to be configured.

Control Plane Protection

A *control plane* is a collection of processes that run at the process level on a route processor and collectively provide high-level control for most Cisco software functions. All traffic directly or indirectly destined to a router is handled by the control plane. Management Plane Protection operates within the Control Plane Infrastructure.

Management Plane

The *management plane* is the logical path of all traffic that is related to the management of a routing platform. One of three planes in a communication architecture that is structured in layers and planes, the management plane performs management functions for a network and coordinates functions among all the planes (management, control, and data). In addition, the management plane is used to manage a device through its connection to the network.

Examples of protocols processed in the management plane are Simple Network Management Protocol (SNMP), Telnet, HTTP, Secure HTTP (HTTPS), SSH, XML and Netconf. These management protocols are used for monitoring and for command-line interface (CLI) access. Restricting access to devices to internal sources (trusted networks) is critical.



CHAPTER 12

Traffic Protection for Third-Party Applications

Traffic Protection for Third-Party Applications provides a mechanism for securing management traffic on the router. Without Traffic Protection for Third-Party Applications, if the service is enabled, the Cisco IOS XR allows the service traffic to pass through any interface with a network address.



Note Prior to Cisco IOS XR Release 6.5.2, Traffic Protection for Third-Party Applications was termed as MPP for Third-Party Applications.

Traffic Protection for Third-Party Applications helps in rate limiting or throttling the traffic through configuration with the help of LPTS. Traffic Protection for Third-Party Applications filters traffic based on the following tuples: address family, vrf, port, interface, local address and remote address.



Note It is mandatory to configure address family, protocol, local port, and vrf, as well as at least one of interface or local or remote address.

- [gRPC Protocol, on page 251](#)
- [Limitations for Traffic Protection for Third-Party Applications, on page 252](#)
- [Prerequisites for Traffic Protection for Third-Party Applications Over GRPC, on page 252](#)
- [Configuring Traffic Protection for Third-Party Applications, on page 252](#)
- [Troubleshooting Traffic Protection for Third-Party Applications, on page 253](#)

gRPC Protocol

Google-defined Remote Procedure Calls (gRPC) is an open-source RPC framework. It is based on Protocol Buffers (Protobuf), which is an open source binary serialization protocol. gRPC provides a flexible, efficient, automated mechanism for serializing structured data, like XML, but is smaller and simpler to use. The user needs to define the structure by defining protocol buffer message types in .proto files. Each protocol buffer message is a small logical record of information, containing a series of name-value pairs.

Cisco gRPC Interface Definition Language (IDL) uses a set of supported RPCs such as get-config, merge-config, replace-config, cli-config, delete-config, cli-show, get-models, action-json, commit, and commit-replace. gRPC server runs in Extensible Manageability Services Daemon (emsd) process. gRPC client can be on any machine.

gRPC encodes requests and responses in binary. gRPC is extensible to other content types along with Protobuf. The Protobuf binary data object in gRPC is transported over HTTP/2.



Note It is recommended to configure TLS before enabling gRPC. Enabling gRPC protocol uses the default HTTP/2 transport with no TLS enabled on TCP. gRPC mandates AAA authentication and authorization for all gRPC requests. If TLS is not configured, the authentication credentials are transferred over the network unencrypted. Non-TLS mode can only be used in secure internal network.

gRPC supports distributed applications and services between a client and server. gRPC provides the infrastructure to build a device management service to exchange configuration and operational data between a client and a server. The structure of the data is defined by YANG models.

Limitations for Traffic Protection for Third-Party Applications

The following limitations are applicable for the Traffic Protection for Third-Party Applications:

- If the TPA entry is configured with only the active RP management interface and redundancy switchover is performed, the gRPC connection fails.

Prerequisites for Traffic Protection for Third-Party Applications Over GRPC

Ensure that the gRPC is configured.

gRPC Configuration

```
Router(config)# grpc port port-number
Router(config)# grpc no-tls
Router(config-grpc)# commit
```

Running Configuration

```
Router# show running-config grpc
```

```
grpc port 57600
no-tls
!
```

Configuring Traffic Protection for Third-Party Applications

The following task shows how to configure traffic protection for third-party applications

```
RP/0/0/CPU0:ios#configure
RP/0/0/CPU0:ios(config)#tpa
RP/0/0/CPU0:ios(config-tpa)#vrf default
RP/0/0/CPU0:ios(config-tpa-vrf)#address-family ipv4
RP/0/0/CPU0:ios(config-tpa-vrf-afi)#protection
```

```
RP/0/0/CPU0:ios(config-tpa-vrf-afi-prot)#allow protocol {udp|tcp} local-port {port-number}
remote-address {remote-ip-address} local-address {local-ip-address}
```

Running Configuration

```
Router# show running-config
tpa
vrf default
address-family ipv4
protection
allow protocol tcp local-port 57600 remote-address 10.0.0.2/32 local-address 192.168.0.1/32
allow protocol tcp local-port 57600 remote-address 10.0.1.0/24 local-address 192.168.0.1/32
allow protocol tcp local-port 57600 remote-address 10.0.2.0/24 local-address 192.168.0.1/32
address-family ipv6
protection
allow protocol tcp local-port 57600 remote-address 2001:DB8::1/128 local-address
2001:DB8:0:ABCD::1/128
allow protocol tcp local-port 57600 remote-address 2001:DB8::2/128 local-address
2001:DB8:0:ABCD::1/128
allow protocol tcp local-port 57600 remote-address 2001:DB8::3/128 local-address
2001:DB8:0:ABCD::1/128
!
!
!
!
```

Troubleshooting Traffic Protection for Third-Party Applications

The following show command output verifies whether TPA is configured or not.

```
Router# show running-config grpc

grpc
no-tls
!
```

The following show command output displays the TPA configuration.

```
Router# show running-config tpa

tpa
vrf default
address-family ipv4
allow local-port 57600 protocol tcp inter mgmtEth 0/RP0/CPU0/0 local-address
192.168.0.1/32 remote-address 10.0.0.2/32
!
```

gRPC Configuration without TPA

```
Router# show kim lpts database
```

```
State:
Prog - Programmed in hardware
Cfg - Configured, not yet programmed
Ovr - Not programmed, overridden by user configuration
Intf - Not programmed, interface does not exist
```

| Owner | AF | Proto | State | Interface | VRF | Local ip,port | > | Remote ip,port |
|-------|----|-------|-------|-----------|-----|---------------|---|----------------|
| Linux | 2 | 6 | Prog | | | global-vrf | > | any,57600 |
| | | | | | | | | > any,0 |

```
Router# show lpts bindings brief | include TPA
0/RP0/CPU0 TPA LR IPV4 TCP default any any,57600 any
```

gRPC Configuration with TPA

The following show command output displays the things that are configured in the LPTS database. It also checks if gRPC configuration is owned by Linux without using any filters.

```
Router# show kim lpts database
```

```
State:
```

```
Prog - Programmed in hardware
Cfg - Configured, not yet programmed
Ovr - Not programmed, overridden by user configuration
Intf - Not programmed, interface does not exist
```

| Owner | AF | Proto | State | Interface | VRF | Local ip,port | > | Remote ip,port |
|--------|----|-------|-------|-----------|------------|----------------------|---|----------------|
| Client | 2 | 6 | Prog | | default | 192.168.0.1/32,57600 | > | 10.0.0.2/32,0 |
| Linux | 2 | 6 | Ovr | | global-vrf | any,57600 | > | any,0 |

```
Router# show lpts bindings brief | include TPA
```

```
0/RP0/CPU0 TPA LR IPV4 TCP default Mg0/RP0/CPU0/0 192.168.0.1,57600 10.0.0.2
```

```
Router#
```

```
Router# 0/RP0/ADMIN0:Mar 19 15:22:26.837 IST: pm[2433]:
```

```
%INFRA-Process_Manager-3-PROCESS_RESTART : Process tams (IID: 0) restarted
```



CHAPTER 13

Implementing Secure Shell

Secure Shell (SSH) is an application and a protocol that provides a secure replacement to the Berkeley r-tools. The protocol secures sessions using standard cryptographic mechanisms, and the application can be used similarly to the Berkeley **rexec** and **rsh** tools.

Two versions of the SSH server are available: SSH Version 1 (SSHv1) and SSH Version 2 (SSHv2). SSHv1 uses Rivest, Shamir, and Adelman (RSA) keys and SSHv2 uses either Digital Signature Algorithm (DSA) keys or Rivest, Shamir, and Adelman (RSA) keys, or Ed25519 keys. Cisco software supports both SSHv1 and SSHv2.

This module describes how to implement Secure Shell.

Feature History for Implementing Secure Shell

| Release | Modification |
|---------------|---------------------------------------------------------------------------------------------------------------------------------------------------------------------------------------------------------------------------------------------------------------------------------------|
| Release 6.0 | This feature was introduced. |
| Release 7.0.1 | Support was added for these features: <ul style="list-style-type: none">• SSH Configuration Option to Restrict Cipher Public Key and HMAC Algorithm• Automatic Generation of SSH Host-Key Pairs• SSH and SFTP in Baseline Cisco IOS XR Software Image |
| Release 7.3.1 | Support was added for these features: <ul style="list-style-type: none">• Ed25519 Public-Key Algorithm Support for SSH• User Configurable Maximum Authentication Attempts for SSH• X.509v3 Certificate-based Authentication for SSH |

- [Information About Implementing Secure Shell, on page 256](#)
- [Prerequisites for Implementing Secure Shell, on page 260](#)
- [SSH and SFTP in Baseline Cisco IOS XR Software Image, on page 260](#)
- [Restrictions for Implementing Secure Shell, on page 261](#)
- [Configure SSH, on page 261](#)
- [Automatic Generation of SSH Host-Key Pairs, on page 264](#)

- [Ed25519 Public-Key Signature Algorithm Support for SSH, on page 267](#)
- [Configure SSH Client, on page 268](#)
- [Configuring CBC Mode Ciphers , on page 270](#)
- [Multi-channeling in SSH, on page 271](#)
- [User Configurable Maximum Authentication Attempts for SSH, on page 273](#)
- [X.509v3 Certificate-based Authentication for SSH, on page 275](#)
- [Selective Authentication Methods for SSH Server, on page 283](#)
- [SSH Port Forwarding, on page 284](#)
- [Non-Default SSH Port, on page 288](#)

Information About Implementing Secure Shell

To implement SSH, you should understand the following concepts:

SSH Server

The SSH server feature enables an SSH client to make a secure, encrypted connection to a Cisco router. This connection provides functionality that is similar to that of an inbound Telnet connection. Before SSH, security was limited to Telnet security. SSH allows a strong encryption to be used with the Cisco software authentication. The SSH server in Cisco software works with publicly and commercially available SSH clients.

SSH Client

The SSH client feature is an application running over the SSH protocol to provide device authentication and encryption. The SSH client enables a Cisco router to make a secure, encrypted connection to another Cisco router or to any other device running the SSH server. This connection provides functionality that is similar to that of an outbound Telnet connection except that the connection is encrypted. With authentication and encryption, the SSH client allows for a secure communication over an insecure network.

The SSH client works with publicly and commercially available SSH servers. The SSH client supports the ciphers of AES, 3DES, message digest algorithm 5 (MD5), SHA1, and password authentication. User authentication is performed in the Telnet session to the router. The user authentication mechanisms supported for SSH are RADIUS, TACACS+, and the use of locally stored usernames and passwords.

The SSH client supports setting DSCP value in the outgoing packets.

```
ssh client dscp <value from 0 - 63>
```

If not configured, the default DSCP value set in packets is 16 (for both client and server).

The SSH client supports the following options:

- **DSCP**—DSCP value for SSH client sessions.

```
RP/0/5/CPU0:router#configure
RP/0/5/CPU0:router(config)#ssh ?
  client  Provide SSH client service
  server  Provide SSH server service
  timeout Set timeout value for SSH
RP/0/5/CPU0:router(config)#ssh client ?
```

- **Knownhost**—Enable the host pubkey check by local database.
- **Source-interface**—Source interface for SSH client sessions.

```

RP/0/5/CPU0:router(config)#ssh client source-interface ?
ATM                ATM Network Interface(s)
BVI                Bridge-Group Virtual Interface
Bundle-Ether       Aggregated Ethernet interface(s)
CEM                Circuit Emulation interface(s)
GigabitEthernet    GigabitEthernet/IEEE 802.3 interface(s)
IMA                ATM Network Interface(s)
IMtestmain         IM Test Interface
Loopback           Loopback interface(s)
MgmtEth            Ethernet/IEEE 802.3 interface(s)
Multilink          Multilink network interface(s)
Null               Null interface
PFItestmain        PFI Test Interface
PFItestnothw       PFI Test Not-HW Interface
PW-Ether           PWHE Ethernet Interface
PW-IW              PWHE VC11 IP Interworking Interface
Serial             Serial network interface(s)
VASILeft           VASI Left interface(s)
VASIRight          VASI Right interface(s)
test-bundle-channel Aggregated Test Bundle interface(s)
tunnel-ipsec       IPSec Tunnel interface(s)
tunnel-mte         MPLS Traffic Engineering P2MP Tunnel interface(s)
tunnel-te          MPLS Traffic Engineering Tunnel interface(s)
tunnel-tp          MPLS Transport Protocol Tunnel interface
RP/0/5/CPU0:router(config)#ssh client source-interface
RP/0/5/CPU0:router(config)#

```

SSH also supports remote command execution as follows:

```

RP/0/5/CPU0:router#ssh ?
A.B.C.D  IPv4 (A.B.C.D) address
WORD     Hostname of the remote node
X:X::X   IPv6 (A:B:C:D...:D) address
vrf      vrf table for the route lookup
RP/0/5/CPU0:router#ssh 10.1.1.1 ?
cipher    Accept cipher type
command   Specify remote command (non-interactive)
source-interface Specify source interface
username  Accept userid for authentication
<cr>
RP/0/5/CPU0:router#ssh 192.68.46.6 username admin command "show redundancy sum"
Password:

Wed Jan  9 07:05:27.997 PST
Active Node      Standby Node
-----
0/4/CPU0        0/5/CPU0 (Node Ready, NSR: Not Configured)

RP/0/5/CPU0:router#

```

SFTP Feature Overview

SSH includes support for standard file transfer protocol (SFTP), a new standard file transfer protocol introduced in SSHv2. This feature provides a secure and authenticated method for copying router configuration or router image files.

The SFTP client functionality is provided as part of the SSH component and is always enabled on the router. Therefore, a user with the appropriate level can copy files to and from the router. Like the **copy** command, the **sftp** command can be used only in XR EXEC mode.

The SFTP client is VRF-aware, and you may configure the secure FTP client to use the VRF associated with a particular source interface during connections attempts. The SFTP client also supports interactive mode, where the user can log on to the server to perform specific tasks via the Unix server.

The SFTP Server is a sub-system of the SSH server. In other words, when an SSH server receives an SFTP server request, the SFTP API creates the SFTP server as a child process to the SSH server. A new SFTP server instance is created with each new request.

The SFTP requests for a new SFTP server in the following steps:

- The user runs the **sftp** command with the required arguments
- The SFTP API internally creates a child session that interacts with the SSH server
- The SSH server creates the SFTP server child process
- The SFTP server and client interact with each other in an encrypted format
- The SFTP transfer is subject to LPTS policer "SSH-Known". Low policer values will affect SFTP transfer speeds



Note In IOS-XR SW release 4.3.1 onwards the default policer value for SSH-Known has been reset from 2500pps to 300pps. Slower transfers are expected due to this change. You can adjust the lpts policer value for this punt cause to higher values that will allow faster transfers

When the SSH server establishes a new connection with the SSH client, the server daemon creates a new SSH server child process. The child server process builds a secure communications channel between the SSH client and server via key exchange and user authentication processes. If the SSH server receives a request for the sub-system to be an SFTP server, the SSH server daemon creates the SFTP server child process. For each incoming SFTP server subsystem request, a new SSH server child and a SFTP server instance is created. The SFTP server authenticates the user session and initiates a connection. It sets the environment for the client and the default directory for the user.

Once the initialization occurs, the SFTP server waits for the SSH_FXP_INIT message from the client, which is essential to start the file communication session. This message may then be followed by any message based on the client request. Here, the protocol adopts a 'request-response' model, where the client sends a request to the server; the server processes this request and sends a response.

The SFTP server displays the following responses:

- Status Response
- Handle Response
- Data Response
- Name Response



Note The server must be running in order to accept incoming SFTP connections.

RSA Based Host Authentication

Verifying the authenticity of a server is the first step to a secure SSH connection. This process is called the host authentication, and is conducted to ensure that a client connects to a valid server.

The host authentication is performed using the public key of a server. The server, during the key-exchange phase, provides its public key to the client. The client checks its database for known hosts of this server and the corresponding public-key. If the client fails to find the server's IP address, it displays a warning message to the user, offering an option to either save the public key or discard it. If the server's IP address is found, but the public-key does not match, the client closes the connection. If the public key is valid, the server is verified and a secure SSH connection is established.

The IOS XR SSH server and client had support for DSA based host authentication. But for compatibility with other products, like IOS, RSA based host authentication support is also added.

RSA Based User Authentication

One of the method for authenticating the user in SSH protocol is RSA public-key based user authentication. The possession of a private key serves as the authentication of the user. This method works by sending a signature created with a private key of the user. Each user has a RSA keypair on the client machine. The private key of the RSA keypair remains on the client machine.

The user generates an RSA public-private key pair on a unix client using a standard key generation mechanism such as ssh-keygen. The max length of the keys supported is 4096 bits, and the minimum length is 512 bits. The following example displays a typical key generation activity:

```
bash-2.05b$ ssh-keygen -b 1024 -t rsa
Generating RSA private key, 1024 bit long modulus
```

The public key must be in base64 encoded (binary) formats for it to be imported correctly into the router.



Note You can use third party tools available on the Internet to convert the key to the binary format.

Once the public key is imported to the router, the SSH client can choose to use the public key authentication method by specifying the request using the “-o” option in the SSH client. For example:

```
client$ ssh -o PreferredAuthentications=publickey 1.2.3.4
```

If a public key is not imported to a router using the RSA method, the SSH server initiates the password based authentication. If a public key is imported, the server proposes the use of both the methods. The SSH client then chooses to use either method to establish the connection. The system allows only 10 outgoing SSH client connections.

Currently, only SSH version 2 and SFTP server support the RSA based authentication.



Note The preferred method of authentication would be as stated in the SSH RFC. The RSA based authentication support is only for local authentication, and not for TACACS/RADIUS servers.

Authentication, Authorization, and Accounting (AAA) is a suite of network security services that provide the primary framework through which access control can be set up on your Cisco router or access server.

SSHv2 Client Keyboard-Interactive Authentication

An authentication method in which the authentication information is entered using a keyboard is known as keyboard-interactive authentication. This method is an interactive authentication method in the SSH protocol. This type of authentication allows the SSH client to support different methods of authentication without having to be aware of their underlying mechanisms.

Currently, the SSHv2 client supports the keyboard-interactive authentication. This type of authentication works only for interactive applications.



Note The password authentication is the default authentication method. The keyboard-interactive authentication method is selected if the server is configured to support only the keyboard-interactive authentication.

Prerequisites for Implementing Secure Shell

The following prerequisites are required to implement Secure Shell:

- Download the required image on your router. The SSH server and SSH client require you to have a crypto package (data encryption standard [DES], 3DES and AES) from Cisco downloaded on your router.



Note From Cisco IOS XR Software Release 7.0.1 and later, the SSH and SFTP components are available in the baseline Cisco IOS XR software image itself. For details, see, [SSH and SFTP in Baseline Cisco IOS XR Software Image, on page 260](#).

- Configure user authentication for local or remote access. You can configure authentication with or without authentication, authorization, and accounting (AAA).
- AAA authentication and authorization must be configured correctly for Secure Shell File Transfer Protocol (SFTP) to work.

SSH and SFTP in Baseline Cisco IOS XR Software Image

From Cisco IOS XR Software Release 7.0.1 and later, the management plane and control plane components that were part of the Cisco IOS XR security package (k9sec package) are moved to the base Cisco IOS XR software image. These include SSH, SCP, SFTP and IPSec control plane. However, *802.1X protocol (Port-Based Network Access Control)* and data plane components like MACsec remain as a part of the security package as per the export compliance regulations. This segregation of package components makes the software more modular. It also gives you the flexibility of including or excluding the security package as per your requirements.

The base package and the security package allow FIPS, so that the control plane can negotiate FIPS-approved algorithms.

Restrictions for Implementing Secure Shell

The following are some basic SSH restrictions and limitations of the SFTP feature:

- In order for an outside client to connect to the router, the router needs to have an RSA (for SSHv1 or SSHv2) or DSA (for SSHv2) key pair configured. DSA and RSA keys are not required if you are initiating an SSH client connection from the router to an outside routing device. The same is true for SFTP: DSA and RSA keys are not required because SFTP operates only in client mode.
- In order for SFTP to work properly, the remote SSH server must enable the SFTP server functionality. For example, the SSHv2 server is configured to handle the SFTP subsystem with a line such as `/etc/ssh2/sshd2_config`:
- **subsystem-sftp /usr/local/sbin/sftp-server**
- The SFTP server is usually included as part of SSH packages from public domain and is turned on by default configuration.
- SFTP is compatible with sftp server version OpenSSH_2.9.9p2 or higher.
- RSA-based user authentication is supported in the SSH and SFTP servers. The support however, is not extended to the SSH client.
- Execution shell and SFTP are the only applications supported.
- The SFTP client does not support remote filenames containing wildcards (*, ?, []). The user must issue the **sftp** command multiple times or list all of the source files from the remote host to download them on to the router. For uploading, the router SFTP client can support multiple files specified using a wildcard provided that the issues mentioned in the first through third bullets in this section are resolved.
- The cipher preference for the SSH server follows the order AES128, AES192, AES256, and, finally, 3DES. The server rejects any requests by the client for an unsupported cipher, and the SSH session does not proceed.
- Use of a terminal type other than vt100 is not supported, and the software generates a warning message in this case.
- Password messages of “none” are unsupported on the SSH client.
- Files created on the local device lose the original permission information because the router infrastructure does not provide support for UNIX-like file permissions. For files created on the remote file system, the file permission adheres to the umask on the destination host and the modification and last access times are the time of the copy.

Configure SSH

Perform this task to configure SSH.



Note For SSHv1 configuration, Step 1 to Step 4 are required. For SSHv2 configuration, Step to Step 4 are optional.



Note From Cisco IOS XR Software Release 7.0.1 and later, the SSH host-key pairs are auto-generated at the time of router boot up. Hence you need not perform steps 5 to 7 to generate the host keys explicitly. See, [Automatic Generation of SSH Host-Key Pairs, on page 264](#) for details.

SUMMARY STEPS

1. **configure**
2. **hostname** *hostname*
3. **domain name** *domain-name*
4. Use the **commit** or **end** command.
5. **crypto key generate rsa** [**usage keys** | **general-keys**] [*keypair-label*]
6. **crypto key generate dsa**
7. **configure**
8. **ssh timeout** *seconds*
9. Do one of the following:
 - **ssh server** [**vrf** *vrf-name*]
 - **ssh server v2**
10. Use the **commit** or **end** command.
11. **show ssh**
12. **show ssh session details**

DETAILED STEPS

Step 1 **configure**

Example:

```
RP/0/RP0/CPU0:router# configure
Enters global configuration mode.
```

Step 2 **hostname** *hostname*

Example:

```
RP/0/RP0/CPU0:router(config)# hostname router1
Configures a hostname for your router.
```

Step 3 **domain name** *domain-name*

Example:

```
RP/0/RP0/CPU0:router(config)# domain name cisco.com
Defines a default domain name that the software uses to complete unqualified host names.
```

Step 4 Use the **commit** or **end** command.

commit —Saves the configuration changes and remains within the configuration session.

end —Prompts user to take one of these actions:

- **Yes** — Saves configuration changes and exits the configuration session.
- **No** —Exits the configuration session without committing the configuration changes.
- **Cancel** —Remains in the configuration session, without committing the configuration changes.

Step 5 **crypto key generate rsa** [usage keys | general-keys] [keypair-label]

Example:

```
RP/0/RP0/CPU0:router# crypto key generate rsa general-keys
```

Generates an RSA key pair. The RSA key modulus can be in the range of 512 to 4096 bits.

- To delete the RSA key pair, use the **crypto key zeroize rsa** command.
- This command is used for SSHv1 only.

Step 6 **crypto key generate dsa**

Example:

```
RP/0/RP0/CPU0:router# crypto key generate dsa
```

Enables the SSH server for local and remote authentication on the router. The supported key sizes are: 512, 768 and 1024 bits.

- The recommended minimum modulus size is 1024 bits.
- Generates a DSA key pair.
To delete the DSA key pair, use the **crypto key zeroize dsa** command.
- This command is used only for SSHv2.

Step 7 **configure**

Example:

```
RP/0/RP0/CPU0:router# configure
```

Enters mode.

Step 8 **ssh timeout** seconds

Example:

```
RP/0/RP0/CPU0:router(config)# ssh timeout 60
```

(Optional) Configures the timeout value for user authentication to AAA.

- If the user fails to authenticate itself to AAA within the configured time, the connection is terminated.
- If no value is configured, the default value of 30 seconds is used. The range is from 5 to 120.

Step 9 Do one of the following:

- **ssh server** [**vrf** *vrf-name*]
- **ssh server v2**

Example:

```
RP/0/RP0/CPU0:router(config)# ssh server v2
```

- (Optional) Brings up an SSH server using a specified VRF of up to 32 characters. If no VRF is specified, the default VRF is used.

To stop the SSH server from receiving any further connections for the specified VRF, use the **no** form of this command. If no VRF is specified, the default is assumed.

Note The SSH server can be configured for multiple VRF usage.

- (Optional) Forces the SSH server to accept only SSHv2 clients if you configure the SSHv2 option by using the **ssh server v2** command. If you choose the **ssh server v2** command, only the SSH v2 client connections are accepted.

Step 10 Use the **commit** or **end** command.

commit —Saves the configuration changes and remains within the configuration session.

end —Prompts user to take one of these actions:

- **Yes** — Saves configuration changes and exits the configuration session.
- **No** —Exits the configuration session without committing the configuration changes.
- **Cancel** —Remains in the configuration session, without committing the configuration changes.

Step 11 show ssh

Example:

```
RP/0/RP0/CPU0:router# show ssh
```

(Optional) Displays all of the incoming and outgoing SSHv1 and SSHv2 connections to the router.

Step 12 show ssh session details

Example:

```
RP/0/RP0/CPU0:router# show ssh session details
```

(Optional) Displays a detailed report of the SSHv2 connections to and from the router.

Automatic Generation of SSH Host-Key Pairs

This feature brings in the functionality of automatically generating the SSH host-key pairs for the DSA, ECDSA (such as **ecdsa-nistp256**, **ecdsa-nistp384**, and **ecdsa-nistp521**) and RSA algorithms. This in turn eliminates the need for explicitly generating each SSH host-key pair after the router boots up. Because the keys are already present in the system, the SSH client can establish connection with the SSH server soon after

the router boots up with the basic SSH configuration. This is useful especially during zero touch provisioning (ZTP) and Golden ISO boot up scenarios.

Before this automation, you had to execute the **crypto key generate** command to generate the required host-key pairs.

Although the host-key pairs are auto-generated with the introduction of this feature, you still have the flexibility to select only the required algorithms on the SSH server. You can use the **ssh server algorithms host-key** command in XR Config mode to achieve the same. Alternatively, you can also use the existing **crypto key zeroize** command in XR EXEC mode to remove the algorithms that are not required.

Prior to the introduction of this feature, you had to execute the **crypto key generate** command in XR EXEC mode to generate the required host-key pairs.



Note In a system upgrade scenario from version 1 to version 2, the system does not generate the SSH host-key pairs automatically if they were already generated in version 1. The host-key pairs are generated automatically only if they were not generated in version 1.

Configure the Allowed SSH Host-Key Pair Algorithms

When the SSH client attempts a connection with the SSH server, it sends a list of SSH host-key pair algorithms (in the order of preference) internally in the connection request. The SSH server, in turn, picks the first matching algorithm from this request list. The server establishes a connection only if that host-key pair is already generated in the system, and if it is configured (using the **ssh server algorithms host-key** command) as the allowed algorithm.



Note If this configuration of allowed host-key pairs is not present in the SSH server, then you can consider that the SSH server allows all host-key pairs. In that case, the SSH client can connect with any one of the host-key pairs. Not having this configuration also ensures backward compatibility in system upgrade scenarios.

Configuration Example

You may perform this (optional) task to specify the allowed SSH host-key pair algorithm (in this example, **ecdsa**) from the list of auto-generated host-key pairs on the SSH server:

```
/* Example to select the ecdsa algorithm */  
Router(config)#ssh server algorithms host-key ecdsa-nistp521
```

Similarly, you may configure other algorithms.

Running Configuration

```
ssh server algorithms host-key ecdsa-nistp521  
!
```

Verify the SSH Host-Key Pair Algorithms



Note With the introduction of the automatic generation of SSH host-key pairs, the output of the **show crypto key mypubkey** command displays key information of all the keys that are auto-generated. Before its introduction, the output of this show command displayed key information of only those keys that you explicitly generated using the **crypto key generate** command.

```
Router#show crypto key mypubkey ecdsa
Mon Nov 19 12:22:51.762 UTC
Key label: the_default
Type      : ECDSA General Curve Nistp256
Degree   : 256
Created  : 10:59:08 UTC Mon Nov 19 2018
Data     :
04AC7533 3ABE7874 43F024C1 9C24CC66 490E83BE 76CEF4E2 51BBEF11 170CDB26
14289D03 6625FC4F 3E7F8F45 0DA730C3 31E960FE CF511A05 2B0AA63E 9C022482
6E

Key label: the_default
Type      : ECDSA General Curve Nistp384
Degree   : 384
Created  : 10:59:08 UTC Mon Nov 19 2018
Data     :
04B70BAF C096E2CA D848EE72 6562F3CC 9F12FA40 BE09BFE6 AF0CA179 F29F6407
FEE24A43 84C5A5DE D7912208 CB67EE41 58CB9640 05E9421F 2DCDC41C EED31288
6CACC8DD 861DC887 98E535C4 893CB19F 5ED3F6BC 2C90C39B 10EAED57 87E96F78
B6

Key label: the_default
Type      : ECDSA General Curve Nistp521
Degree   : 521
Created  : 10:59:09 UTC Mon Nov 19 2018
Data     :
0400BA39 E3B35E13 810D8AE5 260B8047 84E8087B 5137319A C2865629 8455928F
D3D9CE39 00E097FF 6CA369C3 EE63BA57 A4C49C02 B408F682 C2153B7F AAE53EF8
A2926001 EF113896 5F1DA056 2D62F292 B860FDFB 0314CE72 F87AA2C9 D5DD29F4
DA85AE4D 1CA453AC 412E911A 419E9B43 0A13DAD3 7B7E88E4 7D96794B 369D6247
E3DA7B8A 5E
```

The following example shows the output for **ed25519**:

```
Router#show crypto key mypubkey ed25519
Wed Dec 16 16:12:21.464 IST
Key label: the_default
Type      : ED25519
Size     : 256
Created  : 15:08:28 IST Tue Oct 13 2020
Data     :
649CC355 40F85479 AE9BE26F B5B59153 78D171B6 F40AA53D B2E48382 BA30E5A9

Router#
```

Related Topics

[Automatic Generation of SSH Host-Key Pairs, on page 264](#)

Associated Commands

- `ssh server algorithms host-key`
- `show crypto key mypubkey`

Ed25519 Public-Key Signature Algorithm Support for SSH

Table 45: Feature History Table

| Feature Name | Release Information | Feature Description |
|--------------------------------------------------------|---------------------|---------------------------------------------------------------------------------------------------------------------------------------------------------------------------------------------------------------------------------------------------------------------------------------------------------------------------------------------------------------------------------------------------------------------------------------------------------|
| Ed25519 Public-Key Signature Algorithm Support for SSH | Release 7.3.1 | <p>This algorithm is now supported on Cisco IOS XR 64-bit platforms when establishing SSH sessions. It is a modern and secure public-key signature algorithm that provides several benefits, particularly resistance against several side-channel attacks. Prior to this release, DSA, ECDSA, and RSA public-key algorithms were supported.</p> <p>This command is modified for this feature:</p> <p>ssh server algorithms host-key</p> |

This feature introduces the support for Ed25519 public-key algorithm, when establishing SSH sessions, on Cisco IOS XR 64-bit platforms. This algorithm offers better security with faster performance when compared to DSA or ECDSA signature algorithms.

The order of priority of public-key algorithms during SSH negotiation between the client and the server is:

- `ecdsa-sha2-nistp256`
- `ecdsa-sha2-nistp384`
- `ecdsa-sha2-nistp521`
- `ssh-ed25519`
- `ssh-rsa`
- `ssh-dsa`

Restrictions for ED25519 Public Key for SSH

The Ed25519 public key algorithm is not FIPS-certified. That is, if FIPS mode is enabled on the router, the list of public-key algorithms sent during the SSH key negotiation phase does not contain the Ed25519 key. This behavior is applicable only for new SSH connections. Any existing SSH session that has already negotiated Ed25519 public-key algorithm remains intact and continues to execute until the session is disconnected.

Further, if you have configured the router to negotiate only the Ed25519 public-key algorithm (using the **ssh server algorithms host-key** command), and if FIPS mode is also enabled, then the SSH connection to the router fails.

How to Generate Ed25519 Public Key for SSH

To generate Ed25519 public key for SSH, see .

You must also specify Ed25519 as the permitted SSH host-key pair algorithm from the list of auto-generated host-key pairs on the SSH server. For details, see .

To remove the Ed25519 key from the router, use the **crypto key zeroize ed25519** command in XR EXEC mode.

Configure SSH Client

Perform this task to configure an SSH client.

SUMMARY STEPS

1. **configure**
2. **ssh client knownhost** *device* : /*filename*
3. Use the **commit** or **end** command.
4. **ssh** {*ipv4-address* | *ipv6-address* | *hostname*} [**username** *user-* **cipher** | **source-interface** *type instance*]

DETAILED STEPS

Step 1 **configure**

Example:

```
RP/0/RP0/CPU0:router# configure
```

Enters global configuration mode.

Step 2 **ssh client knownhost** *device* : /*filename*

Example:

```
RP/0/RP0/CPU0:router(config)# ssh client knownhost slot1:/server_pubkey
```

(Optional) Enables the feature to authenticate and check the server public key (pubkey) at the client end.

Note The complete path of the filename is required. The colon (:) and slash mark (/) are also required.

Step 3 Use the **commit** or **end** command.

commit —Saves the configuration changes and remains within the configuration session.

end —Prompts user to take one of these actions:

- **Yes** — Saves configuration changes and exits the configuration session.

- **No** —Exits the configuration session without committing the configuration changes.
- **Cancel** —Remains in the configuration session, without committing the configuration changes.

Step 4 `ssh {ipv4-address | ipv6-address | hostname} [username user- cipher | source-interface type instance]`

Enables an outbound SSH connection.

- To run an SSHv2 server, you must have a VRF. This may be the default or a specific VRF. VRF changes are applicable only to the SSH v2 server.
- The SSH client tries to make an SSHv2 connection to the remote peer. If the remote peer supports only the SSHv1 server, the peer internally spawns an SSHv1 connection to the remote server.
- The **cipher des** option can be used only with an SSHv1 client.
- The SSHv1 client supports only the 3DES encryption algorithm option, which is still available by default for those SSH clients only.
- If the *hostname* argument is used and the host has both IPv4 and IPv6 addresses, the IPv6 address is used.

-
- If you are using SSHv1 and your SSH connection is being rejected, the reason could be that the RSA key pair might have been zeroed out. Another reason could be that the SSH server to which the user is connecting to using SSHv1 client does not accept SSHv1 connections. Make sure that you have specified a hostname and domain. Then use the **crypto key generate rsa** command to generate an RSA host-key pair, and then enable the SSH server.
 - If you are using SSHv2 and your SSH connection is being rejected, the reason could be that the DSA, RSA host-key pair might have been zeroed out. Make sure you follow similar steps as mentioned above to generate the required host-key pairs, and then enable the SSH server.
 - When configuring the RSA or DSA key pair, you might encounter the following error messages:
 - No hostname specified

You must configure a hostname for the router using the **hostname** command.

- No domain specified

You must configure a host domain for the router using the **domain-name** command.

- The number of allowable SSH connections is limited to the maximum number of virtual terminal lines configured for the router. Each SSH connection uses a vty resource.
- SSH uses either local security or the security protocol that is configured through AAA on your router for user authentication. When configuring AAA, you must ensure that the console is not running under AAA by applying a keyword in the global configuration mode to disable AAA on the console.



Note If you are using Putty version 0.63 or higher to connect to the SSH client, set the 'Chokes on PuTTYs SSH2 winadj request' option under SSH > Bugs in your Putty configuration to 'On.' This helps avoid a possible breakdown of the session whenever some long output is sent from IOS XR to the Putty client.

Configuring Secure Shell

The following example shows how to configure SSHv2 by creating a hostname, defining a domain name, enabling the SSH server for local and remote authentication on the router by generating a DSA key pair, bringing up the SSH server, and saving the configuration commands to the running configuration file.

After SSH has been configured, the SFTP feature is available on the router.

From Cisco IOS XR Software Release 7.0.1 and later, the crypto keys are auto-generated at the time of router boot up. Hence, you need to explicitly generate the host-key pair only if it is not present in the router under some scenarios.

```
configure
hostname router1
domain name cisco.com
exit
crypto key generate rsa/dsa
configure
ssh server
end
```

Configuring CBC Mode Ciphers

In Cisco IOS XR Release 7.0.1, you can enable CBC mode ciphers 3DES-CBC and AES-CBC for SSHv2 server and client connections. The ciphers are disabled by default.

Step 1 **configure**

Example:

```
RP/0/RP0/CPU0:router# configure
```

Enters global configuration mode.

Step 2 **ssh server enable cipher aes-cbc 3des-cbc**

Example:

```
Router(config)# ssh server enable cipher aes-cbc 3des-cbc
```

Step 3 **ssh client enable cipher aes-cbc 3des-cbc**

Example:

```
Router(config)# ssh client enable cipher aes-cbc 3des-cbc
```

Step 4 Use the **commit** or **end** command.

commit —Saves the configuration changes and remains within the configuration session.

end —Prompts user to take one of these actions:

- **Yes** — Saves configuration changes and exits the configuration session.
- **No** —Exits the configuration session without committing the configuration changes.

- **Cancel**—Remains in the configuration session, without committing the configuration changes.

Step 5 show ssh session details

Example:

```
Router# show ssh session details
```

Configuring CBC Mode Ciphers

```
/*Enable CBC mode ciphers 3DES-CBC and AES-CBC */
Router# configure
Router(config)# ssh server enable cipher aes-cbc 3des-cbc
Router(config)# ssh client enable cipher aes-cbc 3des-cbc
Router(config)# commit
```

Verify CBC Mode Cipher Configuration.

```
Router# show ssh session details
```

```
Thu Sep 6 10:16:26.346 UTC
SSH version : Cisco-2.0
```

| id | key-exchange | pubkey | incipher | outcipher | inmac | outmac |
|------------------|--------------------|---------|------------|------------|---------------|---------------|
| ----- | | | | | | |
| Incoming Session | | | | | | |
| 2 | ecdh-sha2-nistp256 | ssh-rsa | aes128-cbc | aes128-cbc | hmac-sha2-256 | hmac-sha2-256 |

Multi-channeling in SSH

The multi-channeling (also called multiplexing) feature on the Cisco IOS XR software server allows you to establish multiple channels over the same TCP connection. Thus, rather than opening a new TCP socket for each SSH connection, all the SSH connections are multiplexed into one TCP connection. For example, with multiplexing support on your XR software server, on a single SSH connection you can simultaneously open a pseudo terminal, remotely execute a command and transfer a file using any file transfer protocol. Multiplexing offers the following benefits:

- You are required to authenticate only once at the time of creating the session. After that, all the SSH clients associated with a particular session use the same TCP socket to communicate to the server.
- Saves time consumed otherwise wasted in creating a new connection each time.

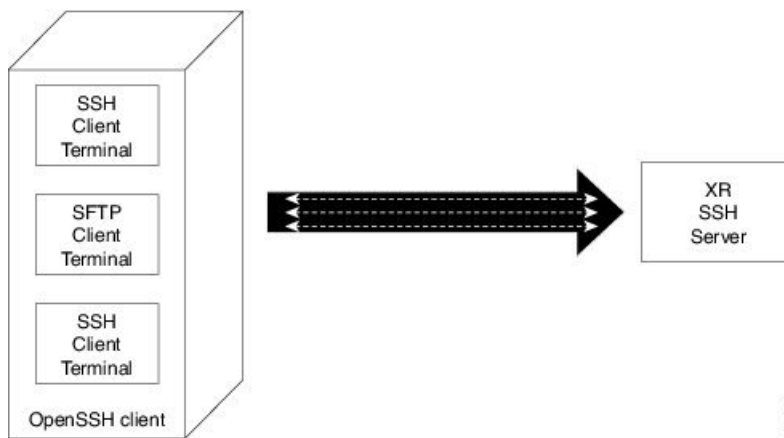
Multiplexing is enabled by default in the Cisco IOS XR software server. If your client supports multiplexing, you must explicitly set up multiplexing on the client for it to be able to send multi-channel requests to the server. You can use OpenSSH, Putty, Perl, WinSCP, Putty, FileZilla, TTSSH, Cygwin or any other SSH-based tool to set up multiplexing on the client. [Configure Client for Multiplexing, on page 272](#) provides an example of how you can configure the client for multiplexing using OpenSSH.

Restrictions for Multi-channeling Over SSH

- Do not use client multiplexing for heavy transfer of data as the data transfer speed is limited by the TCP speed limit. Hence, for a heavy data transfer it is advised that you run multiple SSH sessions, as the TCP speed limit is per connection.
- Client multiplexing must not be used for more than 15 concurrent channels per session simultaneously.
- You must ensure that the first channel created at the time of establishing the session is always kept alive in order for other channels to remain open.
- The **line template default session-limit** command is not supported for SSH.

Client and Server Interaction Over Multichannel Connection

The following figure provides an illustration of a client-server interaction over a SSH multichannel connection.



As depicted in the illustration,

- The client multiplexes the collection of channels into a single connection. This allows different operations to be performed on different channels simultaneously. The dotted lines indicate the different channels that are open for a single session.
- After receiving a request from the client to open up a channel, the server processes the request. Each request to open up a channel represents the processing of a single service.



Note The Cisco IOS XR software supports server-side multiplexing only.

Configure Client for Multiplexing

The SSH client opens up one TCP socket for all the connections. In order to do so, the client multiplexes all the connections into one TCP connection. Authentication happens only once at the time of creating the session. After that, all the SSH clients associated with the particular session uses the same TCP socket to communicate to the server. Use the following steps to configure client multiplexing using OpenSSH:

1. Edit the `ssh_config` file.

Open the `ssh_config` file with your favorite text editor to configure values for session multiplexing. The system-wide SSH configuration file is located under `/etc/ssh/ssh_config`. The user configuration file is located under `~/.ssh/config` or `$HOME/.ssh/config`.

2. Add entries **ControlMaster auto** and **ControlPath**

Add the entry `ControlMaster auto` and `ControlPath` to the `ssh_config` file, save it and exit.

- `ControlMaster` determines whether SSH will listen for control connections and what to do about them. Setting the `ControlMaster` to 'auto' creates a primary session automatically but if there is a primary session already available, subsequent sessions are automatically multiplexed.
- `ControlPath` is the location for the control socket used by the multiplexed sessions. Specifying the `ControlPath` ensures that any time a connection to a particular server uses the same specified primary connection.

Example:

```
Host *
ControlMaster auto
ControlPath ~/.ssh/tmp/%r@%h:%p
```

3. Create a temporary folder.

Create a temporary directory inside the `/.ssh` folder for storing the control sockets.

User Configurable Maximum Authentication Attempts for SSH

Table 46: Feature History Table

| Feature Name | Release Information | Feature Description |
|-----------------------------------------------------------|---------------------|--------------------------------------------------------------------------------------------------------------------------------------------------------------------------------------------------------------------------------------------------------------------------------------------------------------------------------------------------------------------------------------------------------------------------------------------------------------------------------------------------------------------------------------------------------------------|
| User Configurable Maximum Authentication Attempts for SSH | Release 7.3.1 | <p>This feature allows you to set a limit on the number of user authentication attempts allowed for SSH connection, using the three authentication methods that are supported by Cisco IOS XR. The limit that you set is an overall limit that covers all the authentication methods together. If the user fails to enter the correct login credentials within the configured number of attempts, the connection is denied and the session is terminated.</p> <p>This command is introduced for this feature:</p> <p>ssh server max-auth-limit</p> |

The three SSH authentication methods that are supported by Cisco IOS XR are public-key (which includes certificate-based authentication), keyboard-interactive, and password authentication. The limit count that you set as part of this feature comes into effect whichever combination of authentication methods you use. The

limit ranges from 3 to 20; default being 20 (prior to Cisco IOS XR Software Release 7.3.2, the limit range was from 4 to 20).

Restrictions for Configuring Maximum Authentication Attempts for SSH

These restrictions apply to configuring maximum authentication attempts for SSH:

- This feature is available only for Cisco IOS XR routers functioning as SSH server; not for the ones functioning as SSH clients.
- This configuration is not user-specific; the limit remains same for all the users.
- Due to security reasons, the SSH server limits the number of authentication attempts that explicitly uses the password authentication method to a maximum of 3. You cannot change this particular limit of 3 by configuring the maximum authentication attempts limit for SSH.

For example, even if you configure the maximum authentication attempts limit as 5, the number of authentication attempts allowed using the password authentication method still remain as 3.

Configure Maximum Authentication Attempts for SSH

You can use the `ssh server max-auth-limit` command to specify the maximum number of authentication attempts allowed for SSH connection.

Configuration Example

```
Router#configure
Router(config)#ssh server max-auth-limit 5
Router(config)#commit
```

Running Configuration

```
Router#show running-configuration ssh
ssh server max-auth-limit 5
ssh server v2
!
```

Verification

The system displays the following SYSLOG on the router console when maximum authentication attempts is reached:

```
RP/0/RP0/CPU0:Oct 6 10:03:58.029 UTC: SSHD_[68125]: %SECURITY-SSHD-3-ERR_GENERAL : Max
authentication tries reached-exiting
```

Associated Commands

- `ssh server max-auth-limit`

X.509v3 Certificate-based Authentication for SSH

Table 47: Feature History Table

| Feature Name | Release Information | Feature Description |
|--------------------------------------------------|---------------------|-------------------------------------------------------------------------------------------------------------------------------------------------------------------------------------------------------------------------------------------------------------------------------------------------------------------------------------------------------------------------------------------------------------------------------------------------------------------------------------------------------------------------------------------------------------------------------------------------------------------------------------------------------------------------------------------------------------|
| X.509v3 Certificate-based Authentication for SSH | Release 7.3.1 | <p>This feature adds new public-key algorithms that use X.509v3 digital certificates for SSH authentication. These certificates use a chain of signatures by a trusted certification authority to bind a public key to the digital identity of the user who is authenticating with the SSH server. These certificates are difficult to falsify and therefore used for identity management and access control across many applications and networks.</p> <p>Commands introduced for this feature are:</p> <p>ssh server certificate</p> <p>ssh server trustpoint</p> <p>This command is modified for this feature:</p> <p>ssh server algorithms host-key</p> |

This feature adds new public-key algorithms that use X.509v3 digital certificates for SSH authentication. This feature support is available for the SSH server for server and user authentication.

The X.509v3 certificate-based authentication for SSH feature supports the following public-key algorithms:

- **x509v3-ssh-dss**
- **x509v3-ssh-rsa**
- **x509v3-ecdsa-sha2-nistp256**
- **x509v3-ecdsa-sha2-nistp384**
- **x509v3-ecdsa-sha2-nistp521**



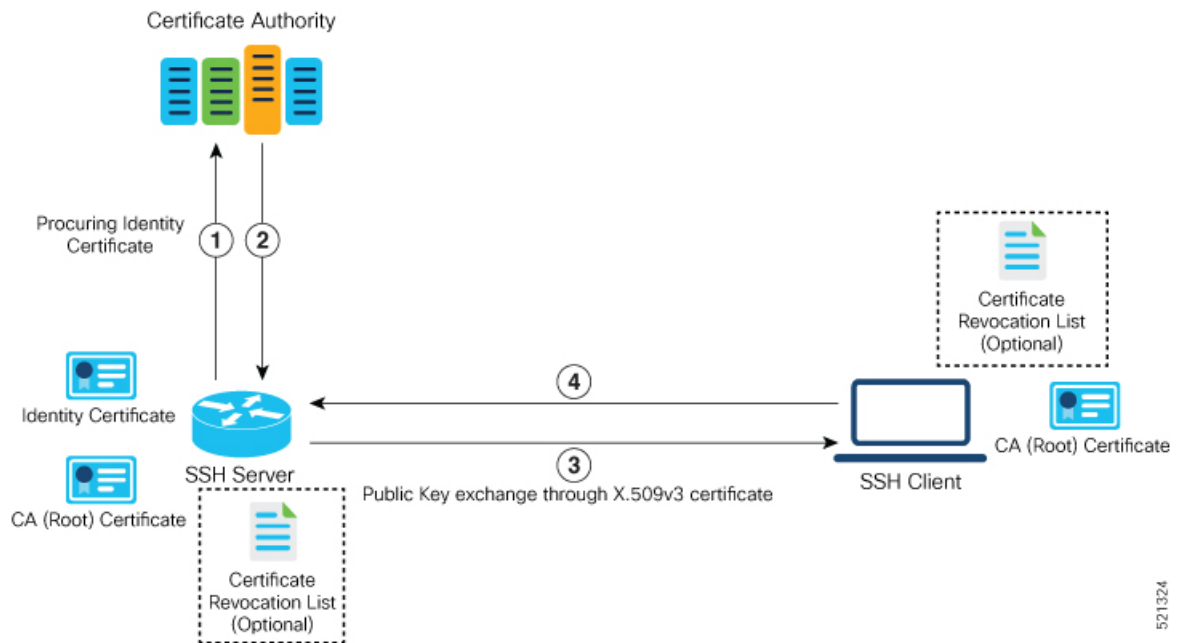
Note While user authentication by using X.509v3 certificate-based authentication for the SSH server is supported using all algorithms listed above, server authentication is supported only with the **x509v3-ssh-rsa** algorithm.

There are two SSH protocols that use public-key cryptography for authentication:

- Transport Layer Protocol (TLP) described in RFC4253—this protocol mandates that you use a digital signature algorithm (called the public-key algorithm) to authenticate the server to the client.
- User Authentication Protocol (UAP) described in RFC4252—this protocol allows the use of a digital signature to authenticate the client to the server (public-key authentication).

For TLP, the Cisco IOS XR SSH server provides its server certificate to the client, and the client verifies the certificate. Similarly, for UAP, the client provides an X.509 certificate to the server. The peer checks the validity and revocation status of the certificate. Based on the result, access is allowed or denied.

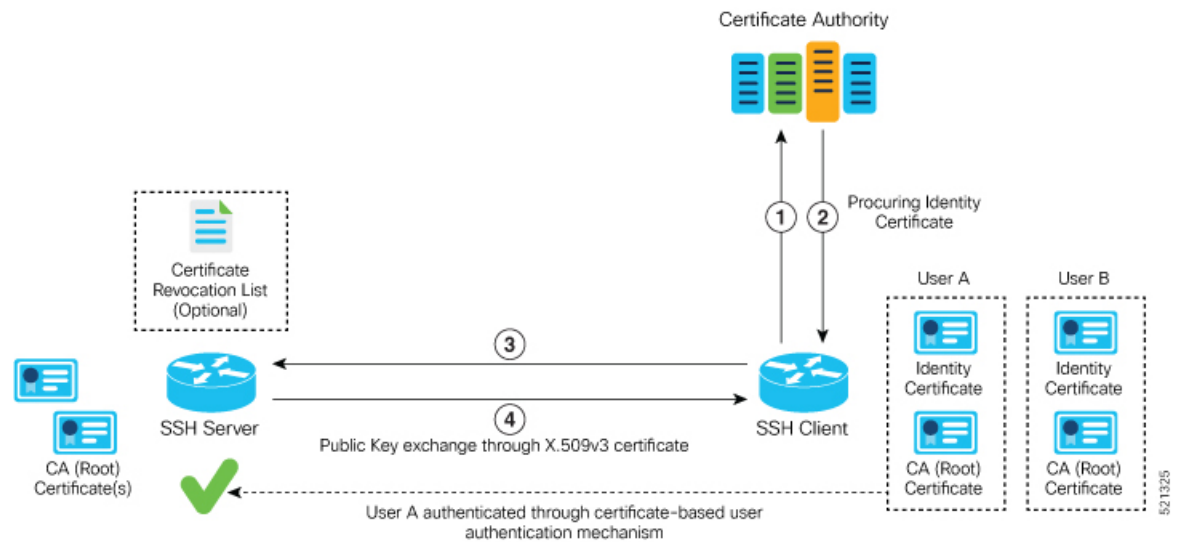
Server Authentication using X.509v3 Certificate



The server authentication process involves these steps:

1. The SSH server procures a valid identity certificate from a well-known certificate authority. This certificate can be obtained manually (through cut-and-paste mechanism) or through protocol implementations such as Simple Certificate Enrollment Protocol (SCEP).
2. The certificate authority provides valid identity certificates and associated root certificates. The requesting device stores these certificates locally.
3. The SSH server presents the certificate to the SSH client for verification.
4. The SSH client validates the certificate and starts the next phase of the SSH connection.

User Authentication using X.509v3 Certificate



The user authentication phase starts after the SSH transport layer is established. At the beginning of this phase, the client sends the user authentication request to the SSH server with required parameters. The user authentication process involves these steps:

1. The SSH client requests a valid identity certificate from a well-known certificate authority.
2. The certificate authority provides valid identity certificates and associated root certificates. The requesting device stores these certificates locally.
3. The SSH client presents the certificate to the SSH server for verification.
4. The SSH server validates the certificate and starts the next phase of the SSH connection.

The certificate-based authentication uses public key as the authentication method. The certificate validation process by the SSH server involves these steps:

- The SSH server retrieves the user authentication parameters, verifies the certificate, and also checks for the certificate revocation list (CRL).
- The SSH server extracts the *username* from the certificate attributes, such as *subject name* or *subject alternate name* (SAN) and presents them to the AAA server for authorization.
- The SSH server then takes the extracted *username* and validates it against the incoming *username* string present in the SSH connection parameter list.

Restrictions for X.509v3 Certificate-based Authentication for SSH

These restrictions apply to the X.509v3 certificate-based authentication feature for SSH:

- Supported only for Cisco IOS XR devices acting as the SSH server; not for the Cisco IOS XR devices acting as the SSH client.
- Supported only for local users because TACACS and RADIUS server do not support public-key authentication. As a result, you must include the **local** option for AAA authentication configuration.



Note Although this feature supports only local authentication, you can enforce remote authorization and accounting using the TACACS server.

- Certificate verification using the Online Certificate Status Protocol (OCSP) is currently not supported. The revocation status of certificates is checked using a certificate revocation list (CRL).
- To avoid user authentication failure, the chain length of the user certificate must not exceed the maximum limit of 9.

Configure X.509v3 Certificate-based Authentication for SSH

To enable X.509v3 certificate-based authentication for SSH, these tasks for server and user authentication:

Server Authentication:

- Configure the list of host key algorithms—With this configuration, the SSH server decides the list of host keys to be offered to the client. In the absence of this configuration, the SSH server sends all available algorithms to the user as host key algorithms. The SSH server sends these algorithms based on the availability of the key or the certificate.
- Configure the SSH trust point for server authentication—With this configuration, the SSH server uses the given trust point certificate for server authentication. In the absence of this configuration, the SSH server does not send **x509v3-ssh-rsa** as a method for server verification. This configuration is not VRF-specific; it is applicable to SSH running in all VRFs.

The above two tasks are for server authentication and the following ones are for user authentication.

User Authentication:

- Configure the trust points for user authentication—With this configuration, the SSH server uses the given trust point for user authentication. This configuration is not user-specific; the configured trust points are used for all users. In the absence of this configuration, the SSH server does not authenticate using certificates. This configuration is not specific to a VRF; it is applicable to SSH running in all VRFs.

You can configure up to ten user trust points.

- Specify the *username* to be picked up from the certificate—This configuration specifies which field in the certificate is to be considered as the *username*. The **common-name** from the **subject name** or the **user-principle-name(othertype)** from the **subject alternate name**, or both can be configured.
- Specify the maximum number of authentication attempts allowed by the SSH server—The value ranges from 4 to 20. The default value is 20. The server closes the connection if the number of user attempts exceed the configured value.
- AAA authentication configuration—The AAA configuration for public key is the same as that for the regular or keyboard-interactive authentication, except that it mandates local method in the authentication method list.

Configuration Example

In this example, the **x509v3-ssh-rsa** is specified as the allowed host key algorithm to be sent to the client. Similarly, you can configure other algorithms, such as **ecdsa-sha2-nistp521**, **ecdsa-sha2-nistp384**, **ecdsa-sha2-nistp256**, **ssh-rsa**, and **ssh-dsa**.

```
/* Configure the lists of host key algorithms */
Router#configure
Router(config)#ssh server algorithms host-key x509v3-ssh-rsa
Router(config)#commit

/* Configure the SSH trustpoint for server authentication */
Router#configure
Router(config)#ssh server certificate trustpoint host tp1
Router(config)#commit

/* Configure the trustpoints to be used for user authentication */
Router#configure
Router(config)#ssh server trustpoint user tp1
Router(config)#ssh server trustpoint user tp2
Router(config)#commit

/* Specifies the username to be picked up from the certificate.
In this example, it specifies the user common name to be picked up from the subject name
field */
Router#configure
Router(config)#ssh server certificate username common-name
Router(config)#commit

/* Specifies the maximum authentication limit for the SSH server */
Router#configure
Router(config)#ssh server max-auth-limit 5
Router(config)#commit

/* AAA configuration for local authentication with certificate and
remote authorization with TACACS+ or RADIUS */
Router#configure
Router(config)#aaa authentication login default group tacacs+ local
Router(config)#aaa authorization exec default group radius group tacacs+
Router(config)#commit
```

Running Configuration

```
ssh server algorithms host-key x509v3-ssh-rsa
!
ssh server certificate trustpoint host tp1
!
ssh server trustpoint user tp1
ssh server trustpoint user tp2
!
ssh server certificate username common-name
!
ssh server max-auth-limit 5
!
```

Verification of Certificate-based Authentication for SSH

You can use the **show ssh server** command to see various parameters of the SSH server. For certificate-based authentication for SSH, the **Certificate Based** field displays *Yes*. Also, the two new fields, **Host Trustpoint** and **User Trustpoints**, display the respective trust point names.

```
Router#show ssh server
Wed Feb 19 15:23:38.752 IST
-----
SSH Server Parameters
-----

Current supported versions := v2
                        SSH port := 22
                        SSH vrfs := vrfname:=default(v4-acl:=, v6-acl:=)
                        Netconf Port := 830
                        Netconf Vrfs := vrfname:=default(v4-acl:=, v6-acl:=)

Algorithms
-----
      Hostkey Algorithms := x509v3-ssh-rsa,
ecdsa-sha2-nistp521,ecdsa-sha2-nistp384,ecdsa-sha2-nistp256,ssh-rsa,ssh-dsa
      Key-Exchange Algorithms :=
ecdh-sha2-nistp521,ecdh-sha2-nistp384,ecdh-sha2-nistp256,diffie-hellman-group14-sha1
      Encryption Algorithms :=
aes128-ctr,aes192-ctr,aes256-ctr,aes128-gcm@openssh.com,aes256-gcm@openssh.com
      Mac Algorithms := hmac-sha2-512,hmac-sha2-256,hmac-sha1

Authetication Method Supported
-----
                        PublicKey := Yes
                        Password := Yes
Keyboard-Interactive := Yes
      Certificate Based := Yes

Others
-----
                        DSCP := 16
                        Ratelimit := 60
                        Sessionlimit := 100
                        Rekeytime := 60
                        Server rekeyvolume := 1024
                        TCP window scale factor := 1
                        Backup Server := Enabled, vrf:=default, port:=11000
Host Trustpoint := tp1
User Trustpoints := tp1 tp2
```

You can use the **show ssh session details** command to see the chosen algorithm for an SSH session:

```
Router#show ssh session details
Wed Feb 19 15:33:00.405 IST
SSH version : Cisco-2.0

id      key-exchange      pubkey      incipher      outcipher      inmac
outmac
-----
Incoming Sessions
1      ecdh-sha2-nistp256      x509v3-ssh-rsa      aes128-ctr      aes128-ctr      hmac-sha2-256
hmac-sha2-256
```

Similarly, you can use the **show ssh** command to verify the authentication method used. In this example, it shows as *x509-rsa-pubkey*:

```
Router#show ssh
Sun Sep 20 18:14:04.122 UTC
SSH version : Cisco-2.0

id chan pty location state userid host ver authentication connection
type
-----
Incoming sessions
4 1 vty0 0/RP0/CPU0 SESSION_OPEN 9chainuser 10.105.230.198 v2 x509-rsa-pubkey
Command-Line-Interface

Outgoing sessions
```

SYSLOGS

You can observe relevant SYSLOGS on the router console in various scenarios listed here:

- On successful verification of peer certificate:

```
RP/0/RP0/CPU0:Aug 10 15:01:34.793 UTC: locald_DLRSC[133]: %SECURITY-PKI-6-LOG_INFO :
Peer certificate verified successfully
```

- When user certificate CA is not found in the trust point:

```
RP/0/RP0/CPU0:Aug 9 22:06:43.714 UTC: locald_DLRSC[260]: %SECURITY-PKI-3-ERR_GENERAL
: issuer not found in trustpoints configured
RP/0/RP0/CPU0:Aug 9 22:06:43.714 UTC: locald_DLRSC[260]: %SECURITY-PKI-3-ERR_ERRNO :
Error:='Crypto Engine' detected the 'warning' condition 'Invalid trustpoint or trustpoint
not exist'(0x4214c000), cert verificationn failed
```

- When there is no CA certificate or host certificate in the trust point:

```
RP/0/RP1/CPU0:Aug 10 00:23:28.053 IST: SSHD_[69552]: %SECURITY-SSHD-4-WARNING_X509 :
could not get the host cert chain, 'sysdb' detected the 'warning' condition 'A SysDB
client tried to access a nonexistent item or list an empty directory', x509 host auth
will not be used
RP/0/RP1/CPU0:Aug 10 00:23:30.442 IST: locald_DLRSC[326]: %SECURITY-PKI-3-ERR_ERRNO :
Error:='Crypto Engine' detected the 'warning' condition 'Invalid trustpoint or trustpoint
not exist'(0x4214c000), Failed to get trustpoint name from
```

How to Disable X.509v3 Certificate-based Authentication for SSH

- Server Authentication — You can disable X.509v3 certificate-based server authentication for SSH by using the **ssh server algorithms host-key** command. From the list of auto-generated host-key pairs algorithms on the SSH server, this command configures allowed SSH host-key pair algorithms. Hence, if you have this configuration without specifying the **x509-ssh-rsa** option in the preceding command, it is equivalent to disabling the X.509v3 certificate-based server authentication for the SSH server.
- User Authentication — You can remove the user trust point configuration (**ssh server trustpoint user**) so that the SSH server does not allow the X.509v3 certificate-based authentication.

Failure Modes for X.509v3 Certificate-based Authentication for SSH

If the `ssh server certificate trustpoint host` configuration is missing, or if the configuration is present, but the router certificate is not present under the trust point, then the SSH server does not add `x509-ssh-rsa` to the list of supported host key methods during key exchange.

Also, the user authentication fails with an error message if:

- User certificate is in an incorrect format.
- The chain length of the user certificate is more than the maximum limit of 9.
- Certificate verification fails due to any reason.

Related Topics

- [X.509v3 Certificate-based Authentication for SSH, on page 275](#)

Associated Commands

- `ssh server algorithms hostkey`
- `ssh server certificate username`
- `ssh server max-auth-limit`
- `ssh server trustpoint host`
- `ssh server trustpoint user`
- `show ssh server`
- `show ssh session details`

Selective Authentication Methods for SSH Server

Table 48: Feature History Table

| Feature Name | Release Information | Feature Description |
|-------------------------------------------------|---------------------|---------------------------------------------------------------------------------------------------------------------------------------------------------------------------------------------------------------------------------------------------------------------------------------------------------------------------------------------------------------------------------------------------------------------------------------------------------------------------------------------------------------------------------------------------------------------------------------------------------------------------------------------------------------------------------------------------------------------------------------------------------------------------------------------------------------------------------------------------------------------------------------------------------------------------------------|
| Selective Authentication Methods for SSH Server | Release 7.8.1 | <p>You now have the flexibility to choose the preferred SSH server authentication methods on the router. These methods include password authentication, keyboard-interactive authentication, and public-key authentication. This feature allows you to selectively disable these authentication methods. By allowing the SSH clients to connect to the server only through these permitted authentication methods, this functionality provides additional security for router access through SSH. Before this release, by default, the SSH server allowed all these authentication methods for establishing SSH connections.</p> <p>The feature introduces these changes:</p> <ul style="list-style-type: none"> • CLI: New disable auth-methods command • YANG Data Model: New XPaths for <code>Cisco-IOS-XR-crypto-ssh-cfg.yang</code> Cisco native model (see GitHub) |

By default, the SSH server on the Cisco IOS XR routers allowed various authentication methods such as password authentication, keyboard-interactive authentication, and public-key authentication (including certificate-based authentication) for the SSH connections on the router. The SSH clients could use any of these authentication methods while attempting a connection to the SSH server on the router. From Cisco IOS XR Software Release 7.8.1, you can selectively disable these authentication methods, and allow connection attempts from the SSH client only through the remaining authentication methods. If the SSH client tries to establish a connection to the server using nonpermitted authentication methods (the ones that are disabled), then the login attempt fails.

Disable SSH Server Authentication Methods

Use the **disable auth-methods** command in ssh server configuration mode to disable the specific authentication method for the SSH server.

Public-key authentication includes certificate-based authentication as well. Hence, disabling public-key authentication automatically disables the certificate-based authentication.

Configuration Example

This example shows how to disable the keyboard-interactive authentication method for the SSH server on the router using CLI. Similarly, you can disable other authentication methods.

```
Router#configure
Router(config)# ssh server
```

```
Router(config-ssh)# disable auth-methods keyboard-interactive
Router(config-ssh)# commit
```

Running Configuration

```
!
ssh server
  disable auth-methods keyboard-interactive
!
```

Verification

Use the **show ssh server** command to see the list of authentication methods that the SSH server on the router supports. In this example, the keyboard-interactive method is disabled and the SSH server allows all other authentication methods.

```
Router#show ssh server

Wed Feb 23 10:38:37.716 UTC
RP/0/RP0/CPU0:ios(config)
Authentication Method Supported
-----
                PublicKey := Yes
                Password := Yes
Keyboard-Interactive := No
                Certificate Based := Yes
```

SSH Port Forwarding

Table 49: Feature History Table

| Feature Name | Release Information | Feature Description |
|---------------------|---------------------|------------------------------------------------------------------------------------------------------------------------------------------------------------------------------------------------------------------------------------------------------------------------------------------------------------------------------------------------------------------------------------------------------------------------------------------------------------------------------------------------------------|
| SSH Port Forwarding | Release 7.3.2 | <p>With this feature enabled, the SSH client on a local host forwards the traffic coming on a given port to the specified host and port on a remote server, through an encrypted SSH channel. Legacy applications that do not otherwise support data encryption can leverage this functionality to ensure network security and confidentiality to the traffic that is sent to remote application servers.</p> <p>This feature introduces the ssh server port-forwarding local command.</p> |

SSH port forwarding is a method of forwarding the otherwise insecure TCP/IP connections from the SSH client to server through a secure SSH channel. Since the traffic is directed to flow through an encrypted SSH connection, it is tough to snoop or intercept this traffic while in transit. This SSH tunneling provides network

security and confidentiality to the data traffic, and hence legacy applications that do not otherwise support encryption can mainly benefit out of this feature. You can also use this feature to implement VPN and to access intranet services across firewalls.

Figure 8: SSH Port Forwarding

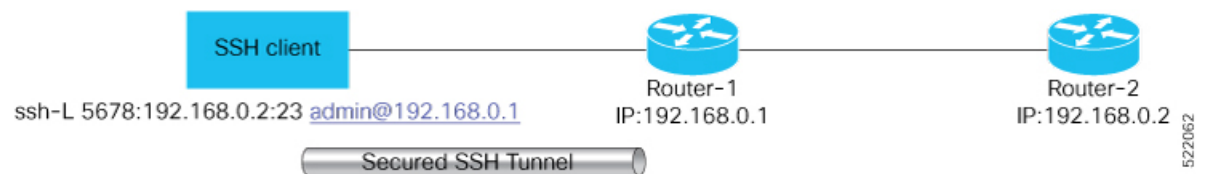


Consider an application on the SSH client residing on a local host, trying to connect to an application server residing on a remote host. With tunneling enabled, the application on the SSH client connects to a port on the local host that the SSH client listens to. The SSH client then forwards the data traffic of the application to the SSH server over an encrypted tunnel. The SSH server then connects to the actual application server that is either residing on the same router or on the same data center as the SSH server. The entire communication of the application is thus secured, without having to modify the application or the work flow of the end user.

The SSH port forwarding feature is disabled, by default. You can enable the feature by using the `ssh server port-forwarding local` command in the XR Config mode.

How Does SSH Port Forwarding Work?

Figure 9: Sample Topology for SSH Port Forwarding



Consider a scenario where port forwarding is enabled on the SSH server running on Router-1, in this topology. An SSH client running on a local host tries to create a secure tunnel to the SSH server, for a local application to eventually reach the remote application server running on Router-2.

The client tries to establish an SSH connection to Router-1 using the following command:

```
ssh -L local-port:remote-server-hostname:remote-port username@sshserver-hostname
```

where,

local-port is the local port number of the host where the SSH client and the application reside. Port 5678, in this example.

remote-server-hostname:remote-port is the TCP/IP host name and port number of the remote application server where the recipient (SSH server) must connect the channel from the SSH client to. 192.168.0.2 and 23, in this example.

sshserver-hostname is the domain name or IP address of the SSH server which is the recipient of the SSH client request. 192.168.0.1, in this example.

For example,

```
ssh -L 5678:192.168.0.2:23 admin@192.168.0.1
```

When the SSH server receives a TCP/IP packet from the SSH client, it accepts the packet and opens a socket to the remote server and port specified in that packet. Once the connection between SSH client and server is established, the SSH server connects that communication channel to the newly created socket. From then onwards, SSH server forwards all the incoming data from the client on that channel to that socket. This type of connection is known as port-forwarded local connection. When the client closes the connection, the SSH server closes the socket and the forwarded channel.

How to Enable SSH Port Forwarding

Guidelines for Enabling SSH Port Forwarding Feature

- The Cisco IOS XR software supports SSH port forwarding only on SSH server; not on SSH client. Hence, to utilize this feature, the SSH client running at the end host must already have the support for SSH port forwarding or tunneling.
- The remote host must be reachable on the same VRF where the current SSH connection between the server and the client is established.
- Port numbers need not match for SSH port forwarding to work. You can map any port on the SSH server to any port on the client.
- If the SSH client tries to do port forwarding without the feature being enabled on the SSH server, the port forwarding fails, and displays an error message on the console. Similarly the port-forwarded channel closes in case there is any connectivity issue or if the server receives an SSH packet from the client in an improper format.

Configuration Example

```
Router#configure
Router(config)#ssh server port-forwarding local
Router(config)#commit
```

Running Configuration

```
Router#show running-configuration

ssh server port-forwarding local
!
```

Verification

Use the **show ssh** command to see the details of the SSH sessions. The **connection type** field shows as **tcp-forwarded-local** for the port-forwarded session.

```
Router#show ssh

Wed Oct 14 11:22:05.575 UTC
SSH version : Cisco-2.0
```

```

id chan pty location state userid host ver authentication connection
type
-----
Incoming sessions
15 1 XXX 0/RP0/CPU0 SESSION_OPEN admin 192.168.122.1 v2 password
port-forwarded-local

Outgoing sessions

Router#

```

Use the **show ssh server** command to see the details of the SSH server. The **Port Forwarding** column shows as **local** for the port-forwarded session. Whereas, for a regular SSH session, the field displays as **disabled**.

```
Router#show ssh server
```

Syslogs for SSH Port Forwarding Feature

The router console displays the following syslogs at various SSH session establishment events.

- When SSH port forwarding session is successfully established:

```
RP/0/RP0/CPU0:Aug 24 13:10:15.933 IST: SSHD_[66632]:
%SECURITY-SSHD-6-PORT_FWD_INFO_GENERAL : Port Forwarding, Target:=10.105.236.155,
Port:=22, Originator:=127.0.0.1,Port:=41590, Vrf:=0x60000000, Connection forwarded
```

- If SSH client tries to establish a port forwarding session without SSH port forwarding feature being enabled on the SSH server:

```
RP/0/RP0/CPU0:Aug 24 13:20:31.572 IST: SSHD_[65883]: %SECURITY-SSHD-3-PORT_FWD_ERR_GENERAL
: Port Forwarding, Port forwarding is not enabled
```

Associated Command

- **ssh server port-forwarding local**

Non-Default SSH Port

Table 50: Feature History Table

| Feature Name | Release Information | Feature Description |
|----------------------|---------------------|--------------------------------------------------------------------------------------------------------------------------------------------------------------------------------------------------------------------------------------------------------------------------------------------------------------------------------------------------------------------------------------------------------------------------------------------------------------------------------------------------------------------------------------------------------------------------------------------------------------------------------------------------------------------------------------------------------------------------------------------------------------------------------------------------------------------------------------------------------------------------------------------------------------------------------------------------------------------------------------------------------------------------|
| Non-Default SSH Port | Release 7.7.1 | <p>We have enhanced the system security to minimize the automated attacks that may target the default Secure Socket Shell (SSH) port on your router. You can now specify a non-default port number for the SSH server on your router. The SSH, Secure Copy Protocol (SCP), and Secure File Transfer Protocol (SFTP) client services can then access your router only through this non-default port. The new port option also enables the SSH, SCP, and SFTP clients on your router to connect to SSH servers on the network that use a wide range of non-default port numbers. In earlier releases, these SSH, SCP, and SFTP connections were established through the default SSH port, 22. The non-default SSH port is supported only on SSH version 2.</p> <p>The feature introduces the ssh server port command.</p> <p>The feature modifies these commands to include the port option:</p> <ul style="list-style-type: none"> • ssh • sftp • scp |

The SSH, SCP, and SFTP services on the Cisco IOS XR routers used the default SSH port number, 22, to establish connections between the server and the client. From Cisco IOS XR Software Release 7.7.1 and later, you can specify a non-default SSH port number within a specific range for these services on Cisco IOS XR 64-bit routers. This non-default port option is available for routers that are functioning as servers, or as clients for the SSH, SCP and SFTP services. This feature helps to restrict insecure client services from accessing the router through the default SSH server port. Similarly, for Cisco IOS XR routers that are running as SSH clients, the non-default port number option enables them to connect to other SSH servers on the network that listens on a wide range of non-default SSH port numbers.

The non-default SSH port number ranges from 5520 to 5529 for the SSH server, and from 1025 to 65535 for the SSH client.

The SSH server on the router does not listen on both the default and non-default ports at the same time. If you have configured a non-default SSH server port, then the server listens only on that non-default port for the client connections. The SSH clients can then establish sessions through this non-default SSH port. The SCP and SFTP services also use the same SSH port for their connections, and hence they establish the client sessions through the newly configured port.

If a session was already established through the default port, then that session remains intact even if you change the ssh server port to a non-default port. The further client sessions are attempted through the newly configured non-default port.

Restrictions for Non-Default SSH Port

These restrictions apply to the non-default SSH port option:

- Available only on 64-bit Cisco IOS XR routers; not on 32-bit routers
- Available only on version 2 of SSH (SSHv2); not on version 1 (SSHv1)

How to Configure Non-Default SSH Port



Note To establish SSH connections on the non-default port, ensure that the non-default port that you select for the SSH server is not used by any other application on the router.

Configuration Example

SSH Server:

To configure the non-default SSH port for the SSH server on the router, use the **ssh server port** command in the XR Config mode.

```
Router#configure
Router(config)#ssh server port 5520
Router(config)#commit
```

SSH Client:

Similarly, the **port** option is available for the SSH client also, to initiate a connection to another SSH server that listens on a non-default SSH port number.

This example shows how to connect to an SSH server, with IP address 198.51.100.1, that is listening on non-default SSH port 5525.

```
Router#ssh 198.51.100.1 port 5525 username user1
```

Running Configuration

This is a sample running configuration of the SSH server.

```
Router#show running-configuration
```

```

!
ssh server v2
ssh server port 5520
ssh server vrf default
!

```

Verification

Use the following **show** commands to verify the SSH server configuration and LPTS entries for SSH connections.

In this example, the **SSH port** field displays the port number, '5520', that you have configured for the SSH server.

```

Router#show ssh server
Fri May 20 07:22:57.579 UTC
-----
SSH Server Parameters
-----

Current supported versions := v2
                        SSH port := 5520
                        SSH vrfs := vrfname:=default (v4-acl:=, v6-acl:=)
                        Netconf Port := 830
                        Netconf Vrfs :=

Algorithms
-----
Hostkey Algorithms :=
x509-sha256,ssh-rsa-cert-v01@openssh.com,ecdsa-sha2-nistp521,ecdsa-sha2-nistp384,ecdsa-sha2-nistp256,rsa-sha2-512,rsa-sha2-256,ssh-rsa,ssh-dsa,ssh-ed25519

Key-Exchange Algorithms :=
ecdh-sha2-nistp521,ecdh-sha2-nistp384,ecdh-sha2-nistp256,diffie-hellman-gnp4-384,curve25519-sha256,diffie-hellman-gnp4-384,curve25519-sha256,libssh

Encryption Algorithms :=
aes128-ctr,aes192-ctr,aes256-ctr,aes128-gcm@openssh.com,aes256-gcm@openssh.com,chacha20-poly1305@openssh.com

Mac Algorithms := hmac-sha2-512,hmac-sha2-256,hmac-sha1

Authentication Method Supported
-----
PublicKey := Yes
Password := Yes
Keyboard-Interactive := Yes
Certificate Based := Yes

Others
-----
DSCP := 16
Ratelimit := 60
Sessionlimit := 64
Rekeytime := 60
Server rekeyvolume := 1024
TCP window scale factor := 1
Backup Server := Disabled
Host Trustpoint :=
User Trustpoint :=
Port Forwarding := Disabled
Max Authentication Limit := 20
Certificate username := Common name (CN)
OpenSSH Host Trustpoint :=
OpenSSH User Trustpoint :=

```


In the following example, the **Port** field in the **Local-Address,Port** column for the **TCP** entry for SSH displays the port number as '5520'. This is the port on which the SSH server listens for client connections.

```
Router#show lpts bindings brief
Fri May 20 07:23:21.416 UTC

@ - Indirect binding; Sc - Scope

Location  Clnt Sc L3  L4  VRF-ID  Interface  Local-Address,Port  Remote-Address,Port
-----
0/RP0/CPU0  IPV4 LO IPV4 ICMP  *      any      any,ECHO           any
0/RP0/CPU0  IPV4 LO IPV4 ICMP  *      any      any,TSTAMP         any
0/RP0/CPU0  IPV4 LO IPV4 ICMP  *      any      any,MASKREQ        any
0/RP0/CPU0  IPV6 LO IPV6 ICMP6 *      any      any,ECHOREQ        any
0/RP0/CPU0  IPV6 LO IPV6 ICMP6 *      any      any,NDRTRSLCT      any
0/RP0/CPU0  IPV6 LO IPV6 ICMP6 *      any      any,NDRTRADV       any
0/RP0/CPU0  IPV6 LO IPV6 ICMP6 *      any      any,NDNBRSLCT      any
0/RP0/CPU0  IPV6 LO IPV6 ICMP6 *      any      any,NDNBRADV       any
0/RP0/CPU0  IPV6 LO IPV6 ICMP6 *      any      any,NDREDIRECT     any
0/RP0/CPU0  BFD  LO IPV4 UDP   *      any      any                any
0/0/CPU0    IPV4 LO IPV4 ICMP  *      any      any,ECHO           any
0/0/CPU0    IPV4 LO IPV4 ICMP  *      any      any,TSTAMP         any
0/0/CPU0    IPV4 LO IPV4 ICMP  *      any      any,MASKREQ        any
0/0/CPU0    IPV6 LO IPV6 ICMP6 *      any      any,ECHOREQ        any
0/0/CPU0    IPV6 LO IPV6 ICMP6 *      any      any,NDRTRSLCT      any
0/0/CPU0    IPV6 LO IPV6 ICMP6 *      any      any,NDRTRADV       any
0/0/CPU0    IPV6 LO IPV6 ICMP6 *      any      any,NDNBRSLCT      any
0/0/CPU0    IPV6 LO IPV6 ICMP6 *      any      any,NDNBRADV       any
0/0/CPU0    IPV6 LO IPV6 ICMP6 *      any      any,NDREDIRECT     any
0/0/CPU0    BFD  LR IPV4 UDP   *      any      any 128.64.0.0/16  any
0/RP0/CPU0  TCP  LR IPV6 TCP   default any      any,5520           any
0/RP0/CPU0  TCP  LR IPV4 TCP   default any      any,5520           any
0/RP0/CPU0  UDP  LR IPV6 UDP   default any      any,33433          any
0/RP0/CPU0  UDP  LR IPV4 UDP   default any      any,33433          any
0/RP0/CPU0  RAW  LR IPV4 IGMP  default any      any                any
0/RP0/CPU0  RAW  LR IPV4 L2TPV3 default any      any                any
0/RP0/CPU0  RAW  LR IPV6 ICMP6 default any      any,MLDLQUERY      any
0/RP0/CPU0  RAW  LR IPV6 ICMP6 default any      any,LSTNRREPORT    any
0/RP0/CPU0  RAW  LR IPV6 ICMP6 default any      any,MLDLSTNRDN     any
0/RP0/CPU0  RAW  LR IPV6 ICMP6 default any      any,LSTNRREPORT    any

Router#
```

If the non-default port was not configured, then the SSH server listens on the default SSH port 22, and the above **Port** field displays '22'.

If a session was already established through the default port, and if you change the ssh server port to a non-default port, then the output still displays an entry for that session on the default port, 22. Another entry shows that the SSH server is listening on the newly configured non-default port. New connections establish through the non-default port, 5520, in this example.

```
Location  Clnt Sc L3  L4  VRF-ID  Interface  Local-Address,Port  Remote-Address,Port
-----
.
.
.
0/RP0/CPU0  TCP  LR IPV4 TCP  default  any      192.0.2.1,5520    198.51.100.1,37764
0/RP0/CPU0  TCP  LR IPV4 TCP  default  any      any,5520 any
```

```
0/RP0/CPU0 TCP LR IPV6 TCP default any any,5520 any
0/RP0/CPU0 TCP LR IPV4 TCP default any 192.0.2.1,22 198.51.100.1,45722
.
.
.
```



CHAPTER 14

Implementing Lawful Intercept

Table 51: Feature History Table

| Feature Name | Release Information | Feature Description |
|-------------------------------------------|---------------------|------------------------------------------------------------------------------------------------------------------------------------------------------------------------------------------------------------------------------------------------------------------------------------------------------------------------------------------------------------------------------------------------------------------|
| Lawful Intercept on Cisco NC57 line cards | Release 7.6.1 | <p>Lawful intercept is a process that requires service providers to perform surveillance on an individual (or target) as authorized by a judicial or administrative order and share the communication intercepts with law enforcement agencies.</p> <p>You can now activate and deactivate the lawful intercept package on routers that have Cisco NC57 line cards installed and operate in the native mode.</p> |

Lawful intercept is the lawfully authorized interception and monitoring of communications of an intercept subject. Service providers worldwide are legally required to assist law enforcement agencies in conducting electronic surveillance in both circuit-switched and packet-mode networks.

Only authorized service provider personnel are permitted to process and configure lawfully authorized intercept orders. Network administrators and technicians are prohibited from obtaining knowledge of lawfully authorized intercept orders, or intercepts in progress. Error messages or program messages for intercepts installed in the router are not displayed on the console.

Lawful Intercept is not a part of the Cisco IOS XR software by default. You have to install it separately by installing and activating .

For more information about activating and deactivating the Lawful Intercept package, see the [Installing Lawful Intercept \(LI\) Package, on page 297](#) section.

- [Information About Lawful Intercept Implementation, on page 294](#)
- [Prerequisites for Implementing Lawful Intercept, on page 294](#)
- [Restrictions for Implementing Lawful Intercept, on page 295](#)
- [Lawful Intercept Topology, on page 296](#)
- [Benefits of Lawful Intercept, on page 296](#)
- [Installing Lawful Intercept \(LI\) Package, on page 297](#)

- [Lawful Intercept Enablement with Consent-Token, on page 298](#)
- [How to Configure SNMPv3 Access for Lawful Intercept, on page 301](#)
- [Additional Information on Lawful Intercept, on page 303](#)

Information About Lawful Intercept Implementation

Cisco lawful intercept is based on RFC3924 architecture and SNMPv3 provisioning architecture. SNMPv3 addresses the requirements to authenticate data origin and ensure that the connection from the router to the Mediation Device (MD) is secure. This ensures that unauthorized parties cannot forge an intercept target.

Lawful intercept offers these capabilities:

- SNMPv3 lawful intercept provisioning interface
- Lawful intercept MIB: CISCO-TAP2-MIB, version 2
- CISCO-IP-TAP-MIB manages the Cisco intercept feature for IP and is used along with CISCO-TAP2-MIB to intercept IP traffic
- IPv4 user datagram protocol (UDP) encapsulation to the MD
- Replication and forwarding of intercepted packets to the MD

Prerequisites for Implementing Lawful Intercept

Lawful intercept implementation requires that these prerequisites are met:

- The router is used as content Intercept Access Point (IAP) router in lawful interception operation.
- **Provisioned Router**—The router must be already provisioned.



Tip For the purpose of lawful intercept taps, provisioning a loopback interface has advantages over other interface types.

- **Management Plane Configured to Enable SNMPv3**—Allows the management plane to accept SNMP commands, so that the commands go to the interface (preferably, a loopback interface) on the router. This allows the mediation device (MD) to communicate with a physical interface.
- **VACM Views Enabled for SNMP Server**—View-based access control model (VACM) views must be enabled on the router.
- **Provisioned MD**—For detailed information, see the vendor documentation associated with your MD.
- **QoS Peering**— QoS peering must be enabled on the router for Lawful Intercept to work.



Note The Lawful Intercept feature has no intersection with the QoS feature on the router. Enabling the QoS peering profile with **hw-module profile qos ingress-model peering** command on all the required line cards, allows QoS and Lawful intercept to allocate hardware resources.

- The MD uses the **CISCO-TAP2-MIB** to set up communications between the router acting as the content IAP, and the MD. The MD uses the **CISCO-IP-TAP-MIB** to set up the filter for the IP addresses and port numbers to be intercepted.
- The MD can be located anywhere in the network but must be reachable from the content IAP router, which is being used to intercept the target. MD should be reachable *only* from global routing table and *not* from VRF routing table.

Restrictions for Implementing Lawful Intercept

The following restrictions are applicable for Lawful Intercept:

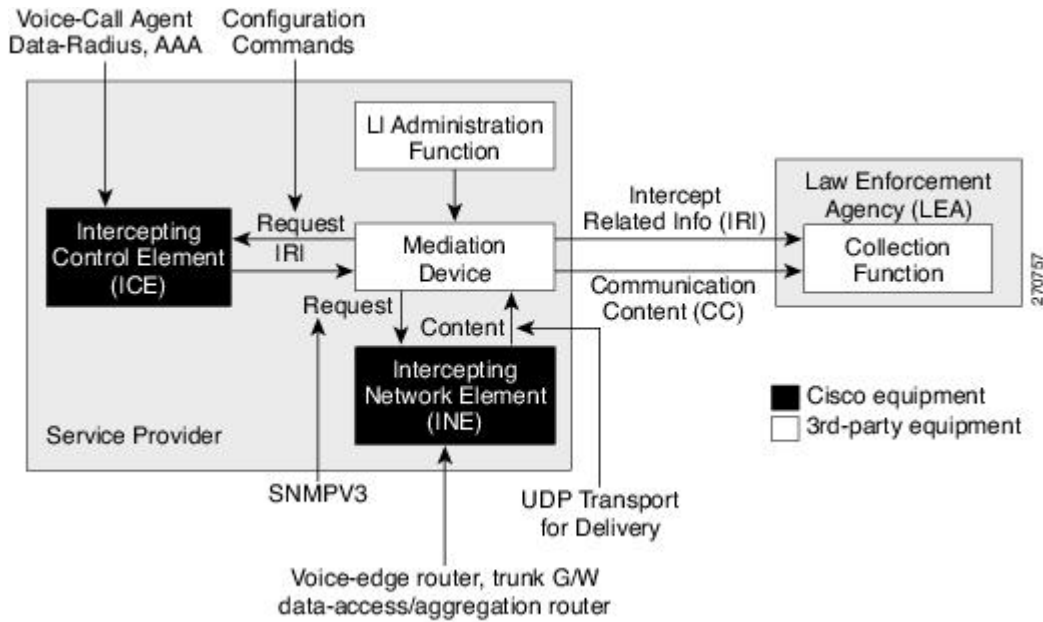
- Lawful Intercept shares a pool of 16 unique source IP addresses with tunnel-ip. The combined configuration of GRE tunnel-ips and the MDs (the cTap2MediationSrcInterface field) shall not yield more than 16 unique source IPs. Note that when configuring the MD, if the value 0 is passed in for the cTap2MediationSrcInterface field, it will be resolved into a source IP address, which is the egress IP to the MD destination.
- Lawful intercept is supported only to match pure IP over Ethernet packets.
- Only 250 MDs and 500 Taps of IPv4 and IPv6 each are supported.
- One Tap-to-multiple MDs is not supported.
- After the route processor reload or fail-over, the MD and Tap configuration must be re-provisioned.
- Only IPv4 MD is supported.
- The path to the MD must have the ARP resolved. Any other traffic or protocol will trigger ARP.
- MD next-hop must have ARP resolved. Any other traffic or protocol will trigger ARP.
- In Cisco IOS XR Release 6.3.x, QoS peering must be enabled for QoS to work.
In Cisco IOS XR Release 6.5.x and later, QoS peering is not required.
- Lawful Intercept has no intersection with the GRE Tunnel feature, except that they allocate hardware resources (16 unique egress IP addresses) from the same pool. In the normal case, the egress interface for the LI packets is decided by the forwarding algorithm. No resource is needed from that unique address pool. However, if the Lawful Intercept configuration mandates that the Lawful Intercept packets have to egress through a certain interface (the cTap2MediationSrcInterface field in the MD configuration), then the forwarding module must be configured so that the packets go out through that interface. In that case, a resource must be allocated from the unique address pool. If GRE uses up all resources, then LI does not work.
- Lawful Intercept Stats is not supported.
- Even though the original packets can be fragmented, the LI packets cannot be fragmented. The MTU of the egress interface to the MD must be large enough to support the size of the packets captured.
- Lawful intercept does not provide support for these features on the router:
 - IPv4/IPv6 multicast tapping
 - IPv6 MD encapsulation

- Per interface tapping
- Tagged packet tapping
- Replicating a single tap to multiple MDs
- Tapping L2 flows and SRv6 traffic
- RTP encapsulation
- Lawful Intercept and SPAN on the same interface

Lawful Intercept Topology

This figure shows intercept access points and interfaces in a lawful intercept topology for both voice and data interception.

Figure 10: Lawful Intercept Topology for Both Voice and Data Interception



Note

- The router will be used as content Intercept Access Point (IAP) router, or the Intercepting Network Element (INE) in lawful interception operation.
- The Intercepting Control Element (ICE) could be either a Cisco equipment or a third party equipment.

Benefits of Lawful Intercept

Lawful intercept has the following benefits:

- Allows multiple LEAs to run a lawful intercept on the same Router without each other's knowledge.
- Does not affect subscriber services on the router.
- Supports wiretaps in both the input and output direction.
- Supports wiretaps of Layer 3 traffic.
- Cannot be detected by the target.
- Uses Simple Network Management Protocol Version 3 (SNMPv3) and security features such as the View-based Access Control Model (SNMP-VACM-MIB) and User-based Security Model (SNMP-USM-MIB) to restrict access to lawful intercept information and components.
- Hides information about lawful intercepts from all but the most privileged users. An administrator must set up access rights to enable privileged users to access lawful intercept information.

Installing Lawful Intercept (LI) Package

As LI is not a part of the Cisco IOS XR image by default, you need to install it separately.

Installing and Activating the LI Package

Use the **show install committed** command in EXEC mode to verify the committed software packages.

To install the Lawful Intercept (LI) package, you must install and activate the .

Configuration

```
Router# install add source tftp://223.255.254.252/auto/tftp-sjc-users/username/  
Router# install activate  
Router# install commit
```

Verification

```
Router# show install active  
Node 0/RP0/CPU0 [RP]  
  Boot Partition: xr_lv0  
  Active Packages: 2
```

```
Node 0/0/CPU0 [LC]  
  Boot Partition: xr_lcp_lv0  
  Active Packages: 2
```

Deactivating the LI RPM



Note You might experience interface or protocol flaps while uninstalling or deactivating the LI RPM. Hence, we recommend you to perform this activity during a maintenance window.

To uninstall the Lawful Intercept package, deactivate as shown in the following steps:

Configuration

```
Router# install deactivate
Router# install commit
Router# install remove
Router# show install committed
```

Lawful Intercept Enablement with Consent-Token

Table 52: Feature History Table

| Feature Name | Release Information | Feature Description |
|----------------------------------|---------------------|------------------------------------------------------------------------------------------------------------------------------------------------------------------------------------------------------------------------------------------------------------------------------------------------------------------------------------------------------------------------------------------------------------------------------------------------------------------------------------------------------------------------------------------------------------------------------------------------------------------------------|
| LI Enablement with Consent-Token | Release 7.5.1 | <p>This feature enables users to optionally gate the Lawful Intercept (LI) enablement on their routers with network vendor's consent, using a consent-token. It also provides an optional package to disable the LI feature for the first time on their routers. This feature is in compliance with the latest ANSSI (<i>Agence nationale de la sécurité des systèmes d'information</i>) security standards.</p> <p>Prior to this release, there was no gating for LI enablement on routers.</p> <p>The associated command is:</p> <ul style="list-style-type: none"> • request consent-token |

LI enablement with consent-token is an optional feature for users who want to comply with the latest ANSSI standards, which states that users require the network vendor's consent for enabling LI on their routers.

After you install and activate the LI package as mentioned in the section [Installing and Activating the LI Package, on page 297](#), follow the steps below:

- Step 1: Disable LI feature on the router.
- Step 2: Enable LI feature with consent-token.

Step 1: Disable LI feature on the router:

You can either disable LI with consent-token or with the optional LI-control package:

- **Disable LI with Consent-Token:**

The following steps show how to disable LI with consent-token:

1. Generate a challenge string to disable LI, by executing the command **request consent-token generate-challenge lawful-intercept disable** on the router.

```
Router# request consent-token generate-challenge lawful-intercept disable

+-----+
| Node location: node0_RP0_CPU0 |
+-----+
Challenge string:
pAoP8QAAAQYBAAQAAAAFAgAEAAAABQMACAAAAAABAAQFAf7N2FWTaq3Du+bixEyUQUA
BAAA//8GAAXJT1MtWfItU1ctQ1QHAAxJT1MtWfItU1ctQ1QIAAdOQzU1LVJQCQALRk9DMjMxNTRNWVk=
```

2. Send the challenge-string to the network vendor offline. The network vendor uses Signing Servers to validate the challenge-string. And then sends the response-string back to you.
3. In the router console, enter the command **request consent-token accept-response lawful-intercept disable**. When prompted, enter the response string in the router console.

```
Router# request consent-token accept-response lawful-intercept disable
*****
Please enter challenge response string for node location node0_RP0_CPU0
*****
JkVs2AAAAQYBAAQAAAAFAgAEAAAABQMBYm9vZnY3ZUIraXpiY01ESWw1eGZ4TU1JbnZ4MUVQU2VN
VjJsL2luZFlLMXRpeUg5cGNhd1B5VEZHwK53YUvRzmoNCnZHdWpBaU1tNwtUb2VNM2ZYUURyew5
LQVdnRVZvMXpveitkM1VvNm1xaXBMTlpwZ3YxSWpMdUZyY3VDb3R0bSsNC1ByRUp2WEZBd3ArUFJrT
042cW4vc3BPWm9JNjFDY2RZSW1Lc1VJOUprBHNmDExOZE9FZk1DaW80OEQrdUZTa1cNC1hLbWhkN
Ek0bE5IaFp1SD1aUVdLVmlYTWIwdDhNemhmR0dRTzFzRV1HaWNtZVhJWnoxaEZ4N1BVb1NVdFFIbjAN
CktaK0hFZ0YxaUU3YzVPdTV0bEJ4MmVHwJvXcWJ6YnBjVmFVTWxQZCt1RTEvWH1zYVAzL01kZTZYTdZ
GSVh1N2ENC1c1Zzg0ZE1kbWNSRctZSUZ3Vvk5yeWc9PQ==

+-----+
| Node location: node0_RP0_CPU0 |
+-----+
Error code: 0
```

An output of **Error code: 0** means the router has disabled LI functionality successfully.

- **Disable LI with LI-control package:**

This method is especially useful for a bulk disable of LI on multiple routers as it helps in avoiding multiple challenge-response requests. This package disables LI only for the first time on the router.

Install and activate the LI-control package `ncs5500-lictrl-1.0.0.0-r<release-number>.x86_64.rpm`, as shown.

```
Router# install add source
tftp://223.255.254.252/auto/tftp-sjc-users/username/ncs5500-lictrl-1.0.0.0-r751.x86_64.rpm
Router# install activate ncs5500-lictrl-1.0.0.0-r751.x86_64.rpm
Router# install commit
```

After its activation, the LI-control package gates the enablement of LI feature and disables any subsequent LI operations. It blocks the addition of any new MD or taps until the network vendor provides an offline consent. You can re-enable LI only through a consent-token process.

Step 2: Enable LI feature with consent-token

The following steps show how to enable LI with consent-token:

1. Generate a challenge-string to enable LI, by executing the command **request consent-token generate-challenge lawful-intercept enable** on the router.

```
Router# request consent-token generate-challenge lawful-intercept enable

+-----+
| Node location: node0_RP0_CPU0 |
+-----+
Challenge string:
pAoP8QAAAQYBAAQAAAAFgAEAAAAABQMACAAAAAABAAQFAf7N2FWTaq3Du+bixEyUQUA
BAAA//8GAAXJT1MtWfItU1ctQ1QHAAxJT1MtWfItU1ctQ1QIAAdOQzU1LVJQCQALRk9DMjMxNTRNWVk=
```

2. Send the challenge-string to the network vendor offline. The network vendor uses Signing Servers to validate the challenge string. And then sends the response-string back to you.
3. On the router console, execute the command **request consent-token accept-response lawful-intercept enable**. When prompted, enter the response string in the router console.

```
Router# request consent-token accept-response lawful-intercept enable
*****
Please enter challenge response string for node location node0_RP0_CPU0
*****
JkVs2AAAAQYBAAQAAAAFgAEAAAAABQMBYm9vZnY3ZUIraXpiY01ESWw1eGZ4TU1JbnZ4MUVQU2VN
VjJsL2luZFlLMXRpeUg5cGNhd1B5VEZHwK53YUvRzmoNCnZhdWpBaU1tNwtUb2VNm2ZYUURYew5
LQVdnRVZvMXpveitkM1VvNm1xaXBMTlpwZ3YxSWpMdUZyY3VDb3R0bSsNC1ByRUp2WEZBd3ArUFJrT
042cW4vc3BPWm9JNjFDY2RZSW1Lc1VJOUprBhNMdExOZE9FZk1DaW80OEQrdUZTa1cNClhLbWhkN
Ek0bE5IaFp1SDlaUVdLVmlYTWlwdDhNemhmR0dRtZfzRVlHaWntZVhJWnoxaEZ4N1BVb1NVdFFIbjAN
CktaK0hFZ0YxaUU3YzVPdTV0bEJ4MmVHWjVxcWJ6YnBjVmFVTWxQZCt1RTEvWH1zYVAzL01kZTZYTdZ
GSVh1N2ENClc1Zzg0ZE1kbWNSRctZSUZ3Vk5yeWc9PQ==

+-----+
| Node location: node0_RP0_CPU0 |
+-----+
Error code: 0
```

An output of **Error code: 0** means the router has enabled LI functionality successfully. You can now run LI commands and requests.

4. If needed, you can verify the pending consent-token requests using the following command:

```
Router# show ct requests

+-----+
| Node location: node0_RP0_CPU0 |
+-----+
Type:
  Enable LI    >>> Consent-token request to enable LI is awaiting challenge
response
+-----+
| Node location: node0_5_CPU0 |
+-----+
No existing Consent Token Requests >>> No consent-token request has been generated
+-----+
| Node location: node0_4_CPU0 |
+-----+
No existing Consent Token Requests

+-----+
| Node location: node0_RP1_CPU0 |
+-----+
No existing Consent Token Requests
```



Note Once enabled, if you want to disable LI, use the consent-token work-flow.

Restrictions for LI activation with Consent-Token

The following restrictions apply for this feature:

- This feature doesn't remove MDs and taps that you configured before installing the LI-control package **ncs5500-lictrl-1.0.0.0-rxyz.x86_64.rpm**.
- As a best practice, delete all MDs and taps before disabling LI with consent-token.

How to Configure SNMPv3 Access for Lawful Intercept

Perform these procedures to configure SNMPv3 for the purpose of Lawful Intercept enablement:

Disabling SNMP-based Lawful Intercept

Lawful Intercept is enabled by default on the router after installing and activating the .

- To disable Lawful Intercept, enter the **lawful-intercept disable** command in global configuration mode.
- To re-enable it, use the **no** form of this command.

Disabling SNMP-based Lawful Intercept: Example

```
Router# configure
Router(config)# lawful-intercept disable
```



Note The **lawful-intercept disable** command is available on the router, only after installing and activating the . All SNMP-based taps are dropped when lawful intercept is disabled.

Configuring the Inband Management Plane Protection Feature

If MPP was not earlier configured to work with another protocol, then ensure that the MPP feature is also not configured to enable the SNMP server to communicate with the mediation device for lawful interception. In such cases, MPP must be configured specifically as an inband interface to allow SNMP commands to be accepted by the router, using a specified interface or all interfaces.



Note Ensure this task is performed, even if you have recently migrated to Cisco IOS XR Software from Cisco IOS, and you had MPP configured for a given protocol.

For lawful intercept, a loopback interface is often the choice for SNMP messages. If you choose this interface type, you must include it in your inband management configuration.

Example: Configuring the Inband Management Plane Protection Feature

This example illustrates how to enable the MPP feature, which is disabled by default, for the purpose of lawful intercept.

You must specifically enable management activities, either globally or on a per-inband-port basis, using this procedure. To globally enable inbound MPP, use the keyword **all** with the **interface** command, rather than use a particular interface type and instance ID with it.

```
router# configure
router(config)# control-plane
router(config-ctrl)# management-plane
router(config-mpp)# inband
router(config-mpp-inband)# interface loopback0
router(config-mpp-inband-Loopback0)# allow snmp
router(config-mpp-inband-Loopback0)# commit
router(config-mpp-inband-Loopback0)# exit
router(config-mpp-inband)# exit
router(config-mpp)# exit
router(config-ctr)# exit
router(config)# exit
router# show mgmt-plane inband interface loopback0
Management Plane Protection - inband interface
interface - Loopback0
      snmp configured -
All peers allowed
router(config)# commit
```

Enabling the Lawful Intercept SNMP Server Configuration

The following SNMP server configuration tasks enable the Cisco LI feature on a router running Cisco IOS XR Software by allowing the MD to intercept data sessions.

Configuration

```
router(config)# snmp-server engineID local 00:00:00:09:00:00:00:a1:61:6c:20:56
router(config)# snmp-server host 1.75.55.1 traps version 3 priv user-name udp-port 4444
router(config)# snmp-server user user-name li-group v3 auth md5 clear lab priv des56 clear
lab
router(config)# snmp-server view li-view ciscoTap2MIB included
router(config)# snmp-server view li-view ciscoIpTapMIB included
router(config)# snmp-server view li-view snmp included
router(config)# snmp-server view li-view ifMIB included
router(config)# snmp-server view li-view 1.3.6.1.6.3.1.1.4.1 included
router(config)# snmp-server group li-group v3 auth read li-view write li-view notify li-view
```



Note SNMP configuration must be removed while deactivating the LI RPM.

Additional Information on Lawful Intercept

Interception Mode

The lawful intercept operates in the **Global LI** mode.

In this mode, the taps are installed on all the line cards in the ingress direction. The lawful intercept is available on line cards where QoS peering is enabled. With the global tap, the traffic for the target can be intercepted regardless of ingress point. Only the tap that has wild cards in the interface field is supported.

Data Interception

Data are intercepted in this manner:

- The MD initiates communication content intercept requests to the content IAP router using SNMPv3.
- The content IAP router intercepts the communication content, replicates it, and sends it to the MD in IPv4 UDP format.
- Intercepted data sessions are sent from the MD to the collection function of the law enforcement agency, using a supported delivery standard for lawful intercept.

Information About the MD

The MD performs these tasks:

- Activates the intercept at the authorized time and removes it when the authorized time period elapses.
- Periodically audits the elements in the network to ensure that:
 - *only* authorized intercepts are in place.
 - *all* authorized intercepts are in place.

Scale or Performance Values

The router support the following scalability and performance values for lawful intercept:

- A maximum of 500 IPv4 intercepts and 500 IPv6 intercepts are supported.
- The scale decreases, if port ranges are used in the taps.
- The IPv6 entries consume double the memory of the IPv4 entries. Hence, the IPv6 scale will reduce to half of the IPv4 scale.
- A maximum of 250 IPv4 MDs are supported.



Note A maximum of 249 IPv4 MDs are supported on routers that have Cisco NC57 line cards installed and operate in the native mode.

- Interception rate is 1 Gbps best effort per Linecard NPU.



Note Interception rate is 2Gbps on routers that have Cisco NC57 line cards installed and operate in the native mode.

Intercepting IPv4 and IPv6 Packets

This section provides details for intercepting IPv4 and IPv6 packets supported on the router.

Lawful Intercept Filters

The following filters are supported for classifying a tap:

- IP address type
- Destination address
- Destination mask
- Source address
- Source mask
- ToS (Type of Service) and ToS mask
- L4 Protocol
- Destination port with range
- Source port with range
- VRF (VPN Routing and Forwarding)



Note Flow-id and interface filters are not supported.

Encapsulation Type Supported for Intercepted Packets

Intercepted packets mapping the tap are replicated, encapsulated, and then sent to the MD. IPv4 and IPv6 packets are encapsulated using IPv4 UDP encapsulation. The replicated packets are forwarded to MD using UDP as the content delivery protocol.

The intercepted packet gets a new UDP header and IPv4 header. Information for IPv4 header is derived from MD configuration. Apart from the IP and UDP headers, a 4-byte channel identifier (CCCID) is also inserted after the UDP header in the packet. The router does not support forwarding the same replicated packets to multiple MDs.



Note Encapsulation types, such as RTP and RTP-NOR, are not supported.

High Availability for Lawful Intercept

High availability for lawful intercept provides operational continuity of the TAP flows and provisioned MD tables to reduce loss of information due to route processor fail over (RPFO).

To achieve continuous interception of a stream, when RP fail over is detected, MDs are required to re-provision all the rows relating to CISCO-TAP2-MIB and CISCO-IP-TAP-MIB to synchronize database view across RP and MD.

Preserving TAP and MD Tables during RP Fail Over

At any point in time, MD has the responsibility to detect the loss of the taps via SNMP configuration process.

After RPFO is completed, MD should re-provision all the entries in the stream tables, MD tables, and IP taps with the same values they had before fail over. As long as an entry is re-provisioned in time, existing taps will continue to flow without any loss.

The following restrictions are listed for re-provisioning MD and tap tables with respect to behavior of SNMP operation on `citapStreamEntry`, `cTap2StreamEntry`, `cTap2MediationEntry` MIB objects:

- After RPFO, table rows that are not re-provisioned, shall return `NO_SUCH_INSTANCE` value as result of SNMP Get operation.
- Entire row in the table must be created in a single configuration step, with exactly same values as before RPFO, and with the `rowStatus` as `CreateAndGo`. Only exception is the `cTap2MediationTimeout` object, that should reflect valid future time.

Replay Timer

The replay timer is an internal timeout that provides enough time for MD to re-provision tap entries while maintaining existing tap flows. It resets and starts on the active RP when RPFO takes place. The replay timer is a factor of number of LI entries in router with a minimum value of 10 minutes.

After replay timeout, interception stops on taps that are not re-provisioned.



Note In case high availability is not required, MD waits for entries to age out after fail over. MD cannot change an entry before replay timer expiry. It can either reinstall taps as is, and then modify; or wait for it to age out.



CHAPTER 15

SSD Encryption

This module gives an overview of SSD Encryption.

- [SSD Encryption, on page 307](#)
- [Encrypted Logical Volume, on page 309](#)
- [SSD Binding, on page 310](#)
- [Data Zeroization, on page 310](#)

SSD Encryption

Table 53: Feature History Table

| Feature Name | Release Information | Feature Description |
|------------------------------------|---------------------|-------------------------------------------------------------------------------------------------------------------------------------------------------------------------------------------------------------------------------------------------------------------------------------------------------|
| SSD Encryption for Addiitonal PIDs | Release 7.5.1 | <p>This feature enables trust and security in the system's steady state by encrypting data at the disk level. The encrypted data can be accessed <i>only</i> with a specific key stored in the TAM.</p> <p>From this release, this feature is supported on Cisco NCS 5500 Series Routers as well.</p> |

Customers are concerned about the security of sensitive data present on persistent storage media. User passwords are limited in their capability to protect data against attackers who can bypass the software systems and directly access the storage media.

In this case, only encryption can guarantee data confidentiality.

Cisco IOS XR Software introduces SSD encryption that allows encrypting data at the disk level. SSD encryption also ensures that the encrypted data is specific to a system and is accessible *only* with a specific key to decrypt them.

Data that can be encrypted is sensitive information such as, topology data, configuration data, and so on.

Encryption is an automatic process and can be achieved through the following:

- DM-Crypt

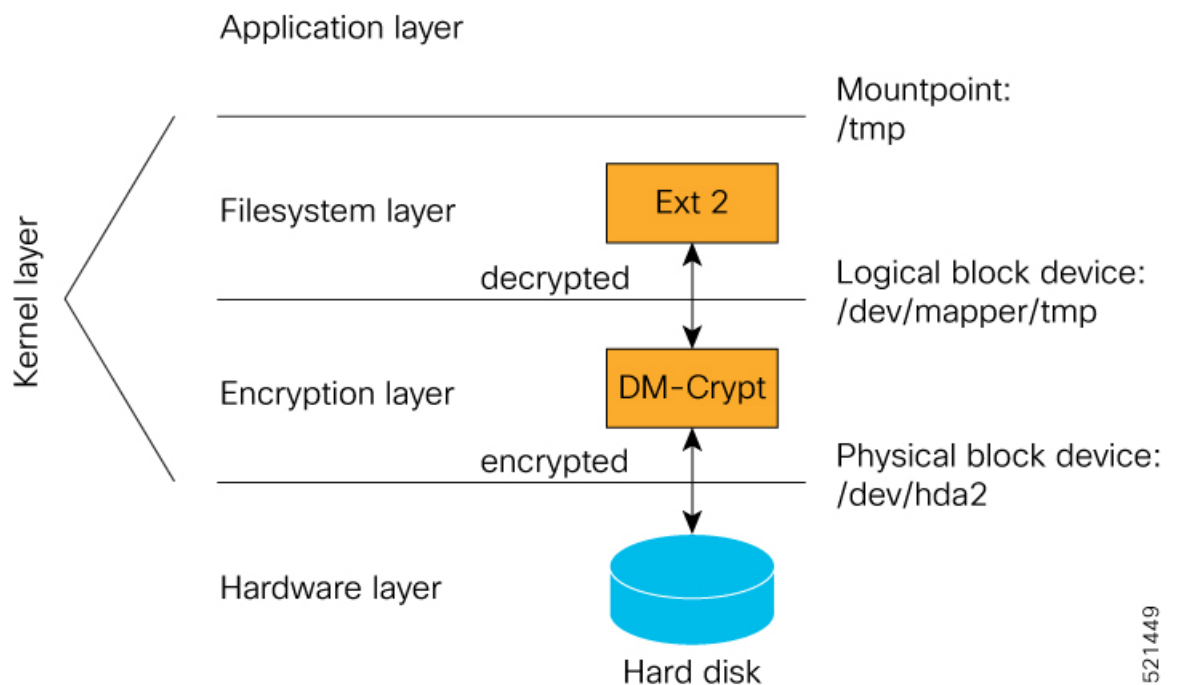
- CPU with AES-NI support
- CryptSetup

DM-Crypt

DM-Crypt is a Linux kernel module that provides disk encryption. The module takes advantage of the Linux kernel's device-mapper (DM) infrastructure. The DM provides a way to create virtual layers of block devices.

DM-crypt is a device-mapper target and provides transparent encryption of block devices using the kernel crypto API. Data written to the block device is encrypted; whereas, data to be read is decrypted. See the following figure.

Figure 11: DM-Crypt Encryption



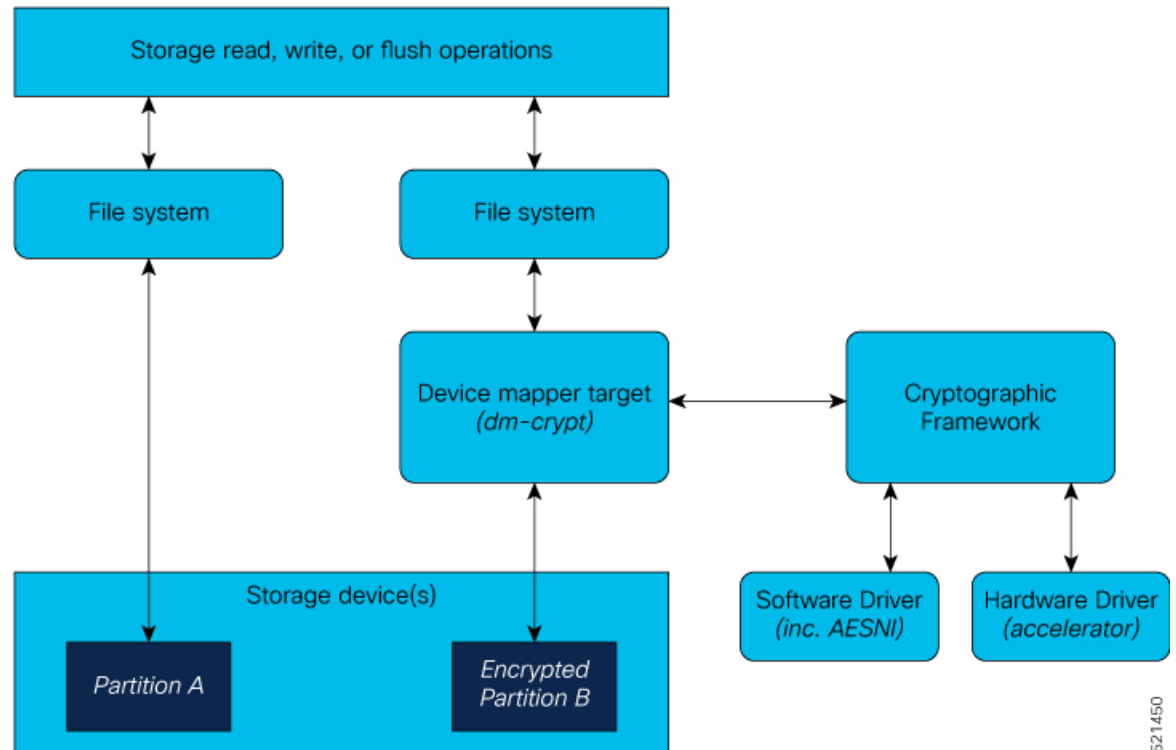
521449

AES-NI Support

Intel's Advanced Encryption Standard New Instructions (AES-NI) is a hardware-assisted engine that enables high-speed hardware encryption and decryption. This process leaves the CPU free to do other tasks.

When the input-output operations are started, the read-write requests that are directed at the encrypted block device are passed to the DM-Crypt. DM-Crypt then sends multiple cryptographic requests to the Cryptographic Framework. The crypto framework is designed to take advantage of off-chip hardware accelerators and provides software implementations when accelerators are not available. See the following image.

Figure 12: AES-NI Support



CryptSetup

DM-Crypt relies on user space tools, such as cryptsetup to set up cryptographic volumes. Cryptsetup is a command-line-interface (CLI) tool that interacts with DM-Crypt for creating, accessing, and managing encrypted devices.

Encrypted Logical Volume

An encrypted logical volume (LV) can be created during software installation.

You can activate or deactivate the encrypted disk partition on demand. In addition to being activated, all sensitive files are also migrated from the unencrypted disk partition to the encrypted disk partition. The encrypted files can be migrated back during deactivation.

You can activate the data encryption by using the `disk-encryption activate location` command. A sample output is as follows:

```
Router#disk-encryption activate location 0/RP0/CPU0
Tue Apr 16 14:35:00.939 UTC
```

Preparing system for backup. This may take a few minutes especially for large configurations.

```
Status report: node0_RP0_CPU0: START TO BACKUP
Router# Status report: node0_RP0_CPU0: BACKUP HAS COMPLETED SUCCESSFULLY
[Done]
```

The encrypted logical volume capacity is 150MB of disk space and is available as `/var/xr/enc` for applications to access.



Note Although applications can choose to use this space for storage, that data is not be part of the data migration if the software image is downgraded to a version that does not support encryption.

SSD Binding

When encryption is activated on a system, each card generates a random encryption key and stores it in its own secure storage—the Trust Anchor module (TAM). During successive reboots, the encryption key is read from the TAM and applied to unlock the encrypted device. Since each card stores its encryption key locally on the TAM, an SSD that is removed from one card and inserted into another cannot be unlocked by the key stored on that card, thereby making the SSD unusable.

If encryption is activated, the encrypted LV can only be unlocked by using the key stored in the TAM. So, if an encrypted SSD is removed and moved to another line card, the SSD cannot be unlocked. In other words, when you activate encryption, the SSD is bound to the card it is inserted in.

Data Zeroization

Zeroization refers to the process of deleting sensitive data from a cryptographic module.



Note In case of a Return Material Authorization (RMA), you must *factory reset* the data.

You can perform zeroization by using the `factory reset location` command from the XR prompt.



Caution Running this command while encryption is activated, deletes the master encryption key from the TAM and renders the motherboard unusable after the subsequent reload.



CHAPTER 16

Implementing Secure Logging

This chapter describes the implementation of secure logging over Transport Layer Security (TLS). TLS, the successor of Secure Socket Layer (SSL), is an encryption protocol designed for data security over networks.

Table 54: Feature History Table

| Release | Modification |
|---------------|------------------------------|
| Release 7.0.1 | This feature was introduced. |

- [System Logging over Transport Layer Security \(TLS\), on page 311](#)
- [Restrictions for Syslogs over TLS, on page 313](#)
- [Configuring Syslogs over TLS, on page 313](#)

System Logging over Transport Layer Security (TLS)

System Log (syslog) messages indicate the health of the device and provide valuable information about any problems encountered. By default, the syslog process sends messages to the console terminal.

Due to limited size of the logging buffer in a router, these syslog messages get overwritten in a short time. Moreover, the logging buffer doesn't retain syslogs across router reboots. To avoid these issues, you can configure the router to send syslog messages to an external syslog server for storage.



Note For more information on configuring system logging, see *Implementing System Logging* chapter in the *System Monitoring Configuration Guide for Cisco NCS 5500 Series Routers*

Traditionally, routers transfer syslogs to an external syslog server using User Datagram Protocol (UDP), which is an insecure way of transferring logs. To guarantee secure transport of syslogs, Cisco NCS 5500 Series Router supports Secure Logging based on RFC 5425 (Transport Layer Security Transport Mapping for Syslog). With this feature, the router sends syslogs to a remote server, over a trusted channel which implements the secure Transport Layer Security (TLS) encryption protocol.

TLS ensures secure transport of syslogs by:

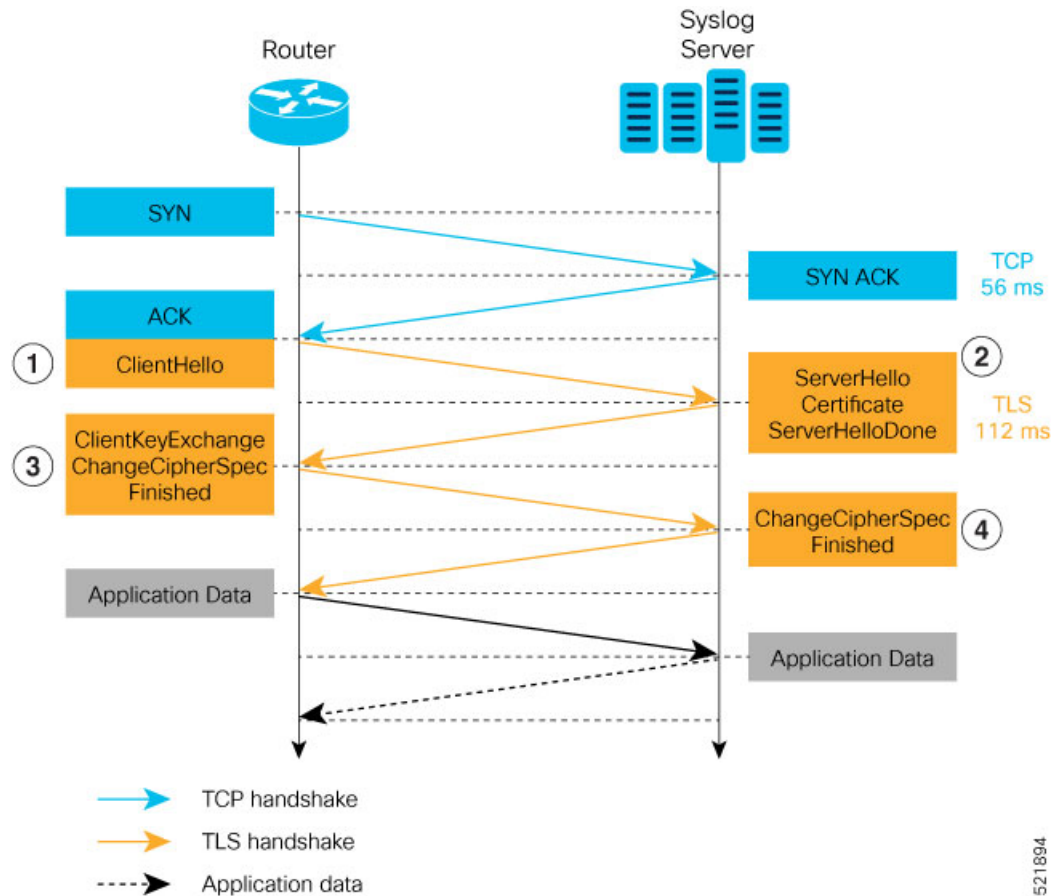
- Authenticating the server and client
- Encrypting the syslog data transferred

- Verifying the integrity of data

The Cisco NCS 5500 Series Router is the TLS client and remote syslog server is the TLS server. TLS runs over Transmission Control Protocol (TCP). So, the client must complete the TCP handshake with the server before starting TLS handshake.

Sequence of TLS Handshake

Figure 13: TLS Handshake



To establish the TLS session, the following interactions take place between the router and the syslog server after TCP handshake is complete:

1. The router sends Client Hello message to the server to begin TLS handshake.
2. The server shares its TLS certificate, which contains its public key and a unique session key, with the router to establish a secure connection. Each TLS certificate consists of a key pair made of a public key and private key.
3. The router confirms the server certificate with the Certification Authority and checks the validity of the TLS certificate. Then, the router sends a Change Cipher Spec message to the server to indicate that messages sent are encrypted using the negotiated key and algorithm.
4. The server decrypts the message using its private key. And then, sends back a Change Cipher Spec message encrypted with the session key to complete the TLS handshake and establish the session.

For more information on configuring Certification Authority interoperability, refer *Implementing Certification Authority Interoperability* chapter in this guide.

Restrictions for Syslogs over TLS

The following restrictions apply for sending syslogs to a remote syslog server over TLS:

- While configuring the settings for the syslog server on the router, specify only one server identifier, either the hostname or the ipv4/v6 address.
- In the TLS certificate of the syslog server, if Subject Alternative Name (SAN) field matches the configured server hostname but Common Name (CN) field doesn't match the configured server hostname, TLS session setup fails.

Configuring Syslogs over TLS

The following steps show how to configure syslog over TLS:

1. Configure the trust-point for establishing the TLS channel as shown:

```
Router#conf t
Router(config)#crypto ca trustpoint tp
Router(config-trustp)#subject-name CN=new
Router(config-trustp)#enrollment terminal
Router(config-trustp)#rsa-keypair k1
Router(config-trustp)#commit
```



Note You can either use the command **enrollment url SCEP-url** or the command **enrollment terminal** for configuring trustpoint certification authority (CA) enrollment. For more information, see *Implementing Certification Authority Interoperability* chapter in this guide.

2. Configure the settings to access the remote syslog server. You can use either the IPv4/v6 address of the server or the server hostname for this configuration. Based on the configured **severity**, the router sends syslogs to the server. Logging severity options include **alerts, critical, debugging, emergencies, errors, informational, notifications and warnings**. For more information about logging severity levels, see the topic *Syslog Message Severity Levels* in *Implementing System Logging* chapter in *System Monitoring Configuration Guide for Cisco NCS 5500 Series Routers*.

This example shows you how to configure syslog server settings with the IPv4 address.

```
Router(config)#logging tls-server TEST
Router(config-logging-tls-peer)#severity debugging
Router(config-logging-tls-peer)#trustpoint tp
Router(config-logging-tls-peer)#address ipv4 10.105.230.83
Router(config-logging-tls-peer)#commit
```

Alternately, you can configure the syslog server settings with server hostname instead of the IPv4/v6 address.

```
Router(config)#logging tls-server TEST
Router(config-logging-tls-peer)#severity debugging
Router(config-logging-tls-peer)#trustpoint tp
```

```
Router(config-logging-tls-peer)#tls-hostname xyz.cisco.com
Router(config-logging-tls-peer)#commit
```

3. Configure the domain to map the IP address of the remote syslog server and its hostname.

```
Router(config)#domain ipv4 host xyz.cisco.com 10.105.230.83
Router(config)#domain name cisco.com
Router(config)#commit
```

Verification Steps

TCP port 6514 is the default port for syslog over TLS. Verify the TLS configuration by checking if port 6514 is associated with the IP address of the syslog server in the output of the command **show lpts bindings brief**.

```
Router#show lpts bindings brief
```

```
@ - Indirect binding; Sc - Scope
```

| Location | Clnt | Sc | L3 | L4 | VRF-ID | Interface | Local-Address,Port | Remote-Address,Port |
|------------|------|----|------|-----|---------|-----------|--------------------|---------------------------|
| 0/RP0/CPU0 | TCP | LR | IPV4 | TCP | default | any | 5.10.18.5,35926 | 10.105.230.83,6514 |

The output of **show logging** command displays the IP address of the TLS server and the number of messages sent to the remote syslog server.

```
Router#show logging
```

```
Syslog logging: enabled (0 messages dropped, 0 flushes, 0 overruns)
  Console logging: level debugging, 185 messages logged
  Monitor logging: level debugging, 94 messages logged
  Trap logging: level informational, 0 messages logged
  Logging to TLS server 10.105.230.83, 66 message lines logged
  Buffer logging: level debugging, 183 messages logged
```

```
Log Buffer (2097152 bytes):
```

```
.....
```

The output of **show crypto ca certificates** command displays the Certification Authority (CA) certificate details.

```
Router#show crypto ca certificates
```

```
Trustpoint          : tp
=====
CA certificate
Serial Number      : B5:68:C8:96:A4:7C:1A:BA
Subject:
  CN=cacert,OU=SPBU,O=CSCO,L=BGL,ST=KA,C=IN
Issued By          :
  CN=cacert,OU=SPBU,O=CSCO,L=BGL,ST=KA,C=IN
Validity Start     : 05:39:51 UTC Tue Aug 13 2019
Validity End       : 05:39:51 UTC Mon Aug 08 2039

CRL Distribution Point
  http://10.105.236.78/crl_xxx/crl.der
SHA1 Fingerprint:
  03BD57E04A2AA4648A84F515A46EF99CCF488387
```


When the TLS channel between the router and syslog server comes up, the router displays the following syslog messages on the console:

```
RP/0/RP0/CPU0: syslogd[148]: %SECURITY-XR_SSL-6-CERT_VERIFY_INFO : SSL Certificate
verification: Peer certificate verified successfully
RP/0/RP0/CPU0: syslogd[148]: %OS-SYSLOG-5-LOG_NOTICE : Secure Logging: Successfully
established TLS session , server :10.105.230.83
```




CHAPTER 17

Password Recovery Procedure

This chapter describes a new password recovery process for Cisco IOS-XR for NCS5500 platforms.

- [Password Recovery Procedure, on page 317](#)

Password Recovery Procedure

To know more about the password recovery procedure, refer [New Password Recovery Procedure on Cisco 8000 and NCS5500 Platform](#)

