



EVPN Virtual Private Wire Service (VPWS)

The EVPN-VPWS is a BGP control plane solution for point-to-point services. It implements the signaling and encapsulation techniques for establishing an EVPN instance between a pair of PEs. It has the ability to forward traffic from one network to another without MAC lookup. The use of EVPN for VPWS eliminates the need for signaling single-segment and multi-segment PWs for point-to-point Ethernet services. The EVPN-VPWS technology works on IP and MPLS core; IP core to support BGP and MPLS core for switching packets between the endpoints.

EVPN-VPWS support both single-homing and multi-homing.



Note When both MPLS and SRv6 are configured in the core, EVPN VPWS services cannot co-exist with SRv6 and MPLS.

Table 1: Feature History Table

Feature Name	Release Information	Feature Description
EVPN VPWS	Release 7.3.1	This feature is now supported on Cisco NCS 5700 series fixed port routers and the Cisco NCS 5500 series routers that have the Cisco NC57 line cards installed and operating in the native and compatible modes.

- [Supported Modes for EVPN-VPWS, on page 1](#)
- [EVPN-VPWS Single Homed, on page 2](#)
- [EVPN-VPWS Multi-Homed, on page 4](#)
- [Flow Label Support for EVPN VPWS, on page 9](#)
- [CFM on EVPN VPWS, on page 12](#)
- [Y.1731 Support for EVPN-VPWS, on page 14](#)
- [Private Line Emulation over EVPN-VPWS Single Homed, on page 16](#)

Supported Modes for EVPN-VPWS

EVPN-VPWS supports the following modes:

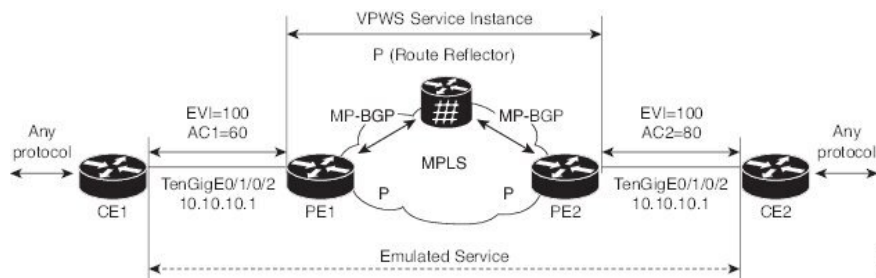
- Single-homed - Enables you to connect a customer edge (CE) device to one provider edge (PE) device.

- Multi-homed - Enables you to connect a customer edge (CE) device to more than one provider edge (PE) device. Multihoming ensures redundant connectivity. The redundant PE device ensures that there is no traffic disruption when there is a network failure. Following are the types of multihoming:
 - Single-Active - In single-active mode only a single PE among a group of PEs attached to the particular Ethernet-Segment is allowed to forward traffic to and from that Ethernet Segment.
 - All-Active - In all-active mode all the PEs attached to the particular Ethernet-Segment is allowed to forward traffic to and from that Ethernet Segment.

EVPN-VPWS Single Homed

The EVPN-VPWS single homed solution requires per EVI Ethernet Auto Discovery route. EVPN defines a new BGP Network Layer Reachability Information (NLRI) used to carry all EVPN routes. BGP Capabilities Advertisement used to ensure that two speakers support EVPN NLRI (AFI 25, SAFI 70) as per RFC 4760.

The architecture for EVPN VPWS is that the PEs run Multi-Protocol BGP in control-plane. The following image describes the EVPN-VPWS configuration:



- The VPWS service on PE1 requires the following three elements to be specified at configuration time:
 - The VPN ID (EVI)
 - The local AC identifier (AC1) that identifies the local end of the emulated service.
 - The remote AC identifier (AC2) that identifies the remote end of the emulated service.

PE1 allocates a MPLS label per local AC for reachability.

- The VPWS service on PE2 is set in the same manner as PE1. The three same elements are required and the service configuration must be symmetric.

PE2 allocates a MPLS label per local AC for reachability.

- PE1 advertise a single EVPN per EVI Ethernet AD route for each local endpoint (AC) to remote PEs with the associated MPLS label.

PE2 performs the same task.

- On reception of EVPN per EVI EAD route from PE2, PE1 adds the entry to its local L2 RIB. PE1 knows the path list to reach AC2, for example, next hop is PE2 IP address and MPLS label for AC2.

PE2 performs the same task.

Configure EVPN-VPWS Single Homed

This section describes how you can configure single-homed EVPN-VPWS feature.

```
/* Configure PE1 */

Router# configure
Router(config)# router bgp 100
Router(config-bgp)# address-family l2vpn evpn
Router(config-bgp-af)# exit
Router(config-bgp)# neighbor 10.10.10.1
Router(config-bgp-nbr)# address-family l2vpn evpn
Router(config-bgp-nbr-af)# commit
Router(config-bgp-nbr-af)# exit
Router(config-bgp-nbr)# exit
Router(config-bgp)# exit
Router(config)# l2vpn
Router(config-l2vpn)# xconnect group evpn-vpws
Router(config-l2vpn-xc)# p2p evpn1
Router(config-l2vpn-xc-p2p)# interface TenGigE0/1/0/2
Router(config-l2vpn-xc-p2p)# neighbor evpn evi 100 target 12 source 10
Router(config-l2vpn-xc-p2p)# commit

Router(config-l2vpn-xc-p2p)# exit

/* Configure PE2 */

Router# configure
Router(config)# router bgp 100
Router(config-bgp)# address-family l2vpn evpn
Router(config-bgp-af)# exit
Router(config-bgp)# neighbor 10.10.10.1
Router(config-bgp-nbr)# address-family l2vpn evpn
Router(config-bgp-nbr-af)# commit
Router(config-bgp-nbr-af)# exit
Router(config-bgp-nbr)# exit
Router(config-bgp)# exit
Router(config)# l2vpn
Router(config-l2vpn)# xconnect group evpn-vpws
Router(config-l2vpn-xc)# p2p evpn1
Router(config-l2vpn-xc-p2p)# interface TenGigE0/1/0/2
Router(config-l2vpn-xc-p2p)# neighbor evpn evi 100 target 10 source 12
Router(config-l2vpn-xc-p2p)# commit

Router(config-l2vpn-xc-p2p)# exit
```

Running Configuration

```
/* On PE1 */

configure
router bgp 100
  address-family l2vpn evpn
  neighbor 10.10.10.1
  address-family l2vpn evpn
!

configure
l2vpn
  xconnect group evpn-vpws
  p2p evpn1
  interface TenGigE0/1/0/2
```

```

    neighbor evpn evi 100 target 12 source 10
!
/* On PE2 */

configure
router bgp 100
 address-family l2vpn evpn
  neighbor 10.10.10.1
  address-family l2vpn evpn
!

configure
l2vpn
xconnect group evpn-vpws
 p2p evpn1
 interface TenGigE0/1/0/2
  neighbor evpn evi 100 target 10 source 12
!

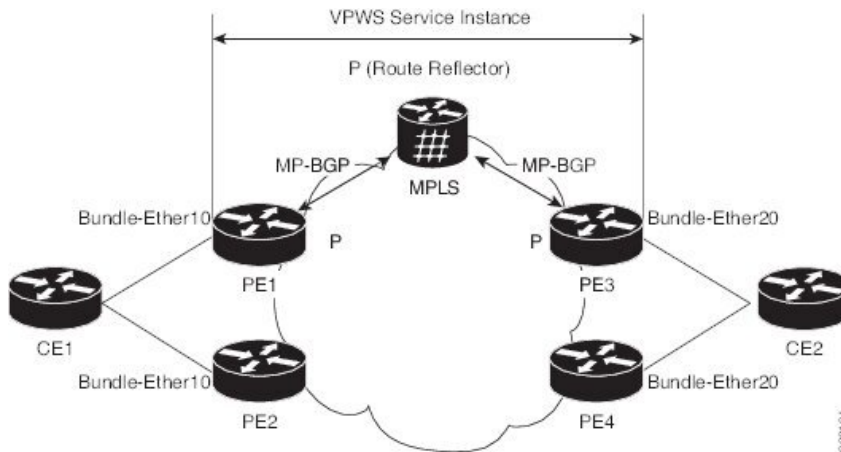
```

EVPN-VPWS Multi-Homed

The EVPN VPWS feature supports all-active multihoming capability that enables you to connect a customer edge device to two or more provider edge (PE) devices to provide load balancing and redundant connectivity. The load balancing is done using equal-cost multipath (ECMP).

When a CE device is multi-homed to two or more PEs and when all PEs can forward traffic to and from the multi-homed device for the VLAN, then such multihoming is referred to as all-active multihoming.

Figure 1: EVPN VPWS Multi-Homed



Consider the topology in which CE1 is multi-homed to PE1 and PE2; CE2 is multi-homed to PE3 and PE4. PE1 and PE2 will advertise an EAD per EVI route per AC to remote PEs which is PE3 and PE4, with the associated MPLS label. The ES-EAD route is advertised per ES (main interface), and it will not have a label. Similarly, PE3 and PE4 advertise an EAD per EVI route per AC to remote PEs, which is PE1 and PE2, with the associated MPLS label.

Consider a traffic flow from CE1 to CE2. Traffic is sent to either PE1 or PE2. The selection of path is dependent on the CE implementation for forwarding over a LAG. Traffic is encapsulated at each PE and forwarded to the remote PEs (PE 3 and PE4) through MPLS core. Selection of the destination PE is established by flow-based

load balancing. PE3 and PE4 send the traffic to CE2. The selection of path from PE3 or PE4 to CE2 is established by flow-based load balancing.

If there is a failure and when the link from CE1 to PE1 goes down, the PE1 withdraws the ES-EAD route; sends a signal to the remote PEs to switch all the VPWS service instances associated with this multi-homed ES to backup PE, which is PE2.

Configure EVPN-VPWS Single-Active Multi-Homed

This section describes how to configure single-active multi-homed EVPN-VPWS feature. You can enable the single-active mode by using the **load-balancing-mode single-active** command.

```

/* Configure PE1 */
Router# configure
Router(config)# l2vpn
Router(config-l2vpn)# xconnect group evpn_vpws
Router(config-l2vpn-xc)# p2p e1_5-6
Router(config-l2vpn-xc-p2p)# interface Bundle-Ether10.2
Router(config-l2vpn-xc-p2p)# neighbor evpn evi 1 target 5 source 6
Router(config-l2vpn-xc-p2p)# exit

Router(config-l2vpn-xc)# exit
Router(config-l2vpn)# exit
Router(config)# evpn
Router(config-evpn)# interface Bundle-Ether10
Router(config-evpn-ac)# ethernet-segment
Router(config-evpn-ac-es)# identifier type 0 00.01.00.ac.ce.55.00.0a.00
Router(config-evpn-ac-es)# load-balancing-mode single-active
Router(config-evpn-ac-es)# commit

/* Configure PE2 */
Router# configure
Router(config)# l2vpn
Router(config-l2vpn)# xconnect group evpn_vpws
Router(config-l2vpn-xc)# p2p e1_5-6
Router(config-l2vpn-xc-p2p)# interface Bundle-Ether10.2
Router(config-l2vpn-xc-p2p)# neighbor evpn evi 1 target 5 source 6
Router(config-l2vpn-xc-p2p)# exit

Router(config-l2vpn-xc)# exit
Router(config-l2vpn)# exit
Router(config)# evpn
Router(config-evpn)# interface Bundle-Ether10
Router(config-evpn-ac)# ethernet-segment
Router(config-evpn-ac-es)# identifier type 0 00.01.00.ac.ce.55.00.0a.00
Router(config-evpn-ac-es)# load-balancing-mode single-active
Router(config-evpn-ac-es)# commit

/* Configure PE3 */
Router# configure
Router(config)# l2vpn
Router(config-l2vpn)# xconnect group evpn_vpws
Router(config-l2vpn-xc)# p2p e1_5-6
Router(config-l2vpn-xc-p2p)# interface Bundle-Ether20.1
Router(config-l2vpn-xc-p2p)# neighbor evpn evi 1 target 6 source 5
Router(config-l2vpn-xc-p2p)# exit

Router(config-l2vpn-xc)# exit

```

```

Router(config-l2vpn)# exit
Router(config)# evpn
Router(config-evpn)# interface Bundle-Ether20
Router(config-evpn-ac)# ethernet-segment
Router(config-evpn-ac-es)# identifier type 0 00.01.00.ac.ce.55.00.14.00
Router(config-evpn-ac-es)# load-balancing-mode single-active
Router(config-evpn-ac-es)# commit

/* Configure PE4 */
Router# configure
Router(config)# l2vpn
Router(config-l2vpn)# xconnect group evpn_vpws
Router(config-l2vpn-xc)# p2p e1_5-6
Router(config-l2vpn-xc-p2p)# interface Bundle-Ether20.1
Router(config-l2vpn-xc-p2p)# neighbor evpn evi 1 target 6 source 5
Router(config-l2vpn-xc-p2p)# exit
Router(config-l2vpn-xc)# exit
Router(config-l2vpn)# exit
Router(config)# evpn
Router(config-evpn)# interface Bundle-Ether20
Router(config-evpn-ac)# ethernet-segment
Router(config-evpn-ac-es)# identifier type 0 00.01.00.ac.ce.55.00.14.00
Router(config-evpn-ac-es)# load-balancing-mode single-active
Router(config-evpn-ac-es)# commit

```

Running Configuration

```

/* On PE1 */
!
configure
l2vpn xconnect group evpn_vpws
p2p e1_5-6
  interface Bundle-Ether10.2
  neighbor evpn evi 1 target 5 source 6
!
evpn
interface Bundle-Ether10
  ethernet-segment
  identifier type 0 00.01.00.ac.ce.55.00.0a.00
  load-balancing-mode single-active
!

/* On PE2 */
!
configure
l2vpn xconnect group evpn_vpws
p2p e1_5-6
  interface Bundle-Ether10.2
  neighbor evpn evi 1 target 5 source 6
!
evpn
interface Bundle-Ether10
  ethernet-segment
  identifier type 0 00.01.00.ac.ce.55.00.0a.00
  load-balancing-mode single-active
!

/* On PE3 */
!
configure
l2vpn xconnect group evpn_vpws

```

```

p2p e1_5-6
  interface Bundle-Ether20.1
  neighbor evpn evi 1 target 6 source 5
!
evpn
interface Bundle-Ether20
  ethernet-segment
    identifier type 0 00.01.00.ac.ce.55.00.14.00
    load-balancing-mode single-active
!

/* On PE4 */
!
configure
l2vpn xconnect group evpn_vpws
p2p e1_5-6
  interface Bundle-Ether20.1
  neighbor evpn evi 1 target 6 source 5
!
evpn
interface Bundle-Ether20
  ethernet-segment
    identifier type 0 00.01.00.ac.ce.55.00.14.00
    load-balancing-mode single-active
!

```

Configure EVPN-VPWS All-Active Multi-Homed

This section describes how to configure all-active multi-homed EVPN-VPWS feature.

```

/* Configure PE1 */
Router# configure
Router(config)# l2vpn
Router(config-l2vpn)# xconnect group evpn_vpws
Router(config-l2vpn-xc)# p2p e1_5-6
Router(config-l2vpn-xc-p2p)# interface Bundle-Ether10.2
Router(config-l2vpn-xc-p2p)# neighbor evpn evi 1 target 5 source 6
Router(config-l2vpn-xc-p2p)# exit

Router(config-l2vpn-xc)# exit
Router(config-l2vpn)# exit
Router(config)# evpn
Router(config-evpn)# interface Bundle-Ether10
Router(config-evpn-ac)# ethernet-segment
Router(config-evpn-ac-es)# identifier type 0 00.01.00.ac.ce.55.00.0a.00
Router(config-evpn-ac-es)# commit

/* Configure PE2 */
Router# configure
Router(config)# l2vpn
Router(config-l2vpn)# xconnect group evpn_vpws
Router(config-l2vpn-xc)# p2p e1_5-6
Router(config-l2vpn-xc-p2p)# interface Bundle-Ether10.2
Router(config-l2vpn-xc-p2p)# neighbor evpn evi 1 target 5 source 6
Router(config-l2vpn-xc-p2p)# exit

Router(config-l2vpn-xc)# exit
Router(config-l2vpn)# exit

```

```

Router(config)# evpn
Router(config-evpn)# interface Bundle-Ether10
Router(config-evpn-ac)# ethernet-segment
Router(config-evpn-ac-es)# identifier type 0 00.01.00.ac.ce.55.00.0a.00
Router(config-evpn-ac-es)# commit

/* Configure PE3 */
Router# configure
Router(config)# l2vpn
Router(config-l2vpn)# xconnect group evpn_vpws
Router(config-l2vpn-xc)# p2p e1_5-6
Router(config-l2vpn-xc-p2p)# interface Bundle-Ether20.1
Router(config-l2vpn-xc-p2p)# neighbor evpn evi 1 target 6 source 5
Router(config-l2vpn-xc-p2p)# exit

Router(config-l2vpn-xc)# exit
Router(config-l2vpn)# exit
Router(config)# evpn
Router(config-evpn)# interface Bundle-Ether20
Router(config-evpn-ac)# ethernet-segment
Router(config-evpn-ac-es)# identifier type 0 00.01.00.ac.ce.55.00.14.00
Router(config-evpn-ac-es)# commit

/* Configure PE4 */
Router# configure
Router(config)# l2vpn
Router(config-l2vpn)# xconnect group evpn_vpws
Router(config-l2vpn-xc)# p2p e1_5-6
Router(config-l2vpn-xc-p2p)# interface Bundle-Ether20.1
Router(config-l2vpn-xc-p2p)# neighbor evpn evi 1 target 6 source 5
Router(config-l2vpn-xc-p2p)# exit
Router(config-l2vpn-xc)# exit
Router(config-l2vpn)# exit
Router(config)# evpn
Router(config-evpn)# interface Bundle-Ether20
Router(config-evpn-ac)# ethernet-segment
Router(config-evpn-ac-es)# identifier type 0 00.01.00.ac.ce.55.00.14.00
Router(config-evpn-ac-es)# commit

```

Running Configuration

```

/* On PE1 */
!
configure
l2vpn xconnect group evpn_vpws
p2p e1_5-6
  interface Bundle-Ether10.2
  neighbor evpn evi 1 target 5 source 6
!
evpn
interface Bundle-Ether10
  ethernet-segment
  identifier type 0 00.01.00.ac.ce.55.00.0a.00

!

/* On PE2 */
!
configure
l2vpn xconnect group evpn_vpws

```



```

p2p e1_5-6
  interface Bundle-Ether10.2
  neighbor evpn evi 1 target 5 source 6
!
evpn
interface Bundle-Ether10
  ethernet-segment
  identifier type 0 00.01.00.ac.ce.55.00.0a.00
!

/* On PE3 */
!
configure
l2vpn xconnect group evpn_vpws
p2p e1_5-6
  interface Bundle-Ether20.1
  neighbor evpn evi 1 target 6 source 5
!
evpn
interface Bundle-Ether20
  ethernet-segment
  identifier type 0 00.01.00.ac.ce.55.00.14.00
!

/* On PE4 */
!
configure
l2vpn xconnect group evpn_vpws
p2p e1_5-6
  interface Bundle-Ether20.1
  neighbor evpn evi 1 target 6 source 5
!
evpn
interface Bundle-Ether20
  ethernet-segment
  identifier type 0 00.01.00.ac.ce.55.00.14.00
!

```

Flow Label Support for EVPN VPWS

The Flow Label support for EVPN VPWS feature enables provider (P) routers to use the flow-based load balancing to forward traffic between the provider edge (PE) devices. This feature uses Flow-Aware Transport (FAT) of pseudowires (PW) over an MPLS packet switched network for load-balancing traffic across BGP-based signaled pseudowires for Ethernet VPN (EVPN) Virtual Private Wire Service (VPWS).

FAT PWs provide the capability to identify individual flows within a PW and provide routers the ability to use these flows to load-balance the traffic. FAT PWs are used to load balance the traffic in the core when equal cost multipaths (ECMP) are used. A flow label is created based on indivisible packet flows entering an imposition PE. This flow label is inserted as the lower most label in the packet. P routers use the flow label for load balancing to provide better traffic distribution across ECMP paths or link-bundled paths in the core. A flow is identified either by the source and destination IP address of the traffic, or the source and destination MAC address of the traffic.

The following figure shows a FAT PW with two flows distributing over ECMPs and bundle links.


```

Router# configure
Router(config)# l2vpn
Router(config-l2vpn)# xconnect group evpn-vpws
Router(config-l2vpn-xc)# p2p evpn1
Router(config-l2vpn-xc-p2p)# interface TenGigE0/0/0/0
Router(config-l2vpn-xc-p2p)# neighbor evpn evi 1 target 2 source 1
Router(config-l2vpn-xc-p2p)# exit
!
Router# configure
Router(config)# evpn
Router(config-evpn)# evi 1

Router(config-evpn-instance)# load-balancing
Router(config-evpn-instance-lb)# flow-label static
Router(config-evpn-instance-lb)# commit

```

Running Configuration

This section shows the running configuration of flow label for EVPN VPWS.

```

l2vpn
xconnect group evpn-vpws
  p2p evpn1
    interface TenGigE0/0/0/0
      neighbor evpn evi 1 target 2 source 1
    !
  !
evpn
  evi 1
    load-balancing
    flow-label static
  !
!

```

Verification

Verify EVPN VPWS flow label configuration.

```

Router# show l2vpn xconnect detail
Group evpn-vpws, XC evpn1, state is up; Interworking none
AC: TenGigE0/0/0/0, state is up
Type Ethernet
MTU 1500; XC ID 0x1; interworking none
Statistics:
  packets: received 21757444, sent 0
  bytes: received 18226521128, sent 0
EVPN: neighbor 100.100.100.2, PW ID: evi 1, ac-id 2, state is up ( established )
XC ID 0xc0000001
Encapsulation MPLS
Encap type Ethernet, control word disabled
Sequencing not set
LSP : Up
Flow Label flags configured (Tx=1,Rx=1) statically

```

EVPN	Local	Remote
Label	64002	64002
MTU	1500	1500
Control word	disabled	disabled
AC ID	1	2

```

EVPN type      Ethernet                      Ethernet
-----
Create time: 30/10/2018 03:04:16 (00:00:40 ago)
Last time status changed: 30/10/2018 03:04:16 (00:00:40 ago)
Statistics:
  packets: received 0, sent 21757444
  bytes: received 0, sent 18226521128

```

Related Topics

- [Flow Label Support for EVPN VPWS, on page 9](#)

Associated Commands

- show evpn evi

CFM on EVPN VPWS

Table 2: Feature History Table

Feature Name	Release Information	Feature Description
CFM on EVPN VPWS	Release 7.4.1	<p>This feature allows you to effectively manage a network with EVPN services running EVPN VPWS. The CFM provides proactive network management, troubleshooting, connectivity monitoring, fault verification, and fault isolation. This feature is supported only on EVPN single homing mode with only one AC on the bridge domain.</p> <p>This feature is now supported on routers that have Cisco NC57 line cards installed and operate in native mode only.</p>

Connectivity fault management (CFM) is a service-level Operations and Maintenance (OAM) protocol that provides tools for monitoring and troubleshooting end-to-end Ethernet services. This feature provides high speed Layer 2 and Layer 3 services with high resiliency and less operational complexity to different market segments.

Supported Offload Types and Timer Values

The following are supported offload types:

- Hardware (HW) Offload: The continuity check message (CCM) timers for a CFM session on a physical interface is less than 100 ms.
- Non-Offload: The CCM timers for a CFM session on a physical interface is greater than 100 ms.
- Software (SW) Offload: The CFM session on a bundle interface.

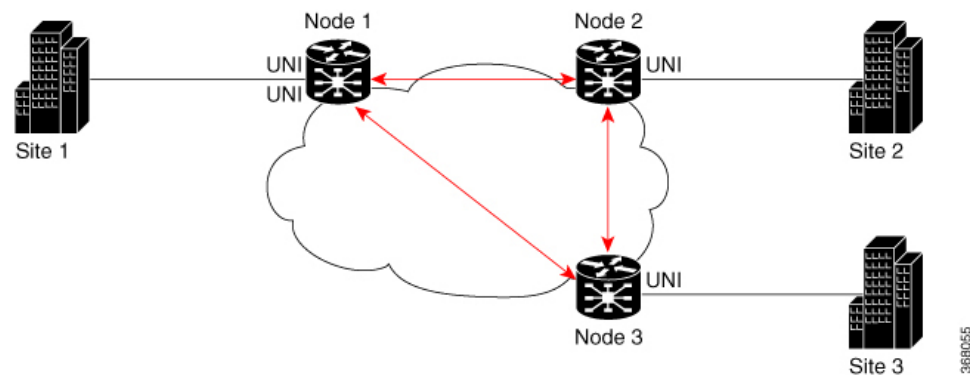
The following are the supported offload timer values:

- 3.3ms: Interval of 3.3 milliseconds
- 10ms: Interval of 10 milliseconds

- 100ms: Interval of 100 milliseconds
- 1s: Interval of 1 second
- 10s: Interval of 10 seconds
- 1m: Interval of 1 minute
- 10m: Interval of 10 minutes

Configure CFM on EVPN VPWS

Figure 3: CFM on EVPN VPWS: Full Mesh Topology



Node 1, 2 and 3 in this topology can be Cisco routers.

Configuring CFM on EVPN VPWS involves these main tasks:

- Enabling CFM service continuity check
- Configuring MEP cross-check
- Enabling CFM for the interface

Configuration Example

```

/* Enabling CFM continuity check */
Router# ethernet cfm
Router(config-cfm# domain xcup1 level 7 id null
Router(config-cfm-dmn) # service xcup1 xconnect group evpn_vpws_Bundle_ether203 p2p
evpn_vpws-100 id number 4001
Router(config-cfm-dmn-svc) # mip auto-create all ccm-learning
Router(config-cfm-dmn-svc) # continuity-check interval 1s
/* Configuring MEP cross-check */
Router(config-cfm-dmn-svc) # mep crosscheck
Router(config-cfm-dmn-svc) # mep-id 4001
Router(config-cfm-dmn-svc) # commit

```

Repeat the above configurations for node 2 and node 3, with the respective mep-id values. For node 2, configure MEP cross-check with respective mep-id values of node 1 and node 3 (2001 and 3001 respectively, in this example). For node 3, configure MEP cross-check with respective mep-id values of node 1 and node 2 (4001 and 2001 respectively, in this example).

```

/* Enabling CFM on the interface */
Router# configure
Router(config)# interface Bundle-Ether203.2001 l2transport
Router(config-subif)# encapsulation dot1q 2001
Router(config-subif)# ethernet cfm
Router(config-if-cfm)# mep domain xcup1 service xcup1 mep-id 2001
Router(config-if-cfm-mep)# commit

```

You must repeat the above configurations for node 2 and node 3, with the respective *mep-id* values.

Running Configuration

This sections shows the running configuration on node 1.

```

ethernet cfm
  domain xcup1 level 7 id null
  service xcup1 xconnect group evpn_vpws_Bundle_ether203 p2p evpn_vpws-100 id number 4001
  mip auto-create all ccm-learning
  continuity-check interval 1s
  mep crosscheck
  mep-id 4001
  !
  !
  !
interface Bundle-Ether203.2001 l2transport
  encapsulation dot1q 2001
  ethernet cfm
  mep domain xcup1 service xcup1 mep-id 2001
  !

```

Y.1731 Support for EVPN-VPWS

Table 3: Feature History Table

Feature Name	Release Information	Feature Description
Y.1731 Support for EVPN-VPWS	Release 7.5.1	<p>EVPN VPWS services support CFM continuity check, ITU-T Y.1731 compliant Delay Measurement Message (DMM) and Synthetic Loss Measurement (SLM) functions. This feature is supported only on single-homed EVPN VPWS.</p> <p>This feature is now supported on routers that have Cisco NC57 line cards installed and operate in native mode.</p>

DMM is used to periodically measure frame delay and frame delay variation between a pair of point-to-point Maintenance End Point (MEPs). Measurements are made between two MEPs belonging to the same domain and Maintenance Association (MA).

SLM is used to periodically measure Frame Loss and Forward Loss Ratio (FLR) between a pair of point to point MEPs. Measurements are made between two MEPs that belong to the same domain and MA.

Configuration Example

```
l2vpn
xconnect group evpn_vpws_203
p2p evpn_vpws_phy-100
  interface GigabitEthernet0/0/0/2.100
  neighbor evpn evi 30001 target 30001 source 50001
  !

ethernet cfm
domain xcup1 level 7 id null
service xcup1 xconnect group evpn_vpws_Bundle_ether203 p2p evpn_vpws-100 id number 4001
mip auto-create all ccm-learning
continuity-check interval 1s
mep crosscheck
mep-id 4001
!

interface GigabitEthernet0/0/0/2.100 l2transport
encapsulation dot1q 100
rewrite ingress tag pop 1 symmetric
mtu 9100
ethernet cfm
  mep domain bd-domain service bd-service mep-id 4001
  sla operation profile test-profile1 target mep-id 1112
!

ethernet sla
profile EVC-1 type cfm-delay-measurement
probe
  send packet every 1 seconds
!
schedule
  every 3 minutes for 120 seconds
!
statistics
measure round-trip-delay
  buckets size 1 probes
  buckets archive 5
!
```

Private Line Emulation over EVPN-VPWS Single Homed

Table 4: Feature History Table

Feature Name	Release Information	Feature Description
Private Line Emulation over EVPN-VPWS Single Homed	Release 7.7.1	<p>You can now configure EVPN VPWS to carry the client traffic from ports like FC, OTN, SDH, SONET, or Ethernet and forward the traffic to the core network by using Private Line Emulation (PLE). PLE emulates the switching capabilities of FC, OTN, SDH, SONET, or Ethernet ports without needing a dedicated equipment and allows interconnecting optical networks with Ethernet networks.</p> <p>This feature introduces the port-mode command.</p> <p>This release introduces new and modified YANG data models for PLE. For the list of supported data models, see Supported Yang Data Models for PLE. You can access these data models from the Github repository.</p>

PLE service is a mechanism that allows the transparent transfer of packets from different port modes over MPLS networks.

PLE client traffic is carried on EVPN-VPWS single homed service. The PLE endpoints establish a BGP session to exchange EVPN route information. The pseudowire channel is set up between the endpoints when the L2VPN cross-connect is set up between PLE client, represented as Circuit Emulation (CEM) interface, and the remote node.

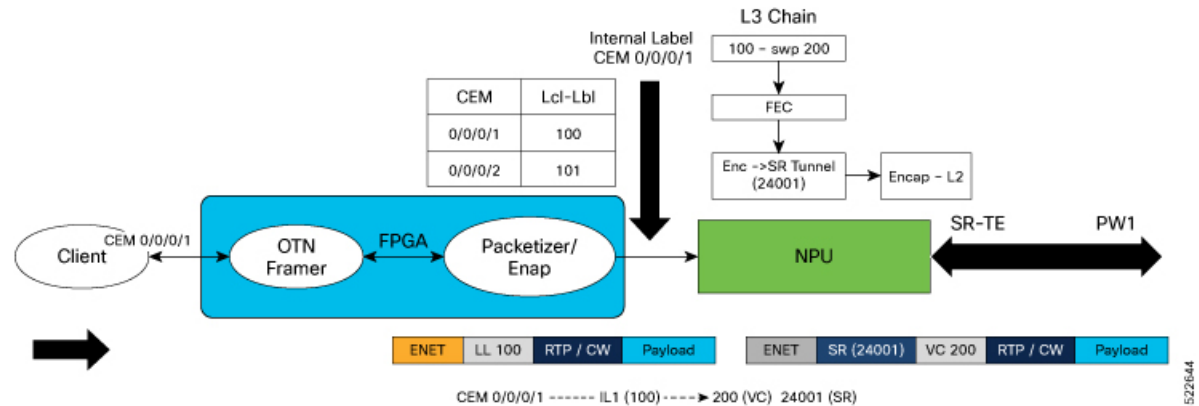
CEM helps PLE endpoints to provide native client interfaces. CEM service is a method through which data can be transmitted over Ethernet or MPLS networks. CEM over a packet carries circuits over Packet Switched Network (PSN) placing the client bitstreams into packet payload with appropriate pseudowire emulation headers.

PLE client traffic is encapsulated by PLE initiator and is carried over EVPN-VPWS L2 service running on segment routing or MPLS tunnels. PLE terminator node extracts the bitstreams from the EVPN packets and places them to the PLE client interface as defined by the client attribute and CEM profile. The traffic flow between the client and core networks happens with label imposition and disposition.

PLE Forwarding Flow – Imposition

Imposition is the process of adding an MPLS label to a data packet. A PE router forwards traffic from a client interface by adding an MPLS label to the packet upon entering an MPLS network. When PLE forwards traffic from client to core network, label imposition is used to forward the packets.

Figure 4: PLE Forwarding Flow – Imposition



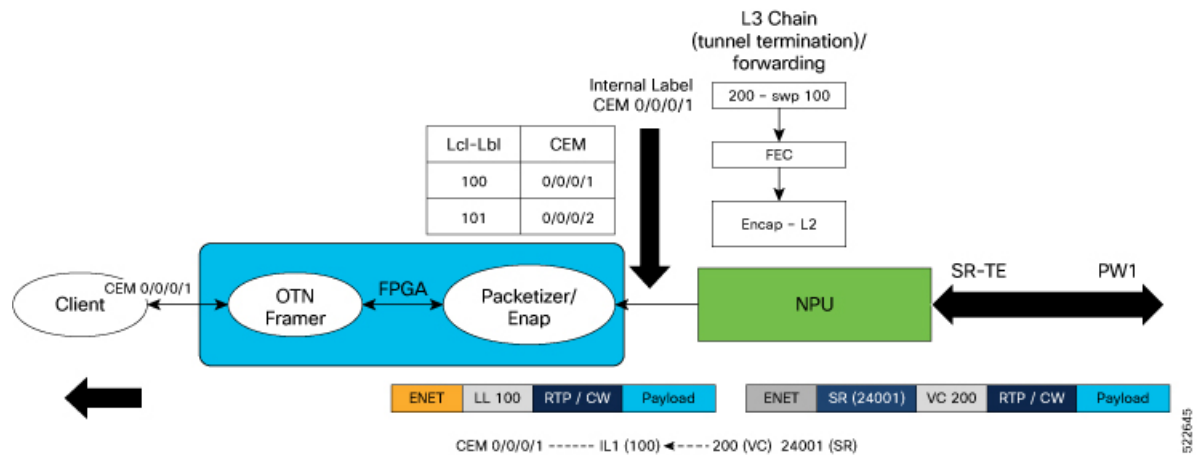
In the diagram, traffic from client may be of any port mode like FC, OTN, SDH, SONET, or Ethernet. Field Programmable Gate Array (FPGA) acts as a forwarding block. FPGA sends the traffic from the client towards NPU with an assigned internal local label.

- In this example, the traffic from client flows through CEM interface. The internal local label 100 is added to the CEM interface 0/0/0/1 in the FPGA.
- NPU receives traffic with assigned internal local label from FPGA and in the forwarding L3 chain, replaces the internal local label 100 with Virtual Circuit (VC) label 200. VC label is also known as the pseudowire (PW) label.
- The traffic is then forwarded towards core network using the transport label 24001.

PLE Forwarding Flow – Disposition

Disposition is the process of removing an MPLS label from a data packet. A PE router receives an MPLS packet, makes a forwarding decision based on the MPLS label, removes the label, and sends the traffic to the client. When PLE forwards traffic from core to client network, label disposition is used to forward the packets.

Figure 5: PLE Forwarding Flow – Disposition



In the diagram, NPU receives traffic with VC label.

- NPU determines the outgoing interface for the traffic, based on the VC label allocation.
- The VC label 200 is replaced with the internal local label 100 and sent to FPGA.
- In the FPGA, the internal local label is mapped to CEM interface 0/0/0/1 and traffic is forwarded to the client through the CEM interface.

PLE Transport Mechanism

You can configure circuit-style segment routing to transport PLE client traffic over the networks. Circuit-style SR-TE supports the following:

- Co-router bidirectional paths
- Guaranteed latency
- End-to-end path protection
- Guaranteed bandwidth

The circuit-style SR-TE policies are configured statically as preferred path within a pseudowire class. An SR-TE policy is associated per pseudowire by assigning corresponding pseudowire class to working or protected pseudowires.

For more information on SR-TE policies, see the *Configure SR-TE Policies* section in the *Segment Routing Configuration Guide for Cisco NCS 5500 Series Routers, IOS XR*.

Supported Hardware for PLE

PLE is supported on NC55-OIP-02 MPA with SFP+ optical transceivers. The NC55-OIP-02 MPA supports the following port mode options:

- Ethernet – 1GE and 10GE
- Fiber channel (FC) – 1G, 2G, 4G, 8G, 16G, and 32G
- Optical Transport Network (OTN) – OTU2 and OTU2e

- Synchronous Digital Hierarchy (SDH) – STM16 and STM64
- Synchronous Optical Networking (SONET) – OC48 and OC192

For more information on the MPA, see the *Hardware Installation Guide for Cisco NCS 5500 Series Fixed-Port Routers*.

Restrictions for PLE over EVPN VPWS

- Load balancing is not supported for PLE traffic in the core, because PLE does not work with ECMP or core bundle having more than one member link.
- Software offloading is supported only on SR-TE performance monitoring and hence Fast Reroute (FRR) convergence is not possible.
- PLE circuit over SR-TE tunnel with deep label stack is not supported, as this may lead to the circuit being down. For more information on label stacking, see *MPLS Configuration Guide for Cisco NCS 5500 Series Routers, IOS XR*.



Note These restrictions are applicable for IOS XR release 7.7.1.

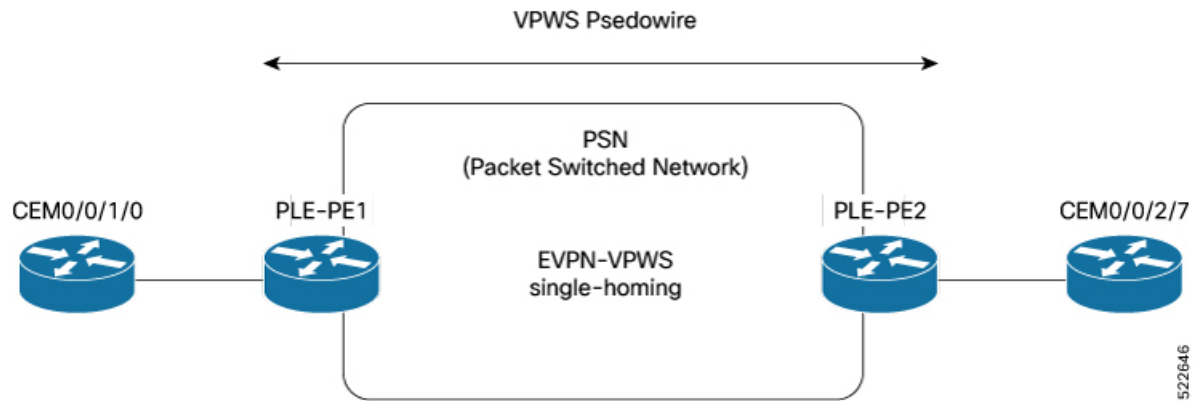
Configure PLE over EVPN VPWS

Prerequisites

- Install all the mandatory Cisco RPMS like RSVP for MPLS-TE. For more information, see the *Implementing RSVP for MPLS-TE* section in the *MPLS Configuration Guide for Cisco NCS 5500 Series Routers, IOS XR*.
- Ensure that the clocks between the routers in the network is synchronized with Synchronous Ethernet (SyncE) or Precision Time Protocol (PTP), to avoid drop in the data traffic.
- Core interface bandwidth must be higher than the access interface. For example, when traffic from CE is 10G, it becomes 12.5G when it reaches the core. Hence, the core interface bandwidth must be at least 25G.

Topology

Figure 6: PLE over EVPN VPWS



In this topology, CEM interfaces are connected to PLE interfaces. The PLE interfaces, PE1 and PE2, are connected through EVPN-VPWS single homing. The PLE interface can be: Ethernet, OTN, FC, or SONET/SDH.

Configuration Example

Perform the following tasks to configure EVPN-VPWS over SR-TE policy with explicit path. For more information on SR-TE policies, see the *Configure SR-TE Policies* section in the *Segment Routing Configuration Guide for Cisco NCS 5500 Series Routers, IOS XR*.

1. Enable Frequency Synchronization to synchronize the clock between the PE routers.
2. Bring up the Optics Controller in CEM Packet Mode, based on the port mode type.
3. Configure Access and Core Interfaces.
4. Configure Loopback Interface to establish BGP-EVPN neighborship.
5. Configure IS-IS IGP to advertise the loopback and core interfaces.
6. Configure Performance Measurement to enable liveness monitoring of SR policy.
7. Configure Segment Routing Traffic Engineering Tunnels with circuit-styled SR-TE tunnels and explicit path.
8. Configure BGP EVPN Neighbor Session to exchange EVPN route information.
9. Configure EVPN VPWS with pseudowire class (PW) and cross-connect (xconnect) service to carry the PLE client traffic.
10. Configure QoS Policy on CEM Interface to manage congestion on PLE client traffic.

Enable Frequency Synchronization

Synchronize the clocks between PE1 and PE2.

```
/* Enable Frequency Synchronization on PLE-PE1 */
```

Prerequisites: SyncE or PTP must be UP.

```

Router(config)# frequency synchronization
Router(config-freqsync)# quality itu-t option 1
Router(config-freqsync)# exit
Router(config)# interface TwentyFiveGigE0/0/0/24
Router(config-if)# frequency synchronization
Router(config-if-freqsync)# quality transmit exact itu-t option 1 PRC
!

```

(Use the **show frequency synchronization interfaces** command to verify that the clock is transmitted.)

```

/* Enable Frequency Synchronization on PLE-PE2 */
Router(config)# frequency synchronization
Router(config-freqsync)# quality itu-t option 1
Router(config-freqsync)# exit
Router(config)# interface TwentyFiveGigE0/0/0/32
Router(config-if)# frequency synchronization
Router(config-if-freqsync)# selection input
Router(config-if-freqsync)# priority 1
Router(config-if-freqsync)# wait-to-restore 0
!

```

(Use the **show frequency synchronization selection** command to verify if PLE-PE2 is LOCKED to PLE-PE1's clock.)

Bring up the Optics Controller in CEM Packet Mode

Configure the optics controller and port mode. The examples show port mode configuration for all the types of port modes. Use the relevant command according to the port mode type of the PLE interface.

```

/* Bring up the optics controller in CEM packet mode with appropriate speed on PLE-PE1 */

```

Ethernet:

```

Router(config)# controller Optics0/0/1/0
Router(config-Optics)# port-mode Ethernet framing cem-packetize rate 10GE
!
Router(config)# controller Optics0/0/1/5
Router(config-Optics)# port-mode Ethernet framing cem-packetize rate 1GE
!

```

OTN:

```

Router(config)# controller Optics0/0/2/0
Router(config-Optics)# port-mode otn framing cem-packetize rate otu2
!
Router(config)# controller Optics0/0/2/0
Router(config-Optics)# port-mode otn framing cem-packetize rate otu2e
!

```

Fiber Channel:

```

Router(config)# controller Optics0/0/1/6
Router(config-Optics)# port-mode FC framing cem-packetize rate FC1

```



Note Port mode FC32 is supported only on the even ports (Port 0, 2, 4, and 6) of the MPA.

SONET/SDH:

```

Router(config)# controller optics 0/0/2/4
Router(config-Optics)# port-mode sonet framing cem-packetize rate OC48
!
Router(config)# controller optics 0/0/2/5
Router(config-Optics)# port-mode sdh framing cem-packetize rate STM16
!

/* Bring up the optics controller in CEM packet mode with appropriate speed on PLE-PE2 */

```

Ethernet:

```

Router(config)# controller Optics0/0/2/7
Router(config-Optics)# port-mode Ethernet framing cem-packetize rate 10GE
!

Router(config)# controller Optics0/0/1/5
Router(config-Optics)# port-mode Ethernet framing cem-packetize rate 1GE

```

OTN:

```

Router(config)# controller Optics0/0/2/0
Router(config-Optics)# port-mode otn framing cem-packetize rate otu2
!

Router(config)# controller Optics0/0/2/0
Router(config-Optics)# port-mode otn framing cem-packetize rate otu2e
!

```

Fiber Channel:

```

Router(config)# controller Optics0/0/1/6
Router(config-Optics)# port-mode FC framing cem-packetize rate FC1

```



Note Port mode FC32 is supported only on the even ports (Port 0, 2, 4, and 6) of the MPA.

SONET/SDH:

```

Router(config)# controller optics 0/0/2/4
Router(config-Optics)# port-mode sonet framing cem-packetize rate OC48
!
Router(config)# controller optics 0/0/2/5
Router(config-Optics)# port-mode sdh framing cem-packetize rate STM16
!

```

Configure Access and Core Interfaces

Configure the access interface for the client and then the core interface.

```
/* Configure the access and core interfaces on PLE-PE1 */
```

Access interface: Repeat this for each port mode configuration.

```

Router(config)# interface CEM0/0/1/0
Router(config-if)# l2transport
!

```

Core interface:

```
Router(config)# interface TwentyFiveGigE0/0/0/24
Router(config-if)# ipv4 address 14.1.0.1 255.255.255.252
!

/* Configure the access and core interfaces on PLE-PE2 */
```

Access interface: Repeat this for each port mode configuration.

```
Router(config)# interface CEM0/0/2/7
Router(config-if)# l2transport
!
```

Core interface:

```
Router(config)# interface TwentyFiveGigE0/0/0/32
Router(config-if)# ipv4 address 14.1.0.2 255.255.255.252
!
```

Configure Loopback Interface

Configure loopback interface to establish BGP-EVPN neighborship.

```
/* Configure loopback interface on PLE-PE1 */

Router(config)# interface Loopback0
Router(config-if)# ipv4 address 1.1.1.1 255.255.255.255
!

/* Configure loopback interface on PLE-PE2 */

Router(config)# interface Loopback0
Router(config-if)# ipv4 address 1.1.1.4 255.255.255.255
!
```

Configure IS-IS IGP

Configure IS-IS IGP to advertise the configured loopback and core interfaces.



Note You cannot configure Topology-Independent Loop-Free Alternate (TI-LFA) on the links used by circuit-styled SR-TE tunnel. The adjacency SID label is unprotected for circuit-styled SR-TE, which does not support TI-LFA.

```
/* Configure IS-IS IGP on PLE-PE1 */

Router(config)# router isis core
Router(config-isis)# is-type level-2-only
Router(config-isis)# net 49.0000.0000.0000.0001.00
Router(config-isis)# nsr
Router(config-isis)# nsf cisco
Router(config-isis)# log adjacency changes
Router(config-isis)# address-family ipv4 unicast
Router(config-isis-af)# metric-style wide
Router(config-isis-af)# segment-routing mpls sr-prefer
Router(config-isis-af)# segment-routing bundle-member-adj-sid
```

```

Router(config-isis-af)# commit
Router(config-isis-af)# exit

Router(config-isis)# interface Loopback0
Router(config-isis-if)# point-to-point
Router(config-isis-if)# address-family ipv4 unicast
Router(config-isis-if-af)# prefix-sid index 1
Router(config-isis-if-af)# exit
!
Router(config-isis)# interface TwentyFiveGigE0/0/0/24
Router(config-isis-if)# point-to-point
Router(config-isis-if)# address-family ipv4 unicast
Router(config-isis-if-af)# adjacency-sid absolute 28121 >>>> Adjacency-SID must be
unprotected for circuit-styled SR-TE
Router(config-isis-if-af)# commit
Router(config-isis-if-af)# exit
!
!

/* Configure IS-IS IGP on PLE-PE2 */

Router(config)# router isis core
Router(config-isis)# is-type level-2-only
Router(config-isis)# net 49.0000.0000.0000.0004.00
Router(config-isis)# nsr
Router(config-isis)# nsf cisco
Router(config-isis)# log adjacency changes
Router(config-isis)# address-family ipv4 unicast
Router(config-isis-af)# metric-style wide
Router(config-isis-af)# segment-routing mpls sr-prefer
Router(config-isis-af)# segment-routing bundle-member-adj-sid
Router(config-isis-af)# commit
Router(config-isis-af)# exit

Router(config-isis)# interface Loopback0
Router(config-isis-if)# point-to-point
Router(config-isis-if)# address-family ipv4 unicast
Router(config-isis-if-af)# prefix-sid index 4
Router(config-isis-if-af)# exit
!
!
Router(config-isis)# interface TwentyFiveGigE0/0/0/32
Router(config-isis-if)# point-to-point
Router(config-isis-if)# address-family ipv4 unicast
Router(config-isis-if-af)# adjacency-sid absolute 28211 >>>> Adjacency-SID must be
unprotected for circuit-styled SR-TE
Router(config-isis-if-af)# commit
Router(config-isis-if-af)# exit
!
!

```

Configure Performance Measurement

Configure the performance measurement to enable the liveness monitoring of the SR policy.

```

/* Configure performance measurement on PLE-PE1 */

Router(config)# performance-measurement
Router(config-perf-meas)# liveness-profile sr-policy name RED
Router(config-pm-ld-srpolicy)# probe
Router(config-pm-ld-srpolicy-probe)# measurement-mode loopback
Router(config-pm-ld-srpolicy-probe)# burst-interval 3000

```



```

Router(config-pm-ld-srpolicy-probe)# exit
Router(config-pm-ld-srpolicy)# exit

Router(config-perf-meas)# liveness-profile sr-policy name BLUE
Router(config-pm-ld-srpolicy)# probe
Router(config-pm-ld-srpolicy-probe)# measurement-mode loopback
Router(config-pm-ld-srpolicy-probe)# burst-interval 30

/* Configure performance measurement on PLE-PE2 */

Router(config)# performance-measurement
Router(config-perf-meas)# liveness-profile sr-policy name RED
Router(config-pm-ld-srpolicy)# probe
Router(config-pm-ld-srpolicy-probe)# measurement-mode loopback
Router(config-pm-ld-srpolicy-probe)# burst-interval 3000
Router(config-pm-ld-srpolicy-probe)# exit
Router(config-pm-ld-srpolicy)# exit

Router(config-perf-meas)# liveness-profile sr-policy name BLUE
Router(config-pm-ld-srpolicy)# probe
Router(config-pm-ld-srpolicy-probe)# measurement-mode loopback
Router(config-pm-ld-srpolicy-probe)# burst-interval 30

```

Configure Segment Routing Traffic Engineering Tunnels

Configure circuit-styled SR-TE tunnels. SR-TE is supported only with explicit path specified by adjacency SID labels. The adjacency SID labels must be unprotected for circuit-styled SR-TE. This example shows configuration of explicit path between PE1 and PE2.

```

/* Configure segment routing traffic engineering tunnels on PLE-PE1 */

Router(config)# segment-routing
Router(config-sr)# global-block 80000 111999
Router(config-sr)# local-block 25000 28999
Router(config-sr)# traffic-eng
Router(config-sr-te)# segment-list pe1-pe2-forward-path
Router(config-sr-te-sl)# index 1 mpls label 28121
Router(config-sr-te-sl)# exit

Router(config-sr-te)# segment-list pe1-pe2-reverse-path
Router(config-sr-te-sl)# index 1 mpls label 28211
Router(config-sr-te-sl)# exit

Router(config-sr-te)# policy pe1-pe2-circuit-styled-srte
Router(config-sr-te-policy)# color 10 end-point ipv4 1.1.1.4
Router(config-sr-te-policy)# path-protection
Router(config-sr-te-policy)# candidate-paths
Router(config-sr-te-policy-path)# preference 10
Router(config-sr-te-policy-path-pref)# explicit segment-list pe1-pe2-forward-path >>>>
Explicit path
Router(config-sr-te-policy-path-pref)# reverse-path segment-list pe1-pe2-reverse-path
!
!
!
Router(config)# performance-measurement
Router(config-perf-meas)# liveness-detection
Router(config-perf-meas)# liveness-profile backup name RED
Router(config-perf-meas)# liveness-profile name BLUE

/* Configure segment routing traffic engineering tunnels on PLE-PE2 */

```

```

Router(config)# segment-routing
Router(config-sr)# global-block 80000 111999
Router(config-sr)# local-block 25000 28999
Router(config-sr)# traffic-eng
Router(config-sr-te)# segment-list pe1-pe2-forward-path
Router(config-sr-te-sl)# index 1 mpls label 28211
Router(config-sr-te-sl)# exit

Router(config-sr-te)# segment-list pe1-pe2-reverse-path
Router(config-sr-te-sl)# index 1 mpls label 28121
Router(config-sr-te-sl)# exit

Router(config-sr-te)# policy pe1-pe2-circuit-styled-srte
Router(config-sr-te-policy)# color 10 end-point ipv4 1.1.1.1
Router(config-sr-te-policy)# path-protection
Router(config-sr-te-policy)# candidate-paths
Router(config-sr-te-policy-path)# preference 10
Router(config-sr-te-policy-path-pref)# explicit segment-list pe1-pe2-forward-path >>>>
Explicit path
Router(config-sr-te-policy-path-pref)# reverse-path segment-list pe1-pe2-reverse-path
!
!
!
Router(config)# performance-measurement
Router(config-perf-meas)# liveness-detection
Router(config-perf-meas)# liveness-profile backup name RED
Router(config-perf-meas)# liveness-profile name BLUE

```

Configure BGP EVPN Neighbor Session

Configure L2VPN EVPN address family under BGP to establish a BGP-EVPN neighbor session.

```
/* Configure BGP EVPN neighbor session on PLE-PE1 */
```

```

Router(config)# router bgp 100
Router(config-bgp)# bgp router-id 1.1.1.1
Router(config-bgp)# bgp graceful-restart
Router(config-bgp)# address-family ipv4 unicast
Router(config-bgp-af)# exit
Router(config-bgp)# address-family l2vpn evpn
Router(config-bgp-af)# exit
Router(config-bgp)# neighbor 1.1.1.4
Router(config-bgp-nbr)# remote-as 100
Router(config-bgp-nbr)# update-source Loopback0
Router(config-bgp-nbr)# exit
Router(config-bgp)# graceful-restart
Router(config-bgp)# address-family l2vpn evpn

```

```
/* Configure BGP EVPN neighbor session on PLE-PE2 */
```

```

Router(config)# router bgp 100
Router(config-bgp)# bgp router-id 1.1.1.4
Router(config-bgp)# bgp graceful-restart
Router(config-bgp)# address-family ipv4 unicast
Router(config-bgp-af)# exit
Router(config-bgp)# address-family l2vpn evpn
Router(config-bgp-af)# exit
Router(config-bgp)# neighbor 1.1.1.1
Router(config-bgp-nbr)# remote-as 100
Router(config-bgp-nbr)# update-source Loopback0
Router(config-bgp-nbr)# exit

```

```
Router(config-bgp) # graceful-restart
Router(config-bgp) # address-family l2vpn evpn
```

Configure EVPN VPWS

Configure EVPN VPWS with PW class and xconnect service to carry the PLE client traffic.

```
/* Configure EVPN VPWS on PLE-PE1 */

Router(config) # l2vpn
Router((config-l2vpn) # pw-class pw-cs-srte
Router((config-l2vpn-pwc) # encapsulation mpls
Router((config-l2vpn-pwc-mpls) # preferred-path sr-te policy srte_c_10_ep_1.1.1.6
!
!
Router(config) # xconnect group evpn_vpws
Router(config) # p2p p1
Router(config) # interface CEM0/0/1/0
Router(config) # neighbor evpn evi 10 target 1 source 2
Router(config) # pw-class pw-cs-srte

/* Configure EVPN VPWS on PLE-PE2 */

Router(config) # l2vpn
Router((config-l2vpn) # pw-class pw-cs-srte
Router((config-l2vpn-pwc) # encapsulation mpls
Router((config-l2vpn-pwc-mpls) # preferred-path sr-te policy srte_c_10_ep_1.1.1.1
!
!
Router(config) # xconnect group evpn_vpws
Router(config) # p2p p1
Router(config) # interface CEM0/0/2/7
Router(config) # neighbor evpn evi 10 target 1 source 2
Router(config) # pw-class pw-cs-srte
```

Configure QoS Policy on CEM Interface

Configure QoS policy to manage congestion on PLE client traffic. In QoS for PLE, you can mark the MPLS experimental with only the topmost label and set the traffic class with only the default class.

```
/* Configure QoS policy on PLE-PE1 */
```

Access Interface Configuration

```
Router(config) # policy-map ple-policy
Router(config-pmap) # class class-default
Router(config-pmap-c) # set mpls experimental topmost 7
Router(config-pmap-c) # set traffic-class 2
Router(config-pmap-c) # end-policy-map
!

Router(config) # interface CEM0/0/1/0
Router(config-if) # l2transport
Router(config-if) # service-policy input ple-policy
!
!
```

Core Interface Configuration

```
Router(config) # class-map match-any tc2
Router(config-cmap) # match traffic-class 2
```

```

Router(config-cmap) # end-class-map
!

Router(config) # policy-map core
Router(config-pmap) # class tc2
Router(config-pmap-c) # priority level 1
Router(config-pmap-c) # shape average percent 100
Router(config-pmap-c) # end-policy-map
!

Router(config) # interface TwentyFiveGigE0/0/0/24
Router(config-if) # mtu 9200
Router(config-if) # service-policy output core
Router(config-if) # ipv4 address 13.30.1.1 255.255.255.252

/* Configure QoS policy on PLE-PE2 */

```

Access Interface Configuration

```

Router(config) # policy-map ple-policy
Router(config-pmap) # class class-default
Router(config-pmap-c) # set mpls experimental topmost 7
Router(config-pmap-c) # set traffic-class 2
Router(config-pmap-c) # end-policy-map
!
Router(config) # interface CEM0/0/2/7
Router(config-if) # l2transport
Router(config-if) # service-policy input ple-policy

```

Core Interface Configuration

```

Router(config) # class-map match-any tc2
Router(config-cmap) # match traffic-class 2
Router(config-cmap) # end-class-map
!

Router(config) # policy-map core
Router(config-pmap) # class tc2
Router(config-pmap-c) # priority level 1
Router(config-pmap-c) # shape average percent 100
Router(config-pmap-c) # end-policy-map
!

Router(config) # interface TwentyFiveGigE0/0/0/32
Router(config-if) # mtu 9200
Router(config-if) # service-policy output core
Router(config-if) # ipv4 address 46.10.1.2 255.255.255.252

```

Verification

Use the following show commands to view the configuration.

Verify the IS-IS configuration.

```

Router# show isis neighbors
Fri Nov 12 09:04:13.638 UTC

IS-IS core neighbors:
System Id      Interface      SNPA          State Holdtime Type IETF-NSF
PLE-Core-PE2  TF0/0/0/24    *PtoP*       Up    28      L2    Capable

Total neighbor count: 1

```

```
Router# show isis segment-routing label table
```

```
Fri Nov 12 09:25:18.488 UTC
```

```
IS-IS core IS Label Table
Label          Prefix          Interface
-----
16001         1.1.1.1/32      Loopback0
16004         1.1.1.4/32
```

```
Router# show mpls forwarding prefix 1.1.1.4/32
```

```
Fri Nov 12 09:25:54.898 UTC
```

```
Local  Outgoing  Prefix          Outgoing      Next Hop      Bytes
Label  Label      or ID          Interface     Interface     Switched
-----
16004  Pop        SR Pfx (idx 4)  TF0/0/0/24   14.1.0.2     104332
```

Verify the performance measurement.

```
Router# show performance-measurement sr-policy color 203
```

```
Mon Mar 14 17:54:32.403 IST
```

```
-----
0/RP0/CPU0
-----
```

```
SR Policy name: srte_c_203_ep_1.1.1.1
Color : 203
Endpoint : 1.1.1.1
Number of candidate-paths : 1
```

```
Candidate-Path:
```

```
Instance : 8
Preference : 10
Protocol-origin : Configured
Discriminator : 10
Profile Keys:
Profile name : BLUE
Profile type : SR Policy Liveness Detection
Source address : 1.1.1.6
Number of segment-lists : 1
Liveness Detection: Enabled
Session State: Up
Last State Change Timestamp: Mar 14 2022 17:53:45.207
Missed count: 0
```

```
-----
0/0/CPU0
-----
```

Verify SR-TE configuration.

```
Router# show segment-routing traffic-eng policy color 10 tabular
```

```
Fri Nov 12 09:15:57.366 UTC
```

```
Color          Endpoint  Admin  Oper  Binding
              State    State  SID
-----
10             1.1.1.4  up     up    24010
```

Verify BGP EVPN neighbor session configuration.

```
Router# show bgp l2vpn evpn neighbors brief
```

```
Fri Nov 12 09:10:22.999 UTC
```

```
Neighbor      Spk   AS Description      Up/Down  NBRState
1.1.1.4       0    100                 15:51:52 Established
```

Verify EVPN VPWS configuration.

```
Router# show l2vpn xconnect
Fri Nov 12 09:02:44.982 UTC
Legend: ST = State, UP = Up, DN = Down, AD = Admin Down, UR = Unresolved,
        SB = Standby, SR = Standby Ready, (PP) = Partially Programmed,
        LU = Local Up, RU = Remote Up, CO = Connected, (SI) = Seamless Inactive
```

XConnect Group	Name	ST	Segment 1 Description	ST	Segment 2 Description	ST
evpn_vpws	p1	UP	CE0/0/1/0	UP	EVPN 10,1,24012	UP

Verify QoS policy configuration.

The following show command displays information about interfaces on which the policy maps are applied.

```
Router# show policy-map targets
Thu Jun 16 21:47:31.407 IST
1) Policymap: ple-p1 Type: qos
Targets (applied as main policy):
CEM0/0/1/0 input
Total targets: 1

Targets (applied as child policy):
Total targets: 0

2) Policymap: core Type: qos
Targets (applied as main policy):
TwentyFiveGigE0/0/0/24
Total targets: 1

Targets (applied as child policy):
Total targets: 0
```

Use the following show command to view the core interface information and to verify the traffic class (TC) mapping in CEM interface.

```
Router# Show policy-map interface TwentyFiveGigE0/0/0/24
Thu Jun 16 21:37:52.915 IST
TwentyFiveGigE0/0/0/24 direction input: Service Policy is not installed
TwentyFiveGigE0/0/0/24 output: core
Class tc2
  Classification Statistics      (packets/bytes)      (rate - kbps)
    Matched      :      39654778/42113374236      6816279
    Transmitted  :      39654778/42113374236      6816279
    Total Dropped :              0/0              0
  Queueing Statistics
    Queue ID      : 1370
    Taildropped(packets/bytes) : 0/0
Class class-default
  Classification Statistics      (packets/bytes)      (rate - kbps)
    Matched      :              0/0              0
    Transmitted  :              0/0              0
    Total Dropped :              0/0              0
  Queueing Statistics
    Queue ID      : 1368
    Taildropped(packets/bytes) : 0/0
Policy Bag Stats time: 1655395669491 [Local Time: 06/16/22 21:37:49:491]
```

Supported Yang Data Models for PLE

The following is the list of new and modified Yang data models supported for PLE. You can access the data models from the [Github](#) repository.

Configuration Files - New:

- Cisco-IOS-XR-controller-fc-cfg.yang
- Cisco-IOS-XR-fibrechannelmib-cfg.yang
- Cisco-IOS-XR-interface-cem-cfg.yang
- Cisco-IOS-XR-cem-class-cfg.yang

Configuration Files - Modified:

- Cisco-IOS-XR-controller-odu-cfg.yang
- Cisco-IOS-XR-controller-otu-cfg.yang
- Cisco-IOS-XR-controller-sonet-cfg.yang
- Cisco-IOS-XR-drivers-icpe-ethernet-cfg.yang

Operational Files - New:

- Cisco-IOS-XR-controller-fc-oper.yang
- Cisco-IOS-XR-interface-cem-oper.yang

Operational Files - Modified:

- Cisco-IOS-XR-controller-odu-oper.yang
- Cisco-IOS-XR-controller-otu-oper.yang

