



Power Cable Specifications

This chapter describes the power cables that are supported by the Cisco NCS 1010 AC and DC PSUs.

- [Supported Cables, on page 1](#)

Supported Cables

Each power supply has a separate power cable. Standard power cables or jumper power cables are available for connection to the appliance. The jumper power cables, for use in racks, are available as an optional alternative to the standard power cables.



Note Only the approved power cables or jumper power cables that are provided with the appliance are supported.

The following power cords are supported.

AC Power Cables

- Argentina

[Figure 1: CAB-250V-10A-AR \(Argentina\)](#) AC power cable, 250 V, 10 A, CAB-250V-10A-AR

- Australia

[Figure 2: CAB-9K10A-AU \(Australia\)](#) AC power cable, 250 V, 10 A, 3112 plug, CAB-9K10A-AU

- Brazil

[Figure 3: CAB-250V-10A-BR \(Brazil\)](#) AC power cable, 250 V, 10 A, CAB-250V-10A-BR

- China

[Figure 4: CAB-250V-10A-CN \(China\)](#) AC power cable, 250 V, 10 A, CAB-250V-10A-CN

- Europe

[Figure 5: CAB-9K10A-EU \(Europe\)](#) AC Power cable, 250 V, 10 A; CEE 7/7 Plug, CAB-9K10A-EU

- Europe and North America

[Figure 18: NCS1010-DC-CBL-ET= \(Europe\)](#) AC power cable, 10 A; C13 to C14, recessed receptacle, CAB-C13-C14-AC

- Israel

Figure 6: CAB-250V-10A-IS (Israel) AC Power cable, 250 V, 10 A, CAB-250V-10A-IS

- Italy

Figure 7: CAB-9K10A-IT (Italy) AC power cable, 250 V, 10 A, CEI 23-16/VII plug, CAB-9K10A-IT

- India

Figure 8: CAB-250V-10A-ID (India) AC power cable, 250 V, 10 A, CAB-250V-10A-ID

- Japan PSE Mark

Figure 9: CAB-C13-C14-2M-JP (Japan) AC Power cable, C13 to C14, CAB-C13-C14-2M-JP

- North America

Figure: CAB-C13-C14-AC AC power cable, 125 V, 13 A, NEMA 5–15 plug, CAB-9K12A-NA

- North America

Figure 14: CAB-AC-L620-C13 (North America) AC power cable, NEMA L6-20 to C13 connectors – If rated for greater than 12.5 A, it is compliant with North America, CAB-AC-L620-C13

- Switzerland

Figure 11: CAB-9K10A-SW (Switzerland) AC power cable, 250 V, 10 A, MP232 plug, CAB-9K10A-SW

- Taiwan

Figure 12: CAB-ACTW (Taiwan) AC power cable, 250 V, 10 A, CAB-ACTW

- United Kingdom

Figure 13: CAB-9K10A-UK (United Kingdom) AC power cable, 250 V, 10 A (13-A fuse), BS1363 plug, CAB-9K10A-UK

- Europe, North America, United Kingdom, Australia, New Zealand, Morocco, and Korea

Figure 16: CAB-C13-CBN AC cabinet jumper power cable, 250, 10 A, C13 to C14, Compliant with Europe and North America at 200-240V, CAB-C13-CBN

- Europe, North America, United Kingdom, Australia, New Zealand, Morocco, Korea, China, and Russia

Figure 17: CAB-C13-C14-2M AC cabinet jumper power cable, 250, 10 A, C13 to C14, Compliant with Europe and North America at 200-240V, CAB-C13-C14-2M

DC Power Cables

- Europe

Figure 18: NCS1010-DC-CBL-ET= (Europe) CABASY, WIRES, DC POWER, 10AWG, 930W / NCS 1010 DC Cable - ETSI compliant, NCS1010-DC-CBL-ET=

- Worldwide

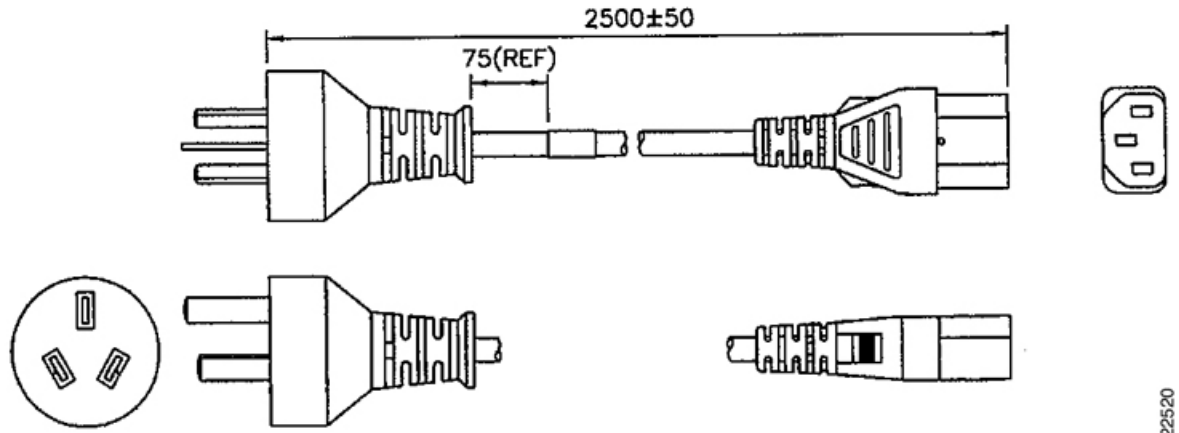
Figure 19: CAB-48DC-40A-8AWG (Worldwide) DC power cable, –48 VDC, 40 A, 8 AWG, Three-socket Mini-Fit connector to three-wire, CAB-48DC-40A-8AWG, and CAB-48DC-40A-10AWG



Note We recommend using NCS1010-DC-CBL-ET= with the ETSI 300-mm cabinet to remain compliant with the 300-mm footprint.

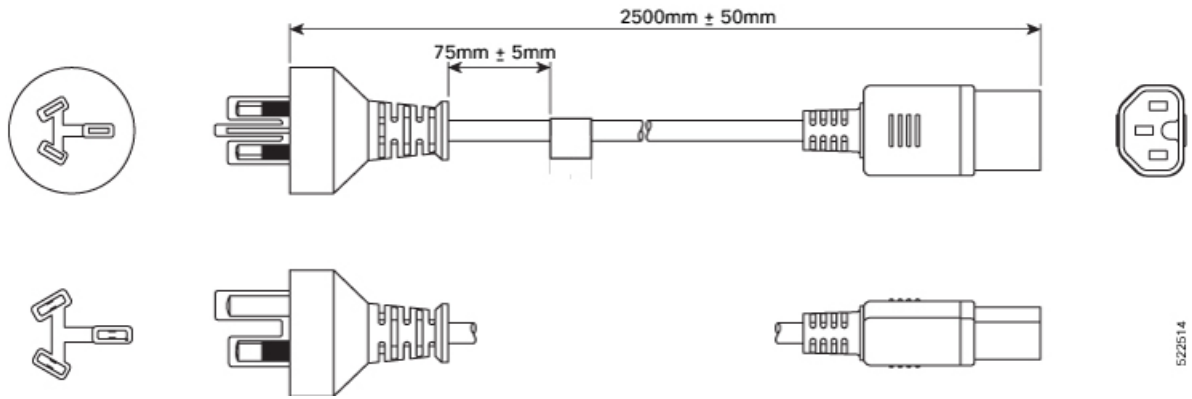
The following figures depict the power cables:

Figure 1: CAB-250V-10A-AR (Argentina)



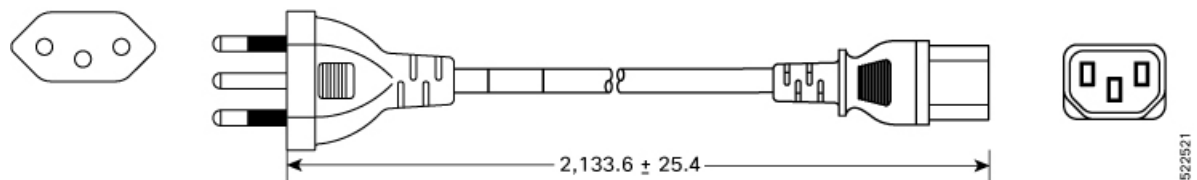
522520

Figure 2: CAB-9K10A-AU (Australia)



522514

Figure 3: CAB-250V-10A-BR (Brazil)



522521

Figure 4: CAB-250V-10A-CN (China)

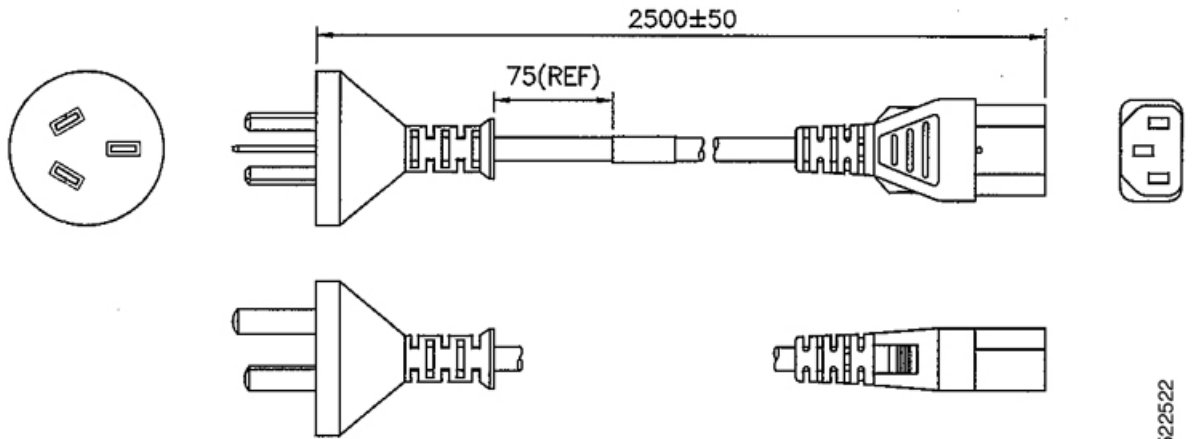


Figure 5: CAB-9K10A-EU (Europe)

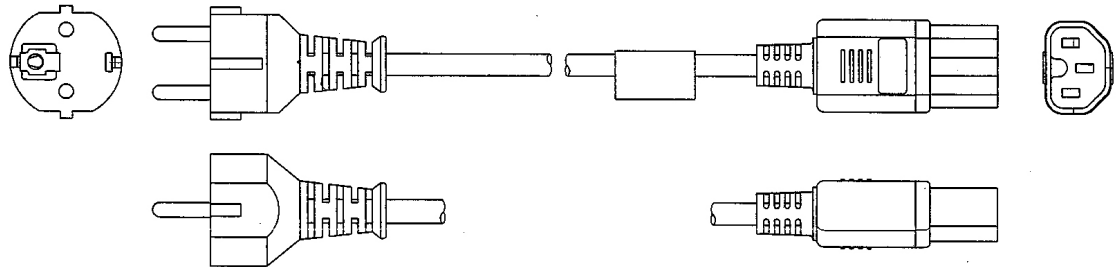


Figure 6: CAB-250V-10A-IS (Israel)

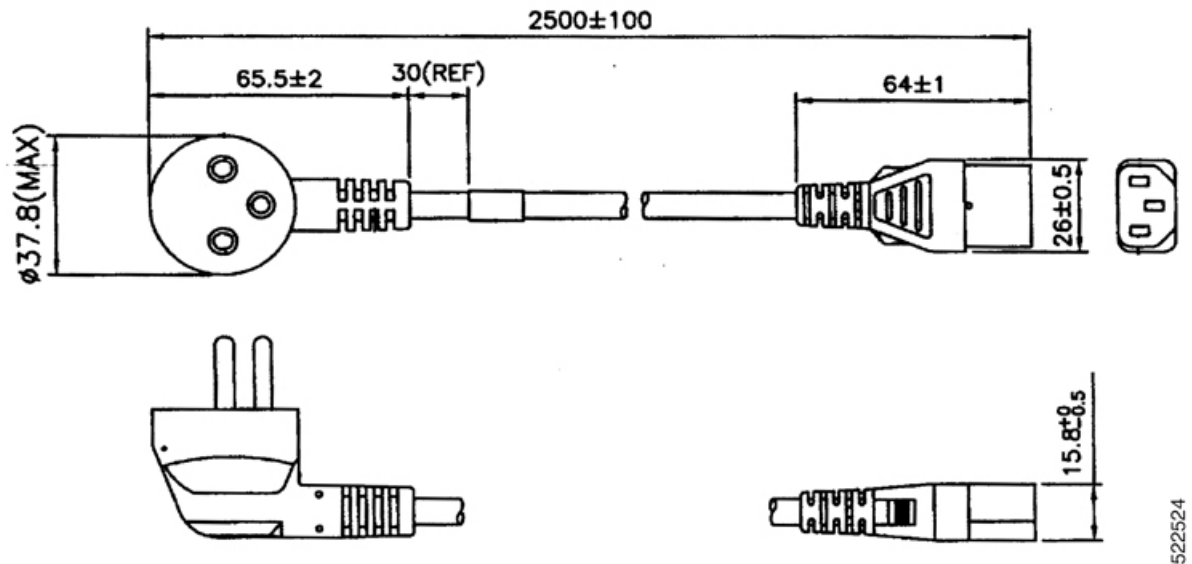
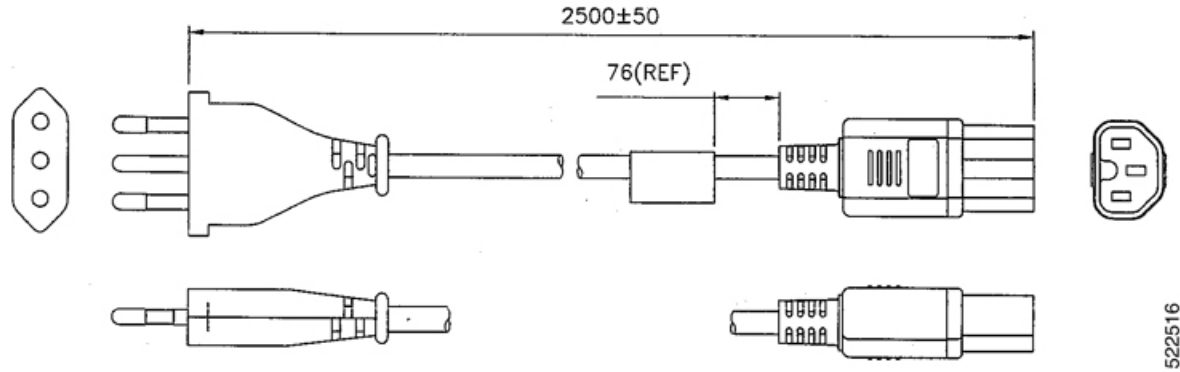
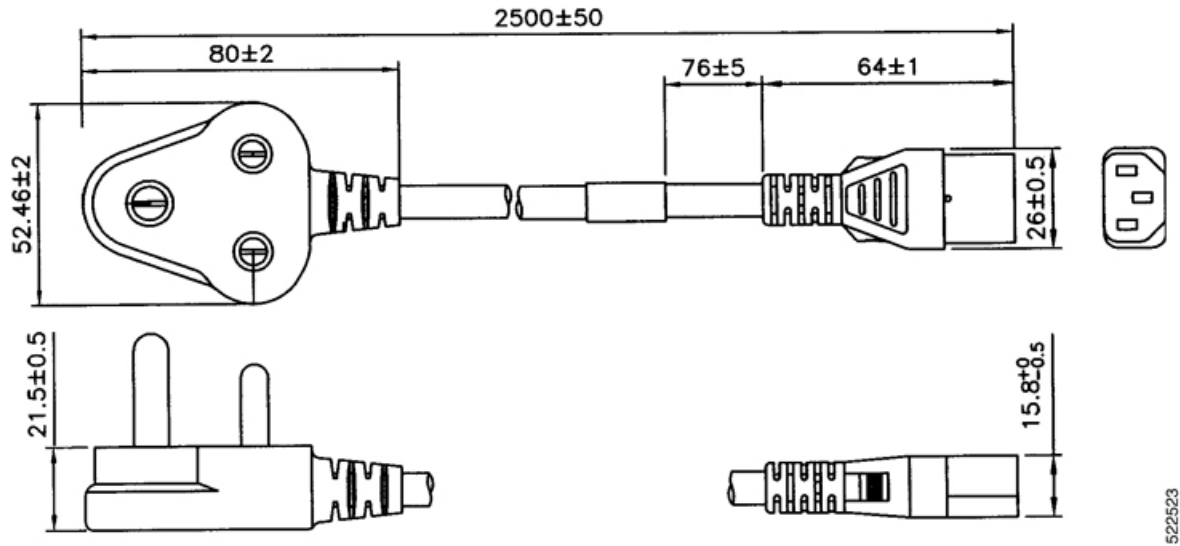


Figure 7: CAB-9K10A-IT (Italy)



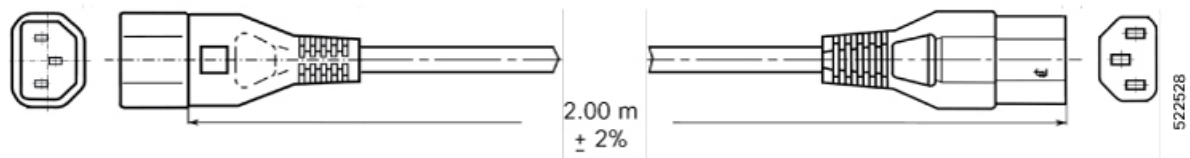
522516

Figure 8: CAB-250V-10A-ID (India)



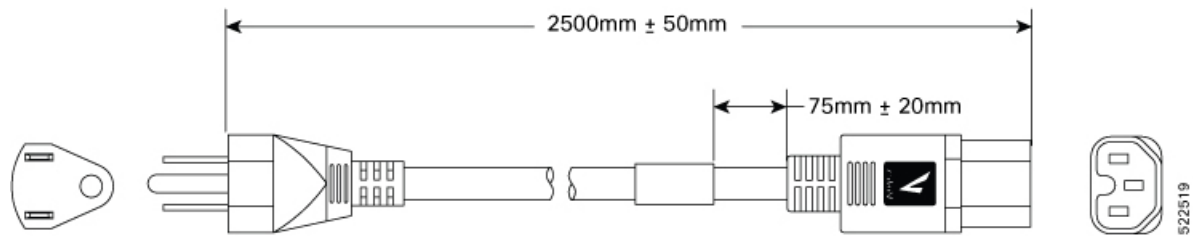
522523

Figure 9: CAB-C13-C14-2M-JP (Japan)



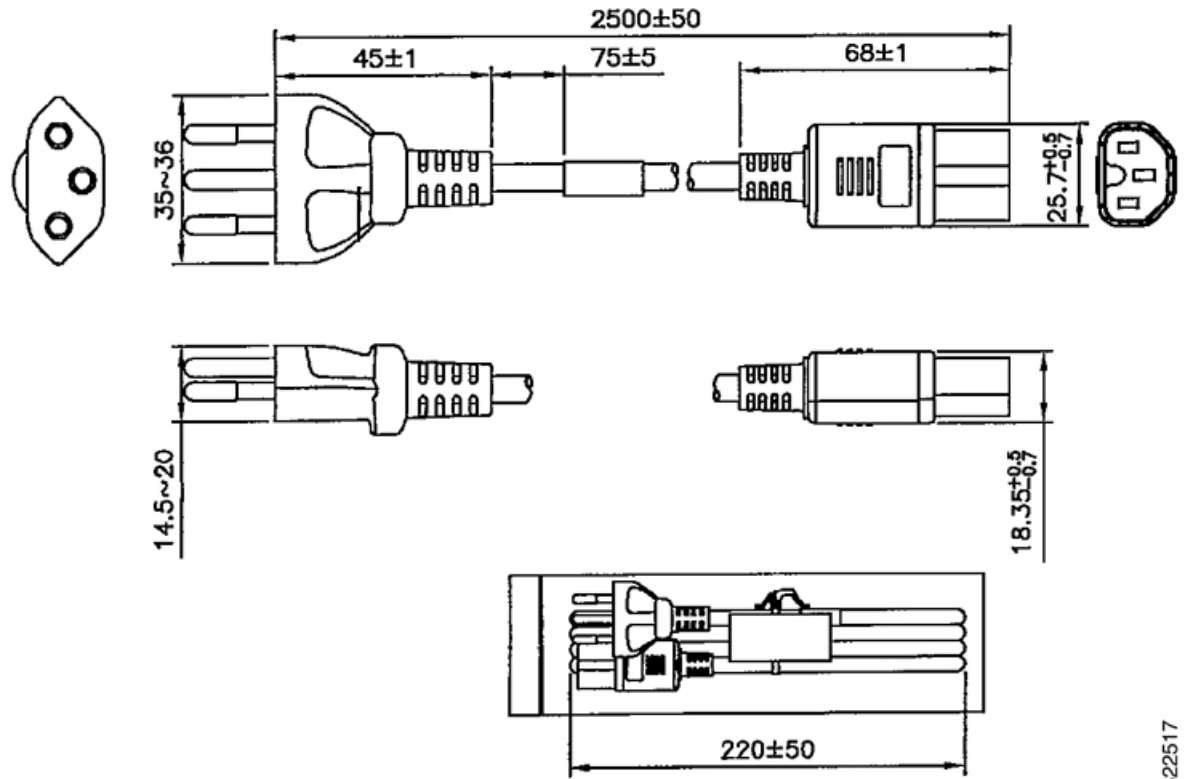
522528

Figure 10: CAB-9K12A-NA (North America)



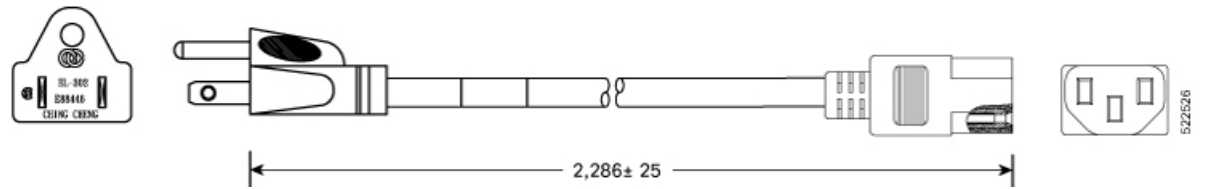
522519

Figure 11: CAB-9K10A-SW (Switzerland)



522517

Figure 12: CAB-ACTW (Taiwan)



522526

Figure 13: CAB-9K10A-UK (United Kingdom)

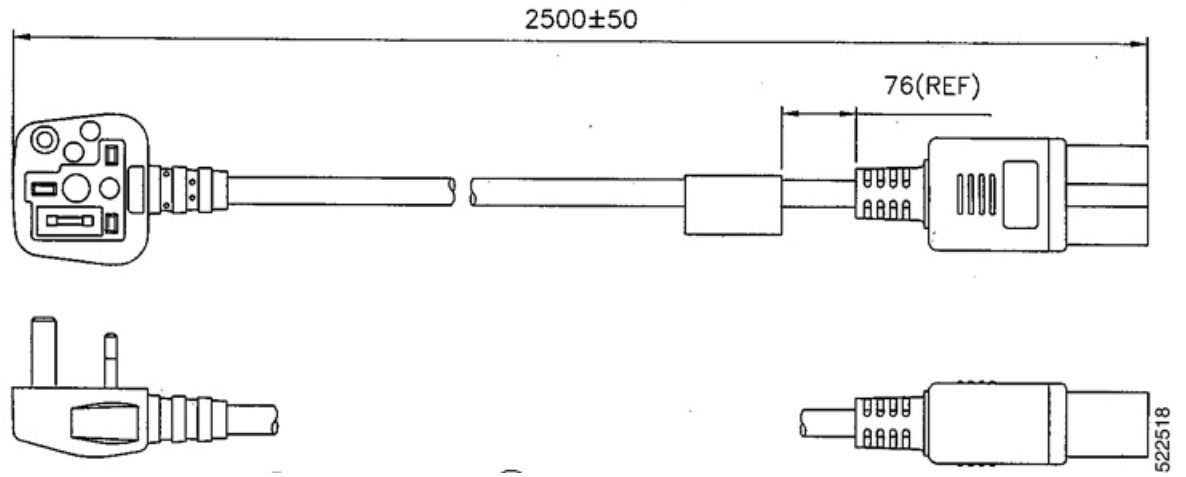


Figure 14: CAB-AC-L620-C13 (North America)

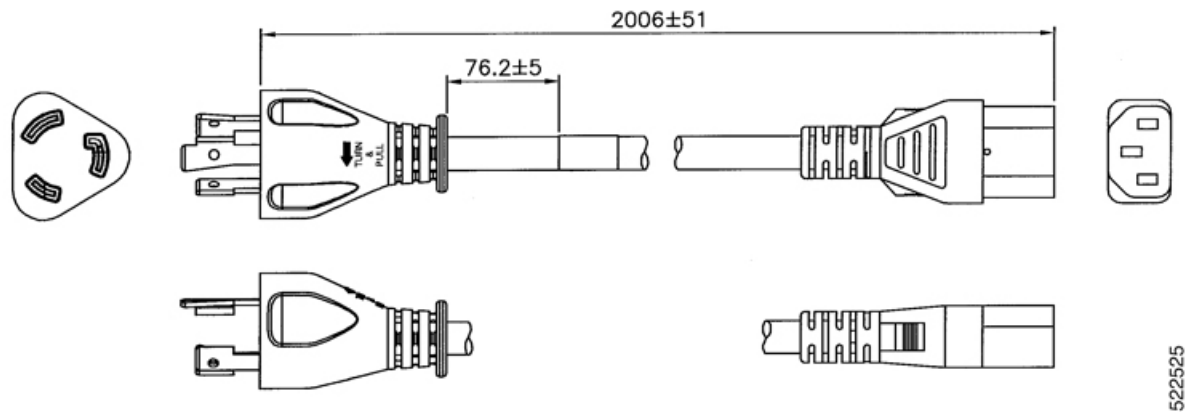


Figure 15: CAB-C13-C14-AC (Europe and North America)

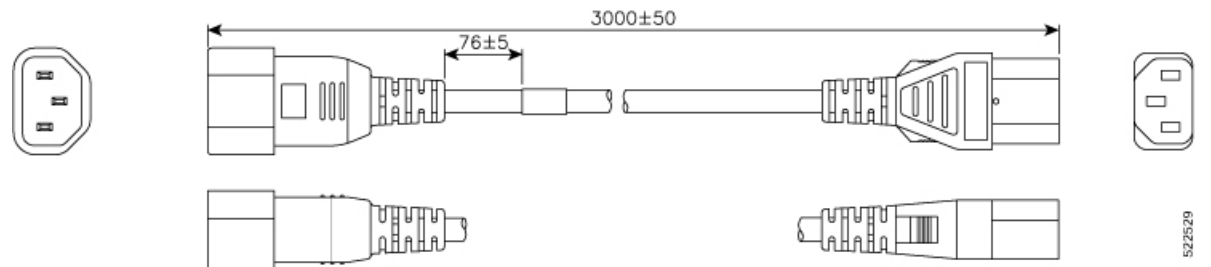


Figure 16: CAB-C13-CBN

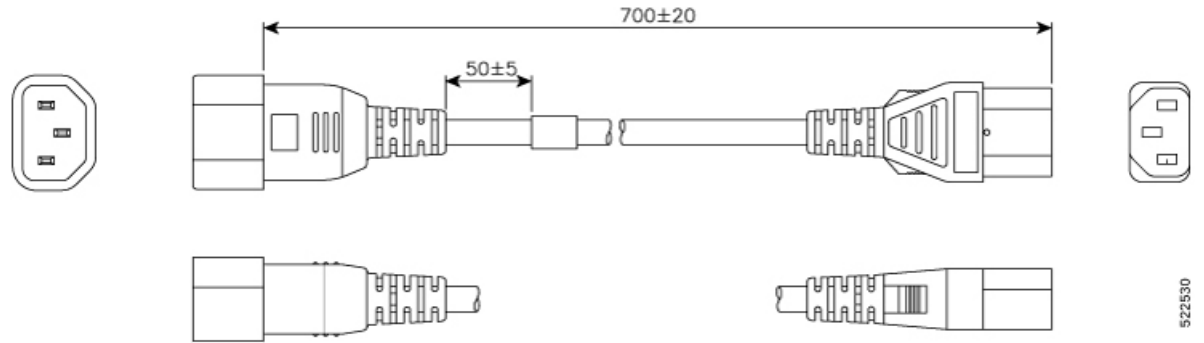


Figure 17: CAB-C13-C14-2M

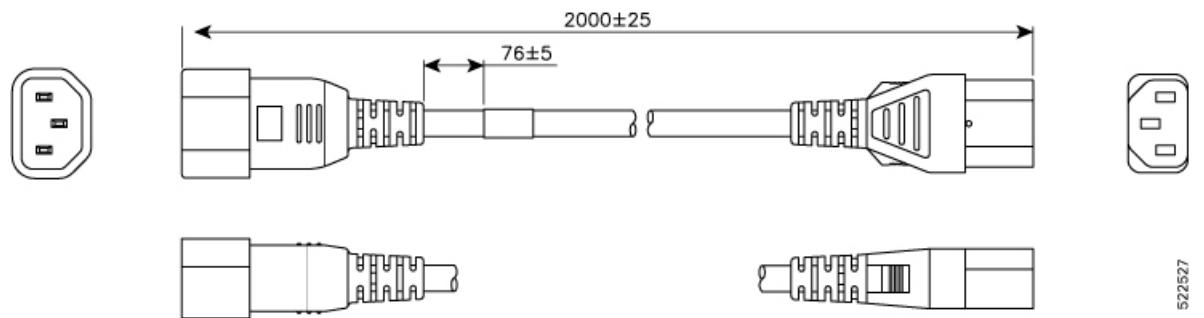


Figure 18: NCS1010-DC-CBL-ET= (Europe)

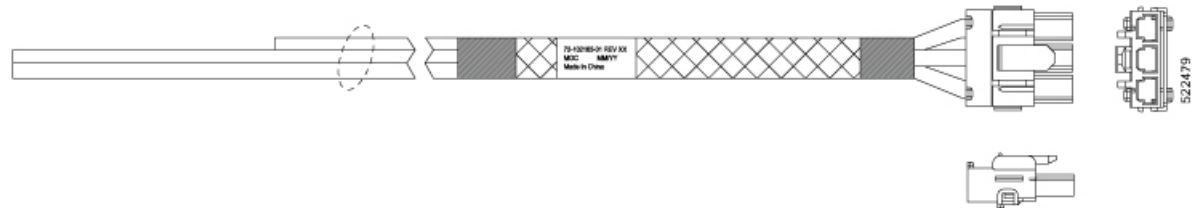


Figure 19: CAB-48DC-40A-8AWG (Worldwide)

