



System Security Configuration Guide for Cisco ASR 9000 Series Routers, IOS XR Release 7.0.x

First Published: 2019-08-01

Last Modified: 2023-05-02

Americas Headquarters

Cisco Systems, Inc.
170 West Tasman Drive
San Jose, CA 95134-1706
USA
<http://www.cisco.com>
Tel: 408 526-4000
800 553-NETS (6387)
Fax: 408 527-0883

THE SPECIFICATIONS AND INFORMATION REGARDING THE PRODUCTS IN THIS MANUAL ARE SUBJECT TO CHANGE WITHOUT NOTICE. ALL STATEMENTS, INFORMATION, AND RECOMMENDATIONS IN THIS MANUAL ARE BELIEVED TO BE ACCURATE BUT ARE PRESENTED WITHOUT WARRANTY OF ANY KIND, EXPRESS OR IMPLIED. USERS MUST TAKE FULL RESPONSIBILITY FOR THEIR APPLICATION OF ANY PRODUCTS.

THE SOFTWARE LICENSE AND LIMITED WARRANTY FOR THE ACCOMPANYING PRODUCT ARE SET FORTH IN THE INFORMATION PACKET THAT SHIPPED WITH THE PRODUCT AND ARE INCORPORATED HEREIN BY THIS REFERENCE. IF YOU ARE UNABLE TO LOCATE THE SOFTWARE LICENSE OR LIMITED WARRANTY, CONTACT YOUR CISCO REPRESENTATIVE FOR A COPY.

The Cisco implementation of TCP header compression is an adaptation of a program developed by the University of California, Berkeley (UCB) as part of UCB's public domain version of the UNIX operating system. All rights reserved. Copyright © 1981, Regents of the University of California.

NOTWITHSTANDING ANY OTHER WARRANTY HEREIN, ALL DOCUMENT FILES AND SOFTWARE OF THESE SUPPLIERS ARE PROVIDED "AS IS" WITH ALL FAULTS. CISCO AND THE ABOVE-NAMED SUPPLIERS DISCLAIM ALL WARRANTIES, EXPRESSED OR IMPLIED, INCLUDING, WITHOUT LIMITATION, THOSE OF MERCHANTABILITY, FITNESS FOR A PARTICULAR PURPOSE AND NON-INFRINGEMENT OR ARISING FROM A COURSE OF DEALING, USAGE, OR TRADE PRACTICE.

IN NO EVENT SHALL CISCO OR ITS SUPPLIERS BE LIABLE FOR ANY INDIRECT, SPECIAL, CONSEQUENTIAL, OR INCIDENTAL DAMAGES, INCLUDING, WITHOUT LIMITATION, LOST PROFITS OR LOSS OR DAMAGE TO DATA ARISING OUT OF THE USE OR INABILITY TO USE THIS MANUAL, EVEN IF CISCO OR ITS SUPPLIERS HAVE BEEN ADVISED OF THE POSSIBILITY OF SUCH DAMAGES.

Any Internet Protocol (IP) addresses and phone numbers used in this document are not intended to be actual addresses and phone numbers. Any examples, command display output, network topology diagrams, and other figures included in the document are shown for illustrative purposes only. Any use of actual IP addresses or phone numbers in illustrative content is unintentional and coincidental.

All printed copies and duplicate soft copies of this document are considered uncontrolled. See the current online version for the latest version.

Cisco has more than 200 offices worldwide. Addresses and phone numbers are listed on the Cisco website at www.cisco.com/go/offices.

The documentation set for this product strives to use bias-free language. For purposes of this documentation set, bias-free is defined as language that does not imply discrimination based on age, disability, gender, racial identity, ethnic identity, sexual orientation, socioeconomic status, and intersectionality. Exceptions may be present in the documentation due to language that is hardcoded in the user interfaces of the product software, language used based on standards documentation, or language that is used by a referenced third-party product.

Cisco and the Cisco logo are trademarks or registered trademarks of Cisco and/or its affiliates in the U.S. and other countries. To view a list of Cisco trademarks, go to this URL: <https://www.cisco.com/c/en/us/about/legal/trademarks.html>. Third-party trademarks mentioned are the property of their respective owners. The use of the word partner does not imply a partnership relationship between Cisco and any other company. (1721R)

© 2019 Cisco Systems, Inc. All rights reserved.



CONTENTS

PREFACE

Preface xiii

Changes to This Document xiii

Communications, Services, and Additional Information xiii

CHAPTER 1

New and Changed Feature Information 1

System Security Features Added or Modified in IOS XR Release 7.0.x 1

CHAPTER 2

Configuring AAA Services 3

Information About Configuring AAA Services 4

User, User Groups, and Task Groups 4

User Categories 4

User Groups 5

Task Groups 6

Cisco IOS XR Software Administrative Model 7

Administrative Access 7

AAA Database 8

Remote AAA Configuration 8

AAA Configuration 9

Authentication 10

Password Types 12

Type 8 and Type 9 Passwords 13

Type 10 Password 13

AAA Password Security for FIPS Compliance 13

AAA Password Security Policies 14

Minimum Password Length for First User Creation 16

Task-Based Authorization 17

- Task IDs 17
 - General Usage Guidelines for Task IDs 17
- Task IDs for TACACS+ and RADIUS Authenticated Users 18
 - Task Maps 18
 - Privilege Level Mapping 20
- XML Schema for AAA Services 21
- About RADIUS 21
 - Network Security Situations in Which RADIUS is Unsuitable 22
 - RADIUS Operation 23
- Differentiated Services Code Point (DSCP) Marking support for TACACS packets 23
- How to Configure AAA Services 24
 - Prerequisites for Configuring AAA Services 24
 - Restrictions for Configuring AAA Services 24
 - Configuring Task Groups 24
 - Task Group Configuration 24
 - Configuring User Groups 26
 - Configure First User on Cisco Routers 27
 - Configuring Users 29
 - Configure Type 8 and Type 9 Passwords 31
 - Configure Type 10 Password 31
 - Backward Compatibility for Password Types 33
 - Configure AAA Password Policy 33
 - Configuring Router to RADIUS Server Communication 35
 - Configuring RADIUS Dead-Server Detection 38
 - Configuring Per VRF AAA 40
 - New Vendor-Specific Attributes (VSAs) 40
 - Configuring a TACACS+ Server 42
 - Configuring RADIUS Server Groups 45
 - Configuring TACACS+ Server Groups 47
 - Configure Per VRF TACACS+ Server Groups 49
 - Configuring AAA Method Lists 51
 - Configuring Authentication Method Lists 51
 - Configuring Authorization Method Lists 53
 - Configuring Accounting Method Lists 57

Generating Interim Accounting Records	59
Applying Method Lists for Applications	61
Enabling AAA Authorization	61
Enabling Accounting Services	62
Configuring Login Parameters	64
Configuration Examples for Configuring AAA Services	64
Configuring AAA Services: Example	65
Command Accounting	66
Model-based AAA	67
Prerequisites for Model Based AAA	67
Initial Operation	67
NACM Configuration Management and Persistence	68
Overview of Configuring NACM	68
NACM Rules	69
Enabling NACM	72
Verify the NACM Configurations	72
Disabling NACM	73
Additional References	74
<hr/>	
CHAPTER 3	Implementing Certification Authority Interoperability
	75
Prerequisites for Implementing Certification Authority	76
Restrictions for Implementing Certification Authority	76
Information About Implementing Certification Authority	76
Supported Standards for Certification Authority Interoperability	76
Certification Authorities	77
Purpose of CAs	77
IPSec Without CAs	78
IPSec with CAs	78
IPSec with Multiple Trustpoint CAs	78
How IPSec Devices Use CA Certificates	78
CA Registration Authorities	79
How to Implement CA Interoperability	79
Configuring a Router Hostname and IP Domain Name	79
Generating an RSA Key Pair	80

Importing a Public Key to the Router	81
Declaring a Certification Authority and Configuring a Trusted Point	82
Authenticating the CA	83
Requesting Your Own Certificates	84
Configuring Certificate Enrollment Using Cut-and-Paste	85
Configuration Examples for Implementing Certification Authority Interoperability	86
Configuring Certification Authority Interoperability: Example	86
Integrating Cisco IOS XR and Crosswork Trust Insights	88
How to Integrate Cisco IOS XR and Crosswork Trust Insights	89
Generate Key Pair	91
Generate System Trust Point for the Leaf and Root Certificate	93
Generate Root and Leaf Certificates	94
Collect Data Dossier	96
Procedure to Test Key Generation and Data-signing with Different Key Algorithm	99
Where to Go Next	99
Additional References	99

CHAPTER 4
Implementing Keychain Management 101

Prerequisites for Configuring Keychain Management	101
Restrictions for Implementing Keychain Management	101
Information About Implementing Keychain Management	101
Lifetime of Key	102
How to Implement Keychain Management	102
Configuring a Keychain	103
Configuring a Tolerance Specification to Accept Keys	104
Configuring a Key Identifier for the Keychain	105
Configuring the Text for the Key String	106
Determining the Valid Keys	107
Configuring the Keys to Generate Authentication Digest for the Outbound Application Traffic	108
Configuring the Cryptographic Algorithm	109
Configuration Examples for Implementing Keychain Management	111
Configuring Keychain Management: Example	111
Additional References	112

CHAPTER 5	Configure MACSec	113
	Understanding MACsec Encryption	114
	Advantages of Using MACsec Encryption	115
	Types of MACsec Implementation	115
	MKA Authentication Process	116
	Hardware Support for MACSec	117
	MACSec Limitations for Cisco ASR 9901 Routers	119
	MACsec PSK	120
	Fallback PSK	120
	Configuring and Verifying MACSec Encryption	120
	Creating a MACsec Key Chain	123
	Prerequisites for Configuring MACSec on Bundle Member Interfaces	126
	Creating a User-Defined MACsec Policy	127
	MACsec SAK Rekey Interval	129
	Applying MACsec Configuration on an Interface	130
	MACsec Policy Exceptions	130
	How to Create MACsec Policy Exception	131
	Verifying MACsec Encryption on IOS XR	131
	Verifying MACsec Encryption on ASR 9000	137
	Configuring and Verifying MACsec Encryption as a Service	141
	Configuring MACsec as a Service	143
	Configuring MACsec Service for L2VPN Network	143
	Configuring MACsec Service for L3VPN Network	145
	Applying MACsec Service Configuration on an Interface	147
	Verifying MACsec Encryption on IOS XR	148
	Verifying MACsec Encryption on ASR 9000	154
	Global MACsec Shutdown	158
	Configure MACsec Shutdown	158
	Verify MACsec Shutdown	158
	Syslog Messages for MACsec Shutdown	159
CHAPTER 6	Implementing Type 6 Password Encryption	161
	How to Implement Type 6 Password Encryption	161

Enabling Type6 Feature and Creating a Primary Key (Type 6 Server)	161
Implementing Key Chain for BGP Sessions (Type 6 Client)	164
Creating a BGP Session (Type 6 Password Encryption Use Case)	165

CHAPTER 7**Implementing Lawful Intercept 167**

Prerequisites for Implementing Lawful Intercept	168
Restrictions for Implementing Lawful Intercept	169
Information About Lawful Intercept Implementation	170
Interception Mode	171
Overlapping Taps	171
Provisioning for VoIP Calls	171
Call Interception	171
Provisioning for Data Sessions	172
Data Interception	172
Lawful Intercept Topology	172
Layer 2 Lawful Intercept	173
Scale or Performance Improvement	173
Intercepting IPv4 and IPv6 Packets	174
Lawful Intercept Filters	174
Intercepting Packets Based on Flow ID (Applies to IPv6 only)	174
Intercepting VRF (6VPE) and 6PE Packets	175
Encapsulation Type Supported for Intercepted Packets	175
Per Tap Drop Counter Support	176
High Availability for Lawful Intercept	176
Preserving TAP and MD Tables during RP Fail Over	176
Replay Timer	177
Installing Lawful Intercept (LI) Package	177
Installing and Activating the LI Package	177
Deactivating the LI PIE	178
Upgrade and Downgrade Scenarios for the Lawful Intercept package	179
How to Configure SNMPv3 Access for Lawful Intercept	181
Disabling SNMP-based Lawful Intercept	182
Configuring the Inband Management Plane Protection Feature	182
Enabling the Mediation Device to Intercept VoIP and Data Sessions	183

Adding MD and TAP Objects	185
Configuration Example for Inband Management Plane Feature Enablement	186
Configuring the Inband Management Plane Protection Feature: Example	186
Additional References	187

CHAPTER 8**Implementing Management Plane Protection 189**

Prerequisites for Implementing Management Plane Protection	189
Restrictions for Implementing Management Plane Protection	189
Information About Implementing Management Plane Protection	190
Inband Management Interface	190
Out-of-Band Management Interface	190
Peer-Filtering on Interfaces	191
Control Plane Protection Overview	191
Management Plane	191
Management Plane Protection Feature	191
Benefits of the Management Plane Protection Feature	192
How to Configure a Device for Management Plane Protection	192
Configuring a Device for Management Plane Protection for an Inband Interface	192
Configuring a Device for Management Plane Protection for an Out-of-band Interface	195
Configuration Examples for Implementing Management Plane Protection	197
Configuring Management Plane Protection: Example	197
Additional References	199

CHAPTER 9**Traffic Protection for Third-Party Applications 201**

gRPC Protocol	201
Limitations for Traffic Protection for Third-Party Applications	202
Prerequisites for Traffic Protection for Third-Party Applications Over GRPC	202
Configuring Traffic Protection for Third-Party Applications	202
Troubleshooting Traffic Protection for Third-Party Applications	203

CHAPTER 10**Configuring Software Authentication Manager 205**

Prerequisites for Configuring Software Authentication Manager	205
Information about Software Authentication Manager	205
How to set up a Prompt Interval for the Software Authentication Manager	206

CHAPTER 11	Implementing Secure Shell	209
	Prerequisites for Implementing Secure Shell	210
	SSH and SFTP in Baseline Cisco IOS XR Software Image	211
	Restrictions for Implementing Secure Shell	211
	Information About Implementing Secure Shell	212
	SSH Server	212
	SSH Client	212
	SFTP Feature Overview	214
	RSA Based Host Authentication	215
	RSA Based User Authentication	215
	SSHv2 Client Keyboard-Interactive Authentication	216
	How to Implement Secure Shell	216
	Configuring SSH	216
	Automatic Generation of SSH Host-Key Pairs	220
	Configure the Allowed SSH Host-Key Pair Algorithms	221
	Configuring the SSH Client	222
	Configuring CBC Mode Ciphers	224
	Configuration Examples for Implementing Secure Shell	226
	Configuring Secure Shell: Example	226
	Multi-channeling in SSH	226
	Restrictions for Multi-channeling Over SSH	227
	Client and Server Interaction Over Multichannel Connection	227
	Configure Client for Multiplexing	227
	SSH Configuration Option to Restrict Cipher Public Key and HMAC Algorithm	228
	Disable HMAC Algorithm	229
	Enable Cipher Public Key	230
	Additional References	231
<hr/>		
CHAPTER 12	Layer 2 Security Features	235
	Security Features for Layer 2 VPLS Bridge Domains	235
<hr/>		
CHAPTER 13	Implementing Traffic Storm Control under a VPLS Bridge	237
	Prerequisites for Implementing Traffic Storm Control	237

Restrictions for Implementing Traffic Storm Control	238
Information About Implementing Traffic Storm Control	238
Understanding Traffic Storm Control	238
Traffic Storm Control Defaults	239
Supported Traffic Types for Traffic Storm Control	239
Supported Ports for Traffic Storm Control	239
Traffic Storm Control Thresholds	240
Traffic Storm Control Drop Counters	240
How to Configure Traffic Storm Control	240
Enabling Traffic Storm Control on an AC under a Bridge	240
Enabling Traffic Storm Control on a PW under a Bridge	242
Enabling Traffic Storm Control on a Bridge Domain	243
Clearing Traffic Storm Control Drop Counters	245
Configuration Examples for Traffic Storm Control	245
Configuring Traffic Storm Control on an AC: Example	245
Configuring Traffic Storm Control on an Access PW: Example	246
Configuring Traffic Storm Control on the Bridge Domain: Example	248
Additional References	249

CHAPTER 14**Configuring FIPS Mode 251**

Prerequisites for Configuring FIPS	252
How to Configure FIPS	252
Enabling FIPS mode	252
Configuring FIPS-compliant Keys	253
Configuring FIPS-compliant Key Chain	254
Configuring FIPS-compliant Certificates	255
Configuring FIPS-compliant OSPFv3	256
Configuring FIPS-compliant SNMPv3 Server	258
Configuring FIPS-compliant SSH Client and Server	259
Configuration Examples for Configuring FIPS	260
Configuring FIPS: Example	260

CHAPTER 15**Implementing Cisco ASR 9000 vDDoS Mitigation 261**

Cisco ASR 9000 vDDoS Mitigation Overview	261
--	-----

Information about Implementing Cisco ASR 9000 vDDoS Mitigation	262
Prerequisites for Implementing Cisco ASR 9000 vDDoS Mitigation	262
Restrictions for Implementing Cisco ASR 9000 vDDoS Mitigation	262
Configuring Cisco ASR 9000 vDDoS Mitigation	262
Installing Cisco ASR 9000 vDDoS Software	262
Configuring Interfaces for TMS Mitigation	263
Uninstalling the TMS Virtual Service	265

CHAPTER 16**Implementing Secure Logging 267**

System Logging over Transport Layer Security (TLS)	267
Restrictions for Syslogs over TLS	269
Configuring Syslogs over TLS	269



Preface



Note This product has reached end-of-life status. For more information, see the [End-of-Life and End-of-Sale Notices](#).

This guide describes the configuration and examples for system security. For system security command descriptions, usage guidelines, task IDs, and examples, refer to the *System Security Command Reference for Cisco ASR 9000 Series Routers*.

From Release 6.1.2 onwards, Cisco introduces support for the 64-bit Linux-based IOS XR operating system. Extensive feature parity is maintained between the 32-bit and 64-bit environments. Unless explicitly marked otherwise, the contents of this document are applicable for both the environments. For more details on Cisco IOS XR 64 bit, refer to the [Release Notes](#) for Cisco ASR 9000 Series Routers, Release 6.1.2 document.

The preface contains the following sections:

- [Changes to This Document, on page xiii](#)
- [Communications, Services, and Additional Information, on page xiii](#)

Changes to This Document

This table lists the technical changes made to this document since it was first released.

Table 1: Changes to This Document

Date	Summary
August 2019	Initial release of this document.

Communications, Services, and Additional Information

- To receive timely, relevant information from Cisco, sign up at [Cisco Profile Manager](#).
- To get the business impact you're looking for with the technologies that matter, visit [Cisco Services](#).
- To submit a service request, visit [Cisco Support](#).

- To discover and browse secure, validated enterprise-class apps, products, solutions and services, visit [Cisco Marketplace](#).
- To obtain general networking, training, and certification titles, visit [Cisco Press](#).
- To find warranty information for a specific product or product family, access [Cisco Warranty Finder](#).

Cisco Bug Search Tool

[Cisco Bug Search Tool](#) (BST) is a web-based tool that acts as a gateway to the Cisco bug tracking system that maintains a comprehensive list of defects and vulnerabilities in Cisco products and software. BST provides you with detailed defect information about your products and software.



CHAPTER 1

New and Changed Feature Information

This chapter lists all the features that have been added or modified in this guide. The table also contains references to these feature documentation sections.

- [System Security Features Added or Modified in IOS XR Release 7.0.x](#), on page 1

System Security Features Added or Modified in IOS XR Release 7.0.x

Feature	Description	Changed in Release	Where Documented
SSH Configuration Option to Restrict Cipher Public Key and HMAC Algorithm	This feature was introduced.	Release 7.0.1	SSH Configuration Option to Restrict Cipher Public Key and HMAC Algorithm , on page 228
Automatic Generation of SSH Host-Key Pairs	This feature was introduced.	Release 7.0.1	Automatic Generation of SSH Host-Key Pairs , on page 220
SSH and SFTP in Baseline Cisco IOS XR Software Image	This feature was introduced.	Release 7.0.1	SSH and SFTP in Baseline Cisco IOS XR Software Image , on page 211
Overlapping Taps	This feature was enhanced to include support for new line cards.	Release 7.0.1	Overlapping Taps , on page 171
Type 10 password support	This feature was introduced	Release 7.0.1	Type 10 Password , on page 13
Configuring CBC Mode Ciphers	This feature was introduced to enable CBC mode ciphers 3DES-CBC and AES-CBC for SSHv2 server and client connections.	Release 7.0.1	Configuring CBC Mode Ciphers

Feature	Description	Changed in Release	Where Documented
Type 6 Password Encryption	This feature was introduced for authenticating BGP, IP SLA, IS-IS, OSPF, and RSVP sessions with Type 6 password encryption, in addition to MACsec sessions.	Release 7.0.1	Type 6 Password Encryption
Integrating Cisco IOS XR and Crosswork Trust Insights	This feature was introduced.	Release 7.0.1	Integrating Cisco IOS XR and Crosswork Trust Insights, on page 88



CHAPTER 2

Configuring AAA Services

This module describes the implementation of the administrative model of *task-based authorization* used to control user access in the Cisco IOS XR software system. The major tasks required to implement task-based authorization involve configuring user groups and task groups.

User groups and task groups are configured through the Cisco IOS XR software command set used for authentication, authorization and accounting (AAA) services. Authentication commands are used to verify the identity of a user or principal. Authorization commands are used to verify that an authenticated user (or principal) is granted permission to perform a specific task. Accounting commands are used for logging of sessions and to create an audit trail by recording certain user- or system-generated actions.

AAA is part of the Cisco IOS XR software base package and is available by default.



Note For a complete description of the AAA commands listed in this module, see the *Authentication, Authorization, and Accounting Commands* module in *System Security Command Reference for Cisco ASR 9000 Series Routers*.

Feature History for Configuring AAA Services

Release	Modification
Release 3.7.2	This feature was introduced.
Release 4.1.0	Added the support for VRF aware TACACS+.
Release 6.3.1	Added the support for Type 8 and Type 9 passwords.
Release 6.3.2	Added the support for Command Accounting.
Release 7.0.1	Added the support for Type 10 password for 64-bit IOS XR.

- [Information About Configuring AAA Services, on page 4](#)
- [How to Configure AAA Services, on page 24](#)
- [Command Accounting, on page 66](#)
- [Model-based AAA, on page 67](#)
- [Overview of Configuring NACM, on page 68](#)
- [Disabling NACM, on page 73](#)

- [Additional References, on page 74](#)

Information About Configuring AAA Services

This section lists all the conceptual information that a Cisco IOS XR software user must understand before configuring user groups and task groups through AAA or configuring Remote Authentication Dial-in User Service (RADIUS) or TACACS+ servers. Conceptual information also describes what AAA is and why it is important.

User, User Groups, and Task Groups

Cisco IOS XR software user attributes form the basis of the Cisco IOS XR software administrative model. Each router user is associated with the following attributes:

- User ID (ASCII string) that identifies the user uniquely across an administrative domain
- Length limitation of 253 characters for passwords and one-way encrypted secrets
- List of user groups (at least one) of which the user is a member (thereby enabling attributes such as task IDs). (See the [Task IDs, on page 17](#) section)

User Categories

Router users are classified into the following categories:

- Root system user (complete administrative authority)
- Root Secure Domain Router (SDR) user (specific SDR administrative authority)
- SDR user (specific SDR user access)

Root System Users

The root system user is the entity authorized to “own” the entire router chassis. The root system user functions with the highest privileges over all router components and can monitor all secure domain routers in the system. At least one root system user account must be created during router setup. Multiple root system users can exist.

The root system user can perform any configuration or monitoring task, including the following:

- Configure secure domain routers.
- Create, delete, and modify root SDR users (after logging in to the secure domain router as the root system user). (See the [Root SDR Users, on page 5](#) section.)
- Create, delete, and modify secure domain router users and set user task permissions (after logging in to the secure domain router as the root system user). (See the [Secure Domain Router \(SDR\) Users, on page 5](#) section.)
- Access fabric racks or any router resource not allocated to a secure domain router, allowing the root system user to authenticate to any router node regardless of the secure domain router configurations.

Root SDR Users

A root SDR user controls the configuration and monitoring of a particular SDR. The root SDR user can create users and configure their privileges within the SDR. Multiple root SDR users can work independently. A single SDR may have more than one root SDR user.

A root SDR user can perform the following administrative tasks for a particular SDR:

- Create, delete, and modify secure domain router users and their privileges for the SDR. (See the [Secure Domain Router \(SDR\) Users, on page 5](#) section.)
- Create, delete, and modify user groups to allow access to the SDR.
- Manage nearly all aspects of the SDR.

A root SDR user cannot deny access to a root system user. (See the [Root System Users, on page 4](#) section.)

Secure Domain Router (SDR) Users

A SDR user has restricted access to an SDR as determined by the root-system user or root SDR user. The SDR user performs the day-to-day system and network management activities. The tasks that the secure domain router user is allowed to perform are determined by the task IDs associated with the user groups to which the SDR user belongs. (See the [User Groups, on page 5](#) section.)

User Groups

A *user group* defines a collection of users that share a set of attributes, such as access privileges. Cisco IOS XR software allows the system administrator to configure groups of users and the job characteristics that are common in groups of users. Users are not assigned to groups by default hence the assignment needs to be done explicitly. A user can be assigned to more than one group.

Each user may be associated with one or more user groups. User groups have the following attributes:

- A user group consists of the list of task groups that define the authorization for the users. All tasks, except cisco-support, are permitted by default for root system users. (See the [Root System Users, on page 4](#) section.)
- Each user task can be assigned read, write, execute, or debug permission.

Predefined User Groups

The Cisco IOS XR software provides a collection of user groups whose attributes are already defined. The predefined groups are as follows:

- **cisco-support:** This group is used by the Cisco support team.
- **maintenance:** Has the ability to display, configure and execute commands for network, files and user-related entities.
- **netadmin:** Has the ability to control and monitor all system and network parameters.
- **operator:** A demonstration group with basic privileges.
- **provisioning:** Has the ability to display and configure network, files and user-related entities.
- **read-only-tg:** Has the ability to perform any show command, but no configuration ability.
- **retrieve:** Has the ability to display network, files and user-related information.

- **root-lr:** Has the ability to control and monitor the specific secure domain router.
- **root-system:** Has the ability to control and monitor the entire system.
- **serviceadmin:** Service administration tasks, for example, Session Border Controller (SBC).
- **sysadmin:** Has the ability to control and monitor all system parameters but cannot configure network protocols.

The user group `root-system` has root system users as the only members. (See the [Root System Users, on page 4](#) section.) The `root-system` user group has predefined authorization; that is, it has the complete responsibility for root-system user-managed resources and certain responsibilities in other SDRs.

To verify the individual permissions of a user group, assign the group to a user and execute the **show user tasks** command.

User-Defined User Groups

Administrators can configure their own user groups to meet particular needs.

User Group Inheritance

A user group can derive attributes from another user group. (Similarly, a task group can derive attributes from another task group). For example, when user group A inherits attributes from user group B, the new set of task attributes of the user group A is a union of A and B. The inheritance relationship among user groups is dynamic in the sense that if group A inherits attributes from group B, a change in group B affects group A, even if the group is not reinherited explicitly.

Task Groups

A task group is defined by a collection of task IDs. Task groups contain task ID lists for each class of action.

Each user group is associated with a set of task groups applicable to the users in that group. A user's task permissions are derived from the task groups associated with the user groups to which that user belongs.

Predefined Task Groups

The following predefined task groups are available for administrators to use, typically for initial configuration:

- **cisco-support:** Cisco support personnel tasks
- **netadmin:** Network administrator tasks
- **operator:** Operator day-to-day tasks (for demonstration purposes)
- **root-lr:** Secure domain router administrator tasks
- **root-system:** System-wide administrator tasks
- **sysadmin:** System administrator tasks
- **serviceadmin:** Service administration tasks, for example, SBC

User-Defined Task Groups

Users can configure their own task groups to meet particular needs.

Group Inheritance

Task groups support inheritance from other task groups. (Similarly, a user group can derive attributes from another user group. See the [User Groups, on page 5](#) section.) For example, when task group A inherits task group B, the new set of attributes of task group A is the union of A and B.

Cisco IOS XR Software Administrative Model

The router operates in two planes: the administration (admin) plane and secure domain router (SDR) plane. The admin (shared) plane consists of resources shared across all SDRs, while the SDR plane consists of those resources specific to the particular SDR.

The root-system user has the highest level of responsibility for the router. This user provisions secure domain routers and creates root SDR users. After being created, root SDR users take most of the responsibilities from the root-system user for the SDR. Root SDR users in turn can create secure domain router users. Root-system users and root SDR users have fixed permissions (task IDs) that cannot be changed by users.

Each SDR has its own AAA configuration including, local users, groups, and TACACS+ and RADIUS configurations. Users created in one SDR cannot access other SDRs unless those same users are configured in the other SDRs.

Administrative Access

Administrative access to the system can be lost if the following operations are not well understood and carefully planned. A lockout of all root-system users is a serious issue that requires a system reload to recover the password.

- Configuring authentication that uses remote AAA servers that are not available, particularly authentication for the console.



Note The **none** option without any other method list is not supported in Cisco IOS XR software.

- Removing the flash card from disk0:, or a disk corruption, may deny auxiliary port authentication, which can affect certain system debugging abilities. However, if the console is available, the system is still accessible.
- Configuring command authorization or EXEC mode authorization on the console should be done with extreme care, because TACACS+ servers may not be available or may deny every command, which locks the user out. This lockout can occur particularly if the authentication was done with a user not known to the TACACS+ server, or if the TACACS+ user has most or all the commands denied for one reason or another.

To avoid a lockout, we recommend these:

- Before turning on TACACS+ command authorization or EXEC mode authorization on the console, make sure that the user who is configuring the authorization is logged in using the appropriate user permissions in the TACACS+ profile.
- If the security policy of the site permits it, use the **none** option for command authorization or EXEC mode authorization so that if the TACACS+ servers are not reachable, AAA rolls over to the **none** method, which permits the user to run the command.

- Make sure to allow local fallback when configuring AAA. See, [Authorization Configuration, on page 53](#).
- If you prefer to commit the configuration on a trial basis for a specified time, you may do so by using the **commit confirmed** command, instead of direct **commit**.

AAA Database

The AAA database stores the users, groups, and task information that controls access to the system. The AAA database can be either local or remote. The database that is used for a specific situation depends on the AAA configuration.

Local Database

AAA data, such as users, user groups, and task groups, can be stored locally within a secure domain router. The data is stored in the in-memory database and persists in the configuration file. The stored passwords are encrypted.



Note The database is local to the specific secure domain router (SDR) in which it is stored, and the defined users or groups are not visible to other SDRs in the same system.

You can delete the last remaining user from the local database. If all users are deleted when the next user logs in, the setup dialog appears and prompts you for a new username and password.



Note The setup dialog appears only when the user logs into the console.

Remote Database

AAA data can be stored in an external security server, such as CiscoSecure ACS. Security data stored in the server can be used by any client (such as a network access server [NAS]) provided that the client knows the server IP address and shared secret.

Remote AAA Configuration

Products such as CiscoSecure ACS can be used to administer the shared or external AAA database. The router communicates with the remote AAA server using a standard IP-based security protocol (such as TACACS+ or RADIUS).

Client Configuration

The security server should be configured with the secret key shared with the router and the IP addresses of the clients.

User Groups

User groups that are created in an external server are not related to the user group concept that is used in the context of local AAA database configuration on the router. The management of external TACACS+ server or RADIUS server user groups is independent, and the router does not recognize the user group structure. The remote user or group profiles may contain attributes that specify the groups (defined on the router) to

which a user or users belong, as well as individual task IDs. For more information, see the [Task IDs for TACACS+ and RADIUS Authenticated Users, on page 18](#) section.

Configuration of user groups in external servers comes under the design of individual server products. See the appropriate server product documentation.

Task Groups

Task groups are defined by lists of permitted task IDs for each type of action (such as read, write, and so on). The task IDs are basically defined in the router system. Task ID definitions may have to be supported before task groups in external software can be configured.

Task IDs can also be configured in external TACACS+ or RADIUS servers.

AAA Configuration

This section provides information about AAA configuration.

Method Lists

AAA data may be stored in a variety of data sources. AAA configuration uses *method lists* to define an order of preference for the source of AAA data. AAA may define more than one method list and applications (such as login) can choose one of them. For example, console and auxiliary ports may use one method list and the vty ports may use another. If a method list is not specified, the application tries to use a default method list. If a default method list does not exist, AAA uses the local database as the source.

Rollover Mechanism

AAA can be configured to use a prioritized list of database options. If the system is unable to use a database, it automatically rolls over to the next database on the list. If the authentication, authorization, or accounting request is rejected by any database, the rollover does not occur and the request is rejected.

The following methods are available:

- Local: Use the locally configured database (not applicable for accounting and certain types of authorization)
- TACACS+: Use a TACACS+ server (such as CiscoSecure ACS)
- RADIUS: Use a RADIUS server
- Line: Use a line password and user group (applicable only for authentication)
- None: Allow the request (not applicable for authentication)



Note If the system rejects the authorization request and the user gets locked out, you can try to rollback the previous configuration or remove the problematic AAA configuration through auxiliary port. To log in to the auxiliary port, use the local username and password; not the tacacs+ server credentials. The **config_rollback -n 0x1** command can be used to rollback the previous configuration. If you are not able to access the auxiliary port, a router reload might be required in such scenarios.

Server Grouping

Instead of maintaining a single global list of servers, the user can form server groups for different AAA protocols (such as RADIUS and TACACS+) and associate them with AAA applications (such as PPP and EXEC mode).

Authentication

Authentication is the most important security process by which a principal (a user or an application) obtains access to the system. The principal is identified by a username (or user ID) that is unique across an administrative domain. The applications serving the user (such as or Management Agent) procure the username and the credentials from the user. AAA performs the authentication based on the username and credentials passed to it by the applications. The role of an authenticated user is determined by the group (or groups) to which the user belongs. (A user can be a member of one or more user groups.)

Authentication of Root System User

The root-system user can log in to any node in any secure domain router in the system. A user is a root-system user if he or she belongs to the root-system group. The root-system user may be defined in the local or remote AAA database.

Authentication of Non-Owner Secure Domain Router User

When logging in from a non-owner secure domain router, the root system user must add the “@admin” suffix to the username. Using the “@admin” suffix sends the authentication request to the owner secure domain router for verification. The owner secure domain router uses the methods in the list-name **remote** for choosing the authentication method. The **remote** method list is configured using the **aaa authentication login remote method1 method2...** command. (See the [Configuring AAA Method Lists, on page 51](#) section.)

Authentication of Owner Secure Domain Router User

An owner secure domain router user can log in only to the nodes belonging to the specific secure domain router associated with that owner secure domain router user. If the user is member of a root-sdr group, the user is authenticated as an owner secure domain router user.

Authentication of Secure Domain Router User

Secure domain router user authentication is similar to owner secure domain router user authentication. If the user is not found to be a member of the designated owner secure domain router user group or root-system user group, the user is authenticated as a secure domain router user.

Authentication Flow of Control

AAA performs authentication according to the following process:

1. A user requests authentication by providing a username and password (or secret).
 2. AAA verifies the user’s password and rejects the user if the password does not match what is in the database.
 3. AAA determines the role of the user (root system user, root SDR user, or SDR user).
- If the user has been configured as a member of a root-system user group, then AAA authenticates the user as a root-system user.

- If the user has been configured as a member of an owner secure domain router user group, then AAA authenticates the user as an owner secure domain router user.
- If the user has not been configured as a member of a root-system user group or an owner secure domain router user group, AAA authenticates the user as a secure domain router user.

Clients can obtain a user's permitted task IDs during authentication. This information is obtained by forming a union of all task group definitions specified in the user groups to which the user belongs. Clients using such information typically create a session for the user (such as an API session) in which the task ID set remains static. Both the EXEC mode and external API clients can use this feature to optimize their operations. EXEC mode can avoid displaying the commands that are not applicable and an EMS application can, for example, disable graphical user interface (GUI) menus that are not applicable.

If the attributes of a user, such as user group membership and, consequently, task permissions, are modified, those modified attributes are not reflected in the user's current active session; they take effect in the user's next session.

Korn Shell Authentication

The Korn shell (ksh) is the primary shell for the auxiliary port of the route processor (RP), standby RP, and distributed RP cards and for console and auxiliary ports of line cards (LCs) and service processors (SPs). The following are some of the characteristics of ksh authentication:

- For security reasons, ksh authentication allows only root-system users who have a secret configured. A root-system user with a normal password will not be authenticated because the normal password is two-way encrypted and poses a security risk because the password information is stored in the flash disk, which can be easily decrypted.
- Every time a root-system user with a secret is configured using the normal AAA CLI, that user is a valid ksh user and no separate configuration is required.
- Ksh does not authenticate TACACS+ or RADIUS users, even if they are root-system users.
- Ksh authentication uses a single user password database, which means when a root-system user on a dSC is configured using the normal AAA CLI, that user can log in using this username password in any card. This includes the RP, standby RP, LC, and SP.
- Ksh authentication cannot be turned off or bypassed after the card is booted. To bypass authentication, a user needs a reload of the card. (See the "Bypassing ksh Authentication" section for details).
- The ksh run from the console (using the **run** command) is not authenticated because the **run** command needs the root-system task ID. Because the user is already root-system, the user is not authenticated again.

Bypassing ksh Authentication

Although the authentication to ksh is lightweight and depends on very few processes, there are cases when ksh authentication needs to be bypassed, including the following:

- dSC (Active RP) disk0 corruption
- Loss of Qnet connectivity
- Inability to determine the node ID of the dSC (Active RP)

To bypass ksh authentication, the user has to set the ROMMON variable `AUX_AUTHEN_LEVEL` to 0 and then reload the image. A reboot is required only on the card that has to bypass authentication.

The ROMMON variable `AUX_AUTHEN_LEVEL` can have one of the following values:

- 0—Authentication will be bypassed on the card.
- 1—Loose authentication. Authentication is performed on a best-effort basis and permits the user to access ksh if the system cannot access authentication information successfully.
- 2—Strict authentication. This is the default state.

Under no circumstances is authentication bypassed. Even if the authentication infrastructure is down, the system simply denies access.

For example, to bypass authentication on the card, enter the following:

```
rommon1> AUX_AUTHEN_LEVEL=0
rommon2> sync
rommon2> boot tftp:/ ...
```

Authentication Failure

In a system which is configured either with TACACS+ or RADIUS authentication with AAA configuration similar to the configuration below during the first login attempt or attempts, following a system reload, the login to the RP auxiliary port fails.

```
aaa authentication login default group tacacs+ group radius local
line template aux
login authentication default
```

This is because following the reload, the auxiliary port rejects login attempts with a valid TACACS+ configured *username* and *password*.

In such a scenario, the user has to first login with a valid locally configured *username* and *password*, and any login thereafter with TACACS+ configured *username* and *password*. Alternatively, if the user is connected to the auxiliary port via a terminal server, first clear the line used on the terminal server itself, and thereafter the user will be able to login to the auxiliary port with the TACACS+ configured *username* and *password*.

Password Types

In configuring a user and that user's group membership, you can specify two types of passwords: encrypted or clear text.

The router supports both two-way and one-way (secret) encrypted user passwords. Secret passwords are ideal for user login accounts because the original unencrypted password string cannot be deduced on the basis of the encrypted secret. Some applications (PPP, for example) require only two-way passwords because they must decrypt the stored password for their own function, such as sending the password in a packet. For a login user, both types of passwords may be configured, but a warning message is displayed if one type of password is configured while the other is already present.

If both secret and password are configured for a user, the secret takes precedence for all operations that do not require a password that can be decrypted, such as login. For applications such as PPP, the two-way encrypted password is used even if a secret is present.

Type 8 and Type 9 Passwords

This feature provides the options for Type 8 and Type 9 passwords in AAA security services. The Type 8 and Type 9 passwords provide more secure and robust support for saving passwords w.r.t each username. Thus, in scenarios where a lot of confidential data need to be maintained, these encryption methods ensure that the admin and other user passwords are strongly protected.

The implementation of Type 8 password uses SHA256 hashing algorithm, and the Type 9 password uses scrypt hashing algorithm.



Note The Type 8 and Type 9 passwords are supported on the IOS XR 64-bit operating system starting from Cisco IOS XR Software Release 7.0.1. Prior to this release, it was supported only on the 32-bit operating system.

Type 10 Password

The Cisco IOS XR 64 bit software introduces the support for Type 10 password that uses **SHA512** encryption algorithm. The **SHA512** encryption algorithm provides improved security to the user passwords compared to the older algorithms such as **MD5** and **SHA256**. With this feature, **SHA512** becomes the default encryption algorithm for the passwords in user name configuration, even for the first user creation scenario. Prior to the introduction of Type 10 password, **MD5** was used as the default algorithm.

To configure Type 10 password, see [Configure Type 10 Password, on page 31](#).

Restrictions for Type 10 Password Usage

These restrictions apply to the usage of Type 10 password:

- Backward compatibility issues such as configuration loss, authentication failure, and so on, are expected when you downgrade to lower versions that still use **MD5** or **SHA256** encryption algorithms. Convert the passwords to Type 10 before such downgrades to minimize the impact of such issues. For details, see [Backward Compatibility for Password Types, on page 33](#).
- In a first user configuration scenario or when you reconfigure a user, the system syncs only the Type 5 and Type 10 passwords from XR VM to System Admin VM and Host VM. It doesn't sync the Type 8 and Type 9 passwords in such scenarios.

AAA Password Security for FIPS Compliance

Cisco IOS XR Software introduces advanced AAA password strengthening policy and security mechanism to store, retrieve and provide rules or policy to specify user passwords. This password policy is applicable only for local users, and not for remote users whose profile information are stored in a third party AAA server. This policy is not applicable to secrets of the user. If both secret and password are configured for a user, then secret takes precedence, and password security policy does not have any effect on authentication or change of password for such users. This AAA password security policy works as such for Cisco IOS XR platforms. Whereas, this feature is supported only on XR VM, for Cisco IOS XR 64 bit platforms.

High Availability for AAA Password Security Policy

The AAA password policy configurations and username configurations remain intact across RP failovers or process restarts in the system. The operational data such as, lifetime of the password and lockout time of the user are not stored on system database or disk. Hence, those are not restored across RP failovers or process restarts. Users start afresh on the active RP or on the new process. Hence, users who were locked out before RP failover or process restart are able to login immediately after the failover or restart.

To configure AAA password policy, see [Configure AAA Password Policy, on page 33](#).

AAA Password Security Policies

AAA password security for FIPS compliance consists of these policies:

Password Composition Policy

Passwords can be composed by any combination of upper and lower case alphabets, numbers and special characters that include: "!", "@", "#", "\$", "%", "^", "&", "*", "(", and ")". Security administrator can also set the types and number of required characters that comprise the password, thereby providing more flexibility for password composition rules. The minimum number of character change required between passwords is 4, by default. There is no restriction on the upper limit of the number of uppercase, lowercase, numeric and special characters.

Password Length Policy

The administrator can set the minimum and maximum length of the password. The minimum configurable length in password policy is 2, and the maximum length is 253.

Password Lifetime Policy

The administrator can configure a maximum lifetime for the password, the value of which can be specified in years, months, days, hours, minutes and seconds. The configured password never expires if this parameter is not configured. The configuration remains intact even after a system reload. But, the password creation time is updated to the new time whenever the system reboots. For example, if a password is configured with a life time of one month, and if the system reboots on 29th day, then the password is valid for one more month after the system reboot. Once the configured lifetime expires, further action is taken based on the password expiry policy (see the section on Password Expiry Policy).

Password Expiry Policy

If the password credential of a user who is trying to login is already expired, then the following actions occur:

- User is prompted to set the new password after successfully entering the expired password.
- The new password is validated against the password security policy.
- If the new password matches the password security policy, then the AAA data base is updated and authentication is done with the new password.
- If the new password is not compliant with the password security policy, then the attempt is considered as an authentication failure and the user is prompted again to enter a new password. The max limit for such attempts is in the control of login clients and AAA does not have any restrictions for that.

As part of password expiry policy, if the life time is not yet configured for a user who has already logged in, and if the security administrator configures the life time for the same user, then the life time is set in the database. The system checks for password expiry on the subsequent authentication of the same user.

Password expiry is checked only during the authentication phase. If the password expires after the user is authenticated and logged in to the system, then no action is taken. The user is prompted to change the password only during the next authentication of the same user.

Debug logs and syslog are printed for the user password expiry only when the user attempts to login. This is a sample syslog in the case of password expiry:

```
RP/0/RSP1/CPU0:Jun 21 09:13:34.241 : locald_DSC[308]: %SECURITY-LOCALD-5-USER_PASSWD_EXPIRED
:
Password for user 'user12' has expired.
```

Password Change Policy

Users cannot change passwords at will. A password change is triggered in these scenarios:

- When the security administrator needs to change the password
- When the user is trying to get authenticated using a profile and the password for the profile is expired
- When the security administrator modifies the password policy which is associated to the user, and does not immediately change the password according to the policy

You can use the **show configuration failed** command to display the error messages when the password entered does not comply with the password policy configurations.

When the security administrator changes the password security policy, and if the existing profile does not meet the password security policy rules, no action is taken if the user has already logged in to the system. In this scenario, the user is prompted to change the password when he tries to get authenticated using the profile which does not meet the password security rules.

When the user is changing the password, the lifetime of the new password remains same as that of the lifetime that was set by the security administrator for the old profile.

When password expires for non-interactive clients (such as dot1x), an appropriate error message is sent to the clients. Clients must contact the security administrator to renew the password in such scenarios.

Service Provision after Authentication

The basic AAA local authentication feature ensures that no service is performed before a user is authenticated.

User Re-authentication Policy

A user is re-authenticated when he changes the password. When a user changes his password on expiry, he is authenticated with the new password. In this case, the actual authentication happens based on the previous credential, and the new password is updated in the database.

User Authentication Lockout Policy

AAA provides a configuration option, **authen-max-attempts**, to restrict users who try to authenticate using invalid login credentials. This option sets the maximum number of permissible authentication failure attempts for a user. The user gets locked out when he exceeds this maximum limit, until the lockout timer (**lockout-time**)

is expired. If the user attempts to login in spite of being locked out, the lockout expiry time keep advancing forward from the time login was last attempted.

This is a sample syslog when user is locked out:

```
RP/0/RSP1/CPU0:Jun 21 09:21:28.226 : locald_DSC[308]: %SECURITY-LOCALD-5-USER_PASSWD_LOCKED
:
User 'user12' is temporarily locked out for exceeding maximum unsuccessful logins.
```

This is a sample syslog when user is unlocked for authentication:

```
RP/0/RSP1/CPU0:Jun 21 09:14:24.633 : locald_DSC[308]: %SECURITY-LOCALD-5-USER_PASSWD_UNLOCKED
:
User 'user12' is unlocked for authentications.
```

Password Policy Creation, Modification and Deletion

Security administrators having write permission for AAA tasks are allowed to create password policy. Modification is allowed at any point of time, even when the policy is associated to a user. Deletion of password policy is not allowed until the policy is un-configured from the user.

After the modification of password policy associated with a user, security administrator can decide if he wants to change passwords of associated users complying to the password policy. Based on this, there are two scenarios:

- If the administrator configures the password, then the user is not prompted to change the password on next login.
- If the administrator does not configure the password, then the user is prompted to change the password on next login.

In either of the above cases, at every password expiry interval, the user is prompted to change the password on next login.

Debug messages are printed when password policies are created, modified and deleted.

Minimum Password Length for First User Creation

To authenticate the user for the first time, Cisco router prompts you to create a username and password, in any of the following situations:

- When the Cisco Router is booted for the very first time.
- When the router is reloaded with no username configuration.
- When the already existing username configurations are deleted.

By default, the minimum length for passwords in a Cisco router is limited to two characters. Due to noise on the console, there is a possibility of the router being blocked out. Therefore, the minimum length for password has been increased to six characters for a first user created on the box, in each of the situations described above. This reduces the probability of the router being blocked out. It avoids the security risks that are caused due to very small password length. For all other users created after the first one, the default minimum length for password is still two characters.

For more information about how to configure a first user, see [Configure First User on Cisco Routers, on page 27](#).

Task-Based Authorization

AAA employs “task permissions” for any control, configure, or monitor operation through CLI or API. The Cisco IOS software concept of privilege levels has been replaced in Cisco IOS XR software by a task-based authorization system.

Task IDs

The operational tasks that enable users to control, configure, and monitor Cisco IOS XR software are represented by task IDs. A task ID defines the permission to run an operation for a command. Users are associated with sets of task IDs that define the breadth of their authorized access to the router.

Task IDs are assigned to users through the following means:

Each user is associated with one or more user groups. Every user group is associated with one or more *task groups*; in turn, every task group is defined by a set of task IDs. Consequently, a user’s association with a particular user group links that user to a particular set of task IDs. A user that is associated with a task ID can execute any operation associated with that task ID.

General Usage Guidelines for Task IDs

Most router control, configuration, or monitoring operation (CLI or XML API) is associated with a particular set of task IDs. Typically, a given CLI command or API invocation is associated with at least one or more task IDs. Neither the **config** nor the **commit** commands require any specific task ID permissions. The configuration and commit operations do not require specific task ID permissions. Aliases also don't require any task ID permissions. You cannot perform a configuration replace unless root-1r permissions are assigned. If you want to deny getting into configuration mode you can use the TACACS+ command authorization to deny the config command. These associations are hard-coded within the router and may not be modified. Task IDs grant permission to perform certain tasks; task IDs do not deny permission to perform tasks. Task ID operations can be one, all, or a combination of classes that are listed in this table.

Table 2: Task ID Classes

Operation	Description
Read	Specifies a designation that permits only a read operation.
Write	Specifies a designation that permits a change operation and implicitly allows a read operation.
Execute	Specifies a designation that permits an access operation; for example ping and Telnet.
Debug	Specifies a designation that permits a debug operation.

The system verifies that each CLI command and API invocation conforms with the task ID permission list for the user. If you are experiencing problems using a CLI command, contact your system administrator.

Multiple task ID operations separated by a slash (for example read/write) mean that both operations are applied to the specified task ID.

Multiple task ID operations separated by a comma (for example read/write, execute) mean that both operations are applied to the respective task IDs. For example, the **copy ipv4 access-list** command can have the read and write operations applied to the `acl` task ID, and the execute operation applied to the `filesystem` task ID.

If the task ID and operations columns have no value specified, the command is used without any previous association to a task ID and operation. In addition, users do not have to be associated to task IDs to use ROM monitor commands.

Users may need to be associated to additional task IDs to use a command if the command is used in a specific configuration submode. For example, to execute the **show redundancy** command, a user needs to be associated to the system (read) task ID and operations as shown in the following example:

```
RP/0/RSP0/CPU0:router# show redundancy
```

Whereas, in administration EXEC mode, a user needs to be associated to both admin and system (read) task IDs and operations, as shown in the following example:

```
RP/0/RSP0/CPU0:router# admin
RP/0/RSP0/CPU0:router(admin)# show redundancy
```

Task IDs for TACACS+ and RADIUS Authenticated Users

Cisco IOS XR software AAA provides the following means of assigning task permissions for users authenticated with the TACACS+ and RADIUS methods:

- Specify the text version of the task map directly in the configuration file of the external TACACS+ and RADIUS servers.
See the “[Task Maps, on page 18](#)” section for more details.
- Specify the privilege level in the configuration file of the external TACACS+ and RADIUS servers.
See the “[Privilege Level Mapping, on page 20](#)” section for more details.
- Create a local user with the same username as the user authenticating with the TACACS+ and RADIUS methods.
- Specify, by configuration, a default task group whose permissions are applied to any user authenticating with the TACACS+ and RADIUS methods.

Task Maps

For users who are authenticated using an external TACACS+ server and RADIUS server, Cisco IOS XR software AAA supports a method to define task IDs remotely.

Format of the Task String

The task string in the configuration file of the TACACS+ server consists of tokens delimited by a comma (.). Each token contains either a task ID name and its permissions or the user group to include for this particular user, as shown in the following example:

```
task = “permissions : taskid name , # usergroup name , ...”
```




Note Cisco IOS XR software allows you to specify task IDs as an attribute in the external RADIUS or TACACS+ server. If the server is also shared by non-Cisco IOS XR software systems, these attributes are marked as optional as indicated by the server documentation. For example, CiscoSecure ACS and the freeware TACACS+ server from Cisco require an asterisk (*) instead of an equal sign (=) before the attribute value for optional attributes. If you want to configure attributes as optional, refer to the TACACS+ server documentation.

For example, to give a user named user1 BGP read, write, and execute permissions and include user1 in a user group named operator, the username entry in the external server's TACACS+ configuration file would look similar to the following:

```
user = user1{
member = some-tac-server-group
opap = cleartext "lab"
service = exec {
task = "rwx:bgp,#operator"
}
}
```

The r,w,x, and d correspond to read, write, execute and debug, respectively, and the pound sign (#) indicates that a user group follows.



Note The optional keyword must be added in front of “task” to enable interoperability with systems based on Cisco IOS software.

If CiscoSecure ACS is used, perform the following procedure to specify the task ID and user groups:

SUMMARY STEPS

1. Enter your username and password.
2. Click the **Group Setup** button to display the **Group Setup** window.
3. From the Group drop-down list, select the group that you want to update.
4. Click the **Edit Settings** button.
5. Use the scroll arrow to locate the Shell (exec) check box.
6. Check the **Shell (exec)** check box to enable the custom attributes configuration.
7. Check the **Custom attributes** check box.
8. Enter the following task string without any blank spaces or quotation marks in the field:
9. Click the **Submit + Restart** button to restart the server.

DETAILED STEPS

-
- Step 1** Enter your username and password.
- Step 2** Click the **Group Setup** button to display the **Group Setup** window.
- Step 3** From the Group drop-down list, select the group that you want to update.
- Step 4** Click the **Edit Settings** button.
- Step 5** Use the scroll arrow to locate the Shell (exec) check box.

Step 6 Check the **Shell (exec)** check box to enable the custom attributes configuration.

Step 7 Check the **Custom attributes** check box.

Step 8 Enter the following task string without any blank spaces or quotation marks in the field:

Example:

```
task=rwx:bgp,#netadmin
```

Step 9 Click the **Submit + Restart** button to restart the server.

The following RADIUS Vendor-Specific Attribute (VSA) example shows that the user is part of the sysadmin predefined task group, can configure BGP, and can view the configuration for OSPF:

Example:

```
user Auth-Type := Local, User-Password == lab
  Service-Type = NAS-Prompt-User,
  Reply-Message = "Hello, %u",
  Login-Service = Telnet,
  Cisco-AVPair = "shell:tasks=#sysadmin,rwx:bgp,r:ospf"
```

After user1 successfully connects and logs in to the external TACACS+ server with username user1 and appropriate password, the **show user tasks** command can be used in EXEC mode to display all the tasks user1 can perform. For example:

Example:

```
Username:user1
Password:
RP/0/RSP0/CPU0:router# show user tasks

Task:      basic-services  :READ    WRITE    EXECUTEDEBUG
Task:      bgp             :READ    WRITE    EXECUTE
Task:      cdp             :READ
Task:      diag            :READ
Task:      ext-access      :READ          EXECUTE
Task:      logging         :READ
```

Alternatively, if a user named user2, who does not have a task string, logs in to the external server, the following information is displayed:

Example:

```
Username:user2
Password:
RP/0/RSP0/CPU0:router# show user tasks
No task ids available
```

Privilege Level Mapping

For compatibility with TACACS+ daemons that do not support the concept of task IDs, AAA supports a mapping between privilege levels defined for the user in the external TACACS+ server configuration file and local user groups. Following TACACS+ authentication, the task map of the user group that has been mapped from the privilege level returned from the external TACACS+ server is assigned to the user. For example, if a privilege level of 5 is returned from the external TACACS server, AAA attempts to get the task map of the

local user group `priv5`. This mapping process is similar for other privilege levels from 1 to 13. For privilege level 15, the root-system user group is used; privilege level 14 maps to the user group `owner-sdr`.

For example, with the Cisco freeware tac plus server, the configuration file has to specify `priv_lvl` in its configuration file, as shown in the following example:

```
user = sampleuser1{
  member = bar
  service = exec-ext {
    priv_lvl = 5
  }
}
```

The number 5 in this example can be replaced with any privilege level that has to be assigned to the user `sampleuser`.

With the RADIUS server, task IDs are defined using the Cisco-AVPair, as shown in the following example:

```
user = sampleuser2{
  member = bar
  Cisco-AVPair = "shell:tasks=#root-system,#cisco-support"{
    Cisco-AVPair = "shell:priv-lvl=10"
  }
}
```

XML Schema for AAA Services

The extensible markup language (XML) interface uses requests and responses in XML document format to configure and monitor AAA. The AAA components publish the XML schema corresponding to the content and structure of the data used for configuration and monitoring. The XML tools and applications use the schema to communicate to the XML agent for performing the configuration.

The following schema are published by AAA:

- Authentication, Authorization and Accounting configuration
- User, user group, and task group configuration
- TACACS+ server and server group configuration
- RADIUS server and server group configuration

About RADIUS

RADIUS is a distributed client/server system that secures networks against unauthorized access. In the Cisco implementation, RADIUS clients run on Cisco routers and send authentication and accounting requests to a central RADIUS server that contains all user authentication and network service access information.

RADIUS is a fully open protocol, distributed in source code format, that can be modified to work with any security system currently available on the market.

Cisco supports RADIUS under its AAA security paradigm. RADIUS can be used with other AAA security protocols, such as TACACS+, Kerberos, and local username lookup.



Note RADIUS is supported on all Cisco platforms, but some RADIUS-supported features run only on specified platforms.

RADIUS has been implemented in a variety of network environments that require high levels of security while maintaining network access for remote users.

Use RADIUS in the following network environments that require access security:

- Networks with multiple-vendor access servers, each supporting RADIUS. For example, access servers from several vendors use a single RADIUS server-based security database. In an IP-based network with multiple vendors' access servers, dial-in users are authenticated through a RADIUS server that has been customized to work with the Kerberos security system.
- Turnkey network security environments in which applications support the RADIUS protocol, such as in an access environment that uses a "smart card" access control system. In one case, RADIUS has been used with Enigma security cards to validate users and grant access to network resources.
- Networks already using RADIUS. You can add a Cisco router with RADIUS to the network. This might be the first step when you make a transition to a Terminal Access Controller Access Control System Plus (TACACS+) server.
- Networks in which a user must access only a single service. Using RADIUS, you can control user access to a single host, utility such as Telnet, or protocol such as Point-to-Point Protocol (PPP). For example, when a user logs in, RADIUS identifies this user as having authorization to run PPP using IP address 10.2.3.4 and the defined access list is started.
- Networks that require resource accounting. You can use RADIUS accounting independent of RADIUS authentication or authorization. The RADIUS accounting functions allow data to be sent at the start and end of services, indicating the amount of resources (such as time, packets, bytes, and so on) used during the session. An Internet service provider (ISP) might use a freeware-based version of RADIUS access control and accounting software to meet special security and billing needs.
- Networks that support preauthentication. Using the RADIUS server in your network, you can configure AAA preauthentication and set up the preauthentication profiles. Preauthentication enables service providers to better manage ports using their existing RADIUS solutions and to efficiently manage the use of shared resources to offer differing service-level agreements.

Network Security Situations in Which RADIUS is Unsuitable

RADIUS is not suitable in the following network security situations:

- Multiprotocol access environments. RADIUS does not support the following protocols:
 - AppleTalk Remote Access (ARA)
 - NetBIOS Frame Control Protocol (NBFCP)
 - NetWare Asynchronous Services Interface (NASI)
 - X.25 PAD connections

- Router-to-router situations. RADIUS does not provide two-way authentication. RADIUS can be used to authenticate from one router to a router other than a Cisco router if that router requires RADIUS authentication.
- Networks using a variety of services. RADIUS generally binds a user to one service model.

RADIUS Operation

When a user attempts to log in and authenticate to an access server using RADIUS, the following steps occur:

1. The user is prompted for and enters a username and password.
2. The username and encrypted password are sent over the network to the RADIUS server.
3. The user receives one of the following responses from the RADIUS server:
 - a. ACCEPT—The user is authenticated.
 - a. REJECT—The user is not authenticated and is prompted to reenter the username and password, or access is denied.
 - a. CHALLENGE—A challenge is issued by the RADIUS server. The challenge collects additional data from the user.
 - a. CHANGE PASSWORD—A request is issued by the RADIUS server, asking the user to select a new password.

The ACCEPT or REJECT response is bundled with additional data used for EXEC mode or network authorization. You must first complete RADIUS authentication before using RADIUS authorization. The additional data included with the ACCEPT or REJECT packets consists of the following:

- Services that the user can access, including Telnet, rlogin, or local-area transport (LAT) connections, and PPP, Serial Line Internet Protocol (SLIP), or EXEC mode services.
- Connection parameters, including the host or client IP address, access list, and user timeouts.

Differentiated Services Code Point (DSCP) Markings support for TACACS packets

Differentiated Services is a Quality of Service (QoS) architecture that manages the data traffic in a network by using the principle of traffic classification. In this model, the traffic is divided into classes and the data packets are forwarded to the corresponding classes. Based on the priority of the network traffic, the different classes are managed.

To classify traffic, Differentiated Services uses Differentiated Services Code Point (DSCP). It is a 6-bit field in the Type of Service (ToS) byte in the IP header. Based on the DSCP value, the user is able to classify the data traffic and forward packets to the next destination.

You can set the value of DSCP. For a single connection, set the DSCP value on the socket while connecting to the server. In this way, all the outgoing packets will have the same DSCP value in their IP headers. For multiple connections, the DSCP value is set on the available open sockets. Use the **tacacs-server ipv4** command to set the DSCP value.

How to Configure AAA Services

To configure AAA services, perform the tasks described in the following sections.

Prerequisites for Configuring AAA Services

The following are the prerequisites to configure AAA services:

- You must be in a user group associated with a task group that includes the proper task IDs. The command reference guides include the task IDs required for each command. If you suspect user group assignment is preventing you from using a command, contact your AAA administrator for assistance.
- Establish a root system user using the initial setup dialog. The administrator may configure a few local users without any specific AAA configuration. The external security server becomes necessary when user accounts are shared among many routers within an administrative domain. A typical configuration would include the use of an external AAA security server and database with the local database option as a backup in case the external server becomes unreachable.

Restrictions for Configuring AAA Services

This section lists the restrictions for configuring AAA services.

Compatibility

Compatibility is verified with the Cisco freeware TACACS+ server and FreeRADIUS only.

Interoperability

Router administrators can use the same AAA server software and database (for example, CiscoSecure ACS) for the router and any other Cisco equipment that does not currently run Cisco IOS XR software. To support interoperability between the router and external TACACS+ servers that do not support task IDs, see the [“Task IDs for TACACS+ and RADIUS Authenticated Users, on page 18”](#) section.

Configuring Task Groups

Task-based authorization employs the concept of a *task ID* as its basic element. A task ID defines the permission to execute an operation for a given user. Each user is associated with a set of permitted router operation tasks identified by task IDs. Users are granted authority by being assigned to user groups that are in turn associated with task groups. Each task group is associated with one or more task IDs. The first configuration task in setting up an authorization scheme to configure the task groups, followed by user groups, followed by individual users.

Task Group Configuration

Task groups are configured with a set of task IDs per action type.

Specific task IDs can be removed from a task group by specifying the **no** prefix for the **task** command.

The task group itself can be removed. Deleting a task group that is still referred to elsewhere results in an error.

Before you begin

Before creating task groups and associating them with task IDs, you should have some familiarity with the router list of task IDs and the purpose of each task ID. Use the **show aaa task supported** command to display a complete list of task IDs.



Note Only users with write permissions for the AAA task ID can configure task groups.

SUMMARY STEPS

1. **configure**
2. **taskgroup** *taskgroup-name*
3. **description** *string*
4. **task** {**read** | **write** | **execute** | **debug**} *taskid-name*
5. Repeat Step 4 for each task ID to be associated with the task group named in Step 2.
6. Use the **commit** or **end** command.

DETAILED STEPS

	Command or Action	Purpose
Step 1	configure Example: RP/0/RSP0/CPU0:router# configure	Enters global configuration mode.
Step 2	taskgroup <i>taskgroup-name</i> Example: RP/0/RSP0/CPU0:router(config)# taskgroup beta	Creates a name for a particular task group and enters task group configuration submenu. <ul style="list-style-type: none"> • Specific task groups can be removed from the system by specifying the no form of the taskgroup command.
Step 3	description <i>string</i> Example: RP/0/RSP0/CPU0:router(config-tg)# description this is a sample task group description	(Optional) Creates a description of the task group named in Step 2.
Step 4	task { read write execute debug } <i>taskid-name</i> Example: RP/0/RSP0/CPU0:router(config-tg)# task read bgp	Specifies a task ID to be associated with the task group named in Step 2. <ul style="list-style-type: none"> • Assigns read permission for any CLI or API invocations associated with that task ID and performed by a member of the task group. • Specific task IDs can be removed from a task group by specifying the no prefix for the task command.
Step 5	Repeat Step 4 for each task ID to be associated with the task group named in Step 2.	—

	Command or Action	Purpose
Step 6	Use the commit or end command.	<p>commit —Saves the configuration changes and remains within the configuration session.</p> <p>end —Prompts user to take one of these actions:</p> <ul style="list-style-type: none"> • Yes — Saves configuration changes and exits the configuration session. • No —Exits the configuration session without committing the configuration changes. • Cancel —Remains in the configuration session, without committing the configuration changes.

What to do next

After completing configuration of a full set of task groups, configure a full set of user groups as described in the Configuring User Groups section.

Configuring User Groups

User groups are configured with the command parameters for a set of users, such as task groups. Entering the **usergroup** command accesses the user group configuration submenu. Users can remove specific user groups by using the **no** form of the **usergroup** command. Deleting a usergroup that is still referenced in the system results in a warning.

Before you begin



Note Only users associated with the WRITE:AAA task ID can configure user groups. User groups cannot inherit properties from predefined groups, such as root-system and owner-sdr.

SUMMARY STEPS

1. **configure**
2. **usergroup** *usergroup-name*
3. **description** *string*
4. **taskgroup** *taskgroup-name*
5. Repeat Step [Step 4, on page 30](#) for each task group to be associated with the user group named in Step [Step 2, on page 27](#).
6. Use the **commit** or **end** command.

DETAILED STEPS

	Command or Action	Purpose
Step 1	configure Example:	Enters global configuration mode.

	Command or Action	Purpose
	RP/0/RSP0/CPU0:router# configure	
Step 2	usergroup <i>usergroup-name</i> Example: RP/0/RSP0/CPU0:router(config)# usergroup beta	Creates a name for a particular user group and enters user group configuration submode. <ul style="list-style-type: none"> • Specific user groups can be removed from the system by specifying the no form of the usergroup command.
Step 3	description <i>string</i> Example: RP/0/RSP0/CPU0:router(config-ug)# description this is a sample user group description	(Optional) Creates a description of the user group named in Step Step 2, on page 27 .
Step 4	taskgroup <i>taskgroup-name</i> Example: RP/0/RSP0/CPU0:router(config-ug)# taskgroup beta	Associates the user group named in Step Step 2, on page 29 with the task group named in this step. <ul style="list-style-type: none"> • The user group takes on the configuration attributes (task ID list and permissions) already defined for the entered task group.
Step 5	Repeat Step Step 4, on page 30 for each task group to be associated with the user group named in Step Step 2, on page 27 .	—
Step 6	Use the commit or end command.	commit —Saves the configuration changes and remains within the configuration session. end —Prompts user to take one of these actions: <ul style="list-style-type: none"> • Yes — Saves configuration changes and exits the configuration session. • No —Exits the configuration session without committing the configuration changes. • Cancel —Remains in the configuration session, without committing the configuration changes.

What to do next

After completing configuration of a full set of user groups, configure individual users as described in the [Configuring Users, on page 29](#) section.

Configure First User on Cisco Routers

When a Cisco Router is booted for the very first time, and a user logs in for the first time, a root-system username and password must be created. Configure the root-system username and password, as described in the following procedure:

Step 1. Establish a connection to the Console port.

This initiates communication with the router. When you have successfully connected to the router through the Console port, the router displays the prompt:

```
Enter root-system username
```

Step 2. Type the username for the root-system login and press **Enter**.

Sets the root-system username, which is used to log in to the router.

Step 3. Type the password for the root-system login and press **Enter**.

Creates an encrypted password for the root-system username. This password must be at least six characters in length. The router displays the prompt:

```
Enter secret
```

Step 4. Retype the password for the root-system login and press **Enter**.

Allows the router to verify that you have entered the same password both times. The router displays the prompt:

```
Enter secret again
```



Note If the passwords do not match, the router prompts you to repeat the process.

Step 5. Log in to the router.

Establishes your access rights for the router management session.



Note In case of Router reload, when there is no stored username and password, you must create a new username and password.

For more information on minimum password length, see .

Example

The following example shows the root-system username and password configuration for a new router, and it shows the initial login:

```
/* Administrative User Dialog */
Enter root-system username: cisco
Enter secret:
Enter secret again:
```

```
RP/0/0/CPU0:Jan 10 12:50:53.105 : exec[65652]: %MGBL-CONFIG-6-DB_COMMIT : 'Administration
configuration committed by system'.
Use 'show configuration commit changes 2000000009' to view the changes. Use the 'admin'
mode 'configure' command to modify this configuration.
```

```
/* User Access Verification */
Username: cisco
Password:
RP/0/0/CPU0:ios#
```

The secret line in the configuration command script shows that the password is encrypted. When you type the password during configuration and login, the password is hidden.

Configuring Users

Perform this task to configure a user.

Each user is identified by a username that is unique across the administrative domain. Each user should be made a member of at least one user group. Deleting a user group may orphan the users associated with that group. The AAA server authenticates orphaned users but most commands are not authorized.

SUMMARY STEPS

1. **configure**
2. **username** *user-name*
3. Do one of the following:
 - **password** [0 | 7] *password*
 - **secret** [0 | 5] *secret*
 - **secret** [0 | 5 | 8 | 9] *secret*
 - **secret 0** [enc-type] *secret*
 - **secret 0 enc-type** {5 | 8 | 9} *secret*
4. **group** *group-name*
5. Repeat [Step 4, on page 30](#) for each user group to be associated with the user specified in [Step 2, on page 29](#).
6. Use the **commit** or **end** command.

DETAILED STEPS

	Command or Action	Purpose
Step 1	configure Example: <pre>RP/0/RSP0/CPU0:router# configure</pre>	Enters global configuration mode.
Step 2	username <i>user-name</i> Example: <pre>RP/0/RSP0/CPU0:router(config)# username user1</pre>	RSP0 Creates a name for a new user (or identifies a current user) and enters username configuration submode. <ul style="list-style-type: none"> • The <i>user-name</i> argument can be only one word. Spaces and quotation marks are not allowed.
Step 3	Do one of the following: <ul style="list-style-type: none"> • password [0 7] <i>password</i> • secret [0 5] <i>secret</i> • secret [0 5 8 9] <i>secret</i> • secret 0 [enc-type] <i>secret</i> • secret 0 enc-type {5 8 9} <i>secret</i> Example: <pre>RP/0/RSP0/CPU0:router(config-un)# password 0 pwd1</pre>	Specifies a password for the user named in Step 2, on page 29 . <ul style="list-style-type: none"> • Use the secret command to create a secure login password for the user names specified in Step 2, on page 29. • Entering 0 following the password command specifies that an unencrypted (clear-text) password follows. Entering 7 following the password

	Command or Action	Purpose
	<p>or</p> <pre>RP/0/RSP0/CPU0:router(config-un)# secret 0 sec1</pre>	<p>command specifies that an encrypted password follows.</p> <ul style="list-style-type: none"> • Entering 0 following the secret command specifies that a secure unencrypted (clear-text) password follows. Entering 5 following the secret command specifies that a secure encrypted password follows. • Entering 8 following the secret command specifies that a SHA256 encrypted password follows. Entering 9 following the secret command specifies that a scrypt encrypted password follows. <p>The enc-type keyword under the secret 0 command allows the user to specify the algorithm that can be used to encrypt the clear text user password.</p> <ul style="list-style-type: none"> • Type 0 is the default for the password and secret commands.
Step 4	<p>group <i>group-name</i></p> <p>Example:</p> <pre>RP/0/RSP0/CPU0:router(config-un)# group sysadmin</pre>	<p>Assigns the user named in Step 2, on page 29 to a user group that has already been defined through the usergroup command.</p> <ul style="list-style-type: none"> • The user takes on all attributes of the user group, as defined by that user group's association to various task groups. • Each user must be assigned to at least one user group. A user may belong to multiple user groups.
Step 5	Repeat Step 4, on page 30 for each user group to be associated with the user specified in Step 2, on page 29 .	—
Step 6	Use the commit or end command.	<p>commit —Saves the configuration changes and remains within the configuration session.</p> <p>end —Prompts user to take one of these actions:</p> <ul style="list-style-type: none"> • Yes — Saves configuration changes and exits the configuration session. • No —Exits the configuration session without committing the configuration changes. • Cancel —Remains in the configuration session, without committing the configuration changes.

What to do next

After completing configuration of a full set of users, configure router to use the RADIUS server communication or TACACS+ servers (See the [Configuring Router to RADIUS Server Communication, on page 35](#) or [Configuring a TACACS+ Server, on page 42](#) section.)

Configure Type 8 and Type 9 Passwords

When configuring a password, user has the following two options:

- User can provide an already encrypted value, which is stored directly in the system without any further encryption.
- User can provide a cleartext password that is internally encrypted and stored in the system.

The Type 5, Type 8, and Type 9 encryption methods provide the above mentioned options for users to configure their passwords.

For more information about configuring Type 8 and Type 9 encryption methods, see [Configuring Users, on page 29](#) section.

Configuration Example

Directly configuring a Type 8 encrypted password:

```
Router(config)# username demo8
Router(config-un)#secret 8 $8$dsYGNam3K1SIJO$7nv/35M/qr6t.dVc7UY9zrJDWRVqncHub1PE9U1MQFs
```

Configuring a clear-text password that is encrypted using Type 8 encryption method:

```
Router(config)# username demo8
Router(config-un)#secret 0 enc-type 8 PASSWORD
```

Directly configuring a Type 9 encrypted password:

```
Router(config)# username demo9
Router(config-un)# secret 9 $9$nhEmQVczB7dqsO$X.HsgL6x1i10RxxkOSSvyQYwucySct7qFm4v7pqCxxkKM
```

Configuring a clear-text password that is encrypted using Type 9 encryption method:

```
Router(config)# username demo9
Router(config-un)#secret 0 enc-type 9 PASSWORD
```

Related Topics

- [Type 8 and Type 9 Passwords, on page 13](#)

Associated Commands

- secret
- username

Configure Type 10 Password

You can use these options to configure Type 10 password (that uses **SHA512** hashing algorithm) for the user:

Configuration Example

From Release 7.0.1 and later, Type 10 is applied by default for the passwords when you create a user with a clear-text password.

```
Router#configure
Router(config)#username user10 secret testpassword
Router(config-un)#commit
```

Also, a new parameter '10' is available for the **secret** option under the **username** command to configure explicitly the Type 10 passwords.

```
Router#configure
Router(config)#username root secret 10
$6$9UvJidvsTEgkAPU$3CL1Ei/F.E4v/Hi.UaqLwX8UsSEr9ApG6c5pzhMjMztgW4jObAQ7meAwyhu5VM/aRFJqe/jxZG17h6xPrvJWf1
Router(config-un)#commit
```

In scenarios where you have to enter the clear-text password, you can specify the encryption algorithm to be used by using the **enc-type** keyword and the clear-text password as follows:

```
Router#configure
Router(config)#username user10 secret 0 enc-type 10 testpassword
Router(config-un)#commit
```

The preceding configuration configures the user with the Type10 password.

In System Admin VM, you can specify the Type 10 encrypted password as follows:

```
Router#admin
sysadmin-vm:0_RP0# configure
sysadmin-vm:0_RP0(config)# aaa authentication users user user10 password testpassword
sysadmin-vm:0_RP0(config)# commit
Commit complete.
sysadmin-vm:0_RP0(config)# end
sysadmin-vm:0_RP0# exit
Router#
```

Running Configuration

```
Router#show running-configuration username user10
!
username user10
secret 10
$6$9UvJidvsTEgkAPU$3CL1Ei/F.E4v/Hi.UaqLwX8UsSEr9ApG6c5pzhMjMztgW4jObAQ7meAwyhu5VM/aRFJqe/jxZG17h6xPrvJWf1
!
```

In System Admin VM:

```
sysadmin-vm:0_RP0#show running-configuration aaa authentication users user user10
Tue Jan 14 07:32:44.363 UTC+00:00
aaa authentication users user user10
password
$6$MMvh1j1CzSd2nJfB$Bbvzxriwx4iLFg75w4zj15YK3y eoq5UoRyc1evtSX0c4EuaMlqK.v7E3zbY1yKkxkN6rXpQuhMJOUyRHItDc1
!
sysadmin-vm:0_RP0#
```

Similarly, you can use the **admin show running-configuration aaa authentication users user user10** command in XR VM, to see the details of the password configured for the user.

Related Topics

- [Type 10 Password, on page 13](#)
- [Backward Compatibility for Password Types, on page 33](#)

Associated Commands

- **username**
- **secret**

Backward Compatibility for Password Types

When you downgrade from Cisco IOS XR Software Release 7.0.1 to lower versions, you might experience issues such as configuration loss, authentication failure, termination of downgrade process or XR VM being down. These issues occur because Type 5 (MD5) is the default encryption for older releases.

It is recommended to follow these steps to avoid such backward compatibility issues during downgrade:

- Perform all install operations for the downgrade except the **install activate** step.
- Before performing the **install activate** step, take the backup of user configurations on both the VMs. You can use the **show running-configuration username | file harddisk:/filename** command for the same.
- Delete all users on both the VMs and initiate the **install activate** step.
- When the router boots up with the lower version, it prompts for the first root-system user creation.
- After your login with the credentials of the first user, apply the previously saved configuration to both the VMs.

For example, consider an authentication failure scenario after a downgrade. The downgrade process does not affect any existing user name configuration with Type 5 secret. Such users can log in without any issue using the clear-text password. But, the users with Type 10 configuration might experience authentication failure, and may not be able to log in. In such cases, the system treats the whole string “10<space><sha512-hashed-text>” as a clear-text password and encrypts it to Type 5 (MD5) password. Use that “10<space><sha512-hashed-text>” string as the password for that Type 10 user to log in. After you log in with the preceding step, you must explicitly configure the clear-text password in XR VM and System Admin VM as described in the Configuration Example section.

Configure AAA Password Policy

To configure the AAA password policy, use the **aaa password-policy** command in the global configuration mode.

Configuration Example

This example shows how to configure a AAA password security policy, *test-policy*. This *test-policy* is applied to a user by using the **username** command along with **password-policy** option.

```

RP/0/RSP0/CPU0:router(config)#aaa password-policy test-policy
RP/0/RSP0/CPU0:router(config-aaa)#min-length 8
RP/0/RSP0/CPU0:router(config-aaa)#max-length 15
RP/0/RSP0/CPU0:router(config-aaa)#lifetime months 3
RP/0/RSP0/CPU0:router(config-aaa)#min-char-change 5
RP/0/RSP0/CPU0:router(config-aaa)#authen-max-attempts 3
RP/0/RSP0/CPU0:router(config-aaa)#lockout-time days 1
RP/0/RSP0/CPU0:router(config-aaa)#commit

RP/0/RSP0/CPU0:router(config)#username user1 password-policy test-policy password 0 pwd1

```

Running Configuration

```

aaa password-policy test-policy
  min-length 8
  max-length 15
  lifetime months 3
  min-char-change 5
  authen-max-attempts 3
  lockout-time days 1
!

```

Verification

Use this command to get details of the AAA password policy configured in the router:

```

RP/0/RSP0/CPU0:router#show aaa password-policy

Fri Feb  3 16:50:58.086 EDT
Password Policy Name : test-policy
  Number of Users : 1
  Minimum Length : 8
  Maximum Length : 15
  Special Character Len : 0
  Uppercase Character Len : 0
  Lowercase Character Len : 1
  Numeric Character Len : 0
  Policy Life Time :
    seconds : 0
    minutes : 0
    hours : 0
    days : 0
    months : 3
    years : 0
  Lockout Time :
    seconds : 0
    minutes : 0
    hours : 0
    days : 1
    months : 0
    years : 0
  Character Change Len : 5
  Maximum Failure Attempts : 3

```

Related Topic

- [AAA Password Security for FIPS Compliance, on page 13](#)

Associated Commands

- `aaa password-policy`
- `show aaa password-policy`
- `username`

Configuring Router to RADIUS Server Communication

This task configures router to RADIUS server communication.

The RADIUS host is normally a multiuser system running RADIUS server software from Cisco (CiscoSecure ACS), Livingston, Merit, Microsoft, or another software provider. Configuring router to RADIUS server communication can have several components:

- Hostname or IP address
- Authentication destination port
- Accounting destination port
- Retransmission value
- Timeout period
- Key string

RADIUS security servers are identified on the basis of their hostname or IP address, hostname and specific User Datagram Protocol (UDP) port numbers, or IP address and specific UDP port numbers. The combination of the IP address and UDP port numbers creates a unique identifier, allowing different ports to be individually defined as RADIUS hosts providing a specific AAA service. In other words, this unique identifier enables RADIUS requests to be sent to multiple UDP ports on a server at the same IP address. If two different host entries on the same RADIUS server are configured for the same service—for example, accounting—the second host entry configured acts as an automatic switchover backup to the first one. Using this example, if the first host entry fails to provide accounting services, the network access server tries the second host entry configured on the same device for accounting services. (The RADIUS host entries are tried in the order they are configured.)

A RADIUS server and a Cisco router use a shared secret text string to encrypt passwords and exchange responses. To configure RADIUS to use the AAA security commands, you must specify the host running the RADIUS server daemon and a secret text (key) string that it shares with the router.

The timeout, retransmission, and encryption key values are configurable globally for all RADIUS servers, on a per-server basis, or in some combination of global and per-server settings. To apply these settings globally to all RADIUS servers communicating with the router, use the three unique global commands: **radius-server timeout**, **radius-server retransmit**, and **radius-server key**. To apply these values on a specific RADIUS server, use the **radius-server host** command.

You can configure a maximum of 30 global RADIUS servers.



Note You can configure both global and per-server timeout, retransmission, and key value commands simultaneously on the same Cisco network access server. If both global and per-server functions are configured on a router, the per-server timer, retransmission, and key value commands override global timer, retransmission, and key value commands.

SUMMARY STEPS

1. **configure**
2. **radius-server host** {hostname | ip address} [**auth-port** port-number] [**acct-port** port-number] [**timeout** seconds] [**retransmit** retries] [**key** string]
3. **radius-server retransmit** retries
4. **radius-server timeout** seconds
5. **radius-server key** {0 clear-text-key | 7 encrypted-key | clear-text-key}
6. **radius source-interface** type instance [**vrf** vrf-id]
7. Repeat [Step 2, on page 36](#) through [Step 6, on page 37](#) for each external server to be configured.
8. Use the **commit** or **end** command.
9. show radius

DETAILED STEPS

	Command or Action	Purpose
Step 1	<p>configure</p> <p>Example:</p> <pre>RP/0/RSP0/CPU0:router# configure</pre>	Enters global configuration mode.
Step 2	<p>radius-server host {hostname ip address} [auth-port port-number] [acct-port port-number] [timeout seconds] [retransmit retries] [key string]</p> <p>Example:</p> <p>Specifying a radius server hostname</p> <pre>RP/0/RSP0/CPU0:router(config)# radius-server host host1</pre>	<p>Specifies the hostname or IP address of the remote RADIUS server host. .</p> <ul style="list-style-type: none"> • Use the auth-port port-number option to configure a specific UDP port on this RADIUS server to be used solely for authentication. • Use the acct-port port-number option to configure a specific UDP port on this RADIUS server to be used solely for accounting. • To configure the network access server to recognize more than one host entry associated with a single IP address, simply repeat this command as many times as necessary, making sure that each UDP port number is different. Set the timeout, retransmit, and encryption key values to use with the specific RADIUS host. • If no timeout is set, the global value is used; otherwise, enter a value in the range 1 to 1000. If no retransmit value is set, the global value is used; otherwise enter a value in the range 1 to 100. If no key string is specified, the global value is used.

	Command or Action	Purpose
		<p>Note The key is a text string that must match the encryption key used on the RADIUS server. Always configure the key as the last item in the radius-server host command syntax because the leading spaces are ignored, but spaces within and at the end of the key are used. If you use spaces in your key, do not enclose the key in quotation marks unless the quotation marks themselves are part of the key.</p>
Step 3	<p>radius-server retransmit <i>retries</i></p> <p>Example:</p> <pre>RP/0/RSP0/CPU0:router(config)# radius-server retransmit 5</pre>	<p>Specifies the number of times the Cisco IOS XR software searches the list of RADIUS server hosts before giving up.</p> <ul style="list-style-type: none"> In the example, the number of retransmission attempts is set to 5.
Step 4	<p>radius-server timeout <i>seconds</i></p> <p>Example:</p> <pre>RP/0/RSP0/CPU0:router(config)# radius-server timeout 10</pre>	<p>Sets the number of seconds a router waits for a server host to reply before timing out.</p> <ul style="list-style-type: none"> In the example, the interval timer is set to 10 seconds.
Step 5	<p>radius-server key {0 <i>clear-text-key</i> 7 <i>encrypted-key</i> <i>clear-text-key</i>}</p> <p>Example:</p> <pre>RP/0/RSP0/CPU0:router(config)# radius-server key 0 samplekey</pre>	<p>Sets the authentication and encryption key for all RADIUS communications between the router and the RADIUS daemon.</p>
Step 6	<p>radius source-interface <i>type instance</i> [vrf <i>vrf-id</i>]</p> <p>Example:</p> <pre>RP/0/RSP0/CPU0:router(config)# radius source-interface GigabitEthernet 0/3/0/1</pre>	<p>(Optional) Forces RADIUS to use the IP address of a specified interface or subinterface for all outgoing RADIUS packets.</p> <ul style="list-style-type: none"> The specified interface or subinterface must have an IP address associated with it. If the specified interface or subinterface does not have an IP address or is in the down state, then RADIUS reverts to the default. To avoid this, add an IP address to the interface or subinterface or bring the interface to the up state. <p>The vrf keyword enables the specification on a per-VRF basis.</p>
Step 7	Repeat Step 2, on page 36 through Step 6, on page 37 for each external server to be configured.	—
Step 8	Use the commit or end command.	<p>commit —Saves the configuration changes and remains within the configuration session.</p> <p>end —Prompts user to take one of these actions:</p>

	Command or Action	Purpose
		<ul style="list-style-type: none"> • Yes — Saves configuration changes and exits the configuration session. • No — Exits the configuration session without committing the configuration changes. • Cancel — Remains in the configuration session, without committing the configuration changes.
Step 9	show radius Example: RP/0/RSP0/CPU0:router# show radius	(Optional) Displays information about the RADIUS servers that are configured in the system.

What to do next

After configuring router to RADIUS server communication, configure RADIUS server groups. (See the [Configuring RADIUS Server Groups, on page 45](#) section.)

Configuring RADIUS Dead-Server Detection

This task configures the RADIUS Dead-Server Detection feature.

The RADIUS Dead-Server Detection feature lets you configure and determine the criteria that is used to mark a RADIUS server as dead. If no criteria is explicitly configured, the criteria is computed dynamically on the basis of the number of outstanding transactions. The RADIUS dead-server detection configuration results in the prompt detection of RADIUS servers that have stopped responding. The prompt detection of nonresponding RADIUS servers and the avoidance of swamped and dead-to-live-to-dead-again servers result in less downtime and quicker packet processing.

You can configure the minimum amount of time, in seconds, that must elapse from the time that the router last received a valid packet from the RADIUS server to the time the server is marked as dead. If a packet has not been received since the router booted, and there is a timeout, the time criterion is treated as though it was met.

In addition, you can configure the number of consecutive timeouts that must occur on the router before the RADIUS server is marked as dead. If the server performs both authentication and accounting, both types of packets are included in the number. Improperly constructed packets are counted as though they are timeouts. Only retransmissions are counted, not the initial transmission. For example, each timeout causes one retransmission to be sent.



Note Both the time criterion and the tries criterion must be met for the server to be marked as dead.

The **radius-server deadtime** command specifies the time, in minutes, for which a server is marked as dead, remains dead, and, after this period, is marked alive even when no responses were received from it. When the dead criteria are configured, the servers are not monitored unless the **radius-server deadtime** command is configured.

SUMMARY STEPS

1. **configure**
2. **radius-server deadtime** *minutes*
3. **radius-server dead-criteria time** *seconds*
4. **radius-server dead-criteria tries** *tries*
5. Use the **commit** or **end** command.
6. **show radius dead-criteria host** *ip address in IPv4 or IPv6 format* [**auth-port** *auth-port*] [**acct-port** *acct-port*]

DETAILED STEPS

	Command or Action	Purpose
Step 1	configure Example: <pre>RP/0/RSP0/CPU0:router# configure</pre>	Enters global configuration mode.
Step 2	radius-server deadtime <i>minutes</i> Example: <pre>RP/0/RSP0/CPU0:router(config)# radius-server deadtime 5</pre>	Improves RADIUS response times when some servers might be unavailable and causes the unavailable servers to be skipped immediately.
Step 3	radius-server dead-criteria time <i>seconds</i> Example: <pre>RP/0/RSP0/CPU0:router(config)# radius-server dead-criteria time 5</pre>	Establishes the time for the dead-criteria conditions for a RADIUS server to be marked as dead.
Step 4	radius-server dead-criteria tries <i>tries</i> Example: <pre>RP/0/RSP0/CPU0:router(config)# radius-server dead-criteria tries 4</pre>	Establishes the number of tries for the dead-criteria conditions for a RADIUS server to be marked as dead.
Step 5	Use the commit or end command.	commit —Saves the configuration changes and remains within the configuration session. end —Prompts user to take one of these actions: <ul style="list-style-type: none"> • Yes — Saves configuration changes and exits the configuration session. • No —Exits the configuration session without committing the configuration changes. • Cancel —Remains in the configuration session, without committing the configuration changes.

	Command or Action	Purpose
Step 6	<p>show radius dead-criteria host <i>ip address in IPv4 or IPv6 format</i> [auth-port <i>auth-port</i>] [acct-port <i>acct-port</i>]</p> <p>Example:</p> <pre>RP/0/RSP0/CPU0:router# show radius dead-criteria host 172.19.192.80</pre>	(Optional) Displays dead-server-detection information that has been requested for a RADIUS server at the specified IP address.

Configuring Per VRF AAA

The Per VRF AAA functionality enables AAA services to be based on VPN routing and forwarding (VRF) instances. The Provider Edge (PE) or Virtual Home Gateway (VHG) communicates directly with the customer's RADIUS server, which is associated with the customer's VPN, without having to go through a RADIUS proxy. Thus, ISPs can scale their VPN offerings more efficiently, because they no longer have to use RADIUS proxies and they can provide their customers with the flexibility they demand.

New Vendor-Specific Attributes (VSAs)

The Internet Engineering Task Force (IETF) draft standard specifies a method for communicating vendor-specific information between the network access server and the RADIUS server by using the vendor-specific attribute (attribute 26). Attribute 26 encapsulates vendor-specific attributes, thereby, allowing vendors to support their own extended attributes otherwise not suitable for general use.

The Cisco IOS XR software RADIUS implementation supports one vendor-specific option using the format recommended in the specification. Cisco's vendor-ID is 9, and the supported option has vendor-type 1, which is named "cisco-avpair". The value is a string of the following format:

```
protocol : attribute sep value *
```

"Protocol" is a value of the Cisco "protocol" attribute for a particular type of authorization. "Attribute" and "value" are an appropriate attribute-value (AV) pair defined in the Cisco RADIUS specification, and "sep" is "=" for mandatory attributes and "*" for optional attributes.

This table describes the VSAs that are now supported for Per VRF AAA.

Table 3: Supported VSAs for Per VRF AAA

VSA Name	Value Type	Description
Note		The RADIUS VSAs—rad-serv, rad-serv-source-if, and rad-serv-vrf—must have the prefix "aaa:" before the VSA name.

VSA Name	Value Type	Description
rad-serv	string	<p>Indicates the IP address in IPv4 or IPv6 format, key, timeout, and retransmit number of a server and the group of the server.</p> <p>The VSA syntax follows:</p> <pre>rad-serv=a.b.c.d [key SomeKey] [auth-port X] [acct-port Y] [retransmit V] [timeout W].</pre> <p>Other than the IP address, all parameters are optional and are issued in any order. If the optional parameters are not specified, their default values are used.</p> <p>The key cannot contain any spaces; for “retransmit V,” “V” can range from 1 to 100; for “timeout W,” the “W” can range from 1 to 1000.</p>
rad-serv-vrf	string	<p>Specifies the name of the VRF that is used to transmit RADIUS packets. The VRF name matches the name that was specified through the vrf command.</p>

This task configures RADIUS server groups per VRF. For information about configuring TACACS+ server groups per VRF, refer [Configuring TACACS+ Server Groups, on page 47](#).

SUMMARY STEPS

1. **configure**
2. **aaa group server radius** *group-name*
3. **server-private** {*hostname | ip-address in IPv4 or IPv6 format*} [**auth-port** *port-number*] [**acct-port** *port-number*] [**timeout** *seconds*] [**retransmit** *retries*] [**key** *string*]
4. **vrf** *vrf-name*
5. Use the **commit** or **end** command.

DETAILED STEPS

	Command or Action	Purpose
Step 1	<p>configure</p> <p>Example:</p> <pre>RP/0/RSP0/CPU0:router# configure</pre>	Enters global configuration mode.
Step 2	<p>aaa group server radius <i>group-name</i></p> <p>Example:</p> <pre>RP/0/RSP0/CPU0:router(config)# aaa group server radius radgroup1 RP/0/RSP0/CPU0:router(config-sg-radius)#</pre>	Groups different server hosts into distinct lists and enters the server group configuration mode.
Step 3	<p>server-private {<i>hostname ip-address in IPv4 or IPv6 format</i>} [auth-port <i>port-number</i>] [acct-port <i>port-number</i>] [timeout <i>seconds</i>] [retransmit <i>retries</i>] [key <i>string</i>]</p>	Configures the IP address of the private RADIUS server for the group.

	Command or Action	Purpose
	<p>Example:</p> <p>IP address in IPv4 format</p> <pre>RP/0/RSP0/CPU0:router(config-sg-radius)# server-private 10.1.1.1 timeout 5 RP/0/RSP0/CPU0:router(config-sg-radius)# server-private 10.2.2.2 retransmit 3</pre> <p>Example:</p> <p>IP address in IPv6 format</p> <pre>RP/0/RSP0/CPU0:router(config-sg-radius)# server-private 2001:db8:a0b:12f0::1/64 timeout 5 RP/0/RSP0/CPU0:router(config-sg-radius)# server-private 10.2.2.2 retransmit 3</pre>	<p>If private server parameters are not specified, global configurations are used. If global configurations are not specified, default values are used.</p> <p>Both auth-port and acct-port keywords enter RADIUS server-group private configuration mode.</p> <p>You can configure a maximum of 30 private servers per RADIUS server group.</p>
Step 4	<p>vrf <i>vrf-name</i></p> <p>Example:</p> <pre>RP/0/RSP0/CPU0:router(config-sg-radius)# vrf v2.44.com</pre>	<p>Configures the VRF reference of an AAA RADIUS server group.</p> <p>Note Private server IP addresses can overlap with those configured globally and the VRF definitions can help to distinguish them.</p>
Step 5	Use the commit or end command.	<p>commit —Saves the configuration changes and remains within the configuration session.</p> <p>end —Prompts user to take one of these actions:</p> <ul style="list-style-type: none"> • Yes — Saves configuration changes and exits the configuration session. • No —Exits the configuration session without committing the configuration changes. • Cancel —Remains in the configuration session, without committing the configuration changes.

Configuring a TACACS+ Server

This task configures a TACACS+ server.

The port, if not specified, defaults to the standard port number, 49. The **timeout** and **key** parameters can be specified globally for all TACACS+ servers. The **timeout** parameter specifies how long the AAA server waits to receive a response from the TACACS+ server. The **key** parameter specifies an authentication and encryption key shared between the AAA server and the TACACS+ server.

The **single-connection** parameter specifies to multiplex all TACACS+ requests to the TACACS+ server over a single TCP connection. The **single-connection-idle-timeout** parameter specifies the timeout value for this single connection.

You can configure a maximum of 30 global TACACS+ servers.

SUMMARY STEPS

1. **configure**
2. **tacacs-server host** *host-name* **port** *port-number*
3. **tacacs-server host** *host-name* **timeout** *seconds*
4. **tacacs-server host** *host-name* **key** [**0** | **7**] *auth-key*
5. **tacacs-server host** *host-name* **single-connection**
6. **tacacs-server host** *host-name* **single-connection-idle-timeout** *timeout-in-seconds*
7. **tacacs source-interface** *type instance* **vrf** *vrf-name*
8. Repeat step 2 through step 6 for each external server to be configured.
9. Use the **commit** or **end** command.
10. **show tacacs**

DETAILED STEPS

	Command or Action	Purpose
Step 1	configure Example: RP/0/RSP0/CPU0:router# configure	Enters global configuration mode.
Step 2	tacacs-server host <i>host-name</i> port <i>port-number</i> Example: RP/0/RSP0/CPU0:router(config)# tacacs-server host 209.165.200.226 port 51 RP/0/RSP0/CPU0:router(config-tacacs-host)#	Specifies a TACACS+ host server and optionally specifies a server port number. <ul style="list-style-type: none"> • This option overrides the default, port 49. Valid port numbers range from 1 to 65535.
Step 3	tacacs-server host <i>host-name</i> timeout <i>seconds</i> Example: RP/0/RSP0/CPU0:router(config-tacacs-host)# tacacs-server host 209.165.200.226 timeout 30 RP/0/RSP0/CPU0:router(config)#	Specifies a TACACS+ host server and optionally specifies a timeout value that sets the length of time the AAA server waits to receive a response from the TACACS+ server. <ul style="list-style-type: none"> • This option overrides the global timeout value set with the tacacs-server timeout command for only this server. The timeout value is expressed as an integer in terms of timeout interval seconds. The range is from 1 to 1000.
Step 4	tacacs-server host <i>host-name</i> key [0 7] <i>auth-key</i> Example: RP/0/RSP0/CPU0:router(config)# tacacs-server host 209.165.200.226 key 0 a_secret	Specifies a TACACS+ host server and optionally specifies an authentication and encryption key shared between the AAA server and the TACACS+ server. <ul style="list-style-type: none"> • The TACACS+ packets are encrypted using this key. This key must match the key used by TACACS+ daemon. Specifying this key overrides the global key set by the tacacs-server key command for only this server. • (Optional) Entering 0 indicates that an unencrypted (clear-text) key follows.

	Command or Action	Purpose
		<ul style="list-style-type: none"> • (Optional) Entering 7 indicates that an encrypted key follows. • The <i>auth-key</i> argument specifies the encrypted or unencrypted key to be shared between the AAA server and the TACACS+ server.
Step 5	tacacs-server host <i>host-name</i> single-connection Example: RP/0/RSP0/CPU0:router(config)# tacacs-server host 209.165.200.226 single-connection	Prompts the router to multiplex all TACACS+ requests to this server over a single TCP connection. By default, a separate connection is used for each session.
Step 6	tacacs-server host <i>host-name</i> single-connection-idle-timeout <i>timeout-in-seconds</i> Example: RP/0/0R0R0RSP0/CPU0:router:hostname(config)# tacacs-server host 209.165.200.226 single-connection-idle-timeout 60	Sets the idle timeout value, in seconds, for the single TCP connection (that is created by configuring the single-connection command) to the TACACS+ server. The range is: <ul style="list-style-type: none"> • 500 to 7200 (prior to Cisco IOS XR Software Release 6.8.1 (for 32-bit Cisco IOS XR routers) and Release 7.3.2/ Release 7.4.1 (for 64-bit Cisco IOS XR routers)) • 5 to 7200 (starting from Cisco IOS XR Software Release 6.8.1 (for 32-bit Cisco IOS XR routers) and Release 7.3.2/ Release 7.4.1 (for 64-bit Cisco IOS XR routers))
Step 7	tacacs source-interface <i>type instance vrf vrf-name</i> Example: RP/0/RSP0/CPU0:router(config)# tacacs source-interface GigabitEthernet 0/4/0/0 vrf abc	(Optional) Specifies the source IP address of a selected interface for all outgoing TACACS+ packets. <ul style="list-style-type: none"> • The specified interface or subinterface must have an IP address associated with it. If the specified interface or subinterface does not have an IP address or is in the down state, then TACACS+ reverts to the default interface. To avoid this, add an IP address to the interface or subinterface or bring the interface to the up state. • The vrf option specifies the Virtual Private Network (VPN) routing and forwarding (VRF) reference of an AAA TACACS+ server group.
Step 8	Repeat step 2 through step 6 for each external server to be configured.	—
Step 9	Use the commit or end command.	commit —Saves the configuration changes and remains within the configuration session. end —Prompts user to take one of these actions: <ul style="list-style-type: none"> • Yes — Saves configuration changes and exits the configuration session.

	Command or Action	Purpose
		<ul style="list-style-type: none"> • No —Exits the configuration session without committing the configuration changes. • Cancel —Remains in the configuration session, without committing the configuration changes.
Step 10	show tacacs Example: RP/0/RSP0/CPU0:router# show tacacs	(Optional) Displays information about the TACACS+ servers that are configured in the system.

What to do next

After configuring TACACS+ servers, configure TACACS+ server groups. (See the [Configuring TACACS+ Server Groups, on page 47](#) section.)

Configuring RADIUS Server Groups

This task configures RADIUS server groups.

The user can enter one or more **server** commands. The **server** command specifies the hostname or IP address of an external RADIUS server along with port numbers. When configured, this server group can be referenced from the AAA method lists (used while configuring authentication, authorization, or accounting). (See the [Method Lists, on page 9](#) section.)

You can configure a maximum of:

- 30 servers per RADIUS server group
- 30 private servers per RADIUS server group

Before you begin

For configuration to succeed, the external server should be accessible at the time of configuration.

SUMMARY STEPS

1. **configure**
2. **aaa group server radius** *group-name*
3. **server** {*hostname | ip address in IPv4 or IPv6 format*} [**auth-port** *port-number*] [**acct-port** *port-number*]
4. Repeat [Step 4, on page 46](#) for every external server to be added to the server group named in [Step 3, on page 46](#).
5. **deadtime** *minutes*
6. Use the **commit** or **end** command.
7. **show radius server-groups** [*group-name*] [**detail**]

DETAILED STEPS

	Command or Action	Purpose
Step 1	configure Example: RP/0/RSP0/CPU0:router# configure	Enters global configuration mode.
Step 2	aaa group server radius <i>group-name</i> Example: RP/0/RSP0/CPU0:router(config)# aaa group server radius radgroup1	Groups different server hosts into distinct lists and enters the server group configuration mode.
Step 3	server {<i>hostname</i> <i>ip address in IPv4 or IPv6 format</i>} [<i>auth-port port-number</i>] [<i>acct-port port-number</i>] Example: IP address in IPv4 format RP/0/RSP0/CPU0:router(config-sg-radius)# server 192.168.20.0 Example: IP address in IPv6 format RP/0/RSP0/CPU0:router(config-sg-radius)# server 2001:db8:a0b:12f0::1/64	Specifies the hostname or IP address of an external RADIUS server. <ul style="list-style-type: none"> After the server group is configured, it can be referenced from the AAA method lists (used while configuring authentication, authorization, or accounting).
Step 4	Repeat Step 4, on page 46 for every external server to be added to the server group named in Step 3, on page 46 .	—
Step 5	deadtime <i>minutes</i> Example: RP/0/RSP0/CPU0:router(config-sg-radius)# deadtime 1	Configures the deadtime value at the RADIUS server group level. <ul style="list-style-type: none"> The <i>minutes</i> argument specifies the length of time, in minutes, for which a RADIUS server is skipped over by transaction requests, up to a maximum of 1440 (24 hours). The range is from 1 to 1440. The example specifies a one-minute deadtime for RADIUS server group radgroup1 when it has failed to respond to authentication requests for the deadtime command Note You can configure the group-level deadtime after the group is created.
Step 6	Use the commit or end command.	commit —Saves the configuration changes and remains within the configuration session. end —Prompts user to take one of these actions: <ul style="list-style-type: none"> Yes — Saves configuration changes and exits the configuration session.

	Command or Action	Purpose
		<ul style="list-style-type: none"> • No —Exits the configuration session without committing the configuration changes. • Cancel —Remains in the configuration session, without committing the configuration changes.
Step 7	show radius server-groups [<i>group-name</i> [detail]] Example: RP/0/RSP0/CPU0:router# show radius server-groups	(Optional) Displays information about each RADIUS server group that is configured in the system.

What to do next

After configuring RADIUS server groups, define method lists by configuring authentication, authorization, and accounting. (See the [Configuring AAA Method Lists, on page 51](#) section.)

Configuring TACACS+ Server Groups

This task configures TACACS+ server groups.

You can enter one or more **server** commands. The **server** command specifies the hostname or IP address of an external TACACS+ server. Once configured, this server group can be referenced from the AAA method lists (used while configuring authentication, authorization, or accounting). (See the [Method Lists, on page 9](#) section.)

Before you begin

For successful configuration, the external server should be accessible at the time of configuration. When configuring the same IP address for global and vrf configuration, server-private parameters are required.

SUMMARY STEPS

1. **configure**
2. **aaa group server tacacs+** *group-name*
3. **server** {*hostname* | *ip address in IPv4 or IPv6 format*}
4. Repeat [Step 3, on page 48](#) for every external server to be added to the server group named in [Step 2, on page 48](#).
5. **server-private** {*hostname* | *ip-address in IPv4 or IPv6 format*} [**port** *port-number*] [**timeout** *seconds*] [**key** *string*]
6. **vrf** *vrf-name*
7. Use the **commit** or **end** command.
8. **show tacacs server-groups**

DETAILED STEPS

	Command or Action	Purpose
Step 1	configure Example: RP/0/RSP0/CPU0:router# configure	Enters global configuration mode.
Step 2	aaa group server tacacs+ group-name Example: RP/0/RSP0/CPU0:router(config)# aaa group server tacacs+ tacgroup1	Groups different server hosts into distinct lists and enters the server group configuration mode.
Step 3	server {hostname ip address in IPv4 or IPv6 format} Example: IP address in IPv4 format RP/0/RSP0/CPU0:router(config-sg-tacacs+)# server 192.168.100.0	Specifies the hostname or IP address of an external TACACS+ server. <ul style="list-style-type: none"> When configured, this group can be referenced from the AAA method lists (used while configuring authentication, authorization, or accounting).
Step 4	Repeat Step 3, on page 48 for every external server to be added to the server group named in Step 2, on page 48 .	—
Step 5	server-private {hostname ip-address in IPv4 or IPv6 format} [port port-number] [timeout seconds] [key string] Example: RP/0/RSP0/CPU0:router(config-sg-tacacs+)# server-private 10.1.1.1 key a_secret	Configures the IP address of the private TACACS+ server for the group server. Note <ul style="list-style-type: none"> You can configure a maximum of 10 TACACS+ servers per server group. You can configure a maximum of 10 private TACACS+ servers. If private server parameters are not specified, global configurations are used. If global configurations are not specified, default values are used.
Step 6	vrf vrf-name Example: RP/0/RSP0/CPU0:router(config-sg-tacacs+)# vrf abc	Specifies the Virtual Private Network (VPN) routing and forwarding (VRF) reference of an AAA TACACS+ server group.
Step 7	Use the commit or end command.	commit —Saves the configuration changes and remains within the configuration session. end —Prompts user to take one of these actions: <ul style="list-style-type: none"> Yes — Saves configuration changes and exits the configuration session. No —Exits the configuration session without committing the configuration changes.

	Command or Action	Purpose
		<ul style="list-style-type: none"> • Cancel —Remains in the configuration session, without committing the configuration changes.
Step 8	show tacacs server-groups Example: RP/0/RSP0/CPU0:router# show tacacs server-groups	(Optional) Displays information about each TACACS+ server group that is configured in the system.

What to do next

After configuring TACACS+ server groups, define method lists used by configuring authentication, authorization, and accounting. (See the [Configuring AAA Method Lists, on page 51](#) section.)

Configure Per VRF TACACS+ Server Groups

The Cisco IOS XR software supports per VRF AAA to be configured on TACACS+ server groups. You must use the **server-private** and **vrf** commands as listed below to configure this feature.

The global server definitions can be referred from multiple server groups, but all references use the same server instance and connect to the same server. In case of VRF, you do not need the global configuration because the server status, server statistics and the key could be different for different VRFs. Therefore, you must use the server-private configuration if you want to configure per VRF TACACS+ server groups. If you have the same server used in different groups with different VRFs, ensure that it is reachable through all those VRFs.

If you are migrating the servers to a VRF, then it is safe to remove the global server configuration with respect to that server.

Prerequisites

You must ensure these before configuring per VRF on TACACS+ server groups:

- Be familiar with configuring TACACS+, AAA, per VRF AAA, and group servers.
- Ensure that you have access to the TACACS+ server.
- Configure the VRF instance before configuring the specific VRF for a TACACS+ server and ensure that the VRF is reachable.

Configuration Example

```
Router#configure
```

```
/* Groups different server hosts into distinct lists and enters the server group configuration mode.
```

```
You can enter one or more server commands. The server command specifies the hostname or IP address of an external TACACS+ server.
```

```
Once configured, this server group can be referenced from the AAA method lists (used while configuring authentication, authorization, or accounting). */
```

```
Router(config)# aaa group server tacacs+ tacgroup1
```

```
/* Configures the IP address and the secret key of the private TACACS+ server that is
```

reachable through specific VRF.
 You can have multiple such server configurations which are reachable through the same VRF.*/

```
Router(config-sg-tacacs+)# server-private 10.1.1.1 port 49 key a_secret

/* The vrf option specifies the VRF reference of a AAA TACACS+ server group */
Router(config-sg-tacacs+)# vrf test-vrf
Router(config-sg-tacacs+)# commit
```

Running Configuration

```
aaa group server tacacs+ tacgroup1
vrf test-vrf
server-private 10.1.1.1 port 49
key 7 0822455D0A16
!
server-private 10.1.1.2 port 49
key 7 05080F1C2243
!
server-private 2001:db8:1::1 port 49
key 7 045802150C2E
!
server-private 2001:db8:1::2 port 49
key 7 13061E010803
!
!
```

Verify Per VRF TACACS+ Server Groups

```
Router#show tacacs
Fri Sep 27 11:14:34.991 UTC

Server: 10.1.1.1/49 vrf=test-vrf [private]
opens=0 closes=0 aborts=0 errors=0
packets in=0 packets out=0
status=up single-connect=false family=IPv4

Server: 10.1.1.2/49 vrf=test-vrf [private]
opens=0 closes=0 aborts=0 errors=0
packets in=0 packets out=0
status=up single-connect=false family=IPv4

Server: 2001:db8:1::1/49 vrf=test-vrf [private]
opens=0 closes=0 aborts=0 errors=0
packets in=0 packets out=0
status=up single-connect=false family=IPv6

Server: 2001:db8:1::2/49 vrf=test-vrf [private]
opens=0 closes=0 aborts=0 errors=0
packets in=0 packets out=0
status=up single-connect=false family=IPv6
```

Associated Commands

- **server-private**
- **vrf**

Configuring AAA Method Lists

AAA data may be stored in a variety of data sources. AAA configuration uses *method lists* to define an order of preference for the source of AAA data. AAA may define more than one method list and applications (such as login) can choose one of them. For example, console and aux ports may use one method list and the vty ports may use another. If a method list is not specified, the application tries to use a default method list.

This section contains the following procedures:

Configuring Authentication Method Lists

This task configures method lists for authentication.

Authentication Configuration

Authentication is the process by which a user (or a principal) is verified. Authentication configuration uses *method lists* to define an order of preference for the source of AAA data, which may be stored in a variety of data sources. You can configure authentication to define more than one method list and applications (such as login) can choose one of them. For example, console and aux ports may use one method list and the vty ports may use another. If a method list is not specified, the application tries to use a default method list.



Note Applications should explicitly refer to defined method lists for the method lists to be effective.

The authentication can be applied to tty lines through use of the **login authentication** line configuration submode command.

Creation of a Series of Authentication Methods

Use the **aaa authentication** command to create a series of authentication methods, or method list. A method list is a named list describing the authentication methods to be used (such as RADIUS or TACACS+), in sequence. The method will be one of the following:

- **group radius**—Use a server group or RADIUS servers for authentication
- **group tacacs+**—Use a server group or TACACS+ servers for authentication
- **local**—Use the local username or password database for authentication
- **line**—Use the line password or user group for authentication

If the method is RADIUS or TACACS+ servers, rather than server group, the RADIUS or TACACS+ server is chosen from the global pool of configured RADIUS and TACACS+ servers, in the order of configuration. Servers from this global pool are the servers that can be selectively added to a server group.

The subsequent methods of authentication are used only if the initial method returns an error, not if the request is rejected.

Before you begin

Note The default method list is applied for all the interfaces for authentication, except when a non-default named method list is explicitly configured, in which case the named method list is applied.

The **group radius**, **group tacacs+**, and **group group-name** forms of the **aaa authentication** command refer to a set of previously defined RADIUS or TACACS+ servers. Use the **radius server-host** or **tacacs-server host** command to configure the host servers. Use the **aaa group server radius** or **aaa group server tacacs+** command to create a named group of servers.

SUMMARY STEPS

1. **configure**
2. **aaa authentication {login | ppp} {default | list-name | remote} method-list**
3. Use the **commit** or **end** command.
4. Repeat Step 1 through Step 3 for every authentication method list to be configured.

DETAILED STEPS

	Command or Action	Purpose
Step 1	configure Example: RP/0/RSP0/CPU0:router# configure	Enters global configuration mode.
Step 2	aaa authentication {login ppp} {default list-name remote} method-list Example: RP/0/RSP0/CPU0:router(config)# aaa authentication login default group tacacs+	Creates a series of authentication methods, or a method list. <ul style="list-style-type: none"> • Using the login keyword sets authentication for login. Using the ppp keyword sets authentication for Point-to-Point Protocol. • Entering the default keyword causes the listed authentication methods that follow this keyword to be the default list of methods for authentication. • Entering a <i>list-name</i> character string identifies the authentication method list. • Entering the remote keyword causes the listed authentication methods that follow this keyword to be the default list of methods for administrative authentication on a remote non-owner SDR. <p>Note The remote keyword is available only on the admin plane.</p> <ul style="list-style-type: none"> • Entering a <i>method-list</i> argument following the method list type. Method list types are entered in the preferred sequence. The listed method types are any one of the following options:

	Command or Action	Purpose
		<ul style="list-style-type: none"> • group tacacs+—Use a server group or TACACS+ servers for authentication • group radius—Use a server group or RADIUS servers for authentication • group <i>named-group</i>—Use a named subset of TACACS+ or RADIUS servers for authentication • local—Use a local username or password database for authentication • line—Use line password or user group for authentication <p>• The example specifies the default method list to be used for authentication.</p>
Step 3	Use the commit or end command.	<p>commit —Saves the configuration changes and remains within the configuration session.</p> <p>end —Prompts user to take one of these actions:</p> <ul style="list-style-type: none"> • Yes — Saves configuration changes and exits the configuration session. • No —Exits the configuration session without committing the configuration changes. • Cancel —Remains in the configuration session, without committing the configuration changes.
Step 4	Repeat Step 1 through Step 3 for every authentication method list to be configured.	—

What to do next

After configuring authentication method lists, configure authorization method lists. (See the [Configuring Authorization Method Lists, on page 53](#) section).

Configuring Authorization Method Lists

This task configures method lists for authorization.



Note You can configure the **radius** keyword for the **aaa authorization** command.

Authorization Configuration

Method lists for authorization define the ways authorization will be performed and the sequence in which these methods will be performed. A method list is a named list describing the authorization methods to be

used (such as TACACS+), in sequence. Method lists enable you to designate one or more security protocols to be used for authorization, thus ensuring a backup system if the initial method fails. The software uses the first method listed to authorize users for specific network services; if that method fails to respond, the software selects the next method listed in the method list. This process continues until there is successful communication with a listed authorization method, or until all methods defined have been exhausted.



Note The software attempts authorization with the next listed method only when there is no response or an error response (not a failure) from the previous method. If authorization fails at any point in this cycle—meaning that the security server or local username database responds by denying the user services—the authorization process stops and no other authorization methods are attempted.

Method lists are specific to the type of authorization being requested. Four types of AAA authorization are supported:

- **Commands authorization**—Applies to the EXEC mode mode commands a user issues. Command authorization attempts authorization for all EXEC mode mode commands.



Note “Command” authorization is distinct from “task-based” authorization, which is based on the task profile established during authentication.

- **EXEC mode authorization**—Applies authorization for starting EXEC mode session.
- **Network authorization**—Applies authorization for network services, such as IKE.
- **Eventmanager authorization**—Applies an authorization method for authorizing an event manager (fault manager). RADIUS servers are not allowed to be configured for the event manager (fault manager) authorization. You are allowed to use TACACS+ or locald.

When you create a named method list, you are defining a particular list of authorization methods for the indicated authorization type. When defined, method lists must be applied to specific lines or interfaces before any of the defined methods are performed. Do not use the names of methods, such as TACACS+, when creating a new method list.

“Command” authorization, as a result of adding a command authorization method list to a line template, is separate from, and is in addition to, “task-based” authorization, which is performed automatically on the router. The default behavior for command authorization is none. Even if a default method list is configured, that method list has to be added to a line template for it to be used.

The **aaa authorization commands** command causes a request packet containing a series of attribute value (AV) pairs to be sent to the TACACS+ daemon as part of the authorization process. The daemon can do one of the following:

- Accept the request as is.
- Refuse authorization.



Note To avoid lockouts in user authorization, make sure to allow local fallback (by configuring the **local** option for **aaa authorization** command) when configuring AAA. For example, **aaa authorization commands default tacacs+ local**.

Creation of a Series of Authorization Methods

Use the **aaa authorization** command to set parameters for authorization and to create named method lists defining specific authorization methods that can be used for each line or interface.

The Cisco IOS XR software supports the following methods for authorization:

- **none**—The router does not request authorization information; authorization is not performed over this line or interface.
- **local**—Uses local database for authorization.
- **group tacacs+**—Uses the list of all configured TACACS+ servers for authorization.
- **group radius**—Uses the list of all configured RADIUS servers for authorization.
- **group group-name**—Uses a named subset of TACACS+ servers for authorization.



Note If you have configured AAA authorization to be subjected to TACACS+ authorization, then you must ensure that the server group is configured (use the **aaa group server tacacs+** command for this) for that TACACS+ server. Else, authorization fails.

For example,

```
aaa authorization exec default group test_tacacs+ local
aaa authorization commands default group test_tacacs+
aaa group server tacacs+ test_tacacs+ <===
```

SUMMARY STEPS

1. **configure**
2. **aaa authorization {commands | eventmanager | exec | network} {default | list-name} {none | local | group {tacacs+ | radius | group-name}}**
3. Use the **commit** or **end** command.

DETAILED STEPS

	Command or Action	Purpose
Step 1	configure Example: RP/0/RSP0/CPU0:router# configure	Enters global configuration mode.

	Command or Action	Purpose
Step 2	<p>aaa authorization {commands eventmanager exec network} {default <i>list-name</i>} {none local group tacacs+ radius <i>group-name</i>}</p> <p>Example:</p> <pre>RP/0/RSP0/CPU0:router(config)# aaa authorization commands listname1 group tacacs+</pre>	<p>Creates a series of authorization methods, or a method list.</p> <ul style="list-style-type: none"> • The commands keyword configures authorization for all EXEC mode shell commands. Command authorization applies to the EXEC mode commands issued by a user. Command authorization attempts authorization for all EXEC mode commands. • The eventmanager keyword applies an authorization method for authorizing an event manager (fault manager). • The exec keyword configures authorization for an interactive (EXEC mode) session. • The network keyword configures authorization for network services like PPP or IKE. • The default keyword causes the listed authorization methods that follow this keyword to be the default list of methods for authorization. • A <i>list-name</i> character string identifies the authorization method list. The method list itself follows the method list name. Method list types are entered in the preferred sequence. The listed method list types can be any one of the following: <ul style="list-style-type: none"> • none—The network access server (NAS) does not request authorization information. Authorization always succeeds. No subsequent authorization methods will be attempted. However, the task ID authorization is always required and cannot be disabled. • local—Uses local database for authorization. • group tacacs+—Uses the list of all configured TACACS+ servers for authorization. The NAS exchanges authorization information with the TACACS+ security daemon. TACACS+ authorization defines specific rights for users by associating AV pairs, which are stored in a database on the TACACS+ security server, with the appropriate user. • group radius—Uses the list of all configured RADIUS servers for authorization. • group <i>group-name</i>—Uses a named server group, a subset of TACACS+ or RADIUS servers for authorization as defined by the aaa group server tacacs+ or aaa group server radius command.

	Command or Action	Purpose
Step 3	Use the commit or end command.	<p>commit —Saves the configuration changes and remains within the configuration session.</p> <p>end —Prompts user to take one of these actions:</p> <ul style="list-style-type: none"> • Yes — Saves configuration changes and exits the configuration session. • No —Exits the configuration session without committing the configuration changes. • Cancel —Remains in the configuration session, without committing the configuration changes.

What to do next

After configuring authorization method lists, configure accounting method lists. (See the [Configuring Accounting Method Lists, on page 57](#) section.)

Configuring Accounting Method Lists

This task configures method lists for accounting.



Note You can configure the **radius** keyword for the **aaa accounting** command.

Accounting Configuration

Currently, Cisco IOS XR software supports both the TACACS+ and RADIUS methods for accounting. The router reports user activity to the TACACS+ or RADIUS security server in the form of accounting records. Each accounting record contains accounting AV pairs and is stored on the security server.

Method lists for accounting define the way accounting is performed, enabling you to designate a particular security protocol to be used on specific lines or interfaces for particular types of accounting services. When naming a method list, do not use the names of methods, such as TACACS+.

For minimal accounting, include the **stop-only** keyword to send a “stop accounting” notice at the end of the requested user process. For more accounting, you can include the **start-stop** keyword, so that the external AAA server sends a “start accounting” notice at the beginning of the requested process and a “stop accounting” notice at the end of the process. In addition, you can use the **aaa accounting update** command to periodically send update records with accumulated information. Accounting records are stored only on the TACACS+ or RADIUS server.

When AAA accounting is activated, the router reports these attributes as accounting records, which are then stored in an accounting log on the security server.

Creation of a Series of Accounting Methods

Use the **aaa accounting** command to create default or named method lists defining specific accounting methods that can be used for each line or interface.

The Cisco IOS XR software supports the following methods for accounting:

- none—Accounting is not performed over this line or interface.
- group tacacs+—Use the list of all configured TACACS+ servers for accounting.
- group radius—Use the list of all configured RADIUS servers for accounting.

SUMMARY STEPS

1. **configure**
2. Do one of the following:
 - **aaa accounting** {**commands** | **exec** | **network**} {**default** | *list-name*} {**start-stop** | **stop-only**}
 - {none | method}
3. Use the **commit** or **end** command.

DETAILED STEPS

	Command or Action	Purpose
Step 1	configure Example: RP/0/RSP0/CPU0:router# configure	Enters global configuration mode.
Step 2	Do one of the following: <ul style="list-style-type: none"> • aaa accounting {commands exec network} {default <i>list-name</i>} {start-stop stop-only} • {none method} Example: RP/0/RSP0/CPU0:router(config)# aaa accounting commands default stop-only group tacacs+	<p>Note Command accounting is not supported on RADIUS, but supported on TACACS.</p> <p>Creates a series of accounting methods, or a method list.</p> <ul style="list-style-type: none"> • The commands keyword enables accounting for EXEC mode shell commands. • The exec keyword enables accounting for an interactive (EXEC mode) session. • The network keyword enables accounting for all network-related service requests, such as Point-to-Point Protocol (PPP). • The default keyword causes the listed accounting methods that follow this keyword to be the default list of methods for accounting. • A <i>list-name</i> character string identifies the accounting method list. • The start-stop keyword sends a “start accounting” notice at the beginning of a process and a “stop accounting” notice at the end of a process. The requested user process begins regardless of whether the “start accounting” notice was received by the accounting server.

	Command or Action	Purpose
		<ul style="list-style-type: none"> • The stop-only keyword sends a “stop accounting” notice at the end of the requested user process. • The none keyword states that no accounting is performed. • The method list itself follows the start-stop keyword. Method list types are entered in the preferred sequence. The method argument lists the following types: <ul style="list-style-type: none"> • group tacacs+—Use the list of all configured TACACS+ servers for accounting. • group radius—Use the list of all configured RADIUS servers for accounting. • group group-name—Use a named server group, a subset of TACACS+ or RADIUS servers for accounting as defined by the aaa group server tacacs+ or aaa group server radius command. • The example defines a default command accounting method list, in which accounting services are provided by a TACACS+ security server, with a stop-only restriction.
Step 3	Use the commit or end command.	<p>commit —Saves the configuration changes and remains within the configuration session.</p> <p>end —Prompts user to take one of these actions:</p> <ul style="list-style-type: none"> • Yes — Saves configuration changes and exits the configuration session. • No —Exits the configuration session without committing the configuration changes. • Cancel —Remains in the configuration session, without committing the configuration changes.

What to do next

After configuring method lists, apply those method lists. (See the [Applying Method Lists for Applications](#), on page 61 section.)

Generating Interim Accounting Records

This task enables periodic interim accounting records to be sent to the accounting server. When the **aaa accounting update** command is activated, Cisco IOS XR software issues interim accounting records for all users on the system.



Note Interim accounting records are generated only for network sessions, such as Internet Key Exchange (IKE) accounting, which is controlled by the **aaa accounting** command with the **network** keyword. System, command, or EXEC accounting sessions cannot have interim records generated.

SUMMARY STEPS

1. **configure**
2. **aaa accounting update {newinfo | periodic minutes}**
3. Use the **commit** or **end** command.

DETAILED STEPS

	Command or Action	Purpose
Step 1	configure Example: RP/0/RSP0/CPU0:router# configure	Enters global configuration mode.
Step 2	aaa accounting update {newinfo periodic minutes} Example: RP/0/RSP0/CPU0:router(config)# aaa accounting update periodic 30	Enables periodic interim accounting records to be sent to the accounting server. <ul style="list-style-type: none"> • If the newinfo keyword is used, interim accounting records are sent to the accounting server every time there is new accounting information to report. An example of this report would be when IPCP completes IP address negotiation with the remote peer. The interim accounting record includes the negotiated IP address used by the remote peer. • When used with the periodic keyword, interim accounting records are sent periodically as defined by the argument number. The interim accounting record contains all the accounting information recorded for that user up to the time the interim accounting record is sent. <p>Caution The periodic keyword causes heavy congestion when many users are logged in to the network.</p>
Step 3	Use the commit or end command.	<p>commit —Saves the configuration changes and remains within the configuration session.</p> <p>end —Prompts user to take one of these actions:</p> <ul style="list-style-type: none"> • Yes — Saves configuration changes and exits the configuration session.

	Command or Action	Purpose
		<ul style="list-style-type: none"> • No —Exits the configuration session without committing the configuration changes. • Cancel —Remains in the configuration session, without committing the configuration changes.

Applying Method Lists for Applications

After you configure method lists for authorization and accounting services, you can apply those method lists for applications that use those services (console, vty, auxiliary, and so on). Applying method lists is accomplished by enabling AAA authorization and accounting.

This section contains the following procedures:

Enabling AAA Authorization

This task enables AAA authorization for a specific line or group of lines.

Method List Application

After you use the **aaa authorization** command to define a named authorization method list (or use the default method list) for a particular type of authorization, you must apply the defined lists to the appropriate lines in order for authorization to take place. Use the **authorization** command to apply the specified method lists (or, if none is specified, the default method list) to the selected line or group of lines.

SUMMARY STEPS

1. **configure**
2. **line** {aux | console | default | template *template-name*}
3. **authorization** {commands | exec} {default | *list-name*}
4. Use the **commit** or **end** command.

DETAILED STEPS

	Command or Action	Purpose
Step 1	configure Example: RP/0/RSP0/CPU0:router# <code>configure</code>	Enters global configuration mode.
Step 2	line {aux console default template <i>template-name</i> }	Enters line template configuration mode.
	Example: RP/0/RSP0/CPU0:router(config)# <code>line console</code>	
Step 3	authorization {commands exec} {default <i>list-name</i> }	Enables AAA authorization for a specific line or group of lines.
	Example:	

	Command or Action	Purpose
	<pre>RP/0/RSP0/CPU0:router(config-line)# authorization commands listname5</pre>	<ul style="list-style-type: none"> • The commands keyword enables authorization on the selected lines for all commands. • The exec keyword enables authorization for an interactive (EXEC mode) session. • Enter the default keyword to apply the name of the default method list, as defined with the aaa authorization command. • Enter the name of a list of authorization methods to use. If no list name is specified, the system uses the default. The list is created with the aaa authorization command. • The example enables command authorization using the method list named listname5.
Step 4	Use the commit or end command.	<p>commit —Saves the configuration changes and remains within the configuration session.</p> <p>end —Prompts user to take one of these actions:</p> <ul style="list-style-type: none"> • Yes — Saves configuration changes and exits the configuration session. • No —Exits the configuration session without committing the configuration changes. • Cancel —Remains in the configuration session, without committing the configuration changes.

What to do next

After applying authorization method lists by enabling AAA authorization, apply accounting method lists by enabling AAA accounting. (See the [Enabling Accounting Services, on page 62](#) section.)

Enabling Accounting Services

This task enables accounting services for a specific line of group of lines.

SUMMARY STEPS

1. **configure**
2. **line { aux | console | default | template template-name }**
3. **accounting { commands | exec } { default | list-name }**
4. Use the **commit** or **end** command.

DETAILED STEPS

	Command or Action	Purpose
Step 1	configure Example: RP/0/RSP0/CPU0:router# configure	Enters global configuration mode.
Step 2	line { aux console default template template-name} Example: RP/0/RSP0/CPU0:router(config)# line console	Enters line template configuration mode.
Step 3	accounting {commands exec} {default list-name} Example: RP/0/RSP0/CPU0:router(config-line)# accounting commands listname7	Enables AAA accounting for a specific line or group of lines. <ul style="list-style-type: none"> • The commands keyword enables accounting on the selected lines for all EXEC mode shell commands. • The exec keyword enables accounting for an interactive (EXEC mode) session. • Enter the default keyword to apply the name of the default method list, as defined with the aaa accounting command. • Enter the name of a list of accounting methods to use. If no list name is specified, the system uses the default. The list is created with the aaa accounting command. • The example enables command accounting using the method list named listname7.
Step 4	Use the commit or end command.	commit —Saves the configuration changes and remains within the configuration session. end —Prompts user to take one of these actions: <ul style="list-style-type: none"> • Yes — Saves configuration changes and exits the configuration session. • No —Exits the configuration session without committing the configuration changes. • Cancel —Remains in the configuration session, without committing the configuration changes.

What to do next

After applying accounting method lists by enabling AAA accounting services, configure login parameters. (See the [Configuring Login Parameters, on page 64](#) section.)

Configuring Login Parameters

This task sets the interval that the server waits for reply to a login.

SUMMARY STEPS

1. **configure**
2. **line template** *template-name*
3. **timeout login response** *seconds*
4. Use the **commit** or **end** command.

DETAILED STEPS

	Command or Action	Purpose
Step 1	configure Example: RP/0/RSP0/CPU0:router# configure	Enters global configuration mode.
Step 2	line template <i>template-name</i> Example: RP/0/RSP0/CPU0:router(config)# line template alpha	Specifies a line to configure and enters line template configuration mode.
Step 3	timeout login response <i>seconds</i> Example: RP/0/RSP0/CPU0:router(config-line)# timeout login response 20	Sets the interval that the server waits for reply to a login. <ul style="list-style-type: none"> • The <i>seconds</i> argument specifies the timeout interval (in seconds) from 0 to 300. The default is 30 seconds. • The example shows how to change the interval timer to 20 seconds.
Step 4	Use the commit or end command.	commit —Saves the configuration changes and remains within the configuration session. end —Prompts user to take one of these actions: <ul style="list-style-type: none"> • Yes — Saves configuration changes and exits the configuration session. • No —Exits the configuration session without committing the configuration changes. • Cancel —Remains in the configuration session, without committing the configuration changes.

Configuration Examples for Configuring AAA Services

This section provides the following configuration example:

Configuring AAA Services: Example

The following examples show how to configure AAA services.

An authentication method list vty-authen is configured. This example specifies a method list that uses the list of all configured TACACS+ servers for authentication. If that method fails, the local username database method is used for authentication.

```
configure
aaa authentication login vty-authen group tacacs+ local
```

The default method list for PPP is configured to use local method.

```
aaa authentication ppp default local
```

A username user1 is created for login purposes, a secure login password is assigned, and user1 is made a root-lr user. Configure similar settings for username user2.

```
username user1
secret lab
group root-lr
exit
```

```
username user2
secret lab
exit
```

A task group named tga is created, tasks are added to tga, a user group named uga is created, and uga is configured to inherit permissions from task group tga. A description is added to task group uga.

```
taskgroup tga
task read bgp
task write ospf
exit
```

```
usergroup uga
taskgroup tga
description usergroup uga
exit
```

Username user2 is configured to inherit from user group uga.

```
username user2
group uga
exit
```

Three TACACS servers are configured.

```
tacacs-server host 10.1.1.1 port 1 key abc
tacacs-server host 10.2.2.2 port 2 key def
tacacs-server host 10.3.3.3 port 3 key ghi
```

A user group named priv5 is created, which will be used for users authenticated using the TACACS+ method and whose entry in the external TACACS+ daemon configuration file has a privilege level of 5.

```
usergroup priv5
taskgroup operator
exit
```

An authorization method list, `vty-author`, is configured. This example specifies that command authorization be done using the list of all configured TACACS+ servers.

```
aaa authorization commands vty-author group tacacs+
```

An accounting method list, `vty-acct`, is configured. This example specifies that start-stop command accounting be done using the list of all configured TACACS+ servers.

```
aaa accounting commands vty-acct start-stop group tacacs+
```

For TACACS+ authentication, if, for example, a privilege level 8 is returned, and no local usergroup `priv8` exists and no local user with the same name exists, the **aaa default-taskgroup** command with `tga` specified as the *taskgroup-name* argument ensures that such users are given the taskmap of the task group `tga`.

```
aaa default-taskgroup tga
```

For line template `vty`, a line password is assigned that is used with line authentication and makes usergroup `uga` the group that is assigned for line authentication (if used), and makes `vty-authen`, `vty-author`, and `vty-acct`, respectively, the method lists that are used for authentication, authorization, and accounting.

```
line template vty
password lab
users group uga
login authentication vty-authen
authorization commands vty-author
accounting commands vty-acct
exit
```

A TACACS+ server group named `abc` is created and an already configured TACACS+ server is added to it.

```
aaa group server tacacs+ abc
server 10.3.3.3
exit
```

Command Accounting

Command accounting with a method as `local`, enables the logging of commands executed by all users as `syslog` messages. This feature can be enabled or disabled only by users who have AAA write permissions. Once enabled, all the commands that are executed by all users can be viewed from the output of the **show logging** command.

Command accounting is not supported for commands that are executed using `Netconf`, `XML` or `GRPC`. Command accounting is not used as a failover accounting method but as an additional method of accounting. So this feature will be active even when other accounting methods are configured and functional.

Configuring Command Accounting

Command Accounting can either be configured alone or along with other accounting methods as shown below:

1. Configuring command accounting alone

```
RP/0/RSP0/CPU0:router(config)# aaa accounting commands default start-stop local none
RP/0/RSP0/CPU0:router(config)# commit
```

2. Configuring command accounting along with other accounting methods


```
RP/0/RSP0/CPU0:router(config)# aaa accounting commands default start-stop group tacacs+
local none
RP/0/RSP0/CPU0:router(config)# commit
```

Model-based AAA

The Network Configuration Protocol (NETCONF) protocol does not provide any standard mechanisms to restrict the protocol operations and content that each user is authorized to access. The NETCONF Access Control Model (NACM) is defined in AAA subsystem to manage access-control for NETCONF/YANG RPC requests.

The NACM module provides the ability to control the manageability activities of NETCONF users on the router. You can manage access privileges, the kind of operations that users can perform, and a history of the operations that were performed on the router. The NACM functionality accounts for all the operations that are performed on the box over the NETCONF interface. This functionality authenticates the user or user groups and authorizes permissions for users to perform the operation.

Prerequisites for Model Based AAA

Working with the model based AAA feature requires prior understanding of the following :

- NETCONF-YANG
- RFC 6536: Network Configuration Protocol (NETCONF) Access Control Model

Initial Operation

These are the NACM default values. By default a user is denied write permission, hence you'll not be able to edit the NACM configurations after enabling NACM authorization using AAA command.

```
<enable-nacm>false</enable-nacm>
<read-default>permit</read-default>
<write-default>deny</write-default>
<exec-default>permit</exec-default>
<enable-external-groups>true</enable-external-groups>
```

Therefore we recommend to enable NACM after configuring the required NACM configurations, or after changing the default NACM configurations. Here are few sample configurations:



Note If `access-denied` message is returned while writing NACM configurations, then NACM authorization can be disabled to edit the NACM configurations.

```
<aaa xmlns="http://cisco.com/ns/yang/Cisco-IOS-XR-aaa-lib-cfg">
<usernames xmlns="http://cisco.com/ns/yang/Cisco-IOS-XR-aaa-locald-cfg">
<username>
<ordering-index>3</ordering-index>
<name>username</name>
<password>password</password>
  <usergroup-under-usernames>
    <usergroup-under-username>
      <name>root-lr</name>
```

```

        </usergroup-under-username>
        <usergroup-under-username>
          <name>cisco-support</name>
        </usergroup-under-username>
      </usergroup-under-usernames>
    </username>
  </usernames>
</aaa>

<nacm xmlns="http://cisco.com/ns/yang/Cisco-IOS-XR-aaa-nacm-cfg">
<read-default>permit</read-default>
<write-default>permit</write-default>
<exec-default>permit</exec-default>
<enable-external-groups>true</enable-external-groups>
<groups>
  <group>
    <name>nacm_group</name>
    <user-name>lab</user-name>
  </group>
</groups>
<rule-list>
<name>Rule-list-1</name>
<group>Group_nacm_0_test</group>
<rule>
  <name>Rule-1</name>
  <access-operations>read</access-operations>
  <action>permit</action>
  <module-name>ietf-netconf-acm</module-name>
  <rpc-name>edit-config</rpc-name>
    <access-operations>*</access-operations>
    <path>/</path>
    <action>permit</action>
  </rule>
</rule-list>
</nacm>

```

NACM Configuration Management and Persistence

The NACM configuration can be modified using NETCONF or RESTCONF. In order for a user to be able to access the NACM configuration, they must have explicit permission to do so, that is, through a NACM rule. Configuration under the /nacm subtree persists when the **copy running-config startup-config EXEC** command is issued, or the **cisco-ia:save-config RPC** is issued.

```

<rpc message-id="101" xmlns="urn:ietf:params:xml:ns:netconf:base:1.0">
<save-config xmlns="http://cisco.com/yang/cisco-ia"/>
</rpc>

```

Overview of Configuring NACM

Here are the steps involved in configuring NACM:

1. Configure all NACM rules
2. Enable NACM
3. Disconnect all active NETCONF sessions
4. Launch new NETCONF session



Note Enabling or disabling NACM does not affect any existing NETCONF sessions.

NACM Rules

As per the RFC 6536, NACM defines two categories of rules:

- Global Rules—It includes the following:
 - Enable/Disable NACM
 - Read-Default
 - Write-Default
 - Exec-Default
 - Enable External Groups
- Access Control Rules—It includes the following:
 - Module (used along with protocol rule / data node rule)
 - Protocol
 - Data Node

The following table lists the rules and access operations:

Operation	Description
all	Rule is applied to all types of protocol operations
create	Rule is applied to all protocol operations, which create a new data node such as edit-config operation
read	Rule is applied to all protocol operations, which reads the data node such as get, get-config or notification
update	Rule is applied to all protocol operations, which alters a data node such as edit-config operation
exec	Rule is applied to all exec protocol access operations such as action RPC
delete	Rule is applied to all protocol operations that removes a data node



Note Before enabling NACM using NETCONF RPC, any user with access to the system can create NACM groups and rules. However, after NACM is enabled, only authorised users can change the NACM configurations.

Example: Configure Global Rules

YANG Data Model: You must configure NACM groups and NACM rulelist before configuring NACM rules. The following sample configuration shows a NACM group configuration:

```
<rpc message-id="101" xmlns="urn:ietf:params:xml:ns:netconf:base:1.0" >
<edit-config>
  <target><candidate/></target>
<config xmlns:xc="urn:ietf:params:xml:ns:netconf:base:1.0">
  <nacm xmlns="urn:ietf:params:xml:ns:yang:ietf-netconf-acm">
    <groups>
      <group>
        <name>group1</name>
        <user-name>user1</user-name>
        <user-name>user2</user-name>
        <user-name>user3</user-name>
      </group>
    </groups>
  </nacm>
</config>
</edit-config>
</rpc>
```

The following sample configuration shows a NACM rule list configuration:

```
<rpc
xmlns="urn:ietf:params:xml:ns:netconf:base:1.0"message-id="101">
<edit-config>
  <target>
    <candidate/>
  </target>
<config>
  <nacm xmlns="http://cisco.com/ns/yang/Cisco-IOS-XR-aaa-nacm-cfg">
    <rulelist-classes>
      <rulelist-class>
        <ordering-index>1</ordering-index>
        <rulelist-name>GlobalRule</rulelist-name>
        <group-names>
          <group-name>root-system</group-name>
          <group-name>AdminUser</group-name>
        </group-names>
      </rulelist-class>
    </rulelist-classes>
  </nacm>
</config>
</edit-config>
</rpc>
```

Example: Configure NACM Global Rules

YANG Data Model:

```
<rpc message-id="101" xmlns="urn:ietf:params:xml:ns:netconf:base:1.0" >
<edit-config>
  <target><candidate/></target>
<config xmlns:xc="urn:ietf:params:xml:ns:netconf:base:1.0">
  <nacm xmlns="urn:ietf:params:xml:ns:yang:ietf-netconf-acm">
    <read-default>permit</read-default>
    <write-default>permit</write-default>
    <exec-default>permit</exec-default>
    <enable-external-groups>>false</enable-external-groups>
  </nacm>
</config>
```

```
</edit-config>
</rpc>
```

Example: Configure Access Control Rules

YANG Data Model:

```
<rpc message-id="101"
xmlns="urn:ietf:params:xml:ns:netconf:base:1.0" >
<edit-config>
<target><candidate/></target>
<config xmlns:xc="urn:ietf:params:xml:ns:netconf:base:1.0">
  <nacm xmlns="urn:ietf:params:xml:ns:yang:ietf-netconf-acm">
    <rule-list>
      <name>GlobalRule</name>
      <rule>
        <name>rule1</name>
        <module-name>ietf-netconf-acm</module-name>
        <rpc-name>edit-config</rpc-name>
        <access-operations>*</access-operations>
        <action>permit</action>
      </rule>
      <rule>
        <name>rule2</name>
        <module-name>ietf-netconf-acm</module-name>
        <rpc-name>get-config</rpc-name>
        <access-operations>create read update exec</accessoperations>
        <action>permit</action>
      </rule>
    </rule-list>
  </nacm>
</config>
</edit-config>
</rpc>
```



Note '*' refers to all operations.

Example: Configure NACM Data Node Rules

```
<rpc message-id="101"xmlns="urn:ietf:params:xml:ns:netconf:base:1.0" >
<edit-config>
<target><candidate/></target>
<config xmlns:xc="urn:ietf:params:xml:ns:netconf:base:1.0">
  <nacm xmlns="urn:ietf:params:xml:ns:yang:ietf-netconf-acm">
    <rule-list>
      <name>GlobalRule</name>
      <rule>
        <name>rule4</name>
        <module-name>*</module-name>
        <path>/nacm/groups/group</path>
        <access-operations>*</access-operations>
        <action>permit</action>
      </rule>
      <rule>
        <name>rule5</name>
        <module-name>ietf-netconf-acm</module-name>
        <path>/nacm/rule-list</path>
        <access-operations>read</access-operations>
      </rule>
    </rule-list>
  </nacm>
</config>
</edit-config>
</rpc>
```

```

        <action>deny</action>
      </rule>
    </rule-list>
  </nacm>
</config>
</edit-config>
</rpc>

```



Note '*' refers to all modules, and all operations.

Enabling NACM

NACM is disabled on the router by default. Users with root-lr or 'aaa' write task privilege users can enable/disable the NACM via CLI.

To enable NACM, use the following command in the Global configuration mode:

```
Router(config)#aaa authorization nacm default local
```

Verification

Use the **show nacm summary** command to verify the default values after enabling NACM:

```

Router# show nacm summary
Mon Jan 15 16:47:43.549 UTC
NACM SUMMARY
-----
Enable Nacm : True
Enable External Groups : True
Number of Groups : 0
Number of Users : 0
Number of Rules : 0
Number of Rulelist : 0
Default Read : permit
Default Write : deny
Default Exec : permit
Denied Operations : 0
Denied Data Writes : 0
Denied Notifications : 0

```

Associated Commands

- Router#**show nacm summary**
- Router#**show nacm users [user-name]**
- Router#**show nacm rule-list [rule-list-name] [rule [rule-name]]**
- Router#**show nacm groups [group-name]secret**

Verify the NACM Configurations

Use the **show nacm summary** command to verify the NACM configurations:

```

Router# show nacm summary
Mon Jan 15 17:02:46.696 UTC
NACM SUMMARY
-----
Enable Nacm : True
Enable External Groups : True
Number of Groups : 3
Number of Users : 3
Number of Rules : 4
Number of Rulelist : 2
Default Read : permit
Default Write : permit
Default Exec : permit
Denied Operations : 1
Denied Data Writes : 0
Denied Notifications : 0
-----

```

Associated Commands

- Router#`show nacm summary`
- Router#`show nacm users [user-name]`
- Router#`show nacm rule-list [rule-list-name] [rule [rule-name]]`
- Router#`show nacm groups [group-name]secret`

Disabling NACM

There are two ways you can disable NACM. Use one of the following commands:

Configuring NACM authorization as none:

```
Router(config)# aaa authorization nacm default none
```

or

Using no form of AAA authorization command:

```
Router(config)# no aaa authorization nacm default
```

Verification

Use the `show nacm summary` command to verify the default values after disabling NACM:

```

Router# show nacm summary

Mon Jan 15 17:02:46.696 UTC
NACM SUMMARY
-----
Enable Nacm : False
Enable External Groups : True
Number of Groups : 0
Number of Users : 0
Number of Rules : 0
Number of Rulelist : 0
Default Read : permit
Default Write : deny
Default Exec : permit
Denied Operations : 0

```

Denied Data Writes : 0
 Denied Notifications : 0

Additional References

The following sections provide references related to configuring AAA services.

Related Documents

Related Topic	Document Title
AAA services commands: complete command syntax, command modes, command history, defaults, usage guidelines, and examples	<i>Authentication, Authorization, and Accounting Commands on the Cisco ASR 9000 Series Router</i> in the

Standards

Standards	Title
No new or modified standards are supported by this feature, and support for existing standards has not been modified by this feature.	—

MIBs

MIBs	MIBs Link
—	To locate and download MIBs using Cisco IOS XR software, use the Cisco MIB Locator found at the following URL and choose a platform under the Cisco Access Products menu: http://cisco.com/public/sw-center/netmgmt/cmtk/mibs.shtml

RFCs

RFCs	Title
No new or modified RFCs are supported by this feature, and support for existing RFCs has not been modified by this feature.	—

Technical Assistance

Description	Link
The Cisco Technical Support website contains thousands of pages of searchable technical content, including links to products, technologies, solutions, technical tips, and tools. Registered Cisco.com users can log in from this page to access even more content.	http://www.cisco.com/techsupport



CHAPTER 3

Implementing Certification Authority Interoperability

Certification authority (CA) interoperability is provided in support of the IP Security (IPSec), Secure Socket Layer (SSL), and Secure Shell (SSH) protocols. This module describes how to implement CA interoperability.

CA interoperability permits Cisco ASR 9000 Series Router devices and CAs to communicate so that your device can obtain and use digital certificates from the CA. Although IPSec can be implemented in your network without the use of a CA, using a CA provides manageability and scalability for IPSec.



Note IPSec is supported only for Open Shortest Path First version 3 (OSPFv3).

For a complete description of the public key infrastructure (PKI) commands used in this chapter, refer to the *Public Key Infrastructure Commands* module in *System Security Command Reference for Cisco ASR 9000 Series Routers*.

Feature History for Implementing Certification Authority Interoperability

Release	Modification
Release 3.7.2	This feature was introduced.
Release 7.0.1	Added topics on Integrating Cisco IOS XR and Crosswork Trust Insights.

- [Prerequisites for Implementing Certification Authority, on page 76](#)
- [Restrictions for Implementing Certification Authority, on page 76](#)
- [Information About Implementing Certification Authority, on page 76](#)
- [How to Implement CA Interoperability, on page 79](#)
- [Configuration Examples for Implementing Certification Authority Interoperability, on page 86](#)
- [Integrating Cisco IOS XR and Crosswork Trust Insights, on page 88](#)
- [Where to Go Next, on page 99](#)
- [Additional References, on page 99](#)

Prerequisites for Implementing Certification Authority

The following prerequisites are required to implement CA interoperability:

- You must be in a user group associated with a task group that includes the proper task IDs. The command reference guides include the task IDs required for each command. If you suspect user group assignment is preventing you from using a command, contact your AAA administrator for assistance.
- You need to have a CA available to your network before you configure this interoperability feature. The CA must support Cisco Systems PKI protocol, the simple certificate enrollment protocol (SCEP) (formerly called certificate enrollment protocol [CEP]).

Restrictions for Implementing Certification Authority

Cisco IOS XR software does not support CA server public keys greater than 2048 bits.

Information About Implementing Certification Authority

To implement CA, you need to understand the following concepts:

Supported Standards for Certification Authority Interoperability

Cisco supports the following standards:

- **IPSec**—IP Security Protocol. IPSec is a framework of open standards that provides data confidentiality, data integrity, and data authentication between participating peers. IPSec provides these security services at the IP layer; it uses Internet Key Exchange (IKE) to handle negotiation of protocols and algorithms based on local policy, and to generate the encryption and authentication keys to be used by IPSec. IPSec can be used to protect one or more data flows between a pair of hosts, a pair of security gateways, or a security gateway and a host.



Note IPSec is supported only for Open Shortest Path First version 3 (OSPFv3).

- **IKE**—A hybrid protocol that implements Oakley and Skeme key exchanges inside the Internet Security Association Key Management Protocol (ISAKMP) framework. Although IKE can be used with other protocols, its initial implementation is with the IPSec protocol. IKE provides authentication of the IPSec peers, negotiates IPSec keys, and negotiates IPSec security associations (SAs).
- **Public-Key Cryptography Standard #7 (PKCS #7)**—A standard from RSA Data Security Inc. used to encrypt and sign certificate enrollment messages.
- **Public-Key Cryptography Standard #10 (PKCS #10)**—A standard syntax from RSA Data Security Inc. for certificate requests.
- **RSA keys**—RSA is the public key cryptographic system developed by Ron Rivest, Adi Shamir, and Leonard Adelman. RSA keys come in pairs: one public key and one private key.

- SSL—Secure Socket Layer protocol.
- X.509v3 certificates—Certificate support that allows the IPSec-protected network to scale by providing the equivalent of a digital ID card to each device. When two devices want to communicate, they exchange digital certificates to prove their identity (thus removing the need to manually exchange public keys with each peer or specify a shared key at each peer). These certificates are obtained from a CA. X.509 as part of the X.500 standard of the ITU.

Certification Authorities

The following sections provide background information about CAs:

Purpose of CAs

CAs are responsible for managing certificate requests and issuing certificates to participating IPSec network devices. These services provide centralized key management for the participating devices.

CAs simplify the administration of IPSec network devices. You can use a CA with a network containing multiple IPSec-compliant devices, such as routers.

Digital signatures, enabled by public key cryptography, provide a means of digitally authenticating devices and individual users. In public key cryptography, such as the RSA encryption system, each user has a key pair containing both a public and a private key. The keys act as complements, and anything encrypted with one of the keys can be decrypted with the other. In simple terms, a signature is formed when data is encrypted with a user's private key. The receiver verifies the signature by decrypting the message with the sender's public key. The fact that the message could be decrypted using the sender's public key indicates that the holder of the private key, the sender, must have created the message. This process relies on the receiver's having a copy of the sender's public key and knowing with a high degree of certainty that it does belong to the sender and not to someone pretending to be the sender.

Digital certificates provide the link. A digital certificate contains information to identify a user or device, such as the name, serial number, company, department, or IP address. It also contains a copy of the entity's public key. The certificate is itself signed by a CA, a third party that is explicitly trusted by the receiver to validate identities and to create digital certificates.

To validate the signature of the CA, the receiver must first know the CA's public key. Normally, this process is handled out-of-band or through an operation done at installation. For instance, most web browsers are configured with the public keys of several CAs by default. IKE, an essential component of IPSec, can use digital signatures to authenticate peer devices for scalability before setting up SAs.

Without digital signatures, a user must manually exchange either public keys or secrets between each pair of devices that use IPSec to protect communication between them. Without certificates, every new device added to the network requires a configuration change on every other device with which it communicates securely. With digital certificates, each device is enrolled with a CA. When two devices want to communicate, they exchange certificates and digitally sign data to authenticate each other. When a new device is added to the network, a user simply enrolls that device with a CA, and none of the other devices needs modification. When the new device attempts an IPSec connection, certificates are automatically exchanged and the device can be authenticated.

IPSec Without CAs

Without a CA, if you want to enable IPSec services (such as encryption) between two Cisco routers, you must first ensure that each router has the key of the other router (such as an RSA public key or a shared key). This requirement means that you must manually perform one of the following operations:

- At each router, enter the RSA public key of the other router.
- At each router, specify a shared key to be used by both routers.

If you have multiple Cisco routers in a mesh topology and want to exchange IPSec traffic passing among all of those routers, you must first configure shared keys or RSA public keys among all of those routers.

Every time a new router is added to the IPSec network, you must configure keys between the new router and each of the existing routers.

Consequently, the more devices there are that require IPSec services, the more involved the key administration becomes. This approach does not scale well for larger, more complex encrypting networks.

IPSec with CAs

With a CA, you need not configure keys between all the encrypting routers. Instead, you individually enroll each participating router with the CA, requesting a certificate for the router. When this enrollment has been accomplished, each participating router can dynamically authenticate all the other participating routers.

To add a new IPSec router to the network, you need only configure that new router to request a certificate from the CA, instead of making multiple key configurations with all the other existing IPSec routers.

IPSec with Multiple Trustpoint CAs

With multiple trustpoint CAs, you no longer have to enroll a router with the CA that issued a certificate to a peer. Instead, you configure a router with multiple CAs that it trusts. Thus, a router can use a configured CA (a trusted root) to verify certificates offered by a peer that were not issued by the same CA defined in the identity of the router.

Configuring multiple CAs allows two or more routers enrolled under different domains (different CAs) to verify the identity of each other when using IKE to set up IPSec tunnels.

Through SCEP, each router is configured with a CA (the enrollment CA). The CA issues a certificate to the router that is signed with the private key of the CA. To verify the certificates of peers in the same domain, the router is also configured with the root certificate of the enrollment CA.

To verify the certificate of a peer from a different domain, the root certificate of the enrollment CA in the domain of the peer must be configured securely in the router.

During IKE phase one signature verification, the initiator will send the responder a list of its CA certificates. The responder should send the certificate issued by one of the CAs in the list. If the certificate is verified, the router saves the public key contained in the certificate on its public key ring.

With multiple root CAs, Virtual Private Network (VPN) users can establish trust in one domain and easily and securely distribute it to other domains. Thus, the required private communication channel between entities authenticated under different domains can occur.

How IPSec Devices Use CA Certificates

When two IPSec routers want to exchange IPSec-protected traffic passing between them, they must first authenticate each other—otherwise, IPSec protection cannot occur. The authentication is done with IKE.

Without a CA, a router authenticates itself to the remote router using either RSA-encrypted nonces or preshared keys. Both methods require keys to have been previously configured between the two routers.

With a CA, a router authenticates itself to the remote router by sending a certificate to the remote router and performing some public key cryptography. Each router must send its own unique certificate that was issued and validated by the CA. This process works because the certificate of each router encapsulates the public key of the router, each certificate is authenticated by the CA, and all participating routers recognize the CA as an authenticating authority. This scheme is called IKE with an RSA signature.

Your router can continue sending its own certificate for multiple IPsec sessions and to multiple IPsec peers until the certificate expires. When its certificate expires, the router administrator must obtain a new one from the CA.

When your router receives a certificate from a peer from another domain (with a different CA), the certificate revocation list (CRL) downloaded from the CA of the router does not include certificate information about the peer. Therefore, you should check the CRL published by the configured trustpoint with the Lightweight Directory Access Protocol (LDAP) URL to ensure that the certificate of the peer has not been revoked.

To query the CRL published by the configured trustpoint with the LDAP URL, use the **query url** command in trustpoint configuration mode.

CA Registration Authorities

Some CAs have a registration authority (RA) as part of their implementation. An RA is essentially a server that acts as a proxy for the CA so that CA functions can continue when the CA is offline.

How to Implement CA Interoperability

This section contains the following procedures:

Configuring a Router Hostname and IP Domain Name

This task configures a router hostname and IP domain name.

You must configure the hostname and IP domain name of the router if they have not already been configured. The hostname and IP domain name are required because the router assigns a fully qualified domain name (FQDN) to the keys and certificates used by IPsec, and the FQDN is based on the hostname and IP domain name you assign to the router. For example, a certificate named `router20.example.com` is based on a router hostname of `router20` and a router IP domain name of `example.com`.

SUMMARY STEPS

1. **configure**
2. **hostname** *name*
3. **domain name** *domain-name*
4. Use the **commit** or **end** command.

DETAILED STEPS

	Command or Action	Purpose
Step 1	configure Example: RP/0/RSP0/CPU0:router# configure	Enters global configuration mode.
Step 2	hostname <i>name</i> Example: RP/0/RSP0/CPU0:router(config)# hostname myhost	Configures the hostname of the router.
Step 3	domain name <i>domain-name</i> Example: RP/0/RSP0/CPU0:router(config)# domain name mydomain.com	Configures the IP domain name of the router.
Step 4	Use the commit or end command.	commit —Saves the configuration changes and remains within the configuration session. end —Prompts user to take one of these actions: <ul style="list-style-type: none"> • Yes — Saves configuration changes and exits the configuration session. • No —Exits the configuration session without committing the configuration changes. • Cancel —Remains in the configuration session, without committing the configuration changes.

Generating an RSA Key Pair

This task generates an RSA key pair.



Note From Cisco IOS XR Software Release 7.0.1 and later, the crypto keys are auto-generated at the time of router boot up. Hence, step 1 is required to be configured only if the RSA host-key pair is not present in the router under some scenarios.

RSA key pairs are used to sign and encrypt IKE key management messages and are required before you can obtain a certificate for your router.

SUMMARY STEPS

1. **crypto key generate rsa [usage keys | general-keys] [keypair-label]**
2. **crypto key zeroize rsa [keypair-label]**
3. **show crypto key mypubkey rsa**

DETAILED STEPS

	Command or Action	Purpose
Step 1	crypto key generate rsa [usage keys general-keys] [keypair-label] Example: RP/0/RSP0/CPU0:router# crypto key generate rsa general-keys	Generates RSA key pairs. <ul style="list-style-type: none"> • Use the usage keys keyword to specify special usage keys; use the general-keys keyword to specify general-purpose RSA keys. • The <i>keypair-label</i> argument is the RSA key pair label that names the RSA key pairs.
Step 2	crypto key zeroize rsa [keypair-label] Example: RP/0/RSP0/CPU0:router# crypto key zeroize rsa key1	(Optional) Deletes all RSAs from the router. <ul style="list-style-type: none"> • Under certain circumstances, you may want to delete all RSA keys from your router. For example, if you believe the RSA keys were compromised in some way and should no longer be used, you should delete the keys. • To remove a specific RSA key pair, use the <i>keypair-label</i> argument.
Step 3	show crypto key mypubkey rsa Example: RP/0/RSP0/CPU0:router# show crypto key mypubkey rsa	(Optional) Displays the RSA public keys for your router.

Importing a Public Key to the Router

This task imports a public key to the router.

A public key is imported to the router to authenticate the user.

SUMMARY STEPS

1. **crypto key import authentication rsa [usage keys | general-keys] [keypair-label]**
2. **show crypto key mypubkey rsa**

DETAILED STEPS

	Command or Action	Purpose
Step 1	crypto key import authentication rsa [usage keys general-keys] [keypair-label] Example: RP/0/RSP0/CPU0:router# crypto key import authentication rsa general-keys	Generates RSA key pairs. <ul style="list-style-type: none"> • Use the usage keys keyword to specify special usage keys; use the general-keys keyword to specify general-purpose RSA keys. • The <i>keypair-label</i> argument is the RSA key pair label that names the RSA key pairs.

	Command or Action	Purpose
Step 2	show crypto key mypubkey rsa Example: <pre>RP/0/RSP0/CPU0:router# show crypto key mypubkey rsa</pre>	(Optional) Displays the RSA public keys for your router.

Declaring a Certification Authority and Configuring a Trusted Point

This task declares a CA and configures a trusted point.

SUMMARY STEPS

1. **configure**
2. **crypto ca trustpoint ca-name**
3. **enrollment url CA-URL**
4. **query url LDAP-URL**
5. **enrollment retry period minutes**
6. **enrollment retry count number**
7. **rsa keypair keypair-label**
8. Use the **commit** or **end** command.

DETAILED STEPS

	Command or Action	Purpose
Step 1	configure Example: <pre>RP/0/RSP0/CPU0:router# configure</pre>	Enters global configuration mode.
Step 2	crypto ca trustpoint ca-name Example: <pre>RP/0/RSP0/CPU0:router(config)# crypto ca trustpoint myca</pre>	Declares a CA. <ul style="list-style-type: none"> • Configures a trusted point with a selected name so that your router can verify certificates issued to peers. • Enters trustpoint configuration mode.
Step 3	enrollment url CA-URL Example: <pre>RP/0/RSP0/CPU0:router(config-trustp)# enrollment url http://ca.domain.com/certsrv/mscep/mscep.dll</pre>	Specifies the URL of the CA. <ul style="list-style-type: none"> • The URL should include any nonstandard cgi-bin script location.
Step 4	query url LDAP-URL Example: <pre>RP/0/RSP0/CPU0:router(config-trustp)# query url ldap://my-ldap.domain.com</pre>	(Optional) Specifies the location of the LDAP server if your CA system supports the LDAP protocol.

	Command or Action	Purpose
Step 5	enrollment retry period minutes Example: <pre>RP/0/RSP0/CPU0:router(config-trustp)# enrollment retry period 2</pre>	(Optional) Specifies a retry period. <ul style="list-style-type: none"> • After requesting a certificate, the router waits to receive a certificate from the CA. If the router does not receive a certificate within a period of time (the retry period) the router will send another certificate request. • Range is from 1 to 60 minutes. Default is 1 minute.
Step 6	enrollment retry count number Example: <pre>RP/0/RSP0/CPU0:router(config-trustp)# enrollment retry count 10</pre>	(Optional) Specifies how many times the router continues to send unsuccessful certificate requests before giving up. <ul style="list-style-type: none"> • The range is from 1 to 100.
Step 7	rsa keypair keypair-label Example: <pre>RP/0/RSP0/CPU0:router(config-trustp)# rsa keypair mykey</pre>	(Optional) Specifies a named RSA key pair generated using the crypto key generate rsa command for this trustpoint. <ul style="list-style-type: none"> • Not setting this key pair means that the trustpoint uses the default RSA key in the current configuration.
Step 8	Use the commit or end command.	commit —Saves the configuration changes and remains within the configuration session. end —Prompts user to take one of these actions: <ul style="list-style-type: none"> • Yes — Saves configuration changes and exits the configuration session. • No —Exits the configuration session without committing the configuration changes. • Cancel —Remains in the configuration session, without committing the configuration changes.

Authenticating the CA

This task authenticates the CA to your router.

The router must authenticate the CA by obtaining the self-signed certificate of the CA, which contains the public key of the CA. Because the certificate of the CA is self-signed (the CA signs its own certificate), manually authenticate the public key of the CA by contacting the CA administrator to compare the fingerprint of the CA certificate.

SUMMARY STEPS

1. **crypto ca authenticate ca-name**
2. **show crypto ca certificates**

DETAILED STEPS

	Command or Action	Purpose
Step 1	crypto ca authenticate ca-name Example: <pre>RP/0/RSP0/CPU0:router# crypto ca authenticate myca</pre>	Authenticates the CA to your router by obtaining a CA certificate, which contains the public key for the CA.
Step 2	show crypto ca certificates Example: <pre>RP/0/RSP0/CPU0:router# show crypto ca certificates</pre>	(Optional) Displays information about the CA certificate.

Requesting Your Own Certificates

This task requests certificates from the CA.

You must obtain a signed certificate from the CA for each of your router's RSA key pairs. If you generated general-purpose RSA keys, your router has only one RSA key pair and needs only one certificate. If you previously generated special usage RSA keys, your router has two RSA key pairs and needs two certificates.

SUMMARY STEPS

1. **crypto ca enroll ca-name**
2. **show crypto ca certificates**

DETAILED STEPS

	Command or Action	Purpose
Step 1	crypto ca enroll ca-name Example: <pre>RP/0/RSP0/CPU0:router# crypto ca enroll myca</pre>	Requests certificates for all of your RSA key pairs. <ul style="list-style-type: none"> • This command causes your router to request as many certificates as there are RSA key pairs, so you need only perform this command once, even if you have special usage RSA key pairs. • This command requires you to create a challenge password that is not saved with the configuration. This password is required if your certificate needs to be revoked, so you must remember this password. • A certificate may be issued immediately or the router sends a certificate request every minute until the enrollment retry period is reached and a timeout occurs. If a timeout occurs, contact your system administrator to get your request approved, and then enter this command again.

	Command or Action	Purpose
Step 2	show crypto ca certificates Example: <pre>RP/0/RSP0/CPU0:router# show crypto ca certificates</pre>	(Optional) Displays information about the CA certificate.

Configuring Certificate Enrollment Using Cut-and-Paste

This task declares the trustpoint certification authority (CA) that your router should use and configures that trustpoint CA for manual enrollment by using cut-and-paste.

SUMMARY STEPS

1. **configure**
2. **crypto ca trustpoint** *ca-name*
3. enrollment terminal
4. Use the **commit** or **end** command.
5. **crypto ca authenticate** *ca-name*
6. **crypto ca enroll** *ca-name*
7. **crypto ca import** *ca-name certificate*
8. show crypto ca certificates

DETAILED STEPS

	Command or Action	Purpose
Step 1	configure Example: <pre>RP/0/RSP0/CPU0:router# configure</pre>	Enters global configuration mode.
Step 2	crypto ca trustpoint <i>ca-name</i> Example: <pre>RP/0/RSP0/CPU0:router(config)# crypto ca trustpoint myca RP/0/RSP0/CPU0:router(config-trustp)#</pre>	Declares the CA that your router should use and enters trustpoint configuration mode. <ul style="list-style-type: none"> • Use the <i>ca-name</i> argument to specify the name of the CA.
Step 3	enrollment terminal Example: <pre>RP/0/RSP0/CPU0:router(config-trustp)# enrollment terminal</pre>	Specifies manual cut-and-paste certificate enrollment.
Step 4	Use the commit or end command.	commit —Saves the configuration changes and remains within the configuration session. end —Prompts user to take one of these actions:

	Command or Action	Purpose
		<ul style="list-style-type: none"> • Yes — Saves configuration changes and exits the configuration session. • No — Exits the configuration session without committing the configuration changes. • Cancel — Remains in the configuration session, without committing the configuration changes.
Step 5	crypto ca authenticate <i>ca-name</i> Example: RP/0/RSP0/CPU0:router# crypto ca authenticate myca	Authenticates the CA by obtaining the certificate of the CA. <ul style="list-style-type: none"> • Use the <i>ca-name</i> argument to specify the name of the CA. Use the same name that you entered in Step 2, on page 85.
Step 6	crypto ca enroll <i>ca-name</i> Example: RP/0/RSP0/CPU0:router# crypto ca enroll myca	Obtains the certificates for your router from the CA. <ul style="list-style-type: none"> • Use the <i>ca-name</i> argument to specify the name of the CA. Use the same name that you entered in Step 2.
Step 7	crypto ca import <i>ca-name</i> certificate Example: RP/0/RSP0/CPU0:router# crypto ca import myca certificate	Imports a certificate manually at the terminal. <ul style="list-style-type: none"> • Use the <i>ca-name</i> argument to specify the name of the CA. Use the same name that you entered in Step 2. <p>Note You must enter the crypto ca import command twice if usage keys (signature and encryption keys) are used. The first time the command is entered, one of the certificates is pasted into the router; the second time the command is entered, the other certificate is pasted into the router. (It does not matter which certificate is pasted first.)</p>
Step 8	show crypto ca certificates Example: RP/0/RSP0/CPU0:router# show crypto ca certificates	Displays information about your certificate and the CA certificate.

Configuration Examples for Implementing Certification Authority Interoperability

This section provides the following configuration example:

Configuring Certification Authority Interoperability: Example

The following example shows how to configure CA interoperability.

Comments are included within the configuration to explain various commands.

```

configure
hostname myrouter
domain name mydomain.com
end

Uncommitted changes found, commit them? [yes]:yes

crypto key generate rsa mykey

The name for the keys will be:mykey
Choose the size of the key modulus in the range of 360 to 2048 for your General Purpose
Keypair
Choosing a key modulus greater than 512 may take a few minutes.
How many bits in the modulus [1024]:
Generating RSA keys ...
Done w/ crypto generate keypair
[OK]

show crypto key mypubkey rsa

Key label:mykey
Type      :RSA General purpose
Size      :1024
Created   :17:33:23 UTC Thu Sep 18 2003
Data      :
 30819F30 0D06092A 864886F7 0D010101 05000381 8D003081 89028181 00CB8D86
BF6707AA FD7E4F08 A1F70080 B9E6016B 8128004C B477817B BCF35106 BC60B06E
07A417FD 7979D262 B35465A6 1D3B70D1 36ACAFBD 7F91D5A0 CFB0EE91 B9D52C69
7CAF89ED F66A6A58 89EEF776 A03916CB 3663FB17 B7DBEBF8 1C54AF7F 293F3004
C15B08A8 C6965F1E 289DD724 BD40AF59 E90E44D5 7D590000 5C4BEA9D B5020301
0001

! The following commands declare a CA and configure a trusted point.

configure
crypto ca trustpoint myca
enrollment url http://xyz-ultra5
enrollment retry count 25
enrollment retry period 2
rsaakeypair mykey
end

Uncommitted changes found, commit them? [yes]:yes

! The following command authenticates the CA to your router.

crypto ca authenticate myca

Serial Number :01
Subject Name  :
cn=Root coax-u10 Certificate Manager,ou=HFR,o=Cisco Systems,l=San Jose,st=CA,c=US
Issued By     :
cn=Root coax-u10 Certificate Manager,ou=HFR,o=Cisco Systems,l=San Jose,st=CA,c=US
Validity Start :07:00:00 UTC Tue Aug 19 2003
Validity End   :07:00:00 UTC Wed Aug 19 2020
Fingerprint:58 71 FB 94 55 65 D4 64 38 91 2B 00 61 E9 F8 05
Do you accept this certificate?? [yes/no]:yes

! The following command requests certificates for all of your RSA key pairs.

crypto ca enroll myca

```

```

% Start certificate enrollment ...
% Create a challenge password. You will need to verbally provide this
  password to the CA Administrator in order to revoke your certificate.
% For security reasons your password will not be saved in the configuration.
% Please make a note of it.

Password:
Re-enter Password:
  Fingerprint: 17D8B38D ED2BDF2E DF8ADB7F A7DBE35A

! The following command displays information about your certificate and the CA certificate.

show crypto ca certificates

Trustpoint          :myca
=====
CA certificate
  Serial Number    :01
  Subject Name     :
    cn=Root coax-u10 Certificate Manager,ou=HFR,o=Cisco Systems,l=San Jose,st=CA,c=US
  Issued By       :
    cn=Root coax-u10 Certificate Manager,ou=HFR,o=Cisco Systems,l=San Jose,st=CA,c=US
  Validity Start  :07:00:00 UTC Tue Aug 19 2003
  Validity End    :07:00:00 UTC Wed Aug 19 2020
Router certificate
  Key usage       :General Purpose
  Status         :Available
  Serial Number   :6E
  Subject Name    :
    unstructuredName=myrouter.mydomain.com,o=Cisco Systems
  Issued By      :
    cn=Root coax-u10 Certificate Manager,ou=HFR,o=Cisco Systems,l=San Jose,st=CA,c=US
  Validity Start  :21:43:14 UTC Mon Sep 22 2003
  Validity End    :21:43:14 UTC Mon Sep 29 2003
  CRL Distribution Point
    ldap://coax-u10.cisco.com/CN=Root coax-u10 Certificate Manager,O=Cisco Systems

```

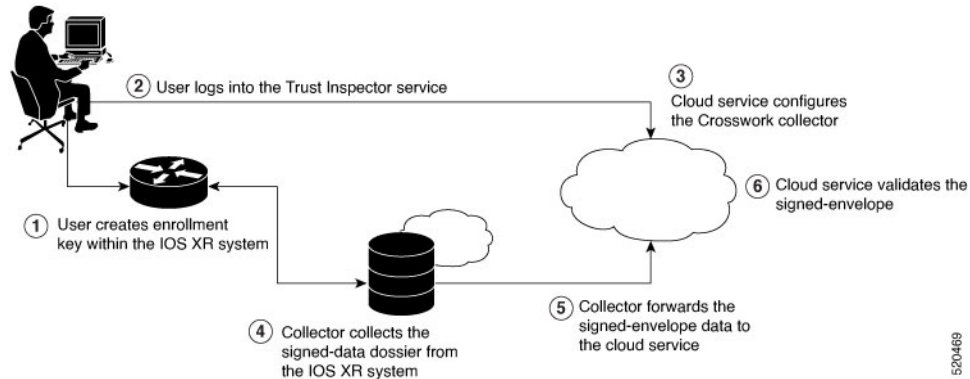
Integrating Cisco IOS XR and Crosswork Trust Insights

The Cisco IOS XR 64-bit Software provides you the infrastructure to enroll and share the signed-data with Cisco Crosswork cloud infrastructure and applications. The [Cisco Crosswork Trust Insights](#) is a cloud-based Software as a service (SaaS) that provides signed and encrypted system integrity information to track the trust posture of network hardware and software components. For details, see [Cisco Crosswork Trust Insights Data Sheet](#).

Integrating IOS XR and Crosswork Trust Insights include these main processes:

- System enrollment – Enrolling a Cisco IOS XR platform into Crosswork cloud infrastructure.
- Signed-data sharing – Sharing the data for infrastructure trust analysis between the systems that run IOS XR and Crosswork. This involves collecting the signed-data dossier, that is, signed-data that is needed for infrastructure trust inspection service.

Workflow



The following steps depict the workflow of Cisco IOS XR and Crosswork Trust Insights integration:

1. As part of the enrollment process, the user generates new key pair and trust root within the IOS XR system by using the IOS XR commands.
2. The user logs into the Trust Inspector service, and enters the enrollment workflow in the enrollment dialog to create a new device ID. The user must provide the management IP address, login credentials and certificate root to the Trust Inspector service.
3. The Trust Inspector service configures the Crosswork collector to log in to the router, and to pull the data that is pushed down from the cloud to the collector
4. The Crosswork collector begins a periodic polling cycle and executes a command to generate a signed-information dossier from each IOS XR instance that is being polled.
5. The collector forwards the signed-envelope data to the cloud service for validation.
6. The cloud service validates signed-envelope against the enrolled certificate or trust chain.

How to Integrate Cisco IOS XR and Crosswork Trust Insights

Integrating Cisco IOS XR and Crosswork Trust Insights involve these main tasks for system enrollment and signed-data sharing:

- [Generate Key Pair, on page 91](#)
- [Generate System Trust Point for the Leaf and Root Certificate, on page 93](#)
- [Generate Root and Leaf Certificates, on page 94](#)
- [Collect Data Dossier, on page 96](#)

For details of IOS XR commands used in this configuration, see the *Public Key Infrastructure Commands* chapter in the *System Security Command Reference for Cisco ASR 9000 Series Routers*.

Prerequisites

Before you begin, you must check [here](#) for any available IOS XR Software Maintenance Updates (SMUs) specific to Crosswork Trust Insights. For information related to SMUs, see [Cisco IOS XR Release Notes](#).

You must ensure that the below configurations are present on the IOS XR device, before starting IOS XR and Crossworks Trust Insights integration.

- User authorization required to collect the signed-data dossier
- SSH server configuration
- Netconf server configuration
- Domain name configuration, which is required for certification enrollment

The sections given below lists the configuration example for the prerequisites.

Configuration Example for User Authorization

You must have the required user access privileges in order to collect the data dossier from the system. This is defined in terms of IOS XR Task IDs for each command.

For the respective Task ID applicable for each data dossier option and for the signed-envelope, see the Task ID section in the Command Reference page of **show platform security integrity dossier** command and **utility sign** command.

Listed below are the configurations to set up a user with sufficient authorization to collect all the signed-data dossier. You can configure customized task groups, then associate those task groups with user groups, and finally associate the user groups with the user.

```
Router#configure
Router (config)#taskgroup alltasks-dossier
Router (config-tg)#task read sysmgr
Router (config-tg)#task read system
Router (config-tg)#task read pkg-mgmt
Router (config-tg)#task read basic-services
Router (config-tg)#task read config-services
Router (config-tg)#task execute crypto
Router (config-tg)#task execute basic-services
Router (config-tg)#commit
```

```
Router#configure
Router (config)#usergroup dossier-group
Router (config-ug)#taskgroup alltasks-dossier
Router (config-ug)#commit
```

```
Router#configure
Router (config)#username dossier-user
Router (config-un)#group dossier-group
Router (config-un)#commit
```

Configuration Example for SSH and Netconf

```
Router#configure
Router (config)#ssh server v2
Router (config)#ssh server vrf default
Router (config)#ssh server netconf vrf default
Router (config)#netconf-yang agent
Router (config-ncy-agent)#ssh
Router (config-ncy-agent)#exit
Router (config)#domain name example.com
```



```
Router(config)#commit
```

Running Configuration for SSH and Netconf

```
ssh server v2
ssh server vrf default
ssh server netconf vrf default
!
netconf-yang agent
  ssh
!
domain name example.com
```

While the dossier is collected from a device through SSH, the SSH session might timeout. Also, multiple ssh sessions to a device can result in the denial of some SSH sessions. To avoid such occurrence, the following configuration is recommended on the device:

```
Router#configure
Router(config)#ssh server rate-limit 600
Router(config)#line default
Router(config-line)#exec-timeout 0 0
Router(config-line)#session-timeout 0
Router(config-line)#commit
```

Running Configuration

```
ssh server rate-limit 600
!
line default
  exec-timeout 0 0
  session-timeout 0
!
```

Generate Key Pair

To enroll a system running Cisco IOS XR Software, you must generate the key and the certificate for both the leaf and the root node. The system supports a two tier self-signed certificate chain for the enrollment key to support re-keying without re-enrollment of the certificate with the Crossworks service.

You can use the **system-root-key** and **system-enroll-key** options in the **crypto key generate** command to generate the root key and the enrollment key respectively, for all the hashing algorithms. You can do this for hashing algorithms such as RSA, DSA or ECDSA (including ECDSA nistp384 and ECDSA nistp521).

Example of Generating Key Pair

Key pair generation for root:

```
Router#crypto key generate rsa system-root-key

Sun Oct 20 13:05:26.657 UTC
The name for the keys will be: system-root-key
Choose the size of the key modulus in the range of 512 to 4096 for your General Purpose
Keypair. Choosing a key modulus greater than 512 may take a few minutes.
```

```
How many bits in the modulus [2048]:
Generating RSA keys ...
Done w/ crypto generate keypair
[OK]
```

Key pair generation for leaf:

```
Router#crypto key generate rsa system-enroll-key
```

```
Sun Oct 20 13:05:40.370 UTC
The name for the keys will be: system-enroll-key
Choose the size of the key modulus in the range of 512 to 4096 for your General Purpose
Keypair. Choosing a key modulus greater than 512 may take a few minutes.
How many bits in the modulus [2048]:
Generating RSA keys ...
Done w/ crypto generate keypair
[OK]
```

Verification

You can use the **show crypto key mypubkey rsa** command to verify the above key pair generation.

```
Router#show crypto key mypubkey rsa | begin system-
Fri Mar 27 14:00:20.954 IST
Key label: system-root-key
Type      : RSA General purpose
Size      : 2048
Created   : 01:13:10 IST Thu Feb 06 2020
Data      :
30820122 300D0609 2A864886 F70D0101 01050003 82010F00 3082010A 02820101
00A93DE0 1E485EE3 0E7F0964 C48361D1 B6014BE7 A303D8D6 F7790E92 88E69C4B
B97B7A9C D1B277E3 1569093C 82BD3258 7F67FB49 94860ECD 34498F1F 59B45757
F32C8E8F 7CEE23EC C36A43D1 9F85C0D9 B96A14DD DD3BBD4C A1FB0888 EED210A7
39D9A403 7ACE0F6E 39107226 CA621AD8 6E8102CA 9761B86F D33F2871 9DD16559
AFCB4729 EFCEDBAF 83DF76E4 9A439844 EE3B1180 4022F575 99E11A2C E25BB23D
9DD74C81 4E5C1345 D9E3CC79 1B98B1AA 6C06F004 22B901EC 36C099FE 10DE2622
EB7CE618 9A555769 12D94C90 D9BEE5EA A664E7F6 4DF8D8D4 FE7EAB07 1EF4FEAB
22D9E55F 62BA66A0 72153CEC 81F2639F B5F2B5C5 25E10364 19387C6B E8DB8990
11020301 0001

Key label: system-enroll-key
Type      : RSA General purpose
Size      : 2048
Created   : 01:13:16 IST Thu Feb 06 2020
Data      :
30820122 300D0609 2A864886 F70D0101 01050003 82010F00 3082010A 02820101
009DBC14 C83604E4 EB3D3CF8 5BA7FDDB 80F7E85B 427332D8 BBF80148 FOA9C281
49F87D5C 0CEBA532 EBE797C5 7F174C69 0735D13A 493670CB 63B04A12 4BCA7134
EE0031E9 047CAA1E 802030C5 6071E8C2 F8ECE002 CC3B54E7 5FD24E5C 61B7B7B0
68FA2EFA 0B83799F 77AE4621 435D9DFD 1D713108 37B614D3 255020F9 09CD32E8
82B07CD7 01A53896 6DD92B5D 5119597C 98D394E9 DBD1ABAF 6DE949FE 4A8BF1E7
851EB3F4 60B1114A 1456723E 063E50C4 2D410906 BDB7590B F1D58480 F3FA911A
6C9CD02A 58E68D04 E94C098F 0F0E81DB 76B40C55 64603499 2AC0547A D652412A
BCBBF69F 76B351EE 9B2DF79D E490C0F6 92D1BB97 B905F33B FAB53C20 DDE2BB22
C7020301 0001
```

Associated Commands

- **crypto key generate dsa**

- `crypto key generate ecdsa`
- `crypto key generate rsa`
- `show crypto key mypubkey dsa`
- `show crypto key mypubkey ecdsa`
- `show crypto key mypubkey rsa`

Generate System Trust Point for the Leaf and Root Certificate

You must configure these steps to generate the system trust point for the root and the leaf certificate:

Configuration Example

```
Router#config
Router(config)#domain name domain1
Router(config)#crypto ca trustpoint system-trustpoint
Router(config)#keypair rsa system-enroll-key
Router(config)#ca-keypair rsa system-root-key
Router(config)#subject-name CN=lab1-ads,C=US,ST=CA,L=San Jose,O=cisco systems,OU=ASR
Router(config)#subject-name ca-certificate CN=lab1-ca,C=US,ST=CA,L=San Jose,O=cisco systems,OU=ASR
Router(config)#enrollment url self
Router(config)#key-usage certificate digitalsignature keyagreement dataencipherment
Router(config)#lifetime certificate 300
Router(config)#message-digest sha256
Router(config)#key-usage ca-certificate digitalsignature keycertsign crlsign
Router(config)#lifetime ca-certificate 367
Router(config)#commit
```

Running Configuration

```
config
domain name domain1
crypto ca trustpoint system-trustpoint
keypair rsa system-enroll-key
ca-keypair rsa system-root-key
subject-name CN=lab1-ads,C=US,ST=CA,L=San Jose,O=cisco systems,OU=ASR
subject-name ca-certificate CN=lab1-ca,C=US,ST=CA,L=San Jose,O=cisco systems,OU=ASR
enrollment url self
key-usage certificate digitalsignature keyagreement dataencipherment
lifetime certificate 300
message-digest sha256
key-usage ca-certificate digitalsignature keycertsign crlsign
lifetime ca-certificate 367
!
```

Associated Commands

- `ca-keypair`
- `crypto ca trustpoint`
- `domain`

- enrollment
- key-usage
- key-pair
- lifetime
- message-digest
- subject-name

Generate Root and Leaf Certificates

You must perform these steps to generate the root and the leaf certificates.

The root certificate is self-signed. The root certificate signs the leaf certificate.

Example of Generating Root Certificate

```
Router#crypto ca authenticate system-trustpoint

Sun Oct 20 13:07:24.136 UTC
% The subject name in the certificate will include: CN=lab1
ca,C=US,ST=CA,L=San Jose,O=cisco systems,OU=ASR
% The subject name in the certificate will include: ios.cisco.com
Serial Number   : 0B:62
Subject:
serialNumber=c44a11fc,unstructuredName=ios.cisco.com,OU=ASR,O=cisco systems,L=San
Jose,ST=CA,C=US,CN=lab1-ca
Issued By      :
                serialNumber=c44a11fc,unstructuredName=ios.cisco.com,OU=ASR,O=cisco systems,L=San
Jose,ST=CA,C=US,CN=lab1-ca
Validity Start : 13:07:26 UTC Sun Oct 20 2019
Validity End   : 13:07:26 UTC Wed Oct 21 2020
SHA1 Fingerprint:
                9DD50A6B24FEBC1DDEE40CD2B4D99A829F260967
```

Example of Generating Leaf Certificate

```
Router#crypto ca enroll system-trustpoint

Sun Oct 20 13:07:45.593 UTC
% The subject name in the certificate will include: CN=lab1-ads,C=US,ST=CA,L=San Jose,O=cisco
systems,OU=ASR
% The subject name in the certificate will include: ios.cisco.com
% Include the router serial number in the subject name? [yes/no]: yes
% The serial number in the certificate will be: c44a11fc
% Include an IP address in the subject name? [yes/no]: no
Certificate keypair configured Type: 1, Label: system-enroll-key.Leaf cert key usage string:
critical,digitalSignature,keyEncipherment,keyAgreement. Serial Number   : 0B:63
Subject:
                serialNumber=c44a11fc,unstructuredName=ios.cisco.com,OU=ASR,O=cisco systems,L=San
Jose,ST=CA,C=US,CN=lab1-ads
Issued By      :
                serialNumber=c44a11fc,unstructuredName=ios.cisco.com,OU=ASR,O=cisco systems,L=San
Jose,ST=CA,C=US,CN=lab1-ca
Validity Start : 13:07:47 UTC Sun Oct 20 2019
Validity End   : 13:07:47 UTC Sat Aug 15 2020
SHA1 Fingerprint:
```

```
19D4C40F9EFF8FF25B59DE0161BA6C0706DC9E3A
```

Verification

You can use the **show crypto ca certificates system-trustpoint [detail]** command to see the details of generated root and leaf certificates:

```
Router#show crypto ca certificates system-trustpoint
Fri Mar 27 14:00:51.037 IST

Trustpoint      : system-trustpoint
=====
CA certificate
  Serial Number : 10:B5
  Subject:
    serialNumber=7b20faa4,unstructuredName=test-secl.cisco.com
  Issued By      :
    serialNumber=7b20faa4,unstructuredName=test-secl.cisco.com
  Validity Start : 12:30:17 UTC Fri Feb 21 2020
  Validity End   : 12:30:17 UTC Sat Feb 20 2021
  SHA1 Fingerprint:
    9400A30816805219FAAA5B9C86C214E6F34CEF7B
Router certificate
  Key usage      : General Purpose
  Status        : Available
  Serial Number  : 10:B6
  Subject:
    serialNumber=7b20faa4,unstructuredAddress=10.1.1.1,unstructuredName=test-secl.cisco.com,CN=Anetwork,OU=IT,O=Spark
    Network,L=Rotterdam,ST=Zuid Holland,C=NL
  Issued By      :
    serialNumber=7b20faa4,unstructuredName=test-secl.cisco.com
  Validity Start : 12:30:31 UTC Fri Feb 21 2020
  Validity End   : 12:30:31 UTC Sat Feb 20 2021
  SHA1 Fingerprint:
    21ACDD5EB6E6F4103E02C1BAB107AD86DDCDD1F3
Associated Trustpoint: system-trustpoint
```

Associated Commands

- **crypto ca authenticate**
- **crypto ca enroll**
- **show crypto ca certificates system-trustpoint**

Collect Data Dossier

Table 4: Feature History Table

Feature Name	Release Information	Description
IMA Optimization	Release 7.3.1	<p>Integrity Measurement Architecture (IMA) is a Linux-based utility that attests and appraises the integrity of a system security, at runtime. In this release, IMA introduces the following IMA optimization aspects:</p> <ul style="list-style-type: none"> • Incremental IMA that collects IMA events selectively and progressively instead of collecting all the IMA events at the same time. You can define the start of an IMA sequence, which consists of start event, start sequence number, and start time. • SUDI Signature - provides the hardware root of trust to the dossier that is collected by the system.

The Cisco IOS XR Software provides a data dossier command, **show platform security integrity dossier**, that helps in collecting the data from various IOS XR components. The output is presented in JSON format.

You can choose various selectors for this command as given below:

```
Router#show platform security integrity dossier include packages reboot-history
rollback-history system-integrity-snapshot system-inventory nonce 1580 | utility sign nonce
1580 include-certificate
```

Create Signed-Envelope

To verify the data integrity and authenticity of the data dossier output, a signature is added to the output data. To enable this feature, you can use the **utility sign** command along with the **show platform security integrity dossier** command. The output is presented in JSON format.

This **utility sign** can also be used with any of the IOS XR commands.

Verification Example of Collecting Data Dossier and Creating Signed-Envelope

```
Router#show platform security integrity dossier include reboot-history nonce 1580 |
utility sign nonce 1580 include-certificate
```

```
Fri Mar 27 15:20:58.010 IST
{
  "cli-output":
```

```

{"collection-start-time":1585302661.08076,\model-name":"http://cisco.com/s/arg/Cisco-IOS-XR-aaa/\model-revision":"2019-04-05","license-uid":{"result-code":
  \\"Success\\", \\"license-uid\\": \\"UDI:
  PID:NCS-5501-SE,SN:FOC2107R0ZB\\n\\n"},"version":{"result-code": \\"Success\\", \\"version\\":
  \\"Cisco IOS XR Software, Version 7.0.1.26I\\n\\nCopyright (c) 2013-2020 by Cisco Systems,
  Inc.\\n\\nBuild Information:\\n Built By      : labuser\\n Built On      : Wed Mar 11 20:46:36
  PDT 2020\\n
  Built Host   : iox-ucs-009\\n Workspace   :
  /auto/iox-ucs-009-san2/prod/7.0.1.26I.DT_IMAGE/asr9000/ws\\n Version       : 7.0.1.26I\\n
  Location     : /opt/cisco/XR/packages/\\n Label       : 7.0.1.26I\\n\\ncisco ASR 9000 ()
  processor\\n\\nSystem uptime is 1 week 3 days 19 hours 58
  minutes\\n\\n\\n"},"platform":{"result-code": \\"Success\\", \\"platform\\": \\"Node
  Type           State           Config
state\\n-----
--\\n0/RP0/CPU0   ASR-9000-SE (Active)         IOS XR RUN          NSHUT\\n0/RP0/NPU0
  Slice          UP                          \\n0/FT0             NCS-1RU-FAN-FW
  OPERATIONAL    NSHUT\\n0/FT1              NCS-1RU-FAN-FW     OPERATIONAL
  NSHUT\\n0/PM0   NCS-1100W-ACFW            FAILED              NSHUT\\n0/PM1
  NCS-1100W-ACFW            OPERATIONAL
NSHUT\\n0"},\\"reboot-history":{"result-code":\\"Success\\",\\"model-name\\":\\"Cisco-IOS-XR-linu
x-os-reboot-history-oper\\",\\"model-revision\\":\\"2019-04-05\\",\\"node\\":[{"node-name\\":
  \\"0/RP0/CPU0\\", \\"reboot-history\\": [{"reason\\": \\"User initiated graceful reload\\",
  \\"time\\": \\"Wed Feb 19 15:25:11 2020\\", \\"cause-code\\": 1, \\"no\\": 1}, {"reason\\":
  \\"CARD_SHUTDOWN\\", \\"time\\": \\"Wed Feb 19 16:38:00 2020\\", \\"cause-code\\": 37, \\"no\\": 2},
  {"reason\\": \\"CARD_SHUTDOWN\\", \\"time\\": \\"Wed Feb 19 19:06:27 2020\\", \\"cause-code\\":
  37, \\"no\\": 3}, {"reason\\": \\"CARD_SHUTDOWN\\", \\"time\\": \\"Thu Feb 20 11:50
  :50 2020\\", \\"cause-code\\": 37, \\"no\\": 4}, {"reason\\": \\"CARD_SHUTDOWN\\", \\"time\\": \\"Fri
  Feb 21 10:54:09 2020\\", \\"cause-code\\": 37, \\"no\\": 5}, {"reason\\": \\"CARD_SHUTDOWN\\",
  \\"time\\": \\"Fri Feb 21 19:00:10 2020\\", \\"cause-code\\": 37, \\"no\\": 6}, {"reason\\":
  \\"CARD_SHUTDOWN\\", \\"time\\": \\"Sun Feb 23 12:05:25 2020\\", \\"cause-code\\": 37, \\"no\\": 7},
  {"reason\\": \\"User initiated graceful reload\\", \\"time\\": \\"Mon Mar 2 19:03:25 2020\\",
  \\"cause-code\\": 241, \\"no\\": 8}, {"reason\\": \\"CARD_SHUTDOWN\\", \\"
  time\\": \\"Mon Mar 2 19:08:16 2020\\", \\"cause-code\\": 37, \\"no\\":
  9}]}]},"collection-end-time":1585302661.316119}",
  "signature-envelop": {
    "nonce": "1580",
    "signature-version": "01",
    "digest-algorithm": "RSA-SHA256",
    "pub-key-id": "4278",
    "signature":
"ZEKkhGKqZzifp3m6v/6O69MvXN+o9x+6vvp9DnzO8YwaMdd59ORVRck9UoqWgd9JB9wfk9B7eMN+UvhCqBRwgv==",
    "signature-certificates": [
      "MIIDLjCCAhagAwIBAwICELUwDQYJKoZIhvcNAQELBQAwODEjMCEGCSqGSIb3DQEJAhYUdhVya
      Z/tJlIYOzTRJjx9ZtFdX8yyOj3zuI+zDakPRn4XA2blqFN3d071MofsiO7SEKc52aQDes4PbjkQcibKYhrYboECypdhuG/TPyhxdFlWa/
      ZnhGiziW7I9nddMgU5cE0XZ48x5G5ixqmwG8AQiuQHsNsCZ/hDeJiLrfoYymLVXaRLZTJDZvuXqpmTn9k342NT+fqdSHvT+qyLZ5V9iuma
      QyjHiP8I4kfvS5nzZhTjkEnQHgxadsNEY1pnThDntAEFsZacajHBFdNi1UyzbHxr0EwCc5ALpdyY1F9CghdcJ2XEd8VjGftLXn1oFQvJe
      Ru5e5BfM7+rU8IN3iuyLHAgMBAAGjZDBiMA8GA1UdEwEB/wQFMAMBAf8wDgYDVFR0PAQH/BAQDAGP4MCAGALUdJQEE/
      eqW4mYYmDV+OE/BMsZvjlL2wsIwDQYJKoZIhvcNAQELBQADggEBAHJL4re6ehAejTXBMGQAsIJ2Z4vdxerB3N4qB1
      EH3nUMxMdea5JCGO3b8=" ]
    }
  }
}
Router#

```

Please note that the above output is a sample output which does not indicate actual values.

Collect Filesystem Inventory

The metadata of the filesystem can be collected using data dossier. The metadata of the file includes information about time the file was created, last accessed, last modified and so on. A snapshot is captured at each configured interval. The initial snapshot shows a complete snapshot of all files in the filesystem. The files are scanned periodically and new inventory data is collected and stored as incremental snapshots.

To enable this feature, use the **filesystem-inventory** command.

```
Router(config)#filesystem-inventory
Router(config-filesystem-inventory)#snapshot-interval 2
Router(config-filesystem-inventory)#commit
```

The `snapshot-interval` is the time interval in 15-minute blocks. The interval ranges 1–96. For example, value of 2 indicates that a snapshot interval is collected every 30 minutes. The snapshots are stored in `/misc/scratch/filesysinv`. The logs are stored in `/var/log/iosxr/filesysinv/*`.

To retrieve the filesystem inventory, use the following dossier command. Output is presented in JSON format.

```
show platform security integrity dossier include filesystem-inventory | file
<platform>-parent.json

{"collection-start-time":1610168028.380901,
"model-name":"http://cisco.com/ns/yang/Cisco-IOS-XR-ama",
"model-revision":"2019-08-05","license-udi":{"result-code": "Success", "license-udi":
"UDI: PID:NCS-55A1-24H,SN:FOC2104R15R\n"},"version":{"result-code": "Success",
"version": "Cisco IOS XR Software, Version 7.3.1
\nCopyright (c) 2013-2020 by Cisco Systems, Inc.\n\nBuild Information:\n
Built By      : <user>\n Built On       : Thu Jan  7 17:16:02 PST 2021\n
Built Host    : <host>\n Workspace     : <ws>
Version      : 7.3.1\n Location       : /opt/cisco/XR/packages/\n Label         : 7.3.1\n\ncisco

() processor\nSystem uptime is 8 hours 7 minutes\n\n"},"platform":{"result-code":
"Success", "platform":
"Node          Type                               State          Config state
-----
0/RP0/CPU0     <node-type>(Active)        IOS XR RUN     NSHUT\n
0/RP0/NPU0     Slice                       UP
0/RP0/NPU1     Slice                       UP
0/FT0          <platform>-A1-FAN-RV       OPERATIONAL    NSHUT
0/FT1          <platform>-A1-FAN-RV       OPERATIONAL    NSHUT
0/FT2          <platform>-A1-FAN-RV       OPERATIONAL    NSHUT
PM1            <platform>-1100W-ACRV      OPERATIONAL    NSHUT
"},
-----Output is snipped for brevity
-----
```

To limit the number of snapshots, use the following command:

```
show platform security integrity dossier include filesystem-inventory
filesystem-inventory-options '{"0/RP0/CPU0": {"block_start": 0, "count": 1}}'
```

To start from a new block, use the following command:

```
show platform security integrity dossier include filesystem-inventory
filesystem-inventory-options '{"0/RP0/CPU0": {"block_start": 5}}'
```

To collect data from a remote node, use the following command:

```
show platform security integrity dossier include filesystem-inventory
filesystem-inventory-options '{"0/RP1/CPU0": {"block_start": 0}}' | file
harddisk:PE1_remote.json
```

Associated Command(s)

- **show platform security integrity dossier**
- **utility sign**

Procedure to Test Key Generation and Data-signing with Different Key Algorithm

You can follow these steps to test key generation and data-signing with a different key algorithm:

- Unconfigure the trustpoint (using the **no crypto ca trustpoint system-trustpoint** command)
- Clear the certificates that were generated earlier (using the **clear crypto ca certificates system-trustpoint** command)
- Generate new keys.
- Configure the system trustpoint again.
- Authenticate and enroll the system trustpoint to generate the certificates.

See [How to Integrate Cisco IOS XR and Crosswork Trust Insights, on page 89](#) section for configuration steps of each task.

Where to Go Next

After you have finished configuring CA interoperability, you should configure IKE, IPsec, and SSL. IPsec in the *Implementing IPsec Network Security on the Cisco ASR 9000 Series Router* module, and SSL in the *Implementing Secure Socket Layer on the Cisco ASR 9000 Series Router* module. These modules are located in *System Security Configuration Guide for Cisco ASR 9000 Series Routers* (this publication).

Additional References

The following sections provide references related to implementing certification authority interoperability.

Related Documents

Related Topic	Document Title
PKI commands: complete command syntax, command modes, command history, defaults, usage guidelines, and examples	<i>Public Key Infrastructure Commands on the Cisco ASR 9000 Series Router</i> module in <i>System Security Command Reference for Cisco ASR 9000 Series Routers</i> .

Standards

Standards	Title
No new or modified standards are supported by this feature, and support for existing standards has not been modified by this feature.	—

MIBs

MIBs	MIBs Link
—	To locate and download MIBs using Cisco IOS XR software, use the Cisco MIB Locator found at the following URL and choose a platform under the Cisco Access Products menu: http://cisco.com/public/sw-center/netmgmt/cmtk/mibs.shtml

RFCs

RFCs	Title
No new or modified RFCs are supported by this feature, and support for existing RFCs has not been modified by this feature.	—

Technical Assistance

Description	Link
The Cisco Technical Support website contains thousands of pages of searchable technical content, including links to products, technologies, solutions, technical tips, and tools. Registered Cisco.com users can log in from this page to access even more content.	http://www.cisco.com/techsupport



CHAPTER 4

Implementing Keychain Management

This module describes how to implement keychain management on. Keychain management is a common method of authentication to configure shared secrets on all entities that exchange secrets such as keys, before establishing trust with each other. Routing protocols and network management applications on Cisco IOS XR software often use authentication to enhance security while communicating with peers.

Feature History for Implementing Keychain Management

Release	Modification
Release 3.7.2	This feature was introduced.

- [Prerequisites for Configuring Keychain Management, on page 101](#)
- [Restrictions for Implementing Keychain Management, on page 101](#)
- [Information About Implementing Keychain Management, on page 101](#)
- [How to Implement Keychain Management, on page 102](#)
- [Configuration Examples for Implementing Keychain Management, on page 111](#)
- [Additional References, on page 112](#)

Prerequisites for Configuring Keychain Management

You must be in a user group associated with a task group that includes the proper task IDs. The command reference guides include the task IDs required for each command. If you suspect user group assignment is preventing you from using a command, contact your AAA administrator for assistance.

Restrictions for Implementing Keychain Management

You must be aware that changing the system clock impacts the validity of the keys in the existing configuration.

Information About Implementing Keychain Management

The keychain by itself has no relevance; therefore, it must be used by an application that needs to communicate by using the keys (for authentication) with its peers. The keychain provides a secure mechanism to handle the keys and rollover based on the lifetime. Border Gateway Protocol (BGP), Open Shortest Path First (OSPF),

and Intermediate System-to-Intermediate System (IS-IS) use the keychain to implement a hitless key rollover for authentication. BGP uses TCP authentication, which enables the authentication option and sends the Message Authentication Code (MAC) based on the cryptographic algorithm configured for the keychain. For information about BGP, OSPF, and IS-IS keychain configurations, see

- Resource Reservation Protocol (RSVP) uses keychain for authentication. For more information about RSVP, see the *Cisco ASR 9000 Series Aggregation Services Router MPLS Configuration Guide*.
- IP Service Level Agreements (IP SLAs) use a keychain for MD5 authentication for the IP SLA control message. For more information about IP SLAs, see the *Cisco ASR 9000 Series Aggregation Services Router System Monitoring Configuration Guide* and the **key-chain** command in the *Cisco ASR 9000 Series Aggregation Services Router System Monitoring Command Reference*.

To implement keychain management, you must understand the concept of key lifetime, which is explained in the next section.

Lifetime of Key

If you are using keys as the security method, you must specify the lifetime for the keys and change the keys on a regular basis when they expire. To maintain stability, each party must be able to store and use more than one key for an application at the same time. A keychain is a sequence of keys that are collectively managed for authenticating the same peer, peer group, or both.

Keychain management groups a sequence of keys together under a keychain and associates each key in the keychain with a lifetime.



Note Any key that is configured without a lifetime is considered invalid; therefore, the key is rejected during configuration.

The lifetime of a key is defined by the following options:

- Start-time—Specifies the absolute time.
- End-time—Specifies the absolute time that is relative to the start-time or infinite time.

Each key definition within the keychain must specify a time interval for which that key is activated; for example, lifetime. Then, during a given key's lifetime, routing update packets are sent with this activated key. Keys cannot be used during time periods for which they are not activated. Therefore, we recommend that for a given keychain, key activation times overlap to avoid any period of time for which no key is activated. If a time period occurs during which no key is activated, neighbor authentication cannot occur; therefore, routing updates can fail.

Multiple keychains can be specified.

How to Implement Keychain Management

This section contains the following procedures:

Configuring a Keychain

This task configures a name for the keychain.

You can create or modify the name of the keychain.

SUMMARY STEPS

1. **configure**
2. **key chain** *key-chain-name*
3. Use the **commit** or **end** command.
4. **show key chain** *key-chain-name*

DETAILED STEPS

	Command or Action	Purpose
Step 1	configure Example: RP/0/RSP0/CPU0:router# configure	Enters global configuration mode.
Step 2	key chain <i>key-chain-name</i> Example: RP/0/RSP0/CPU0:router(config)# key chain isis-keys RP/0/RSP0/CPU0:router(config-isis-keys)#	Creates a name for the keychain. Note Configuring only the keychain name without any key identifiers is considered a nonoperation. When you exit the configuration, the router does not prompt you to commit changes until you have configured the key identifier and at least one of the global configuration mode attributes or keychain-key configuration mode attributes (for example, lifetime or key string).
Step 3	Use the commit or end command.	commit —Saves the configuration changes and remains within the configuration session. end —Prompts user to take one of these actions: <ul style="list-style-type: none"> • Yes — Saves configuration changes and exits the configuration session. • No —Exits the configuration session without committing the configuration changes. • Cancel —Remains in the configuration session, without committing the configuration changes.
Step 4	show key chain <i>key-chain-name</i> Example: RP/0/RSP0/CPU0:router# show key chain isis-keys	(Optional) Displays the name of the keychain. Note The <i>key-chain-name</i> argument is optional. If you do not specify a name for the <i>key-chain-name</i> argument, all the keychains are displayed.

What to do next

After completing keychain configuration, see the [Configuring a Tolerance Specification to Accept Keys, on page 104](#) section.

Configuring a Tolerance Specification to Accept Keys

This task configures the tolerance specification to accept keys for a keychain to facilitate a hitless key rollover for applications, such as routing and management protocols.

SUMMARY STEPS

1. **configure**
2. **key chain** *key-chain-name*
3. **accept-tolerance** *value* [**infinite**]
4. Use the **commit** or **end** command.

DETAILED STEPS

	Command or Action	Purpose
Step 1	configure Example: RP/0/RSP0/CPU0:router# configure	Enters global configuration mode.
Step 2	key chain <i>key-chain-name</i> Example: RP/0/RSP0/CPU0:router(config)# key chain isis-keys	Creates a name for the keychain.
Step 3	accept-tolerance <i>value</i> [infinite] Example: RP/0/RSP0/CPU0:router(config-isis-keys)# accept-tolerance infinite	Configures a tolerance value to accept keys for the keychain. <ul style="list-style-type: none"> • Use the <i>value</i> argument to set the tolerance range in seconds. The range is from 1 to 8640000. • Use the infinite keyword to specify that the tolerance specification is infinite.
Step 4	Use the commit or end command.	commit —Saves the configuration changes and remains within the configuration session. end —Prompts user to take one of these actions: <ul style="list-style-type: none"> • Yes — Saves configuration changes and exits the configuration session. • No —Exits the configuration session without committing the configuration changes. • Cancel —Remains in the configuration session, without committing the configuration changes.

Configuring a Key Identifier for the Keychain

This task configures a key identifier for the keychain.

You can create or modify the key for the keychain.

SUMMARY STEPS

1. **configure**
2. **key chain** *key-chain-name*
3. **key** *key-id*
4. Use the **commit** or **end** command.

DETAILED STEPS

	Command or Action	Purpose
Step 1	configure Example: RP/0/RSP0/CPU0:router# configure	Enters global configuration mode.
Step 2	key chain <i>key-chain-name</i> Example: RP/0/RSP0/CPU0:router(config)# key chain isis-keys	Creates a name for the keychain.
Step 3	key <i>key-id</i> Example: RP/0/RSP0/CPU0:router(config-isis-keys)# key 8	Creates a key for the keychain. The key ID number is translated from decimal to hexadecimal to create the command mode subprompt. • Use the <i>key-id</i> argument as a 48-bit integer.
Step 4	Use the commit or end command.	commit —Saves the configuration changes and remains within the configuration session. end —Prompts user to take one of these actions: • Yes — Saves configuration changes and exits the configuration session. • No —Exits the configuration session without committing the configuration changes. • Cancel —Remains in the configuration session, without committing the configuration changes.

What to do next

After configuring a key identifier for the keychain, see the [Configuring the Text for the Key String, on page 106](#) section.

Configuring the Text for the Key String

This task configures the text for the key string.

SUMMARY STEPS

1. **configure**
2. **key chain** *key-chain-name*
3. **key** *key-id*
4. **key-string** [**clear** | **password**] *key-string-text*
5. Use the **commit** or **end** command.

DETAILED STEPS

	Command or Action	Purpose
Step 1	configure Example: RP/0/RSP0/CPU0:router# configure	Enters global configuration mode.
Step 2	key chain <i>key-chain-name</i> Example: RP/0/RSP0/CPU0:router(config)# key chain isis-keys	Creates a name for the keychain.
Step 3	key <i>key-id</i> Example: RP/0/RSP0/CPU0:router(config-isis-keys)# key 8 RP/0/RSP0/CPU0:router(config-isis-keys-0x8)#	Creates a key for the keychain.
Step 4	key-string [clear password] <i>key-string-text</i> Example: RP/0/RSP0/CPU0:router(config-isis-keys-0x8)# key-string password 8	Specifies the text string for the key. <ul style="list-style-type: none"> • Use the clear keyword to specify the key string in clear text form; use the password keyword to specify the key in encrypted form. • For a string to be a valid password, it must comply with the following rules: <ul style="list-style-type: none"> • It must contain an even number of characters. • The minimum length is 4. • The first two digits must be decimal numbers and the others must be hexadecimal numbers. • The first two digits must not be greater than 53. Examples of valid passwords are: <ul style="list-style-type: none"> • 12abcd

	Command or Action	Purpose
		<ul style="list-style-type: none"> • 32986510 •
Step 5	Use the commit or end command.	<p>commit —Saves the configuration changes and remains within the configuration session.</p> <p>end —Prompts user to take one of these actions:</p> <ul style="list-style-type: none"> • Yes — Saves configuration changes and exits the configuration session. • No —Exits the configuration session without committing the configuration changes. • Cancel —Remains in the configuration session, without committing the configuration changes.

What to do next

After configuring the text for the key string, see the [Configuring the Keys to Generate Authentication Digest for the Outbound Application Traffic, on page 108](#) section.

Determining the Valid Keys

This task determines the valid keys for local applications to authenticate the remote peers.

SUMMARY STEPS

1. **configure**
2. **key chain** *key-chain-name*
3. **key** *key-id*
4. **accept-lifetime** *start-time* [**duration** *duration-value* | **infinite** | *end-time*]
5. Use the **commit** or **end** command.

DETAILED STEPS

	Command or Action	Purpose
Step 1	<p>configure</p> <p>Example:</p> <pre>RP/0/RSP0/CPU0:router# configure</pre>	Enters global configuration mode.
Step 2	<p>key chain <i>key-chain-name</i></p> <p>Example:</p> <pre>RP/0/RSP0/CPU0:router(config)# key chain isis-keys</pre>	Creates a a name for the keychain.

	Command or Action	Purpose
Step 3	key <i>key-id</i> Example: <pre>RP/0/RSP0/CPU0:router(config-isis-keys)# key 8 RP/0/RSP0/CPU0:router(config-isis-keys-0x8)#</pre>	Creates a key for the keychain.
Step 4	accept-lifetime <i>start-time</i> [duration <i>duration-value</i> infinite <i>end-time</i>] Example: <pre>RP/0/RSP0/CPU0:router(config-isis-keys-0x8)# accept-lifetime 1:00:00 october 24 2005 infinite</pre>	(Optional) Specifies the validity of the key lifetime in terms of clock time.
Step 5	Use the commit or end command.	commit —Saves the configuration changes and remains within the configuration session. end —Prompts user to take one of these actions: <ul style="list-style-type: none"> • Yes — Saves configuration changes and exits the configuration session. • No —Exits the configuration session without committing the configuration changes. • Cancel —Remains in the configuration session, without committing the configuration changes.

Configuring the Keys to Generate Authentication Digest for the Outbound Application Traffic

This task configures the keys to generate authentication digest for the outbound application traffic.

SUMMARY STEPS

1. **configure**
2. **key chain** *key-chain-name*
3. **key** *key-id*
4. **send-lifetime** *start-time* [**duration** *duration-value* | **infinite** | *end-time*]
5. Use the **commit** or **end** command.

DETAILED STEPS

	Command or Action	Purpose
Step 1	configure Example: <pre>RP/0/RSP0/CPU0:router# configure</pre>	Enters global configuration mode.

	Command or Action	Purpose
Step 2	key chain <i>key-chain-name</i> Example: RP/0/RSP0/CPU0:router(config)# key chain isis-keys	Creates a name for the keychain.
Step 3	key <i>key-id</i> Example: RP/0/RSP0/CPU0:router(config-isis-keys)# key 8 RP/0/RSP0/CPU0:router(config-isis-keys-0x8)#	Creates a key for the keychain.
Step 4	send-lifetime <i>start-time</i> [duration <i>duration-value</i> infinite <i>end-time</i>] Example: RP/0/RSP0/CPU0:router(config-isis-keys-0x8)# send-lifetime 1:00:00 october 24 2005 infinite	<p>(Optional) Specifies the set time period during which an authentication key on a keychain is valid to be sent. You can specify the validity of the key lifetime in terms of clock time.</p> <p>In addition, you can specify a start-time value and one of the following values:</p> <ul style="list-style-type: none"> • duration keyword (seconds) • infinite keyword • <i>end-time</i> argument <p>If you intend to set lifetimes on keys, Network Time Protocol (NTP) or some other time synchronization method is recommended.</p>
Step 5	Use the commit or end command.	<p>commit —Saves the configuration changes and remains within the configuration session.</p> <p>end —Prompts user to take one of these actions:</p> <ul style="list-style-type: none"> • Yes — Saves configuration changes and exits the configuration session. • No —Exits the configuration session without committing the configuration changes. • Cancel —Remains in the configuration session, without committing the configuration changes.

Configuring the Cryptographic Algorithm

This task allows the key chain configuration to accept the choice of the cryptographic algorithm.

SUMMARY STEPS

1. **configure**
2. **key chain** *key-chain-name*

3. **key** *key-id*
4. **cryptographic-algorithm** [HMAC-MD5 | HMAC-SHA1-12 | HMAC-SHA1-20 | MD5 | SHA-1 | AES-128-CMAC-96 | HMAC-SHA-256 | HMAC-SHA1-96]
5. Use the **commit** or **end** command.

DETAILED STEPS

	Command or Action	Purpose
Step 1	configure Example: <pre>RP/0/RSP0/CPU0:router# configure</pre>	Enters global configuration mode.
Step 2	key chain <i>key-chain-name</i> Example: <pre>RP/0/RSP0/CPU0:router(config)# key chain isis-keys RP/0/RSP0/CPU0:router(config-isis-keys)#</pre>	Creates a name for the keychain.
Step 3	key <i>key-id</i> Example: <pre>RP/0/RSP0/CPU0:router(config-isis-keys)# key 8 RP/0/RSP0/CPU0:router(config-isis-keys-0x8)#</pre>	Creates a key for the keychain.
Step 4	cryptographic-algorithm [HMAC-MD5 HMAC-SHA1-12 HMAC-SHA1-20 MD5 SHA-1 AES-128-CMAC-96 HMAC-SHA-256 HMAC-SHA1-96] Example: <pre>RP/0/RSP0/CPU0:router(config-isis-keys-0x8)# cryptographic-algorithm MD5</pre>	<p>Specifies the choice of the cryptographic algorithm. You can choose from the following list of algorithms:</p> <ul style="list-style-type: none"> • HMAC-MD5 • HMAC-SHA1-12 • HMAC-SHA1-20 • MD5 • SHA-1 • HMAC-SHA-256 • HMAC-SHA1-96 • AES-128-CMAC-96 <p>The routing protocols each support a different set of cryptographic algorithms:</p> <ul style="list-style-type: none"> • Border Gateway Protocol (BGP) supports HMAC-MD5, HMAC-SHA1-12, HMAC-SHA1-96 and AES-128-CMAC-96. • Intermediate System-to-Intermediate System (IS-IS) supports HMAC-MD5, SHA-1, MD5, AES-128-CMAC-96, HMAC-SHA-256,

	Command or Action	Purpose
		HMAC-SHA1-12, HMAC-SHA1-20, and HMAC-SHA1-96. • Open Shortest Path First (OSPF) supports MD5, HMAC-MD5, HMAC-SHA-256, HMAC-SHA1-12, HMAC-SHA1-20, and HMAC-SHA1-96.
Step 5	Use the commit or end command.	commit —Saves the configuration changes and remains within the configuration session. end —Prompts user to take one of these actions: <ul style="list-style-type: none"> • Yes — Saves configuration changes and exits the configuration session. • No —Exits the configuration session without committing the configuration changes. • Cancel —Remains in the configuration session, without committing the configuration changes.

Configuration Examples for Implementing Keychain Management

This section provides the following configuration example:

Configuring Keychain Management: Example

The following example shows how to configure keychain management:

```

configure
key chain isis-keys
accept-tolerance infinite
key 8
key-string mykey9labcd
cryptographic-algorithm MD5
send-lifetime 1:00:00 june 29 2006 infinite
accept-lifetime 1:00:00 june 29 2006 infinite
end

Uncommitted changes found, commit them? [yes]: yes

show key chain isis-keys

Key-chain: isis-keys/ -

accept-tolerance -- infinite
Key 8 -- text "1104000E120B520005282820"
  cryptographic-algorithm -- MD5
  Send lifetime: 01:00:00, 29 Jun 2006 - Always valid [Valid now]
  Accept lifetime: 01:00:00, 29 Jun 2006 - Always valid [Valid now]

```

Additional References

The following sections provide references related to implementing keychain management.

Related Documents

Related Topic	Document Title
Keychain management commands: complete command syntax, command modes, command history, defaults, usage guidelines, and examples	<i>Keychain Management Commands in the System Security Command Reference for Cisco ASR 9000 Series Routers</i>

Standards

Standards	Title
No new or modified standards are supported by this feature, and support for existing standards has not been modified by this feature.	—

MIBs

MIBs	MIBs Link
—	To locate and download MIBs using Cisco IOS XR software, use the Cisco MIB Locator found at the following URL and choose a platform under the Cisco Access Products menu: http://cisco.com/public/sw-center/netmgmt/cmtk/mibs.shtml

RFCs

RFCs	Title
No new or modified RFCs are supported by this feature.	—

Technical Assistance

Description	Link
The Cisco Technical Support website contains thousands of pages of searchable technical content, including links to products, technologies, solutions, technical tips, and tools. Registered Cisco.com users can log in from this page to access even more content.	http://www.cisco.com/techsupport



CHAPTER 5

Configure MACSec

This module describes how to configure Media Access Control Security (MACSec) encryption on the ASR 9000 Series Aggregation Services Routers. MACSec is a Layer 2 IEEE 802.1AE standard for encrypting packets between two MACSec-capable routers.

Feature History for Configure MACSec

Release	Modification
Release 5.3.2	This feature was introduced.
Release 6.0.1	This feature was modified to support VLAN sub-interfaces and bundles.
Release 6.1.2	This feature was modified to introduce MACsec as a service.
Release 6.3.3	Introduced the support for global MACsec shutdown.
Release 6.3.3	Introduced the support for MACsec SAK rekey interval.
Release 6.5.1	MACSec support was introduced on Cisco ASR 9901 Routers.
Release 6.6.1	A9K-MPA-32x1GE MPA card was introduced with MACSec support for Cisco IOS XR.
Release 6.6.2	MACSec support with A9K-MPA-32x1GE extended to IOS XR 64-bit.
Release 7.1.3	MACSec support was introduced on Cisco ASR 9000 5th generation line cards, Cisco ASR 9903 1.6T chassis and Cisco ASR 9903 2T port expansion card running Cisco IOS XR 64-bit.

- [Understanding MACsec Encryption, on page 114](#)
- [Advantages of Using MACsec Encryption, on page 115](#)
- [Types of MACsec Implementation, on page 115](#)
- [MKA Authentication Process, on page 116](#)
- [Hardware Support for MACSec, on page 117](#)
- [MACSec Limitations for Cisco ASR 9901 Routers, on page 119](#)
- [MACsec PSK, on page 120](#)
- [Fallback PSK, on page 120](#)
- [Configuring and Verifying MACSec Encryption , on page 120](#)
- [Configuring and Verifying MACsec Encryption as a Service, on page 141](#)
- [Global MACsec Shutdown, on page 158](#)

Understanding MACsec Encryption

Security breaches can occur at any layer of the OSI model. At Layer 2, some of the common breaches at Layer 2 are MAC address spoofing, ARP spoofing, Denial of Service (DoS) attacks against a DHCP server, and VLAN hopping.

MACsec secures data on physical media, making it impossible for data to be compromised at higher layers. As a result, MACsec encryption takes priority over any other encryption method such as IPsec and SSL, at higher layers. MACsec is configured on Customer Edge (CE) router interfaces that connect to Provider Edge (PE) routers and on all the provider router interfaces.

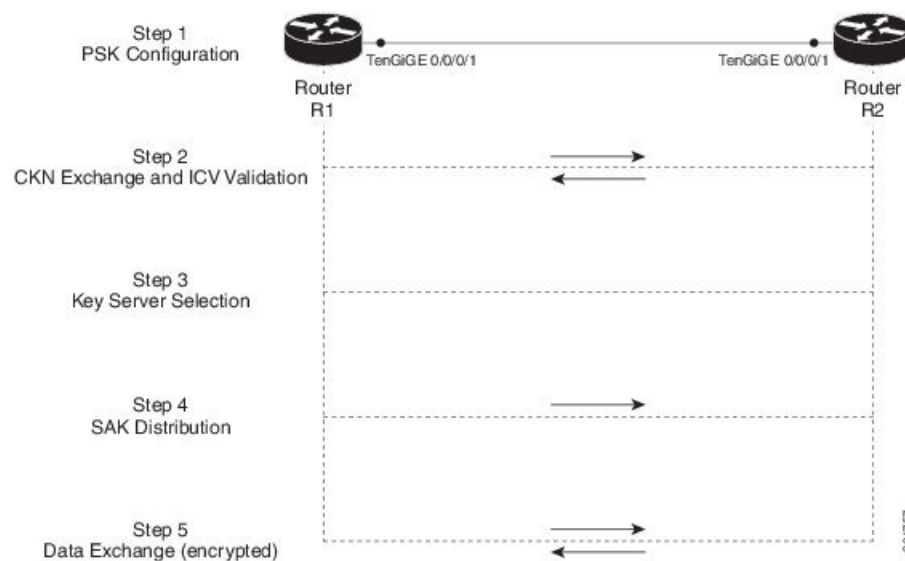
MACservice can be deployed in the network as a technology or as a service. For more information, see [Types of MACsec Implementation, on page 115](#)

MACsec Authentication Process

MACsec provides encryption using Advanced Encryption Standard (AES) algorithm at the Layer 2. MACsec uses the MACsec Key Agreement protocol (MKA) to exchange session keys, and manage encryption keys.

The MACsec encryption process is illustrated in the following figure and description.

Figure 1: MACsec Encryption Process



Step 1: When a link is first established between two routers, they become peers. Mutual peer authentication takes place by configuring a Pre-shared Key (PSK).

Step 2: On successful peer authentication, a connectivity association is formed between the peers, and a secure Connectivity Association Key Name (CKN) is exchanged. After the exchange, the MKA ICV is validated with a Connectivity Association Key (CAK), which is effectively a secret key.

Step 3: A key server is selected between the routers, based on the configured key server priority. Lower the priority value, higher the preference for the router to become the key server. If no value is configured, the default value of 16 is taken to be the key server priority value for the router. Lowest priority value configures that router as the key server, while the other router functions as a key client. The following rules apply to key server selection:

- Numerically lower values of key server priority and SCI are accorded the highest preference.
- Each router selects a peer advertising the highest preference as its key server provided that peer has not selected another router as its key server or is not willing to function as the key server.
- In the event of a tie for highest preferred key server, the router with the highest priority SCI is chosen as key server (KS).

Step 4: A security association is formed between the peers. The key server generates and distributes the Secure Association Key (SAK) to the key client (peer). SAKs are generated for every data exchange between the peers.

Step 5: Encrypted data is exchanged between the peers.

Advantages of Using MACsec Encryption

- **Client-Oriented Mode:** MACsec is used in setups where two routers that are peering with each other can alternate as a key server or a key client prior to exchanging keys. The key server generates and maintains the CAK between the two peers.
- **Data Integrity Check:** MACsec uses MKA to generate an Integrity Check Value (ICV) for the frame arriving on the port. If the generated ICV is the same as the ICV in the frame, then the frame is accepted; otherwise it is dropped.
- **Data Encryption:** MACsec provides port-level encryption on the line card of the router. This means that the frames sent out of the configured port are encrypted and frames received on the port are decrypted. MACsec also provides a mechanism where you can configure whether only encrypted frames or all frames (encrypted and plain) are accepted on the interface.
- **Replay Protection:** When frames are transmitted through the network, there is a strong possibility of frames getting out of the ordered sequence. MACsec provides a configurable window that accepts a specified number of out-of-sequence frames.
- **Support for Clear Traffic:** If configured accordingly, data that is not encrypted is allowed to transit through the port.

Types of MACsec Implementation

MACsec is implemented in the following ways:

- **MACsec** where it serves as an encryption method for all traffic on Ethernet links.

For more information on configuring MACsec, see *Creating a MACsec Keychain* and *Creating a MACsec Policy*

- **MACsec as a service** where it serves as an encryption method for L2VPN and L3VPN traffic over a provider network. It provides a mechanism to provide encryption or decryption service for selected traffic across the WAN core. For example: a service provider can charge encryption of voice calls at a premium. This solution supports both Point-to-Point as well as Multipoint service for all the traffic on the network.

For more information on configuring MACsec as a service, see [Configuring MACsec as a Service](#), on page 143

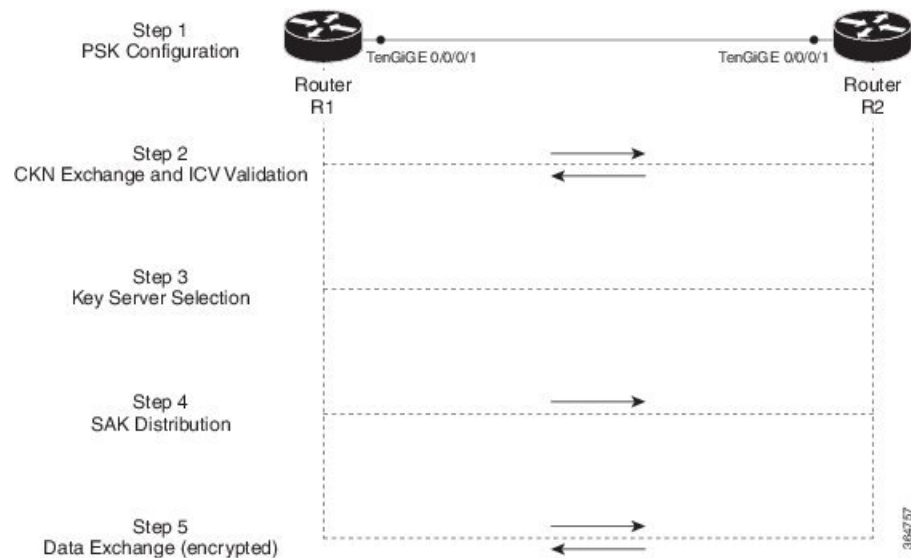
Both MACsec and MACsec service are mutually exclusive and can be deployed in the same network.

MKA Authentication Process

MACsec provides encryption at the Layer 2, which is provided by the Advanced Encryption Standard (AES) algorithm that replaces the DES algorithm. MACsec uses the MACsec Key Agreement protocol (MKA) to exchange session keys, and manage encryption keys.

The MACsec encryption process is illustrated in the following figure and description.

Figure 2: MKA Encryption Process



Step 1: When a link is first established between two routers, they become peers. Mutual peer authentication takes place by configuring a Pre-shared Key (PSK).

Step 2: On successful peer authentication, a connectivity association is formed between the peers, and a secure Connectivity Association Key Name (CKN) is exchanged. After the exchange, the MKA ICV is validated with a Connectivity Association Key (CAK), which is effectively a secret key.

Step 3: A key server is selected between the routers, based on the configured key server priority. Lower the priority value, higher the preference for the router to become the key server. If no value is configured, the default value of 16 is taken to be the key server priority value for the router. Lowest priority value configures that router as the key server, while the other router functions as a key client. The following rules apply to key server selection:

- Numerically lower values of key server priority and SCI are accorded the highest preference.
- Each router selects a peer advertising the highest preference as its key server provided that peer has not selected another router as its key server or is not willing to function as the key server.
- In the event of a tie for highest preferred key server, the router with the highest priority SCI is chosen as key server (KS).

Step 4: A security association is formed between the peers. The key server generates and distributes the Secure Association Key (SAK) to the key client (peer). Each secure channel is supported by an overlapped sequence of Security Associations(SA). Each SA uses a new Secure Association Key (SAK).

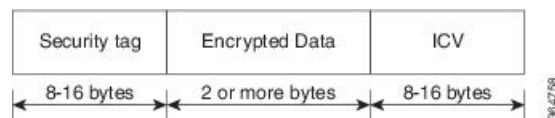
Step 5: Encrypted data is exchanged between the peers.

MACsec Frame Format

The MACsec header in a frame consists of three components as illustrated in the following figure.

- **Security tag:** The security tag is 8-16 bytes in length and identifies the SAK to be used for the frame. With Secure Channel Identifier (SCI) encoding, the security tag is 16 bytes in length, and without the encoding, 8 bytes in length (SCI encoding is optional). The security tag also provides replay protection when frames are received out of sequence.
- **Secure data:** This is the data in the frame that is encrypted using MACsec and can be 2 or more octets in length.
- **ICV:** The ICV provides the integrity check for the frame and is usually 8-16 bytes in length, depending on the cipher suite. Frames that do not match the expected ICV are dropped at the port.

Figure 3: MACsec Frame Format



Hardware Support for MACSec

The MACSec support on ASR 9000 Series Routers is compatible with the following chassis, line cards (LCs), and modular port adapters (MPAs).

Supported Chassis for MACSec

Table 5: Supported Chassis for MACSec

Chassis Type	Introduced Release for MACSec Support
Cisco ASR 9903 Router (1.6T Fixed Board only or with removable A9903-20HG-PEC card)	Release 7.1.3
Cisco ASR 9901 Router	Release 6.5.1

Supported Modular Port Adapters for MACSec

The MACSec technology is supported on modular line cards when used with the following MPAs:

Table 6: Supported MPAs for MACSec

Hardware PIDs	Hardware Description	Introduced Release for MACSec Support
A9K-MPA-32X1GE	32-port GE Modular Port Adapter	Release 6.6.1
A9K-MPA-20X10GE	20-port 10 Gigabit Modular Port Adapter	Release 6.1.2

Hardware PIDs	Hardware Description	Introduced Release for MACSec Support
A9K-MPA-1X100GE	1-port 100 Gigabit Modular Port Adapter	Release 6.1.2
A9K-MPA-2X100GE	2-port 100 Gigabit Modular Port Adapter	Release 6.1.2

Supported Line Cards and Port Expansion Cards for MACSec

Following line cards and port expansion cards support MACSec:

Table 7: Supported Line Cards for MACSec

Line Card	Introduced Release for MACSec Support
200G and 400G modular line cards with A9K-MPA-20X10GE, A9K-MPA-1X100GE and A9K-MPA-2X100GE	Release 6.1.2
4X100 GE and 8X100 GE OTN Line Card	Release 6.1.2
Cisco ASR 9000 Series 400-Gbps IPoDWDM Line Card - A9K-400G-DWDM-TR	Release 6.2.1
ASR 9000 5th Generation Line Cards	<i>See the table below for the list of supported PIDs and release information</i>

Table 8: Supported Port Expansion Cards for MACSec

Hardware PID	Hardware Description	Introduced Release for MACSec Support (on main interface)	Introduced Release for MACSec Support (on sub-interface)
A9903-8HG-PEC	ASR 9903 800G Multirate Port Expansion Card	Release 7.4.1	Release 7.4.1
A9903-20HG-PEC	ASR 9903 2T Multirate Port Expansion Card	Release 7.1.3	Release 7.3.2

Table 9: Supported ASR 9000 5th Generation Line Cards for MACSec

Hardware PID	Hardware Description	Introduced Release for MACSec Support (on main interface)	Introduced Release for MACSec Support (on sub-interface)
A99-4HG-FLEX-SE	ASR 9900 400GE Combo Service Edge Line Card - 5 th Generation	Release 7.4.1	Release 7.4.1

Hardware PID	Hardware Description	Introduced Release for MACSec Support (on main interface)	Introduced Release for MACSec Support (on sub-interface)
A99-4HG-FLEX-TR	ASR 9900 400GE Combo Packet Transport Line Card - 5 th Generation	Release 7.4.1	Release 7.4.1
A99-10X400GE-X-SE	ASR 9000 4T Service Edge Line Card - 5 th Generation	Release 7.3.1	Release 7.3.2
A99-10X400GE-X-TR	ASR 9000 4T Packet Transport Line Card - 5 th Generation	Release 7.3.1	Release 7.3.2
A9K-20HG-FLEX-SE	ASR 9000 2T Service Edge Combo Line Card - 5 th Generation	Release 7.1.3	Release 7.3.2
A9K-20HG-FLEX-TR	ASR 9000 2T Packet Transport Combo Line Card - 5 th Generation	Release 7.1.3	Release 7.3.2
A9K-8HG-FLEX-SE	ASR 9000 800G Service Edge Combo Line Card - 5 th Generation	Release 7.1.3	Release 7.3.2
A9K-8HG-FLEX-TR	ASR 9000 800G Packet Transport Combo Line Card - 5 th Generation	Release 7.1.3	Release 7.3.2

**Note**

- MACSec is not supported on ASR9000 24-port dual-rate 10G/1G service edge-optimized line card (A9K-24X10GE-1G-SE).

MACSec Limitations for Cisco ASR 9901 Routers

The following MACSec limitations are applicable for Cisco ASR 9901 routers:

- 1 Gigabit Ethernet interface supports MACSec only for GCM-AES-128 cipher.
- 1 Gigabit Ethernet interfaces created from 24 multi-rate ports do not support MACSec.
- MACSec on VLAN is not supported.
- Point-to-Multipoint scenarios are not supported.
- MACSec as a service is not supported.

MACsec PSK

A pre-shared key includes a connectivity association key name (CKN) and a connectivity association key (CAK). A pre-shared key is exchanged between two devices at each end of a point-to-point (P2P) link to enable MACsec using static CAK security mode. The MACsec Key Agreement (MKA) protocol is enabled after the pre-shared keys are successfully verified and exchanged. The pre-shared keys, the CKN and CAK, must match on both ends of a link.

Fallback PSK

Fallback is a session recovery mechanism when primary PSK fails to bring up secured MKA session. It ensures that a PSK is always available to perform MACsec encryption and decryption.

- In CAK rollover of primary keys, if latest active keys are mismatched, system performs a hitless rollover from current active key to fallback key, provided the fallback keys match.
- If a session is up with fallback, and primary latest active key configuration mismatches are rectified between peers, system performs a hitless rollover from fallback to primary latest active key.



Note

- A valid Fallback PSK (CKN and CAK) must be configured with infinite lifetime. If the fallback PSK is configured with CAK mismatch, the only recovery mechanism is to push a new set of PSK configurations (both on fallback PSK keychain and primary PSK chain in that order) on all the association members.
 - In P2P topologies, a rollover to the fallback PSK happens when either of the nodes in the Secure Association (SA) cannot peer up with the primary PSK. Whereas, in P2MP, the fallback happens only at the expiry or deletion of the primary key on all peers, not just on one of the peers. On deletion or expiry of the primary PSK on one of the nodes, say R1, a new key server is chosen among the peer nodes that does a SAK rekey for the remaining nodes. This ensures that R1 is no longer part of the SA, and the network drops all traffic to and from R1.
-

The following is a sample syslog for session secured with fallback PSK:

```
%L2-MKA-5-SESSION_SECURED_WITH_FALLBACK_PSK : (Hu0/1/0/0) MKA session secured, CKN:ABCD
```

For more information on MACsec fallback PSK configuration, see [Applying MACsec Configuration on an Interface, on page 130](#).

Configuring and Verifying MACSec Encryption

MACSec can be configured on physical ethernet interfaces, VLAN sub-interfaces, or interface bundles (link bundles), as explained in this section.



Note MACSec on a VLAN sub-interface is configured in same way as on a physical interface. For a successful MKA session to be up on any VLAN sub-interface, it must have a valid tagging protocol encapsulation and VLAN identifier assigned. All Ethernet sub-interfaces always default to the 802.1Q VLAN encapsulation. However, the VLAN identifier must be explicitly defined. The sub-interfaces belonging to a physical interface can have the following encapsulation combinations:

- 802.1Q with a single tag
- 802.1Q with double tags
- 802.1ad with a single tag
- 802.1ad with double tags

Use Case 1: MACSec in a L2VPN

The following figure illustrates the use of MACSec in a L2VPN network. In this topology, MACSec is configured on the PE-facing interfaces of the CE routers. The interfaces can be physical ethernet interfaces or VLAN sub-interfaces.

In a L2VPN network that uses an Ethernet over MPLS (EoMPLS) pseudowire, the traffic between CE routers is encrypted by MACSec with VLAN tags in clear. The following figure illustrates the use of MACSec in a L2VPN cloud using an EoMPLS pseudowire. MACSec is configured on the PE-facing VLAN sub-interfaces of the CE router. The PE router encapsulates the MACSec frames with VLAN tags and MPLS labels in clear and sends the frames over the EoMPLS pseudowire.

The following table lists the number of sub-interfaces with MACSec supported in a L2VPN.

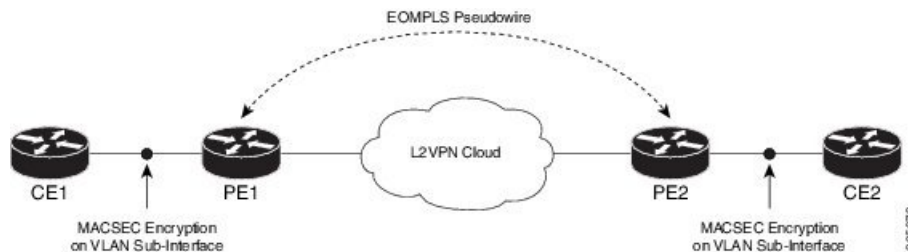


Note To achieve scaling, sub-interfaces must be used.

Table 10: Supported MACSec Sessions on Sub-Interfaces

Interface Type	No. of Supported MACSec sessions (P2P)
10-GigE	5
40-GigE	21
100-GigE	42

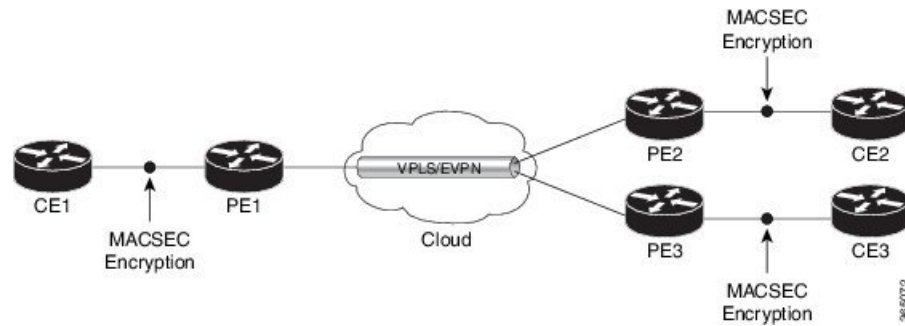
Figure 4: MACSec in a L2VPN Cloud



Use Case 2: MACSec in a VPLS/EVPN

A typical VPLS network often suffers the injection of labeled traffic from potential hackers. The following figure illustrates the use of MACSec in a VPLS/EVPN network for encrypting the data being exchanged over the VPLS cloud. In this topology MACSec is configured on the PE-facing interfaces of the CE routers. The interfaces can be physical ethernet interfaces or VLAN sub-interfaces.

Figure 5: MACSec in a VPLS/EVPN Cloud



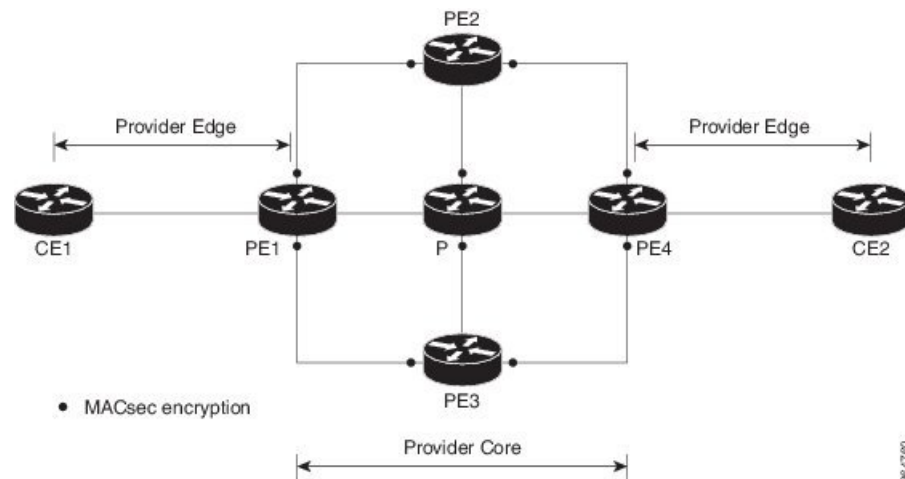
Use Case 3: MACSec in an MPLS Core Network

MACSec in an MPLS core network can be configured on physical interfaces, sub-interfaces or link bundles (Link Aggregation Group or LAG).

In the following topology, MACSec is configured on all router links in the MPLS core. This deployment is useful when the MPLS network spans data centers that are not co-located in the same geography. Each link is, therefore, a link between two data centers and all data exchanged is encrypted using MACSec.

The following figure illustrates the use of MACSec on physical interfaces in an MPLS core network.

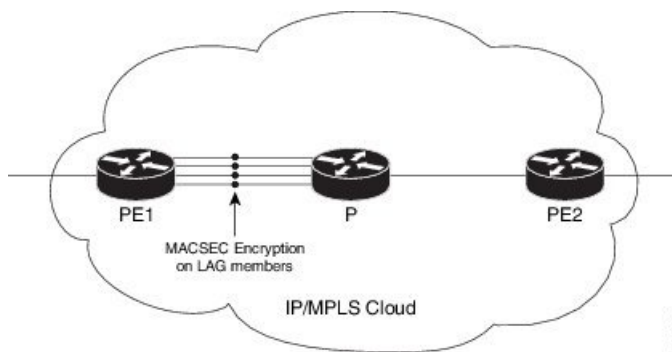
Figure 6: MACSec on Physical Interfaces in an MPLS Core Network



When MACSec is configured on the members of a LAG, an MKA session is set up for each member. SAK is exchanged for each LAG member and encryption/decryption takes place independently of other members in the group. MACSec can also be configured on VLAN sub-interfaces in these networks.

The following figure illustrates the use of MACSec on a link bundle in an MPLS core network.

Figure 7: MACSec on a Link Bundle in an MPLS Core Network



The following section describes procedures for configuring and verifying MACSec configuration in any of the described deployment modes.

Prior to configuring MACSec on a router interface, the MACSec key chain and MACSec policy must be defined. Configuring MACSec encryption involves the following steps:

1. Creating a MACSec Key Chain
2. Creating a MACSec Policy
3. Applying MACSec on a Physical Interface

Creating a MACsec Key Chain

A MACsec keychain is a collection of keys used to authenticate peers needing to exchange encrypted information. While creating a keychain, we define the key(s), key string with password, the cryptographic algorithm, and the key lifetime.

MACsec Keychain Keyword	Description
Key	The MACsec key or the CKN can be up to 64 characters in length. The key must be of an even number of characters. Entering an odd number of characters will exit the MACsec configuration mode.
Key-string	The MACsec key-string or the CAK can be either 32 characters or 64 characters in length (32 for AES-128, 64 for AES-256).
Lifetime	This field specifies the validity period of a key. It includes a start time, and an expiry time. We recommend you to set the value for expiry time as <i>infinite</i> .

Guidelines for Configuring MACsec Keychain

MACsec keychain management has the following configuration guidelines:

- To establish MKA session, ensure that the MACsec key (CKN) and key-string (CAK) match at both ends.

- MKA protocol uses the latest active key available in the Keychain. This key has the latest Start Time from the existing set of currently active keys. You can verify the values using the **show key chain** *keychain-name* command.
- Deletion or expiry of current active key brings down the MKA session resulting in traffic hit. We recommend you to configure the keys with infinite lifetime. If fallback is configured, traffic is safeguarded using fallback on expiry or deletion of primary-keychain active key.
- To achieve successful key rollover (CAK-rollover), the new key should be configured such that it is the latest active key, and kicks-in before the current key expires.
- We recommend an overlap of at least one minute for hitless CAK rollover from current key to new key.
- Start time and Expiry time can be configured with future time stamps, which allows bulk configuration for daily CAK rotation without any intervention of management agent.

SUMMARY STEPS

1. Enter the global configuration mode and provide a name for the MACsec keychain; for example, `mac_chain`.
2. Enter the MACsec mode.
3. Provide a name for the MACsec key.
4. Enter the key string and the cryptographic algorithm to be used for the key.
5. Enter the validity period for the MACsec key (CKN) also known as the lifetime period.
6. Commit your configuration.

DETAILED STEPS

Step 1 Enter the global configuration mode and provide a name for the MACsec keychain; for example, `mac_chain`.

Example:

```
RP/0/RSP0/CPU0:router(config)#key chain mac_chain
```

Step 2 Enter the MACsec mode.

Example:

```
RP/0/RSP0/CPU0:router(config-mac_chain)#macsec
```

Step 3 Provide a name for the MACsec key.

The key can be up to 64 characters in length. The key must be of an even number of characters. Entering an odd number of characters will exit the MACsec configuration mode.

Example:

```
RP/0/RSP0/CPU0:router(config-mac_chain-MacSec)#key 1234abcd5678
```

You can also configure a fall-back pre-shared key(PSK) to ensure that a PSK is always available to perform MACsec encryption and decryption. The fallback PSK along with the primary PSK ensures that the session remains active even if the primary PSK is mismatched or there is no active key for the primary PSK.

The configured key is the CKN that is exchanged between the peers.

Note If you are configuring MACsec to inter-operate with a MACsec server that is running software prior to Cisco IOS XR Release 6.1.3, then ensure that the MACsec key length is of 64 characters. You can add extra zero characters to the MACsec key so that the length of 64-characters is achieved. If the key length is lesser than 64 characters, authentication will fail.

Step 4 Enter the key string and the cryptographic algorithm to be used for the key.

Example:

The key string is the CAK that is used for ICV validation by the MKA protocol.

! For AES 128-bit encryption

```
RP/0/RSP0/CPU0:router(config-mac_chain-MacSec-1234abcd5678)#key-string 12345678123456781234567812345678
cryptographic-algorithm AES-128-CMAC
```

! For AES 256-bit encryption

```
RP/0/RSP0/CPU0:router(config-mac_chain-MacSec-1234abcd5678)#key-string
1234567812345678123456781234567812345678123456781234567812345678 cryptographic
-algorithm AES-256-CMAC
```

Note In this example, we have used the AES 256-bit encryption algorithm, and therefore, the key string is 64 hexadecimal characters in length. A 256-bit encryption algorithm uses a larger key that requires more rounds of hacking to be cracked. 256-bit algorithms provide better security against large mass security attacks, and include the security provided by 128-bit algorithms.

Step 5 Enter the validity period for the MACsec key (CKN) also known as the lifetime period.

The lifetime period can be configured, with a duration in seconds, as a validity period between two dates (for example, Jan 01 2014 to Dec 31 2014), or with infinite validity.

The key is valid from the time you configure (in HH:MM:SS format). Duration is configured in seconds.

Example:

```
RP/0/RSP0/CPU0:router(config-mac_chain-MacSec-1234abcd5678)#lifetime 05:00:00 01
January 2015 duration 1800
```

An example of configuring the lifetime for a defined period:

```
RP/0/RSP0/CPU0:router(config-mac_chain-MacSec-1234abcd5678)#lifetime 05:00:00 20
february 2015 12:00:00 30 september 2015
```

An example of configuring the lifetime as infinite:

```
RP/0/RSP0/CPU0:router(config-mac_chain-MacSec-1234abcd5678)#lifetime
05:00:00 01 January 2015 infinite
```

Note When a key has expired, the MACsec session is torn down and running the **show macsec mka session** command does not display any information. If you run the **show macsec mka interface detail** command, the output displays ***** No Active Keys Present ***** in the PSK information.

Step 6 Commit your configuration.

Example:

```
RP/0/RSP0/CPU0:router(config-mac_chain-MacSec-1234abcd5678)#commit
```

This completes the configuration of the MACsec keychain.

Prerequisites for Configuring MACSec on Bundle Member Interfaces

To enable MACSec on bundle members, a user-defined policy must be configured with Should-Secure policy, or Must-Secure policy with **policy-exception LACP-in-clear** command.



Note By default, the system uses the Must-Secure security policy.

Example: Configuring MACSec on Bundle Member With Should-Secure Policy

```
(config)#macsec-policy should-secure
(config-macsec-policy)#security-policy should-secure
(config-macsec-policy)#commit
```

```
sh runn macsec-policy should-secure
macsec-policy should-secure
security-policy should-secure
!
```

```
router(config)# interface HundredGigE 0/1/1/1 # Applying the Should-Secure MACSec Policy
on Bundle Member Interface
router(config-if)# bundle id 12 mode active
router(config-if)# macsec psk-keychain kcl policy should-secure
```

Example: Configuring MACSec on Bundle Member With Must-Secure Policy

```
(config)#macsec-policy must-secure
(config-macsec-policy)#security-policy must-secure
(config-macsec-policy)#policy-exception lacp-in-clear
(config-macsec-policy)#commit
```

```
#sh runn macsec-policy must-secure
macsec-policy must-secure
security-policy must-secure
policy-exception lacp-in-clear
!
```

```
router(config)# interface HundredGigE 0/1/1/2 #Applying the Must-Secure MACSec Policy on
Bundle Member Interface
router(config-if)# bundle id 12 mode active
router(config-if)# macsec psk-keychain kcl policy must-secure
```

Creating a User-Defined MACsec Policy

SUMMARY STEPS

1. Enter the global configuration mode, and enter a name (`mac_policy`) for the MACsec policy.
2. Configure the cipher suite to be used for MACsec encryption.
3. Configure the confidentiality offset for MACsec encryption.
4. Enter the key server priority.
5. Configure the security policy parameters, either Must-Secure or Should-Secure.
6. Configure the replay protection window size.
7. Configure the ICV for the frame arriving on the port.
8. Commit your configuration and exit the global configuration mode.
9. Confirm the MACsec policy configuration.

DETAILED STEPS

Step 1 Enter the global configuration mode, and enter a name (`mac_policy`) for the MACsec policy.

Example:

```
RP/0/RSP0/CPU0:router# configure
RP/0/RSP0/CPU0:router(config)# macsec-policy mac_policy
```

Step 2 Configure the cipher suite to be used for MACsec encryption.

Example:

```
RP/0/RSP0/CPU0:router(config-mac_policy)# cipher-suite GCM-AES-XPN-256
RP/0/RSP0/CPU0:router(config-mac_policy)#GCM-AES-128
GCM-AES-256
GCM-AES-XPN-128
GCM-AES-XPN-256
```

Note In this example, we have used the GCM-AES-XPN-256 encryption algorithm. A 256-bit encryption algorithm uses a larger key that requires more rounds of hacking to be cracked. 256-bit algorithms provide better security against large mass security attacks, and include the security provided by 128-bit algorithms. Extended Packet Numbering (XPN) is used to reduce the number of key rollovers while data is sent over high speed links. It is therefore highly recommended to use GCM-AES-XPN-256 encryption algorithm for higher data ports.

Step 3 Configure the confidentiality offset for MACsec encryption.

Example:

```
RP/0/RSP0/CPU0:router(config-mac_policy)# conf-offset CONF-OFFSET-30
```

Note We recommend to change the offset value of the **conf-offset** `<offset_value>` command (MACsec encryption command) in the router only when the port is in **admin down** state (that is, when the interface is shut down). Changing the offset value otherwise may result in traffic loss.

Step 4 Enter the key server priority.

You can enter a value between 0-255. Lower the value, higher the preference to be selected as the key server.

In this example, a value of 0 configures the router as the key server, while the other router functions as a key client. The key server generates and maintains the SAK between the two routers. The default key server priority value is 16.

Example:

```
RP/0/RSP0/CPU0:router(config-mac_policy)# key-server-priority 0
```

Step 5 Configure the security policy parameters, either Must-Secure or Should-Secure.

Must-Secure: Must-Secure imposes only MACsec encrypted traffic to flow. Hence, until MKA session is not secured, traffic will be dropped.

Example:

```
RP/0/RSP0/CPU0:router(config-mac_policy)# security-policy must-secure
```

Should-Secure: Should-Secure allows unencrypted traffic to flow until MKA session is secured. After the MKA session is secured, Should-Secure policy imposes only encrypted traffic to flow.

Example:

```
RP/0/RSP0/CPU0:router(config-mac_policy)# security-policy should-secure
```

Table 11: MACsec Security Policies

MKA		Secured MKA Session	Unsecured MKA Session
Security Policy	Must-secure	Encrypted traffic	Traffic drop (no Tx and no Rx)
	Should-secure	Encrypted traffic	Plain text or unencrypted traffic

Step 6 Configure the replay protection window size.

Example:

```
RP/0/RSP0/CPU0:router(config-mac_policy)# window-size 64
```

This dictates the maximum out-of-sequence frames that are accepted. You can configure a value between 0 and 1024.

Step 7 Configure the ICV for the frame arriving on the port.

Example:

```
RP/0/RSP0/CPU0:router(config-mac_policy)# include-icv-indicator
```

This parameter configures inclusion of the optional ICV Indicator as part of the transmitted MACsec Key Agreement PDU (MKPDU). This configuration is necessary for MACsec to interoperate with routers that run software prior to IOS XR version 6.1.3. This configuration is also important in a service provider WAN setup where MACsec interoperates with other vendor MACsec implementations that expect ICV indicator to be present in the MKPDU.

Step 8 Commit your configuration and exit the global configuration mode.

Example:

```
RP/0/RSP0/CPU0:router(config-mac_policy)# exit
RP/0/RSP0/CPU0:router(config)# commit
RP/0/RSP0/CPU0:router(config)# exit
```

Step 9 Confirm the MACsec policy configuration.

Example:

```
RP/0/RSP0/CPU0:router# show running-config macsec-policy

macsec-policy mac_policy
conf-offset CONF-OFFSET-30
security-policy must-secure
window-size 64
cipher-suite GCM-AES-XPN-256
key-server-priority 0
include-icv-indicator
```

This completes the configuration of the MACsec policy.

**Note**

- Small packets might be dropped when Data Delay Protection (DDP) is enabled on many MACsec enabled interfaces of a scaled setup. To avoid this, enable DDP only on the interfaces which are absolutely necessary.
- For Cisco ASR 9000 Series Routers to interoperate with Cisco ASR9000 Series Routers that are older than Release 6.2.3, configure a user defined MACsec policy with the `policy-exception lACP-in-clear` command to bring up the MKA sessions over bundle interfaces running in LACP modes.

MACsec SAK Rekey Interval

From Cisco IOS XR Software Release 6.3.3 and later, you can set a timer value to rekey the MACsec secure association key (SAK) at a specified interval. This periodic refresh of SAK ensures that data encryption key is frequently updated. The configuration is effective on the node acting as a key server.

To set the rekey interval, use the **sak-rekey-interval** command in macsec-policy configuration mode. The timer ranges from 60 to 2,592,000 seconds, the default being OFF.

Configuration Example

```
Router#configure
Router(config)#macsec-policy test-policy
Router(config-macsec-policy)#sak-rekey-interval 120
Router(config-macsec-policy)#commit
```

Running Configuration

```
macsec-policy test-policy
 sak-rekey-interval 120
!
```

Associated Command

sak-rekey-interval

Applying MACsec Configuration on an Interface

The MACsec service configuration is applied to the host-facing interface of a CE router.

Guidelines for MACsec Interface Configuration

- Configure different keychains for primary and fallback PSKs.
- We do not recommend to update both primary and fallback PSKs simultaneously, because fallback PSK is intended to recover MACsec session on primary key mismatch.



Note Under the IS-IS instance, use the **isp-mtu** command to configure the maximum transmission unit (MTU) size of link-state packets (LSPs) on each router where MACsec is enabled. The LSP MTU should be set to 32 bytes less than the interface MTU, to account for MACsec overhead.



Tip You can programmatically view the MACsec configuration using the `openconfig-macsec.yang` OpenConfig data model. To get started with using data models, see *Programmability Configuration Guide for Cisco ASR 9000 Series Routers*.

MACsec PSK Configuration on an Interface

```
Router#configure terminal
Router(config)#interface Te0/3/0/1/4
Router(config-if)#macsec psk-keychain kc policy mac_policy
```

To apply MACsec configuration on a physical interface without the MACsec policy, use the following command:

```
Router(config-if)#macsec psk-keychain script_key_chain2
```

MACsec Fallback PSK Configuration on an Interface

It is optional to configure a fallback PSK. If a fallback PSK is configured, the fallback PSK along with the primary PSK ensures that the session remains active even if the primary PSK is mismatched, or there is no active key for the primary PSK.

```
Router(config-if)#macsec psk-keychain kc fallback-psk-keychain fallback_kc policy mac_policy
Router(config-if)#commit
```

MACsec Policy Exceptions

By default, the MACsec security policy uses **must-secure** option, that mandates data encryption. Hence, the packets cannot be sent in clear-text format. To optionally bypass the MACsec encryption or decryption for Link Aggregation Control Protocol (LACP) packets, and to send the packets in clear-text format, use the **policy-exception lacp-in-clear** command in `macsec-policy` configuration mode. This functionality is beneficial in scenarios such as, in a network topology with three nodes, where bundles are terminated at the middle node, whereas MACsec is terminated at the end nodes.

This MACsec policy exception is also beneficial in interoperability scenarios where the node at the other end expects the data packets to be in clear text.

How to Create MACsec Policy Exception

Configuration Example

Using the **policy-exception** command:

```
Router#configure
Router(config)#macsec-policy P1
Router(config-macsec-policy-P1)#policy-exception lacp-in-clear
Router(config-macsec-policy-P1)#commit
```

Running Configuration

With the **policy-exception** command:

```
Router#show run macsec-policy P1
macsec-policy P1
  policy-exception lacp-in-clear
  security-policy should-secure
  include-icv-indicator
  sak-rekey-interval seconds 120
!
```

Associated Commands

- **policy-exception lacp-in-clear**

Verifying MACsec Encryption on IOS XR

MACsec encryption on IOS XR can be verified by running relevant commands in the Privileged Executive Mode. The verification steps are the same for MACsec encryption on L2VPN or L3VPN network.

To verify if MACsec encryption has been correctly configured, follow these steps.

SUMMARY STEPS

1. Verify the MACsec policy configuration.
2. Verify the MACsec configuration on the respective interface.
3. Verify whether the interface of the router is peering with its neighbor after MACsec configuration
4. Verify whether the MKA session is secured with MACsec on the respective interface.
5. Verify the MACsec session counter statistics.

DETAILED STEPS

Step 1 Verify the MACsec policy configuration.

Example:

```
RP/0/RSP0/CPU0:router#show macsec policy mac_policy
```

```
=====
```

```

Policy      Cipher      Key-Svr      Window  Conf
name        Suite        Priority      Size    Offset

```

```

=====
mac_policy GCM-AES-XPB-256 0          64      30

```

If the values you see are different from the ones you configured, then check your configuration by running the **show run macsec-policy** command.

Step 2 Verify the MACsec configuration on the respective interface.

You can verify the MACsec encryption on the configured interface bundle (MPLS network), P2MP interface (VPLS network), or VLAN sub-interface (EoMPLS PW network).

Example:

```
RP/0/RSP0/CPU0:router#show macsec mka summary
```

```
NODE: node0_0_CPU0
```

```

=====
Interface      Status      Cipher Suite      KeyChain
=====
Fo0/0/0/1/0    Secured    GCM-AES-XPB-256  mac_chain

```

```

Total MACSec Sessions : 1
  Secured Sessions : 1
  Pending Sessions : 0

```

```
RP/0/RSP0/CPU0:router#show macsec mka session interface Fo0/0/0/1/0
```

```

=====
Interface-Name      Local-TxSCI      #Peers      Status      Key-Server
=====
Fo0/0/0/1/0        d46d.5023.3709/0001      1      Secured      YES

```

! If sub-interfaces are configured, the output would be as follows:

```
RP/0/RSP0/CPU0:router#show macsec mka session interface Fo0/0/0/1/1.8
```

```

=====
Interface      Local-TxSCI      # Peers      Status      Key-Server
=====
Fo0/0/0/1/1.8  e0ac.f172.4124/001d      1      Secured      Yes

```

The **Status** field in the output confirms that the respective interface is **Secured**. If MACsec encryption is not successfully configured, you will see a status such as **Pending** or **Init**.

Note In the VPLS network, because of the configuration on a multi-point interface, the number of live peers displayed is more than 1.

Run the **show run macsec-policy** command in the privileged executive mode to troubleshoot the configuration entered.

Step 3 Verify whether the interface of the router is peering with its neighbor after MACsec configuration

Example:

Potential Peer List:

MI	MN	Rx-SCI (Peer)	SSCI KS-Priority

! If sub-interfaces are configured, the output would be as follows:

```
RP/0/RSP0/CPU0:router# show macsec mka session interface Fo0/0/0/1/1.8 detail
MKA Detailed Status for MKA Session
=====
Status: SECURED - Secured MKA Session with MACsec
Local Tx-SCI      : e0ac.f172.4124/001d
Local Tx-SSCI    : 1
Interface MAC Address : e0ac.f172.4124
MKA Port Identifier : 29
Interface Name    : Fo0/0/0/1/1.8
CAK Name (CKN)   : ABC100000000000000000000000000000000000000000000000000000000000000000000000
Member Identifier (MI) : 1EC4A4D1B0D75D3D5C2F6393
Message Number (MN)  : 1915
Authenticator     : NO
Key Server       : NO
MKA Cipher Suite  : AES-128-CMAC
Latest SAK Status : Rx & Tx
Latest SAK AN    : 3
Latest SAK KI (KN) : EB1E04894327E4EFA283C66200000003 (3)
Old SAK Status   : No Rx, No Tx
Old SAK AN      : 0
Old SAK KI (KN) : RETIRED (4)
SAK Transmit Wait Time : 0s (Not waiting for any peers to respond)
SAK Retire Time   : 0s (No Old SAK to retire)
MKA Policy Name   : test12
Key Server Priority : 0
Replay Window Size : 1024
Confidentiality Offset : 50
Algorithm Agility : 80C201
SAK Cipher Suite  : 0080C20001000004 (GCM-AES-XPB-256)
MACsec Capability : 3 (MACsec Integrity, Confidentiality, & Offset)
MACsec Desired   : YES
# of MACsec Capable Live Peers      : 1
# of MACsec Capable Live Peers Responded : 0
Live Peer List:
  MI                      MN                      Rx-SCI (Peer)          SSCI KS-Priority
  -----
  EB1E04894327E4EFA283C662      1908      001d.e5e9.b1c0/0037      2            0
Potential Peer List:
  MI                      MN                      Rx-SCI (Peer)          SSCI KS-Priority
  -----
```

```
RP/0/RSP0/CPU0:macsec-CE1#sh macsec mka interface Fo0/0/0/1/1.8
```

```
=====
Interface-name      KeyChain-Name      Policy Name
=====
Fo0/0/0/1/1.8      kc3                 test12
```

! In a VPLS network with multipoint interface, the output would be as follows:

```
RP/0/RSP0/CPU0:router#show macsec mka session interface FortyGigE0/0/0/1/0.1 detail
MKA Detailed Status for MKA Session
=====
Status: SECURED - Secured MKA Session with MACsec
Local Tx-SCI      : e0ac.f172.4123/0001
Local Tx-SSCI    : 1
Interface MAC Address : e0ac.f172.4123
MKA Port Identifier : 1
```

```
Interface Name           : Fo0/0/0/1/0.1
CAK Name (CKN)          : ABC1000000000000000000000000000000000000000000000000000000000000000000
Member Identifier (MI)   : A1DB3E42B4A543FBDBC281A6
Message Number (MN)     : 1589
Authenticator           : NO
Key Server              : NO
MKA Cipher Suite        : AES-128-CMAC
Latest SAK Status       : Rx & Tx
Latest SAK AN           : 1
Latest SAK KI (KN)     : AEC899297F5B0BDEF7C9FC6700000002 (2)
Old SAK Status          : No Rx, No Tx
Old SAK AN              : 0
Old SAK KI (KN)        : RETIRED (1)
SAK Transmit Wait Time  : 0s (Not waiting for any peers to respond)
SAK Retire Time         : 0s (No Old SAK to retire)
MKA Policy Name         : mk_xpn1
Key Server Priority     : 0
Replay Window Size     : 1024
Confidentiality Offset  : 50
Algorithm Agility       : 80C201
SAK Cipher Suite        : 0080C20001000004 (GCM-AES-XPN-256)
MACsec Capability       : 3 (MACsec Integrity, Confidentiality, & Offset)
MACsec Desired         : YES
# of MACsec Capable Live Peers          : 2
# of MACsec Capable Live Peers Responded : 0
Live Peer List:
  MI                       MN               Rx-SCI (Peer)         SSCI KS-Priority
-----
  AEC899297F5B0BDEF7C9FC67      225  001d.e5e9.b1bf/0001      3            0
  0A4C49EE5B7401F1BECB7E22      147  001d.e5e9.f329/0001      2            0
Potential Peer List:
  MI                       MN               Rx-SCI (Peer)         SSCI KS-Priority
-----
```

Step 5 Verify the MACsec session counter statistics.

Example:

```
RP/0/RSP0/CPU0:router# show macsec mka statistics interface Fo0/0/0/1/0
```

```
MKA Statistics for Session on interface (Fo0/0/0/1/0)
```

```
=====
```

```
Reauthentication Attempts.. 0
```

```
CA Statistics
```

```
Pairwise CAKs Derived... 0
```

```
Pairwise CAK Rekeys.... 0
```

```
Group CAKs Generated.... 0
```

```
Group CAKs Received.... 0
```

```
SA Statistics
```

```
SAKs Generated..... 3
```

```
SAKs Rekeyed..... 2
```

```
SAKs Received..... 0
```

```
SAK Responses Received.. 3
```

```
MKPDU Statistics
```

```
MKPDUs Transmitted..... 5425
```

```
"Distributed SAK".. 8
```

```
"Distributed CAK".. 0
```

```
MKPDUs Validated & Rx... 4932
```

```

"Distributed SAK".. 0
"Distributed CAK".. 0

MKA IDB Statistics
MKPDUs Tx Success..... 5425
MKPDUs Tx Fail..... 0
MKPDUs Tx Pkt build fail... 0
MKPDUs Rx CA Not found.... 0
MKPDUs Rx Error..... 0
MKPDUs Rx Success..... 4932

MKPDU Failures
  MKPDU Rx Validation (ICV)..... 0
  MKPDU Rx Bad Peer MN..... 0
  MKPDU Rx Non-recent Peerlist MN..... 0
  MKPDU Rx Drop SAKUSE, KN mismatch..... 0
  MKPDU Rx Drop SAKUSE, Rx Not Set..... 0
  MKPDU Rx Drop SAKUSE, Key MI mismatch.. 0
  MKPDU Rx Drop SAKUSE, AN Not in Use.... 0
  MKPDU Rx Drop SAKUSE, KS Rx/Tx Not Set. 0

SAK Failures
  SAK Generation..... 0
  Hash Key Generation..... 0
  SAK Encryption/Wrap..... 0
  SAK Decryption/Unwrap..... 0

```

! If sub-interfaces are configured, the output would be as follows:

```
RP/0/RSP0/CPU0:router# show macsec mka statistics interface Fo0/0/0/1/1.8
```

```

MKA Statistics for Session on interface (Fo0/0/0/1/1.8)
=====
Reauthentication Attempts.. 0
CA Statistics
  Pairwise CAKs Derived... 0
  Pairwise CAK Rekeys..... 0
  Group CAKs Generated... 0
  Group CAKs Received..... 0
SA Statistics
  SAKs Generated..... 0
  SAKs Rekeyed..... 0
  SAKs Received..... 9
  SAK Responses Received.. 0
MKPDU Statistics
  MKPDUs Transmitted..... 1973
  "Distributed SAK".. 0
  "Distributed CAK".. 0
  MKPDUs Validated & Rx... 1965
  "Distributed SAK".. 9
  "Distributed CAK".. 0
MKA IDB Statistics
  MKPDUs Tx Success..... 1973
  MKPDUs Tx Fail..... 0
  MKPDUs Tx Pkt build fail... 0
  MKPDUs Rx CA Not found.... 0
  MKPDUs Rx Error..... 0
  MKPDUs Rx Success..... 1965

```

! In a VPLS network with a mulitpoint interface, the output would be as follows:

```
RP/0/RSP0/CPU0:router# show macsec mka statistics interface FortyGigE0/0/0/1/0.1
```

```

MKA Statistics for Session on interface (Fo0/0/0/1/0.1)
=====
Reauthentication Attempts.. 0
CA Statistics
  Pairwise CAKs Derived... 0
  Pairwise CAK Rekeys..... 0
  Group CAKs Generated.... 0
  Group CAKs Received..... 0
SA Statistics
  SAKs Generated..... 0
  SAKs Rekeyed..... 0
  SAKs Received..... 2
  SAK Responses Received.. 0
MKPDU Statistics
  MKPDUs Transmitted..... 1608
    "Distributed SAK".. 0
    "Distributed CAK".. 0
  MKPDUs Validated & Rx... 406
    "Distributed SAK".. 2
    "Distributed CAK".. 0
MKA IDB Statistics
  MKPDUs Tx Success..... 1608
  MKPDUs Tx Fail..... 0
  MKPDUs Tx Pkt build fail... 0
  MKPDUs Rx CA Not found.... 0
  MKPDUs Rx Error..... 0
  MKPDUs Rx Success..... 1802

```

The counters display the MACsec PDUs transmitted, validated, and received. The output also displays transmission errors, if any.

This completes the verification of MACsec encryption on the IOS-XR.

Verifying MACsec Encryption on ASR 9000

MACsec encryption on the router hardware can be verified by running relevant commands in the Privileged Executive Mode.

To verify if MACsec encryption has been correctly configured, follow these steps.

SUMMARY STEPS

1. Verify the MACsec encryption and hardware interface descriptor block (IDB) information on the interface.
2. Use the IDB handle retrieved from Step 1 to verify the platform hardware information.
3. Use the Transmitter SA retrieved from Step 2 to verify the MACsec SA information programmed in the hardware.
4. Verify the MACsec Secure Channel (SC) information programmed in the hardware.

DETAILED STEPS

Step 1 Verify the MACsec encryption and hardware interface descriptor block (IDB) information on the interface.

Example:

```
RP/0/RSP0/CPU0:router# show macsec ea idb interface Fo0/0/0/1/0
```

```

IDB Details:
if_sname : Fo0/0/0/1/0
if_handle : 0x3480
Replay window size : 64
Local MAC : 00:1d:e5:e9:aa:39
Rx SC Option(s) : Validate-Frames Replay-Protect
Tx SC Option(s) : Protect-Frames Always-Include-SCI
Security Policy : MUST SECURE
Sectag offset : 8
VLAN : Outer tag (etype=0x8100, id=1, priority=0, cfi=0): Inner tag (etype=0x8100, id=1, priority=0,
      cfi=0)
Rx SC 1
Rx SCI : 001de5e9b1bf0019
Peer MAC : 00:1d:e5:e9:b1:bf
Stale : NO
SAK Data
SAK[0] : ***
SAK Len : 32
HashKey[0] : ***
HashKey Len : 16
Conf offset : 30
Cipher Suite : GCM-AES-XPB-256
CtxSalt[0] : 83 c3 7b ad 7b 6f 63 16 09 8f f3 d2
Rx SA Program Req[0]: 2015 Oct 09 15:20:53.082
Rx SA Program Rsp[0]: 2015 Oct 09 15:20:53.092

Tx SC
Tx SCI : 001de5e9aa39001a
Active AN : 0
Old AN : 255
Next PN : 1, 0, 0, 0
SAK Data
SAK[0] : ***
SAK Len : 32
HashKey[0] : ***
HashKey Len : 16
Conf offset : 30
Cipher Suite : GCM-AES-XPB-256
CtxSalt[0] : 83 c3 7b ae 7b 6f 63 16 09 8f f3 d2
Tx SA Program Req[0]: 2015 Oct 09 15:20:55.053
Tx SA Program Rsp[0]: 2015 Oct 09 15:20:55.064

```

! When more than 1 RX SA is configured in P2MP networks, the output would be as follows:

```

RP/0/RSP0/CPU0:router# show macsec ea idb interface FortyGigE0/0/0/1/0.1
IDB Details:
  if_sname           : Fo0/0/0/1/0.1
  if_handle          : 0x2e40
  Replay window size : 1024
  Local MAC          : e0:ac:f1:72:41:23
  Rx SC Option(s)    : Validate-Frames Replay-Protect
  Tx SC Option(s)    : Protect-Frames Always-Include-SCI
  Security Policy     : MUST SECURE
  Sectag offset      : 8
  VLAN               : Outer tag (etype=0x8100, id=1, priority=0, cfi=0)
                   : Inner tag (etype=0x8100, id=1, priority=0, cfi=0)
  Rx SC 1
  Rx SCI             : 001de5e9f3290001
  Peer MAC           : 00:1d:e5:e9:f3:29
  Stale              : NO
  SAK Data
  SAK[1]             : ***

```



```

    SAK Len           : 32
    HashKey[1]       : ***
    HashKey Len      : 16
    Conf offset      : 50
    Cipher Suite     : GCM-AES-XPB-256
    CtxSalt[1]      : ae ca 99 2b 7f 5b 0b de f7 c9 fc 67
Rx SC 2
  Rx SCI            : 001de5e9b1bf0001
  Peer MAC         : 00:1d:e5:e9:b1:bf
  Stale            : NO
  SAK Data
    SAK[1]         : ***

    SAK Len           : 32
    HashKey[1]       : ***
    HashKey Len      : 16
    Conf offset      : 50
    Cipher Suite     : GCM-AES-XPB-256
    CtxSalt[1]      : ae ca 99 2a 7f 5b 0b de f7 c9 fc 67
Tx SC
  Tx SCI            : e0acf17241230001
  Active AN        : 1
  Old AN           : 0
  Next PN          : 1, 1, 0, 0
  SAK Data
    SAK[1]         : ***

    SAK Len           : 32
    HashKey[1]       : ***
    HashKey Len      : 16
    Conf offset      : 50
    Cipher Suite     : GCM-AES-XPB-256
    CtxSalt[1]      : ae ca 99 28 7f 5b 0b de f7 c9 fc 67

```

The **if_handle** field provides the IDB instance location.

The **Replay window size** field displays the configured window size.

The **Security Policy** field displays the configured security policy.

The **Local Mac** field displays the MAC address of the router.

The **Peer Mac** field displays the MAC address of the peer. This confirms that a peer relationship has been formed between the two routers.

Step 2 Use the IDB handle retrieved from Step 1 to verify the platform hardware information.

Example:

```

RP/0/RSP0/CPU0:router# show macsec ea platform hardware
idb location 0/0/CPU0 | b 3480

if_handle : 0x00003480
NPPort : 099 [0x063]
LdaPort : 016 [0x010] SerdesPort : 000 [0x000]
NetSoftPort : 061 [0x03d] SysSoftPort : 062 [0x03e]
Active AN : 0x00000000 Idle AN : 0x000000ff
Match-All Tx SA : 0x80010001 Match-All Rx SA : 0x00010001
Match-All Tx Flow : 0x80000003 Match-All Rx Flow : 0x00000003
Bypass Tx SA : 0x80000000 Bypass Rx SA : 0x00000000
Tx SA[0] : 0x80020002 Tx Flow[0] : 0x8000000c
Tx SA[1] : 0xffffffff Tx Flow[1] : 0xffffffff

```

```
Tx SA[2] : 0xffffffff Tx Flow[2] : 0xffffffff
Tx SA[3] : 0xffffffff Tx Flow[3] : 0xffffffff
Rx SA[0] : 0x00020002 Rx Flow[0] : 0x0000000c
Rx SA[1] : 0xffffffff Rx Flow[1] : 0xffffffff
Rx SA[2] : 0xffffffff Rx Flow[2] : 0xffffffff
Rx SA[3] : 0xffffffff Rx Flow[3] : 0xffffffff
```

Step 3 Use the Transmitter SA retrieved from Step 2 to verify the MACsec SA information programmed in the hardware.

Example:

```
RP/0/RSP0/CPU0:router# show macsec ea platform hardware sa
0x80020002 interface Fo0/0/0/1/0 location 0/0/CPU0
```

```
MACSEC HW SA Details:
Action Type : 0x00000003
Direction : Egress
Dest Port : 0x00000000
Conf Offset : 00000030
Drop Type : 0x00000002
Drop NonResvd : 0x00000000
SA In Use : YES
ConfProtect : YES
IncludeSCI : YES
ProtectFrame : YES
UseEs : NO
UseSCB : NO
SCI : 00 1d e5 e9 aa 39 00 05
Replay Window : 64 MacsecCryptoAlgo : 7
Direction : Egress AN : 0
AES Key Len : 256 X-Packet Number : 0x0000000000000000
CtxSalt : f8d88dc3e1c5e6a94ca2299
```

The output displays the details of the encryption, such as the AES key, the Auth key, and other parameters.

Step 4 Verify the MACsec Secure Channel (SC) information programmed in the hardware.

Example:

```
RP/0/RSP0/CPU0:router# show macsec ea platform hardware msc
interface Fo0/0/0/1/0 location 0/0/CPU0
```

```
MACSEC HW Cfg Details:
Mode : 0x5
Counter Clear on Read : 0x0
SA Fail Mask : 0xffff
VlanCounter Update : 0x1
Global SecFail Mask : 0xffffffff
Latency : 0xff
StaticBypass : 0x0
Should secure : 0x0
Global Frame Validation : 0x2
Ctrl Pkt CC Bypass : 0x1
NonCtrl Pkt CC Bypass : 0x1
Sequence Number Threshold : 0xbfffffb8
Sequence Number Threshold 64bit : 0x000002fffffffffd
Non Matching Non Control Pkts Programming
  Untagged : Bypass: 0x0 DestPort : 0x2, DropType : 0x2
```

```

Tagged : Bypass: 0x0 DestPort : 0x2, DropType : 0x2
BadTagged : Bypass: 0x0 DestPort : 0x2, DropType : 0x2
KayTagged : Bypass: 0x0 DestPort : 0x2, DropType : 0x2
Non Matching Control Pkts Programming
Untagged : Bypass: 0x1 DestPort : 0x2, DropType : 0xffffffff
Tagged : Bypass: 0x0 DestPort : 0x2, DropType : 0x2
BadTagged : Bypass: 0x0 DestPort : 0x2, DropType : 0x2
KayTagged : Bypass: 0x0 DestPort : 0x2, DropType : 0x2

```

This completes the verification of MACsec encryption on the router hardware.

This completes the configuration and verification of MACsec encryption.

Configuring and Verifying MACsec Encryption as a Service

This section describes how MACsec can be implemented as a service in a L2VPN or L3VPN setup.



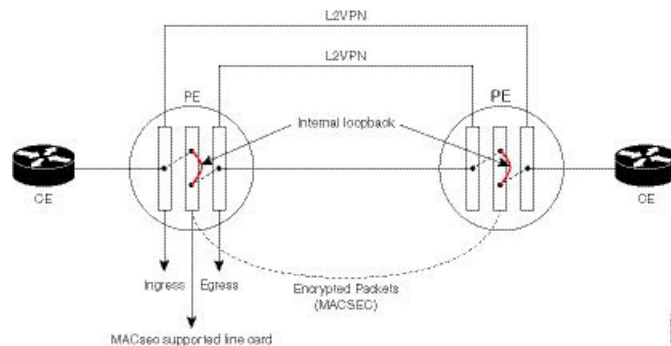
Note MACsec encryption is not supported on interface bundles, but is supported on member links .

Use Case 1: MACsec in an L2VPN Topology

In this topology, MACsec is configured on the PE router (with the interfaces facing the CE router) to provide crypto or encryption service on the PE router as a premium service for selected traffic on the WAN core. The interfaces can be physical ethernet interfaces or VLAN sub-interfaces. The customer can select the traffic that will be part of the encryption.

The following figure illustrates the use of MACsec as a service in an L2VPN network:

Figure 8: MACsec in an L2VPN topology



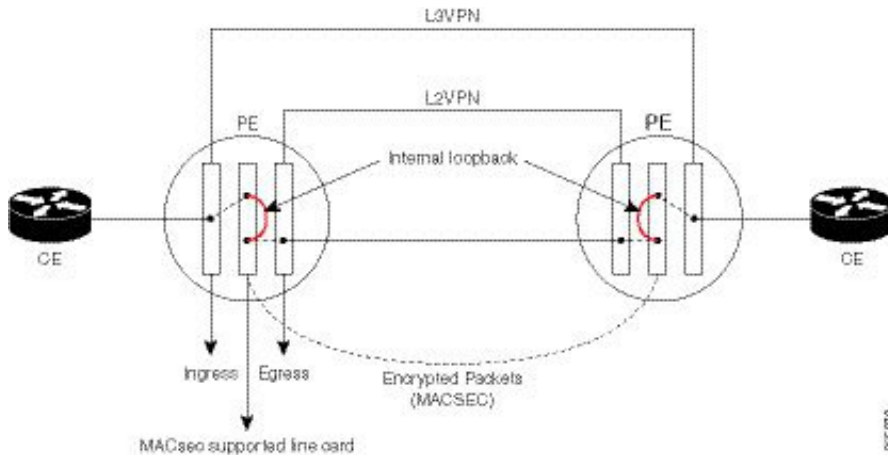
The data transferred between the CE router and the PE router are not encrypted. The data in clear format is sent to the access port of the PE router.

The PE router ports that receive traffic from CE routers divert the traffic using L2 local switching to the line card configured to perform encryption. The MACsec configuration creates internal loopback to the port configured for L2VPN to the opposite PE. After this, the packets are sent completely encrypted to the opposite PE router.

Use Case 2: MACsec in an L3VPN Topology

The following figure illustrates the use of MACsec as a service in an L3VPN environment. The topology is similar to an L2VPN set up where MACsec is configured on the PE router (where the interfaces facing the CE router) to provide crypto or encryption services on the PE router as a premium service for selected traffic on the WAN core.

Figure 9:



The data transferred between the CE router and the PE router is not encrypted. The data is sent in clear-text format to the PE router access port. The PE router for each sub-interface distinguishes whether the data is part of MACsec encrypted service.

The PE router ports that receive traffic from CE routers divert the traffic using L3 local switching to the line card port configured to do encryption. The MACsec configuration creates internal loopback to the port configured for L2VPN to the opposite PE router. After this, the packets are sent completely encrypted to the opposite PE.

Restrictions

Ports usage for encryption on the line card must meet the following criteria:

- The ports must be TenGigE interfaces.
- Both the ports must belong either to an A9K-MPA-20X10GE MPA, or they must be breakout interfaces from one of the A9K-8X100GE-SE, A9K-8X100GE-TR, A9K-4X100GE-SE, or A9K-4X100GE-TR line cards.
- If the interfaces belong to A9K-MPA-20x10GE line card, then both the interfaces must be either in port range 0-9, or in port range 10-19. One interface from range 0-9 and other from 10-19 must not be selected.
- If the interfaces are breakout interfaces, then both of them must belong to the same HundredGigE port.



Note These restrictions apply only to MACsec interfaces. These restrictions do not apply to the CE or core-facing interfaces.

Configuring MACsec as a Service

SUMMARY STEPS

1. Enter interface configuration mode.
2. Configure the MACsec service.
3. Commit your configuration and exit global configuration mode.
4. Confirm the MACsec policy configuration.

DETAILED STEPS

Step 1 Enter interface configuration mode.

Example:

```
RP/0/RSP0/CPU0:router# interface <interface> 15.10 l2transport
RP/0/RSP0/CPU0:router(config-subif)# encapsulation dot1q 10
```

Step 2 Configure the MACsec service.

Example:

```
RP/0/RSP0/CPU0:router(config-subif)# macsec-service decrypt-port <intf>17.10 psk-keychain
<keychain_name> [policy <macsec_policy>]
```

Step 3 Commit your configuration and exit global configuration mode.

Example:

```
RP/0/RSP0/CPU0:router# commit
RP/0/RSP0/CPU0:router# exit
```

Step 4 Confirm the MACsec policy configuration.

Example:

```
RP/0/RSP0/CPU0:router#
show running-config interface <interface> 15.10

interface <interface> 15.10
 macsec-service decrypt-port <intf>17.10 psk-keychain <keychain_name> [policy <macsec_policy>]
 encapsulation dot1q 10
```

Configuring MACsec Service for L2VPN Network

Configuring the MACsec service for L2VPN network, involves the following steps:

SUMMARY STEPS

1. Enter global configuration mode.
2. Enter interface configuration mode and configure port facing the CE router.
3. Enable MACsec service.
4. Configure service port.
5. Configure the Xconnect group between ports.
6. Connect the ports.

DETAILED STEPS

Step 1 Enter global configuration mode.

Example:

```
RP/0/RSP0/CPU0:router# configure
```

Step 2 Enter interface configuration mode and configure port facing the CE router.

The interface can be a physical interface or a VLAN sub-interface.

Example:

```
RP/0/RSP0/CPU0:router(config)# interface <interface>15.10 l2transport
encapsulation dot1q 10
```

Step 3 Enable MACsec service.

Example:

```
RP/0/RSP0/CPU0:router(config-if)# interface <interface>16.10 l2transport
encapsulation dot1q 10
macsec-service decrypt-port <intf>17.10 psk-keychain <keychain_name> [policy <macsec_policy>]
```

Step 4 Configure service port.

Example:

```
RP/0/RSP0/CPU0:router(config-if)# interface <interface>17.10 l2transport
encapsulation dot1q 10
```

Step 5 Configure the Xconnect group between ports.

Example:

```
RP/0/RSP0/CPU0:router(config-if)# l2vpn
xconnect group local_macsec
p2p local_macsec
interface <interface>15.10
interface <interface>16.10
```

Step 6 Connect the ports.

Example:

```
RP/0/RSP0/CPU0:router(config-if)l2vpn
xconnect group ext_macsec
p2p ext_macsec
interface <interface>17.10
neighbor ipv4 <a.b.c.d> pw-id <num>
!
```

Configuring MACsec Service for L3VPN Network

Configuring the MACsec service for L3VPN network, involves the following steps:

SUMMARY STEPS

1. Enter global configuration mode.
2. Enter interface configuration mode and configure port facing the CE router
3. Configure the PE1 router with virtual routing details.
4. Enable MACsec service.
5. Configure service port.
6. Configure the Xconnect between ports.
7. Configure ports.
8. Configure OSPF on the core interface.
9. Configure MPLS on the core interface.

DETAILED STEPS

Step 1 Enter global configuration mode.

Example:

```
RP/0/RSP0/CPU0:router# configure
```

Step 2 Enter interface configuration mode and configure port facing the CE router

Example:

```
RP/0/RSP0/CPU0:router(config-if)# interface TenGigE0/4/0/0.1
ipv4 address 161.1.1.1 255.255.255.0
encapsulation dot1q 1
```

Step 3 Configure the PE1 router with virtual routing details.

Example:

```
RP/0/RSP0/CPU0:router(config-if)# interface TenGigE0/3/0/0/1.1
vrf vrf_1
ipv4 address 161.1.1.2 255.255.255.0
encapsulation dot1q 1
```

Step 4 Enable MACsec service.

Example:

```
RP/0/RSP0/CPU0:router(config-if)# interface TenGigE0/3/0/0/2.1
vrf vrf_1
ipv4 address 181.1.1.1 255.255.255.0
macsec-service decrypt-port TenGigE0/3/0/0/3.1 psk-keychain script_key_chain1
encapsulation dot1q 1
```

Step 5 Configure service port.

Example:

```
RP/0/RSP0/CPU0:router(config-if)#interface TenGigE0/3/0/0/3.1 l2transport
encapsulation dot1q 1
!
```

Step 6 Configure the Xconnect between ports.

Example:

```
RP/0/RSP0/CPU0:router#configure
RP/0/RSP0/CPU0:router(config)#l2vpn
xconnect group l3serv_xc_gp_1
p2p l3serv_xc_p2p_1
interface TenGigE0/3/0/0/3.1
neighbor ipv4 3.3.3.3 pw-id 1
!
!
```

Step 7 Configure ports.

Example:

```
RP/0/RSP0/CPU0:router#(config)
router bgp 100
bgp router-id 2.2.2.2
address-family ipv4 unicast
!
address-family vpnv4 unicast
!
neighbor 3.3.3.3
remote-as 100
update-source Loopback1
address-family vpnv4 unicast
!
!
vrf vrf_1
rd 1234:1
address-family ipv4 unicast
redistribute connected
redistribute static
!
neighbor 181.1.1.2
remote-as 100
address-family ipv4 unicast
!
!
!
```

Step 8 Configure OSPF on the core interface.

Example:


```
RP/0/RSP0/CPU0:router#
macsec-PE1#sh run router ospf
router ospf core
router-id 2.2.2.2
redistribute connected
redistribute static
area 0
interface Loopback1
!
interface TenGigE0/1/0/1
!
!
```

Step 9 Configure MPLS on the core interface.

Example:

```
RP/0/RSP0/CPU0:router#
mpls ldp
graceful-restart
router-id 2.2.2.2
interface TenGigE0/1/0/1
!
!
```

Applying MACsec Service Configuration on an Interface

The MACsec service configuration is applied to the host-facing interface of a CE router.

SUMMARY STEPS

1. Enter the global configuration mode.
2. Enter the interface configuration mode.
3. If you are configuring VLAN sub-interfaces, configure the encapsulation as shown.
4. Apply the MACsec service configuration on an interface.
5. Commit your configuration.

DETAILED STEPS

Step 1 Enter the global configuration mode.

Example:

```
RP/0/RSP0/CPU0:router# configure
```

Step 2 Enter the interface configuration mode.

The interface can be a physical interface or a VLAN sub-interface.

Example:

```
RP/0/RSP0/CPU0:router(config)# interface Te0/3/0/1/4
```

Step 3 If you are configuring VLAN sub-interfaces, configure the encapsulation as shown.

Example:

```

! For 802.1q encapsulation with a single tag
RP/0/RSP0/CPU0:router(config-if)# encapsulation dot1q 5

! For 802.1q encapsulation with double tags
RP/0/RSP0/CPU0:router(config-if)# encapsulation dot1q 3 second-dot1q 4

! For 802.1ad encapsulation with a single tag
RP/0/RSP0/CPU0:router(config-if)# encapsulation dot1ad 5

! For 802.1ad encapsulation with double tags
RP/0/RSP0/CPU0:router(config-if)# encapsulation dot1ad 3 dot1ad 4

```

Step 4 Apply the MACsec service configuration on an interface.

To apply MACsec service configuration on an interface, use the following configuration.

Example:

```

RP/0/RSP0/CPU0:router(config-if)# macsec-service decrypt-port TenGigE0/3/0/1/5 psk-keychain
script_key_chain1 policy mk_xpn_ltag
RP/0/RSP0/CPU0:router(config-if)# exit

```

Step 5 Commit your configuration.

Example:

```

RP/0/RSP0/CPU0:router(config)# commit

```

Verifying MACsec Encryption on IOS XR

MACsec encryption on IOS XR can be verified by running relevant commands in the Privileged Executive Mode. The verification steps are the same for MACsec encryption on L2VPN or L3VPN network.

To verify if MACsec encryption has been correctly configured, follow these steps.

SUMMARY STEPS

1. Verify the MACsec policy configuration.
2. Verify the MACsec configuration on the respective interface.
3. Verify whether the interface of the router is peering with its neighbor after MACsec configuration
4. Verify whether the MKA session is secured with MACsec on the respective interface.
5. Verify the MACsec session counter statistics.

DETAILED STEPS

Step 1 Verify the MACsec policy configuration.

Example:

```

RP/0/RSP0/CPU0:router#show macsec policy mac_policy

```

```

=====
Policy      Cipher      Key-Svr      Window  Conf
name        Suite        Priority      Size    Offset
=====
mac_policy  GCM-AES-XP  0             64     30

```

If the values you see are different from the ones you configured, then check your configuration by running the **show run macsec-policy** command.

Step 2 Verify the MACsec configuration on the respective interface.

You can verify the MACsec encryption on the configured interface bundle (MPLS network), P2MP interface (VPLS network), or VLAN sub-interface (EoMPLS PW network).

Example:

```
RP/0/RSP0/CPU0:router#show macsec mka summary
```

```
NODE: node0_0_CPU0
```

```

=====
Interface    Status    Cipher Suite    KeyChain
=====

```

```
Fo0/0/0/1/0  Secured  GCM-AES-XP-256  mac_chain
```

```
Total MACSec Sessions : 1
  Secured Sessions : 1
  Pending Sessions : 0
```

```
RP/0/RSP0/CPU0:router#show macsec mka session interface Fo0/0/0/1/0
```

```

=====
Interface-Name    Local-TxSCI    #Peers    Status    Key-Server
=====
Fo0/0/0/1/0      d46d.5023.3709/0001    1    Secured    YES

```

! If sub-interfaces are configured, the output would be as follows:

```
RP/0/RSP0/CPU0:router#show macsec mka session interface Fo0/0/0/1/1.8
```

```

=====
Interface          Local-TxSCI          # Peers    Status    Key-Server
=====
Fo0/0/0/1/1.8     e0ac.f172.4124/001d    1    Secured    Yes

```

The **Status** field in the output confirms that the respective interface is **Secured**. If MACsec encryption is not successfully configured, you will see a status such as **Pending** or **Init**.

Note In the VPLS network, because of the configuration on a multi-point interface, the number of live peers displayed is more than 1.

Run the **show run macsec-policy** command in the privileged executive mode to troubleshoot the configuration entered.

Step 3 Verify whether the interface of the router is peering with its neighbor after MACsec configuration

Example:


```

Interface Name           : Fo0/0/0/1/0.1
CAK Name (CKN)          : ABC1000000000000000000000000000000000000000000000000000000000000000
Member Identifier (MI)   : A1DB3E42B4A543FBDBC281A6
Message Number (MN)     : 1589
Authenticator           : NO
Key Server              : NO
MKA Cipher Suite        : AES-128-CMAC
Latest SAK Status       : Rx & Tx
Latest SAK AN           : 1
Latest SAK KI (KN)     : AEC899297F5B0BDEF7C9FC6700000002 (2)
Old SAK Status          : No Rx, No Tx
Old SAK AN              : 0
Old SAK KI (KN)        : RETIRED (1)
SAK Transmit Wait Time  : 0s (Not waiting for any peers to respond)
SAK Retire Time         : 0s (No Old SAK to retire)
MKA Policy Name         : mk_xpnl
Key Server Priority     : 0
Replay Window Size     : 1024
Confidentiality Offset  : 50
Algorithm Agility       : 80C201
SAK Cipher Suite        : 0080C20001000004 (GCM-AES-XPN-256)
MACsec Capability       : 3 (MACsec Integrity, Confidentiality, & Offset)
MACsec Desired          : YES
# of MACsec Capable Live Peers      : 2
# of MACsec Capable Live Peers Responded : 0
Live Peer List:
  MI                MN           Rx-SCI (Peer)          SSCI KS-Priority
-----
AEC899297F5B0BDEF7C9FC67       225  001d.e5e9.blbf/0001     3             0
0A4C49EE5B7401F1BECB7E22       147  001d.e5e9.f329/0001     2             0
Potential Peer List:
  MI                MN           Rx-SCI (Peer)          SSCI KS-Priority
-----

```

Step 5 Verify the MACsec session counter statistics.**Example:**

```

RP/0/RSP0/CPU0:router# show macsec mka statistics interface Fo0/0/0/1/0

MKA Statistics for Session on interface (Fo0/0/0/1/0)
=====
Reauthentication Attempts.. 0

CA Statistics
Pairwise CAKs Derived... 0
Pairwise CAK Rekeys..... 0
Group CAKs Generated.... 0
Group CAKs Received..... 0

SA Statistics
SAKs Generated..... 3
SAKs Rekeyed..... 2
SAKs Received..... 0
SAK Responses Received.. 3

MKPDU Statistics
MKPDUs Transmitted..... 5425
"Distributed SAK".. 8
"Distributed CAK".. 0
MKPDUs Validated & Rx... 4932

```

```

"Distributed SAK".. 0
"Distributed CAK".. 0

MKA IDB Statistics
MKPDUs Tx Success..... 5425
MKPDUs Tx Fail..... 0
MKPDUS Tx Pkt build fail... 0
MKPDUs Rx CA Not found..... 0
MKPDUs Rx Error..... 0
MKPDUs Rx Success..... 4932

MKPDU Failures
  MKPDU Rx Validation (ICV)..... 0
  MKPDU Rx Bad Peer MN..... 0
  MKPDU Rx Non-recent Peerlist MN..... 0
  MKPDU Rx Drop SAKUSE, KN mismatch..... 0
  MKPDU Rx Drop SAKUSE, Rx Not Set..... 0
  MKPDU Rx Drop SAKUSE, Key MI mismatch.. 0
  MKPDU Rx Drop SAKUSE, AN Not in Use.... 0
  MKPDU Rx Drop SAKUSE, KS Rx/Tx Not Set. 0

SAK Failures
  SAK Generation..... 0
  Hash Key Generation..... 0
  SAK Encryption/Wrap..... 0
  SAK Decryption/Unwrap..... 0

```

! If sub-interfaces are configured, the output would be as follows:

```
RP/0/RSP0/CPU0:router# show macsec mka statistics interface Fo0/0/0/1/1.8
```

```

MKA Statistics for Session on interface (Fo0/0/0/1/1.8)
=====
Reauthentication Attempts.. 0
CA Statistics
  Pairwise CAKs Derived... 0
  Pairwise CAK Rekeys..... 0
  Group CAKs Generated.... 0
  Group CAKs Received..... 0
SA Statistics
  SAKs Generated..... 0
  SAKs Rekeyed..... 0
  SAKs Received..... 9
  SAK Responses Received.. 0
MKPDU Statistics
  MKPDUs Transmitted..... 1973
    "Distributed SAK".. 0
    "Distributed CAK".. 0
  MKPDUs Validated & Rx... 1965
    "Distributed SAK".. 9
    "Distributed CAK".. 0
MKA IDB Statistics
  MKPDUs Tx Success..... 1973
  MKPDUs Tx Fail..... 0
  MKPDUS Tx Pkt build fail... 0
  MKPDUs Rx CA Not found..... 0
  MKPDUs Rx Error..... 0
  MKPDUs Rx Success..... 1965

```

! In a VPLS network with a mulitpoint interface, the output would be as follows:

```
RP/0/RSP0/CPU0:router# show macsec mka statistics interface FortyGigE0/0/0/1/0.1
```

```

MKA Statistics for Session on interface (Fo0/0/0/1/0.1)
=====
Reauthentication Attempts.. 0
CA Statistics
  Pairwise CAKeys Derived... 0
  Pairwise CAK Rekeys..... 0
  Group CAKeys Generated.... 0
  Group CAKeys Received..... 0
SA Statistics
  SAKs Generated..... 0
  SAKs Rekeyed..... 0
  SAKs Received..... 2
  SAK Responses Received.. 0
MKPDU Statistics
  MKPDUs Transmitted..... 1608
    "Distributed SAK".. 0
    "Distributed CAK".. 0
  MKPDUs Validated & Rx... 406
    "Distributed SAK".. 2
    "Distributed CAK".. 0
MKA IDB Statistics
  MKPDUs Tx Success..... 1608
  MKPDUs Tx Fail..... 0
  MKPDUs Tx Pkt build fail... 0
  MKPDUs Rx CA Not found.... 0
  MKPDUs Rx Error..... 0
  MKPDUs Rx Success..... 1802

```

The counters display the MACsec PDUs transmitted, validated, and received. The output also displays transmission errors, if any.

This completes the verification of MACsec encryption on the IOS-XR.

Verifying MACsec Encryption on ASR 9000

MACsec encryption on the router hardware can be verified by running relevant commands in the Privileged Executive Mode.

To verify if MACsec encryption has been correctly configured, follow these steps.

SUMMARY STEPS

1. Verify the MACsec encryption and hardware interface descriptor block (IDB) information on the interface.
2. Use the IDB handle retrieved from Step 1 to verify the platform hardware information.
3. Use the Transmitter SA retrieved from Step 2 to verify the MACsec SA information programmed in the hardware.
4. Verify the MACsec Secure Channel (SC) information programmed in the hardware.

DETAILED STEPS

Step 1 Verify the MACsec encryption and hardware interface descriptor block (IDB) information on the interface.

Example:

```
RP/0/RSP0/CPU0:router# show macsec ea idb interface Fo0/0/0/1/0
```



```

IDB Details:
if_sname : Fo0/0/0/1/0
if_handle : 0x3480
Replay window size : 64
Local MAC : 00:1d:e5:e9:aa:39
Rx SC Option(s) : Validate-Frames Replay-Protect
Tx SC Option(s) : Protect-Frames Always-Include-SCI
Security Policy : MUST SECURE
Sectag offset : 8
VLAN : Outer tag (etype=0x8100, id=1, priority=0, cfi=0): Inner tag (etype=0x8100, id=1, priority=0,
cfi=0)
Rx SC 1
Rx SCI : 001de5e9b1bf0019
Peer MAC : 00:1d:e5:e9:b1:bf
Stale : NO
SAK Data
SAK[0] : ***
SAK Len : 32
HashKey[0] : ***
HashKey Len : 16
Conf offset : 30
Cipher Suite : GCM-AES-XPB-256
CtxSalt[0] : 83 c3 7b ad 7b 6f 63 16 09 8f f3 d2
Rx SA Program Req[0]: 2015 Oct 09 15:20:53.082
Rx SA Program Rsp[0]: 2015 Oct 09 15:20:53.092

Tx SC
Tx SCI : 001de5e9aa39001a
Active AN : 0
Old AN : 255
Next PN : 1, 0, 0, 0
SAK Data
SAK[0] : ***
SAK Len : 32
HashKey[0] : ***
HashKey Len : 16
Conf offset : 30
Cipher Suite : GCM-AES-XPB-256
CtxSalt[0] : 83 c3 7b ae 7b 6f 63 16 09 8f f3 d2
Tx SA Program Req[0]: 2015 Oct 09 15:20:55.053
Tx SA Program Rsp[0]: 2015 Oct 09 15:20:55.064

```

! When more than 1 RX SA is configured in P2MP networks, the output would be as follows:

```

RP/0/RSP0/CPU0:router# show macsec ea idb interface FortyGigE0/0/0/1/0.1
IDB Details:
  if_sname           : Fo0/0/0/1/0.1
  if_handle          : 0x2e40
  Replay window size : 1024
  Local MAC          : e0:ac:f1:72:41:23
  Rx SC Option(s)    : Validate-Frames Replay-Protect
  Tx SC Option(s)    : Protect-Frames Always-Include-SCI
  Security Policy     : MUST SECURE
  Sectag offset      : 8
  VLAN               : Outer tag (etype=0x8100, id=1, priority=0, cfi=0)
                   : Inner tag (etype=0x8100, id=1, priority=0, cfi=0)
  Rx SC 1
    Rx SCI            : 001de5e9f3290001
    Peer MAC          : 00:1d:e5:e9:f3:29
    Stale              : NO
    SAK Data
      SAK[1]          : ***

```

```

    SAK Len           : 32
    HashKey[1]       : ***
    HashKey Len      : 16
    Conf offset      : 50
    Cipher Suite     : GCM-AES-XPN-256
    CtxSalt[1]       : ae ca 99 2b 7f 5b 0b de f7 c9 fc 67
Rx SC 2
  Rx SCI            : 001de5e9b1bf0001
  Peer MAC          : 00:1d:e5:e9:b1:bf
  Stale             : NO
  SAK Data
    SAK[1]          : ***

    SAK Len           : 32
    HashKey[1]       : ***
    HashKey Len      : 16
    Conf offset      : 50
    Cipher Suite     : GCM-AES-XPN-256
    CtxSalt[1]       : ae ca 99 2a 7f 5b 0b de f7 c9 fc 67
Tx SC
  Tx SCI            : e0acf17241230001
  Active AN         : 1
  Old AN            : 0
  Next PN           : 1, 1, 0, 0
  SAK Data
    SAK[1]          : ***

    SAK Len           : 32
    HashKey[1]       : ***
    HashKey Len      : 16
    Conf offset      : 50
    Cipher Suite     : GCM-AES-XPN-256
    CtxSalt[1]       : ae ca 99 28 7f 5b 0b de f7 c9 fc 67

```

The **if_handle** field provides the IDB instance location.

The **Replay window size** field displays the configured window size.

The **Security Policy** field displays the configured security policy.

The **Local Mac** field displays the MAC address of the router.

The **Peer Mac** field displays the MAC address of the peer. This confirms that a peer relationship has been formed between the two routers.

Step 2 Use the IDB handle retrieved from Step 1 to verify the platform hardware information.

Example:

```

RP/0/RSP0/CPU0:router# show macsec ea platform hardware
idb location 0/0/CPU0 | b 3480

if_handle : 0x00003480
NPPort : 099 [0x063]
LdaPort : 016 [0x010] SerdesPort : 000 [0x000]
NetSoftPort : 061 [0x03d] SysSoftPort : 062 [0x03e]
Active AN : 0x00000000 Idle AN : 0x000000ff
Match-All Tx SA : 0x80010001 Match-All Rx SA : 0x00010001
Match-All Tx Flow : 0x80000003 Match-All Rx Flow : 0x00000003
Bypass Tx SA : 0x80000000 Bypass Rx SA : 0x00000000
Tx SA[0] : 0x80020002 Tx Flow[0] : 0x8000000c
Tx SA[1] : 0xffffffff Tx Flow[1] : 0xffffffff

```

```

Tx SA[2] : 0xffffffff Tx Flow[2] : 0xffffffff
Tx SA[3] : 0xffffffff Tx Flow[3] : 0xffffffff
Rx SA[0] : 0x00020002 Rx Flow[0] : 0x0000000c
Rx SA[1] : 0xffffffff Rx Flow[1] : 0xffffffff
Rx SA[2] : 0xffffffff Rx Flow[2] : 0xffffffff
Rx SA[3] : 0xffffffff Rx Flow[3] : 0xffffffff

```

Step 3 Use the Transmitter SA retrieved from Step 2 to verify the MACsec SA information programmed in the hardware.

Example:

```

RP/0/RSP0/CPU0:router# show macsec ea platform hardware sa
0x80020002 interface Fo0/0/0/1/0 location 0/0/CPU0

```

```

MACSEC HW SA Details:
Action Type : 0x00000003
Direction : Egress
Dest Port : 0x00000000
Conf Offset : 00000030
Drop Type : 0x00000002
Drop NonResvd : 0x00000000
SA In Use : YES
ConfProtect : YES
IncludeSCI : YES
ProtectFrame : YES
UseEs : NO
UseSCB : NO
SCI : 00 1d e5 e9 aa 39 00 05
Replay Window : 64 MacsecCryptoAlgo : 7
Direction : Egress AN : 0
AES Key Len : 256 X-Packet Number : 0x0000000000000000
CtxSalt : f8d88dc3e1c5e6a94ca2299

```

The output displays the details of the encryption, such as the AES key, the Auth key, and other parameters.

Step 4 Verify the MACsec Secure Channel (SC) information programmed in the hardware.

Example:

```

RP/0/RSP0/CPU0:router# show macsec ea platform hardware msc
interface Fo0/0/0/1/0 location 0/0/CPU0

```

```

MACSEC HW Cfg Details:
Mode : 0x5
Counter Clear on Read : 0x0
SA Fail Mask : 0xffff
VlanCounter Update : 0x1
Global SecFail Mask : 0xffffffff
Latency : 0xff
StaticBypass : 0x0
Should secure : 0x0
Global Frame Validation : 0x2
Ctrl Pkt CC Bypass : 0x1
NonCtrl Pkt CC Bypass : 0x1
Sequence Number Threshold : 0xbffffb8
Sequence Number Threshold 64bit : 0x000002fffffffffd
Non Matching Non Control Pkts Programming
    Untagged : Bypass: 0x0 DestPort : 0x2, DropType : 0x2

```

```

Tagged : Bypass: 0x0 DestPort : 0x2, DropType : 0x2
BadTagged : Bypass: 0x0 DestPort : 0x2, DropType : 0x2
KayTagged : Bypass: 0x0 DestPort : 0x2, DropType : 0x2
Non Matching Control Pkts Programming
Untagged : Bypass: 0x1 DestPort : 0x2, DropType : 0xffffffff
Tagged : Bypass: 0x0 DestPort : 0x2, DropType : 0x2
BadTagged : Bypass: 0x0 DestPort : 0x2, DropType : 0x2
KayTagged : Bypass: 0x0 DestPort : 0x2, DropType : 0x2

```

This completes the verification of MACsec encryption on the router hardware.

This completes the configuration and verification of MACsec encryption.

Global MACsec Shutdown

The MACsec shutdown feature allows administrator to disable MACsec and re-enable it without modifying the existing MACsec configuration.

Enabling the **macsec shutdown** command, brings down all MACsec sessions on the MACsec-enabled interfaces and resets ports to non-macsec mode. The already existing MACsec configurations remain unaffected by enabling this feature.

Disabling the **macsec shutdown** command, brings up macsec sessions for the configured interfaces and enforces MACsec policy on the port. This feature is disabled by default.

Configure MACsec Shutdown

The following configuration enables the MACsec shutdown on a chassis:

```

RP/0/RP0/CPU0:router# configure terminal
RP/0/RP0/CPU0:router(config)# macsec shutdown

```



Warning Configuring **macsec shutdown** command disables MACsec on all data ports, system wide. Execute **clear** command to erase cached configuration or **commit** command to continue.

Verify MACsec Shutdown

The **show macsec mka session** command displays a shutdown banner indicating that the MACsec shutdown is enabled.

```

RP/0/RP0/CPU0:router# show macsec mka session
Fri Apr 13 11:56:57.409 IST

***** MACsec shutdown enabled *****

```

The **show macsec mka interface detail** command displays a shutdown banner and the interface-related information.

```

RP/0/RP0/CPU0:fretta-2#show macsec mka interface detail
Fri Apr 13 11:57:02.685 IST

***** MACsec shutdown enabled *****

```

```

Number of interfaces on node node0_3_CPU0 : 1
-----

Interface Name           : HundredGigE0/3/0/8
Interface Namestring     : HundredGigE0/3/0/8
Interface short name     : Hu0/3/0/8
Interface handle         : 0x1800170
Interface number         : 0x1800170
Interface MAC            : 008a.9622.a9d0
Ethertype                : 888E
MACsec Shutdown       : TRUE
Config Received          : TRUE
IM notify Complete       : TRUE
Interface CAPS Add       : FALSE
RxSA CAPS Add           : FALSE
TxSA CAPS Add           : FALSE
MKA PSK Info
  Key Chain Name         : kc1
  MKA Cipher Suite       : AES-256-CMAC
  CKN                    : 12 34 56
MKA fallback_PSK Info
  fallback keychain Name : fb1
  MKA Cipher Suite       : AES-256-CMAC
  CKN                    : ff ff ff
Policy                   : *DEFAULT POLICY*

```

Syslog Messages for MACsec Shutdown

The following syslog messages are generated when MACsec shutdown is enabled.

```

%L2-MKA-5-MACSEC_SHUTDOWN_ENABLED : Shutdown ON, disable MACsec on all MACsec enabled ports
%L2-MKA-5-SESSION_STOP           : (Hu0/3/0/8) MKA session stopped,
CKN                               : 123456
%L2-MKA-4-SESSION_UNSECURED      : (Hu0/3/0/8) MKA Session was stopped and is not secured,

CKN                               :123456
%L2-MKA-5-MACSEC_DISABLED        : (Hu0/3/0/8), MACsec disabled (shutdown ON)

```

The following syslog messages are generated when MACsec shutdown is disabled.

```

%L2-MKA-5-MACSEC_SHUTDOWN_DISABLED : Shutdown OFF, resume MACsec on all MACsec enabled ports
%L2-MKA-5-MACSEC_ENABLED           : (Hu0/3/0/8), MACsec enabled with MUST_SECURE
%L2-MKA-5-SESSION_START            : (Hu0/3/0/8) MKA session started
CKN                                 : 123456
%L2-MKA-6-MKPDU_ICV_SUCCESS        : (Hu0/3/0/8), ICV verification success for
RxSCI(008a.9600.60b0/0001), CKN(123456)
%L2-MKA-6-FALLBACK_PSK_MKPDU_ICV_SUCCESS : (Hu0/3/0/8), ICV verification success for
RxSCI(008a.9600.60b0/0001), CKN(FFFFFF)
%L2-MKA-5-SESSION_SECURED         : (Hu0/3/0/8) MKA session secured
CKN                                 : 123456

```




CHAPTER 6

Implementing Type 6 Password Encryption

You can use Type 6 password encryption to securely store plain text key strings for authenticating BGP, IP SLA, IS-IS, MACsec, OSPF, and RSVP sessions.

Feature History for Implementing Type 6 Password Encryption

Release	Modification
Release 7.0.1	This feature was introduced.

- [How to Implement Type 6 Password Encryption](#) , on page 161

How to Implement Type 6 Password Encryption

Scenario - The following 3-step process explains the Type 6 password encryption process for authenticating BGP sessions between two routers, R1 and R2.



Note Follow the first two steps for all Type 6 password encryption scenarios. The third step, *Creating BGP Sessions*, is specific to BGP. To enable Type 6 password encryption for OSPF, IS-IS, or other protocol sessions (the final step), refer the respective configuration guide.

Enabling Type6 Feature and Creating a Primary Key (Type 6 Server)

The primary key is the password or key that encrypts all plain text key strings in the router configuration. An Advance Encryption Standard (AES) symmetric cipher does the encryption. The router configuration does not store the primary key. You cannot see or access the primary key when you connect to the router.

Configuration

```
/* Enter the primary key details */
R1 & R2 # key config-key password-encryption

Fri Jul 19 12:22:45.519 UTC
New password Requirements: Min-length 6, Max-length 64
Characters restricted to [A-Z][a-z][0-9]
Enter new key :
```

```

Enter confirm key :
Master key operation is started in background

/* Enable Type 6 password encryption */
R1 & R2 (config)# password6 encryption aes
R1 & R2 (config)# commit
Fri Jul 19 12:22:45.519 UTC

```

Modifying the Primary Key



Note The Type 6 primary key update results in configuration change of the key chain and the other clients using Type 6. Hence, it is recommended to perform the primary key update operation during a maintenance window, and not while the live session is active. Else, you might experience session flaps due to these configuration changes.

The primary key is not saved to the running configuration, but the changes are persistent across reloads. Please note that the primary key update cannot be rolled back.

Enter the **key config-key password-encryption** command, and the old key and new key information.

```

R1 & R2# key config-key password-encryption

New password Requirements: Min-length 6, Max-length 64
Characters restricted to [A-Z][a-z][0-9]
Enter old key :
Enter new key :
Enter confirm key :
Master key operation is started in background

```

Deleting the Primary Key

```

R1 & R2# configure
R1 & R2 (config)# no password6 encryption aes
R1 & R2 (config)# commit
R1 & R2 (config)# exit
R1 & R2# key config-key password-encryption delete

WARNING: All type 6 encrypted keys will become unusable
Continue with master key deletion ? [yes/no]:yes
Master key operation is started in background

```

Verification

Verify that the primary key configuration and Type 6 feature configuration state are in the *Enabled* state. The **Master key Inprogress** field displays **No**. It indicates that the primary key activity is complete (created, modified, or deleted). When you disable a primary key, **Disabled** is displayed for all the three states.

```

R1 & R2#show type6 server

Fri Jul 19 12:23:49.154 UTC
Server detail information:
=====
AES config State      :      Enabled
Masterkey config State :      Enabled
Type6 feature State   :      Enabled
Master key Inprogress :      No

```

Verify Type 6 trace server details.


```
R1 & R2#show type6 trace server all
```

```
Fri Jul 19 12:26:05.111 UTC
Client file lib/type6/type6_server_wr
25 wrapping entries (18496 possible, 64 allocated, 0 filtered, 25 total)
Jul 19 09:59:27.168 lib/type6/type6_server_wr 0/RP0/CPU0 t7145 ***** Type6 server process
started Respawn count (1) *****
...
...
Jul 19 12:22:59.908 lib/type6/type6_server_wr 0/RP0/CPU0 t7145 User has started Master key
operation (CREATE)
Jul 19 12:22:59.908 lib/type6/type6_server_wr 0/RP0/CPU0 t7145 Created Master key in TAM
successfully
Jul 19 12:23:00.265 lib/type6/type6_server_wr 0/RP0/CPU0 t7145 Master key Available set to
(AVAILABLE)
Jul 19 12:23:00.272 lib/type6/type6_server_wr 0/RP0/CPU0 t7145 Master key inprogress set
to (NOT INPROGRESS)
```

From Cisco IOS XR Software Release 7.0.2 and later, you can use the **show type6 masterkey update status** command to display the update status of the primary key. Prior to this release, you could use the **show type6 clients** command for the same purpose.

```
Router#show type6 masterkey update status
Thu Sep 17 06:48:56.595 UTC
Type6 masterkey operation is NOT inprogress
```

```
Router#show type6 masterkey update status
Thu Sep 17 06:50:07.980 UTC
Type6 masterkey operation is inprogress
```

```
Masterkey upate status information:
Client Name          Status
=====
keychain             INPROGRESS
```

Clear Type 6 Client State

You can use the **clear type6 client** command in EXEC mode to clear the Type 6 client state.

If the primary key update operation is stuck at any stage, then you can use this **clear** command to clear that state. You can track the primary key update operation using the **show type6 server** command output. If the *Master key Inprogress* field in that output displays as *YES*, then you can use **show type6 masterkey update status** command (or, **show type6 clients** command, prior to Release 7.0.2) to check which client has not completed the operation. Accordingly, you can clear that particular client using the **clear** command.

Associated Commands

- **clear type6 client**
- **key password-encryption**
- **password6 encryption aes**
- **show type6**

Implementing Key Chain for BGP Sessions (Type 6 Client)

For detailed information on key chains, refer the *Implementing Keychain Management* chapter.

If you enable Type 6 password encryption, plain-text keys are encrypted using Type 6 encryption. Enter plain-text key-string input in alphanumeric form. If you enable MACsec with Type 6 password encryption, the key-string input is in hexadecimal format.

Configuration

```
/* Enter the key chain details */
R1 & R2# configure
R1 & R2(config)# key chain type6_password
R1 & R2(config-type6_password)# key 1
```

Enter the Type 6 encrypted format using the **key-string password6** command.



Note Using the **key-string** command, you can enter the password in clear text format or Type 6 encrypted (already encrypted password) format, as used in this scenario.



Note Enable the same key string for all the routers.

```
R1 & R2 (config-type6_password-1)# key-string password6
6664496443695544484a4448674b695e685d56565d676364554b64555f4c5c645b
R1 & R2 (config-type6_password-1)# cryptographic-algorithm HMAC-MD5
R1 & R2 (config-type6_password-1)# accept-lifetime 1:00:00 october 24 2005 infinite
R1 & R2 (config-type6_password-1)# send-lifetime 1:00:00 october 24 2005 infinite
R1 & R2 (config-type6_password-1)# commit
```



Note Border Gateway Protocol (BGP) supports only HMAC-MD5 and HMAC-SHA1-12.

Verification

Verify key chain trace server information.

```
R1 & R2# show key chain trace server both

Sat Jul 20 16:44:08.768 UTC
Client file lib/kc/kc_srvr_wr
4 wrapping entries (18496 possible, 64 allocated, 0 filtered, 4 total)
Jul 20 16:43:26.342 lib/kc/kc_srvr_wr 0/RP0/CPU0 t312 *****kc_srvr process
started*****
Jul 20 16:43:26.342 lib/kc/kc_srvr_wr 0/RP0/CPU0 t312 (kc_srvr) Cerrno DLL registration
successfull
Jul 20 16:43:26.349 lib/kc/kc_srvr_wr 0/RP0/CPU0 t312 (kc_srvr) Initialised sysdb connection
Jul 20 16:43:26.612 lib/kc/kc_srvr_wr 0/RP0/CPU0 t317 (kc_srvr_type6_thread) Succesfully
registered as a type6 client
```

Verify configuration details for the key chain.

```
R1 & R2# show key chain type6_password
Sat Jul 20 17:05:12.803 UTC
```

```
Key-chain: type6_password -
Key 1 -- text "6664496443695544484a4448674b695e685d56565d676364554b64555f4c5c645b"
Cryptographic-Algorithm -- HMAC_MD5
Send lifetime -- 01:00:00, 24 Oct 2005 - Always valid [Valid now]
Accept lifetime -- 01:00:00, 24 Oct 2005 - Always valid [Valid now]
```

Associated Commands

- **key chain**
- **key-string password6**
- **show key chain trace server both**

Creating a BGP Session (Type 6 Password Encryption Use Case)

This example provides iBGP session creation configuration. To know how to configure the complete iBGP network, refer the *BGP Configuration Guide* for the platform.

Configuration

```
/* Create BGP session on Router1 */
R1# configure
R1(config)# router bgp 65537
```

Ensure that you use the same key chain name for the BGP session and the Type 6 encryption (for example, *type6_password* in this scenario).

Ensure that you use the same session and keychain for all the routers (R1 and R2 in this case).

```
R1 (config-bgp)# session-group bgp-type6-session keychain type6_password
R1 (config-bgp)# neighbor 10.1.1.11 remote-as 65537
R1 (config-bgp)# commit

/* Create BGP session on Router2 */
R2 (config)# router bgp 65537
R2 (config-bgp)# session-group bgp-type6-session keychain type6_password
R2 (config-bgp)# neighbor 10.1.1.1 remote-as 65537
R2 (config-bgp)# commit
```

Verification

Verify that the BGP NBR state is in *Established* state, on R1 and R2.

```
R1# show bgp sessions
Neighbor      VRF      Spk      AS      InQ      OutQ      NBRState      NSRState
10.1.1.11     default  0        65537   0        0        Established   None
```

```
R2# show bgp sessions
Neighbor      VRF      Spk      AS      InQ      OutQ      NBRState      NSRState
10.1.1.1     default  0        65537   0        0        Established   None
```

Associated Commands

- **Session-group**
- **show BGP sessions**



CHAPTER 7

Implementing Lawful Intercept

Lawful intercept is the process by which law enforcement agencies conduct electronic surveillance of circuit and packet-mode communications, authorized by judicial or administrative order. Service providers worldwide are legally required to assist law enforcement agencies in conducting electronic surveillance in both circuit-switched and packet-mode networks.

Only authorized service provider personnel are permitted to process and configure lawfully authorized intercept orders. Network administrators and technicians are prohibited from obtaining knowledge of lawfully authorized intercept orders, or intercepts in progress. Error messages or program messages for intercepts installed in the router are not displayed on the console.

Lawful Intercept is not a part of the Cisco IOS XR software by default. You have to install it separately by installing and activating **asr9k-li-px.pie**.

Feature History for Implementing Lawful Intercept

Release	Modification
Release 4.1.0	This feature was introduced.
Release 4.2.0	High Availability support for Lawful Intercept was added. Support for IPv6 Lawful Intercept was added.
Release 4.3.2	Lawful Intercept is available as a separate package. It is no longer a part of the Cisco IOS XR software.
Release 7.0.1	Overlapping tap functionality is made available on Cisco ASR 9000 4th Generation QSFP28 based dense 100GE line cards (A9K-8X100GE-X-TR, A9K-16X100GE-TR, A9K-32X100GE-TR and A99-16x100-X-SE) as well.

- [Prerequisites for Implementing Lawful Intercept, on page 168](#)
- [Restrictions for Implementing Lawful Intercept, on page 169](#)
- [Information About Lawful Intercept Implementation, on page 170](#)
- [Intercepting IPv4 and IPv6 Packets, on page 174](#)
- [High Availability for Lawful Intercept, on page 176](#)
- [Installing Lawful Intercept \(LI\) Package, on page 177](#)
- [How to Configure SNMPv3 Access for Lawful Intercept, on page 181](#)
- [Configuration Example for Inband Management Plane Feature Enablement, on page 186](#)
- [Additional References, on page 187](#)

Prerequisites for Implementing Lawful Intercept

You must be in a user group associated with a task group that includes the proper task IDs. The command reference guides include the task IDs required for each command. If you suspect user group assignment is preventing you from using a command, contact your AAA administrator for assistance.

Lawful intercept implementation also requires that these prerequisites are met:

- Cisco ASR 9000 Series Aggregation Services Router will be used as content Intercept Access Point (IAP) router in lawful interception operation.
- **Provisioned router**—The router must be already provisioned. For more information, see *Cisco ASR 9000 Series Aggregation Services Router Getting Started Guide*.



Tip For the purpose of lawful intercept taps, provisioning a loopback interface has advantages over other interface types.

- **Understanding of SNMP Server commands in Cisco IOS XR software**—Simple Network Management Protocol, version 3 (SNMP v3), which is the basis for lawful intercept enablement, is configured using commands described in the module *SNMP Server Commands* in *System Management Command Reference for Cisco ASR 9000 Series Routers*. To implement lawful intercept, you must understand how the SNMP server functions. For this reason, carefully review the information described in the module *Implementing SNMP* in *System Management Configuration Guide for Cisco ASR 9000 Series Routers*.
- **Lawful intercept must be explicitly disabled**—It is automatically enabled on a provisioned router. However, you should not disable LI if there is an active tap in progress, because this deletes the tap.
- **Management plane configured to enable SNMPv3**—Allows the management plane to accept SNMP commands, so that the commands go to the interface (preferably, a loopback) on the router. This allows the mediation device (MD) to communicate with a physical interface.
- **VACM views enabled for SNMP server**—View-based access control model (VACM) views must be enabled on the router.
- **Provisioned MD**—For detailed information, see the vendor documentation associated with your MD. For a list of MD equipment suppliers preferred by Cisco, see http://www.cisco.com/en/US/tech/tk583/tk799/tsd_technology_support_protocol_home.html.
- **VoIP surveillance-specific requirements**

- **Lawful-intercept-enabled call agent**—A lawful-intercept-enabled call agent must support interfaces for communications with the MD, for the target of interest to provide signaling information to the MD. The MD extracts source and destination IP addresses and Real-Time Protocol (RTP) port numbers from the Session Description Protocol (SDP) signaling information for the target of interest. It uses these to form an SNMPv3 SET, which is sent to the router acting as the content IAP to provision the intercept for the target of interest.

The MD uses the CISCO-TAP2-MIB to set up communications between the router acting as the content IAP, and the MD.

The MD uses the CISCO-IP-TAP-MIB to set up the filter for the IP addresses and port numbers to be intercepted and derived from the SDP.

- Routers to be used for calls by the target number must be provisioned for this purpose through the MD.
- The MD that has been provisioned with the target number to be intercepted.
- **Data session surveillance-specific requirements**
 - Routers to be used by the data target that have been provisioned for this purpose through the MD.
 - **The MD that has been provisioned with the user login ID, mac address of the user CPE device, or the DSLAM physical location ID**—The IP address is the binding that is most frequently used to identify the target in the network. However, alternative forms of information that uniquely identify the target in the network might be used in some network architectures. Such alternatives include the MAC address and the acct-session-id.
- The MD can be located anywhere in the network but must be reachable from the content IAP router, which is being used to intercept the target. MD should be reachable ONLY from global routing table and NOT from VRF routing table.

Restrictions for Implementing Lawful Intercept

The following restrictions are applicable for Lawful Intercept:

- If lawful intercept is set up separately for two inter-communicating hosts with two different mediation devices, then by default, only the ingress traffic on the ASR 9000 router from one of the hosts is intercepted. You can configure the **overlap-tap enable** command to separately intercept the ASR 9000 ingress as well as egress traffic for both the mediation devices.
- Lawful intercept does not provide support for these features on Cisco ASR 9000 Series Router:
 - IPv6 multicast tapping
 - IPv4 multicast tapping
 - Per tap drop counter
 - IPv6 intercept on gigabit ethernet LCs
 - IPv6 MD encapsulation
 - Per layer 3 interface tapping



Note Per layer 2 interface tapping is supported.

- Replicating a single tap to multiple MDs
- Tapping of tag packets
- Tapping L2 flows
- RTP encapsulation
- Encryption and integrity checking of replication device

- GRE encapsulation
- MPLS encapsulation



Note Per tap drop counter support is available only for ASR9000-SIP-700 line card, and not for ethernet line cards.

- Lawful intercept is applied only on ingress traffic.

Traffic is intercepted, when it arrives as pure IP in the following scenarios:

- For label imposition direction
- When it arrives from the core after PHP action.

Traffic is not intercepted in the following criteria:

- When it arrives from the core as MPLS encapsulated (with VPN label) for the label disposition direction.
- For GRE encapsulated packets.

Information About Lawful Intercept Implementation

Cisco lawful intercept is based on service-independent intercept (SII) architecture and SNMPv3 provisioning architecture. SNMPv3 addresses the requirements to authenticate data origin and ensure that the connection from the router to the MD is secure. This ensures that unauthorized parties cannot forge an intercept target.

Lawful intercept offers these capabilities:

- Voice-over IP (VoIP) and data session intercept provisioning from the MD using SNMPv3
- Delivery of intercepted VoIP and data session data to the MD
- SNMPv3 lawful intercept provisioning interface
- Lawful intercept MIB: CISCO-TAP2-MIB, version 2
- CISCO-IP-TAP-MIB manages the Cisco intercept feature for IP and is used along with CISCO-TAP2-MIB to intercept IP traffic.
- User datagram protocol (UDP) encapsulation to the MD
- Replication and forwarding of intercepted packets to the MD
- Voice-over IP (VoIP) call intercept, based on any rules configured for received packets.
- Voice-over IP (VoIP) intercept with LI-enabled call agent
- Data session call intercept based on IP address

Interception Mode

The lawful intercept has two interception modes:

- **Global LI:** The taps are installed on all the line cards in the ingress direction. With the global tap, the traffic for the target can be intercepted regardless of ingress point. Only the tap that has wild cards in the interface field is supported.
- **Interface LI:** Taps each packet that is entering or leaving an interface without any additional filters.

Overlapping Taps

Traffic interception can be configured for two inter-communicating intercepted hosts using overlapping taps.

For example, consider two taps, one configured for all traffic from source address A and another for all traffic going to destination address B. When a packet arrives with source address A and destination address B, the packet is tapped by TAP1 in ingress and TAP2 in egress, and copies will be generated and forwarded to both mediation devices. Overlapping taps can be enabled using **overlap-tap enable** command in Global configuration mode.

From Cisco IOS XR Software Release 7.0.1 and later, the Lawful Intercept overlapping tap functionality is available on Cisco ASR 9000 4th Generation QSFP28 based dense 100GE line cards (A9K-8X100GE-X-TR, A9K-16X100GE-TR, A9K-32X100GE-TR and A99-16x100-X-SE) as well.

Provisioning for VoIP Calls

Lawful Intercept provisioning for VoIP occurs in these ways:

- Security and authentication occurs because users define this through SNMPv3.
- The MD provisions lawful intercept information using SNMPv3.
- Network management occurs through standard MIBs.

Call Interception

VoIP calls are intercepted in this manner:

- The MD uses configuration commands to configure the intercept on the call control entity.
- The call control entity sends intercept-related information about the target to the MD.
- The MD initiates call content intercept requests to the content IAP router or trunk gateway through SNMPv3.
- The content IAP router or trunk gateway intercepts the call content, replicates it, and sends it to the MD in Packet Cable Electronic Surveillance UDP format. Specifically, the original packet starting at the first byte of the IP header is prefixed with a four-byte CCCID supplied by the MD in TAP2-MIB. It is then put into a UDP frame with the destination address and port of the MD.
- After replicated VoIP packets are sent to the MD, the MD then forwards a copy to a law-enforcement-agency-owned collection function, using a recognized standard.

Provisioning for Data Sessions

Provisioning for data sessions occurs in a similar way to the way it does for lawful intercept for VoIP calls. (See [Provisioning for VoIP Calls, on page 171.](#))

Data Interception

Data are intercepted in this manner:

- If a lawful intercept-enabled authentication or accounting server is not available, a sniffer device can be used to detect the presence of the target in the network.
 - The MD uses configuration commands to configure the intercept on the sniffer.
 - The sniffer device sends intercept-related information about the target to the MD.
- The MD initiates communication content intercept requests to the content IAP router using SNMPv3.
- The content IAP router intercepts the communication content, replicates it, and sends it to the MD in UDP format.
- Intercepted data sessions are sent from the MD to the collection function of the law enforcement agency, using a supported delivery standard for lawful intercept.

Information About the MD

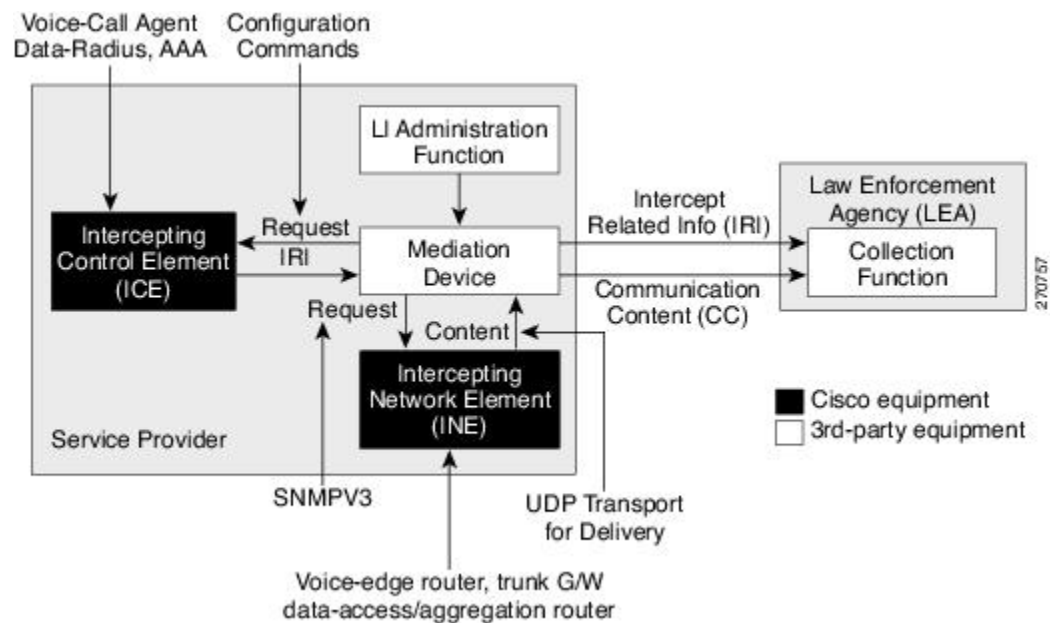
The MD performs these tasks:

- Activates the intercept at the authorized time and removes it when the authorized time period elapses.
- Periodically audits the elements in the network to ensure that:
 - *only* authorized intercepts are in place.
 - *all* authorized intercepts are in place.

Lawful Intercept Topology

This figure shows intercept access points and interfaces in a lawful intercept topology for both voice and data interception.

Figure 10: Lawful Intercept Topology for Both Voice and Data Interception



Layer 2 Lawful Intercept

You can configure SNMP-based lawful intercept on a layer 2 interface. This intercepts all traffic passing through the particular interface.

Scale or Performance Improvement

New enhancements introduced on the Cisco ASR 9000 Series Router in terms of scalability and performance for lawful intercept are:

- IPv4 lawful intercept tap limit is 1000 taps per IPv4 except for the A9K-8x100G-LB-SE and A9K-8x100G-LB-TR line cards. These line cards have a tap limit of 2000 taps per IPv4.
- IPv6 lawful intercept tap limit is 1000 taps per IPv6.
- Interception rate is:
 - 50 Mbps per network processor (NP) for ASR9000-SIP-700 line card.
 - 100 Mbps for Gigabit Ethernet line cards.
 - 500 Mbps for Modular Weapon-X line cards.
 - 1000 Mbps for 100GE line cards.
- Support upto 512 MDs.

Intercepting IPv4 and IPv6 Packets

This section provides details for intercepting IPv4 and IPv6 packets supported on the Cisco ASR 9000 Series Router.

Lawful Intercept Filters

The filters used for classifying a tap are:

- IP address type
- Destination address
- Destination mask
- Source address
- Source mask
- ToS (Type of Service) and ToS mask
- Protocol
- Destination port with range
- Source port with range
- VRF (VPN Routing and Forwarding)
- Flow ID

Intercepting Packets Based on Flow ID (Applies to IPv6 only)

To further extend filtration criteria for IPv6 packets, an additional support to intercept IPv6 packets based on flow ID has been introduced on the Cisco ASR 9000 Series Router. All IPv6 packets are intercepted based on the fields in the IPv6 header which comprises numerous fields defined in IPv6 Header Field Details table:



Note The field length or payload length is not used for intercepting packets.

Table 12: IPv6 Header Field Details

IPv6 Field Name	Field Description	Field Length
Version	IPv6 version number.	4 bits
Traffic Class	Internet traffic priority delivery value.	8 bits
Flow ID (Flow Label)	Used for specifying special router handling from source to destination(s) for a sequence of packets.	20 bits

IPv6 Field Name	Field Description	Field Length
Payload Length	Specifies the length of the data in the packet. When cleared to zero, the option is a hop-by-hop Jumbo payload.	16 bits unassigned
Next Header	Specifies the next encapsulated protocol. The values are compatible with those specified for the IPv4 protocol field.	8 bits
Hop Limit	For each router that forwards the packet, the hop limit is decremented by 1. When the hop limit field reaches zero, the packet is discarded. This replaces the TTL field in the IPv4 header that was originally intended to be used as a time based hop limit.	8 bits unsigned
Source Address	The IPv6 address of the sending node.	16 bytes
Destination Address	The IPv6 address of the destination node.	16 bytes

The flow ID or flow label is a 20 bit field in the IPv6 packet header that is used to discriminate traffic flows. Each flow has a unique flow ID. The filtration criteria to intercept packets matching a particular flow ID is defined in the tap configuration file. From the line card, the intercepted mapped flow IDs are sent to the next hop, specified in the MD configuration file. The intercepted packets are replicated and sent to the MD from the line card.

Intercepting VRF (6VPE) and 6PE Packets

This section provides information about intercepting VRF aware packets and 6PE packets. Before describing how it works, a basic understanding of 6VPE networks is discussed.

The MPLS VPN model is a true peer VPN model. It enforces traffic separations by assigning unique VPN route forwarding (VRF) tables to each customer's VPN at the provider content IAP router. Thus, users in a specific VPN cannot view traffic outside their VPN.

Cisco ASR 9000 Series Router supports intercepting IPv6 packets of the specified VRF ID for 6VPE. To distinguish traffic on VPN, VRFs are defined containing a specific VRF ID. The filter criteria to tap a particular VRF ID is specified in the tap. IPv6 packets are intercepted with the VRF context on both scenarios: imposition (ip2mpls) and disposition (mpls2ip).

The 6PE packets carry IPv6 packets over VPN. The packets do not have a VRF ID. Only IP traffic is intercepted; no MPLS based intercepts are supported. The IPv6 traffic is intercepted at the content IAP of the MPLS cloud at imposition (ip2mpls) and at disposition (mpls2ip).

Intercepting IPv6 packets is also performed for ip2tag and tag2ip packets. Ip2tag packets are those which are converted from IPv6 to Tagging (IPv6 to MPLS), and tag2ip packets are those which are converted from Tagging to IPv6 (MPLS to IPv6) at the provider content IAP router.

Encapsulation Type Supported for Intercepted Packets

Intercepted packets mapping the tap are replicated, encapsulated, and then sent to the MD. IPv4 and IPv6 packets are encapsulated using UDP (User Datagram Protocol) encapsulation. The replicated packets are forwarded to MD using UDP as the content delivery protocol. Only IPv4 MD encapsulation is supported.

The intercepted packet gets a new UDP header and IPv4 header. Information for IPv4 header is derived from MD configuration. Apart from the IP and UDP headers, a 4 byte channel identifier (CCCID) is also inserted

after the UDP header in the packet. After adding the MD encapsulation, if the packet size is above the MTU, the egress LC CPU fragments the packet. Moreover, there is a possibility that the packet tapped is already a fragment. Each tap is associated with only one MD. Cisco ASR 9000 Series Router does not support forwarding replicated packets to multiple MDs.



Note Encapsulation types, such as RTP and RTP-NOR, are not supported.

Per Tap Drop Counter Support

Cisco ASR 9000 Series Router line cards provide SNMP server as an interface to export each tap forwarded to MD packet and drop counts. Any intercepted packets that are dropped prior to getting forwarded to the MD due to policer action are counted and reported. The drops due to policer action are the only drops that are counted under per tap drop counters. If a lawful intercept filter is modified, the packet counts are reset to 0.



Note Per tap drop counter support is available only for ASR9000-SIP-700 line card, and not for ethernet line cards.

High Availability for Lawful Intercept

High availability for lawful intercept provides operational continuity of the TAP flows and provisioned MD tables to reduce loss of information due to route processor fail over (RPFO).

To achieve continuous interception of a stream, when RP fail over is detected; MDs are required to re-provision all the rows relating to CISCO-TAP2-MIB, CISCO-IP-TAP-MIB, and CISCO-USER-CONNECTION-TAP-MIB to synchronize database view across RP and MD.



Note The high availability for lawful intercept is enabled by default from Release 4.2.0 onwards.

Preserving TAP and MD Tables during RP Fail Over

At any point in time, MD has the responsibility to detect the loss of the taps via SNMP configuration process.

After RPFO is completed, MD should re-provision all the entries in the stream tables, MD tables, and IP taps with the same values they had before fail over. As long as an entry is re-provisioned in time, existing taps will continue to flow without any loss.

The following restrictions are listed for re-provisioning MD and tap tables with respect to behavior of SNMP operation on `citapStreamEntry`, `cTap2StreamEntry`, `cTap2MediationEntry` MIB objects:

- After RPFO, table rows that are not re-provisioned, shall return `NO_SUCH_INSTANCE` value as result of SNMP Get operation.
- Entire row in the table must be created in a single configuration step, with exactly same values as before RPFO, and with the `rowStatus` as `CreateAndGo`. Only exception is the `cTap2MediationTimeout` object, that should reflect valid future time.

Replay Timer

The replay timer is an internal timeout that provides enough time for MD to re-provision tap entries while maintaining existing tap flows. It resets and starts on the active RP when RPFO takes place. The replay timer is a factor of number of LI entries in router with a minimum value of 10 minutes.

After replay timeout, interception stops on taps that are not re-provisioned.



Note In case high availability is not required, MD waits for entries to age out after fail over. MD cannot change an entry before replay timer expiry. It can either reinstall taps as is, and then modify; or wait for it to age out.

Installing Lawful Intercept (LI) Package

As LI is not a part of the Cisco IOS XR image by default, you need to install it separately.

Installing and Activating the LI Package

The Package Installation Envelope (PIE) files, are installable software files with the .pie extension. PIE files are used to copy one or more software components onto the router. A PIE may contain a single component, a group of components (called a package), or a set of packages (called a composite package).

Use the **show install committed** command in EXEC mode to verify the committed software packages.

To install the Lawful Intercept (LI) package, you must install and activate the **asr9k-li-px.pie**

For more information about installing PIEs, refer to *Upgrading and Managing Cisco IOS XR Software section* of the *System Management Configuration Guide for Cisco ASR 9000 Series Routers*.

SUMMARY STEPS

1. **admin**
2. **install add** *ftp://<IP address of tftp server>/<location of pie on server>*
3. **install activate** *device:package*
4. **install commit**
5. **exit**
6. **show install committed**

DETAILED STEPS

	Command or Action	Purpose
Step 1	admin Example: RP/0/RSP0/CPU0:router# admin	Enters administration EXEC mode.

	Command or Action	Purpose
Step 2	install add <i>tftp://<IP address of tftp server>/<location of pie on server></i> Example: RP/0/RSP0/CPU0:router(admin)# install add tftp://172.201.11.140/auto/tftp-users1/asr9k-li-px.pie	Copies the contents of a package installation envelope (PIE) file to a storage device.
Step 3	install activate <i>device:package</i> Example: RP/0/RSP0/CPU0:router(admin)# install activate disk0:asr9k-li-px.pie	Activates the respective package and adds more functionality to the existing software.
Step 4	install commit Example: RP/0/RSP0/CPU0:router(admin)# install commit	Saves the active software set to be persistent across designated system controller (DSC) reloads.
Step 5	exit Example: RP/0/RSP0/CPU0:router(admin)# exit	Exits from the admin mode.
Step 6	show install committed Example: RP/0/RSP0/CPU0:router# show install committed	Shows the list of the committed software packages.

Deactivating the LI PIE

To uninstall the Lawful Intercept package, deactivate asr9k-li-px.pie as shown in the following steps:



Note You might experience interface or protocol flaps while uninstalling or deactivating the LI PIE. Hence, we recommend you to perform this activity during a maintenance window.

SUMMARY STEPS

1. **admin**
2. **install deactivate** *device:package*
3. **install commit**
4. **install remove** *device:package*
5. **exit**
6. **show install committed**

DETAILED STEPS

	Command or Action	Purpose
Step 1	admin Example: RP/0/RSP0/CPU0:router# admin	Enters administration EXEC mode.
Step 2	install deactivate device:package Example: RP/0/RSP0/CPU0:router(admin)# install deactivate disk0:asr9k-li-px.pie	Activates the respective package and adds more functionality to the existing software.
Step 3	install commit Example: RP/0/RSP0/CPU0:router(admin)# install commit	Saves the active software set to be persistent across designated system controller (DSC) reloads.
Step 4	install remove device:package Example: RP/0/RSP0/CPU0:router(admin)# install remove disk0:asr9k-li-px.pie	Saves the active software set to be persistent across designated system controller (DSC) reloads.
Step 5	exit Example: RP/0/RSP0/CPU0:router(admin)# exit	Exits from the admin mode.
Step 6	show install committed Example: RP/0/RSP0/CPU0:router# show install committed	Shows the list of the committed software packages.

Upgrade and Downgrade Scenarios for the Lawful Intercept package

This section describes the possible upgrade and downgrade scenarios with respect to the Lawful Intercept (LI) package.

This example configuration demonstrates how to upgrade or downgrade the Cisco IOS XR software with or without the LI package. Suppose you have two versions of software images, V1 and V2. If you want to upgrade or downgrade from V1 to V2 without the LI package, you need to perform the following steps for the upgrade or the downgrade procedure:



Note Ensure that you use Turbo Boot to load the image for the downgrade process.

1. Ensure that the device has booted with the V1 image. Check the Package Installation Envelope (PIE) files that have been installed in V1.
2. Save all the PIE files that exist in V2 in the Trivial File Transfer Protocol (TFTP) server. Copy the contents of the PIE files from the TFTP server by using the **install add** command in the admin mode.

```
RP/0/RSP0/CPU0:router(admin)# install add tar
tftp://223.255.254.254/install/files/pies.tar
```

3. To activate all the PIE files in V2 at once, run the following commands based on the type of upgrade:

At any point during the upgrade or the downgrade process, you can check the progress by using the **show install request** or the **show issu** command.

Some of the conventions that are followed in describing these scenarios are:

- Release 4.3.1 base image: It is the Cisco IOS XR software for Release 4.3.1 that contains Cisco LI by default.
- Release 4.3.2 base image: It is the Cisco IOS XR software for Release 4.3.2 that does not contain Cisco LI by default.
- Separate LI package: It is the LI package that needs to be installed separately for Release 4.3.2 and higher versions.

Table 13: Upgrade Scenarios

Upgrade From	Upgrade To	Result	Supported
Release 4.3.1 base image	Release 4.3.2 base image	Before the upgrade, the LI has to be configured and provisioned completely. After the upgrade to Release 4.3.2 version without the LI package, you cannot configure or provision LI.	Yes
Release 4.3.1 base image	Release 4.3.2 base image with the separate LI package	The Upgrade will reload the router. After the upgrade process completes, you need to reconfigure LI MDs/TAPs from the SNMP server. Also, all the LI configurations made in the earlier version is accepted.	Yes
Release 4.3.2 base image with the separate LI package	Release 4.3.3 base image with the separate LI package	After the upgrade, the LI configuration is not retained.	Yes
Release 4.3.2 base image with the separate LI package	Release 4.3.3 base image without the separate LI package	This upgrade is not possible as the installation process will not proceed without the LI PIE.	No
Release 4.3.2 base image without the separate LI package	Release 4.3.3 base image with the separate LI package	This upgrade is possible.	Yes

Upgrade From	Upgrade To	Result	Supported
ISSU for Release 4.3.1 base image	Release 4.3.2 with the separate LI package	After this upgrade, to retain the LI configuration, you have to replay the configuration before the replay timeout occurs.	Yes
ISSU for Release 4.3.2 base image with the separate LI package	Release 4.3.3 with the separate LI package	After this upgrade, to retain the LI configuration, you have to replay the configuration before the replay timeout occurs.	Yes

Table 14: Downgrade Scenarios

Downgrade From	Downgrade To	Result	Supported
Release 4.3.2 base image without the separate LI package	Release 4.3.1 base image	After the downgrade, begin the provisioning process of LI.	Yes
Release 4.3.2 base image with the separate LI package	Release 4.3.1 base image	This scenario is not supported.	No
Release 4.3.3 base image with the separate LI package	Release 4.3.2 base image with the separate LI package	After the downgrade, the LI configuration is not retained. You have to provision the LI once again.	Yes
Release 4.3.3 base image with the separate LI package	Release 4.3.2 base image without the LI package	After the downgrade, the LI configuration is lost. You will not be able to provision it after downgrade.	Yes
Release 4.3.3 base image	Release 4.3.2 base image with the separate LI package	The LI configuration is accepted and can be provisioned only after the downgrade.	Yes
ISSU			No

How to Configure SNMPv3 Access for Lawful Intercept

Perform these procedures in the order presented to configure SNMPv3 for the purpose of Lawful Intercept enablement:

Disabling SNMP-based Lawful Intercept

Lawful Intercept is enabled by default on the Cisco ASR 9000 Series Router after installing and activating the **asr9k-li-px.pie**.

- To disable Lawful Intercept, enter the **lawful-intercept disable** command in global configuration mode.
- To re-enable it, use the **no** form of this command.

Disabling SNMP-based Lawful Intercept: Example

```
RP/0/RSP0/CPU0:router# configure
RP/0/RSP0/CPU0:router(config)# lawful-intercept disable
```



Note The **lawful-intercept disable** command is available on the router, only after installing and activating the **asr9k-li-px.pie**.

All SNMP-based taps are dropped when lawful intercept is disabled.

Configuring the Inband Management Plane Protection Feature

If MPP was not earlier configured to work with another protocol, then ensure that the MPP feature is also not configured to enable the SNMP server to communicate with the mediation device for lawful interception. In such cases, MPP must be configured specifically as an inband interface to allow SNMP commands to be accepted by the router, using a specified interface or all interfaces.



Note Ensure this task is performed, even if you have recently migrated to Cisco IOS XR Software from Cisco IOS, and you had MPP configured for a given protocol.

For lawful intercept, a loopback interface is often the choice for SNMP messages. If you choose this interface type, you must include it in your inband management configuration.

For a more detailed discussion of the inband management interface, see the [Inband Management Interface](#), on page 190.

Related Tasks

- [Configuring a Device for Management Plane Protection for an Inband Interface](#), on page 192

Related Examples

- [Configuring the Inband Management Plane Protection Feature: Example](#), on page 186

Enabling the Mediation Device to Intercept VoIP and Data Sessions

The following SNMP server configuration tasks enable the Cisco SII feature on a router running Cisco IOS XR Software by allowing the MD to intercept VoIP or data sessions.

SUMMARY STEPS

1. **configure**
2. **snmp-server view** *view-name* **ciscoTap2MIB** **included**
3. **snmp-server view** *view-name* **ciscoUserConnectionTapMIB** **included**
4. **snmp-server group** *group-name* **v3auth** **read** *view-name* **write** *view-name* **notify** *view-name*
5. **snmp-server host** *ip-address* **traps** **version 3** **auth** *username* **udp-port** *port-number*
6. **snmp-server user** *mduser-id* *groupname* **v3** **auth** **md5** *md-password*
7. Use the **commit** or **end** command.
8. **show snmp users**
9. **show snmp group**
10. **show snmp view**

DETAILED STEPS

	Command or Action	Purpose
Step 1	configure Example: RP/0/RSP0/CPU0:router# <code>configure</code>	Enters global configuration mode.
Step 2	snmp-server view <i>view-name</i> ciscoTap2MIB included Example: RP/0//CPU0:router(config)# <code>snmp-server view TapName ciscoTap2MIB included</code>	Creates or modifies a view record and includes the CISCO-TAP2-MIB family in the view. The SNMP management objects in the CISCO-TAP2-MIB that controls lawful intercepts are included. This MIB is used by the mediation device to configure and run lawful intercepts on targets sending traffic through the router.
Step 3	snmp-server view <i>view-name</i> ciscoUserConnectionTapMIB included Example: RP/0//CPU0:router(config)# <code>snmp-server view TapName ciscoUserConnectionTapMIB included</code>	Creates or modifies a view record and includes the CISCO-USER-CONNECTION-TAP-MIB family, to manage the Cisco intercept feature for user connections. This MIB is used along with the CISCO-TAP2-MIB to intercept and filter user traffic.
Step 4	snmp-server group <i>group-name</i> v3auth read <i>view-name</i> write <i>view-name</i> notify <i>view-name</i> Example: RP/0//CPU0:router(config)# <code>snmp-server group TapGroup v3 auth read TapView write TapView notify TapView</code>	Configures a new SNMP group that maps SNMP users to SNMP views. This group must have read, write, and notify privileges for the SNMP view.

	Command or Action	Purpose
Step 5	<p>snmp-server host <i>ip-address</i> traps version 3 auth <i>username udp-port port-number</i></p> <p>Example:</p> <pre>RP/0//CPU0:router(config)# snmp-server host 223.255.254.224 traps version 3 auth bgreen udp-port 2555</pre>	Specifies SNMP trap notifications, the version of SNMP to use, the security level of the notifications, and the recipient (host) of the notifications.
Step 6	<p>snmp-server user <i>mduser-id groupname v3 auth md5</i> <i>md-password</i></p> <p>Example:</p> <pre>RP/0//CPU0:router(config)# snmp-server mduser-id TapGroup v3 auth md5 mdpassword</pre>	<p>Configures the MD user as part of an SNMP group, using the v3 security model and the HMAC MD5 algorithm, which you associate with the MD password.</p> <ul style="list-style-type: none"> • The <i>mduser-id</i> and <i>mdpassword</i> must match that configured on MD. Alternatively, these values must match those in use on the router. • Passwords must be eight characters or longer to comply with SNMPv3 security minimums. • Minimum Lawful Intercept security level is auth; The noauth option will not work, as it indicates noAuthnoPriv security level. The Lawful Intercept security level must also match that of the MD. • Choices other than MD5 are available on the router, but the MD values must match. <p>Most MDs default to or support only MD5.</p>
Step 7	Use the commit or end command.	<p>commit —Saves the configuration changes and remains within the configuration session.</p> <p>end —Prompts user to take one of these actions:</p> <ul style="list-style-type: none"> • Yes — Saves configuration changes and exits the configuration session. • No —Exits the configuration session without committing the configuration changes. • Cancel —Remains in the configuration session, without committing the configuration changes.
Step 8	<p>show snmp users</p> <p>Example:</p> <pre>RP/0//CPU0:router# show snmp users</pre>	Displays information about each SNMP username in the SNMP user table.
Step 9	<p>show snmp group</p> <p>Example:</p> <pre>RP/0//CPU0:router# show snmp group</pre>	Displays information about each SNMP group on the network.

	Command or Action	Purpose
Step 10	show snmp view Example: RP/0//CPU0:router# show snmp view	Displays information about the configured views, including the associated MIB view family name, storage type, and status.

Adding MD and TAP Objects

To keep the MD row in active state, the following objects are mandatory:

- cTap2MediationDestAddressType
- cTap2MediationDestAddress
- cTap2MediationDestPort
- cTap2MediationSrcInterface
- cTap2MediationTimeout
- cTap2MediationTransport
- cTap2MediationStatus

SUMMARY STEPS

1. Add MD.
2. Add TAP.
3. Activate TAP.

DETAILED STEPS

	Command or Action	Purpose
Step 1	Add MD. Example: <pre> setany -v3 <ip-address> <user> cTap2MediationDestAddressType.1 <ipv4/ipv6> cTap2MediationDestAddress.1 <"ip"> cTap2MediationDestPort.1 "1234" cTap2MediationSrcInterface.1 0 cTap2MediationTransport.1 udp cTap2MediationNotificationEnable.1 true cTap2MediationTimeout.1 '7 de 6 14 3 4 5 6 2d 1 2' cTap2MediationStatus.1 createAndGo cTap2MediationDestAddressType.1 = ipv4(1) cTap2MediationDestAddress.1 = 46 01 01 02 cTap2MediationDestPort.1 = 1234 cTap2MediationSrcInterface.1 = 0 cTap2MediationTransport.1 = udp(1) cTap2MediationNotificationEnable.1 = true(1) cTap2MediationTimeout.1 = </pre>	Creates an MD for mediation services. To delete a MD, run: <pre> setany -v3 <ip-address> <user> cTap2MediationStatus.1 6 cTap2MediationStatus.1 = destroy(6) </pre>

	Command or Action	Purpose
	2014-Jun-20, 03:04:05.6, -1:2 cTap2MediationStatus.1 = createAndGo(4)	
Step 2	<p>Add TAP.</p> <p>Example:</p> <pre>setany -v3 <ip-address> <user> citapStreamInterface.1.1 0 citapStreamAddrType.1.1 <ipv4/ipv6> citapStreamSourceAddress.1.1 "5a 1 1 2" citapStreamSourceLength.1.1 32 citapStreamStatus.1.1 citapStreamInterface.1.1 = 0 citapStreamAddrType.1.1 = ipv4(1) citapStreamSourceAddress.1.1 = 5a 01 01 02 citapStreamSourceLength.1.1 = 32 citapStreamStatus.1.1 = createAndGo(4)</pre>	<p>Creates a TAP for stream operation.</p> <p>To delete a TAP, run:</p> <pre>setany -v3 <ip-address> <user> citapStreamStatus.1.1 6 cTap2StreamStatus.1.1 6 citapStreamStatus.1.1 = destroy(6) cTap2StreamStatus.1.1 = destroy(6)</pre>
Step 3	<p>Activate TAP.</p> <p>Example:</p> <pre>setany -v3 <ip-address> <user> cTap2StreamType.1.1 ip cTap2StreamInterceptEnable.1.1 true cTap2StreamStatus.1.1 createAndGo cTap2StreamType.1.1 = ip(1) cTap2StreamInterceptEnable.1.1 = true(1) cTap2StreamStatus.1.1 = createAndGo(4)</pre> <p>Example:</p> <p>To add TAP for L2VPN networks</p> <pre>setany -v3 <ip-address> <user> citapStreamInterface.4.1200 1125 citapStreamStatus.4.1200 createAndGo</pre>	Activates the TAP for stream operation.

Configuration Example for Inband Management Plane Feature Enablement

This example illustrates how to enable the MPP feature, which is disabled by default, for the purpose of lawful intercept.

Configuring the Inband Management Plane Protection Feature: Example

You must specifically enable management activities, either globally or on a per-inband-port basis, using this procedure. To globally enable inbound MPP, use the keyword **all** with the **interface** command, rather than use a particular interface type and instance ID with it.


```

RP/0//CPU0:router# configure
RP/0//CPU0:router (config) # control-plane
RP/0//CPU0:router (config-ctrl) # management-plane
RP/0//CPU0:router (config-mpp) # inband
RP/0//CPU0:router (config-mpp-inband) # interface loopback0
RP/0//CPU0:router (config-mpp-inband-Loopback0) # allow snmp
RP/0//CPU0:router (config-mpp-inband-Loopback0) # commit
RP/0//CPU0:router (config-mpp-inband-Loopback0) # exit
RP/0//CPU0:router (config-mpp-inband) # exit
RP/0//CPU0:router (config-mpp) # exit
RP/0//CPU0:router (config-ctr) # exit
RP/0//CPU0:router (config) # exit
RP/0//CPU0:router# show mgmt-plane inband interface loopback0

Management Plane Protection - inband interface

interface - Loopback0
  snmp configured -
    All peers allowed
RP/0//CPU0:router (config) # commit

```

Additional References

These sections provide references related to implementing lawful intercept.

Related Documents

Related Topic	Document Title
Lawful Intercept commands	<i>System Security Command Reference for Cisco ASR 9000 Series Routers</i>
Implementing SNMP	<i>System Management Configuration Guide for Cisco ASR 9000 Series Routers</i>
SNMP Server commands	<i>System Management Command Reference for Cisco ASR 9000 Series Routers</i>

Standards

Standards	Title
A modular, open architecture designed for simple implementation that easily interacts with third-party equipment to meet service provider lawful intercept requirements.	See RFC-3924 under RFCs , on page 188.
An application layer protocol that facilitates the exchange of management information between network devices. Part of the Transmission Control Protocol/Internet Protocol (TCP/IP) protocol suite.	Simple Network Management Protocol Version 3 (SNMPv3)

MIBs

MIBs	MIBs Link
<ul style="list-style-type: none"> • CISCO-TAP2-MIB, version 2 • CISCO-IP-TAP-MIB 	To locate and download MIBs using Cisco IOS XR software, use the Cisco MIB Locator found at the following URL and choose a platform under the Cisco Access Products menu: http://cisco.com/public/sw-center/netmgmt/cmtk/mibs.shtml

RFCs

RFCs	Title
RFC-3924	Cisco Architecture for Lawful Intercept in IP Networks

Technical Assistance

Description	Link
The Cisco Technical Support website contains thousands of pages of searchable technical content, including links to products, technologies, solutions, technical tips, and tools. Registered Cisco.com users can log in from this page to access more content.	http://www.cisco.com/techsupport



CHAPTER 8

Implementing Management Plane Protection

The Management Plane Protection (MPP) feature in Cisco IOS XR software provides the capability to restrict the interfaces on which network management packets are allowed to enter a device. The MPP feature allows a network operator to designate one or more router interfaces as management interfaces.

Device management traffic may enter a device only through these management interfaces. After MPP is enabled, no interfaces except designated management interfaces accept network management traffic destined to the device. Restricting management packets to designated interfaces provides greater control over management of a device, providing more security for that device.

This module describes how to implement management plane protection on Cisco ASR 9000 Series Routers.

For information on MPP commands, see the *Management Plane Protection Commands* module in *System Security Command Reference for Cisco ASR 9000 Series Routers*.

Feature History for Implementing Management Plane Protection

Release	Modification
Release 3.7.2	This feature was introduced.

- [Prerequisites for Implementing Management Plane Protection, on page 189](#)
- [Restrictions for Implementing Management Plane Protection, on page 189](#)
- [Information About Implementing Management Plane Protection, on page 190](#)
- [How to Configure a Device for Management Plane Protection, on page 192](#)
- [Configuration Examples for Implementing Management Plane Protection, on page 197](#)
- [Additional References, on page 199](#)

Prerequisites for Implementing Management Plane Protection

You must be in a user group associated with a task group that includes the proper task IDs. The command reference guides include the task IDs required for each command. If you suspect user group assignment is preventing you from using a command, contact your AAA administrator for assistance.

Restrictions for Implementing Management Plane Protection

The following restrictions are listed for implementing Management Plane Protection (MPP):

- Currently, MPP does not keep track of the denied or dropped protocol requests.
- MPP configuration does not enable the protocol services. MPP is responsible only for making the services available on different interfaces. The protocols are enabled explicitly.
- Management requests that are received on inband interfaces are not necessarily acknowledged there.
- Both Route Processor (RP) and distributed route processor (DRP) Ethernet interfaces are by default out-of-band interfaces and can be configured under MPP.
- The changes made for the MPP configuration do not affect the active sessions that are established before the changes.
- Currently, MPP controls only the incoming management requests for protocols, such as TFTP, Telnet, Simple Network Management Protocol (SNMP), Secure Shell (SSH), and HTTP.
- MPP does not support MIB.
- In a MPLS L3VPN, when MPP has VRF interface attached, it applies the VRF filter on an incoming interface through LPTS. When an incoming packet from the core interface has a different VRF, then MPP does not allow it.



Note When configuring a device for MPP for an inband interface the **Interface all** configuration does not apply specific VRF filter and allows traffic for all source and destination interfaces.

Information About Implementing Management Plane Protection

Before you enable the Management Plane Protection feature, you should understand the following concepts:

Inband Management Interface

An *inband management interface* is a Cisco IOS XR software physical or logical interface that processes management packets, as well as data-forwarding packets. An inband management interface is also called a *shared management interface*.

Out-of-Band Management Interface

Out-of-band refers to an interface that allows only management protocol traffic to be forwarded or processed. An *out-of-band management interface* is defined by the network operator to specifically receive network management traffic. The advantage is that forwarding (or customer) traffic cannot interfere with the management of the router, which significantly reduces the possibility of denial-of-service attacks.

Out-of-band interfaces forward traffic only between out-of-band interfaces or terminate management packets that are destined to the router. In addition, the out-of-band interfaces can participate in dynamic routing protocols. The service provider connects to the router's out-of-band interfaces and builds an independent overlay management network, with all the routing and policy tools that the router can provide.

Peer-Filtering on Interfaces

The peer-filtering option allows management traffic from specific peers, or a range of peers, to be configured.

Control Plane Protection Overview

A *control plane* is a collection of processes that run at the process level on a route processor and collectively provide high-level control for most Cisco IOS XR software functions. All traffic directly or indirectly destined to a router is handled by the control plane. Management Plane Protection operates within the Control Plane Infrastructure.

Management Plane

The *management plane* is the logical path of all traffic that is related to the management of a routing platform. One of three planes in a communication architecture that is structured in layers and planes, the management plane performs management functions for a network and coordinates functions among all the planes (management, control, and data). In addition, the management plane is used to manage a device through its connection to the network.

Examples of protocols processed in the management plane are Simple Network Management Protocol (SNMP), Telnet, HTTP, Secure HTTP (HTTPS), and SSH. These management protocols are used for monitoring and for command-line interface (CLI) access. Restricting access to devices to internal sources (trusted networks) is critical.

Management Plane Protection Feature

The MPP protection feature, as well as all the management protocols under MPP, are disabled by default. When you configure an interface as either out-of-band or inband, it automatically enables MPP. Consequently, this enablement extends to all the protocols under MPP.

If MPP is disabled and a protocol is activated, all interfaces can pass traffic.

When MPP is enabled with an activated protocol, the only default management interfaces allowing management traffic are the route processor (RP) and standby route processor (SRP) Ethernet interfaces. You must manually configure any other interface for which you want to enable MPP as a management interface, using the MPP CLI that follows. Afterwards, only the default management interfaces and those you have previously configured as MPP interfaces will accept network management packets destined for the device. All other interfaces drop such packets.



Note Logical interfaces (or any other interfaces not present on the data plane) filter packets based on the ingress physical interface.

After configuration, you can modify or delete a management interface.

Following are the management protocols that the MPP feature supports. These management protocols are also the only protocols affected when MPP is enabled.

- SSH, v1 and v2
- SNMP, all versions

- Telnet
- TFTP
- HTTP
- HTTPS

Benefits of the Management Plane Protection Feature

Implementing the MPP feature provides the following benefits:

- Greater access control for managing a device than allowing management protocols on all interfaces.
- Improved performance for data packets on non-management interfaces.
- Support for network scalability.
- Simplifies the task of using per-interface access control lists (ACLs) to restrict management access to the device.
- Fewer ACLs are needed to restrict access to the device.
- Prevention of packet floods on switching and routing interfaces from reaching the CPU.

How to Configure a Device for Management Plane Protection

This section contains the following tasks:

Configuring a Device for Management Plane Protection for an Inband Interface

Perform this task to configure a device that you have just added to your network or a device already operating in your network. This task shows how to configure MPP as an inband interface in which Telnet is allowed to access the router only through a specific interface.

Perform the following additional tasks to configure an inband MPP interface in non-default VRF.

- Configure the interface under the non-default inband VRF.
- Configure the global inband VRF.
- In the case of Telnet, configure the Telnet VRF server for the inband VRF.

SUMMARY STEPS

1. **configure**
2. control-plane
3. management-plane
4. inband
5. **interface** {*type instance* | **all**}
6. **allow** {*protocol* | **all**} [**peer**]
7. **address ipv4** {*peer-ip-address* | *peer ip-address/length*}

8. Use the **commit** or **end** command.
9. **show mgmt-plane [inband | out-of-band] [interface {type instance}]**

DETAILED STEPS

	Command or Action	Purpose
Step 1	<p>configure</p> <p>Example:</p> <pre>RP/0/RSP0/CPU0:router# configure</pre>	Enters global configuration mode.
Step 2	<p>control-plane</p> <p>Example:</p> <pre>RP/0/RSP0/CPU0:router(config)# control-plane RP/0/RSP0/CPU0:router(config-ctrl)#</pre>	Enters control plane configuration mode.
Step 3	<p>management-plane</p> <p>Example:</p> <pre>RP/0/RSP0/CPU0:router(config-ctrl)# management-plane RP/0/RSP0/CPU0:router(config-mpp)#</pre>	Configures management plane protection to allow and disallow protocols and enters management plane protection configuration mode.
Step 4	<p>inband</p> <p>Example:</p> <pre>RP/0/RSP0/CPU0:router(config-mpp)# inband RP/0/RSP0/CPU0:router(config-mpp-inband)#</pre>	Configures an inband interface and enters management plane protection inband configuration mode.
Step 5	<p>interface {type instance all}</p> <p>Example:</p> <pre>RP/0/RSP0/CPU0:router(config-mpp-inband)# interface GigabitEthernet 0/6/0/1 RP/0/RSP0/CPU0:router(config-mpp-inband-Gi0_6_0_1)#</pre>	<p>Configures a specific inband interface, or all inband interfaces. Use the interface command to enter management plane protection inband interface configuration mode.</p> <ul style="list-style-type: none"> • Use the all keyword to configure all interfaces.
Step 6	<p>allow {protocol all} [peer]</p> <p>Example:</p> <pre>RP/0/RSP0/CPU0:router(config-mpp-inband-Gi0_6_0_1)# allow Telnet peer</pre>	<p>Configures an interface as an inband interface for a specified protocol or all protocols.</p> <ul style="list-style-type: none"> • Use the <i>protocol</i> argument to allow management protocols on the designated management interface. <ul style="list-style-type: none"> • HTTP or HTTPS

	Command or Action	Purpose
	RP/0/RSP0/CPU0:router(config-telnet-peer)#	<ul style="list-style-type: none"> • SNMP (also versions) • Secure Shell (v1 and v2) • TFTP • Telnet <ul style="list-style-type: none"> • Use the all keyword to configure the interface to allow all the management traffic that is specified in the list of protocols. • (Optional) Use the peer keyword to configure the peer address on the interface.
Step 7	<p>address ipv4 {<i>peer-ip-address</i> <i>peer ip-address/length</i>}</p> <p>Example:</p> <pre>RP/0/RSP0/CPU0:router(config-telnet-peer)# address ipv4 10.1.0.0/16</pre>	<p>Configures the peer IPv4 address in which management traffic is allowed on the interface.</p> <ul style="list-style-type: none"> • Use the <i>peer-ip-address</i> argument to configure the peer IPv4 address in which management traffic is allowed on the interface. • Use the <i>peer ip-address/length</i> argument to configure the prefix of the peer IPv4 address.
Step 8	Use the commit or end command.	<p>commit —Saves the configuration changes and remains within the configuration session.</p> <p>end —Prompts user to take one of these actions:</p> <ul style="list-style-type: none"> • Yes — Saves configuration changes and exits the configuration session. • No —Exits the configuration session without committing the configuration changes. • Cancel —Remains in the configuration session, without committing the configuration changes.
Step 9	<p>show mgmt-plane [inband out-of-band] [interface {<i>type instance</i>}]</p> <p>Example:</p> <pre>RP/0/RSP0/CPU0:router# show mgmt-plane inband interface GigabitEthernet 0/6/0/1</pre>	<p>Displays information about the management plane, such as type of interface and protocols enabled on the interface.</p> <ul style="list-style-type: none"> • (Optional) Use the inband keyword to display the inband management interface configurations that are the interfaces that process management packets as well as data-forwarding packets. • (Optional) Use the out-of-band keyword to display the out-of-band interface configurations. • (Optional) Use the interface keyword to display the details for a specific interface.

Configuring a Device for Management Plane Protection for an Out-of-band Interface

Perform the following tasks to configure an out-of-band MPP interface.

- Configure the interface under the out-of-band VRF.
- Configure the global out-of-band VRF.
- In the case of Telnet, configure the Telnet VRF server for the out-of-band VRF.

SUMMARY STEPS

1. **configure**
2. **control-plane**
3. **management-plane**
4. **out-of-band**
5. **vrf** *vrf-name*
6. **interface** {*type instance* | **all**}
7. **allow** {*protocol* | **all**} [**peer**]
8. **address ipv6** {*peer-ip-address* | *peer ip-address/length*}
9. Use the **commit** or **end** command.
10. **show mgmt-plane** [**inband** | **out-of-band**] [**interface** {*type instance*} | **vrf**]

DETAILED STEPS

	Command or Action	Purpose
Step 1	configure Example: RP/0/RSP0/CPU0:router# <code>configure</code>	Enters global configuration mode.
Step 2	control-plane Example: RP/0/RSP0/CPU0:router(config)# <code>control-plane</code> RP/0/RSP0/CPU0:router(config-ctrl)#	Enters control plane configuration mode.
Step 3	management-plane Example: RP/0/RSP0/CPU0:router(config-ctrl)# <code>management-plane</code> RP/0/RSP0/CPU0:router(config-mpp)#	Configures management plane protection to allow and disallow protocols and enters management plane protection configuration mode.

	Command or Action	Purpose
Step 4	<p>out-of-band</p> <p>Example:</p> <pre>RP/0/RSP0/CPU0:router(config-mpp)# out-of-band RP/0/RSP0/CPU0:router(config-mpp-outband)#</pre>	Configures out-of-band interfaces or protocols and enters management plane protection out-of-band configuration mode.
Step 5	<p>vrf <i>vrf-name</i></p> <p>Example:</p> <pre>RP/0/RSP0/CPU0:router(config-mpp-outband)# vrf target</pre>	<p>Configures a Virtual Private Network (VPN) routing and forwarding (VRF) reference of an out-of-band interface.</p> <ul style="list-style-type: none"> • Use the <i>vrf-name</i> argument to assign a name to a VRF.
Step 6	<p>interface {<i>type instance</i> all}</p> <p>Example:</p> <pre>RP/0/RSP0/CPU0:router(config-mpp-outband)# interface GigabitEthernet 0/6/0/2 RP/0/RSP0/CPU0:router(config-mpp-outband-Gi0_6_0_2)#</pre>	<p>Configures a specific out-of-band interface, or all out-of-band interfaces, as an out-of-band interface. Use the interface command to enter management plane protection out-of-band configuration mode.</p> <ul style="list-style-type: none"> • Use the all keyword to configure all interfaces.
Step 7	<p>allow {<i>protocol</i> all} [peer]</p> <p>Example:</p> <pre>RP/0/RSP0/CPU0:router(config-mpp-outband-Gi0_6_0_2)# allow TFTP peer RP/0/RSP0/CPU0:router(config-tftp-peer)#</pre>	<p>Configures an interface as an out-of-band interface for a specified protocol or all protocols.</p> <ul style="list-style-type: none"> • Use the <i>protocol</i> argument to allow management protocols on the designated management interface. <ul style="list-style-type: none"> • HTTP or HTTPS • SNMP (also versions) • Secure Shell (v1 and v2) • TFTP • Telnet • Use the all keyword to configure the interface to allow all the management traffic that is specified in the list of protocols. • (Optional) Use the peer keyword to configure the peer address on the interface.
Step 8	<p>address ipv6 {<i>peer-ip-address</i> <i>peer ip-address/length</i>}</p> <p>Example:</p>	Configures the peer IPv6 address in which management traffic is allowed on the interface.

	Command or Action	Purpose
	<pre>RP/0/RSP0/CPU0:router(config-tftp-peer)# address ipv6 33::33</pre>	<ul style="list-style-type: none"> • Use the <i>peer-ip-address</i> argument to configure the peer IPv6 address in which management traffic is allowed on the interface. • Use the <i>peer ip-address/length</i> argument to configure the prefix of the peer IPv6 address.
Step 9	Use the commit or end command.	<p>commit —Saves the configuration changes and remains within the configuration session.</p> <p>end —Prompts user to take one of these actions:</p> <ul style="list-style-type: none"> • Yes — Saves configuration changes and exits the configuration session. • No —Exits the configuration session without committing the configuration changes. • Cancel —Remains in the configuration session, without committing the configuration changes.
Step 10	<p>show mgmt-plane [inband out-of-band] [interface {<i>type instance</i>} vrf]</p> <p>Example:</p> <pre>RP/0/RSP0/CPU0:router# show mgmt-plane out-of-band interface GigabitEthernet 0/6/0/2</pre>	<p>Displays information about the management plane, such as type of interface and protocols enabled on the interface.</p> <ul style="list-style-type: none"> • (Optional) Use the inband keyword to display the inband management interface configurations that are the interfaces that process management packets as well as data-forwarding packets. • (Optional) Use the out-of-band keyword to display the out-of-band interface configurations. • (Optional) Use the interface keyword to display the details for a specific interface. • (Optional) Use the vrf keyword to display the Virtual Private Network (VPN) routing and forwarding reference of an out-of-band interface.

Configuration Examples for Implementing Management Plane Protection

This section provides the following configuration example:

Configuring Management Plane Protection: Example

The following example shows how to configure inband and out-of-band interfaces for a specific IP address under MPP:

```

configure
control-plane
management-plane
inband
interface all
allow SSH
!
interface GigabitEthernet 0/6/0/0
allow all
allow SSH
allow Telnet peer
address ipv4 10.1.0.0/16
!
!
interface GigabitEthernet 0/6/0/1
allow Telnet peer
address ipv4 10.1.0.0/16
!
!
out-of-band
vrf my_out_of_band
interface GigabitEthernet 0/6/0/2
allow TFTP peer
address ipv6 33::33
!
!
!
!

show mgmt-plane

Management Plane Protection

inband interfaces
-----

interface - GigabitEthernet0_6_0_0
ssh configured -
    All peers allowed
telnet configured -
    peer v4 allowed - 10.1.0.0/16
all configured -
    All peers allowed
interface - GigabitEthernet0_6_0_1
telnet configured -
    peer v4 allowed - 10.1.0.0/16

interface - all
all configured -
    All peers allowed

outband interfaces
-----
interface - POS0_6_0_2
tftp configured -
    peer v6 allowed - 33::33

show mgmt-plane out-of-band vrf

Management Plane Protection -

```

```
out-of-band VRF - my_out_of_band
```

Additional References

The following sections provide references related to implementing management plane protection.

Related Documents

Related Topic	Document Title
MPP commands: complete command syntax, command modes, command history, defaults, usage guidelines, and examples	<i>Management Plane Protection Commands on System Monitoring Command Reference for Cisco ASR 9000 Series Routers</i>

Standards

Standards	Title
No new or modified standards are supported by this feature, and support for existing standards has not been modified by this feature.	—

MIBs

MIBs	MIBs Link
—	To locate and download MIBs using Cisco IOS XR software, use the Cisco MIB Locator found at the following URL and choose a platform under the Cisco Access Products menu: http://cisco.com/public/sw-center/netmgmt/cmtk/mibs.shtml

RFCs

RFCs	Title
No new or modified RFCs are supported by this feature.	—

Technical Assistance

Description	Link
The Cisco Technical Support website contains thousands of pages of searchable technical content, including links to products, technologies, solutions, technical tips, and tools. Registered Cisco.com users can log in from this page to access even more content.	http://www.cisco.com/techsupport



CHAPTER 9

Traffic Protection for Third-Party Applications

Traffic Protection for Third-Party Applications provides a mechanism for securing management traffic on the router. Without Traffic Protection for Third-Party Applications, if the service is enabled, the Cisco IOS XR allows the service traffic to pass through any interface with a network address.



Note Prior to Cisco IOS XR Release 6.5.2, Traffic Protection for Third-Party Applications was termed as MPP for Third-Party Applications.

Traffic Protection for Third-Party Applications helps in rate limiting or throttling the traffic through configuration with the help of LPTS. Traffic Protection for Third-Party Applications filters traffic based on the following tuples: address family, vrf, port, interface, local address and remote address.

- [gRPC Protocol, on page 201](#)
- [Limitations for Traffic Protection for Third-Party Applications, on page 202](#)
- [Prerequisites for Traffic Protection for Third-Party Applications Over GRPC, on page 202](#)
- [Configuring Traffic Protection for Third-Party Applications, on page 202](#)
- [Troubleshooting Traffic Protection for Third-Party Applications, on page 203](#)

gRPC Protocol

Google-defined Remote Procedure Calls (gRPC) is an open-source RPC framework. It is based on Protocol Buffers (Protobuf), which is an open source binary serialization protocol. gRPC provides a flexible, efficient, automated mechanism for serializing structured data, like XML, but is smaller and simpler to use. The user needs to define the structure by defining protocol buffer message types in .proto files. Each protocol buffer message is a small logical record of information, containing a series of name-value pairs.

Cisco gRPC Interface Definition Language (IDL) uses a set of supported RPCs such as get-config, merge-config, replace-config, cli-config, delete-config, cli-show, get-models, action-json, commit, and commit-replace. gRPC server runs in Extensible Manageability Services Daemon (emsd) process. gRPC client can be on any machine.

gRPC encodes requests and responses in binary. gRPC is extensible to other content types along with Protobuf. The Protobuf binary data object in gRPC is transported over HTTP/2.



Note It is recommended to configure TLS before enabling gRPC. Enabling gRPC protocol uses the default HTTP/2 transport with no TLS enabled on TCP. gRPC mandates AAA authentication and authorization for all gRPC requests. If TLS is not configured, the authentication credentials are transferred over the network unencrypted. Non-TLS mode can only be used in secure internal network.

gRPC supports distributed applications and services between a client and server. gRPC provides the infrastructure to build a device management service to exchange configuration and operational data between a client and a server. The structure of the data is defined by YANG models.

Limitations for Traffic Protection for Third-Party Applications

The following limitations are applicable for the Traffic Protection for Third-Party Applications:

- If the TPA entry is configured with only the active RP management interface and redundancy switchover is performed, the gRPC connection fails.

Prerequisites for Traffic Protection for Third-Party Applications Over GRPC

Ensure that the gRPC is configured.

gRPC Configuration

```
Router(config)# grpc port port-number
Router(config)# grpc no-tls
Router(config-grpc)# commit
```

Running Configuration

```
Router# show running-config grpc

grpc port 57600
no-tls
!
```

Configuring Traffic Protection for Third-Party Applications

The following task shows how to configure traffic protection for third-party applications

```
RP/0/0/CPU0:ios#configure
RP/0/0/CPU0:ios(config)#tpa
RP/0/0/CPU0:ios(config-tpa)#vrf default
RP/0/0/CPU0:ios(config-tpa-vrf)#address-family ipv4
RP/0/0/CPU0:ios(config-tpa-vrf-afi)#protection
RP/0/0/CPU0:ios(config-tpa-vrf-afi-prot)#allow protocol tcp local-port port-number
remote-address IP remote address interface interface-name local-address IP local address
```


Running Configuration

```
Router# show running-config
tpa
vrf default
address-family ipv4
protection
allow protocol tcp local-port 57600 remote-address 10.0.0.2/32 local-address 192.168.0.1/32
allow protocol tcp local-port 57600 remote-address 10.0.1.0/24 local-address 192.168.0.1/32
allow protocol tcp local-port 57600 remote-address 10.0.2.0/24 local-address 192.168.0.1/32
address-family ipv6
protection
allow protocol tcp local-port 57600 remote-address 2001:DB8::1/128 local-address
2001:DB8:0:ABCD::1/128
allow protocol tcp local-port 57600 remote-address 2001:DB8::2/128 local-address
2001:DB8:0:ABCD::1/128
allow protocol tcp local-port 57600 remote-address 2001:DB8::3/128 local-address
2001:DB8:0:ABCD::1/128
!
!
!
```

Troubleshooting Traffic Protection for Third-Party Applications

The following show command output verifies whether Third-Party Applications is configured or not.

```
Router# show running-config grpc
grpc
no-tls
!
```

The following show command output displays the TPA configuration.

```
Router# show running-config tpa

tpa
vrf default
address-family ipv4
allow local-port 57600 protocol tcp inter mgmtEth 0/RP0/CPU0/0 local-address
192.168.0.1/32 remote-address 10.0.0.2/32
!
```

gRPC Configuration without TPA

```
Router# show kim lpts database
```

```
State:
Prog - Programmed in hardware
Cfg - Configured, not yet programmed
Ovr - Not programmed, overridden by user configuration
Intf - Not programmed, interface does not exist
```

Owner	AF	Proto	State	Interface	VRF	Local ip,port	>	Remote ip,port
Linux	2	6	Prog			global-vrf	>	any,57600
						> any,0		

```
Router# show lpts bindings brief | include TPA
0/RP0/CPU0 TPA LR IPV4 TCP default any any,57600 any
```

gRPC Configuration with TPA

The following show command output displays the things that are configured in the LPTS database. It also checks if gRPC configuration is owned by Linux without using any filters.

```
Router# show kim lpts database

State:
  Prog - Programmed in hardware
  Cfg  - Configured, not yet programmed
  Ovr  - Not programmed, overridden by user configuration
  Intf - Not programmed, interface does not exist

Owner  AF Proto State Interface      VRF          Local ip,port > Remote ip,port
-----
Client  2    6 Prog          default      192.168.0.1/32,57600 > 10.0.0.2/32,0
Linux  2    6 Ovr          global-vrf   any,57600 > any,0

Router# show lpts bindings brief | include TPA

  0/RP0/CPU0 TPA LR IPV4 TCP   default  Mg0/RP0/CPU0/0 192.168.0.1,57600 10.0.0.2
Router#
Router# 0/RP0/ADMIN0:Mar 19 15:22:26.837 IST: pm[2433]:
%INFRA-Process_Manager-3-PROCESS_RESTART : Process tams (IID: 0) restarted
```

For more information on **tpa** and **allow local-port** commands, see *System Security Command Reference for Cisco ASR 9000 Series Routers*.



CHAPTER 10

Configuring Software Authentication Manager

Software Authentication Manager (SAM) is a component of the the Cisco ASR 9000 Series Router operating system that ensures that software being installed on the router is safe, and that the software does not run if its integrity has been compromised.

For information on SAM commands, see the *Software Authentication Manager Commands* module in *System Security Command Reference for Cisco ASR 9000 Series Routers*.

For information on setting the system clock, see the **clock set** command in *Clock Commands* module in *System Management Command Reference for Cisco ASR 9000 Series Routers*.

Feature History for Configuring Software Authentication Manager

Release	Modification
Release 3.7.2	This feature was introduced.

- [Prerequisites for Configuring Software Authentication Manager, on page 205](#)
- [Information about Software Authentication Manager, on page 205](#)
- [How to set up a Prompt Interval for the Software Authentication Manager, on page 206](#)

Prerequisites for Configuring Software Authentication Manager

You must be in a user group associated with a task group that includes the proper task IDs. The command reference guides include the task IDs required for each command. If you suspect user group assignment is preventing you from using a command, contact your AAA administrator for assistance.

Information about Software Authentication Manager

For SAM to verify software during installation, the software to be installed must be in a Packager for IOS/ENA (PIE) format. PIEs are digitally signed and SAM verifies the digital signature before allowing bits from that PIE to reside on the router. Each time an installed piece of software is run, SAM ensures that the integrity of the software is not been compromised since it was installed. SAM also verifies that software preinstalled on a flash card has not been tampered with while in transit.

When the initial image or a software package update is loaded on the router, SAM verifies the validity of the image by checking the expiration date of the certificate used to sign the image. If an error message is displayed

indicating that your certificate has expired, check the system clock and verify that it is accurate. If the system clock is not set correctly, the system does not function properly.

Cisco IOS XR supports RPM signing and signature verification for Cisco IOS XR RPM packages in the ISO and upgrade images. All RPM packages in the Cisco IOS XR ISO and upgrade images are signed to ensure cryptographic integrity and authenticity. This guarantees that the RPM packages have not been tampered with and the RPM packages are from Cisco IOS XR. The private key, used for signing the RPM packages, is created and securely maintained by Cisco.

How to set up a Prompt Interval for the Software Authentication Manager

When the SAM detects an abnormal condition during boot time, it prompts the user to take action and waits for a certain interval. When the user does not respond within this interval, SAM proceeds with a predetermined action that can also be configured.

To set up the Prompt Interval, perform the following tasks.

SUMMARY STEPS

1. **configure**
2. **sam promptinterval** *time-interval* {**proceed** | **terminate**}
3. Use the **commit** or **end** command.

DETAILED STEPS

	Command or Action	Purpose
Step 1	configure Example: RP/0/RSP0/CPU0:router# configure	Enters global configuration mode.
Step 2	sam promptinterval <i>time-interval</i> { proceed terminate } Example: RP/0/RSP0/CPU0:router(config)# sam prompt-interval 25 {proceed terminate}	Sets the prompt interval in seconds, after which the SAM either proceeds or terminates the interval. The Prompt interval ranges from 0 to 300 seconds. If the user responds, SAM considers it as a 'Yes' and proceeds with the next action. If the user does not respond, SAM considers it as a 'No' and terminates the action. The default time for which SAM waits is 10 seconds.
Step 3	Use the commit or end command.	commit —Saves the configuration changes and remains within the configuration session. end —Prompts user to take one of these actions: <ul style="list-style-type: none"> • Yes — Saves configuration changes and exits the configuration session. • No —Exits the configuration session without committing the configuration changes.

	Command or Action	Purpose
		<ul style="list-style-type: none">• Cancel —Remains in the configuration session, without committing the configuration changes.



CHAPTER 11

Implementing Secure Shell

Secure Shell (SSH) is an application and a protocol that provides a secure replacement to the Berkeley r-tools. The protocol secures sessions using standard cryptographic mechanisms, and the application can be used similarly to the Berkeley **rexec** and **rsh** tools.

Two versions of the SSH server are available: SSH Version 1 (SSHv1) and SSH Version 2 (SSHv2). SSHv1 uses Rivest, Shamir, and Adelman (RSA) keys and SSHv2 uses either Digital Signature Algorithm (DSA) keys or Rivest, Shamir, and Adelman (RSA) keys, or Elliptic Curve Digital Signature Algorithm (ECDSA) keys. Cisco IOS XR software supports both SSHv1 and SSHv2.



Note Cisco IOS XR does not support X11 forwarding through an SSH connection.

This module describes how to implement Secure Shell on the the Cisco ASR 9000 Series Router.



Note For a complete description of the Secure Shell commands used in this module , see the *Secure Shell Commands* module in *System Security Command Reference for Cisco ASR 9000 Series Routers*.

Feature History for Implementing Secure Shell

Release	Modification
Release 3.7.2	This feature was introduced.
Release 3.9.0	Support was added for the following enhancements: <ul style="list-style-type: none">• RSA based authentication on the SSH server• SFTP client in interactive mode• SFTP server implementation
Release 5.3.0	Support was added for Netconf Subsystem support on ssh server using a dedicated port. For more details see chapter <i>Implementing Network Configuration Protocol</i> in the <i>System Management Configuration Guide</i> .
Release 6.4.1	Support was added for ECDSA algorithm on IOS-XR SSHv2.

Release	Modification
Release 7.0.1	Support was added for SSH configuration option to restrict CIPHER public key and HMAC.
Release 7.0.1	Support was added for automatic host key generation for SSH algorithms.
Release 7.0.1	SSH and SFTP in baseline Cisco IOS XR Software image.
Release 7.0.1	Support was added for enabling CBC mode ciphers 3DES-CBC and AES-CBC for SSHv2 server and client connections.

- [Prerequisites for Implementing Secure Shell, on page 210](#)
- [SSH and SFTP in Baseline Cisco IOS XR Software Image, on page 211](#)
- [Restrictions for Implementing Secure Shell, on page 211](#)
- [Information About Implementing Secure Shell, on page 212](#)
- [How to Implement Secure Shell, on page 216](#)
- [Configuration Examples for Implementing Secure Shell, on page 226](#)
- [Multi-channeling in SSH, on page 226](#)
- [SSH Configuration Option to Restrict Cipher Public Key and HMAC Algorithm, on page 228](#)
- [Additional References, on page 231](#)

Prerequisites for Implementing Secure Shell

The following prerequisites are required to implement Secure Shell:

- You must be in a user group associated with a task group that includes the proper task IDs. The command reference guides include the task IDs required for each command. If you suspect user group assignment is preventing you from using a command, contact your AAA administrator for assistance.
- Download the required image on your router. The SSH server and SSH client require you to have a crypto package (data encryption standard [DES], 3DES and AES) from Cisco downloaded on your router.



Note From Cisco IOS XR Software Release 7.0.1 and later, the SSH and SFTP components are available in the baseline Cisco IOS XR software image itself. For details, see, [SSH and SFTP in Baseline Cisco IOS XR Software Image, on page 211](#).

- To run an SSHv2 server, you must have a VRF. This may be the default VRF or a specific VRF. VRF changes are applicable only to the SSH v2 server.
- Configure user authentication for local or remote access. You can configure authentication with or without authentication, authorization, and accounting (AAA). For more information, see the *Authentication, Authorization, and Accounting Commands* on Cisco IOS XR Software module in the *System Security Command Reference for Cisco ASR 9000 Series Routers* publication and *Configuring AAA Services on Cisco IOS XR Software* module in the *System Security Configuration Guide for Cisco ASR 9000 Series Routers* publication.
- AAA authentication and authorization must be configured correctly for Secure Shell File Transfer Protocol (SFTP) to work.

SSH and SFTP in Baseline Cisco IOS XR Software Image

From Cisco IOS XR Software Release 7.0.1 and later, the management plane and control plane components that were part of the Cisco IOS XR security package (k9sec package) are moved to the base Cisco IOS XR software image. These include SSH, SCP, SFTP and IPsec control plane. However, *802.1X protocol (Port-Based Network Access Control)* and data plane components like MACsec and IPsec remain as a part of the security package as per the export compliance regulations. This segregation of package components makes the software more modular. It also gives you the flexibility of including or excluding the security package as per your requirements. The new segregation of package components is applicable for both 32 bit and 64 bit IOS XR images.

The base package and the security package allow FIPS, so that the control plane can negotiate FIPS-approved algorithms.

See [SSH and SFTP in Baseline Cisco IOS XR Software Image](#).

Restrictions for Implementing Secure Shell

The following are some basic SSH restrictions and limitations of the SFTP feature:

- A VRF is not accepted as inband if that VRF is already set as an out-of-band VRF. SSH v1 continues to bind only to the default VRF.
- In order for an outside client to connect to the router, the router needs to have an RSA (for SSHv1 or SSHv2) or DSA (for SSHv2) or ECDSA (for SSHv2) key pair configured. ECDSA, DSA and RSA keys are not required if you are initiating an SSH client connection from the router to an outside routing device. The same is true for SFTP: ECDSA, DSA and RSA keys are not required because SFTP operates only in client mode.
- In order for SFTP to work properly, the remote SSH server must enable the SFTP server functionality. For example, the SSHv2 server is configured to handle the SFTP subsystem with a line such as `/etc/ssh2/sshd2_config`:
- **subsystem-sftp /usr/local/sbin/sftp-server**
- The SFTP server is usually included as part of SSH packages from public domain and is turned on by default configuration.
- SFTP is compatible with sftp server version OpenSSH_2.9.9p2 or higher.
- RSA-based user authentication is supported in the SSH and SFTP servers. The support however, is not extended to the SSH client.
- Execution shell and SFTP are the only applications supported.
- The AES encryption algorithm is supported on the SSHv2 server and client, but not on the SSHv1 server and client. Any requests for an AES cipher sent by an SSHv2 client to an SSHv1 server are ignored, with the server using 3DES instead.
- The SFTP client does not support remote filenames containing wildcards (*, ?, []). The user must issue the `sftp` command multiple times or list all of the source files from the remote host to download them on to the router. For uploading, the router SFTP client can support multiple files specified using a wildcard provided that the issues mentioned in the first through third bullets in this section are resolved.

- The cipher preference for the SSH server follows the order AES128, AES192, AES256, and, finally, 3DES. The server rejects any requests by the client for an unsupported cipher, and the SSH session does not proceed.
- Use of a terminal type other than vt100 is unsupported, and the software generates a warning message in this case.
- Password messages of “none” are unsupported on the SSH client.
- Because the router infrastructure does not provide support for UNIX-like file permissions, files created on the local device lose the original permission information. For files created on the remote file system, the file permission adheres to the umask on the destination host and the modification and last access times are the time of the copy.

Information About Implementing Secure Shell

To implement SSH, you should understand the following concepts:

SSH Server

The SSH server feature enables an SSH client to make a secure, encrypted connection to a Cisco router. This connection provides functionality that is similar to that of an inbound Telnet connection. Before SSH, security was limited to Telnet security. SSH allows a strong encryption to be used with the Cisco IOS XR software authentication. The SSH server in Cisco IOS XR software works with publicly and commercially available SSH clients.

SSH Client

The SSH client feature is an application running over the SSH protocol to provide device authentication and encryption. The SSH client enables a Cisco router to make a secure, encrypted connection to another Cisco router or to any other device running the SSH server. This connection provides functionality that is similar to that of an outbound Telnet connection except that the connection is encrypted. With authentication and encryption, the SSH client allows for a secure communication over an insecure network.

The SSH client in the Cisco IOS XR software worked with publicly and commercially available SSH servers. The SSH client supported the ciphers of AES, 3DES, message digest algorithm 5 (MD5), SHA1, and password authentication. User authentication was performed in the Telnet session to the router. The user authentication mechanisms supported for SSH were RADIUS, TACACS+, and the use of locally stored usernames and passwords.

The SSH client supports setting DSCP value in the outgoing packets.

```
ssh client dscp <value from 0 - 63>
```

If not configured, the default DSCP value set in packets is 16 (for both client and server).

The SSH client supports the following options:

- DSCP—DSCP value for SSH client sessions.

```
RP/0/5/CPU0:router#configure
RP/0/5/CPU0:router(config)#ssh ?
  client  Provide SSH client service
  server  Provide SSH server service
```

```

timeout Set timeout value for SSH
RP/0/5/CPU0:router(config)#ssh client ?

```

- **Knownhost**—Enable the host pubkey check by local database.
- **Source-interface**—Source interface for SSH client sessions.

```

RP/0/5/CPU0:router(config)#ssh client source-interface ?
ATM ATM Network Interface(s)
BVI Bridge-Group Virtual Interface
Bundle-Ether Aggregated Ethernet interface(s)
Bundle-POS Aggregated POS interface(s)
CEM Circuit Emulation interface(s)
GigabitEthernet GigabitEthernet/IEEE 802.3 interface(s)
IMA ATM Network Interface(s)
IMtestmain IM Test Interface
Loopback Loopback interface(s)
MgmtEth Ethernet/IEEE 802.3 interface(s)
Multilink Multilink network interface(s)
Null Null interface
PFItestmain PFI Test Interface
PFItestnothw PFI Test Not-HW Interface
POS Packet over SONET/SDH network interface(s)
PW-Ether PWHE Ethernet Interface
PW-IW PWHE VC11 IP Interworking Interface
Serial Serial network interface(s)
VASIleft VASI Left interface(s)
VASIRight VASI Right interface(s)
test-bundle-channel Aggregated Test Bundle interface(s)
tunnel-ipsec IPsec Tunnel interface(s)
tunnel-mte MPLS Traffic Engineering P2MP Tunnel interface(s)
tunnel-te MPLS Traffic Engineering Tunnel interface(s)
tunnel-tp MPLS Transport Protocol Tunnel interface
RP/0/5/CPU0:router(config)#ssh client source-interface
RP/0/5/CPU0:router(config)#

```

- **VRF**—Source interface VRF for SSH client sessions:

```

RP/0/5/CPU0:router(config)#ssh client vrf ?
WORD VRF name (max:32 chars)
RP/0/5/CPU0:router(config)#ssh client vrf shan ?
<cr>
RP/0/5/CPU0:router(config)#ssh client vrf shan

```

SSH also supports remote command execution as follows:

```

RP/0/5/CPU0:router#ssh ?
A.B.C.D IPv4 (A.B.C.D) address
WORD Hostname of the remote node
X:X::X IPv6 (A:B:C:D...:D) address
vrf vrf table for the route lookup
RP/0/5/CPU0:router#ssh 10.1.1.1 ?
cipher Accept cipher type
command Specify remote command (non-interactive)
source-interface Specify source interface
username Accept userid for authentication
<cr>
RP/0/5/CPU0:router#ssh 192.68.46.6 username admin command "show redundancy sum"
Password:

```

```

Wed Jan 9 07:05:27.997 PST
Active Node Standby Node
-----
0/4/CPU0 0/5/CPU0 (Node Ready, NSR: Not Configured)

```

```
RP/0/5/CPU0:router#
```

SFTP Feature Overview

SSH includes support for standard file transfer protocol (SFTP), a new standard file transfer protocol introduced in SSHv2. This feature provides a secure and authenticated method for copying router configuration or router image files.

The SFTP client functionality is provided as part of the SSH component and is always enabled on the router. Therefore, a user with the appropriate level can copy files to and from the router. Like the **copy** command, the **sftp** command can be used only in EXEC mode.

The SFTP client is VRF-aware, and you may configure the secure FTP client to use the VRF associated with a particular source interface during connections attempts. The SFTP client also supports interactive mode, where the user can log on to the server to perform specific tasks via the Unix server.

The SFTP Server is a sub-system of the SSH server. In other words, when an SSH server receives an SFTP server request, the SFTP API creates the SFTP server as a child process to the SSH server. A new SFTP server instance is created with each new request.

The SFTP requests for a new SFTP server in the following steps:

- The user runs the **sftp** command with the required arguments
- The SFTP API internally creates a child session that interacts with the SSH server
- The SSH server creates the SFTP server child process
- The SFTP server and client interact with each other in an encrypted format
- The SFTP transfer is subject to LPTS policer "SSH-Known". Low policer values will affect SFTP transfer speeds



Note In IOS-XR SW release 4.3.1 onwards the default policer value for SSH-Known has been reset from 2500pps to 300pps. Slower transfers are expected due to this change. You can adjust the lpts policer value for this punt cause to higher values that will allow faster transfers

When the SSH server establishes a new connection with the SSH client, the server daemon creates a new SSH server child process. The child server process builds a secure communications channel between the SSH client and server via key exchange and user authentication processes. If the SSH server receives a request for the sub-system to be an SFTP server, the SSH server daemon creates the SFTP server child process. For each incoming SFTP server subsystem request, a new SSH server child and a SFTP server instance is created. The SFTP server authenticates the user session and initiates a connection. It sets the environment for the client and the default directory for the user.

Once the initialization occurs, the SFTP server waits for the SSH_FXP_INIT message from the client, which is essential to start the file communication session. This message may then be followed by any message based on the client request. Here, the protocol adopts a 'request-response' model, where the client sends a request to the server; the server processes this request and sends a response.

The SFTP server displays the following responses:

- Status Response

- Handle Response
- Data Response
- Name Response



Note The server must be running in order to accept incoming SFTP connections.

RSA Based Host Authentication

Verifying the authenticity of a server is the first step to a secure SSH connection. This process is called the host authentication, and is conducted to ensure that a client connects to a valid server.

The host authentication is performed using the public key of a server. The server, during the key-exchange phase, provides its public key to the client. The client checks its database for known hosts of this server and the corresponding public-key. If the client fails to find the server's IP address, it displays a warning message to the user, offering an option to either save the public key or discard it. If the server's IP address is found, but the public-key does not match, the client closes the connection. If the public key is valid, the server is verified and a secure SSH connection is established.

The IOS XR SSH server and client had support for DSA based host authentication. But for compatibility with other products, like IOS, RSA based host authentication support is also added.

RSA Based User Authentication

One of the method for authenticating the user in SSH protocol is RSA public-key based user authentication. The possession of a private key serves as the authentication of the user. This method works by sending a signature created with a private key of the user. Each user has a RSA keypair on the client machine. The private key of the RSA keypair remains on the client machine.

The user generates an RSA public-private key pair on a unix client using a standard key generation mechanism such as ssh-keygen. The max length of the keys supported is 4096 bits, and the minimum length is 512 bits. The following example displays a typical key generation activity:

```
bash-2.05b$ ssh-keygen -b 1024 -t rsa
Generating RSA private key, 1024 bit long modulus
```

The public key must be in base64 encoded (binary) format for it to be imported correctly into the box. You can use third party tools available on the Internet to convert the key to the binary format.

Once the public key is imported to the router, the SSH client can choose to use the public key authentication method by specifying the request using the “-o” option in the SSH client. For example:

```
client$ ssh -o PreferredAuthentications=publickey 1.2.3.4
```

If a public key is not imported to a router using the RSA method, the SSH server initiates the password based authentication. If a public key is imported, the server proposes the use of both the methods. The SSH client then chooses to use either method to establish the connection. The system allows only 10 outgoing SSH client connections.

Currently, only SSH version 2 and SFTP server support the RSA based authentication. For more information on how to import the public key to the router, see the *Implementing Certification Authority Interoperability on the Cisco ASR 9000 Series Router* chapter in this guide.



Note The preferred method of authentication would be as stated in the SSH RFC. The RSA based authentication support is only for local authentication, and not for TACACS/RADIUS servers.

Authentication, Authorization, and Accounting (AAA) is a suite of network security services that provide the primary framework through which access control can be set up on your Cisco router or access server. For more information on AAA, see the *Authentication, Authorization, and Accounting Commands on the Cisco ASR 9000 Series Router* Software module in the *System Security Command Reference for Cisco ASR 9000 Series Routers* publication and the *Configuring AAA Services on the Cisco ASR 9000 Series Router* module in the *System Security Configuration Guide for Cisco ASR 9000 Series Routers* publication.

SSHv2 Client Keyboard-Interactive Authentication

An authentication method in which the authentication information is entered using a keyboard is known as keyboard-interactive authentication. This method is an interactive authentication method in the SSH protocol. This type of authentication allows the SSH client to support different methods of authentication without having to be aware of their underlying mechanisms.

Currently, the SSHv2 client supports the keyboard-interactive authentication. This type of authentication works only for interactive applications.



Note The password authentication is the default authentication method. The keyboard-interactive authentication method is selected if the server is configured to support only the keyboard-interactive authentication.

How to Implement Secure Shell

To configure SSH, perform the tasks described in the following sections:

Configuring SSH



Note For SSHv1 configuration, Step 1 to Step 4 are required. For SSHv2 configuration, Step 1 to Step 4 are optional.



Note From Cisco IOS XR Software Release 7.0.1 and later, the SSH host-key pairs are auto-generated at the time of router boot up. Hence you need not perform steps 5 to 7 to generate the host keys explicitly. See, [Automatic Generation of SSH Host-Key Pairs, on page 220](#) for details.

SSH server supports setting DSCP value in the outgoing packets.

```
ssh server dscp <value from 0 - 63>
```

If not configured, the default DSCP value set in packets is 16 (for both client and server).

This is the syntax for setting DSCP value:

```
RP/0/5/CPU0:router(config)#ssh server dscp ?
    <0-63>  DSCP value range

RP/0/5/CPU0:router(config)#ssh server dscp 63 ?
    <cr>
RP/0/5/CPU0:router(config)#ssh server dscp 63
RP/0/5/CPU0:router(config)#

RP/0/5/CPU0:router(config)#ssh client dscp ?
    <0-63>  DSCP value range

RP/0/5/CPU0:router(config)#ssh client dscp 0 ?
    <cr>
RP/0/5/CPU0:router(config)#ssh client dscp 0
RP/0/5/CPU0:router(config)#
```

Perform this task to configure SSH.

SUMMARY STEPS

1. **configure**
2. **hostname** *hostname*
3. **domain name** *domain-name*
4. Use the **commit** or **end** command.
5. **crypto key generate rsa** [**usage keys** | **general-keys**] [*keypair-label*]
6. **crypto key generate dsa**
7. **crypto key generate ecdsa** [**nistp256** | **nistp384** | **nistp521**]
8. **configure**
9. **ssh timeout** *seconds*
10. Do one of the following:
 - **ssh server** [**vrf** *vrf-name* [**ipv4 access-list** IPv4 access-list name] [**ipv6 access-list** IPv6 access-list name]]
 - **ssh server v2**
11. Use the **commit** or **end** command.
12. **show ssh**
13. **show ssh session details**
14. **show ssh history**
15. **show ssh history details**
16. **show tech-support ssh**

DETAILED STEPS

	Command or Action	Purpose
Step 1	configure Example:	Enters global configuration mode.

	Command or Action	Purpose
	RP/0/RSP0/CPU0:router# configure	
Step 2	hostname <i>hostname</i> Example: RP/0/RSP0/CPU0:router(config)# hostname router1	Configures a hostname for your router.
Step 3	domain name <i>domain-name</i> Example: RP/0/RSP0/CPU0:router(config)# domain name cisco.com	Defines a default domain name that the software uses to complete unqualified host names.
Step 4	Use the commit or end command.	commit —Saves the configuration changes and remains within the configuration session. end —Prompts user to take one of these actions: <ul style="list-style-type: none"> • Yes — Saves configuration changes and exits the configuration session. • No —Exits the configuration session without committing the configuration changes. • Cancel —Remains in the configuration session, without committing the configuration changes.
Step 5	crypto key generate rsa [<i>usage keys</i> <i>general-keys</i>] [<i>keypair-label</i>] Example: RP/0/RSP0/CPU0:router# crypto key generate rsa general-keys	Generates an RSA key pair. The RSA key modulus can be in the range of 512 to 4096 bits. <ul style="list-style-type: none"> • To delete the RSA key pair, use the crypto key zeroize rsa command. • This command is used for SSHv1 only.
Step 6	crypto key generate dsa Example: RP/0/RSP0/CPU0:router# crypto key generate dsa	Enables the SSH server for local and remote authentication on the router. The supported key sizes are: 512, 768 and 1024 bits. <ul style="list-style-type: none"> • The recommended minimum modulus size is 1024 bits. • Generates a DSA key pair. To delete the DSA key pair, use the crypto key zeroize dsa command. • This command is used only for SSHv2.
Step 7	crypto key generate ecdsa [<i>nistp256</i> <i>nistp384</i> <i>nistp521</i>] Example:	Generates an ECDSA key pair. The supported ECDSA curve types are: Nistp256, Nistp384 and Nistp521.

	Command or Action	Purpose
	<pre>RP/0/RSP0/CPU0:router# crypto key generate ecdsa nistp256</pre>	<ul style="list-style-type: none"> To delete the ECDSA key pair, use the crypto key zeroize ecdsa [nistp256 nistp384 nistp521] command. This command is used for SSHv2 only.
Step 8	<p>configure</p> <p>Example:</p> <pre>RP/0/RSP0/CPU0:router# configure</pre>	Enters global configuration mode.
Step 9	<p>ssh timeout <i>seconds</i></p> <p>Example:</p> <pre>RP/0/RSP0/CPU0:router(config)# ssh timeout 60</pre>	<p>(Optional) Configures the timeout value for user authentication to AAA.</p> <ul style="list-style-type: none"> If the user fails to authenticate itself to AAA within the configured time, the connection is terminated. If no value is configured, the default value of 30 seconds is used. The range is from 5 to 120.
Step 10	<p>Do one of the following:</p> <ul style="list-style-type: none"> ssh server [vrf <i>vrf-name</i> [ipv4 access-listIPv4 access-list name] [ipv6 access-list IPv6 access-list name]] ssh server v2 <p>Example:</p> <pre>RP/0/RSP0/CPU0:router(config)# ssh or RP/0/RSP0/CPU0:router(config)# ssh server v2</pre>	<ul style="list-style-type: none"> (Optional) Brings up an SSH server using a specified VRF of up to 32 characters. If no VRF is specified, the default VRF is used. To stop the SSH server from receiving any further connections for the specified VRF, use the no form of this command. If no VRF is specified, the default is assumed. Optionally ACLs for IPv4 and IPv6 can be used to restrict access to the server before the port is opened. To stop the SSH server from receiving any further connections for the specified VRF, use the no form of this command. If no VRF is specified, the default is assumed. <p>Note The SSH server can be configured for multiple VRF usage.</p> <ul style="list-style-type: none"> (Optional) Forces the SSH server to accept only SSHv2 clients if you configure the SSHv2 option by using the ssh server v2 command. If you choose the ssh server v2 command, only the SSH v2 client connections are accepted.
Step 11	Use the commit or end command.	<p>commit —Saves the configuration changes and remains within the configuration session.</p> <p>end —Prompts user to take one of these actions:</p> <ul style="list-style-type: none"> Yes — Saves configuration changes and exits the configuration session. No —Exits the configuration session without committing the configuration changes.

	Command or Action	Purpose
		<ul style="list-style-type: none"> • Cancel —Remains in the configuration session, without committing the configuration changes.
Step 12	show ssh Example: <pre>RP/0/RSP0/CPU0:router# show ssh</pre>	(Optional) Displays all of the incoming and outgoing SSHv1 and SSHv2 connections to the router.
Step 13	show ssh session details Example: <pre>RP/0/RSP0/CPU0:router# show ssh session details</pre>	(Optional) Displays a detailed report of the SSHv2 connections to and from the router.
Step 14	show ssh history Example: <pre>RP/0/RSP0/CPU0:router# show ssh history</pre>	(Optional) Displays the last hundred SSH connections that were terminated.
Step 15	show ssh history details Example: <pre>RP/0/RSP0/CPU0:router# show ssh history details</pre>	(Optional) Displays the last hundred SSH connections that were terminated with additional details. This command is similar to show ssh session details command but also mentions the start and end time of the session.
Step 16	show tech-support ssh Example: <pre>RP/0/RSP0/CPU0:router# show tech-support ssh</pre>	(Optional) Automatically runs the <code>show</code> commands that display system information.



Note The order of priority while doing negotiation for a SSH connection is as follows:

1. ecdsa-nistp-521
2. ecdsa-nistp-384
3. ecdsa-nistp-256
4. rsa
5. dsa

Automatic Generation of SSH Host-Key Pairs

This feature brings in the functionality of automatically generating the SSH host-key pairs for the DSA, ECDSA (such as **ecdsa-nistp256**, **ecdsa-nistp384**, and **ecdsa-nistp521**) and RSA algorithms. This in turn eliminates the need for explicitly generating each SSH host-key pair after the router boots up. Because the keys are already present in the system, the SSH client can establish connection with the SSH server soon after

the router boots up with the basic SSH configuration. This is useful especially during zero touch provisioning (ZTP) and Golden ISO boot up scenarios.

Before the introduction of this feature, you had to execute the **crypto key generate** command in EXEC mode to generate the required SSH host-key pairs.

Although the host-key pairs are auto-generated with the introduction of this feature, you still have the flexibility to select only the required algorithms on the SSH server. You can use the **ssh server algorithms host-key** command in Global Configuration mode to achieve the same. Alternatively, you can also use the existing **crypto key zeroize** command in EXEC mode to remove the algorithms that are not required.



Note In a system upgrade scenario from version 1 to version 2, the system does not generate the SSH host-key pairs automatically if they were already generated in version 1. The host-key pairs are generated automatically only if they were not generated in version 1.

Configure the Allowed SSH Host-Key Pair Algorithms

When the SSH client attempts a connection with the SSH server, it sends a list of SSH host-key pair algorithms (in the order of preference) internally in the connection request. The SSH server, in turn, picks the first matching algorithm from this request list. The server establishes a connection only if that host-key pair is already generated in the system, and if it is configured (using the **ssh server algorithms host-key** command) as the allowed algorithm.



Note If this configuration of allowed host-key pairs is not present in the SSH server, then you can consider that the SSH server allows all host-key pairs. In that case, the SSH client can connect with any one of the host-key pairs. Not having this configuration also ensures backward compatibility in system upgrade scenarios.

Configuration Example

You may perform this (optional) task to specify the allowed SSH host-key pair algorithm (in this example, **ecdsa**) from the list of auto-generated host-key pairs on the SSH server:

```
/* Example to select the ecdsa algorithm */  
Router(config)#ssh server algorithms host-key ecdsa-nistp521
```

Similarly, you may configure other algorithms.

Running Configuration

```
ssh server algorithms host-key ecdsa-nistp521  
!
```

Verify the SSH Host-Key Pair Algorithms



Note With the introduction of the automatic generation of SSH host-key pairs, the output of the **show crypto key mypubkey** command displays key information of all the keys that are auto-generated. Before its introduction, the output of this show command displayed key information of only those keys that you explicitly generated using the **crypto key generate** command.

```
Router#show crypto key mypubkey ecdsa
Mon Nov 19 12:22:51.762 UTC
Key label: the_default
Type      : ECDSA General Curve Nistp256
Degree   : 256
Created  : 10:59:08 UTC Mon Nov 19 2018
Data     :
04AC7533 3ABE7874 43F024C1 9C24CC66 490E83BE 76CEF4E2 51BBEF11 170CDB26
14289D03 6625FC4F 3E7F8F45 0DA730C3 31E960FE CF511A05 2B0AA63E 9C022482
6E

Key label: the_default
Type      : ECDSA General Curve Nistp384
Degree   : 384
Created  : 10:59:08 UTC Mon Nov 19 2018
Data     :
04B70BAF C096E2CA D848EE72 6562F3CC 9F12FA40 BE09BFE6 AF0CA179 F29F6407
FEE24A43 84C5A5DE D7912208 CB67EE41 58CB9640 05E9421F 2DCDC41C EED31288
6CACC8DD 861DC887 98E535C4 893CB19F 5ED3F6BC 2C90C39B 10EAED57 87E96F78
B6

Key label: the_default
Type      : ECDSA General Curve Nistp521
Degree   : 521
Created  : 10:59:09 UTC Mon Nov 19 2018
Data     :
0400BA39 E3B35E13 810D8AE5 260B8047 84E8087B 5137319A C2865629 8455928F
D3D9CE39 00E097FF 6CA369C3 EE63BA57 A4C49C02 B408F682 C2153B7F AAE53EF8
A2926001 EF113896 5F1DA056 2D62F292 B860FDFB 0314CE72 F87AA2C9 D5DD29F4
DA85AE4D 1CA453AC 412E911A 419E9B43 0A13DAD3 7B7E88E4 7D96794B 369D6247
E3DA7B8A 5E
```

Related Topics

[Automatic Generation of SSH Host-Key Pairs, on page 220](#)

Associated Commands

- ssh server algorithms host-key
- show crypto key mypubkey

Configuring the SSH Client

Perform this task to configure an SSH client.

SUMMARY STEPS

1. **configure**
2. **ssh client knownhost** *device* :/filename
3. Use the **commit** or **end** command.
4. **ssh** {*ipv4-address* | *hostname*} [**username** *user-id* | **cipher** **des** | **source-interface** *type instance*]

DETAILED STEPS

	Command or Action	Purpose
Step 1	configure Example: RP/0/RSP0/CPU0:router# configure	Enters global configuration mode.
Step 2	ssh client knownhost <i>device</i> :/filename Example: RP/0/RSP0/CPU0:router(config)# ssh client knownhost slot1:/server_pubkey	(Optional) Enables the feature to authenticate and check the server public key (pubkey) at the client end. Note The complete path of the filename is required. The colon (:) and slash mark (/) are also required.
Step 3	Use the commit or end command.	commit —Saves the configuration changes and remains within the configuration session. end —Prompts user to take one of these actions: <ul style="list-style-type: none"> • Yes — Saves configuration changes and exits the configuration session. • No —Exits the configuration session without committing the configuration changes. • Cancel —Remains in the configuration session, without committing the configuration changes.
Step 4	ssh { <i>ipv4-address</i> <i>hostname</i> } [username <i>user-id</i> cipher des source-interface <i>type instance</i>] Example: RP/0/RSP0/CPU0:router# ssh remotehost username user1234	Enables an outbound SSH connection. <ul style="list-style-type: none"> • To run an SSHv2 server, you must have a VRF. This may be the default or a specific VRF. VRF changes are applicable only to the SSH v2 server. • The SSH client tries to make an SSHv2 connection to the remote peer. If the remote peer supports only the SSHv1 server, the peer internally spawns an SSHv1 connection to the remote server. • The cipher des option can be used only with an SSHv1 client. • The SSHv1 client supports only the 3DES encryption algorithm option, which is still available by default for those SSH clients only.

	Command or Action	Purpose
		<ul style="list-style-type: none"> If the <i>hostname</i> argument is used and the host has both IPv4 and IPv6 addresses, the IPv6 address is used.

- If you are using SSHv1 and your SSH connection is being rejected, the reason could be that the RSA key pair might have been zeroed out. Another reason could be that the SSH server to which the user is connecting to using SSHv1 client does not accept SSHv1 connections. Make sure that you have specified a hostname and domain. Then use the **crypto key generate rsa** command to generate an RSA host-key pair, and then enable the SSH server.
- If you are using SSHv2 and your SSH connection is being rejected, the reason could be that the DSA, RSA or ECDSA host-key pair might have been zeroed out. Make sure you follow similar steps as mentioned above to generate the required host-key pairs, and then enable the SSH server.
- When configuring the ECDSA, RSA or DSA key pair, you might encounter the following error messages:
 - No hostname specified

You must configure a hostname for the router using the **hostname** command.

- No domain specified

You must configure a host domain for the router using the **domain-name** command.

- The number of allowable SSH connections is limited to the maximum number of virtual terminal lines configured for the router. Each SSH connection uses a vty resource.
- From Cisco IOS XR Release 6.3.1 onwards, the **ssh client enable cipher** command is added for backward compatibility with the older Cisco IOS XR versions.

For FIPS compliance, in Cisco IOS XR Releases later than 6.2.1, support for weaker ciphers like 3DES and AES CBC was removed and only AES-CTR cipher is supported.
- SSH uses either local security or the security protocol that is configured through AAA on your router for user authentication. When configuring AAA, you must ensure that the console is not running under AAA by applying a keyword in the global configuration mode to disable AAA on the console.



Note If you are using Putty version 0.63 or higher to connect to the SSH client, set the 'Chokes on PuTTYs SSH2 winadj request' option under SSH > Bugs in your Putty configuration to 'On.' This helps avoid a possible breakdown of the session whenever some long output is sent from IOS XR to the Putty client.

Configuring CBC Mode Ciphers

In release 7.0(1), you can enable CBC mode ciphers 3DES-CBC and AES-CBC for SSHv2 server and client connections. The ciphers are disabled by default.

Step 1 configure

Example:

```
RP/0/RSP0/CPU0:router# configure
```

Enters global configuration mode.

Step 2 ssh server enable cipher aes-cbc 3des-cbc**Example:**

```
Router(config)# ssh server enable cipher aes-cbc 3des-cbc
```

Step 3 ssh client enable cipher aes-cbc 3des-cbc**Example:**

```
Router(config)# ssh client enable cipher aes-cbc 3des-cbc
```

Step 4 Use the **commit** or **end** command.

commit—Saves the configuration changes and remains within the configuration session.

end—Prompts user to take one of these actions:

- **Yes**—Saves configuration changes and exits the configuration session.
- **No**—Exits the configuration session without committing the configuration changes.
- **Cancel**—Remains in the configuration session, without committing the configuration changes.

Step 5 show ssh session details**Example:**

```
Router# show ssh session details
```

Configuring CBC Mode Ciphers

```
/*Enable CBC mode ciphers 3DES-CBC and AES-CBC */
Router# configure
Router(config)# ssh server enable cipher aes-cbc 3des-cbc
Router(config)# ssh client enable cipher aes-cbc 3des-cbc
Router(config)# commit
```

Verify CBC Mode Cipher Configuration.

```
Router# show ssh session details
```

```
Thu Sep  6 10:16:26.346 UTC
SSH version : Cisco-2.0
```

id	key-exchange	pubkey	incipher	outcipher	inmac	outmac

Incoming Session						
2	ecdh-sha2-nistp256	ssh-rsa	aes128-cbc	aes128-cbc	hmac-sha2-256	hmac-sha2-256

Configuration Examples for Implementing Secure Shell

This section provides the following configuration example:

Configuring Secure Shell: Example

This example shows how to configure SSHv2 by creating a hostname, defining a domain name, enabling the SSH server for local and remote authentication on the router by generating a DSA key pair, bringing up the SSH server, and saving the configuration commands to the running configuration file.

From Cisco IOS XR Software Release 7.0.1 and later, the crypto keys are auto-generated at the time of router boot up. Hence, you need to explicitly generate the host-key pair only if it is not present in the router under some scenarios.

After SSH has been configured, the SFTP feature is available on the router.

```
configure
hostname router1
domain name cisco.com
exit
crypto key generate dsa
configure
ssh server
end
```

Multi-channeling in SSH

The multi-channeling (also called multiplexing) feature on the Cisco IOS XR software server allows you to establish multiple channels over the same TCP connection. Thus, rather than opening a new TCP socket for each SSH connection, all the SSH connections are multiplexed into one TCP connection. For example, with multiplexing support on your XR software server, on a single SSH connection you can simultaneously open a pseudo terminal, remotely execute a command and transfer a file using any file transfer protocol. Multiplexing offers the following benefits:

- You are required to authenticate only once at the time of creating the session. After that, all the SSH clients associated with a particular session use the same TCP socket to communicate to the server.
- Saves time consumed otherwise wasted in creating a new connection each time.

Multiplexing is enabled by default in the Cisco IOS XR software server. If your client supports multiplexing, you must explicitly set up multiplexing on the client for it to be able to send multi-channel requests to the server. You can use OpenSSH, Putty, Perl, WinSCP, Putty, FileZilla, TTSSH, Cygwin or any other SSH-based tool to set up multiplexing on the client. [Configure Client for Multiplexing, on page 227](#) provides an example of how you can configure the client for multiplexing using OpenSSH.

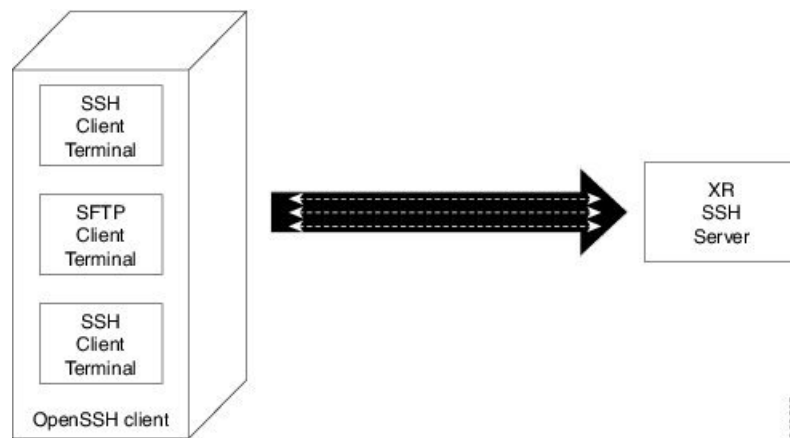
For more information on Multichannel feature, see the Cisco ASR 9000 Series Aggregation Services Router System Security Configuration Guide, Release 5.1.1.

Restrictions for Multi-channeling Over SSH

- Do not use client multiplexing for heavy transfer of data as the data transfer speed is limited by the TCP speed limit. Hence, for a heavy data transfer it is advised that you run multiple SSH sessions, as the TCP speed limit is per connection.
- Client multiplexing must not be used for more than 15 concurrent channels per session simultaneously.
- You must ensure that the first channel created at the time of establishing the session is always kept alive in order for other channels to remain open.
- The **line template default session-limit** command is not supported for SSH.

Client and Server Interaction Over Multichannel Connection

The figure below provides an illustration of a client-server interaction over a SSH multichannel connection.



As depicted in the illustration,

- The client multiplexes the collection of channels into a single connection. This allows different operations to be performed on different channels simultaneously. The dotted lines indicate the different channels that are open for a single session.
- After receiving a request from the client to open up a channel, the server processes the request. Each request to open up a channel represents the processing of a single service.



Note The Cisco IOX software supports server-side multiplexing only.

Configure Client for Multiplexing

The SSH client opens up one TCP socket for all the connections. In order to do so, the client multiplexes all the connections into one TCP connection. Authentication happens only once at the time of creating the session. After that, all the SSH clients associated with the particular session uses the same TCP socket to communicate to the server. Use the following steps to configure client multiplexing using OpenSSH:

SUMMARY STEPS

1. Edit the `ssh_config` file.
2. Add entries **ControlMaster auto** and **ControlPath**
3. Create a temporary folder.

DETAILED STEPS

	Command or Action	Purpose
Step 1	Edit the <code>ssh_config</code> file.	Open the <code>ssh_config</code> file with your favorite text editor to configure values for session multiplexing. The system-wide SSH configuration file is located under <code>/etc/ssh/ssh_config</code> . The user configuration file is located under <code>~/.ssh/config</code> or <code>\$HOME/.ssh/config</code> .
Step 2	Add entries ControlMaster auto and ControlPath Example: <pre>Host * ControlMaster auto ControlPath ~/.ssh/tmp/%r@%h:%p</pre>	Add the entry <code>ControlMaster auto</code> and <code>ControlPath</code> to the <code>ssh_config</code> file, save it and exit. <ul style="list-style-type: none"> • <code>ControlMaster</code> determines whether SSH will listen for control connections and what to do about them. Setting the <code>ControlMaster</code> to 'auto' creates a primary session automatically but if there is a primary session already available, subsequent sessions are automatically multiplexed. • <code>ControlPath</code> is the location for the control socket used by the multiplexed sessions. Specifying the <code>ControlPath</code> ensures that any time a connection to a particular server uses the same specified primary connection.
Step 3	Create a temporary folder.	Create a temporary directory inside the <code>/.ssh</code> folder for storing the control sockets.

SSH Configuration Option to Restrict Cipher Public Key and HMAC Algorithm

The Cisco IOS XR software provides a new configuration option to control the key algorithms to be negotiated with the peer while establishing an SSH connection with the router. With this feature, you can enable the insecure SSH algorithms on the SSH server, which are otherwise disabled by default. A new configuration option is also available to restrict the SSH client from choosing the HMAC, or hash-based message authentication codes algorithm while connecting to the SSH server on the router. You can also configure a list of ciphers as the default cipher list, thereby having the flexibility to enable or disable any particular cipher.

Commands introduced:

- [ssh algorithms cipher](#)
- [ssh disable hmac](#)



Caution Use caution in enabling the insecure SSH algorithms to avoid any possible security attack.

To disable the HMAC algorithm, use the **ssh client disable hmac** command or **ssh server disable hmac** command in Global Configuration mode.

To enable the required cipher, use the **ssh server enable cipher** command in Global Configuration mode.

The supported encryption algorithms (in the order of preference) are:

1. aes128-ctr
2. aes192-ctr
3. aes256-ctr
4. aes128-gcm@openssh.com
5. aes256-gcm@openssh.com
6. aes128-cbc
7. aes192-cbc
8. aes256-cbc
9. 3des-cbc

In SSH, the CBC-based ciphers are disabled by default. To enable these, you can use the **ssh client enable cipher** command or **ssh server enable cipher** command with the respective CBC options (aes-cbc or 3des-cbc). All CTR-based and GCM-based ciphers are enabled by default.

Disable HMAC Algorithm

Configuration Example to Disable HMAC Algorithm

```
Router(config)# ssh server disable hmac hmac-sha1
Router(config)#commit
```

```
Router(config)# ssh client disable hmac hmac-sha1
Router(config)#commit
```

Running Configuration

```
ssh server disable hmac hmac-sha1
!
```

```
ssh client disable hmac hmac-sha1
!
```

Related Topics

[SSH Configuration Option to Restrict Cipher Public Key and HMAC Algorithm, on page 228](#)

Associated Commands

- `ssh client disable hmac`
- `ssh server disable hmac`

Enable Cipher Public Key

Configuration Example to Enable Cipher Public Key

To enable all ciphers on the client and the server:

Router 1:

```
Router(config)# ssh client algorithms cipher aes256-cbc aes256-ctr aes192-ctr aes192-cbc  
aes128-ctr aes128-cbc aes128-gcm@openssh.com aes256-gcm@openssh.com 3des-cbc
```

Router 2:

```
Router(config)# ssh server algorithms cipher aes256-cbc aes256-ctr aes192-ctr aes192-cbc  
aes128-ctr aes128-cbc aes128-gcm@openssh.com aes256-gcm@openssh.com 3des-cbc
```

To enable the CTR cipher on the client and the CBC cipher on the server:

Router 1:

```
Router(config)# ssh client algorithms cipher aes128-ctr aes192-ctr aes256-ctr
```

Router 2:

```
Router(config)# ssh server algorithms cipher aes128-cbc aes256-cbc aes192-cbc 3des-cbc
```

Without any cipher on the client and the server:

Router 1:

```
Router(config)# no ssh client algorithms cipher
```

Router 2:

```
Router(config)# no ssh server algorithms cipher
```

Enable only the deprecated algorithms on the client and the server:

Router 1:

```
Router(config)# ssh client algorithms cipher aes128-cbc aes192-cbc aes256-cbc 3des-cbc
```

Router 2:

```
Router(config)# ssh server algorithms cipher aes128-cbc aes192-cbc aes256-cbc 3des-cbc
```

Enable the deprecated algorithm (using **enable cipher** command) and enable the CTR cipher (using **algorithms cipher** command) on the client and the server:

Router 1:

```
Router(config)# ssh client enable cipher aes-cbc 3des-cbc
Router(config)# ssh client algorithms cipher aes128-ctr aes192-ctr aes256-ctr
```

Router 2:

```
Router(config)# ssh server enable cipher aes-cbc 3des-cbc
Router(config)# ssh server algorithms cipher aes128-ctr aes192-ctr aes256-ctr
```

Running Configuration

All ciphers enabled on the client and the server:

Router 1:

```
ssh client algorithms cipher aes256-cbc aes256-ctr aes192-ctr aes192-cbc aes128-ctr aes128-cbc
aes128-gcm@openssh.com aes256-gcm@openssh.com 3des-cbc
!
```

Router 2:

```
ssh client algorithms cipher aes256-cbc aes256-ctr aes192-ctr aes192-cbc aes128-ctr aes128-cbc
aes128-gcm@openssh.com aes256-gcm@openssh.com 3des-cbc
!
```

Related Topics

[SSH Configuration Option to Restrict Cipher Public Key and HMAC Algorithm, on page 228](#)

Associated Commands

- **ssh client enable cipher**
- **ssh server enable cipher**
- **ssh client algorithms cipher**
- **ssh server algorithms cipher**

Additional References

The following sections provide references related to implementing secure shell.

Related Documents

Related Topic	Document Title
AAA commands: complete command syntax, command modes, command history, defaults, usage guidelines, and examples	<i>Authentication, Authorization, and Accounting Commands on the Cisco ASR 9000 Series Router Software module in System Security Command Reference for Cisco ASR 9000 Series Routers.</i>
AAA configuration tasks	<i>Configuring AAA Services on the Cisco ASR 9000 Series Router Software module in System Security Configuration Guide for Cisco ASR 9000 Series Routers.</i>
Host services and applications commands: complete command syntax, command modes, command history, defaults, usage guidelines, and examples	<i>Host Services and Applications Commands on the Cisco ASR 9000 Series Router module in IP Addresses and Services Command Reference for Cisco ASR 9000 Series Routers.</i>
IPSec commands: complete command syntax, command modes, command history, defaults, usage guidelines, and examples Note IPSec is supported only for Open Shortest Path First version 3 (OSPFv3).	<i>IPSec Network Security Commands on the Cisco ASR 9000 Series Router Software module in System Security Command Reference for Cisco ASR 9000 Series Routers</i>
SSH commands: complete command syntax, command modes, command history, defaults, usage guidelines, and examples	<i>Secure Shell Commands on the Cisco ASR 9000 Series Router Software module in System Security Command Reference for Cisco ASR 9000 Series Routers</i>

Standards

Standards	Title
Draft-ietf-secsh-userauth-17.txt	<i>SSH Authentication Protocol, July 2003</i>
Draft-ietf-secsh-connect-17.txt	<i>SSH Connection Protocol, July 2003</i>
Draft-ietf-secsh-architecture-14.txt	<i>SSH Protocol Architecture, July 2003</i>
Draft-ietf-secsh-transport-16.txt	<i>SSH Transport Layer Protocol, July 2003</i>

MIBs

MIBs	MIBs Link
—	To locate and download MIBs using Cisco IOS XR software, use the Cisco MIB Locator found at the following URL and choose a platform under the Cisco Access Products menu: http://cisco.com/public/sw-center/netmgmt/cmtk/mibs.shtml

RFCs

RFCs	Title
RFC 6020	Netconf/ Yang

Technical Assistance

Description	Link
The Cisco Technical Support website contains thousands of pages of searchable technical content, including links to products, technologies, solutions, technical tips, and tools. Registered Cisco.com users can log in from this page to access even more content.	http://www.cisco.com/techsupport



CHAPTER 12

Layer 2 Security Features

This module provides an overview of security features for Layer 2 services. All Layer 2 security features must be configured at the VPLS bridge domain level.

- [Security Features for Layer 2 VPLS Bridge Domains, on page 235](#)

Security Features for Layer 2 VPLS Bridge Domains

This table lists security features for Layer 2 VPLS bridge domains and points you to the detailed configuration documentation for each feature.

Table 15: Security Features for Layer 2 VPNs

Feature	Where Documented
MAC address-based traffic blocking, filtering, and limiting on VPLS bridge domains	In the <i>MPLS Configuration Guide for Cisco ASR 9000 Series Routers</i> , in the module “Implementing Virtual Private LAN Services on Cisco ASR 9000 Series Routers,” see the “Configuring the MAC Address-related Parameters” section.
Traffic storm control on VPLS bridge domains	In the <i>System Security Configuration Guide for Cisco ASR 9000 Series Routers</i> (this publication), see the module “Implementing Traffic Storm Control under a VPLS Bridge on Cisco ASR 9000 Series Router.”
DHCP snooping on VPLS bridge domains	In the <i>IP Addresses and Services Configuration Guide for Cisco ASR 9000 Series Routers</i> , see the module “Implementing DHCP on Cisco ASR 9000 Series Routers.” That module describes both DHCP relay services and DHCP snooping at Layer 2.
IGMP snooping on VPLS bridge domains	In the <i>Multicast Configuration Guide for Cisco ASR 9000 Series Routers</i> , see the module “Implementing Layer 2 Multicast with IGMP Snooping.”



CHAPTER 13

Implementing Traffic Storm Control under a VPLS Bridge

Traffic storm control provides Layer 2 port security under a Virtual Private LAN Services (VPLS) bridge by preventing excess traffic from disrupting the bridge. This module describes how to implement traffic storm control.

Feature History for Traffic Storm Control

Release	Modification
Release 3.7.2	Support was added for traffic storm control under a VPLS bridge.
Release 5.1	Support was added for: <ul style="list-style-type: none">• configuring storm control at bridge domain level• allow storm control rate to be configured in kbps instead of pps

- [Prerequisites for Implementing Traffic Storm Control](#) , on page 237
- [Restrictions for Implementing Traffic Storm Control](#) , on page 238
- [Information About Implementing Traffic Storm Control](#) , on page 238
- [How to Configure Traffic Storm Control](#) , on page 240
- [Configuration Examples for Traffic Storm Control](#) , on page 245
- [Additional References](#) , on page 249

Prerequisites for Implementing Traffic Storm Control

The following prerequisites are required before implementing traffic storm control:

- The network must be configured with a VPLS bridge domain in an MPLS Layer 2 VPN.
- You must be in a user group associated with a task group that includes the proper task IDs. The command reference guides include the task IDs required for each command. If you suspect user group assignment is preventing you from using a command, contact your AAA administrator for assistance.

Restrictions for Implementing Traffic Storm Control

The restrictions for implementing traffic storm control are as follows:

- Traffic storm control is not supported for forwarding pseudowires (VFI PWs).
- No alarms are generated when packets are dropped.
- Traffic storm control must be applied on a bridge domain, or a bridge port and not on a physical port.
- You can configure storm control on both bridge domain level and bridge port level. In this case, the storm control configured on the bridge port level will always take precedence.
- The ASR 9000 Ethernet Line Card does not support BW-based policing in kbps . However, kbps policing configuration is allowed on the ASR 9000 Ethernet Line Card. Then a conversion is performed from kbps to pps with an assumption of 1000 bytes per packet.
- In an ASR 9000 Enhanced Ethernet Line Card, the storm control is configured with mixed units. For example, broadcast policer is configured with pps and multicast policer with kbps. The policing is done in kbps, such that pps configurations are converted into kbps with an assumption of 1000 bytes per packet.

Information About Implementing Traffic Storm Control

To implement traffic storm control, you should understand the following concepts:

Understanding Traffic Storm Control

A traffic storm occurs when packets flood a VPLS bridge, creating excessive traffic and degrading network performance. Traffic storm control prevents VPLS bridge disruption by suppressing traffic when the number of packets reaches configured threshold levels. You can configure separate threshold levels for different types of traffic on each port under a VPLS bridge.

Traffic storm control monitors incoming traffic levels on a port and drops traffic when the number of packets reaches the configured threshold level during any 1-second interval. The 1-second interval is set in the hardware and is not configurable. The number of packets allowed to pass during the 1-second interval is configurable, per port, per traffic type. During this interval, it compares the traffic level with the traffic storm control level that the customer configures.

When the incoming traffic reaches the traffic storm control level configured on the bridge port, traffic storm control drops traffic until the end of storm control interval.

Traffic storm control level can be configured separately for these traffic types:

- Broadcast Traffic
- Multicast Traffic
- Unknown Unicast Traffic

The thresholds are configured using a packet-per-second (pps) and kilobit-per-second (kbps) rate. When the number of packets of the specified traffic type reaches the threshold level on a port, the port drops any additional

packets of that traffic type for the remainder of the 1-second interval. At the beginning of a new 1-second interval, traffic of the specified type is allowed to pass on the port.

Traffic storm control has little impact on router performance. Packets passing through ports are counted regardless of whether the feature is enabled. Additional counting occurs only for the drop counters, which monitor dropped packets.

No alarms are produced when packets are dropped.

**Note**

- Bridge Protocol Data Unit (BPDU) packets are not filtered through the storm control feature.
- Tunneled BPDU packets are filtered as they are forwarded into bridge.
- Traffic storm control is applied to only forwarded packets in the system.

Traffic Storm Control Defaults

- The traffic storm control feature is disabled by default. It must be explicitly enabled on each port for each traffic type.
- The traffic storm control monitoring interval is set in the hardware and is not configurable. On Cisco ASR 9000 Series Router, the monitoring interval is always 1 second.

Supported Traffic Types for Traffic Storm Control

On each VPLS bridge port, you can configure up to three storm control thresholds—one for each of the supported traffic types. If you do not configure a threshold for a traffic type, then traffic storm control is not enabled on that port or interface for that traffic type.

The supported traffic types are:

- Broadcast traffic—Packets with a packet destination MAC address equal to FFFF.FFFF.FFFF.
- Multicast traffic—Packets with a packet destination MAC address not equal to the broadcast address, but with the multicast bit set to 1. The multicast bit is bit 0 of the most significant byte of the MAC address.
- Unknown unicast traffic—Packets with a packet destination MAC address not yet learned.

Traffic storm control does not apply to bridge protocol data unit (BPDU) packets. All BPDU packets are processed as if traffic storm control is not configured.

Supported Ports for Traffic Storm Control

In Cisco IOS XR software Release 3.7.0 FCI, you can configure traffic storm control on the following components under a VPLS bridge domain:

- VPLS bridge domain ACs
- VPLS bridge domain access PWs

Traffic Storm Control Thresholds

Traffic storm control thresholds are configured at a packet-per-second rate. A threshold is the number of packets of the specified traffic type that can pass on a port during a 1-second interval. Valid values for traffic storm control thresholds are integers from 1 to 160000. The maximum value would permit about 19 percent of bandwidth to pass per second on a 10-Gbps link, assuming a 1500-byte packet size.

Traffic Storm Control Drop Counters

Traffic storm control counts the number of packets dropped per port and traffic type. The drop counters are cumulative until you explicitly clear them. Use the **show l2vpn bridge-domain detail** and **show l2vpn forwarding detail** commands to see drop counts. Use the **clear l2vpn forwarding counters** command to clear drop counters.

How to Configure Traffic Storm Control

This section describes how to configure traffic storm control:

Enabling Traffic Storm Control on an AC under a Bridge

Perform this task to enable traffic storm control on an AC under a VPLS bridge. The following task shows how to enable traffic storm control on an AC that is a VLAN on an Ethernet interface.



Note To disable traffic storm control, navigate to the submode you were in when you enabled the feature, and issue the **no** form of the command.

SUMMARY STEPS

1. **configure**
2. **l2vpn**
3. **bridge group** *bridge-group-name*
4. **bridge-domain** *bridge-domain-name*
5. **interface** *interface-name*
6. **storm-control** {**broadcast** | **multicast** | **unknown-unicast**} **pps** *packet-threshold*
7. Use the **commit** or **end** command.
8. **show l2vpn bridge-domain** *bd-name* *bridge-name* **detail**

DETAILED STEPS

	Command or Action	Purpose
Step 1	configure Example: RP/0/RSP0/CPU0:router# configure	Enters global configuration mode.

	Command or Action	Purpose
Step 2	l2vpn Example: <pre>RP/0/0/CPU0:router(config)# l2vpn RP/0/0/CPU0:router(config-l2vpn)#</pre>	Enters L2 VPN configuration mode.
Step 3	bridge group <i>bridge-group-name</i> Example: <pre>RP/0/0/CPU0:router(config-l2vpn)# bridge group cisco RP/0/0/CPU0:router(config-l2vpn-bg)#</pre>	Enters L2 VPN bridge group configuration mode.
Step 4	bridge-domain <i>bridge-domain-name</i> Example: <pre>RP/0/0/CPU0:router(config-l2vpn-bg)# bridge-domain abc RP/0/0/CPU0:router(config-l2vpn-bg-bd)#</pre>	Enters L2 VPN bridge domain configuration mode.
Step 5	interface <i>interface-name</i> Example: <pre>RP/0/0/CPU0:router(config-l2vpn-bg-bd)# interface GigabitEthernet0/1/0/0.100 RP/0/0/CPU0:router(config-l2vpn-bg-bd-ac)#</pre>	Names an AC under the bridge domain. In this case, the AC is a VLAN on an Ethernet interface.
Step 6	storm-control {broadcast multicast unknown-unicast} pps <i>packet-threshold</i> Example: <pre>RP/0/0/CPU0:router(config-l2vpn-bg-bd-ac)# storm-control broadcast pps 4500 RP/0/0/CPU0:router(config-l2vpn-bg-bd-ac)# storm-control multicast pps 500 RP/0/0/CPU0:router(config-l2vpn-bg-bd-ac)#</pre>	<p>Enables traffic storm control on this interface for the specified traffic type. Repeat this command for each traffic type.</p> <p>The <i>packet-threshold</i> is a packet per second rate and must be an integer between 1 and 160000. It specifies the number of packets that will be allowed to pass on the interface for the specified traffic type during a 1-second interval.</p>
Step 7	Use the commit or end command.	<p>commit —Saves the configuration changes and remains within the configuration session.</p> <p>end —Prompts user to take one of these actions:</p> <ul style="list-style-type: none"> • Yes — Saves configuration changes and exits the configuration session. • No —Exits the configuration session without committing the configuration changes. • Cancel —Remains in the configuration session, without committing the configuration changes.

	Command or Action	Purpose
Step 8	show l2vpn bridge-domain bd-name <i>bridge-name</i> detail Example: <pre>RP/0/0/CPU0:router# show l2vpn bridge-domain bd-name abc detail</pre>	Displays storm control configuration.

Enabling Traffic Storm Control on a PW under a Bridge

Perform this task to enable traffic storm control on a pseudowire under a VPLS bridge.



Note To disable traffic storm control, navigate to the submode you were in when you enabled the feature, and issue the **no** form of the command.

SUMMARY STEPS

1. **configure**
2. **l2vpn**
3. **bridge group** *bridge-group-name*
4. **bridge-domain** *bridge-domain-name*
5. **neighbor** *address* **pw-id** *id*
6. **storm-control** {**broadcast** | **multicast** | **unknown-unicast**} **pps** *packet-threshold*
7. Use the **commit** or **end** command.
8. **show l2vpn bridge-domain bd-name** *bridge-name* **detail**

DETAILED STEPS

	Command or Action	Purpose
Step 1	configure Example: <pre>RP/0/RSP0/CPU0:router# configure</pre>	Enters global configuration mode.
Step 2	l2vpn Example: <pre>RP/0/0/CPU0:router(config)# l2vpn RP/0/0/CPU0:router(config-l2vpn)#</pre>	Enters L2 VPN configuration mode.
Step 3	bridge group <i>bridge-group-name</i> Example: <pre>RP/0/0/CPU0:router(config-l2vpn)# bridge group csc RP/0/0/CPU0:router(config-l2vpn-bg)#</pre>	Enters L2 VPN bridge group configuration mode.

	Command or Action	Purpose
Step 4	<p>bridge-domain <i>bridge-domain-name</i></p> <p>Example:</p> <pre>RP/0/0/CPU0:router(config-l2vpn-bg)# bridge-domain abc RP/0/0/CPU0:router(config-l2vpn-bg-bd)#</pre>	Enters L2 VPN bridge domain configuration mode.
Step 5	<p>neighbor <i>address</i> pw-id <i>id</i></p> <p>Example:</p> <pre>RP/0/0/CPU0:router(config-l2vpn-bg-bd)# neighbor 10.1.1.1 pw-id 100 RP/0/0/CPU0:router(config-l2vpn-bg-bd-pw)#</pre>	<p>Names an access pseudowire under the bridge domain.</p> <p>Note You cannot apply storm control on a forwarding PW (a PW under a VFI).</p>
Step 6	<p>storm-control {broadcast multicast unknown-unicast} pps <i>packet-threshold</i></p> <p>Example:</p> <pre>RP/0/0/CPU0:router(config-l2vpn-bg-bd-pw)# storm-control broadcast pps 4500 RP/0/0/CPU0:router(config-l2vpn-bg-bd-pw)# storm-control multicast pps 500 RP/0/0/CPU0:router(config-l2vpn-bg-bd-pw)#</pre>	<p>Enables traffic storm control on this pseudowire for the specified traffic type. Repeat this command for each traffic type.</p> <p>The <i>packet-threshold</i> is a packet per second rate and must be an integer between 1 and 160000. It specifies the number of packets that will be allowed to pass on the interface for the specified traffic type during a 1-second interval.</p>
Step 7	Use the commit or end command.	<p>commit —Saves the configuration changes and remains within the configuration session.</p> <p>end —Prompts user to take one of these actions:</p> <ul style="list-style-type: none"> • Yes — Saves configuration changes and exits the configuration session. • No —Exits the configuration session without committing the configuration changes. • Cancel —Remains in the configuration session, without committing the configuration changes.
Step 8	<p>show l2vpn bridge-domain <i>bd-name</i> <i>bridge-name</i> detail</p> <p>Example:</p> <pre>RP/0/0/CPU0:router# show l2vpn bridge-domain bd-name cisco detail</pre>	Displays storm control configuration settings for the named bridge domain. This command also displays the drop counter values for each configured storm control instance.

Enabling Traffic Storm Control on a Bridge Domain

Perform this task to configure traffic storm control on the bridge domain.



Note To disable traffic storm control, navigate to the submode you were in when you enabled the feature, and issue the **no** form of the command.

SUMMARY STEPS

1. **configure**
2. **l2vpn**
3. **bridge group** *bridge-group-name*
4. **bridge-domain** *bridge-domain-name*
5. **storm-control** {**broadcast** | **multicast** | **unknown-unicast**} {**kbps** | **pps**} *value*
6. Use the **commit** or **end** command.

DETAILED STEPS

	Command or Action	Purpose
Step 1	configure Example: RP/0/RSP0/CPU0:router# configure	Enters global configuration mode.
Step 2	l2vpn Example: RP/0/0/CPU0:router(config)# l2vpn RP/0/0/CPU0:router(config-l2vpn)#	Enters L2 VPN configuration mode.
Step 3	bridge group <i>bridge-group-name</i> Example: RP/0/0/CPU0:router(config-l2vpn)# bridge group csc RP/0/0/CPU0:router(config-l2vpn-bg)#	Creates a bridge group so that it can contain bridge domains and then assigns network interfaces to the bridge domain..
Step 4	bridge-domain <i>bridge-domain-name</i> Example: RP/0/0/CPU0:router(config-l2vpn-bg)# bridge-domain abc RP/0/0/CPU0:router(config-l2vpn-bg-bd)#	Establishes a bridge domain and enters L2VPN bridge group bridge domain configuration mode.
Step 5	storm-control { broadcast multicast unknown-unicast } { kbps pps } <i>value</i> Example: RP/0/RSP0/CPU0:router(config-l2vpn-bg-bd)# storm-control multicast kbps 77 RP/0/0/CPU0:router(config-l2vpn-bg-bd-pw)#	Configures storm control for broadcast, multicast, or unicast traffic in kilo bits per second (kbps) or as packes per second (pps).

	Command or Action	Purpose
Step 6	Use the commit or end command.	<p>commit —Saves the configuration changes and remains within the configuration session.</p> <p>end —Prompts user to take one of these actions:</p> <ul style="list-style-type: none"> • Yes — Saves configuration changes and exits the configuration session. • No —Exits the configuration session without committing the configuration changes. • Cancel —Remains in the configuration session, without committing the configuration changes.

Clearing Traffic Storm Control Drop Counters

Perform this task to reset traffic storm control drop counters to zero.

SUMMARY STEPS

1. clear l2vpn forwarding counters

DETAILED STEPS

	Command or Action	Purpose
Step 1	<p>clear l2vpn forwarding counters</p> <p>Example:</p> <pre>RP/0/0/CPU0:router# clear l2vpn forwarding counters</pre>	Clears l2vpn forwarding counters, including storm control drop counters.

Configuration Examples for Traffic Storm Control

This section includes the following configuration examples:

Configuring Traffic Storm Control on an AC: Example

The following example shows broadcast and multicast storm control configuration on an AC under a VPLS bridge.

```
RP/0/RSP0/CPU0:router# show run

[lines deleted]

bridge group 215
  bridge-domain 215
  mtu 9000
  interface GigabitEthernet0/1/0/3.215
```

Configuring Traffic Storm Control on an Access PW: Example

```

storm-control multicast pps 500
storm-control broadcast pps 4500
!
[lines deleted]

RP/0/RSP0/CPU0:router# show l2vpn bridge-domain bd-name 215 detail
Bridge group: 215, bridge-domain: 215, id: 3, state: up, ShgId: 0, MSTi: 0
MAC learning: enabled
MAC withdraw: disabled
Flooding:
  Broadcast & Multicast: enabled
  Unknown unicast: enabled
MAC aging time: 300 s, Type: inactivity
MAC limit: 4000, Action: none, Notification: syslog
MAC limit reached: no
Security: disabled
Split Horizon Group: none
DHCPv4 snooping: disabled
IGMP Snooping profile: none
Bridge MTU: 9000
Filter MAC addresses:
ACs: 2 (2 up), VFIs: 1, PWs: 1 (1 up)
List of ACs:
  AC: GigabitEthernet0/1/0/3.215, state is up
    Type VLAN; Num Ranges: 1
    vlan ranges: [100, 100]
    MTU 9008; XC ID 0x440005; interworking none; MSTi 0 (unprotected)
    MAC learning: enabled
    Flooding:
      Broadcast & Multicast: enabled
      Unknown unicast: enabled
    MAC aging time: 300 s, Type: inactivity
    MAC limit: 4000, Action: none, Notification: syslog
    MAC limit reached: no
    Security: disabled
    Split Horizon Group: none
    DHCPv4 snooping: disabled
    IGMP Snooping profile: none

    Storm Control:
      Broadcast: enabled(4500)
      Multicast: enabled(500)
      Unknown unicast: disabled
    Static MAC addresses:
    Statistics:
      packet totals: receive 36728, send 31
      byte totals: receive 2791284, send 2318
    Storm control drop counters:
      packet totals: broadcast 0, multicast 0, unknown unicast 0
      byte totals: broadcast 0, multicast 0, unknown unicast 0
[lines deleted]

```

Configuring Traffic Storm Control on an Access PW: Example

The following example shows broadcast and multicast storm control configuration on an access PW under a VPLS bridge.

```

RP/0/RSP0/CPU0:router# show run
l2vpn
bridge group bg_storm_pw
bridge-domain bd_storm_pw

```

```

interface Bundle-Ether101
!
neighbor 10.10.30.30 pw-id 1
storm-control unknown-unicast pps 120
storm-control multicast pps 110
storm-control broadcast pps 100
!
!
!
!
RP/0/RSP0/CPU0:router# show l2vpn bridge-domain group bg_storm_pw detail
Bridge group: bg_storm_pw, bridge-domain: bd_storm_pw, id: 2, state: up, ShgId: 0, MSTi: 0
MAC learning: enabled
MAC withdraw: disabled
Flooding:
  Broadcast & Multicast: enabled
  Unknown unicast: enabled
MAC aging time: 300 s, Type: inactivity
MAC limit: 4000, Action: none, Notification: syslog
MAC limit reached: no
Security: disabled
Split Horizon Group: none
DHCPv4 snooping: disabled
IGMP Snooping profile: none
Bridge MTU: 1500
Filter MAC addresses:
ACs: 1 (1 up), VFIs: 0, PWs: 1 (1 up)
List of ACs:
  AC: Bundle-Ether101, state is up
    Type Ethernet
    MTU 1500; XC ID 0xffffc0003; interworking none
    MAC learning: enabled
    Flooding:
      Broadcast & Multicast: enabled
      Unknown unicast: enabled
    MAC aging time: 300 s, Type: inactivity
    MAC limit: 4000, Action: none, Notification: syslog
    MAC limit reached: no
    Security: disabled
    Split Horizon Group: none
    DHCPv4 snooping: disabled
    IGMP Snooping profile: none
    Storm Control: disabled
    Static MAC addresses:
    Statistics:
      packets: received 0, sent 5205
      bytes: received 0, sent 645420
    Storm control drop counters:
      packets: broadcast 0, multicast 0, unknown unicast 0
      bytes: broadcast 0, multicast 0, unknown unicast 0
List of Access PWs:
  PW: neighbor 10.10.30.30, PW ID 1, state is up ( established )
    PW class not set, XC ID 0xffffc0006
    Encapsulation MPLS, protocol LDP
    PW type Ethernet, control word disabled, interworking none
    PW backup disable delay 0 sec
    Sequencing not set
  PW Status TLV in use
    MPLS          Local                               Remote
    -----
    Label         16001                               16001
    Group ID      0x2                                   0x2
    Interface     Access PW                             Access PW

```

```

MTU          1500          1500
Control word disabled      disabled
PW type      Ethernet     Ethernet
VCCV CV type 0x2          0x2
              (LSP ping verification)  (LSP ping verification)
VCCV CC type 0x6          0x6
              (router alert label)    (router alert label)
              (TTL expiry)            (TTL expiry)
-----
Incoming Status (PW Status TLV):
  Status code: 0x0 (Up) in Notification message
Outgoing Status (PW Status TLV):
  Status code: 0x0 (Up) in Notification message
Create time: 16/12/2008 00:06:08 (01:00:22 ago)
Last time status changed: 16/12/2008 00:35:02 (00:31:28 ago)
MAC withdraw message: send 0 receive 0
Static MAC addresses:
Statistics:
  packets: received 0, sent 0
  bytes: received 0, sent 0
Storm control drop counters:
  packets: broadcast 0, multicast 0, unknown unicast 0
  bytes: broadcast 0, multicast 0, unknown unicast 0
MAC learning: enabled
Flooding:
  Broadcast & Multicast: enabled
  Unknown unicast: enabled
MAC aging time: 300 s, Type: inactivity
MAC limit: 4000, Action: none, Notification: syslog
MAC limit reached: no
Security: disabled
Split Horizon Group: none
DHCPv4 snooping: disabled
IGMP Snooping profile: none
Storm Control:
  Broadcast: enabled(100)
  Multicast: enabled(110)
  Unknown unicast: enabled(120)

```

Configuring Traffic Storm Control on the Bridge Domain: Example

This section contains configuration examples for configuring traffic storm control on the bridge domain:

Configuring Storm Control for Broadcast Traffic: Example

This example shows how to configure storm control for broadcast traffic.

```

(config)# l2vpn
(config-l2vpn)# bridge group grp
(config-l2vpn-bg)# bridge-domain bd
(config-l2vpn-bg-bd)# storm-control broadcast kbps 770
(config-l2vpn-bg-bd)# commit

```

Configuring Storm Control for Multicast Traffic: Example

This example shows how to configure storm control for multicast traffic.

```

(config)# l2vpn
(config-l2vpn)# bridge group grp
(config-l2vpn-bg)# bridge-domain bd
(config-l2vpn-bg-bd)# storm-control multicast pps 88
(config-l2vpn-bg-bd)# commit

```

Configuring Storm Control for Unknown-Unicast Traffic: Example

This example shows how to configure storm control for unknown-unicast traffic.

```
(config)# l2vpn
(config-l2vpn)# bridge group grp
(config-l2vpn-bg)# bridge-domain bd
(config-l2vpn-bg-bd)# storm-control unknown-unicast kbps 1280
(config-l2vpn-bg-bd)# commit
```

Additional References

For additional information related to implementing traffic storm control, refer to the following references.

Related Documents

Related Topic	Document Title
MPLS Layer 2 VPNs	<i>Implementing MPLS Layer 2 VPNs on Cisco ASR 9000 Series Router</i> module in the <i>MPLS Configuration Guide for Cisco ASR 9000 Series Routers</i> .
MPLS VPLS bridges	<i>Implementing Virtual Private LAN Services on Cisco ASR 9000 Series Router</i> module in the <i>MPLS Configuration Guide for Cisco ASR 9000 Series Routers</i>
Getting started material	<i>Cisco ASR 9000 Series Aggregation Services Router Getting Started Guide</i>

Standards

Standards	Title
1	
No new or modified standards are supported by this feature, and support for existing standards has not been modified by this feature.	—

¹ Not all supported standards are listed.

MIBs

MIBs	MIBs Link
—	To locate and download MIBs using Cisco IOS XR software, use the Cisco MIB Locator found at the following URL and choose a platform under the Cisco Access Products menu: http://cisco.com/public/sw-center/netmgmt/cmtk/mibs.shtml

RFCs

RFCs	Title
No new or modified RFCs are supported, and support for existing RFCs has not been modified.	—

Technical Assistance

Description	Link
The Cisco Technical Support website contains thousands of pages of searchable technical content, including links to products, technologies, solutions, technical tips, and tools. Registered Cisco.com users can log in from this page to access even more content.	http://www.cisco.com/techsupport



CHAPTER 14

Configuring FIPS Mode

The Federal Information Processing Standard (FIPS) 140-2 is an U.S. and Canadian government certification standard that defines requirements that the cryptographic modules must follow. The FIPS specifies best practices for implementing cryptographic algorithms, handling key material and data buffers, and working with the operating system.

In Cisco IOS XR software, these applications are verified for FIPS compliance:

- Secure Shell (SSH)
- Secure Socket Layer (SSL)
- Transport Layer Security (TLS)
- Internet Protocol Security (IPSec) for Open Shortest Path First version 3 (OSPFv3)
- Simple Network Management Protocol version 3 (SNMPv3)
- AAA Password Security



Note Any process that uses any of the following cryptographic algorithms is considered non-FIPS compliant:

- Rivest Cipher 4 (RC4)
- Message Digest (MD5)
- Keyed-Hash Message Authentication Code (HMAC) MD5
- Data Encryption Standard (DES)

The Cisco Common Cryptographic Module (C3M) provides cryptographic services to a wide range of the networking and collaboration products of Cisco. This module provides FIPS-validated cryptographic algorithms for services such as RTP, SSH, TLS, 802.1x, and so on. The C3M provides cryptographic primitives and functions for the users to develop any protocol.

By integrating with C3M, the Cisco IOS-XR software is compliant with the FIPS 140-2 standards and can operate in FIPS mode, level 1 compliance.

AAA Password Security for FIPS compliance is available from Cisco IOS XR Software Release Release 6.2.1 and later. See [AAA Password Security for FIPS Compliance, on page 13](#).

- [Prerequisites for Configuring FIPS, on page 252](#)

- [How to Configure FIPS, on page 252](#)
- [Configuration Examples for Configuring FIPS, on page 260](#)

Prerequisites for Configuring FIPS

Install and activate the `asr9k-k9sec-px.pie` file.



Note From Cisco IOS XR Software Release 7.0.1 and later, you need not install the `asr9k-k9sec-px.pie`, because the functionality is available in the base image itself.

You must be in a user group associated with a task group that includes the proper task IDs. The command reference guides include the task IDs required for each command.

If you suspect user group assignment is preventing you from using a command, contact your AAA administrator for assistance.

How to Configure FIPS

Perform these tasks to configure FIPS.

Enabling FIPS mode

SUMMARY STEPS

1. `configure`
2. `crypto fips-mode`
3. Use the `commit` or `end` command.
4. `show logging`
5. `admin`
6. `reload location all`

DETAILED STEPS

	Command or Action	Purpose
Step 1	<code>configure</code> Example: RP/0/RSP0/CPU0:router# <code>configure</code>	Enters global configuration mode.
Step 2	<code>crypto fips-mode</code> Example: RP/0/RSP0/CPU0:router(config)# <code>crypto fips-mode</code>	Enters FIPS configuration mode. Note Stop new incoming SSH sessions while configuring or unconfiguring <code>crypto fips-mode</code> . Restart the router upon configuration.

	Command or Action	Purpose
Step 3	Use the commit or end command.	<p>commit —Saves the configuration changes and remains within the configuration session.</p> <p>end —Prompts user to take one of these actions:</p> <ul style="list-style-type: none"> • Yes — Saves configuration changes and exits the configuration session. • No —Exits the configuration session without committing the configuration changes. • Cancel —Remains in the configuration session, without committing the configuration changes.
Step 4	<p>show logging</p> <p>Example:</p> <pre>RP/0/RSP0/CPU0:router#show logging</pre>	<p>Displays the contents of logging buffers.</p> <p>Note Use the show logging i fips command to filter FIPS specific logging messages.</p>
Step 5	<p>admin</p> <p>Example:</p> <pre>RP/0/RSP0/CPU0:router#admin</pre>	Enters into the admin EXEC mode.
Step 6	<p>reload location all</p> <p>Example:</p> <pre>RP/0/RSP0/CPU0:router(admin)#reload location all</pre>	Reloads a node or all nodes on a single chassis or multishelf system.

Configuring FIPS-compliant Keys

Perform these steps to configure the FIPS-compliant keys:



Note From Cisco IOS XR Software Release 7.0.1 and later, the crypto keys are auto-generated at the time of router boot up. Hence, you need to perform these steps to generate the keys only if the keys are missing under some scenarios.

Before you begin

Refer the configuration steps in the [Enabling FIPS mode, on page 252](#) section for enabling the FIPS mode.

SUMMARY STEPS

1. **crypto key generate rsa [usage-keys | general-keys] key label**
2. **crypto key generate dsa**
3. **show crypto key mypubkey rsa**
4. **show crypto key mypubkey dsa**

DETAILED STEPS

	Command or Action	Purpose
Step 1	crypto key generate rsa [usage-keys general-keys] key label Example: <pre>RP/0/RSP0/CPU0:router#crypto key generate rsa general-keys rsakeypair</pre>	<p>Generate a RSA key pair. Ensure that all the key pairs meet the FIPS requirements. The length of the key can vary from 1024 to 2048 bits.</p> <p>The option usage-keys generates separate RSA key pairs for signing and encryption. The option general-keys generates a general-purpose RSA key pair for signing and encryption.</p> <p>To delete the RSA key pair, use the crypto key zeroize rsa keypair-label command.</p>
Step 2	crypto key generate dsa Example: <pre>RP/0/RSP0/CPU0:router#crypto key generate dsa</pre>	<p>Generate a DSA key pair if required. Ensure that all the key pairs meet the FIPS requirements. The length of the key is restricted to 1024 bits.</p> <p>To delete the DSA key pair, use the crypto key zeroize dsa keypair-label command.</p>
Step 3	show crypto key mypubkey rsa Example: <pre>RP/0/RSP0/CPU0:router#show crypto key mypubkey rsa</pre>	Displays the existing RSA key pairs
Step 4	show crypto key mypubkey dsa Example: <pre>RP/0/RSP0/CPU0:router#show crypto key mypubkey dsa</pre>	Displays the existing DSA key pairs

Configuring FIPS-compliant Key Chain

Perform these steps to configure the FIPS-compliant key chain:

Before you begin

Refer the configuration steps in the [Enabling FIPS mode, on page 252](#) section for enabling the FIPS mode.

SUMMARY STEPS

1. **configure**
2. **key chain** *key-chain-name*
3. **key** *key-id*
4. **cryptographic-algorithm** {HMAC-SHA1-20 | SHA-1}
5. Use the **commit** or **end** command.

DETAILED STEPS

	Command or Action	Purpose
Step 1	configure Example: RP/0/RSP0/CPU0:router#configure	Enters the global configuration mode.
Step 2	key chain <i>key-chain-name</i> Example: RP/0/RSP0/CPU0:router(config)#key chain mykeychain	Creates a key chain.
Step 3	key <i>key-id</i> Example: RP/0/RSP0/CPU0:router(config-mykeychain)#key 1	Creates a key in the key chain.
Step 4	cryptographic-algorithm {HMAC-SHA1-20 SHA-1} Example: RP/0/RSP0/CPU0:router(config-mykeychain-1)#cryptographic-algorithm HMAC-SHA1-20	Configures the cryptographic algorithm for the key chain. Ensure that the key chain configuration always uses SHA-1 as the hash or keyed hash message authentication code (hmac) algorithm.
Step 5	Use the commit or end command.	commit —Saves the configuration changes and remains within the configuration session. end —Prompts user to take one of these actions: <ul style="list-style-type: none"> • Yes — Saves configuration changes and exits the configuration session. • No —Exits the configuration session without committing the configuration changes. • Cancel —Remains in the configuration session, without committing the configuration changes.

Configuring FIPS-compliant Certificates

Perform these steps to configure the FIPS-compliant certificates:

Before you begin

Refer the configuration steps in the [Enabling FIPS mode, on page 252](#) section for enabling the FIPS mode.

SUMMARY STEPS

1. **configure**
2. **crypto ca trustpoint** *ca-name* *key label*
3. Use the **commit** or **end** command.
4. **show crypto ca certificates**

DETAILED STEPS

	Command or Action	Purpose
Step 1	configure Example: RP/0/RSP0/CPU0:router# configure	Enters global configuration mode.
Step 2	crypto ca trustpoint <i>ca-name</i> <i>key label</i> Example: RP/0/RSP0/CPU0:router(config)#crypto ca trustpoint msiox rsakeypair	Configures the trustpoint by utilizing the desired RSA keys. Ensure that the certificates meet the FIPS requirements for key length and signature hash or encryption type. Note The minimum key length for RSA or DSA key is 1024 bits. The required hash algorithm is SHA-1-20.
Step 3	Use the commit or end command.	commit —Saves the configuration changes and remains within the configuration session. end —Prompts user to take one of these actions: <ul style="list-style-type: none"> • Yes — Saves configuration changes and exits the configuration session. • No —Exits the configuration session without committing the configuration changes. • Cancel —Remains in the configuration session, without committing the configuration changes.
Step 4	show crypto ca certificates Example: RP/0/RSP0/CPU0:router#show crypto ca certificates	Displays the information about the certificate

Configuring FIPS-compliant OSPFv3

Perform these steps to configure the FIPS-compliant OSPFv3:

Before you begin

Refer the configuration steps in the [Enabling FIPS mode, on page 252](#) section for enabling the FIPS mode.

SUMMARY STEPS

1. **configure**
2. **router ospfv3** *process name*
3. **area** *id*
4. **authentication** { **disable** | **ipsec spi** *spi-value* **sha1** [**clear** | **password**] *password* }
5. **exit**

6. `encryption {disable | {ipsec spi spi-value esp {3des | aes [192 | 256] [clear | password] encrypt-password} [authentication sha1 [clear | password] auth-password]}}`
7. Use the `commit` or `end` command.

DETAILED STEPS

	Command or Action	Purpose
Step 1	configure Example: RP/0/RSP0/CPU0:router# configure	Enters global configuration mode.
Step 2	router ospfv3 process name Example: RP/0/RSP0/CPU0:router(config)#router ospfv3 ospfname	Configures the OSPFv3 process.
Step 3	area id Example: RP/0/RSP0/CPU0:router(config-ospfv3)#area 1	Configures the OSPFv3 area ID. The ID can either be a decimal value or an IP address.
Step 4	authentication {disable ipsec spi spi-value sha1 [clear password] password} Example: RP/0/RSP0/CPU0:router(config-ospfv3-ar)#authentication ipsec spi 256 sha1 password pal	Enables authentication for OSPFv3. Note that the OSPFv3 configuration supports only SHA-1 for authentication. Note IPsec is supported only for Open Shortest Path First version 3 (OSPFv3).
Step 5	exit Example: RP/0/RSP0/CPU0:router(config-ospfv3-ar)#exit	Exits OSPFv3 area configuration and enters the OSPFv3 configuration mode.
Step 6	encryption {disable {ipsec spi spi-value esp {3des aes [192 256] [clear password] encrypt-password} [authentication sha1 [clear password] auth-password]}} Example: RP/0/RSP0/CPU0:router(config-ospfv3)#encryption ipsec spi 256 esp 3des password pwd	Encrypts and authenticates the OSPFv3 packets. Ensure that the OSPFv3 configuration uses the following for encryption in the configuration. <ul style="list-style-type: none"> • 3DES: Specifies the triple DES algorithm. • AES: Specifies the Advanced Encryption Standard (AES) algorithm. Ensure that SHA1 is chosen if the authentication option is specified.
Step 7	Use the <code>commit</code> or <code>end</code> command.	commit —Saves the configuration changes and remains within the configuration session. end —Prompts user to take one of these actions: <ul style="list-style-type: none"> • Yes — Saves configuration changes and exits the configuration session.

	Command or Action	Purpose
		<ul style="list-style-type: none"> • No —Exits the configuration session without committing the configuration changes. • Cancel —Remains in the configuration session, without committing the configuration changes.

Configuring FIPS-compliant SNMPv3 Server

Perform these steps to configure the FIPS-compliant SNMPv3 server:

Before you begin

Refer the configuration steps in the [Enabling FIPS mode, on page 252](#) section for enabling the FIPS mode.

SUMMARY STEPS

1. **configure**
2. **snmp-server user** *username groupname* {v3 [**auth sha** {clear | encrypted} *auth-password* [priv {3des | aes { 128 | 192 | 256} } {clear | encrypted} *priv-password*]] } [SDROwner | SystemOwner] *access-list-name*
3. Use the **commit** or **end** command.

DETAILED STEPS

	Command or Action	Purpose
Step 1	configure Example: RP/0/RSP0/CPU0:router#configure	Enters the global configuration mode.
Step 2	snmp-server user <i>username groupname</i> {v3 [auth sha {clear encrypted} <i>auth-password</i> [priv {3des aes { 128 192 256} } {clear encrypted} <i>priv-password</i>]] } [SDROwner SystemOwner] <i>access-list-name</i> Example: RP/0/RSP0/CPU0:router(config)#snmp-server user user1 g v3 auth sha clear pass priv aes 128 clear privp	Configures the SNMPv3 server.
Step 3	Use the commit or end command.	commit —Saves the configuration changes and remains within the configuration session. end —Prompts user to take one of these actions: <ul style="list-style-type: none"> • Yes — Saves configuration changes and exits the configuration session. • No —Exits the configuration session without committing the configuration changes.

	Command or Action	Purpose
		<ul style="list-style-type: none"> • Cancel —Remains in the configuration session, without committing the configuration changes.

Configuring FIPS-compliant SSH Client and Server

Perform these steps to configure the FIPS-compliant SSH Client and the Server:

Before you begin

Refer the configuration steps in the [Enabling FIPS mode, on page 252](#) section for enabling the FIPS mode.

SUMMARY STEPS

1. `ssh {ipv4-address | ipv6-address} cipher aes {128-CTR | 192-CTR | 256-CTR} username username`
2. `configure`
3. `ssh server v2`
4. Use the `commit` or `end` command.

DETAILED STEPS

	Command or Action	Purpose
Step 1	<code>ssh {ipv4-address ipv6-address} cipher aes {128-CTR 192-CTR 256-CTR} username username</code> Example: <pre>RP/0/RSP0/CPU0:router#ssh 10.1.2.3 cipher aes 128-CTR username user1</pre>	Configures the SSH client. Ensure that SSH client is configured only with the FIPS-approved ciphers. AES(Advanced Encryption Standard)-CTR (Counter mode) is the FIPS-compliant cipher algorithm with key lengths of 128, 192 and 256 bits.
Step 2	<code>configure</code> Example: <pre>RP/0/RSP0/CPU0:router# configure</pre>	Enters global configuration mode.
Step 3	<code>ssh server v2</code> Example: <pre>RP/0/RSP0/CPU0:router(config)#ssh server v2</pre>	Configures the SSH server.
Step 4	Use the <code>commit</code> or <code>end</code> command.	<p>commit —Saves the configuration changes and remains within the configuration session.</p> <p>end —Prompts user to take one of these actions:</p> <ul style="list-style-type: none"> • Yes — Saves configuration changes and exits the configuration session. • No —Exits the configuration session without committing the configuration changes.

	Command or Action	Purpose
		<ul style="list-style-type: none"> • Cancel —Remains in the configuration session, without committing the configuration changes.

Configuration Examples for Configuring FIPS

This section provides examples for configuring FIPS.

Configuring FIPS: Example

This example shows how to configure FIPS:

```
RP/0/3/CPU0:SSH#configure
RP/0/3/CPU0:SSH(config)#crypto fips-mode
RP/0/3/CPU0:SSH(config)#commit
RP/0/3/CPU0:SSH(config)#end
```

This example shows the output of **show logging** command:

```
RP/0/3/CPU0:SSH(config)#crypto fips-mode
RP/0/3/CPU0:SSH(config)#commit
RP/0/3/CPU0:SSH(config)#end
RP/0/3/CPU0:SSH#show logging

Syslog logging: enabled (0 messages dropped, 0 flushes, 0 overruns)
  Console logging: level debugging, 60 messages logged
  Monitor logging: level debugging, 0 messages logged
  Trap logging: level informational, 0 messages logged
  Buffer logging: level debugging, 3 messages logged

Log Buffer (9000000 bytes):
<output omitted>

Log Buffer (307200 bytes):

RP/0/RSP0/CPU0:Apr 16 12:48:17.736 : cepki[433]: The configuration setting for FIPS mode
has been modified. The system must be reloaded to finalize this configuration change. Please
refer to the IOS XR System Security Configuration Guide, Federal Information Process
Standard(FIPS) Overview section when modifying the FIPS mode setting.
RP/0/RSP0/CPU0:Apr 16 12:48:17.951 : config[65757]: %MGBL-CONFIG-6-DB_COMMIT :
Configuration committed by user 'lab'. Use 'show configuration commit changes 1000000002'
to view the changes.
RP/0/RSP0/CPU0:Apr 16 12:48:23.988 : config[65757]: %MGBL-SYS-5-CONFIG_I : Configured from
console by lab

....
....
....
```



CHAPTER 15

Implementing Cisco ASR 9000 vDDoS Mitigation

This module provides information about how to implement Cisco ASR 9000 vDDoS mitigation to protect network infrastructures and resources from distributed denial-of-service (DDoS) attacks.

- [Cisco ASR 9000 vDDoS Mitigation Overview, on page 261](#)
- [Information about Implementing Cisco ASR 9000 vDDoS Mitigation, on page 262](#)

Cisco ASR 9000 vDDoS Mitigation Overview

Distributed denial-of-service (DDoS) attacks target network infrastructures or computer services resources. The primary goal of DDoS attacks is to deny legitimate users access to a particular computer or network resources, which results in service degradation, loss of reputation, and irretrievable data loss. DDoS Mitigation is the process of detecting increasingly complex and deceptive assaults and mitigating the effects of the attack to ensure business continuity and resource availability.

The Arbor Peakflow solution protects customer networks by mitigating undesirable traffic caused by DDoS attacks. It comprises a number of functions as well as a set of hardware devices that implement those functions. Peakflow SP means the control components such as monitoring the network, detecting attacks, and coordinating an attack response. Peakflow SP runs on SP appliances or in virtual machines. Peakflow Threat Management System (TMS) or Peakflow SP TMS is the data plane component to remove DDoS attacks.

Using Netflow and BGP, Arbor Peakflow solution monitors the network ingress points to build a base line for network behavior and traffic patterns. It will then perform ongoing monitoring to detect anomalies and flag them as potential attacks. These potential attacks are presented to network operations via a GUI, email, or SNMP which allows a range of actions to be taken, including initiating a response or marking an event as a false alarm. If there is an attack, the Arbor Peakflow solution redirects all traffic for the destination through the TMS which can remove unwanted traffic and clean the traffic as effectively as possible without blocking valid connections. The new path to the TMS where the traffic from the original path is diverted is called off-ramp traffic path. The path from the TMS egress interface to the original destination of the traffic where the clean traffic is sent is called on-ramp traffic path.

Cisco has partnered with Arbor Networks to deliver DDoS attack mitigation capabilities on Cisco ASR 9000 Series routers by integrating the Threat Management System (TMS) DDoS mitigation functionality to the Cisco ASR 9000 router. The TMS will be implemented on the ASR 9000 VSM (Virtualized Services Module) hosted in the ASR 9000 chassis.

Information about Implementing Cisco ASR 9000 vDDoS Mitigation

There are different ways to implement DDoS mitigation. In the centralized model, a dedicated part of the network will be the scrubbing center (TMS) to clean the traffic and the traffic to the victim will be diverted to the scrubbing center. In the distributed approach, scrubbers are installed at the edge of the network. In the mixed approach, scrubbers will be present at the edge and the scrubbing center will handle the additional traffic. You should choose the mitigation strategy suitable for your network.

The mechanisms to create an effective diversion and re-injection path include BGP Flowspec, injecting a more specific route by diverting traffic to the victim in to the TMS, tunneling traffic to the TMS and from the TMS, putting the malicious and clean traffic in different VRFs or VPNs, and using ACL Based Forwarding (ABF) to steer traffic. These tools can be used in different combinations like tunnel diversion & VRF re-injection, diversion using a /32 prefix and VPN re-injection, and /32 diversion and GRE tunnel re-injection to implement a range of routing designs.

Prerequisites for Implementing Cisco ASR 9000 vDDoS Mitigation

These prerequisites are required to implement DDoS Mitigation support on the Cisco ASR 9000 Series Router.

- You need Cisco IOS XR software release 5.3.0 or later installed on the Cisco ASR 9000 Series Router.
- ASR 9000 Series Route Switch Processor 440 (RSP 440) or above is required.
- You need to insert the VSM card in the Cisco ASR 9000 Series Router.
- TFTP should be enabled on the Cisco ASR 9000 Series Router.
- You need to uninstall any pre-existing virtual service on the VSM card.
- You need to pair the ASR 9000 vDDoS solution with Arbor Peakflow SP.

Restrictions for Implementing Cisco ASR 9000 vDDoS Mitigation

The following restriction apply for implementing Cisco ASR 9000 vDDoS mitigation.

- Only one vDDoS instance is supported per VSM card.

Configuring Cisco ASR 9000 vDDoS Mitigation

This section provides information about the configuration tasks required for implementing ASR 9000 vDDoS mitigation. This section only provides information about Cisco ASR9000 specific configuration. For Arbor Peakflow SP configuration, see *Arbor Networks SP and Threat Management System (TMS) User Guide* .

Installing Cisco ASR 9000 vDDoS Software

Arbor Networks TMS and ArbOS are packaged together with configuration files in an Open Virtualization Archive (.ova) file. Installation of ASR 9000 vDDoS software on the VSM card consists of the following steps:

1. Copy the OVA file that contains Arbor TMS and Arbor OS to the ASR 9000 router using TFTP or FTP. Use the correct path and filename for your build. When you are prompted for the remote host, type the IP address of the remote host. For destination file name, press enter.

```
RP/0/RSP0/CPU0:router# copy tftp:/Peakflow-TMS-8.0.0-EKU0.ova disk0:
```

2. Enable the virtual service.

```
RP/0/RSP0/CPU0:router# virtual-service enable
RP/0/RSP0/CPU0:router# commit
```

3. Install the TMS VSM software.

```
RP/0/RSP0/CPU0:router# virtual-service install name tms3 package
/disk0:/Peakflow-TMS-8.0.0-EKU0.ova node 0/1/CPU0
```

The installation may take 10-12 minutes to complete.

4. Check the progress of the installation process by using the **show virtual-service list** command.

```
RP/0/RSP0/CPU0:router# show virtual-service list
```

If installation is in process, this command shows the status as installing. When installation is complete, you can rerun this show command to verify that the virtual service is listed as installed.

Configuring Interfaces for TMS Mitigation

Once you install the VSM module, twelve virtual Network Interface Card (vNIC) interfaces are available between the VSM module and the router. You can use some of these vNIC interfaces for TMS mitigation and others for management of the TMS virtual instance. The mitigation interfaces are bundled into a single logical interface. The logical interface can be divided into subinterfaces for diversion and re-injection of traffic.

1. Map vNIC interfaces on the router to TMS interfaces on the VSM card.

```
RP/0/RSP0/CPU0:router(config)# virtual-service tms3
RP/0/RSP0/CPU0:router(config-virt-service)# vnic interface tenGigE 0/1/1/0
RP/0/RSP0/CPU0:router(config-virt-service)# vnic interface tenGigE 0/1/1/1
RP/0/RSP0/CPU0:router(config-virt-service)# vnic interface tenGigE 0/1/1/2
RP/0/RSP0/CPU0:router(config-virt-service)# vnic interface tenGigE 0/1/1/3
RP/0/RSP0/CPU0:router(config-virt-service)# vnic interface tenGigE 0/1/1/4
RP/0/RSP0/CPU0:router(config-virt-service)# vnic interface tenGigE 0/1/1/5
RP/0/RSP0/CPU0:router(config-virt-service)# vnic interface tenGigE 0/1/1/6
RP/0/RSP0/CPU0:router(config-virt-service)# vnic interface tenGigE 0/1/1/7
RP/0/RSP0/CPU0:router(config-virt-service)# vnic interface tenGigE 0/1/1/8
RP/0/RSP0/CPU0:router(config-virt-service)# vnic interface tenGigE 0/1/1/9
RP/0/RSP0/CPU0:router(config-virt-service)# vnic interface tenGigE 0/1/1/10
RP/0/RSP0/CPU0:router(config-virt-service)# vnic interface tenGigE 0/1/1/11
RP/0/RSP0/CPU0:router(config-virt-service)# commit
RP/0/RSP0/CPU0:router(config-virt-service)# activate
RP/0/RSP0/CPU0:router(config-virt-service)# commit
```

2. Check the progress of the activation process by using the **show virtual-service list** command.

```
RP/0/RSP0/CPU0:router# show virtual-service list
```

Once the VM is activated, the status changes to activated.

3. Create ethernet bundle interface for mitigation interfaces 0-3 and 7-10.

```
RP/0/RSP0/CPU0:router(config)# interface Bundle-Ether 2
RP/0/RSP0/CPU0:router(config-if)# ipv4 address 10.1.2.3 255.0.0.0
RP/0/RSP0/CPU0:router(config-if)# bundle load-balancing hash src-ip
RP/0/RSP0/CPU0:router(config-if)# exit
```

4. Add member interfaces to the ethernet bundle.

```
RP/0/RSP0/CPU0:router(config)# interface TenGigE0/1/1/0
RP/0/RSP0/CPU0:router(config-if)# bundle-id 2 mode on
RP/0/RSP0/CPU0:router(config-if)# load interval 30
RP/0/RSP0/CPU0:router(config-if)# commit
```

```
RP/0/RSP0/CPU0:router(config)# interface TenGigE0/1/1/1
RP/0/RSP0/CPU0:router(config-if)# bundle-id 2 mode on
RP/0/RSP0/CPU0:router(config-if)# load interval 30
RP/0/RSP0/CPU0:router(config-if)# commit
```

```
RP/0/RSP0/CPU0:router(config)# interface TenGigE0/1/1/2
RP/0/RSP0/CPU0:router(config-if)# bundle-id 2 mode on
RP/0/RSP0/CPU0:router(config-if)# load interval 30
RP/0/RSP0/CPU0:router(config-if)# commit
```

```
RP/0/RSP0/CPU0:router(config)# interface TenGigE0/1/1/3
RP/0/RSP0/CPU0:router(config-if)# bundle-id 2 mode on
RP/0/RSP0/CPU0:router(config-if)# load interval 30
RP/0/RSP0/CPU0:router(config-if)# commit
```

```
RP/0/RSP0/CPU0:router(config)# interface TenGigE0/1/1/7
RP/0/RSP0/CPU0:router(config-if)# bundle-id 2 mode on
RP/0/RSP0/CPU0:router(config-if)# load interval 30
RP/0/RSP0/CPU0:router(config-if)# commit
```

```
RP/0/RSP0/CPU0:router(config)# interface TenGigE0/1/1/8
RP/0/RSP0/CPU0:router(config-if)# bundle-id 2 mode on
RP/0/RSP0/CPU0:router(config-if)# load interval 30
RP/0/RSP0/CPU0:router(config-if)# commit
```

```
RP/0/RSP0/CPU0:router(config)# interface TenGigE0/1/1/9
RP/0/RSP0/CPU0:router(config-if)# bundle-id 2 mode on
RP/0/RSP0/CPU0:router(config-if)# load interval 30
RP/0/RSP0/CPU0:router(config-if)# commit
```

```
RP/0/RSP0/CPU0:router(config)# interface TenGigE0/1/1/10
RP/0/RSP0/CPU0:router(config-if)# bundle-id 2 mode on
RP/0/RSP0/CPU0:router(config-if)# load interval 30
RP/0/RSP0/CPU0:router(config-if)# commit
```

5. Configure TMS management interfaces 5 and 6.

```
RP/0/RSP0/CPU0:router(config)# interface TenGigE0/1/1/5
RP/0/RSP0/CPU0:router(config-if)# ip address 10.2.1.10 255.255.255.0
RP/0/RSP0/CPU0:router(config-if)# load interval 30
RP/0/RSP0/CPU0:router(config-if)# commit
RP/0/RSP0/CPU0:router(config)# interface TenGigE0/1/1/6
RP/0/RSP0/CPU0:router(config-if)# ip address 10.2.1.5 255.255.255.0
RP/0/RSP0/CPU0:router(config-if)# load interval 30
RP/0/RSP0/CPU0:router(config-if)# commit
```

6. Set up unused interfaces 4 and 11.

```
RP/0/RSP0/CPU0:router(config)# interface TenGigE0/1/1/4
RP/0/RSP0/CPU0:router(config-if)# shut down
RP/0/RSP0/CPU0:router(config-if)# commit
RP/0/RSP0/CPU0:router(config)# interface TenGigE0/1/1/11
RP/0/RSP0/CPU0:router(config-if)# shut down
RP/0/RSP0/CPU0:router(config-if)# commit
```

7. Configure subinterfaces for diversion and re-injection.

```
RP/0/RSP0/CPU0:router(config)# interface Bundle-Ether 2.100
RP/0/RSP0/CPU0:router(config-subif)# encapsulation dot1q 100
RP/0/RSP0/CPU0:router(config-subif)# ipv4 address 10.1.2.100 255.255.255.240
RP/0/RSP0/CPU0:router(config-subif)# bundle load-balancing hash src-ip
RP/0/RSP0/CPU0:router(config)# interface Bundle-Ether 2.101
RP/0/RSP0/CPU0:router(config-subif)# encapsulation dot1q 101
RP/0/RSP0/CPU0:router(config-subif)# vrf onramp
RP/0/RSP0/CPU0:router(config-subif)# ipv4 address 10.1.2.130 255.255.255.240
```

Uninstalling the TMS Virtual Service

Before installing the TMS software on VSM card, you need to remove any existing TMS virtual service on the VSM card. Perform the followings steps to remove any instances of the TMS virtual service.

1. Enable the virtual services on the VSM card.

```
RP/0/RSP0/CPU0:router(config)# virtual-service enable
RP/0/RSP0/CPU0:router(config)# commit
```

2. Use the **show virtual-service list** command to see the list of virtual services available on the VSM card.

```
RP/0/RSP0/CPU0:router# show virtual-service list
```

3. If the TMS virtual instance is listed, de-activate the TMS virtual instance.

```
RP/0/RSP0/CPU0:router(config)# no virtual-service tms3
RP/0/RSP0/CPU0:router(config)# commit
```

4. Uninstall the TMS virtual instance.

```
RP/0/RSP0/CPU0:router# virtual-service uninstall name tms3 node 0/1/CPU0
```




CHAPTER 16

Implementing Secure Logging

This chapter describes the implementation of secure logging on the Cisco ASR 9000 Series Routers over Transport Layer Security (TLS). TLS, the successor of Secure Socket Layer (SSL), is an encryption protocol designed for data security over networks.

Table 16: Feature History Table

Release	Modification
Release 6.2.1	This feature was introduced.

- [System Logging over Transport Layer Security \(TLS\), on page 267](#)
- [Restrictions for Syslogs over TLS, on page 269](#)
- [Configuring Syslogs over TLS, on page 269](#)

System Logging over Transport Layer Security (TLS)

System Log (syslog) messages indicate the health of the device and provide valuable information about any problems encountered. By default, the syslog process sends messages to the console terminal.

Due to limited size of the logging buffer in a router, these syslog messages get overwritten in a short time. Moreover, the logging buffer doesn't retain syslogs across router reboots. To avoid these issues, you can configure the router to send syslog messages to an external syslog server for storage.



Note For more information on configuring system logging, see *Implementing Logging Services* chapter in the *System Monitoring Configuration Guide for Cisco ASR 9000 Series Routers*.

Traditionally, routers transfer syslogs to an external syslog server using User Datagram Protocol (UDP), which is an insecure way of transferring logs. To guarantee secure transport of syslogs, Cisco ASR 9000 Series Router supports Secure Logging based on RFC 5425 (Transport Layer Security Transport Mapping for Syslog). With this feature, the router sends syslogs to a remote server, over a trusted channel which implements the secure Transport Layer Security (TLS) encryption protocol.

TLS ensures secure transport of syslogs by:

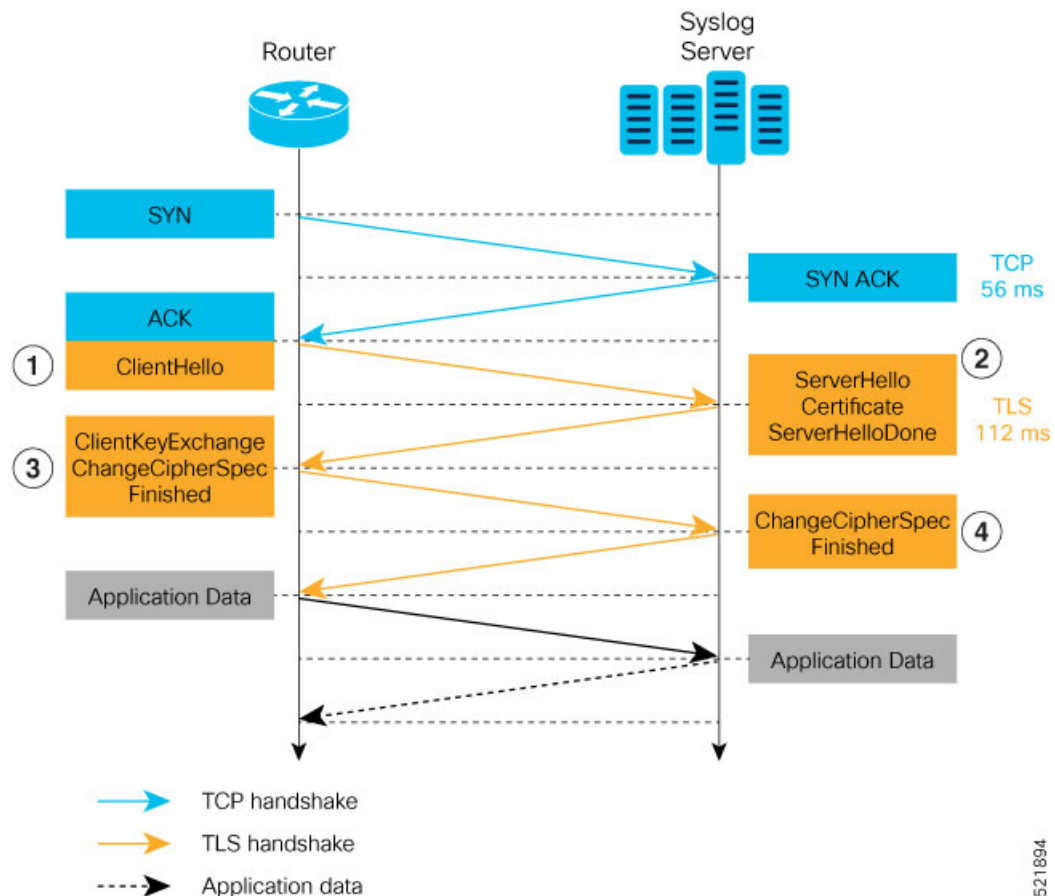
- Authenticating the server and client

- Encrypting the syslog data transferred
- Verifying the integrity of data

The Cisco ASR 9000 Series Router is the TLS client and remote syslog server is the TLS server. TLS runs over Transmission Control Protocol (TCP). So, the client must complete the TCP handshake with the server before starting TLS handshake.

Sequence of TLS Handshake

Figure 11: TLS Handshake



To establish the TLS session, the following interactions take place between the router and the syslog server after TCP handshake is complete:

1. The router sends Client Hello message to the server to begin TLS handshake.
2. The server shares its TLS certificate, which contains its public key and a unique session key, with the router to establish a secure connection. Each TLS certificate consists of a key pair made of a public key and private key.
3. The router confirms the server certificate with the Certification Authority and checks the validity of the TLS certificate. Then, the router sends a Change Cipher Spec message to the server to indicate that messages sent are encrypted using the negotiated key and algorithm.

4. The server decrypts the message using its private key. And then, sends back a Change Cipher Spec message encrypted with the session key to complete the TLS handshake and establish the session.

For more information on configuring Certification Authority interoperability, refer *Implementing Certification Authority Interoperability* chapter in this guide.

Restrictions for Syslogs over TLS

The following restrictions apply for sending syslogs to a remote syslog server over TLS:

- While configuring the settings for the syslog server on the router, specify only one server identifier, either the hostname or the ipv4/v6 address.
- In the TLS certificate of the syslog server, if Subject Alternative Name (SAN) field matches the configured server hostname but Common Name (CN) field doesn't match the configured server hostname, TLS session setup fails.

Configuring Syslogs over TLS

The following steps show how to configure syslog over TLS:

1. Configure the trust-point for establishing the TLS channel as shown:

```
Router#conf t
Router(config)#crypto ca trustpoint tp
Router(config-trustp)#subject-name CN=new
Router(config-trustp)#enrollment terminal
Router(config-trustp)#rsa-keypair k1
Router(config-trustp)#commit
```



Note You can either use the command `enrollment url SCEP-url` or the command `enrollment terminal` for configuring trustpoint certification authority (CA) enrollment. For more information, see *Implementing Certification Authority Interoperability* chapter in this guide.

2. Configure the settings to access the remote syslog server. You can use either the IPv4/v6 address of the server or the server hostname for this configuration. Based on the configured **severity**, the router sends syslogs to the server. Logging severity options include **alerts, critical, debugging, emergencies, errors, informational, notifications and warnings**. For more information about logging severity levels, see *Syslog Message Severity Level Definitions* topic in *Implementing Logging Services* chapter in *System Monitoring Configuration Guide for Cisco ASR 9000 Series Routers*.

This example shows you how to configure syslog server settings with the IPv4 address.

```
Router(config)#logging tls-server TEST
Router(config-logging-tls-peer)#severity debugging
Router(config-logging-tls-peer)#trustpoint tp
Router(config-logging-tls-peer)#address ipv4 10.105.230.83
Router(config-logging-tls-peer)#commit
```

Alternately, you can configure the syslog server settings with server hostname instead of the IPv4/v6 address.

```

Router(config)#logging tls-server TEST
Router(config-logging-tls-peer)#severity debugging
Router(config-logging-tls-peer)#trustpoint tp
Router(config-logging-tls-peer)#tls-hostname xyz.cisco.com
Router(config-logging-tls-peer)#commit

```

3. Configure the domain to map the IP address of the remote syslog server and its hostname.

```

Router(config)#domain ipv4 host xyz.cisco.com 10.105.230.83
Router(config)#domain name cisco.com
Router(config)#commit

```

Verification Steps

TCP port 6514 is the default port for syslog over TLS. Verify the TLS configuration by checking if port 6514 is associated with the IP address of the syslog server in the output of the command **show lpts bindings brief**.

```
Router#show lpts bindings brief
```

```
@ - Indirect binding; Sc - Scope
```

Location	Clnt	Sc	L3	L4	VRF-ID	Interface	Local-Address,Port	Remote-Address,Port
0/RP0/CPU0	TCP	LR	IPV4	TCP	default	any	5.10.18.5,35926	10.105.230.83,6514

The output of **show logging** command displays the IP address of the TLS server and the number of messages sent to the remote syslog server.

```
Router#show logging
```

```

Syslog logging: enabled (0 messages dropped, 0 flushes, 0 overruns)
  Console logging: level debugging, 185 messages logged
  Monitor logging: level debugging, 94 messages logged
  Trap logging: level informational, 0 messages logged
  Logging to TLS server 10.105.230.83, 66 message lines logged
  Buffer logging: level debugging, 183 messages logged

```

```

Log Buffer (2097152 bytes):
.....

```

The output of **show crypto ca certificates** command displays the Certification Authority (CA) certificate details.

```
Router#show crypto ca certificates
```

```

Trustpoint          : tp
=====
CA certificate
Serial Number      : B5:68:C8:96:A4:7C:1A:BA
Subject:
  CN=cacert,OU=SPBU,O=CSCO,L=BGL,ST=KA,C=IN
Issued By         :
  CN=cacert,OU=SPBU,O=CSCO,L=BGL,ST=KA,C=IN
Validity Start    : 05:39:51 UTC Tue Aug 13 2019
Validity End      : 05:39:51 UTC Mon Aug 08 2039

CRL Distribution Point
  http://10.105.236.78/crl_xxx/crl.der
SHA1 Fingerprint:

```

```
03BD57E04A2AA4648A84F515A46EF99CCF488387
```

When the TLS channel between the router and syslog server comes up, the router displays the following syslog messages on the console:

```
RP/0/RP0/CPU0: syslogd[148]: %SECURITY-XR_SSL-6-CERT_VERIFY_INFO : SSL Certificate
verification: Peer certificate verified successfully
RP/0/RP0/CPU0: syslogd[148]: %OS-SYSLOG-5-LOG_NOTICE : Secure Logging: Successfully
established TLS session , server :10.105.230.83
```

