



Cloud Native BNG User Plane Configuration Guide for Cisco ASR 9000 Series Routers, IOS XR Release 7.5.x

First Published: 2021-11-01

Americas Headquarters

Cisco Systems, Inc.
170 West Tasman Drive
San Jose, CA 95134-1706
USA
<http://www.cisco.com>
Tel: 408 526-4000
800 553-NETS (6387)
Fax: 408 527-0883

THE SPECIFICATIONS AND INFORMATION REGARDING THE PRODUCTS IN THIS MANUAL ARE SUBJECT TO CHANGE WITHOUT NOTICE. ALL STATEMENTS, INFORMATION, AND RECOMMENDATIONS IN THIS MANUAL ARE BELIEVED TO BE ACCURATE BUT ARE PRESENTED WITHOUT WARRANTY OF ANY KIND, EXPRESS OR IMPLIED. USERS MUST TAKE FULL RESPONSIBILITY FOR THEIR APPLICATION OF ANY PRODUCTS.

THE SOFTWARE LICENSE AND LIMITED WARRANTY FOR THE ACCOMPANYING PRODUCT ARE SET FORTH IN THE INFORMATION PACKET THAT SHIPPED WITH THE PRODUCT AND ARE INCORPORATED HEREIN BY THIS REFERENCE. IF YOU ARE UNABLE TO LOCATE THE SOFTWARE LICENSE OR LIMITED WARRANTY, CONTACT YOUR CISCO REPRESENTATIVE FOR A COPY.

The Cisco implementation of TCP header compression is an adaptation of a program developed by the University of California, Berkeley (UCB) as part of UCB's public domain version of the UNIX operating system. All rights reserved. Copyright © 1981, Regents of the University of California.

NOTWITHSTANDING ANY OTHER WARRANTY HEREIN, ALL DOCUMENT FILES AND SOFTWARE OF THESE SUPPLIERS ARE PROVIDED "AS IS" WITH ALL FAULTS. CISCO AND THE ABOVE-NAMED SUPPLIERS DISCLAIM ALL WARRANTIES, EXPRESSED OR IMPLIED, INCLUDING, WITHOUT LIMITATION, THOSE OF MERCHANTABILITY, FITNESS FOR A PARTICULAR PURPOSE AND NON-INFRINGEMENT OR ARISING FROM A COURSE OF DEALING, USAGE, OR TRADE PRACTICE.

IN NO EVENT SHALL CISCO OR ITS SUPPLIERS BE LIABLE FOR ANY INDIRECT, SPECIAL, CONSEQUENTIAL, OR INCIDENTAL DAMAGES, INCLUDING, WITHOUT LIMITATION, LOST PROFITS OR LOSS OR DAMAGE TO DATA ARISING OUT OF THE USE OR INABILITY TO USE THIS MANUAL, EVEN IF CISCO OR ITS SUPPLIERS HAVE BEEN ADVISED OF THE POSSIBILITY OF SUCH DAMAGES.

Any Internet Protocol (IP) addresses and phone numbers used in this document are not intended to be actual addresses and phone numbers. Any examples, command display output, network topology diagrams, and other figures included in the document are shown for illustrative purposes only. Any use of actual IP addresses or phone numbers in illustrative content is unintentional and coincidental.

All printed copies and duplicate soft copies of this document are considered uncontrolled. See the current online version for the latest version.

Cisco has more than 200 offices worldwide. Addresses and phone numbers are listed on the Cisco website at www.cisco.com/go/offices.

Cisco and the Cisco logo are trademarks or registered trademarks of Cisco and/or its affiliates in the U.S. and other countries. To view a list of Cisco trademarks, go to this URL: <https://www.cisco.com/c/en/us/about/legal/trademarks.html>. Third-party trademarks mentioned are the property of their respective owners. The use of the word partner does not imply a partnership relationship between Cisco and any other company. (1721R)

© 2021 Cisco Systems, Inc. All rights reserved.



CONTENTS

PREFACE

Preface v

Changes to This Document v

Communications, Services, and Additional Information v

CHAPTER 1

New and Changed Cloud Native BNG User Plane Features 1

Cloud Native BNG User Plane Features Added or Modified in IOS XR Release 7.5.x 1

CHAPTER 2

Cloud Native BNG Overview 3

Overview 3

Evolution of cnBNG 4

cnBNG Architecture 4

cnBNG Components 6

Subscriber Microservices Infrastructure 6

cnBNG Control Plane 7

cnBNG User Plane 8

License Information 8

Standard Compliance 9

Limitations and Restrictions 9

CHAPTER 3

Cloud Native BNG User Plane Overview 11

Control and User Plane Separation 11

cnBNG User Plane Overview 12

cnBNG User Plane Architecture 13

Software and Hardware Requirements 15

Access Types and Subscriber Types 16

Subscriber Features 16

High Availability 18

Usage Guidelines 18

Restrictions 19

CHAPTER 4	Installing Cloud Native BNG User Plane Packages	21
	Installing and Activating the cnBNG Package on the User Plane	21

CHAPTER 5	Configuring Cloud Native BNG User Plane	23
	Configure cnBNG User Plane	23
	Configure Basic User Plane Settings	23
	Configure Access-Interface	25
	Configure Loopback Interface	26
	Configure DHCP	26
	Configure Subscriber Gateway Address and Subnet Route	27
	Configure Route Summary	28
	Export Routes to Core Network	29
	Configure ARP Scale Mode	30

CHAPTER 6	Verifying Cloud Native BNG User Plane Configuration	31
	Verify cnBNG NAL Process Information	31
	Verify Control Plane Connection Status	32
	Verify Subscriber Information	33
	Verify cnBNG NAL Counters	42



Preface

The Cisco IOS XR Software Release 7.3.1 introduces the support for cloud native broadband network gateway (cnBNG) user plane for the Cisco IOS XR platform. cnBNG is an architectural evolution that is based on Control and User Plane Separation (CUPS), where the control plane (CP) and user plane (UP) run in distinct and independent environments. This book describes the cnBNG user plane functionality and related configurations on Cisco ASR 9000 Series Routers.

For details on the commands related to the cnBNG user plane, see the [Cloud Native Broadband Network Gateway User Plane Command Reference for Cisco ASR 9000 Series Routers](#).

For details on cnBNG deployment, the control plane functionality and the related configurations, see the *Cloud Native Broadband Network Gateway Control Plane Configuration Guide*.

To know more about physical BNG on the Cisco IOS XR platform, see the *Cisco ASR 9000 Series Aggregation Services Router Broadband Network Gateway Configuration Guide*.

This preface contains these sections:

- [Changes to This Document, on page v](#)
- [Communications, Services, and Additional Information, on page v](#)

Changes to This Document

Date	Summary
November 2021	Initial release of this document.

Communications, Services, and Additional Information

- To receive timely, relevant information from Cisco, sign up at [Cisco Profile Manager](#).
- To get the business impact you're looking for with the technologies that matter, visit [Cisco Services](#).
- To submit a service request, visit [Cisco Support](#).
- To discover and browse secure, validated enterprise-class apps, products, solutions and services, visit [Cisco Marketplace](#).
- To obtain general networking, training, and certification titles, visit [Cisco Press](#).

- To find warranty information for a specific product or product family, access [Cisco Warranty Finder](#).

Cisco Bug Search Tool

[Cisco Bug Search Tool](#) (BST) is a web-based tool that acts as a gateway to the Cisco bug tracking system that maintains a comprehensive list of defects and vulnerabilities in Cisco products and software. BST provides you with detailed defect information about your products and software.



CHAPTER 1

New and Changed Cloud Native BNG User Plane Features

This table summarizes the new and changed feature information for the *Cloud Native BNG User Plane Configuration Guide for Cisco ASR 9000 Series Routers*, and tells you where they are documented.

- [Cloud Native BNG User Plane Features Added or Modified in IOS XR Release 7.5.x](#) , on page 1

Cloud Native BNG User Plane Features Added or Modified in IOS XR Release 7.5.x

Feature	Description	Changed in Release	Where Documented
No new features	—	Release 7.5.1	—



CHAPTER 2

Cloud Native BNG Overview

The Cloud Native Broadband Network Gateway (cnBNG) redefines the traditional physical BNG by decoupling the subscriber management and forwarding functions of the control plane (CP) and user plane (UP) to give better flexibility and scalability for the service providers. The cnBNG architecture is based on Control and User Plane Separation (CUPS), where the CP performs the policy and charging rule function (PCRF), whereas the UP performs policy enforcement function (PEF) of the overall BNG subscriber management solution. The cnBNG solution provides optimum scale dimensioning in terms of the number of subscriber sessions and forwarding capacity and aims at rapid deployment of multi-access services for the users. It also acts as a step forward towards converging the fixed line and mobile networks at all network layers.

- [Overview, on page 3](#)
- [License Information, on page 8](#)
- [Standard Compliance, on page 9](#)
- [Limitations and Restrictions, on page 9](#)

Overview

The Broadband Network Gateway (BNG) is the access point for subscribers, through which they connect to the broadband network. When a connection is established between BNG and Customer Premise Equipment (CPE), the subscriber can access the broadband services provided by the Network Service Provider (NSP) or Internet Service Provider (ISP).

BNG establishes and manages subscriber sessions. When a session is active, BNG aggregates traffic from various subscriber sessions from an access network, and routes it to the network of the service provider.

BNG is deployed by the service provider and is present at the first aggregation point in the network, such as the edge router. An edge router, like the Cisco ASR 9000 Series Router, needs to be configured to act as the BNG. Because the subscriber directly connects to the edge router, BNG effectively manages subscriber access, and subscriber management functions such as:

- Authentication, Authorization, and Accounting (AAA) of subscriber sessions
- Address assignment
- Security
- Policy management
- Quality of Service (QoS)

Implementing the BNG provides the following benefits:

- Communicates with authentication, authorization, and accounting (AAA) server to perform session management and billing functions besides the routing function. This feature makes the BNG solution more comprehensive.
- Provides different network services to the subscriber. This enables the service provider to customize the broadband package for each customer based on their needs.

Cisco provides two BNG solutions:

- **Physical BNG** where the BNG Control Plane (CP) and the User Plane (UP) are tightly coupled inside a Cisco IOS XR platform where the CP runs on an x86 CPU and the UP runs on a physical NPU or ASIC.

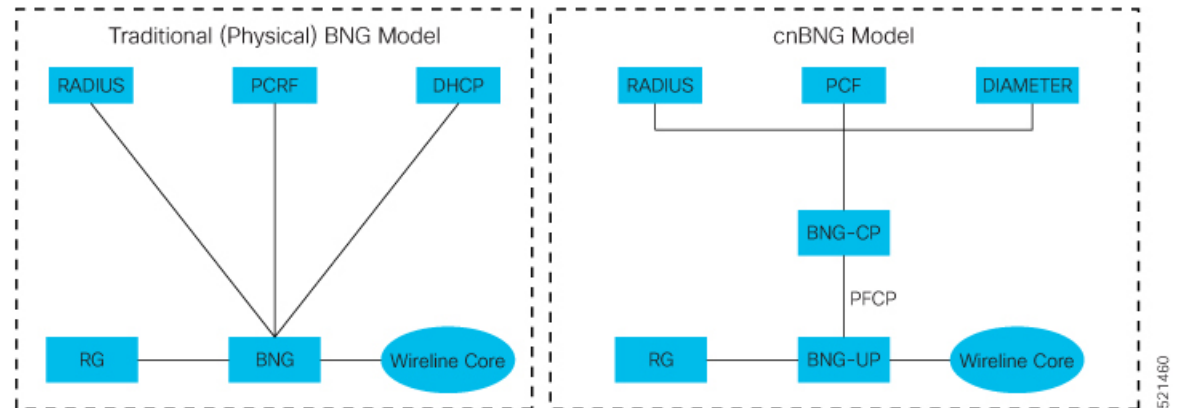
For more information about the physical BNG, refer to the latest version of the *Broadband Network Gateway Configuration Guide* for Cisco ASR 9000 Series Routers.

- **Virtual BNG (vBNG)** where the BNG CP and UP run in separate VM-based Cisco IOS XR software on general purpose x86 UCS servers.

Evolution of cnBNG

The Cisco Cloud Native Broadband Network Gateway (cnBNG) provides a new dimension to the Control Plane and User Plane Separation (CUPS) architecture of the Broadband Network Gateway (BNG), enabling flexibility and rapid scaling for Internet Service Providers (ISPs).

Figure 1: Evolution of BNG to cnBNG



The architectural change is an evolution from an integrated traditional BNG running on a single router to a disaggregated solution, where the centralized subscriber management runs on an elastic and scalable Cloud Native Control Plane (CP) and the User Plane (UP) delivers the forwarding functionality.

cnBNG Architecture

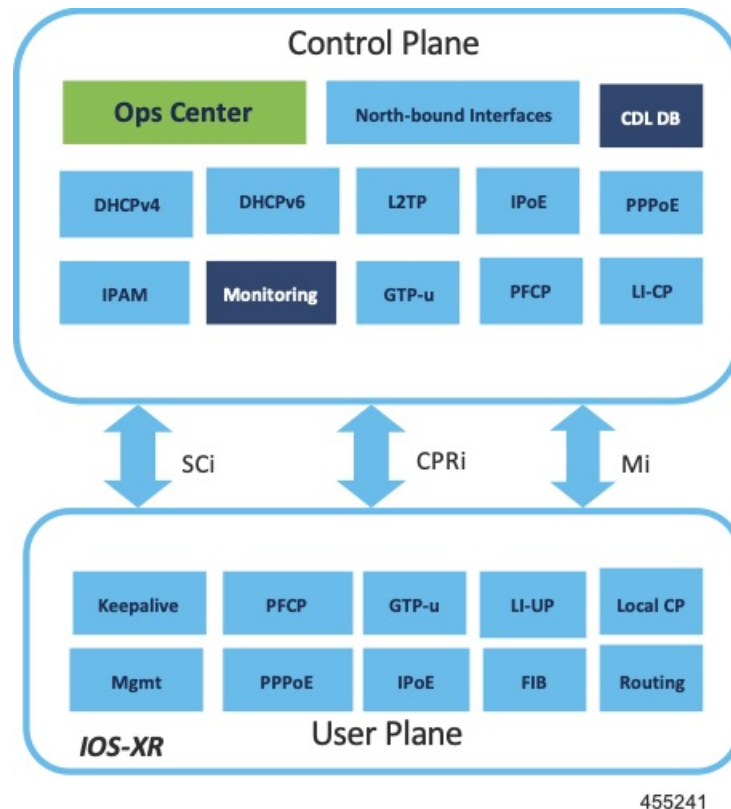
In the cnBNG architecture, the CPs and UPs are clearly and cleanly separated from each other and run in completely distinct and independent environments.

The BNG CP is moved out to a container-based microservice cloud environment.

The UP can be on any of the physical platforms that supports the BNG UP, like Cisco ASR 9000 Series Routers.

The following figure illustrates the overall cnBNG architecture.

Figure 2: cnBNG Architecture



Features and Benefits

The cnBNG supports the following features:

- **Path to convergence:** With shared Subscriber Management infrastructure, common microservices across the policy layer and shared UPs for BNG and Mobile back-haul, cnBNG paves the way for real Fixed Mobile Convergence (FMC).
- **Flexibility of scaling:** cnBNG architecture provides flexibility by decoupling the required scalability dimensions. The CP can be scaled with requirement of number of subscribers to be managed and UPs can be augmented based on the bandwidth requirements. Instead of building the CP for peak usage, the orchestrator can be triggered to deploy the relevant microservices as needed to handle the increased rate of transactions.
- **Distributed UPs:** With reduced operational complexity and minimal integration efforts with centralize CP, UPs can be distributed, closer to end-users to offload traffic to nearest peering points and CDNs. This feature reduces the core transport costs.
- **Cost effective and Leaner User planes:** With the subscriber management functions moved to cloud, you can choose cost-effective UP models for optimized deployment requirements.

The benefits of the cnBNG architecture are:

- Simplified and unified BNG CP
- Platform independent and Network Operation System (NOS) agnostic BNG CP
- Unified Policy interface across both BNG and mobility
- Common infrastructure across wireline and mobility
- Seamless migration from existing deployments
- Leverage the common infrastructure across access technologies
- Standardized model driven interface with the UP
- Data externalization for North-bound interfaces (NBI)
- Highly available and fault tolerant
- Simplified Subscriber Geo redundancy
- Horizontally scalable CP
- Independent CP and UP upgrades
- Feature agility with CI and CD
- Manageability and Operational Simplification

cnBNG Components

The cnBNG solution comprises of the following components:

Subscriber Microservices Infrastructure

The Cisco Ultra Cloud Core Subscriber Microservices Infrastructure (SMI) is a layered stack of cloud technologies that enable the rapid deployment, and seamless life-cycle operations for microservices-based applications.

The SMI stack consists of the following:

- **SMI Cluster Manager**—Creates the Kubernetes (K8s) cluster, creates the software repository, and provides ongoing LCM for the cluster including deployment, upgrades, and expansion.
- **Kubernetes Management**—Includes the K8s master and etcd functions, which provide LCM for the NF applications deployed in the cluster. This component also provides cluster health monitoring and resources scheduling.
- **Common Execution Environment (CEE)**—Provides common utilities and OAM functionalities for Cisco cloud native NFs and applications, including licensing and entitlement functions, configuration management, telemetry and alarm visualization, logging management, and troubleshooting utilities. Additionally, it provides consistent interaction and experience for all customer touch points and integration points in relation to these tools and deployed applications.
- **Common Data Layer (CDL)**—Provides a high performance, low latency, stateful data store, designed specifically for 5G and subscriber applications. This next generation data store offers HA in local or geo-redundant deployments.

- Service Mesh—Provides sophisticated message routing between application containers, enabling managed interconnectivity, additional security, and the ability to deploy new code and new configurations in low risk manner.
- NB Streaming—Provides Northbound Data Streaming service for billing and charging systems.
- NF/Application Worker nodes—The containers that comprise an NF application pod.
- NF/Application Endpoints (EPs)—The NF's/application's interfaces to other entities on the network.
- Application Programming Interfaces (APIs)—SMI provides various APIs for deployment, configuration, and management automation.

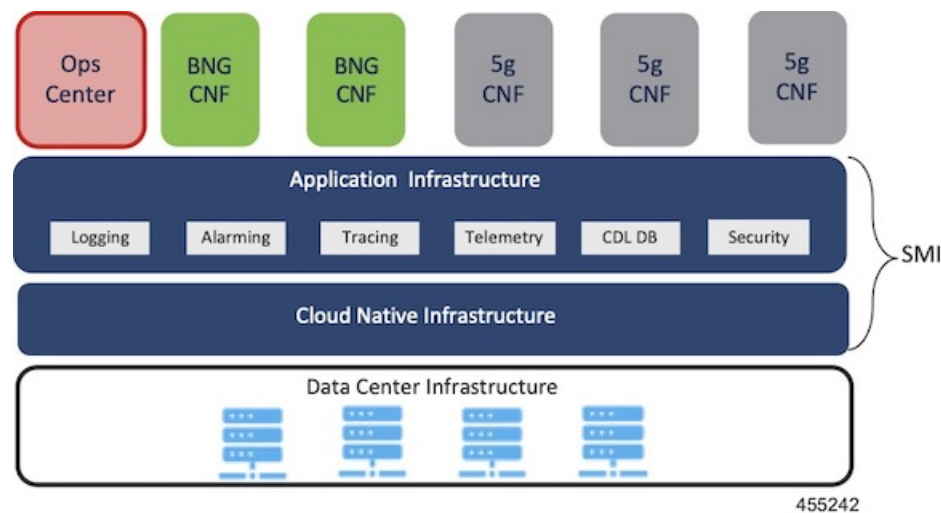
For more information on SMI components, refer to the "Overview" chapter of the *Ultra Cloud Core Subscriber Microservices Infrastructure* documentation—*Deployment Guide*.

For information on the Cisco Ultra Cloud Core, see <https://www.cisco.com/c/en/us/products/collateral/wireless/packet-core/datasheet-c78-744630.html>.

cnBNG Control Plane

The Cisco cnBNG CP is built on Cisco® Cloud Native Infrastructure, which is a Kubernetes-based platform that provides a common execution environment for container-based applications. This CP is built on principles of stateless microservices, to scale at-ease, introduce services much faster and more cost-effective.

Figure 3: cnBNG Control Plane Architecture



The CP runs as a Virtual Machine (VM) to adapt to existing service provider-deployed virtual infrastructure. It is built ground-up on a clean-slate architecture with a view on 'Converged Subscriber Services' and is aligned to 3gpp and BBF standards.

The cnBNG CP effectively manages the subscriber management functions such as:

- Authentication, authorization, and accounting of subscriber sessions
- IP Address assignment
- In-built DHCP Server

- Security
- Policy management
- Quality of Service (QoS)

Service providers can choose from wide choice of available ASR 9000 form factors, based on exact deployment requirements. The CUPS architecture allows to run these UPs in a distributed mode, to the edge of network, for early traffic offloads.

For more information about the cnBNG control plane, refer to the *Cloud Native Broadband Network Gateway Control Plane Configuration Guide*.

cnBNG User Plane

The UP delivers the forwarding functionality of the entire cnBNG solution. With the CP handling the subscriber management functionality, the cnBNG architecture enables the UP to be more distributed and interoperable with cnBNG CP with minimal integration efforts. The cnBNG Subscriber Provisioning Agent (SPA), which is the common interface between UP and CP, is bundled with the existing Cisco IOS XR image to transform an integrated physical BNG router to a cnBNG user plane.

For more information about the cnBNG UP, see the *Cloud Native BNG User Plane Overview* chapter.

License Information

cnBNG supports the following licenses:

License	Description
Application Base	Per cluster
Session (Increments)	Network-wide

These are the software license PIDs for cnBNG:

Cisco cnBNG Control Plane:

Product IDs	Description
CN-BNG-BASE-L	Base PID for cnBNG Control Plane (per cluster)
CN-BNG-100k-L	Session scale for 100,000 subscribers (network-wide) base licenses
CN-BNG-400k-L	Session scale for 400,000 subscribers (network-wide) base licenses
CN-BNG-1M-L	Session scale for 1,000,000 subscribers (network-wide) base licenses
CN-BNG-2M-L	Session scale for 2,000,000 subscribers (network-wide) base licenses

Cisco cnBNG User Planes:

Refer the ASR9000 data sheet for ordering information:

<https://www.cisco.com/c/en/us/products/routers/asr-9000-series-aggregation-services-routers/datasheet-listing.html>

Standard Compliance

cnBNG solution is aligned with the following standard:

TR-459 Control and User Plane Separation for a disaggregated BNG

Limitations and Restrictions

The cnBNG has the following limitations and restrictions in this release:

- High availability on CP is not supported.
- Only one subnet is supported per VRF.
- QoS provisioning is supported only through service.



CHAPTER 3

Cloud Native BNG User Plane Overview

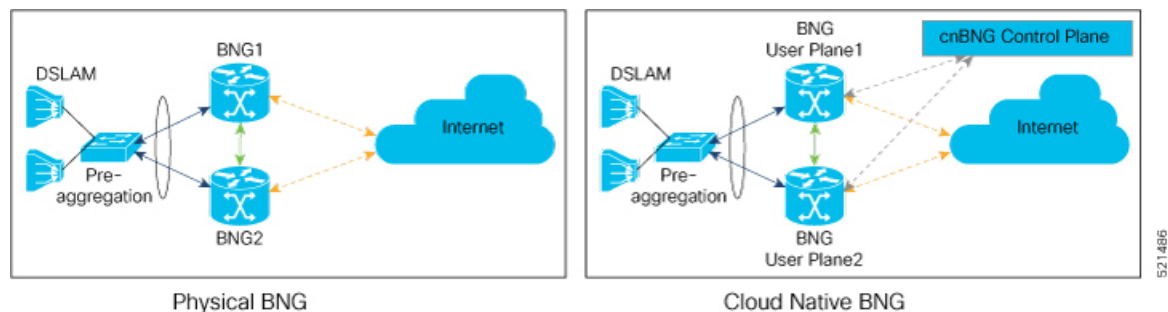
In the cnBNG architecture, which is based on Control and User Plane Separation (CUPS), the CP handles the subscriber management functionality and the UP handles the forwarding functionality of the entire BNG solution. This chapter focuses on the functionality and architecture of the cnBNG user plane.

For more details on the cnBNG control plane, see the *Cloud Native Broadband Network Gateway Control Plane Configuration Guide*.

- [Control and User Plane Separation, on page 11](#)
- [cnBNG User Plane Overview, on page 12](#)
- [cnBNG User Plane Architecture, on page 13](#)
- [Software and Hardware Requirements, on page 15](#)
- [Access Types and Subscriber Types, on page 16](#)
- [Subscriber Features, on page 16](#)
- [High Availability, on page 18](#)
- [Usage Guidelines, on page 18](#)
- [Restrictions, on page 19](#)

Control and User Plane Separation

cnBNG is an architectural evolution that is based on Control and User Plane Separation (CUPS), where the CP and UP run in distinct and independent environments. cnBNG redefines the traditional physical BNG by decoupling the BNG CP and UP functions to give better flexibility and scalability for the service providers. In cnBNG, the centralized subscriber management functionality of BNG runs on CP infrastructure and the user plane delivers the forwarding functionality.



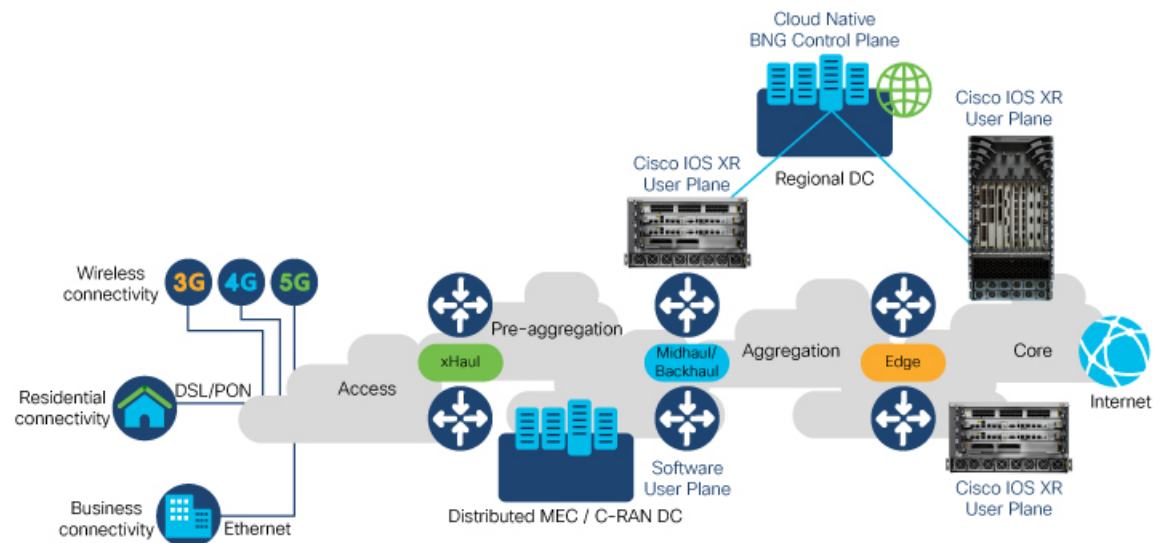
In Cisco cnBNG solution, a physical Cisco IOS XR platform like Cisco ASR 9000 Series Routers provides the UP functionality. Whereas Cisco Ultra Cloud Core Subscriber Microservices Infrastructure (SMI)—a container-based microservice cloud environment, provides the CP functionality.

Why CUPS?

CUPS provides the capability to independently scale the CP and UP in an efficient and dynamic manner. CUPS enables network operators to optimize data center costs by hosting the CP and UP in different geographic locations. CUPS thus saves on backhaul (the access to core connection) costs by terminating data at the edge of the network. The network operators can then easily adapt to the evolving demands of mobile networks without incurring extra capital expenditures (CapEx) and operating expenditures (OpEx). The CUPS solution thus promotes a more cost-effective approach to core mobile architecture and future-proofs the network for 5G.

cnBNG User Plane Overview

Sample Network Topology for Cloud Native BNG using CUPS



MEC – Mobile Edge Computing
C-RAN – Centralized-Radio Access Network

521464

In cloud native BNG (cnBNG), the CP provides the service policies that are sourced from the north-bound systems such as the RADIUS server or the policy and charging rules function (PCRF) node. Whereas the UP performs policy enforcement function (PEF) of the overall BNG subscriber management solution. The BNG CP protocols: RADIUS, DHCPv4, DHCPv6, PPPoE, PPP, and IP address pool management run on the CP. Whereas the non-BNG-specific protocols: IPv6 neighbor discovery (ND), ARP, routing protocols (like ISIS or BGP) that export subscriber subnet routes, and UDP or IP protocols that transport DHCPv4 or DHCPv6 payloads run on the UP.

The cnBNG UP models each subscriber as a unique flow. The system applies the subscriber features like quality of service (QoS), access control list (ACL), policy-based routing (PBR), lawful intercept (LI), accounting, and so on, on this flow. The DHCPv4, DHCPv6, PPPoE, and PPP protocols trigger the BNG subscriber flow. The UP presents these protocol packets to the cnBNG CP for authentication and authorization,

and for evaluating policy and charging rules. Once the subscriber is accepted, the UP creates the subscriber flow and applies features on this flow. The subscriber flow can also have multiple sub-flows, and you can apply specific features to these sub-flows.

Key Features and Benefits of cnBNG User Plane

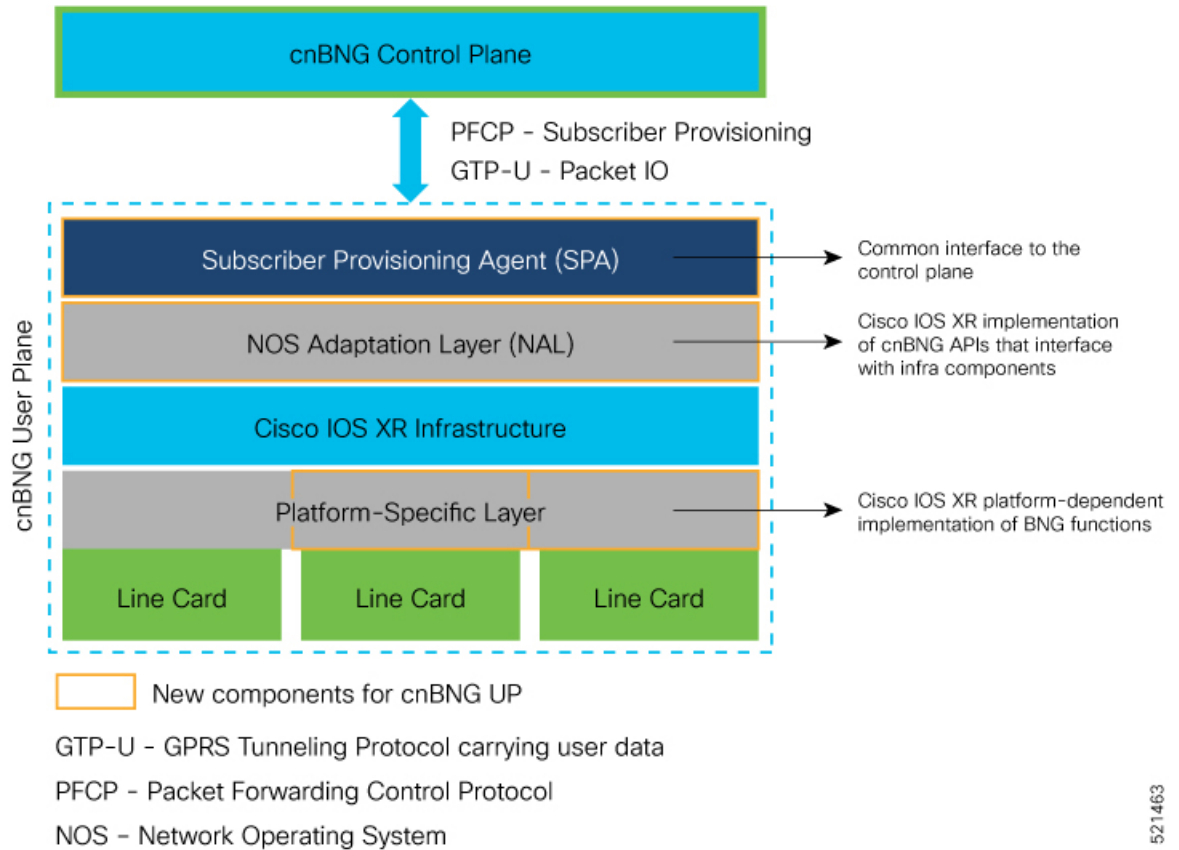
The key features and benefits of the cnBNG user plane are:

- **Distributed:** With reduced operational complexity and minimal integration efforts with centralized CP, you can distribute the UPs closer to end users. This feature helps to offload the traffic to the nearest peering points and content delivery networks (CDNs) and reduces the core transport costs.
- **Cost-effective and leaner:** With the subscriber management functions moved to cloud, you can choose cost-effective UP models for optimized deployment requirements.

cnBNG User Plane Architecture

The Cisco IOS XR platforms have a distributed hardware architecture that uses a switch fabric to interconnect a series of chassis slots. Each slot can hold one of several types of line cards (LCs). Each line card in these routers has integrated input-output and forwarding engines. The system can identify and handle the subscriber flow either on the route processor (RP) or on the LC. This architecture thereby provides multiple levels of redundancy and scalability for the subscriber management functionality in cnBNG.

Figure 4: Cloud Native BNG User Plane Architecture



521463

The cnBNG UP architecture is designed to interoperate with cnBNG CP with minimal integration efforts. The main components of cnBNG user plane on the Cisco IOS XR platform are:

- **Subscriber Provisioning Agent (SPA)**—is the common interface to the control plane that is bundled with the existing Cisco IOS XR image. This interface helps to have a minimal configuration requirement to transform from an integrated physical BNG router to a cnBNG user plane. SPA consists of a transport layer at the top that interfaces with the CP, and an API layer at the bottom that isolates the network operating system (NOS) and the CP. This isolation from the NOS helps to make the control plane hardware-agnostic and portable across multcloud environments.

The functionality of SPA includes:

- The support for standard PFCP port for a single UP connection.
 - The support for nonstandard ports for both PFCP and GTPv1-U for multiple connections.
 - UP to CP keep alive (KA) to detect any communication channel faults between CP-UP.
- **NOS Adaptation Layer (NAL)**—translates the CP instructions or messages coming to the UP to Cisco IOS XR-defined format. It is the Cisco IOS XR implementation of cnBNG APIs that interfaces with Cisco IOS XR infra components for various functions. These functions include input-output of packets, interface creation and deletion, subscriber feature provisioning, route operations, subscriber interface statistics and notifications. NAL also manages the subscriber flow on the Cisco IOS XR platform and handles the high availability (HA) requirements of Cisco IOS XR infrastructure.

The **cnbng-nal** is the internal process that provisions all the above NAL functionalities. For details on commands that are related to NAL, see the *Configuring Cloud Native BNG User Plane* chapter and the *Verifying Cloud Native BNG User Plane Configurations* chapter.

- **Platform-specific Layer**—is the API adaptation layer that helps to plug-in different types of hardware architectures to the common Cisco IOS XR infrastructure. This layer in turn helps to extend the user plane functionality to other Cisco IOS XR platforms without altering the basic infrastructure.

Platform-specific layer defines the forward API calls that each underlying platform of the user plane has to implement. The system uses these APIs to provision the following BNG functions:

- IPoE subscriber traffic classification—for L2-connected subscribers that are based on port, MAC, and VLAN.
- PPPoE subscriber traffic classification—for L2-connected subscribers that are based on port and PPPoE session-ID.

Software and Hardware Requirements

The support for cnBNG user plane functionality on Cisco ASR 9000 Series Routers is compatible with the following line card (LC), route switch processors (RSPs), and modular port adapters (MPAs).



Note The Cisco IOS XR Software Release 7.3.1 supports cnBNG UP only on Cisco ASR 9000 High Density 100GE Ethernet line cards. See the table for the list of supported PIDs.

Table 1: Software and Hardware Requirements for cnBNG User Plane

Cisco IOS XR Software Release	LC	RSP	MPA
Cisco IOS XR Software Release 7.3.1	<ul style="list-style-type: none"> • A9K-24X10GE-1G-SE • A9K-48X10GE-1G-SE • A9K-4X100GE-SE • A9K-MOD200-SE • A9K-MOD200-CM • A9K-MOD400-SE • A9K-MOD400-CM 	<ul style="list-style-type: none"> • A9K-RSP880-SE • A9K-RSP880-LT-SE • A99-RP-SE and A99-RP2-SE (on the Cisco ASR 9912 and the Cisco ASR 9922 chassis) • A99-RSP-SE (on the Cisco ASR 9910 and the Cisco ASR 9906 chassis) • A9K-RSP5-SE 	<ul style="list-style-type: none"> • A9K-MPA-1X100GE • A9K-MPA-2X100GE • A9K-MPA-4X10GE • A9K-MPA-8X10GE • A9K-MPA-20X10GE • A9K-MPA-20X1GE • A9K-MPA-1X40GE • A9K-MPA-2X40GE

Access Types and Subscriber Types

Access Types

The cnBNG user plane on Cisco IOS XR platform supports sub-interface Bundle-Ethernet access type with these encapsulations:

- **Single Dot1q**—which is the IEEE 802.1Q networking standard to support VLANs on an Ethernet network.
- **Double-tagged VLANs**—where two VLAN ID tags (inner tag and outer tag) are inserted into a single data frame. This encapsulation enables users to use their own VLANs inside the VLAN provided by the service provider.
- **Ambiguous VLANs**—that use a range or group of VLAN IDs that enables you to create multiple sessions on a single access-interface.

Subscriber Types

The IP subscriber sessions that connect through a Layer-2 aggregation network are called **L2-connected** sessions. Subscriber sessions where an IPv4 address and an IPv6 address co-exist for the same subscriber are called **dual-stack** subscriber sessions.

The cnBNG UP on Cisco IOS XR platform supports two types of **L2-connected dual-stack** subscriber sessions:

- **IPoE-DHCP dual-stack sessions:** In IP over Ethernet (IPoE) sessions, subscribers run IPv4 or IPv6 on the CPE device and connect to the BNG through an L2 aggregation network. These sessions rely on the DHCP protocol for assigning IP address for the subscriber.
- **PPPoE-DHCPv6 dual-stack PTA sessions:** The PPP over Ethernet (PPPoE) subscriber session is established using the point-to-point protocol (PPP) that runs between the CPE and BNG. These sessions rely on the standard PPP negotiations for subscriber authentication and IP address assignment.

In a PPP Termination and Aggregation (PTA) session, the PPP encapsulation terminates on BNG. After that the BNG routes the traffic to the service provider using IP routing.

Subscriber Features

This section lists the set of subscriber features that cnBNG user plane on the Cisco IOS XR platform supports.

- **IPv4 or IPv6:**
 - **Maximum Transmission Unit (MTU)**—that defines the maximum size of each packet that you can transmit during the subscriber session.
 - **Unicast Reverse Path Forwarding (URPF)**—that ensures that the system does not accept any traffic on the subscriber interface from malformed or forged IP source addresses.
 - **Internet Control Message Protocol (ICMP)**—a supporting protocol that networking devices use to send error messages and operational information to the originator of transmission.

- **Access Control List (ACL)**—that performs packet filtering to control the traffic flow into and out of network interfaces. It helps to define the access rights such as, filtering the content, blocking access to various resources and so on, for a subscriber .

Supported ACL types are:

- Input ACL (IPv4 or IPv6)
- Output ACL (IPv4 or IPv6)

- **QoS:**

- **Policing (input and output)**—that allows you to control the maximum rate of traffic sent or received on an interface. It also allows to partition a network into multiple priority levels or class of service (CoS).
- **Shaping (output)**—that allows you to control the traffic flow that exits an interface to match its transmission to the speed of the remote target interface. It also ensures that the traffic conforms to policies contracted for it.
- **Policy Merging**—that merges multiple QoS policies on a single subscriber. The UP supports a maximum of 6 policy-maps and 10 class-maps, including the default ones.

- **HTTP Redirect using PBR** (for input policy)—that redirects subscriber traffic to a destination other than to its original destination. Policy-based Routing (PBR) makes packet forwarding decisions based on the policy configurations, instead of routing protocols.
- **Accounting:** cnBNG UP supports periodic accounting for these accounting types:
 - **Session Accounting**—which is the statistics of a subscriber session.
 - **Service Accounting:**—which is the statistics for each service (collection of features) that is enabled for a subscriber.



Note

- You cannot enable service accounting without session accounting.
 - You cannot have different periodicity for session and service accounting.
-

- **Lawful Intercept** (for mediation device in default or non-default VRF)—that allows Law Enforcement Agencies (LEA) to conduct electronics surveillance as authorized by judicial or administrative order.

Read more about these features in the *Cisco ASR 9000 Series Aggregation Services Router Broadband Network Gateway Configuration Guide*.

Supported Parameter Limit for Subscriber Features

The cnBNG user plane on Cisco IOS XR platform supports a maximum of:

- 32 IP subnet pools
- 32 secondary IP addresses
- Eight QoS services

- Eight class-maps
- Six actions for multi-action change-of-authorization (MA-CoA)
(MA-CoA is a feature which enables the service providers to activate and deactivate multiple subscriber services using a single CoA request).

High Availability

High Availability (HA) enables network-wide protection by providing fast recovery from faults that may occur in any part of the network. The cnBNG user plane does not delete the subscriber state, summary subnet route state, subscriber route state, and so on, in a stable system except in a few scenarios. These scenarios can be either explicit execution of CLI commands to clear the session, process restart of peer process, mark and sweep procedure (an internal clean-up process which detects and reclaims the memory that is used by unused objects) of *cnbng-nal* process, route processor fail over (RPFO), or deletion of parent interface.

This section describes the expected behavior if a high availability event such as a router reload or RPFO occurs on the cnBNG user plane:

- NAL restores the last stable (check-pointed) session state with best effort after the HA event.
- To ensure data and session integrity between NAL and peer processes, the system triggers a mark and sweep procedure during *cnbng-nal* process restart. During this process, the NAL might not be able to restore the sessions due to unforeseen issues from the feature or from the IOS XR infra components. In that case, the system deletes those sessions and sends a notification to the CP.
- The *cnbng-nal* process restart does not initiate automatic reconciliation procedure between the CP and the UP. The CP triggers this explicitly using a CLI configuration.
- The Cisco IOS XR platform has active and standby hardware level support (active RSP and standby RSP) on logical interface subscriber. The data sync between these nodes is not real time. The *cnbng-nal* process periodically syncs for various internal data on a best-effort basis. There can be a few cases where session data is out of sync between route processors which leads to session recreate failure after RPFO. These cases maybe for recently created sessions or inflight sessions. The system deletes those sessions at UP and sends a notification to the CP.
- The CP acts on these notification events to make sure that the subscriber state is in sync. If not, it leads to out of sync sessions between the UP and the CP in such scenarios.
- During process restart or RPFO, mark and sweep procedure might lead to subscriber session deletion on UP.
- The UP might not push the final statistics if a process restart or RPFO happens while a subscriber or service deletion is in progress. In that case, the CP considers the last collected statistics PCRF or back-end statistics as the final statistics.

Usage Guidelines

These guidelines apply to using the cnBNG user plane functionality on the Cisco IOS XR platform:

- You must not perform these actions on the fly while active subscriber sessions are present on the router:
 - Removal of configurations

- Enabling or disabling service accounting
 - Deletion or modification of parent interface properties (such as IPv4 or IPv6 address, MTU, DHCPv4 initiator, PPPoE, DHCPv6 initiator and so on)
 - Deactivation of cnBNG package
 - Deletion or modification of VRF and loopback
 - Modification of service profile, and IPv4 or IPv6 address
- PPP keep alive (KA)—the user plane generates the PPP KA messages to the CPE to make packet transport more efficient between the CP and the UP. You must ensure that the duration of PPP keep alive is large enough (in tens of minutes) to have better CPU performance in scenarios with large subscriber scale.
 - If an update request having service deactivation fails, the UP reactivates the service as part of rollback and starts the statistics afresh from zero.
 - The CP-UP communication loss might cause the CP and UP to be in out of sync. There is no automated recovery mechanism for such scenarios.

Restrictions

The cnBNG user plane functionality on the Cisco IOS XR platform does not support these functionalities:

- Standalone PPP use case with cnBNG enabled
- Multiple loopbacks under a single VRF
- Per pool or VRF tag support for IP pool subnet routes installed with a specific tag for the entire UP
- Back-to-back RPFO or switchover without graceful shutdown
- Framed route
- LC-based subscribers and PWHE subscribers
- Subscriber redundancy group (SRG) for Bundle-Ethernet
- Enabling service accounting without session accounting
- Different periodicity for session and service accounting



CHAPTER 4

Installing Cloud Native BNG User Plane Packages

This chapter describes the procedure for installing cloud native BNG user plane packages on Cisco IOS XR platform.

- [Installing and Activating the cnBNG Package on the User Plane, on page 21](#)

Installing and Activating the cnBNG Package on the User Plane

Before you begin:

You must follow these guidelines before installing cnBNG package on the user plane:

- The cnBNG user plane functionality requires two packages to be installed on the router—the BNG support package (**asr9k-bng-supp-x64*.rpm**) and the cnBNG package (**asr9k-cnbnng-x64*.rpm**).
- You can install cnBNG as an optional package on the router. The standard Cisco Golden ISO (GISO) image does not contain the cnBNG package.
- The physical BNG package (**asr9k-bng-x64*.rpm**) and the cnBNG package (**asr9k-cnbnng-x64*.rpm**) are mutually exclusive. You cannot install both the packages on the router. The install operation fails if tried.
- You must uninstall and remove the physical BNG package and reboot the router prior to installing the cnBNG package on a router which is already being used as a physical BNG.
- You can either activate the BNG support package and the cnBNG package together as a single step or activate the BNG support package first and then activate the cnBNG package.
- The system does not support standalone PPP use case with cnBNG enabled. You must remove any PPP configuration before activating cnBNG on the router.

Installing and Activating the cnBNG Package on the User Plane

- **Step 1:** Install both the BNG support package and the cnBNG package from the RPM location to the router

Use the **install add source** command.

```
Router#install add source tftp://209.165.200.225/test-path/
asr9k-bng-supp-x64-1.0.0.0-r73105I.x86_64.rpm asr9k-cnbnng-x64-1.0.0.0-r73105I.x86_64.rpm
```

This step adds the BNG support package (**asr9k-bng-supp-x64-1.0.0.0-r73105I.x86_64.rpm**) and the cnBNG package (**asr9k-cnbnng-x64-1.0.0.0-r73105I.x86_64.rpm**) from the source location of the RPMs (**tftp://209.165.200.225/test-path/**) to the router.

- **Step 2:** Activate the packages

Use the **install activate activate-id** command.

Where, *activate-id* is the ID that you see on the router console once the **install add** operation in the previous step is completed.

```
Router#install activate 1
```

This step activates both the BNG support package and the cnBNG package which were installed as part of step 1.

- **Step 3:** Verify the activated packages.

Use the **show install active** command.

```
Router#show install active
Sun Apr 19 09:49:34.041 UTC
Node 0/RSP0/CPU0 [RP]
  Boot Partition: xr_lv0
  Active Packages: 5
    asr9k-xr-7.3.1.05I version=7.3.1.05I [Boot image]
    asr9k-bng-supp-x64-1.0.0.0-r73105I
    asr9k-cnbnng-x64-1.0.0.0-r73105I

Node 0/0/CPU0 [LC]
  Boot Partition: xr_lv0
  Active Packages: 5
    asr9k-xr-7.3.1.05I version=7.3.1.05I [Boot image]
    asr9k-bng-supp-x64-1.0.0.0-r73105I
    asr9k-cnbnng-x64-1.0.0.0-r73105I

Node 0/1/CPU0 [LC]
  Boot Partition: xr_lv0
  Active Packages: 5
    asr9k-xr-7.3.1.05I version=7.3.1.05I [Boot image]
    asr9k-bng-supp-x64-1.0.0.0-r73105I
    asr9k-cnbnng-x64-1.0.0.0-r73105I

Node 0/3/CPU0 [LC]
  Boot Partition: xr_lv0
  Active Packages: 5
    asr9k-xr-7.3.1.05I version=7.3.1.05I [Boot image]
    asr9k-bng-supp-x64-1.0.0.0-r73105I
    asr9k-cnbnng-x64-1.0.0.0-r73105I
```

The *Active Packages* parameter in the show command output lists the BNG support package and the cnBNG package. This shows successful activation of the packages.

This step completes the installation and activation of cnBNG package on the user plane.



CHAPTER 5

Configuring Cloud Native BNG User Plane

This chapter describes the configuration procedures to achieve the cnBNG user plane functionality on Cisco ASR 9000 Series Routers.

For details on cnBNG user plane commands, see the *Cloud Native BNG Command Reference for Cisco ASR 9000 Series Routers*.

- [Configure cnBNG User Plane, on page 23](#)

Configure cnBNG User Plane

Before you begin:

You must follow these guidelines for configuring cnBNG user plane:

- You must perform a complete reimage followed by a reboot of the router if you are switching between physical BNG to cnBNG, or the other way around.
- Ensure that the cnBNG package is installed and activated on the user plane. See the *Installing Cloud Native BNG User Plane Packages* chapter for detailed procedure.
- The system does not support the removal of configurations while active sessions are present. You must delete all active sessions and dissociate the CP-UP connection prior to any configuration change or commit replace procedure.

Configuration Procedure

You must perform the following tasks for the UP to spawn the NAL process, to establish connection with the CP, and to provision the subscriber requests.

Configure Basic User Plane Settings

The basic user plane configuration for cnBNG involves these high-level tasks:

- Configuring the server endpoints of CP to which UP can send PFCP or GTP-U messages to enable cnBNG on the router.
- Configuring a loopback interface for each VRF.
- Configuring a route tag for subscriber summary routes.

- Configuring the access-interface to enable IPoE and PPPoE subscribers.

The cnBNG endpoint configurations on the UP are delivered to the cnBNG SPA component for initiating connection with the CP.

Configuration Procedure

This section describes the steps for the basic user plane configuration, which include certain mandatory and optional configurations.

Mandatory Configurations:

- Specifying a unique name for the UP-server instance.
- Specifying the details of the UP server (such as IP address, GTP port, and PFCP port) to which the CP can send PFCP or GTP-U messages.
- Specifying the details of CP server to which the UP can send PFCP or GTP-U messages.
- Specifying the retry count for CP-UP association.
- Enabling secondary address programming.
- Specifying a name for the auto-loopback VRF.
- Configuring a loopback interface to associate with the above VRF.
- Specifying a primary address for the loopback interface.

Optional Configuration:

- Configuring a route summary tag for the routes to add in the routing table

Configuration Example

```
Router#configure
Router(config)#cnbng-nal location 0/RSP0/CPU0
Router(config-cnbng-nal-local)#hostidentifier asr9k-1
Router(config-cnbng-nal-local)#cp-server primary ipv4 198.51.100.1
Router(config-cnbng-nal-local)#up-server ipv4 192.0.2.1 gtp-port 15002 pfcf-port 15003 vrf
default
Router(config-cnbng-nal-local)#secondary-address-update-enable
Router(config-cnbng-nal-local)#cp-association retry-count 10
Router(config-cnbng-nal-local)#auto-loopback vrf test
Router(config-cnbng-nal-local-auto-loopback-vrf)#interface Loopback2
Router(config-cnbng-nal-local-auto-loopback-vrf-int)#primary-address 127.0.0.1
Router(config-cnbng-nal-local-auto-loopback-vrf-int)#exit
Router(config-cnbng-nal-local-auto-loopback-vrf)#exit
/* Auto-loopback configuration for default VRF */
Router(config-cnbng-nal-local)#auto-loopback vrf default
Router(config-cnbng-nal-local-auto-loopback-vrf)#interface Loopback1
Router(config-cnbng-nal-local-auto-loopback-vrf-int)#primary-address 10.0.0.1
Router(config-cnbng-nal-local-auto-loopback-vrf-int)#exit
Router(config-cnbng-nal-local-auto-loopback-vrf)#exit
Router(config-cnbng-nal-local)#route-summary tag 4
Router(config-cnbng-nal-local)#commit
```

Running Configuration

```
Router#show running-config cnbng-nal location 0/RSP0/CPU0
cnbng-nal location 0/RSP0/CPU0
  hostidentifier asr9k-1
  up-server ipv4 192.0.2.1 vrf default
  gtp-port 15002
  pfcf-port 15003
  cp-server primary ipv4 198.51.100.1
  secondary-address-update-enable
  cp-association retry-count 10
  auto-loopback vrf test
  interface Loopback2
    primary-address 127.0.0.1
  !
  !
  auto-loopback vrf default
  interface Loopback1
    primary-address 10.0.0.1
  !
  !
  route-summary tag 4
  !
```

Configure Access-Interface

This section describes how to configure the access-interface and to enable PPPoE on the cnBNG user plane.

Configuration Example

```
Router#configure
Router(config)#interface Bundle-Ether1.1
Router(config-subif)#ipv4 point-to-point
Router(config-subif)#ipv4 unnumbered Loopback1
Router(config-subif)#ipv6 enable
Router(config-subif)#encapsulation dot1q 1
Router(config-subif)#ipsubscriber
Router(config-cnbng-nal-ipsub)#ipv4 l2-connected
Router(config-cnbng-nal-ipsub-l2conn)#initiator dhcp
Router(config-cnbng-nal-ipsub-l2conn)#exit
Router(config-cnbng-nal-ipsub)#ipv6 l2-connected
Router(config-cnbng-nal-ipsub-ipv6-l2conn)#initiator dhcp
Router(config-cnbng-nal-ipsub-ipv6-l2conn)#exit
Router(config-cnbng-nal-ipsub)#exit

/* Enable PPPoE */
Router(config-subif)#pppoe enable
Router(config-subif)#commit
```

Running Configuration

```
Router#show running-config interface bel.1
interface Bundle-Ether1.1
  ipv4 point-to-point
  ipv4 unnumbered Loopback1
  ipv6 enable
  encapsulation dot1q 1
  ipsubscriber
```

```

ipv4 l2-connected
  initiator dhcp
!
ipv6 l2-connected
  initiator dhcp
!
!
pppoe enable
!
```

Configure Loopback Interface

This section describes how to configure the loopback interface for cnBNG user plane.



Note You must not configure any IP address under loopback interface.

Configuration Example

```

Router#configure
Router(config)#interface loopback 2
Router(config-if)#ipv6 enable
Router(config-if)#commit
```

Running Configuration

```

Router#show running-config interface loopback 2
interface Loopback2
  ipv6 enable
!
```

Configure DHCP

This section describes the steps to configure DHCP for cnBNG BNG user plane.

The basic DHCP configurations include these steps:

- Creating a cnBNG profile
- Assigning the cnBNG profile to access-interfaces

Configuration Example

```

Router(config)#dhcp ipv4
/* Create a cnBNG profile */
Router(config-dhcpv4)#profile cnbng_1 cnbng
Router(config-dhcpv4-cnbng-profile)#exit
/* Assign the cnBNG profile to access-interfaces */
Router(config-dhcpv4)#interface bundle-Ether 1.1 cnbng profile cnbng_1
Router(config-dhcpv4)#interface bundle-Ether 2.1 cnbng profile cnbng_1
Router(config-dhcpv4)#commit
```


Similarly, you can configure the DHCP IPv6 profiles.

Running Configuration

```
Router#show run dhcp ipv4
Wed Oct 14 16:48:56.814 UTC
dhcp ipv4
  profile cnbng_1 cnbng
  !
  interface Bundle-Ether1.1 cnbng profile cnbng_1
  interface Bundle-Ether2.1 cnbng profile cnbng_1
  !
```

```
Router#show run dhcp ipv6
Wed Oct 14 16:49:19.095 UTC
dhcp ipv6
  profile cnbng_1 cnbng
  !
  interface Bundle-Ether1.1 cnbng profile cnbng_1
  interface Bundle-Ether2.1 cnbng profile cnbng_1
  !
```

Configure Subscriber Gateway Address and Subnet Route

In cnBNG, the IP address management is more dynamic. Hence, the loopback interface for IPoE or PPPoE subscribers is not provisioned in the user profile of the subscriber.



Note For every VRF, one loopback must be present on the UP.

Consider this example,

```
On RSP0:
Tue Jul 28 05:55:13.015 UTC
cnbng-nal location 0/RSP0/CPU0
hostidentifier asr9k-1
up-server ipv4 192.0.2.1 vrf default
cp-server primary ipv4 198.51.100.1
auto-loopback vrf default
  interface Loopback1
    primary-address 10.0.0.1
  !
!
On RSP1:
Tue Jul 28 05:56:13.015 UTC
cnbng-nal location 0/RSP1/CPU0
hostidentifier asr9k-1
up-server ipv4 192.0.2.1 vrf default
cp-server primary ipv4 198.51.100.1
auto-loopback vrf default
  interface Loopback1
    primary-address 10.0.0.1
  !
!
```

In this example, the CP assigns 10.11.12.0/24 as subnet, and 10.11.12.1/32 as gateway address to subscribers under the default VRF. This gateway address serves as the DHCPv4 server address for DHCPv4 OFFER or ACK messages. The *cnbng-nal* process uses Operations Center (OC) to configure this gateway address as secondary IP address on the loopback and route provision APIs to program the entry in L3 routing table.



Note The system supports a maximum of 32 secondary IP addresses under an interface.

```
Router#show ipv4 interface loopback 1
Tue Jul 28 05:29:58.741 UTC
Loopback1 is Up, ipv4 protocol is Up
  Vrf is default (vrfid 0x60000000)
  Internet address is 10.0.0.1/32
  Secondary address 10.11.12.1/32
```

```
Router#show route vrf all ipv4 subscriber
A   10.11.12.0/24 [1/0] via 0.0.0.0, 00:10:29
```



Note The dynamic programming of the subnet (secondary gateway) under the loopback causes a major churn on the UP if large scale of active subscribers is present on the node. Hence, the secondary address programming is disabled, by default.

Enable Secondary Address Programming

It is mandatory to enable the secondary address programming on cnBNG user plane. To enable that, use the **secondary-address-update enable** command under the *cnbng-nal* configuration mode.

Configuration Example

```
Router#configure
Router(config)#cnbng-nal location 0/RSP0/CPU0
Router(config-cnbng-nal)#secondary-address-update enable
Router(config-cnbng-nal)#commit
```

Running Configuration

```
Router#show running-config cnbng-nal location 0/RSP0/CPU0
cnbng-nal location 0/RSP0/CPU0
  secondary-address-update enable
!
```

Configure Route Summary

This section describes the steps to configure route summary for the cnBNG user plane.

The NAL handles the following routes:

- Individual subscriber routes
- Summary routes for subscriber pool subnet

The subscriber routes are part of the subscriber provisioning message, which includes:

- WAN IP address (/32 or /128 subnet)
- LAN IP (prefix delegation)

The summary routes are for the subscriber pool subnet which are exported to the core network to download traffic towards the subscriber. On physical BNG, the subscriber pool subnets were configured as static routes and redistributed through BGP or IGP. With cnBNG and auto-loopback selection, these subnets for the subscribers are added dynamically to the loopback. Every time a new subscriber pool subnet is added to the loopback, the same is added to the RIB with the tag that is provided by the CP. If tag is '0', the NAL uses the tag configured under the cnbng-nal. Routes with this tag can be exported to the core using the Routing Protocol for Low-Power and Lossy Networks (RPLs).

To configure route summary, use the **route-summary** command under the cnbng-nal configuration mode.

Configuration Example

```
Router#configure
Router(config)#cnbng-nal location 0/RSP0/CPU0
Router(config-cnbng-nal)#route-summary tag 10
Router(config-cnbng-nal)#commit
```

Running Configuration

```
Router#show running-config cnbng-nal location 0/RSP0/CPU0
cnbng-nal location 0/RSP0/CPU0
  route-summary tag 10
!
```

After the first subnet is installed on NAL, the following routes are added to the system:

```
A 10.11.12.0/24 [1/0] via 0.0.0.0, 0d01h
```

Export Routes to Core Network

This section describes how to export routes to core network as part of enabling cnBNG user plane functionality.

Configuration Example

```
Router#configure
Router(config)#route-policy test-policy-cnbng
Router(config-rpl)#if tag eq 10 then
Router(config-rpl-if)#set community (123:100)
Router(config-rpl-if)#done
Router(config-rpl-if)#endif
Router(config-rpl)#end-policy
Router(config)#commit
```

```
Router(config)#router ospf 10
Router(config-ospf)#vrf test-vrf-cnbnng
Router(config-ospf-vrf)#redistribute subscriber route-policy test-policy-cnbnng
Router(config-ospf-vrf)#commit
```

Running Configuration

```
Router#show running-config route-policy test-policy-cnbnng
route-policy test-policy-cnbnng

    if tag eq 10 then

        set community (123:100)

    done

endif

end-policy
!

Router#show running-config router ospf
router ospf 10
vrf test-vrf-cnbnng
redistribute subscriber route-policy test-policy-cnbnng
!
```

Configure ARP Scale Mode

This section describes the steps to configure ARP scale mode for the cloud-native BNG user plane.

To disable interface entry creation by ARP for each subscriber interface on the data plane (line cards), you must enable ARP scale mode for the subscriber using the **arp scale-mode-enable** command in subscriber configuration mode.

Configuration Example

```
Router#configure
Router(config)#subscriber
Router(config-subscriber)#arp scale-mode-enable
Router(config-subscriber)#commit
```

Running Configuration

```
Router#show running-config subscriber
Sat Aug 22 06:36:21.422 UTC
subscriber
arp scale-mode-enable
!
```



CHAPTER 6

Verifying Cloud Native BNG User Plane Configuration

This chapter describes the show commands to be executed on the router to verify cloud native BNG user plane configuration.

For details on cnBNG commands, see the *Cloud Native BNG Command Reference for Cisco ASR 9000 Series Routers*.

- [Verify cnBNG NAL Process Information, on page 31](#)
- [Verify Control Plane Connection Status, on page 32](#)
- [Verify Subscriber Information, on page 33](#)
- [Verify cnBNG NAL Counters, on page 42](#)

Verify cnBNG NAL Process Information

You can use the following commands to verify the NAL process information on cnBNG user plane.

- ```
Router#show cnbng-nal process-info location 0/RSP0/CPU0
Mon Aug 3 00:12:42.080 UTC

Location: 0/RSP0/CPU0

HA Pre_Init Role : PRIMARY
HA Role : PRIMARY
Restart-flag : FALSE
card_type : 0
Node-Id : 0
Disc-Hist File-logging : FALSE
Test-server config-enabled: FALSE

Proc-flags : 8000FFBF

OT Connection Status: UP
IM Connection Status: UP
IPv4 RIB Connection Status: UP
IPv6 RIB Connection Status: UP
SUBDB Connection Status: UP
```
- ```
Router#show cnbng-nal process-readiness
```

```

Mon Aug 3 00:12:00.778 UTC

Location: 0/RSP1/CPU0

NAL resync pending flags:
  Service Resync Pending
  Interface Resync Pending
  IPv4 Route Resync Pending
  IPv6 Route Resync Pending

SIR status: not ready

Location: 0/RSP0/CPU0
NAL resync pending flags:
  NONE

SIR status: ready

```

```

•
Router#show processes cnbng_nal
Fri Sep 11 09:22:45.139 UTC
      Job Id: 456
      PID: 1543

```

```

Router#show processes memory 1543
Fri Sep 11 09:24:12.398 UTC
-----
JID      Text(KB)   Data(KB)   Stack(KB)  Dynamic(KB)  Process
-----
456      992        1700604    200        19999        cnbng_nal

```

Verify Control Plane Connection Status

You can use the following command to verify the connection status of cnBNG control plane.

```

•
Router#show cnbng-nal cp connection status
Fri Feb 19 11:27:31.178 UTC

Location: 0/RSP0/CPU0

User-Plane configurations:
-----
IP          : 10.105.227.96
GTP Port   : 2152
PFCP Port  : 8805
VRF        : default

Control-Plane configurations:
-----
PRIMARY IP  : 10.84.102.235
GTP Port   : 2152
PFCP Port  : 8805

Association retry count: 10

Connection Status: Up
Connection Status time stamp: Thu Feb 11 12:46:19 2021

```

```

Connection Prev Status : Down
Connection Prev Status time stamp: Thu Feb 11 12:44:55 2021

```

```

Association status: Active
Association status time stamp: Thu Feb 11 12:46:18 2021

```

Verify Subscriber Information

You can use the following commands to verify subscriber information on the cnBNG user plane.

```

•
Router#show cnbng-nal subscriber access-interface bundle-Ether 1.1
Mon Aug 3 00:04:42.558 UTC
=====
Location: 0/RSP0/CPU0
=====

              Type                PPPoE                IPoE
              ====                =====                ===

Session Counts by State:
  initializing                0                    0
  connecting                  0                    0
  connected                   0                    0
  activated                   0                    8000
  idle                        0                    0
  disconnecting               0                    0
  Total:                      0                    8000

Session Counts by Address-Family:
  none                        0                    0
  ipv4                        0                    0
  ipv6                        0                    8000
  dual                        0                    0
  Total:                      0                    8000

=====
Location: 0/RSP1/CPU0
=====

              Type                PPPoE                IPoE
              ====                =====                ===

Session Counts by State:
  initializing                0                    0
  connecting                  0                    0
  connected                   0                    0
  activated                   0                    8000
  idle                        0                    0
  disconnecting               0                    0
  Total:                      0                    8000

Session Counts by Address-Family:
  none                        0                    0
  ipv4                        0                    0
  ipv6                        0                    8000

```

```

          dual          0          0
    Total:             0          8000

```

```

•
Router#show cnbng-nal subscriber all
Fri Sep 11 06:07:52.343 UTC
  Codes: CN - Connecting, CD - Connected, AC - Activated,
         ID - Idle, DN - Disconnecting, IN - Initializing

```

```

CPID(hex)Interface          State Mac Address      Subscriber IP Addr / Prefix (Vrf)
Ifhandle
-----
1005ca0 BE2.500.ip2149474448 AC    0010.942e.3b00 13.0.92.160 (default) 0x225e60
                                                1:4::5c9f (IANA)
                                                2003:db0:0:5c9e::/64 (IAPD)
10053b2 BE2.500.ip2149466000 AC    0010.942e.3689 13.0.83.175 (default) 0xfdfef0
                                                1:4::53b1 (IANA)
                                                2003:db0:0:53b0::/64 (IAPD)
1004c81 BE2.600.ip2149013936 AC    0010.942e.5230 13.0.76.129 (default) 0x4079a0
                                                1:4::4c80 (IANA)
                                                2003:db0:0:4c7f::/64 (IAPD)
1004aaa BE2.500.ip2149353232 AC    0010.942e.3205 13.0.74.169 (default) 0x5192e0
                                                1:4::4aa9 (IANA)
                                                2003:db0:0:4aa8::/64 (IAPD)
1004927 BE2.600.ip2149518576 AC    0010.942e.50b1 13.0.73.116 (default) 0x219ba0
                                                1:4::4926 (IANA)
                                                2003:db0:0:4925::/64 (IAPD)
10047e4 BE2.800.ip2149422928 AC    0010.9431.a7c7 13.0.71.228 (default) 0x41ff60
                                                1:4::47e4 (IANA)
                                                2003:db0:0:47e2::/64 (IAPD)
1004777 BE2.600.ip2149520224 AC    0010.942e.5021 13.0.71.115 (default) 0x41420
                                                1:4::4776 (IANA)
                                                2003:db0:0:4775::/64 (IAPD)
1003a6d BE2.800.ip2149369728 AC    0010.9431.a3a1 13.0.58.105 (default) 0x141360
                                                1:4::3a6d (IANA)

```



```

                2003:db0:0:3a6a::/64 (IAPD)
10038b7 BE2.600.ip2149362240 AC    0010.942e.4bb2 13.0.56.178 (default) 0x259aa0
                1:4::38b6 (IANA)
                2003:db0:0:38b5::/64 (IAPD)
10028ba BE2.500.ip2149210768 AC    0010.942e.2873 13.0.40.185 (default) 0x129620
                1:4::28b9 (IANA)
                2003:db0:0:28b8::/64 (IAPD)
100247b BE2.600.ip2149396320 AC    0010.942e.46a3 13.0.36.113 (default) 0x4b8e0
                1:4::2471 (IANA)
                2003:db0:0:2470::/64 (IAPD)
100207a BE2.500.ip2149356496 AC    0010.942e.2663 13.0.32.117 (default) 0x1a9460
                1:4::2079 (IANA)
                2003:db0:0:2078::/64 (IAPD)
1001d3f BE2.600.ip2149251360 AC    0010.942e.44d4 13.0.29.61 (default) 0xcc760
    
```

• Router#show cnbng-nal subscriber all summary

Sun Aug 2 16:26:44.281 UTC

```

=====
Location: 0/RSP0/CPU0
=====
    
```

Type	PPPoE	IPoE
====	=====	====
Session Counts by State:		
initializing	0	0
connecting	0	0
connected	0	0
activated	0	130
idle	0	0
disconnecting	0	0
Total:	0	130

Session Counts by Address-Family:		
none	0	0
ipv4	0	130
ipv6	0	0
dual	0	0
Total:	0	130

```

=====
Location: 0/RSP0/CPU0
=====
    
```

Type	PPPoE	IPoE
------	-------	------

```

====      =====      =====

```

Session Counts by State:

```

      initializing      0      0
      connecting      0      0
      connected      226      0
      activated      31774      0
      idle      0      0
      disconnecting      0      0
      Total:      32000      0

```

Session Counts by Address-Family:

```

      none      226      0
      ipv4      7774      0
      ipv6      0      0
      dual      24000      0
      Total:      32000      0

```

```

•
Router#show cnbng-nal subscriber all detail
Mon Aug  3 00:00:14.624 UTC
Location: 0/2/CPU0
=====
Location: 0/RSP1/CPU0
=====
Interface:      Bundle-Ether1.1.ip2148413040
UPID:          0x800e2e70
CPID:          0x0100918f
PPPOE Session Id: 0x0000
Type:          IPoE
IPv4 Address:  0.0.0.0
IPv4 Framed Route:
  Prefix:      0.0.0.0/0
  Next Hop:    0.0.0.0
  Tag:         0
IPv6 IANA Address: 1:5::345c
IPv6 IAPD Prefix: 2004:cd0:0:188d::/64
CPE link local Address: ::
IPv6 Framed Route:
  Prefix:      ::/0
  Next Hop:    ::
  Tag:         0
IPv6 State:    UP, Sat Jul 25 02:09:55 2020
Mac Address:   5065.aaab.d864
Inner VLAN ID: Not Set
Outer VLAN ID: 100

```

```

Outer VLAN Cos:          0
Outer VLAN DEI:         1
Created:                Sat Jul 25 02:09:54 2020
State:                  Activated
Ifhandle:               0x000b75a0
VRF:                    default
Access-interface:      Bundle-Ether1.1
Attribute List: 0x5556aed3f878
1: ipv6-enable          len= 4 value= 1(1)
2: ipv4-unnumbered     len= 9 value= Loopback1
3: strict-rpf          len= 4 value= 1(1)
4: ipv6-strict-rpf     len= 4 value= 1(1)
5: ipv4-icmp-unreachable len= 4 value= 1(1)
6: ipv6-unreachable    len= 4 value= 1(1)
7: ipv4-mtu            len= 4 value= 1500(5dc)
8: ipv6-mtu            len= 4 value= 1500(5dc)
Session Accounting:     enabled
Interim Interval:      1800 secs
Last interim timestamp: Sun Aug 2 23:39:46 2020
Interim fail count:    None
Last interim failed reason: NA
Last stats:
  BytesIn: 0
  BytesOut: 384570
  BytesInGiga: 0
  BytesOutGiga: 0
Feature IDs activated :
  0x800e2e71
  0x800e2e72

```

```

•
Router#show cnbng-nal subscriber type ipoe summary
Mon Aug 3 00:06:15.032 UTC
=====
Location: 0/RSP0/CPU0
=====

          Type          PPPoE          IPoE
          ====          =====          ====

Session Counts by State:
  initializing          0              0
  connecting            0              0
  connected             0              0
  activated             0             8000
  idle                  0              0
  disconnecting        0              0
  Total:                0             8000

Session Counts by Address-Family:
  none                  0              0
  ipv4                  0              0
  ipv6                  0             8000
  dual                  0              0
  Total:                0             8000

=====
Location: 0/RSP1/CPU0
=====

          Type          PPPoE          IPoE
          ====          =====          ====

Session Counts by State:

```

```

initializing      0          0
connecting       0          0
connected        0          0
activated        0          8000
idle             0          0
disconnecting    0          0
Total:           0          8000

```

```

Session Counts by Address-Family:
  none           0          0
  ipv4           0          0
  ipv6           0          8000
  dual           0          0
Total:           0          8000

```

Router#

```

•
Router#show cnbng-nal subscriber type pppoe summary
Mon Aug  3 00:06:15.032 UTC
=====
Location: 0/RSP0/CPU0
=====

```

```

              Type           PPPoE           IPoE
              ====           =====           ====

Session Counts by State:
  initializing      0          0
  connecting       0          0
  connected        0          0
  activated        31031       0
  idle             0          0
  disconnecting    0          0
Total:             31031       0

```

```

Session Counts by Address-Family:
  none           0          0
  ipv4           31031       0
  ipv6           0          0
  dual           0          0
Total:           31031       0

```

Router#

```

•
Router#show cnbng-nal subscriber disconnect-history unique
Mon Aug  3 00:07:22.716 UTC

Location: 0/RSP1/CPU0

```

Count	Last Interface	Disconnected Reason	Last Time Disconnected
Location: 0/1/CPU0			
Location: 0/RSP0/CPU0			
Count	Last Interface	Disconnected Reason	Last Time Disconnected
35494	Bundle-Ether1.1.ip2148328848	Disconnect by CP	Sat Jul 25 02:04:55 2020
14154	Bundle-Ether1.1.ip2148324096	Disconnect by clear CLI	Sat Jul 25 02:05:48 2020

```
2777 Bundle-Ether1.1.ip2148194512 Disconnect due to create failure Sat Jul 25
01:38:29 2020
```

```
Router#show cnbng-nal subscriber disconnect-history last location
Mon Aug 3 00:08:42.655 UTC
```

```
Disconnect-reason: Disconnect by clear CLI
Disconnect-timestamp: Sat Jul 25 02:05:48 2020
Message Txn ID: 55663
Session Txn ID: 1
Failed at: Sat Jul 25 01:57:03 2020
Feature Mask: 0x0
SVM State: 0
IPSUB flags: 0x600a200
Pending callback: 0x2
Data:
```

```
Interface: Bundle-Ether1.1.ip2148324096
UPID: 0x800cd300
CPID: 0x01007bd8
PPPOE Session Id: 0x0000
Type: IpoE
IPv4 Address: 0.0.0.0
IPv4 Framed Route:
Prefix: 0.0.0.0/0
Next Hop: 0.0.0.0
Tag: 0
IPv6 IANA Address: 1:5::3de5
IPv6 IAPD Prefix: 2004:cd0:0:616::/64
CPE link local Address: ::
IPv6 Framed Route:
Prefix: ::/0
Next Hop: ::
Tag: 0
IPv6 State: UP, Sat Jul 25 01:57:03 2020
Mac Address: 5065.aaab.cfbb
Inner VLAN ID: Not Set
Outer VLAN ID: 100
Outer VLAN Cos: 0
Outer VLAN DEI: 1
Created: Sat Jul 25 02:05:48 2020
State: Init
Ifhandle: 0x000323a0
VRF: default
Access-interface: Bundle-Ether1.1
Attribute List: 0x559125764408
1: ipv6-enable len= 4 value= 1(1)
2: ipv4-unnumbered len= 9 value= Loopback1
3: strict-rpf len= 4 value= 1(1)
4: ipv6-strict-rpf len= 4 value= 1(1)
5: ipv4-icmp-unreachable len= 4 value= 1(1)
6: ipv6-unreachable len= 4 value= 1(1)
7: ipv4-mtu len= 4 value= 1500(5dc)
8: ipv6-mtu len= 4 value= 1500(5dc)
Session Accounting: enabled
Interim Interval: 1800 secs
Last interim timestamp: Sat Jul 25 02:05:47 2020
Interim fail count: None
Last interim failed reason: NA
Last stats:
BytesIn: 0
BytesOut: 540
BytesInGiga: 0
BytesOutGiga: 0
```

Verify Subscriber Information

```
Feature IDs activated :
  0x800cd301
  0x800cd302
```

```
[Event History]
UPID: 0x800cd300
```

Event Name	Time Stamp	S, M
Create	Jul 25 01:57:02.999679	0, 0
New Session Request	Jul 25 01:57:02.999686	0, 0
Interface create	Jul 25 01:57:02.999823	0, 0
SVM create	Jul 25 01:57:03.018268	0, 0
UP Install(req)	Jul 25 01:57:03.018321	0, 0
UP Install(CB)	Jul 25 01:57:03.019220	0, 0
Last Assoc(req)	Jul 25 01:57:03.019232	0, 0
Last Assoc(CB)	Jul 25 01:57:03.020160	0, 1
Produce done(req)	Jul 25 01:57:03.020233	0, 0
IPv4 Caps Up	Jul 25 01:57:03.188034	0, 0
IPv6 Caps Up	Jul 25 01:57:03.233210	0, 0
Init data req	Jul 25 01:57:03.254482	0, 1
Init data cb	Jul 25 01:57:03.369027	0, 1
Client Session up	Jul 25 01:57:03.379152	0, 0
Produce done	Jul 25 01:57:03.977629	0, 0
IPv6 Up	Jul 25 01:57:03.977643	0, 0
Session up notified	Jul 25 01:57:03.977650	0, 0
Stats start	Jul 25 01:57:03.977841	0, 0
Disconnect notified	Jul 25 02:05:47.548202	0, 0
Disconnect ack	Jul 25 02:05:47.550293	0, 0
IPv4 Caps Down	Jul 25 02:05:47.652232	0, 0
IPv6 Caps Down	Jul 25 02:05:47.652333	0, 0
Final stats	Jul 25 02:05:47.753805	0, 0
SVM delete	Jul 25 02:05:47.780713	0, 0
SVM cleanup	Jul 25 02:05:48.283050	0, 0

Help: S - Sticky Event, M - Multiple Occurrence

```
Router#show cnbng-nal subscriber fadb
```

```
Mon Aug 3 00:03:12.858 UTC
```

```
Location: 0/RSP1/CPU0
=====
```

```
UPID:          0x800ec810
Service-ID:    0x04000003  Service-Name: JHV_VOICE
Feature-ID:    0x800ec812
Attribute List: 0x559cba6d0008
1: feature-acct-bitmask len= 4 value= 805306413(3000002d)
Accounting:                    enabled
Interim fail count: None
Last interim failed reason: None
Last stats:
  BytesIn: 0
  BytesOut: 0
  BytesInGiga: 0
  BytesOutGiga: 0
```

```
UPID:          0x800e9470
Service-ID:    0x04000003  Service-Name: JHV_VOICE
Feature-ID:    0x800e9472
Attribute List: 0x559cba6d0008
1: feature-acct-bitmask len= 4 value= 805306413(3000002d)
Accounting:                    enabled
Interim fail count: None
Last interim failed reason: None
```

```
Last stats:
  BytesIn: 0
  BytesOut: 0
  BytesInGiga: 0
  BytesOutGiga: 0

UPID:      0x800e7ee0
Service-ID: 0x04000003 Service-Name: JHV_VOICE
Feature-ID: 0x800e7ee2
  Attribute List: 0x559cba6d0008
1: feature-acct-bitmask len= 4 value= 805306413(3000002d)
Accounting:      enabled
Interim fail count: None
Last interim failed reason: None
Last stats:
  BytesIn: 0
  BytesOut: 0
  BytesInGiga: 0
  BytesOutGiga: 0

UPID:      0x800e16e0
Service-ID: 0x04000004 Service-Name: LIVE_TV
Feature-ID: 0x800e16e1
  Attribute List: 0x559cba6d0008
1: feature-acct-bitmask len= 4 value= 0(0)
Accounting:      disabled
Interim fail count: None
Last interim failed reason: None
Last stats:
  BytesIn: 0
  BytesOut: 0
  BytesInGiga: 0
  BytesOutGiga: 0

UPID:      0x800dda90
Service-ID: 0x04000003 Service-Name: JHV_VOICE
Feature-ID: 0x800dda91
  Attribute List: 0x559cba6d0008
1: feature-acct-bitmask len= 4 value= 805306413(3000002d)
Accounting:      enabled
Interim fail count: None
Last interim failed reason: None
Last stats:
  BytesIn: 0
  BytesOut: 0
  BytesInGiga: 0
  BytesOutGiga: 0

UPID:      0x800dda4e0
Service-ID: 0x04000004 Service-Name: LIVE_TV
Feature-ID: 0x800dda4e1
  Attribute List: 0x559cba6d0008
1: feature-acct-bitmask len= 4 value= 0(0)
Accounting:      disabled
Interim fail count: None
Last interim failed reason: None
Last stats:
  BytesIn: 0
  BytesOut: 0
  BytesInGiga: 0
  BytesOutGiga: 0
```

Verify cnBNG NAL Counters

You can use the following commands to verify various NAL counters on the cnBNG user plane:

```

•
Router#show cnbng-nal counters type all
Sun Aug  2 20:42:49.548 UTC

Location: 0/RSP0/CPU0

Subscriber Counters
-----

Counter name                               Value
=====                               =====
INTF Delete                                500
IPv4 caps down                             500
IPv6 caps down                             500
IPv4 Rou del                               500
IPv6 Rou del                               500
Blkdis q empty                             1
DB cache hit                              17113

Error Counters
-----

Counter name                               Value
=====                               =====

Accounting Counters
-----

Counter name                               Value
=====                               =====
Sess Stop req                             500
Feat Stop req                             500
Stop req                                  3000
Stop cb                                    3000
Final cb                                   3000
Feat Final cb                              500
Sess Final cb                              2500

SVM Counters
-----

Counter name                               Value
=====                               =====
Sess deleted                               500
Delete CB                                  500
Feat deleted                               1000
Cleanup                                    500
Sess stats, before svm                     500
Feat stats, before svm                     500

SPA Counters
-----

Counter name                               Value
=====                               =====
SPA Delete Req                             500
SPA Update Req                             500
Sub Delete Res                             500

```



```

Sub Update Res          500
BlkDic adm more        39
GTPu pkt sent         1000
PFCP pkt sent         1463
GTPu pkt punt         500
PFCP pkt punt         1463
DHCPv4 pkt punt       500
DHCPv6 pkt punt       500
DHCPv6 pkt inj        500
Alloc count           3463
Free count            3463
Mutex lock            6741
Mutex unlock          6741
Timer start           463
Timer expiry          463
Sub Update IPOE OK     500
Sub Delete IPOE OK     500

```

CP Recon Counters

```

Counter name          Value
=====

```

Histogram/API Performance Stats

API name	1ms	10ms	100ms	1s	5s	10s	20s	50s	100s
=====	===	====	=====	==	==	====	====	====	====
Per trans	410	90	0	500	0	0	0	0	0
Sub Create	0	0	0	0	0	0	0	0	0
Sub Update	445	55	0	0	0	0	0	0	0
Sub Delete	0	0	0	500	0	0	0	0	0
IPOE Int Crt	0	0	0	0	0	0	0	0	0
IPOE Int Upd	0	0	0	0	0	0	0	0	0
IPOE Int Del	0	0	0	500	0	0	0	0	0
PPPOE Int Crt	0	0	0	0	0	0	0	0	0
PPPOE Int Upd	0	0	0	0	0	0	0	0	0
PPPOE Int Del	0	0	0	0	0	0	0	0	0
Sess Create	0	0	0	0	0	0	0	0	0
Sess Update	0	0	0	0	0	0	0	0	0
Sess Delete	0	0	10	490	0	0	0	0	0
V4 RT Inst	0	0	0	0	0	0	0	0	0
V4 RT Del	0	6	320	174	0	0	0	0	0
V4 FR Inst	0	0	0	0	0	0	0	0	0
V4 FR Del	0	0	0	0	0	0	0	0	0
V6 RT Inst	0	0	0	0	0	0	0	0	0
V6 RT Del	0	6	310	184	0	0	0	0	0
V6 PD RT Inst	0	0	0	0	0	0	0	0	0
V6 PD RT Del	0	0	0	0	0	0	0	0	0
V6 FR Inst	0	0	0	0	0	0	0	0	0
V6 FR Del	0	0	0	0	0	0	0	0	0
CDM Lookup	0	0	0	0	0	0	0	0	0
CDM Insert	0	0	0	0	0	0	0	0	0
CDM Update	1469	31	0	0	0	0	0	0	0
Eval Lookup	0	0	0	0	0	0	0	0	0

```

• Router#show cnbng-nal counters type all | beg SPA LIB
Sun Aug  2 20:44:07.902 UTC
SPA LIB Counters
-----

```

```

Counter name          Value

```

```

=====
pfcpx_rx_counter      6899
pfcpx_tx_counter      6900
gtpu_tx_counter       9048
gtpu_rx_counter       7510
pfcpx_keepalive_tx_counter  891
pfcpx_keepalive_rx_counter  890

```

SPA API counters

```

• Router#show cnbng-nal counters type spa
Sun Aug  2 20:42:13.703 UTC

```

Location: 0/RSP0/CPU0

SPA Counters

```

Counter name      Value
=====
SPA Delete Req    500
SPA Update Req    500
Sub Delete Res    500
Sub Update Res    500
Blkdic adm more   39
GTPu pkt sent     1000
PFCP pkt sent     1461
GTPu pkt punt     500
PFCP pkt punt     1461
DHCPv4 pkt punt   500
DHCPv6 pkt punt   500
DHCPv6 pkt inj    500
Alloc count       3461
Free count        3461
Mutex lock        6727
Mutex unlock      6727
Timer start       461
Timer expiry      461
Sub Update IPOE OK 500
Sub Delete IPOE OK 500

```