



MPLS Basic Configuration Guide, Cisco IOS XE 16 (Cisco ASR 920 Series)

First Published: 2017-06-09

Last Modified: 2020-07-01

Americas Headquarters

Cisco Systems, Inc.
170 West Tasman Drive
San Jose, CA 95134-1706
USA
<http://www.cisco.com>
Tel: 408 526-4000
800 553-NETS (6387)
Fax: 408 527-0883

THE SPECIFICATIONS AND INFORMATION REGARDING THE PRODUCTS IN THIS MANUAL ARE SUBJECT TO CHANGE WITHOUT NOTICE. ALL STATEMENTS, INFORMATION, AND RECOMMENDATIONS IN THIS MANUAL ARE BELIEVED TO BE ACCURATE BUT ARE PRESENTED WITHOUT WARRANTY OF ANY KIND, EXPRESS OR IMPLIED. USERS MUST TAKE FULL RESPONSIBILITY FOR THEIR APPLICATION OF ANY PRODUCTS.

THE SOFTWARE LICENSE AND LIMITED WARRANTY FOR THE ACCOMPANYING PRODUCT ARE SET FORTH IN THE INFORMATION PACKET THAT SHIPPED WITH THE PRODUCT AND ARE INCORPORATED HEREIN BY THIS REFERENCE. IF YOU ARE UNABLE TO LOCATE THE SOFTWARE LICENSE OR LIMITED WARRANTY, CONTACT YOUR CISCO REPRESENTATIVE FOR A COPY.

The Cisco implementation of TCP header compression is an adaptation of a program developed by the University of California, Berkeley (UCB) as part of UCB's public domain version of the UNIX operating system. All rights reserved. Copyright © 1981, Regents of the University of California.

NOTWITHSTANDING ANY OTHER WARRANTY HEREIN, ALL DOCUMENT FILES AND SOFTWARE OF THESE SUPPLIERS ARE PROVIDED "AS IS" WITH ALL FAULTS. CISCO AND THE ABOVE-NAMED SUPPLIERS DISCLAIM ALL WARRANTIES, EXPRESSED OR IMPLIED, INCLUDING, WITHOUT LIMITATION, THOSE OF MERCHANTABILITY, FITNESS FOR A PARTICULAR PURPOSE AND NON-INFRINGEMENT OR ARISING FROM A COURSE OF DEALING, USAGE, OR TRADE PRACTICE.

IN NO EVENT SHALL CISCO OR ITS SUPPLIERS BE LIABLE FOR ANY INDIRECT, SPECIAL, CONSEQUENTIAL, OR INCIDENTAL DAMAGES, INCLUDING, WITHOUT LIMITATION, LOST PROFITS OR LOSS OR DAMAGE TO DATA ARISING OUT OF THE USE OR INABILITY TO USE THIS MANUAL, EVEN IF CISCO OR ITS SUPPLIERS HAVE BEEN ADVISED OF THE POSSIBILITY OF SUCH DAMAGES.

Any Internet Protocol (IP) addresses and phone numbers used in this document are not intended to be actual addresses and phone numbers. Any examples, command display output, network topology diagrams, and other figures included in the document are shown for illustrative purposes only. Any use of actual IP addresses or phone numbers in illustrative content is unintentional and coincidental.

All printed copies and duplicate soft copies of this document are considered uncontrolled. See the current online version for the latest version.

Cisco has more than 200 offices worldwide. Addresses and phone numbers are listed on the Cisco website at www.cisco.com/go/offices.

Cisco and the Cisco logo are trademarks or registered trademarks of Cisco and/or its affiliates in the U.S. and other countries. To view a list of Cisco trademarks, go to this URL: [www.cisco.com go trademarks](http://www.cisco.com/go/trademarks). Third-party trademarks mentioned are the property of their respective owners. The use of the word partner does not imply a partnership relationship between Cisco and any other company. (1721R)

© 2017–2020 Cisco Systems, Inc. All rights reserved.



CONTENTS

CHAPTER 1

Feature History 1

CHAPTER 2

Multiprotocol Label Switching (MPLS) on Cisco Routers 3

Finding Feature Information 3

Restrictions for MPLS 3

Information About MPLS 4

MPLS Overview 4

Functional Description of MPLS 4

Label Switching Functions 4

Distribution of Label Bindings 5

Benefits of MPLS 5

Limitations of MPLS 6

How to Configure MPLS 6

Configuring a Router for MPLS Switching 6

Verifying Configuration of MPLS Forwarding 7

MPLS MTU 7

Restrictions 8

Configuring MPLS MTU Globally 8

Verifying MPLS MTU 9

Additional References 10

Feature Information for Multiprotocol Label Switching 11

Glossary 11

CHAPTER 3

MPLS Multilink PPP Support 13

Prerequisites for MPLS Multilink PPP Support 13

Restrictions for MPLS Multilink PPP Support 13

Information About MPLS Multilink PPP Support	14
MPLS Layer 3 Virtual Private Network Features Supported for Multilink PPP	14
MPLS Quality of Service Features Supported for Multilink PPP	15
MPLS Multilink PPP Support and PE-to-CE Links	15
MPLS Multilink PPP Support and Core Links	16
MPLS Multilink PPP Support in a CSC Network	17
MPLS Multilink PPP Support in an Interautonomous System	18
How to Configure MPLS Multilink PPP Support	18
Enabling Cisco Express Forwarding or Distributed Cisco Express Forwarding	18
Creating a Multilink Bundle	20
Assigning an Interface to a Multilink Bundle	21
Disabling PPP Multilink Fragmentation	24
Verifying the Multilink PPP Configuration	25
Configuration Examples for MPLS Multilink PPP Support	29
Sample MPLS Multilink PPP Support Configurations	29
Example: Configuring Multilink PPP on an MPLS CSC PE Device	29
Example: Enabling Cisco Express Forwarding or Distributed Cisco Express Forwarding	30
Example: Creating a Multilink Bundle	30
Example: Assigning an Interface to a Multilink Bundle	31

CHAPTER 4
MPLS Transport Profile 33

Restrictions for MPLS-TP	33
Information About MPLS-TP	34
How MPLS Transport Profile Works	34
MPLS-TP Path Protection	34
Bidirectional LSPs	34
MPLS Transport Profile Static and Dynamic Multisegment Pseudowires	34
MPLS-TP OAM Status for Static and Dynamic Multisegment Pseudowires	35
MPLS Transport Profile Links and Physical Interfaces	35
Tunnel Midpoints	35
MPLS-TP Linear Protection with PSC Support	36
MPLS-TP Linear Protection with PSC Support Overview	36
Interoperability With Proprietary Lockout	37
Mapping and Priority of emlockout	38

WTR Synchronization	39
Priority of Inputs	40
PSC Syslogs	40
How to Configure MPLS Transport Profile	40
Configuring the MPLS Label Range	40
Configuring the Router ID and Global ID	41
Configuring Bidirectional Forwarding Detection Templates	42
Configuring Pseudowire OAM Attributes	43
Configuring the Pseudowire Class	44
Configuring the Pseudowire	46
Configuring the MPLS-TP Tunnel	48
Configuring MPLS-TP LSPs at Midpoints	50
Configuring MPLS-TP Links and Physical Interfaces	52
Configuring MPLS-TP Linear Protection with PSC Support	53
Configuring Static-to-Static Multisegment Pseudowires for MPLS-TP	55
Configuring Static-to-Dynamic Multisegment Pseudowires for MPLS-TP	57
Configuring a Template with Pseudowire Type-Length-Value Parameters	60
Verifying the MPLS-TP Configuration	61
Configuration Examples for MPLS Transport Profile	61
Example: Configuring MPLS-TP Linear Protection with PSC Support	61
Example: Verifying MPLS-TP Linear Protection with PSC Support	62
Example: Troubleshooting MPLS-TP Linear Protection with PSC Support	62
Associated Commands	62

CHAPTER 5

MPLS LSP Ping, Traceroute, and AToM VCCV	63
Prerequisites for MPLS LSP Ping, Traceroute, and AToM VCCV	63
Restrictions for MPLS LSP Ping, Traceroute, and AToM VCCV	64
Information About MPLS LSP Ping, Traceroute, and AToM VCCV	64
MPLS LSP Ping Operation	64
MPLS LSP Traceroute Operation	66
Any Transport over MPLS Virtual Circuit Connection Verification	68
AToM VCCV Signaling	69
Selection of AToM VCCV Switching Types	69
Command Options for ping mpls and trace mpls	70

Selection of FECs for Validation	70
Reply Mode Options for MPLS LSP Ping and Traceroute	71
Reply Mode Options for MPLS LSP Ping and Traceroute	72
Other MPLS LSP Ping and Traceroute Command Options	74
Option Interactions and Loops	76
MPLS Echo Request Packets Not Forwarded by IP	79
Information Provided by the Device Processing LSP Ping or LSP Traceroute	80
MTU Discovery in an LSP	81
LSP Network Management	82
ICMP ping and trace Commands and Troubleshooting	83
MPLS LSP Ping and Traceroute Discovers LSP Breakage	83
MPLS LSP Traceroute Tracks Untagged Cases	91
MPLS LSP Ping and Traceroute Returns a Q	93
Load Balancing for IPv4 LDP LSPs	94

CHAPTER 6**NSR LDP Support 97**

Finding Feature Information	97
Prerequisites for NSR LDP Support	97
Information About NSR LDP Support	98
Roles of the Standby Route Processor and Standby LDP	98
LDP Operating States	99
Initial State	99
Steady State	99
Post Switchover	99
Supported NSR Scenarios	100
How to Configure NSR LDP Support	100
Enabling NSR LDP Support	100
Troubleshooting Tips for NSR LDP Support	101
Configuration Examples for NSR LDP Support	101
Example: NSR LDP Configuration	101
Additional References for NSR LDP Support	102
Feature Information for NSR LDP Support	103

CHAPTER 7**PPP and Multilink PPP Configuration 105**

Limitations	105
PPP and Multilink PPP	106
Point-to-Point Protocol	106
CHAP or PPP Authentication	106
IP Address Pooling	107
Peer Address Allocation	108
Precedence Rules	108
MLP on Synchronous Serial Interfaces	109
How to Configure PPP	109
Enabling PPP Encapsulation	109
Enabling CHAP or PAP Authentication	110
Configuring IP Address Pooling	112
Global Default Address Pooling Mechanism	112
Defining DHCP as the Global Default Mechanism	112
Defining Local Address Pooling as the Global Default Mechanism	113
Controlling DHCP Network Discovery	114
Configuring IP Address Assignment	115
Disabling or Reenabling Peer Neighbor Routes	117
Configuring Multilink PPP	118
Configuring MLP on Synchronous Interfaces	118
Configuring a Multilink Group	119
Configuring PFC and ACFC	121
Changing the Default Endpoint Discriminator	123
Creating a Multilink Bundle	124
Assigning an Interface to a Multilink Bundle	125
Configuring PPP/MLP MRRU Negotiation Configuration on Multilink Groups	127
Monitoring and Maintaining PPP and MLP Interfaces	130

CHAPTER 8

Access Switch Device Manager Template Configuration	131
Prerequisites for the SDM Template	131
Restrictions for the SDM Template	131
SDM Template	132
Selecting the SDM Template	136
Verifying the SDM Template	137

CHAPTER 9**Flex LSP Overview 139**

- Signaling Methods and Object Association for Flex LSPs 139
- Associated Bidirectional Non Co-routed and Co-routed LSPs 140
- Restrictions for Flex LSP 141
 - Restrictions for Non Co-routed Inter-Area Flex LSP Tunnels 142
- How to Configure Co-routed Flex LSPs 142
 - Configuring Co-routed Flex LSPs 143
 - Verifying the Co-routed Flex LSP Configuration 144
- How to Configure Non Co-routed Inter-area Flex LSP Tunnels 145
 - Configuring OSPF for Non Co-routed Flex LSP 147
 - Verifying the Non Co-routed Inter-area Flex LSP Tunnels 147
- Troubleshooting Flex LSP 149
- Flex LSP Phase 2 153
 - Flex LSP SRLG and Exclude Option for Explicit Path 154
 - Configuring Flex LSP SRLG and Exclude Option 154
 - Verifying the Flex LSP SRLG and Exclude Option 155
 - Flex LSP Non-Revertive 1:1 Path Protection 156
 - Configuring Flex LSP Non-Revertive Path Protection 156
 - Verifying Flex LSP Non-Revertive Path Protection 157
- Flex LSP Sticky 159
 - Configuring Flex LSP Sticky Option 160
 - Verifying the Flex LSP Sticky Option 161
- Flex LSP Hop Count and Cost-Max Limit 163
 - Flex LSP Cost-Max Limit 163
 - Configuring Flex LSP Hop Count and Cost-Max Limit 164
 - Verifying Flex LSP Hop Count and Cost-Max Limit 164
- Flex LSP ECMP min-fill, max-fill, random 165
 - Configuring Flex LSP ECMP min-fill and max-fill 165
 - Verifying the Flex LSP ECMP min-fill and max-fill 166
- Restore Path Option 167
 - Configuring the Restore Path Option 168
 - Verifying the Restore Path Option 168



CHAPTER 1

Feature History

The following table lists the new and modified features supported in the MPLS Basic Configuration Guide in Cisco IOS XE 16 releases.

Feature Name	Cisco IOS XE Release
Pseudowire OAM Attributes	16.5.1



CHAPTER 2

Multiprotocol Label Switching (MPLS) on Cisco Routers

This document describes commands for configuring and monitoring Multiprotocol Label Switching (MPLS) functionality on Cisco routers and switches. This document is a companion to other feature modules describing other MPLS applications.

- [Finding Feature Information, on page 3](#)
- [Restrictions for MPLS, on page 3](#)
- [Information About MPLS, on page 4](#)
- [How to Configure MPLS, on page 6](#)
- [MPLS MTU, on page 7](#)
- [Additional References, on page 10](#)
- [Feature Information for Multiprotocol Label Switching, on page 11](#)
- [Glossary, on page 11](#)

Finding Feature Information

Your software release may not support all the features documented in this module. For the latest caveats and feature information, see [Bug Search Tool](#) and the release notes for your platform and software release. To find information about the features documented in this module, and to see a list of the releases in which each feature is supported, see the feature information table.

Use Cisco Feature Navigator to find information about platform support and Cisco software image support. To access Cisco Feature Navigator, go to www.cisco.com/go/cfn. An account on Cisco.com is not required.

Restrictions for MPLS

Label switching on a Cisco router requires that Cisco Express Forwarding be enabled on that router (see the “Configuration Tasks” section below).

Information About MPLS

MPLS Overview

Multiprotocol label switching (MPLS) combines the performance and capabilities of Layer 2 (data link layer) switching with the proven scalability of Layer 3 (network layer) routing. MPLS enables service providers to meet the challenges of explosive growth in network utilization while providing the opportunity to differentiate services without sacrificing the existing network infrastructure. The MPLS architecture is flexible and can be employed in any combination of Layer 2 technologies. MPLS support is offered for all Layer 3 protocols, and scaling is possible well beyond that typically offered in today's networks.

MPLS efficiently enables the delivery of IP services over an ATM switched network. MPLS supports the creation of different routes between a source and a destination on a purely router-based Internet backbone. By incorporating MPLS into their network architecture, service providers can save money, increase revenue and productivity, provide differentiated services, and gain competitive advantages.

Functional Description of MPLS

Label switching is a high-performance packet forwarding technology that integrates the performance and traffic management capabilities of data link layer (Layer 2) switching with the scalability, flexibility, and performance of network layer (Layer 3) routing.

Label Switching Functions

In conventional Layer 3 forwarding mechanisms, as a packet traverses the network, each router extracts all the information relevant to forwarding the packet from the Layer 3 header. This information is then used as an index for a routing table lookup to determine the next hop for the packet.

In the most common case, the only relevant field in the header is the destination address field, but in some cases, other header fields might also be relevant. As a result, the header analysis must be done independently at each router through which the packet passes. In addition, a complicated table lookup must also be done at each router.

In label switching, the analysis of the Layer 3 header is done only once. The Layer 3 header is then mapped into a fixed length, unstructured value called a *label*.

Many different headers can map to the same label, as long as those headers always result in the same choice of next hop. In effect, a label represents a *forwarding equivalence class*—that is, a set of packets which, however different they may be, are indistinguishable by the forwarding function.

The initial choice of a label need not be based exclusively on the contents of the Layer 3 packet header; for example, forwarding decisions at subsequent hops can also be based on routing policy.

Once a label is assigned, a short label header is added at the front of the Layer 3 packet. This header is carried across the network as part of the packet. At subsequent hops through each MPLS router in the network, labels are swapped and forwarding decisions are made by means of MPLS forwarding table lookup for the label carried in the packet header. Hence, the packet header does not need to be reevaluated during packet transit through the network. Because the label is of fixed length and unstructured, the MPLS forwarding table lookup process is both straightforward and fast.

Distribution of Label Bindings

Each label switching router (LSR) in the network makes an independent, local decision to determine a label value to represent a forwarding equivalence class. This association is known as a label binding. Each LSR informs its neighbors of the label bindings it has made.

When a labeled packet is being sent from LSR A to the neighboring LSR B, the label value carried by the IP packet is the label value that LSR B assigned to represent the forwarding equivalence class of the packet. Thus, the label value changes as the IP packet traverses the network.

The awareness of label bindings by neighbouring routers is facilitated using the following protocols:

- Label Distribution Protocol (LDP) - Enables peer LSRs in an MPLS network to exchange label binding information for supporting hop-by-hop forwarding in an MPLS network.
- Tag Distribution Protocol (TDP) - Supports MPLS forwarding along normally routed paths.
- Resource Reservation Protocol (RSVP) - Supports MPLS traffic engineering.
- Border Gateway Protocol (BGP) - Supports MPLS virtual private networks (VPNs) .

Benefits of MPLS

MPLS provides the following major benefits to service provider networks:

Scalable support for Virtual Private Networks (VPNs)--MPLS enables VPN services to be supported in service provider networks, thereby greatly accelerating Internet growth.

The use of MPLS for VPNs provides an attractive alternative to the building of VPNs by means of either ATM or Frame Relay permanent virtual circuits (PVCs) or various forms of tunneling to interconnect routers at customer sites.

Unlike the PVC VPN model, the MPLS VPN model is highly scalable and can accommodate increasing numbers of sites and customers. The MPLS VPN model also supports “any-to-any” communication among VPN sites without requiring a full mesh of PVCs or the backhauling (suboptimal routing) of traffic across the service provider network. For each MPLS VPN user, the service provider’s network appears to function as a private IP backbone over which the user can reach other sites within the VPN organization, but not the sites of any other VPN organization.

From a user perspective, the MPLS VPN model enables network routing to be dramatically simplified. For example, rather than having to manage routing over a topologically complex virtual backbone composed of many PVCs, an MPLS VPN user can generally employ the service provider’s backbone as the default route in communicating with all of the other VPN sites.

Explicit routing capabilities (also called constraint-based routing or traffic engineering)--Explicit routing employs “constraint-based routing,” in which the path for a traffic flow is the shortest path that meets the resource requirements (constraints) of the traffic flow.

In MPLS traffic engineering, factors such as bandwidth requirements, media requirements, and the priority of one traffic flow versus another can be taken into account. These traffic engineering capabilities enable the administrator of a service provider network to

- Control traffic flow in the network
- Reduce congestion in the network
- Make best use of network resources

Thus, the network administrator can specify the amount of traffic expected to flow between various points in the network (thereby establishing a traffic matrix), while relying on the routing system to

- Calculate the best paths for network traffic
- Set up the explicit paths to carry the traffic

Support for IP routing on ATM switches (also called IP and ATM integration)--MPLS enables an ATM switch to perform virtually all of the functions of an IP router. This capability of an ATM switch stems from the fact that the MPLS forwarding paradigm, namely, label swapping, is exactly the same as the forwarding paradigm provided by ATM switch hardware.

The key difference between a conventional ATM switch and an ATM label switch is the control software used by the latter to establish its virtual channel identifier (VCI) table entries. An ATM label switch uses IP routing protocols and the Tag Distribution Protocol (TDP) to establish VCI table entries.

An ATM label switch can function as a conventional ATM switch. In this dual mode, the ATM switch resources (such as VCI space and bandwidth) are partitioned between the MPLS control plane and the ATM control plane. The MPLS control plane provides IP-based services, while the ATM control plane supports ATM-oriented functions, such as circuit emulation or PVC services.

Limitations of MPLS

- MPLS do not support IPv4 SDM template.

How to Configure MPLS

This section explains how to perform the basic configuration required to prepare a router for MPLS switching and forwarding.

Configuration tasks for other MPLS applications are described in the feature module documentation for the application.

Configuring a Router for MPLS Switching

MPLS switching on Cisco routers requires that Cisco Express Forwarding be enabled.

For more information about Cisco Express Forwarding commands, see the Cisco IOS Switching Command Reference.

SUMMARY STEPS

1. **enable**
2. **configure terminal**
3. **ip cef distributed**

DETAILED STEPS

	Command or Action	Purpose
Step 1	enable	Enables privileged EXEC mode.

	Command or Action	Purpose
	Example: Device> enable	<ul style="list-style-type: none"> • Enter your password if prompted.
Step 2	configure terminal Example: Device# configure terminal	Enters global configuration mode.
Step 3	ip cef distributed Example: Device(config)# ip cef distributed	Enables Cisco Express Forwarding on the route processor card.

Verifying Configuration of MPLS Forwarding

To verify that MPLS forwarding has been configured properly, issue the **show mpls interfaces detail** command, which generates output similar to that shown below:

SUMMARY STEPS

1. **show mpls interfaces detail**

DETAILED STEPS

show mpls interfaces detail

Example:

```
Device# show mpls interfaces detail

Interface GigabitEthernet1/0/0:
  IP labeling enabled (ldp)
  LSP Tunnel labeling not enabled
  MPLS operational
  MTU = 1500
Interface POS2/0/0:
  IP labeling enabled (ldp)
  LSP Tunnel labeling not enabled
  MPLS not operational
  MTU = 4470
```

MPLS MTU

MPLS MTU configuration is supported starting with Cisco IOS XE Release 3.10.2 and later. The **platform mpls mtu-enable** command is introduced to enable MPLS MTU on the router.

Restrictions

- MPLS MTU is not supported if IP address is not configured on the interface.
- MPLS MTU is not supported with MPLS LDP Auto configuration.
- MPLS MTU is not supported with BGP send-label.
- IP MTU configuration on an interface does not program MPLS MTU in the hardware. MPLS MTU value is obtained from the Interface MTU or IP MTU.
- In releases prior to Cisco IOS XE Release 3.10.2, if IP MTU is changed, MPLS MTU also changes.
- If both Interface MTU and IP MTU are configured MPLS MTU is obtained from IP MTU. See [Table 1: MTU Normal Behavior \(Command Not Enabled\)](#), on page 8.

Table 1: MTU Normal Behavior (Command Not Enabled)

Interface-MTU	IP MTU	MPLS MTU	MPLS MTU Value Derived
Yes	No	No	Interface MTU
No	Yes	No	IP MTU
Yes	Yes	No	IP MTU

- If MPLS MTU is enabled using **platform mpls mtu-enable** command, then IP MTU does not affect the MPLS MTU configuration. See [Table 2: MTU Behavior with platform mpls mtu-enable Command Configured](#), on page 8.

Table 2: MTU Behavior with platform mpls mtu-enable Command Configured

Interface MTU	IP MTU	MPLS MTU	MPLS MTU Value Derived
Yes	No	No	Interface MTU
No	Yes	No	Default value
Yes	Yes	No	Interface MTU
No	No	No	Default value
Yes	No	Yes	MPLS MTU
No	Yes	Yes	MPLS MTU
Yes	Yes	Yes	MPLS MTU
No	No	Yes	MPLS MTU

Configuring MPLS MTU Globally

We recommend not to toggle the command as inconsistent results may be displayed.



Note After configuring or unconfiguring the command, we recommend that all MTU values on all the interfaces are re-configured.

SUMMARY STEPS

1. **platform mpls mtu-enable**
2. **interface gigabitethernet slot /subslot /port**
3. **mpls mtu mtu-value**

DETAILED STEPS

	Command or Action	Purpose
Step 1	platform mpls mtu-enable Example: Router (config)# platform mpls mtu-enable	Configures MPLS MTU globally on the router
Step 2	interface gigabitethernet slot /subslot /port Example: Router (config)# interface GigabitEthernet 0/0/1 Example:	Specifies the Gigabit Ethernet or Ten Gigabit Ethernet interface to configure and enters interface configuration mode, where: Note The slot number is always 0.
Step 3	mpls mtu mtu-value Example: Router(config-if)# mpls mtu 700 Example:	Configures the MTU value.

Verifying MPLS MTU

Use the **show platform hardware pp active feature mpls mtu-table** command to display the MPLS MTU values configured on the router.

```
Router# show platform hardware pp active feature mpls mtu-table
MPLS MTU Table
Index      MTU    Ref-Count
-----
0          1504    1
1           704    0
2           0 0
3           0 0
4           0 0
5           0 0
```

6 0 0
7 0 0

Additional References

Related Documents

Related Topic	Document Title
Cisco IOS commands	Cisco IOS Master Commands List, All Releases
MPLS Commands	<i>Cisco IOS Multiprotocol Label Switching Command Reference</i>

Standards and RFCs

Standard/RFC	Title
The supported standards/RFCs applicable to the MPLS applications appear in the respective feature module for the application.	—

MIBs

MIB	MIBs Link
The supported MIBs applicable to the MPLS applications appear in the respective feature module for the application.	To locate and download MIBs for selected platforms, Cisco IOS releases, and feature sets, use Cisco MIB Locator found at the following URL: http://www.cisco.com/go/mibs

Technical Assistance

Description	Link
<p>The Cisco Support website provides extensive online resources, including documentation and tools for troubleshooting and resolving technical issues with Cisco products and technologies.</p> <p>To receive security and technical information about your products, you can subscribe to various services, such as the Product Alert Tool (accessed from Field Notices), the Cisco Technical Services Newsletter, and Really Simple Syndication (RSS) Feeds.</p> <p>Access to most tools on the Cisco Support website requires a Cisco.com user ID and password.</p>	http://www.cisco.com/support

Feature Information for Multiprotocol Label Switching

The following table provides release information about the feature or features described in this module. This table lists only the software release that introduced support for a given feature in a given software release train. Unless noted otherwise, subsequent releases of that software release train also support that feature.

Use Cisco Feature Navigator to find information about platform support and Cisco software image support. To access Cisco Feature Navigator, go to www.cisco.com/go/cfn. An account on Cisco.com is not required.

Table 3: Feature Information for Multiprotocol Label Switching

Feature Name	Releases	Feature Information
Multiprotocol Label Switching	Cisco IOS XE Release 3.13.0S	This feature was introduced on the Cisco ASR 920 Routers (ASR-920-12CZ-A, ASR-920-12CZ-D, ASR-920-4SZ-A, ASR-920-4SZ-D).

Glossary

BGP --Border Gateway Protocol. The predominant interdomain routing protocol used in IP networks.

Border Gateway Protocol --See BGP.

FIB --Forwarding Information Base. A table that contains a copy of the forwarding information in the IP routing table.

Forwarding Information Base --See FIB.

label --A short, fixed-length identifier that tells switching nodes how the data (packets or cells) should be forwarded.

label binding --An association between a label and a set of packets, which can be advertised to neighbors so that a label switched path can be established.

Label Distribution Protocol --See LDP.

Label Forwarding Information Base --See LFIB.

label imposition --The act of putting the first label on a packet.

label switching router --See LSR.

LDP --Label Distribution Protocol. The protocol that supports MPLS hop-by-hop forwarding by distributing bindings between labels and network prefixes.

LFIB --Label Forwarding Information Base. A data structure in which destinations and incoming labels are associated with outgoing interfaces and labels.

LSR --label switching router. A Layer 3 router that forwards a packet based on the value of an identifier encapsulated in the packet.

MPLS --Multiprotocol Label Switching. An industry standard on which label switching is based.

MPLS hop-by-hop forwarding --The forwarding of packets along normally routed paths using MPLS forwarding mechanisms.

Multiprotocol Label Switching --See MPLS.

Resource Reservation Protocol --See RSVP.

RIB --Routing Information Base. A common database containing all the routing protocols running on a router.

Routing Information Base --See RIB.

RSVP --Resource Reservation Protocol. A protocol for reserving network resources to provide quality of service guarantees to application flows.

traffic engineering --Techniques and processes used to cause routed traffic to travel through the network on a path other than the one that would have been chosen if standard routing methods were used.

Virtual Private Network --See VPN.

VPN --Virtual Private Network. A network that enables IP traffic to use tunneling to travel securely over a public TCP/IP network.



CHAPTER 3

MPLS Multilink PPP Support

The MPLS Multilink PPP Support feature ensures that MPLS Layer 3 Virtual Private Networks (VPNs) with quality of service (QoS) can be enabled for bundled links. This feature supports Multiprotocol Label Switching (MPLS) over Multilink PPP (MLP) links in the edge (provider edge [PE]-to-customer edge [CE]) or in the MPLS core (PE-to-PE and PE-to-provider [P] device).

Service providers that use relatively low-speed links can use MLP to spread traffic across them in their MPLS networks. Link fragmentation and interleaving (LFI) should be deployed in the CE-to-PE link for efficiency, where traffic uses a lower link bandwidth (less than 768 kbps). The MPLS Multilink PPP Support feature can reduce the number of Interior Gateway Protocol (IGP) adjacencies and facilitate load sharing of traffic.

- [Prerequisites for MPLS Multilink PPP Support, on page 13](#)
- [Restrictions for MPLS Multilink PPP Support, on page 13](#)
- [Information About MPLS Multilink PPP Support, on page 14](#)
- [How to Configure MPLS Multilink PPP Support, on page 18](#)
- [Configuration Examples for MPLS Multilink PPP Support, on page 29](#)

Prerequisites for MPLS Multilink PPP Support

- Multiprotocol Label Switching (MPLS) must be enabled on provider edge (PE) and provider (P) devices

Restrictions for MPLS Multilink PPP Support

- Only 168 multilink bundles can be created per the OC-3 interface module on the router.
- The maximum number of members per multilink bundle is 16.

For information on how to configure, Protocol-Field-Compression (PFC) and Address-and-Control-Field-Compression (AFC), see the *Configuring PPP and Multilink PPP* chapter in this book.

Information About MPLS Multilink PPP Support

MPLS Layer 3 Virtual Private Network Features Supported for Multilink PPP

The table below lists Multiprotocol Label Switching (MPLS) Layer 3 Virtual Private Network (VPN) features supported for Multilink PPP (MLP) and indicates if the feature is supported on customer edge-to-provider edge (CE-to-PE) links, PE-to-provider (P) links, and Carrier Supporting Carrier (CSC) CE-to-PE links.

Table 4: MPLS Layer 3 VPN Features Supported for MLP

MPLS L3 VPN Feature	CE-to-PE Links	PE-to-P Links	CSC CE-to-PE Links
Static routes	Supported	Not supported	Not supported
External Border Gateway Protocol (eBGP)	Supported	Not applicable to this configuration	Supported
Intermediate System-to-Intermediate System (IS-IS)	Not supported	Supported	Not supported
Open Shortest Path First (OSPF)	Supported	Supported	Not supported
Enhanced Interior Gateway Routing Protocol (EIGRP)	Supported	Supported	Not supported
Interprovider interautonomous (Inter-AS) VPNs (with Label Distribution Protocol [LDP])	Not applicable to this configuration	Supported (MLP between Autonomous System Boundary Routers [ASBRs])	Not applicable to this configuration
Inter-AS VPNs with IPv4 Label Distribution	Not applicable to this configuration	Supported (MLP between ASBRs)	Not applicable to this configuration
CSC VPNs (with LDP)	Not supported	Not applicable to this configuration	Supported
CSC VPNs with IPv4 label distribution	Supported	Not applicable to this configuration	Supported
External and internal BGP (eBGP) Multipath	Not supported	Not supported	Not applicable to this configuration
Internal BGP (iBGP) Multipath	Not applicable to this configuration	Not supported	Not applicable to this configuration
eBGP Multipath	Not supported	Not supported	Not supported

MPLS Quality of Service Features Supported for Multilink PPP

The table below lists the Multiprotocol Label Switching (MPLS) quality of service (QoS) features supported for Multilink PPP (MLP) and indicates if the feature is supported on customer edge-to-provider edge (CE-to-PE) links, PE-to-provider (P) links, and Carrier Supporting Carrier (CSC) CE-to-PE links.

Table 5: MPLS QoS Features Supported for MLP

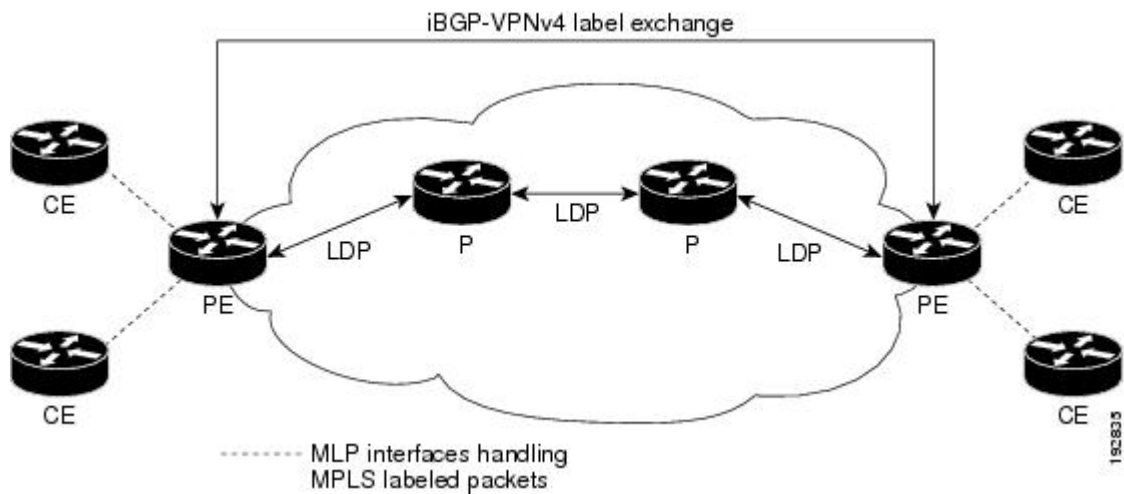
MPLS QoS Feature	CE-to-PE Links	PE-to-P Links	CSC CE-to-PE Links
Default copy of IP Precedence to EXP bits and the reverse	Supported	Not supported	Not supported
Set MPLS EXP bits using the modular QoS Command-Line Interface (MQC)	Supported	Supported	Supported
Matching on MPLS EXP using MQC	Supported	Supported	Supported
Low Latency Queueing (LLQ)/Class-Based Weighted Fair Queueing (CBWFQ) support	Supported	Supported	Supported
Weighted Random Early Detection (WRED) based on EXP bits using MQC	Supported	Supported	Supported
Policer with EXP bit-marking using MQC-3 action	Supported	Supported	Supported
Support for EXP bits in MPLS accounting	Supported	Supported	Supported

MPLS Multilink PPP Support and PE-to-CE Links

The figure below shows a typical Multiprotocol Label Switching (MPLS) network in which the provider edge (PE) device is responsible for label imposition (at ingress) and disposition (at egress) of the MPLS traffic.

In this topology, Multilink PPP (MLP) is deployed on the PE-to-customer edge (CE) links. The Virtual Private Network (VPN) routing and forwarding instance (VRF) interface is in a multilink bundle. There is no MPLS interaction with MLP; all packets coming into the MLP bundle are IP packets.

Figure 1: MLP and Traditional PE-to-CE Links



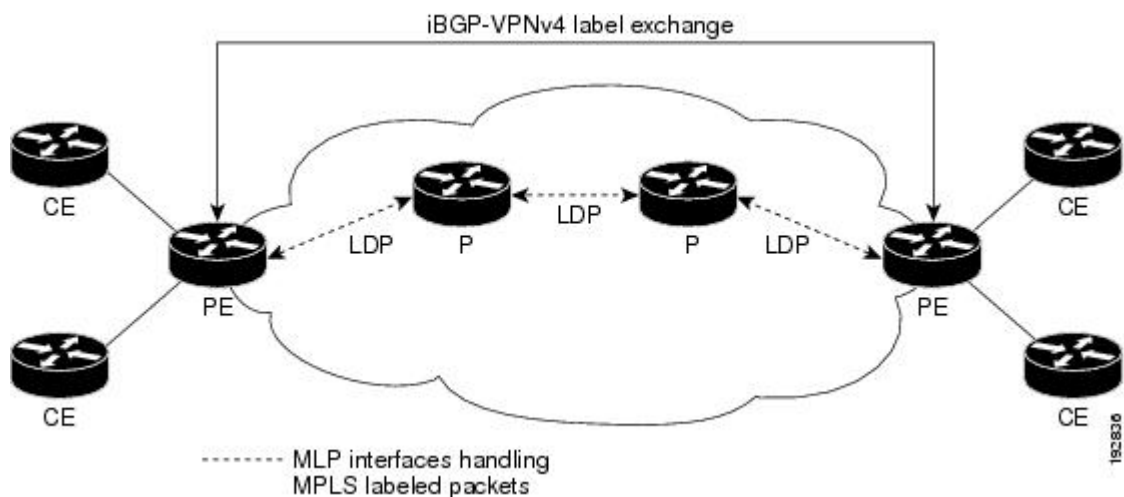
The PE-to-CE routing protocols that are supported for the MPLS Multilink PPP Support feature are external Border Gateway Protocol (eBGP), Open Shortest Path First (OSPF), and Enhanced Interior Gateway Routing Protocol (EIGRP). Static routes are also supported between the CE and PE devices.

Quality of service (QoS) features that are supported for the MPLS Multilink PPP Support feature on CE-to-PE links are link fragmentation and interleaving (LFI), compressed Real-Time Transport Protocol (cRTP), policing, marking, and classification.

MPLS Multilink PPP Support and Core Links

The figure below shows a sample topology in which Multiprotocol Label Switching (MPLS) is deployed over Multilink PPP (MLP) on provider edge-to-provider (PE-to-P) and P-to-P links. Enabling MPLS on MLP for PE-to-P links is similar to enabling MPLS on MLP for P-to-P links.

Figure 2: MLP on PE-to-P and P-to-P Links



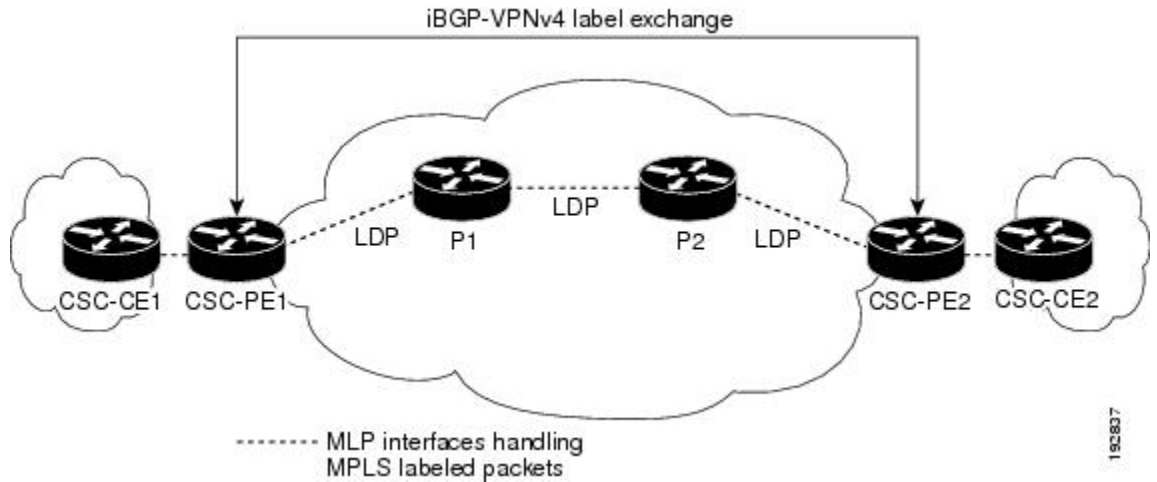
You employ MLP in the PE-to-P or P-to-P links primarily so that you can reduce the number of Interior Gateway Protocol (IGP) adjacencies and facilitate the load sharing of traffic.

In addition to requiring MLP on the PE-to-P links, the MPLS Multilink PPP Support feature requires the configuration of an IGP routing protocol and the Label Distribution Protocol (LDP).

MPLS Multilink PPP Support in a CSC Network

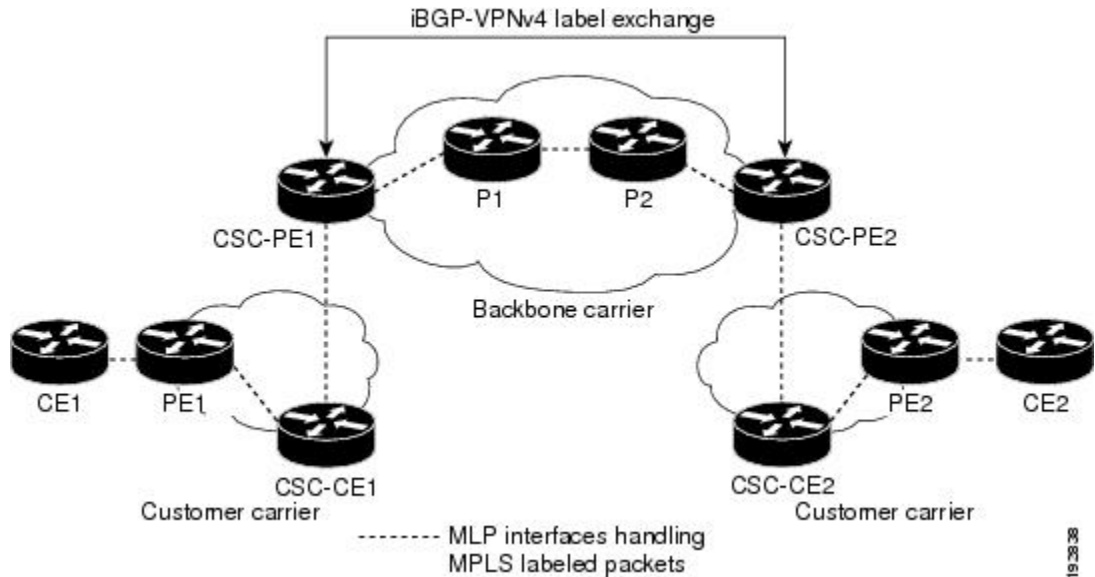
The figure below shows a typical Multiprotocol Label Switching (MPLS) Virtual Private Network (VPN) Carrier Supporting Carrier (CSC) network where Multilink PPP (MLP) is configured on the CSC customer edge (CE)-to-provider edge (PE) links.

Figure 3: MLP on CSC CE-to-PE Links with MPLS VPN Carrier Supporting Carrier



The MPLS Multilink PPP Support feature supports MLP between CSC-CE and CSC-PE links with the Label Distribution Protocol (LDP) or with external Border Gateway Protocol (eBGP) IPv4 label distribution. This feature also supports link fragmentation and interleaving (LFI) for an MPLS VPN CSC configuration. The figure below shows all MLP links that this feature supports for CSC configurations.

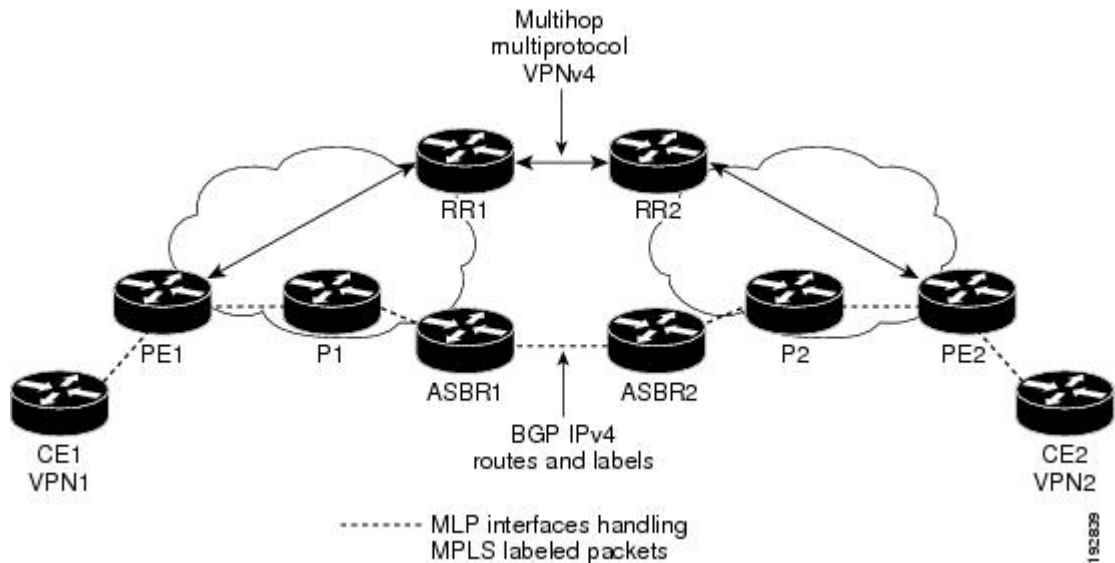
Figure 4: MLP Supported Links with MPLS VPN Carrier Supporting Carrier



MPLS Multilink PPP Support in an Interautonomous System

The figure below shows a typical Multiprotocol Label Switching (MPLS) Virtual Private Network (VPN) interautonomous system (Inter-AS) network where Multilink PPP (MLP) is configured on the provider edge-to-customer edge (PE-to-CE) links.

Figure 5: MLP on ASBR-to-PE Links in an MPLS VPN Inter-AS Network



The MPLS Multilink PPP Support feature supports MLP between Autonomous System Boundary Router (ASBR) links for Inter-AS VPNs with Label Distribution Protocol (LDP) and with external Border Gateway Protocol (eBGP) IPv4 label distribution.

How to Configure MPLS Multilink PPP Support

The tasks in this section can be performed on customer edge-to-provider edge (CE-to-PE) links, PE-to-provider (P) links, P-to-P links, and Carrier Supporting Carrier (CSC) CE-to-PE links.

Enabling Cisco Express Forwarding or Distributed Cisco Express Forwarding

Perform the following task to enable Cisco Express Forwarding or distributed Cisco Express Forwarding.

Before you begin

Multilink PPP (MLP) requires the configuration of Cisco Express Forwarding. Distributed MLP (dMLP) requires the configuration of distributed Cisco Express Forwarding.

Cisco Express Forwarding is enabled by default on most Cisco platforms running Cisco software. To find out if Cisco Express Forwarding is enabled on your platform, enter the **show ip cef** command. If Cisco Express Forwarding is enabled, you receive output that looks like this:

```
Device# show ip cef
Prefix                Next Hop              Interface
```

```

10.2.61.8/24          192.168.100.1      FastEthernet1/0/0
                    192.168.101.1      FastEthernet6/1

```

If Cisco Express Forwarding is not enabled on your platform, the output for the **show ip cef** command looks like this:

```

Device# show ip cef
%CEF not running

```

Distributed Cisco Express Forwarding is enabled by default on devices such as the Catalyst 6500 series switch, the Cisco 7500 series router, and the Cisco 12000 series Internet router.

SUMMARY STEPS

1. **enable**
2. **configure terminal**
3. Enter one of the following commands:
 - **ip cef**
 - **ip cef distributed**
4. **exit**

DETAILED STEPS

	Command or Action	Purpose
Step 1	enable Example: Device> enable	Enables privileged EXEC mode. • Enter your password if prompted.
Step 2	configure terminal Example: Device# configure terminal	Enters global configuration mode.
Step 3	Enter one of the following commands: <ul style="list-style-type: none"> • ip cef • ip cef distributed Example: Device(config)# ip cef Example: Device(config)# ip cef distributed	Enables Cisco Express Forwarding switching. or Enables distributed Cisco Express Forwarding switching.
Step 4	exit Example: Device(config)# exit	Returns to privileged EXEC mode.

Creating a Multilink Bundle

Perform this task to create a multilink bundle for the MPLS Multilink PPP Support feature. This multilink bundle can reduce the number of Interior Gateway Protocol (IGP) adjacencies and facilitate load sharing of traffic.

SUMMARY STEPS

1. **enable**
2. **configure terminal**
3. **interface multilink** *group-number*
4. **ip address** *address mask* [**secondary**]
5. **encapsulation** *encapsulation-type*
6. **ppp multilink**
7. **mpls ip**
8. **end**

DETAILED STEPS

	Command or Action	Purpose
Step 1	enable Example: Device> enable	Enables privileged EXEC mode. <ul style="list-style-type: none"> • Enter your password if prompted.
Step 2	configure terminal Example: Device# configure terminal	Enters global configuration mode.
Step 3	interface multilink <i>group-number</i> Example: Device(config)# interface multilink 1	Creates a multilink bundle and enters multilink interface configuration mode. <ul style="list-style-type: none"> • The <i>group-number</i> argument is the number of the multilink bundle (a nonzero number).
Step 4	ip address <i>address mask</i> [secondary] Example: Device(config-if)# ip address 10.0.0.0 255.255.0.0	Sets a primary or secondary IP address for an interface. <ul style="list-style-type: none"> • The <i>address</i> argument is the IP address. • The <i>mask</i> argument is the mask for the associated IP subnet. • The secondary keyword specifies that the configured address is a secondary IP address. If this keyword is omitted, the configured address is the primary IP address. This command is used to assign an IP address to the multilink interface.

	Command or Action	Purpose
Step 5	encapsulation <i>encapsulation-type</i> Example: Device(config-if)# encapsulation ppp	Sets the encapsulation method as PPP to be used by the interface. <ul style="list-style-type: none"> The <i>encapsulation-type</i> argument specifies the encapsulation type.
Step 6	ppp multilink Example: Device(config-if)# ppp multilink	Enables MLP on an interface.
Step 7	mpls ip Example: Device(config-if)# mpls ip	Enables label switching on the interface.
Step 8	end Example: Device(config-if)# end	Returns to privileged EXEC mode.

Assigning an Interface to a Multilink Bundle

SUMMARY STEPS

1. **enable**
2. **configure terminal**
3. **controller** {t1 | e1} *slot/port*
4. **channel-group** *channel-number* **timeslots**
5. **exit**
6. **interface serial** *slot/subslot / port : channel-group*
7. **ip route-cache** [cef | **distributed**]
8. **no ip address**
9. **keepalive** [*period* [*retries*]]
10. **encapsulation** *encapsulation-type*
11. **ppp multilink group** *group-number*
12. **ppp multilink**
13. **ppp authentication chap**
14. **end**

DETAILED STEPS

	Command or Action	Purpose
Step 1	enable Example:	Enables privileged EXEC mode. <ul style="list-style-type: none"> Enter your password if prompted.

	Command or Action	Purpose
	Device> enable	
Step 2	configure terminal Example: Device# configure terminal	Enters global configuration mode.
Step 3	controller {t1 e1} slot/port Example: Device# controller t1 0/0/1	Configures a T1 or E1 controller and enters controller configuration mode. <ul style="list-style-type: none"> • The t1 keyword indicates a T1 line card. • The e1 keyword indicates an E1 line card. • The <i>slot/port</i> arguments are the backplane slot number and port number on the interface. Refer to your hardware installation manual for the specific slot numbers and port numbers.
Step 4	channel-group channel-number timeslots Example: Device(config-controller)# channel-group 1 timeslots 1	Defines the time slots that belong to each T1 or E1 circuit. <ul style="list-style-type: none"> • The <i>channel-number</i> argument is the channel-group number. When a T1 data line is configured, channel-group numbers can be values from 0 to 23. When an E1 data line is configured, channel-group numbers can be values from 0 to 30. • The timeslots range keyword and argument specifies one or more time slots or ranges of time slots belonging to the channel group. The first time slot is numbered 1. For a T1 controller, the time slot range is from 1 to 24. For an E1 controller, the time slot range is from 1 to 31. You can specify a time slot range (for example, 1-29), individual time slots separated by commas (for example 1, 3, 5), or a combination of the two (for example 1-14, 15, 17-31).
Step 5	exit Example: Device(config-controller)# exit	Returns to global configuration mode.
Step 6	interface serial slot/subslot / port : channel-group Example: Device(config)# interface serial 0/0/1:1	Configures a serial interface for a Cisco 7500 series router with channelized T1 or E1 and enters interface configuration mode. <ul style="list-style-type: none"> • The <i>slot</i> argument indicates the slot number. Refer to the appropriate hardware manual for slot and port information.

	Command or Action	Purpose
		<ul style="list-style-type: none"> The <i>/port</i> argument indicates the port number. Refer to the appropriate hardware manual for slot and port information. The <i>:channel-group</i> argument indicates the channel group number. Cisco 7500 series routers specify the channel group number in the range of 0 to 4 defined with the channel-group controller configuration command.
Step 7	ip route-cache [cef distributed] Example: <pre>Device(config-if)# ip route-cache cef</pre>	Controls the use of switching methods for forwarding IP packets. <ul style="list-style-type: none"> The cef keyword enables Cisco Express Forwarding operation on an interface after Cisco Express Forwarding operation was disabled. The distributed keyword enables distributed switching on the interface.
Step 8	no ip address Example: <pre>Device(config-if)# no ip address</pre>	Removes any specified IP address.
Step 9	keepalive [<i>period</i> [<i>retries</i>]] Example: <pre>Device(config-if)# keepalive</pre>	Enables keepalive packets and specifies the number of times that the Cisco software tries to send keepalive packets without a response before bringing down the interface or before bringing the tunnel protocol down for a specific interface. <ul style="list-style-type: none"> The <i>period</i> argument is an integer value, in seconds, greater than 0. The default is 10. The <i>retries</i> argument specifies the number of times that the device continues to send keepalive packets without a response before bringing the interface down. Enter an integer value greater than 1 and less than 255. If you do not enter a value, the value that was previously set is used; if no value was specified previously, the default of 5 is used. <p>If you are using this command with a tunnel interface, the command specifies the number of times that the device continues to send keepalive packets without a response before bringing the tunnel interface protocol down.</p>
Step 10	encapsulation <i>encapsulation-type</i> Example: <pre>Device(config-if)# encapsulation ppp</pre>	Sets the encapsulation method used by the interface. <ul style="list-style-type: none"> The <i>encapsulation-type</i> argument specifies the encapsulation type. The example specifies PPP encapsulation.

	Command or Action	Purpose
Step 11	ppp multilink group <i>group-number</i> Example: Device(config-if)# ppp multilink group 1	Restricts a physical link to join only one designated multilink group interface. <ul style="list-style-type: none"> The <i>group-number</i> argument is the number of the multilink bundle (a nonzero number).
Step 12	ppp multilink Example: Device(config-if)# ppp multilink	Enables MLP on the interface.
Step 13	ppp authentication chap Example: Device(config-if)# ppp authentication chap	(Optional) Enables Challenge Handshake Authentication Protocol (CHAP) authentication on the serial interface.
Step 14	end Example: Device(config-if)# end	Returns to privileged EXEC mode.

Disabling PPP Multilink Fragmentation

Perform this task to disable PPP multilink fragmentation. PPP multilink fragmentation is enabled by default.

Enabling fragmentation reduces the delay latency among bundle links, but adds some load to the CPU. Disabling fragmentation might produce better throughput.

If your data traffic is consistently of a similar size, we recommend disabling fragmentation. In this case, the benefits of fragmentation can be outweighed by the added load on the CPU.

SUMMARY STEPS

1. **enable**
2. **configure terminal**
3. **interface** *type number*
4. **ppp multilink fragmentation disable**
5. **end**

DETAILED STEPS

	Command or Action	Purpose
Step 1	enable Example: Device> enable	Enables privileged EXEC mode. <ul style="list-style-type: none"> Enter your password if prompted.

	Command or Action	Purpose
Step 2	configure terminal Example: <pre>Device# configure terminal</pre>	Enters global configuration mode.
Step 3	interface <i>type number</i> Example: <pre>Device(config)# interface serial 1/0/0</pre>	Configures an interface type and enters interface configuration mode. <ul style="list-style-type: none"> • The <i>type</i> argument indicates the type of interface to be configured. • The <i>number</i> argument specifies the port, connector, or interface card number. The numbers are assigned at the factory at the time of installation or when the interface is added to a system, and they can be displayed with the show interfaces command.
Step 4	ppp multilink fragmentation disable Example: <pre>Device(config-if)# ppp multilink fragmentation disable</pre>	Disables packet fragmentation.
Step 5	end Example: <pre>Device(config-if)# end</pre>	Returns to privileged EXEC mode.

Verifying the Multilink PPP Configuration

SUMMARY STEPS

1. **enable**
2. **show ip interface brief**
3. **show ppp multilink**
4. **show ppp multilink interface *interface-bundle***
5. **show interface *type number***
6. **show mpls forwarding-table**
7. **exit**

DETAILED STEPS

-
- Step 1** **enable**
- Enables privileged EXEC mode. Enter your password if prompted.
- Example:**

```
Device> enable
Device#
```

Step 2 show ip interface brief

Verifies logical and physical Multilink PPP (MLP) interfaces.

Example:

```
Device# show ip interface brief
```

Localrface	IP-Address	OK?	Method	Status	Prot
GigabitEthernet1/0/0	10.3.62.106	YES	NVRAM	up	up
GigabitEthernet0/0/1	unassigned	YES	NVRAM	administratively down	down
GigabitEthernet0/0/0	unassigned	YES	NVRAM	administratively down	down
GigabitEthernet0/0/1	unassigned	YES	NVRAM	administratively down	down
GigabitEthernet0/0/2	unassigned	YES	NVRAM	administratively down	down
GigabitEthernet0/1/0	unassigned	YES	NVRAM	administratively down	down
GigabitEthernet0/1/1	unassigned	YES	NVRAM	administratively down	down
GigabitEthernet0/1/2	unassigned	YES	NVRAM	administratively down	down
Serial0/1/0:1	unassigned	YES	NVRAM	administratively down	down
Serial0/1/0:2	unassigned	YES	NVRAM	administratively down	down
Serial0/1/1:1	unassigned	YES	NVRAM	up	up
Serial0/1/1:2	unassigned	YES	NVRAM	up	down
Serial0/1/3:1	unassigned	YES	NVRAM	up	up
Serial0/1/3:2	unassigned	YES	NVRAM	up	up
Multilink6	10.30.0.2	YES	NVRAM	up	up
Multilink8	unassigned	YES	NVRAM	administratively down	down
Multilink10	10.34.0.2	YES	NVRAM	up	up
Loopback0	10.0.0.1	YES	NVRAM	up	up

Step 3 show ppp multilink

Verifies that you have created a multilink bundle.

Example:

```
Device# show ppp multilink
```

```
Multilink1, bundle name is group 1
Bundle is Distributed
0 lost fragments, 0 reordered, 0 unassigned, sequence 0x0/0x0 rcvd/sent
0 discarded, 0 lost received, 1/255 load
Member links: 4 active, 0 inactive (max no set, min not set)
Serial0/0/0/:1
Serial0/0/0/:2
Serial0/0/0/:3
Serial0/0/0/:4
```

Step 4 show ppp multilink interface interface-bundle

Displays information about a specific MLP interface.

Example:

```
Device# show ppp multilink interface multilink6
```

```
Multilink6, bundle name is router
Bundle up for 00:42:46, 1/255 load
Receive buffer limit 24384 bytes, frag timeout 1524 ms
Bundle is Distributed
0/0 fragments/bytes in reassembly list
```

```

1 lost fragments, 48 reordered
0/0 discarded fragments/bytes, 0 lost received
0x4D7 received sequence, 0x0 sent sequence
Member links: 2 active, 0 inactive (max not set, min not set)
Se0/1/3:1, since 00:42:46, 240 weight, 232 frag size
Se0/1/3:2, since 00:42:46, 240 weight, 232 frag size

```

Step 5 **show interface type number**

Displays information about serial interfaces in your configuration.

Example:

```

Device# show interface serial 0/1/3:1

Serial0/1/3:1 is up, line protocol is up
Hardware is Multichannel T1
MTU 1500 bytes, BW 64 Kbit, DLY 20000 usec,
    reliability 255/255, txload 1/255, rxload 1/255
Encapsulation PPP, LCP Open, multilink Open, crc 16, Data non-inverted
Last input 00:00:01, output 00:00:01, output hang never
Last clearing of "show interface" counters 00:47:13
Input queue: 0/75/0/0 (size/max/drops/flushes); Total output drops: 0
Queueing strategy: fifo
Output queue: 0/40 (size/max)
5 minute input rate 0 bits/sec, 0 packets/sec
5 minute output rate 0 bits/sec, 0 packets/sec
    722 packets input, 54323 bytes, 0 no buffer
    Received 0 broadcasts, 0 runts, 0 giants, 0 throttles
    0 input errors, 0 CRC, 0 frame, 0 overrun, 0 ignored, 0 abort
    697 packets output, 51888 bytes, 0 underruns
    0 output errors, 0 collisions, 1 interface resets
    0 output buffer failures, 0 output buffers swapped out
    1 carrier transitions no alarm present
Timeslot(s) Used:1, subrate: 64Kb/s, transmit delay is 0 flags
Transmit queue length 25

Device# show interface serial 0/1/3:2

Serial0/1/3:2 is up, line protocol is up
Hardware is Multichannel T1
MTU 1500 bytes, BW 64 Kbit, DLY 20000 usec,
    reliability 255/255, txload 1/255, rxload 1/255
Encapsulation PPP, LCP Open, multilink Open, crc 16, Data non-inverted
Last input 00:00:03, output 00:00:03, output hang never
Last clearing of "show interface" counters 00:47:16
Input queue: 0/75/0/0 (size/max/drops/flushes); Total output drops: 0
Queueing strategy: fifo
Output queue: 0/40 (size/max)
5 minute input rate 0 bits/sec, 0 packets/sec
5 minute output rate 0 bits/sec, 0 packets/sec
    725 packets input, 54618 bytes, 0 no buffer
    Received 0 broadcasts, 0 runts, 0 giants, 0 throttles
    0 input errors, 0 CRC, 0 frame, 0 overrun, 0 ignored, 0 abort
    693 packets output, 53180 bytes, 0 underruns
    0 output errors, 0 collisions, 1 interface resets
    0 output buffer failures, 0 output buffers swapped out
    1 carrier transitions no alarm present
Timeslot(s) Used:2, subrate: 64Kb/s, transmit delay is 0 flags
Transmit queue length 26

```

You can also use the **show interface** command to display information about the multilink interface:

Example:

```

Device# show interface multilink6

Multilink6 is up, line protocol is up
  Hardware is multilink group interface
  Internet address is 10.30.0.2/8
  MTU 1500 bytes, BW 128 Kbit, DLY 100000 usec,
    reliability 255/255, txload 1/255, rxload 1/255
  Encapsulation PPP, LCP Open, multilink Open
  Open: CDPCP, IPCP, TAGCP, loopback not set
  DTR is pulsed for 2 seconds on reset
  Last input 00:00:00, output never, output hang never
  Last clearing of "show interface" counters 00:48:43
  Input queue: 0/75/0/0 (size/max/drops/flushes); Total output drops: 0
  Queueing strategy: fifo
  Output queue: 0/40 (size/max)
  30 second input rate 0 bits/sec, 0 packets/sec
  30 second output rate 0 bits/sec, 0 packets/sec
  1340 packets input, 102245 bytes, 0 no buffer
  Received 0 broadcasts, 0 runts, 0 giants, 0 throttles
  0 input errors, 0 CRC, 0 frame, 0 overrun, 0 ignored, 0 abort
  1283 packets output, 101350 bytes, 0 underruns
  0 output errors, 0 collisions, 1 interface resets
  0 output buffer failures, 0 output buffers swapped out
  0 carrier transitions

```

Step 6 show mpls forwarding-table

Displays contents of the Multiprotocol Label Switching (MPLS) Label Forwarding Information Base (LFIB). Look for information on multilink interfaces associated with a point2point next hop.

Example:

```

Device# show mpls forwarding-table

Local  Outgoing  Prefix          Bytes tag  Outgoing  Next Hop
tag    tag or VC  or Tunnel Id    switched  interface
16     Untagged  10.30.0.1/32    0          Mu6       point2point
17     Pop tag    10.0.0.3/32     0          Mu6       point2point
18     Untagged  10.0.0.9/32[V]  0          Mu10      point2point
19     Untagged  10.0.0.11/32[V] 6890       Mu10      point2point
20     Untagged  10.32.0.0/8[V]  530       Mu10      point2point
21     Aggregate 10.34.0.0/8[V]  0          Mu10      point2point
22     Untagged  10.34.0.1/32[V] 0          Mu10      point2point

```

Use the **show ip bgp vpnv4** command to display VPN address information from the Border Gateway Protocol (BGP) table.

Example:

```

Device# show ip bgp vpnv4 all summary

BGP router identifier 10.0.0.1, local AS number 100
BGP table version is 21, main routing table version 21
10 network entries using 1210 bytes of memory
10 path entries using 640 bytes of memory
2 BGP path attribute entries using 120 bytes of memory
1 BGP extended community entries using 24 bytes of memory
0 BGP route-map cache entries using 0 bytes of memory
0 BGP filter-list cache entries using 0 bytes of memory
BGP using 1994 total bytes of memory
BGP activity 10/0 prefixes, 10/0 paths, scan interval 5 secs
10.0.0.3  4 100 MsgRc52 MsgSe52 TblV21 0 0 00:46:35 State/P5xRcd

```

Step 7 **exit**

Returns to user EXEC mode.

Example:

```
Device# exit
Device>
```

Configuration Examples for MPLS Multilink PPP Support

Sample MPLS Multilink PPP Support Configurations

The following examples show sample configurations on a Carrier Supporting Carrier (CSC) network. The configuration of MLP on an interface is the same for provider edge-to-customer edge (PE-to-CE) links, PE-to-provider (P) links, and P-to-P links.

Example: Configuring Multilink PPP on an MPLS CSC PE Device

The following example shows how to configure for Multiprotocol Label Switching (MPLS) Carrier Supporting Carrier (CSC) provider edge (PE) device.

```
!
mpls label protocol ldp
ip cef
ip vrf vpn2
  rd 200:1
  route-target export 200:1
  route-target import 200:1
!

controller T1 0/0/1
framing esf
clock source internal
linecode b8zs
channel-group 1 timeslots 1-24
!
interface Serial0/0:1
no ip address
encapsulation ppp

ppp multilink
ppp multilink group 1

interface Multilink1
ip vrf forwarding vpn2
ip address 10.35.0.2 255.0.0.0
no peer neighbor-route
load-interval 30
ppp multilink
ppp multilink interleave
ppp multilink group 1
mpls ip
mpls label protocol ldp
```

```

!
!
router ospf 200
 log-adjacency-changes
 auto-cost reference-bandwidth 1000
 redistribute connected subnets
 passive-interface Multilink1
 network 10.0.0.7 0.0.0.0 area 200
 network 10.31.0.0 0.255.255.255 area 200
!
!
router bgp 200
 no bgp default ipv4-unicast
 bgp log-neighbor-changes
 neighbor 10.0.0.11 remote-as 200
 neighbor 10.0.0.11 update-source Loopback0
!
 address-family vpnv4
  neighbor 10.0.0.11 activate
  neighbor 10.0.0.11 send-community extended
 bgp scan-time import 5
 exit-address-family
!
 address-family ipv4 vrf vpn2
  redistribute connected
  neighbor 10.35.0.1 remote-as 300
  neighbor 10.35.0.1 activate
  neighbor 10.35.0.1 as-override
  neighbor 10.35.0.1 advertisement-interval 5
 no auto-summary
 no synchronization
 exit-address-family

```

Example: Enabling Cisco Express Forwarding or Distributed Cisco Express Forwarding

The following example shows how to enable Cisco Express Forwarding for Multilink PPP (MLP) configurations:

```

enable
configure terminal
ip cef

```

The following example shows how to enable distributed Cisco Express Forwarding for distributed MLP (dMLP) configurations:

```

enable
configure terminal
ip cef distribute

```

Example: Creating a Multilink Bundle

The following example shows how to create a multilink bundle for the MPLS Multilink PPP Support feature:

```

Device(config)# interface multilink 1
Device(config-if)# ip address 10.0.0.0 10.255.255.255
Device(config-if)# encapsulation ppp

```

```
Device(config-if)# ppp chap hostname group 1
Device(config-if)# ppp multilink
Device(config-if)# ppp multilink group 1
Device(config-if)# mpls ip
Device(config-if)# mpls label protocol ldp
```

Example: Assigning an Interface to a Multilink Bundle

The following example shows how to create four multilink interfaces with Cisco Express Forwarding switching and Multilink PPP (MLP) enabled. Each of the newly created interfaces is added to a multilink bundle.

```
interface multilink1
 ip address 10.0.0.0 10.255.255.255
 ppp chap hostname group 1
 ppp multilink
 ppp multilink group 1
 mpls ip
 mpls label protocol ldp

interface serial 0/0/0/:1
 no ip address
 encapsulation ppp
 ip route-cache cef
 no keepalive
 ppp multilink
 ppp multilink group 1

no ip address
 encapsulation ppp
 ip route-cache cef
 no keepalive
 ppp chap hostname group 1
 ppp multilink
 ppp multilink group 1

no ip address
 encapsulation ppp
 ip route-cache cef
 no keepalive
 ppp chap hostname group 1
 ppp multilink
 ppp multilink group 1

no ip address
 encapsulation ppp
 ip route-cache cef
 no keepalive
 ppp chap hostname group 1
 ppp multilink
 ppp multilink group 1
```

Example: Assigning an Interface to a Multilink Bundle



CHAPTER 4

MPLS Transport Profile

Multiprotocol Label Switching (MPLS) Transport Profile (TP) enables you to create tunnels that provide the transport network service layer over which IP and MPLS traffic traverses. MPLS-TP tunnels enable a transition from Synchronous Optical Networking (SONET) and Synchronous Digital Hierarchy (SDH) time-division multiplexing (TDM) technologies to packet switching to support services with high bandwidth requirements, such as video.

- [Restrictions for MPLS-TP, on page 33](#)
- [Information About MPLS-TP, on page 34](#)
- [How to Configure MPLS Transport Profile, on page 40](#)
- [Configuration Examples for MPLS Transport Profile, on page 61](#)
- [Associated Commands, on page 62](#)

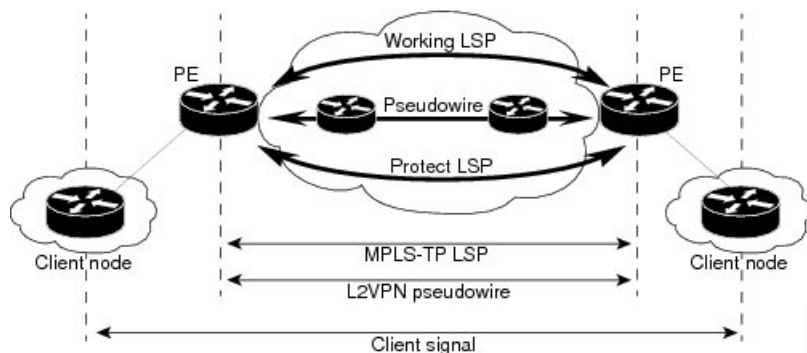
Restrictions for MPLS-TP

- Multiprotocol Label Switching Transport Profile (MPLS-TP) penultimate hop popping is *not* supported. Only ultimate hop popping is supported, because label mappings are configured at the MPLS-TP endpoints.
- IPv6 addressing is *not* supported.
- VCCV BFD is *not* supported.
- Layer 2 Virtual Private Network (L2VPN) interworking is *not* supported.
- Local switching with Any Transport over MPLS (AToM) pseudowire as a backup is *not* supported.
- L2VPN pseudowire redundancy to an AToM pseudowire by one or more attachment circuits is *not* supported.
- Pseudowire ID Forward Equivalence Class (FEC) type 128 is supported, but generalized ID FEC type 129 is *not* supported.
- Maximum virtual circuits (VC) supported for MPLS-TP is 2000.

Information About MPLS-TP

How MPLS Transport Profile Works

Multiprotocol Label Switching Transport Profile (MPLS-TP) tunnels provide the transport network service layer over which IP and MPLS traffic traverses. MPLS-TP tunnels help transition from Synchronous Optical Network/Synchronous Digital Hierarchy (SONET/SDH) and Time Division Multiplexing (TDM) technologies to packet switching to support services with high bandwidth utilization and lower cost. Transport networks are connection-oriented, statically provisioned, and have long-lived connections. Transport networks usually avoid control protocols that change identifiers (like labels). MPLS-TP tunnels provide this functionality through statically provisioned bidirectional label switched paths (LSPs), as shown in the figure below.



MPLS-TP Path Protection

MPLS-TP label switched paths (LSPs) support 1-to-1 path protection. There are two types of LSPs: protect LSPs and working LSPs. You can configure the both types of LSPs when configuring the MPLS-TP tunnel. The working LSP is the primary LSP used to route traffic. The protect LSP acts as a backup for a working LSP. If the working LSP fails, traffic is switched to the protect LSP until the working LSP is restored, at which time forwarding reverts back to the working LSP.

Bidirectional LSPs

Multiprotocol Label Switching Transport Profile (MPLS-TP) label switched paths (LSPs) are bidirectional and co-routed. They comprise of two unidirectional LSPs that are supported by the MPLS forwarding infrastructure. A TP tunnel consists of a pair of unidirectional tunnels that provide a bidirectional LSP. Each unidirectional tunnel can be optionally protected with a protect LSP that activates automatically upon failure conditions.

MPLS Transport Profile Static and Dynamic Multisegment Pseudowires

Multiprotocol Label Switching Transport Profile (MPLS-TP) supports the following combinations of static and dynamic multisegment pseudowires:

- Dynamic-static
- Static-dynamic

- Static-static

MPLS-TP OAM Status for Static and Dynamic Multisegment Pseudowires

With static pseudowires, status notifications can be provided by BFD over VCCV or by the static pseudowire OAM protocol. However, BFD over VCCV sends only attachment circuit status code notifications. Hop-by-hop notifications of other pseudowire status codes are not supported. Therefore, the static pseudowire OAM protocol is preferred

MPLS Transport Profile Links and Physical Interfaces

Multiprotocol Label Switching Transport Profile (MPLS-TP) link numbers may be assigned to physical interfaces only. Bundled interfaces and virtual interfaces are not supported for MPLS-TP link numbers.

The MPLS-TP link creates a layer of indirection between the MPLS-TP tunnel and midpoint LSP configuration and the physical interface. The **mplstp link** command is used to associate an MPLS-TP link number with a physical interface and next-hop node. The MPLS-TP out-links can be configured only on the ethernet interfaces, with either the next hop IPv4 address or next hop mac-address specified.

Multiple tunnels and LSPs may then refer to the MPLS-TP link to indicate that they are traversing that interface. You can move the MPLS-TP link from one interface to another without reconfiguring all the MPLS-TP tunnels and LSPs that refer to the link.

Link numbers must be unique on the router or node.

Tunnel Midpoints

Tunnel LSPs, whether endpoint or midpoint, use the same identifying information. However, it is entered differently.

- At the midpoint, all information for the LSP is specified with the **mpls tp lsp** command for configuring forward and reverse information for forwarding.
- At the midpoint, determining which end is source and which is destination is arbitrary. That is, if you are configuring a tunnel between your device and a coworker's device, then your device is the source. However, your coworker considers his or her device to be the source. At the midpoint, either device could be considered the source. At the midpoint, the forward direction is from source to destination, and the reverse direction is from destination to source.
- At the endpoint, the local information (source) either comes from the global device ID and global ID, or from the locally configured information using the **tp source** command.
- At the endpoint, the remote information (destination) is configured using the **tp destination** command after you enter the **interface tunnel-tp number** command. The **tp destination** command includes the destination node ID, and optionally the global ID and the destination tunnel number. If you do not specify the destination tunnel number, the source tunnel number is used.
- At the endpoint, the LSP number is configured in working-lsp or protect-lsp submode. The default is 0 for the working LSP and 1 for the protect LSP.
- When configuring LSPs at midpoint devices, ensure that the configuration does not deflect traffic back to the originating node.

MPLS-TP Linear Protection with PSC Support

MPLS-TP Linear Protection with PSC Support Overview

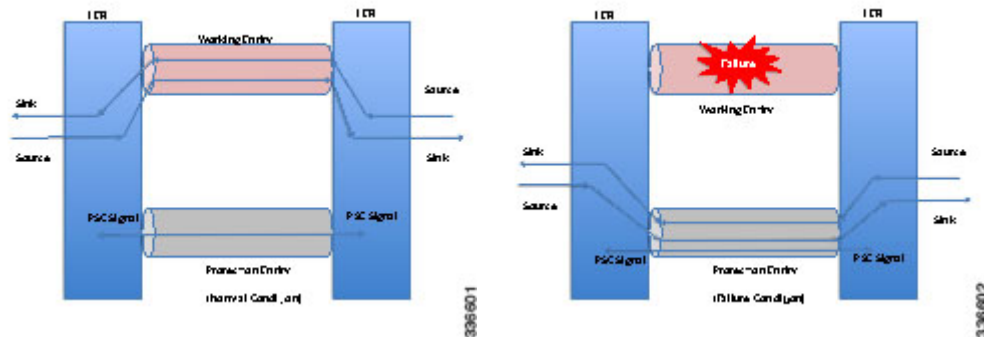
The Multiprotocol Label Switching (MPLS) Transport Profile (TP) enables you to create tunnels that provide the transport network service layer over which IP and MPLS traffic traverse.

Network survivability is the ability of a network to recover traffic delivery following failure, or degradation, of network resources. The MPLS-TP Survivability Framework (RFC-6372) describes the framework for survivability in MPLS-TP networks, focusing on mechanisms for recovering MPLS-TP label switched paths (LSPs)

Linear protection provides rapid and simple protection switching because it can operate between any pair of points within a network. Protection switching is a fully allocated survivability mechanism, meaning that the route and resources of the protection path are reserved for a selected working path or set of working paths. For a point-to-point LSPs, the protected domain is defined as two label edge routers (LERs) and the transport paths that connect them.

Protection switching in a point-to-point domain can be applied to a 1+1, 1:1, or 1:n unidirectional or bidirectional protection architecture. When used for bidirectional switching, the protection architecture must also support a Protection State Coordination (PSC) protocol. This protocol is used to help coordinate both ends of the protected domain in selecting the proper traffic flow. For example, if either endpoint detects a failure on the working transport entity, the endpoint sends a PSC message to inform the peer endpoint of the state condition. The PSC protocol decides what local action, if any, should be taken.

The following figure shows the MPLS-TP linear protection model used and the associated PSC signaling channel for state coordination.



In 1:1 bidirectional protection switching, for each direction, the source endpoint sends traffic on either a working transport entity or a protected transport entity, referred to as a data-path. If either endpoint detects a failure on the working transport entity, that endpoint switches to send and receive traffic from the protected transport entity. Each endpoint also sends a PSC message to inform the peer endpoint of the state condition. The PSC mechanism is necessary to coordinate the two transport entity endpoints and implement 1:1 bidirectional protection switching even for a unidirectional failure. The switching of the transport path from working path to protected path can happen because of various failure conditions (such as link down indication (LDI), remote defect indication (RDI), and link failures) or because administrator/operator intervention (such as shutdown, lockout of working/forced switch (FS), and lockout of protection).

Each endpoint LER implements a PSC architecture that consists of multiple functional blocks. They are:

- **Local Trigger Logic:** This receives inputs from bidirectional forwarding detection (BFD), operator commands, fault operation, administration, and maintenance (OAM) and a wait-to-restore (WTR) timer. It runs a priority logic to decide on the highest priority trigger.
- **PSC FSM:** The highest priority trigger event drives the PSC finite state machine (FSM) logic to decide what local action, if any, should be taken. These actions may include triggering path protection at the local endpoint or may simply ignore the event.
- **Remote PSC Signaling:** In addition to receiving events from local trigger logic, the PSC FSM logic also receives and processes PSC signaling messages from the remote LER. Remote messages indicate the status of the transport path from the viewpoint of the far end LER. These messages may drive state changes on the local entity.
- **PSC Message Generator:** Based on the action output from the PSC control logic, this functional block formats the PSC protocol message and transmits it to the remote endpoint of the protected domain. This message may either be the same as the previously transmitted message or change when the PSC control has changed. The messages are transmitted as an initial burst followed by a regular interval.
- **Wait-to-Restore Timer:** The (configurable) WTR timer is used to delay reversion to a normal state when recovering from a failure condition on the working path in revertive mode. The PSC FSM logic starts/stops the WTR timer based on internal conditions/state. When the WTR expires, it generates an event to drive the local trigger logic.
- **Remote Event Expire Timer:** The (configurable) remote-event-expire timer is used to clear the remote event after the timer is expired because of remote inactivity or fault in the protected LSP. When the remote event clear timer expires, it generates a remote event clear notification to the PSC FSM logic.

Interoperability With Proprietary Lockout

An emulated protection (emulated automatic protection switching (APS)) switching ensures synchronization between peer entities. The emulated APS uses link down indication (LDI) message (proprietary) extensions when a lockout command is issued on the working or protected LSP. This lockout command is known as emLockout. A lockout is mutually exclusive between the working and protected LSP. In other words, when the working LSP is locked, the protected LSP cannot be locked (and vice versa).

The emLockout message is sent on the specified channel from the endpoint on the LSP where the lockout command (working/protected) is issued. Once the lockout is cleared locally, a Wait-To-Restore (WTR) timer (configurable) is started and the remote end notified. The local peer continues to remain in lockout until a clear is received from the remote peer and the WTR timer has expired and only then the LSP is considered to be no longer locked out. In certain deployments, you use a large WTR timer to emulate a non-revertive behavior. This causes the protected LSP to continue forwarding traffic even after the lockout has been removed from the working LSP.

The PSC protocol as specified in RFC-6378 is incompatible with the emulated APS implementation in certain conditions. For example, PSC implements a priority scheme whereby a lockout of protection (LoP) is at a higher priority than a forced switch (FS) issued on a working LSP. When an FS is issued and cleared, PSC states that the switching must revert to the working LSP immediately. However, the emulated APS implementation starts a WTR timer and switches after the timer has expired.

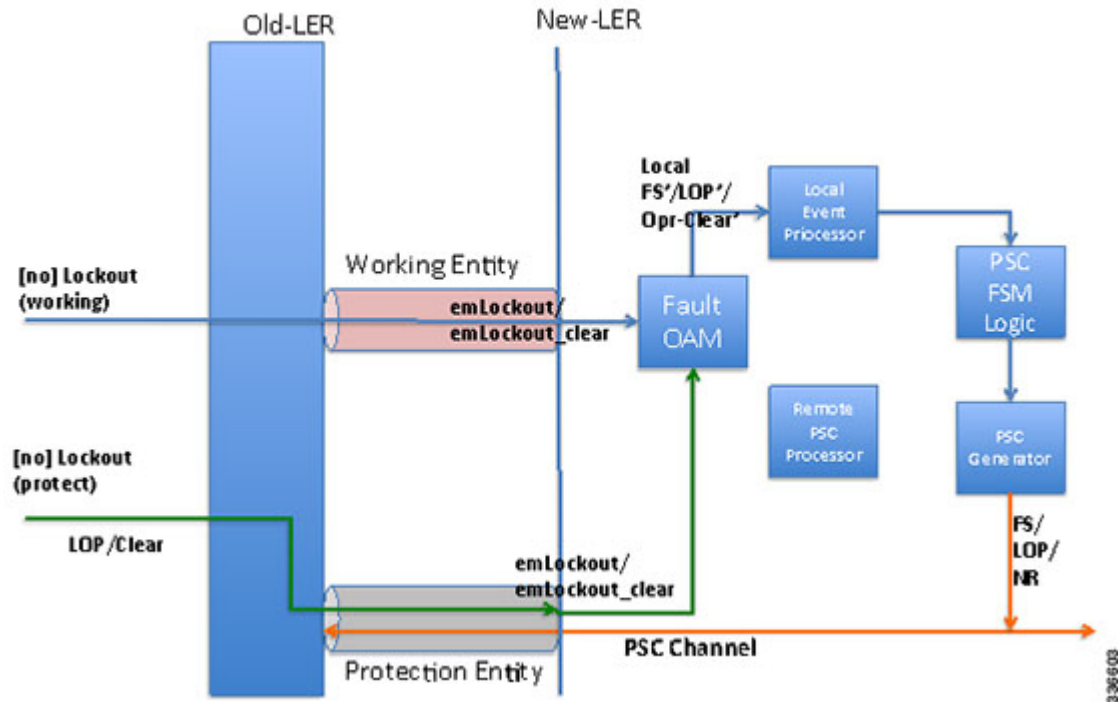
An endpoint implementing the newer PSC version may have to communicate with another endpoint implementing an older version. Because there is no mechanism to exchange the capabilities, the PSC implementation must interoperate with another peer endpoint implementing emulated APS. In this scenario, the new implementation sends both the LDI extension message (referred to as emLockout) as well as a PSC message when the lockout is issued.

Mapping and Priority of emlockout

There are two possible setups for interoperability:

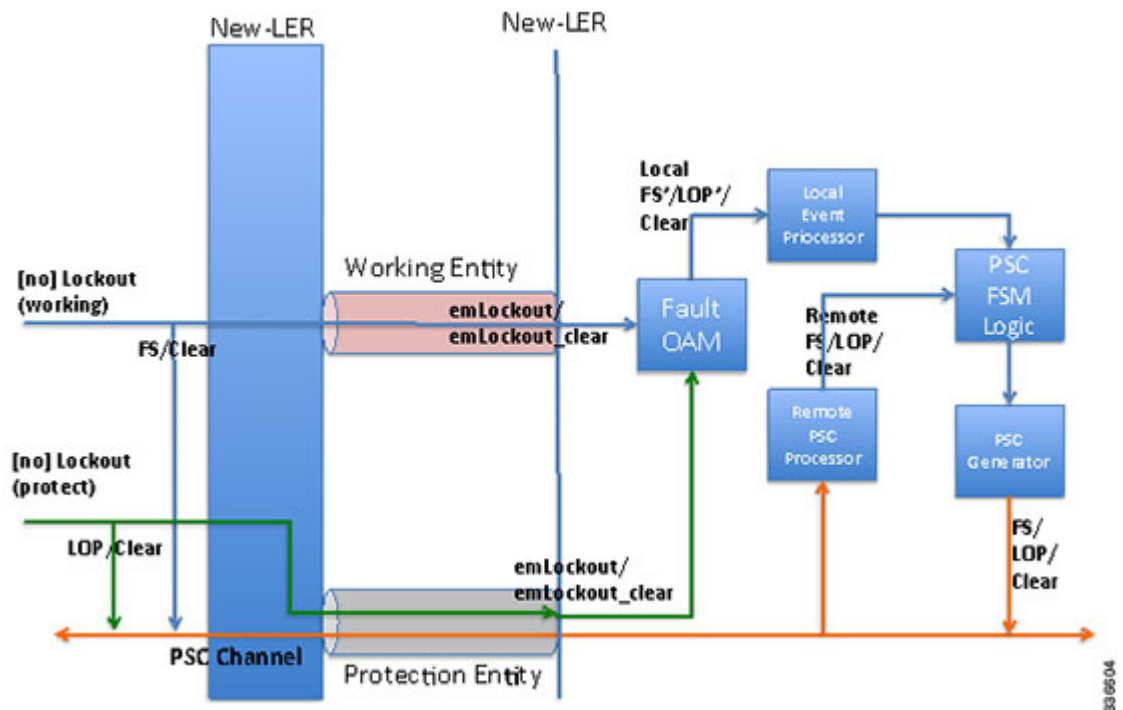
- New-old implementation.
- New-new implementation.

You can understand the mapping and priority when an emLockout is received and processed in the new-old implementation by referring to the following figure.



When the new label edge router (new-LER) receives an emLockout (or emLockout_clear) message, the new-LER maps the message into an internal local FS'/FSc' (local FS-prime/FSc-prime-clear) or LoP'/LoPc' (local LoP-prime/LoP-prime-clear) event based on the channel on which it is received. This event is prioritized by the local event processor against any persistent local operator command. The highest priority event drives the PSC FSM logic and any associated path protection logic. A new internal state is defined for FS'/FSc' events. The PSC FSM logic transmits the corresponding PSC message. This message is dropped/ignored by the old-LER.

In the new-new LER implementation shown in the following figure, each endpoint generates two messages when a lockout command is given on a working or protected LSP.



When a lockout (working) command is issued, the new-LER implementation sends an emLockout command on the working LSP and PSC(FS) on the protected LSP. The remote peer receives two commands in either order. A priority scheme for local events is modified slightly beyond what is defined in order to drive the PSC FSM to a consistent state despite the order in which the two messages are received.

In the new implementation, it is possible to override the lockout of the working LSP with the lockout of the protected LSP according to the priority scheme. This is not allowed in the existing implementation. Consider the following steps between old (O) and new (N) node setup:

Time T1: Lockout (on the working LSP) is issued on O and N. Data is switched from the working to the protected LSP.

Time T2: Lockout (on the protected LSP) is issued on O and N. The command is rejected at O (existing behavior) and accepted at N (new behavior). Data in O->N continues on the protected LSP. Data in N->O switches to the working LSP.

You must issue a clear lockout (on the working LSP) and re-issue a lockout (on the protected LSP) on the old node to restore consistency.

WTR Synchronization

When a lockout on the working label switched path (LSP) is issued and subsequently cleared, a WTR timer (default: 10 sec, configurable) is started. When the timer expires, the data path is switched from protected to working LSP.

The PSC protocol indicates that the switch should happen immediately when a lockout (FS) is cleared.

When a new node is connected to the old node, for a period of time equal to the WTR timer value, the data path may be out-of-sync when a lockout is cleared on the working LSP. You should configure a low WTR value in order to minimize this condition.

Another issue is synchronization of the WTR value during stateful switchover (SSO). Currently, the WTR residual value is not checkpointed between the active and standby. As a result, after SSO, the new active restarts the WTR with the configured value if the protected LSP is active and the working LSP is up. As part of the PSC protocol implementation, the residual WTR is checkpointed on the standby. When the standby becomes active, the WTR is started with the residual value.

Priority of Inputs

The event priority scheme for locally generated events is as follows in high to low order:

Local Events:

1. Opr-Clear (Operator Clear)
2. LoP (Lockout of Protection)
3. LoP'/LoP'-Clear
4. FS (Forced Switch)
5. FS'/FS'-Clear
6. MS (Manual-Switch)

The emLockout received on the working LSP is mapped to the local-FS'. The emLockout received on the protected LSP is mapped to the local-LoP'. The emLockout-clear received is mapped to the corresponding clear events.

The priority definition for Signal Fail (SF), Signal Degrade (SD), Manual Switch (MS), WTR, Do Not Revert (DNR), and No Request (NR) remains unchanged.

PSC Syslogs

The following are the new syslogs that are introduced as part of the Linear Protection with PSC Support feature:

SYSLOG NAME	DESCRIPTION	RAW FORMAT
MPLS_TP_TUNNEL_PSC_PREEMPTION	Handle MPLS TP tunnel PSC event preemption syslog.	%MPLS-TP-5-PSCPREEMPTION: Tunnel-tp10, PSC Event: LOP:R preempted PSC Event: FS:L
MPLS_TP_TUNNEL_PSC_TYPE_MISMATCH	Handle MPLS TP tunnel type mismatch	%MPLS-PSC-5-TYPE-MISMATCH: Tunnel-tp10, type mismatch local-type: 1:1,

How to Configure MPLS Transport Profile

Configuring the MPLS Label Range

You must specify a static range of Multiprotocol Label Switching (MPLS) labels using the **mpls label range** command with the **static** keyword.

SUMMARY STEPS

1. **enable**
2. **configure terminal**
3. **mpls label range** *minimum-value maximum-value static minimum-static-value maximum-static-value*
4. **end**

DETAILED STEPS

	Command or Action	Purpose
Step 1	enable Example: Device> enable	Enables privileged EXEC mode. <ul style="list-style-type: none"> • Enter your password if prompted.
Step 2	configure terminal Example: Device# configure terminal	Enters global configuration mode.
Step 3	mpls label range <i>minimum-value maximum-value static minimum-static-value maximum-static-value</i> Example: Device(config)# mpls label range 1001 1003 static 10000 25000	Specifies a static range of MPLS labels.
Step 4	end Example: Device(config)# end	Exits global configuration mode and returns to privileged EXEC mode.

Configuring the Router ID and Global ID**SUMMARY STEPS**

1. **enable**
2. **configure terminal**
3. **mpls tp**
4. **router-id** *node-id*
5. **global-id** *num*
6. **end**

DETAILED STEPS

	Command or Action	Purpose
Step 1	enable	Enables privileged EXEC mode.

	Command or Action	Purpose
	Example: <pre>Device> enable</pre>	<ul style="list-style-type: none"> Enter your password if prompted.
Step 2	configure terminal Example: <pre>Device# configure terminal</pre>	Enters global configuration mode.
Step 3	mpls tp Example: <pre>Device(config)# mpls tp</pre>	Enters MPLS-TP configuration mode, from which you can configure MPLS-TP parameters for the device.
Step 4	router-id <i>node-id</i> Example: <pre>Device(config-mpls-tp)# router-id 10.10.10.10</pre>	Specifies the default MPLS-TP router ID, which is used as the default source node ID for all MPLS-TP tunnels configured on the device.
Step 5	global-id <i>num</i> Example: <pre>Device(config-mpls-tp)# global-id 1</pre>	<p>(Optional) Specifies the default global ID used for all endpoints and midpoints.</p> <ul style="list-style-type: none"> This command makes the router ID globally unique in a multiprovider tunnel. Otherwise, the router ID is only locally meaningful. The global ID is an autonomous system number, which is a controlled number space by which providers can identify each other. The router ID and global ID are also included in fault messages sent by devices from the tunnel midpoints to help isolate the location of faults.
Step 6	end Example: <pre>Device(config-mpls-tp)# end</pre>	Exits MPLS-TP configuration mode and returns to privileged EXEC mode.

Configuring Bidirectional Forwarding Detection Templates

The **bfd-template** command allows you to create a BFD template and enter BFD configuration mode. The template can be used to specify a set of BFD interval values. You invoke the template as part of the MPLS-TP tunnel. On platforms that support the BFD Hardware Offload feature and that can provide a 60-ms cutover for MPLS-TP tunnels, it is recommended to use the higher resolution timers in the BFD template.

SUMMARY STEPS

1. **enable**

2. **configure terminal**
3. **bfd-template single-hop** *template-name*
4. **interval** [*microseconds*] {**both** *time* | **min-tx** *time* **min-rx** *time*} [**multiplier** *multiplier-value*]
5. **end**

DETAILED STEPS

	Command or Action	Purpose
Step 1	enable Example: Device> enable	Enables privileged EXEC mode. <ul style="list-style-type: none"> • Enter your password if prompted.
Step 2	configure terminal Example: Device# configure terminal	Enters global configuration mode.
Step 3	bfd-template single-hop <i>template-name</i> Example: Device(config)# bfd-template single-hop mpls-bfd-1	Creates a BFD template and enter BFD configuration mode.
Step 4	interval [<i>microseconds</i>] { both <i>time</i> min-tx <i>time</i> min-rx <i>time</i> } [multiplier <i>multiplier-value</i>] Example: Device(config-bfd)# interval min-tx 99 min-rx 99 multiplier 3	Specifies a set of BFD interval values.
Step 5	end Example: Device(config-bfd)# exit	Exits BFD configuration mode and returns to privileged EXEC mode.

Configuring Pseudowire OAM Attributes

The pseudowire static OAM class is used to create pseudowire class for static pseudowire.

This pseudowire static OAM class allows you to configure static pseudowire OAM protocol parameter Refresh Timer and TTL for pseudowire.

SUMMARY STEPS

1. **enable**
2. **configure terminal**
3. **pseudowire-static-oam class** *class-name*
4. **timeout refresh send** *seconds*

5. `ttl value`
6. `exit`

DETAILED STEPS

	Command or Action	Purpose
Step 1	enable Example: Device> enable	Enables privileged EXEC mode. <ul style="list-style-type: none"> • Enter your password if prompted.
Step 2	configure terminal Example: Device# configure terminal	Enters global configuration mode.
Step 3	pseudowire-static-oam class <i>class-name</i> Example: Device(config)# pseudowire-static-oam class oam-class1	Creates a pseudowire OAM class and enters pseudowire OAM class configuration mode.
Step 4	timeout refresh send <i>seconds</i> Example: Device(config-st-pw-oam-class)# timeout refresh send 20	Specifies the OAM timeout refresh interval.
Step 5	ttl <i>value</i> Example: Device(config-st-pw-oam-class)# ttl 3	(Optional) Specifies the TTL value in the pseudowire level. The TTL value ranges from 1 to 255. The default value is 1.
Step 6	exit Example: Device(config-st-pw-oam-class)# exit	Exits pseudowire OAM configuration mode and returns to privileged EXEC mode.

Configuring the Pseudowire Class

When you create a pseudowire class, you specify the parameters of the pseudowire, such as the use of the control word, preferred path and OAM class template.

SUMMARY STEPS

1. `enable`
2. `configure terminal`
3. `pseudowire-class class-name`

4. **encapsulation mpls**
5. **control-word**
6. **mpls label protocol** [ldp | none]
7. **preferred-path** {**interface tunnel** *tunnel-number* | **peer** {*ip-address* | *host-name*}} [**disable-fallback**]
8. **status protocol notification static** *class-name*
9. **end**

DETAILED STEPS

	Command or Action	Purpose
Step 1	enable Example: Device> enable	Enables privileged EXEC mode. <ul style="list-style-type: none"> • Enter your password if prompted.
Step 2	configure terminal Example: Device# configure terminal	Enters global configuration mode.
Step 3	pseudowire-class <i>class-name</i> Example: Device(config)# pseudowire-class mpls-tp-class1	Creates a pseudowire class and enters pseudowire class configuration mode.
Step 4	encapsulation mpls Example: Device(config-pw-class)# encapsulation mpls	Specifies the encapsulation type.
Step 5	control-word Example: Device(config-pw-class)# control-word	Enables the use of the control word.
Step 6	mpls label protocol [ldp none] Example: Device(config-pw-class)# protocol none	Specifies the type of protocol.
Step 7	preferred-path { interface tunnel <i>tunnel-number</i> peer { <i>ip-address</i> <i>host-name</i> }} [disable-fallback] Example: Device(config-pw-class)# preferred-path interface tunnel-tp2	Specifies the tunnel to use as the preferred path.
Step 8	status protocol notification static <i>class-name</i> Example:	Specifies the OAM class to use.

	Command or Action	Purpose
	Device(config-pw-class)# status protocol notification static oam-class1	
Step 9	end Example: Device(config-pw-class)# end	Exits pseudowire class configuration mode and returns to privileged EXEC mode.

Configuring the Pseudowire

SUMMARY STEPS

1. **enable**
2. **configure terminal**
3. **interface***interface-id*
4. **service instance** *number* **ethernet** [*name*]
5. **xconnect** *peer-ip-address* *vc-id* **encapsulation mpls manual pw-class** *pw-class-name*
6. **mpls label** *local-pseudowire-label* *remote-pseudowire-label*
7. **mpls control-word**
8. **backup delay** {*enable-delay-period* | **never**} {*disable-delay-period* | **never**}
9. **backup peer** *peer-router-ip-addr* *vcid* [**pw-class** *pw-class-name*] [**priority** *value*]
10. **end**

DETAILED STEPS

	Command or Action	Purpose
Step 1	enable Example: Device> enable	Enables privileged EXEC mode. <ul style="list-style-type: none"> • Enter your password if prompted.
Step 2	configure terminal Example: Device# configure terminal	Enters global configuration mode.
Step 3	interface <i>interface-id</i> Example: Router(config)# interface gigabitethernet 0/0/4	Specifies the port on which to create the pseudowire and enters interface configuration mode. Valid interfaces are physical Ethernet ports.
Step 4	service instance <i>number</i> ethernet [<i>name</i>] Example: Router(config-if)# service instance 2 ethernet	Configure an EFP (service instance) and enter service instance configuration mode. <ul style="list-style-type: none"> • <i>number</i>—Indicates EFP identifier. Valid values are from 1 to 400.

	Command or Action	Purpose
		<ul style="list-style-type: none"> (Optional) ethernet name—Name of a previously configured EVC. You do not need to use an EVC name in a service instance. <p>Note You can use service instance settings such as encapsulation, dot1q, and rewrite to configure tagging properties for a specific traffic flow within a given pseudowire session. For more information, see the <i>Configuring Ethernet Virtual Connections</i>.</p>
Step 5	<p>xconnect <i>peer-ip-address</i> <i>vc-id</i> encapsulation mpls manual pw-class <i>pw-class-name</i></p> <p>Example:</p> <pre>Router(config-if-srv)# xconnect 20.1.1.1 20 encapsulation mpls manual pw-class mpls-tp-class1</pre>	<p>Binds an attachment circuit to a pseudowire, and configures an Any Transport over MPLS (AToM) static pseudowire.</p> <ul style="list-style-type: none"> <i>number</i>—Indicates EFP identifier. Valid values are from 1 to 400 (Optional) ethernet name—Name of a previously configured EVC. You do not need to use an EVC name in a service instance. <p>Note You can use service instance settings such as encapsulation, dot1q, and rewrite to configure tagging properties for a specific traffic flow within a given pseudowire session. For more information, see the <i>Configuring Ethernet Virtual Connections</i>.</p>
Step 6	<p>mpls label <i>local-pseudowire-label</i> <i>remote-pseudowire-label</i></p> <p>Example:</p> <pre>Device(config-if-xconn)# mpls label 1000 1001</pre>	<p>Configures the static pseudowire connection by defining local and remote circuit labels.</p>
Step 7	<p>mpls control-word</p> <p>Example:</p> <pre>Device(config-if-xconn)# no mpls control-word</pre>	<p>Specifies the control word.</p>
Step 8	<p>backup delay {<i>enable-delay-period</i> never} {<i>disable-delay-period</i> never}</p> <p>Example:</p> <pre>Device(config-if-xconn)# backup delay 0 never</pre>	<p>Specifies how long a backup pseudowire virtual circuit (VC) should wait before resuming operation after the primary pseudowire VC goes down.</p>
Step 9	<p>backup peer <i>peer-router-ip-addr</i> <i>vcid</i> [pw-class <i>pw-class-name</i>] [priority value]</p> <p>Example:</p> <pre>Device(config-if-xconn)# backup peer 10.0.0.2 50</pre>	<p>Specifies a redundant peer for a pseudowire virtual circuit (VC).</p>

	Command or Action	Purpose
Step 10	end Example: Device(config)# end	Exits xconn interface connection mode and returns to privileged EXEC mode.

Configuring the MPLS-TP Tunnel

On the endpoint devices, create an MPLS TP tunnel and configure its parameters. See the interface tunnel-tp command for information on the parameters.

SUMMARY STEPS

1. **enable**
2. **configure terminal**
3. **interface tunnel-tp** *number*
4. **description** *tunnel-description*
5. **tp tunnel-name** *name*
6. **tp source** *node-id* [*global-id num*]
7. **tp destination** *node-id* [**tunnel-tp** *num*[**global-id** *num*]]
8. **bfd** *bfd-template*
9. **working-lsp**
10. **in-label** *num*
11. **out-label** *num* **out-link** *num*
12. **exit**
13. **protect-lsp**
14. **in-label** *num*
15. **out-label** *num* **out-link** *num*
16. **end**

DETAILED STEPS

	Command or Action	Purpose
Step 1	enable Example: Device> enable	Enables privileged EXEC mode. <ul style="list-style-type: none"> • Enter your password if prompted.
Step 2	configure terminal Example: Device# configure terminal	Enters global configuration mode.
Step 3	interface tunnel-tp <i>number</i> Example:	Enters tunnel interface configuration mode. Tunnel numbers from 0 to 999 are supported.

	Command or Action	Purpose
	Device(config)# interface tunnel-tp 1	
Step 4	description <i>tunnel-description</i> Example: Device(config-if)# description headend tunnel	(Optional) Specifies a tunnel description.
Step 5	tp tunnel-name <i>name</i> Example: Device(config-if)# tp tunnel-name tunnel 122	Specifies the name of the MPLS-TP tunnel.
Step 6	tp source <i>node-id [global-id num]</i> Example: Device(config-if)# tp source 10.11.11.11 global-id 10	(Optional) Specifies the tunnel source and endpoint.
Step 7	tp destination <i>node-id [tunnel-tp num[global-id num]]</i> Example: Device(config-if)# tp destination 10.10.10.10	Specifies the destination node of the tunnel.
Step 8	bfd <i>bfd-template</i> Example: Device(config-if)# bfd mpls-bfd-1	Specifies the BFD template.
Step 9	working-lsp Example: Device(config-if)# working-lsp	Specifies a working LSP, also known as the primary LSP.
Step 10	in-label <i>num</i> Example: Device(config-if-working)# in-label 20000	Specifies the in-label number.
Step 11	out-label <i>num out-link num</i> Example: Device(config-if-working)# out-label 20000 out-link	Specifies the out-label number and out-link.
Step 12	exit Example:	Exits working LSP interface configuration mode and returns to interface configuration mode.

	Command or Action	Purpose
	<code>Device(config-if-working)# exit</code>	
Step 13	protect-lsp Example: <code>Device(config-if)# protect-lsp</code>	Specifies a backup for a working LSP.
Step 14	in-label num Example: <code>Device(config-if-protect)# in-label 20000</code>	Specifies the in label.
Step 15	out-label num out-link num Example: <code>Device(config-if-protect)# out-label 113 out-link</code>	Specifies the out label and out link.
Step 16	end Example: <code>Device(config-if-protect)# end</code>	Exits the interface configuration mode and returns to privileged EXEC mode.

Configuring MPLS-TP LSPs at Midpoints



Note When configuring LSPs at midpoint devices, ensure that the configuration does not deflect traffic back to the originating node.

SUMMARY STEPS

1. **enable**
2. **configure terminal**
3. **mpls tp lsp source node-id [global-id num] tunnel-tp num lsp {lsp-num | protect | working} destination node-id [global-id num] tunnel-tp num**
4. **forward-lsp**
5. **in-label num out-label num out-link num**
6. **exit**
7. **reverse-lsp**
8. **in-label num out-label num out-link num**
9. **end**

DETAILED STEPS

	Command or Action	Purpose
Step 1	enable Example: Device> enable	Enables privileged EXEC mode. <ul style="list-style-type: none"> • Enter your password if prompted.
Step 2	configure terminal Example: Device# configure terminal	Enters global configuration mode.
Step 3	mpls tp lsp source <i>node-id</i> [global-id <i>num</i>] tunnel-tp <i>num</i> lsp {<i>lsp-num</i> protect working} destination <i>node-id</i> [global-id <i>num</i>] tunnel-tp <i>num</i> Example: Device(config)# mpls tp lsp source 10.10.10.10 global-id 10 tunnel-tp 1 lsp protect destination 10.11.11.11 global-id 10 tunnel-tp 1	Enables MPLS-TP midpoint connectivity and enters MPLS TP LSP configuration mode.
Step 4	forward-lsp Example: Device(config-mpls-tp-lsp)# forward-lsp	Enters MPLS-TP LSP forward LSP configuration mode.
Step 5	in-label <i>num</i> out-label <i>num</i> out-link <i>num</i> Example: Device(config-mpls-tp-lsp-forw)# in-label 2000 out-label 2100 out-link 41	Specifies the in label, out label, and out link numbers.
Step 6	exit Example: Device(config-mpls-tp-lsp-forw)# exit	Exits MPLS-TP LSP forward LSP configuration mode.
Step 7	reverse-lsp Example: Device(config-mpls-tp-lsp)# reverse-lsp	Enters MPLS-TP LSP reverse LSP configuration mode.
Step 8	in-label <i>num</i> out-label <i>num</i> out-link <i>num</i> Example: Device(config-mpls-tp-lsp-rev)# in-label 22000 out-label 20000 out-link 44	Specifies the in-label, out-label, and out-link numbers.

	Command or Action	Purpose
Step 9	end Example: Device(config-mpls-tp-lsp-rev)# end	Exits the MPLS TP LSP configuration mode and returns to privileged EXEC mode.

Configuring MPLS-TP Links and Physical Interfaces

MPLS-TP link numbers may be assigned to physical interfaces only. Bundled interfaces and virtual interfaces are not supported for MPLS-TP link numbers.

SUMMARY STEPS

1. **enable**
2. **configure terminal**
3. **interface** *type number*
4. **ip address** *ip-address mask*
5. **mpls tp link** *link-num*{**ipv4** *ip-address* **tx-mac** *mac-address*}
6. **end**

DETAILED STEPS

	Command or Action	Purpose
Step 1	enable Example: Device> enable	Enables privileged EXEC mode. <ul style="list-style-type: none"> • Enter your password if prompted.
Step 2	configure terminal Example: Device# configure terminal	Enters global configuration mode.
Step 3	interface <i>type number</i> Example: Device(config)# interface ethernet 1/0	Specifies the interface and enters interface configuration mode.
Step 4	ip address <i>ip-address mask</i> Example: Device(config-if)# ip address 10.10.10.10 255.255.255.0	Assigns an IP address to the interface.
Step 5	mpls tp link <i>link-num</i> { ipv4 <i>ip-address</i> tx-mac <i>mac-address</i> } Example:	Associates an MPLS-TP link number with a physical interface and next-hop node. On point-to-point interfaces or Ethernet interfaces designated as point-to-point using

	Command or Action	Purpose
	Device(config-if)# mpls tp link 1 ipv4 10.0.0.2	<p>the medium p2p command, the next-hop can be implicit, so the mpls tp link command just associates a link number to the interface.</p> <p>Multiple tunnels and LSPs can refer to the MPLS-TP link to indicate they are traversing that interface. You can move the MPLS-TP link from one interface to another without reconfiguring all the MPLS-TP tunnels and LSPs that refer to the link.</p> <p>Link numbers must be unique on the device or node.</p>
Step 6	end Example: Device(config-if)# end	Exits interface configuration mode and returns to privileged EXEC mode.

Configuring MPLS-TP Linear Protection with PSC Support

The **psc** command allows you to configure MPLS-TP linear protection with PSC support. PSC is disabled by default. However, it can be enabled by issuing the **psc** command.

SUMMARY STEPS

1. **enable**
2. **configure terminal**
3. **mpls tp**
4. **psc**
5. **psc fast refresh interval** *time-in-msec*
6. **psc slow refresh interval** *time-in-msec*
7. **psc remote refresh interval** *time-in-sec* **message-count** *num*
8. **exit**
9. **interface tunnel-tp** *number*
10. **psc**
11. **emulated-lockout**
12. **working-lsp**
13. **manual-switch**
14. **exit**
15. **exit**

DETAILED STEPS

	Command or Action	Purpose
Step 1	enable Example:	Enables privileged EXEC mode. <ul style="list-style-type: none"> • Enter your password if prompted.

	Command or Action	Purpose
	Device> enable	
Step 2	configure terminal Example: Device# configure terminal	Enters global configuration mode.
Step 3	mpls tp Example: Device(config)# mpls tp	Enters Multiprotocol Label Switching (MPLS) Transport Profile (TP) global mode.
Step 4	psc Example: Device(config-mpls-tp)# psc	Enables the PSC Protocol.
Step 5	psc fast refresh interval <i>time-in-msec</i> Example: Device(config-mpls-tp)# psc fast refresh interval 2000	Configures the fast refresh interval for PSC messages. <ul style="list-style-type: none"> The default is 1000 ms with a jitter of 50 percent. The range is from 1000 ms to 5000 sec.
Step 6	psc slow refresh interval <i>time-in-msec</i> Example: Device(config-mpls-tp)# psc slow refresh interval 10	Configures the slow refresh interval for PSC messages. <ul style="list-style-type: none"> The default is 5 sec. The range is from 5 secs to 86400 secs (24 hours).
Step 7	psc remote refresh interval <i>time-in-sec</i> message-count <i>num</i> Example: Device(config-mpls-tp)# psc remote refresh interval 20 message-count 15	Configures the remote-event expiration timer. <ul style="list-style-type: none"> By default, this timer is disabled. The remote refresh interval range is from 5 to 86400 sec (24 hours). The message count is from 5 to 1000. If you do not specify the message count value, it is set to 5, which is the default.
Step 8	exit Example: Device(config-mpls-tp)# exit	Exits MPLS TP global mode.
Step 9	interface tunnel-tp <i>number</i> Example: Device(config)# interface tunnel-tp 1	Creates an MPLS-TP tunnel called <i>number</i> and enters TP interface tunnel mode.
Step 10	psc	Enables PSC.

	Command or Action	Purpose
	Example: Device(config-if)# psc	By default, PSC is disabled.
Step 11	emulated-lockout Example: Device(config-if)# emulated-lockout	Enables the sending of emLockout on working/protected transport entities if the lockout command is issued on each working/protected transport entity respectively. By default, the sending of emLockout is disabled.
Step 12	working-lsp Example: Device(config-if)# working-lsp	Enters working LSP mode on a TP tunnel interface.
Step 13	manual-switch Example: Device(config-if-working)# manual-switch	Issues a local manual switch condition on a working label switched path (LSP). This can be configured only in working LSP mode on a TP tunnel interface.
Step 14	exit Example: Device(config-if-working)# exit	Exits working LSP mode.
Step 15	exit Example: Device(config-if)# exit	Exits TP interface tunnel mode.

Configuring Static-to-Static Multisegment Pseudowires for MPLS-TP

SUMMARY STEPS

1. **enable**
2. **configure terminal**
3. **l2 vfi name point-to-point**
4. **bridge-domain bridge-id**
5. **neighbor ip-address vc-id {encapsulation mpls | pw-class pw-class-name}**
6. **mpls label local-pseudowire-label remote-pseudowire-label**
7. **mpls control-word**
8. **neighbor ip-address vc-id {encapsulation mpls | pw-class pw-class-name}**
9. **mpls label local-pseudowire-label remote-pseudowire-label**
10. **mpls control-word**
11. **end**

DETAILED STEPS

	Command or Action	Purpose
Step 1	enable Example: Device> enable	Enables privileged EXEC mode. <ul style="list-style-type: none"> • Enter your password if prompted.
Step 2	configure terminal Example: Device# configure terminal	Enters global configuration mode.
Step 3	l2 vfi name point-to-point Example: Device(config)# l2 vfi atom point-to-point	Creates a point-to-point Layer 2 virtual forwarding interface (VFI) and enters VFI configuration mode.
Step 4	bridge-domain bridge-id Example: Device) config)# bridge-domain 400	Configures the bridge domain service instance. <ul style="list-style-type: none"> • <i>bridge-id</i>—Bridge domain identifier. The valid values are from 1 to 4000.
Step 5	neighbor ip-address vc-id {encapsulation mpls pw-class pw-class-name} Example: Device(config-vfi)# neighbor 10.111.111.111 123 pw-class atom	Sets up an emulated VC. Specify the IP address, the VC ID of the remote device, and the pseudowire class to use for the emulated VC. <p>Note Only two neighbor commands are allowed for each Layer 2 VFI point-to-point command.</p>
Step 6	mpls label local-pseudowire-label remote-pseudowire-label Example: Device(config-vfi)# mpls label 10000 25000	Configures the static pseudowire connection by defining local and remote circuit labels.
Step 7	mpls control-word Example: Device(config-vfi)# mpls control-word	Specifies the control word.
Step 8	neighbor ip-address vc-id {encapsulation mpls pw-class pw-class-name} Example: Device(config-vfi)# neighbor 10.10.10.11 123 pw-class atom	Sets up an emulated VC. Specify the IP address, the VC ID of the remote device, and the pseudowire class to use for the emulated VC.

	Command or Action	Purpose
Step 9	mpls label <i>local-pseudowire-label</i> <i>remote-pseudowire-label</i> Example: Device(config-vfi)# mpls label 11000 11001	Configures the static pseudowire connection by defining local and remote circuit labels.
Step 10	mpls control-word Example: Example: Device(config-vfi)# mpls control-word	Specifies the control word.
Step 11	end Example: Device(config)# end	Exits VFI configuration mode and returns to privileged EXEC mode.

Configuring Static-to-Dynamic Multisegment Pseudowires for MPLS-TP

When you configure static-to-dynamic pseudowires, you configure the static pseudowire class with the protocol none command, create a dynamic pseudowire class, and then invoke those pseudowire classes with the neighbor commands.

SUMMARY STEPS

1. **enable**
2. **configure terminal**
3. **pseudowire-class** *class-name*
4. **encapsulation mpls**
5. **control-word**
6. **mpls label protocol** [*ldp* | *none*]
7. **exit**
8. **pseudowire-class** *class-name*
9. **encapsulation mpls**
10. **exit**
11. **l2 vfi** *name* **point-to-point**
12. **neighbor** *ip-address* *vc-id* {**encapsulation mpls** | **pw-class** *pw-class-name*}
13. **neighbor** *ip-address* *vc-id* {**encapsulation mpls** | **pw-class** *pw-class-name*}
14. **mpls label** *local-pseudowire-label* *remote-pseudowire-label*
15. **mpls control-word**
16. **local interface** *pseudowire-type*
17. Do one of the following:
 - **tlv** [*type-name*] *type-value* *length* [**dec** | **hexstr** | **str**] *value*

• **tlv template** *template-name*

18. end

DETAILED STEPS

	Command or Action	Purpose
Step 1	enable Example: Device> enable	Enables privileged EXEC mode. <ul style="list-style-type: none"> • Enter your password if prompted.
Step 2	configure terminal Example: Device# configure terminal	Enters global configuration mode.
Step 3	pseudowire-class <i>class-name</i> Example: Device(config)# pseudowire-class mpls-tp-class1	Creates a pseudowire class and enters pseudowire class configuration mode.
Step 4	encapsulation mpls Example: Device(config-pw-class)# encapsulation mpls	Specifies the encapsulation type.
Step 5	control-word Example: Device(config-pw-class)# control-word	Enables the use of the control word.
Step 6	mpls label protocol [ldp none] Example: Device(config-pw-class)# protocol none	Specifies the type of protocol.
Step 7	exit Example: Device(config-pw-class)# exit	Exits pseudowire class configuration mode and returns to global configuration mode.
Step 8	pseudowire-class <i>class-name</i> Example: Device(config)# pseudowire-class mpls-tp-class1	Creates a pseudowire class and enters pseudowire class configuration mode.
Step 9	encapsulation mpls Example:	Specifies the encapsulation type.

	Command or Action	Purpose
	Device(config-pw-class)# encapsulation mpls	
Step 10	exit Example: Device(config-pw-class)# exit	Exits pseudowire class configuration mode and returns to global configuration mode.
Step 11	l2 vfi name point-to-point Example: Device(config)# l2 vfi atom point-to-point	Creates a point-to-point Layer 2 virtual forwarding interface (VFI) and enters VFI configuration mode.
Step 12	neighbor ip-address vc-id {encapsulation mpls pw-class pw-class-name} Example: Device(config-vfi)# neighbor 10.111.111.111 123 pw-class atom	Sets up an emulated VC and enters VFI neighbor configuration mode. Note Note: Only two neighbor commands are allowed for each l2 vfi point-to-point command.
Step 13	neighbor ip-address vc-id {encapsulation mpls pw-class pw-class-name} Example: Device(config-vfi-neighbor)# neighbor 10.111.111.111 123 pw-class atom	Sets up an emulated VC. Note Only two neighbor commands are allowed for each l2 vfi point-to-point command.
Step 14	mpls label local-pseudowire-label remote-pseudowire-label Example: Device(config-vfi-neighbor)# mpls label 10000 25000	Configures the static pseudowire connection by defining local and remote circuit labels.
Step 15	mpls control-word Example: Device(config-vfi-neighbor)# mpls control-word	Specifies the control word.
Step 16	local interface pseudowire-type Example: Device(config-vfi-neighbor)# local interface 4	Specifies the pseudowire type.
Step 17	Do one of the following: <ul style="list-style-type: none"> • tlv [type-name] type-value length [dec hexstr str] value • tlv template template-name 	Specifies the TLV parameters or invokes a previously configured TLV template.

	Command or Action	Purpose
	Example: <pre>Device(config-vfi-neighbor)# tlv statictemp 2 4 hexstr 1</pre>	
Step 18	end Example: <pre>Device(config-vfi-neighbor)# end</pre>	Ends the session.

Configuring a Template with Pseudowire Type-Length-Value Parameters

SUMMARY STEPS

1. **enable**
2. **configure terminal**
3. **tlv** [*type-name*] *type-value length* [**dec** | **hexstr** | **str**] *value*
4. **end**

DETAILED STEPS

	Command or Action	Purpose
Step 1	enable Example: <pre>Device> enable</pre>	Enables privileged EXEC mode. <ul style="list-style-type: none"> • Enter your password if prompted.
Step 2	configure terminal Example: <pre>Device# configure terminal</pre>	Enters global configuration mode.
Step 3	tlv [<i>type-name</i>] <i>type-value length</i> [dec hexstr str] <i>value</i> Example: <pre>Device(config-pw-tlv-template)# tlv statictemp 2 4 hexstr 1</pre>	Specifies the TLV parameters.
Step 4	end Example: <pre>Device(config-pw-tlv-template)# end</pre>	Exits pseudowire TLV template configuration mode and returns to privileged EXEC mode.

Verifying the MPLS-TP Configuration

Use the following commands to verify and help troubleshoot your MPLS-TP configuration:

- **debug mpls tp**—Enables the logging of MPLS-TP error messages.
- **logging (MPLS-TP)**—Displays configuration or state change logging messages.
- **show bfd neighbors mpls-tp**—Displays the BFD state, which must be up in order for the endpoint LSPs to be up.
- **show mpls l2transport static-oam l2transport static-oam**—Displays MPLS-TP messages related to pseudowires.
- **show mpls tp tunnel-tp *number* detail**—Displays the number and details of the tunnels that are not functioning.
- **show mpls tp tunnel-tp lsps**—Displays the status of the LSPs, and helps you ensure that both LSPs are up and working from a tunnel endpoint.
- **tracertoute mpls tp** and **ping mpls tp**—Helps you identify connectivity issues along the MPLS-TP tunnel path.

Configuration Examples for MPLS Transport Profile

Example: Configuring MPLS-TP Linear Protection with PSC Support

The following example enters MPLS TP global mode and enables the PSC Protocol.

```
Device> enable
Device# configure terminal
Device(config)# mpls tp
Device(config-mpls-tp)# psc
```

The following example configures the fast refresh interval for PSC messages. The interval value is 2000 seconds.

```
Device(config-mpls-tp)# psc fast refresh interval 2000
```

The following example configures the slow refresh interval for PSC messages. The interval value is 10 seconds.

```
Device(config-mpls-tp)# psc slow refresh interval 10
```

The following example configures the remote event expiration timer with a refresh interval value of 20 seconds with a message count of 15.

```
Device(config-mpls-tp)# psc remote refresh interval 20 message-count 15
```

The following example exits MPLS TP global mode, creates a TP interface tunnel, and enables PSC.

```
Device(config-mpls-tp)# exit
Device(config)# interface tunnel-tp 1
Device(config-if)# psc
```

The following example enables the sending of emLockout on working/protected transport entities, enters working LSP mode on a TP tunnel interface, and issues a local manual switch condition on a working LSP.

```
Device(config-if)# emulated-lockout
Device(config-if)# working-lsp
Device(config-if-working)# manual-switch
```

Example: Verifying MPLS-TP Linear Protection with PSC Support

The following example displays a summary of the MPLS-TP settings.

```
Device# show mpls tp summary
```

The following example provides information about the MPLS-TP link number database.

```
Device# show mpls tp link-numbers
```

Example: Troubleshooting MPLS-TP Linear Protection with PSC Support

The following example enables debugging for all PSC packets that are sent and received.

```
Device# debug mpls tp psc packet
```

The following example enables debugging for all kinds of PSC events.

```
Device# debug mpls tp psc event
```

The following example clears the counters for PSC signaling messages based on the tunnel number.

```
Device# clear mpls tp 1 psc counter
```

The following example clears the remote event for PSC based on the tunnel number.

```
Device# clear mpls tp tunnel-tp 1 psc remote-event
```

Associated Commands

The following command is used to configure Pseudowire OAM Attributes.

Command	Link
ttl	http://www.cisco.com/c/en/us/td/docs/ios-xml/ios/mcl/allreleasemcl/all-book/all-15.html



CHAPTER 5

MPLS LSP Ping, Traceroute, and AToM VCCV

As Multiprotocol Label Switching (MPLS) deployments increase and the traffic types they carry increase, the ability of service providers to monitor label switched paths (LSPs) and quickly isolate MPLS forwarding problems is critical to their ability to offer services. The MPLS LSP Ping, Traceroute, and AToM VCCV feature helps them mitigate these challenges.

The MPLS LSP Ping, Traceroute, and AToM VCCV feature can detect when an LSP fails to deliver user traffic.

- You can use MPLS LSP Ping to test LSP connectivity for IPv4 Label Distribution Protocol (LDP) prefixes, traffic engineering (TE) Forwarding Equivalence Classes (FECs), and AToM FECs.
- You can use MPLS LSP Traceroute to trace the LSPs for IPv4 LDP prefixes and TE tunnel FECs.
- Any Transport over MPLS Virtual Circuit Connection Verification (AToM VCCV) allows you to use MPLS LSP Ping to test the pseudowire (PW) section of an AToM virtual circuit (VC).

Internet Control Message Protocol (ICMP) ping and trace are often used to help diagnose the root cause when a forwarding failure occurs. The MPLS LSP Ping, Traceroute, and AToM VCCV feature extends this diagnostic and troubleshooting ability to the MPLS network and aids in the identification of inconsistencies between the IP and MPLS forwarding tables, inconsistencies in the MPLS control and data plane, and problems with the reply path.

The MPLS LSP Ping, Traceroute, and AToM VCCV feature uses MPLS echo request and reply packets to test LSPs. The Cisco implementation of MPLS echo request and echo reply are based on the Internet Engineering Task Force (IETF) Internet-Draft *Detecting MPLS Data Plane Failures*.

- [Prerequisites for MPLS LSP Ping, Traceroute, and AToM VCCV, on page 63](#)
- [Restrictions for MPLS LSP Ping, Traceroute, and AToM VCCV, on page 64](#)
- [Information About MPLS LSP Ping, Traceroute, and AToM VCCV, on page 64](#)

Prerequisites for MPLS LSP Ping, Traceroute, and AToM VCCV

Before you use the MPLS LSP Ping, Traceroute, and AToM VCCV feature, you should:

- Determine the baseline behavior of your Multiprotocol Label Switching (MPLS) network. For example:
 - What is the expected MPLS experimental (EXP) treatment?
 - What is the expected maximum size packet or maximum transmission unit (MTU) of the label switched path?

- What is the topology? What are the expected label switched paths? How many links in the label switching path (LSP)? Trace the paths of the label switched packets including the paths for load balancing.
- Understand how to use MPLS and MPLS applications, including traffic engineering, Any Transport over MPLS (AToM), and Label Distribution Protocol (LDP). You need to
 - Know how LDP is configured
 - Understand AToM concepts
 - Be able to troubleshoot a TE tunnel
- Understand label switching, forwarding, and load balancing.

Restrictions for MPLS LSP Ping, Traceroute, and AToM VCCV

- You cannot use MPLS LSP Traceroute to trace the path taken by Any Transport over Multiprotocol Label Switching (AToM) packets. MPLS LSP Traceroute is not supported for AToM. (MPLS LSP Ping is supported for AToM.) However, you can use MPLS LSP Traceroute to troubleshoot the Interior Gateway Protocol (IGP) LSP that is used by AToM.
- You cannot use MPLS LSP Ping or Traceroute to validate or trace MPLS Virtual Private Networks (VPNs).
- You cannot use MPLS LSP Traceroute to troubleshoot label switching paths (LSPs) that employ time-to-live (TTL) hiding.

Information About MPLS LSP Ping, Traceroute, and AToM VCCV

MPLS LSP Ping Operation

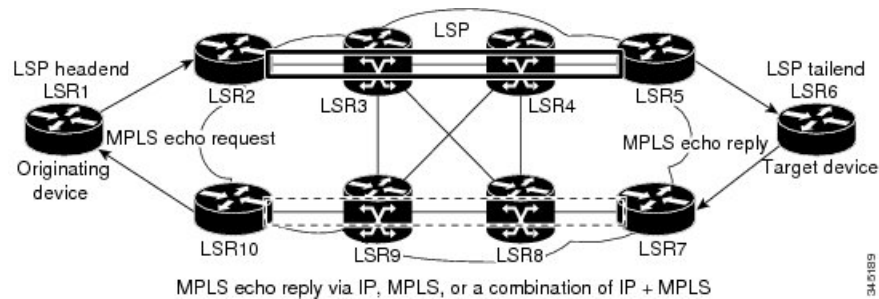
MPLS LSP Ping uses Multiprotocol Label Switching (MPLS) echo request and reply packets to validate a label switched path (LSP). Both an MPLS echo request and an MPLS echo reply are User Datagram Protocol (UDP) packets with source and destination ports set to 3503.

The MPLS echo request packet is sent to a target device through the use of the appropriate label stack associated with the LSP to be validated. Use of the label stack causes the packet to be switched inband of the LSP (that is, forwarded over the LSP itself). The destination IP address of the MPLS echo request packet is different from the address used to select the label stack. The destination address of the UDP packet is defined as a 127.x.y.z/8 address. This prevents the IP packet from being IP switched to its destination if the LSP is broken.

An MPLS echo reply is sent in response to an MPLS echo request. It is sent as an IP packet and forwarded using IP, MPLS, or a combination of both types of switching. The source address of the MPLS echo reply packet is an address from the device generating the echo reply. The destination address is the source address of the device in the MPLS echo request packet.

The figure below shows the echo request and echo reply paths for MPLS LSP Ping.

Figure 6: MPLS LSP Ping Echo Request and Echo Reply Paths



If you initiate an MPLS LSP Ping request at LSR1 to a Forwarding Equivalence Class (FEC), at LSR6, you get the results shown in the table below .

Table 6: MPLS LSP Ping Example

Step	Device	Action
1.	LSR1	Initiates an MPLS LSP Ping request for an FEC at the target device LSR6 and sends an MPLS echo request to LSR2.
1.	LSR2	Receives and forwards the MPLS echo request packet through transit devices LSR3 and LSR4 to the penultimate device LSR5.
1.	LSR5	Receives the MPLS echo request, pops the MPLS label, and forwards the packet to LSR6 as an IP packet.
1.	LSR6	Receives the IP packet, processes the MPLS echo request, and sends an MPLS echo reply to LSR1 through an alternate route.
1.	LSR7 to LSR10	Receive and forward the MPLS echo reply back toward LSR1, the originating device.
1.	LSR1	Receives the MPLS echo reply in response to the MPLS echo request.

You can use MPLS LSP Ping to validate IPv4 Label Distribution Protocol (LDP), Any Transport over MPLS (AToM), and IPv4 Resource Reservation Protocol (RSVP) FECs by using appropriate keywords and arguments with the command:

```
ping mpls
 { ipv4
  destination-address destination-mask
  | pseudowire
  ipv4-address
  vc-id
  | traffic-eng
  tunnel-interface tunnel-number
 }
```

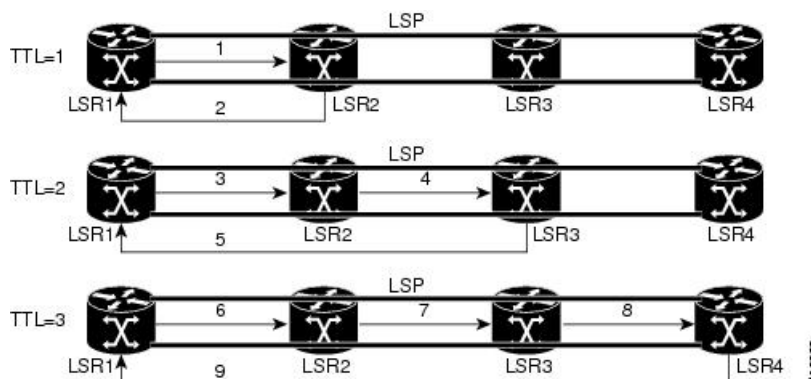
MPLS LSP Traceroute Operation

MPLS LSP Traceroute also uses Multiprotocol Label Switching (MPLS) echo request and reply packets to validate a label switched path (LSP). The echo request and echo reply are User Datagram Protocol (UDP) packets with source and destination ports set to 3503.

The MPLS LSP Traceroute feature uses time-to-live (TTL) settings to force expiration of the TTL along an LSP. MPLS LSP Traceroute incrementally increases the TTL value in its MPLS echo requests (TTL = 1, 2, 3, 4, ...) to discover the downstream mapping of each successive hop. The success of the LSP traceroute depends on the transit device processing the MPLS echo request when it receives a labeled packet with a TTL of 1. On Cisco devices, when the TTL expires, the packet is sent to the Route Processor (RP) for processing. The transit device returns an MPLS echo reply containing information about the transit hop in response to the TTL-expired MPLS packet.

The figure below shows an MPLS LSP Traceroute example with an LSP from LSR1 to LSR4.

Figure 7: MPLS LSP Traceroute Example



If you enter an LSP traceroute to a Forwarding Equivalence Class (FEC) at LSR4 from LSR1, you get the results shown in the table below.

Table 7: MPLS LSP Traceroute Example

Step	Device	MPLS Packet Type and Description	Device Action
1.	LSR1	MPLS echo request—With a target FEC pointing to LSR4 and to a downstream mapping.	<ul style="list-style-type: none"> • Sets the TTL of the label stack to 1. • Sends the request to LSR2.
1.	LSR2	MPLS echo reply.	Receives packet with TTL = 1. <ul style="list-style-type: none"> • Processes the UDP packet as an MPLS echo request. • Finds a downstream mapping, replies to LSR1 with its own downstream mapping based on the incoming label, and sends a reply.
1.	LSR1	MPLS echo request—With the same target FEC and the downstream mapping received in the echo reply from LSR2.	<ul style="list-style-type: none"> • Sets the TTL of the label stack to 2. • Sends the request to LSR2.

Step	Device	MPLS Packet Type and Description	Device Action
1.	LSR2	MPLS echo request.	Receives packet with TTL = 2. <ul style="list-style-type: none"> • Decrements the TTL. • Forwards the echo request to LSR3.
1.	LSR3	MPLS reply packet.	Receives packet with TTL = 1. <ul style="list-style-type: none"> • Processes the UDP packet as an MPLS echo request. • Finds a downstream mapping and replies to LSR1 with its own downstream mapping based on the incoming label.
1.	LSR1	MPLS echo request—With the same target FEC and the downstream mapping received in the echo reply from LSR3.	<ul style="list-style-type: none"> • Sets the TTL of the packet to 3. • Sends the request to LSR2.
1.	LSR2	MPLS echo request.	Receives packet with TTL = 3. <ul style="list-style-type: none"> • Decrements the TTL. • Forwards the echo request to LSR3.
1.	LSR3	MPLS echo request.	Receives packet with TTL = 2 <ul style="list-style-type: none"> • Decrements the TTL. • Forwards the echo request to LSR4.
1.	LSR4	MPLS echo reply.	Receives packet with TTL = 1. <ul style="list-style-type: none"> • Processes the UDP packet as an MPLS echo request. • Finds a downstream mapping and also finds that the device is the egress device for the target FEC. • Replies to LSR1.

You can use MPLS LSP Traceroute to validate IPv4 Label Distribution Protocol (LDP) and IPv4 RSVP FECs by using appropriate keywords and arguments with the **trace mpls** command:

```
trace mpls ipv4 {destination-address destination-mask | traffic-eng
tunnel-interface tunnel-number}
```

By default, the TTL is set to 30. Therefore, the traceroute output always contains 30 lines, even if an LSP problem exists. This might mean duplicate entries in the output, should an LSP problem occur. The device address of the last point that the trace reaches is repeated until the output is 30 lines. You can ignore the duplicate entries. The following example shows that the trace encountered an LSP problem at the device that has an IP address of 10.6.1.6:

```
Device# traceroute mpls ipv4 10.6.7.4/32
Tracing MPLS Label Switched Path to 10.6.7.4/32, timeout is 2 seconds
Codes: '!' - success, 'Q' - request not transmitted,
```

```

    '.' - timeout, 'U' - unreachable,
    'R' - downstream router but not target
Type escape sequence to abort.
  0 10.6.1.14 MRU 4470 [Labels: 22 Exp: 0]
R 1 10.6.1.5 MRU 4470 [Labels: 21 Exp: 0] 2 ms
R 2 10.6.1.6 4 ms                <----- Router address repeated for 2nd to 30th TTL.
R 3 10.6.1.6 1 ms
R 4 10.6.1.6 1 ms
R 5 10.6.1.6 3 ms
R 6 10.6.1.6 4 ms
R 7 10.6.1.6 1 ms
R 8 10.6.1.6 2 ms
R 9 10.6.1.6 3 ms
R 10 10.6.1.6 4 ms
R 11 10.6.1.6 1 ms
R 12 10.6.1.6 2 ms
R 13 10.6.1.6 4 ms
R 14 10.6.1.6 5 ms
R 15 10.6.1.6 2 ms
R 16 10.6.1.6 3 ms
R 17 10.6.1.6 4 ms
R 18 10.6.1.6 2 ms
R 19 10.6.1.6 3 ms
R 20 10.6.1.6 4 ms
R 21 10.6.1.6 1 ms
R 22 10.6.1.6 2 ms
R 23 10.6.1.6 3 ms
R 24 10.6.1.6 4 ms
R 25 10.6.1.6 1 ms
R 26 10.6.1.6 3 ms
R 27 10.6.1.6 4 ms
R 28 10.6.1.6 1 ms
R 29 10.6.1.6 2 ms
R 30 10.6.1.6 3 ms                <----- TTL 30.

```

If you know the maximum number of hops in your network, you can set the TTL to a smaller value with the **trace mpls ttl *maximum-time-to-live*** command. The following example shows the same **traceroute** command as the previous example, except that this time the TTL is set to 5.

```

Device# traceroute mpls ipv4 10.6.7.4/32 ttl 5
Tracing MPLS Label Switched Path to 10.6.7.4/32, timeout is 2 seconds
Codes: '!' - success, 'Q' - request not transmitted,
    '.' - timeout, 'U' - unreachable,
    'R' - downstream router but not target
Type escape sequence to abort.
  0 10.6.1.14 MRU 4470 [Labels: 22 Exp: 0]
R 1 10.6.1.5 MRU 4474 [No Label] 3 ms
R 2 10.6.1.6 4 ms                <----- Router address repeated for 2nd to 5th TTL.
R 3 10.6.1.6 1 ms
R 4 10.6.1.6 3 ms
R 5 10.6.1.6 4 ms

```

Any Transport over MPLS Virtual Circuit Connection Verification

AToM Virtual Circuit Connection Verification (AToM VCCV) allows the sending of control packets inband of an AToM pseudowire (PW) from the originating provider edge (PE) device. The transmission is intercepted at the destination PE device, instead of being forwarded to the customer edge (CE) device. This capability allows you to use MPLS LSP Ping to test the PW section of AToM virtual circuits (VCs).

AToM VCCV consists of the following:

- A signaled component in which the AToM VCCV capabilities are advertised during VC label signaling
- A switching component that causes the AToM VC payload to be treated as a control packet

AToM VCCV Signaling

One of the steps involved in Any Transport over Multiprotocol Label Switching (AToM) virtual circuit (VC) setup is the signaling of VC labels and AToM Virtual Circuit Connection Verification (VCCV) capabilities between AToM VC endpoints. The device uses an optional parameter, defined in the Internet Draft *draft-ietf-pwe3-vcv-01.txt*, to communicate the AToM VCCV disposition capabilities of each endpoint.

The AToM VCCV disposition capabilities are categorized as follows:

- Applications—MPLS LSP Ping and Internet Control Message Protocol (ICMP) Ping are applications that AToM VCCV supports to send packets inband of an AToM PW for control purposes.
- Switching modes—Type 1 and Type 2 are switching modes that AToM VCCV uses for differentiating between control and data traffic.

The table below describes AToM VCCV Type 1 and Type 2 switching modes.

Table 8: Type 1 and Type 2 AToM VCCV Switching Modes

Switching Mode	Description
Type 1	Uses a Protocol ID (PID) field in the AToM control word to identify an AToM VCCV packet.
Type 2	Uses an MPLS Router Alert Label above the VC label to identify an AToM VCCV packet.

Selection of AToM VCCV Switching Types

Cisco devices always use Type 1 switching, if available, when they send MPLS LSP Ping packets over an Any Transport over Multiprotocol Label Switching (AToM) virtual circuit (VC) control channel. Type 2 switching accommodates those VC types and implementations that do not support or interpret the AToM control word.

The table below shows the AToM Virtual Circuit Connection Verification (VCCV) switching mode advertised and the switching mode selected by the AToM VC.

Table 9: AToM VCCV Switching Mode Advertised and Selected by AToM Virtual Circuit

Type Advertised	Type Selected
AToM VCCV not supported	—
Type 1 AToM VCCV switching	Type 1 AToM VCCV switching
Type 2 AToM VCCV switching	Type 2 AToM VCCV switching
Type 1 and Type 2 AToM VCCV switching	Type 1 AToM VCCV switching

An AToM VC advertises its AToM VCCV disposition capabilities in both directions: that is, from the originating device (PE1) to the destination device (PE2), and from PE2 to PE1.

In some instances, AToM VCs might use different switching types if the two endpoints have different AToM VCCV capabilities. If PE1 supports Type 1 and Type 2 AToM VCCV switching and PE2 supports only Type 2 AToM VCCV switching, there are two consequences:

- LSP ping packets sent from PE1 to PE2 are encapsulated with Type 2 switching.
- LSP ping packets sent from PE2 to PE1 use Type 1 switching.

You can determine the AToM VCCV capabilities advertised to and received from the peer by entering the **show mpls l2transport binding** command at the PE device. For example:

```
Device# show mpls l2transport binding

Destination Address: 10.131.191.252, VC ID: 333
Local Label: 16
  Cbit: 1, VC Type: FastEthernet, GroupID: 0
  MTU: 1500, Interface Desc: n/a
  VCCV Capabilities: Type 1, Type 2
Remote Label: 19
  Cbit: 1, VC Type: FastEthernet, GroupID: 0
  MTU: 1500, Interface Desc: n/a
  VCCV Capabilities: Type 1
```

Command Options for ping mpls and trace mpls

MPLS LSP Ping and Traceroute command options are specified as keywords and arguments on the **ping mpls** and **trace mpls** commands.

The **ping mpls** command provides the options displayed in the command syntax below:

```
ping mpls ipv4{destination-address/destination-mask [destination address-start
address-end increment] [ttl time-to-live] | pseudowire ipv4-address
vc-id vc-id [destination address-start address-end increment] |
traffic-eng tunnel-interface tunnel-number [ttl time-to-live]} [source
source-address] [repeat count] [timeout seconds][{size
packet-size] | {sweep minimum maximum size-Increment]} [pad pattern]
[reply mode {ipv4|router-alert}] [interval msec]
[exp exp-bits] [verbose]
```

The **trace mpls** command provides the options displayed in the command syntax below:

```
trace mpls {ipv4 destination-address/destination-mask [destination
address-start [address-end [address-increment]]] | traffic-eng tunnel tunnel-interface-number}
[source source-address] [timeout seconds] [reply mode reply-mode]
[ttl maximum-time-to-live] [exp exp-bits]
```

Selection of FECs for Validation

A label switched path (LSP) is formed by labels. Devices learn labels through the Label Distribution Protocol (LDP), traffic engineering (TE), Any Transport over Multiprotocol Label Switching (AToM), or other MPLS applications. You can use MPLS LSP Ping and Traceroute to validate an LSP used for forwarding traffic for a given Forwarding Equivalence Class (FEC). The table below lists the keywords and arguments for the **ping mpls** and **traceroute mpls** commands that allow the selection of an LSP for validation.

Table 10: Selection of LSPs for Validation

FEC Type	ping mpls Keyword and Argument	traceroute mpls Keyword and Argument
LDP IPv4 prefix	ipv4 <i>destination-address destination-mask</i>	ipv4 <i>destination-address destination-mask</i>
MPLS TE tunnel	traffic-eng <i>tunnel-interface tunnel-number</i>	traffic-eng <i>tunnel-interface tunnel-number</i>
AToM VC	pseudowire <i>ipv4-address vc-id vc-id</i>	MPLS LSP Traceroute does not support the AToM tunnel LSP type for this release.

Reply Mode Options for MPLS LSP Ping and Traceroute

The reply mode is used to control how the responding device replies to a Multiprotocol Label Switching (MPLS) echo request sent by an MPLS LSP Ping or MPLS LSP Traceroute command. The table below describes the reply mode options.

Table 11: Reply Mode Options for a Responding Device

Option	Description
ipv4	<p>Reply with an IPv4 User Datagram Protocol (UDP) packet (default). This is the most common reply mode selected for use with an MPLS LSP Ping and Traceroute command when you want to periodically poll the integrity of a label switched path (LSP).</p> <p>With this option, you do not have explicit control over whether the packet traverses IP or MPLS hops to reach the originator of the MPLS echo request.</p> <p>If the headend device fails to receive a reply, select the router-alert option, “Reply with an IPv4 UDP packet with a router alert.”</p> <p>The responding device sets the IP precedence of the reply packet to 6.</p> <p>You implement this option using the reply mode ipv4 keywords.</p>
router-alert	<p>Reply with an IPv4 UDP packet with a device alert. This reply mode adds the router alert option to the IP header. This forces the packet to be special handled by the Cisco device at each intermediate hop as it moves back to the destination.</p> <p>This reply mode is more expensive, so use the router-alert option only if you are unable to get a reply with the ipv4 option, “Reply with an IPv4 UDP packet.”</p> <p>You implement this option using the reply mode router-alert keywords</p>

The reply with an IPv4 UDP packet implies that the device should send an IPv4 UDP packet in reply to an MPLS echo request. If you select the ipv4 reply mode, you do not have explicit control over whether the packet uses IP or MPLS hops to reach the originator of the MPLS echo request. This is the mode that you would normally use to test and verify LSPs.

The reply with an IPv4 UDP packet that contains a device alert forces the packet to go back to the destination and be processed by the Route Processor (RP) process switching at each intermediate hop. This bypasses hardware/line card forwarding table inconsistencies. You should select this option when the originating (headend) devices fail to receive a reply to the MPLS echo request.

You can instruct the replying device to send an echo reply with the IP router alert option by using one of the following commands:

```
ping mpls
 {ipv4 destination-address/destination-mask | pseudowire ipv4-address
  vc-idvc-id | traffic-eng tunnel-interface tunnel-number}
reply mode router-alert
```

or

```
trace mpls
 {ipv4 destination-address/destination-mask
 | traffic-eng tunnel-interface tunnel-number
 } reply mode router-alert
```

However, the reply with a router alert adds overhead to the process of getting a reply back to the originating device. This method is more expensive to process than a reply without a router alert and should be used only if there are reply failures. That is, the reply with a router alert label should only be used for MPLS LSP Ping or MPLS LSP Traceroute when the originating (headend) device fails to receive a reply to an MPLS echo request.

Reply Mode Options for MPLS LSP Ping and Traceroute

The reply mode is used to control how the responding device replies to a Multiprotocol Label Switching (MPLS) echo request sent by an MPLS LSP Ping or MPLS LSP Traceroute command. The table below describes the reply mode options.

Table 12: Reply Mode Options for a Responding Device

Option	Description
ipv4	<p>Reply with an IPv4 User Datagram Protocol (UDP) packet (default). This is the most common reply mode selected for use with an MPLS LSP Ping and Traceroute command when you want to periodically poll the integrity of a label switched path (LSP).</p> <p>With this option, you do not have explicit control over whether the packet traverses IP or MPLS hops to reach the originator of the MPLS echo request.</p> <p>If the headend device fails to receive a reply, select the router-alert option, “Reply with an IPv4 UDP packet with a router alert.”</p> <p>The responding device sets the IP precedence of the reply packet to 6.</p> <p>You implement this option using the reply mode ipv4 keywords.</p>
router-alert	<p>Reply with an IPv4 UDP packet with a device alert. This reply mode adds the router alert option to the IP header. This forces the packet to be special handled by the Cisco device at each intermediate hop as it moves back to the destination.</p> <p>This reply mode is more expensive, so use the router-alert option only if you are unable to get a reply with the ipv4 option, “Reply with an IPv4 UDP packet.”</p> <p>You implement this option using the reply mode router-alert keywords</p>

The reply with an IPv4 UDP packet implies that the device should send an IPv4 UDP packet in reply to an MPLS echo request. If you select the ipv4 reply mode, you do not have explicit control over whether the

packet uses IP or MPLS hops to reach the originator of the MPLS echo request. This is the mode that you would normally use to test and verify LSPs.

The reply with an IPv4 UDP packet that contains a device alert forces the packet to go back to the destination and be processed by the Route Processor (RP) process switching at each intermediate hop. This bypasses hardware/line card forwarding table inconsistencies. You should select this option when the originating (headend) devices fail to receive a reply to the MPLS echo request.

You can instruct the replying device to send an echo reply with the IP router alert option by using one of the following commands:

```
ping mpls
 {ipv4 destination-address/destination-mask | pseudowire ipv4-address
  vc-idvc-id | traffic-eng tunnel-interface tunnel-number}
reply mode router-alert
```

or

```
trace mpls
 {ipv4 destination-address/destination-mask
  | traffic-eng tunnel-interface tunnel-number
 } reply mode router-alert
```

However, the reply with a router alert adds overhead to the process of getting a reply back to the originating device. This method is more expensive to process than a reply without a router alert and should be used only if there are reply failures. That is, the reply with a router alert label should only be used for MPLS LSP Ping or MPLS LSP Traceroute when the originating (headend) device fails to receive a reply to an MPLS echo request.

Packet Handling Along Return Path with an IP MPLS Router Alert

When an IP packet that contains an IP router alert option in its IP header or a Multiprotocol Label Switching (MPLS) packet with a router alert label as its outermost label arrives at a device, the device punts (redirects) the packet to the Route Processor (RP) process level for handling. This allows these packets to bypass the forwarding failures in hardware routing tables. The table below describes how IP and MPLS packets with an IP router alert option are handled by the device switching path processes.

Table 13: Switching Path Process Handling of IP and MPLS Router Alert Packets

Incoming Packet	Normal Switching Action	Process Switching Action	Outgoing Packet
IP packet—Router alert option in IP header	A router alert option in the IP header causes the packet to be punted to the process switching path.	Forwards the packet as is.	IP packet—Router alert option in IP header.
	A router alert option in the IP header causes the packet to be punted to the process switching path.	Adds a router alert as the outermost label and forwards as an MPLS packet.	MPLS packet—Outermost label contains a router alert.

Incoming Packet	Normal Switching Action	Process Switching Action	Outgoing Packet
MPLS packet—Outermost label contains a router alert	If the router alert label is the outermost label, the packet is punted to the process switching path.	Removes the outermost router alert label, adds an IP router alert option to the IP header, and forwards as an IP packet.	IP packet—Router alert option in IP header.
	If the router alert label is the outermost label, the packet is punted to the process switching path.	Preserves the outermost router alert label and forwards the MPLS packet.	MPLS packet— Outermost label contains a router alert.

Other MPLS LSP Ping and Traceroute Command Options

The table below describes other MPLS LSP Ping and Traceroute command options that can be specified as keywords or arguments with the **ping mpls** command, or with both the **ping mpls** and **trace mpls** commands. Options available to use only on the **ping mpls** command are indicated as such.

Table 14: Other MPLS LSP Ping and Traceroute and AToM VCCV Options

Option	Description
Datagram size	Size of the packet with the label stack imposed. Specified with the size <i>packet-size</i> keyword and argument. The default size is 100. For use with the MPLS LSP Ping feature only.
Padding	Padding (the pad time-length-value [TLV]) is used as required to fill the datagram so that the MPLS echo request (User Datagram Protocol [UDP] packet with a label stack) is the size specified. Specify with the pad <i>pattern</i> keyword and argument. For use with the MPLS LSP Ping feature only.
Sweep size range	Parameter that enables you to send a number of packets of different sizes, ranging from a start size to an end size. This parameter is similar to the Internet Control Message Protocol (ICMP) ping sweep parameter. The lower boundary on the sweep range varies depending on the label switched path (LSP) type. You can specify a sweep size range when you use the ping mpls command. Use the sweep <i>minimum maximum size-increment</i> keyword and arguments. For use with the MPLS LSP Ping feature only.
Repeat count	Number of times to resend the same packet. The default is 5 times. You can specify a repeat count when you use the ping mpls command. Use the repeat <i>count</i> keyword and argument. For use with the MPLS LSP Ping feature only.
MPLS echo request source address	Routable address of the sender. The default address is loopback0. This address is used as the destination address in the Multiprotocol Label Switching (MPLS) echo response. Use the source <i>source-address</i> keyword and argument. For use with the MPLS LSP Ping and Traceroute features.

Option	Description
UDP destination address	<p>A valid 127/8 address. You have the option to specify a single <i>x.y.z</i> or a range of numbers between 0.0.0 and <i>x.y.z</i>, where <i>x.y.z</i> are numbers between 0 and 255 and correspond to 127.<i>x.y.z</i>. Use the destination <i>{address address-start address-end increment}</i> keyword and arguments.</p> <p>The MPLS echo request destination address in the UDP packet is not used to forward the MPLS packet to the destination device. The label stack that is used to forward the echo request routes the MPLS packet to the destination device. The 127/8 address guarantees that the packets are routed to the localhost (the default loopback address of the device processing the address) if the UDP packet destination address is used for forwarding.</p> <p>In addition, the destination address is used to affect load balancing when the destination address of the IP payload is used for load balancing.</p> <p>For use with IPv4 and Any Transport over MPLS (AToM) Forwarding Equivalence Classes (FECs) with the MPLS LSP Ping feature and with IPv4 FECs with the MPLS LSP Traceroute feature.</p>
Time-to-live (TTL)	<p>A parameter you can set that indicates the maximum number of hops a packet should take to reach its destination. The time-to-live (TTL) field in a packet is decremented by 1 each time it travels through a device.</p> <p>For MPLS LSP Ping, the TTL is a value after which the packet is discarded and an MPLS echo reply is sent back to the originating device. Use the tll <i>time-to-live</i> keyword and argument.</p> <p>For MPLS LSP Traceroute, the TTL is a maximum time to live and is used to discover the number of downstream hops to the destination device. MPLS LSP Traceroute incrementally increases the TTL value in its MPLS echo requests (TTL = 1, 2, 3, 4, ...) to accomplish this. Use the tll <i>time-to-live</i> keyword and argument.</p>
Timeouts	<p>A parameter you can specify to control the timeout in seconds for an MPLS request packet. The range is from 0 to 3600 seconds. The default is 2.</p> <p>Set with the timeout <i>seconds</i> keyword and argument.</p> <p>For use with the MPLS LSP Ping and Traceroute features.</p>
Intervals	<p>A parameter you can specify to set the time in milliseconds between successive MPLS echo requests. The default is 0.</p> <p>Set with the interval <i>msec</i> keyword and argument.</p>
Experimental bits	<p>Three experimental bits in an MPLS header used to specify precedence for the MPLS echo reply. (The bits are commonly called EXP bits.) The range is from 0 to 7, and the default is 0.</p> <p>Specify with the exp <i>exp-bits</i> keyword and argument.</p> <p>For use with the MPLS LSP Ping and Traceroute features.</p>

Option	Description
Verbose	Option that provides additional information for the MPLS echo reply--source address and return codes. For the MPLS LSP Ping feature, this option is implemented with the verbose keyword. For use with the MPLS LSP Ping feature only.

MPLS LSP Ping options described in the table above can be implemented by using the following syntax:

```
ping mpls
{ipv4 destination-address destination-mask [destination address-start address-end increment]

 [ttl time-to-live] | pseudowire ipv4-address
vc-id vc-id
[destination address-start address-end increment] | traffic-eng tunnel-interface
tunnel-number
[ttl time-to-live]}
[source source-address] [repeat count]
[{size packet-size} | {sweep minimum maximum size-Increment}]
[pad pattern]
[timeout seconds] [intervalmsec]
[exp exp-bits] [verbose]
```

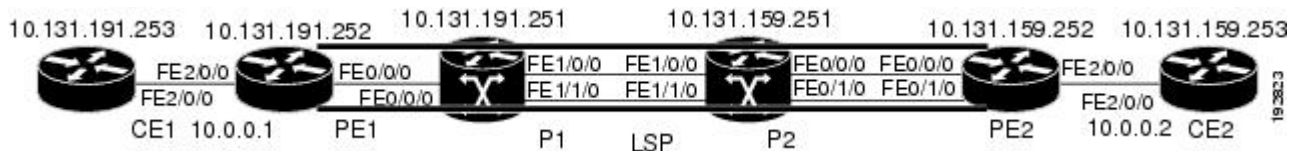
MPLS LSP Traceroute options described in the table below can be implemented by the use of the following syntax:

```
trace mpls
{ipv4 destination-address destination-mask
 [destination address-start address-end address-increment] | traffic-eng tunnel-interface
tunnel-number}
[source source-address] [timeout seconds]
[ttl maximum-time-to-live]
[exp exp-bits]
```

Option Interactions and Loops

Usage examples for the MPLS LSP Ping and Traceroute and AToM VCCV feature in this and subsequent sections are based on the sample topology shown in the figure below.

Figure 8: Sample Topology for Configuration Examples



The interaction of some MPLS LSP Ping and Traceroute and AToM VCCV options can cause loops. See the following topic for a description of the loops you might encounter with the **ping mpls** and **trace mpls** commands:

Possible Loops with MPLS LSP Ping

With the MPLS LSP Ping feature, loops can occur if you use the repeat count option, the sweep size range option, or the User Datagram Protocol (UDP) destination address range option.

```
ping mpls
  {ipv4 destination-address/destination-mask
  [destination address-start address-end increment] | pseudowire ipv4-address
  vc-id vc-id
  [destination address-start address-end increment] |
traffic-eng tunnel-interface tunnel-number}
[repeat count]
[sweep minimum maximum size-increment]
```

Following is an example of how a loop operates if you use the following keywords and arguments on the **ping mpls** command:

```
Device# ping mpls
  ipv4
  10.131.159.251/32 destination 127.0.0.1 127.0.0.1 0.0.0.1 repeat 2
sweep 1450 1475 25
Sending 2, [1450..1500]-byte MPLS Echos to 10.131.159.251/32,
  timeout is 2 seconds, send interval is 0 msec:
Codes: '!' - success, 'Q' - request not transmitted,
  '.' - timeout, 'U' - unreachable,
  'R' - downstream router but not target
Type escape sequence to abort.
Destination address 127.0.0.1
!
!
Destination address 127.0.0.1
!
!
Destination address 127.0.0.1
!
!
Destination address 127.0.0.1
!
!
```

An **mpls ping** command is sent for each packet size range for each destination address until the end address is reached. For this example, the loop continues in the same manner until the destination address, 127.0.0.1, is reached. The sequence continues until the number is reached that you specified with the **repeat count** keyword and argument. For this example, the repeat count is 2. The MPLS LSP Ping loop sequence is as follows:

```
repeat = 1
  destination address 1 (address-start
)
  for (size from sweep
  minimum
  to maximum
  , counting by size-increment
)
  send an lsp ping
  destination address 2 (address-start
  +
  address-
  increment
)
  for (size from sweep
  minimum
  to maximum
  , counting by size-increment
)
  send an lsp ping
```

Possible Loop with MPLS LSP Traceroute

```

    destination address 3 (address-start
+
address-
increment
+
address-
increment
)
    for (size from sweep
minimum
to maximum
, counting by size-increment
)
    send an lsp ping
.
.
.
until destination address = address-end
.
.
until repeat = count

```

Possible Loop with MPLS LSP Traceroute

With the MPLS LSP Traceroute feature, loops can occur if you use the User Datagram Protocol (UDP) destination address range option and the time-to-live option.

```

trace mpls
  {ipv4

destination-address destination-mask
  [destination

address-start
address-end

address-increment
] | traffic-eng
  tunnel-interface

tunnel-number
[ttl
maximum-
time-to-live
]

```

Here is an example of how a loop operates if you use the following keywords and arguments on the **trace mpls** command:

```

Device# trace mpls
ipv4
10.131.159.251/32 destination 127.0.0.1 127.0.0.1 1 ttl 5
Tracing MPLS Label Switched Path to 10.131.159.251/32, timeout is 2 seconds
Codes: '!' - success, 'Q' - request not transmitted,
        '.' - timeout, 'U' - unreachable,
        'R' - downstream router but not target
Type escape sequence to abort.
Destination address 127.0.0.1
  0 10.131.191.230 MRU 1500 [Labels: 19 Exp: 0]
R 1 10.131.159.226 MRU 1504 [implicit-null] 40 ms
! 2 10.131.159.225 40 ms

```

```

Destination address 127.0.0.2
  0 10.131.191.230 MRU 1500 [Labels: 19 Exp: 0]
R 1 10.131.159.226 MRU 1504 [implicit-null] 40 ms
! 2 10.131.159.225 40 ms
Destination address 127.0.0.3
  0 10.131.191.230 MRU 1500 [Labels: 19 Exp: 0]
R 1 10.131.159.226 MRU 1504 [implicit-null] 40 ms
! 2 10.131.159.225 48 ms

```

An **mpls trace** command is sent for each TTL from 1 to the maximum TTL (**t**tl *maximum-time-to-live* keyword and argument) for each destination address until the address specified with the destination *end-address* argument is reached. For this example, the maximum TTL is 5 and the end destination address is 127.0.0.1. The MPLS LSP Traceroute loop sequence is as follows:

```

destination address 1 (address-start
)
  for (ttl
    from 1 to maximum-time-to-live
  )
    send an lsp trace
destination address 2 (address-start
+ address-increment
)
  for (ttl
    from 1 to maximum-time-to-live
  )
    send an lsp trace
destination address 3 (address-start
+ address-increment
+ address-increment
)
  for (ttl
    from 1 to
maximum-time-to-live)
    send an lsp trace
.
.
.
until destination address = address-end

```

MPLS Echo Request Packets Not Forwarded by IP

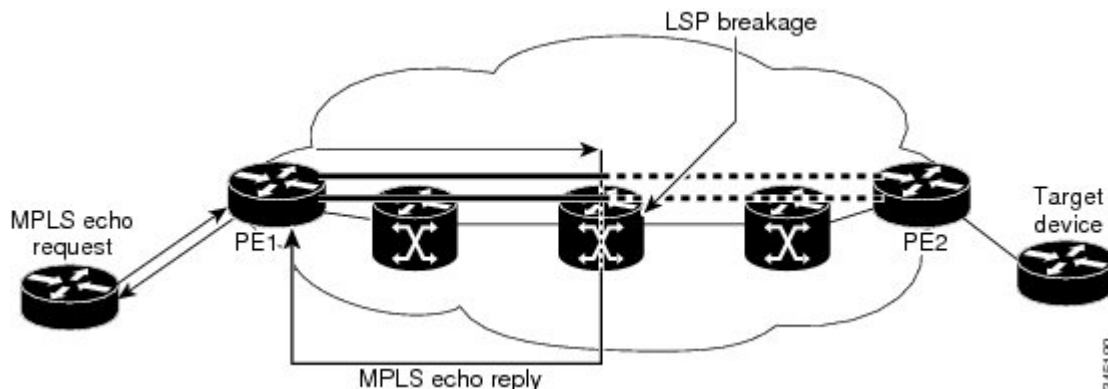
Multiprotocol Label Switching (MPLS) echo request packets sent during a label switched path (LSP) ping are never forwarded by IP. The IP header destination address field in an MPLS echo request packet is a $127.x.y.z/8$ address. Devices should not forward packets using a $127.x.y.z/8$ address. The $127.x.y.z/8$ address corresponds to an address for the local host.

The use of a $127.x.y.z$ address as a destination address of the User Datagram Protocol (UDP) packet is significant in that the MPLS echo request packet fails to make it to the target device if a transit device does not label switch the LSP. This allows for the detection of LSP breakages.

- If an LSP breakage occurs at a transit device, the MPLS echo packet is not forwarded, but consumed by the device.
- If the LSP is intact, the MPLS echo packet reaches the target device and is processed by the terminal point of the LSP.

The figure below shows the path of the MPLS echo request and reply when a transit device fails to label switch a packet in an LSP.

Figure 9: Path When Transit Device Fails to Label Switch a Packet

**Note**

An Any Transport over MPLS (AToM) payload does not contain usable forwarding information at a transit device because the payload might not be an IP packet. An MPLS virtual private network (VPN) packet, although an IP packet, does not contain usable forwarding information at a transit device because the destination IP address is only significant to the virtual routing and forwarding (VRF) instances at the endpoints of the MPLS network.

Information Provided by the Device Processing LSP Ping or LSP Traceroute

The table below describes the characters that the device processing an LSP ping or LSP traceroute packet returns to the sender about the failure or success of the request.

You can also view the return code for an MPLS LSP Ping operation if you enter the **ping mpls verbose** command.

Table 15: LSP Ping and Traceroute Reply Characters

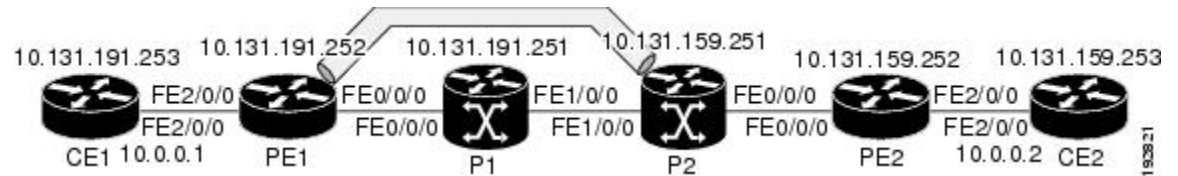
Character	Meaning
Period “.”	A timeout occurs before the target device can reply.
U	The target device is unreachable.
R	The device processing the Multiprotocol Label Switching (MPLS) echo request is a downstream device but is not the destination.
Exclamation mark “!”	Replying device is an egress for the destination.
Q	Echo request was not successfully transmitted. This could be returned because of insufficient memory or more probably because no label switched path (LSP) exists that matches the Forwarding Equivalence Class (FEC) information.
C	Replying device rejected the echo request because it was malformed.

MTU Discovery in an LSP

During an MPLS LSP Ping, Multiprotocol Label Switching (MPLS) echo request packets are sent with the IP packet attribute set to do not fragment. That is, the DF bit is set in the IP header of the packet. This allows you to use the MPLS echo request to test for the MTU that can be supported for the packet through the label switched path (LSP) without fragmentation.

The figure below shows a sample network with a single LSP from PE1 to PE2 formed with labels advertised by means of LDP.

Figure 10: Sample Network with LSP—Labels Advertised by LDP



You can determine the maximum receive unit (MRU) at each hop by tracing the LSP using the MPLS Traceroute feature. The MRU is the maximum size of a labeled packet that can be forwarded through an LSP. The following example shows the results of a **trace mpls** command when the LSP is formed with labels created by the Label Distribution Protocol (LDP):

```
Device# trace mpls ipv4 10.131.159.252/32
Tracing MPLS Label Switched Path to 10.131.159.252/32, timeout is 2 seconds
Codes: '!' - success, 'Q' - request not transmitted,
       '.' - timeout, 'U' - unreachable,
       'R' - downstream router but not target
Type escape sequence to abort.
 0 10.131.191.230 MRU 1496 [Labels: 22/19 Exp: 0/0]
R 1 10.131.159.226 MRU 1500 [Labels: 19 Exp: 0] 40 ms
R 2 10.131.159.229 MRU 1504 [implicit-null] 28 ms
! 3 10.131.159.230 40 ms
```

You can determine the MRU for the LSP at each hop through the use of the **show forwarding detail** command:

```
Device# show mpls forwarding 10.131.159.252 detail

Local  Outgoing  Prefix          Bytes tag  Outgoing  Next Hop
tag    tag or VC  or Tunnel Id   switched  interface
22     19        10.131.159.252/32 0          Tu1       point2point
      MAC/Encaps=14/22, MRU=1496, Tag Stack{22 19}, via Et0/0
      AABBC009700AABBC0098008847 0001600000013000
      No output feature configured
```

To determine the maximum sized echo request that will fit on the LSP, you can find the IP MTU by using the **show interface type number** command.

```
Device# show interface e0/0

FastEthernet0/0/0 is up, line protocol is up
  Hardware is Lance, address is aabb.cc00.9800 (bia aabb.cc00.9800)
  Internet address is 10.131.191.230/30
  MTU 1500 bytes, BW 10000 Kbit, DLY 1000 usec, rely 255/255, load 1/55
  Encapsulation ARPA, loopback not set
  Keepalive set (10 sec)
  ARP type: ARPA, ARP Timeout 04:00:00
  Last input 00:00:01, output 00:00:01, output hang never
```

```

Last clearing of "show interface" counters never
Input queue: 0/75/0/0 (size/max/drops/flushes); Total output drops: 0
Queueing strategy: fifo
Output queue: 0/40 (size/max)
5 minute input rate 0 bits/sec, 0 packets/sec
5 minute output rate 0 bits/sec, 0 packets/sec
 377795 packets input, 33969220 bytes, 0 no buffer
  Received 231137 broadcasts, 0 runts, 0 giants, 0 throttles
  0 input errors, 0 CRC, 0 frame, 0 overrun, 0 ignored
  0 input packets with dribble condition detected
441772 packets output, 40401350 bytes, 0 underruns
  0 output errors, 0 collisions, 10 interface resets
  0 babbles, 0 late collision, 0 deferred
  0 lost carrier, 0 no carrier
  0 output buffer failures, 0 output buffers swapped out

```

The IP MTU in the **show interface type number** example is 1500 bytes. Subtract the number of bytes corresponding to the label stack from the MTU number. From the output of the **show mpls forwarding** command, the Tag stack consists of one label (21). Therefore, the largest MPLS echo request packet that can be sent in the LSP, shown in the figure above, is $1500 - (2 \times 4) = 1492$.

You can validate this by using the following **ping mpls** command:

```

Device# ping mpls ipv4 10.131.159.252/32 sweep 1492 1500 1 repeat 1
Sending 1, [1492..1500]-byte MPLS Echos to 10.131.159.252/32,
  timeout is 2 seconds, send interval is 0 msec:
Codes: '!' - success, 'Q' - request not transmitted,
  '.' - timeout, 'U' - unreachable,
  'R' - downstream router but not target
Type escape sequence to abort.
!QQQQQQQ
Success rate is 11 percent (1/9), round-trip min/avg/max = 40/40/40 ms

```

In this command, only packets of 1492 bytes are sent successfully, as indicated by the exclamation point (!). Packets of byte sizes 1493 to 1500 are source-quenched, as indicated by the Q.

You can pad an MPLS echo request so that a payload of a given size can be tested. The pad TLV is useful when you use the MPLS echo request to discover the MTU supportable by an LSP. MTU discovery is extremely important for applications like AToM that contain non-IP payloads that cannot be fragmented.

LSP Network Management

To manage a Multiprotocol Label Switching (MPLS) network you must have the ability to monitor label switched paths (LSPs) and quickly isolate MPLS forwarding problems. You need ways to characterize the liveliness of an LSP and reliably detect when a label switched path fails to deliver user traffic.

You can use MPLS LSP Ping to verify the LSP that is used to transport packets destined for IPv4 Label Distribution Protocol (LDP) prefixes, traffic engineering (TE) tunnels, and Any Transport over MPLS pseudowire Forwarding Equivalence Classes (AToM PW FECs). You can use MPLS LSP Traceroute to trace LSPs that are used to carry packets destined for IPv4 LDP prefixes and TE tunnel FECs.

An MPLS echo request is sent through an LSP to validate it. A TTL expiration or LSP breakage causes the transit device to process the echo request before it gets to the intended destination and returns an MPLS echo reply that contains an explanatory reply code to the originator of the echo request.

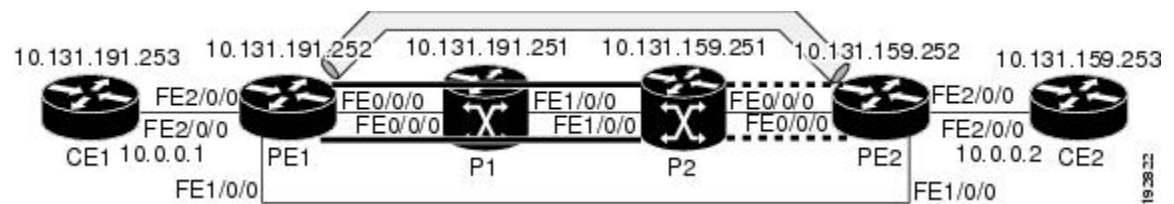
The successful echo request is processed at the egress of the LSP. The echo reply is sent via an IP path, an MPLS path, or a combination of both back to the originator of the echo request.

ICMP ping and trace Commands and Troubleshooting

Internet Control Message Protocol (ICMP) **ping** and **trace** commands are often used to help diagnose the root cause of a failure. When a label switched path (LSP) is broken, the packet might make its way to the target device by way of IP forwarding, thus making ICMP ping and traceroute unreliable for detecting Multiprotocol Label Switching (MPLS) forwarding problems. The MPLS LSP Ping, Traceroute and AToM VCCV feature extends this diagnostic and troubleshooting ability to the MPLS network and handles inconsistencies between the IP and MPLS forwarding tables, inconsistencies in the MPLS control and data plane, and problems with the reply path.

The figure below shows a sample topology with a Label Distribution Protocol (LDP) LSP and traffic engineering (TE) tunnel LSP.

Figure 11: Sample Topology with LDP and TE Tunnel LSPs



This section contains the following topics:

MPLS LSP Ping and Traceroute Discovers LSP Breakage

Configuration for Sample Topology

These are sample topology configurations for the troubleshooting examples in the following sections (see the figure above). There are the six sample device configurations.

Device CE1 Configuration

```
version 12.0
!
hostname ce1
!
enable password lab
!
interface Loopback0
 ip address 10.131.191.253 255.255.255.255
 no ip directed-broadcast
!
interface GigabitEthernet0/0/0
 ip address 10.0.0.1 255.255.255.255
 no ip directed-broadcast
 no keepalive
 no cdp enable
!
end
```

Device PE1 Configuration

```
version 12.0
!
hostname pe1
```

```

!
ip cef
mpls label protocol ldp
mpls traffic-eng tunnels
no mpls traffic-eng auto-bw timers frequency 0
mpls ldp discovery targeted-hello accept
!
interface Loopback0
 ip address 10.131.191.252 255.255.255.255
 no ip directed-broadcast
!
interface Tunnel1
 ip unnumbered Loopback0
 no ip directed-broadcast
 mpls label protocol ldp
 mpls ip
 tunnel destination 10.131.159.255
 tunnel mode mpls traffic-eng
 tunnel mpls traffic-eng autoroute announce
 tunnel mpls traffic-eng priority 2 2
 tunnel mpls traffic-eng bandwidth 512
 tunnel mpls traffic-eng path-option 1 dynamic
!
interface Tunnel2
 ip unnumbered Loopback0
 no ip directed-broadcast
 shutdown
 mpls label protocol ldp
 mpls ip
 tunnel destination 10.131.159.255
 tunnel mode mpls traffic-eng
 tunnel mpls traffic-eng autoroute announce
 tunnel mpls traffic-eng priority 1 1
 tunnel mpls traffic-eng bandwidth 100
 tunnel mpls traffic-eng path-option 1 dynamic
!
interface GigabitEthernet0/0/0
 ip address 10.131.191.230 255.255.255.255
 no ip directed-broadcast
 mpls traffic-eng tunnels
 mpls ip
 ip rsvp bandwidth 1500 1500
 ip rsvp signalling dscp 0
!
interface GigabitEthernet0/0/1
 ip address 10.131.159.246 255.255.255.255
 no ip directed-broadcast
 no shutdown
 mpls ip
 ip rsvp bandwidth 1500 1500
 ip rsvp signalling dscp 0
!
interface GigabitEthernet0/0/2
 no ip address
 no ip directed-broadcast
 no cdp enable
 xconnect 10.131.159.252 333 encapsulation mpls
!
interface GigabitEthernet0/0/3
 no ip address
 no ip directed-broadcast
 shutdown
!
router ospf 1

```

```

log-adjacency-changes
passive-interface Loopback0
network 10.131.159.244 0.0.0.3 area 0
network 10.131.191.228 0.0.0.3 area 0
network 10.131.191.232 0.0.0.3 area 0
network 10.131.191.252 0.0.0.0 area 0
mpls traffic-eng router-id Loopback0
mpls traffic-eng area 0
!
ip classless

end

```

Device P1 Configuration

```

version 12.0
service timestamps debug datetime msec
service timestamps log datetime msec
no service password-encryption
!
hostname p1
!
enable password lab
!
ip cef
mpls label protocol ldp
mpls ldp logging neighbor-changes
mpls traffic-eng tunnels
no mpls traffic-eng auto-bw timers frequency 0
mpls ldp discovery targeted-hello accept
!
interface Loopback0
 ip address 10.131.191.251 255.255.255.255
 no ip directed-broadcast
!
interface GigabitEthernet0/0/0
 ip address 10.131.191.229 255.255.255.255
 no ip directed-broadcast
 mpls traffic-eng tunnels
 mpls ip
 ip rsvp bandwidth 1500 1500
 ip rsvp signalling dscp 0
!
interface GigabitEthernet0/0/1
 ip address 10.131.159.226 255.255.255.255
 no ip directed-broadcast
 mpls traffic-eng tunnels
 mpls ip
 ip rsvp bandwidth 1500 1500
 ip rsvp signalling dscp 0
!
router ospf 1
 log-adjacency-changes
 passive-interface Loopback0
 network 10.131.159.224 0.0.0.3 area 0
 network 10.131.191.228 0.0.0.3 area 0
 network 10.131.191.251 0.0.0.0 area 0
 mpls traffic-eng router-id Loopback0
 mpls traffic-eng area 0
!
end

```

Device P2 Configuration

```

version 12.0
hostname p2
!
ip cef
mpls label protocol ldp
mpls ldp logging neighbor-changes
mpls traffic-eng tunnels
no mpls traffic-eng auto-bw timers frequency 0
mpls ldp discovery directed-hello accept
!
!
interface Loopback0
 ip address 10.131.159.251 255.255.255.255
 no ip directed-broadcast
!
interface GigabitEthernet0/0/0
 ip address 10.131.159.229 255.255.255.255
 no ip directed-broadcast
 mpls traffic-eng tunnels
 mpls ip
 ip rsvp bandwidth 1500 1500
 ip rsvp signalling dscp 0
!
interface GigabitEthernet0/0/1
 ip address 10.131.159.225 255.255.255.255
 no ip directed-broadcast
 mpls traffic-eng tunnels
 mpls ip
 ip rsvp bandwidth 1500 1500
 ip rsvp signalling dscp 0
!
router ospf 1
 log-adjacency-changes
 passive-interface Loopback0
 network 10.131.159.224 0.0.0.3 area 0
 network 10.131.159.228 0.0.0.3 area 0
 network 10.131.159.251 0.0.0.0 area 0
 mpls traffic-eng router-id Loopback0
 mpls traffic-eng area 0
!
end

```

Device PE2 Configuration

```

version 12.0
service timestamps debug datetime msec
service timestamps log datetime msec
no service password-encryption
!
hostname pe2
!
logging snmp-authfail
enable password lab
!
clock timezone EST -5
ip subnet-zero
ip cef
no ip domain-lookup
mpls label protocol ldp
mpls ldp logging neighbor-changes

```

```
mpls ldp explicit-null
mpls traffic-eng tunnels
no mpls traffic-eng auto-bw timers frequency 0
tag-switching tdp discovery directed-hello accept
frame-relay switching
!
!
interface Loopback0
 ip address 10.131.159.252 255.255.255.255
 no ip directed-broadcast
!
interface Tunnel0
 ip unnumbered Loopback0
 no ip directed-broadcast
 tunnel destination 10.131.191.252
 tunnel mode mpls traffic-eng
 tunnel mpls traffic-eng path-option 5 explicit name aslpe-long-path
!
interface GigabitEthernet0/0/0
 ip address 10.131.159.230 255.255.255.255
 no ip directed-broadcast
 mpls traffic-eng tunnels
 tag-switching ip
 ip rsvp bandwidth 1500 1500
 ip rsvp signalling dscp 0
!
interface GigabitEthernet0/0/1
 ip address 10.131.159.245 255.255.255.255
 no ip directed-broadcast
 mpls traffic-eng tunnels
 tag-switching ip
 ip rsvp bandwidth 1500 1500
 ip rsvp signalling dscp 0
!
interface GigabitEthernet0/0/2
 no ip address
 no ip directed-broadcast
 no cdp enable
 xconnect 10.131.191.252 333 encapsulation mpls
!
interface GigabitEthernet0/0/3
 no ip address
 no ip directed-broadcast
!
interface Serial0/0/0
 no ip address
 no ip directed-broadcast
 shutdown
!
interface Serial0/0/1
 no ip address
 no ip directed-broadcast
 shutdown
!
router ospf 1
 mpls traffic-eng router-id Loopback0
 mpls traffic-eng area 0
 log-adjacency-changes
 passive-interface Loopback0
 network 10.131.122.0 0.0.0.3 area 0
 network 10.131.159.228 0.0.0.3 area 0
 network 10.131.159.232 0.0.0.3 area 0
 network 10.131.159.244 0.0.0.3 area 0
 network 10.131.159.252 0.0.0.0 area 0
```

Verifying That the LSP Is Set Up Correctly

```

!
ip classless
!
!
ip explicit-path name aslpe-long-path enable
  next-address 10.131.159.229
  next-address 10.131.159.226
  next-address 10.131.191.230
!
!
line con 0
  exec-timeout 0 0
line aux 0
line vty 0 4
  exec-timeout 0 0
  password lab
  login
!
end

```

Device CE2 Configuration

```

version 12.0
!
hostname ce2
!
enable password lab
!
interface Loopback0
  ip address 10.131.159.253 255.255.255.255
  no ip directed-broadcast
!
interface GigabitEthernet0/0/2
  ip address 10.0.0.2 255.255.255.255
  no ip directed-broadcast
  no keepalive
  no cdp enable
!
end

```

Verifying That the LSP Is Set Up Correctly

A **show mpls forwarding-table** command shows that tunnel 1 is in the Multiprotocol Label Switching (MPLS) forwarding table.

```

Device# show mpls forwarding-table 10.131.159.252

Local  Outgoing  Prefix          Bytes tag  Outgoing  Next Hop
tag    tag or VC  or Tunnel Id    switched  interface
22     19
      [T] 10.131.159.252/32 0          Tu1
      point2point
      [T] Forwarding through a TSP tunnel.
      View additional tagging info with the 'detail' option

```

A **show mpls traffic-eng tunnels tunnel 1** command entered at PE1 displays information about tunnel 1 and verifies that it is forwarding packets with an out label of 22.

```

Device# show mpls traffic-eng tunnels tunnel 1

Name: PE1_t1                                     (Tunnell) Destination: 10.131.159.251

```



```

Status:
  Admin: up          Oper: up          Path: valid          Signalling: connected
  path option 1, type dynamic (Basis for Setup, path weight 20)
Config Parameters:
  Bandwidth: 512      kbps (Global)  Priority: 2 2        Affinity: 0x0/0xFFFF
  Metric Type: TE (default)
  AutoRoute: enabled  LockDown: disabled Loadshare: 512      bw-based
  auto-bw: disabled
Active Path Option Parameters:
  State: dynamic path option 1 is active
  BandwidthOverride: disabled LockDown: disabled Verbatim: disabled
InLabel : -
OutLabel : FastEthernet0/0/0, 22
RSVP Signalling Info:
  Src 10.131.191.252, Dst 10.131.159.251, Tun_Id 1, Tun_Instance 28
RSVP Path Info:
  My Address: 10.131.191.230
  Explicit Route: 10.131.191.229 10.131.159.226 10.131.159.225 10.131.159.251
  Record Route: NONE
  Tspec: ave rate=512 kbits, burst=1000 bytes, peak rate=512 kbits
RSVP Resv Info:
  Record Route: NONE
  Fspec: ave rate=512 kbits, burst=1000 bytes, peak rate=512 kbits
Shortest Unconstrained Path Info:
  Path Weight: 20 (TE)
  Explicit Route: 10.131.191.230 10.131.191.229 10.131.159.226 10.131.159.225
                  10.131.159.251
History:
  Tunnel:
    Time since created: 9 days, 14 hours, 12 minutes
    Time since path change: 2 minutes, 18 seconds
  Current LSP:
    Uptime: 2 minutes, 18 seconds
  Prior LSP:
    ID: path option 1 [3]
    Removal Trigger: tunnel shutdown

```

A **trace mpls** command issued at PE1 verifies that packets with 22 as the outermost label and 19 as the end of stack label are forwarded from PE1 to PE2.

```

Device# trace mpls ipv4 10.131.159.252/32
Tracing MPLS Label Switched Path to 10.131.159.252/32, timeout is 2 seconds
Codes: '!' - success, 'Q' - request not transmitted,
        '.' - timeout, 'U' - unreachable,
        'R' - downstream router but not target
Type escape sequence to abort.
 0 10.131.191.230 MRU 1496 [Labels: 22/19
  Exp: 0/0]
R 1 10.131.159.226 MRU 1504 [Labels: 19 Exp: 0] 40 ms
R 2 10.131.159.229 MRU 1504 [implicit-null] 28 ms
! 3 10.131.159.230 40 ms

```

The MPLS LSP Traceroute to PE2 is successful, as indicated by the exclamation point (!).

Discovering LSP Breakage

A Label Distribution Protocol (LDP) target-session is established between devices PE1 and P2, as shown in the output of the following **show mpls ldp discovery** command:

```

Device# show mpls ldp discovery

Local LDP Identifier:

```

```

10.131.191.252:0
Discovery Sources:
Interfaces:
  GigabitEthernet0/0/0 (ldp): xmit/recv
    LDP Id: 10.131.191.251:0
  Tunnel1 (ldp): Targeted -> 10.131.159.251
Targeted Hellos:
  10.131.191.252 -> 10.131.159.252 (ldp): active/passive, xmit/recv
    LDP Id: 10.131.159.252:0
  10.131.191.252 -> 10.131.159.251 (ldp): active, xmit/recv
    LDP Id: 10.131.159.251:0

```

Enter the following command on the P2 device in global configuration mode:

```
Device# no mpls ldp discovery targeted-hello accept
```

The LDP configuration change causes the targeted LDP session between the headend and tailend of the traffic engineering (TE) tunnel to go down. Labels for IPv4 prefixes learned by P2 are not advertised to PE1. Thus, all IP prefixes reachable by P2 are reachable by PE1 only through IP (not MPLS). In other words, packets destined for those prefixes through Tunnel 1 at PE1 will be IP switched at P2 (which is undesirable).

The following **show mpls ldp discovery** command shows that the LDP targeted-session is down:

```
Device# show mpls ldp discovery
```

```

Local LDP Identifier:
10.131.191.252:0
Discovery Sources:
Interfaces:
  GigabitEthernet0/0/0 (ldp): xmit/recv
    LDP Id: 10.131.191.251:0
  Tunnel1 (ldp): Targeted -> 10.131.159.251
Targeted Hellos:
  10.131.191.252 -> 10.131.159.252 (ldp): active/passive, xmit/recv
    LDP Id: 10.131.159.252:0
  10.131.191.252 -> 10.131.159.251 (ldp): active, xmit

```

Enter the **show mpls forwarding-table** command at the PE1 device. The display shows that the outgoing packets are untagged as a result of the LDP configuration changes.

```
Device# show mpls forwarding-table 10.131.159.252
```

```

Local   Outgoing   Prefix           Bytes tag  Outgoing   Next Hop
tag     tag or VC   or Tunnel Id    switched  interface
22      Untagged[T]
10.131.159.252/32 0          Tu1             point2point
[T]     Forwarding through a TSP tunnel.
View additional tagging info with the 'detail' option

```

A **ping mpls** command entered at the PE1 device displays the following:

```

Device# ping mpls ipv4 10.131.159.252/32 repeat 1
Sending 1, 100-byte MPLS Echos to 10.131.159.252/32,
  timeout is 2 seconds, send interval is 0 msec:
Codes: '!' - success, 'Q' - request not transmitted,
       '.' - timeout, 'U' - unreachable,
       'R' - downstream router but not target
Type escape sequence to abort.
R
Success rate is 0 percent (0/1)

```

The **ping mpls** command fails. The R indicates that the sender of the Multiprotocol Label Switching (MPLS) echo reply had a routing entry but no MPLS Forwarding Equivalence Class (FEC). Entering the **ping mpls verbose** command displays the MPLS label switched path (LSP) echo reply sender address and the return code. You should be able to solve the problem by Telneting to the replying device and inspecting its forwarding and label tables. You might need to look at the neighboring upstream device as well, because the breakage might be on the upstream device.

```
Device# ping mpls ipv4 10.131.159.252/32 repeat 1 verbose
Sending 1, 100-byte MPLS Echos to 10.131.159.252/32,
      timeout is 2 seconds, send interval is 0 msec:
Codes: '!' - success, 'Q' - request not transmitted,
      '.' - timeout, 'U' - unreachable,
      'R' - downstream router but not target
Type escape sequence to abort.
R 10.131.159.225, return code 6
Success rate is 0 percent (0/1)
```

Alternatively, use the **LSP traceroute** command to figure out which device caused the breakage. In the following example, for subsequent values of TTL greater than 2, the same device keeps responding (10.131.159.225). This suggests that the MPLS echo request keeps getting processed by the device regardless of the TTL. Inspection of the label stack shows that P1 pops the last label and forwards the packet to P2 as an IP packet. This explains why the packet keeps getting processed by P2. MPLS echo request packets cannot be forwarded by use of the destination address in the IP header because the address is set to a 127/8 address.

```
Device# trace mpls ipv4 10.131.159.252/32 ttl 5
Tracing MPLS Label Switched Path to 10.131.159.252/32, timeout is 2 seconds
Codes: '!' - success, 'Q' - request not transmitted,
      '.' - timeout, 'U' - unreachable,
      'R' - downstream router but not target
Type escape sequence to abort.
 0 10.131.191.230 MRU 1500 [Labels: 22 Exp: 0]
R 1 10.131.159.226 MRU 1504 [implicit-null] 40 ms
R 2 10.131.159.225 40 ms
R 3 10.131.159.225 40 ms
R 4 10.131.159.225 40 ms
R 5 10.131.159.225 40 ms
```

MPLS LSP Traceroute Tracks Untagged Cases

This troubleshooting section contains examples of how to use MPLS LSP Traceroute to determine potential issues with packets that are tagged as implicit null and packets that are untagged.

Untagged output interfaces at a penultimate hop do not impact the forwarding of IP packets through a label switched path (LSP) because the forwarding decision is made at the penultimate hop through use of the incoming label. The untagged case causes Any Transport over Multiprotocol Label Switching (AToM) and MPLS virtual private network (VPN) traffic to be dropped at the penultimate hop.

Troubleshooting Implicit Null Cases

In the following example, Tunnel 1 is shut down, and only a label switched path (LSP) formed with Label Distribution Protocol (LDP) labels is established. An implicit null is advertised between the P2 and PE2 devices. Entering an MPLS LSP Traceroute at the PE1 device results in the following display:

```
Device# trace mpls ipv4 10.131.159.252/32
Tracing MPLS Label Switched Path to 10.131.159.252/32, timeout is 2 seconds
Codes: '!' - success, 'Q' - request not transmitted,
      '.' - timeout, 'U' - unreachable,
```

```

'R' - downstream router but not target
Type escape sequence to abort.
 0 10.131.191.230 MRU 1500 [Labels: 20 Exp: 0]
R 1 10.131.159.226 MRU 1500 [Labels: 19 Exp: 0] 80 ms
R 2 10.131.159.229 MRU 1504 [implicit-null] 28 ms
! 3 10.131.159.230 40 ms

```

This output shows that packets are forwarded from P2 to PE2 with an implicit-null label. Address 10.131.159.229 is configured for the P2 Fast Ethernet 0/0/0 out interface for the PE2 device.

Troubleshooting Untagged Cases

Untagged cases are valid configurations for Interior Gateway Protocol (IGP) label switched paths (LSPs) that could cause problems for Multiprotocol Label Switching (MPLS) virtual private networks (VPNs).

A **show mpls forwarding-table** command and a **show mpls ldp discovery** command issued at the P2 device show that the Label Distribution Protocol (LDP) is properly set up:

```

Device# show mpls forwarding-table 10.131.159.252

Local  Outgoing  Prefix          Bytes tag  Outgoing  Next Hop
tag    tag or VC  or Tunnel Id    switched   interface
19     Pop tag    10.131.159.252/32  0          Et0/0     10.131.159.230
Device# show mpls ldp discovery
Local LDP Identifier:
10.131.159.251:0
Discovery Sources:
Interfaces:
  GigabitEthernet0/0/0 (ldp): xmit/recv
    LDP Id: 10.131.159.252:0
  FastEthernet1/0/0 (ldp): xmit/recv
    LDP Id: 10.131.191.251:0

```

The **show mpls ldp discovery** command output shows that GigabitEthernet0/0/0, which connects PE2 to P2, is sending and receiving packets.

If a **no mpls ip** command is entered on GigabitEthernet0/0/0, this could prevent an LDP session between the P2 and PE2 devices from being established. A **show mpls ldp discovery** command entered on the PE device shows that the MPLS LDP session with the PE2 device is down:

```

Device# show mpls ldp discovery

Local LDP Identifier:
10.131.159.251:0
Discovery Sources:
Interfaces:
  GigabitEthernet0/0/0 (ldp): xmit
  FastEthernet1/0/0 (ldp): xmit/recv
    LDP Id: 10.131.191.251:0

```

If the MPLS LDP session to PE2 goes down, the LSP to 10.131.159.252 becomes untagged, as shown by the **show mpls forwarding-table** command:

```

Device# show mpls forwarding-table 10.131.159.252

Local  Outgoing  Prefix          Bytes tag  Outgoing  Next Hop
tag    tag or VC  or Tunnel Id    switched   interface
19     Untagged  10.131.159.252/32  864       Et0/0     10.131.159.230

```

Untagged cases would provide an MPLS LSP Traceroute reply with packets tagged with No Label, as shown in the following display:

```
Device# trace mpls ipv4 10.131.159.252/32
Tracing MPLS Label Switched Path to 10.131.159.252/32, timeout is 2 seconds
Codes: '!' - success, 'Q' - request not transmitted,
      '.' - timeout, 'U' - unreachable,
      'R' - downstream router but not target
Type escape sequence to abort.
 0 10.131.191.230 MRU 1500 [Labels: 20 Exp: 0]
R 1 10.131.159.226 MRU 1500 [Labels: 19 Exp: 0] 80 ms
R 2 10.131.159.229 MRU 1504 [No Label] 28 ms
! 3 10.131.159.230 40 ms
```

MPLS LSP Ping and Traceroute Returns a Q

The Q return code always means that the packet could not be transmitted. The problem can be caused by insufficient memory, but it probably results because a label switched path (LSP) could not be found that matches the Forwarding Equivalence Class (FEC), information that was entered on the command line.

The reason that the packet was not forwarded needs to be determined. To do so, look at the Routing Information Base (RIB), the Forwarding Information Base (FIB), the Label Information Base (LIB), and the MPLS Label Forwarding Information Base (LFIB). Lack of an entry for the FEC in any one of these routing/forwarding bases would return a Q.

The table below lists commands that you can use for troubleshooting when the MPLS echo reply returns a Q.

Table 16: Troubleshooting a Q

Database	Command to View Contents
Routing Information Base	show ip route
Label Information Base and MPLS Forwarding Information Base	show mpls forwarding-table detail

The following example shows a **ping mpls** command where the MPLS echo request is not transmitted, as shown by the returned Qs:

```
Device# ping mpls ipv4 10.0.0.1/32
Sending 5, 100-byte MPLS Echos to 10.0.0.1/32,
      timeout is 2 seconds, send interval is 0 msec:
Codes: '!' - success, 'Q' - request not transmitted,
      '.' - timeout, 'U' - unreachable,
      'R' - downstream router but not target
Type escape sequence to abort.
QQQQQ
Success rate is 0 percent (0/5)
```

A **show mpls forwarding-table** command and a **show ip route** command demonstrate that the address is not in either routing table:

```
Device# show mpls forwarding-table 10.0.0.1

Local  Outgoing  Prefix          Bytes tag  Outgoing  Next Hop
tag   tag or VC   or Tunnel Id   switched  interface
Device# show ip route 10.0.0.1

% Subnet not in table
```

The MPLS echo request is not transmitted because the IPv4 address (10.0.0.1) is not found in either the LFIB or the RIB routing table.

Load Balancing for IPv4 LDP LSPs

An Internet Control Message Protocol (ICMP) ping or trace follows one path from the originating device to the target device. Round robin load balancing of IP packets from a source device is used to discover the various output paths to the target IP address.

For MPLS LSP Ping and Traceroute, Cisco devices use the source and destination addresses in the IP header for load balancing when multiple paths exist through the network to a target device. The Cisco implementation of MPLS might check the destination address of an IP payload to accomplish load balancing (this checking depends on the platform).

To check for load balancing paths, you use the `127.z.y.x/8` destination address in the `ping mpls ipv4 ip-address address-mask destination address-start address-end address-increment` command. The following examples show that different paths are followed to the same destination. This demonstrates that load balancing occurs between the originating device and the target device.

To ensure that the Fast Ethernet interface 1/0/0 on the PE1 device is operational, you enter the following commands on the PE1 device:

```
Device# configure terminal
Enter configuration commands, one per line. End with CNTL/Z.
Device(config)# interface fastethernet 1/0/0
Device(config-if)# no shutdown
Device(config-if)# end
*Dec 31 19:14:10.034: %LINK-3-UPDOWN: Interface FastEthernet1/0/0, changed state to up
*Dec 31 19:14:11.054: %LINEPROTO-5-UPDOWN: Line protocol on Interface FastEthernet1/0/0,
changed state to upend
PE1#
*Dec 31 19:14:12.574: %SYS-5-CONFIG I: Configured from console by console
*Dec 31 19:14:19.334: %OSPF-5-ADJCHG: Process 1, Nbr 10.131.159.252 on FastEthernet1/0/0
from LOADING to FULL, Loading Done
PE1#
```

The following `show mpls forwarding-table` command displays the possible outgoing interfaces and next hops for the prefix 10.131.159.251/32:

```
Device# show mpls forwarding-table 10.131.159.251

Local   Outgoing   Prefix           Bytes tag  Outgoing     Next Hop
tag     tag or VC  or Tunnel Id     switched  interface
21      19         10.131.159.251/32 0          FE0/0/0     10.131.191.229
        20         10.131.159.251/32 0          FE1/0/0     10.131.159.245
```

The following `ping mpls` command to 10.131.159.251/32 with a destination UDP address of 127.0.0.1 shows that the path selected has a path index of 0:

```
Device# ping mpls ipv4
 10.131.159.251/32 destination
 127.0.0.1 repeat 1
Sending 1, 100-byte MPLS Echos to 10.131.159.251/32,
  timeout is 2 seconds, send interval is 0 msec:
Codes: '!' - success, 'Q' - request not transmitted,
      '.' - timeout, 'U' - unreachable,
      'R' - downstream router but not target
Type escape sequence to abort.
```

```

!
Success rate is 100 percent (1/1), round-trip min/avg/max = 40/40/40 ms
PE1#
*Dec 29 20:42:40.638: LSPV: Echo Request sent on IPV4 LSP, load_index 2,
pathindex 0
, size 100
*Dec 29 20:42:40.638: 46 00 00 64 00 00 40 00 FF 11 9D 03 0A 83 BF FC
*Dec 29 20:42:40.638: 7F 00 00 01 94 04 00 00 0D AF 0D AF 00 4C 14 70
*Dec 29 20:42:40.638: 00 01 00 00 01 02 00 00 1A 00 00 1C 00 00 00 01
*Dec 29 20:42:40.638: C3 9B 10 40 A3 6C 08 D4 00 00 00 00 00 00 00 00
*Dec 29 20:42:40.638: 00 01 00 09 00 01 00 05 0A 83 9F FB 20 00 03 00
*Dec 29 20:42:40.638: 13 01 AB CD AB CD AB CD AB CD AB CD AB CD AB CD
*Dec 29 20:42:40.638: AB CD AB CD
*Dec 29 20:42:40.678: LSPV: Echo packet received: src 10.131.159.225,
dst 10.131.191.252, size 74
*Dec 29 20:42:40.678: AA BB CC 00 98 01 AA BB CC 00 FC 01 08 00 45 C0
*Dec 29 20:42:40.678: 00 3C 32 D6 00 00 FD 11 15 37 0A 83 9F E1 0A 83
*Dec 29 20:42:40.678: BF FC 0D AF 0D AF 00 28 D1 85 00 01 00 00 02 02
*Dec 29 20:42:40.678: 03 00 1A 00 00 1C 00 00 00 01 C3 9B 10 40 A3 6C
*Dec 29 20:42:40.678: 08 D4 C3 9B 10 40 66 F5 C3 C8

```

The following **ping mpls** command to 10.131.159.251/32 with a destination UDP address of 127.0.0.1 shows that the path selected has a path index of 1:

```

Device# ping mpls ipv4 10.131.159.251/32 dest 127.0.0.1 repeat 1
Sending 1, 100-byte MPLS Echos to 10.131.159.251/32,
timeout is 2 seconds, send interval is 0 msec:
Codes: '!' - success, 'Q' - request not transmitted,
        '.' - timeout, 'U' - unreachable,
        'R' - downstream router but not target
Type escape sequence to abort.
!
Success rate is 100 percent (1/1), round-trip min/avg/max = 40/40/40 ms
*Dec 29 20:43:09.518: LSPV: Echo Request sent on IPV4 LSP, load_index 13,
pathindex 1
, size 100
*Dec 29 20:43:09.518: 46 00 00 64 00 00 40 00 FF 11 9D 01 0A 83 BF FC
*Dec 29 20:43:09.518: 7F 00 00 03 94 04 00 00 0D AF 0D AF 00 4C 88 58
*Dec 29 20:43:09.518: 00 01 00 00 01 02 00 00 38 00 00 1D 00 00 00 01
*Dec 29 20:43:09.518: C3 9B 10 5D 84 B3 95 84 00 00 00 00 00 00 00 00
*Dec 29 20:43:09.518: 00 01 00 09 00 01 00 05 0A 83 9F FB 20 00 03 00
*Dec 29 20:43:09.518: 13 01 AB CD AB CD AB CD AB CD AB CD AB CD AB CD
*Dec 29 20:43:09.518: AB CD AB CD
*Dec 29 20:43:09.558: LSPV: Echo packet received: src 10.131.159.229,
dst 10.131.191.252, size 74
*Dec 29 20:43:09.558: AA BB CC 00 98 01 AA BB CC 00 FC 01 08 00 45 C0
*Dec 29 20:43:09.558: 00 3C 32 E9 00 00 FD 11 15 20 0A 83 9F E5 0A 83
*Dec 29 20:43:09.558: BF FC 0D AF 0D AF 00 28 D7 57 00 01 00 00 02 02
*Dec 29 20:43:09.558: 03 00 38 00 00 1D 00 00 00 01 C3 9B 10 5D 84 B3
*Dec 29 20:43:09.558: 95 84 C3 9B 10 5D 48 3D 50 78

```

To see the actual path chosen, you use the **debug mpls lspv packet data** command.



Note The hashing algorithm is nondeterministic. Therefore, the selection of the *address-start*, *address-end*, and *address-increment* arguments for the **destination** keyword might not provide the expected results.



CHAPTER 6

NSR LDP Support

The NSR LDP Support feature allows the Label Distribution Protocol (LDP) to continue to operate across a Router Processor (RP) failure in redundant systems, without losing peer sessions. Before the introduction of nonstop routing (NSR), LDP sessions with peers reset if an RP failover (in a redundant system) or a Cisco In-Service Software Upgrade (ISSU) occurred. When peers reset, traffic is lost while the session is down. Protocol reconvergence occurs after the session is reestablished.

When NSR is enabled, RP failover and Cisco ISSU events are not visible to the peer device, and the LDP sessions that were established prior to failover do not flap. The protocol state learned from the peers persists across an RP failover or Cisco ISSU event and does not need to be relearned.

- [Finding Feature Information, on page 97](#)
- [Prerequisites for NSR LDP Support, on page 97](#)
- [Information About NSR LDP Support, on page 98](#)
- [How to Configure NSR LDP Support, on page 100](#)
- [Configuration Examples for NSR LDP Support, on page 101](#)
- [Additional References for NSR LDP Support, on page 102](#)
- [Feature Information for NSR LDP Support, on page 103](#)

Finding Feature Information

Your software release may not support all the features documented in this module. For the latest caveats and feature information, see [Bug Search Tool](#) and the release notes for your platform and software release. To find information about the features documented in this module, and to see a list of the releases in which each feature is supported, see the feature information table at the end of this module.

Use Cisco Feature Navigator to find information about platform support and Cisco software image support. To access Cisco Feature Navigator, go to www.cisco.com/go/cfn. An account on Cisco.com is not required.

Prerequisites for NSR LDP Support

The Label Distribution Protocol (LDP) must be up and running on the standby Route Processor (RP) for NSR LDP Support to work.

Information About NSR LDP Support

Roles of the Standby Route Processor and Standby LDP

For the NSR LDP Support feature to work, the Label Distribution Protocol (LDP) must be up and running on the standby Route Processor (RP). The LDP component running on the active RP is called the active LDP, and the LDP component running on the standby RP is called the standby LDP.

When nonstop routing (NSR) is enabled, the standby LDP runs independently from the active LDP, but with the assistance of some software components. The standby LDP maintains LDP session states and database information, ready to take over for the active LDP if the failover occurs.

Standby LDP maintains its local database by querying or receiving notifications of interface status change, configuration changes from the CLI, and checkpoints from the active LDP for other information that is not directly available on the standby RP.

To keep the protocol and session-state information synchronized with the active LDP, the standby LDP depends on TCP to replicate all LDP messages on the active RP to the standby RP. The standby LDP processes all received messages, updates its state, but does not send any responses to its neighbors.

The standby LDP performs the following tasks:

- Processes LDP configuration on startup and during steady state
- Processes active LDP checkpoints of state and session information such as LDP adjacencies, remote addresses, remote bindings, and so forth
- Builds its database of local interfaces
- Processes interface change events
- Receives and processes all LDP messages replicated by TCP
- Updates remote address and label databases

After a switchover and notification that the RP has become active, the standby LDP takes over the role of the active LDP and performs the following tasks:

- Sends hello messages immediately to prevent neighbors from reaching the discovery timeout and bringing down the session
- Retransmits any protocol-level response that has not been sent by the previous active LDP
- Readvertises label bindings
- Refreshes all forwarding entries
- Processes and responds to any LDP message from its neighbor

When the NSR LDP Support feature is disabled, the active LDP performs the following tasks:

- Stops checkpointing to the standby LDP
- Continues to manage all existing sessions

The standby LDP performs the following tasks:

- Cleans up all session-state information
- Reverses to the behavior before NSR is enabled

LDP Operating States

When the NSR LDP Support feature is enabled, the Label Distribution Protocol (LDP) operates in the following states:

Initial State

In the initial state, the active Label Distribution Protocol (LDP) process sets up the standby LDP to be ready to support nonstop routing (NSR). The active LDP performs the following tasks:

- Replicates all TCP sessions used by LDP with the standby LDP
- Synchronizes all existing session-state information with the standby LDP
- Synchronizes the LDP database with the standby LDP

LDP could be in the initial state because of one of these conditions:

- NSR is enabled
- NSR was enabled and the standby Route Processor (RP) starts up (asymmetric startup)
- System boots up and NSR is configured (symmetric startup)

Steady State

In the steady state, the active and standby Label Distribution Protocol (LDP) databases are synchronized. The active and standby LDP process the same LDP messages and update their states independently. The standby LDP is ready to take over the active LDP role in a switchover event.

On the active Route Processor (RP), the active LDP performs the following tasks:

- Continues to manage all existing sessions and checkpoints any significant session event to the standby LDP (such as adjacency delete, session shutdown, timers)
- Notifies the standby LDP of new adjacencies and neighbors

On the standby RP, the standby LDP performs these tasks:

- Processes all received messages but does not send any messages to its neighbor
- Processes checkpoint information from the active LDP
- Manages session keepalive timers but does not bring down the session if a keepalive timer times out

Post Switchover

In the post switchover state, the standby Label Distribution Protocol (LDP) process takes over the active LDP role while the active Route Processor (RP) is reloading.

Supported NSR Scenarios

The NSR LDP Support feature is supported under the following scenarios:

- Route Processor (RP) failover or node failure

The Label Distribution Protocol (LDP) keeps the session up during an RP or node failover because the LDP adjacency and session-state information between LDP on the active and standby RPs are synchronized. As sessions are created on the active RP, new adjacencies are synchronized to the standby RP. If a standby RP is brought online after sessions are already up (asymmetric startup), LDP synchronizes the existing session-state information from the active to the standby RP.

- Cisco In-Service Software Upgrade (ISSU)

LDP supports Cisco ISSU negotiation between RPs when a standby RP comes online for the MPLS LDP IGP Synchronization feature. Current Cisco ISSU negotiation is not impacted by NSR. For NSR, LDP negotiates messages specific to NSR, which are checkpointed during initial synchronization (adjacency and session-state information).

How to Configure NSR LDP Support

Enabling NSR LDP Support

SUMMARY STEPS

1. **enable**
2. **configure terminal**
3. **mpls ldp nsr**
4. **exit**
5. **show mpls ldp nsr**

DETAILED STEPS

	Command or Action	Purpose
Step 1	enable Example: Device> enable	Enables privileged EXEC mode. <ul style="list-style-type: none"> • Enter your password if prompted.
Step 2	configure terminal Example: Device# configure terminal	Enters global configuration mode.
Step 3	mpls ldp nsr Example: Device(config)# mpls ldp nsr	Enables nonstop routing (NSR) for all Label Distribution Protocol (LDP) sessions for both link and targeted.

	Command or Action	Purpose
Step 4	exit Example: Device(config)# exit	Returns to privileged EXEC mode.
Step 5	show mpls ldp nsr Example: Device# show mpls ldp nsr	Displays whether NSR is enabled.

Troubleshooting Tips for NSR LDP Support

Use the **debug mpls ldp nsr** command to enable the display of Multiprotocol Label Switching (MPLS) Label Distribution Protocol (LDP) nonstop routing (NSR) debugging events for all NSR sessions or for the specified peer.

Configuration Examples for NSR LDP Support

Example: NSR LDP Configuration

Device 1 Configured with NSR LDP Support

```
Router# show mpls ldp nsr

LDP Non-Stop Routing is enabled
LDP Non-Stop Routing Sessions:
VRF default:
Peer LDP Ident: 3.3.3.3:0 State: Ready

Router# show mpls ldp nsr statistics

Peer: 3.3.3.3:0
In label Request Records created: 0, freed: 0
In label Withdraw Records created: 0, freed: 0
Local Address Withdraw Set: 0, Cleared: 0
Transmit contexts enqueued: 0, dequeued: 0
Total In label Request Records created: 0, freed: 0
Total In label Withdraw Records created: 0, freed: 0
Total Local Address Withdraw Records created: 0, freed: 0
Label Request Acks:
Number of chkpt msg sent: 0
Number of chkpt msg in queue: 0
Number of chkpt msg in state none: 0
Number of chkpt msg in state send: 0
Number of chkpt msg in state wait: 0
Label Withdraw Acks:
Number of chkpt msg sent: 0
Number of chkpt msg in queue: 0
Number of chkpt msg in state none: 0
Number of chkpt msg in state send: 0
Number of chkpt msg in state wait: 0
```

```

Address Withdraw Acks:
Number of chkpt msg sent: 0
Number of chkpt msg in queue: 0
Number of chkpt msg in state none: 0
Number of chkpt msg in state send: 0
Number of chkpt msg in state wait: 0
Session Sync:
Number of session-sync msg sent: 3
Number of address records created: 1
Number of address records freed: 1
Number of dup-address records created: 1
Number of dup-address records freed: 1
Number of remote binding records created: 1
Number of remote binding records freed: 1
Number of capability records created: 1
Number of capability records freed: 1
Number of addr msg in state none: 0
Number of dup-addr msg in state none: 0
Number of remote binding msg in state none: 0
Number of capability msg in state none: 0
Number of addr msg in state send: 0
Number of dup-addr msg in state send: 0
Number of remote binding msg in state send: 0
Number of capability msg in state send: 0
Number of addr msg in state wait: 0
Number of dup-addr msg in state wait: 0
Number of remote binding msg in state wait: 0
Number of capability msg in state wait: 0
Number of sync-done msg sent: 1

```

```
Router# show mpls ldp neighbor
```

```

Peer LDP Ident: 3.3.3.3:0; Local LDP Ident 2.2.2.2:0
TCP connection: 3.3.3.3.646 - 5.5.5.5.13395
State: Oper; Msgs sent/rcvd: 222/219; Downstream
Up time: 02:44:11
LDP discovery sources:
Port-channell, Src IP addr: 10.5.1.1
TenGigabitEthernet0/4/1, Src IP addr: 10.3.1.1
TenGigabitEthernet0/0/1, Src IP addr: 10.4.1.1
Addresses bound to peer LDP Ident:
3.3.3.3 10.5.1.1 10.7.1.1 10.6.1.1
10.8.1.1 10.3.1.1 10.4.1.1

```

Device 2 Configured without NSR LDP Support

```
Router# show mpls ldp nsr
```

```
LDP Non-Stop Routing is disabled
```

Additional References for NSR LDP Support

Related Documents

Related Topic	Document Title
Cisco IOS commands	Cisco IOS Master Command List, All Releases
MPLS commands	Cisco IOS Multiprotocol Label Switching Command Reference

Related Topic	Document Title
LDP configuration tasks	<i>MPLS Label Distribution Protocol Configuration Guide</i>

Technical Assistance

Description	Link
The Cisco Support and Documentation website provides online resources to download documentation, software, and tools. Use these resources to install and configure the software and to troubleshoot and resolve technical issues with Cisco products and technologies. Access to most tools on the Cisco Support and Documentation website requires a Cisco.com user ID and password	http://www.cisco.com/cisco/web/support/index.html

Feature Information for NSR LDP Support

The following table provides release information about the feature or features described in this module. This table lists only the software release that introduced support for a given feature in a given software release train. Unless noted otherwise, subsequent releases of that software release train also support that feature.

Use Cisco Feature Navigator to find information about platform support and Cisco software image support. To access Cisco Feature Navigator, go to www.cisco.com/go/cfn. An account on Cisco.com is not required.

Table 17: Feature Information for NSR LDP Support

Feature Name	Release	Feature Information
NSR LDP Support	IOS XE 3.5	This feature was introduced on the Cisco RSP1 Module in this release.
NSR LDP Support	IOS XE 3.13	This feature was introduced on the Cisco RSP2 Module in this release.
NSR LDP Support	IOS XE 3.16	This feature was introduced on the Cisco RSP3 Module in this release.

Feature Name	Release	Feature Information
NSR LDP Support	IOS XE 3.13	This feature was introduced on the Cisco ASR 920 Series Aggregation Services Router.



CHAPTER 7

PPP and Multilink PPP Configuration

This module describes how to configure PPP and Multilink PPP (MLP) features on any interface. Multilink PPP provides a method for spreading traffic across multiple physical WAN links.

- [Limitations, on page 105](#)
- [PPP and Multilink PPP, on page 106](#)
- [IP Address Pooling, on page 107](#)
- [How to Configure PPP, on page 109](#)
- [Monitoring and Maintaining PPP and MLP Interfaces, on page 130](#)

Limitations

- All links in an MLPPP bundle must be on the same interface module.
All links in an MLPPP bundle must be of the same bandwidth.
- A maximum of 16 member links per bundle is supported.
- To change the MLPPP bundle fragmentation mode between enabled and disabled, perform a **shutdown/no shutdown** on the bundle.
- LFI is not supported. However, PPP Multilink fragmentation is supported by default. To disable fragmentation, see [Disabling PPP Multilink Fragmentation](#).
- Multicast MLP is not supported.
- PPP compression is not supported.
- IPv6 is not supported for this feature.
- PPP half bridging is not supported.
- To enable an ACFC or PFC configuration, issue a shut **shutdown/no shutdown** on the serial interface.
- Channelization is not supported
- Also that only 1 channel-group can be created per controller with complete timeslots.
- PPP and MLPPP are supported on synchronous serial interfaces; Asynchronous serial interfaces, high-speed serial interfaces (HSSI), and ISDN interfaces are not supported.

- If you configure interfaces on each end of an MLPPP connection with different MTU values, the link drops traffic at high traffic rates. We recommend that you configure the same MTU values across all nodes in an MLPPP connection.
- Fractional timeslots cannot be used as memberlink in a Multilink PPP bundle.
- Frame Relay (FR) and Multilink Frame Relay (MFR) are not supported.
- Compressing IP or UDP or RTP headers are not supported.
- When you configure interfaces on each end of an Multilink PPP connection with different MTU values, the link drops traffic at high traffic rates. The configuration of the same MTU is recommended.

PPP and Multilink PPP

To configure the Media-Independent PPP and Multilink PPP, you should understand the following concepts:

Point-to-Point Protocol

Point-to-Point Protocol (PPP), described in RFC 1661, encapsulates network layer protocol information over point-to-point links. You can configure PPP on synchronous serial interfaces.

Challenge Handshake Authentication Protocol (CHAP), Microsoft Challenge Handshake Authentication Protocol (MS-CHAP), or Password Authentication Protocol (PAP)

Magic Number support is available on all serial interfaces. PPP always attempts to negotiate for Magic Numbers, which are used to detect looped-back lines. Depending on how the **down-when-looped** command is configured, the router might shut down a link if it detects a loop.

CHAP or PPP Authentication

PPP with CHAP or PAP authentication is often used to inform the central site about which remote routers are connected to it.

With this authentication information, if the router or access server receives another packet for a destination to which it is already connected, it does not place an additional call. However, if the router or access server is using rotaries, it sends the packet out the correct port.

CHAP and PAP were originally specified in RFC 1334, and CHAP was updated in RFC 1994. These protocols are supported on synchronous and asynchronous serial interfaces. When using CHAP or PAP authentication, each router or access server identifies itself by a name. This identification process prevents a router from placing another call to a router to which it is already connected, and also prevents unauthorized access.

Access control using CHAP or PAP is available on all serial interfaces that use PPP encapsulation. The authentication feature reduces the risk of security violations on your router or access server. You can configure either CHAP or PAP for the interface.



Note To use CHAP or PAP, you must be running PPP encapsulation.

When CHAP is enabled on an interface and a remote device attempts to connect to it, the local router or access server sends a CHAP packet to the remote device. The CHAP packet requests or “challenges” the remote device to respond. The challenge packet consists of an ID, a random number, and the hostname of the local router.

The required response has two parts:

- An encrypted version of the ID, a secret password, and the random number
- Either the hostname of the remote device or the name of the user on the remote device

When the local router or access server receives the response, it verifies the secret password by performing the same encryption operation as indicated in the response and looking up the required hostname or username. The secret passwords must be identical on the remote device and the local router.

Because this response is sent, the password is never sent in clear text, preventing other devices from stealing it and gaining illegal access to the system. Without the proper response, the remote device cannot connect to the local router.

CHAP transactions occur only when a link is established. The local router or access server does not request a password during the rest of the call. (The local device can, however, respond to such requests from other devices during a call.)

When PAP is enabled, the remote router attempting to connect to the local router or access server is required to send an authentication request. The username and password specified in the authentication request are accepted, and the Cisco IOS software sends an authentication acknowledgment.

After you have enabled CHAP or PAP, the local router or access server requires authentication from remote devices. If the remote device does not support the enabled protocol, no traffic will be passed to that device.

To use CHAP or PAP, you must perform the following tasks:

- Enable PPP encapsulation.
- Enable CHAP or PAP on the interface.

For CHAP, configure hostname authentication and the secret password for each remote system with which authentication is required.

IP Address Pooling

A point-to-point interface must be able to provide a remote node with its IP address through the IP Control Protocol (IPCP) address negotiation process. The IP address can be obtained from a variety of sources. The address can be configured through the command line, entered with an EXEC-level command, provided by TACACS+ or the Dynamic Host Configuration Protocol (DHCP), or from a locally administered pool.

IP address pooling uses a pool of IP addresses from which an incoming interface can provide an IP address to a remote node through IPCP address negotiation process. IP address pooling also enhances configuration flexibility by allowing multiple types of pooling to be active simultaneously.

The IP address pooling feature allows configuration of a global default address pooling mechanism, per-interface configuration of the address pooling mechanism, and per-interface configuration of a specific address or pool name.

Peer Address Allocation

A peer IP address can be allocated to an interface through several methods:

- Dialer map lookup—This method is used only if the peer requests an IP address, no other peer IP address has been assigned, and the interface is a member of a dialer group.
- PPP EXEC command—An asynchronous dialup user can enter a peer IP address or hostname when PPP is invoked from the command line. The address is used for the current session and then discarded.
- IPCP negotiation—If the peer presents a peer IP address during IPCP address negotiation and no other peer address is assigned, the presented address is acknowledged and used in the current session.
- Default IP address.
- TACACS+ assigned IP address—During the authorization phase of IPCP address negotiation, TACACS+ can return an IP address that the user being authenticated on a dialup interface can use. This address overrides any default IP address and prevents pooling from taking place.
- DHCP retrieved IP address—If configured, the routers acts as a proxy client for the dialup user and retrieves an IP address from a DHCP server. That address is returned to the DHCP server when the timer expires or when the interface goes down.
- Local address pool—The local address pool contains a set of contiguous IP addresses (a maximum of 1024 addresses) stored in two queues. The free queue contains addresses available to be assigned and the used queue contains addresses that are in use. Addresses are stored to the free queue in first-in, first-out (FIFO) order to minimize the chance the address will be reused, and to allow a peer to reconnect using the same address that it used in the last connection. If the address is available, it is assigned; if not, another address from the free queue is assigned.
- Chat script (asynchronous serial interfaces only)—The IP address in the **dialer map** command entry that started the script is assigned to the interface and overrides any previously assigned peer IP address.
- Virtual terminal/protocol translation—The translate command can define the peer IP address for a virtual terminal (pseudo asynchronous interface).
- The pool configured for the interface is used, unless TACACS+ returns a pool name as part of authentication, authorization, and accounting (AAA). If no pool is associated with a given interface, the global pool named default is used.

Precedence Rules

The following precedence rules of peer IP address support determine which address is used. Precedence is listed from most likely to least likely:

1. AAA/TACACS+ provided address or addresses from the pool named by AAA/TACACS+
2. An address from a local IP address pool or DHCP (typically not allocated unless no other address exists)
3. Dialer map lookup address (not done unless no other address exists)
4. Address from an EXEC-level PPP command, or from a chat script
5. Configured address from the **peer default ip address** command or address from the protocol **translate** command

6. Peer-provided address from IPCP negotiation (not accepted unless no other address exists)

MLP on Synchronous Serial Interfaces

Address pooling is available on all synchronous serial interfaces that are running PPP and PPPoX sessions. MLP provides characteristics are most similar to hardware inverse multiplexers, with good manageability and Layer 3 services support. Figure below shows a typical inverse multiplexing application using two Cisco routers and Multilink PPP over four T1 lines.

How to Configure PPP

The sections below describe how to configure PPP.

Enabling PPP Encapsulation

The **encapsulation ppp** command enables PPP on serial lines to encapsulate IP and other network protocol datagrams.

SUMMARY STEPS

1. **enable**
2. **configure terminal**
3. **interface serial *slot/subslot/port:channel***
4. **encapsulation ppp**
5. **end**

DETAILED STEPS

	Command or Action	Purpose
Step 1	enable Example: Router> enable	Enables privileged EXEC mode. <ul style="list-style-type: none"> • Enter your password if prompted.
Step 2	configure terminal Example: Router# configure terminal	Enters global configuration mode.
Step 3	interface serial <i>slot/subslot/port:channel</i> Example: Router(config)# interface serial 0/0/0:0	Enters interface configuration mode.

	Command or Action	Purpose
Step 4	encapsulation ppp Example: <pre>Router(config-if) # encapsulation ppp</pre>	Enables PPP encapsulation. Note PPP echo requests are used as keepalives to minimize disruptions to the end users of your network. Use the no keepalive command to disable echo requests.
Step 5	end Example: <pre>Router(config-if) # end</pre>	Exits interface configuration mode.

Enabling CHAP or PAP Authentication

SUMMARY STEPS

1. **enable**
2. **configure terminal**
3. **interface serial *number***
4. **ppp authentication {chap | chap pap | pap chap | pap} [if-needed] [list-name | default] [callin]**
5. **ppp use-tacacs [single-line] or aaa authentication ppp**
6. **exit**
7. **username *name* [user-maxlinks *link-number*] password *secret***
8. **end**

DETAILED STEPS

	Command or Action	Purpose
Step 1	enable Example: <pre>Router> enable</pre>	Enables privileged EXEC mode. <ul style="list-style-type: none"> • Enter your password if prompted.
Step 2	configure terminal Example: <pre>Router# configure terminal</pre>	Enters global configuration mode.
Step 3	interface serial <i>number</i> Example: <pre>Router(config)# interface serial 0/0/0</pre>	Enters Interface Configuration mode.

	Command or Action	Purpose
Step 4	<p>ppp authentication {chap chap pap pap chap pap} [if-needed] [list-name default] [callin]</p> <p>Example:</p> <pre>Router(config-if)# ppp authentication chap</pre>	<p>Defines the authentication methods supported and the order in which they are used.</p> <p>Note</p> <ul style="list-style-type: none"> • Use the ppp authentication chap command only with TACACS or extended TACACS. • With AAA configured on the router and list names defined for AAA, the <i>list-name</i> optional argument can be used with AAA/TACACS+. Use the ppp use-tacacs command with TACACS and Extended TACACS. Use the aaa authentication ppp command with AAA/TACACS+.
Step 5	<p>ppp use-tacacs [single-line] or aaa authentication ppp</p> <p>Example:</p> <pre>Router(config-if)# ppp use-tacacs single-line Router(config-if)# aaa authentication ppp</pre>	<p>Configure TACACS on a specific interface as an alternative to global host authentication.</p>
Step 6	<p>exit</p> <p>Example:</p> <pre>Router(config-if)# exit</pre>	<p>Exits interface configuration mode.</p>
Step 7	<p>username name [user-maxlinks link-number] password secret</p> <p>Example:</p> <pre>Router(config)# username name user-maxlinks 1 password password1</pre>	<p>Configures identification.</p> <ul style="list-style-type: none"> • Optionally, you can specify the maximum number of connections a user can establish. • To use the user-maxlinks keyword, you must also use the aaa authorization network default local command and PPP encapsulation and name authentication on all the interfaces the user will be accessing.
Step 8	<p>end</p> <p>Example:</p> <pre>Router(config)# end</pre>	<p>Exits global configuration mode and enters privileged EXEC mode.</p> <p>Caution If you use a list name that has not been configured with the aaa authentication ppp command, you disable PPP on the line.</p>

Example

```
Router# configure terminal
Router(config)# interface serial 0/0/0
```

```

Router(config-if)# ppp authentication chap
Router(config-if)# aaa authentication ppp
Router(config-if)# exit
Router(config)# username name user-maxlinks 1 password password1
Router(config)# end

```

Configuring IP Address Pooling

You can define the type of IP address pooling mechanism used on router interfaces in one or both of the ways described in the following sections:



Note For more information about address pooling, see the [IP Addressing Configuration Guide Library, Cisco IOS XE Release 3S](#)

Global Default Address Pooling Mechanism

The global default mechanism applies to all point-to-point interfaces that support PPP encapsulation and that have not otherwise been configured for IP address pooling. You can define the global default mechanism to be either DHCP or local address pooling.

To configure the global default mechanism for IP address pooling, perform the tasks in the following sections:

- [Defining DHCP as the Global Default Mechanism](#)
- [Defining Local Address Pooling as the Global Default Mechanism](#)

After you have defined a global default mechanism, you can disable it on a specific interface by configuring the interface for some other pooling mechanism. You can define a local pool other than the default pool for the interface or you can configure the interface with a specific IP address to be used for dial-in peers.

You can also control the DHCP network discovery mechanism; see the following section for more information:

- [Controlling DHCP Network Discovery](#)

Defining DHCP as the Global Default Mechanism

DHCP specifies the following components:

- A DHCP server—A host-based DHCP server configured to accept and process requests for temporary IP addresses.
- A DHCP proxy client—A Cisco access server configured to arbitrate DHCP calls between the DHCP server and the DHCP client. The DHCP client-proxy feature manages a pool of IP addresses available to dial-in clients without a known IP address.

Perform this task to enable DHCP as the global default mechanism.

SUMMARY STEPS

1. **enable**
2. **configure terminal**
3. **ip address-pool dhcp-proxy-client**

4. `ip dhcp-server [ip-address | name]`
5. `end`

DETAILED STEPS

	Command or Action	Purpose
Step 1	enable Example: <pre>Router> enable</pre>	Enables privileged EXEC mode. <ul style="list-style-type: none"> • Enter your password if prompted.
Step 2	configure terminal Example: <pre>Router# configure terminal</pre>	Enters global configuration mode.
Step 3	ip address-pool dhcp-proxy-client Example: <pre>Router(config)# ip address-pool dhcp-proxy-client</pre>	Specifies the DHCP client-proxy feature as the global default mechanism. <ul style="list-style-type: none"> • The peer default ip address command and the member peer default ip address command can be used to define default peer IP addresses. <p>Note You can provide as few as one or as many as ten DHCP servers for the proxy client (the Cisco router or access server) to use. The DHCP servers provide temporary IP addresses.</p>
Step 4	ip dhcp-server [ip-address name] Example: <pre>Router(config)# ip dhcp-server 209.165.201.1</pre>	(Optional) Specifies the IP address of a DHCP server for the proxy client to use.
Step 5	end Example: <pre>Router(config)# end</pre>	Exits global configuration mode.

Defining Local Address Pooling as the Global Default Mechanism

Perform this task to define local address pooling as the global default mechanism.



Note If no other pool is defined, a local pool called “default” is used. Optionally, you can associate an address pool with a named pool group.

SUMMARY STEPS

1. **enable**
2. **configure terminal**
3. **ip address-pool local**
4. **ip local pool** {*named-address-pool* | **default**} *first-IP-address* [*last-IP-address*] [**group** *group-name*] [*cache-size* *size*]

DETAILED STEPS

	Command or Action	Purpose
Step 1	enable Example: Router> enable	Enables privileged EXEC mode. <ul style="list-style-type: none"> • Enter your password if prompted.
Step 2	configure terminal Example: Router# configure terminal	Enters global configuration mode.
Step 3	ip address-pool local Example: Router(config)# ip address-pool local	Specifies local address pooling as the global default mechanism.
Step 4	ip local pool { <i>named-address-pool</i> default } <i>first-IP-address</i> [<i>last-IP-address</i>] [group <i>group-name</i>] [<i>cache-size</i> <i>size</i>] Example: Router(config)# ip local pool default 192.0.2.1	Creates one or more local IP address pools.

Controlling DHCP Network Discovery

Perform the steps in this section to allow peer routers to dynamically discover Domain Name System (DNS) and NetBIOS name server information configured on a DHCP server using PPP IPCP extensions.

The **ip dhcp-client network-discovery** global configuration command provides a way to control the DHCP network discovery mechanism. The number of DHCP Inform or Discovery messages can be set to 1 or 2, which determines how many times the system sends the DHCP Inform or Discover messages before stopping network discovery. You can set a timeout period from 3 to 15 seconds, or leave the default timeout period at 15 seconds. The default for the **informs** and **discovers** keywords is 0, which disables the transmission of these messages.



Note For more information about DHCP, see the [IP Addressing Configuration Guide Library, Cisco IOS XE Release 3S](#)

SUMMARY STEPS

1. **enable**
2. **configure terminal**
3. **ip dhcp-client network-discovery** *informs number-of-messages* **discovers** *number-of-messages* **period** *seconds*

DETAILED STEPS

	Command or Action	Purpose
Step 1	enable Example: <pre>Router> enable</pre>	Enables privileged EXEC mode. <ul style="list-style-type: none"> • Enter your password if prompted.
Step 2	configure terminal Example: <pre>Router# configure terminal</pre>	Enters global configuration mode.
Step 3	ip dhcp-client network-discovery <i>informs</i> <i>number-of-messages</i> discovers <i>number-of-messages</i> period <i>seconds</i> Example: <pre>Router(config)# ip dhcp-client network-discovery informs 2 discovers 2 period 2</pre>	Provides control of the DHCP network discovery mechanism by allowing the number of DHCP Inform and Discover messages to be sent, and a timeout period for retransmission, to be configured.

Configuring IP Address Assignment

Perform this task to configure IP address alignment.

After you have defined a global default mechanism for assigning IP addresses to dial-in peers, you can configure the few interfaces for which it is important to have a nondefault configuration. You can do any of the following;

- Define a nondefault address pool for use by a specific interface.
- Define DHCP on an interface even if you have defined local pooling as the global default mechanism.
- Specify one IP address to be assigned to all dial-in peers on an interface.
- Make temporary IP addresses available on a per-interface basis to asynchronous clients using PPP.

SUMMARY STEPS

1. **enable**
2. **configure terminal**
3. **ip local pool** *{named-address-pool | default}* *{first-IP-address [last-IP-address]}* **[group** *group-name* **]** *[cache-size size]*

4. **interface** *type number*
5. **peer default ip address pool** *pool-name-list*
6. **peer default ip address pool dhcp**
7. **peer default ip address** *ip-address*

DETAILED STEPS

	Command or Action	Purpose
Step 1	enable Example: <pre>Router> enable</pre>	Enables privileged EXEC mode. <ul style="list-style-type: none"> • Enter your password if prompted.
Step 2	configure terminal Example: <pre>Router# configure terminal</pre>	Enters global configuration mode.
Step 3	ip local pool { <i>named-address-pool</i> default } { <i>first-IP-address</i> [<i>last-IP-address</i>]} [group <i>group-name</i>] [cache-size <i>size</i>]} Example: <pre>Router(config)# ip local pool default 192.0.2.0</pre>	Creates one or more local IP address pools.
Step 4	interface <i>type number</i> Example: <pre>Router(config)# interface ethernet 2/0</pre>	Specifies the interface and enters interface configuration mode.
Step 5	peer default ip address pool <i>pool-name-list</i> Example: <pre>Router(config-if)# peer default ip address pool 2</pre>	Specifies the pool or pools for the interface to use.
Step 6	peer default ip address pool dhcp Example: <pre>Router(config-if)# peer default ip address pool dhcp</pre>	Specifies DHCP as the IP address mechanism on this interface.
Step 7	peer default ip address <i>ip-address</i> Example: <pre>Router(config-if)# peer default ip address 192.0.2.2</pre>	Specifies the IP address to assign to all dial-in peers on an interface.

Disabling or Reenabling Peer Neighbor Routes

The Cisco IOS software automatically creates neighbor routes by default; that is, it automatically sets up a route to the peer address on a point-to-point interface when the PPP IPCP negotiation is completed.

To disable this default behavior or to reenabling it once it has been disabled, perform the following task:

SUMMARY STEPS

1. **enable**
2. **configure terminal**
3. **interface** *type number*
4. **no peer neighbor-route**
5. **peer neighbor-route**

DETAILED STEPS

	Command or Action	Purpose
Step 1	enable Example: <pre>Router> enable</pre>	Enables privileged EXEC mode. <ul style="list-style-type: none"> • Enter your password if prompted.
Step 2	configure terminal Example: <pre>Router# configure terminal</pre> Enters global configuration mode.	
Step 3	interface <i>type number</i> Example: <pre>Router(config)# interface ethernet 0/1</pre>	Specifies the interface and enters interface configuration mode.
Step 4	no peer neighbor-route Example: <pre>Router(config-if)# no peer neighbor-route</pre>	Disables creation of neighbor routes.
Step 5	peer neighbor-route Example: <pre>Router(config-if)# peer neighbor-route</pre>	Reenables creation of neighbor routes. Note If entered on a dialer or asynchronous group interface, this command affects all member interfaces.

Configuring Multilink PPP

The Multilink PPP feature provides load balancing functionality over multiple WAN links, while providing multivendor interoperability, packet fragmentation and proper sequencing, and load calculation on both inbound and outbound traffic. The Cisco implementation of MLP supports the fragmentation and packet sequencing specifications in RFC 1990. Additionally, you can change the default endpoint discriminator value that is supplied as part of user authentication. Refer to RFC 1990 for more information about the endpoint discriminator.

MLP allows packets to be fragmented and the fragments to be sent at the same time over multiple point-to-point links to the same remote address. The multiple links come up in response to a defined dialer load threshold. The load can be calculated on inbound traffic, outbound traffic, or on either, as needed for the traffic between the specific sites. MLP provides bandwidth on demand and reduces transmission latency across WAN links.

MLP is designed to work over synchronous and asynchronous serial and BRI and PRI types of single or multiple interfaces that have been configured to support both dial-on-demand rotary groups and PPP encapsulation.

Perform the tasks in the following sections, as required for your network, to configure MLP:

Configuring MLP on Synchronous Interfaces

To configure Multilink PPP on synchronous interfaces, you configure the synchronous interfaces to support PPP encapsulation and Multilink PPP.

SUMMARY STEPS

1. **enable**
2. **configure terminal**
3. **interface serial** *number*
4. **no ip address**
5. **encapsulation ppp**
6. **ppp multilink**
7. **pulse-time** *seconds*

DETAILED STEPS

	Command or Action	Purpose
Step 1	enable Example: Router> enable	Enables privileged EXEC mode. • Enter your password if prompted.
Step 2	configure terminal Example: Router# configure terminal	Enters global configuration mode.
Step 3	interface serial <i>number</i> Example:	Specifies an asynchronous interface and enters interface configuration mode.

	Command or Action	Purpose
	<code>Router(config)# interface serial 0/0/1</code>	
Step 4	no ip address Example: <code>Router(config-if)# no ip address</code>	Specifies no IP address for the interface.
Step 5	encapsulation ppp Example: <code>Router(config-if)# encapsulation ppp</code>	Enables PPP encapsulation.
Step 6	ppp multilink Example: <code>Router(config-if)# ppp multilink</code>	Enables Multilink PPP.
Step 7	pulse-time <i>seconds</i> Example: <code>Router(config-if)# pulse-time 60</code>	Enables pulsing data terminal ready (DTR) signal intervals on an interface. Note Repeat these steps for additional synchronous interfaces, as needed.

Configuring a Multilink Group

A multilink group allows you to assign multiple interfaces to a multilink bundle. When the **ppp multilink group** command is configured on an interface, the interface is restricted from joining any interface but the designated multilink group interface. If a peer at the other end of the interface tries to join a different multilink group, the connection is severed. This restriction applies when Multilink PPP (MLP) is negotiated between the local end and the peer system. The interface can still come up as a regular PPP interface.

SUMMARY STEPS

1. **enable**
2. **configure terminal**
3. **interface multilink *group-number***
4. **ip address *address mask***
5. **encapsulation ppp**
6. **ppp chap hostname *hostname***
7. **exit**
8. **interface *type number***
9. **ppp multilink group *group-number***
10. **exit**

DETAILED STEPS

	Command or Action	Purpose
Step 1	enable Example: Router> enable	Enables privileged EXEC mode. • Enter your password if prompted.
Step 2	configure terminal Example: Router# configure terminal	Enters global configuration mode.
Step 3	interface multilink <i>group-number</i> Example: Router(config)# interface multilink 2	Creates a multilink bundle and enters interface configuration mode to configure the bundle.
Step 4	ip address <i>address mask</i> Example: Router(config-if)# ip address 192.0.2.1 255.255.255.224	Sets a primary IP address for an interface.
Step 5	encapsulation ppp Example: Router(config-if)# encapsulation ppp	Enables PPP encapsulation.
Step 6	ppp chap hostname <i>hostname</i> Example: Router(config-if)# ppp chap hostname host1	Specifies the hostname on the interface.
Step 7	exit Example: Router(config-if)# exit	Exits interface configuration mode.
Step 8	interface <i>type number</i> Example: Router(config)# interface serial 0/0/1	Enters interface configuration mode.
Step 9	ppp multilink group <i>group-number</i> Example: Router(config-if)# ppp multilink group 2	Restricts a physical link to joining only a designated multilink group interface.

	Command or Action	Purpose
Step 10	exit Example: <pre>Router(config-if)# exit</pre>	Exits interface configuration mode.

Configuring PFC and ACFC

Protocol-Field-Compression (PFC) and Address-and-Control-Field-Compression (AFC) are PPP compression methods defined in RFCs 1661 and 1662. PFC allows for compression of the PPP Protocol field; ACFC allows for compression of the PPP Data Link Layer Address and Control fields.

Configuring ACFC

Follow these steps to configure ACFC handling during PPP negotiation

SUMMARY STEPS

1. **enable**
2. **configure terminal**
3. **interface multilink** *number*
4. **ppp acfc local** {request | forbid}
5. **ppp acfc remote** {apply | reject | ignore}
6. **exit**

DETAILED STEPS

	Command or Action	Purpose
Step 1	enable Example: <pre>Router> enable</pre> Enables privileged EXEC mode. Enter your password if prompted.	
Step 2	configure terminal Example: <pre>Router# configure terminal</pre> Enters global configuration mode.	
Step 3	interface multilink <i>number</i> Example: <pre>Router(config)# interface multilink 2</pre>	Select a multilink interface.

	Command or Action	Purpose
Step 4	<p>ppp acfc local {request forbid}</p> <p>Example:</p> <pre>Router(config-if)# ppp acfc local request</pre>	<p>Configure how the router handles ACFC in its outbound configuration requests where:</p> <ul style="list-style-type: none"> • request—The ACFC option is included in outbound configuration requests. • forbid—The ACFC option is not sent in outbound configuration requests, and requests from a remote peer to add the ACFC option are not accepted.
Step 5	<p>ppp acfc remote {apply reject ignore}</p> <p>Example:</p> <pre>Router(config-if)# ppp acfc remote apply</pre>	<p>Configure how the router handles the ACFC option in configuration requests received from a remote peer where:</p> <ul style="list-style-type: none"> • apply—ACFC options are accepted and ACFC may be performed on frames sent to the remote peer. • reject—ACFC options are explicitly ignored. • ignore—ACFC options are accepted, but ACFC is not performed on frames sent to the remote peer.
Step 6	<p>exit</p> <p>Example:</p> <pre>Router(config-if)# exit</pre>	Exits interface configuration mode.

Configuring PFC

Follow these steps to configure PFC handling during PPP negotiation:

SUMMARY STEPS

1. **enable**
2. **configure terminal**
3. **interface multilink *number***
4. **ppp pfc local {request | forbid}**
Router(config-if)# ppp pfc local request
5. **ppp pfc remote {apply | reject | ignore}**
6. **exit**

DETAILED STEPS

	Command or Action	Purpose
Step 1	<p>enable</p> <p>Example:</p> <pre>Router> enable</pre> <p>Enables privileged EXEC mode.</p> <ul style="list-style-type: none"> • Enter your password if prompted. 	

	Command or Action	Purpose
Step 2	configure terminal Example: <pre>Router# configure terminal</pre>	Enters global configuration mode.
Step 3	interface multilink <i>number</i> Example: <pre>Router(config)# interface multilink 2</pre>	Select a multilink interface.
Step 4	ppp pfc local {request forbid} Router (config-if) # ppp pfc local request	Configure how the router handles PFC in its outbound configuration requests where: <ul style="list-style-type: none"> • request—The PFC option is included in outbound configuration requests. • forbid—The PFC option is not sent in outbound configuration requests, and requests from a remote peer to add the PFC option are not accepted.
Step 5	ppp pfc remote {apply reject ignore} Example: <pre>Router(config-if)# ppp pfc remote apply</pre>	Configure a method for the router to use to manage the PFC option in configuration requests received from a remote peer where: <ul style="list-style-type: none"> • apply—PFC options are accepted and PFC may be performed on frames sent to the remote peer. • reject—PFC options are explicitly ignored. • ignore—PFC options are accepted, but PFC is not performed on frames sent to the remote peer.
Step 6	exit Example: <pre>Router(config-if)# exit</pre>	Exits interface configuration mode.

Changing the Default Endpoint Discriminator

By default, when the system negotiates use of MLP with the peer, the value that is supplied for the endpoint discriminator is the same as the username used for authentication. That username is configured for the interface by the Cisco IOS **ppp chap hostname** or **ppp pap sent-username** command, or defaults to the globally configured hostname (or stack group name, if this interface is a Stack Group Bidding Protocol, or SGBP, group member).

Perform this task to override or change the default endpoint discriminator.

SUMMARY STEPS

1. **enable**

2. **configure terminal**
3. **interface virtual template** *number*
4. **ppp multilink endpoint** {**hostname** | **ip** *ipaddress* | **mac** *LAN-interface* | **none** | **phone** *telephone-number* | **string** *char-string*}

DETAILED STEPS

	Command or Action	Purpose
Step 1	enable Example: <pre>Router> enable</pre>	Enables privileged EXEC mode. <ul style="list-style-type: none"> • Enter your password if prompted.
Step 2	configure terminal Example: <pre>Router# configure terminal</pre>	Enters global configuration mode.
Step 3	interface virtual template <i>number</i> Example: <pre>Router(config)# interface virtual template 1</pre>	Creates a virtual template interface that can be configured and applied dynamically in creating virtual access interfaces and enters interface configuration mode.
Step 4	ppp multilink endpoint { hostname ip <i>ipaddress</i> mac <i>LAN-interface</i> none phone <i>telephone-number</i> string <i>char-string</i> } Example: <pre>Router(config-if)# ppp multilink endpoint ip 192.0.2.0</pre>	Overrides or changes the default endpoint discriminator the system uses when negotiating the use of MLP with the peer.

Creating a Multilink Bundle

SUMMARY STEPS

1. **enable**
2. **configure terminal**
3. **interface multilink** *group-number*
4. **ip address** *address mask*
5. **encapsulation ppp**
6. **ppp multilink**

DETAILED STEPS

	Command or Action	Purpose
Step 1	enable Example:	Enables privileged EXEC mode. <ul style="list-style-type: none"> • Enter your password if prompted.

	Command or Action	Purpose
	Router> enable	
Step 2	configure terminal Example: Router# configure terminal	Enters global configuration mode.
Step 3	interface multilink <i>group-number</i> Example: Router(config)# interface multilink 10	Assigns a multilink group number and enters interface configuration mode.
Step 4	ip address <i>address mask</i> Example: Router(config-if)# ip address 192.0.2.9 255.255.255.224	Assigns an IP address to the multilink interface.
Step 5	encapsulation ppp Example: Router(config-if)# encapsulation ppp	Enables PPP encapsulation.
Step 6	ppp multilink Example: Router(config-if)# ppp multilink	Enables Multilink PPP.

Assigning an Interface to a Multilink Bundle



Caution

Do not install a router to the peer address while configuring an MLP lease line. This installation can be disabled when **no ppp peer-neighbor-route** command is used under the MLPPP bundle interface.

SUMMARY STEPS

1. enable
2. configure terminal
3. interface multilink *group-number*
4. no ip address
5. keepalive
6. encapsulation ppp
7. ppp multilink group *group-number*
8. ppp multilink
9. ppp authentication chap

10. pulse-time *seconds*

DETAILED STEPS

	Command or Action	Purpose
Step 1	enable Example: Router> enable	Enables privileged EXEC mode. • Enter your password if prompted.
Step 2	configure terminal Example: Router# configure terminal	Enters global configuration mode.
Step 3	interface multilink <i>group-number</i> Example: Router(config)# interface multilink 10	Assigns a multilink group number and enters interface configuration mode.
Step 4	no ip address Example: Router(config-if)# no ip address	Removes any specified IP address.
Step 5	keepalive Example: Router(config-if)# keepalive	Sets the frequency of keepalive packets.
Step 6	encapsulation ppp Example: Router(config-if)# encapsulation ppp	Enables PPP encapsulation.
Step 7	ppp multilink group <i>group-number</i> Example: Router(config-if)# ppp multilink 12	Restricts a physical link to joining only the designated multilink-group interface.
Step 8	ppp multilink Example: Router(config-if)# ppp multilink	Enables Multilink PPP.
Step 9	ppp authentication chap Example:	(Optional) Enables CHAP authentication.

	Command or Action	Purpose
	<code>Router(config-if)# ppp authentication chap</code>	
Step 10	<p>pulse-time <i>seconds</i></p> <p>Example:</p> <pre>Router(config-if)# pulse-time 10</pre>	(Optional) Configures DTR signal pulsing.

Configuring PPP/MLP MRRU Negotiation Configuration on Multilink Groups

In this task, you configure MRRU negotiation on the multilink interface. The bundle interface is static, that is, always available.

SUMMARY STEPS

1. **enable**
2. **configure terminal**
3. **interface multilink** *number*
4. **ip address** *ip-address mask*
5. **ppp multilink mrru** [**local** | **remote**] *mrru-value*
6. **mtu** bytes
7. **exit**
8. **interface serial** *slot/port*
9. **ppp multilink**
10. **ppp multilink group** *group-number*
11. **mtu** bytes
12. **exit**

DETAILED STEPS

	Command or Action	Purpose
Step 1	<p>enable</p> <p>Example:</p> <pre>Router> enable</pre>	<p>Enables privileged EXEC mode.</p> <ul style="list-style-type: none"> • Enter your password if prompted.
Step 2	<p>configure terminal</p> <p>Example:</p> <pre>Router# configure terminal</pre>	Enters global configuration mode.
Step 3	<p>interface multilink <i>number</i></p> <p>Example:</p> <pre>Router(config)# interface multilink 10</pre>	Creates a virtual template interface that can be configured and applied dynamically in creating virtual access interfaces, and enters interface configuration mode.

	Command or Action	Purpose
Step 4	<p>ip address <i>ip-address mask</i></p> <p>Example:</p> <pre>Router(config-if)# ip address 10.13.1.1 255.255.255.0</pre>	Sets the IP address for the interface.
Step 5	<p>ppp multilink mrru [local remote] <i>mrru-value</i></p> <p>Example:</p> <pre>Router(config-if)# ppp multilink mrru local 1600</pre>	<p>Configures the MRRU value negotiated on a multilink bundle when MLP is used.</p> <ul style="list-style-type: none"> • local—(Optional) Configures the local MRRU value. The default values for the local MRRU are the value of the multilink group interface MTU for multilink group members, and 1524 bytes for all other interfaces. • remote—(Optional) Configures the minimum value that the software will accept from the peer when it advertises its MRRU. By default, the software accepts any peer MRRU value of 128 or higher. You can specify a higher minimum acceptable MRRU value in a range from 128 to 16384 bytes.
Step 6	<p>mtu bytes</p> <p>Example:</p> <pre>Router(config-if)# mtu 1600</pre>	<p>(Optional) Adjusts the maximum packet size or MTU size.</p> <ul style="list-style-type: none"> • Once you configure the MRRU on the bundle interface, you enable the router to receive large reconstructed MLP frames. You may want to configure the bundle MTU so the router can transmit large MLP frames, although it is not strictly necessary. • The maximum recommended value for the bundle MTU is the value of the peer's MRRU. The default MTU for serial interfaces is 1500. The software will automatically reduce the bundle interface MTU if necessary, to avoid violating the peer's MRRU.
Step 7	<p>exit</p> <p>Example:</p> <pre>Router(config-if)# exit</pre>	Exits interface configuration mode and returns to global configuration mode.
Step 8	<p>interface serial <i>slot/port</i></p> <p>Example:</p> <pre>Router(config)# interface serial 0/0</pre>	Selects a serial interface to configure and enters interface configuration mode.
Step 9	<p>ppp multilink</p> <p>Example:</p>	Enables MLP on the interface.

	Command or Action	Purpose
	<code>Router(config-if)# ppp multilink</code>	
Step 10	<p>ppp multilink group <i>group-number</i></p> <p>Example:</p> <pre>Router(config-if)# ppp multilink group 1</pre>	Restricts a physical link to joining only a designated multilink-group interface.
Step 11	<p>mtu <i>bytes</i></p> <p>Example:</p> <pre>Router(config-if)# mtu 1600</pre>	<p>(Optional) Adjusts the maximum packet size or MTU size.</p> <ul style="list-style-type: none"> • The default MTU for serial interfaces is 1500. • When the bundle interface MTU is tuned to a higher number, then depending upon the fragmentation configuration, the link interface may be given larger frames to transmit. • You must ensure that fragmentation is performed such that fragments are sized less than the link interface MTU (refer to command pages for the ppp multilink fragmentation and ppp multilink fragment-delay commands for more information about packet fragments), or configure the MTUs of the link interfaces such that they can transmit the larger frames.
Step 12	<p>exit</p> <p>Example:</p> <pre>Router(config-if)# exit</pre>	Exits interface configuration mode and returns to global configuration mode.

Disabling PPP Multilink Fragmentation

SUMMARY STEPS

1. **enable**
2. **configure terminal**
3. **interface multilink** *group-number*
4. **ppp multilink fragment disable**
5. **exit**

DETAILED STEPS

	Command or Action	Purpose
Step 1	<p>enable</p> <p>Example:</p> <pre>Router> enable</pre>	<p>Enables privileged EXEC mode.</p> <ul style="list-style-type: none"> • Enter your password if prompted.

	Command or Action	Purpose
Step 2	configure terminal Example: Router# configure terminal	Enters global configuration mode.
Step 3	interface multilink <i>group-number</i> Example: Router(config)# interface multilink 10	Assigns a multilink group number and enters interface configuration mode.
Step 4	ppp multilink fragment disable Example: Router(config-if)# ppp multilink fragment disable	(Optional) Disables PPP multilink fragmentation.
Step 5	exit Example: Router(config-if)# exit	Exits privileged EXEC mode.

Troubleshooting Tips

Use the **debug ppp negotiation** command to verify and troubleshoot MRRU negotiation on multilink groups. Use the **show interface** command to verify MRRU negotiation on the interfaces.

For more information about configuring MRRU and MTU values, see the [Wide-Area Networking Configuration Guide: Multilink PPP, Cisco IOS XE Release 3S](#).

Troubleshooting PPP

You can troubleshoot PPP reliable link by using the **debug lapb** command and the **debug ppp negotiations**, **debug ppp errors**, and **debug ppp packets** commands. You can determine whether Link Access Procedure, Balanced (LAPB) has been established on a connection by using the **show interface** command.

Monitoring and Maintaining PPP and MLP Interfaces

You can use the **show ppp multilink** command to display MLP bundle information.

For more information about configuring MLPPP interfaces, see the [Wide-Area Networking Configuration Guide: Multilink PPP, Cisco IOS XE Release 3S](#).



CHAPTER 8

Access Switch Device Manager Template Configuration

This chapter provides information about the Access Switch Device Manager (SDM) Template.



Note For complete syntax and usage information for the commands used in this chapter, see the command reference for this release.

- [Prerequisites for the SDM Template, on page 131](#)
- [Restrictions for the SDM Template, on page 131](#)
- [SDM Template, on page 132](#)
- [Selecting the SDM Template, on page 136](#)
- [Verifying the SDM Template, on page 137](#)

Prerequisites for the SDM Template

- Before using an SDM template, you must set the license boot level.
- For IPv6 QoS template, the license to use should be *metroipaccess*. You can view the license level using the **show version | in License Level** command.



Note If you use *advancedmetroipaccess*, then your options may vary.

Restrictions for the SDM Template

- You cannot edit individual values in a template category as all templates are predefined.
- You cannot use a new SDM template without reloading the router.
- SDM templates are supported only by the Metro Aggregation Services license. Use the help option of the **sdm prefer** command to display the supported SDM templates.

- A mismatch in an SDM template between an active RSP and standby RSP results in a reload of the standby RSP. During reload, SDM template of the standby RSP synchronizes with the SDM template of the active RSP.
- To revert to the current SDM template after issuing the **sdm prefer** command to initiate reload of a new SDM template, you must wait for the reload to complete.
- Using the **configure replace** command which results in changes in the current SDM template is not supported.
- The supported group numbers are for scaling in uni-dimension. When scaling in multi-dimension, the numbers can vary as certain features may share resources.
- The following restrictions apply to the IPv6 QoS SDM template:
 - The number of QoS ACL class maps and policy maps supported depends on the maximum TCAM entries available.
 - The software solution with expansion method is not supported for maximum QoS SDM template.
 - Due to hardware limitation, a maximum number of eight Layer 4 port operators is supported per interface for IPv6 QoS ACL classification.
 - Ethernet CFM, Ethernet OAM, and Y.1731 protocols are not supported. Features dependent on these protocols are impacted.
 - Layer 2 monitoring features are not supported.
 - Only eight Layer 4 operations are supported in templates other than maximum IPv6 QoS ACL template.

SDM Template

The SDM templates are used to optimize system resources in the router to support specific features, depending on how the router is used in the network. The SDM templates allocate Ternary Content Addressable Memory (TCAM) resources to support different features. You can use the SDM templates to optimize resources for different features. You can select the default template to balance system resources or select specific templates to support the required features.

Table below shows the approximate number of each resource supported in each of the templates for a router running the Metro Aggregation Services license.

Table 18: Approximate Number of Feature Resources Allowed by Each SDM Template

Resource	IP template	Video template	IPv6 QoS template	Max QoS Video template
Ingress Qos TCAM	4000	4000	4000	4000
Egress Qos TCAM	5000	5000	5000	5000
IPv6 ACL TCAM	1000	1000	1000	1000
ACL TCAM	2000	4000	4000	2000

Resource	IP template	Video template	IPv6 QoS template	Max QoS Video template
MAC table	16000	16000	16000	16000
Virtual local area network (VLAN) mapping	4000	4000	4000	4000
IPv4 routes ¹	24000	12000	24000	12000
IPv6 routes ²	4000	4000	4000	4000
VPNv4 routes	24000	12000	24000	12000
VPNv6 routes	4000	4000	4000	4000
IPv4 multicast routes (mroutes)	1000	2000	1000	2000
Layer 2 multicast groups	1000	2000	NA	2000
Bridge Domains (BD)	4094	4094	4094	4094
MAC-in-MAC	0	0	0	0
Ethernet over Multiprotocol Label Switching (EoMPLS) tunnels	512	512	512	512
MPLS Virtual Private Network (VPN)	128	128	128	128
Virtual Routing and Forwarding (VRF) lite	128	128	128	128
Virtual Private LAN Services (VPLS) instances	2000	2000	2000	2000
Access Control List (ACL) entries	2000	4000	4096	2000
Queues per Application-Specific Integrated Circuit (ASIC)	2048	2048	2048	2048

Resource	IP template	Video template	IPv6 QoS template	Max QoS Video template
IPv4 Quality of Service (QoS) classifications	4096	2048	4096	2048
Policers	1024	1024	1024	1024
Ethernet Operations, Administration, and Maintenance (OAM) sessions	1000	1000	0	1000
IP Service Level Agreements (IPSLA) sessions	1000	1000	1000	1000
Ethernet Flow Point (EFP)	4000	4000	4000	4000
Maximum VLANs per port	4094	4094	4094	4094
Maximum I-TAG per system	500	500	500	500
Maximum Virtual Private LAN Services (VPLS) neighbors	62	62	62	62
Maximum attachment circuit per BD	62	62	62	62
STP Instances	16	16	16	16
Maximum Etherchannel groups	26	26	26	26
Maximum Interfaces per Etherchannel groups	8	8	8	8
Maximum Hot Standby Router Protocol (HSRP)/Virtual Router Redundancy Protocol (VRRP)	128	128	128	128
Maximum Ingress MPLS labels	38912	38912	38912	38912

Resource	IP template	Video template	IPv6 QoS template	Max QoS Video template
Maximum Egress MPLS labels	28500	28500	28500	28500
Maximum Fast Reroute (FRR)/Traffic Engineering (TE) headend	512	512	512	512
Maximum FRR/TE midpoints	5000	5000	5000	5000
Maximum Enhanced Local Management Interface (E-LMI) sessions	1000	1000	1000	1000
Maximum Bidirectional Forwarding Detection (BFD) sessions	511	511	511	511
Maximum Switched Port Analyzer (SPAN)/Remote SPAN (RSPAN) sessions	32	32	32	32
Maximum Queue counters (packet & byte)	65536	65536	65536	65536
Maximum Policer counters (packet & byte)	49152	49152	49152	49152
Max number of BDI for Layer 3	256	256	256	256
IPv6 ACL	1000	1000	2000	1000
IPv6 QoS classification	4096	2048	4096	2048

Resource	IP template	Video template	IPv6 QoS template	Max QoS Video template
Maximum Number of Layer 4 Source/Destination matches per interface 6	8	8	NA	8

¹ Using IPv4 and VPNv4 routes concurrently reduces the maximum scaled value as both the routes use the same TCAM space.

² User available routes are 3967.

³ Due to label space limitation of 16000 VPNv4 routes, to achieve 24000 VPNv4 routes in IP template use per VRF mode.

⁴ Using Layer 2 and Layer 3 multicast groups concurrently reduces the scale number to 1947.

⁵ ACLs contend for TCAM resources with Multicast Virtual Private Network (MVPN).

⁶ TCAM consumption for IPv6 QoS ACL Layer 4 port match operations increase with Maximum IPv6 QoS SDM template.

Selecting the SDM Template

Enables privileged EXEC mode.

- Enter your password if prompted.

```
Router# configure terminal
```

```
Router# configure terminal
```

- Enters global configuration mode.

```
Router(config)# sdm prefer {default | ip | video | max-ipv6-acl | max-qos-video}
```

If *advancedmetroipaccess* license is used, then the following options are applicable.

```
Router(config)# sdm prefer {default | ip | video | scaledipv6 | max-qos-video | netflow-video}
```

```
Router (config) # sdm prefer default
```

Specifies the SDM template to be used on the router:

- **default**—Balances all functions.
- **ip**—Increases IPv4/VPNv4 routes.
- **video**—Increases multicast routes and ACLs.
- **max-ipv6-acl**—Supports IPv6 QoS ACL routes. The NEQ Layer 4 operation is supported in maximum IPv6 QoS ACL template.

The maximum IPv6 QoS ACL template works in metro IP access license for ASR 920.

- **max-qos-video**—Increases QoS support to 4000 and decreases IPv4 ACL to 2000.



Note When changing the SDM template, the router waits for two minutes before reloading. Do not perform any operation till the router reloads.



Note For the new SDM template to take effect, you must save and reload the new configuration, otherwise the current SDM template is retained.



Note After the system reboots, you can use the **show sdm prefer current** command in the privileged EXEC mode to verify the new SDM template configuration.

Verifying the SDM Template

You can use the following **show** commands to verify configuration of your SDM template:

show sdm prefer current— Displays information about the active SDM template.

The following example shows output from the **show sdm prefer current** command:

```
Router# show sdm prefer current
```

The current template is "video" template.

show sdm prefer—Displays the resource numbers supported by the specified SDM template.

show platform hardware pp active sdm current—Displays the scale numbers for your current SDM template.

Following is a sample output using the **show sdm prefer current** command to display the current template configured on the router:

```
Router# show sdm prefer current
The current template is "video" template.

Router# show sdm prefer current
The current template is "max-ipv6-qos" template.

Router# show sdm prefer current
The current template is "max-qos-video" template.

Router# show platform hardware pp active sdm current
Team blocks
CYLON_TCAM_VLAN_MAPPING_INGRESS      =          4
CYLON_TCAM_VLAN_MAPPING_EGRESS       =          4
CYLON_TCAM_IPV4_UCAST                 =         12
CYLON_TCAM_IPV4_MCAST                 =          8
CYLON_TCAM_IPV4_TUNNEL                =          4
CYLON_TCAM_IPV6_UCAST                 =          8
CYLON_TCAM_IPV6_MCAST                 =          4
CYLON_TCAM_ACL                        =          8
CYLON_TCAM_QOS                        =          4
CYLON_TCAM_MAC_IN_MAC                 =          0
CYLON_TCAM_EOAM                       =          4
CYLON_TCAM_IPV6_ACL                   =          4
```

```

CYLON_TCAM_EGRESS_IPV6_ACL           =           4
CYLON_TCAM_EGRESS_ACL                 =           0

Feature Scale value:
CYLON_NUM_MAC_TABLE_ENTRIES           =        16000
CYLON_NUM_IVLAN_MAPPING_ENTRIES       =         4001
CYLON_NUM_EVLAN_MAPPING_ENTRIES      =         4000
CYLON_NUM_MAX_VLANS_PER_PORT         =         4094
CYLON_NUM_MAX_SEC_ADDR_PER_EFP      =          1000
CYLON_NUM_MAX_SEC_ADDR_PER_BD       =        10000
CYLON_NUM_MAX_SEC_ADDR               =        16000
CYLON_NUM_MAX_SEC_CONFIG_ADDR       =        16000
CYLON_NUM_MAX_EFPS_PER_BD           =           128
CYLON_NUM_IPV4_ROUTES                =        12000
CYLON_NUM_IPV6_ROUTES               =         4000
CYLON_NUM_MAX_L3_INTERFACES          =         1000
CYLON_NUM_MAX_ITAG_PER_SYSTEM        =          500
CYLON_NUM_ROUTING_GROUPS             =         2000
CYLON_NUM_MULTICAST_GROUPS          =         2000
CYLON_NUM_IPV6_ROUTING_GROUPS        =           0
CYLON_NUM_IPV6_MULTICAST_GROUPS      =         1000
CYLON_NUM_BRIDGE_DOMAINS            =         4096
CYLON_NUM_MAC_IN_MAC                 =           0
CYLON_NUM_PSEUDO_WIRES              =         2000
CYLON_NUM_ROUTED_PSEUDO_WIRES       =          128
CYLON_NUM_MPLS_VPN                  =          128
CYLON_NUM_VRFS                      =          128
CYLON_NUM_ACL_ENTRIES               =         4000
CYLON_NUM_IPV6_ACL_ENTRIES          =         1000
CYLON_NUM_EGRESS_ACL_ENTRIES        =         1000
CYLON_NUM_QUEUES_PER_ASIC           =         4095
CYLON_NUM_CLASSIFICATIONS           =         2048
CYLON_NUM_SH_ING_EGR_POLICERS_PER_ASIC =        4096
CYLON_NUM_MAX_CLASS_MAPS            =         4096
CYLON_NUM_MAX_POLICY_MAPS           =         1024
CYLON_NUM_MAX_QUEUE_COUNTERS        =        65536
CYLON_NUM_MAX_POLICER_COUNTERS     =        49152
CYLON_NUM_OAM_SESSIONS              =         1000
CYLON_NUM_ELMF_SESSIONS             =         1000
CYLON_NUM_SLA_SESSIONS              =         1000
CYLON_NUM_EFPS                      =         4000
CYLON_NUM_MPLS_SERVICES              =          512
CYLON_NUM_MPLS_INGRESS_LABELS       =        38912
CYLON_NUM_MPLS_EGRESS_LABELS        =        28500
CYLON_NUM_FRR_TE_HEADEND            =          512
CYLON_NUM_FRR_TE_MIDPOINTS          =         5000
CYLON_NUM_STP_INSTANCES             =           16
CYLON_NUM_HSRP_VRRP_SESSIONS        =          256
CYLON_NUM_MAX_EC_GROUPS             =           64
CYLON_NUM_MAX_INTF_PER_EC_GROUP     =           8
CYLON_NUM_MAX_SPAN_RSPAN_SESSIONS  =           32
CYLON_NUM_IPV4_TUNNEL_ENTRIES       =         2000

```



CHAPTER 9

Flex LSP Overview

Flex LSP also known as Associated Bidirectional LSPs is the combination of static bidirectional MPLS-TP and dynamic MPLS-TE. Flex LSP provides bidirectional label switched paths (LSPs) set up dynamically through Resource Reservation Protocol–Traffic Engineering (RSVP-TE). It does not support non-co routed LSPs.

Flex Label Switched Paths are LSP instances where the forward and the reverse direction paths are setup, monitored and protected independently and associated together during signaling. You use a RSVP Association object to bind the two forward and reverse LSPs together to form either a co-routed or non co-routed associated bidirectional TE tunnel.

You can associate a protecting MPLS-TE tunnel with either a working MPLS-TE LSP, protecting MPLS-TE LSP, or both. The working LSP is the primary LSP backed up by the protecting LSP. When a working LSP goes down, the protecting LSP is automatically activated. You can configure a MPLS-TE tunnel to operate without protection as well.

Effective Cisco IOS XE Release 3.18.1SP, Flex LSP supports inter-area tunnels with non co-routed mode.

- [Signaling Methods and Object Association for Flex LSPs, on page 139](#)
- [Associated Bidirectional Non Co-routed and Co-routed LSPs, on page 140](#)
- [Restrictions for Flex LSP, on page 141](#)
- [How to Configure Co-routed Flex LSPs, on page 142](#)
- [How to Configure Non Co-routed Inter-area Flex LSP Tunnels, on page 145](#)
- [Troubleshooting Flex LSP, on page 149](#)
- [Flex LSP Phase 2, on page 153](#)

Signaling Methods and Object Association for Flex LSPs

This section provides an overview of the association signaling methods for the bidirectional LSPs. Two unidirectional LSPs can be bound to form an associated bidirectional LSP in the following scenarios:

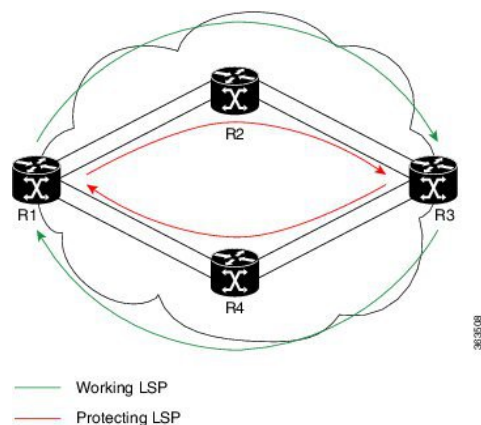
- No unidirectional LSP exists, and both must be established.
- Both unidirectional LSPs exist, but the association must be established.
- One unidirectional LSP exists, but the reverse associated LSP must be established.

Associated Bidirectional Non Co-routed and Co-routed LSPs

This section provides an overview of associated bidirectional non co-routed and co-routed LSPs. Establishment of MPLS TE-LSP involves computation of a path between a head-end node to a tail-end node, signaling along the path, and modification of intermediate nodes along the path. The signaling process ensures bandwidth reservation (if signaled bandwidth is lesser than 0 and programming of forwarding entries).

Path computation is performed by the head-end nodes of both the participating LSPs using Constrained Shortest Path First (CSPF). CSPF is the 'shortest path (measured in terms of cost) that satisfies all relevant LSP TE constraints or attributes, such as required bandwidth, priority and so on.

Associated Bidirectional Non Co-routed LSPs: A non co-routed bidirectional TE LSP follows two different paths, that is, the forward direction LSP path is different than the reverse direction LSP path. Here is an illustration.



In the above topology:

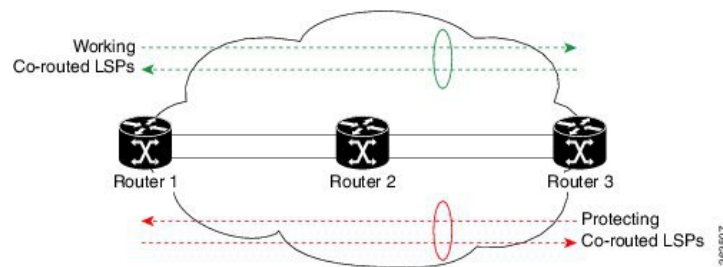
- The outer paths (in green) are working LSP pairs.
- The inner paths (in red) are protecting LSP pairs.
- Router 1 sets up working LSP to Router 3 and protecting LSP to Router 3 independently.
- Router 3 sets up working LSP to Router 1 and protecting LSP to Router 1 independently.

Non co-routed bidirectional TE LSP is available by default, and no configuration is required.



Note In case of non co-routed LSPs, the head-end nodes relax the constraint on having identical forward and reverse paths. Hence, depending on network state you can have identical forward and reverse paths, though the bidirectional LSP is co-routed.

Associated Bidirectional Co-routed LSPs: A co-routed bidirectional TE LSP denotes a bidirectional tunnel where the forward direction LSP and reverse direction LSP must follow the same path, for example, the same nodes and paths. Here is an illustration.



In the above topology:

- Paths at the top of the figure (in green) indicate working co-routed LSP pairs.
- Paths at the bottom of the figure (in red) indicate protecting co-routed LSP pairs.
- Router 1 sets up working LSP to Router 3 (in red) after performing bidirectional CSPF and sends reverse explicit route object (ERO) to Router 3. Node Router 3 uses the received reverse ERO to set up reverse red working LSP to Router 1.
- Router 3 sets up protecting LSP to Router 1 (in green) after performing bidirectional CSPF and sends reverse ERO to Router 1. Node Router 1 uses the received reverse ERO to set up reverse green protecting LSP to Router 3.

Restrictions for Flex LSP

- Exp-null over Flex-LSP is not supported.
- Flex-LSP does not support tunnel statistics.
- VC (layer 2 VPN ckts) statistics are not supported.
- It is recommended to configure for the following timers for Flex-LSP deployments:


```
mpls traffic-eng reoptimize timers frequency 120
mpls traffic-eng reoptimize timers delay installation 30
mpls traffic-eng reoptimize timers delay cleanup 90
```
- The **no mpls ip propagate-tcl** command is not recommended with Flex-LSP. The PREC value of BFD control packet is set to “0”. Therefore, packet prioritization cannot be done at mid-points and BFD flap can occur with traffic congestions.
- It is recommended to configure BFD timers as 10x3 during cable pull testing or in Flex LSP feature deployments.
- 50 msec convergence is not guaranteed for local shut on Cisco ASR 920 routers without BFD.
- 50 msec convergence is not guaranteed without WRAP protection. WRAP protection is mandatory to achieve 50 msec convergence for remote failures.
- With scale and multiple other feature mix-up, it is possible to see higher convergence.
- TE NSR and IGP NSR are mandatory for RSP switchover.
- Flex LSP is supported with the IPv4 template.
- The **ip rsvp signalling hello** command is not mandatory and it can cause a large punt during the cutover and can lead to unexpected results like BFD flapping.

- VPLS over Flex-LSP is not supported.
- Both IGP and FRR must be configured as clients for single-hop BFD when the WRAP protection is enabled; only FRR cannot be the only client configured at midpoint.
- Layer 3 VPN over Flex-LSP is not supported.
- It is recommended to configure 10x3 BFD timers for cable failures, to achieve 50 msec of convergence.
- Dynamic diverse paths are not supported for Flex LSP Tunnel.

Restrictions for Non Co-routed Inter-Area Flex LSP Tunnels

- The dynamic path option feature for TE tunnels (**tunnel mpls traffic-eng path-option number dynamic**) is not supported for inter-area tunnels. An explicit path identifying the area border routers (ABRs) is required.
- The MPLS TE AutoRoute feature (**tunnel mpls traffic-eng autoroute announce**) is not supported for inter-area tunnels.
- Tunnel affinity (**tunnel mpls traffic-eng affinity**) is not supported for inter-area tunnels.
- Tunnel metric (**tunnel mpls traffic-eng path-selection metric**) is not supported for inter-area tunnels.
- BFD is not supported with non co-routed inter-area flex LSP tunnels.

How to Configure Co-routed Flex LSPs

A co-routed bidirectional packet LSP is a combination of two LSPs (one in the forward direction and the other in reverse direction) sharing the same path between a pair of ingress and egress nodes. It is established using the extensions to RSVP-TE. This type of LSP can be used to carry any of the standard types of MPLS-based traffic, including Layer 2 VPNs and Layer 2 circuits. You can configure a single BFD session for the bidirectional LSP (that is, you do not need to configure a BFD session for each LSP in each direction). You can also configure a single standby bidirectional LSP to provide a backup for the primary bidirectional LSP.

The configuration includes the following steps:

1. Enable basic MPLS Traffic Engineering on hostname PE1.
2. Map L2VPN pseudowire to a specific FLEX LSP tunnel.
3. Configure Flex LSP.
4. Enable BFD.
5. Enable Wrap and Fault OAM.
6. Enable BDIs on a core-facing interface.

Configuring Co-routed Flex LSPs

Before you begin

- You must have symmetric source and destination TE router IDs in order for bidirectional LSPs to be associated.
- Tunnels attributes must be configured identically on both sides of co-routed bidirectional LSP.



Note Up to 250 Flex LSP tunnels are supported.

Procedure

1. Enable basic MPLS Traffic Engineering on hostname PE1:

```
mpls traffic-eng tunnels
mpls traffic-eng fault-oam
mpls traffic-eng nsr
router ospf 100
  router-id 1.1.1.1
  nsr
mpls traffic-eng router-id Loopback0
mpls traffic-eng area 0
```

2. Map L2VPN pseudowire to a specific Flex LSP tunnel:

```
template type pseudowire mpls-tel (mpls-tel can be any name)
encapsulation mpls
preferred-path interface Tunnel1 disable-fallback
bandwidth 100
```

```
template type pseudowire mpls-te4
encapsulation mpls
preferred-path interface Tunnel4 disable-fallback
bandwidth 100
```

3. Configure Flex LSP:

```
interface Tunnel1
bandwidth 1000
ip unnumbered Loopback0
tunnel mode mpls traffic-eng
tunnel destination 22.22.22.22
tunnel mpls traffic-eng autoroute announce
tunnel mpls traffic-eng priority 7 7
tunnel mpls traffic-eng bandwidth 1000
tunnel mpls traffic-eng path-option 1 explicit name BDI1 bandwidth 1000
tunnel mpls traffic-eng path-option protect 1 explicit name BACKUP1 bandwidth 1000
tunnel mpls traffic-eng bidirectional association id 1 source-address 11.11.11.11 global-id 1
```

NOTE: To bring up the bi-directional tunnels, association ID, source address and global ID must match on both sides of the tunnel.

```
tunnel mpls traffic-eng bidirectional association type co-routed
ip explicit-path name BDI1 enable
next-address 1.11.1.1
next-address 10.1.2.2
next-address 2.22.1.22
```

```
ip explicit-path name BACKUP1 enable
next-address 10.3.11.1.10
next-address 10.4.22.22
```

4. Enable BFD

```
bfd-template single-hop BFD_FLEX
interval min-tx 50 min-rx 50 multiplier 3
interface Tunnell
tunnel mpls traffic-eng bfd encap-mode gal BFD_FLEX
```

5. Enable Wrap and Fault OAM

```
interface Tunnell
tunnel mpls traffic-eng bidirectional association type co-routed fault-oam wrap-protection
```

6. Enable BDIs on core-facing interface:

NOTE: Since VLANs are not supported, to represent a VLAN interface, BDI must be used towards core-facing interface.

```
interface BDI1
ip address 1.11.1.11 255.255.255.0
ip ospf 1 area 0
mpls traffic-eng tunnels
```

```
interface BDI4
ip address 1.11.4.11 255.255.255.0
ip ospf 1 area 0
mpls traffic-eng tunnels
```

```
interface GigabitEthernet0/3/1
ip address 10.3.11.11 255.255.255.0
ip ospf 1 area 0
mpls traffic-eng tunnels
```

```
interface GigabitEthernet0/3/0
service instance 1 ethernet
encapsulation dot1q 1
rewrite ingress tag pop 1 symmetric
bridge-domain 1
service instance 4 ethernet
encapsulation dot1q 4
rewrite ingress tag pop 1 symmetric
bridge-domain 4
End
```

Verifying the Co-routed Flex LSP Configuration

To verify the FLEX LSP tunnel summary, use the **show mpls traffic-eng tunnels bidirectional-associated concise** command in MPLS tunnel-te interface.

```
Router# show mpls traffic-eng tunnels summary
Signalling Summary:
  LSP Tunnels Process:           running
  Passive LSP Listener:         running
  RSVP Process:                 running
  Forwarding:                   enabled
  auto-tunnel:
  p2p      Disabled (0), id-range:62336-64335

  Periodic reoptimization:      every 3600 seconds, next in 2942 seconds
```



```

Periodic FRR Promotion:          Not Running
Periodic auto-bw collection:    every 300 seconds, next in 243 seconds
SR tunnel max label push:      1 labels
P2P:
  Head: 100 interfaces, 0 active signalling attempts, 0 established
      87733091 activations, 87733091 deactivations
      144287155 failed activations
      0 SSO recovery attempts, 0 SSO recovered
  Midpoints: 0, Tails: 0

P2MP:
  Head: 0 interfaces, 0 active signalling attempts, 0 established
      0 sub-LSP activations, 0 sub-LSP deactivations
      0 LSP successful activations, 0 LSP deactivations
      0 SSO recovery attempts, LSP recovered: 0 full, 0 partial, 0 fail
  Midpoints: 0, Tails: 0

Bidirectional Tunnel Summary:
Tunnel Head: 100 total, 0 connected, 100 associated, 100 co-routed
LSPs Head: 0 established, 0 proceeding, 0 associated, 0 standby
LSPs Mid: 0 established, 0 proceeding, 0 associated, 0 standby
LSPs Tail: 0 established, 0 proceeding, 0 associated, 0 standby

```

To verify the co-routed LSP, use the **Show mpls traffic-eng tunnel bidirectional co-routed** command.

```

Router#Show mpls traffic-eng tunnel bidirectional co-routed

Name: tunnel-te2 Destination: 192.168.0.3
Status:
  Admin: up Oper: up Path: valid Signalling: connected
  path option 1, type dynamic (Basis for Setup, path weight 3 (reverse 3))
  Bandwidth Requested: 80000 kbps CT0
Config Parameters:
  Association Type: Single Sided Bidirectional LSPs, Co-routed: Yes
  Association ID: 100, Source: 9.9.9.9[, Global ID: 9]
  Reverse Bandwidth: 2 kbps CT0, Standby: 2 kbps CT0
  BFD Fast Detection: Enabled
  BFD Parameters: Min-interval 10000 ms, Multiplier 3 (default)
  BFD Bringup Timeout: Interval 60 seconds (default)
  BFD Initial Dampening: 16000 ms (default)
  BFD Maximum Dampening: 600000 ms (default)
  BFD Secondary Dampening: 20000 ms (default)
  Periodic LSP Ping: Interval 120 seconds (default)
  BFD Encap Mode: IP (default) | GAL
  Soft Preemption: Enabled, Current Status: Preemption not pending

```

How to Configure Non Co-routed Inter-area Flex LSP Tunnels



Note The working and protect LSPs for PE1 (head-end) is different from PE2 (tail-end).

At PE1 (head-end):

```

interface Tunnel1001
ip unnumbered Loopback0
mpls ip
tunnel mode mpls traffic-eng
tunnel destination 1.1.1.1
tunnel mpls traffic-eng priority 7 7

```

```

tunnel mpls traffic-eng bandwidth 200
tunnel mpls traffic-eng path-option 1 explicit name ThruHunG verbatim
tunnel mpls traffic-eng path-option protect 1 explicit name PROT1 verbatim
tunnel mpls traffic-eng bidirectional association id 1001 source-address 1.1.1.1 global-id
1001
!
interface Tunnel1002
ip unnumbered Loopback0
mpls ip
tunnel mode mpls traffic-eng
tunnel destination 1.1.1.1
tunnel mpls traffic-eng priority 7 7
tunnel mpls traffic-eng bandwidth 200
tunnel mpls traffic-eng path-option 1 explicit name ThruHunG verbatim
tunnel mpls traffic-eng path-option protect 1 explicit name PROT1 verbatim
tunnel mpls traffic-eng bidirectional association id 1002 source-address 1.1.1.1 global-id
1002

ip explicit-path name ThruTenG enable
next-address loose 22.1.1.2
next-address loose 10.1.1.1
next-address loose 1.1.1.1
!
ip explicit-path name ThruHunG enable
next-address loose 23.1.1.2
next-address loose 10.1.1.1
next-address loose 1.1.1.1

ip explicit-path name PROT1 enable
next-address loose 30.1.1.2
next-address loose 40.1.1.1
next-address loose 1.1.1.1

```

At PE2 (tail-end):

```

interface Tunnel1001
ip unnumbered Loopback0
mpls ip
tunnel mode mpls traffic-eng
tunnel destination 4.4.4.4
tunnel mpls traffic-eng priority 7 7
tunnel mpls traffic-eng bandwidth 200
tunnel mpls traffic-eng path-option 1 explicit name ThruTenG verbatim
tunnel mpls traffic-eng path-option protect 1 explicit name PROT2 verbatim
tunnel mpls traffic-eng bidirectional association id 1001 source-address 1.1.1.1 global-id
1001
!
interface Tunnel1002
ip unnumbered Loopback0
mpls ip
tunnel mode mpls traffic-eng
tunnel destination 4.4.4.4
tunnel mpls traffic-eng priority 7 7
tunnel mpls traffic-eng bandwidth 200
tunnel mpls traffic-eng path-option 1 explicit name ThruTenG verbatim
tunnel mpls traffic-eng path-option protect 1 explicit name PROT2 verbatim
tunnel mpls traffic-eng bidirectional association id 1002 source-address 1.1.1.1 global-id
1002

ip explicit-path name ThruTenG enable
next-address loose 10.1.1.2
next-address loose 22.1.1.1
next-address loose 4.4.4.4
!
ip explicit-path name ThruHunG enable

```

```

next-address loose 10.1.1.2
next-address loose 23.1.1.1
next-address loose 4.4.4.4

ip explicit-path name PROT2 enable
next-address loose 41.1.1.2
next-address loose 31.1.1.1
next-address loose 4.4.4.4

```

Configuring OSPF for Non Co-routed Flex LSP



Note Add the new area into OSPF based on where you want the Inter-area to run.

```

router ospf 1
router-id 3.3.3.3
nsr
nsf cisco
microloop avoidance
passive-interface Loopback0
network 3.3.3.3 0.0.0.0 area 0
mpls traffic-eng router-id Loopback0
mpls traffic-eng area 0
mpls traffic-eng area 1

```

Verifying the Non Co-routed Inter-area Flex LSP Tunnels

At the PE1

```
Router# show mpls traffic-eng tunnels tunnel 1001
```

```

Name: PE1_t1001                               (Tunnel1001) Destination: 4.4.4.4
Status:
  Admin: up           Oper: up           Path: valid           Signalling: connected
  path option 1, type explicit (verbatim) ThruTenG (Basis for Setup, path weight 0)
  Path Protection: Requested
  path protect option 1, type explicit (verbatim) PROT2 (Basis for Protect, path weight
0)

Config Parameters:
  Bandwidth: 200          kbps (Global) Priority: 7 7 Affinity: 0x0/0xFFFF
  Metric Type: TE (default)
  AutoRoute: disabled LockDown: disabled Loadshare: 200 [10000000] bw-based
  auto-bw: disabled
  Association Type: Double Sided Bidirectional LSPs, Co-routed: NO
  Association ID: 1001, Source: 1.1.1.1, Global ID: 1001
  Fault-OAM: disabled, Wrap-Protection: disabled, Wrap-Capable: No
Active Path Option Parameters:
  State: explicit path option 1 is active
  BandwidthOverride: disabled LockDown: disabled Verbatim: enabled

InLabel  : -
OutLabel  : BDI100, 242
Next Hop  : 10.1.1.2
Reverse Associated LSP Information:
  Signaled Name: 4.4.4.4 1001
  Tunnel: 1001, Source: 4.4.4.4, Dest: 1.1.1.1, LSP: 9 State: Up
Lockout Info:
  Locked out: No

```

```

Lockout Originated By: None
Association:
  Association Type: Double Sided Bidirectional LSPs
  Association ID: 1001 Source: 1.1.1.1
Extended Association:
  Global source: 1001
  Extended ID: None
RSVP Signalling Info:
  Src 1.1.1.1, Dst 4.4.4.4, Tun_Id 1001, Tun_Instance 9
RSVP Path Info:
  My Address: 10.1.1.1
  Explicit Route: 10.1.1.2 10.1.1.2* 22.1.1.1* 4.4.4.4*
  Record Route:
  Tspec: ave rate=200 kbits, burst=1000 bytes, peak rate=200 kbits
RSVP Resv Info:
  Record Route: 22.1.1.2 22.1.1.1
  Fspec: ave rate=200 kbits, burst=1000 bytes, peak rate=200 kbits
Shortest Unconstrained Path Info:
  Path Weight: 2 (TE)
  Explicit Route: 11.1.1.2 20.1.1.1 4.4.4.4
Reason for the tunnel being down: Bidirectional: standby error from [1.1.1.1][UNK] LSP[8]

```

```

History:
Tunnel:
  Time since created: 7 minutes, 51 seconds
  Number of LSP IDs (Tun_Instances) used: 9
  Current LSP: [ID: 9]
  Uptime: 5 minutes, 59 seconds

```

At PE2

```
Router# show mpls traffic-eng tunnels tunnel 1001
```

```

Name: PE2_t1001 (Tunnel1001) Destination: 1.1.1.1
Status:
  Admin: up Oper: up Path: valid Signalling: connected
  path option 1, type explicit (verbatim) ThruHunG (Basis for Setup, path weight 0)
  Path Protection: Requested
  path protect option 1, type explicit (verbatim) PROT1 (Basis for Protect, path weight
0)

Config Parameters:
  Bandwidth: 200 kbps (Global) Priority: 7 7 Affinity: 0x0/0xFFFF
  Metric Type: TE (default)
  AutoRoute: disabled LockDown: disabled Loadshare: 200 [10000000] bw-based
  auto-bw: disabled
  Association Type: Double Sided Bidirectional LSPs, Co-routed: NO
  Association ID: 1001, Source: 1.1.1.1, Global ID: 1001
  Fault-OAM: disabled, Wrap-Protection: disabled, Wrap-Capable: No
Active Path Option Parameters:
  State: explicit path option 1 is active
  BandwidthOverride: disabled LockDown: disabled Verbatim: enabled

InLabel : -
OutLabel : BDI221, 980
Next Hop : 23.1.1.2
Reverse Associated LSP Information:
  Signaled Name: 1.1.1.1 1001
  Tunnel: 1001, Source: 1.1.1.1, Dest: 4.4.4.4, LSP: 9 State: Up
Lockout Info:
  Locked out: No
  Lockout Originated By: None
Association:
  Association Type: Double Sided Bidirectional LSPs

```

```

Association ID: 1001 Source: 1.1.1.1
Extended Association:
  Global source: 1001
  Extended ID: None
RSVP Signalling Info:
  Src 4.4.4.4, Dst 1.1.1.1, Tun_Id 1001, Tun_Instance 9
RSVP Path Info:
  My Address: 23.1.1.1
  Explicit Route: 23.1.1.2 23.1.1.2* 10.1.1.1* 1.1.1.1*
  Record Route:
  Tspec: ave rate=200 kbits, burst=1000 bytes, peak rate=200 kbits
RSVP Resv Info:
  Record Route: 10.1.1.2 10.1.1.1
  Fspec: ave rate=200 kbits, burst=1000 bytes, peak rate=200 kbits
Shortest Unconstrained Path Info:
  Path Weight: 2 (TE)
  Explicit Route: 20.1.1.2 11.1.1.1 1.1.1.1
Reason for the tunnel being down: Bidirectional: standby error from [4.4.4.4][UNK] LSP[8]

History:
Tunnel:
  Time since created: 8 minutes, 9 seconds
  Time since path change: 6 minutes, 10 seconds
  Number of LSP IDs (Tun_Instances) used: 9
  Current LSP: [ID: 9]
  Uptime: 6 minutes, 10 seconds

```

Troubleshooting Flex LSP

Step 1: Verifying that the Flex LSP Tunnel is in UP State

```

Router# show mpls traffic-eng tunnels bidirectional-associated association id 1

P2P TUNNELS/LSPs:
Name: RP1_t3                               (Tunnel3) Destination: 10.5.0.1
Status:
  Admin: up          Oper: up          Path: valid          Signalling: connected
  path option 2, type explicit expl_route_m2_tail (Basis for Setup, path weight 40)
  path option 3, type explicit expl_route_m3_tail
  Path Protection: 0 Common Link(s), 0 Common Node(s)
  path protect option 2, type explicit expl_route_m3_tail (Basis for Protect, path weight
40)
  path protect option 3, type list name xtd
Lockout Info:
  Locked Out: No
Config Parameters:
  Bandwidth: 500          kbps (Global) Priority: 7 7 Affinity: 0x0/0xFFFF
  Metric Type: TE (default)
  AutoRoute: disabled LockDown: disabled Loadshare: 500 [4000000] bw-based
  auto-bw: disabled
  Association Type: Single Sided Bidirectional LSPs, Co-routed: YES
  Association ID: 1, Source: 2.3.4.5, Global ID: 6
  Fault-OAM: disabled
Active Path Option Parameters:
  State: explicit path option 2 is active
  BandwidthOverride: disabled LockDown: disabled Verbatim: disabled
InLabel : -
OutLabel : Ethernet0/0, 16
Next Hop : 10.1.2.2
-----Full Output not provided ~-----

```

Step 2: Verifying RSVP Signaling

```

Router# show ip rsvp sender detail
PATH:
  Tun Dest: 10.255.255.1 Tun ID: 15 Ext Tun ID: 10.255.255.8
  Tun Sender: 10.255.255.8 LSP ID: 40
  Path refreshes:
    arriving: from PHOP 10.5.2.1 on Et0/1 every 30000 msecs. Timeout in 136 sec
    sent: to NHOP 10.1.4.1 on Ethernet0/0
  Session Attr:
    Setup Prio: 7, Holding Prio: 7
    Flags: (0x4) SE Style
    Session Name: R3_t15
  ERO: (incoming)
    10.5.2.2 (Strict IPv4 Prefix, 8 bytes, /32)
    10.1.4.2 (Strict IPv4 Prefix, 8 bytes, /32)
    10.1.4.1 (Strict IPv4 Prefix, 8 bytes, /32)
    10.255.255.1 (Strict IPv4 Prefix, 8 bytes, /32)
  ERO: (outgoing)
    10.1.4.1 (Strict IPv4 Prefix, 8 bytes, /32)
    10.255.255.1 (Strict IPv4 Prefix, 8 bytes, /32)
  ASSOCIATION:
    Extended Association type: Single sided provisioned bidirectional LSPs IPv4
    Association ID: 1, Source: 1.1.1.1
    Global source: 0
    ExtID[0]: 0xAFFFF08
    ExtID[1]: 0x28
-----~Full Output not provided ~-----

```

Step 3: Verifying RSVP Reservation

```

Router# show ip rsvp reservation detail
Reservation:
  Tun Dest: 10.255.255.1 Tun ID: 15 Ext Tun ID: 10.255.255.8
  Tun Sender: 10.255.255.8 LSP ID: 327
  Resv refreshes:
    arriving: from NHOP 10.1.4.1 on Et0/0 every 30000 msecs. Timeout in 382 sec
  Next Hop: 10.1.4.1 on Ethernet0/0
  Label: 23 (outgoing)
  Reservation Style is Shared-Explicit, QoS Service is Controlled-Load
  Resv ID handle: 1200040C.
  Created: 11:08:07 EST Fri Aug 28 2015
  Average Bitrate is 0 bits/sec, Maximum Burst is 1K bytes
  Min Policed Unit: 0 bytes, Max Pkt Size: 1500 bytes
  Status:
  Policy: Accepted. Policy source(s): MPLS/TE
Reservation:
  Tun Dest: 10.255.255.8 Tun ID: 15 Ext Tun ID: 10.255.255.1
  Tun Sender: 10.255.255.1 LSP ID: 338
  Resv refreshes:
    arriving: from NHOP 10.5.2.1 on Et0/1 every 30000 msecs. Timeout in 382 sec
  Next Hop: 10.5.2.1 on Ethernet0/1
  Label: 17 (outgoing)
  Reservation Style is Shared-Explicit, QoS Service is Controlled-Load
  Resv ID handle: 05000410.
  Created: 11:08:07 EST Fri Aug 28 2015
  Average Bitrate is 0 bits/sec, Maximum Burst is 1K bytes
  Min Policed Unit: 0 bytes, Max Pkt Size: 1500 bytes
  RRO:
    10.3.2.2/32, Flags:0x0 (No Local Protection)
    10.3.2.1/32, Flags:0x0 (No Local Protection)
  Status:
  Policy: Accepted. Policy source(s): MPLS/TE

```

Step 4: Verifying Wrap Functionality

```

Router# show mpls traffic-eng tunnels
P2P TUNNELS/LSPs:
Name: R1_t15 (Tunnell15) Destination: 10.255.255.8
Status:
  Admin: up Oper: up Path: valid Signalling: connected
  path option 1, type explicit Primary (Basis for Setup, path weight 60)
  path option 2, type dynamic
  Path Protection: 0 Common Link(s), 0 Common Node(s)
  path protect option 1, type explicit Secondary (Basis for Protect, path weight 40)
Lockout Info:
  Locked Out: No
Config Parameters:
  Bandwidth: 0 kbps (Global) Priority: 7 7 Affinity: 0x0/0xFFFF
  Metric Type: TE (default)
  AutoRoute: enabled LockDown: disabled Loadshare: 0 [0] bw-based
  auto-bw: disabled
  Association Type: Single Sided Bidirectional LSPs, Co-routed: YES
  Association ID: 1, Source: 1.1.1.1
  Fault-OAM: enabled, Path-Protection: ready, Wrap-Protection: enabled, Wrap-Capable: Yes

FlexLSP Event History:
Active Path Option Parameters:
  State: explicit path option 1 is active
  BandwidthOverride: disabled LockDown: disabled Verbatim: disabled

```

```

Router# show mpls traffic-eng tunnels protection
P2P TUNNELS:
R1_t15
  LSP Head, Tunnell15, Admin: up, Oper: up
  Src 10.255.255.1, Dest 10.255.255.8, Instance 34
  Fast Reroute Protection: None
Lockout Info:
  Locked Out: No
Path Protection: Backup lsp in use.
Prior Working LSP details:
  LSP ID: 33 (Delayed Clean)
  Deactivates In: (2796) ms
  InLabel : -
  OutLabel : Ethernet0/1, 16
  Next Hop : 10.1.4.2
  Reverse Associated LSP Information:
    Signaled Name: 10.255.255.8 15
    Tunnel: 15, Source: 10.255.255.8, Dest: 10.255.255.1, LSP: 29 State: Up
Lockout Info:
  Locked out: No
  Lockout Originated By: None
Association:
  Association Type: Single Sided Bidirectional LSPs
  Association ID: 1 Source: 1.1.1.1
-----Full Output not provided -----

```

Step 5: Verifying BFD and OAM Operations

```

Router# show mpls traffic-eng tunnels detail | sec Fault
  Fault-OAM: enabled, Path-Protection: no protection, Wrap-Protection: disabled,
Wrap-Capable: No
Fault-OAM Events:
  LSP 4638 (deleted) bfd-delete,
    at 07:32:08 IST Fri Jun 3 2016 (1 days, 8 hours, 35 mins, 30 secs ago)
  LSP 4638 (deleted) fault-delete,
    at 07:32:08 IST Fri Jun 3 2016 (1 days, 8 hours, 35 mins, 30 secs ago)
  LSP 4638 (working) bfd-up,
    at 10:15:31 IST Thu Jun 2 2016 (2 days, 5 hours, 52 mins, 7 secs ago)
  LSP 4637 (working) bfd-delete,
    at 10:15:20 IST Thu Jun 2 2016 (2 days, 5 hours, 52 mins, 18 secs ago)

```

```
LSP 4637 (working) fault-delete,
  at 10:15:20 IST Thu Jun 2 2016 (2 days, 5 hours, 52 mins, 18 secs ago)
LSP 4636 (working) bfd-delete,
  at 10:15:17 IST Thu Jun 2 2016 (2 days, 5 hours, 52 mins, 21 secs ago)
LSP 4636 (working) fault-delete,
  at 10:15:17 IST Thu Jun 2 2016 (2 days, 5 hours, 52 mins, 21 secs ago)
-----~Full Output not provided ~-----
```

Router# **show mpls fault-oam session end-point detail**

```
MPLS Fault-OAM End-point Sessions
=====
Session handle : 0x6
Client handle : 0x2B9FAE02B750
Local label : 18
Tunnel interface : Tunnel3 (0x15)
Tunnel number : 3
LSP number : 49
Global ID : 0
Node ID : 10.1.0.1
Local event : Fault Clear
Sender Information
  Fault source : End-point
  Refresh seconds : 20
  Initial count : 0
  Fault type : CLR
  Tx Fault-CLR count : 0
  Tx Fault-AIS count : 0
  Tx Fault-LDI count : 0
  Tx Fault-LKR count : 0
  Tx Lockout-CLR count : 0
  Tx Lockout count : 0
  Tx Error count : 0
Receiver Information
  Source global ID : 0
  Source node ID : 0
  Source intf number : 0
  Fault type : CLR
  Rx Fault-CLR count : 0
  Rx Fault-AIS count : 0
  Rx Fault-LDI count : 0
  Rx Fault-LKR count : 0
  Rx Lockout-CLR count : 0
  Rx Lockout count : 0
  Rx Error count : 0
-----~Full Output not provided ~-----
```

Step 6: Verifying that Pseudowire is in UP State

Router# **show mpls l2transport vc vcid 1** (HEAD router)

Local intf	Local circuit	Dest address	VC ID	Status
Gi6	Eth VLAN 30	53.0.0.1	1	UP

```
#show mpls l2transport vc vcid 1 detail
Local interface: Gi6 up, line protocol up, Eth VLAN 30 up
Interworking type is Ethernet
Destination address: 53.0.0.1, VC ID: 1, VC status: up
Output interface: Tu10, imposed label stack {29 29780}
Preferred path: Tunnell10, active
Required BW = 15000, Admitted BW = 15000
Default path: ready
Next hop: point2point
Create time: 00:01:13, last status change time: 00:01:13
Last label FSM state change time: 00:01:13
Signaling protocol: LDP, peer 53.0.0.1:0 up
```



```
Targeted Hello: 52.0.0.1(LDP Id) -> 53.0.0.1, LDP is UP
Graceful restart: configured and enabled
Non stop routing: configured and not enabled
```

```
-----~Full Output not provided ~-----
```

Use the **show adjacency tunnel internal** command to view the software forwarding of the tunnel:

```
Router# show adjacency tunnel1 internal | i lsp-num

GigabitEthernet0/5/2 55.0.0.1 label 21 lsp-num 20
Path protected by GigabitEthernet0/5/3 label 22 lsp-num 21
Reopt of working: Null0 0.0.0.0 label none lsp-num 0
Reopt of protect: Null0 label none lsp-num 0
```

Flex LSP Phase 2

Flex LSP phase 2 is supported effective Cisco IOS XE Everest 16.5.1. Flex LSP also known as Associated Bidirectional Label Switched Paths (LSPs) are LSP instances where the forward and the reverse direction paths are set up, monitored, protected independently, and associated together during signaling. The RSVP Association aims to bind the forward and reverse LSPs together to form either a co-routed or a non co-routed associated bidirectional traffic engineering (TE) tunnel.

The Cisco IOS XE Everest 16.5.1 supports only co-routed Flex LSP tunnels. Flex LSP Phase 2 supports the following features:

- Shared Risk Link Groups (SRLGs) Protection – SRLGs indicate situations where links in a network share a common fiber (or a common physical attribute). If one link fails, the other links in the group may also fail. Links in this group have a shared risk.

The MPLS-TE SRLG Protection feature enhances backup tunnel path selection so that a backup tunnel avoids using links that are in the same SRLG as interfaces the backup tunnel is protecting.

- Non-revertive
- Sticky
- Hop count and Cost max limit – Each path from the tunnel source node (head-end) to destination node (tail-end) has a number of characteristics, including node hop count and accumulated path cost. Node hop count is the number of nodes along a path excluding the source node.

To ensure that the ensure the selected path does not exceed the specified hop count, configure a maximum node hop count.

Each link segment along the path has an associated path cost. Accumulated path cost is the sum of the path cost of all link segments. In the co-routed tunnel case, the accumulated path cost includes both, the forward and reverse link cost. To ensure the selected path does not exceed the specified cost value, configure a cost max limit.

- ECMP min-fill, max-fill – Path calculation selects a path with the lowest accumulated path cost. Sometimes there are multiple paths from the tunnel source node to the destination node, and all these paths may have the same accumulated (and lowest) path cost. These paths are referred to as “Equal Cost Multi Path” (ECMP). In this scenario, path calculation must use other tiebreakers (such as, node hop count and path minimum bandwidth) to select one path. Max-fill is a tiebreaker method that selects from all ECMPs, a path with the least head room, but can still accommodate the path request. This method has the effect of packing the links. Min-fill is a tiebreaker method that selects from all ECMPs, a path with the most head room, and which has a load balance effect over time.

- Restore path option – The restore path option signals a restore LSP after the double failure of both, primary and protect LSPs.

Flex LSP SRLG and Exclude Option for Explicit Path

Use the following commands to configure SRLG on an interface:

```
Router(config)# interface Ethernet0/1
Router(config-if)# srlg gid <1-4294967295>
```

SRLG values configured on MPLS TE enabled interfaces are flooded through IGP (IS-IS or OSPF), and are used by MPLS TE in the following scenarios:

- Restrict protection path to avoid SRLGs of links in the working path.

```
Router(config)# interface Tunnel100
Router(config-if)# tunnel mpls traffic-eng path-option protect 1 diverse
srlg [node] lockdown
```

- Exclude SRLG in IP Explicit Path.

```
Router(config)# ip explicit-path name EXAMPLE
Router(cfg-ip-expl-path)# exclude-srlg A.B.C.D
```

The exclude-srlg command specifies an address to get SRLGs from for exclusion.



Note For bidirectional co-routed LSP, both ends of the tunnel must be configured with the same exclude options in explicit path. Otherwise, it is considered a configuration error.



Note Only 32 SRLG values can be configured on an interface. Also, MPLS TE only accepts up to 400 SRLG values configured on a system.

Configuring Flex LSP SRLG and Exclude Option

On the MPLS-TE enabled interface:

```
!
interface GigabitEthernet0/3/0
 srlg gid 10
 srlg gid 20
 srlg gid 30
 srlg gid 40
 srlg gid 50
 ip address 102.103.1.1 255.255.255.0
 ip ospf 1 area 0
 negotiation auto
 mpls ip
 mpls traffic-eng tunnels
 ip rsvp bandwidth 200000 120000 sub-pool 120000
 ip rsvp signalling hello graceful-restart
```

Enable the SRLG on the Flex LSP tunnel:

```
!
interface Tunnel1
```

```

bandwidth 100000
ip unnumbered Loopback0
tunnel mode mpls traffic-eng
tunnel destination 54.4.4.4
tunnel mpls traffic-eng autoroute announce
tunnel mpls traffic-eng priority 7 7
tunnel mpls traffic-eng bandwidth 100000000
tunnel mpls traffic-eng path-option 1 explicit name SRLG
tunnel mpls traffic-eng path-option protect 1 diverse srlg lockdown
tunnel mpls traffic-eng bidirectional association id 1 source-address 52.2.2.2 global-id 1
tunnel mpls traffic-eng bidirectional association type co-routed fault-oam wrap-protection

```

To enable explicit path SRLG:

```

ip explicit-path name SRLG enable
exclude-srlg 102.103.1.1

```

Verifying the Flex LSP SRLG and Exclude Option

To view the SRLG values in the topology:

```
Router# show mpls traffic-eng topology 52.2.2.2
```

```

IGP Id: 52.2.2.2, MPLS TE Id:52.2.2.2 Router Node (ospf 1 area 0) id 16
  link[0]: Broadcast, DR: 102.104.2.2, nbr_node_id:17, gen:54, nbr_p:4640A034
  frag_id: 2, Intf Address: 102.104.2.1
  TE metric: 1, IGP metric: 1, attribute flags: 0x0
  SRLGs: None
  physical_bw: 1000000 (kbps), max_reservable_bw_global: 200000 (kbps)
  max_reservable_bw_sub: 120000 (kbps)

```

	Total Allocated BW (kbps)	Global Pool Reservable BW (kbps)	Sub Pool Reservable BW (kbps)
bw[0]:	0	200000	120000
bw[1]:	0	200000	120000
bw[2]:	0	200000	120000
bw[3]:	0	200000	120000
bw[4]:	0	200000	120000
bw[5]:	0	200000	120000
bw[6]:	0	200000	120000
bw[7]:	0	200000	120000

```

  link[1]: Broadcast, DR: 102.103.1.2, nbr_node_id:13, gen:54, nbr_p:4640A36C
  frag_id: 1, Intf Address: 102.103.1.1
  TE metric: 1, IGP metric: 1, attribute flags: 0x0
  SRLGs: 10 20 30 40 50
  physical_bw: 1000000 (kbps), max_reservable_bw_global: 200000 (kbps)
  max_reservable_bw_sub: 120000 (kbps)

```

```
Router# show mpls traffic-eng link-management advertisements
```

```

Flooding Status:      ready
Configured Areas:    1
IGP Area[1] ID::    ospf 1 area 0
  System Information::
    Flooding Protocol:  OSPF
  Header Information::
    IGP System ID:      52.2.2.2
    MPLS TE Router ID:  52.2.2.2
    Flooded Links:      2
Link ID:: 0 (GigabitEthernet0/3/0)
Link Subnet Type:     Broadcast
Link IP Address:      102.103.1.1
Designated Router:    102.103.1.2

```

```

TE metric:          1
IGP metric:        1
SRLGs:            10 20 30 40 50
Physical Bandwidth: 1000000 kbits/sec
Res. Global BW:    200000 kbits/sec
Res. Sub BW:       120000 kbits/sec
Downstream::

```

Flex LSP Non-Revertive 1:1 Path Protection

Currently, MPLS-TE path protection is triggered every time a fail is detected on a working path (assuming a protect path is configured and available). Once the fail is resolved, TE switches back traffic to the working path. The process of switching back the traffic to the working path is done in a make-before-break fashion but it still does not guarantee that traffic jitter or delay is not introduced (due to different path lengths between working and protect paths). This jitter is not desirable in delay-intolerant applications like Circuit Emulation (CEM).

In Cisco IOS XE Everest 16.5.1, TE no longer switches back to the working path when the working path is restored. Instead, the protected path continues to be the working path. This behavior is achieved by configuring a specific attribute, [non-revertive], to the protecting path-options.

However, if the non-revertive option is configured, TE switches back to the working path.

This is the sequence of actions for MPLS TE when the non-revertive protect path is configured:

1. Detects failure on the current path.
2. Switches to the protect path. The protect path now becomes the active non-revertive path (that is, the path carrying traffic).
3. Signals a new path and marks it as pending. This new pending path must be diverse from the active path, only if the diverse option is configured on the protect path option.
4. Re-optimizes this pending path periodically (but at the same time ensures this is diverse from the active non-revertive protect path).
5. Switches over to the pending path, if the active path fails [traffic is wrapped]. Marks pending path as active path. Re-signals a protect path for the new active path.
6. You can force traffic to a pending path by running the command **mpls traffic-eng switch non-revertive**.

In this case, the pending path becomes the current active path and the non-revertive path is re-signaled as a protect path for the new current path.

Configuring Flex LSP Non-Revertive Path Protection

The following command is used to configure the non-revertive path protection:

```
[no] tunnel mpls traffic-eng path-option protect [preference] {diverse | explicit {identifier
[id] | name [name]} | list {identifier [id] | name [name]}} [non-revertive]
```

The following sample configuration illustrates a co-routed Flex LSP enabled with the non-revertive option:



Note Non-revertive must be configured on the both ends of a Flex Tunnel.

```

Router(config)# interface tunnel 1000
Router (config-if)# ip unnumbered loopback0
Router(config-if)# tunnel mode mpls traffic-eng
Router(config-if)# tunnel destination 56.6.6.6
Router(config-if)# tunnel mpls traffic-eng bidir association type co-routed fault-oam wrap
Router(config-if)# tunnel mpls traffic-eng bidir association id 1000 source 55.5.5.5 global
1000
Router(config-if)# tunnel mpls traffic-eng path-selection hop-limit 5
Router(config-if)# tunnel mpls traffic-eng bandwidth 200
Router(config-if)# tunnel mpls traffic-eng autoroute announce
Router (config-if)# tunnel mpls traffic-eng path-option 10 dynamic
Router(config-if)# tunnel mpls traffic-eng path-option protect 10 diverse non-revertive
lockdown

```

Verifying Flex LSP Non-Revertive Path Protection

```
Router# show mpls traffic-eng tunnels tunnel 1000 detail
```

```

Name: Router_t1000                               (Tunnel1000) Destination: 56.6.6.6
Status:
  Admin: up           Oper: up           Path: valid           Signalling: connected
  path option 10, type dynamic (Basis for Setup, path weight 40)
  Path Protection: 0 Common Link(s), 0 Common Node(s)
  path protect option 10, (LOCKDOWN) (NON-REVERTIVE) type diverse (Basis for Protect,
path weight 80)
  Lockout Info:
    Locked Out: No

Config Parameters:
  Bandwidth: 200      kbps (Global) Priority: 7 7 Affinity: 0x0/0xFFFF
  Metric Type: TE (default)
  Path-selection Tiebreaker:
    Global: not set Tunnel Specific: not set Effective: min-fill (default)
  Hop Limit: 5
  Cost Limit: disabled
  Path-invalidation timeout: 45000 msec (default), Action: Tear
  AutoRoute: enabled LockDown: disabled Loadshare: 200 [10000000] bw-based
  auto-bw: disabled
  Protection non-revertive

```

After non-revertive protect path takes over, and primary path is re-signaled, the primary path is in pending reroute stage as below:

```
Router# show mpls traffic-eng tunnels tunnel 2222
```

```

Name: RP1_t2222                               (Tunnel2222) Destination: 10.11.0.5
Status:
  Admin: up           Oper: up           Path: valid           Signalling: connected
  path protect option 1, type explicit expl_route_m3_m22 (Basis for Protect, path weight
61)
  path option 1, type dynamic (Basis for Setup, path weight 62)
  path option 2, type explicit expl_route_m4
Pending Non Revertive is active. Roles switched
  Path Protection: 0 Common Link(s), 0 Common Node(s)
  path protect option 1, type explicit expl_route_m3_m22 (Basis for Protect, path weight
61)
  path protect option 2, type explicit expl_route_m3_m22
  Lockout Info:
    Locked Out: No

Config Parameters:
  Bandwidth: 2      kbps (Global) Priority: 7 7 Affinity: 0x0/0xFFFF
  Metric Type: TE (default)
  Path-invalidation timeout: 45000 msec (default), Action: Tear
  AutoRoute: disabled LockDown: disabled Loadshare: 2 [1000000000] bw-based

```

```

auto-bw: disabled
Protection non-revertive
Association Type: Single Sided Bidirectional LSPs, Co-routed: YES
Association ID: 2222, Source: 2.3.4.5, Global ID: 6
Reverse Bandwidth: 2 kbps, Standby: 2 kbps
Fault-OAM: enabled, Path-Protection: not ready, Wrap-Protection: disabled, Wrap-Capable:
No
Active Path Option Parameters:
  State: explicit path option 1 is active
  BandwidthOverride: disabled LockDown: disabled Verbatim: disabled
InLabel : -
OutLabel : Ethernet0/2, 17
Next Hop : 10.2.0.3

Reverse Associated LSP Information:
  Signaled Name: 10.11.0.5 2222
  Tunnel: 2222, Source: 10.11.0.5, Dest: 10.11.0.1, LSP: 20 State: Up
Lockout Info:
  Locked out: No
  Lockout Originated By: None
Association:
  Association Type: Single Sided Bidirectional LSPs
  Association ID: 2222 Source: 2.3.4.5
  Protecting
Extended Association:
  Global source: 6
  Extended ID:
  0x0A0B0005 (10.11.0.5)
  0x00000014 (0.0.0.20)
  0x00000013 (0.0.0.19)
  0x00000000 (0.0.0.0)
RSVP Signalling Info:
  Src 10.11.0.1, Dst 10.11.0.5, Tun_Id 2222, Tun_Instance 20
RSVP Path Info:
  My Address: 10.2.0.1
  Explicit Route: 10.2.0.3 10.99.0.3 10.99.0.22 10.7.0.22
                  10.7.0.5 10.11.0.5
  Record Route: NONE
  Tspec: ave rate=2 kbits, burst=1000 bytes, peak rate=2 kbits
RSVP Resv Info:
  Record Route: NONE
  Fspec: ave rate=2 kbits, burst=1000 bytes, peak rate=2 kbits
Shortest Unconstrained Path Info:
  Path Weight: 60 (TE)
  Explicit Route: 10.2.0.1 10.2.0.3 10.5.0.3 10.5.0.33
                  10.8.0.33 10.8.0.5 10.11.0.5

History:
Tunnel:
  Time since created: 1 hours, 1 minutes
  Time since path change: 56 minutes, 11 seconds
  Number of LSP IDs (Tun_Instances) used: 20

Current LSP: [ID: 20]
  Uptime: 59 minutes, 56 seconds
  Selection: protected failure
Non Revert LSP: [ID: 33]
  Uptime: 37 seconds
  Prior LSP: [ID: 19]
  ID: path option unknown
  Removal Trigger: path tear

Router# show mpls traffic-eng tunnels tunnel 2222 protection
Router_t2222
LSP Head, Tunnel2222, Admin: up, Oper: up
Src 10.11.0.1, Dest 10.11.0.5, Instance 20

```

```

Fast Reroute Protection: None
Lockout Info:
  Locked Out: No
Pending Non Revertive is active. Roles switched
Path Protection: 0 Common Link(s), 0 Common Node(s)
  Primary lsp path:10.2.0.1 10.2.0.3 Note this is the active non-revertive protect path
                    10.99.0.3 10.99.0.22
                    10.7.0.22 10.7.0.5
                    10.11.0.5
  Protect lsp path:10.3.0.1 10.3.0.4 Note this is the pending path ready to protect
active non-revertive
                    10.6.0.4 10.6.0.44
                    10.9.0.44 10.9.0.5
                    10.11.0.5
Path Protect Parameters:
  Bandwidth: 2      kbps (Global)  Priority: 7 7  Affinity: 0x0/0xFFFF
  Metric Type: TE (default)
InLabel : -
OutLabel : Ethernet0/3, 19
Next Hop : 10.3.0.4
Reverse Associated LSP Information:
  Signaled Name: 10.11.0.5 2222
  Tunnel: 2222, Source: 10.11.0.5, Dest: 10.11.0.1, LSP: 29 State: Up
Lockout Info:
  Locked out: No
  Lockout Originated By: None
Association:
  Association Type: Single Sided Bidirectional LSPs
  Association ID: 2222 Source: 2.3.4.5
Extended Association:
  Global source: 6
  Extended ID:
  0x0A0B0005 (10.11.0.5)
  0x0000001D (0.0.0.29)
  0x00000000 (0.0.0.0)
  0x00000000 (0.0.0.0)
RSVP Signalling Info:
  Src 10.11.0.1, Dst 10.11.0.5, Tun_Id 2222, Tun_Instance 33
RSVP Path Info:
  My Address: 10.3.0.1
  Explicit Route: 10.3.0.4 10.6.0.4 10.6.0.44 10.9.0.44
                  10.9.0.5 10.11.0.5
  Record Route: NONE
  Tspec: ave rate=2 kbits, burst=1000 bytes, peak rate=2 kbits
RSVP Resv Info:
  Record Route: NONE
  Espec: ave rate=2 kbits, burst=1000 bytes, peak rate=2 kbits

```

Flex LSP Sticky

Some tunnel configuration changes (for example, bandwidth) or network events (for example, link failure along the path, a higher priority LSP that preempts the current LSP, or a lockout event on a link along the path) can trigger a new LSP to be signaled. In such instances, the current LSP is switched over to the new LSP in a make-before-break manner.

If the tunnel is running on protect LSP make-before-break is not supported.

The new LSP may have a different path, and lockdown does not prevent this path change. This path change can cause packet jitter that may be unacceptable to Circuit Emulation (CEM) services.

To avoid switching over to a new LSP, a new keyword – sticky is introduced in Cisco IOS XE Everest 16.5.1.

```
tunnel mpls traffic-eng path-option 1 dynamic {lockdown {sticky}}
Router(config-if)# tunnel mpls traffic-eng path-option 1 dynamic lockdown ?
  bandwidth  override the bandwidth configured on the tunnel
  sticky      stay on the same path after change in required resources
```

You can configure lockdown as one of LSP attributes, which in turn is extended with the sticky option.

```
Router(config)#mpls traffic-eng lsp attributes EXAMPLE
Router(config-lsp-attr)#lockdown ?
  sticky  stay on the same path after change in required resources
```



Note The sticky option can be configured only on the primary path option.

Once configured, the protect path option with the same path option index is also sticky. This means that either both primary and protect paths are sticky or none of them are sticky.

Use the following command in EXEC mode to manually trigger rerouting the sticky primary and protect path to override the sticky behavior:

```
mpls traffic-eng reroute {Tunnel <num>}
Router# mpls traffic-eng ?
fast-reroute  fast-reroute command
reoptimize    reoptimize traff-eng tunnels
reroute       allow traff-eng tunnels with sticky path to reroute
setup-timer   set up timer expiration
```

Restrictions

- A primary or protect path becomes sticky if the LSP is connected.
- If the path is for Flex LSP tunnel, the LSP must be bi-directionally connected.
- If BFD is configured, the LSP must be BFD connected.

Configuring Flex LSP Sticky Option



Note Both ends of a Flex LSP tunnel must have the same sticky configuration.

```
!
interface Tunnel1000
 ip unnumbered Loopback0
 tunnel mode mpls traffic-eng
 tunnel destination 56.6.6.6
 tunnel mpls traffic-eng autoroute announce
 tunnel mpls traffic-eng priority 7 7
 tunnel mpls traffic-eng bandwidth 200
 tunnel mpls traffic-eng path-option 10 dynamic lockdown sticky
 tunnel mpls traffic-eng path-option protect 10 diverse non-revertive lockdown
 tunnel mpls traffic-eng bidirectional association id 1000 source-address 55.5.5.5 global-id
 1000
 tunnel mpls traffic-eng bidirectional association type co-routed fault-oam wrap-protection
end
```

Verifying the Flex LSP Sticky Option

```

Router# show mpls traffic-eng tunnels tunnel 1000 detail

Name: asr167_t1000                               (Tunnel1000) Destination: 54.4.4.4
Status:
  Admin: up           Oper: up           Path: valid           Signalling: connected
  path option 10, (LOCKDOWN & STICKY) type dynamic (Basis for Setup, path weight 4)
  Path Protection: 0 Common Link(s), 0 Common Node(s)
  path protect option 10, (LOCKDOWN & STICKY) type diverse (Basis for Protect, path weight
8)
  Lockout Info:
    Locked Out: No

Config Parameters:
  Bandwidth: 200      kbps (Global) Priority: 7 7 Affinity: 0x0/0xFFFF
  Metric Type: TE (default)
  Path-selection Tiebreaker:
    Global: not set Tunnel Specific: not set Effective: min-fill (default)
  Hop Limit: disabled
  Cost Limit: disabled
  Path-invalidation timeout: 10000 msec (default), Action: Tear
  AutoRoute: enabled LockDown(Sticky): enabled Loadshare: 200 [10000000] bw-based
  auto-bw: disabled
  Association Type: Single Sided Bidirectional LSPs, Co-routed: YES
  Association ID: 1000, Source: 56.6.6.6, Global ID: 1000
  Reverse Bandwidth: 200 kbps, Standby: 200 kbps
  Fault-OAM: enabled, Path-Protection: ready, Wrap-Protection: enabled, Wrap-Capable: Yes

  Fault-OAM Events:
Active Path Option Parameters:
  State: dynamic path option 10 is active
  BandwidthOverride: disabled LockDown(Sticky): enabled Verbatim: disabled
Binding SID: 28
Node Hop Count: 2

InLabel : -
OutLabel : GigabitEthernet0/0/1, 121
Next Hop : 102.106.12.1
Reverse Associated LSP Information:
  Signaled Name: 54.4.4.4 1000
  Tunnel: 1000, Source: 54.4.4.4, Dest: 56.6.6.6, LSP: 13 State: Up
Lockout Info:
  Locked out: No
  Lockout Originated By: None
Association:
  Association Type: Single Sided Bidirectional LSPs
  Association ID: 1000 Source: 56.6.6.6
Extended Association:
  Global source: 1000
  Extended ID:
  0x36040404 (54.4.4.4)
  0x0000000D (0.0.0.13)
  0x00000000 (0.0.0.0)
  0x00000000 (0.0.0.0)
RSVP Signalling Info:
  Src 56.6.6.6, Dst 54.4.4.4, Tun_Id 1000, Tun_Instance 18
RSVP Path Info:
  My Address: 102.106.12.2
  Explicit Route: 102.106.12.1 102.104.2.1 102.104.2.2 54.4.4.4
  Record Route: NONE
  Tspec: ave rate=200 kbits, burst=1000 bytes, peak rate=200 kbits
RSVP Resv Info:
  Record Route: NONE

```

```

    Fspec: ave rate=200 kbits, burst=1000 bytes, peak rate=200 kbits
Shortest Unconstrained Path Info:
  Path Weight: 4 (TE)
  Explicit Route: 102.106.12.2 102.106.12.1 102.104.2.1 102.104.2.2
                  54.4.4.4
Sticky Primary Path Info:
  Path Option Index: 10
  Explicit Route: 102.106.12.2 102.106.12.1 102.104.2.1 102.104.2.2
                  54.4.4.4

```

```

History:
Tunnel:
  Time since created: 42 seconds
  Time since path change: 21 seconds
  Number of LSP IDs (Tun_Instances) used: 18
  Current LSP: [ID: 18]
  Uptime: 21 seconds
  Prior LSP: [ID: 16]
  ID: path option unknown
  Removal Trigger: path error

```

Router# show mpls traffic-eng tunnels tunnel 1000 protection

```

asr167_t1000
LSP Head, Tunnel1000, Admin: up, Oper: up
Src 56.6.6.6, Dest 54.4.4.4, Instance 18
Fast Reroute Protection: None
Lockout Info:
  Locked Out: No
Path Protection: 0 Common Link(s), 0 Common Node(s)
  Primary lsp path: 102.106.12.2 102.106.12.1 102.104.2.1 102.104.2.2
                  54.4.4.4
  Protect lsp path: 101.106.1.2 101.106.1.1 101.105.7.1 101.105.7.2
                  103.105.9.2 103.105.9.1 103.104.10.1 103.104.10.2
                  54.4.4.4
Path Protect Parameters:
  Bandwidth: 200 kbps (Global) Priority: 7 7 Affinity: 0x0/0xFFFF
  Metric Type: TE (default)
InLabel : -
OutLabel : GigabitEthernet0/0/2, 133
Next Hop : 101.106.1.1
Reverse Associated LSP Information:
  Signaled Name: 54.4.4.4 1000
  Tunnel: 1000, Source: 54.4.4.4, Dest: 56.6.6.6, LSP: 15 State: Up
Lockout Info:
  Locked out: No
  Lockout Originated By: None
Association:
  Association Type: Single Sided Bidirectional LSPs
  Association ID: 1000 Source: 56.6.6.6
  Protecting
Extended Association:
  Global source: 1000
  Extended ID:
  0x38060606 (56.6.6.6)
  0x00000013 (0.0.0.19)
  0x00000012 (0.0.0.18)
  0x00000000 (0.0.0.0)
RSVP Signalling Info:
  Src 56.6.6.6, Dst 54.4.4.4, Tun_Id 1000, Tun_Instance 19
RSVP Path Info:
  My Address: 101.106.1.2
  Explicit Route: 101.106.1.1 101.105.7.1 101.105.7.2 103.105.9.2
                  103.105.9.1 103.104.10.1 103.104.10.2 54.4.4.4
  Record Route: NONE
  Tspec: ave rate=200 kbits, burst=1000 bytes, peak rate=200 kbits

```

```

RSVP Resv Info:
  Record Route: NONE
  Fspec: ave rate=200 kbits, burst=1000 bytes, peak rate=200 kbits
Sticky Protect Path Info:
  Path Option Index: 10
  Explicit Route: 101.106.1.2 101.106.1.1 101.105.7.1 101.105.7.2
                  103.105.9.2 103.105.9.1 103.104.10.1 103.104.10.2
                  54.4.4.4

```

Flex LSP Hop Count and Cost-Max Limit

In some scenarios, path hop count is used as an estimate of path delay between a source node and destination node.

The hop-limit is the number of nodes in the path, excluding the headend. For example, a single-hop tunnel has a headend router and a tailend router, but no mid-node routers, a two-hop tunnel has a single mid-node router and a tailend router, and so on.

You can configure the hop-limit applicable to a specific tunnel. For example,

```

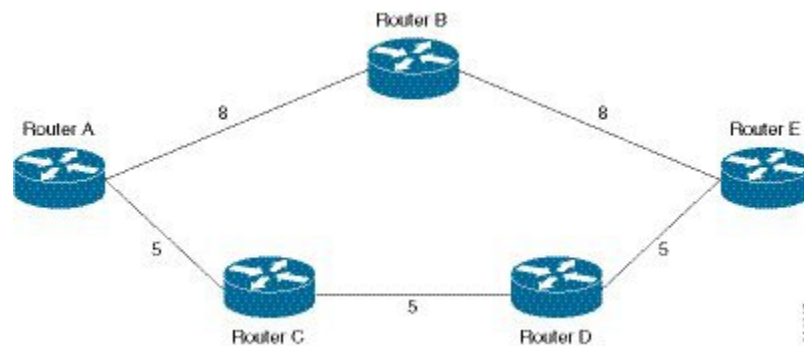
Router(config)# interface tunnel 1400
Router(config-if)# tunnel mpls traffic-eng path-selection hop-limit <1-255>

```

Consider the following simple topology with only the path cost and path hop count. The number indicated along each link segment is the link cost.

Without any hop-limit, the best path from Router A to Router E as selected by PCALC is [A, C, D, E] since this path has lower accumulated path cost than the other path [A, B, E]. If hop-limit is set to two, then the *best* path that can pass this check is [A, B, E] even though it has higher accumulated path cost.

Figure 12: Topology: Hop Count and Path Cost



Flex LSP Cost-Max Limit

In some scenarios, accumulated path cost is used as an estimate for path delay between a source node and destination node. The intent is to ensure that the accumulated path cost of a chosen path is not higher than a configured limit. A cost limit check is added after the CSPF determines the best path (lowest cost path that satisfied the path request constraints) from source node to destination node, and that for path verification.



Note Ensure that the accumulated path cost for co-routed bidirectional LSP includes both, forward and reverse path cost.

To configure the hop-limit that is applicable to a specific tunnel, use:

```
Router(config)# interface tunnel 1400
Router(config-if)# tunnel mpls traffic-eng path-selection cost-limit <1-4294967295>
```

Configuring Flex LSP Hop Count and Cost-Max Limit

Configure each end of the co-routed bi-directional LSP independently. Ensure that cost-limit and hop-limit on both ends are configured in the same way.

```
Router(config)# interface tunnel 1000
Router(config-if)# ip unnumbered loopback0
Router(config-if)# tunnel mode mpls traffic-eng
Router(config-if)# tunnel destination 56.6.6.6
Router(config-if)# tunnel mpls traffic-eng bidir association type co-routed fault-oam wrap
Router(config-if)# tunnel mpls traffic-eng bidir association id 1000 source 55.5.5.5 global
1000
Router(config-if)# tunnel mpls traffic-eng path-selection hop-limit 5
Router(config-if)# tunnel mpls traffic-eng bandwidth 200
Router(config-if)# tunnel mpls traffic-eng autoroute announce
Router(config-if)# tunnel mpls traffic-eng path-option 10 dynamic

Router(config)# interface tunnel 3000
Router(config-if)# ip unnumbered loopback0
Router(config-if)# tunnel mode mpls traffic-eng
Router(config-if)# tunnel destination 56.6.6.6
Router(config-if)# tunnel mpls traffic-eng bidir association type co-routed fault-oam wrap
Router(config-if)# tunnel mpls traffic-eng bidir association id 3000 source 55.5.5.5 global
3000
Router(config-if)# tunnel mpls traffic-eng path-selection cost-limit 50
Router(config-if)# tunnel mpls traffic-eng bandwidth 200
Router(config-if)# tunnel mpls traffic-eng autoroute announce
Router(config-if)# tunnel mpls traffic-eng path-option 10 dynamic
```

Verifying Flex LSP Hop Count and Cost-Max Limit

```
Router# show mpls traffic-eng tunnels tunnel 1000 detail
```

```
Name: Router_t1000 (Tunnel1000) Destination: 56.6.6.6
Status:
  Admin: up      Oper: up      Path: valid      Signalling: connected
  path option 10, type dynamic (Basis for Setup, path weight 40)
Lockout Info:
  Locked Out: No

Config Parameters:
  Bandwidth: 200 kbps (Global) Priority: 7 7 Affinity: 0x0/0xFFFF
  Metric Type: TE (default)
  Path-selection Tiebreaker:
    Global: not set Tunnel Specific: not set Effective: min-fill (default)
Hop Limit: 5
```

```
Router# show mpls traffic-eng tunnels tunnel 3000 detail
```

```
Name: Router_t3000 (Tunnel3000) Destination: 56.6.6.6
Status:
  Admin: up      Oper: up      Path: valid      Signalling: connected
  path option 10, type dynamic (Basis for Setup, path weight 40)
Lockout Info:
  Locked Out: No

Config Parameters:
  Bandwidth: 200 kbps (Global) Priority: 7 7 Affinity: 0x0/0xFFFF
  Metric Type: TE (default)
```

```

Path-selection Tiebreaker:
  Global: not set   Tunnel Specific: not set   Effective: min-fill (default)
Hop Limit: disabled
Cost Limit: 50

```



Note The accumulated path cost for co-routed bidirectional LSP includes both, forward and reverse path cost.

Flex LSP ECMP min-fill, max-fill, random

MPLS TE chooses the least utilized path given the same accumulated path cost and hop count. However, in Cisco IOS XE Everest 16.5.1, you can steer traffic to an alternate path, depending on:

Tie-breaker 1: min-fill (choose least-utilized path)

- Smaller path cost value
- Larger path minimum bandwidth
- Smaller hop count value
- Lexicographically selects a greater path bandwidth vector (bandwidth value is sorted in ascending order)

Tie-breaker 2: max-fill (choose most-utilized path)

- Smaller path cost value
- Smaller path minimum bandwidth
- Smaller hop count value
- Lexicographically selects a smaller path bandwidth vector (bandwidth value is sorted in ascending order)

Tie-breaker 3: random

- Smaller path cost value
- Smaller hop count value
- Randomly selects a path regardless of the path bandwidth value (as long as it satisfies the request constraints)

The key decision criterion is still path cost; the tie-breakers evaluate, in sequence, until a path is selected. The random tie-breaker does not take the available link bandwidth into consideration.

Configuring Flex LSP ECMP min-fill and max-fill

ECMP can be configured globally or specifically to a tunnel. Tunnel specific configuration override the global tiebreaker selection. The default selection algorithm is min-fill.

For a Flex LSP co-routed tunnel, the same path-selection tiebreaker should be configured on each end of the bi-directional LSP.

Global Configuration Command

```

Router(config)# mpls traffic-eng path-selection tiebreaker ?
max-fill  Use max-fill tiebreaker

```

```

min-fill  Use min-fill tiebreaker
random    Use random tiebreaker

```

Use the **no mpls traffic-eng path-selection tiebreaker** command to remove the global configuration.

Tunnel-Specific Configuration Commands

Configure path selection tiebreaker that is applicable to a specific tunnel. Tunnel specific configuration override global tiebreaker configuration.

```

Router(config)# interface tunnel 1400
Router(config-if)# tunnel mpls traffic-eng path-selection tiebreaker ?
    max-fill  Use max-fill tiebreaker
    min-fill  Use min-fill tiebreaker
    random    Use random tiebreaker

```

Use the **no tunnel mpls traffic-eng path-selection tiebreaker** command to remove the tunnel-specific configuration.

```

Router(config)# interface tunnel 2000
Router(config-if)# ip unnumbered loopback0
Router(config-if)# tunnel mode mpls traffic-eng
Router(config-if)# tunnel destination 56.6.6.6
Router(config-if)# tunnel mpls traffic-eng bidir association type co-routed fault-oam wrap
Router(config-if)# tunnel mpls traffic-eng bidir association id 2000 source 55.5.5.5 global
2000
Router(config-if)# tunnel mpls traffic-eng path-select tie min-fill
Router(config-if)# tunnel mpls traffic-eng bandwidth 5000
Router(config-if)# tunnel mpls traffic-eng autoroute announce
Router(config-if)# tunnel mpls traffic-eng path-option 10 dynamic

Router(config)# interface tunnel 2000
Router(config-if)# ip unnumbered loopback0
Router(config-if)# tunnel mode mpls traffic-eng
Router(config-if)# tunnel destination 56.6.6.6
Router(config-if)# tunnel mpls traffic-eng bidir association type co-routed fault-oam wrap
Router(config-if)# tunnel mpls traffic-eng bidir association id 2000 source 55.5.5.5 global
2000
Router(config-if)# tunnel mpls traffic-eng path-select tie max-fill
Router(config-if)# tunnel mpls traffic-eng bandwidth 5000
Router(config-if)# tunnel mpls traffic-eng autoroute announce
Router(config-if)# tunnel mpls traffic-eng path-option 10 dynamic

```

Verifying the Flex LSP ECMP min-fill and max-fill

Global Commands

To display the current global tiebreaker value.

- If the global tiebreaker is not set, the effective tiebreaker is the default setting (min-fill).
- If the global tiebreaker is set, it is the effective tiebreaker as well.

```
Router# show mpls traffic-eng path-selection tiebreaker
```

```

Global Path Selection Tiebreaker
-----
Configured Tiebreaker: not set
Effective Tiebreaker: min-fill (default)

```

Tunnel-Specific Commands

To display current tiebreaker configuration of a tunnel:

```
Router# show mpls traffic-eng tunnels tunnel 1400 path-selection tiebreaker
Tunnel Name          Global      Tunnel Specific    Effective
Router_t1400         not set    max-fill           max-fill
```

To display the tiebreaker:

```
Router# show mpls traffic-eng tunnels tunnel 2000 detail
```

```
Name: Router_t2000 (Tunnel2000) Destination: 56.6.6.6
Status:
  Admin: up      Oper: up      Path: valid      Signalling: connected
  path option 10, type dynamic (Basis for Setup, path weight 80)
Lockout Info:
  Locked Out: No

Config Parameters:
  Bandwidth: 5000 kbps (Global) Priority: 7 7 Affinity: 0x0/0xFFFF
  Metric Type: TE (default)
Path-selection Tiebreaker:
  Global: not set Tunnel Specific: min-fill Effective: min-fill
  Hop Limit: 5
  Cost Limit: disabled
  Path-invalidation timeout: 45000 msec (default), Action: Tear
  AutoRoute: enabled LockDown: disabled Loadshare: 5000 [400000] bw-based
  auto-bw: disabled
  Association Type: Single Sided Bidirectional LSPs, Co-routed: YES
```

Use the **debug mpls traffic-eng path ecmp** command to display the ECMP-related debug information, such as for BWV comparison when all other tiebreakers failed to yield a selected path. Use this command in conjunction with the **debug mpls traffic-eng path spf** or **debug mpls traffic-eng path lookup** commands.

Restore Path Option

The restore path option signals a restore LSP after the double failure of both, primary and protect LSPs. The restore LSP is signaled only after both, primary and protect LSPs fail or are administratively down and it is destroyed when the primary LSP comes back up. If the sticky option is configured, and both, primary and protect LSPs fail, restore LSP is destroyed when either the primary or protect LSP comes up. Also, restore LSP can be SRLG capable if it is configured.



Note Traffic loss is expected and acceptable until the restore LSP is signaled and established.

When the primary LSP recovers, traffic is automatically switched back to the primary LSP (make-before-break scenario) and restore LSP is torn down. If the sticky option is configured in the path option, protect LSP can recover before the primary LSP. In this case, traffic reverted to the protect LSP and the restore LSP is torn down.

To enable restore LSP for a tunnel, configure the restore path option under the tunnel interface using the command:

```
tunnel mpls traffic-eng path-option restore <index> [dynamic | explicit]
```

Multiple restore path options can be configured on a tunnel. However, only the restore path option with the same index as the path option used by primary LSP is used for establishing the restore LSP. For example, after primary and protect LSPs associated with the path option index X are administratively down, restore LSP is signaled using the restore path option with index X, if it is configured. Else, no restore LSP is signaled.



Note Restore path option is supported for unidirectional, bidirectional co-routed, or non co-routed tunnels. It is not supported for lockout, sticky, and non-revertive modes.

Configuring the Restore Path Option

```
tunnel mpls traffic-eng path-option restore <index> [dynamic | explicit]
Router(config-if)# tunnel mpls traffic-eng path-option ?
<1-1000> preference for this path option
protect    a path protection setup option
restore    a path restore setup option
```

Verifying the Restore Path Option

The following is an example of the information displayed for the tunnel when restore LSP is carrying traffic:

```
Router# show mpls traffic-eng tunnels Tunnel 100
Name: iolA_t100 (Tunnel100) Destination: 192.168.1.4
Status:
  Admin: up      Oper: up      Path: valid      Signalling: connected
  path restore option 1, type dynamic (Basis for Restore, path weight 40)
  path option 1, (LOCKDOWN & STICKY) type dynamic
  Path Protection: Requested
  path protect option 1, (LOCKDOWN & STICKY) type diverse
  Path Restore: Restore lsp in use.
  path restore option 1, type dynamic (Basis for Restore, path weight 40)
  Lockout Info:
    Locked Out: No

Router# show running-config interface tunnel 1000
Building configuration...

Current configuration: 675 bytes
!
interface Tunnel1000
ip unnumbered Loopback0
tunnel mode mpls traffic-eng
tunnel destination 56.6.6.6
tunnel mpls traffic-eng autoroute announce
tunnel mpls traffic-eng priority 7 7
tunnel mpls traffic-eng bandwidth 200
tunnel mpls traffic-eng path-option 10 dynamic lockdown sticky
tunnel mpls traffic-eng path-option protect 10 diverse non-revertive lockdown
tunnel mpls traffic-eng path-option restore 10 dynamic
tunnel mpls traffic-eng bidirectional association id 1000 source-address 55.5.5.5 global-id
 1000
tunnel mpls traffic-eng bidirectional association type co-routed fault-oam wrap-protection
tunnel mpls traffic-eng bfd encap-mode gal flex_bfd

Router# show mpls traffic-eng tunnels tunnel 1000

Name: Router_t1000 (Tunnel1000) Destination: 56.6.6.6
Status:
  Admin: up Oper: up Path: valid Signalling: connected
  path restore option 10, type dynamic (Basis for Restore, path weight 6)
  path option 10, (LOCKDOWN & STICKY) type dynamic
  Path Protection: Requested
  path protect option 10, (LOCKDOWN & STICKY) type (NON-REVERTIVE)diverse
  Path Restore: Restore lsp in use.
  path restore option 10, type dynamic (Basis for Restore, path weight 6)
  Lockout Info:
```


Locked Out: No

Config Parameters:

Bandwidth: 200 kbps (Global) Priority: 7 7 Affinity: 0x0/0xFFFF
 Metric Type: TE (default)
 Path-selection Tiebreaker:
 Global: not set Tunnel Specific: not set Effective: min-fill (default)
 Hop Limit: disabled
 Cost Limit: disabled
 Path-invalidation timeout: 10000 msec (default), Action: Tear
 AutoRoute: enabled LockDown: disabled Loadshare: 200 [10000000] bw-based
 auto-bw: disabled
 Association Type: Single Sided Bidirectional LSPs, Co-routed: YES
 Association ID: 1000, Source: 55.5.5.5, Global ID: 1000
 Reverse Bandwidth: 200 kbps, Standby: 200 kbps
 Fault-OAM: enabled, Path-Protection: no protection, Wrap-Protection: enabled, Wrap-Capable:
 No
 BFD:
 Mode: GAL
 Template: flex_bfd
 BFD Counters:
 Session create: 14
 Session delete: 11
 Session create error: 0
 Session delete error: 0
 Active Path Option Parameters:
 State: dynamic path option 10 is active
 BandwidthOverride: disabled LockDown: disabled Verbatim: disabled
 Node Hop Count: 3

InLabel: -
 OutLabel: GigabitEthernet0/3/0, 21
 Next Hop: 101.105.1.1
 Reverse Associated LSP Information:
 Signaled Name: 56.6.6.6 1000
 Tunnel: 1000, Source: 56.6.6.6, Dest: 55.5.5.5, LSP: 133 State: Up
 Lockout Info:
 Locked out: No
 Lockout Originated By: None
 Association:
 Association Type: Single Sided Bidirectional LSPs
 Association ID: 1000 Source: 55.5.5.5
 Restoring
 Extended Association:
 Global source: 1000
 Extended ID:
 0x38060606 (56.6.6.6)
 0x00000085 (0.0.0.133)
 0x00000000 (0.0.0.0)
 0x00000005 (0.0.0.5)
 RSVP Signalling Info:
 Src 55.5.5.5, Dst 56.6.6.6, Tun_Id 1000, Tun_Instance 91
 RSVP Path Info:
 My Address: 101.105.1.2
 Explicit Route: 101.105.1.1 101.102.6.1 101.102.6.2 102.106.2.1
 102.106.2.2 56.6.6.6
 Record Route: NONE
 Tspec: ave rate=200 kbits, burst=1000 bytes, peak rate=200 kbits
 RSVP Resv Info:
 Record Route: NONE
 Fspec: ave rate=200 kbits, burst=1000 bytes, peak rate=200 kbits
 Shortest Unconstrained Path Info:
 Path Weight: 6 (TE)
 Explicit Route: 101.105.5.2 101.105.5.1 101.102.6.1 101.102.6.2

```
102.106.2.1 102.106.2.2 56.6.6.6
Sticky Primary Path Info:
Path Option Index: 10
Explicit Route: 102.105.12.2 102.105.12.1 102.106.2.1 102.106.2.2
56.6.6.6
Reason for the tunnel being down: Bidirectional: standby error from [56.6.6.6][TAIL] LSP[73]

History:
Tunnel:
Time since created: 34 minutes, 3 seconds
Time since path change: 4 seconds
Number of LSP IDs (Tun_Instances) used: 91
Current LSP: [ID: 91]
Uptime: 9 seconds
Selection:
Prior LSP: [ID: 77]
ID: path option 10 [102]
Removal Trigger: path verification failed
Last Error: CTRL:: Explicit path has unknown address, 102.105.12.2
```