



Cisco Multi-purpose Integrated Antenna (ANT-MP-INT-OUT-M)

This chapter contains the following:

- [Overview, on page 1](#)
- [Technical Specifications, on page 1](#)
- [Radiation Patterns, on page 3](#)
- [Integrated Antenna Kit, on page 8](#)
- [General Safety Precautions, on page 9](#)
- [Guidelines to Achieving Optimal RF and Antenna Performance, on page 11](#)
- [Antenna Installation, on page 14](#)
- [Communications, Services, and Additional Information, on page 16](#)

Overview

The Cisco Multipurpose Integrated Antenna is designed to cover domestic frequencies from 806 to 960 MHz and 1710 to 2700 MHz.

This antenna is designed for direct mounting on the CGR1240 and has an MCX connector.

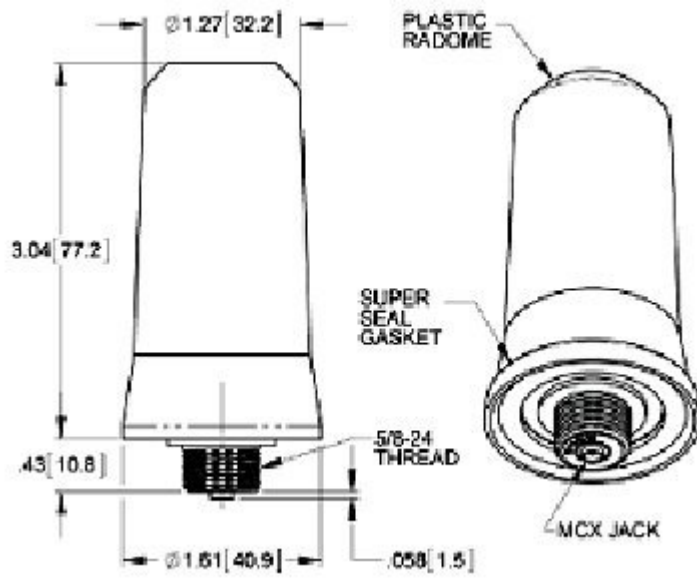
This chapter covers the following topics:

Technical Specifications

The Multi-purpose Integrated Antenna features the following:

- Indoors and outdoors
- Low-profile housing
- Adjustable mounting brackets
- Supports 3G and 4G

Figure 1: Monopole Antenna



RF Specifications

The following is a summary of the monopole Radio Frequency (RF) antenna specifications:

Specification	Description
Operating frequency range	806 to 960 MHz 1710 to 2170 MHz 2300 to 2700 MHz
VSWR	2:1 max
Peak gain 806 to 960 MHz	2.8 dBi
Peak gain 1710 to 2170 MHz	3.5 dBi
Peak gain 2300 to 2700 MHz	4.0 dBi
Average gain @15 degrees elevation 806 to 960 MHz	0.0 dBi +/- 1.0 dB
Average gain @15 degrees elevation 1710 to 2170 MHz	1.0 dBi +/- 1.0 dB
Average gain @15 degrees elevation 2300 to 2700 MHz	2.5 dBi +/- 1.0 dB
Efficiency 806 to 960/1710 to 2170/2300 to 2700 MHz:	60% minimum
Polarization	Vertical -3 dB beamwidth
Horizontal plane	Omni
Vertical plane 806 to 960 MHz	59 degrees average
Vertical plane 1710 to 2170 MHz	46 degrees average

Specification	Description
Vertical plane 2300 to 2700 MHz	40 degrees average
Power withstanding	10 W
Connector type	MCX jack

Mechanical Specifications

The following is a summary of the monopole antenna mechanical specifications:

Specification	Description
Plastic radome	PC/polyester blend, Makroblend EL 703, .110 think min.
Flammability	UL94 V-0
Color	Cisco gray
Ingress protection	IP67
Weight	90 g
Wind-loading	165 MPH
Overall length	3.04 inches
Installation torque	6 to 9 ft/lbs
Installation tool	Recommended strap wrench, similar to McMaster Car P/N: 5448A31
Operating temperature	-40 to 185 degrees F (-40 to 85 degrees C)

Radiation Patterns

All radiation patterns, gain, and VSWR are measured with the antenna mounted at the center of a 12-by-12-inch ground plane.

Figure 2: Radiation Pattern—Vertical Plane

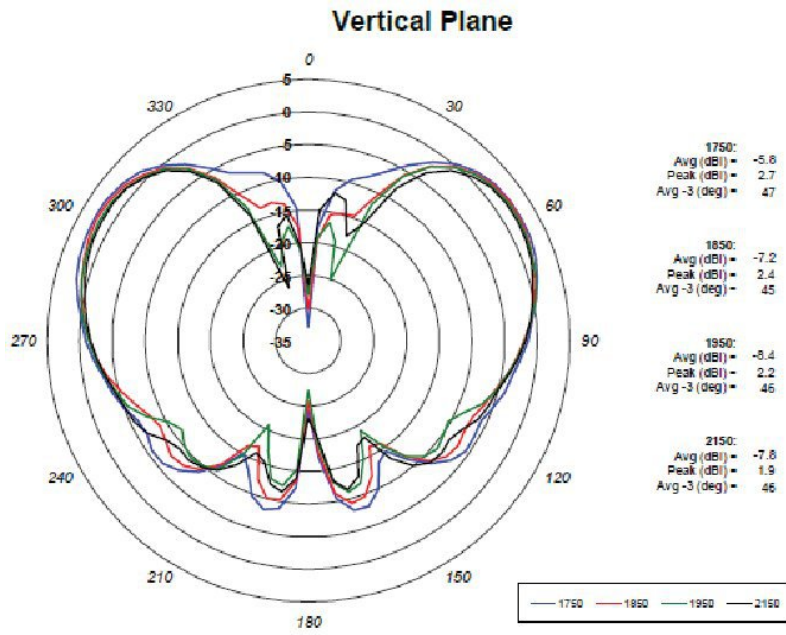


Figure 3: Radiation Pattern—Vertical Plane

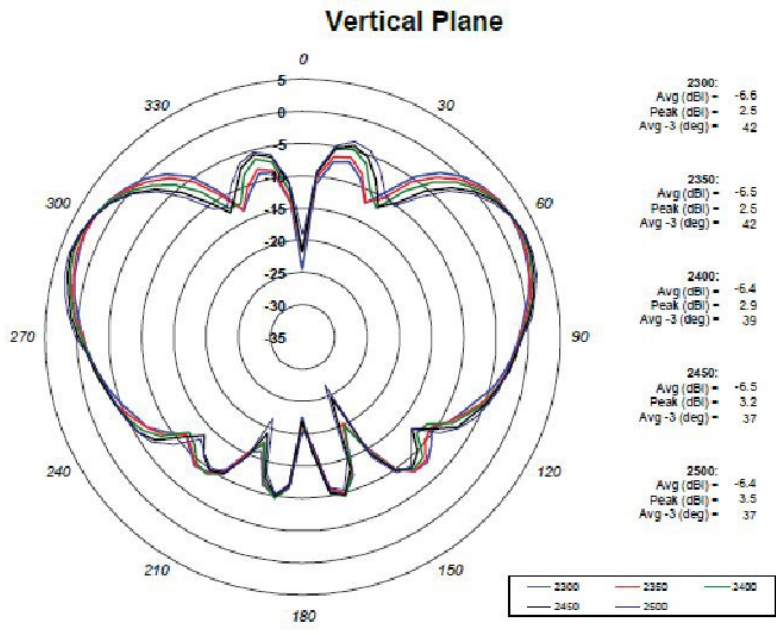


Figure 4: Radiation Pattern—Vertical Plane

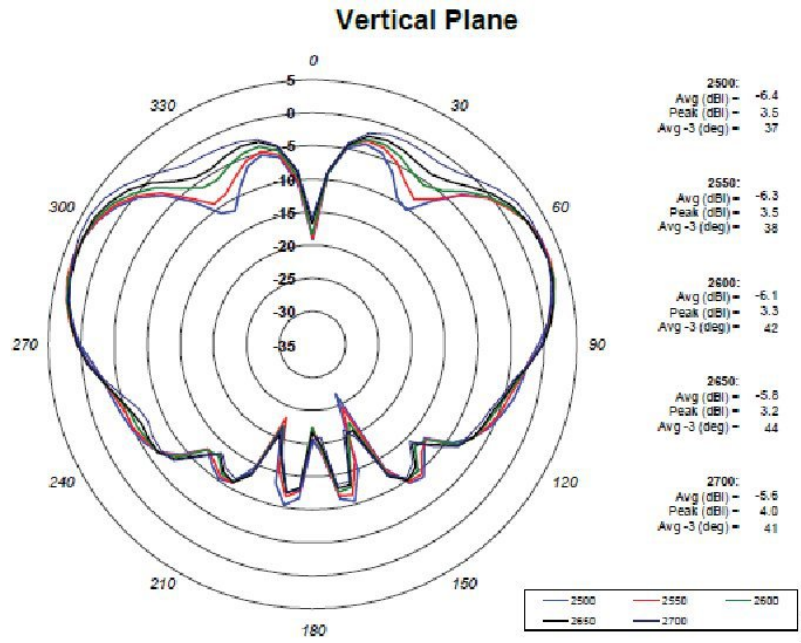


Figure 5: Radiation Pattern—Horizontal Plane

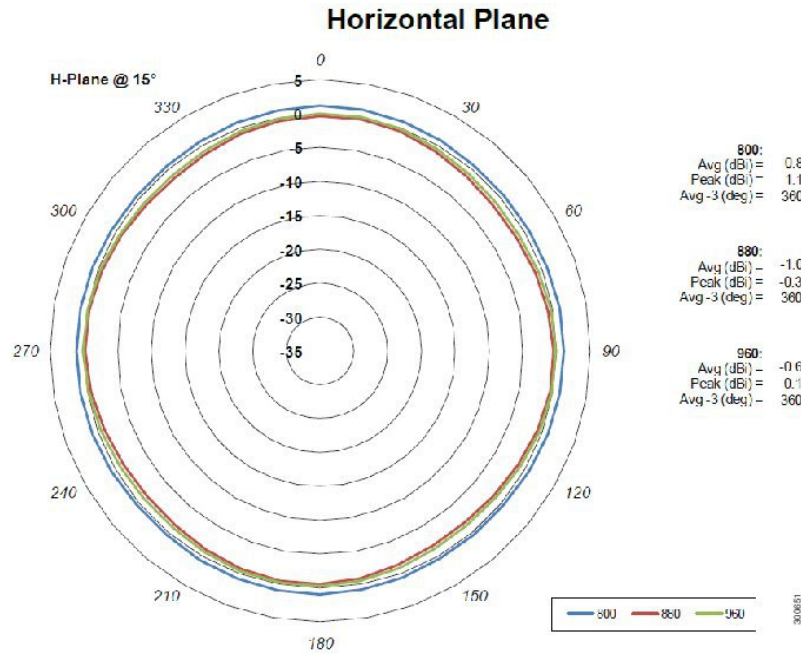


Figure 6: Radiation Pattern—Horizontal Plane

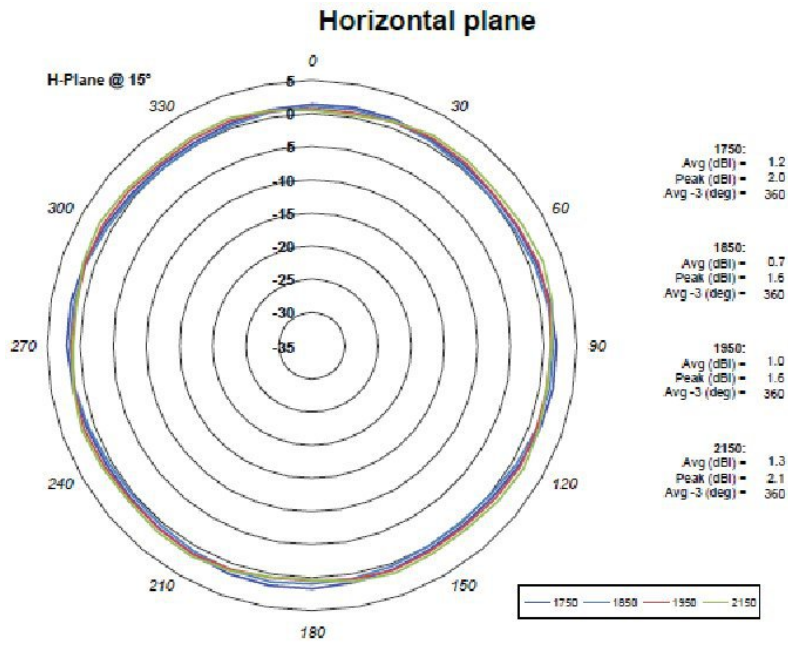


Figure 7: Radiation Pattern—Horizontal Plane

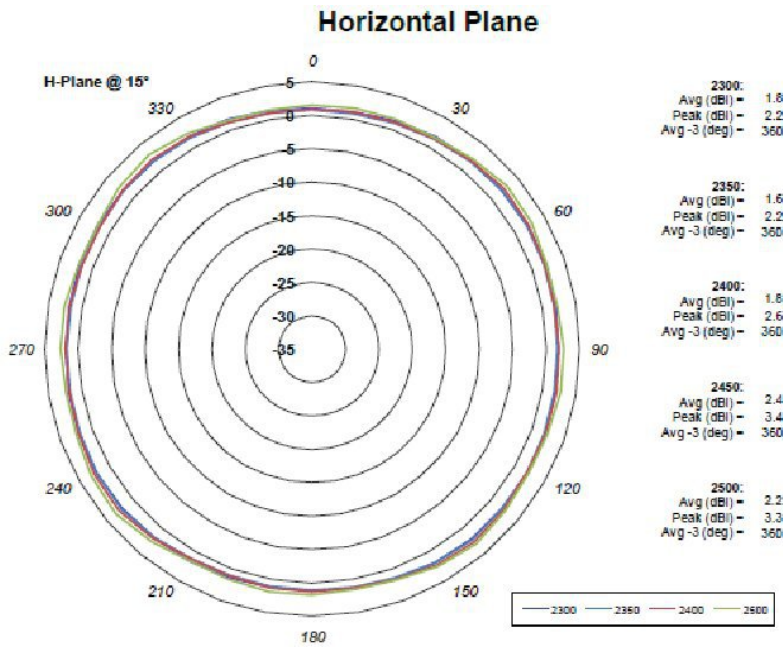


Figure 8: Radiation Pattern—Horizontal Plane

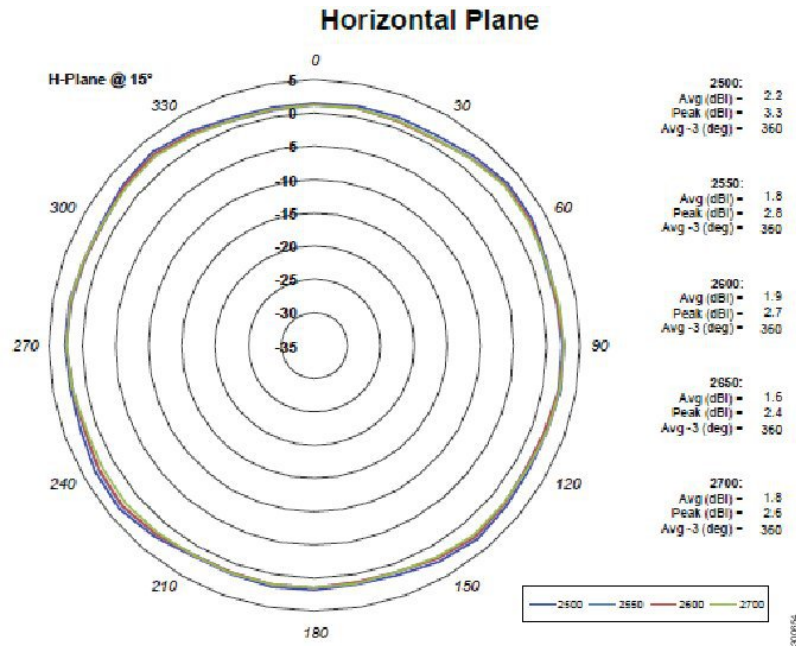


Figure 9: Radiation Pattern—VSWR

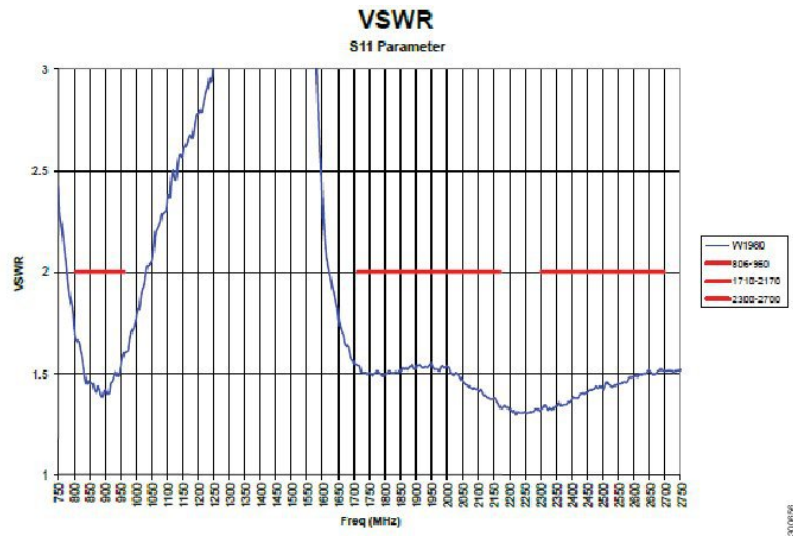


Figure 10: Radiation Pattern—Peak Gain

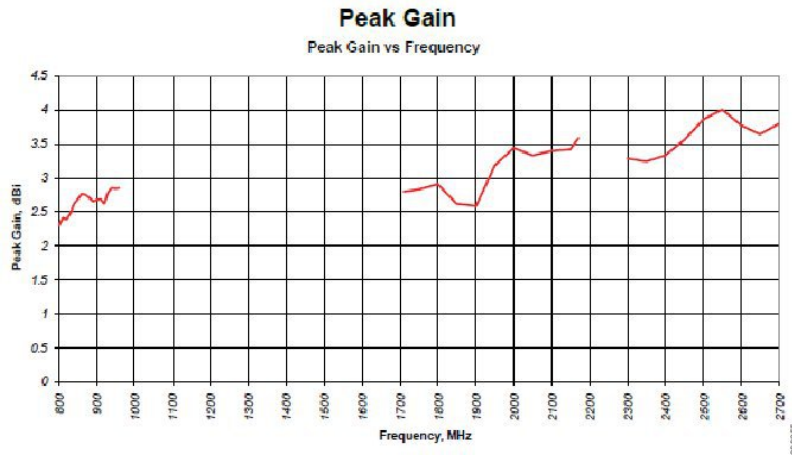
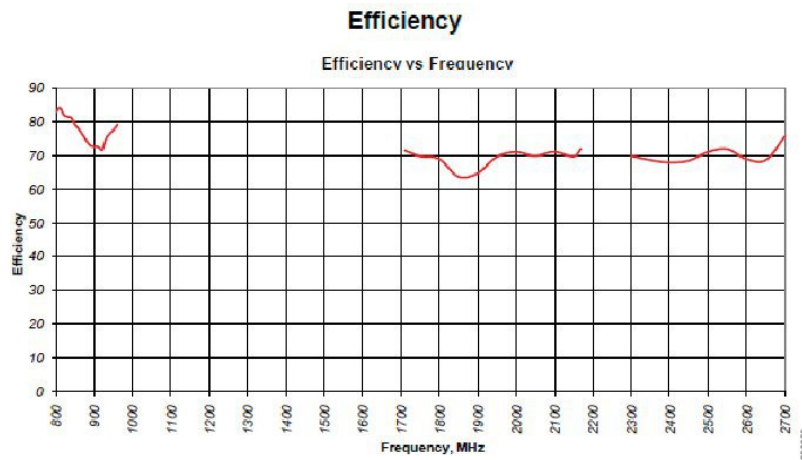


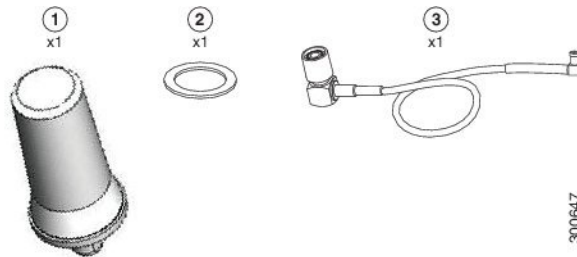
Figure 11: Radiation Pattern—Efficiency



Integrated Antenna Kit

The multi-purpose integrated antenna is shown here but the kit is identical for all antenna models.

Figure 12: Antenna Kit



1	Module antenna, with integrated coaxial cable	2	Rubber gasket
3	Cable		

Integrated Antenna End Kit Inventory

The multi-purpose integrated antenna kit is identical for all antenna models.

- Antenna-to-module coaxial cable (MCX-to-QMA, 10.5")
- Coax seal
- Tie wrap

Mounted Antenna End Kit Inventory

- N-connector
- Weather-proof coaxial seal
- Electrical joint compound
- Universal MCX-to-QMA cable (10.5")
- Tie wraps
- Cap

General Safety Precautions



Warning

This warning symbol means danger. You are in a situation that could cause bodily injury. Before you work on any equipment, be aware of the hazards involved with electrical circuitry and be familiar with standard practices for preventing accidents. Use the statement number provided at the end of each warning to locate its translation in the translated safety warnings that accompanied this device. **Statement 1071**



Warning

Do not work on the system or connect or disconnect cables during periods of lightning activity. **Statement 1001**



Warning

Do not locate the outdoor antenna near overhead power lines or other electric light or power circuits, or where it can come into contact with such circuits. When installing the antenna, take extreme care not to come into contact with such circuits, as they may cause serious injury or death. For proper installation and grounding of the antenna, please refer to national and local codes (for example, U.S.:NFPA 70, National Electrical Code, Article 810, Canada:Canadian Electrical Code, Section 54). **Statement 1052**

**Warning**

In order to comply with FCC radio frequency (RF) exposure limits, antennas should be located at a minimum of 7.9 inches (20 cm) or more from the body of all persons. **Statement 332**

**Note**

For your safety, and to help you achieve a good installation, please read and follow these safety precautions.

Mast Mounted or Building Mounted Installations

The following instructions are common to most mast mounted or building mounted installations. For specific installation instructions for each antenna, see the antenna data-sheet and the router hardware installation guide.

- Find someone to help you—installing an antenna is often a two-person job.
- Select your installation site with safety, as well as performance, in mind. Remember that electric power lines and phone lines look alike. For your safety, assume that any overhead line can kill you.
- Contact your electric power company. Tell them your plans and ask them to come look at your proposed installation.
- Do not use a metal ladder.
- Do not work on a wet or windy day.
- Do dress properly—wear shoes with rubber soles and heels, rubber gloves, and a long-sleeved shirt or jacket.
- If the assembly starts to drop, move away from it and let it fall. Because the antenna, mast, cable, and metal guy wires are all excellent conductors of electrical current, even the slightest touch of any of these parts to a power line completes an electrical path through the antenna and the installer.
- If any part of the antenna system should come in contact with a power line, do not touch it or try to remove it yourself. Call your local power company to have it removed safely.
- If an accident should occur with the power lines, call for qualified emergency help immediately.
- Assemble your new antenna on the ground or a level surface at the installation site.
- Connect its coaxial cable while you are on the ground and attach the antenna to the mast.
- Ensure that the mast does not fall as you raise or remove it. Use a durable non-conductive rope secured at each two foot level as the mast is raised. Have an assistant tend the rope, ready to pull the mast clear of any hazards (such as power lines) should it begin to fall.
- Use the mounting bracket provided with the antenna.
- If the installation will use guy wires:
 - Install guy anchor bolts.
 - Estimate the length of guy wire and cut it before raising the mast.
 - Attach guy wires to a mast using guy rings.
 - In the case of a guyed (tall, thin mast) installation, you must have at least one assistant to hold the mast upright while the guy wires are attached and tightened to the anchor bolts.

- Attach a “DANGER” label at eye level on the mast.
- Install ground rods to remove any static electricity buildup and connect a ground wire to the mast and ground rod. Use ground rods designed for that purpose, not a spare piece of pipe.

Unused Antenna Ports

Port plugs must be installed in any unused antenna ports.

The weatherproof caps on the connectors protect the router interior from environmental elements including water, heat, cold, and dust. They are installed on unused ports before the router is shipped.

When you install a new antenna in a port with an N-connector:

- Chassis-mounted antennas—Remove the weather proof cap before installing a chassis-mounted antenna.
- External antennas—Remove weatherproof cap, then connect the supported Cisco cable to the connector.

Guidelines to Achieving Optimal RF and Antenna Performance

Antennas are a critical component of a wireless communication system. Selecting a suitable antenna, an optimal antenna location, or antenna site is essential for optimum performance of a wireless links.

This section covers general tips for optimizing RF performance of indoor and outdoor terrestrial radio systems in the 400-7125 MHz frequency range. Examples of terrestrial radio systems include 4G LTE, 5G NR, Wi-Fi, LoRa, LR-WPAN and similar. In this context GPS SPS would not be considered a terrestrial system as the signal is received from space, not from another terrestrial site.

Because the antenna transmits and receives radio signals over the air, overall RF performance of the link is susceptible to RF obstructions and common sources of RF interference that can reduce throughput and range of the system.

Follow these guidelines to optimize performance. When in doubt, consult a qualified RF professional, and check with your solution partner for specific recommendations.

Antenna Model Selection and Performance

Consider the following when planning your installation:

- When selecting the antenna, ensure that it covers the frequency ranges or frequency bands of interest, and that it has good RF parameters such as antenna efficiency, VSWR and suitable radiation pattern for every frequency range that your application will use with this antenna.
- Antenna pattern is important. Omni-directional antennas have lower gain, but allow communicating to devices in all azimuth directions. Directional antennas concentrate the beam in a specific direction, making them ideal for point to point communication.
- When a system has multiple RF ports for receive and / or transmit, as is the case for 4G LTE , 5G NR or Wi-Fi, it is highly recommended to populate all the RF ports with suitable antennas to take advantage of MIMO, rather than rely on a single port or single antenna to save on cost. Please see the MIMO section for a detailed description of MIMO benefits.
- For RF systems that support multiple RF ports and multiple RF standards such as LTE, Wi-Fi, and GPS: consider using a multi-element antenna that integrates multiple antennas under the same radome (cover).

Doing so may reduce cost compared to deploying and mounting a discrete single port antenna for every RF port.

- For communication between fixed infrastructure devices, such as mesh nodes or a point-to-point backhaul link, each device should have an antenna with the same polarization. If communicating with mobile devices that might be randomly oriented, consider dual-polarized antennas, such as those with both vertical and horizontal or slant +45° and -45° polarized elements.

Antenna Environmental Specifications

The selected antenna must have suitable mechanical and environmental specifications for the environment where it will be deployed. For example, shock and vibration specifications for transportation, corrosion resistant construction for marine and oil and gas industries, or IP (ingress protection) rating for outdoor deployment. Indoor antennas are typically not suitable for harsh industrial environments. Please check with your system integrator for environmental requirements for your application.

Antenna Accessories and Mounting

Consider the following when planning your installation:

- Carefully consider what type of other RF accessories, besides antenna, such as RF cables, lightning arrestors or RF adapters may be required in your installations. It is best to minimize long RF cable runs due to RF signal losses in the cable. Thinner RF cables have more RF loss, thicker cables are less flexible and more expensive.
- Carefully consider how the antenna will be physically mounted, as this may affect antenna selection. For example, a stud mount mechanical mounting design is a better fit for mounting on top of an electrical cabinet than a mast mount antenna.
- For outdoor deployments, follow installation instructions for the antenna. It is good practice to keep protective covers on the radio's RF ports and any antenna or accessory RF ports until the moment the interfaces are mated. This reduces chances of contamination, trapping water or condensation inside the connector, or accidental damage to RF interfaces.

MIMO Performance and Arrays

MIMO systems deliver benefits of higher SNR, higher reliability and higher throughput compared to single antenna systems. In more technical terms, MIMO delivers array gain, diversity gain and multiplexing gain compared to single antenna.

- Array gain — Improvement in SNR (signal to noise ratio) by coherently combining signals from multiple antennas. For example, increasing SNR through beamforming techniques.
- Diversity gain — Improvement in reliability by mitigating deep fading or strong destructive EM wave interference. For example, in a two-antenna system, if one antenna is experiencing deep fading due to an EM destructive null at its location at a given instant, the other antenna is unlikely to have a null at the same instant, and the combined SNR stays at a reliable level. In contrast, a single antenna would see SNR oscillating between good SNR and very poor SNR and reliability would degrade.
- Multiplexing gain — Increase in system capacity or throughput by sending independent data over multiple spatial streams simultaneously. The number of streams cannot be more than the number of antennas. For example, to support three spatial streams, a minimum of three antennas is required. Often there may be additional antennas for diversity or redundancy, such as in the case of 4x4:3, or 4x4 MIMO with 3 spatial streams.

If deploying multiple single-element antennas for a MIMO system in an array, ensure sufficient spacing between the antennas. Omnidirectional elements should generally be at least one wavelength apart at the lowest operating frequency.

Consider the following:

- For Wi-Fi systems operating in the 2.4, 5, and/or 6 GHz bands, space elements at least 5 inches (12.5 cm) apart.
- For 4G LTE and 5G systems with the lowest operating frequency of 617 MHz, space elements at least 20 inches (50 cm) apart.
- Note that spacing between elements inside multi-element MIMO antennas is often less than one wavelength. However multi-element antennas are engineered with MIMO performance in mind, by providing antenna diversity through pattern, polarization, and isolation between MIMO elements.

Antenna siting and location

Consider the following when planning your installation:

- Plan antenna location ahead of time. Ideal location for an antenna is in LOS (line of sight) of the counterpart that it is trying to communicate with. Under LOS conditions the signals propagate directly between the two communication nodes, without relying on signal bouncing off a wall or other structure to reach the counterpart. This is sometimes not possible to achieve in practice, but it is a useful goal to keep in mind when optimizing antenna location.
- While it is good to keep RF cables short, it is most desirable for an antenna to be in the best location it can be to provide the desired coverage.
- For large deployments involving multiple units communicating with each other across a complex urban or industrial landscape, consider running an RF propagation modeling study to predict approximate simulated coverage maps and determine initial placement of the units. A propagation study may help reduce overall deployment cost by discovering and mitigating issues with RF coverage before the infrastructure is physically installed.
- Keep the antenna away from metal obstructions such as heating and air-conditioning ducts, large ceiling trusses, building superstructures, and major power cabling runs. One exception is if the antenna is designed to be mounted on a ground plane. If mounting on a ground plane, mount the antenna on a flat metal surface away from adjacent obstructions.
- It is strongly recommended not to install antennas directly on the router or access point (AP), unless the router or AP is specifically engineered to directly mount the antennas. Products that are engineered for direct mounting of antennas specifically address each of the below issues.
- Reasons to mount antennas away from the router include:
 - Router location may not be optimal location for antenna to communicate with the counterpart wirelessly, so router and antenna may need to be in different locations.
 - Router may have a clutter of Ethernet cable and power cables around it, which will obstruct antenna signal.
 - A number of routers, such as the IR1835, are modular. They have plug-in RF modules for Wi-Fi, 4G LTE or 5G NR such as WP-WIFI6, P-LTEAP18-GL, P-5GS6-GL. These modules have RF connectors spaced close together, and while it is mechanically possible to install four or five antennas directly attached, this will result in significant degradation to RF performance of antennas due to

mutual de-tuning between closely spaced antennas. It is strongly recommended to install antennas away from the chassis in modular cases.

- If installing an antenna indoors, consider that the density and electromagnetic properties of the materials used in the building construction determines the number of walls the signal can pass through and still maintain adequate coverage.
 - Paper and vinyl walls have very little effect on signal penetration.
 - Solid and pre-cast concrete walls limit signal penetration to one or two walls without degrading coverage.
 - Concrete and wood block walls limit signal penetration to three or four walls.
 - A signal can penetrate five or six walls constructed of drywall or wood.
 - A thick metal wall causes signals to reflect off, causing poor penetration.
 - A chain link fence or wire mesh spaced between 1 and 1 1/2 in. (2.5 and 3.8 cm) acts as a harmonic reflector that blocks a 2.4-GHz radio signal.
 - Install the antenna away from microwave ovens and 2-GHz cordless phones. These products can cause signal interference because they operate in the same frequency range as the device your antenna is connected to.

Antenna Installation

This section covers the following topics:

Installation Notes

This Cisco Multi-purpose Integrated Antenna is designed to be mounted directly onto the router.

In addition to antenna orientation, wireless access point installation location with respect to all wireless clients plays a significant role in determining overall network performance.

Because antennas transmit and receive radio signals, their performance can be adversely affected by the surrounding environment including distance between the Field Area Router (FAR) and cellular base station, physical obstructions, or radio frequency (RF) interference.

Tools and Equipment Required

In addition to the parts included in the antenna kit described in the previous section, you must provide the following tool to install the antenna on the router:

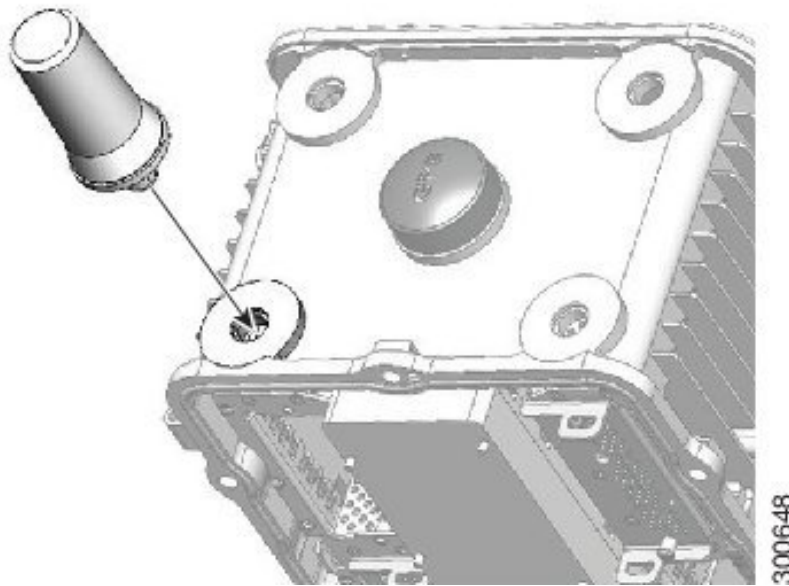
- Strap wrench
- 13 mm socket wrench

Installing the Antenna

Follow these steps to install the antenna onto the CGR 1240 router:

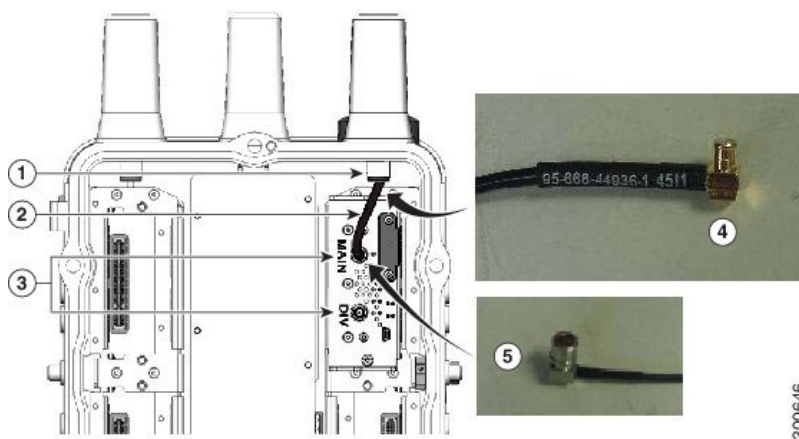
- Step 1** Remove the plug on the antenna connector if one is present.
- Step 2** Attach the monopole antenna to your desired antenna port. Do not tighten the antenna completely—stop tightening so that the antenna is not fully installed.

Figure 13: Insert Base of Antenna into Router Antenna Port



- Step 3** From the chassis interior, the antenna MCX jack should be visible in the plug. With one hand, position the right-angle end of the antenna cable to the antenna's MCX jack. With your other hand, push the cable end so it inserts into the MCX jack of the antenna.

Figure 14: Antenna Details



Antenna base

2	Antenna-to-router coaxial antenna cable (with QMA-male connector)
3	Connected Grid module coaxial connectors (QMA-female)
4	MCX end
5	QMA end

Step 4 From the exterior of the router, tighten the antenna using the torque wrench. Tighten to 6 to 7 ft-lbs.

Step 5 From the interior of the router, install the coaxial end of the cable to the appropriate connector on your installed module. The antenna and module ports should be the same color (red, yellow, or green).

Note Some modules require two antennas: a main antenna and a diversity antenna. These modules have two antenna connectors on the front panel, labeled MAIN and DIV. Be sure to connect the main and diversity antennas to the correct module connectors.

Communications, Services, and Additional Information

- To receive timely, relevant information from Cisco, sign up at [Cisco Profile Manager](#).
- To get the business impact you're looking for with the technologies that matter, visit [Cisco Services](#).
- To submit a service request, visit [Cisco Support](#).
- To discover and browse secure, validated enterprise-class apps, products, solutions, and services, visit [Cisco DevNet](#).
- To obtain general networking, training, and certification titles, visit [Cisco Press](#).
- To find warranty information for a specific product or product family, access [Cisco Warranty Finder](#).

Cisco Bug Search Tool

[Cisco Bug Search Tool](#) (BST) is a web-based tool that acts as a gateway to the Cisco bug tracking system that maintains a comprehensive list of defects and vulnerabilities in Cisco products and software. BST provides you with detailed defect information about your products and software.

Documentation Feedback

To provide feedback about Cisco technical documentation, use the feedback form available in the right pane of every online document.

Cisco Support Community

Cisco Support Community is a forum for you to ask and answer questions, share suggestions, and collaborate with your peers. Join the forum at <https://supportforums.cisco.com/index.jspa>.