



Cisco Directional Train Top Antenna (IW-ANT-SKS-514-Q)

This chapter contains the following sections:

- [Overview, on page 1](#)
- [Electrical Specifications, on page 2](#)
- [Mechanical and Environmental Specifications, on page 2](#)
- [Mechanical Drawing, on page 2](#)
- [Installation Instructions, on page 3](#)
- [Radiation Patterns, on page 3](#)

Overview

The Cisco Directional Train Top Antenna (IW-ANT-SKS-514-Q) is a 5 GHz 13dBi Shark directional antenna with a QMA connector.

It is designed to survive high vibration rail installations, including roof mounting on locomotive and passenger cars.

Figure 1: IW-ANT-SKS-514-Q Antenna



Features include the following:

- Dual feed, dual slant $\pm 45^\circ$, linear polarization
- Designed for metallic or non-metallic roof mounting, no ground plane required

- Extremely rugged purpose built for rail and metro applications
- Symmetrical patterns, maintains same pattern performance over each polarization
- High port-to-port performance correlation
- Designed to meet EN50155 & AAR certification requirements

Electrical Specifications

The following table is a summary of the electrical specifications:

Typical VSWR	<2:1 (max 2.5:1)
Bandwidth	4.9-5.9 GHz
Nominal Impedance	50 Ω
Gain	10-13 dBi
Beamwidth (Free Space, Non-Metallic Ground Plane)	H-Plane 42° E-Plane 28°
Beamwidth (Ground Plane Mounted)	H-Plane 39° E-Plane 21°
Polarization	Dual Slant 45°, Linear
Port-to-Port Isolation	> 22 dB

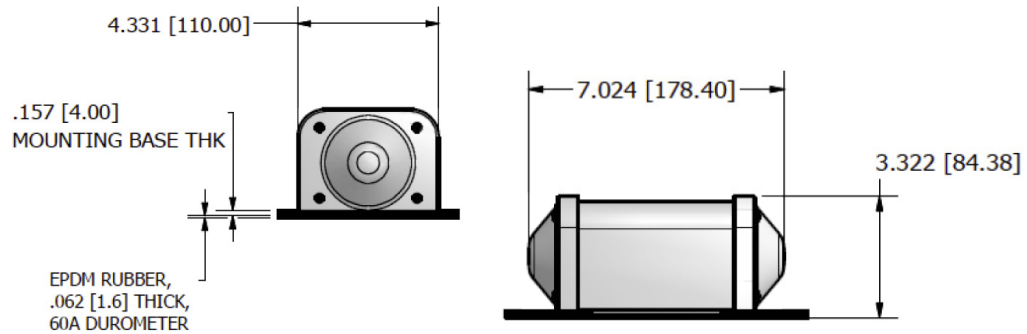
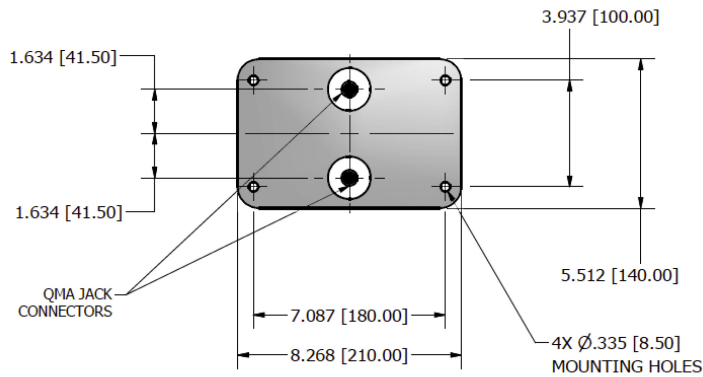
Mechanical and Environmental Specifications

The following table is a summary of the mechanical and environmental specifications:

Dimensions	8.3 x 5.5 x 3.3 inches (210 x 140 x 85 mm)
Weight	2.7 lbs
Housing Antenna Material	Aluminum, hard coat anodized
Temperature Range	-40°C to +85°C
Ingress Protection	IP56/IP67

Mechanical Drawing

The following diagram provides mechanical details of the antenna.

Figure 2: Front and Side View**Figure 3: Bottom View**

Installation Instructions

Complete details can be found in the [Cisco Ultra-Reliable Wireless Backhaul FM SHARK Installation and Configuration Manual](#).

Radiation Patterns

The following figures show the antenna radiation patterns.



Note These radiation patterns show frequencies tested by the antenna vendor outside of the supported 4.9-5.9 GHz frequency range.

Radiation Patterns

