



Cisco IOS XR nV System Configuration Guide for the Cisco CRS Router, Release 6.1.x

First Published: 2016-11-01

Americas Headquarters

Cisco Systems, Inc.
170 West Tasman Drive
San Jose, CA 95134-1706
USA
<http://www.cisco.com>
Tel: 408 526-4000
800 553-NETS (6387)
Fax: 408 527-0883

THE SPECIFICATIONS AND INFORMATION REGARDING THE PRODUCTS IN THIS MANUAL ARE SUBJECT TO CHANGE WITHOUT NOTICE. ALL STATEMENTS, INFORMATION, AND RECOMMENDATIONS IN THIS MANUAL ARE BELIEVED TO BE ACCURATE BUT ARE PRESENTED WITHOUT WARRANTY OF ANY KIND, EXPRESS OR IMPLIED. USERS MUST TAKE FULL RESPONSIBILITY FOR THEIR APPLICATION OF ANY PRODUCTS.

THE SOFTWARE LICENSE AND LIMITED WARRANTY FOR THE ACCOMPANYING PRODUCT ARE SET FORTH IN THE INFORMATION PACKET THAT SHIPPED WITH THE PRODUCT AND ARE INCORPORATED HEREIN BY THIS REFERENCE. IF YOU ARE UNABLE TO LOCATE THE SOFTWARE LICENSE OR LIMITED WARRANTY, CONTACT YOUR CISCO REPRESENTATIVE FOR A COPY.

The Cisco implementation of TCP header compression is an adaptation of a program developed by the University of California, Berkeley (UCB) as part of UCB's public domain version of the UNIX operating system. All rights reserved. Copyright © 1981, Regents of the University of California.

NOTWITHSTANDING ANY OTHER WARRANTY HEREIN, ALL DOCUMENT FILES AND SOFTWARE OF THESE SUPPLIERS ARE PROVIDED "AS IS" WITH ALL FAULTS. CISCO AND THE ABOVE-NAMED SUPPLIERS DISCLAIM ALL WARRANTIES, EXPRESSED OR IMPLIED, INCLUDING, WITHOUT LIMITATION, THOSE OF MERCHANTABILITY, FITNESS FOR A PARTICULAR PURPOSE AND NON-INFRINGEMENT OR ARISING FROM A COURSE OF DEALING, USAGE, OR TRADE PRACTICE.

IN NO EVENT SHALL CISCO OR ITS SUPPLIERS BE LIABLE FOR ANY INDIRECT, SPECIAL, CONSEQUENTIAL, OR INCIDENTAL DAMAGES, INCLUDING, WITHOUT LIMITATION, LOST PROFITS OR LOSS OR DAMAGE TO DATA ARISING OUT OF THE USE OR INABILITY TO USE THIS MANUAL, EVEN IF CISCO OR ITS SUPPLIERS HAVE BEEN ADVISED OF THE POSSIBILITY OF SUCH DAMAGES.

Any Internet Protocol (IP) addresses and phone numbers used in this document are not intended to be actual addresses and phone numbers. Any examples, command display output, network topology diagrams, and other figures included in the document are shown for illustrative purposes only. Any use of actual IP addresses or phone numbers in illustrative content is unintentional and coincidental.

All printed copies and duplicate soft copies of this document are considered uncontrolled. See the current online version for the latest version.

Cisco has more than 200 offices worldwide. Addresses and phone numbers are listed on the Cisco website at www.cisco.com/go/offices.

Cisco and the Cisco logo are trademarks or registered trademarks of Cisco and/or its affiliates in the U.S. and other countries. To view a list of Cisco trademarks, go to this URL: [www.cisco.com go trademarks](http://www.cisco.com/go/trademarks). Third-party trademarks mentioned are the property of their respective owners. The use of the word partner does not imply a partnership relationship between Cisco and any other company. (1721R)

© 2016 Cisco Systems, Inc. All rights reserved.



CONTENTS

PREFACE

Preface v

Changes to This Document v

Communications, Services, and Additional Information v

CHAPTER 1

New and Changed nV System Features 1

New and Changed Satellite nV Feature Information 1

CHAPTER 2

Configuring the Satellite Network Virtualization (nV) System 3

Prerequisites for Configuration 3

Overview of Satellite nV System 4

Benefits of Satellite nV System 4

Overview of Port Extender Model 5

Satellite System Physical Topology 6

Features Supported in the Satellite nV System 6

Inter-Chassis Link Redundancy Modes and Load Balancing 7

Satellite Discovery and Control Protocols 7

Satellite Discovery and Control Protocol IP Connectivity 7

Quality of Service 8

Time of Day Synchronization 8

Satellite Chassis Management 8

Restrictions of the Satellite nV System 8

Implementing a Satellite nV System 10

Defining the Satellite nV System 10

Auto-IP 11

Configuration Example for Auto IP 12

Configuring the Host IP Address 12

Configuring Inter-Chassis Links and IP Connectivity	13
Configuring Inter-Chassis Links and IP Connectivity in Redundant ICL mode	15
Configuring the Satellite nV Access Interfaces	16
Plug and Play Satellite nV Switch Turn up: (Rack, Plug, and Go installation)	16
Upgrading and Managing Satellite nV Software	18
Prerequisites	18
Installing a Satellite	18
Monitoring the Satellite Software	19
Monitoring the Satellite Protocol Status	21
Monitoring the Satellite Inventory	22
Monitoring the Satellite Environment	23
Reloading the Satellite and Monitoring DOM Parameters	24
Port Level Parameters Configured on a Satellite	25
Loopback Types on Satellite Ports	26
Configuration Examples for Satellite nV System	26
Satellite System Configuration: Example	27
Satellite Global Configuration	27
ICL (satellite-fabric-link) Interface Configuration	27
Satellite Interface Configuration	28
Satellite Management Using Private VRF	28
Additional References	28
Related Documents	28
Standards	29
MIBs	29
RFCs	29
Technical Assistance	30



Preface

The Preface contains the following sections:

- [Changes to This Document](#), on page v
- [Communications, Services, and Additional Information](#), on page v

Changes to This Document

This table lists the technical changes made to this document since it was first released.

Table 1: Changes to This Document

Date	Change Summary
November 2016	Initial release of this document.

Communications, Services, and Additional Information

- To receive timely, relevant information from Cisco, sign up at [Cisco Profile Manager](#).
- To get the business impact you're looking for with the technologies that matter, visit [Cisco Services](#).
- To submit a service request, visit [Cisco Support](#).
- To discover and browse secure, validated enterprise-class apps, products, solutions and services, visit [Cisco Marketplace](#).
- To obtain general networking, training, and certification titles, visit [Cisco Press](#).
- To find warranty information for a specific product or product family, access [Cisco Warranty Finder](#).

Cisco Bug Search Tool

[Cisco Bug Search Tool](#) (BST) is a web-based tool that acts as a gateway to the Cisco bug tracking system that maintains a comprehensive list of defects and vulnerabilities in Cisco products and software. BST provides you with detailed defect information about your products and software.



CHAPTER 1

New and Changed nV System Features

This chapter lists all the features that have been added or modified in this guide. The table also contains references to these feature documentation sections.

- [New and Changed Satellite nV Feature Information, on page 1](#)

New and Changed Satellite nV Feature Information

Table 2: New and Changed Features

Feature	Description	Changed in Release	Where Documented
No New Features	N.A		



CHAPTER 2

Configuring the Satellite Network Virtualization (nV) System

This module describes Satellite Network Virtualization (Satellite nV) system configurations on Cisco CRS Router.

Table 3: Feature History for Configuring Satellite System

Release	Modification
Release 4.3.2	<ul style="list-style-type: none">Multi-chassis and back to back support on Cisco CRS-3 Router was included.

- [Prerequisites for Configuration, on page 3](#)
- [Overview of Satellite nV System, on page 4](#)
- [Benefits of Satellite nV System, on page 4](#)
- [Overview of Port Extender Model, on page 5](#)
- [Satellite System Physical Topology, on page 6](#)
- [Features Supported in the Satellite nV System, on page 6](#)
- [Restrictions of the Satellite nV System, on page 8](#)
- [Implementing a Satellite nV System, on page 10](#)
- [Upgrading and Managing Satellite nV Software, on page 18](#)
- [Configuration Examples for Satellite nV System, on page 26](#)
- [Additional References, on page 28](#)

Prerequisites for Configuration

You must be in a user group associated with a task group that includes the proper task IDs. The command reference guides include the task IDs required for each command. If you suspect user group assignment is preventing you from using a command, contact your AAA administrator for assistance.

Before configuring the Satellite nV system, you must have these hardware and software installed in your chassis:

- Host — Cisco CRS-3 Modular Services Line Card with fixed PLIM (14x10GE, 20x10GE, and MSC140). The Line card that hosts the Satellite nV device can be a Cisco CRS Multi Chassis and Back to Back system.

- Satellite — Cisco ASR9000v.
- Software— Cisco IOS XR Software Release 4.3.1 or later with **hfr-asr9000v-nV-px.pie**.

Overview of Satellite nV System

The Satellite Network Virtualization (nV) service or the Satellite Switching System enables you to configure a topology in which one or many satellite switches complement one or many Cisco CRS-3 Routers, to collectively realize a single virtual switching system. In this system, the satellite switches act under the management control of the routers.

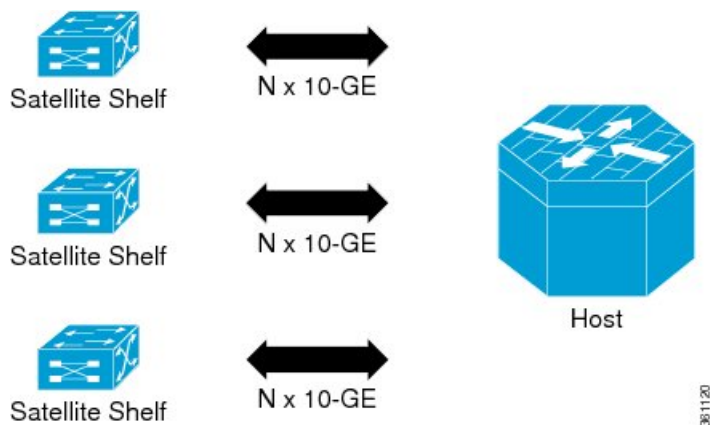
The complete configuration and management of the satellite chassis and features are performed through the control plane and management plane of the Cisco CRS-3 Router, referred to as the Host.

Interconnection between the Cisco CRS-3 Router and its satellites is through standard Ethernet interfaces or bundle ethernet interfaces coming from a single modular services line card. All bundle members must be connected to the same satellite device.

When the Satellite nV service was introduced in Cisco IOS XR Software Release 4.3.x, Cisco ASR 9000v was used as the satellite device. It had four 10 Gigabit ports that were used as Interchassis Links (ICL).

In general, the type of interface used on the host is decided on the basis of the satellite device used.

Figure 1: Satellite nV System



This type of architecture can be realized in a carrier Ethernet transport network, with the satellite switches used as either access switches, pre-aggregation, or aggregation switches. These switches feed into the Cisco CRS Router where more advanced Layer 2 and Layer 3 services are provisioned.

You can also utilize this model in a Fiber To The Business (FTTB) network application, where business internet and VPN services are offered on a commercial basis. Further, it can also be used in other networks, such as wireless or Radio Access Network (RAN) back-haul aggregation networks.

Benefits of Satellite nV System

The satellite nV system offers these benefits:

1. **Extended port scalability and density** - You can create a virtual line card with more than 100 physical Gigabit Ethernet ports per slot. There is a significant increase of Ethernet port density in the resulting

logical Cisco CRS-3 Router. For example, a single 14-port or 20-port Ten Gigabit Ethernet line card on the Cisco CRS-3 Router could integrate multiple satellite switches with a maximum of 100 Gig Ethernet ports per line card. This is beneficial because the Cisco CRS-3 Router has a per-slot non blocking capacity of up to 400 Gbps (with appropriate RSPs) and there is no other way of physically fitting hundreds of gigabit ethernet ports/ SFPs on the face plate of a single Cisco CRS-3 line card. As a result, in order to utilize the full capacity of an Cisco CRS-3 line card, it is necessary to physically separate out the ethernet ports, while maintaining logical management control. This would appear as if all ports were physically on a single large line card of the Cisco CRS-3 Router.

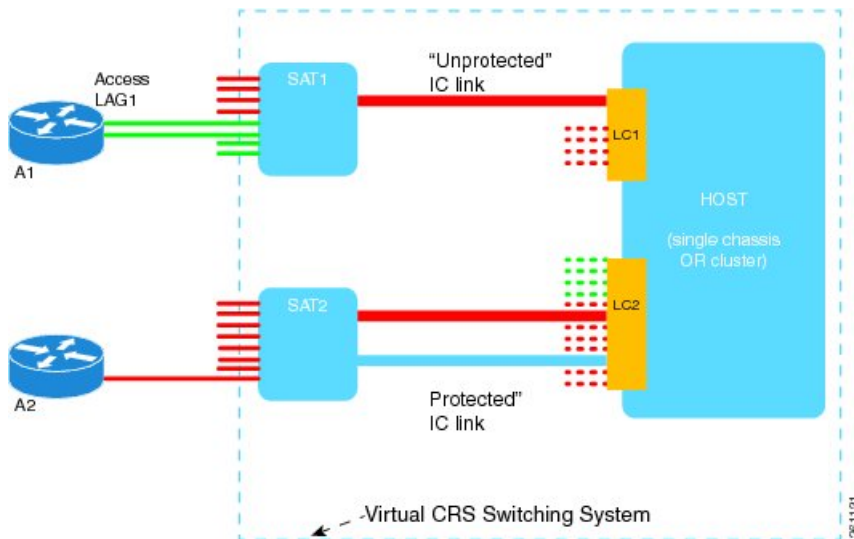
2. **Reduced cost** - All the core-routing capabilities and application features of the Cisco IOS XR Software are available on low cost access switches.
3. **Reduced operating expense** - You can upgrade software images, and also manage the chassis and services from a common point. This includes a single logical router view, single point of applying CLI or XML interface for the entire system of switches, a single point of monitoring the entire system of switches and a single point of image management and software upgrades for the entire system.
4. **Enhanced feature consistency** - All the features on the regular GigE ports and 10GigE ports of Cisco CRS Router are also available on the access ports of a satellite access switch in a functionally identical and consistent manner. The typical application of a satellite system would be in the access and aggregation layers of a network. By integrating the access switches along with the aggregation or core switch, you can ensure that there are no feature gaps between the access switch and the aggregation or core switch. All features, such as carrier ethernet features, QoS and OAM, function consistently, from access to core, because of this integrated approach.
5. **Improved feature velocity** - With the satellite solution, every feature that is implemented on the Cisco CRS Router becomes instantly available at the same time in the access switch, resulting in an ideal feature velocity for the edge switch.
6. **Better resiliency** - The nV satellite solution enables better multi-chassis resiliency, as well as better end-to-end QoS. For more information on QoS capabilities, see *Cisco IOS XR Quality of Service Configuration Guide for the Cisco CRS Router*.

Overview of Port Extender Model

In the Port Extender Satellite switching system, a satellite switch is attached to its host through physical ethernet ports.

The parent router, Cisco CRS-3 Router is referred to as the host in this model. From a management or a provisioning point of view, the physical access ports of the satellite switch are equivalent to the physical ethernet ports on the Cisco CRS-3 Router. You do not need a specific console connection for managing the Satellite Switching System, except for debugging purposes. The interface and chassis level features of the satellite are visible in the control plane of Cisco IOS XR software running on the host. This allows the complete management of the satellites and the host as a single logical router.

Figure 2: Port Extender Satellite Switching System



In this model, a single Cisco CRS-3 Router hosts two satellite switches, SAT1 and SAT2, to form an overall virtual switching system; represented by the dotted line surrounding the Cisco CRS-3 Router, SAT1, and SAT2 in the Figure.

This structure effectively appears as a single logical Cisco CRS-3 Router to the external network. External access switches (A1, A2) connect to this overall virtual switch by physically connecting to SAT1 and SAT2 using normal ethernet links. The links between the satellite switches and the Cisco CRS-3 Router are ethernet links referred to as the Inter-Chassis Links (ICL). The Cisco CRS-3 Router is referred to as the Host. When there is congestion on the ICLs, an inbuilt QoS protection mechanism is available for the traffic.



Note SAT1, SAT2, and the host Cisco CRS-3 Router need not be located in the same geographic location. This means that the ICLs need not be of nominal length for only intra-location or intra-building use. The ICLs may be tens, hundreds, or even thousands of miles in length, thereby creating a logical satellite switch spanning a large geography. This distance depends on the pluggables used on the CRS host and Satellite ICL port.

Satellite System Physical Topology

The Satellite nV system supports point-to-point hub and spoke physical topology for the ICLs between satellite switches and the host. This topology allows a physical Ethernet MAC layer connection from the satellite to the host. This can be realized using a direct Ethernet over Fiber or Ethernet over Optical transport (such as, Ethernet over a SONET/ SDH/ CWDM/ DWDM network).

This topology also allows a satellite switch to geographically be at a different location than the host, Cisco CRS-3 Router.

Features Supported in the Satellite nV System

This section provides details of the features of a satellite system.

Inter-Chassis Link Redundancy Modes and Load Balancing

The Satellite system supports these redundancy modes:

- **Non-redundant inter-chassis links mode** - In this mode, there is no link level redundancy between inter-chassis links of a satellite.
- **Redundant inter-chassis links mode** - In this mode, the link level redundancy between inter-chassis links are provided using a single link aggregation (LAG) bundle.

In the redundant ICL mode, the host device load-balances the host to satellite traffic between the members of the ICL bundle using a simple modulo of access port number and number of active ICL bundle member links.

The Cisco ASR 9000v Satellite uses random hashing to load-balance the satellite to host traffic between the members of the ICL bundle.

Each device independently implements the hash function to pin the access ports to the ICL member links for a traffic direction. L2 or L3 header contents from the packet are not used for flow based hashing of the access-port to the ICL bundle member links. This ensures that all packets use a single ICL for a given satellite access-port per direction. Although, each device might pick a different member for egress as they independently implement the hash function. As a result, the actions applied for QoS and other per-direction features still consider all the packets as belonging to a single physical port.



Note Both the Access Bundles and ICL bundles can co-exist, but not concurrently.

For more details on QoS application and configuration on ICLs, see *Cisco IOS XR Modular Quality of Service Configuration Guide for the Cisco CRS Router*.

Satellite Discovery and Control Protocols

Cisco's proprietary discovery and control protocols are used between the satellite switches and the host devices, to handle discovery, provisioning, and monitoring of the satellite devices from the host Cisco CRS-3 Satellite System in-band over the ICLs. The Satellite Discovery And Control (SDAC) Protocol provides the behavioral, semantic, and syntactic definition of the relationship between a satellite device and its host.

Satellite Discovery and Control Protocol IP Connectivity

The connectivity for the SDAC protocol is provided through a normal in-band IP routed path over the ICLs using private and public IP addresses appropriate for the carrier's network.

You can configure a management IP address on the host CLI for each satellite switch and corresponding IP addresses on the ICLs. You can select addresses from the private IPv4 address space (for example, 10.0.0/8 or 192.1.168.0/24) in order to prevent any conflict with normal service level IPv4 addresses being used in the IPv4 FIB. You can also configure a private VRF that is used for only satellite management traffic, so that the IP addresses assigned to the satellites can be within this private VRF. This reduces the risk of address conflict or IP address management complexity compared to other IP addresses and VRFs that are used on the router.



Note Auto-IP is the recommended mode of configuration. For more information on Auto-IP mode, see [Auto-IP, on page 11](#).

Quality of Service

Most Layer-2, Layer-3 QoS and ACL features are supported on Satellite Ethernet interfaces that are similar to normal physical Ethernet interfaces, with the exception of any ingress policy with a queuing action. However, for QoS, there may be some functional differences in the behavior because, in the Cisco IOS XR Software Release 4.2.x, user-configured MQC policies are applied on the Cisco CRS Router, and not on the satellite switch interfaces.

For more detailed information on QoS offload and QoS policy attributes, features, and configuration, see *Cisco IOS XR Modular Quality of Service Configuration Guide for the Cisco CRS Router*.

**Note**

User-configured QoS policies are independent of any default port level QoS that are applied in order to handle IC link congestion and over-subscription scenarios. In addition to the default port-level QoS applied on the satellite system ports, default QoS is also applied on the Host side, to the ingress and egress traffic from and to the Satellite Ethernet ports.

Time of Day Synchronization

The Time of Day parameter on the satellite switch is synchronized with the time of day on the host. This ensures that time stamps on debug messages and other satellite event logs are consistent with the host, and with all satellite switches across the network. This is achieved through the SDAC Discovery Protocol from the host to the satellite switch when the ICLs are discovered.

Satellite Chassis Management

The chassis level management of the satellite is done through the host because the satellite switch is a logical portion of the overall virtual switch. This ensures that service providers get to manage a single logical device with respect to all aspects including service-level, as well as box-level management. This simplifies the network operations. These operations include inventory management, environmental sensor monitoring, and fault/alarm monitoring for the satellite chassis through the corresponding CLI, SNMP, and XML interfaces of the host.

Restrictions of the Satellite nV System

Software restrictions of the Cisco CRS-3 satellite system are:

- The inter-chassis link redundancy is supported only through the static EtherChannel, and not through LACP based link bundles. Minimum and maximum link commands are not applicable when ICL is a bundle.
- Access bundles having both satellite and non-satellite interfaces is not supported.
- These features, protocols, and topologies are not supported on the nV Satellite System:
 - L2VPN
 - QinQ
 - TE tunnel over Satellite Interface

- Pseudowire Headend
 - GRE over satellite interface
 - L2TPv3
 - Multicast over satellite interface
 - Satellite interface as core facing interface
 - 801.1ad/.1ah encapsulation
 - HSRP and VRRP
 - HW DBA based netflow
-
- If a satellite system is operating in redundant ICL mode, then Cisco Discovery Protocol (CDP) and Link Layer Discovery Protocol (LLDP) are not supported on the access ports of that satellite.
 - You cannot connect the same satellite box to more than one Cisco CRS-3 Modular Services Line Card.
 - Both the access link bundles and ICL bundles can co-exist, but not concurrently.
 - BFD echo mode is not supported on Satellite Gigabit Ethernet links. BFD Asynchronous mode is supported on the Satellite Gigabit Ethernet links that are not part of a bundle. When Satellite links are part of the Access bundle, only BFD over Logical Bundles (BLB) is supported.
 - The nV Satellite access port bundles does not support BFD over bundles (BoB) when the ICL is also a bundle (Bundle over Bundle topology)
 - Adding non-ICL links (normal TenGigE links) to ICL bundle is not supported. This configuration is not rejected, but the behavior is unpredictable.
 - Only Cisco CRS-3 Modular Services Line Card with fixed PLIM (14x10GE and 20x10GE) can be used to interconnect with the Satellite boxes.
 - All bundle members must be from same satellite. The maximum number of bundle members is restricted to 44.
 - ISSU and MDR are not supported on the satellite.
 - In the case of Cisco ASR 9000v satellites with bundle ICL, you should first shut down the ICL bundle before making any configuration changes on the ICL bundle or before changing the bundle members or the bundle member interface types
 - The feature Provider Backbone Bridging Ethernet Virtual Private Network (PBB EVPN) is not supported with nV Satellite Access Interface bundles over ICL bundles.
 - Mixing of interface types (1G, 10G, 100G) is not supported for bundle ICLs.
 - The maximum number of satellites per system is 16.
 - The range in which the satellite ID can be configured is from 100 to 230.

Implementing a Satellite nV System

The Interface Control Plane Extender (ICPE) infrastructure has a mechanism to provide the Control Plane of an interface physically located on the Satellite device in the local Cisco IOS XR software. After this infrastructure is established, the interfaces behave like other physical ethernet interfaces on the router.

The ICPE configuration covers these functional areas, which are each required to set up full connectivity with a Satellite device:

Defining the Satellite nV System

Each satellite that is to be attached to Cisco IOS XR Software must be configured on the host, and also be provided with a unique identifier. In order to provide suitable verification of configuration and functionality, the satellite type, and its capabilities must also be specified.

Further, in order to provide connectivity with the satellite, an IP address must be configured, which will be pushed down to the satellite through the Discovery protocol, and allows Control protocol connectivity.

This task explains how to define the satellite system by assigning an ID and basic identification information.

Procedure

	Command or Action	Purpose
Step 1	configure Example: RP/0/RP0/CPU0:router# configure	Enters global configuration mode.
Step 2	nv Example: RP/0/RP0/CPU0:router(config)# nv	Enters the nV configuration submode.
Step 3	satellite <i>Satellite ID</i> Example: RP/0/RP0/CPU0:router(config-nv)# satellite <100-239>	Declares a new satellite that is to be attached to the host and enters the satellite configuration submode. . The Cisco CRS Router chassis supports 139 satellite racks. Satellite Ids ranges from 100 to 239.
Step 4	serial-number <i>string</i> Example: RP/0/RP0/CPU0:router(config-satellite)# serial-number CAT1521B1BB	(Optional) Serial number is used for satellite authentication.
Step 5	description <i>string</i> Example: RP/0/RP0/CPU0:router(config-satellite)# description Milpitas Building12	(Optional) Specifies any description string that is associated with a satellite such as location and so on.
Step 6	type <i>type_name</i> Example:	Defines the expected type of the attached satellite.

	Command or Action	Purpose
	RP/0/RP0/CPU0:router(config-satellite)# satellite 200 type ? asr9000v Satellite type	
Step 7	ipv4 address <i>address</i> Example: RP/0/RP0/CPU0:router(config-satellite)# ipv4 address 10.22.1.2	Specifies the IP address to assign to the satellite. ICPE sets up a connected route to the specified IP address through all configured ICLs.
Step 8	end or commit Example: RP/0/RP0/CPU0:router(config)# end or commit	Saves configuration changes. <ul style="list-style-type: none"> When you issue the end command, the system prompts you to commit changes: Uncommitted changes found, commit them before exiting(yes/no/cancel)? [cancel]: - Entering yes saves configuration changes to the running configuration file, exits the configuration session, and returns the router to EXEC mode. - Entering no exits the configuration session and returns the router to EXEC mode without committing the configuration changes. - Entering cancel leaves the router in the current configuration session without exiting or committing the configuration changes. Use the commit command to save the configuration changes to the running configuration file and remain within the configuration session.

Auto-IP

The Auto IP feature improves the plug-and-play set up of an nV satellite system. With the Auto IP feature, IP connectivity to the satellite is automatically provisioned. As a result:

- The nV Satellite Loopback interface is created on the host
- Loopback interface is given an IP address from a private satellite VRF
- Satellite fabric links are unnumbered to the loopback interface
- The IP address assigned to satellite is auto-generated from the satellite VRF

In the case of Auto IP, you do not need to provide IP address on the nv satellite global configuration and on the ICL. In the case of manual IP, you need to provide IP address on the nV satellite global configuration and on ICL.

The auto-IP feature assigns an IP address in the format 10.x.y.1 automatically, where:

- x is the top (most significant) 8 bits of the satellite ID

- y is the bottom 8 bits (the rest) of the satellite ID

Configuration Example for Auto IP

```
configure
nv satellite 150
type asr9000v

configure
interface TenGigabitEthernet 0/1/0/0
nv satellite-fabric-link satellite 150
remote-ports GigabitEthernet 0/0/0-5
```

- You do not have to assign IP for the satellite and **10.0.<satellite-id>.1** is assigned automatically.
- **nV-Loopback0** is created automatically. ****nVSatellite** VRF is created automatically, and assigned to **nV-Loopback0** . **10.0.0.1/32** is assigned to **nV-Loopback0**.
- **nV-Loopback0** is referenced by the Ten Gigabit Ethernet interface automatically when it is made as an ICL .

There is no CLI to enable Auto IP. If you do not configure manual IP, this will be invoked.



Note You can also override the Auto IP feature by using the standard IP configuration.

Configuring the Host IP Address

This procedure gives you the steps to configure a host IP address on a loopback interface.

Procedure

	Command or Action	Purpose
Step 1	configure Example: RP/0/0RSP0/CPU0:router# configure	Enters global configuration mode.
Step 2	interface <i>loopback0</i> Example: RP/0/0RSP0/CPU0:router(config)# interface loopback0	Specifies the loopback address for the interface.
Step 3	ipv4 address Example: RP/0/0RSP0/CPU0:router(config-int)# ipv4 address 8.8.8.8 255.255.255.255	Configures the host IP address on a loopback interface.
Step 4	end or commit Example:	Saves configuration changes. <ul style="list-style-type: none"> • When you issue the end command, the system prompts you to commit changes:

	Command or Action	Purpose
	<pre>RP/0/0RSP0/CPU0:router(config)# end or RP/0/0RSP0/CPU0:router(config)# commit</pre>	<p>Uncommitted changes found, commit them before exiting(yes/no/cancel)?</p> <p>[cancel]:</p> <ul style="list-style-type: none"> - Entering yes saves configuration changes to the running configuration file, exits the configuration session, and returns the router to EXEC mode. - Entering no exits the configuration session and returns the router to EXEC mode without committing the configuration changes. - Entering cancel leaves the router in the current configuration session without exiting or committing the configuration changes. <ul style="list-style-type: none"> • Use the commit command to save the configuration changes to the running configuration file and remain within the configuration session.

Configuring Inter-Chassis Links and IP Connectivity

Inter-Chassis Links (ICLs) need to be explicitly configured, in order to indicate which satellite is expected to be connected. You must also specify the access port, that is down-stream 10GigE ports, which cross-link up to the Host through the configured ICL. In order to establish connectivity between the host and satellite, suitable IP addresses must be configured on both sides. The satellite IP address is forwarded through the Discovery protocol. The configuration is described in the section, [Defining the Satellite nV System, on page 10](#).



Note This configuration shows the use of the global default VRF. The recommended option is to use a private VRF for nV IP addresses as shown in the [Satellite Management Using Private VRF, on page 28](#) subsection under *Configuration Examples for Satellite nV System*.

Procedure

	Command or Action	Purpose
Step 1	<p>configure</p> <p>Example:</p> <pre>RP/0/RP0/CPU0:router# configure</pre>	Enters global configuration mode.
Step 2	<p>interface interface-name</p> <p>Example:</p> <pre>RP/0/RP0/CPU0:router(config)# interface TenGigE0/2/1/0</pre>	The supported inter-chassis link interface types are limited by the connectivity provided on the supported satellites. GigabitEthernet, TenGigE, HundredGigE and Bundle-Ether interfaces are the supported ICL types.

	Command or Action	Purpose
Step 3	description Example: RP/0/RP0/CPU0:router(config-interface)# description To Sat5 1/46	Specifies the description of the supported inter-chassis link interface type.
Step 4	ipv4 point-to-point Example: RP/0/RP0/CPU0:router(config-interface)# ipv4 point-to-point	(Optional) Configures the IPv4 point to point address.
Step 5	ipv4 unnumbered loopback0 Example: RP/0/RP0/CPU0:router(config-interface)# interface unnumbered loopback0	(Optional) Configures the IPv4 loopback address on the interface.
Step 6	nV Example: RP/0/RP0/CPU0:router(config-if)# nv	Enters the Network Virtualization configuration mode.
Step 7	satellite-fabric-link satellite <id> Example: RP/0/ORSPO/CPU0:router(config-int-nv)# satellite-fabric-link satellite 200	Specifies that the interface is an ICPE inter-chassis link.
Step 8	remote-ports interface-type Example: RP/0/RP0/CPU0:router(config-int-nv)# remote-ports GigabitEthernet 0/0/0-43	Configures the remote satellite ports 0 to 43.
Step 9	end or commit Example: RP/0/RP0/CPU0:router(config)# end or RP/0/ORSPO/CPU0:router(config)# commit	Saves configuration changes. <ul style="list-style-type: none"> • When you issue the end command, the system prompts you to commit changes: Uncommitted changes found, commit them before exiting(yes/no/cancel)? [cancel]: - Entering yes saves configuration changes to the running configuration file, exits the configuration session, and returns the router to EXEC mode. - Entering no exits the configuration session and returns the router to EXEC mode without committing the configuration changes. - Entering cancel leaves the router in the current configuration session without exiting or committing the configuration changes.

	Command or Action	Purpose
		<ul style="list-style-type: none"> Use the commit command to save the configuration changes to the running configuration file and remain within the configuration session.

Configuring Inter-Chassis Links and IP Connectivity in Redundant ICL mode

This procedure describes the configuration of ICL in redundant mode.

Procedure

	Command or Action	Purpose
Step 1	configure Example: RP/0/RP0/CPU0:router# configure	Enters global configuration mode.
Step 2	interface <i>bundle-ether id</i> Example: RP/0/RP0/CPU0:router(config)# interface Bundle-Ether 100	Specifies the supported inter-chassis link interface type.
Step 3	description Example: RP/0/RP0/CPU0:router(config-interface)# description To Sat5 1/46	Specifies the description of the supported inter-chassis link interface type.
Step 4	nv Example: RP/0/RP0/CPU0:router(config-if)# nv	Enters the Network Virtualization configuration mode.
Step 5	satellite-fabric-link satellite <id> Example: RP/0/RP0/CPU0:router(config-int-nv)# satellite-fabric-link satellite 200	Specifies that the interface is an ICPE inter-chassis link.
Step 6	remote-ports <i>interface-type</i> Example: RP/0/RP0/CPU0:router(config-int-nv)# remote-ports GigabitEthernet 0/0/0-43	Configures the remote satellite ports 0 to 43.
Step 7	interface <i>interface_type</i> Example: RP/0/RP0/CPU0:router(config-interface)# interface TenGigE0/0/0/6	Configures the specified interface.
Step 8	bundle id mode on Example:	Specifies the bundle id and activates it.

	Command or Action	Purpose
	Example: RP/0/RP0/CPU0:router(config-interface)# bundle id 100 mode on	
Step 9	end or commit Example: RP/0/RP0/CPU0:router(config)# end or RP/0/RP0/CPU0:router(config)# commit	Saves configuration changes. <ul style="list-style-type: none"> • When you issue the end command, the system prompts you to commit changes: Uncommitted changes found, commit them before exiting (yes/no/cancel)? [cancel]: <ul style="list-style-type: none"> • Entering yes saves configuration changes to the running configuration file, exits the configuration session, and returns the router to EXEC mode. • Entering no exits the configuration session and returns the router to EXEC mode without committing the configuration changes. • Entering cancel leaves the router in the current configuration session without exiting or committing the configuration changes. • Use the commit command to save the configuration changes to the running configuration file and remain within the configuration session. <p>Note For information on QoS configuration on ICLs, see <i>Cisco IOS XR Modular Quality of Service Configuration Guide for the Cisco CRS Router</i>.</p>

Configuring the Satellite nV Access Interfaces

The access 1Gigabit Ethernet/10GigE interfaces on the satellite are represented locally in Cisco IOS XR Software using interfaces named Gigabit Ethernet similar to other non-satellite 1Gigabit Ethernet/10GigE interfaces. The only difference is that the rack ID used for a satellite access 1Gigabit Ethernet/10GigE interface is the configured satellite ID for that satellite.

These interfaces support all features that are normally configurable on 1Gigabit Ethernet/10GigE interfaces (when running over a physical ICL), or Bundle-Ether interfaces (when running over a virtual ICL).

Plug and Play Satellite nV Switch Turn up: (Rack, Plug, and Go installation)

1. Unpack the satellite rack, stack, and connect to the power cord.
2. Plug in the qualified optics of correct type into any one or more of the SFP+ slots and appropriate qualified optics into SFP+ or XFP slots on the host. Connect through the SMF/MMF fiber.



Note The nV system can use the Cisco CRS-3 Router as host. The Cisco ASR 9000v Satellite can be used as satellite device.

To configure wavelength on DWDM SFP+, use the following CLI command on satellite console:

```
test dwdm wavelength set ppmId wavelength_channel_number
```



Note ppmId = port number -1

The following example shows how to configure wavelength channel 20 on port 45.

```
Satellite#test dwdm wavelength set 44 20
```

To see the configured wavelength, use the following CLI command on satellite console:

- **show satellite dwdm-dump ppmId**
 - **show satellite inventory port 45**
-



Note It is mandatory to configure the same wavelength on both hosts and satellite, you can follow the same steps above on the hosts.

3. Configure the host for nV operations as described in the sections [Defining the Satellite nV System, on page 10](#), [Configuring the Host IP Address, on page 12](#) and [Configuring Inter-Chassis Links and IP Connectivity, on page 13](#). Configure the satellite nV system through CLI or XML on the host on 100GigE ports for Cisco NCS 5002 Satellite.
 4. Power up the chassis of the satellite device.
-



Note For power supply considerations of ASR 9000v, refer to the *Appendix C, Cisco ASR 9000 and Cisco CRS Satellite Systems (ASR 9000v)* of the *Cisco ASR 9000 Series Aggregation Services Router Hardware Installation Guide* online.

5. You can check the status of the satellite chassis based on these chassis error LEDs on the front face plate.
 - If the Critical Error LED turns ON, then it indicates a serious hardware failure.
 - If the Major Error LED turns ON, then it indicates that the hardware is functioning well but unable to connect to the host.
 - If the Critical and Major LEDs are OFF, then the satellite device is up and running and connected to the host.
 - You can do satellite ethernet port packet loopback tests through the host, if needed, to check end to end data path.



Note When the satellite software requires an upgrade, it notifies the host. You can do an inband software upgrade from the host, if needed. Use the **show nv satellite status** on the host to check the status of the satellite.

Upgrading and Managing Satellite nV Software

Satellite software images are bundled inside a PIE and the **PIE name is dependent on the type of satellite, such as hfr-asr9000v-nV-px.pie** within the Cisco CRS-3 Router package. The Cisco IOS XR software production SMU tool can be used to generate patches for the satellite image in the field to deliver bug fixes or minor enhancements without requiring a formal software upgrade.

Prerequisites

- You must have installed the satellite installation procedure using the Plug and Play Satellite installation procedure. For more information, check the topic [Plug and Play Satellite nV Switch Turn up: \(Rack, Plug, and Go installation\)](#), on page 16 in this chapter.

Installing a Satellite

To download and activate the software image on the satellite, use the **install nv satellite** satellite ID / all **transfer/activate** commands. The **transfer** command downloads the image to the satellite. When the **transfer** command is followed by the **activate** command, the software is activated on the satellite.

```
RP/0/RSP0/CPU0:sat-host# install nv satellite 100 transfer
```

```
Install operation initiated successfully.
RP/0/RSP0/CPU0:sat-host#RP/0/RSP0/CPU0:May  3 20:12:46.732 : icpe_gco[1146]:
%PKT_INFRA-ICPE_GCO-6-TRANSFER_DONE : Image transfer completed on Satellite 100
```

```
RP/0/RSP0/CPU0:sat-host# install nv satellite 100 activate
```

```
Install operation initiated successfully.
LC/0/2/CPU0:May  3 20:13:50.363 : ifmgr[201]: %PKT_INFRA-LINK-3-UPDOWN : Interface
GigabitEthernet100/0/0/28, changed state to Down
RP/0/RSP0/CPU0:May  3 20:13:50.811 : invmgr[254]: %PLATFORM-INV-6-OIROUT : OIR: Node 100
removed
```



Note If the **activate** command is run directly, then the software image is transferred to the satellite and also activated.

```
RP/0/RSP0/CPU0:sat-host# install nv satellite 101 activate
```

```
Install operation initiated successfully.
RP/0/RSP0/CPU0:sat-host#RP/0/RSP0/CPU0:May  3 20:06:33.276 : icpe_gco[1146]:
%PKT_INFRA-ICPE_GCO-6-TRANSFER_DONE : Image transfer completed on Satellite 101
```



```
RP/0/RSP0/CPU0:May  3 20:06:33.449 : icpe_gco[1146]: %PKT_INFRA-ICPE_GCO-6-INSTALL_DONE :
Image install completed on Satellite 101
RP/0/RSP0/CPU0:May  3 20:06:33.510 : invmgr[254]: %PLATFORM-INV-6-OIROUT : OIR: Node 101
removed
```



Note For the satellite image upgrade to work, you must ensure that the management-plane CLI is not configured on the Cisco CRS-3 Router . If it is configured, then you need to add this exception for each of the satellite ICLs. This is not required for Auto IP configurations from Cisco IOS XR Software Release 5.3.2.

You can include the exception using this CLI:

```
control-plane
management-plane
  inband
  !
  !
  interface TenGigE0/0/0/5 <=== To enable TFTP on nV satellite ICL
allow TFTP
```

If you do not include this exception, then the image download and upgrade fails.

Monitoring the Satellite Software

Status Check

To perform a basic status check, use the **show nv satellite status brief** command.

```
RP/0/RSP0/CPU0:router# show nv satellite status brief
```

Sat-ID	Type	IP Address	MAC address	State
100	asr9000v	101.102.103.105	dc7b.9426.1594	Connected (Stable)
200	asr9000v	101.102.103.106	0000.0000.0000	Halted; Conflict: no links configured
400		194.168.9.9	0000.0000.0000	Halted; Conflict: satellite has no type configured

Check if Upgrade is Required

To check if an upgrade is required on satellite, run the **show nv satellite status satellite *satellite_id***.

```
RP/0/RSP0/CPU0:router# show nv satellite status satellite 100
```

```
Satellite 100
-----
State: Connected (Stable)
Type: asr9000v
Description: sat-test
MAC address: dc7b.9427.47e4
IPv4 address: 100.1.1.1
Configured Serial Number: CAT1521B1BB
Received Serial Number: CAT1521B1BB
Remote version: Compatible (latest version)
ROMMON: 125.0 (Latest)
```

```

FPGA: 1.13 (Latest)
IOS: 200.8 (Latest)
Configured satellite fabric links:
TenGigE0/2/0/6
-----
State: Satellite Ready
Port range: GigabitEthernet0/0/0-9
TenGigE0/2/0/13
-----
State: Satellite Ready
Port range: GigabitEthernet0/0/30-39
TenGigE0/2/0/9
-----
State: Satellite Ready
Port range: GigabitEthernet0/0/10-19

```

Check if Upgrade is Required

To check if an upgrade is required on satellite, run the **show nv satellite status satellite *satellite_id***.

```
RP/0/RSP0/CPU0:router# show nv satellite status satellite 100
```

```

Satellite 100
-----
State: Connected (Stable)
Type: asr9000v
Description: sat-test
MAC address: dc7b.9427.47e4
IPv4 address: 100.1.1.1
Configured Serial Number: CAT1521B1BB
Received Serial Number: CAT1521B1BB
Remote version: Compatible (latest version)
ROMMON: 125.0 (Latest)
FPGA: 1.13 (Latest)
IOS: 200.8 (Latest)
Configured satellite fabric links:
TenGigE0/2/0/6
-----
State: Satellite Ready
Port range: GigabitEthernet0/0/0-9
TenGigE0/2/0/13
-----
State: Satellite Ready
Port range: GigabitEthernet0/0/30-39
TenGigE0/2/0/9
-----
State: Satellite Ready
Port range: GigabitEthernet0/0/10-19

```



Note

In this example output, **Remote version**, **ROMMON**, **FPGA**, and **IOS** must show the latest version. If it does not, an upgrade is required on the satellite. The version numbers displayed are the installed version on the ASR 9000v. If a version number is displayed, instead of latest key word in the above output, that would correspond to the ASR9000v image bundles in the satellite pie.



Note show tech from satellite devices can be pulled out remotely using **show tech-support satellite remote satellite [sat id] file disk0:[filename]** option for offline analysis of the states on the satellite device.

Monitoring the Satellite Protocol Status

To check the status of the satellite discovery protocol, use the **show nv satellite protocol discovery** command.

```
RP/0/RSP0/CPU0:router# show nv satellite protocol discovery brief
```

Interface	Sat-ID	Status	Discovered links
Te0/1/0/0	100	Satellite Ready	Te0/1/0/0
Te0/1/0/1	100	Satellite Ready	Te0/1/0/1

(Or)

```
RP/0/RSP0/CPU0:router# show nv satellite protocol discovery interface TenGigE 0/1/0/0
```

```
Satellite ID: 100
Status: Satellite Ready
Remote ports: GigabitEthernet0/0/0-15
Host IPv4 Address: 101.102.103.104
Satellite IPv4 Address: 101.102.103.105
Vendor: cisco, ASR9000v-DC-E
Remote ID: 2
Remote MAC address: dc7b.9426.15c2
Chassis MAC address: dc7b.9426.1594
```

To check the status of the satellite control protocol status, use the **show nv satellite protocol control** command.

```
RP/0/RSP0/CPU0:router# show nv satellite protocol control brief
```

Sat-ID	IP Address	Protocol state	Channels
101.102.103.105	101.102.103.105	Connected	Ctrl, If-Ext L1, If-Ext L2, X-link, Soft Reset, Inventory, EnvMon, Alarm

```
RP/0/RSP0/CPU0:shanghai# sh nv satellite protocol control
```

```
Satellite 100
```

```
-----
IP address: 101.102.103.105
Status: Connected
Channels:
  Control
  -----
    Channel status: Open
    Messages sent: 24 (24 control), received: 23 (23 control).
    Interface Extension Layer 1
    -----
    Channel status: Open
    Messages sent: 7 (3 control), received: 14 (2 control).
    Interface Extension Layer 2
    -----
    Channel status: Open
```

```

Messages sent: 11 (3 control), received: 10 (2 control).
Interface Extension Cross-link
-----
Channel status: Open
Messages sent: 4 (3 control), received: 3 (2 control).

```

Monitoring the Satellite Inventory

You can use the **show inventory chassis**, **show inventory fans** commands in the admin configuration mode to monitor the status of satellite inventory.



Note

Along with a physical entity for the ASR-9000v/2 satellite, logical entities are also created for the satellite and the power module. Both these entities (physical and logical) are seen in the inventory details command output and in SNMP MIBs. The logical entities can be identified by the lack of serial number (SN) and version identifier (VID).

```

RP/0/RSP0/CPU0:router (admin)# show inventory chassis

NAME: "module 0/RSP0/CPU0", DESCR: "ASR9K Fabric, Controller, 4G memory"
PID: A9K-RSP-4G, VID: V02, SN: FOC143781GJ
...
NAME: "fantray SAT100/FT0/SP", DESCR: "ASR9000v"
PID: ASR-9000v-FTA, VID: V00 , SN: CAT1507B228

NAME: "module SAT100/0/CPU0", DESCR: "ASR-9000v GE-SFP Line Card"
PID: ASR-9000v, VID: N/A, SN: /*Logical Entity of the Satellite*/
NAME: "module mau GigabitEthernet100/0/CPU0/8", DESCR: "CISCO-AVAGO      "
PID: SFP-GE-S, VID: V01, SN: AGM1424P08N

NAME: "module mau TenGigE100/0/CPU0/3", DESCR: "CISCO-FINISAR      "
PID: SFP-10G-SR, VID: V02, SN: FNS144502Y3

NAME: "power-module SAT100/PM0/SP", DESCR: "ASR-9000v Power Module"
PID: ASR-9000v, VID: N/A, SN: /*Logical Entity of the Power Module*/
NAME: "Satellite Chassis ASR-9000v ID 100", DESCR: "ASR9000v"
PID: ASR-9000v-AC-A, VID: V00 , SN: CAT12345678/*Physical Entity of the Satellite*/

RP/0/RSP0/CPU0:router (admin)# show inventory fans

NAME: "fantray 0/FT0/SP", DESCR: "ASR-9006 Fan Tray"
PID: ASR-9006-FAN, VID: V02, SN: FOX1519XHU8

NAME: "fantray 0/FT1/SP", DESCR: "ASR-9006 Fan Tray"
PID: ASR-9006-FAN, VID: V02, SN: FOX1519XHTM

NAME: "fantray SAT100/FT0/SP", DESCR: "ASR9000v"
PID: ASR-9000v-FTA, VID: V01 , SN: CAT1531B4TC

NAME: "fantray SAT101/FT0/SP", DESCR: "ASR9000v"
PID: ASR-9000v-FTA, VID: V01 , SN: CAT1542B0LJ

NAME: "fantray SAT102/FT0/SP", DESCR: "ASR9000v"
PID: ASR-9000v-FTA, VID: V01 , SN: CAT1531B4T7

```

```
RP/0/RSP0/CPU0:sat-host(admin)# show inventory | b GigabitEthernet100/
NAME: "module mau GigabitEthernet100/0/CPU0/0", DESCR: "CISCO-FINISAR  "
PID: SFP-GE-S, VID:  , SN: FNS11350L5E

NAME: "module mau GigabitEthernet100/0/CPU0/1", DESCR: "CISCO-FINISAR  "
PID: SFP-GE-S, VID: V01, SN: FNS0934M290

NAME: "module mau GigabitEthernet100/0/CPU0/2", DESCR: "CISCO-FINISAR  "
PID: SFP-GE-S, VID:  , SN: FNS12280L59
```

Monitoring the Satellite Environment

You can use the **show environment temperatures** and **show environment fans** commands in the admin configuration mode to monitor the status of satellite environment.

```
RP/0/RSP0/CPU0:router(admin)# show environment temperatures
```

R/S/I	Modules	Sensor	(deg C)
0/RSP0/*			
	host	Inlet0	33.1
	host	Hotspot0	46.9
0/RSP1/*			
	host	Inlet0	32.1
	host	Hotspot0	45.9
0/0/*			
	host	Inlet0	37.3
	host	Hotspot0	52.3
0/1/*			
	spa0	InletTemp	34.0
	spa0	Hotspot	34.5
	spa1	LocalTemp	38.0
	spa1	Chan1Temp	36.0
	spa1	Chan2Temp	39.0
	spa1	Chan3Temp	39.0
	spa1	Chan4Temp	48.0
	host	Inlet0	36.1
	host	Hotspot0	64.0
0/2/*			
	host	Inlet0	39.2
	host	Hotspot0	54.6
0/3/*			
	host	Inlet0	41.3
	host	Hotspot0	48.5
0/FT0/*			
	host	Inlet0	42.3
	host	Hotspot0	36.1
0/FT1/*			
	host	Inlet0	40.4
	host	Hotspot0	35.8

```

SAT100/FT0/*
  host      Hotspot0          53.0

SAT101/FT0/*
  host      Hotspot0          56.0

SAT102/FT0/*
  host      Hotspot0          53.0

RP/0/RSP0/CPU0:router (admin) # show environment fans

Wed Apr  8 17:40:00.313 UTC
  Fan speed (rpm) and run time (in hours) :
    FAN0      FAN1      FAN2      FAN3      FAN4      FAN5      FAN6      FAN7      FAN8      \
FAN9      FAN10     FAN11     FAN12     FAN13
0/FT0/* (Speed)
  7980      7830      7920      8010      7920      7920      7920      7950      7920      \
7980      7890      8010      8010      7950
0/FT0/* (Run Time)
  N/A       N/A       N/A       N/A       N/A       N/A       N/A       N/A       N/A       N/A  \
  N/A       N/A       N/A       N/A
SAT100/FT0/*
  15000     14117     14117     0

```

Reloading the Satellite and Monitoring DOM Parameters

In order to reload the satellite device, use the **hw-module satellite *satellite id/all* reload** command.

```
RP/0/RSP0/CPU0:router# hw-module satellite 101 reload
```

Reload operation completed successfully.

```
RP/0/RSP0/CPU0:May  3 20:26:51.883 : invmgr[254]: %PLATFORM-INV-6-OIROUT : OIR: Node 101
removed
```

In order to see the DOM parameters of the SFPs and XSPs or access ports and ICL ports of the satellite, use the **show controllers gigabitEthernet interface phy** command.

For access ports

```
RP/0/RSP0/CPU0:Saturn#show controllers gigabitEthernet 100/0/0/22 phy
Wed Apr  8 17:42:32.100 UTC
```

```

Port: 22
Xcvr Type: SFP
Vendor Name: CISCO-FINISAR
CLEI Code: IPUIALJRAA
Part Number: 10-2143-01V01
Product Id: SFP-GE-S

Thresholds:          Alarm High          Warning High          \
Warning Low          Alarm Low
  Temperature:          109C              103C              \
-13C
  Voltage:          3900uV              3700uV              \
2900uV
  Bias:          15mAmps              12mAmps              \
2mAmps
  Transmit Power: 0.63100 mW (-1.99971 dBm) 0.63100 mW (-1.99971 dBm) \

```

```

0.07900 mW (-11.02373 dBm)    0.06600 mW (-11.80456 dBm)
      Receive Power: 1.25800 mW (0.99681 dBm)    0.79400 mW (-1.00179 dBm)  \
0.01500 mW (-18.23909 dBm)    0.01000 mW (-20.00000 dBm)
      Temperature: 32 C
      Voltage: 3327 uV
      Bias: 5 mAmps
      Tx Power: 0.28100 mW (-5.51294 dBm)
      Rx Power: 0.000 mW (<-40.00 dBm)

```

For ICL port

```

RP/0/RSP0/CPU0:Saturn#show controllers nvFabric-TenGigE 100/0/0/46 phy
Wed Apr  8 17:46:57.045 UTC

```

```

      Port: 46
      Xcvr Type: SFP
      Vendor Name: CISCO-FINISAR
      CLEI Code: COUIA75CAA
      Part Number: 10-2457-02V02
      Product Id: SFP-10G-LR
      Thresholds:
Warning Low      Alarm High      Warning High      \
      Alarm Low
      Temperature:      75C      70C      \
      0C      -5C
      Voltage:      3630uV      3465uV      \
      3135uV      2970uV
      Bias:      70mAmps      68mAmps      \
      2mAmps      1mAmps
      Transmit Power: 2.23800 mW (3.49860 dBm)    1.12200 mW (0.49993 dBm)  \
0.15100 mW (-8.21023 dBm)    0.06000 mW (-12.21849 dBm)
      Receive Power: 2.23800 mW (3.49860 dBm)    1.12200 mW (0.49993 dBm)  \
0.03600 mW (-14.43697 dBm)    0.01400 mW (-18.53872 dBm)
      Temperature: 30 C
      Voltage: 3366 uV
      Bias: 34 mAmps
      Tx Power: 0.86300 mW (-0.63989 dBm)
      Rx Power: 1.01000 mW (0.04321 dBm)

```

Port Level Parameters Configured on a Satellite

These are the port-level parameters that can be configured on a satellite nV system:

- Admin state (shut and no shut)
- Ethernet MTU



Note For Cisco ASR 9000v access ports, the maximum MTU is 9212 for a hub and spoke topology.

- Ethernet MAC Address.
- Ethernet link auto-negotiation that includes,
 - Half and full duplex
 - Link speed
 - Flow control

- Static configuration of auto-negotiation parameters such as speed, duplex, and flow control
- Carrier-delay



Note The Cisco ASR 9000v satellite does not support asymmetric carrier-delay values for access ports. If the host side configuration includes asymmetric values, the satellite applies the minimum of the two for both the up and down carrier-delay values. If any of the carrier-delay values from the host side is less than 100ms, then the satellite applies the value of 100ms, as that is the smallest supported value for carrier-delay.

- Layer-1 packet loopback which includes,
 - Line loopback
 - Internal loopback
- All satellite access port features on Cisco CRS-3 Routers .

Loopback Types on Satellite Ports

There are two types of loopback interfaces that can be configured on satellite ports. They are,

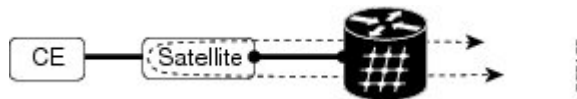
- Line Loopback
- Internal Loopback

These illustrations show how the loopback interface types function on a satellite.

Figure 3: Line Loopback



Figure 4: Internal Loopback



You can specify the type of loopback to be used, as specified in this example:

```
Interface GigabitEthernet 100/0/0/0
loopback line | internal
```

Configuration Examples for Satellite nV System

This section contains configuration examples for the Satellite nV system:

Satellite System Configuration: Example

This example shows a sample configuration to configure connectivity for a Satellite System:

Satellite Global Configuration

The satellite ID, type, serial number, description, and satellite IP address are configured in the satellite global configuration sub-mode:

```
nv
 satellite 100
   type asr9000v
   serial-number CAT1521B1BB
   description milpitas bldg20
   ipv4 address 10.0.0.100
 !
!
```

ICL (satellite-fabric-link) Interface Configuration

On an interface connected to a Satellite (TenGigE or Bundle interface), the ports associated with the satellite-id must be specified. All fabric links connected to the same Satellite must use the same (Host) IPv4 address. This Host IPv4 addresses can be used for the same Host to connect to different Satellites.



Note Before you remove or change a configuration on an ICL interface, shut down the ICL port.

```
interface Loopback1000
vrf <vrf_name>
  ipv4 address 10.0.0.1 255.0.0.0
vrf <vrf_name>
interface TenGigE0/2/1/0
  description To Sat5 1/46
  ipv4 point-to-point
  ipv4 unnumbered Loopback1000
nv
  satellite-fabric-link satellite 200
    remote-ports GigabitEthernet 0/0/0-30
 !
 !
 !
```



Note To manage satellite traffic, use the IP addresses from the global VRF of the router (shown in the examples). As mentioned in [Satellite Discovery and Control Protocol IP Connectivity](#) section, you can use a private VRF to prevent IP address conflict with global VRF. In such a case, the loopback interface and ICL interface (in the examples) must be assigned to the private VRF dedicated for satellite management traffic.

Satellite Interface Configuration

A Satellite interface can be used like any other regular Gigabit Ethernet interfaces:

```
interface TenGigE 200/0/0/0
l2transport
!
!

interface TenGigE 200/0/0/0
ip address 99.0.0.1 255.255.255.0
!
!

interface TenGigE 200/0/0/2
bundle id 100 mode active
!
!
```

Satellite Management Using Private VRF

You can use a special private VRF instead of the global default routing table, to configure the loopback interface and ICLs used for satellite management traffic. IP addresses in this VRF will not conflict with any other addresses used on the router.

```
router(config)# vrf NV_MGMT_VRF
router(config)# address ipv4 unicast

router(config)# interface Loopback 1000
router(config)# vrf NV_MGMT_VRF
router(config)# ipv4 address 10.0.0.1 / 24

router(config)# interface TenGige 0/1/0/3
router(config)# vrf NV_MGMT_VRF
router(config)# ipv4 point-to-point
router(config)# ipv4 unnumbered Loopback 1000
router(config)# nv
router(config-nv)# satellite-fabric-link satellite 500
router(config-nv)# remote-ports GigabitEthernet 0/0/28-39
router(config)# nv satellite 500
router(config)# ipv4 address 10.0.0.2 / 24
```

Additional References

These sections provide references to related documents.

Related Documents

Related Topic	Document Title
Cisco IOS XR master command reference	<i>Cisco IOS XR Master Commands List</i>
Satellite System software upgrade and downgrade on Cisco IOS XR Software	<i>Cisco IOS XR Getting Started Guide for the Cisco CRS Router</i>

Related Topic	Document Title
Cisco IOS XR interface configuration commands	<i>Cisco IOS XR Interface and Hardware Component Command Reference</i>
Satellite QoS configuration information for the Cisco IOS XR software	<i>Cisco IOS XR Modular Quality of Service Configuration Guide</i>
Bidirectional Forwarding Detection features on the satellite system	<i>Cisco Routing Configuration Guide</i>
Multicast features on the satellite system	<i>Cisco Multicast Configuration Guide</i>
Broadband Network Gateway features on the satellite system	<i>Cisco Broadband Network Gateway Configuration Guide</i>
AAA related information and configuration on the satellite system	<i>Cisco System Security Configuration Guide</i>
Information about user groups and task IDs	<i>Configuring AAA Services on Cisco IOS XR Software module of Cisco IOS XR System Security Configuration Guide</i>

Standards

Standards	Title
No new or modified standards are supported by this feature, and support for existing standards has not been modified by this feature.	—

MIBs

MIBs	MIBs Link
There are no applicable MIBs for this module.	To locate and download MIBs for selected platforms using Cisco IOS XR software, use the Cisco MIB Locator found at the following URL: http://cisco.com/public/sw-center/netmgmt/cmtk/mibs.shtml

RFCs

RFCs	Title
None	N.A.

Technical Assistance

Description	Link
The Cisco Technical Support website contains thousands of pages of searchable technical content, including links to products, technologies, solutions, technical tips, and tools. Registered Cisco.com users can log in from this page to access even more content.	http://www.cisco.com/support