



## **IP Addressing: DHCP Configuration Guide, Cisco IOS XE Everest 3.18SP (Cisco NCS 4200 Series)**

**First Published:** 2016-07-29

### **Americas Headquarters**

Cisco Systems, Inc.  
170 West Tasman Drive  
San Jose, CA 95134-1706  
USA  
<http://www.cisco.com>  
Tel: 408 526-4000  
800 553-NETS (6387)  
Fax: 408 527-0883





## CONTENTS

---

### CHAPTER 1

#### **DHCP Overview 1**

- Information About DHCP 1
  - DHCP Overview 1
  - Limitations and Restrictions for DHCP 2
  - Benefits of Using DHCP 2
  - DHCP Server Relay Agent and Client Operation 2
  - DHCP Database 3
  - DHCP Attribute Inheritance 4
  - DHCP Options and Suboptions 4
- Additional References for DHCP Overview 5
- Glossary 6

---

### CHAPTER 2

#### **Configuring the Cisco IOS XE DHCP Server 9**

- Prerequisites for Configuring the DHCP Server 9
- Information About the Cisco IOS XE DHCP Server 10
  - Overview of the DHCP Server 10
  - Database Agents 10
    - Address Conflicts 10
  - DHCP Address Pool Conventions 10
    - DHCP Address Pool Selection 10
  - Address Bindings 11
  - Ping Packet Settings 11
  - DHCP Attribute Inheritance 11
  - DHCP Server Address Allocation Using Option 82 12
    - DHCP Address Allocation Using Option 82 Feature Design 13
    - Usage Scenario for DHCP Address Allocation Using Option 82 13

DHCP Class Capability	14
How to Configure the Cisco IOS XE DHCP Server	14
Configuring a DHCP Database Agent or Disabling Conflict Logging	14
Excluding IP Addresses	16
Configuring DHCP Address Pools	17
Configuring a DHCP Address Pool	17
Configuring a DHCP Address Pool with Secondary Subnets	21
Troubleshooting Tips	25
Verifying the DHCP Address Pool Configuration	26
Configuring Manual Bindings	27
Troubleshooting Tips	30
Configuring DHCP Static Mapping	30
Configuring the DHCP Server to Read a Static Mapping Text File	32
Customizing DHCP Server Operation	34
Configuring a Remote Device to Import DHCP Server Options from a Central DHCP Server	35
Configuring the Central DHCP Server to Update DHCP Options	36
Configuring the Remote Device to Import DHCP Options	37
Configuring DHCP Address Allocation Using Option 82	38
Restrictions for DHCP Address Allocation Using Option 82	38
Enabling Option 82 for DHCP Address Allocation	39
Troubleshooting Tips	39
Defining the DHCP Class and Relay Agent Information Patterns	39
Troubleshooting Tips	41
Defining the DHCP Address Pool	41
Configuring a Static Route with the Next-Hop Dynamically Obtained Through DHCP	42
Clearing DHCP Server Variables	44
Configuration Examples for the Cisco IOS XE DHCP Server	45
Example: Configuring the DHCP Database Agent	45
Example: Excluding IP Addresses	45
Example: Configuring DHCP Address Pools	45
Example: Configuring a DHCP Address Pool with Multiple Disjoint Subnets	47
Configuring Manual Bindings Example	48
Example: Configuring Static Mapping	49
Importing DHCP Options Example	49

Configuring DHCP Address Allocation Using Option 82 Example	50
Configuring a Static Route with the Next-Hop Dynamically Obtained Through DHCP Example	51
Additional References	52

---

<b>CHAPTER 3</b>	<b>Configuring the Cisco IOS XE DHCP Client</b>	<b>53</b>
	Information About the DHCP Client	53
	DHCP Client Operation	53
	DHCP Client Overview	54
	How to Configure the DHCP Client	55
	Configuring the DHCP Client	55
	Troubleshooting Tips	56
	Configure Administrative Distance	56
	Configuration Examples for the DHCP Client	57
	Configuring the DHCP Client Example	57
	Customizing the DHCP Client Configuration Example	58
	Additional References	59
	Technical Assistance	60

---

<b>CHAPTER 4</b>	<b>ISSU and SSO--DHCP High Availability Features</b>	<b>61</b>
	Prerequisites for DHCP High Availability	61
	Restrictions for DHCP High Availability	62
	Information About DHCP High Availability	62
	ISSU	62
	SSO	62
	ISSU and SSO--DHCP Server	62
	ISSU and SSO--DHCP Relay on Unnumbered Interface	63
	ISSU and SSO--DHCP Proxy Client	64
	ISSU and SSO--DHCP ODAP Client and Server	65
	How to Configure DHCP High Availability	66
	Configuration Examples for DHCP High Availability	66
	Additional References	66
	Feature Information for DHCP High Availability Features	68
	Glossary	69

---

**CHAPTER 5****Implementing DHCP for IPv6 71**

## DHCPv6 Prefix Delegation 71

## Configuring Nodes Without Prefix Delegation 71

## Client and Server Identification 72

## Rapid Commit 72

## DHCPv6 Client and Relay Functions 72

## Client Function 72

## DHCPv6 Relay Agent 73

## DHCPv6 Relay SSO and ISSU 74

## How to Implement DHCP for IPv6 76

## Configuring the DHCPv6 Server Function 76

## Configuring the DHCPv6 Configuration Pool 76

## Configuring a Binding Database Agent for the Server Function 78

## Configuring the DHCPv6 Client Function 79

## Configuring the DHCPv6 Relay Agent 80

## Configuring Route Addition for Relay and Server 81

## Defining a General Prefix with the DHCPv6 Prefix Delegation Client Function 82

## Configuring a VRF-Aware Relay for MPLS VPN Support 82

## Configuring a VRF-Aware Relay 82

## Restarting the DHCPv6 Client on an Interface 84

## Deleting Automatic Client Bindings from the DHCPv6 Binding Table 84

## Troubleshooting DHCPv6 85

## Verifying the DHCPv6 Configuration 85

## Example Verifying the DHCPv6 Configuration 86

## Configuration Examples for Implementing DHCPv6 89

## Example: Configuring the DHCPv6 Client Function 89

---

**CHAPTER 6****IPv6 Access Services: DHCPv6 Relay Agent 91**

## Information About IPv6 Access Services: DHCPv6 Relay Agent 91

## DHCPv6 Relay Agent 91

## DHCPv6 Relay Agent Notification for Prefix Delegation 93

## DHCPv6 Relay Options: Remote ID for Ethernet Interfaces 93

## DHCPv6 Relay Options: Reload Persistent Interface ID Option 93

DHCPv6 Relay Chaining	94
How to Configure IPv6 Access Services: DHCPv6 Relay Agent	94
Configuring the DHCPv6 Relay Agent	94
Configuration Examples for IPv6 Access Services: DHCPv6 Relay Agent	95
Example: Configuring the DHCPv6 Relay Agent	95
Additional References	96

**CHAPTER 7**

<b>DHCP Features Configuration</b>	<b>97</b>
Limitations and Restrictions	97
DHCP Features	97
DHCP Server	97
DHCP Relay Agent	98
DHCP Snooping	98
Option-82 Data Insertion	99
Cisco IOS DHCP Server Database	102
DHCP Snooping Binding Database	102
Configuring DHCP Features	104
Default DHCP Configuration	104
DHCP Snooping Configuration Guidelines	105
Configuring the DHCP Server	106
Configuring the DHCP Relay Agent	106
Specifying the Packet Forwarding Address	107
Enabling DHCP Snooping and Option 82	108
Enabling the Cisco IOS DHCP Server Database	110
Enabling the DHCP Snooping Binding Database Agent	110
Stopping the Database Agent and Binding files	111
Clearing the Statistics of the DHCP Snooping Binding Database Agent	111
Deleting Binding Entries from the DHCP Snooping Binding Database	111
Disabling DHCP Snooping	112
Displaying DHCP Snooping Information	112
Pre-assigned Address Reserved in the DHCP Pool	112
Automatic Generation of Subscriber Identifier	113
DHCP Server Port-Based Address Allocation	113
DHCP Server Port-Based Address Allocation	114

Configuring DHCP Server Port-Based Address Allocation	114
Default Port-Based Address Allocation Configuration	114
Port-Based Address Allocation Configuration Guidelines	114
Enabling DHCP Server Port-Based Address Allocation	115
Pre-assigning IP Addresses	115
Removing an IP Address Reservation from a DHCP Pool	116
Automatic Generation of Subscriber Identifier	117
Disabling DHCP Port-Based Address Allocation	117
Displaying DHCP Server Port-Based Address Allocation	117
Additional References	118
<hr/>	
<b>CHAPTER 8</b>	<b>Configuration of Dynamic ARP Inspection 119</b>
Dynamic ARP Inspection	119
Interface Trust States and Network Security	121
Rate Limiting of ARP Packets	122
Logging of Dropped Packets	122
Configuring Dynamic ARP Inspection	122
Default Dynamic ARP Inspection Configuration	122
Dynamic ARP Inspection Configuration Guidelines	123
Configuring Dynamic ARP Inspection in DHCP Environments	123
Example for Configuring Dynamic ARP Inspection	125
Disabling Dynamic ARP Inspection	125
Configuring ARP ACLs for Non-DHCP Environments	125
Example for Configuring an ARP ACL	127
Removing the ARP ACL	128
Limiting the Rate of Incoming ARP Packets (optional)	128
Performing Validation Checks (optional)	129
Configuring the Log Buffer (optional)	131
Returning to the Default Log Buffer Settings	132
Displaying Dynamic ARP Inspection Information	132
Clearing or Displaying Dynamic ARP Inspection Statistics	133
Clearing or Displaying Dynamic ARP Inspection Logging Information	133





# CHAPTER 1

## DHCP Overview

---

The Dynamic Host Configuration Protocol (DHCP) is based on the Bootstrap Protocol (BOOTP), which provides the framework for passing configuration information to hosts on a TCP/IP network. DHCP adds the capability to automatically allocate reusable network addresses and configuration options to Internet hosts. DHCP consists of two components: a protocol for delivering host-specific configuration parameters from a DHCP server to a host and a mechanism for allocating network addresses to hosts. DHCP is built on a client/server model, where designated DHCP server hosts allocate network addresses and deliver configuration parameters to dynamically configured hosts.

This module describes the concepts needed to understand Cisco IOS XE DHCP.

- [Information About DHCP, on page 1](#)
- [Additional References for DHCP Overview, on page 5](#)
- [Glossary, on page 6](#)

## Information About DHCP

### DHCP Overview

Cisco routers running Cisco IOS XE software include Dynamic Host Control Protocol (DHCP) server and relay agent software. The Cisco IOS XE DHCP server is a full DHCP server implementation that assigns and manages IP addresses from specified address pools within the router to DHCP clients. These address pools can also be configured to supply additional information to the requesting client such as the IP address of the DNS server, the default router, and other configuration parameters. If the Cisco IOS XE DHCP server cannot satisfy a DHCP request from its own database, it can forward the request to one or more secondary DHCP servers defined by the network administrator.

DHCP supports three mechanisms for IP address allocation:

- Automatic allocation—DHCP assigns a permanent IP address to a client.
- Dynamic allocation—DHCP assigns an IP address to a client for a limited period of time, which is called a lease (or until the client explicitly relinquishes the address). DHCP also supports on-demand address pools (ODAPs), which is a feature in which pools of IP addresses can be dynamically increased or reduced in size depending on the address utilization level. ODAPs support address assignment for customers using private addresses.
- Manual allocation—The network administrator assigns an IP address to a client and DHCP is used simply to convey the assigned address to the client.

The format of DHCP messages is based on the format of BOOTP messages, which ensures support for BOOTP relay agent functionality and interoperability between BOOTP clients and DHCP servers. BOOTP relay agents eliminate the need for deploying a DHCP server on each physical network segment. BOOTP is explained in RFC 951, *Bootstrap Protocol (BOOTP)*, and RFC 1542, *Clarifications and Extensions for the Bootstrap Protocol*.

The main advantage of DHCP compared to BOOTP is that DHCP does not require that the DHCP server be configured with all MAC addresses of all clients. DHCP defines a process by which the DHCP server knows the IP subnet in which the DHCP client resides, and it can assign an IP address from a pool of valid IP addresses in that subnet. Most of the other information that DHCP might supply, such as the default router IP address, is the same for all hosts in the subnet so DHCP servers can usually configure information per subnet rather than per host. This functionality reduces network administration tasks compared to BOOTP.

## Limitations and Restrictions for DHCP

The following limitations and restrictions apply when configuring DHCP features:

- The dhcp snooping feature is not supported.
- Option 82 is not supported.
- The router cannot be used as a DHCPv6 server.
- For bulk lease query support, use an external DHCPv6 server.

## Benefits of Using DHCP

The DHCP implementation offers the following benefits:

- Reduced Internet access costs

Using automatic IP address assignment at each remote site substantially reduces Internet access costs. Static IP addresses are considerably more expensive to purchase than are automatically allocated IP addresses.

- Reduced server configuration tasks and costs

Because DHCP is easy to configure, it minimizes operational overhead and costs associated with device configuration tasks and eases deployment by nontechnical users.

- Centralized management

Because the DHCP server maintains configurations for several subnets, an administrator only needs to update a single, central server when configuration parameters change.

## DHCP Server Relay Agent and Client Operation

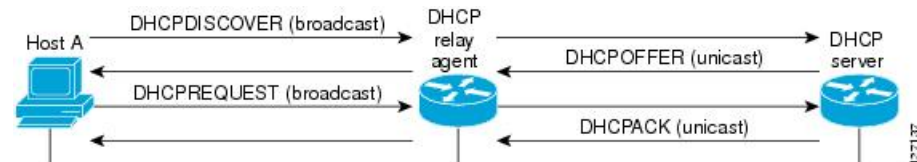
Dynamic Host Control Protocol (DHCP) provides a framework for passing configuration information dynamically to hosts on a TCP/IP network. A DHCP client is a host that uses DHCP to obtain configuration parameters such as an IP address.

A DHCP relay agent is any host that forwards DHCP packets between clients and servers. Relay agents are used to forward requests and replies between clients and servers when they are not on the same physical subnet. Relay agent forwarding is distinct from the normal forwarding of an IP router, where IP datagrams

are switched between networks somewhat transparently. By contrast, relay agents receive DHCP messages and then generate a new DHCP message to send on another interface.

The figure below shows the basic steps that occur when a DHCP client requests an IP address from a DHCP server. The client, Host A, sends a DHCPDISCOVER broadcast message to locate a DHCP server. A relay agent forwards the packets between the DHCP client and server. A DHCP server offers configuration parameters (such as an IP address, a MAC address, a domain name, and a lease for the IP address) to the client in a DHCPOFFER unicast message. The client returns a formal request for the offered IP address to the DHCP server in a DHCPREQUEST broadcast message. The DHCP server confirms that the IP address has been allocated to the client by returning a DHCPACK unicast message to the client.

**Figure 1: DHCP Request for an IP Address from a DHCP Server**



A DHCP client may receive offers from multiple DHCP servers and can accept any one of the offers; however, the client usually accepts the first offer it receives. Additionally, the offer from the DHCP server is not a guarantee that the IP address will be allocated to the client; however, the server usually reserves the address until the client has had a chance to formally request the address.

The client returns a formal request for the offered IP address to the DHCP server in a DHCPREQUEST broadcast message. The DHCP server confirms that the IP address has been allocated to the client by returning a DHCPACK unicast message to the client.

The formal request for the offered IP address (the DHCPREQUEST message) that is sent by the client is broadcast so that all other DHCP servers that received the DHCPDISCOVER broadcast message from the client can reclaim the IP addresses that they offered to the client.

If the configuration parameters sent to the client in the DHCPOFFER unicast message by the DHCP server are invalid (a misconfiguration error exists), the client returns a DHCPDECLINE broadcast message to the DHCP server.

The DHCP server will send to the client a DHCPNAK denial broadcast message, which means the offered configuration parameters have not been assigned, if an error has occurred during the negotiation of the parameters or the client has been slow in responding to the DHCPOFFER message (the DHCP server assigned the parameters to another client) of the DHCP server.

## DHCP Database

DHCP address pools are stored in non-volatile RAM (NVRAM). There is no limit on the number of address pools. An address binding is the mapping between the client's IP and hardware addresses. The client's IP address can be configured by the administrator (manual address allocation) or assigned from a pool by the DHCP server.

Manual bindings are stored in NVRAM. Manual bindings are just special address pools configured by a network administrator. There is no limit on the number of manual bindings.

Automatic bindings are IP addresses that have been automatically mapped to the MAC addresses of hosts that are found in the DHCP database. Automatic bindings are stored on a remote host called the database agent. A DHCP database agent is any host--for example, an FTP, TFTP, or RCP server--that stores the DHCP bindings database. The bindings are saved as text records for easy maintenance.

You can configure multiple DHCP database agents and you can configure the interval between database updates and transfers for each agent.

## DHCP Attribute Inheritance

The DHCP server database is organized as a tree. The root of the tree is the address pool for natural networks, branches are subnetwork address pools, and leaves are manual bindings to clients. Subnetworks inherit network parameters and clients inherit subnetwork parameters. Therefore, common parameters (for example, the domain name) should be configured at the highest (network or subnetwork) level of the tree.

Inherited parameters can be overridden. For example, if a parameter is defined in both the natural network and a subnetwork, the definition of the subnetwork is used.

Address leases are not inherited. If a lease is not specified for an IP address, by default, the DHCP server assigns a one-day lease for the address.

## DHCP Options and Suboptions

Configuration parameters and other control information are carried in tagged data items that are stored in the options field of the DHCP message. Options provide a method of appending additional information. Vendors that want to provide additional information to their client not designed into the protocol can use options.

The Cisco IOS XE DHCP implementation also allows most DHCP server options to be customized. For example, the TFTP server, which stores the Cisco IOS XE image, can be customized with option 150 to support intelligent IP phones.

Virtual Private Networks (VPNs) allow the possibility that two pools in separate networks can have the same address space, with private network addresses, served by the same DHCP server. Cisco IOS XE software supports VPN-related options and suboptions such as the relay agent information option and VPN identification suboption. A relay agent can recognize these VPN-related options and suboptions and forward the client-originated DHCP packets to a DHCP server. The DHCP server can use this information to assign IP addresses and other parameters, distinguished by a VPN identifier, to help select the VPN to which the client belongs.

For more information on DHCP options and suboptions, see the “DHCP Options Reference” appendix in the *Network Registrar User's Guide*, Release 6.3.

During lease negotiation, the DHCP server sends the options shown in the table below to the client.

**Table 1: Default DHCP Server Options**

DHCP Option Name	DHCP Option Code	Description
Subnet mask option	1	Specifies the client's subnet mask per RFC 950.
Router option	3	Specifies a list of IP addresses for routers on the client's subnet, usually listed in order of preference.
Domain name server option	6	Specifies a list of DNS name servers available to the client, usually listed in order of preference.
Hostname option	12	Specifies the name of the client. The name may or may not be qualified with the local domain name.
Domain name option	15	Specifies the domain name that the client should use when resolving hostnames via the Domain Name System.

DHCP Option Name	DHCP Option Code	Description
NetBIOS over TCP/IP name server option	44	Specifies a list of RFC 1001/1002 NetBIOS name servers listed in order or preference.
NetBIOS over TCP/IP node type option	46	Enables NetBIOS over TCP/IP clients that are configurable to be configured as described in RFC 1001/1002.
IP address lease time option	51	Allows the client to request a lease for the IP address.
DHCP message type option	53	Conveys the type of the DHCP message.
Server identifier option	54	Identifies the IP address of the selected DHCP server.
Renewal (T1) time option	58	Specifies the time interval from address assignment until the client transitions to the renewing state.
Rebinding (T2) time option	59	Specifies the time interval from address assignment until the client transitions to the rebinding state.

## Additional References for DHCP Overview

### Related Documents

Related Topic	Document Title
Cisco IOS commands	<a href="#">Cisco IOS Master Command List, All Releases</a>
DHCP commands	<a href="#">Cisco IOS IP Addressing Services Command Reference</a>
IPv6 commands	<a href="#">Cisco IOS IPv6 Command Reference</a>
IPv6 addressing and connectivity	<i>IPv6 Configuration Guide</i>
Cisco IOS IPv6 features	<a href="#">Cisco IOS IPv6 Feature Mapping</a>

### Standards and RFCs

Standard/RFC	Title
RFC 951	<i>Bootstrap Protocol (BOOTP)</i>
RFC 1542	<i>Clarifications and Extensions for the Bootstrap Protocol</i>
RFCs for IPv6	<i>IPv6 RFCs</i>

### Technical Assistance

Description	Link
The Cisco Support and Documentation website provides online resources to download documentation, software, and tools. Use these resources to install and configure the software and to troubleshoot and resolve technical issues with Cisco products and technologies. Access to most tools on the Cisco Support and Documentation website requires a Cisco.com user ID and password.	<a href="http://www.cisco.com/cisco/web/support/index.html">http://www.cisco.com/cisco/web/support/index.html</a>

## Glossary

**address binding**—A mapping between the client’s IP and hardware (MAC) addresses. The client’s IP address may be configured by the administrator (manual address allocation) or assigned from a pool by the DHCP server (automatic address allocation). The binding also contains a lease expiration date. The default for the lease expiration date is one day.

**address conflict**—A duplication of use of the same IP address by two hosts. During address assignment, DHCP checks for conflicts using ping and gratuitous (ARP). If a conflict is detected, the address is removed from the pool. The address will not be assigned until the administrator resolves the conflict.

**address pool**—The range of IP addresses assigned by the DHCP server. Address pools are indexed by subnet number.

**automatic address allocation** --An address assignment method where a network administrator obtains an IP address for a client for a finite period of time or until the client explicitly relinquishes the address. Automatic allocation is particularly useful for assigning an address to a client that will be connected to the network only temporarily or for sharing a limited pool of IP addresses among a group of clients that do not need permanent IP addresses. Automatic allocation may also be a good choice for assigning an IP address to a new client being permanently connected to a network where IP addresses are sufficiently scarce that it is important to reclaim them when old clients are retired.

**BOOTP**—Bootstrap Protocol. A protocol that provides a method for a booting computer to find out its IP address and the location of the boot file with the rest of its parameters.

**client**—Any host requesting configuration parameters.

**database**—A collection of address pools and bindings.

**database agent**—Any host storing the DHCP bindings database, for example, a Trivial File Transfer Protocol (TFTP) server.

**DHCP**—Dynamic Host Configuration Protocol. A protocol that provides a mechanism for allocating IP addresses dynamically so that addresses can be reused when hosts no longer need them.

**DNS**—Domain Name System. A system used in the Internet for translating names of network nodes into addresses.

**manual address allocation**—An address assignment method that allocates an administratively assigned IP address to a host. Manual allocation allows DHCP to be used to eliminate the error-prone process of manually configuring hosts with IP addresses.

**PWLAN**—Public Wireless Local Area Network. A type of wireless LAN, often referred to as a hotspot, that anyone having a properly configured computer device can access.

**relay agent**—A device that forwards DHCP and BOOTP messages between a server and a client on different subnets.

**server**—Any host providing configuration parameters.

**SSG**—Service Selection Gateway. The feature set that provides on-demand service enforcement within the Cisco network.







## CHAPTER 2

# Configuring the Cisco IOS XE DHCP Server

Cisco routers running Cisco IOS XE software include Dynamic Host Configuration Protocol (DHCP) server and relay agent software. The Cisco IOS XE DHCP server is a full DHCP server implementation that assigns and manages IP addresses from specified address pools within the router to DHCP clients. The DHCP server can be configured to assign additional parameters such as the IP address of the domain name system (DNS) server and the default router.

This module describes the concepts and the tasks needed to configure the DHCP server.

- [Prerequisites for Configuring the DHCP Server, on page 9](#)
- [Information About the Cisco IOS XE DHCP Server, on page 10](#)
- [How to Configure the Cisco IOS XE DHCP Server, on page 14](#)
- [Configuration Examples for the Cisco IOS XE DHCP Server, on page 45](#)
- [Additional References, on page 52](#)

## Prerequisites for Configuring the DHCP Server

- Before you configure a Cisco Dynamic Host Control Protocol (DHCP) server, you must understand the concepts documented in the [Overview of the DHCP Server](#) section.
- The Cisco DHCP server and the relay agent services are enabled by default. Use the **no service dhcp** command to disable the Cisco DHCP server and the relay agent and the **service dhcp** command to reenble the functionality.
- Port 67 (the DHCP server port) is closed in the Cisco DHCP/BOOTP default configuration. There are two logical parts to the **service dhcp** command: service enabled and service running. The DHCP service is enabled by default, but port 67 does not open until the DHCP service is running. If the DHCP service is running, the **show ip sockets details** or the **show sockets detail** command displays port 67 as open.
- The Cisco DHCP relay agent is enabled on an interface only when you configure the **ip helper-address** command. This command enables a DHCP broadcast to be forwarded to the configured DHCP server.

# Information About the Cisco IOS XE DHCP Server

## Overview of the DHCP Server

The Cisco DHCP server accepts address assignment requests and renewals from the client and assigns the addresses from predefined groups of addresses within DHCP address pools. These address pools can also be configured to supply additional information to the requesting client such as the IP address of the Domain Name System (DNS) server, the default device, and other configuration parameters. The Cisco DHCP server can accept broadcasts from locally attached LAN segments or from DHCP requests that have been forwarded by other DHCP relay agents within the network.

## Database Agents

A DHCP database agent is any host (for example, an FTP, TFTP, or rcp server) or storage media on the DHCP server (for example, flash disk) that stores the DHCP bindings database. You can configure multiple DHCP database agents, and you can configure the interval between database updates and transfers for each agent.

Automatic bindings are IP addresses that have been automatically mapped to the MAC addresses of hosts that are found in the DHCP database. Automatic binding information (such as lease expiration date and time, interface index, and VPN routing and forwarding [VRF] name) is stored on a database agent. The bindings are saved as text records for easy maintenance.

## Address Conflicts

An address conflict occurs when two hosts use the same IP address. During address assignment, DHCP checks for conflicts using ping and gratuitous Address Resolution Protocol (ARP). If a conflict is detected, the address is removed from the pool. The address will not be assigned until the administrator resolves the conflict.

## DHCP Address Pool Conventions

You can configure a DHCP address pool with a name that is a symbolic string (such as “engineering”) or an integer (such as 0). Configuring a DHCP address pool also puts the router into DHCP pool configuration mode--identified by the (dhcp-config)# prompt--from which you can configure pool parameters (for example, the IP subnet number and default router list).

## DHCP Address Pool Selection

DHCP defines a process by which the DHCP server knows the IP subnet in which the DHCP client resides, and it can assign an IP address from a pool of valid IP addresses in that subnet. The process by which the DHCP server identifies which DHCP address pool to use to service a client request is described in this section.

The DHCP server identifies which DHCP address pool to use to service a client request as follows:

- If the client is not directly connected (the giaddr field of the DHCPDISCOVER broadcast message is non-zero), the DHCP server matches the DHCPDISCOVER with a DHCP pool that has the subnet that contains the IP address in the giaddr field. Giaddr field is the gateway IP address field of a DHCP packet. A DHCP relay agent sets the gateway address and adds the relay agent information option (option82) in the packet and forwards it to the DHCP server. The reply from the server is forwarded back to the client after removing option 82.

- If the client is directly connected (the giaddr field is zero), the DHCP server matches the DHCPDISCOVER with DHCP pool(s) that contain the subnet(s) configured on the receiving interface. If the interface has secondary IP addresses, the subnets associated with the secondary IP addresses are examined for possible allocation only after the subnet associated with the primary IP address (on the interface) is exhausted.

Cisco IOS XE DHCP server software supports advanced capabilities for IP address allocation. See the “DHCP Server Address Allocation Using Option 82” section for more information.

## Address Bindings

An address binding is a mapping between the IP address and MAC address of a client. The IP address of a client can be assigned manually by an administrator or assigned automatically from a pool by a DHCP server.

Manual bindings are IP addresses that have been manually mapped to the MAC addresses of hosts that are found in the DHCP database. Manual bindings are stored in NVRAM on the DHCP server. Manual bindings are just special address pools. There is no limit on the number of manual bindings, but you can only configure one manual binding per host pool.

Automatic bindings are IP addresses that have been automatically mapped to the MAC addresses of hosts that are found in the DHCP database. Because the bindings are stored in volatile memory on the DHCP server, binding information is lost in the event of a power failure or upon router reload for any other reason. To prevent the loss of automatic binding information in such an event, a copy of the automatic binding information can be stored on a remote host called a DHCP database agent. The bindings are periodically written to the database agent. If the router reloads, the bindings are read back from the database agent to the DHCP database on the DHCP server.



---

**Note** We strongly recommend using database agents. However, the Cisco IOS XE DHCP server can function without database agents.

---

All DHCP clients send a client identifier (DHCP option 61) in the DHCP packet. To configure manual bindings, you must enter the **client-identifier** DHCP pool configuration command with the appropriate hexadecimal values identifying the DHCP client.

## Ping Packet Settings

By default, the DHCP server pings a pool address twice before assigning a particular address to a requesting client. If the ping is unanswered, the DHCP server assumes (with a high probability) that the address is not in use and assigns the address to the requesting client.

By default, the DHCP server waits 2 seconds before timing out a ping packet.

## DHCP Attribute Inheritance

The DHCP server database is organized as a tree. The root of the tree is the address pool for natural networks, branches are subnetwork address pools, and leaves are manual bindings to clients. Subnetworks inherit network parameters and clients inherit subnetwork parameters. Therefore, common parameters (for example, the domain name) should be configured at the highest (network or subnetwork) level of the tree.

Inherited parameters can be overridden. For example, if a parameter is defined in both the natural network and a subnetwork, the definition of the subnetwork is used.

Address leases are not inherited. If a lease is not specified for an IP address, by default, the DHCP server assigns a one-day lease for the address.

## DHCP Server Address Allocation Using Option 82

The Cisco IOS DHCP server can allocate dynamic IP addresses based on the relay information option (option 82) sent by the relay agent.

DHCP provides a framework for passing configuration information to hosts on a TCP/IP network. Configuration parameters and other control information are carried in tagged data items that are stored in the options field of the DHCP message. The data items are also called options. Option 82 is organized as a single DHCP option that contains information known by the relay agent.

Automatic DHCP address allocation is based on an IP address. This IP address can either be the gateway address (giaddr field of the DHCP packet) or the IP address of an incoming interface. In some networks, it is necessary to use additional information to further determine which IP addresses to allocate. By using option 82, the Cisco IOS DHCP relay agent can include additional information about itself when forwarding client-originated DHCP packets to a DHCP server. The Cisco IOS DHCP server can also use option 82 to provide additional information to properly allocate IP addresses to DHCP clients. The information sent via option 82 is used to identify the port where the DHCP request arrives. Automatic DHCP address allocation does not parse out the individual suboptions contained in option 82. Rather, the address allocation is done by matching a configured pattern byte by byte.

This feature introduces a new DHCP class capability, which is a method to group DHCP clients based on some shared characteristics other than the subnet in which the clients reside.

For example, DHCP clients are connected to two ports of a single switch. Each port can be configured to be a part of two VLANs: VLAN1 and VLAN2. DHCP clients belong to either VLAN1 or VLAN2 and the switch can differentiate the VLAN that a particular DHCP Discover message belongs to (possibly through Layer 2 encapsulation). Each VLAN has its own subnet and all DHCP messages from the same VLAN (same switch) have the giaddr field set to the same value indicating the subnet of the VLAN.

Problems can occur while allocating IP addresses to DHCP clients that are connected to different ports of the same VLAN. These IP addresses must be part of the same subnet but the range of IP addresses must be different. In the preceding example, when a DHCP client that is connected to a port of VLAN1 must be allocated an IP address from a range of IP addresses within the VLAN's subnet, whereas a DHCP client connecting to port 2 of VLAN1 must be allocated an IP address from another range of IP addresses. The two range of IP addresses are part of the same subnet (and have the same subnet mask). Generally, during DHCP address allocation, the DHCP server refers only to the giaddr field and is unable to differentiate between the two ranges.

To solve this problem, a relay agent residing at the switch inserts the relay information option (option 82), which carries information specific to the port, and the DHCP server inspects both the giaddr field and the inserted option 82 during the address selection process.

When you enable option 82 on a device, the following sequence of events occurs:

1. The host (DHCP client) generates a DHCP request and broadcasts it on the network.
2. When the device receives the DHCP request, it adds the option 82 information in the packet. The option 82 information contains the device MAC address (the remote ID suboption) and the port identifier, vlan-mod-port, from which the packet is received (the circuit ID suboption).
3. The device adds the IP address of the relay agent to the DHCP packet.
4. The device forwards the DHCP request that includes the option 82 field to the DHCP server.

5. The DHCP server receives the packet. If the server is option 82 capable, it uses the remote ID, the circuit ID, or both to assign IP addresses and implement policies, such as restricting the number of IP addresses that can be assigned to a single remote ID or circuit ID. The DHCP server echoes the option 82 field in the DHCP reply.
6. The DHCP server unicasts the reply to the device if the request is relayed to the server by the device. The device verifies that it originally inserted the option 82 data by inspecting remote ID and possibly circuit ID fields. The device removes the option 82 field and forwards the packet to the interface that connects to the DHCP client that sent the DHCP request.

The Cisco software refers to a pool of IP addresses (giaddr or incoming interface IP address) and matches the request to a class or classes configured in the pool in the order the classes are specified in the DHCP pool configuration.

When a DHCP address pool is configured with one or more DHCP classes, the pool becomes a restricted access pool, which means that no addresses are allocated from the pool unless one or more classes in the pool matches. This design allows DHCP classes to be used either for access control (no default class is configured on the pool) or to provide further address range partitions within the subnet of the pool.

Multiple pools can be configured with the same class, eliminating the need to configure the same pattern in multiple pools.

The following capabilities are supported for DHCP class-based address allocation:

- Specifying the full relay agent information option value as a raw hexadecimal string by using the **relay-information hex** command in new relay agent information configuration mode.
- Support for bit-masking the raw relay information hexadecimal value.
- Support for a wildcard at the end of a hexadecimal string specified by the **relay-information hex** command.

If the relay agent inserts option 82 but does not set the giaddr field in the DHCP packet, the DHCP server interface must be configured as a trusted interface by using the **ip dhcp relay information trusted** command. This configuration prevents the server from dropping the DHCP message.

## DHCP Address Allocation Using Option 82 Feature Design

DHCP provides a framework for passing configuration information to hosts on a TCP/IP network. Configuration parameters and other control information are carried in tagged data items that are stored in the options field of the DHCP message. The data items themselves are also called options. Option 82 is organized as a single DHCP option that contains information known by the relay agent.

This feature is designed to allow the Cisco IOS XE DHCP server to use option 82 information to help determine which IP addresses to allocate to clients. The information sent via option 82 will be used to identify which port the DHCP request came in on. This feature does not parse out the individual suboptions contained within option 82. Rather, the address allocation is done by matching a configured pattern byte by byte.

The feature introduces a new DHCP class capability, which is a method to group DHCP clients based on some shared characteristics other than the subnet in which the clients reside.

## Usage Scenario for DHCP Address Allocation Using Option 82

In an example application, DHCP clients are connected to two ports of a single switch. Each port can be configured to be part of two VLANs: VLAN1 and VLAN2. DHCP clients belong to either VLAN1 or VLAN2 and it is assumed that the switch can differentiate the VLAN that a particular DHCP Discover message belongs to (possibly through Layer 2 encapsulation). Each VLAN has its own subnet and all DHCP messages from

the same VLAN (same switch) will have the giaddr field set to the same value indicating the subnet of the VLAN.

The problem is that for a DHCP client connecting to port 1 of VLAN1, it must be allocated an IP address from one range within the VLAN's subnet, whereas a DHCP client connecting to port 2 of VLAN1 must be allocated an IP address from another range. Both these two IP address ranges are part of the same subnet (and have the same subnet mask). In the normal DHCP address allocation, the DHCP server will look only at the giaddr field and thus will not be able to differentiate between the two ranges.

To solve this problem, a relay agent residing at the switch inserts the relay information option (option 82), which carries information specific to the port, and the DHCP server must inspect both the giaddr field and the inserted option 82 during the address selection process.

## DHCP Class Capability

The Cisco IOS XE software will look up a pool based on IP address (giaddr or incoming interface IP address) and then match the request to a class or classes configured in the pool in the order the classes are specified in the DHCP pool configuration.

When a DHCP address pool has been configured with one or more DHCP classes, the pool becomes a restricted access pool, which means that no addresses will be allocated from the pool unless one or more of the classes in the pool is matched. This design allows DHCP classes to be used for either access control (no default class is configured on the pool) or to provide further address range partitions with the subnet of the pool.

Multiple pools can be configured with the same class, eliminating the need to configure the same pattern in multiple pools.

The following capabilities are currently supported for DHCP class-based address allocation:

- Specifying the full relay agent information option value as a raw hexadecimal string by using the **relay-information hex** command in the new relay agent information configuration mode.
- Support for bitmasking the raw relay information hexadecimal value.
- Support for a wildcard at the end of the hexadecimal string specified by the **relay-information hex** command.

# How to Configure the Cisco IOS XE DHCP Server

## Configuring a DHCP Database Agent or Disabling Conflict Logging

A DHCP database agent is any host (for example, an FTP, a TFTP, or a remote copy protocol [RCP] server) or storage media on a DHCP server (for example, disk0) that stores the DHCP bindings database. You can configure multiple DHCP database agents, and the interval between database updates and transfers for each agent.

Automatic bindings are IP addresses that are automatically mapped to the MAC addresses of hosts that are found in the DHCP database. Automatic binding information (such as lease expiration date and time, interface index, and VPN routing and forwarding [VRF] name) is stored in a database agent. The bindings are saved as text records for easy maintenance.

An address conflict occurs when two hosts use the same IP address. During address assignment, DHCP checks for conflicts by using ping and gratuitous Address Resolution Protocol (ARP). If a conflict is detected, the address is removed from the pool. The address is not assigned until the administrator resolves the conflict.



**Note** We strongly recommend using database agents. However, the Cisco DHCP server can run without database agents. If you choose not to configure a DHCP database agent, disable the recording of DHCP address conflicts on the DHCP server by using the **no ip dhcp conflict logging** command in global configuration mode. If there is a conflict logging but no database agent is configured, bindings during a switchover are lost when a device reboots. Possible false conflicts can occur causing the address to be removed from the address pool.

**SUMMARY STEPS**

1. **enable**
2. **configure terminal**
3. Do one of the following:
  - **ip dhcp database url [timeout seconds | write-delay seconds]**
  - **no ip dhcp conflict logging**
4. **end**

**DETAILED STEPS**

	<b>Command or Action</b>	<b>Purpose</b>
<b>Step 1</b>	<p><b>enable</b></p> <p><b>Example:</b></p> <pre>Device&gt; enable</pre>	<p>Enables privileged EXEC mode.</p> <ul style="list-style-type: none"> <li>• Enter your password if prompted.</li> </ul>
<b>Step 2</b>	<p><b>configure terminal</b></p> <p><b>Example:</b></p> <pre>Device# configure terminal</pre>	<p>Enters global configuration mode.</p>
<b>Step 3</b>	<p>Do one of the following:</p> <ul style="list-style-type: none"> <li>• <b>ip dhcp database url [timeout seconds   write-delay seconds]</b></li> <li>• <b>no ip dhcp conflict logging</b></li> </ul> <p><b>Example:</b></p> <pre>Device(config)# ip dhcp database ftp://user:password@172.16.1.1/router-dhcp timeout 80</pre> <p><b>Example:</b></p> <pre>Device(config)# no ip dhcp conflict logging</pre>	<p>Configures a DHCP server to save automatic bindings on a remote host called a database agent.</p> <p>or</p> <p>Disables DHCP address conflict logging.</p>

	Command or Action	Purpose
<b>Step 4</b>	<b>end</b> <b>Example:</b> Device(config)# end	Exits global configuration mode and returns to privileged EXEC mode.

## Excluding IP Addresses

The IP address configured on a device interface is automatically excluded from the DHCP address pool. The DHCP server assumes that all other IP addresses in a DHCP address pool subnet are available for assigning to DHCP clients.

You must exclude addresses from the pool if the DHCP server does not allocate those IP addresses to DHCP clients. Consider a scenario where two DHCP servers are set up for the same network segment (subnet) for redundancy. If DHCP servers do not coordinate their services with each other using a protocol such as DHCP failover, each DHCP server must be configured to allocate addresses from a nonoverlapping set of addresses in the shared subnet. See the [Configuring Manual Bindings](#) section for a configuration example.

### SUMMARY STEPS

1. **enable**
2. **configure terminal**
3. **ip dhcp excluded-address** *low-address* [*high-address*]
4. **end**

### DETAILED STEPS

	Command or Action	Purpose
<b>Step 1</b>	<b>enable</b> <b>Example:</b> Device> enable	Enables privileged EXEC mode. <ul style="list-style-type: none"> <li>• Enter your password if prompted.</li> </ul>
<b>Step 2</b>	<b>configure terminal</b> <b>Example:</b> Device# configure terminal	Enters global configuration mode.
<b>Step 3</b>	<b>ip dhcp excluded-address</b> <i>low-address</i> [ <i>high-address</i> ] <b>Example:</b> Device(config)# ip dhcp excluded-address 172.16.1.100 172.16.1.103	Specifies IP addresses that the DHCP server should not assign to DHCP clients.
<b>Step 4</b>	<b>end</b> <b>Example:</b> Device(config)# end	Exits global configuration mode and returns to privileged EXEC mode.



# Configuring DHCP Address Pools

## Configuring a DHCP Address Pool

On a per-address pool basis, specify DHCP options for the client as necessary.

You can configure a DHCP address pool with a name that is a string (such as “engineering”) or an integer (such as 0). Configuring a DHCP address pool also puts the device into DHCP pool configuration mode—identified by the (dhcp-config)# prompt—from which you can configure pool parameters (for example, the IP subnet number and default device list).

DHCP defines a process by which the DHCP server knows the IP subnet in which the DHCP client resides, and it can assign an IP address from a pool of valid IP addresses in that subnet. The process by which the DHCP server identifies the DHCP address pool to use for a client request is described in the [Configuring Manual Bindings](#) section.

The DHCP server identifies and uses DHCP address pools for a client request, in the following manner:

- If the client is not directly connected to the DHCP server (the giaddr field of the DHCPDISCOVER broadcast message is nonzero), the server matches the DHCPDISCOVER with the DHCP pool that has the subnet that contains the IP address in the giaddr field.
- If the client is directly connected to the DHCP server (the giaddr field is zero), the DHCP server matches the DHCPDISCOVER with DHCP pools that contain the subnets configured on the receiving interface. If the interface has secondary IP addresses, subnets associated with the secondary IP addresses are examined for possible allocation only after the subnet associated with the primary IP address (on the interface) is exhausted.
- If you want to unconfigure the last DHCP pool when the DHCP traffic is active, ensure to have one of the following configurations:
  1. **ip dhcp pool** <dummy\_pool> any dummy pool without any configuration
  - OR
  2. **ip helper-address** x.x.x.x on dummy interface( loopback)

Cisco DHCP server software supports advanced capabilities for IP address allocation. See the [Configuring DHCP Address Allocation Using Option 82](#) section for more information.

### Before you begin

Before you configure the DHCP address pool, you must:

- Identify DHCP options for devices where necessary, including the following:
  - Default boot image name
  - Default devices
  - Domain Name System (DNS) servers
  - Network Basic Input/Output System (NetBIOS) name server
  - Primary subnet
  - Secondary subnets and subnet-specific default device lists (see [Configuring a DHCP Address Pool with Secondary Subnets](#) for information on secondary subnets).

- Decide on a NetBIOS node type (b, p, m, or h).
- Decide on a DNS domain name.



**Note** You cannot configure manual bindings within the same pool that is configured with the **network** DHCP pool configuration command. To configure manual bindings, see the [Configuring Manual Bindings](#) section.

## SUMMARY STEPS

1. **enable**
2. **configure terminal**
3. **ip dhcp pool** *name*
4. **utilization mark high** *percentage-number* [**log**]
5. **utilization mark low** *percentage-number* [**log**]
6. **network** *network-number* [*mask* | *prefix-length*] [**secondary**]
7. **domain-name** *domain*
8. **dns-server** *address* [*address2* ... *address8*]
9. **bootfile** *filename*
10. **next-server** *address* [*address2* ... *address8*]
11. **netbios-name-server** *address* [*address2* ... *address8*]
12. **netbios-node-type** *type*
13. **default-router** *address* [*address2* ... *address8*]
14. **option** *code* [*instance number*] {*ascii string* | **hex string** | *ip-address*}
15. **import** {**all** | **interface** *interface\_name*}
16. **lease** {*days* [*hours* [*minutes*]] | **infinite**}
17. **end**

## DETAILED STEPS

	Command or Action	Purpose
<b>Step 1</b>	<b>enable</b> <b>Example:</b> Device> enable	Enables privileged EXEC mode. <ul style="list-style-type: none"> <li>• Enter your password if prompted.</li> </ul>
<b>Step 2</b>	<b>configure terminal</b> <b>Example:</b> Device# configure terminal	Enters global configuration mode.
<b>Step 3</b>	<b>ip dhcp pool</b> <i>name</i> <b>Example:</b> Device(config)# ip dhcp pool 1	Creates a name for the DHCP server address pool and enters DHCP pool configuration mode.

	Command or Action	Purpose
Step 4	<p><b>utilization mark high</b> <i>percentage-number</i> [<b>log</b>]</p> <p><b>Example:</b></p> <pre>Device(dhcp-config)# utilization mark high 80 log</pre>	<p>(Optional) Configures the high utilization mark of the current address pool size.</p> <ul style="list-style-type: none"> <li>The <b>log</b> keyword enables the logging of a system message. A system message will be generated for a DHCP pool when the pool utilization exceeds the configured high utilization threshold.</li> </ul>
Step 5	<p><b>utilization mark low</b> <i>percentage-number</i> [<b>log</b>]</p> <p><b>Example:</b></p> <pre>Device(dhcp-config)# utilization mark low 70 log</pre>	<p>(Optional) Configures the low utilization mark of the current address pool size.</p> <ul style="list-style-type: none"> <li>The <b>log</b> keyword enables the logging of a system message. A system message will be generated for a DHCP pool when the pool utilization falls below the configured low utilization threshold.</li> </ul>
Step 6	<p><b>network</b> <i>network-number</i> [<i>mask</i>   <i>/prefix-length</i>]</p> <p>[<b>secondary</b>]</p> <p><b>Example:</b></p> <pre>Device(dhcp-config)# network 172.16.0.0 /16</pre>	Specifies the subnet network number and mask of the DHCP address pool.
Step 7	<p><b>domain-name</b> <i>domain</i></p> <p><b>Example:</b></p> <pre>Device(dhcp-config)# domain-name cisco.com</pre>	Specifies the domain name for the client.
Step 8	<p><b>dns-server</b> <i>address</i> [<i>address2</i> ... <i>address8</i>]</p> <p><b>Example:</b></p> <pre>Device(dhcp-config)# dns server 172.16.1.103 172.16.2.103</pre>	<p>Specifies the IP address of a DNS server that is available to a DHCP client.</p> <ul style="list-style-type: none"> <li>One IP address is required; however, you can specify up to eight IP addresses in one command.</li> <li>Servers should be listed in order of preference.</li> </ul>
Step 9	<p><b>bootfile</b> <i>filename</i></p> <p><b>Example:</b></p> <pre>Device(dhcp-config)# bootfile xllboot</pre>	<p>(Optional) Specifies the name of the default boot image for a DHCP client.</p> <ul style="list-style-type: none"> <li>The boot file is used to store the boot image for the client. The boot image is generally the operating system that the client uses to load.</li> </ul>
Step 10	<p><b>next-server</b> <i>address</i> [<i>address2</i> ... <i>address8</i>]</p> <p><b>Example:</b></p> <pre>Device(dhcp-config)# next-server 172.17.1.103 172.17.2.103</pre>	<p>(Optional) Configures the next server in the boot process of a DHCP client.</p> <ul style="list-style-type: none"> <li>One address is required; however, you can specify up to eight addresses in one command line.</li> <li>If multiple servers are specified, DHCP assigns them to clients in a round-robin order. The first client gets address 1, the next client gets address 2, and so on.</li> </ul>

	Command or Action	Purpose
		<ul style="list-style-type: none"> <li>If this command is not configured, DHCP uses the server specified by the <b>ip helper address</b> command as the boot server.</li> </ul>
<b>Step 11</b>	<b>netbios-name-server</b> <i>address</i> [ <i>address2 ... address8</i> ] <b>Example:</b> <pre>Device(dhcp-config)# netbios-name-server 172.16.1.103 172.16.2.103</pre>	(Optional) Specifies the NetBIOS WINS server that is available to a Microsoft DHCP client. <ul style="list-style-type: none"> <li>One address is required; however, you can specify up to eight addresses in one command line.</li> <li>Servers should be listed in order of preference.</li> </ul>
<b>Step 12</b>	<b>netbios-node-type</b> <i>type</i> <b>Example:</b> <pre>Device(dhcp-config)# netbios-node-type h-node</pre>	(Optional) Specifies the NetBIOS node type for a Microsoft DHCP client.
<b>Step 13</b>	<b>default-router</b> <i>address</i> [ <i>address2 ... address8</i> ] <b>Example:</b> <pre>Device(dhcp-config)# default-router 172.16.1.100 172.16.1.101</pre>	(Optional) Specifies the IP address of the default device for a DHCP client. <ul style="list-style-type: none"> <li>The IP address should be on the same subnet as the client.</li> <li>One IP address is required; however, you can specify up to eight IP addresses in one command line. These default devices are listed in order of preference; that is, <i>address</i> is the most preferred device, <i>address2</i> is the next most preferred device, and so on.</li> <li>When a DHCP client requests an IP address, the device—acting as a DHCP server—accesses the default device list to select another device that the DHCP client will use as the first hop for forwarding messages. After a DHCP client has booted, the client begins sending packets to its default device.</li> </ul>
<b>Step 14</b>	<b>option</b> <i>code</i> [ <i>instance number</i> ] { <i>ascii string</i>   <b>hex string</b>   <i>ip-address</i> } <b>Example:</b> <pre>Device(dhcp-config)# option 19 hex 01</pre>	(Optional) Configures DHCP server options. Configuration supports Longest match and RegEx match for option 60. The <b>option code</b> sub command can be used to configure any DHCP options.
<b>Step 15</b>	<b>import</b> { <b>all</b>   <b>interface</b> <i>interface_name</i> } <b>Example:</b> <pre>Device(dhcp-config)# import all Device(dhcp-config) # import interface Ethernet0/0</pre>	The <b>import all</b> command learns options from all the interfaces.  The <b>import interface</b> learns options only from the specified interface.
<b>Step 16</b>	<b>lease</b> { <i>days</i> [ <i>hours</i> [ <i>minutes</i> ]]   <b>infinite</b> }	(Optional) Specifies the duration of the lease.

	Command or Action	Purpose
	<b>Example:</b>  Device(dhcp-config)# lease 30	<ul style="list-style-type: none"> <li>The default is a one-day lease.</li> <li>The <b>infinite</b> keyword specifies that the duration of the lease is unlimited.</li> </ul>
<b>Step 17</b>	<b>end</b>  <b>Example:</b>  Device(dhcp-config)# end	Returns to privileged EXEC mode.

## Configuring a DHCP Address Pool with Secondary Subnets

For any DHCP pool, you can configure a primary subnet and any number of secondary subnets. Each subnet is a range of IP addresses that the device uses to allocate an IP address to a DHCP client. The DHCP server multiple subnet functionality enables a Cisco DHCP server address pool to manage additional IP addresses by adding the addresses to a secondary subnet of an existing DHCP address pool (instead of using a separate address pool).

Configuring a secondary DHCP subnetwork places the device in DHCP pool secondary subnet configuration mode—identified by the (config-dhcp-subnet-secondary)# prompt—where you can configure a default address list that is specific to the secondary subnet. You can also specify the utilization rate of the secondary subnet, which allows pools of IP addresses to dynamically increase or reduce in size depending on the address utilization level. This setting overrides the global utilization rate.

If the DHCP server selects an address pool that contains multiple subnets, the DHCP server allocates an IP address from the subnets as follows:

- When the DHCP server receives an address assignment request, it looks for an available IP address in the primary subnet.
- When the primary subnet is exhausted, the DHCP server automatically looks for an available IP address in any of the secondary subnets maintained by the DHCP server (even though the giaddr does not necessarily match the secondary subnet). The server inspects the subnets for address availability in the order of subnets that were added to the pool.
- If the giaddr matches a secondary subnet in the pool, the DHCP server allocates an IP address from that particular secondary subnet (even if IP addresses are available in the primary subnet and irrespective of the order of secondary subnets that were added).

### SUMMARY STEPS

- enable**
- configure terminal**
- ip dhcp pool *name***
- utilization mark high *percentage-number* [log]**
- utilization mark low *percentage-number* [log]**
- network *network-number* [*mask* | *prefix-length*]**
- domain-name *domain***
- dns-server *address* [*address2* ... *address8*]**
- bootfile *filename***

10. **next-server** *address* [*address2 ... address8*]
11. **netbios-name-server** *address* [*address2 ... address8*]
12. **netbios-node-type** *type*
13. **default-router** *address* [*address2 ... address8*]
14. **option** *code* [**instance number**] {*ascii string* | **hex** *string* | *ip-address*}
15. **lease** {*days* [*hours*] [*minutes*] | **infinite**}
16. **network** *network-number* [*mask* | *prefix-length*] [**secondary**]
17. **override default-router** *address* [*address2 ... address8*]
18. **override utilization high** *percentage-number*
19. **override utilization low** *percentage-number*
20. **end**

## DETAILED STEPS

	Command or Action	Purpose
<b>Step 1</b>	<b>enable</b> <b>Example:</b> <pre>Device&gt; enable</pre>	Enables privileged EXEC mode. <ul style="list-style-type: none"> <li>• Enter your password if prompted.</li> </ul>
<b>Step 2</b>	<b>configure terminal</b> <b>Example:</b> <pre>Device# configure terminal</pre>	Enters global configuration mode.
<b>Step 3</b>	<b>ip dhcp pool</b> <i>name</i> <b>Example:</b> <pre>Device(config)# ip dhcp pool 1</pre>	Creates a name for the DHCP server address pool and enters DHCP pool configuration mode.
<b>Step 4</b>	<b>utilization mark high</b> <i>percentage-number</i> [ <b>log</b> ] <b>Example:</b> <pre>Device(dhcp-config)# utilization mark high 80 log</pre>	(Optional) Configures the high utilization mark of the current address pool size. <ul style="list-style-type: none"> <li>• The <b>log</b> keyword enables logging of a system message. A system message is generated for a DHCP pool when the pool utilization exceeds the configured high utilization threshold.</li> </ul>
<b>Step 5</b>	<b>utilization mark low</b> <i>percentage-number</i> [ <b>log</b> ] <b>Example:</b> <pre>Device(dhcp-config)# utilization mark low 70 log</pre>	(Optional) Configures the low utilization mark of the current address pool size. <ul style="list-style-type: none"> <li>• The <b>log</b> keyword enables logging of a system message. A system message is generated for a DHCP pool when the pool utilization falls below the configured low utilization threshold.</li> </ul>
<b>Step 6</b>	<b>network</b> <i>network-number</i> [ <i>mask</i>   <i>prefix-length</i> ] <b>Example:</b>	Specifies the subnet network number and mask of the primary DHCP address pool.

	Command or Action	Purpose
	Device(dhcp-config)# network 172.16.0.0 /16	
<b>Step 7</b>	<b>domain-name</b> <i>domain</i> <b>Example:</b> Device(dhcp-config)# domain-name cisco.com	Specifies the domain name for the client.
<b>Step 8</b>	<b>dns-server</b> <i>address</i> [ <i>address2</i> ... <i>address8</i> ] <b>Example:</b> Device(dhcp-config)# dns server 172.16.1.103 172.16.2.103	Specifies the IP address of a DNS server that is available to a DHCP client. <ul style="list-style-type: none"> <li>• One IP address is required; however, you can specify up to eight IP addresses in one command.</li> <li>• Servers should be listed in the order of preference.</li> </ul>
<b>Step 9</b>	<b>bootfile</b> <i>filename</i> <b>Example:</b> Device(dhcp-config)# bootfile xllboot	(Optional) Specifies the name of the default boot image for a DHCP client. <ul style="list-style-type: none"> <li>• The boot file is used to store the boot image for the client. The boot image is generally the operating system image that the client loads.</li> </ul>
<b>Step 10</b>	<b>next-server</b> <i>address</i> [ <i>address2</i> ... <i>address8</i> ] <b>Example:</b> Device(dhcp-config)# next-server 172.17.1.103 172.17.2.103	(Optional) Configures the next server in the boot process of a DHCP client. <ul style="list-style-type: none"> <li>• One IP address is required; however, you can specify up to eight IP addresses in one command line.</li> <li>• If multiple servers are specified, DHCP assigns the servers to clients in a round-robin order. The first client gets address 1, the next client gets address 2, and so on.</li> <li>• If this command is not configured, DHCP uses the server specified by the <b>ip helper address</b> command as the boot server.</li> </ul>
<b>Step 11</b>	<b>netbios-name-server</b> <i>address</i> [ <i>address2</i> ... <i>address8</i> ] <b>Example:</b> Device(dhcp-config)# netbios-name-server 172.16.1.103 172.16.2.103	(Optional) Specifies the NetBIOS Windows Internet Naming Service (WINS) server that is available to a Microsoft DHCP client. <ul style="list-style-type: none"> <li>• One address is required; however, you can specify up to eight addresses in one command line.</li> <li>• Servers should be listed in order of preference.</li> </ul>
<b>Step 12</b>	<b>netbios-node-type</b> <i>type</i> <b>Example:</b> Device(dhcp-config)# netbios-node-type h-node	(Optional) Specifies the NetBIOS node type for a Microsoft DHCP client.

	Command or Action	Purpose
<b>Step 13</b>	<p><b>default-router</b> <i>address</i> [<i>address2 ... address8</i>]</p> <p><b>Example:</b></p> <pre>Device(dhcp-config)# default-router 172.16.1.100 172.16.1.101</pre>	<p>(Optional) Specifies the IP address of the default device for a DHCP client.</p> <ul style="list-style-type: none"> <li>• The IP address should be on the same subnet as the client.</li> <li>• One IP address is required; however, you can specify a up to eight IP addresses in one command line. These default devices are listed in order of preference; that is, <i>address</i> is the most preferred device, <i>address2</i> is the next most preferred device, and so on.</li> <li>• When a DHCP client requests for an IP address, the device—acting as a DHCP server—accesses the default device list to select another device that the DHCP client uses as the first hop for forwarding messages. After a DHCP client has booted, the client begins sending packets to its default device.</li> </ul>
<b>Step 14</b>	<p><b>option</b> <i>code</i> [<i>instance number</i>] {<i>ascii string</i>   <b>hex string</b>   <i>ip-address</i>}</p> <p><b>Example:</b></p> <pre>Device(dhcp-config)# option 19 hex 01</pre>	<p>(Optional) Configures DHCP server options.</p>
<b>Step 15</b>	<p><b>lease</b> {<i>days</i> [<i>hours</i>] [<i>minutes</i>]   <b>infinite</b>}</p> <p><b>Example:</b></p> <pre>Device(dhcp-config)# lease 30</pre>	<p>(Optional) Specifies the duration of the lease.</p> <ul style="list-style-type: none"> <li>• The default is a one-day lease.</li> <li>• The <b>infinite</b> keyword specifies that the duration of the lease is unlimited.</li> </ul>
<b>Step 16</b>	<p><b>network</b> <i>network-number</i> [<i>mask</i>   <i>prefix-length</i>] [<b>secondary</b>]</p> <p><b>Example:</b></p> <pre>Device(dhcp-config)# network 10.10.0.0 255.255.0.0 secondary</pre>	<p>(Optional) Specifies the network number and mask of a secondary DHCP server address pool.</p> <ul style="list-style-type: none"> <li>• Any number of secondary subnets can be added to a DHCP server address pool.</li> <li>• During execution of this command, the configuration mode changes to DHCP pool secondary subnet configuration mode, which is identified by (config-dhcp-subnet-secondary)# prompt. In this mode, the administrator can configure a default device list that is specific to the subnet.</li> <li>• See <a href="#">Troubleshooting Tips</a> section if you are using secondary IP addresses under a loopback interface with DHCP secondary subnets.</li> </ul>



	Command or Action	Purpose
Step 17	<p><b>override default-router</b> <i>address</i> [<i>address2 ... address8</i>]</p> <p><b>Example:</b></p> <pre>Device(config-dhcp-subnet-secondary)# override default-router 10.10.0.100 10.10.0.101</pre>	<p>(Optional) Specifies the default device list that is used when an IP address is assigned to a DHCP client from a particular secondary subnet.</p> <ul style="list-style-type: none"> <li>• If the subnet-specific override value is configured, this override value is used when assigning an IP address from the subnet; the network-wide default device list is used only to set the gateway device for the primary subnet.</li> <li>• If this subnet-specific override value is not configured, the network-wide default device list is used when assigning an IP address from the subnet.</li> <li>• See <a href="#">Example: Configuring a DHCP Address Pool with Multiple Disjoint Subnets</a> section for a sample configuration.</li> </ul>
Step 18	<p><b>override utilization high</b> <i>percentage-number</i></p> <p><b>Example:</b></p> <pre>Device(config-dhcp-subnet-secondary)# override utilization high 60</pre>	<p>(Optional) Sets the high utilization mark of the subnet size.</p> <ul style="list-style-type: none"> <li>• This command overrides the global default setting specified by the <b>utilization mark high</b> command.</li> </ul>
Step 19	<p><b>override utilization low</b> <i>percentage-number</i></p> <p><b>Example:</b></p> <pre>Device(config-dhcp-subnet-secondary)# override utilization low 40</pre>	<p>(Optional) Sets the low utilization mark of the subnet size.</p> <ul style="list-style-type: none"> <li>• This command overrides the global default setting specified by the <b>utilization mark low</b> command.</li> </ul>
Step 20	<p><b>end</b></p> <p><b>Example:</b></p> <pre>Device(config-dhcp-subnet-secondary)# end</pre>	<p>Returns to privileged EXEC mode.</p>

## Troubleshooting Tips

If you are using secondary IP addresses under a single loopback interface and using secondary subnets under a DHCP pool, use one DHCP pool to configure networks for all the secondary subnets instead of using one pool per secondary subnet. The **network** *network-number* [*mask* | */prefix-length*] [**secondary**] command must be configured under a single DHCP address pool rather than multiple DHCP address pools.

The following is the correct configuration:

```
!
ip dhcp pool dhcp_1
 network 172.16.1.0 255.255.255.0
 network 172.16.2.0 255.255.255.0 secondary
 network 172.16.3.0 255.255.255.0 secondary
 network 172.16.4.0 255.255.255.0 secondary
!
```

```
interface Loopback111
 ip address 172.16.1.1 255.255.255.255 secondary
 ip address 172.16.2.1 255.255.255.255 secondary
 ip address 172.16.3.1 255.255.255.255 secondary
 ip address 172.16.4.1 255.255.255.255 secondary
```

The following is the incorrect configuration:

```
!
ip dhcp pool dhcp_1
 network 172.16.1.0 255.255.255.0
 lease 1 20 30
 accounting default
!
ip dhcp pool dhcp_2
 network 172.16.2.0 255.255.255.0
 lease 1 20 30
 accounting default
!
ip dhcp pool dhcp_3
 network 172.16.3.0 255.255.255.0
 lease 1 20 30
 accounting default
!
ip dhcp pool dhcp_4
 network 172.16.4.0 255.255.255.0
 lease 1 20 30
 accounting default
!
interface Loopback111
 ip address 172.16.1.1 255.255.255.255 secondary
 ip address 172.16.2.1 255.255.255.255 secondary
 ip address 172.16.3.1 255.255.255.255 secondary
 ip address 172.16.4.1 255.255.255.255 secondary
```

## Verifying the DHCP Address Pool Configuration

The following configuration commands are optional. You can enter the **show** commands in any order.

### SUMMARY STEPS

1. **enable**
2. **show ip dhcp pool** [*name*]
3. **show ip dhcp binding** [*address*]
4. **show ip dhcp conflict** [*address*]
5. **show ip dhcp database** [*url*]
6. **show ip dhcp server statistics** [*type-number*]

### DETAILED STEPS

	Command or Action	Purpose
Step 1	<b>enable</b>  <b>Example:</b>  Device> enable	Enables privileged EXEC mode. <ul style="list-style-type: none"> <li>• Enter your password if prompted.</li> </ul>

	Command or Action	Purpose
Step 2	<b>show ip dhcp pool</b> <i>[name]</i> <b>Example:</b> <pre>Device# show ip dhcp pool</pre>	(Optional) Displays information about DHCP address pools.
Step 3	<b>show ip dhcp binding</b> <i>[address]</i> <b>Example:</b> <pre>Device# show ip dhcp binding</pre>	(Optional) Displays a list of all bindings created on a specific DHCP server. <ul style="list-style-type: none"> <li>• Use the <b>show ip dhcp binding</b> command to display the IP addresses that have already been assigned. Verify that the address pool is not exhausted. If necessary, recreate the pool to create a larger pool of addresses.</li> <li>• Use the <b>show ip dhcp binding</b> command to display the lease expiration date and time of the IP address of the host.</li> </ul>
Step 4	<b>show ip dhcp conflict</b> <i>[address]</i> <b>Example:</b> <pre>Device# show ip dhcp conflict</pre>	(Optional) Displays a list of all IP address conflicts.
Step 5	<b>show ip dhcp database</b> <i>[url]</i> <b>Example:</b> <pre>Device# show ip dhcp database</pre>	(Optional) Displays recent activity on the DHCP database.
Step 6	<b>show ip dhcp server statistics</b> <i>[type-number]</i> <b>Example:</b> <pre>Device# show ip dhcp server statistics</pre>	(Optional) Displays count information about server statistics and messages sent and received.

## Configuring Manual Bindings

An address binding is a mapping between the IP address and MAC address of a client. The IP address of a client can be assigned manually by an administrator or assigned automatically from a pool by a DHCP server.

Manual bindings are IP addresses that are manually mapped to MAC addresses of hosts that are found in the DHCP database. Manual bindings are stored in the NVRAM of the DHCP server. Manual bindings are just special address pools. There is no limit to the number of manual bindings, but you can configure only one manual binding per host pool.

Automatic bindings are IP addresses that have been automatically mapped to MAC addresses of hosts that are found in the DHCP database. Because the bindings are stored in the volatile memory of the DHCP server, binding information is lost in the event of power failures or on device reloads. To prevent the loss of automatic binding information, a copy of the automatic binding information is stored on a remote host called the DHCP database agent. The bindings are periodically written to the database agent. When the device reloads, the bindings are read from the database agent to the DHCP database in the DHCP server.



**Note** We strongly recommend that you use database agents. However, Cisco DHCP server can function even without database agents.

Some DHCP clients send a client identifier (DHCP option 61) in the DHCP packet. To configure manual bindings for such clients, you must enter the **client-identifier** command with the hexadecimal values that identify the DHCP client. To configure manual bindings for clients that do not send a client identifier option, you must enter the **hardware-address** DHCP pool configuration command with the hexadecimal hardware address of the client.

Depending on your release, the DHCP server sends infinite lease time to the clients for which manual bindings are configured.

Depending on your release, the DHCP server sends lease time that is configured using the **lease** command to clients for which manual bindings are configured.



**Note** You cannot configure manual bindings within the same pool that is configured with the **network** command in DHCP pool configuration mode. See the [Configuring DHCP Address Pools](#) section for information about DHCP address pools and the **network** command.

## SUMMARY STEPS

1. **enable**
2. **configure terminal**
3. **ip dhcp pool** *pool-name*
4. **host** *address* [*mask* | */prefix-length*]
5. **client-identifier** *unique-identifier*
6. **hardware-address** *hardware-address* [*protocol-type* | *hardware-number*]
7. **client-name** *name*
8. **end**

## DETAILED STEPS

	Command or Action	Purpose
Step 1	<b>enable</b> <b>Example:</b> Device> enable	Enables privileged EXEC mode. <ul style="list-style-type: none"> <li>• Enter your password if prompted.</li> </ul>
Step 2	<b>configure terminal</b> <b>Example:</b> Device# configure terminal	Enters global configuration mode.
Step 3	<b>ip dhcp pool</b> <i>pool-name</i> <b>Example:</b>	Creates a name for the DHCP server address pool and enters DHCP pool configuration mode.

	Command or Action	Purpose
	Device(config)# ip dhcp pool pool1	
<b>Step 4</b>	<p><b>host</b> <i>address [mask   /prefix-length]</i></p> <p><b>Example:</b></p> <pre>Device(dhcp-config)# host 172.16.0.1</pre>	<p>Specifies the IP address and subnet mask of the client.</p> <ul style="list-style-type: none"> <li>There is no limit to the number of manual bindings you can configure. However, you can configure only one manual binding per host pool.</li> </ul>
<b>Step 5</b>	<p><b>client-identifier</b> <i>unique-identifier</i></p> <p><b>Example:</b></p> <pre>Device(dhcp-config)# client-identifier 01b7.0813.8811.66</pre>	<p>Specifies the unique identifier for DHCP clients.</p> <ul style="list-style-type: none"> <li>This command is used for DHCP requests.</li> <li>DHCP clients require client identifiers. You can specify the unique identifier for the client in either of the following ways: <ul style="list-style-type: none"> <li>A 7-byte dotted hexadecimal notation. For example, 01b7.0813.8811.66, where 01 represents the Ethernet media type and the remaining bytes represent the MAC address of the DHCP client.</li> <li>A 27-byte dotted hexadecimal notation. For example, 7656646f72280303234e39762302e333734312d4661302f31. The equivalent ASCII string for this hexadecimal value is vendor-0024.97b0.3741-fa0/1, where vendor represents the vendor, 0024.97b0.3741 represents the MAC address of the source interface, and fa0/1 represents the source interface of the DHCP client.</li> </ul> </li> <li>See the Troubleshooting section for information about how to determine the client identifier of the DHCP client.</li> </ul> <p><b>Note</b> The identifier specified here is considered for a DHCP client that sends a client identifier in the packet.</p>
<b>Step 6</b>	<p><b>hardware-address</b> <i>hardware-address [protocol-type   hardware-number]</i></p> <p><b>Example:</b></p> <pre>Device(dhcp-config)# hardware-address b708.1388.f166 ethernet</pre>	<p>Specifies a hardware address for the client.</p> <ul style="list-style-type: none"> <li>This command is used for BOOTP requests.</li> </ul> <p><b>Note</b> The hardware address specified here is considered for a DHCP client that does not send a client identifier in the packet.</p>
<b>Step 7</b>	<p><b>client-name</b> <i>name</i></p> <p><b>Example:</b></p> <pre>Device(dhcp-config)# client-name client1</pre>	<p>(Optional) Specifies the name of the client using any standard ASCII character.</p> <ul style="list-style-type: none"> <li>The client name should not include the domain name. For example, the name client1 should not be specified as client1.cisco.com.</li> </ul>

	Command or Action	Purpose
Step 8	<b>end</b> <b>Example:</b> Device (dhcp-config) # end	Returns to privileged EXEC mode.

## Troubleshooting Tips

Use the following command to debug any errors that you may encounter when you configure DHCP to automatically generate a unique ID:

- **debug ip dhcp server packets**

## Configuring DHCP Static Mapping

The DHCP Static Mapping feature enables the assignment of static IP addresses (without creating numerous host pools with manual bindings) by using a customer-created text file that the DHCP server reads. The benefit of this feature is that it eliminates the need for a long configuration file and reduces the space required in NVRAM to maintain address pools.

A DHCP database contains the mappings between a client IP address and the hardware address, which is referred to as a binding. There are two types of bindings: manual bindings that map a single hardware address to a single IP address, and automatic bindings that dynamically map a hardware address to an IP address from a pool of IP addresses. Manual (also known as static) bindings can be configured individually directly on the device or by using the DHCP Static Mapping feature. These static bindings can be read from a separate static mapping text file. The static mapping text files are read when a device reloads or the DHCP service restarts. These files are read-only.

The read static bindings are treated just like the manual bindings, in that they are:

- Retained across DHCPRELEASES from the clients.
- Not timed out.
- Deleted only upon deletion of the pool.
- Provided appropriate exclusions for the contained addresses, which are created at the time of the read.

Just like automatic bindings, manual (or static) bindings from the static mapping text file are also displayed by using the **show ip dhcp binding** command.

Perform this task to create the static mapping text file. You will input your addresses in the text file, which is stored in the DHCP database for the DHCP server to read. There is no limit to the number of addresses that can be stored in the file. The file format has the following elements:

- Database version number
- End-of-file designator
- Hardware type
- Hardware address
- IP address

- Lease expiration
- Time the file was created

See the following table for more details about the format of the text file.

The following is a sample static mapping text file:

```
*time* Jan 21 2005 03:52 PM
*version* 2
!IP address      Type      Hardware address      Lease expiration
10.0.0.4 /24     1        0090.bfff6.081e      Infinite
10.0.0.5 /28     id       00b7.0813.88f1.66    Infinite
10.0.0.2 /21     1        0090.bfff6.081d      Infinite
*end*
```

**Table 2: Static Mapping Text File Field Descriptions**

Field	Description
*time*	Specifies the time the file was created. This field allows DHCP to differentiate between the new and old database versions when multiple agents are configured. The valid format of the time is mm dd yyyy hh:mm AM/PM.
*version* 2	Specifies the database version number.
IP address	Specifies the static IP address. If the subnet mask is not specified, a mask is automatically assigned depending on the IP address. The IP address and the mask is separated by a space.
Type	Specifies the hardware type. For example, type “1” indicates Ethernet. The type “id” indicates that the field is a DHCP client identifier. Legal values can be found online at <a href="http://www.iana.org/assignments/arp-parameters">http://www.iana.org/assignments/arp-parameters</a> in the “Number Hardware Type” list.
Hardware address	Specifies the hardware address.  When the type is numeric, the type refers to the hardware media. Legal values can be found online at <a href="http://www.iana.org/assignments/arp-parameters">http://www.iana.org/assignments/arp-parameters</a> in the “Number Hardware Type” list.  When the type is “id,” the type refers to a match on the client identifier.  For more information about the client identifier, see RFC 2132, <i>DHCP Options and BOOTP Vendor Extensions</i> , section 9.14, located at <a href="http://www.ietf.org/rfc/rfc2132.txt">http://www.ietf.org/rfc/rfc2132.txt</a> , or the <b>client-identifier</b> command.  If you are unsure about the client identifier to match with the hardware type, use the <b>debug dhcp detail</b> command to display the client identifier being sent to the DHCP server from the client.
Lease expiration	Specifies the expiration of the lease. “Infinite” specifies that the duration of the lease is unlimited.
*end*	End of file. DHCP uses the *end* designator to detect file truncation.

## Configuring the DHCP Server to Read a Static Mapping Text File

### Before you begin

The administrator must create the static mapping text file in the correct format and configure the address pools before performing this task.

Before editing the file, you must disable the DHCP server using the **no service dhcp** command.



**Note** The static bindings must not be deleted when a DHCPRELEASE is received or must not be timed out by the DHCP timer. The static bindings should be created by using the **ip dhcp pool** command.

### SUMMARY STEPS

1. **enable**
2. **configure terminal**
3. **ip dhcp pool** *name*
4. **origin file** *url*
5. **end**
6. **show ip dhcp binding** [*address*]

### DETAILED STEPS

	Command or Action	Purpose
Step 1	<b>enable</b> <b>Example:</b> Device> enable	Enables privileged EXEC mode. <ul style="list-style-type: none"> <li>• Enter your password if prompted.</li> </ul>
Step 2	<b>configure terminal</b> <b>Example:</b> Device# configure terminal	Enters global configuration mode.
Step 3	<b>ip dhcp pool</b> <i>name</i> <b>Example:</b> Device(config)# ip dhcp pool pool1	Assigns a name to a DHCP pool and enters DHCP configuration mode. <b>Note</b> If you have already configured the IP DHCP pool name using the <b>ip dhcp pool</b> command and the static file URL using the <b>origin file</b> command, you must perform a fresh read using the <b>no service dhcp</b> command and the <b>service dhcp</b> command.
Step 4	<b>origin file</b> <i>url</i> <b>Example:</b>	Specifies the URL that the DHCP server can access to locate the text file.



	Command or Action	Purpose
	Device(dhcp-config)# origin file tftp://10.1.0.1/static-bindings	
<b>Step 5</b>	<b>end</b>  <b>Example:</b>  Device(dhcp-config)# end	Returns to privileged EXEC mode.
<b>Step 6</b>	<b>show ip dhcp binding [address]</b>  <b>Example:</b>  Device# show ip dhcp binding	(Optional) Displays a list of all bindings created on a specific DHCP server.

**Examples**

The following sample output from the **show ip dhcp binding** command displays address bindings that are configured:

```
Device# show ip dhcp binding

00:05:14:%SYS-5-CONFIG_I: Configured from console by console
Bindings from all pools not associated with VRF:
IP address  Client-ID/          Ls expir   Type    Hw address          User name
10.9.9.4/8   0063.7363.2d30.3036.  Infinite   Static   302e.3762.2e39.3634.  632d.4574.8892.
10.9.9.1/24  0063.6973.636f.2d30.  Infinite   Static   3036.302e.3437.3165.  2e64.6462.342d.
```

The following sample output displays each entry in the static mapping text file:

```
*time* Jan 21 2005 22:52 PM
!IP address      Type      Hardware address          Lease expiration
10.19.9.1 /24    id        0063.6973.636f.2d30.3036.302e.3437
10.9.9.4         id        0063.7363.2d30.3036.302e.3762.2e39.3634.632d  Infinite
*end*
```

The following sample debug output shows the reading of the static mapping text file from the TFTP server:

```
Device# debug ip dhcp server

Loading abc/static_pool from 10.19.192.33 (via Ethernet0):
[OK - 333 bytes]
*May 26 23:14:21.259: DHCPD: contacting agent tftp://10.19.192.33/abc/static_pool (attempt
0)
*May 26 23:14:21.467: DHCPD: agent tftp://10.19.192.33/abc/static_pool is responding.
*May 26 23:14:21.467: DHCPD: IFS is ready.
*May 26 23:14:21.467: DHCPD: reading bindings from tftp://10.19.192.33/abc/static_pool.
*May 26 23:14:21.707: DHCPD: read 333 / 1024 bytes.
*May 26 23:14:21.707: DHCPD: parsing text line
*time* Apr 22 2002 11:31 AM
*May 26 23:14:21.707: DHCPD: parsing text line ""
*May 26 23:14:21.707: DHCPD: parsing text line
!IP address Type Hardware address Lease expiration
*May 26 23:14:21.707: DHCPD: parsing text line
"10.9.9.1 /24 id 0063.6973.636f.2d30.3036.302e.3437"
```

```

*May 26 23:14:21.707: DHCPD: creating binding for 10.9.9.1
*May 26 23:14:21.707: DHCPD: Adding binding to radix tree (10.9.9.1)
*May 26 23:14:21.707: DHCPD: Adding binding to hash tree
*May 26 23:14:21.707: DHCPD: parsing text line
"10.9.9.4 id 0063.7363.2d30.3036.302e.3762.2e39.3634.632d"
*May 26 23:14:21.711: DHCPD: creating binding for 10.9.9.4
*May 26 23:14:21.711: DHCPD: Adding binding to radix tree (10.9.9.4)
*May 26 23:14:21.711: DHCPD: Adding binding to hash tree
*May 26 23:14:21.711: DHCPD: parsing text line "Infinite"
*May 26 23:14:21.711: DHCPD: parsing text line ""
*May 26 23:14:21.711: DHCPD: parsing text line
!IP address Interface-index Lease expiration VRF
*May 26 23:14:21.711: DHCPD: parsing text line ""end*"
*May 26 23:14:21.711: DHCPD: read static bindings from tftp://10.19.192.33/abcamp/static_pool.

```

## Customizing DHCP Server Operation

By default, the DHCP server pings a pool address twice before assigning a particular address to a requesting client. If the ping is unanswered, the DHCP server assumes (with a high probability) that the address is not in use and assigns the address to the requesting client.

By default, the DHCP server waits for 2 seconds before timing out a ping packet.

You can configure the DHCP server to ignore and not reply to any BOOTP requests that the server receives. This functionality is beneficial when there is a mix of BOOTP and DHCP clients in a network segment and there is a BOOTP server and a Cisco DHCP server servicing the network segment. The BOOTP server is configured with static bindings for the BOOTP clients and the BOOTP clients must obtain their addresses from the BOOTP server. However, DHCP servers can also respond to BOOTP requests and the DHCP server may offer an address that causes the BOOTP clients to boot with the address from the DHCP server, instead of the address from the BOOTP server. Configuring the DHCP server to ignore BOOTP requests ensures that the BOOTP clients will receive address information from the BOOTP server and will not accept an address from a DHCP server.

Cisco software can forward these ignored BOOTP request packets to another DHCP server if the **ip helper-address** command is configured on the incoming interface.




---

**Note** It is not recommended to use DHCP ping checks on Cisco Catalyst switches implemented in switch stack or VSS.

---

### SUMMARY STEPS

1. **enable**
2. **configure terminal**
3. **ip dhcp ping packets** *number*
4. **ip dhcp ping timeout** *milliseconds*
5. **ip dhcp bootp ignore**
6. **end**

## DETAILED STEPS

	Command or Action	Purpose
Step 1	<b>enable</b> <b>Example:</b> Device> enable	Enables privileged EXEC mode. <ul style="list-style-type: none"> <li>• Enter your password if prompted.</li> </ul>
Step 2	<b>configure terminal</b> <b>Example:</b> Device# configure terminal	Enters global configuration mode.
Step 3	<b>ip dhcp ping packets <i>number</i></b> <b>Example:</b> Device(config)# ip dhcp ping packets 5	(Optional) Specifies the number of ping packets the DHCP server sends to a pool address before assigning the address to a requesting client. <ul style="list-style-type: none"> <li>• The default is two packets. Setting the <i>number</i> argument to a value of 0 disables the DHCP server ping operation.</li> </ul>
Step 4	<b>ip dhcp ping timeout <i>milliseconds</i></b> <b>Example:</b> Device(config)# ip dhcp ping timeout 850	(Optional) Specifies the duration the DHCP server waits for a ping reply from an address pool.
Step 5	<b>ip dhcp bootp ignore</b> <b>Example:</b> Device(config)# ip dhcp bootp ignore	(Optional) Allows the DHCP server to selectively ignore and not reply to received BOOTP requests. <ul style="list-style-type: none"> <li>• The <b>ip dhcp bootp ignore</b> command applies to all DHCP pools configured on the device. BOOTP requests cannot be selectively ignored on a per-DHCP pool basis.</li> </ul>
Step 6	<b>end</b> <b>Example:</b> Device(config)# end	Returns to privileged EXEC mode.

## Configuring a Remote Device to Import DHCP Server Options from a Central DHCP Server

The Cisco DHCP server can dynamically configure options such as the Domain Name System (DNS) and Windows Internet Name Service (WINS) addresses to respond to DHCP requests from local clients behind the customer premises equipment (CPE). Earlier, network administrators configured the Cisco DHCP server on each device manually. Now, the Cisco DHCP server is enhanced to allow configuration information to be updated automatically. Network administrators can configure one or more centralized DHCP servers to update

specific DHCP options within the DHCP pools. The remote servers can request or “import” these option parameters from centralized servers.

This section contains the following tasks:

## Configuring the Central DHCP Server to Update DHCP Options

Perform the following task to configure the Central DHCP Server to update DHCP options:

### SUMMARY STEPS

1. **enable**
2. **configure terminal**
3. **ip dhcp pool** *name*
4. **network** *network-number* [*mask* | */prefix-length*]
5. **dns-server** *address* [*address2* ... *address8*]
6. **end**

### DETAILED STEPS

	Command or Action	Purpose
<b>Step 1</b>	<b>enable</b> <b>Example:</b>  Device> enable	Enables privileged EXEC mode.  • Enter your password if prompted.
<b>Step 2</b>	<b>configure terminal</b> <b>Example:</b>  Device# configure terminal	Enters global configuration mode.
<b>Step 3</b>	<b>ip dhcp pool</b> <i>name</i> <b>Example:</b>  Device(config)# ip dhcp pool 1	Creates a name for the DHCP server address pool and enters DHCP pool configuration mode.
<b>Step 4</b>	<b>network</b> <i>network-number</i> [ <i>mask</i>   <i>/prefix-length</i> ] <b>Example:</b>  Device(dhcp-config)# network 172.16.0.0 /16	Specifies the subnet number and mask of the DHCP address pool.
<b>Step 5</b>	<b>dns-server</b> <i>address</i> [ <i>address2</i> ... <i>address8</i> ] <b>Example:</b>  Device(dhcp-config)# dns server 172.16.1.103 172.16.2.103	(Optional) Specifies the IP address of a DNS server that is available to a DHCP client.  • One IP address is required; however, you can specify up to eight IP addresses in one command line.  • Servers should be listed in the order of preference.

	Command or Action	Purpose
Step 6	<b>end</b> <b>Example:</b> Device(dhcp-config)# end	Returns to privileged EXEC mode.

## Configuring the Remote Device to Import DHCP Options

Perform the following task to configure the remote device to import DHCP options:



**Note** When two servers provide DHCP addresses to a single device configured with **ip address dhcp** on two different interfaces, the imported information is merged and, for those options that take a single value, the last known option value will be used.

### SUMMARY STEPS

1. **enable**
2. **configure terminal**
3. **ip dhcp pool** *pool-name*
4. **network** *network-number* [*mask* | */prefix-length*]
5. **import** {**all** | **interface** *interface\_name*}
6. **exit**
7. **interface** *type number*
8. **ip address dhcp**
9. **end**
10. **show ip dhcp import**

### DETAILED STEPS

	Command or Action	Purpose
Step 1	<b>enable</b> <b>Example:</b> Device> enable	Enables privileged EXEC mode. <ul style="list-style-type: none"> <li>• Enter your password if prompted.</li> </ul>
Step 2	<b>configure terminal</b> <b>Example:</b> Device# configure terminal	Enters global configuration mode.
Step 3	<b>ip dhcp pool</b> <i>pool-name</i> <b>Example:</b> Device(config)# ip dhcp pool pool1	Creates a name for the DHCP server address pool and enters DHCP pool configuration mode.

	Command or Action	Purpose
<b>Step 4</b>	<b>network</b> <i>network-number</i> [ <i>mask</i>   <i>/prefix-length</i> ] <b>Example:</b>  Device(dhcp-config)# network 172.30.0.0 /16	Specifies the subnet network number and mask of the DHCP address pool.
<b>Step 5</b>	<b>import</b> { <b>all</b>   <b>interface</b> <i>interface_name</i> } <b>Example:</b>  Device(dhcp-config)# import all Device(dhcp-config) # import interface Ethernet0/0	Imports DHCP option parameters into the DHCP server database.
<b>Step 6</b>	<b>exit</b> <b>Example:</b>  Device(dhcp-config)# exit	Exits DHCP pool configuration mode and enters global configuration mode.
<b>Step 7</b>	<b>interface</b> <i>type number</i> <b>Example:</b>  Device(config)# interface FastEthernet 0/0	Configures an interface and enters interface configuration mode.
<b>Step 8</b>	<b>ip address dhcp</b> <b>Example:</b>  Device(config-if)# ip address dhcp	Specifies that the interface acquires an IP address through DHCP.
<b>Step 9</b>	<b>end</b> <b>Example:</b>  Device(config-if)# end	Returns to privileged EXEC mode.
<b>Step 10</b>	<b>show ip dhcp import</b> <b>Example:</b>  Device# show ip dhcp import	Displays the options that are imported from the central DHCP server.

## Configuring DHCP Address Allocation Using Option 82

### Restrictions for DHCP Address Allocation Using Option 82

If the relay agent inserts option 82 but does not set the giaddr field in the DHCP packet, the DHCP server interface must be configured as a trusted interface by using the **ip dhcp relay information trusted** global configuration command. This configuration prevents the server from dropping the DHCP message.

## Enabling Option 82 for DHCP Address Allocation

By default, the Cisco DHCP server uses information provided by option 82 to allocate IP addresses. If the DHCP address allocation is disabled, perform the task described in this section to reenabling this capability.

### SUMMARY STEPS

1. **enable**
2. **configure terminal**
3. **ip dhcp use class**
4. **end**

### DETAILED STEPS

	Command or Action	Purpose
Step 1	<b>enable</b> <b>Example:</b> Device> enable	Enables privileged EXEC mode. <ul style="list-style-type: none"> <li>• Enter your password if prompted.</li> </ul>
Step 2	<b>configure terminal</b> <b>Example:</b> Device# configure terminal	Enters global configuration mode.
Step 3	<b>ip dhcp use class</b> <b>Example:</b> Device(config)# ip dhcp use class	Controls DHCP classes that are used for address allocation. <ul style="list-style-type: none"> <li>• This functionality is enabled by default.</li> <li>• Use the <b>no</b> form of this command to disable this functionality without deleting the DHCP class configuration.</li> </ul>
Step 4	<b>end</b> <b>Example:</b> Device(config)# end	Returns to privileged EXEC mode.

### Troubleshooting Tips

If DHCP classes are configured in the pool, but the DHCP server does not use the classes, verify if the **no ip dhcp use class** command was configured.

## Defining the DHCP Class and Relay Agent Information Patterns

### Before you begin

You must know the hexadecimal value of each byte location in option 82 to configure the **relay-information hex** command. The option 82 format may vary from product to product. Contact the relay agent vendor for this information.

Perform this task to define the DHCP class and relay agent information patterns:

## SUMMARY STEPS

1. **enable**
2. **configure terminal**
3. **ip dhcp class** *class-name*
4. **relay agent information**
5. **relay-information hex** *pattern* [\*] [**bitmask** *mask*]
6. Repeat Steps 3 through 5 for each DHCP class you need to configure.
7. **end**

## DETAILED STEPS

	Command or Action	Purpose
<b>Step 1</b>	<b>enable</b> <b>Example:</b> Device> enable	Enables privileged EXEC mode. <ul style="list-style-type: none"> <li>• Enter your password if prompted.</li> </ul>
<b>Step 2</b>	<b>configure terminal</b> <b>Example:</b> Device# configure terminal	Enters global configuration mode.
<b>Step 3</b>	<b>ip dhcp class</b> <i>class-name</i> <b>Example:</b> Device(config)# ip dhcp class CLASS1	Defines a DHCP class and enters DHCP class configuration mode.
<b>Step 4</b>	<b>relay agent information</b> <b>Example:</b> Device(dhcp-class)# relay agent information	Enters relay agent information option configuration mode. <ul style="list-style-type: none"> <li>• If you omit this step, the DHCP class matches any relay agent information option, whether the relay agent information option value is available or not.</li> </ul>
<b>Step 5</b>	<b>relay-information hex</b> <i>pattern</i> [*] [ <b>bitmask</b> <i>mask</i> ] <b>Example:</b> Device(dhcp-class-relayinfo)# relay-information hex 01030a0b0c02050000000123	(Optional) Specifies a hexadecimal value for full relay information option. <ul style="list-style-type: none"> <li>• The <i>pattern</i> argument creates a pattern that is used to match the DHCP class.</li> <li>• If you omit this step, no pattern is configured and it is considered a match to any relay agent information option value, but the relay information option must be available in the DHCP packet.</li> <li>• You can configure multiple <b>relay-information hex</b> commands in a DHCP class.</li> </ul>



	Command or Action	Purpose
<b>Step 6</b>	Repeat Steps 3 through 5 for each DHCP class you need to configure.	
<b>Step 7</b>	<b>end</b> <b>Example:</b> <pre>Device(dhcp-class-relayinfo)# end</pre>	Returns to privileged EXEC mode.

## Troubleshooting Tips

If DHCP classes are configured in the pool, but the DHCP server does not use the classes, verify if the **no ip dhcp use class** command was configured.

## Defining the DHCP Address Pool

Perform this task to define the DHCP address pool:

### SUMMARY STEPS

1. **enable**
2. **configure terminal**
3. **ip dhcp pool *name***
4. **network *network-number* [*mask* | *prefix-length*]**
5. **class *class-name***
6. **address range *start-ip end-ip***
7. Repeat Steps 5 and 6 for each DHCP class you need to associate with the DHCP pool.
8. **end**

### DETAILED STEPS

	Command or Action	Purpose
<b>Step 1</b>	<b>enable</b> <b>Example:</b> <pre>Device&gt; enable</pre>	Enables privileged EXEC mode. <ul style="list-style-type: none"> <li>• Enter your password if prompted.</li> </ul>
<b>Step 2</b>	<b>configure terminal</b> <b>Example:</b> <pre>Device# configure terminal</pre>	Enters global configuration mode.
<b>Step 3</b>	<b>ip dhcp pool <i>name</i></b> <b>Example:</b> <pre>Device# ip dhcp pool ABC</pre>	Configures a DHCP address pool on a Cisco IOS DHCP server and enters DHCP pool configuration mode. <ul style="list-style-type: none"> <li>• Multiple pools can be configured with the same class, eliminating the need to configure the same pattern in multiple pools.</li> </ul>

	Command or Action	Purpose
<b>Step 4</b>	<b>network</b> <i>network-number</i> [ <i>mask</i>   <i>/prefix-length</i> ] <b>Example:</b> <pre>Device(dhcp-config)# network 10.0.20.0</pre>	Configures the subnet and mask for a DHCP address pool on a Cisco IOS DHCP server.
<b>Step 5</b>	<b>class</b> <i>class-name</i> <b>Example:</b> <pre>Device(dhcp-config)# class CLASS1</pre>	Associates a class with a pool and enters DHCP pool class configuration mode. <ul style="list-style-type: none"> <li>This command also creates a DHCP class if the DHCP class is not yet defined.</li> </ul>
<b>Step 6</b>	<b>address range</b> <i>start-ip end-ip</i> <b>Example:</b> <pre>Device(dhcp-pool-class)# address range 10.0.20.1 10.0.20.100</pre>	(Optional) Sets an address range for the DHCP class in a DHCP server address pool. <ul style="list-style-type: none"> <li>If this command is not configured for a class, the default value is the entire subnet of the pool. Each class in the DHCP pool is examined for a match in the order configured.</li> </ul>
<b>Step 7</b>	Repeat Steps 5 and 6 for each DHCP class you need to associate with the DHCP pool.	
<b>Step 8</b>	<b>end</b> <b>Example:</b> <pre>Device(dhcp-pool-class)# end</pre>	Returns to privileged EXEC mode.

## Configuring a Static Route with the Next-Hop Dynamically Obtained Through DHCP

Perform this task to configure a static route to use a DHCP default gateway as the next-hop router.

This task enables static routes to be assigned using a DHCP default gateway as the next-hop router. This behavior was not possible before the introduction of this feature because the gateway IP address is not known until after the DHCP address assignment. A static route could not be configured with the command-line interface (CLI) that used that DHCP-supplied address.

The static routes are installed in the routing table when the default gateway is assigned by the DHCP server. The routes remain in the routing table until the DHCP lease expires at which time the routes are removed.

When a DHCP client releases an address, the corresponding static route (the route configured with the **ip route** command) is automatically removed from the routing table. If the DHCP router option (option 3 of the DHCP packet) changes during the client renewal, the DHCP default gateway changes to the new IP address supplied in the renewal.

This feature is particularly useful for VPN deployments such as Dynamic Multipoint VPNs (DMVPNs). This feature is useful when a non-physical interface like a multipoint generic routing encapsulation (mGRE) tunnel is configured on the router and certain traffic needs to be excluded from going to the tunnel interface.

**Before you begin**

Verify all DHCP client and server configuration steps. Ensure that the DHCP client and server are properly defined to supply a DHCP router option 3.



- Note**
- If the DHCP client is not able to obtain an IP address or default router IP address, the static route is not installed in the routing table.
  - If the lease has expired and the DHCP client cannot renew the address, the DHCP IP address assigned to the client is released and any associated static routes are removed from the routing table.

**SUMMARY STEPS**

1. **enable**
2. **configure terminal**
3. **ip route prefix mask {ip-address | interface-type interface-number [ip-address]} dhcp [distance]**
4. **end**
5. **show ip route**

**DETAILED STEPS**

	Command or Action	Purpose
<b>Step 1</b>	<b>enable</b> <b>Example:</b> Device> enable	Enables privileged EXEC mode. <ul style="list-style-type: none"> <li>• Enter your password if prompted.</li> </ul>
<b>Step 2</b>	<b>configure terminal</b> <b>Example:</b> Device# configure terminal	Enters global configuration mode.
<b>Step 3</b>	<b>ip route prefix mask {ip-address   interface-type interface-number [ip-address]} dhcp [distance]</b> <b>Example:</b> Device(config)# ip route 209.165.200.225 255.255.255.255 GigabitEthernet 0/0/0 dhcp <b>Example:</b> Device(config)# ip route 209.165.200.226 255.255.255.255 GigabitEthernet 0/0/1 dhcp 20	Assigns a static route for the default next-hop router when the DHCP server is accessed for an IP address. <ul style="list-style-type: none"> <li>• If more than one interface on a router is configured to obtain an IP address from a DHCP server, use the <b>ip route prefix mask interface-type interface-number dhcp</b> command for each interface. If the interface is not specified, the route is added to the routing table as soon as any of the interfaces obtain an IP address and default router.</li> </ul>
<b>Step 4</b>	<b>end</b> <b>Example:</b> Device(config)# end	Returns to global configuration mode.

	Command or Action	Purpose
<b>Step 5</b>	<b>show ip route</b> <b>Example:</b> Device# show ip route	(Optional) Displays the current state of the routing table. <ul style="list-style-type: none"> <li>Use this command to display assigned static routes once the DHCP client obtains an address and a default router address from the DHCP server.</li> </ul>

## Clearing DHCP Server Variables

Perform this task to clear DHCP server variables:

### SUMMARY STEPS

- enable
- clear ip dhcp binding {address | \*}
- clear ip dhcp conflict {address | \*}
- clear ip dhcp server statistics

### DETAILED STEPS

	Command or Action	Purpose
<b>Step 1</b>	<b>enable</b> <b>Example:</b> Device> enable	Enables privileged EXEC mode. <ul style="list-style-type: none"> <li>Enter your password if prompted.</li> </ul>
<b>Step 2</b>	<b>clear ip dhcp binding {address   *}</b> <b>Example:</b> Device# clear ip dhcp binding *	Deletes an automatic address binding from the DHCP database. <ul style="list-style-type: none"> <li>Specifying the <i>address</i> argument clears the automatic binding for a specific (client) IP address, whereas specifying an asterisk (*) clears all automatic bindings.</li> </ul>
<b>Step 3</b>	<b>clear ip dhcp conflict {address   *}</b> <b>Example:</b> Device# clear ip dhcp conflict 172.16.1.103	Clears an address conflict from the DHCP database. <ul style="list-style-type: none"> <li>Specifying the <i>address</i> argument clears the conflict for a specific IP address, whereas specifying an asterisk (*) clears conflicts for all addresses.</li> </ul>
<b>Step 4</b>	<b>clear ip dhcp server statistics</b> <b>Example:</b> Device# clear ip dhcp server statistics	Resets all DHCP server counters to 0.

# Configuration Examples for the Cisco IOS XE DHCP Server

## Example: Configuring the DHCP Database Agent

The following example shows how to store bindings on host 172.16.4.253. The file transfer protocol is FTP. The server waits for 2 minutes (120 seconds) before performing database changes.

```
ip dhcp database ftp://user:password@172.16.4.253/router-dhcp write-delay 120
```

## Example: Excluding IP Addresses

In the following example, server A and server B service the subnet 10.0.20.0/24. If the subnet is split equally between the two servers, server A is configured to allocate IP addresses 10.0.20.1 to 10.0.20.125 and server B is configured to allocate IP addresses 10.0.20.126 to 10.0.20.254.

### Server A

```
ip dhcp excluded-address 10.0.20.126 10.0.20.255
!
ip dhcp pool A
 network 10.0.20.0 255.255.255.0
```

### Server B

```
ip dhcp excluded-address 10.0.20.0 10.0.20.125
!
ip dhcp pool B
 network 10.0.20.0 255.255.255.0
```

## Example: Configuring DHCP Address Pools

In the following example, three DHCP address pools are created: one in network 172.16.0.0, one in subnetwork 172.16.1.0, and one in subnetwork 172.16.2.0. Attributes from network 172.16.0.0—such as the domain name, Domain Name System (DNS) server, (Network Basic Input/Output System) NetBIOS name server, and NetBIOS node type—are inherited in subnetworks 172.16.1.0 and 172.16.2.0. In each pool, clients are granted 30-day leases and all addresses in each subnetwork, except the excluded addresses, are available to the DHCP server for assigning to clients. The table below lists the IP addresses for the devices in three DHCP address pools.

**Table 3: DHCP Address Pool Configuration**

Pool 0 (Network 172.16.0.0)	Pool 1 (Subnetwork 172.16.1.0)	Pool 2 (Subnetwork 172.16.2.0)			
Device	IP Address	Device	IP Address	Device	IP Address
Default devices	—	Default devices	172.16.1.100	Default devices	172.16.2.100
			172.16.1.101		172.16.2.101

## Example: Configuring DHCP Address Pools

Pool 0 (Network 172.16.0.0)	Pool 1 (Subnetwork 172.16.1.0)	Pool 2 (Subnetwork 172.16.2.0)			
DNS server	172.16.1.102 172.16.2.102	—	—	—	—
NetBIOS name server	172.16.1.103 172.16.2.103	—	—	—	—
NetBIOS node type	h-node	—	—	—	—

```

ip dhcp database ftp://user:password@172.16.4.253/router-dhcp write-delay 120
ip dhcp excluded-address 172.16.1.100 172.16.1.103
ip dhcp excluded-address 172.16.2.100 172.16.2.103
!
ip dhcp pool 0
 network 172.16.0.0 /16
 domain-name cisco.com
 dns-server 172.16.1.102 172.16.2.102
 netbios-name-server 172.16.1.103 172.16.2.103
 netbios-node-type h-node
!
ip dhcp pool 1
 network 172.16.1.0 /24
 default-router 172.16.1.100 172.16.1.101
 lease 30
!
ip dhcp pool 2
 network 172.16.2.0 /24
 default-router 172.16.2.100 172.16.2.101
 lease 30

```

The following example shows how to configure DHCP pool to support RegEx feature:

```

!
ip dhcp pool test
 network 192.168.10.0 255.255.255.0
 default-router 192.168.10.1
 dns-server 40.0.0.100
 class cisco_devices
  address range 192.168.10.2 192.168.10.100
!
class smart_phones
  address range 192.168.10.101 192.168.10.220
!
!
ip dhcp class cisco_devices
 option 60 cisco_string -----<this is option 60 VCI string, exact match>
!
ip dhcp class smart_phones
 option 60 smartphone* -----<option 60 VCI string, regex match>
!

```

The following example shows how to configure DHCP server class:

```

Router#
Router# conf t
Enter configuration commands, one per line. End with CNTL/Z.
Router(config)#ip dhcp class HATHWAY_STB
Router(config-dhcp-class)#?

```

```

DHCP class configuration commands:
  exit          Exit from DHCP class configuration mode
  no            Negate a command or set its defaults
  option       Raw DHCP options
  relay        Enter relay agent information option configuration submode
  remark       Specify a remark for this class

Router(config-dhcp-class)#option ?
<0-254> DHCP option code

Router(config-dhcp-class)#option 60 ?
  hex         Specify hex value of the option
  WORD        Specify a regular expression string

Router(config-dhcp-class)#option 60 stb* ?
<cr>

```

The following example shows how to Import options learnt on specific interface to LAN side DHCP pool:

```

!
ip dhcp pool LAN_Pool
import interface Ethernet0/0
!

Router#
Router# configure terminal
Enter configuration commands, one per line. End with CNTL/Z.

Router(config)# ip dhcp pool pc_pool
Router(dhcp-config)# import ?
  all          all DHCP options
  interface    Select an interface to import options
Router(dhcp-config)# import interface Ethernet0/1

```

## Example: Configuring a DHCP Address Pool with Multiple Disjoint Subnets

Multiple disjoint subnets in a DHCP pool can be used in any of the following network topologies:

- IP address pooling—The DHCP client and server reside on the same subnet.
- DHCP relay—The DHCP client and DHCP server communicate through a DHCP relay agent where the relay interface is configured with secondary IP addresses.
- Hierarchical DHCP—The DHCP server is configured as the DHCP subnet allocation server. The DHCP client and DHCP subnet allocation server communicate through an on-demand address pool (ODAP) router.

In the following example, one DHCP address pool named pool3 is created; the primary subnet is 172.16.0.0/16, one secondary subnet is 172.16.1.0/24, and the other secondary subnet is 172.16.2.0/24.

- When IP addresses in the primary subnet are exhausted, the DHCP server inspects the secondary subnets in the order in which the subnets were added to the pool.
- When the DHCP server allocates an IP address from the secondary subnet 172.16.1.0/24, the server uses the subnet-specific default device list that consists of IP addresses 172.16.1.100 and 172.16.1.101. However, when the DHCP server allocates an IP address from the subnet 172.16.2.0/24, the server uses the pool-wide list that consists of the four IP addresses from 172.16.0.100 to 172.16.0.103.
- Other attributes from the primary subnet 172.16.0.0/16—such as the domain name, DNS server, NetBIOS name server, and NetBIOS node type—are inherited in both the secondary subnets.

- DHCP clients are granted 30-day leases on IP addresses in the pool. All addresses in each subnet, except the excluded addresses, are available to the DHCP server for assigning to clients.

The table below lists the IP addresses for the devices in the DHCP address pool that consists of three disjoint subnets.

**Table 4: DHCP Address Pool Configuration with Multiple Disjoint Subnets**

Primary Subnet (172.16.0.0/16)	First Secondary Subnet (172.16.1.0/24)	Second Secondary Subnet (172.16.2.0/24)			
Device	IP Address	Device	IP Address	Device	IP Address
Default devices	172.16.0.100 172.16.0.101 172.16.0.102 172.16.0.103	Default devices	172.16.1.100 172.16.1.101	Default devices	172.16.0.100 172.16.0.101 172.16.0.102 172.16.0.103
DNS server	172.16.1.102 172.16.2.102	—	—	—	—
NetBIOS name server	172.16.1.103 172.16.2.103	—	—	—	—
NetBIOS node type	h-node	—	—	—	—

```

ip dhcp database ftp://user:password@172.16.4.253/router-dhcp write-delay 120
ip dhcp excluded-address 172.16.0.100 172.16.1.103
ip dhcp excluded-address 172.16.1.100 172.16.1.101
!
ip dhcp pool pool3
network 172.16.0.0 /16
default-router 172.16.0.100 172.16.2.101 172.16.0.102 172.16.0.103
domain-name cisco.com
dns-server 172.16.1.102 172.16.2.102
netbios-name-server 172.16.1.103 172.16.2.103
netbios-node-type h-node
lease 30
!
network 172.16.1.0 /24 secondary
override default-router 172.16.1.100 172.16.1.101
end
!
network 172.16.2.0 /24 secondary

```

## Configuring Manual Bindings Example

The following example shows how to create a manual binding for a client named Mars.cisco.com. The MAC address of the client is 02c7.f800.0422 and the IP address of the client is 172.16.2.254.

```

ip dhcp pool Mars
host 172.16.2.254

```



```
hardware-address 02c7.f800.0422 ieee802
client-name Mars
```

Because attributes are inherited, the previous configuration is equivalent to the following:

```
ip dhcp pool Mars
 host 172.16.2.254 mask 255.255.255.0
 hardware-address 02c7.f800.0422 ieee802
 client-name Mars
 default-router 172.16.2.100 172.16.2.101
 domain-name cisco.com
 dns-server 172.16.1.102 172.16.2.102
 netbios-name-server 172.16.1.103 172.16.2.103
 netbios-node-type h-node
```

## Example: Configuring Static Mapping

The following example shows how to restart the DHCP server, configure the pool, and specify the URL where the static mapping text file is stored:

```
no service dhcp
service dhcp
ip dhcp pool abcpool

origin file tftp://10.1.0.1/staticfilename
```



---

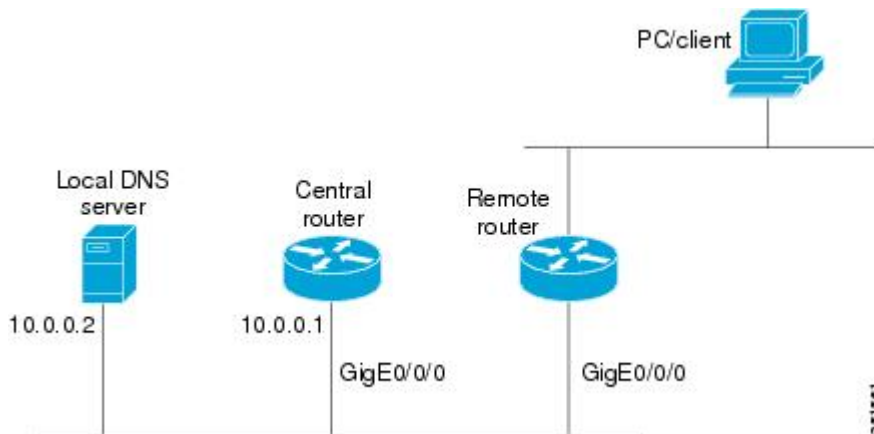
**Note** The static mapping text file can be copied to flash memory on the device and served by the TFTP process of the device. In this case, the IP address in the original file line must be an address owned by the device and one additional line of configuration is required on the device: **tftp-server flash static-filename**.

---

## Importing DHCP Options Example

The following example shows a remote and central server configured to support the importing of DHCP options. The central server is configured to automatically update DHCP options, such as DNS and WINS addresses, within the DHCP pools. In response to a DHCP request from a local client behind CPE equipment, the remote server can request or “import” these option parameters from the centralized server. See the figure below for a diagram of the network topology.

Figure 2: DHCP Example Network Topology



### Central Router

```
!do not assign this range to DHCP clients
ip dhcp-excluded address 10.0.0.1 10.0.0.5
!
ip dhcp pool central
! Specifies network number and mask for DHCP clients
network 10.0.0.0 255.255.255.0
! Specifies the domain name for the client
domain-name central
! Specifies DNS server that will respond to DHCP clients when they need to correlate host
! name to ip address
dns-server 10.0.0.2
! Specifies the NETBIOS WINS server
netbios-name-server 10.0.0.2
!
interface GigabitEthernet0/0/0
ip address 10.0.0.1 255.255.255.0
duplex auto
speed auto
```

### Remote Router

```
ip dhcp pool client
! Imports DHCP option parameters into DHCP server database
import all
network 20.0.0.0 255.255.255.0
!
interface GigabitEthernet0/0/0
ip address dhcp
duplex auto
speed auto
```

## Configuring DHCP Address Allocation Using Option 82 Example

This example configures two DHCP classes. CLASS1 defines the group of DHCP clients whose address requests contain the relay agent information option with the specified hexadecimal values. CLASS2 defines the group of DHCP clients whose address requests contain the configured relay agent information suboptions.

CLASS3 has no pattern configured and is treated as a “match to any” class. This type of class is useful for specifying a “default” class.

In the following example, the subnet of pool ABC has been divided into three ranges without further subnetting of the 10.0.20.0/24 subnet. If there is a DHCP Discover message from the 10.0.20.0/24 subnet with option 82 matching that of class CLASS1, an available address in the range from 10.0.20.1 to 10.0.20.100 will be allocated. If there is no free address in CLASS1's address range, the DHCP Discover message will be matched against CLASS2, and so on.

Thus, each class in the DHCP pool will be examined for a match in the order configured by the user. In pool ABC, the order of matching is CLASS1, CLASS2, and finally CLASS3. In pool DEF, class CLASS2 does not have any address range configured. By default, the address range for a particular class is the pool's entire subnet(s). Therefore, clients matching CLASS2 may be allocated addresses from 11.0.20.1 to 11.0.20.254.

Multiple pools can be configured with the same class, eliminating the need to configure the same patterns in multiple pools. In the future, further classification method may be implemented. For example, there may be a need to specify that one or more pools should only be used to service a particular class of devices (for example, cable modems and IP phones).

```
! Defines the DHCP classes and relay information patterns
ip dhcp class CLASS1
  relay agent information
    relay-information hex 01030a0b0c02050000000123
    relay-information hex 01030a0b0c02*
    relay-information hex 01030a0b0c02050000000000 bitmask 000000000000000000000000FF
ip dhcp class CLASS2
  relay agent information
    relay-information hex 01040102030402020102
    relay-information hex 01040101030402020102
ip dhcp class CLASS3
  relay agent information
! Associates the DHCP pool with DHCP classes
ip dhcp pool ABC
  network 10.0.20.0 255.255.255.0
  class CLASS1
    address range 10.0.20.1 10.0.20.100
  class CLASS2
    address range 10.0.20.101 10.0.20.200
  class CLASS3
    address range 10.0.20.201 10.0.20.254
ip dhcp pool DEF
  network 11.0.20.0 255.255.255.0
  class CLASS1
    address range 11.0.20.1 11.0.20.64
  class CLASS2
```

## Configuring a Static Route with the Next-Hop Dynamically Obtained Through DHCP Example

The following example shows how to configure two GigabitEthernet interfaces to obtain the next-hop router IP address from the DHCP server:

```
ip route 10.10.10.0 255.255.255.0 dhcp 200
ip route 10.10.20.1 255.255.255.255 gigaether 1 dhcp
```

# Additional References

## Related Documents

Related Topic	Document Title
Cisco IOS Commands	<a href="#">Cisco IOS Master Command List, All Releases</a>
DHCP commands: complete command syntax, command mode, command history, defaults, usage guidelines, and examples	<a href="#">Cisco IOS IP Addressing Services Command Reference</a>
DHCP conceptual information	“DHCP Overview” module
DHCP relay agent configuration	“Configuring the Cisco IOS XE DHCP Relay Agent” module
DHCP client configuration	“Configuring the Cisco IOS XE DHCP Client” module
DHCP On-Demand Address Pool Manager	“Configuring the DHCP On-Demand Address Pool Manager” module

## Standards and RFCs

Standard/RFC	Title
RFC 951	<i>Bootstrap Protocol (BOOTP)</i>
RFC 1542	<i>Clarifications and Extensions for the Bootstrap Protocol</i>
RFC 2131	<i>Dynamic Host Configuration Protocol</i>
RFC 2132	<i>DHCP Options and BOOTP Vendor Extensions</i>

## Technical Assistance

Description	Link
<p>The Cisco Support website provides extensive online resources, including documentation and tools for troubleshooting and resolving technical issues with Cisco products and technologies.</p> <p>To receive security and technical information about your products, you can subscribe to various services, such as the Product Alert Tool (accessed from Field Notices), the Cisco Technical Services Newsletter, and Really Simple Syndication (RSS) Feeds.</p> <p>Access to most tools on the Cisco Support website requires a Cisco.com user ID and password.</p>	<a href="http://www.cisco.com/techsupport">http://www.cisco.com/techsupport</a>



## CHAPTER 3

# Configuring the Cisco IOS XE DHCP Client

Cisco IOS XE Dynamic Host Configuration Protocol (DHCP) client software provides the flexibility to include various configuration options for the DHCP client. A DHCP client is defined as an Internet host using DHCP to obtain configuration parameters such as an IP address. This module describes the concepts and tasks needed to configure the Cisco IOS XE DHCP client.

- [Information About the DHCP Client, on page 53](#)
- [How to Configure the DHCP Client, on page 55](#)
- [Configuration Examples for the DHCP Client, on page 57](#)
- [Additional References, on page 59](#)
- [Technical Assistance, on page 60](#)

## Information About the DHCP Client

### DHCP Client Operation

When a Dynamic Host Configuration Protocol (DHCP) client requests an IP address from a DHCP server on a Cisco IOS XE platform, the default process includes:

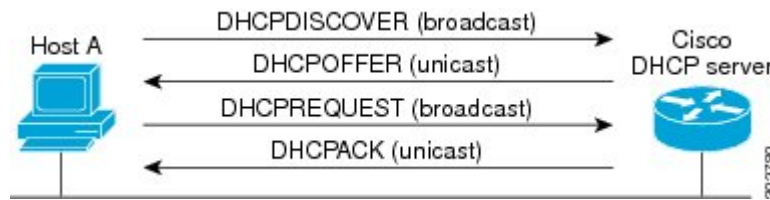
- DHCPDISCOVERY (broadcast)
- DHCPOFFER (broadcast)
- DHCPREQUEST (broadcast)
- DHCPACK (unicast)

The DHCP on Cisco IOS XE platform supports only broadcast mode with the DHCPOFFER. From Cisco IOS XE Amsterdam Release 17.2, the DHCP on IOS XE platform also supports unicast mode. The DHCP unicast mode helps to split the horizon for security consideration. The DHCP broadcast mode is enabled by default. To enable the DHCP unicast mode, configure the **ip dhcp client broadcast-flag clear** command on the DHCP client. After configuring the command, the DHCPOFFER is sent as a unicast message.

The DHCP provides a framework for passing configuration information to hosts on a TCP/IP network. A DHCP client is an Internet host using DHCP to obtain configuration parameters such as an IP address. The following figure shows the basic steps that occur when a DHCP client requests an IP address from a DHCP server. The client, Host A, sends a DHCPDISCOVER broadcast message to locate a DHCP server. A DHCP

server offers configuration parameters (such as an IP address, a MAC address, a domain name, and a lease for the IP address) to the client in a DHCP OFFER unicast/broadcast message.

**Figure 3: DHCP Request for an IP Address from a DHCP Server**



A DHCP client may receive offers from multiple DHCP servers. However, it can accept any one of the offers; the client usually accepts the first offer it receives. The offer from the DHCP server is not a guarantee that the IP address is allocated to the client. However, the server usually reserves the address until the client has had a chance to formally request the address.

The client returns a formal request for the offered IP address to the DHCP server in a DHCPREQUEST broadcast message. The DHCP server confirms that the IP address is allocated to the client by returning a DHCPACK unicast message to the client.

## DHCP Client Overview

The configurable dynamic host configuration protocol client functionality allows a DHCP client to use a user-specified client identifier, class identifier, or suggested lease time when requesting an address from a DHCP server.

Configuration parameters and other control information are carried in tagged data items that are stored in the options field of the DHCP message. The DHCP client provides flexibility by allowing the following options to be configured for a DHCP client:

- Option 12—This option specifies the name of the client. The name may or may not be qualified with the local domain.
- Option 51—This option is used in a client request (DHCPDISCOVER or DHCPREQUEST) to allow the client to request a lease time for the IP address.
- Option 55—This option allows the DHCP client to request certain options from the DHCP server. The **ip dhcp client request** command allows the system administrator to turn off some of the requested options, thus removing them from the request list.
- Option 60—This option allows the user to configure the vendor class identifier string to use in the DHCP interaction.
- Option 61—This option is used by DHCP clients to specify their unique identifier. DHCP servers use this value to index their database of address bindings. This value is expected to be unique for all clients in an administrative domain.
- Option 77—This option is used by a DHCP clients to optionally identify the type or category of user or applications it represents. The information contained in this option represents the user class of which the client is a member. Based on this class, a DHCP server selects the appropriate address pool to assign an address to the client and the appropriate configuration parameters.
- Option 120—This option is used to specify a 32-bit (binary) IPv4 address to be used by the Session Initiation Protocol (SIP) client to locate a SIP server.

- Option 121—This option is used to configure classless static routes by specifying classless network destinations; that is, each routing table entry includes a subnet mask. Upto ten classless static routes are supported using option 121 on the DHCP client.



**Note** If a request includes both static routes and classless static routes, the client uses only the classless static routes. If the DHCP server returns both a classless static route option and a router option, the DHCP client ignores the router option.

- Option 124—This option is used by DHCP clients and servers to exchange vendor-class information.
- Option 125—This option is used by DHCP clients and servers to exchange vendor-specific information.

# How to Configure the DHCP Client

## Configuring the DHCP Client

Cisco devices running Cisco software include the Dynamic Host Configuration Protocol (DHCP) server and relay agent software, which are enabled by default. Your device can act as both the DHCP client and the DHCP server. Use the **ip address dhcp** command to obtain IP address information for the configured interface.

### SUMMARY STEPS

1. **enable**
2. **configure terminal**
3. **interface** *type number*
4. **ip address dhcp**
5. **end**
6. **debug dhcp detail**
7. **debug ip dhcp server packets**

### DETAILED STEPS

	Command or Action	Purpose
Step 1	<b>enable</b> <b>Example:</b> Device> enable	Enables privileged EXEC mode. <ul style="list-style-type: none"> <li>• Enter your password if prompted.</li> </ul>
Step 2	<b>configure terminal</b> <b>Example:</b> Device# configure terminal	Enters global configuration mode.

	Command or Action	Purpose
<b>Step 3</b>	<b>interface</b> <i>type number</i> <b>Example:</b>  Device(config)# interface GigabitEthernet 0/0/1	Configures an interface type and enters interface configuration mode.
<b>Step 4</b>	<b>ip address dhcp</b> <b>Example:</b>  Device(config-if)# ip address dhcp	Acquires an IP address on an interface from DHCP.
<b>Step 5</b>	<b>end</b> <b>Example:</b>  Device(config-if)# end	Returns to privileged EXEC mode.
<b>Step 6</b>	<b>debug dhcp detail</b> <b>Example:</b>  Device# debug dhcp detail	Displays the DHCP packets that were sent and received.
<b>Step 7</b>	<b>debug ip dhcp server packets</b> <b>Example:</b>  Device# debug ip dhcp server packets	Displays the server side of the DHCP interaction.

## Troubleshooting Tips

To verify the configuration, you can use the **debug dhcp detail** EXEC command to display the DHCP packets that were sent and received. To display the server side of the DHCP interaction, use the **debug ip dhcp server packets** command.

## Configure Administrative Distance

To configure the default Dynamic Host Configuration Protocol (DHCP) Administrative Distance (AD), use the **ip dhcp client default-router distance** command in interface configuration or global configuration mode:

### Configuration in Interface Configuration Mode:

When you use this command for a interface, AD is applied to the route received in DHCP process of that particular interface.

```
Router # configure terminal
Router(config)# interface FastEthernet 0/2
Router(config-if)# ip dhcp client default-router distance 2
```

### Configuration in Global Configuration Mode:

Use this command to configure AD is on the route received in DHCP process of any interface.

```
Router # configure terminal
Router(config)#ip dhcp-client default-router distance 10
```



```
Router(config)#interface e0/0
Router(config-if)#ip address dhcp
Router(config-if)#no shut
Router(config-if)#end
```

To disable the configuration, use the **no** form of this command.



**Note** When you install the **ip dhcp client default-router distance** command in interface configuration or global configuration mode, default route given by DHCP is installed with specified AD. But, when you use the same command with different AD value, it does not take effect immediately. It takes effect when a new connection is made or when a new Discover-Offer-Request-Ack (DORA) cycle happens. It can be done in any one of the following ways:

- Bounce the interface, which means execute shutdown followed by no shutdown of the interface.
- Release (using **release dhcp interface**) command and renew DHCP (using **renew dhcp interface**) command from exec mode.

## Configuration Examples for the DHCP Client

### Configuring the DHCP Client Example

The figure below shows a simple network diagram of a DHCP client on an Ethernet LAN.

*Figure 4: Topology Showing DHCP Client with GigabitEthernet Interface*



On the DHCP server, the configuration is as follows:

```
ip dhcp pool 1
network 10.1.1.0 255.255.255.0
lease 1 6
```

On the DHCP client, the configuration is as follows on interface GigabitEthernet 0/0/0:

```
interface GigabitEthernet 0/0/0
ip address dhcp
```

This configuration allows the DHCP client to acquire an IP address from the DHCP server through GigabitEthernet interface 0/0/0.

## Customizing the DHCP Client Configuration Example

The following example shows how to customize the DHCP client configuration with various options on GigabitEthernet interface 0/0/1:

```
interface GigabitEthernet 0/0/1
 ip dhcp client client-id ascii my-test1
 ip dhcp client class-id my-class-id
 ip dhcp client lease 0 1 0
 ip dhcp client hostname sanfran
 no ip dhcp client request tftp-server-address
 ip address dhcp
```

The following example shows DHCP Client configuration on GigabitEthernet 0/0/1 to generically request options:

```
!
interface GigabitEthernet 0/0/1
 ip dhcp client request option 4 5 7 8 9 10 11 17 18 40 41 42 66 68 69 70 71 72 73 74 75 76
 124 138 141 142 160
 no ip address
 shutdown
 !
```

The following example shows how to configure DHCP Client options with parameters, IP address and string:

```
!
interface GigabitEthernet 0/0/1
 ip dhcp client option 1 ip 1.1.1.1
 ip dhcp client option 13 ascii test13
 ip dhcp client option 14 ascii test14
 ip dhcp client option 16 ip 1.1.1.16
 ip dhcp client option 46 ascii test46
 ip dhcp client option 47 ascii test47
 ip dhcp client option 50 ip 1.1.1.50
 ip dhcp client option 51 ascii test51
 ip dhcp client option 52 ascii test52
 ip dhcp client option 54 ascii test54
 ip dhcp client option 58 ascii test58
 ip dhcp client option 59 ascii test59
 ip dhcp client option 60 ascii test60
 ip dhcp client option 61 ascii test61
 ip dhcp client option 62 ascii test62
 ip dhcp client option 63 ip 1.1.1.63
 ip dhcp client option 64 ascii test64
 ip dhcp client option 65 ip 1.1.1.65
 ip dhcp client option 67 ascii test67
 ip dhcp client option 90 ascii test90
 ip dhcp client option 116 ascii test116
 ip dhcp client option 118 ip 1.1.1.118
 ip dhcp client option 220 ip 1.1.1.220
 ip dhcp client option 221 ascii test221
 ip address dhcp
 shutdown
 !
```

The following example shows how to configure DHCP Client options with class::

# Additional References

## Related Documents

Related Topic	Document Title
Cisco IOS commands	<a href="#">Cisco IOS Master Command List, All Releases</a>
DHCP commands: complete command syntax, command modes, command history, defaults, usage guidelines, and examples.	<a href="#">Cisco IOS IP Addressing Services Command Reference</a>
DHCP conceptual information	“DHCP Overview” module
DHCP server configuration	“Configuring the Cisco IOS XE DHCP Server” module
DHCP server on-demand address pools	“Configuring the DHCP Server On-Demand Address Pool Manager” module
DHCP relay agent configuration	“Configuring the Cisco IOS XE DHCP Relay Agent” module
DHCP advanced features	“Configuring DHCP Services for Accounting and Security” module

## RFCs

RFCs	Title
RFC 2131	Dynamic Host Configuration Protocol
RFC 2132	DHCP Options and BOOTP Vendor Extensions

## Technical Assistance

Description	Link
The Cisco Support and Documentation website provides online resources to download documentation, software, and tools. Use these resources to install and configure the software and to troubleshoot and resolve technical issues with Cisco products and technologies. Access to most tools on the Cisco Support and Documentation website requires a Cisco.com user ID and password.	<a href="http://www.cisco.com/cisco/web/support/index.html">http://www.cisco.com/cisco/web/support/index.html</a>

## Technical Assistance

Description	Link
<p>The Cisco Support website provides extensive online resources, including documentation and tools for troubleshooting and resolving technical issues with Cisco products and technologies.</p> <p>To receive security and technical information about your products, you can subscribe to various services, such as the Product Alert Tool (accessed from Field Notices), the Cisco Technical Services Newsletter, and Really Simple Syndication (RSS) Feeds.</p> <p>Access to most tools on the Cisco Support website requires a Cisco.com user ID and password.</p>	<p><a href="http://www.cisco.com/techsupport">http://www.cisco.com/techsupport</a></p>



## CHAPTER 4

# ISSU and SSO--DHCP High Availability Features

Cisco IOS XE Release 2.1 and 2.3 introduce the following series of Dynamic Host Configuration Protocol (DHCP) High Availability features:

- ISSU--DHCP Server
- SSO--DHCP Server
- ISSU--DHCP Relay on Unnumbered Interface
- SSO--DHCP Relay on Unnumbered Interface
- ISSU--DHCP Proxy Client
- SSO--DHCP Proxy Client
- ISSU--DHCP ODAP Client and Server
- SSO--DHCP ODAP Client and Server

These features are enabled by default when the redundancy mode of operation is set to Stateful Switchover (SSO).

- [Prerequisites for DHCP High Availability, on page 61](#)
- [Restrictions for DHCP High Availability, on page 62](#)
- [Information About DHCP High Availability, on page 62](#)
- [How to Configure DHCP High Availability, on page 66](#)
- [Configuration Examples for DHCP High Availability, on page 66](#)
- [Additional References, on page 66](#)
- [Feature Information for DHCP High Availability Features, on page 68](#)
- [Glossary, on page 69](#)

## Prerequisites for DHCP High Availability

- The Cisco IOS XE In-Service Software Upgrade (ISSU) process must be configured and working properly. See the “Cisco IOS XE In-Service Software Upgrade Process” feature module for more information.
- Stateful Switchover (SSO) must be configured and working properly. See the “Stateful Switchover” feature module for more information.

- Nonstop Forwarding (NSF) must be configured and working properly. See the “Cisco Nonstop Forwarding” feature module for more information.

## Restrictions for DHCP High Availability

The DHCP high availability features do not support DHCP accounting or DHCP authorized Address Resolution Protocol (ARP).

## Information About DHCP High Availability

### ISSU

The ISSU process allows Cisco IOS XE software to be updated or otherwise modified while packet forwarding continues. In most networks, planned software upgrades are a significant cause of downtime. ISSU allows Cisco IOS XE software to be modified while packet forwarding continues, which increases network availability and reduces downtime caused by planned software upgrades.

### SSO

SSO refers to the implementation of Cisco IOS XE software that allows applications and features to maintain a defined state between an active and standby Route Processor (RP).

In specific Cisco networking devices that support dual RPs, SSO takes advantage of RP redundancy to increase network availability. The SSO feature takes advantage of RP redundancy by establishing one of the RPs as the active RP while the other RP is designated as the standby RP, and then synchronizing critical state information between them. Following an initial synchronization between the two processors, SSO dynamically maintains RP state information between them.

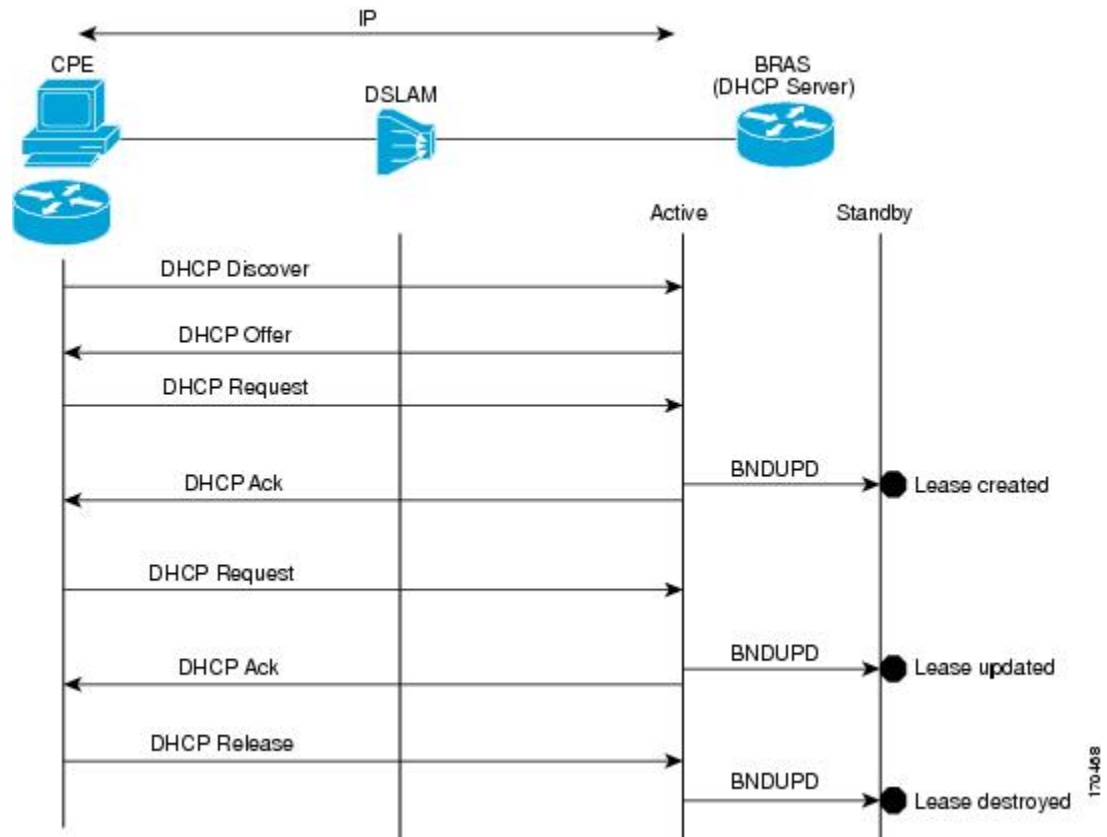
A switchover from the active to the standby processor occurs when the active RP fails, is removed from the networking device, or is manually taken down for maintenance.

## ISSU and SSO--DHCP Server

The DHCP server that is ISSU and SSO aware is able to detect when a router is failing over to the standby RP and preserve the DHCP lease across a switchover event.

Each DHCP binding is synchronized and re-created from the active RP to the standby RP upon lease commit. The figure below illustrates this process. The lease extension and release are also synchronized to the standby RP.

Figure 5: DHCP Server Maintaining States Between the Active and Standby Route Processor



## ISSU and SSO--DHCP Relay on Unnumbered Interface

The DHCP relay agent supports the use of unnumbered interfaces. For DHCP clients connected through the unnumbered interfaces, the DHCP relay agent automatically adds a static host route once the DHCP client obtains an address, specifying the unnumbered interface as the outbound interface. The route is automatically removed once the lease time expires or when the client releases the address.

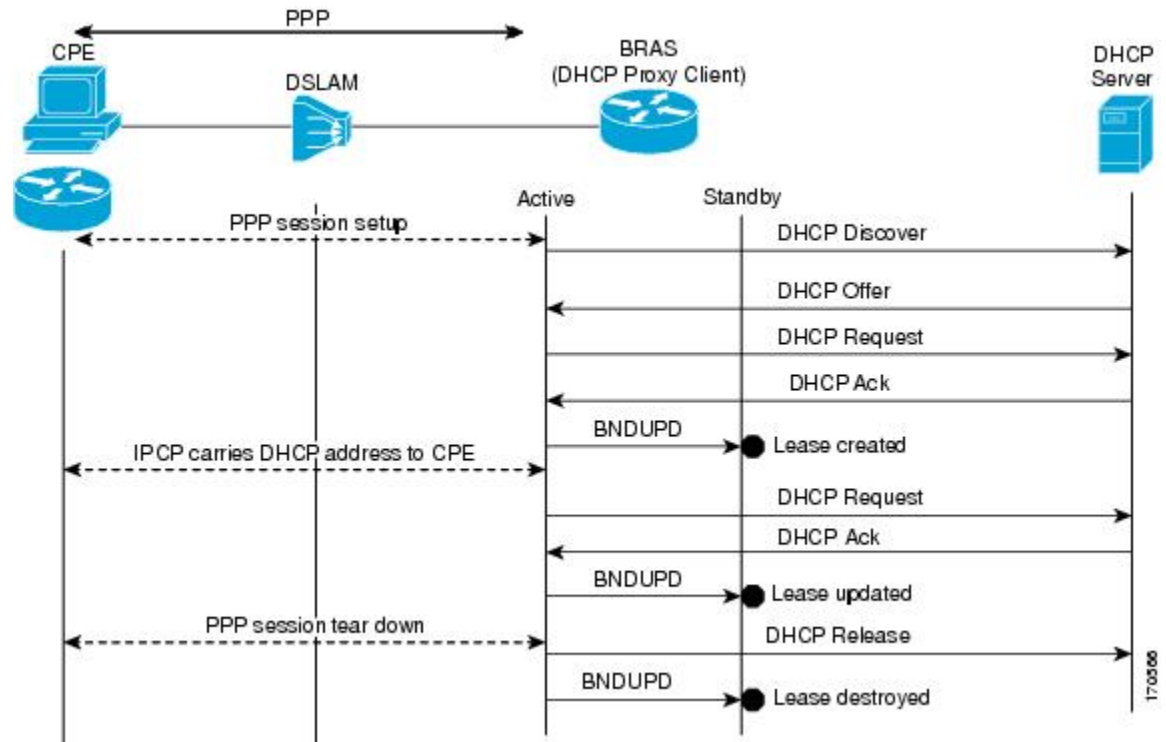
The `ip helper-address` interface configuration command must be configured on the unnumbered interface to enable the Cisco IOS XE DHCP relay agent on unnumbered interfaces. See the “Configuring the Cisco IOS XE DHCP Relay Agent” configuration module for more information.

The ISSU and SSO DHCP relay on unnumbered interface functionality adds high availability support for host routes to clients connected through unnumbered interfaces. The DHCP relay agent can now detect when a router is failing over to the standby RP and keep the states related to unnumbered interfaces. The figure below illustrates the process.





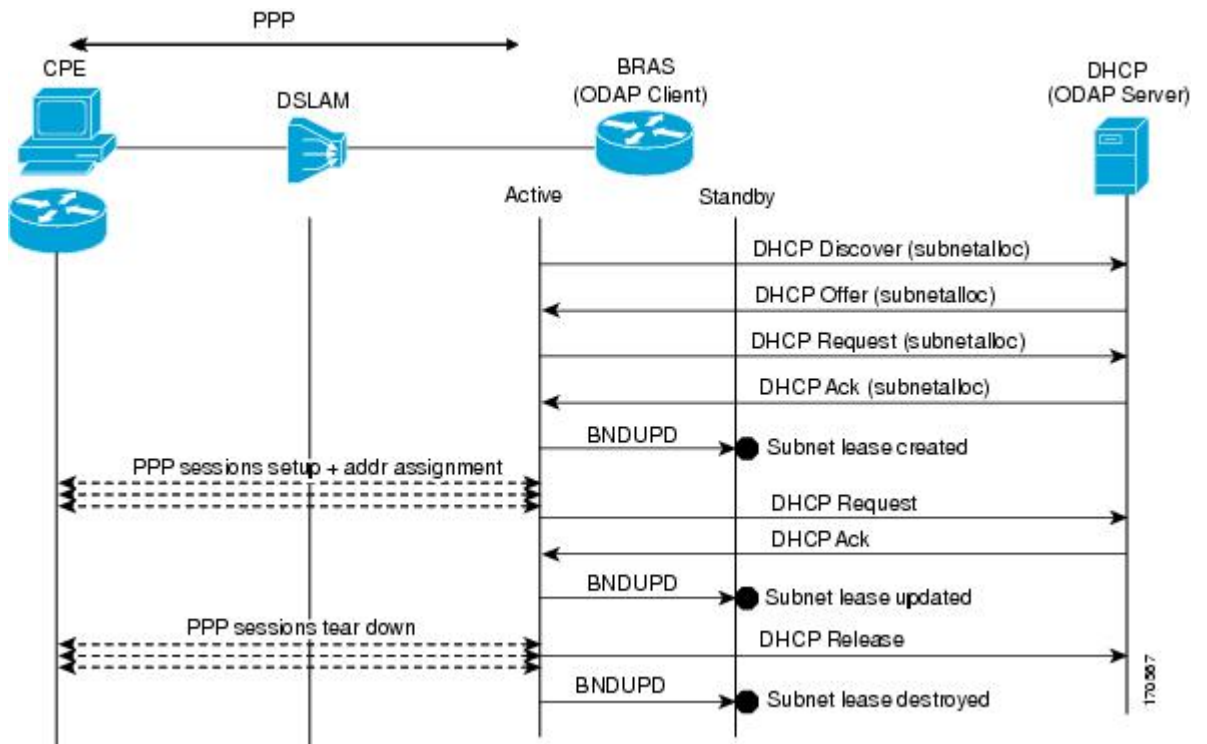
Figure 7: DHCP Proxy Client Lease Synchronization



## ISSU and SSO--DHCP ODAP Client and Server

The DHCP on-demand address pool (ODAP) client that is ISSU and SSO aware can request a lease for a subnet from the DHCP ODAP server. After the DHCP ODAP server allocates the subnet to the client, the state of the lease is synchronized between the active and standby RP through binding updates. Following a switchover event, the DHCP ODAP client can continue to allocate IP addresses from the same subnets and also continue to renew the subnets from the DHCP ODAP server. The figure below illustrates the process.

Figure 8: ODAP Subnet Lease Synchronization



## How to Configure DHCP High Availability

There are no configuration tasks. The DHCP high availability features are enabled by default when the redundancy mode of operation is set to SSO.

## Configuration Examples for DHCP High Availability

There are no configuration examples for DHCP high availability features.

## Additional References

The following sections provide references related to configuring DHCP Enhancements for Edge-Session Management.

### Related Documents

Related Topic	Document Title
DHCP commands: complete command syntax, command modes, command history, defaults, usage guidelines, and examples	<i>Cisco IOS IP Addressing Services Command Reference</i>

Related Topic	Document Title
DHCP conceptual information	“DHCP Overview” module
DHCP server configuration	“Configuring the Cisco IOS DHCP Server” module
DHCP client configuration	“Configuring the Cisco IOS DHCP Client” module
DHCP relay agent configuration	“Configuring the Cisco IOS DHCP Relay Agent” module
DHCP server on-demand address pool manager configuration	“Configuring the DHCP Server On-Demand Address Pool Manager” module
DHCP advanced features	“Configuring DHCP Services for Accounting and Security” module
DHCP options	“DHCP Options” appendix in the <i>Network Registrar User’s Guide</i> , Release 6.1.1

### Standards

Standards	Title
No new or modified standards are supported by this functionality.	--

### MIBs

MIBs	MIBs Link
No new or modified MIBs are supported by this feature.	To locate and download MIBs for selected platforms, Cisco IOS releases, and feature sets, use Cisco MIB Locator found at the following URL:  <a href="http://www.cisco.com/go/mibs">http://www.cisco.com/go/mibs</a>

### RFCs

RFCs	Title
RFC 951	<i>Bootstrap Protocol (BOOTP)</i>
RFC 1542	<i>Clarifications and Extensions for the Bootstrap Protocol</i>
RFC 2131	<i>Dynamic Host Configuration Protocol</i>
RFC 2685	<i>Virtual Private Networks Identifier</i>
RFC 3046	<i>DHCP Relay Information Option</i>

**Technical Assistance**

Description	Link
<p>The Cisco Support website provides extensive online resources, including documentation and tools for troubleshooting and resolving technical issues with Cisco products and technologies.</p> <p>To receive security and technical information about your products, you can subscribe to various services, such as the Product Alert Tool (accessed from Field Notices), the Cisco Technical Services Newsletter, and Really Simple Syndication (RSS) Feeds.</p> <p>Access to most tools on the Cisco Support website requires a Cisco.com user ID and password.</p>	<a href="http://www.cisco.com/techsupport">http://www.cisco.com/techsupport</a>

## Feature Information for DHCP High Availability Features

The following table provides release information about the feature or features described in this module. This table lists only the software release that introduced support for a given feature in a given software release train. Unless noted otherwise, subsequent releases of that software release train also support that feature.

Use Cisco Feature Navigator to find information about platform support and Cisco software image support. To access Cisco Feature Navigator, go to [www.cisco.com/go/cfn](http://www.cisco.com/go/cfn). An account on Cisco.com is not required.

**Table 5: Feature Information for DHCP High Availability Features**

Feature Name	Releases	Feature Information
ISSU--DHCP Server	12.2(31)SB2 12.2(33)SRC Cisco IOS XE Release 2.1	The DHCP server has been enhanced to support ISSU.
SSO--DHCP Server	12.2(31)SB2 12.2(33)SRB Cisco IOS XE Release 2.1	The DHCP server has been enhanced to support SSO.
ISSU--DHCP Relay on Unnumbered Interface	12.2(31)SB2 12.2(33)SRC	The DHCP relay on unnumbered interface has been enhanced to support ISSU.
SSO--DHCP Relay on Unnumbered Interface	12.2(31)SB2 12.2(33)SRB	The DHCP relay on unnumbered interface has been enhanced to support SSO.
ISSU--DHCP Proxy Client	12.2(31)SB2 12.2(33)SRC	The DHCP proxy client has been enhanced to support ISSU.
SSO--DHCP Proxy Client	12.2(31)SB2 12.2(33)SRC	The DHCP proxy client has been enhanced to support SSO.

Feature Name	Releases	Feature Information
ISSU--DHCP ODAP Client and Server	12.2(31)SB2 12.2(33)SRC	The DHCP ODAP client and server have been enhanced to support ISSU.
SSO--DHCP ODAP Client and Server	12.2(31)SB2 12.2(33)SRC	The DHCP ODAP client and server have been enhanced to support SSO.

## Glossary

**client**—A host trying to configure its interface (obtain an IP address) using DHCP or BOOTP protocols.

**DHCP**—Dynamic Host Configuration Protocol.

**DHCP options and suboptions**—Configuration parameters and other control information are carried in tagged data items that are stored in the options field of the DHCP message. Options provide a method of appending additional information. Vendors that want to provide additional information to their client not designed into the protocol can use options.

**giaddr**—Gateway IP address field of the DHCP packet. The giaddr provides the DHCP server with information about the IP address subnet in which the client resides. The giaddr also provides the DHCP server with an IP address where the DHCP response messages can be sent.

**relay agent**—A router that forwards DHCP and BOOTP messages between a server and a client on different subnets.





## CHAPTER 5

# Implementing DHCP for IPv6

This module describes how to configure Dynamic Host Configuration Protocol (DHCP) for IPv6.

- [DHCPv6 Prefix Delegation, on page 71](#)
- [How to Implement DHCP for IPv6, on page 76](#)

## DHCPv6 Prefix Delegation

The IPv6 Access Services—DHCPv6 Prefix Delegation feature can be used to manage link, subnet, and site addressing changes. Dynamic Host Configuration Protocol for IPv6 (DHCPv6) can be used in environments to deliver stateful and stateless information, which are defined as follows:

- Stateful prefix delegation—Address assignment is centrally managed and clients must obtain configuration information such as address autoconfiguration and neighbor discovery that is not available through protocols.
- Stateless prefix delegation—Stateless configuration parameters do not require a server to maintain any dynamic state for individual clients, such as Domain Name System (DNS) server addresses and domain search list options.

Extensions to DHCPv6 also enable prefix delegation, through which an ISP can automate the process of assigning prefixes to a customer for use within the customer's network. The prefix delegation occurs between a provider edge (PE) device and customer premises equipment (CPE) using the DHCPv6 prefix delegation option. Once the ISP has delegated prefixes to a customer, the customer may further subnet and assign prefixes to the links in the customer's network.

## Configuring Nodes Without Prefix Delegation

Stateless DHCPv6 allows DHCPv6 to be used for configuring a node with parameters that do not require a server to maintain any dynamic state for the node. The use of stateless DHCP is controlled by router advertisement (RA) messages multicasted by routers. The Cisco IOS XE DHCPv6 client will invoke stateless DHCPv6 when it receives an RA. The Cisco IOS XE DHCPv6 server will respond to a stateless DHCPv6 request with configuration parameters, such as the DNS servers and domain search list options.

## Client and Server Identification

Each DHCPv6 client and server is identified by a DHCP unique identifier (DUID). The DUID is carried in client identifier and server identifier options. The DUID is unique across all DHCP clients and servers, and it is stable for any specific client or server. DHCPv6 uses DUIDs based on link-layer addresses for both the client and server identifier. The device uses the MAC address from the lowest-numbered interface to form the DUID. The network interface is assumed to be permanently attached to the device.

When a DHCPv6 client requests two prefixes with the same DUID but with different identity association identifiers (IAIDs) on two different interfaces, these prefixes are considered to be for two different clients, and the interface information is maintained for both.

## Rapid Commit

The DHCPv6 client can obtain configuration parameters from a server either through a rapid two-message exchange (solicit, reply) or through a four-message exchange (solicit, advertise, request, and reply). By default, the four-message exchange is used. When the rapid-commit option is enabled by both the client and the server, the two-message exchange is used.

## DHCPv6 Client and Relay Functions

The DHCPv6 client and relay functions are mutually exclusive on an interface. When one of these functions is enabled and a user tries to configure a different function on the same interface, one of the following messages is displayed: “Interface is in DHCP client mode” or “Interface is in DHCP relay mode.”

The following sections describe these functions:

### Client Function

The DHCPv6 client function can be enabled on individual IPv6-enabled interfaces.




---

**Note** You need APPX license package to enable the DHCPv6 client function on the device.

---

The DHCPv6 client can request and accept those configuration parameters that do not require a server to maintain any dynamic state for individual clients, such as DNS server addresses and domain search list options.

The DHCPv6 client can also request the delegation of prefixes. The prefixes acquired from a delegating device will be stored in a local IPv6 general prefix pool. The prefixes in the general prefix pool can then be referred to from other applications; for example, the general prefix pool can be used to number device downstream interfaces.

For IPv6, the details of the default gateway are received from router advertisement (RA) and not from the DHCP server. The details of the default gateway obtained from the DHCP server are not added in the client server. Hence, the following IPv6 commands must be configured on the client interface:

- **pv6 nd autoconfig prefix**
- **“ipv6 nd autoconfig default”**



### Server Selection

A DHCPv6 client builds a list of potential servers by sending a solicit message and by collecting advertise message replies from servers. These messages are ranked based on the preference value, and servers may add a preference option to their advertise messages explicitly stating their preference value. If the client needs to acquire prefixes from servers, only servers that have advertised prefixes are considered.

### IAPD and IAID

An Identity Association for Prefix Delegation (IAPD) is a collection of prefixes assigned to a requesting device. A requesting device may have more than one IAPD; for example, one for each of its interfaces.

Each IAPD is identified by an IAID. The IAID is chosen by the requesting device and is unique among the IAPD IAIDs on the requesting device. IAIDs are made consistent across reboots by using information from the associated network interface, which is assumed to be permanently attached to the device.

## DHCPv6 Relay Agent

A DHCPv6 relay agent, which may reside on the client's link, is used to relay messages between the client and the server. The DHCPv6 relay agent operation is transparent to the client. A DHCPv6 client locates a DHCPv6 server using a reserved, link-scoped multicast address. For direct communication between the DHCPv6 client and the DHCPv6 server, both of them must be attached to the same link. However, in some situations where ease of management, economy, or scalability is a concern, it is desirable to allow a DHCPv6 client to send a message to a DHCPv6 server that is not connected to the same link. IPv6 enable is required for IPv6 DHCP relay, although IPv6 address is configured.

### DHCPv6 Relay Agent Notification for Prefix Delegation

The DHCPv6 relay agent notification for prefix delegation allows the device working as a DHCPv6 relay agent to find prefix delegation options by reviewing the contents of a DHCPv6 RELAY-REPLY packet that is relayed by the relay agent to the client. When a prefix delegation option is found by the relay agent, the relay agent extracts the information about the prefix that is being delegated and inserts an IPv6 static route matching the prefix delegation information onto the relay agent. Future packets destined to that prefix via relay will be forwarded based on the information contained in the prefix delegation. The IPv6 static route is then left in the routing table until the prefix delegation lease time expires or the relay agent receives a release packet from the client releasing the prefix delegation.

No user configuration is required for this feature. Static route management is done automatically by the relay agent.

IPv6 routes are added when the relay agent relays a RELAY-REPLY packet, and IPv6 routes are deleted when the prefix delegation lease time expires or the relay agent receives a release message. An IPv6 static route in the routing table of the relay agent can be updated when the prefix delegation lease time is extended.

The DHCP—DHCPv6 Relay Agent Notification for Prefix Delegation feature leaves a static IPv6 route on the routing table of the relay agent. The registered IPv6 address allows unicast reverse packet forwarding (uRPF) to work by allowing the device doing the reverse lookup to confirm that the IPv6 address on the relay agent is not malformed or spoofed. The static route that remains in the routing table of the relay agent can be redistributed to other routing protocols to advertise the subnets to other nodes. Static routes will be removed when a DHCP\_DECLINE message is sent by the client.

### DHCPv6 Relay Options: Remote-ID for Gigabit Ethernet and Fast Ethernet Interfaces

The DHCPv6 Ethernet Remote ID Option feature adds the remote identification (remote-ID) option to relayed (RELAY-FORWARD) DHCPv6 packets.

The remote-ID option provides information to the DHCPv6 server, which includes port information, the system's DUID, and the VLAN ID. This information can be used to uniquely identify both the relay and the port on the relay through which the client packet arrived. The DHCPv6 server uses this information to select parameters specific to a particular user, host, or subscriber modem.

The addition of the remote-ID option to the RELAY-FORWARD packet occurs automatically and no user configuration is necessary.

The DHCPv6 server does not need to echo the remote-ID option in the RELAY-REPLY packet. The Internet Assigned Numbers Authority (IANA) has assigned the DHCPv6 option code 37 for the relay agent remote-ID option.

If the remote-ID option is included in the RELAY-REPLY packet, the option is removed from the packet before it is relayed to the client.

### DHCPv6 Relay Options: Reload Persistent Interface ID

The DHCPv6 Relay—Reload Persistent Interface ID Option feature makes the interface ID option persistent. The interface ID is used by relay agents to decide which interface should be used to forward a RELAY-REPLY packet. A persistent interface-ID option will not change if the device acting as a relay agent goes offline during a reload or a power outage. When the device acting as a relay agent returns online, it is possible that changes to the internal interface index of the relay agent may have occurred in certain scenarios (such as, when the relay agent reboots and the number of interfaces in the interface index changes, or when the relay agents boot up and has more virtual interfaces than it did before the reboot). This feature prevents such scenarios from causing any problems.

This feature changes the DHCPv6 interface-ID option to be expressed as the short form of the interface name. The interface name as the DHCPv6 interface ID helps avoid potential problems that could arise due to physical or logical interfaces changing on the relay agent after a reload.

### DHCPv6 Relay Chaining

DHCPv6 messages can be relayed through multiple relay agents. This configuration is called *relay chaining*. A relay chaining configuration can be supported only when each relay agent adds information to DHCPv6 messages before relaying them. The information helps in relaying the DHCPv6 reply back to the DHCPv6 client through the same path.

The delegated IPv6 prefix must be routable in order to be useful. The actual DHCPv6 Prefix Delegation (PD) client may not be permitted to inject routes into the delegating network. In service provider (SP) networks, for example, an edge device typically acts as a DHCPv6 relay agent, and this edge device often has the responsibility to maintain routes within the SP network for clients' PD bindings. In the event that DHCPv6 requests and responses are relayed through a chain of DHCPv6 relays, there may be a need to introduce appropriate routes (particularly with DHCPv6 PD) in the Forwarding Information Base (FIB) so that routing is handled transparently.

## DHCPv6 Relay SSO and ISSU

In specific Cisco networking devices that support dual route processors (RPs), stateful switchover (SSO) takes advantage of RP redundancy to increase network availability. The feature establishes one of the RPs as the active processor while the other RP is designated as the standby processor, and then synchronizing critical state information between them. Following an initial synchronization between the two processors, SSO dynamically maintains RP state information between them.

The Cisco IOS XE In Service Software Upgrade (ISSU) process allows the Cisco IOS XE software to be updated or otherwise modified while packet forwarding continues. In most networks, planned software upgrades

are a significant cause of downtime. The ISSU allows the Cisco IOS XE software to be modified while packet forwarding continues. This increases network availability and reduces downtime caused by planned software upgrades.

The SSO and the ISSU use redundant hardware, with the active and standby RP each running an instance of the DHCPv6 relay agent. Both instances exchange run-time state data.

For further information about the SSO and the ISSU, see the “[Stateful Switchover](#)” and the “[Cisco IOS XE In Service Software Upgrade](#)” modules respectively, in the [Cisco IOS High Availability Configuration Guide](#).

### **DHCPv6 Relay Options: Remote-ID for Ethernet Interfaces**

This feature adds the remote identification (remote-ID) option to relayed (RELAY-FORWARD) DHCPv6 packets.

The remote-ID option provides information to the DHCPv6 server, including port information, the system’s DUID, and the VLAN ID. Collectively, this information can be used to uniquely identify both the relay and the port on the relay through which the client’s packet arrived. The DHCPv6 server uses this information to select parameters specific to a particular user, host, or subscriber modem. This feature works only for Ethernet interfaces at this time.

This feature introduces no user configuration. Because the addition of the remote-ID option to the RELAY-FORWARD packet occurs automatically, no user configuration is necessary.

The DHCPv6 server does not need to echo the remote-ID option in the RELAY-REPLY packet. Internet Assigned Numbers Authority (IANA) has assigned the DHCPv6 option code 37 for the relay agent remote-ID option.

If the remote-ID option is included in the RELAY-REPLY packet, the option is stripped out of the packet before the packet is relayed to the client.

### **DHCPv6 Relay Options: Reload Persistent Interface-ID**

This feature makes the interface-ID option, which is used by relay agents to decide which interface should be used when forwarding a RELAY-REPLY packet, persistent. A persistent interface-ID option will not change if the router acting as a relay agent goes offline (such as during a reload or a power outage). When the router acting as a relay agent returns online, it is possible that changes to the internal interface index of the relay agent may have occurred in certain scenarios (such as cases where the relay agent reboots and has a change in the number of interfaces in the interface index, or the relay agents boots up and has more virtual interfaces than it did before the reboot). This feature prevents this scenario from causing any problems.

This feature changes the DHCPv6 interface-ID option to be expressed as simply the short form of the interface name. This syntax helps avoid potential problems that could arise due to physical or logical interfaces changing on the relay agent after a reload.

# How to Implement DHCP for IPv6

## Configuring the DHCPv6 Server Function

### Configuring the DHCPv6 Configuration Pool

#### SUMMARY STEPS

1. `enable`
2. `configure terminal`
3. `ipv6 dhcp pool poolname`
4. `domain-name domain`
5. `dns-server ipv6-address`
6. `prefix-delegation ipv6-prefix / prefix-length client-duid [iaid iaid] [lifetime]`
7. `prefix-delegation pool poolname [lifetime valid-lifetime preferred-lifetime]`
8. `exit`
9. `interface type number`
10. `ipv6 dhcp server poolname [rapid-commit] [preference value] [allow-hint]`
11. `end`

#### DETAILED STEPS

	Command or Action	Purpose
Step 1	<b>enable</b> <b>Example:</b> Device> enable	Enables privileged EXEC mode. <ul style="list-style-type: none"> <li>• Enter your password if prompted.</li> </ul>
Step 2	<b>configure terminal</b> <b>Example:</b> Device# configure terminal	Enters global configuration mode.
Step 3	<b>ipv6 dhcp pool <i>poolname</i></b> <b>Example:</b> Device(config)# ipv6 dhcp pool pool1	Configures a DHCPv6 configuration information pool and enters DHCPv6 pool configuration mode.  The <i>pool name</i> can be a string, such as "abcd" or an integer value, such as 0. During execution, the configuration mode changes to DHCPv6 pool configuration mode. In this mode, you can configure pool parameters, such as prefixes to be delegated, DNS servers, and so on.
Step 4	<b>domain-name <i>domain</i></b> <b>Example:</b> Device(config-dhcp)# domain-name example.com	Configures a domain name for a DHCPv6 client.

	Command or Action	Purpose
Step 5	<p><b>dns-server</b> <i>ipv6-address</i></p> <p><b>Example:</b></p> <pre>Device(config-dhcp)# dns-server 2001:DB8:3000:3000::42</pre>	Specifies the DNS IPv6 servers available to a DHCPv6 client.
Step 6	<p><b>prefix-delegation</b> <i>ipv6-prefix / prefix-length client-uid</i> [<i>iaid iaaid</i>] [<i>lifetime</i>]</p> <p><b>Example:</b></p> <pre>Device(config-dhcp)# prefix-delegation 2001:DB8:1263::/48 0005000400F1A4D070D03</pre>	Specifies a manually configured numeric prefix to be delegated to a specified client's IAPD.
Step 7	<p><b>prefix-delegation pool</b> <i>poolname</i> [<b>lifetime</b> <i>valid-lifetime preferred-lifetime</i>]</p> <p><b>Example:</b></p> <pre>Device(config-dhcp)# prefix-delegation pool pool1 lifetime 1800 60</pre>	<p>Specifies a named IPv6 local prefix pool from which prefixes are delegated to DHCPv6 clients.</p> <p>The lifetime values are <i>valid-lifetime</i> and <i>preferred-lifetime</i>. These are referred to as T1 and T2. When the T2 expires, a renew request is sent to the particular server and if the client does not get a response within T1, the client sends a REBIND request to all available servers.</p> <p>The value of <b>lifetime</b> can be specified as:</p> <ul style="list-style-type: none"> <li>• a fixed duration that remains constant across consecutive advertisements</li> <li>• absolute expiration time in the future, so that the advertised lifetime decrements in real time and is equal to zero at the specified time.</li> </ul> <p>The specified duration is between 60 and 4294967295 seconds or infinity if the keyword <b>infinite</b> is specified. If the lifetimes are not specified, by default, the <i>valid-lifetime</i> is 2592000 seconds (or 30 days) and the <i>preferred-lifetime</i> is 604800 seconds (or 7 days).</p>
Step 8	<p><b>exit</b></p> <p><b>Example:</b></p> <pre>Device(config-dhcp)# exit</pre>	Exits DHCPv6 pool configuration mode, and returns the device to global configuration mode.
Step 9	<p><b>interface</b> <i>type number</i></p> <p><b>Example:</b></p> <pre>Device(config)# interface serial 3</pre>	Specifies an interface type and number, and enters interface configuration mode.
Step 10	<p><b>ipv6 dhcp server</b> <i>poolname</i> [<b>rapid-commit</b>] [<b>preference</b> <i>value</i>] [<b>allow-hint</b>]</p>	<p>Enables DHCPv6 on an interface.</p> <p>Enables or disables DHCPv6 service on an interface.</p>

	Command or Action	Purpose
	<p><b>Example:</b></p> <pre>Device(config-if)# ipv6 dhcp server pool1</pre>	<ul style="list-style-type: none"> <li>If specified, <b>rapid-commit</b> enables the use of the two-message exchange for prefix delegation and other configuration. If the <b>rapid-commit</b> option is used in the Solicit message and <b>rapid-commit</b> is enabled for the server, the server responds to the Solicit with a Reply message. By default, <b>rapid-commit</b> is disabled.</li> <li>Default value of <b>preference</b> is 0.</li> <li>If the <b>allow-hint</b> option is specified, is a valid prefix in the associated local prefix pool and is not assigned to anybody, the server delegates the client-suggested prefix in the Solicit and Request messages. Otherwise, the hint is ignored and a prefix is delegated from the free list in the pool.</li> </ul> <p><b>Note</b> By default, DHCPv6 service on an interface is disabled.</p>
<b>Step 11</b>	<p><b>end</b></p> <p><b>Example:</b></p> <pre>Device(config-if)# end</pre>	Returns to privileged EXEC mode.

## Configuring a Binding Database Agent for the Server Function

### SUMMARY STEPS

1. **enable**
2. **configure terminal**
3. **ipv6 dhcp database agent [write-delay seconds] [timeout seconds]**
4. **end**

### DETAILED STEPS

	Command or Action	Purpose
<b>Step 1</b>	<p><b>enable</b></p> <p><b>Example:</b></p> <pre>Device&gt; enable</pre>	<p>Enables privileged EXEC mode.</p> <ul style="list-style-type: none"> <li>Enter your password if prompted.</li> </ul>
<b>Step 2</b>	<p><b>configure terminal</b></p> <p><b>Example:</b></p> <pre>Device# configure terminal</pre>	Enters global configuration mode.
<b>Step 3</b>	<p><b>ipv6 dhcp database agent [write-delay seconds] [timeout seconds]</b></p>	Specifies DHCPv6 binding database agent parameters.

	Command or Action	Purpose
	<p><b>Example:</b></p> <pre>Device(config)# ipv6 dhcp database tftp://10.0.0.1/dhcp-binding</pre>	<ul style="list-style-type: none"> <li>• <b>agent-URL</b>—flash, NVRAM, FTP, TFTP, or RCP uniform resource locator.</li> <li>• <b>write-delay</b>—specifies how often DHCP sends database updates. By default, DHCPv6 server waits 300 seconds before transmitting database changes. The minimum delay is 60 seconds.</li> <li>• <b>timeout</b>—specifies the time to wait for a database transfer. Infinity is defined as zero seconds. Transfers that exceed the timeout period are aborted. Default value is 300 seconds.</li> </ul>
<b>Step 4</b>	<p><b>end</b></p> <p><b>Example:</b></p> <pre>Device(config)# end</pre>	Returns to privileged EXEC mode.

## Configuring the DHCPv6 Client Function

General prefixes can be defined dynamically from a prefix received by a DHCPv6 prefix delegation client. The delegated prefix is stored in a general prefix.

### SUMMARY STEPS

1. **enable**
2. **configure terminal**
3. **interface** *type number*
4. **ipv6 dhcp client pd** {*prefix-name* | **hint** *ipv6-prefix*} [**rapid-commit**]
5. **ipv6 nd autoconfig prefix**
6. **ipv6 nd autoconfig default-router**
7. **end**

### DETAILED STEPS

	Command or Action	Purpose
<b>Step 1</b>	<p><b>enable</b></p> <p><b>Example:</b></p> <pre>Device&gt; enable</pre>	<p>Enables privileged EXEC mode.</p> <ul style="list-style-type: none"> <li>• Enter your password if prompted.</li> </ul>
<b>Step 2</b>	<p><b>configure terminal</b></p> <p><b>Example:</b></p> <pre>Device# configure terminal</pre>	Enters global configuration mode.

	Command or Action	Purpose
<b>Step 3</b>	<b>interface</b> <i>type number</i> <b>Example:</b> <pre>Device(config)# interface fastethernet 0/0/0</pre>	Specifies an interface type and number, and enters interface configuration mode.
<b>Step 4</b>	<b>ipv6 dhcp client pd</b> { <i>prefix-name</i>   <b>hint</b> <i>ipv6-prefix</i> } [ <b>rapid-commit</b> ] <b>Example:</b> <pre>Device(config-if)# ipv6 dhcp client pd dhcp-prefix</pre>	Enables the DHCPv6 client process and enables a request for prefix delegation through a specified interface.  <b>Note</b> The <b>ipv6 dhcp client pd hint</b> command should always be used along with the <b>ipv6 dhcp client pd <i>pd-name</i></b> command.
<b>Step 5</b>	<b>ipv6 nd autoconfig prefix</b> <b>Example:</b> <pre>Device(config-if)# ipv6 nd autoconfig prefix</pre>	Allows Neighbor Discovery to install all valid on-link prefixes from router advertisements (RAs) received on the interface.
<b>Step 6</b>	<b>ipv6 nd autoconfig default-router</b> <b>Example:</b> <pre>Device(config-if)# ipv6 nd autoconfig default-router</pre>	Allows Neighbor Discovery to install a default route to the Neighbor Discovery-derived default router.
<b>Step 7</b>	<b>end</b> <b>Example:</b> <pre>Device(config-if)# end</pre>	Returns to privileged EXEC mode.

### Example

The following example depicts the usage of **ipv6 dhcp client pd hint** command along with the **ipv6 dhcp client pd *pd-name*** command.

```
interface
no ip address
media-type auto-select
negotiation auto
ipv6 address prefix-from-provider ::1/48
ipv6 enable
ipv6 dhcp client pd hint 2001:DB8:43::/48
ipv6 dhcp client pd prefix-from-provider
```

## Configuring the DHCPv6 Relay Agent

### SUMMARY STEPS

1. **enable**
2. **configure terminal**
3. **interface** *type number*



4. **ipv6 enable**
5. **ipv6 dhcp relay destination** *ipv6-address* [*interface-type interface-number*]
6. **end**

## DETAILED STEPS

	Command or Action	Purpose
Step 1	<b>enable</b> <b>Example:</b> <pre>Device&gt; enable</pre>	Enables privileged EXEC mode. <ul style="list-style-type: none"> <li>• Enter your password if prompted.</li> </ul>
Step 2	<b>configure terminal</b> <b>Example:</b> <pre>Device# configure terminal</pre>	Enters global configuration mode.
Step 3	<b>interface</b> <i>type number</i> <b>Example:</b> <pre>Device(config)# interface gigabitethernet 4/2/0</pre>	Specifies an interface type and number, and enters interface configuration mode.
Step 4	<b>ipv6 enable</b> <b>Example:</b> <pre>Device(config-if)# ipv6 enable</pre>	Enables IPv6 processing on an interface.
Step 5	<b>ipv6 dhcp relay destination</b> <i>ipv6-address</i> [ <i>interface-type interface-number</i> ] <b>Example:</b> <pre>Device(config-if) ipv6 dhcp relay destination FE80::250:A2FF:FEBF:A056 gigabitethernet 4/3/0</pre>	Specifies a destination address to which client packets are forwarded and enables the DHCPv6 relay service on the interface.
Step 6	<b>end</b> <b>Example:</b> <pre>Device(config-if)# end</pre>	Returns to privileged EXEC mode.

## Configuring Route Addition for Relay and Server

To enable route addition by DHCPv6 relay and server for the delegated prefix, use the **ipv6 dhcp iapd-route-add** command in global configuration mode.

DHCPv6 relay inserts a route for the delegated prefix without additional configuration (i.e., the default is **ipv6 dhcp iapd-route-add**, which of course isn't NVGEN'ed.) If you want to disable this insertion, you must configure **no ipv6 dhcp iapd-route-add**.

The relay tracks valid and preferred lifetimes for the delegated prefix. When the prefix reaches the end of the valid lifetime, the route is automatically removed from the routing table.

To add routes for individually assigned IPv6 addresses on the relay or server, use the **ipv6 dhcp iana-route-add** command in global configuration mode.

## Defining a General Prefix with the DHCPv6 Prefix Delegation Client Function

Perform this task to configure the DHCPv6 client function on an interface and enable prefix delegation on an interface. The delegated prefix is stored in a general prefix.

### SUMMARY STEPS

1. **enable**
2. **configure terminal**
3. **interface** *type number*
4. **ipv6 dhcp client pd** *{prefix-name | hint ipv6-prefix}* [**rapid-commit**]

### DETAILED STEPS

	Command or Action	Purpose
<b>Step 1</b>	<b>enable</b> <b>Example:</b> Router> enable	Enables privileged EXEC mode. <ul style="list-style-type: none"><li>• Enter your password if prompted.</li></ul>
<b>Step 2</b>	<b>configure terminal</b> <b>Example:</b> Device# configure terminal	Enters global configuration mode.
<b>Step 3</b>	<b>interface</b> <i>type number</i> <b>Example:</b> Device(config)# interface gigabitethernet 0/0/0	Specifies an interface type and number, and enters interface configuration mode.
<b>Step 4</b>	<b>ipv6 dhcp client pd</b> <i>{prefix-name   hint ipv6-prefix}</i> [ <b>rapid-commit</b> ] <b>Example:</b> Device(config-if)# ipv6 dhcp client pd dhcp-prefix	Enables the DHCPv6 client process and enables a request for prefix delegation through a specified interface. <ul style="list-style-type: none"><li>• The delegated prefix is stored in the general prefix <i>prefix-name</i> argument.</li></ul>

## Configuring a VRF-Aware Relay for MPLS VPN Support

### Configuring a VRF-Aware Relay



**Note** You do not have to configure this feature on specified interfaces. If you want the feature to be enabled globally only on a device, perform steps 1, 2, and 3

## SUMMARY STEPS

1. **enable**
2. **configure terminal**
3. **ipv6 dhcp-relay option vpn**
4. **interface** *type number*
5. **ipv6 dhcp relay option vpn**
6. **ipv6 dhcp relay destination** *ipv6-address* [*interface-type interface-number* | **vrf** *vrf-name* | **global**]
7. **end**

## DETAILED STEPS

	Command or Action	Purpose
Step 1	<b>enable</b> <b>Example:</b> Device> enable	Enables privileged EXEC mode. <ul style="list-style-type: none"> <li>• Enter your password if prompted.</li> </ul>
Step 2	<b>configure terminal</b> <b>Example:</b> Device# configure terminal	Enters global configuration mode.
Step 3	<b>ipv6 dhcp-relay option vpn</b> <b>Example:</b> Device(config)# ipv6 dhcp-relay option vpn	Enables the DHCP for IPv6 relay VRF-aware feature globally.
Step 4	<b>interface</b> <i>type number</i> <b>Example:</b> Device(config)# interface gigabitethernet 0/0/0	Specifies an interface type and number, and enters interface configuration mode.
Step 5	<b>ipv6 dhcp relay option vpn</b> <b>Example:</b> Device(config-if)# ipv6 dhcp relay option vpn	Enables the DHCP for IPv6 relay VRF-aware feature on the specified interface. Enabling this command supersedes the configuration that is enabled by using the <b>ipv6 dhcp-relay option vpn</b> command.
Step 6	<b>ipv6 dhcp relay destination</b> <i>ipv6-address</i> [ <i>interface-type interface-number</i>   <b>vrf</b> <i>vrf-name</i>   <b>global</b> ] <b>Example:</b> Device(config-if)# ipv6 dhcp relay destination FE80::250:A2FF:FEBF:A056 ethernet 0/0	Specifies a destination address to which client messages are forwarded.
Step 7	<b>end</b> <b>Example:</b> Device(config-if)# end	Returns to privileged EXEC mode.

## Restarting the DHCPv6 Client on an Interface

Perform this task to restart the DHCPv6 client on a specified interface after first releasing and unconfiguring previously acquired prefixes and other configuration options.

### SUMMARY STEPS

1. **enable**
2. **clear ipv6 dhcp client** *interface-type interface-number*

### DETAILED STEPS

	Command or Action	Purpose
<b>Step 1</b>	<b>enable</b> <b>Example:</b> Device> enable	Enables privileged EXEC mode. <ul style="list-style-type: none"> <li>• Enter your password if prompted.</li> </ul>
<b>Step 2</b>	<b>clear ipv6 dhcp client</b> <i>interface-type interface-number</i> <b>Example:</b> Device# clear ipv6 dhcp client GigabitEthernet 1/0/0	Restarts the DHCPv6 client on an interface.

## Deleting Automatic Client Bindings from the DHCPv6 Binding Table

### SUMMARY STEPS

1. **enable**
2. **clear ipv6 dhcp binding** [*ipv6-address*] [**vrf** *vrf-name*]

### DETAILED STEPS

	Command or Action	Purpose
<b>Step 1</b>	<b>enable</b> <b>Example:</b> Device> enable	Enables privileged EXEC mode. <ul style="list-style-type: none"> <li>• Enter your password if prompted.</li> </ul>
<b>Step 2</b>	<b>clear ipv6 dhcp binding</b> [ <i>ipv6-address</i> ] [ <b>vrf</b> <i>vrf-name</i> ] <b>Example:</b> Device# clear ipv6 dhcp binding	Deletes automatic client bindings from the DHCPv6 binding table.

## Troubleshooting DHCPv6



**Note** Step 1 is common to each debug command. Step 2 to Step 5 are separate debugging commands that can be used in any order.

### SUMMARY STEPS

1. `enable`
2. `debug ipv6 dhcp [detail]`
3. `debug ipv6 dhcp database`
4. `debug ipv6 dhcp relay`
5. `debug ipv6 dhcp redundancy [detail]`

### DETAILED STEPS

	Command or Action	Purpose
Step 1	<b>enable</b> <b>Example:</b> Device> enable	Enables privileged EXEC mode. <ul style="list-style-type: none"> <li>• Enter your password if prompted.</li> </ul>
Step 2	<b>debug ipv6 dhcp [detail]</b> <b>Example:</b> Device# debug ipv6 dhcp	Enables debugging for DHCPv6.
Step 3	<b>debug ipv6 dhcp database</b> <b>Example:</b> Device# debug ipv6 dhcp database	Enables debugging for the DHCPv6 binding database.
Step 4	<b>debug ipv6 dhcp relay</b> <b>Example:</b> Device# debug ipv6 dhcp relay	Enables DHCPv6 relay agent debugging.
Step 5	<b>debug ipv6 dhcp redundancy [detail]</b> <b>Example:</b> Device# debug ipv6 dhcp redundancy	Enables DHCPv6 redundancy debugging.

## Verifying the DHCPv6 Configuration

### SUMMARY STEPS

1. `enable`
2. `show ipv6 dhcp`
3. `show ipv6 dhcp binding [ipv6-address]`

4. **show ipv6 dhcp database** [*agent-URL*]
5. **show ipv6 dhcp interface** [*type number*]
6. **show ipv6 dhcp pool** [*poolname*]
7. **show running-config**

## DETAILED STEPS

	Command or Action	Purpose
<b>Step 1</b>	<b>enable</b> <b>Example:</b> Device# enable	Enables privileged EXEC mode. <ul style="list-style-type: none"> <li>• Enter your password if prompted.</li> </ul>
<b>Step 2</b>	<b>show ipv6 dhcp</b> <b>Example:</b> Device# show ipv6 dhcp	Displays the DUID on a specified device.
<b>Step 3</b>	<b>show ipv6 dhcp binding</b> [ <i>ipv6-address</i> ] <b>Example:</b> Device# show ipv6 dhcp binding	Displays automatic client bindings from the DHCPv6 database.
<b>Step 4</b>	<b>show ipv6 dhcp database</b> [ <i>agent-URL</i> ] <b>Example:</b> Device# show ipv6 dhcp database	Displays the DHCPv6 binding database agent information.
<b>Step 5</b>	<b>show ipv6 dhcp interface</b> [ <i>type number</i> ] <b>Example:</b> Device# show ipv6 dhcp interface	Displays DHCPv6 interface information.
<b>Step 6</b>	<b>show ipv6 dhcp pool</b> [ <i>poolname</i> ] <b>Example:</b> Device# show ipv6 dhcp pool	Displays DHCPv6 configuration pool information.
<b>Step 7</b>	<b>show running-config</b> <b>Example:</b> Device# show running-config	Displays the current configuration running on the router.

## Example Verifying the DHCPv6 Configuration

### Sample Output from the show ipv6 dhcp Command

The following sample output from the **show ipv6 dhcp** command displays the DUID of the device:

```
Device# show ipv6 dhcp
```

```
This device's DHCPv6 unique identifier(DUID): 000300010002FCA5DC1C
```

### Sample Output from the show ipv6 dhcp binding Command

In the following sample output, the **show ipv6 dhcp binding** command displays information about two clients, including their DUIDs, IAPDs, prefixes, and preferred and valid lifetimes:

```
Device# show ipv6 dhcp binding

Client: FE80::202:FCFF:FEA5:DC39 (GigabitEthernet2/1/0)
DUID: 000300010002FCA5DC1C
IA PD: IA ID 0x00040001, T1 0, T2 0
Prefix: 3FFE:C00:C18:11::/68
preferred lifetime 180, valid lifetime 12345
expires at Nov 08 2002 02:24 PM (12320 seconds)
Client: FE80::202:FCFF:FEA5:C039 (GigabitEthernet2/1/0)
DUID: 000300010002FCA5C01C
IA PD: IA ID 0x00040001, T1 0, T2 0
Prefix: 3FFE:C00:C18:1::/72
preferred lifetime 240, valid lifetime 54321
expires at Nov 09 2002 02:02 AM (54246 seconds)
Prefix: 3FFE:C00:C18:2::/72
preferred lifetime 300, valid lifetime 54333
expires at Nov 09 2002 02:03 AM (54258 seconds)
Prefix: 3FFE:C00:C18:3::/72
preferred lifetime 280, valid lifetime 51111
```

### Sample Output from the show ipv6 dhcp database Command

The following sample output from the **show ipv6 dhcp database** command shows information on the binding database agents TFTP, NVRAM, and flash:

```
Device# show ipv6 dhcp database

Database agent tftp://172.19.216.133/db.tftp:
write delay: 69 seconds, transfer timeout: 300 seconds
last written at Jan 09 2003 01:54 PM,
write timer expires in 56 seconds
last read at Jan 06 2003 05:41 PM
successful read times 1
failed read times 0
successful write times 3172
failed write times 2
Database agent nvram:/dhcpv6-binding:
write delay: 60 seconds, transfer timeout: 300 seconds
last written at Jan 09 2003 01:54 PM,
write timer expires in 37 seconds
last read at never
successful read times 0
failed read times 0
successful write times 3325
failed write times 0
Database agent flash:/dhcpv6-db:
write delay: 82 seconds, transfer timeout: 3 seconds
last written at Jan 09 2003 01:54 PM,
write timer expires in 50 seconds
last read at never
successful read times 0
failed read times 0
successful write times 2220
failed write times 614
```

### Sample Output from the show ipv6 dhcp interface Command

The following is sample output from the **show ipv6 dhcp interface** command. In the first example, the command is used on a device that has an interface acting as a DHCPv6 server. In the second example, the command is used on a router that has an interface acting as a DHCPv6 client:

```
Device# show ipv6 dhcp interface

GigabitEthernet2/1/0 is in server mode
Using pool: svr-p1
Preference value: 20
Rapid-Commit is disabled
Router2# show ipv6 dhcp interface
GigabitEthernet2/1/0 is in client mode
State is OPEN (1)
List of known servers:
Address: FE80::202:FCFF:FEA1:7439, DUID 000300010002FCA17400
Preference: 20
IA PD: IA ID 0x00040001, T1 120, T2 192
Prefix: 3FFE:C00:C18:1::/72
preferred lifetime 240, valid lifetime 54321
expires at Nov 08 2002 09:10 AM (54319 seconds)
Prefix: 3FFE:C00:C18:2::/72
preferred lifetime 300, valid lifetime 54333
expires at Nov 08 2002 09:11 AM (54331 seconds)
Prefix: 3FFE:C00:C18:3::/72
preferred lifetime 280, valid lifetime 51111
expires at Nov 08 2002 08:17 AM (51109 seconds)
DNS server: 2001:DB8:1001::1
DNS server: 2001:DB8:1001::2
Domain name: example1.net
Domain name: example2.net
Domain name: example3.net
Prefix name is cli-pl
Rapid-Commit is enabled
```

### Sample Output from the show ipv6 dhcp pool Command

In the following sample output, the **show ipv6 dhcp pool** command displays information about the configuration pool named svr-p1, including static bindings, prefix information, the DNS server, and the domain names found in the svr-p1 pool:

```
Device# show ipv6 dhcp pool

DHCPv6 pool: svr-p1
Static bindings:
Binding for client 000300010002FCA5C01C
IA PD: IA ID 00040002,
Prefix: 3FFE:C00:C18:3::/72
preferred lifetime 604800, valid lifetime 2592000
IA PD: IA ID not specified; being used by 00040001
Prefix: 3FFE:C00:C18:1::/72
preferred lifetime 240, valid lifetime 54321
Prefix: 3FFE:C00:C18:2::/72
preferred lifetime 300, valid lifetime 54333
Prefix: 3FFE:C00:C18:3::/72
preferred lifetime 280, valid lifetime 51111
Prefix from pool: local-pl, Valid lifetime 12345, Preferred lifetime 180
DNS server: 2001:DB8:1001::1
DNS server: 2001:DB8:1001::2
Domain name: example1.net
Domain name: example2.net
Domain name: example3.net
```



```

Active clients: 2
Current configuration : 22324 bytes
!
! Last configuration change at 14:59:38 PST Tue Jan 16 2009
! NVRAM config last updated at 04:25:39 PST Tue Jan 16 2009 by name01
!
hostname Router
!
ip cef
ipv6 unicast-routing
ipv6 cef
ipv6 cef accounting prefix-length
!
!
interface GigabitEthernet0/0/0
ip address 10.4.9.11 255.0.0.0
media-type 10BaseT
ipv6 address 2001:DB8:C18:1::/64 eui-64

```

## Configuration Examples for Implementing DHCPv6

### Example: Configuring the DHCPv6 Client Function

In the following example, this Dynamic Host Configuration Protocol for IPv6 (DHCPv6) client has three interfaces. Ethernet interface 0/0 is the upstream link to a service provider, which has a DHCPv6 server function enabled. The Fast Ethernet interfaces 0/0 and 0/1 are links to local networks.

The upstream interface, Ethernet interface 0/0, has the DHCPv6 client function enabled. Prefixes delegated by the provider are stored in the general prefix called prefix-from-provider.

The local networks, Fast Ethernet interfaces 0/0 and 0/1, both assign interface addresses based on the general prefix called prefix-from-provider. The bits on the left of the addresses come from the general prefix, and the bits on the right of the addresses are specified statically.

```

interface Ethernet 0/0
description uplink to provider DHCP IPv6 server
ipv6 dhcp client pd prefix-from-provider
!
interface FastEthernet 0/0
description local network 0
ipv6 address prefix-from-provider ::5:0:0:0:100/64
!
interface FastEthernet 0/1
description local network 1
ipv6 address prefix-from-provider ::6:0:0:0:100/64

```





## CHAPTER 6

# IPv6 Access Services: DHCPv6 Relay Agent

A Dynamic Host Configuration Protocol for IPv6 (DHCPv6) relay agent, which may reside on the client's link, is used to relay messages between the client and the server.

- [Information About IPv6 Access Services: DHCPv6 Relay Agent, on page 91](#)
- [How to Configure IPv6 Access Services: DHCPv6 Relay Agent, on page 94](#)
- [Configuration Examples for IPv6 Access Services: DHCPv6 Relay Agent, on page 95](#)
- [Additional References, on page 96](#)

## Information About IPv6 Access Services: DHCPv6 Relay Agent

### DHCPv6 Relay Agent

A DHCPv6 relay agent, which may reside on the client's link, is used to relay messages between the client and the server. The DHCPv6 relay agent operation is transparent to the client. A DHCPv6 client locates a DHCPv6 server using a reserved, link-scoped multicast address. For direct communication between the DHCPv6 client and the DHCPv6 server, both of them must be attached to the same link. However, in some situations where ease of management, economy, or scalability is a concern, it is desirable to allow a DHCPv6 client to send a message to a DHCPv6 server that is not connected to the same link. IPv6 enable is required for IPv6 DHCP relay, although IPv6 address is configured.

#### DHCPv6 Relay Agent Notification for Prefix Delegation

The DHCPv6 relay agent notification for prefix delegation allows the device working as a DHCPv6 relay agent to find prefix delegation options by reviewing the contents of a DHCPv6 RELAY-REPLY packet that is relayed by the relay agent to the client. When a prefix delegation option is found by the relay agent, the relay agent extracts the information about the prefix that is being delegated and inserts an IPv6 static route matching the prefix delegation information onto the relay agent. Future packets destined to that prefix via relay will be forwarded based on the information contained in the prefix delegation. The IPv6 static route is then left in the routing table until the prefix delegation lease time expires or the relay agent receives a release packet from the client releasing the prefix delegation.

No user configuration is required for this feature. Static route management is done automatically by the relay agent.

IPv6 routes are added when the relay agent relays a RELAY-REPLY packet, and IPv6 routes are deleted when the prefix delegation lease time expires or the relay agent receives a release message. An IPv6 static route in the routing table of the relay agent can be updated when the prefix delegation lease time is extended.

The DHCP—DHCPv6 Relay Agent Notification for Prefix Delegation feature leaves a static IPv6 route on the routing table of the relay agent. The registered IPv6 address allows unicast reverse packet forwarding (uRPF) to work by allowing the device doing the reverse lookup to confirm that the IPv6 address on the relay agent is not malformed or spoofed. The static route that remains in the routing table of the relay agent can be redistributed to other routing protocols to advertise the subnets to other nodes. Static routes will be removed when a DHCP\_DECLINE message is sent by the client.

### DHCPv6 Relay Options: Remote-ID for Gigabit Ethernet and Fast Ethernet Interfaces

The DHCPv6 Ethernet Remote ID Option feature adds the remote identification (remote-ID) option to relayed (RELAY-FORWARD) DHCPv6 packets.

The remote-ID option provides information to the DHCPv6 server, which includes port information, the system's DUID, and the VLAN ID. This information can be used to uniquely identify both the relay and the port on the relay through which the client packet arrived. The DHCPv6 server uses this information to select parameters specific to a particular user, host, or subscriber modem.

The addition of the remote-ID option to the RELAY-FORWARD packet occurs automatically and no user configuration is necessary.

The DHCPv6 server does not need to echo the remote-ID option in the RELAY-REPLY packet. The Internet Assigned Numbers Authority (IANA) has assigned the DHCPv6 option code 37 for the relay agent remote-ID option.

If the remote-ID option is included in the RELAY-REPLY packet, the option is removed from the packet before it is relayed to the client.

### DHCPv6 Relay Options: Reload Persistent Interface ID

The DHCPv6 Relay—Reload Persistent Interface ID Option feature makes the interface ID option persistent. The interface ID is used by relay agents to decide which interface should be used to forward a RELAY-REPLY packet. A persistent interface-ID option will not change if the device acting as a relay agent goes offline during a reload or a power outage. When the device acting as a relay agent returns online, it is possible that changes to the internal interface index of the relay agent may have occurred in certain scenarios (such as, when the relay agent reboots and the number of interfaces in the interface index changes, or when the relay agents boot up and has more virtual interfaces than it did before the reboot). This feature prevents such scenarios from causing any problems.

This feature changes the DHCPv6 interface-ID option to be expressed as the short form of the interface name. The interface name as the DHCPv6 interface ID helps avoid potential problems that could arise due to physical or logical interfaces changing on the relay agent after a reload.

### DHCPv6 Relay Chaining

DHCPv6 messages can be relayed through multiple relay agents. This configuration is called *relay chaining*. A relay chaining configuration can be supported only when each relay agent adds information to DHCPv6 messages before relaying them. The information helps in relaying the DHCPv6 reply back to the DHCPv6 client through the same path.

The delegated IPv6 prefix must be routable in order to be useful. The actual DHCPv6 Prefix Delegation (PD) client may not be permitted to inject routes into the delegating network. In service provider (SP) networks, for example, an edge device typically acts as a DHCPv6 relay agent, and this edge device often has the

responsibility to maintain routes within the SP network for clients' PD bindings. In the event that DHCPv6 requests and responses are relayed through a chain of DHCPv6 relays, there may be a need to introduce appropriate routes (particularly with DHCPv6 PD) in the Forwarding Information Base (FIB) so that routing is handled transparently.

## DHCPv6 Relay Agent Notification for Prefix Delegation

The DHCPv6 relay agent notification for prefix delegation allows the device working as a DHCPv6 relay agent to find prefix delegation options by reviewing the contents of a DHCPv6 RELAY-REPLY packet that is relayed by the relay agent to the client. When a prefix delegation option is found by the relay agent, the relay agent extracts the information about the prefix that is being delegated and inserts an IPv6 static route matching the prefix delegation information onto the relay agent. Future packets destined to that prefix via relay will be forwarded based on the information contained in the prefix delegation. The IPv6 static route is then left in the routing table until the prefix delegation lease time expires or the relay agent receives a release packet from the client releasing the prefix delegation.

No user configuration is required for this feature. Static route management is done automatically by the relay agent.

IPv6 routes are added when the relay agent relays a RELAY-REPLY packet, and IPv6 routes are deleted when the prefix delegation lease time expires or the relay agent receives a release message. An IPv6 static route in the routing table of the relay agent can be updated when the prefix delegation lease time is extended.

The DHCP—DHCPv6 Relay Agent Notification for Prefix Delegation feature leaves a static IPv6 route on the routing table of the relay agent. The registered IPv6 address allows unicast reverse packet forwarding (uRPF) to work by allowing the device doing the reverse lookup to confirm that the IPv6 address on the relay agent is not malformed or spoofed. The static route that remains in the routing table of the relay agent can be redistributed to other routing protocols to advertise the subnets to other nodes. Static routes will be removed when a DHCP\_DECLINE message is sent by the client.

## DHCPv6 Relay Options: Remote ID for Ethernet Interfaces

This feature adds the remote identification (remote-ID) option to relayed (RELAY-FORWARD) DHCPv6 packets.

The remote-ID option provides information to the DHCPv6 server, including port information, the system's DUID, and the VLAN ID. Collectively, this information can be used to uniquely identify both the relay and the port on the relay through which the client's packet arrived. The DHCPv6 server uses this information to select parameters specific to a particular user, host, or subscriber modem. This feature works only for Ethernet interfaces at this time.

This feature introduces no user configuration. Because the addition of the remote-ID option to the RELAY-FORWARD packet occurs automatically, no user configuration is necessary.

The DHCPv6 server does not need to echo the remote-ID option in the RELAY-REPLY packet. Internet Assigned Numbers Authority (IANA) has assigned the DHCPv6 option code 37 for the relay agent remote-ID option.

If the remote-ID option is included in the RELAY-REPLY packet, the option is stripped out of the packet before the packet is relayed to the client.

## DHCPv6 Relay Options: Reload Persistent Interface ID Option

This feature makes the interface-ID option, which is used by relay agents to decide which interface should be used when forwarding a RELAY-REPLY packet, persistent. A persistent interface-ID option will not change

if the router acting as a relay agent goes offline (such as during a reload or a power outage). When the router acting as a relay agent returns online, it is possible that changes to the internal interface index of the relay agent may have occurred in certain scenarios (such as cases where the relay agent reboots and has a change in the number of interfaces in the interface index, or the relay agents boots up and has more virtual interfaces than it did before the reboot). This feature prevents this scenario from causing any problems.

This feature changes the DHCPv6 interface-ID option to be expressed as simply the short form of the interface name. This syntax helps avoid potential problems that could arise due to physical or logical interfaces changing on the relay agent after a reload.

## DHCPv6 Relay Chaining

This feature makes the interface-ID option, which is used by relay agents to decide which interface should be used when forwarding a RELAY-REPLY packet, persistent. A persistent interface-ID option will not change if the router acting as a relay agent goes offline (such as during a reload or a power outage). When the router acting as a relay agent returns online, it is possible that changes to the internal interface index of the relay agent may have occurred in certain scenarios (such as cases where the relay agent reboots and has a change in the number of interfaces in the interface index, or the relay agents boots up and has more virtual interfaces than it did before the reboot). This feature prevents this scenario from causing any problems.

This feature changes the DHCPv6 interface-ID option to be expressed as simply the short form of the interface name. This syntax helps avoid potential problems that could arise due to physical or logical interfaces changing on the relay agent after a reload.

# How to Configure IPv6 Access Services: DHCPv6 Relay Agent

## Configuring the DHCPv6 Relay Agent

### SUMMARY STEPS

1. **enable**
2. **configure terminal**
3. **interface** *type number*
4. **ipv6 enable**
5. **ipv6 dhcp relay destination** *ipv6-address [interface-type interface-number]*
6. **end**

### DETAILED STEPS

	Command or Action	Purpose
Step 1	<b>enable</b> <b>Example:</b> Device> enable	Enables privileged EXEC mode. <ul style="list-style-type: none"> <li>• Enter your password if prompted.</li> </ul>
Step 2	<b>configure terminal</b> <b>Example:</b>	Enters global configuration mode.

	Command or Action	Purpose
	Device# configure terminal	
<b>Step 3</b>	<b>interface</b> <i>type number</i> <b>Example:</b> Device(config)# interface gigabitethernet 4/2/0	Specifies an interface type and number, and enters interface configuration mode.
<b>Step 4</b>	<b>ipv6 enable</b> <b>Example:</b> Device(config-if)# ipv6 enable	Enables IPv6 processing on an interface.
<b>Step 5</b>	<b>ipv6 dhcp relay destination</b> <i>ipv6-address [interface-type interface-number]</i> <b>Example:</b> Device(config-if) ipv6 dhcp relay destination FE80::250:A2FF:FEBF:A056 gigabitethernet 4/3/0	Specifies a destination address to which client packets are forwarded and enables the DHCPv6 relay service on the interface.
<b>Step 6</b>	<b>end</b> <b>Example:</b> Device(config-if)# end	Returns to privileged EXEC mode.

## Configuration Examples for IPv6 Access Services: DHCPv6 Relay Agent

### Example: Configuring the DHCPv6 Relay Agent

```
Device# show ipv6 dhcp interface

Ethernet1/0 is in relay mode
  Relay destinations:
    3FFB:C00:C18:6:A8BB:CCFF:FE03:2701
Serial3/0 is in relay mode
  Relay destinations:
    3FFB:C00:C18:6:A8BB:CCFF:FE03:2600
    FE80::A8BB:CCFF:FE03:2801 on Serial3/0
    FF05::1:3
```

# Additional References

## Related Documents

Related Topic	Document Title
Cisco IOS commands	<i>Cisco IOS Master Commands List, All Releases</i>
IPv6 commands	<i>Cisco IOS IPv6 Command Reference</i>
IPv6 addressing and connectivity	<i>IPv6 Configuration Guide</i>
Cisco IOS IPv6 features	<i>Cisco IOS IPv6 Feature Mapping</i>

## Standards and RFCs

Standard/RFC	Title
RFCs for IPv6	<i>IPv6 RFCs</i>

## Technical Assistance

Description	Link
The Cisco Support and Documentation website provides online resources to download documentation, software, and tools. Use these resources to install and configure the software and to troubleshoot and resolve technical issues with Cisco products and technologies. Access to most tools on the Cisco Support and Documentation website requires a Cisco.com user ID and password.	<a href="http://www.cisco.com/cisco/web/support/index.html">http://www.cisco.com/cisco/web/support/index.html</a>





## CHAPTER 7

# DHCP Features Configuration

This chapter describes how to configure the DHCP server port-based address allocation features on the Router.

- [Limitations and Restrictions, on page 97](#)
- [DHCP Features, on page 97](#)
- [Configuring DHCP Features, on page 104](#)
- [Displaying DHCP Snooping Information, on page 112](#)
- [DHCP Server Port-Based Address Allocation, on page 113](#)
- [DHCP Server Port-Based Address Allocation, on page 114](#)
- [Configuring DHCP Server Port-Based Address Allocation, on page 114](#)
- [Additional References, on page 118](#)

## Limitations and Restrictions

- The `ip dhcp snooping binding` command is not currently supported.
- The dhcp offer is *not* forwarded to dhcp client over a VPLS session when dhcp snooping is enabled for a bridge domain.
- DHCP over xconnect and local connect is supported.
- DHCP smart relay supports a maximum of 16 local addresses configured on a BDI or an interface.

## DHCP Features

DHCP is widely used in LAN environments to dynamically assign host IP addresses from a centralized server, which significantly reduces the overhead of administration of IP addresses. DHCP also helps conserve the limited IP address space because IP addresses no longer need to be permanently assigned to hosts; only those hosts that are connected to the network consume IP addresses.

## DHCP Server

The DHCP server assigns IP addresses from specified address pools on a switch or router to DHCP clients and manages them. If the DHCP server cannot give the DHCP client the requested configuration parameters

from its database, it can forward the request to one or more secondary DHCP servers defined by the network administrator.

## DHCP Relay Agent

A DHCP relay agent is a Layer 3 device that forwards DHCP packets between clients and servers. Relay agents forward requests and replies between clients and servers when they are not on the same physical subnet. Relay agent forwarding is different from the normal Layer 2 forwarding, in which IP datagrams are switched transparently between networks. Relay agents receive DHCP messages and generate new DHCP messages to send on egress interfaces.

DHCP relay is supported on the following routers:

- ASR-920-4SZ-D
- ASR-920-4SZ-A
- ASR-920-10SZ
- ASR-920-12CZ-A
- ASR-920-12CZ-D
- ASR-920-24SZ-M
- ASR-920-24TZ-M
- ASR-920-12SZ-IM
- ASR-920-24SZ-IM



---

**Note** DHCP option-82 is not supported, when the DHCP relay agent is enabled and by simultaneously disabling the DHCP snooping.

---

## DHCP Snooping

DHCP snooping is a DHCP security feature that provides network security by filtering untrusted DHCP messages and by building and maintaining a DHCP snooping binding database, also referred to as a DHCP snooping binding table. For more information about this database, see the [Displaying DHCP Snooping Information, on page 112](#).

DHCP snooping acts like a firewall between untrusted hosts and DHCP servers. You use DHCP snooping to differentiate between untrusted interfaces connected to the end user and trusted interfaces connected to the DHCP server or another switch.



---

**Note** For DHCP snooping to function properly, all DHCP servers must be connected to the router through trusted interfaces.

---

An untrusted DHCP message is a message that is received from outside the network or firewall. When you use DHCP snooping in a service-provider environment, an untrusted message is sent from a device that is not

in the service-provider network, such as a customer's switch. Messages from unknown devices are untrusted because they can be sources of traffic attacks.

The DHCP snooping binding database has the MAC address, the IP address, the lease time, the binding type, the bridge-domain number, and the interface information that corresponds to the local untrusted interfaces of a switch. It does not have information regarding hosts interconnected with a trusted interface.

In a service-provider network, a trusted interface is connected to a port on a device in the same network. An untrusted interface is connected to an untrusted interface in the network or to an interface on a device that is not in the network.

When a switch receives a packet on an untrusted interface and the interface belongs to a bridge-domain in which DHCP snooping is enabled, the switch compares the source MAC address and the DHCP client hardware address. If the addresses match (the default), the switch forwards the packet. If the addresses do not match, the switch drops the packet.

The router drops a DHCP packet when one of these situations occurs:

- A packet from a DHCP server, such as a DHCPOFFER, DHCPACK, DHCPNAK, or DHCPLEASEQUERY packet, is received from outside the network or firewall.
- A packet is received on an untrusted interface, and the source MAC address and the DHCP client hardware address do not match.
- The switch receives a DHCPRELEASE or DHCPDECLINE broadcast message that has a MAC address in the DHCP snooping binding database, but the interface information in the binding database does not match the interface on which the message was received.
- A DHCP relay agent forwards a DHCP packet that includes a relay-agent IP address that is not 0.0.0.0, or the relay agent forwards a packet that includes option-82 information to an untrusted port.

If the switch is an aggregation switch supporting DHCP snooping and is connected to an edge switch that is inserting DHCP option-82 information, the switch drops packets with option-82 information when packets are received on an untrusted interface. If DHCP snooping is enabled and packets are received on a trusted port, the aggregation switch does not learn the DHCP snooping bindings for connected devices and cannot build a complete DHCP snooping binding database.

When an aggregation switch can be connected to an edge switch through an untrusted interface and you enter the `ip dhcp snooping information option allowed-trust` global configuration command, the aggregation switch accepts packets with option-82 information from the edge switch. The aggregation switch learns the bindings for hosts connected through an untrusted switch interface. The DHCP security features, such as dynamic ARP inspection, can still be enabled on the aggregation switch while the switch receives packets with option-82 information on ingress untrusted interfaces to which hosts are connected. The port on the edge switch that connects to the aggregation switch must be configured as a trusted interface.

## Option-82 Data Insertion

In residential, metropolitan Ethernet-access environments, DHCP can centrally manage the IP address assignments for a large number of subscribers. When the DHCP option-82 feature is enabled on the switch, a subscriber device is identified by the switch port through which it connects to the network (in addition to its MAC address). Multiple hosts on the subscriber LAN can be connected to the same port on the access switch and are uniquely identified.



---

**Note** The DHCP option-82 feature is supported only when DHCP snooping is globally enabled and on the bridge-domains to which subscriber devices using this feature are assigned.

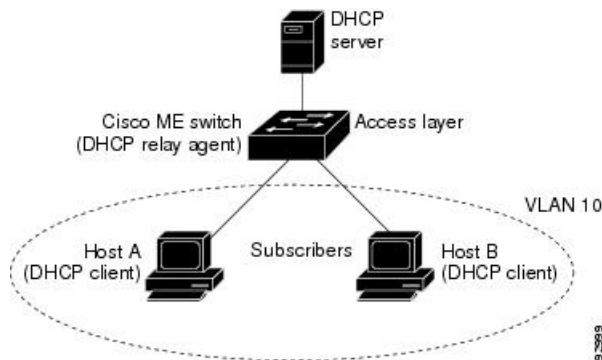
---



**Note** DHCP Client will not receive the IP address if DHCP server is connected via relay and when snooping is globally enabled along with BDI IP configured for snooping enabled BD.

Figure below is an example of a metropolitan Ethernet network in which a centralized DHCP server assigns IP addresses to subscribers connected to the switch at the access layer. Because the DHCP clients and their associated DHCP server do not reside on the same IP network or subnet, a DHCP relay agent (the Cisco Router) is configured with a helper address to enable broadcast forwarding and to transfer DHCP messages between the clients and the server.

**Figure 9: DHCP Relay Agent in a Metropolitan Ethernet Network**



When you enable the DHCP snooping information option 82 on the switch, this sequence of events occurs:

- The host (DHCP client) generates a DHCP request and broadcasts it on the network.
- When the switch receives the DHCP request, it adds the option-82 information in the packet. By default, the remote-ID suboption is the switch MAC address, and the circuit-ID suboption is the port identifier from which the packet is received. You can also configure the remote ID and circuit ID. For information on configuring these suboptions, see the [Enabling DHCP Snooping and Option 82, on page 108](#).
- If the IP address of the relay agent is configured, the switch adds this IP address in the DHCP packet.
- The switch forwards the DHCP request that includes the option-82 field to the DHCP server.
- The DHCP server receives the packet. If the server is option-82-capable, it can use the remote ID, the circuit ID, or both to assign IP addresses and implement policies, such as restricting the number of IP addresses that can be assigned to a single remote ID or circuit ID. Then the DHCP server echoes the option-82 field in the DHCP reply.
- The DHCP server unicasts the reply to the switch if the request was relayed to the server by the switch. The switch verifies that it originally inserted the option-82 data by inspecting the remote ID and possibly the circuit ID fields. The switch removes the option-82 field and forwards the packet to the switch port that connects to the DHCP client that sent the DHCP request.

In the default suboption configuration, when the described sequence of events occurs, the values in these fields in figure below do not change:

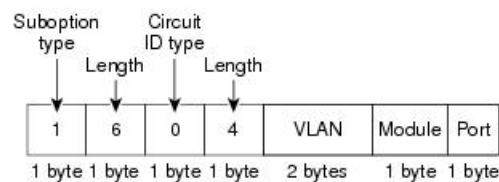
- Circuit ID suboption fields
- Suboption type

- Length of the suboption type
- Circuit ID type
- Length of the circuit ID type
- Remote ID suboption fields
- Suboption type
- Length of the suboption type
- Remote ID type
- Length of the circuit ID type

Figure below shows the packet formats for the remote ID suboption and the circuit ID suboption when the default suboption configuration is used. The switch uses the packet formats when DHCP snooping is globally enabled and when the ip dhcp snooping information option global configuration command is entered.

**Figure 10: Suboption Packet Formats**

#### Circuit ID Suboption Frame Format



#### Remote ID Suboption Frame Format



Figure below shows the packet formats for user-configured remote-ID and circuit-ID suboptions. The switch uses these packet formats when you globally enable DHCP snooping and enter the ip dhcp snooping information option format remote-id global configuration command and the ip dhcp snooping bridge-domain information option format-type circuit-id string interface configuration command.

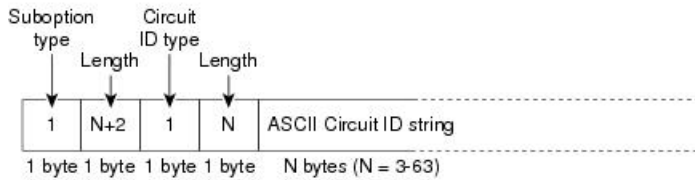
The values for these fields in the packets change from the default values when you configure the remote-ID and circuit-ID suboptions:

- Circuit-ID suboption fields
- The circuit-ID type is 1.
- The length values are variable, depending on the length of the string that you configure.
- Remote-ID suboption fields
- The remote-ID type is 1.

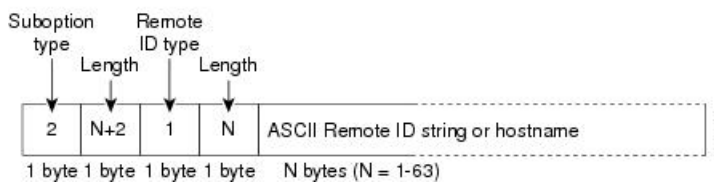
- The length values are variable, depending on the length of the string that you configure.

**Figure 11: User-Configured Suboption Packet Formats**

**Circuit ID Suboption Frame Format (for user-configured string):**



**Remote ID Suboption Frame Format (for user-configured string):**



**Note** In scenarios where **no ip dhcp snooping information option** is configured (i.e. when the server does not support DHCP information option) then use **ip dhcp snooping track host** command. This is because the MAC to port mapping is only available in DHCP option 82. If the information options has been disabled then to know the MAC to port mapping **ip dhcp snooping track host** command must be enabled.

## Cisco IOS DHCP Server Database

During the DHCP-based autoconfiguration process, the designated DHCP server uses the Cisco IOS DHCP server database. It has IP addresses, address bindings, and configuration parameters, such as the boot file.

An address binding is a mapping between an IP address and a MAC address of a host in the Cisco IOS DHCP server database. You can manually assign the client IP address, or the DHCP server can allocate an IP address from a DHCP address pool. For more information about manual and automatic address bindings, see the [IP Addressing Configuration Guide Library, Cisco IOS XE Release 3S](#).

## DHCP Snooping Binding Database

When DHCP snooping is enabled, the switch uses the DHCP snooping binding database to store information about untrusted interfaces. The database can have up to 8192 bindings.



**Note** DHCP snooping database read event will **not** retrieve entries for 10G and PC interface

Each database entry (*binding*) has an IP address, an associated MAC address, the lease time (in hexadecimal format), the interface to which the binding applies, and the bridge-domain to which the interface belongs. The database agent stores the bindings in a file at a configured location. At the end of each entry is a *checksum*

value that accounts for all the bytes associated with the entry. Each entry is 72 bytes, followed by a space and then the checksum value.

To keep the bindings when the switch reloads, you must use the DHCP snooping database agent. If the agent is disabled, dynamic ARP inspection, and the DHCP snooping binding database has dynamic bindings, the switch loses its connectivity. If the agent is disabled and only DHCP snooping is enabled, the switch does not lose its connectivity, but DHCP snooping might not prevent DHCP spoofing attacks.

When reloading, the router reads the binding file to build the DHCP snooping binding database. The switch keeps the file current by updating it when the database changes.

When a router learns of new bindings or when it loses bindings, the router immediately updates the entries in the database. The router also updates the entries in the binding file. The frequency at which the file is updated is based on a configurable delay, and the updates are batched. If the file is not updated in a specified time (set by the `write-delay` and `abort-timeout` values), the update stops.

This is the format of the file that has the bindings:

```
<initial-checksum>
TYPE DHCP-SNOOPING
VERSION 1
BEGIN
<entry-1> <checksum-1>
<entry-2> <checksum-1-2>
...
...
<entry-n> <checksum-1-2-...-n>
END
```

Each entry in the file is tagged with a checksum value that the router uses to verify the entries when it reads the file. The *initial-checksum* entry on the first line distinguishes entries associated with the latest file update from entries associated with a previous file update.

This is an example of a binding file:

```
2bb4c2a1
TYPE DHCP-SNOOPING
VERSION 1
BEGIN
192.1.168.1 3 0003.47d8.c91f 2BB6488E Fa1/0/4 21ae5fbb
192.1.168.3 3 0003.44d6.c52f 2BB648EB Fa1/0/4 1bdb223f
192.1.168.2 3 0003.47d9.c8f1 2BB648AB Fa1/0/4 584a38f0
END
```

When the router starts and the calculated checksum value equals the stored checksum value, the router reads entries from the binding file and adds the bindings to its DHCP snooping binding database. The router ignores an entry when one of these situations occurs:

- The router reads the entry and the calculated checksum value does not equal the stored checksum value. The entry and the ones following it are ignored.
- An entry has an expired lease time (the router might not remove a binding entry when the lease time expires).
- The interface in the entry no longer exists on the system.
- The interface is a routed interface or a DHCP snooping-trusted interface.

## Configuring DHCP Features

### Default DHCP Configuration

Table below shows the default DHCP configuration.

**Table 6: Default DHCP Configuration**

Feature	Default Setting
DHCP server	Enabled in Cisco IOS software, requires configuration <sup>1</sup>
DHCP relay agent	Enabled <sup>2</sup>
DHCP packet forwarding address	None configured
Checking the relay agent information	Enabled (invalid messages are dropped) <sup>3</sup>
DHCP relay agent forwarding policy	Replace the existing relay agent information <sup>4</sup>
DHCP snooping enabled globally	Disabled
DHCP snooping information option	Enabled
DHCP snooping option to accept packets on untrusted ingress interfaces <sup>5</sup>	Disabled
DHCP snooping limit rate	None configured
DHCP snooping trust	Untrusted
DHCP snooping bridge-domain	Disabled
DHCP snooping MAC address verification	Enabled
Cisco IOS DHCP server binding database	Enabled in Cisco IOS software, requires configuration.  <b>Note</b> The router gets network addresses and configuration parameters only from a device configured as a DHCP server.



Feature	Default Setting
DHCP snooping binding database agent	Enabled in Cisco IOS software, requires configuration. This feature is operational only when a destination is configured.

- <sup>1</sup> The router responds to DHCP requests only if it is configured as a DHCP server.
- <sup>2</sup> The router relays DHCP packets only if the IP address of the DHCP server is configured on the BDI of the DHCP client.
- <sup>3</sup> The router relays DHCP packets only if the IP address of the DHCP server is configured on the BDI of the DHCP client.
- <sup>4</sup> The router relays DHCP packets only if the IP address of the DHCP server is configured on the BDI of the DHCP client.
- <sup>5</sup> Use this feature when the router is an aggregation switch that receives packets with option-82 information from an edge switch.

## DHCP Snooping Configuration Guidelines

- You must globally enable DHCP snooping on the router.
- DHCP snooping is not active until DHCP snooping is enabled on a bridge-domain.
- Before globally enabling DHCP snooping on the router, make sure that the devices acting as the DHCP server and the DHCP relay agent are configured and enabled.
- Before configuring the DHCP snooping information option on your router, be sure to configure the device that is acting as the DHCP server. For example, you must specify the IP addresses that the DHCP server can assign or exclude, or you must configure DHCP options for these devices.
- When configuring a large number of circuit IDs on a router, consider the impact of lengthy character strings on the NVRAM or the flash memory. If the circuit-ID configurations, combined with other data, exceed the capacity of the NVRAM or the flash memory, an error message appears.
- Before configuring the DHCP relay agent on your router, make sure to configure the device that is acting as the DHCP server. For example, you must specify the IP addresses that the DHCP server can assign or exclude, configure DHCP options for devices, or set up the DHCP database agent.
- If the DHCP relay agent is enabled but DHCP snooping is disabled, the DHCP option-82 data insertion feature is not supported.
- If a switch port is connected to a DHCP server, configure a port as trusted by entering the `ip dhcp snooping trust interface` configuration command.
- If a switch port is connected to a DHCP client, configure a port as untrusted by entering the `no ip dhcp snooping trust interface` configuration command.

Follow these guidelines when configuring the DHCP snooping binding database:

- Because both NVRAM and the flash memory have limited storage capacity, we recommend that you store the binding file on a TFTP server.
- For network-based URLs (such as TFTP and FTP), you must create an empty file at the configured URL before the router can write bindings to the binding file at that URL. See the documentation for your TFTP server to determine whether you must first create an empty file on the server; some TFTP servers cannot be configured this way.

- To ensure that the lease time in the database is accurate, we recommend that NTP is enabled and configured.
- If NTP is configured, the router writes binding changes to the binding file only when the router system clock is synchronized with NTP.
- Do not enter the `ip dhcp snooping information option allowed-untrusted` command on an aggregation switch to which an untrusted device is connected. If you enter this command, an untrusted device might spoof the option-82 information.

```
Router# show ip dhcp snooping binding
```

MacAddress	IpAddress	Lease (sec)	Type	VLAN	Interface
-----	-----	-----	-----	----	-----
AA:00:11:13:00:01	40.0.0.2	117	dhcp-snooping	100	Port-channel100+Efp7

## Configuring the DHCP Server

The router can act as a DHCP server. By default, the Cisco IOS DHCP server and relay agent features are enabled on your router but are not configured. These features are not operational.

For procedures to configure the router as a DHCP server, see the [IP Addressing Configuration Guide Library, Cisco IOS XE Release 3S](#).

## Configuring the DHCP Relay Agent

### SUMMARY STEPS

1. `configure terminal`
2. `service dhcp`
3. `end`
4. `show running-config`
5. `copy running-config startup-config`

### DETAILED STEPS

	Command or Action	Purpose
Step 1	<code>configure terminal</code>	Enter global configuration mode.
Step 2	<code>service dhcp</code>	Enable the DHCP relay agent on your router. By default, this feature is enabled.
Step 3	<code>end</code>	Return to privileged EXEC mode.
Step 4	<code>show running-config</code>	Verify your entries.
Step 5	<code>copy running-config startup-config</code>	(Optional) Save your entries in the configuration file.

**What to do next**

To disable the DHCP relay agent, use the **no service dhcp** global configuration command.

## Specifying the Packet Forwarding Address

If the DHCP server and the DHCP clients are on different networks or subnets and the router is running the metro IP access image, you must configure the router with the **ip helper-address address** interface configuration command. The general rule is to configure the command on the Layer 3 interface closest to the client. The address used in the **ip helper-address** command can be a specific DHCP server IP address, or it can be the network address if other DHCP servers are on the destination network segment. Using the network address enables any DHCP server to respond to requests.



**Note** To remove the DHCP packet forwarding address, use the **no ip helper-address address** interface configuration command.

Beginning in privileged EXEC mode, follow these steps to specify the packet forwarding address:

### SUMMARY STEPS

1. **configure terminal**
2. **interface bridge-domain id**
3. **ip address ip-address subnet-mask**
4. **ip helper-address address**
5. **end**
6. **show running-config**
7. **copy running-config startup-config**

### DETAILED STEPS

	Command or Action	Purpose
Step 1	<b>configure terminal</b>	Enter global configuration mode.
Step 2	<b>interface bridge-domain id</b>	Create a switch virtual interface by entering a bridge-domain ID, and enter interface configuration mode.
Step 3	<b>ip address ip-address subnet-mask</b>	Configure the interface with an IP address and an IP subnet.
Step 4	<b>ip helper-address address</b>	Specify the DHCP packet forwarding address.  The helper address can be a specific DHCP server address, or it can be the network address if other DHCP servers are on the destination network segment. Using the network address enables other servers to respond to DHCP requests.  If you have multiple servers, you can configure one helper address for each server.
Step 5	<b>end</b>	Return to privileged EXEC mode.

	Command or Action	Purpose
Step 6	show running-config	Verify your entries.
Step 7	copy running-config startup-config	(Optional) Save your entries in the configuration file.

## Enabling DHCP Snooping and Option 82

Beginning in the privileged EXEC mode, follow these steps to enable DHCP snooping on the switch:

### SUMMARY STEPS

1. configure terminal
2. ip dhcp snooping
3. ip dhcp snooping bridge-domain id
4. ip dhcp snooping information option
5. ip dhcp snooping information option format remote-id [string ASCII-string | hostname]
6. ip dhcp snooping information option allowed-untrusted
7. interface interface-id
8. no shutdown
9. ip dhcp snooping bridge-domain id information option format-type circuit-id string [override] ASCII-string
10. ip dhcp snooping bridge-domain id information option format-type circuit-id string ASCII-string
11. ip dhcp snooping trust
12. ip dhcp snooping limit rate rate
13. exit
14. ip dhcp snooping verify mac-address
15. end
16. show running-config
17. copy running-config startup-config

### DETAILED STEPS

	Command or Action	Purpose
Step 1	configure terminal	Enter global configuration mode.
Step 2	ip dhcp snooping	Enable DHCP snooping globally.
Step 3	ip dhcp snooping bridge-domain id	Enable DHCP snooping on a bridge-domain
Step 4	ip dhcp snooping information option	Enable the router to insert and remove DHCP relay information (option-82 field) in forwarded DHCP request messages to the DHCP server. This is the default setting.
Step 5	ip dhcp snooping information option format remote-id [string ASCII-string   hostname]	(Optional) Configure the remote-ID suboption. You can configure the remote ID to be: <ul style="list-style-type: none"> <li>• String of up to 63 ASCII characters (no spaces)</li> </ul>

	Command or Action	Purpose
		<ul style="list-style-type: none"> <li>Configured hostname for the router</li> </ul> <p><b>Note</b> If the hostname is longer than 63 characters, it is truncated to 63 characters in the remote-ID configuration.</p> <p>The default remote ID is the router MAC address.</p>
<b>Step 6</b>	<b>ip dhcp snooping information option allowed-untrusted</b>	<p>(Optional) If the router is acting as an aggregation switch connected to an edge switch, enable the router to accept incoming DHCP snooping packets with option-82 information from the edge switch.</p> <p>The default is disabled.</p> <p><b>Note</b> Enter this command only on aggregation switches that are connected to trusted devices.</p>
<b>Step 7</b>	<b>interface interface-id</b>	Specify the interface to be configured, and enter interface configuration mode.
<b>Step 8</b>	<b>no shutdown</b>	Enable the port, if necessary. By default, UNIs and ENIs are disabled and NNIs are enabled.
<b>Step 9</b>	<b>ip dhcp snooping bridge-domain id information option format-type circuit-id string [override] ASCII-string</b>	<p>(Optional) Configure the circuit-ID suboption for the specified interface. The default circuit ID is the port identifier. You can configure the circuit ID to be a string of 3 to 63 ASCII characters (no spaces).</p> <p>(Optional) Use the override keyword when you do not want the circuit-ID suboption inserted in TLV format to define subscriber information.</p>
<b>Step 10</b>	<b>ip dhcp snooping bridge-domain id information option format-type circuit-id string ASCII-string</b>	(Optional) Configure the circuit-ID suboption for the specified interface. The default circuit ID is the port identifier. You can configure the circuit ID to be a string of 3 to 63 ASCII characters (no spaces).
<b>Step 11</b>	<b>ip dhcp snooping trust</b>	Configure the interface as trusted or untrusted. You can use the <b>no</b> keyword to configure an interface to receive messages from an untrusted client. The default is untrusted.
<b>Step 12</b>	<b>ip dhcp snooping limit rate rate</b>	<p>(Optional) Configure the number of DHCP packets per second that an interface can receive. The range is 1 to 2048. By default, no rate limit is configured.</p> <p><b>Note</b> We recommend an untrusted rate limit of not more than 100 packets per second. If you configure rate limiting for trusted interfaces, you might need to increase the rate limit if the port is a trunk port assigned to more than one bridge-domain on which DHCP snooping is enabled.</p>

	Command or Action	Purpose
Step 13	exit	Return to global configuration mode.
Step 14	ip dhcp snooping verify mac-address	(Optional) Configure the router to verify that the source MAC address in a DHCP packet that is received on untrusted ports matches the client hardware address in the packet. The default is to verify that the source MAC address matches the client hardware address in the packet.
Step 15	end	Return to privileged EXEC mode.
Step 16	show running-config	Verify your entries.
Step 17	copy running-config startup-config	(Optional) Save your entries in the configuration file.

## Enabling the Cisco IOS DHCP Server Database

For procedures to enable and configure the Cisco IOS DHCP server database, see the *IP Addressing: DHCP Configuration Guide*.

## Enabling the DHCP Snooping Binding Database Agent

Beginning in privileged EXEC mode, follow these steps to enable and configure the DHCP snooping binding database agent on the router:

### SUMMARY STEPS

1. configure terminal
2. ip dhcp snooping database {flash:/filename | ftp://user:password@host/filename | http://[[username:password]@]{hostname | host-ip}[/directory] /image-name.tar | rcp://user@host/filename} | ftp://host/filename
3. ip dhcp snooping database timeout seconds
4. ip dhcp snooping database write-delay seconds
5. end
6. ip dhcp snooping binding [ip-address | mac-address | dynamic | static | bridge-domain id | interface interface]
7. show ip dhcp snooping database [detail]
8. copy running-config startup-config

### DETAILED STEPS

	Command or Action	Purpose
Step 1	configure terminal	Enter global configuration mode.
Step 2	ip dhcp snooping database {flash:/filename   ftp://user:password@host/filename   http://[[username:password]@]{hostname	Specify the URL for the database agent or the binding file by using one of these forms: <ul style="list-style-type: none"> <li>• flash:/filename</li> </ul>

	Command or Action	Purpose
	<code>host-ip}[/directory] /image-name.tar   rcp://user@host/filename}   tftp://host/filename</code>	<ul style="list-style-type: none"> <li>• <code>ftp://user:password@host/filename</code></li> <li>• <code>http://[[username:password]@]{hostname / host-ip}[/directory]/image-name.tar</code></li> <li>• <code>rcp://user@host/filename</code></li> <li>• <code>tftp://host/filename</code></li> </ul>
Step 3	<code>ip dhcp snooping database timeout seconds</code>	Specify when to stop the database transfer process after the binding database changes.  The range is from 0 to 86400. Use 0 for an infinite duration. The default is 300 seconds (5 minutes).
Step 4	<code>ip dhcp snooping database write-delay seconds</code>	Specify the duration for which the transfer should be delayed after the binding database changes.  The range is from 15 to 86400 seconds. The default is 300 seconds (5 minutes).
Step 5	<code>end</code>	Return to privileged EXEC mode.
Step 6	<code>ip dhcp snooping binding [ip-address   mac-address   dynamic   static   bridge-domain id   interface interface]</code>	(Optional) Add binding entries to the DHCP snooping binding database. The <i>seconds</i> range is from 1 to 4294967295.  Enter this command for each entry that you add.  <b>Note</b> Use this command when you are testing or debugging the router.
Step 7	<code>show ip dhcp snooping database [detail]</code>	Display the status and statistics of the DHCP snooping binding database agent.
Step 8	<code>copy running-config startup-config</code>	(Optional) Save your entries in the configuration file.

## Stopping the Database Agent and Binding files

To stop using the database agent and binding files, use the `no ip dhcp snooping database` global configuration command. To reset the timeout or delay values, use the `ip dhcp snooping database timeout seconds` or the `ip dhcp snooping database write-delay seconds` global configuration command.

## Clearing the Statistics of the DHCP Snooping Binding Database Agent

To clear the statistics of the DHCP snooping binding database agent, use the `clear ip dhcp snooping database statistics` privileged EXEC command. To renew the database, use the `renew ip dhcp snooping database` privileged EXEC command.

## Deleting Binding Entries from the DHCP Snooping Binding Database

To delete binding entries from the DHCP snooping binding database, use the `no ip dhcp snooping binding mac-address bridge-domain id ip-address interface interface-id` privileged EXEC command. Enter this command for each entry that you delete.

## Disabling DHCP Snooping

To disable DHCP snooping, use the **no ip dhcp snooping** global configuration command.

To disable DHCP snooping on a bridge-domain, use the **no ip dhcp snooping bridge-domain *id*** global configuration command.

To disable the insertion and removal of the option-82 field, use the **no ip dhcp snooping information option global** configuration command.

To configure an aggregation switch to drop incoming DHCP snooping packets with option-82 information from an edge switch, use the **no ip dhcp snooping information option allowed-untrusted** global configuration command.

## Displaying DHCP Snooping Information

To display the DHCP snooping information, use one or more of the privileged EXEC commands as shown in below table:

**Table 7: Commands for Displaying DHCP Information**

Command	Purpose
<b>show ip dhcp snooping</b>	Displays the DHCP snooping configuration
<b>show ip dhcp snooping binding</b> <i>[ip-address / mac-address   dynamic   static   bridge-domain id   interface interface]</i>	Displays only the dynamically configured bindings in the DHCP snooping binding database, also referred to as a binding table. <sup>6</sup>
<b>show ip dhcp snooping database</b>	Displays the DHCP snooping binding database status and statistics.

<sup>6</sup> If DHCP snooping is enabled and an interface changes to the down state, the router does not delete the manually configured bindings.

## Pre-assigned Address Reserved in the DHCP Pool

This example shows that the preassigned address was correctly reserved in the DHCP pool:

```
Router# show ip dhcp pool dhcppool
Pool dhcp pool:
Utilization mark (high/low) : 100 / 0
Subnet size (first/next) : 0 / 0
Total addresses : 254
Leased addresses : 0
Excluded addresses : 4
Pending event : none
1 subnet is currently in the pool:
Current index   IP address range           Leased/Excluded/Total
10.1.1.1       10.1.1.1 - 10.1.1.254     0 / 4 / 254
1 reserved address is currently in the pool
Address         Client
10.1.1.7       Et1/0
```



## Automatic Generation of Subscriber Identifier

In this example, a subscriber identifier is automatically generated, and the DHCP server ignores any client identifier fields in the DHCP messages and uses the subscriber identifier instead. The subscriber identifier is based on the short name of the interface and the client preassigned IP address 10.1.1.7.

```
Router# show running config
Building configuration...
Current configuration : 4899 bytes
!
hostname router
!
no aaa new-model
clock timezone EST 0
ip subnet-zero
ip dhcp relay information policy removal pad
no ip dhcp use vrf connected
ip dhcp use subscriber-id client-id
ip dhcp subscriber-id interface-name
ip dhcp excluded-address 10.1.1.1 10.1.1.3
!
ip dhcp pool dhcppool
    network 10.1.1.0 255.255.255.0
    address 10.1.1.7 client-id "Et1/0" ascii
#output truncated#
```

## DHCP Server Port-Based Address Allocation

DHCP server port-based address allocation is a feature that enables DHCP to maintain the same IP address on an Ethernet switch port regardless of the attached device client identifier or client hardware address.

When Ethernet switches are deployed in the network, they offer connectivity to the directly connected devices. In some environments, such as on a factory floor, if a device fails, the replacement device must be working immediately in the existing network. With the current DHCP implementation, there is no guarantee that DHCP would offer the same IP address to the replacement device. Control, monitoring, and other software expect a stable IP address associated with each device. If a device is replaced, the address assignment should remain stable even though the DHCP client has changed.

When configured, the DHCP server port-based address allocation feature ensures that the same IP address is always offered to the same connected port even as the client identifier or client hardware address changes in the DHCP messages received on that port. The DHCP protocol recognizes DHCP clients by the client identifier option in the DHCP packet. Clients that do not include the client identifier option are identified by the client hardware address. When you configure this feature, the port name of the interface overrides the client identifier or hardware address and the actual point of connection, the switch port, becomes the client identifier.

In all cases, by connecting the Ethernet cable to the same port, the same IP address is allocated through DHCP to the attached device.

The DHCP server port-based address allocation feature is only supported on a Cisco IOS DHCP server and not a third-party server.

# DHCP Server Port-Based Address Allocation

DHCP server port-based address allocation is a feature that enables DHCP to maintain the same IP address on an Ethernet switch port regardless of the attached device client identifier or client hardware address.

When Ethernet switches are deployed in the network, they offer connectivity to the directly connected devices. In some environments, such as on a factory floor, if a device fails, the replacement device must be working immediately in the existing network. With the current DHCP implementation, there is no guarantee that DHCP would offer the same IP address to the replacement device. Control, monitoring, and other software expect a stable IP address associated with each device. If a device is replaced, the address assignment should remain stable even though the DHCP client has changed.

When configured, the DHCP server port-based address allocation feature ensures that the same IP address is always offered to the same connected port even as the client identifier or client hardware address changes in the DHCP messages received on that port. The DHCP protocol recognizes DHCP clients by the client identifier option in the DHCP packet. Clients that do not include the client identifier option are identified by the client hardware address. When you configure this feature, the port name of the interface overrides the client identifier or hardware address and the actual point of connection, the switch port, becomes the client identifier.

In all cases, by connecting the Ethernet cable to the same port, the same IP address is allocated through DHCP to the attached device.

The DHCP server port-based address allocation feature is only supported on a Cisco IOS DHCP server and not a third-party server.

## Configuring DHCP Server Port-Based Address Allocation

### Before you begin

### Default Port-Based Address Allocation Configuration

By default, DHCP server port-based address allocation is disabled.

### Port-Based Address Allocation Configuration Guidelines

These are the configuration guidelines for DHCP port-based address allocation:

- Only one IP address can be assigned per port.
- Reserved addresses (preassigned) cannot be cleared by using the `clear ip dhcp binding` global configuration command.
- Preassigned addresses are automatically excluded from normal dynamic IP address assignment. Preassigned addresses cannot be used in host pools, but there can be multiple preassigned addresses per DHCP address pool.
- To restrict assignments from the DHCP pool to preconfigured reservations (unreserved addresses are not offered to the client and other clients are not served by the pool), you can enter the `reserved-only` DHCP pool configuration command.

## Enabling DHCP Server Port-Based Address Allocation

Beginning in privileged EXEC mode, follow these steps to globally enable port-based address allocation and to automatically generate a subscriber identifier on an interface.

### SUMMARY STEPS

1. **configure terminal**
2. **ip dhcp use subscriber-id client-id**
3. **ip dhcp subscriber-id interface-name**
4. **interface *interface-id***
5. **ip dhcp server use subscriber-id client-id**
6. **end**
7. **show running config**
8. **copy running-config startup-config**

### DETAILED STEPS

	Command or Action	Purpose
Step 1	<b>configure terminal</b>	Enter global configuration mode.
Step 2	<b>ip dhcp use subscriber-id client-id</b>	Configure the DHCP server to globally use the subscriber identifier as the client identifier on all incoming DHCP messages.
Step 3	<b>ip dhcp subscriber-id interface-name</b>	Automatically generate a subscriber identifier based on the short name of the interface.  A subscriber identifier configured on a specific interface takes precedence over this command.
Step 4	<b>interface <i>interface-id</i></b>	Specify the interface to be configured, and enter interface configuration mode.
Step 5	<b>ip dhcp server use subscriber-id client-id</b>	Configure the DHCP server to use the subscriber identifier as the client identifier on all incoming DHCP messages on the interface.
Step 6	<b>end</b>	Return to privileged EXEC mode.
Step 7	<b>show running config</b>	Verify your entries.
Step 8	<b>copy running-config startup-config</b>	(Optional) Save your entries in the configuration file.

### Pre-assigning IP Addresses

After enabling DHCP port-based address allocation on the router, use the `ip dhcp pool` global configuration command to preassign IP addresses and to associate them to clients. To restrict assignments from the DHCP pool to preconfigured reservations, you can enter the reserved-only DHCP pool configuration command. Unreserved addresses that are part of the network or on pool ranges are not offered to the client, and other

clients are not served by the pool. By entering this command, users can configure a group of switches with DHCP pools that share a common IP subnet and that ignore requests from clients of other switches.

Beginning in privileged EXEC mode follow these steps to preassign an IP address and to associate it to a client identified by the interface name.

## SUMMARY STEPS

1. **configure terminal**
2. **ip dhcp use subscriber-id client-id**
3. **ip dhcp subscriber-id interface-name**
4. **interface *interface-id***
5. **ip dhcp server use subscriber-id client-id**
6. **end**
7. **show running config**
8. **copy running-config startup-config**

## DETAILED STEPS

	Command or Action	Purpose
<b>Step 1</b>	<b>configure terminal</b>	Enter global configuration mode.
<b>Step 2</b>	<b>ip dhcp use subscriber-id client-id</b>	Configure the DHCP server to globally use the subscriber identifier as the client identifier on all incoming DHCP messages.
<b>Step 3</b>	<b>ip dhcp subscriber-id interface-name</b>	Automatically generate a subscriber identifier based on the short name of the interface. A subscriber identifier configured on a specific interface takes precedence over this command.
<b>Step 4</b>	<b>interface <i>interface-id</i></b>	Specify the interface to be configured, and enter interface configuration mode.
<b>Step 5</b>	<b>ip dhcp server use subscriber-id client-id</b>	Configure the DHCP server to use the subscriber identifier as the client identifier on all incoming DHCP messages on the interface.
<b>Step 6</b>	<b>end</b>	Return to privileged EXEC mode.
<b>Step 7</b>	<b>show running config</b>	Verify your entries.
<b>Step 8</b>	<b>copy running-config startup-config</b>	(Optional) Save your entries in the configuration file.

## Removing an IP Address Reservation from a DHCP Pool

To remove an IP address reservation from a DHCP pool, use the `no address ip-address client-id string` DHCP pool configuration command. To change the address pool to nonrestricted, enter the `no reserved-only` DHCP pool configuration command.

## Automatic Generation of Subscriber Identifier

In this example, a subscriber identifier is automatically generated, and the DHCP server ignores any client identifier fields in the DHCP messages and uses the subscriber identifier instead. The subscriber identifier is based on the short name of the interface and the client preassigned IP address 10.1.1.7.

```
Router# show running config
Building configuration...
Current configuration : 4899 bytes
!
hostname router
!
no aaa new-model
clock timezone EST 0
ip subnet-zero
ip dhcp relay information policy removal pad
no ip dhcp use vrf connected
ip dhcp use subscriber-id client-id
ip dhcp subscriber-id interface-name
ip dhcp excluded-address 10.1.1.1 10.1.1.3
!
ip dhcp pool dhcppool
  network 10.1.1.0 255.255.255.0
  address 10.1.1.7 client-id "Et1/0" ascii
#output truncated#
```

## Disabling DHCP Port-Based Address Allocation

To disable DHCP port-based address allocation, use the `no ip dhcp use subscriber-id client-id global` configuration command. To disable the automatic generation of a subscriber identifier, use the `no ip dhcp subscriber-id interface-name global` configuration command. To disable the subscriber identifier on an interface, use the `no ip dhcp server use subscriber-id client-id interface` configuration command.

## Displaying DHCP Server Port-Based Address Allocation

To display the DHCP server port-based address allocation information, use one or more of the privileged EXEC commands as shown in table below:

**Table 8: Commands for Displaying DHCP Port-Based Address Allocation Information**

Command	Purpose
<code>show interface <i>interface id</i></code>	Display the status and configuration of a specific interface.
<code>show ip dhcp pool</code>	Display the DHCP address pools.
<code>show ip dhcp binding</code>	Display address bindings on the Cisco IOS DHCP server.

# Additional References

## Related Documents

Related Topic	Document Title
Cisco IOS master command list	<a href="#">Cisco IOS Master Command List</a> , All Releases
Cisco IOS High Availability commands	<i>Cisco IOS High Availability Command Reference</i>

## Standards

Standard	Title
No new or modified standards are supported, and support for existing standards has not been modified.	--

## MIBs

MIB	MIBs Link
No new or modified MIBs are supported, and support for existing MIBs has not been modified.	To locate and download MIBs for selected platforms, Cisco IOS releases, and feature sets, use Cisco MIB Locator found at the following URL: <a href="http://www.cisco.com/go/mibs">http://www.cisco.com/go/mibs</a>

## RFCs

RFC	Title
No new or modified RFCs are supported, and support for existing RFCs has not been modified.	--

## Technical Assistance

Description	Link
The Cisco Support and Documentation website provides online resources to download documentation, software, and tools. Use these resources to install and configure the software and to troubleshoot and resolve technical issues with Cisco products and technologies. Access to most tools on the Cisco Support and Documentation website requires a Cisco.com user ID and password.	<a href="http://www.cisco.com/cisco/web/support/index.html">http://www.cisco.com/cisco/web/support/index.html</a>



## CHAPTER 8

# Configuration of Dynamic ARP Inspection

This chapter describes how to configure dynamic Address Resolution Protocol inspection (dynamic ARP inspection). This feature helps prevent malicious attacks on the router by not relaying invalid ARP requests and responses to other bridge-domains.



**Note** For complete syntax and usage information for the commands that are used in this chapter, see the command reference for this release.

### Restrictions

- Dynamic ARP Inspection is supported only on bridge-domains; other interfaces such as VLANs are *not* supported.
- ARP packets with broadcast MAC address or router MAC address is only supported. Dynamic ARP inspection is *not* supported for unknown unicast ARP requests and ARP replies.
- On RSP3 platform, by default the ARP entries are not controlled, and these access ARP entries led to error objects. To control the ARP entry count within a limit, you should configure the following command on the router:

```
router(config)#arp entries interface-limit <value>
```

The ARP entry count limit value is 1–2147483647.

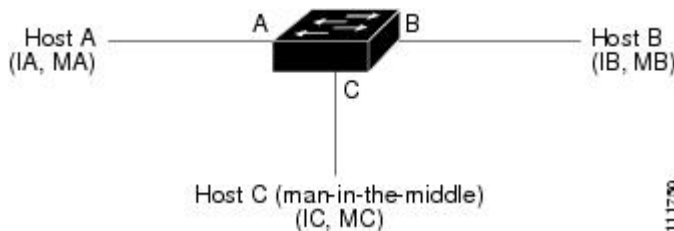
- [Dynamic ARP Inspection, on page 119](#)
- [Configuring Dynamic ARP Inspection, on page 122](#)
- [Displaying Dynamic ARP Inspection Information, on page 132](#)

## Dynamic ARP Inspection

ARP provides IP communication within a Layer 2 broadcast domain by mapping an IP address to a MAC address. For example, Host B wants to send information to Host A but does not have the MAC address of Host A in its ARP cache. Host B generates a broadcast message for all hosts within the broadcast domain to obtain the MAC address associated with the IP address of Host A. All hosts within the broadcast domain receive the ARP request, and Host A responds with its MAC address. However, because ARP allows a gratuitous reply from a host even if an ARP request was not received, an ARP spoofing attack and the poisoning of ARP caches can occur. After the attack, all traffic from the device under attack flows through the attacker's computer and then to the router, switch, or host.

A malicious user can attack hosts, switches, and routers connected to your Layer 2 network by poisoning the ARP caches of systems connected to the subnet and by intercepting traffic intended for other hosts on the subnet. Figure below shows an example of ARP cache poisoning.

**Figure 12: ARP Cache Poisoning**



Hosts A, B, and C are connected to the switch on interfaces A, B and C, all of which are on the same subnet. Their IP and MAC addresses are shown in parentheses; for example, Host A uses IP address IA and MAC address MA. When Host A needs to communicate to Host B at the IP layer, it broadcasts an ARP request for the MAC address associated with IP address IB. When the switch and Host B receive the ARP request, they populate their ARP caches with an ARP binding for a host with the IP address IA and a MAC address MA; for example, IP address IA is bound to MAC address MA. When Host B responds, the switch and Host A populate their ARP caches with a binding for a host with the IP address IB and the MAC address MB.

Host C can poison the ARP caches of the switch, Host A, and Host B by broadcasting forged ARP responses with bindings for a host with an IP address of IA (or IB) and a MAC address of MC. Hosts with poisoned ARP caches use the MAC address MC as the destination MAC address for traffic intended for IA or IB. This means that Host C intercepts that traffic. Because Host C knows the true MAC addresses associated with IA and IB, it can forward the intercepted traffic to those hosts by using the correct MAC address as the destination. Host C has inserted itself into the traffic stream from Host A to Host B, the classic *man-in-the-middle* attack.

Dynamic ARP inspection is a security feature that validates ARP packets in a network. It intercepts, logs, and discards ARP packets with invalid IP-to-MAC address bindings. This capability protects the network from certain man-in-the-middle attacks.

Dynamic ARP inspection ensures that only valid ARP requests and responses are relayed. The router performs these activities:

- Intercepts all ARP requests and responses on untrusted ports
- Verifies that each of these intercepted packets has a valid IP-to-MAC address binding before updating the local ARP cache or before forwarding the packet to the appropriate destination
- Drops invalid ARP packets

Dynamic ARP inspection determines the validity of an ARP packet based on valid IP-to-MAC address bindings stored in a trusted database, the DHCP snooping binding database. This database is built by DHCP snooping if DHCP snooping is enabled on the bridge-domains and on the router. If the ARP packet is received on a trusted interface, the router forwards the packet without any checks. On untrusted interfaces, the switch forwards the packet only if it is valid.

You enable dynamic ARP inspection on a per-bridge-domain basis by using the **ip arp inspection bridge-domain** domain-id global configuration command.

You can configure dynamic ARP inspection to drop ARP packets when the IP addresses in the packets are invalid or when the MAC addresses in the body of the ARP packets do not match the addresses specified in the Ethernet header. Use the **ip arp inspection validate [src-mac] [dst-mac] [ip]** global configuration command. For more information, see the [Performing Validation Checks \(optional\)](#).



## Interface Trust States and Network Security

Dynamic ARP inspection associates a trust state with each interface on the router. Packets arriving on trusted interfaces bypass all dynamic ARP inspection validation checks, and those arriving on untrusted interfaces undergo the dynamic ARP inspection validation process.

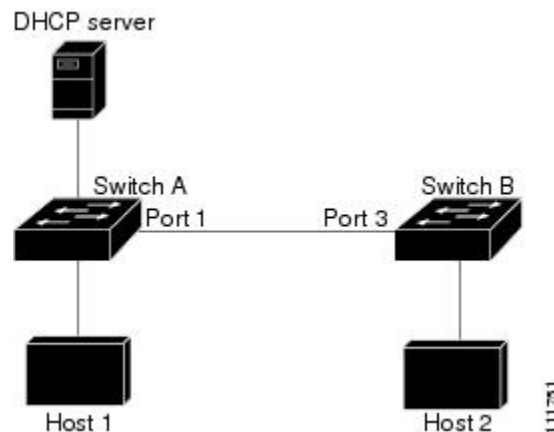
In a typical network configuration, you configure all switch ports connected to host ports as untrusted and configure all switch ports connected to switches as trusted. With this configuration, all ARP packets entering the network from a given switch bypass the security check. No other validation is needed at any other place in the bridge-domain or in the network. You configure the trust setting by using the **ip arp inspection trust interface** configuration command.



**Note** Use the trust state configuration carefully. Configuring interfaces as untrusted when they should be trusted can result in a loss of connectivity.

In the figure below, assume that both Switch A and Switch B are running dynamic ARP inspection on the bridge-domain that includes Host 1 and Host 2. If Host 1 and Host 2 acquire their IP addresses from the DHCP server connected to Switch A, only Switch A binds the IP-to-MAC address of Host 1. Therefore, if the interface between Switch A and Switch B is untrusted, the ARP packets from Host 1 are dropped by Switch B. Connectivity between Host 1 and Host 2 is lost.

**Figure 13: ARP Packet Validation on a Bridge-Domain Enabled for Dynamic ARP Inspection**



Configuring interfaces to be trusted when they are actually untrusted leaves a security hole in the network. If Switch A is not running dynamic ARP inspection, Host 1 can easily poison the ARP cache of Switch B (and Host 2, if the link between the switches is configured as trusted). This condition can occur even though Switch B is running dynamic ARP inspection.

Dynamic ARP inspection ensures that hosts (on untrusted interfaces) connected to a switch running dynamic ARP inspection do not poison the ARP caches of other hosts in the network. However, dynamic ARP inspection does not prevent hosts in other portions of the network from poisoning the caches of the hosts that are connected to a switch running dynamic ARP inspection.



**Note** Depending on the setup of the DHCP server and the network, it might not be possible to validate a given ARP packet on all switches in the bridge-domain.

## Rate Limiting of ARP Packets

The switch CPU performs Dynamic ARP Inspection validation checks; therefore, the number of incoming ARP packets is rate-limited to prevent a denial-of-service attack. By default, the rate for untrusted interfaces is 15 packets per second (pps). Trusted interfaces are not rate-limited. You can change this setting by using the `ip arp inspection limit interface configuration` command.

When the rate of incoming ARP packets exceeds the configured limit, the switch places the port in the error-disabled state. The port remains in that state until you intervene. You can use the `errdisable recovery` global configuration command to enable error disable recovery so that ports automatically emerge from this state after a specified timeout period.

For configuration information, see the [Limiting the Rate of Incoming ARP Packets \(optional\)](#).

## Logging of Dropped Packets

When the switch drops a packet, it places an entry in the log buffer and then generates system messages on a rate-controlled basis. After the message is generated, the switch clears the entry from the log buffer. Each log entry contains flow information, such as the receiving bridge-domain, the port number, the source and destination IP addresses, and the source and destination MAC addresses.

You use the `ip arp inspection log-buffer` global configuration command to configure the number of entries in the buffer and the number of entries needed in the specified interval to generate system messages. You specify the type of packets that are logged by using the `ip arp inspection bridge-domain logging` global configuration command. For configuration information, see the [Configuring the Log Buffer \(optional\)](#), on page 131.

# Configuring Dynamic ARP Inspection

## Default Dynamic ARP Inspection Configuration

Table below shows the default dynamic ARP inspection configuration.

**Table 9: Default Dynamic ARP Inspection Configuration**

Feature	Default Setting
Dynamic ARP inspection	Disabled on all bridge-domains.
Interface trust state	All interfaces are untrusted.
Rate limit of incoming ARP packets	The rate is 15 pps on untrusted interfaces, assuming that the network is a switched network with a host connecting to as many as 15 new hosts per second.  The rate is unlimited on all trusted interfaces.  The burst interval is 1 second.
Validation checks	No checks are performed.

Feature	Default Setting
Log buffer	<p>When dynamic ARP inspection is enabled, all denied or dropped ARP packets are logged.</p> <p>The number of entries in the log is 32.</p> <p>The number of system messages is limited to 5 per second.</p> <p>The logging-rate interval is 1 second.</p>
Per-bridge-domain logging	All denied or dropped ARP packets are logged.

## Dynamic ARP Inspection Configuration Guidelines

- A physical port can join an EtherChannel port channel only when the trust state of the physical port and the channel port match. Otherwise, the physical port remains suspended in the port channel. A port channel inherits its trust state from the first physical port that joins the channel. Consequently, the trust state of the first physical port need not match the trust state of the channel.

Conversely, when you change the trust state on the port channel, the switch configures a new trust state on all the physical ports that comprise the channel.

- The operating rate for the port channel is cumulative across all the physical ports within the channel. For example, if you configure the port channel with an ARP rate-limit of 400 pps, all the interfaces combined on the channel receive an aggregate 400 pps. The rate of incoming ARP packets on EtherChannel ports is equal to the sum of the incoming rate of packets from all the channel members. Configure the rate limit for EtherChannel ports only after examining the rate of incoming ARP packets on the channel-port members.

The rate of incoming packets on a physical port is checked against the port-channel configuration rather than the physical-ports configuration. The rate-limit configuration on a port channel is independent of the configuration on its physical ports.

If the EtherChannel receives more ARP packets than the configured rate, the channel (including all physical ports) is placed in the error-disabled state.

- Make sure to limit the rate of ARP packets on incoming trunk ports. Configure trunk ports with higher rates to reflect their aggregation and to handle packets across multiple dynamic ARP inspection-enabled bridge-domains. You also can use the `ip arp inspection limit none` interface configuration command to make the rate unlimited. A high rate-limit on one bridge-domain can cause a denial-of-service attack to other bridge-domains when the software places the port in the error-disabled state.
- When you enable dynamic ARP inspection on the switch, policers that were configured to police ARP traffic are no longer effective. The result is that all ARP traffic is sent to the CPU.
- The `errdisable recovery cause arp-inspection interval` and `show ip arp inspection interfaces show errdisable recovery` commands are *not* supported on the router.

## Configuring Dynamic ARP Inspection in DHCP Environments

This procedure shows how to configure dynamic ARP inspection when two switches support this feature. Host 1 is connected to Switch A, and Host 2 is connected to Switch B Both switches are running dynamic

ARP inspection on bridge-domain 1 where the hosts are located. A DHCP server is connected to Switch A. Both hosts acquire their IP addresses from the same DHCP server. Therefore, Switch A has the bindings for Host 1 and Host 2, and Switch B has the binding for Host 2.



**Note** Dynamic ARP inspection depends on the entries in the DHCP snooping binding database to verify IP-to-MAC address bindings in incoming ARP requests and ARP responses. Make sure to enable DHCP snooping to permit ARP packets that have dynamically assigned IP addresses.

Beginning in privileged EXEC mode, follow these steps to configure dynamic ARP inspection. You must perform this procedure on both switches. This procedure is required.

## SUMMARY STEPS

1. **show cdp neighbors**
2. **configure terminal**
3. **ip arp inspection**
4. **ip arp inspection bridge-domain id**
5. **interface interface-id**
6. **no shutdown**
7. **ip arp inspection trust**
8. **end**
9. **show ip arp inspection interfaces show ip arp inspection bridge-domain id**
10. **show ip dhcp snooping binding**
11. **show ip arp inspection statistics bridge-domain id**
12. **copy running-config startup-config**

## DETAILED STEPS

	Command or Action	Purpose
<b>Step 1</b>	<b>show cdp neighbors</b>	Verify the connection between the switches.
<b>Step 2</b>	<b>configure terminal</b>	Enter global configuration mode.
<b>Step 3</b>	<b>ip arp inspection</b>	Enables dynamic ARP inspection globally.
<b>Step 4</b>	<b>ip arp inspection bridge-domain id</b>	Enable dynamic ARP inspection on a per-bridge-domain basis. By default, dynamic ARP inspection is disabled on all bridge-domains.  Specify the same bridge-domain ID for both switches.
<b>Step 5</b>	<b>interface interface-id</b>	Specify the interface connected to the other switch, and enter interface configuration mode.
<b>Step 6</b>	<b>no shutdown</b>	Enable the port, if necessary. By default, user network interfaces (UNIs) and enhanced network interfaces (ENIs) are disabled, and network node interfaces (NNIs) are enabled.

	Command or Action	Purpose
Step 7	<b>ip arp inspection trust</b>	Configure the connection between the switches as trusted. By default, all interfaces are untrusted.  The switch does not check ARP packets that it receives from the other switch on the trusted interface. It simply forwards the packets.  For untrusted interfaces, the switch intercepts all ARP requests and responses. It verifies that the intercepted packets have valid IP-to-MAC address bindings before updating the local cache and before forwarding the packet to the appropriate destination. The switch drops invalid packets and logs them in the log buffer according to the logging configuration specified with the <b>ip arp inspection bridge-domain logging</b> global configuration command. For more information, see the <a href="#">Configuring the Log Buffer (optional)</a> , on page 131.
Step 8	<b>end</b>	Return to privileged EXEC mode.
Step 9	<b>show ip arp inspection interfaces show ip arp inspection bridge-domain id</b>	Verify the dynamic ARP inspection configuration.
Step 10	<b>show ip dhcp snooping binding</b>	Verify the DHCP bindings.
Step 11	<b>show ip arp inspection statistics bridge-domain id</b>	Check the dynamic ARP inspection statistics.
Step 12	<b>copy running-config startup-config</b>	(Optional) Save your entries in the configuration file.

## Example for Configuring Dynamic ARP Inspection

This example shows how to configure dynamic ARP inspection on Switch A. You would perform a similar procedure on Switch B:

```
Router(config)# ip arp inspection bridge-domain 1
Router(config)# interface gigabitethernet0/1
Router(config-if)# ip arp inspection trust
```

## Disabling Dynamic ARP Inspection

To disable dynamic ARP inspection, use the `no ip arp inspection bridge-domain` global configuration command.

To return the interfaces to an untrusted state, use the `no ip arp inspection trust` interface configuration command.

## Configuring ARP ACLs for Non-DHCP Environments

This procedure shows how to configure dynamic ARP inspection when Switch B does not support dynamic ARP inspection or DHCP snooping.

If you configure port 1 on Switch A as trusted, a security hole is created because both Switch A and Host 1 could be attacked by either Switch B or Host 2. To prevent this possibility, you must configure port 1 on Switch A as untrusted. To permit ARP packets from Host 2, you must set up an ARP ACL and apply it to

bridge-domain 1. If the IP address of Host 2 is not static (it is impossible to apply the ACL configuration on Switch A) you must separate Switch A from Switch B at Layer 3 and use a router to route packets between them.

Beginning in privileged EXEC mode, follow these steps to configure an ARP ACL on Switch A. This procedure is required in non-DHCP environments.

### Before you begin

### SUMMARY STEPS

1. `configure terminal`
2. `ip arp inspection`
3. `arp access-list acl-name`
4. `permit ip host sender-ip mac host sender-mac [log]`
5. `exit`
6. `ip arp inspection filter arp-acl-name bridge-domain id [static]`
7. `interface interface-id`
8. `no shutdown`
9. `no ip arp inspection trust`
10. `end`
11. `show arp access-list [acl-name] show ip arp inspection bridge-domain id show ip arp inspection interfaces`
12. `copy running-config startup-config`

### DETAILED STEPS

	Command or Action	Purpose
Step 1	<code>configure terminal</code>	Enter global configuration mode.
Step 2	<code>ip arp inspection</code>	Enables dynamic ARP inspection globally.
Step 3	<code>arp access-list acl-name</code>	Define an ARP ACL, and enter ARP access-list configuration mode. By default, no ARP access lists are defined.  <b>Note</b> At the end of the ARP access list, there is an implicit deny <code>ip any mac any</code> command.
Step 4	<code>permit ip host sender-ip mac host sender-mac [log]</code>	Permit ARP packets from the specified host (Host 2). <ul style="list-style-type: none"> <li>• For <i>sender-ip</i>, enter the IP address of Host 2.</li> <li>• For <i>sender-mac</i>, enter the MAC address of Host 2.</li> <li>• (Optional) Specify <b>log</b> to log a packet in the log buffer when it matches the access control entry (ACE). Matches are logged if you also configure the <b>matchlog</b> keyword in the <code>ip arp inspection bridge-domain logging</code> global configuration command.</li> </ul>
Step 5	<code>exit</code>	Return to global configuration mode.

	Command or Action	Purpose
Step 6	<b>ip arp inspection filter arp-acl-name bridge-domain id [static]</b>	<p>Apply the ARP ACL to the bridge-domain. By default, no defined ARP ACLs are applied to any bridge-domain.</p> <ul style="list-style-type: none"> <li>For <i>arp-acl-name</i>, specify the name of the ACL created in Step 2.</li> <li>(Optional) Specify <b>static</b> to treat implicit denies in the ARP ACL as explicit denies and to drop packets that do not match any previous clauses in the ACL. DHCP bindings are not used.</li> </ul> <p>If you do not specify this keyword, it means that there is no explicit deny in the ACL that denies the packet, and DHCP bindings determine whether a packet is permitted or denied if the packet does not match any clauses in the ACL.</p> <p>ARP packets containing only IP-to-MAC address bindings are compared against the ACL. Packets are permitted only if the access list permits them.</p>
Step 7	<b>interface interface-id</b>	Specify the Switch A interface that is connected to Switch B, and enter interface configuration mode.
Step 8	<b>no shutdown</b>	Enable the port, if necessary. By default, UNIs and ENIs are disabled, and NNIs are enabled.
Step 9	<b>no ip arp inspection trust</b>	<p>Configure the Switch A interface that is connected to Switch B as untrusted.</p> <p>By default, all interfaces are untrusted.</p> <p>For untrusted interfaces, the switch intercepts all ARP requests and responses. It verifies that the intercepted packets have valid IP-to-MAC address bindings before updating the local cache and before forwarding the packet to the appropriate destination. The switch drops invalid packets and logs them in the log buffer according to the logging configuration specified with the <b>ip arp inspection bridge-domain logging</b> global configuration command.</p>
Step 10	<b>end</b>	Return to privileged EXEC mode.
Step 11	<b>show arp access-list [acl-name] show ip arp inspection bridge-domain id show ip arp inspection interfaces</b>	Verify your entries.
Step 12	<b>copy running-config startup-config</b>	(Optional) Save your entries in the configuration file.

## Example for Configuring an ARP ACL

This example shows how to configure an ARP ACL called host2 on Switch A, to permit ARP packets from Host 2 (IP address 1.1.1.1 and MAC address 0001.0001.0001), to apply the ACL to bridge-domain 1, and to configure port 1 on Switch A as untrusted:

```

Router(config)# arp access-list host2
Router(config-arp-acl)# permit ip host 1.1.1.1 mac host 1.1.1
Router(config-arp-acl)# exit
Router(config)# ip arp inspection filter host2 bridge-domain 1
Router(config)# interface gigabitethernet0/1
Router(config-if)# no ip arp inspection trust

```

## Removing the ARP ACL

To remove the ARP ACL, use the `no arp access-list` global configuration command. To remove the ARP ACL attached to a bridge-domain, use the `no ip arp inspection filter arp-acl-name bridge-domain id` global configuration command.

To remove an APR ACL attached to a bridge-domain, use the `no ip arp inspection filter arp-acl-name bridge-domain id` global configuration command.

## Limiting the Rate of Incoming ARP Packets (optional)

The switch CPU performs dynamic ARP inspection validation checks; therefore, the number of incoming ARP packets is rate-limited to prevent a denial-of-service attack.

When the rate of incoming ARP packets exceeds the configured limit (1150 packets), the switch places the port in the error-disabled state. The port remains in that state until you enable error-disabled recovery so that ports automatically emerge from this state after a specified timeout period.



**Note** Unless you configure a rate limit on an interface (we recommend 1024 packets), changing the trust state of the interface also changes its rate limit to the default value for that trust state. After you configure the rate limit, the interface retains the rate limit even when its trust state is changed. If you enter the **no ip arp inspection** limit interface configuration command, the interface reverts to its default rate limit.

ARP inspection rate limit will not work for values above 1024.

For configuration guidelines for rate limiting trunk ports and EtherChannel ports, see the Dynamic ARP Inspection Configuration Guidelines.

Beginning in privileged EXEC mode, follow these steps to limit the rate of incoming ARP packets. This procedure is optional.

### SUMMARY STEPS

1. **configure terminal**
2. **ip arp inspection**
3. **interface interface-id**
4. **no shutdown**
5. **ip arp inspection limit {rate pps [burst interval seconds] | none}**
6. **exit**
7. **exit**
8. **copy running-config startup-config**



## DETAILED STEPS

	Command or Action	Purpose
Step 1	<code>configure terminal</code>	Enter global configuration mode.
Step 2	<code>ip arp inspection</code>	Enables dynamic ARP inspection globally.
Step 3	<code>interface interface-id</code>	Specify the interface to be rate-limited, and enter interface configuration mode.
Step 4	<code>no shutdown</code>	Enable the port, if necessary. By default, UNIs and ENIs are disabled, and NNIs are enabled.
Step 5	<code>ip arp inspection limit {rate pps [burst interval seconds]   none}</code>	<p>Limit the rate of incoming ARP requests and responses on the interface.</p> <p>The default rate is 15 pps on untrusted interfaces and unlimited on trusted interfaces. The burst interval is 1 second.</p> <p>The keywords have these meanings:</p> <ul style="list-style-type: none"> <li>• For <b>rate pps</b>, specify an upper limit for the number of incoming packets processed per second. The range is 0 to 2048 pps.</li> <li>• (Optional) For <b>burst intervalseconds</b>, specify the consecutive interval in seconds, over which the interface is monitored for a high rate of ARP packets. The range is 1 to 15.</li> <li>• For <b>rate none</b>, specify no upper limit for the rate of incoming ARP packets that can be processed.</li> </ul>
Step 6	<code>exit</code>	Return to global configuration mode.
Step 7	<code>exit</code>	Return to privileged EXEC mode.
Step 8	<code>copy running-config startup-config</code>	<p>(Optional) Save your entries in the configuration file.</p> <p><b>Note</b> To return to the default rate-limit configuration, use the <code>no ip arp inspection limit interface configuration command</code>. To disable error recovery for dynamic ARP inspection, use the <code>no errdisable recovery cause arp-inspection global configuration command</code>.</p>

## Performing Validation Checks (optional)

Dynamic ARP inspection intercepts, logs, and discards ARP packets with invalid IP-to-MAC address bindings. You can configure the switch to perform additional checks on the destination MAC address, the sender and target IP addresses, and the source MAC address.

Beginning in privileged EXEC mode, follow these steps to perform specific checks on incoming ARP packets. This procedure is optional.

## SUMMARY STEPS

1. **configure terminal**
2. **ip arp inspection**
3. **ip arp inspection validate {[src-mac] [dst-mac] [ip]}**
4. **exit**
5. **show ip arp inspection bridge-domain id**
6. **copy running-config startup-config**

## DETAILED STEPS

	Command or Action	Purpose
Step 1	<b>configure terminal</b>	Enter global configuration mode.
Step 2	<b>ip arp inspection</b>	Enables dynamic ARP inspection globally.
Step 3	<b>ip arp inspection validate {[src-mac] [dst-mac] [ip]}</b>	<p>Perform a specific check on incoming ARP packets. By default, no checks are performed.</p> <p>The keywords have these meanings:</p> <ul style="list-style-type: none"> <li>• For <b>src-mac</b>, check the source MAC address in the Ethernet header against the sender MAC address in the ARP body. This check is performed on both ARP requests and responses. When enabled, packets with different MAC addresses are classified as invalid and are dropped.</li> <li>• For <b>dst-mac</b>, check the destination MAC address in the Ethernet header against the target MAC address in ARP body. This check is performed for ARP responses. When enabled, packets with different MAC addresses are classified as invalid and are dropped.</li> <li>• For <b>ip</b>, check the ARP body for invalid and unexpected IP addresses. Addresses include 0.0.0.0, 255.255.255.255, and all IP multicast addresses. Sender IP addresses are checked in all ARP requests and responses, and target IP addresses are checked only in ARP responses.</li> </ul> <p>You must specify at least one of the keywords. Each command overrides the configuration of the previous command; that is, if a command enables src and dst mac validations, and a second command enables IP validation only, the src and dst mac validations are disabled as a result of the second command.</p>
Step 4	<b>exit</b>	Return to privileged EXEC mode.

	Command or Action	Purpose
Step 5	show ip arp inspection bridge-domain id	Verify your settings.
Step 6	copy running-config startup-config	(Optional) Save your entries in the configuration file.  <b>Note</b> To disable checking, use the no ip arp inspection validate [src-mac] [dst-mac] [ip] global configuration command. To display statistics for forwarded, dropped, and MAC and IP validation failure packets, use the show ip arp inspection statistics privileged EXEC command.

## Configuring the Log Buffer (optional)



**Note** Log buffering is not currently supported.

When the switch drops a packet, it places an entry in the log buffer and then generates system messages on a rate-controlled basis. After the message is generated, the switch clears the entry from the log buffer. Each log entry contains flow information, such as the receiving bridge-domain, the port number, the source and destination IP addresses, and the source and destination MAC addresses.

A log-buffer entry can represent more than one packet. For example, if an interface receives many packets on the same bridge-domain with the same ARP parameters, the switch combines the packets as one entry in the log buffer and generates a single system message for the entry.

If the log buffer overflows, it means that a log event does not fit into the log buffer, and the display for the **show ip arp inspection log** privileged EXEC command is affected. A -- in the display appears in place of all data except the packet count and the time. No other statistics are provided for the entry. If you see this entry in the display, increase the number of entries in the log buffer or increase the logging rate.

Beginning in privileged EXEC mode, follow these steps to configure the log buffer. This procedure is optional.

### SUMMARY STEPS

1. configure terminal
2. ip arp inspection log-buffer {entries number | logs number interval seconds}
3. exit
4. show ip arp inspection log
5. copy running-config startup-config

### DETAILED STEPS

	Command or Action	Purpose
Step 1	configure terminal	Enter global configuration mode.
Step 2	ip arp inspection log-buffer {entries number   logs number interval seconds}	Configure the dynamic ARP inspection logging buffer.

	Command or Action	Purpose
		<p>By default, when dynamic ARP inspection is enabled, denied or dropped ARP packets are logged. The number of log entries is 32. The number of system messages is limited to 5 per second. The logging-rate interval is 1 second.</p> <p>The keywords have these meanings:</p> <ul style="list-style-type: none"> <li>• For <b>entries</b> number, specify the number of entries to be logged in the buffer. The range is 0 to 1024.</li> <li>• For <b>logs</b> number <b>interval</b> seconds, specify the number of entries to generate system messages in the specified interval.</li> </ul> <p>For <b>logs</b> number, the range is 0 to 1024. A 0 value means that the entry is placed in the log buffer, but a system message is not generated.</p> <p>For <b>interval</b> seconds, the range is 0 to 86400 seconds (1 day). A 0 value means that a system message is immediately generated (and the log buffer is always empty).</p> <p>An interval setting of 0 overrides a log setting of 0.</p> <p>The <b>logs</b> and <b>interval</b> settings interact. If the <b>logs</b> number X is greater than <b>interval</b> seconds Y, X divided by Y (X/Y) system messages are sent every second. Otherwise, one system message is sent every Y divided by X (Y/X) seconds.</p>
<b>Step 3</b>	<b>exit</b>	Return to privileged EXEC mode.
<b>Step 4</b>	<b>show ip arp inspection log</b>	Verify your settings.
<b>Step 5</b>	<b>copy running-config startup-config</b>	(Optional) Save your entries in the configuration file.

## Returning to the Default Log Buffer Settings

To return to the default log buffer settings, use the `no ip arp inspection log-buffer {entries | logs} global` configuration command.

To clear the log buffer, use the `clear ip arp inspection log` privileged EXEC command.

## Displaying Dynamic ARP Inspection Information

To display dynamic ARP inspection information, use the privileged EXEC commands described in table below.

**Table 10: Commands for Displaying Dynamic ARP Inspection Information**

Command	Description
show ip arp inspection interfaces [interface-id]	Displays the trust state and the rate limit of ARP packets for the specified interface or all interfaces.
show ip arp inspection bridge-domain id	Displays the configuration and the operating state of dynamic ARP inspection for the specified bridge-domain. If a range is specified, displays information for bridge domains with dynamic ARP inspection enabled (active).

## Clearing or Displaying Dynamic ARP Inspection Statistics

To clear or display dynamic ARP inspection statistics, use the privileged EXEC commands in table below.

For the show ip arp inspection statistics command, the switch increments the number of forwarded packets for each ARP request and response packet on a trusted dynamic ARP inspection port. The switch increments the number of DHCP permitted packets for each packet that is denied by source MAC, destination MAC, or IP validation checks, and the switch increments the appropriate failure count.

**Table 11: Commands for Clearing or Displaying Dynamic ARP Inspection Statistics**

Command	Description
clear ip arp inspection statistics	Clears dynamic ARP inspection statistics.
show ip arp inspection statistics bridge-domain id	Displays statistics for forwarded, dropped, MAC validation failure, IP validation failure, and DHCP permitted and denied packets for the specified bridge domain. If no bridge-domain is specified, the router displays information only for bridge domains with dynamic ARP inspection enabled (active).

## Clearing or Displaying Dynamic ARP Inspection Logging Information

To clear or display dynamic ARP inspection logging information, use the privileged EXEC commands in table below:

**Table 12: Commands for Clearing or Displaying Dynamic ARP Inspection Logging Information**

Command	Description
clear ip arp inspection log	Clears the dynamic ARP inspection log buffer.
show ip arp inspection log	Displays the configuration and contents of the dynamic ARP inspection log buffer.

