



Installation, Maintenance, and Upgrade

- [Power Button Shutdown, on page 1](#)
- [Remove and Replace a Drive, on page 2](#)
- [Remove and Replace a Power Supply, on page 4](#)

Power Button Shutdown

The FMC runs in two modes:

- Main power mode—Power is supplied to all FMC components and all operating systems can run.
- Standby power mode—Power is supplied only to the service processor and certain components. You can safely remove power cords from the FMC in this mode.



Caution After you shut down the FMC to standby power, electric current is still present in the chassis. To completely remove power as directed in some maintenance procedures, you must disconnect all power cords from all power supplies on the FMC.

You can shut down the FMC using the front panel Power button or software management. See the system shutdown procedure in the [Firepower Management Center Configuration Guide](#) for your version for the software procedures.

Step 1 Check the Power LED:

- Amber—The FMC is already in standby mode and you can safely remove power.
- Green—The FMC is in main power mode and you must shut it down before you can safely remove power.

Step 2 Perform a graceful shutdown or a hard shutdown:

Caution To avoid data loss or damage to your operating system, perform a graceful shutdown of the operating system.

- Graceful shutdown—Press and release the Power button. The operating system performs a graceful shutdown and the FMC goes into standby mode. The power LED is amber.

- Emergency shutdown—Press and hold the Power button for four seconds to force the main power off and immediately enter standby mode.

Remove and Replace a Drive



Note The drives are hot-swappable. You do not have to shut down the FMC to remove or replace drives.



Note You cannot add more drives to your FMC. You can only replace the drives in the slots that are supported for your model. See [Front Panel](#) for the drive configurations.

Safety Warnings

Take note of the following warnings:



Warning Statement 1028—More Than One Power Supply

This unit might have more than one power supply connection. To reduce risk of electric shock, remove all connections to de-energize the unit.



Warning Statement 1073—No User-Serviceable Parts

There are no serviceable parts inside. To avoid risk of electric shock, do not open.



Warning Statement 1089—Instructed and Skilled Person Definitions

An instructed person is someone who has been instructed and trained by a skilled person and takes the necessary precautions when working with equipment.

A skilled person or qualified personnel is someone who has training or experience in the equipment technology and understands potential hazards when working with equipment.

There are no serviceable parts inside. To avoid risk of electric shock, do not open.



Warning Statement 1090—Installation by Skilled Person

Only a skilled person should be allowed to install, replace, or service this equipment. See statement 1089 for the definition of a skilled person.

There are no serviceable parts inside. To avoid risk of electric shock, do not open.



Warning Statement 1091—Installation by an Instructed Person

Only an instructed person or skilled person should be allowed to install, replace, or service this equipment. See statement 1089 for the definition of an instructed or skilled person.

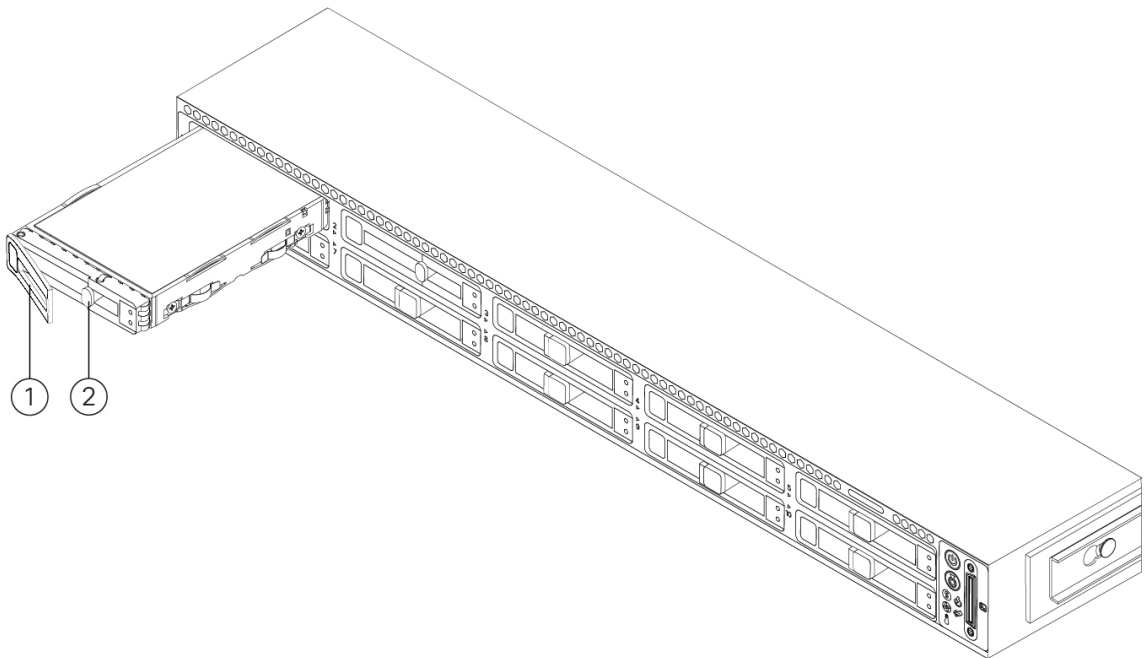
There are no serviceable parts inside. To avoid risk of electric shock, do not open.

Step 1

Remove the drive that you are replacing:

- a) Press the release button on the face of the drive tray.
- b) Grasp and open the ejector handle and then pull the drive tray out of the slot.

Figure 1: Remove the Drive

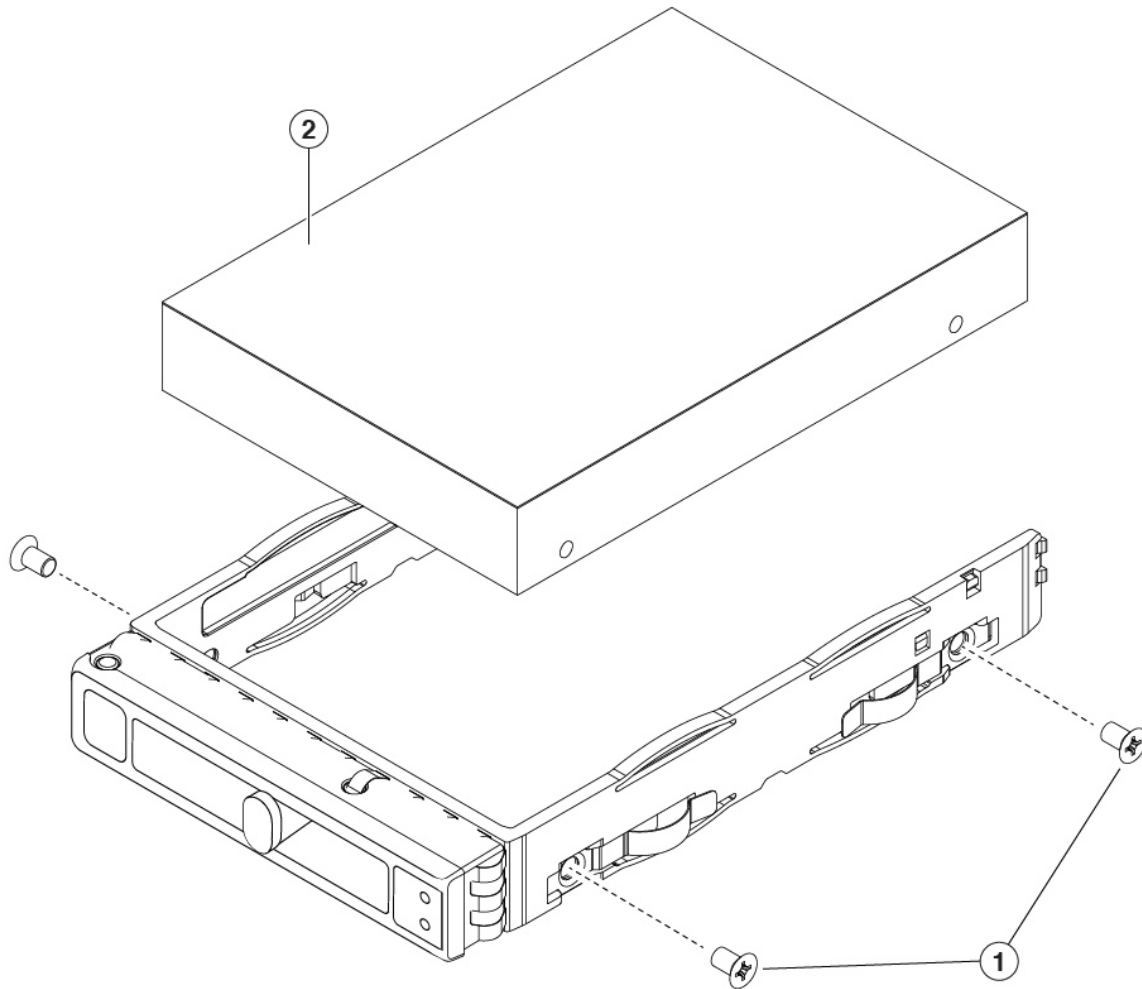


1	Ejector handle	2	Release button
----------	----------------	----------	----------------

Step 2

Remove the four drive-tray screws that secure the drive to the tray and then lift the drive out of the tray.

Figure 2: Remove the Drive Tray



1	Drive tray screws (two on each side)	2	Drive removed from drive tray
---	--------------------------------------	---	-------------------------------

Step 3

Install a new drive:

- a) Place a new drive in the empty drive tray and install the four drive-tray screws.
- b) With the ejector handle on the drive tray open, insert the drive tray into the empty drive bay.
- c) Push the tray into the slot until it touches the backplane, and then close the ejector handle to lock the drive in place.

Remove and Replace a Power Supply

The FMC ships with two power supplies, which are redundant and hot-swappable. One is the active power supply and the other is the standby power supply (1+1).

This FMC also supports cold redundancy. Depending on the power being drawn by the FMC, one power supply might actively provide all power to the system while the remaining power supply is put into a standby

state. For example, if the power consumption can be satisfied by power supply 1, then power supply 2 is put into a standby state.



Caution When you replace power supplies, do not mix power supply types in the FMC. Both power supplies must be the same wattage and Cisco PID.



Trouble Power supply health monitoring notifies you if the power supply loses power or malfunctions so that redundancy is lost. Check the power supply cables to make sure they are functioning. If they are and errors are still occurring, replace the power supply.

Safety Warnings

Take note of the following warnings:



Warning Statement 1005—Circuit Breaker

This product relies on the building's installation for short-circuit (overcurrent) protection. Ensure that the protective device is rated not greater than: AC 20 A/DC 40 A



Warning Statement 1017—Restricted Area

This unit is intended for installation in restricted access areas. Only skilled, instructed, or qualified personnel can access a restricted access area.



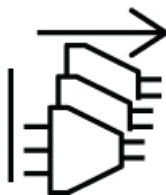
Warning Statement 1022—Disconnect Device

To reduce the risk of electric shock and fire, a readily accessible disconnect device must be incorporated in the fixed wiring.



Warning Statement 1028—More Than One Power Supply

This unit might have more than one power supply connection. To reduce risk of electric shock, remove all connections to de-energize the unit.



**Warning Statement 1029**—Blank Faceplates and Cover Panels

Blank faceplates and cover panels serve three important functions: they reduce the risk of electric shock and fire, they contain electromagnetic interference (EMI) that might disrupt other equipment, and they direct the flow of cooling air through the chassis. Do not operate the system unless all cards, faceplates, front covers, and rear covers are in place.

**Warning Statement 1046**—Installing or Replacing the Unit

To reduce risk of electric shock, when installing or replacing the unit, the ground connection must always be made first and disconnected last.

If your unit has modules, secure them with the provided screws.

**Warning Statement 1073**—No User-Serviceable Parts

There are no serviceable parts inside. To avoid risk of electric shock, do not open.

**Warning Statement 1089**—Instructed and Skilled Person Definitions

An instructed person is someone who has been instructed and trained by a skilled person and takes the necessary precautions when working with equipment.

A skilled person or qualified personnel is someone who has training or experience in the equipment technology and understands potential hazards when working with equipment.

There are no serviceable parts inside. To avoid risk of electric shock, do not open.

**Warning Statement 1090**—Installation by Skilled Person

Only a skilled person should be allowed to install, replace, or service this equipment. See statement 1089 for the definition of a skilled person.

There are no serviceable parts inside. To avoid risk of electric shock, do not open.

**Warning Statement 1091**—Installation by an Instructed Person

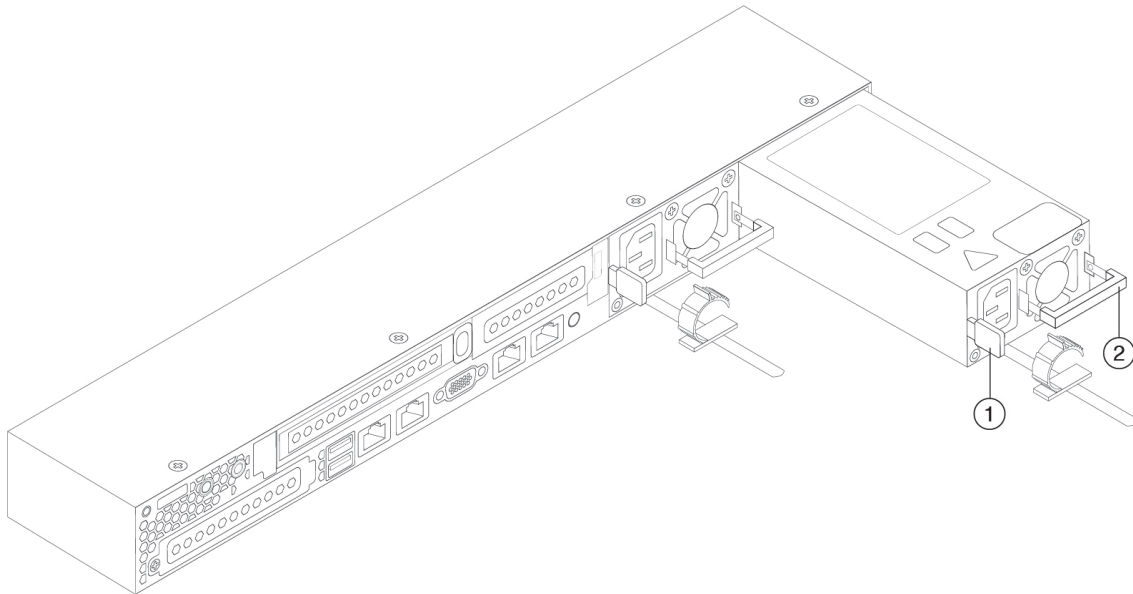
Only an instructed person or skilled person should be allowed to install, replace, or service this equipment. See statement 1089 for the definition of an instructed or skilled person.

There are no serviceable parts inside. To avoid risk of electric shock, do not open.

Step 1 Remove the power supply:

- a) Grasp the power supply handle while pinching the release lever toward the handle.
- b) Pull the power supply out of the bay.

Figure 3: Remove and Replace the AC Power Supply 429121



1	Release lever	2	Handle
---	---------------	---	--------

Step 2

Install a new power supply:

- a) Grasp the power supply handle and insert the new power supply into the empty bay.
- b) Push the power supply into the bay until the release lever locks.
- c) Connect the power cord to the new power supply.
- d) If you shut down the FMC, press the Power button to return it to main power mode.

